



NO.66505



BOOK STORE

ほんや

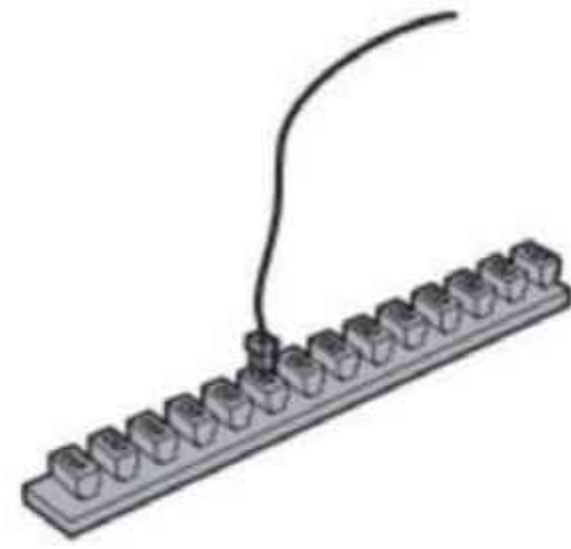




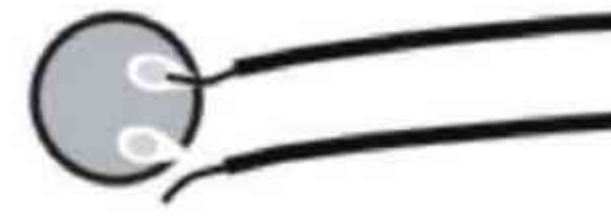
## TROUBLESHOOTING

Due to their small size, lighting accessories are susceptible to damage during installation. Common causes of failure include:

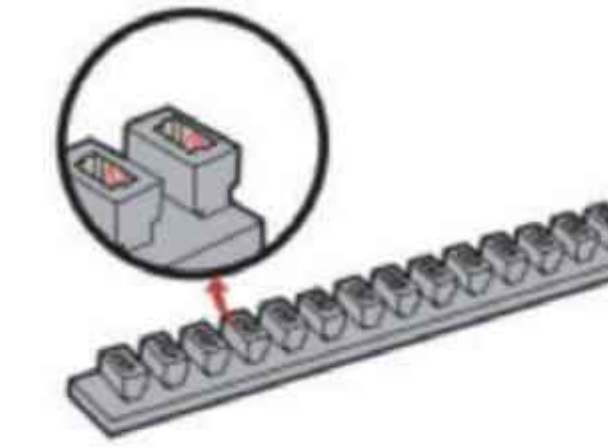
If you have checked each string of lights according to the guide above and the lights are still not working, please contact our customer service for assistance.



Ensure that the connectors are correctly installed as shown in the picture.



Check if the wires are disconnected or broken from the solder joints.



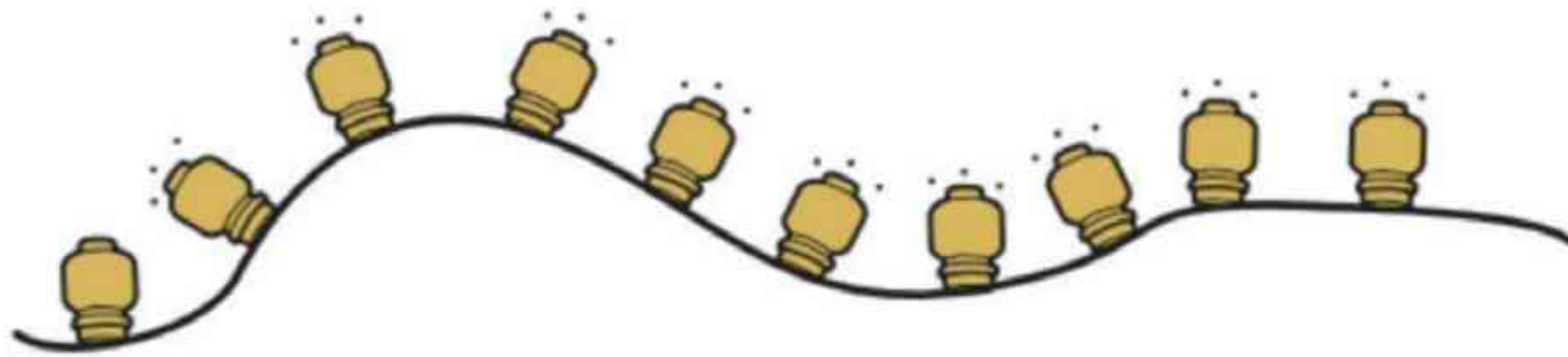
Check the internal pins of the expansion board. The internal pins of a properly working port should be straight, if the small pins are bent, they may be considered faulty ports.

## SAFETY PRECAUTIONS

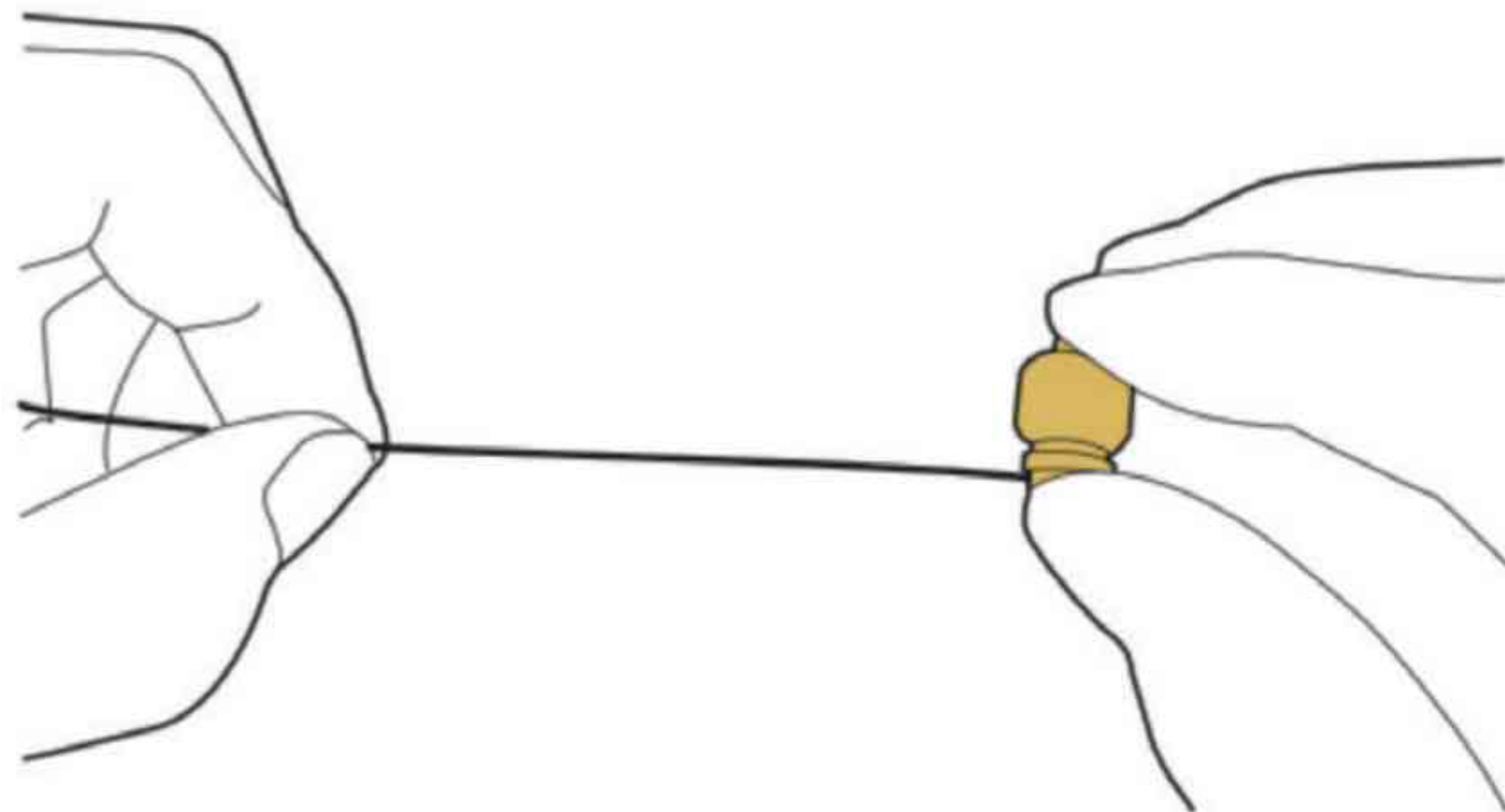
- 1 Before use, please be sure to check the voltage. Use a power supply or transformer with a voltage lower than 5V to avoid damaging the product and preventing potential safety hazards.
- 2 The lights in the product are not replaceable. If they are damaged or not lighting up, please refer to the troubleshooting section or contact our customer service for assistance.
- 3 Avoid pulling on the lighting wires as this may cause damage.
- 4 Do not expose the product to water as it may damage the product.
- 5 If the plug does not fit easily into the ports on the board, reverse the direction and insert it again to avoid damage and short circuits, rather than forcing it in.
- 6 Please read and follow the instructions carefully during building to ensure a good building experience.

## USER INSTRUCTION

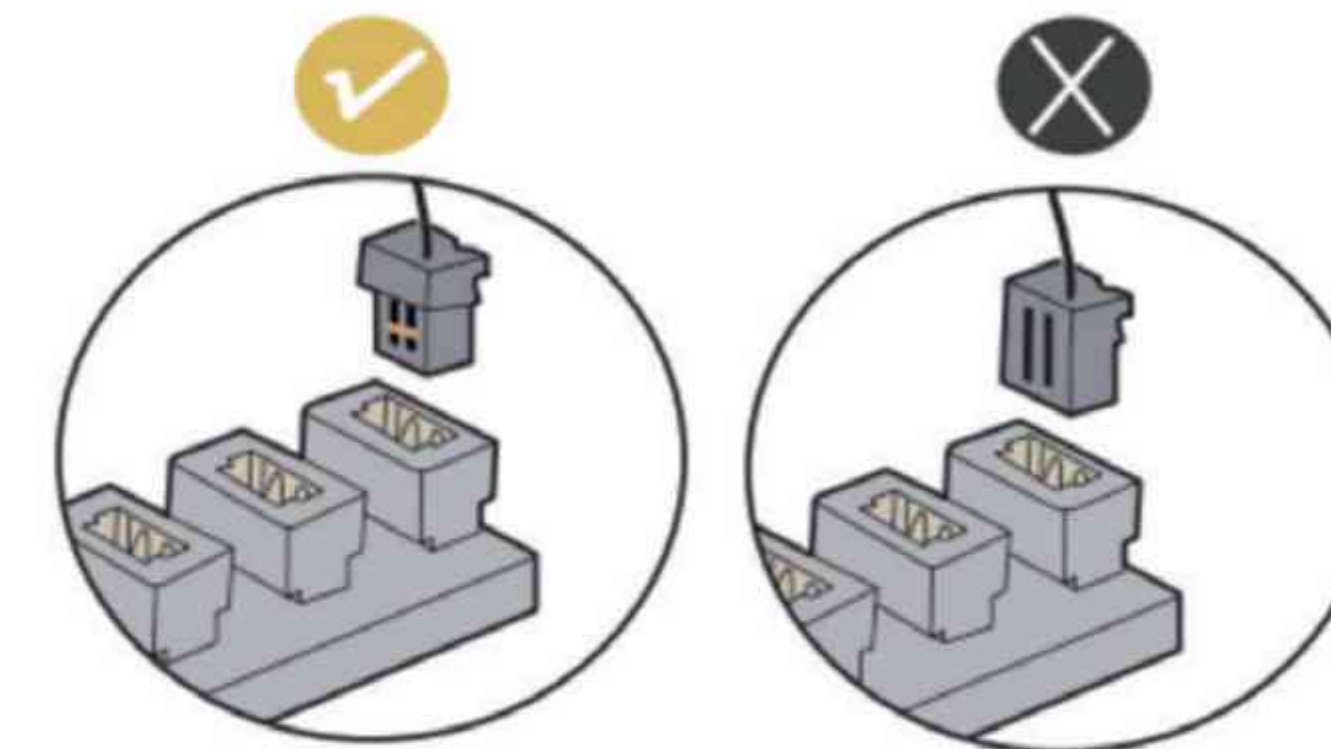
Please read the following carefully before installing the lights.



Before installation, please connect to a power supply below 5V and test the lights to ensure everything is functioning properly. If the lights do not work, please refer to troubleshooting guide or contact us.

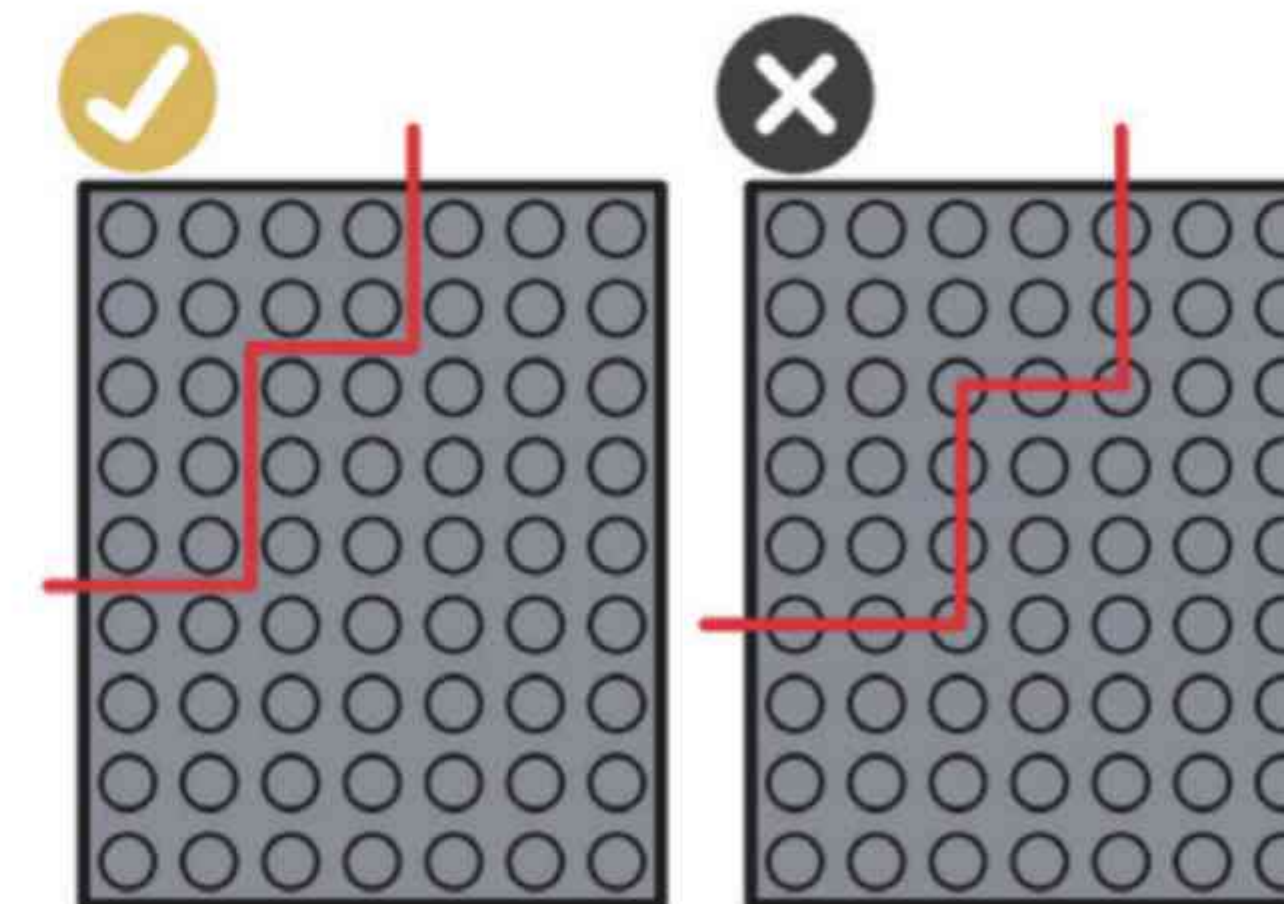


LED components are delicate, so please take extra care when installing, no hard pulling, no bending or shaking.

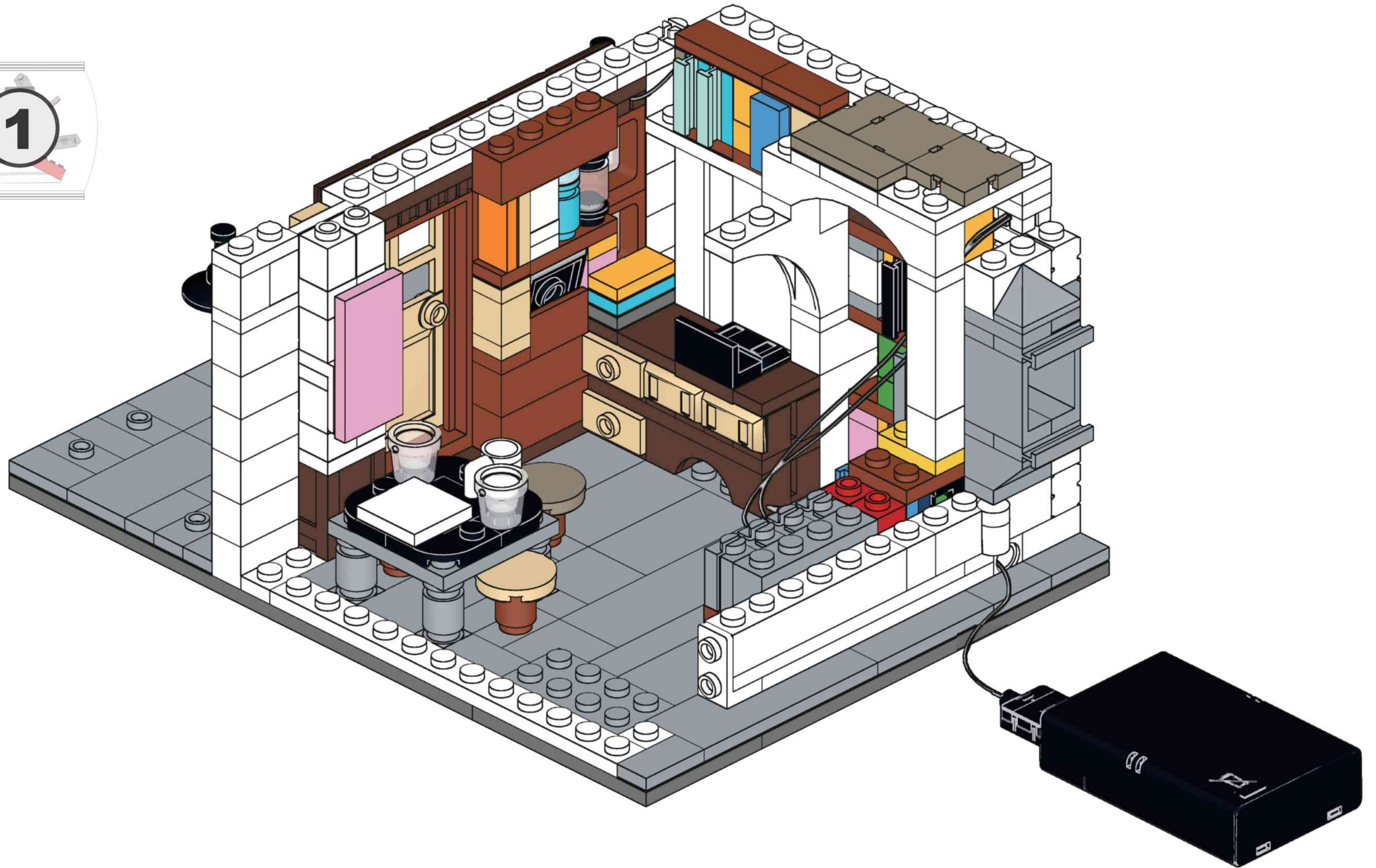


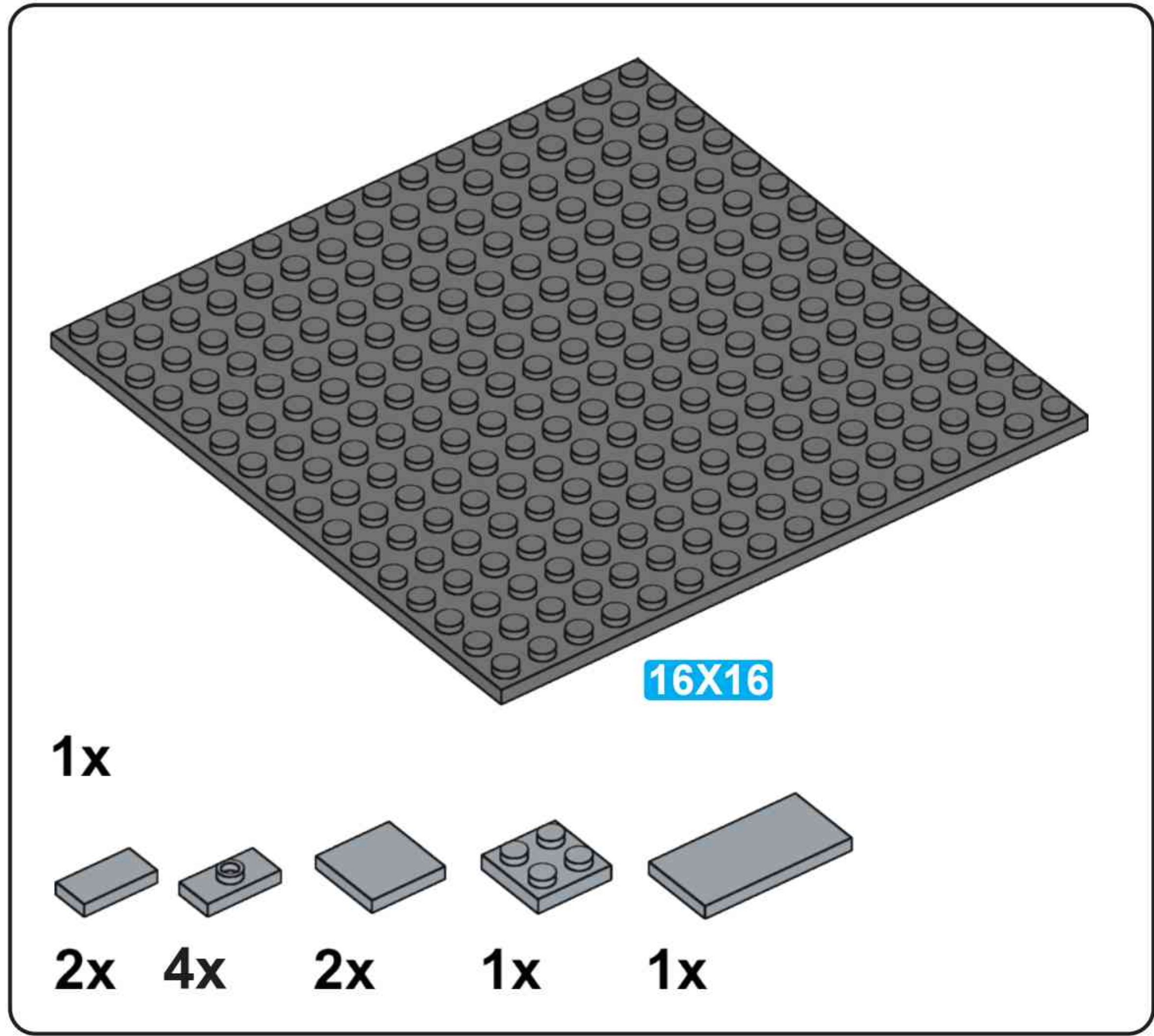
Connectors can be inserted into ports of the expansion board in only one certain way. Make sure the plug's direction is correct before connecting.

Tips: if plug doesn't fit easily into a port, don't force it.

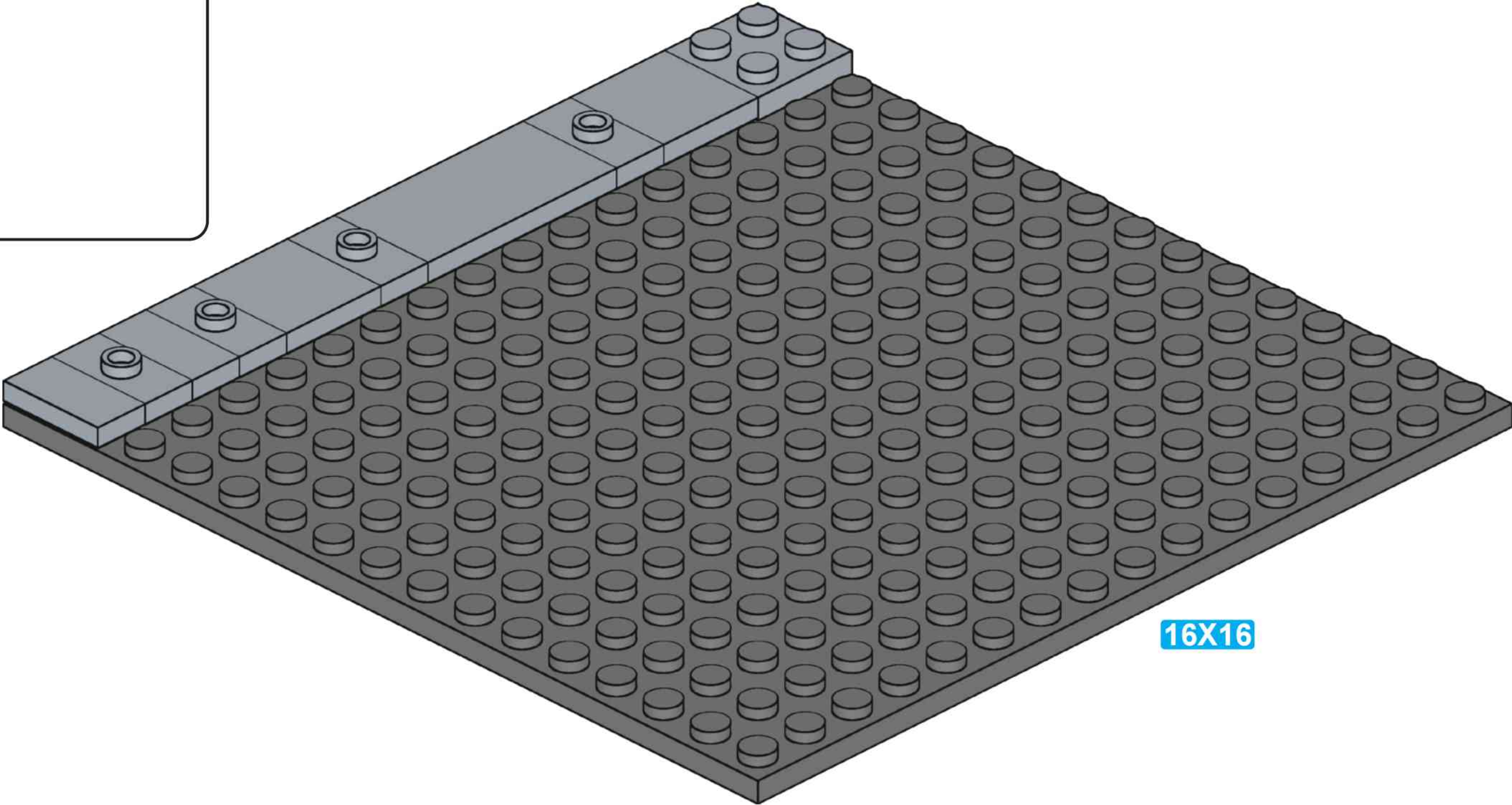


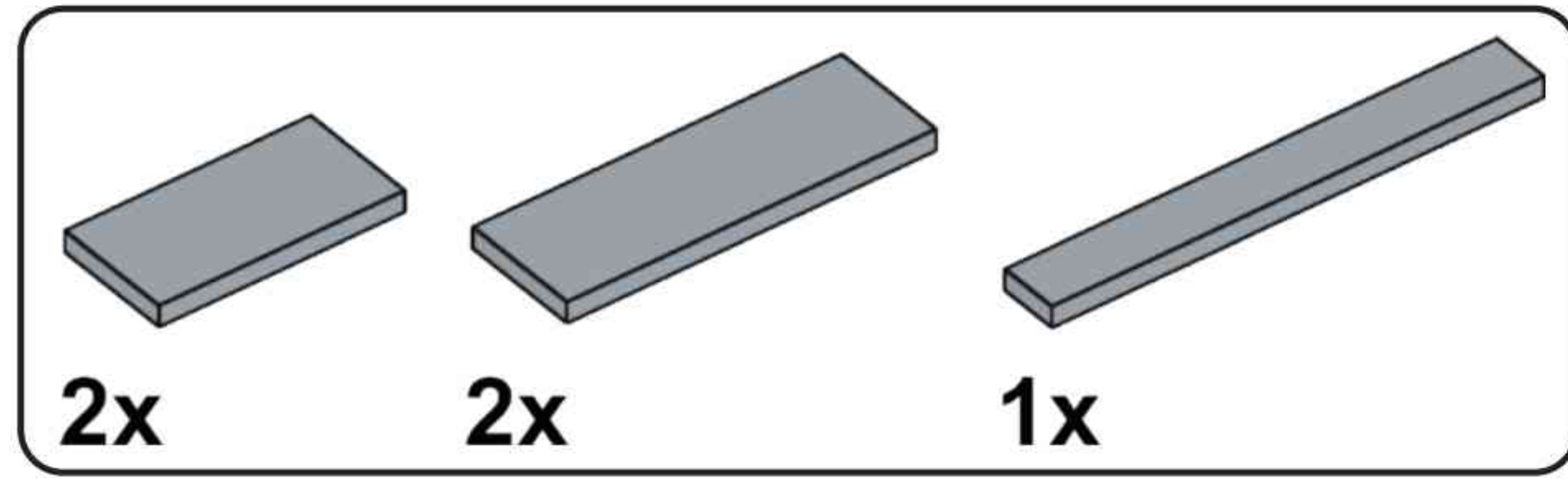
Hide the spare wire under the bricks: when installing, please make sure that the wire is laid between two studs of the bricks, but not pressed by the bricks directly.



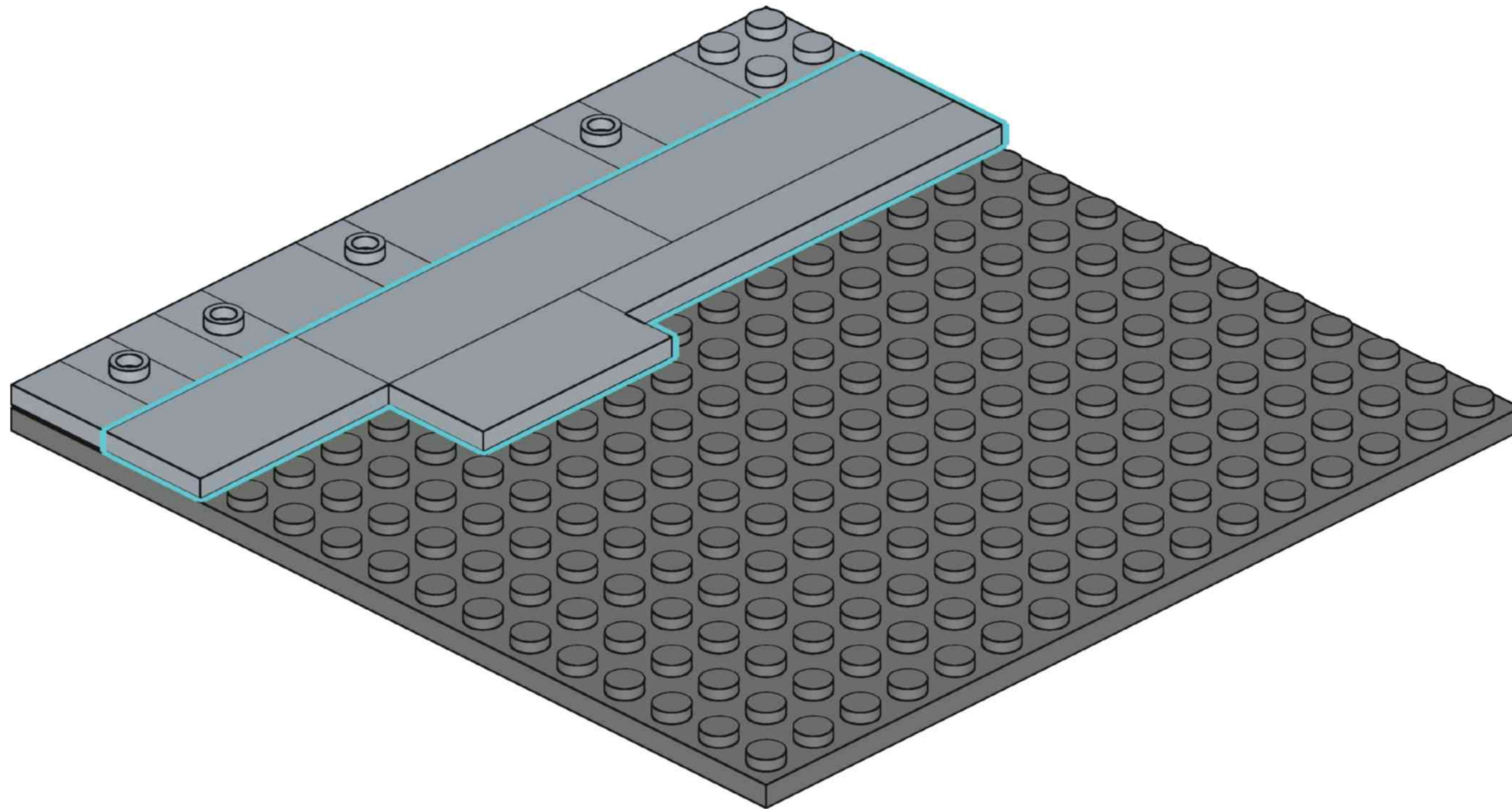


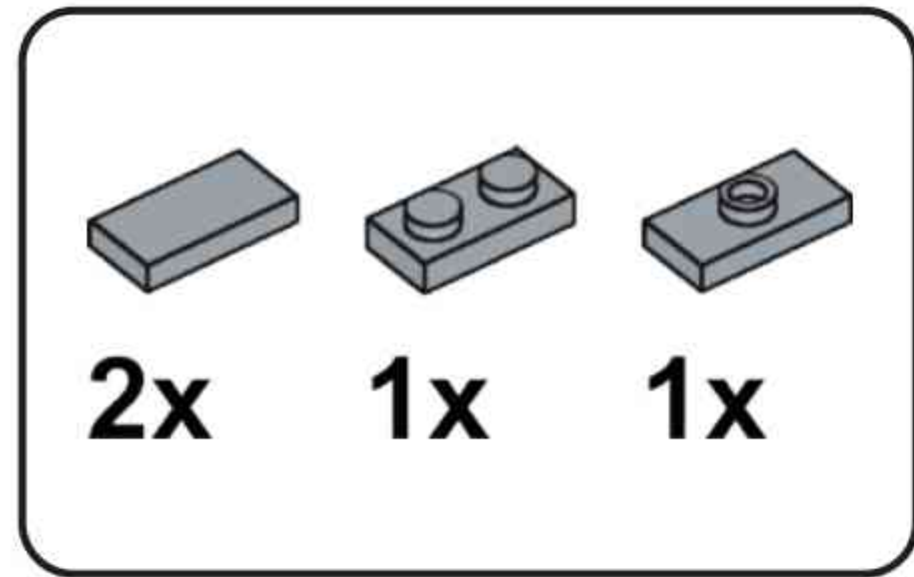
**A1**



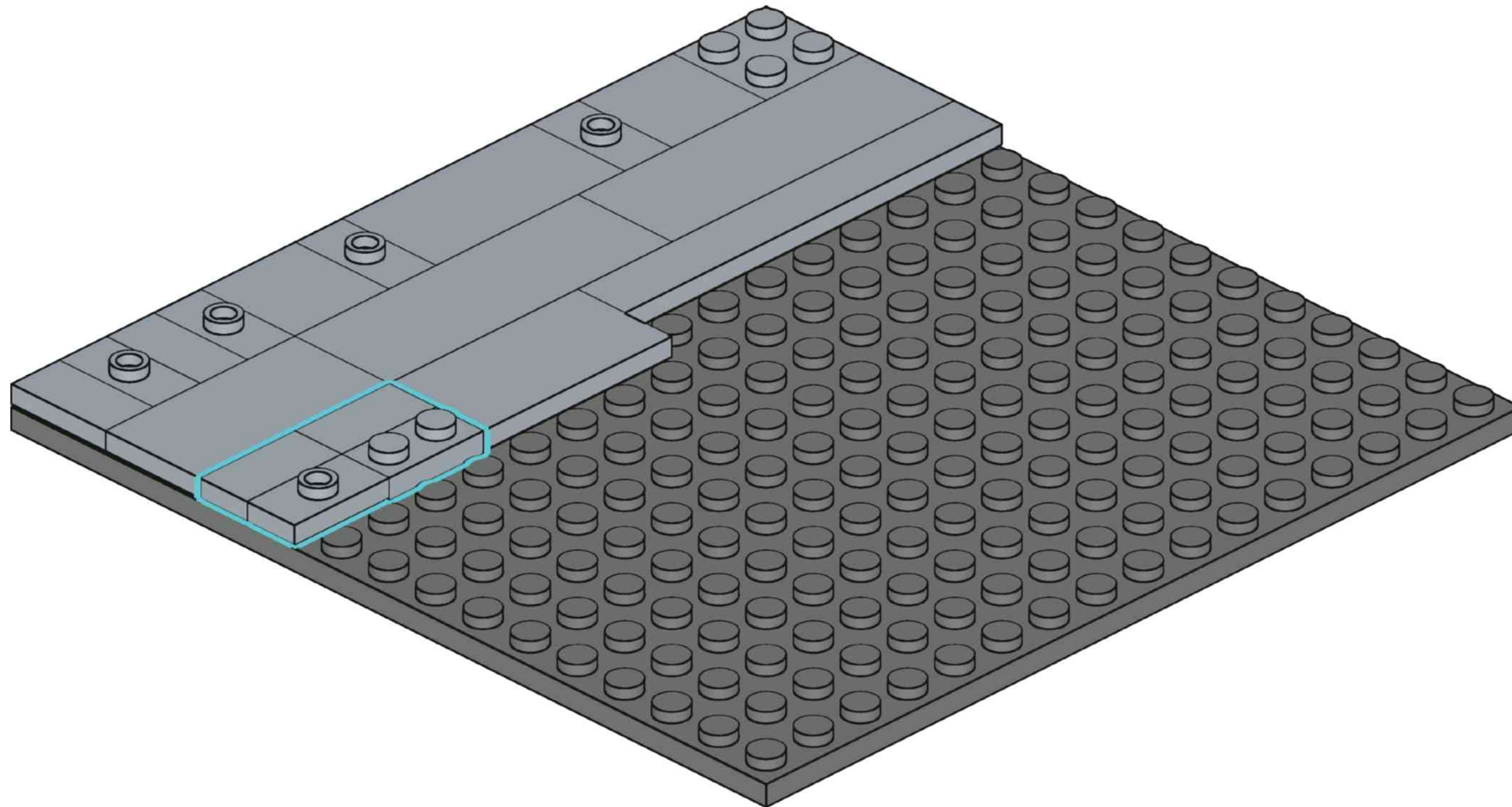


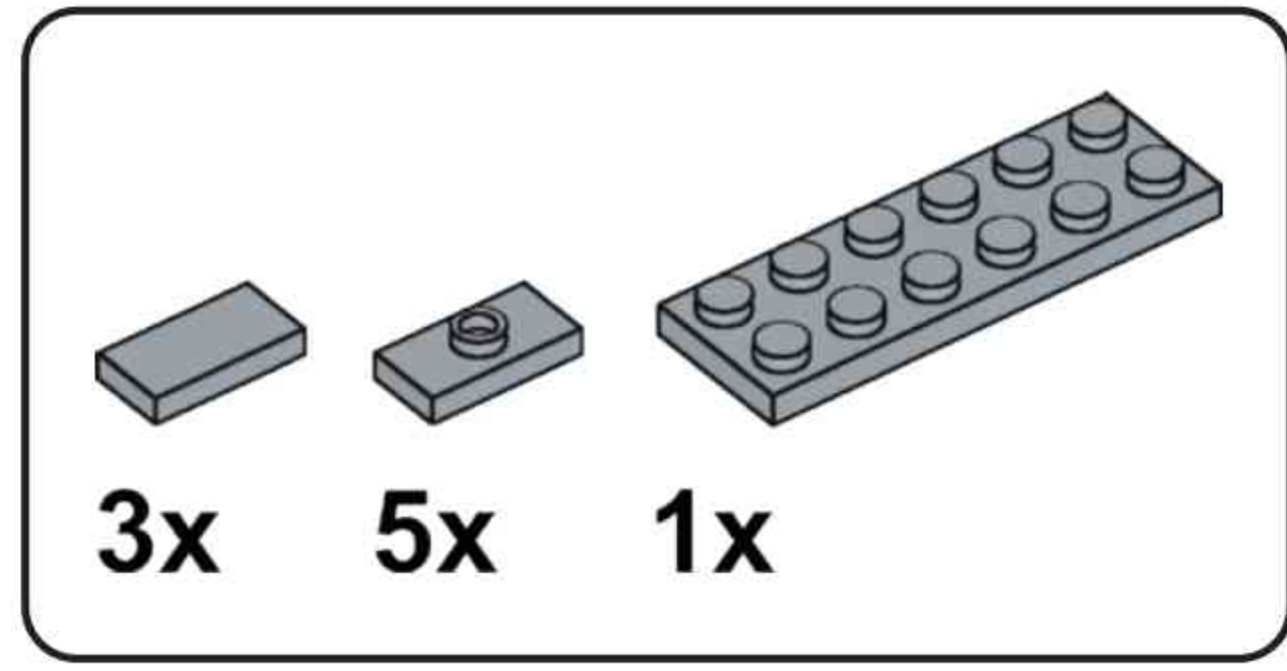
**A2**



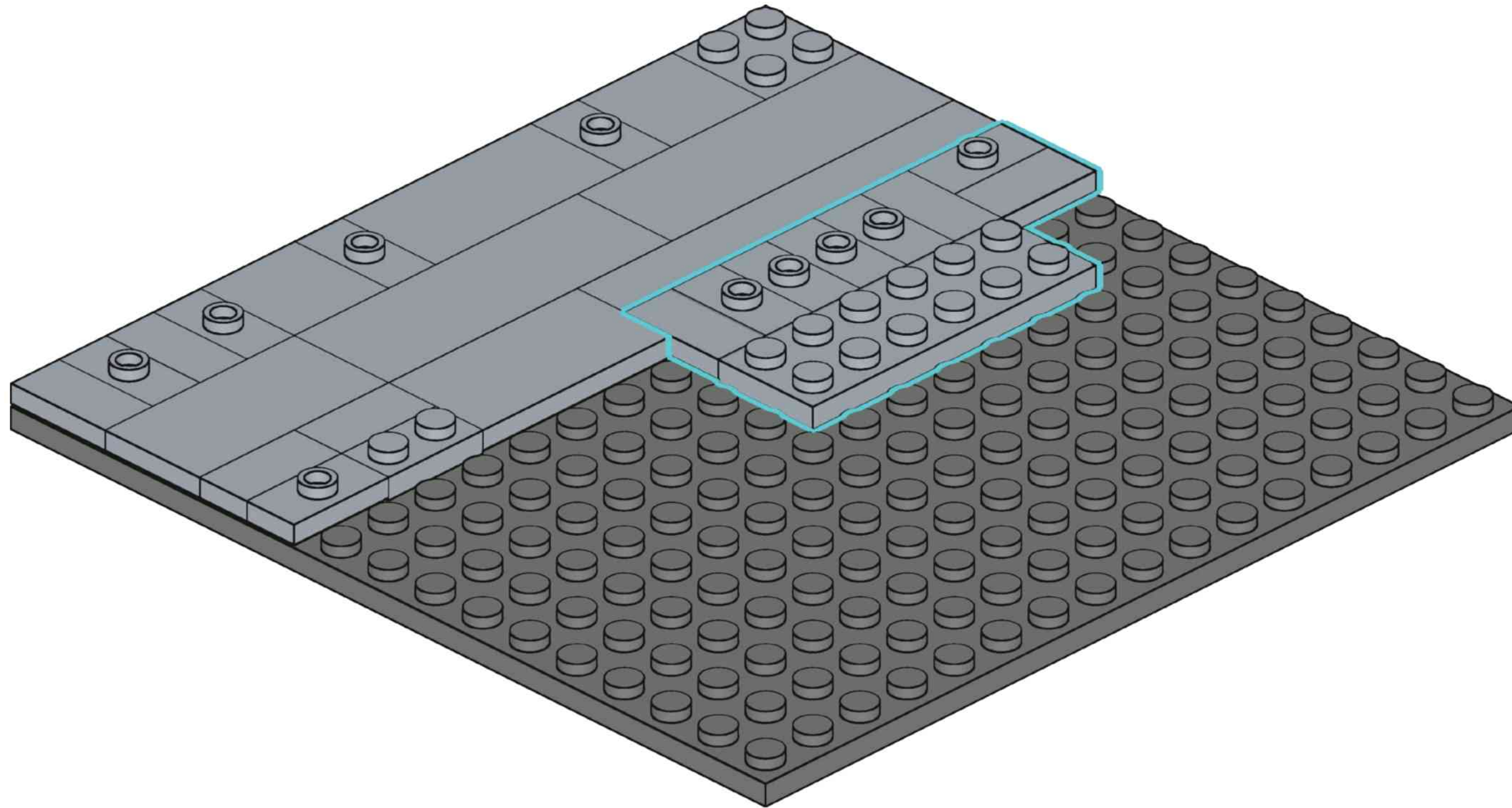


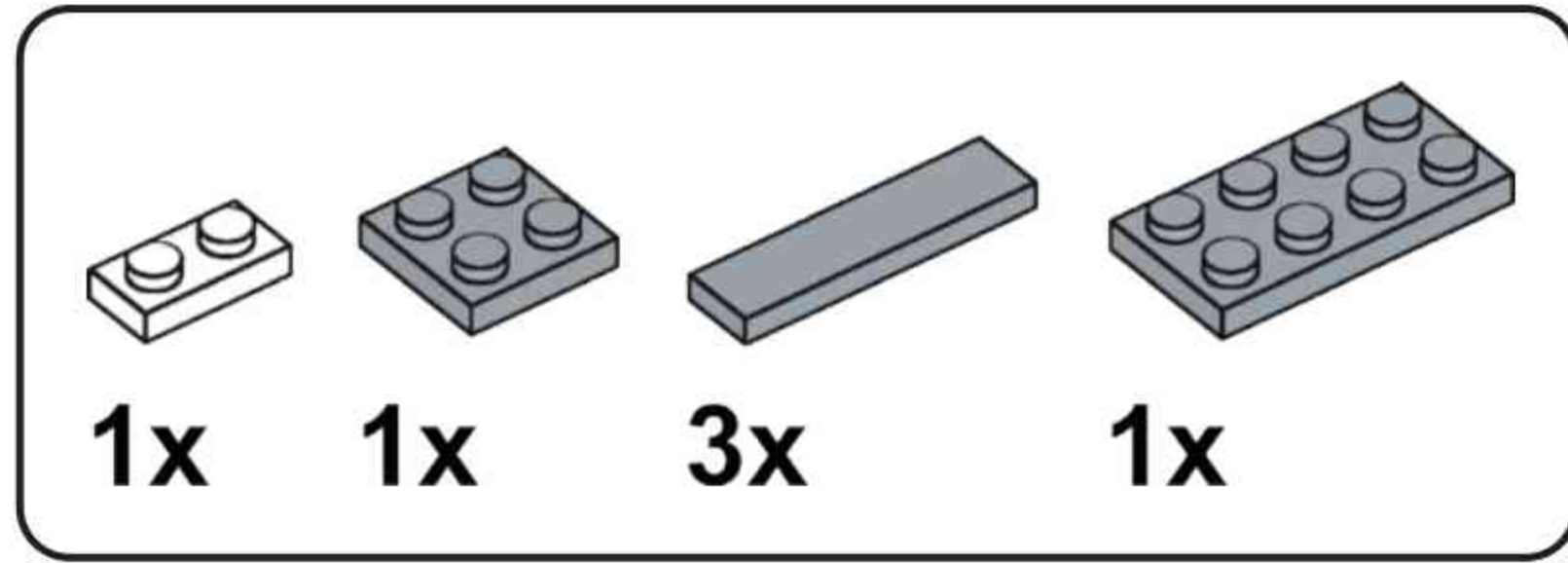
# A3



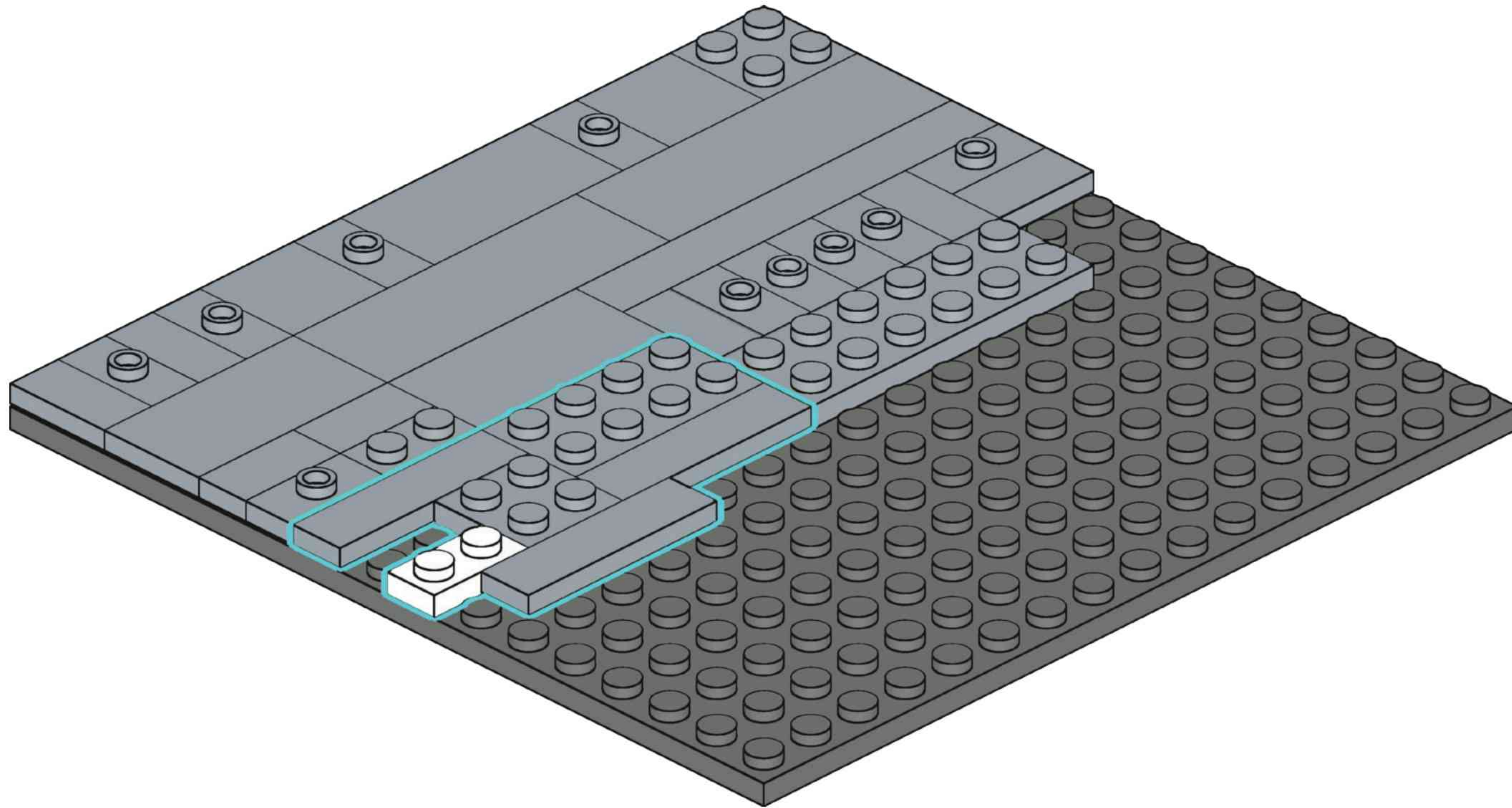


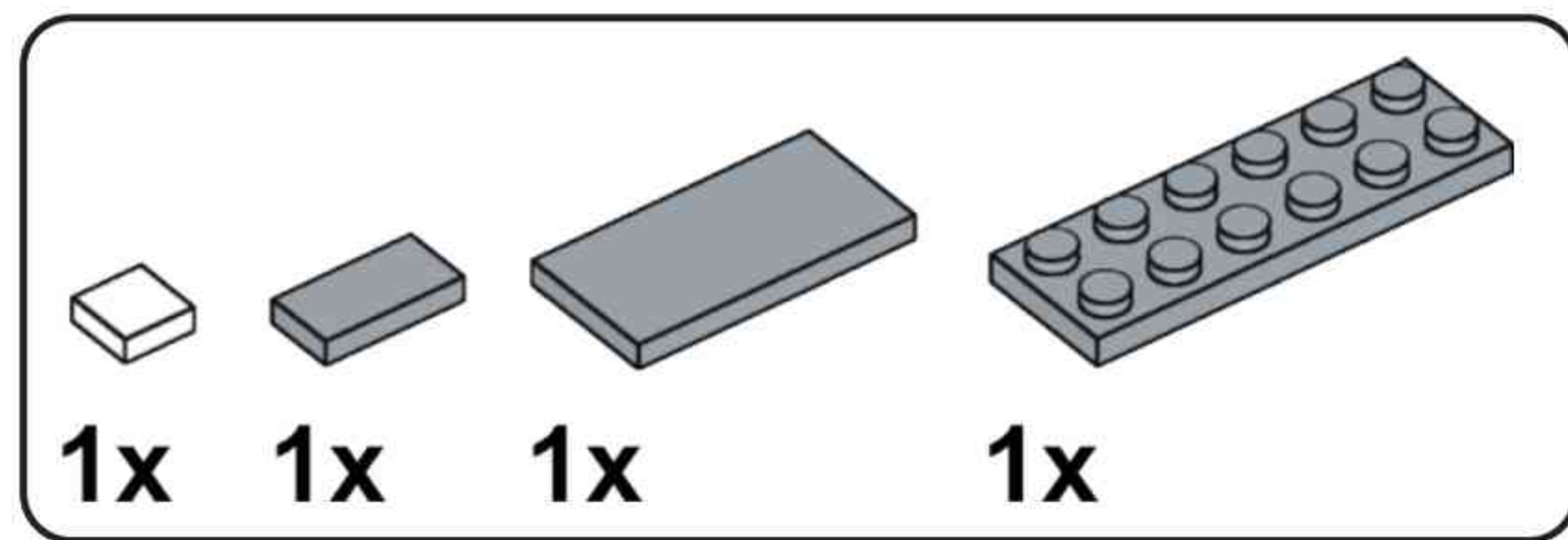
**A4**



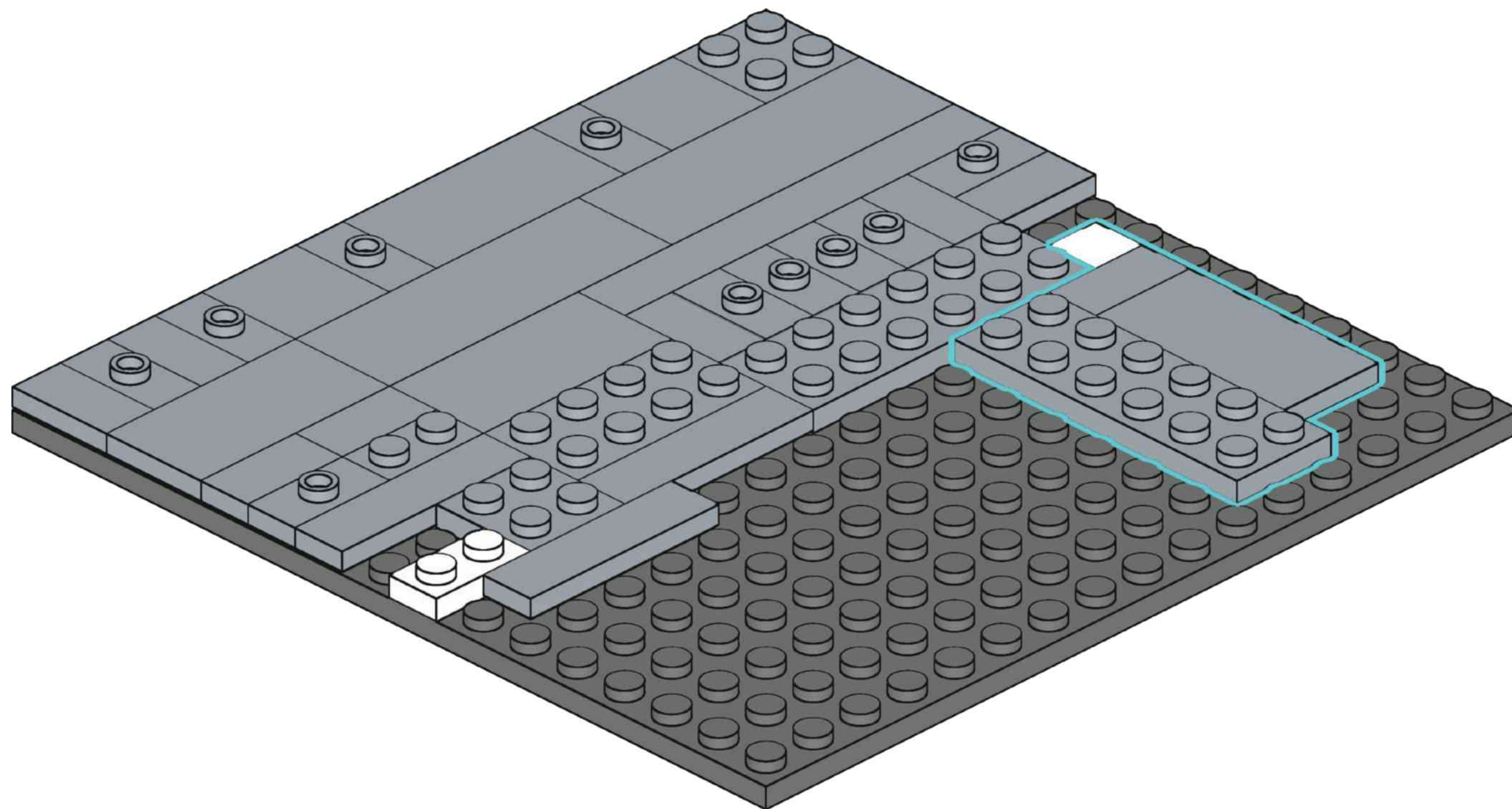


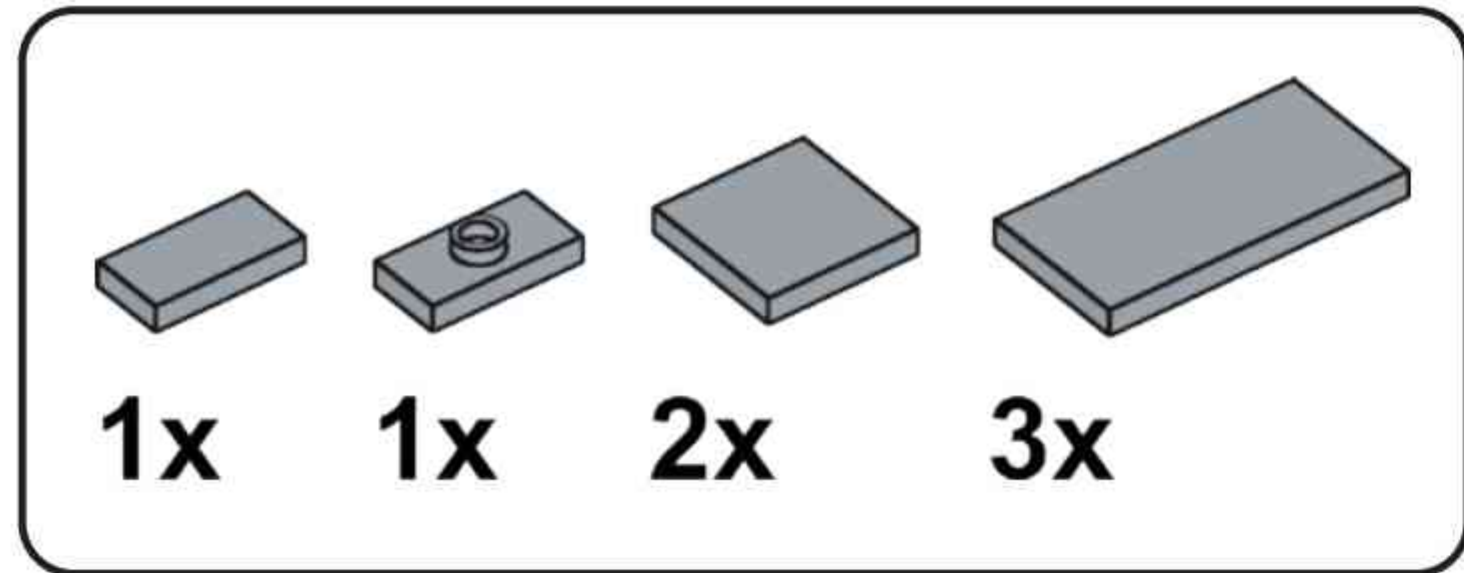
# A5



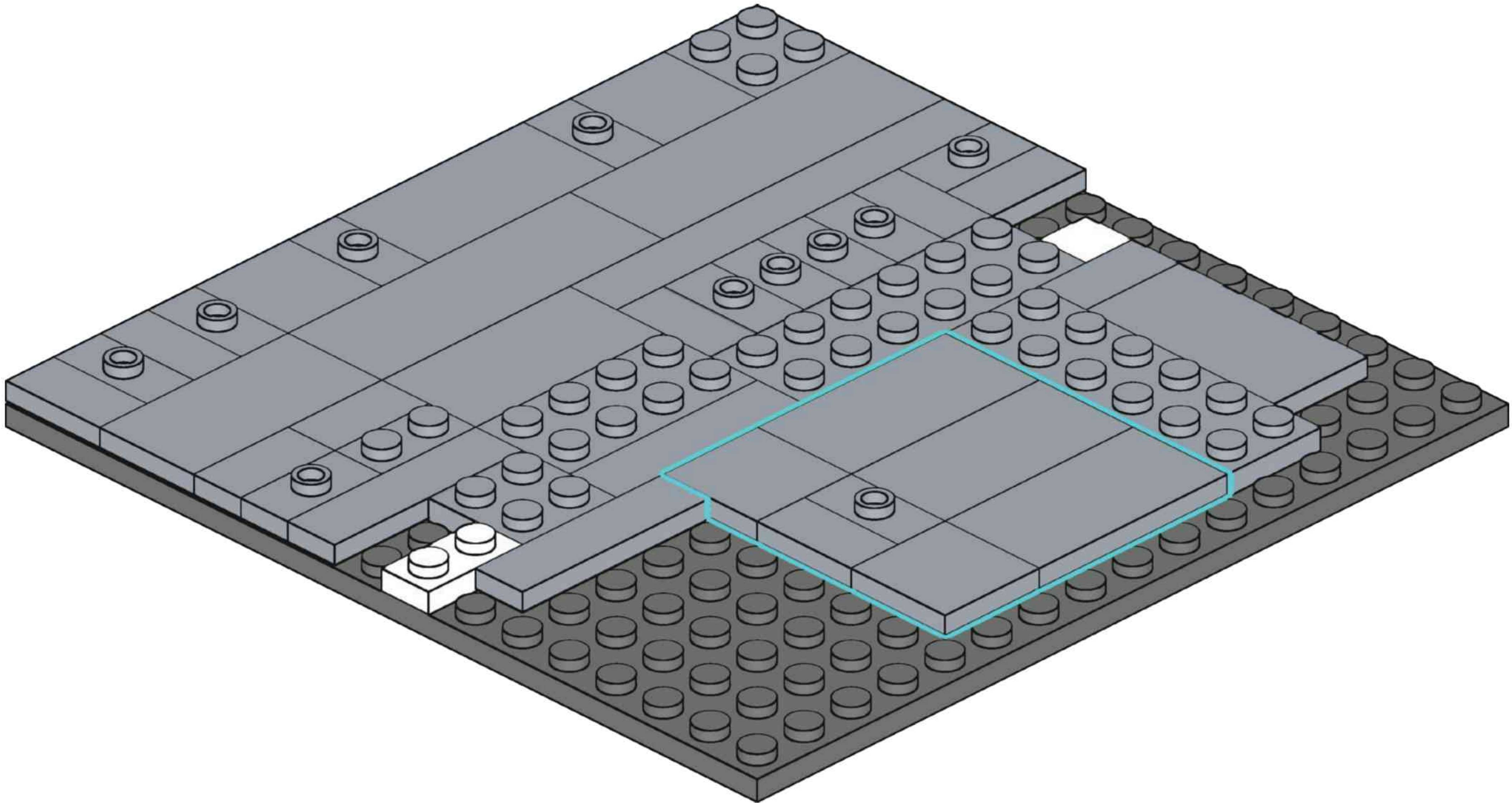


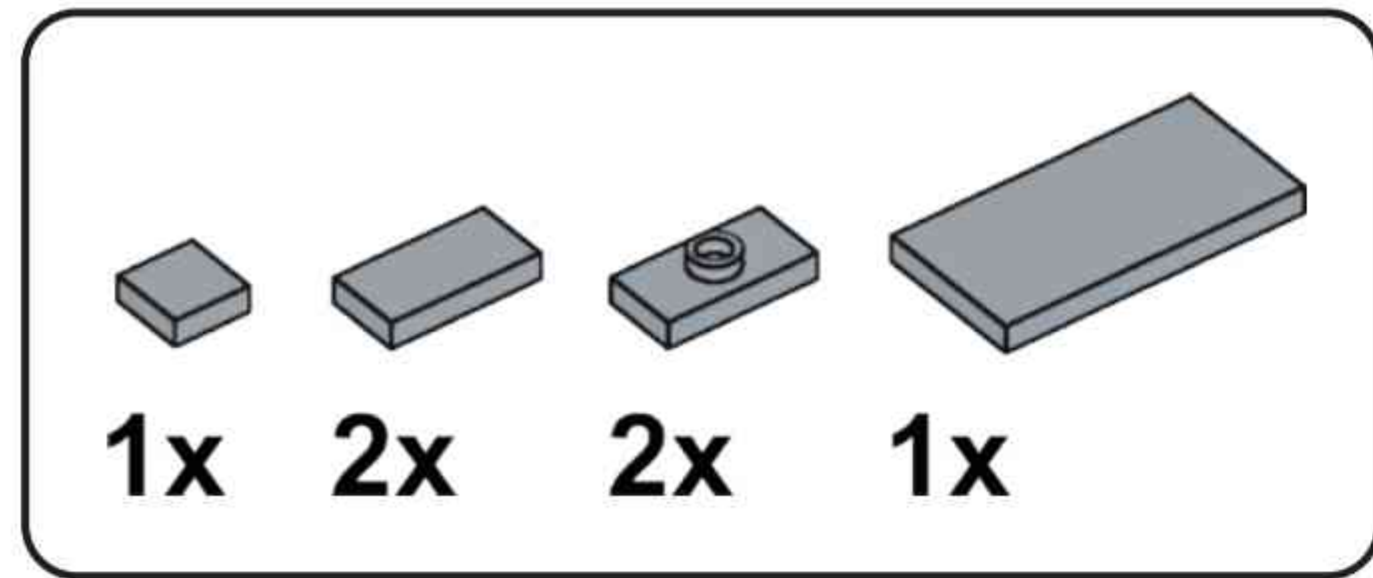
# A6



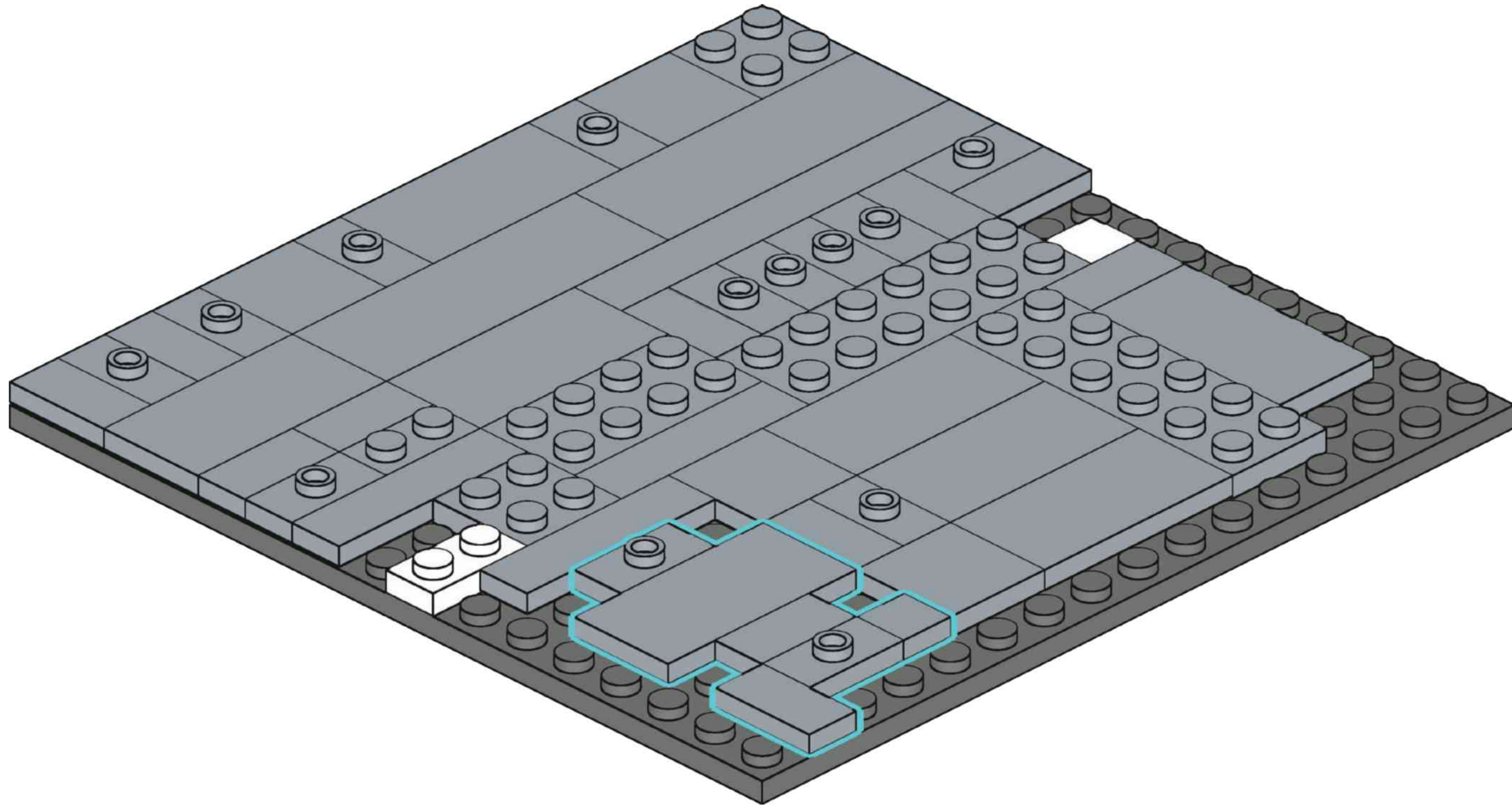


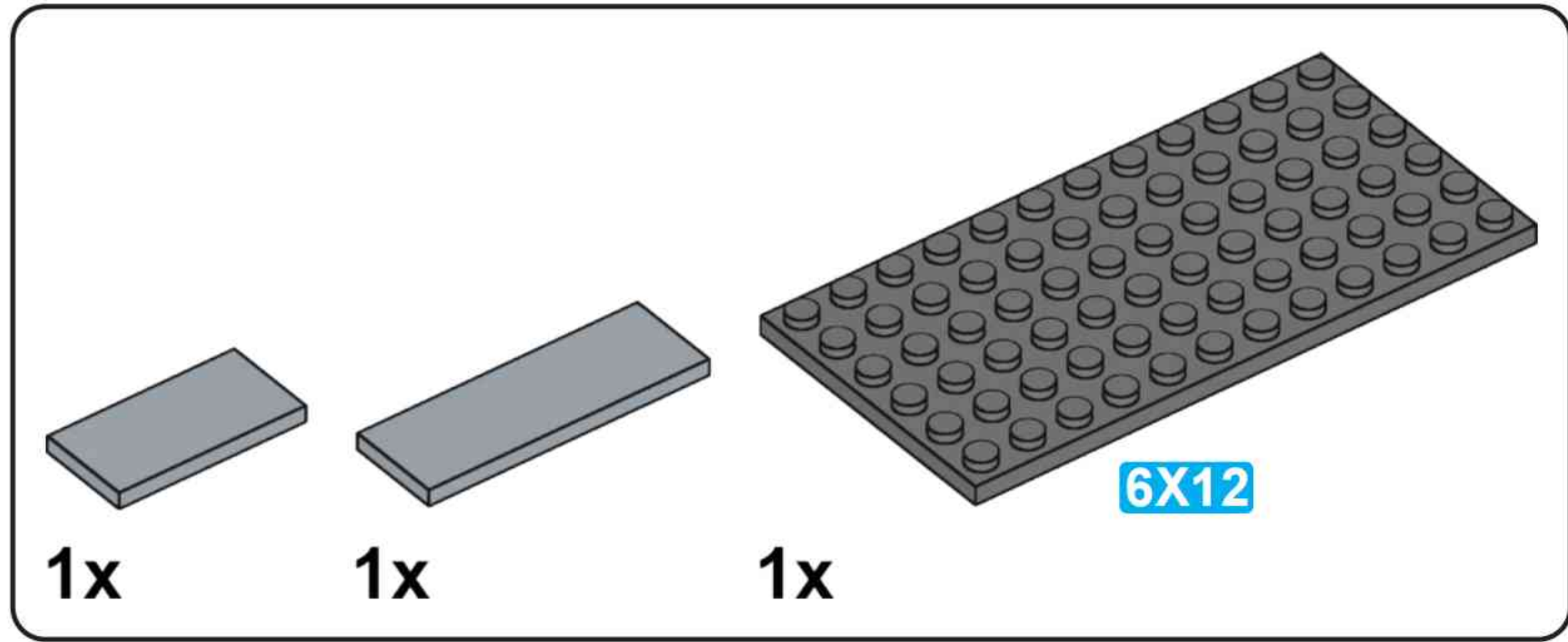
# A7



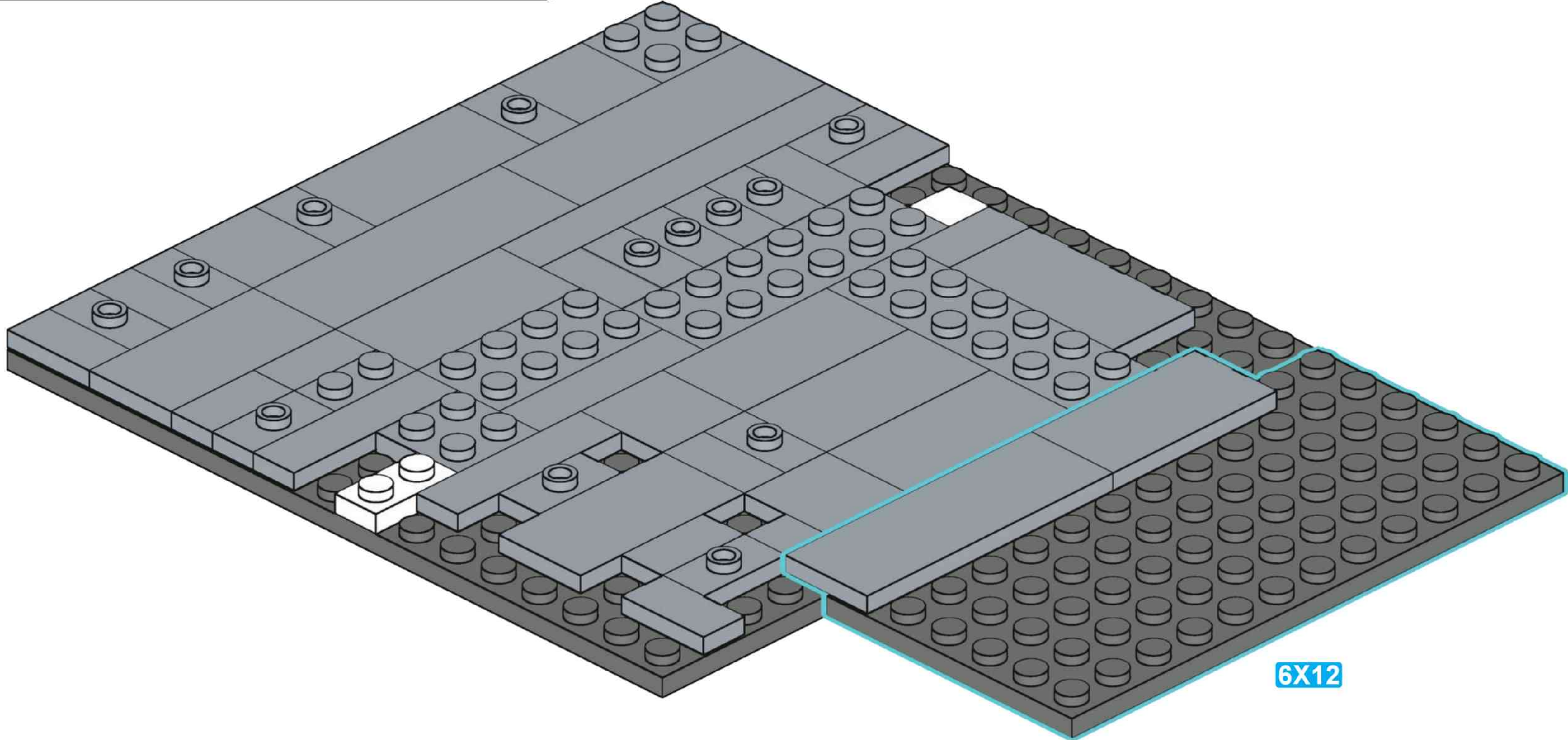


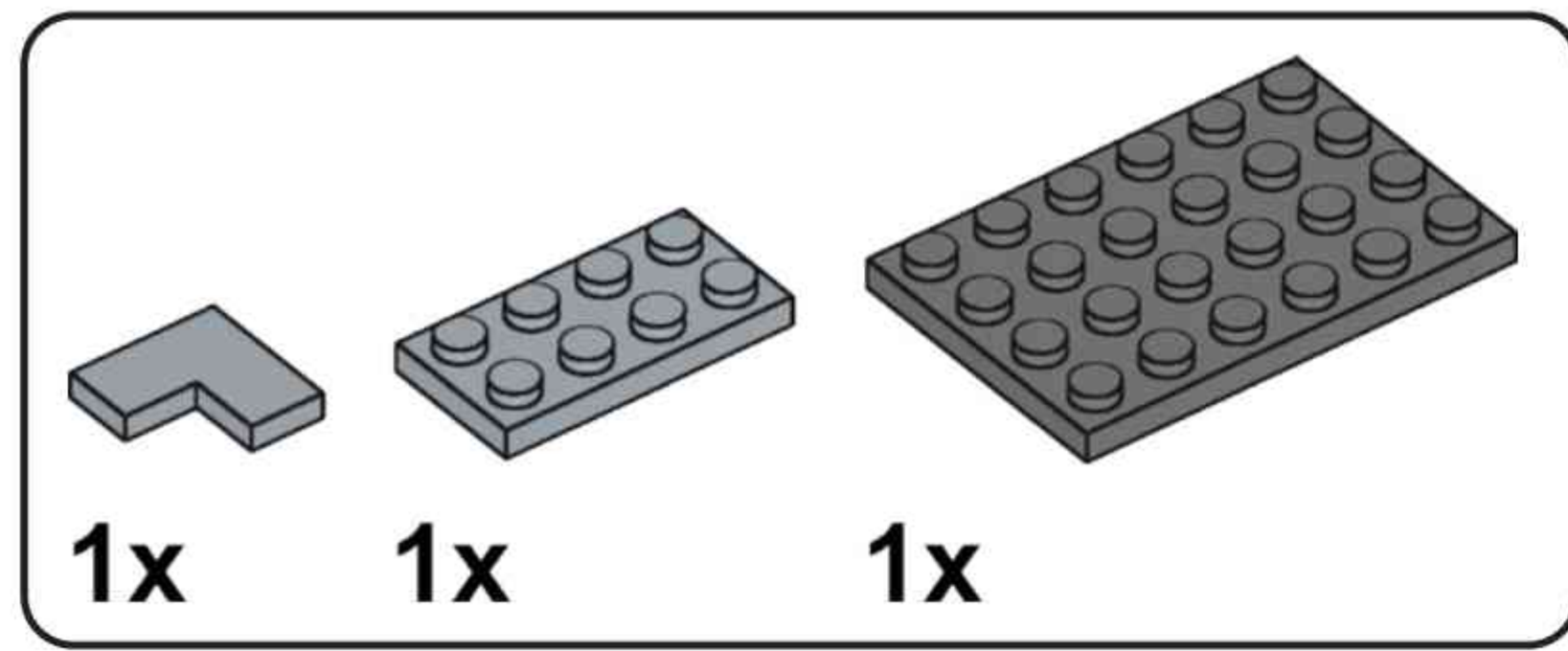
# A8



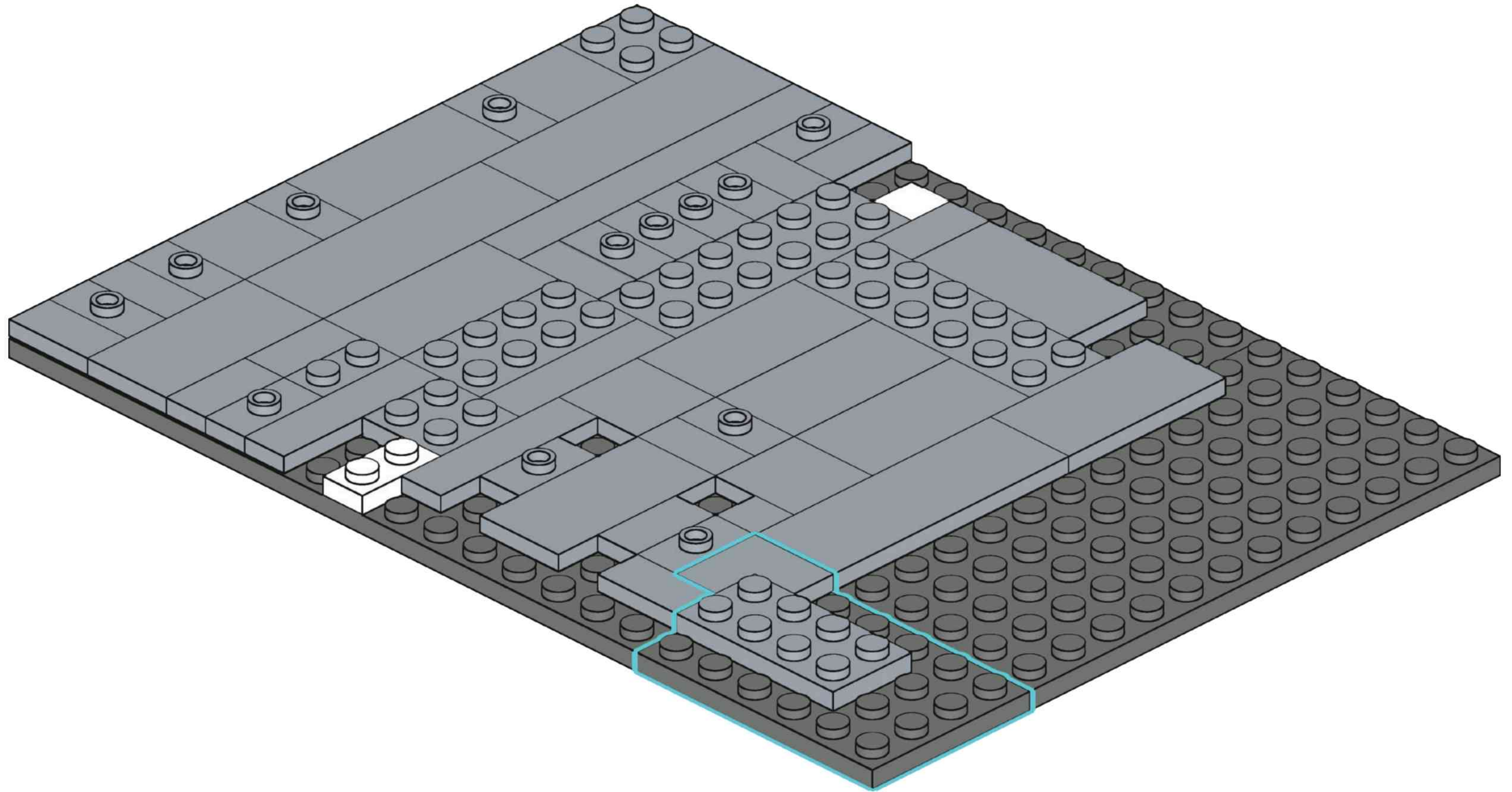


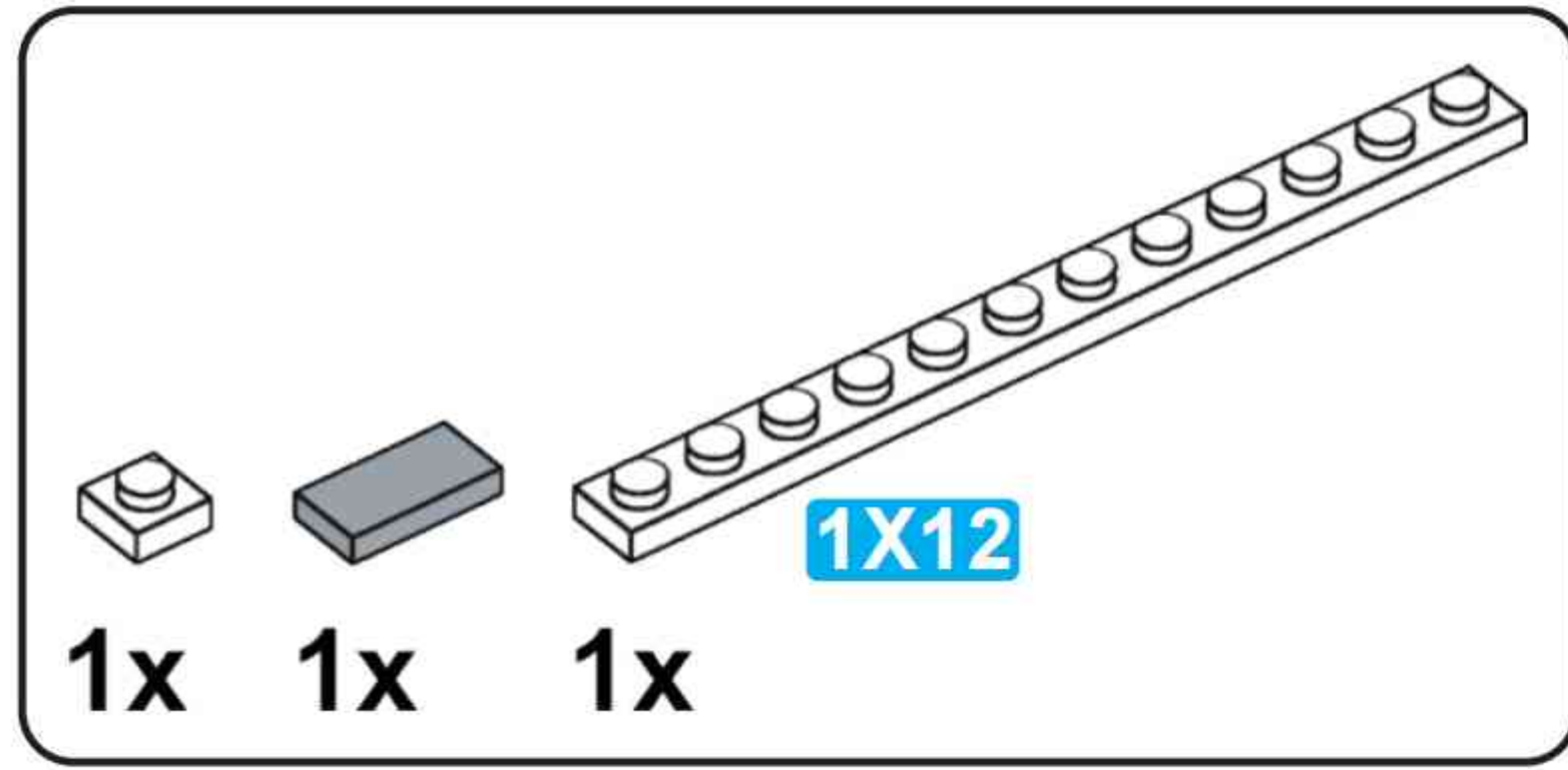
**A9**



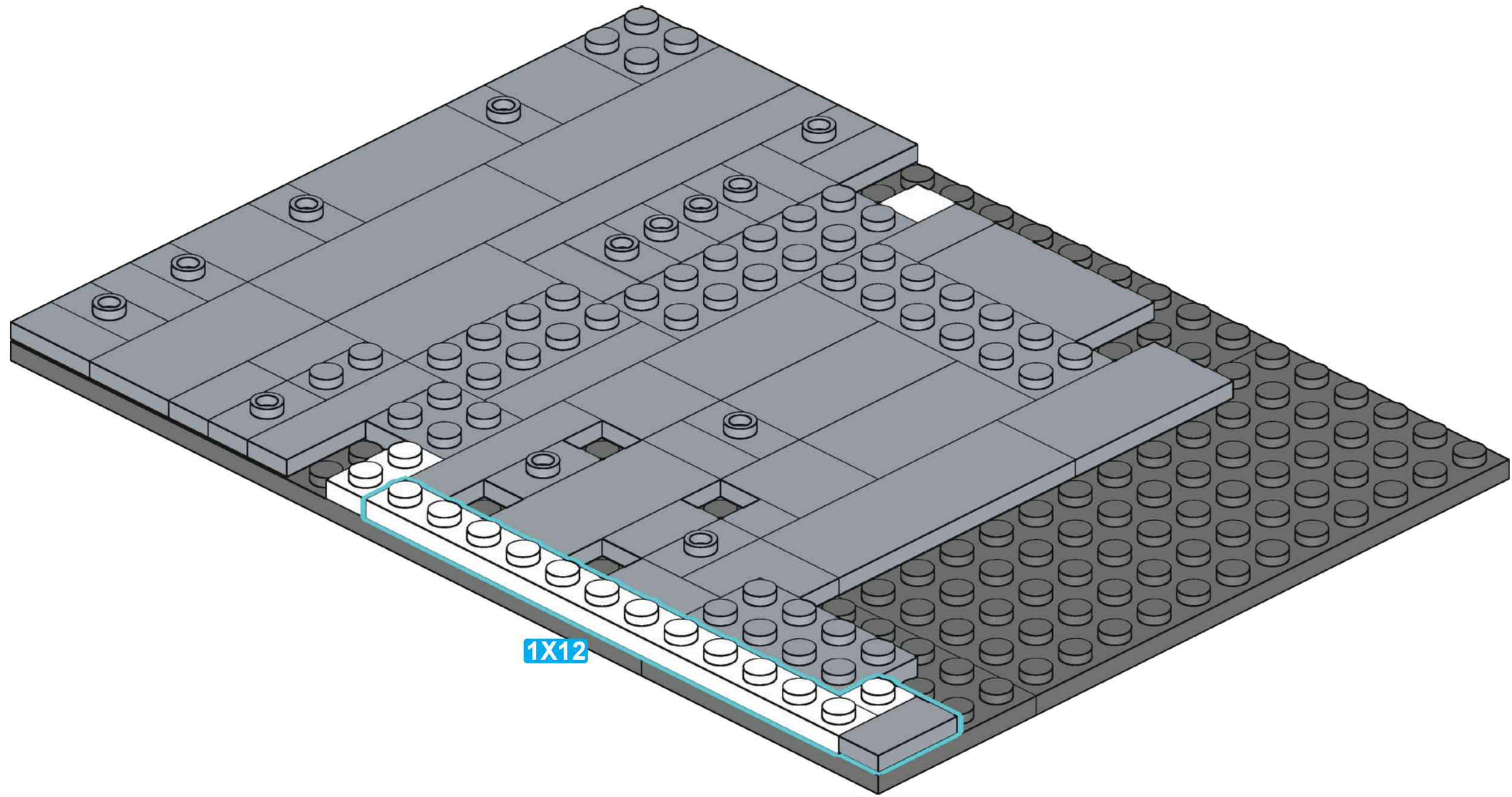


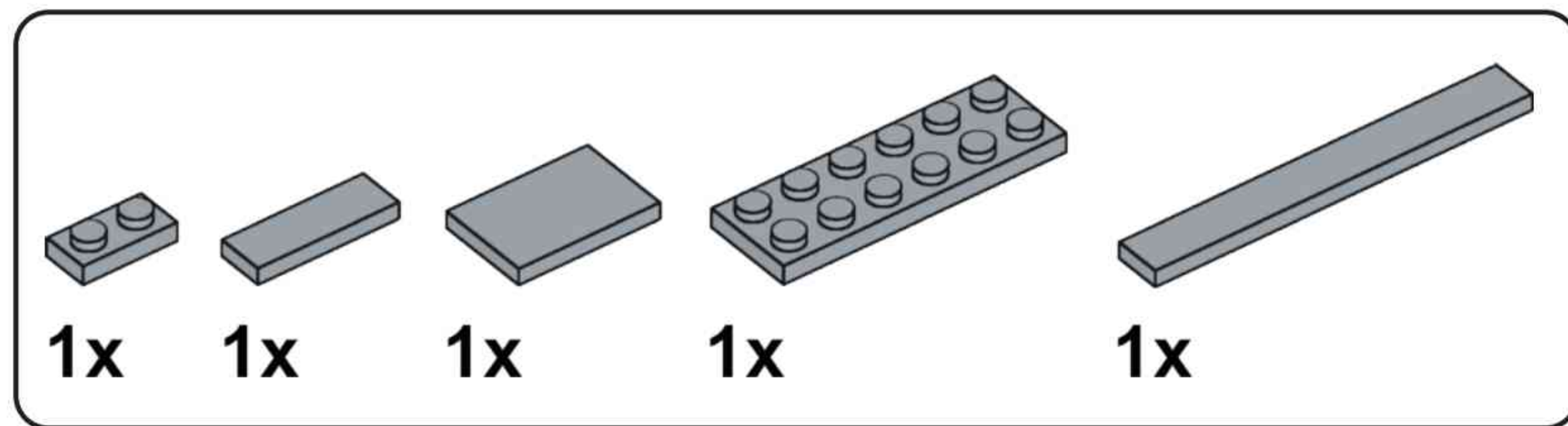
# A10



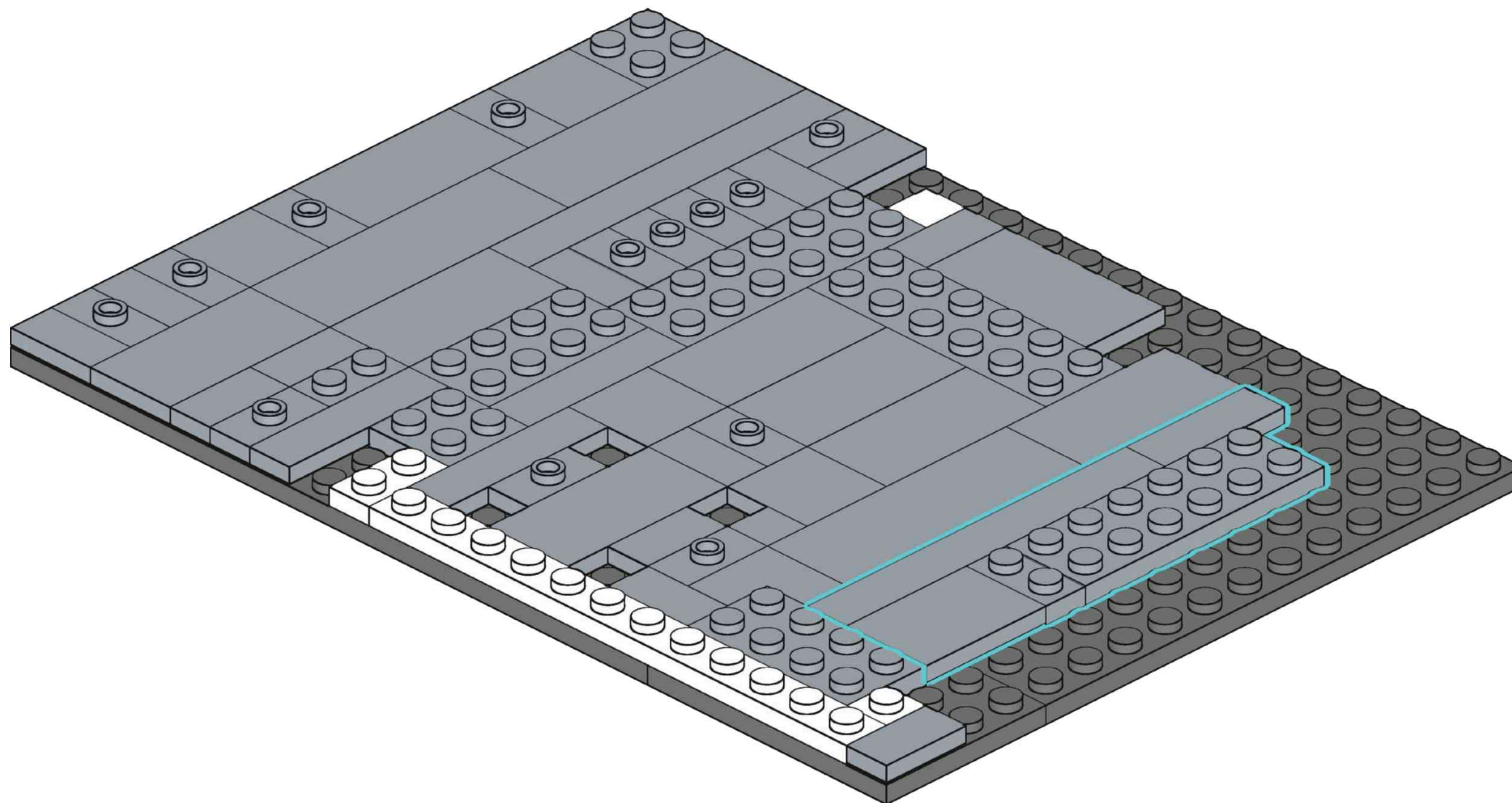


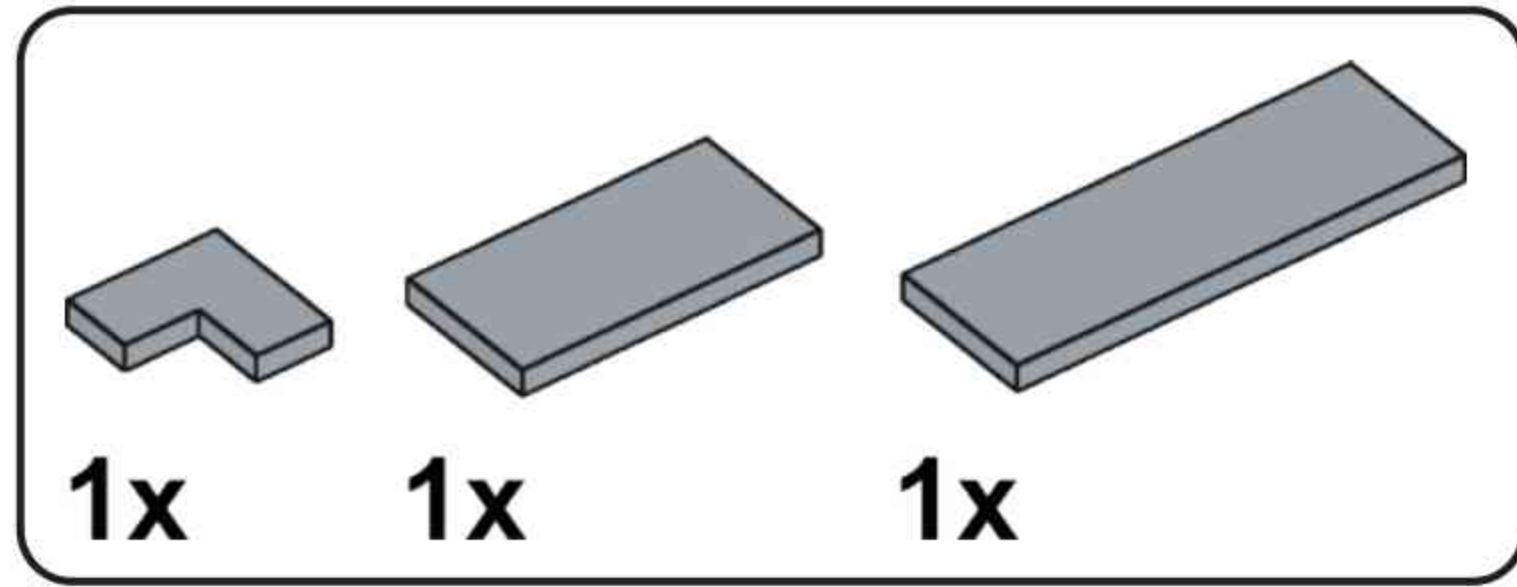
# A11



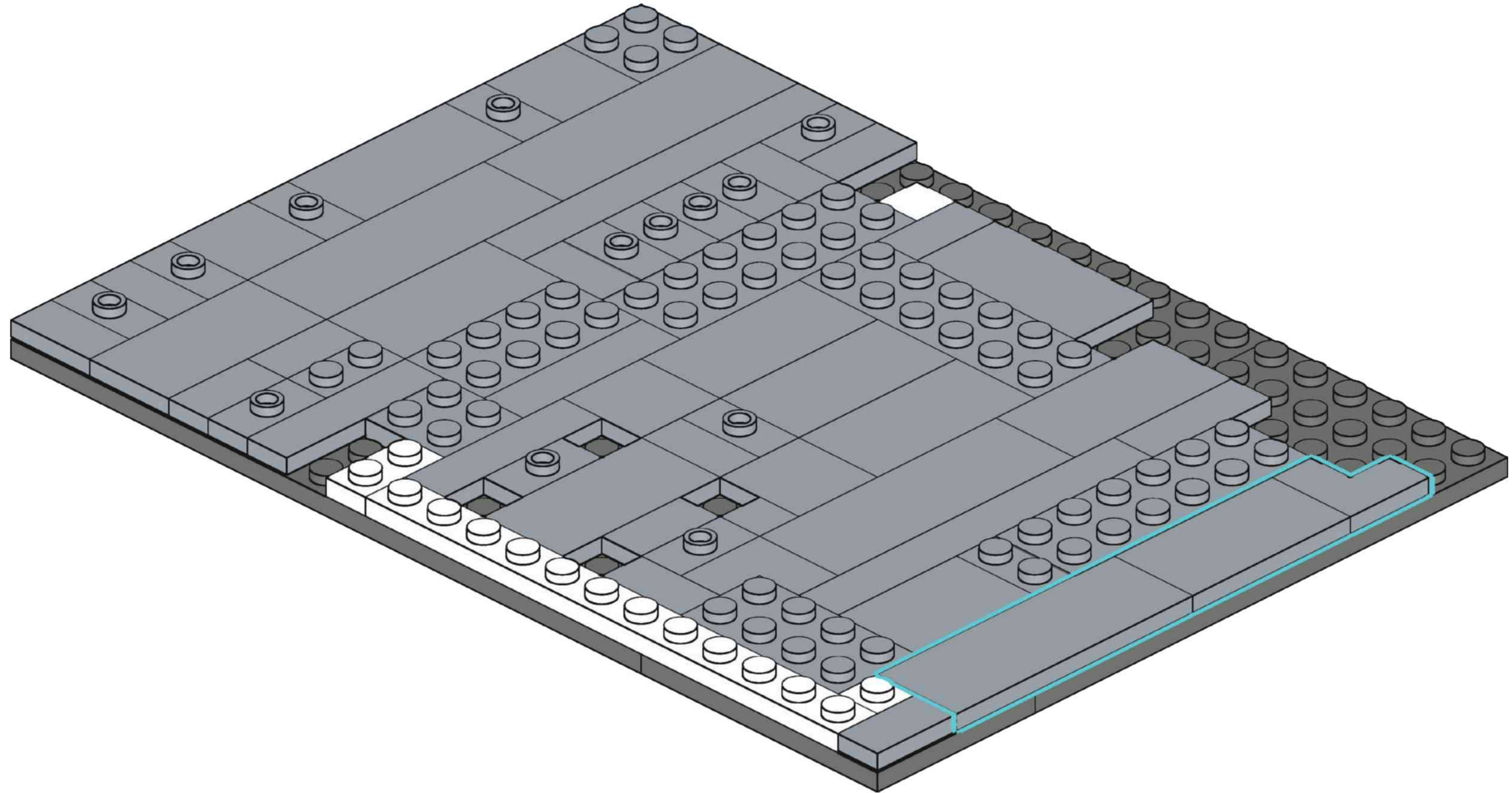


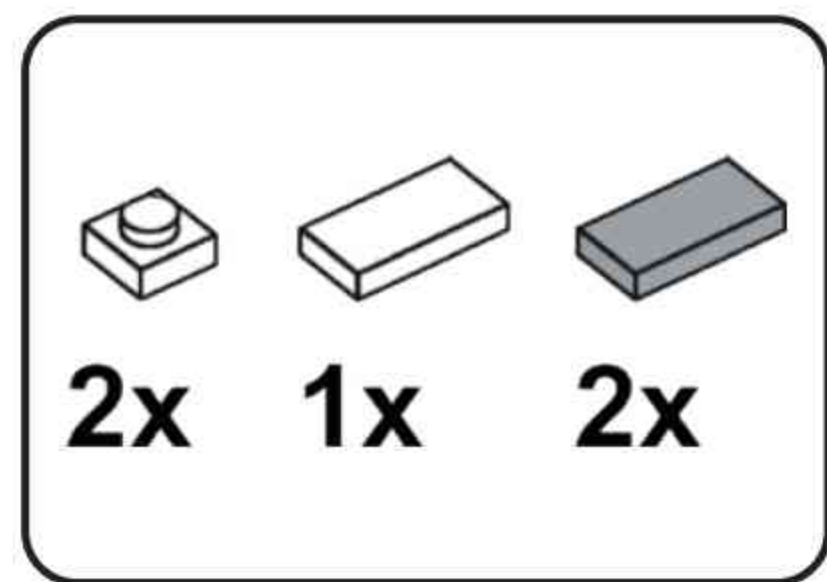
# A12



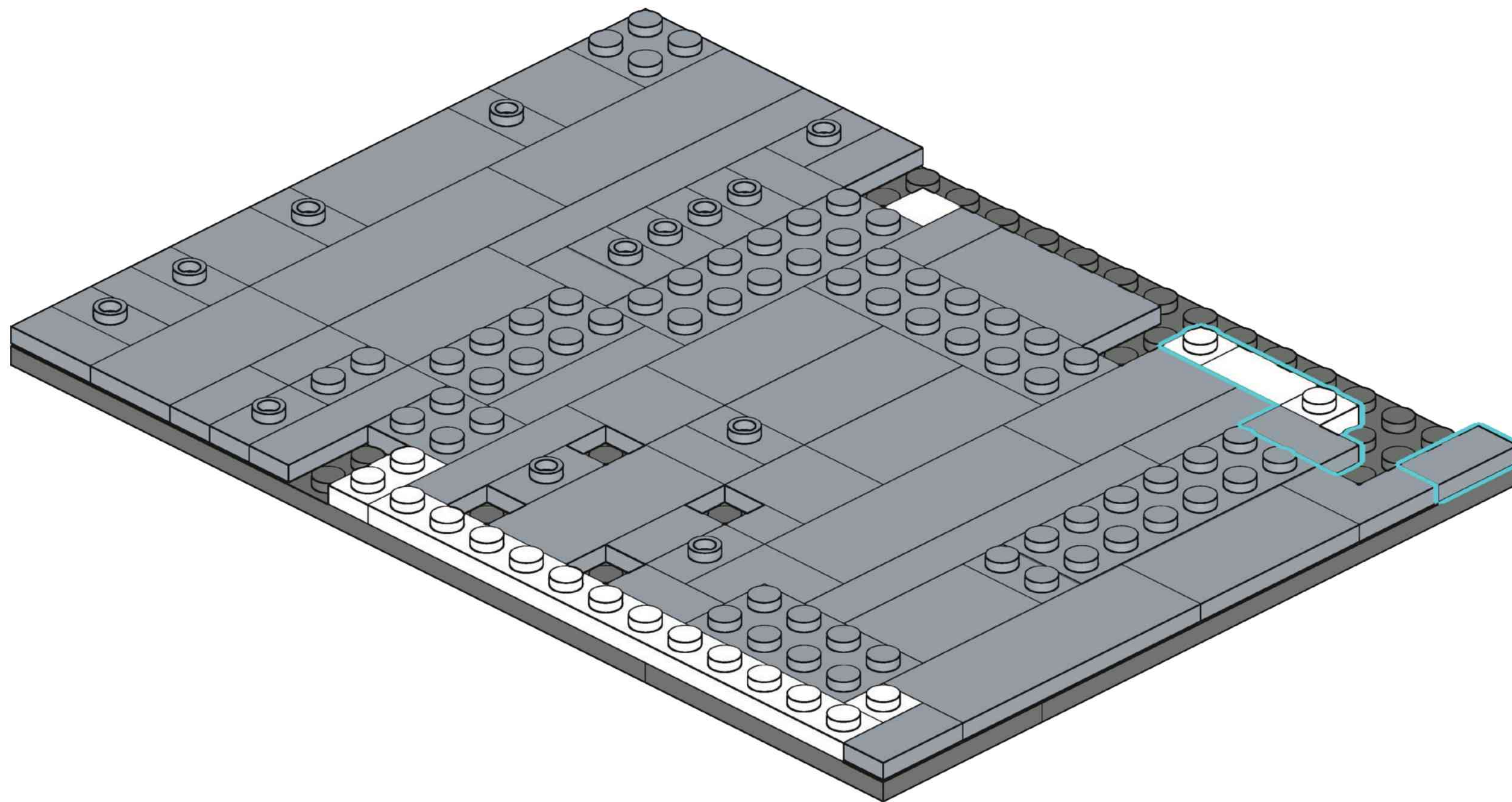


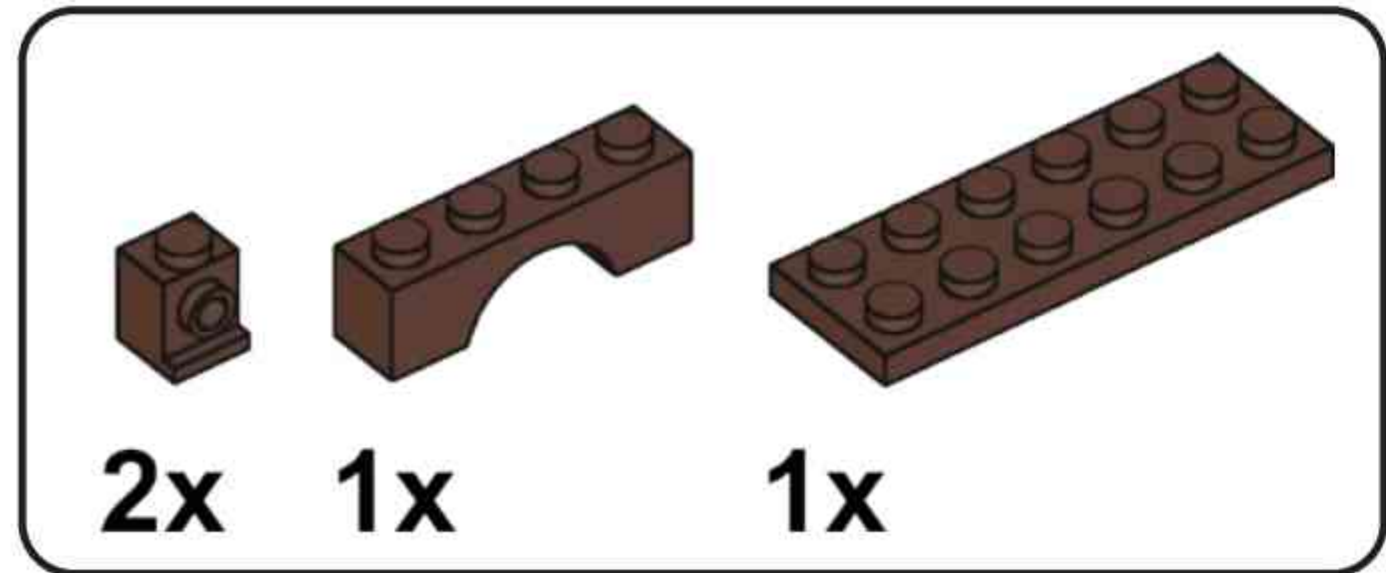
# A13



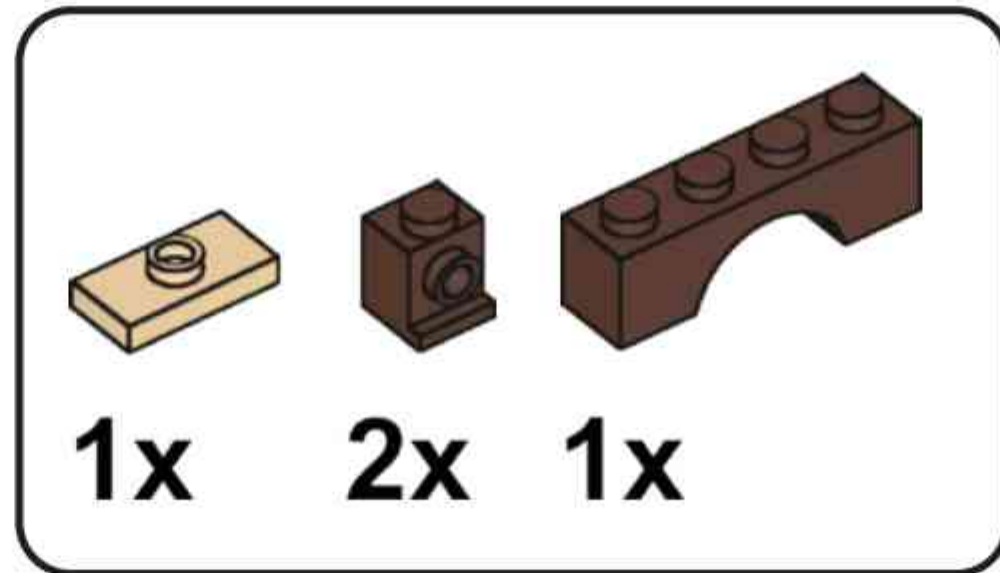
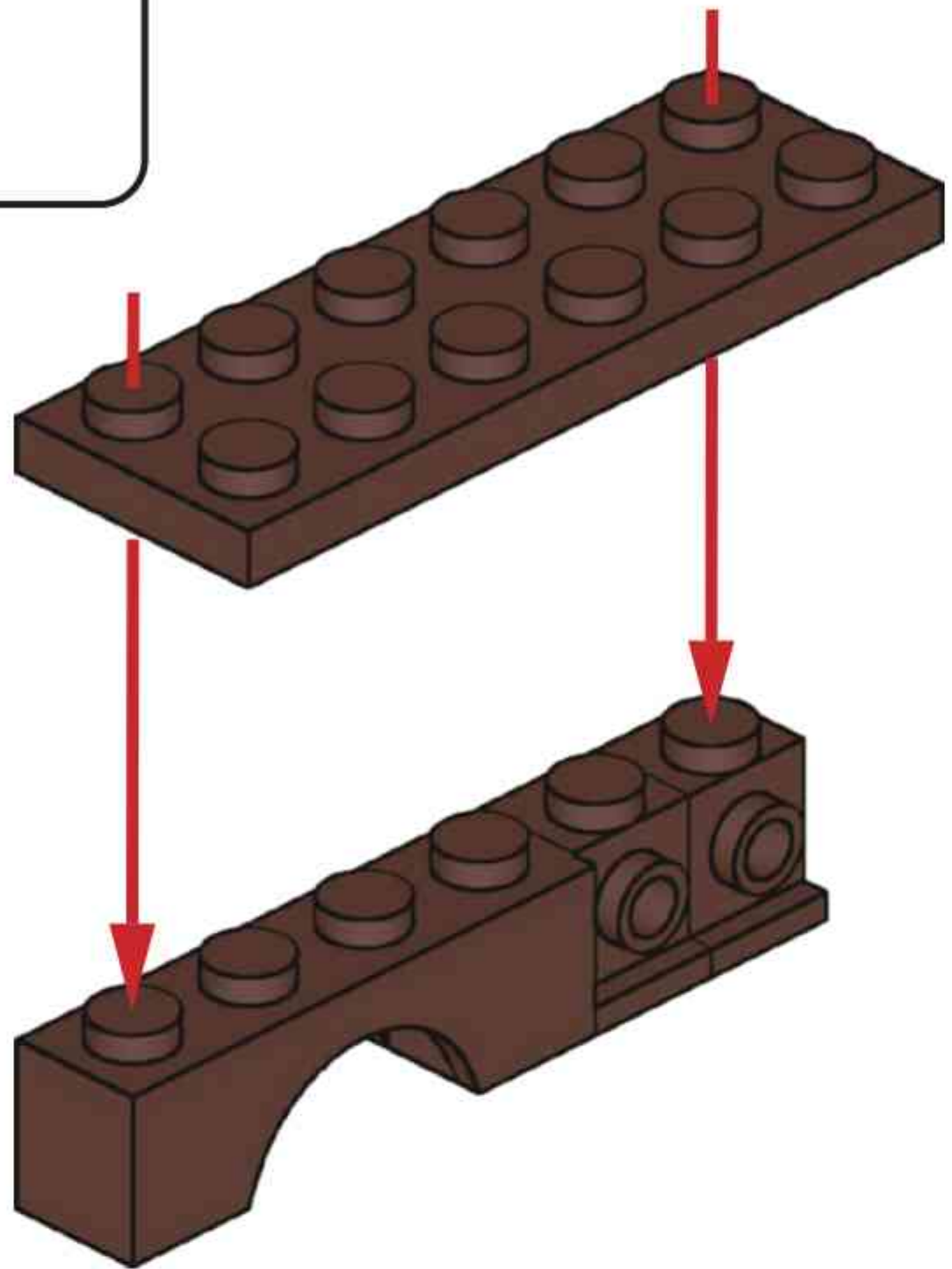


# A14

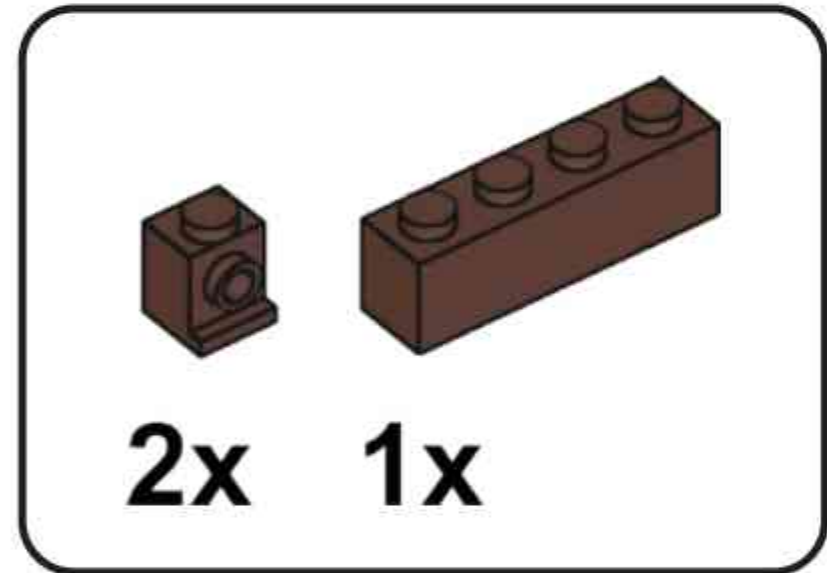
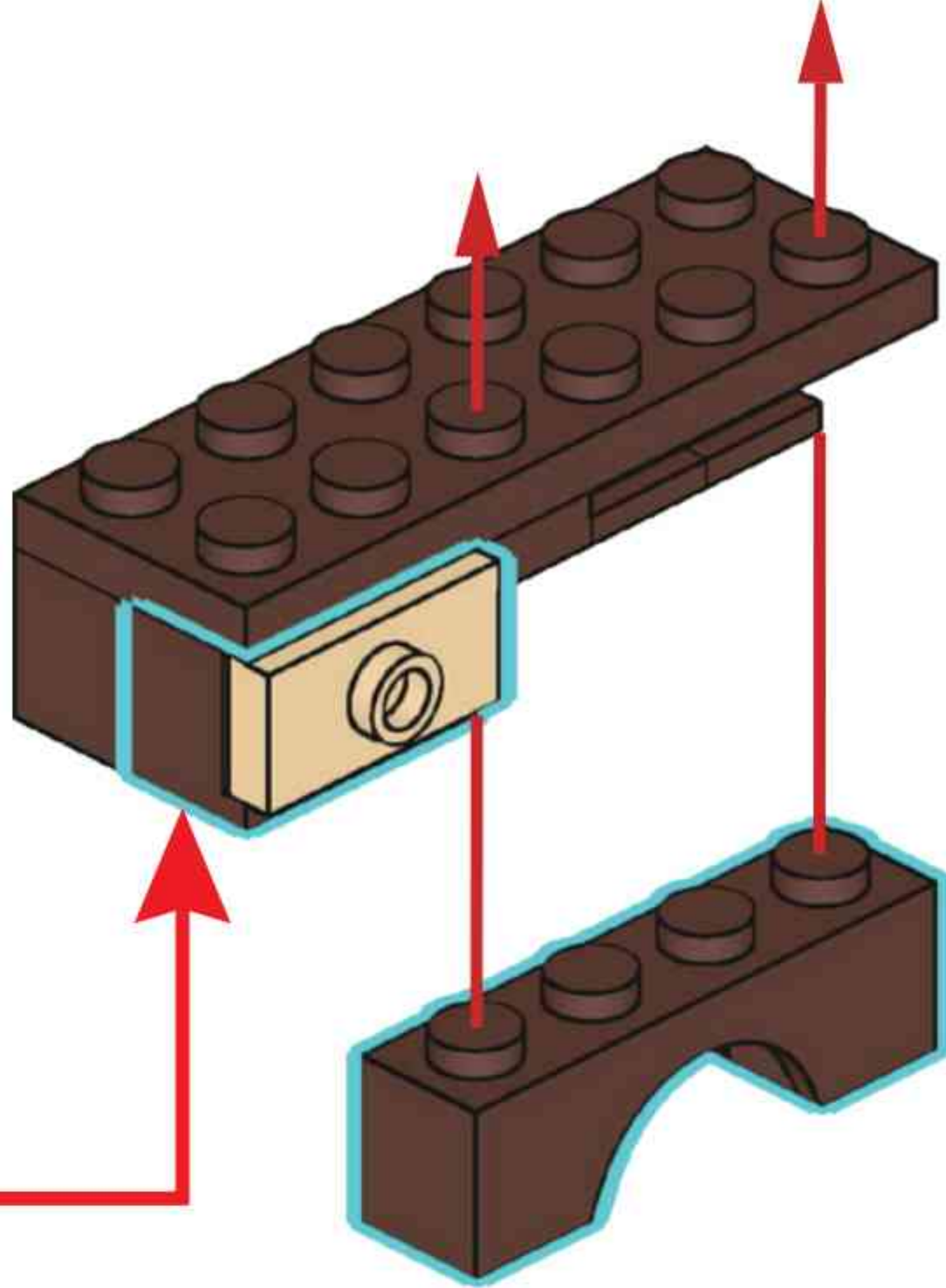
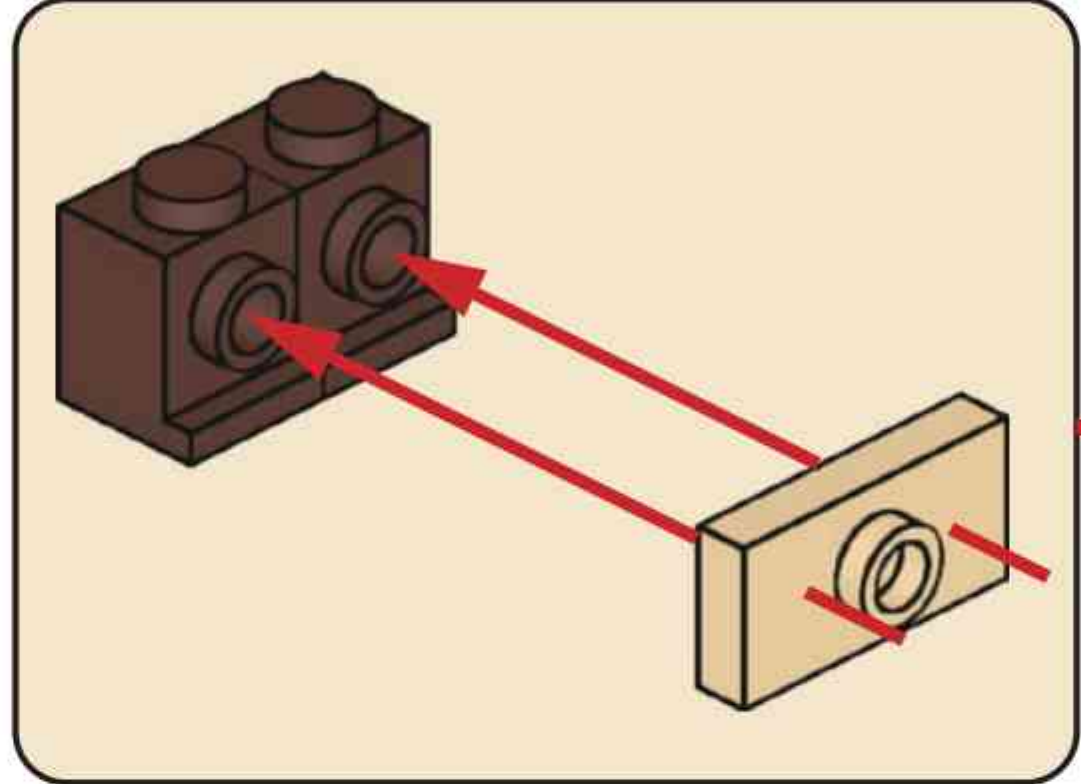




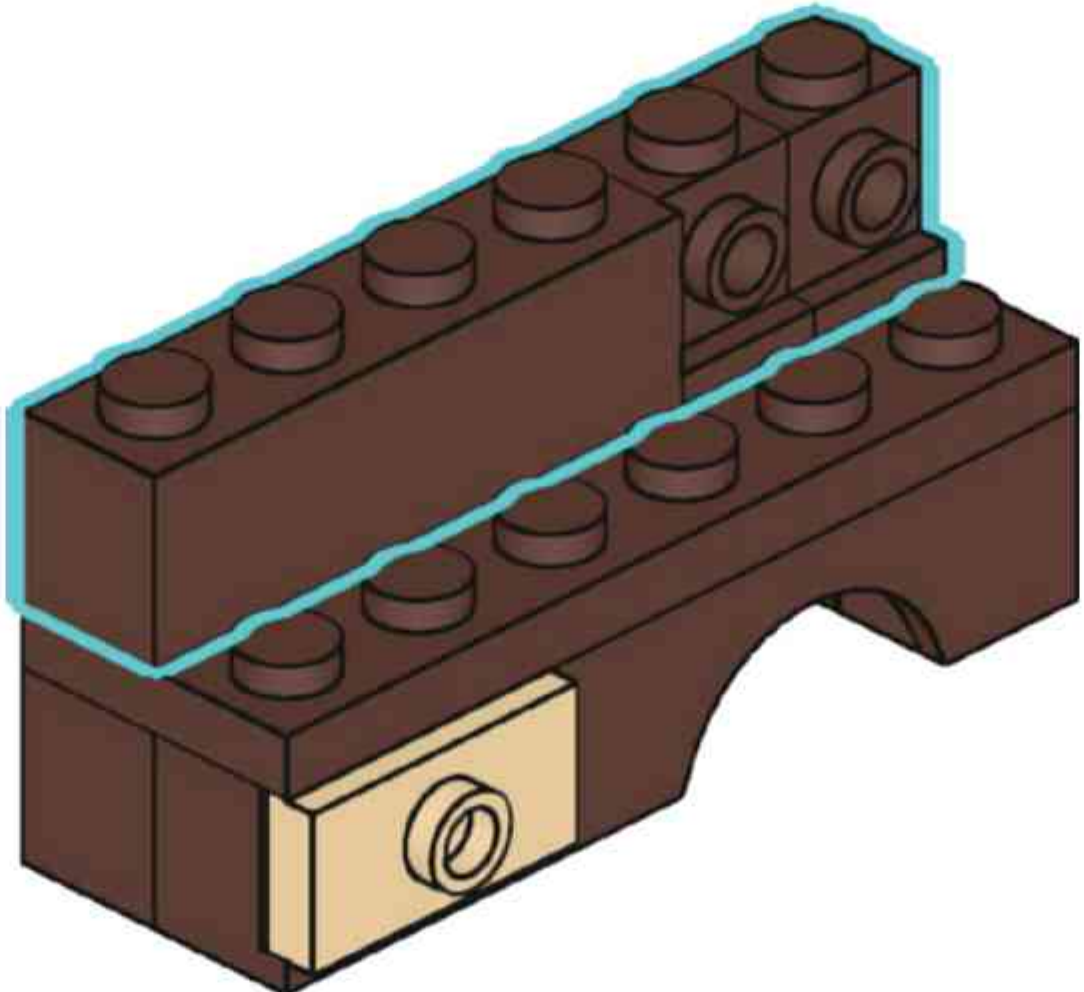
**A15**

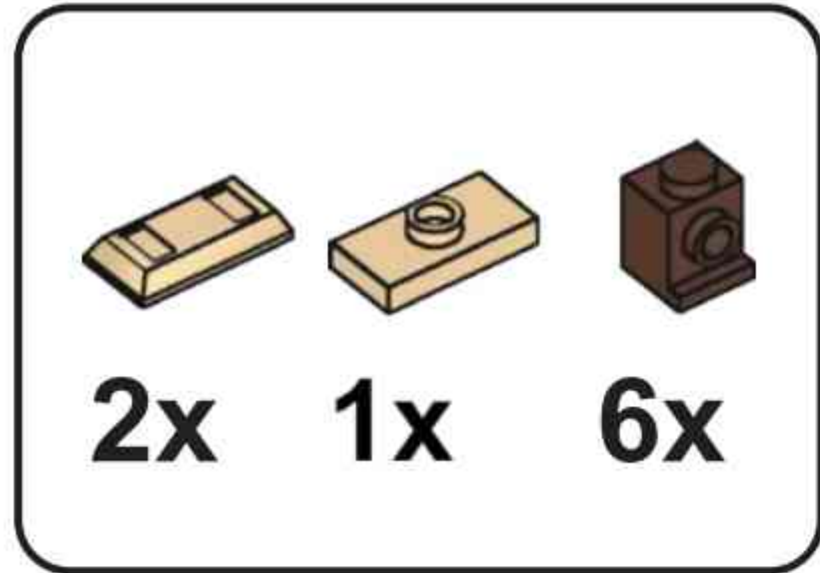


**A16**

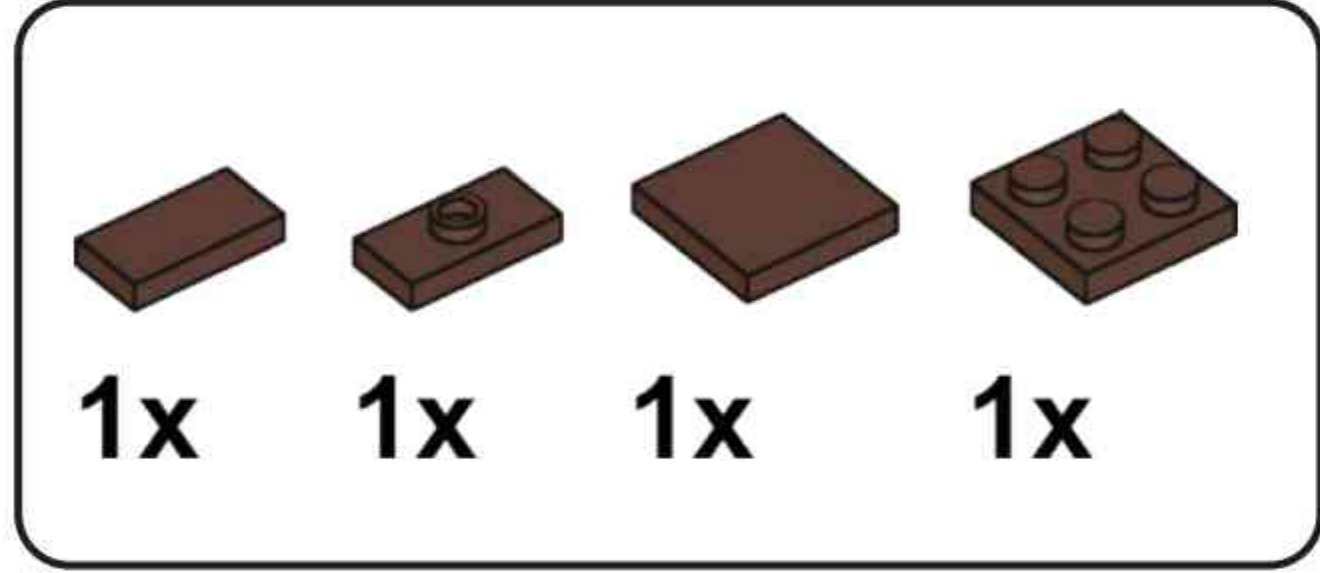
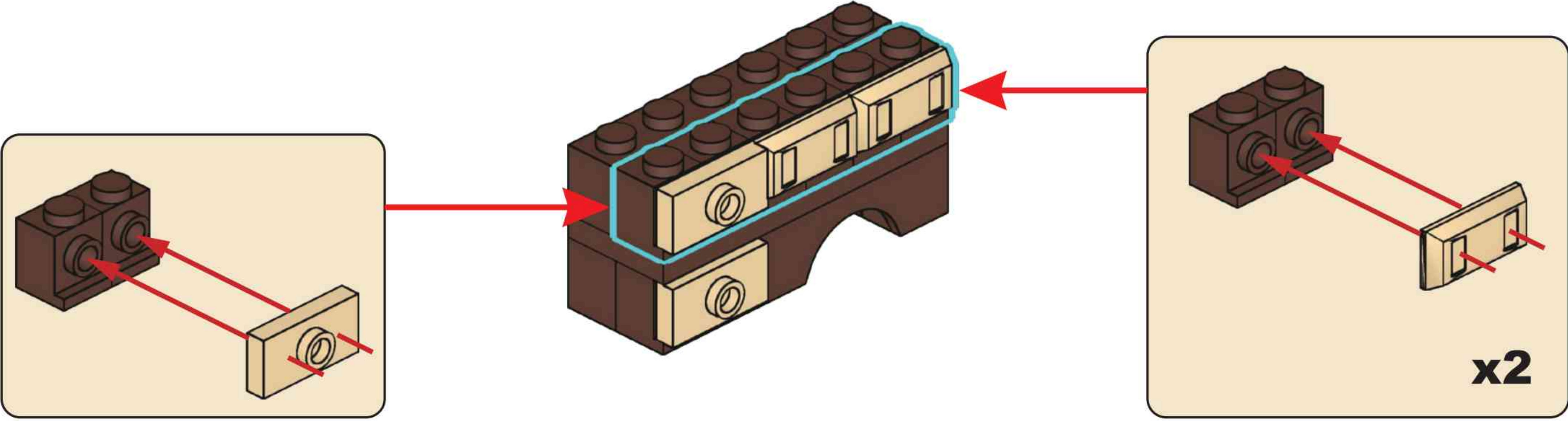


**A17**

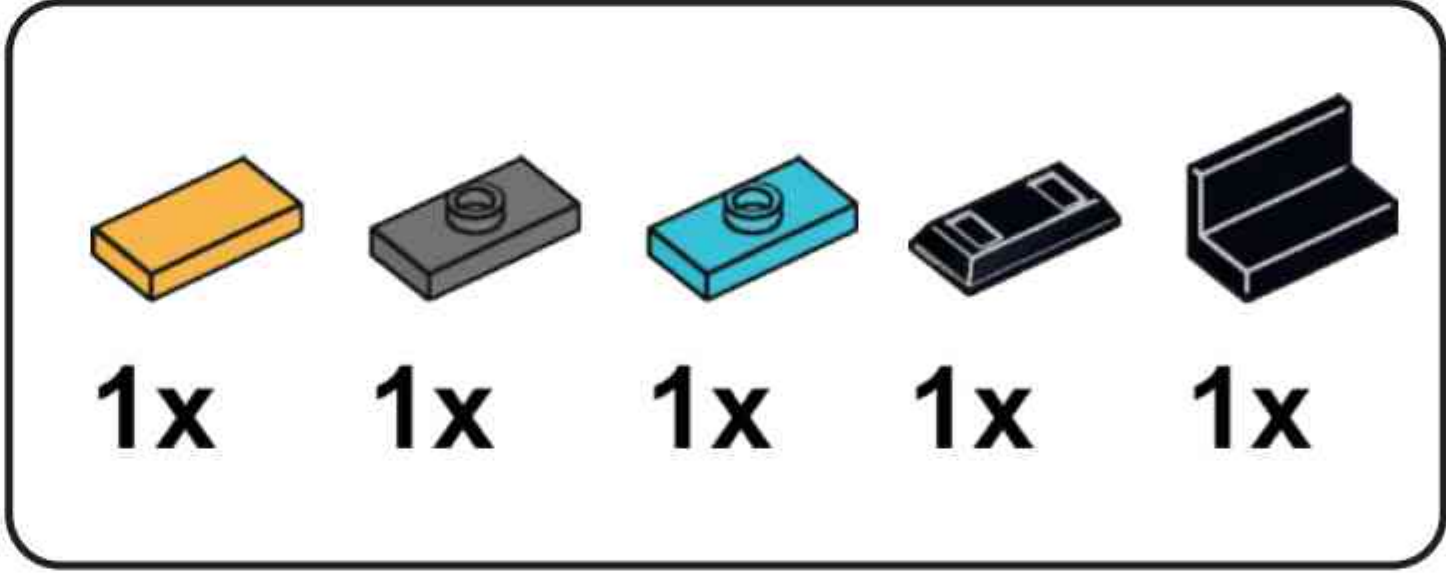
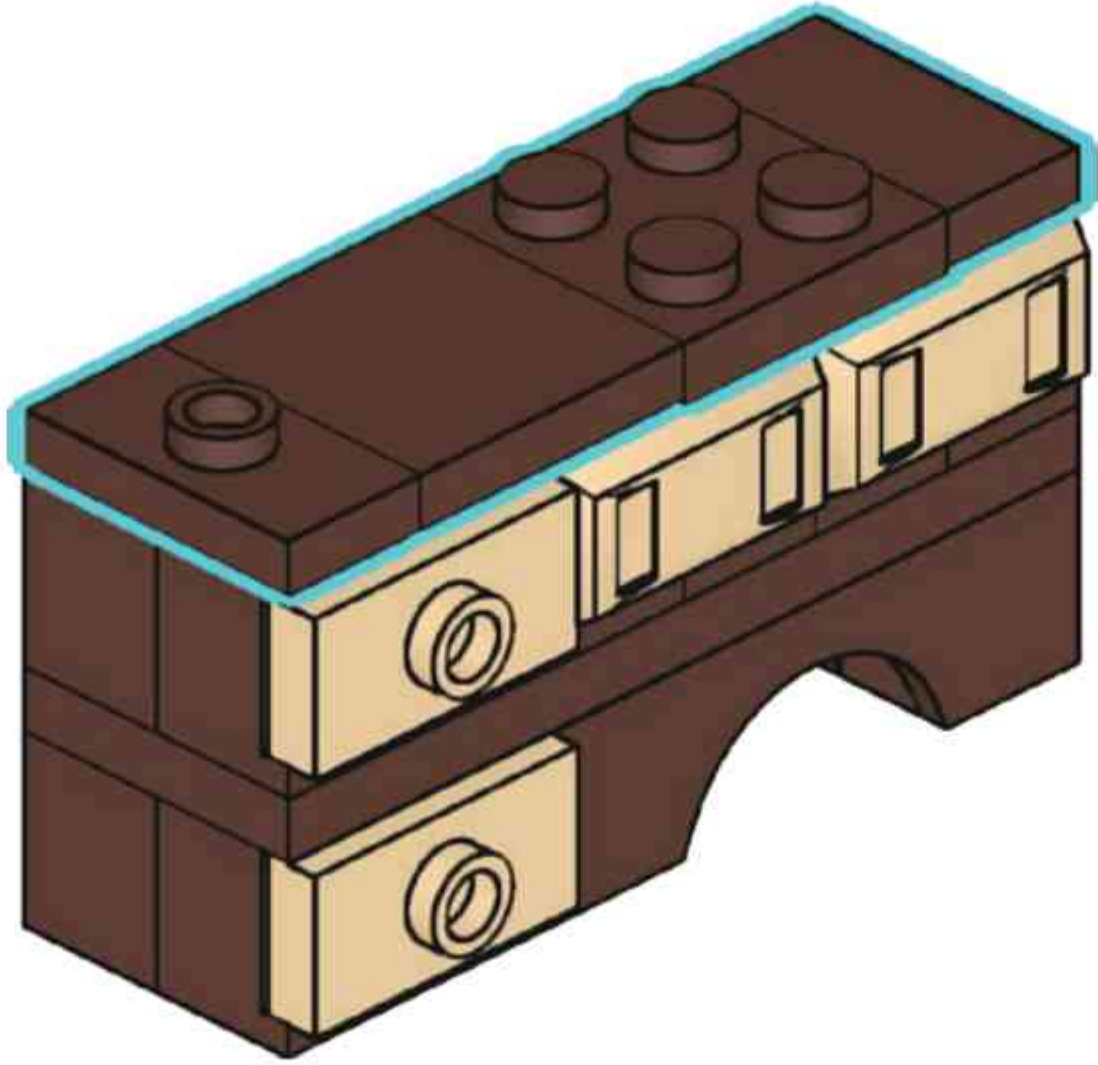




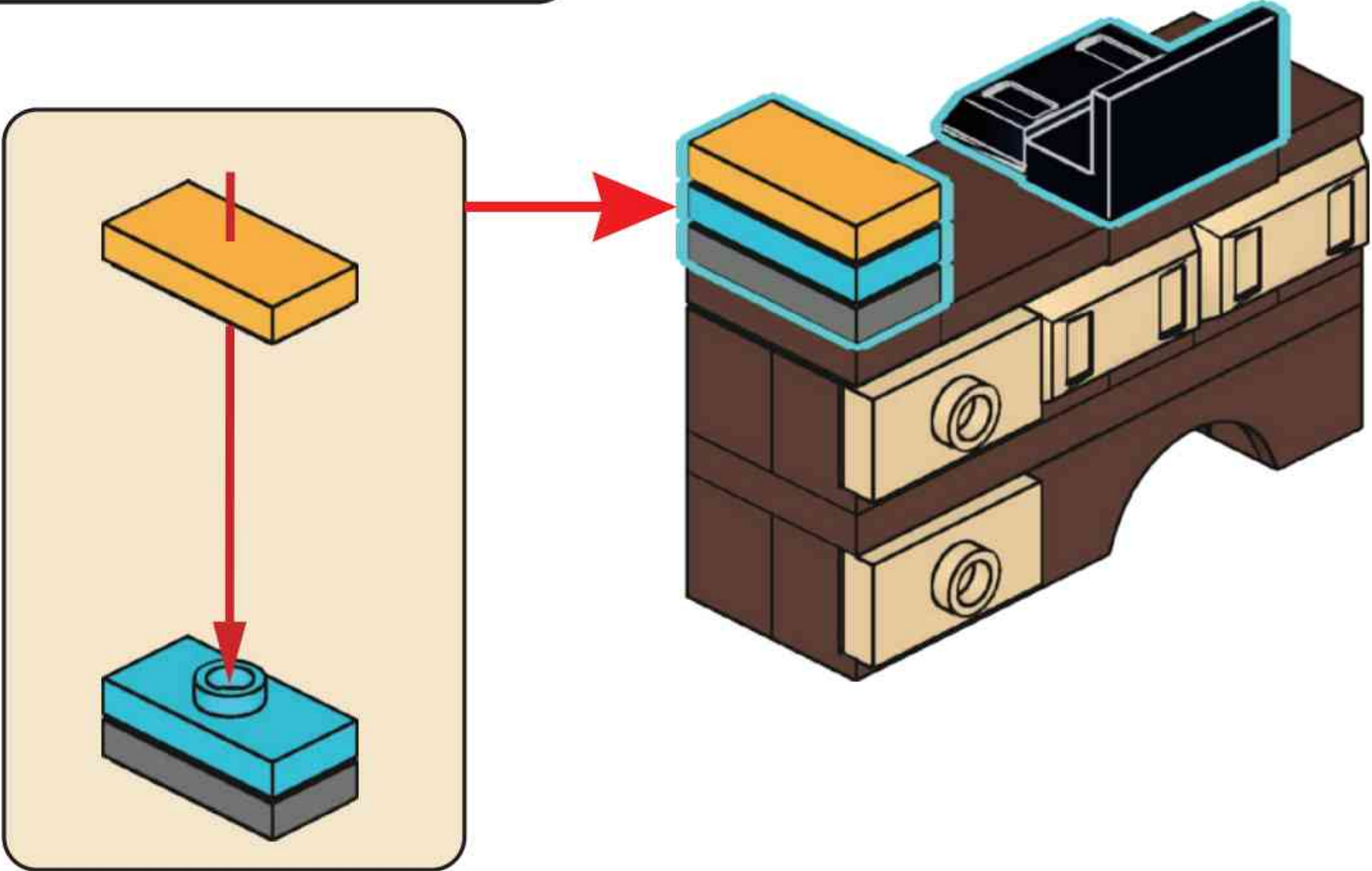
# A18



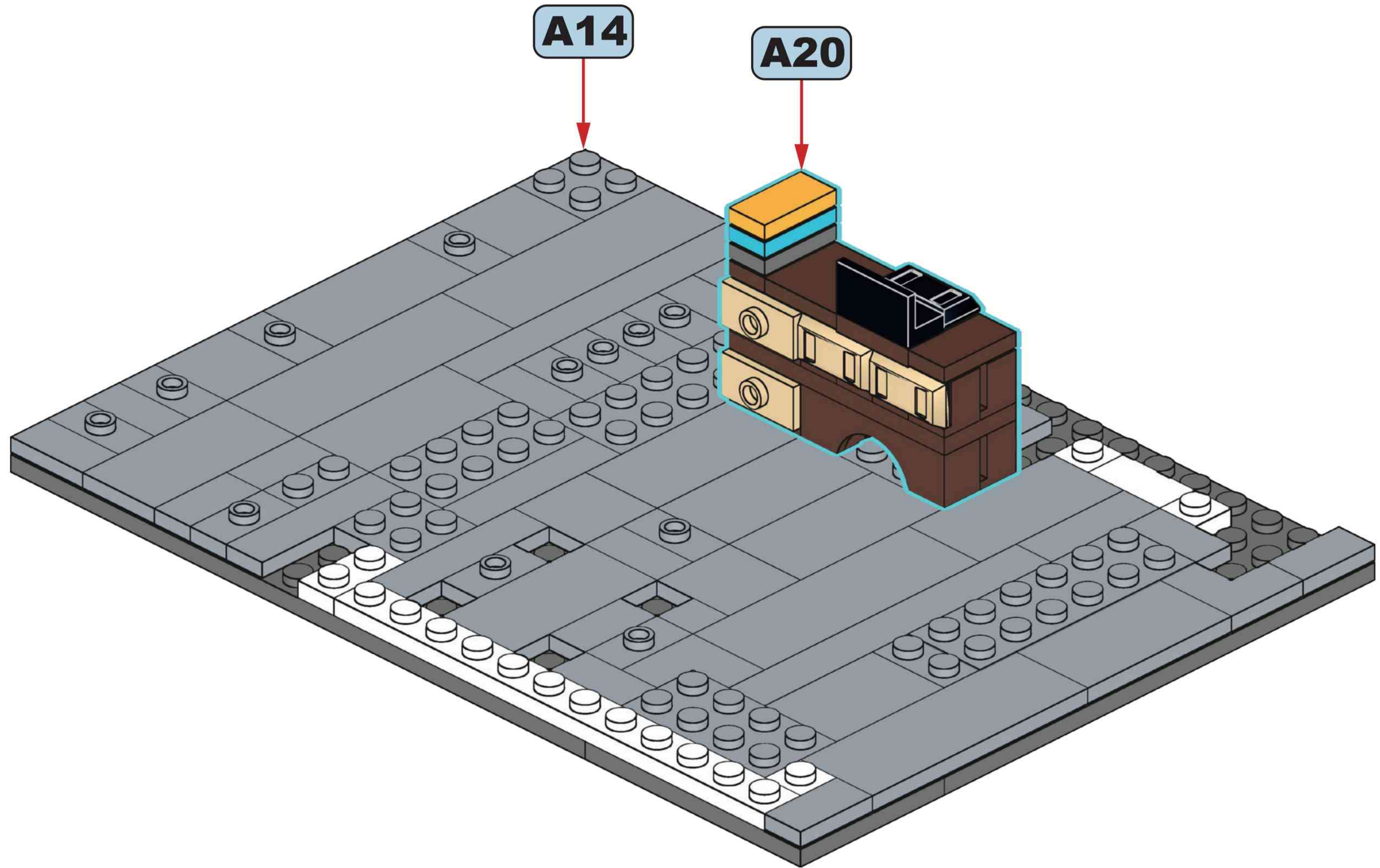
# A19



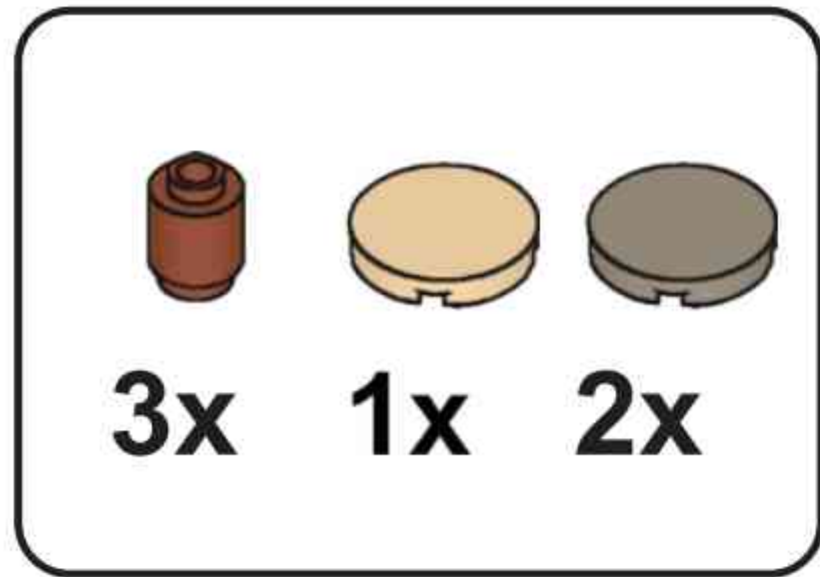
# A20



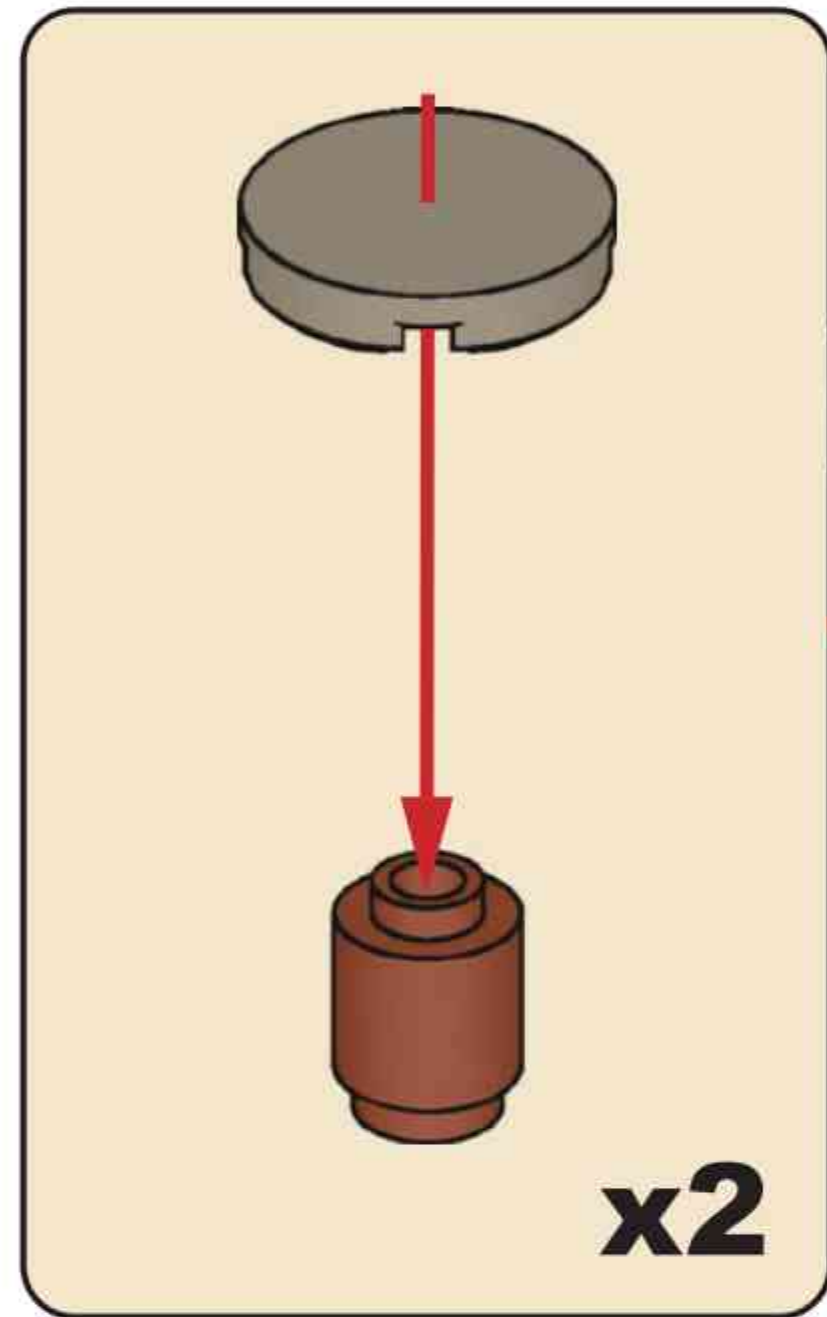
# A21



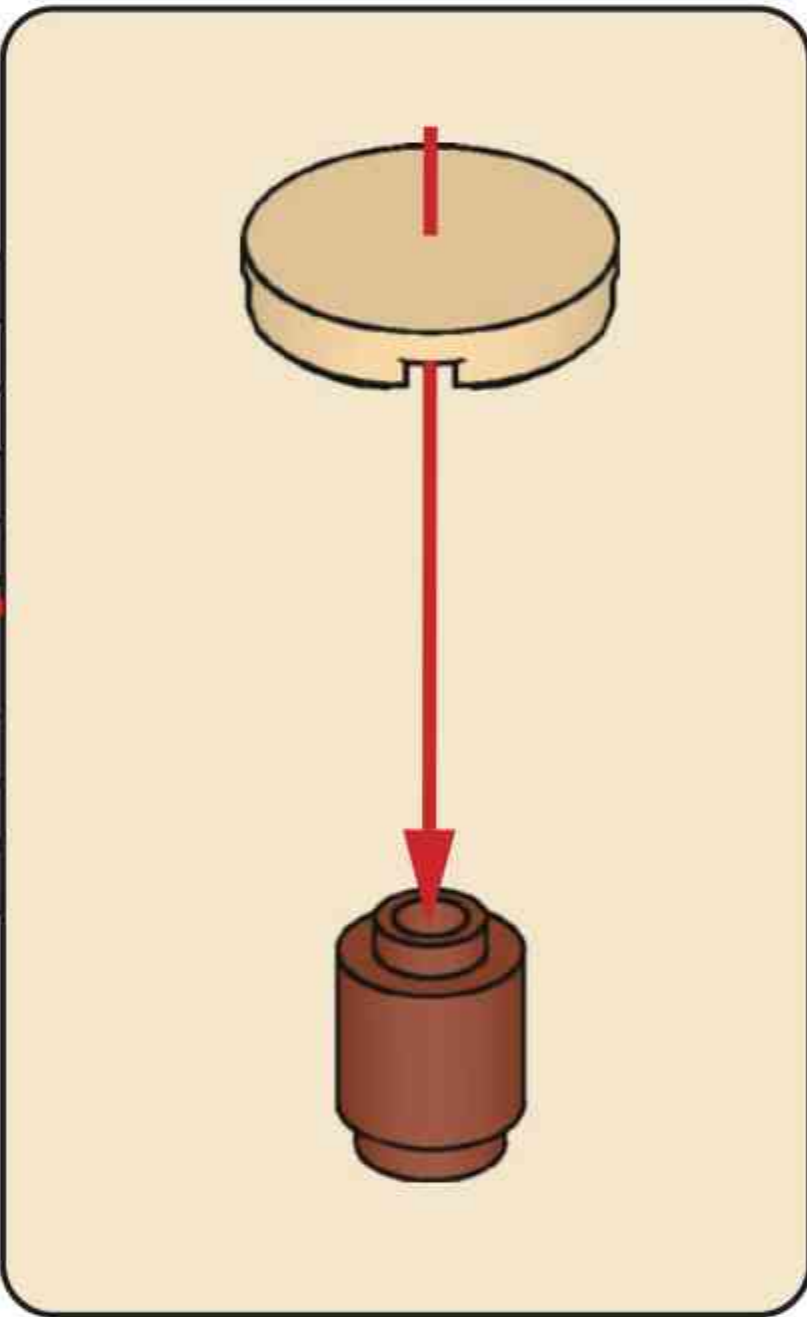
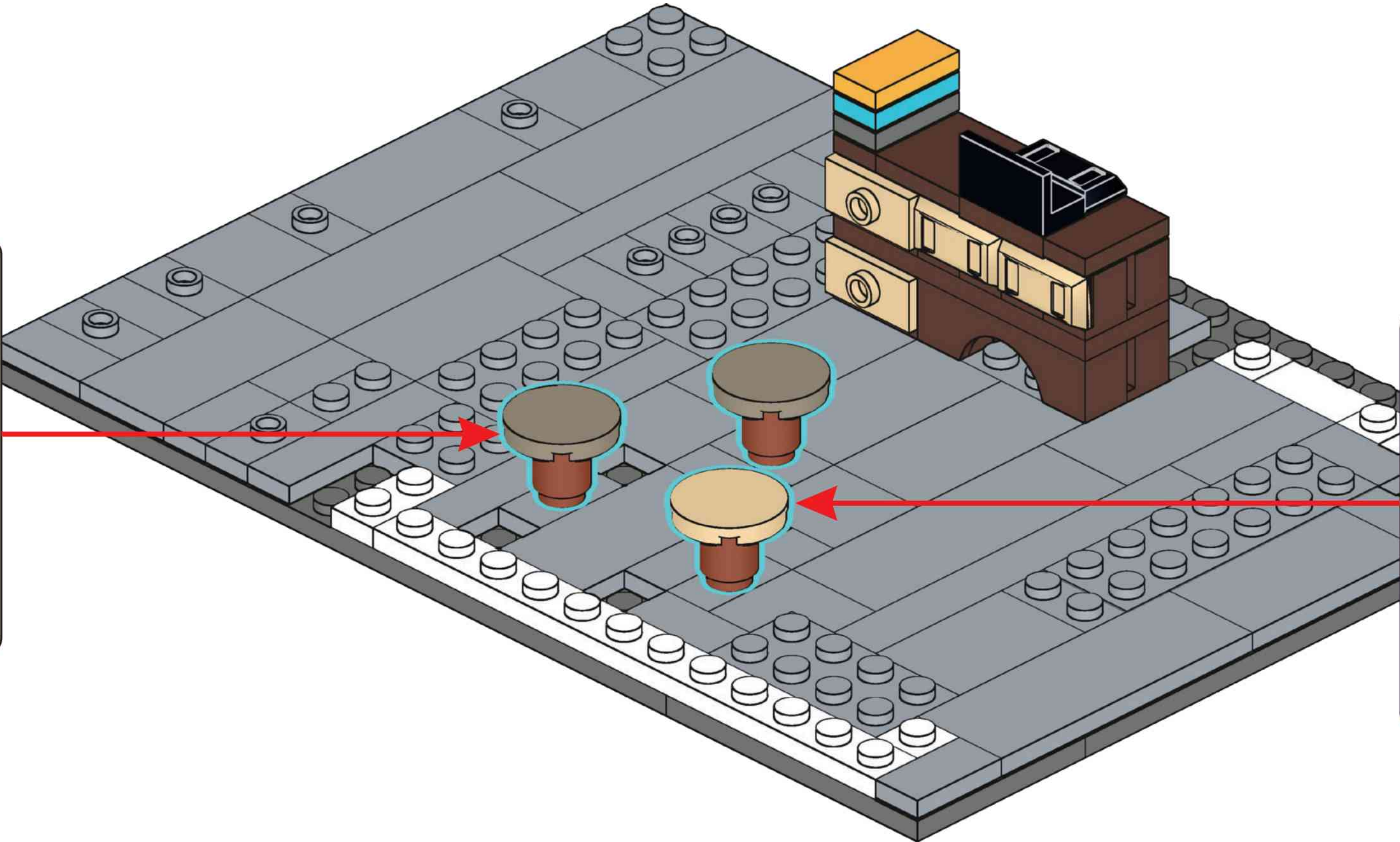
3x 1x 2x

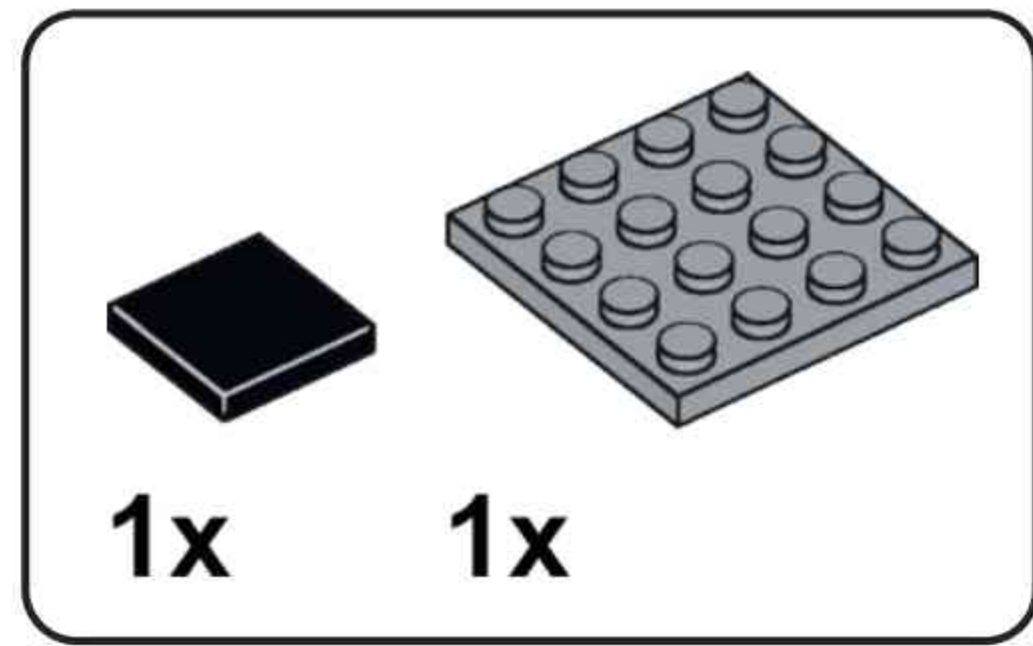


# A22

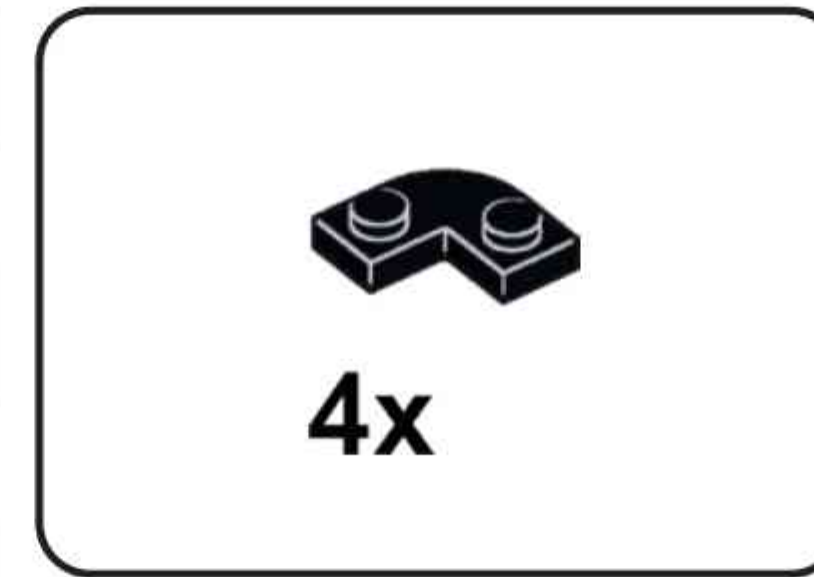
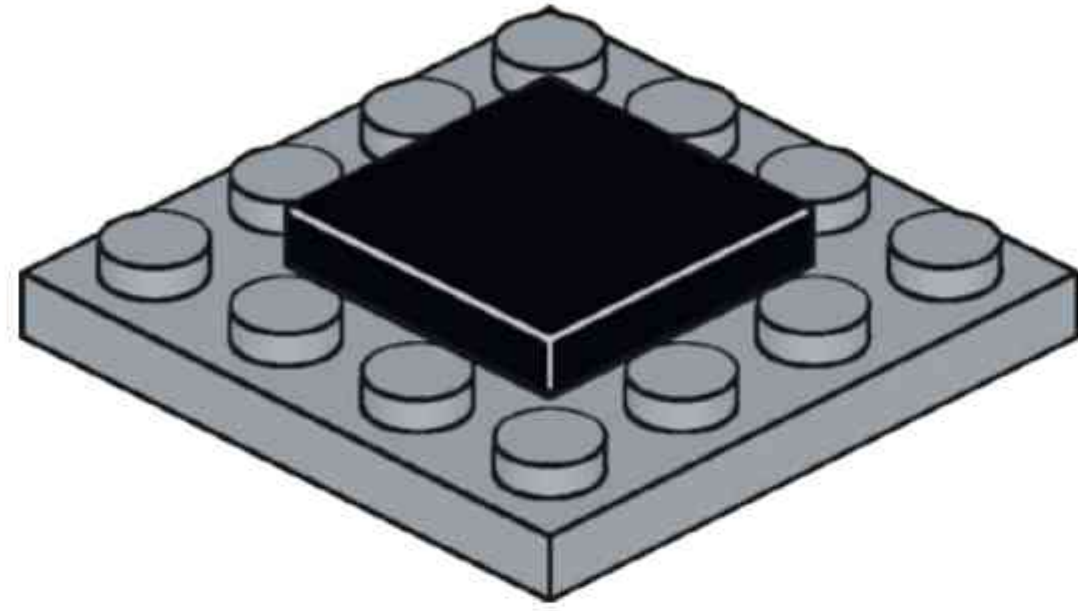


x2

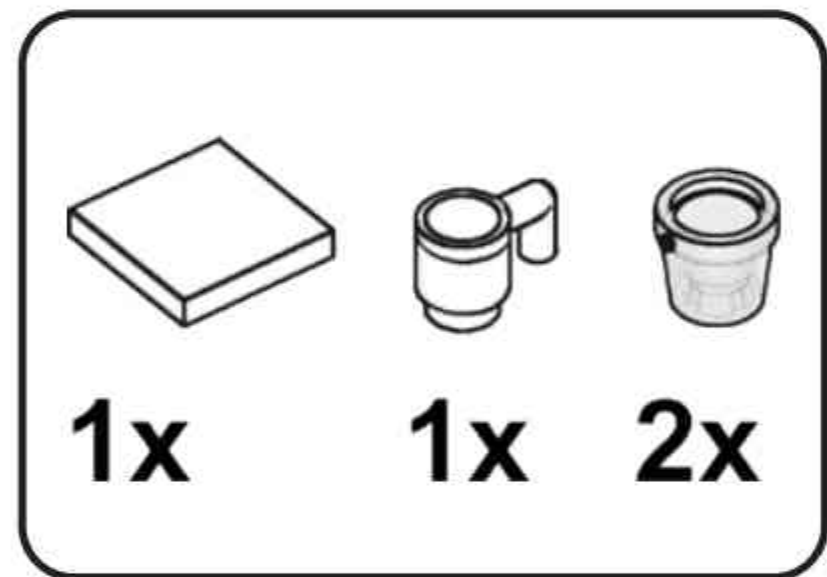
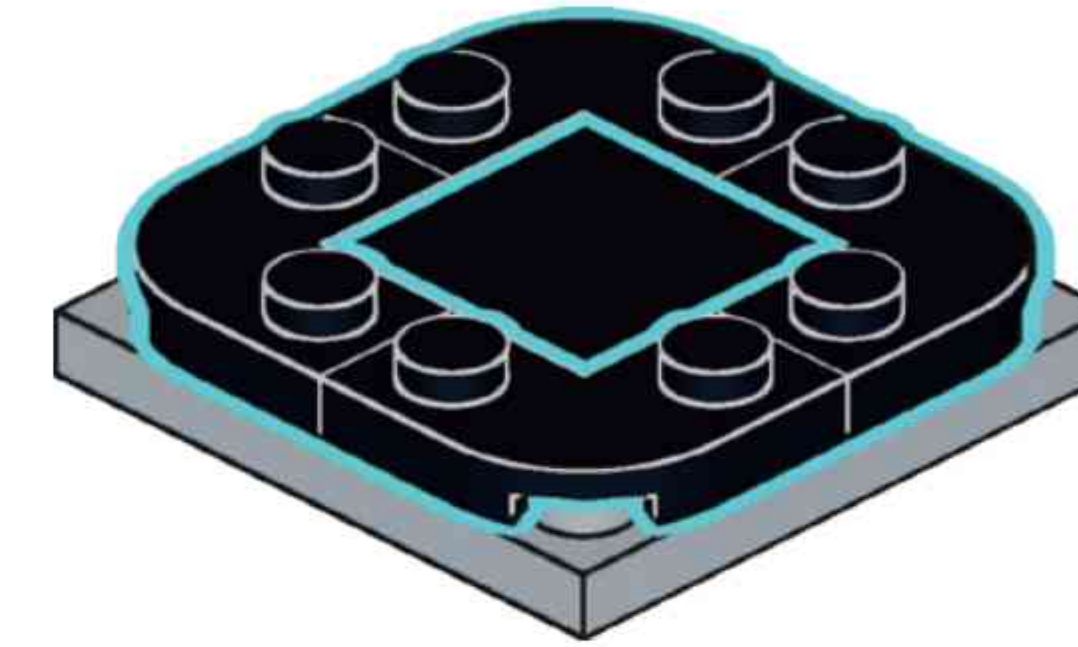




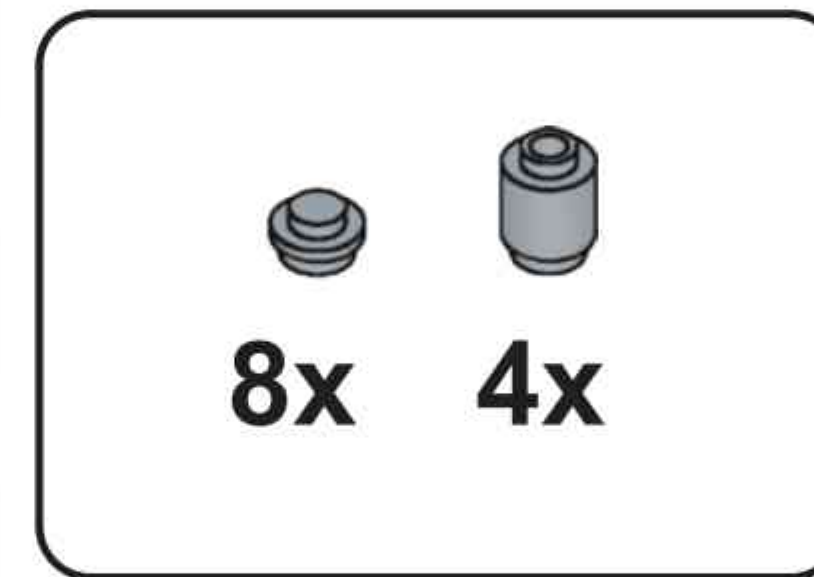
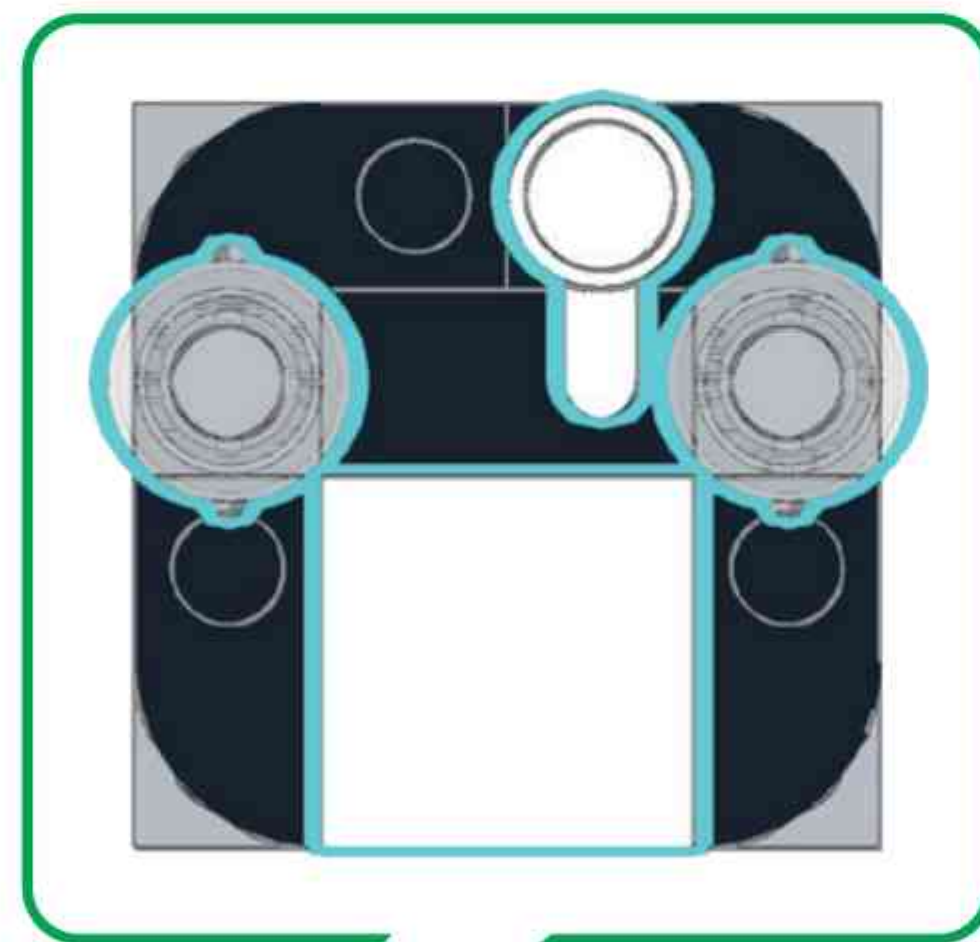
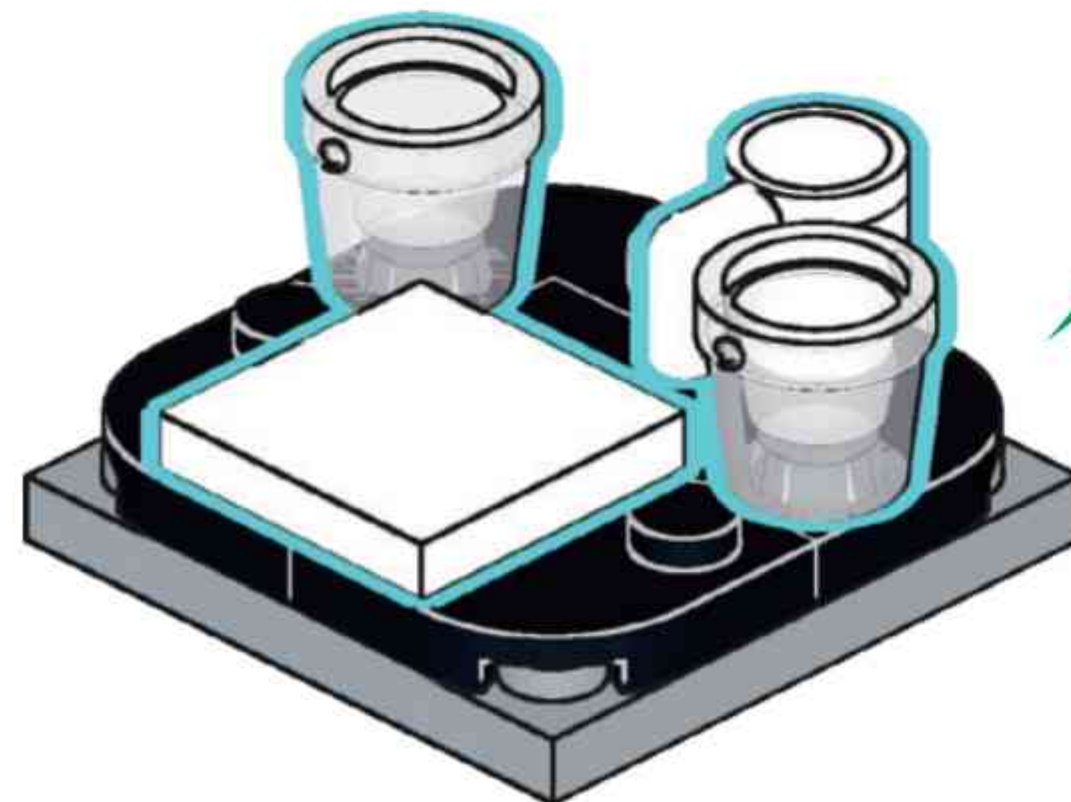
## A23



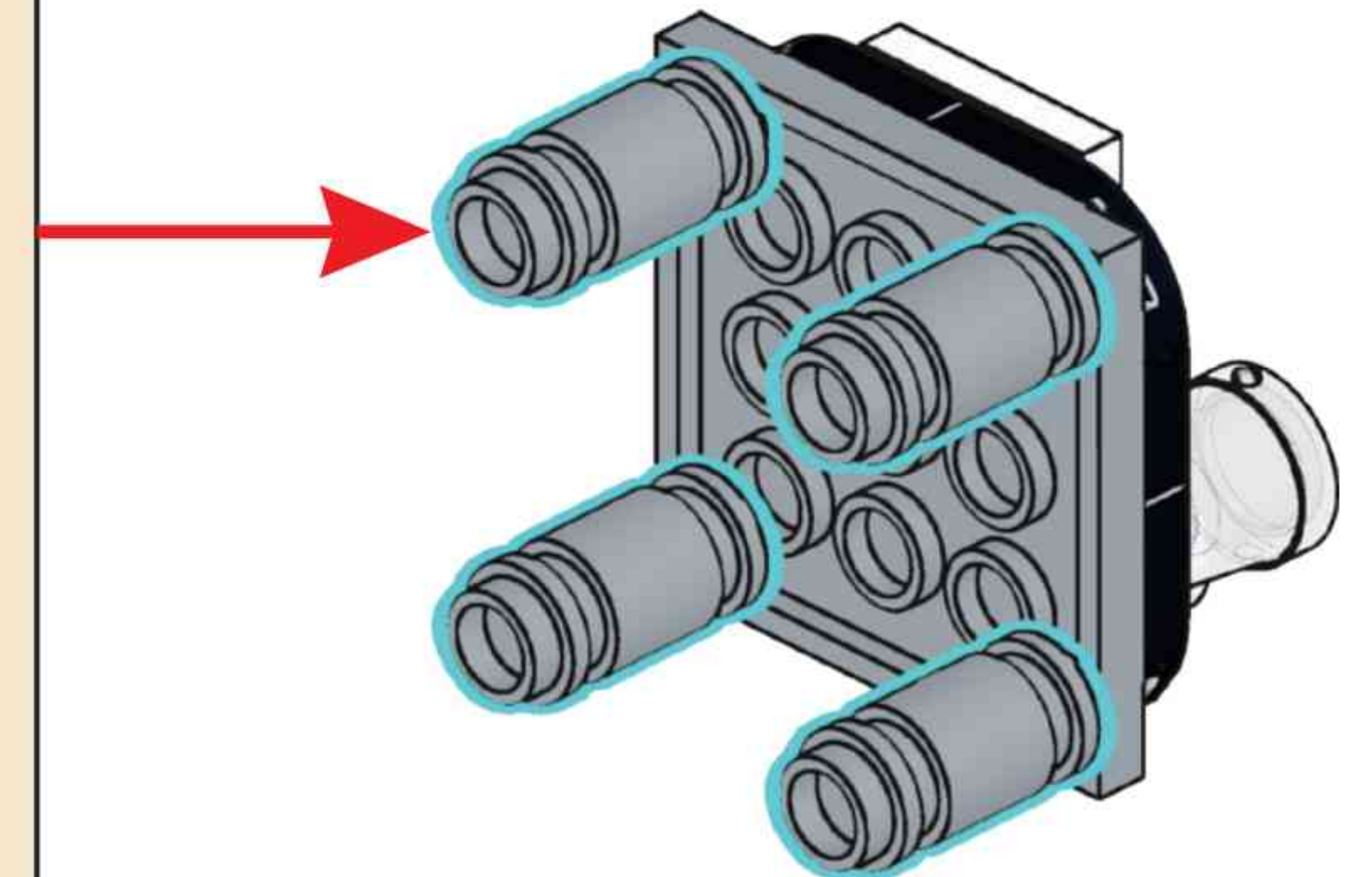
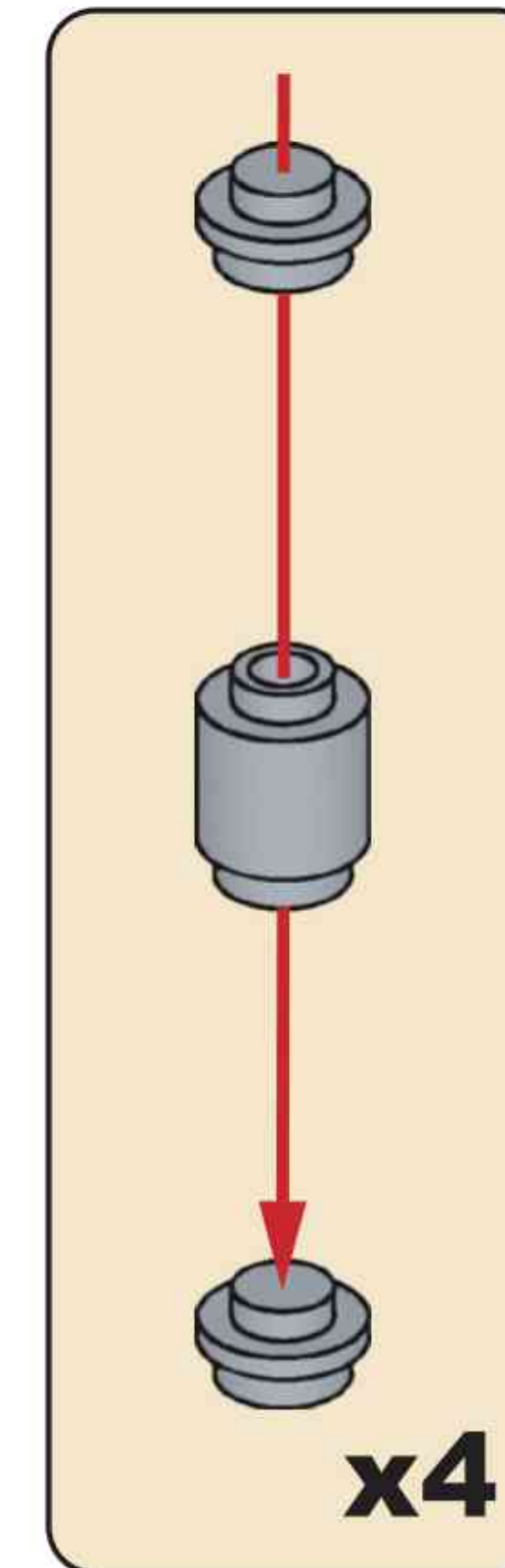
## A24



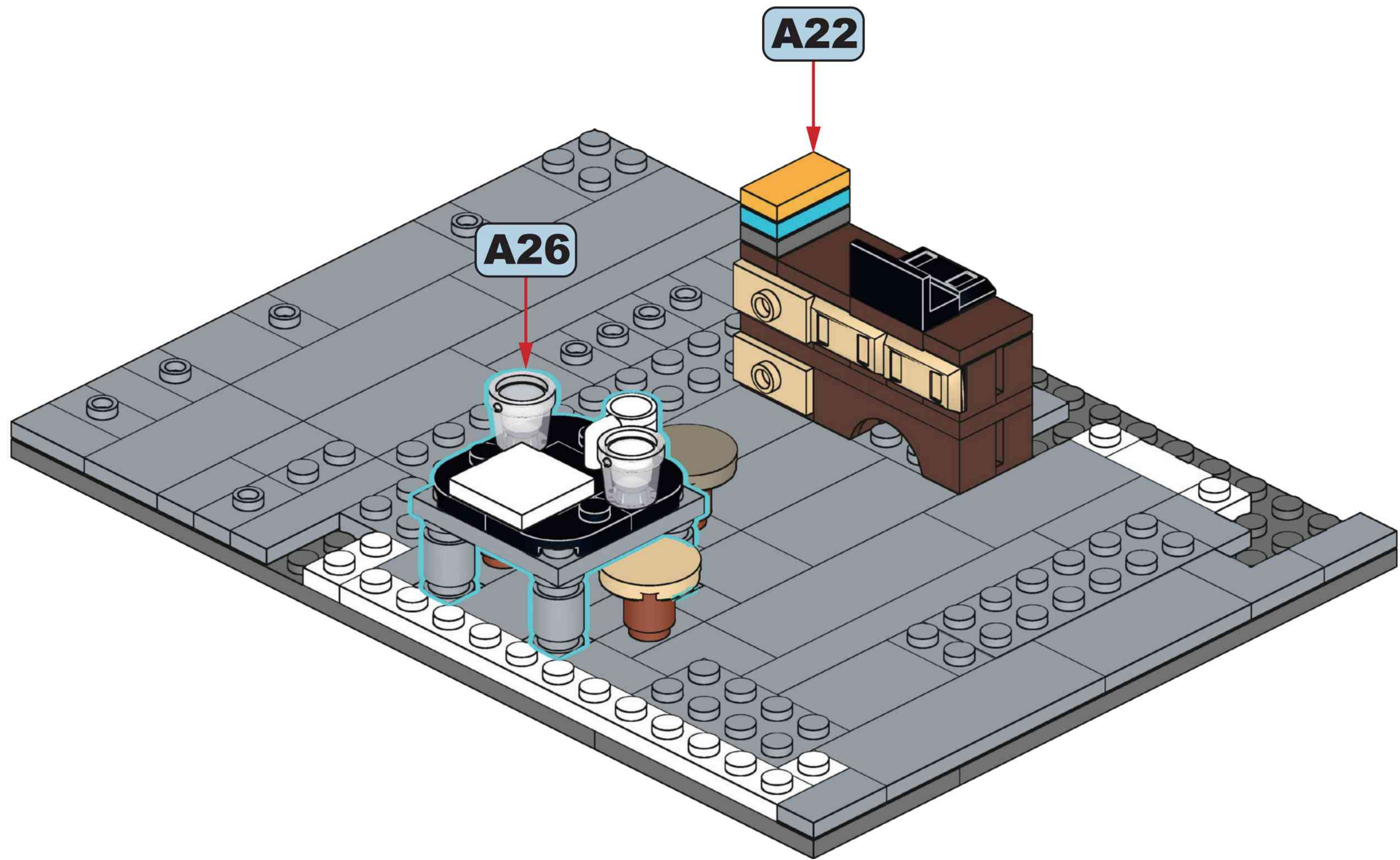
## A25

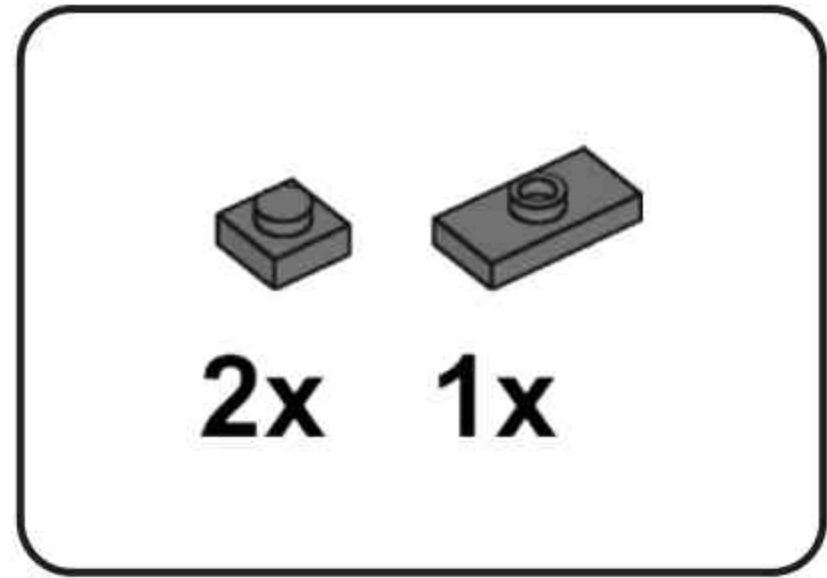


## A26

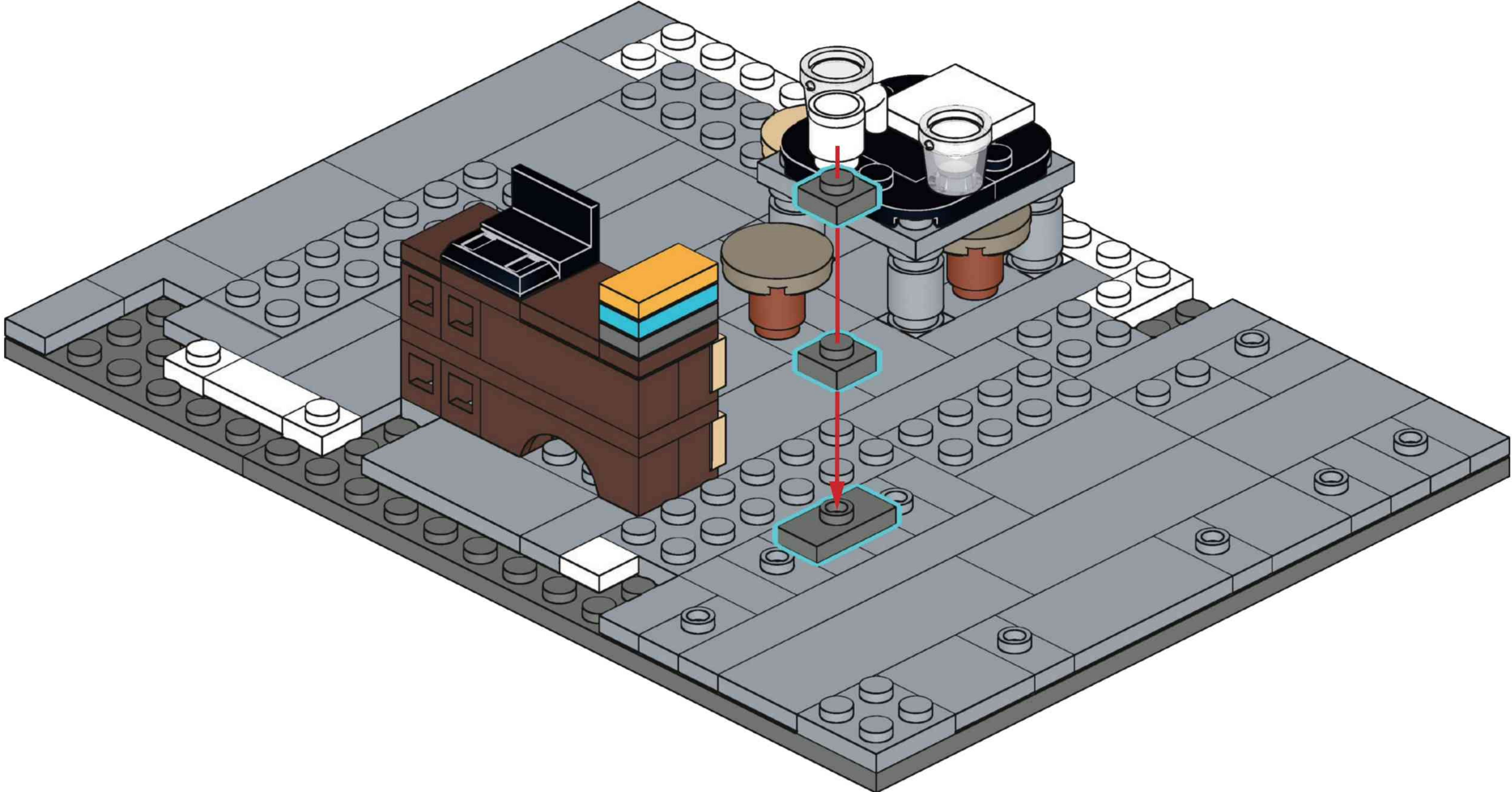


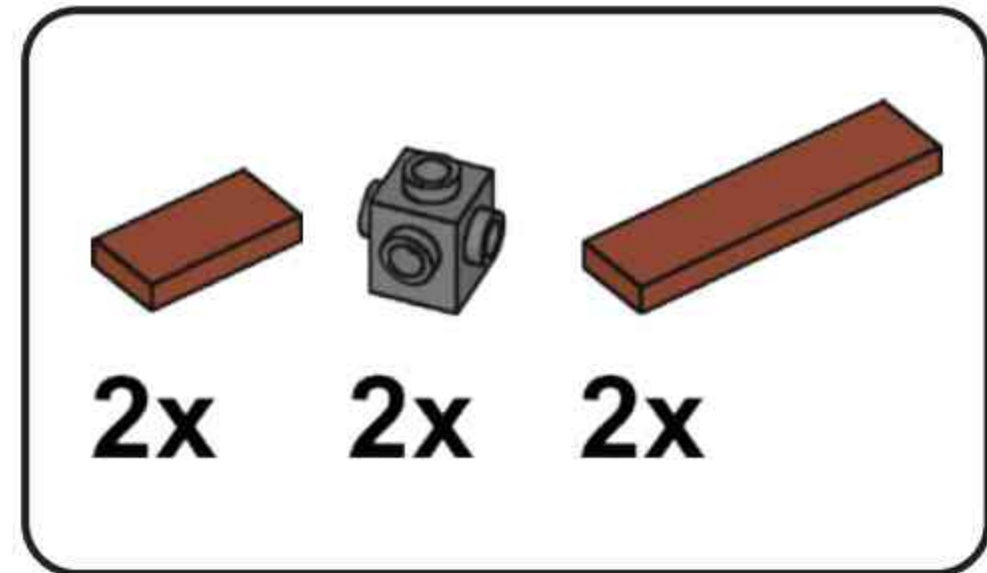
# A27



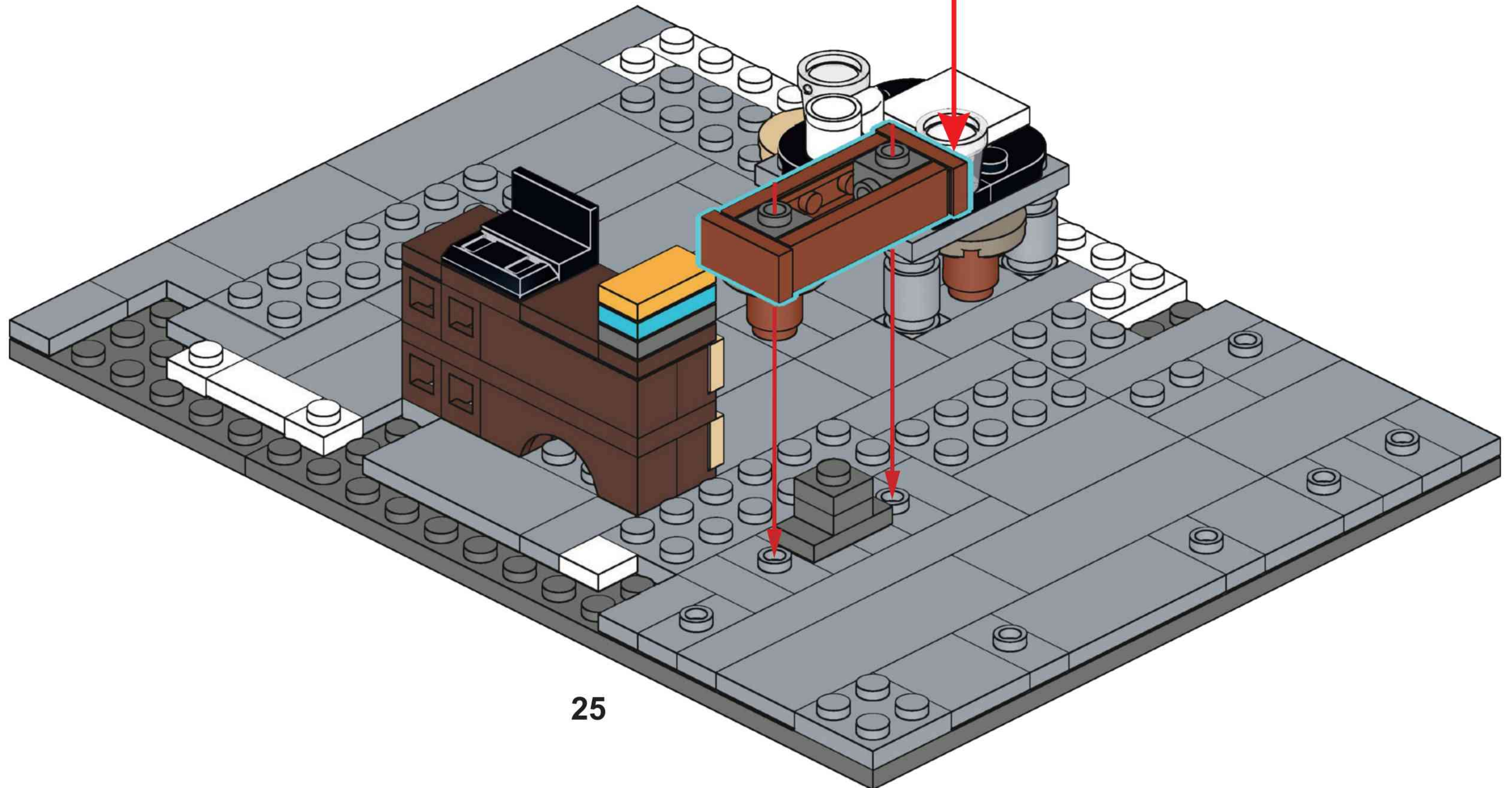
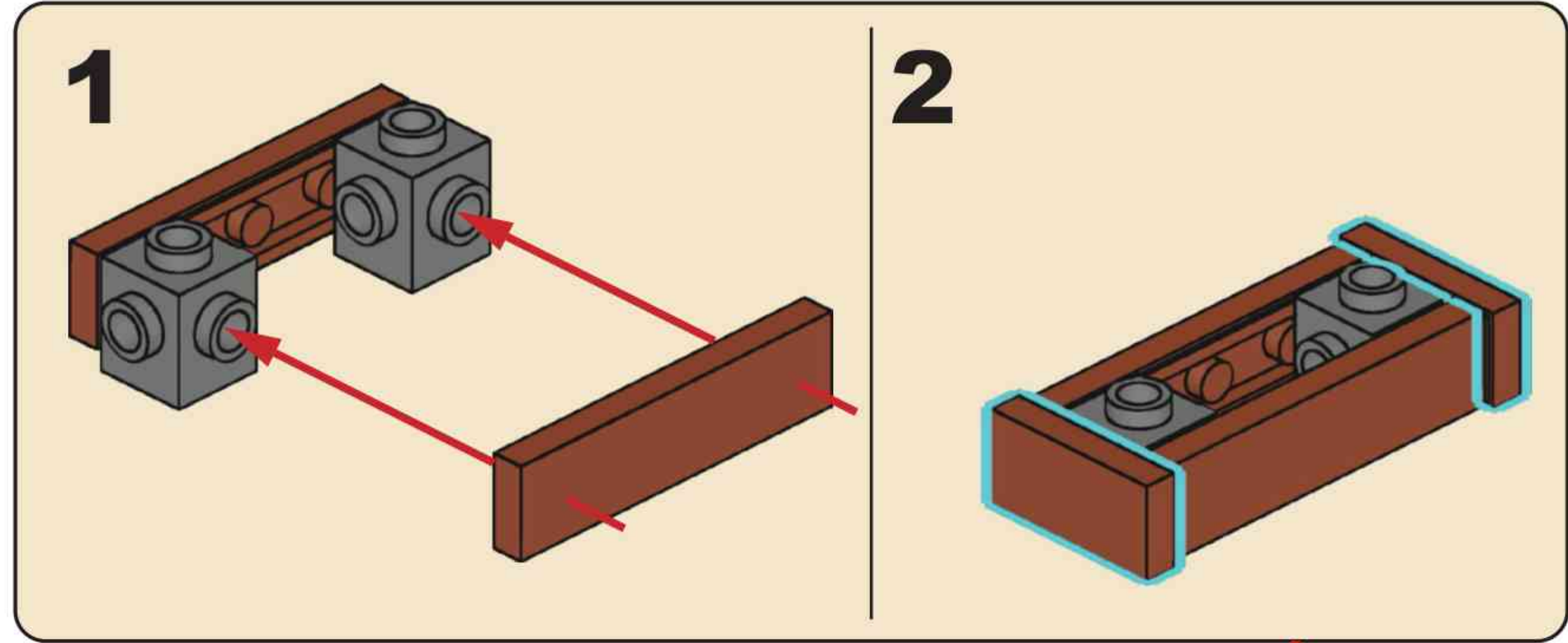


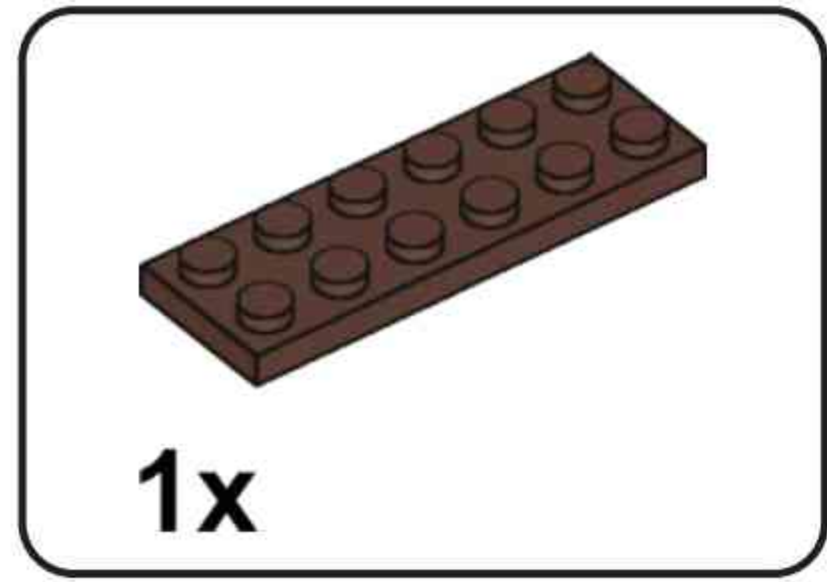
# A28



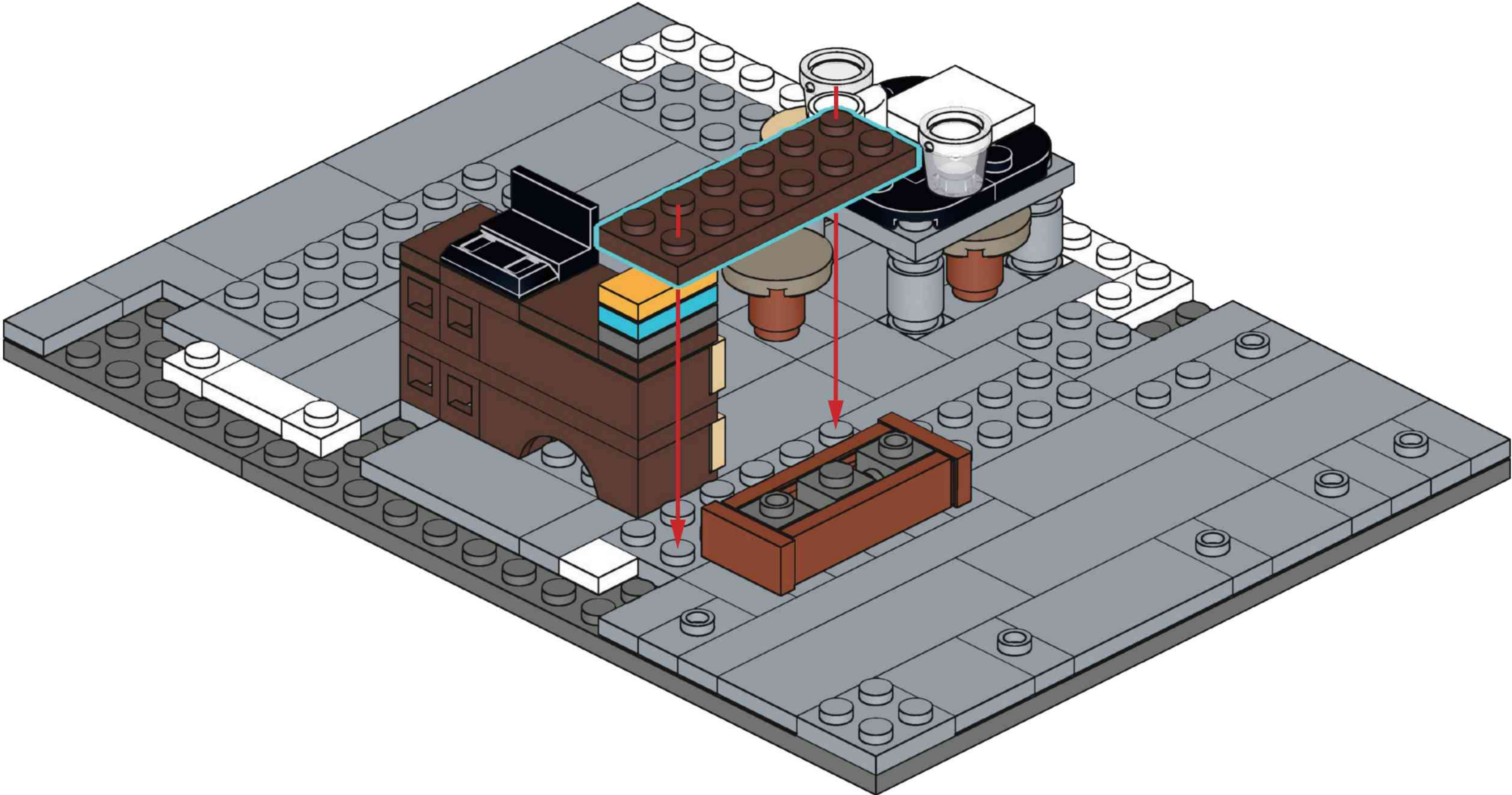


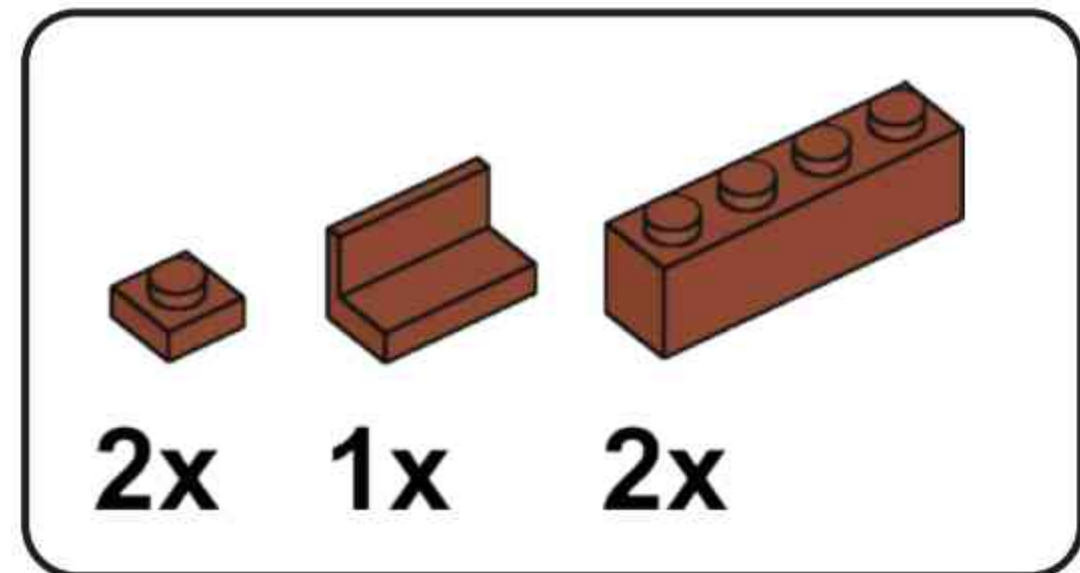
# A29



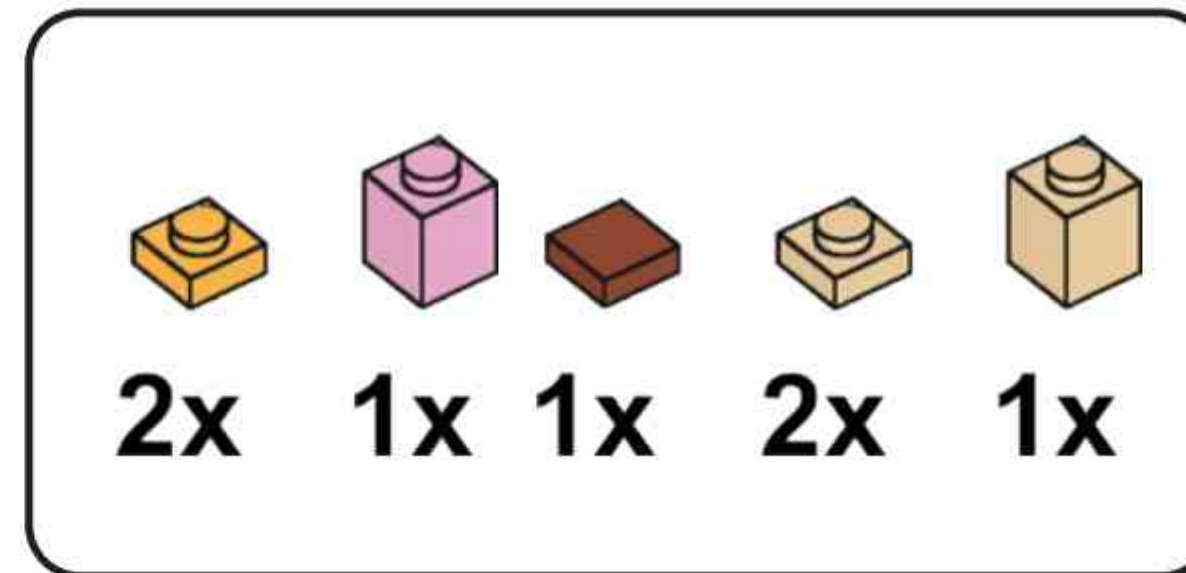
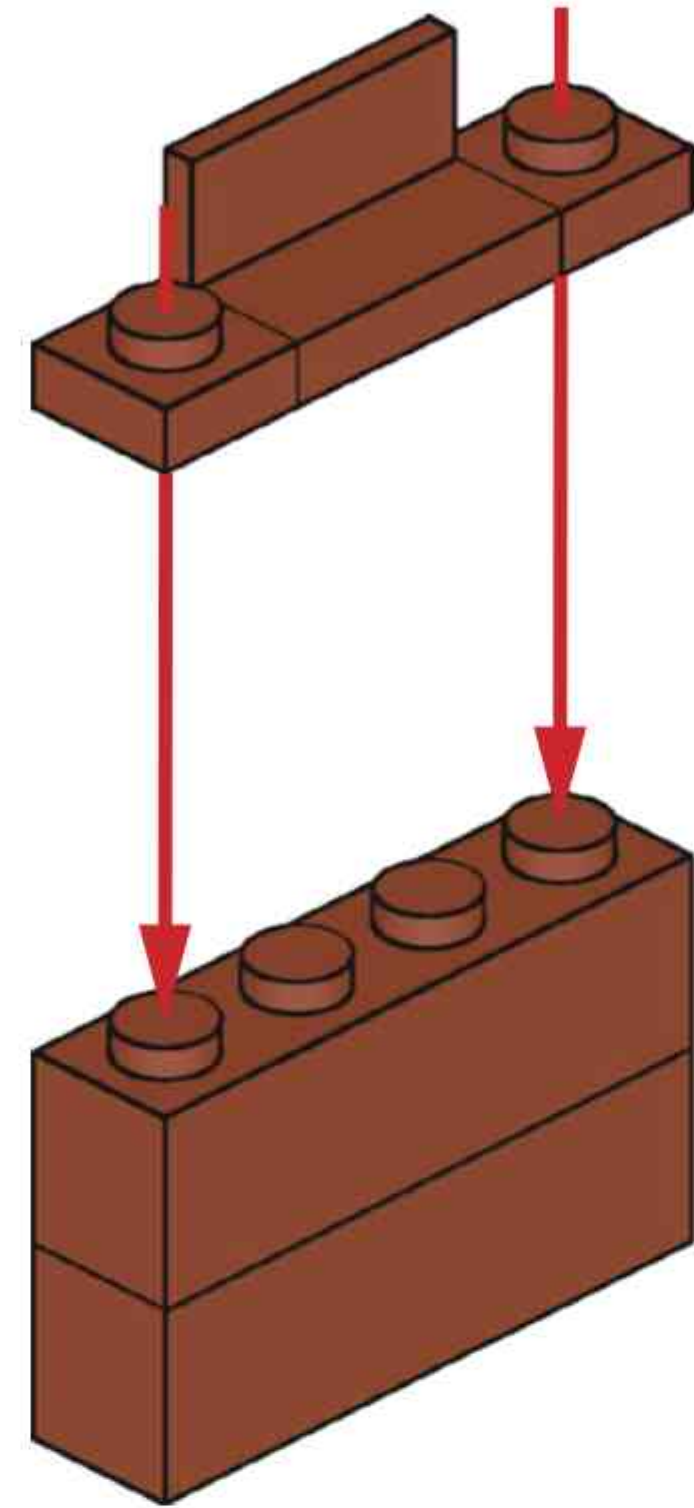


# A30

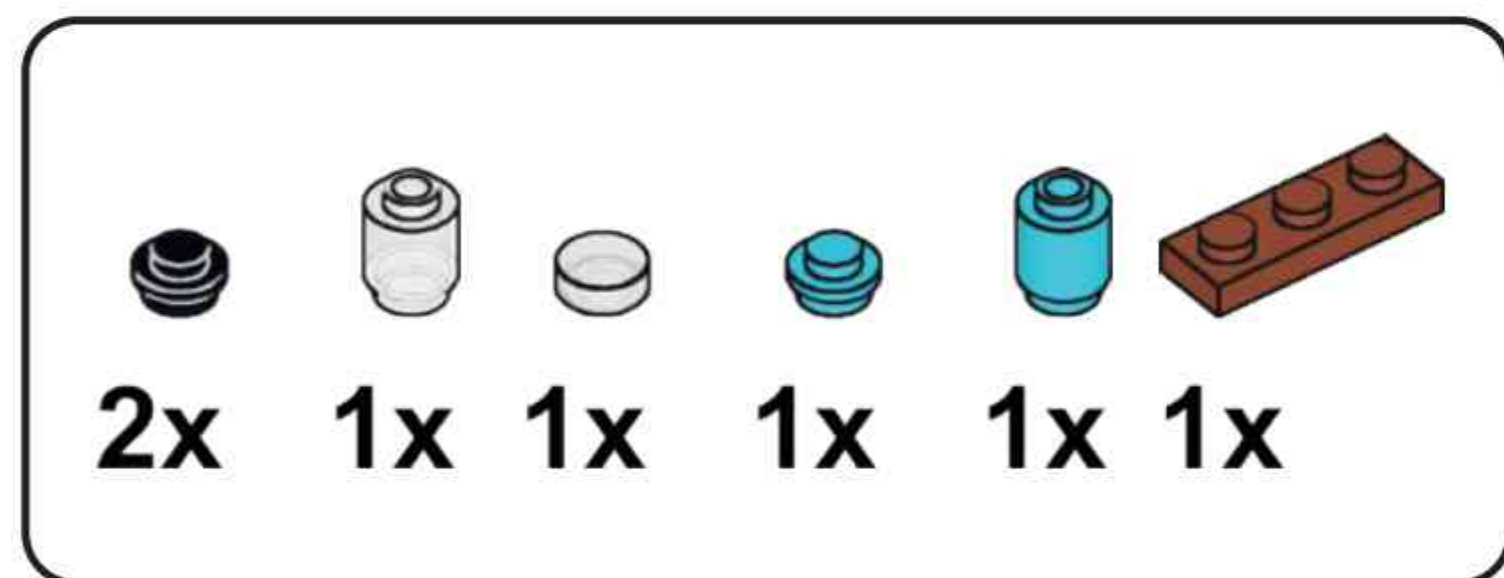
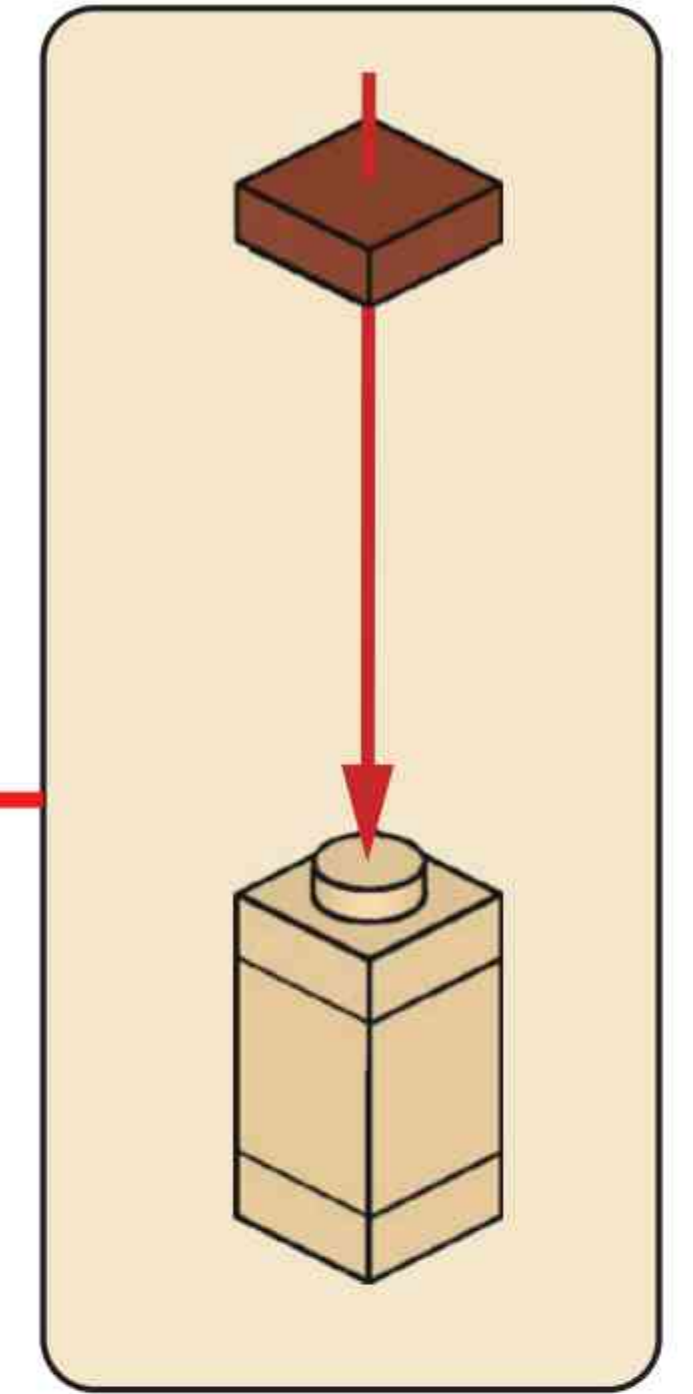
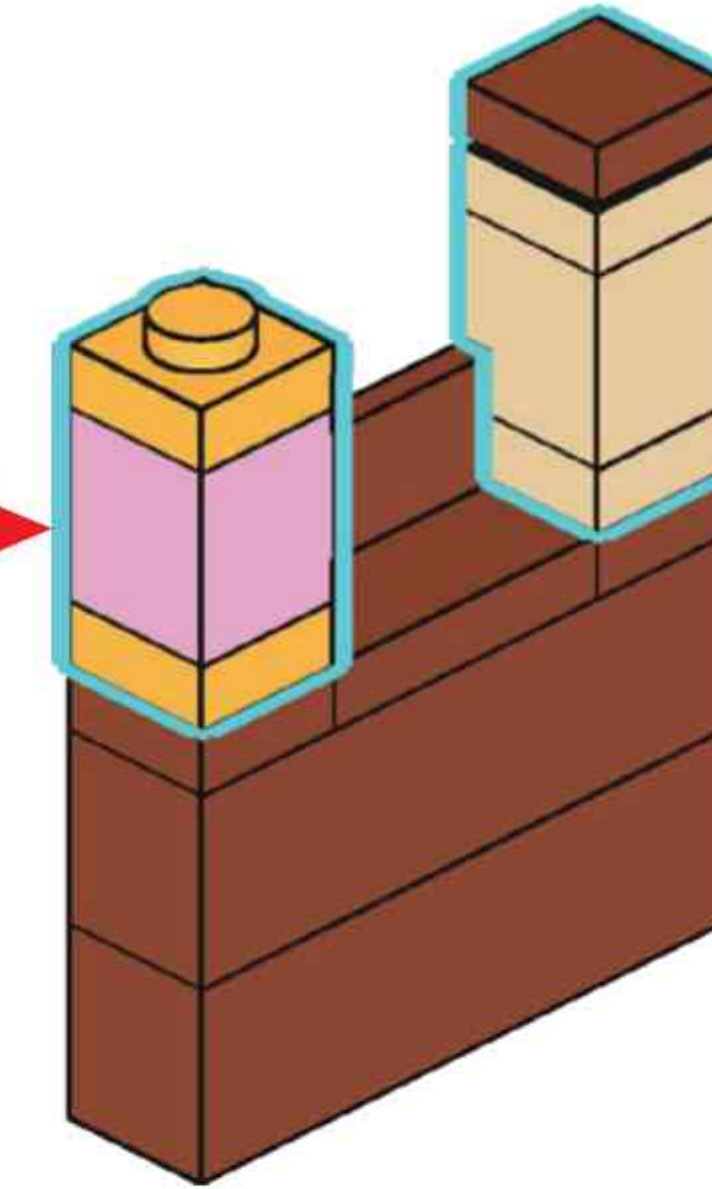
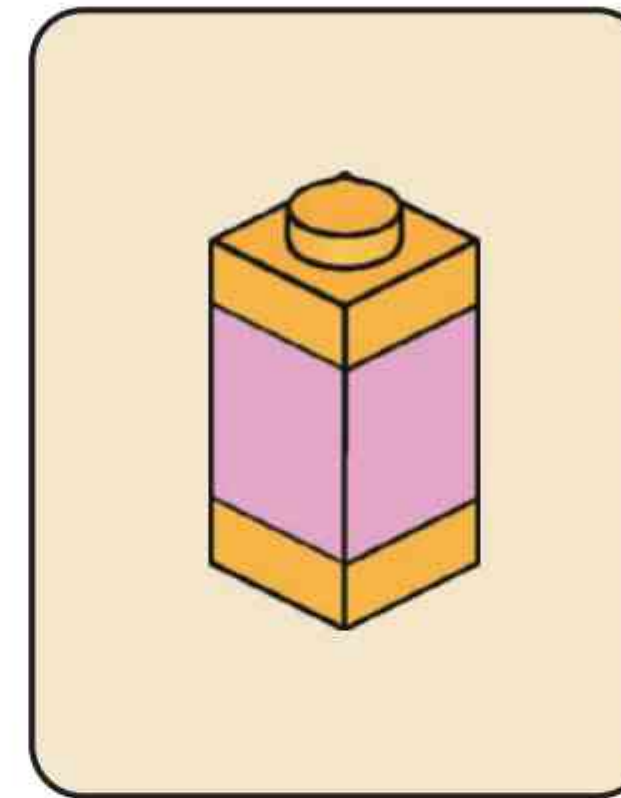




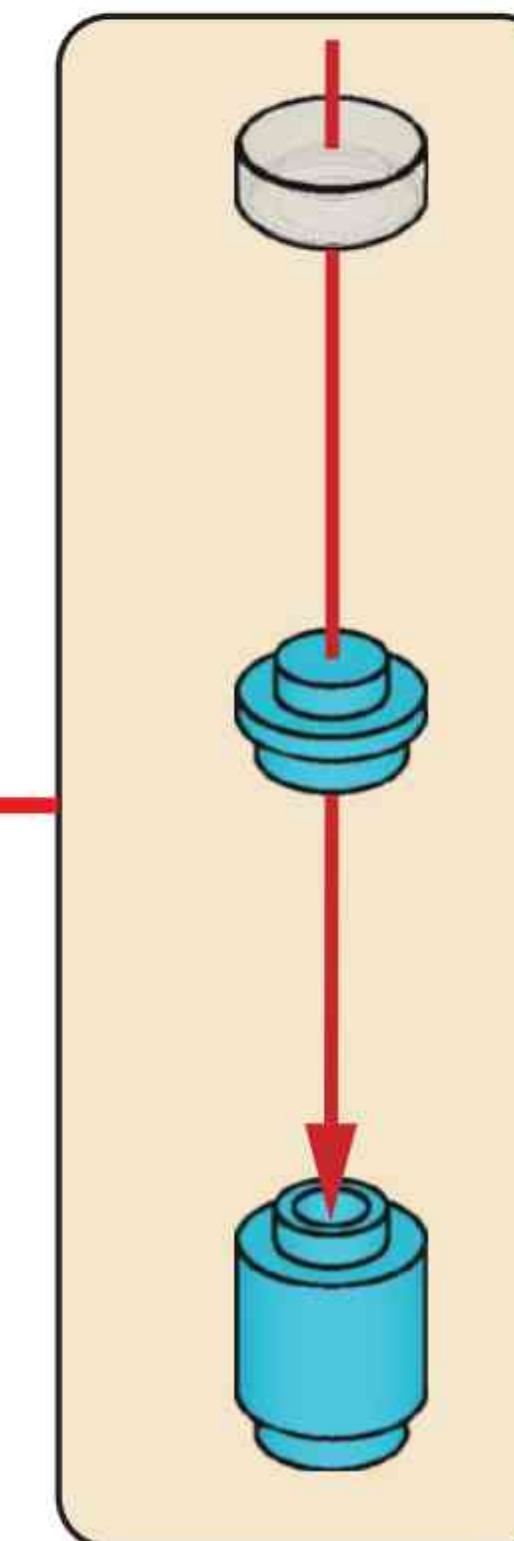
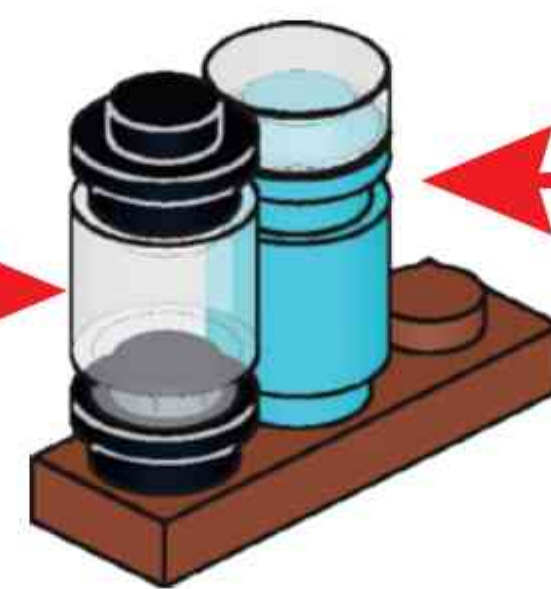
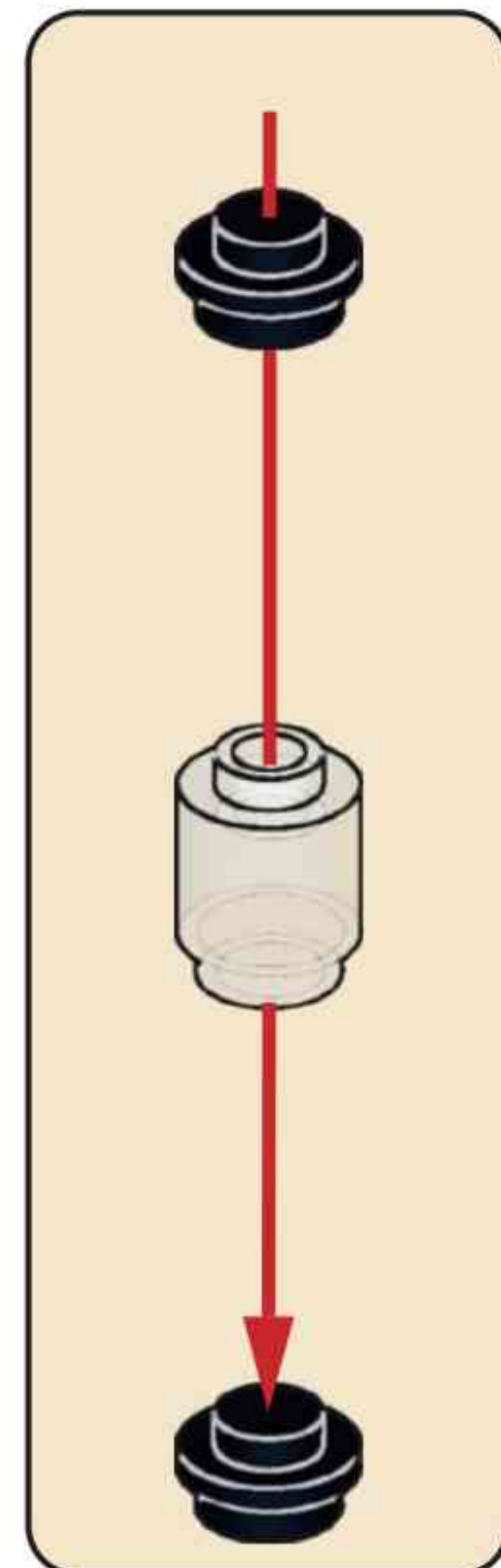
# A31

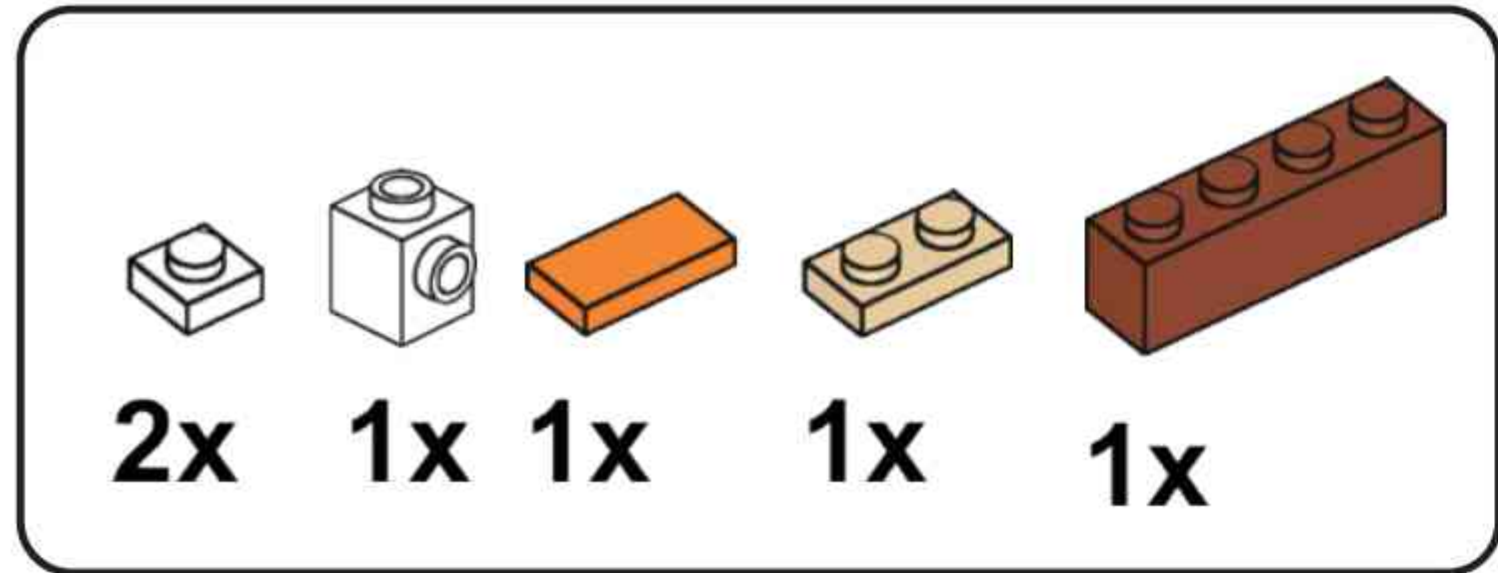


# A32

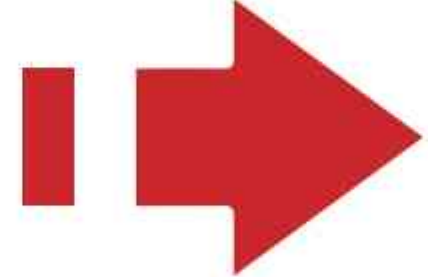
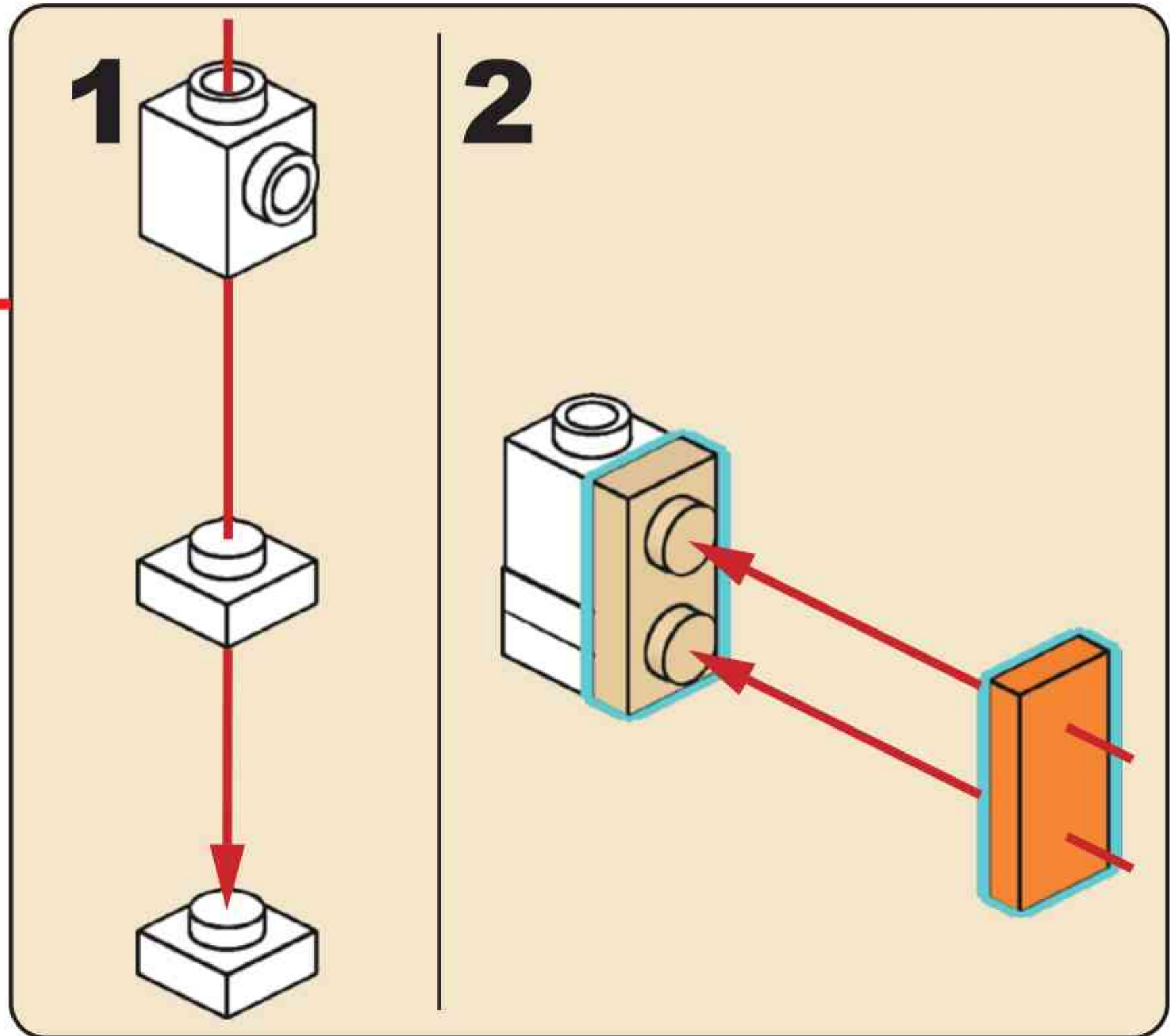
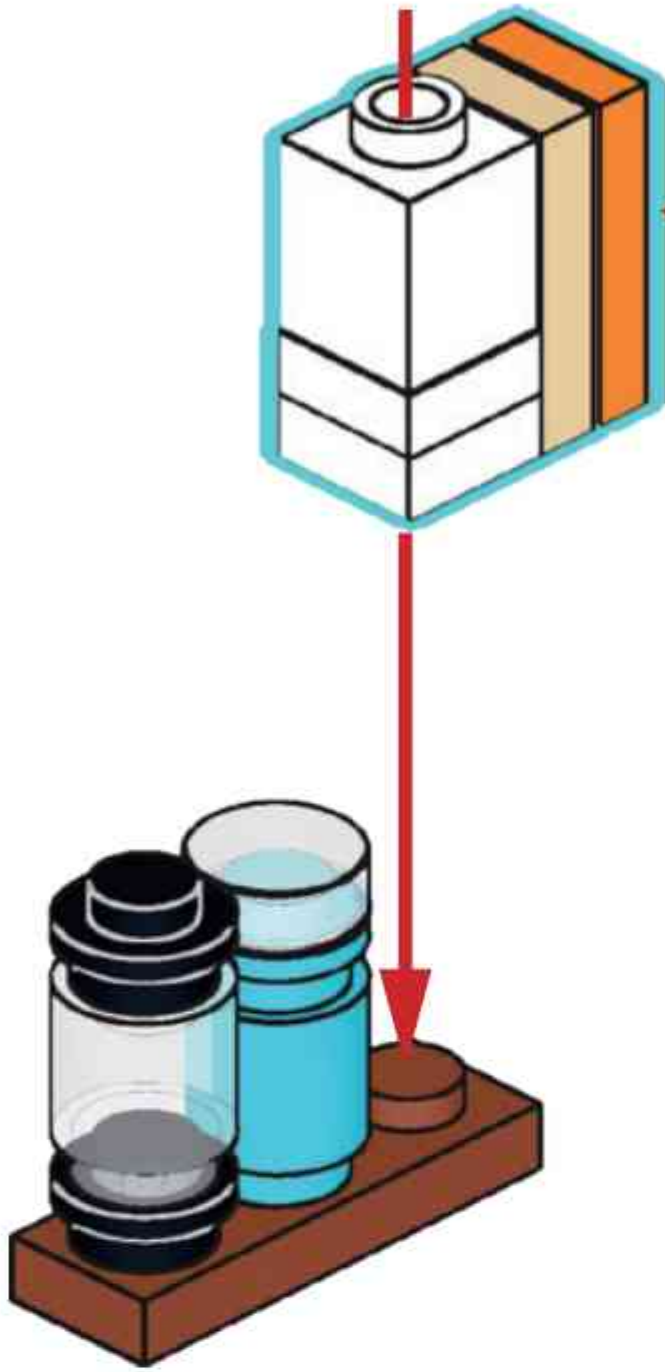


# A33



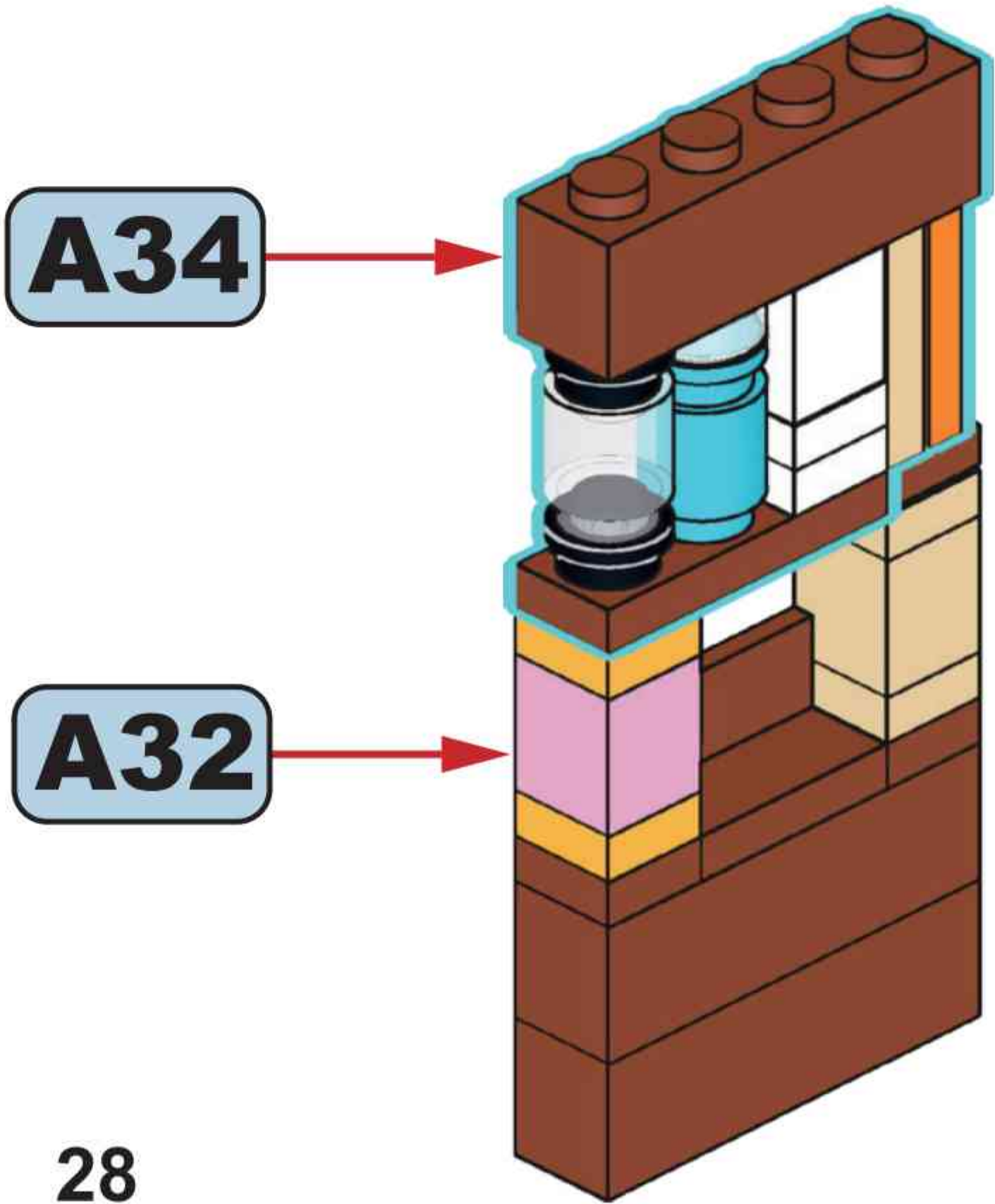


# A34

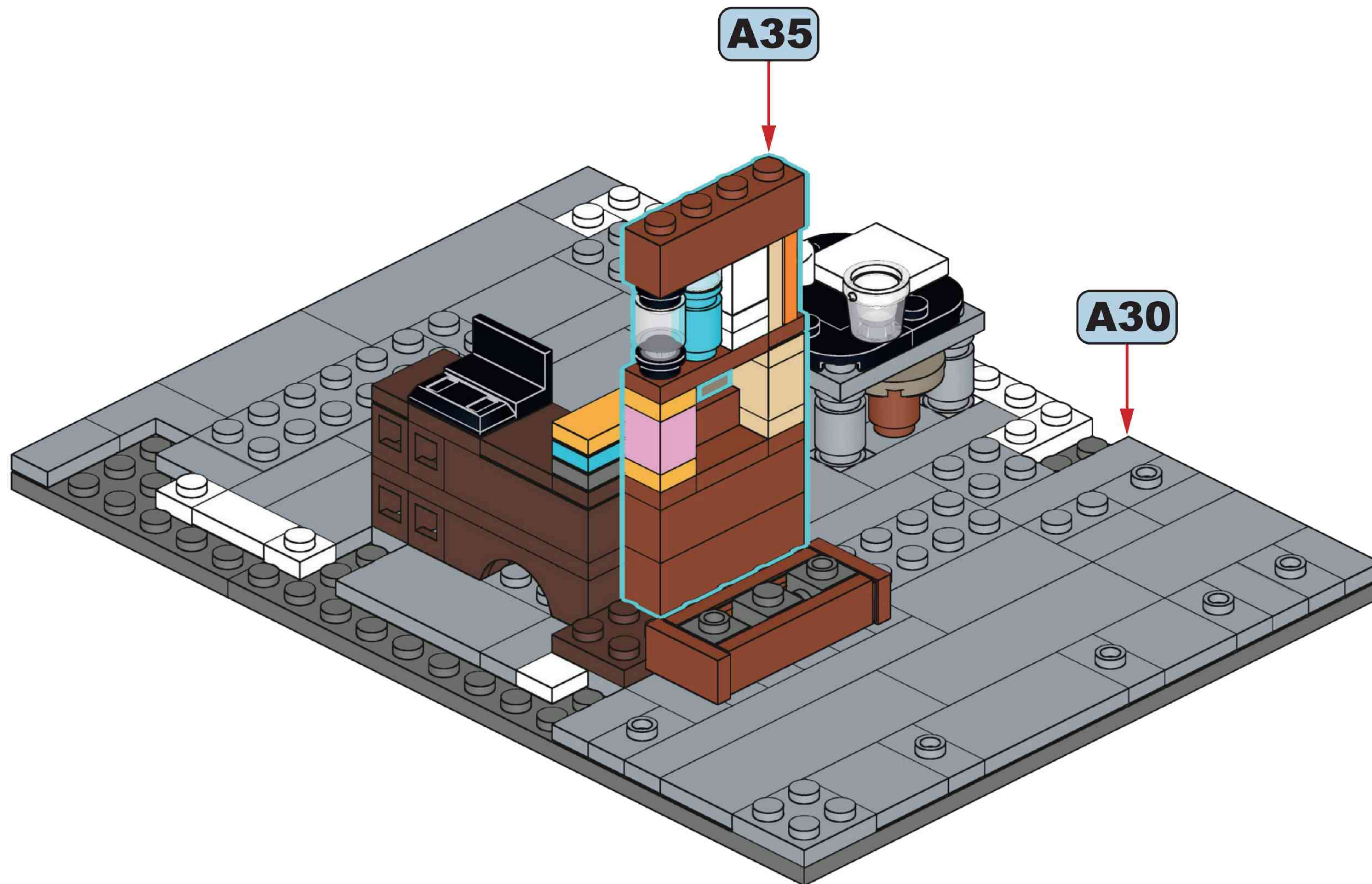


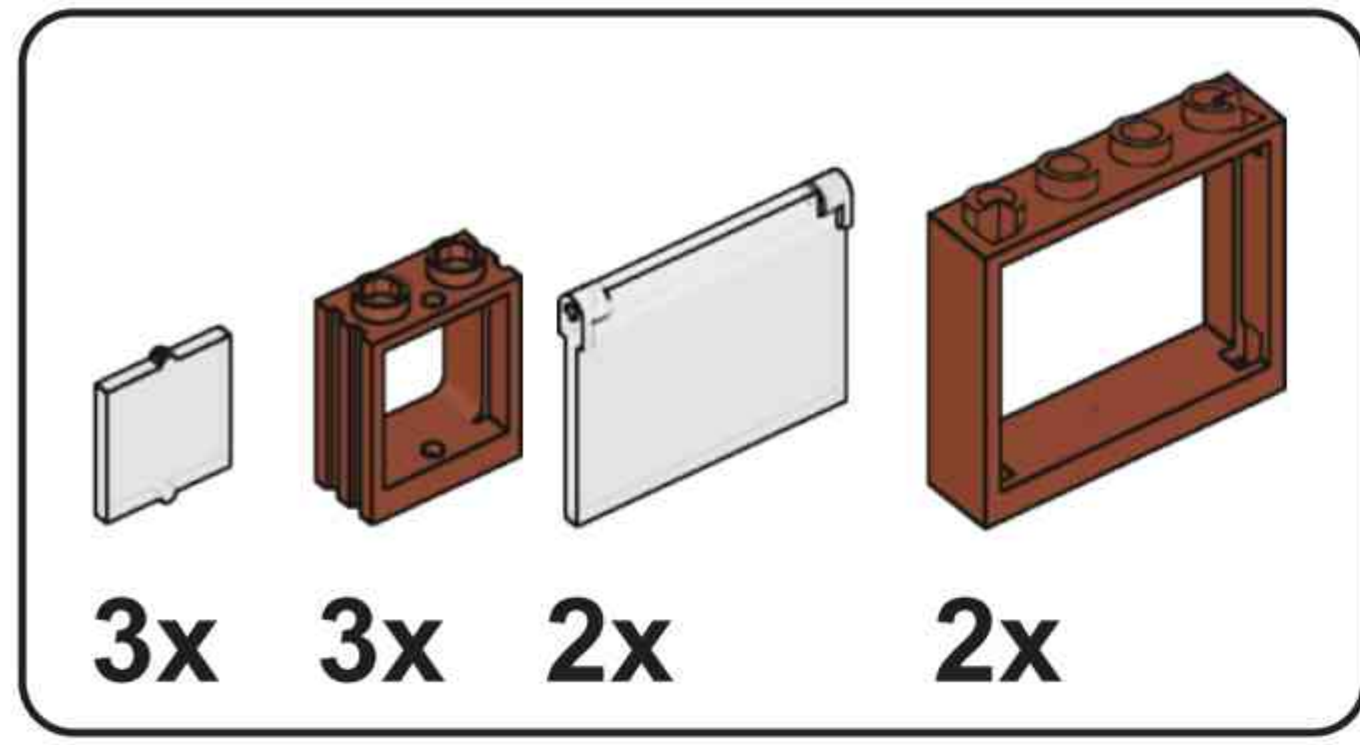
---

# A35

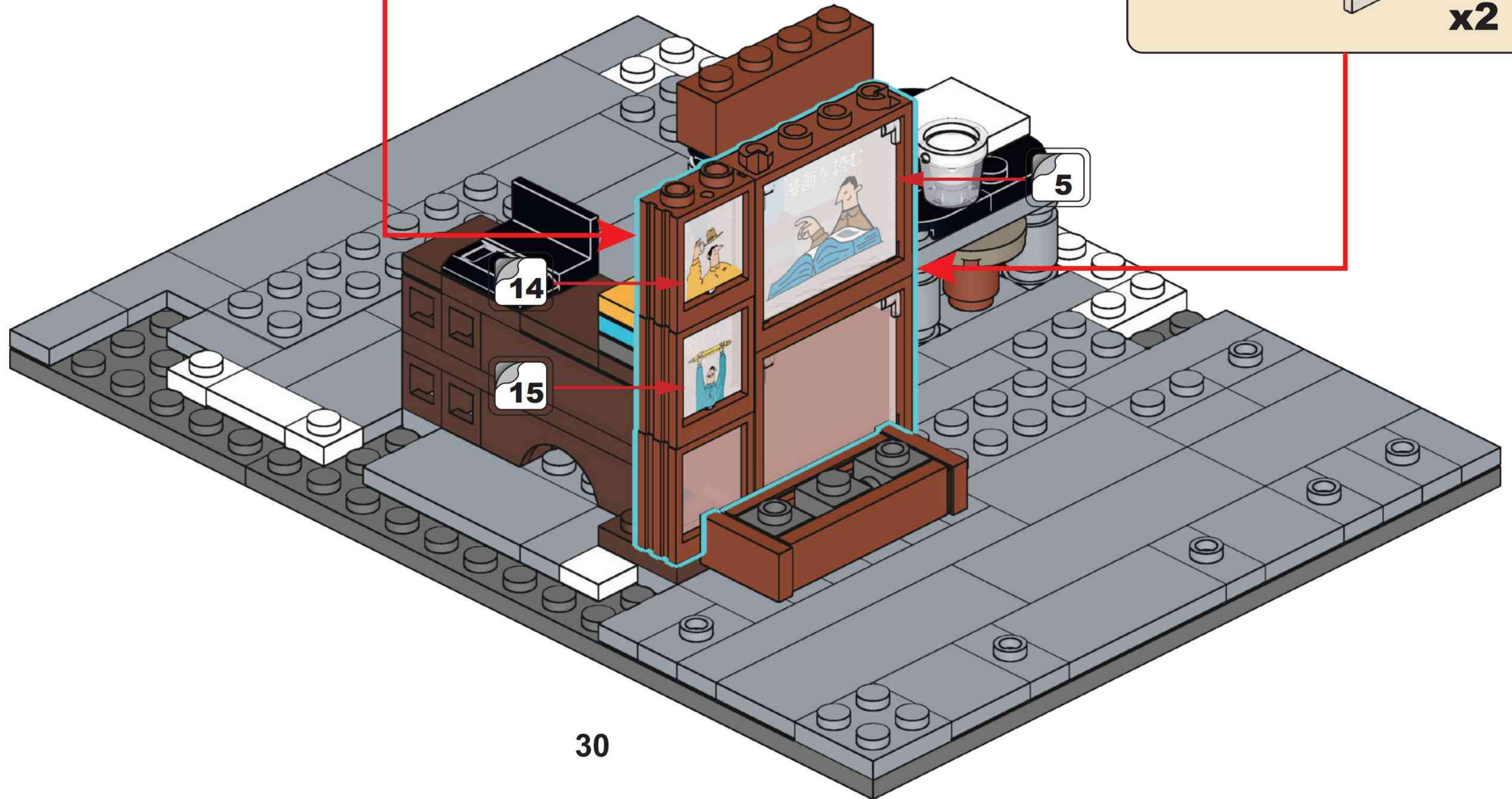
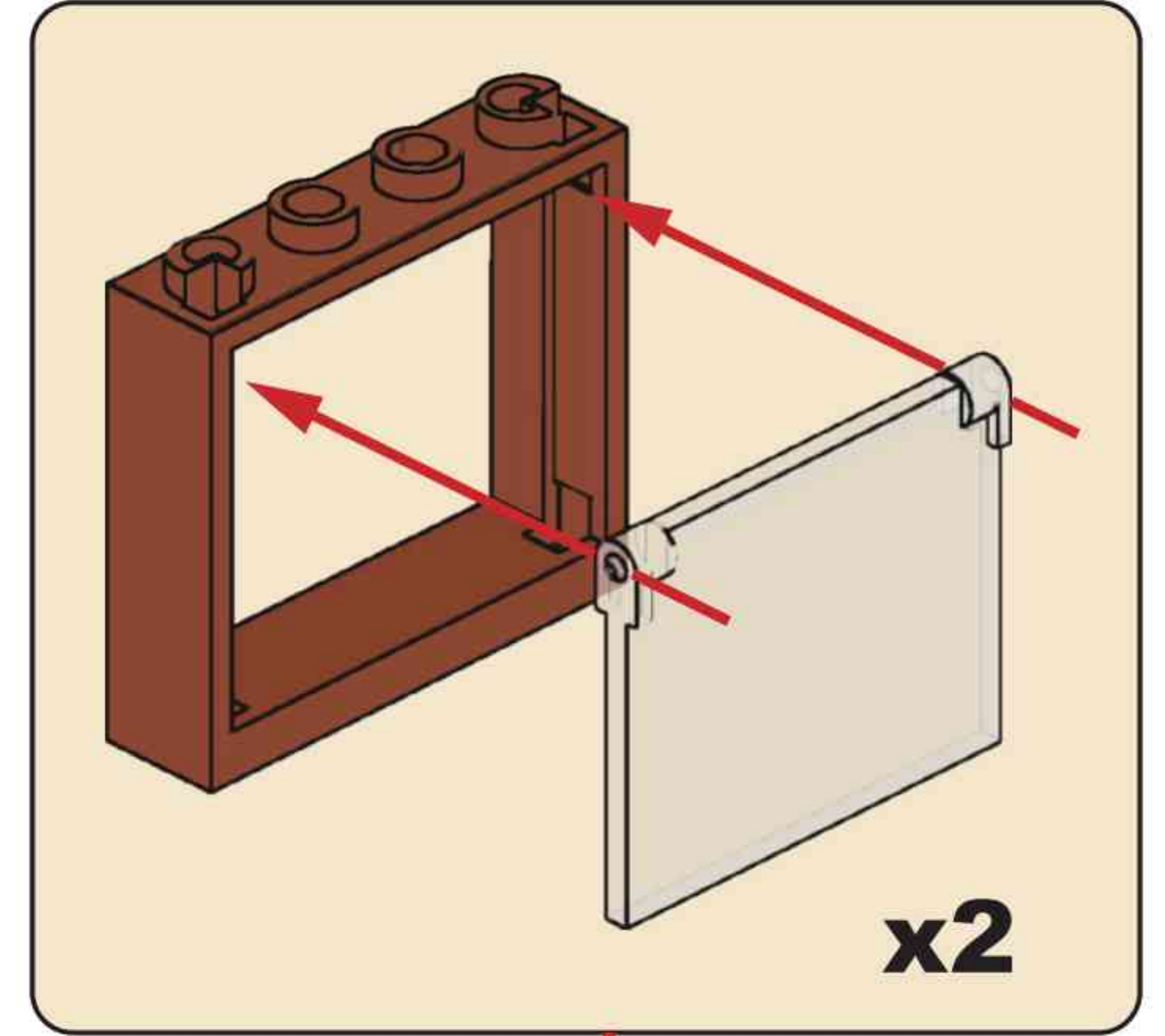
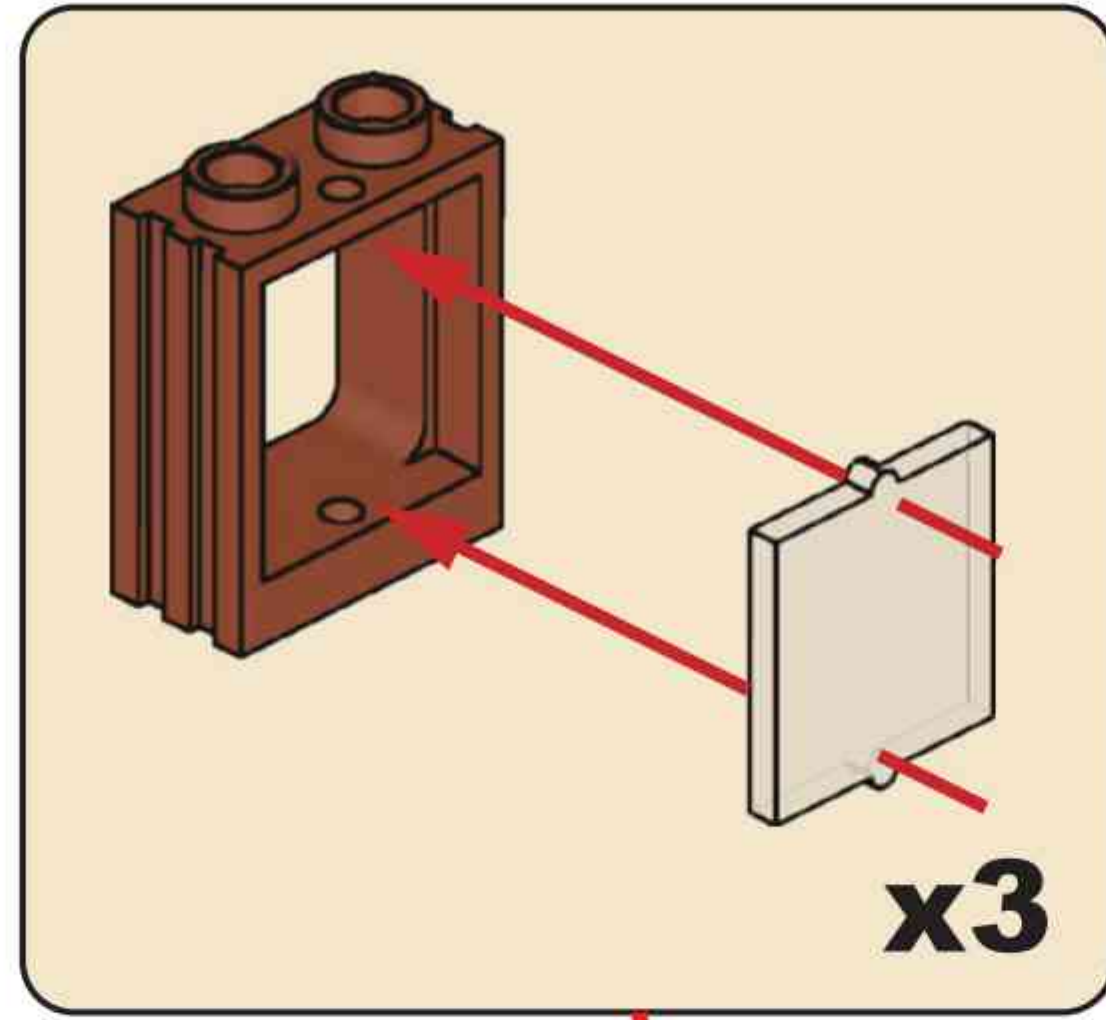


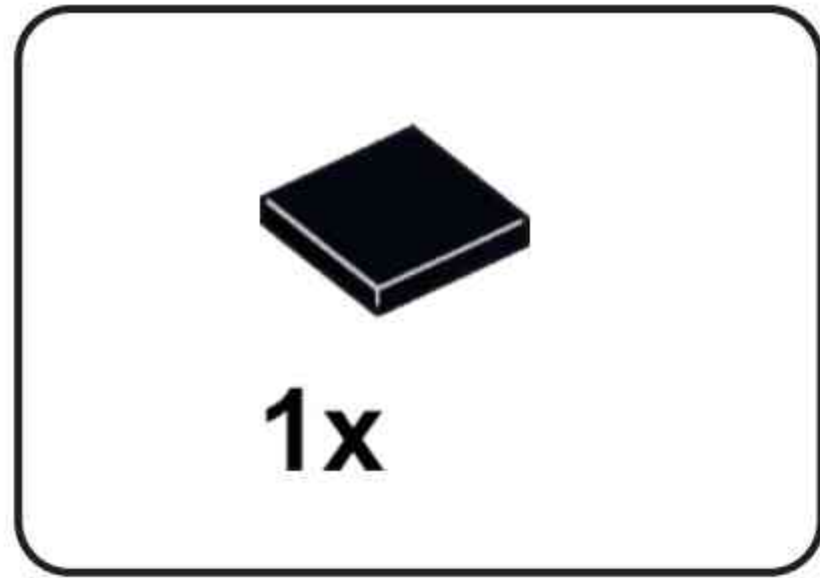
# A36



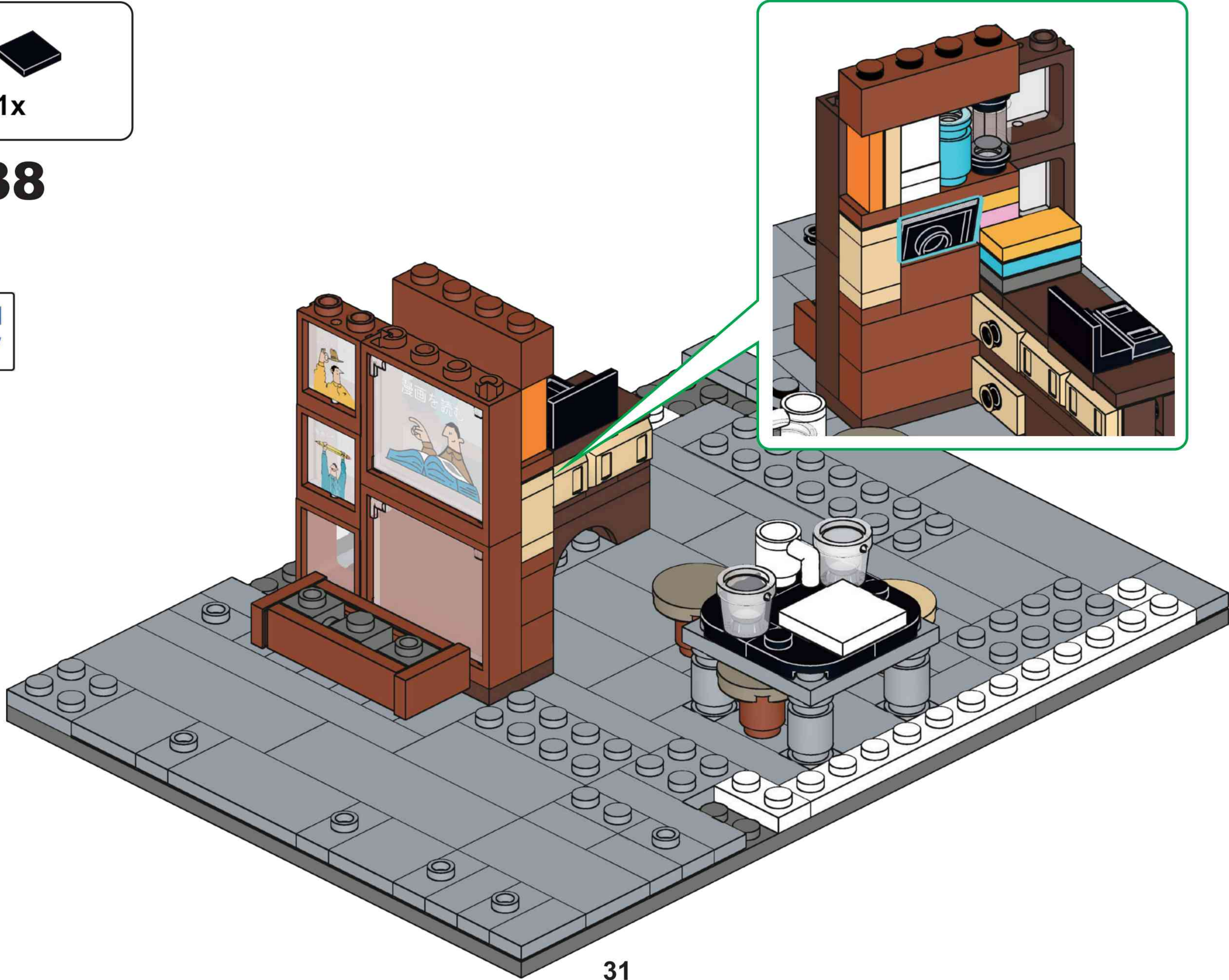


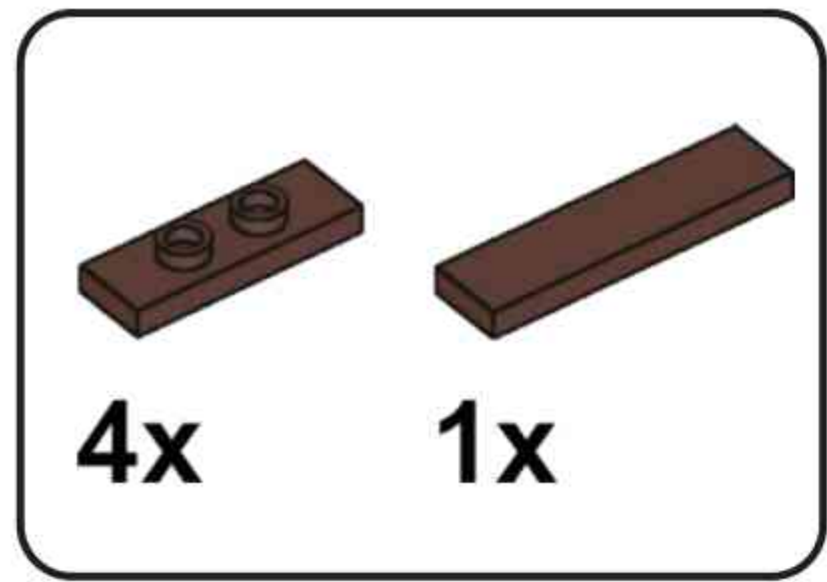
# A37



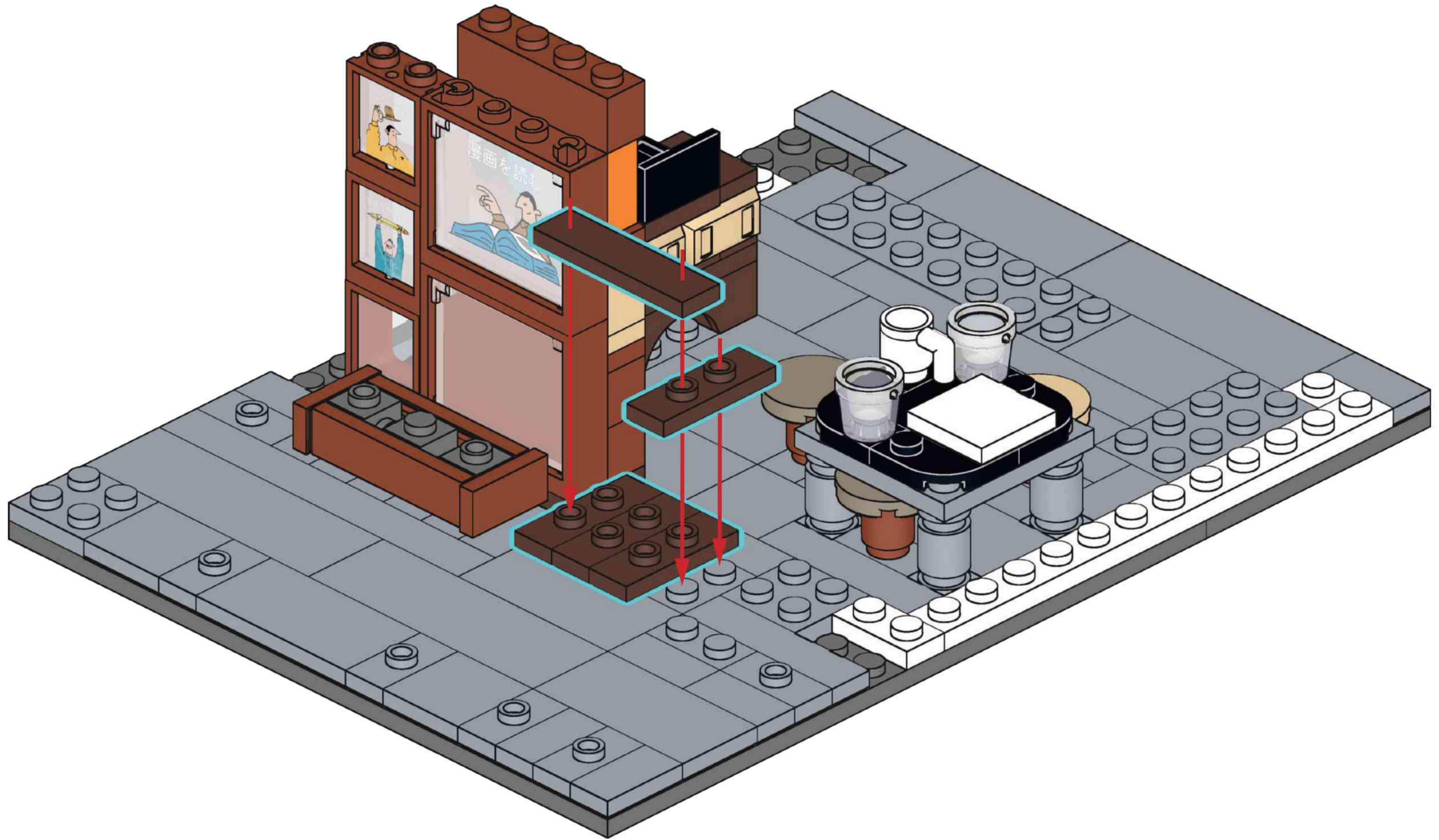


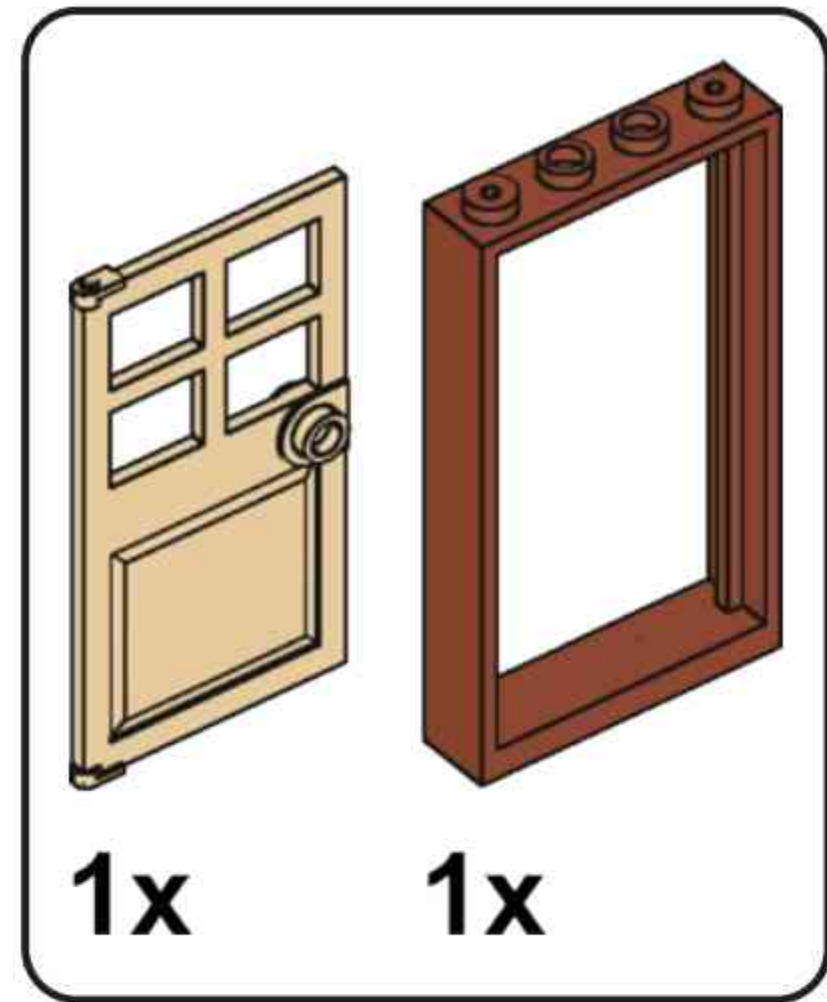
**A38**



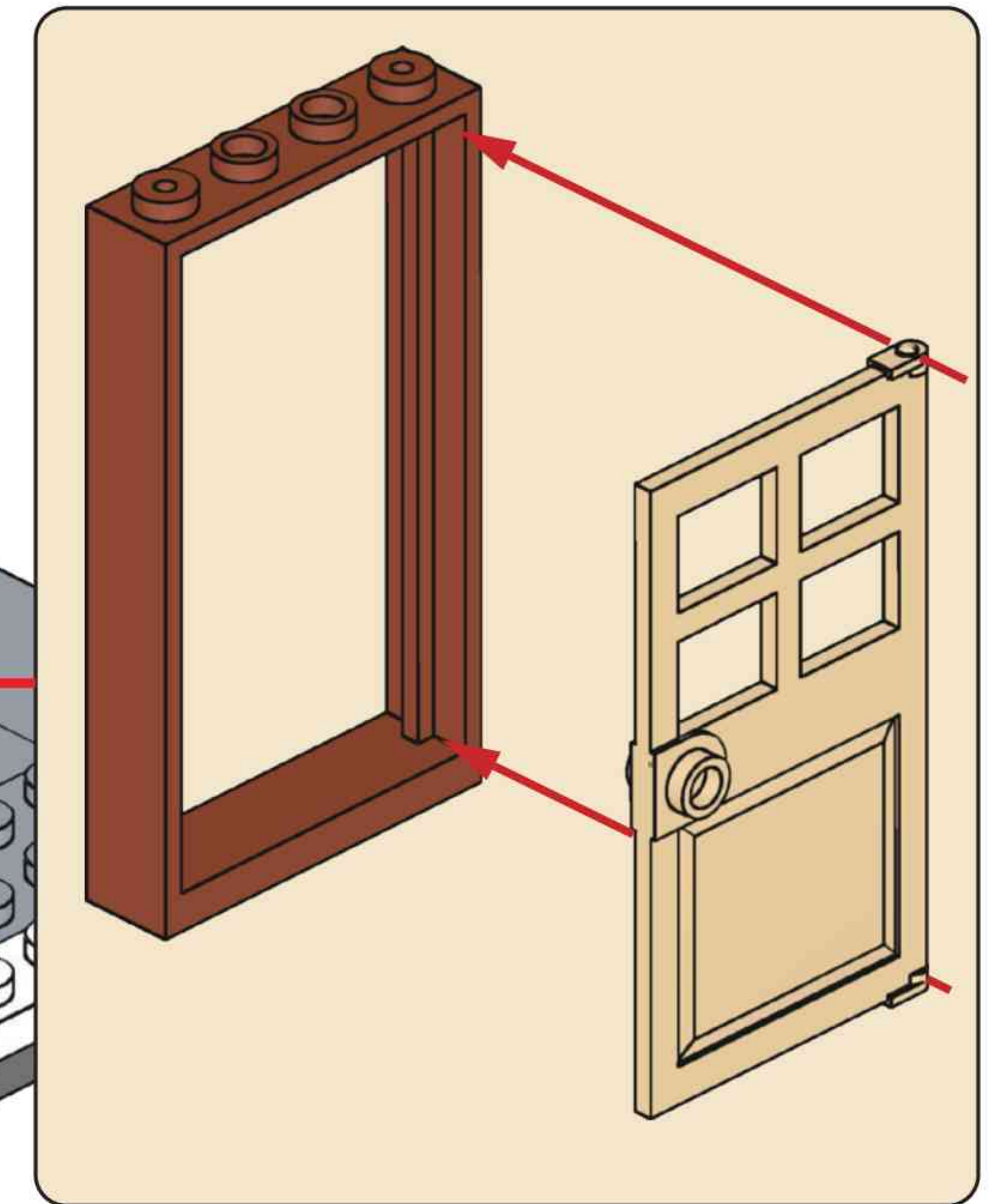


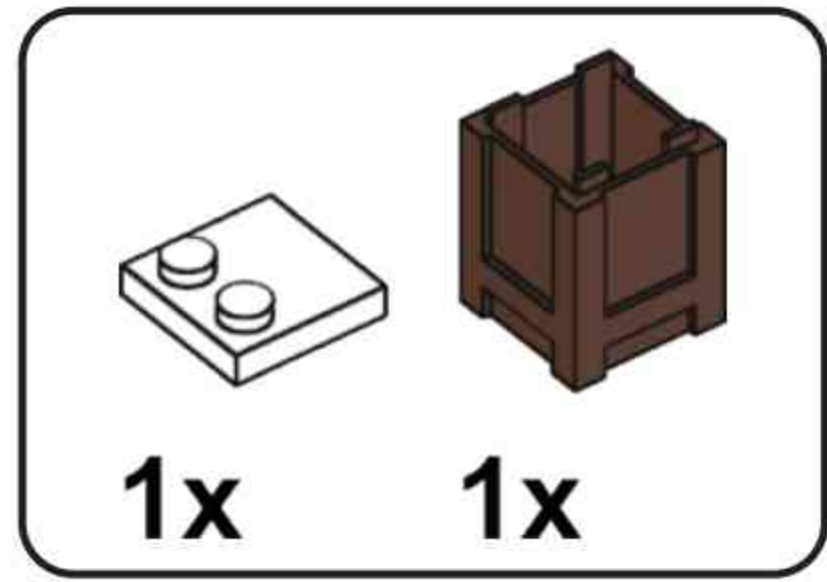
# A39



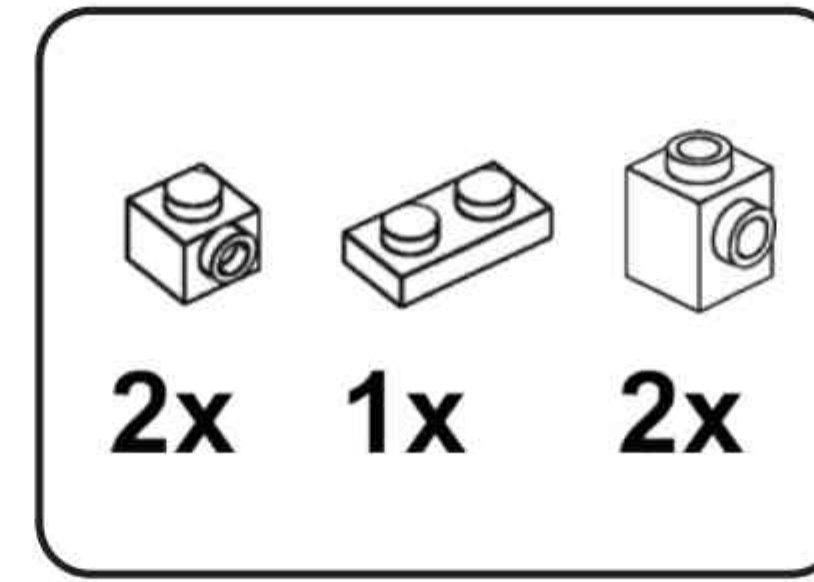
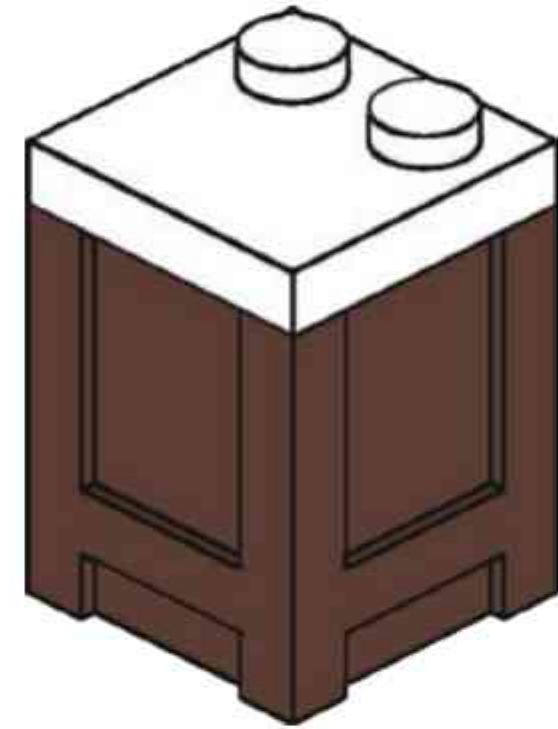


# A40

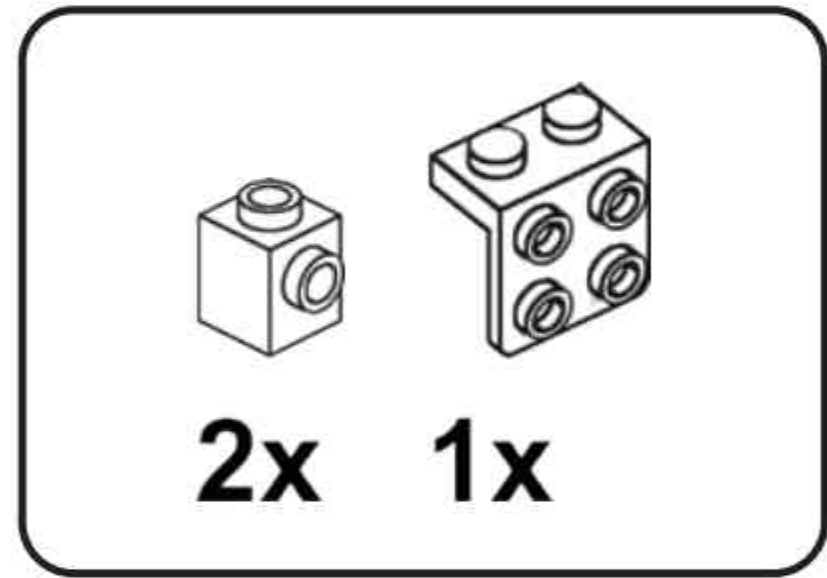
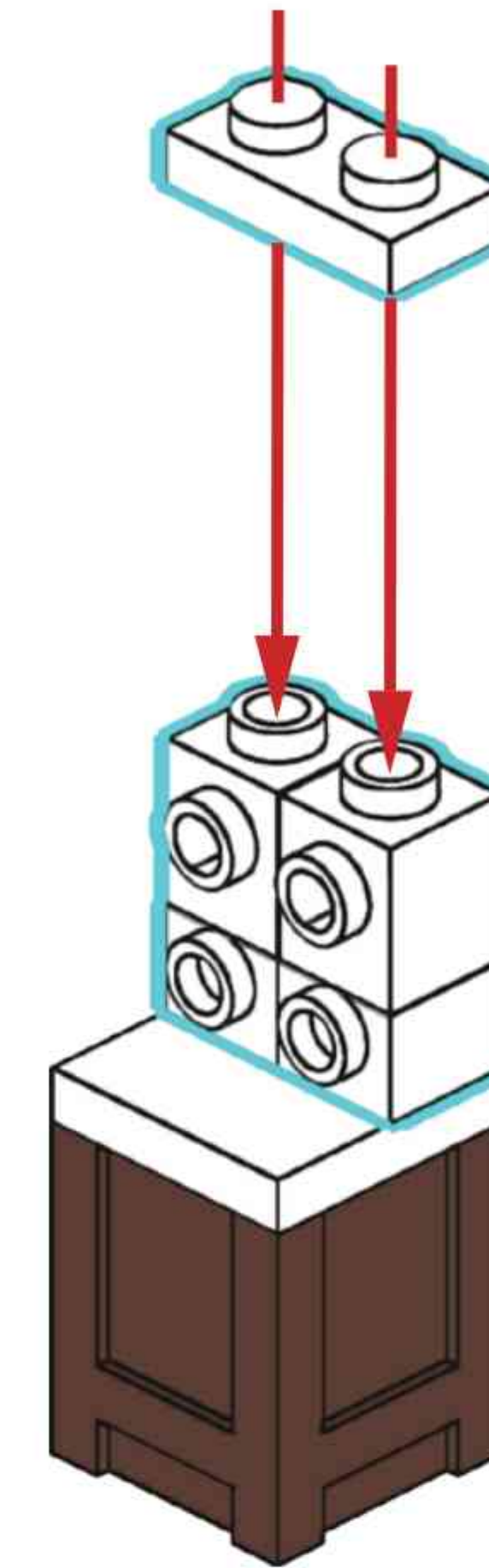




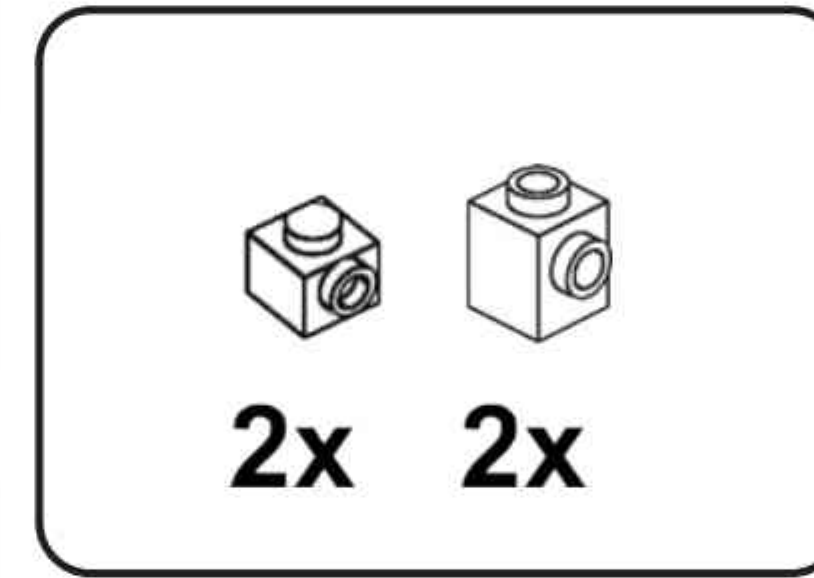
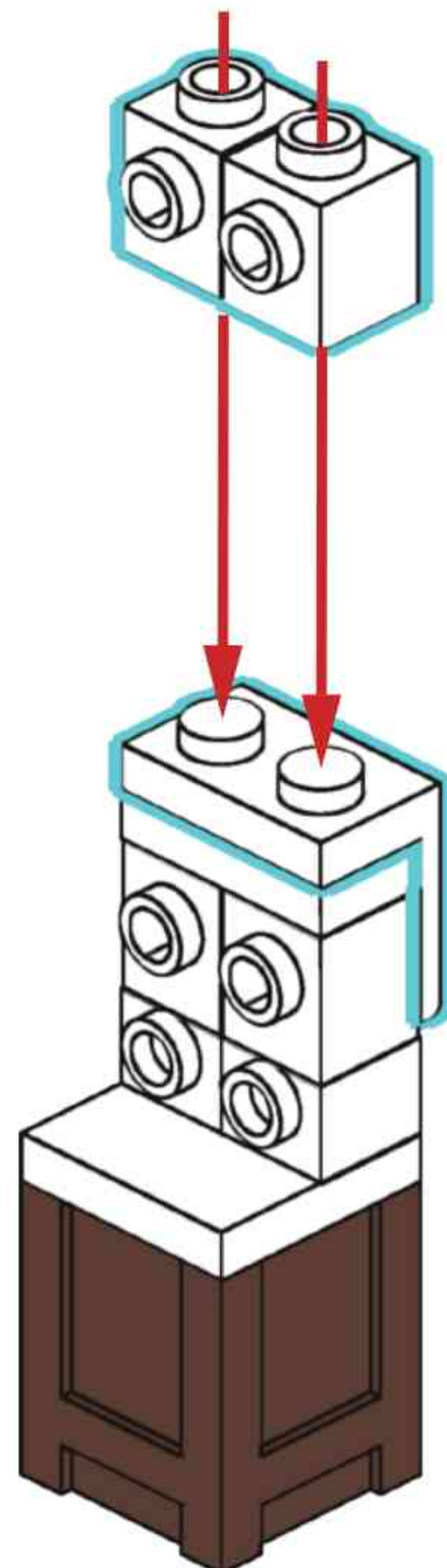
**A41**



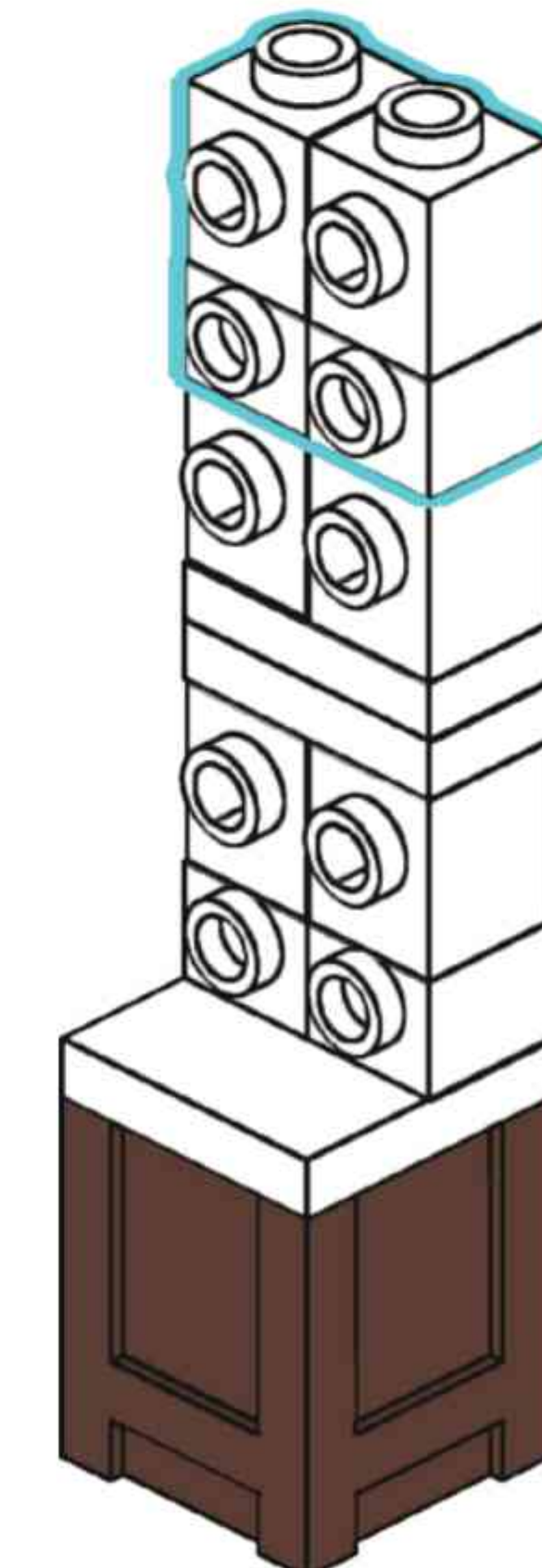
**A42**

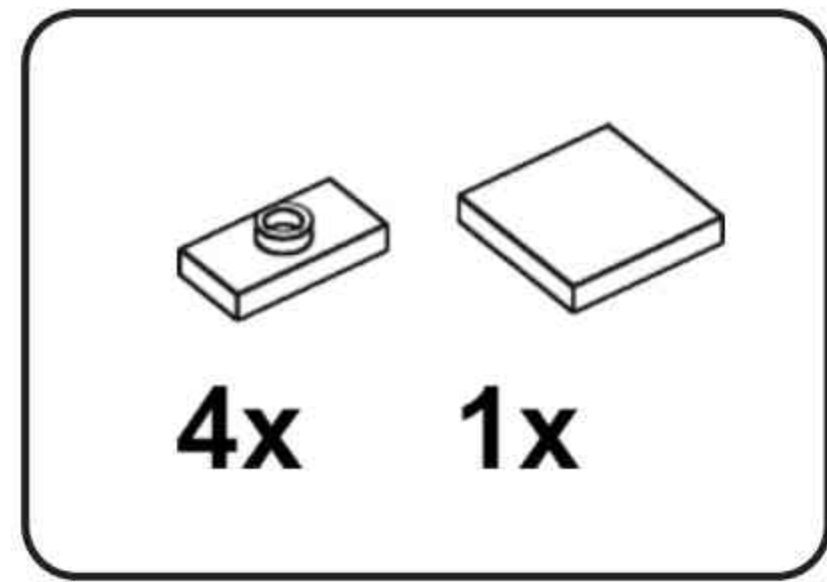


**A43**

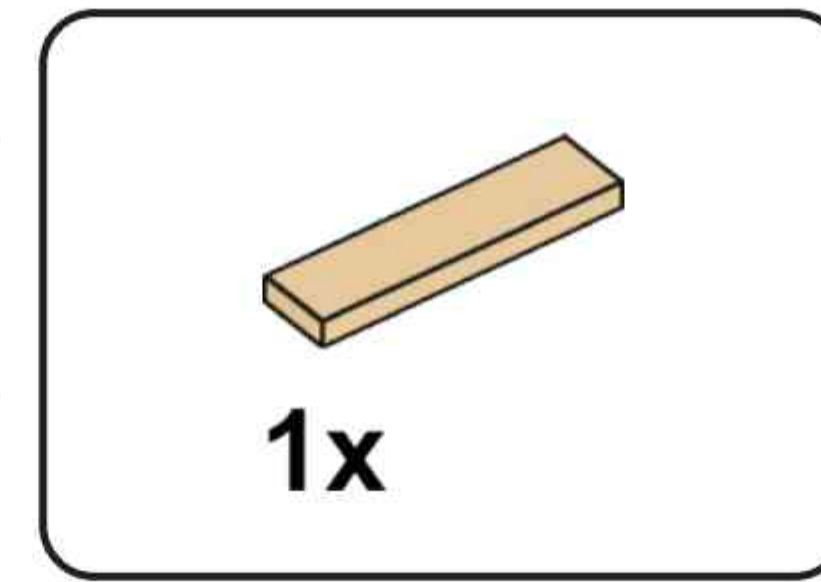
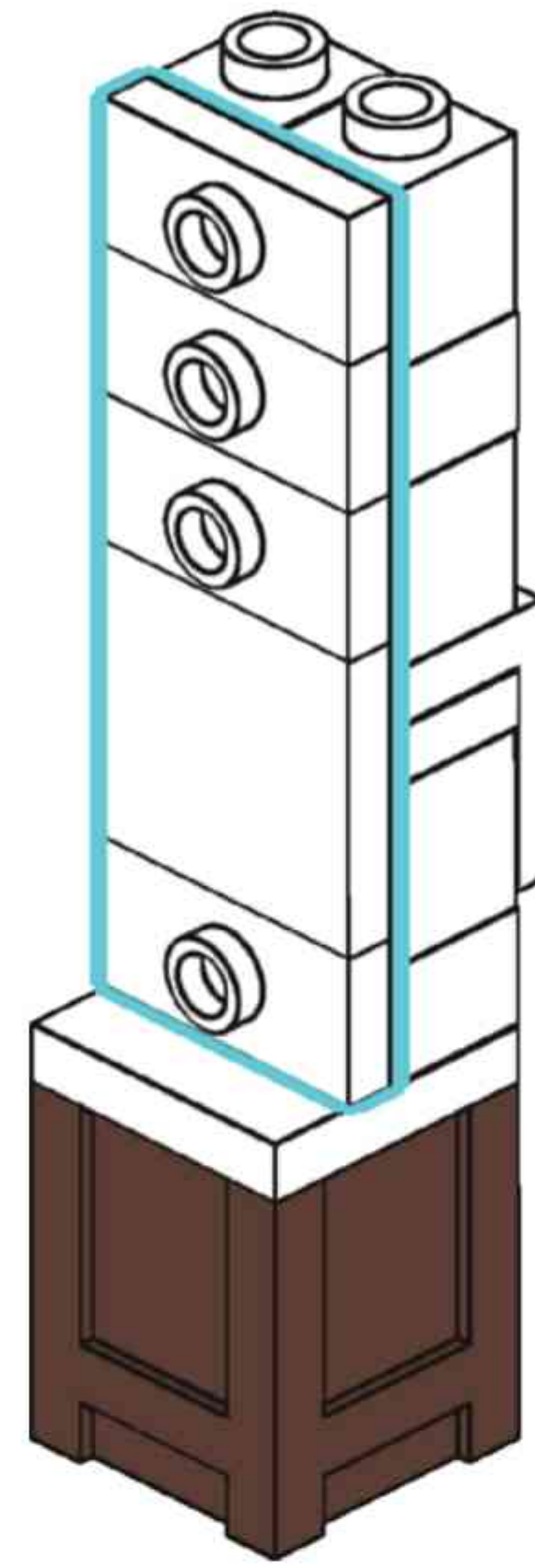


**A44**

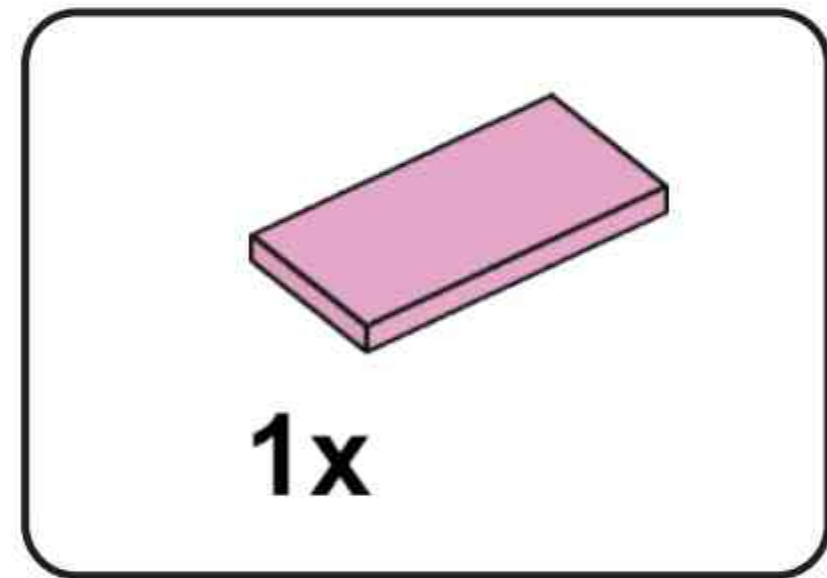
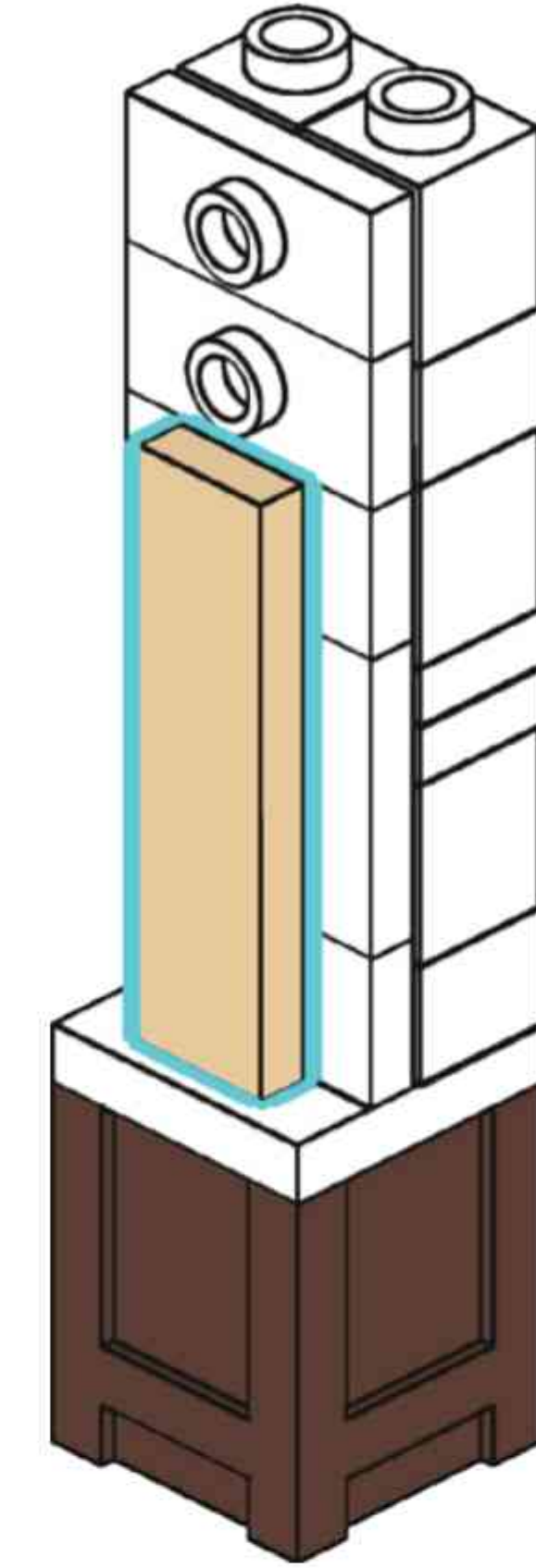




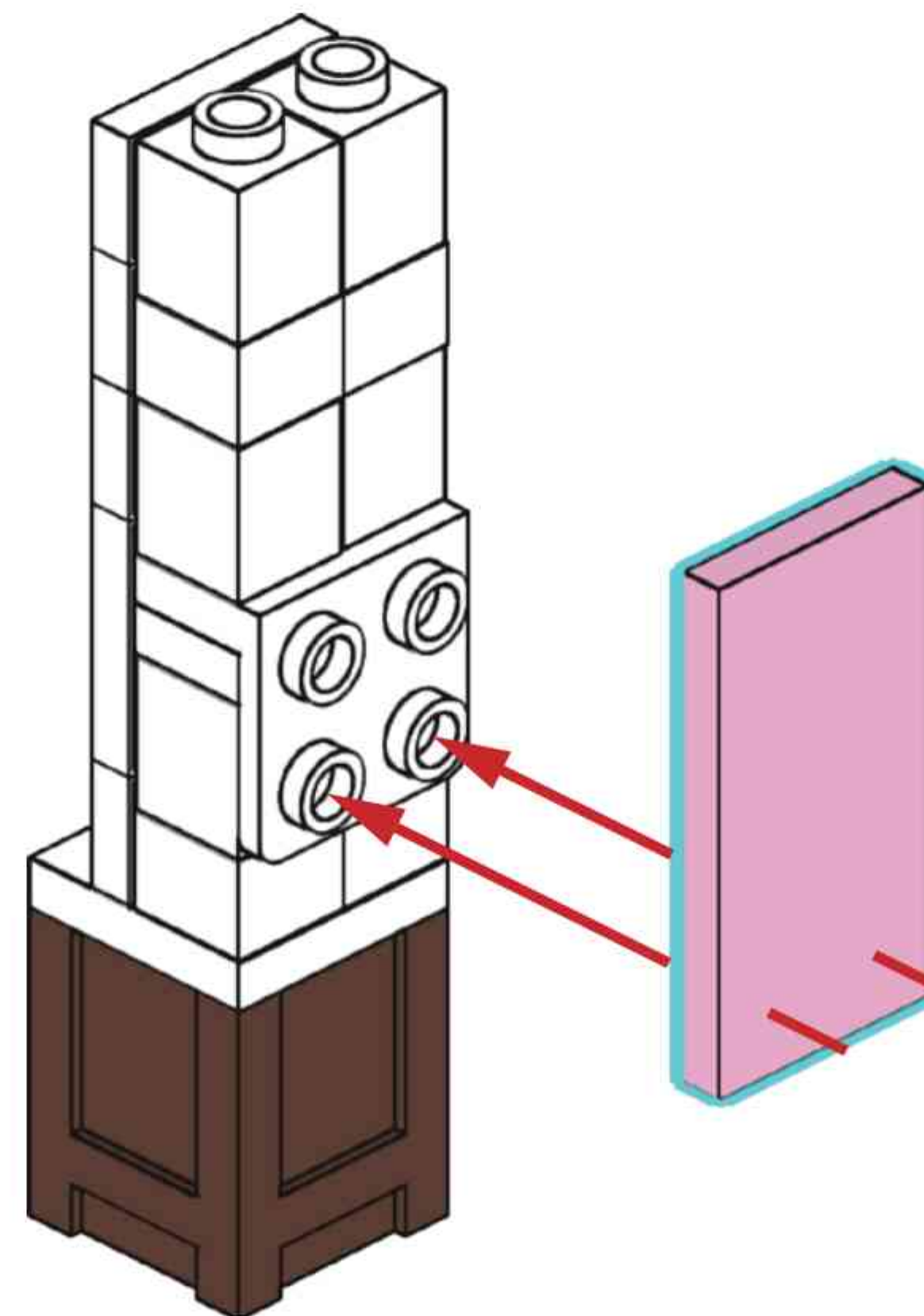
**A45**



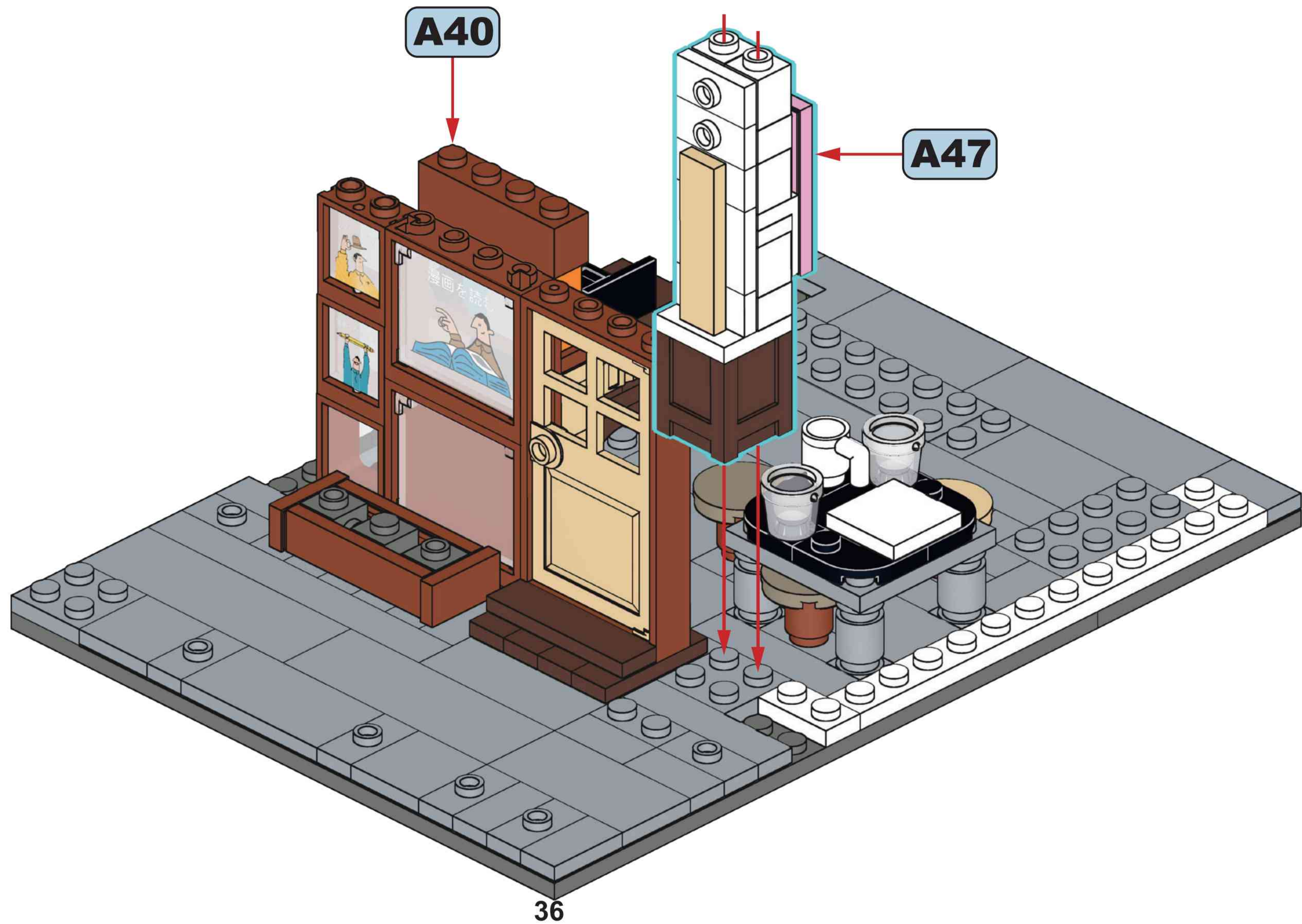
**A46**



**A47**



# A48



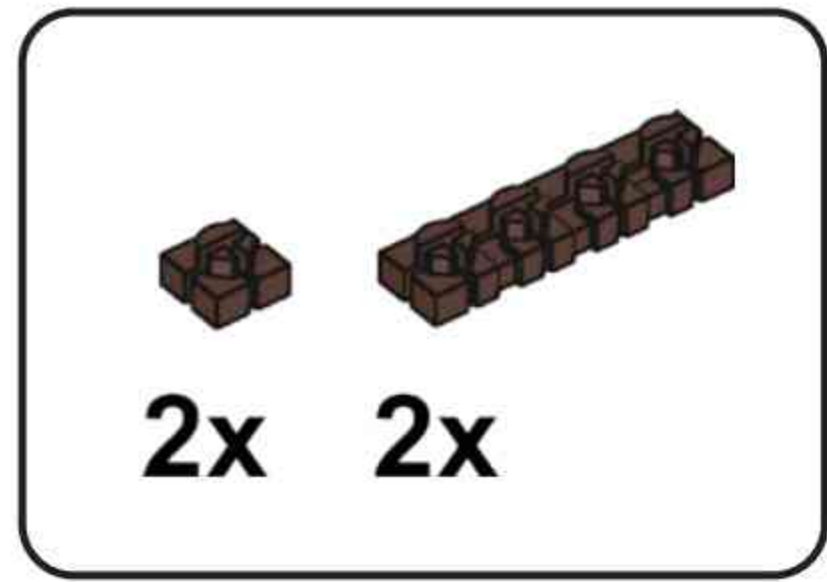
**6x**   **2x**   **1x**   **1x**

# A49

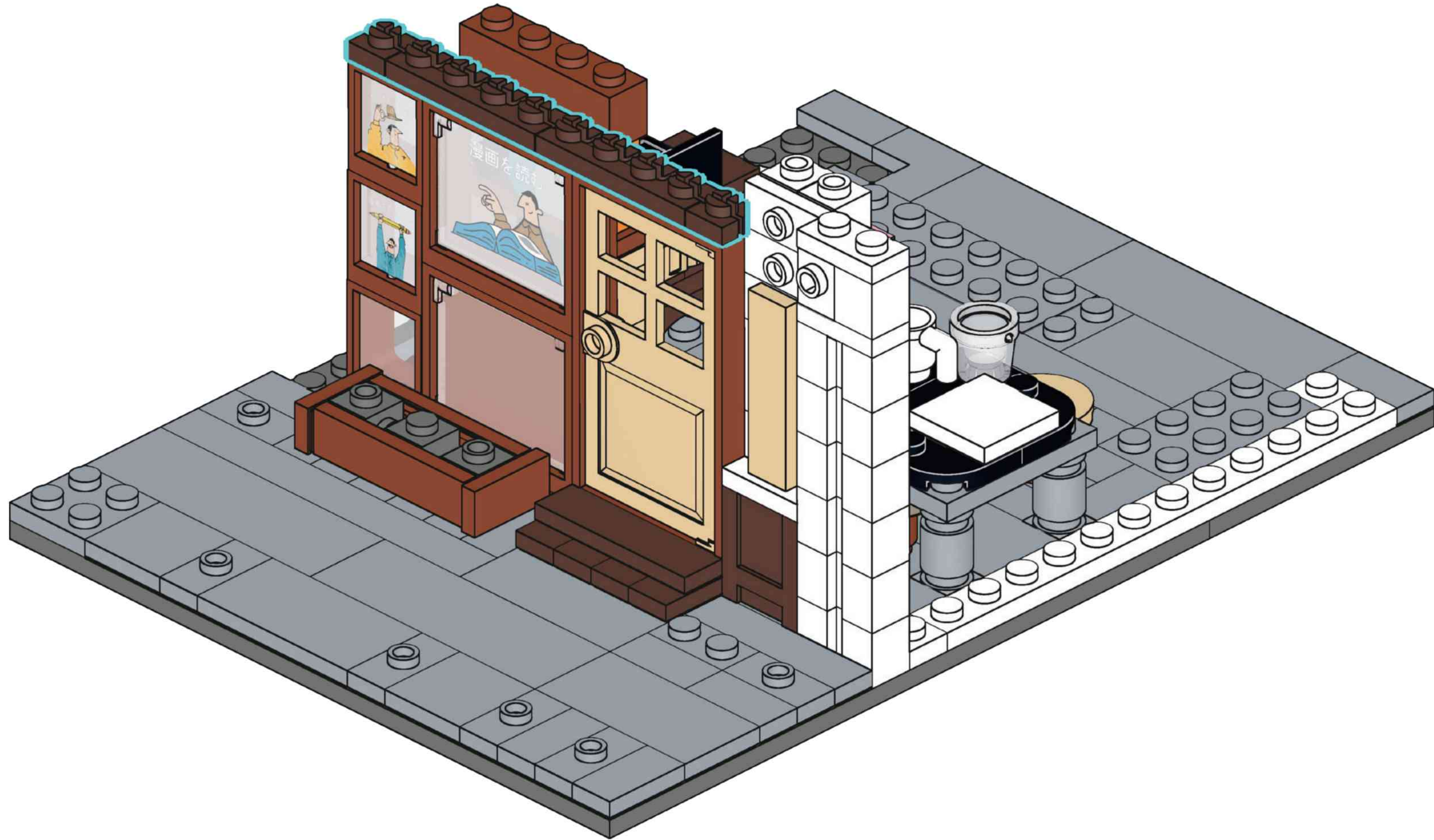


**1**

**2**



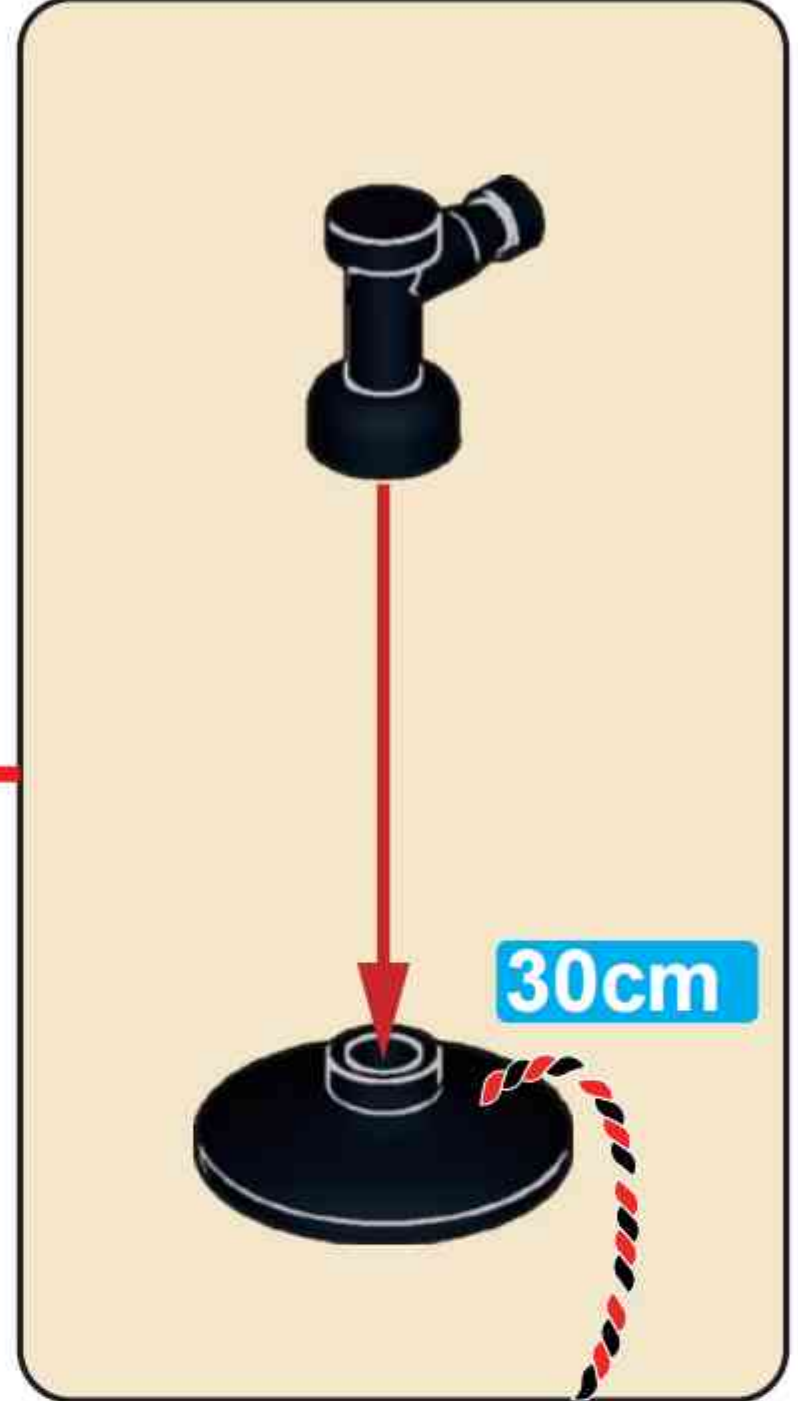
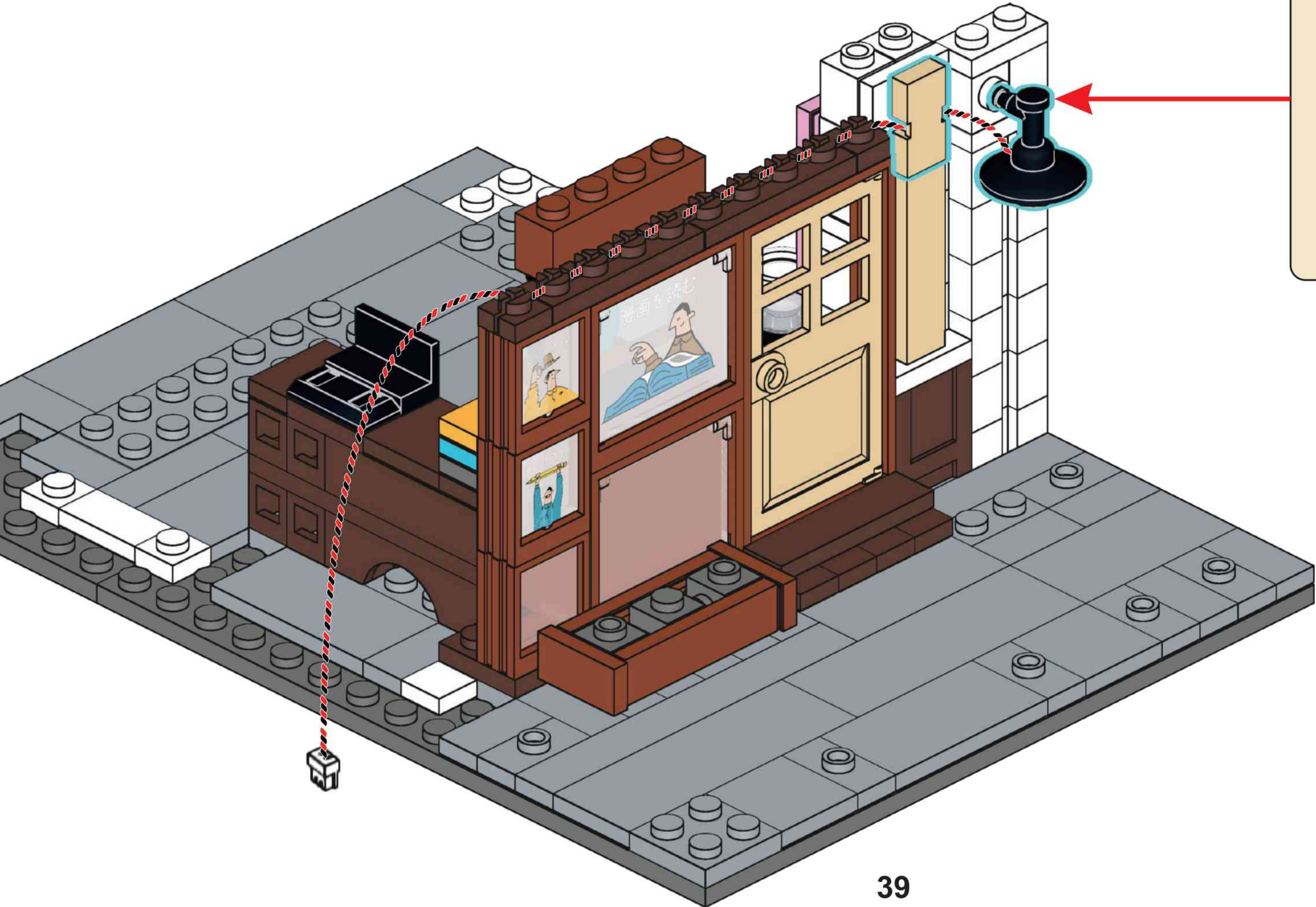
# A50

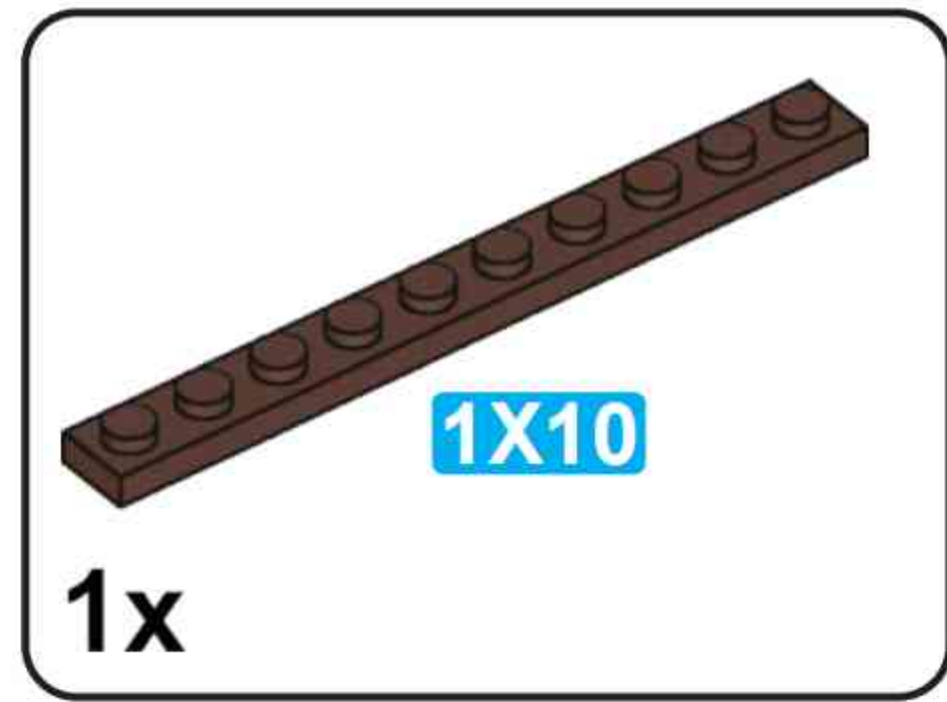


1x 1x 1x 30cm

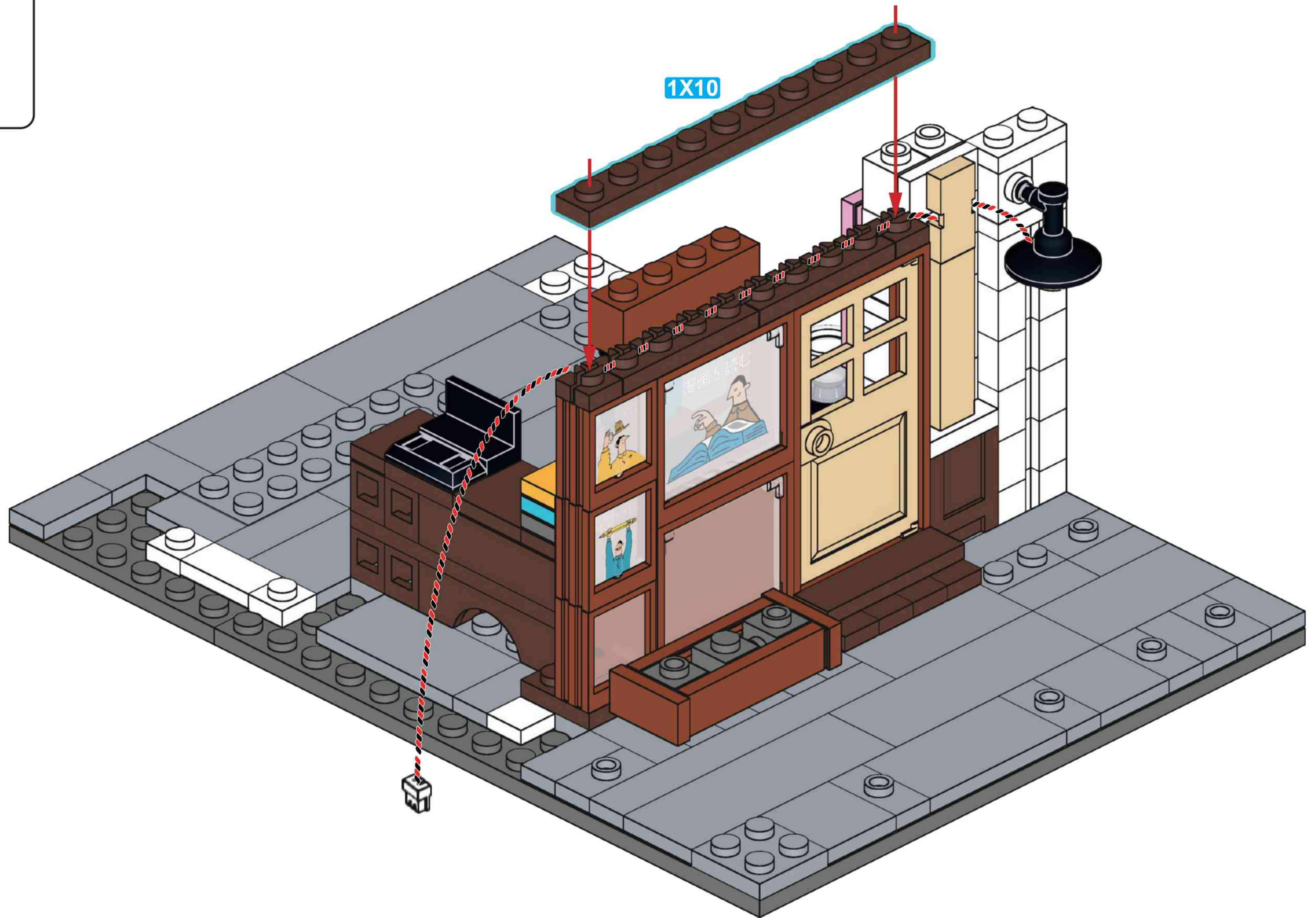


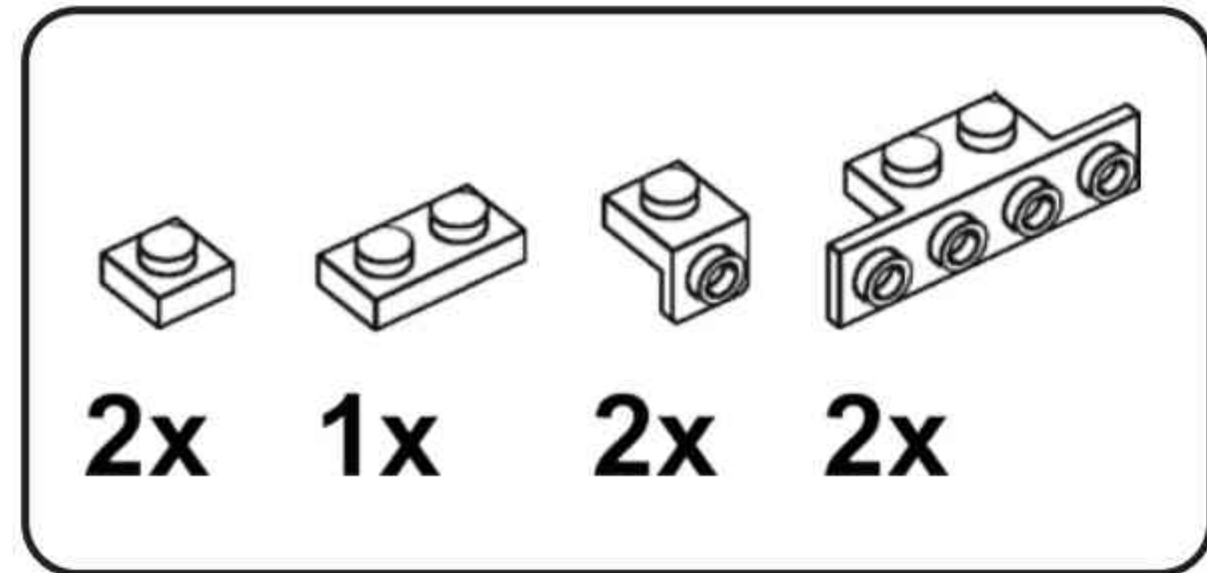
# A51



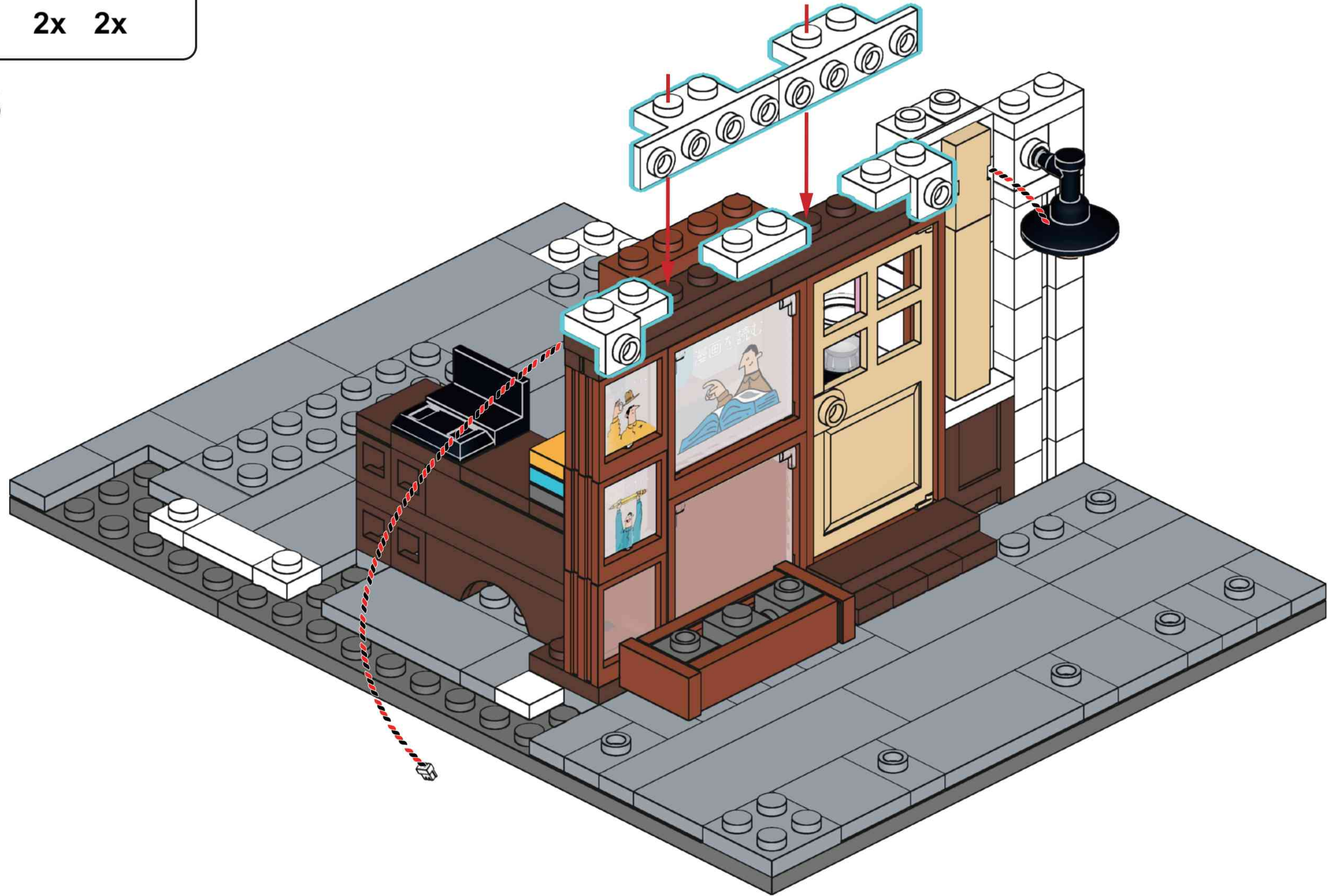


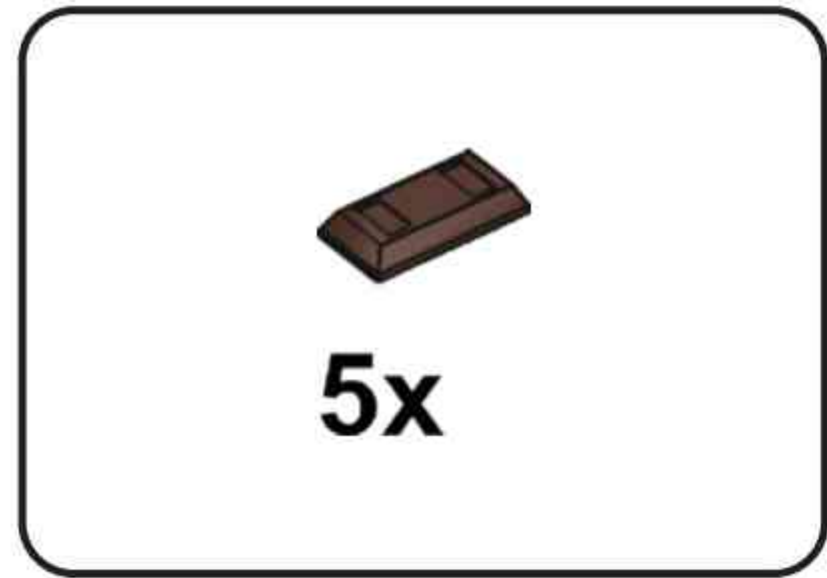
**A52**



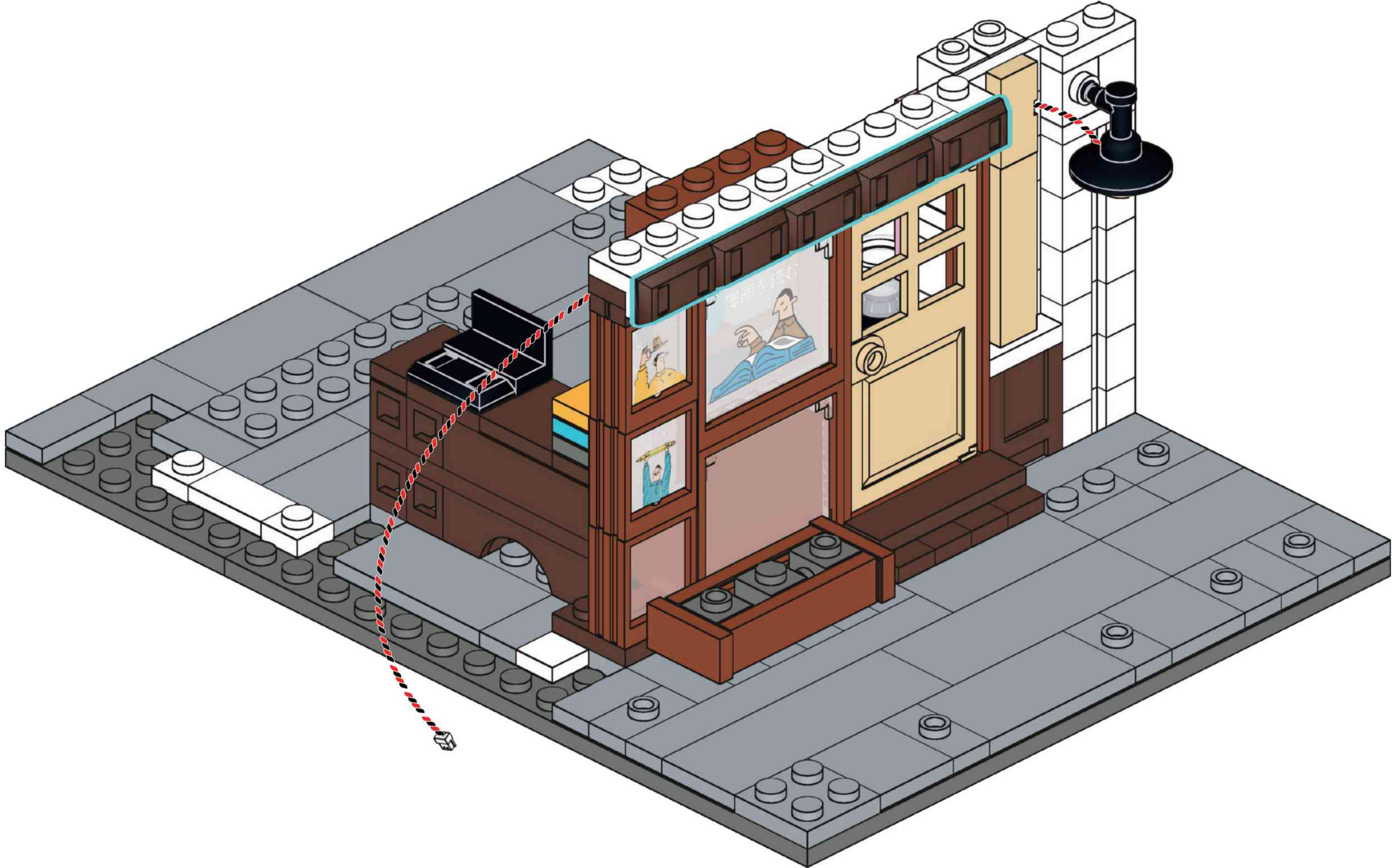


# A53





# A54



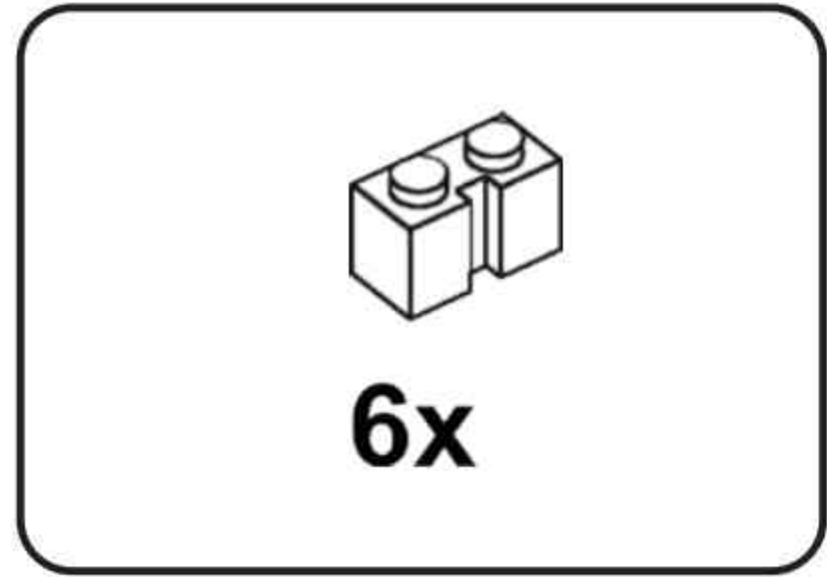
2x	1x	1x	1x	1x	1x	1x	1x	1x

# A55

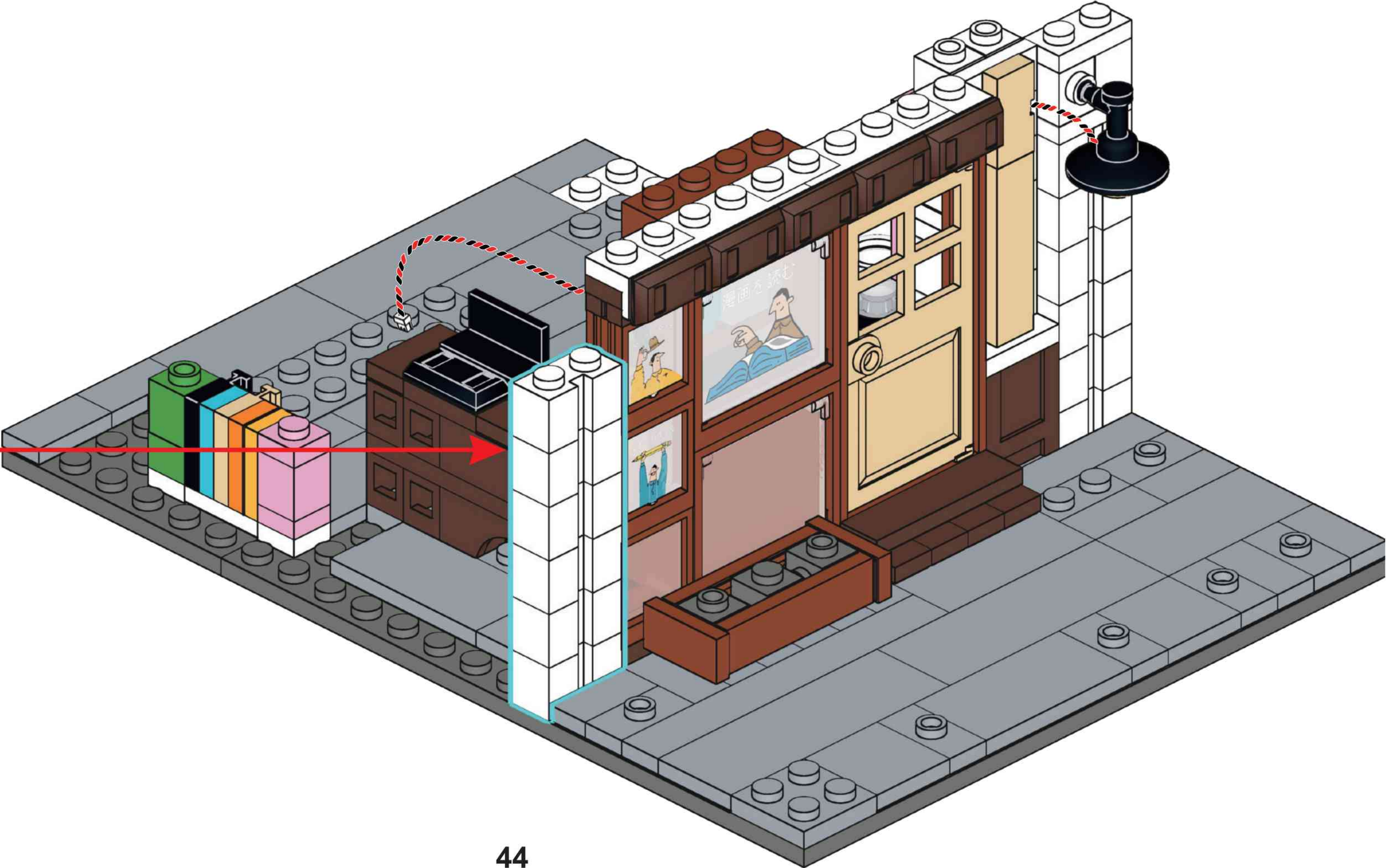
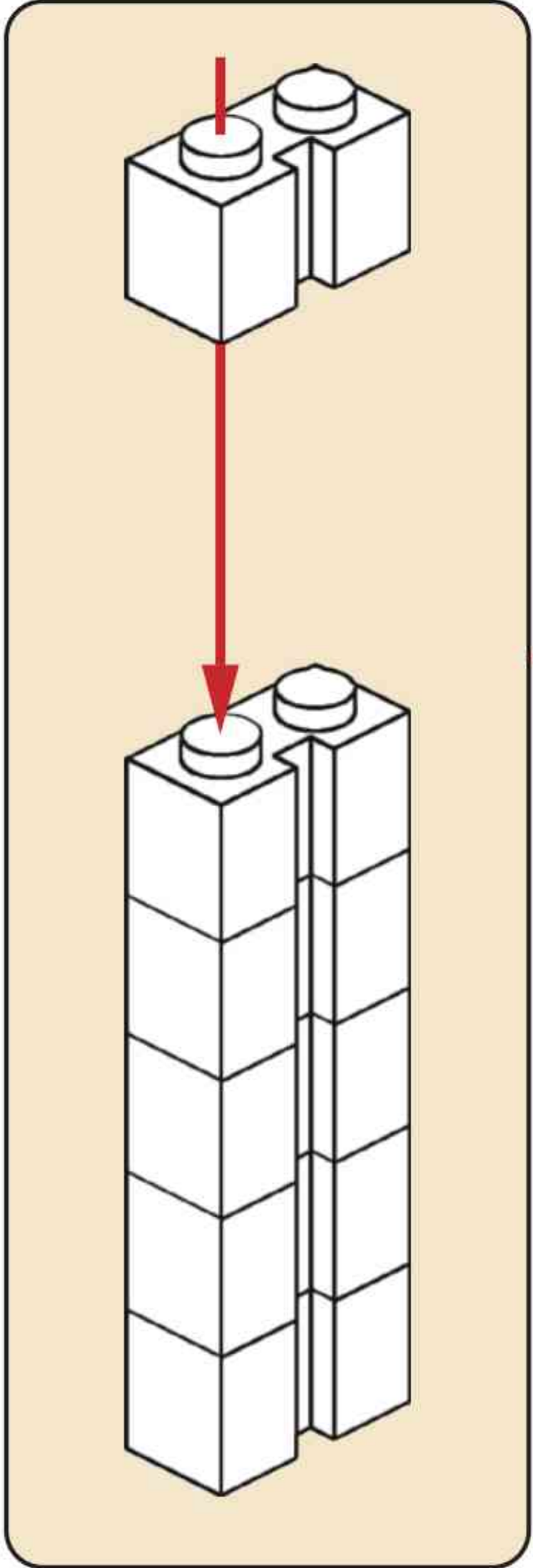
**1**

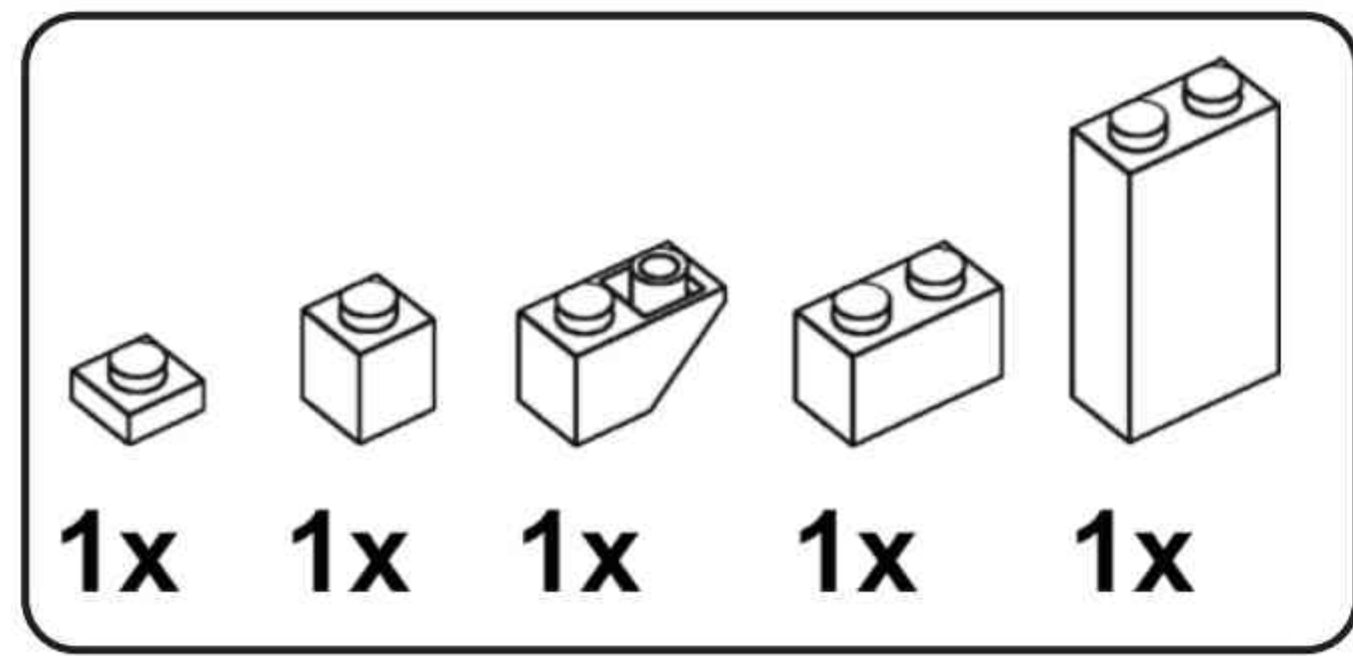
---

**2**

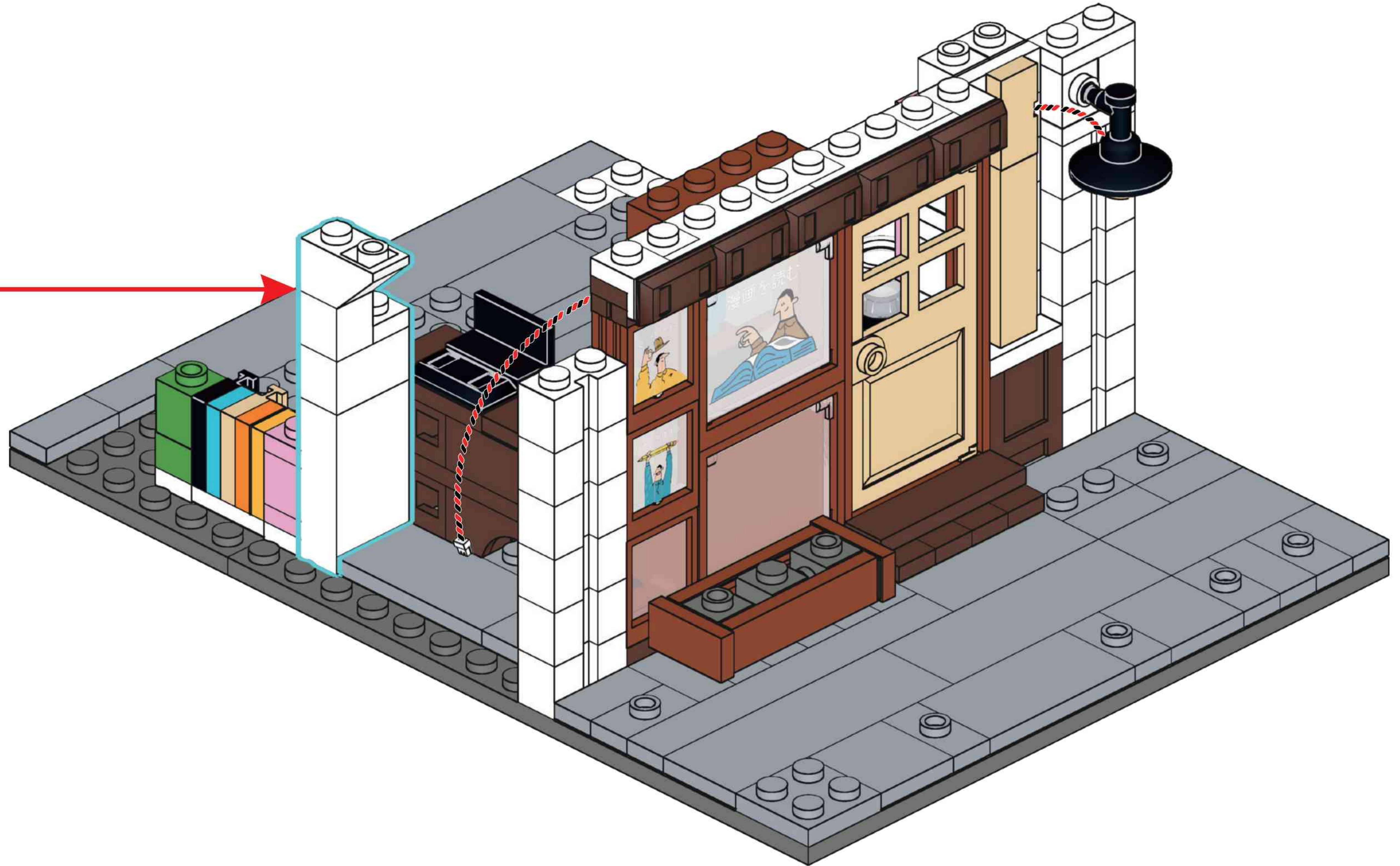
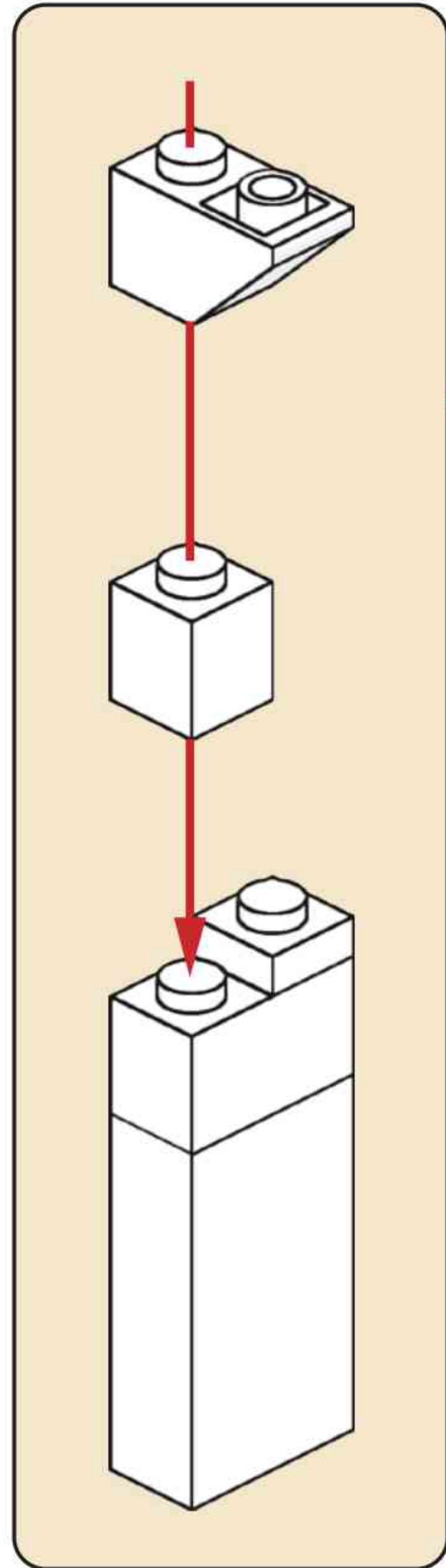


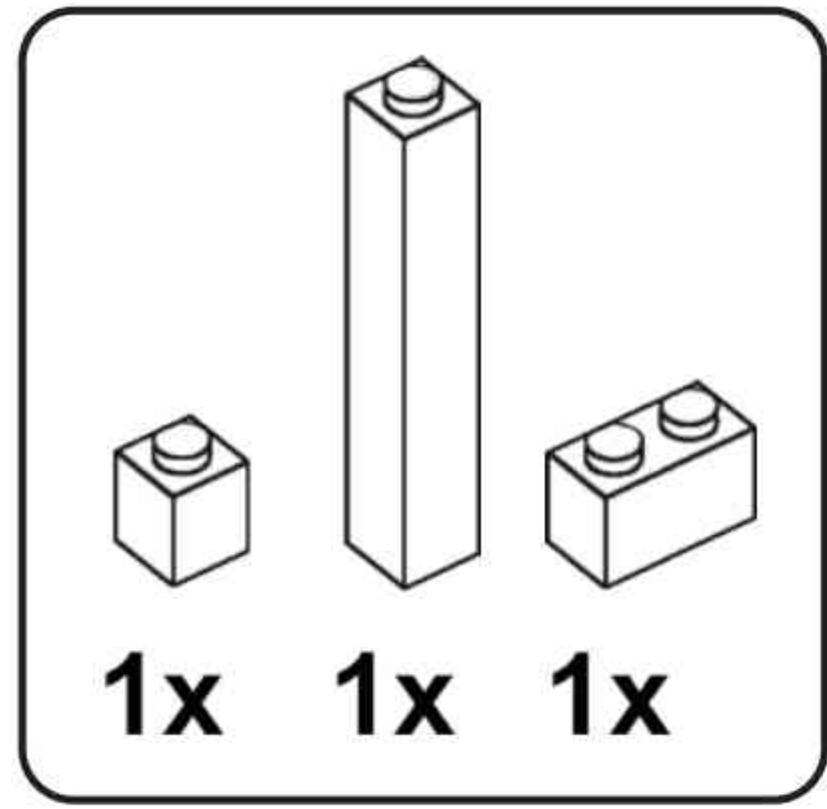
# A56



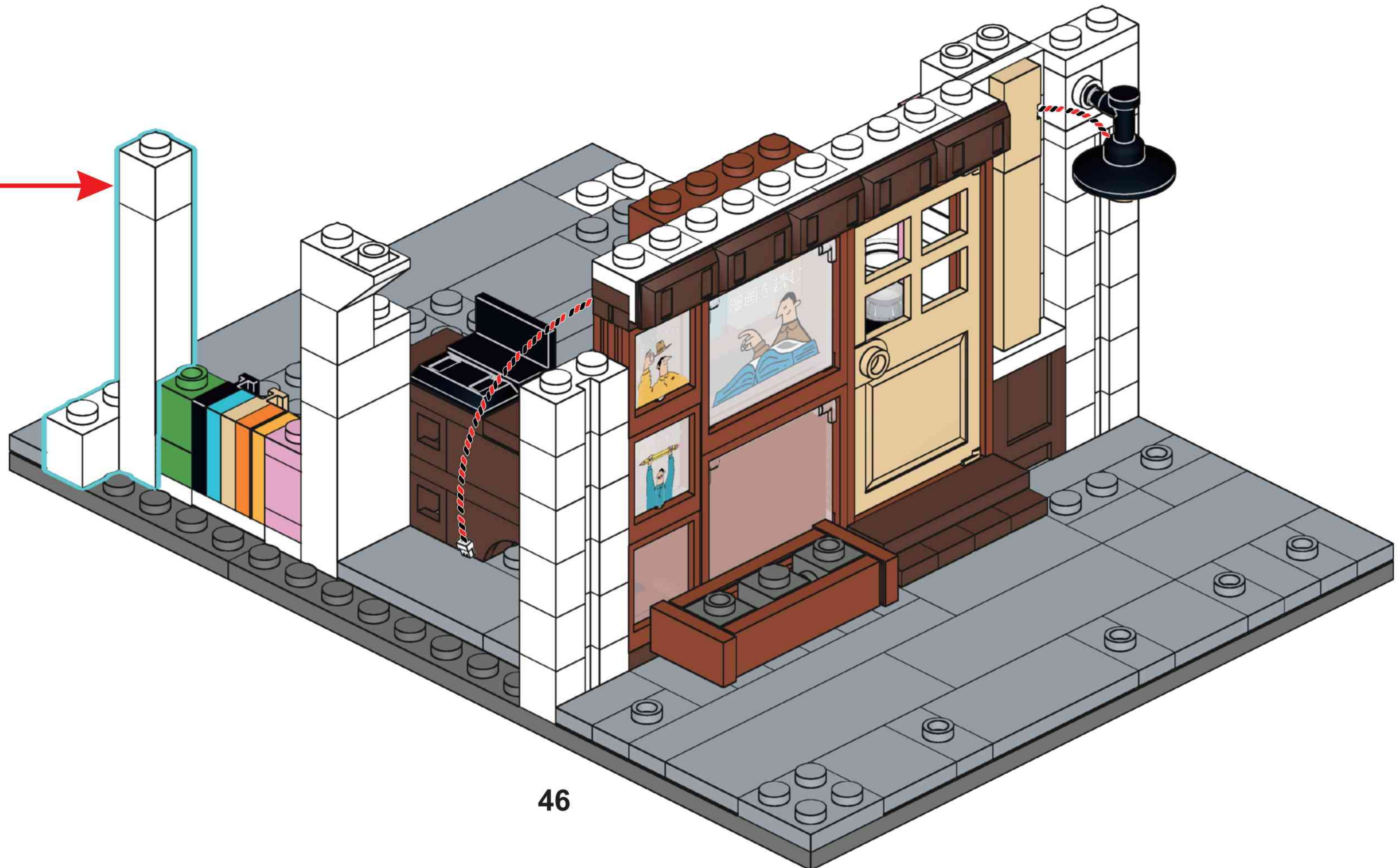
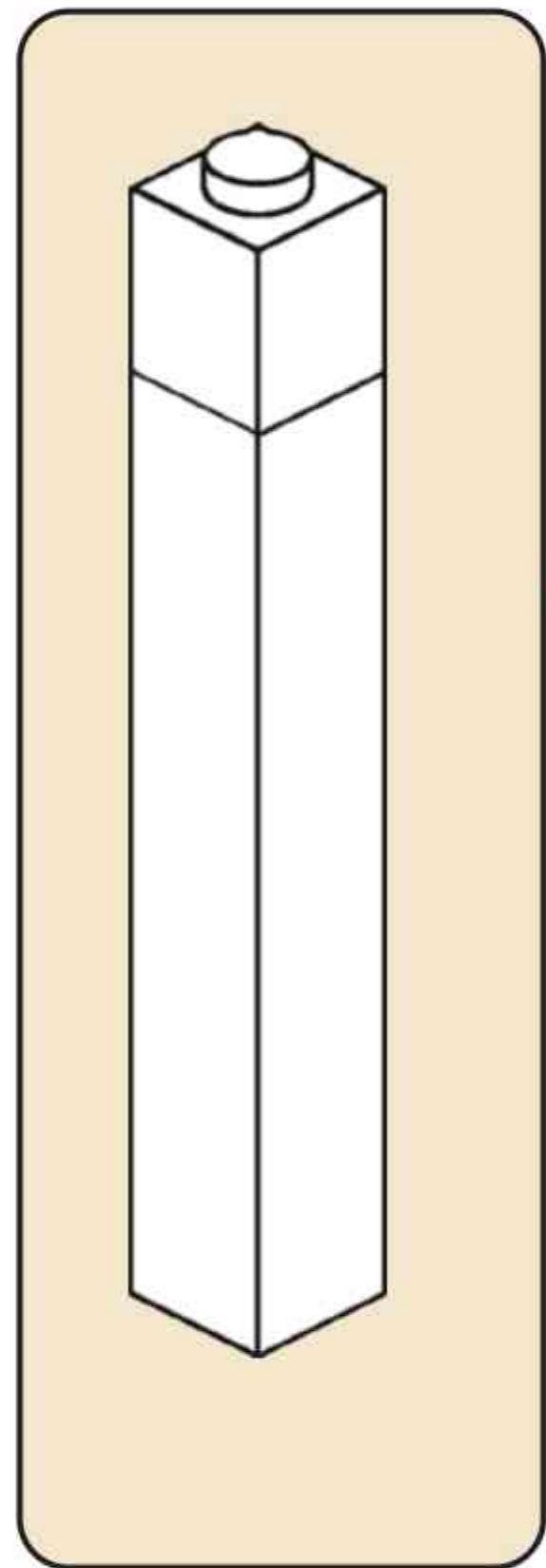


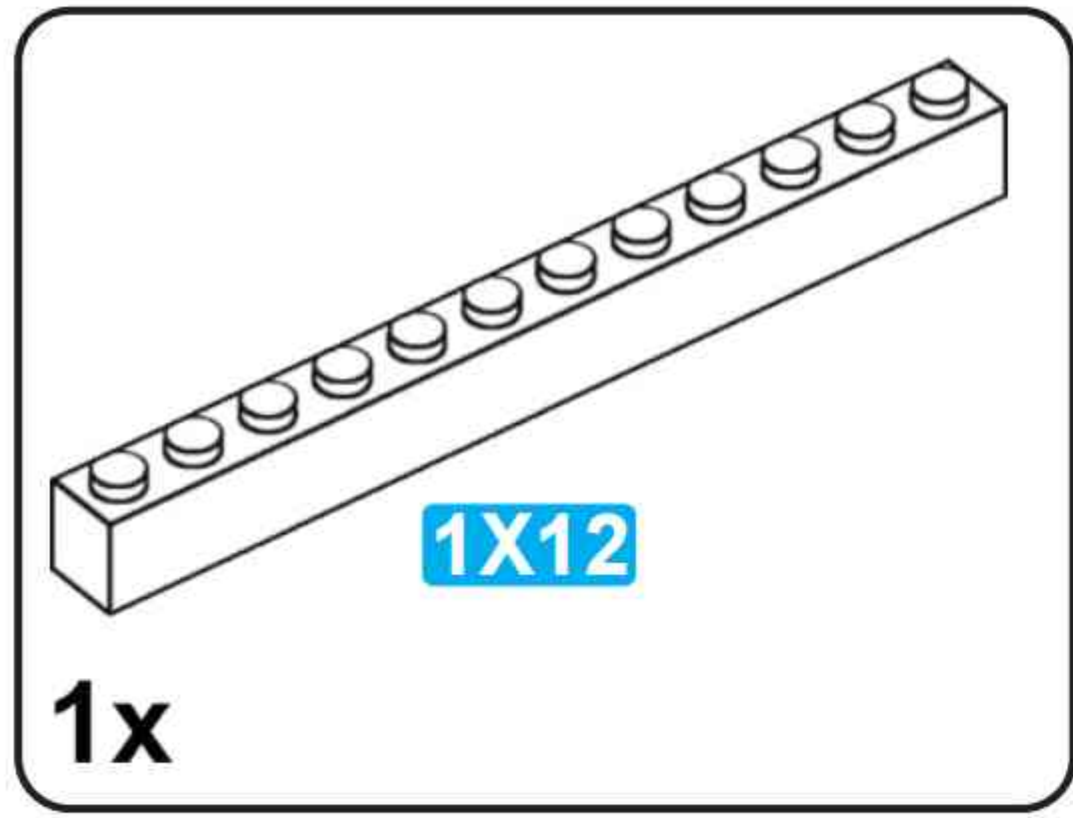
# A57



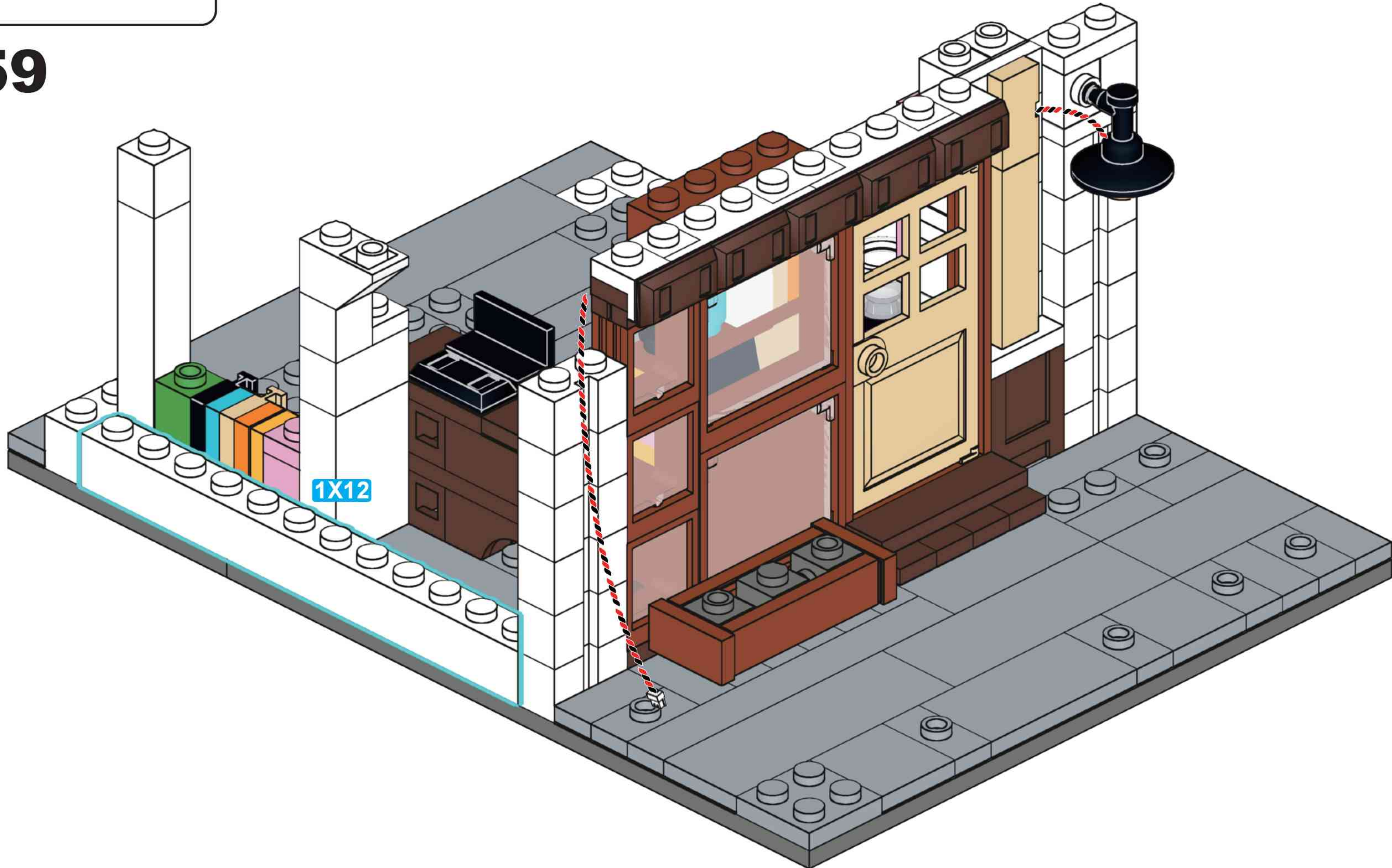


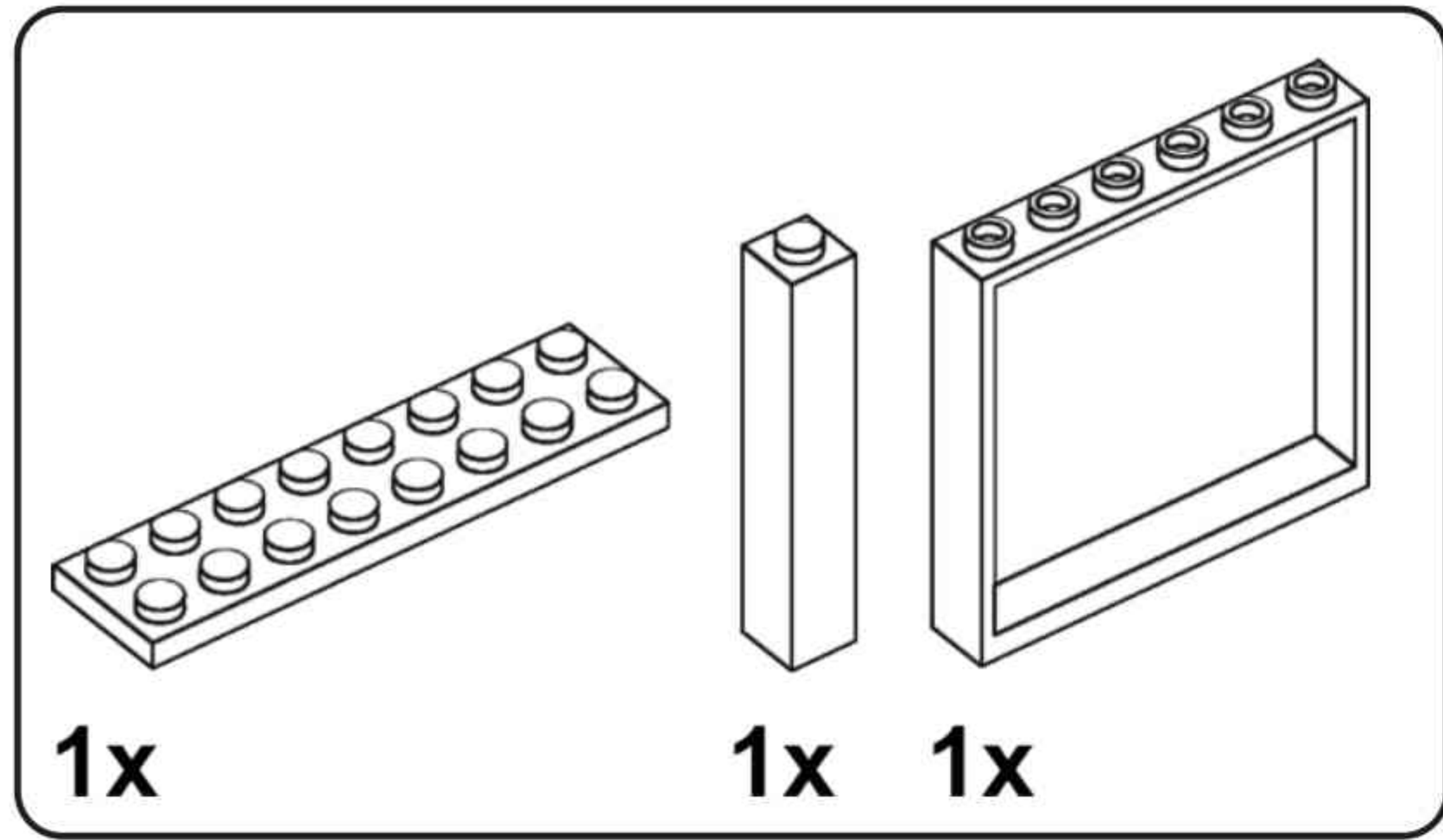
# A58



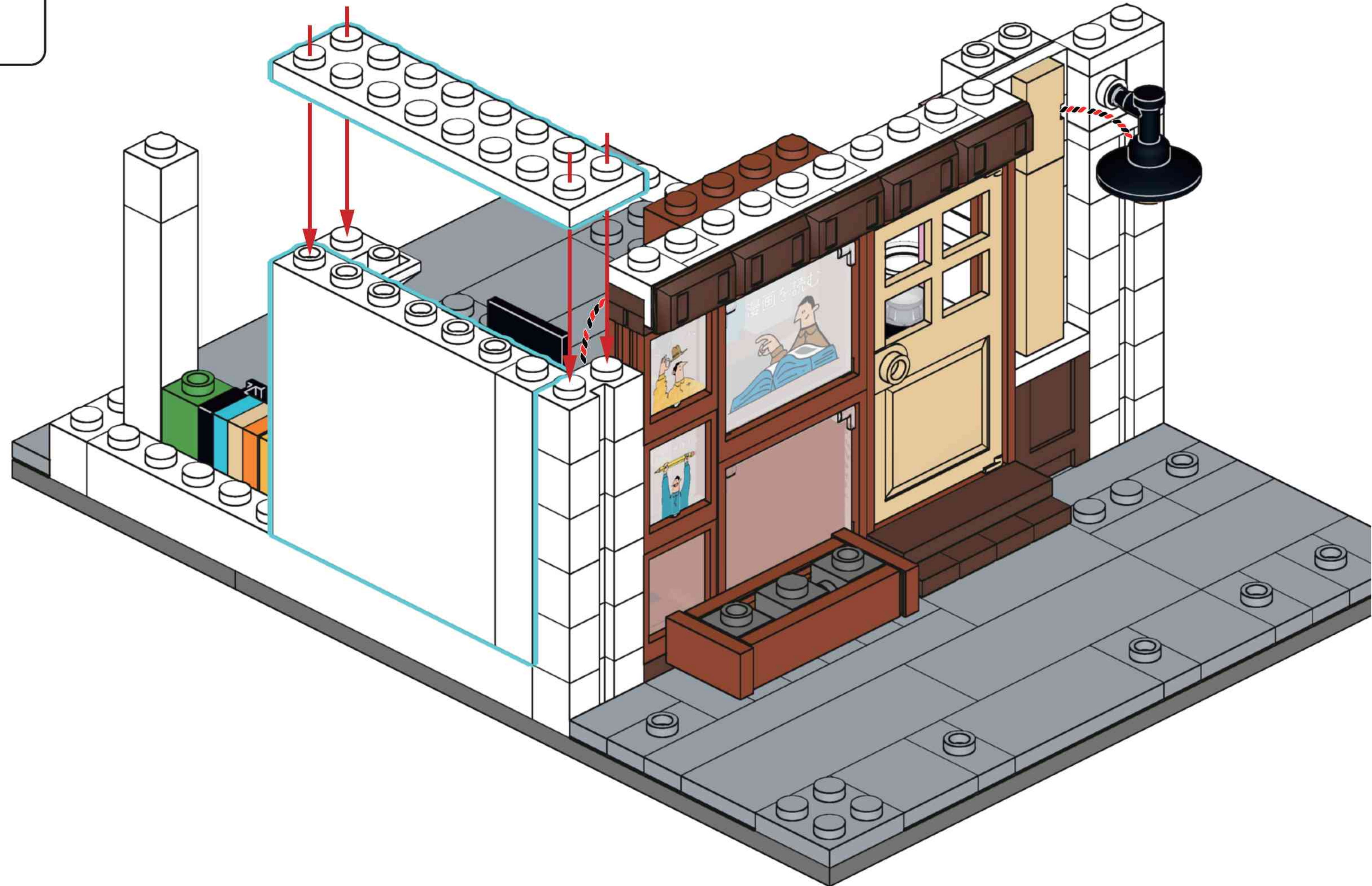


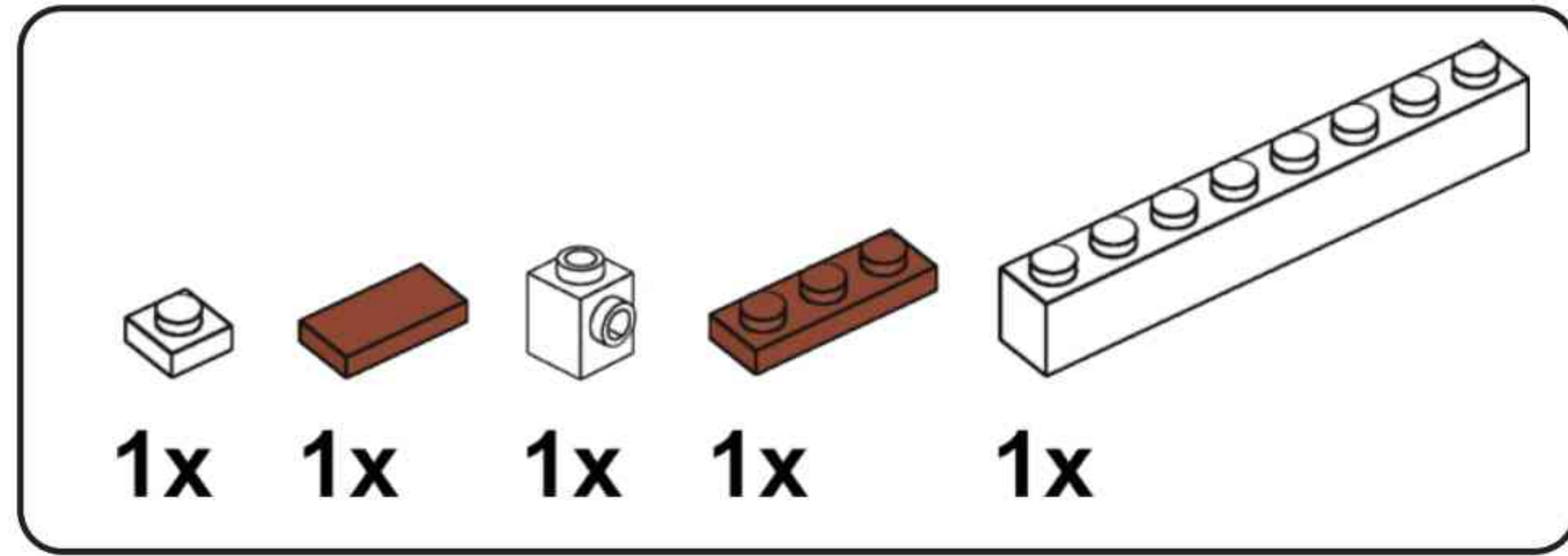
**A59**



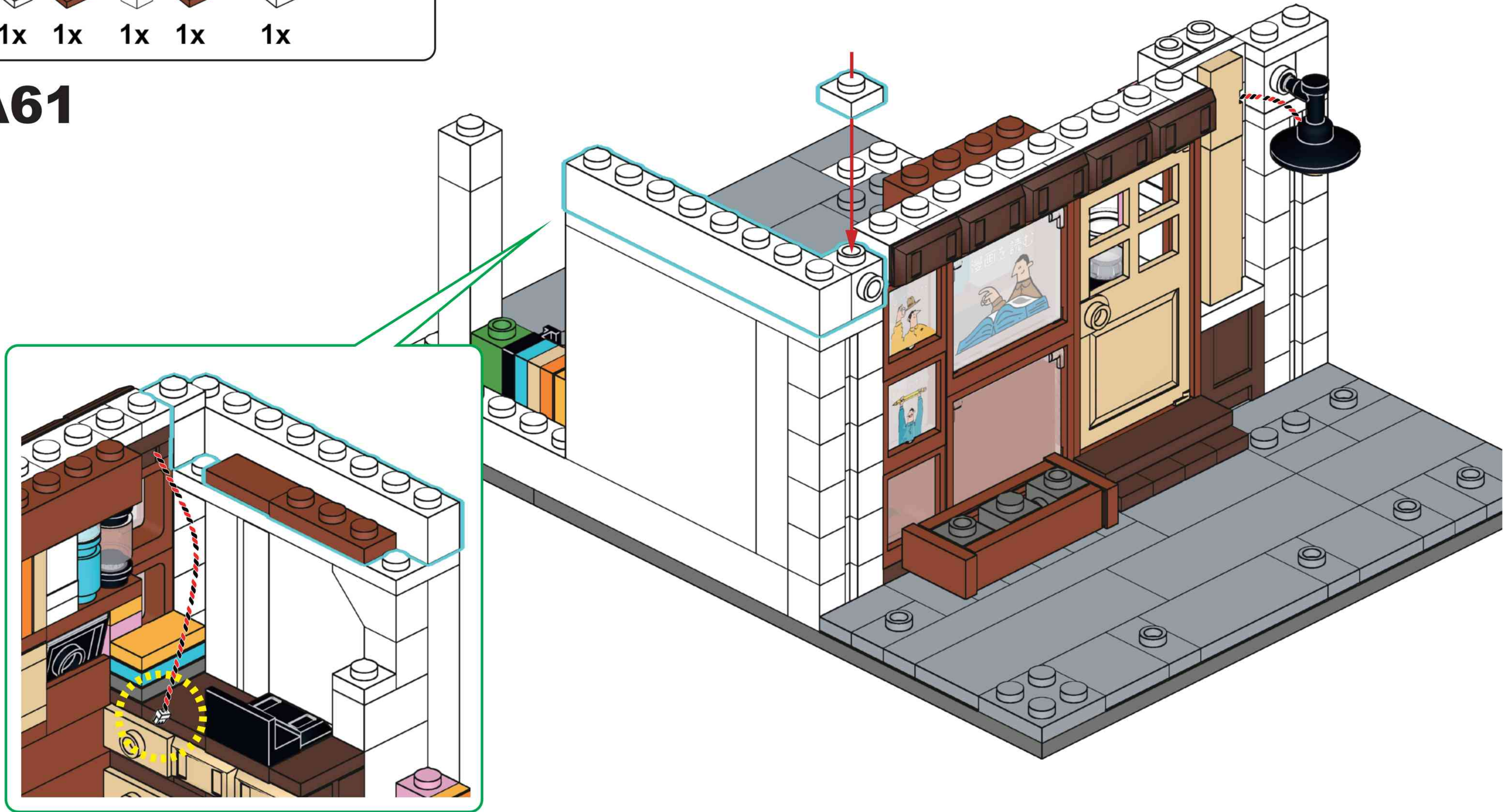


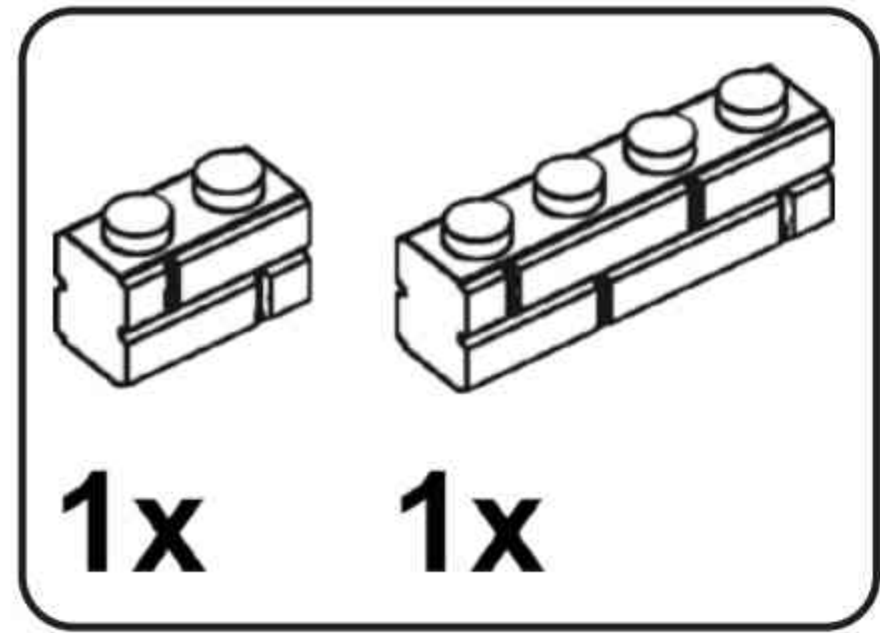
# A60



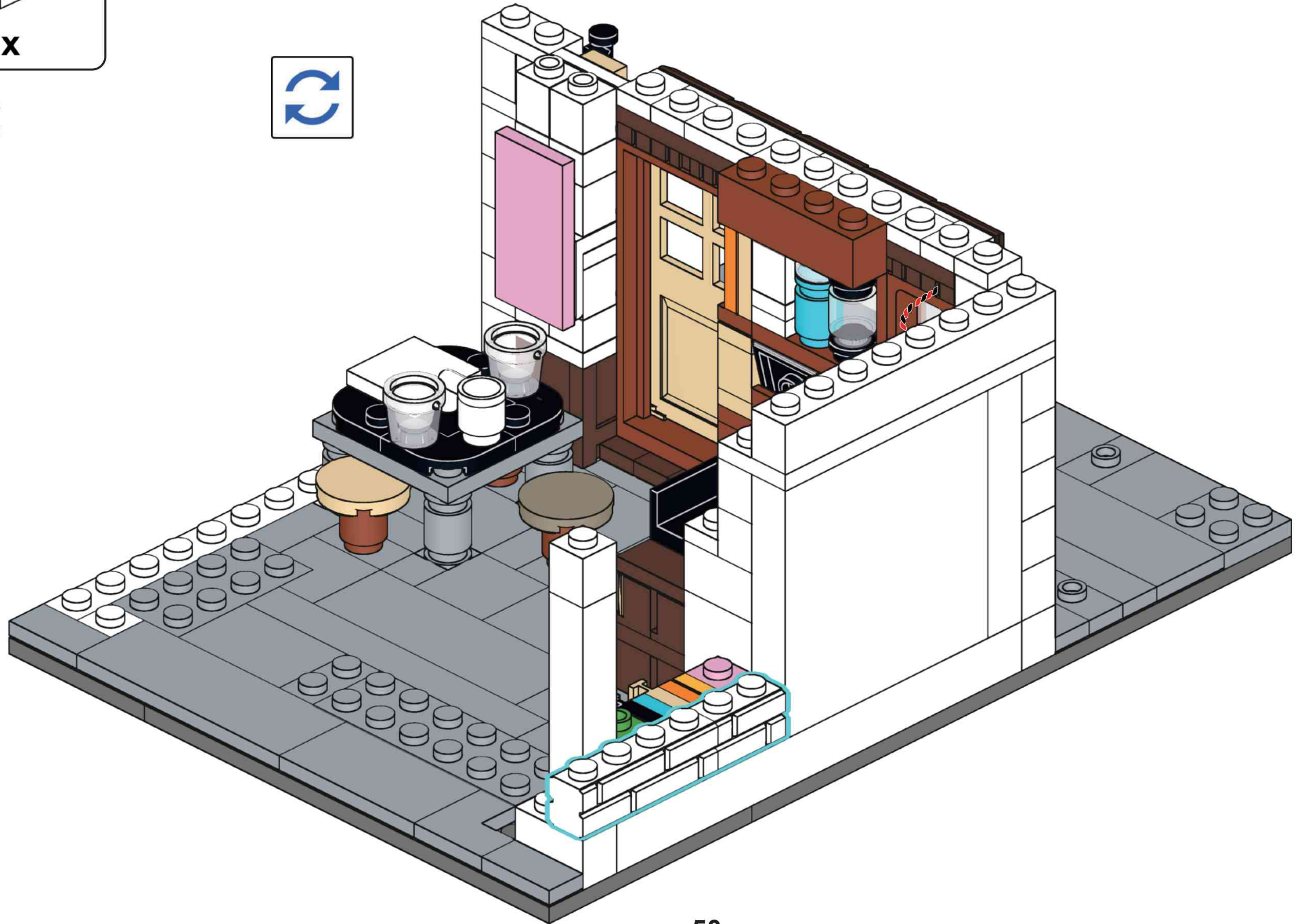


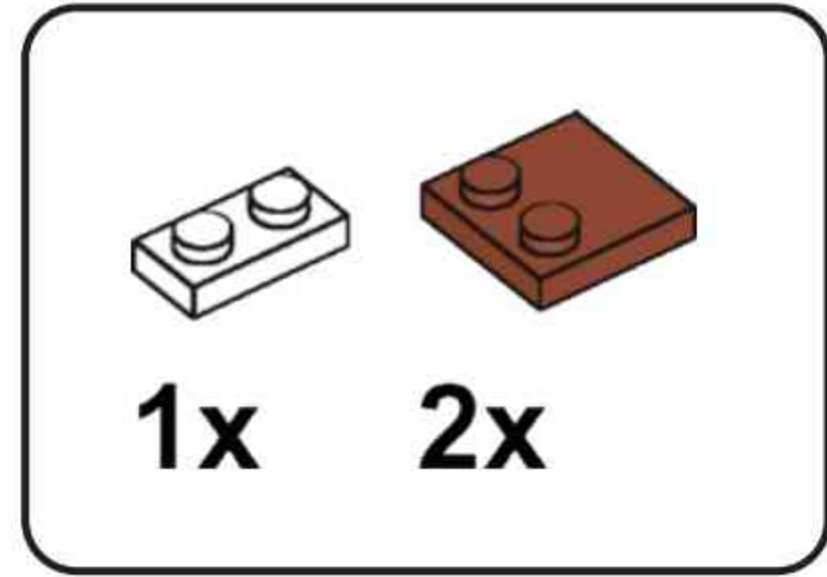
# A61



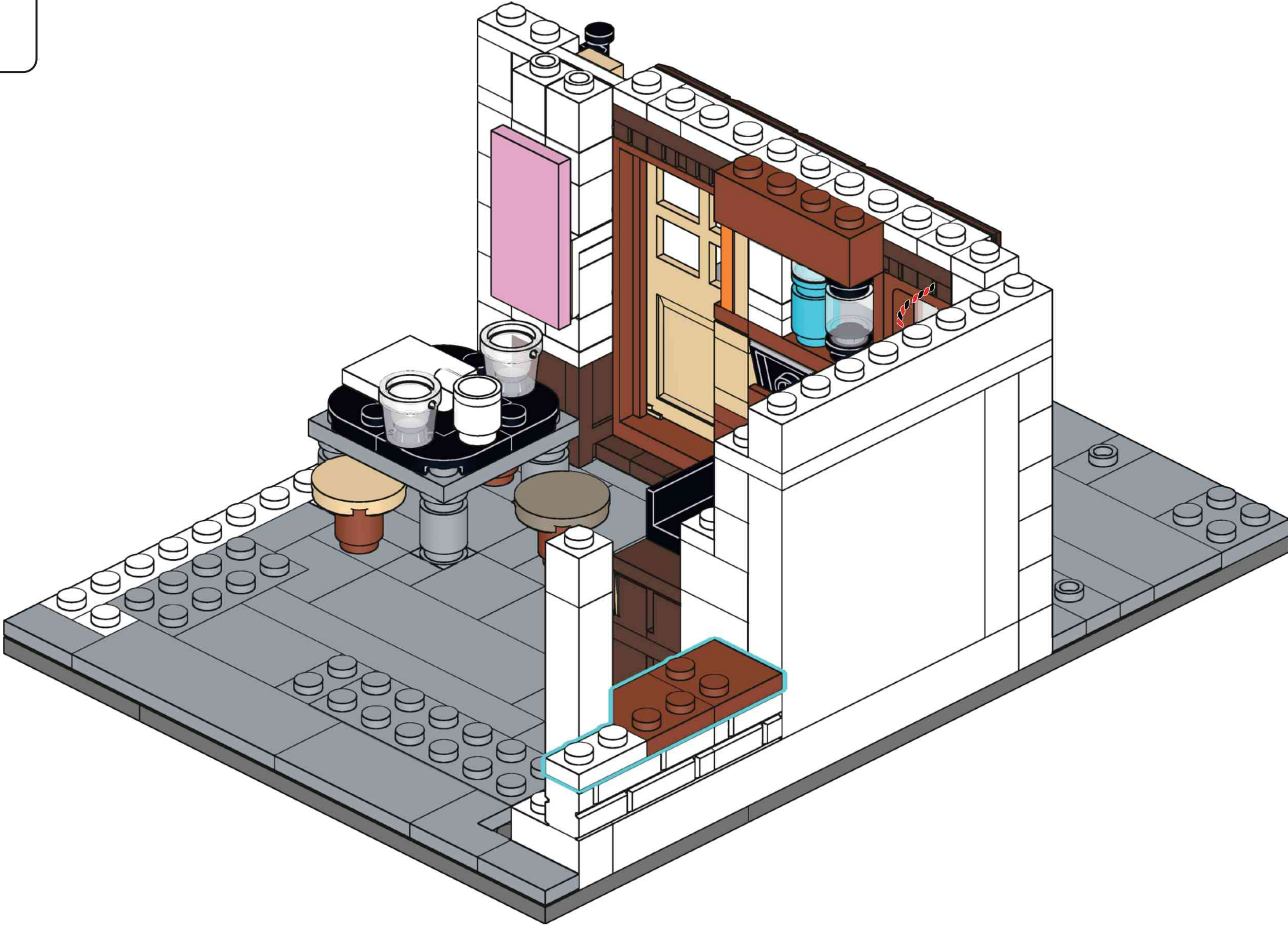






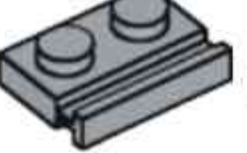
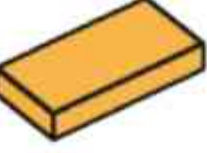

**A62**



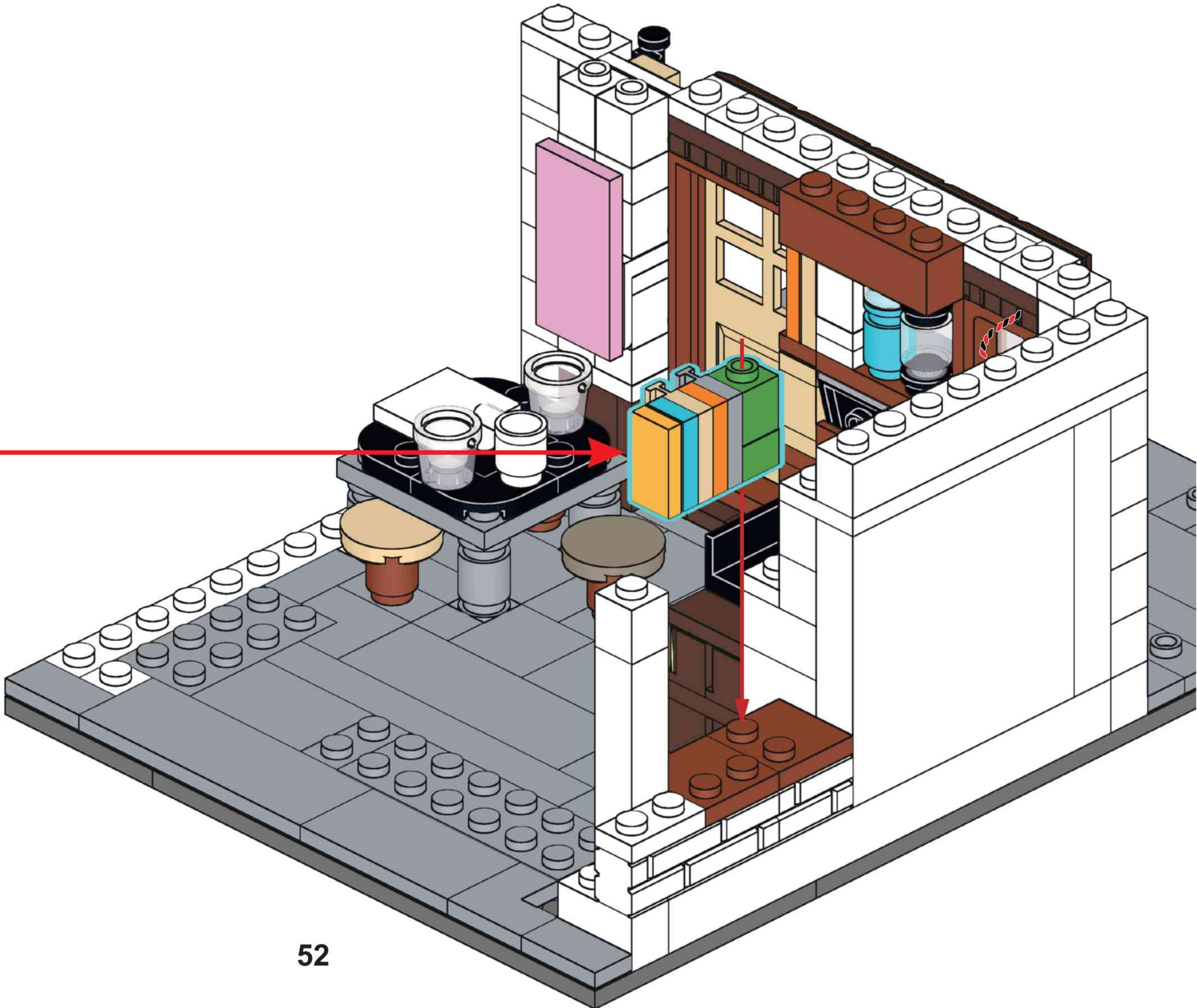
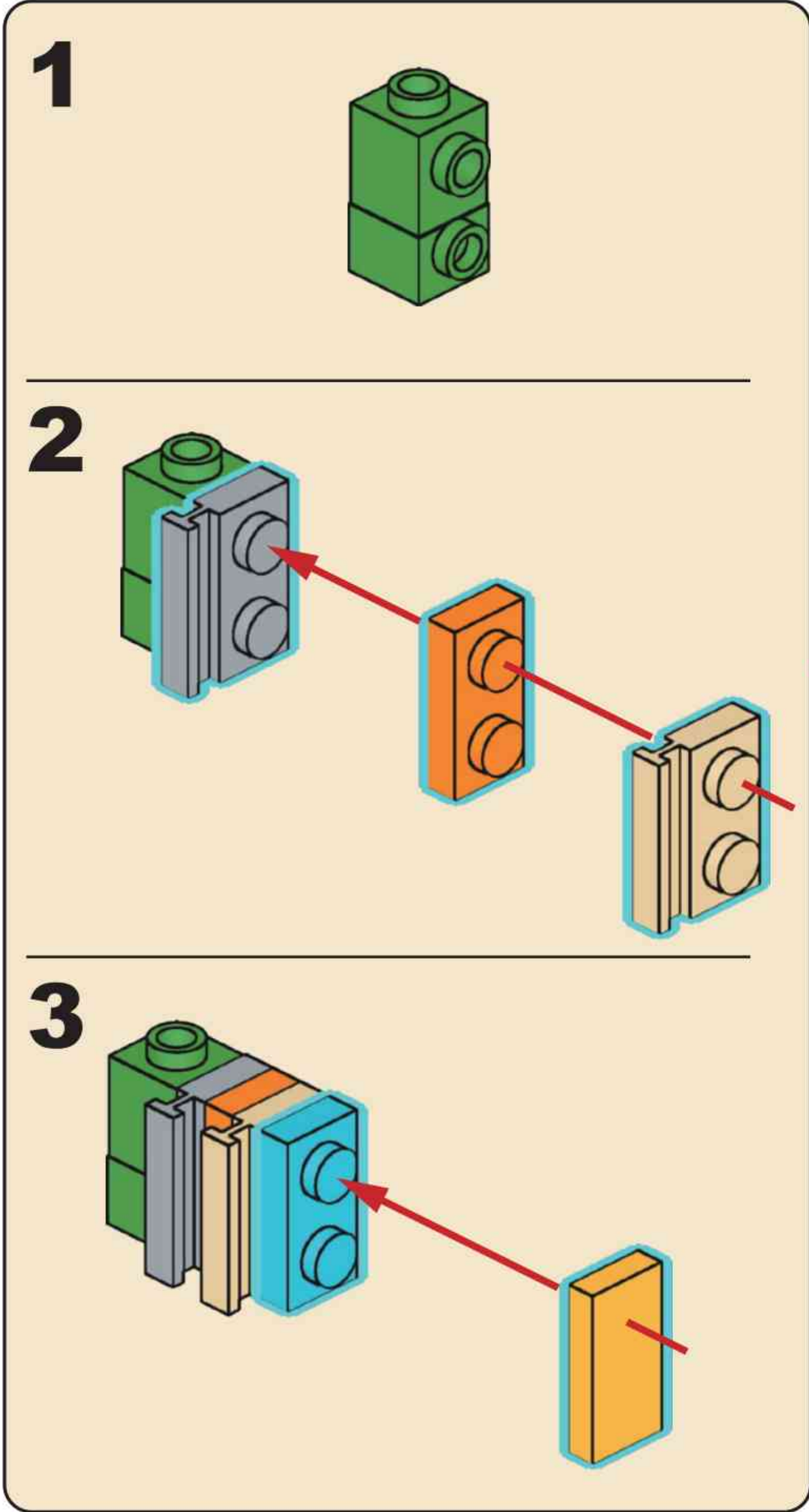


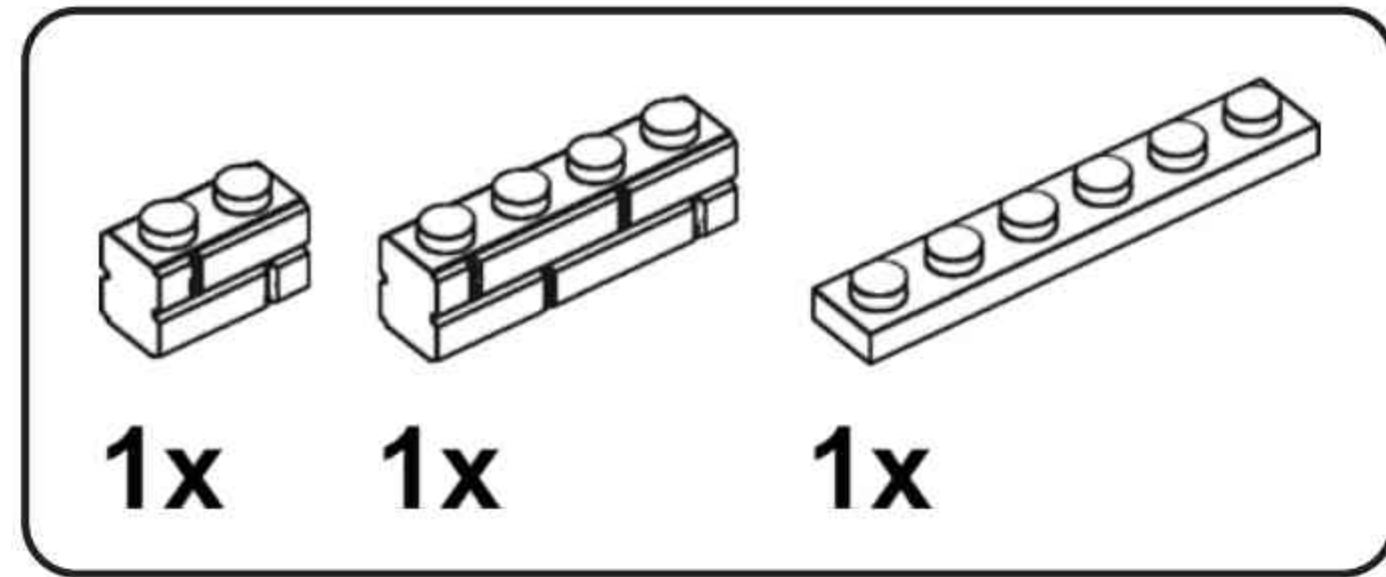
# A63



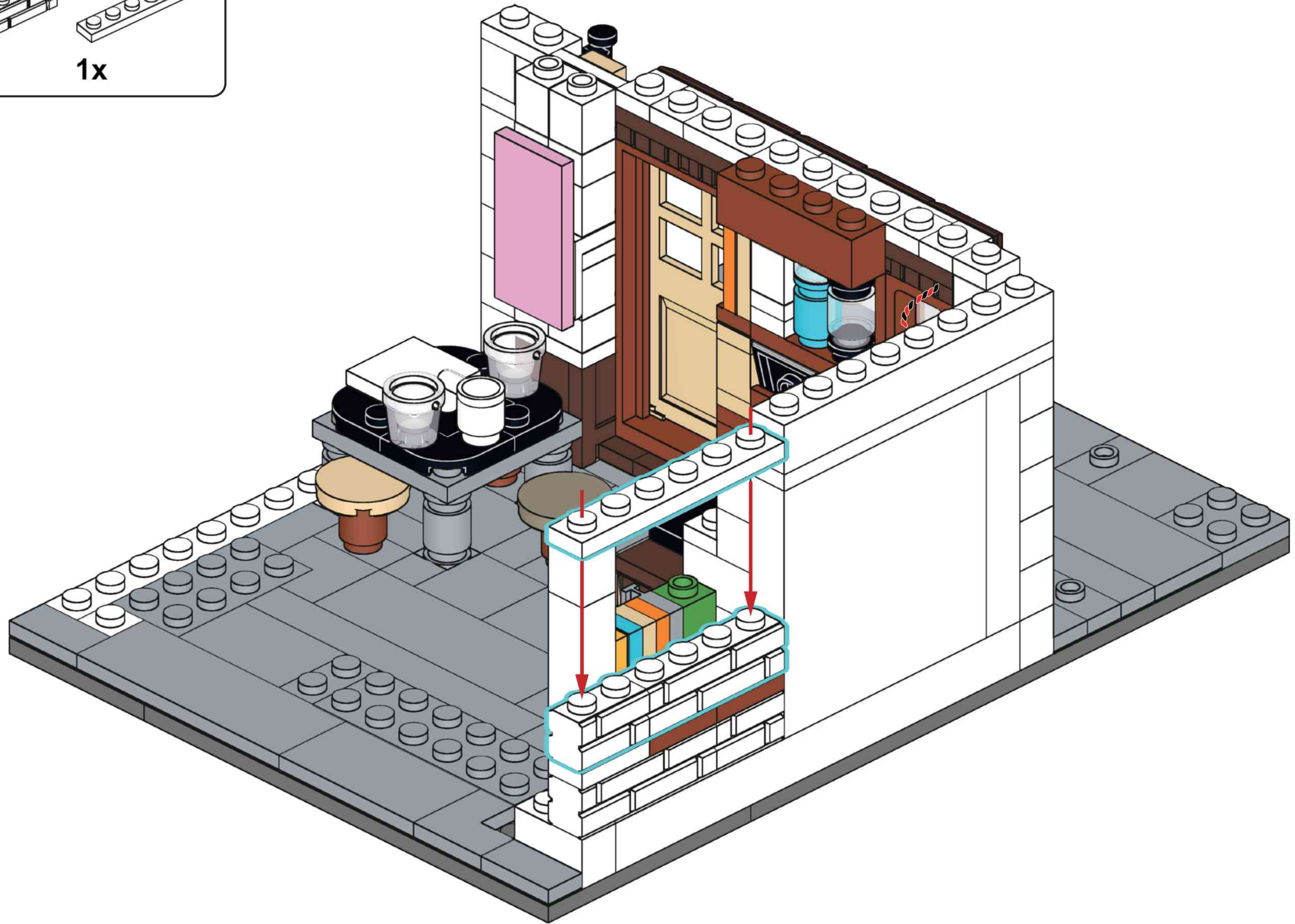
-  1x
-  1x
-  1x
-  1x
-  1x
-  1x
-  1x

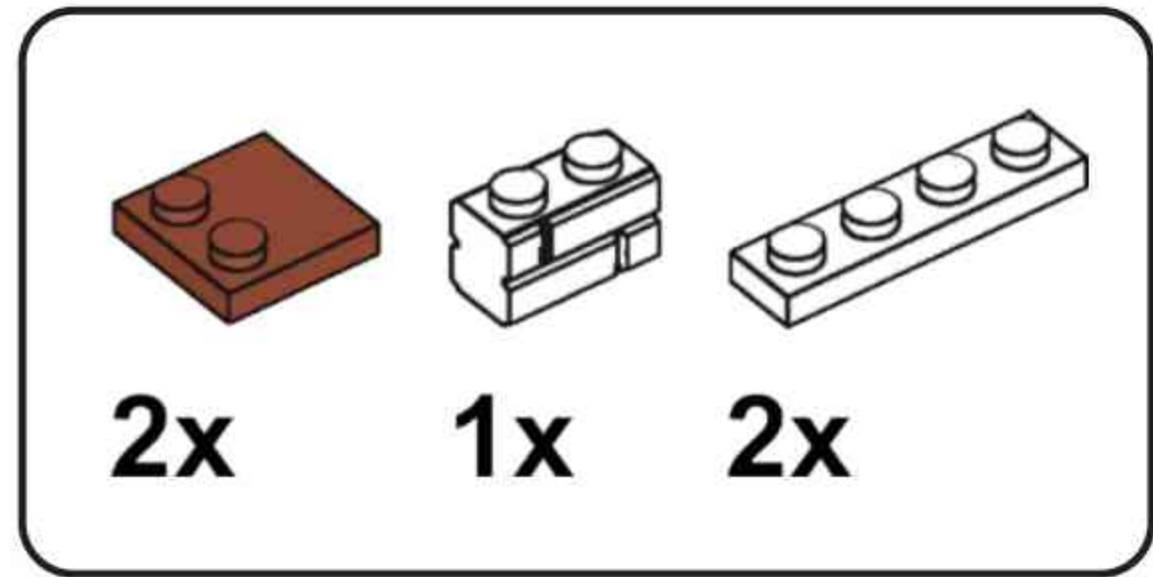
# A64



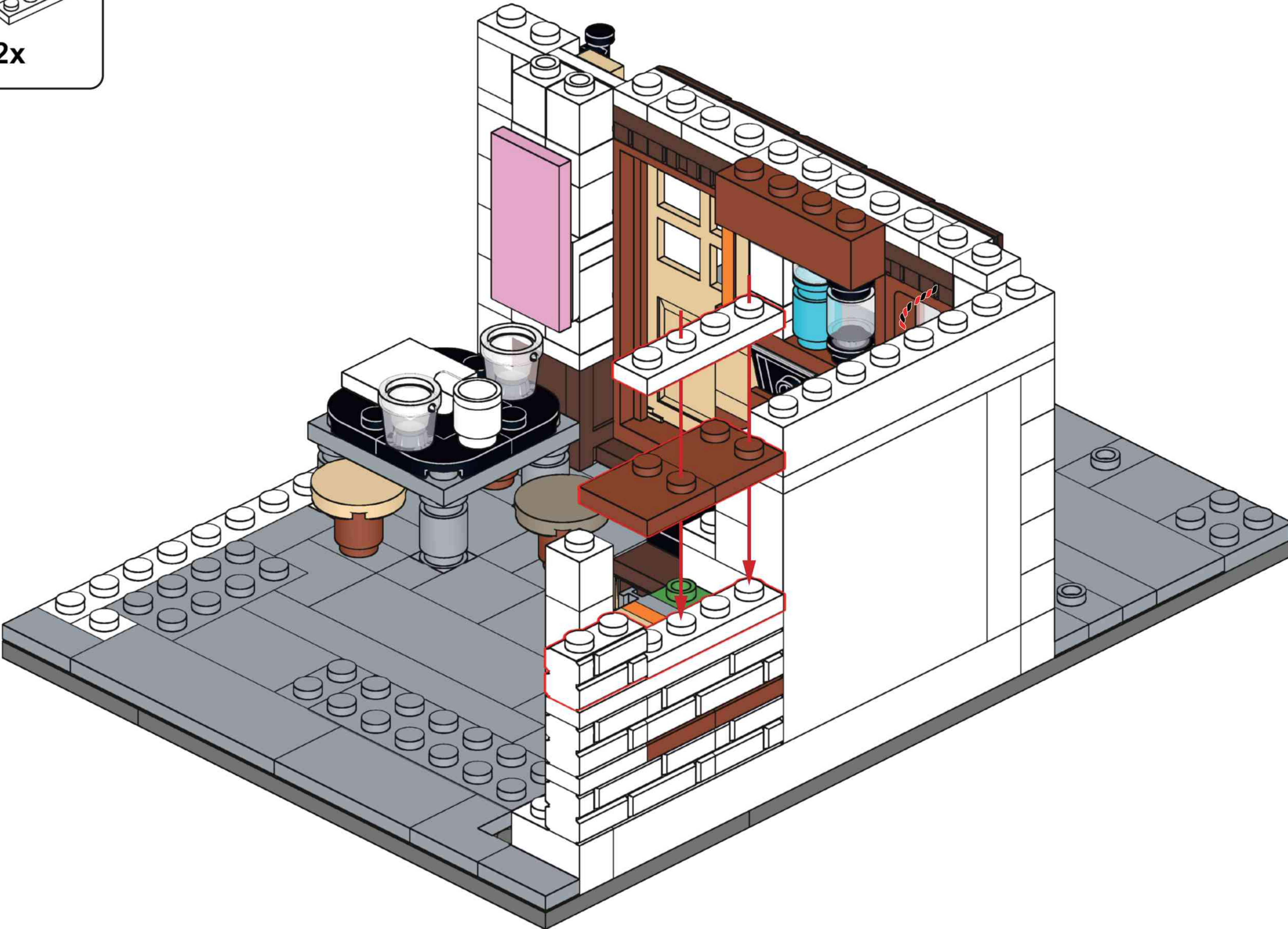


# A65



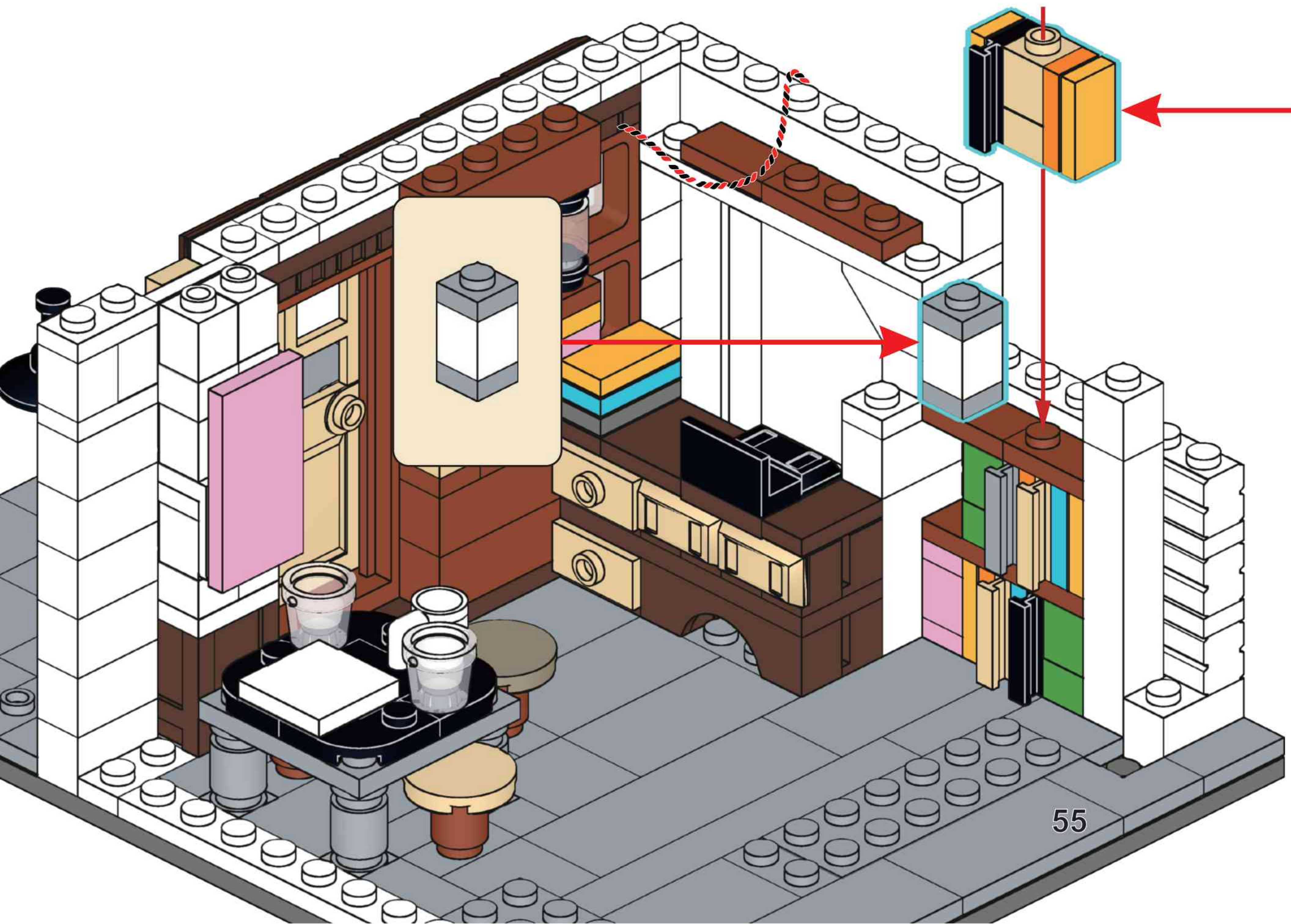


# A66



- - 
  - 
  - 
  - 
  - 
  -
- 1x 1x 2x 1x 2x 1x 1x

# A67



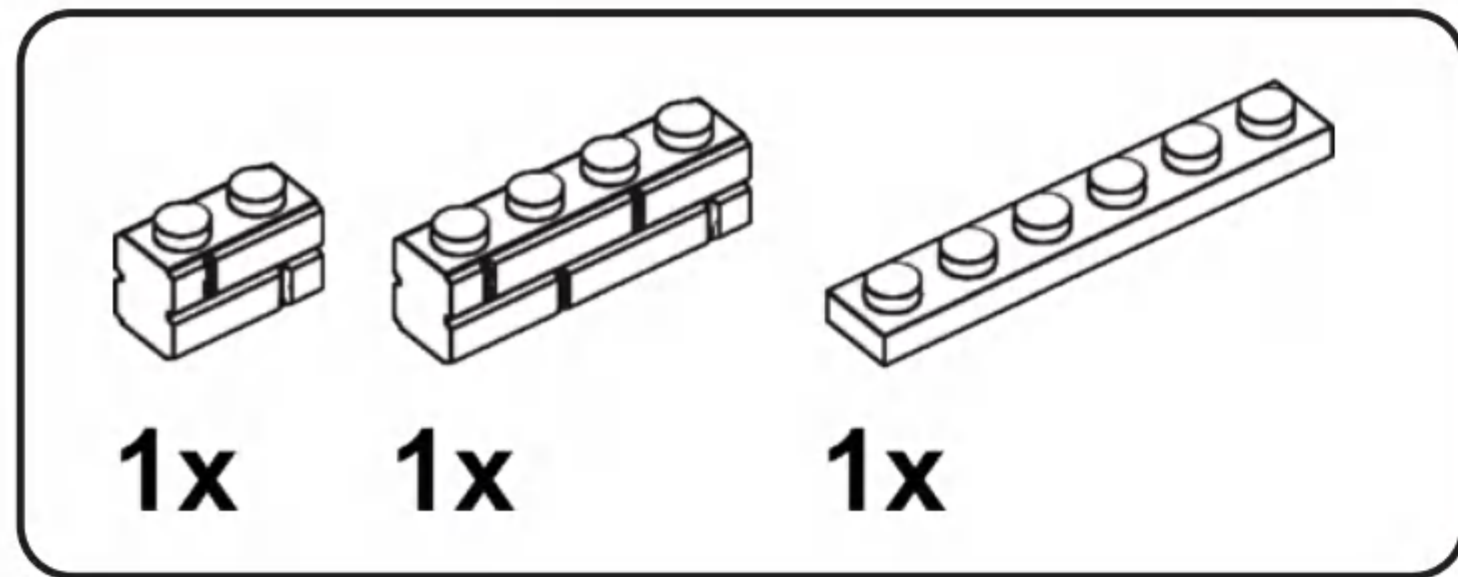
**1**

---

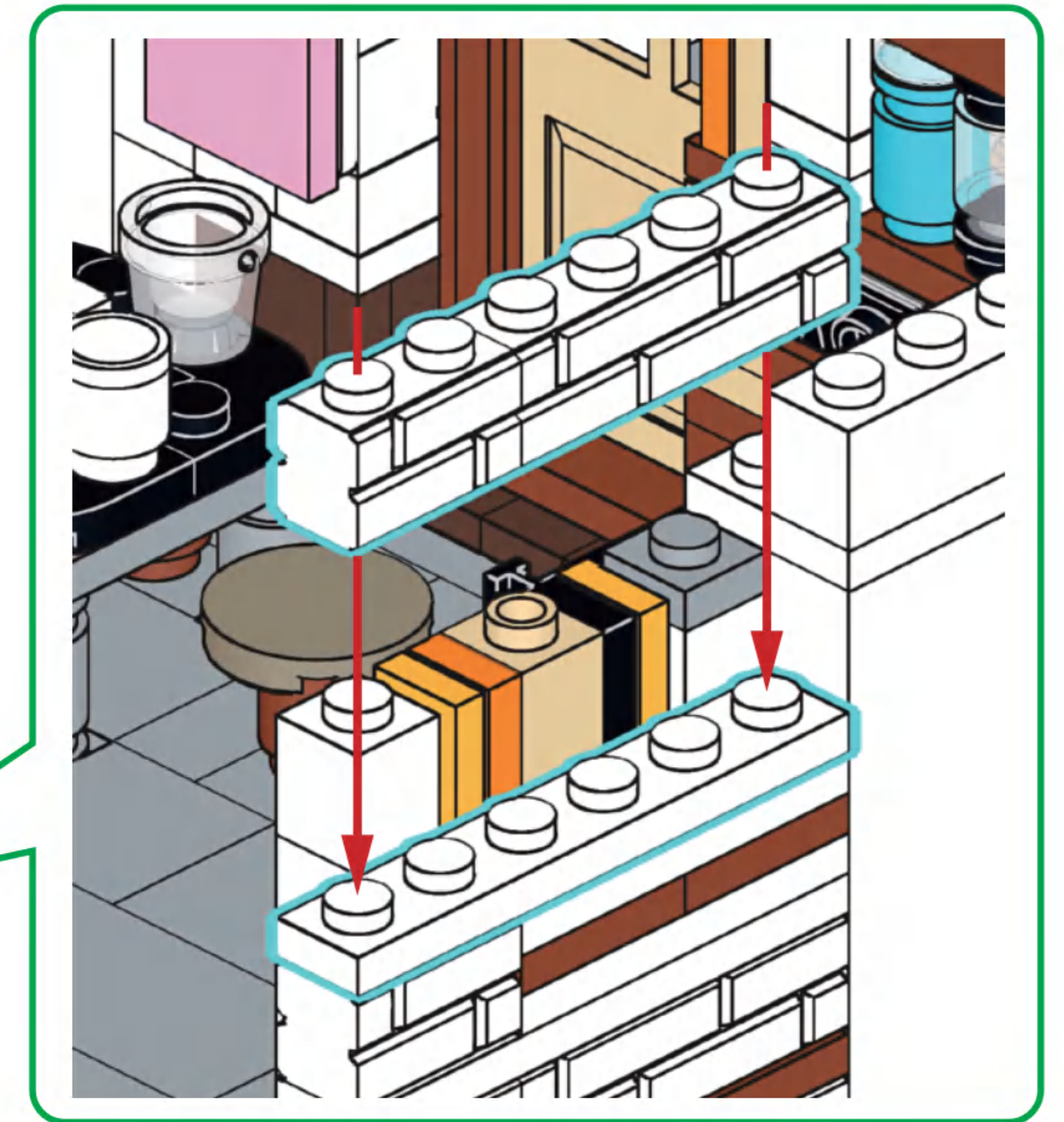
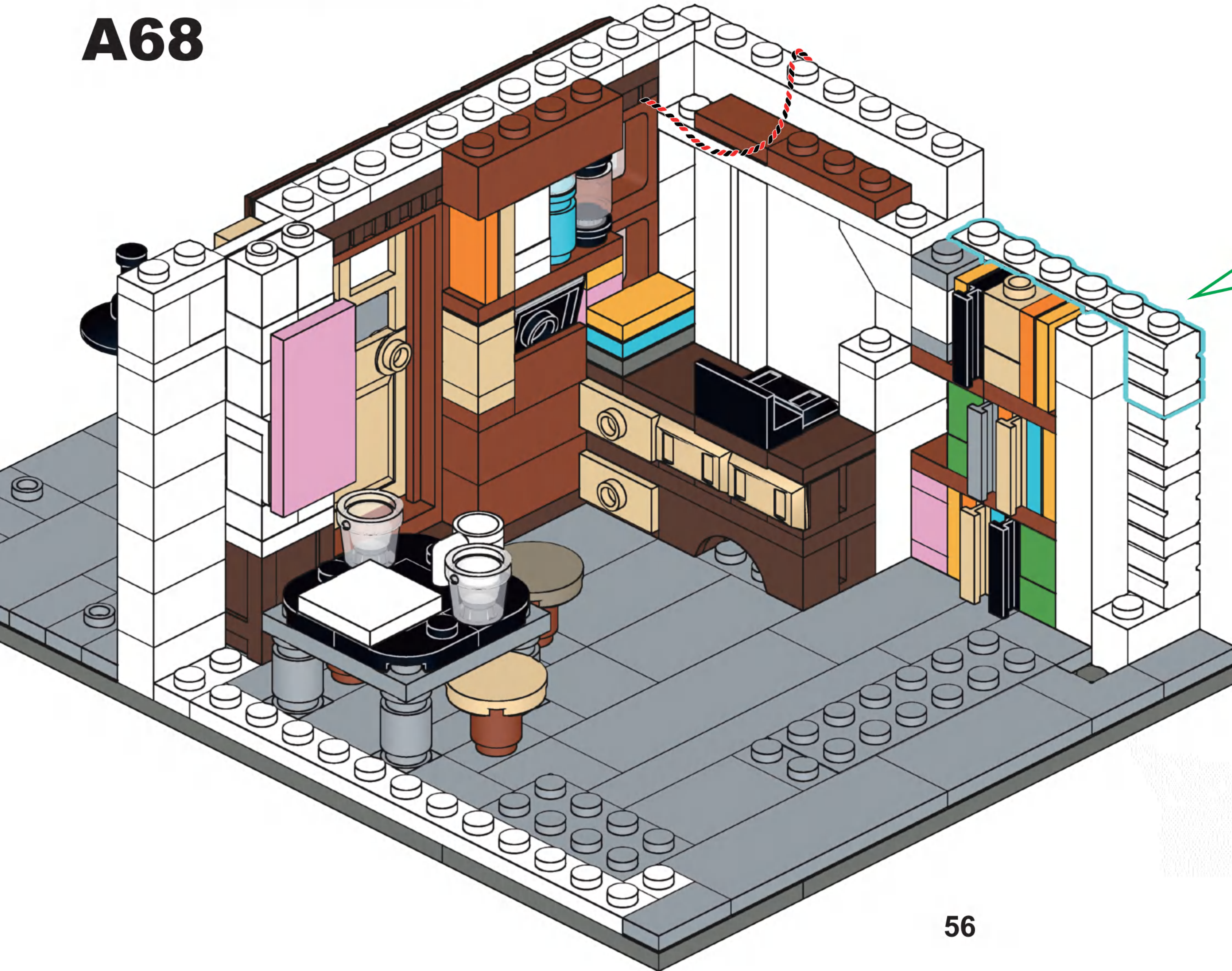
**2**

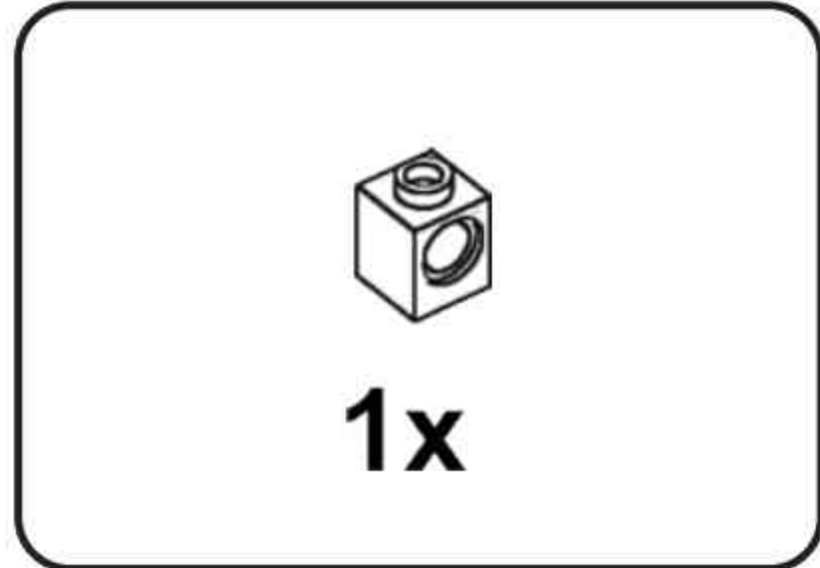
---

**3**



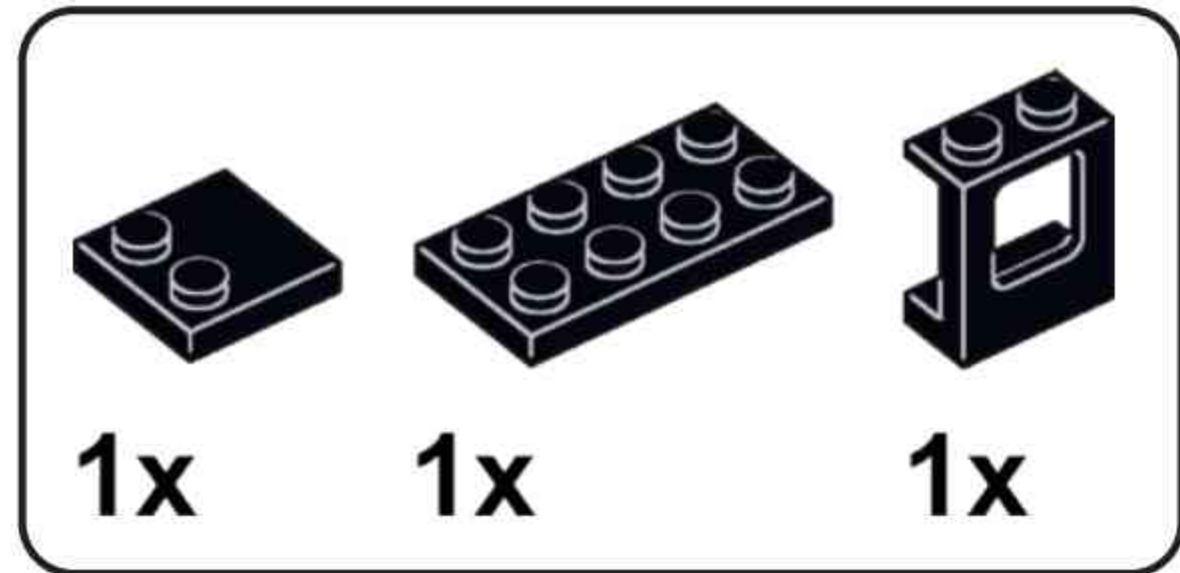
# A68





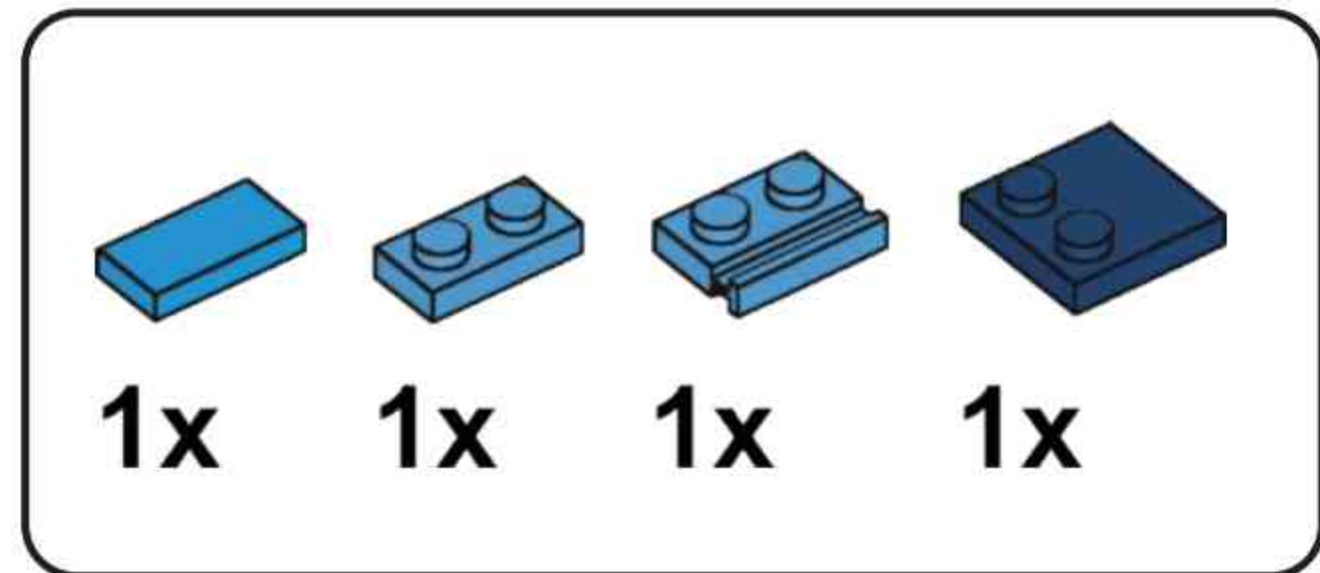
# A69



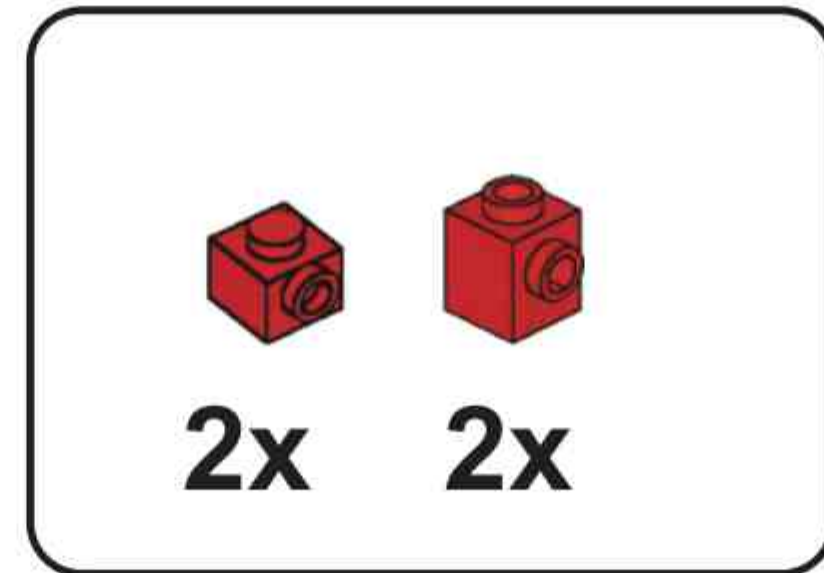
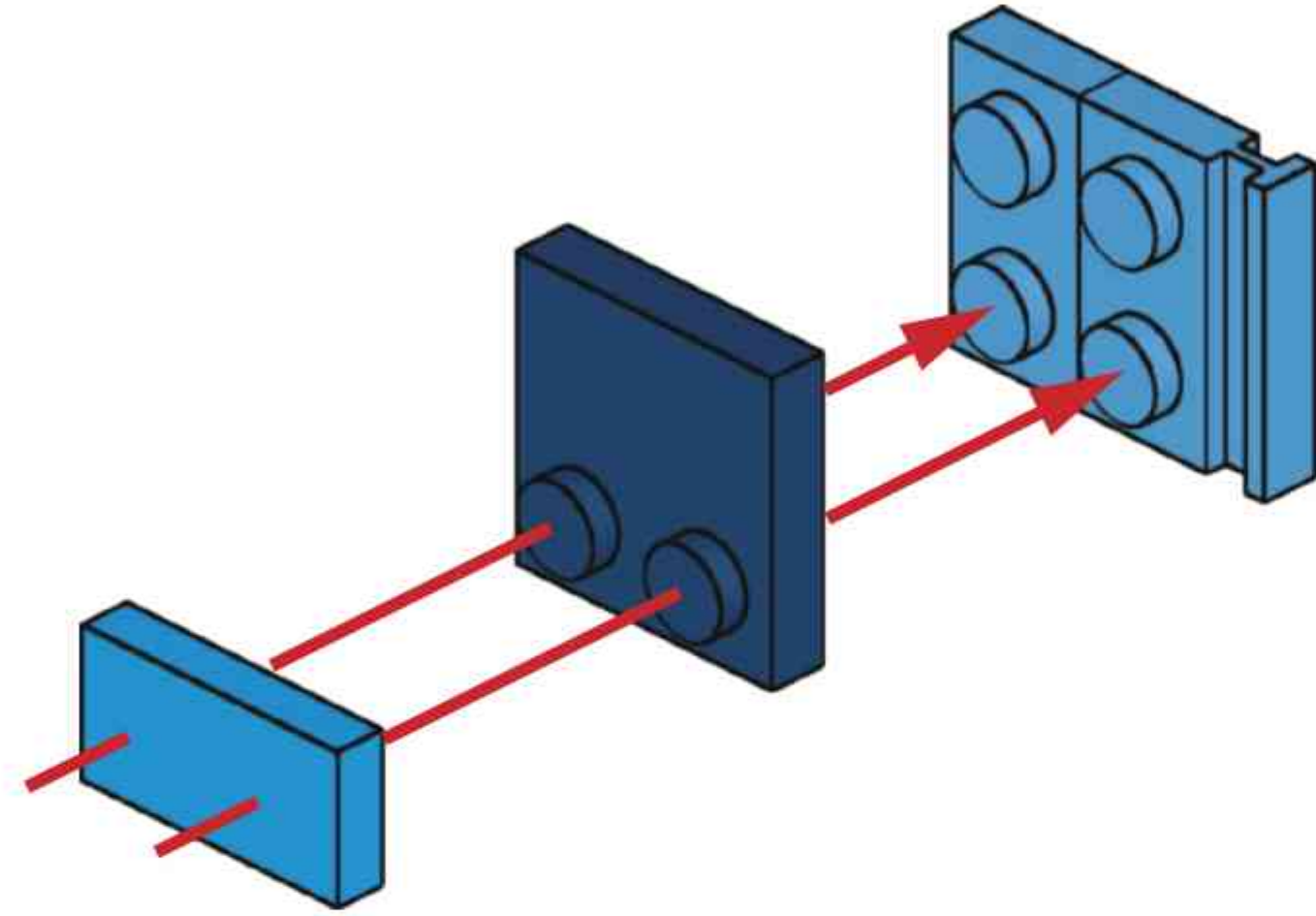


# A70

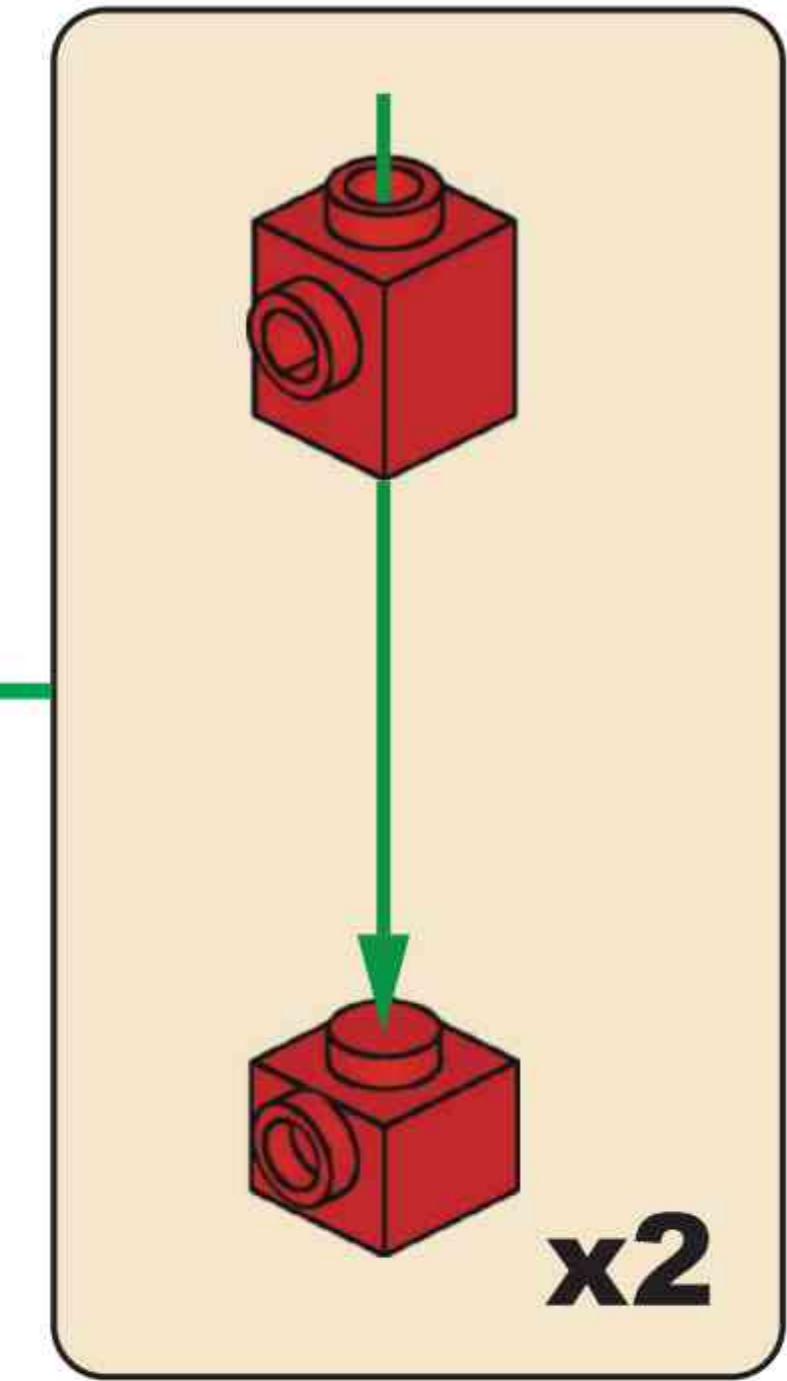
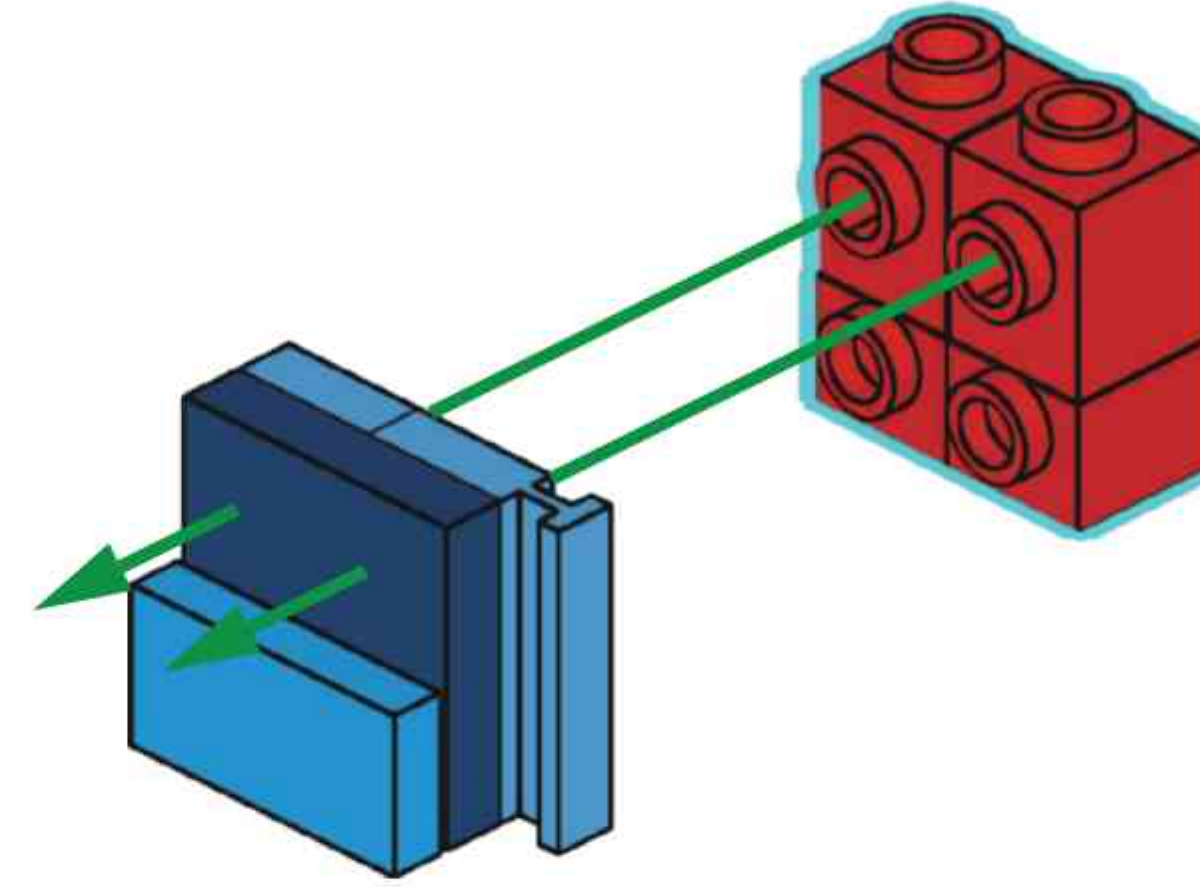




# A71

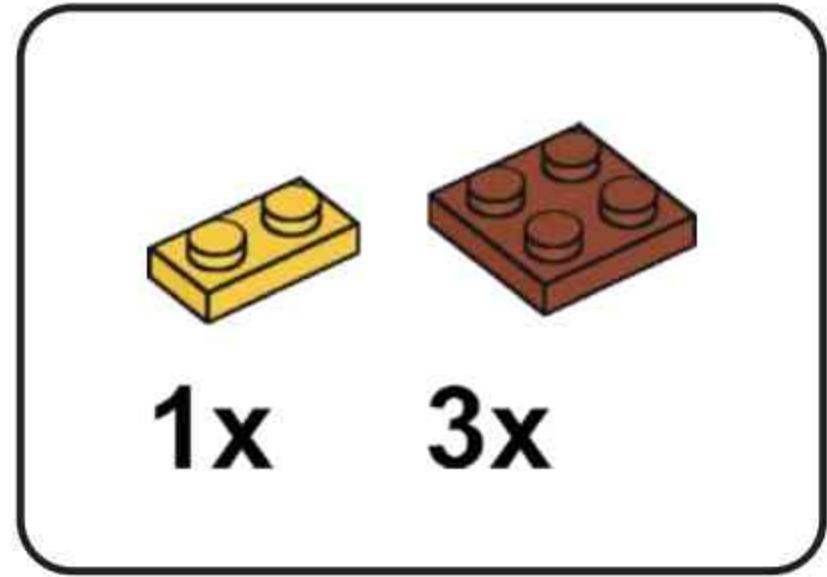


# A72

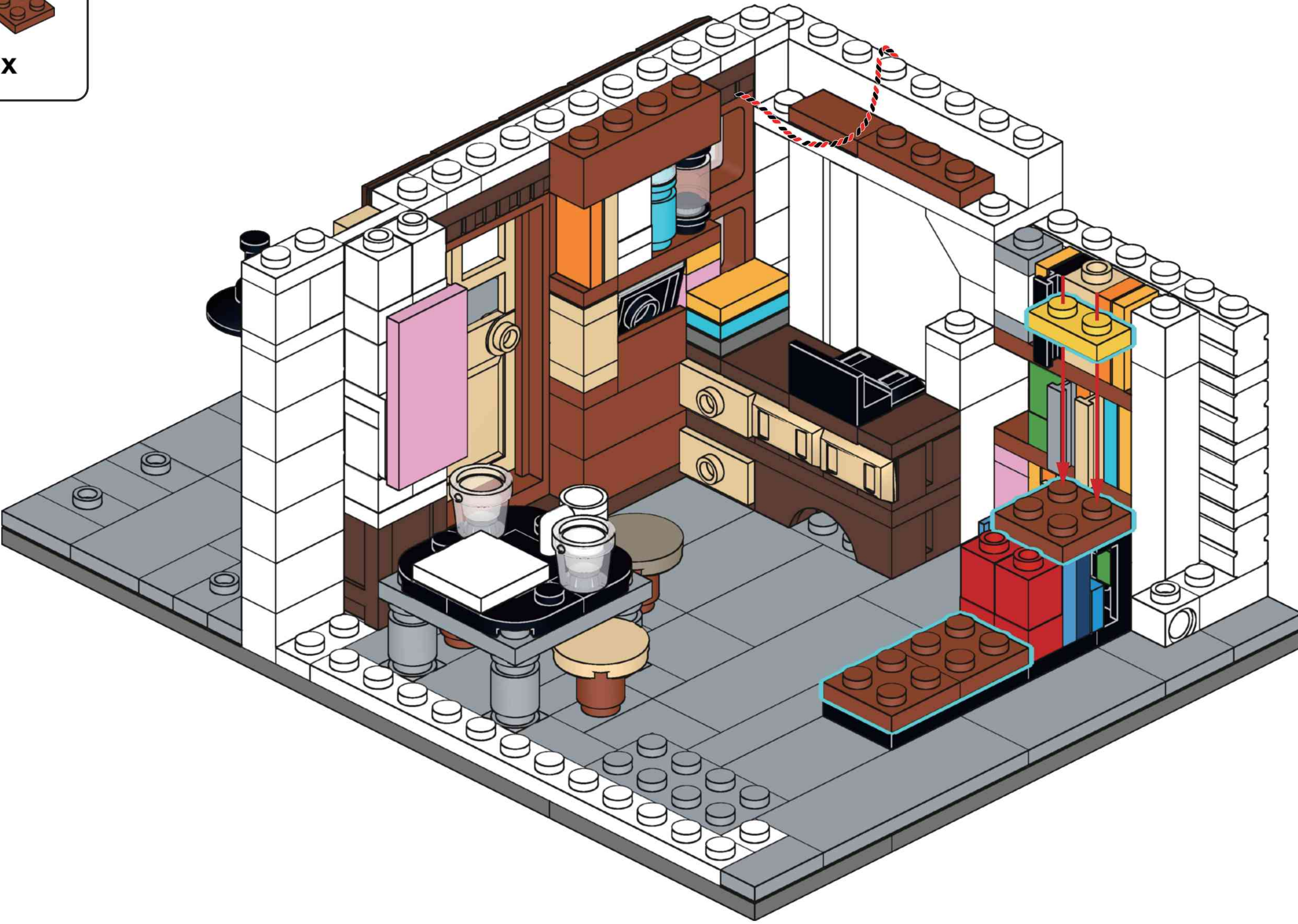


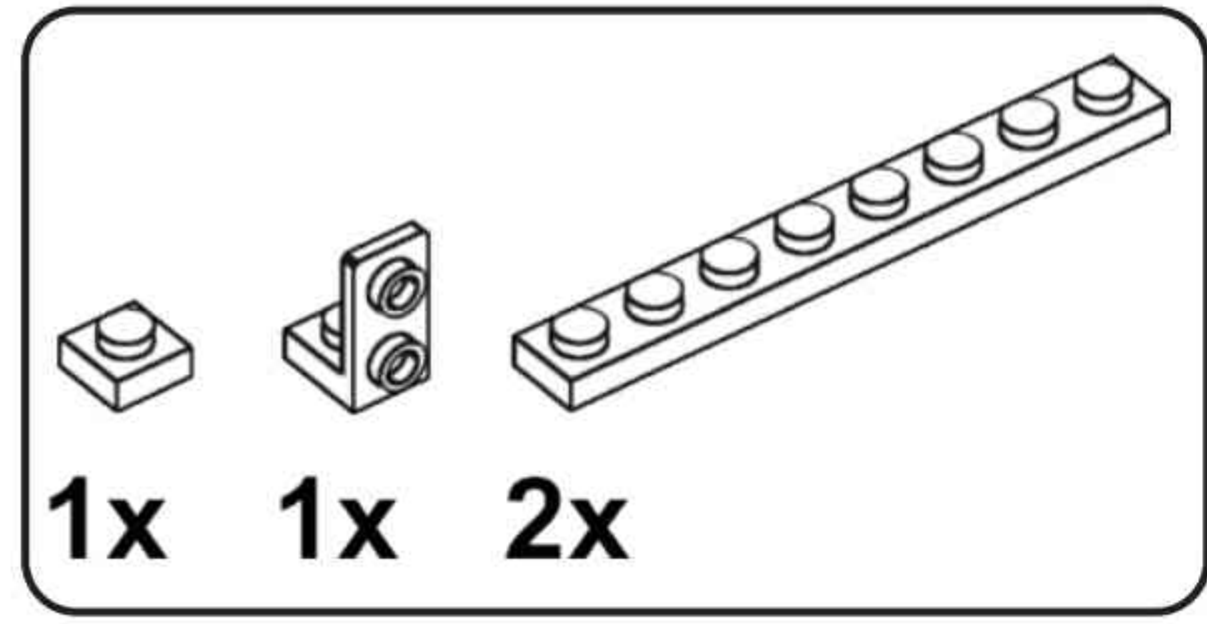
# A73



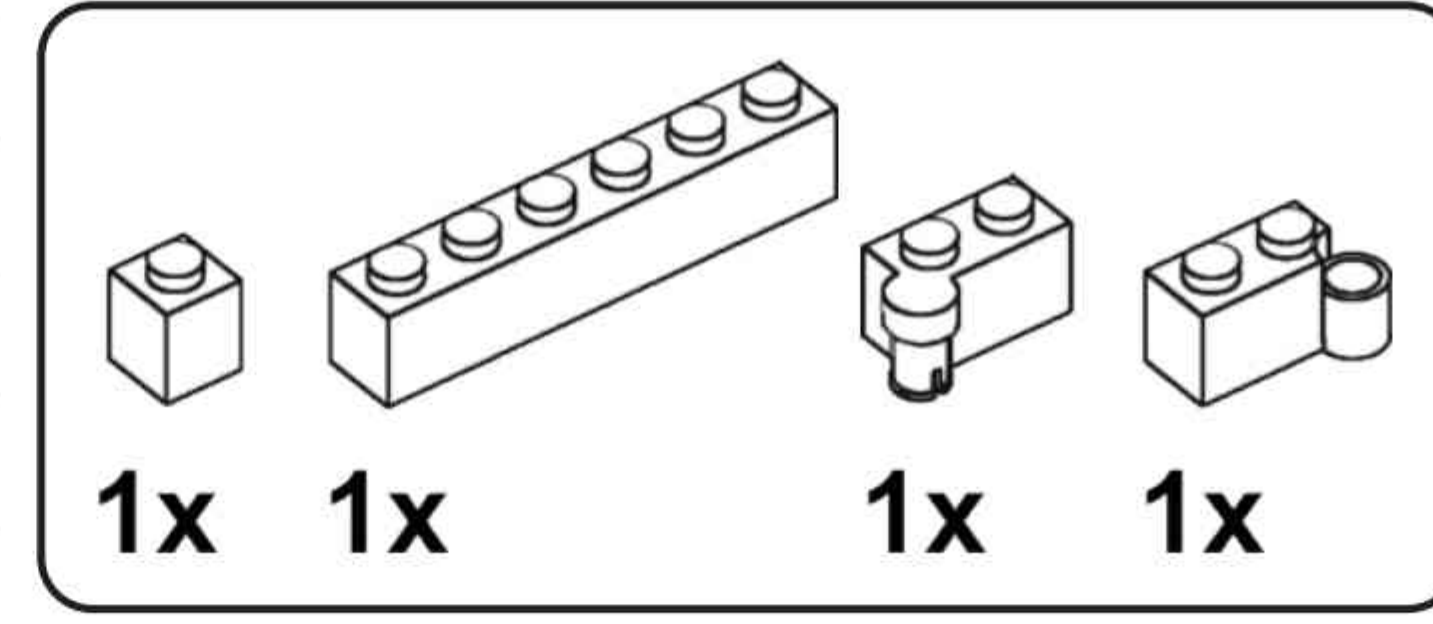
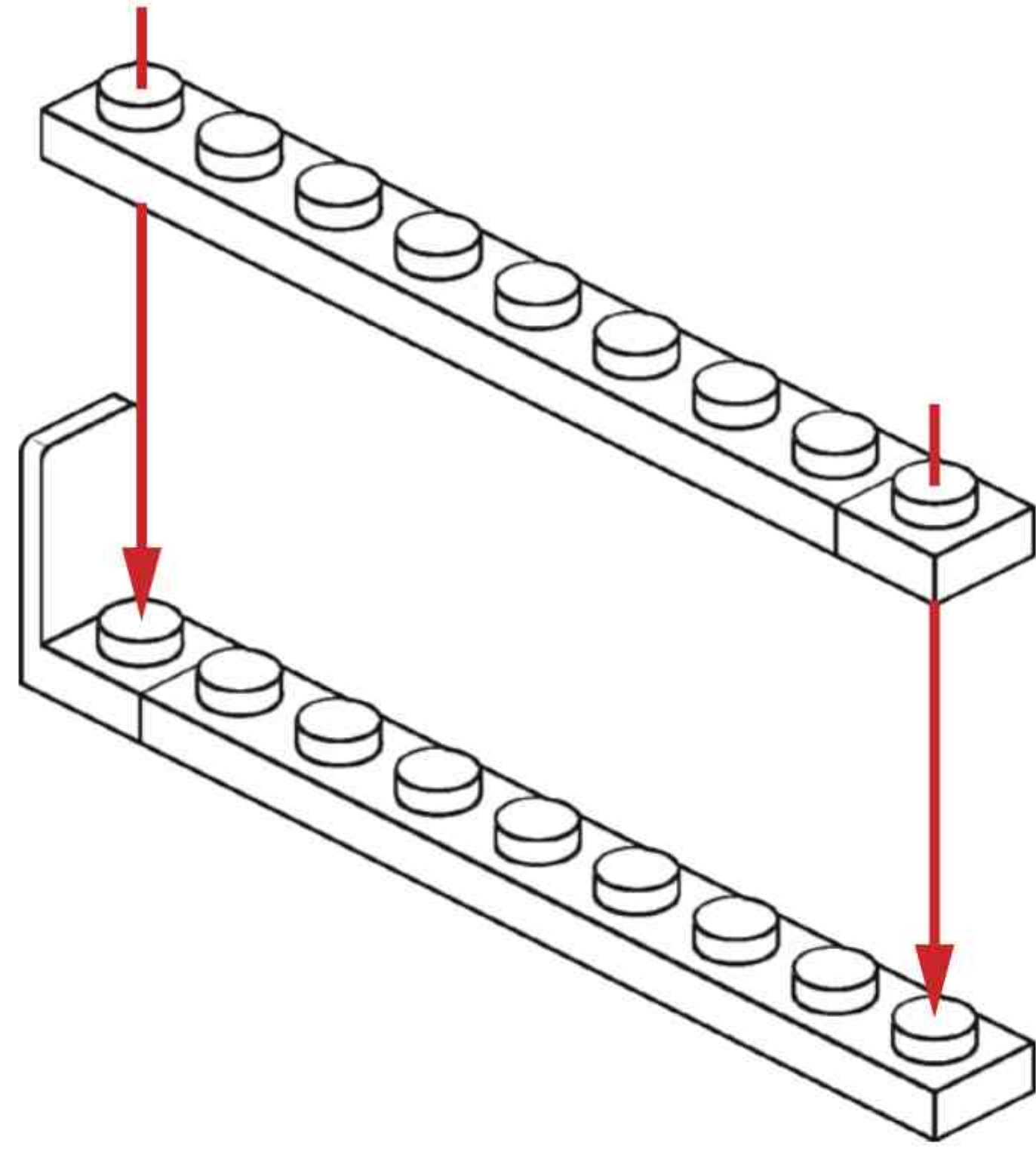


# A74

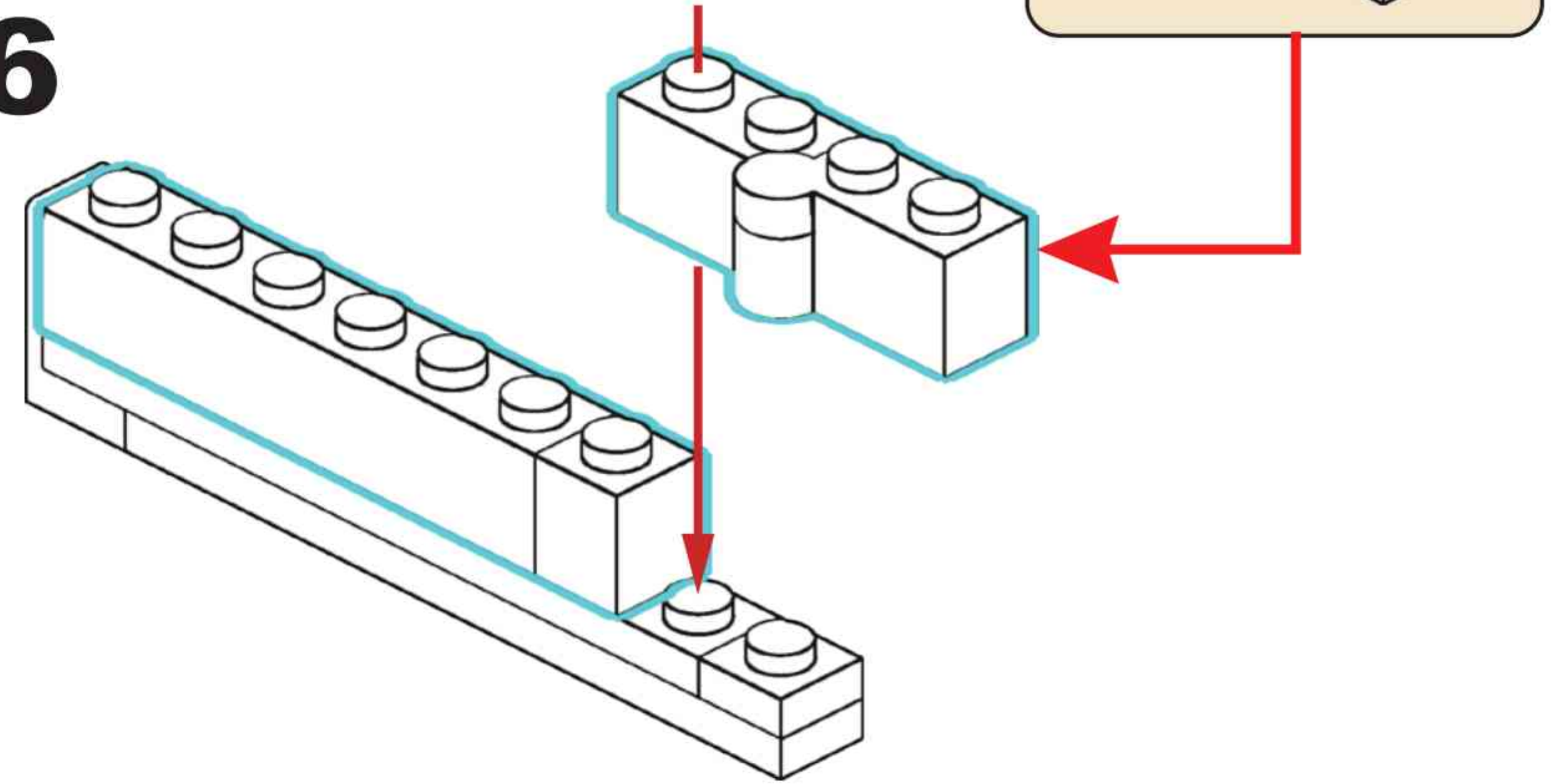




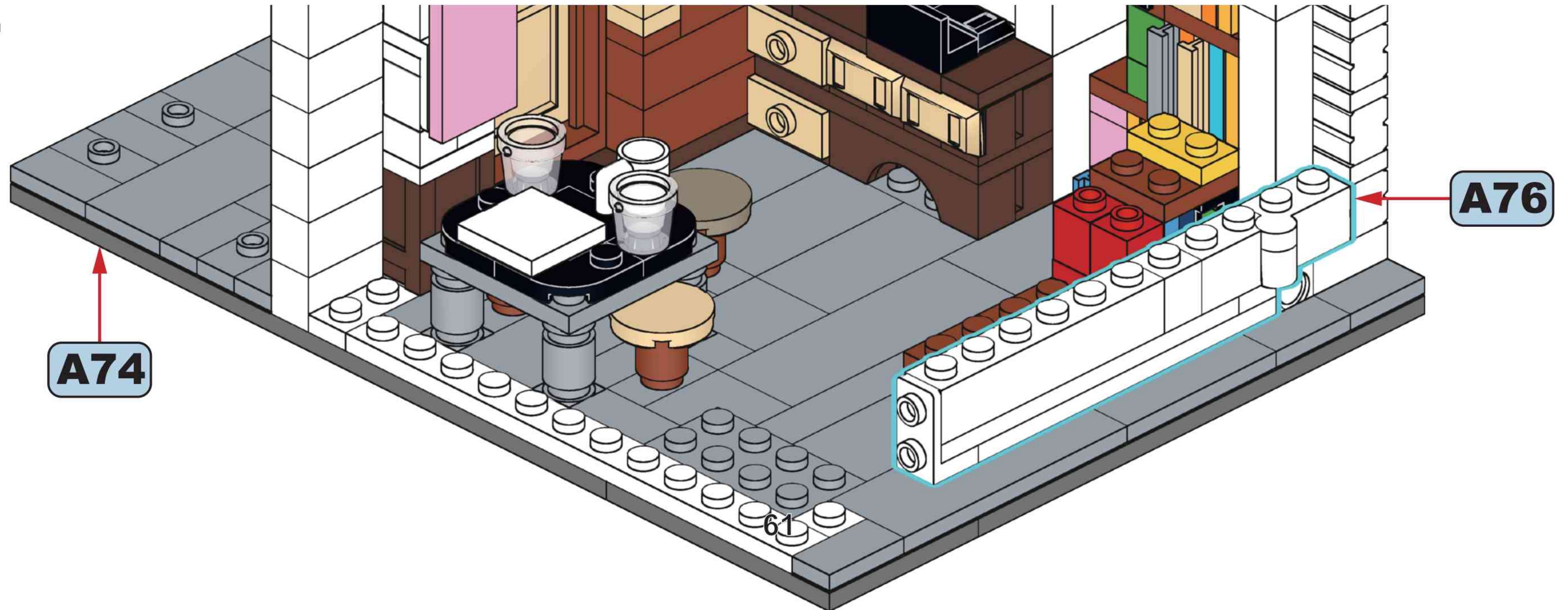
**A75**

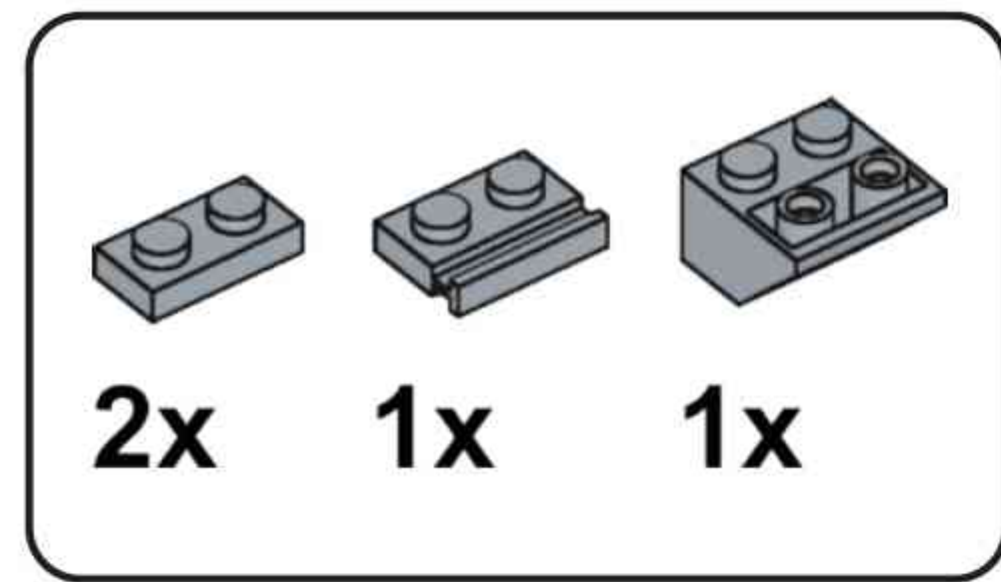


**A76**

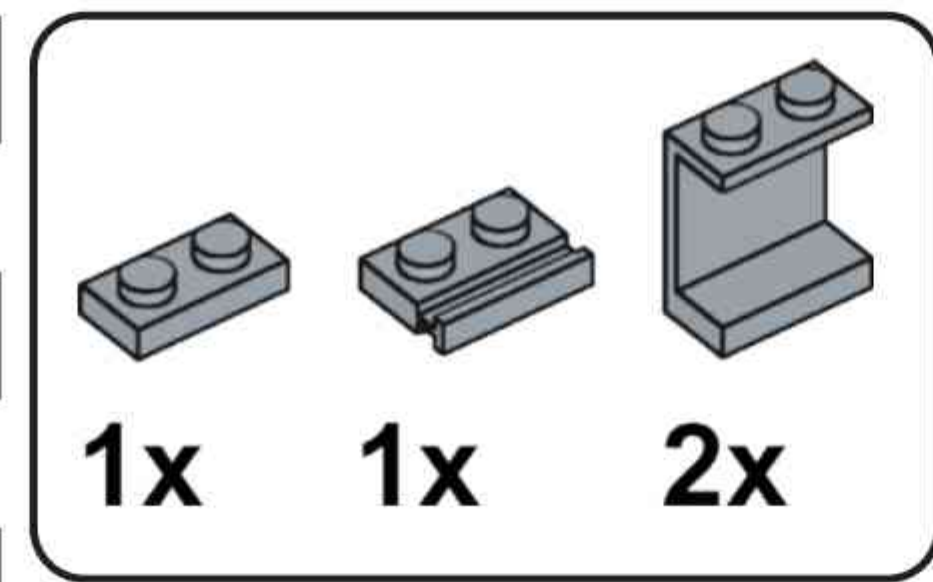
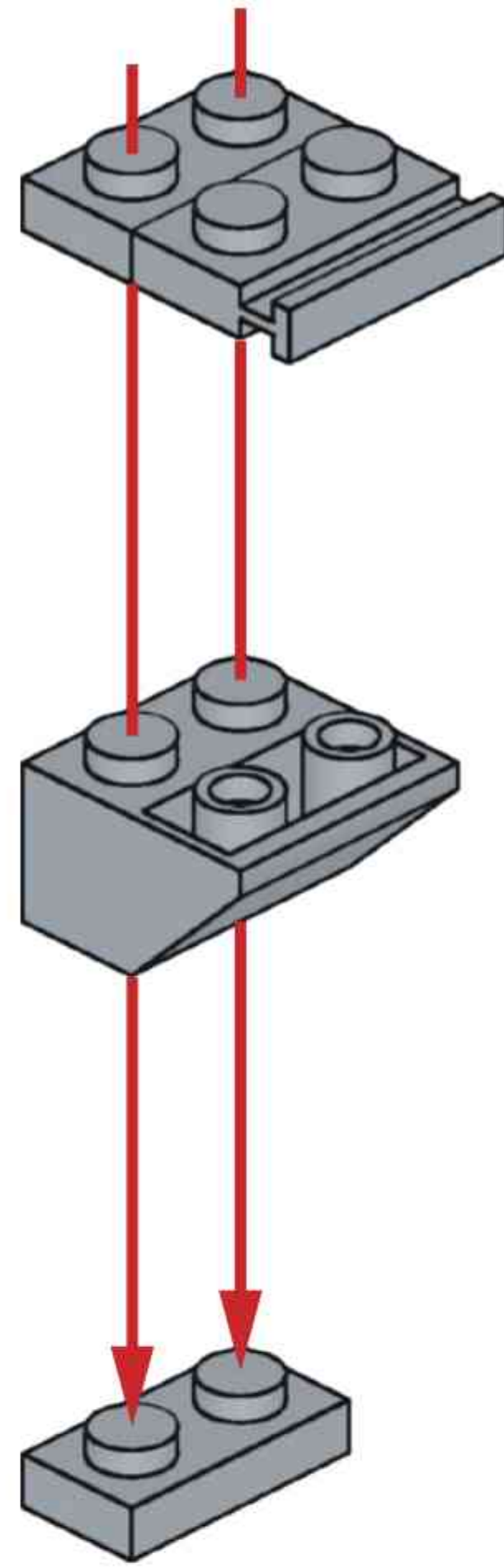


**A77**

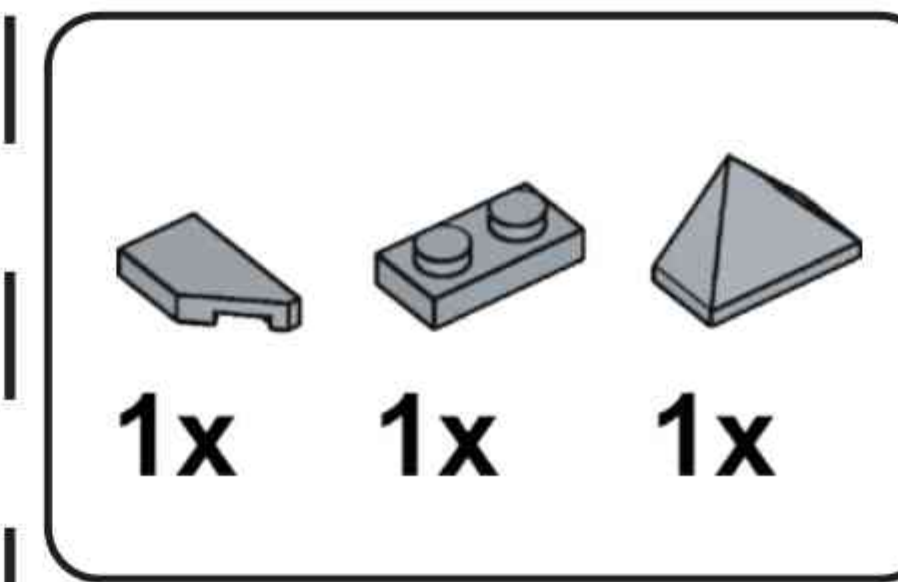
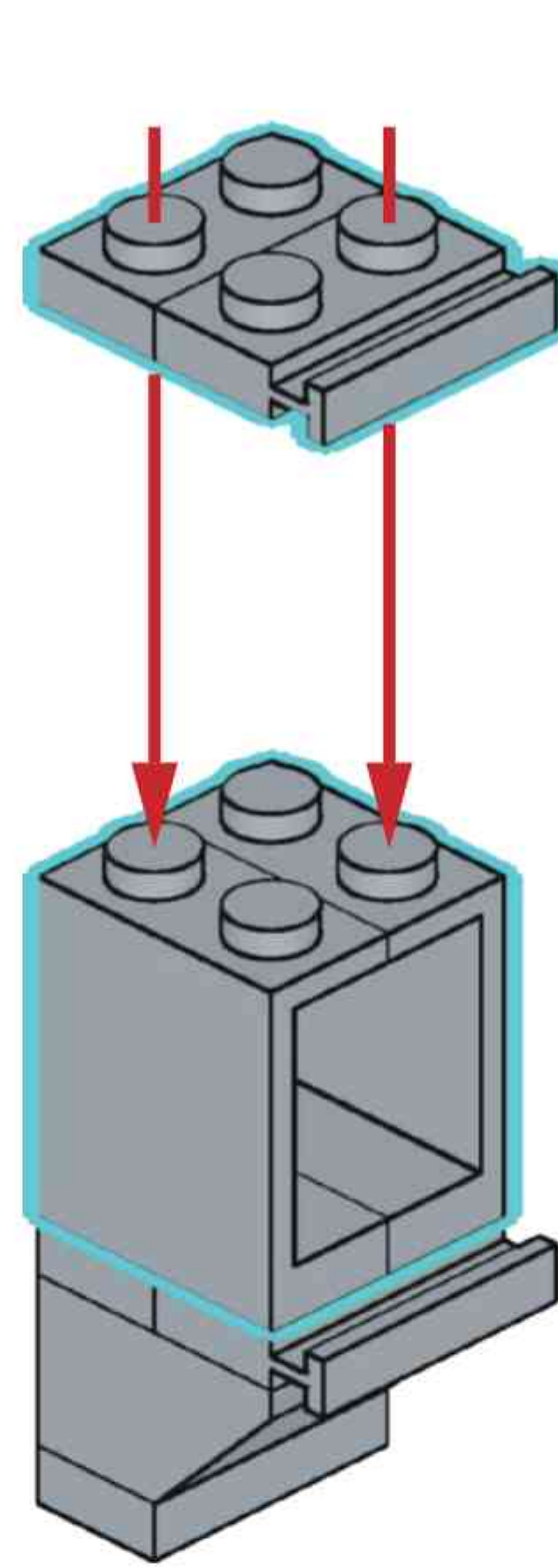




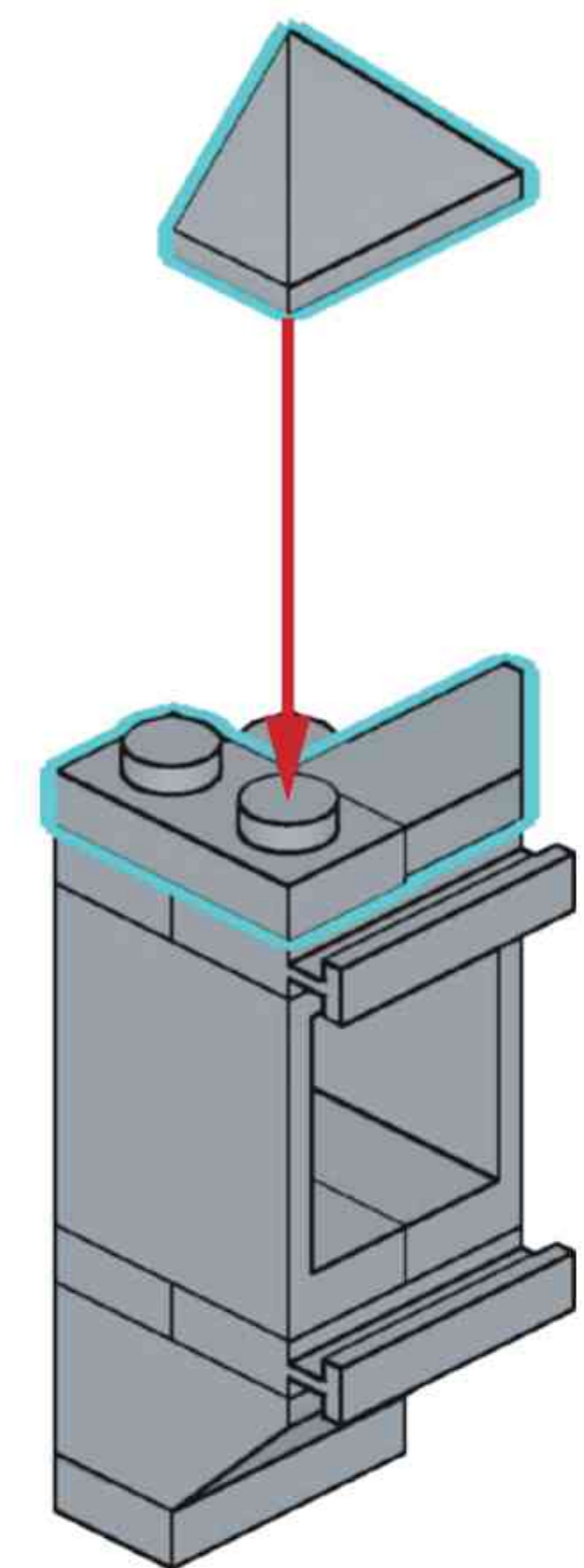
**A78**



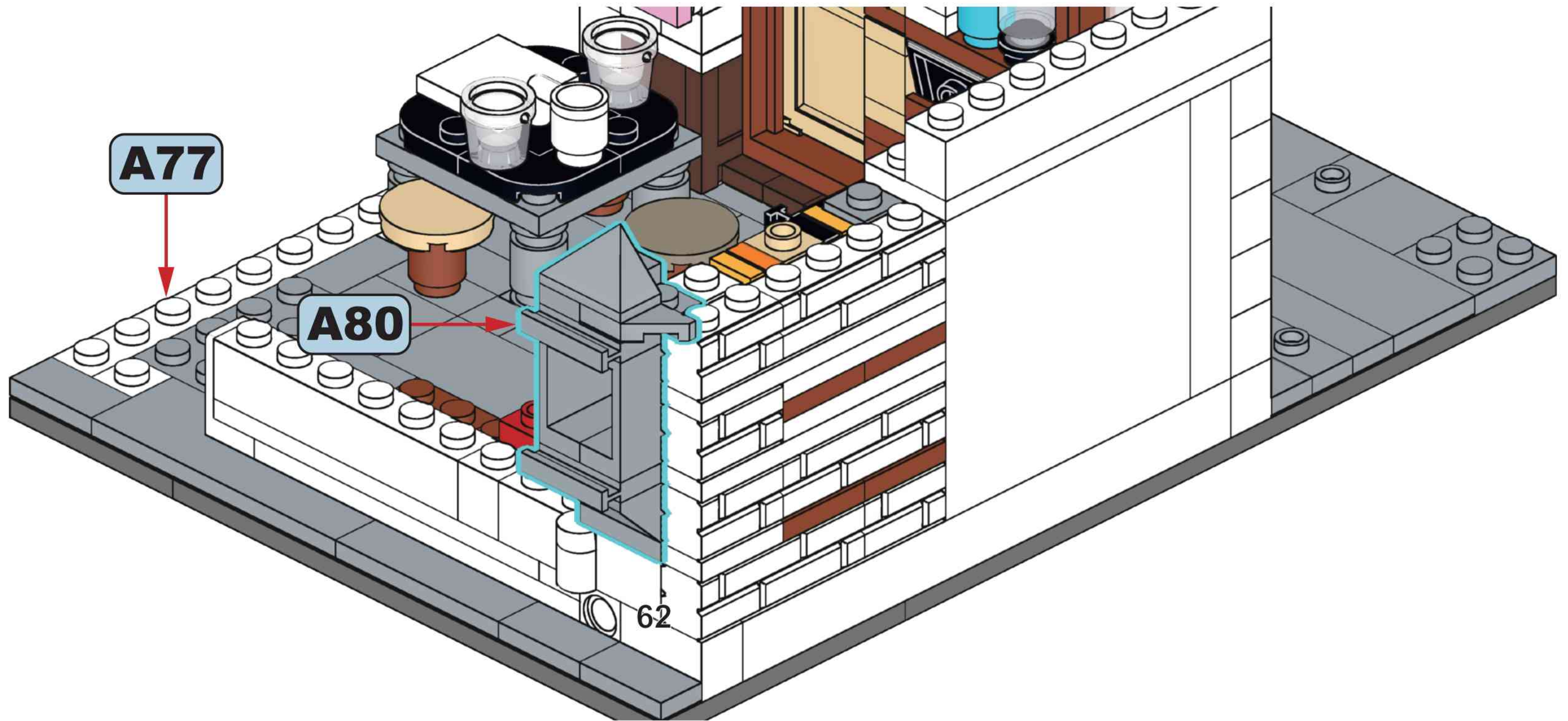
**A79**

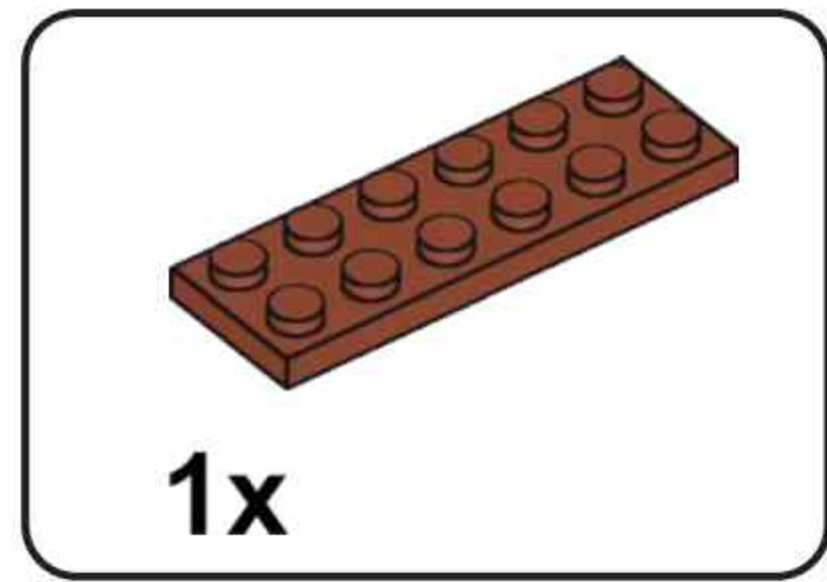


**A80**

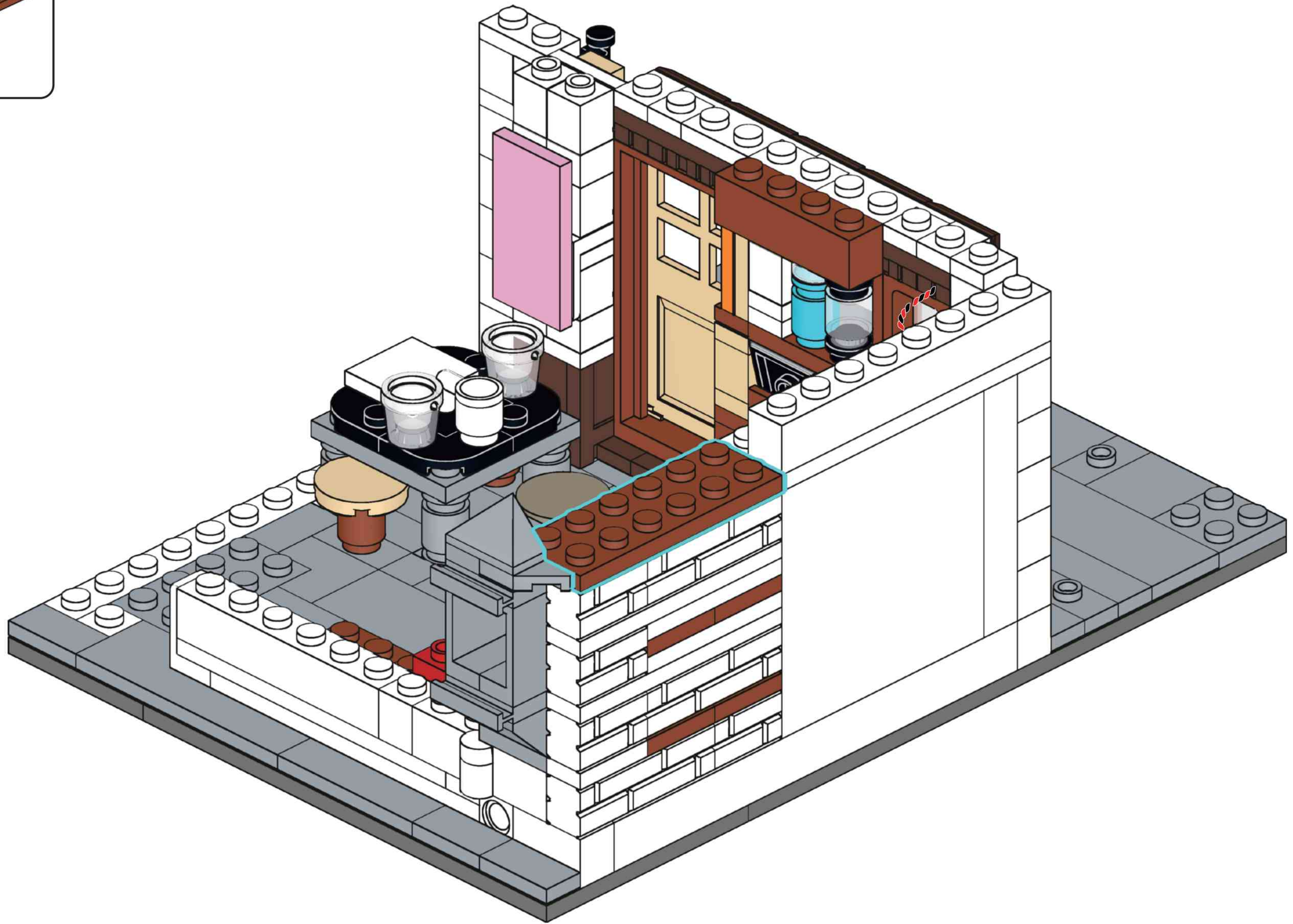


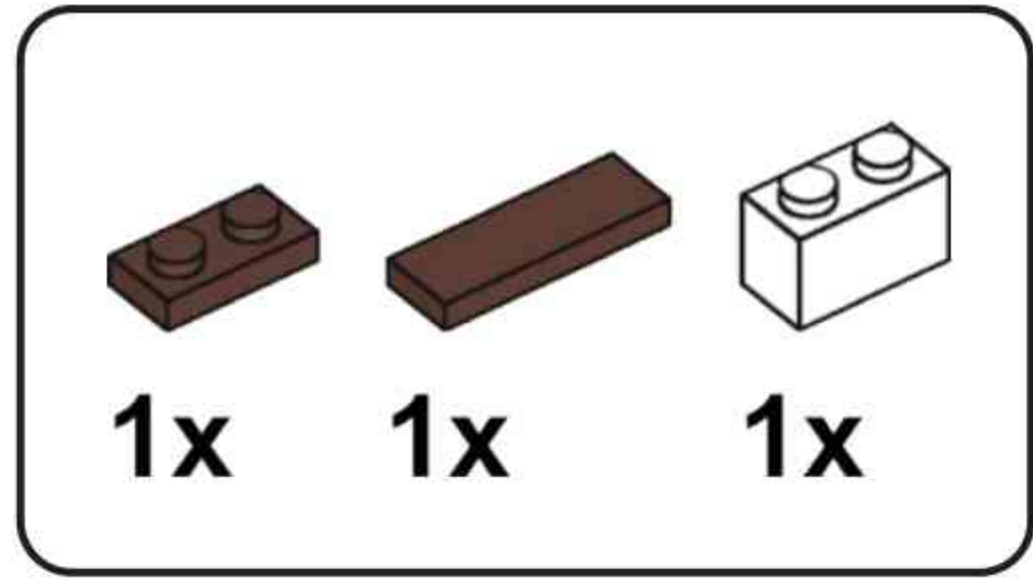
**A81**



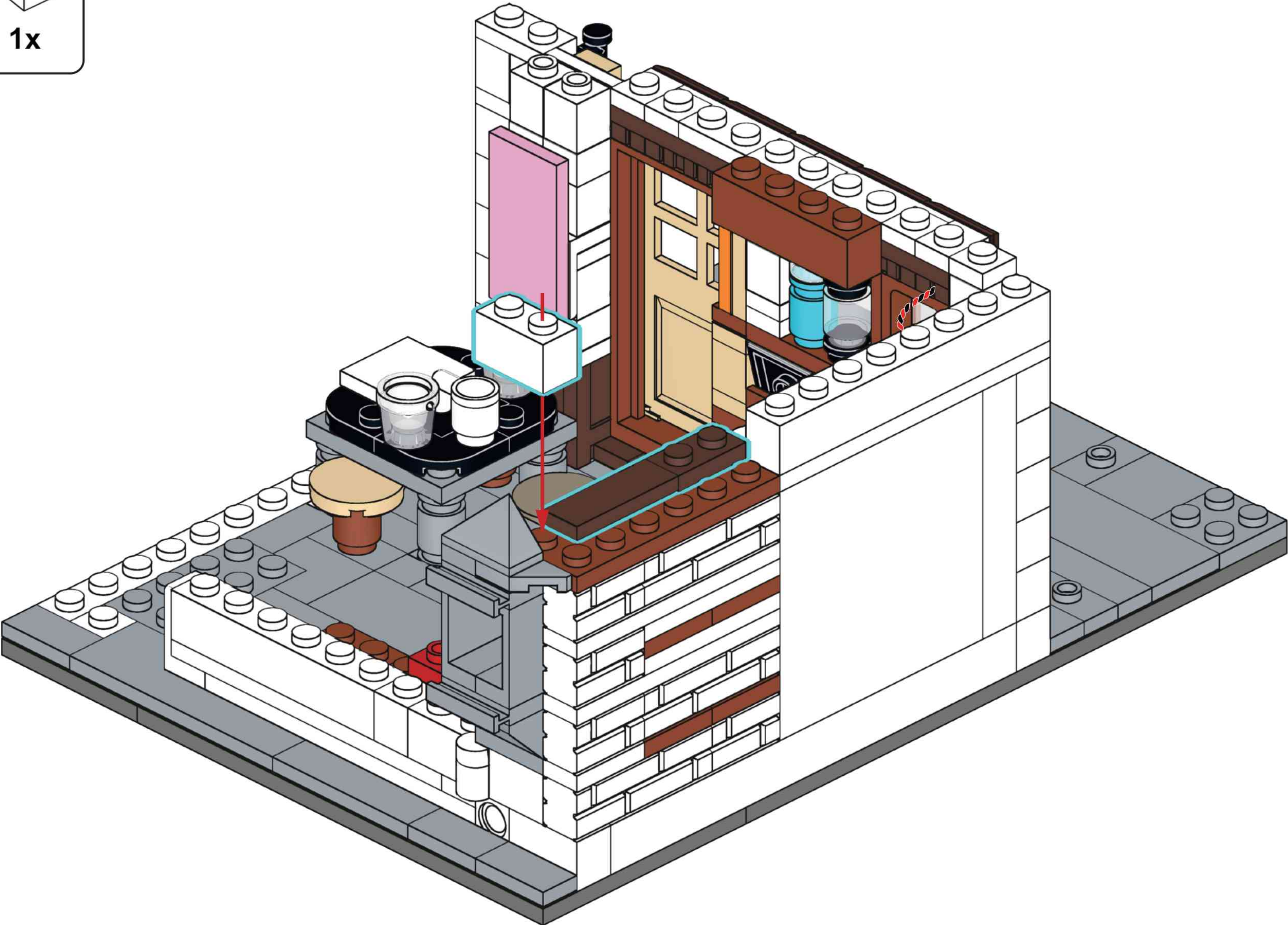





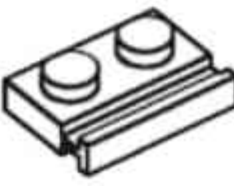
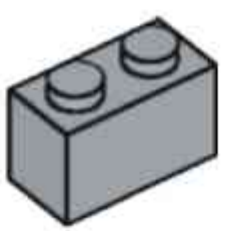


**A82**



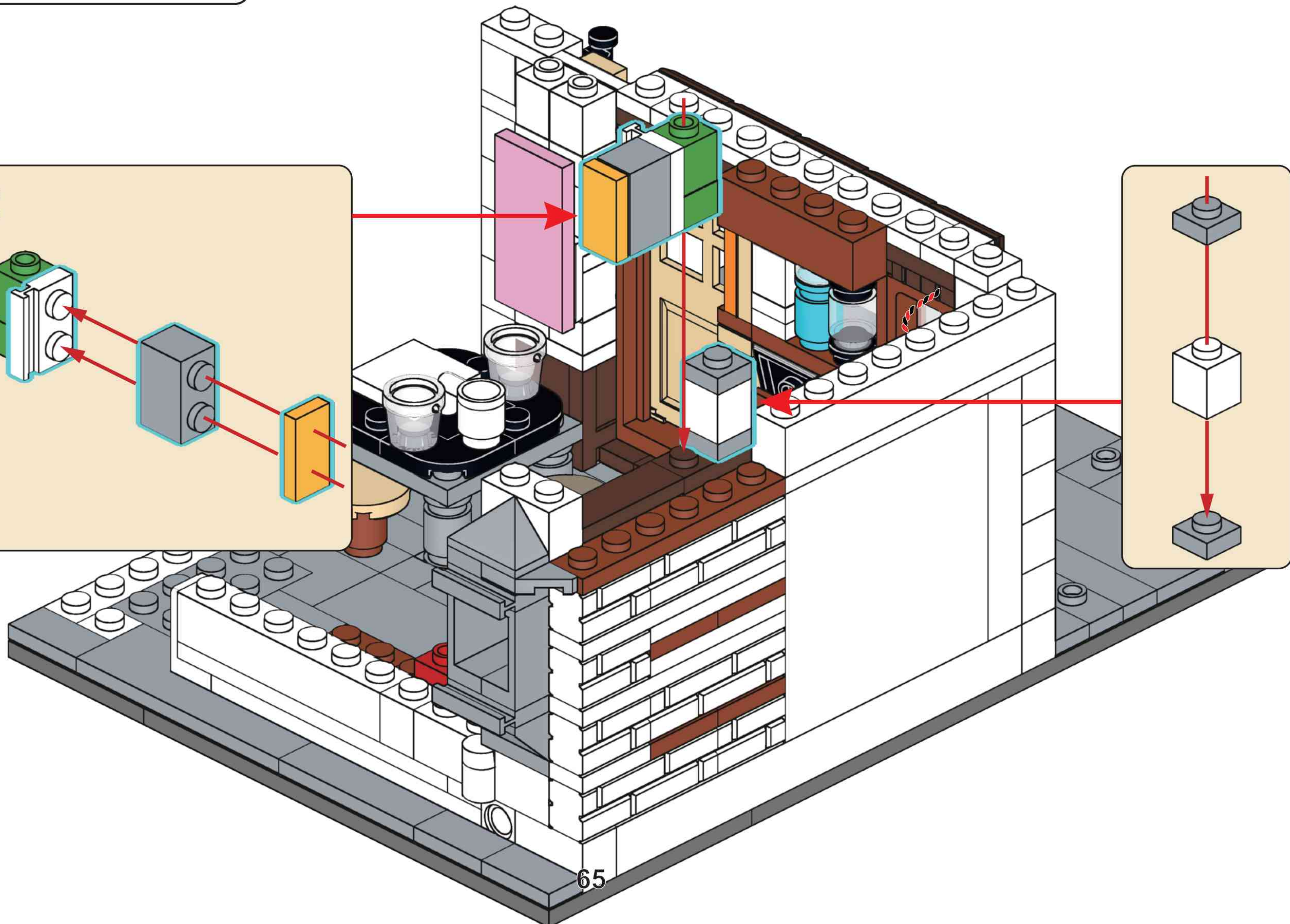
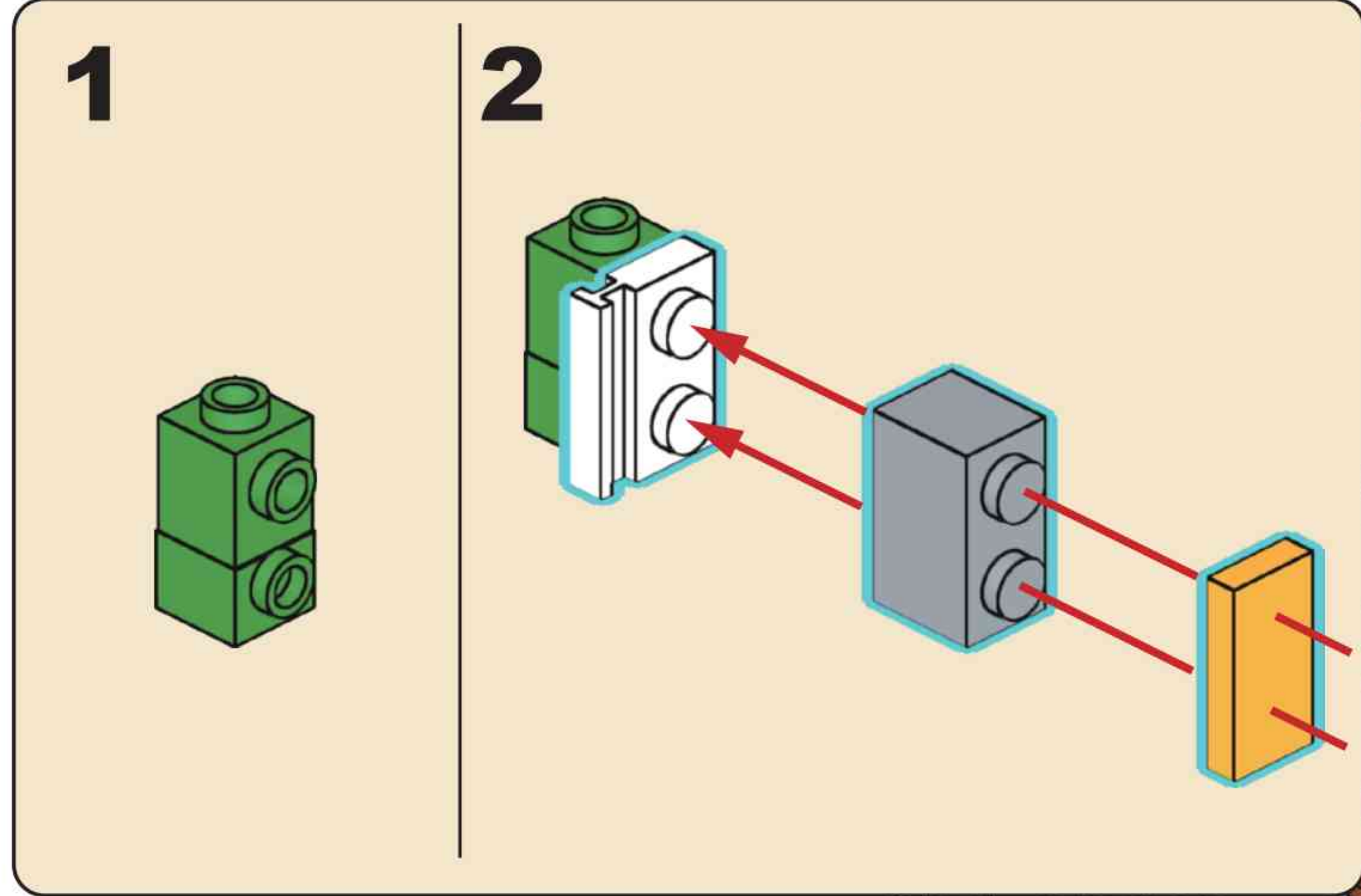


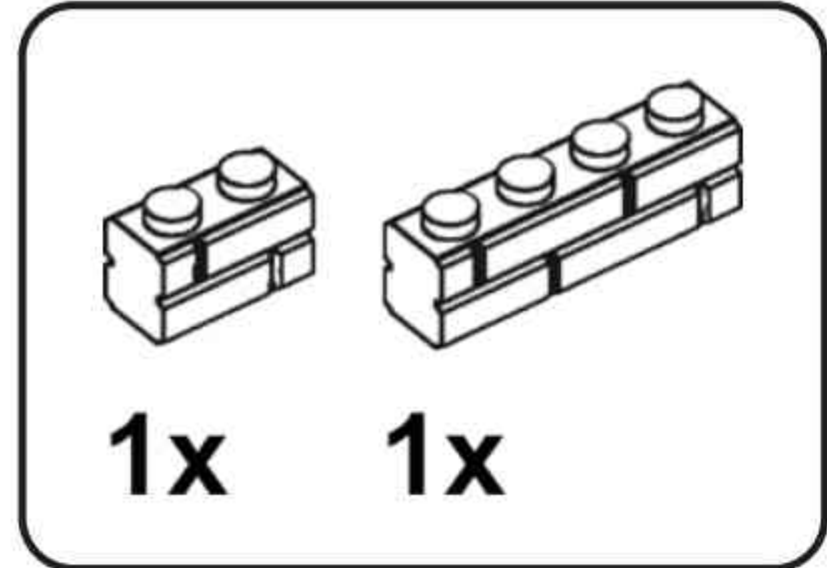
# A83



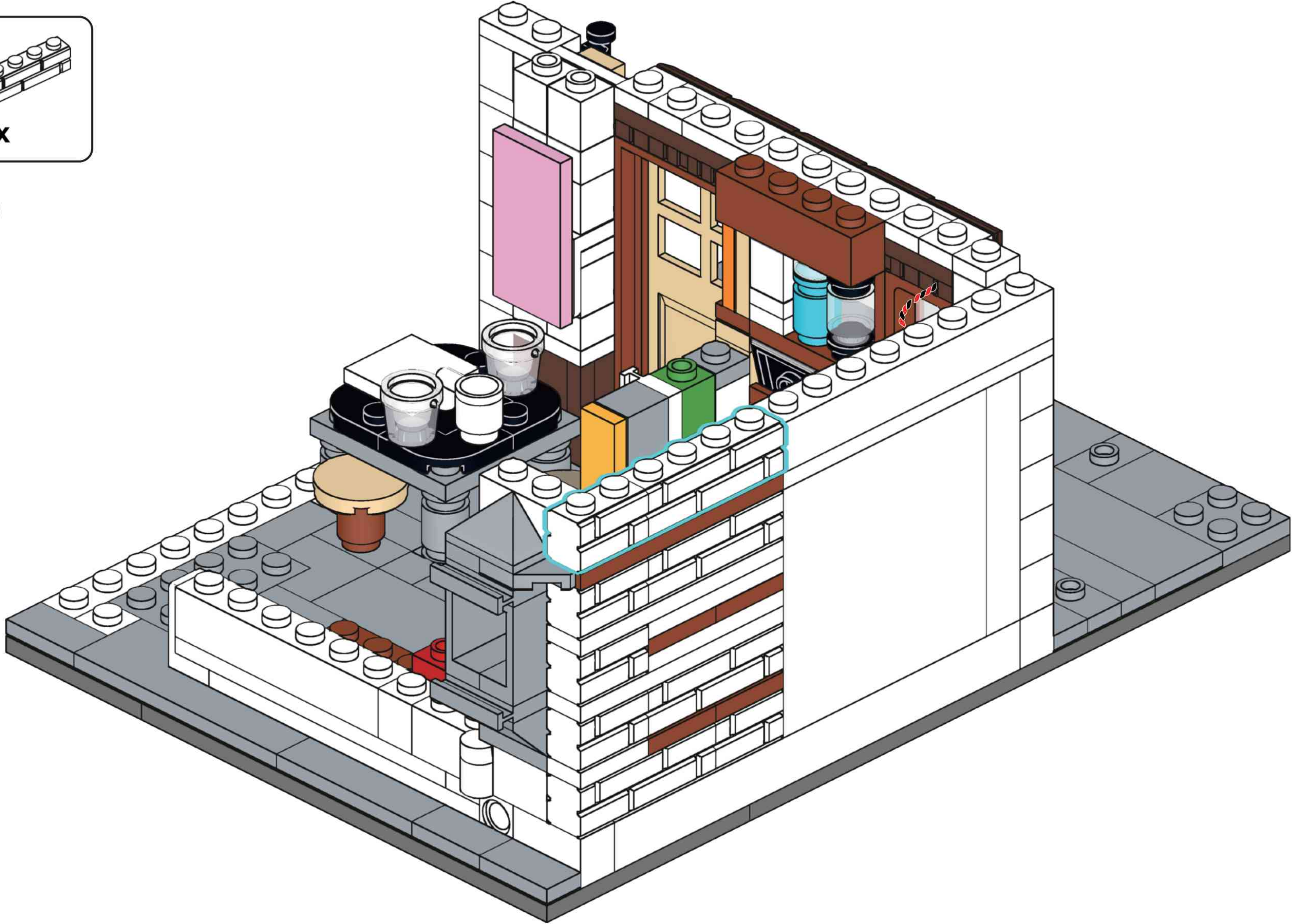
-  1x
-  1x
-  1x
-  1x
-  1x
-  2x
-  1x

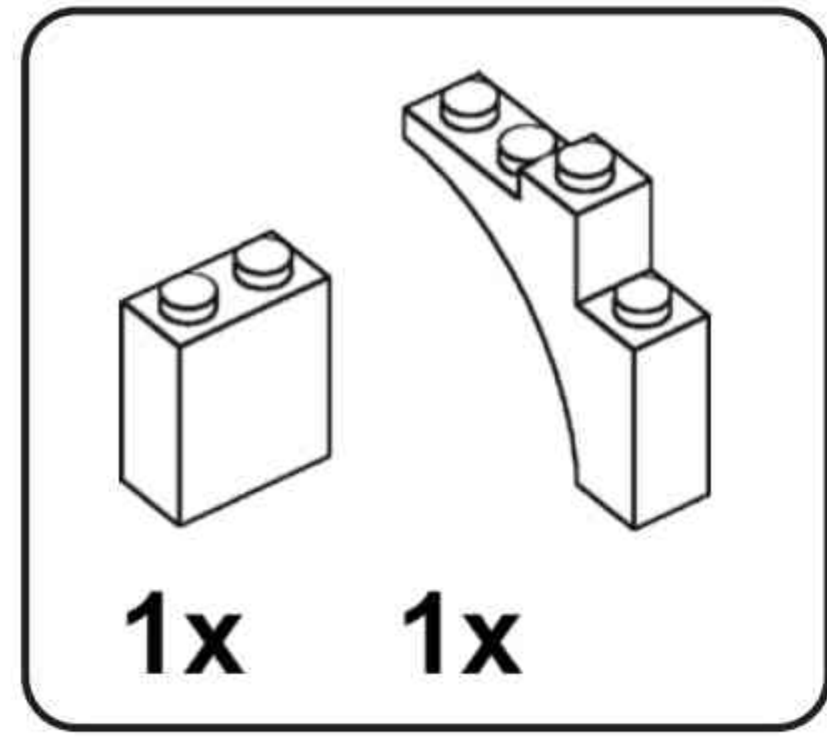
# A84



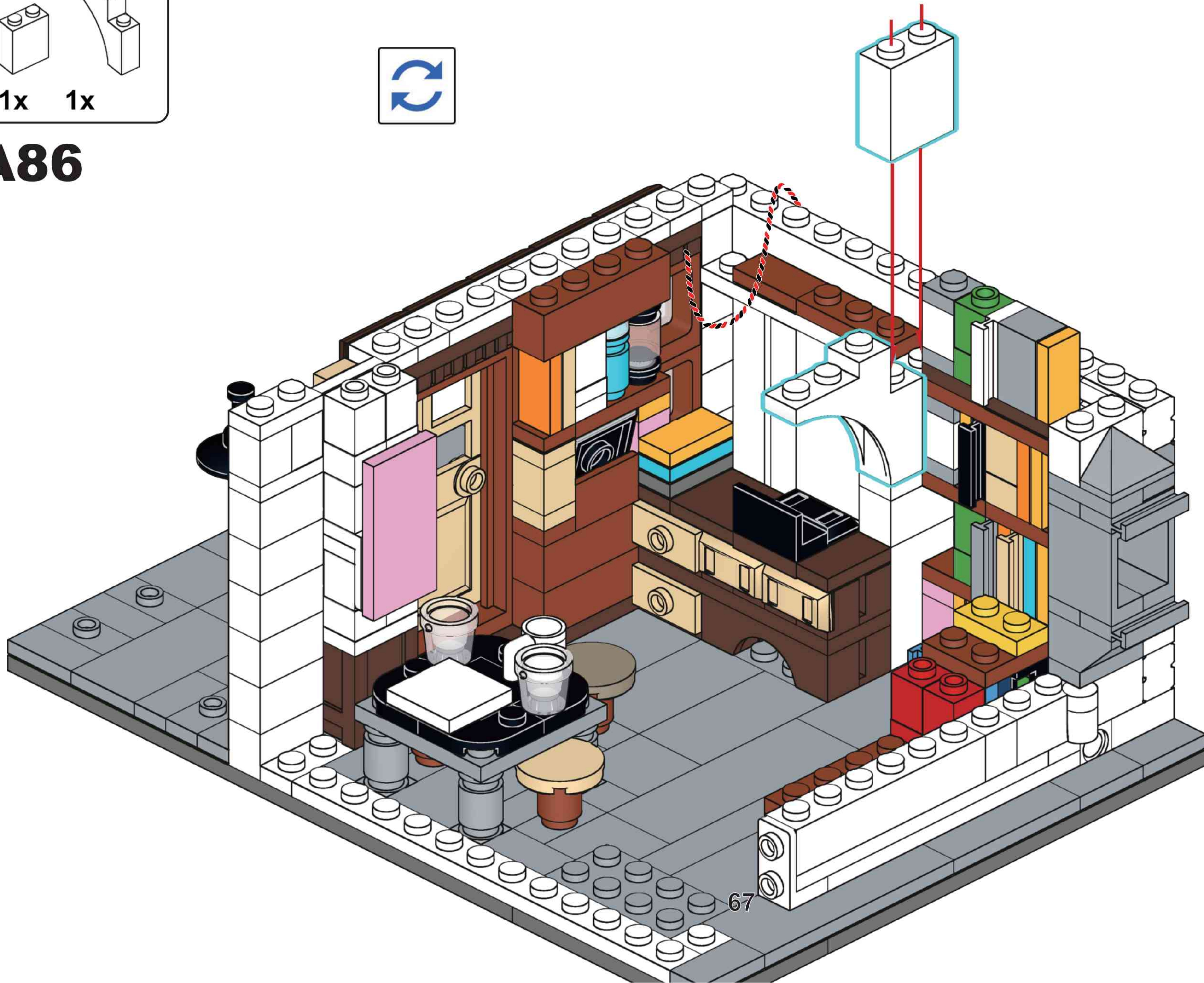


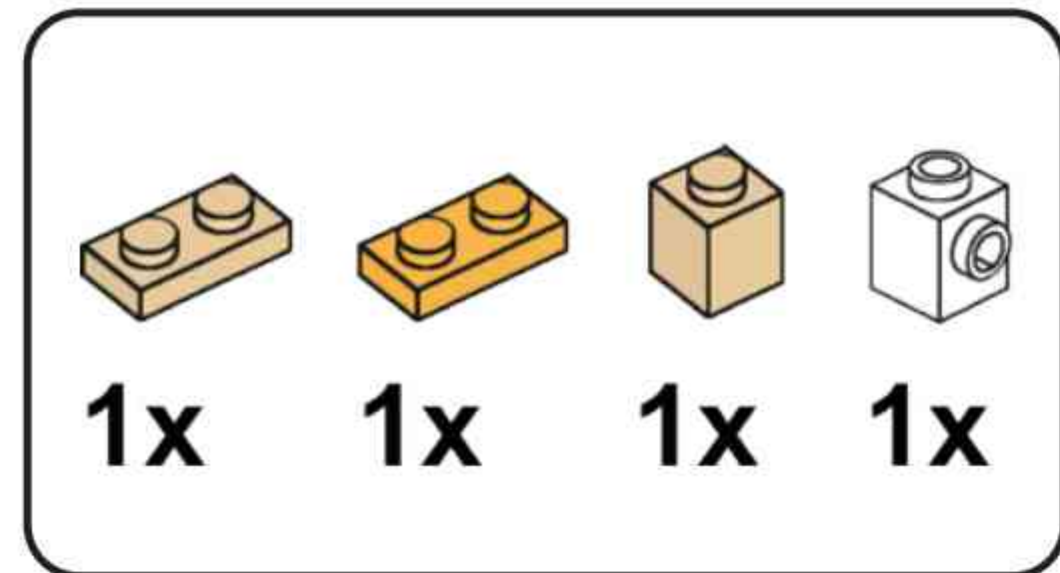
# A85



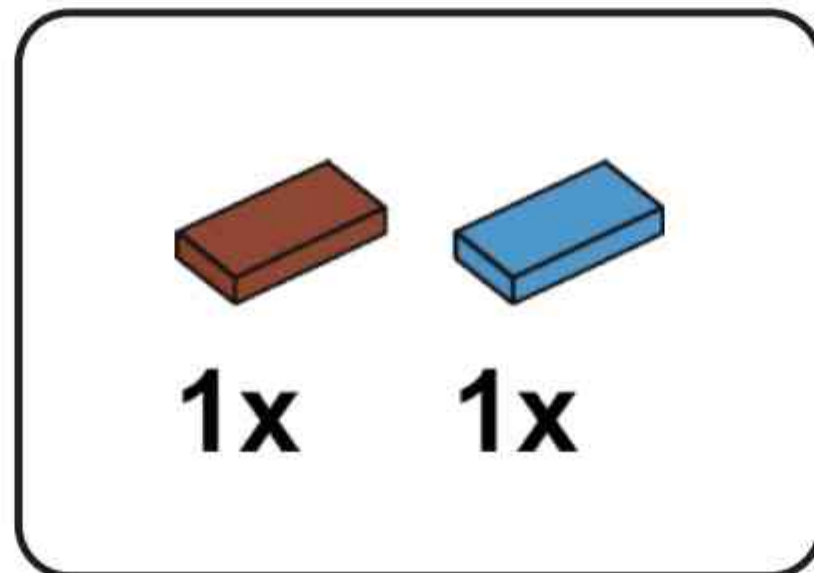
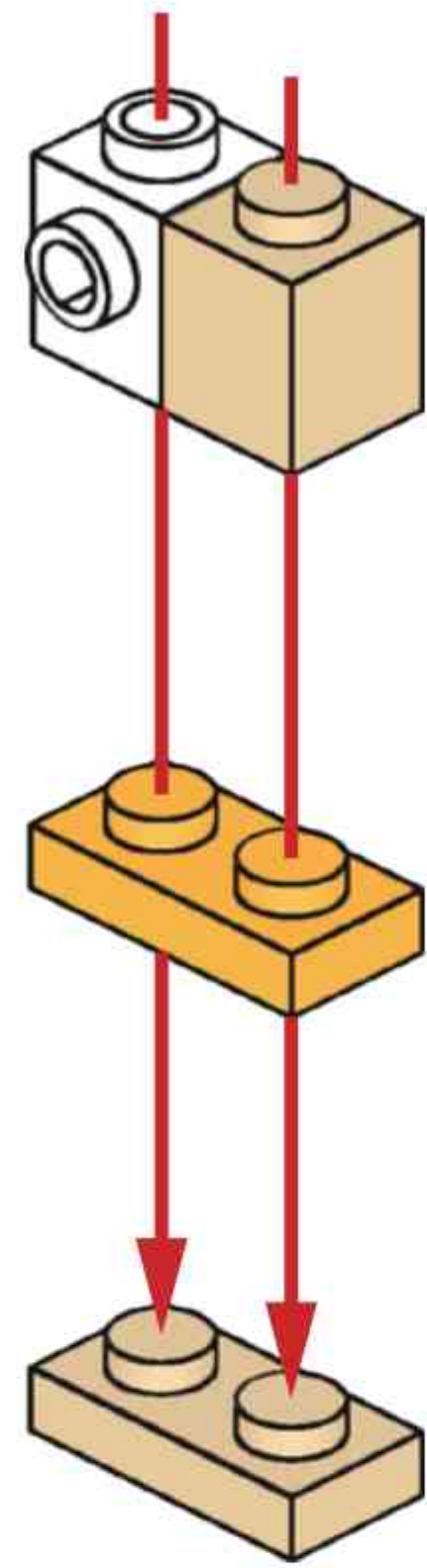


# A86

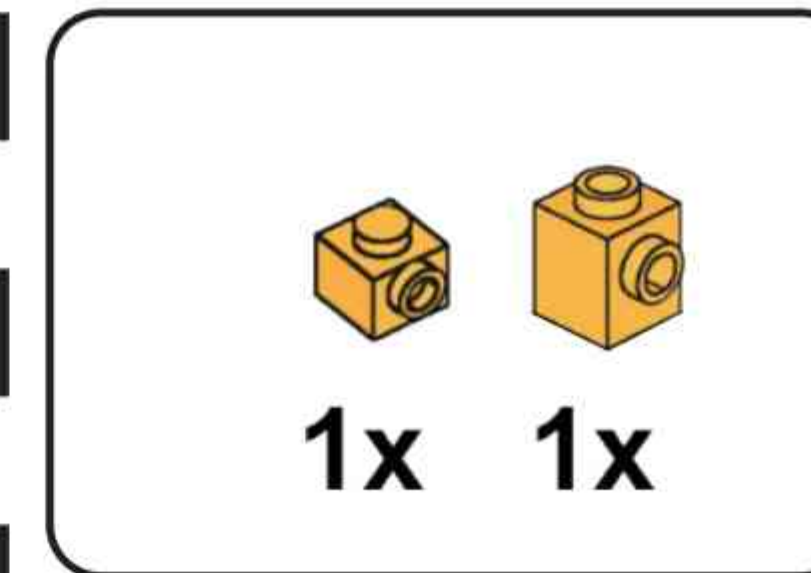
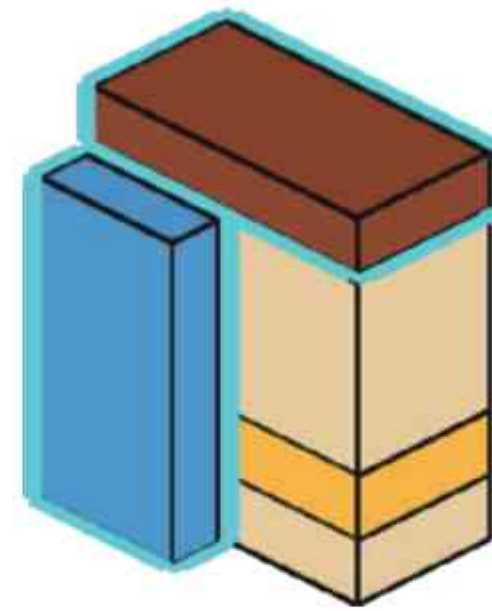




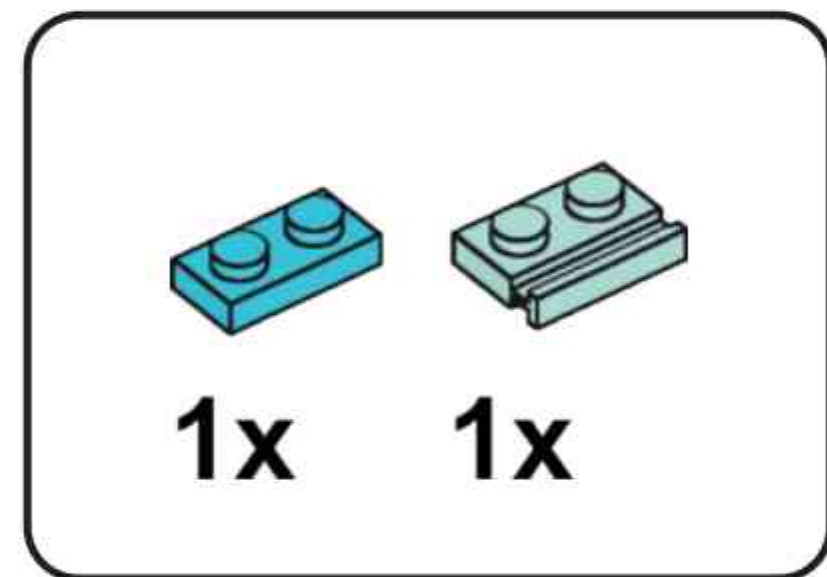
**A87**



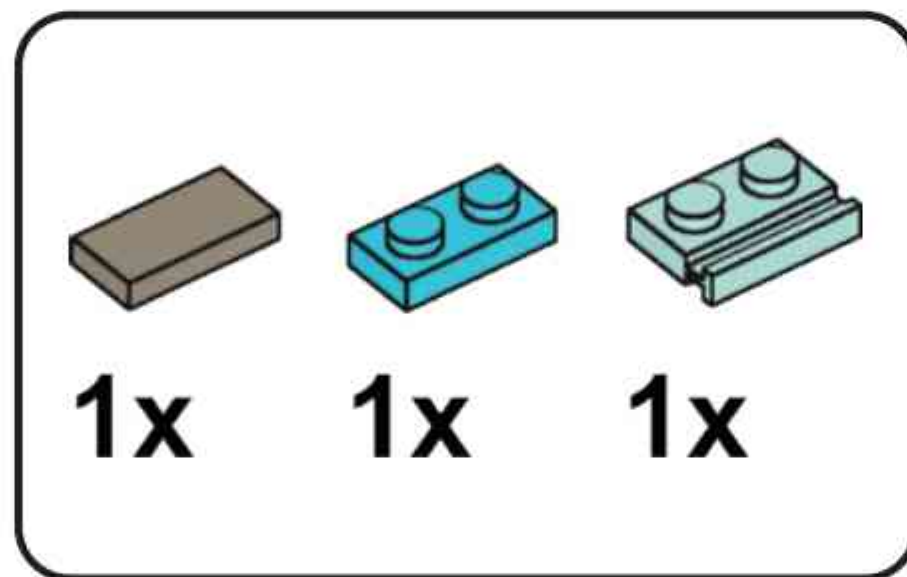
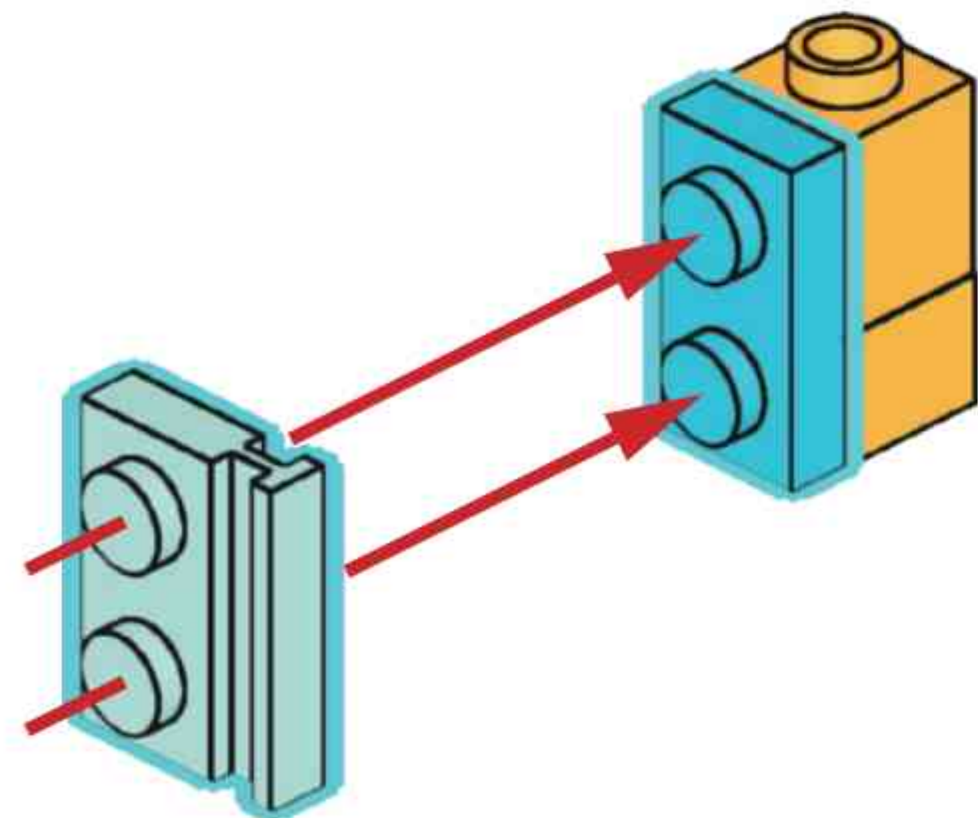
**A88**



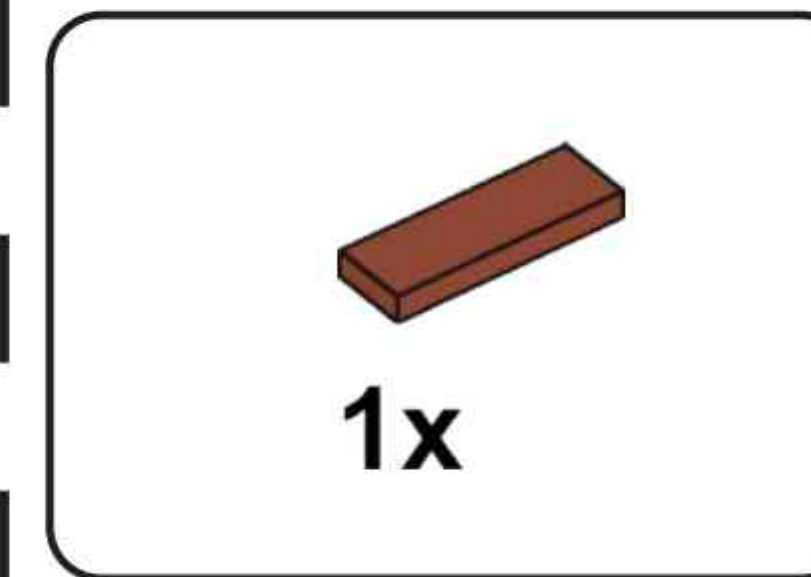
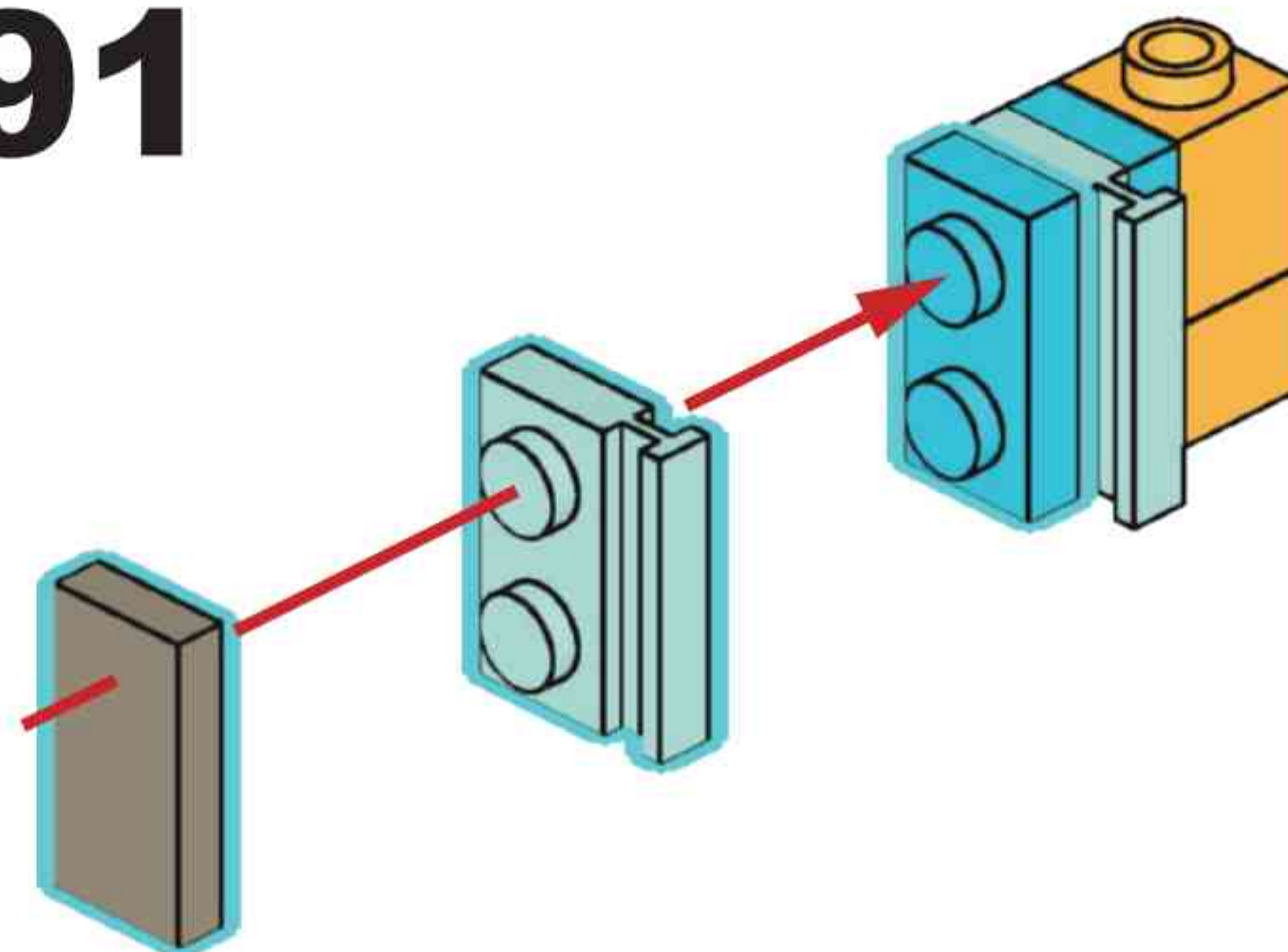
**A89**



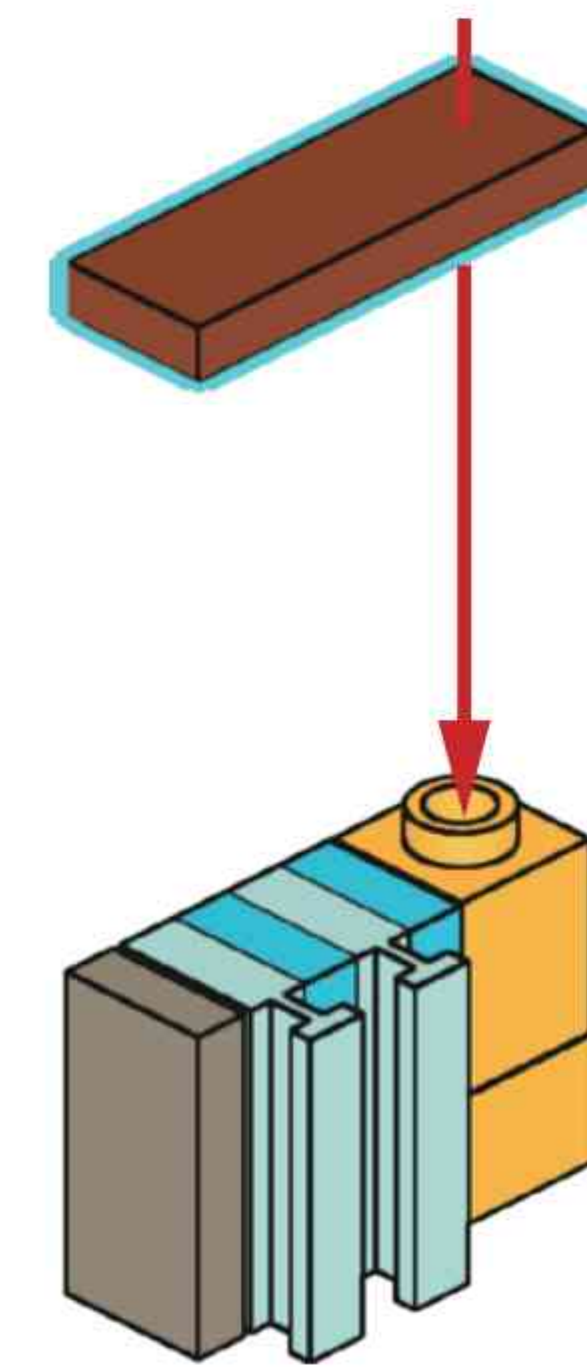
**A90**



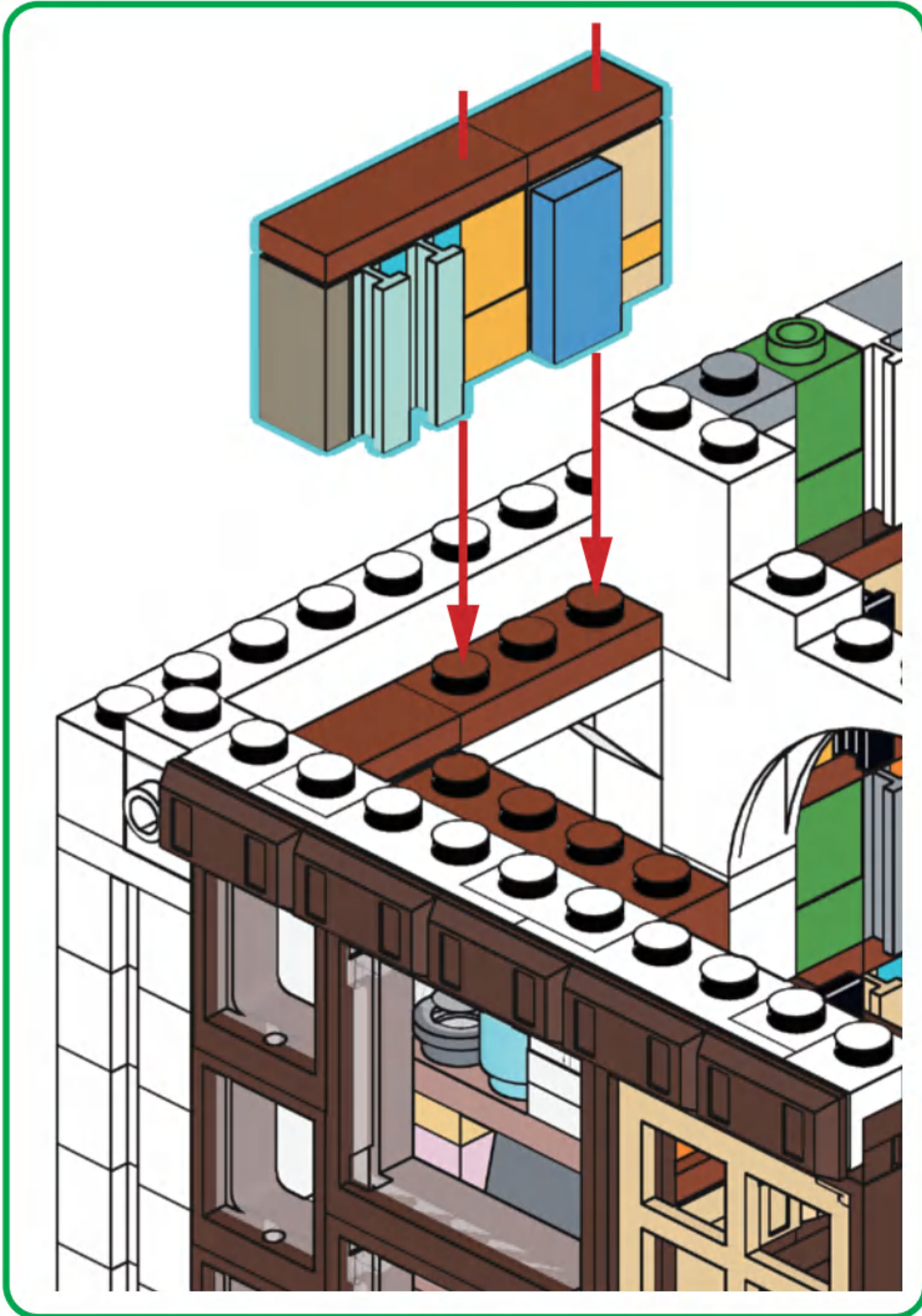
**A91**



**A92**



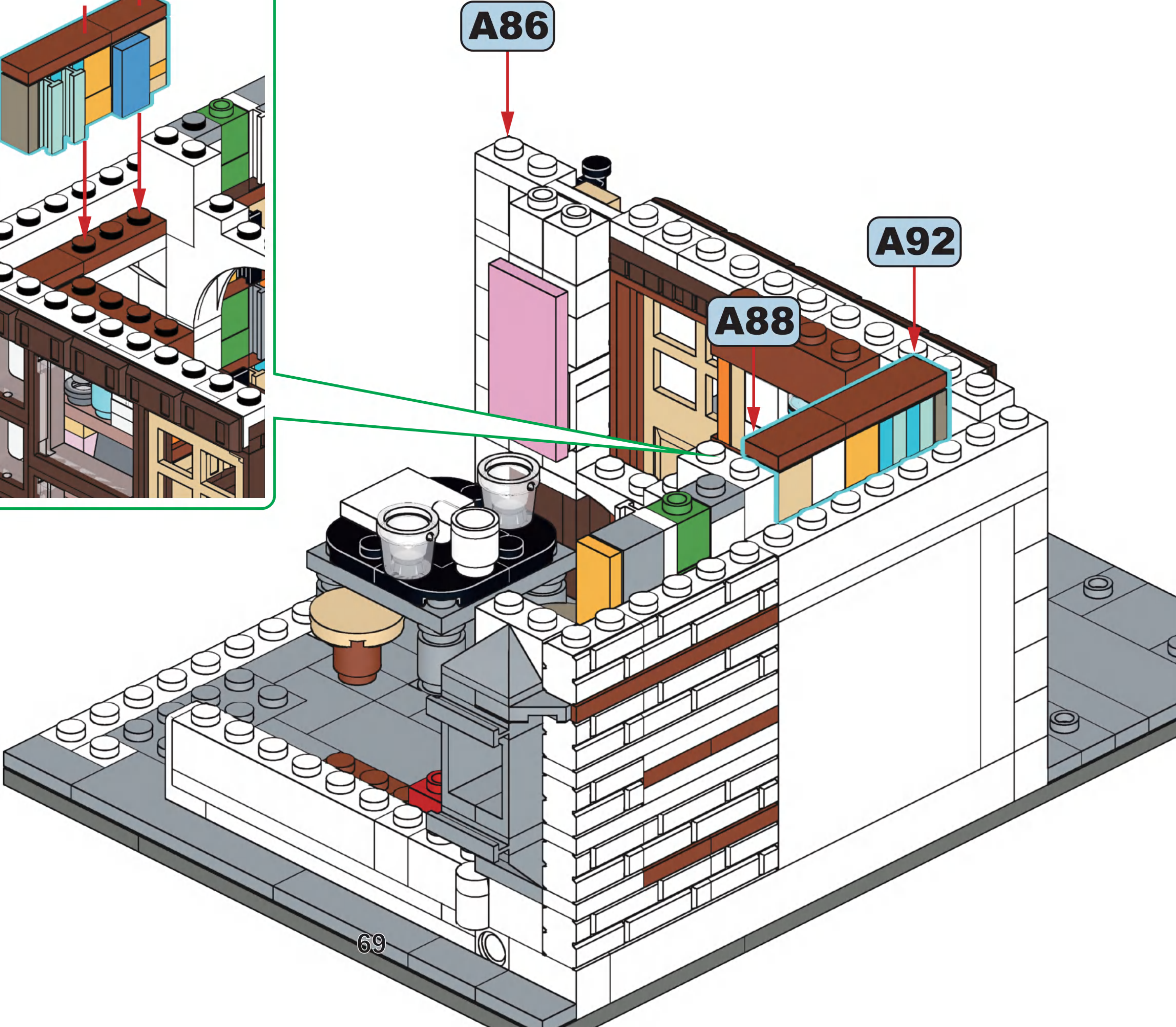
# A93

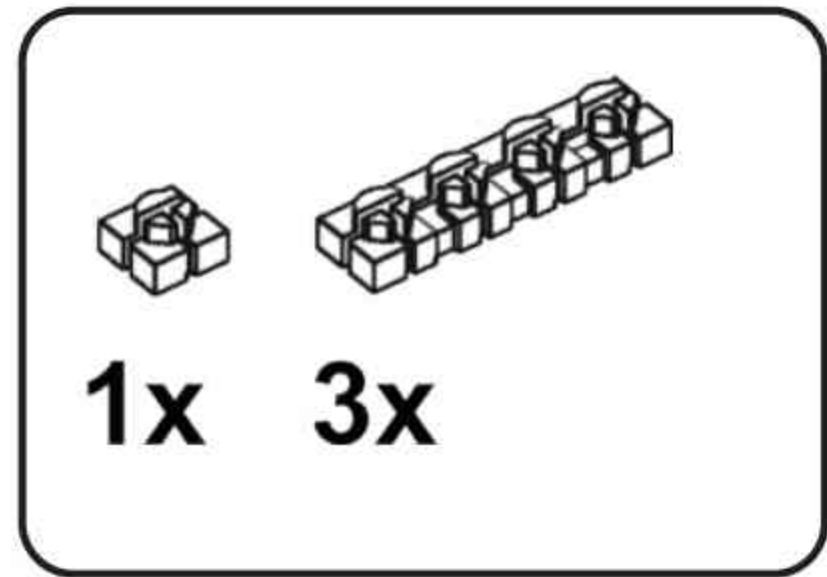


A86

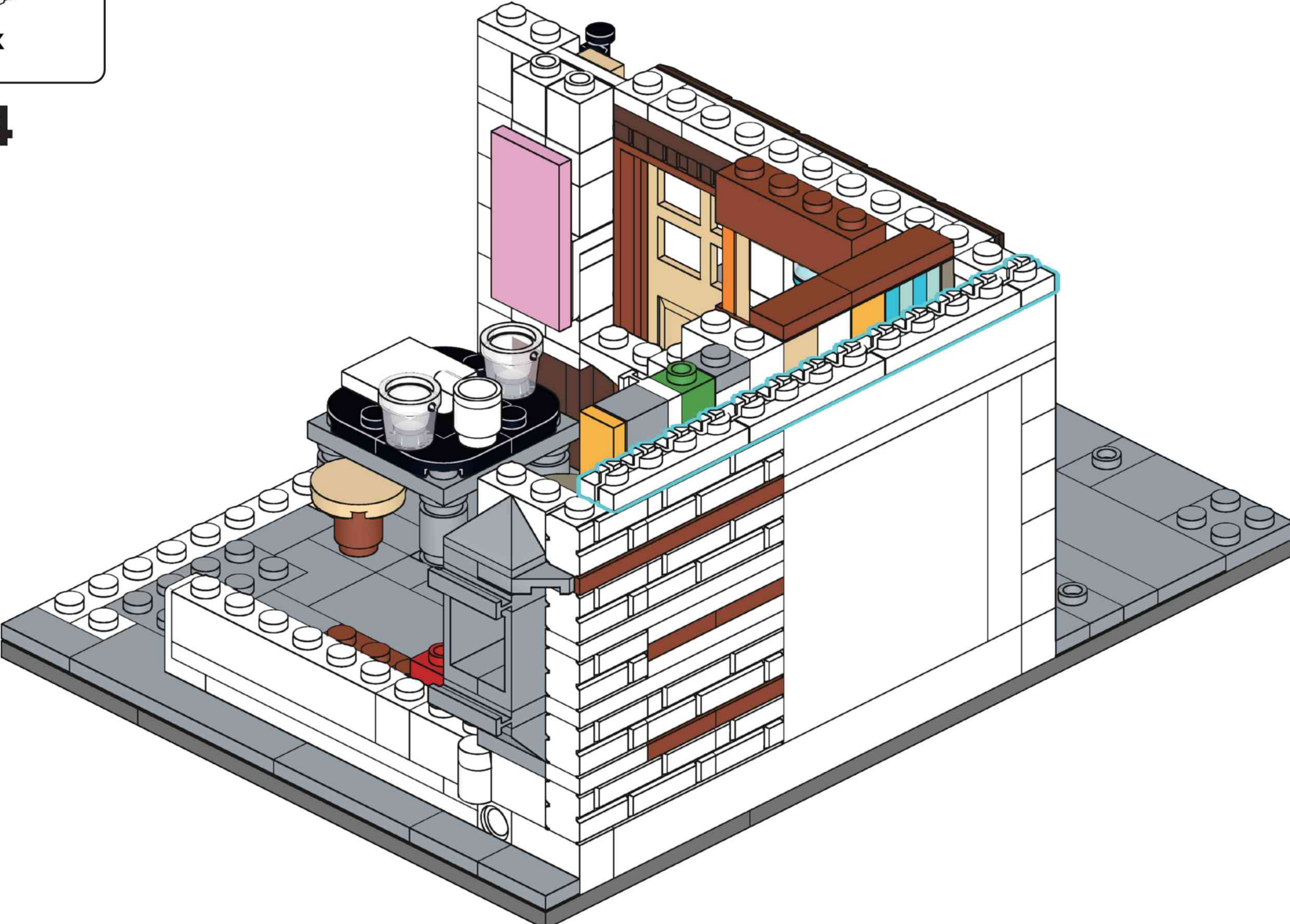
A92

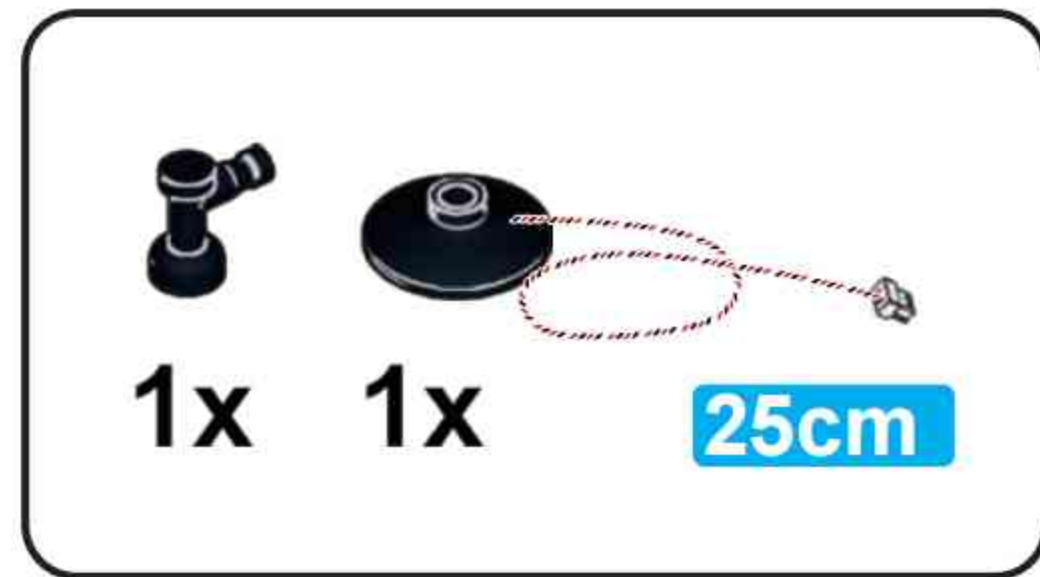
A88



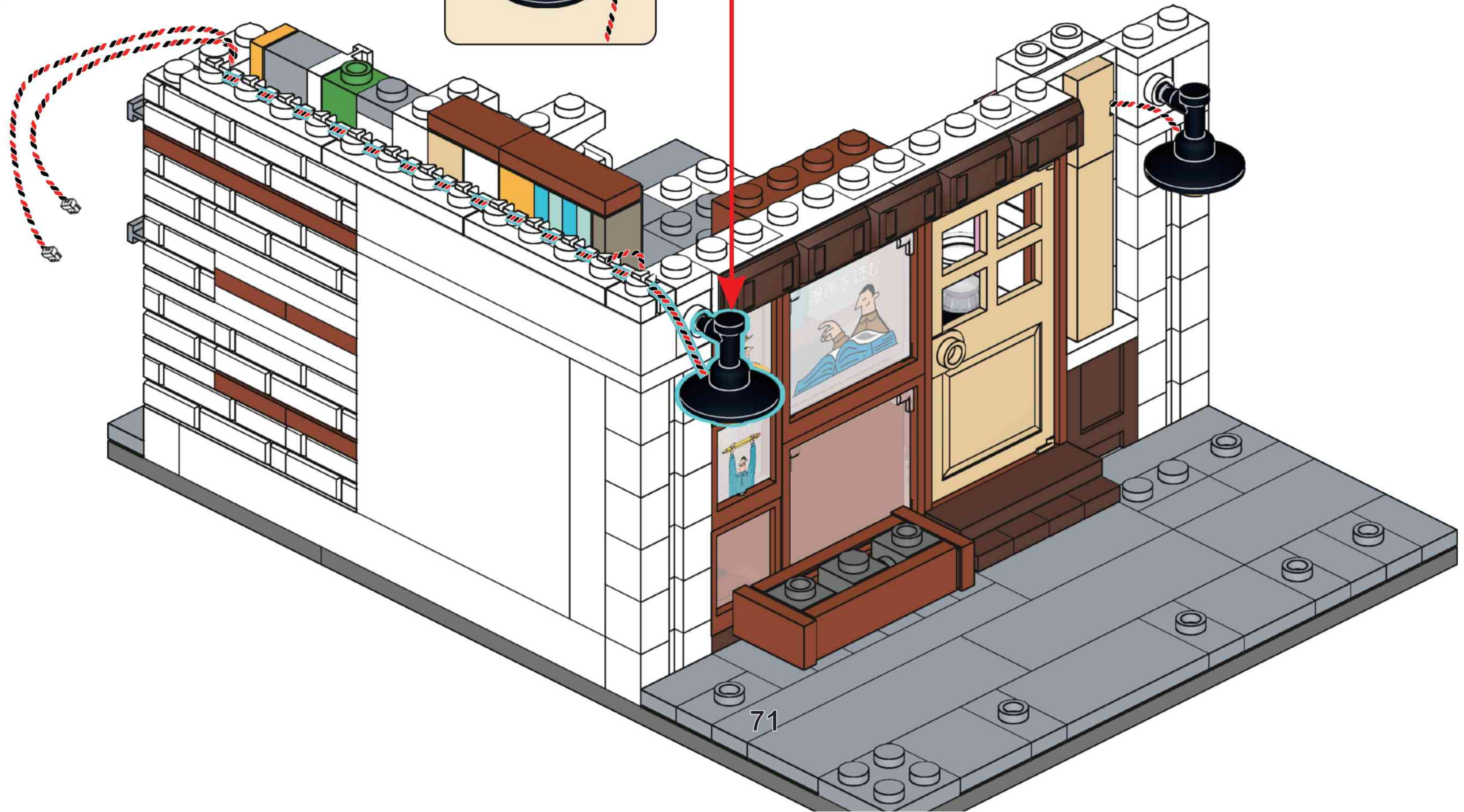
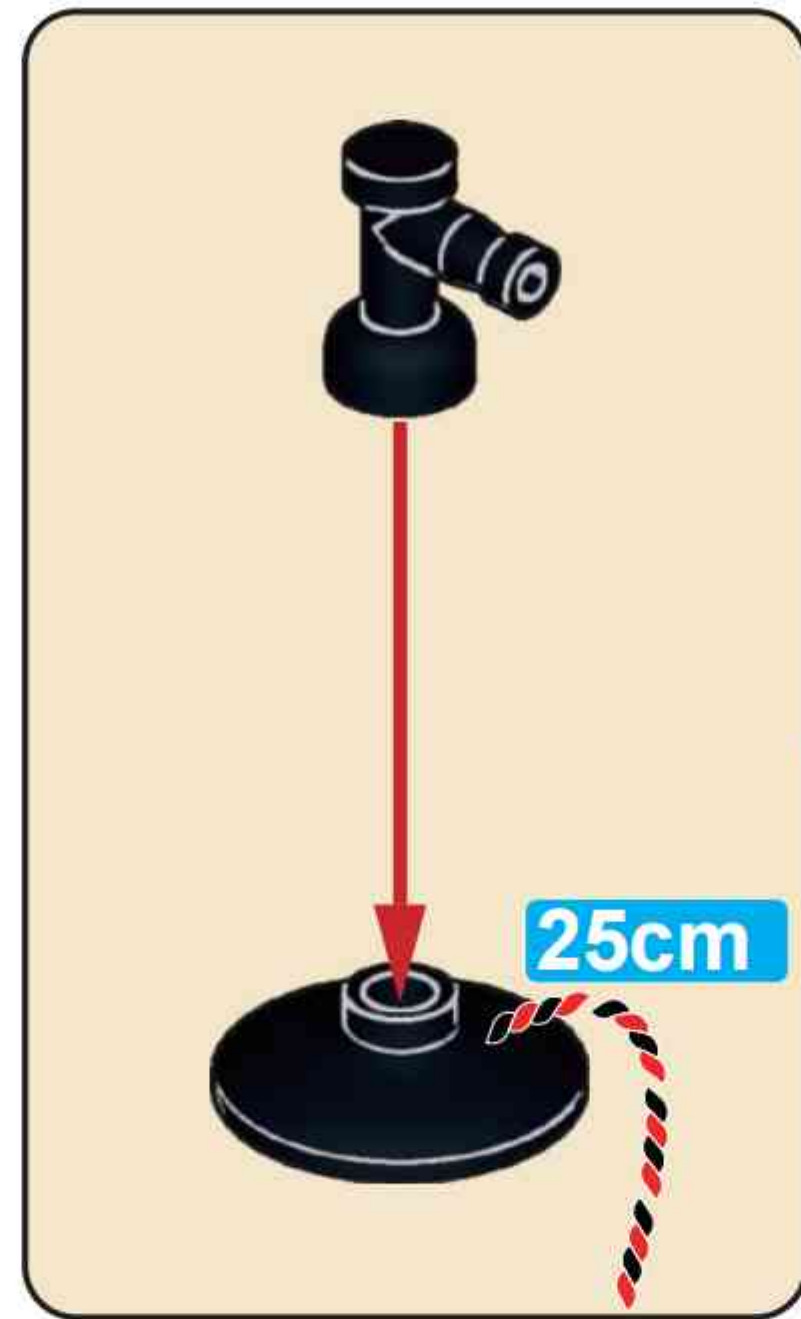


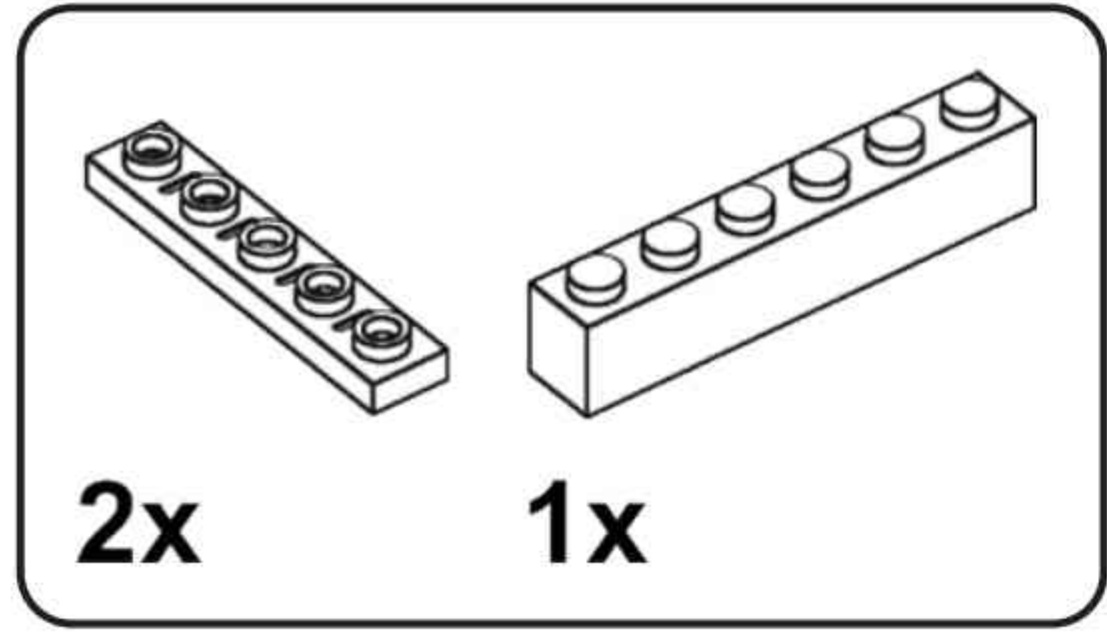
# A94



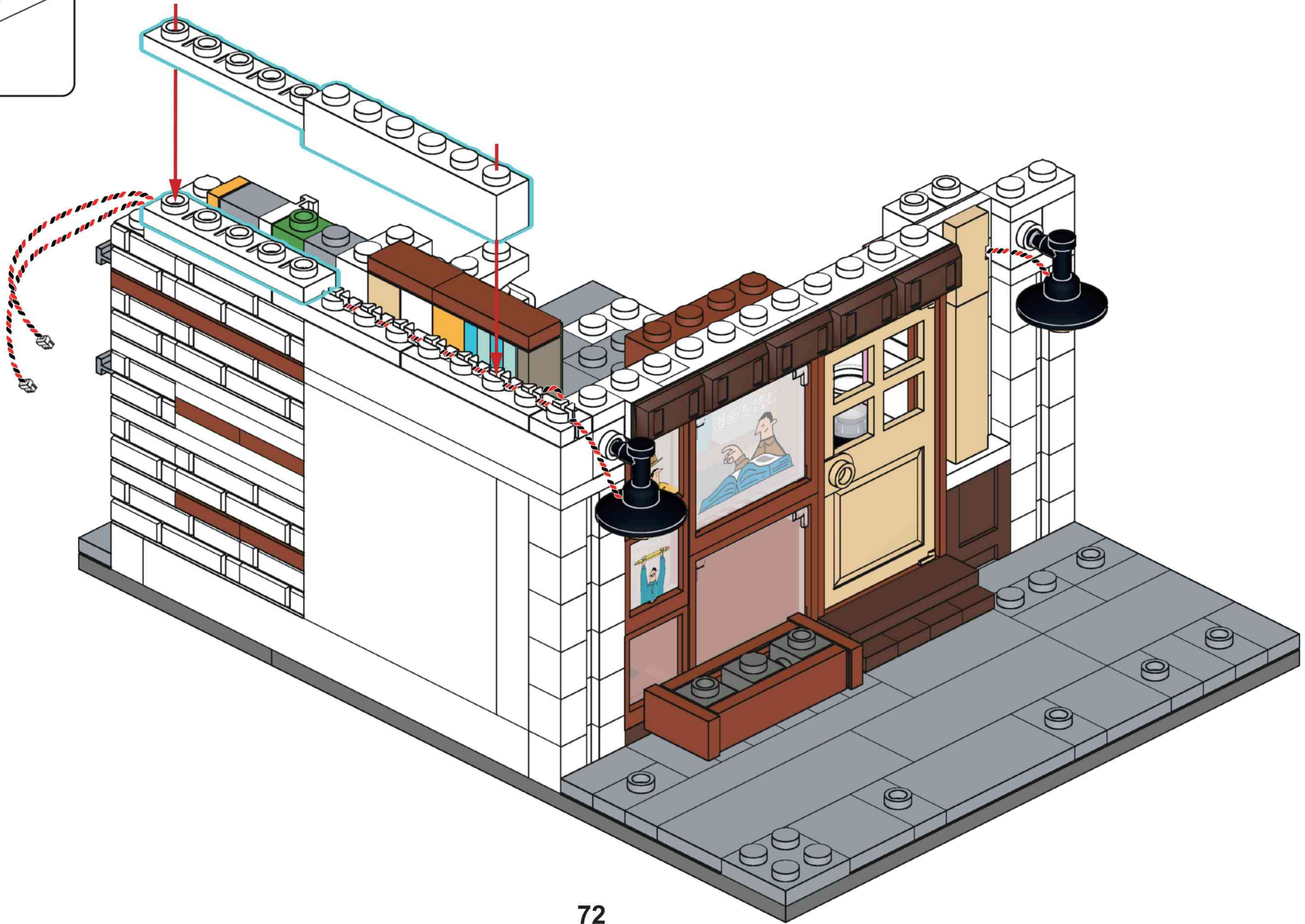


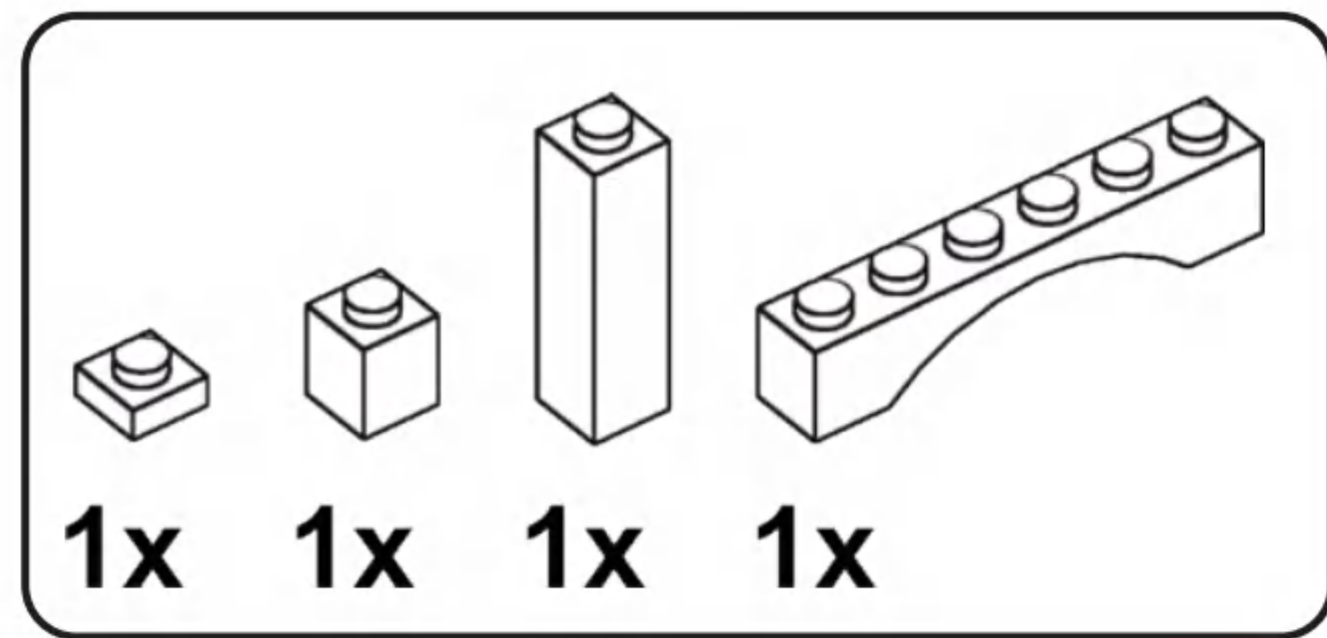
# A95



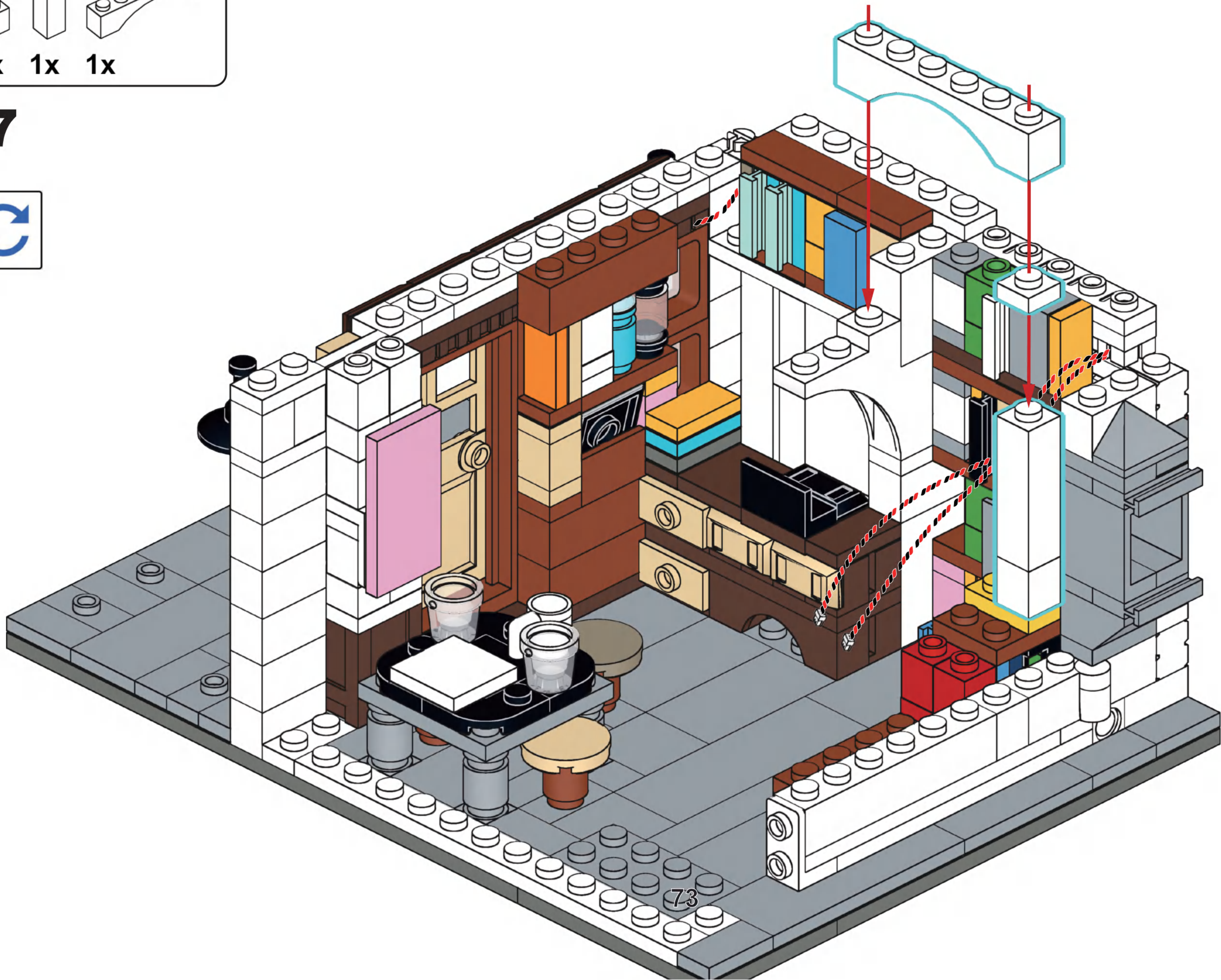


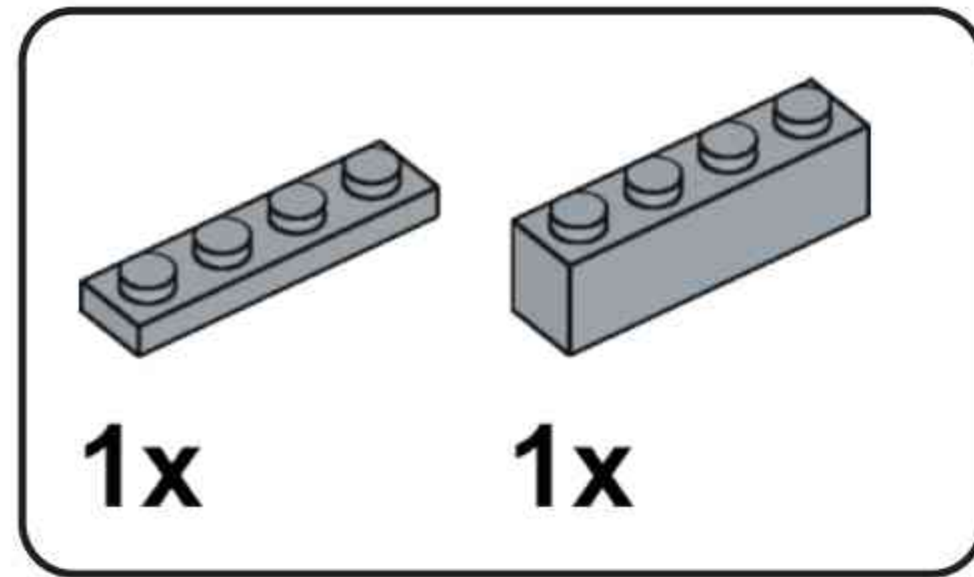
# A96



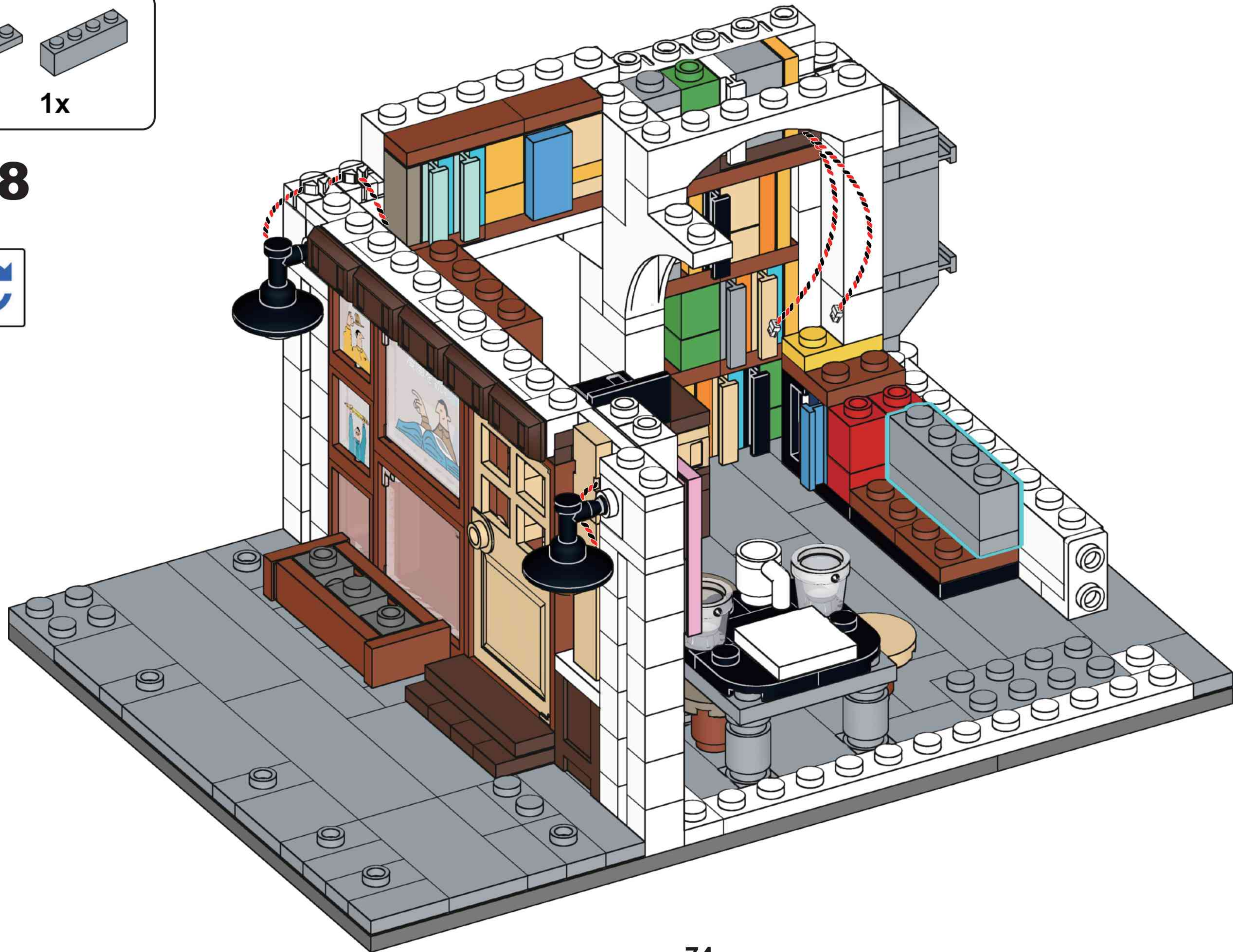


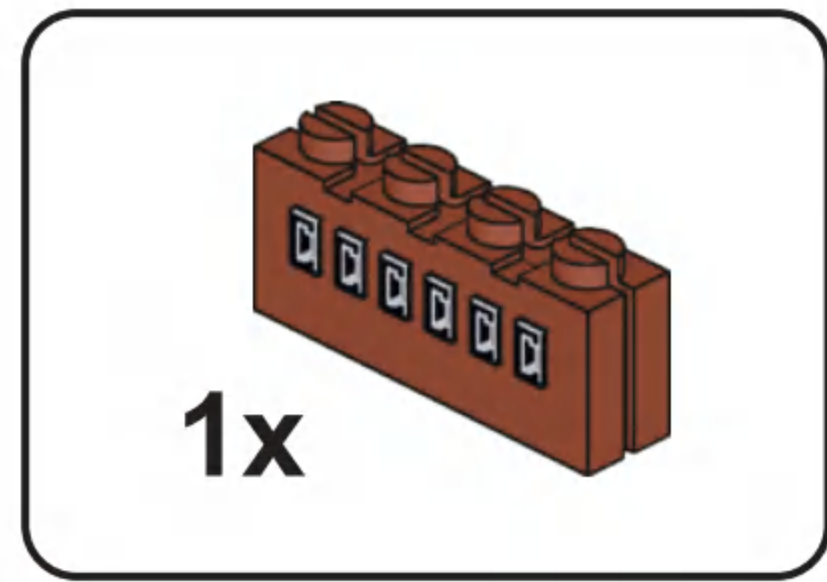
# A97



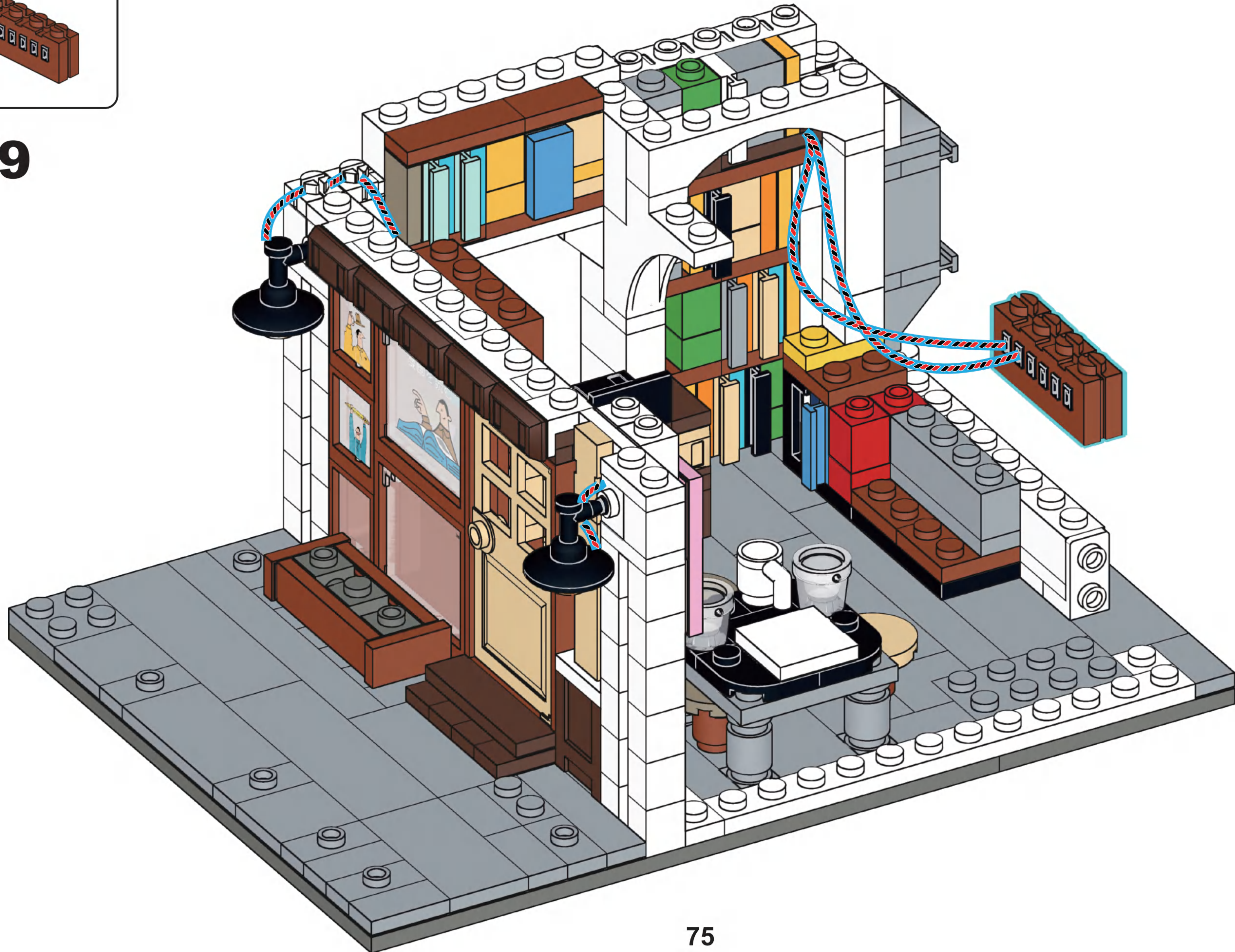


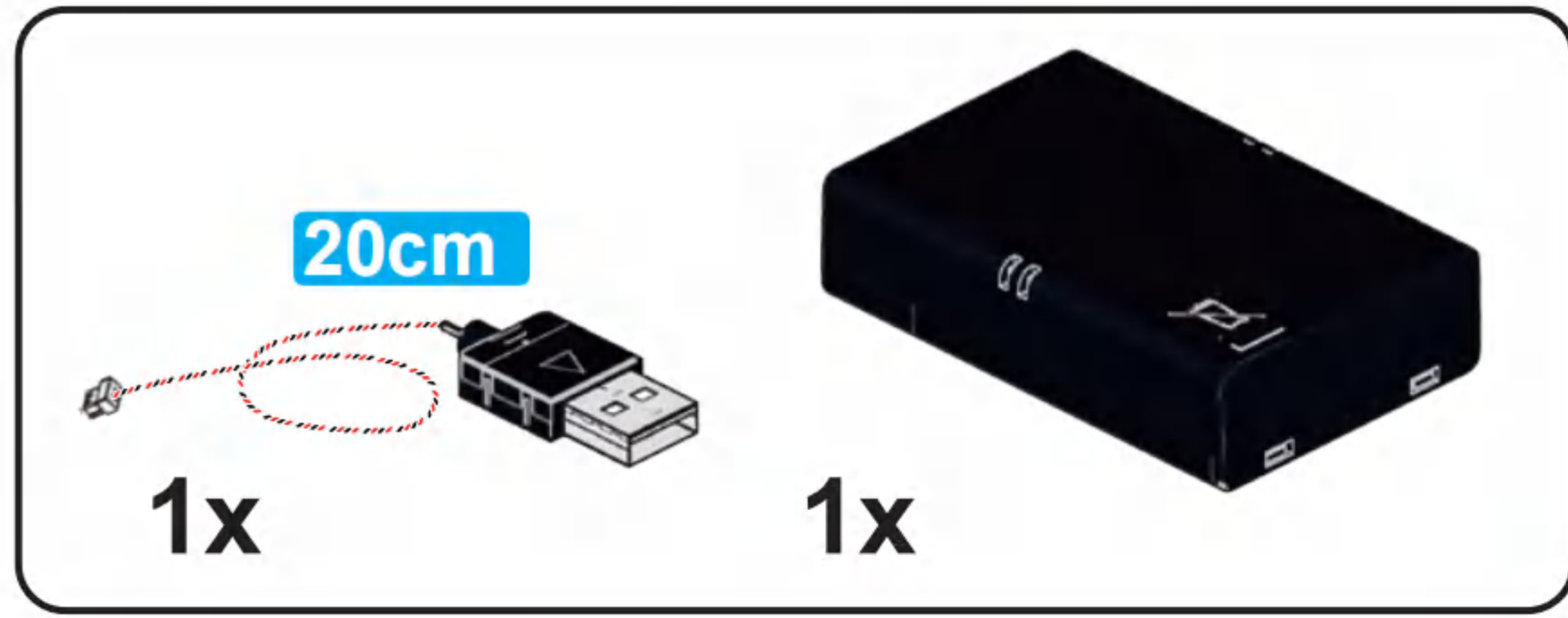
# A98



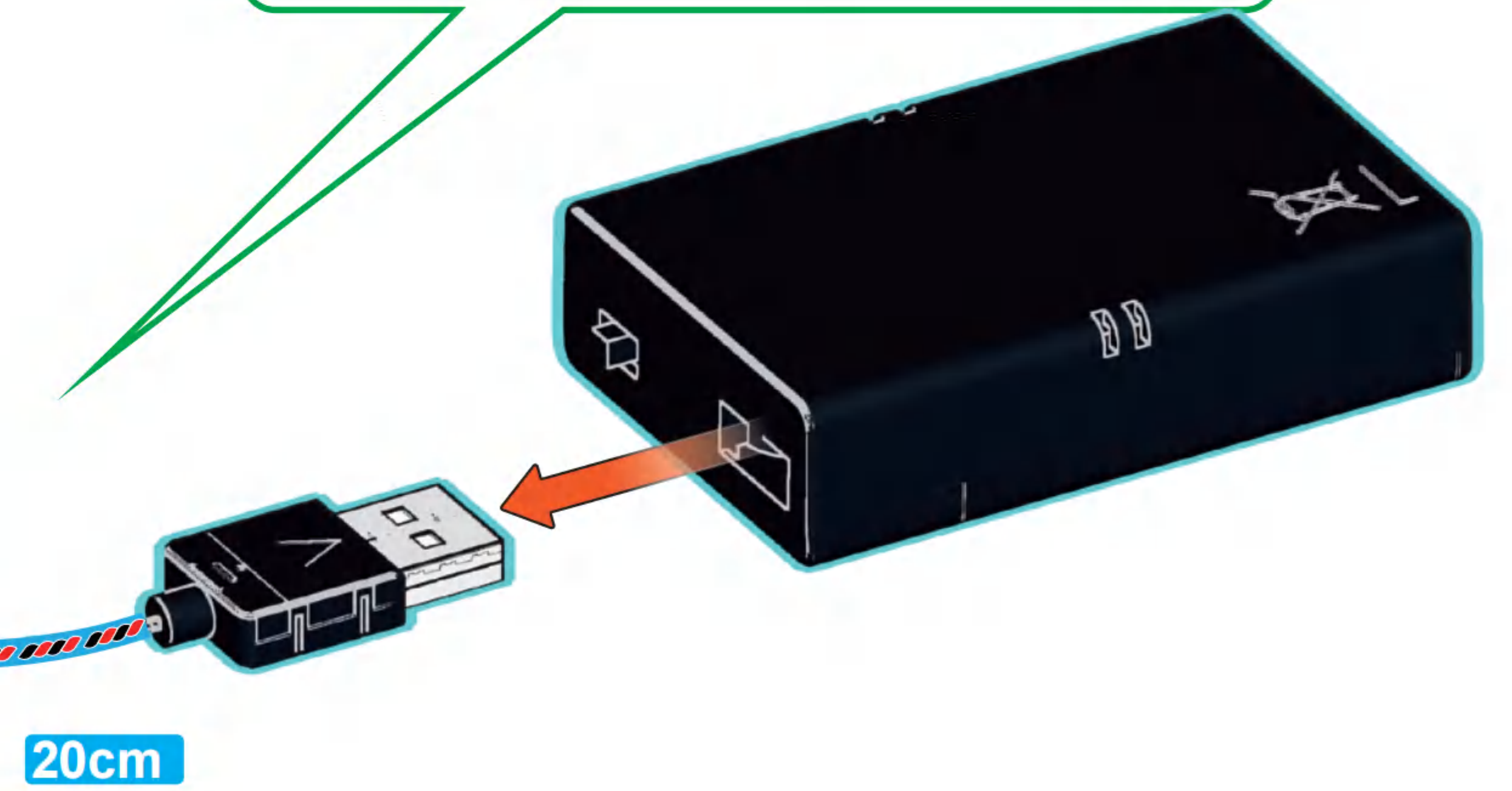
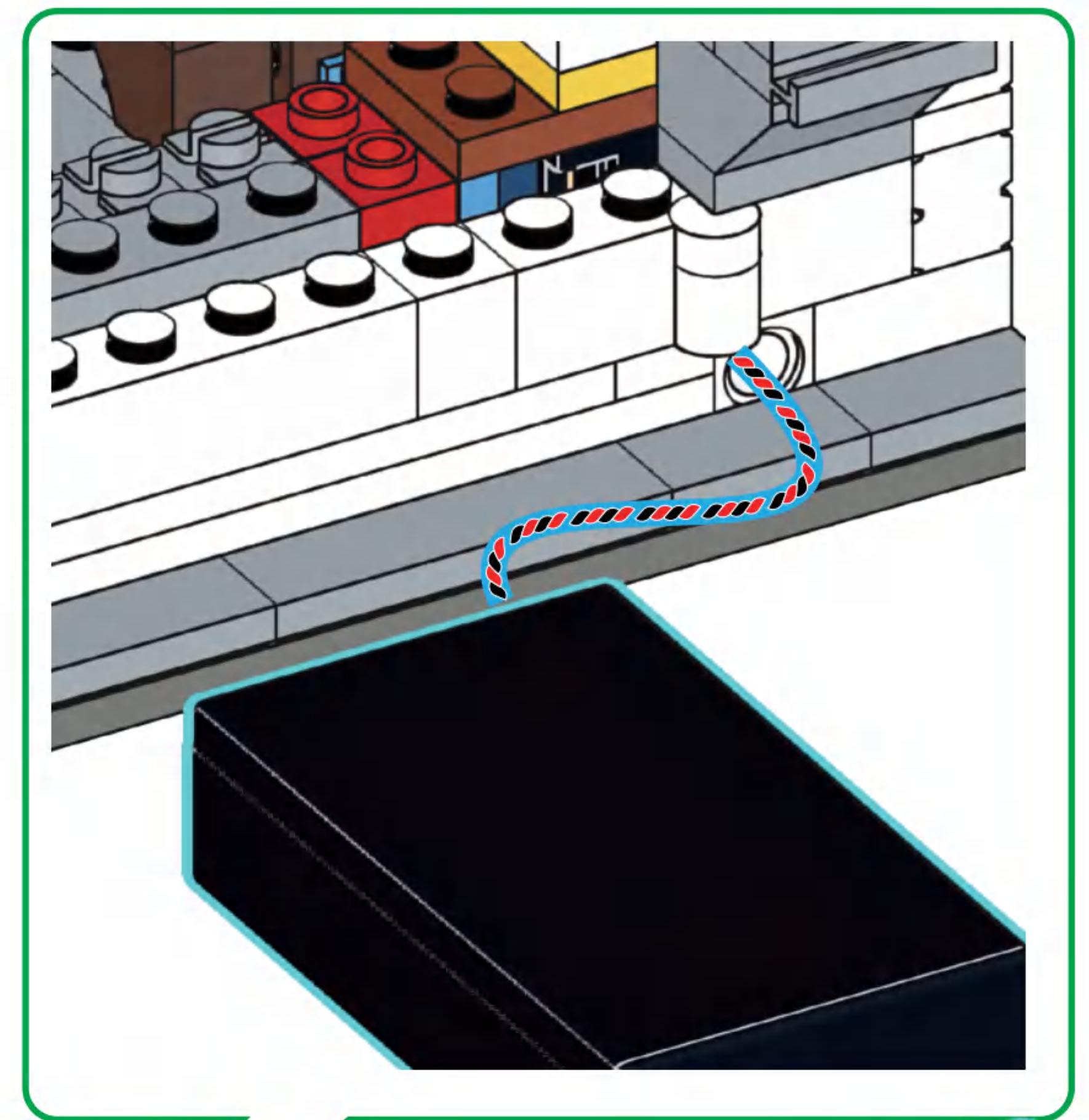
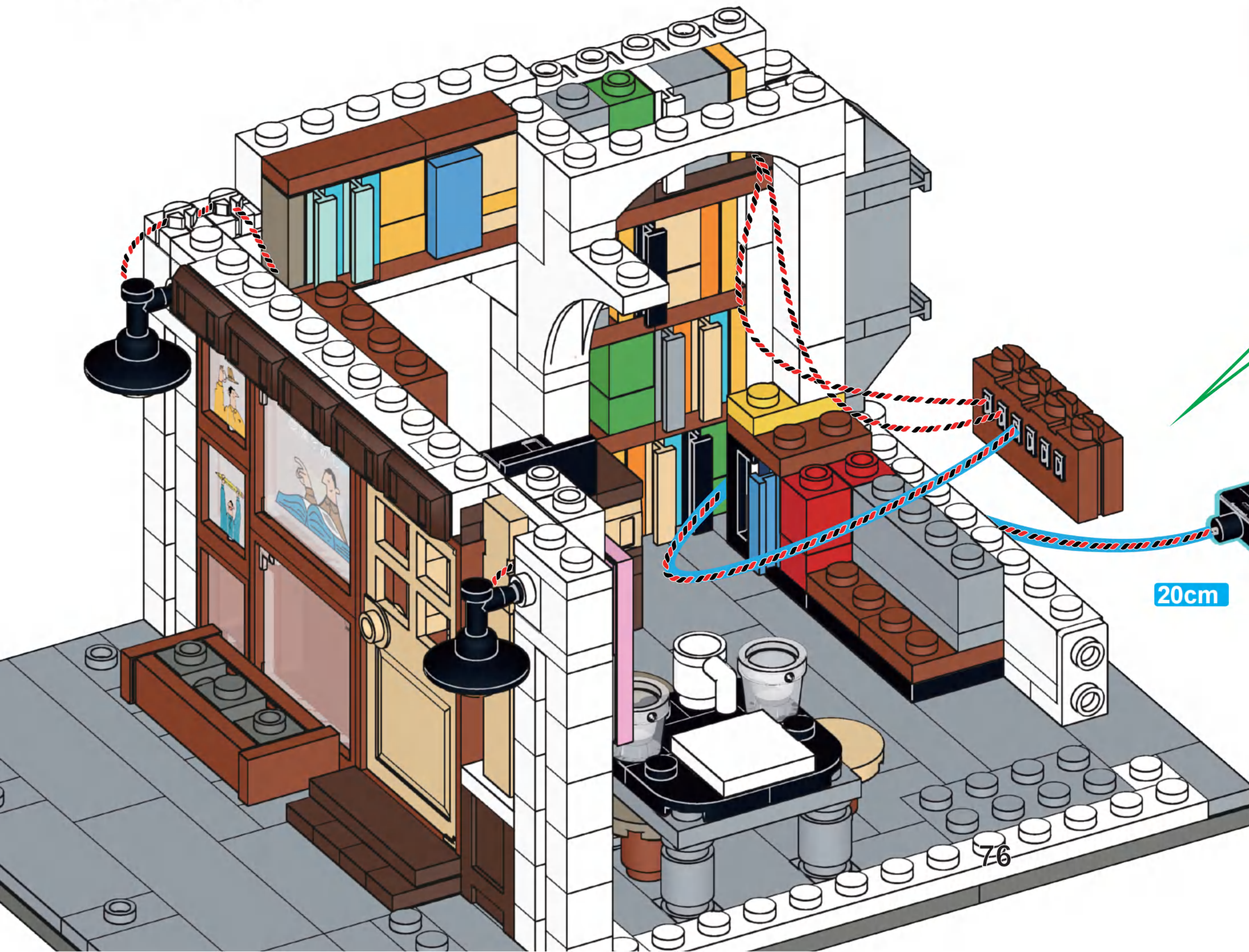


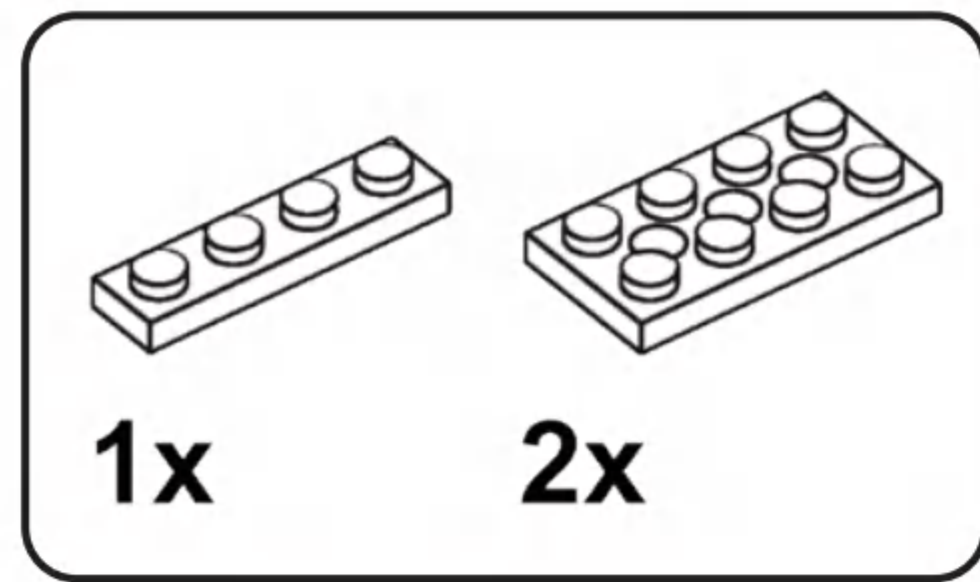
**A99**



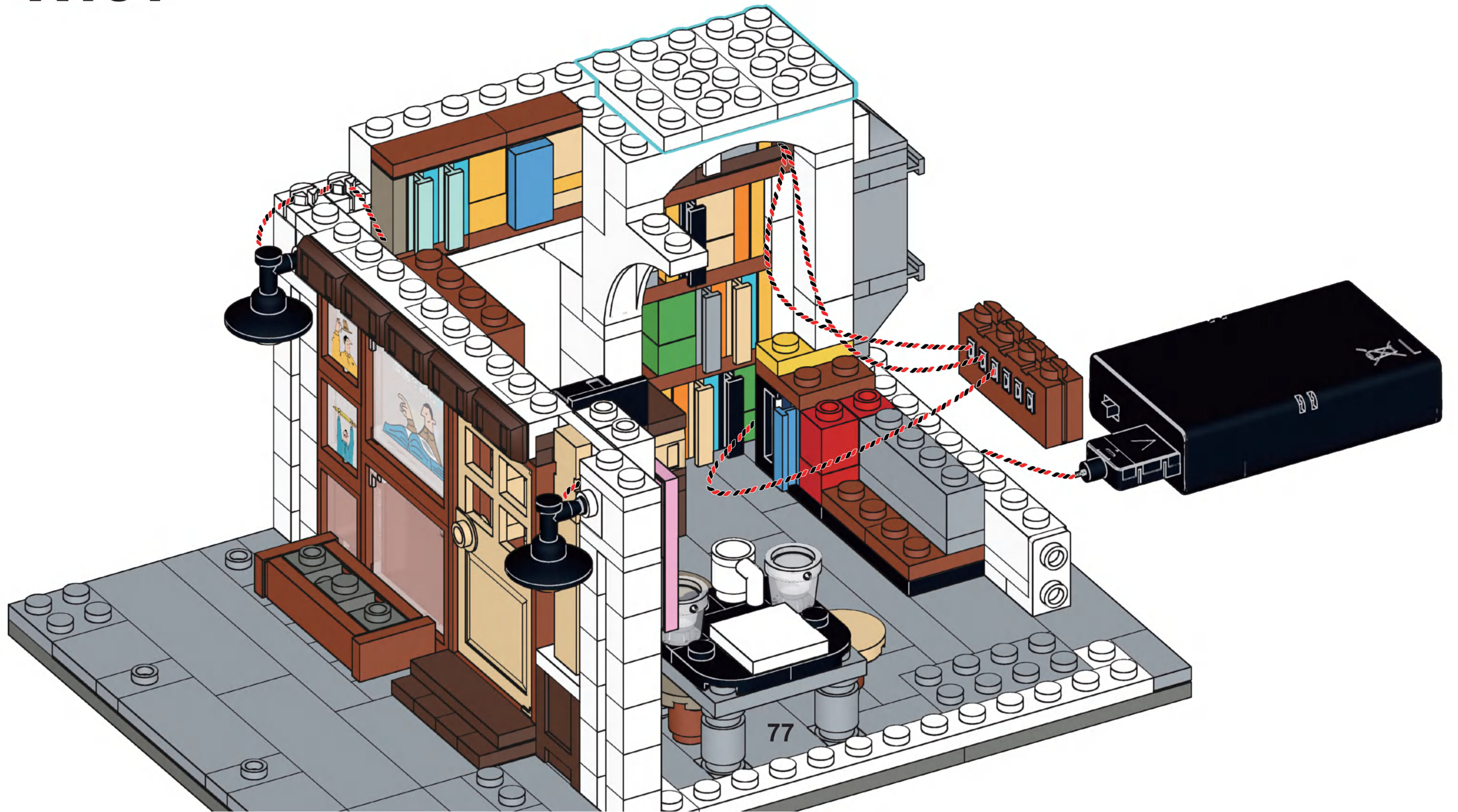


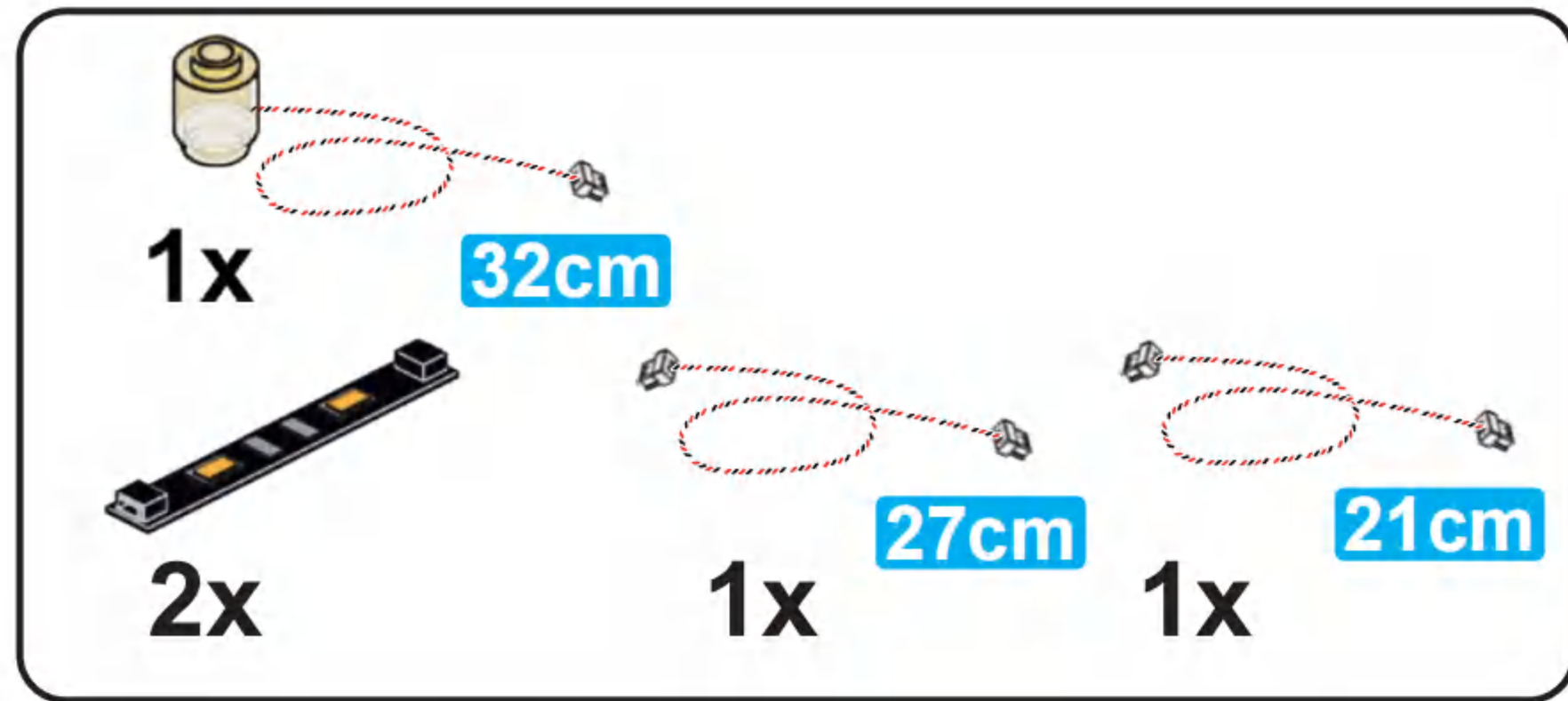
# A100



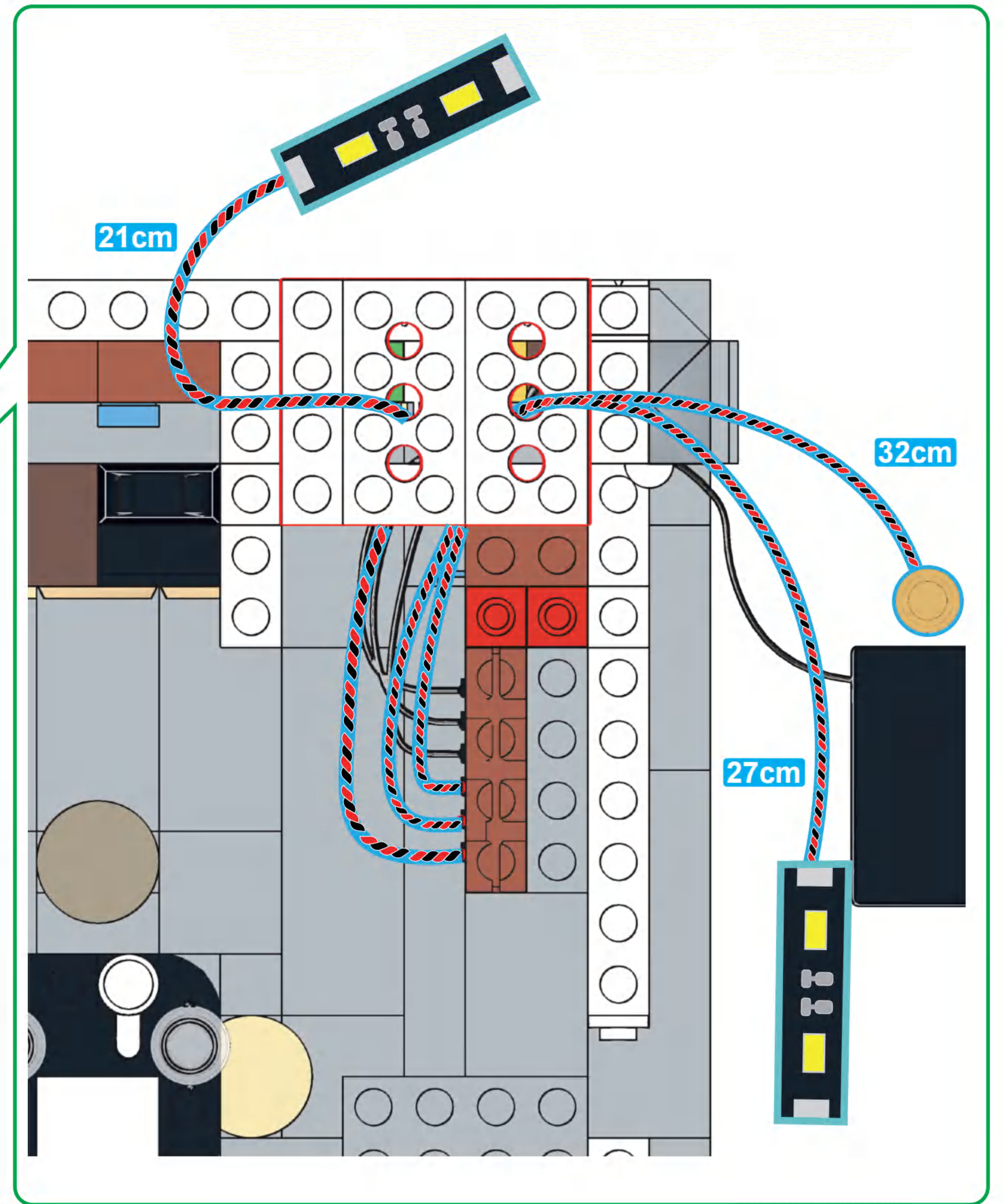
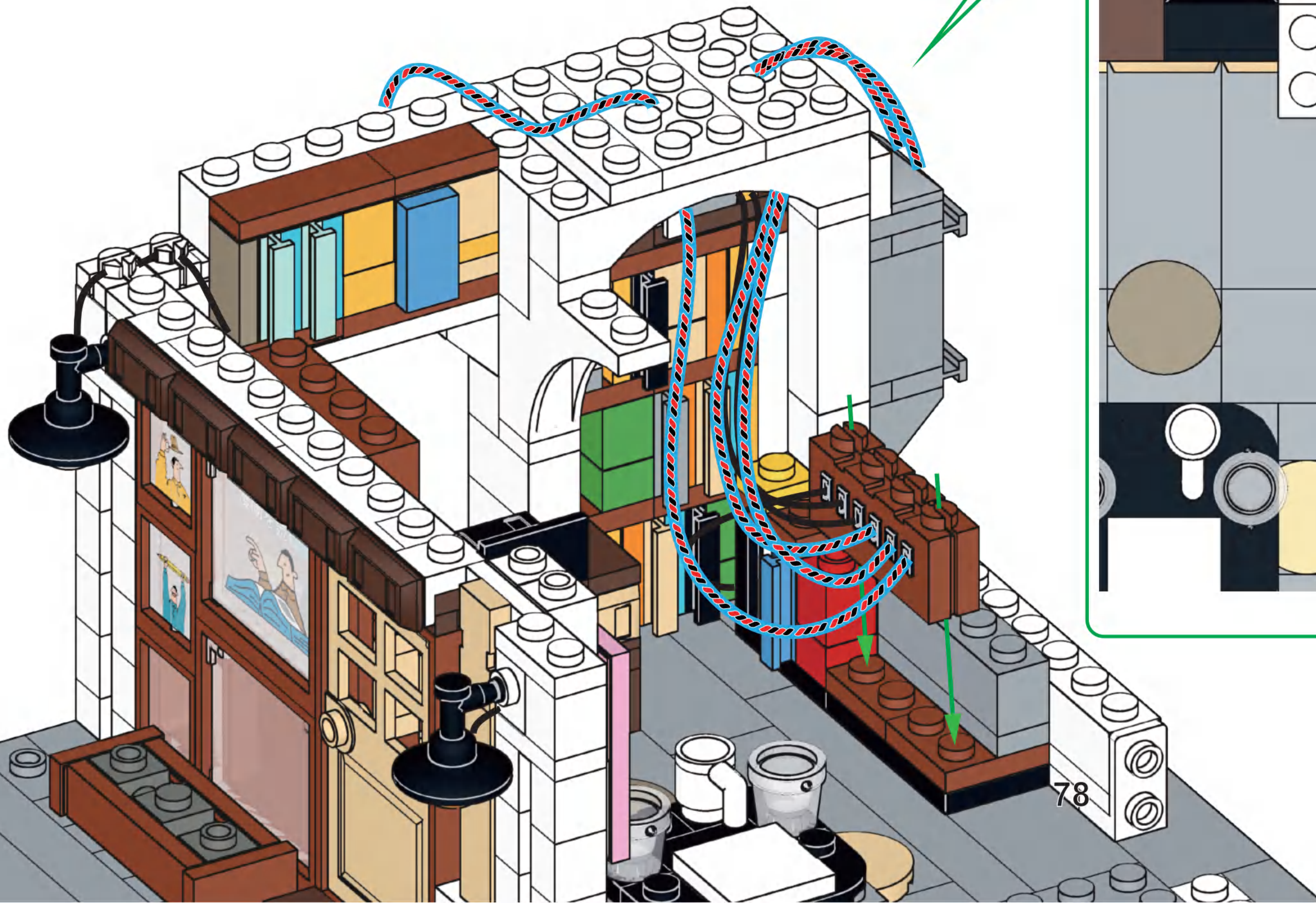


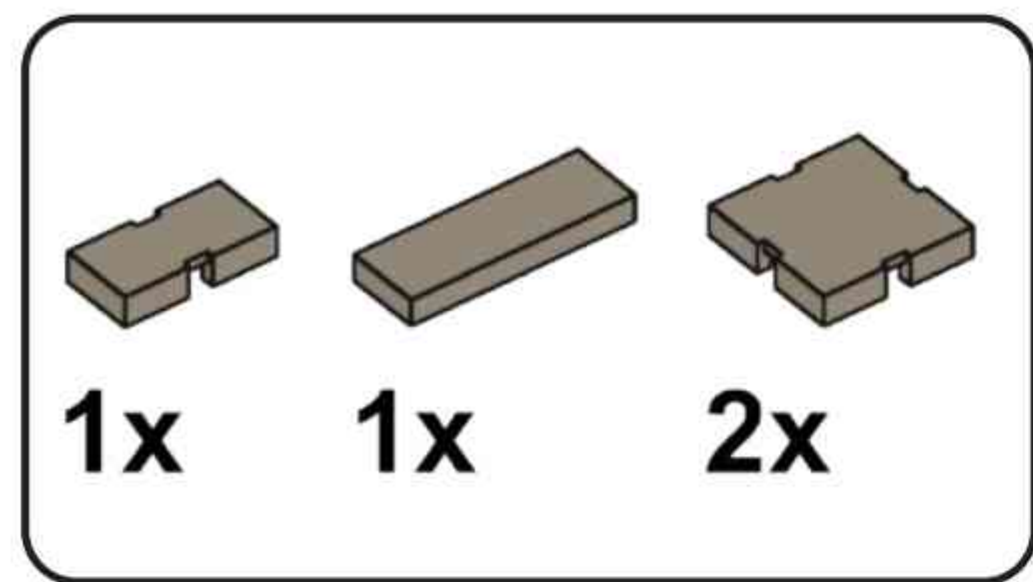
# A101



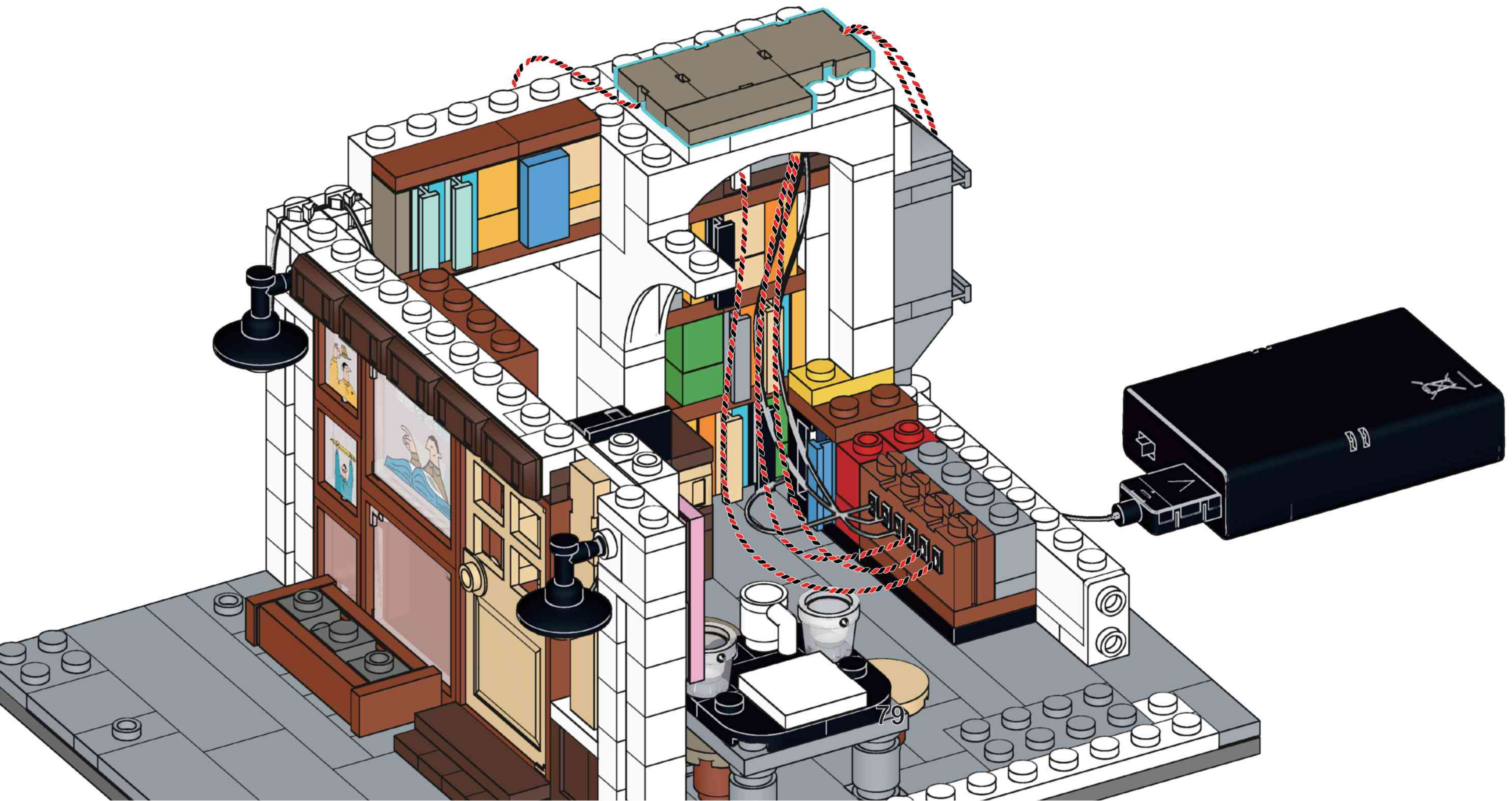


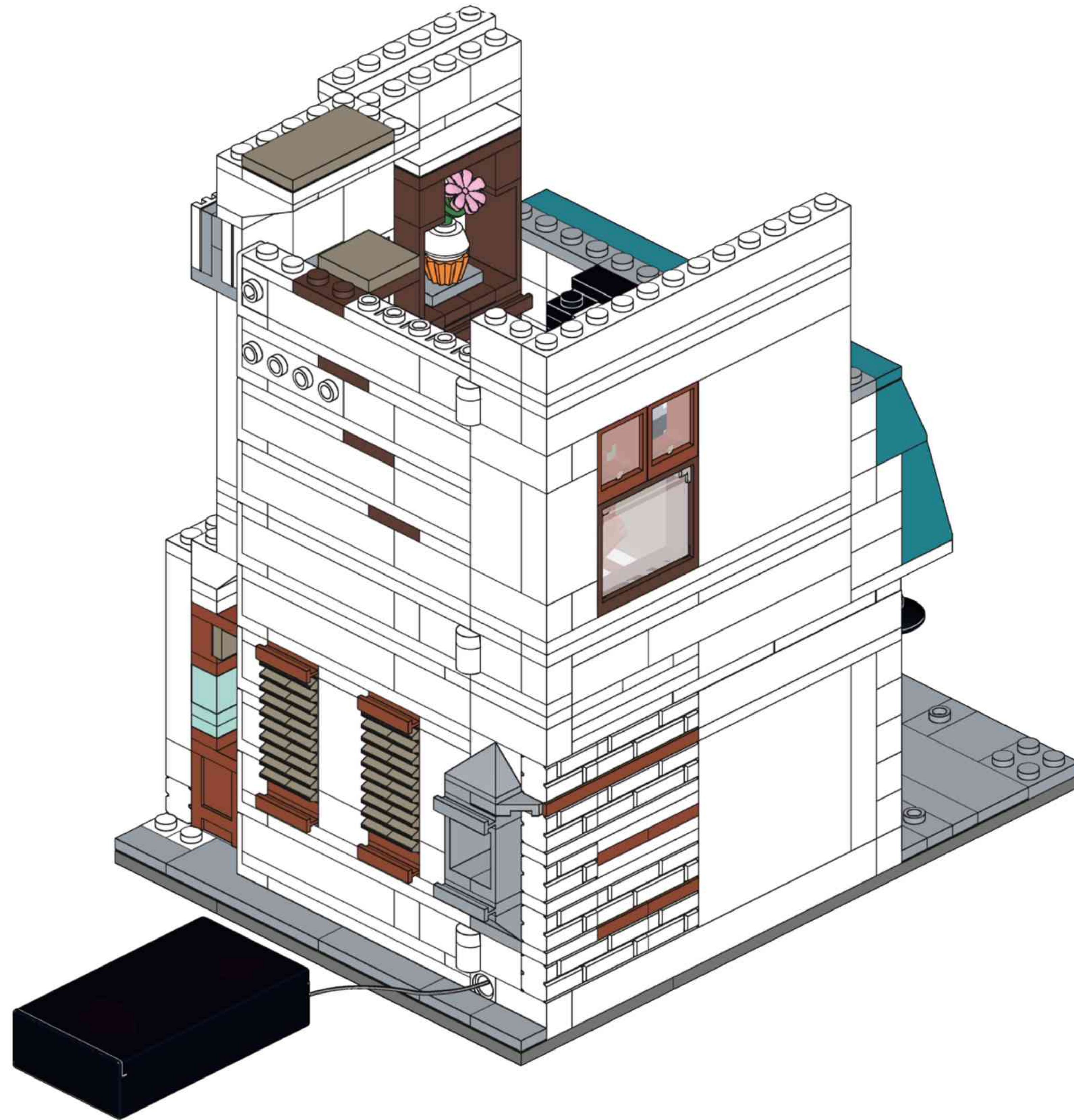
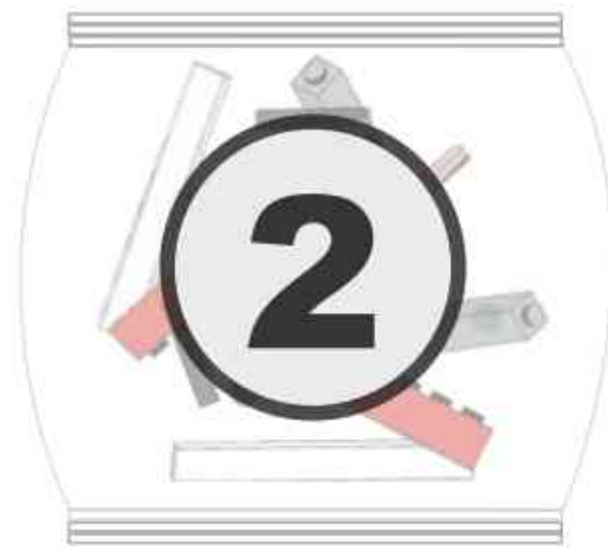
# A102



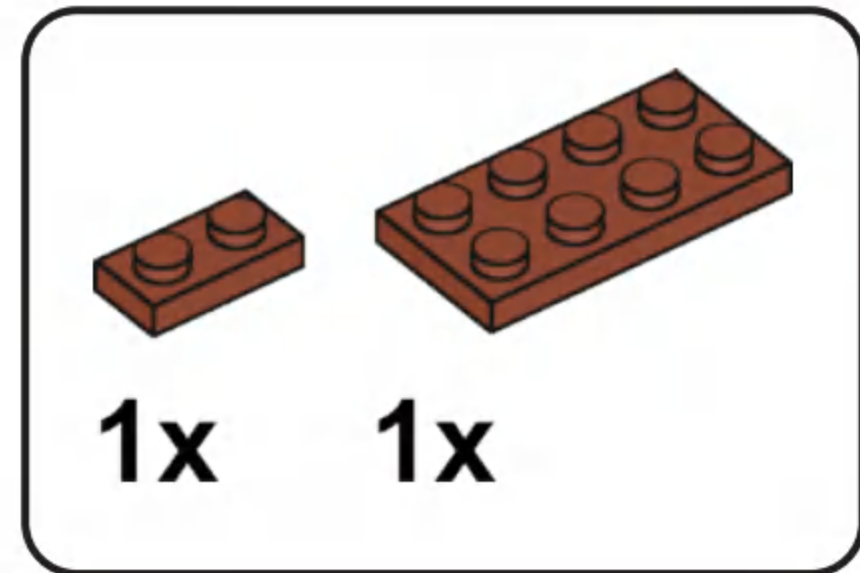


# A103

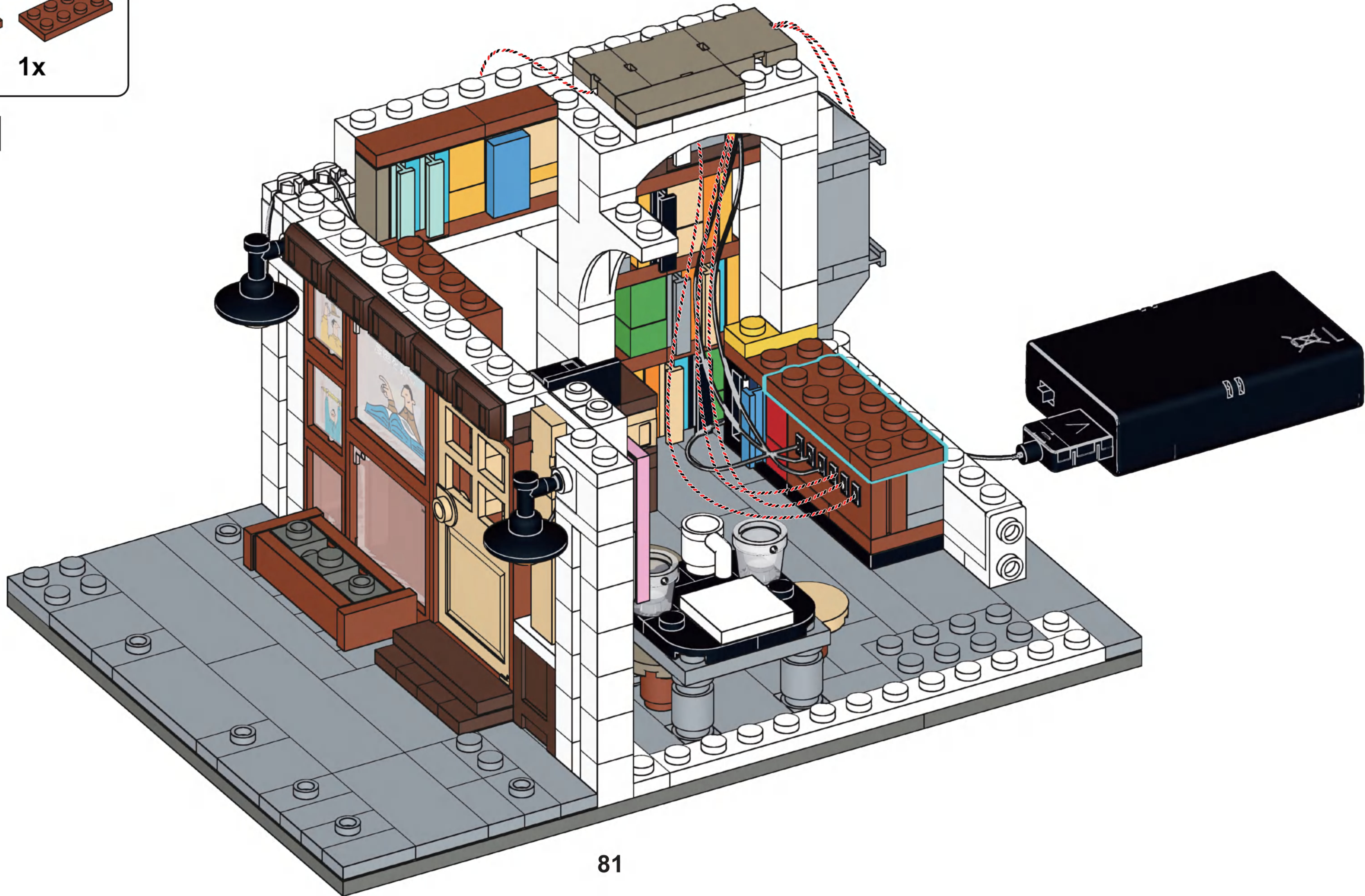



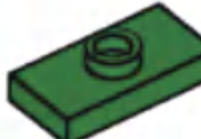
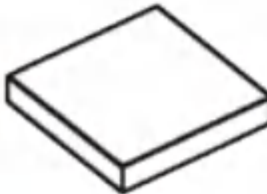




**B**

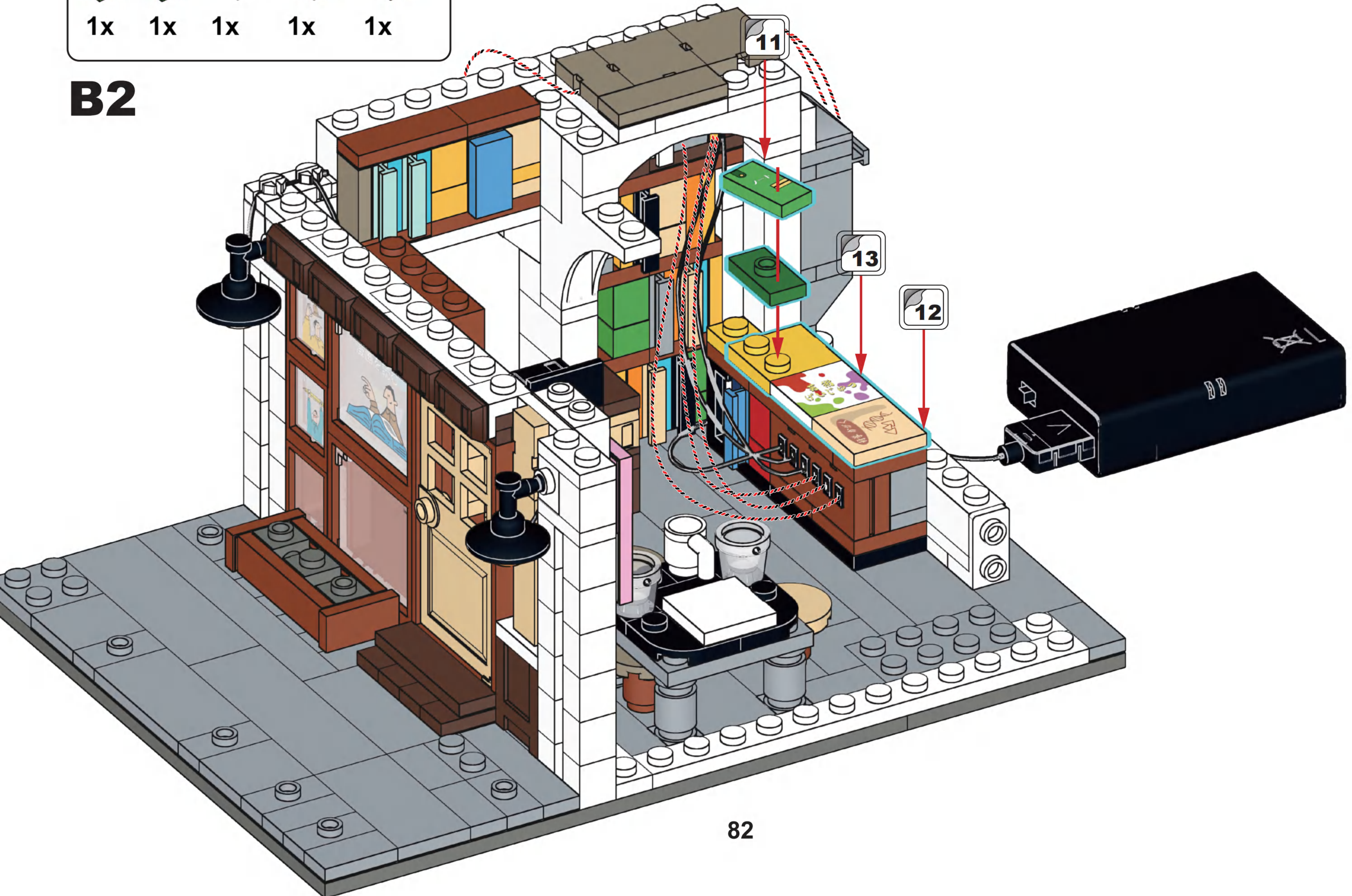


**B1**



				
1x	1x	1x	1x	1x

# B2



1x 1x 1x

**B3**

