



NO.66504



GROCERY STORE

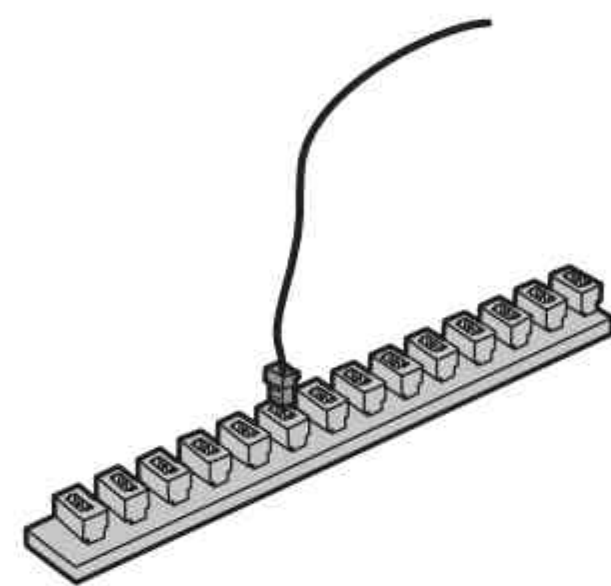
みこのやん



TROUBLESHOOTING

Due to their small size, lighting accessories are susceptible to damage during installation. Common causes of failure include:

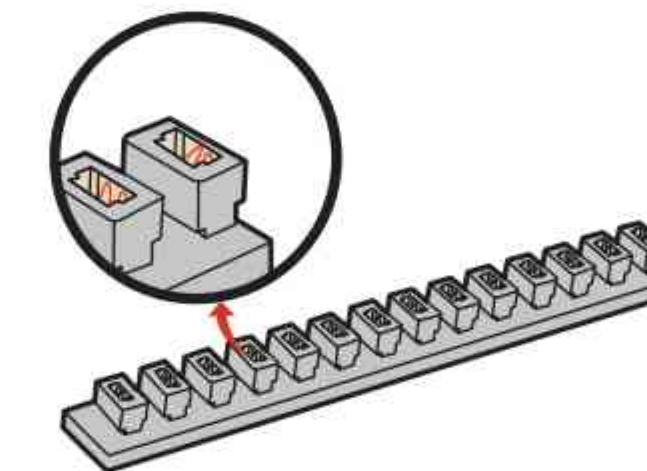
If you have checked each string of lights according to the guide above and the lights are still not working, please contact our customer service for assistance.



Ensure that the connectors are correctly installed as shown in the picture.



Check if the wires are disconnected or broken from the solder joints.



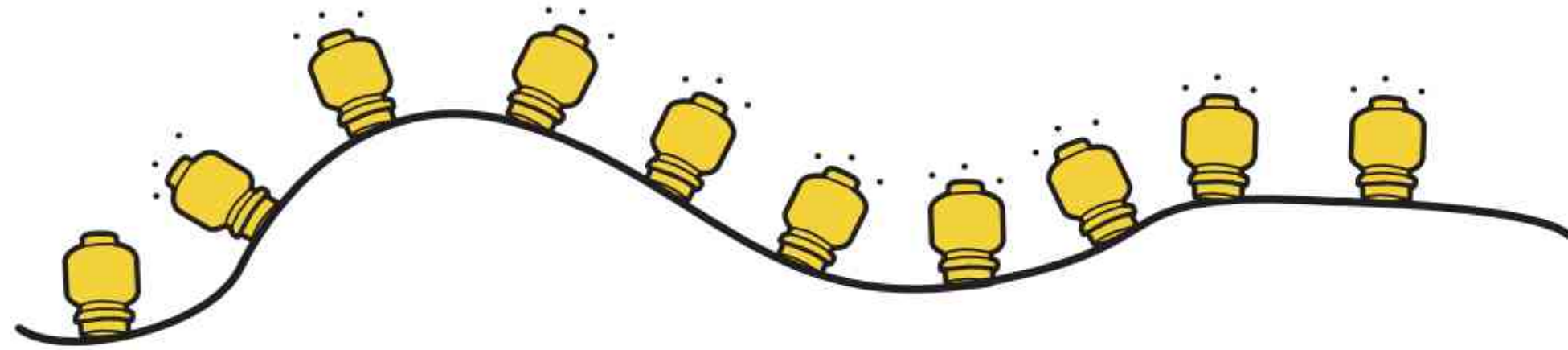
Check the internal pins of the expansion board. The internal pins of a properly working port should be straight, if the small pins are bent, they may be considered faulty ports.

SAFETY PRECAUTIONS

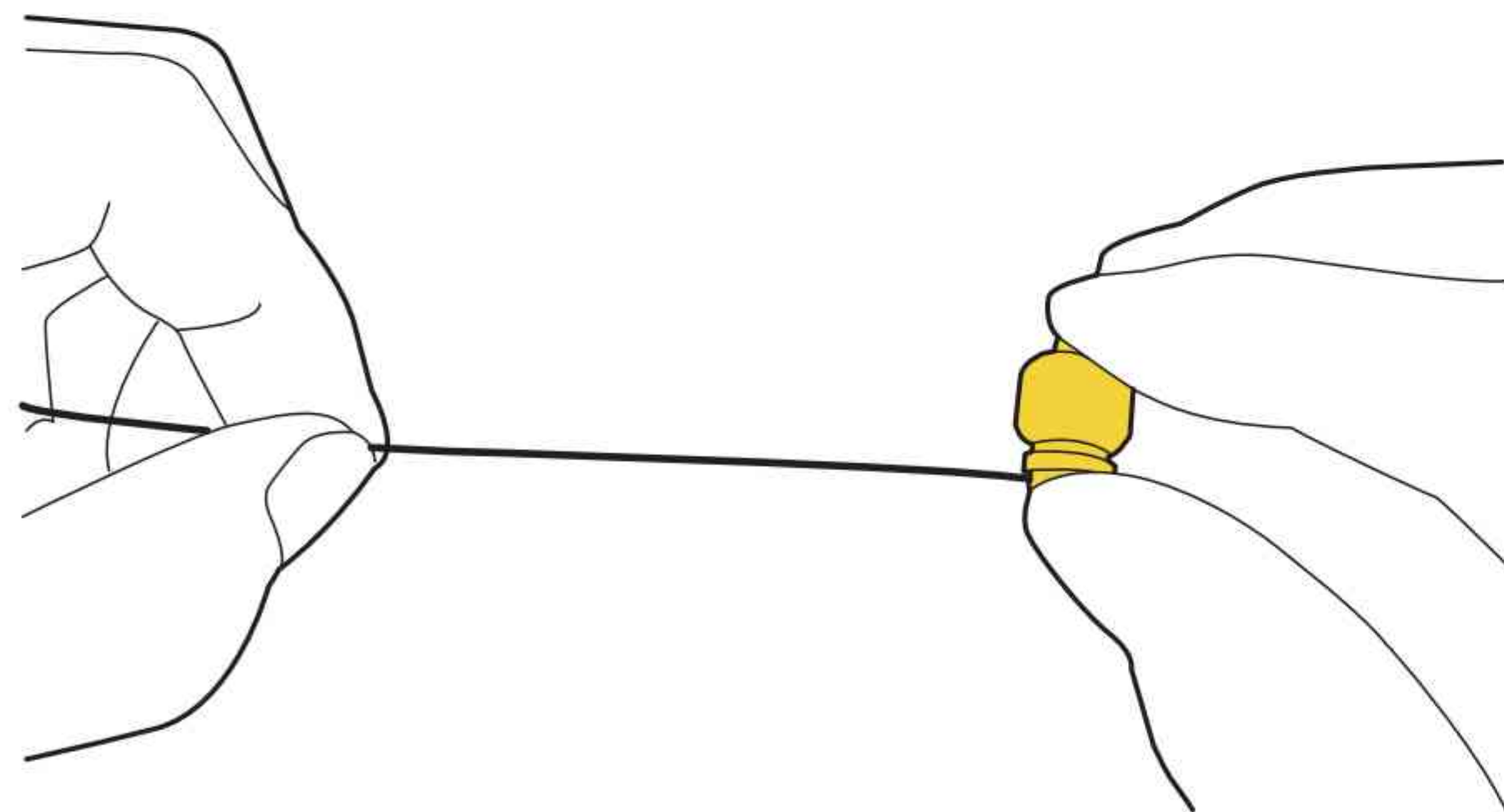
- 1 Before use, please be sure to check the voltage. Use a power supply or transformer with a voltage lower than 5V to avoid damaging the product and preventing potential safety hazards.
- 2 The lights in the product are not replaceable. If they are damaged or not lighting up, please refer to the troubleshooting section or contact our customer service for assistance.
- 3 Avoid pulling on the lighting wires as this may cause damage.
- 4 Do not expose the product to water as it may damage the product
- 5 If the plug does not fit easily into the ports on the board, reverse the direction and insert it again to avoid damage and short circuits, rather than forcing it in.
- 6 Please read and follow the instructions carefully during building to ensure a good building experience.

USER INSTRUCTION

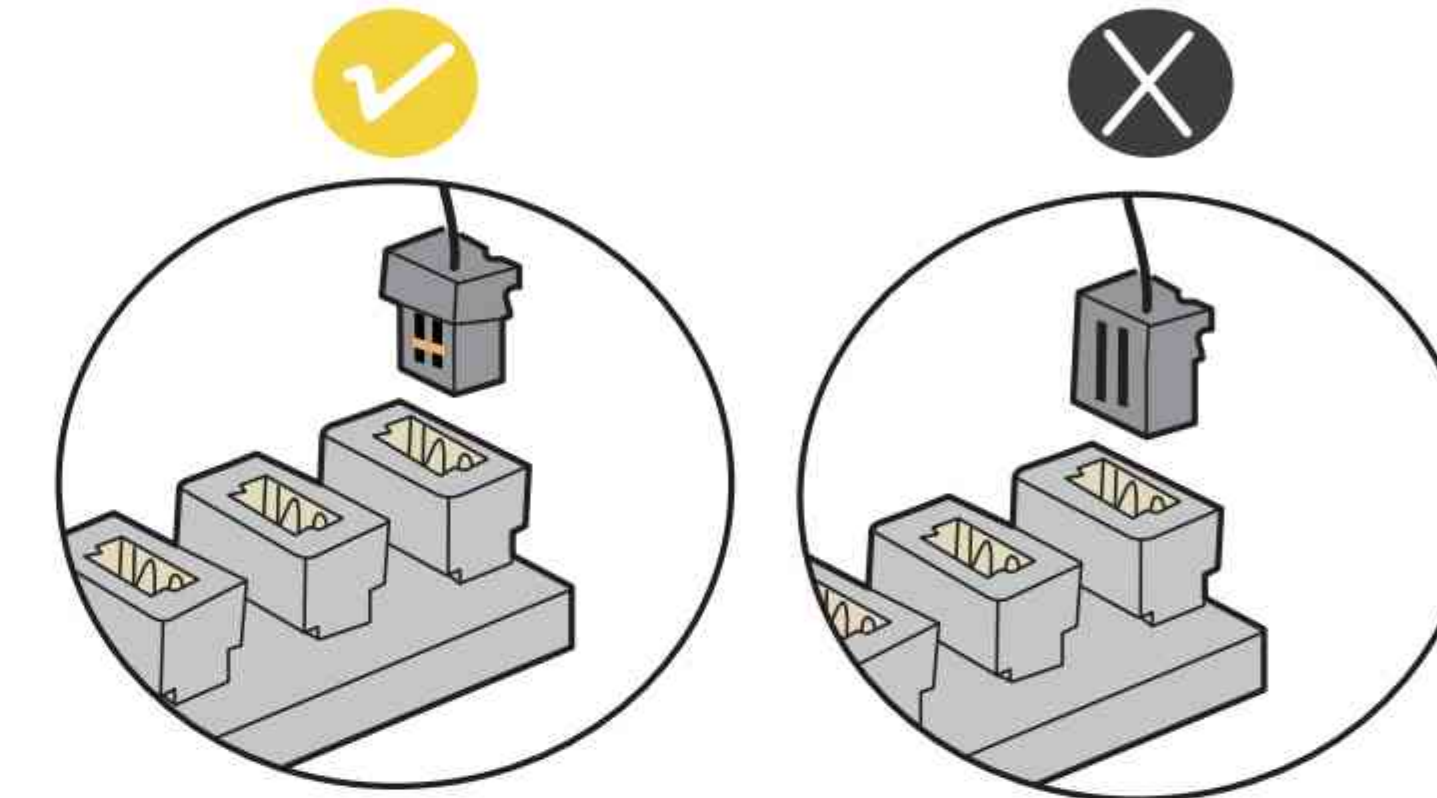
Please read the following carefully before installing the lights.



Before installation, please connect to a power supply below 5V and test the lights to ensure everything is functioning properly. If the lights do not work, please refer to troubleshooting guide or contact us.

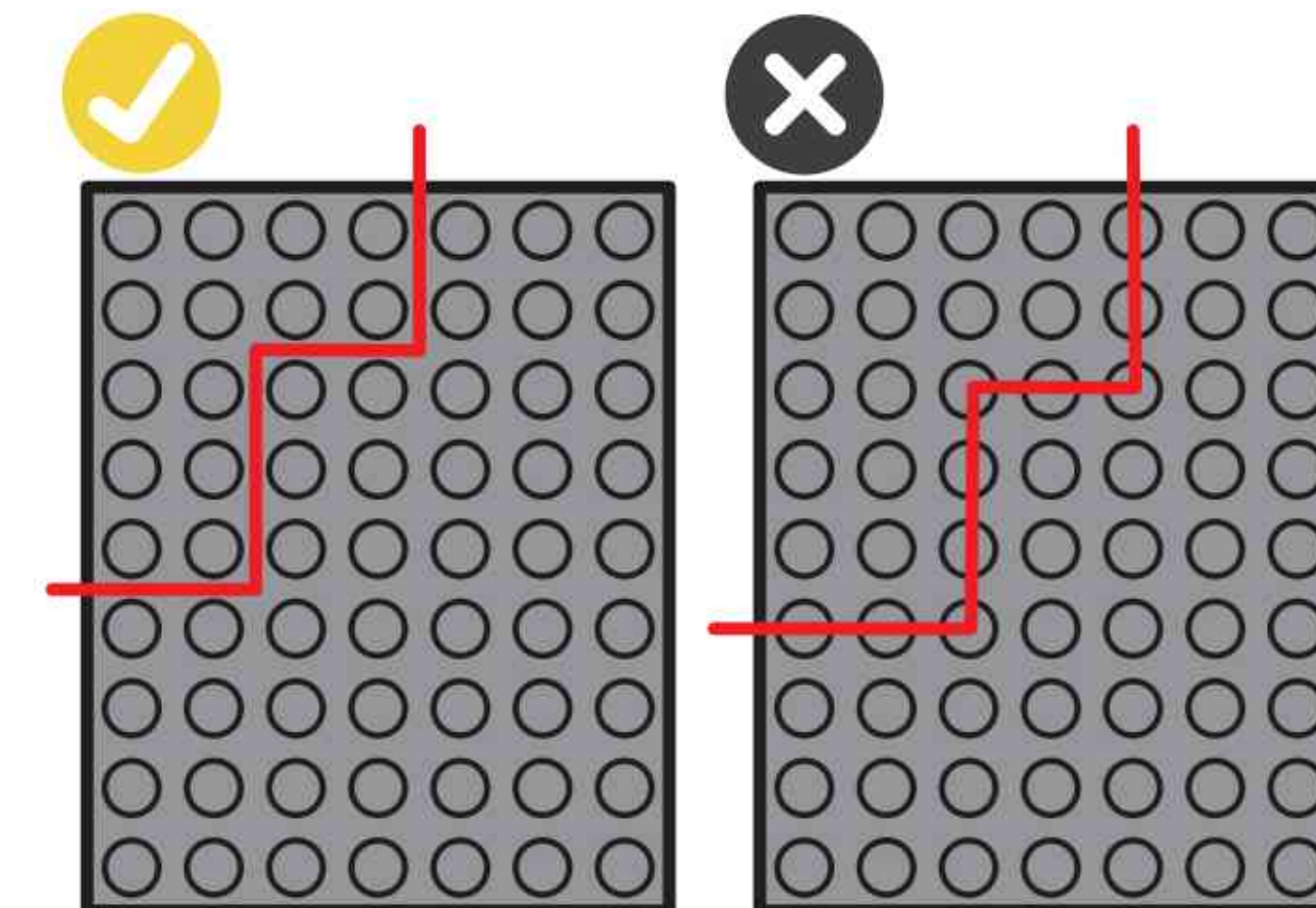


LED components are delicate, so please take extra care when installing, no hard pulling, no bending or shaking.

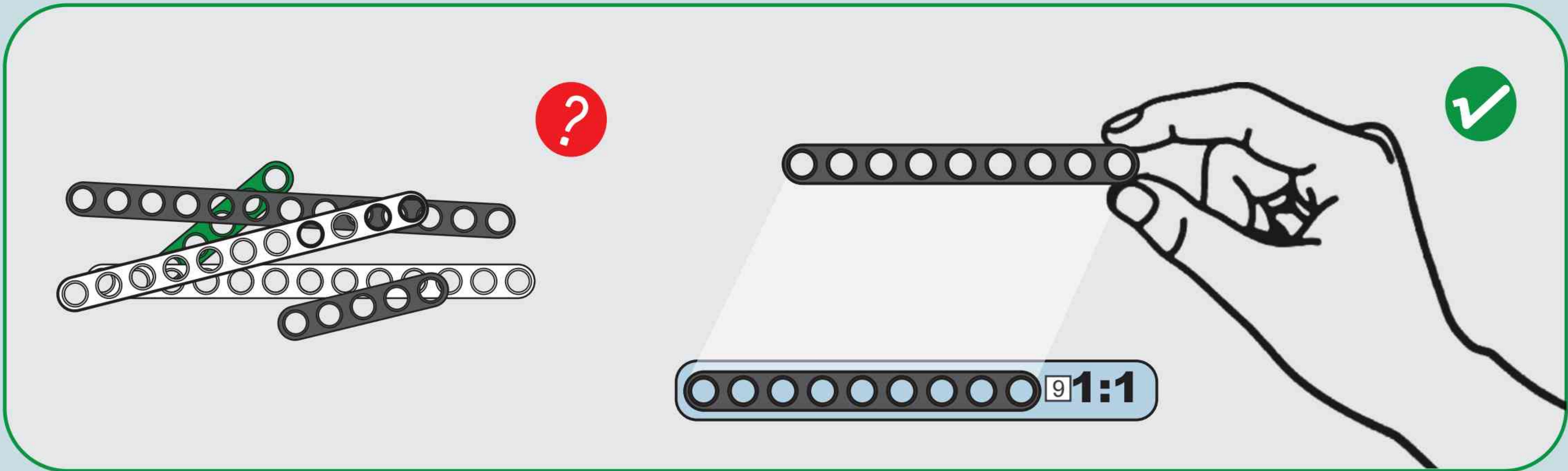
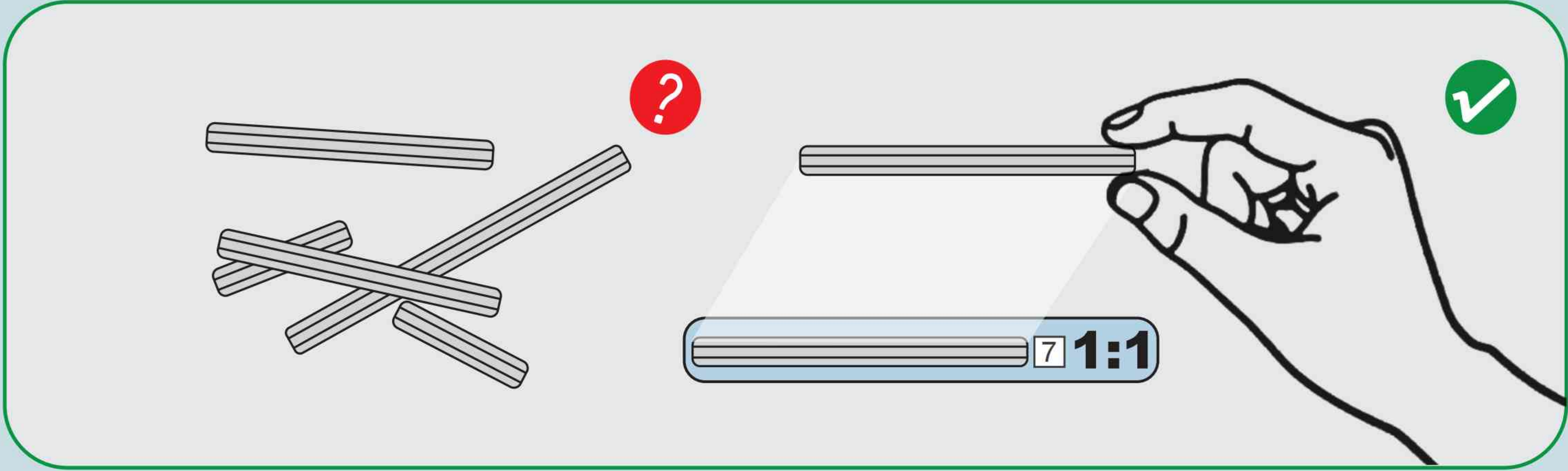


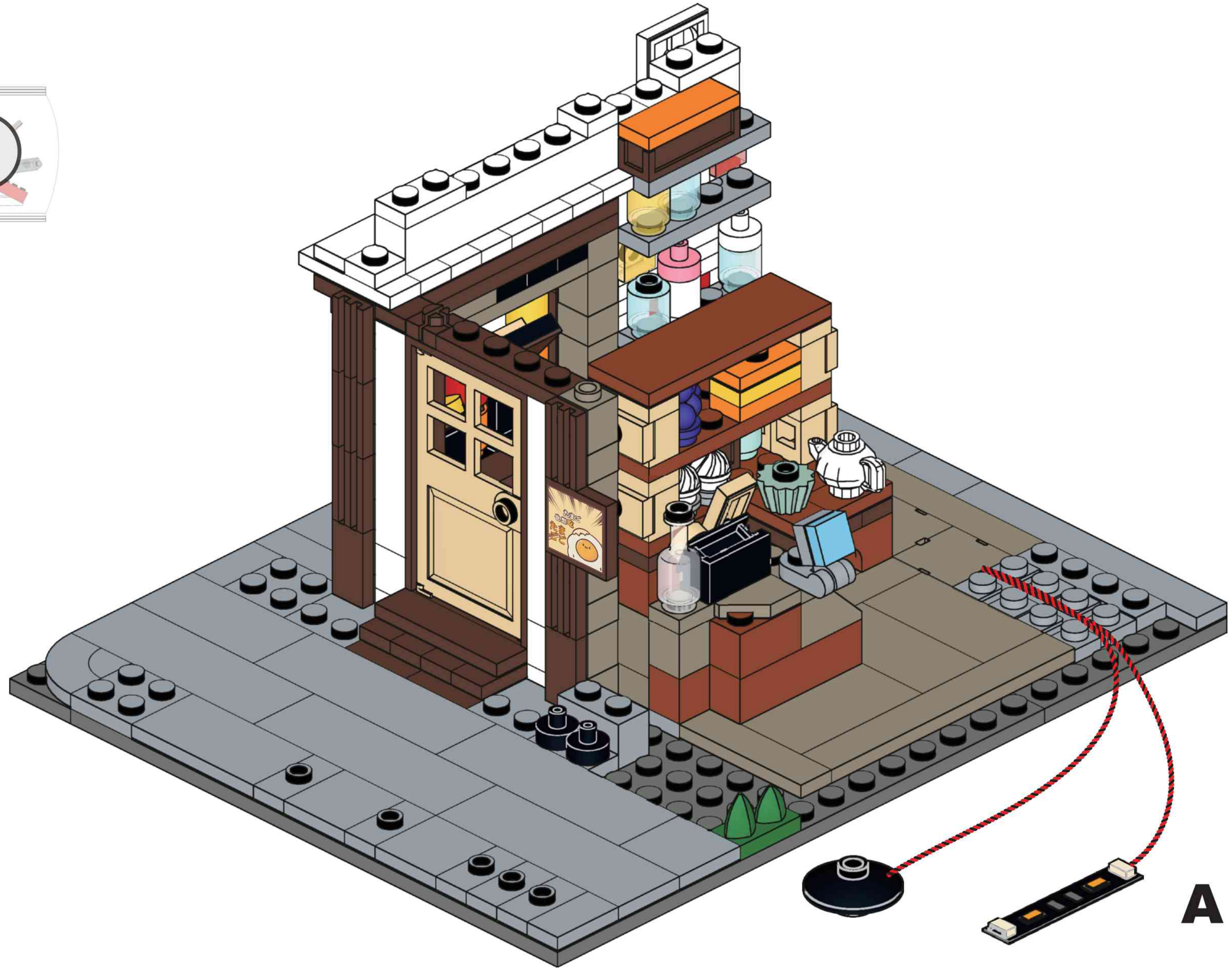
Connectors can be inserted into ports of the expansion board in only one certain way. Make sure the plug's direction is correct before connecting.

Tips: if plug doesn't fit easily into a port, don't force it.



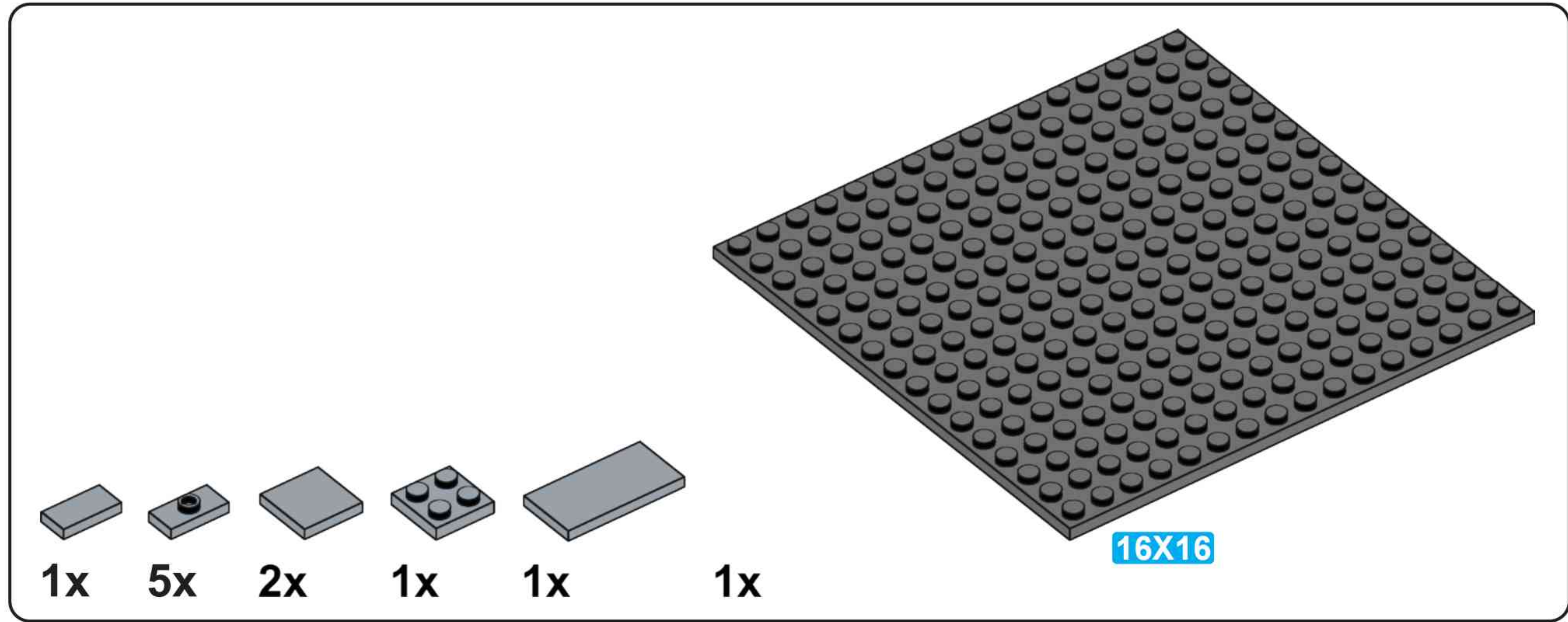
Hide the spare wire under the bricks: when installing, please make sure that the wire is laid between two studs of the bricks, but not pressed by the bricks directly.



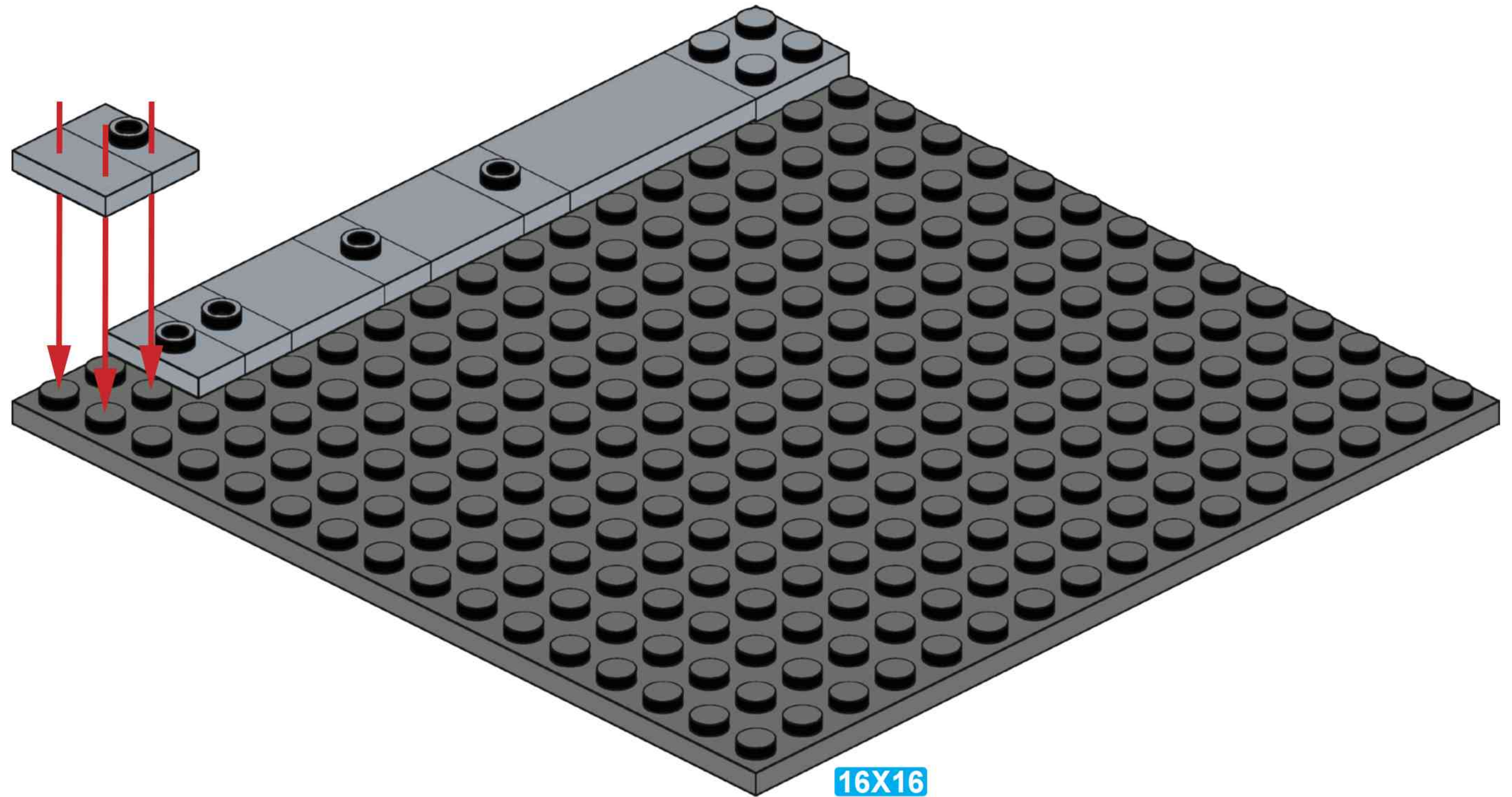


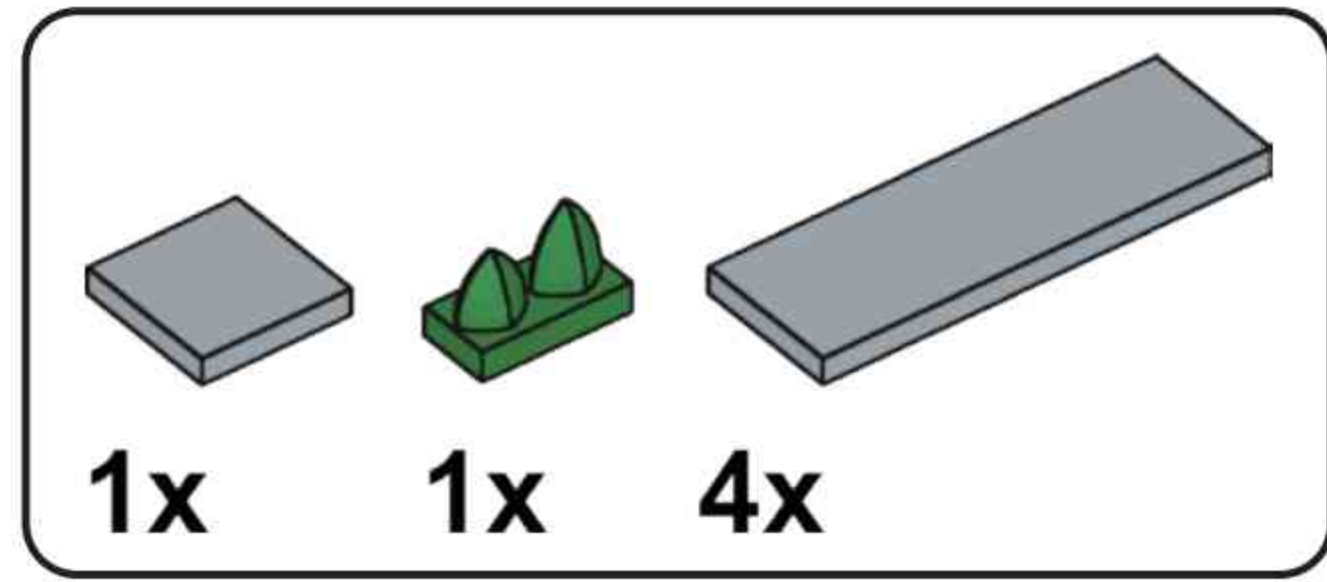
1

A

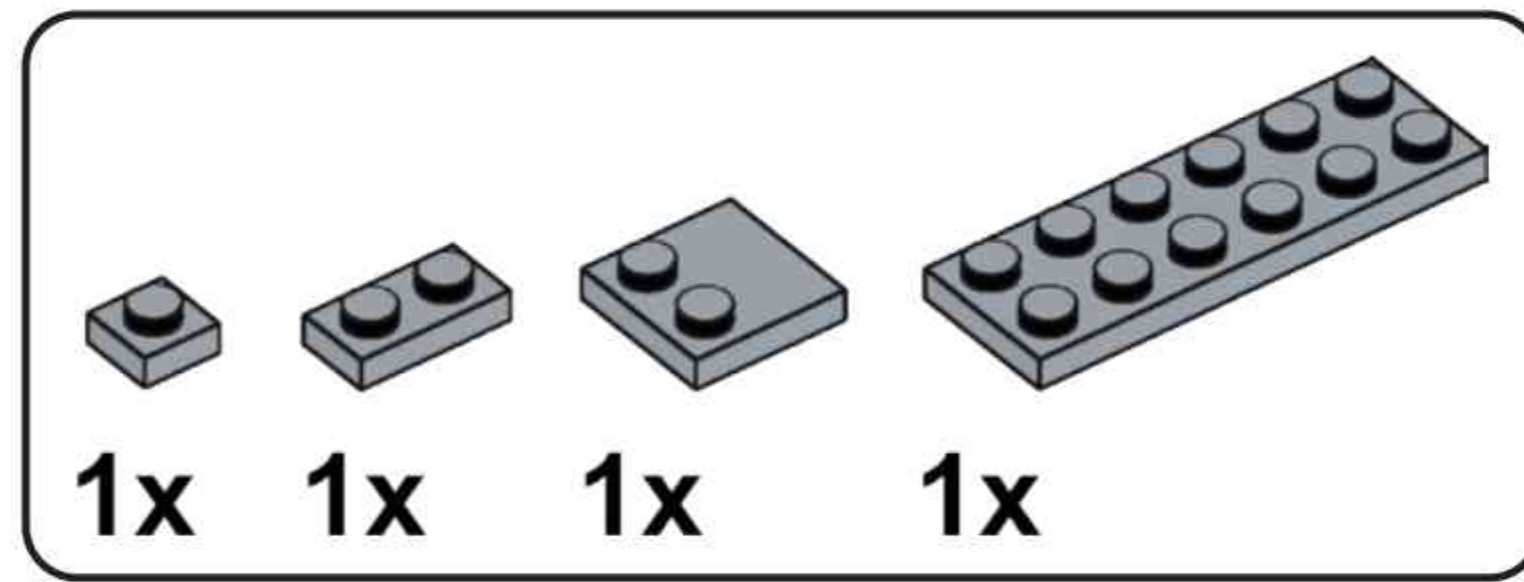
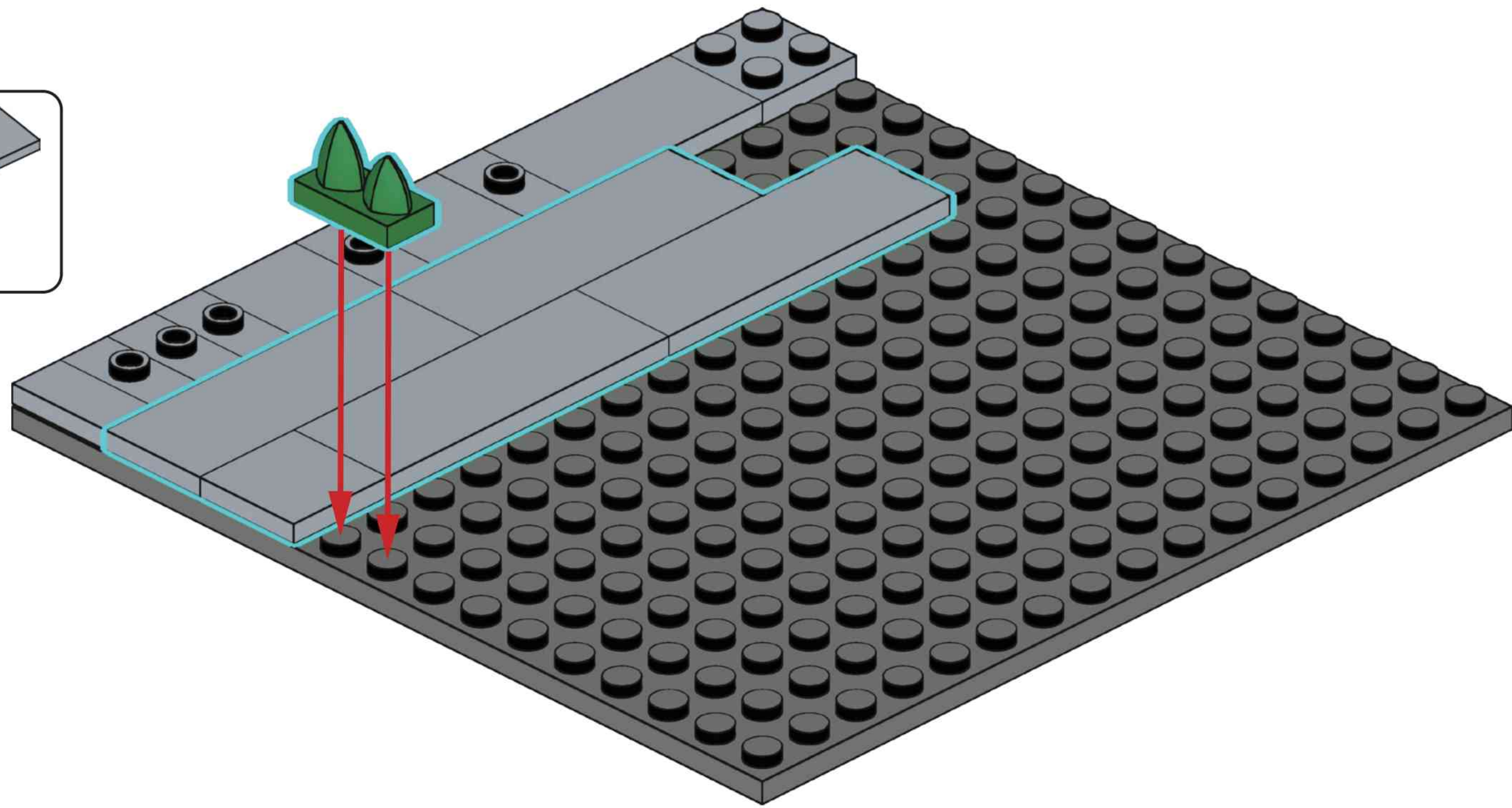


A1

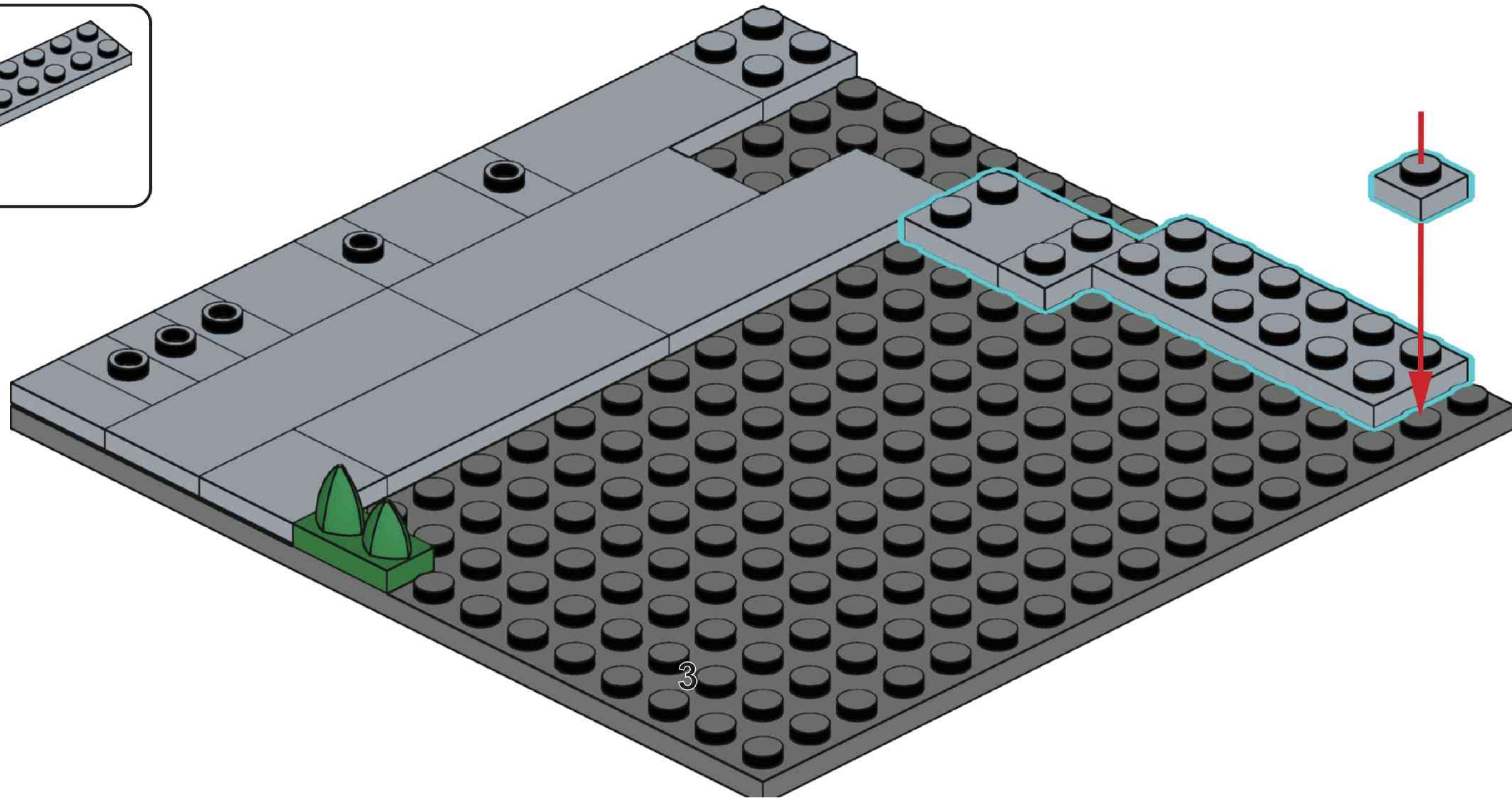


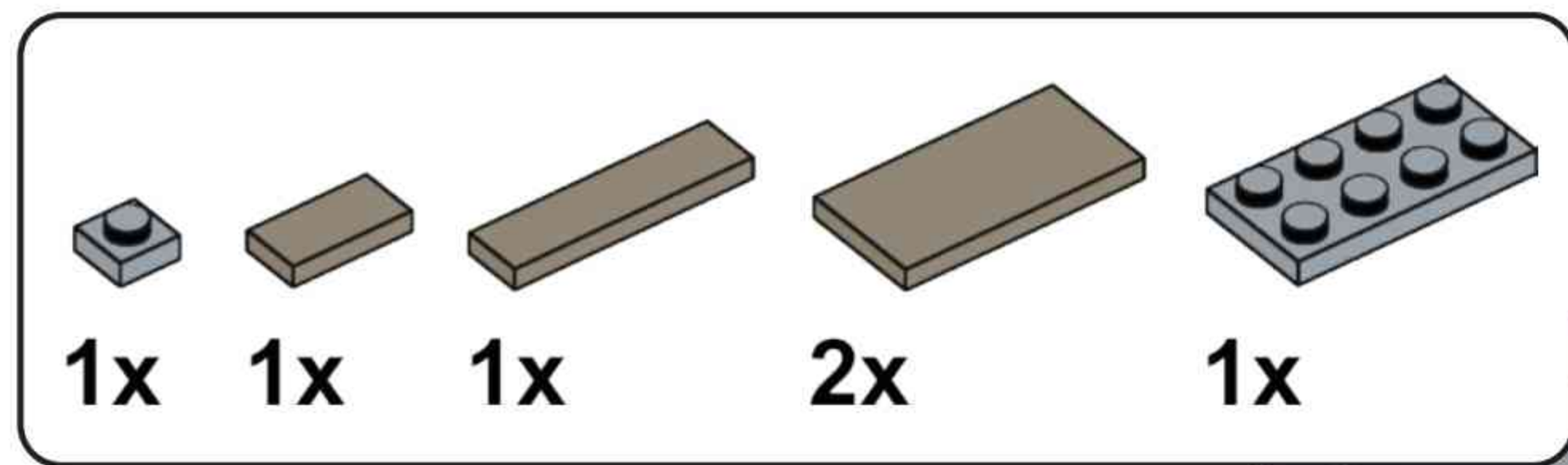


A2

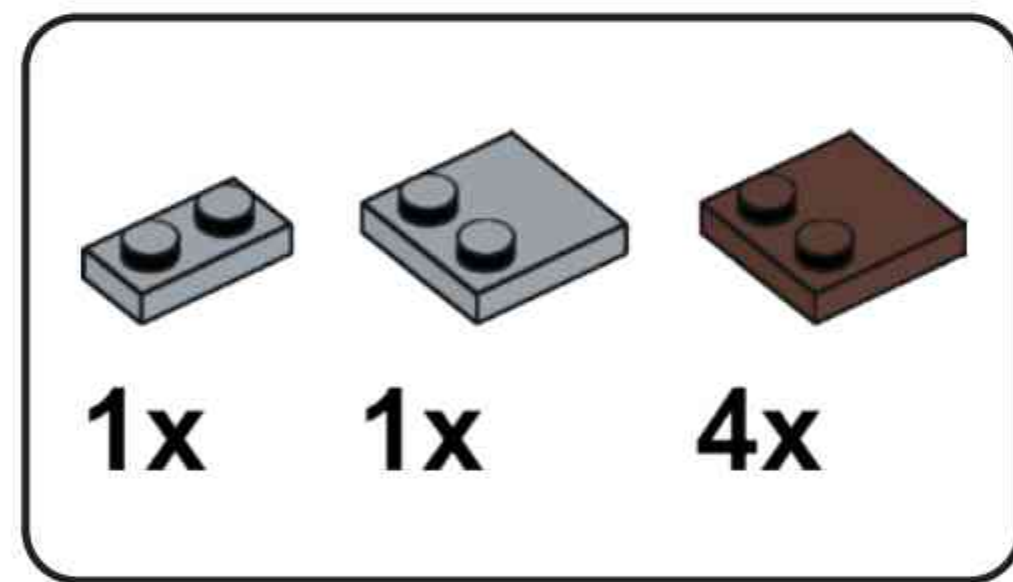
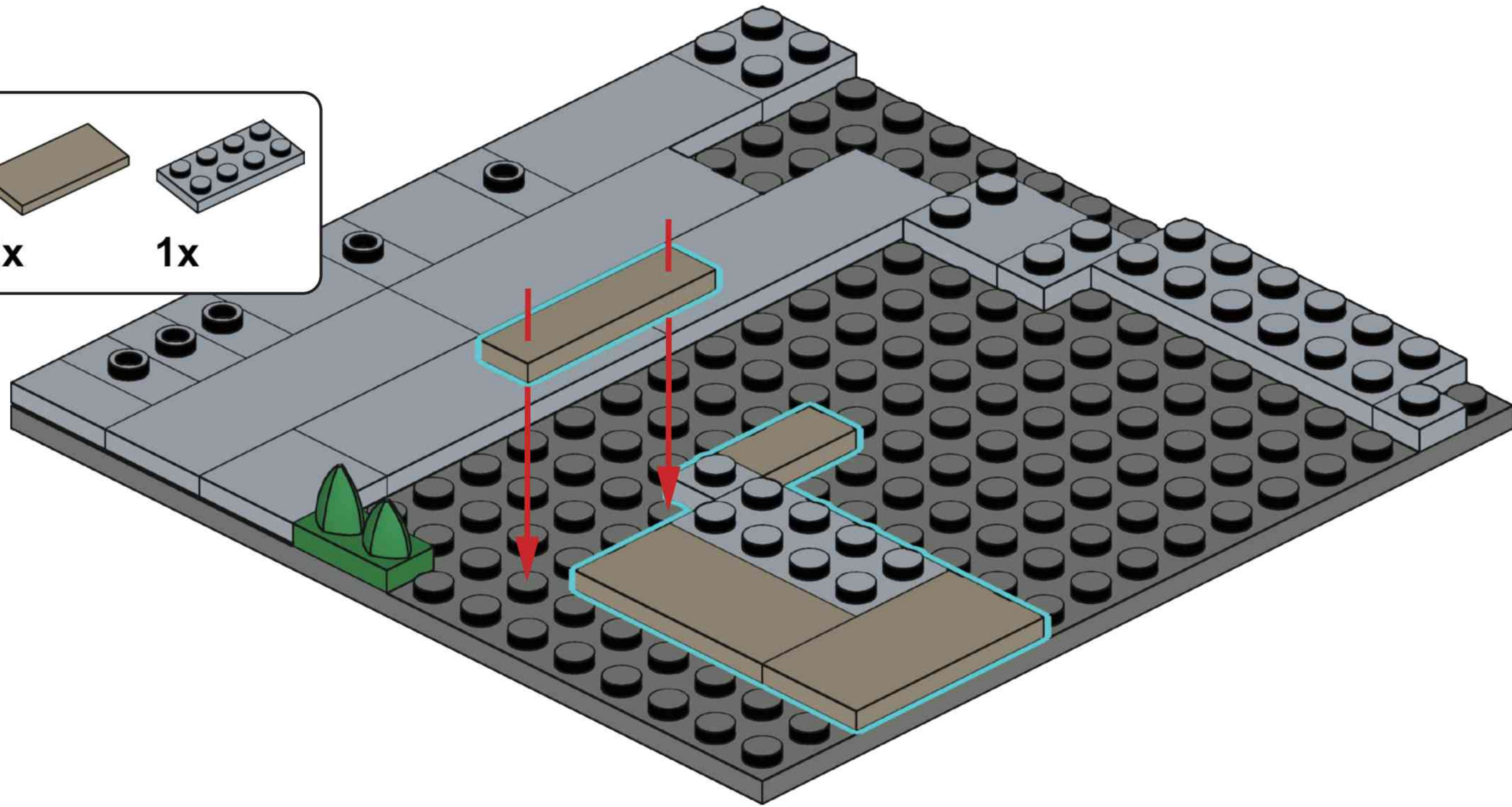


A3

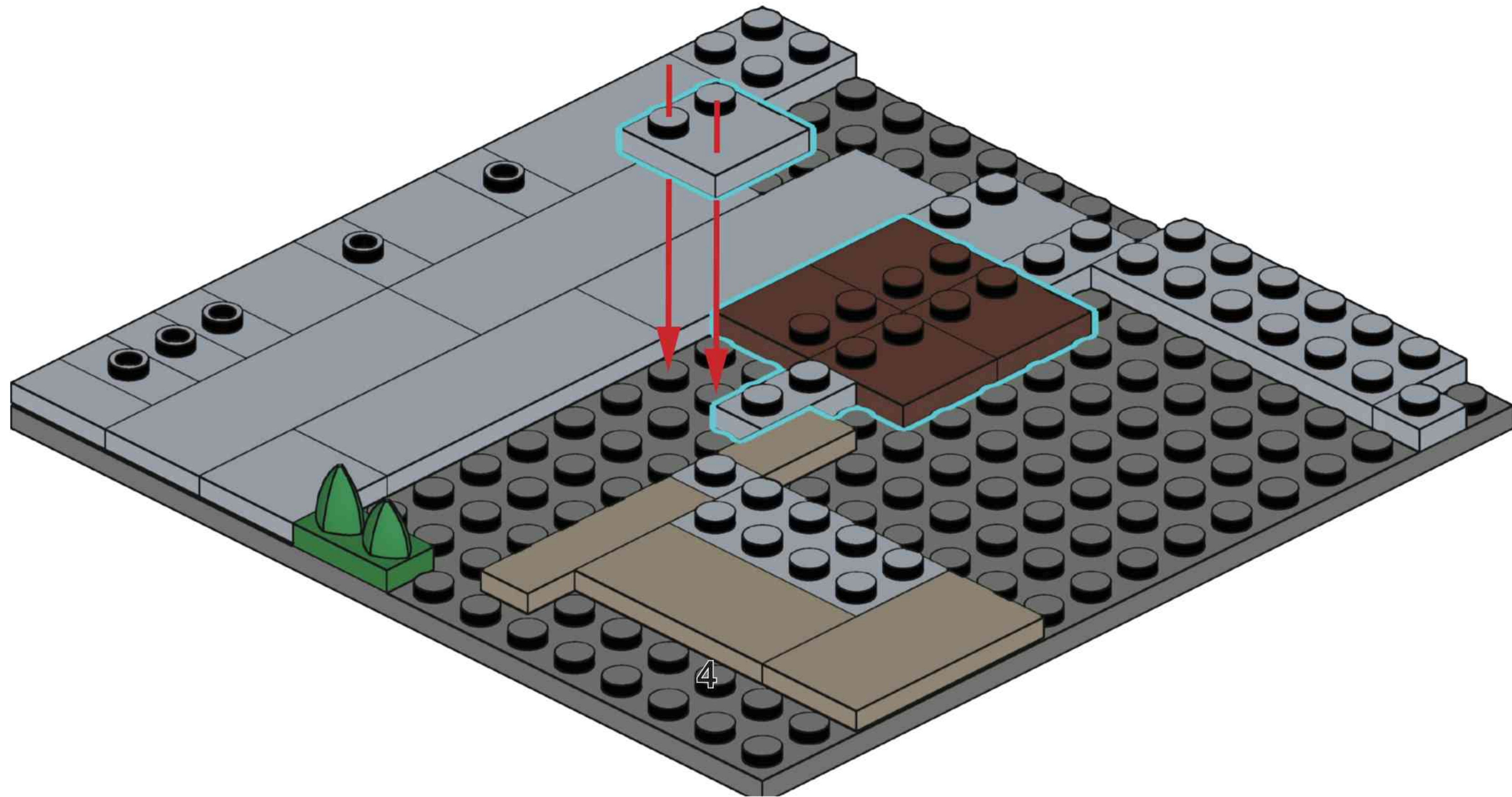


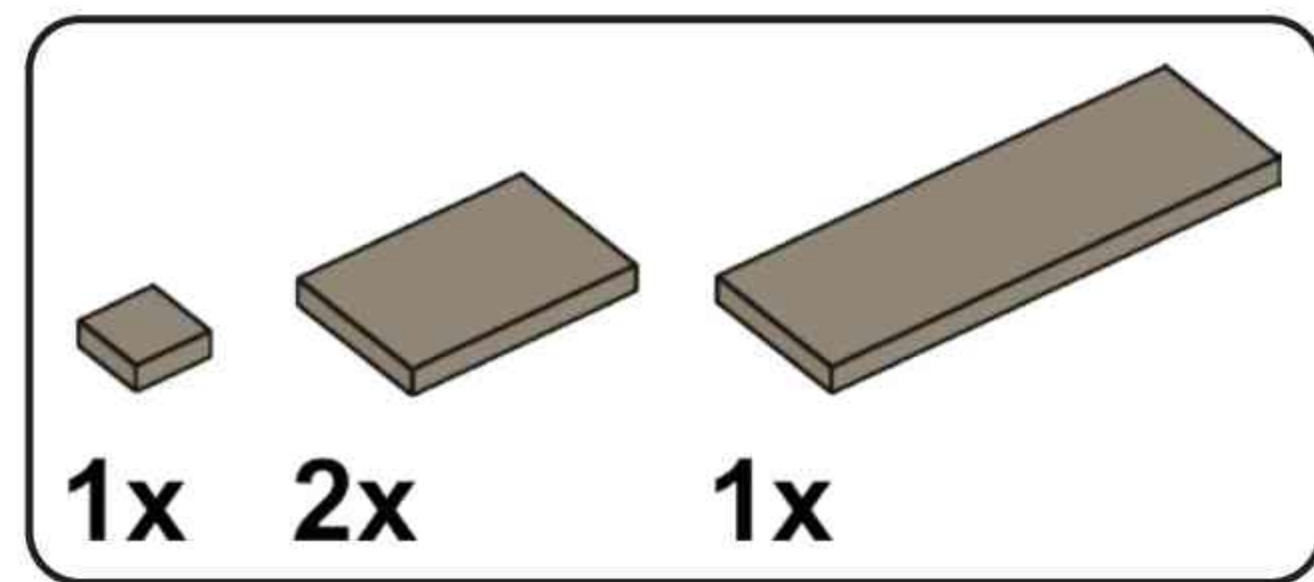


A4

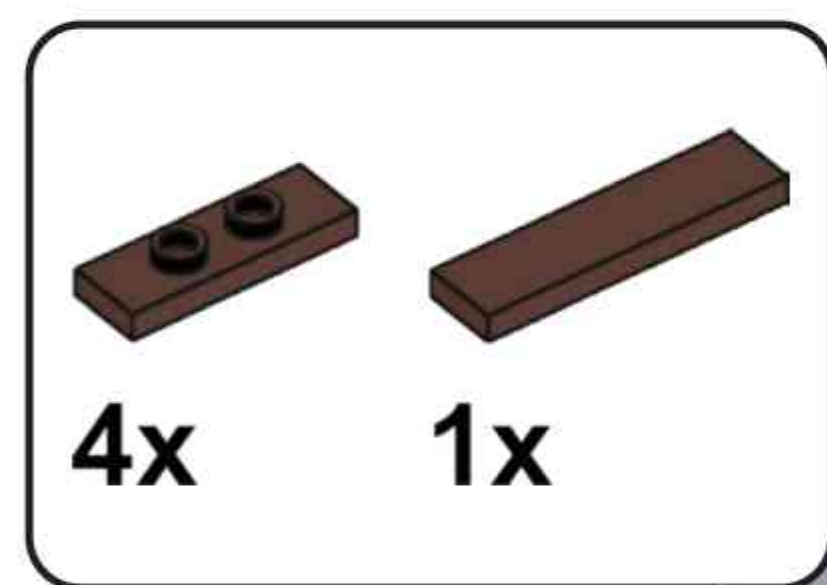
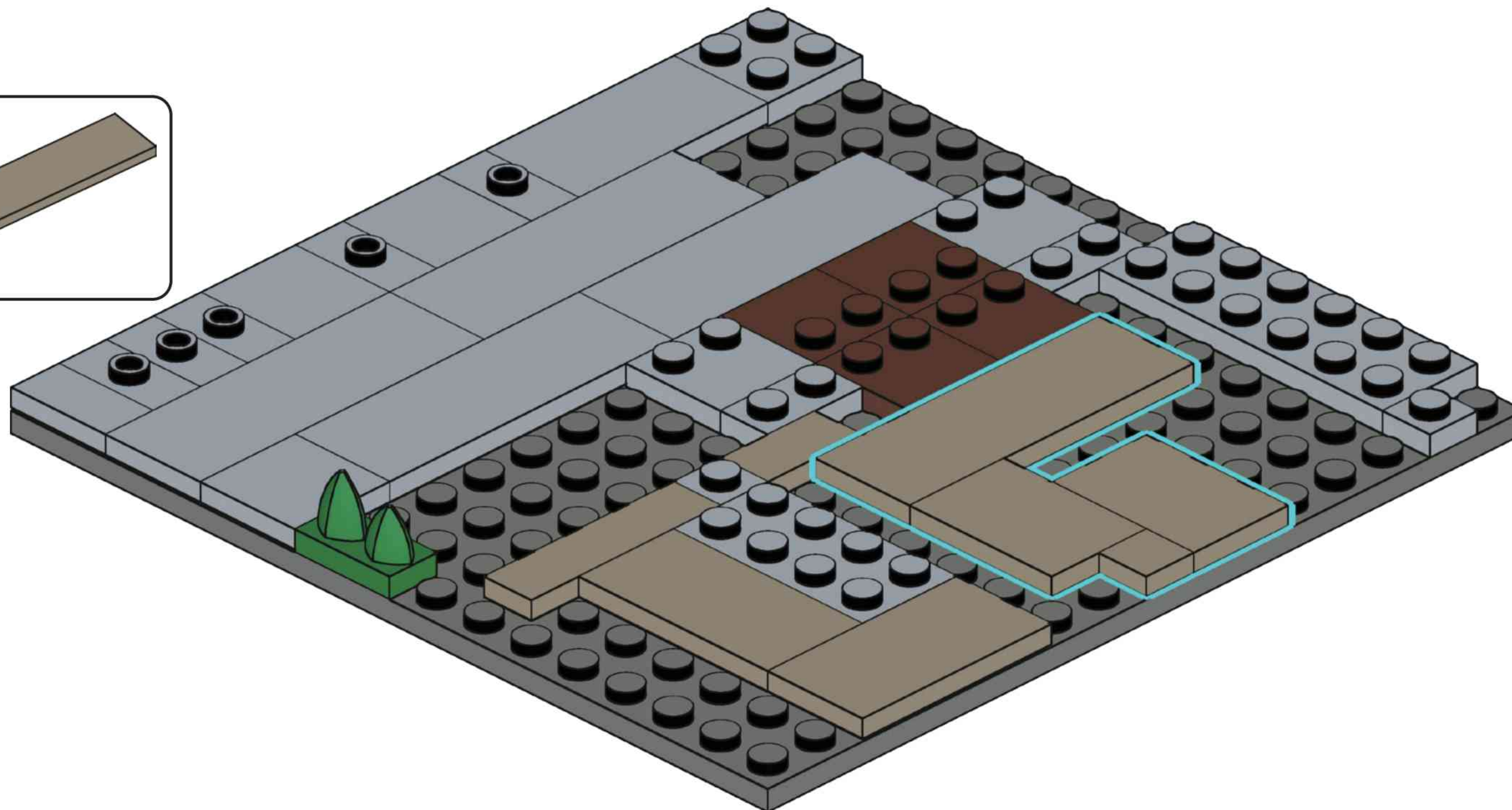


A5

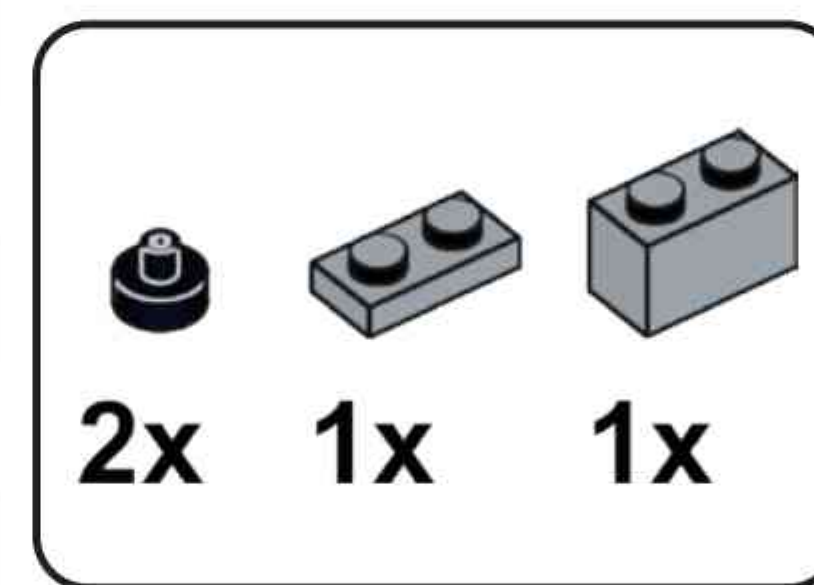
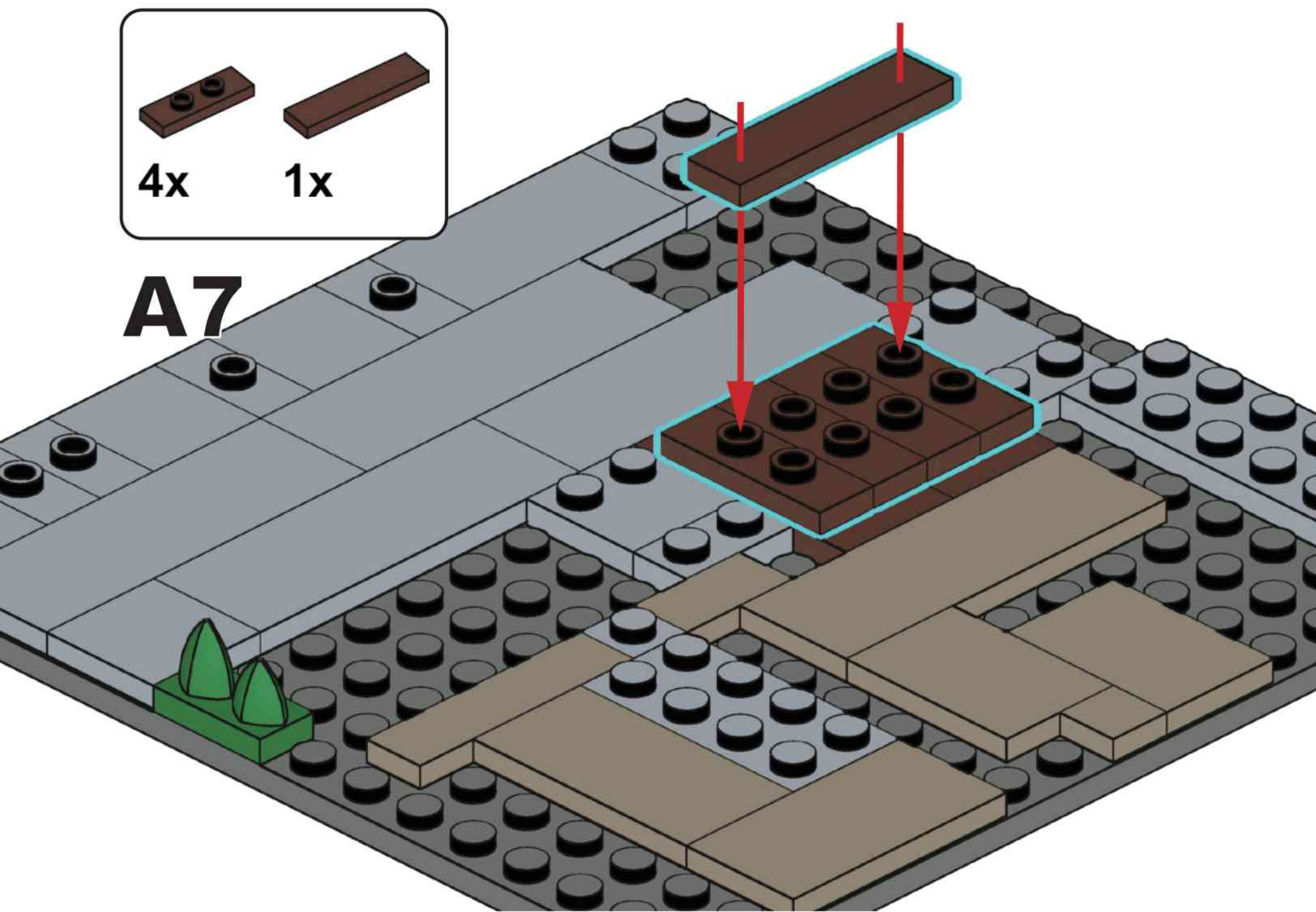




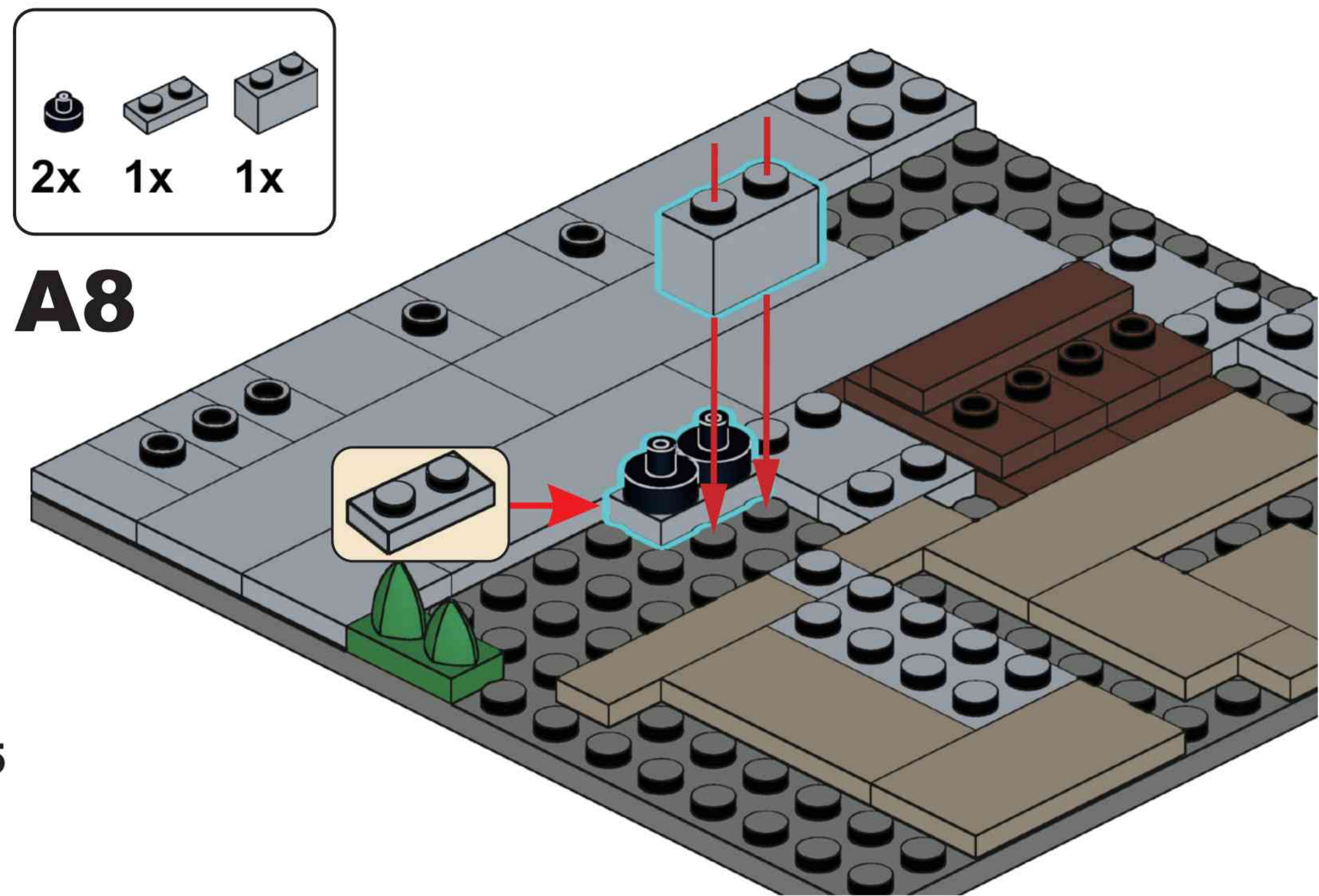
A6

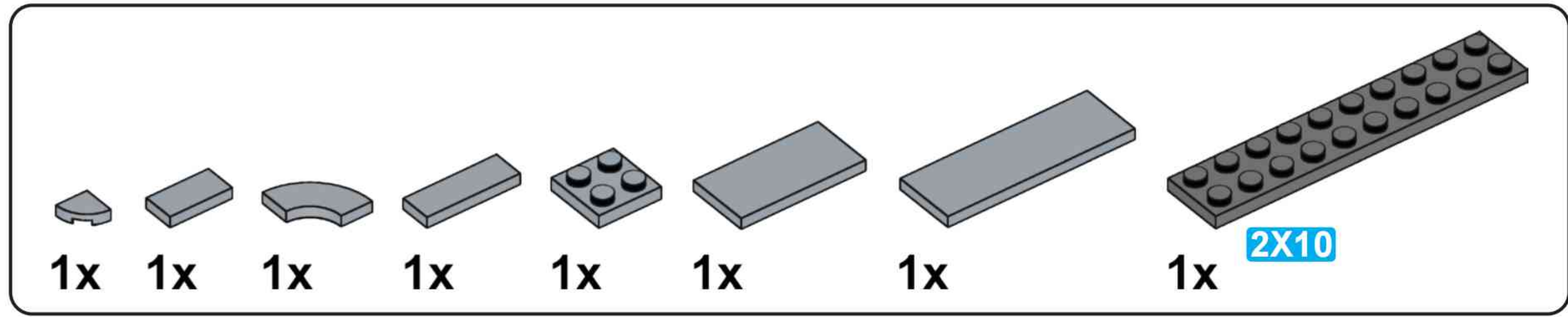


A7

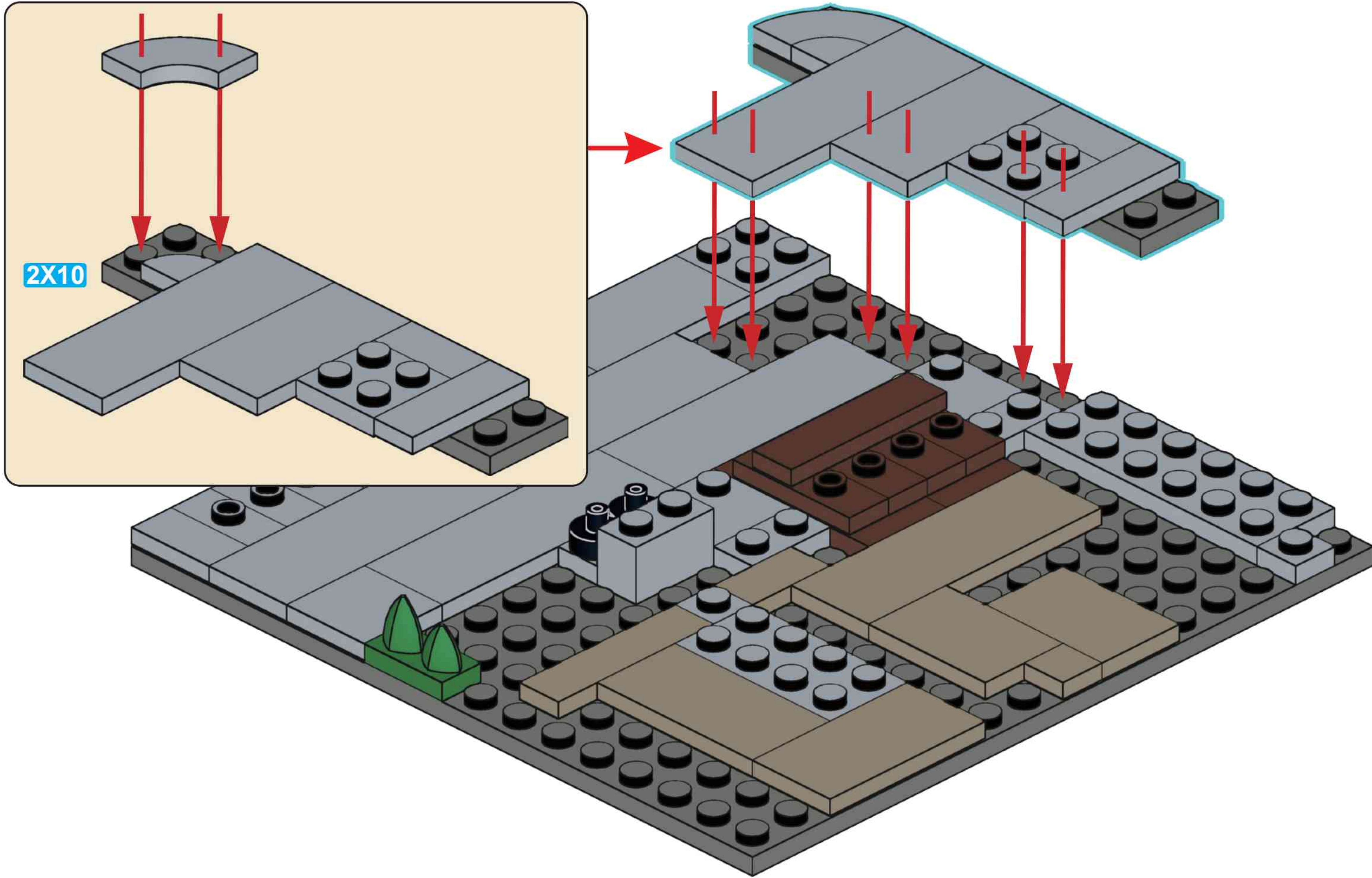


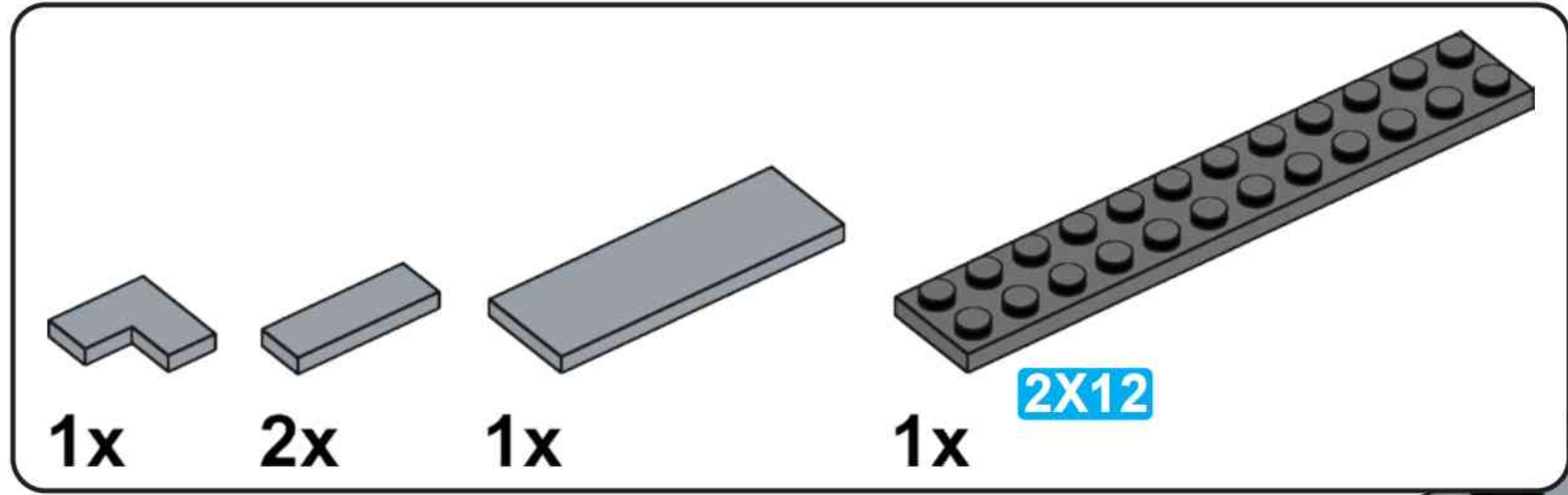
A8



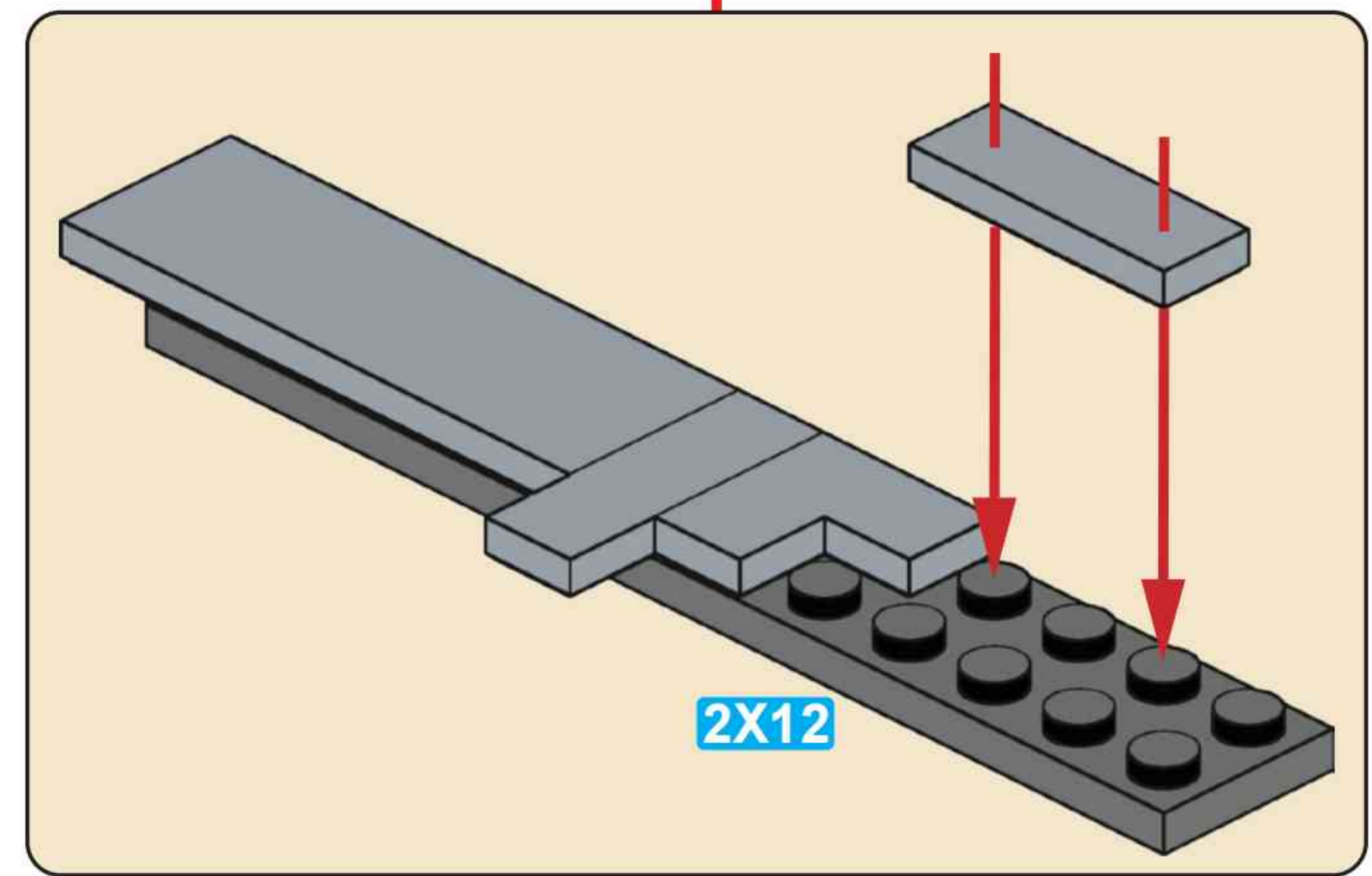
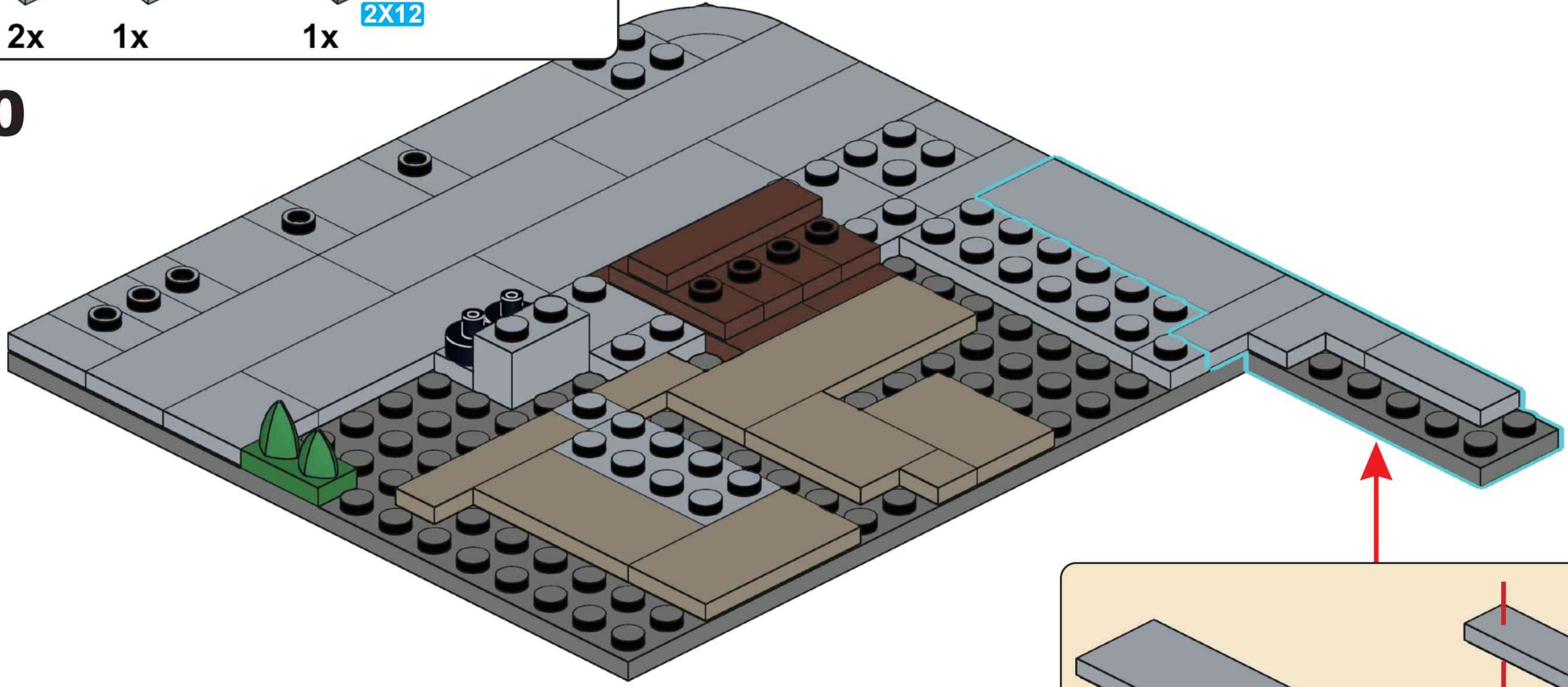


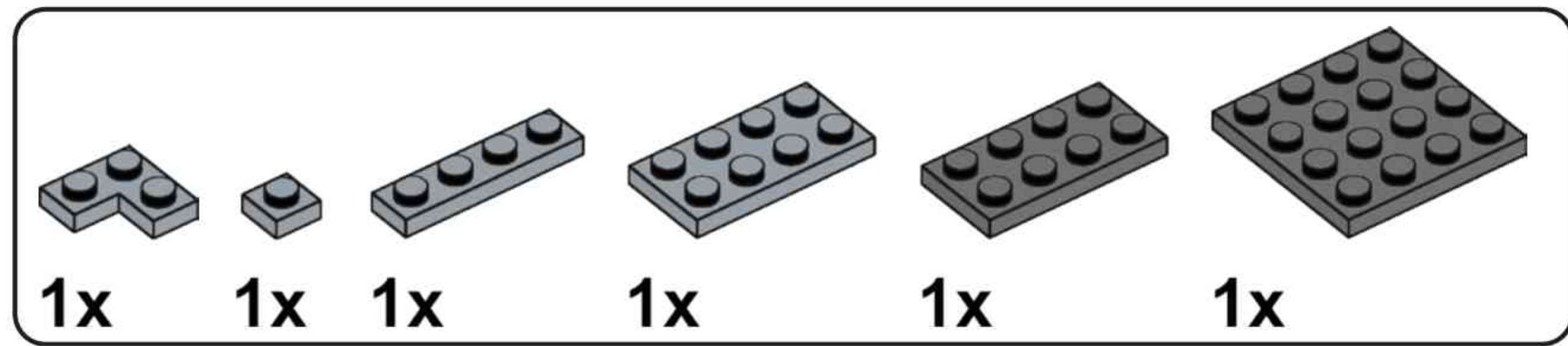
A9



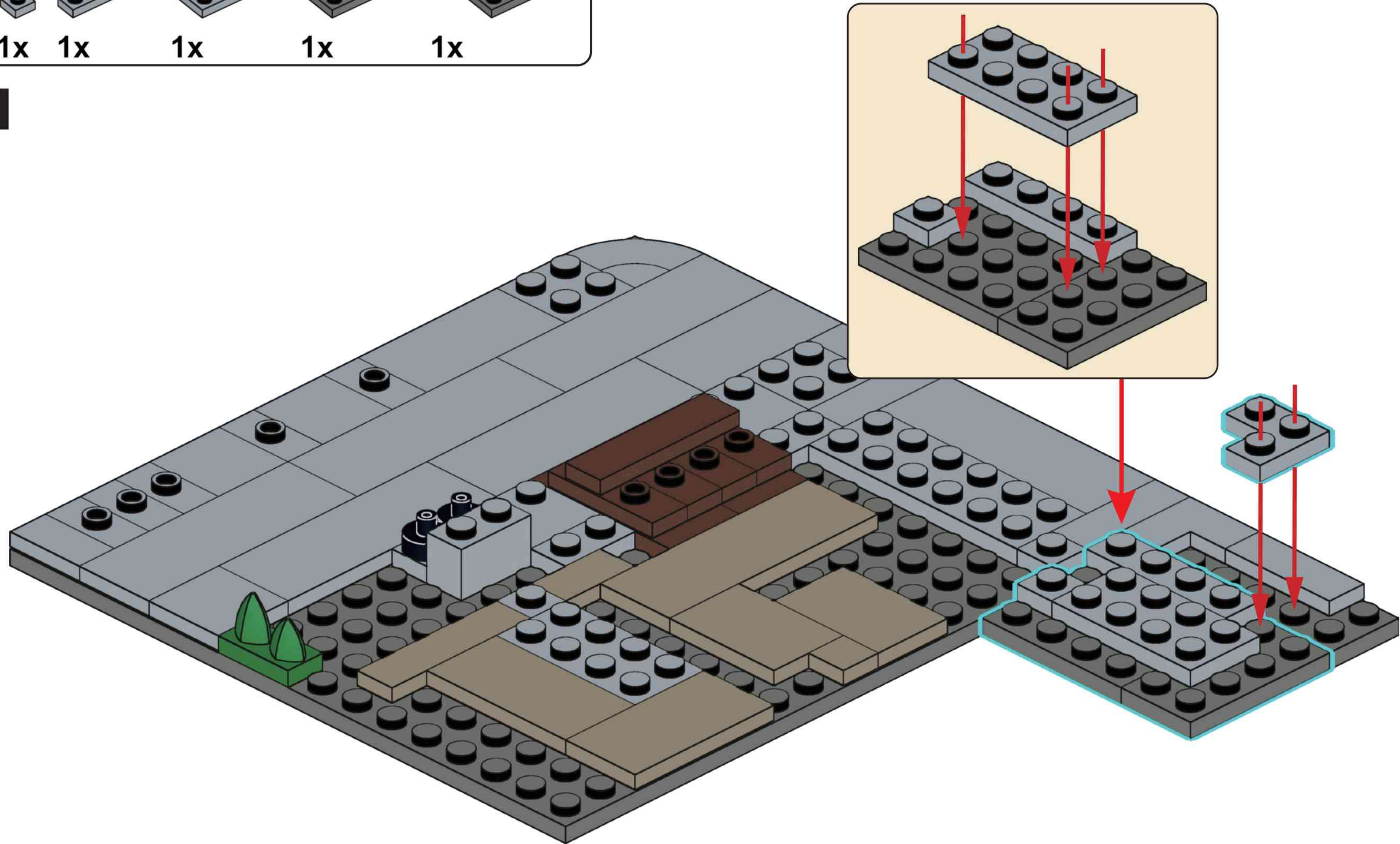


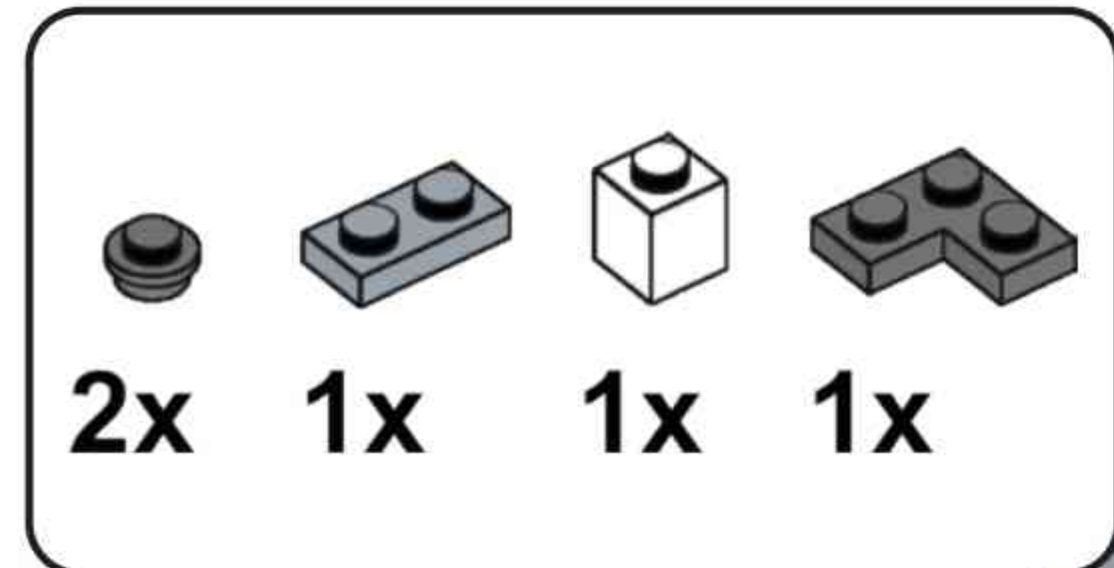
A10



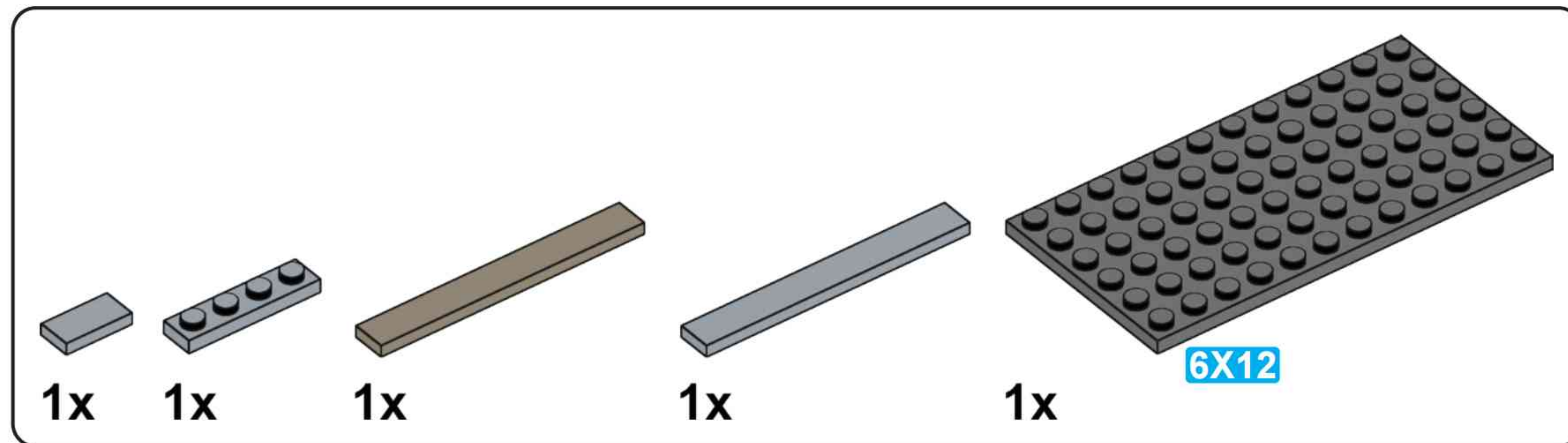
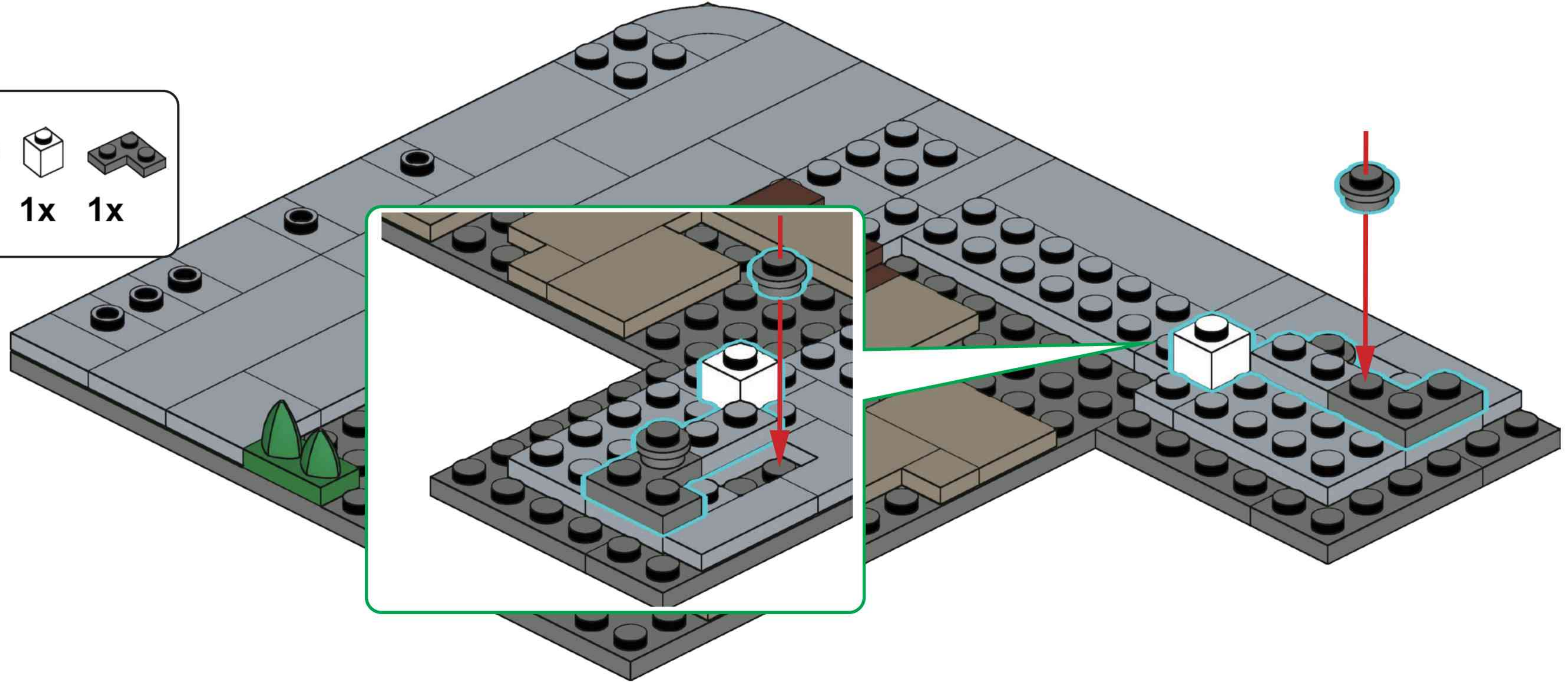


A11

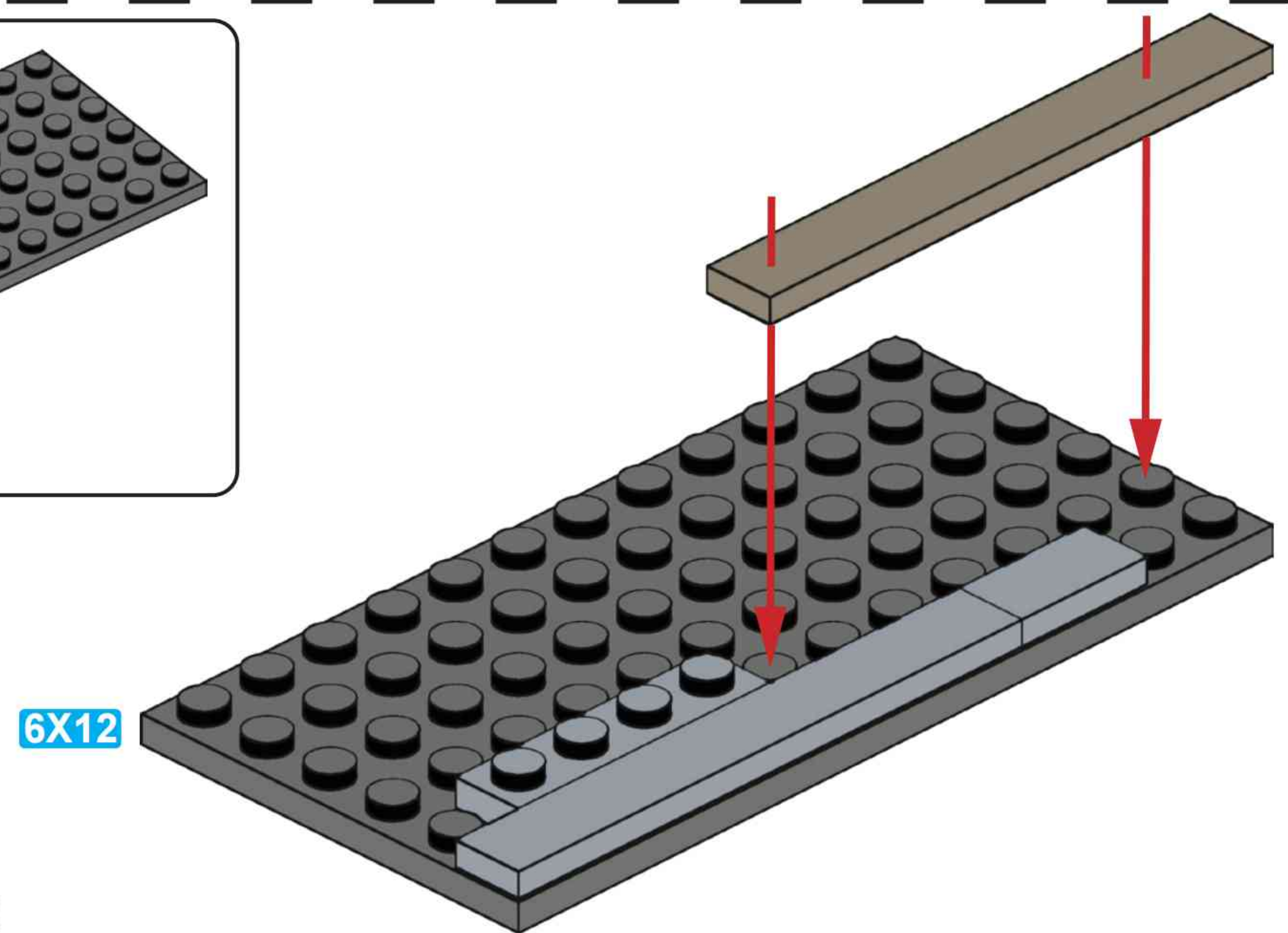


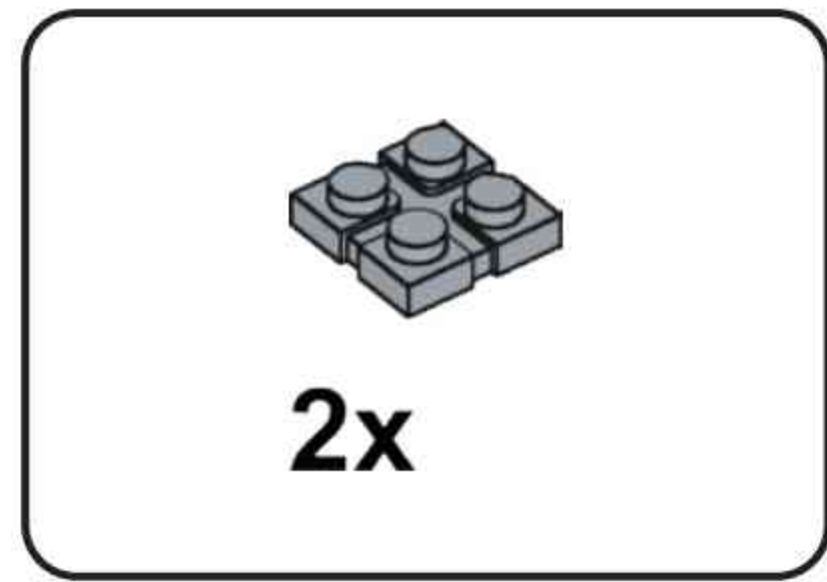


A12

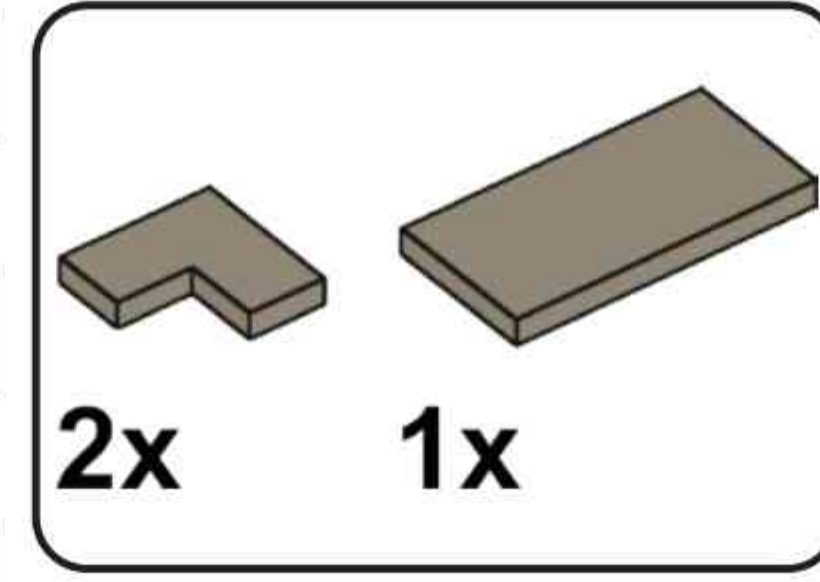
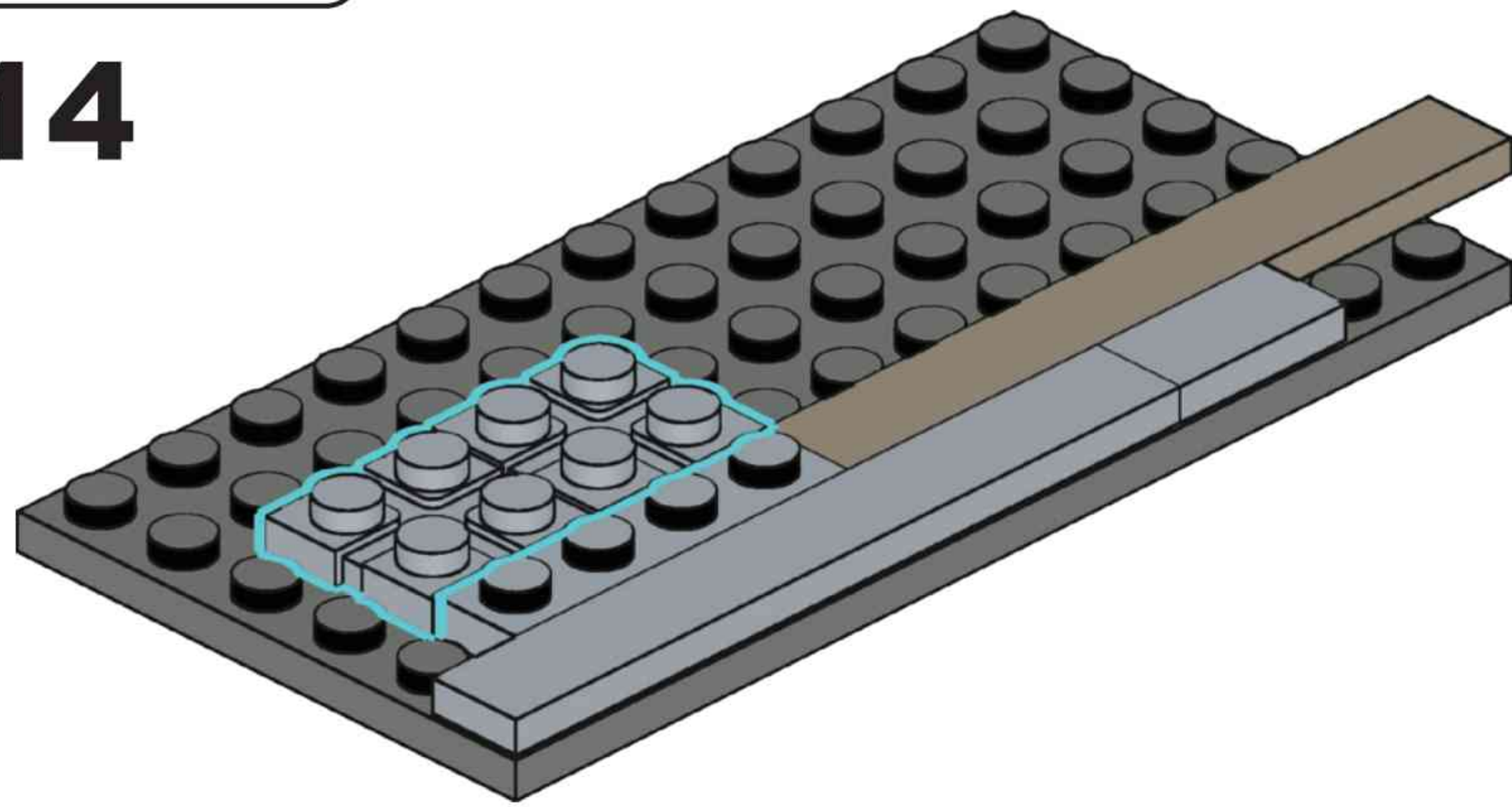


A13

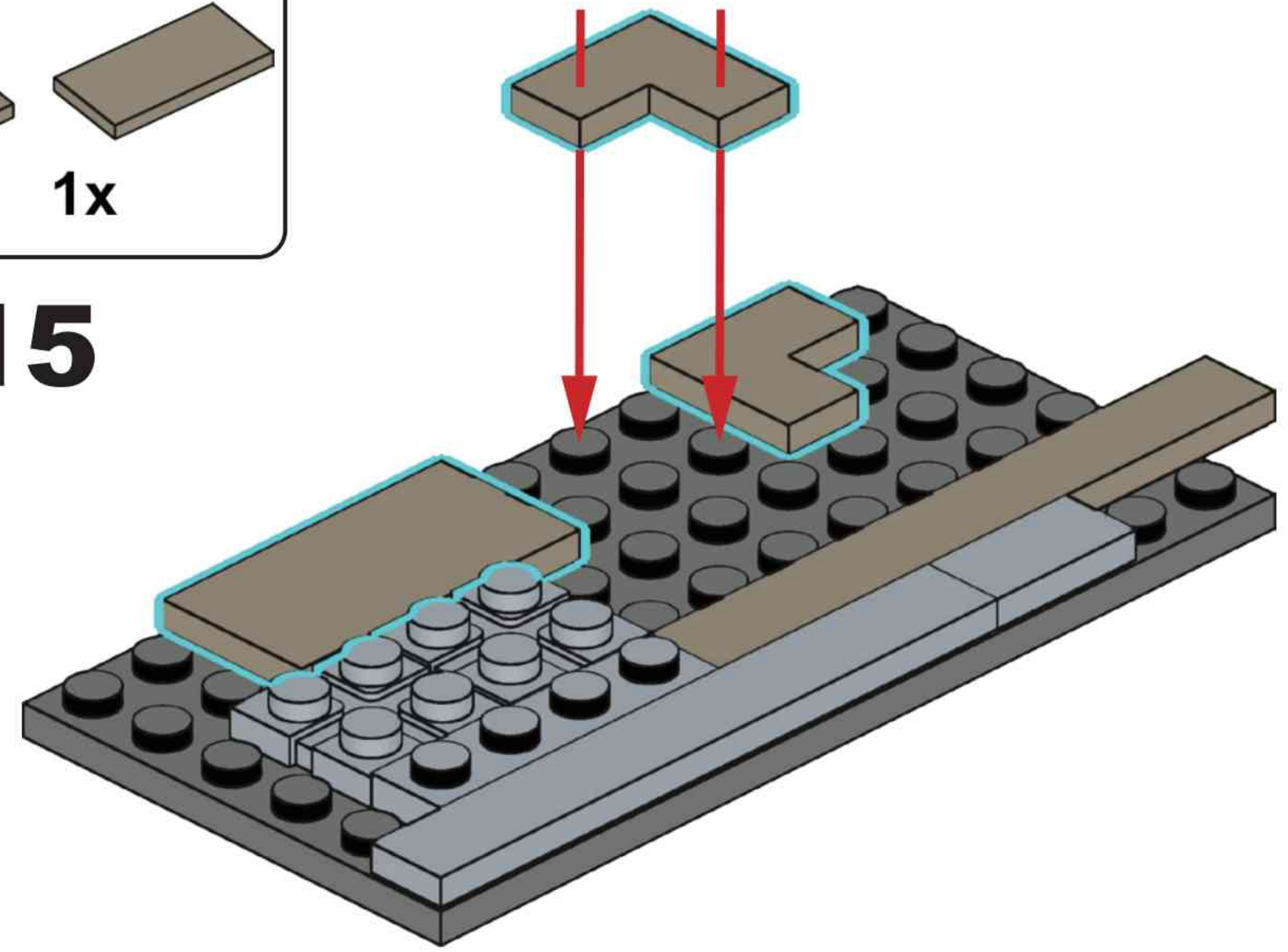




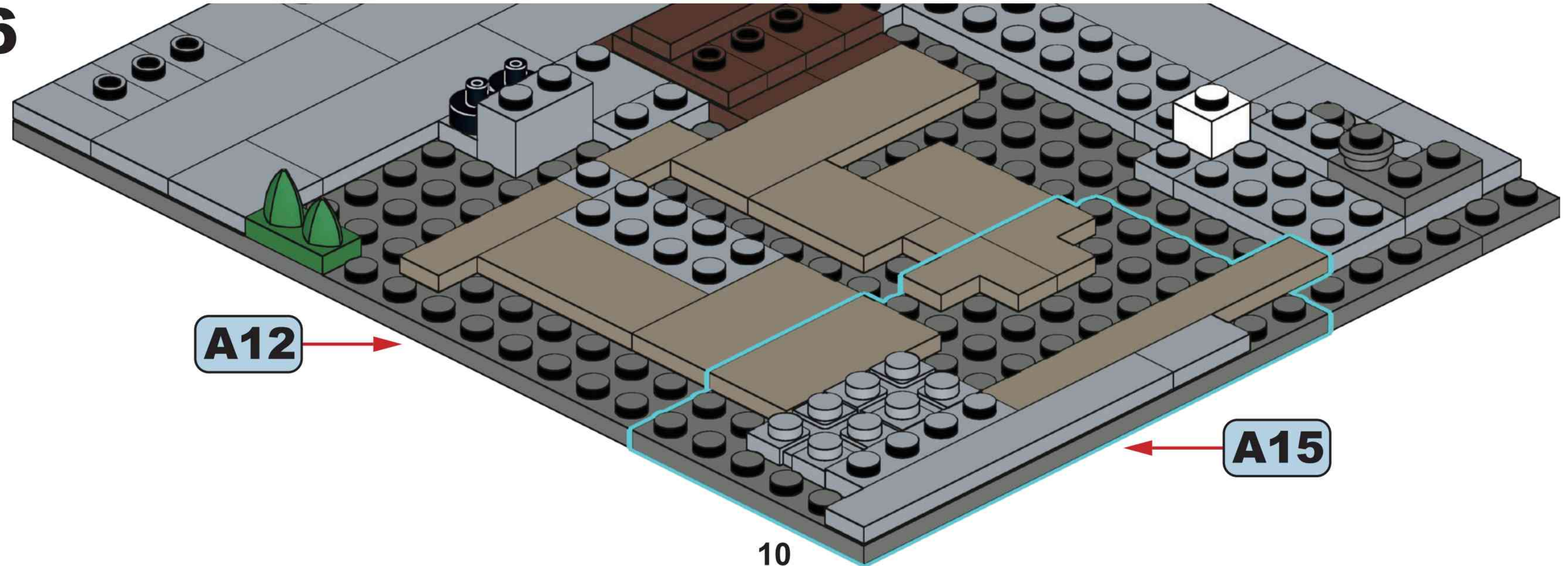
A14

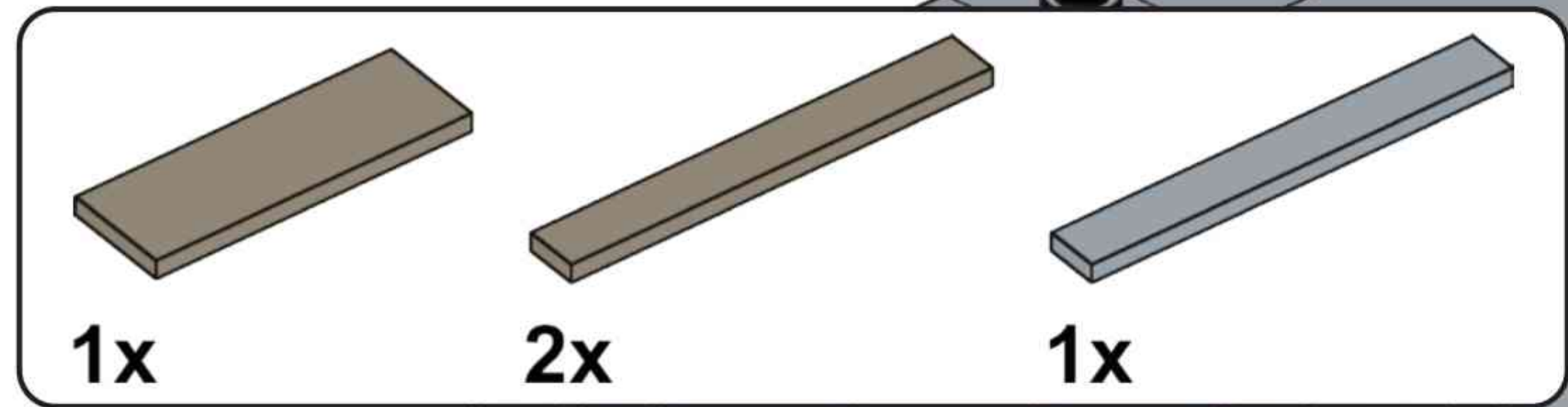


A15

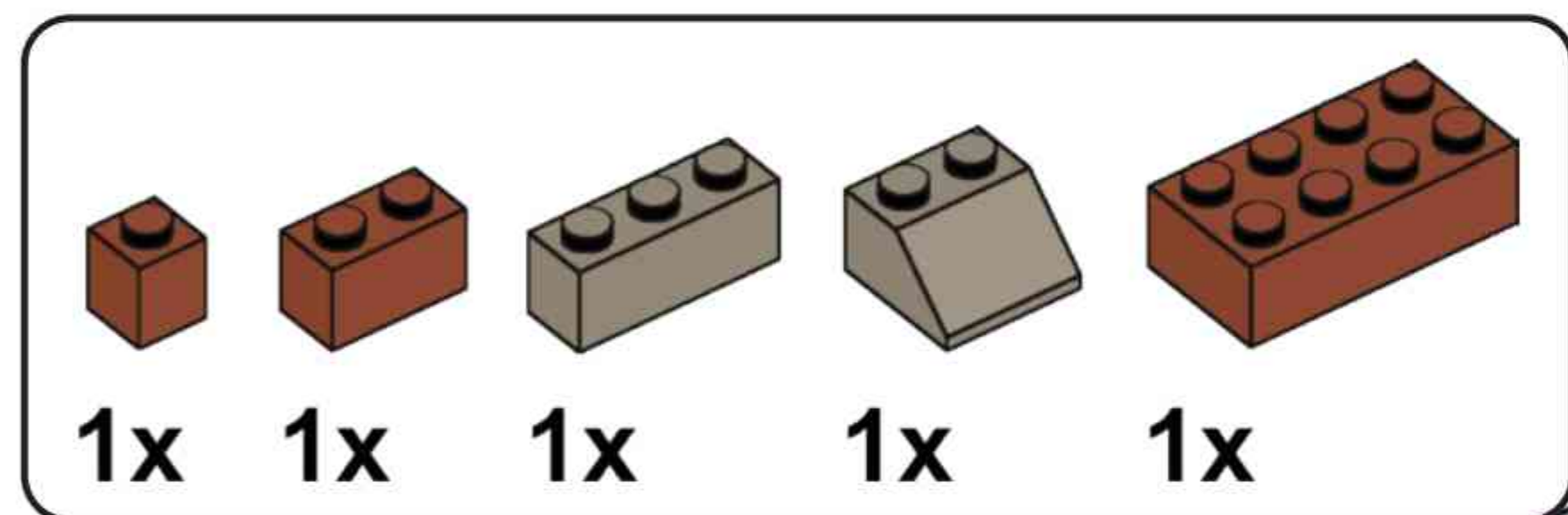
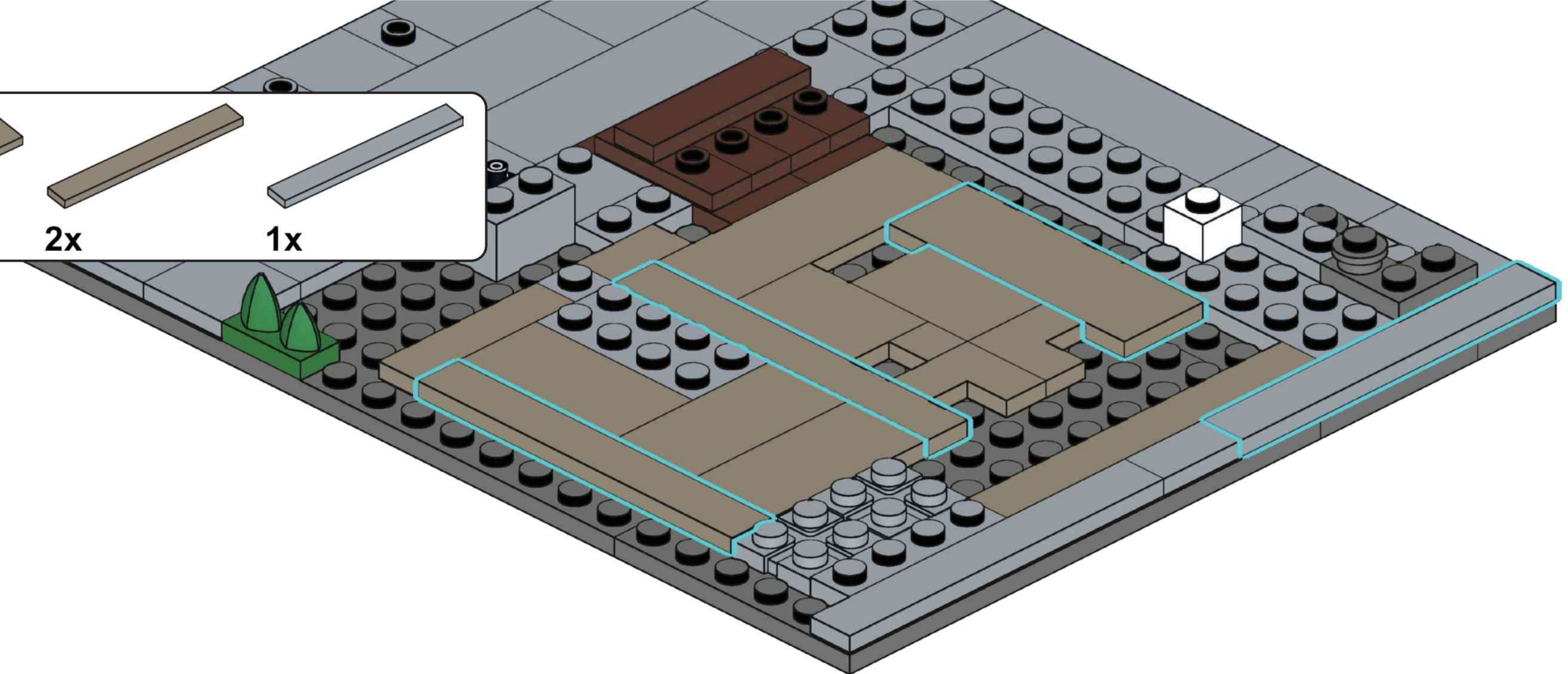


A16

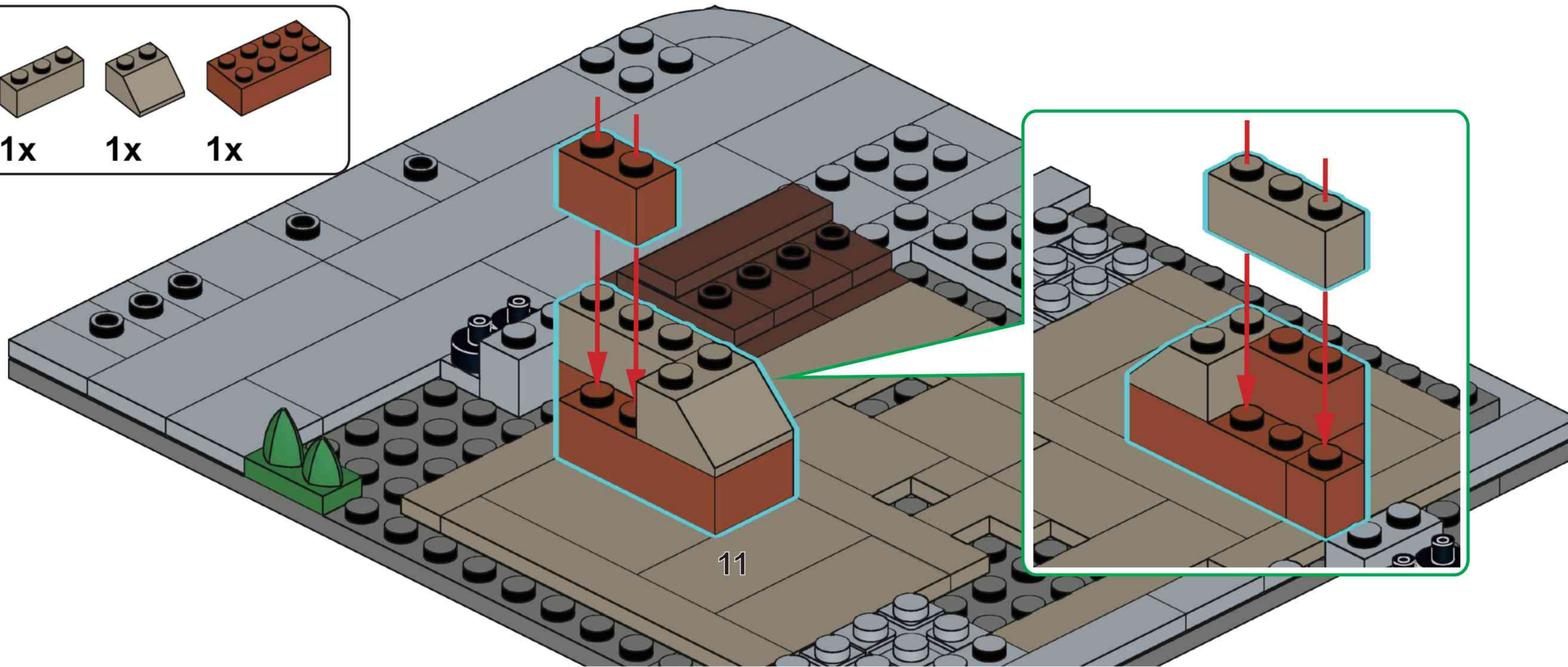


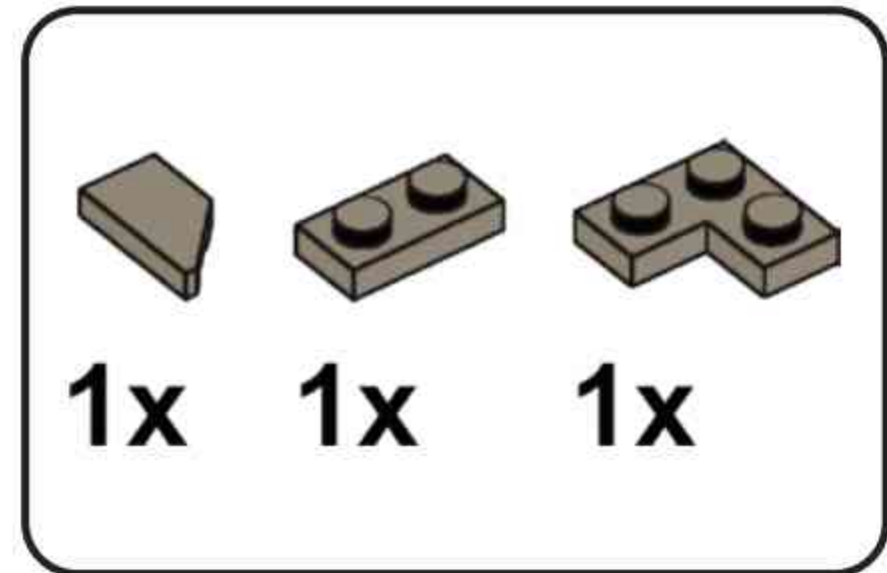


A17

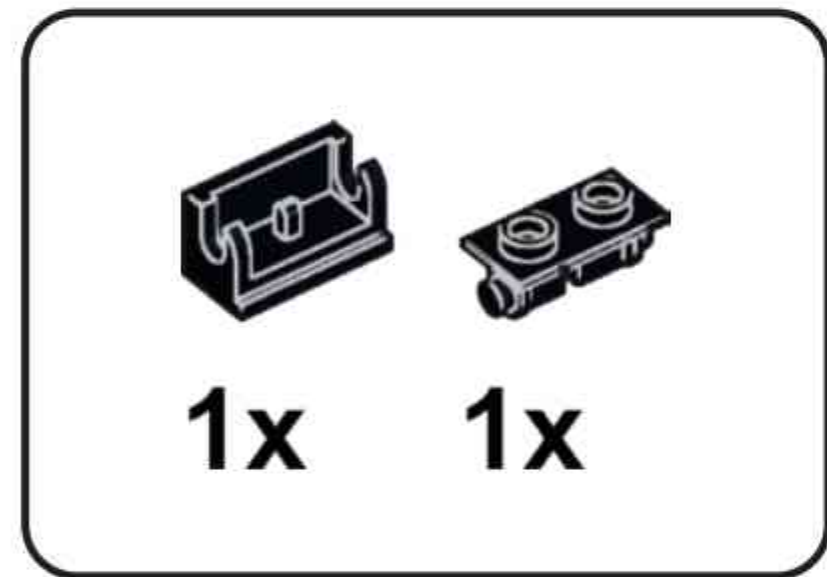
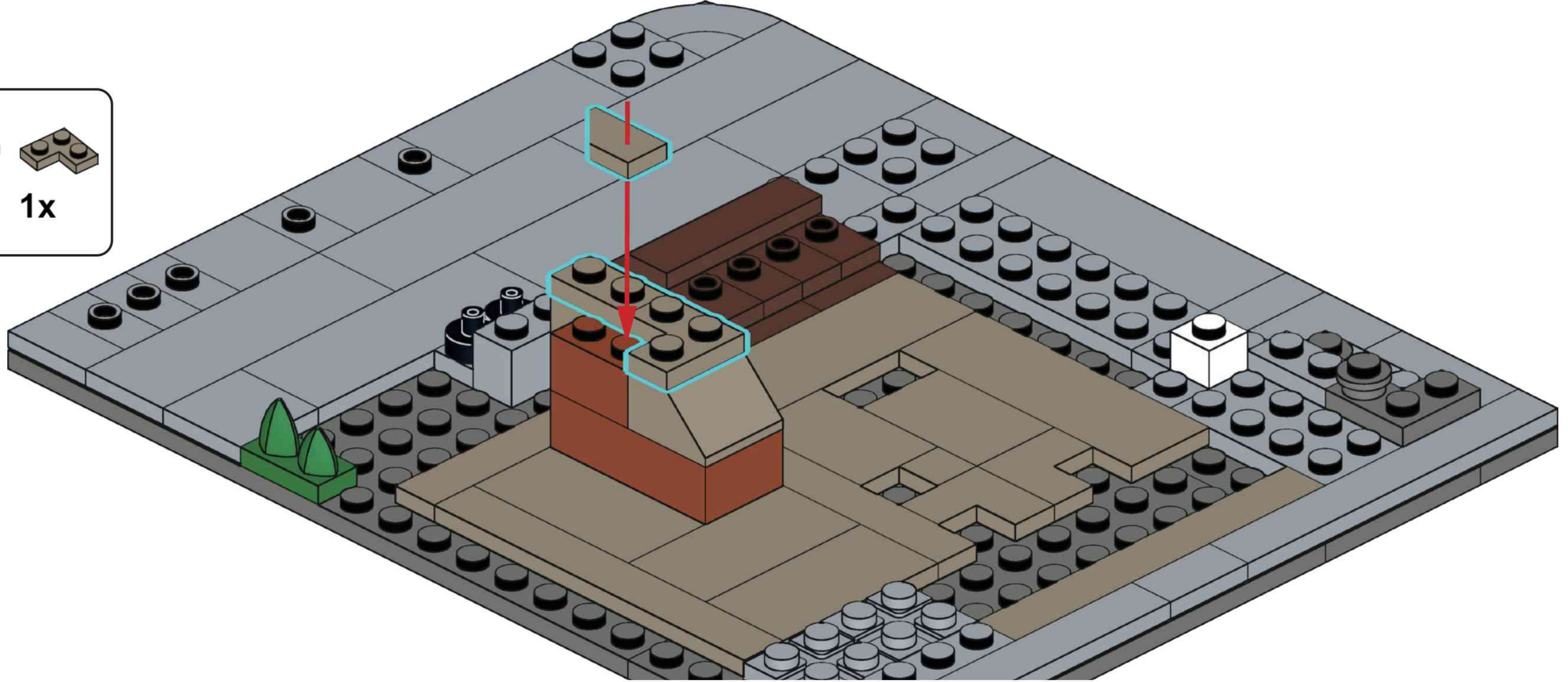


A18

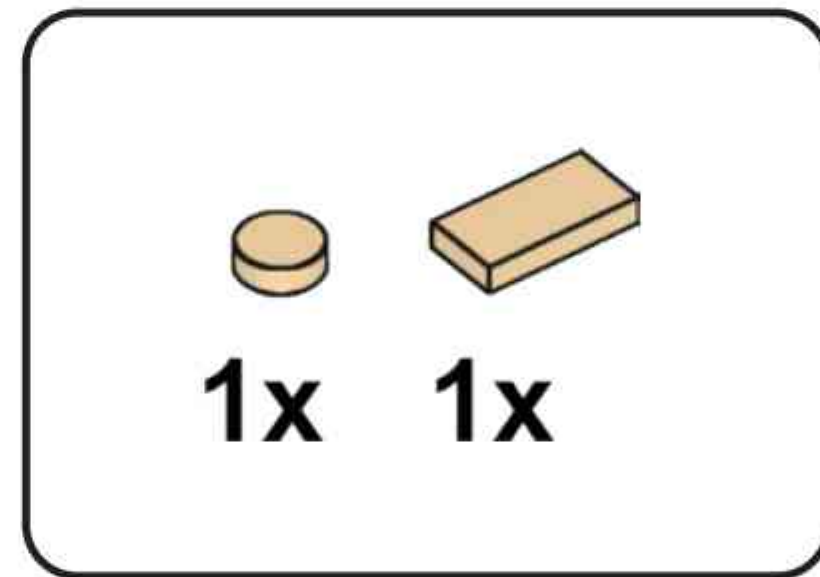
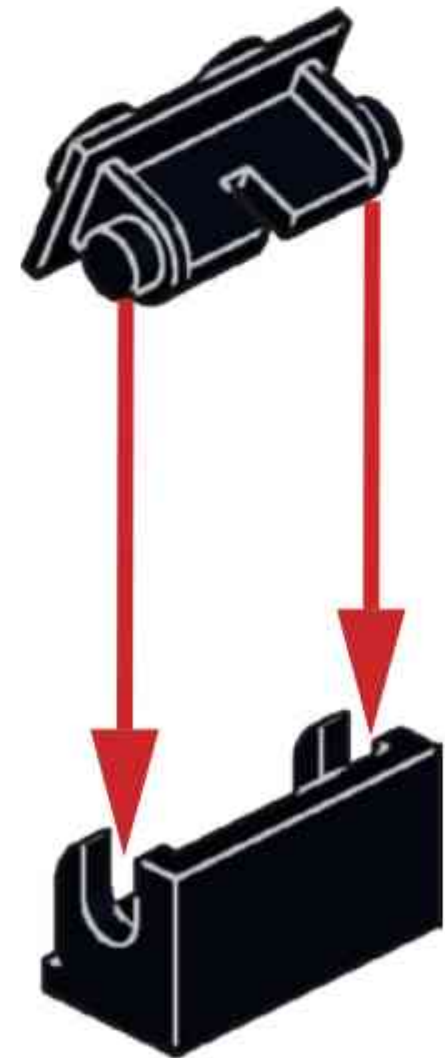




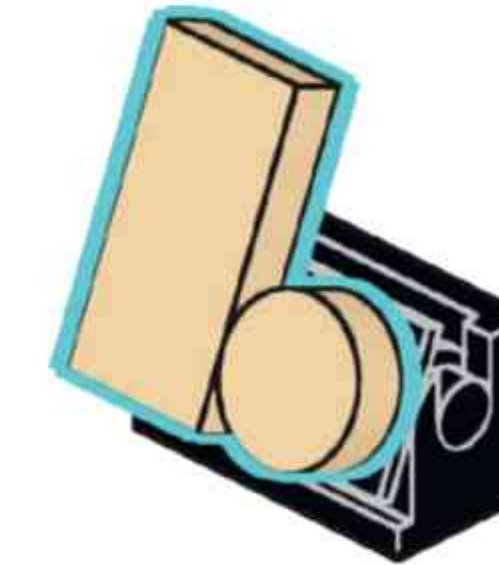
A19

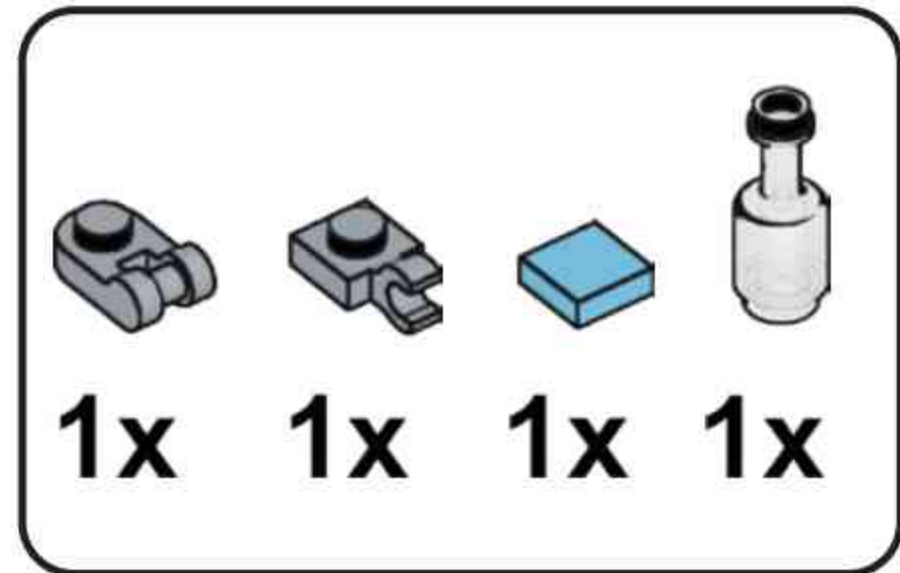


A20

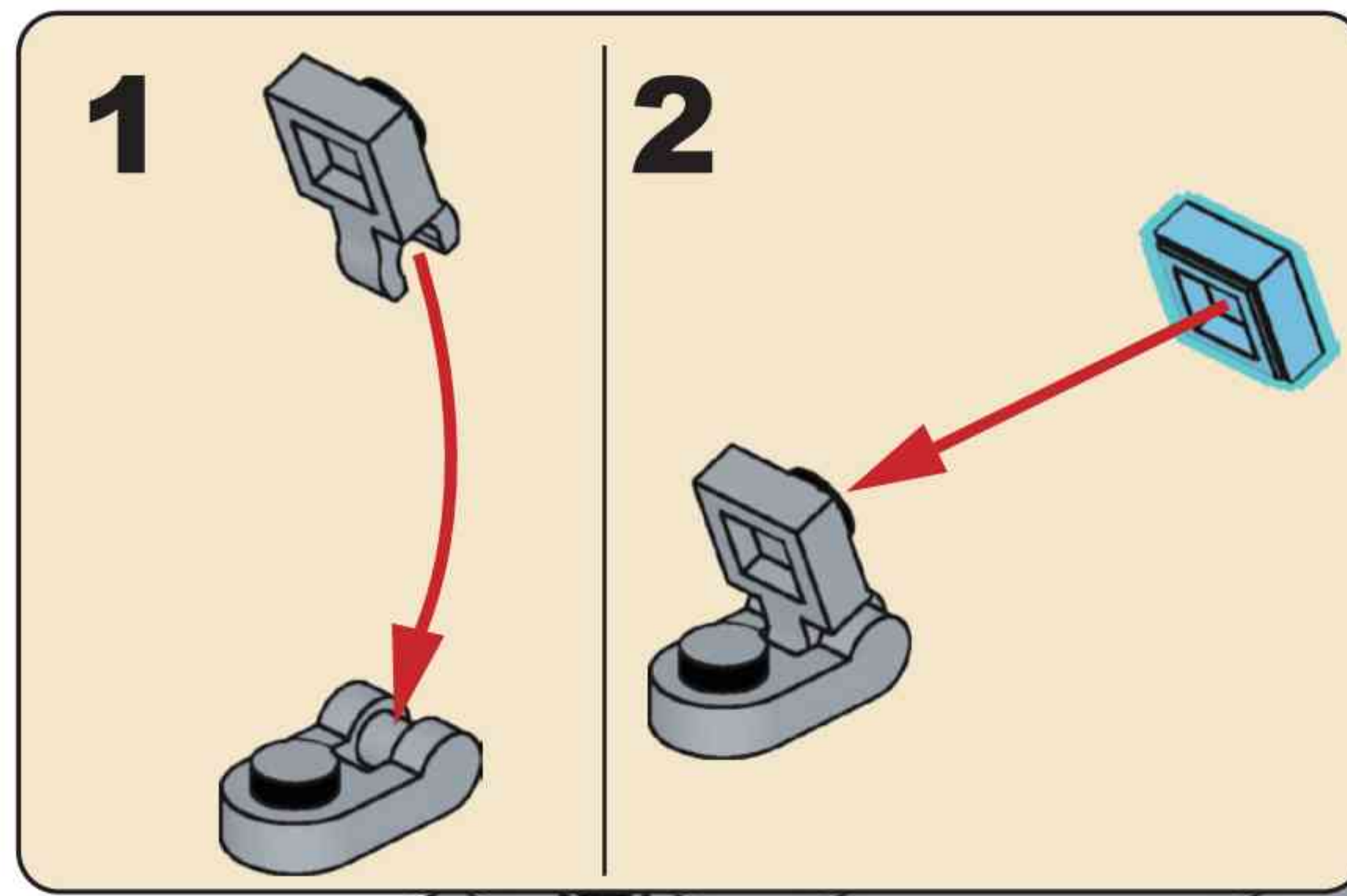


A21



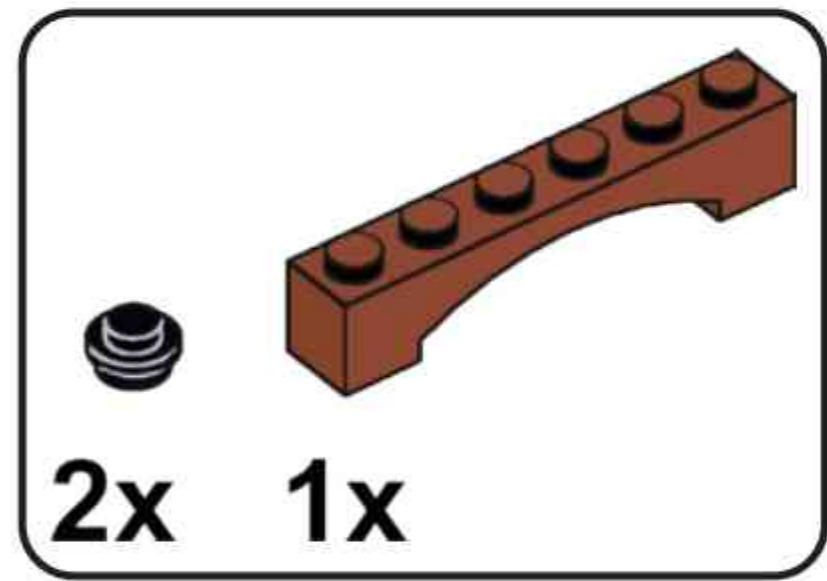


A22

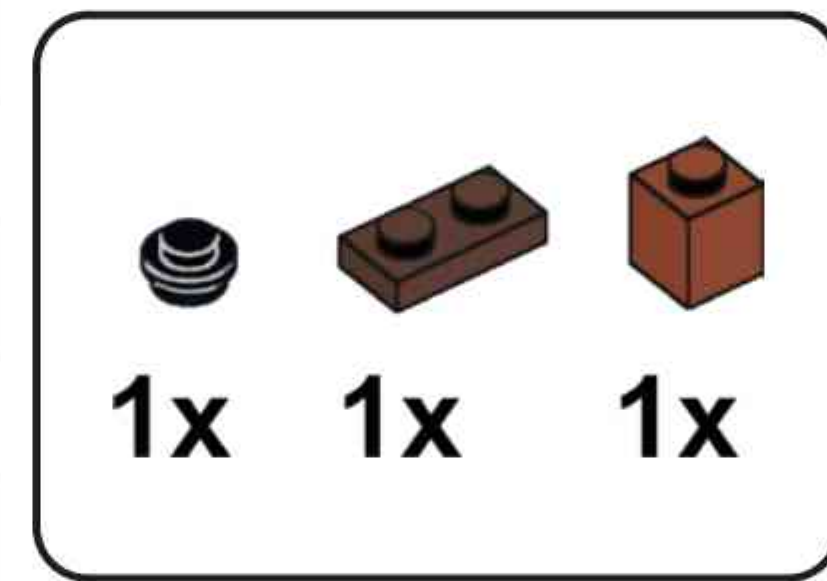
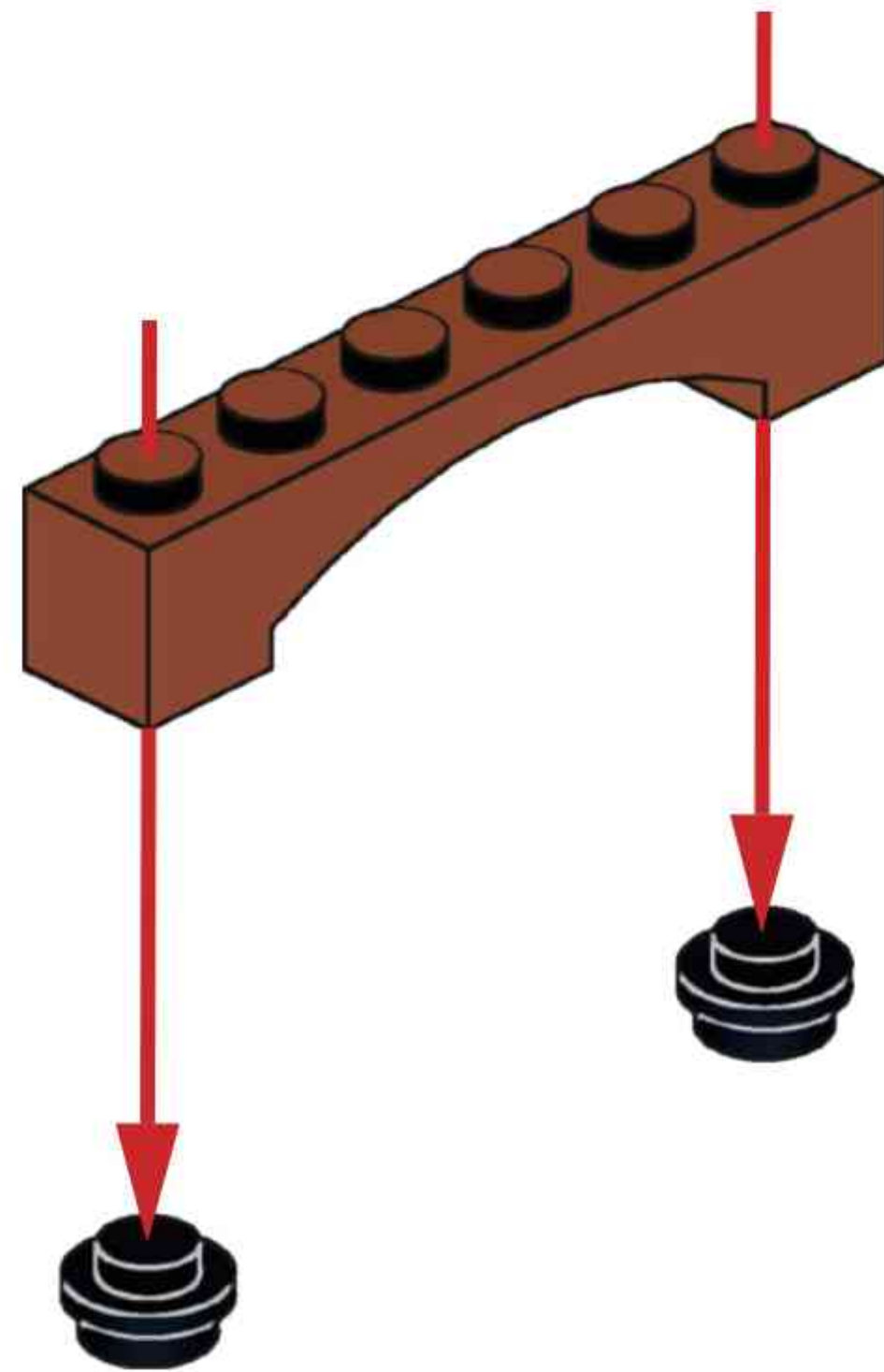


A19

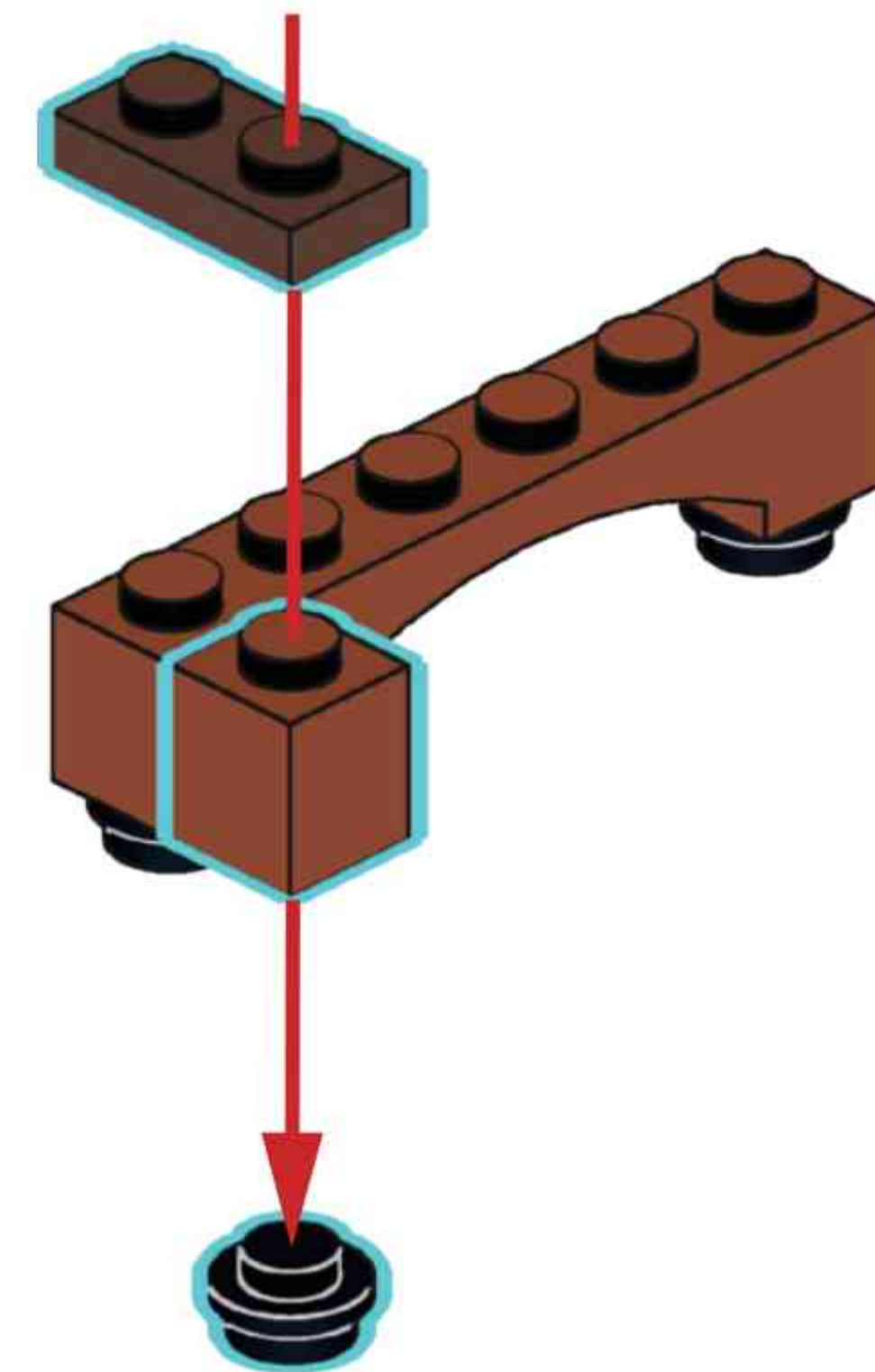
A21

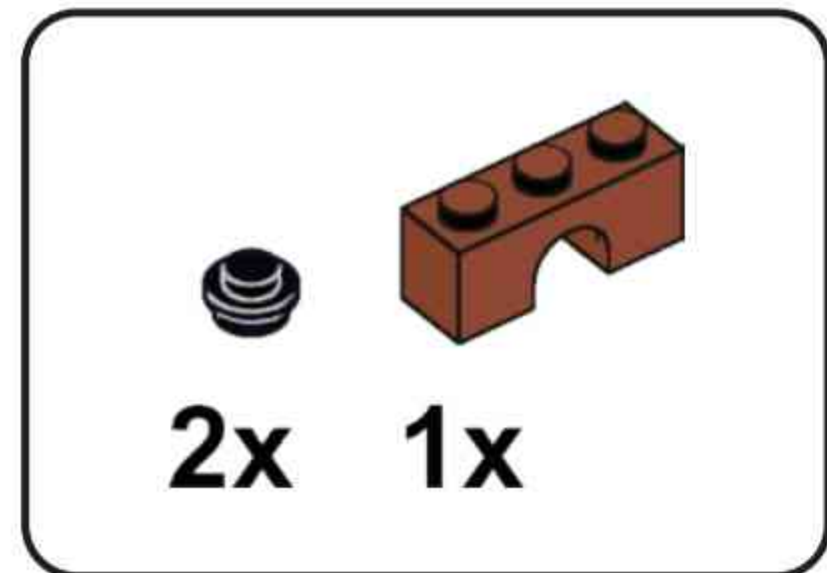


A23

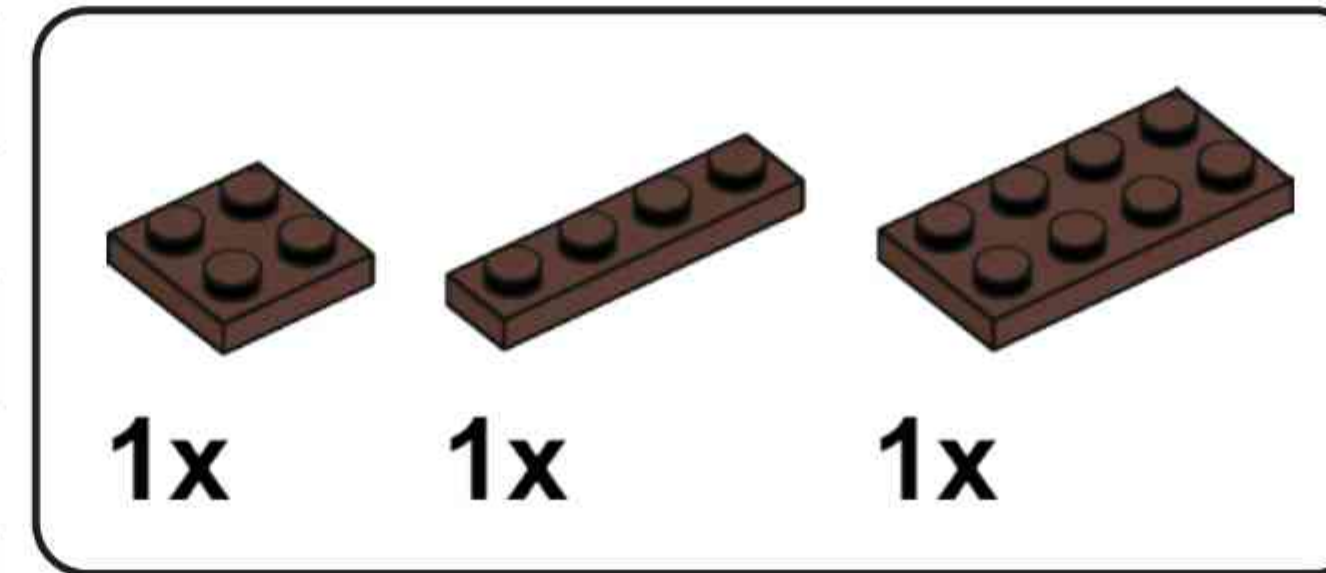
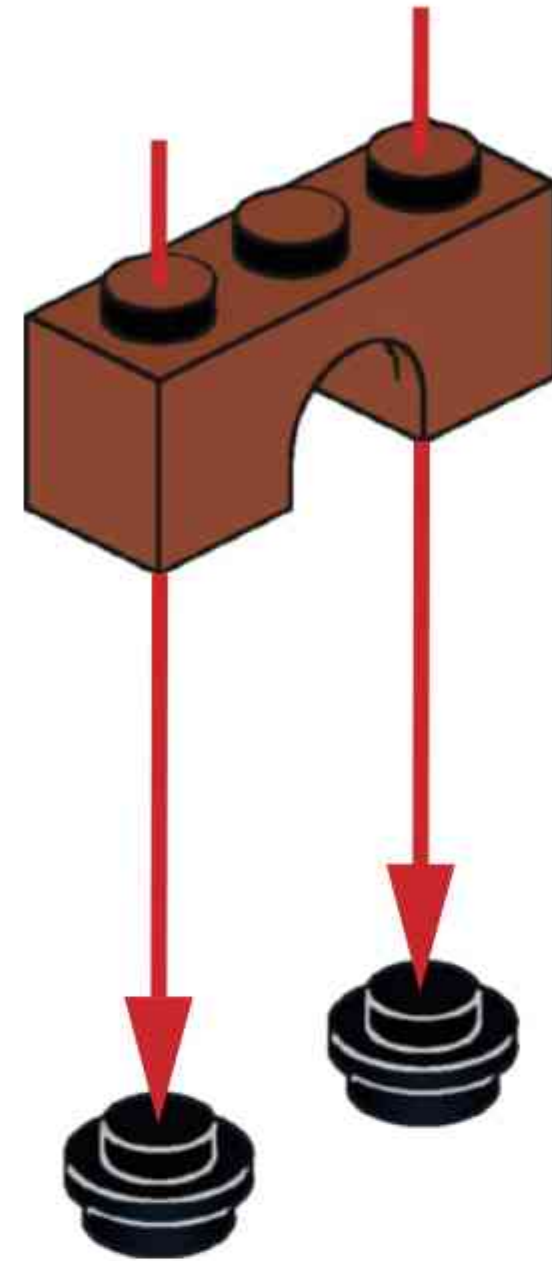


A24

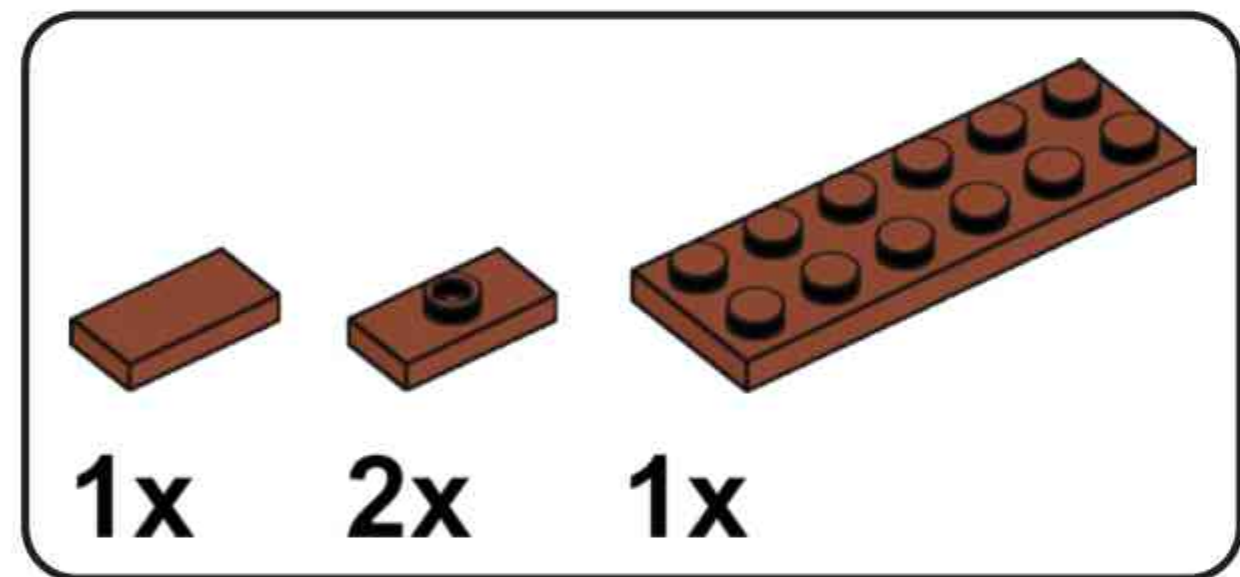
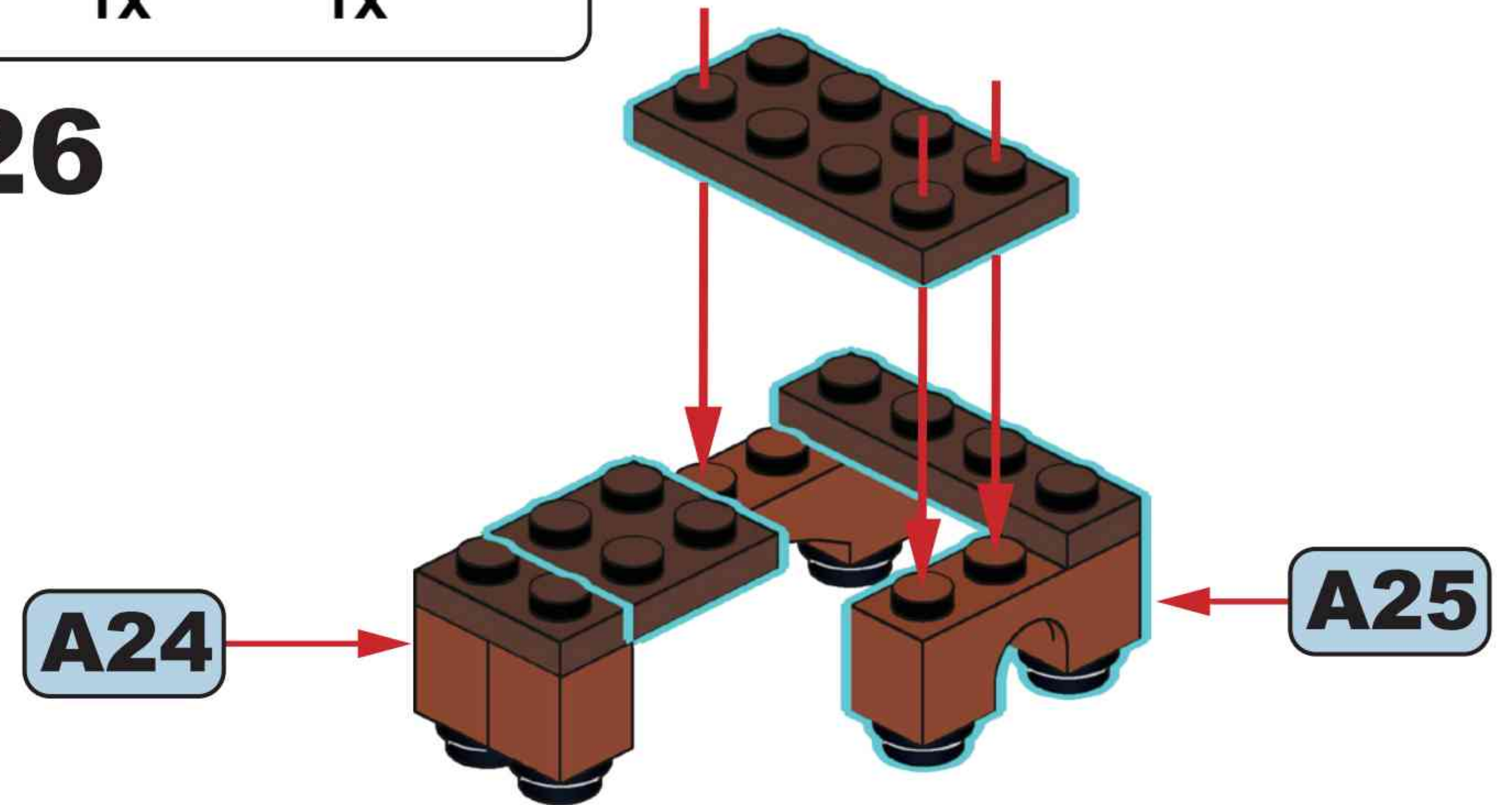




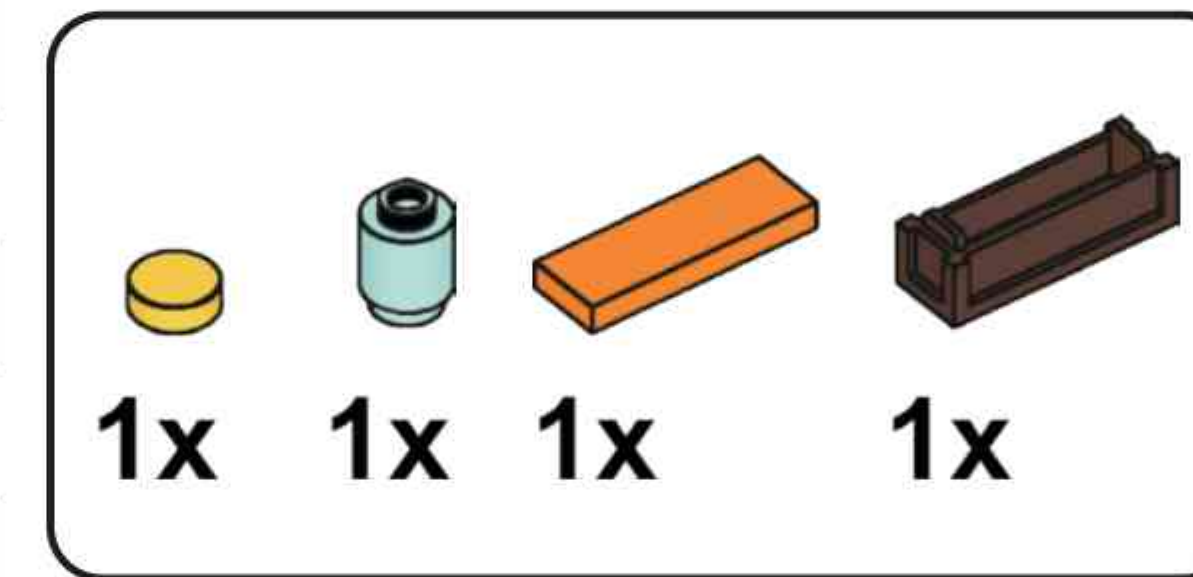
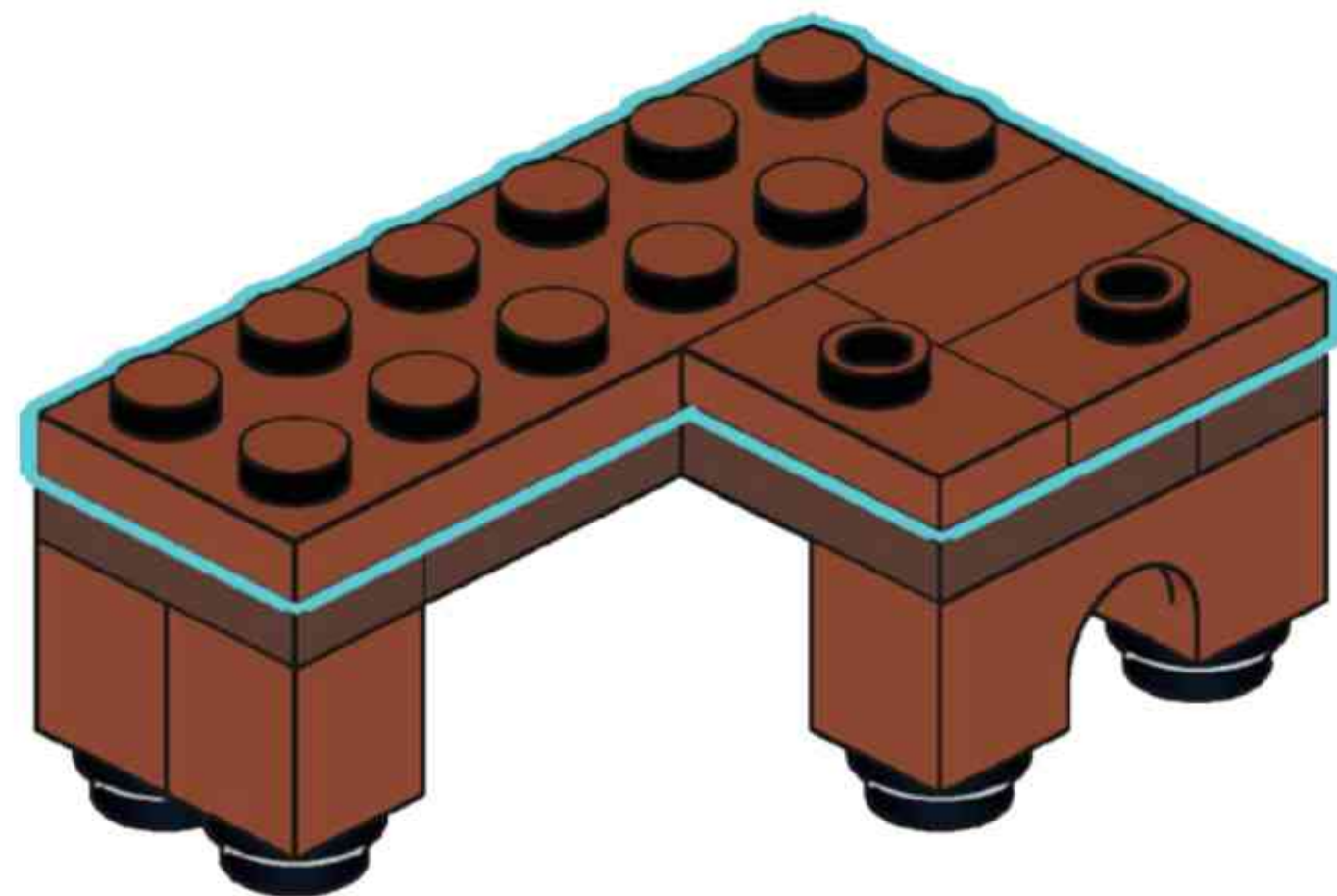
A25



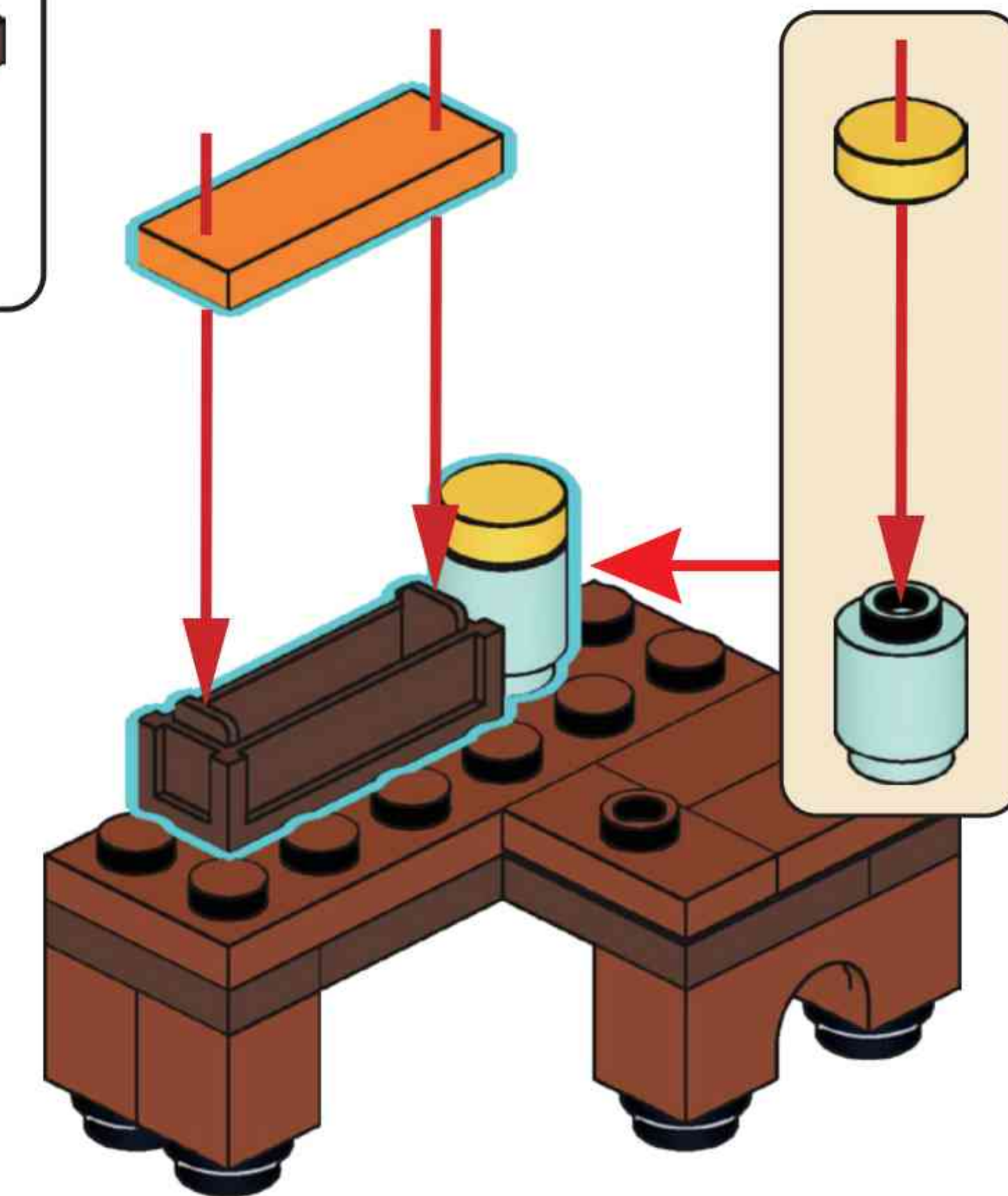
A26

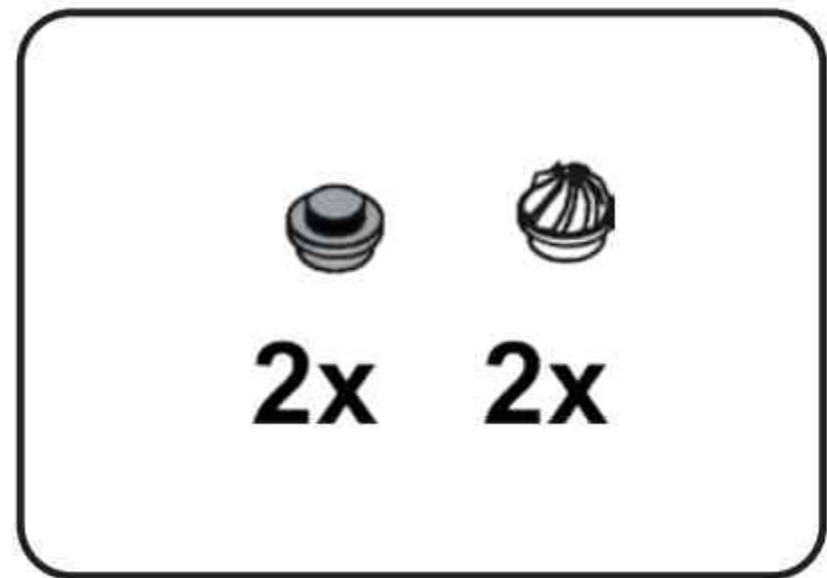


A27

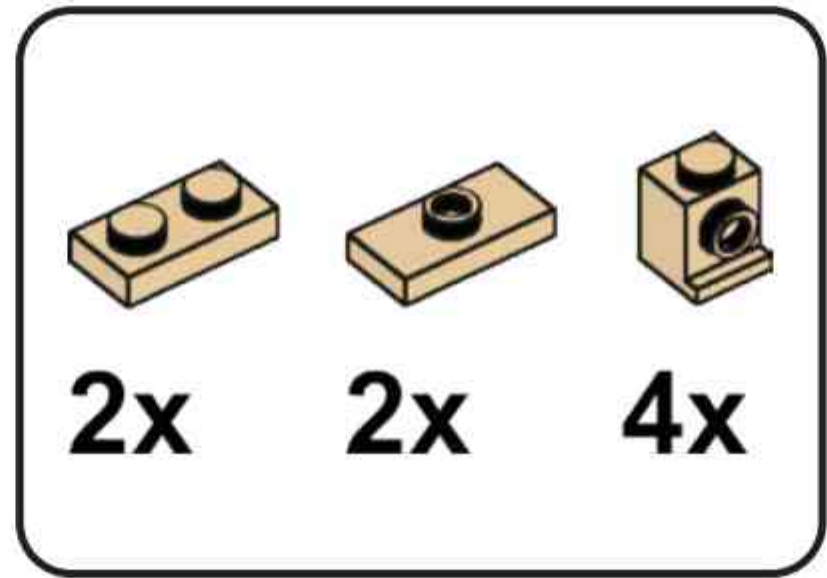
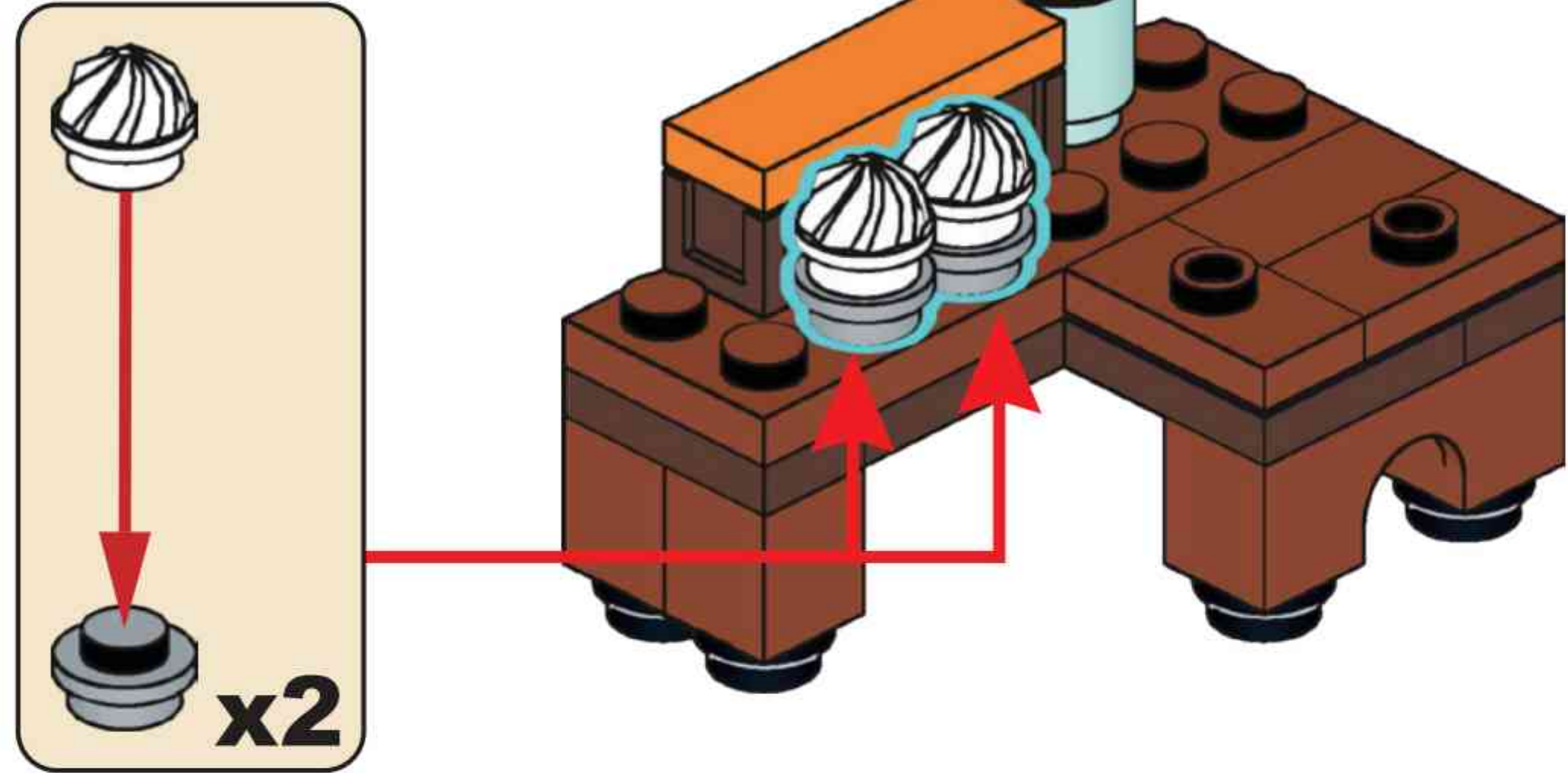


A28

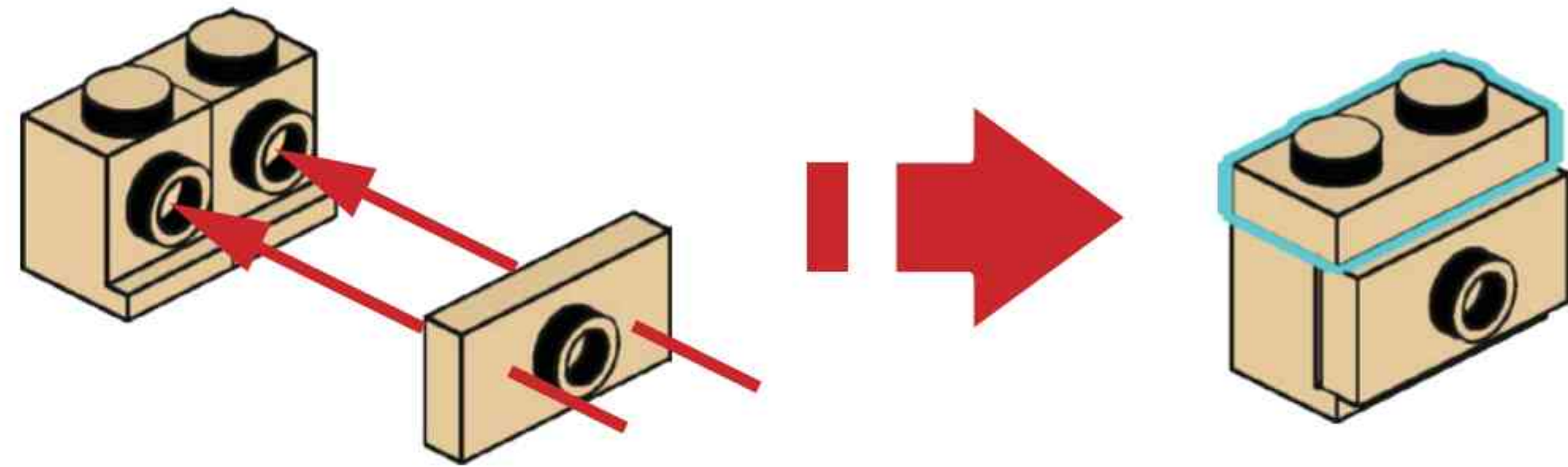




A29

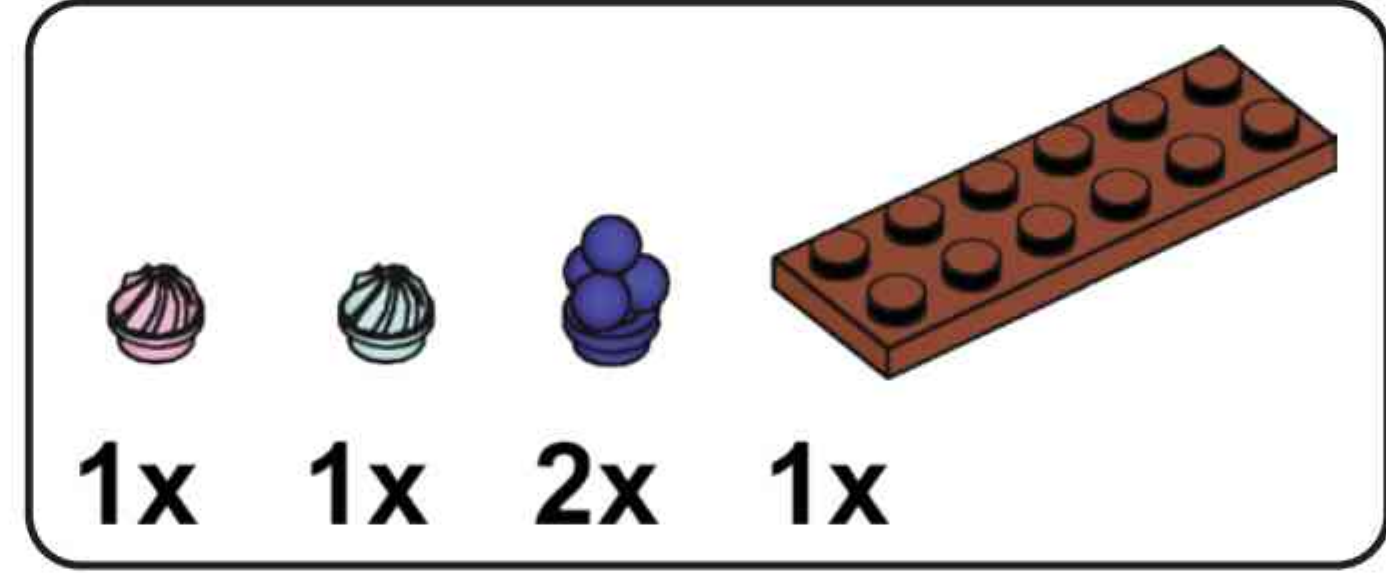
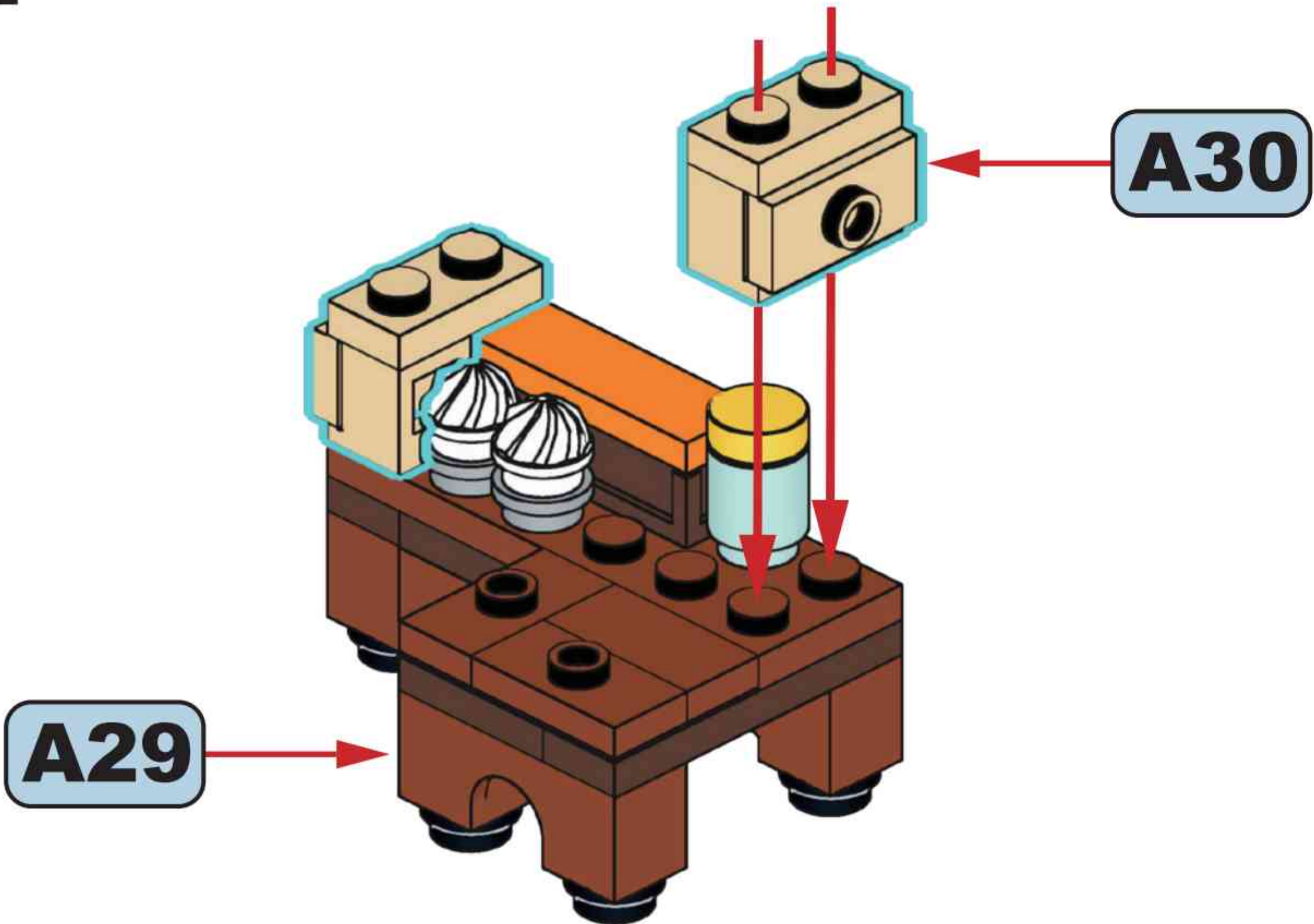


A30

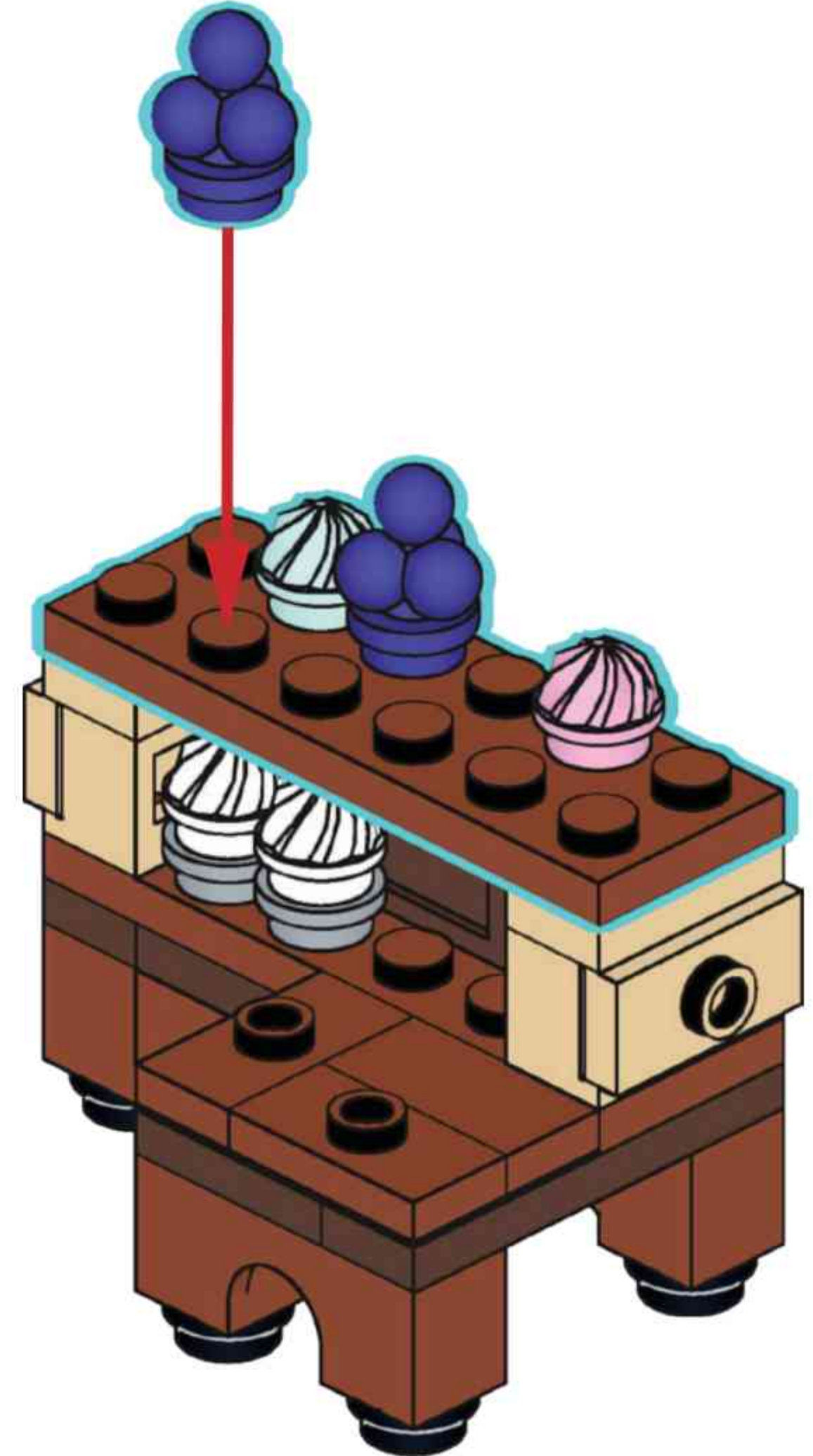


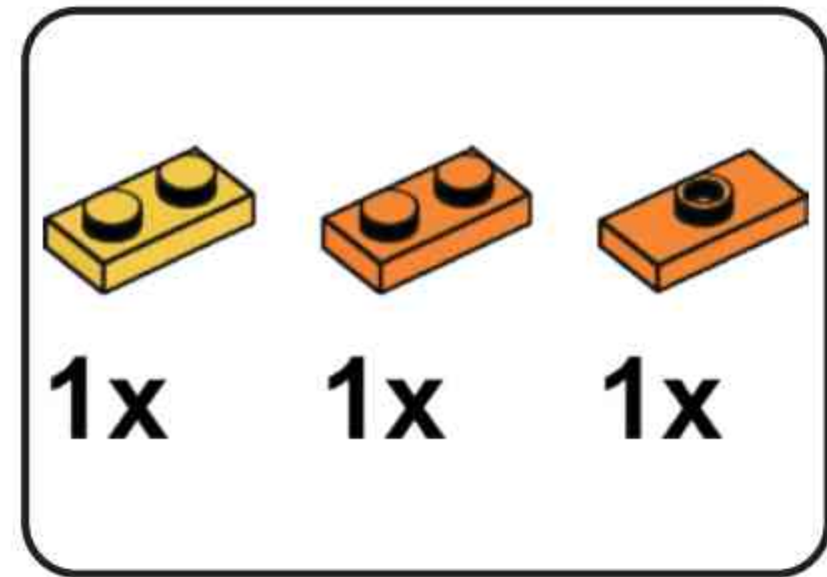
x2

A31

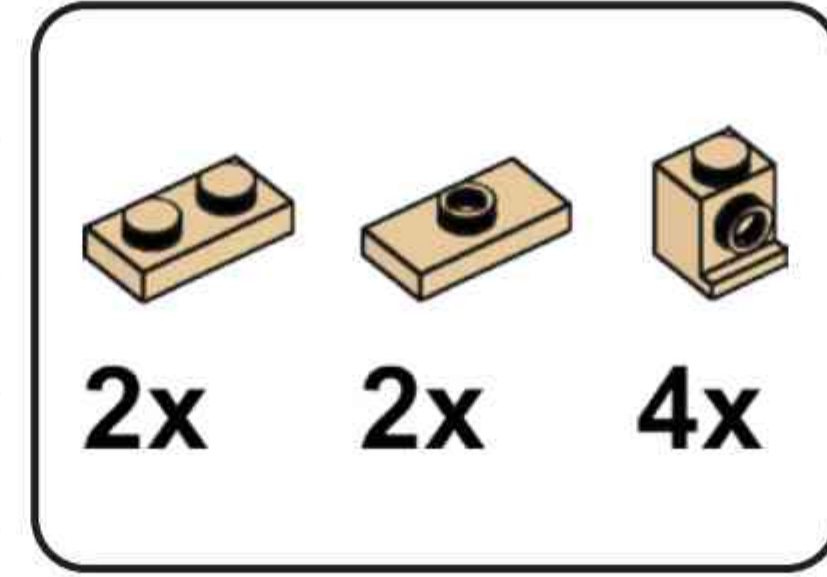
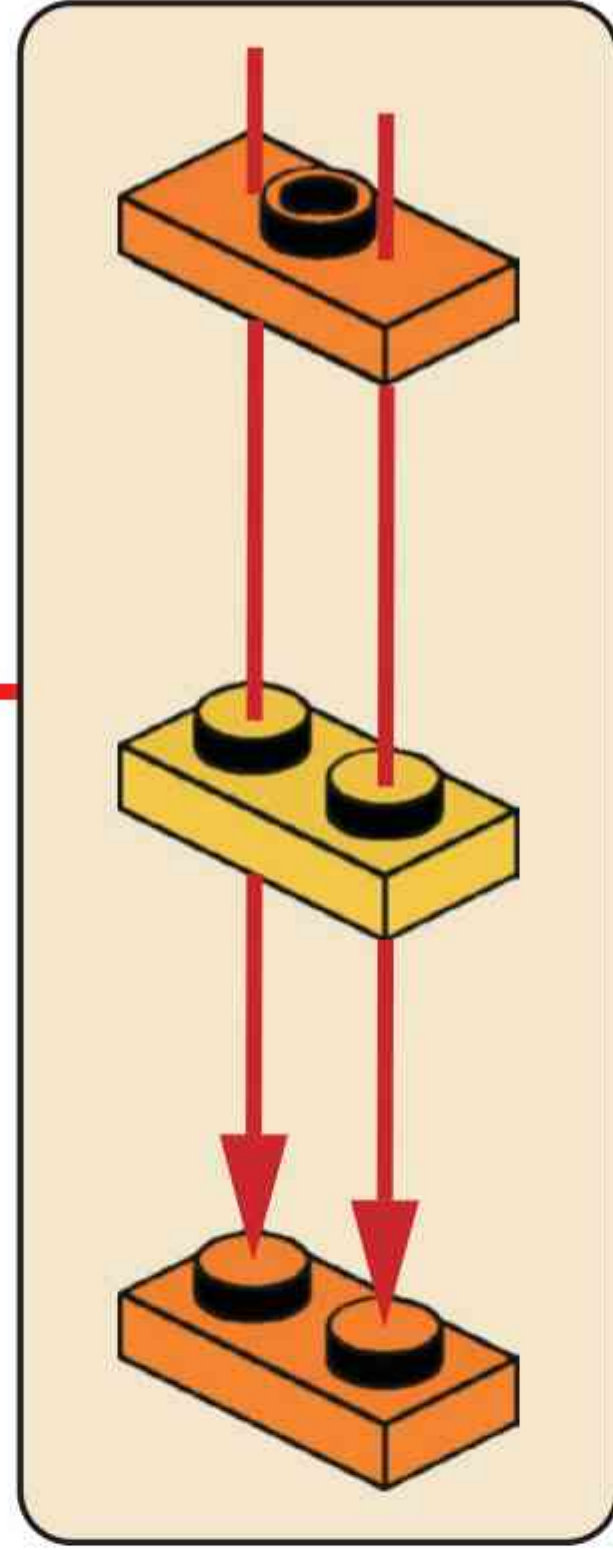
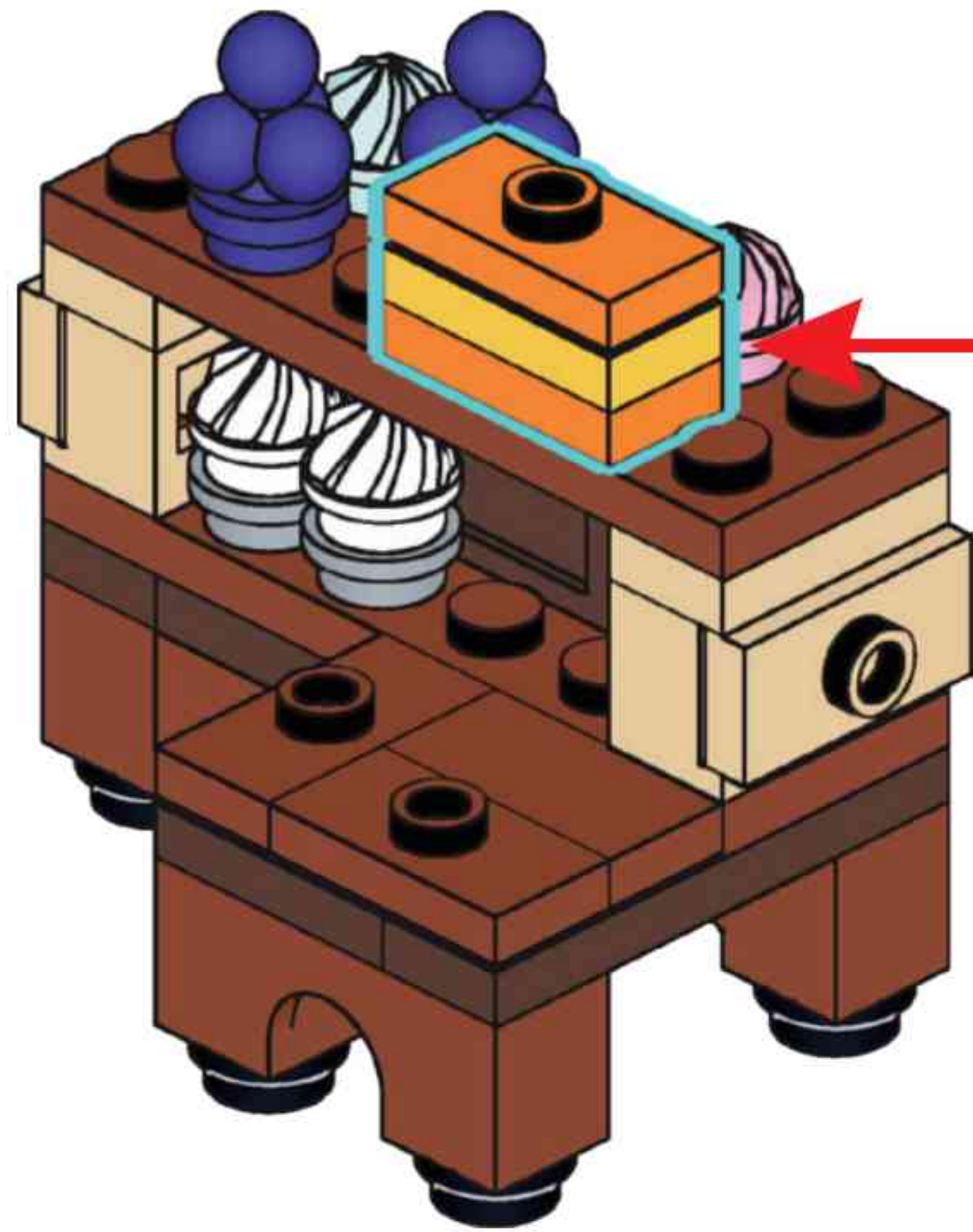


A32

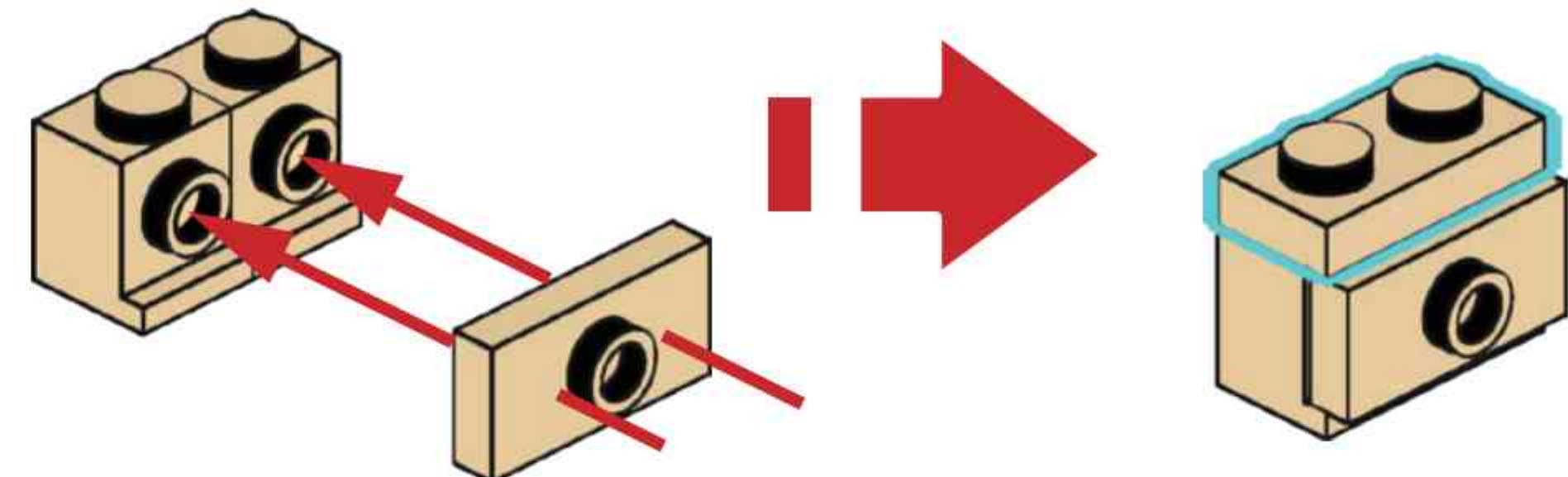




A33

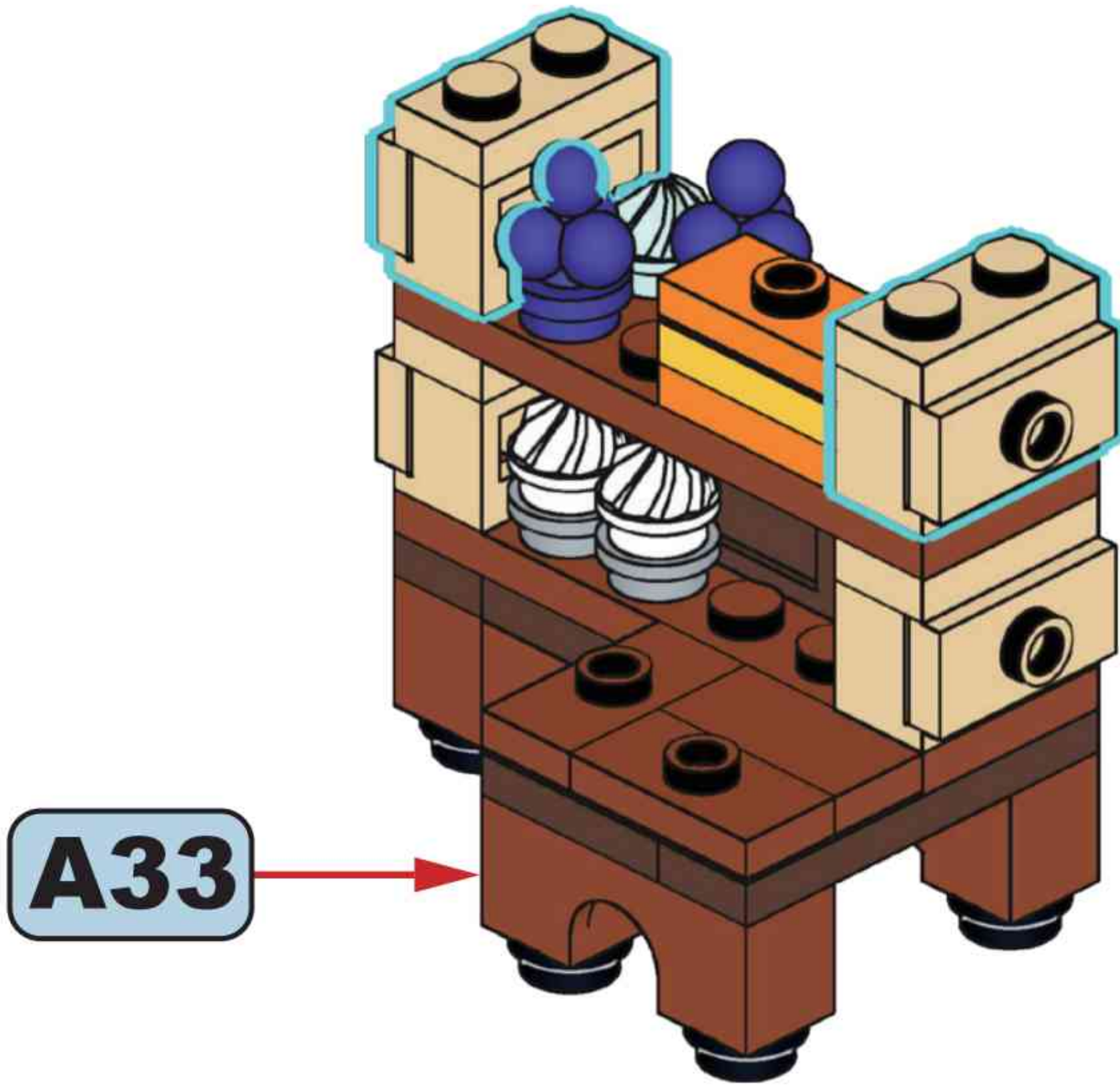


A34

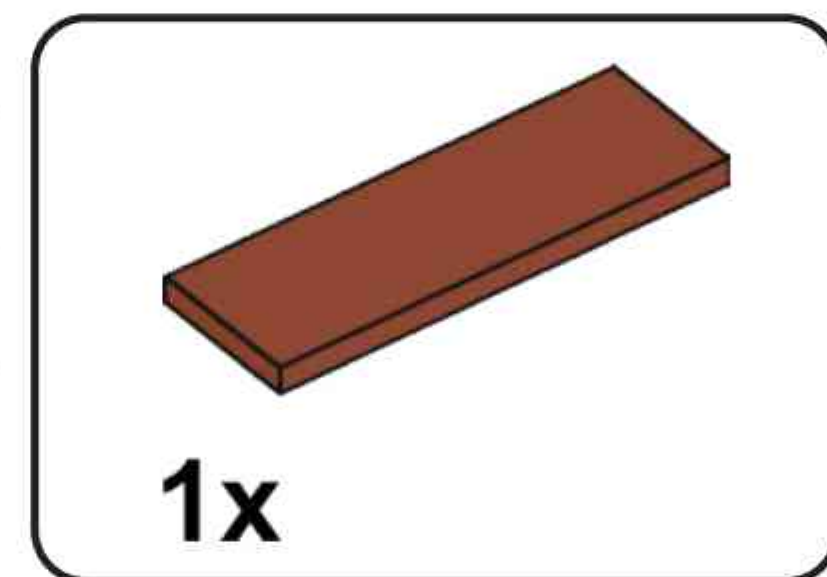


x2

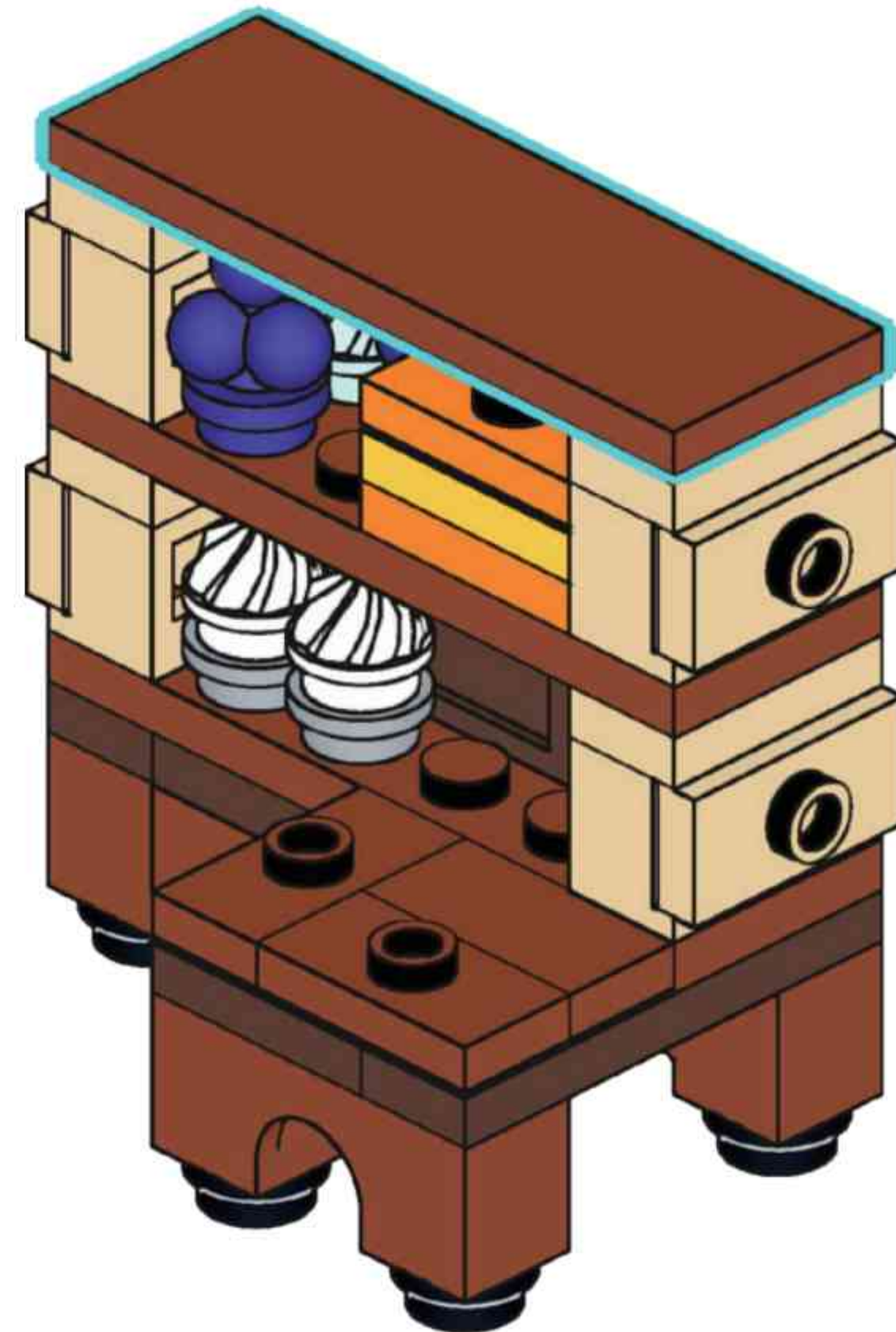
A35



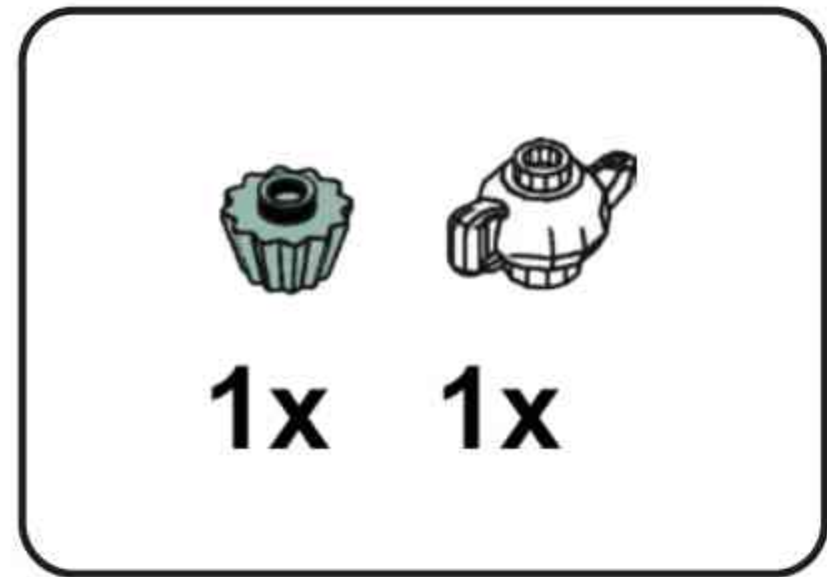
A34



A36



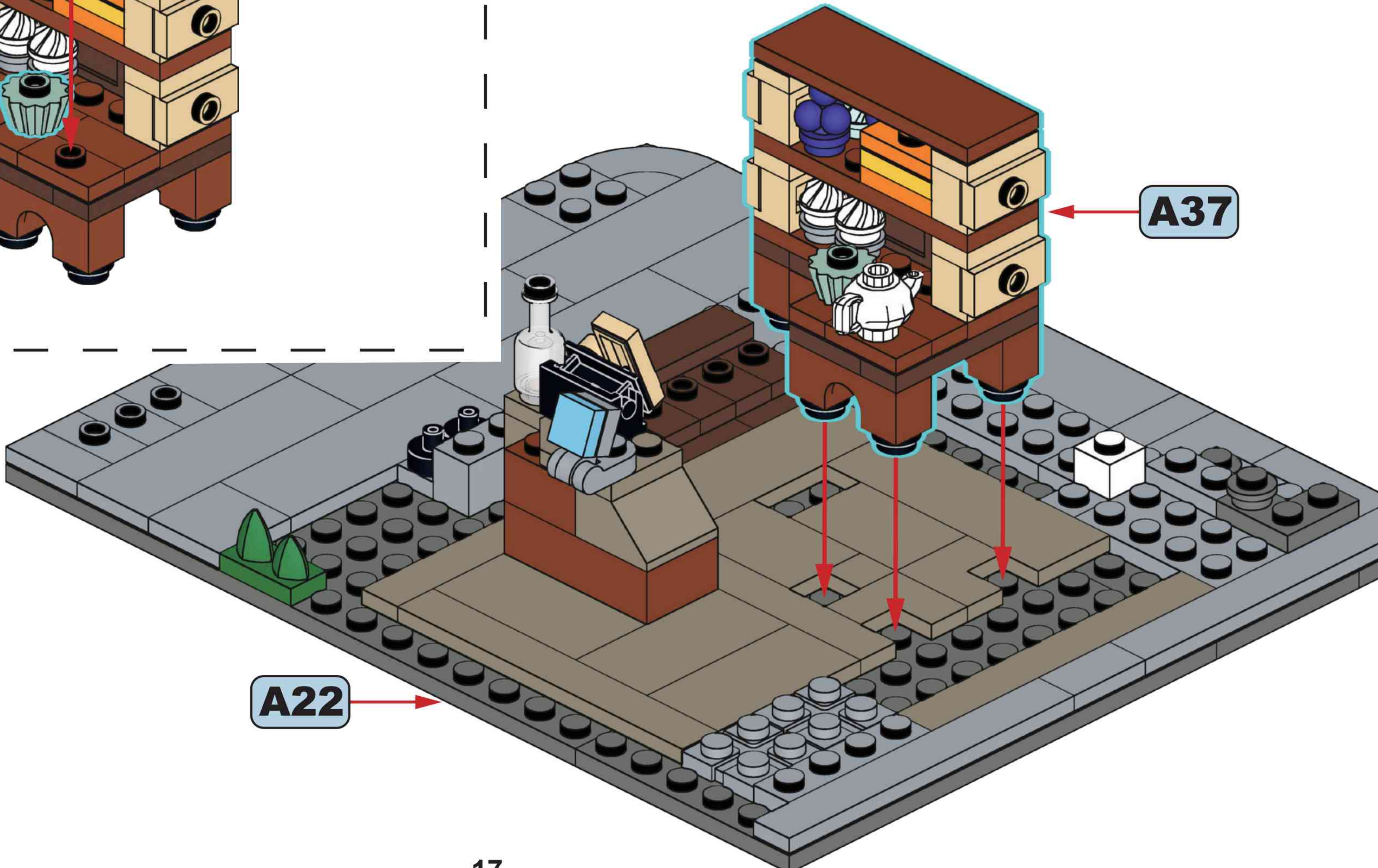
1x 1x

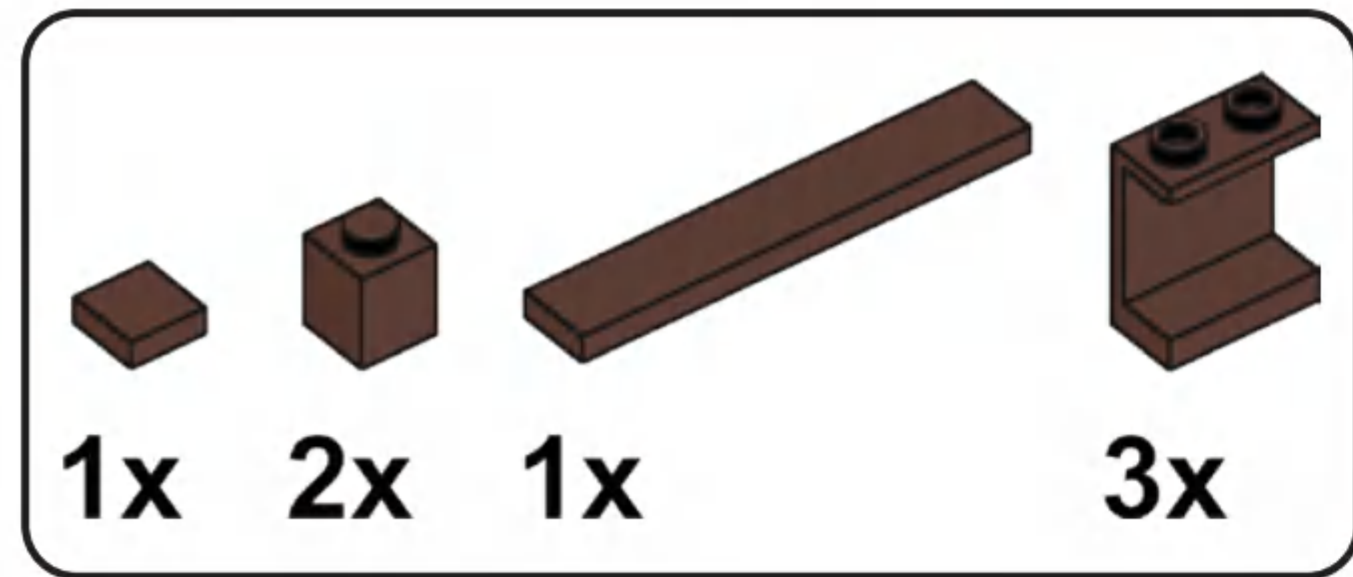


A37

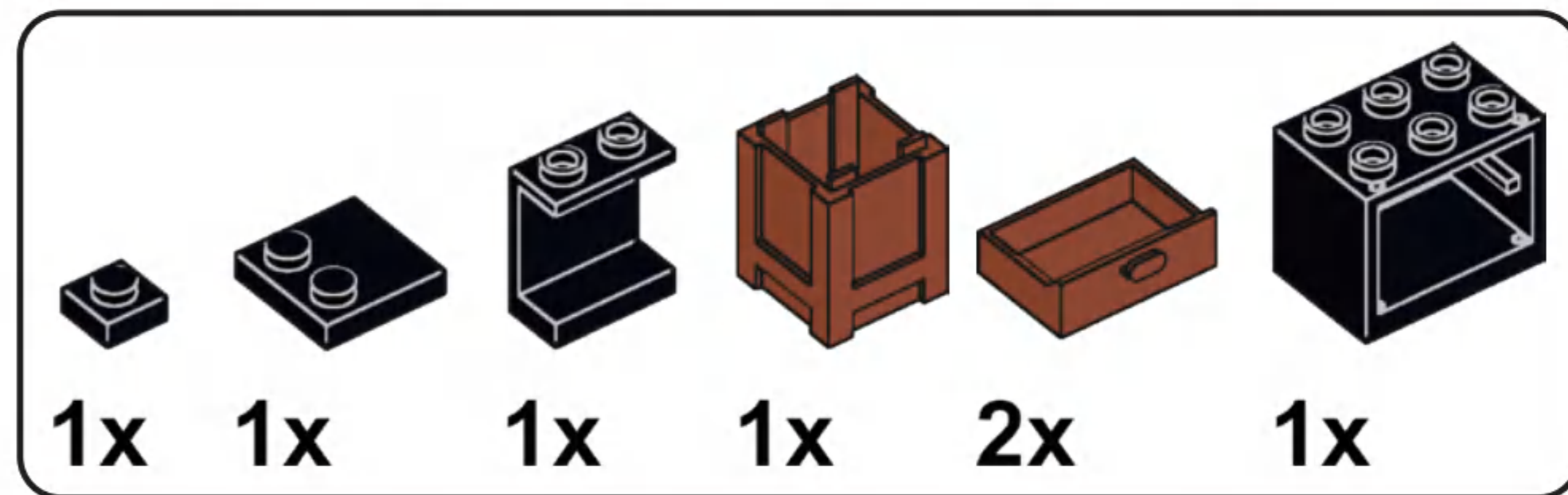
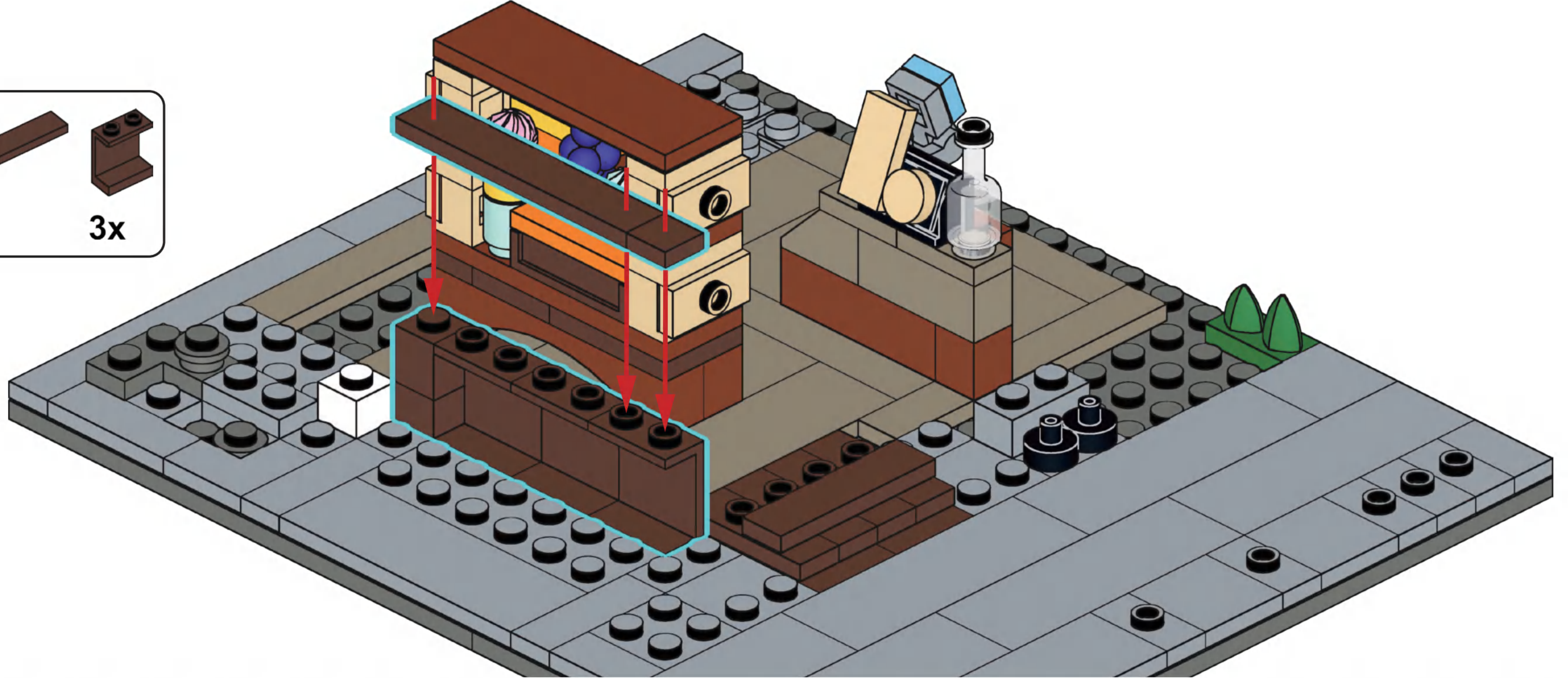


A38

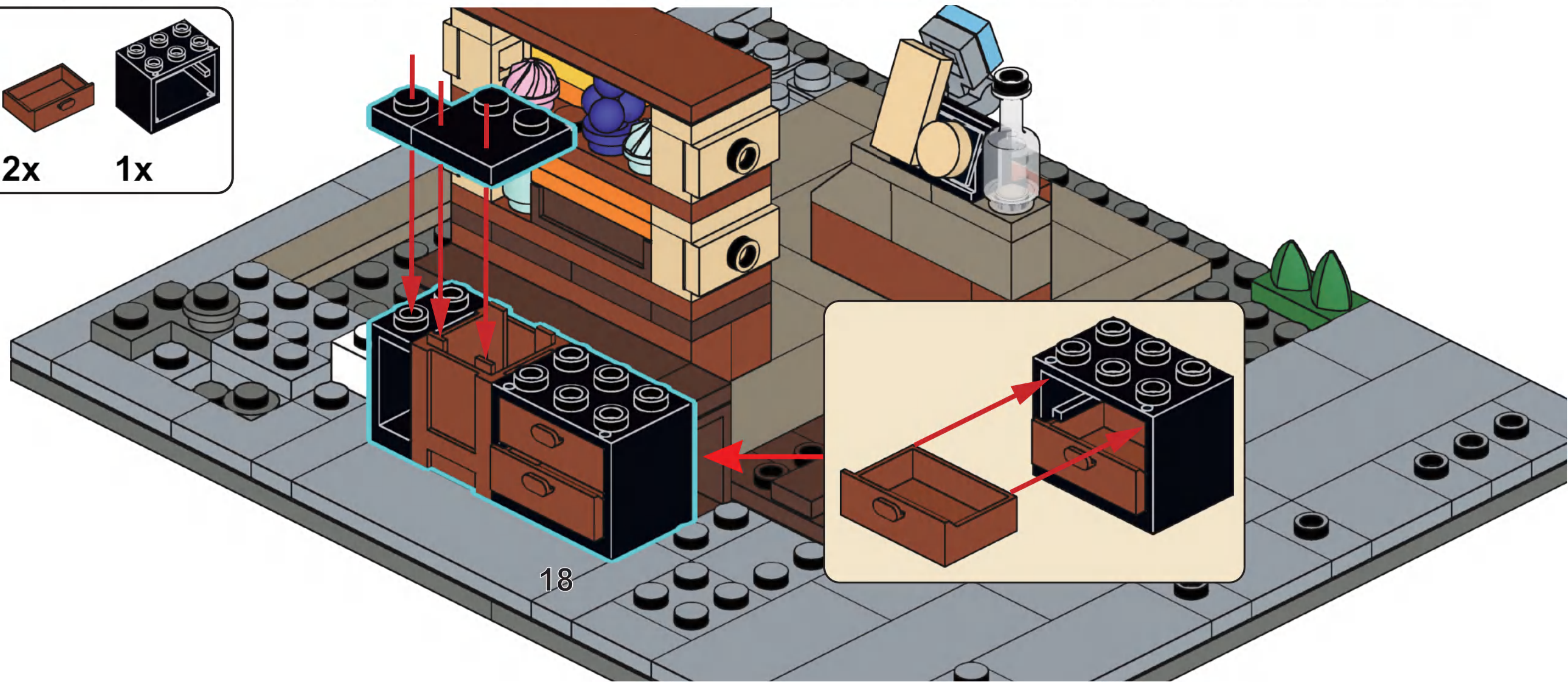


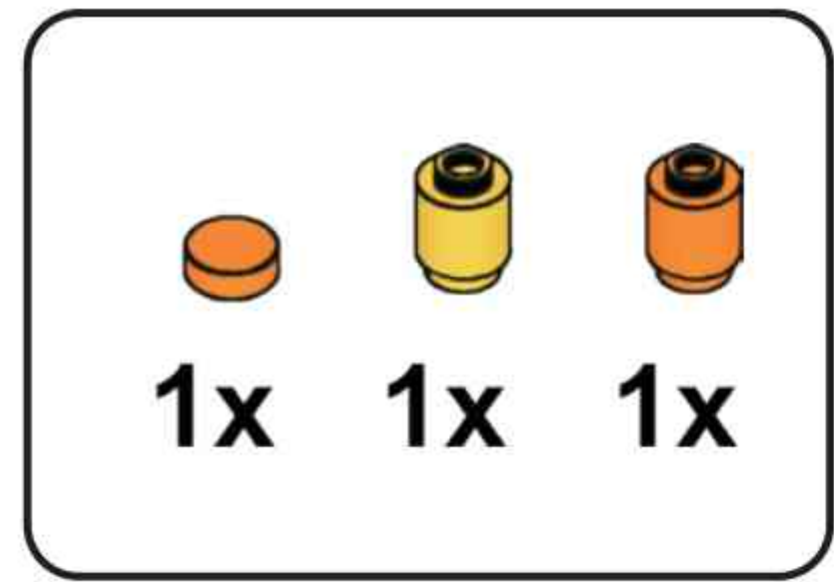


A39

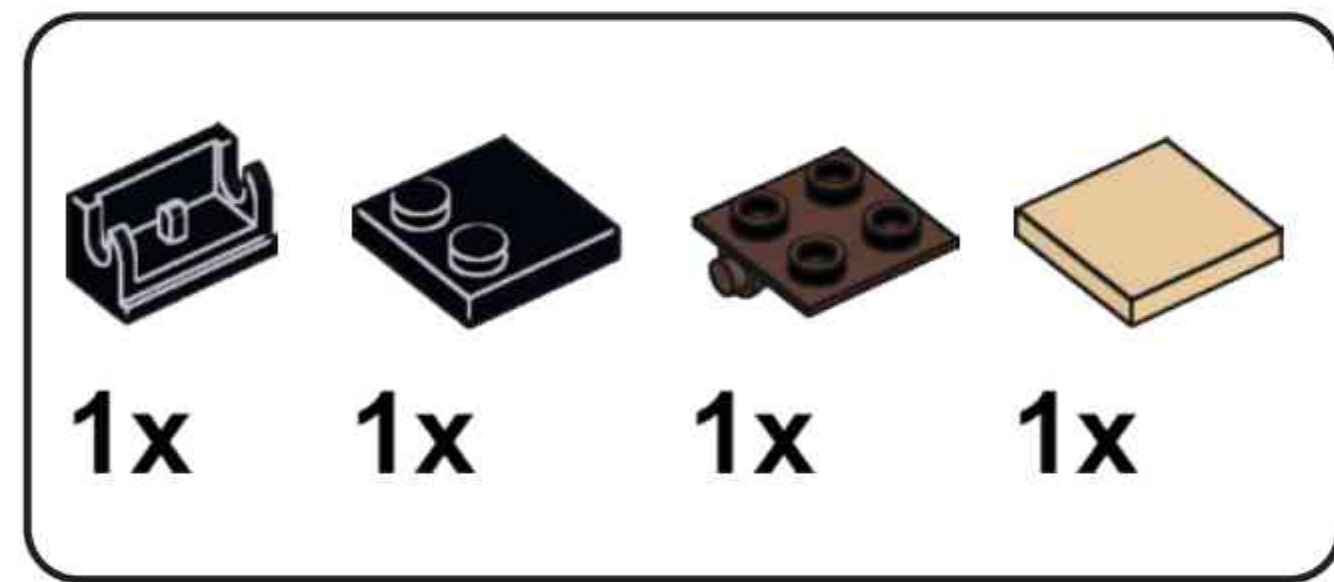
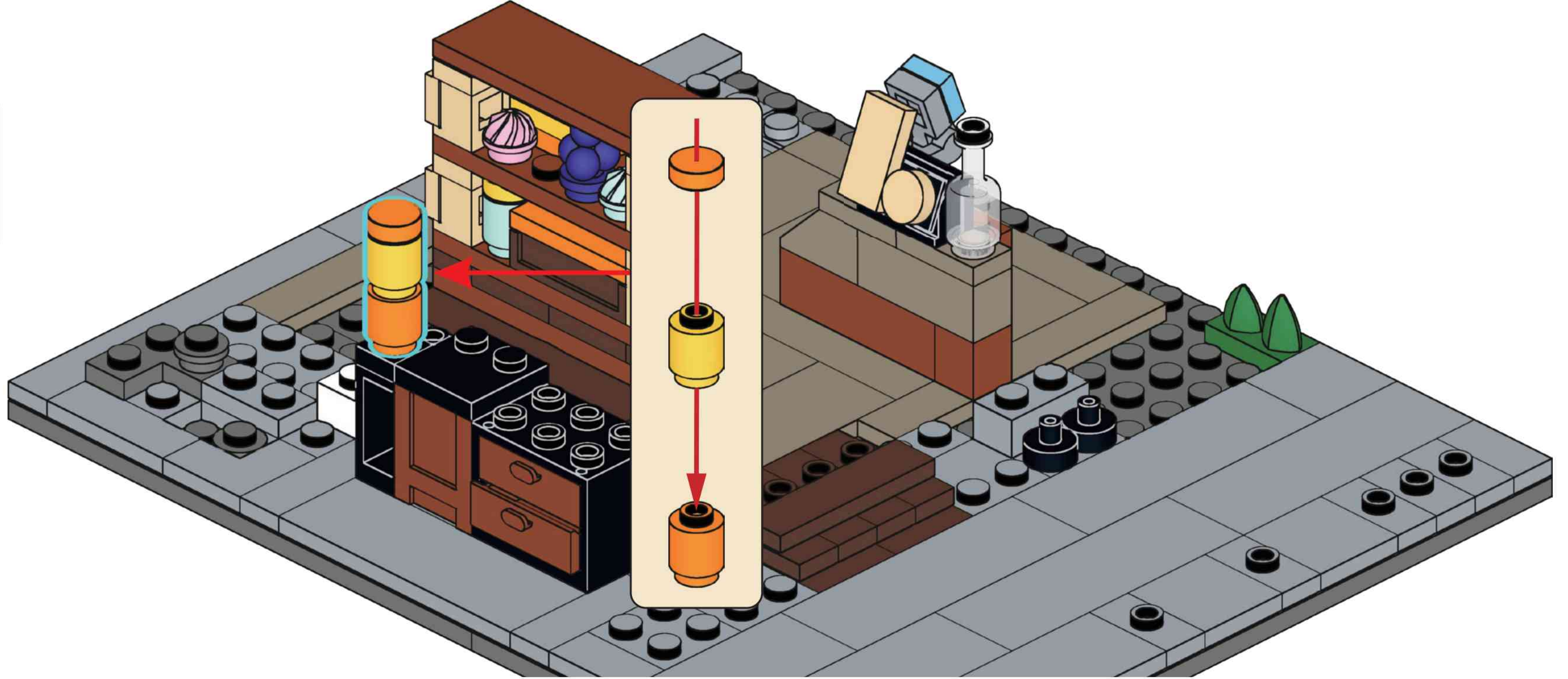


A40

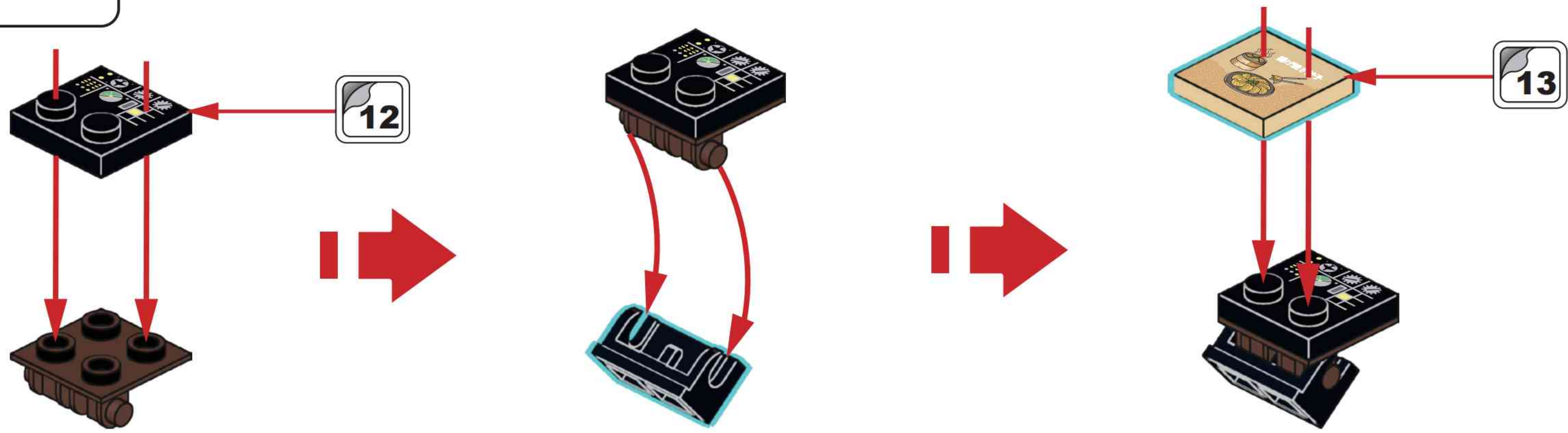




A41

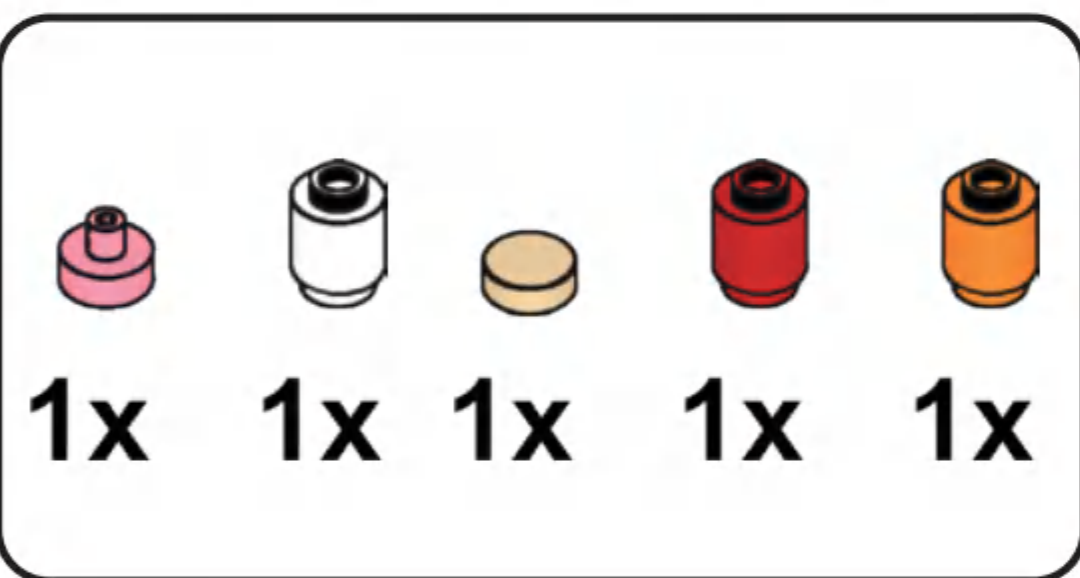


A42



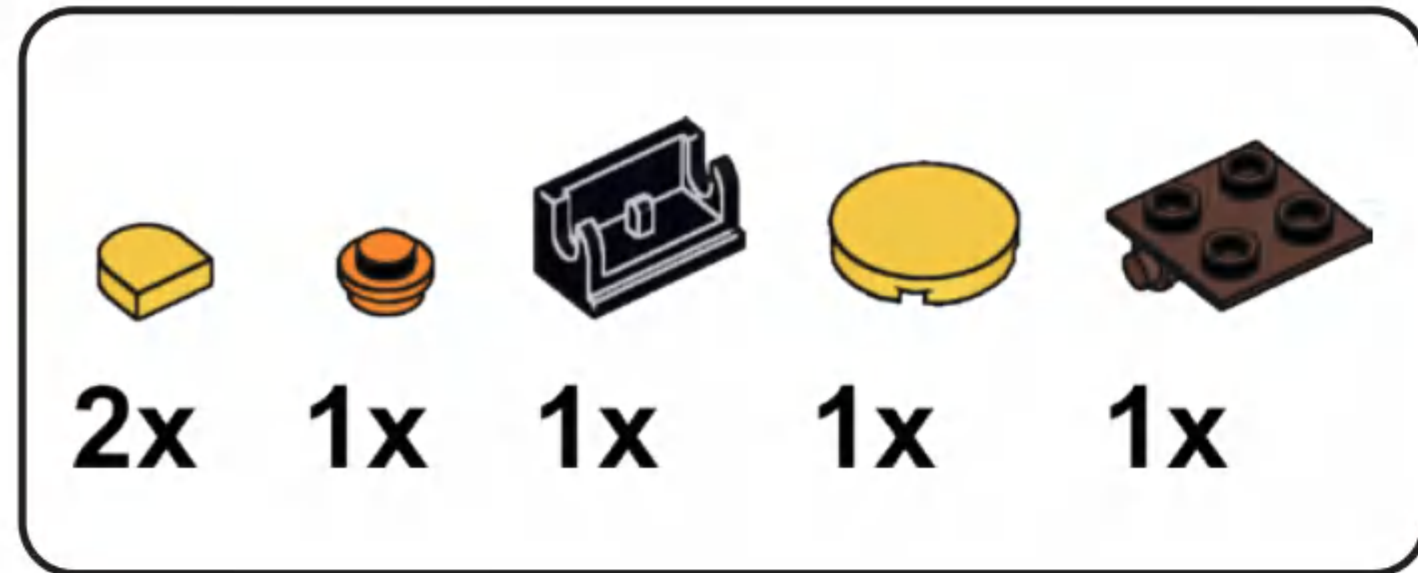
A43

A41

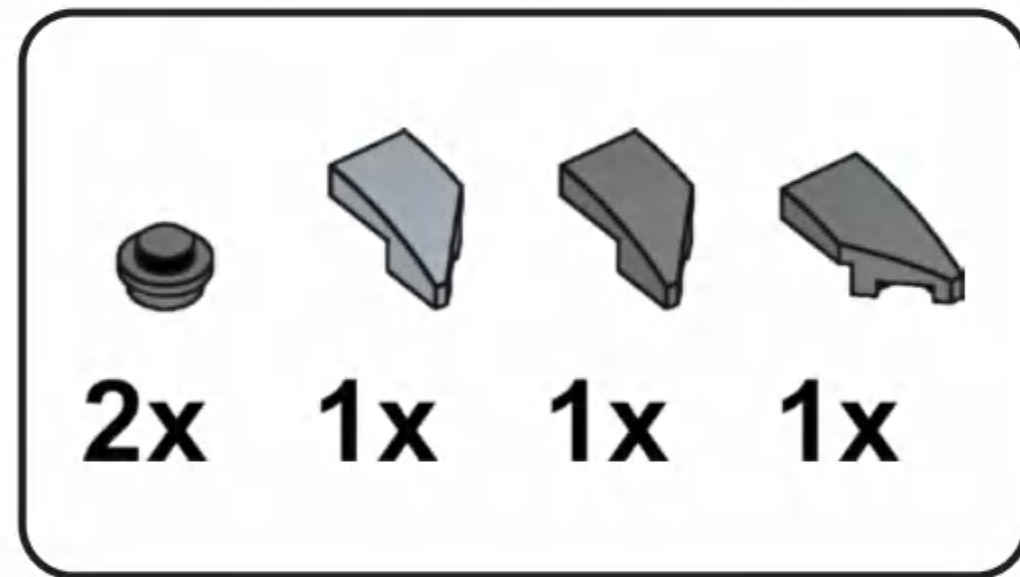
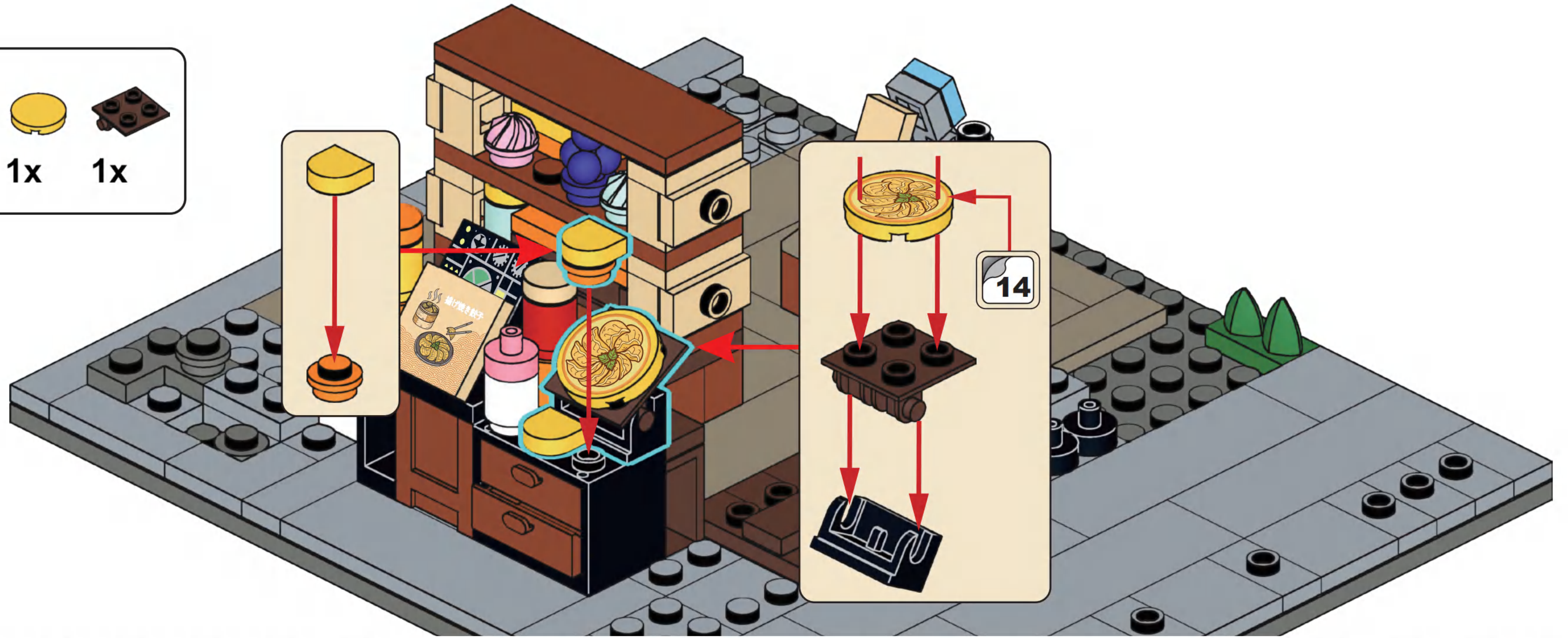


A44



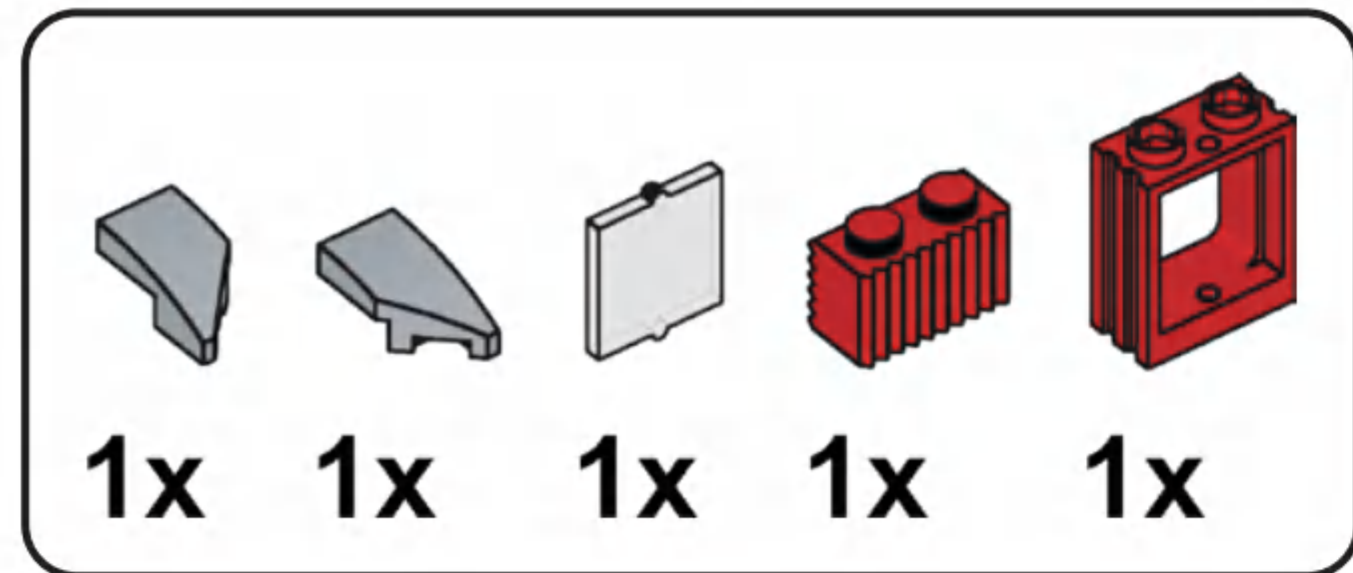


A45

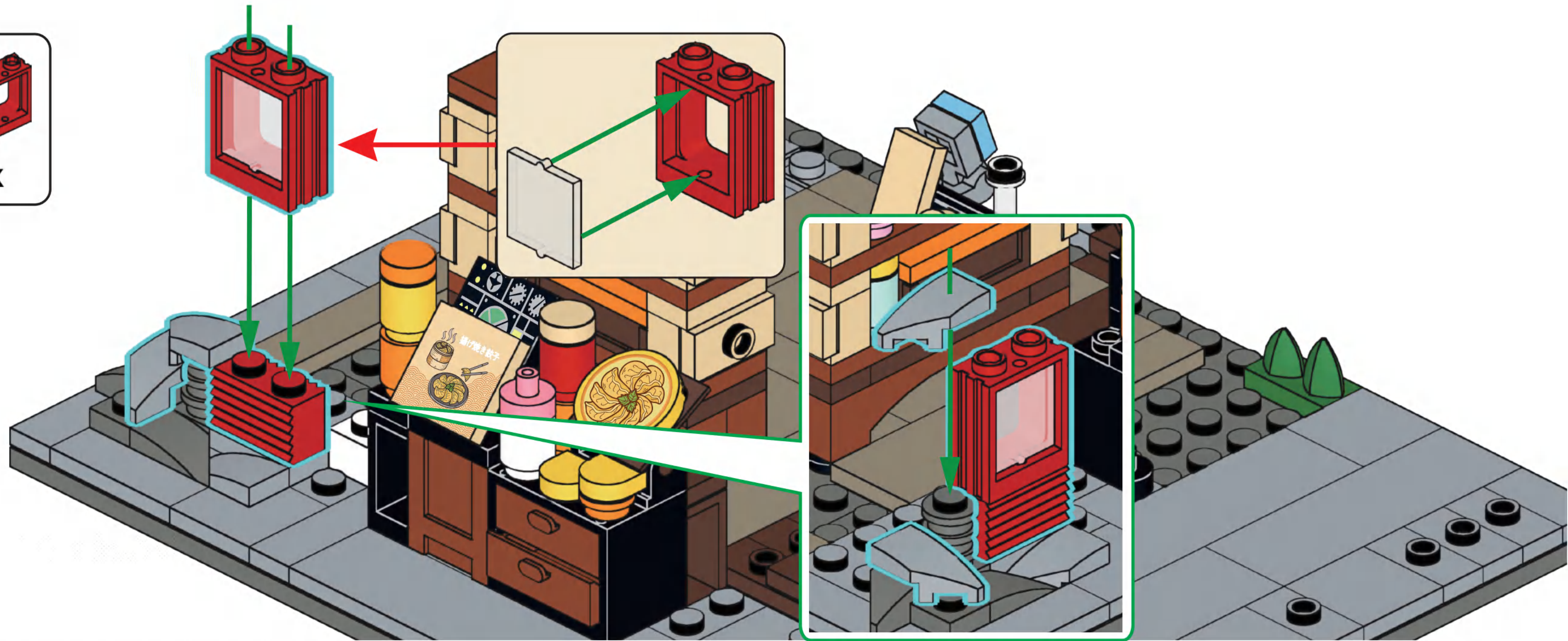


A46

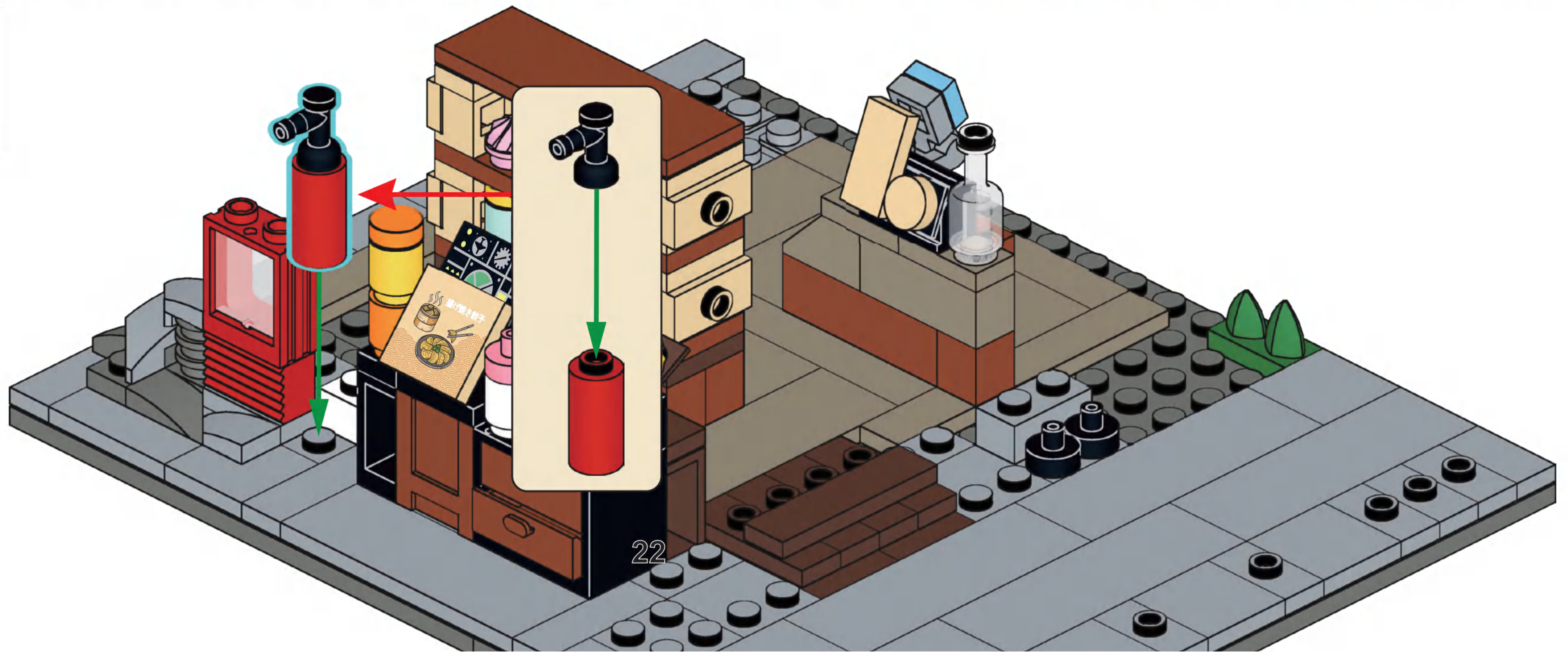


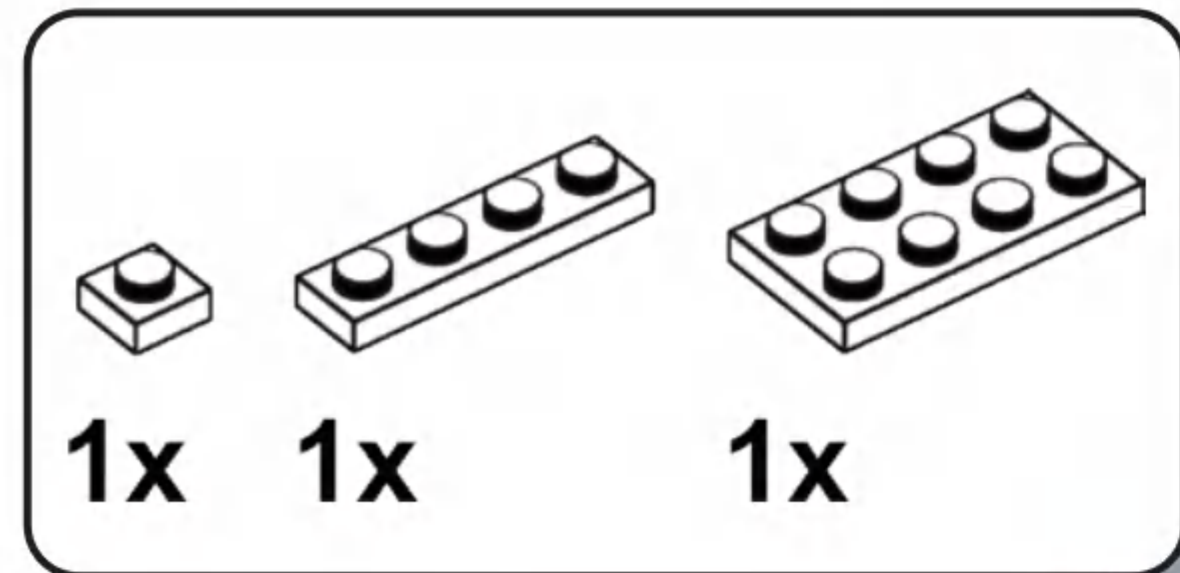


A47

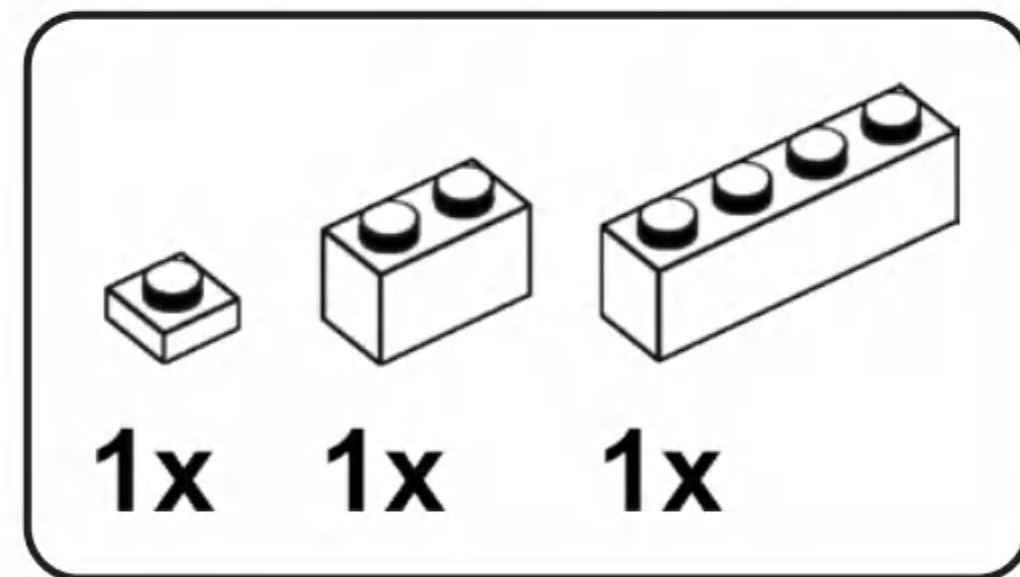
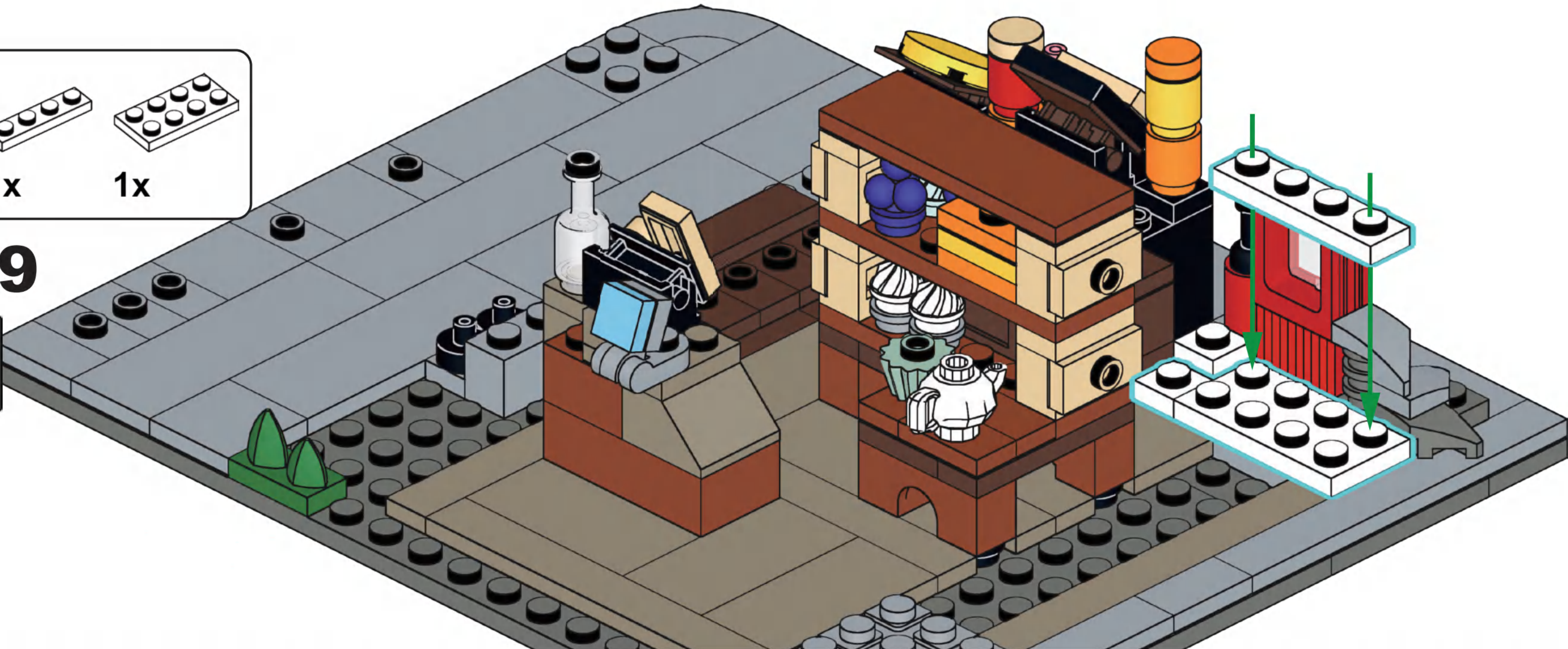


A48

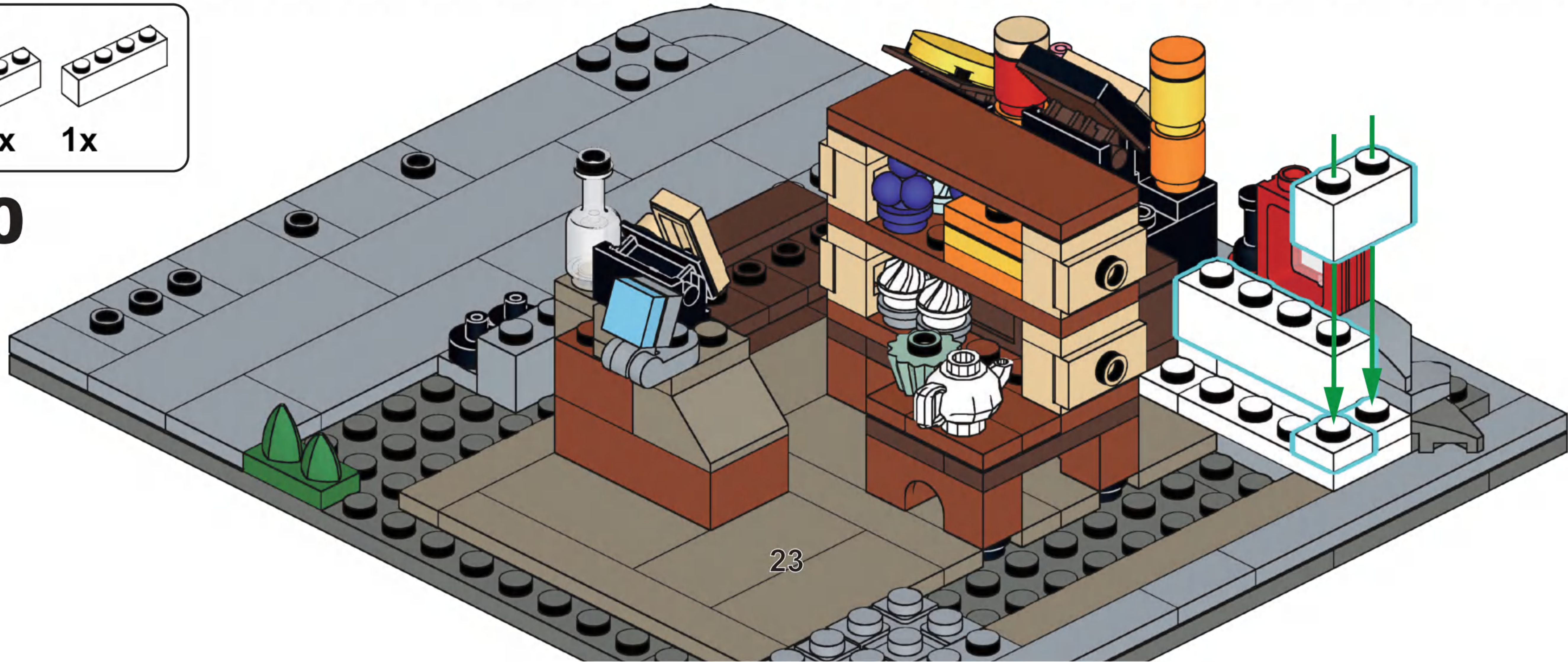


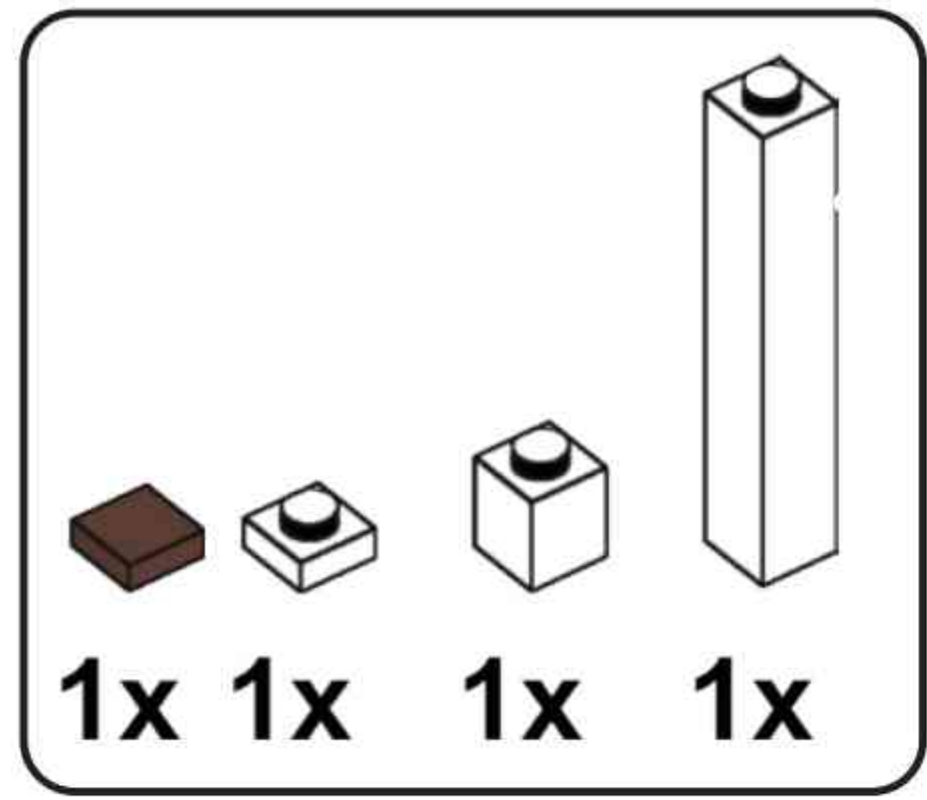


A49

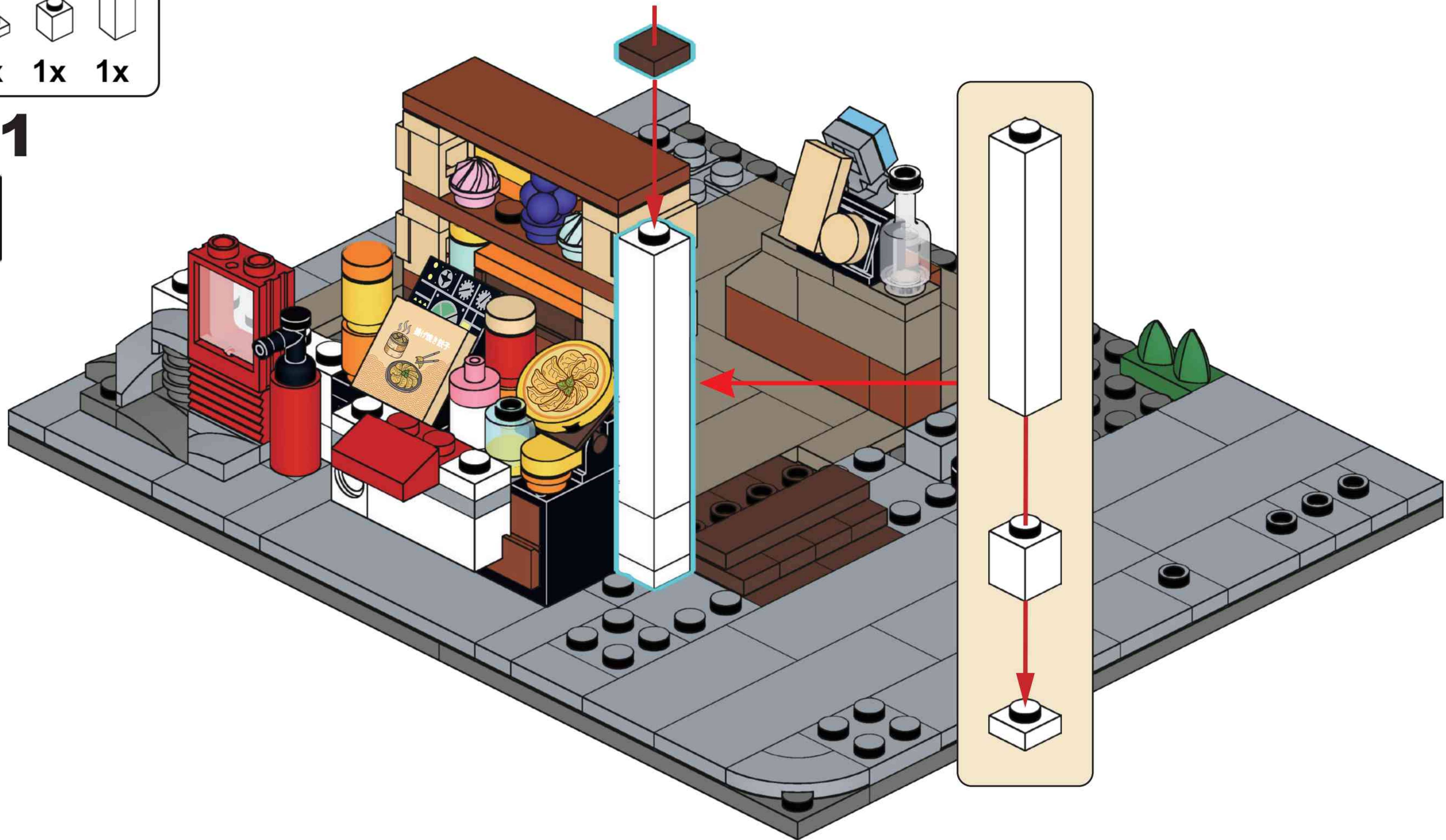


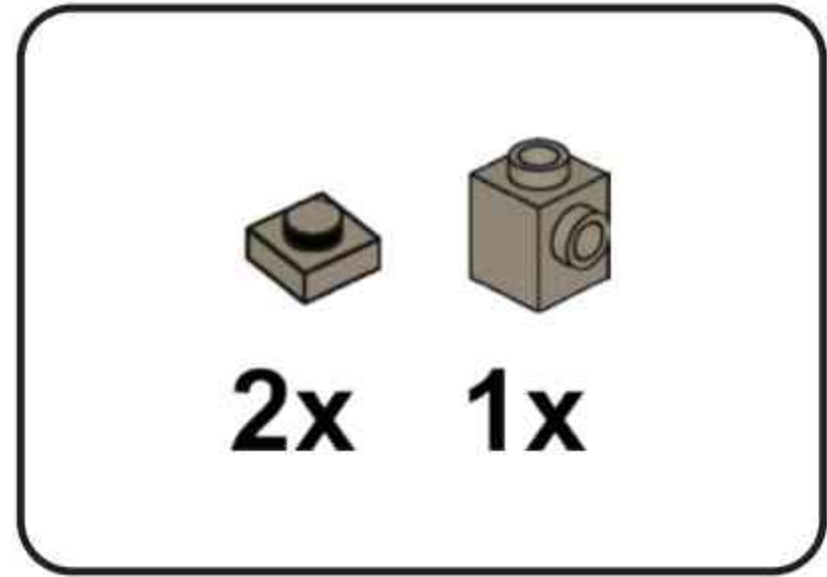
A50





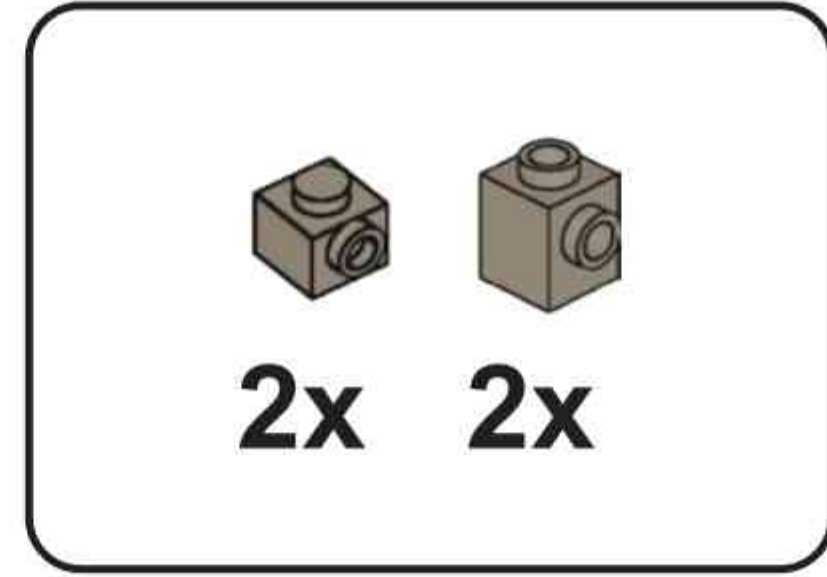
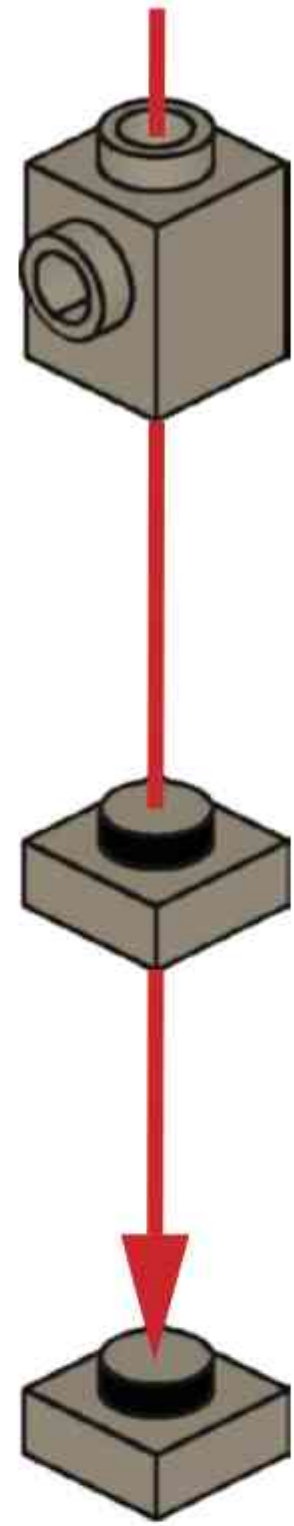
A51





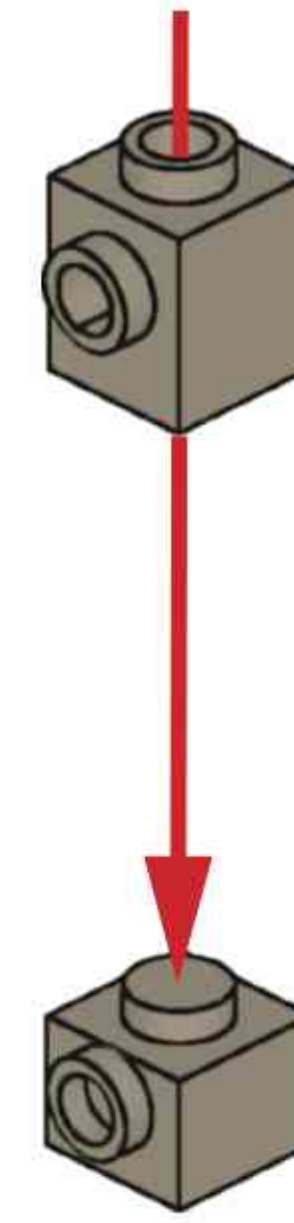
2x 1x

A52

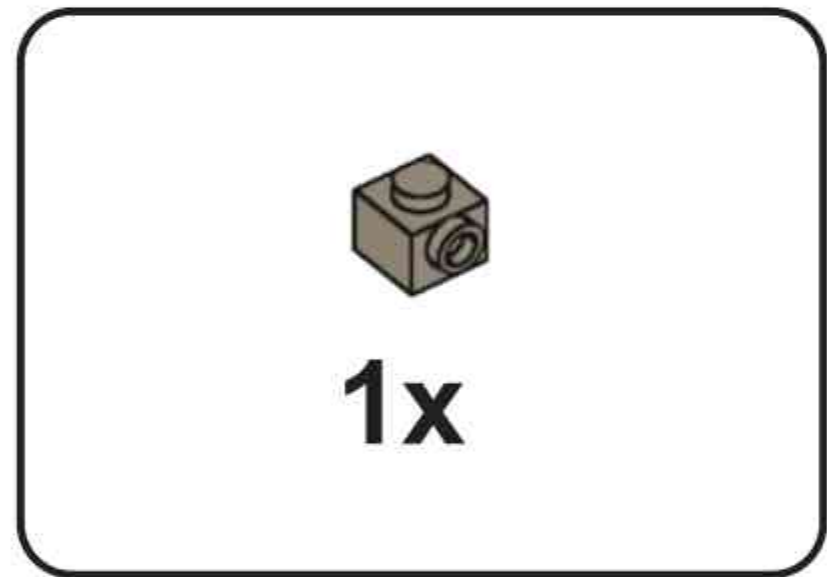


2x 2x

A53

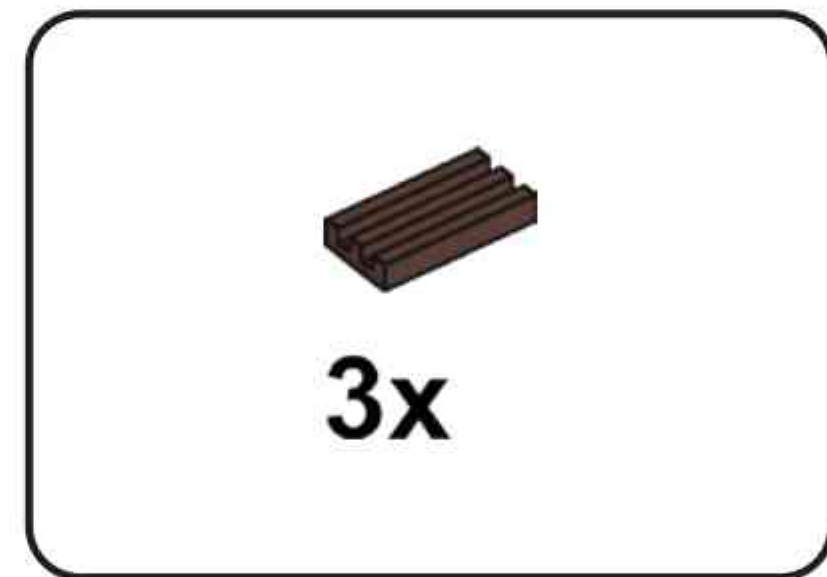
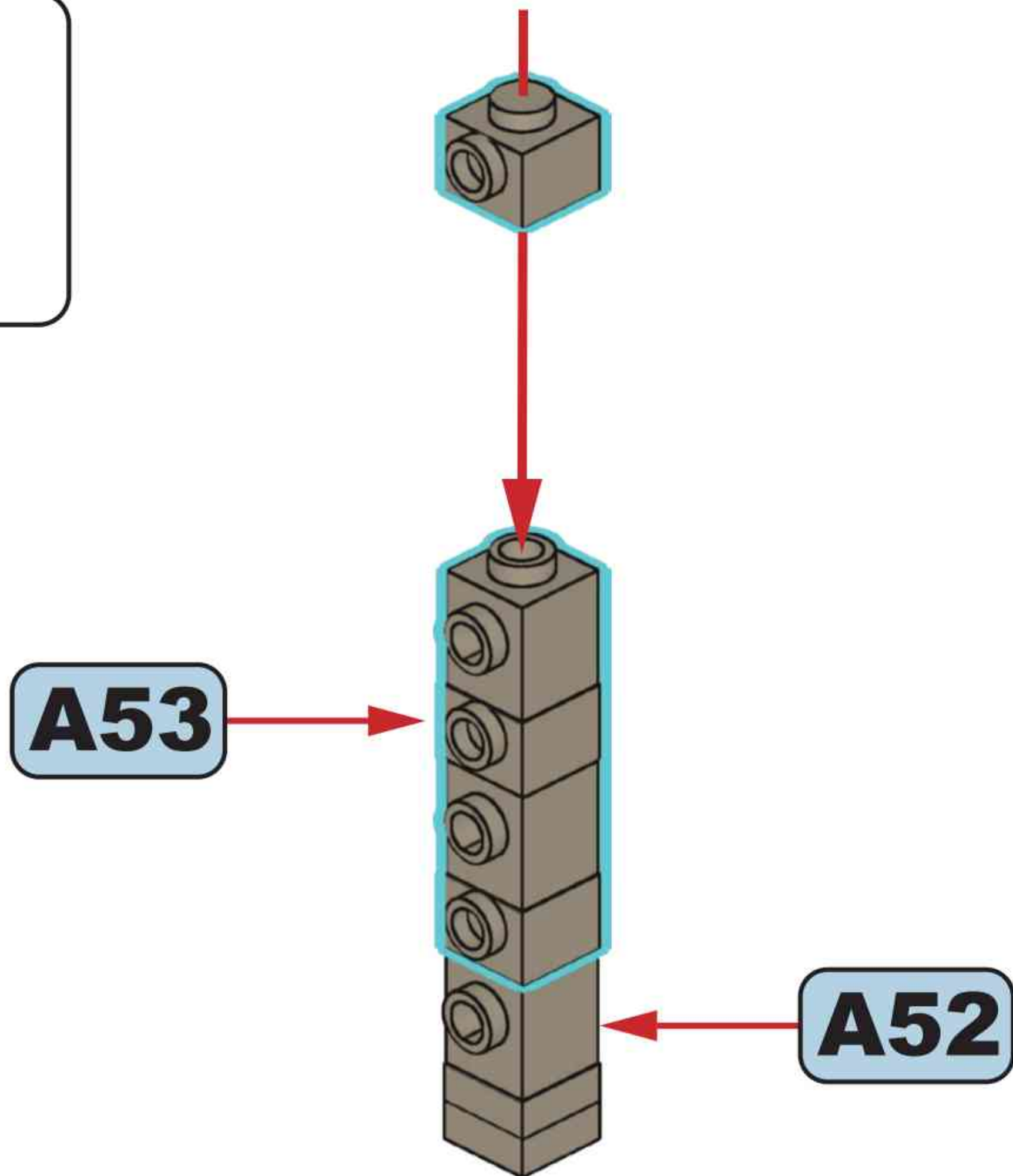


x2



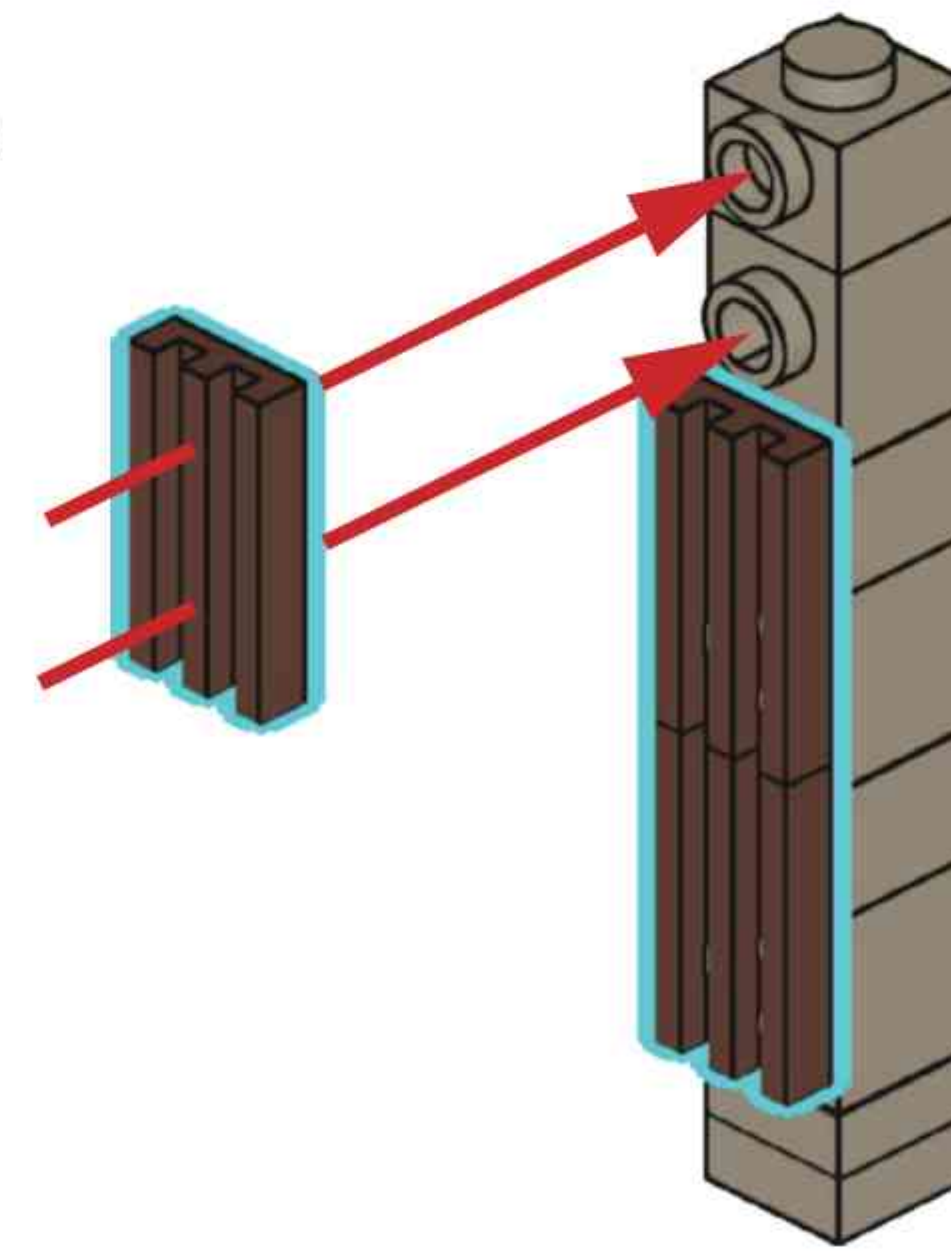
1x

A54



3x

A55

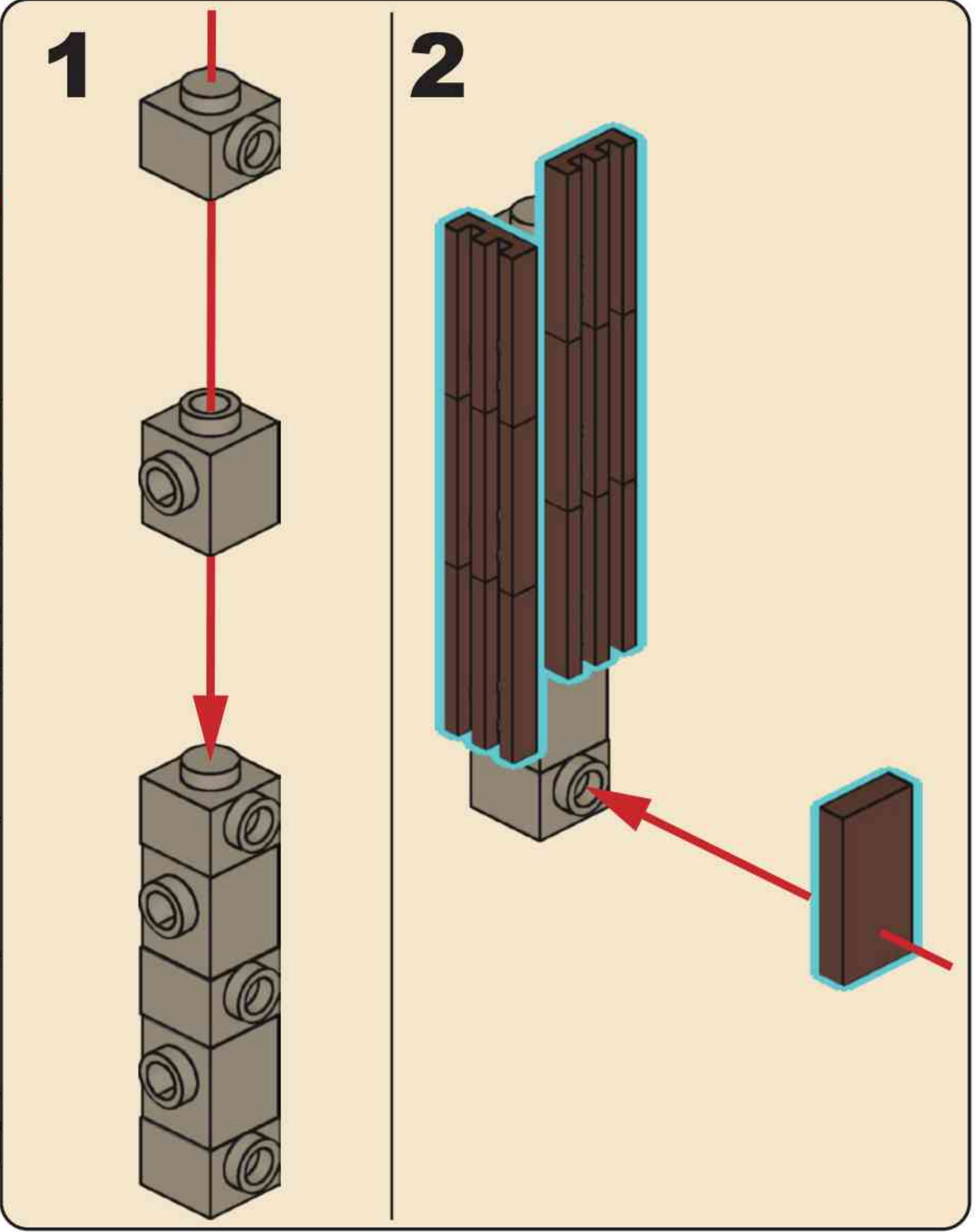
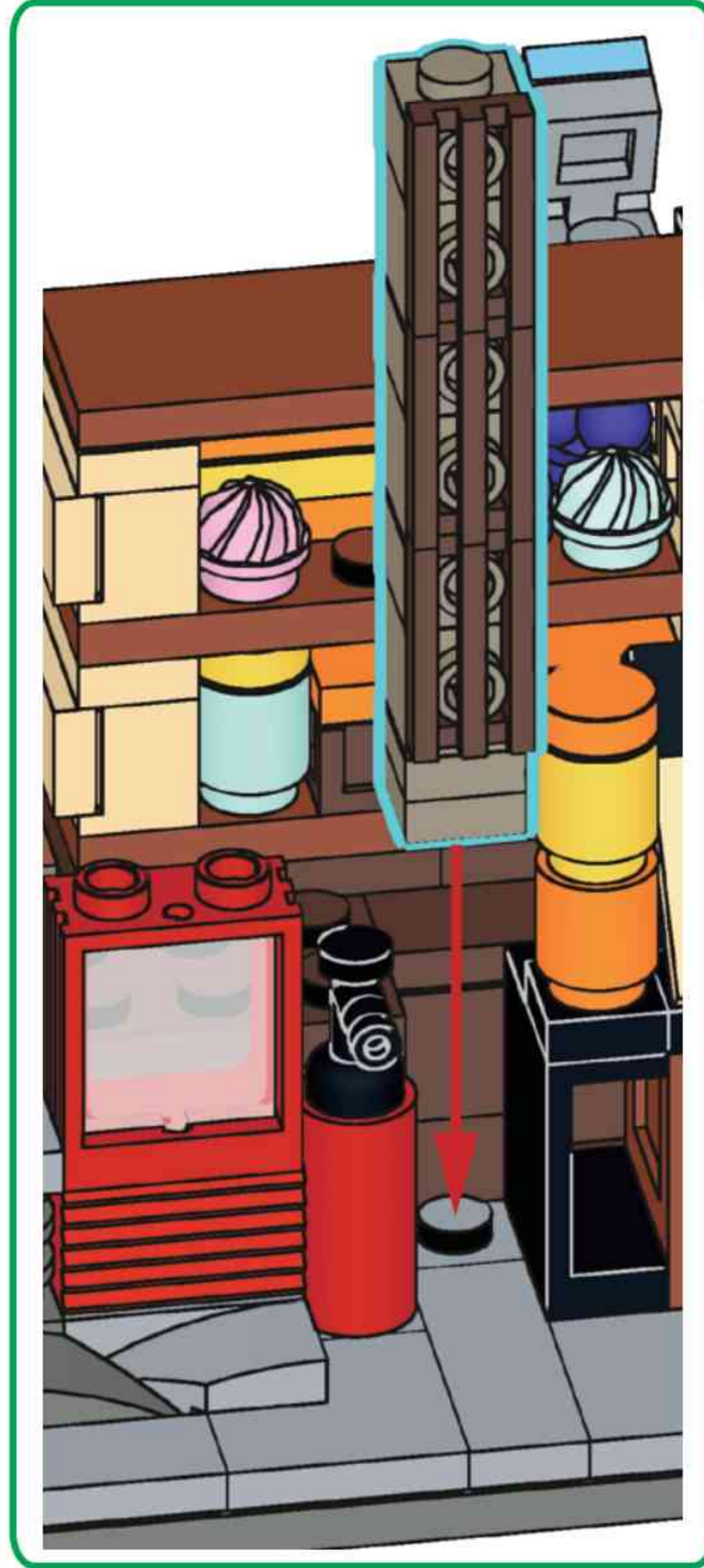


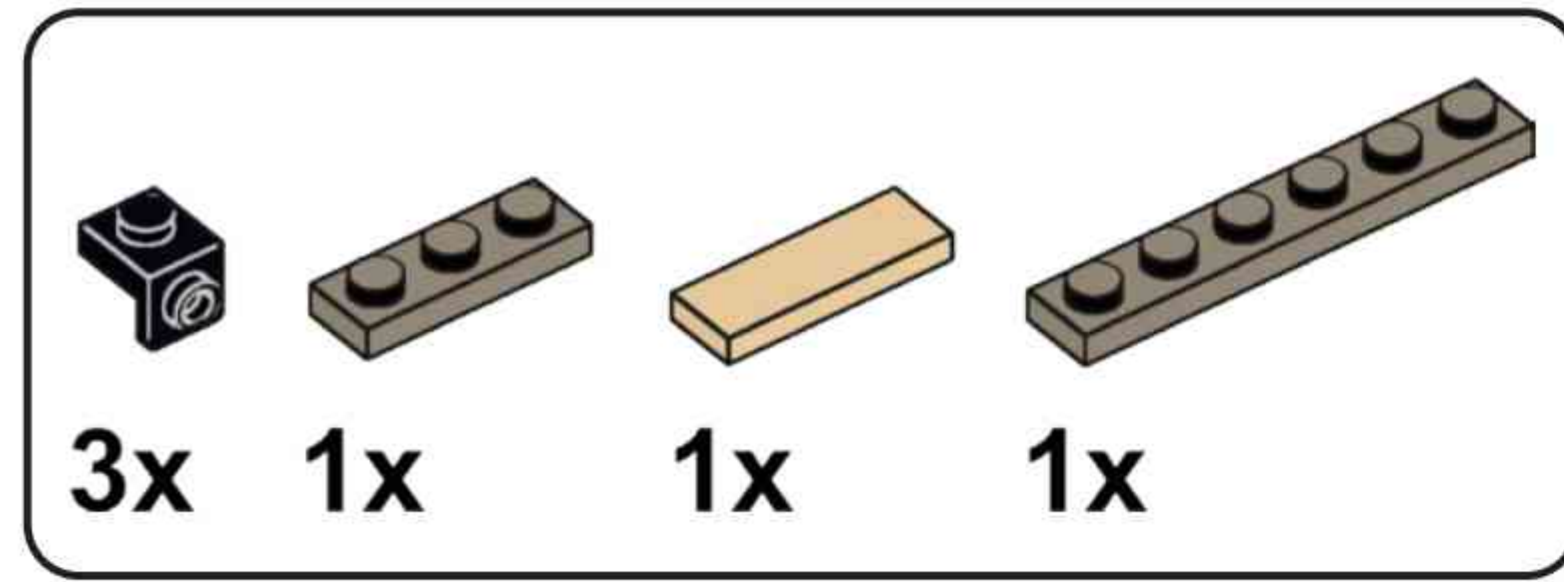
-
- 4x
3x
6x
1x

A56

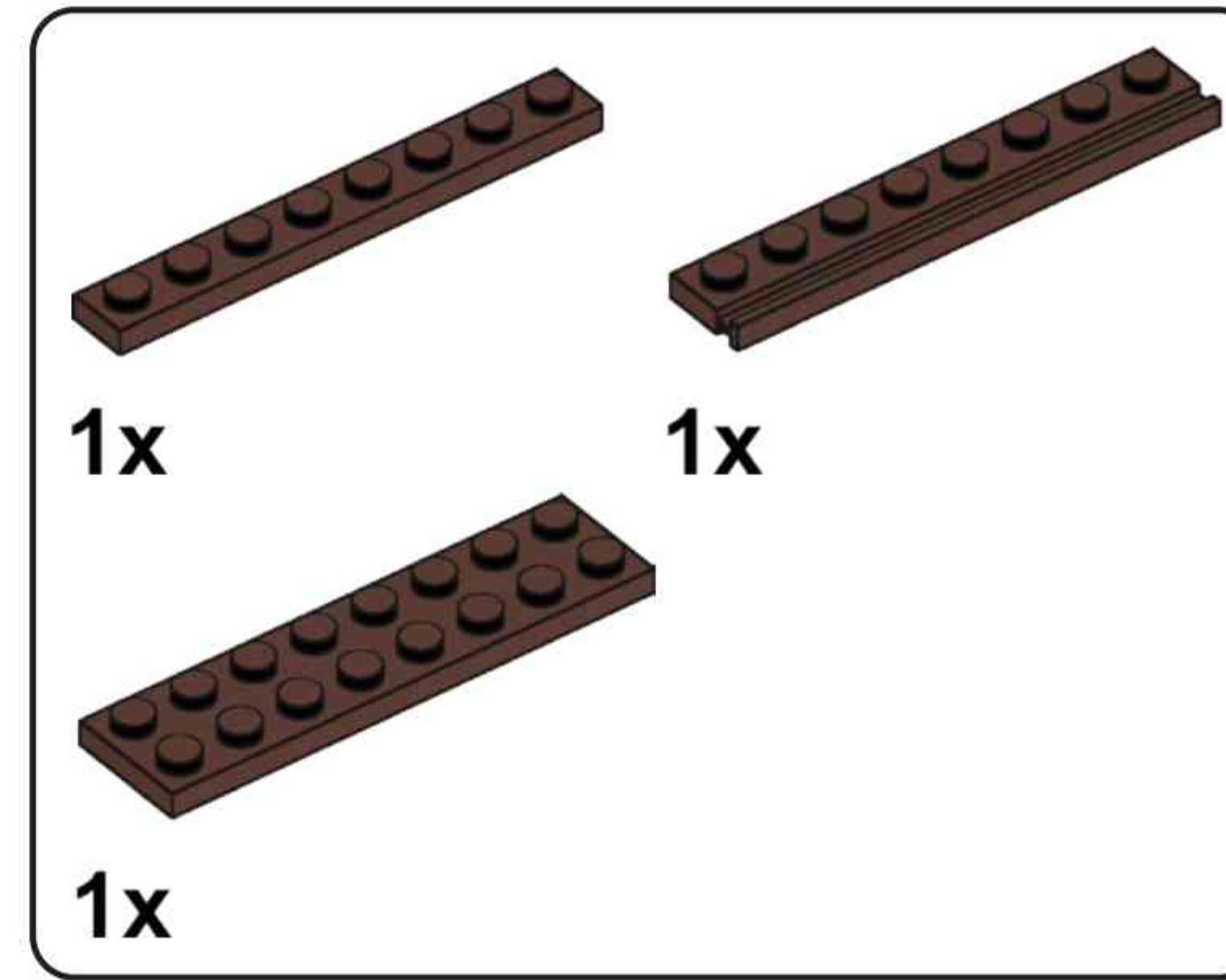
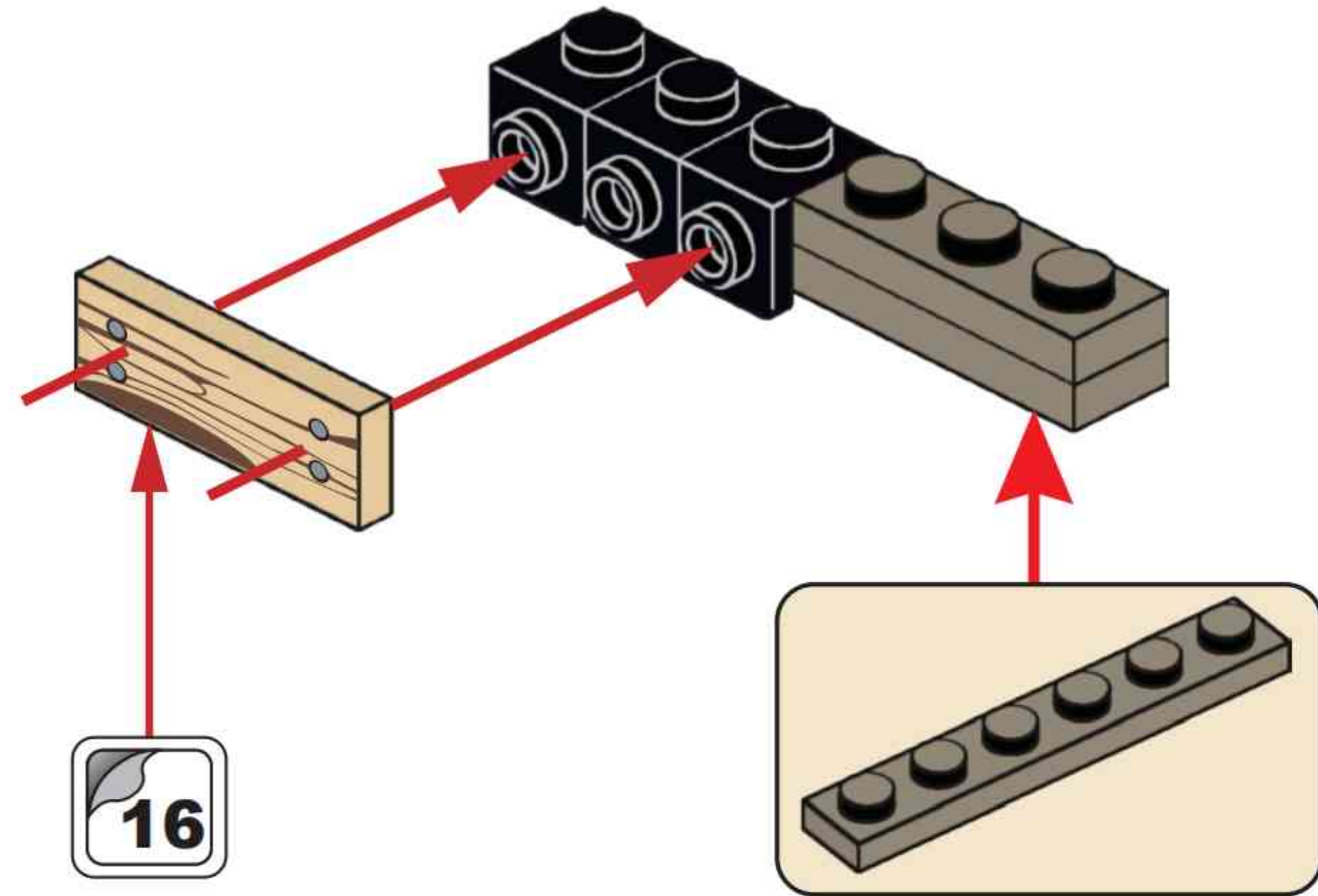
A55

A51

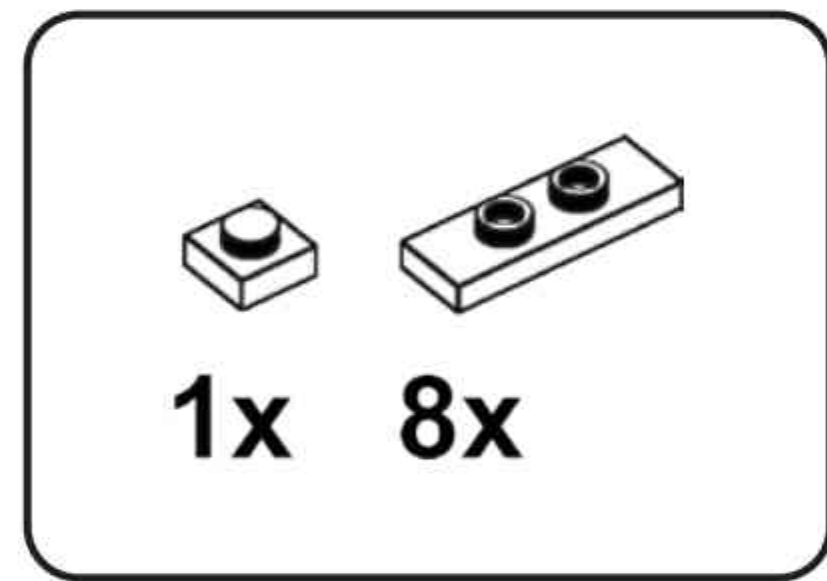
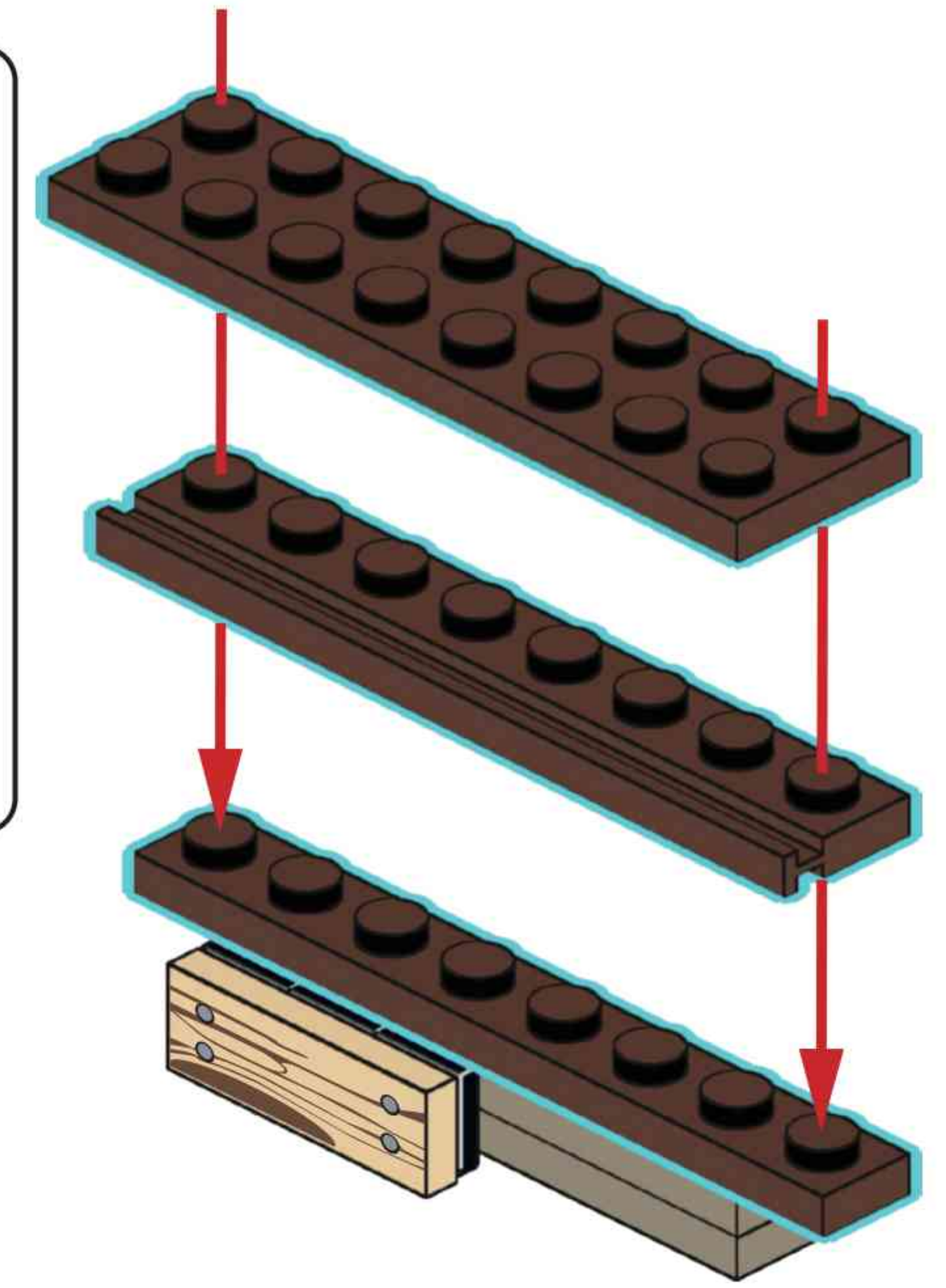




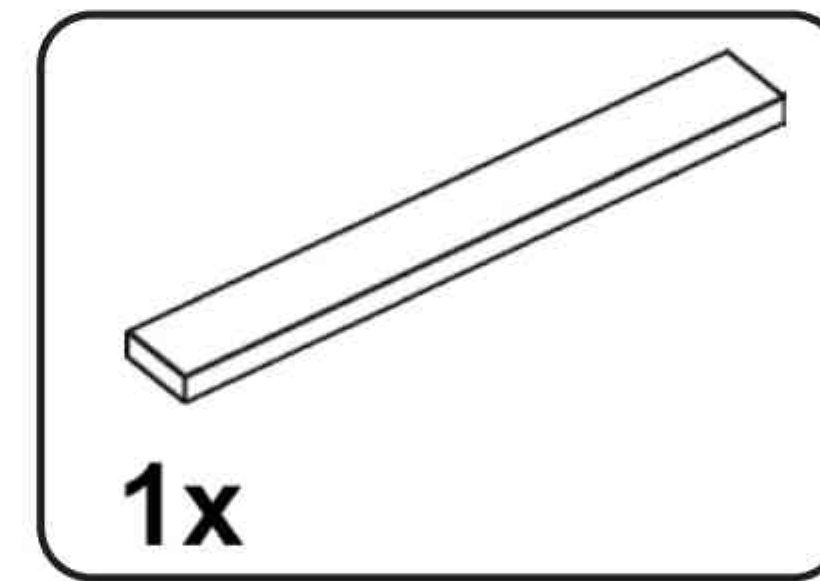
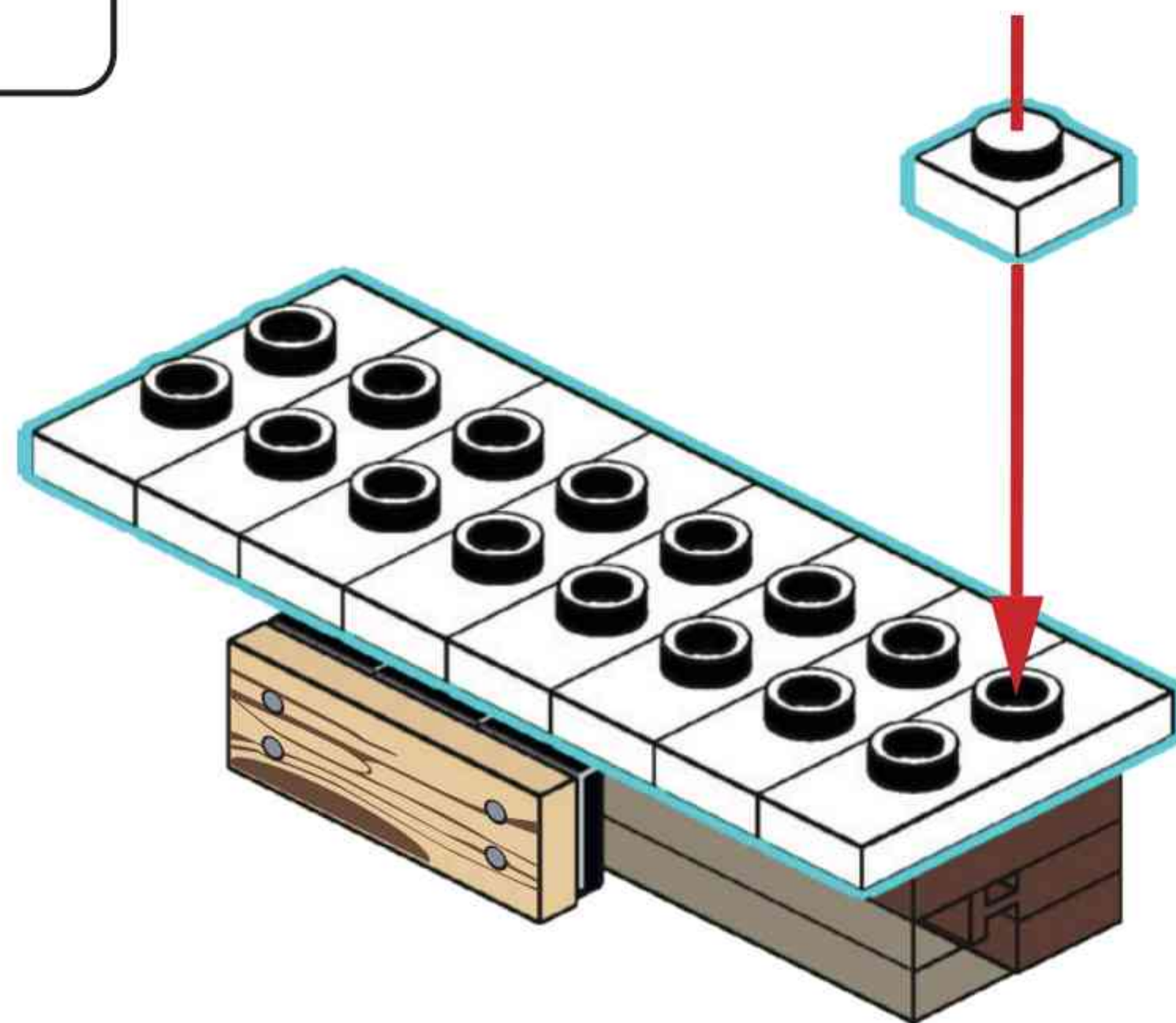
A57



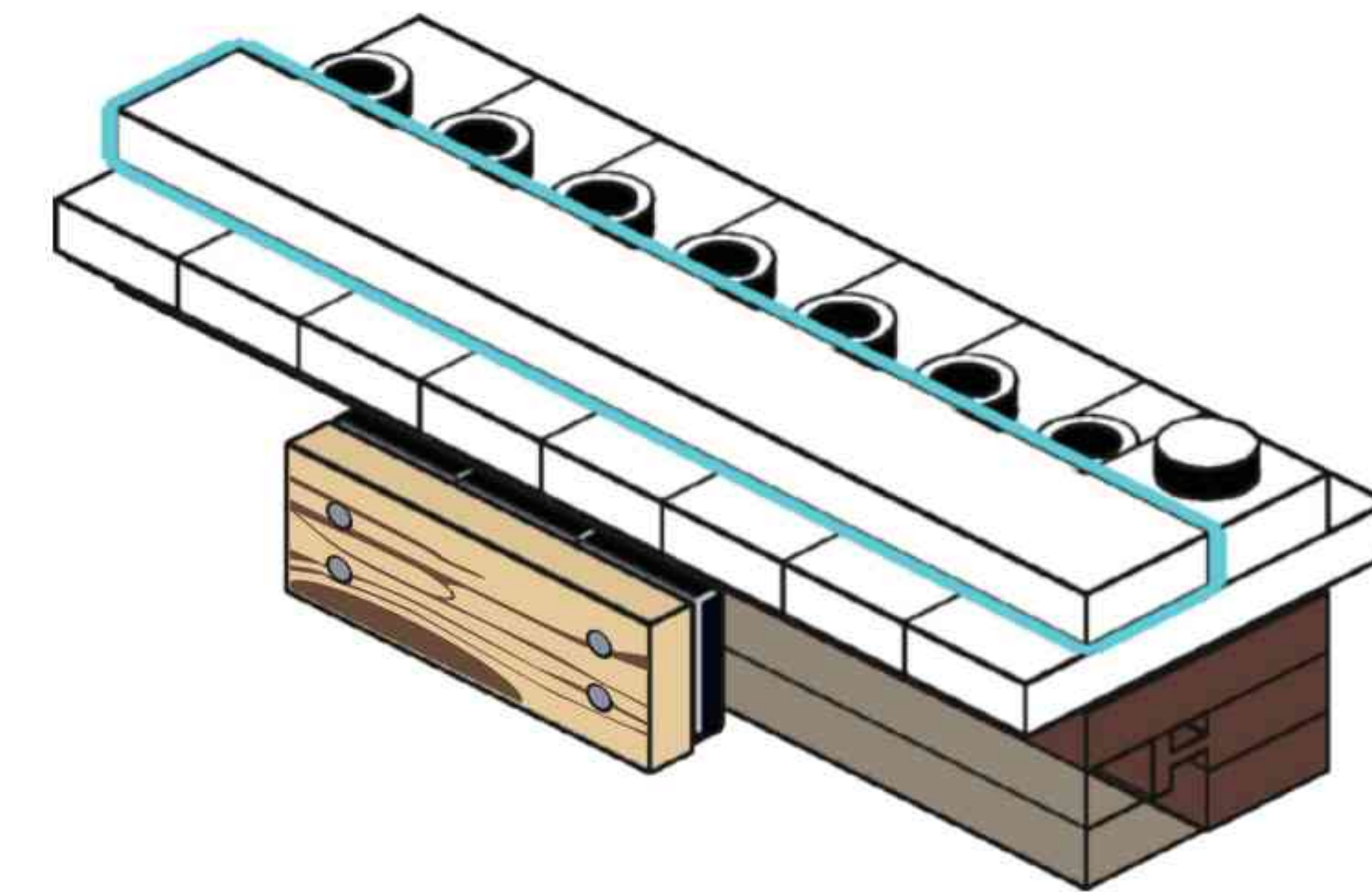
A58



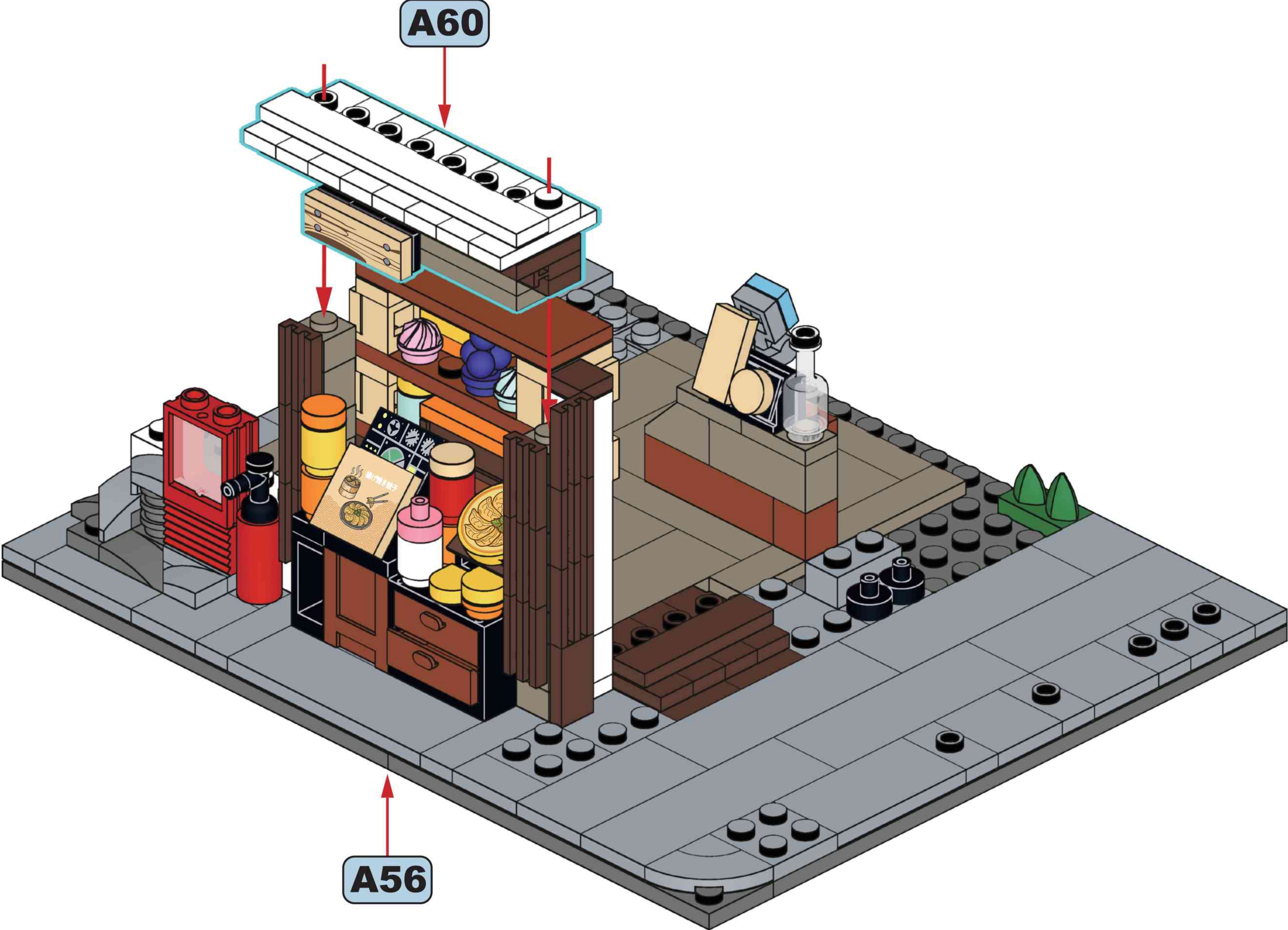
A59

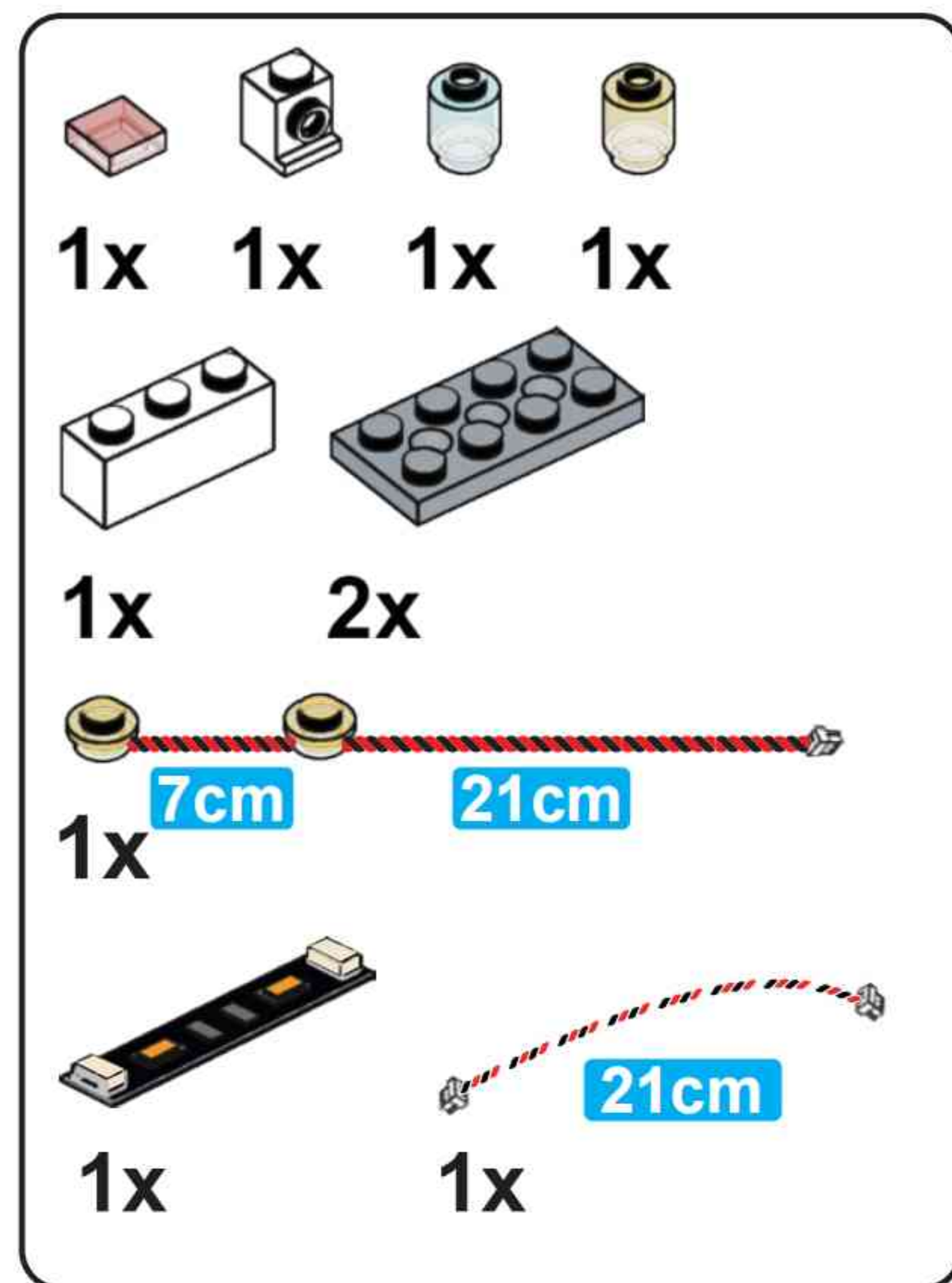


A60

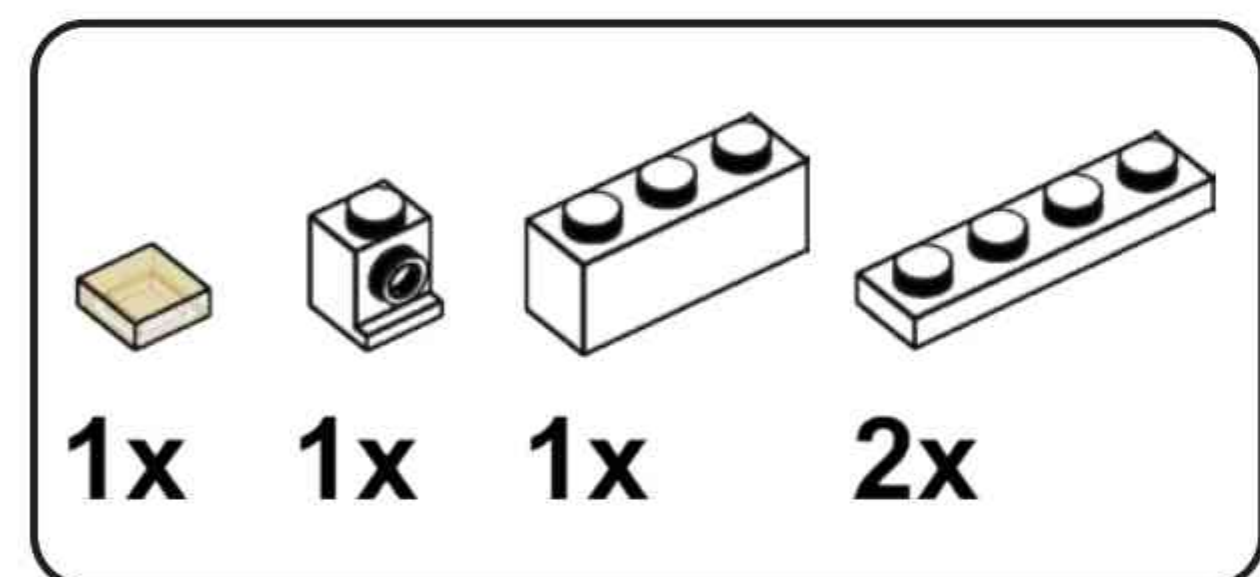
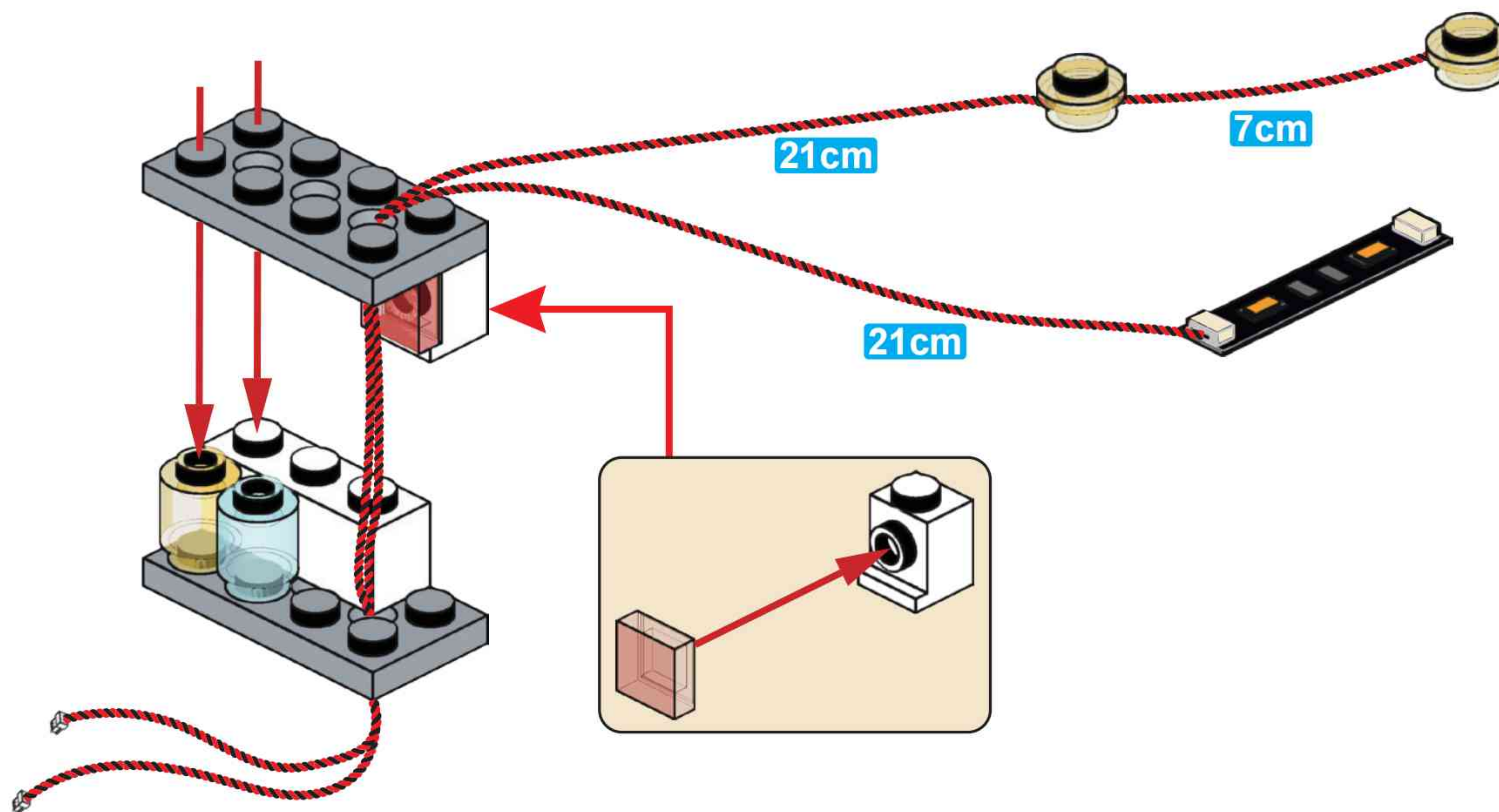


A61

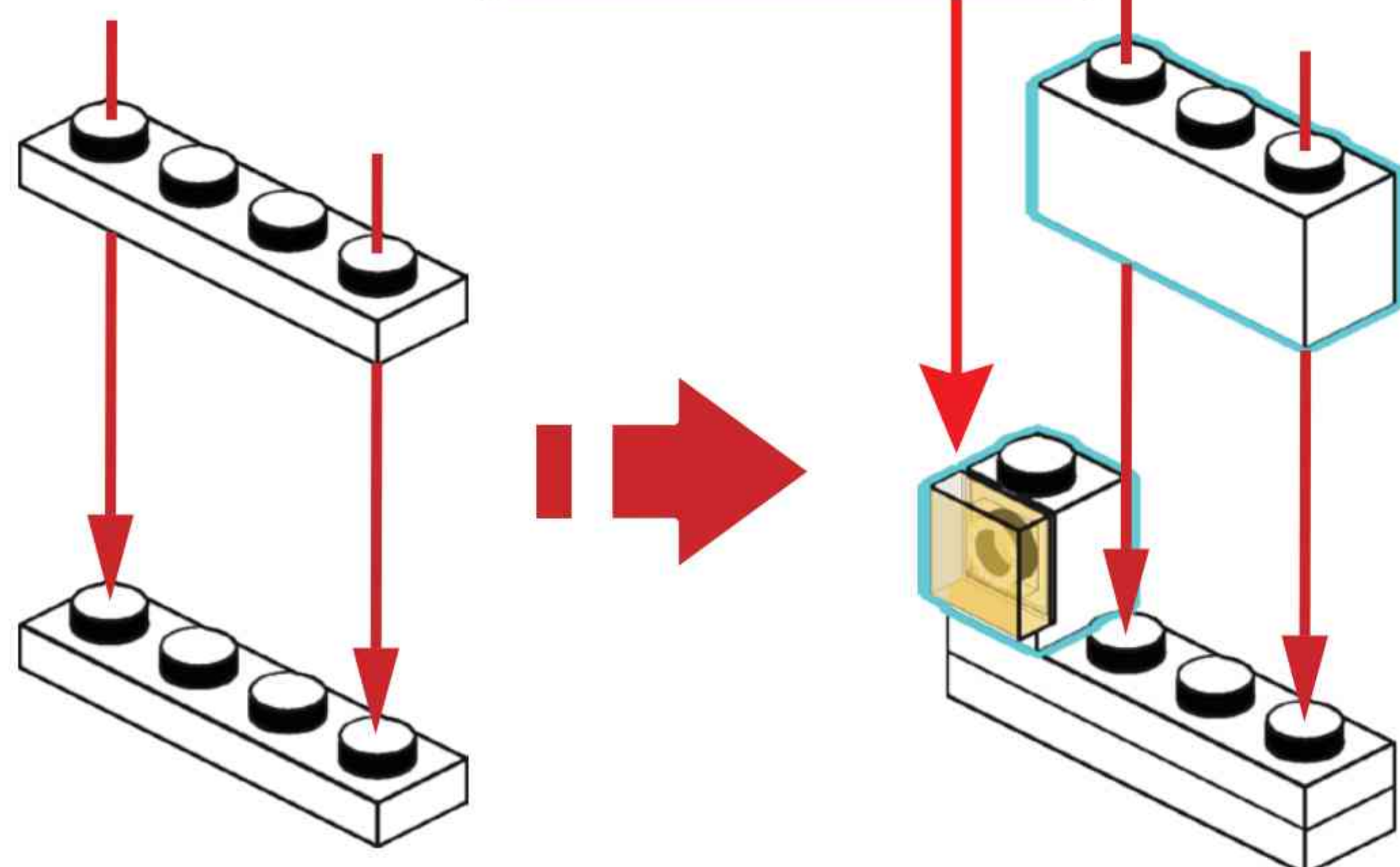




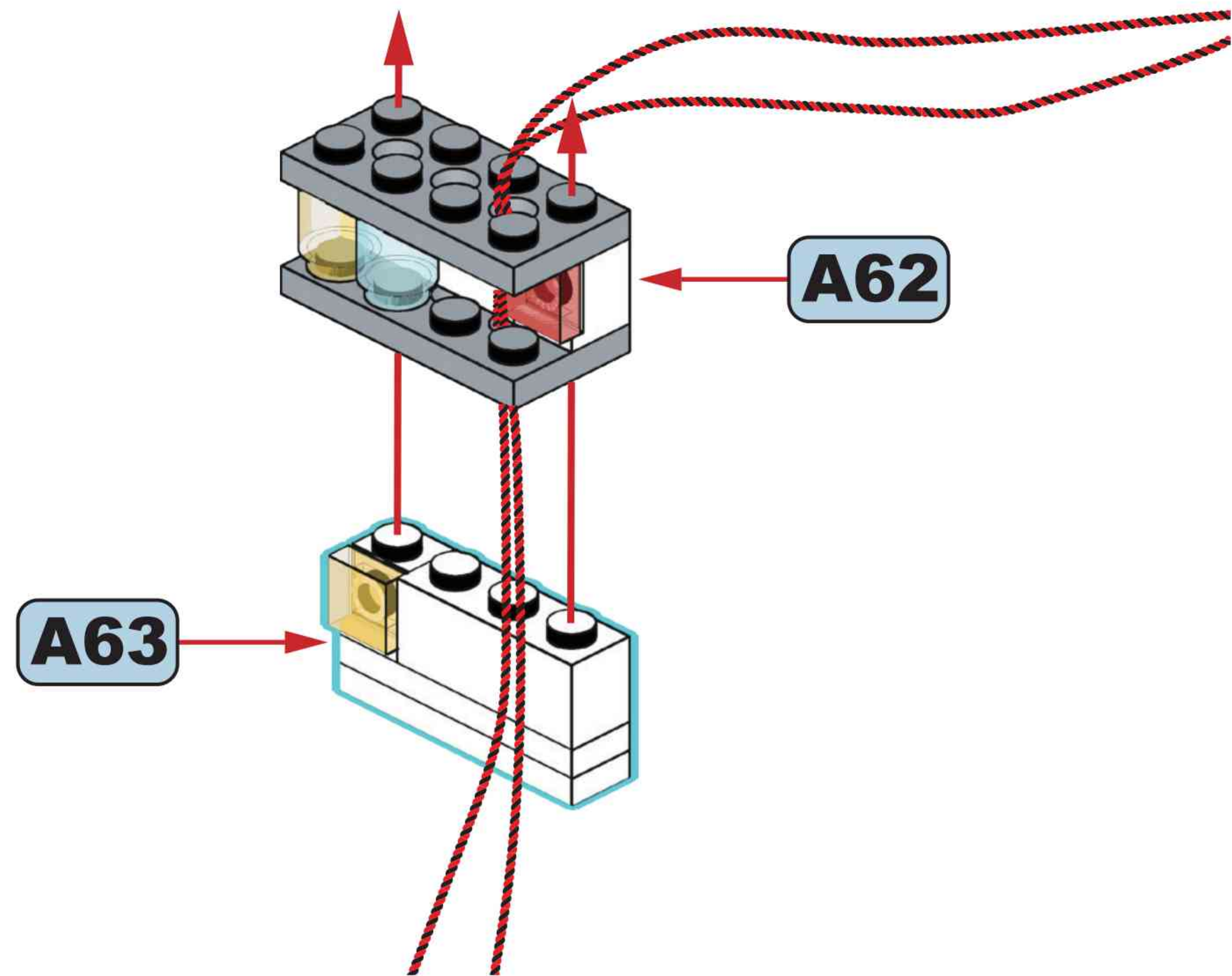
A62

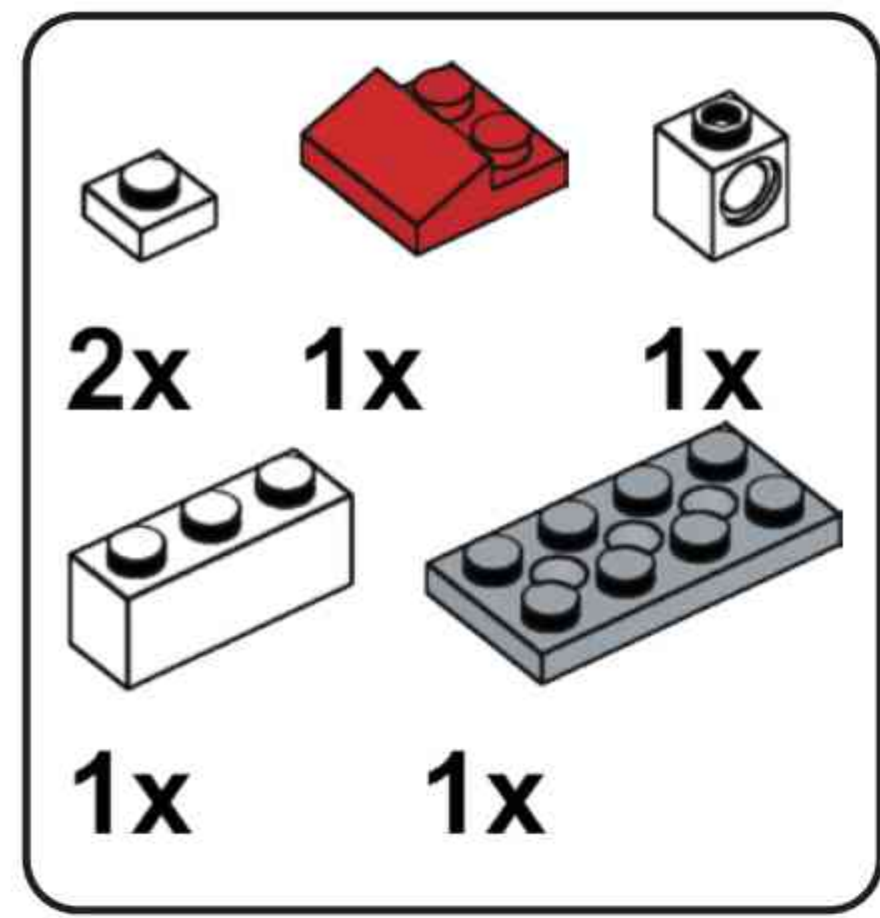


A63

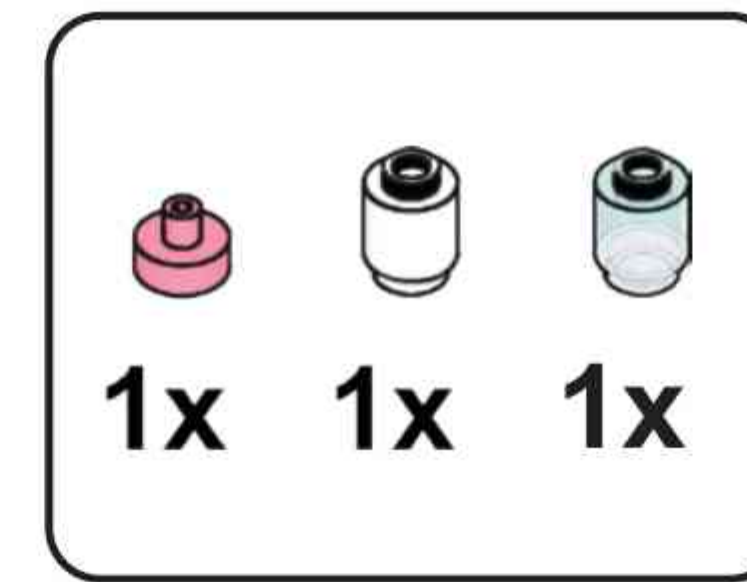
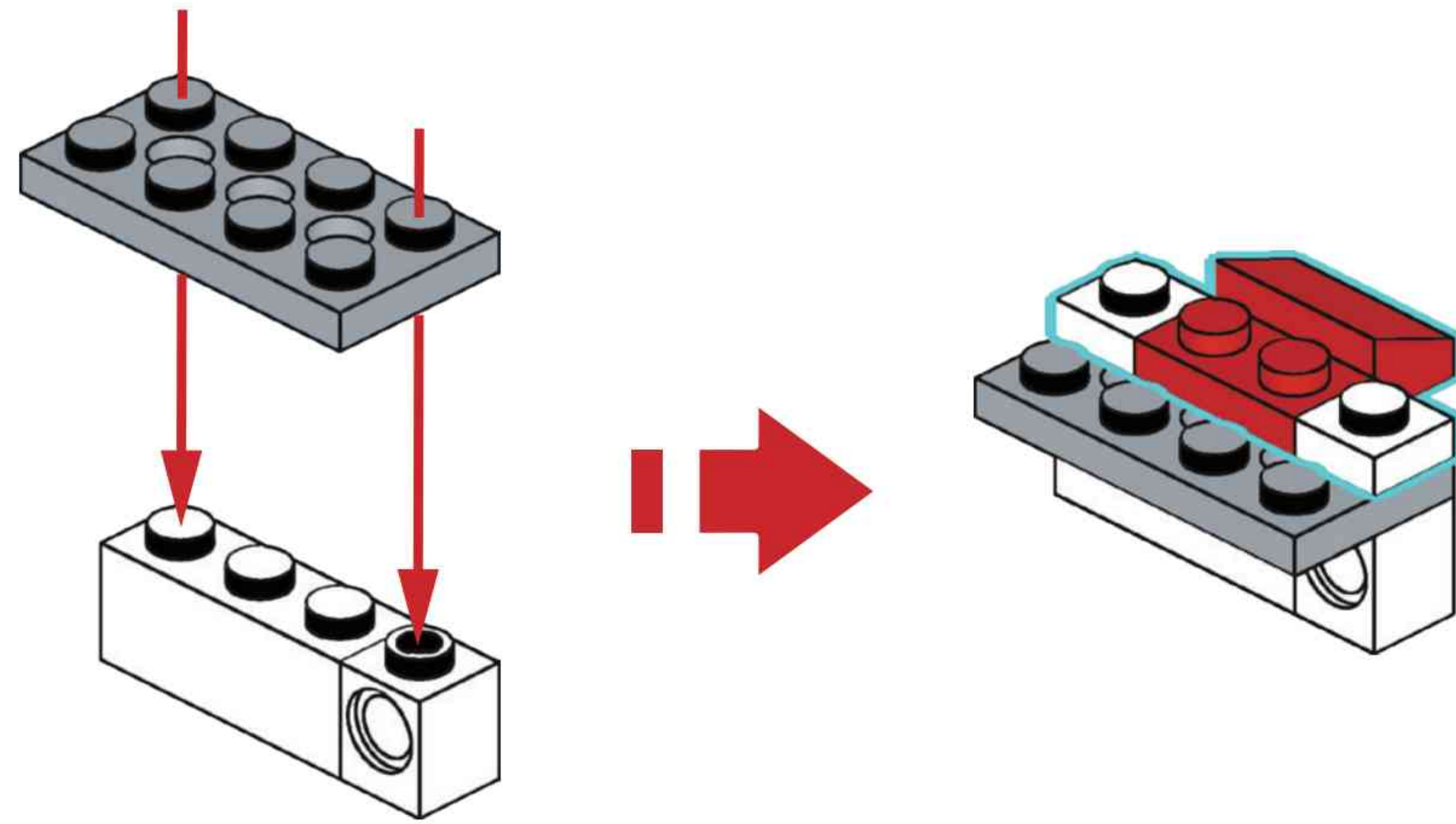


A64

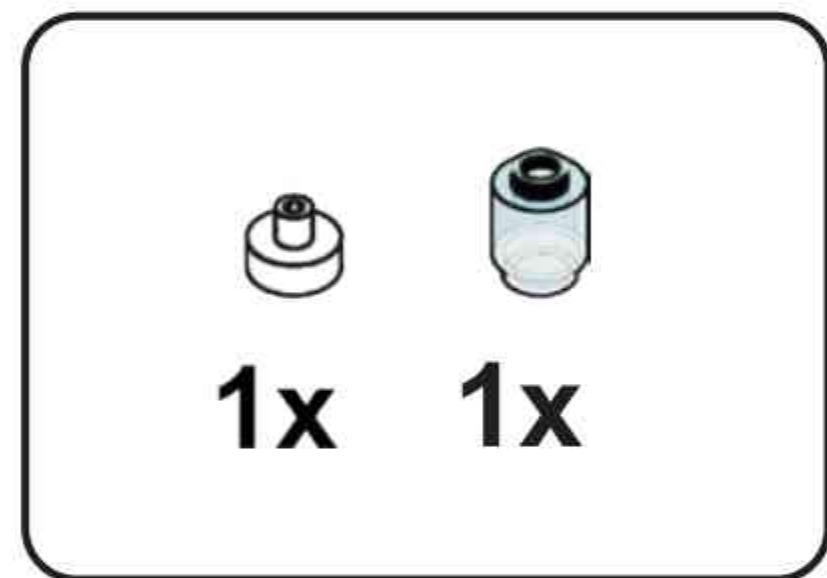
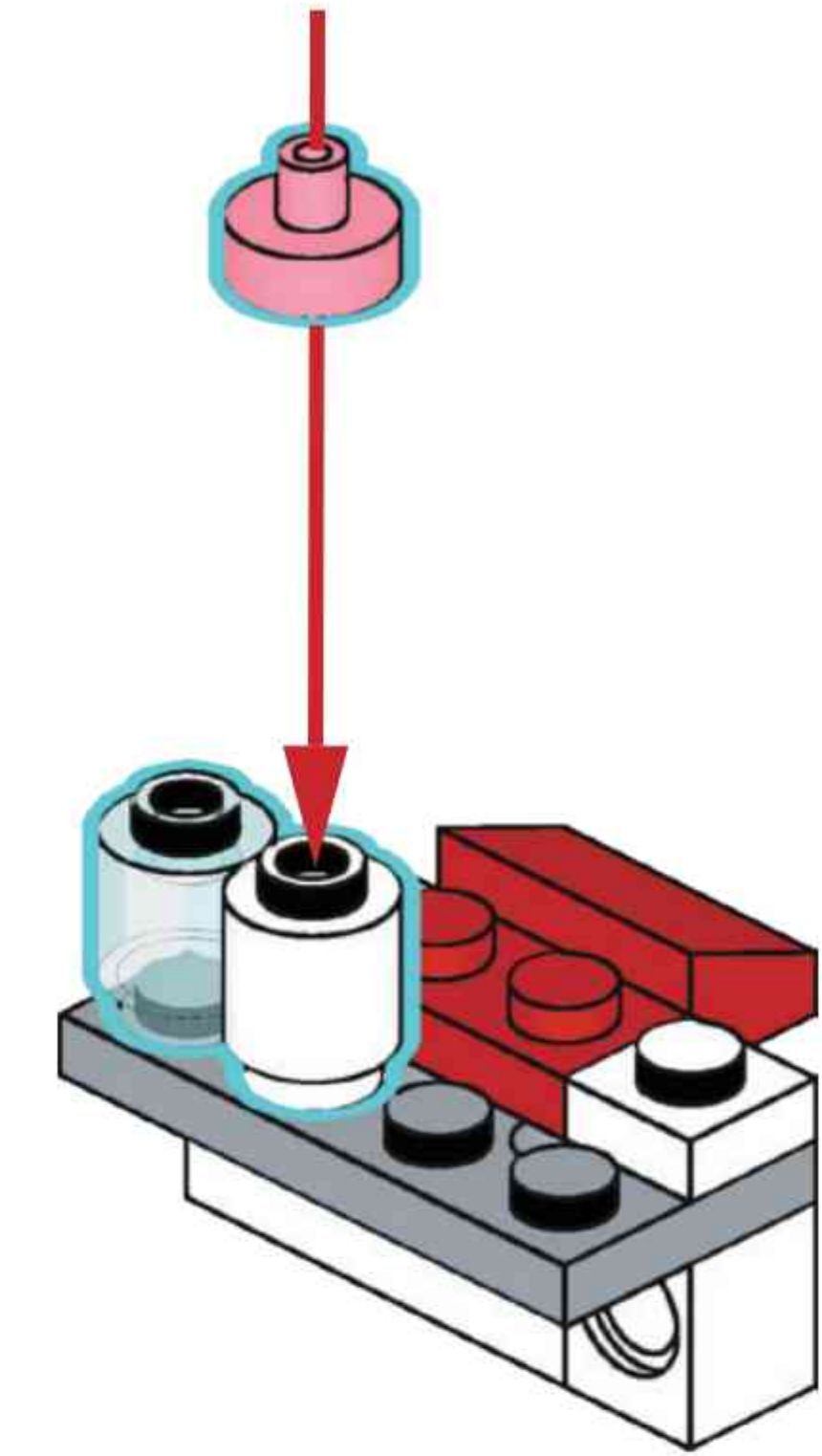




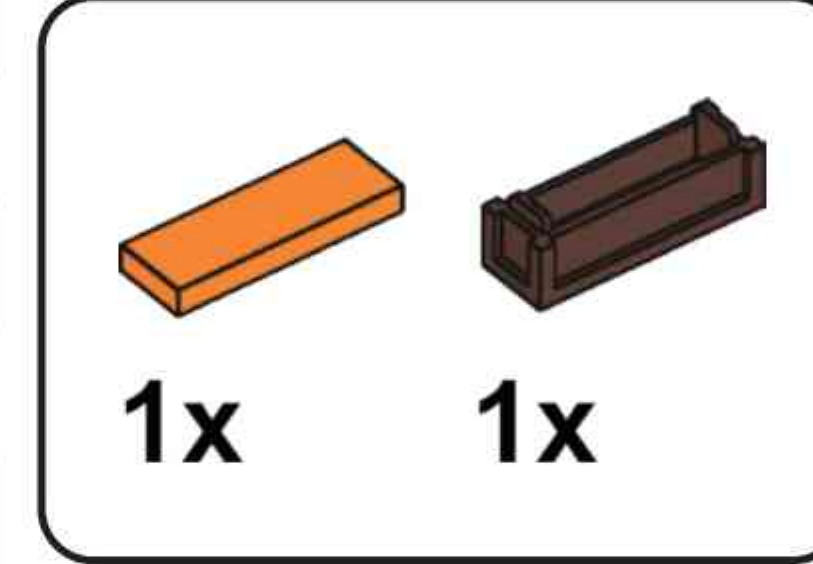
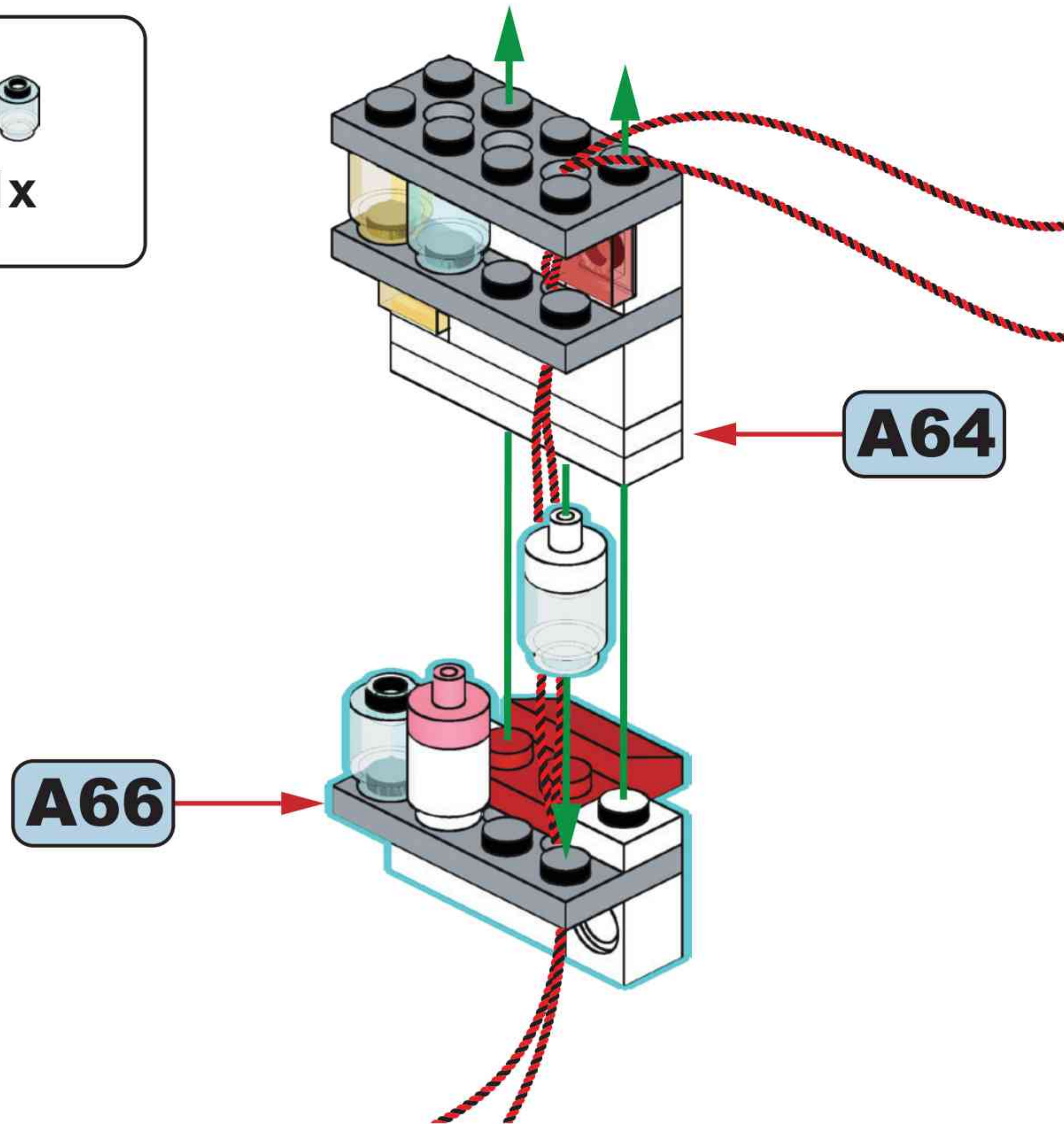
A65



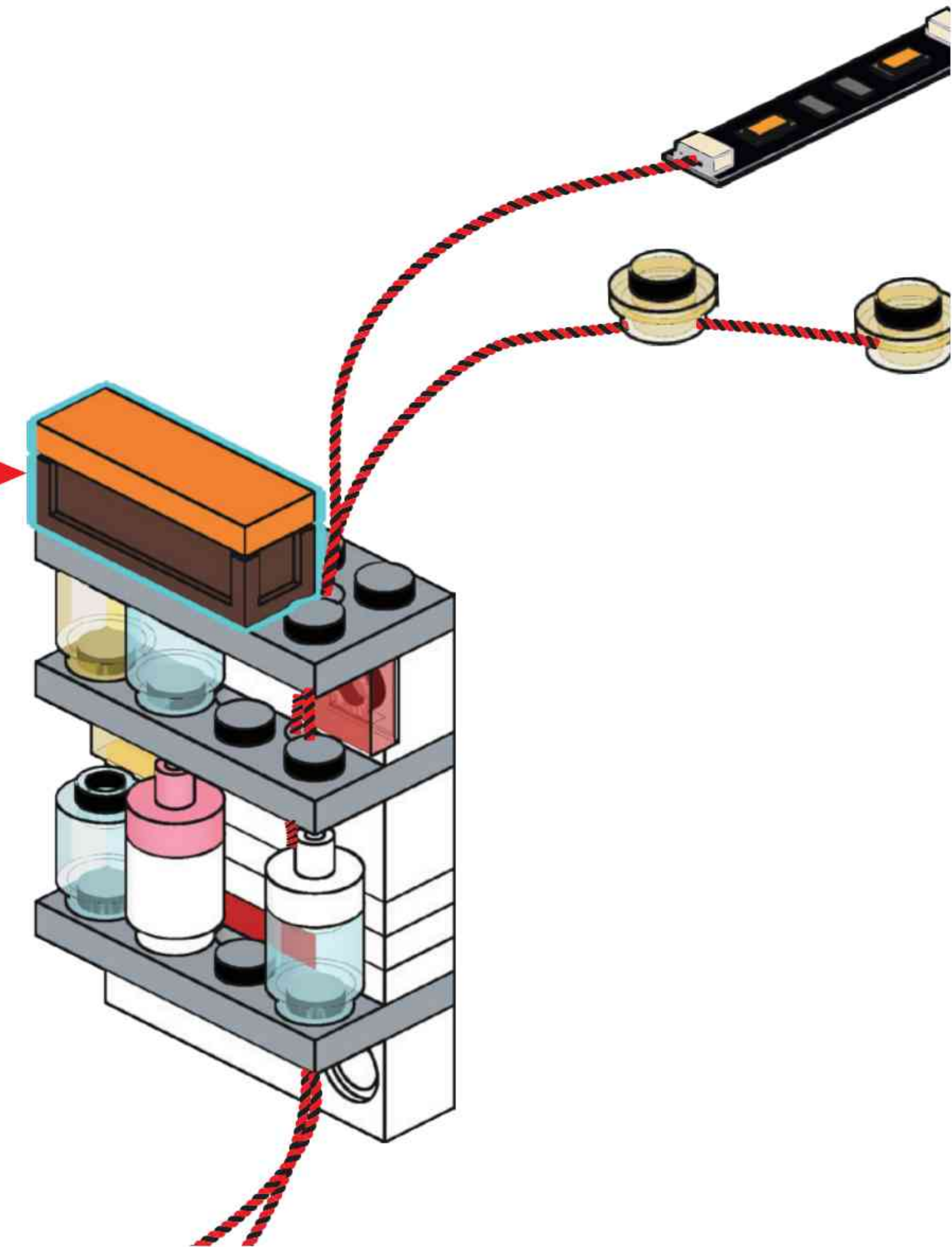
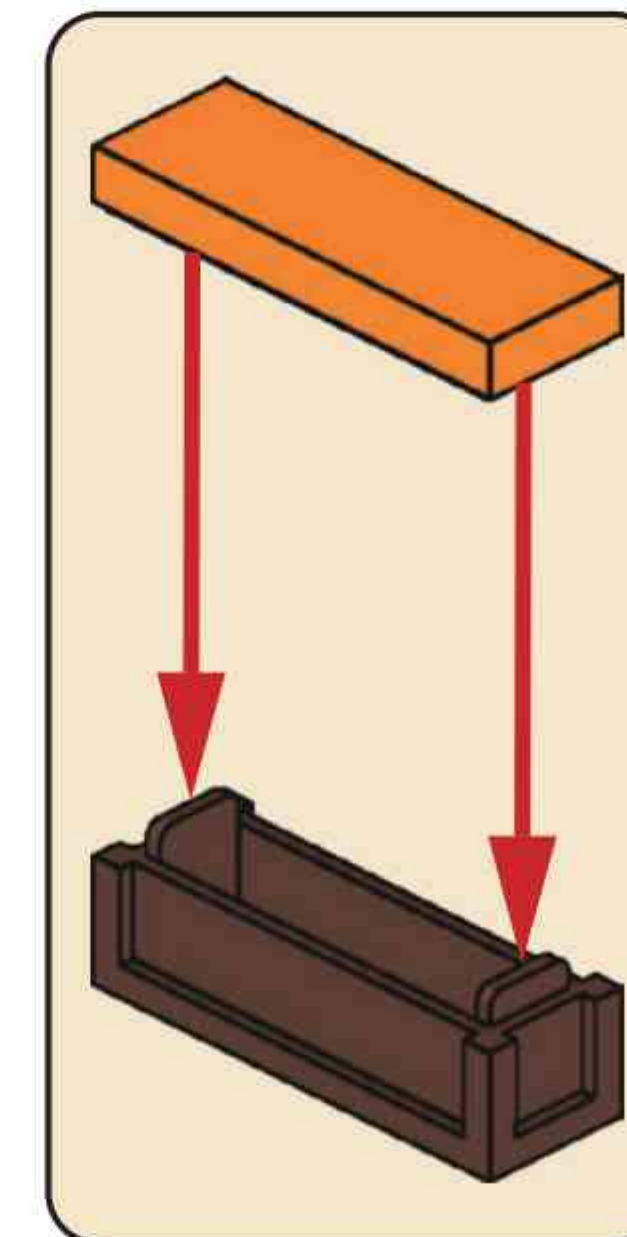
A66

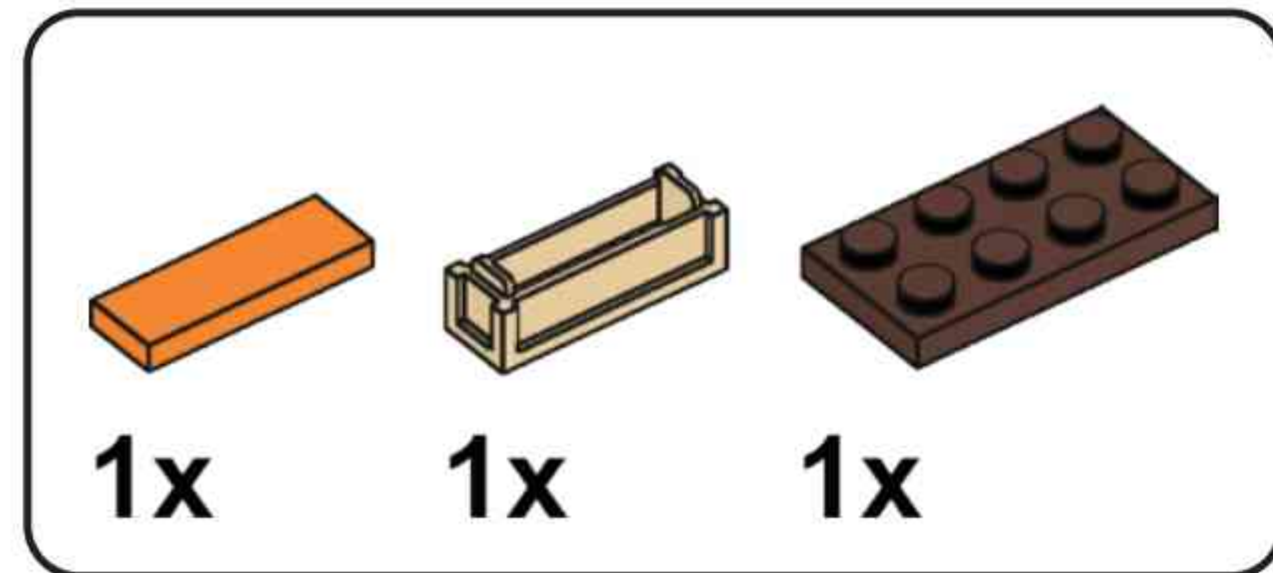


A67

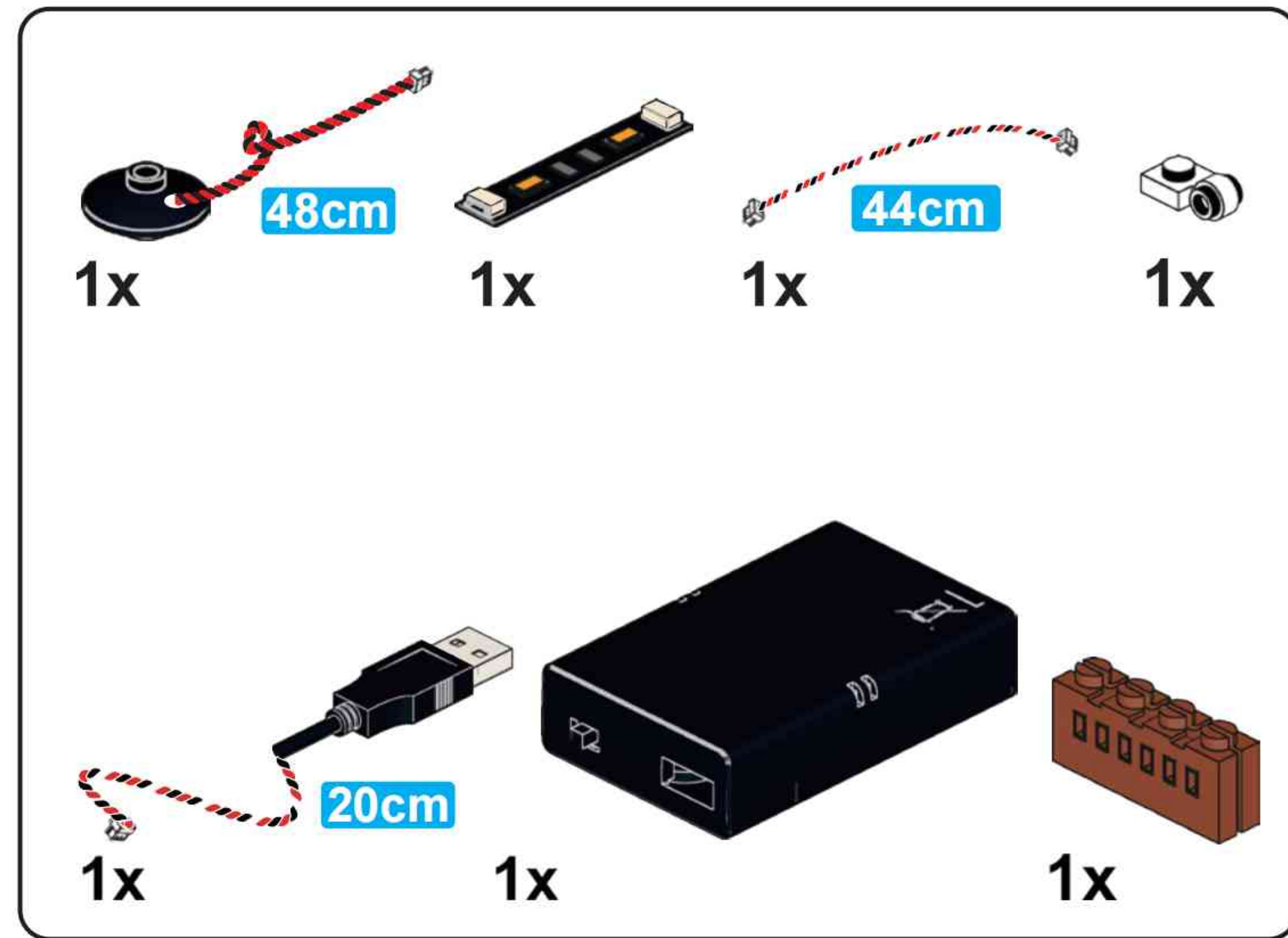
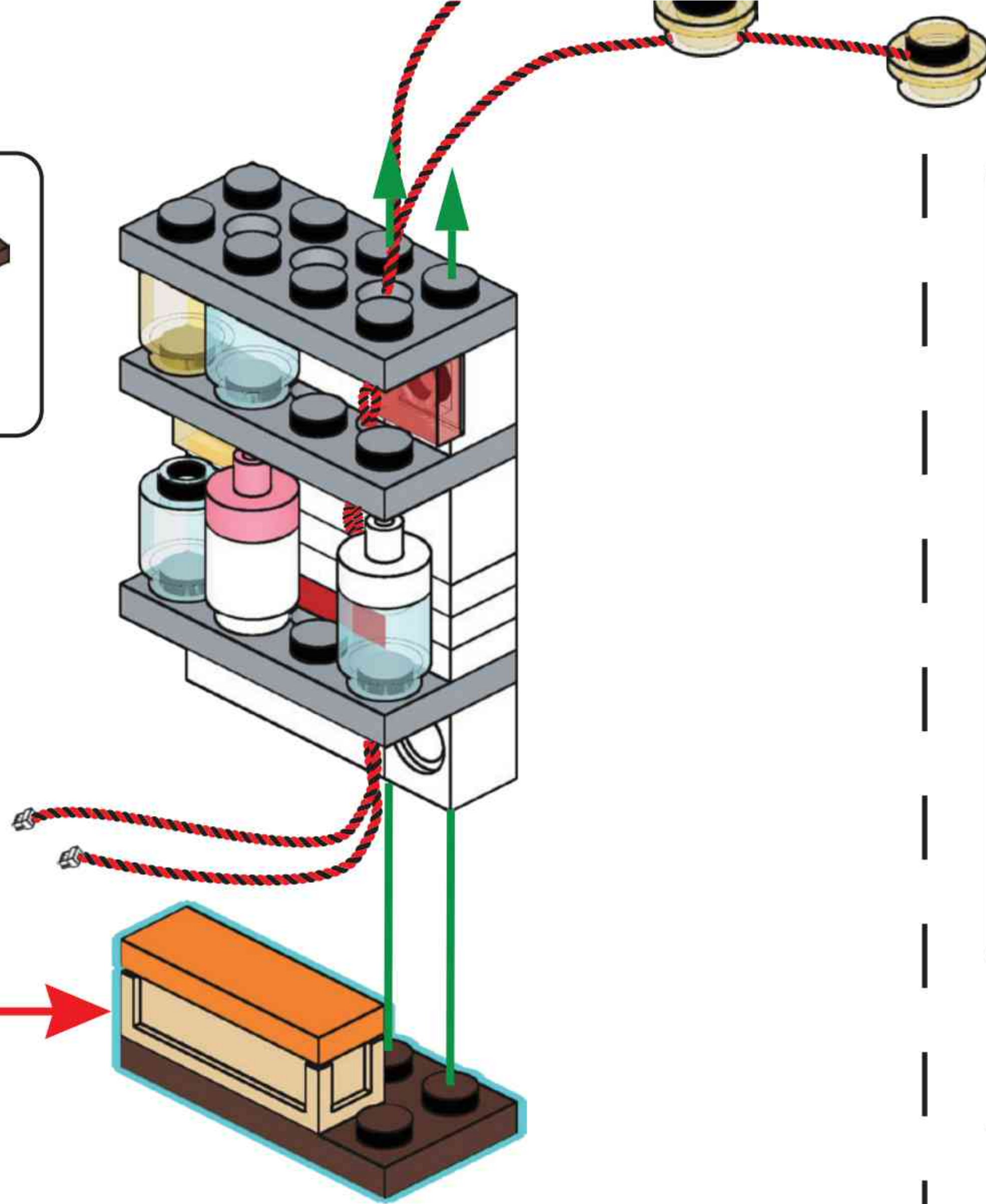
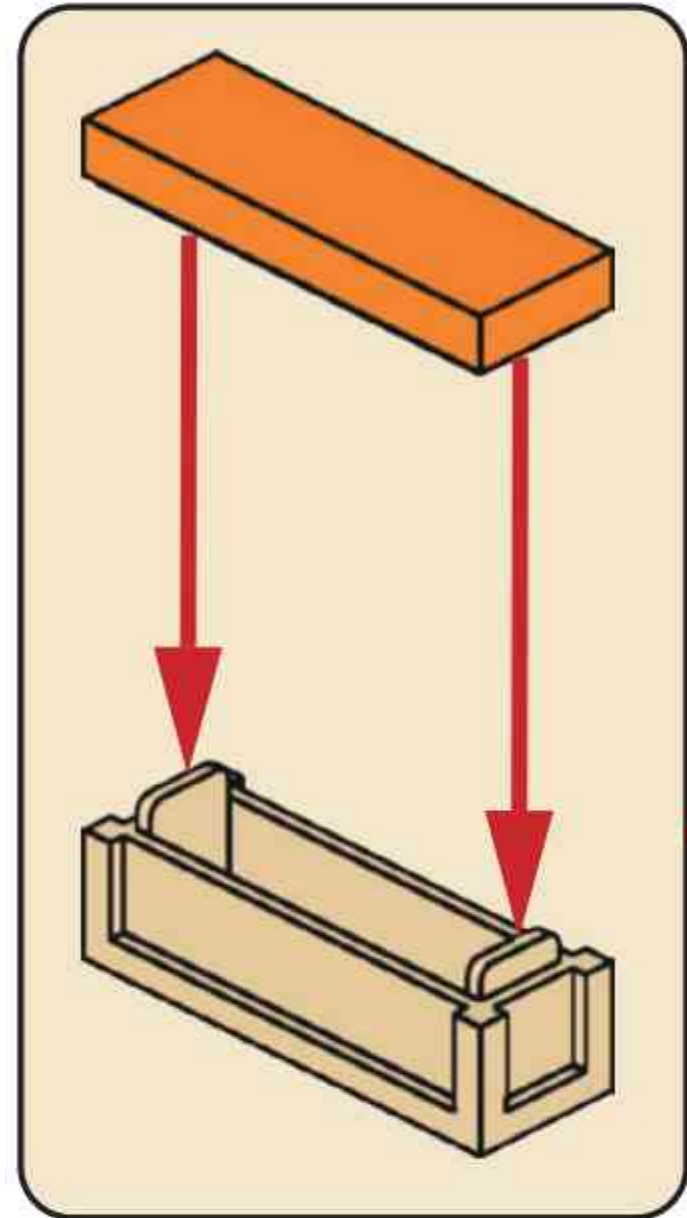


A68

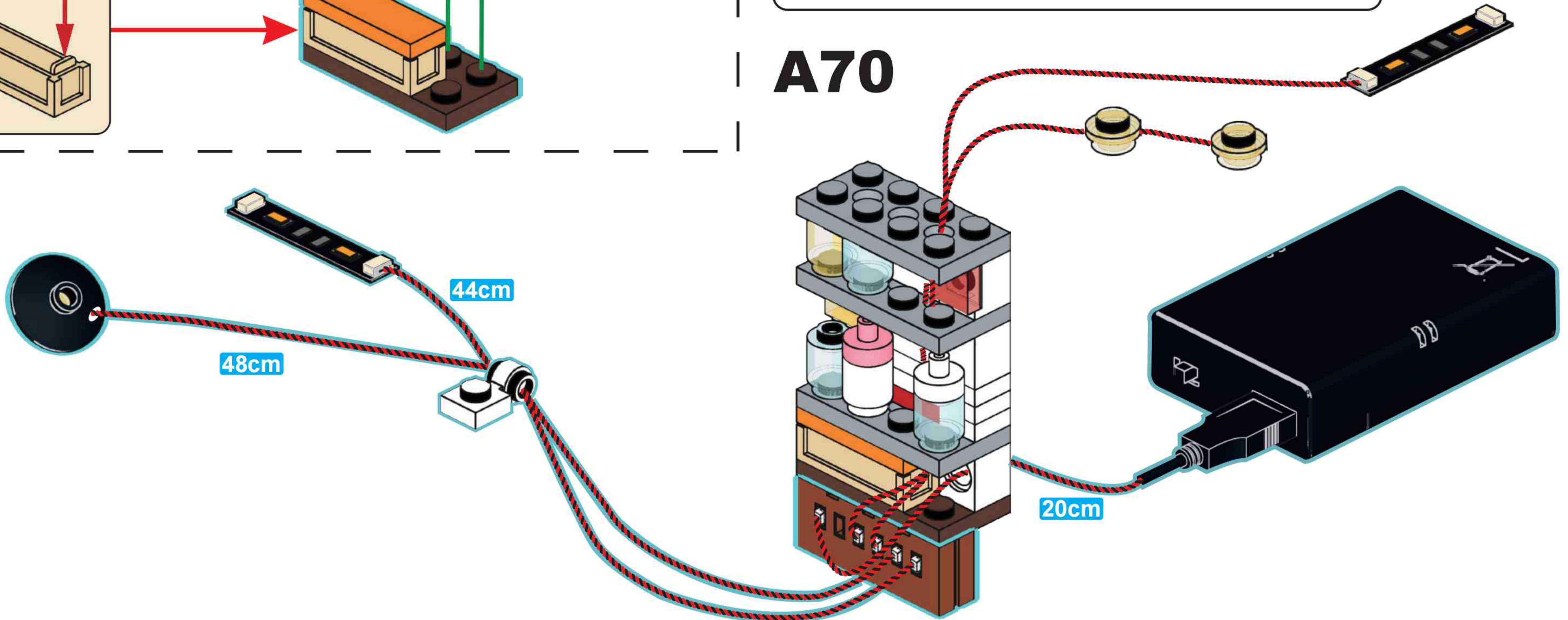


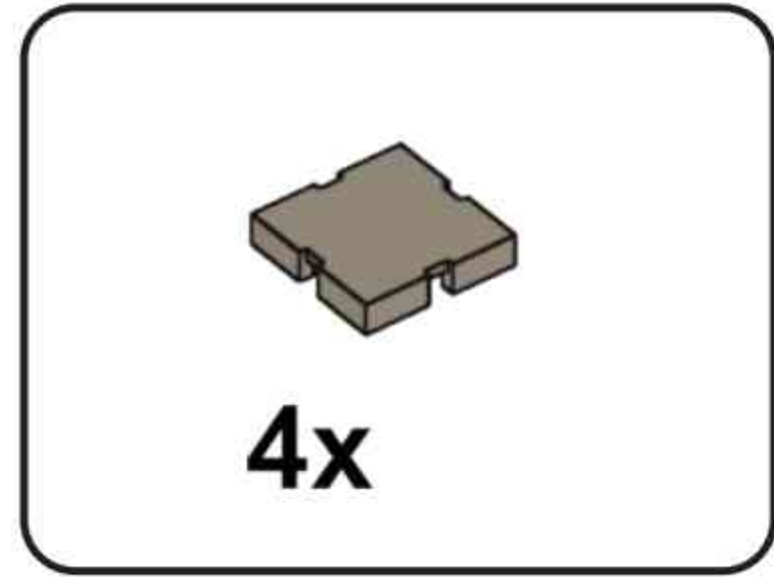


A69

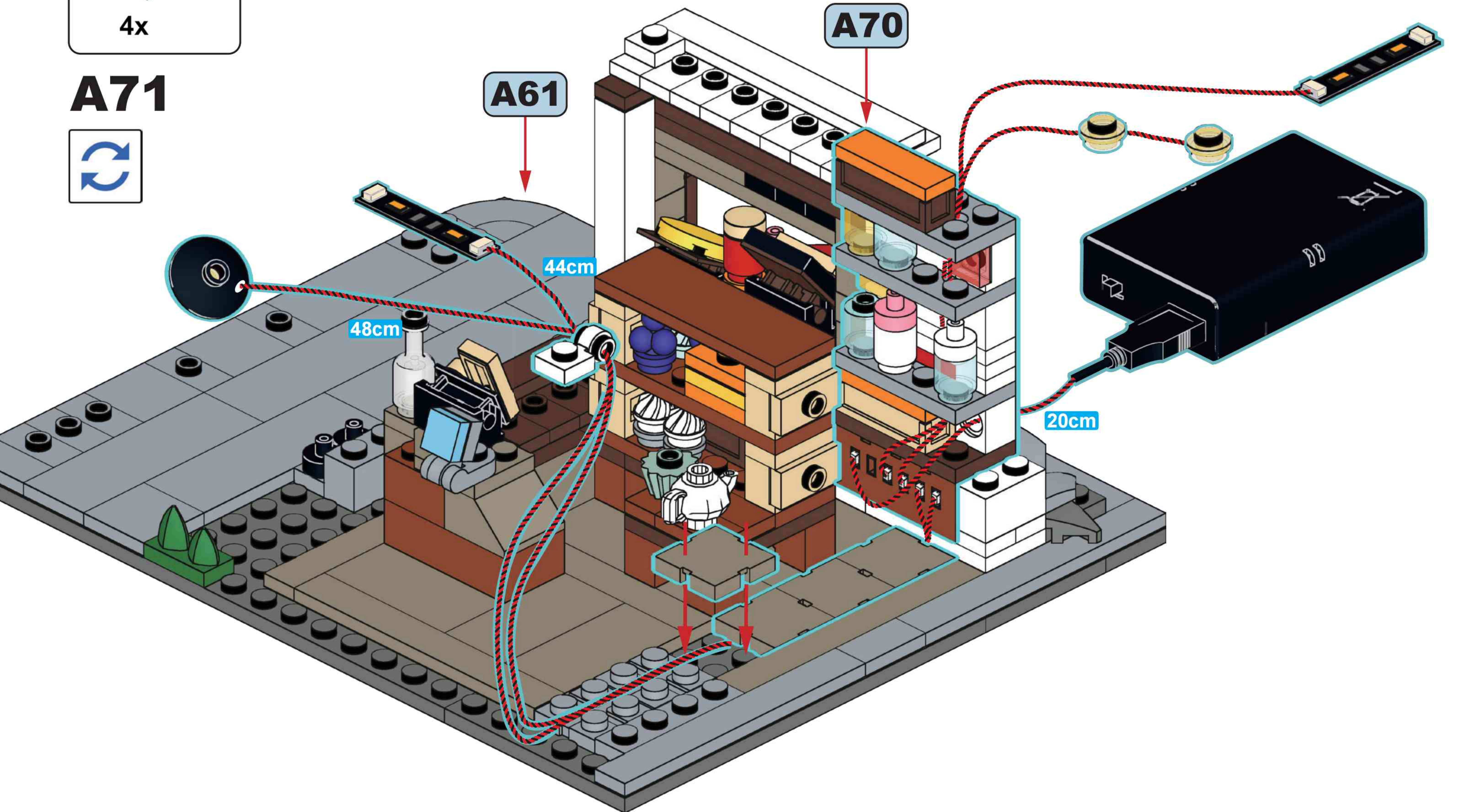


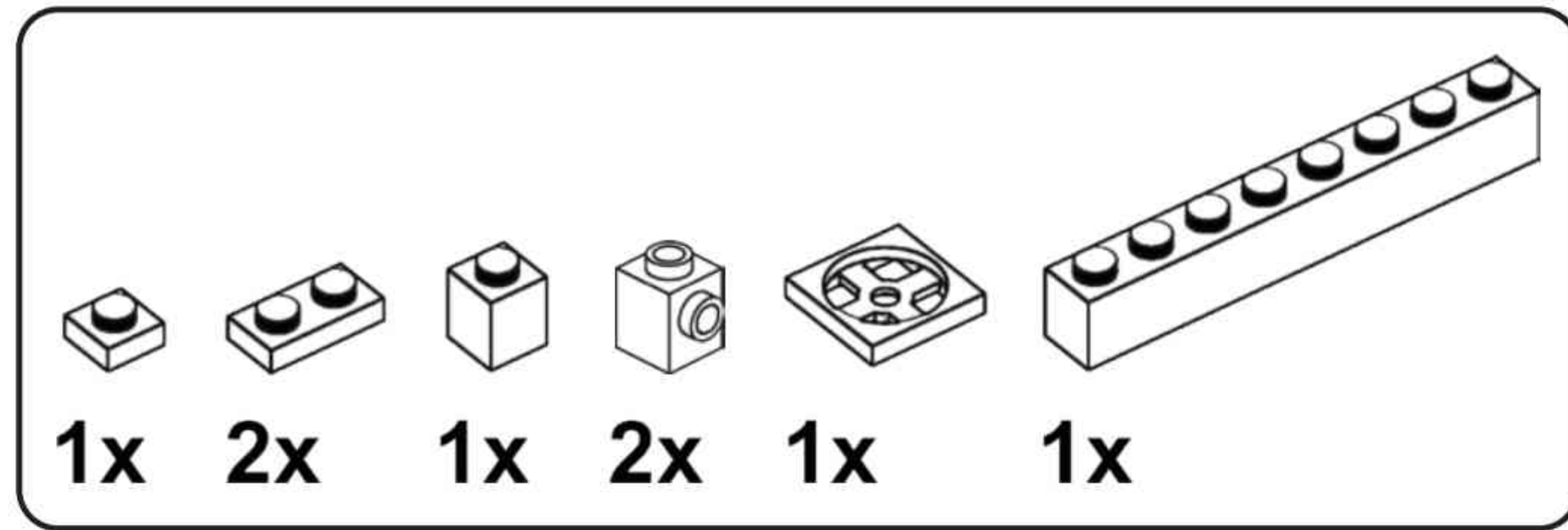
A70



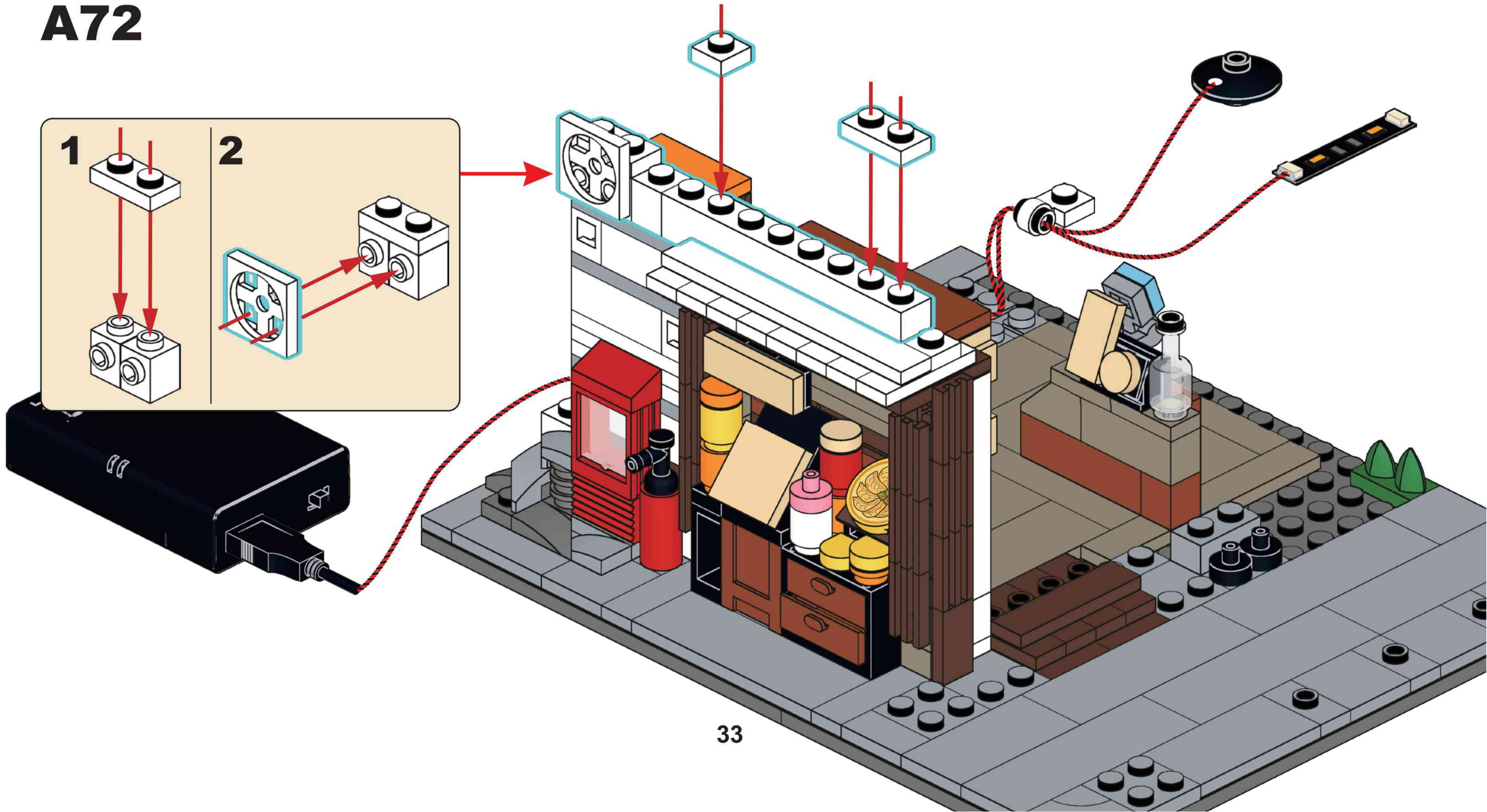
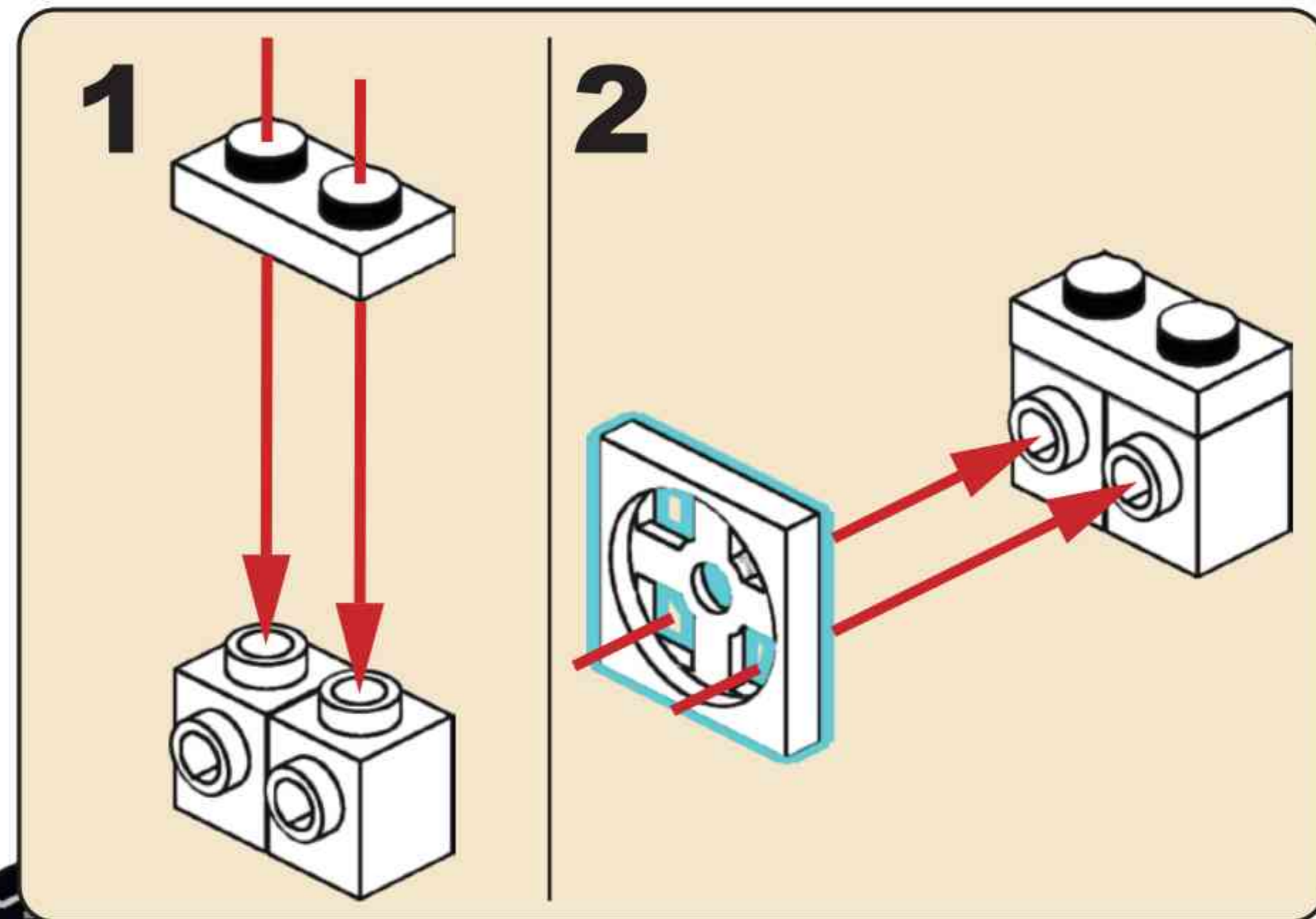


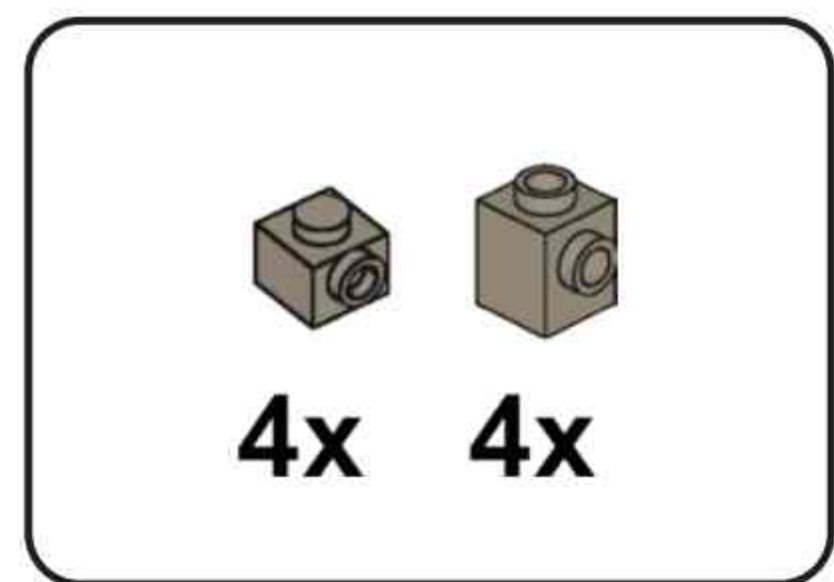
A71



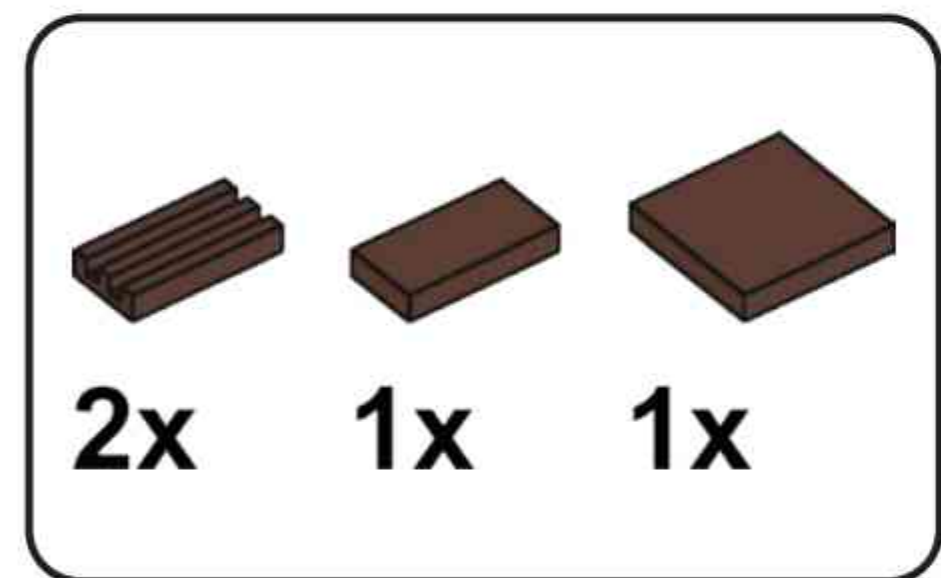
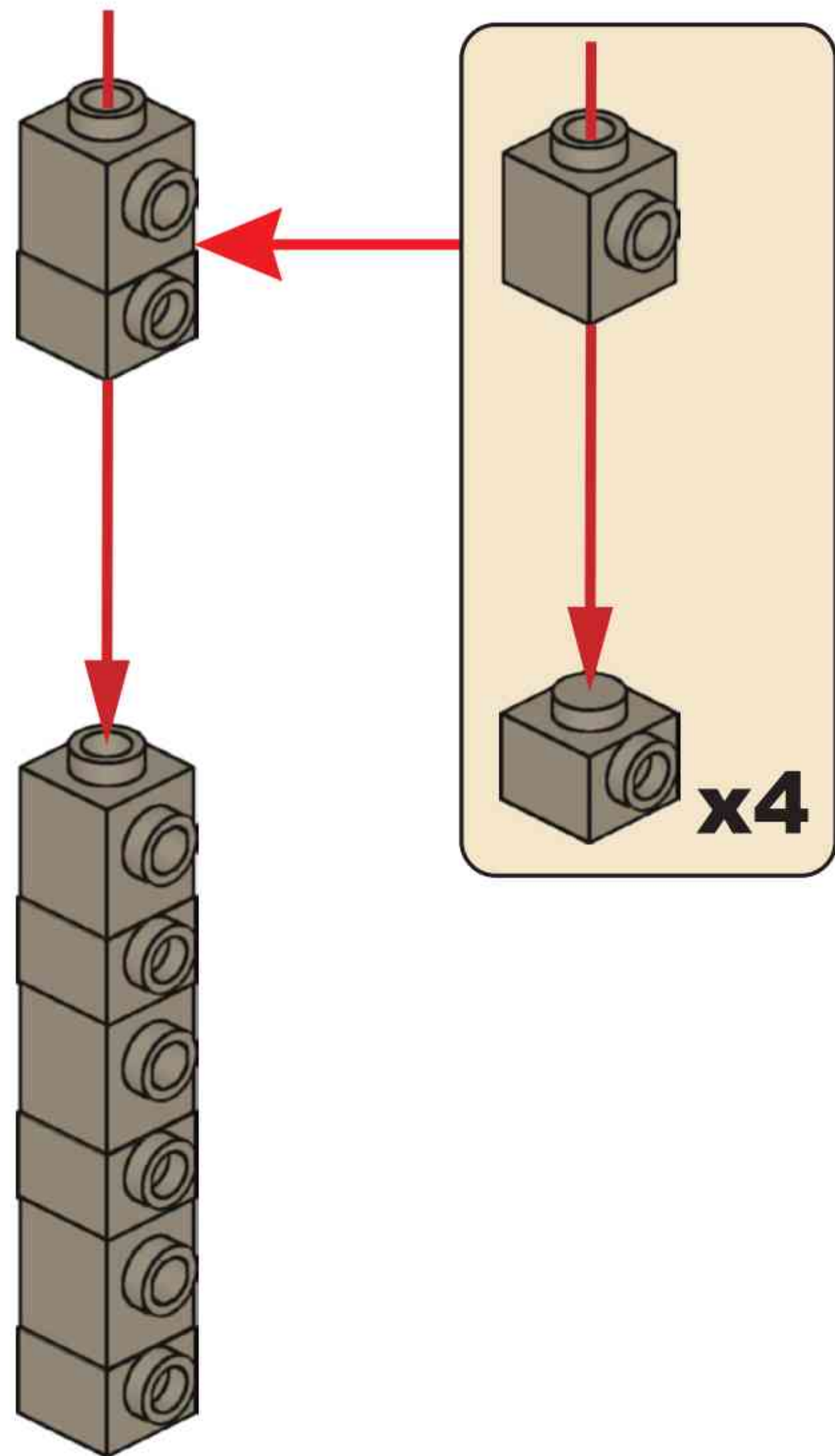


A72

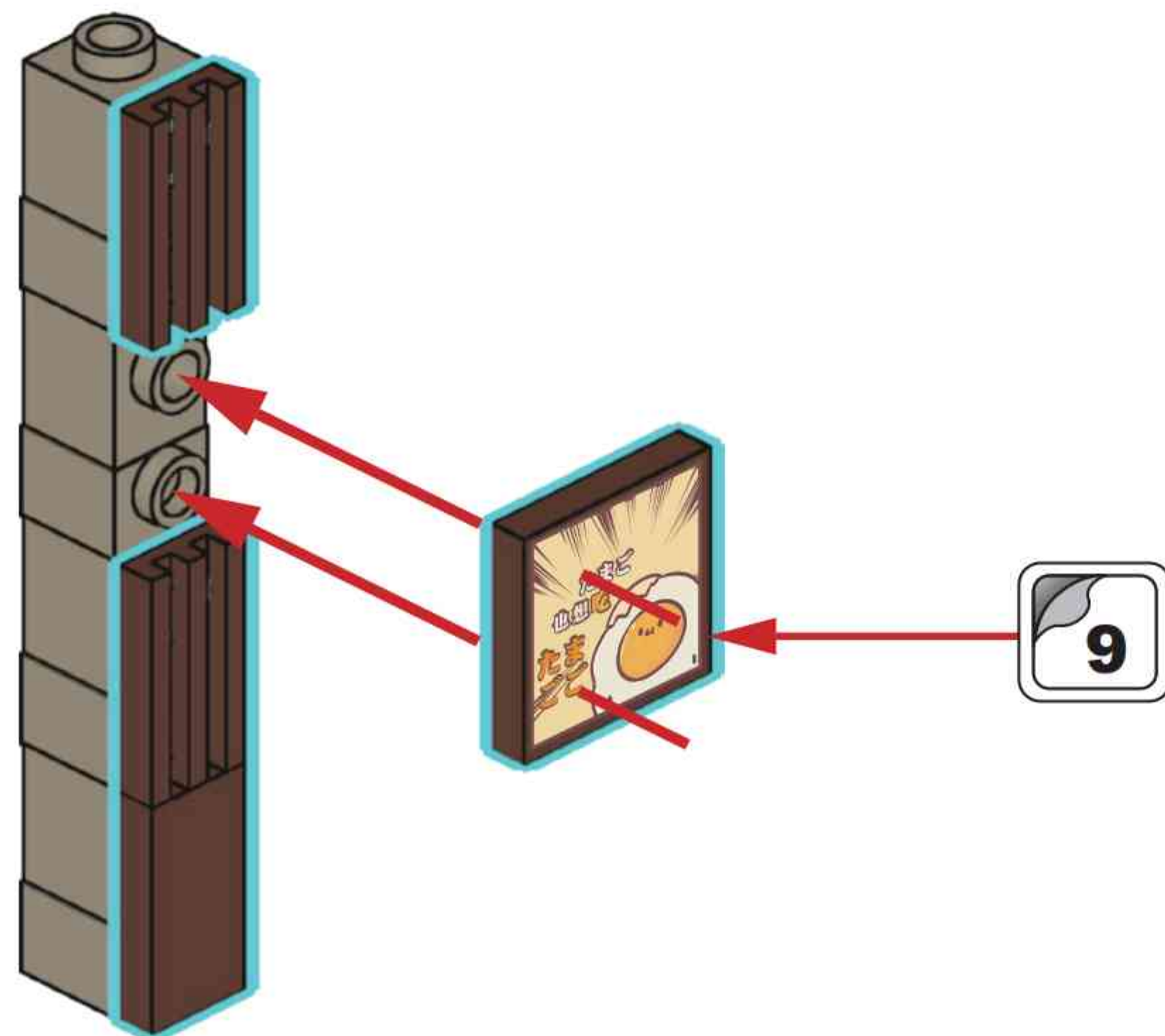




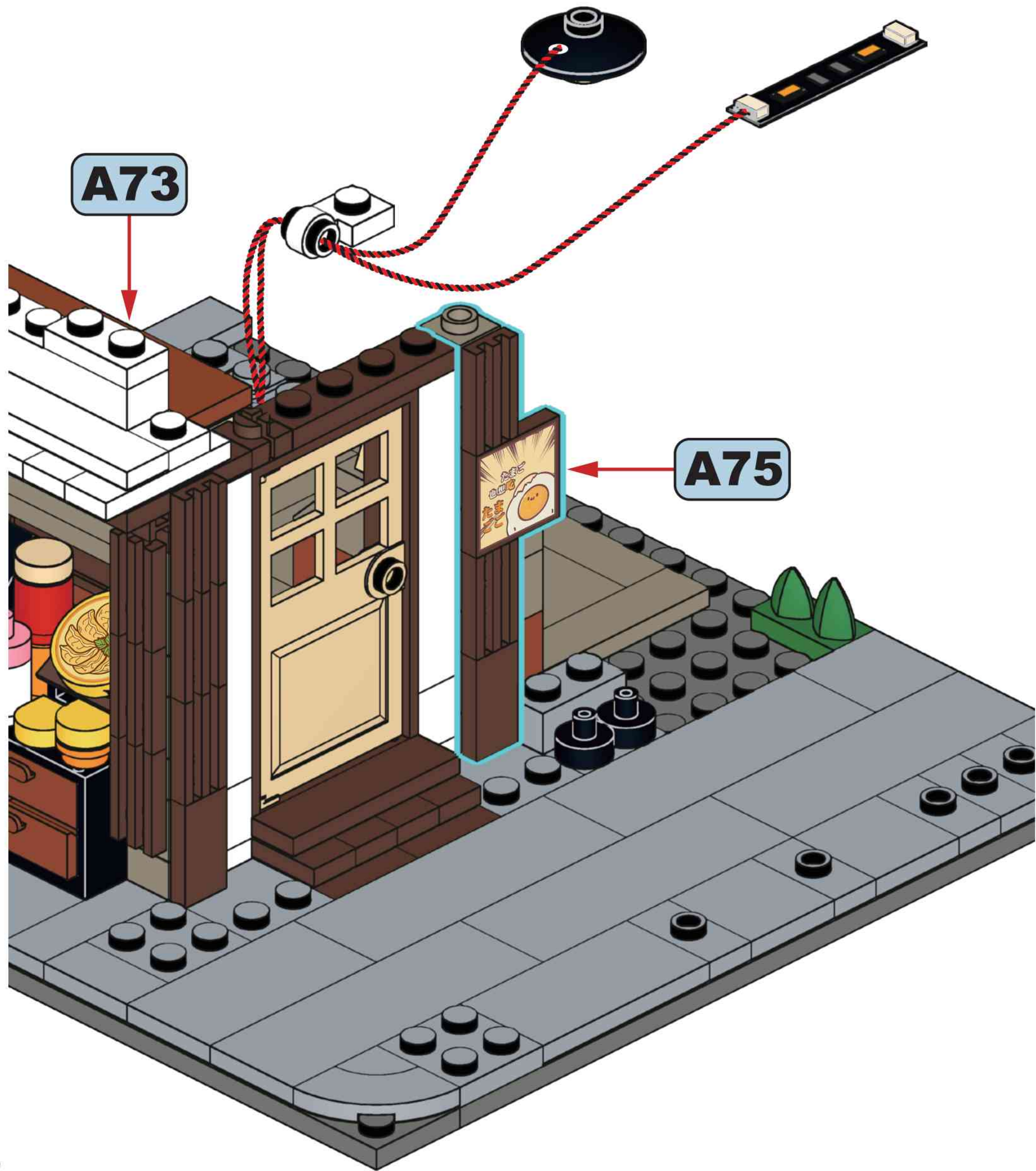
A74

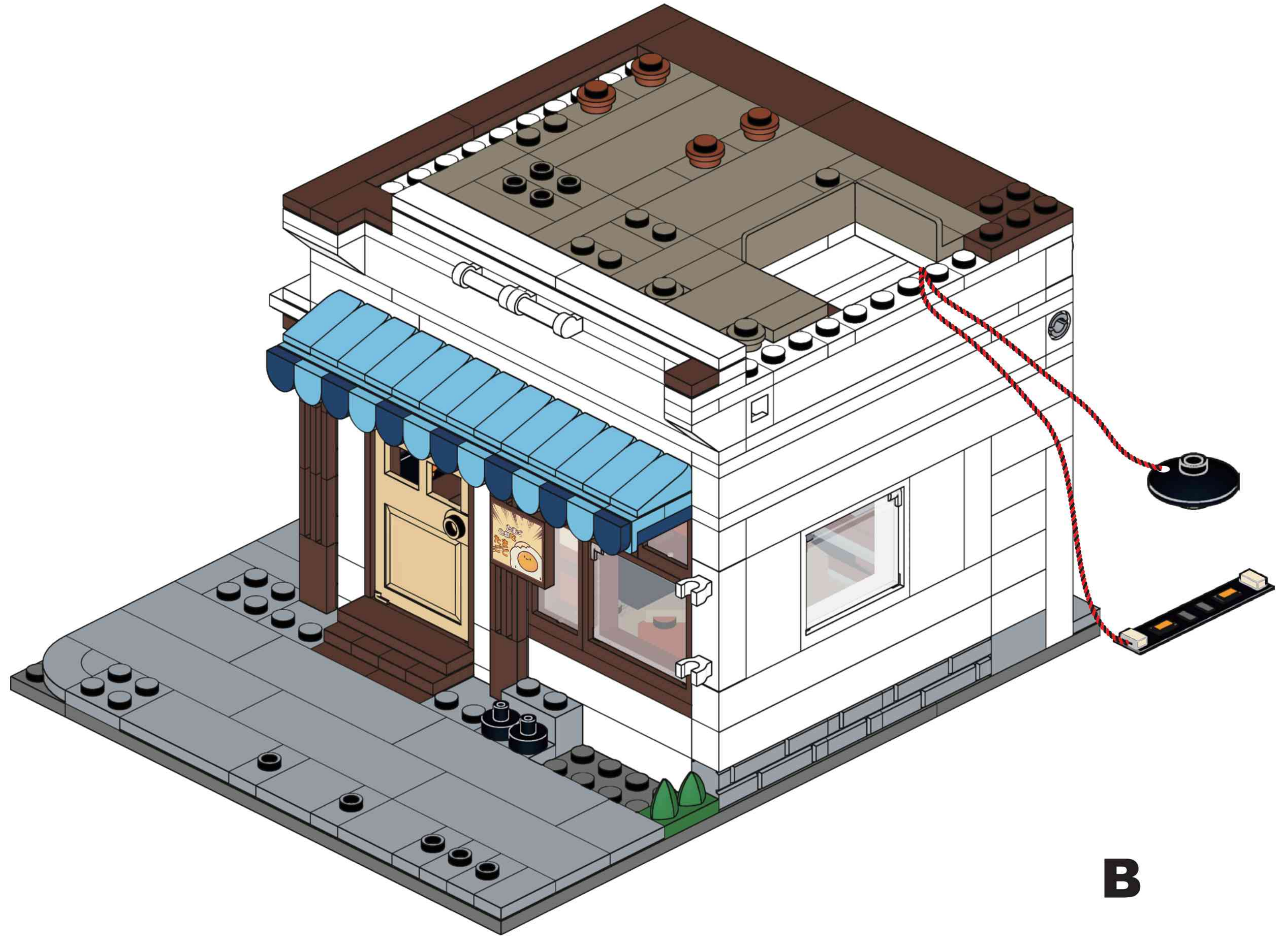


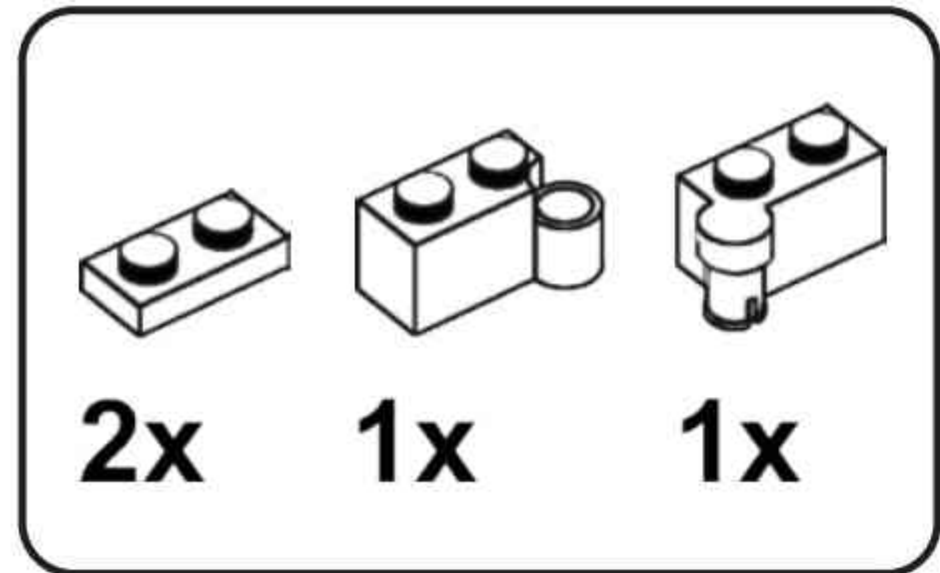
A75



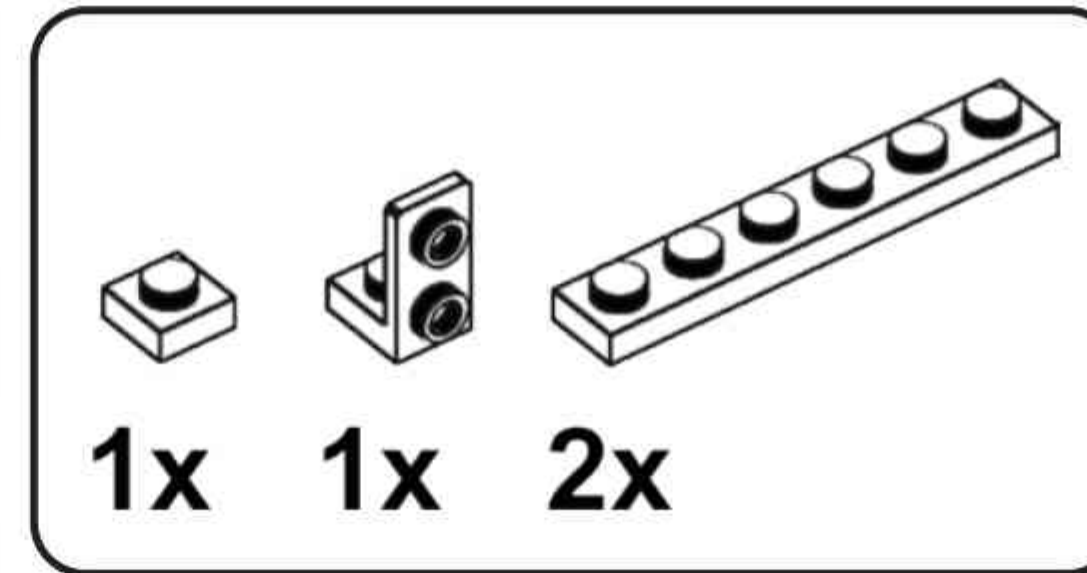
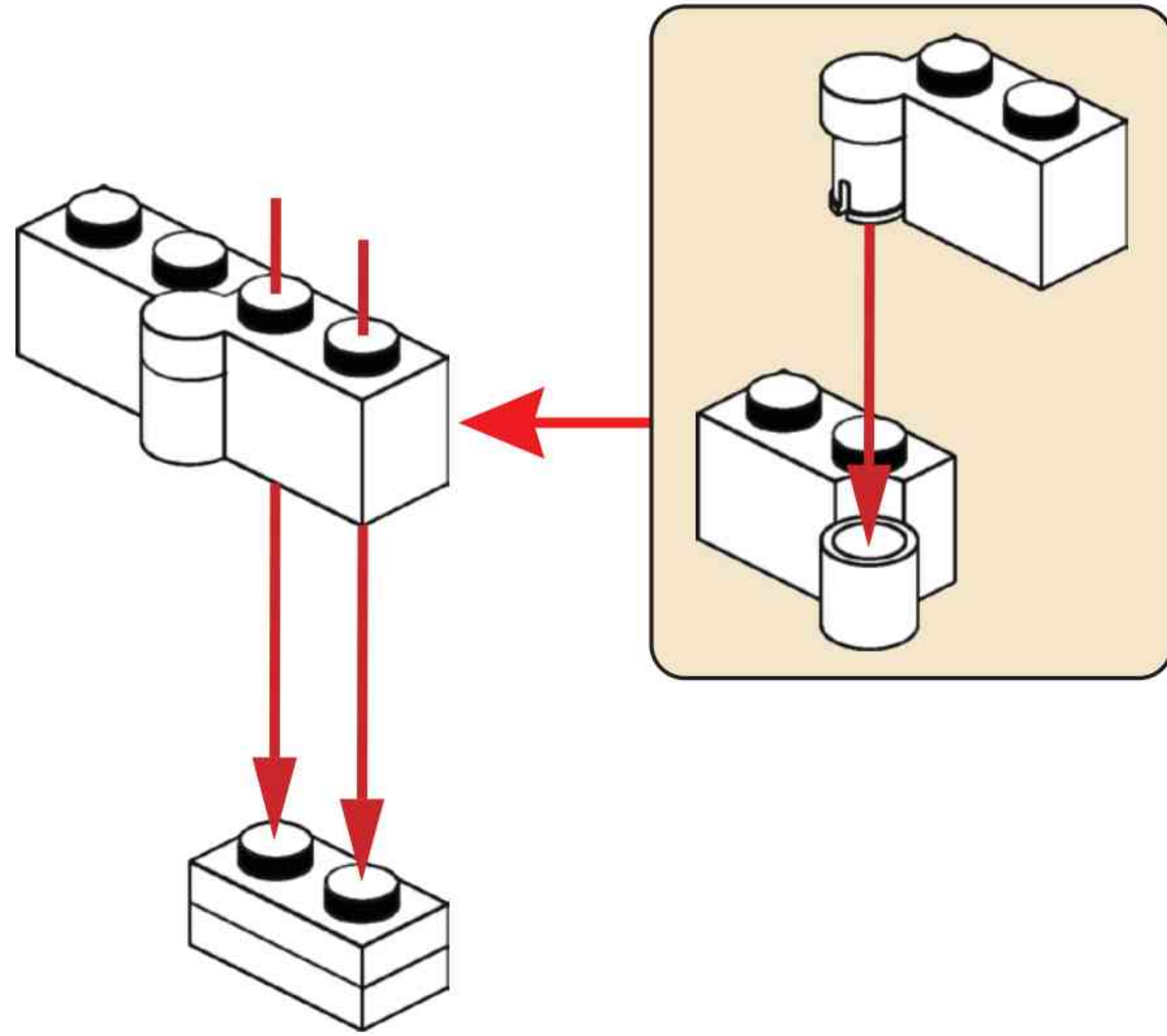
A76



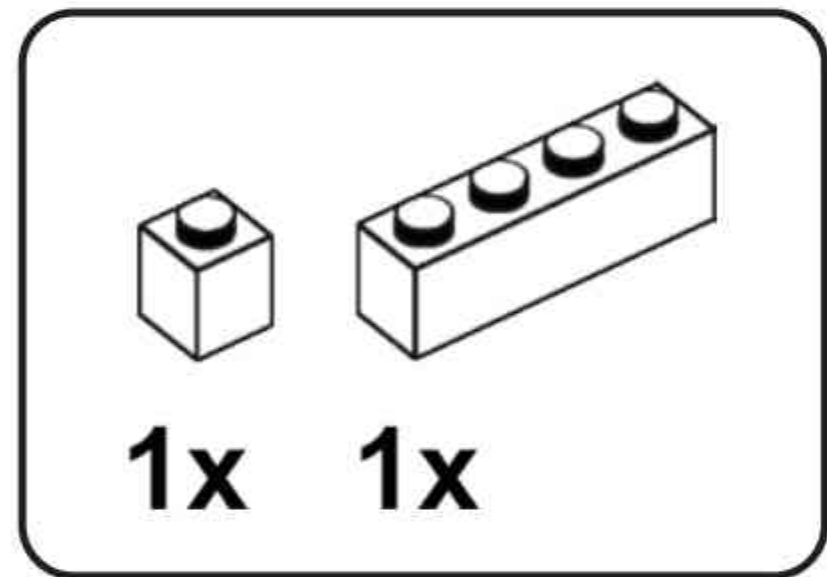
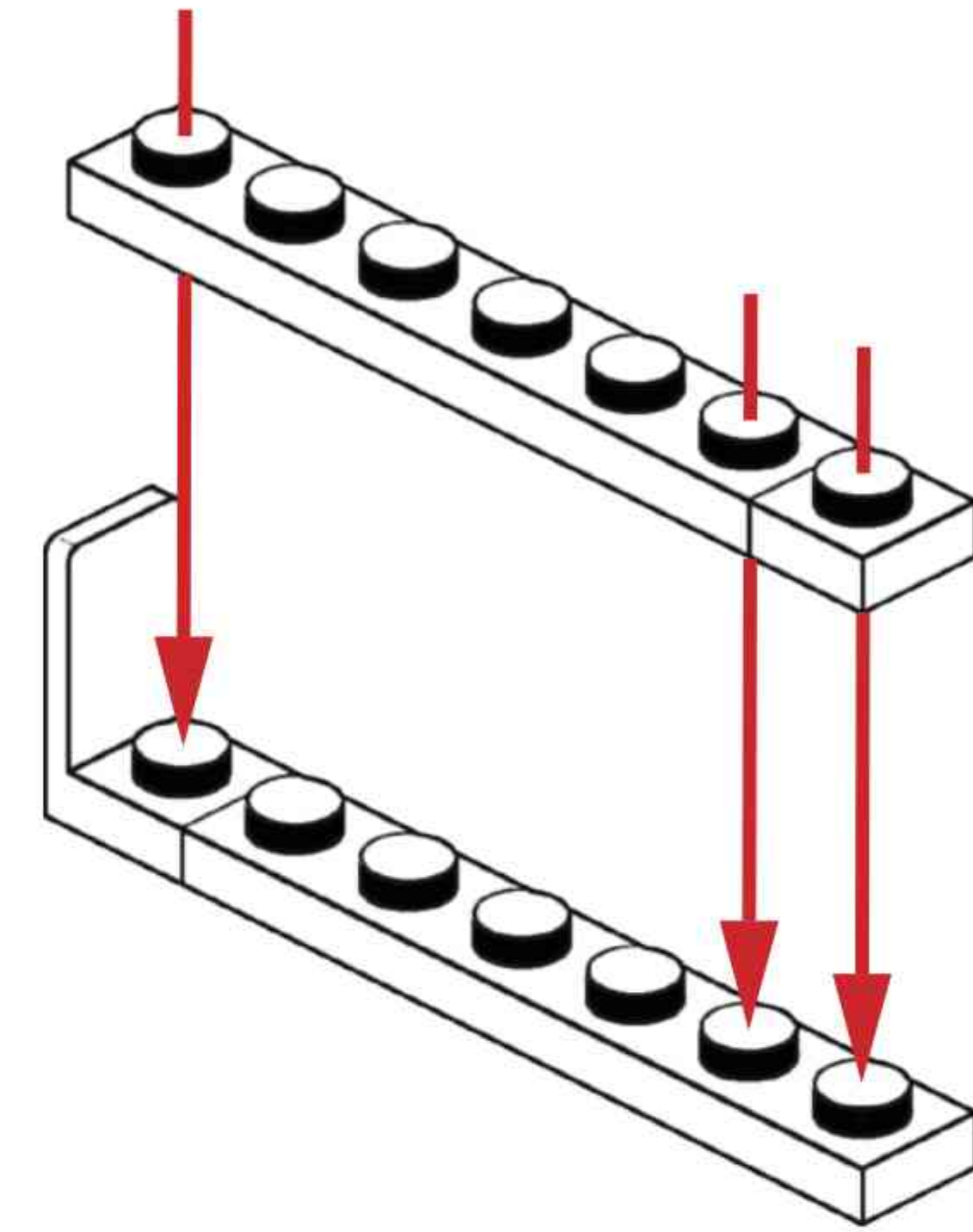




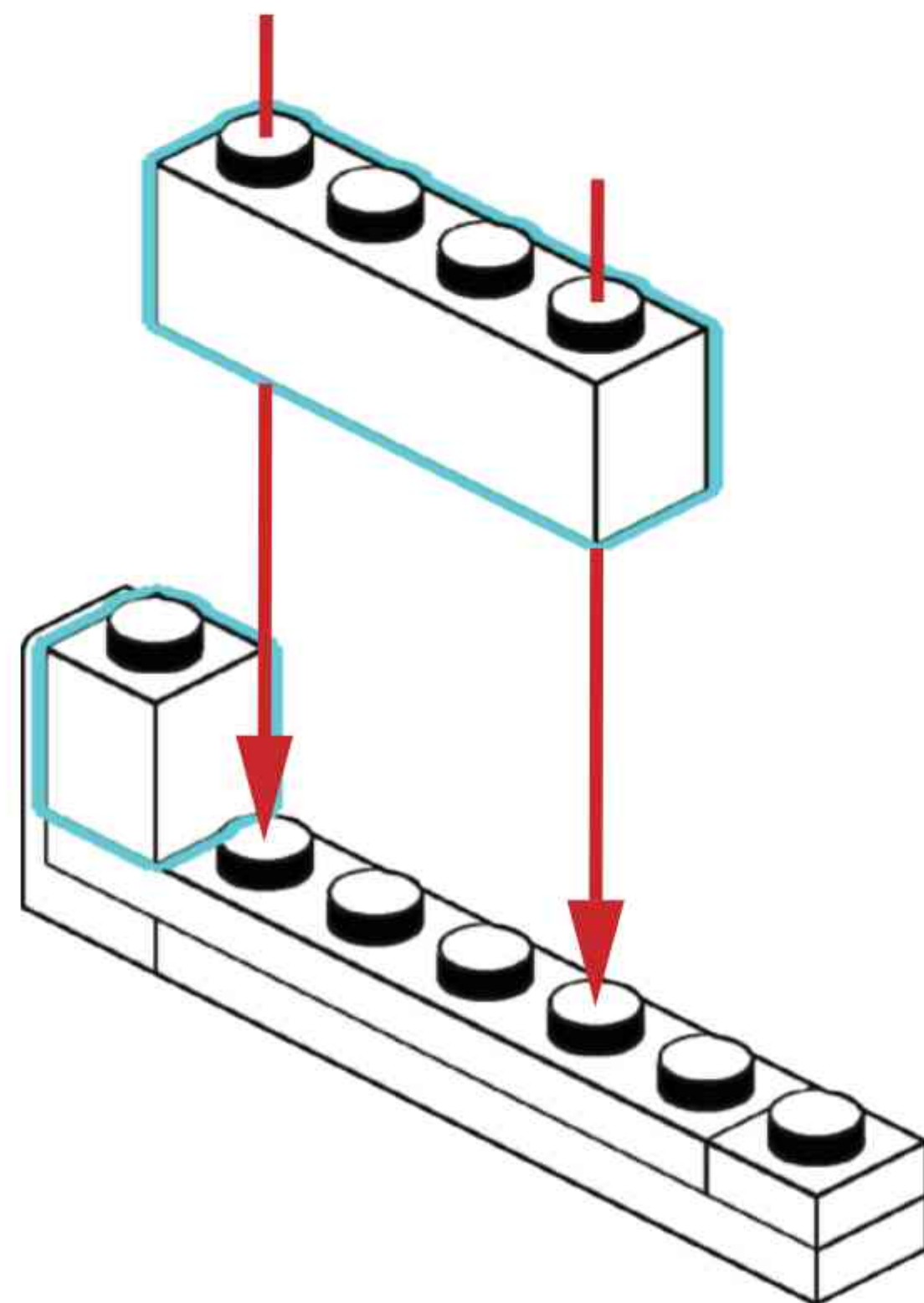
B1



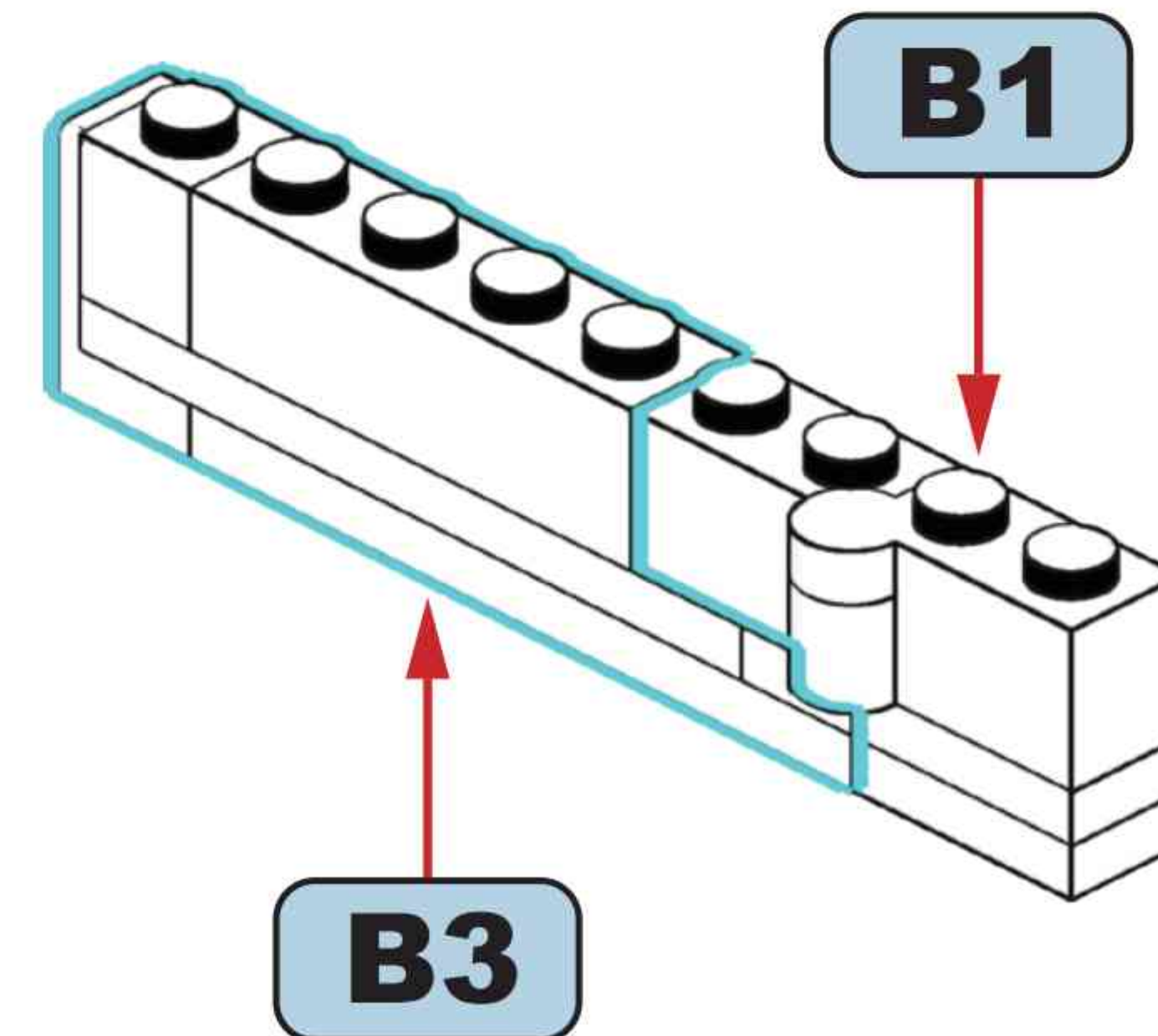
B2

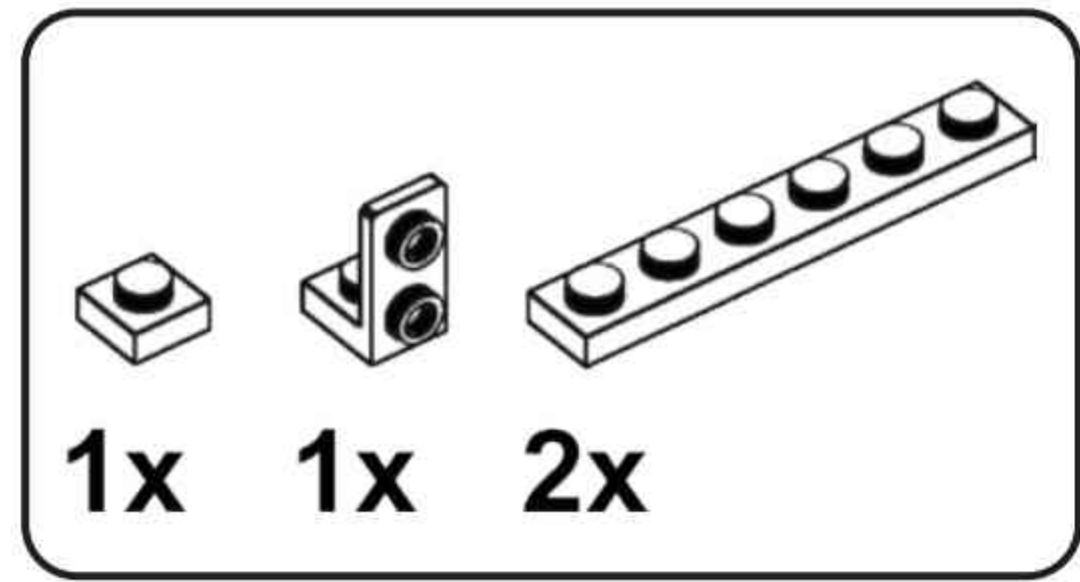


B3

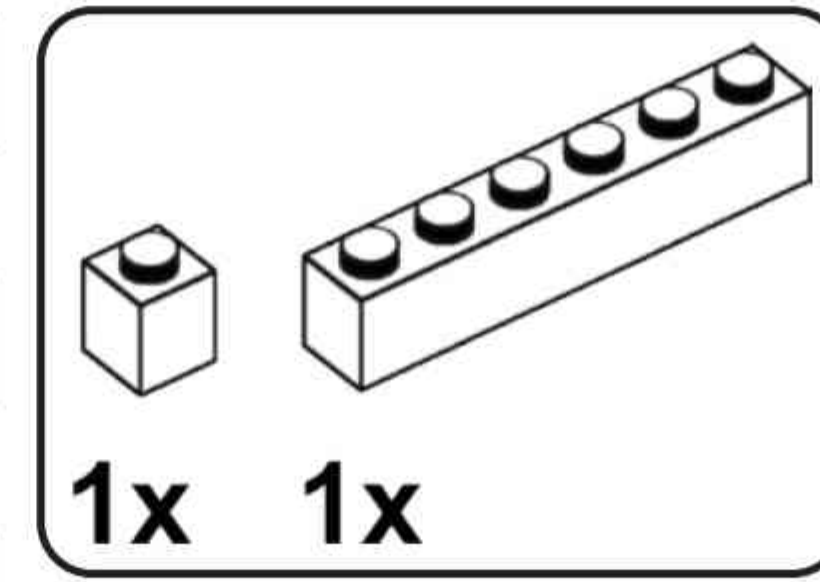
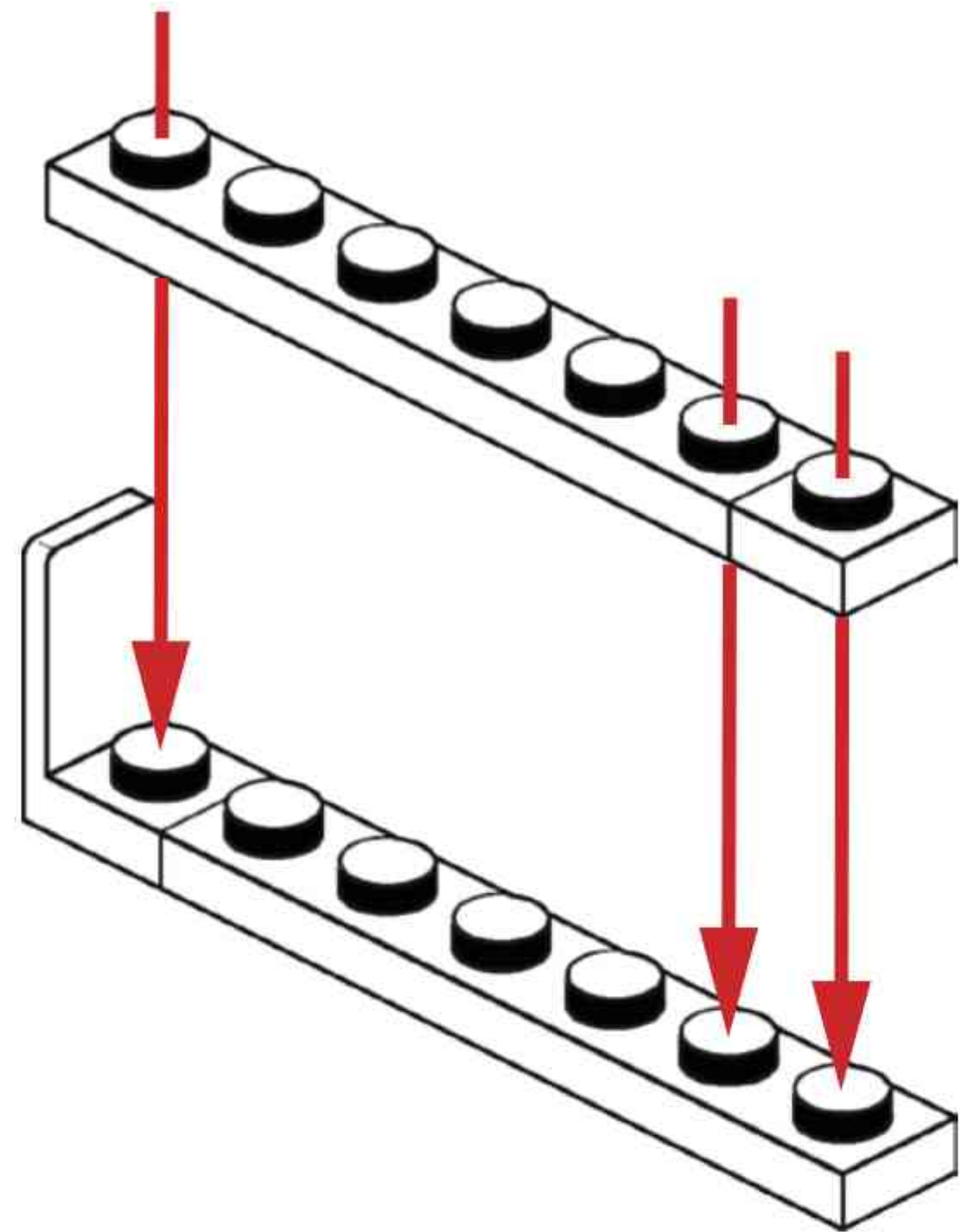


B4

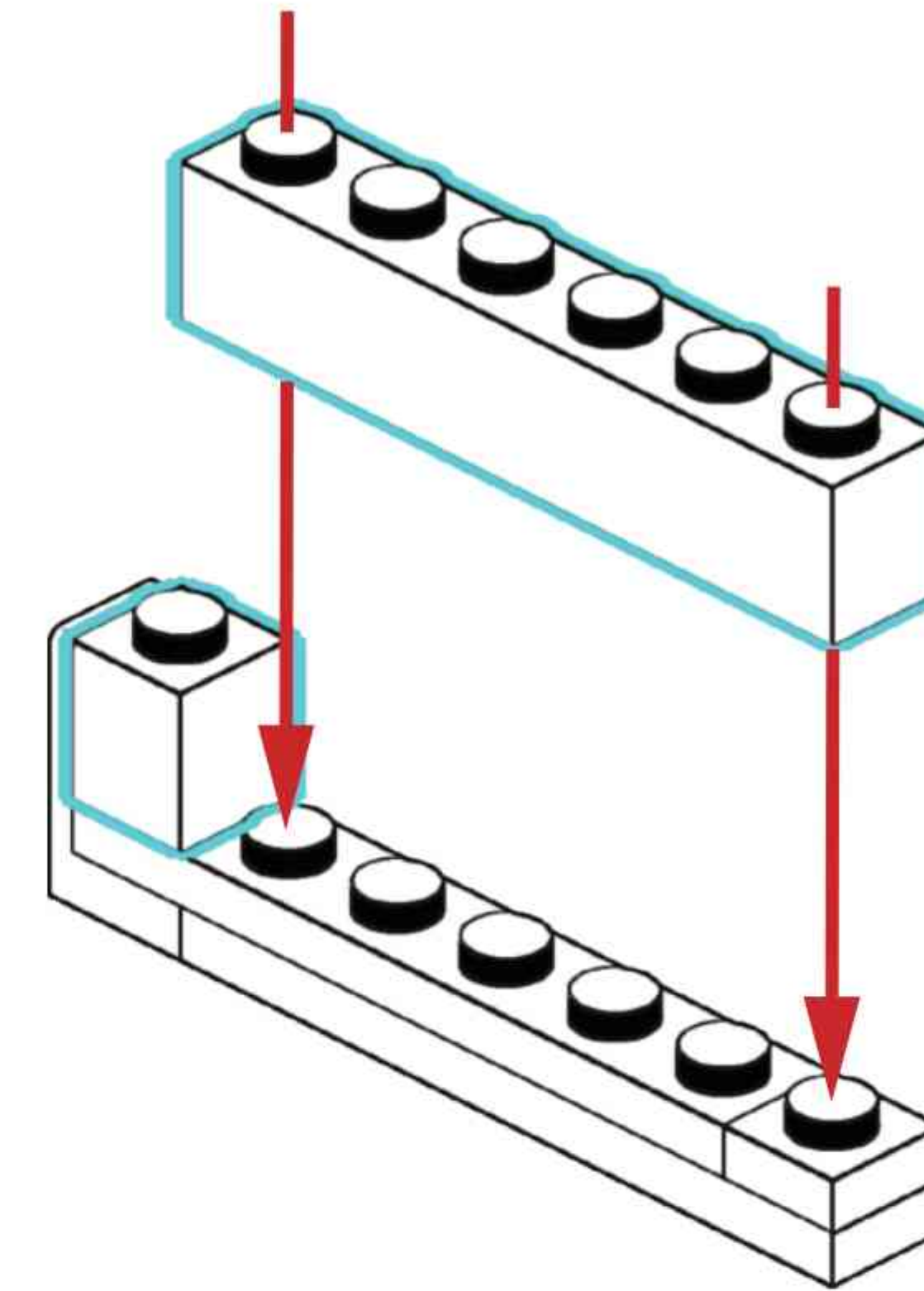




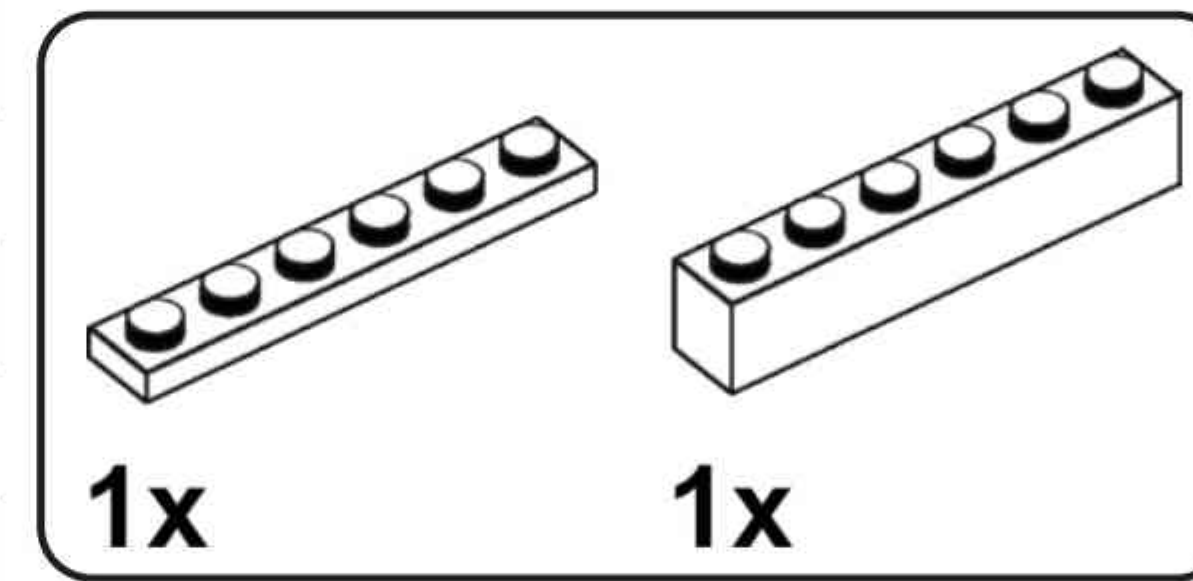
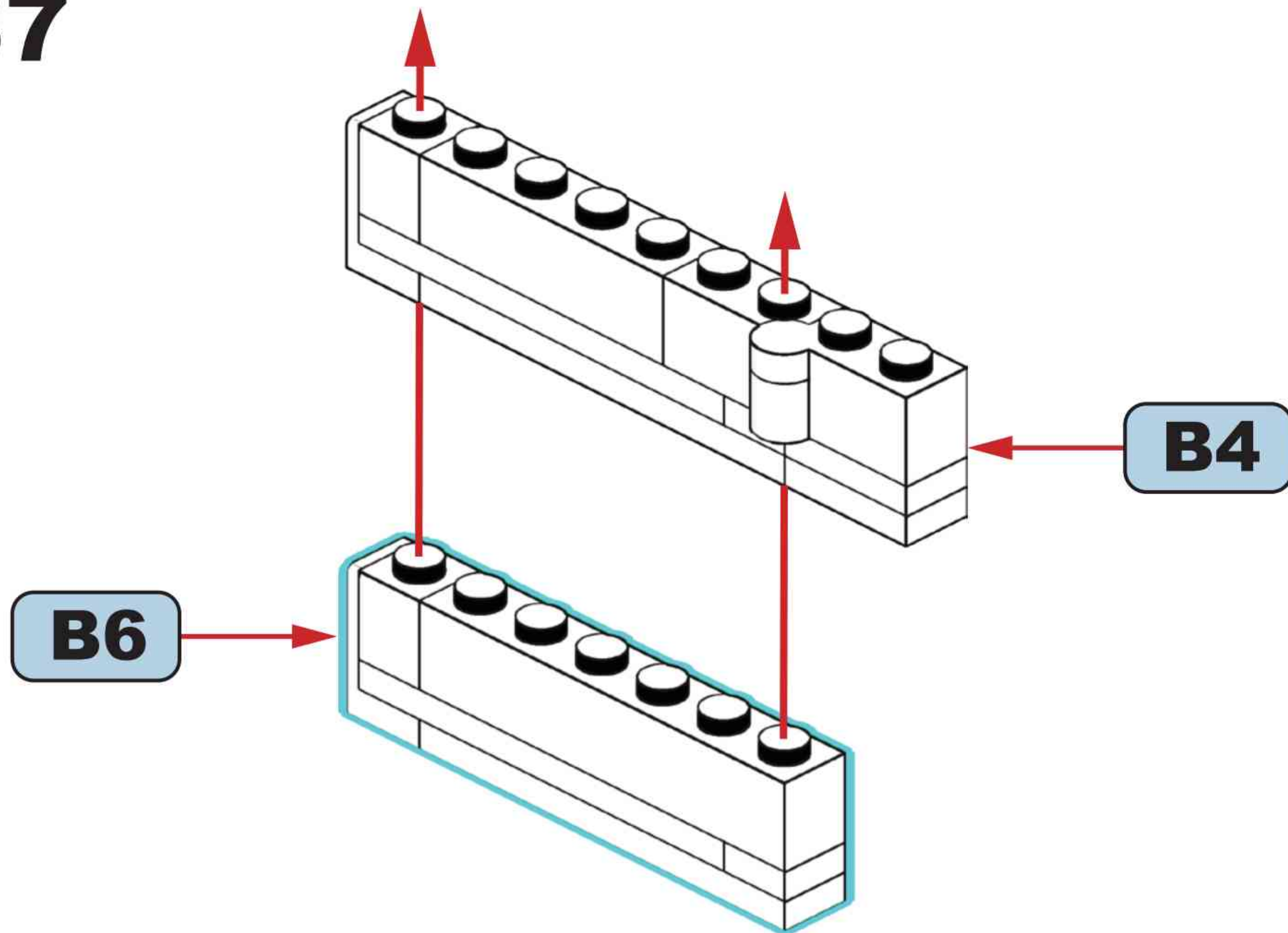
B5



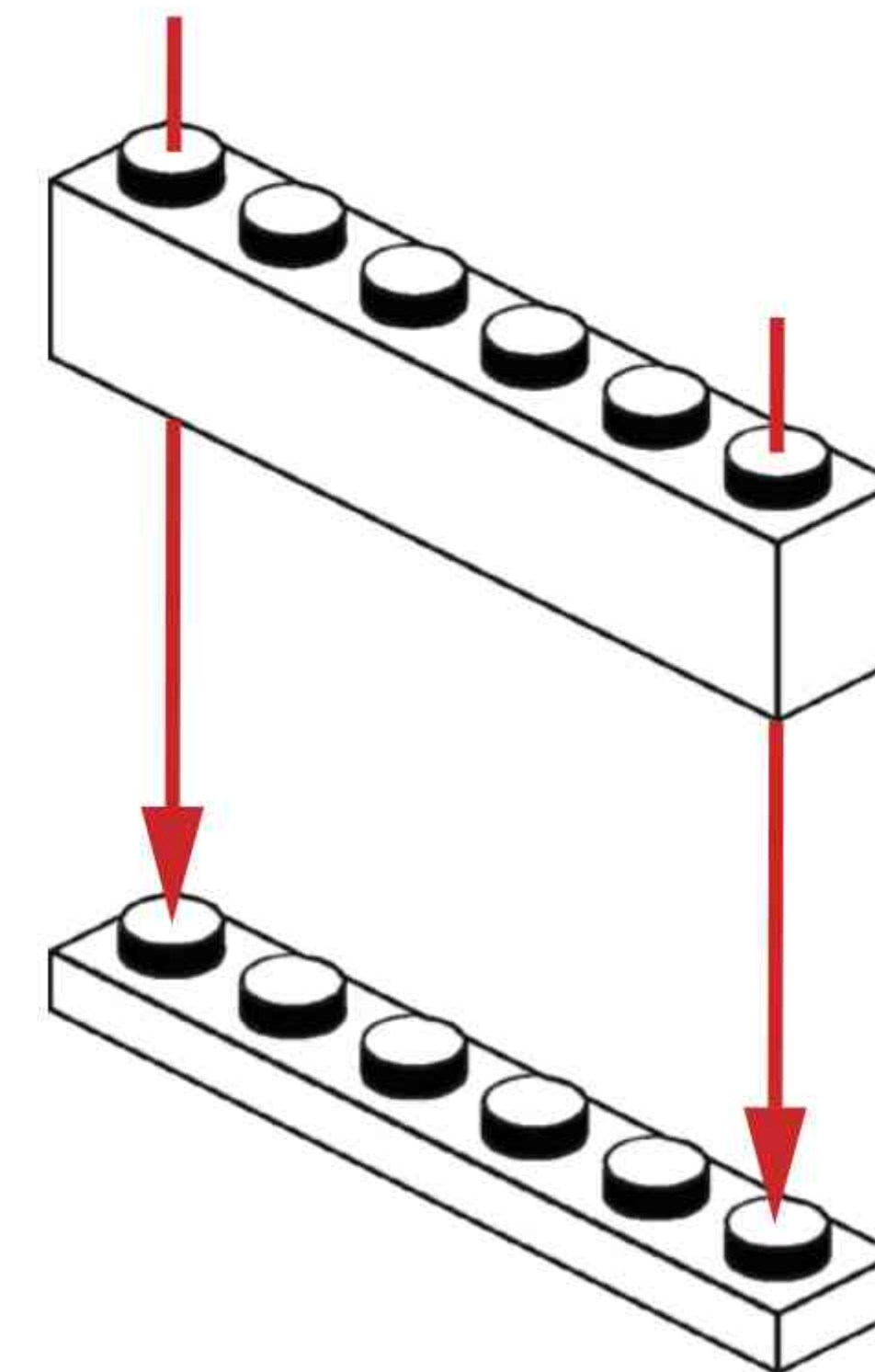
B6

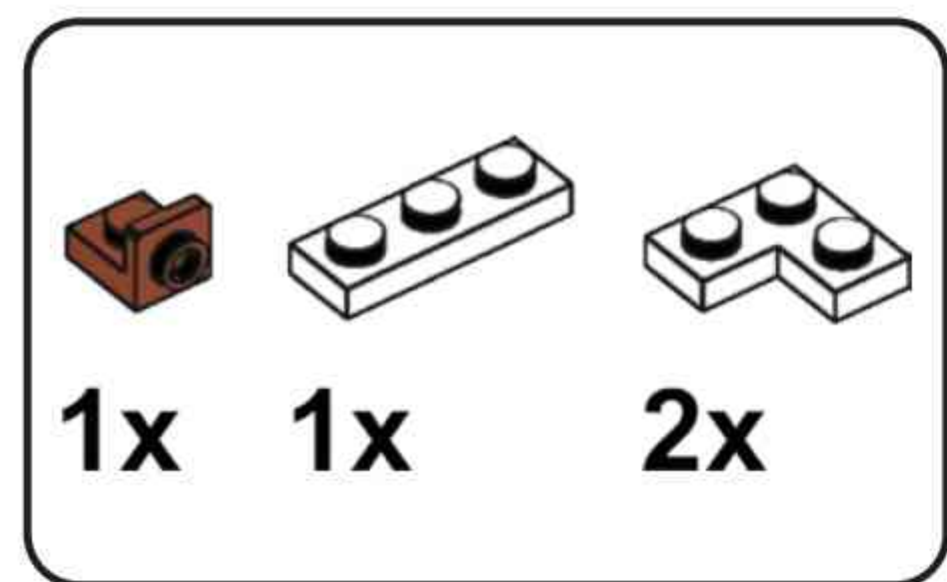


B7

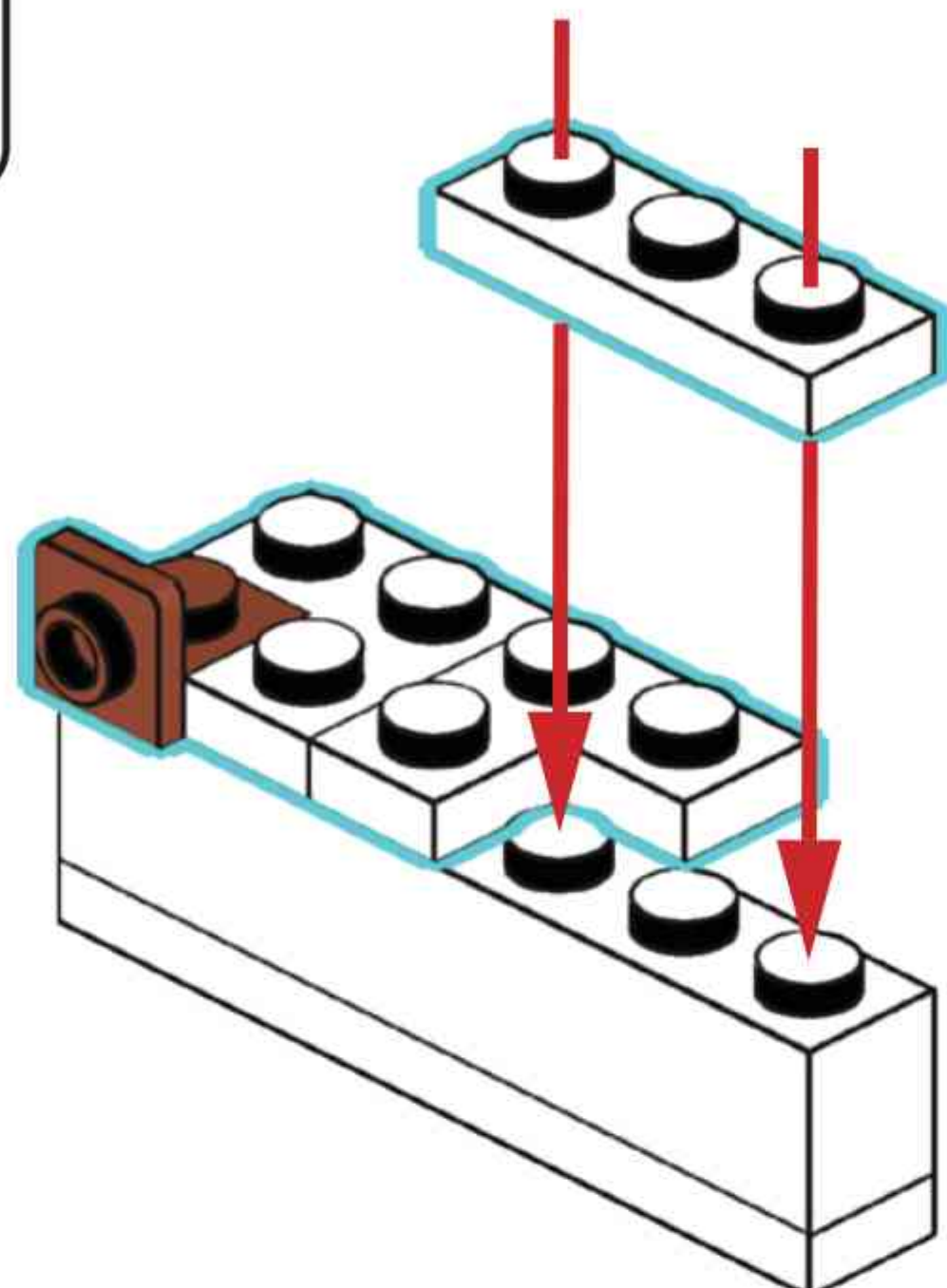


B8



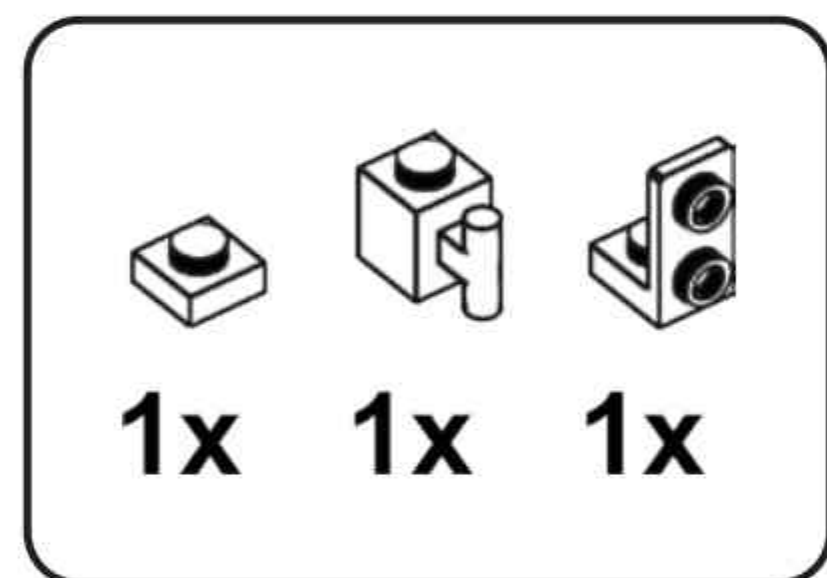
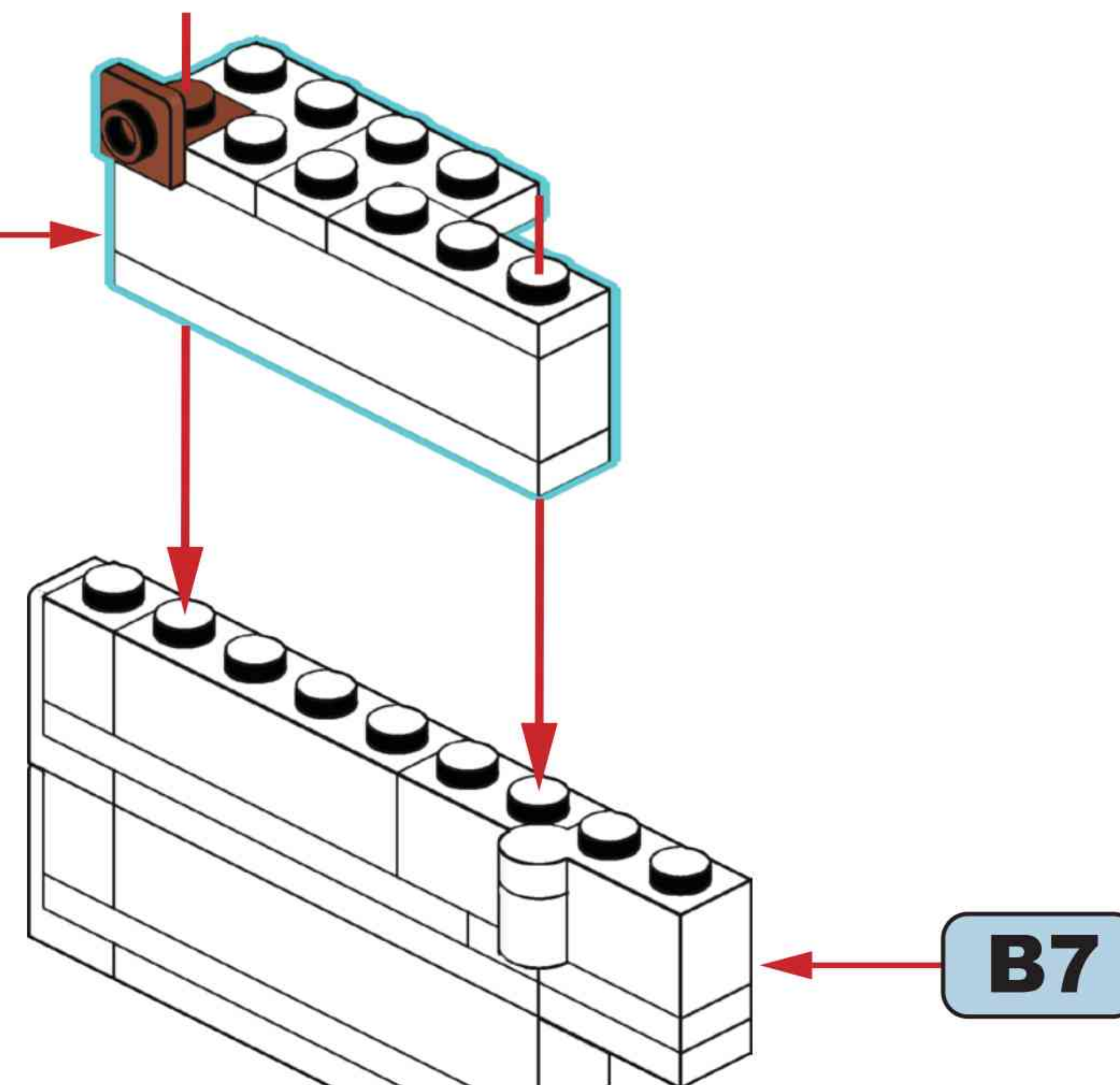


B9

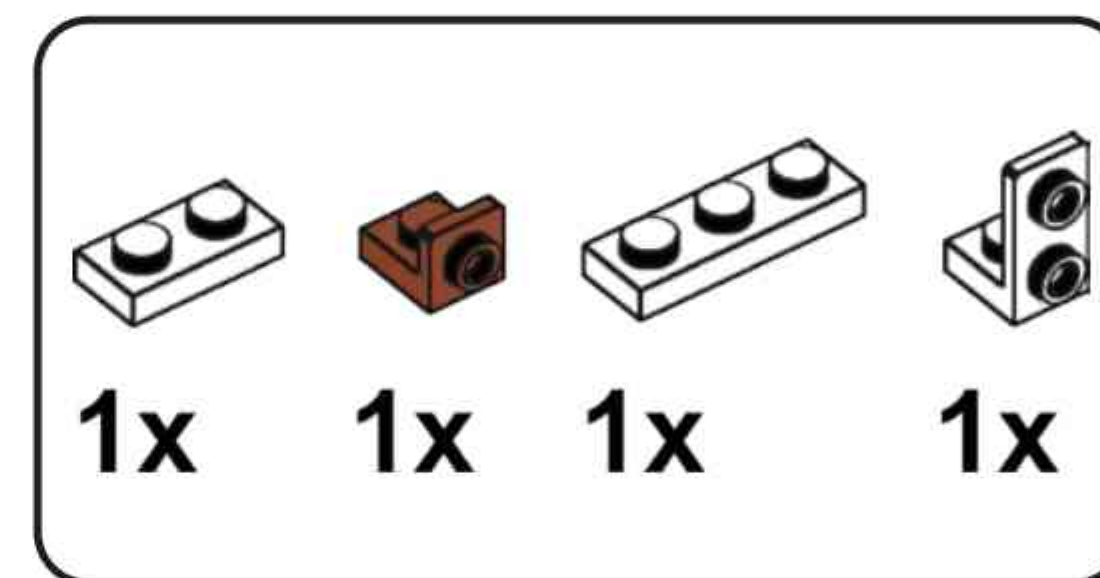
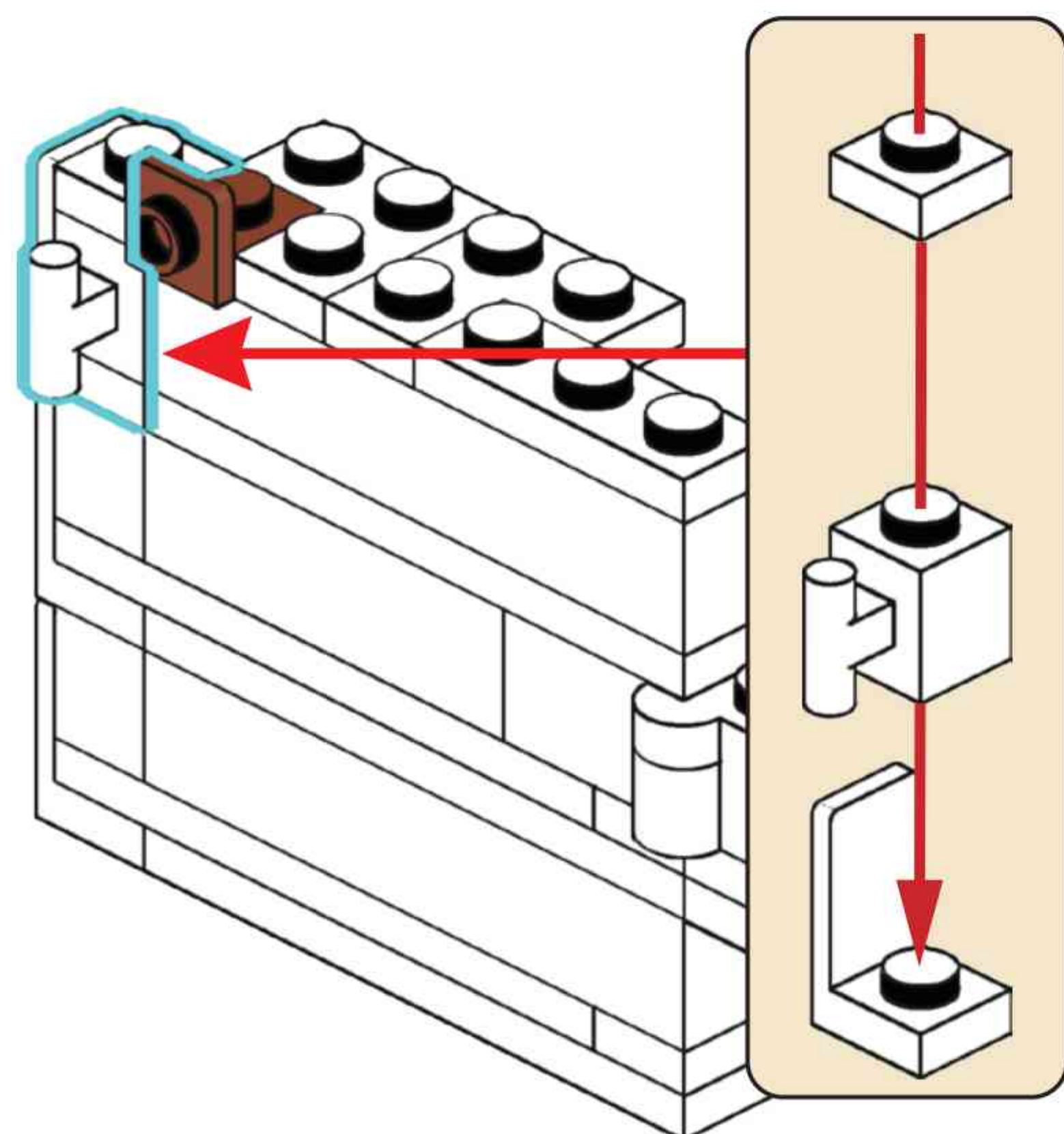


B10

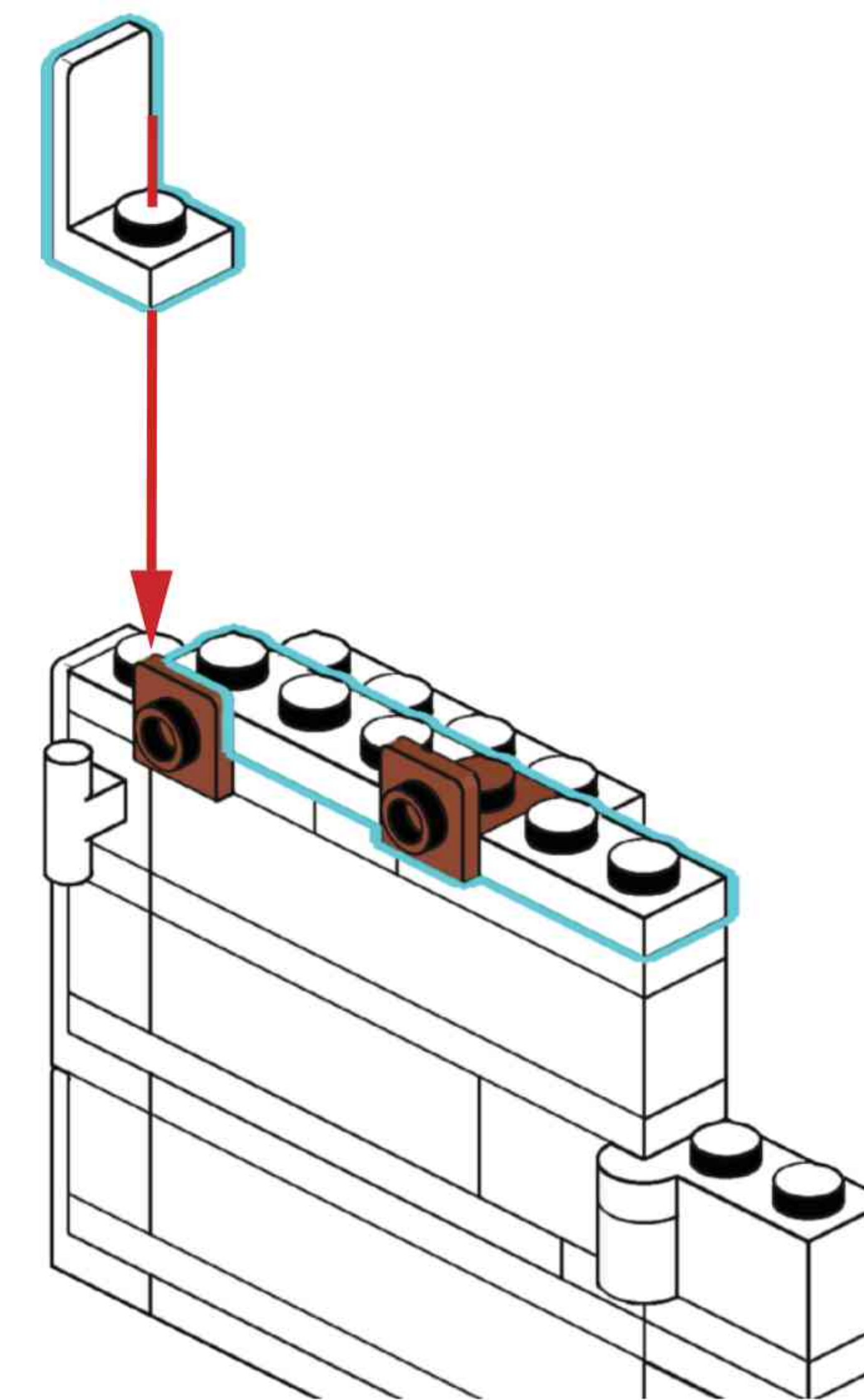
B9

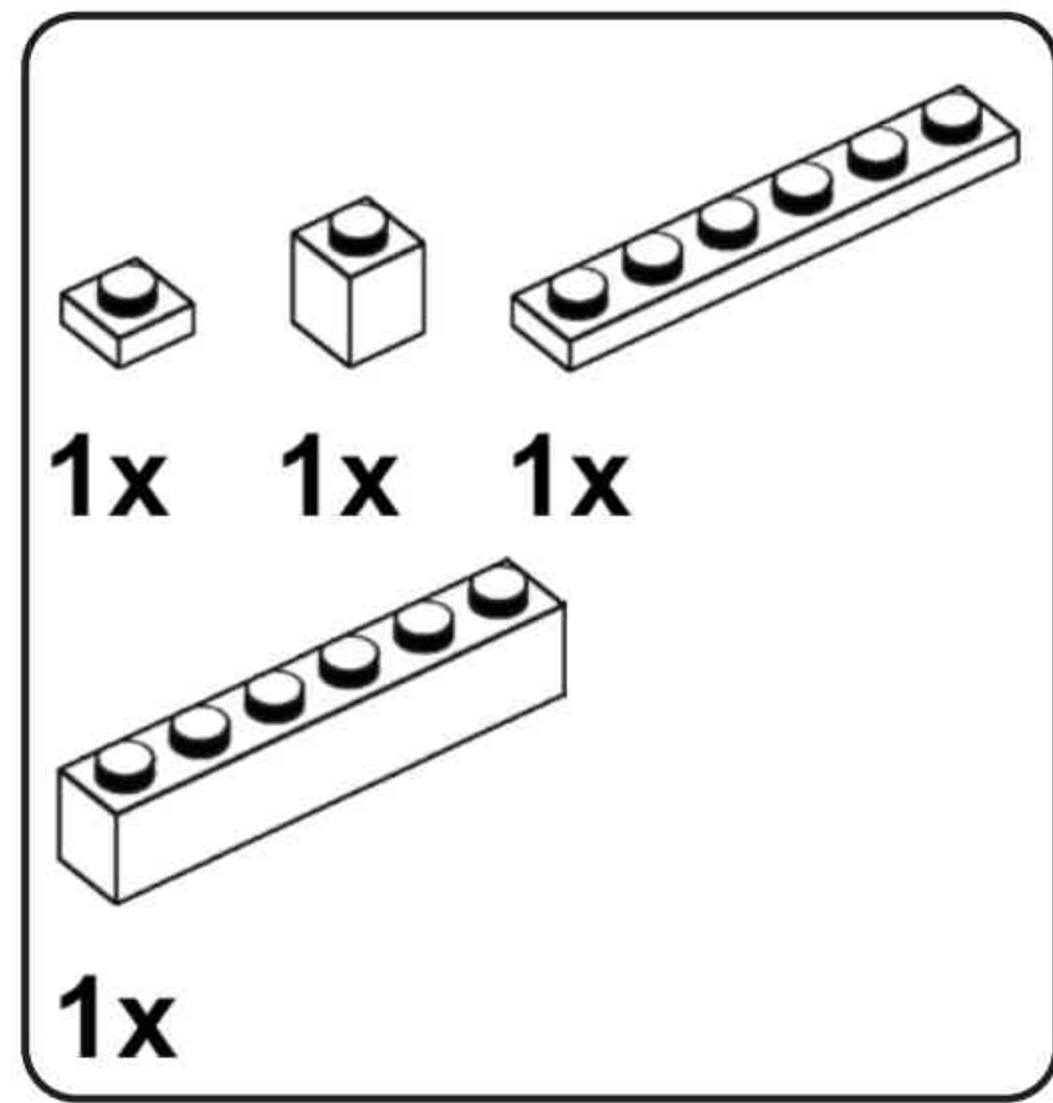


B11

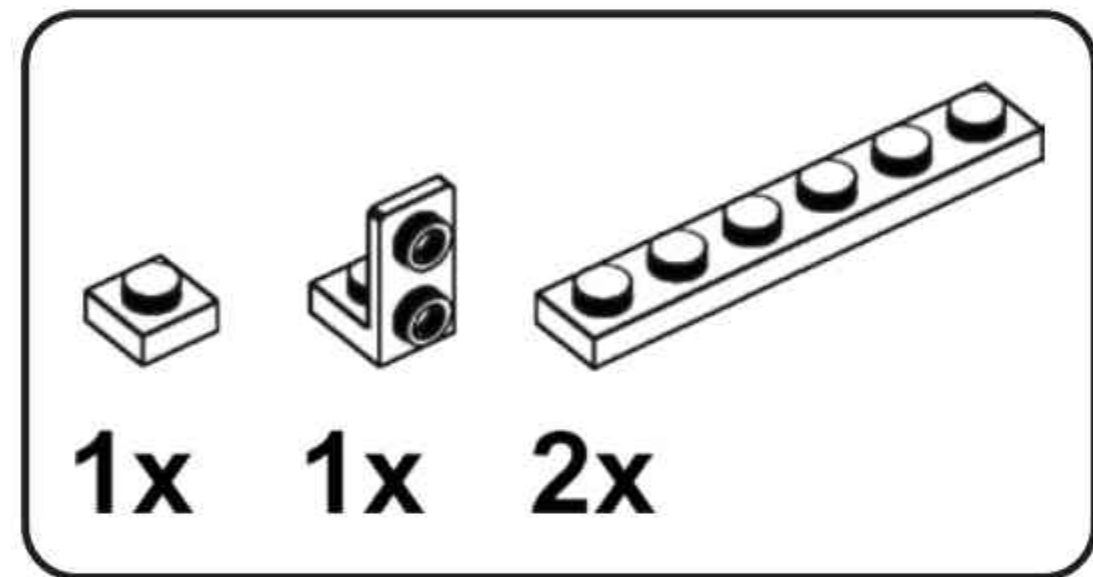
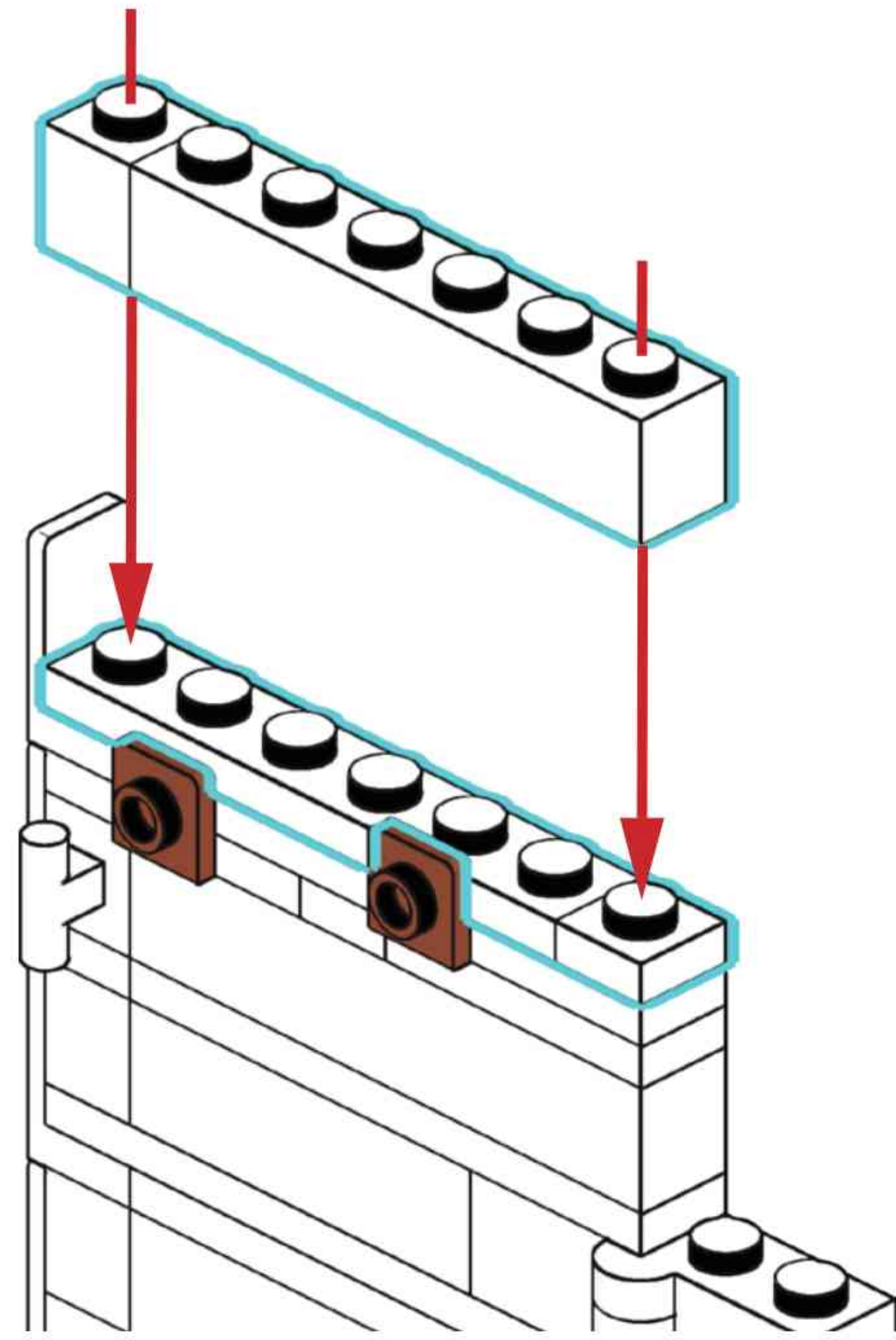


B12

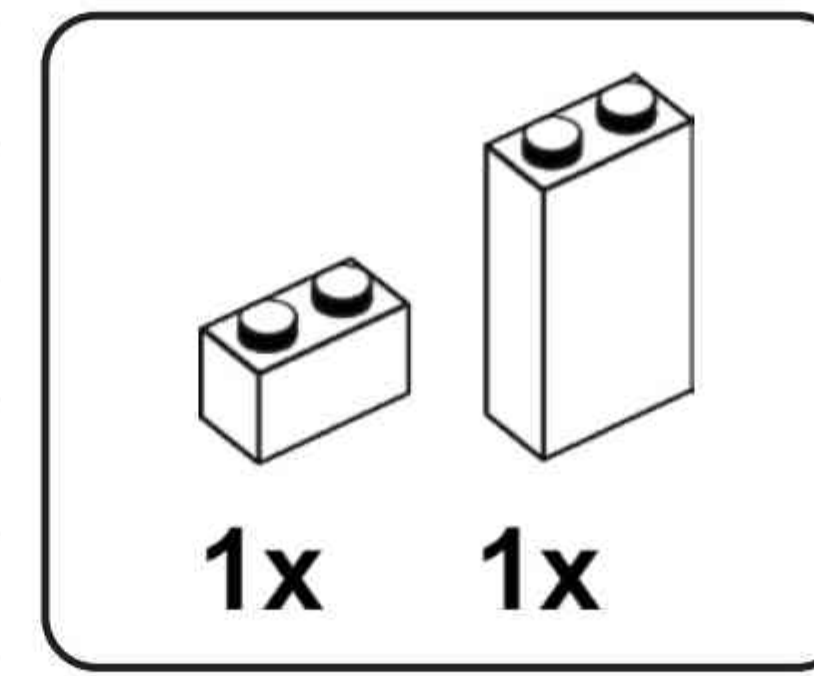
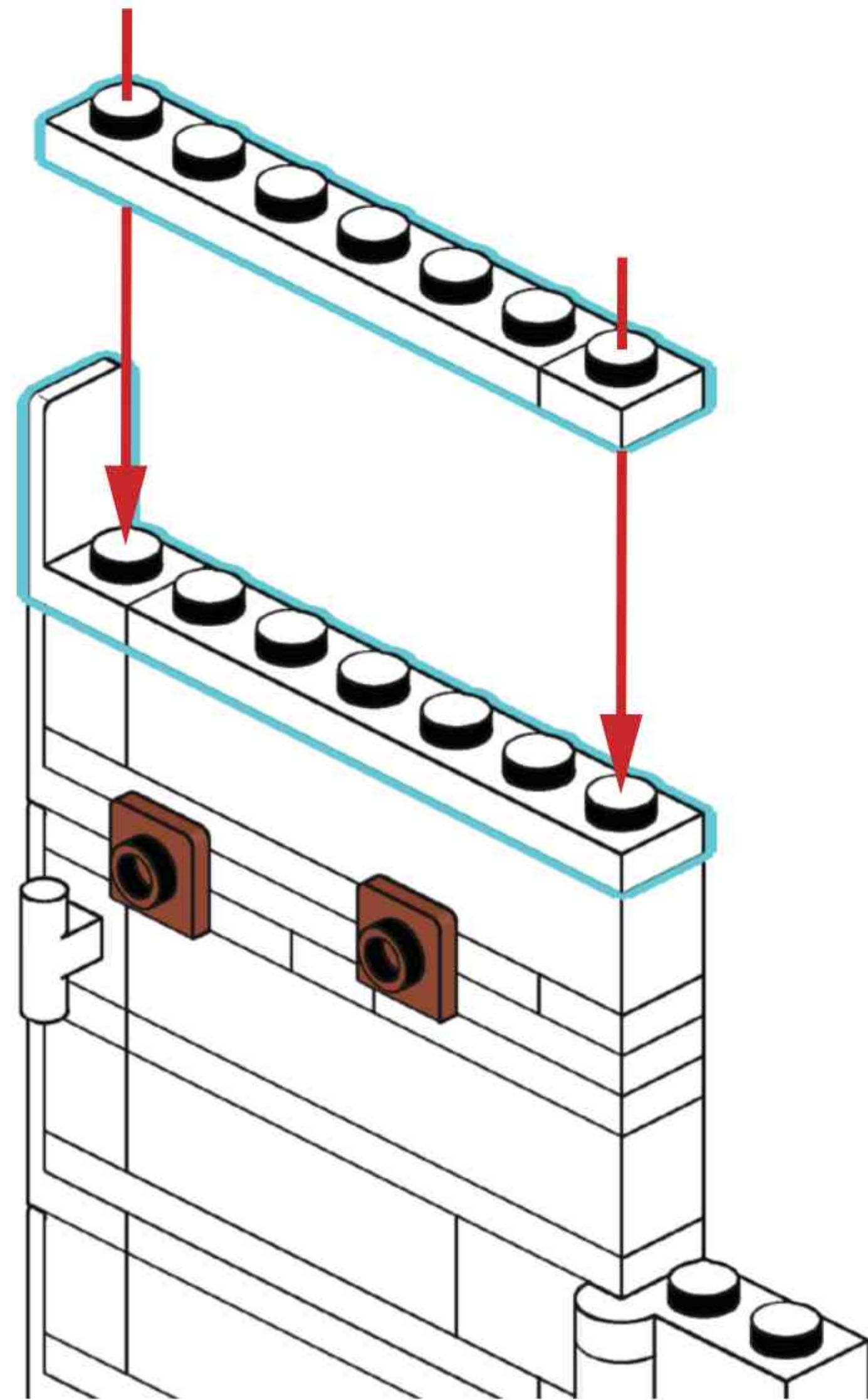




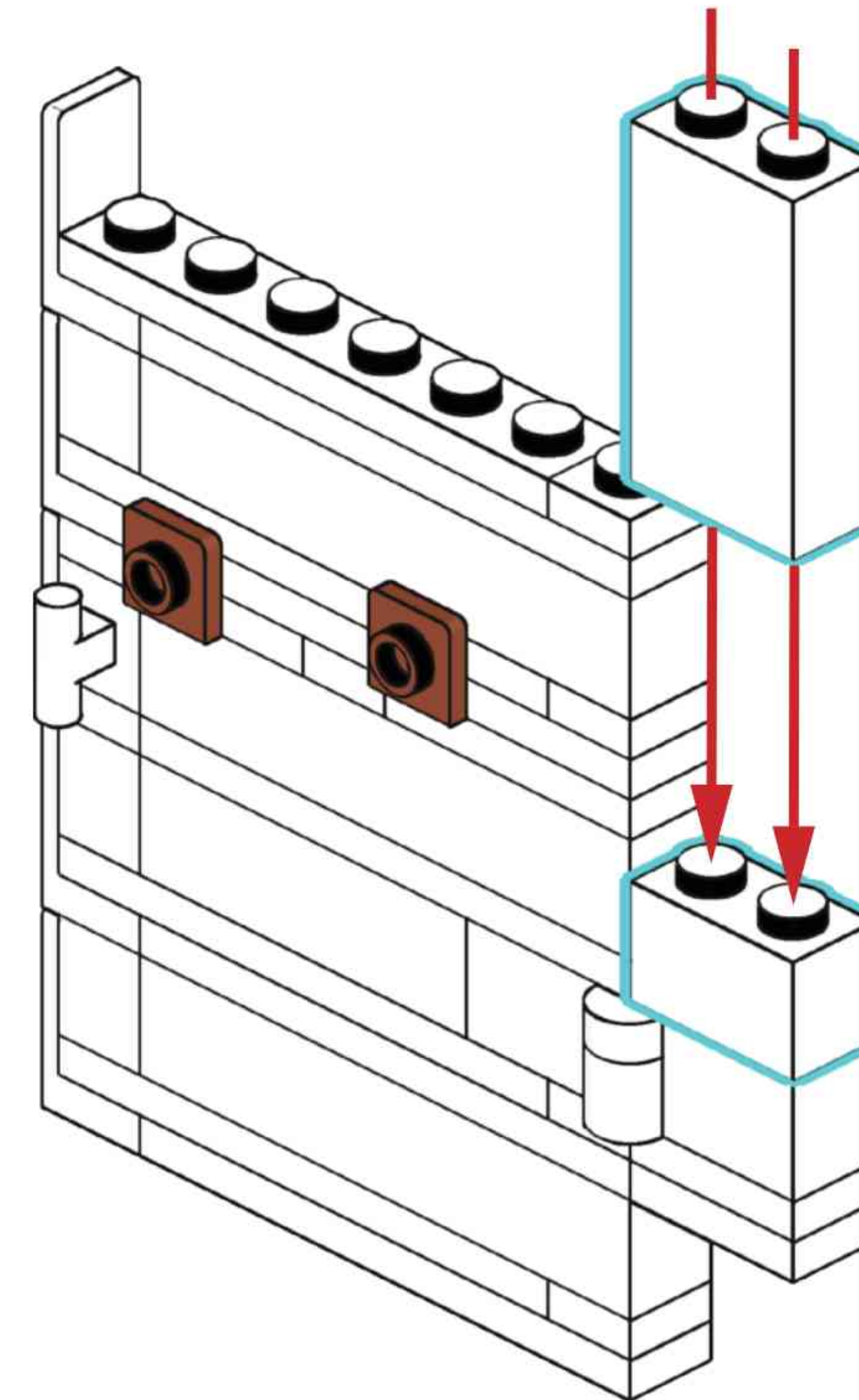
B13

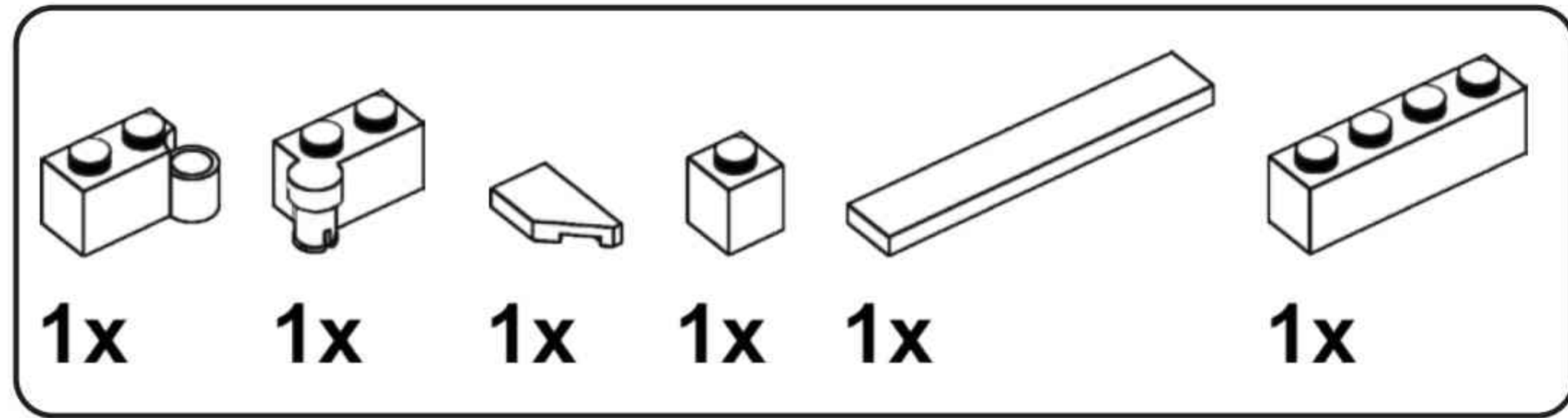


B14

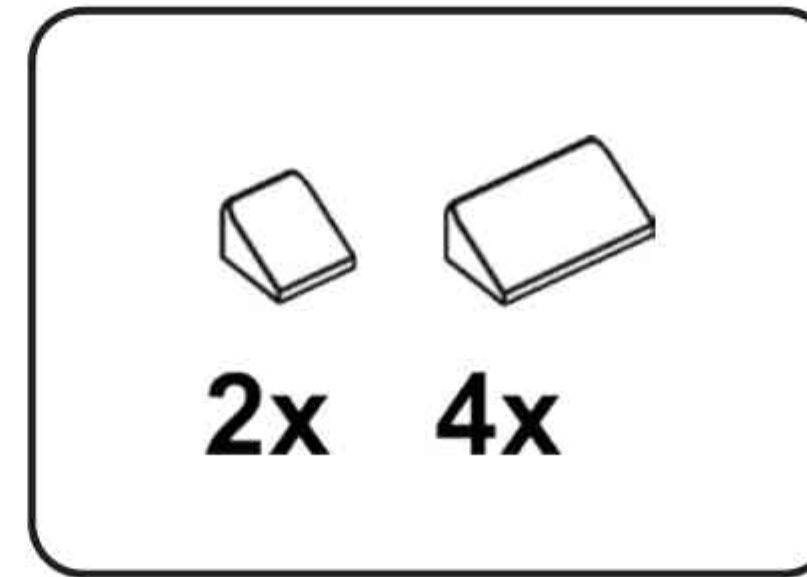
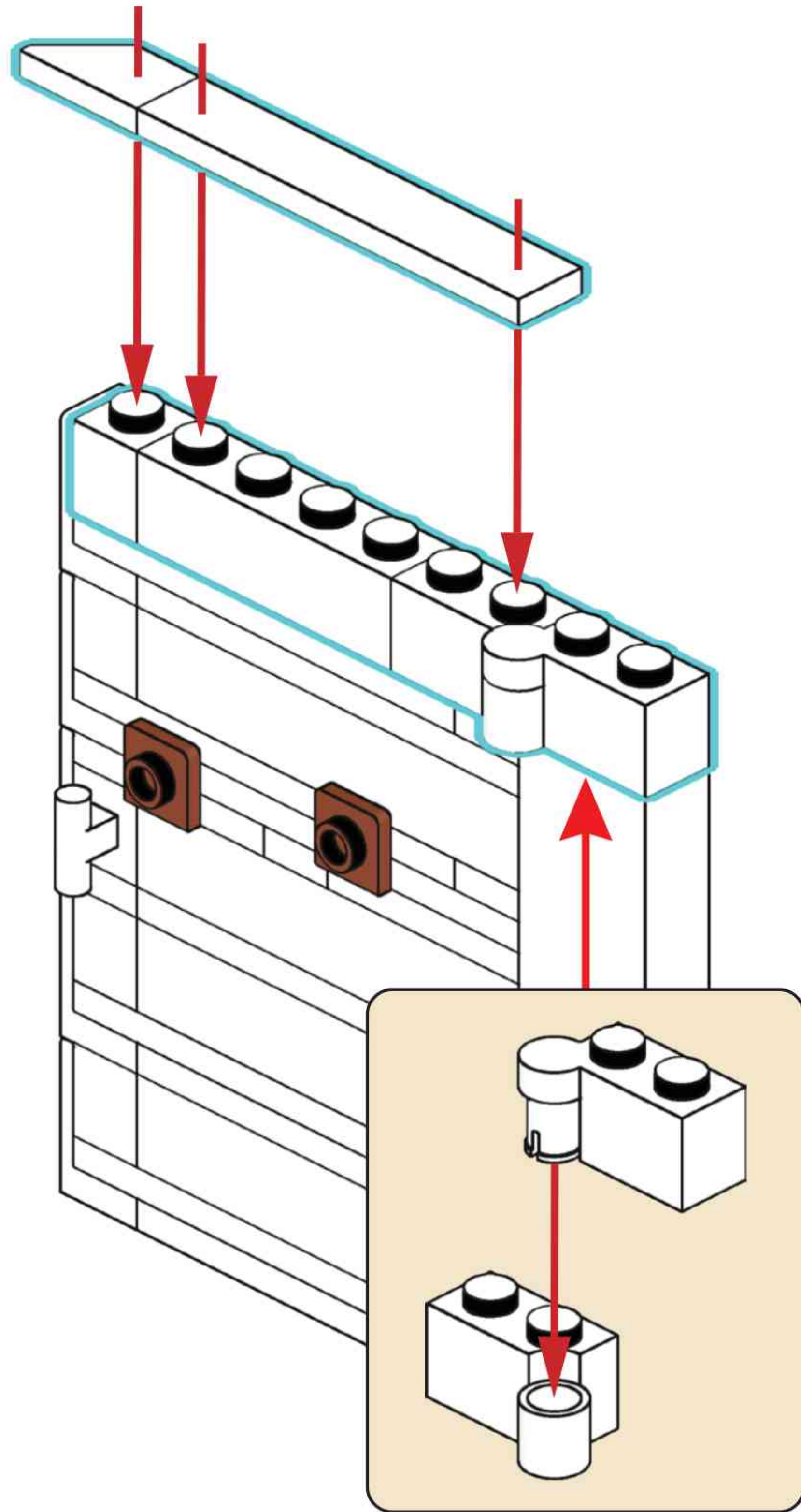


B15

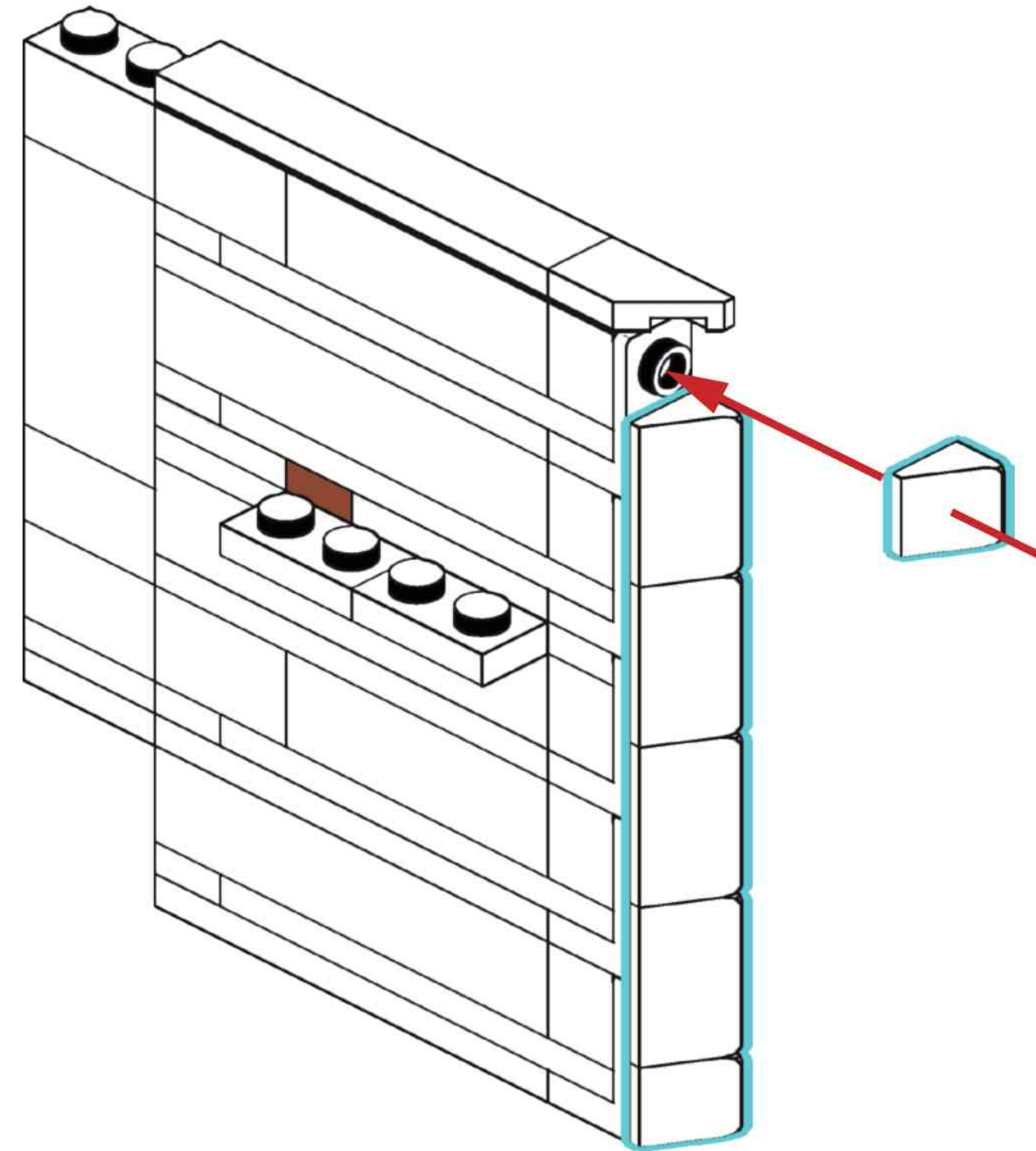
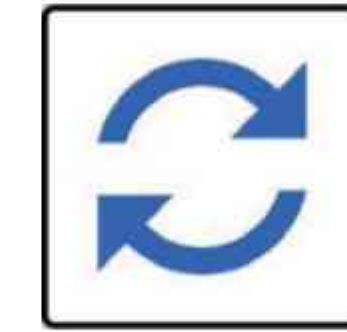


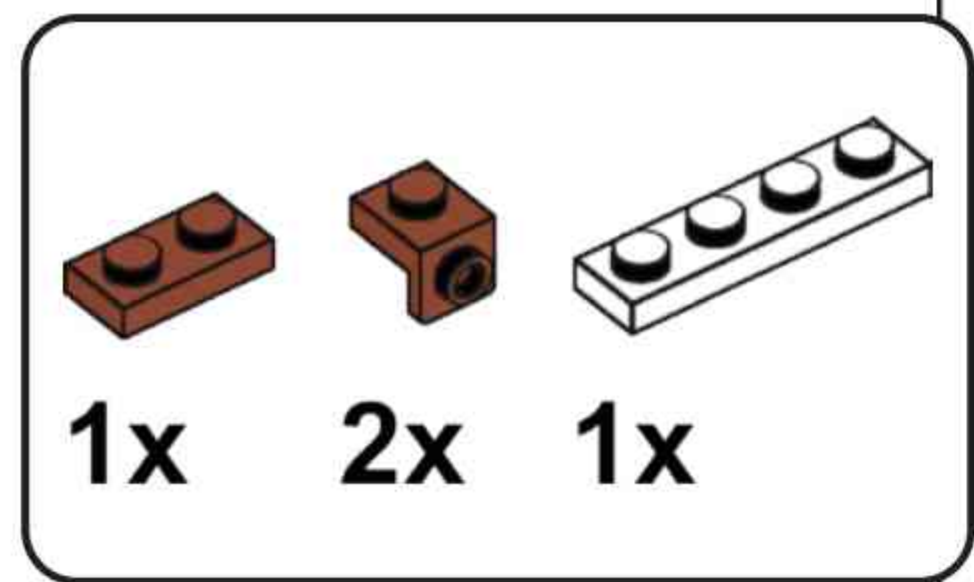


B16

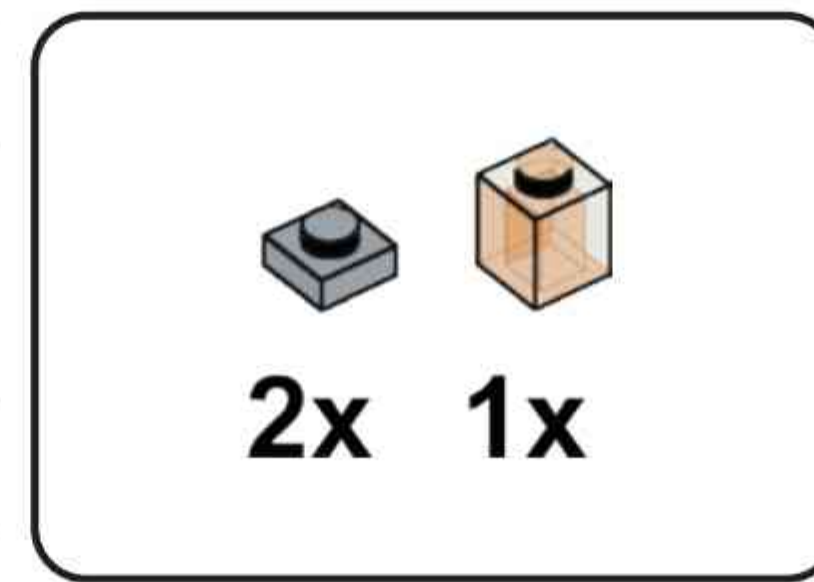
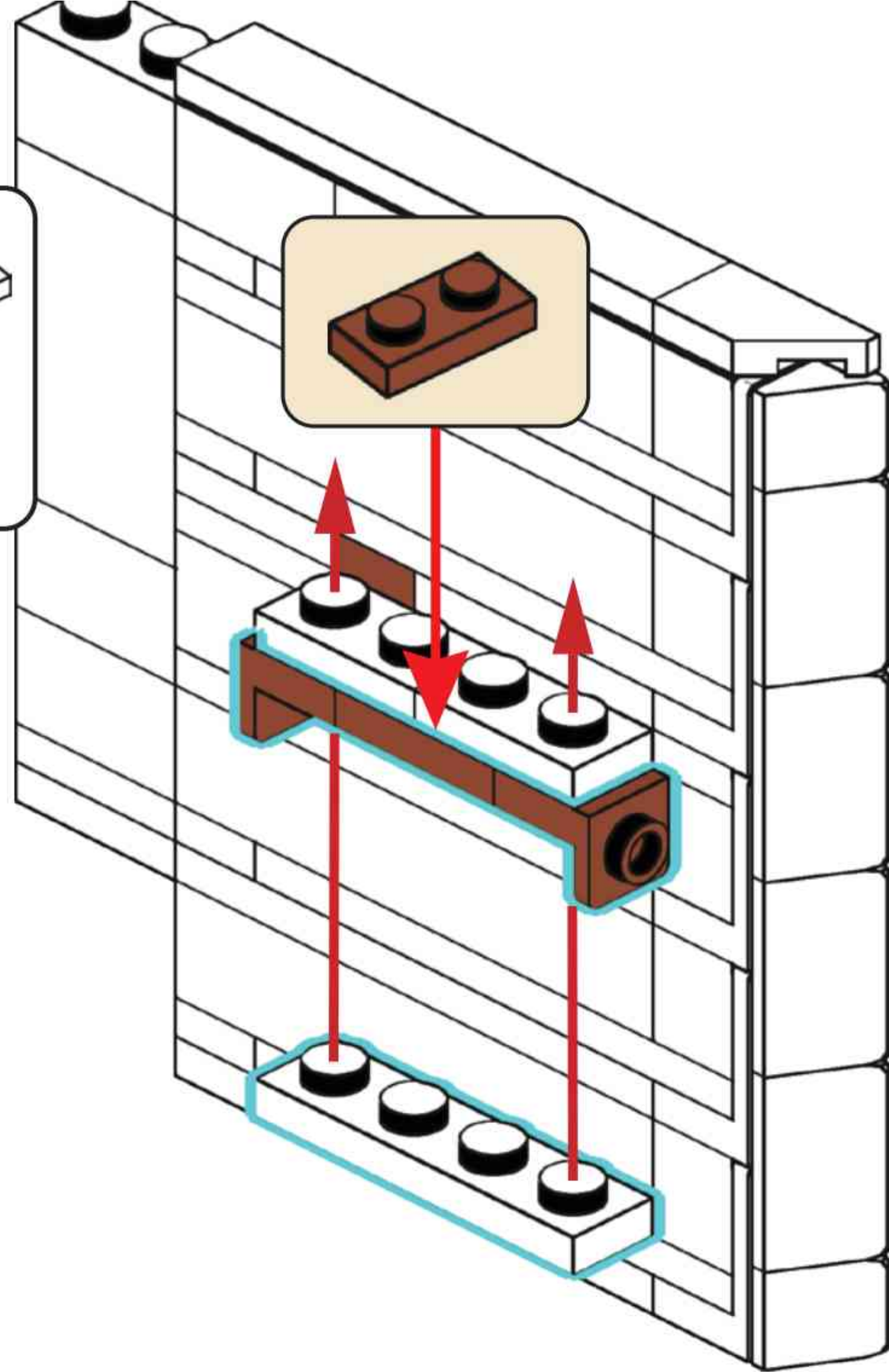


B17

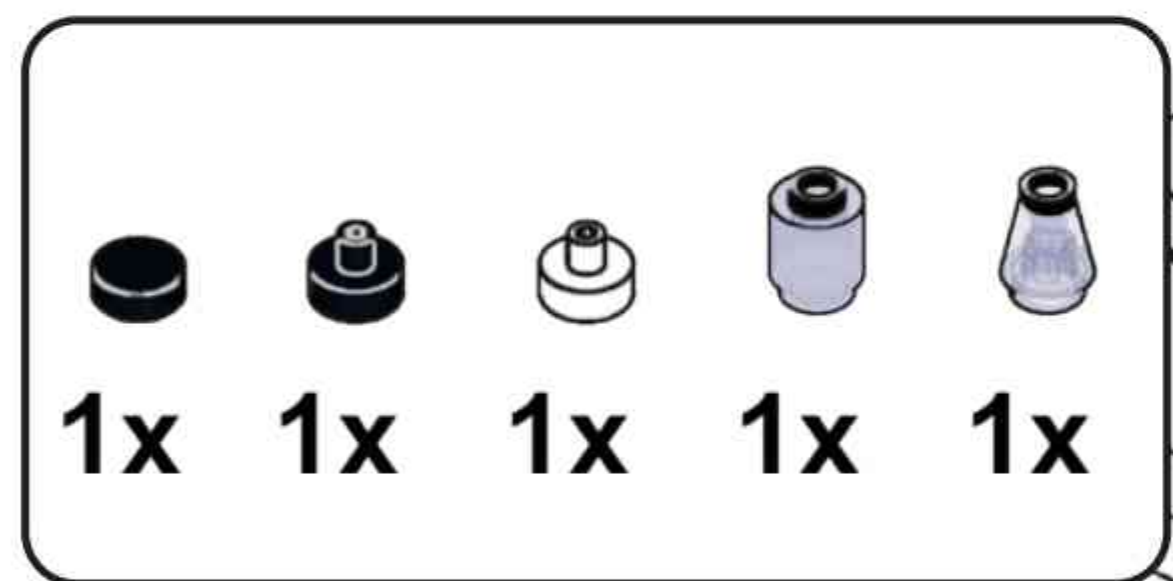
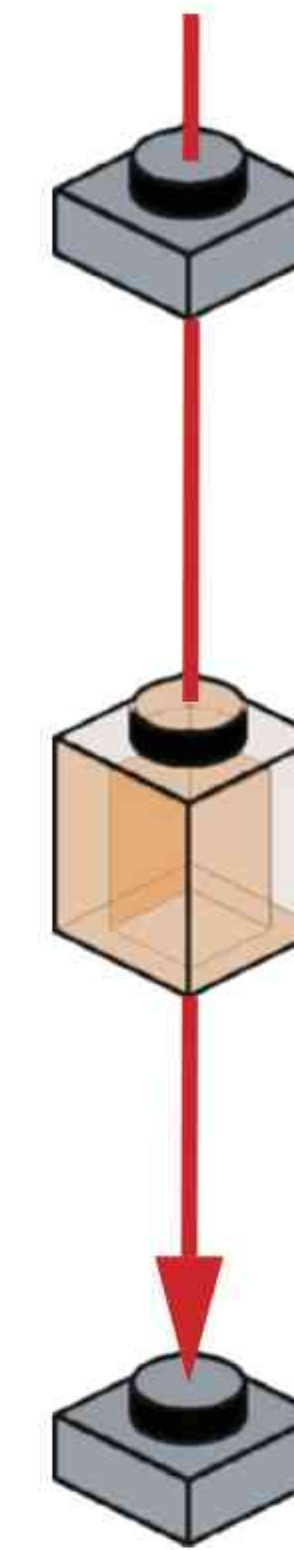




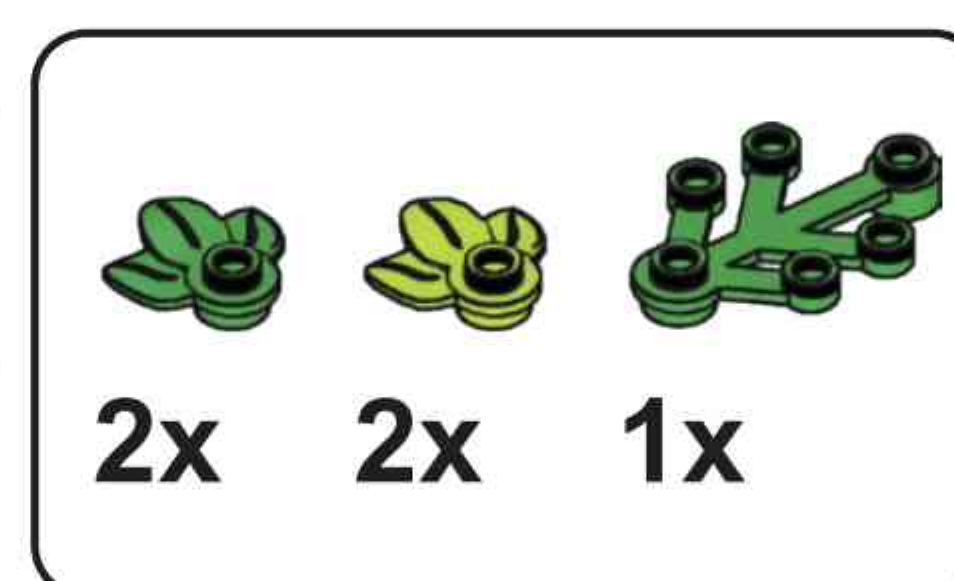
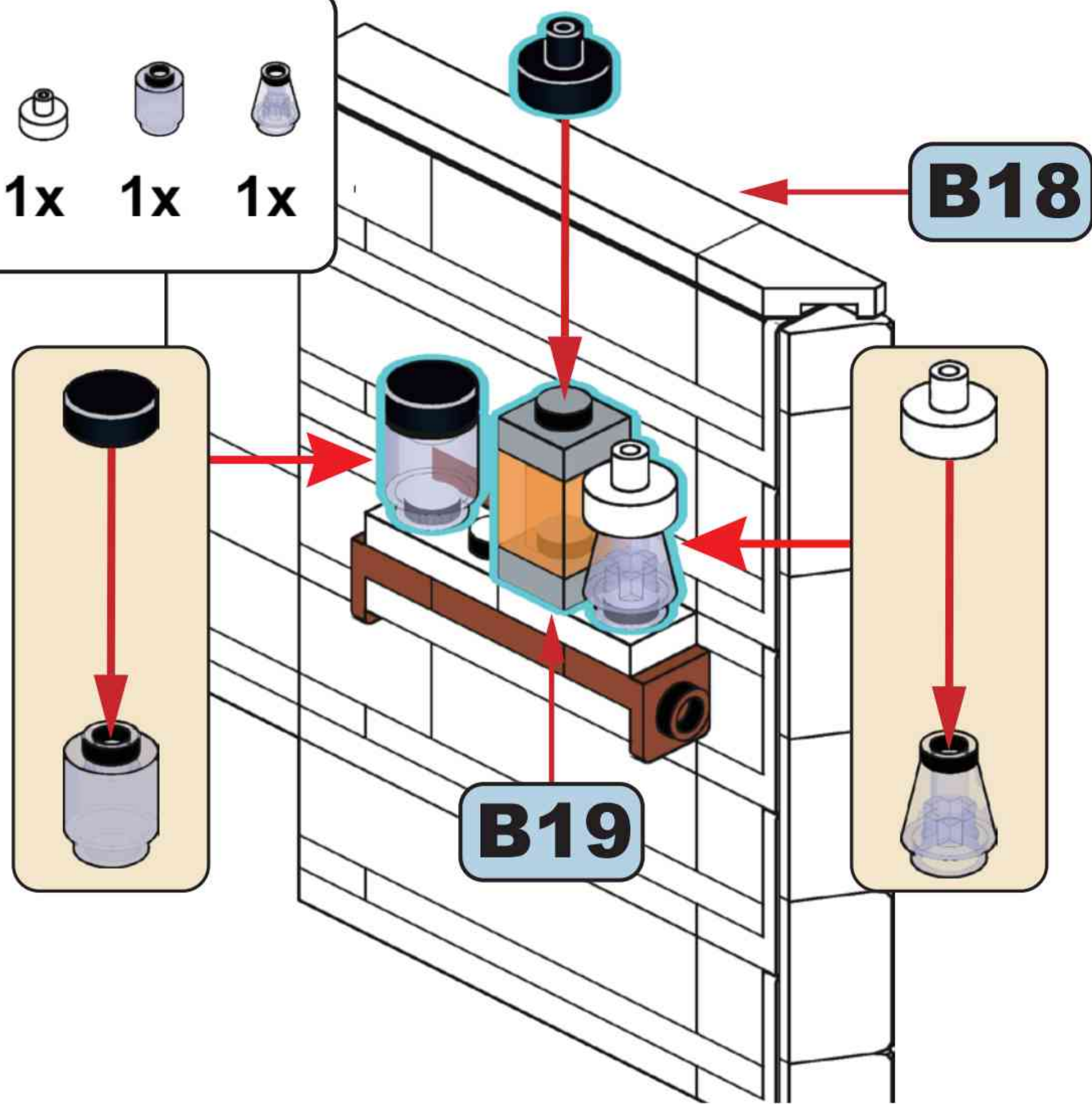
B18



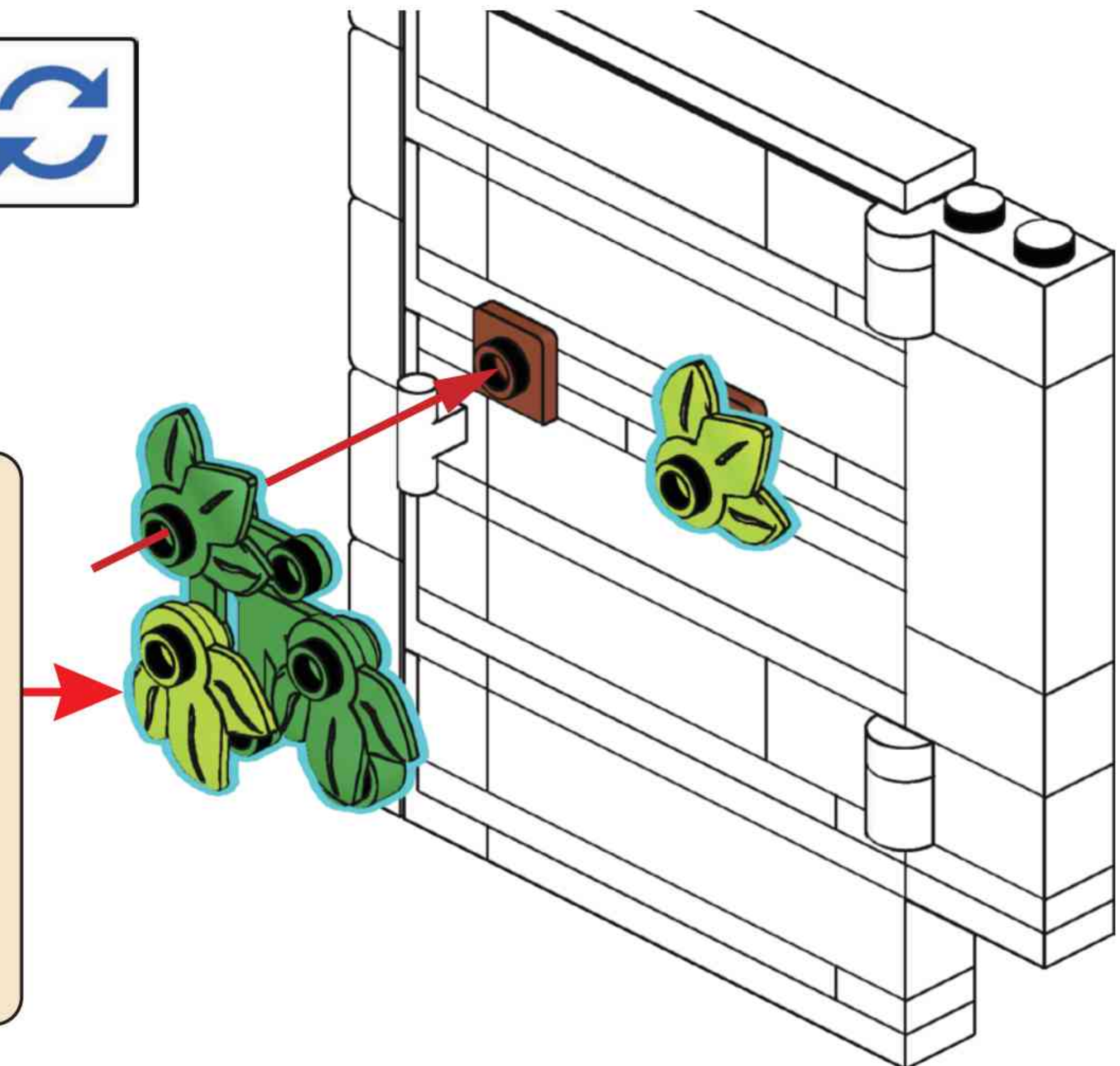
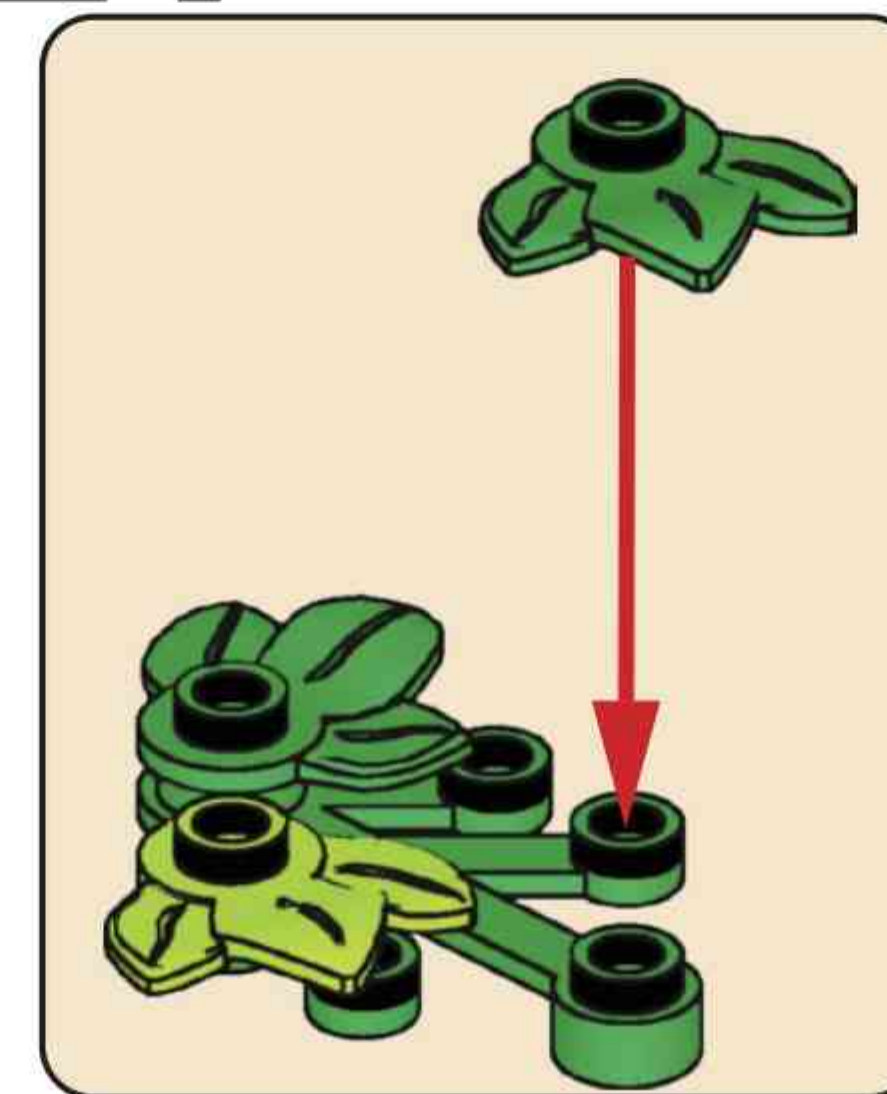
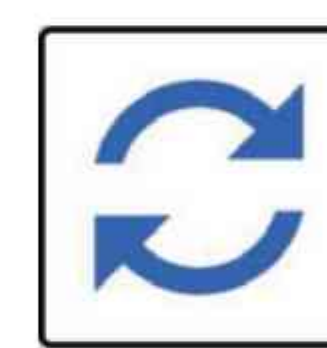
B19



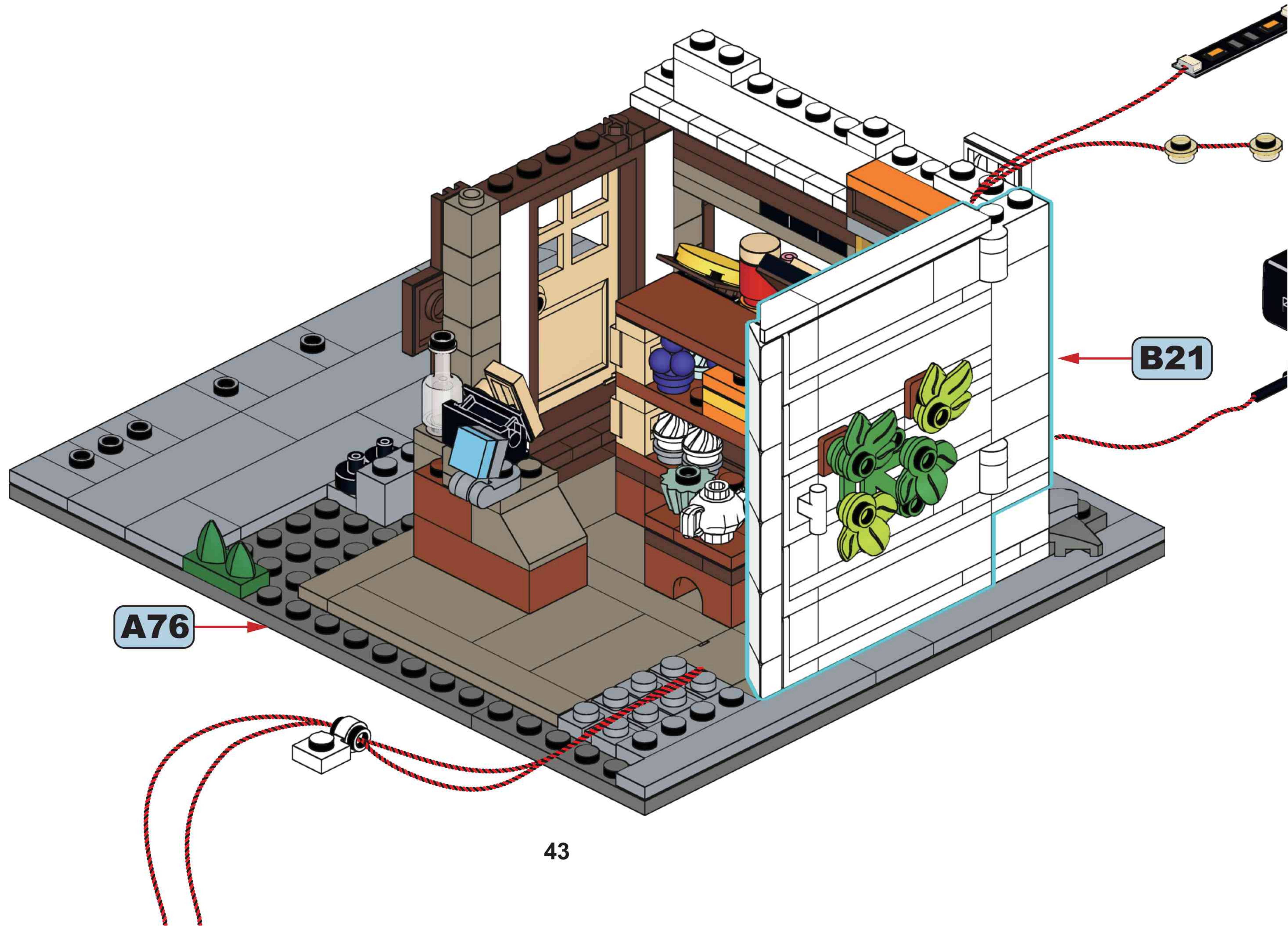
B20



B21

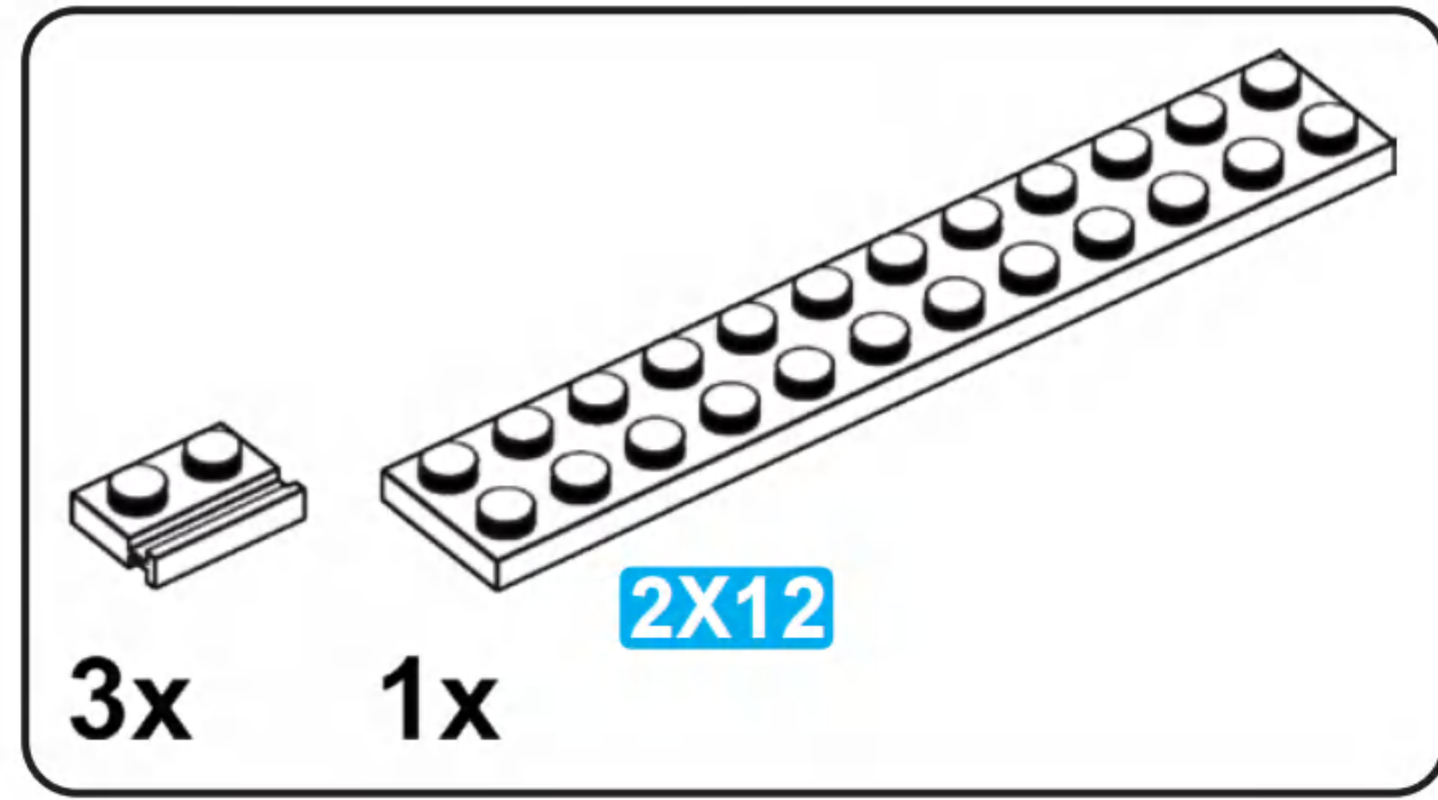


B22

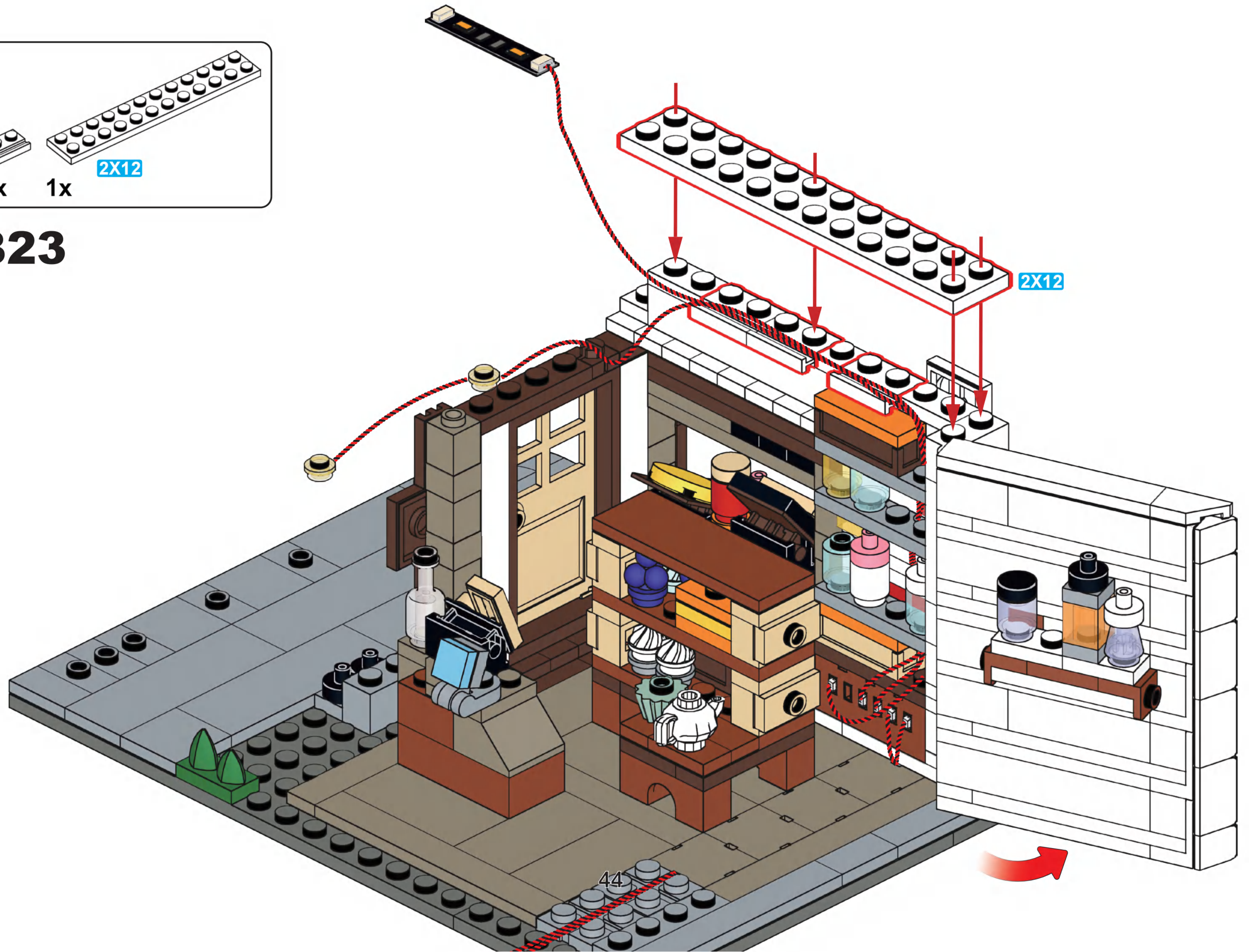


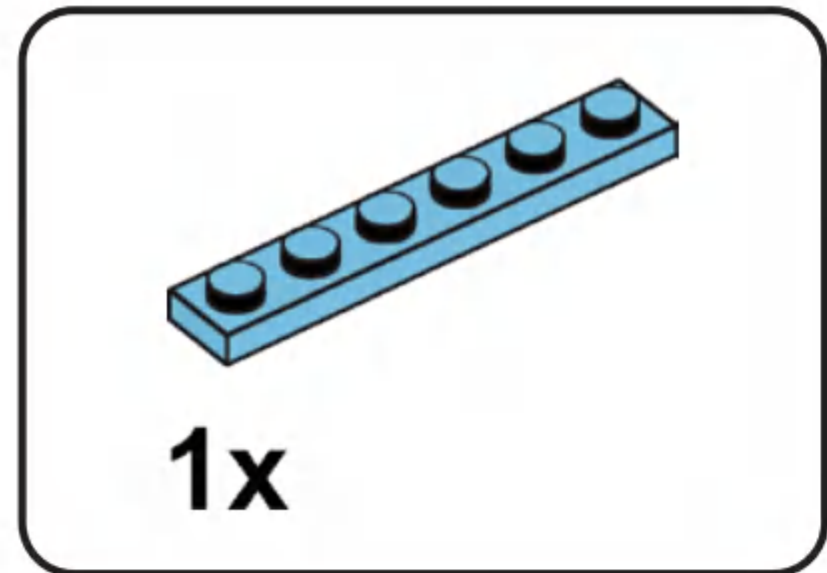
A76

B21

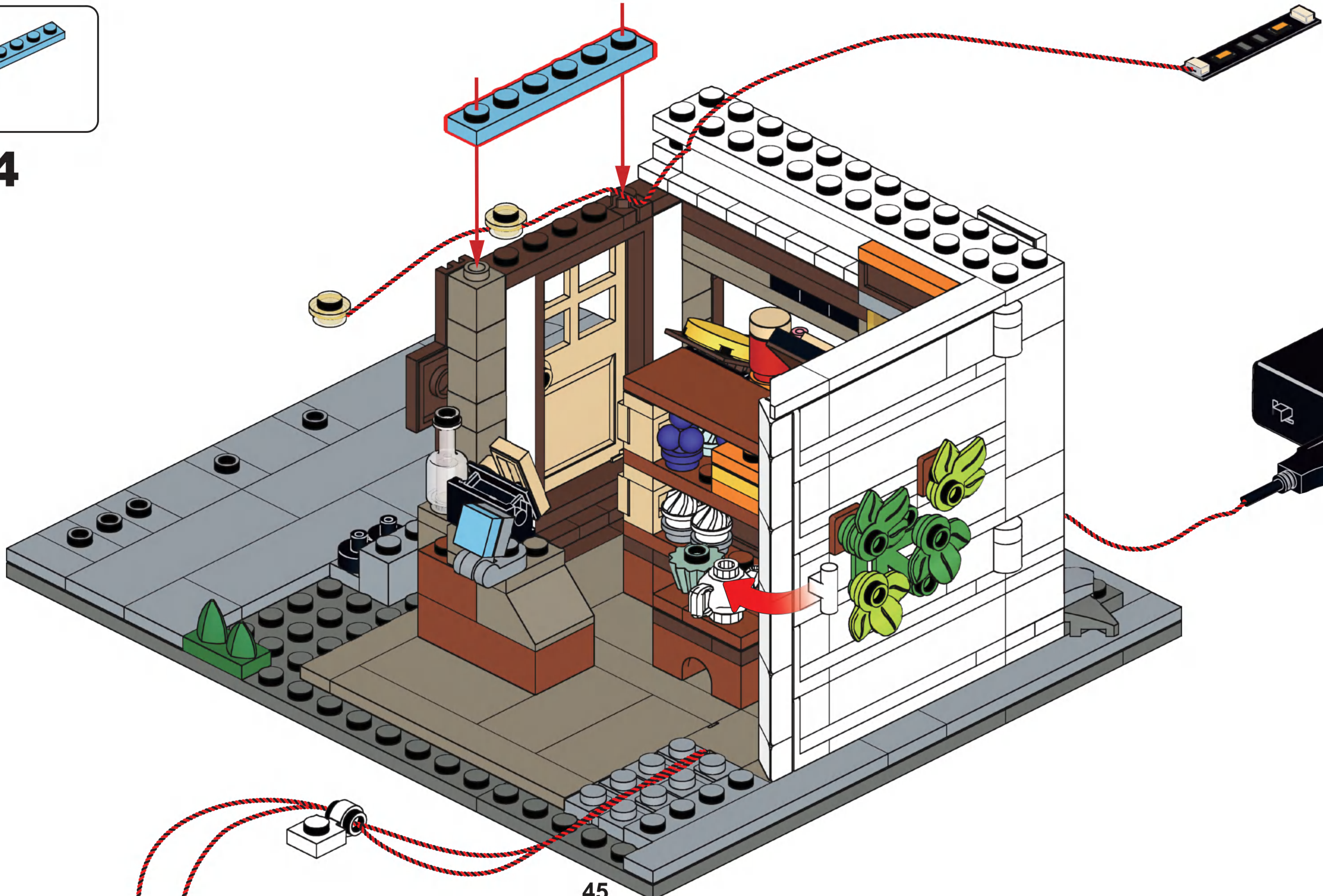


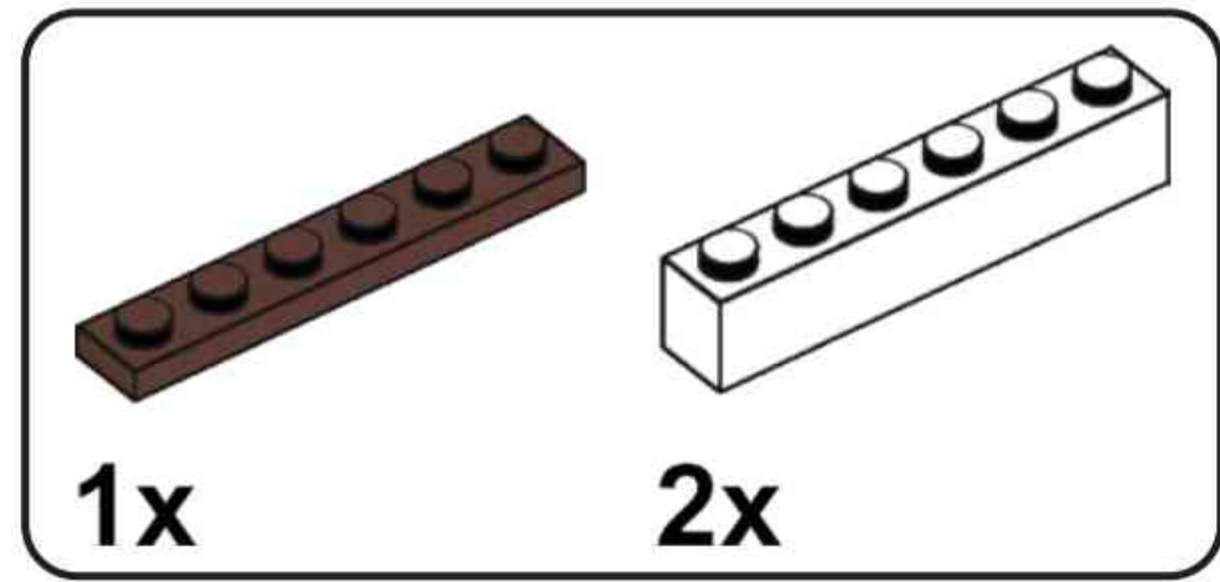
B23



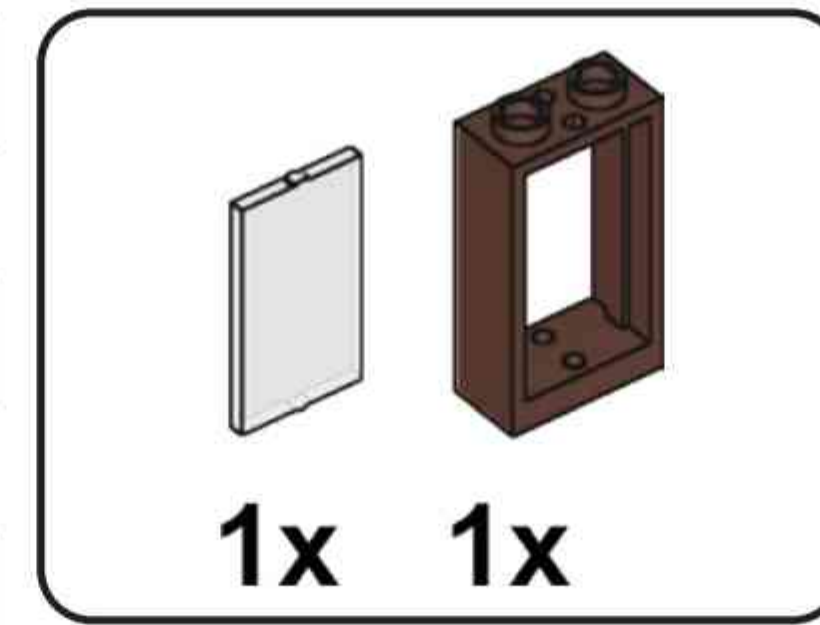
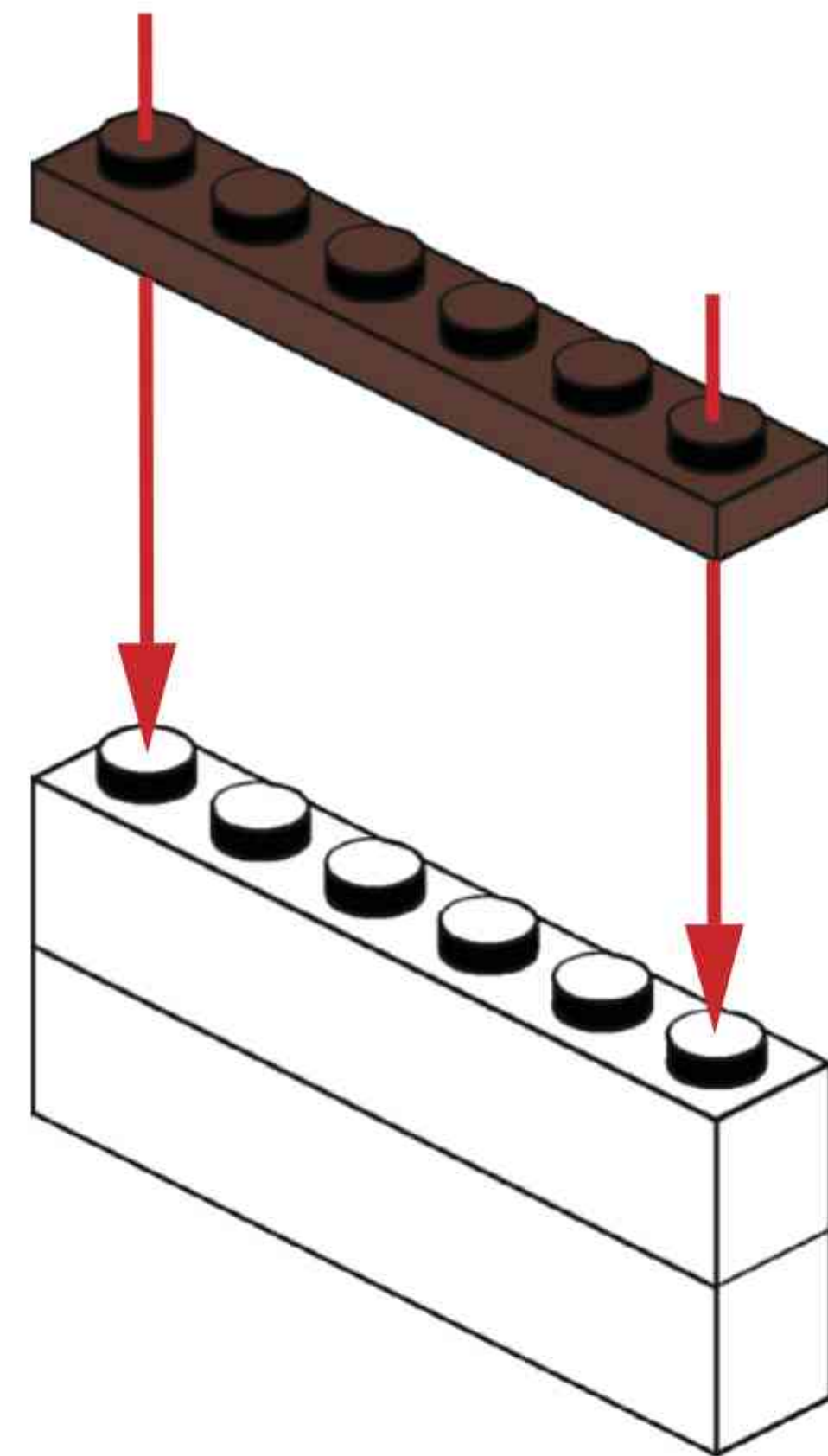


B24

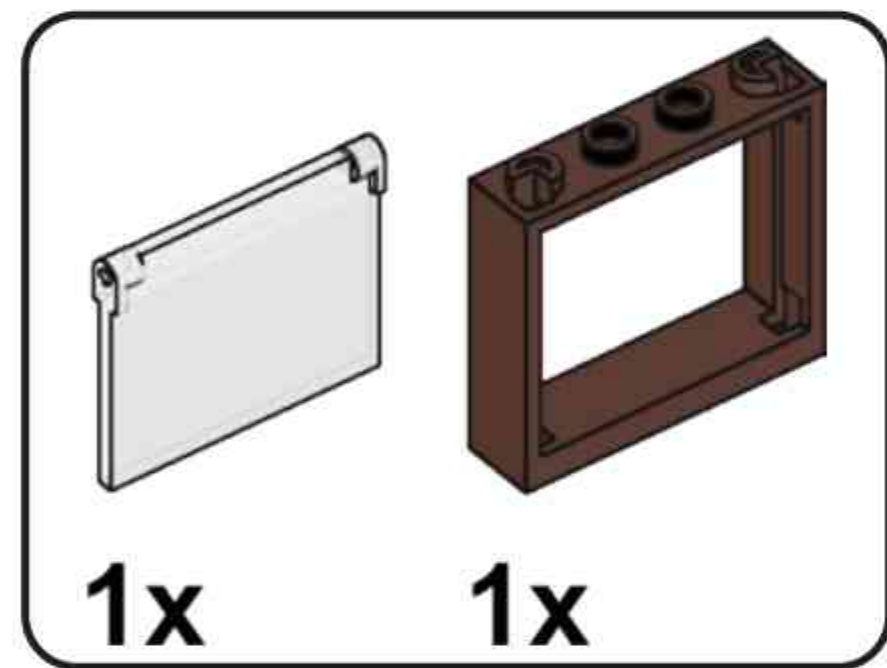
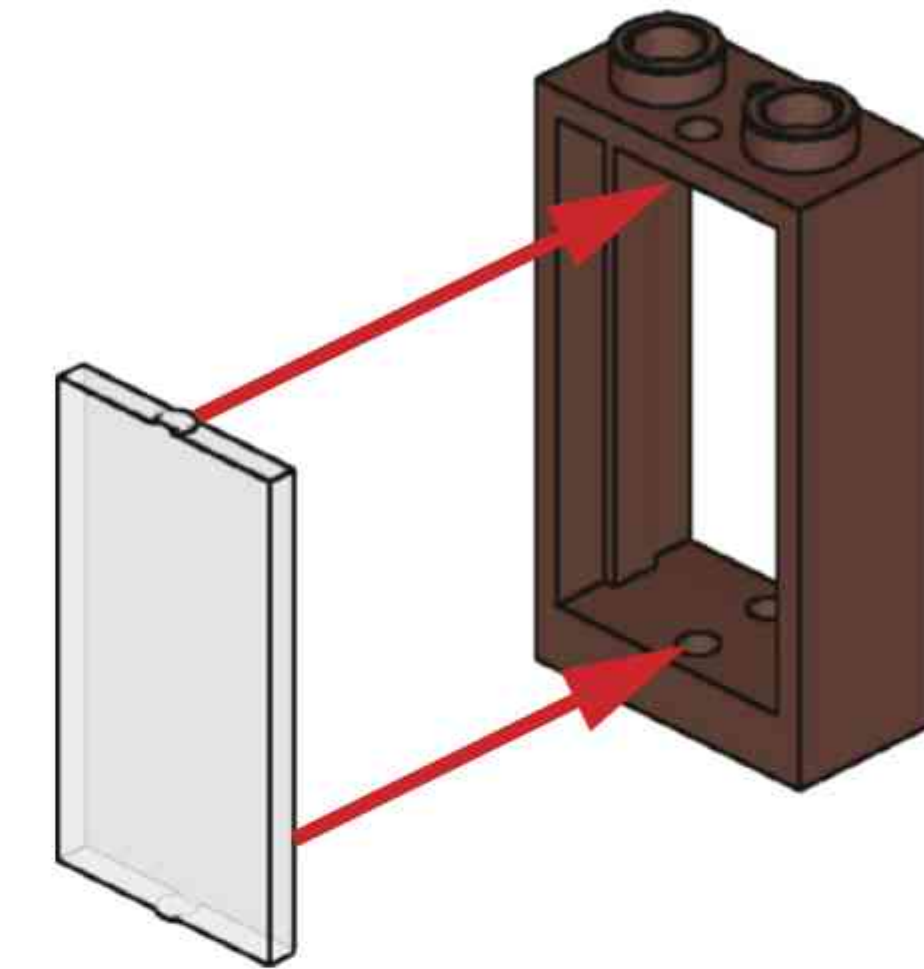




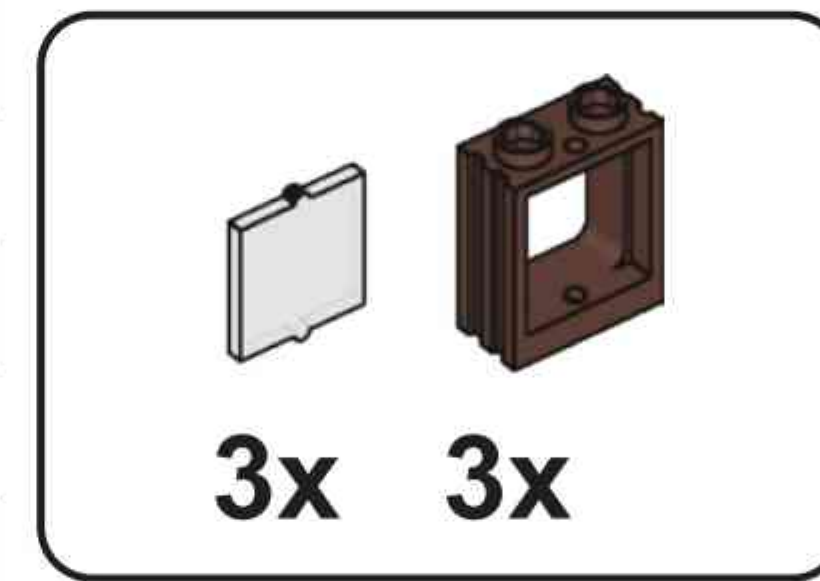
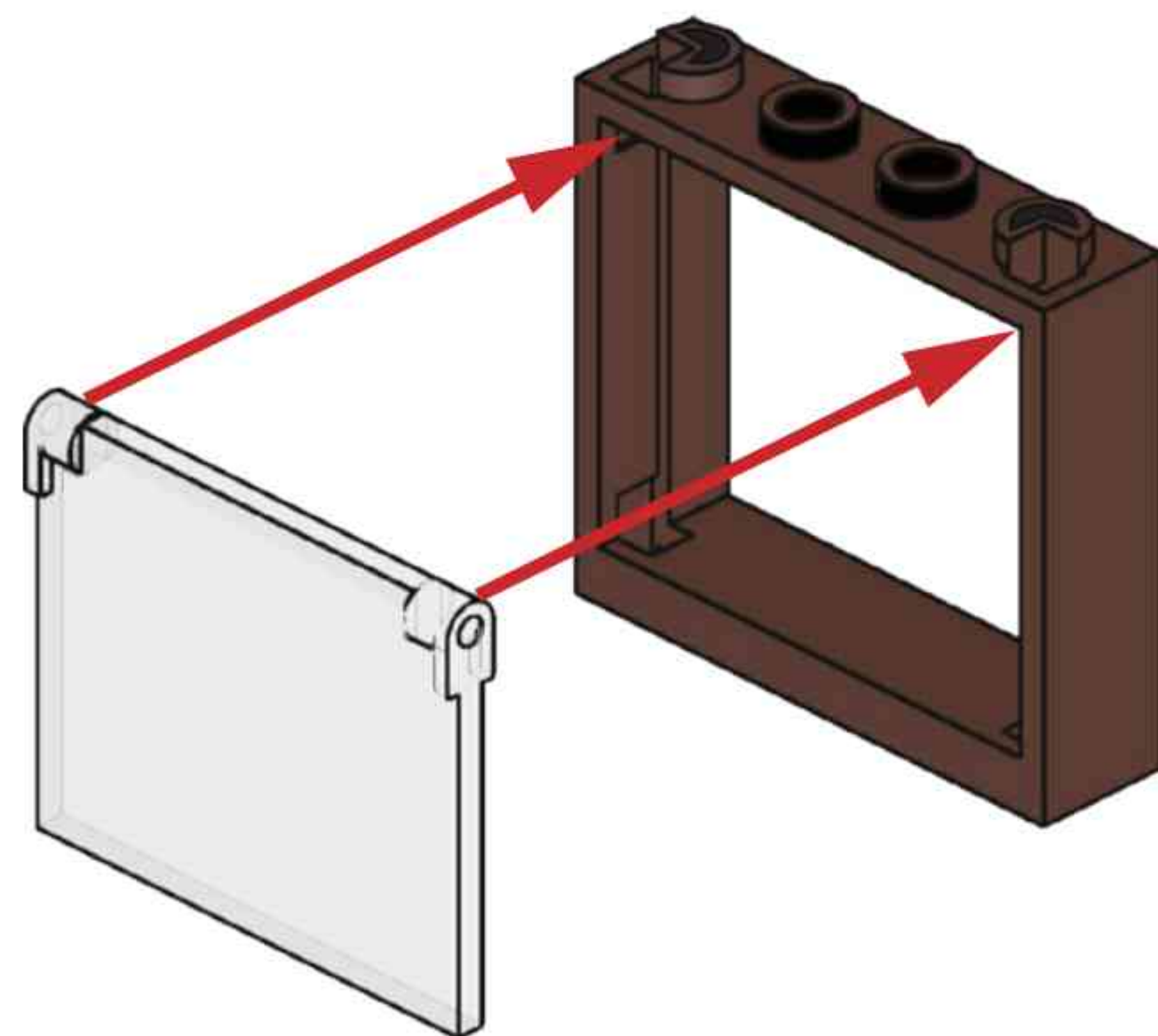
B25



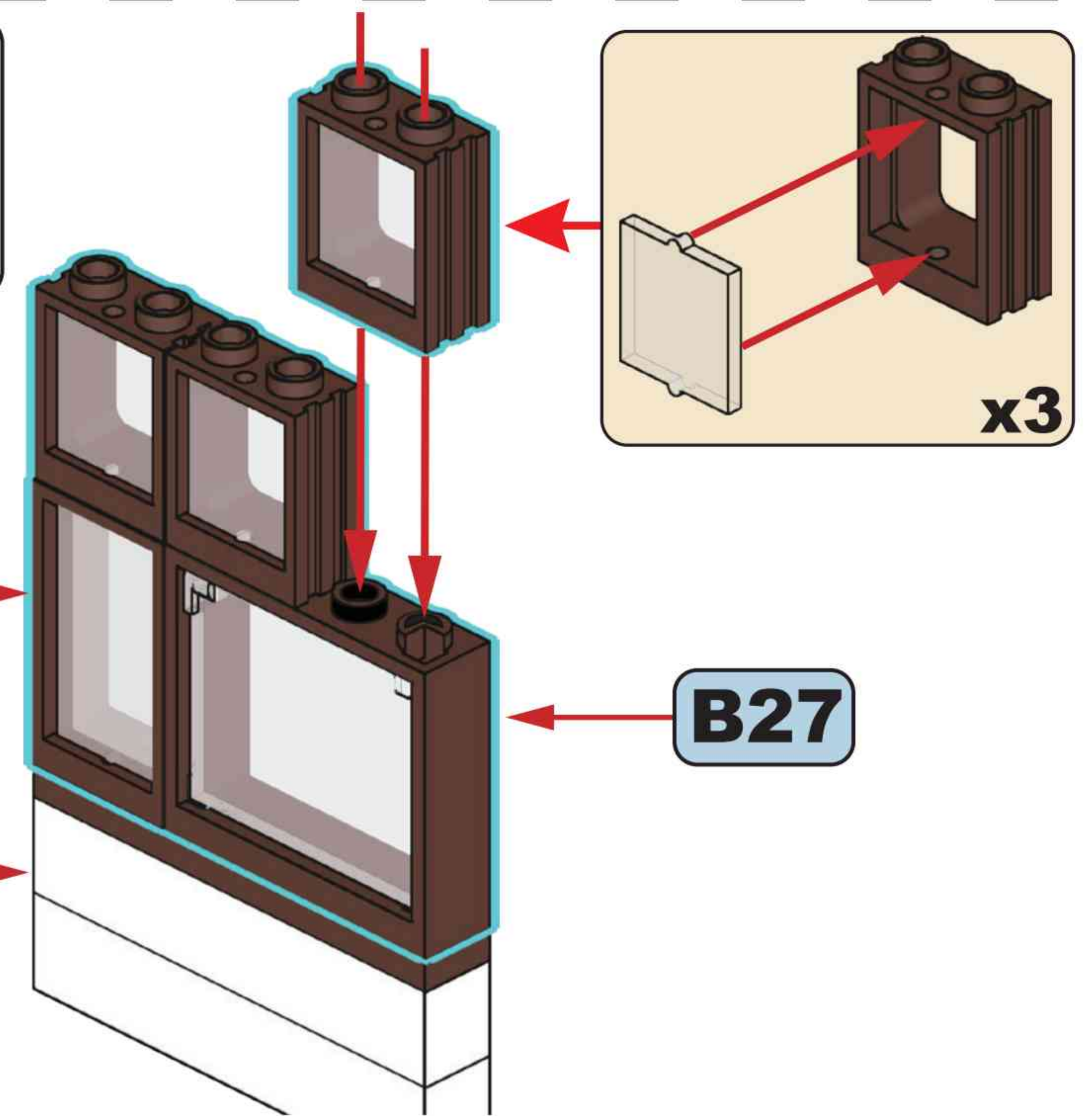
B26



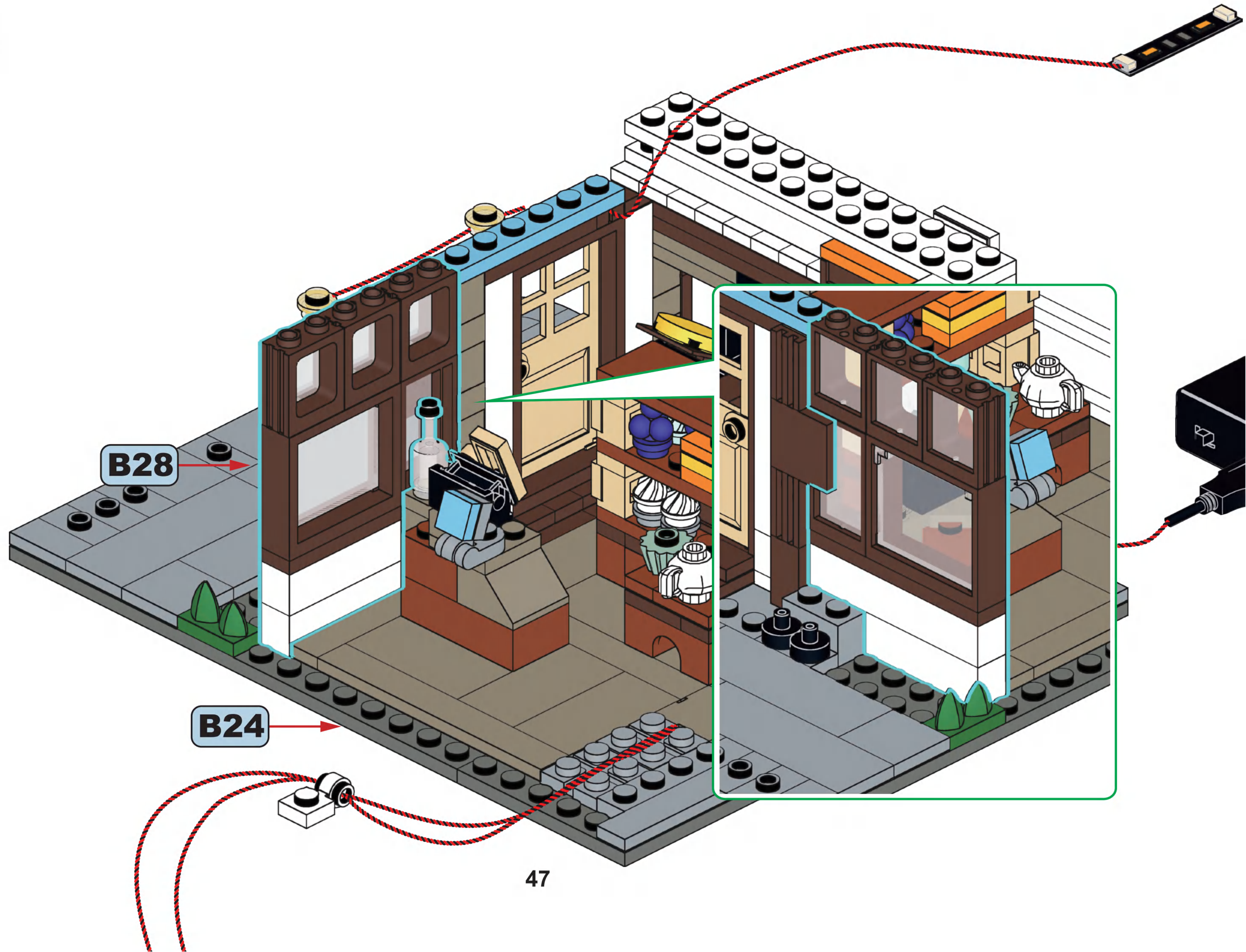
B27



B28



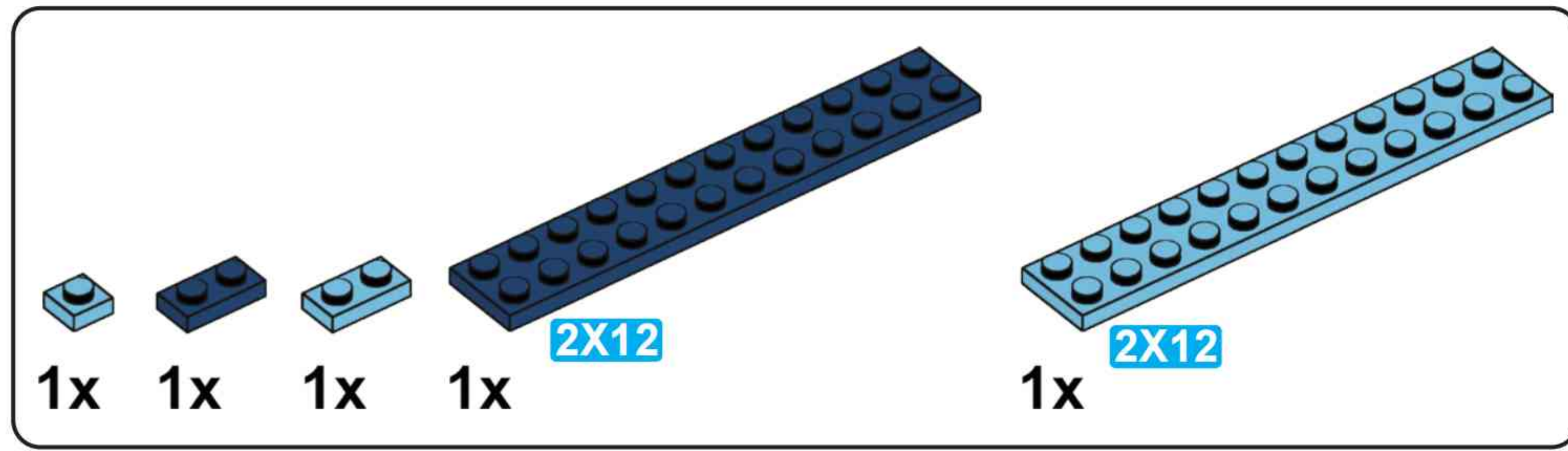
B29



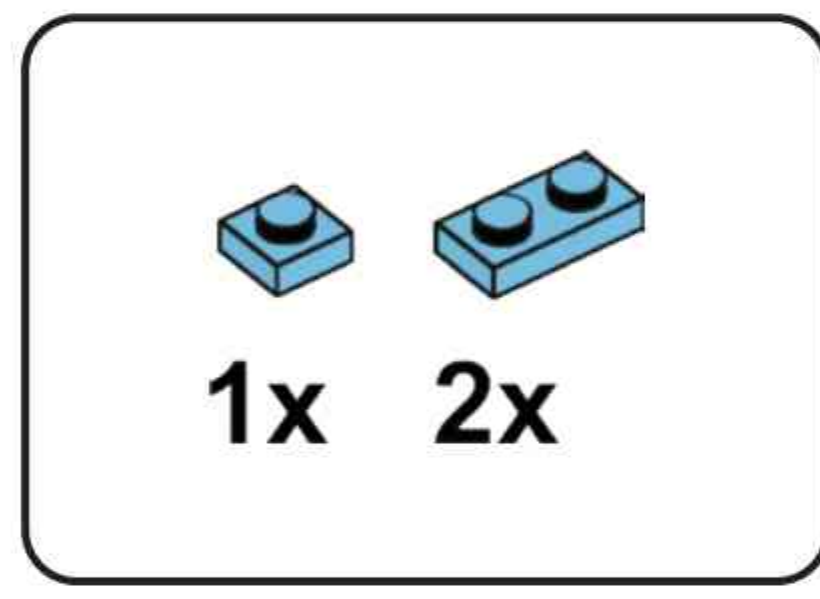
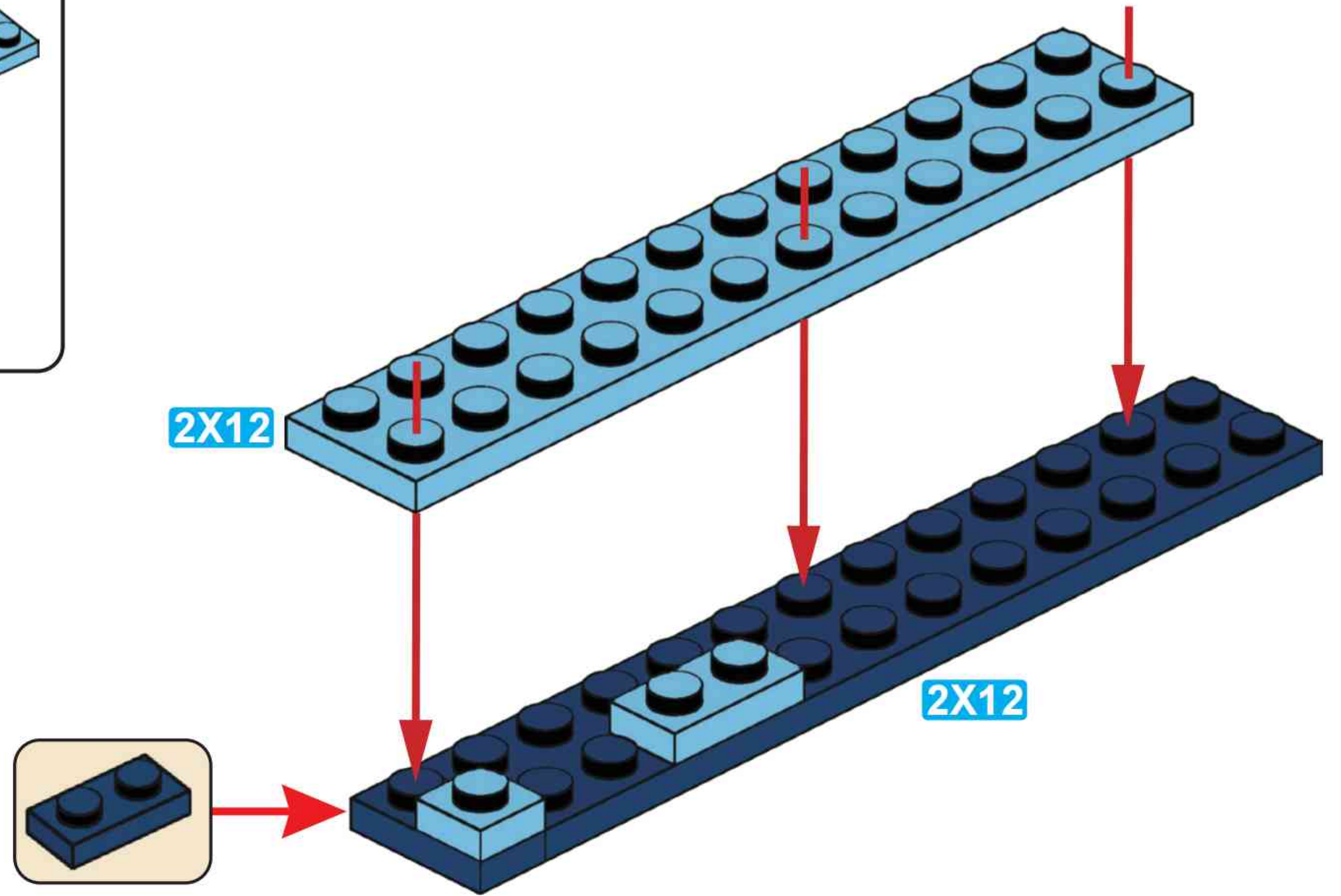
B28

B24

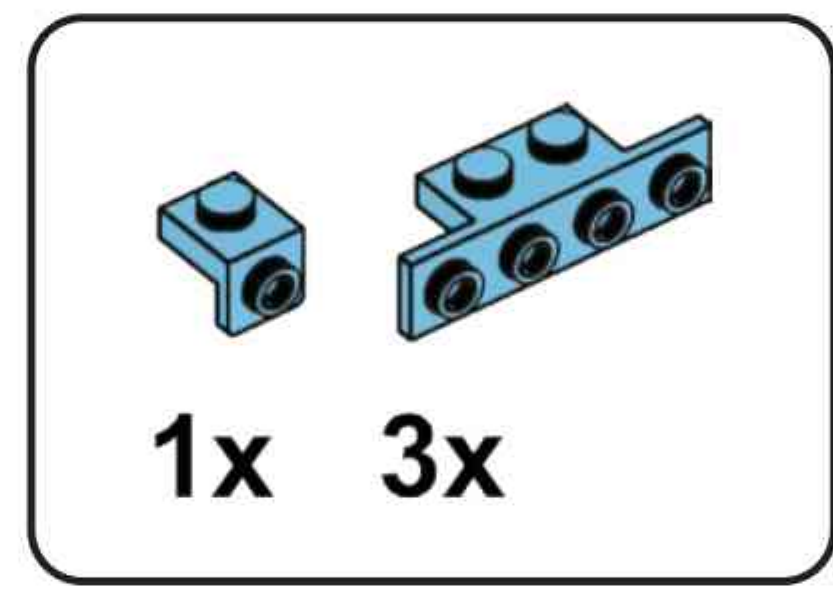
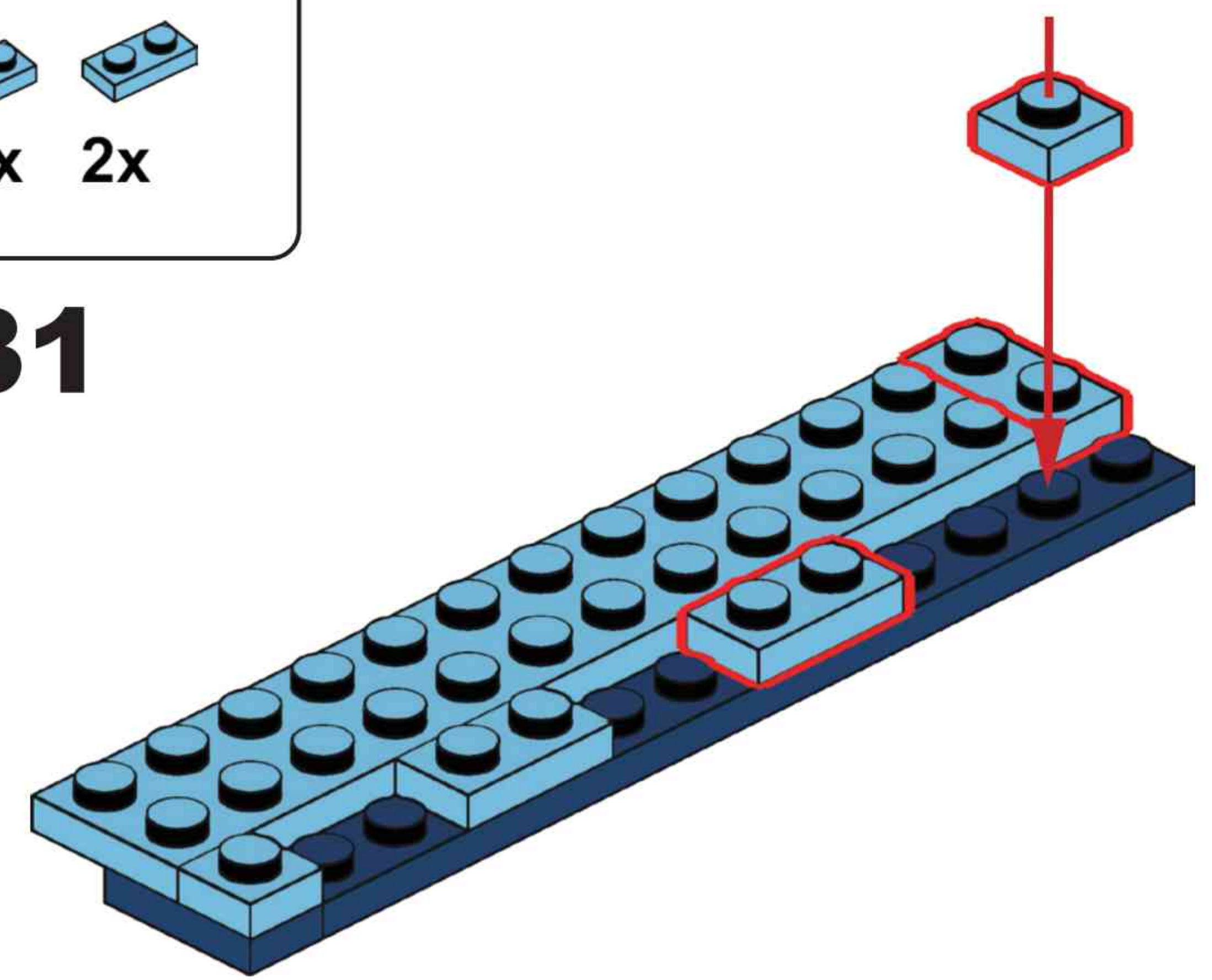
47



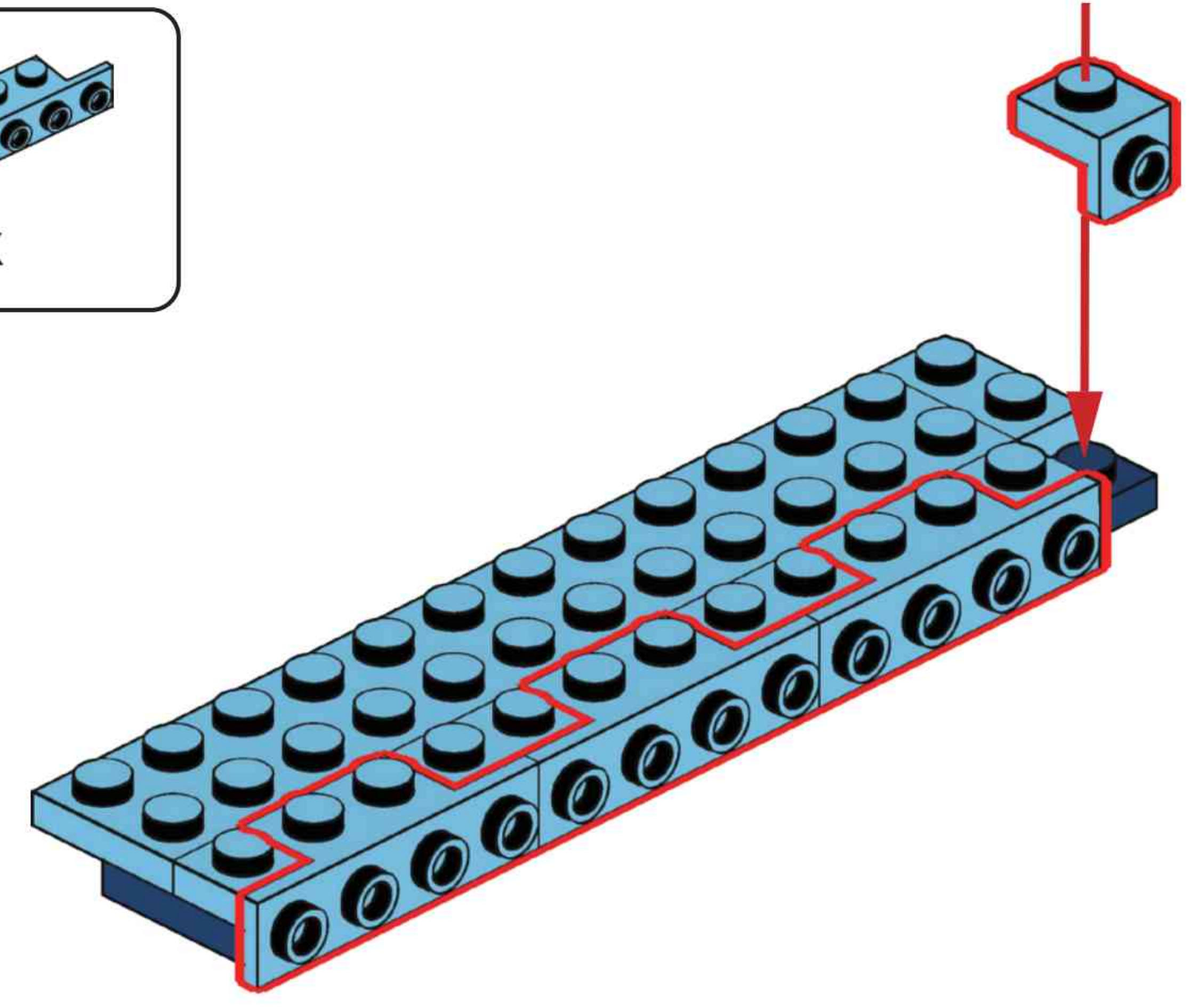
B30

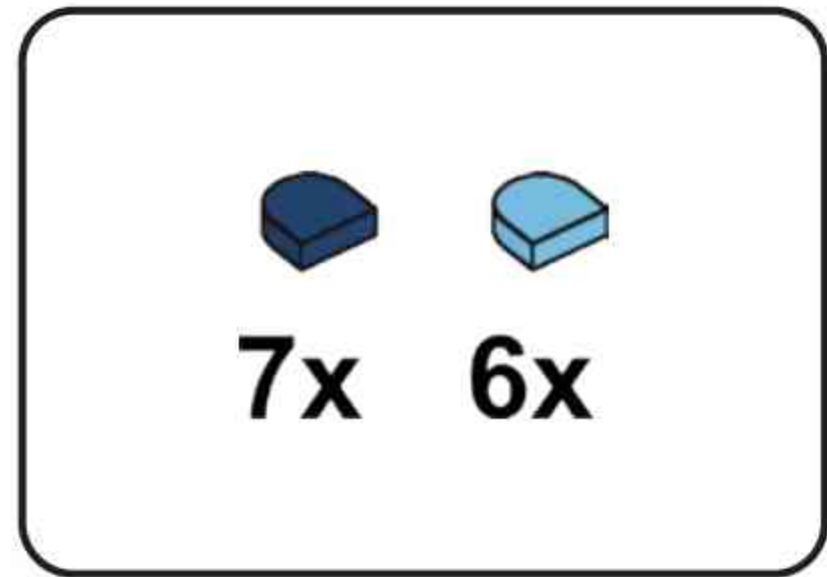


B31

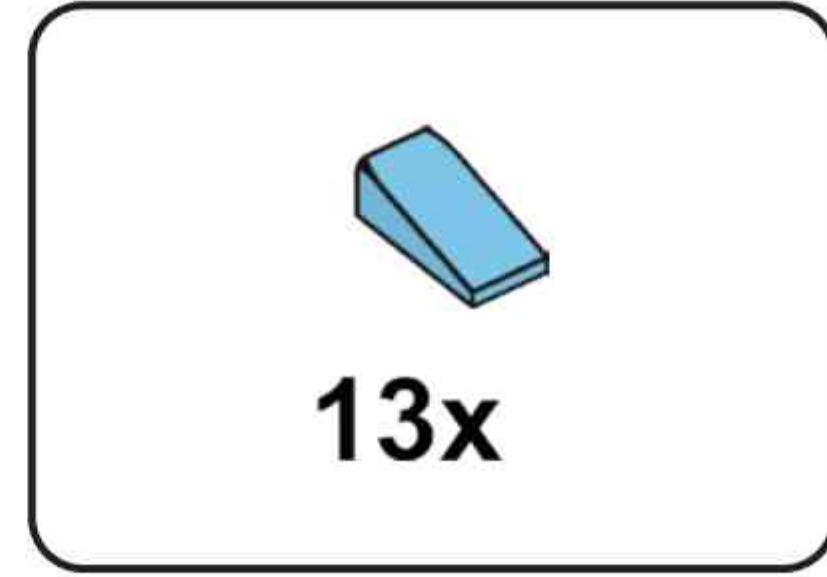
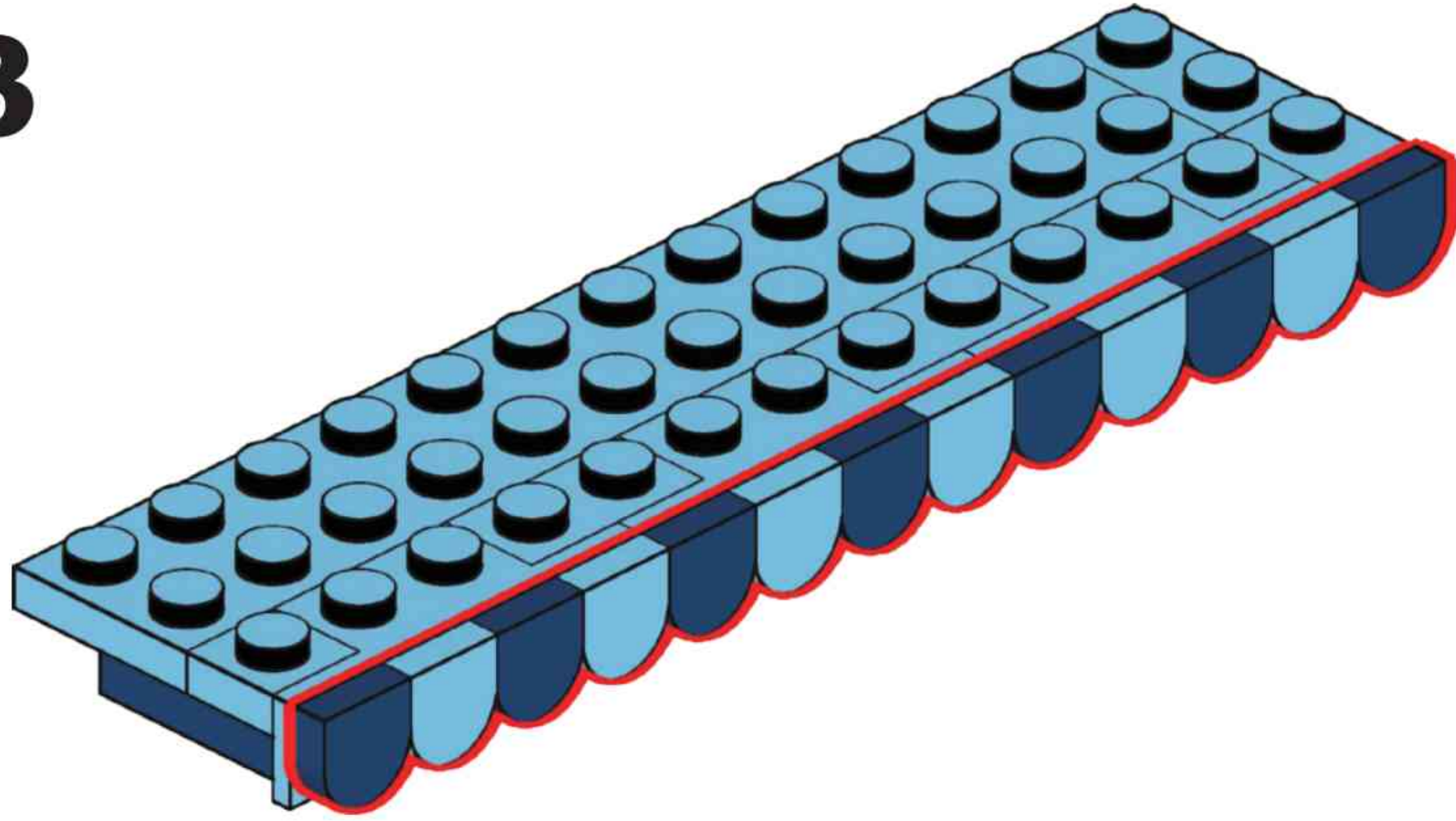


B32

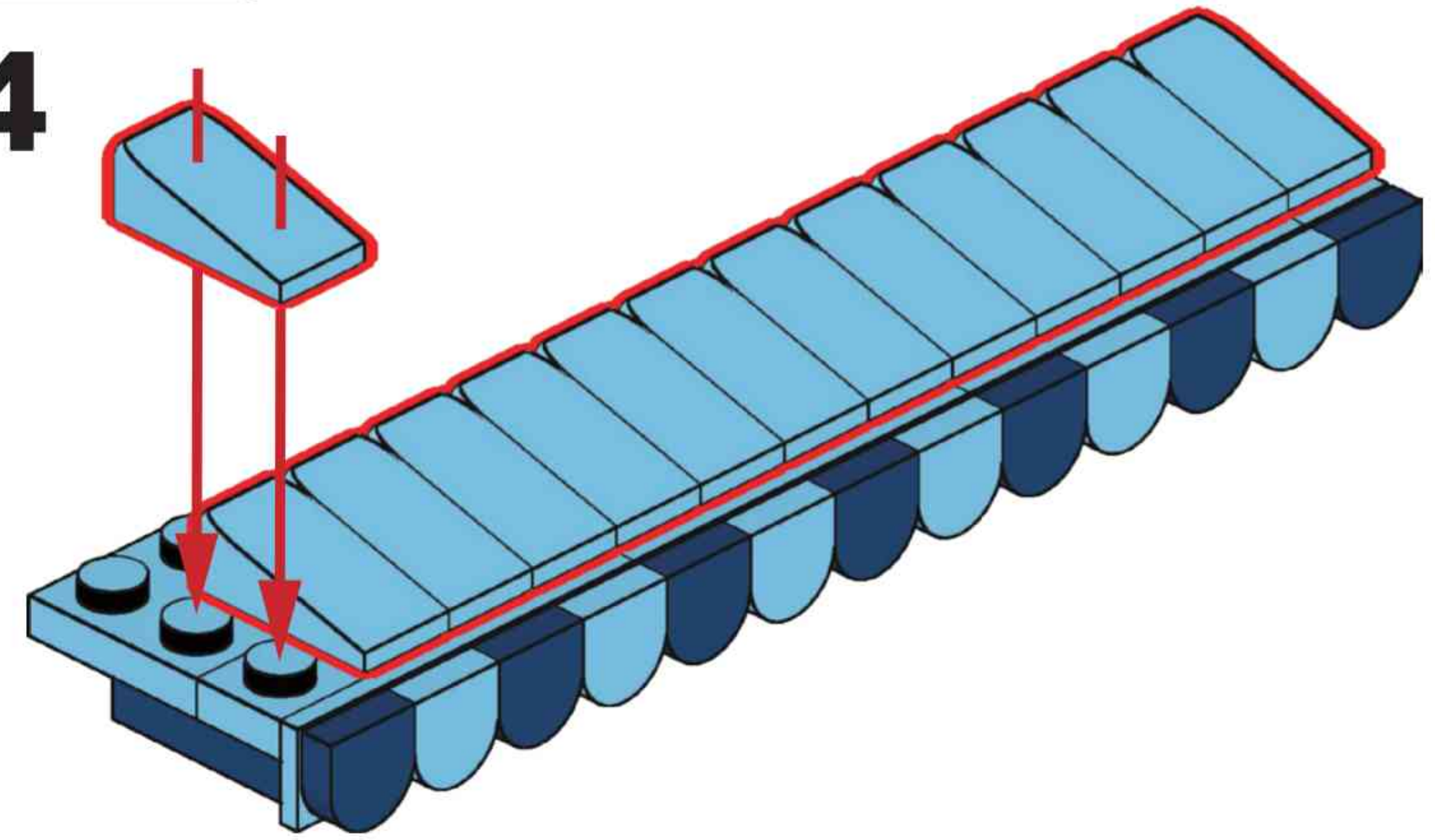




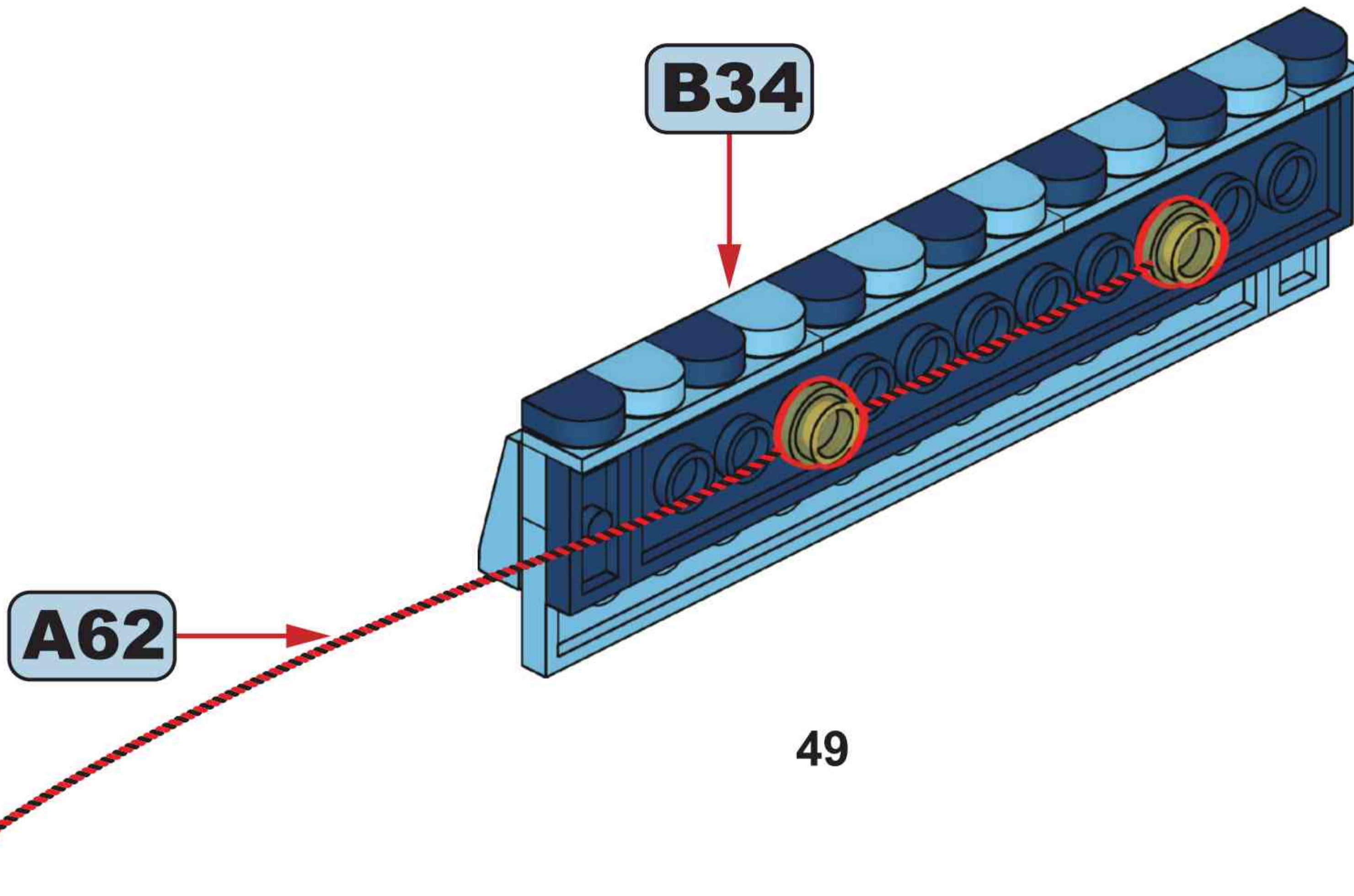
B33



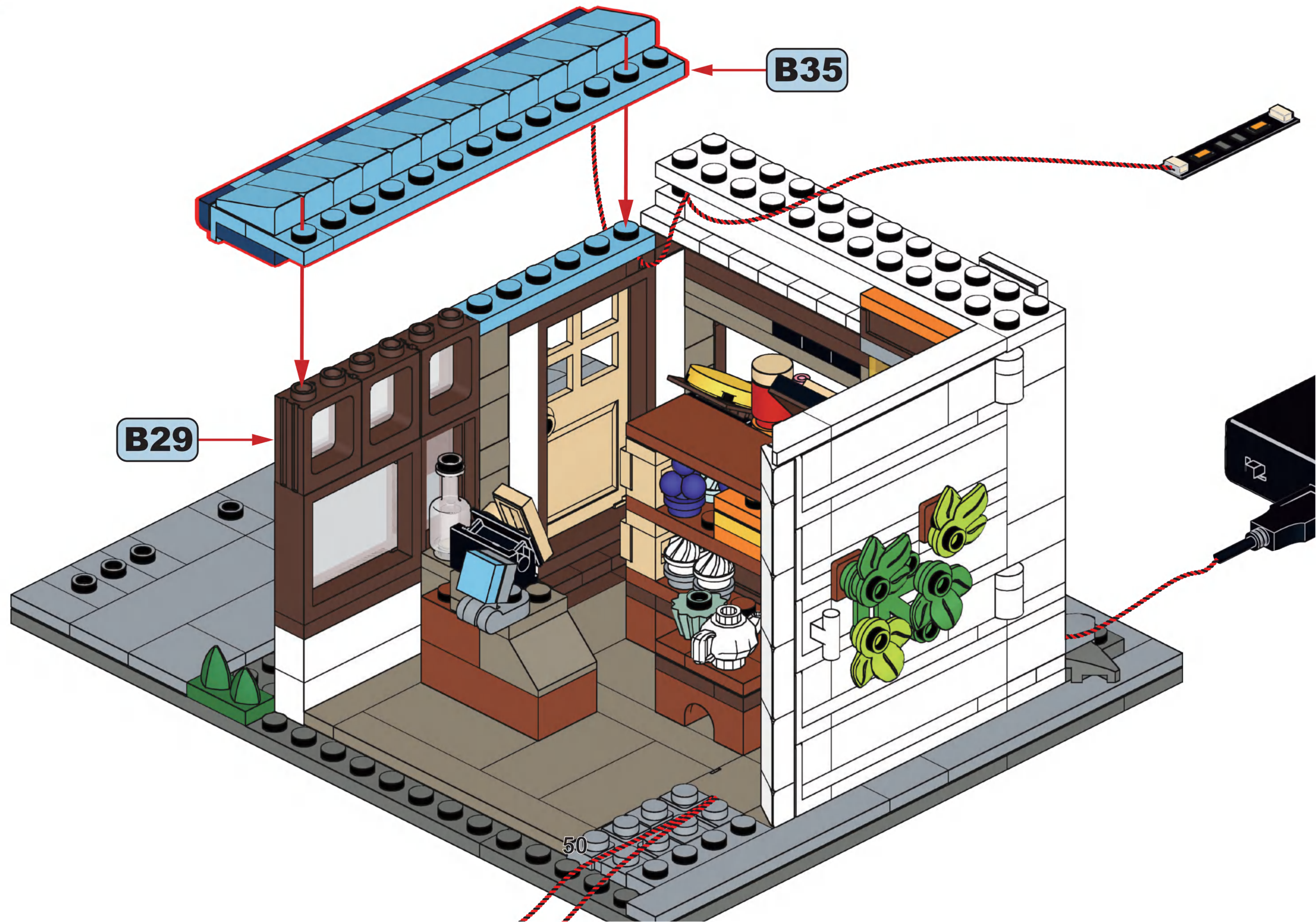
B34

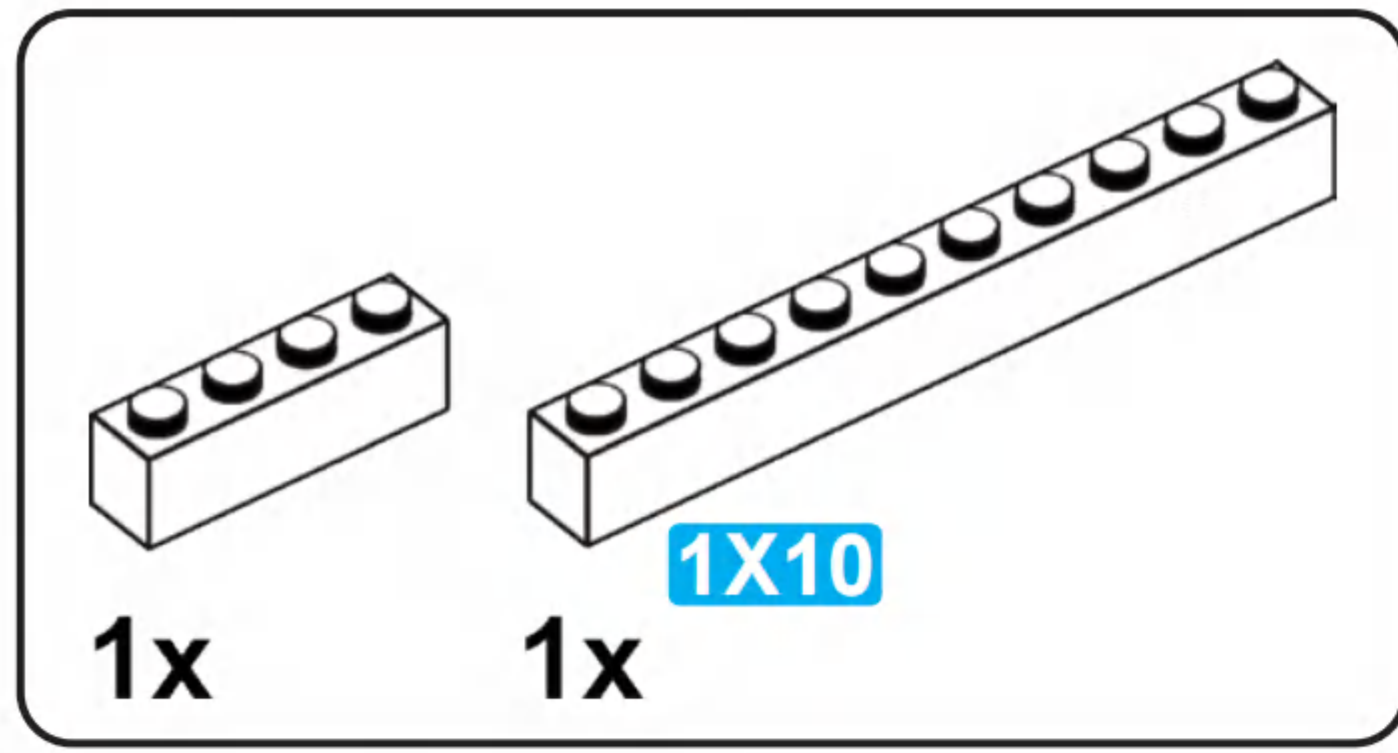


B35

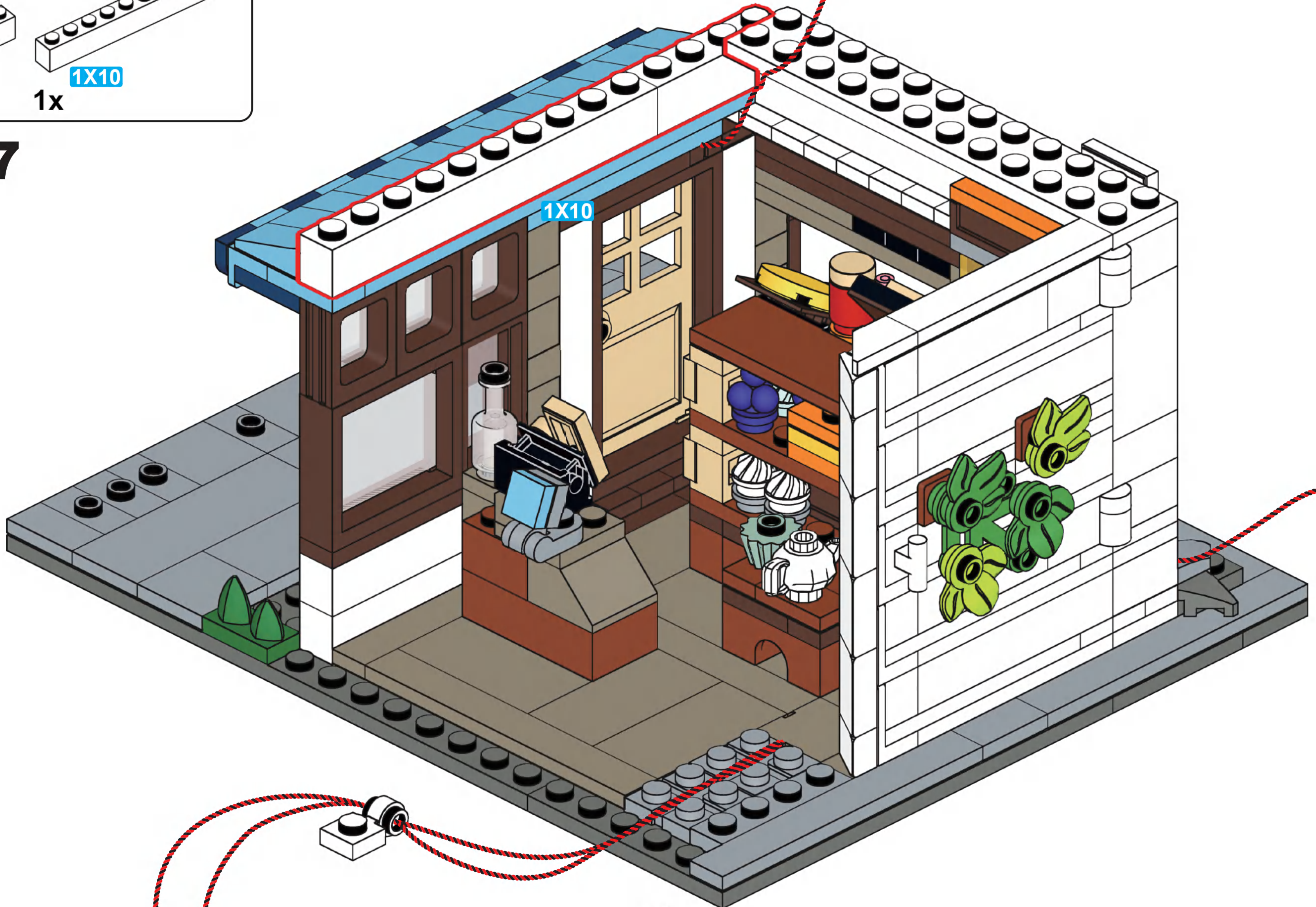


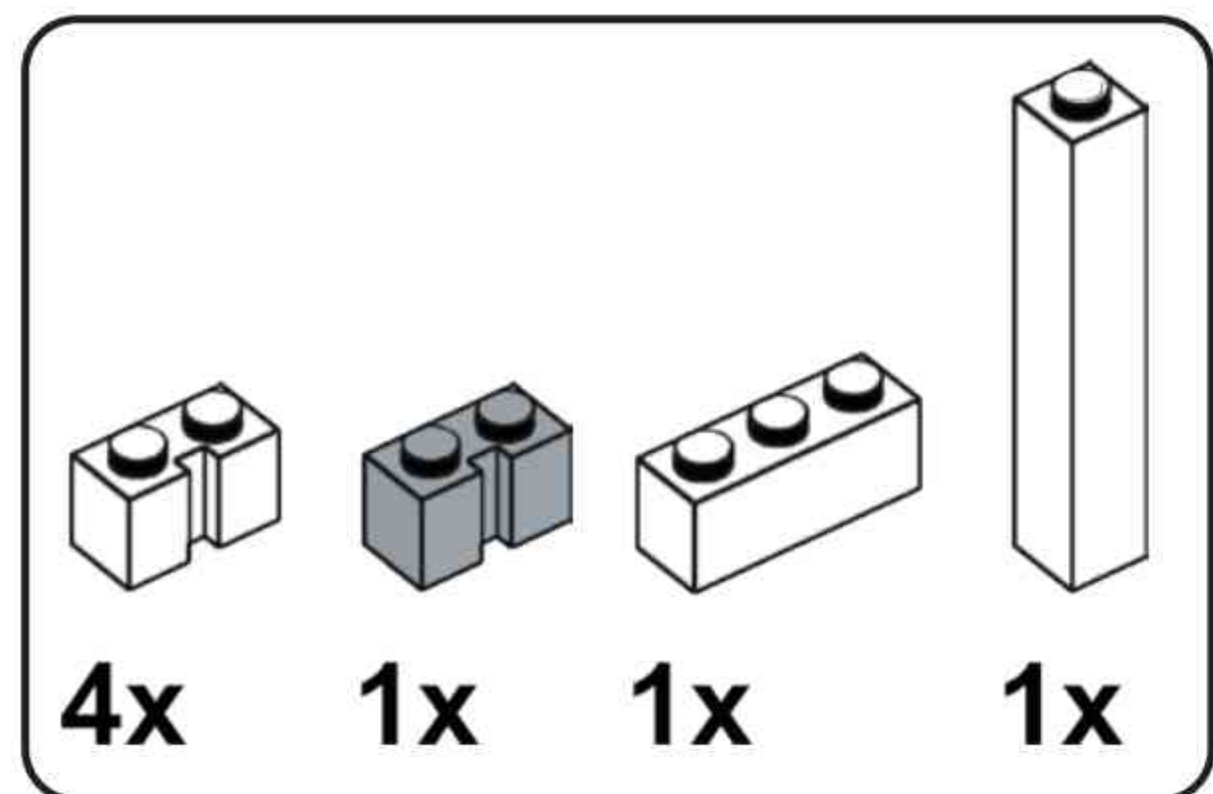
B36



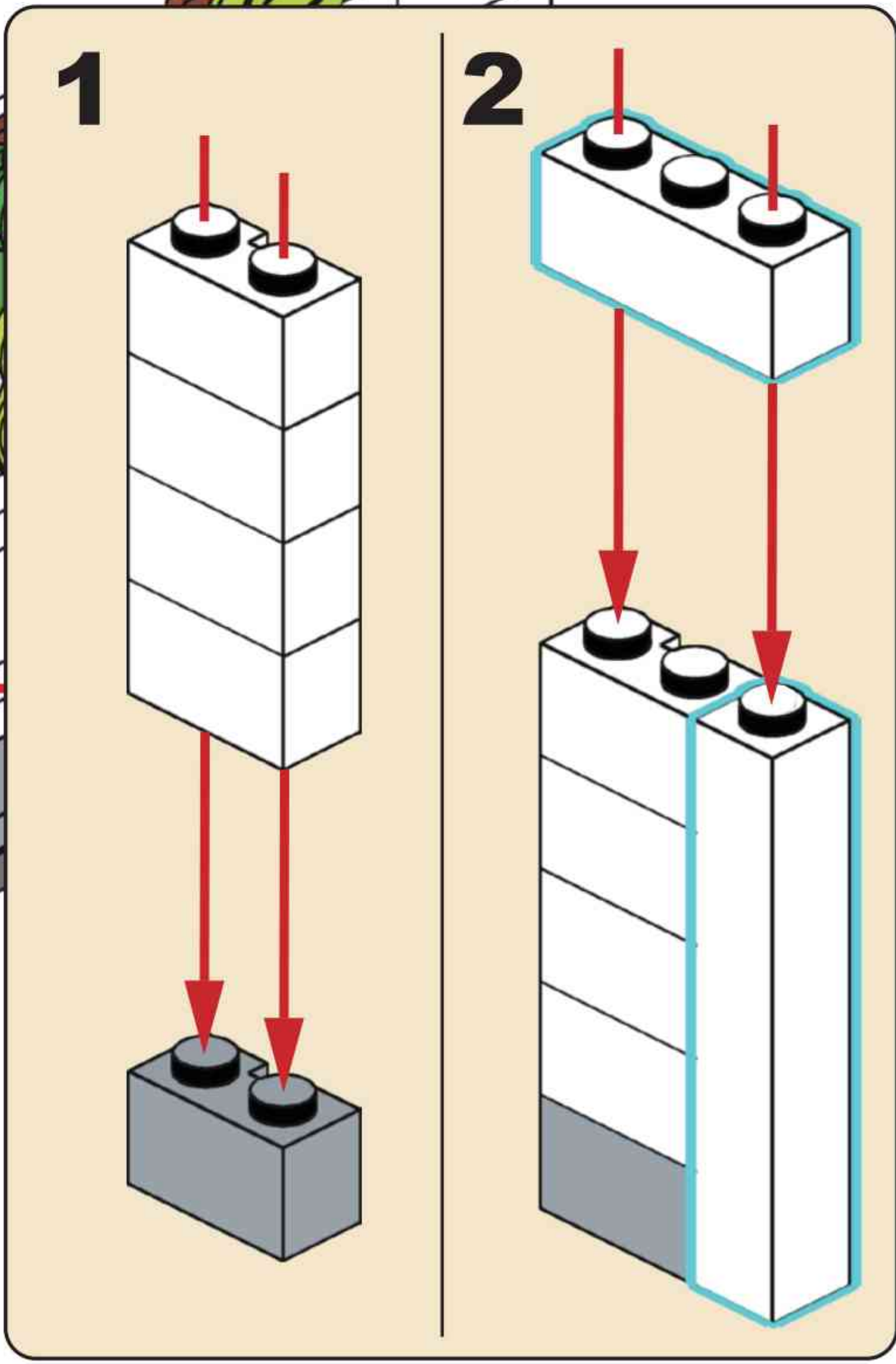
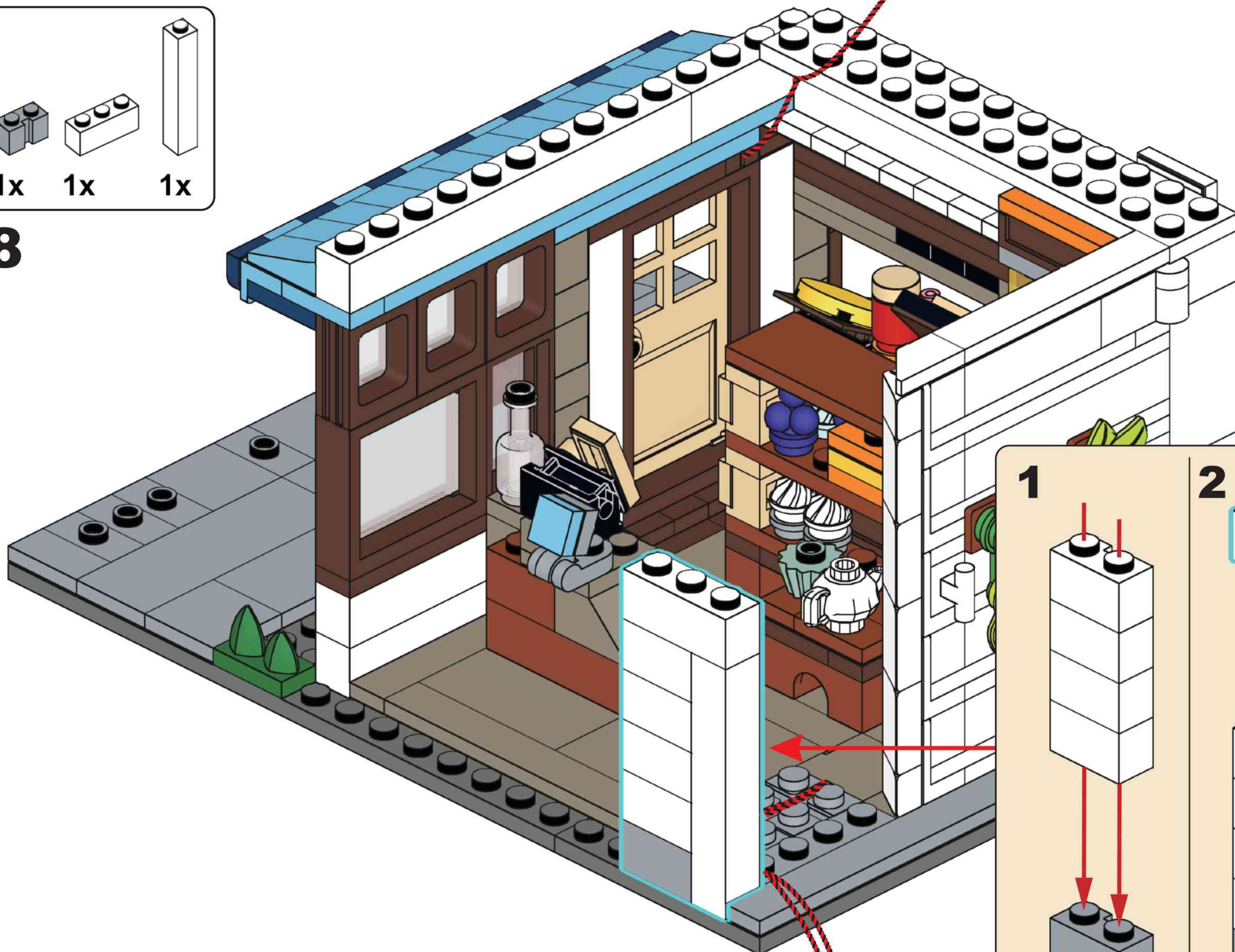


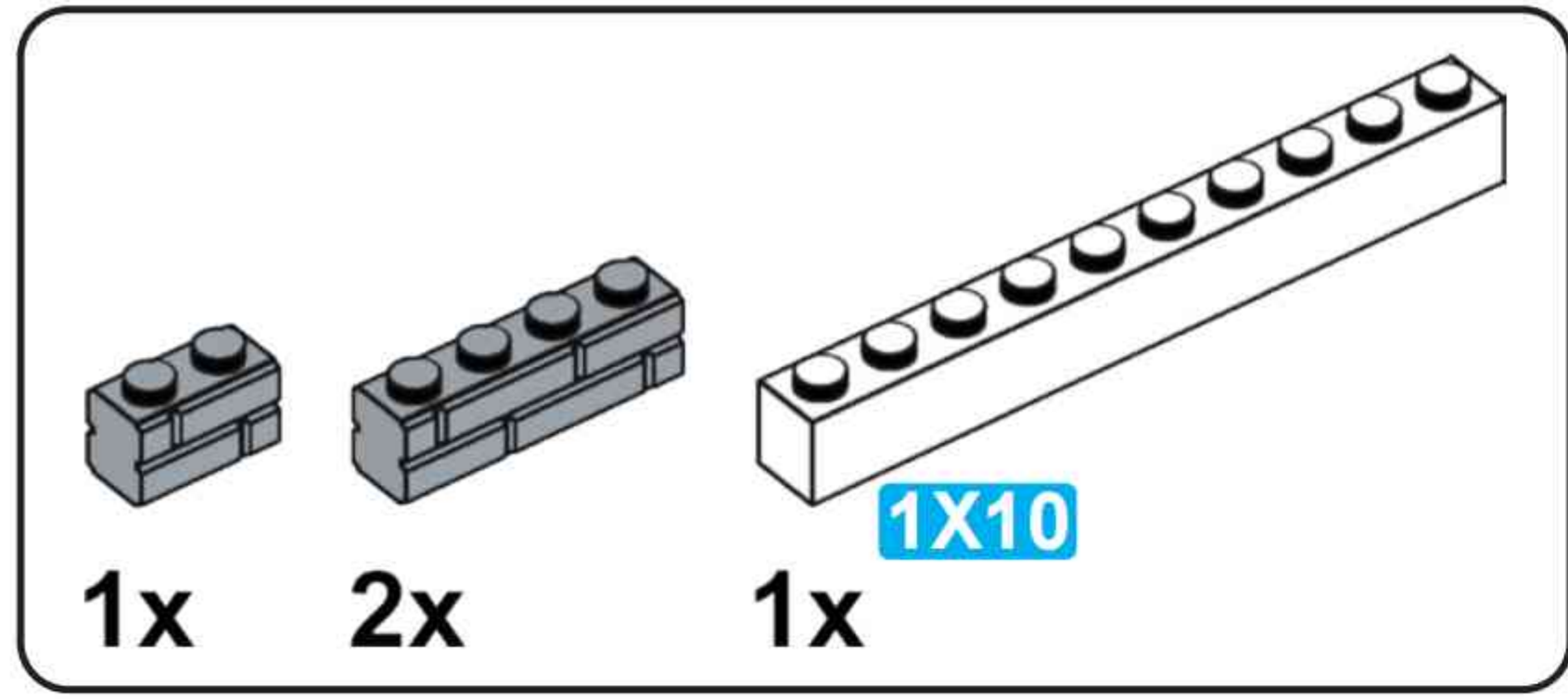
B37



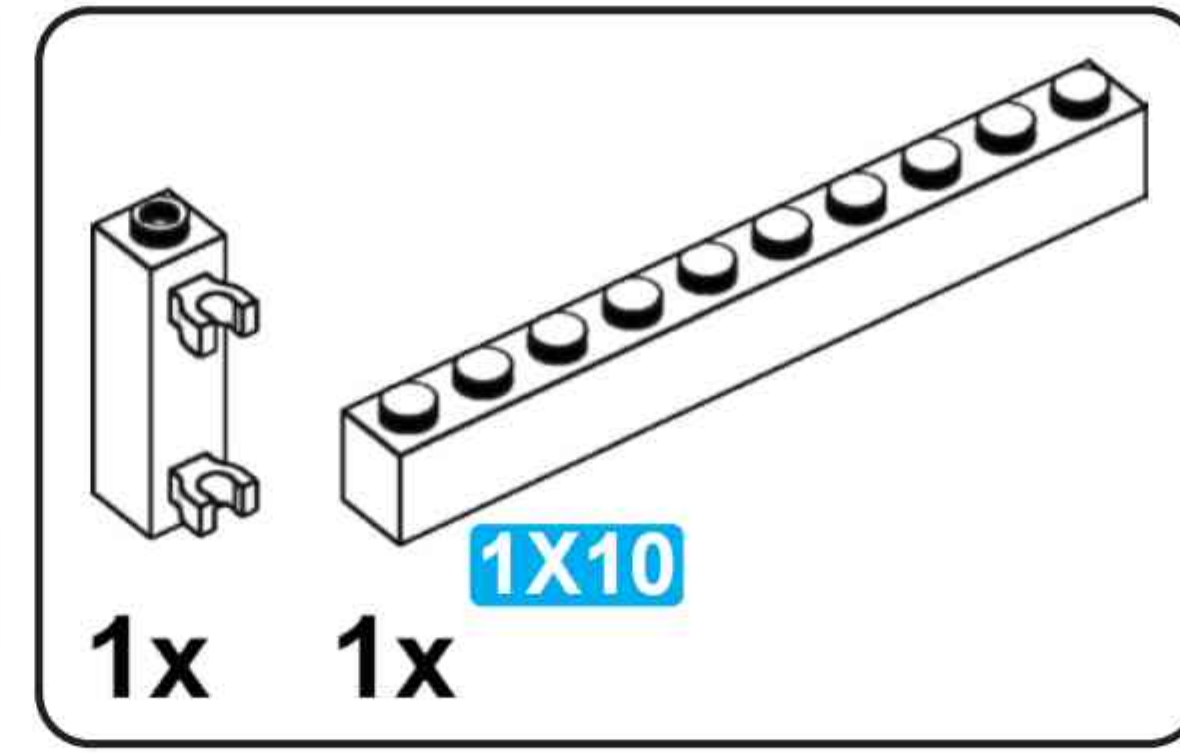
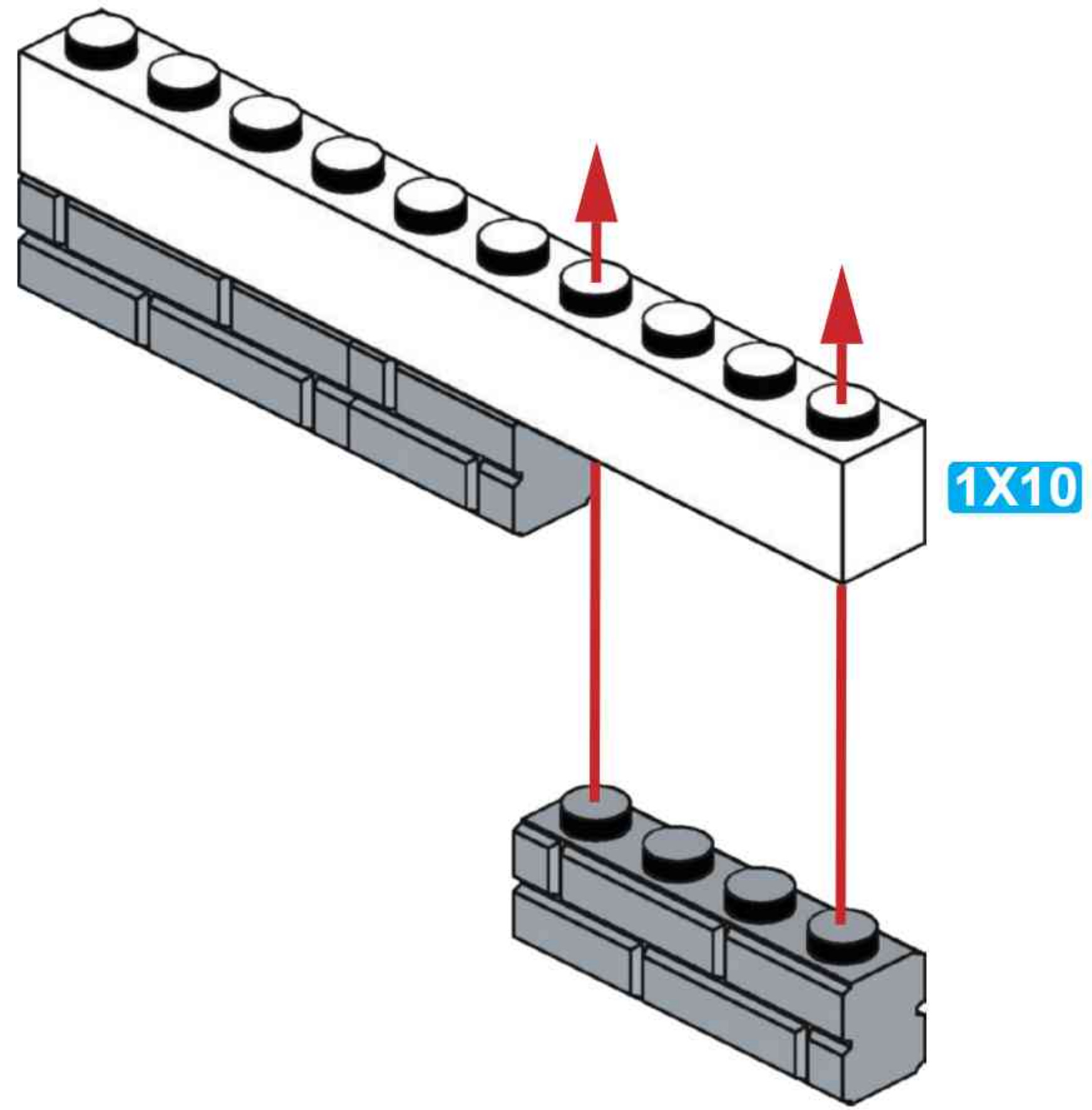


B38

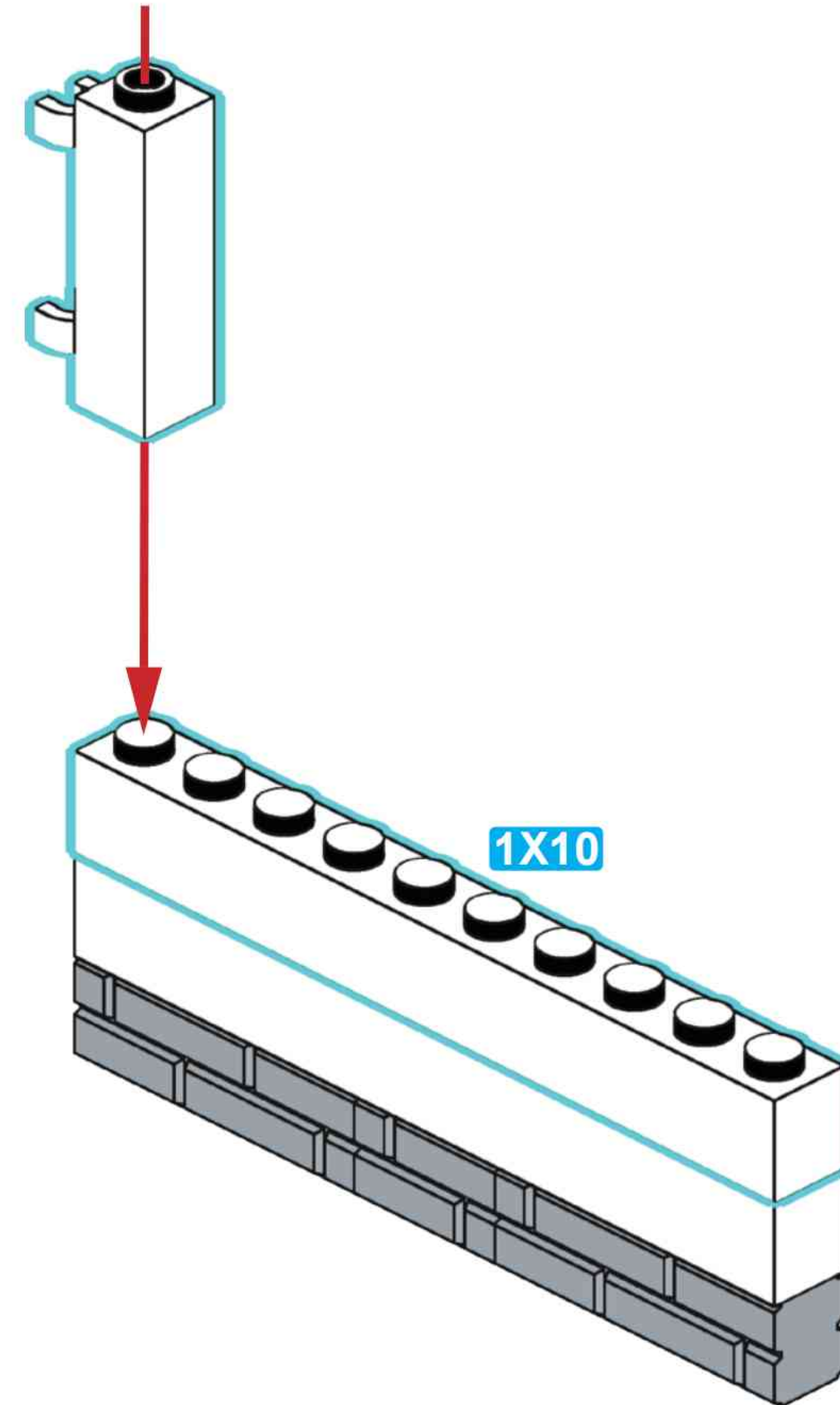


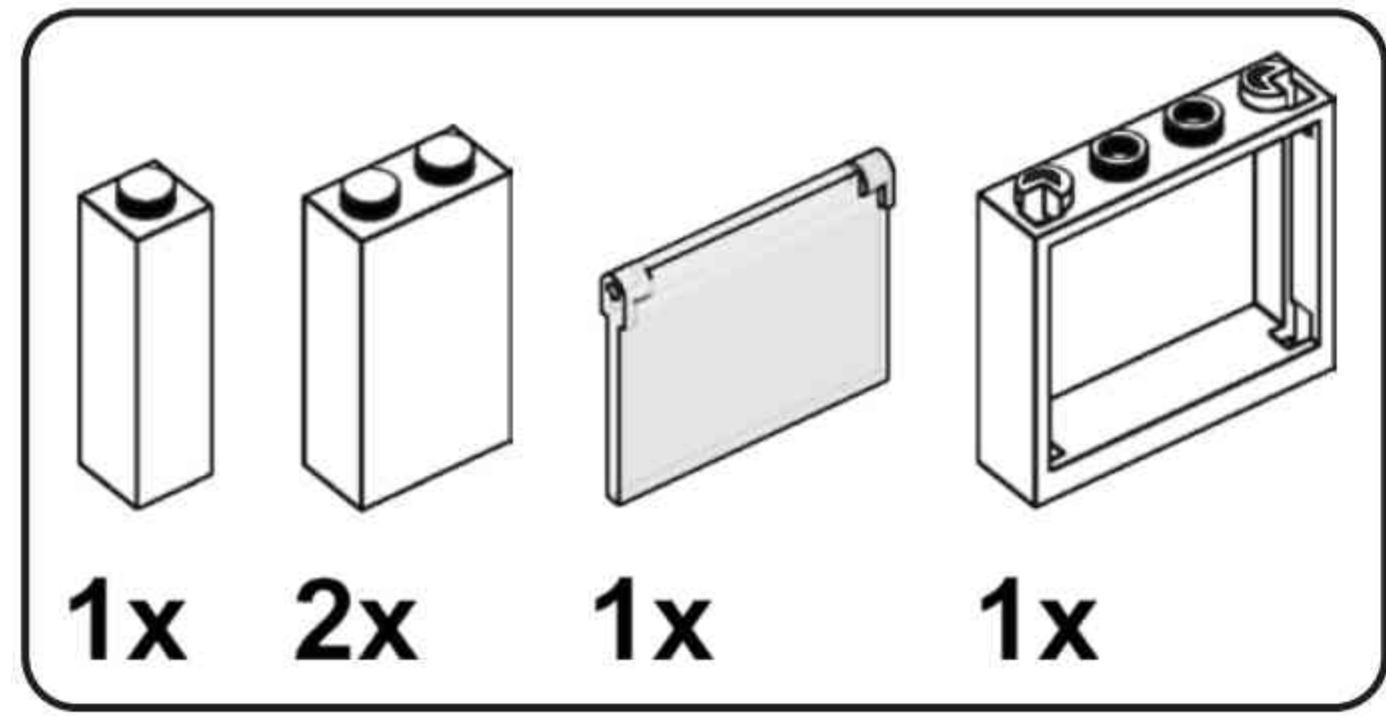


B39

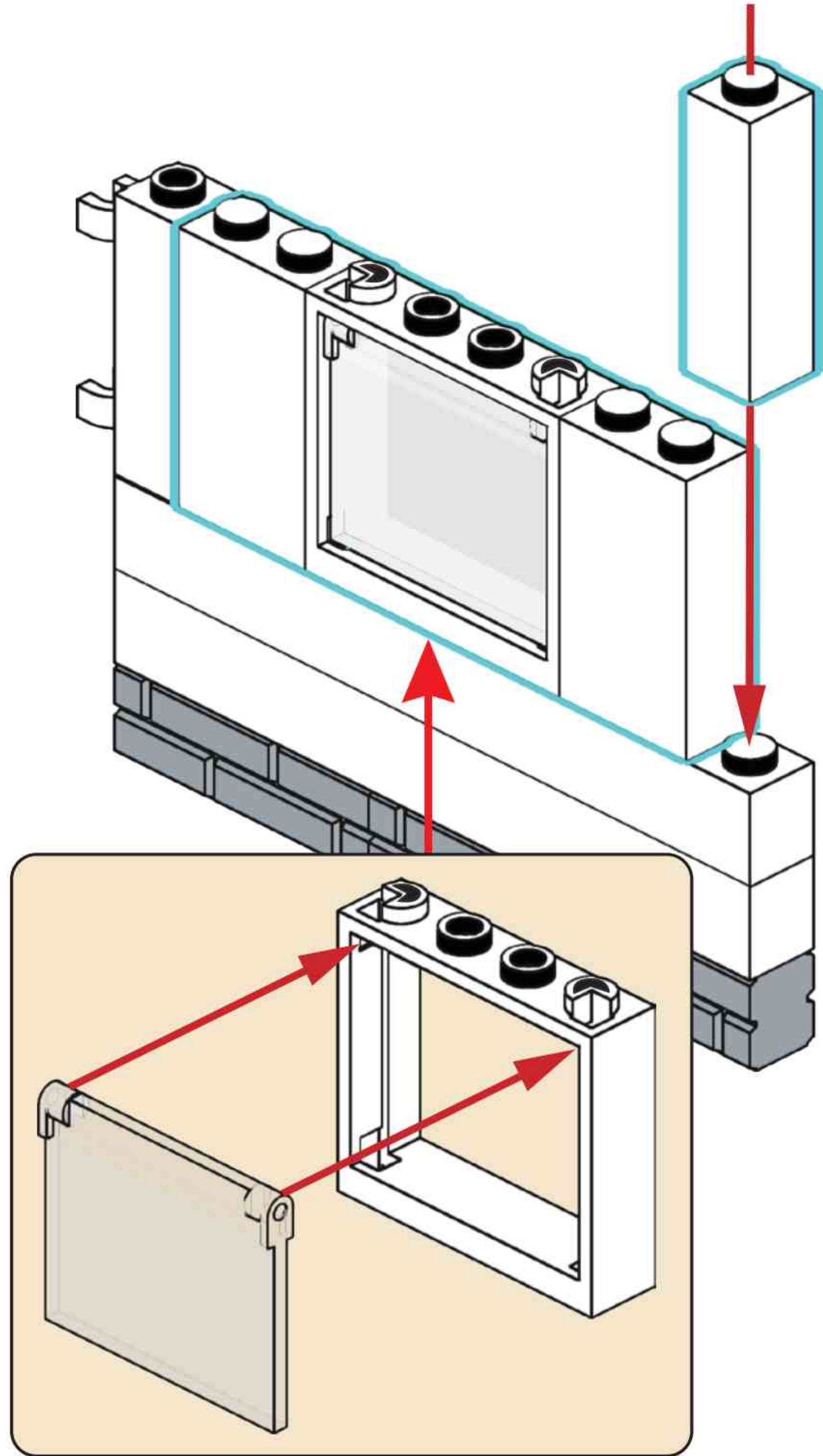


B40

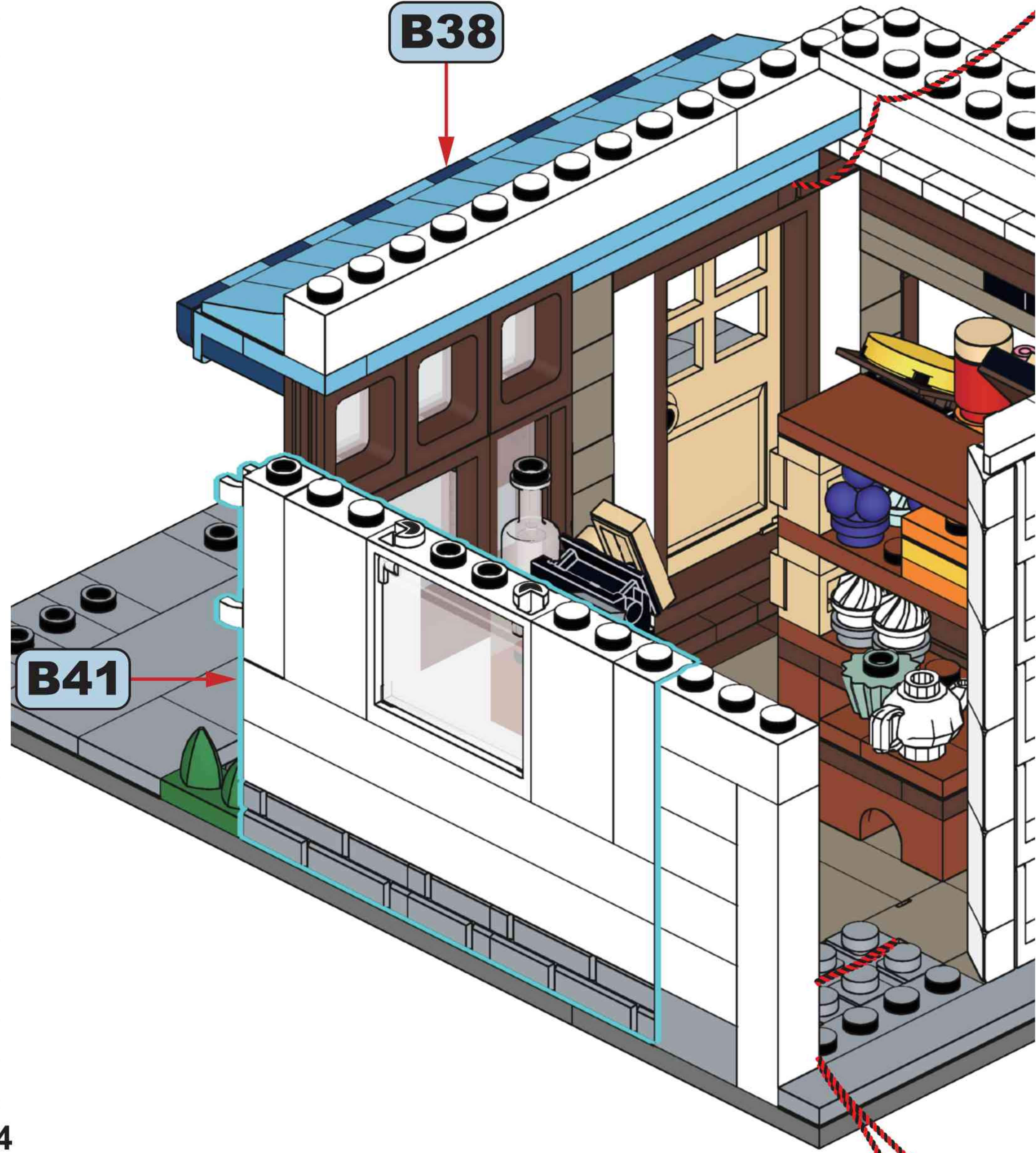


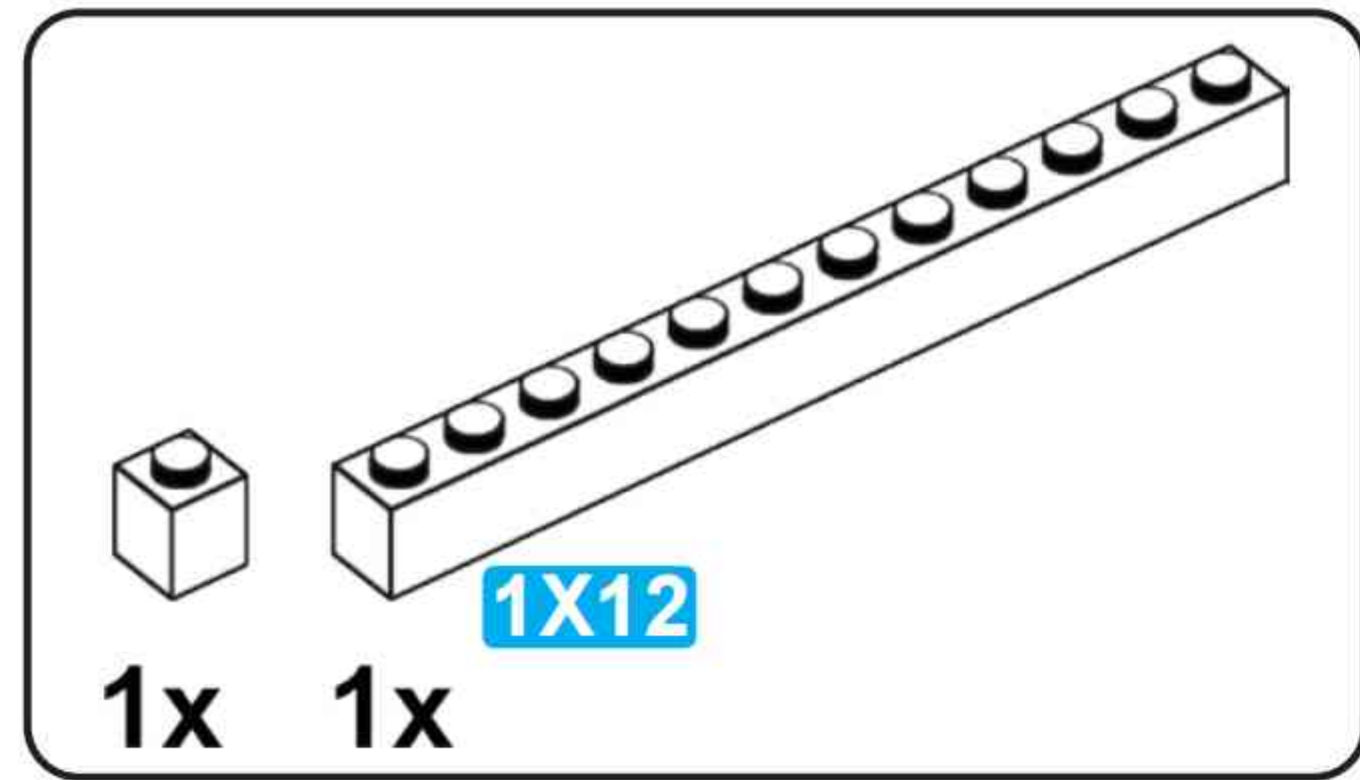


B41

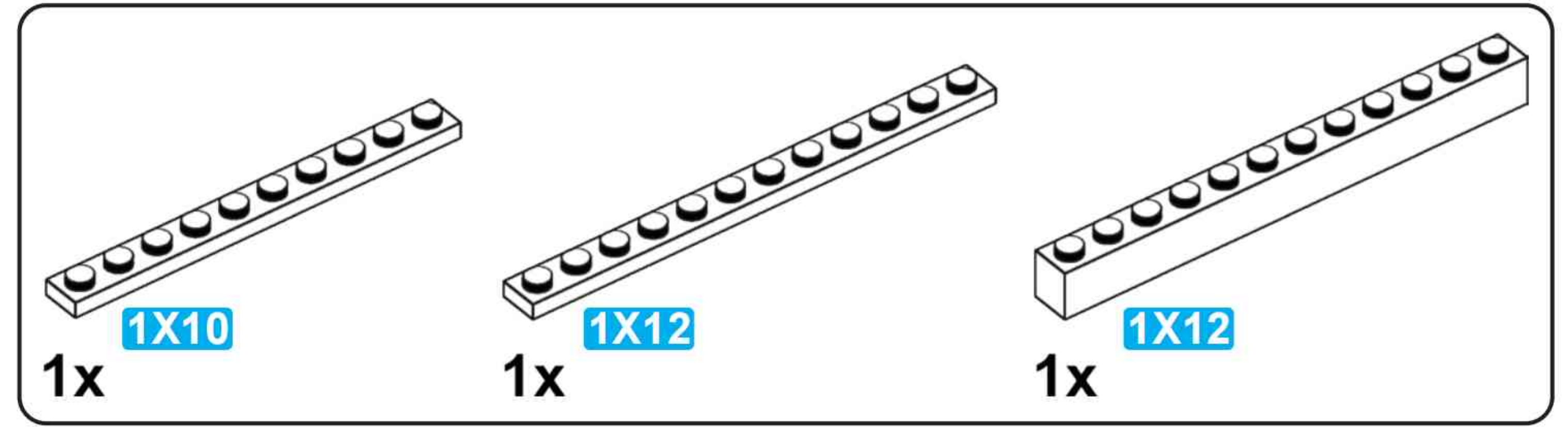
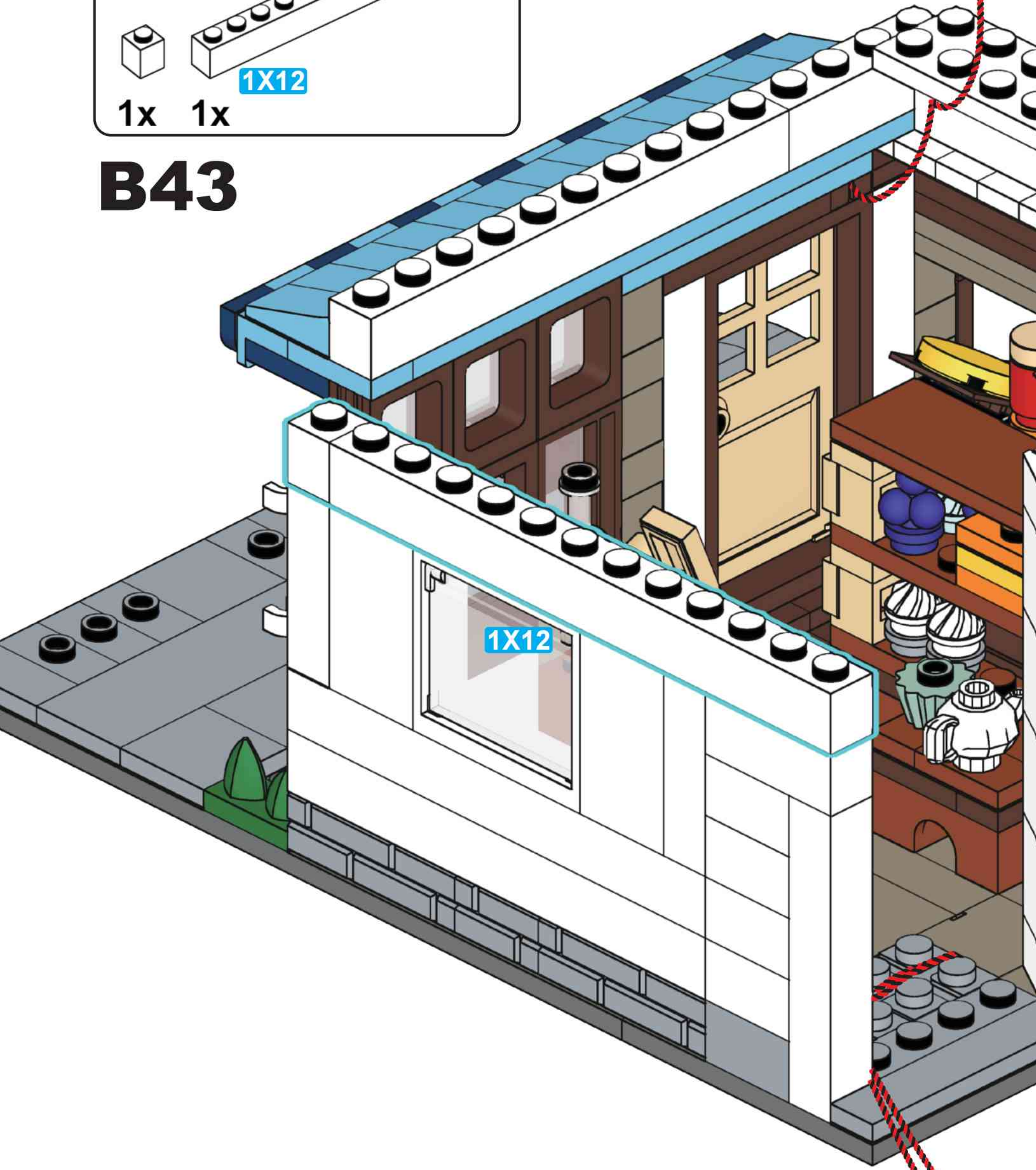


B42

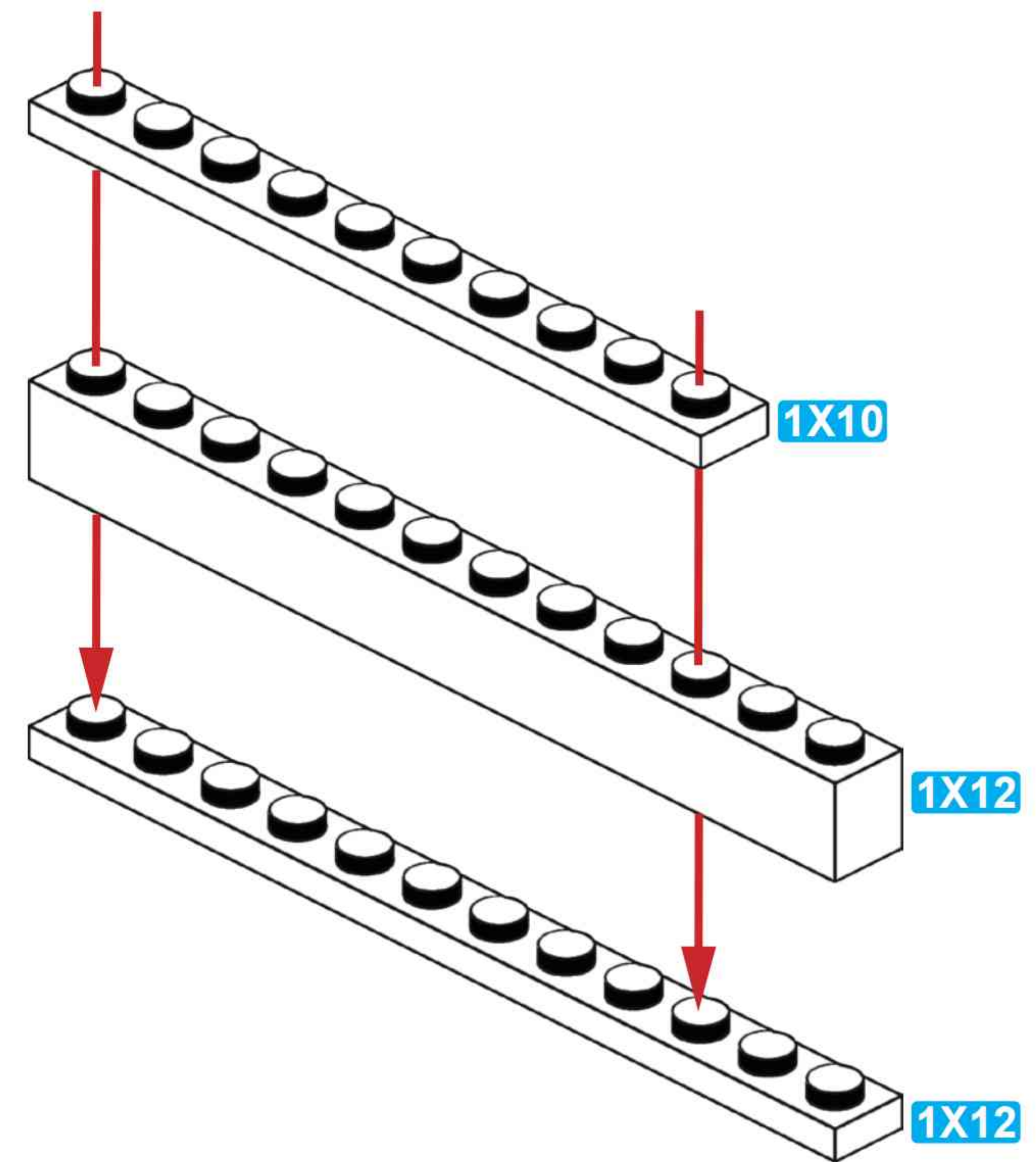


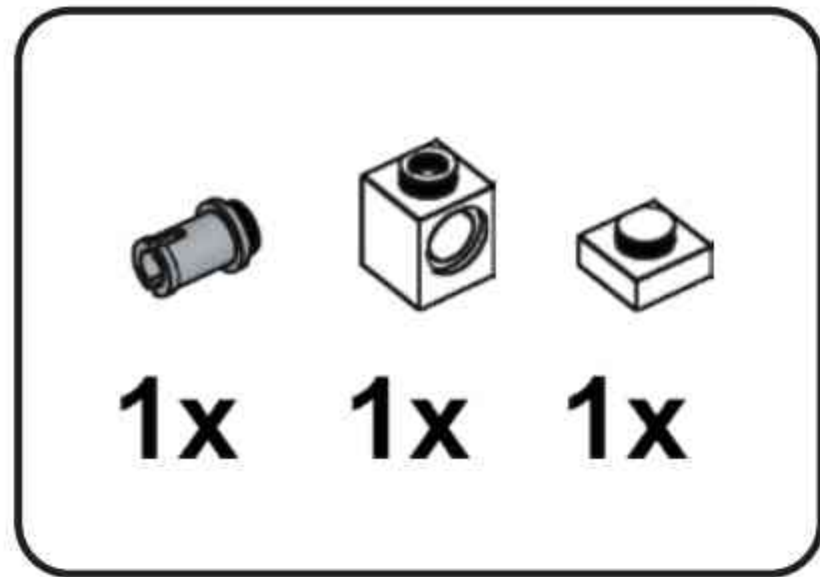


B43

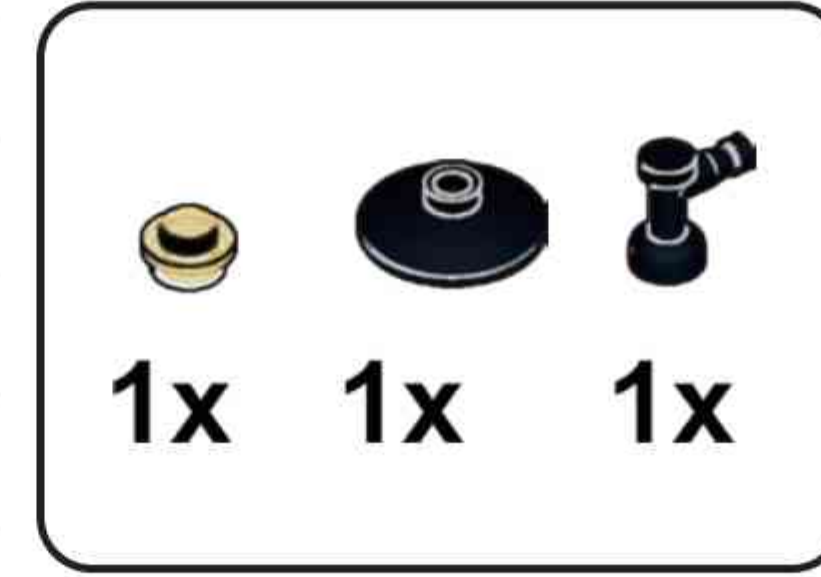
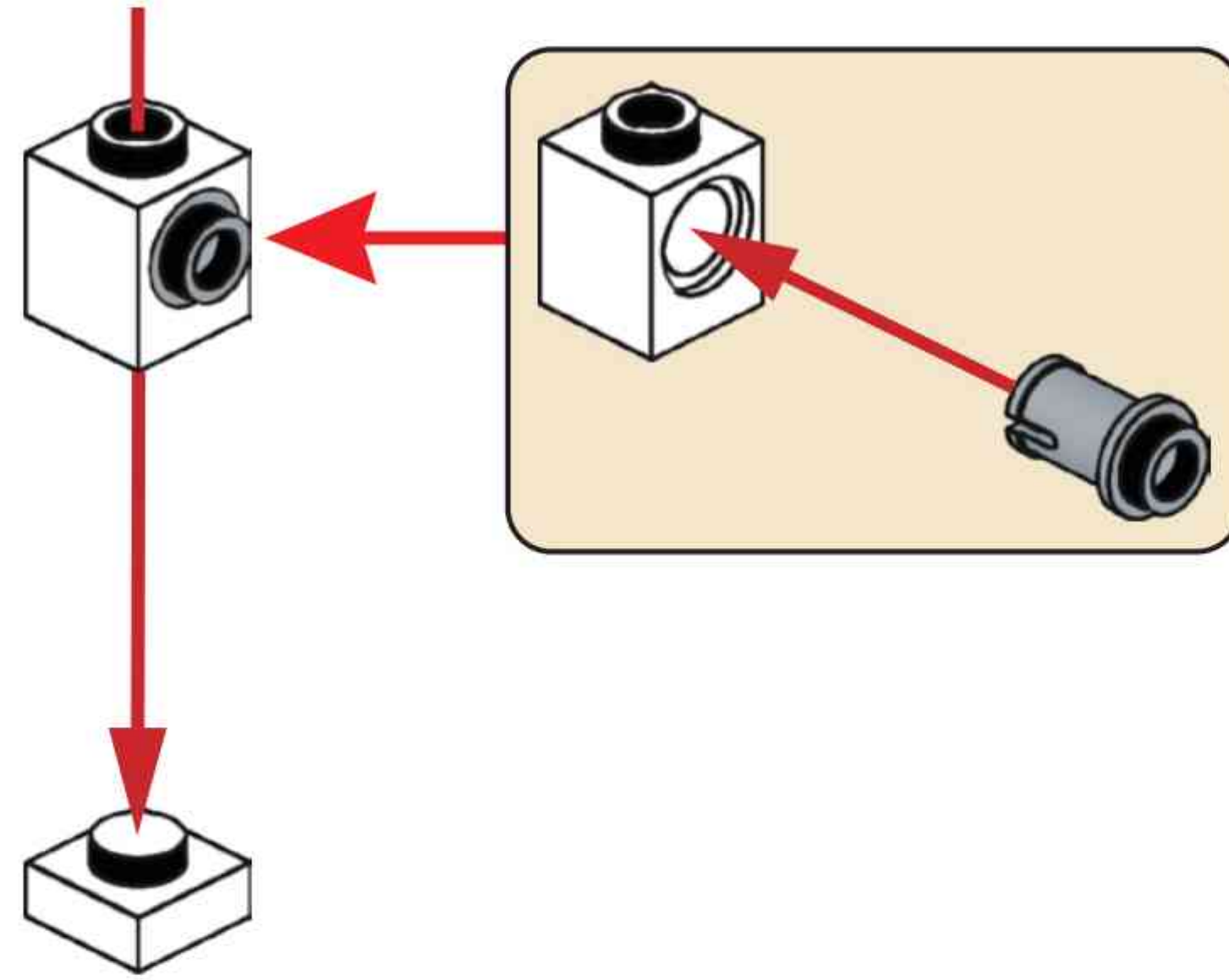


B44

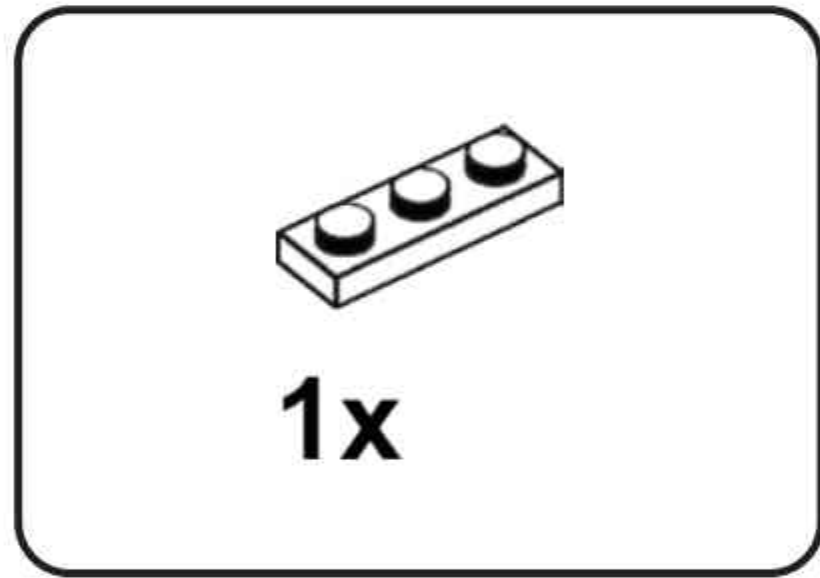
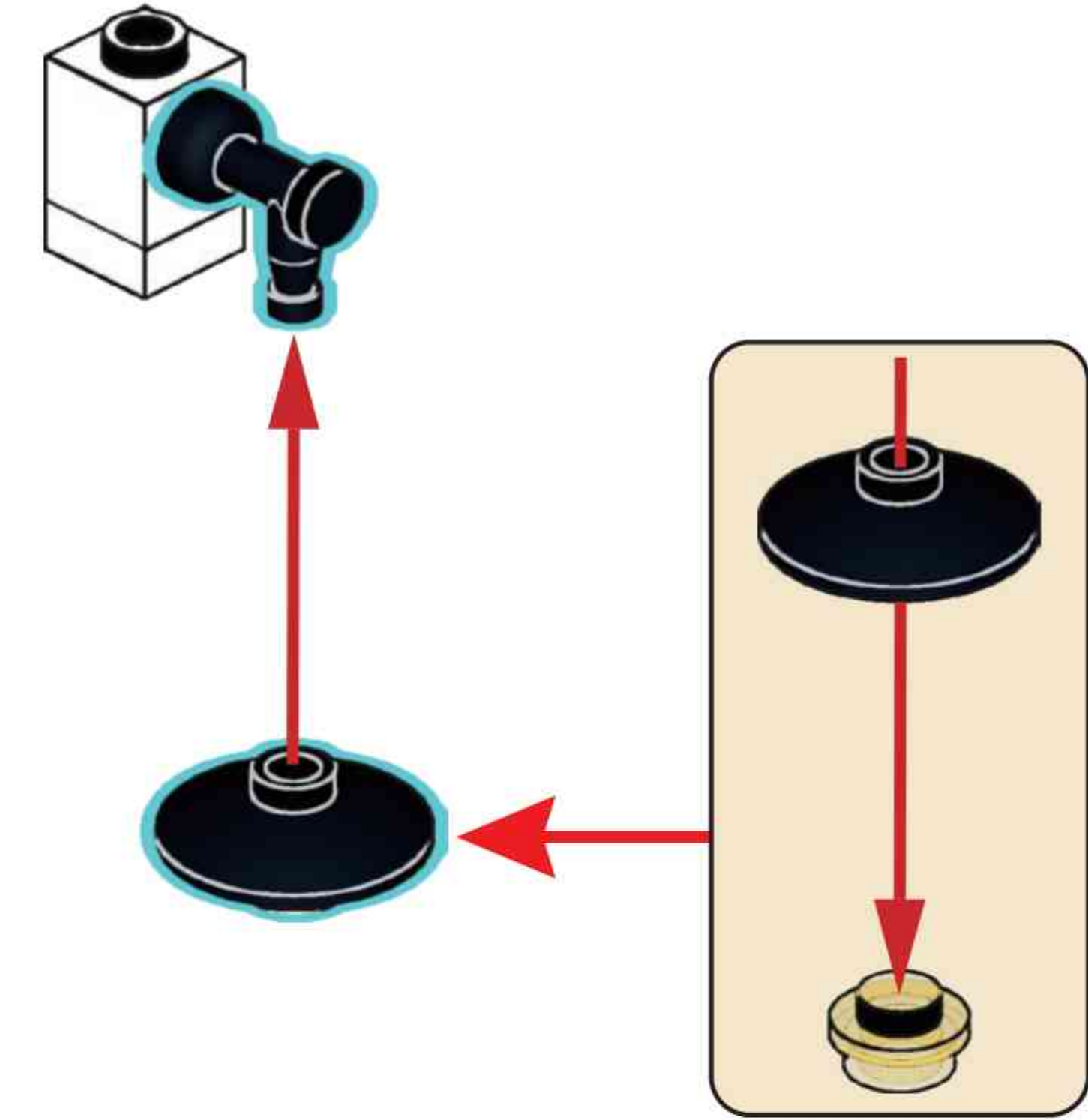




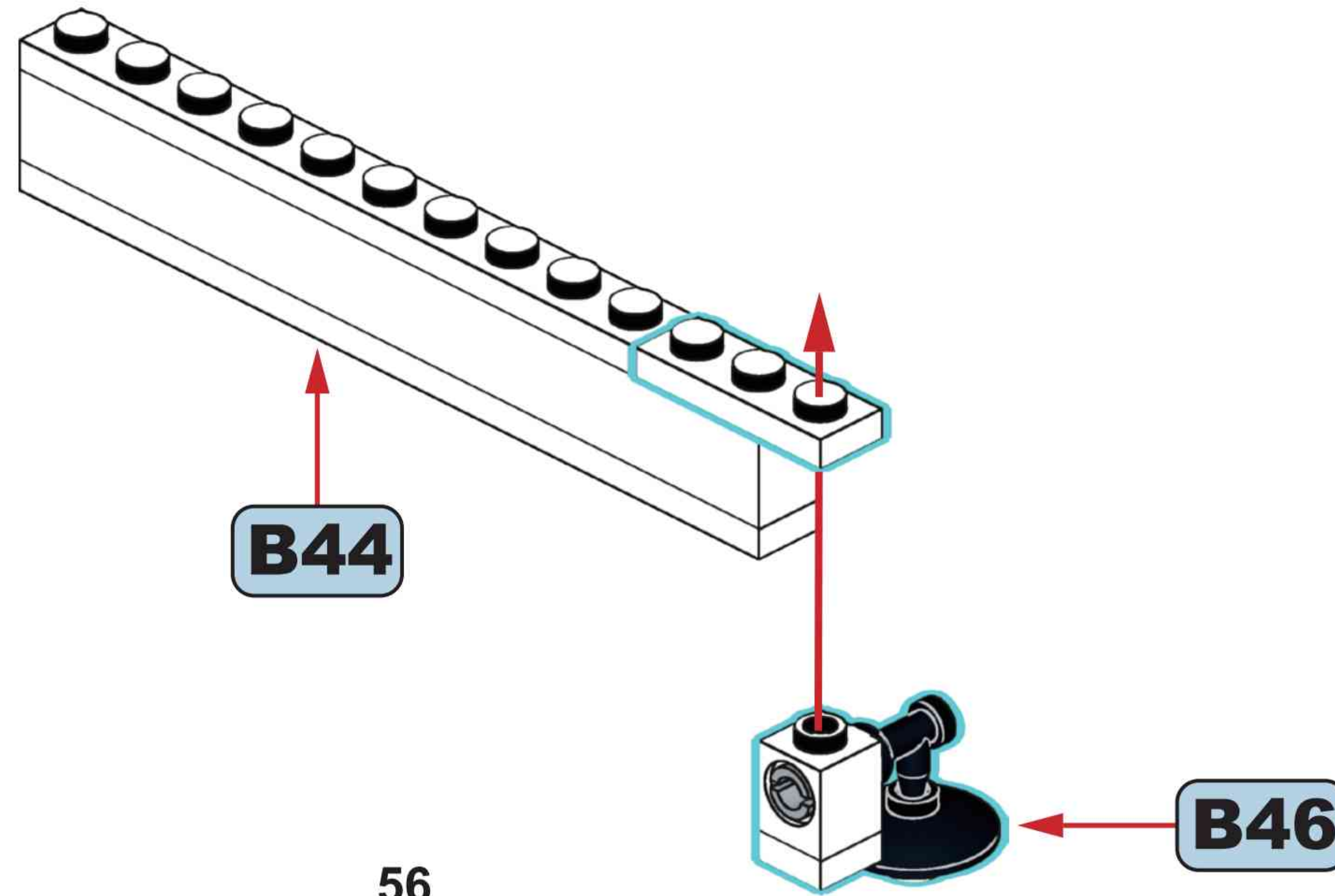
B45



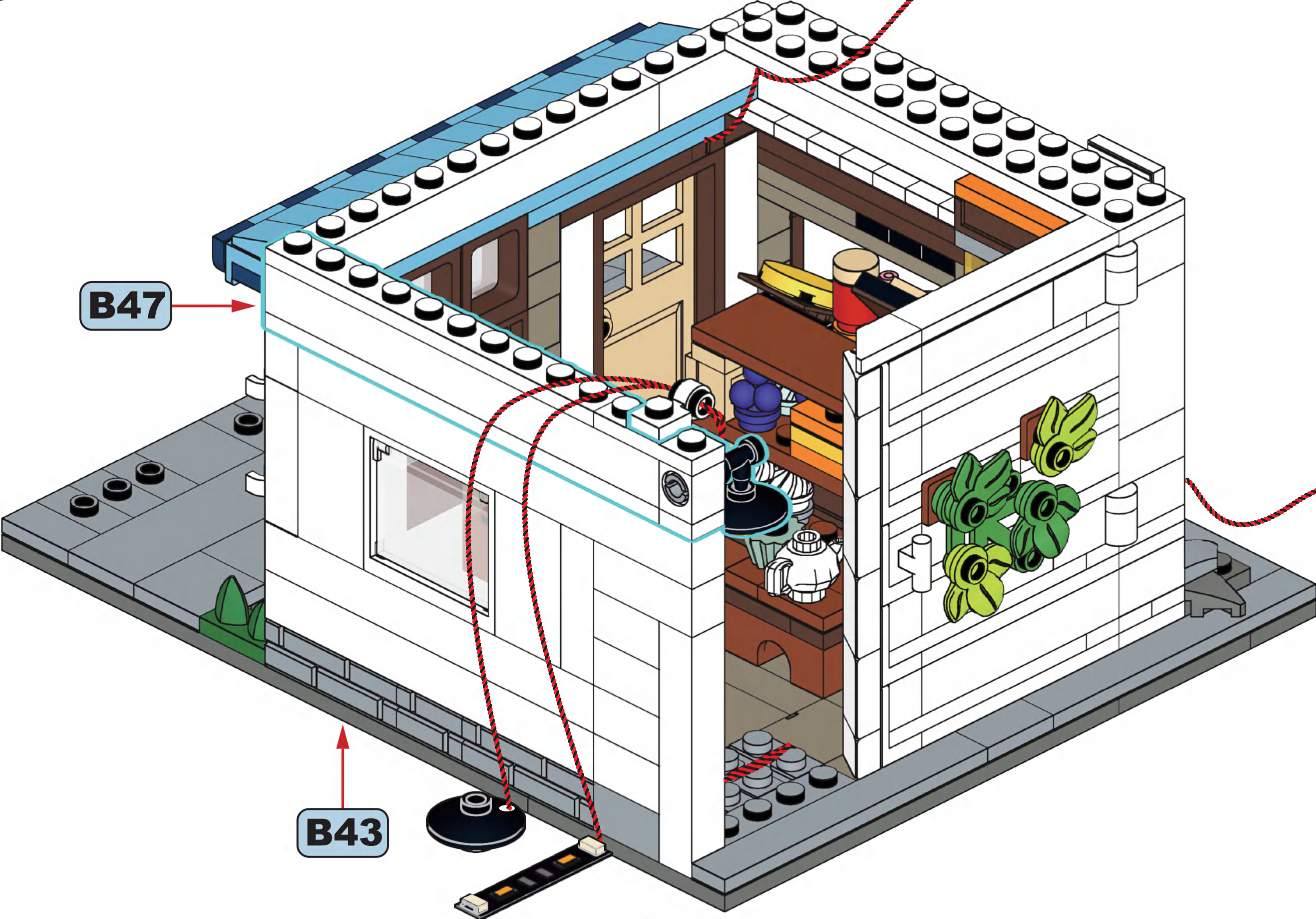
B46



B47

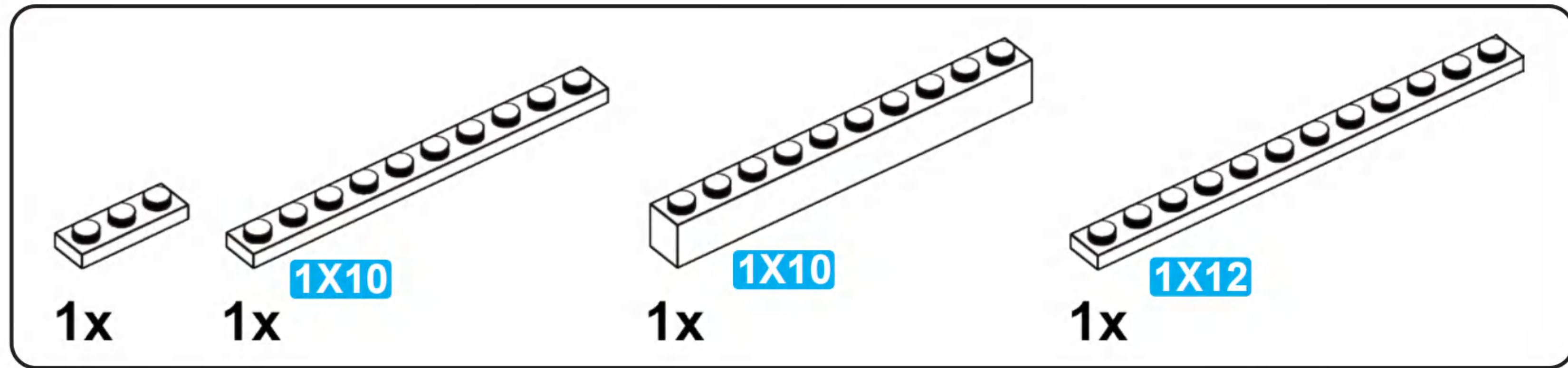


B48

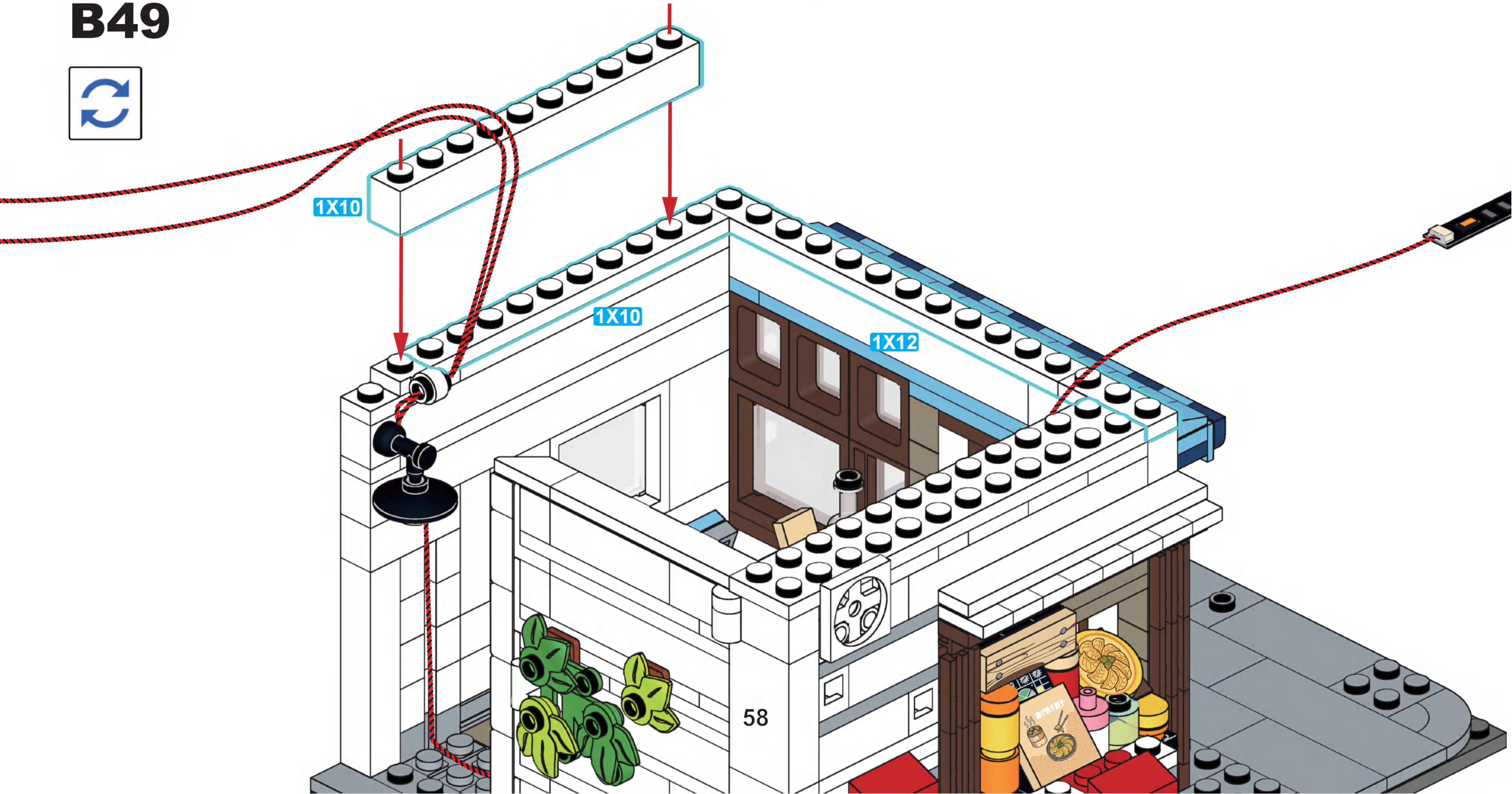


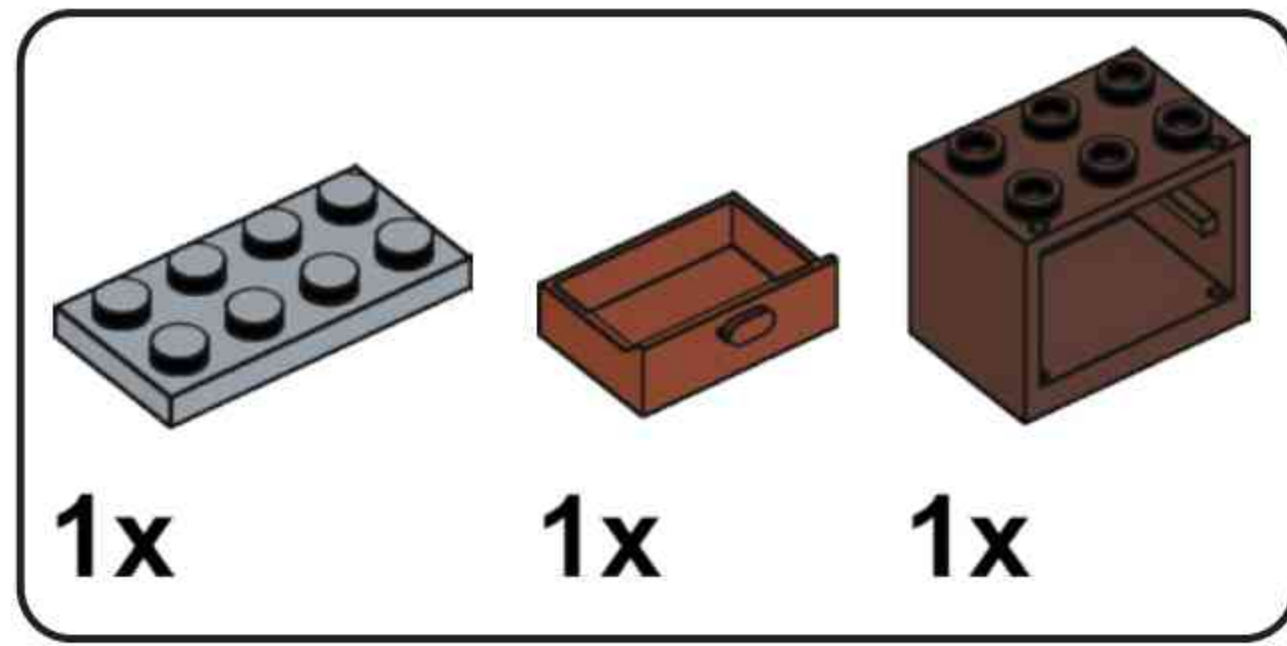
B47

B43

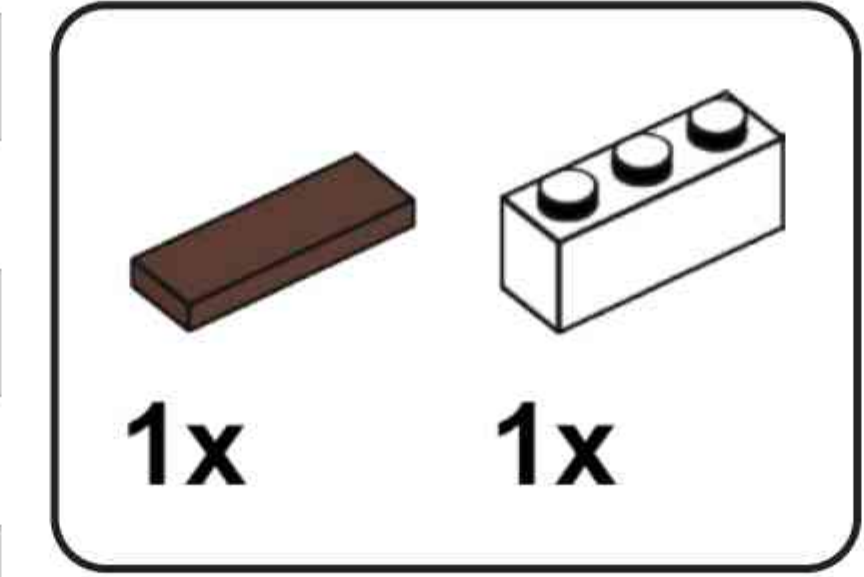
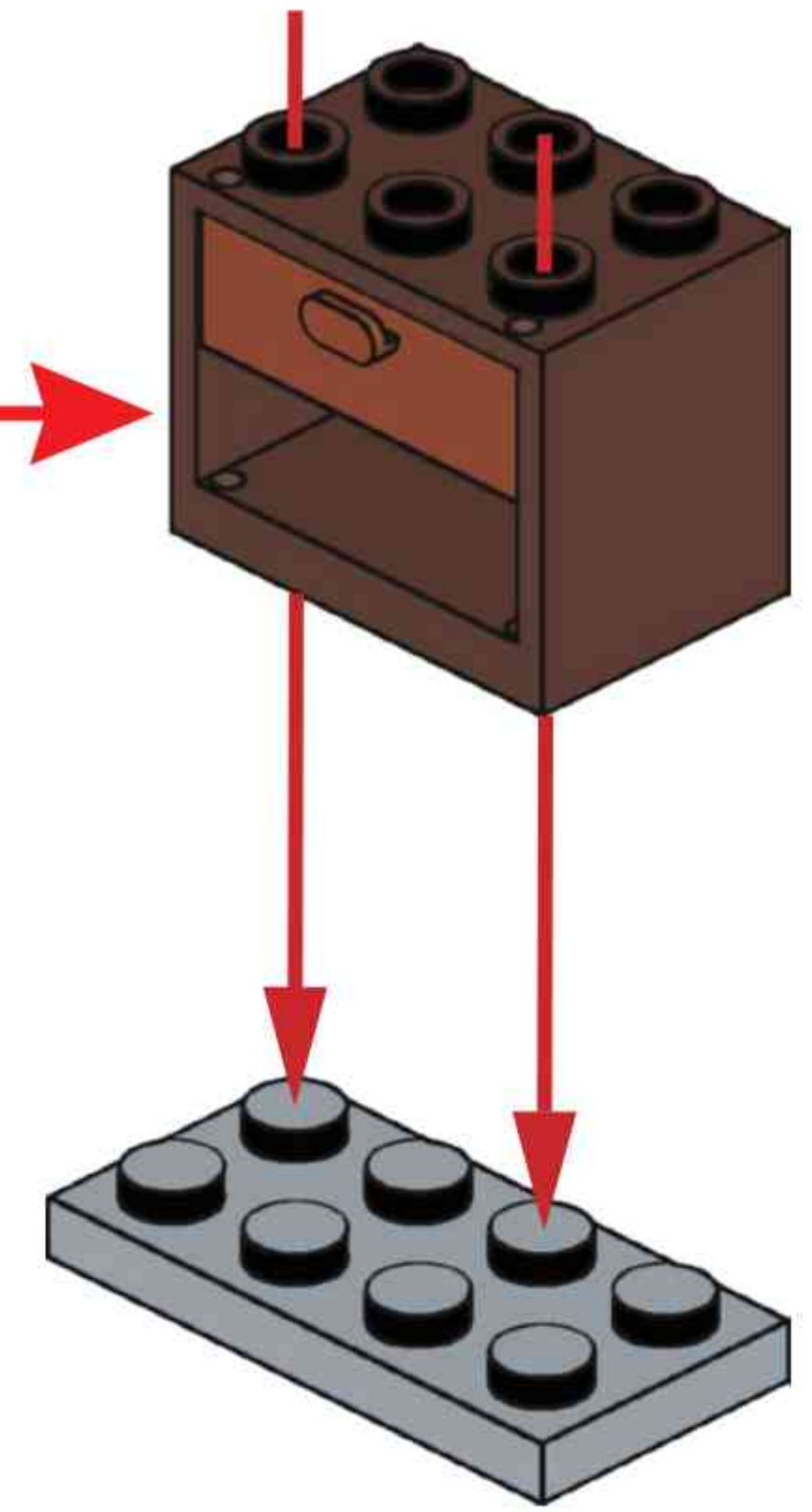
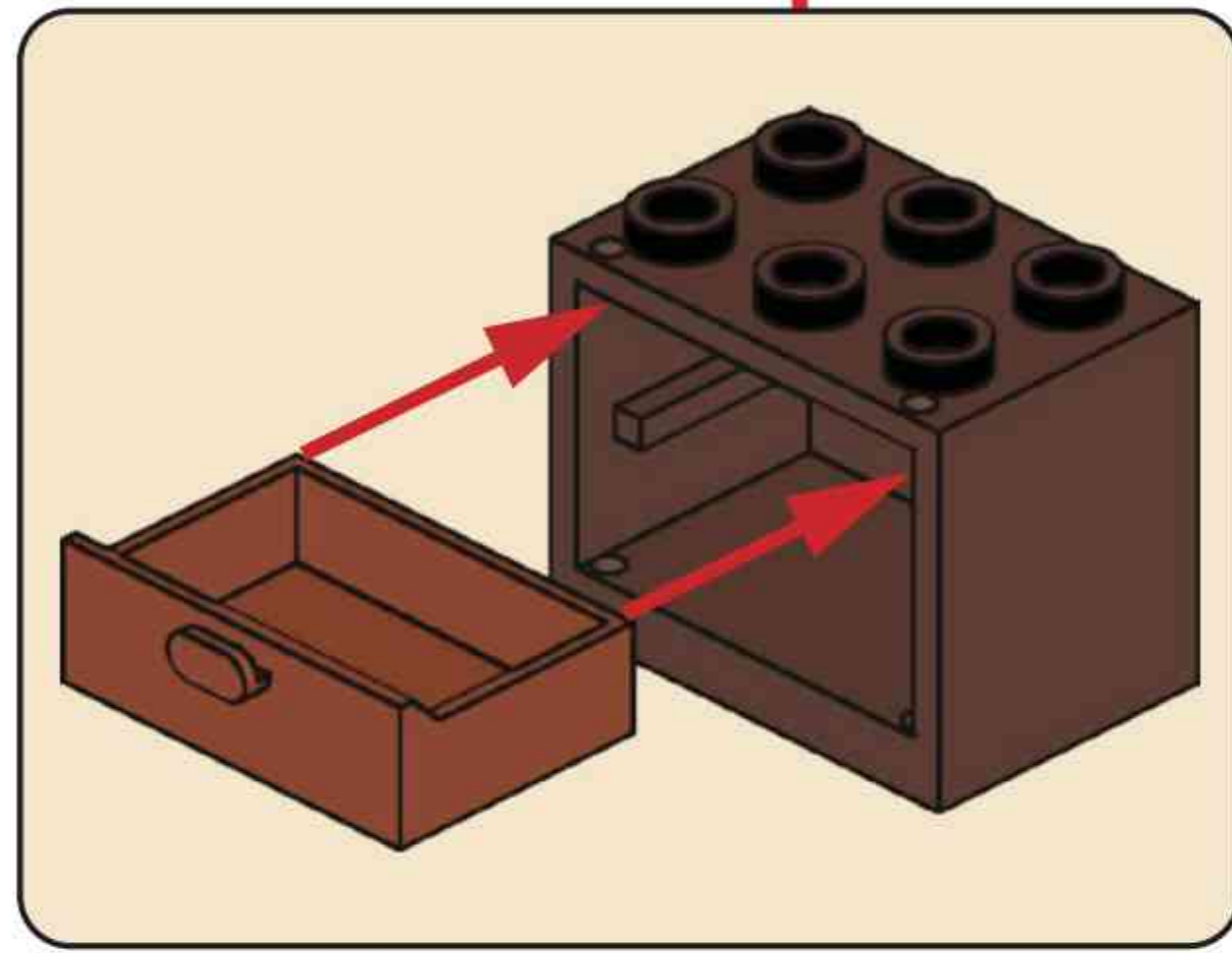


B49

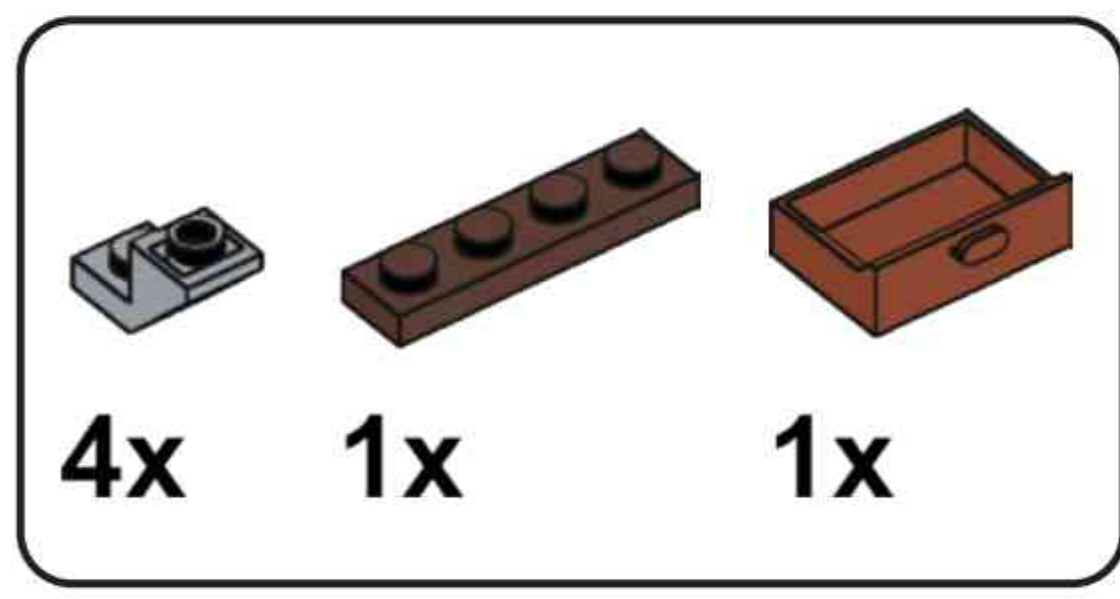
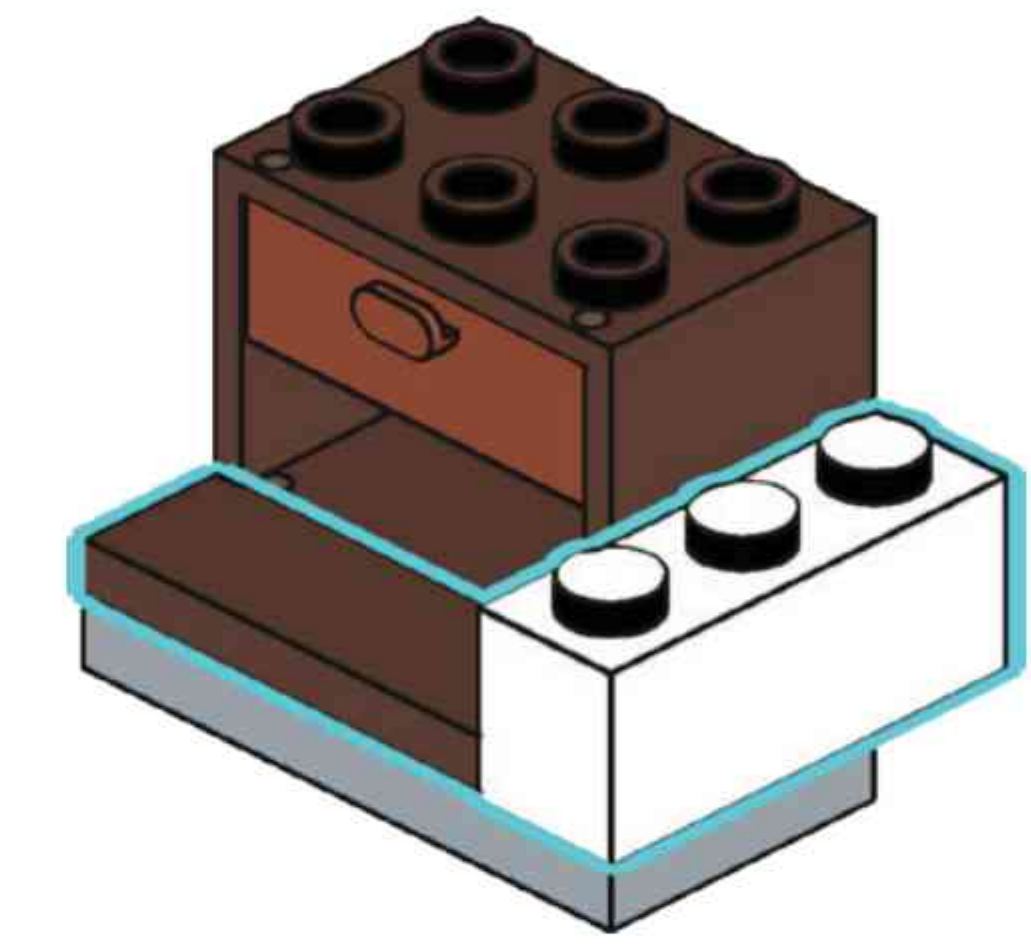




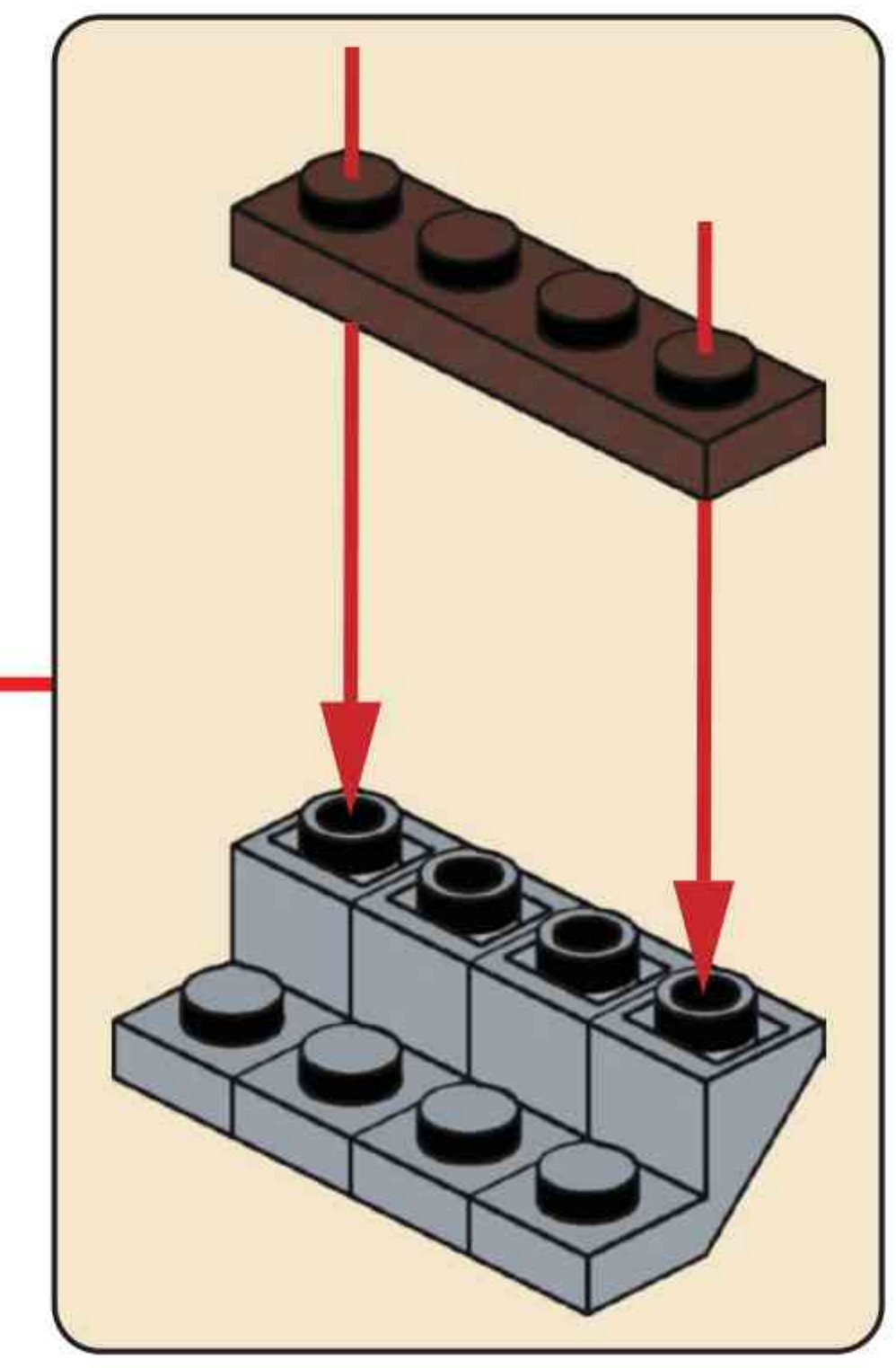
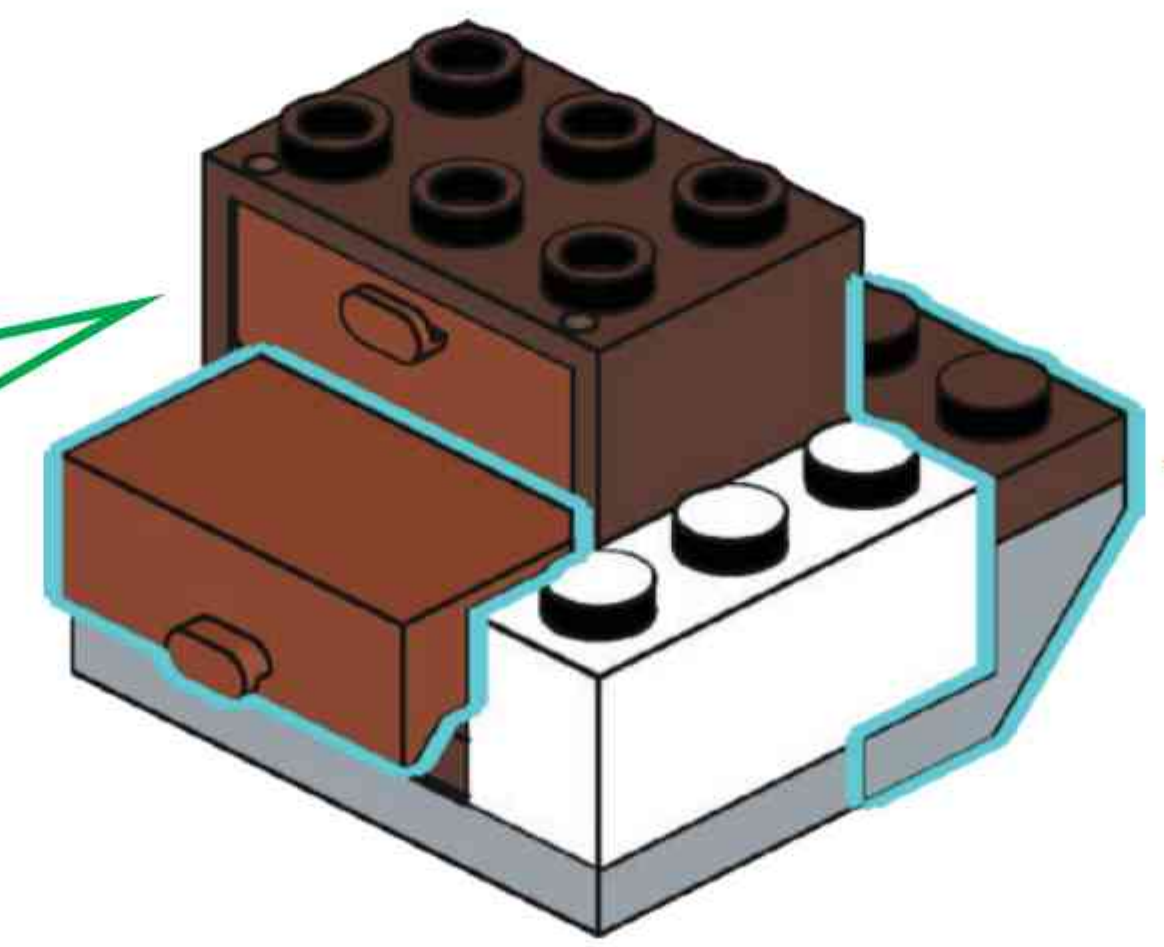
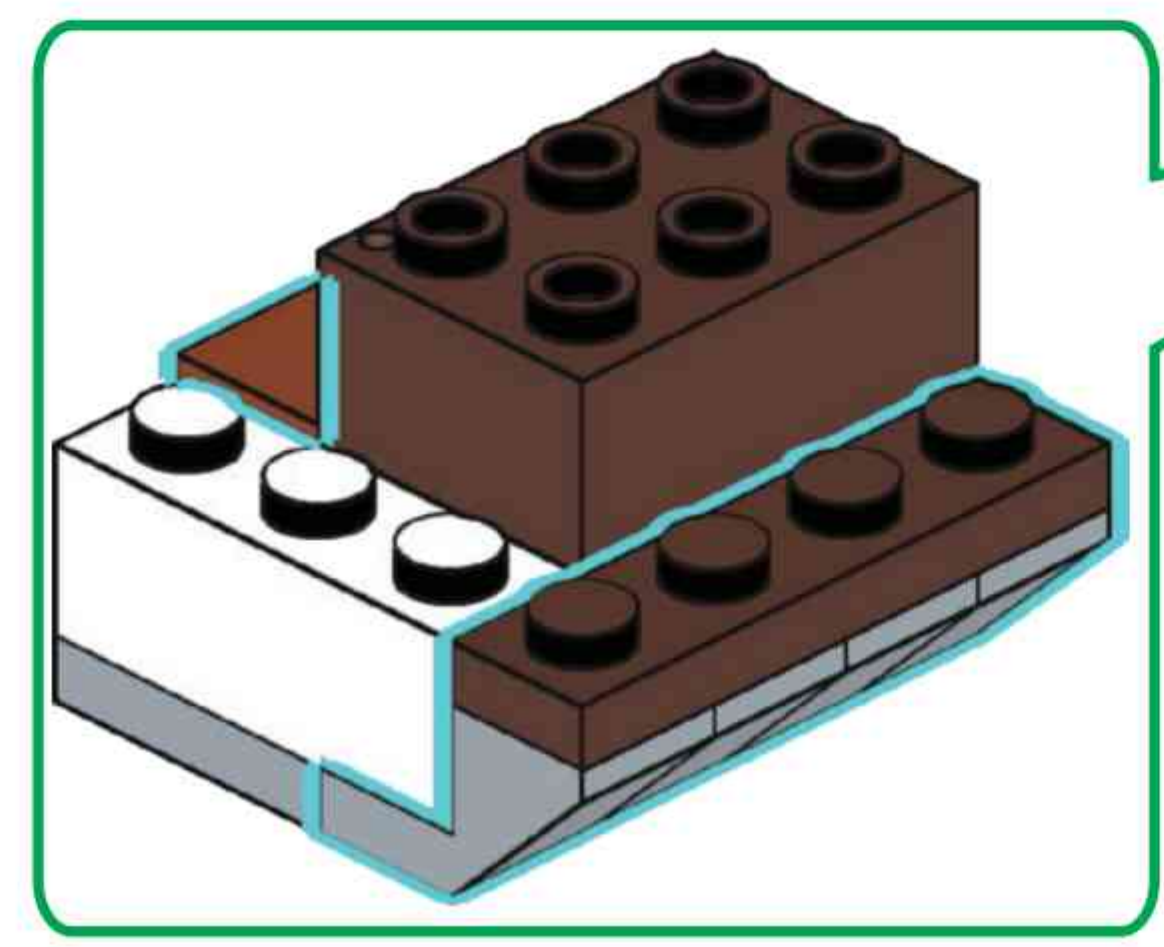
B50

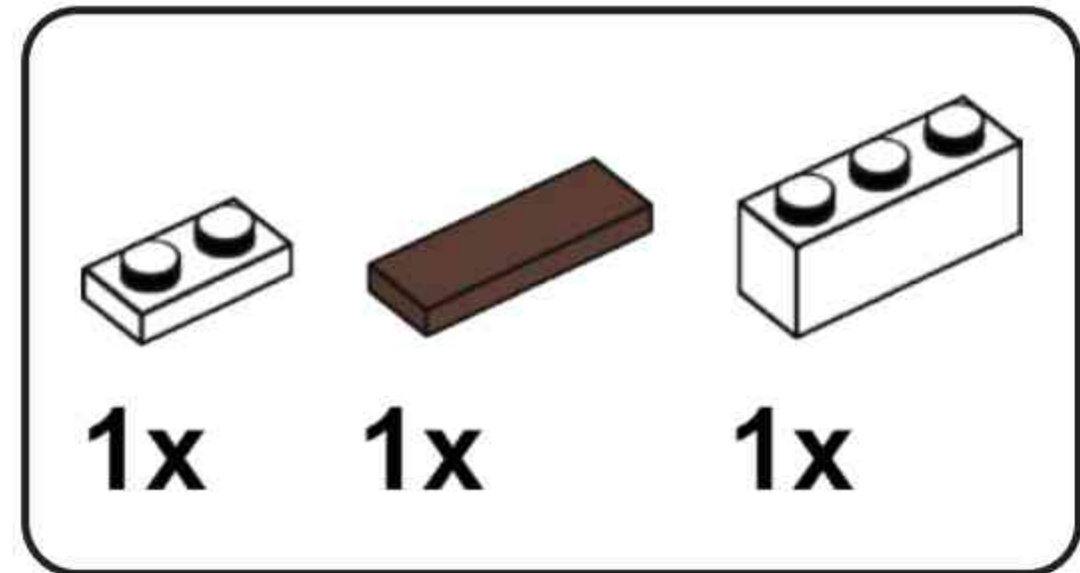


B51

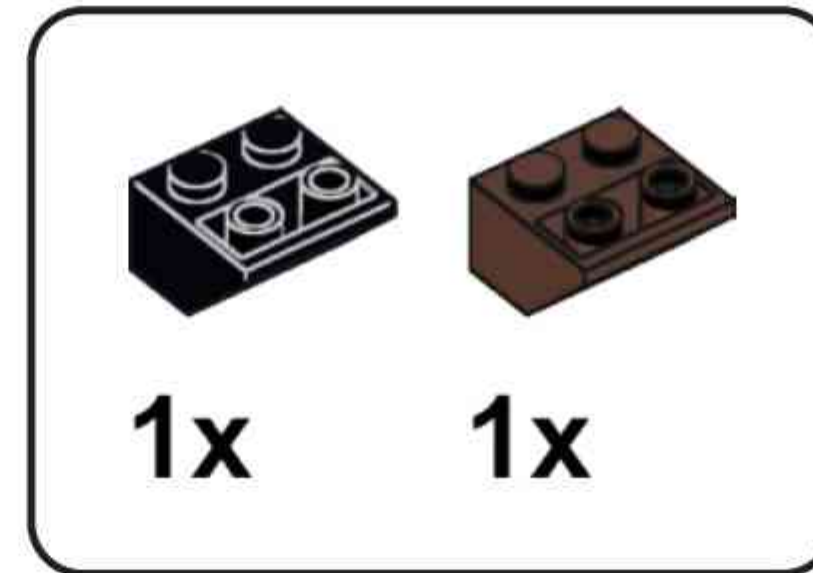
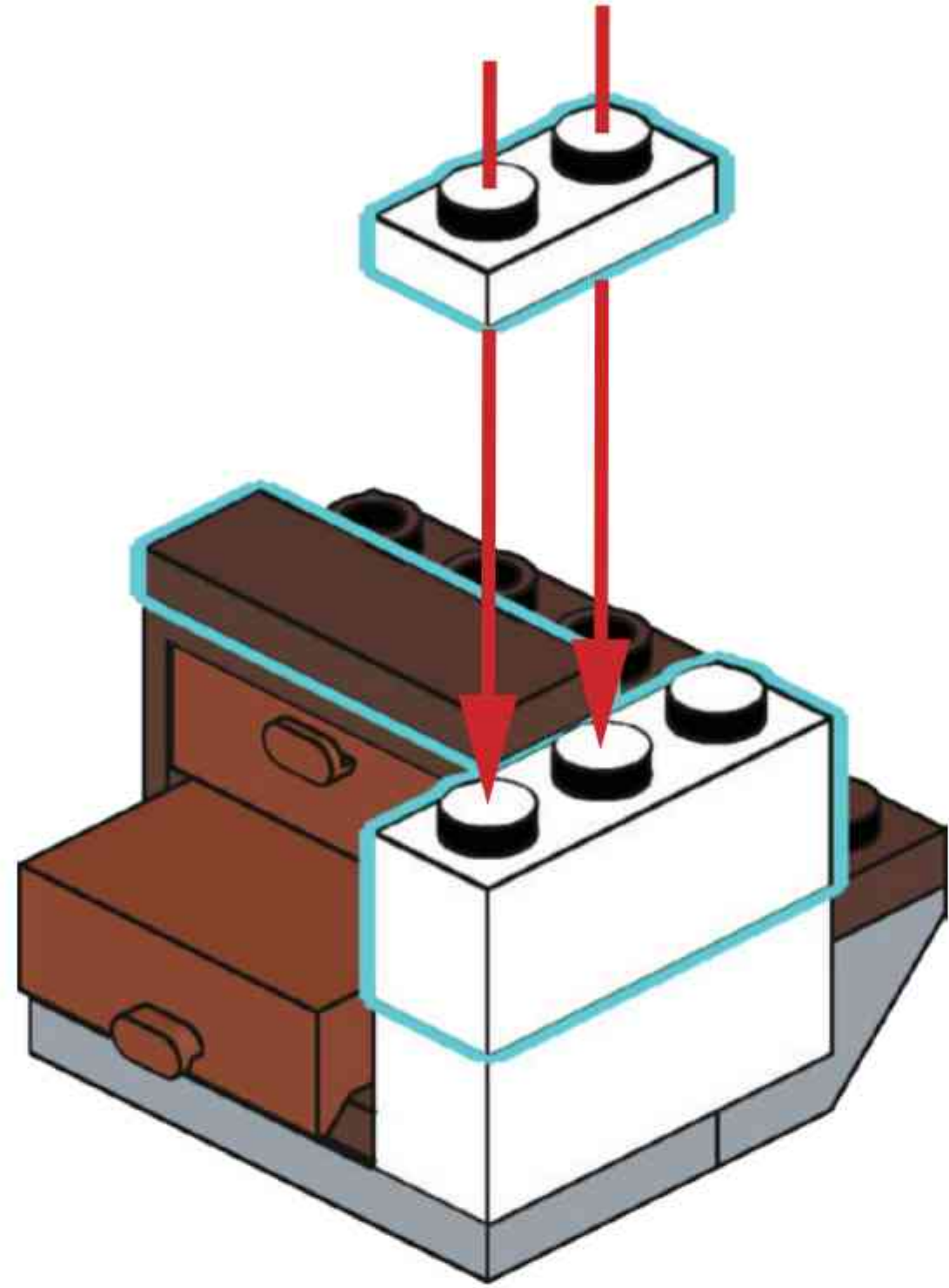


B52

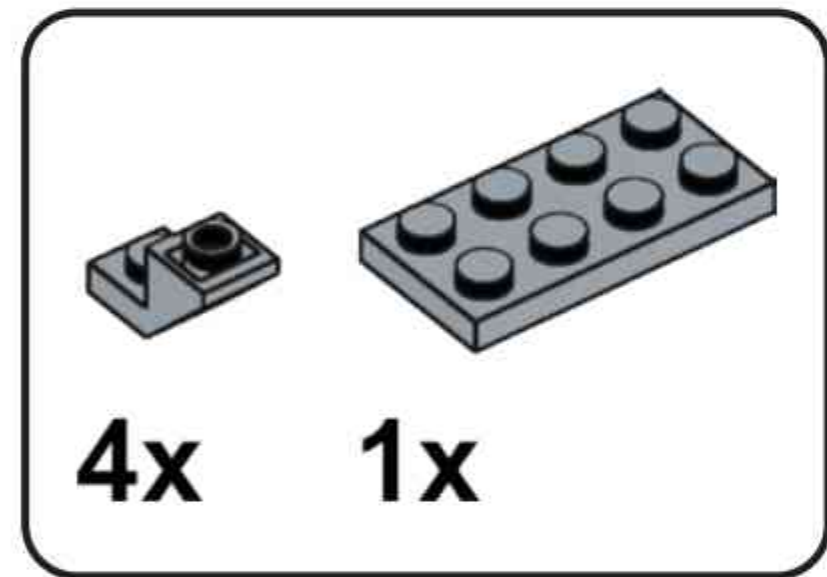
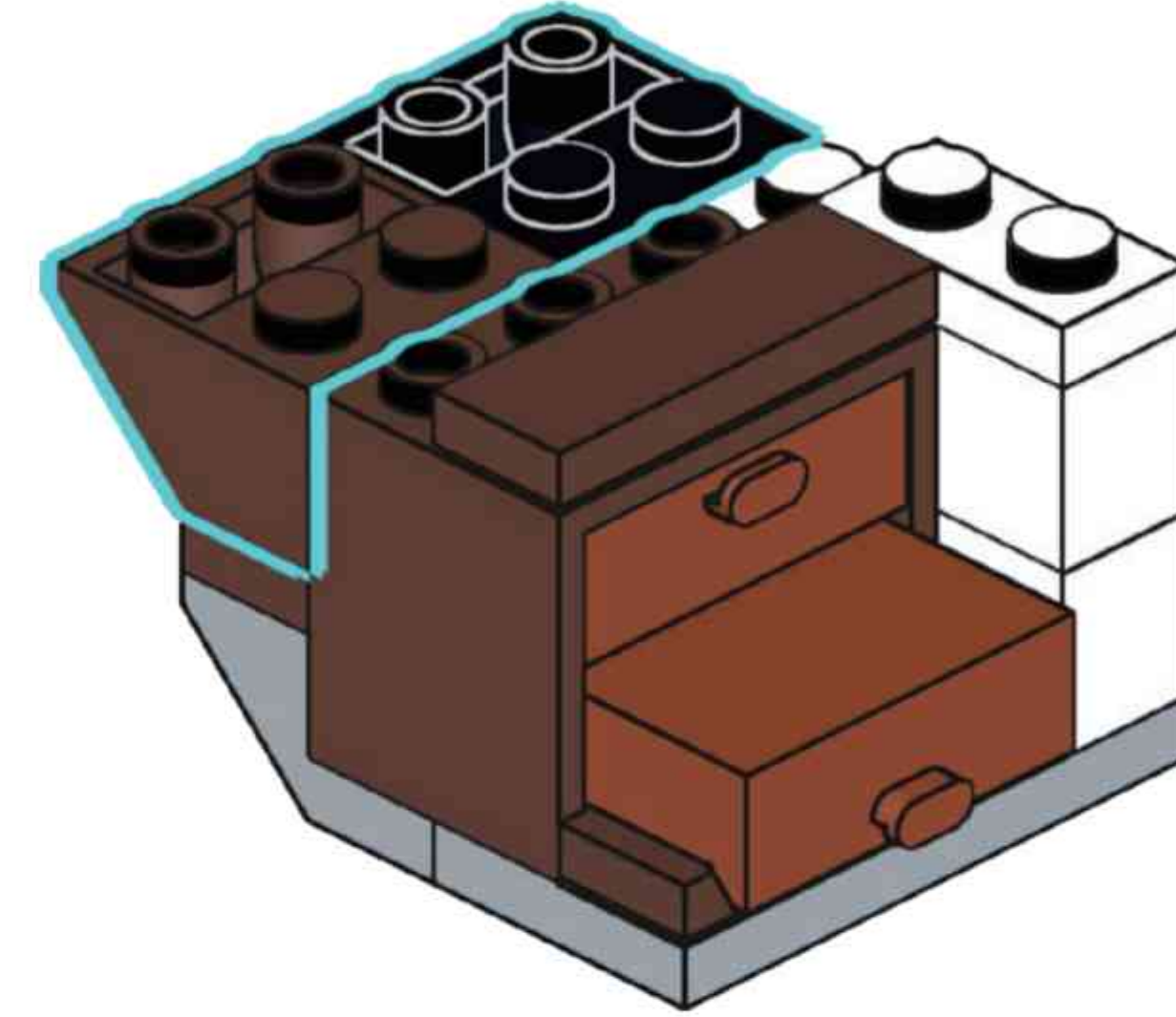




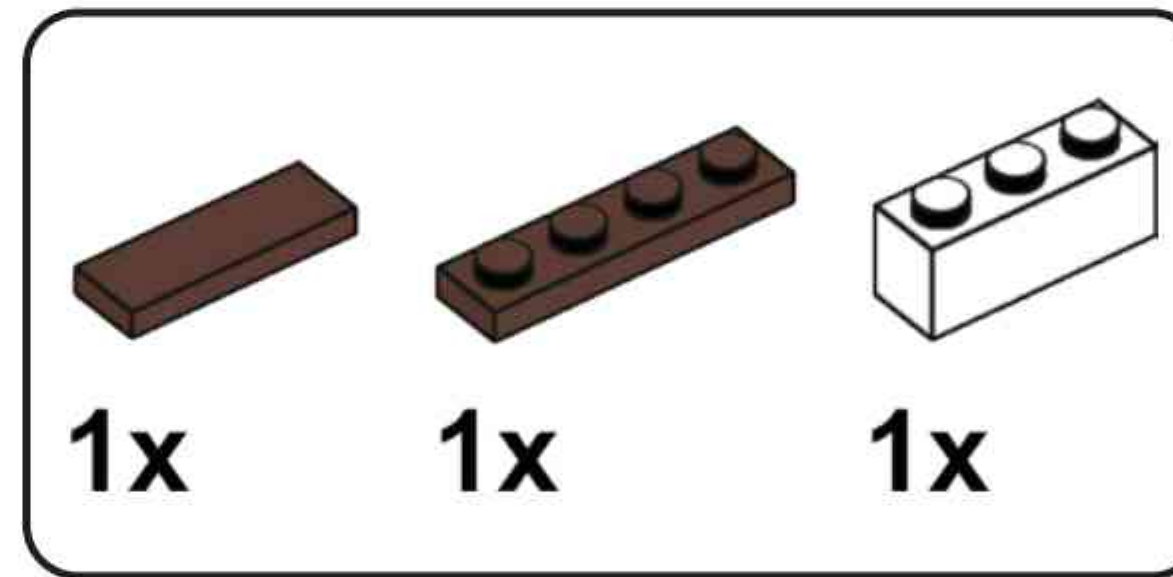
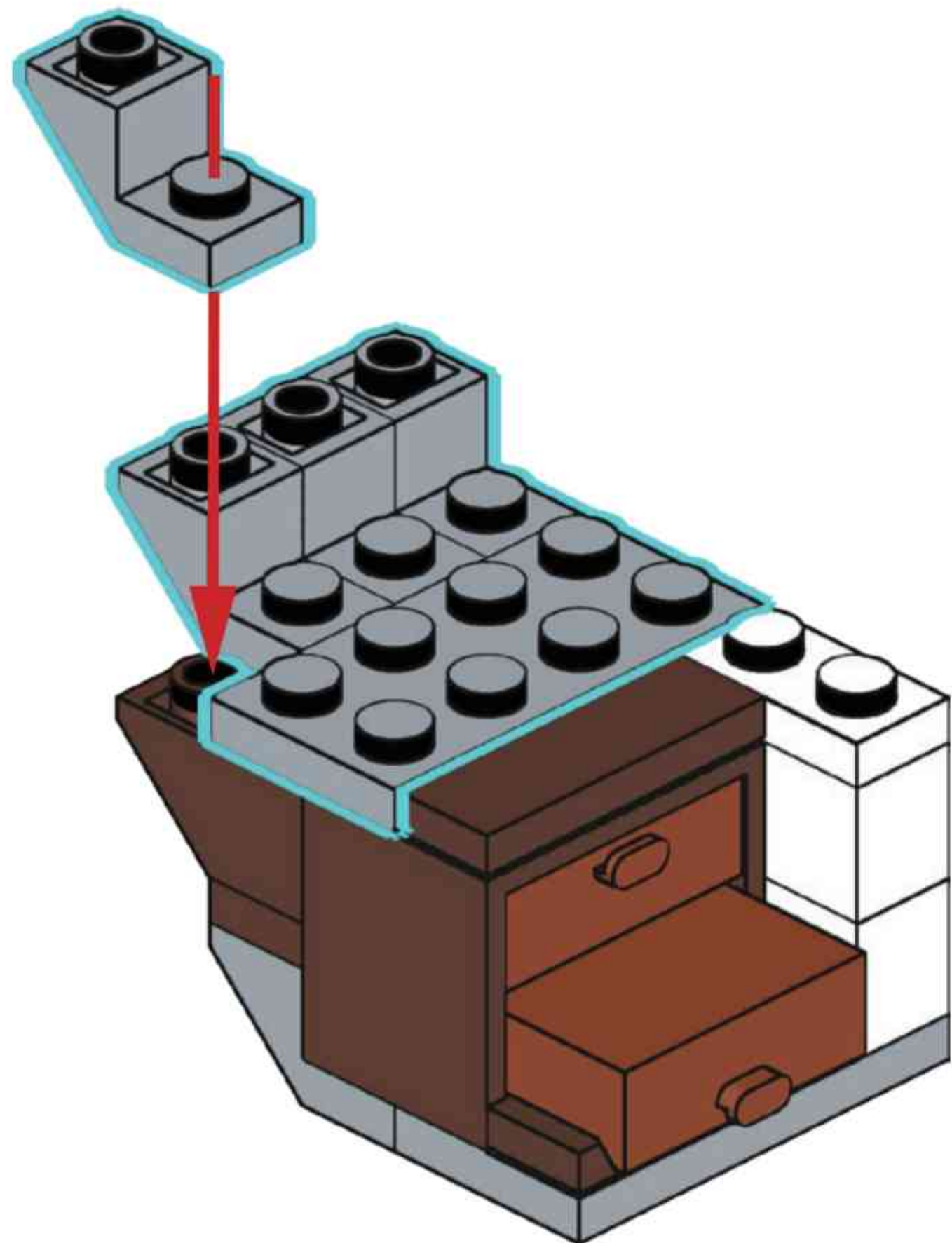
B53



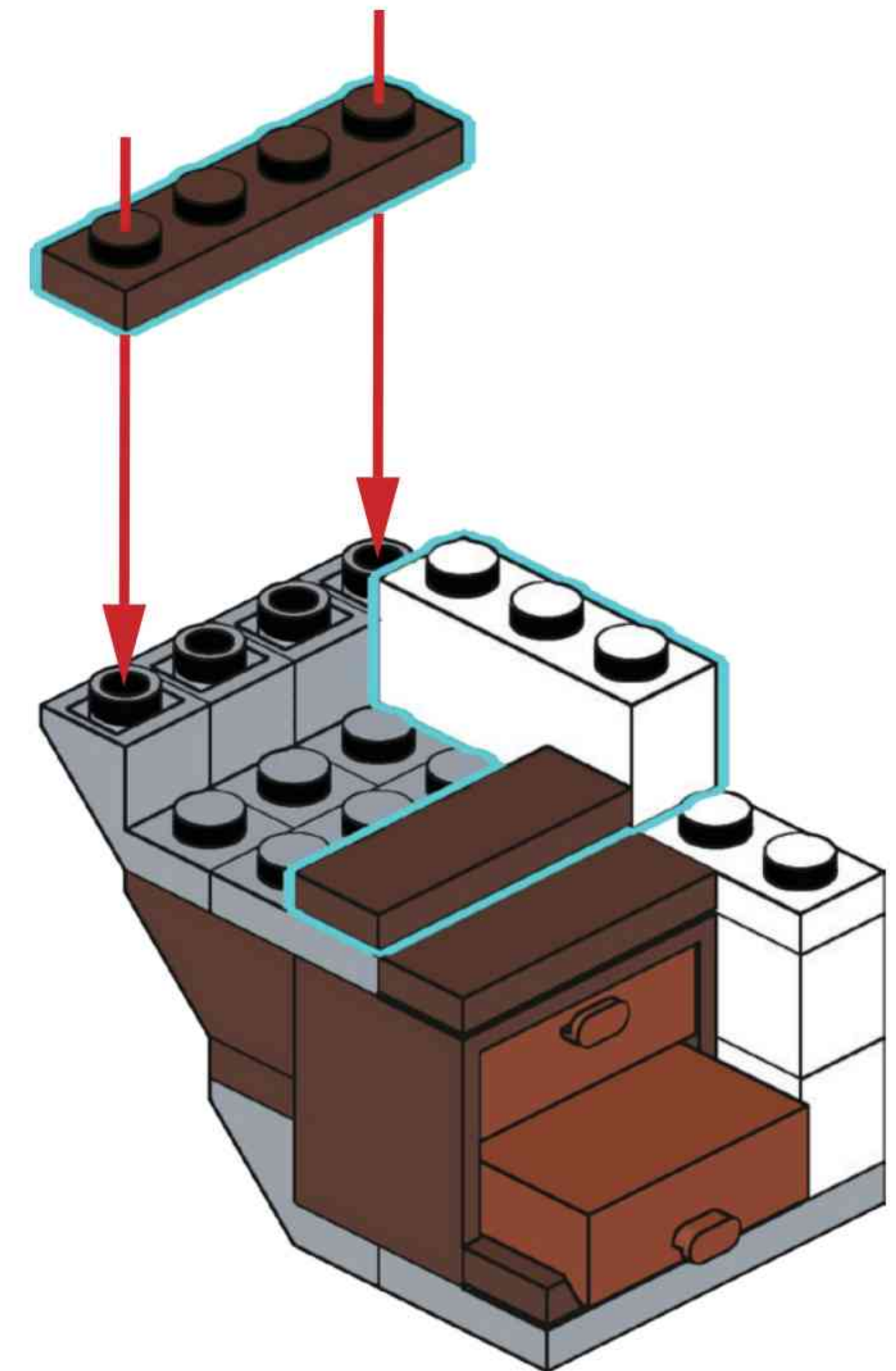
B54

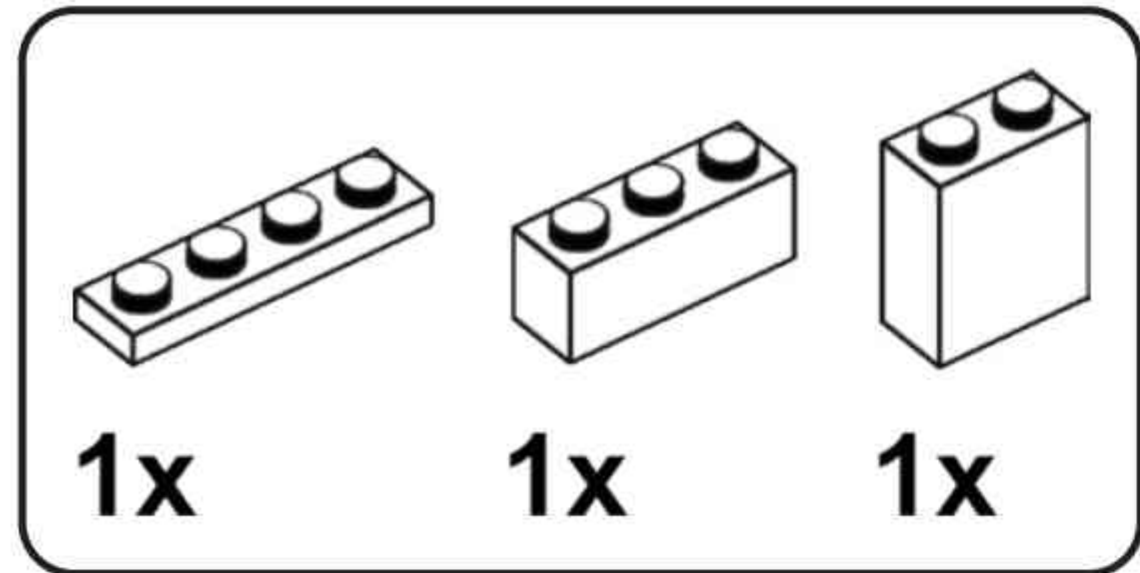


B55

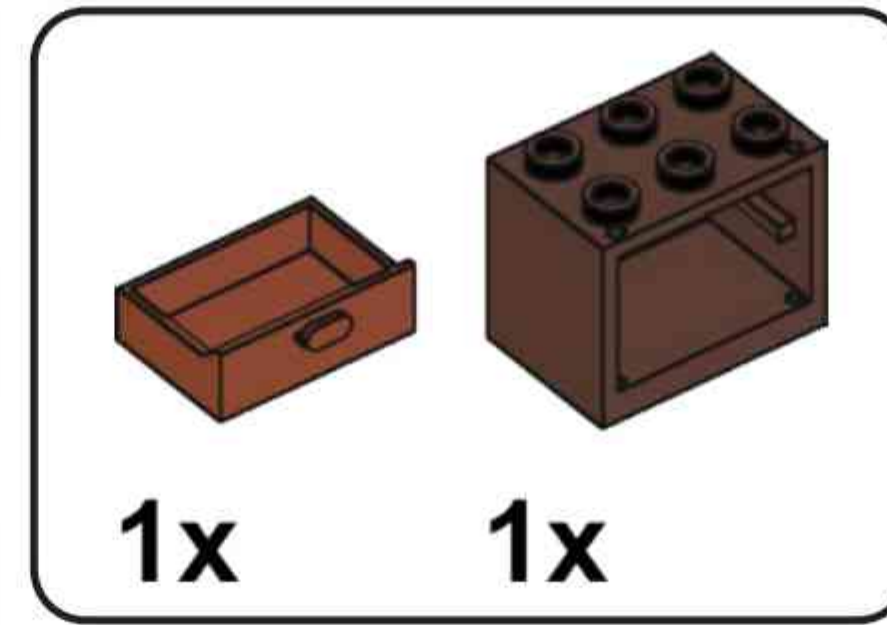
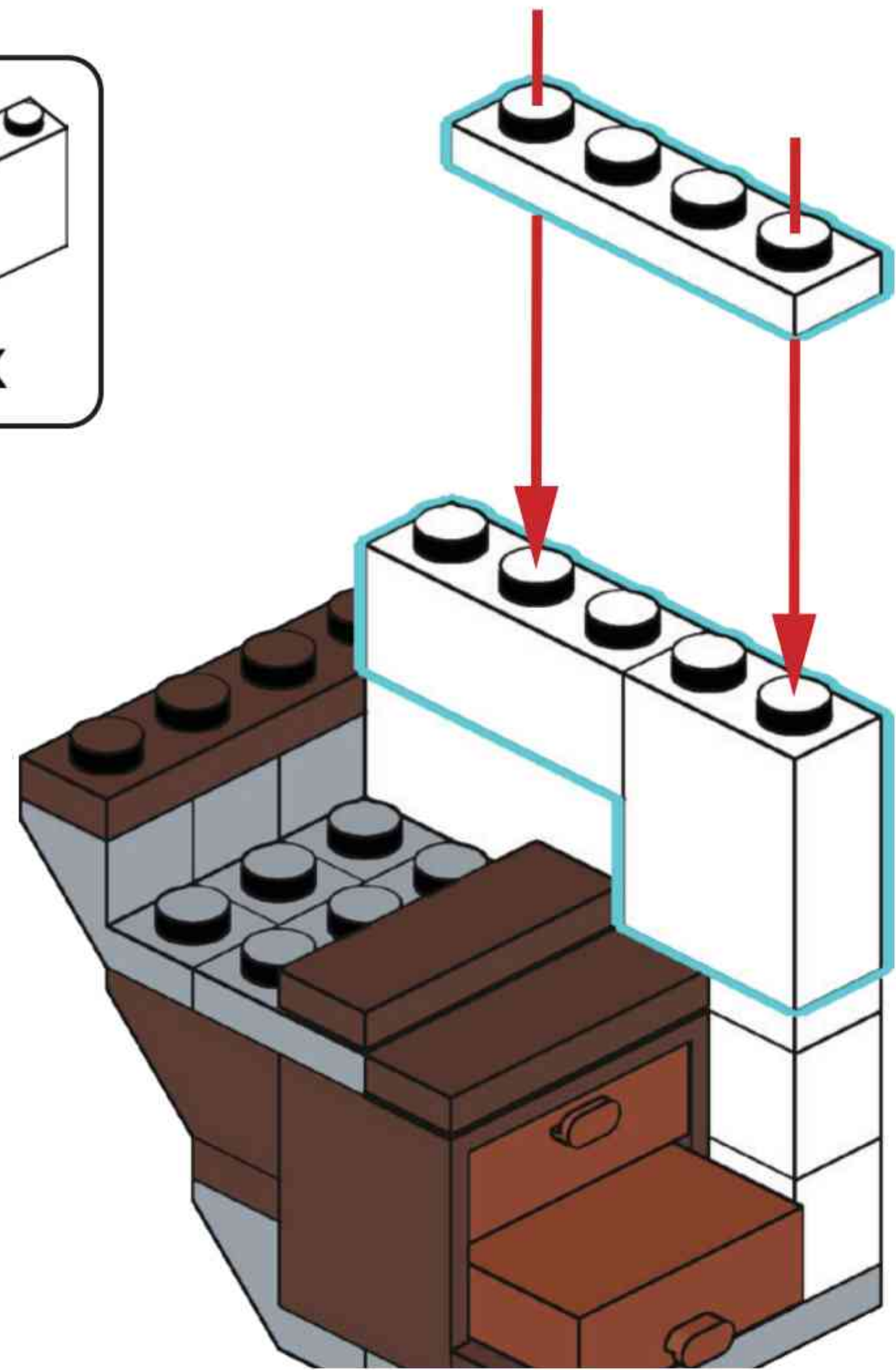


B56

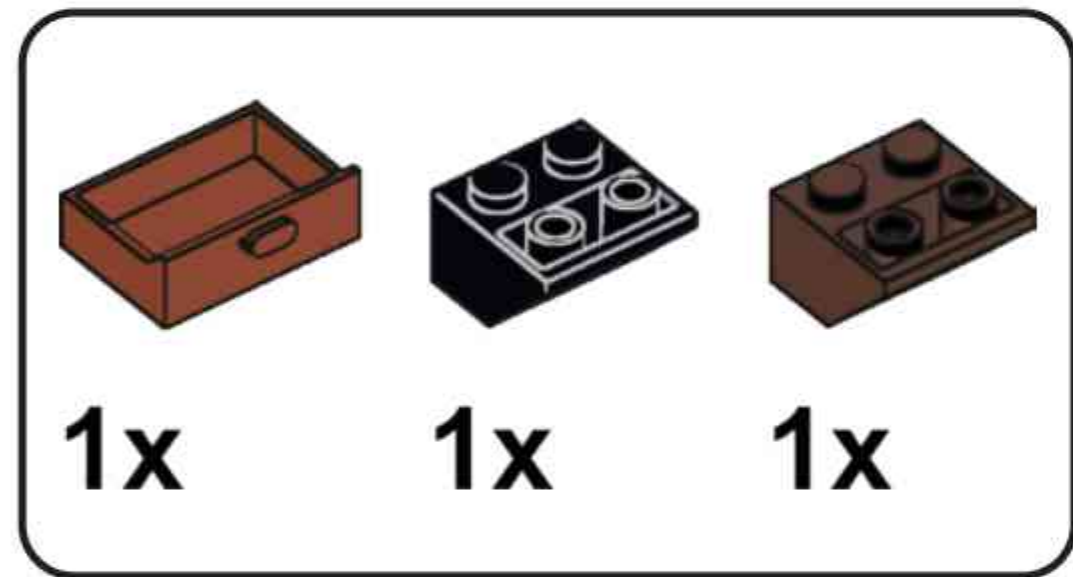
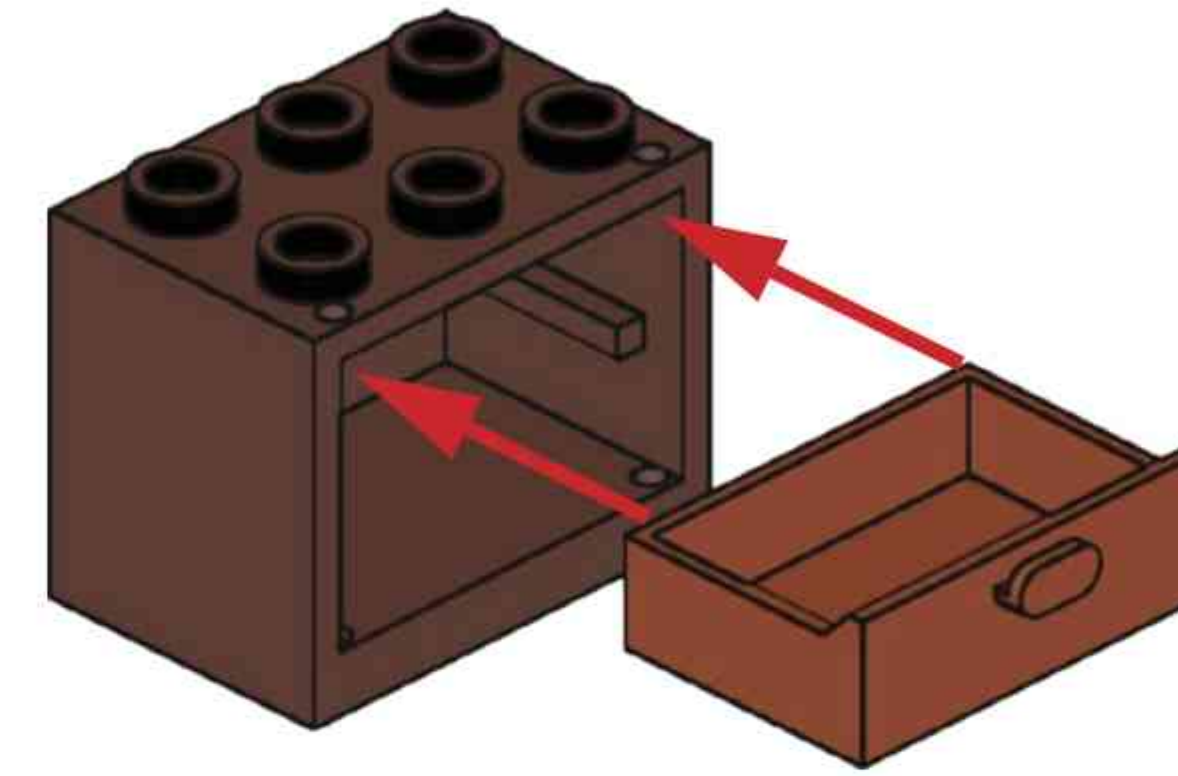




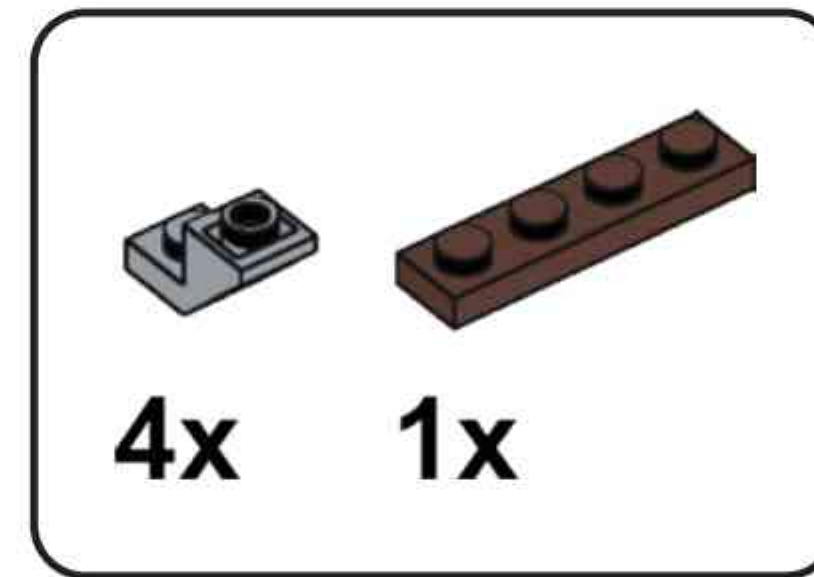
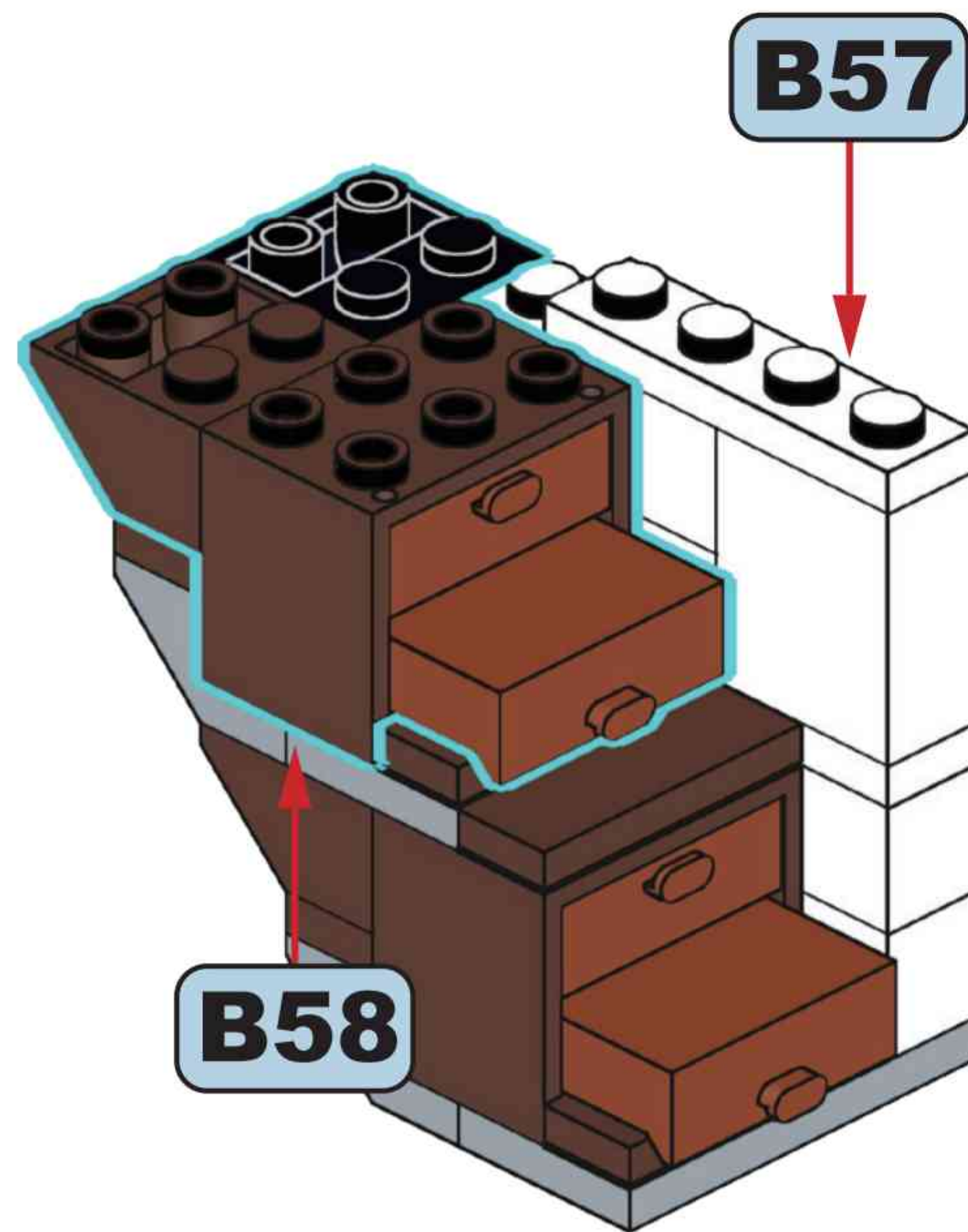
B57



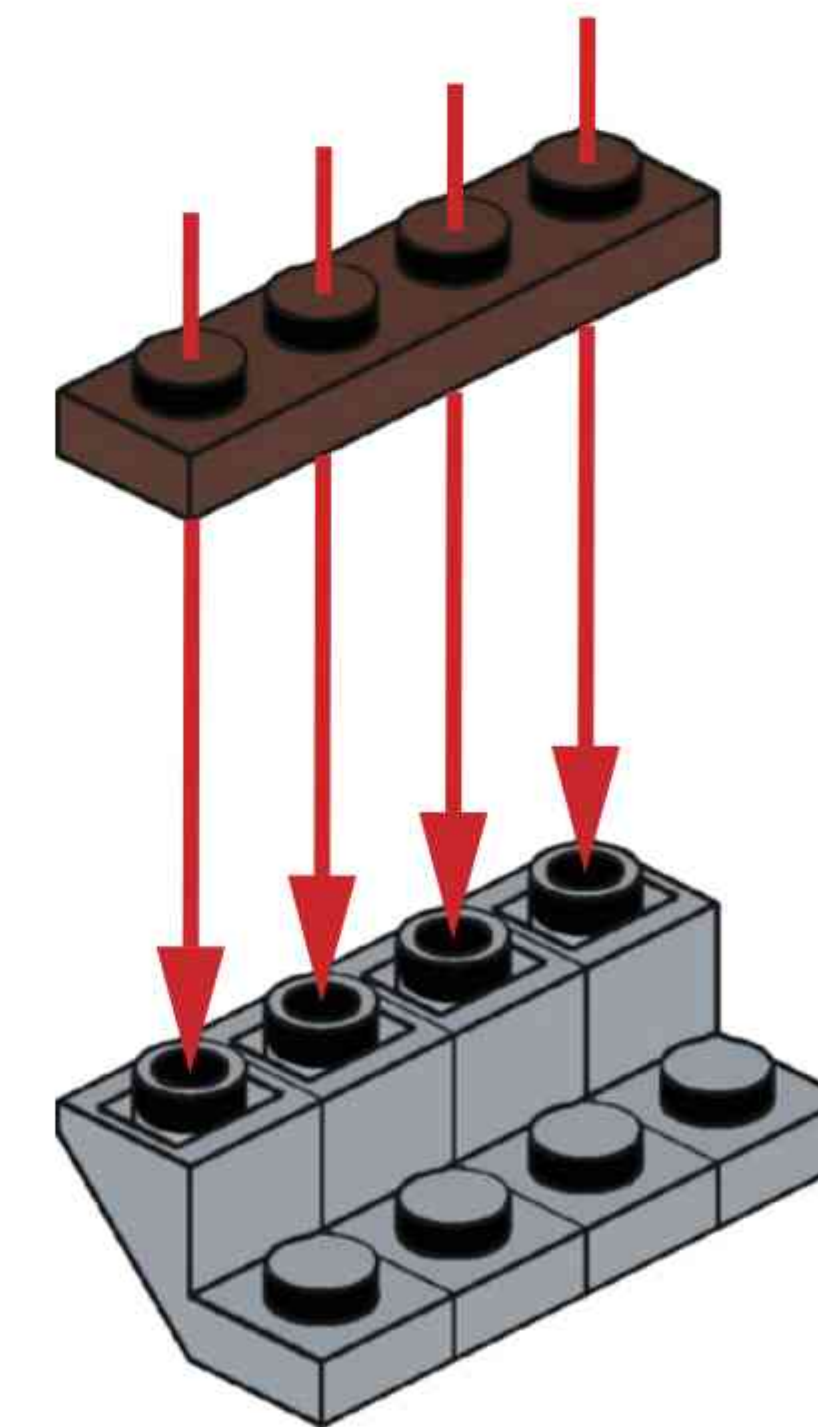
B58

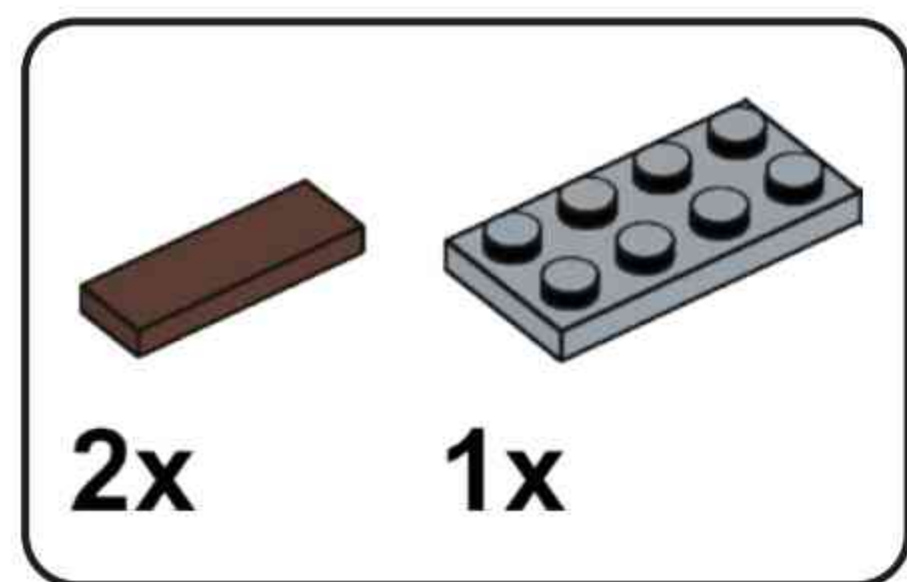


B59



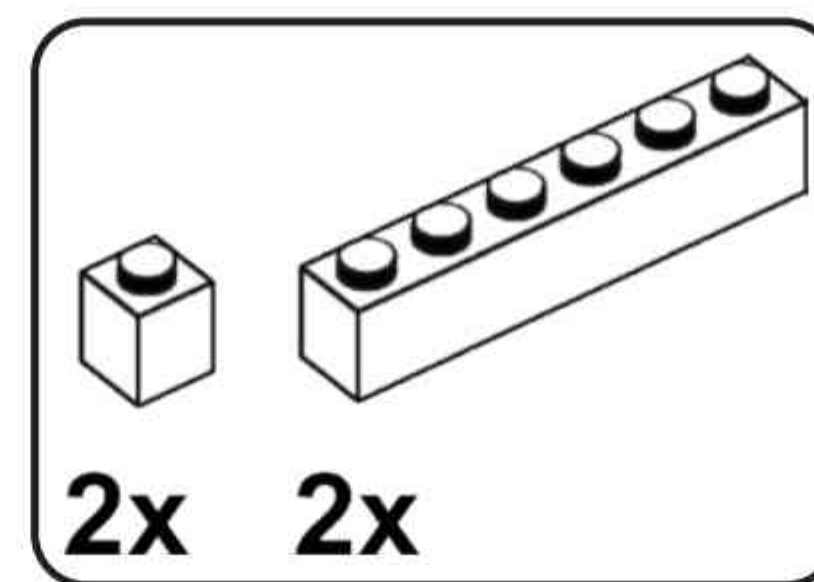
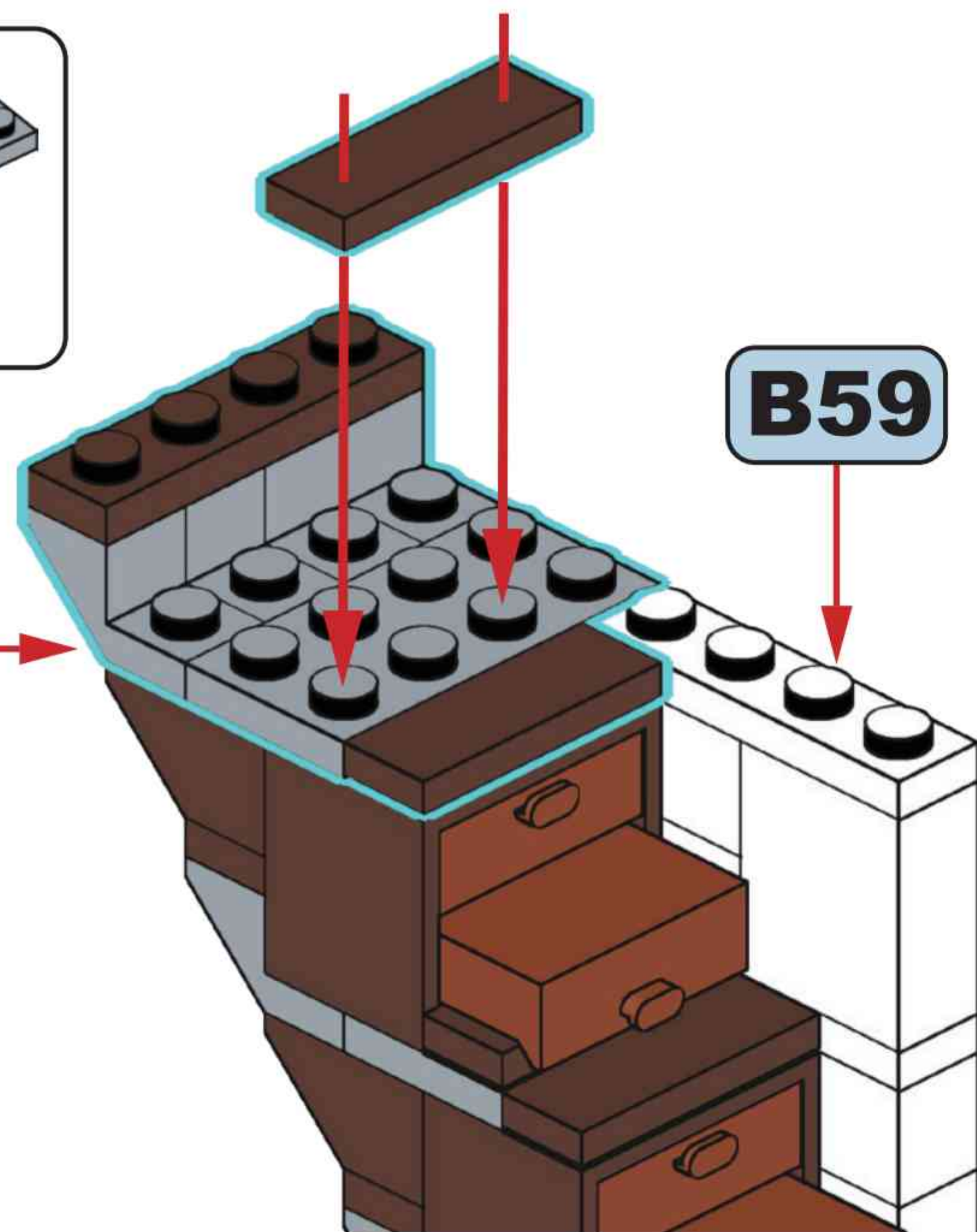
B60



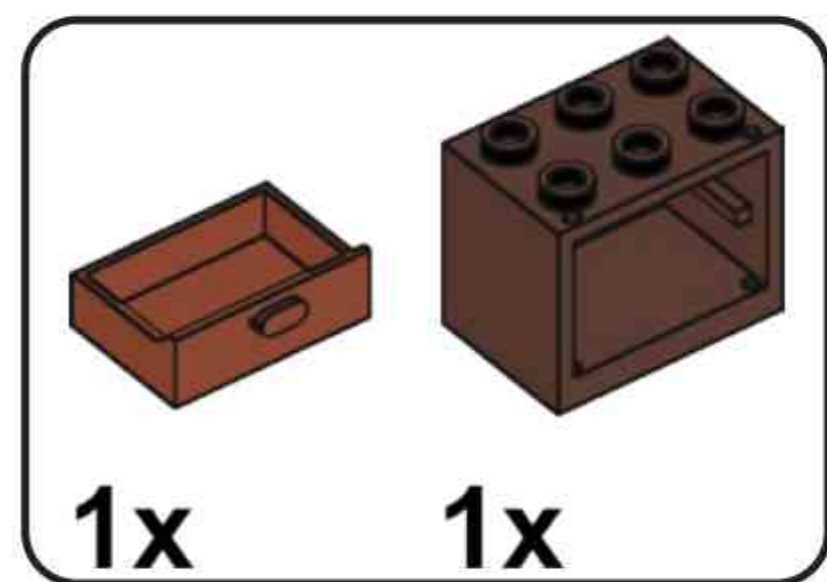
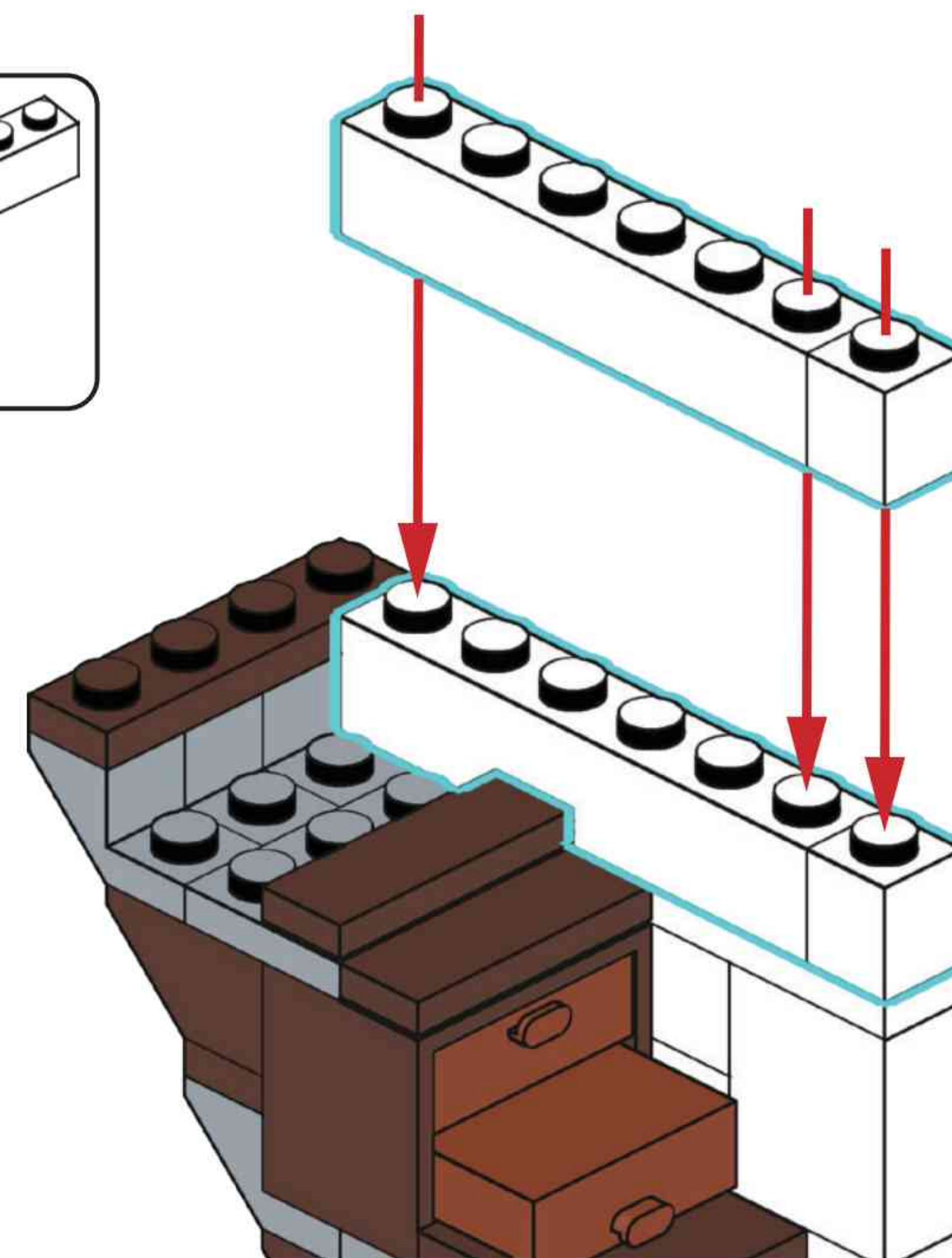


B61

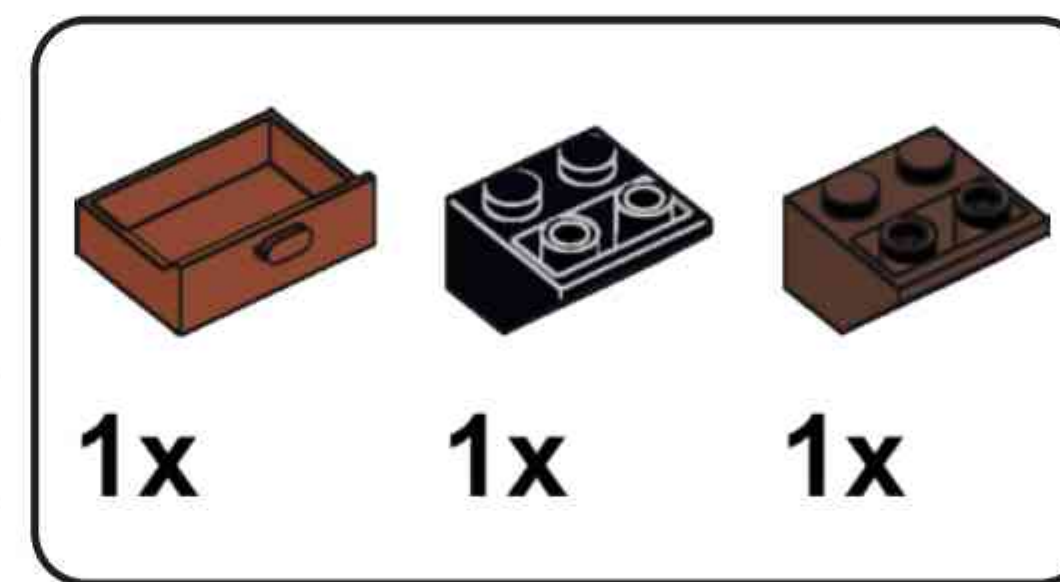
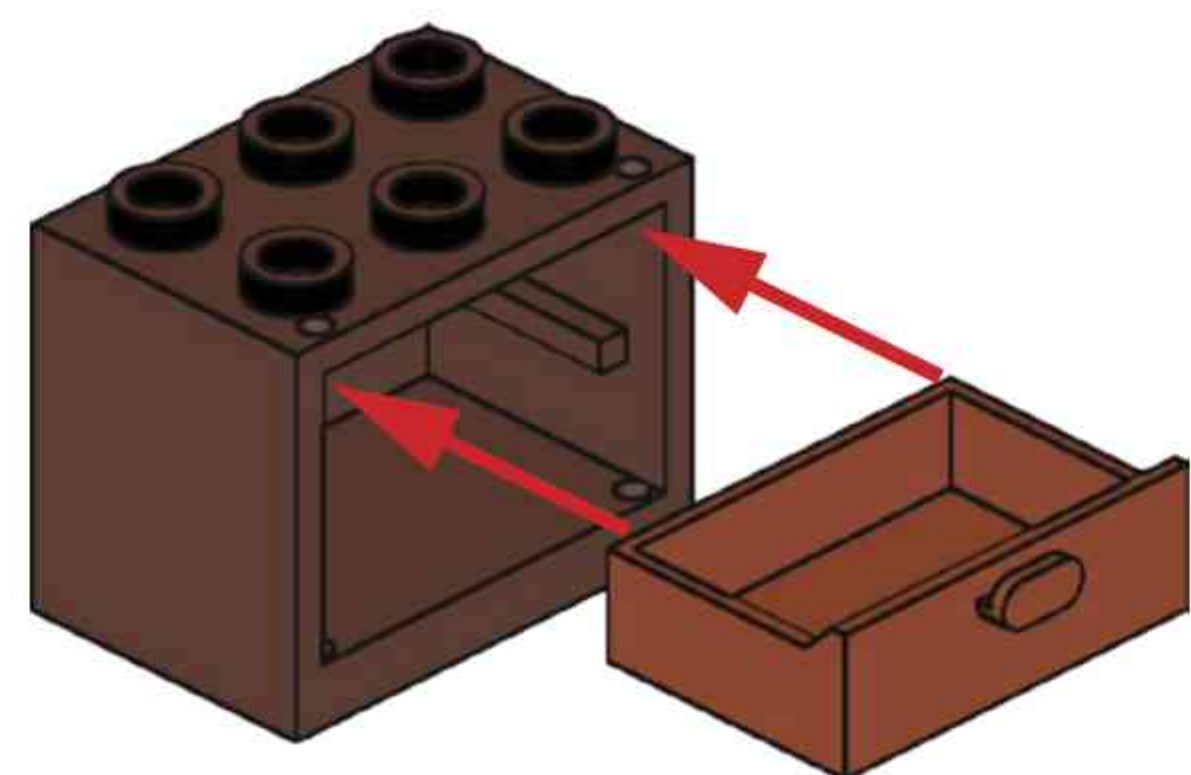
B60



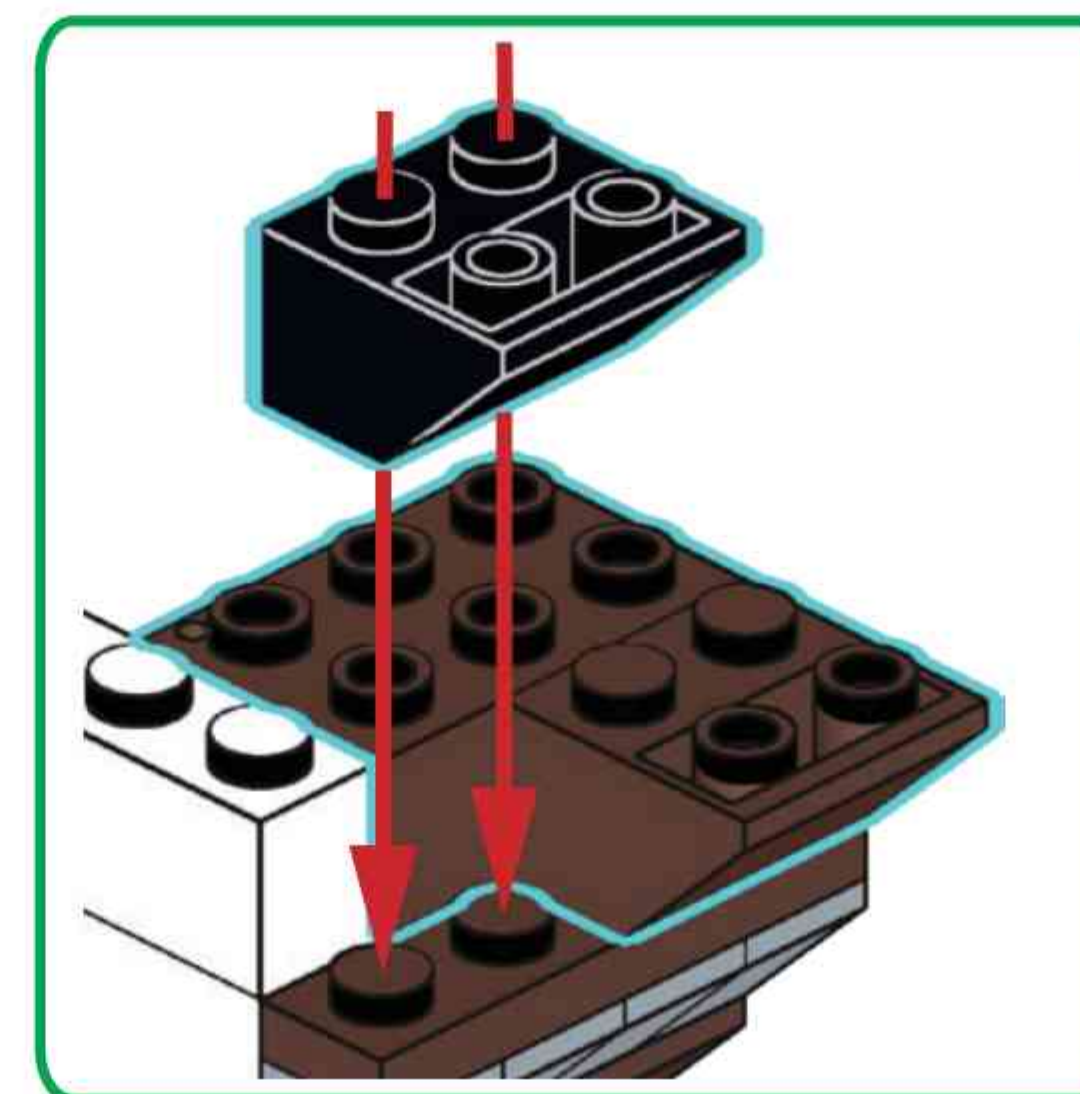
B62



B63

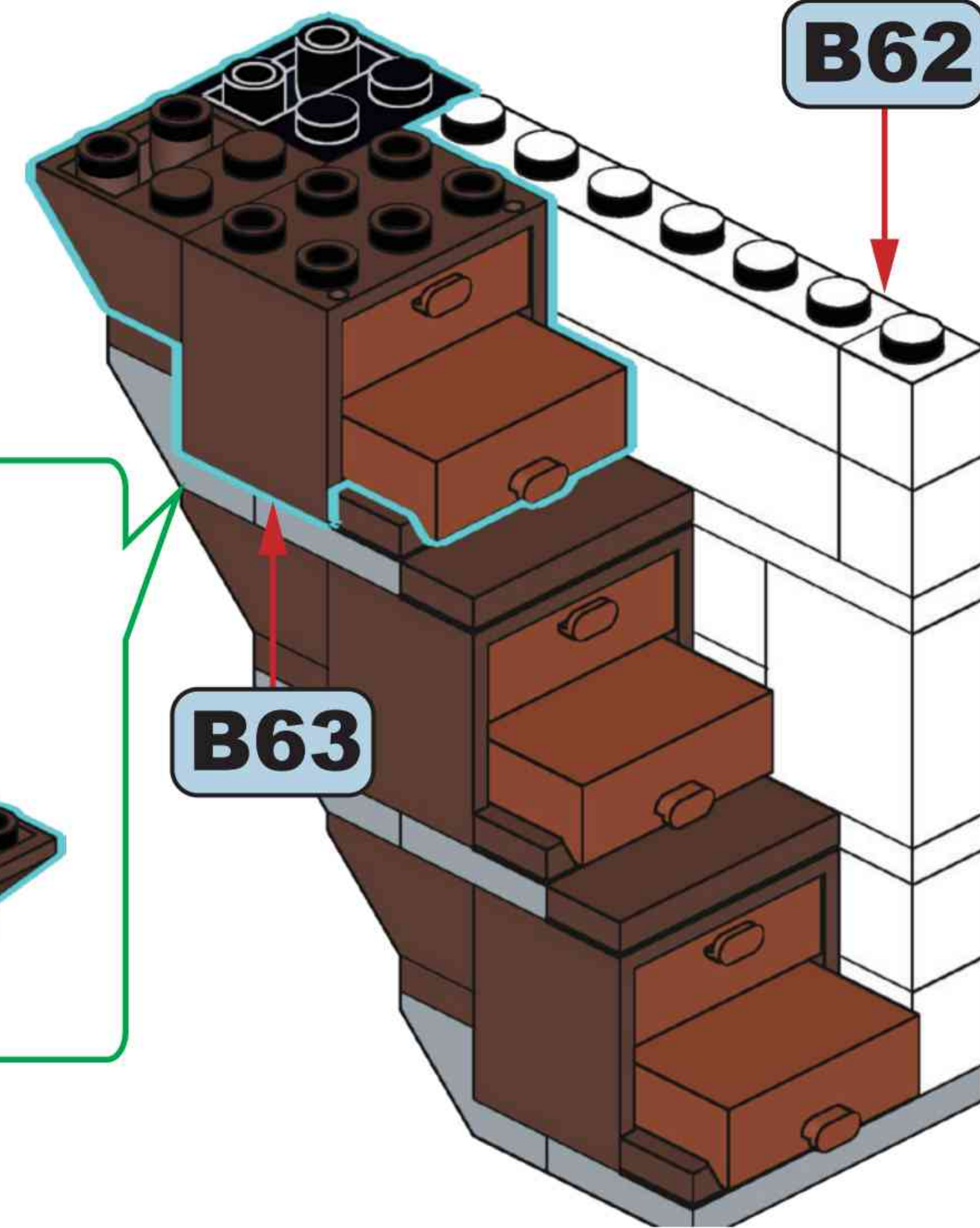


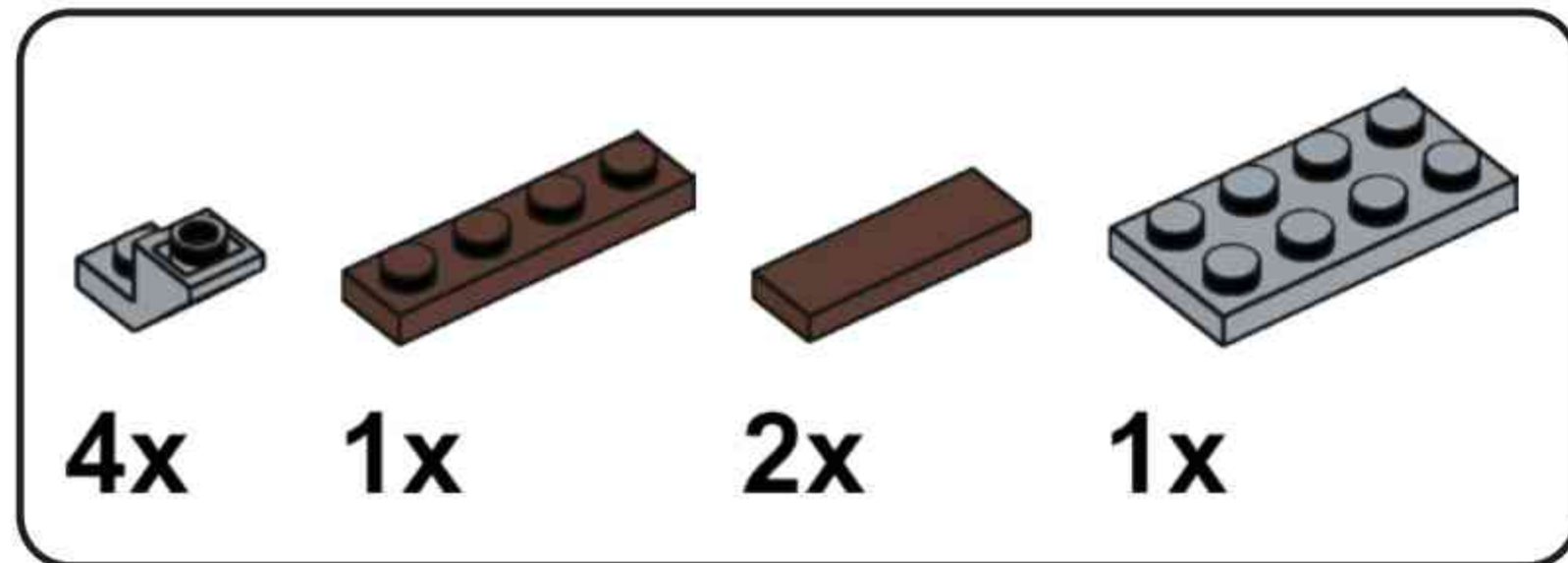
B64



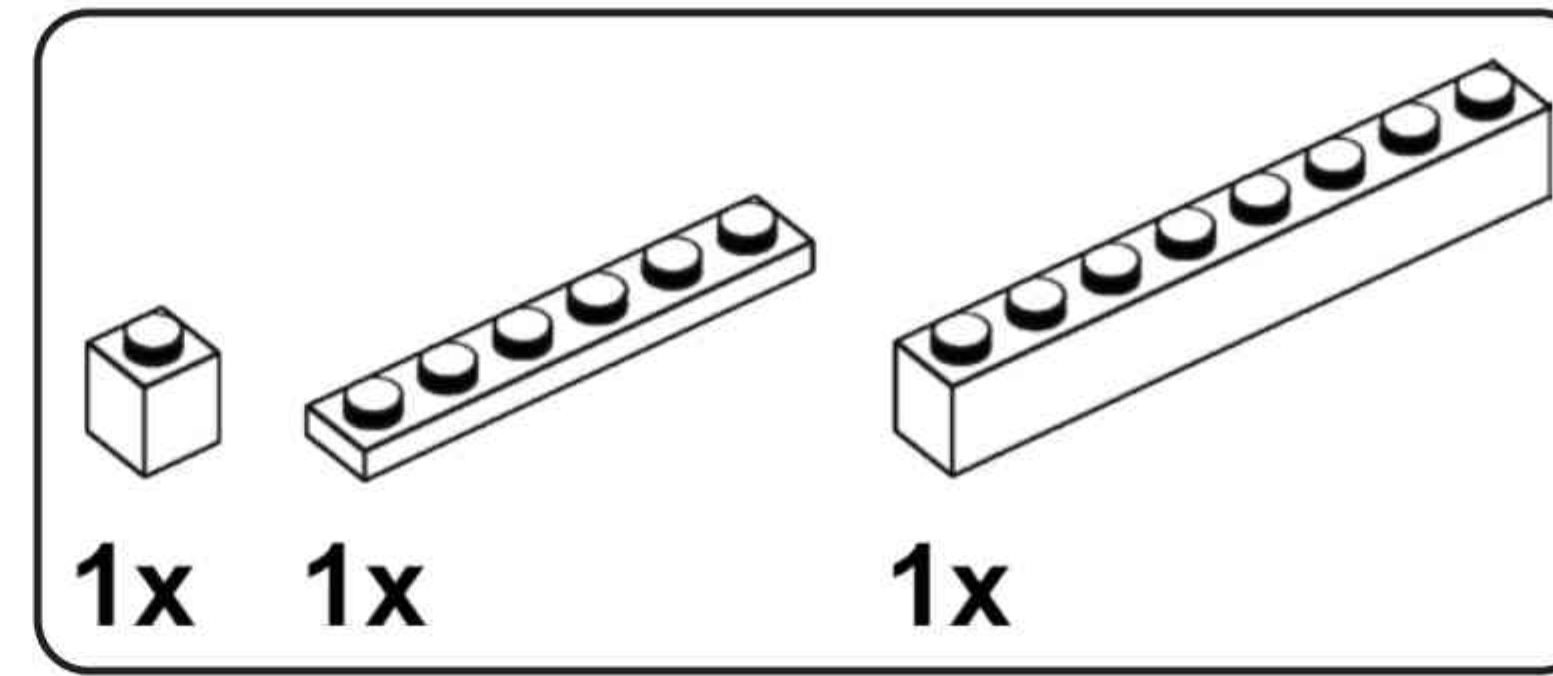
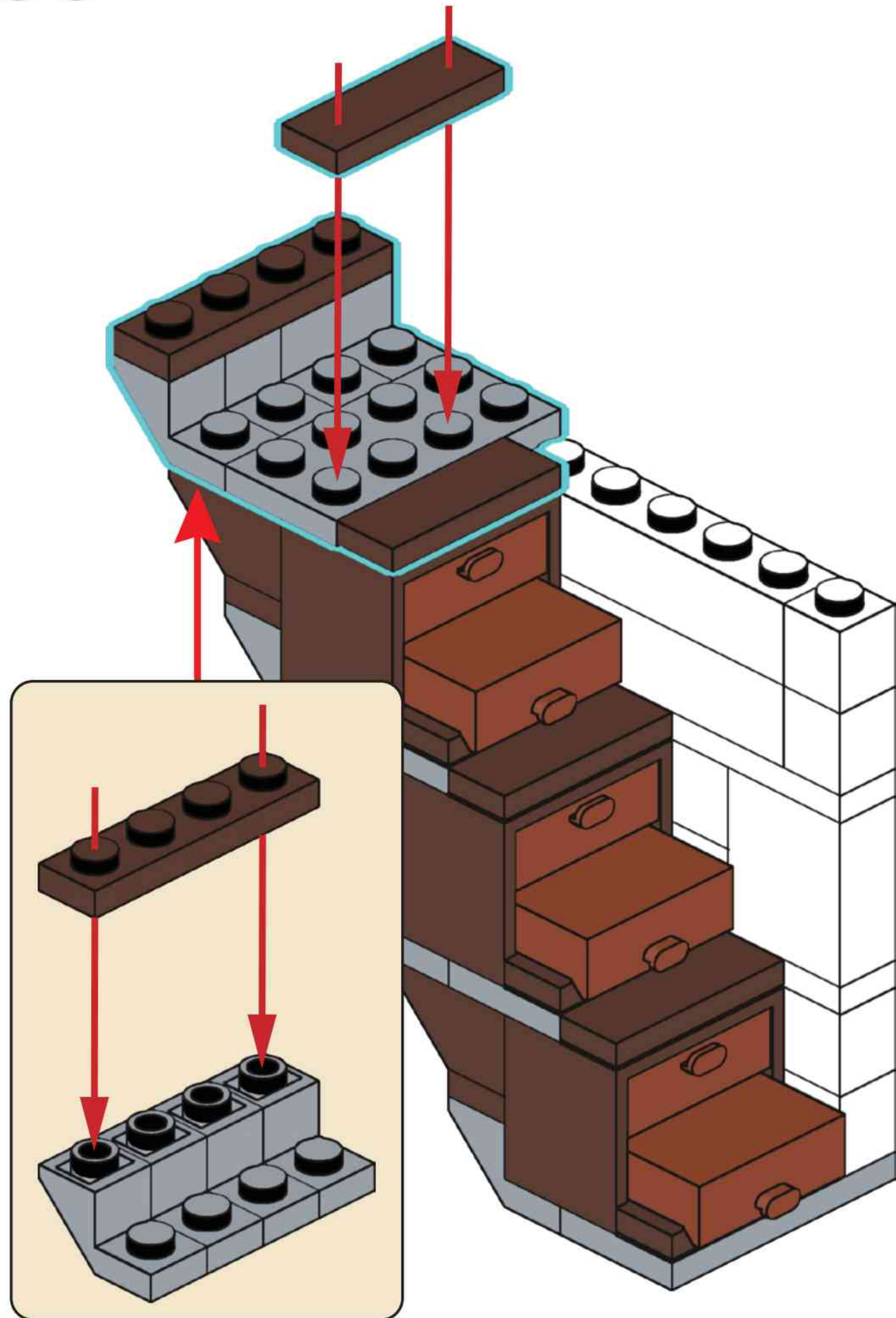
B62

B63

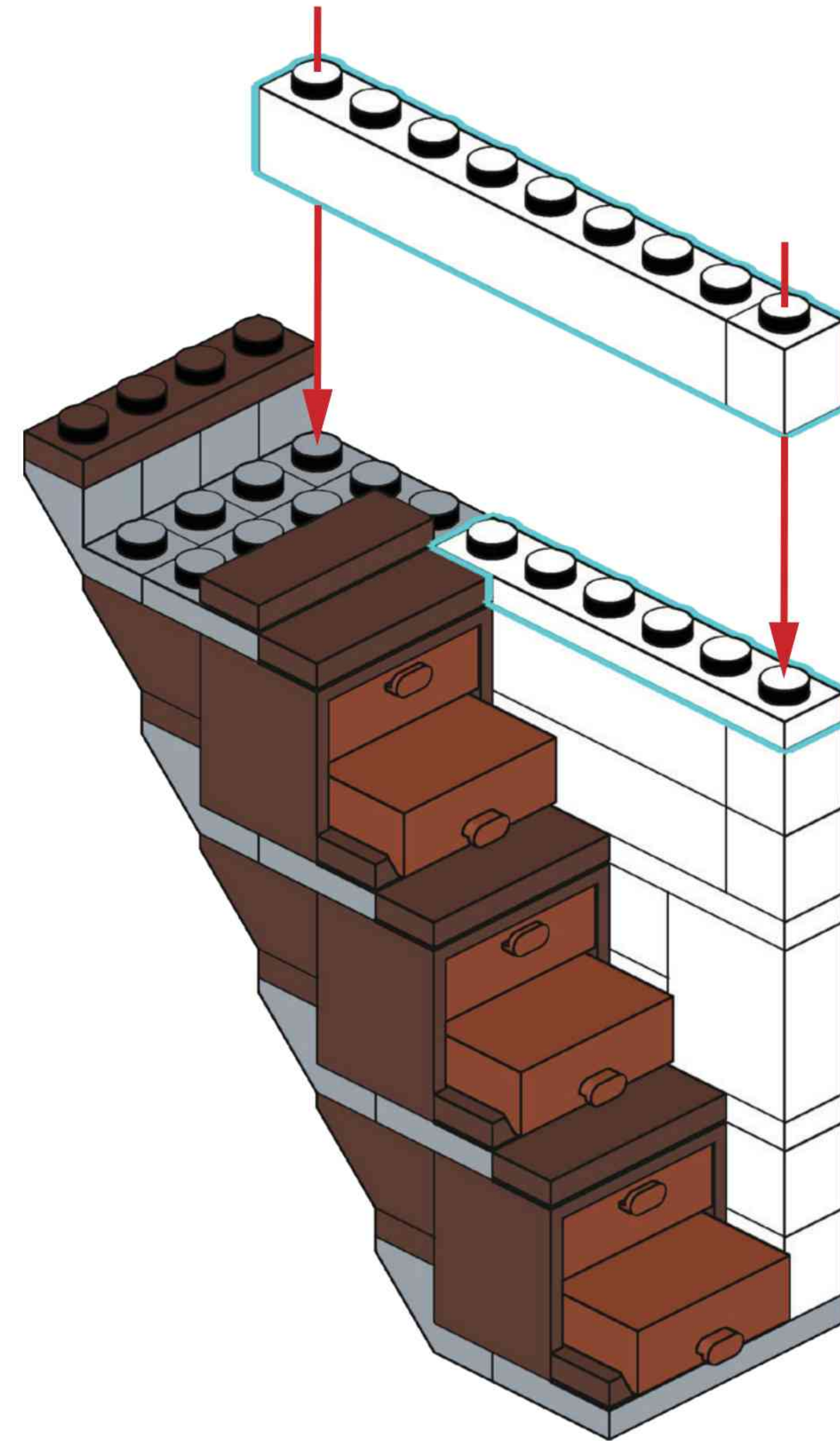


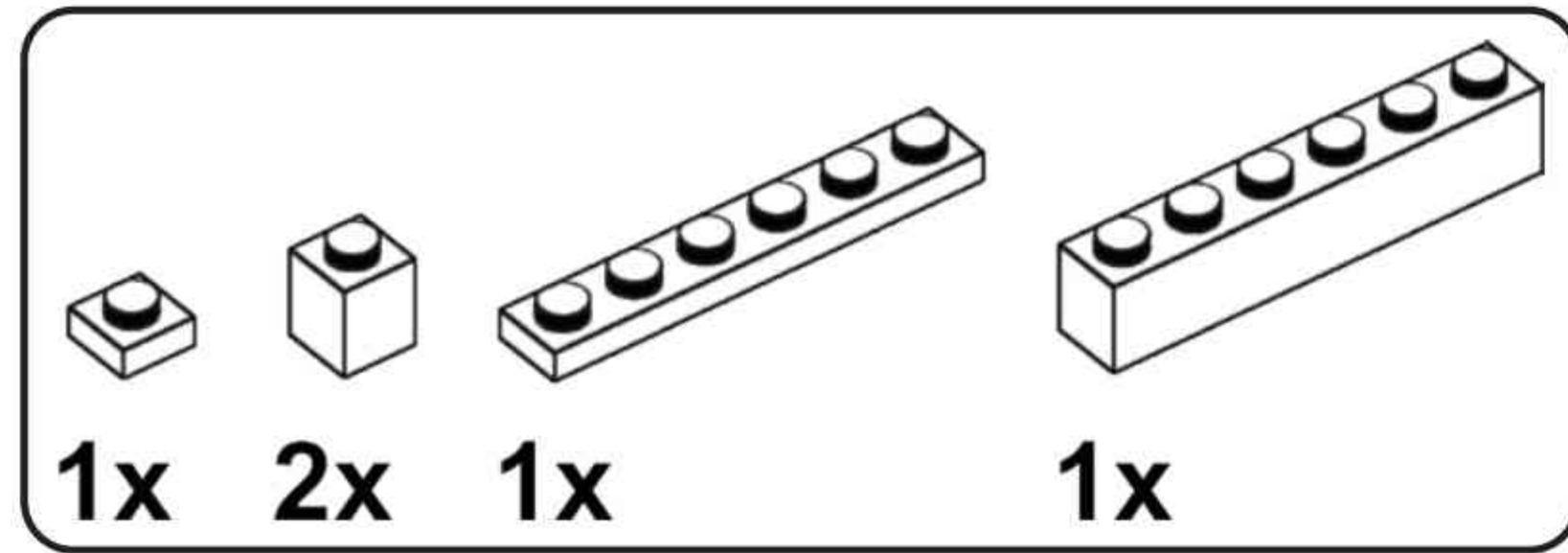


B65

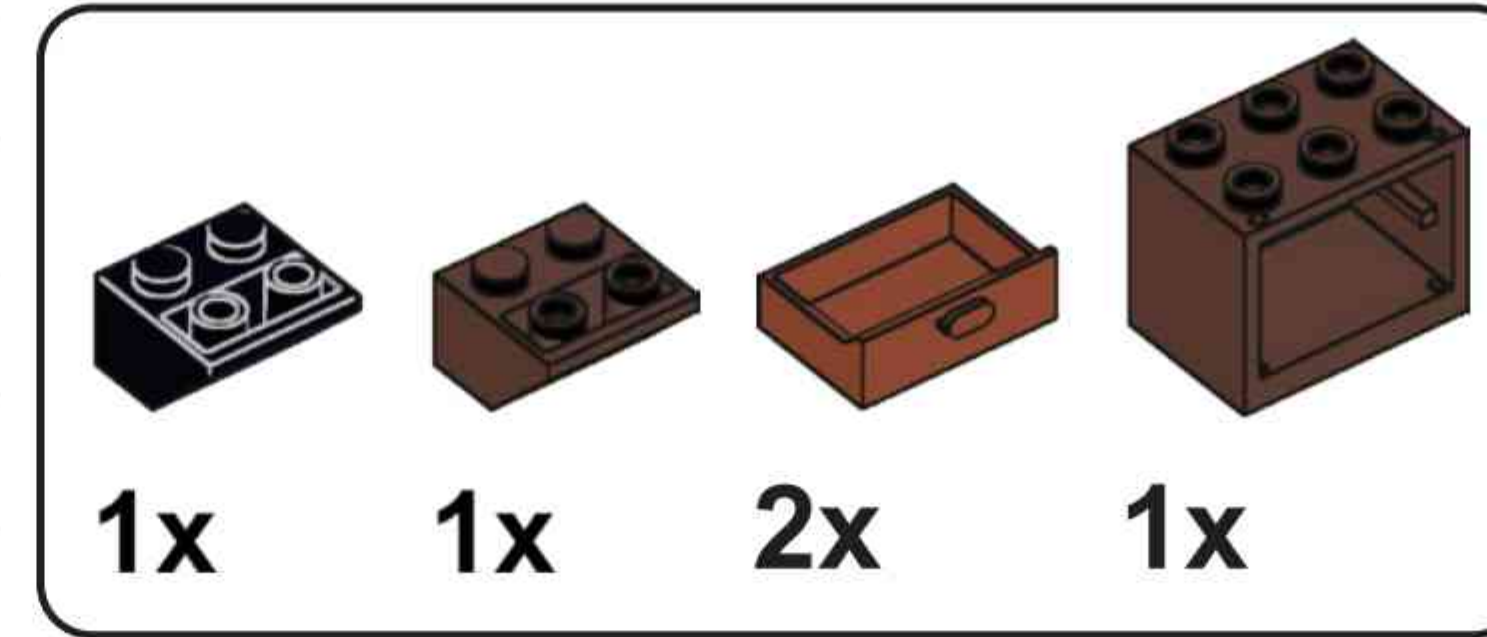
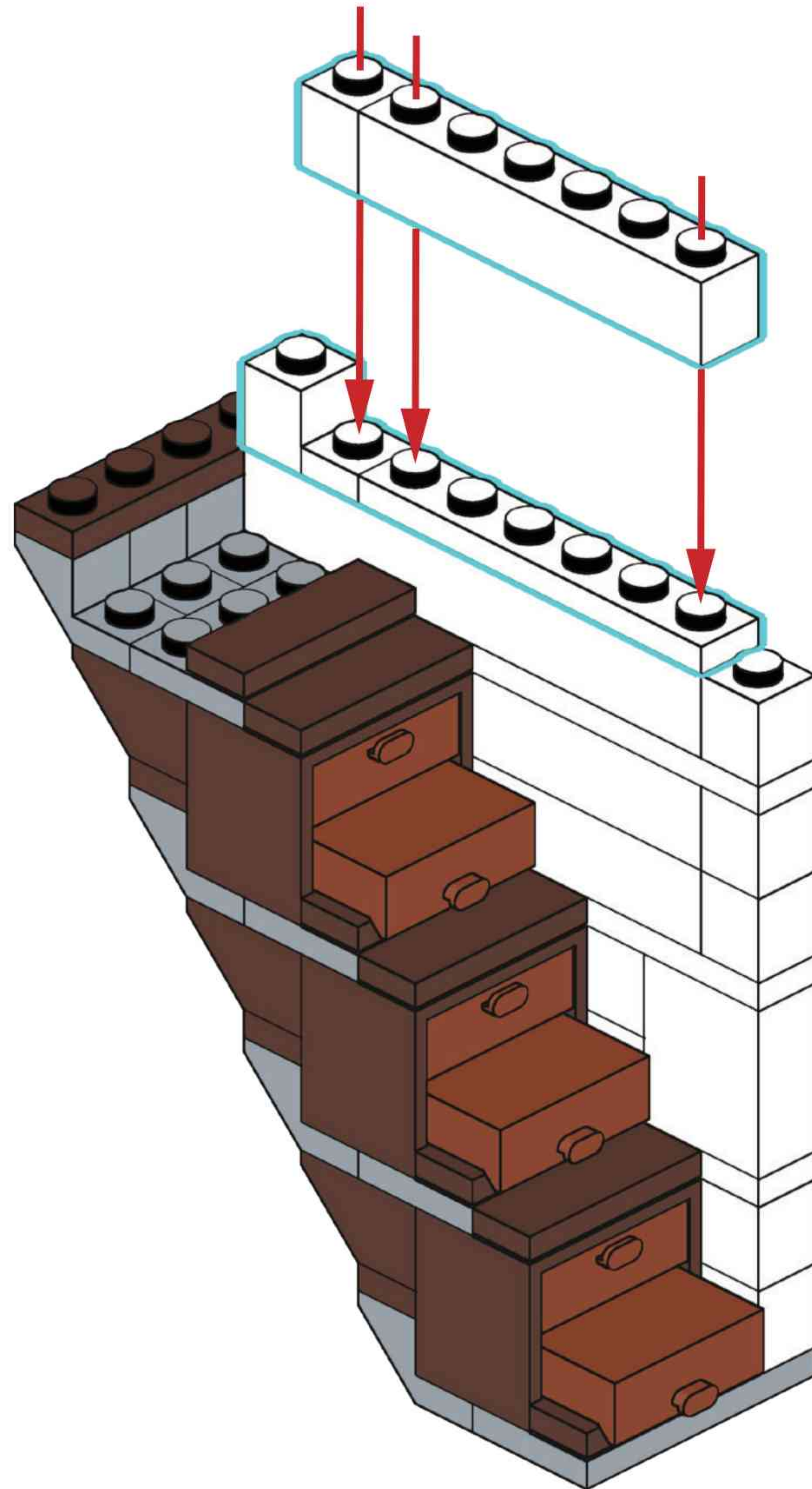


B66

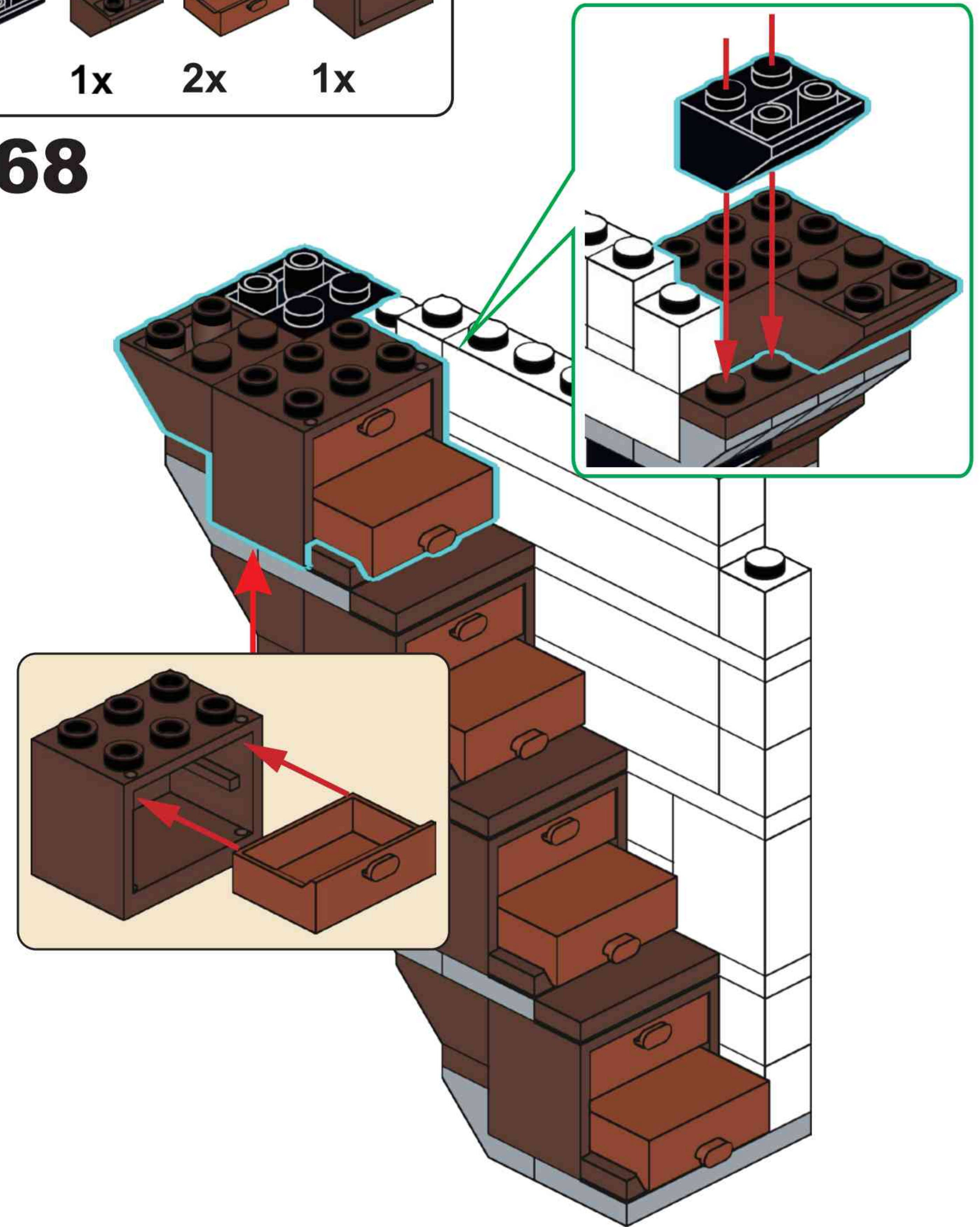


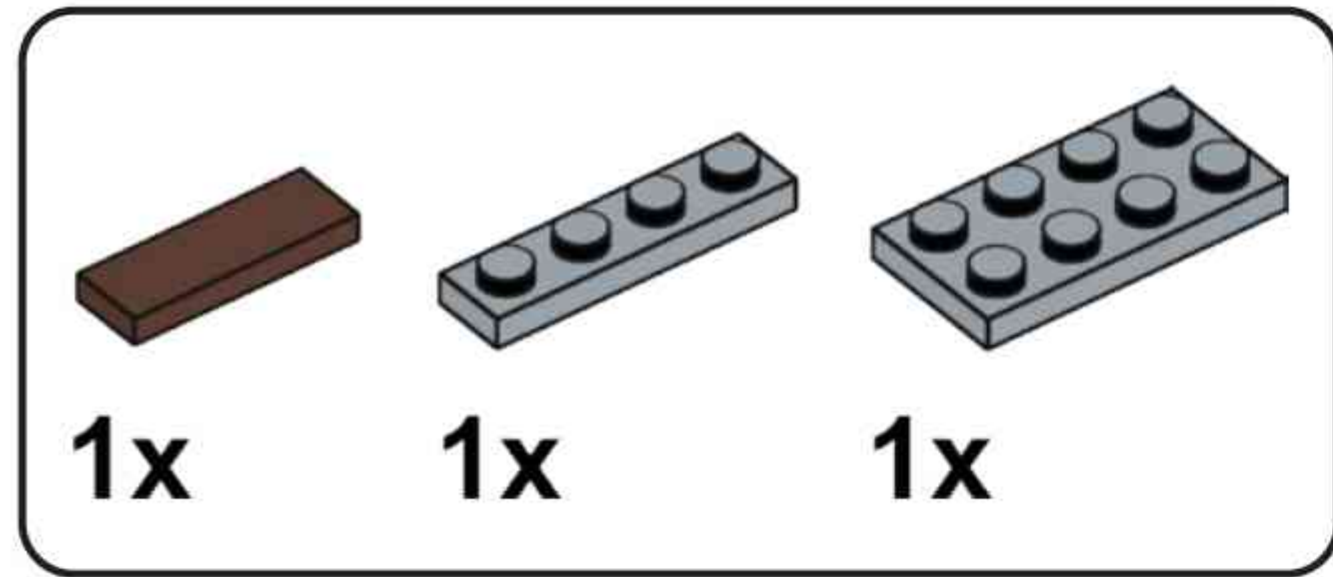


B67

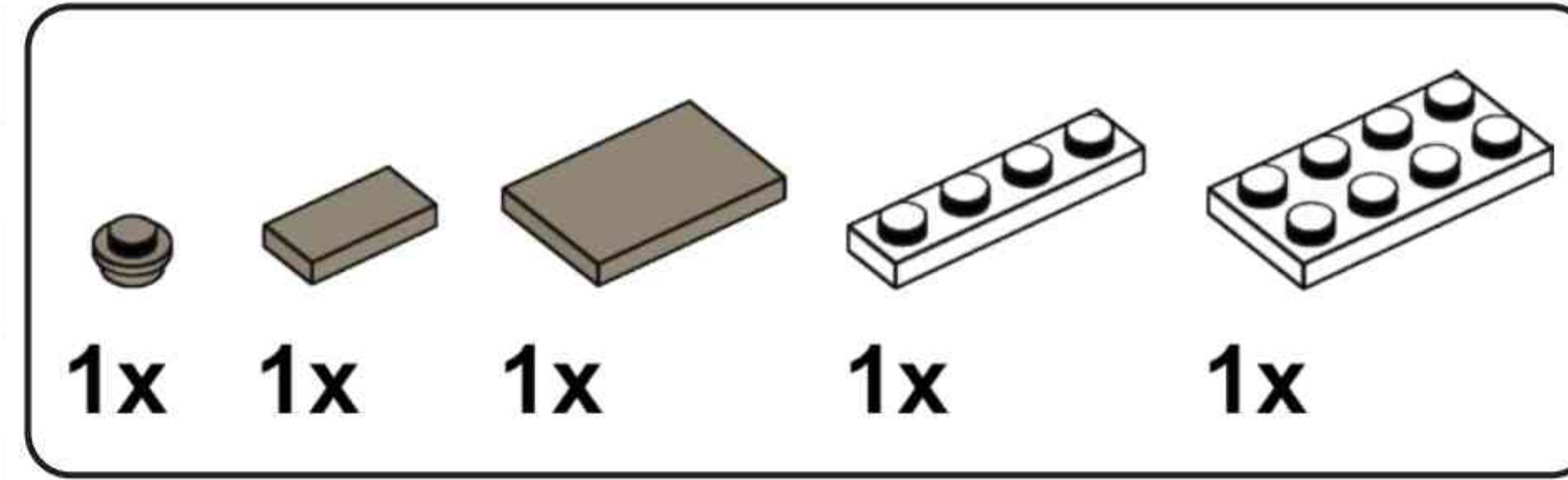
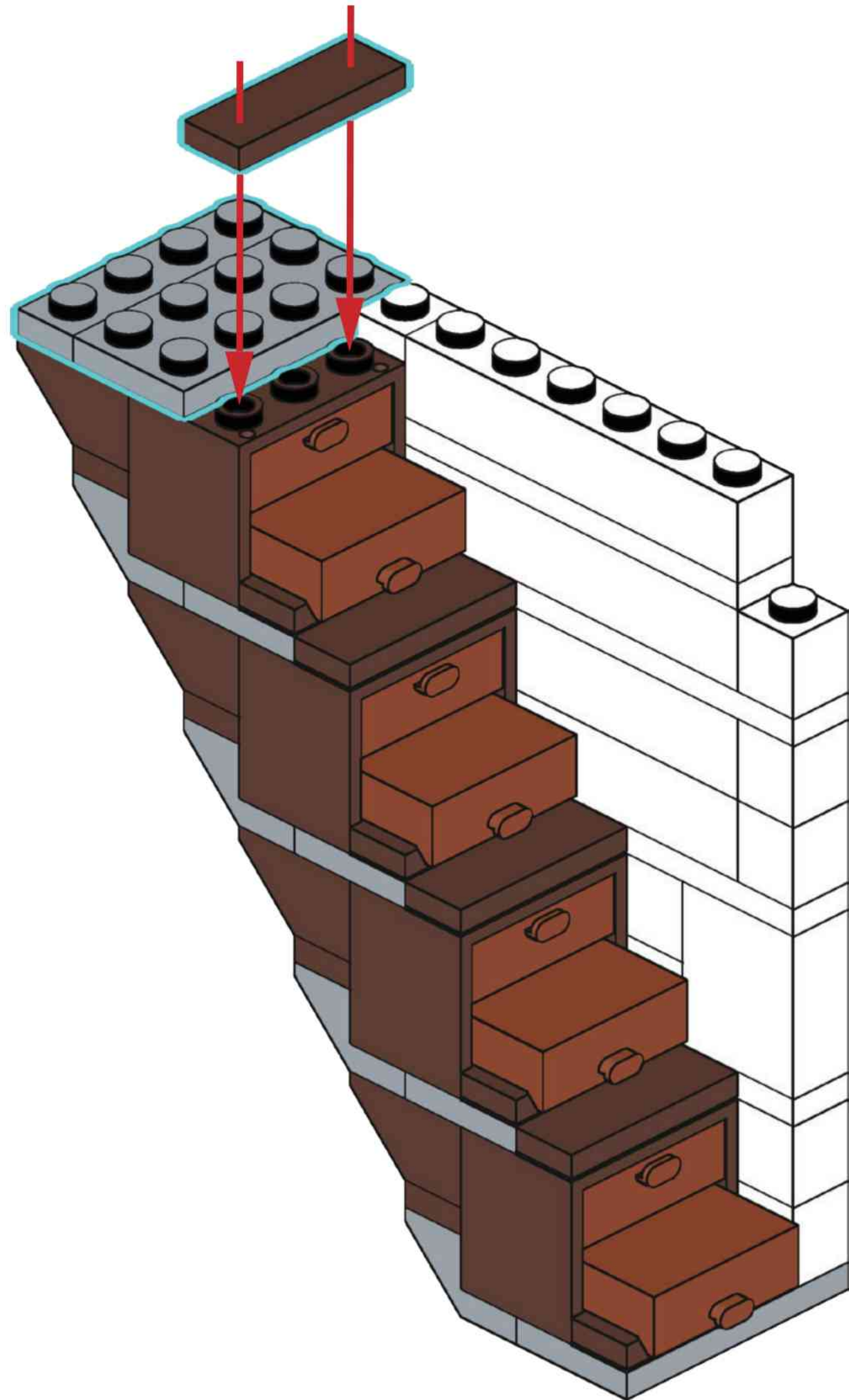


B68

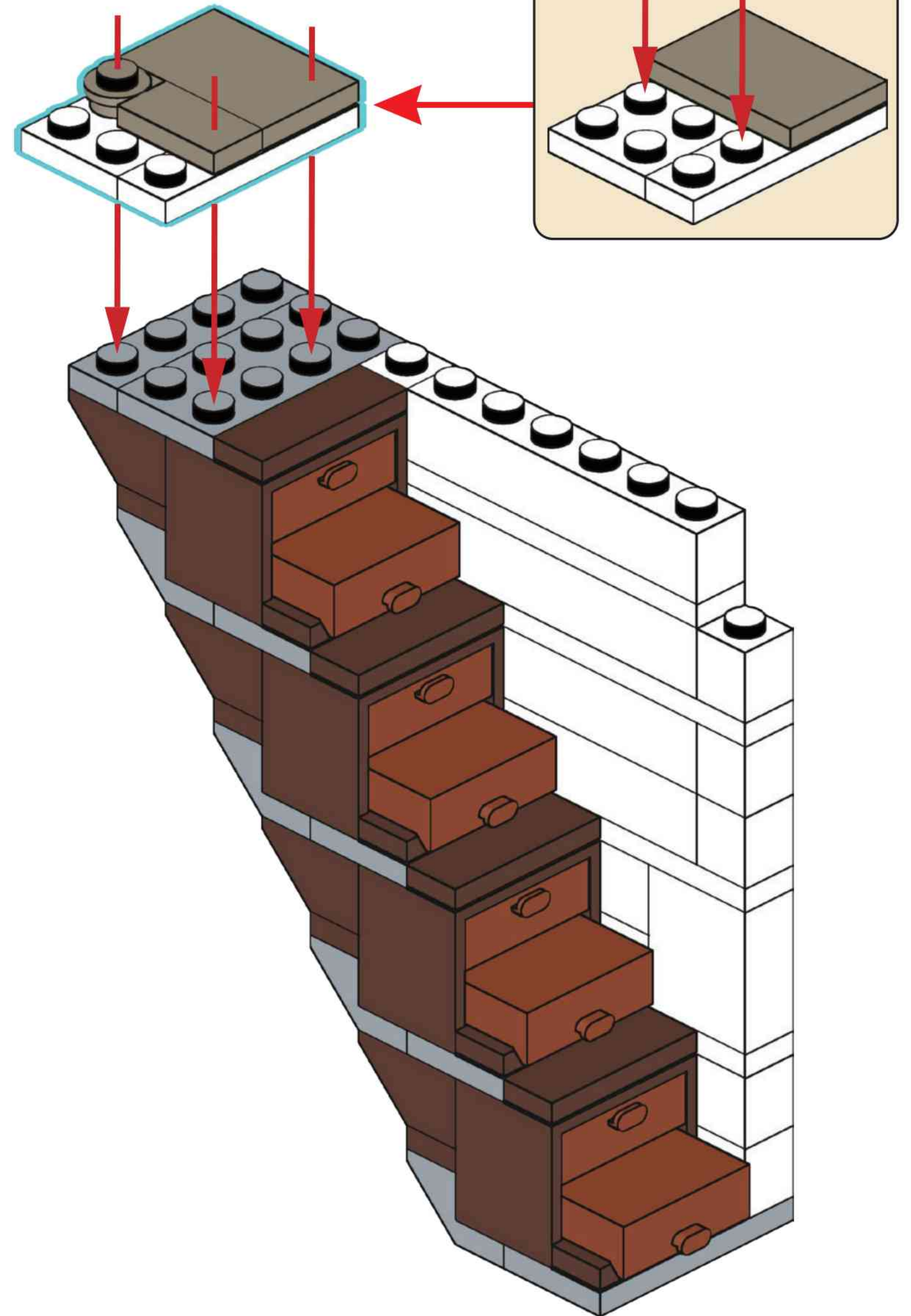




B69



B70

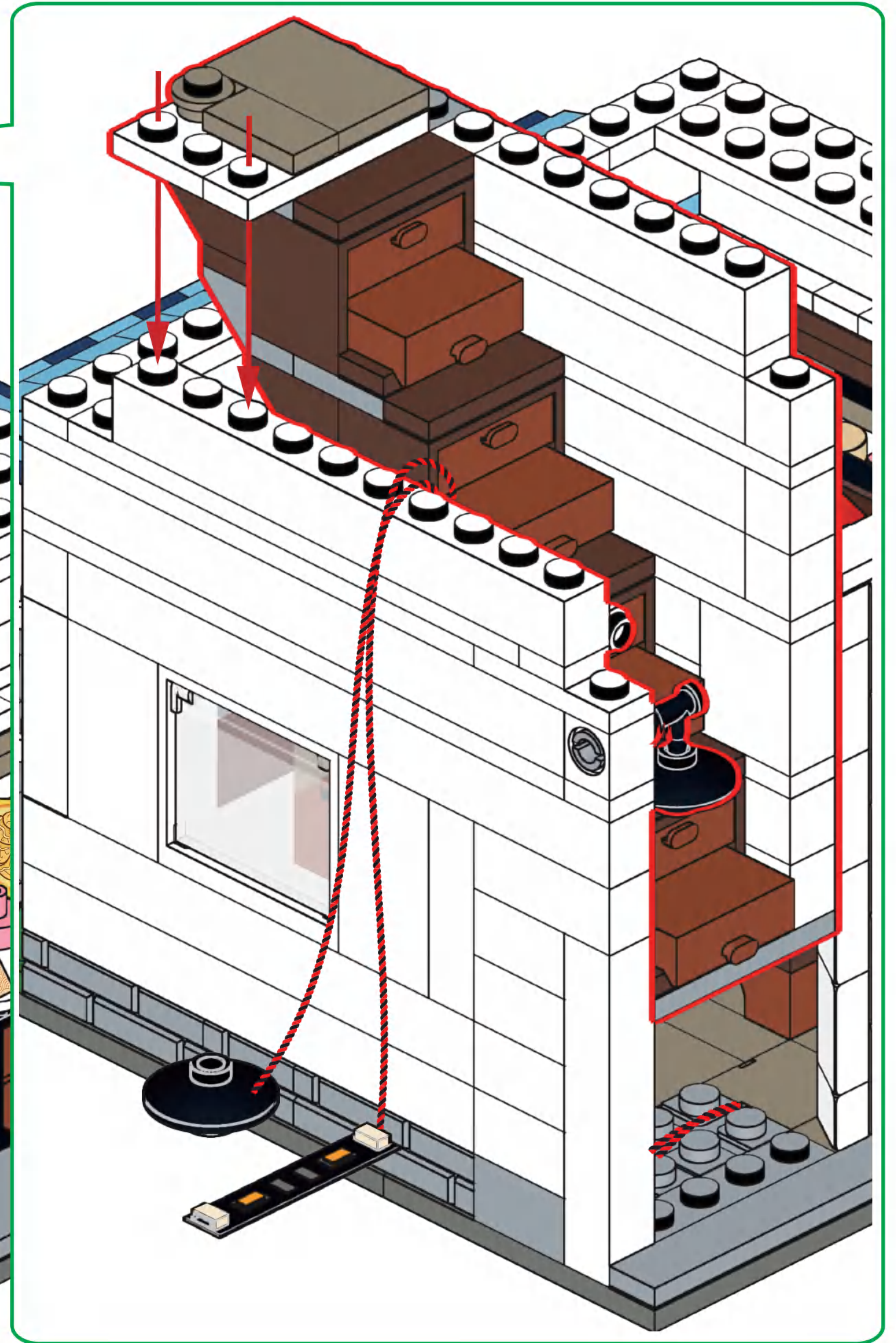


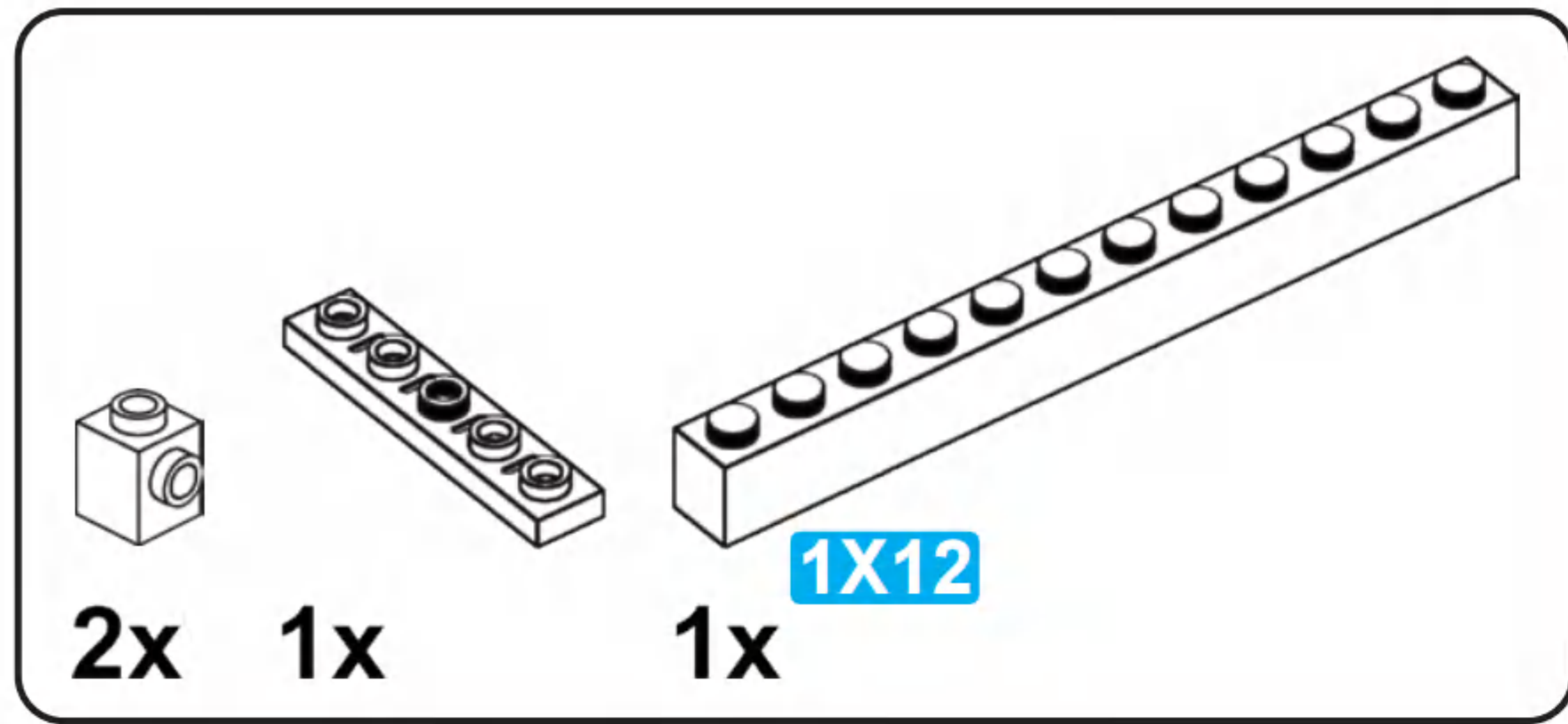
B71

B49

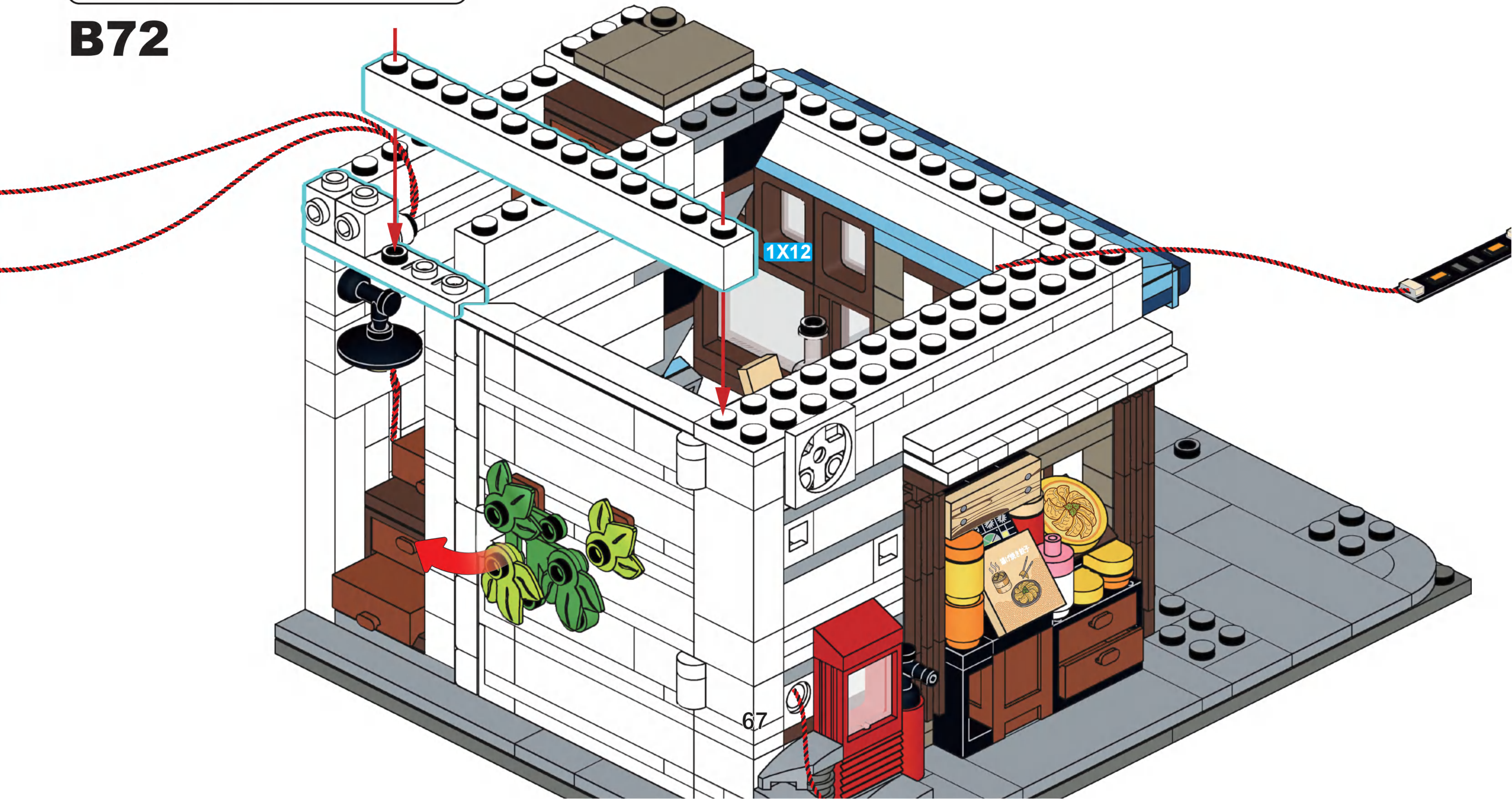
B70

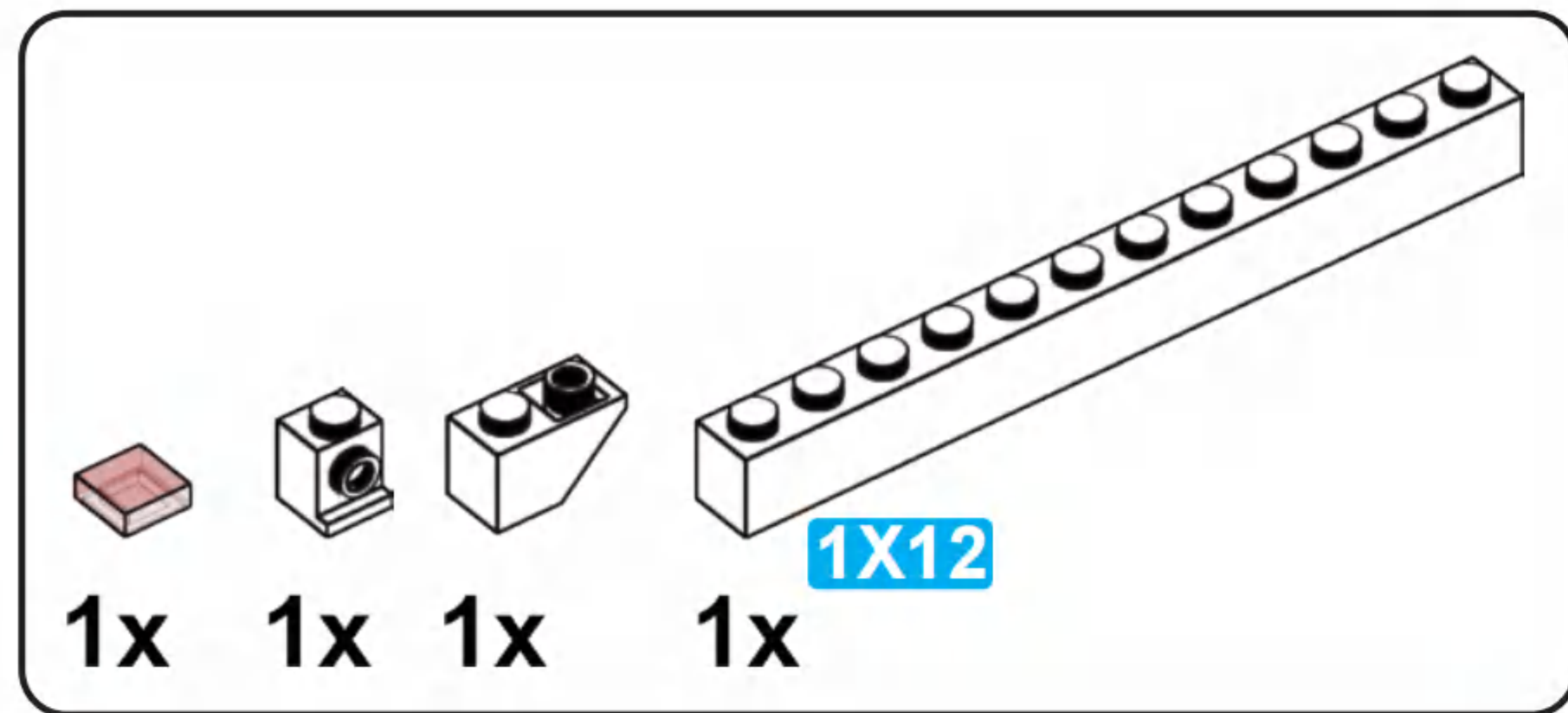
66



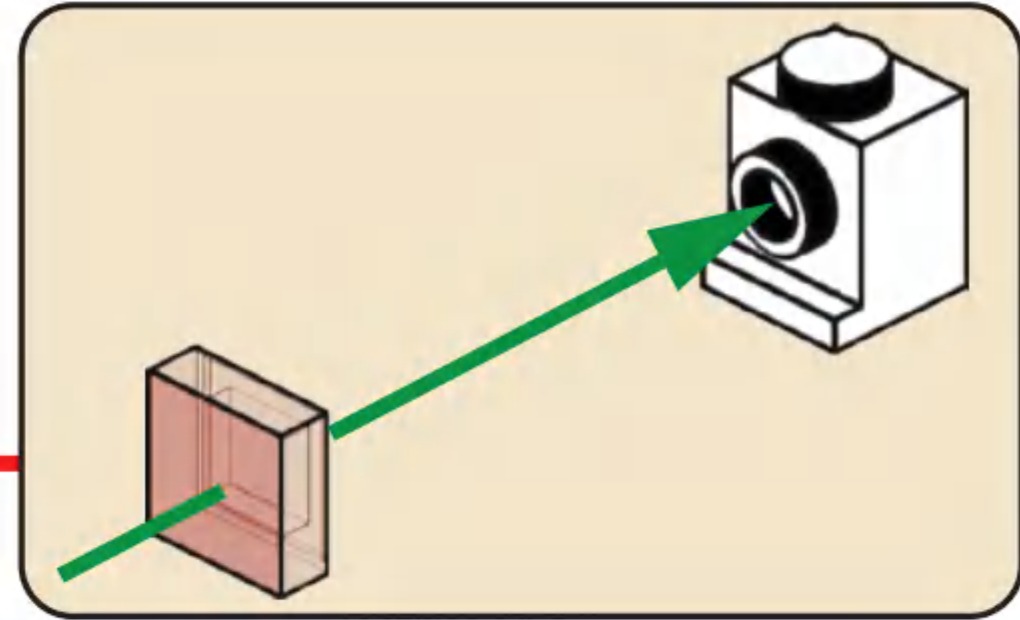
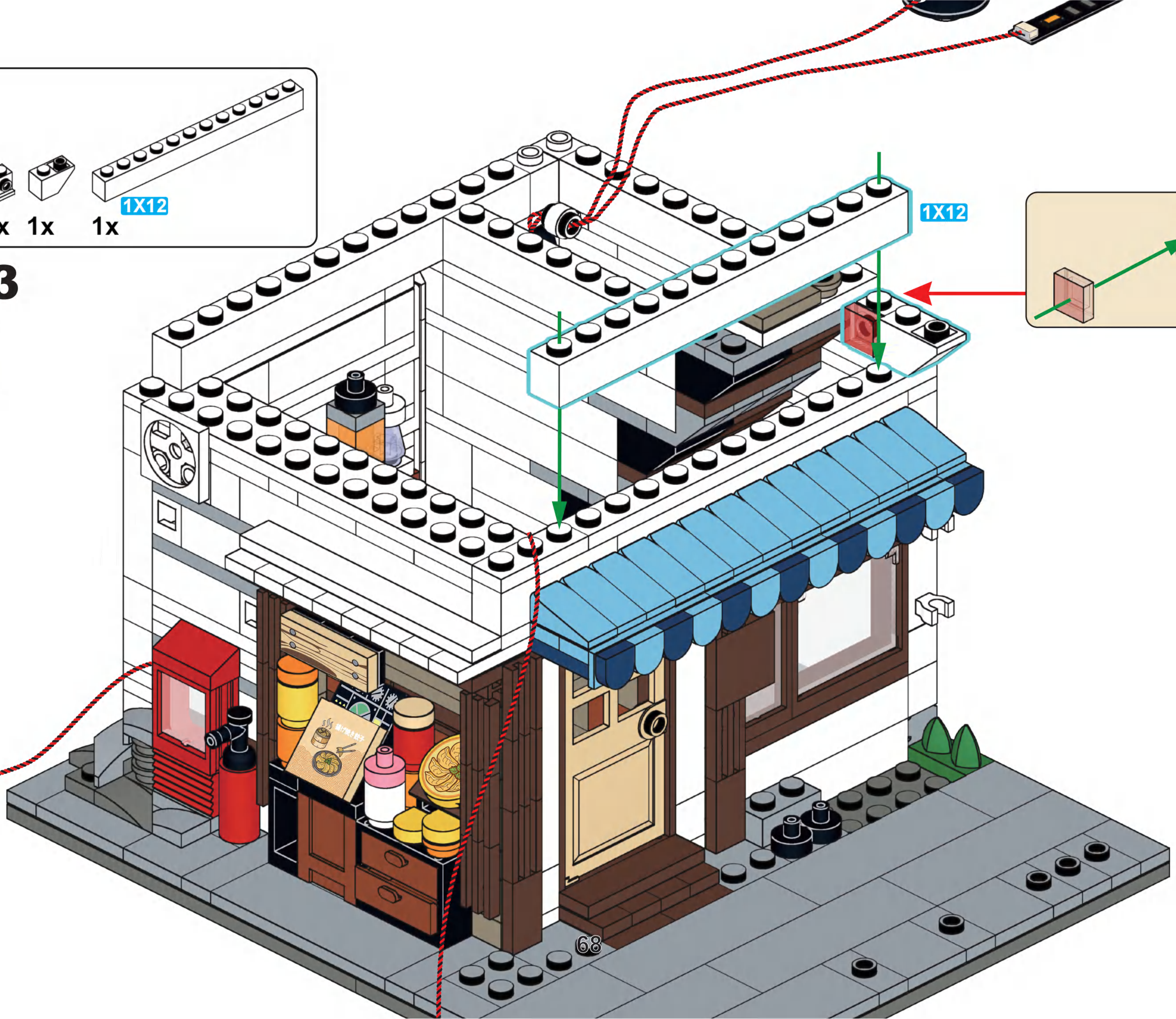


B72

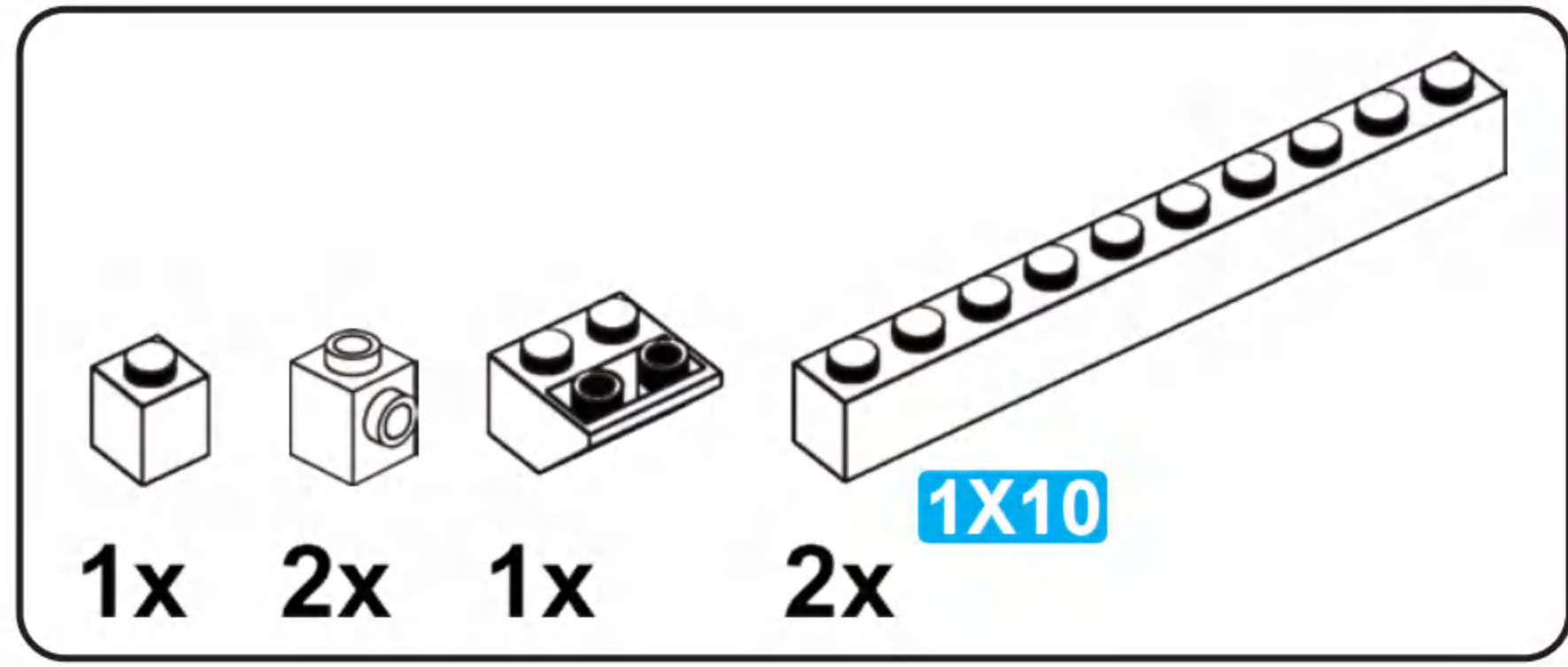




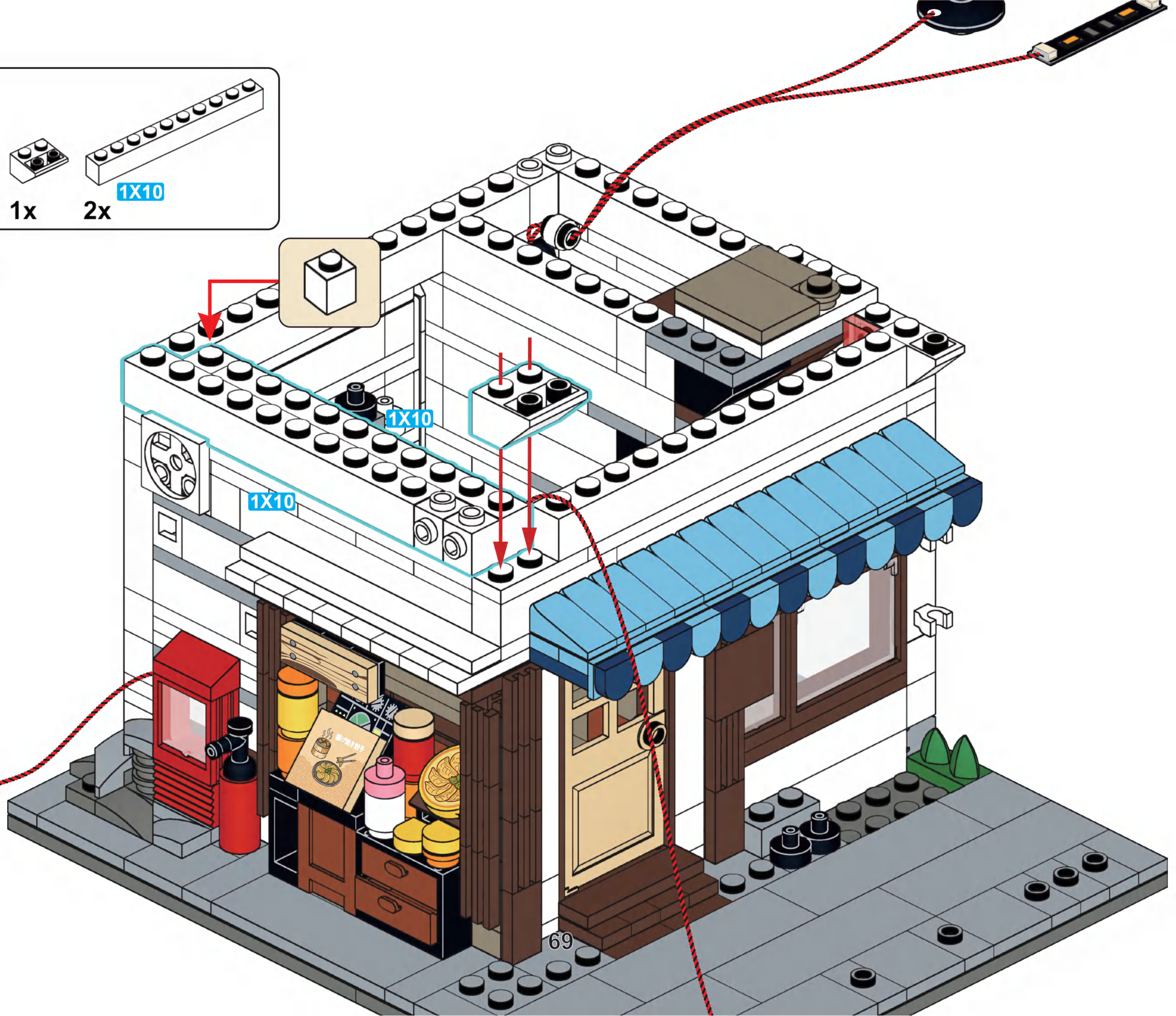
B73

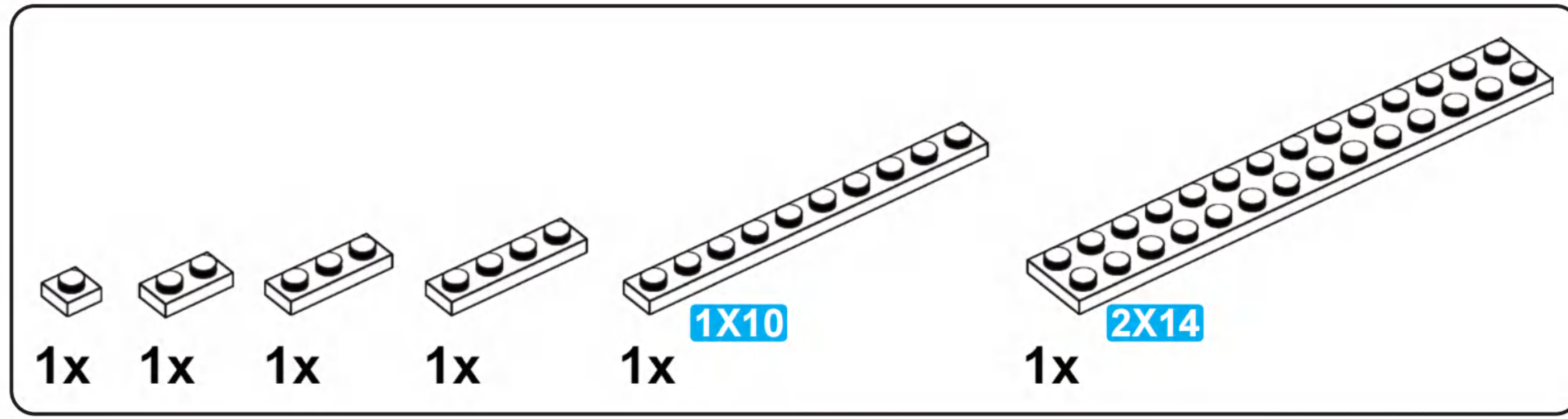


68

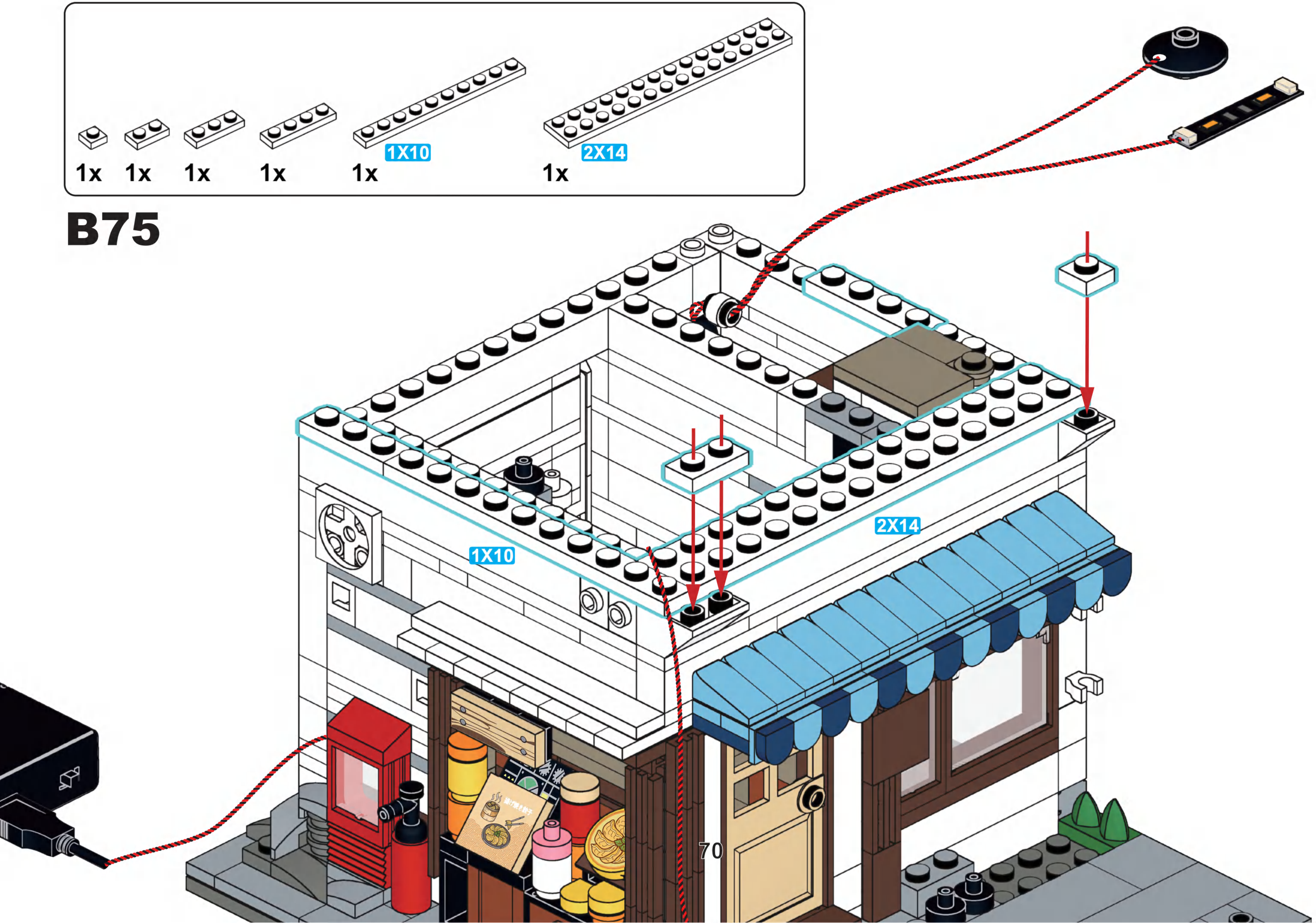


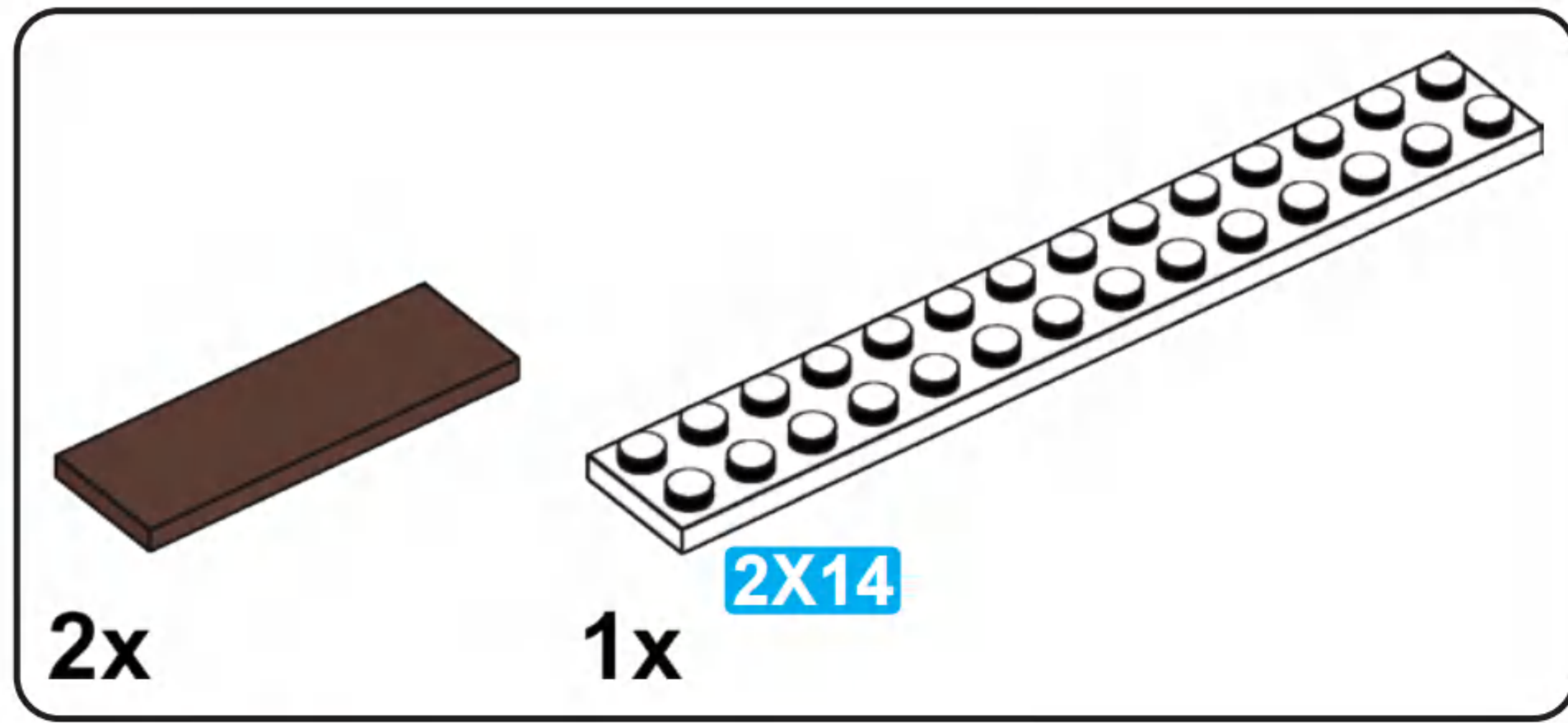
B74



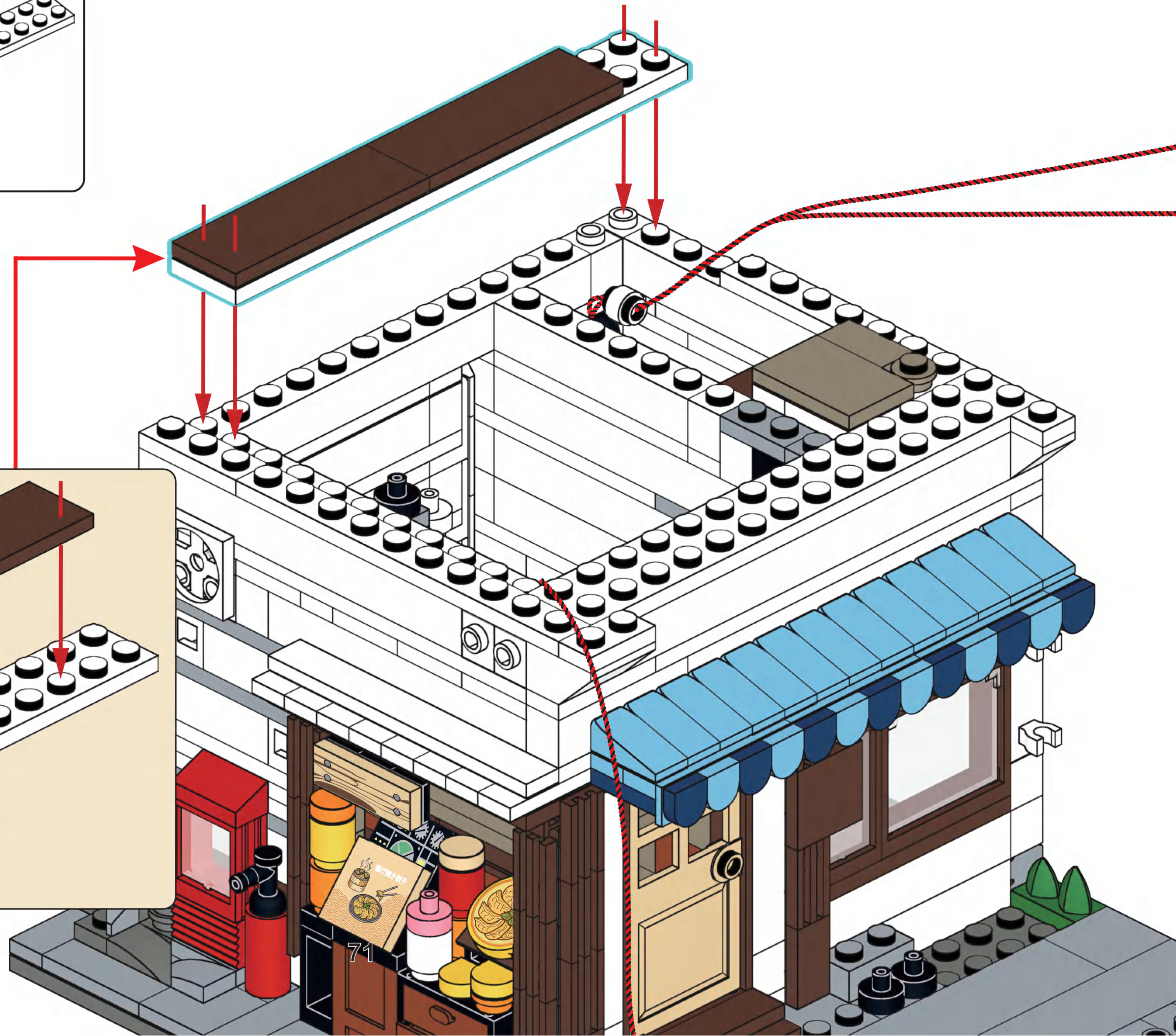
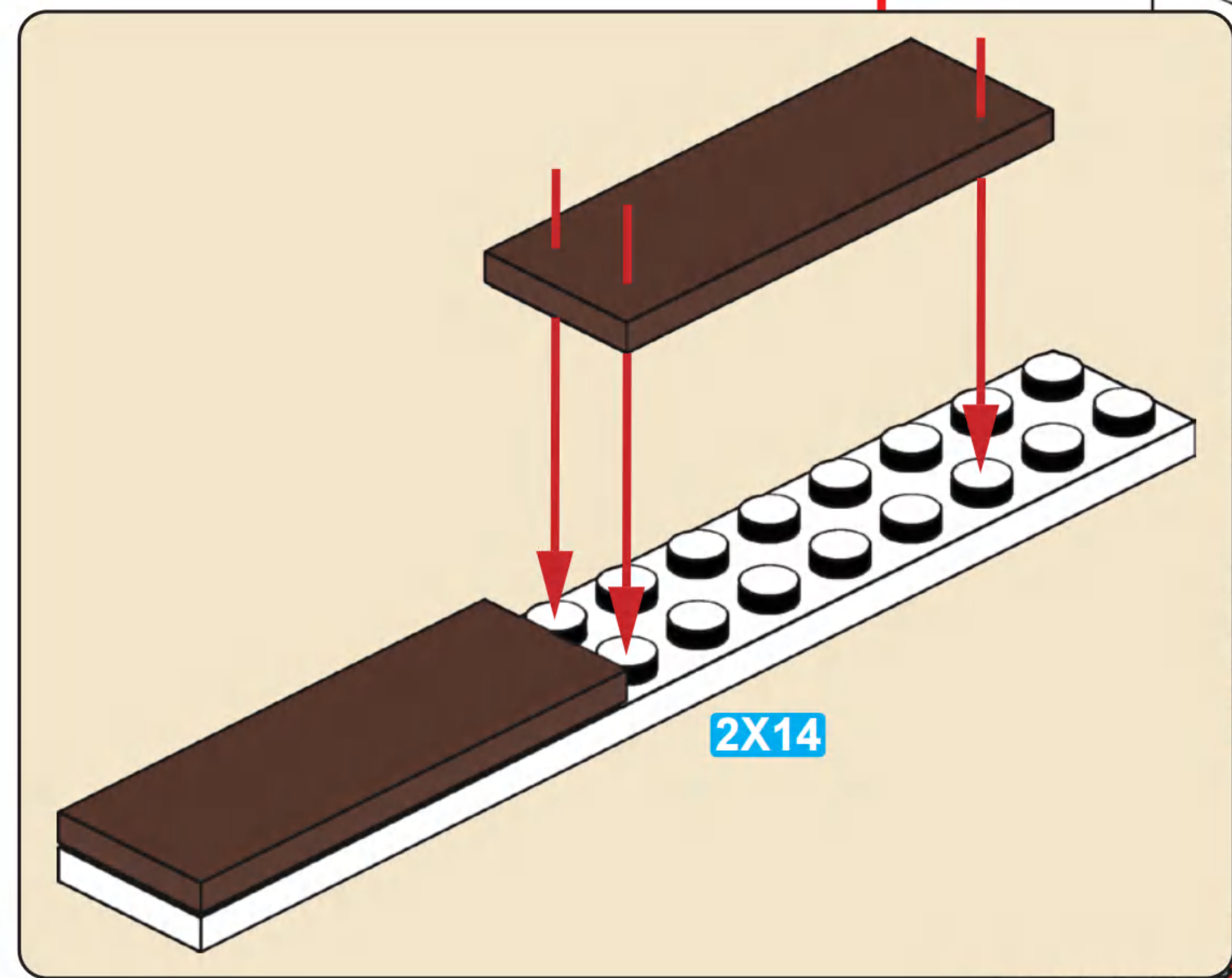


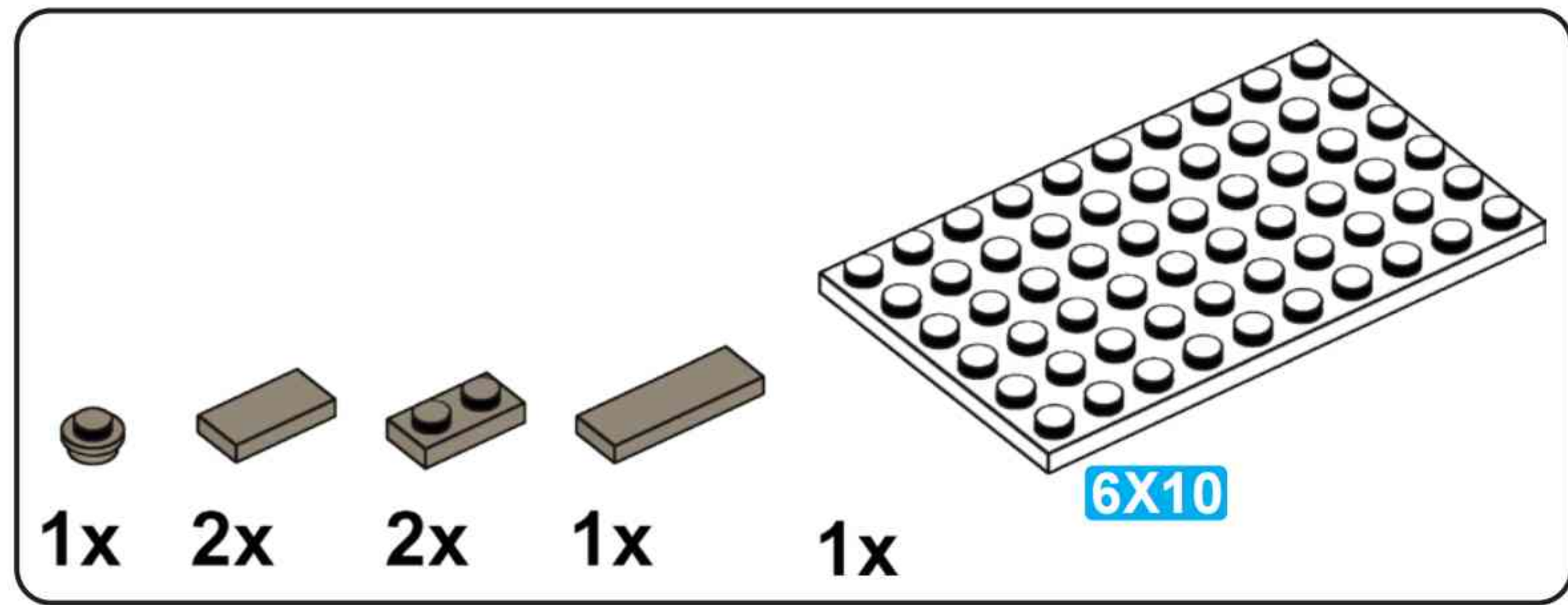
B75



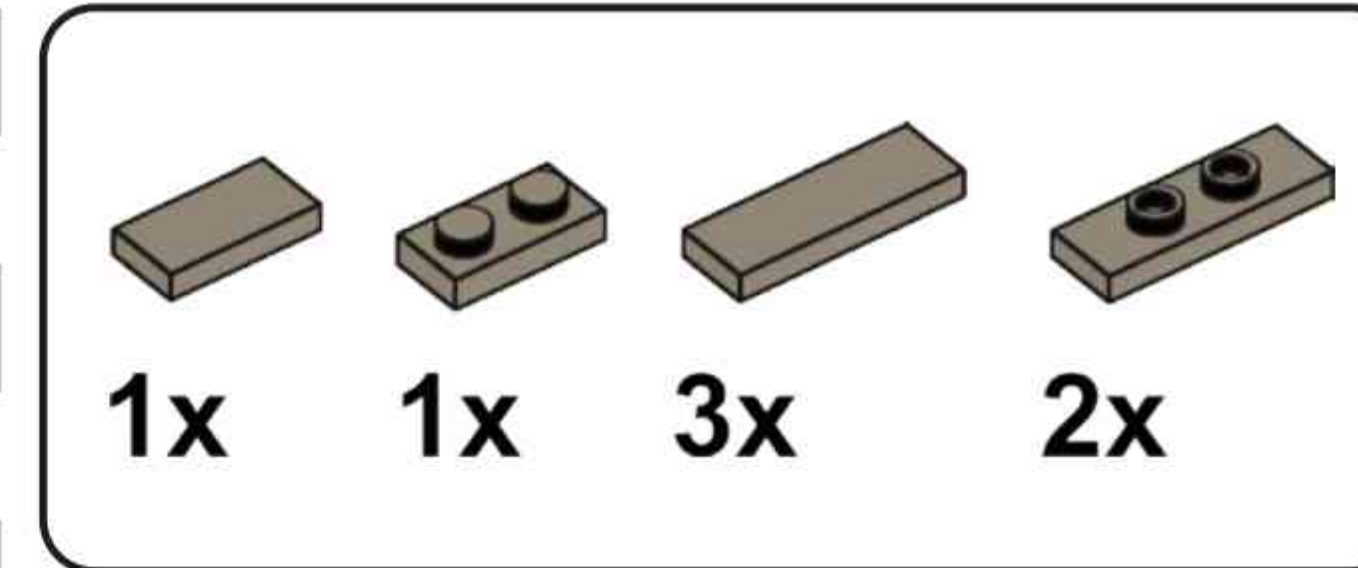
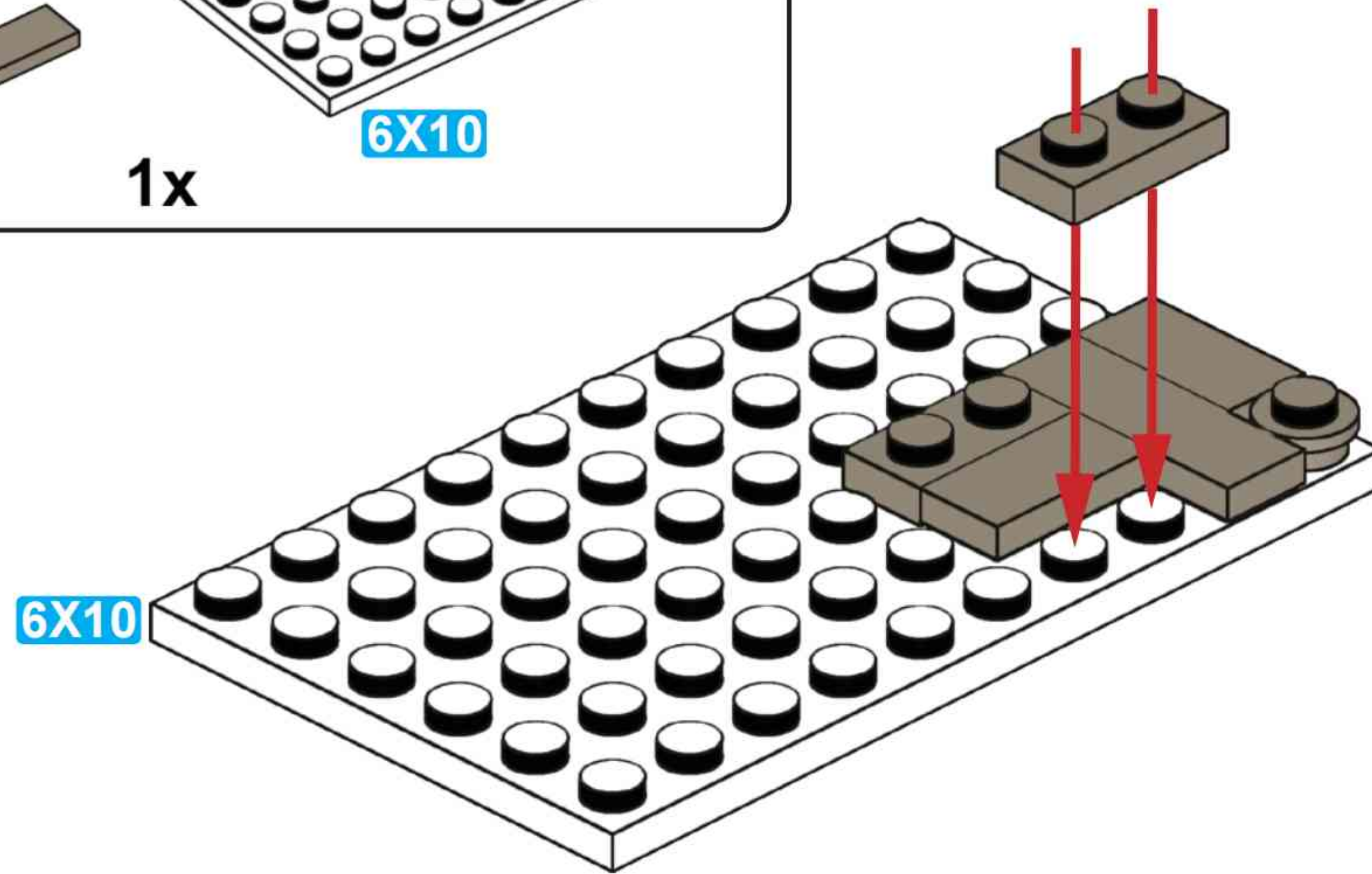


B76

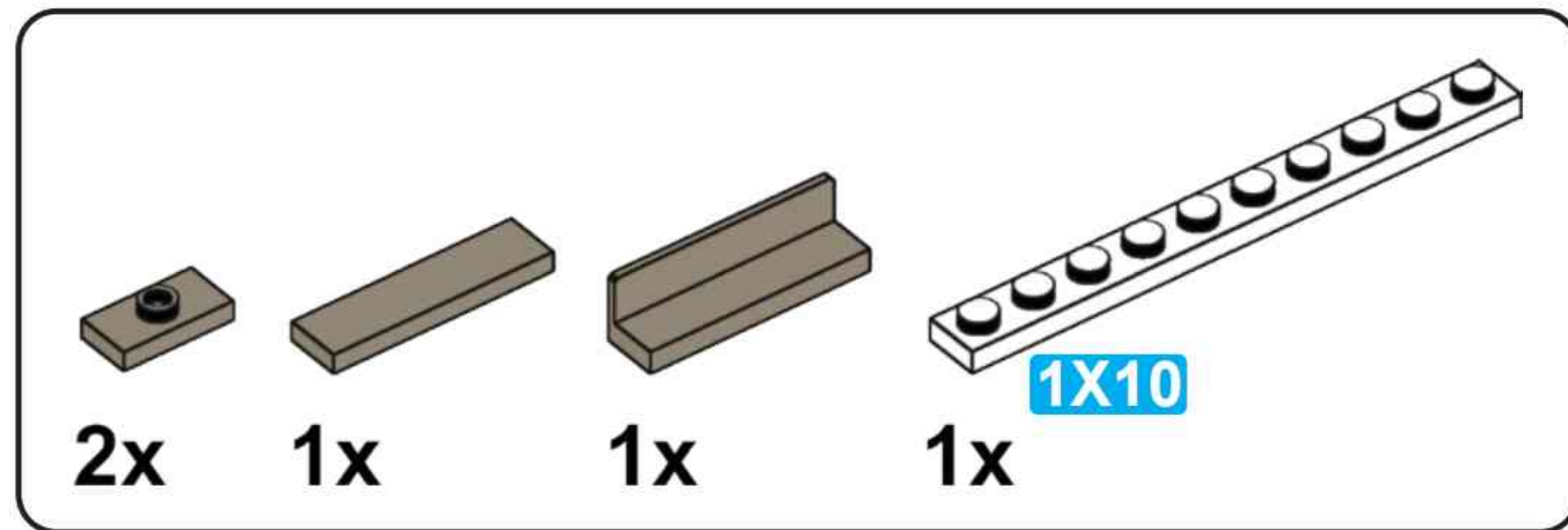
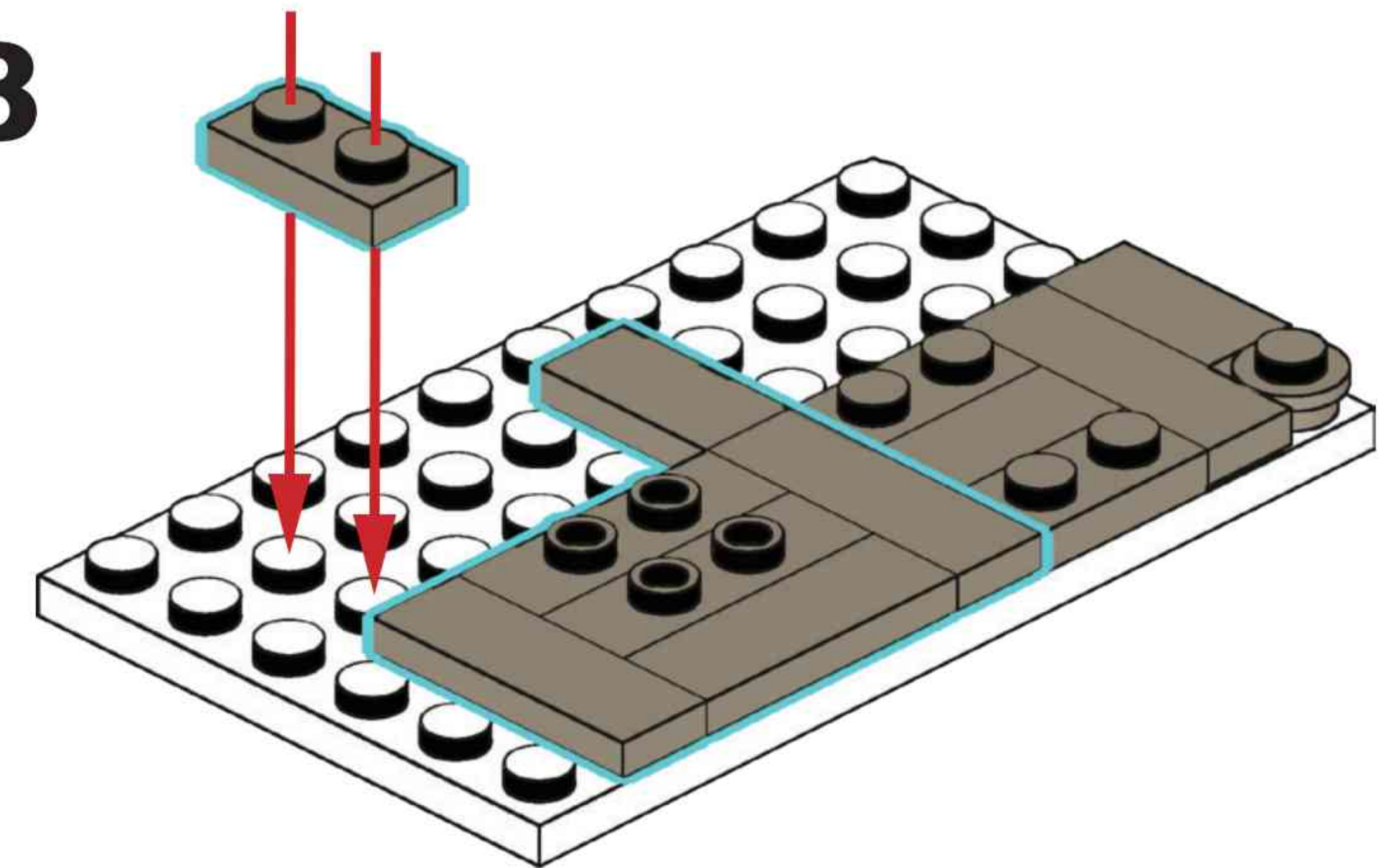




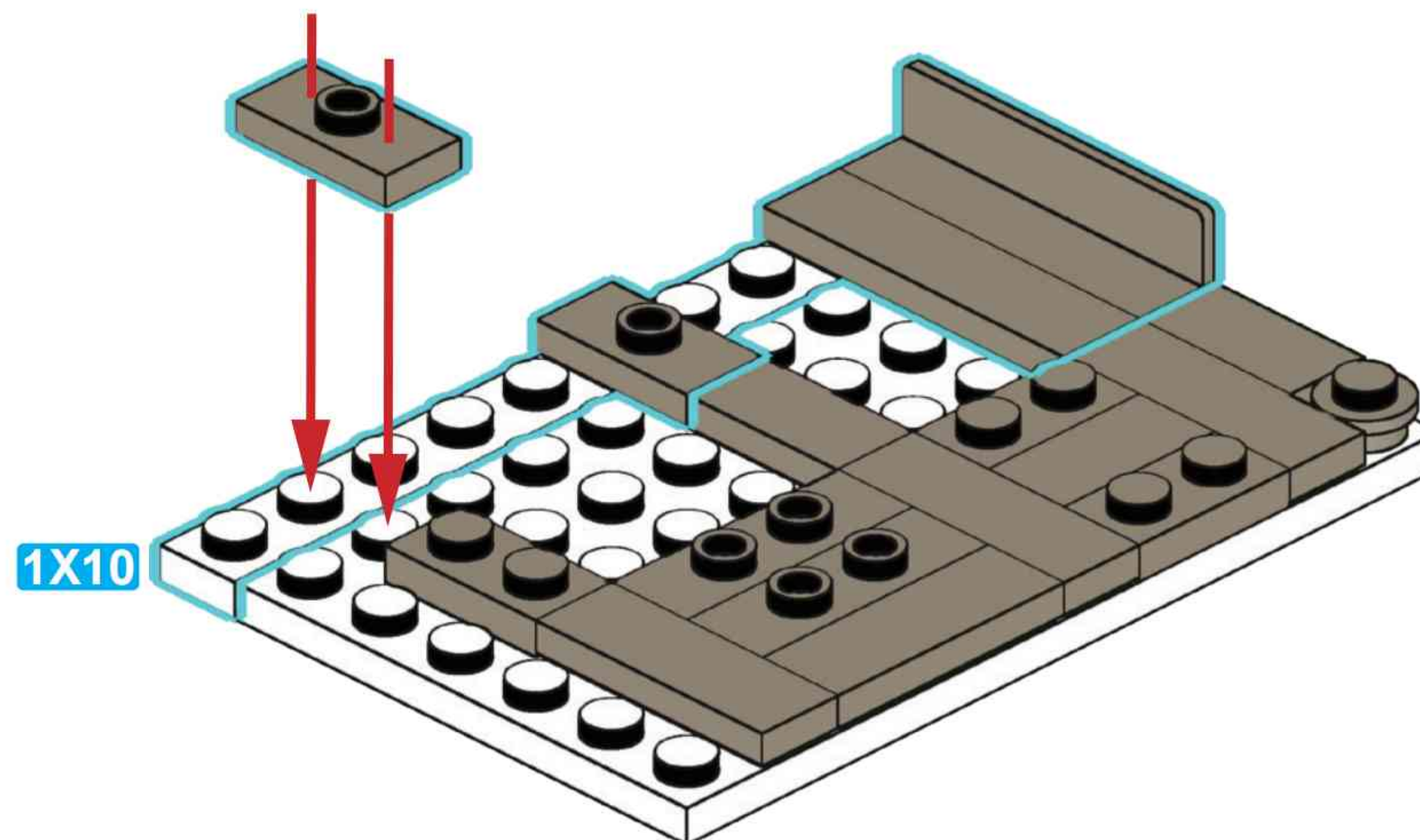
B77

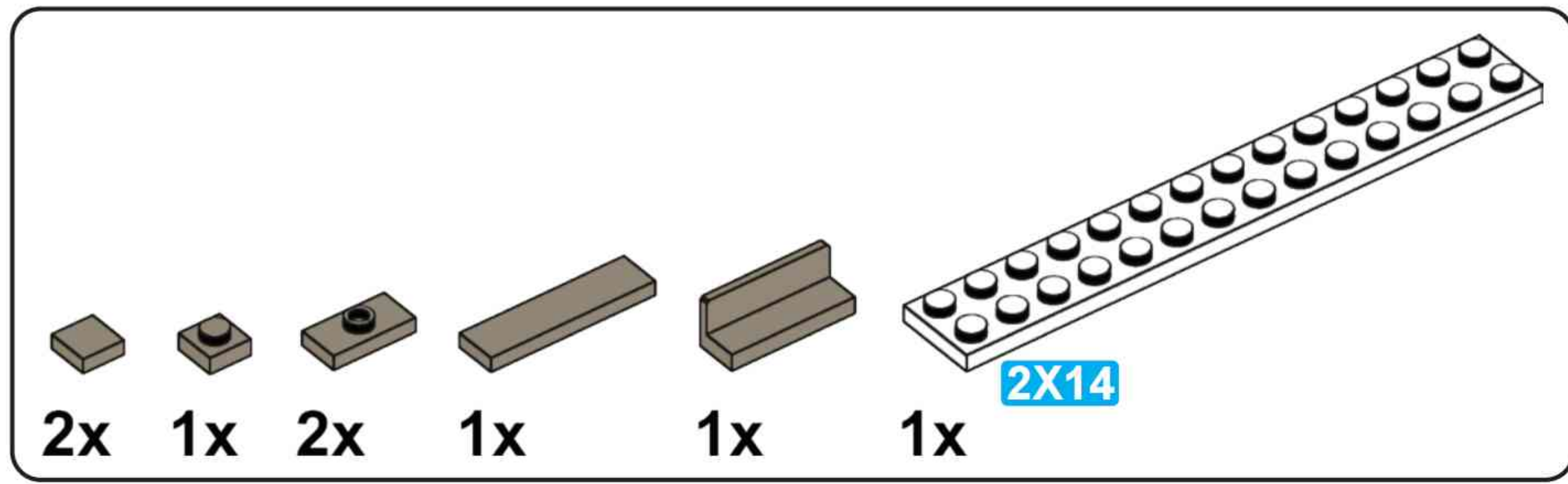


B78

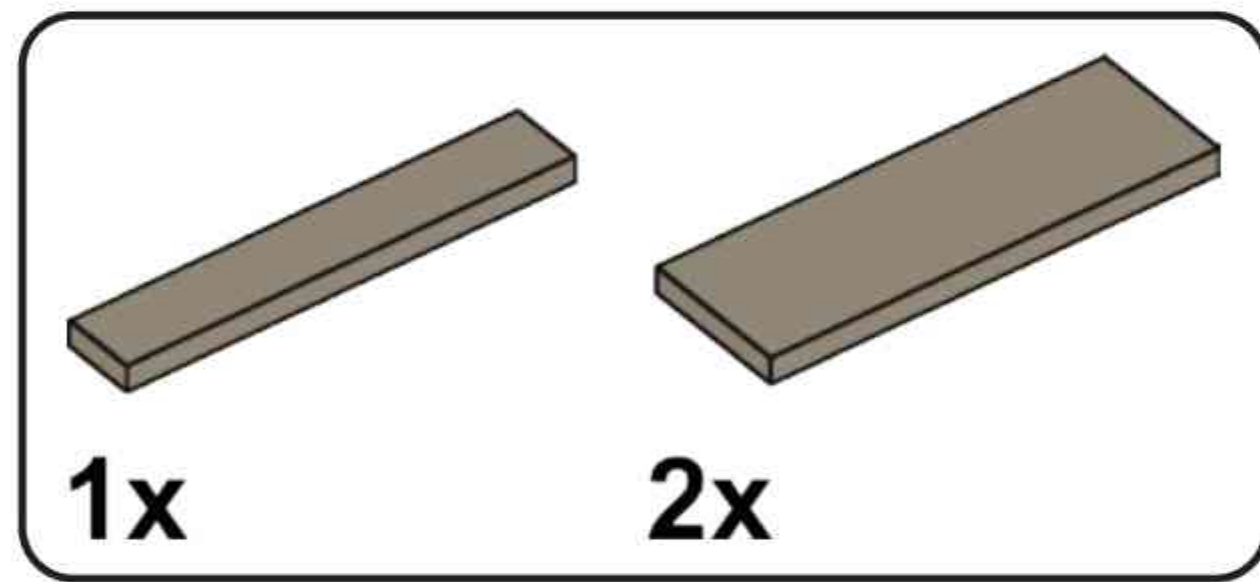
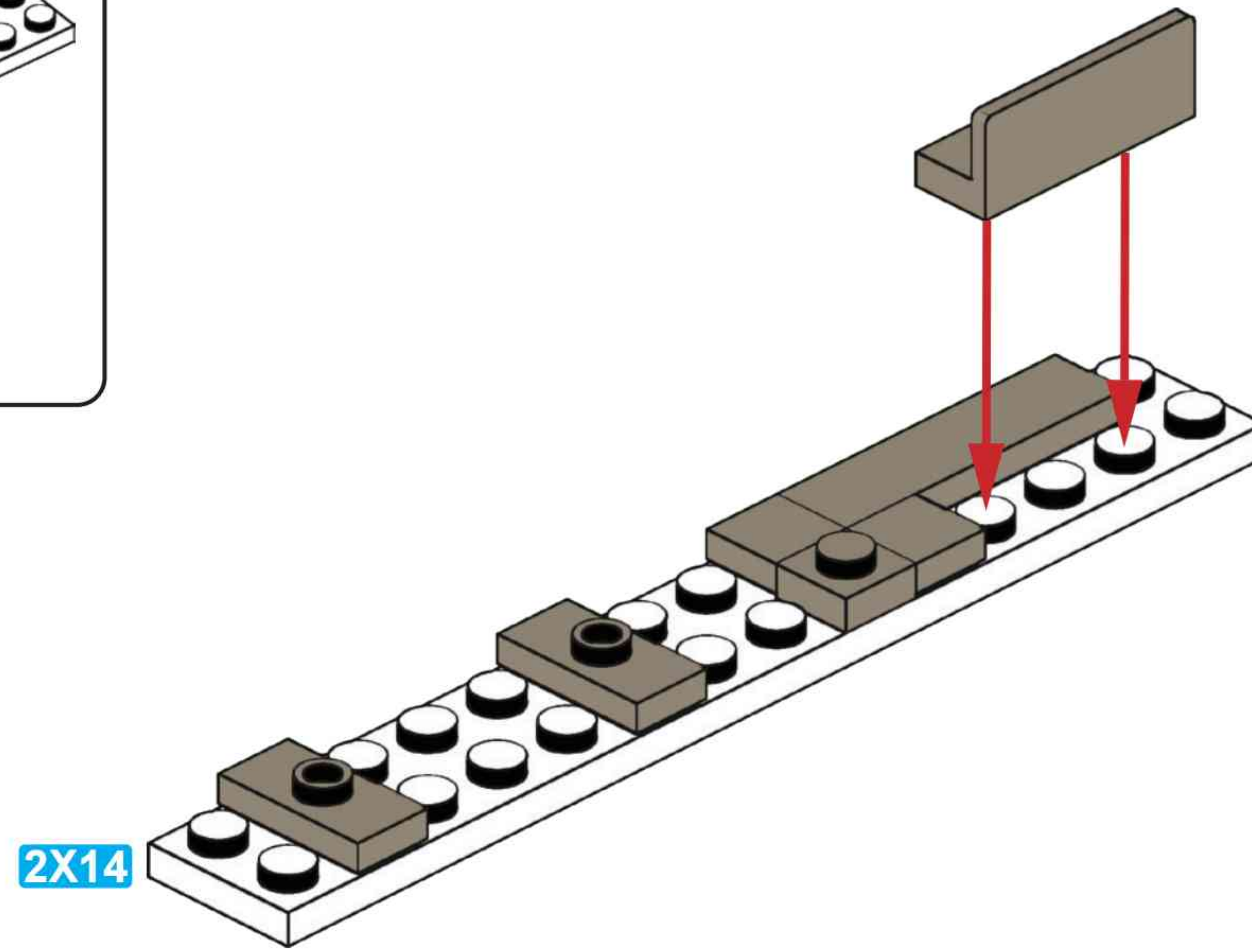


B79

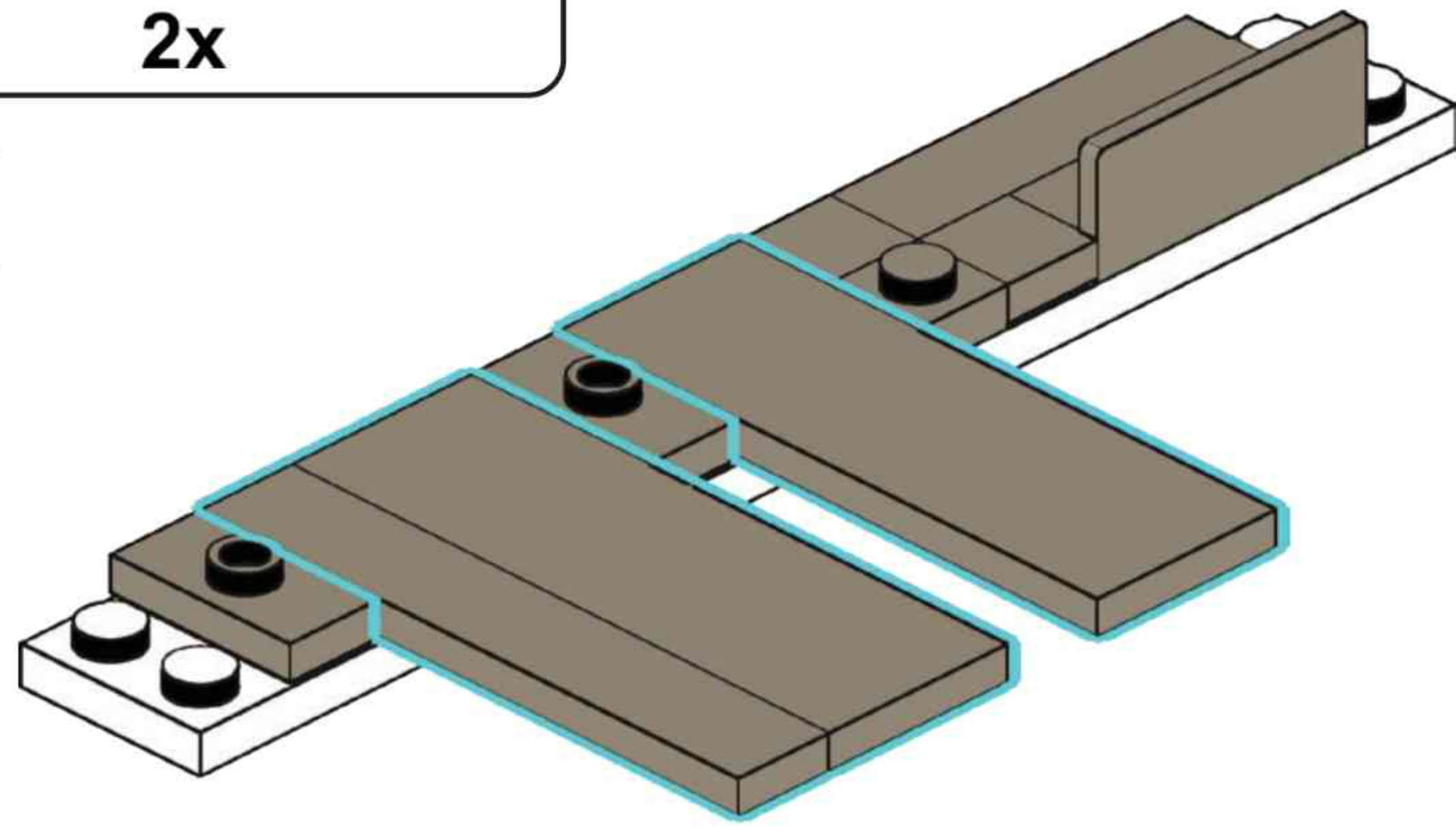




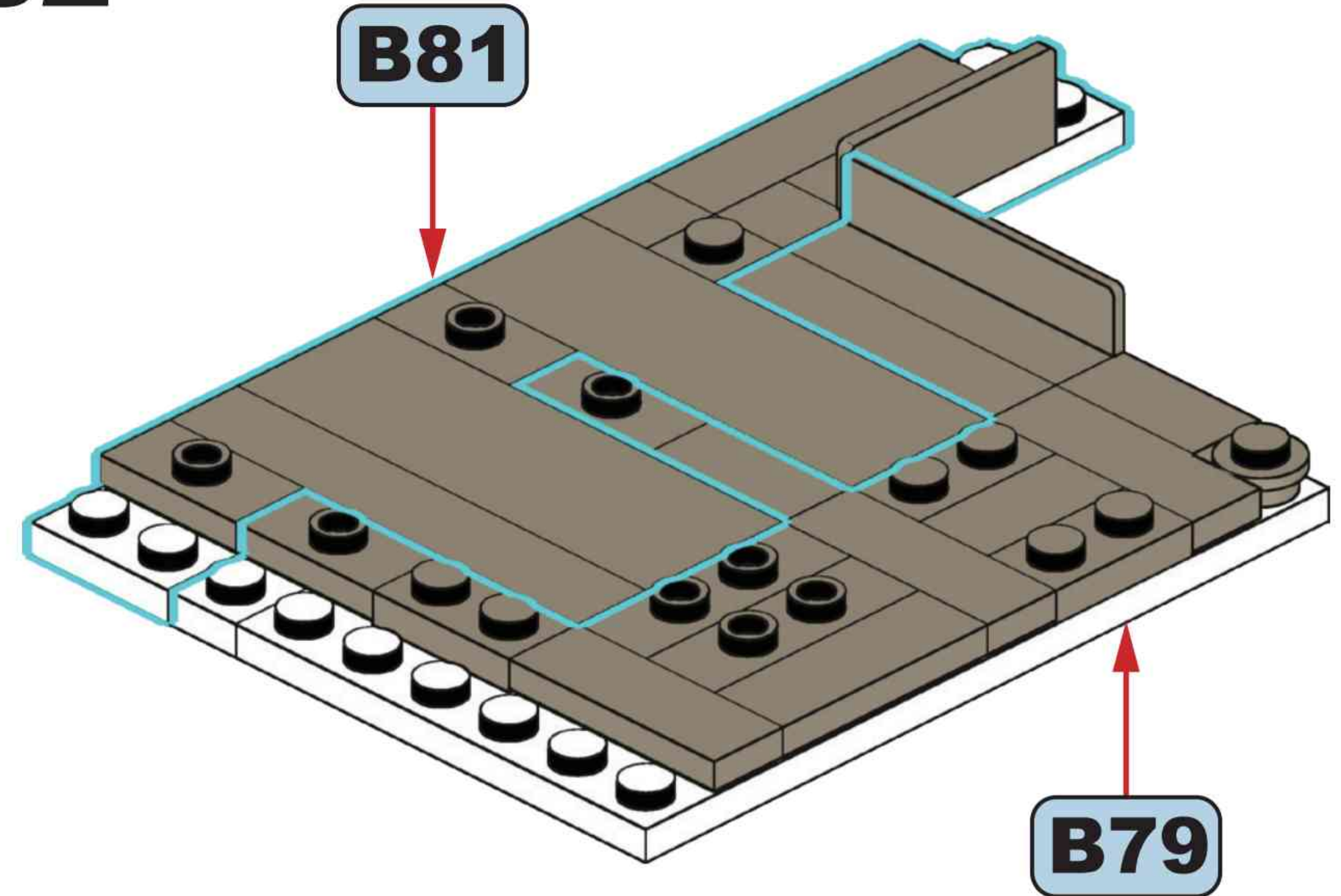
B80

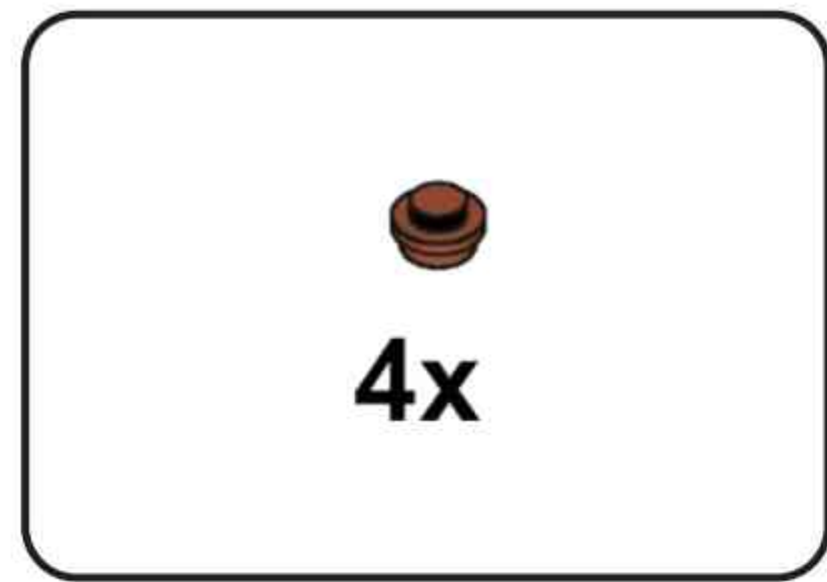


B81

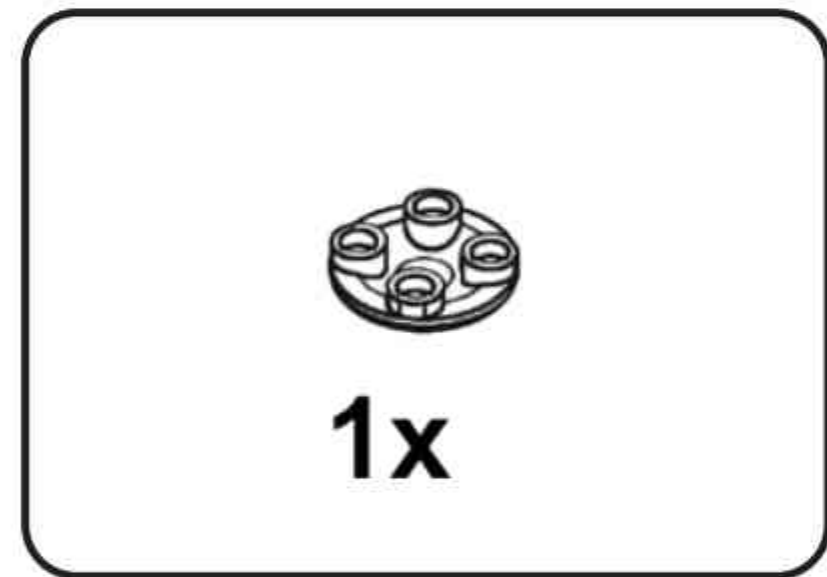
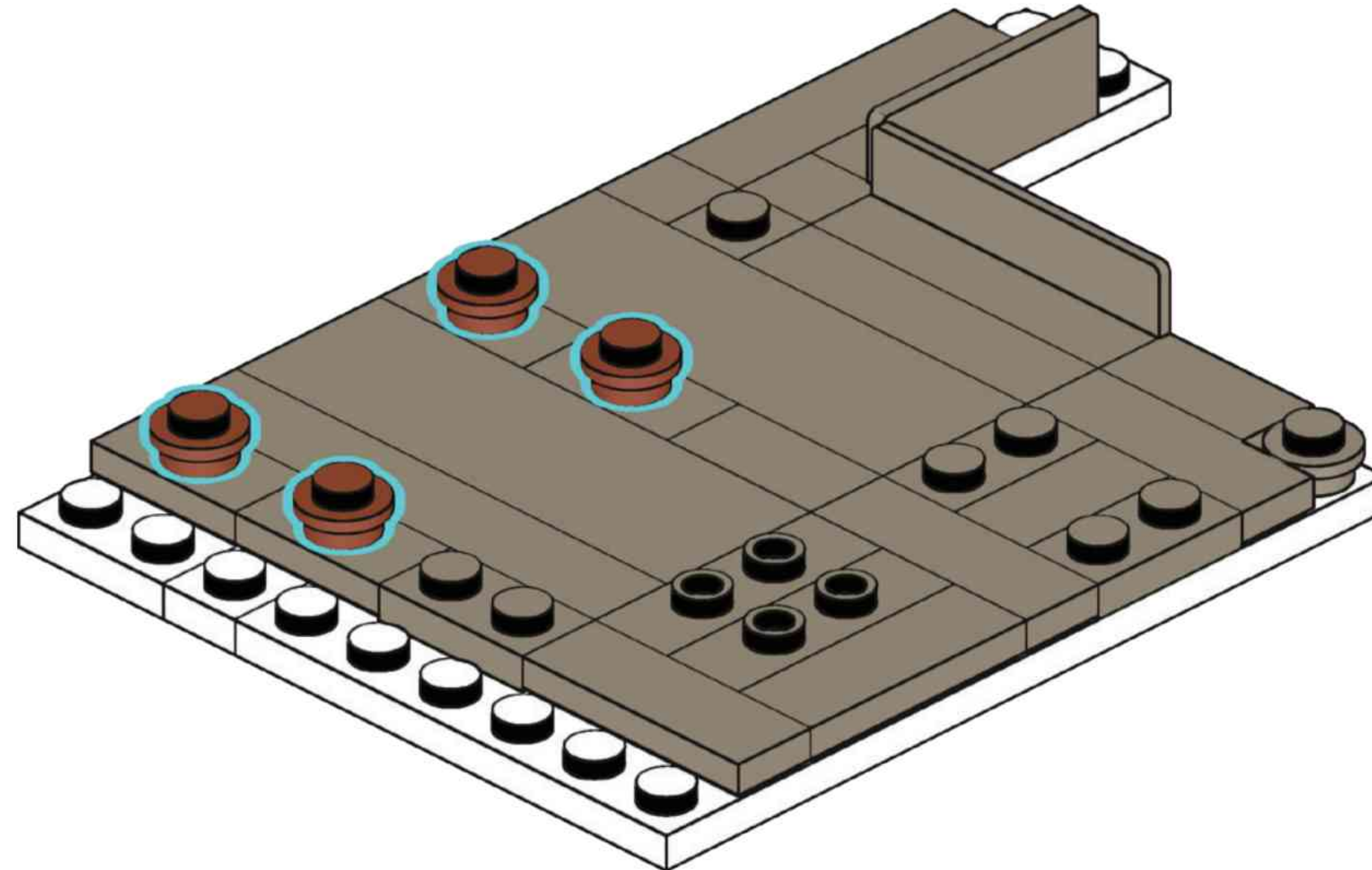


B82

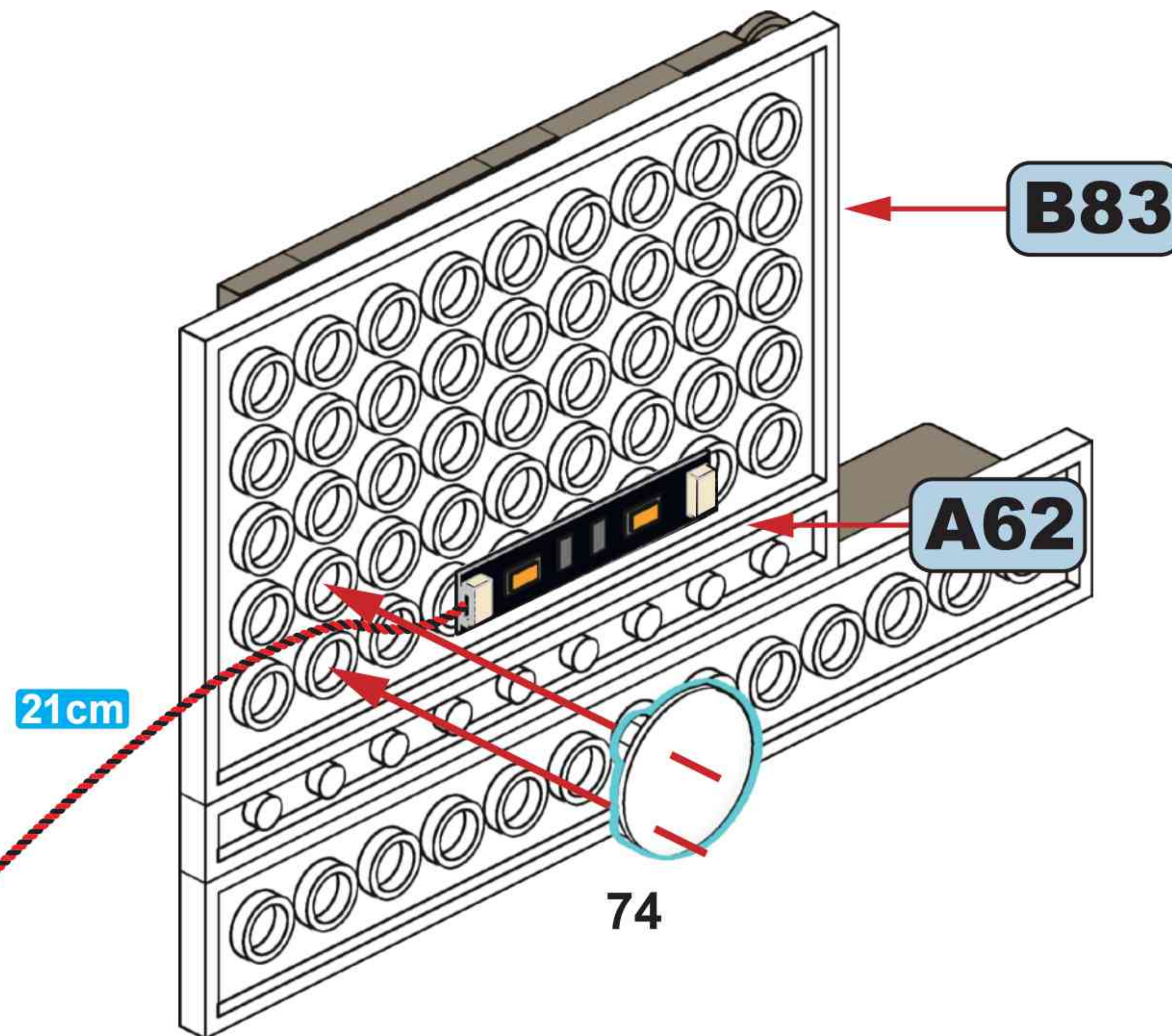




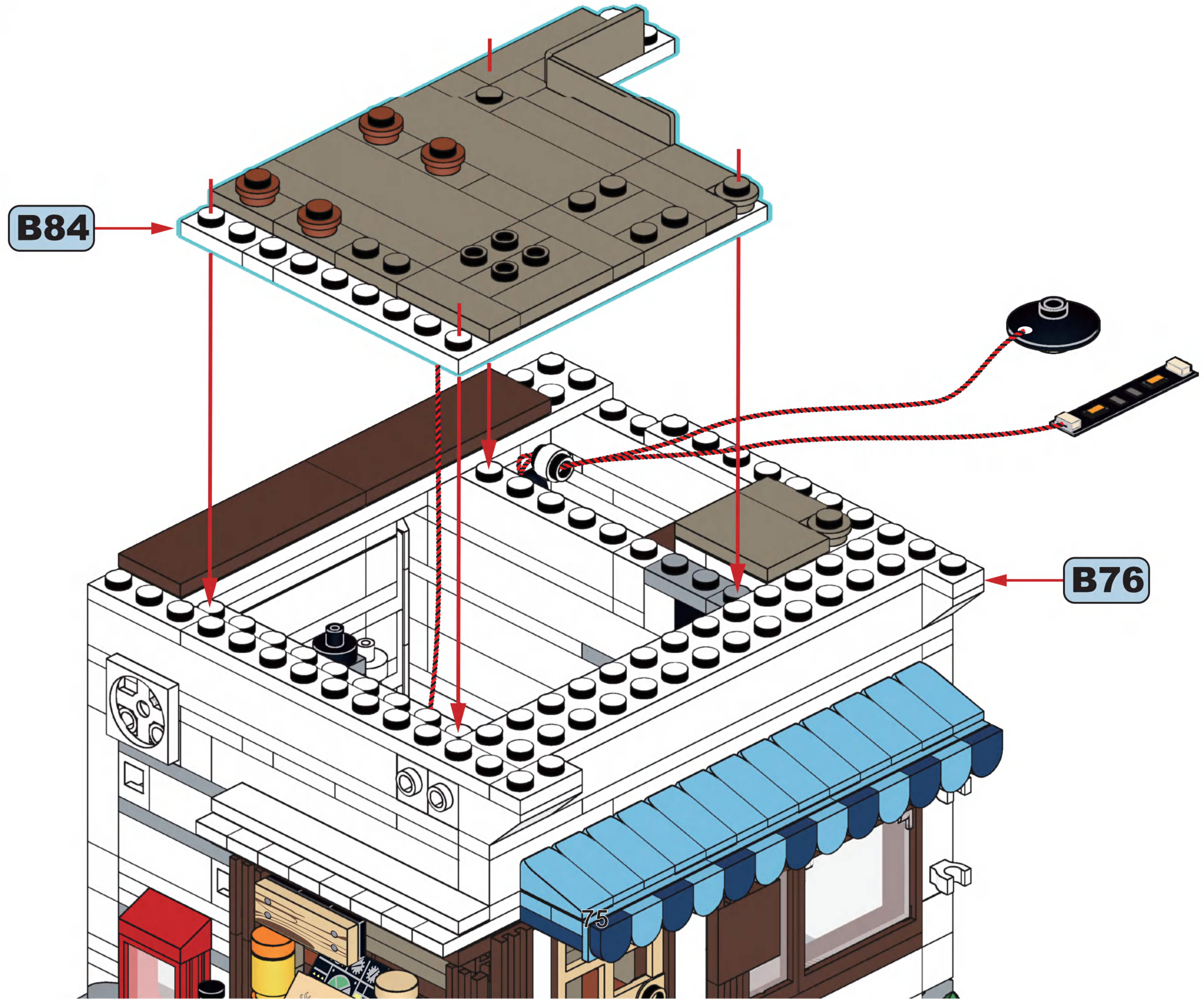
B83

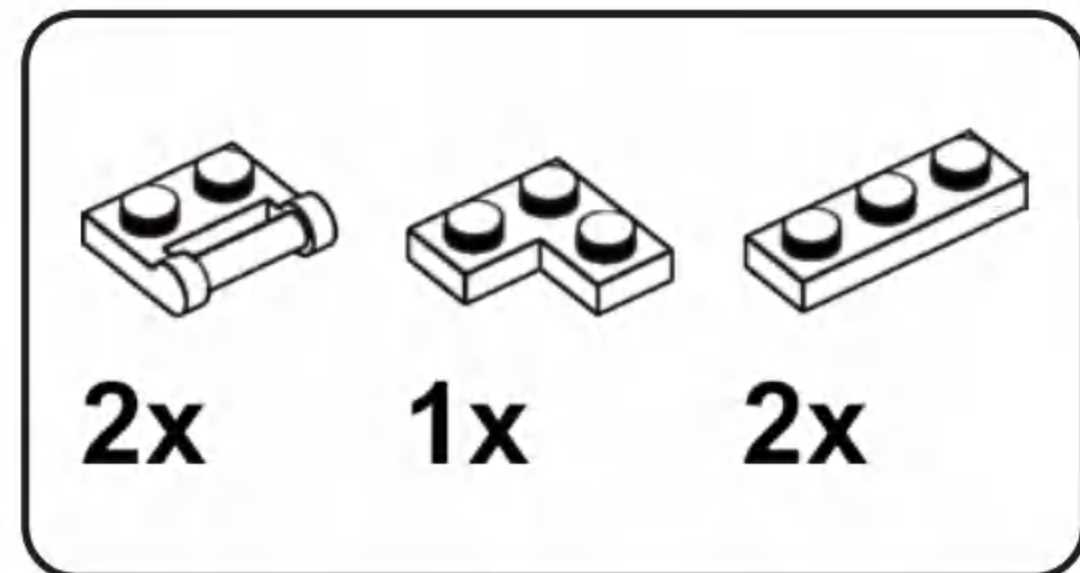


B84

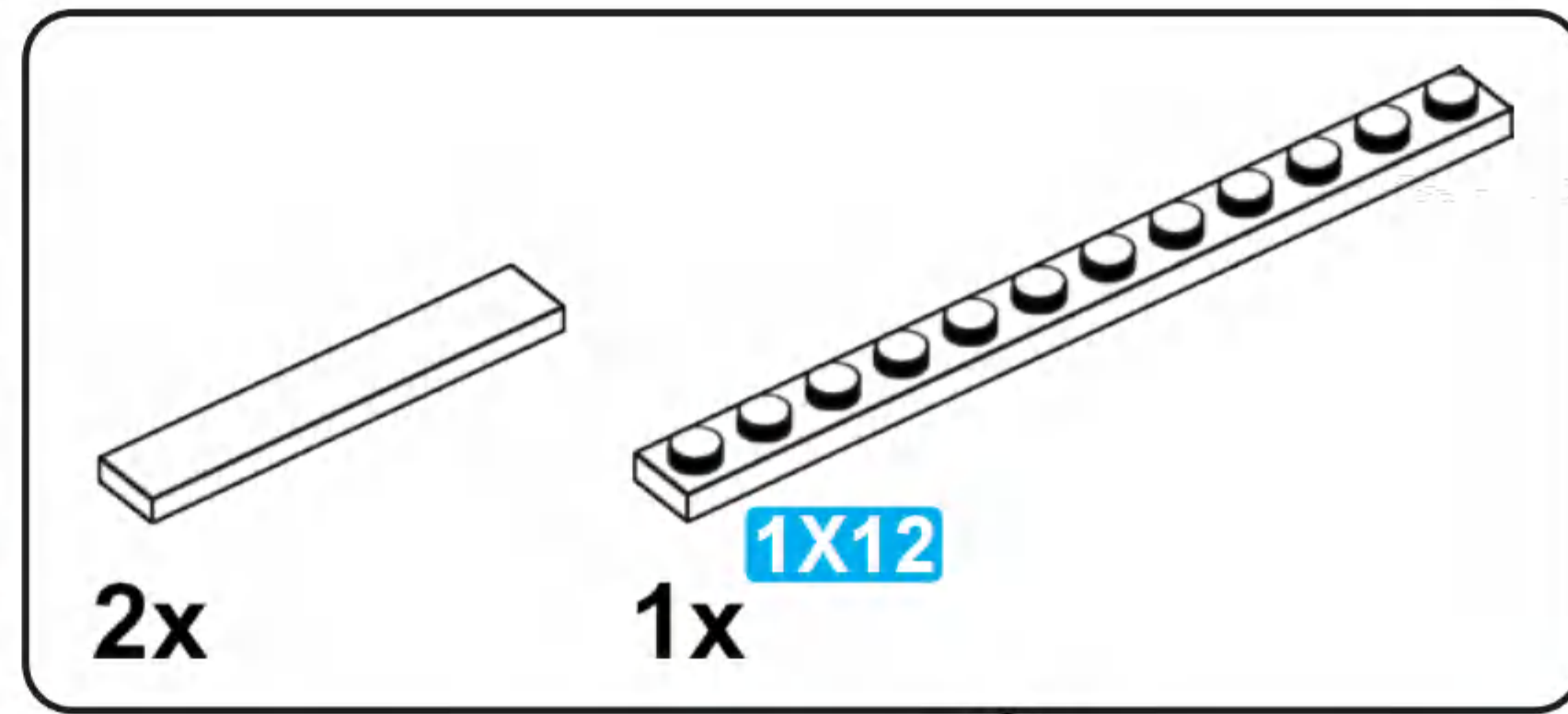


B85

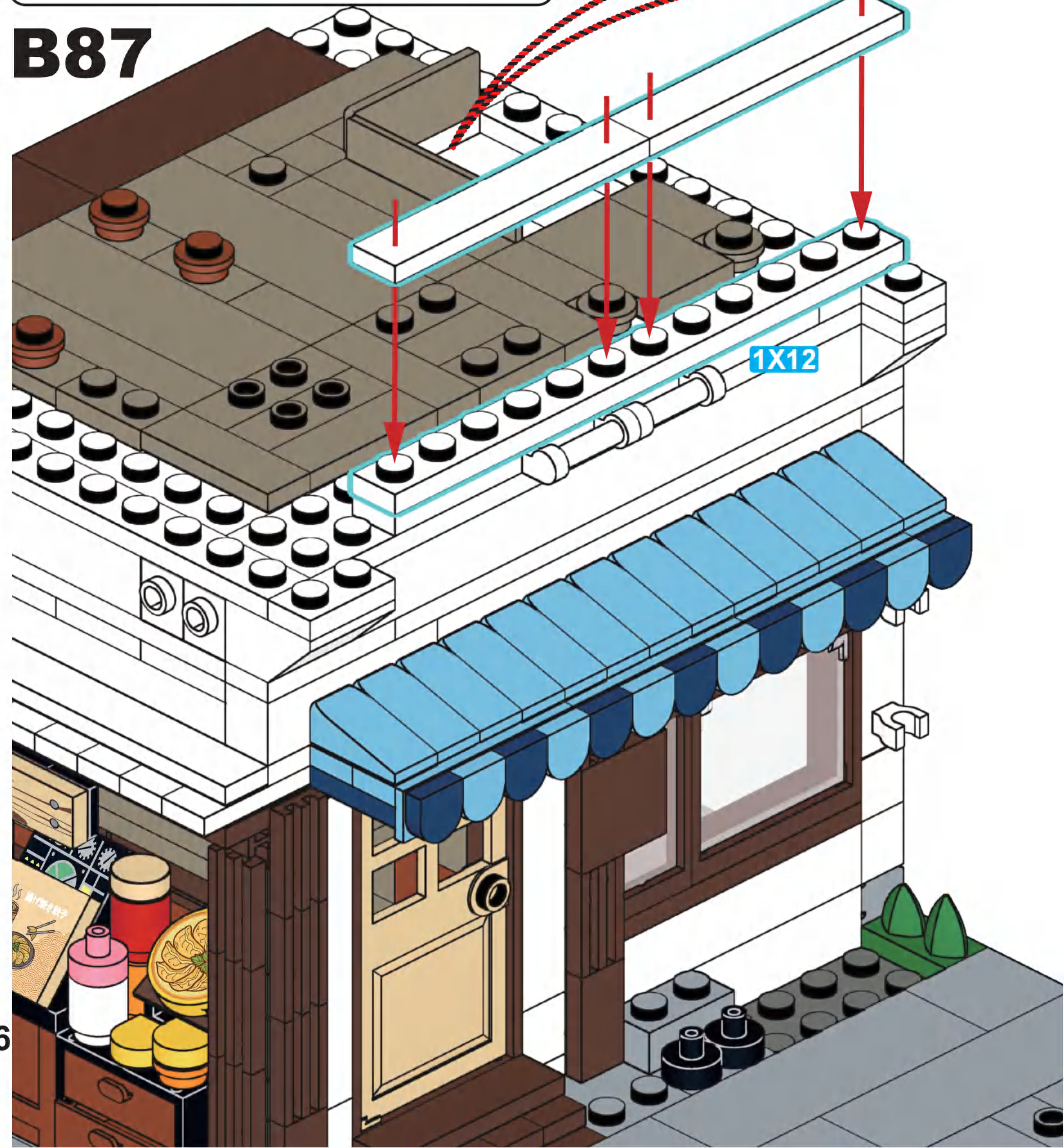


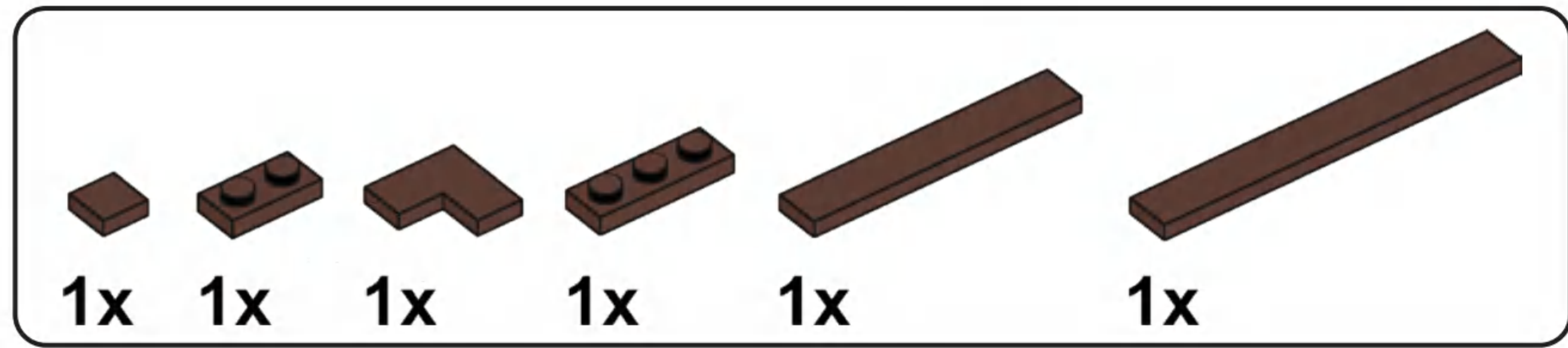


B86

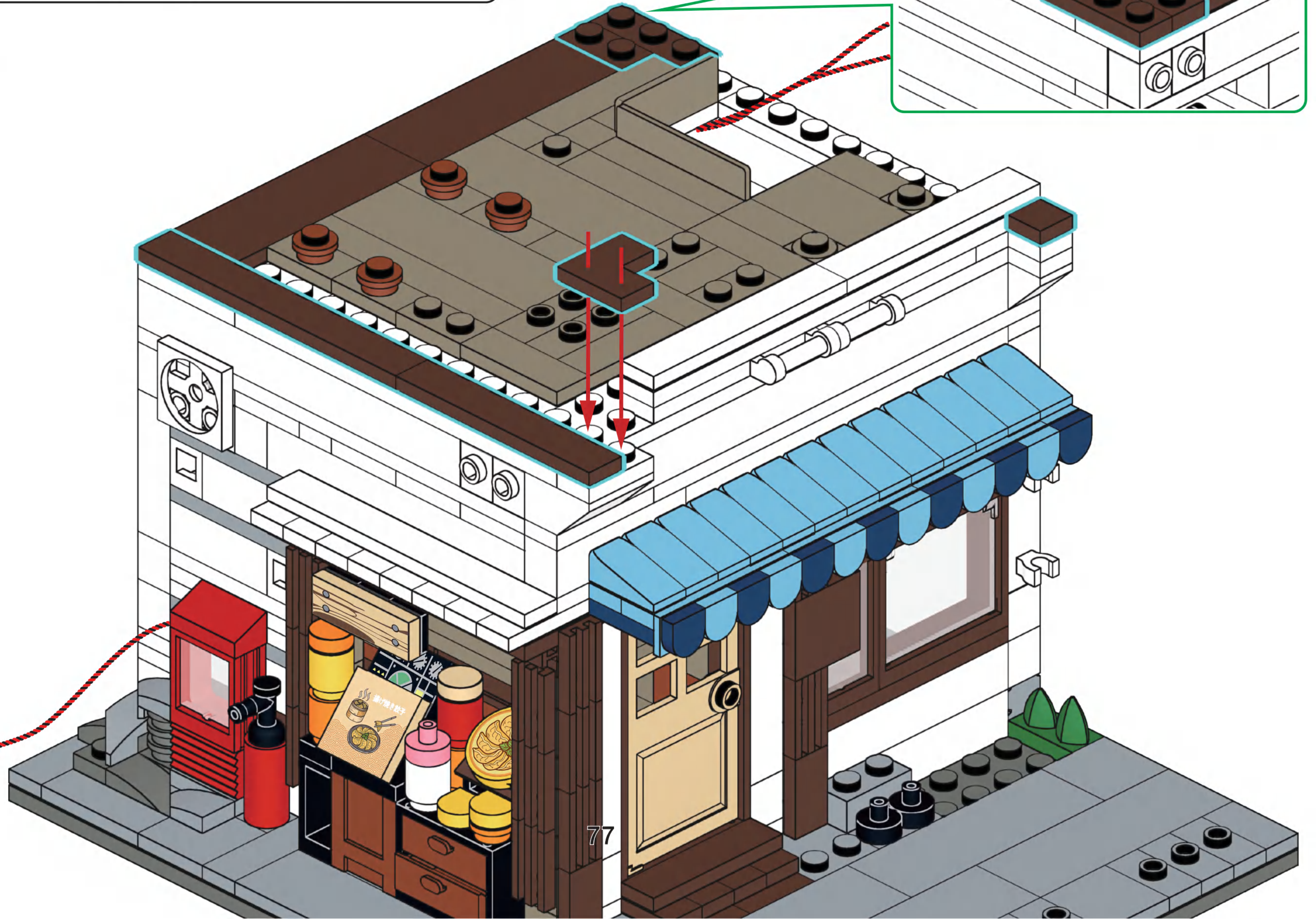
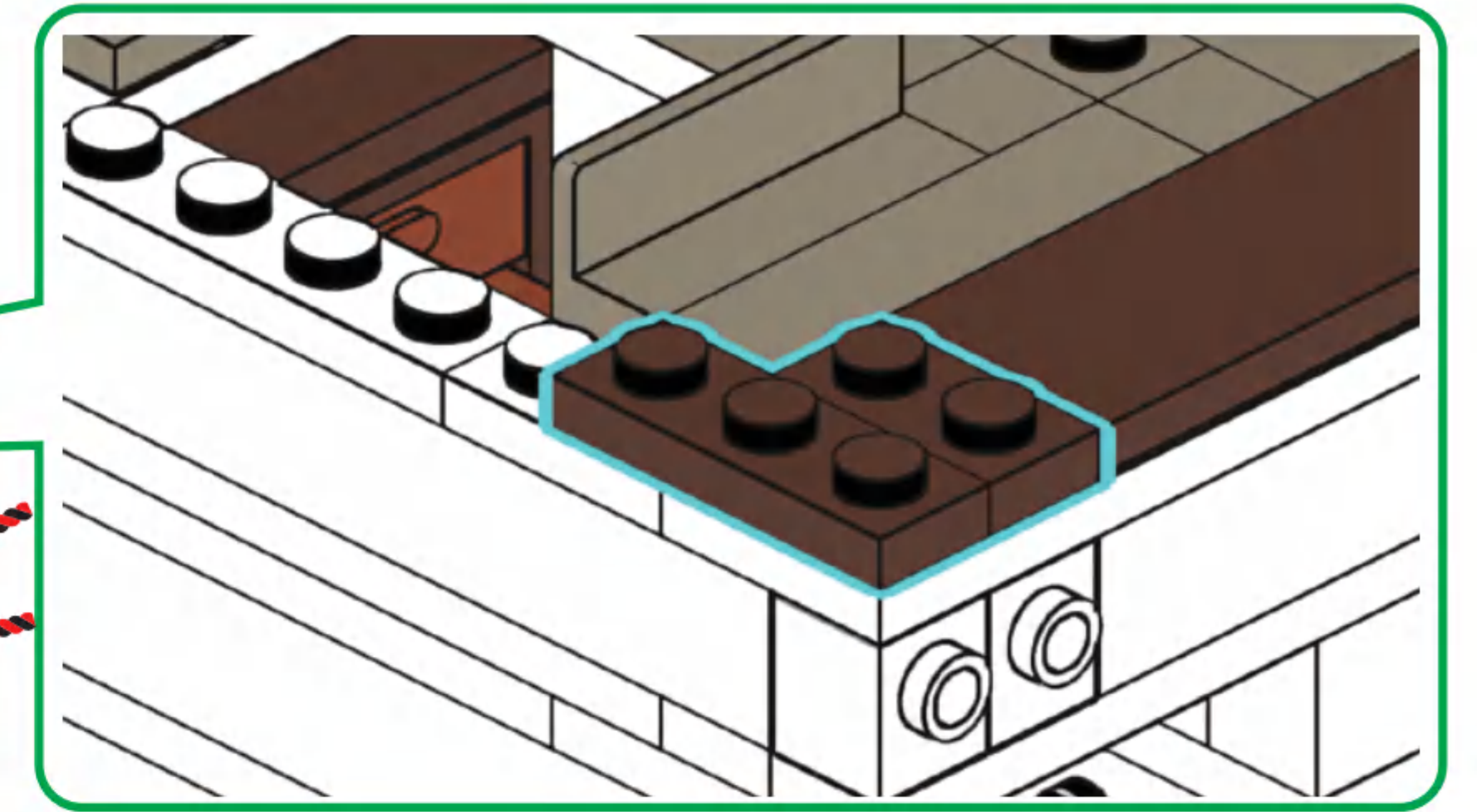


B87



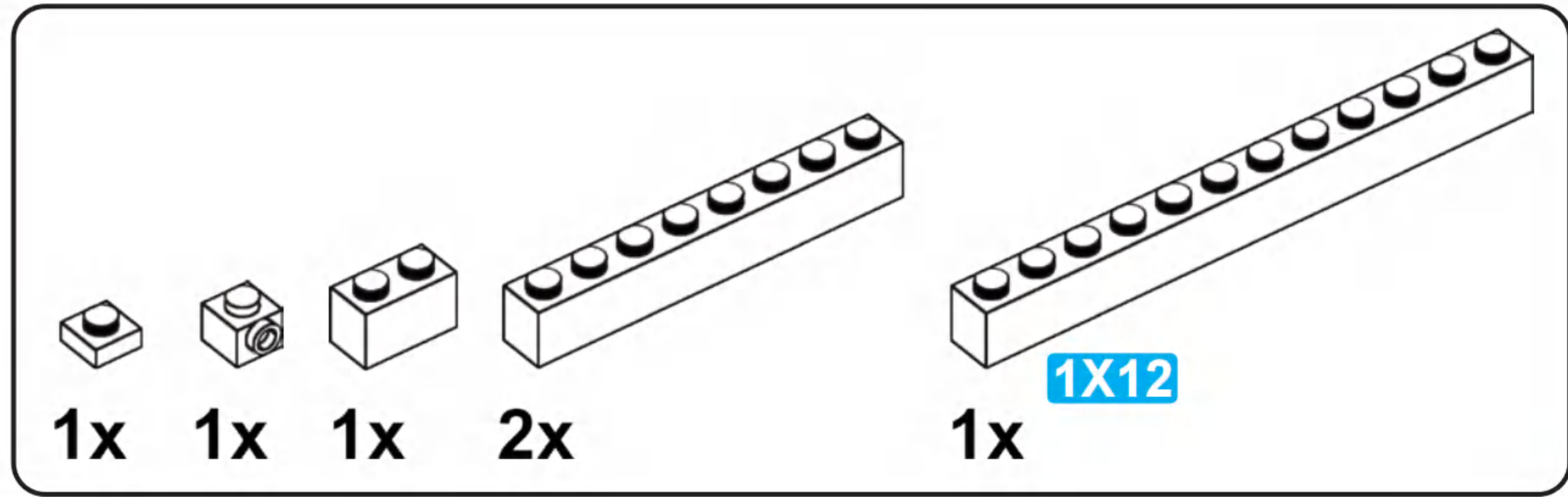


B88

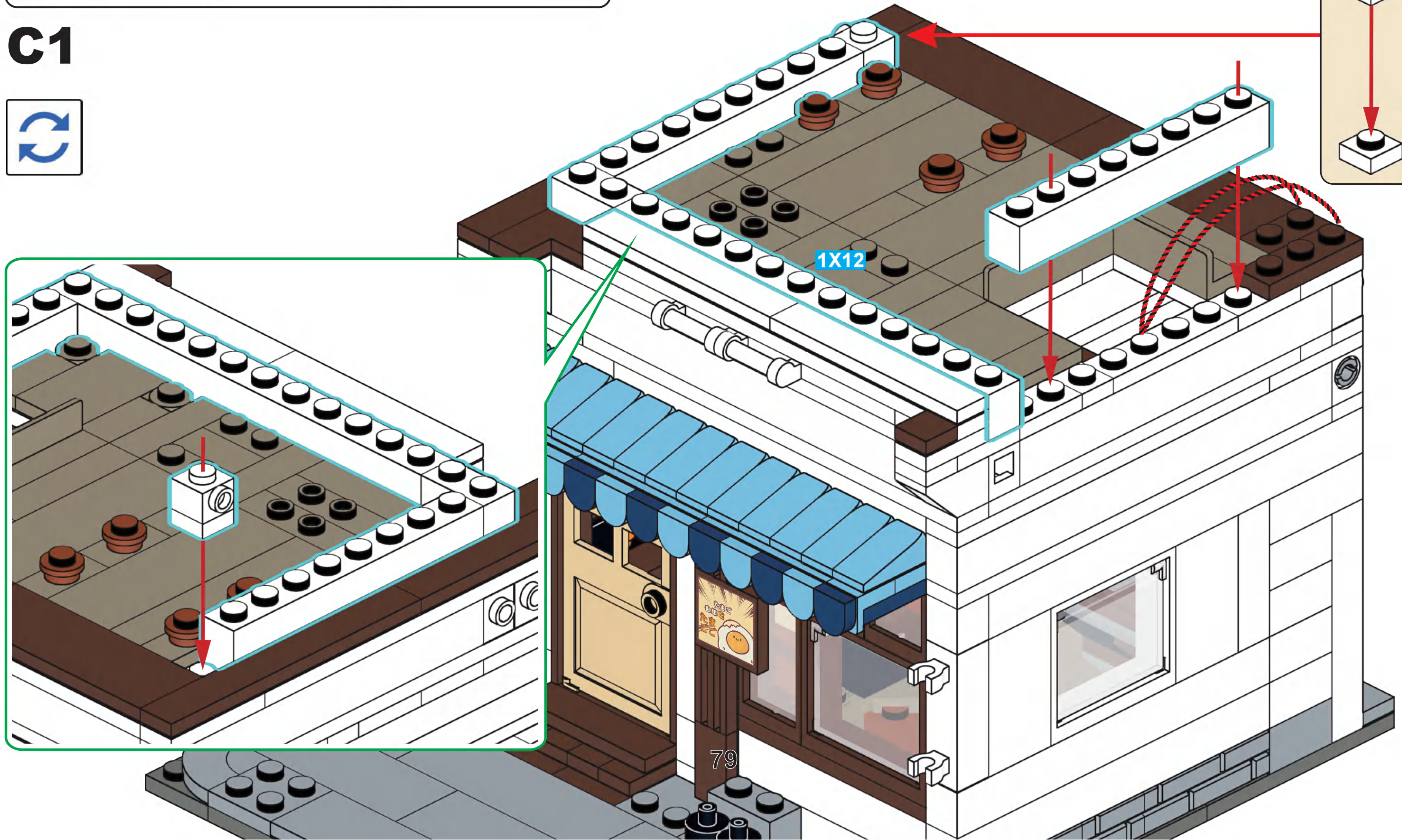
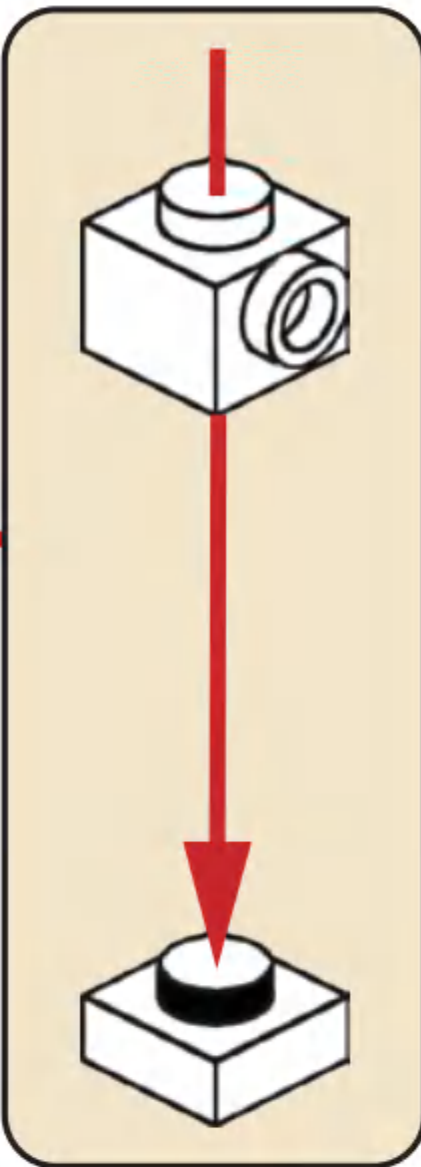


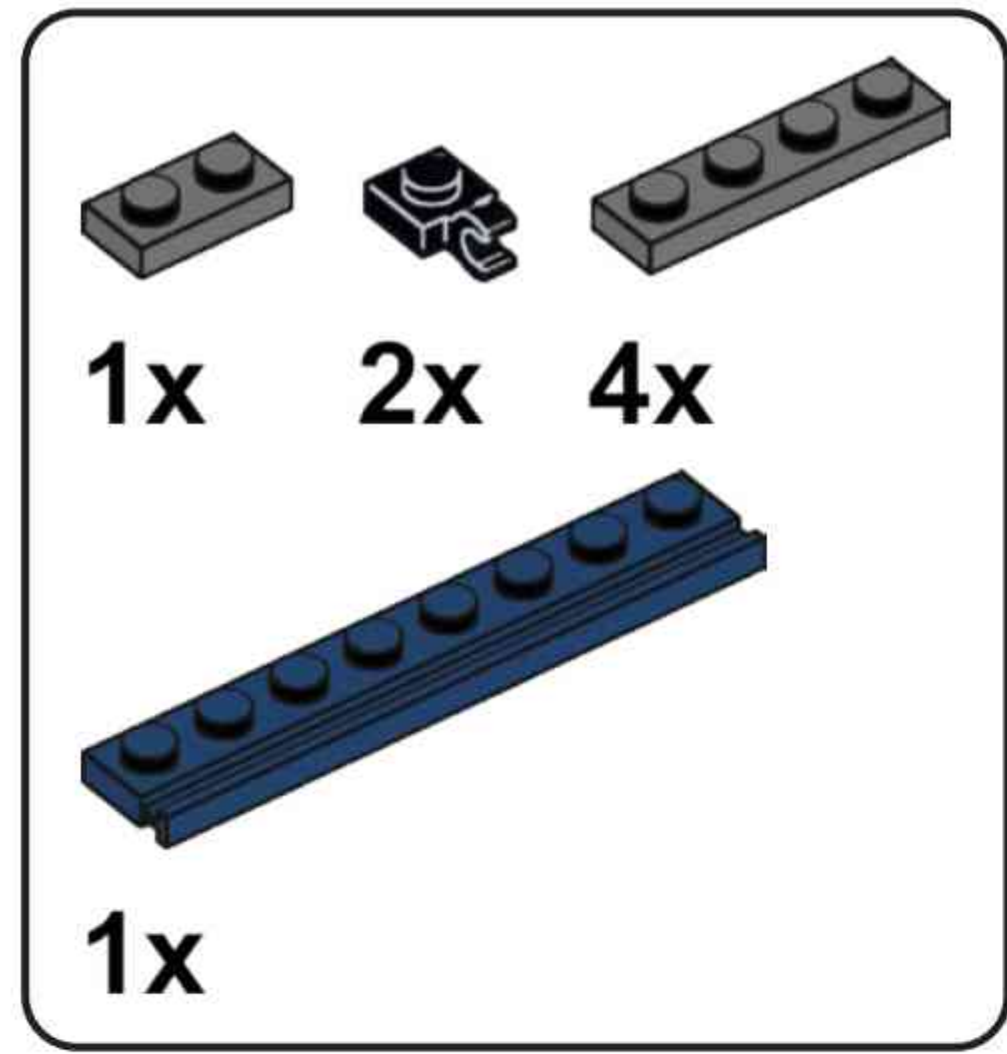


C

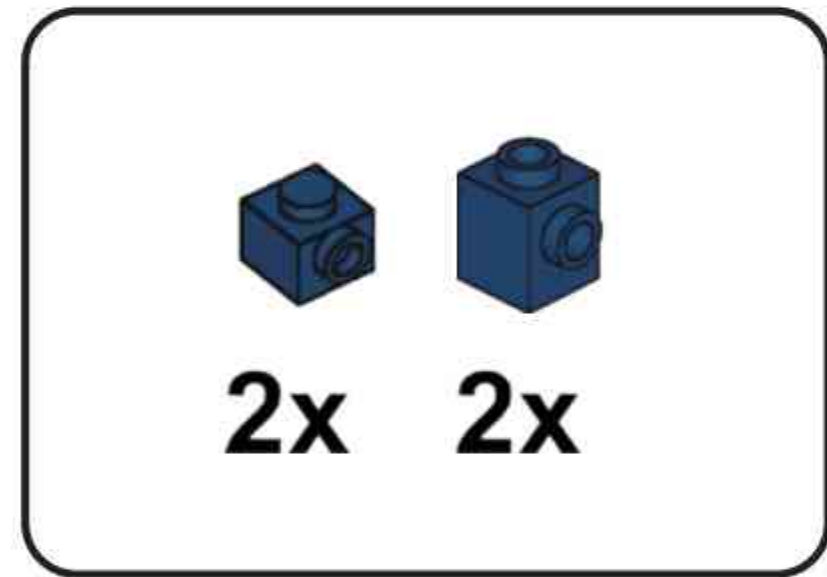
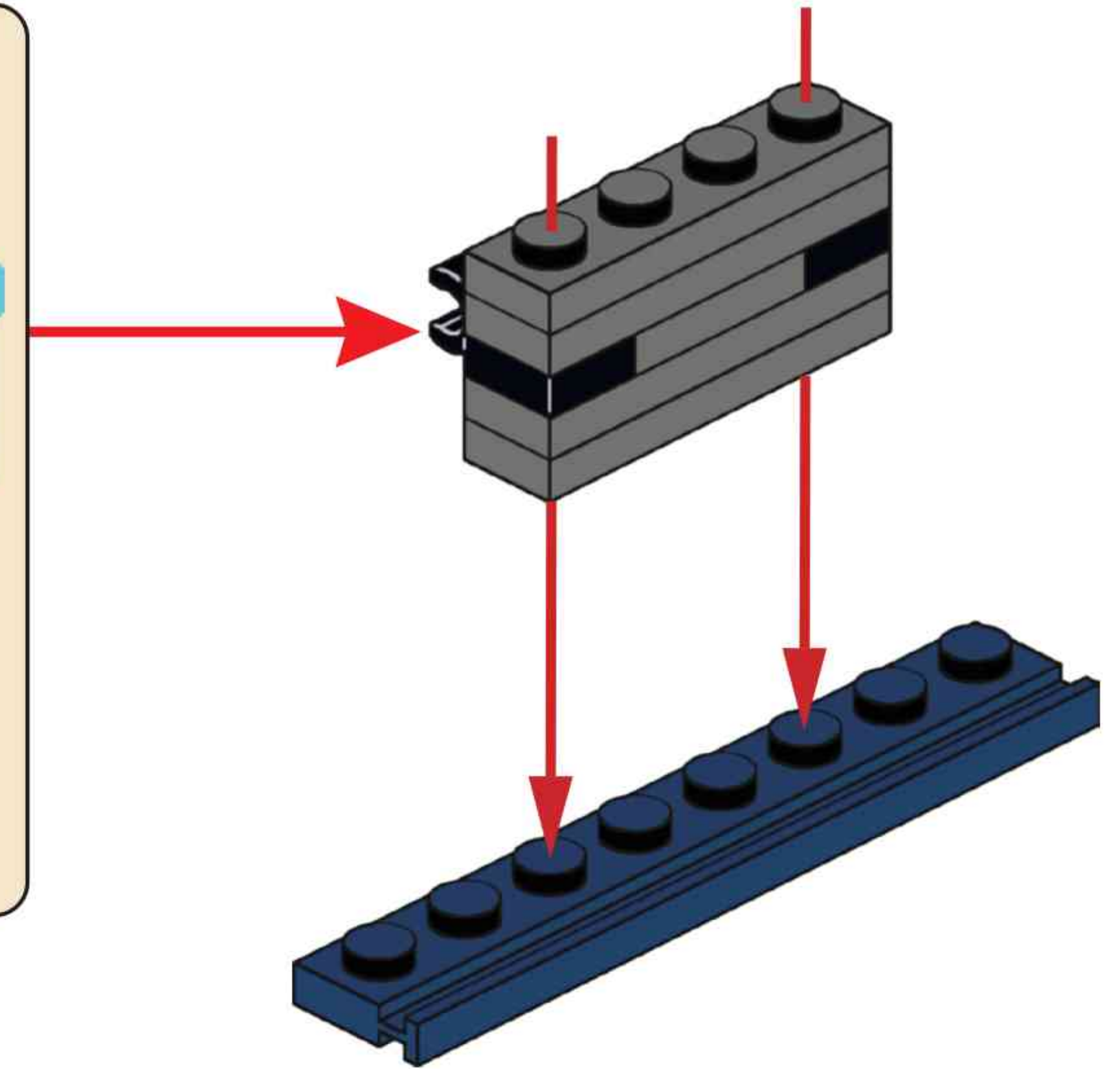
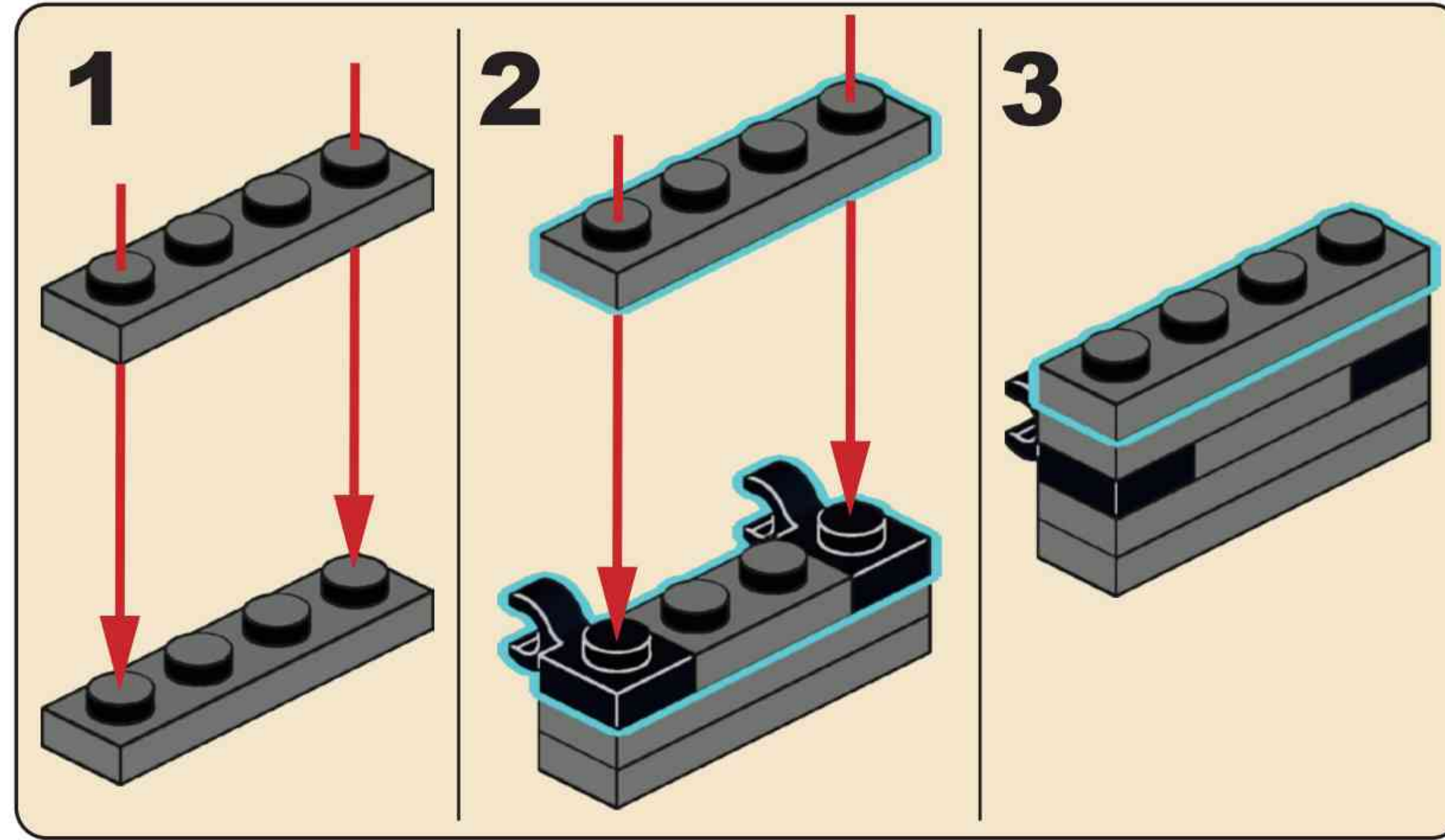


C1

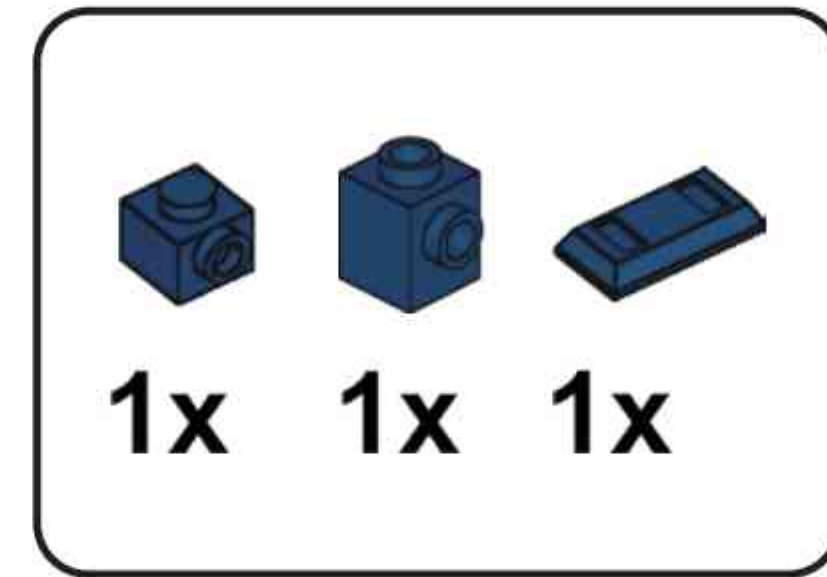
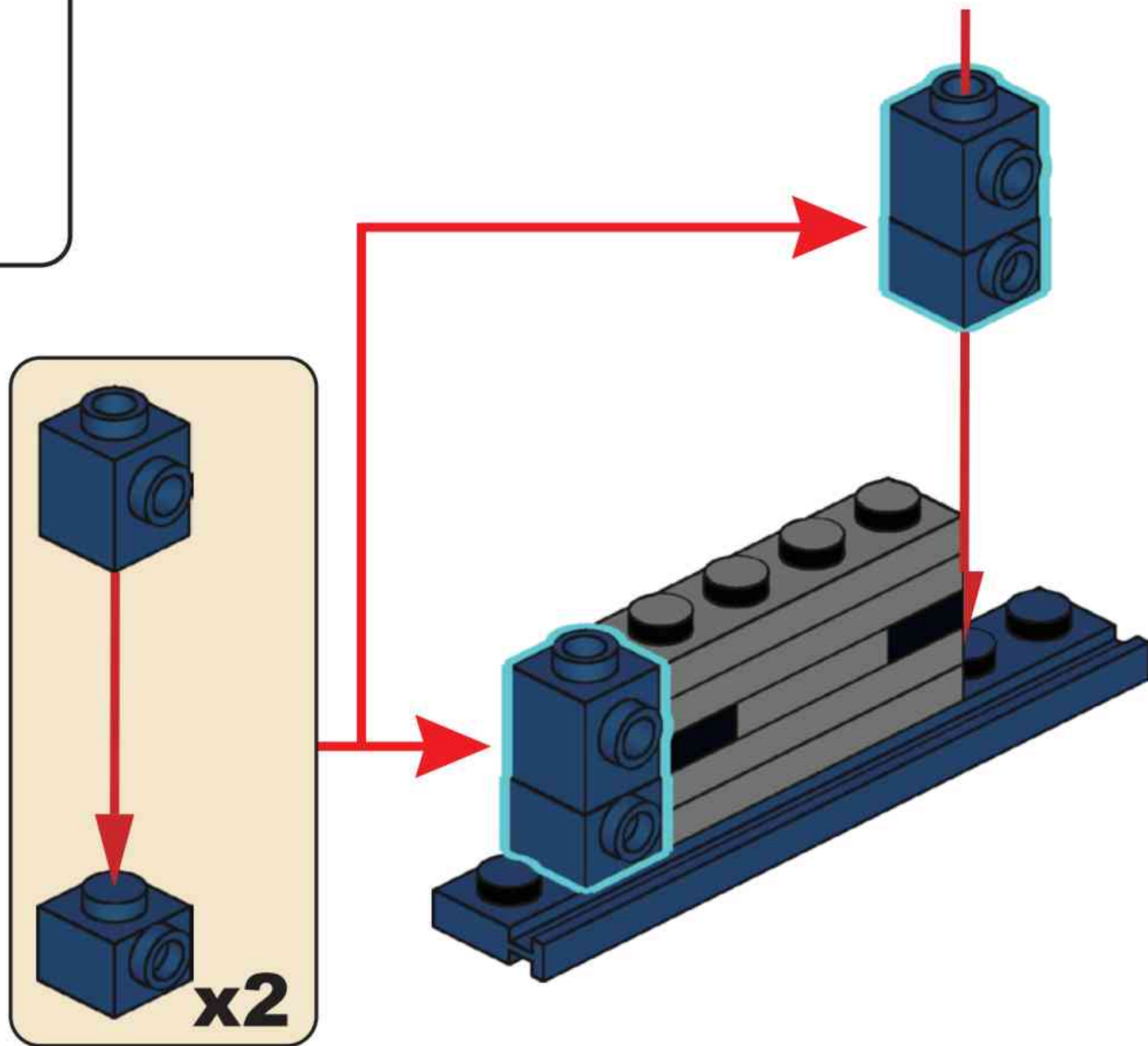




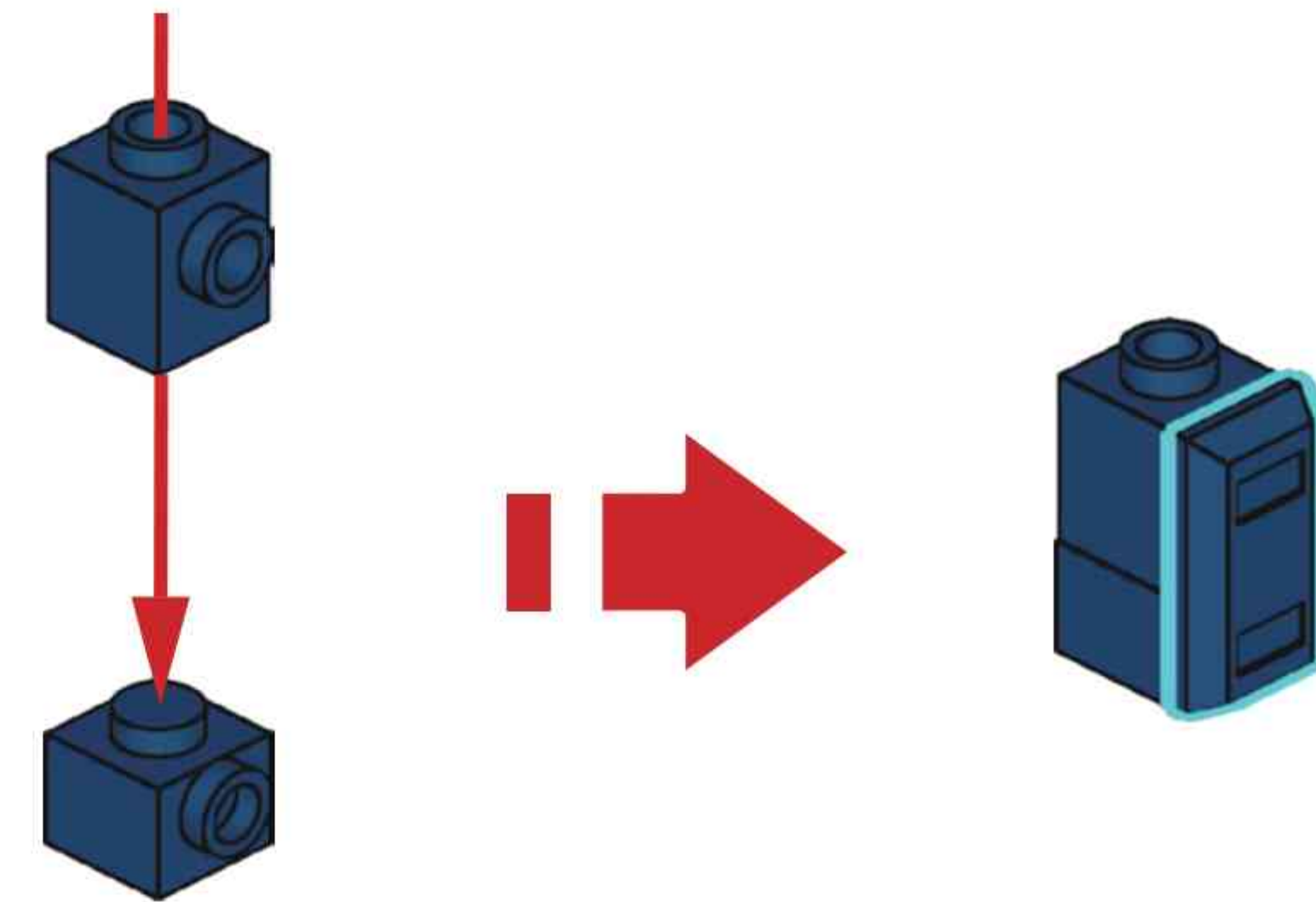
C2

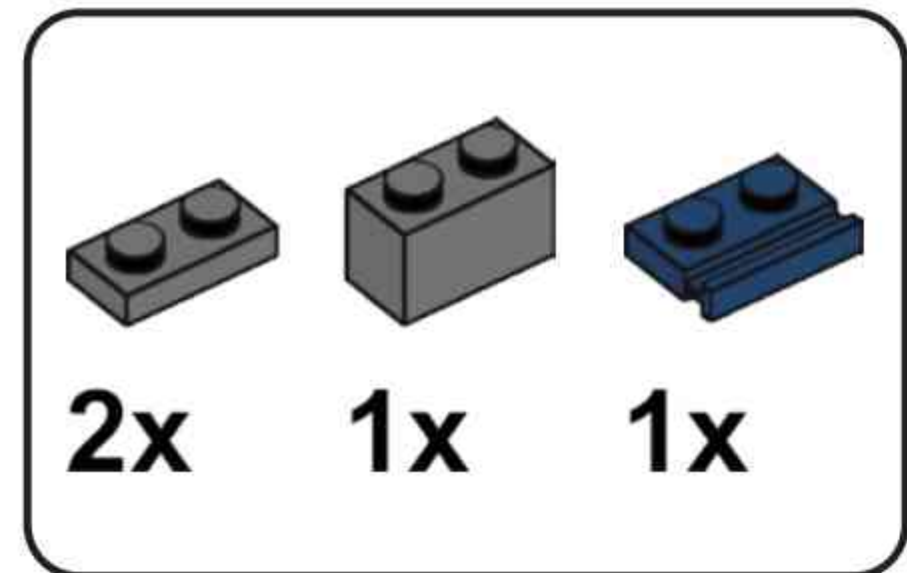


C3

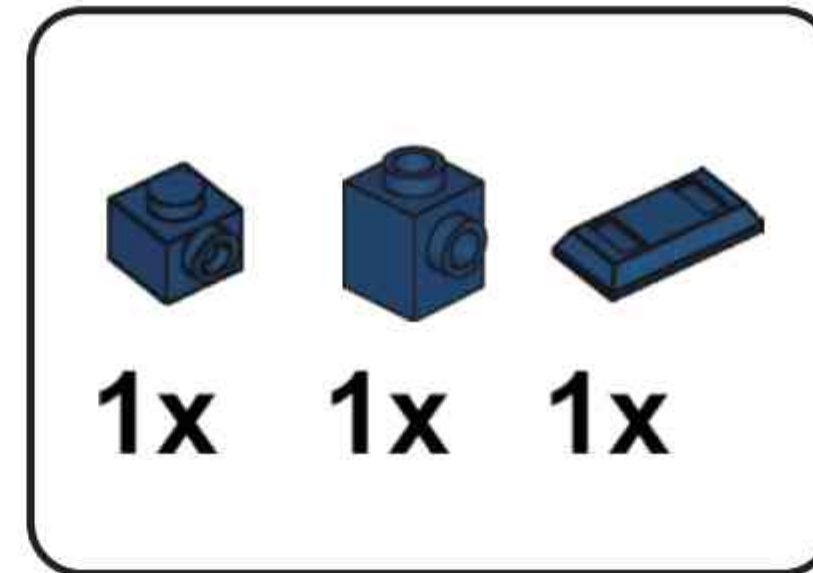
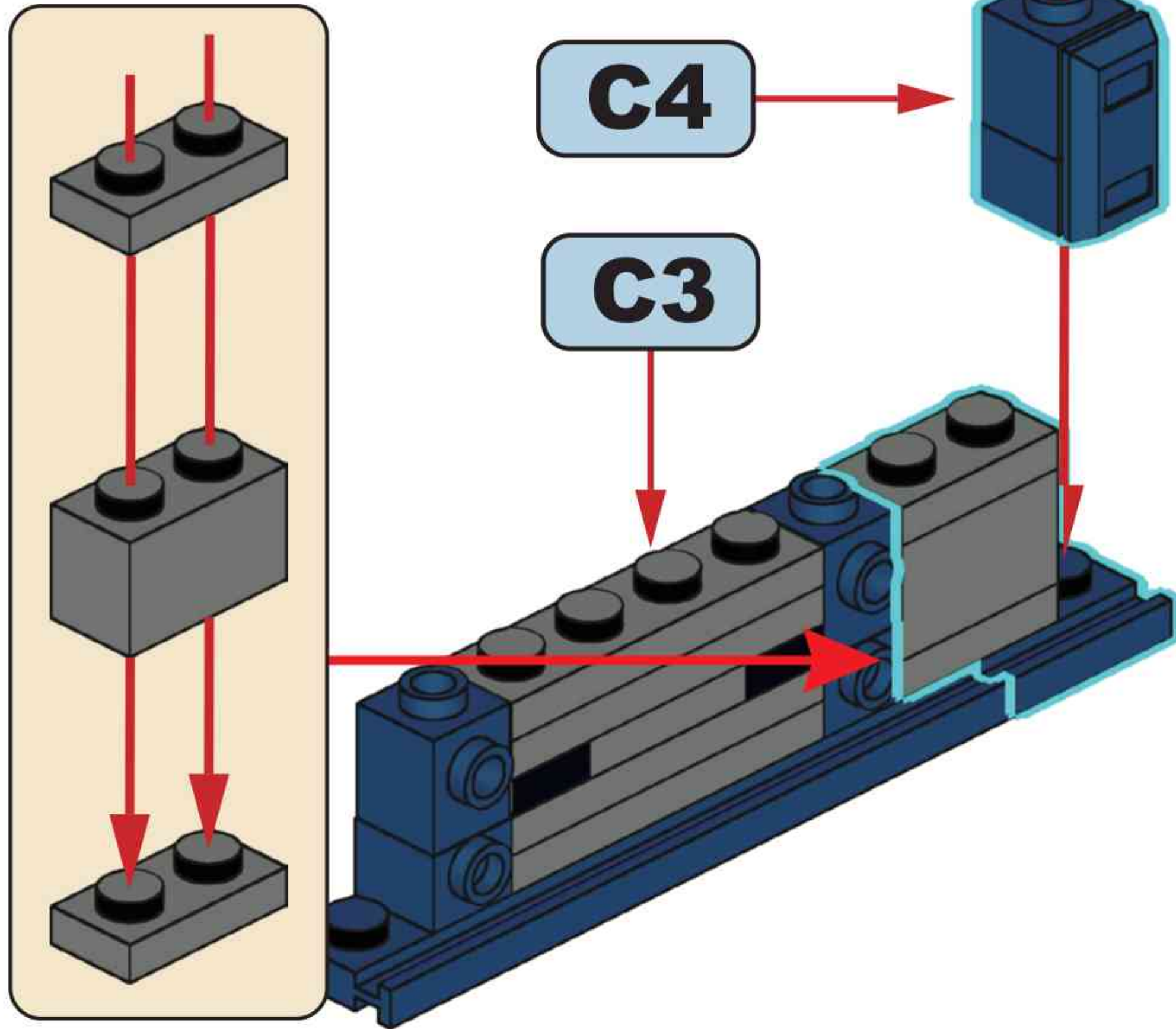


C4

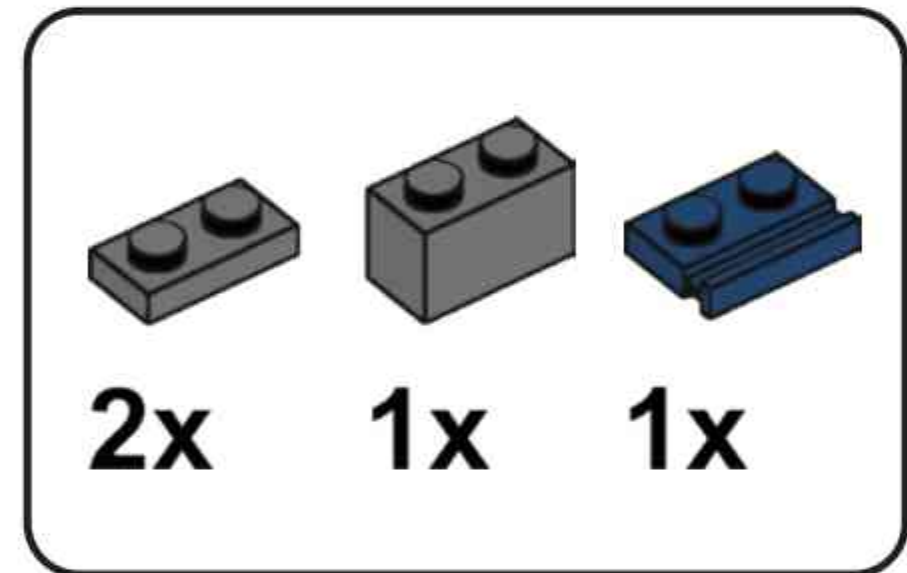
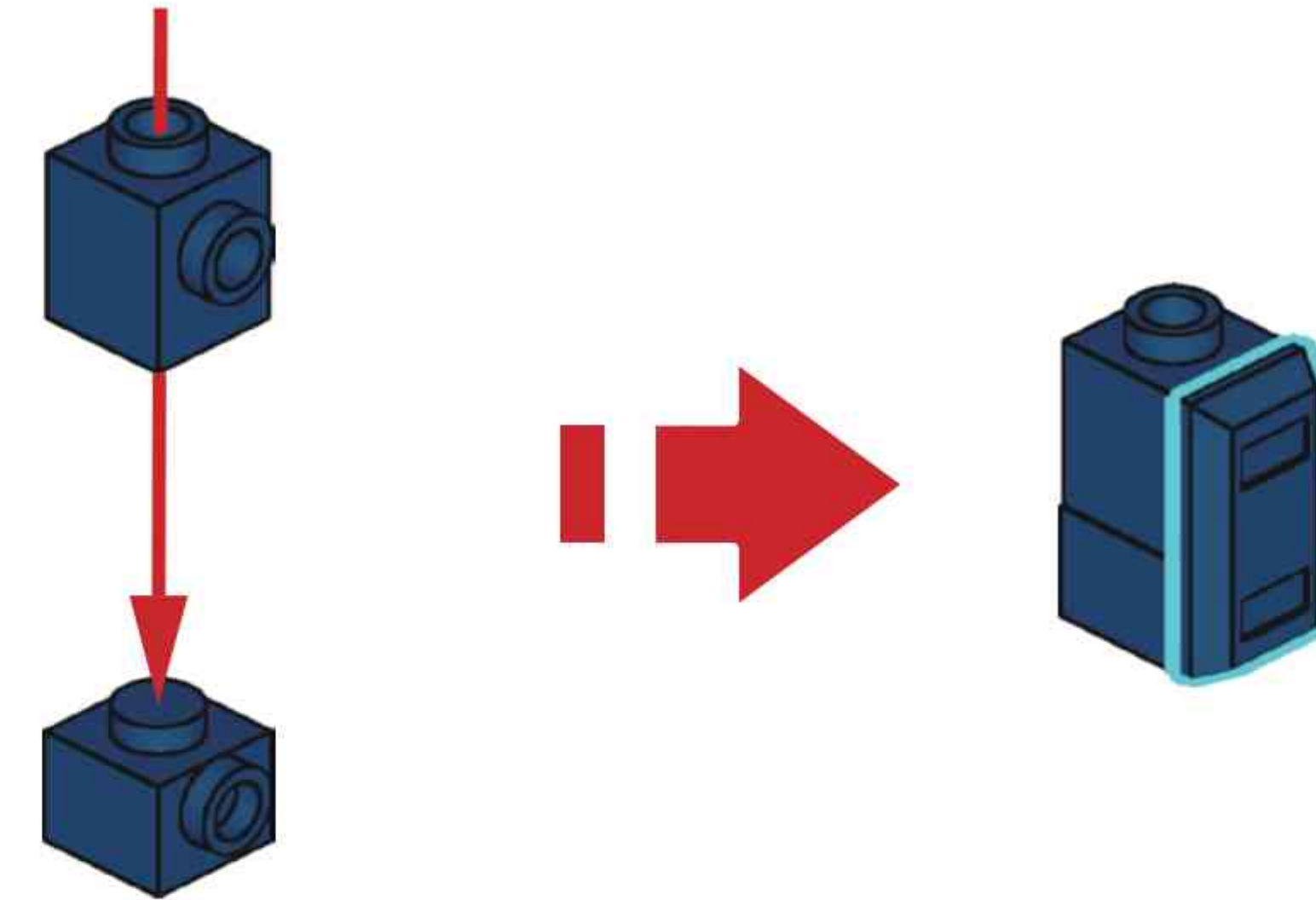




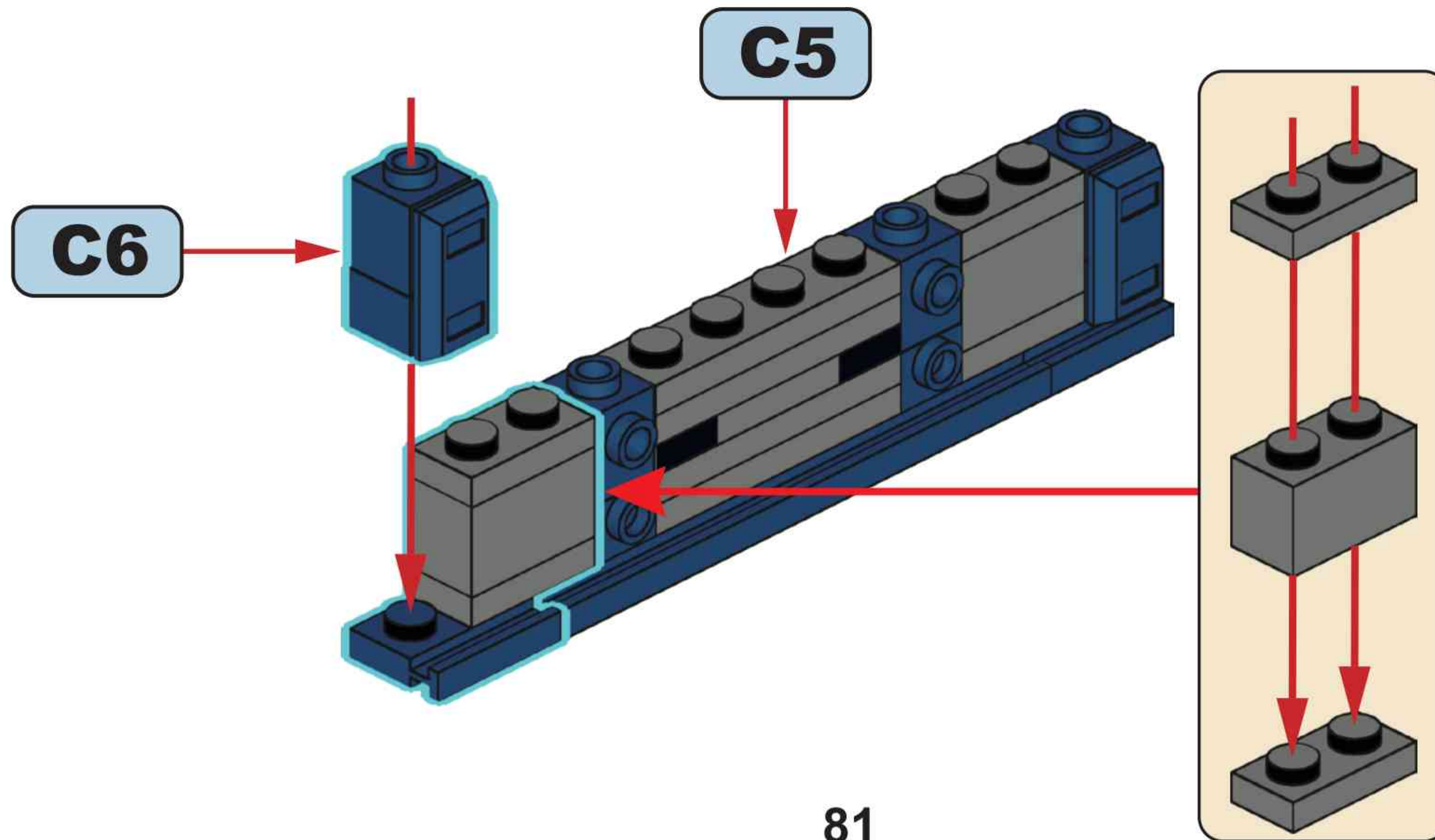
C5

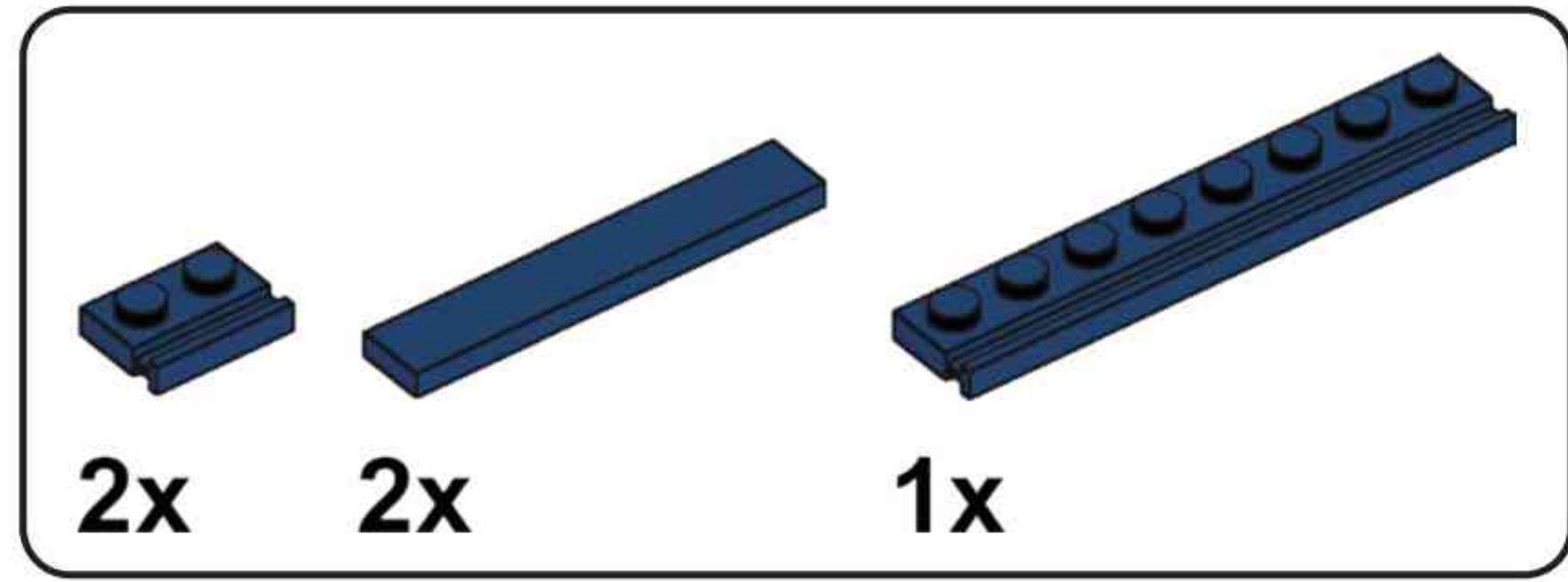


C6

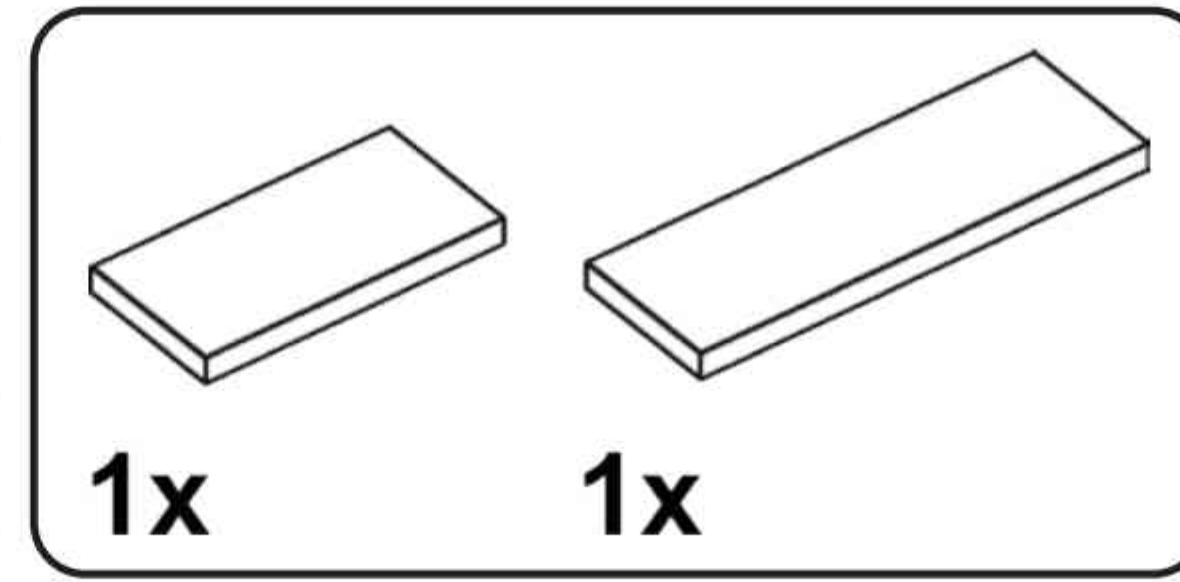
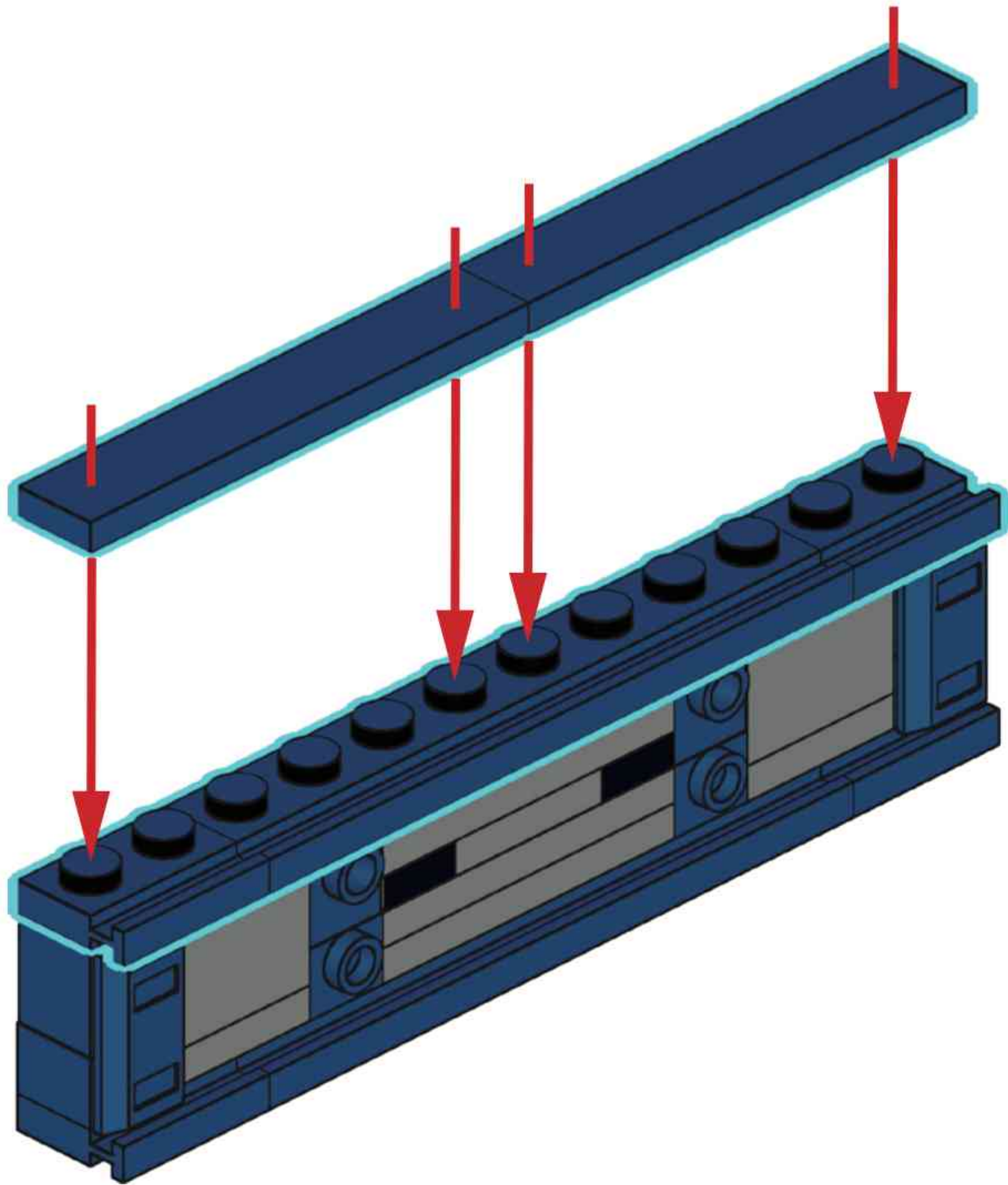


C7

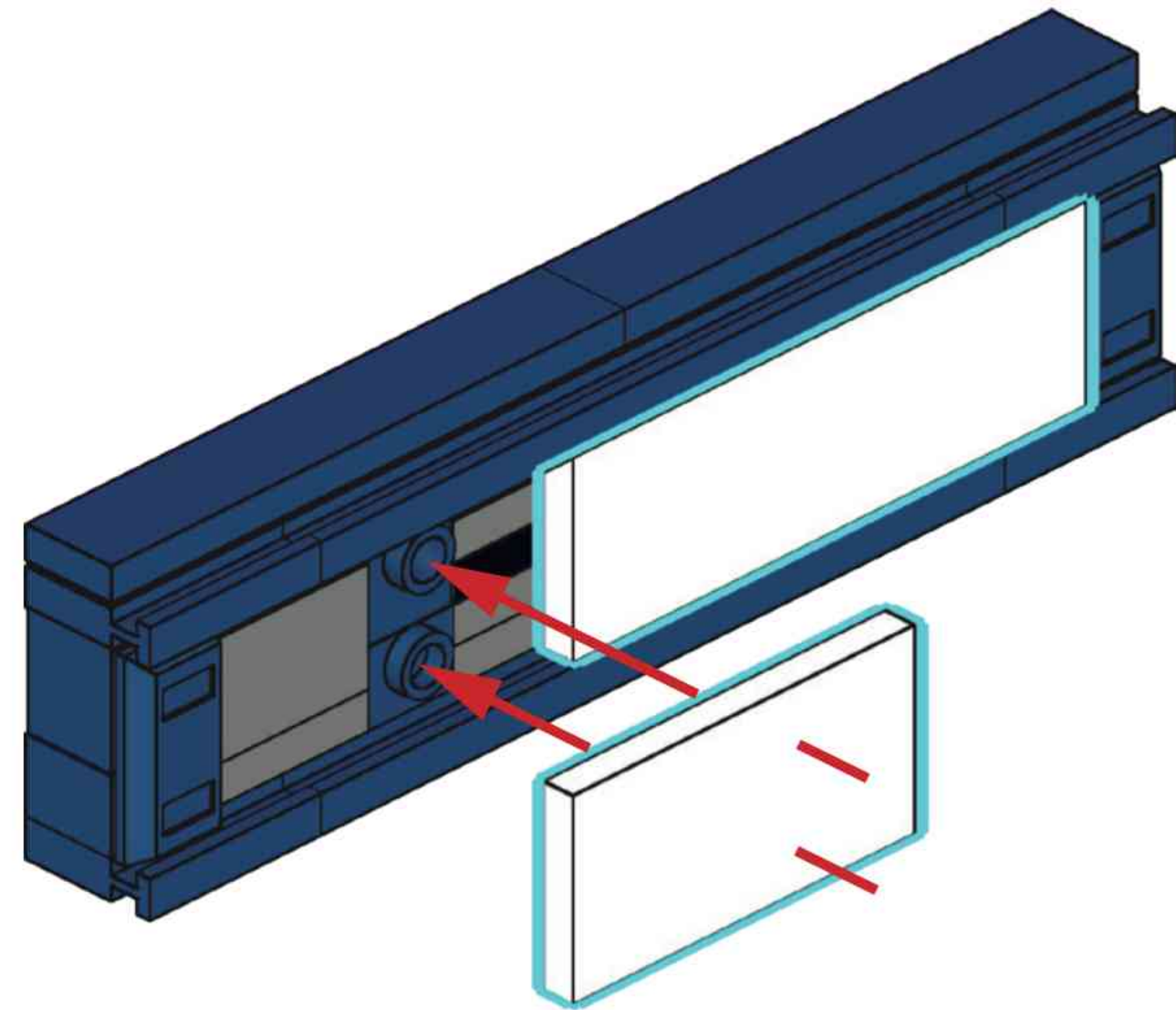




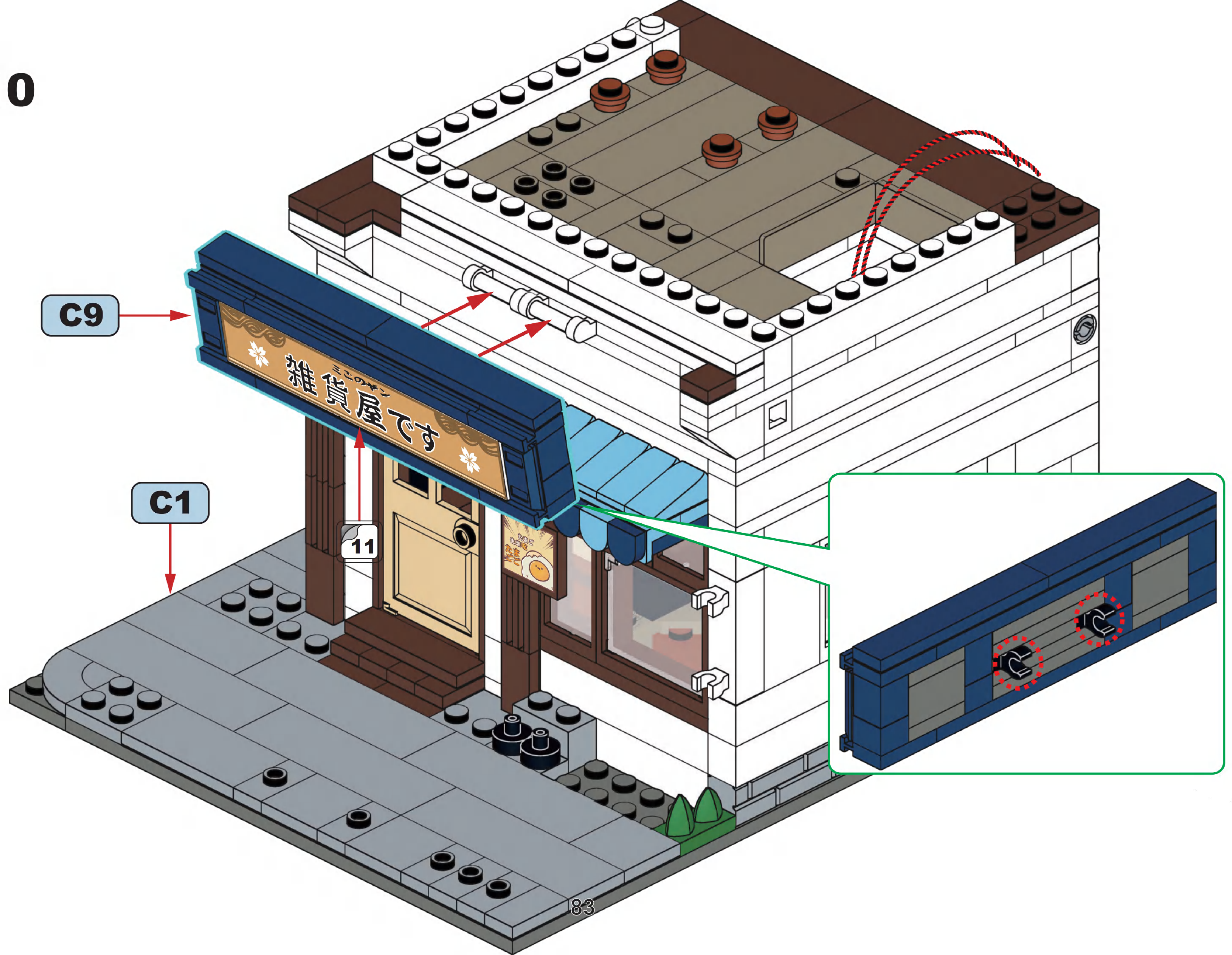
C8

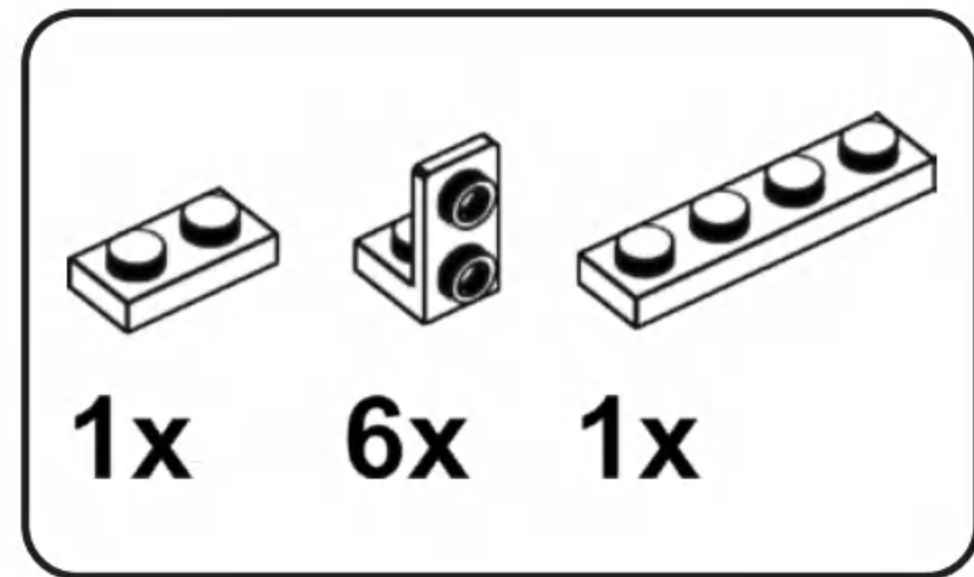


C9

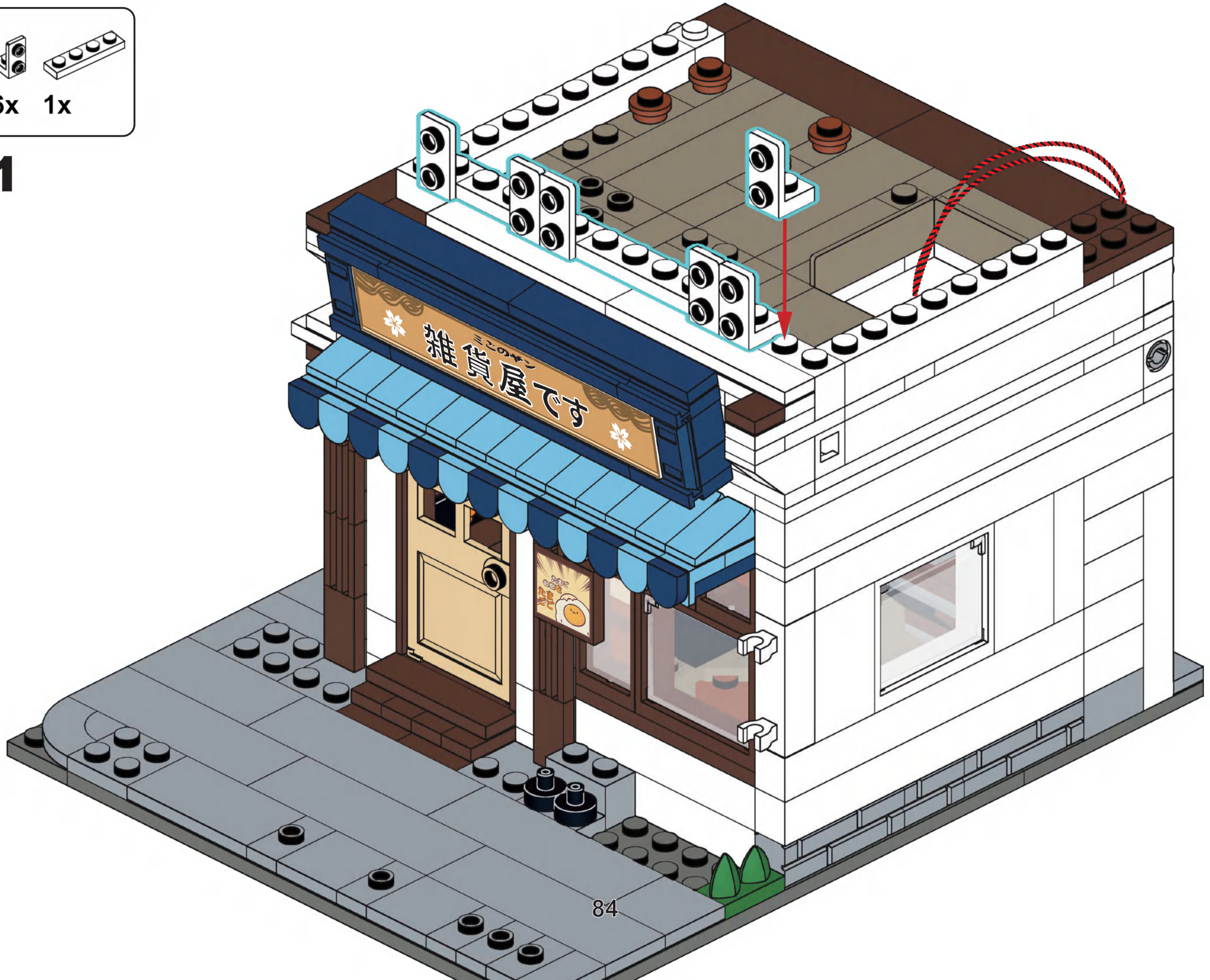


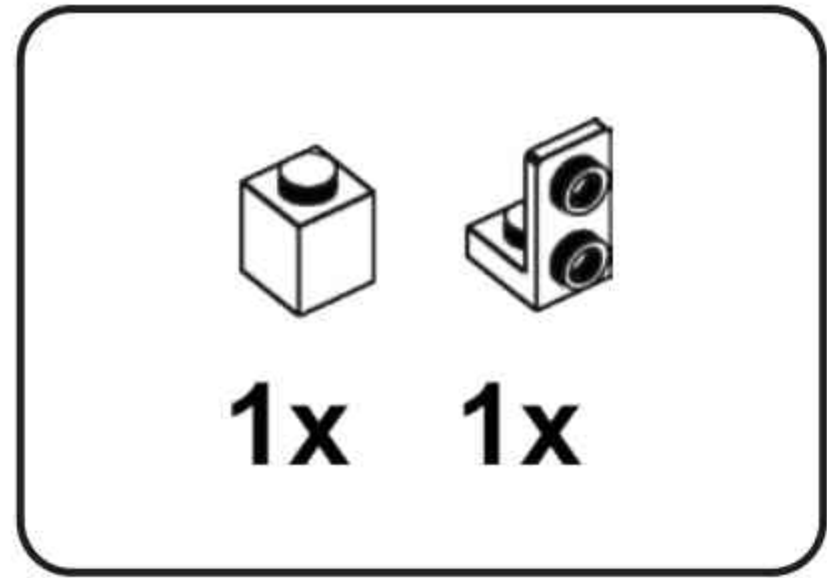
C10



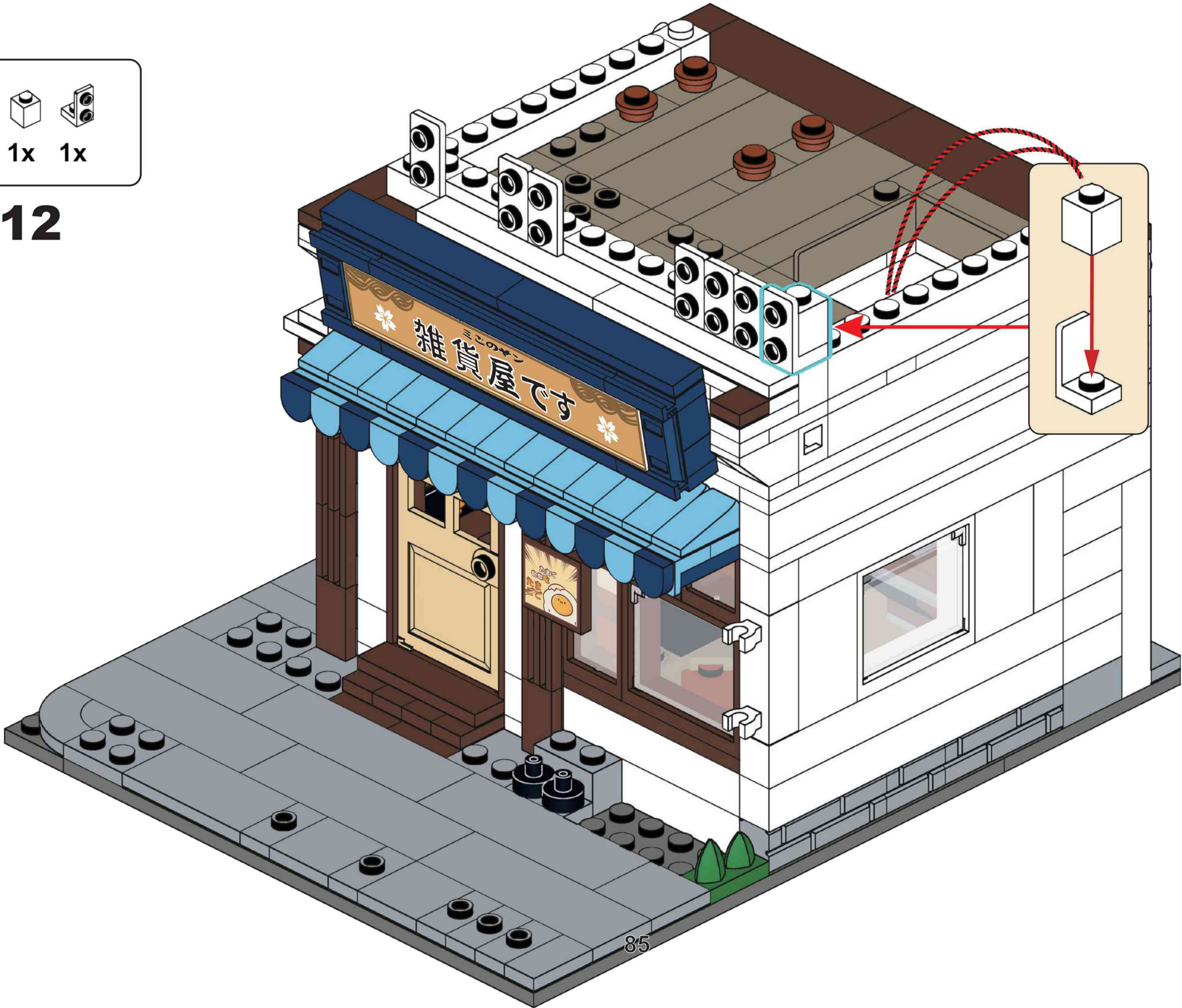


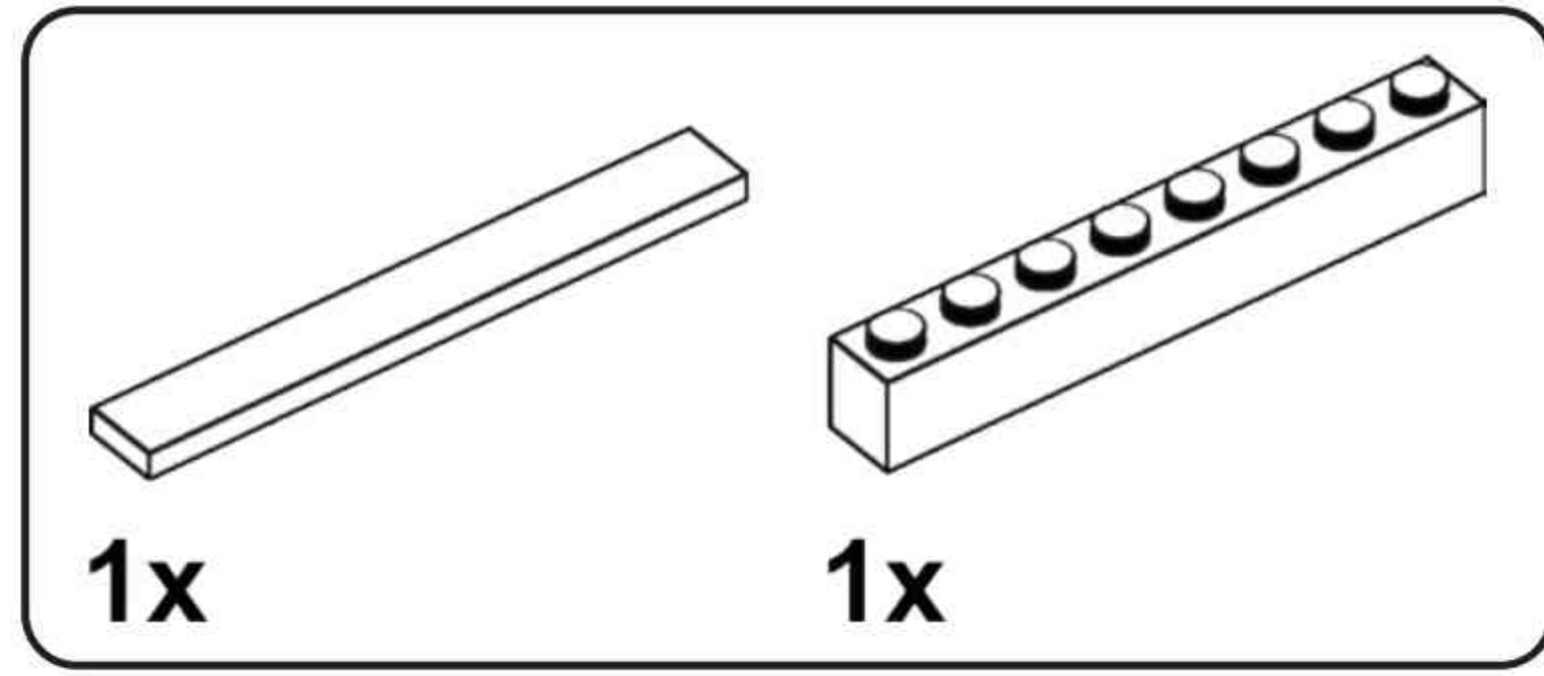
C11



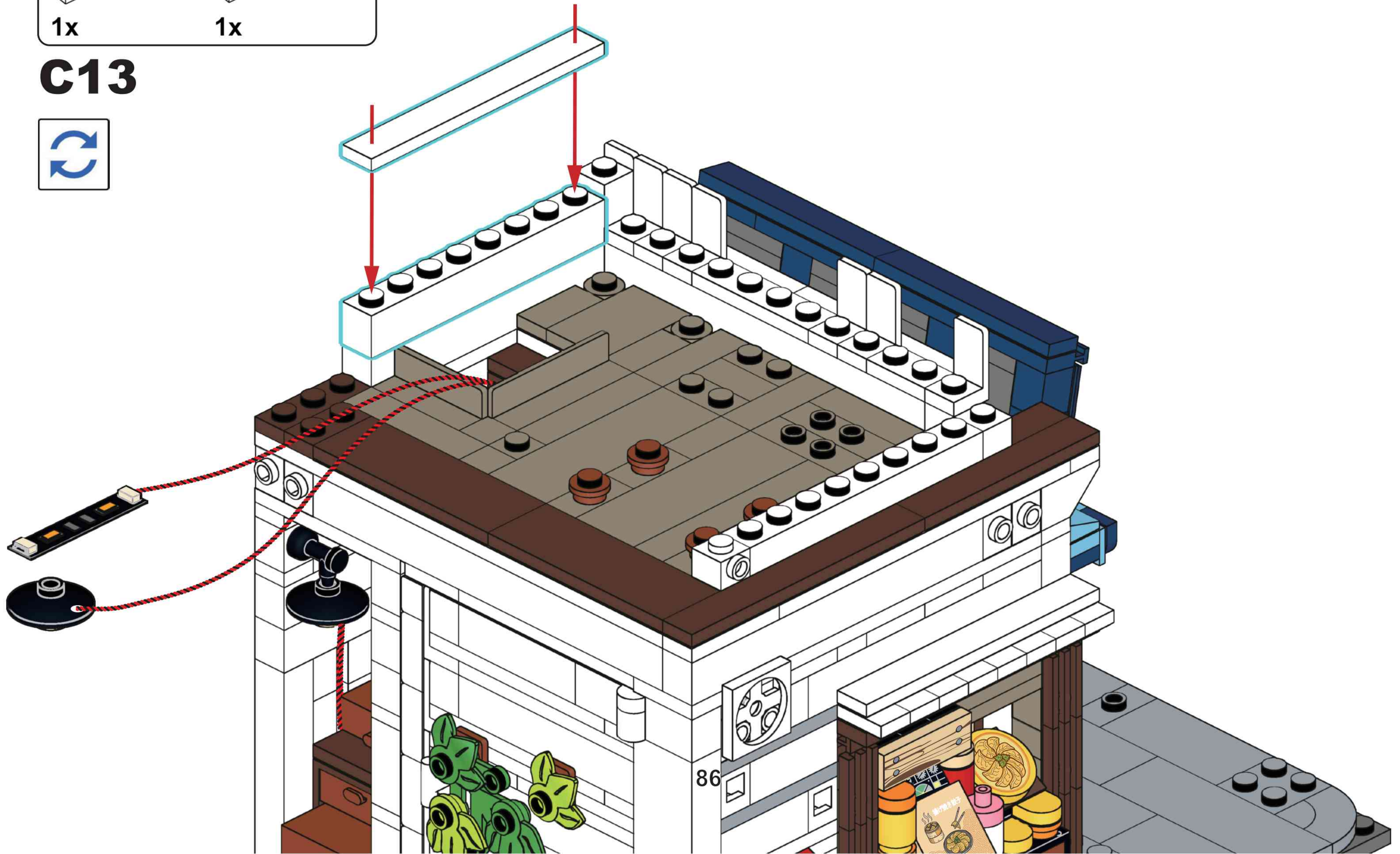


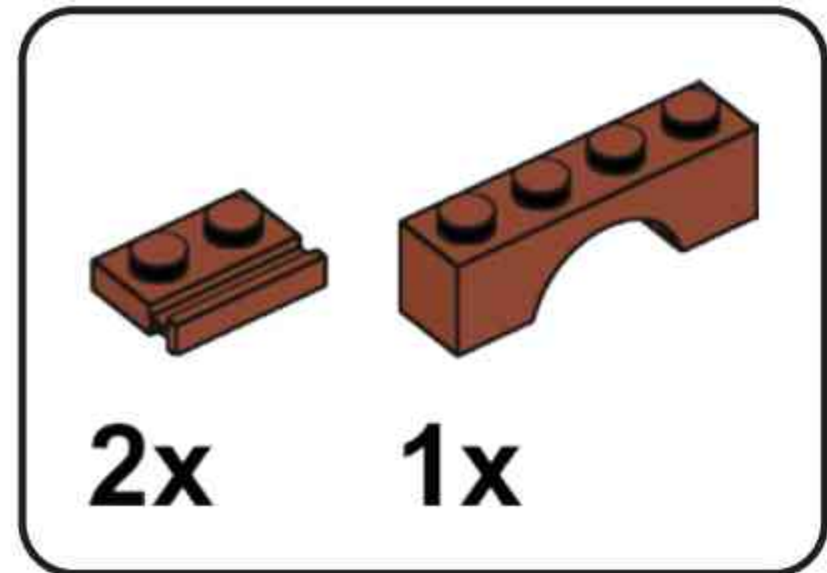
C12



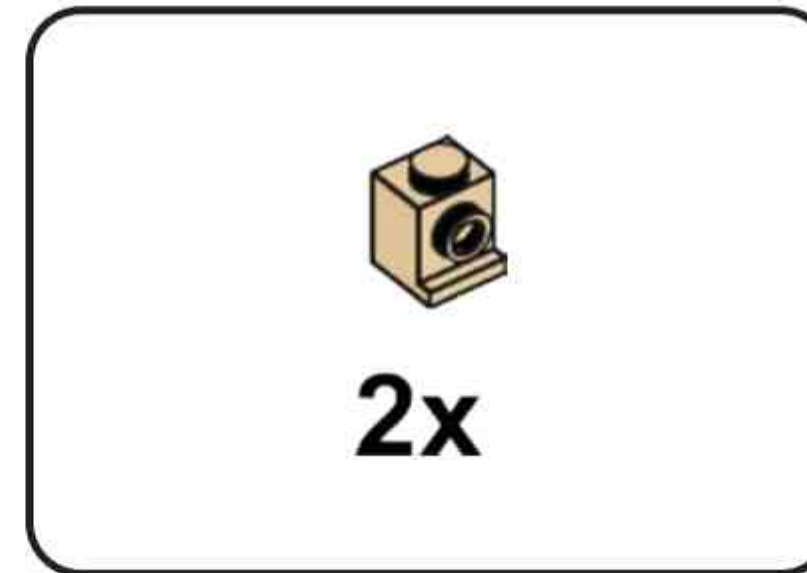
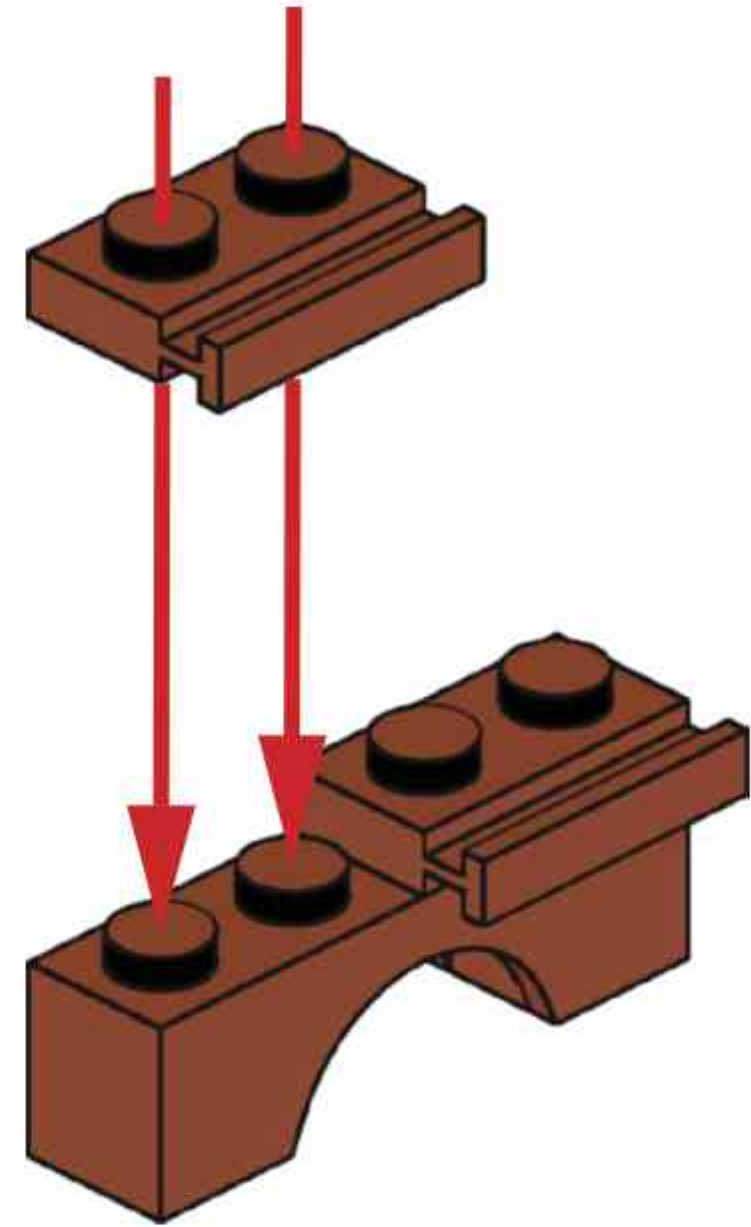


C13

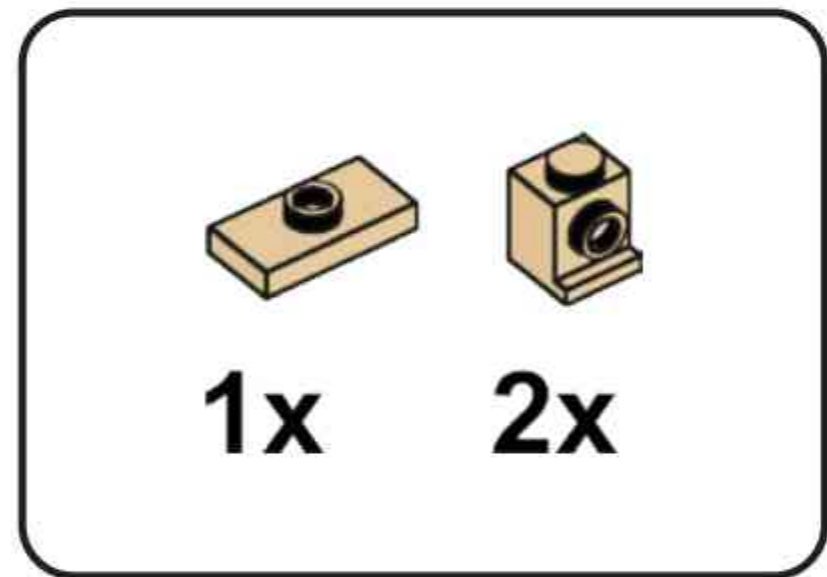
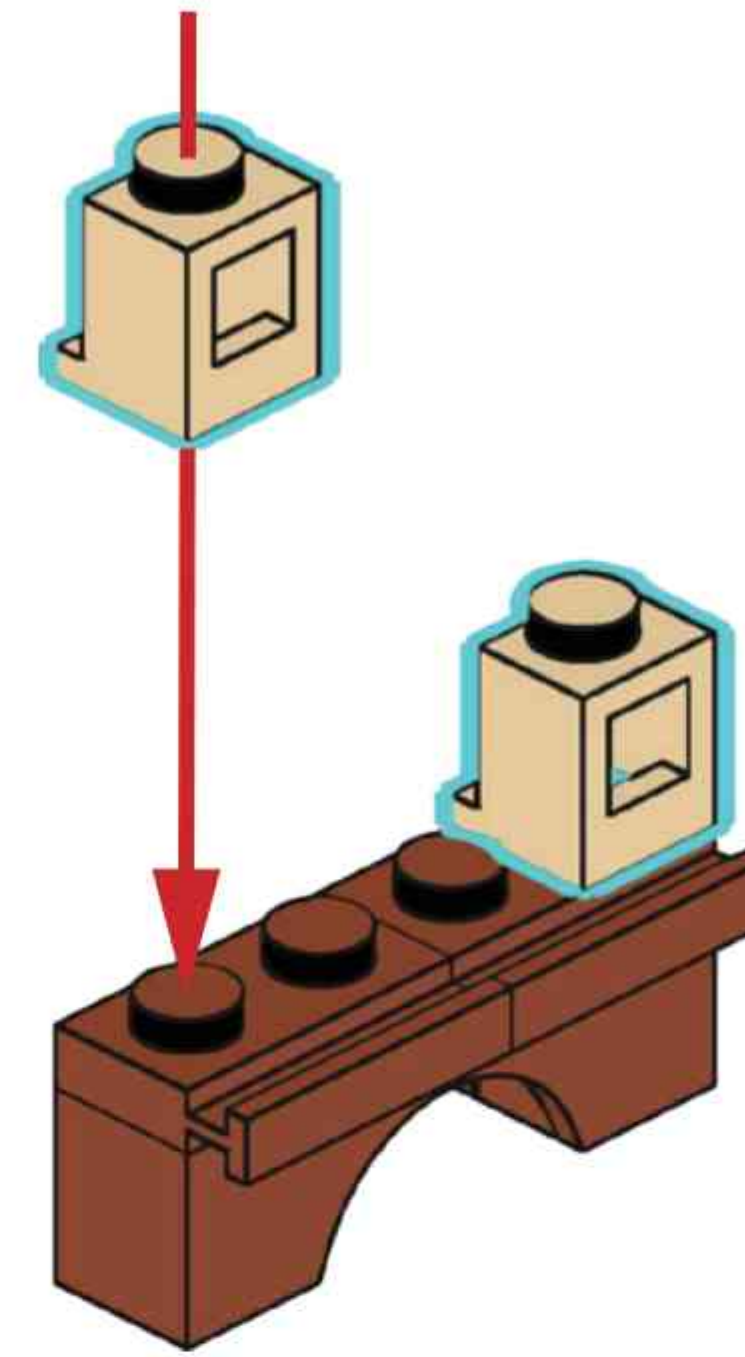




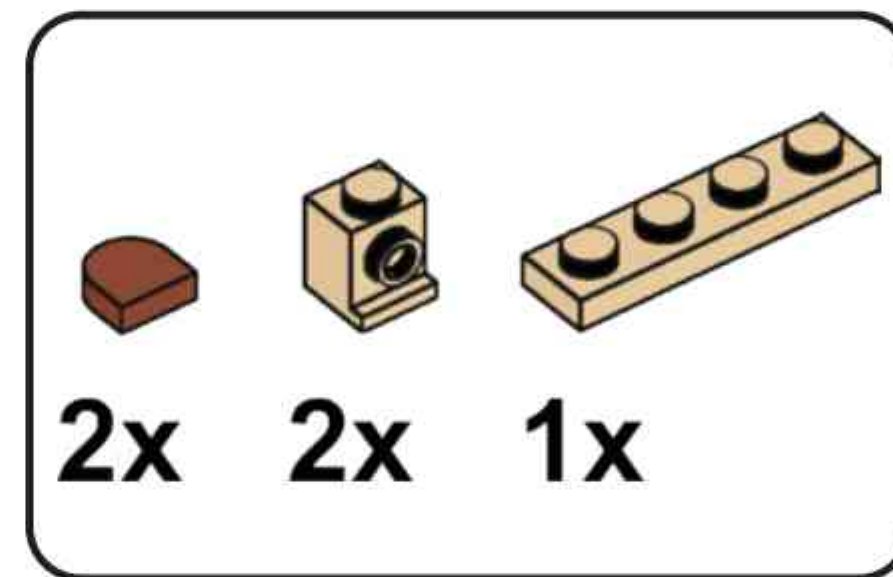
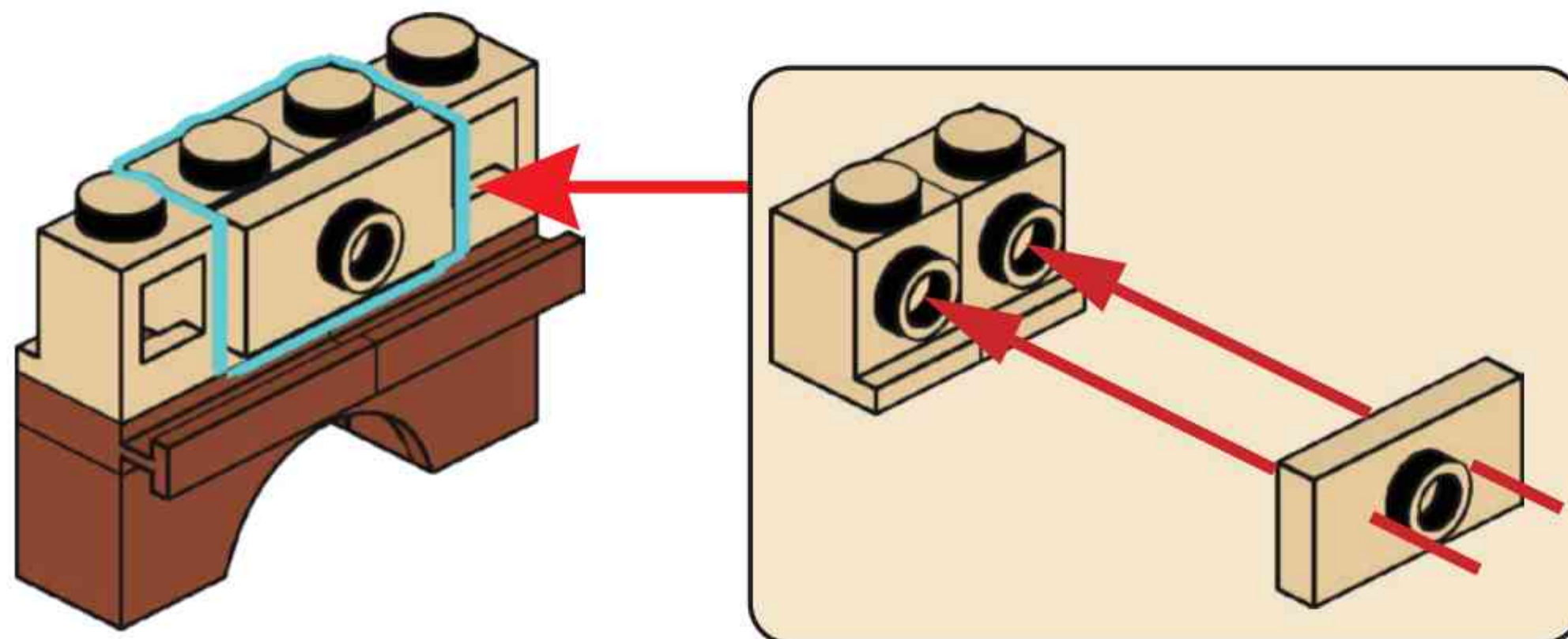
C14



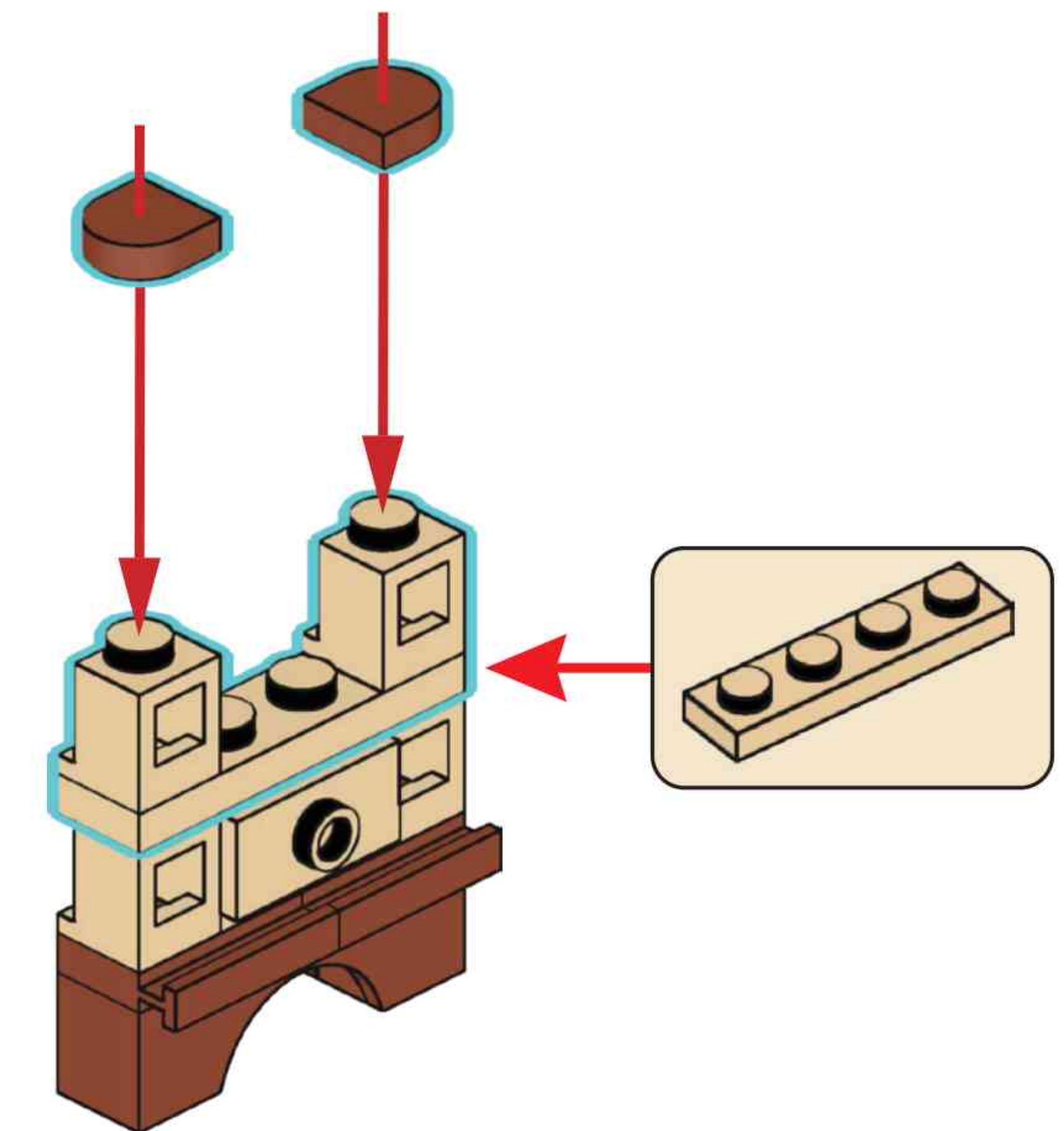
C15

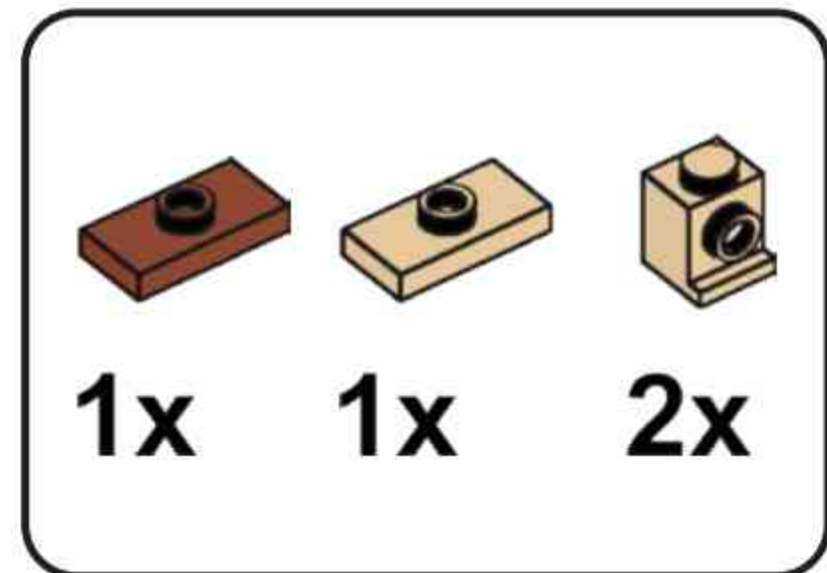


C16

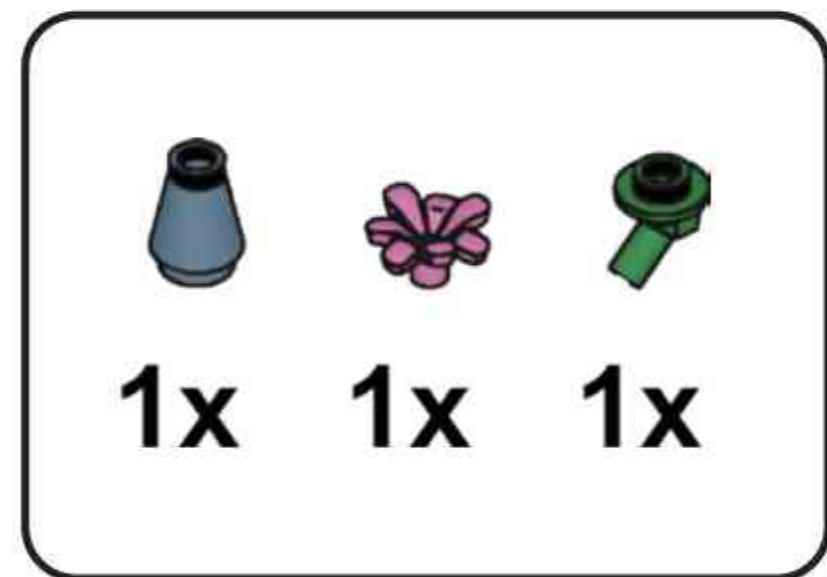
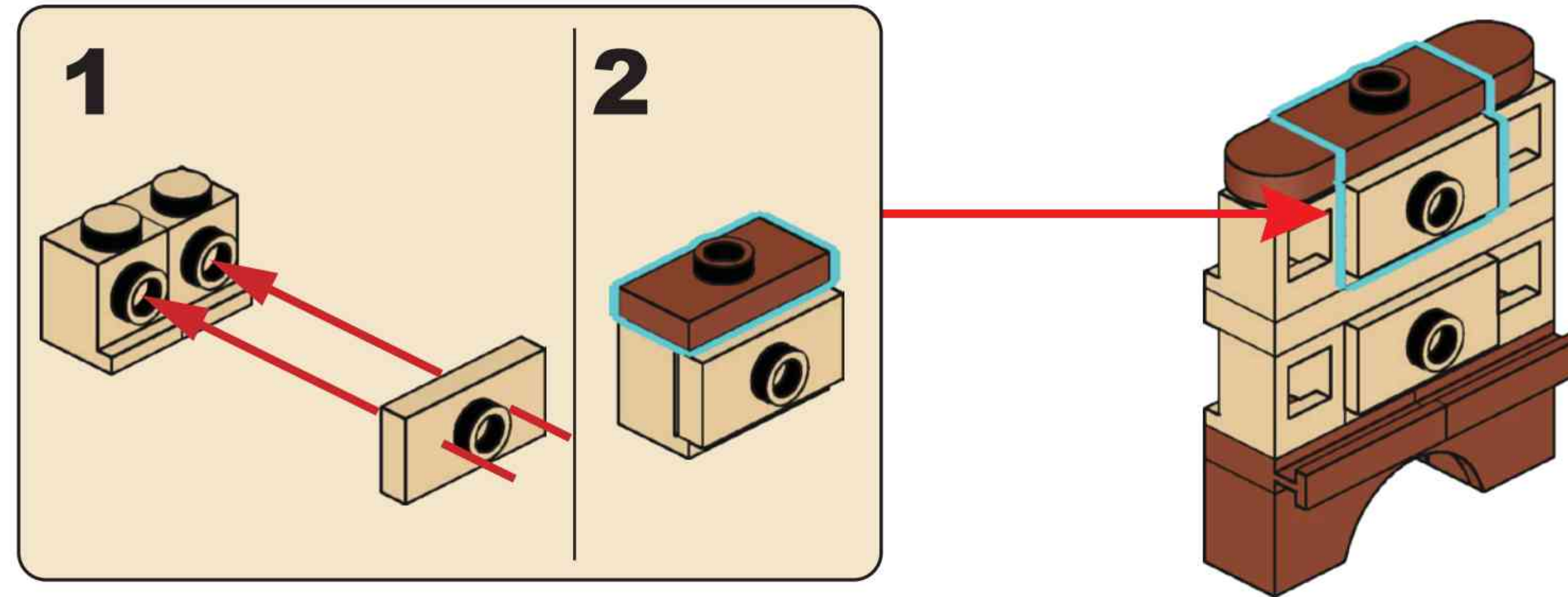


C17

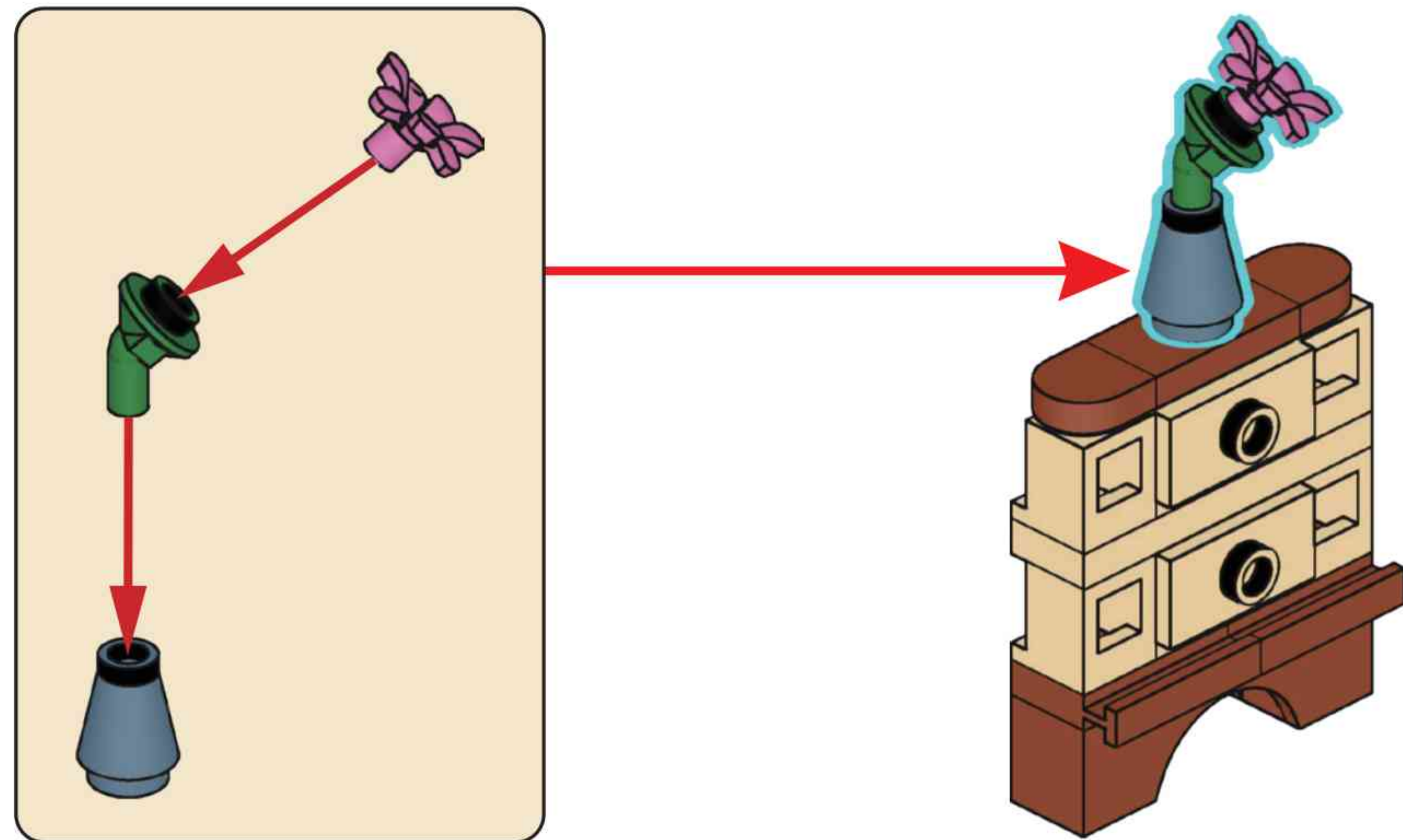










C18

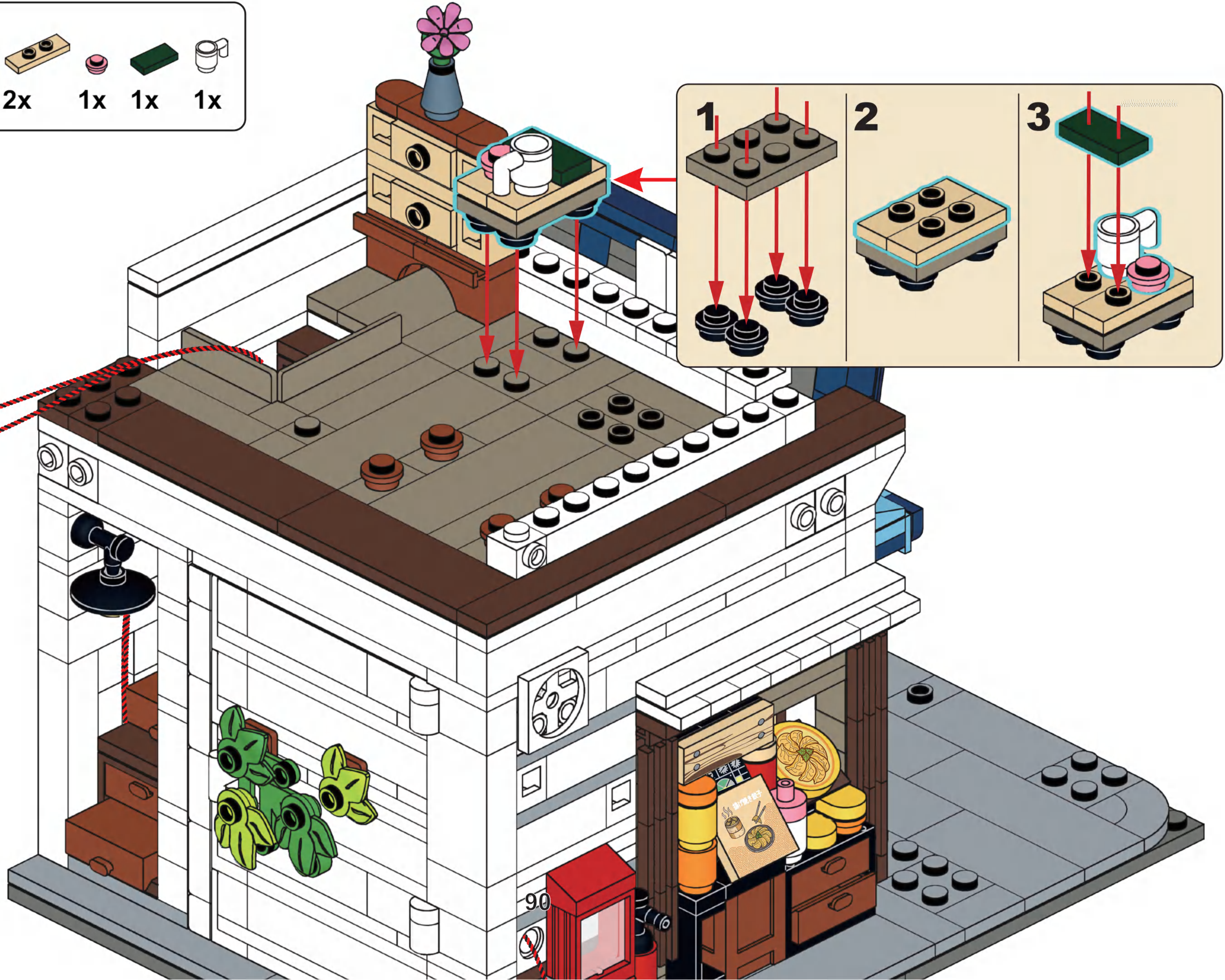


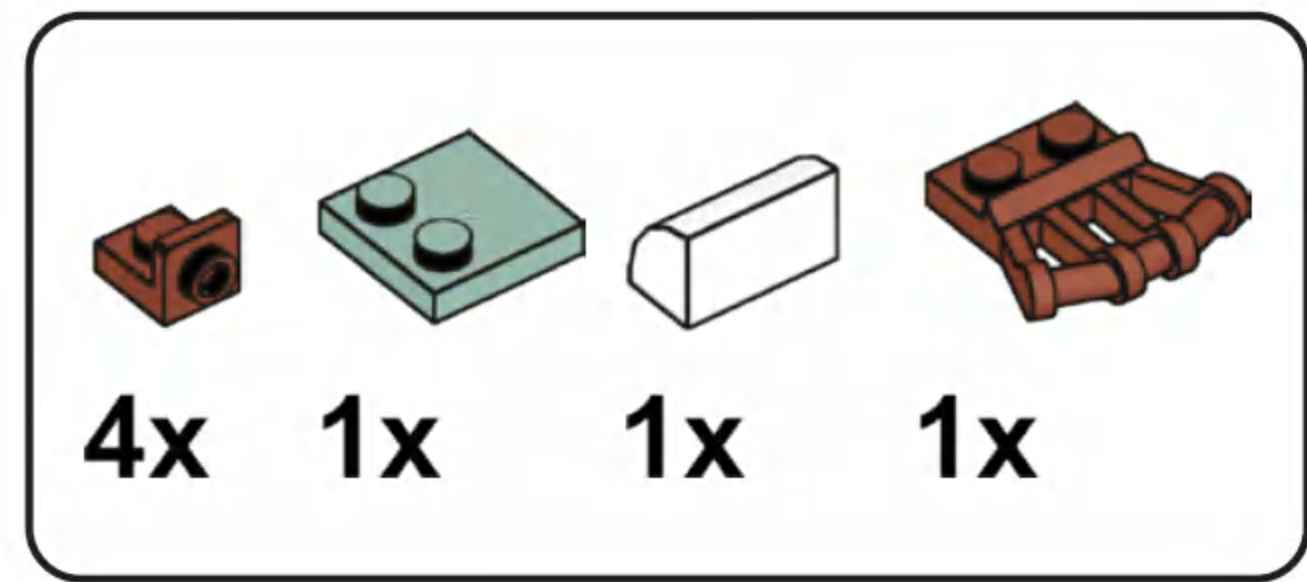
C19



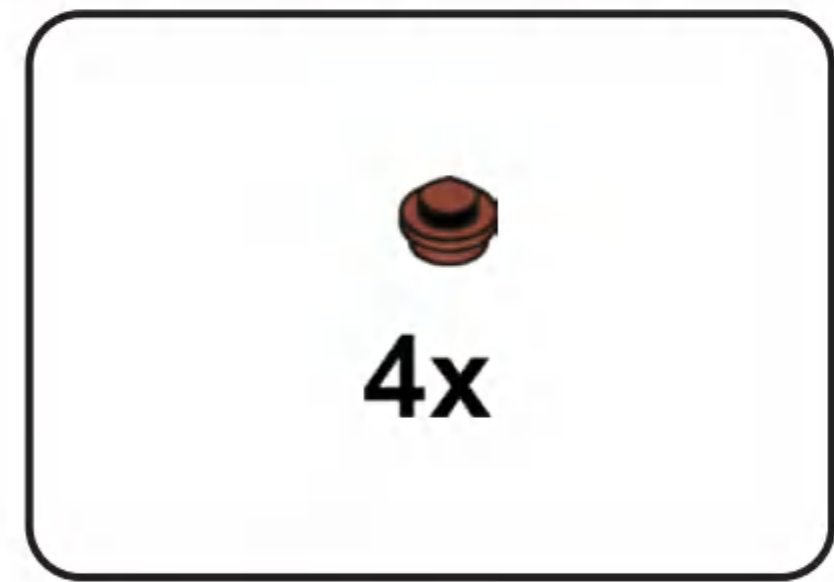
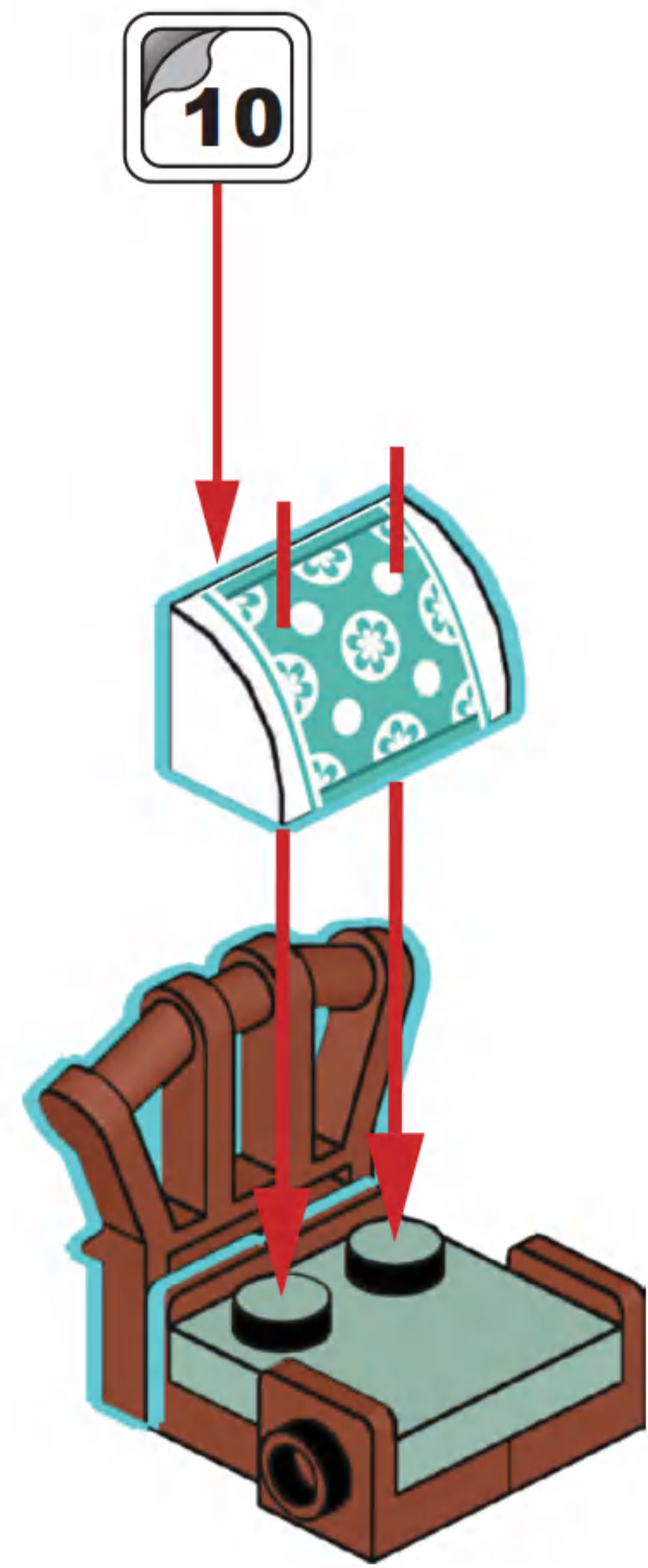
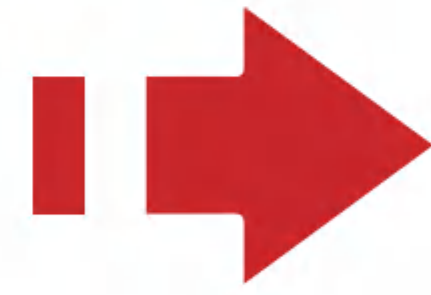
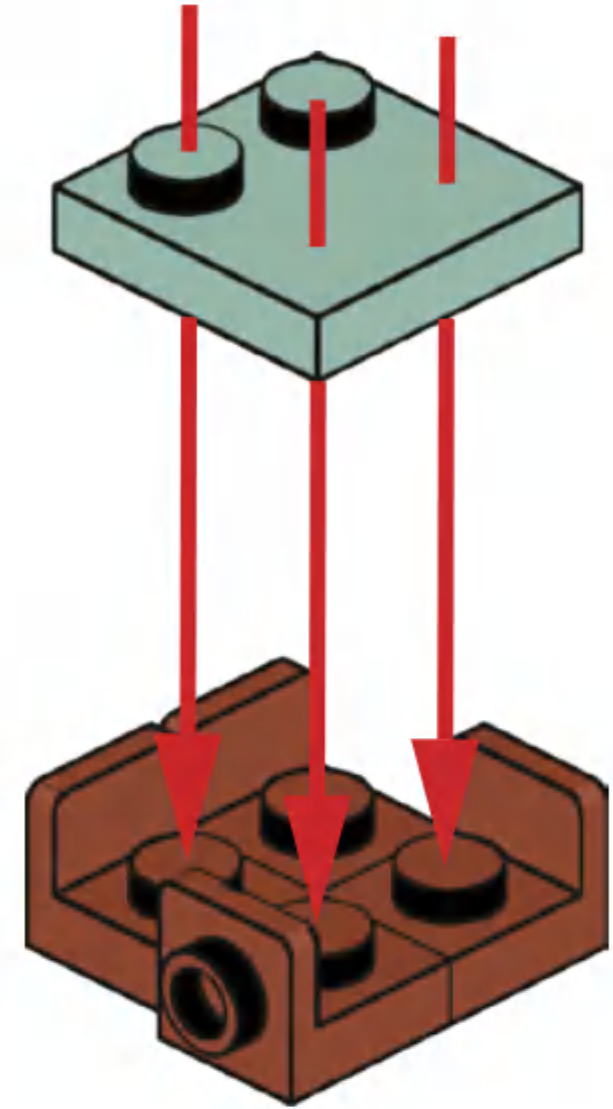
-  4x
-  1x
-  2x
-  1x
-  1x
-  1x

C21

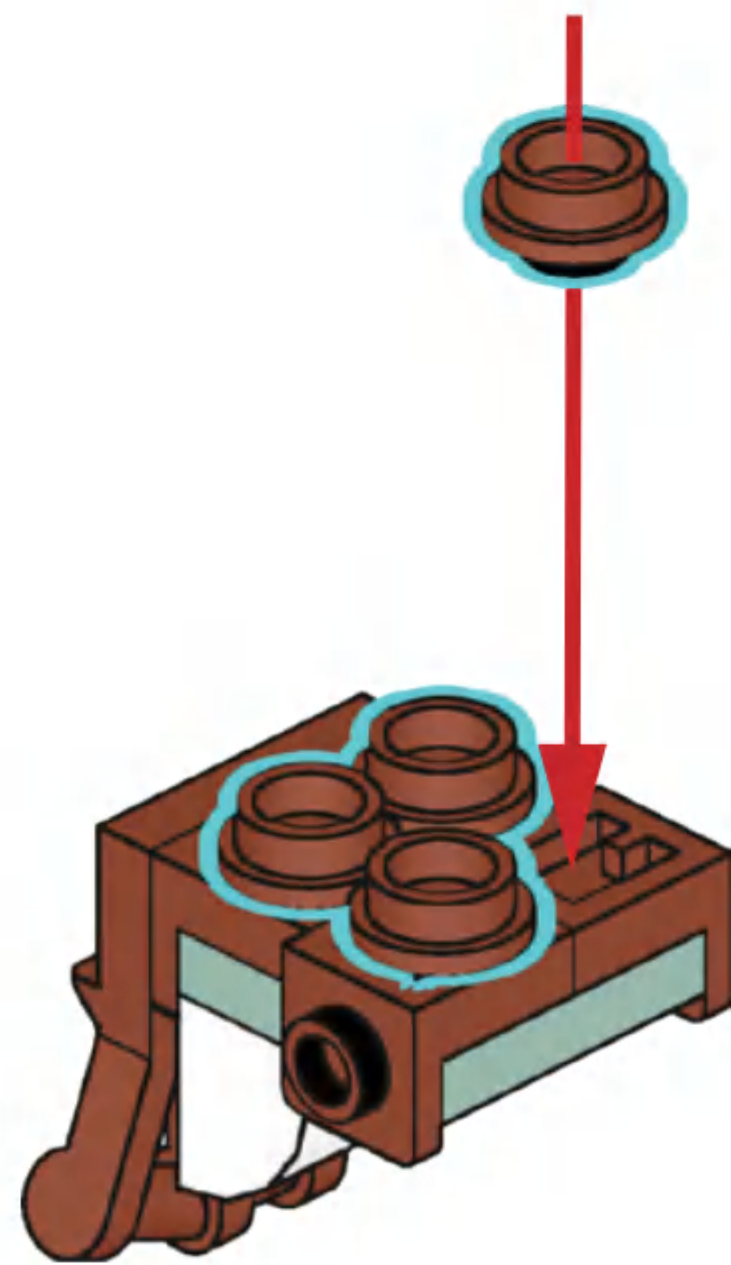




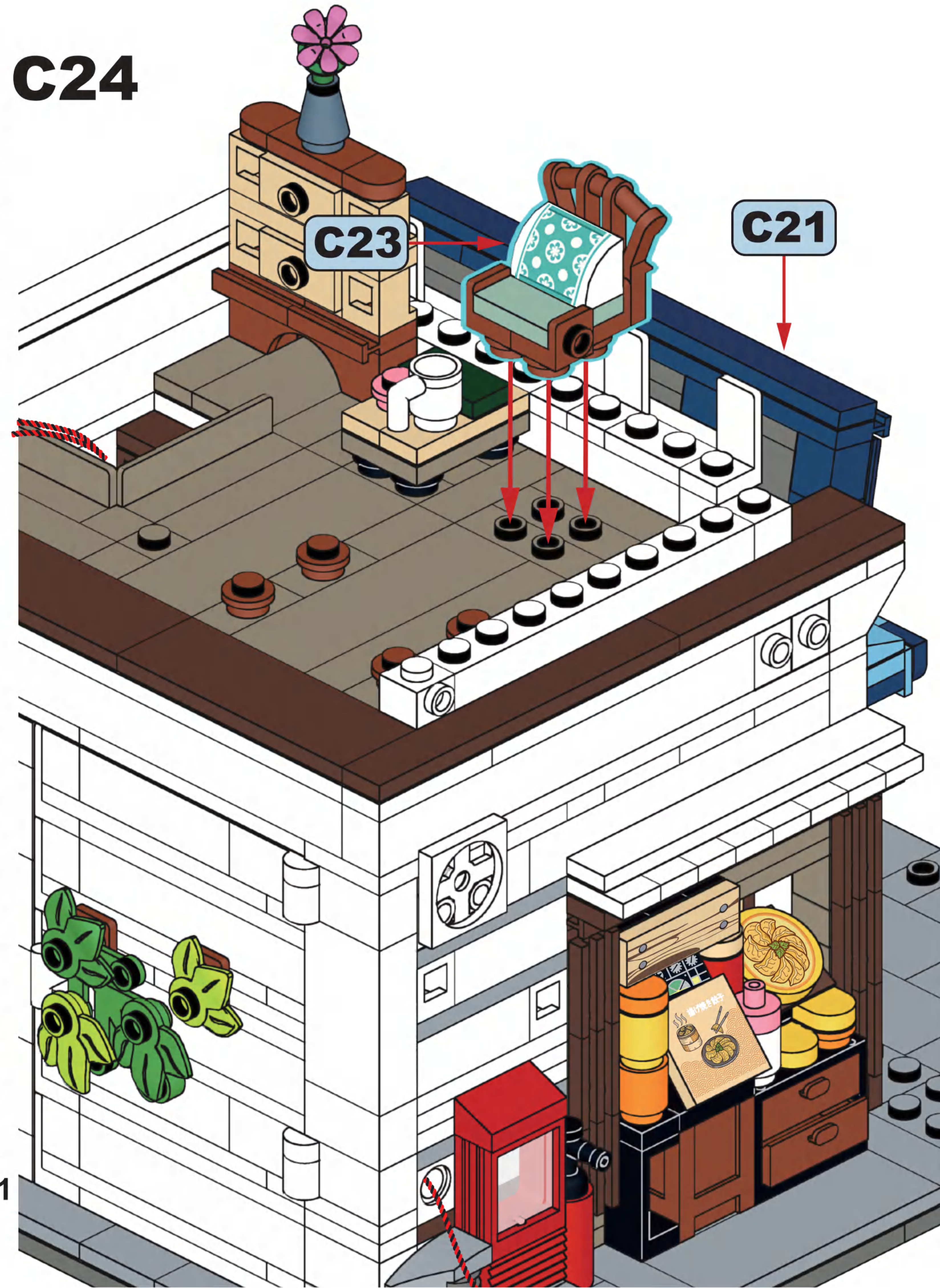
C22

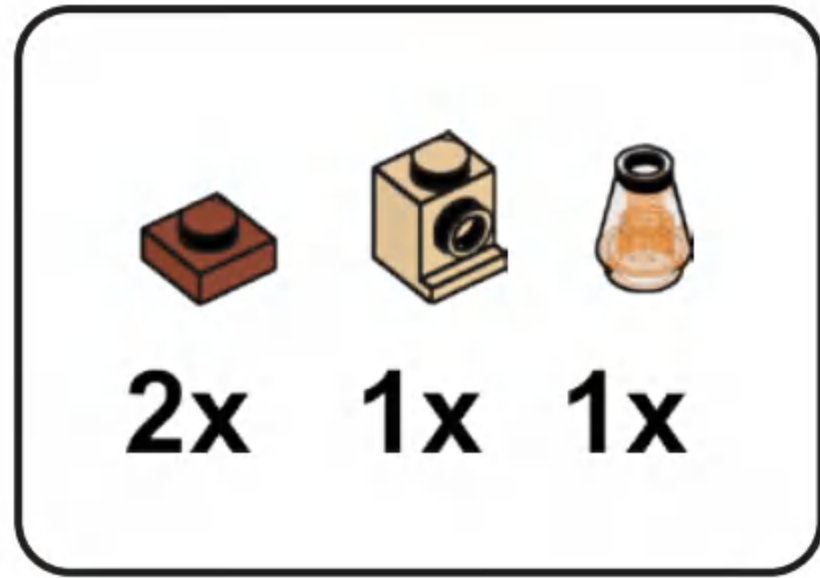


C23

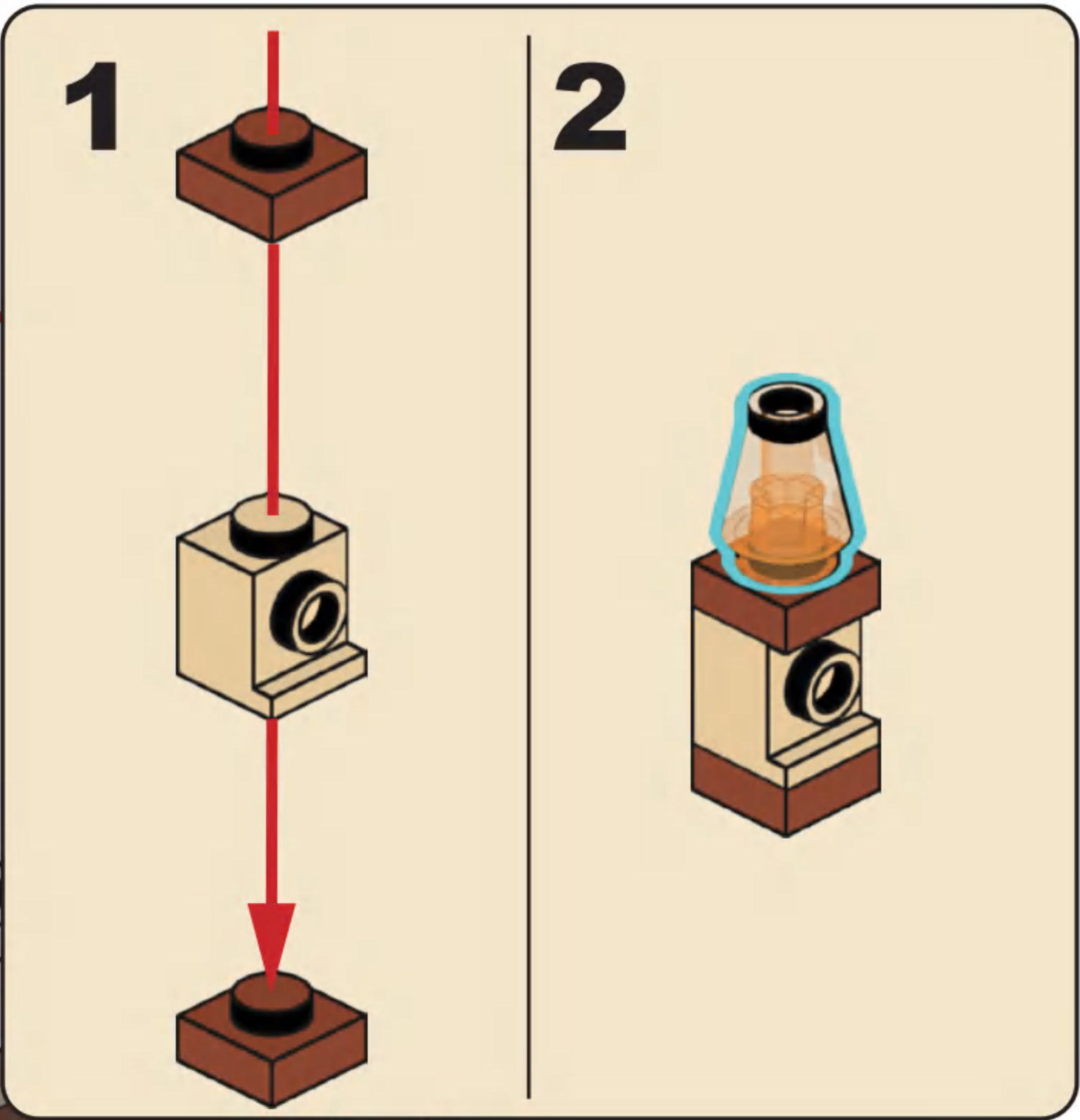
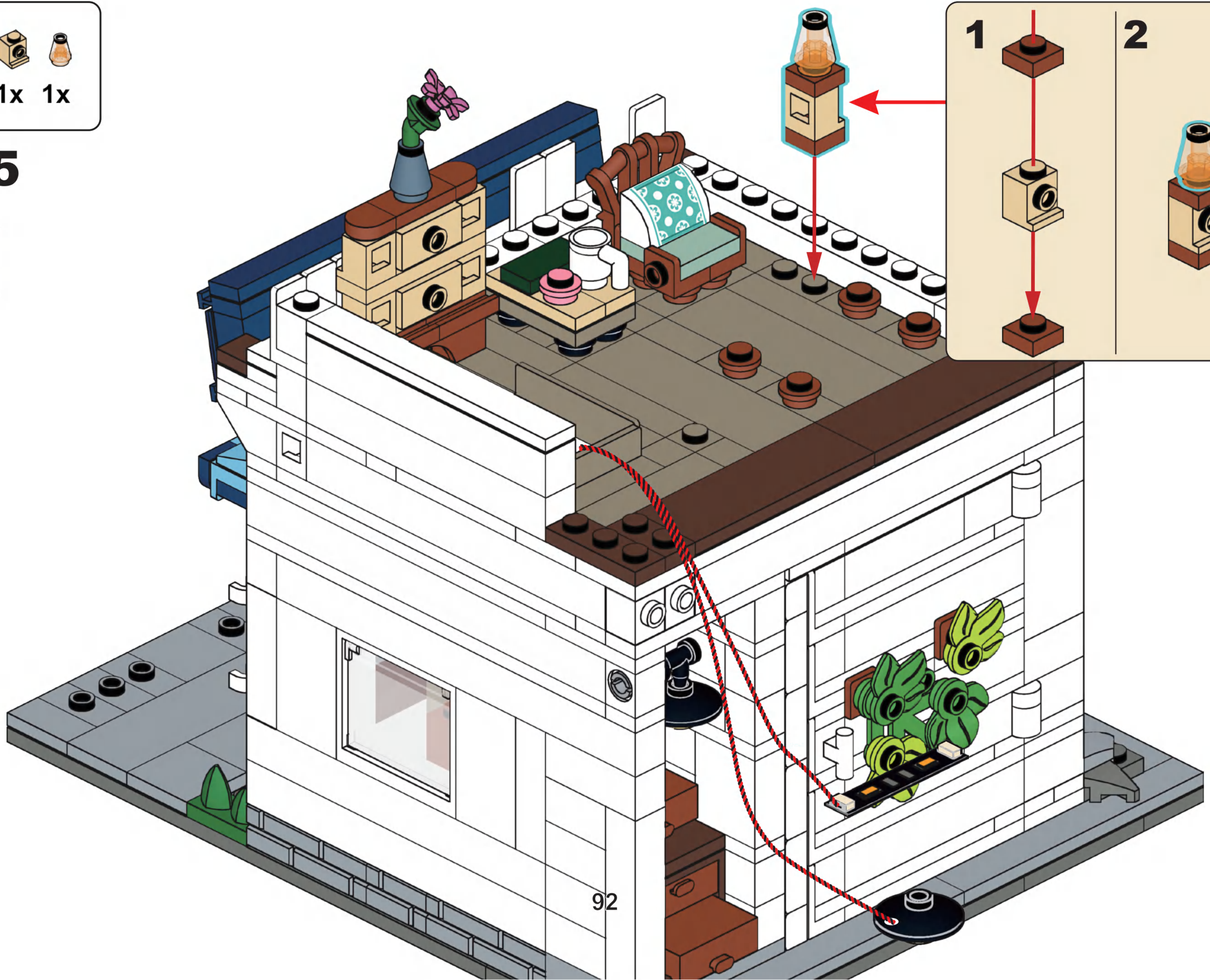


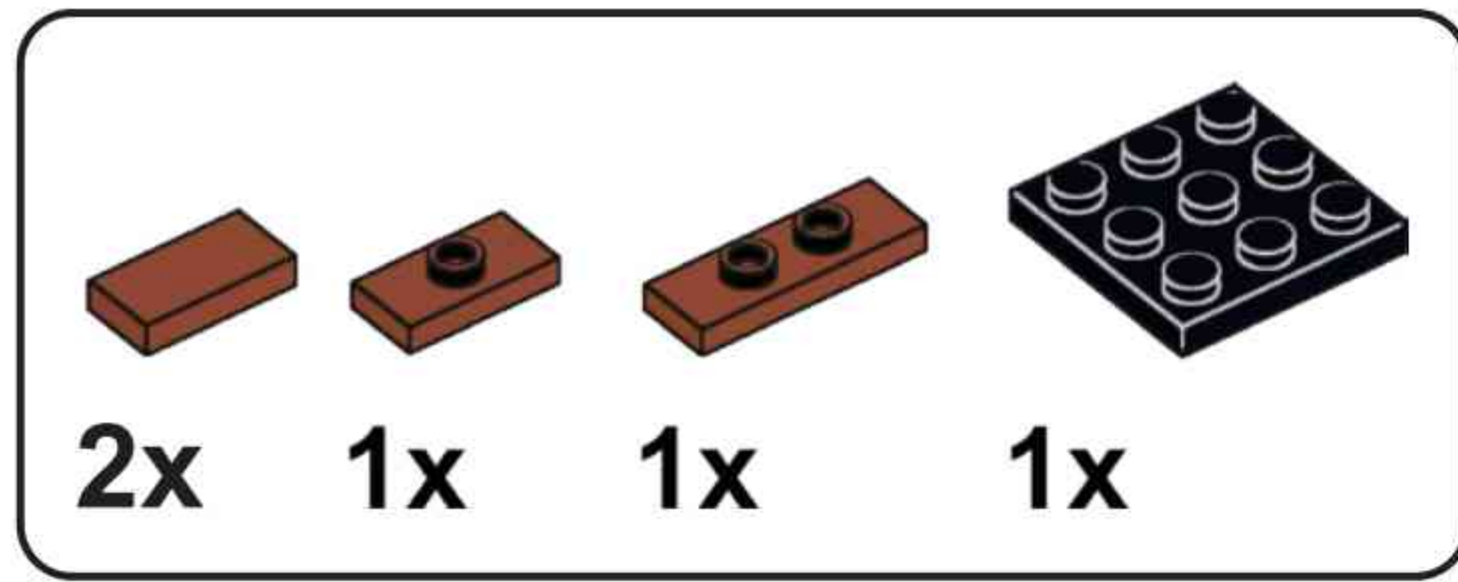
C24



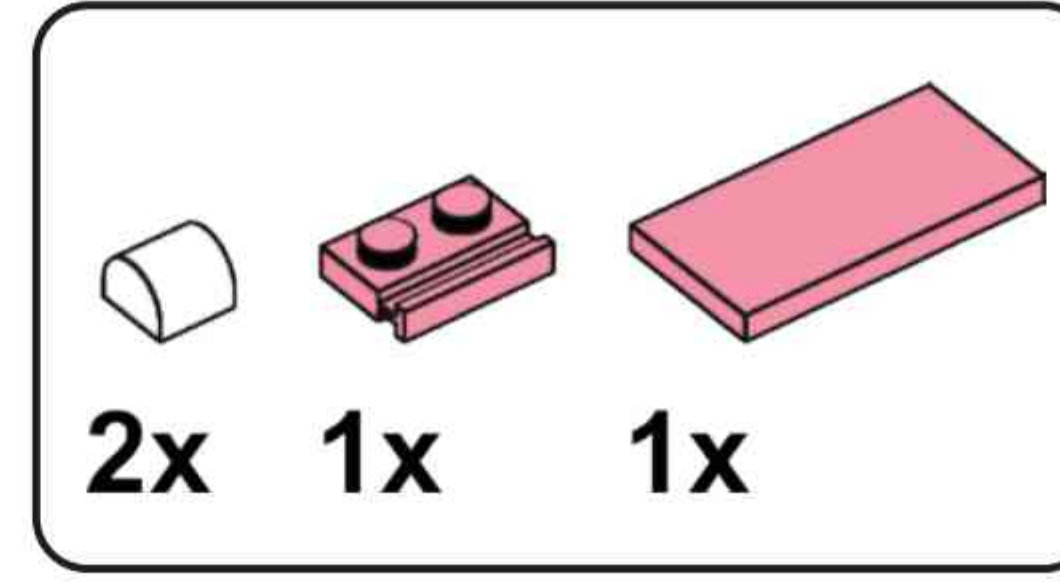
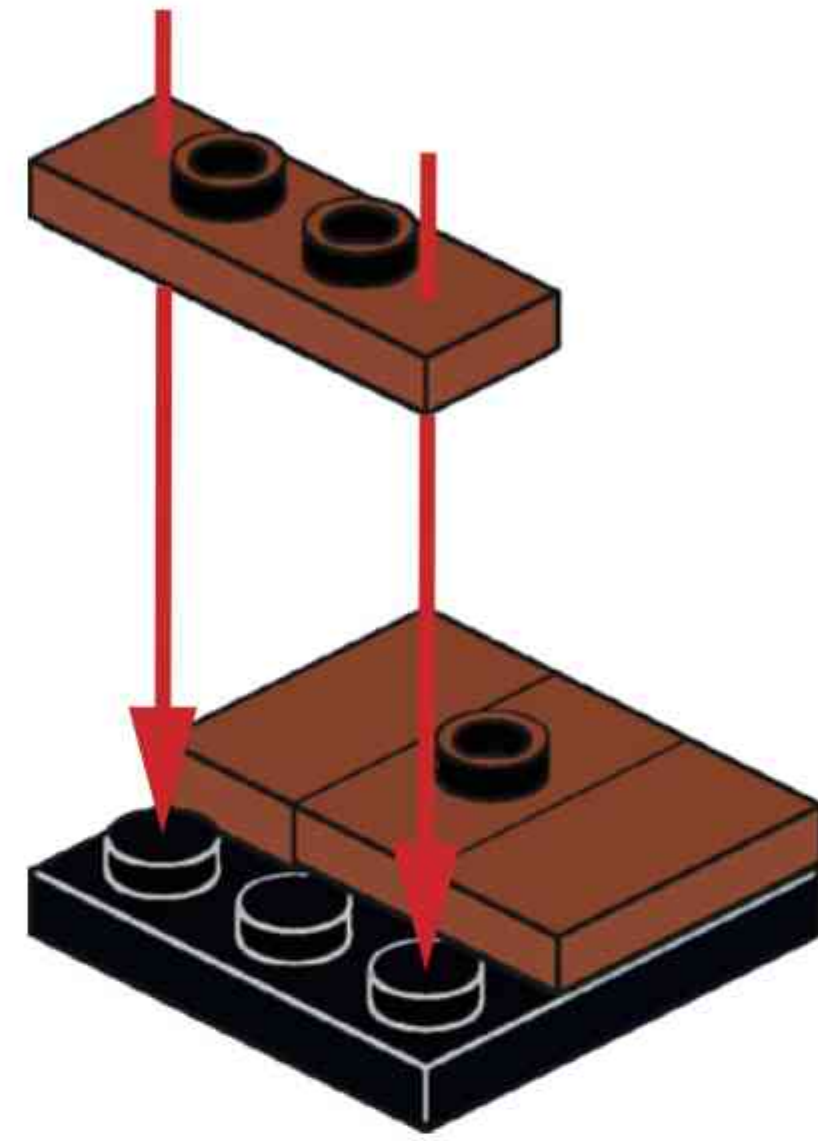


C25

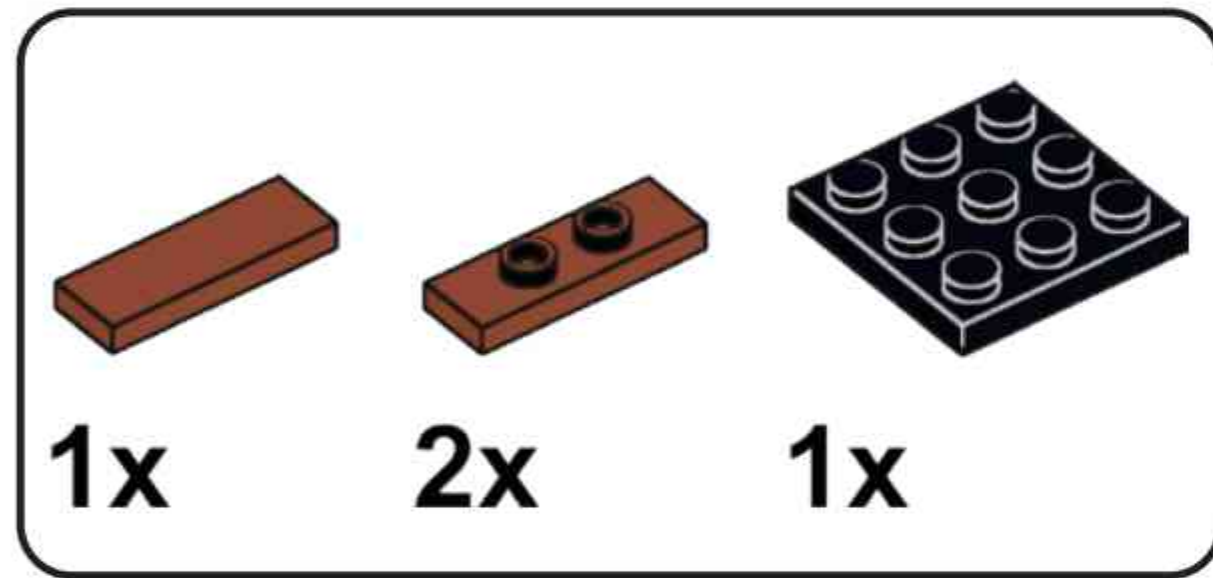
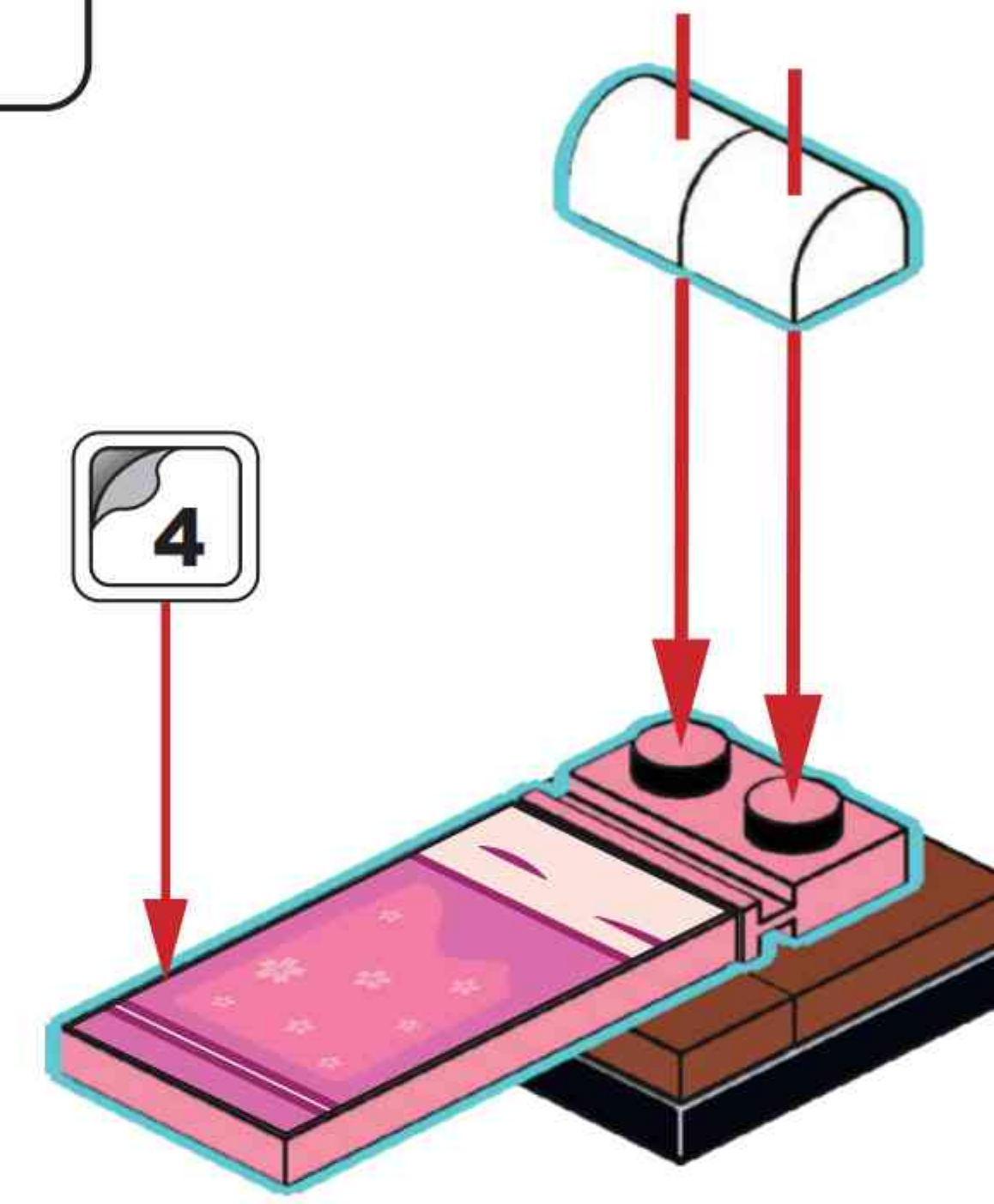




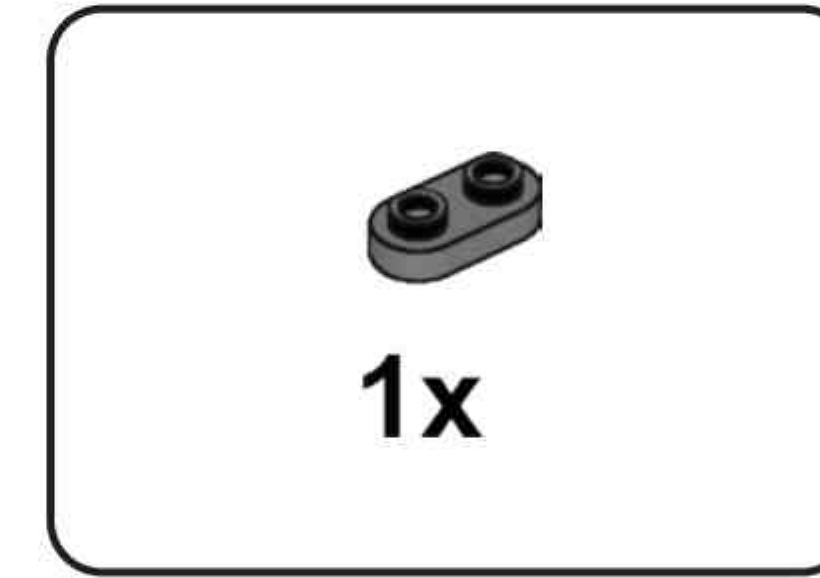
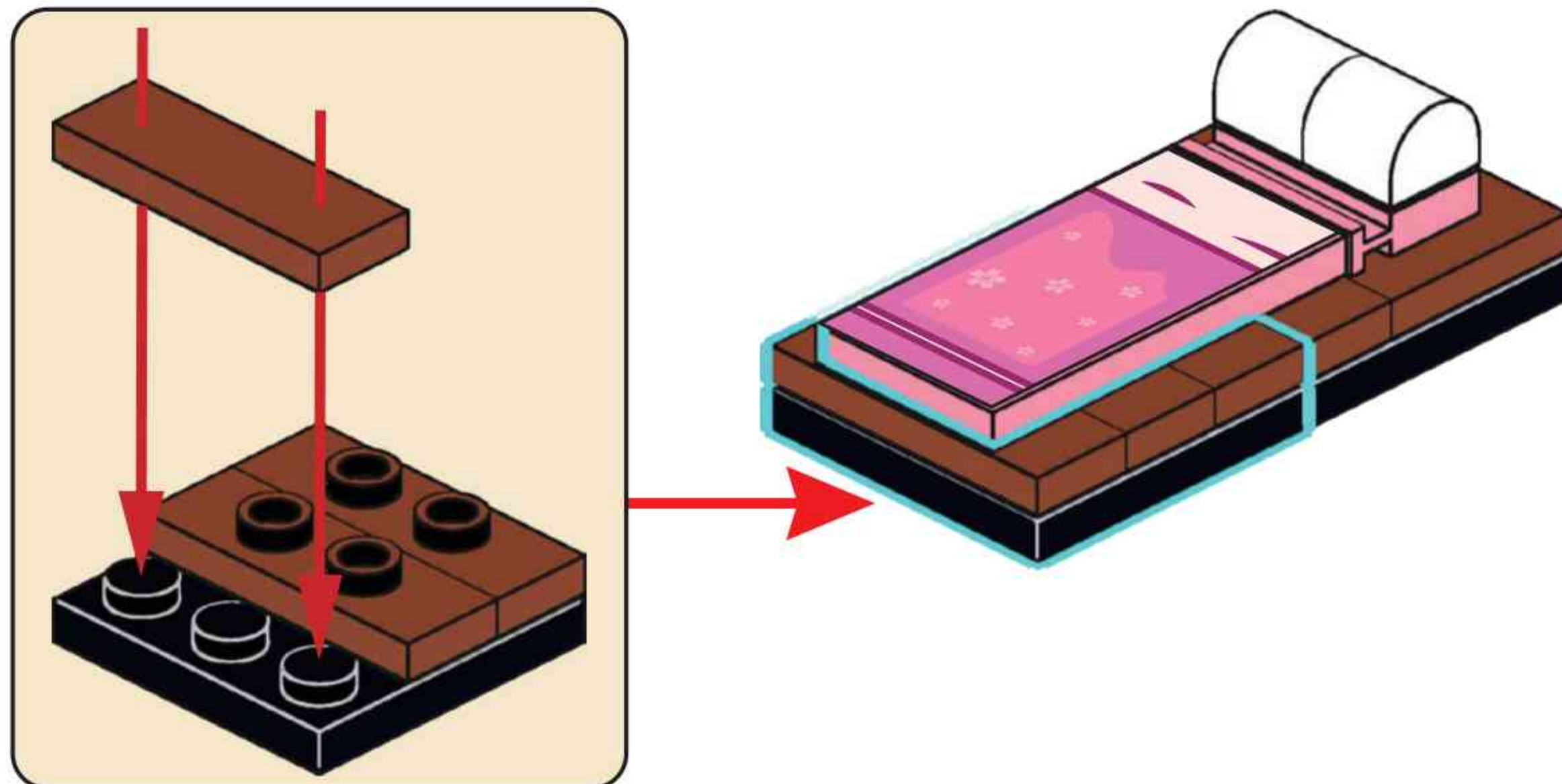
C26



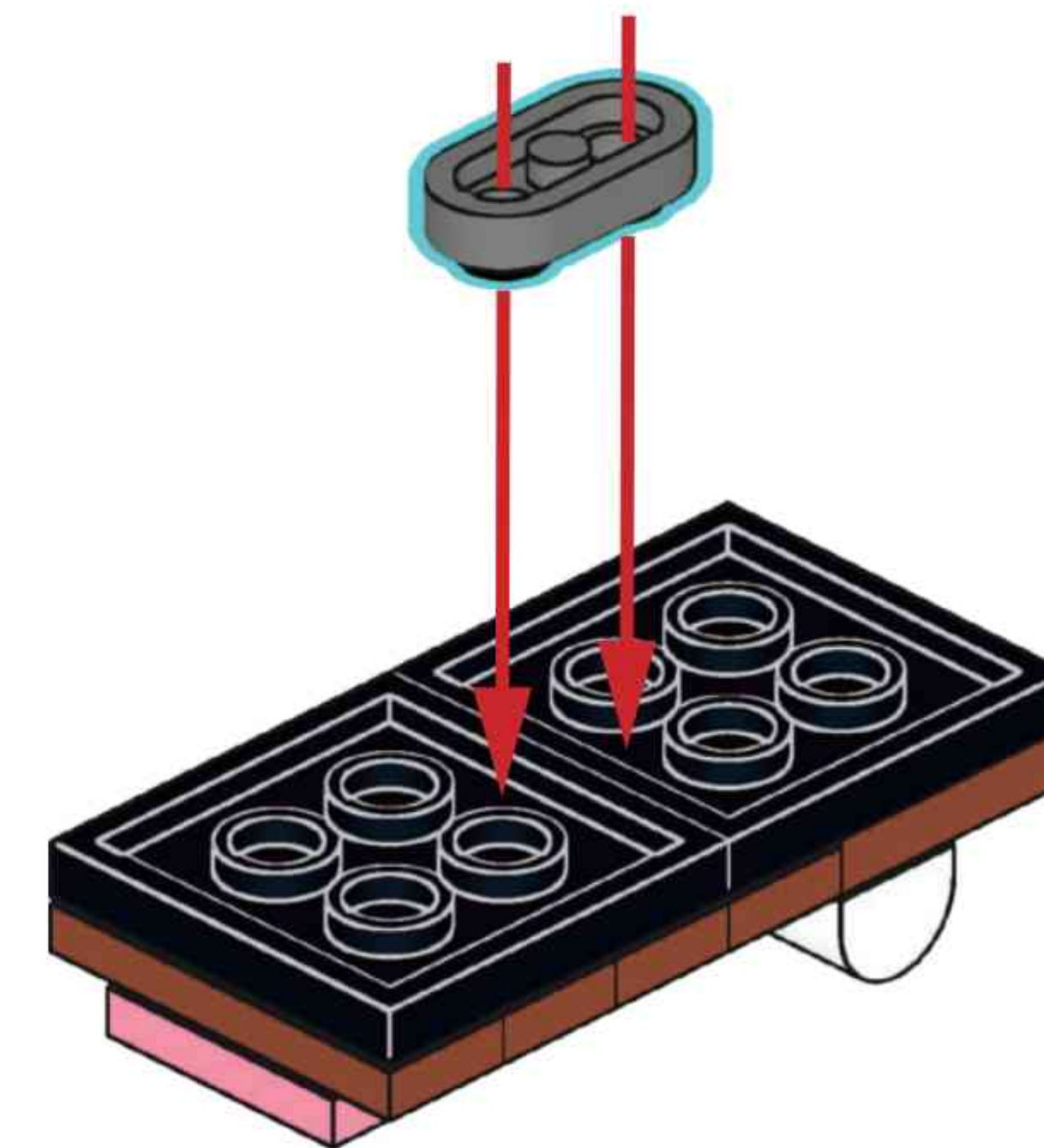
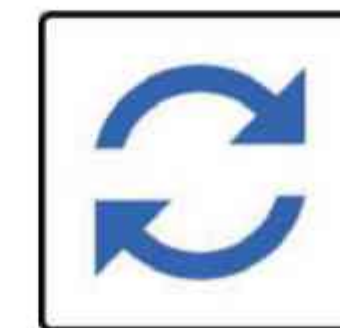
C27



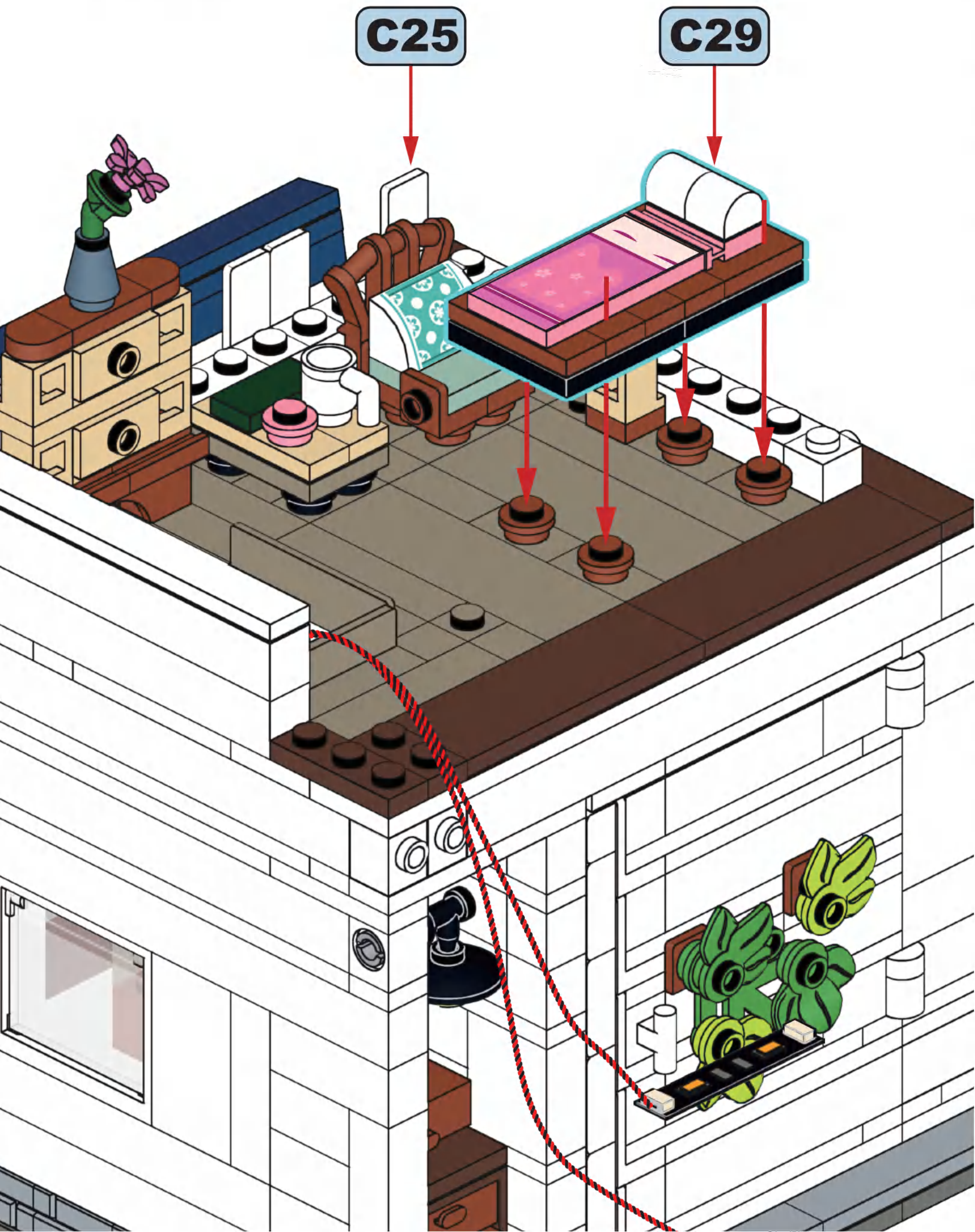
C28



C29

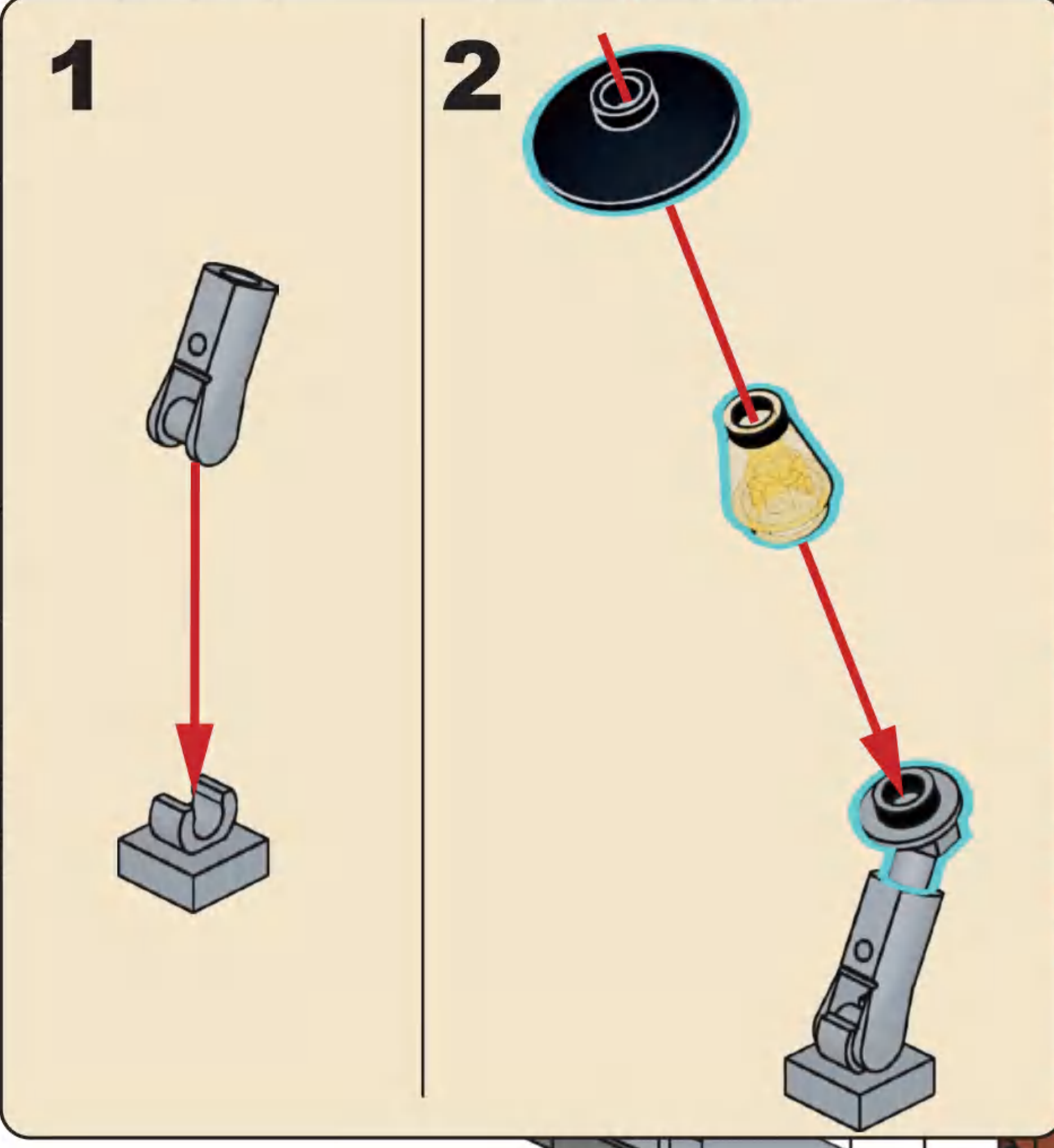
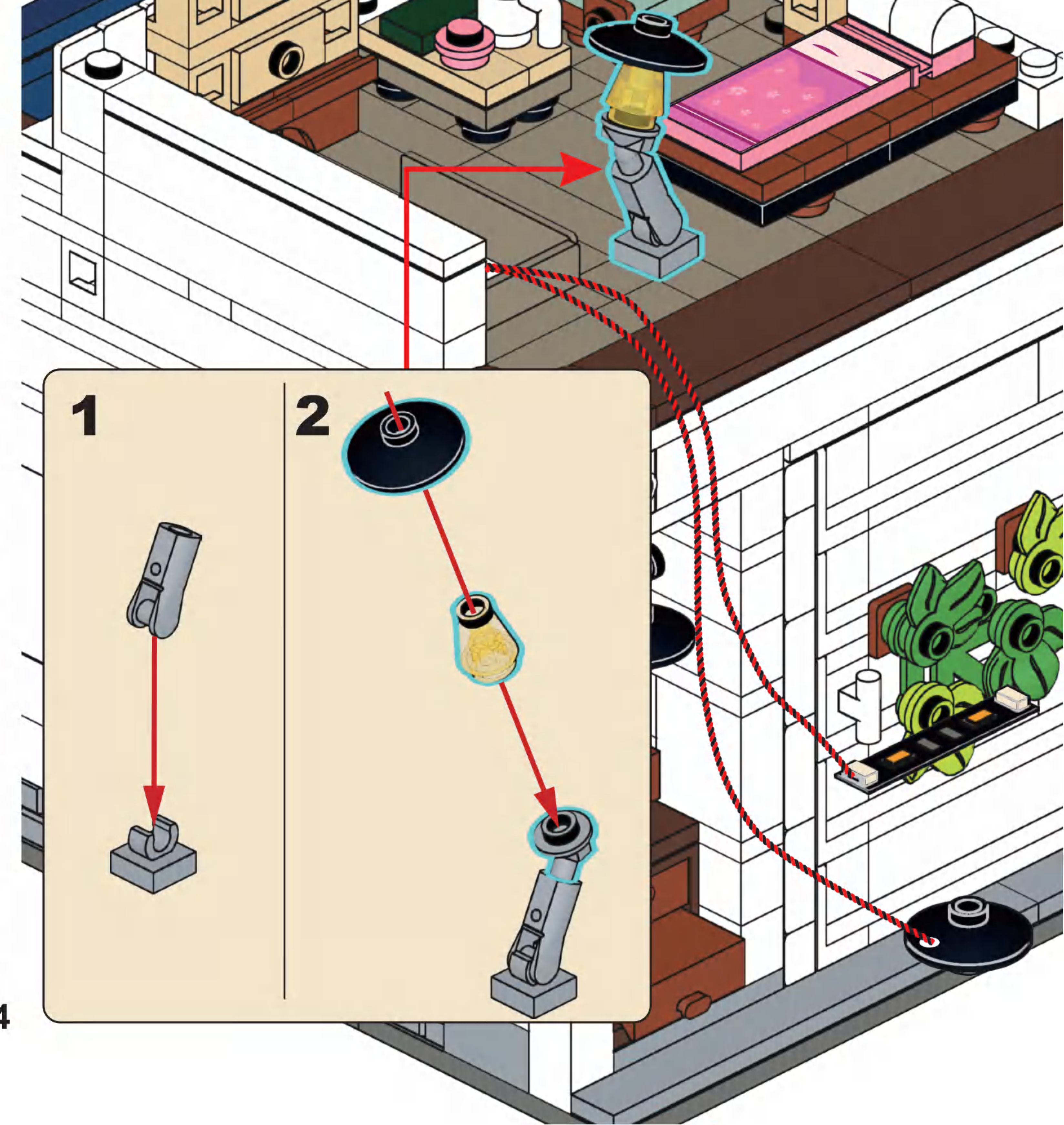


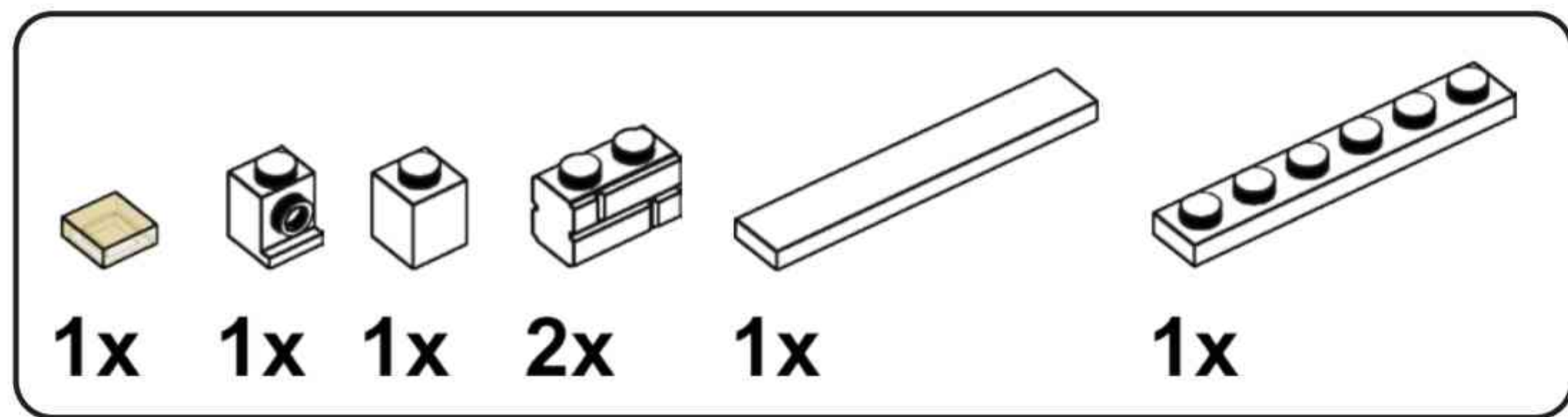
C30



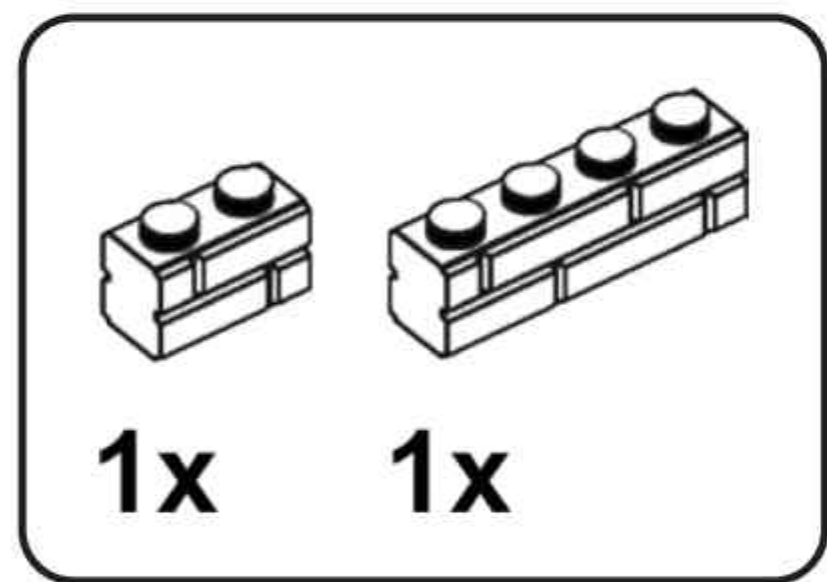
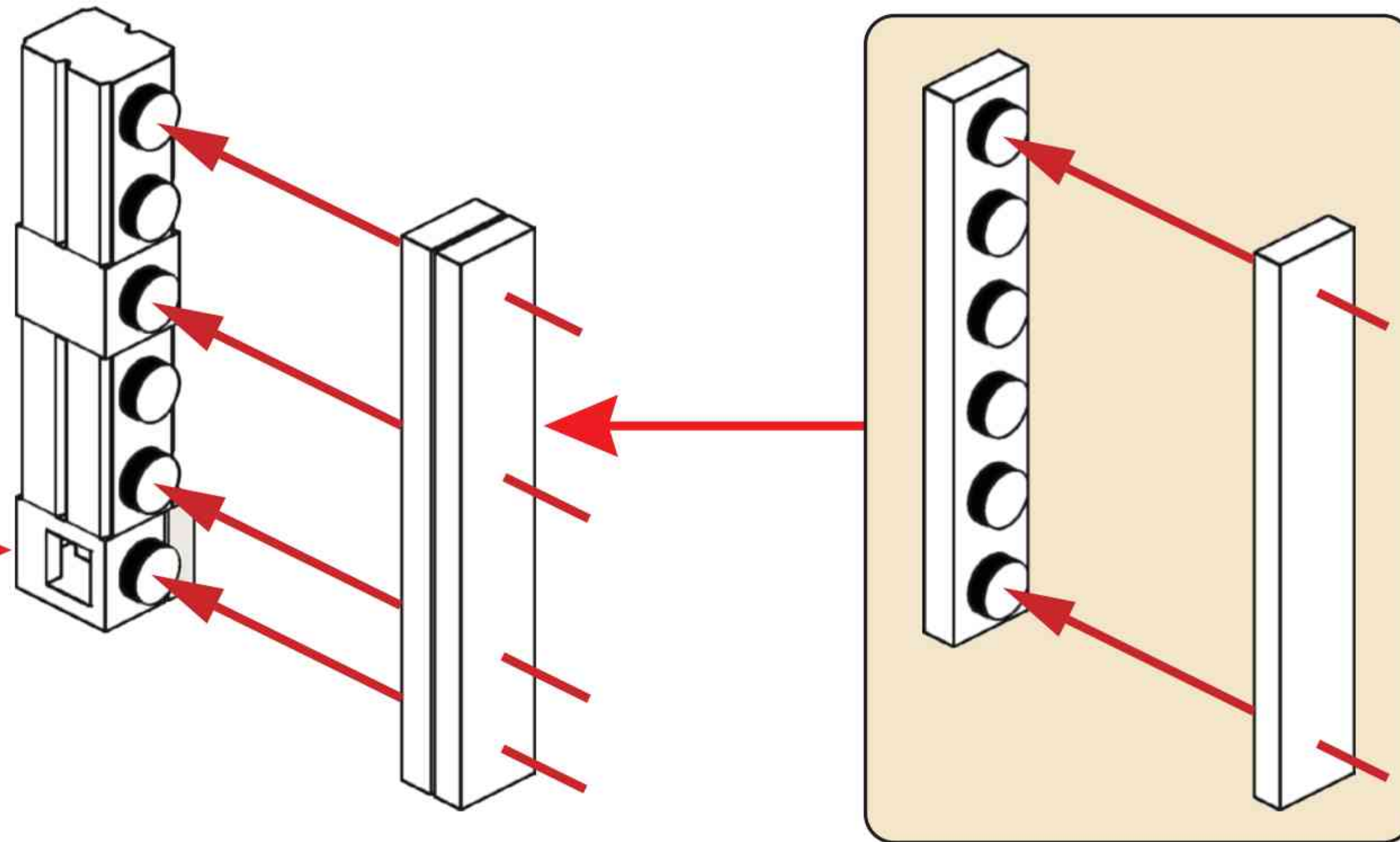
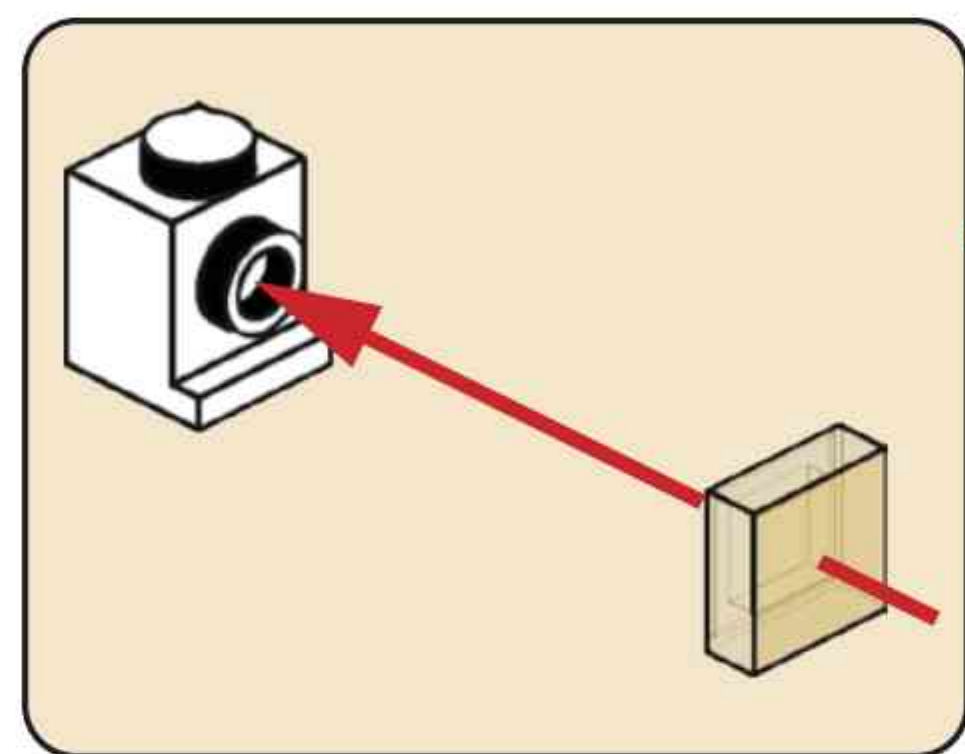
- 1x
- 1x
- 1x
- 1x
- 1x

C31

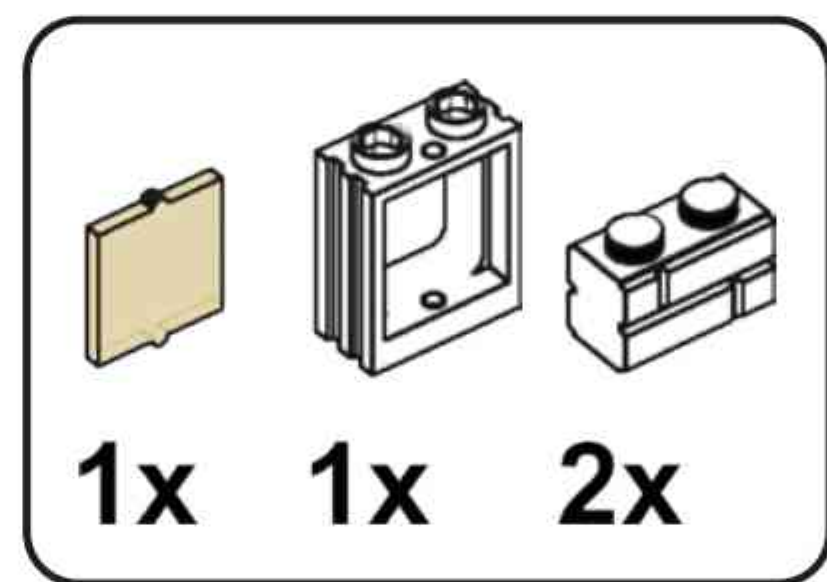
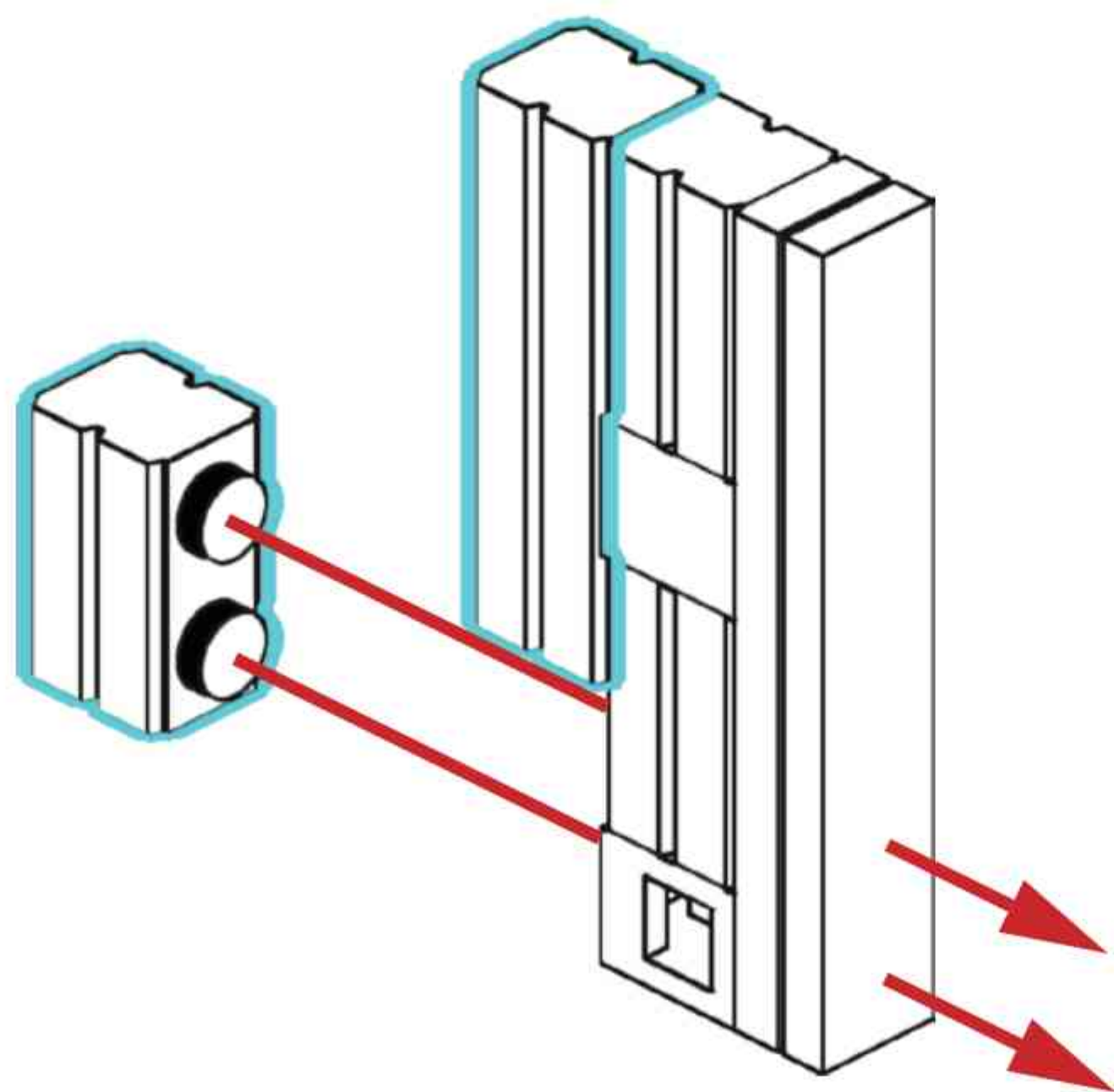




C32



C33



C34

