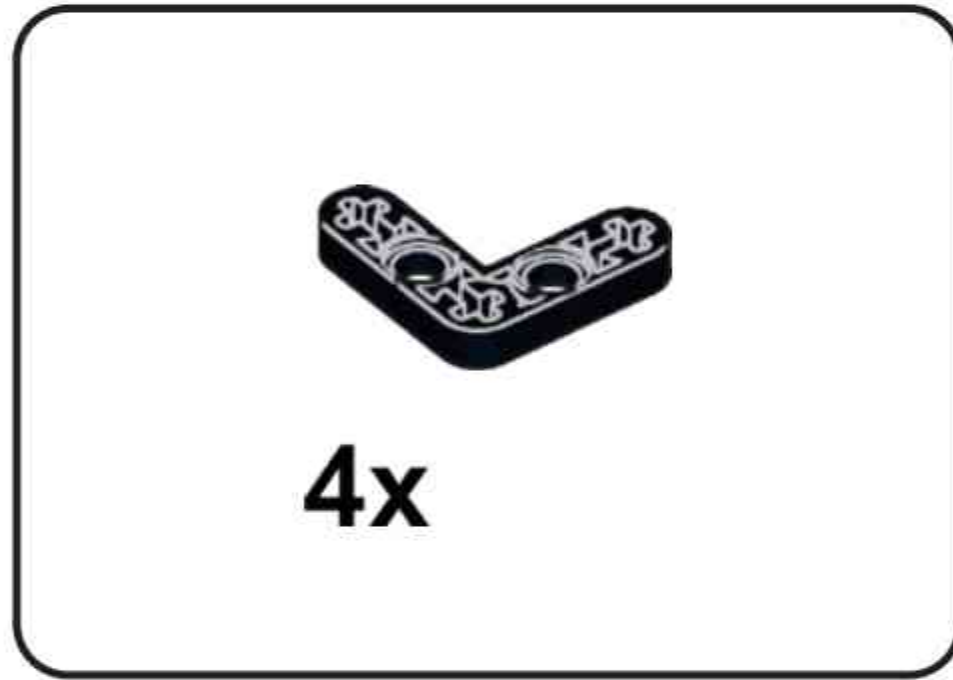
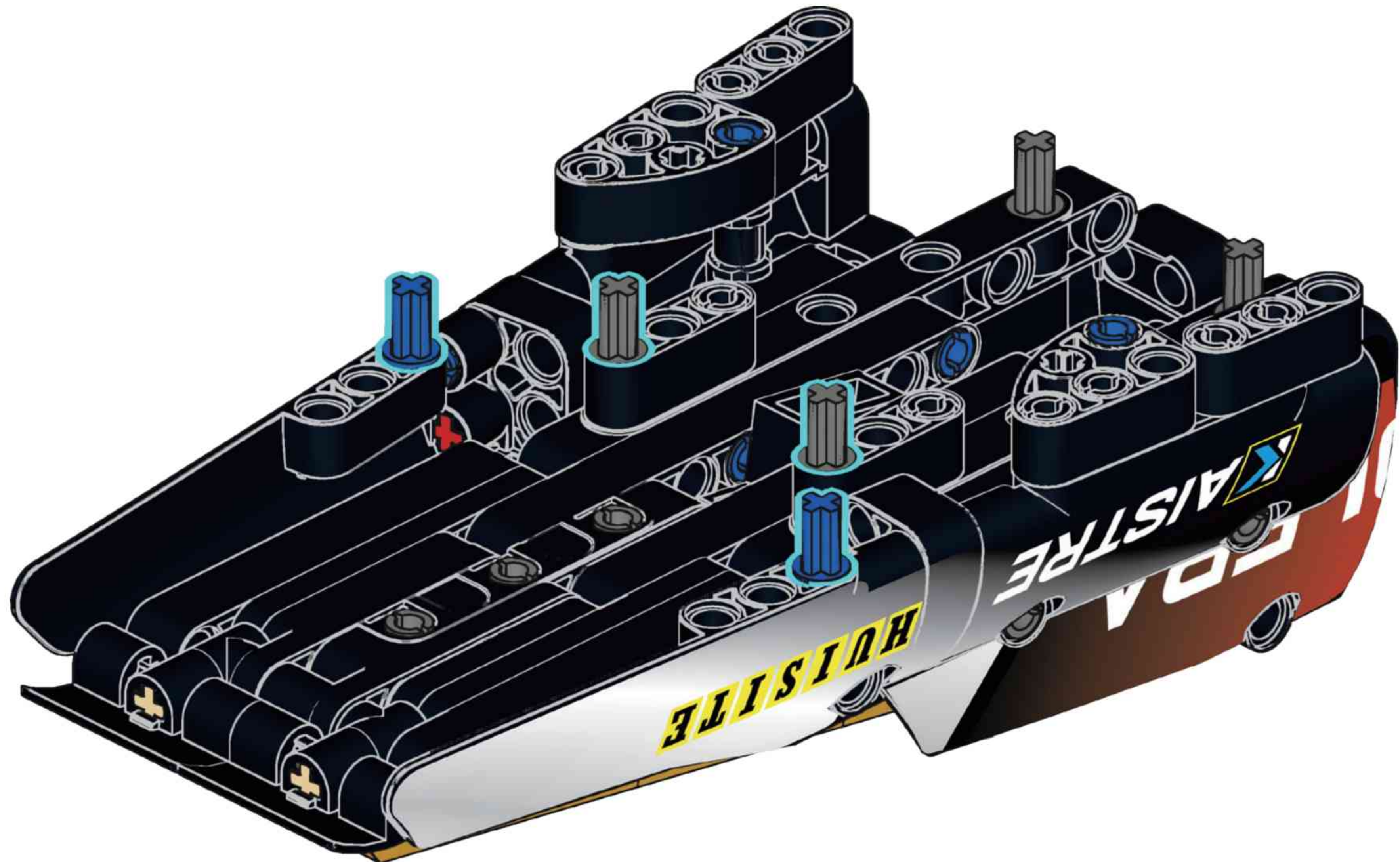
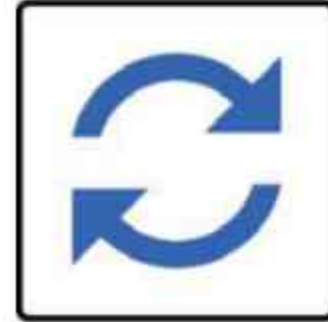
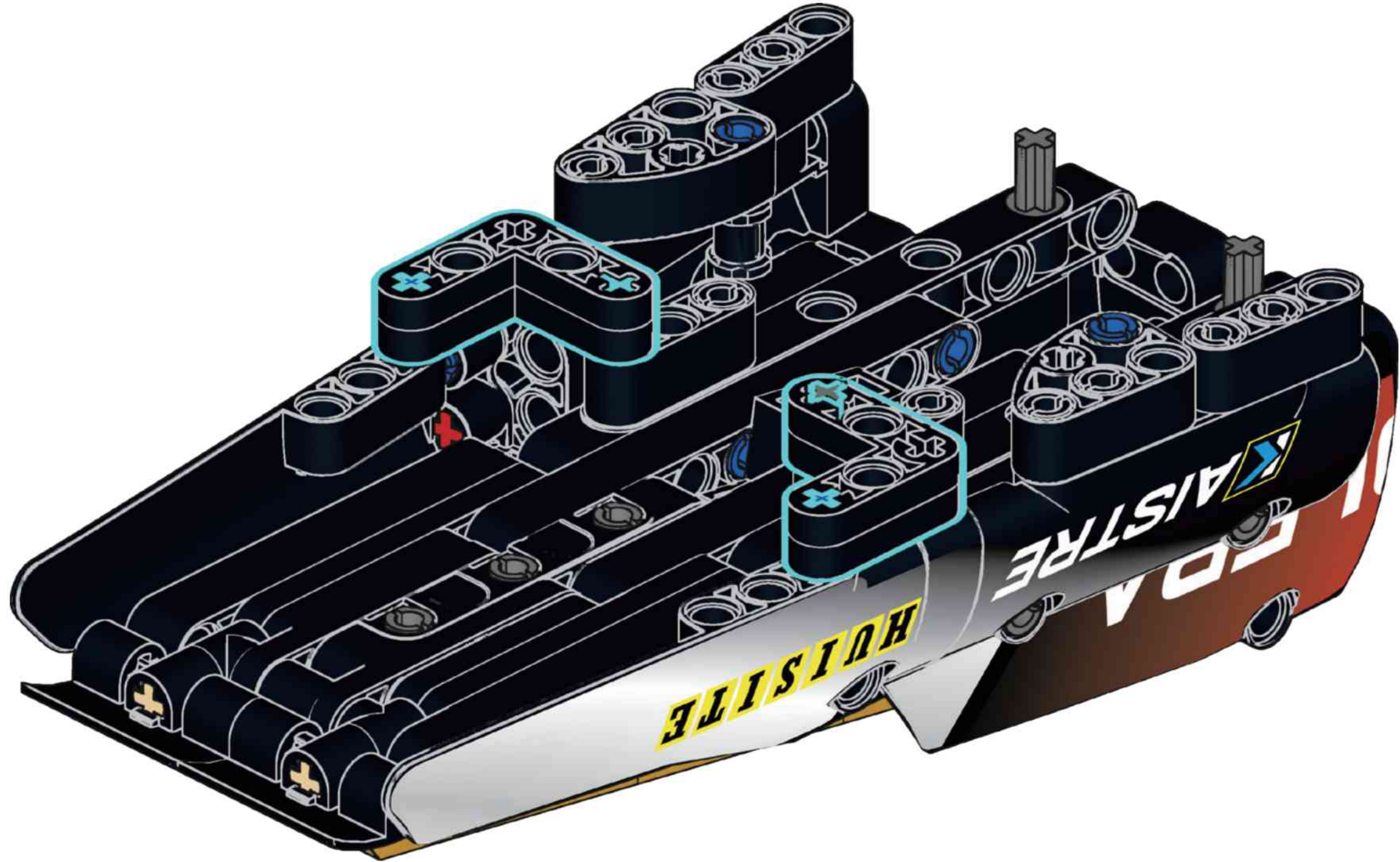


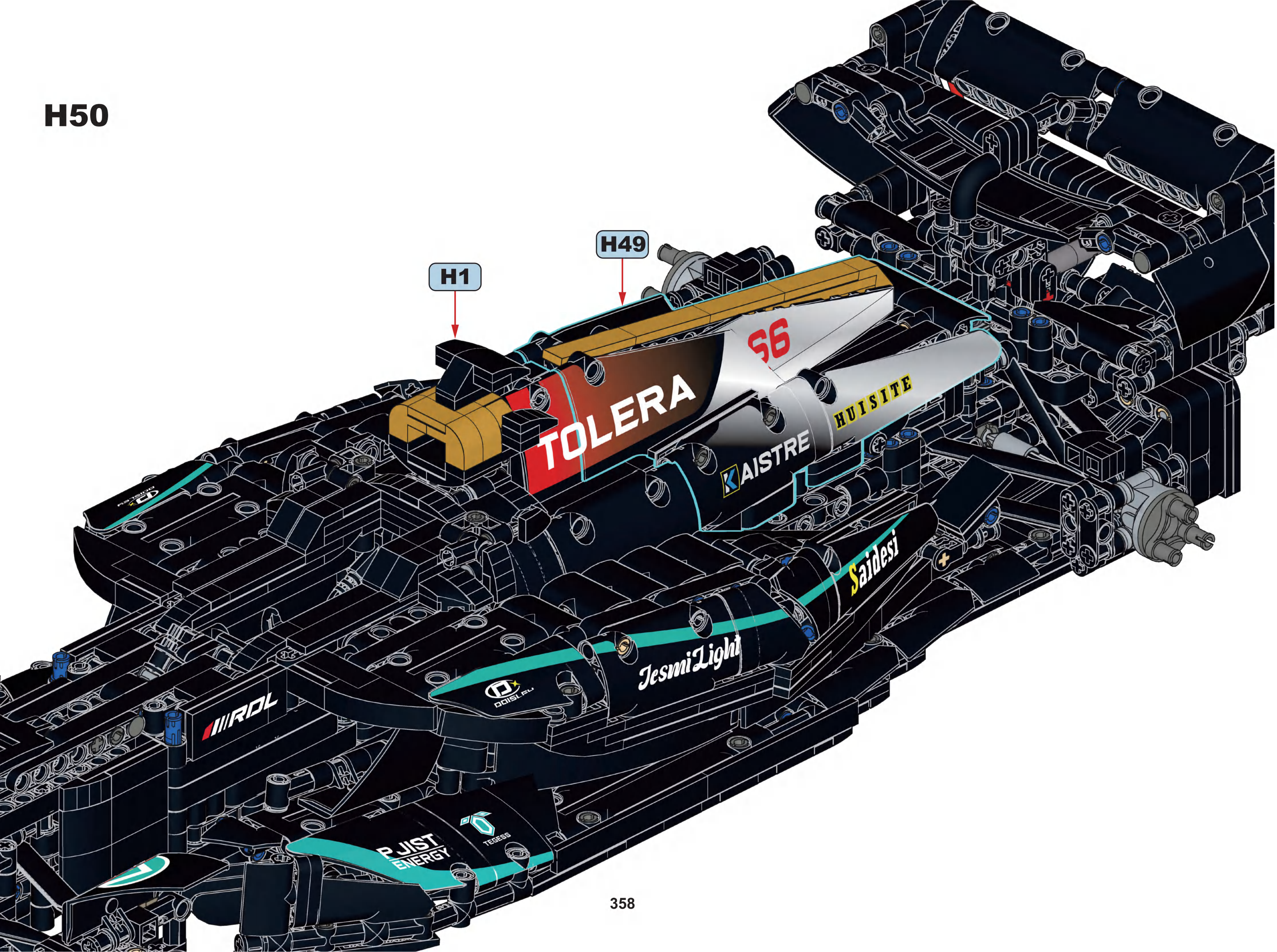
H48

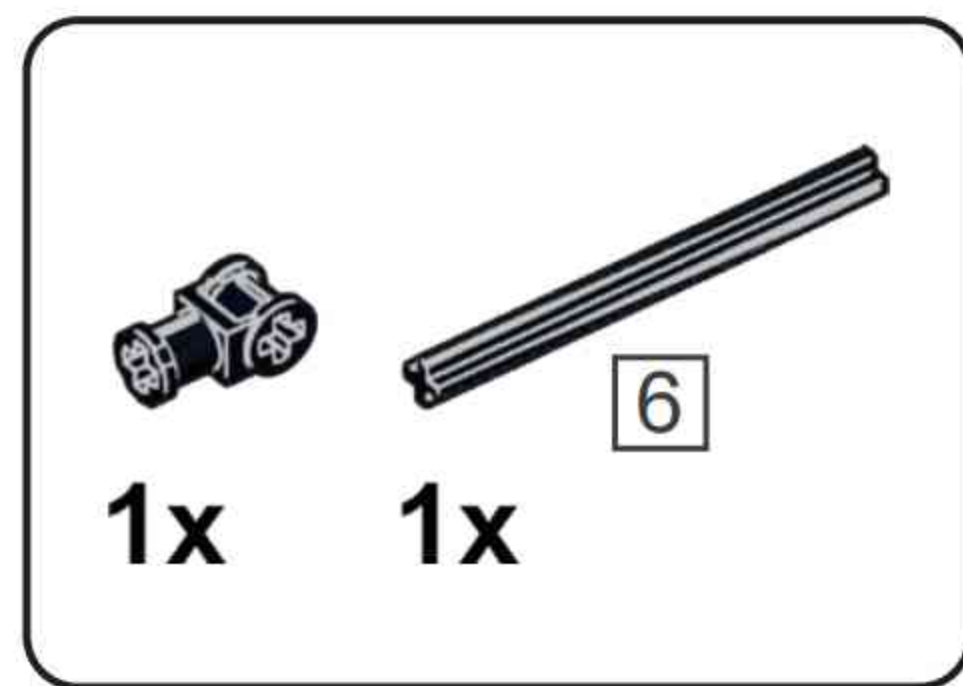


H49

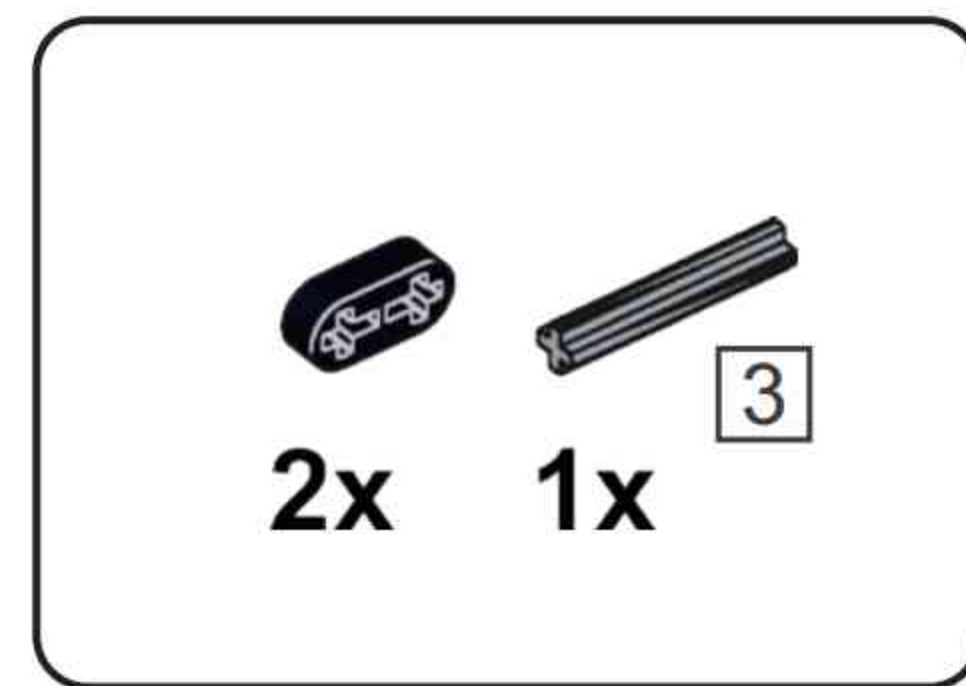


H50

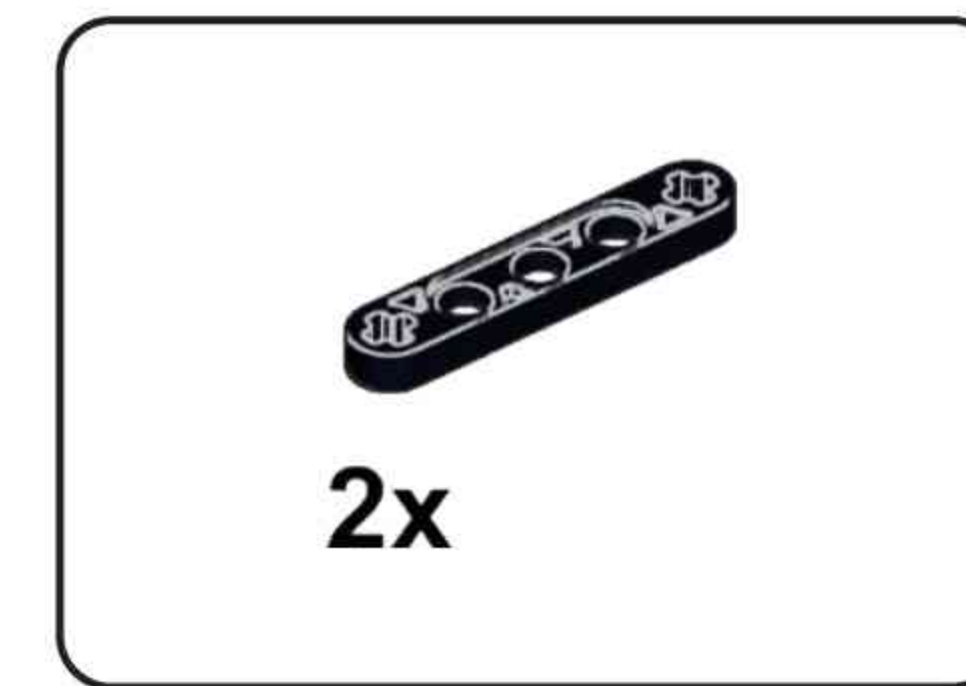
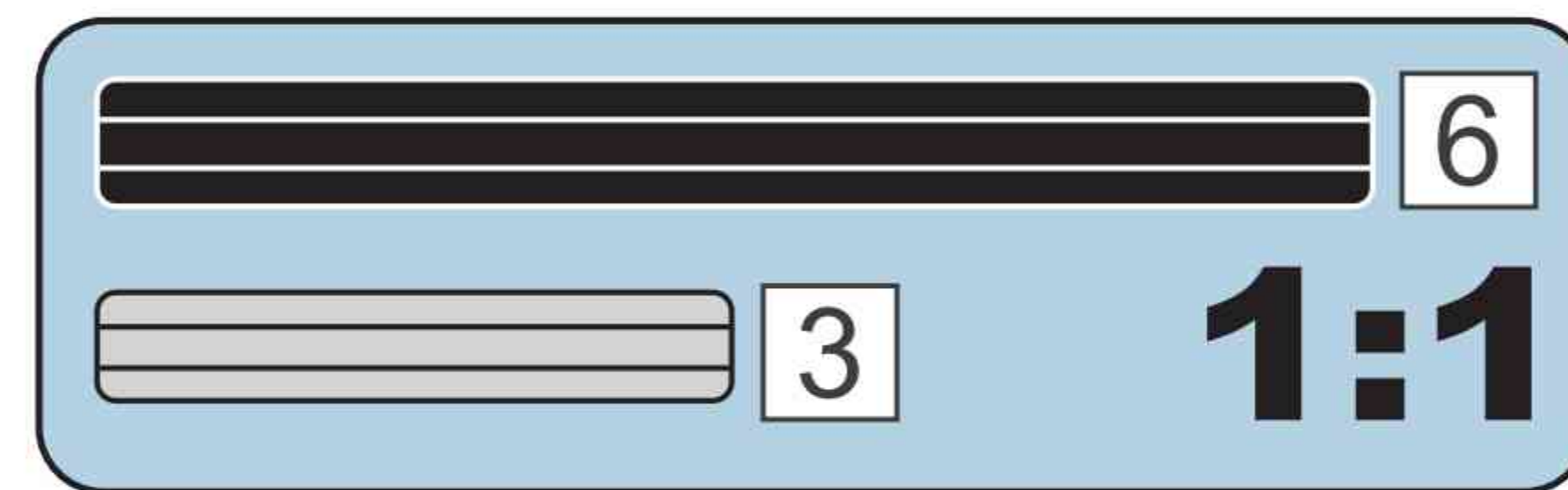
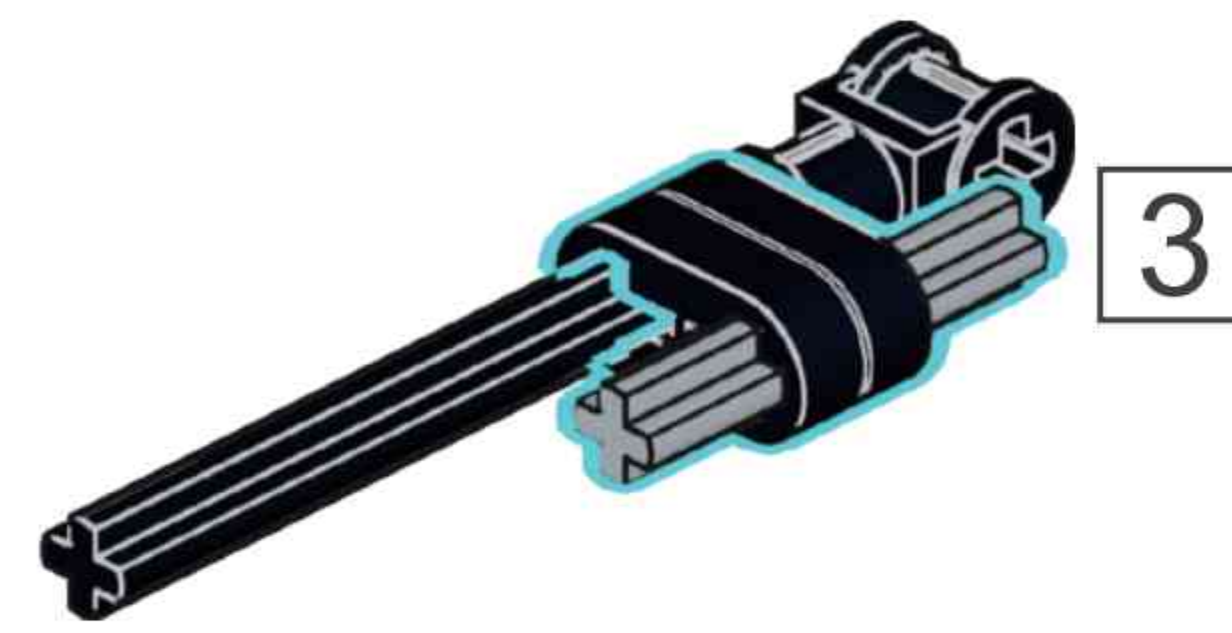




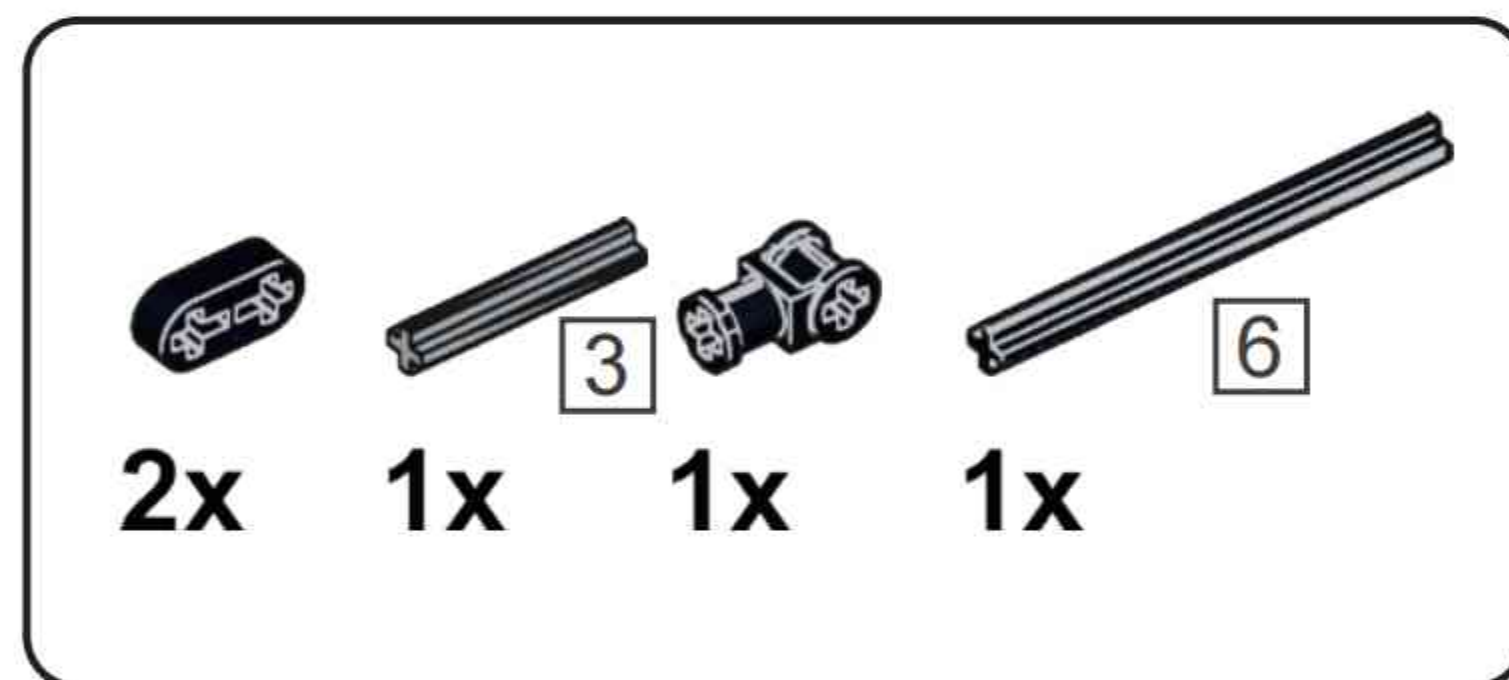
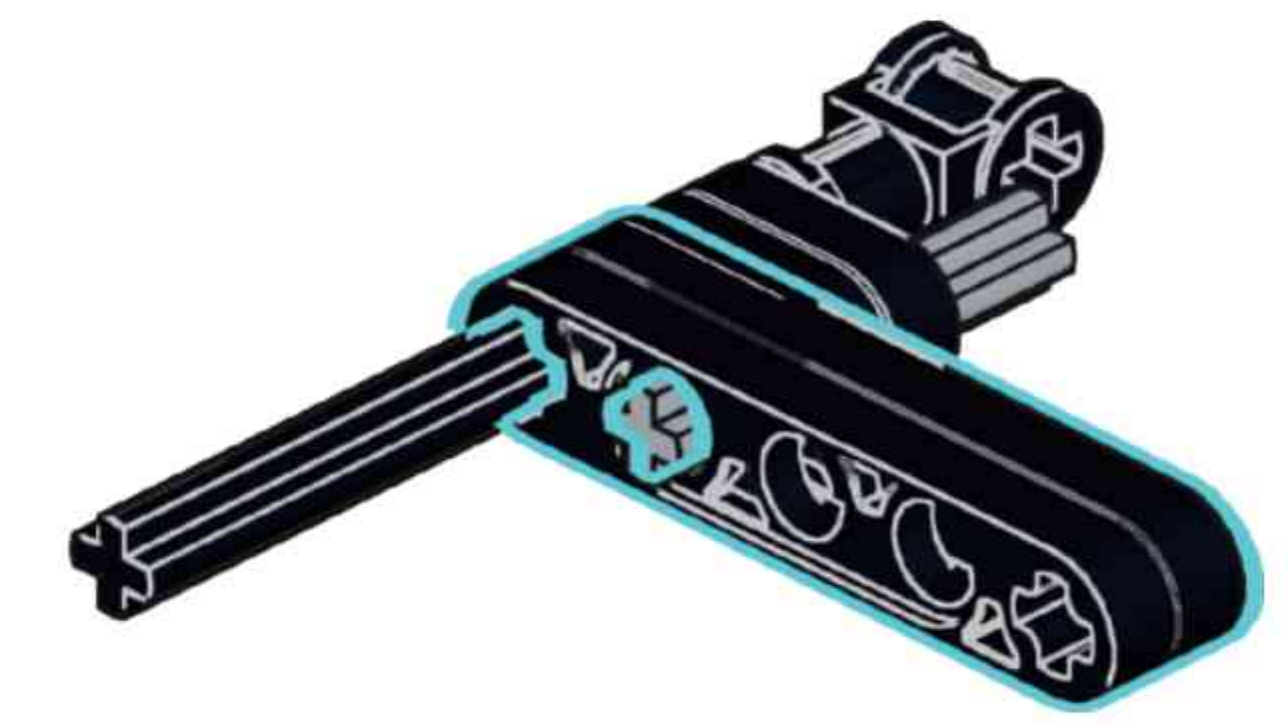
H51



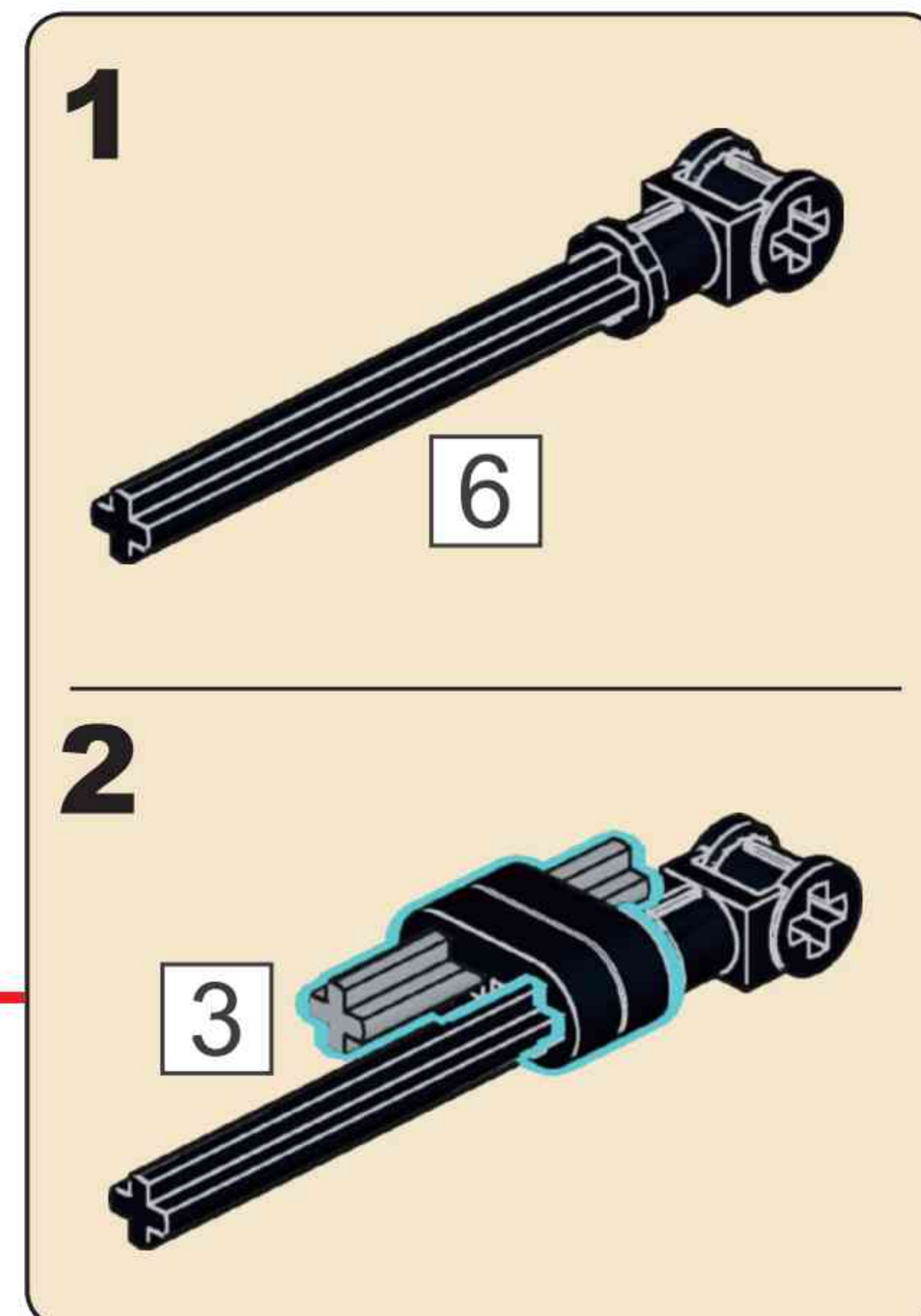
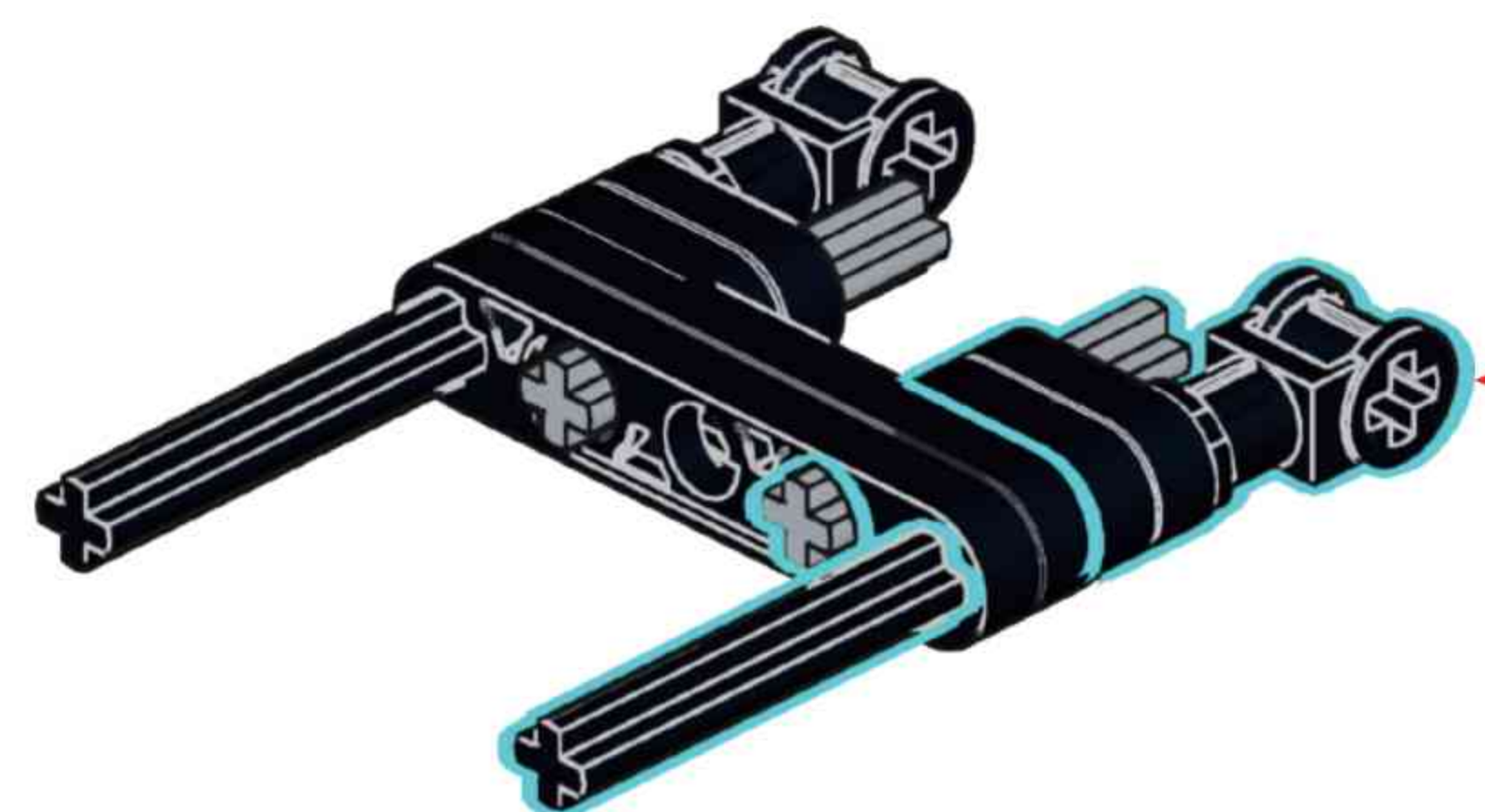
H52



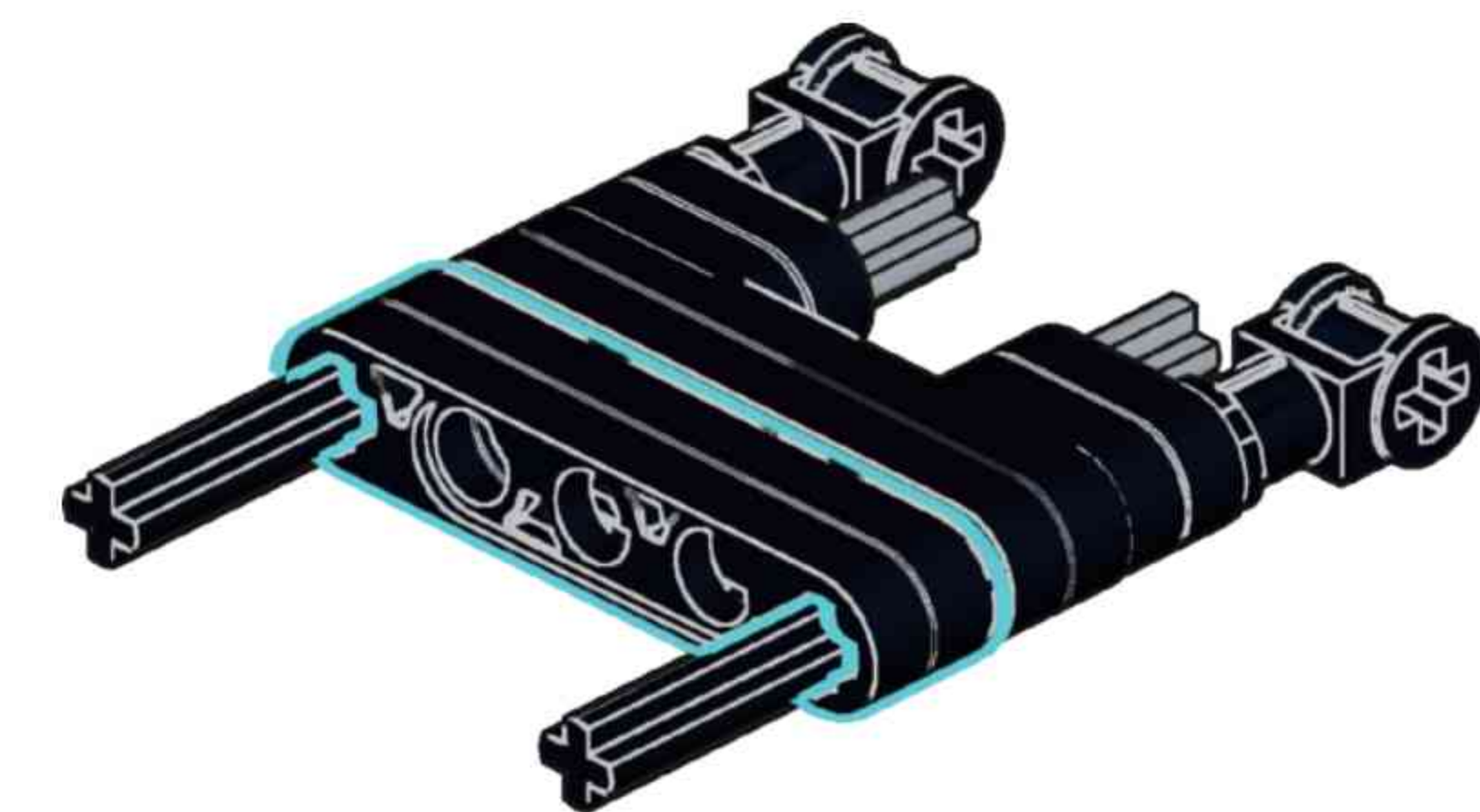
H53

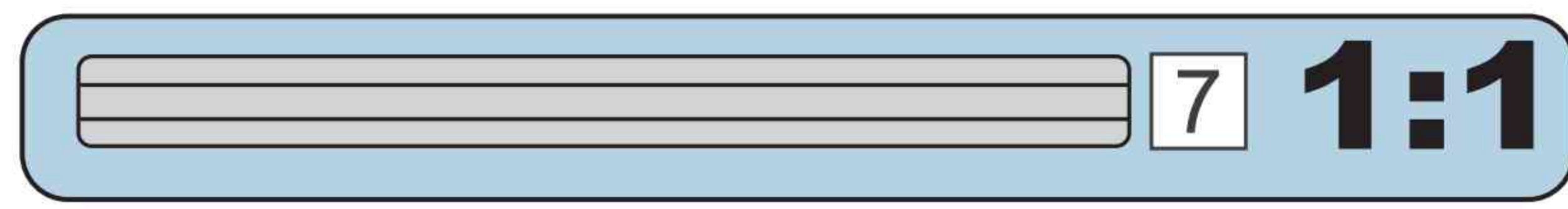
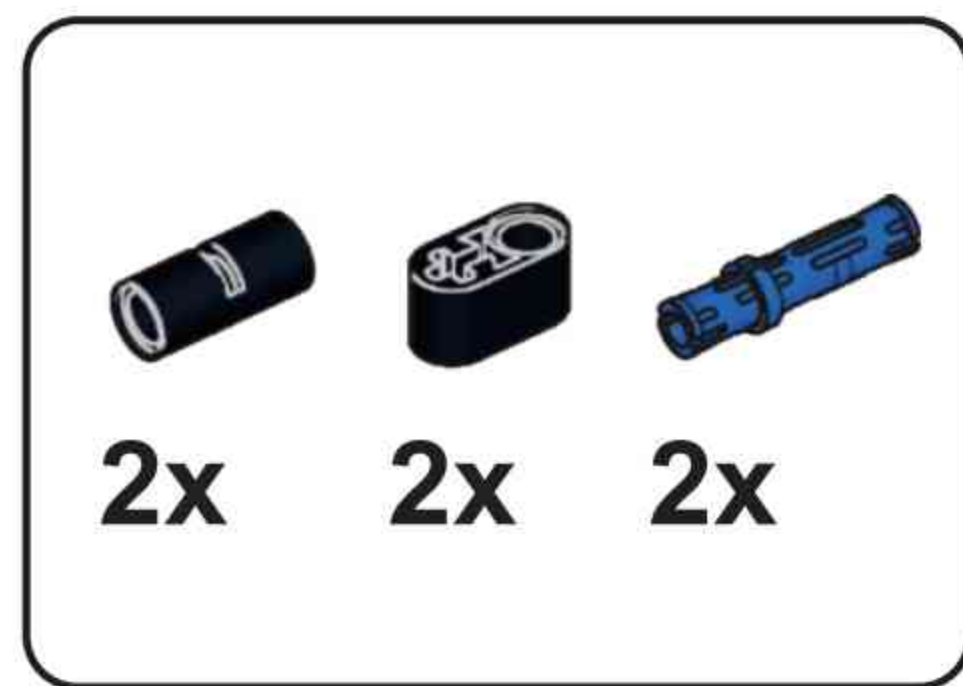


H54

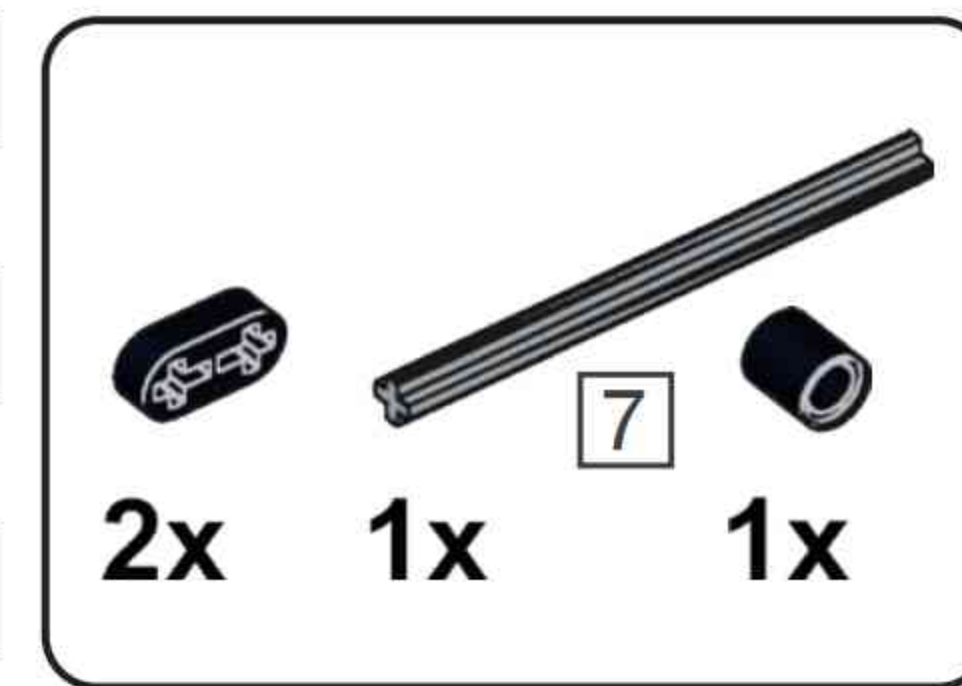
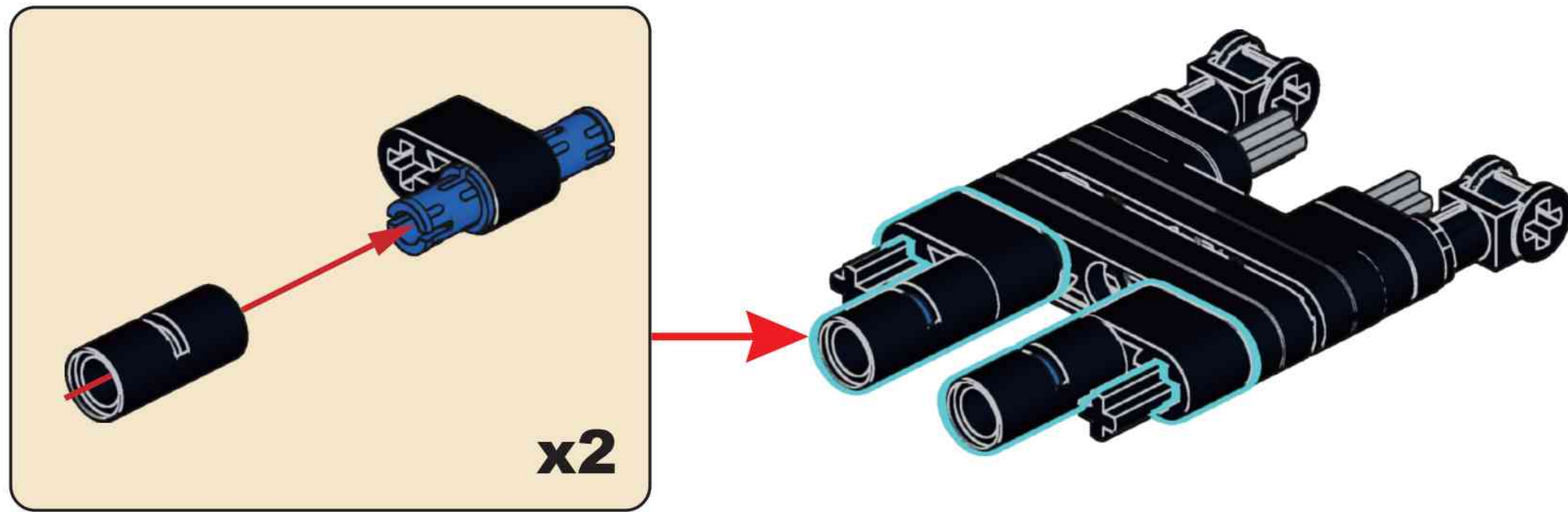


H55

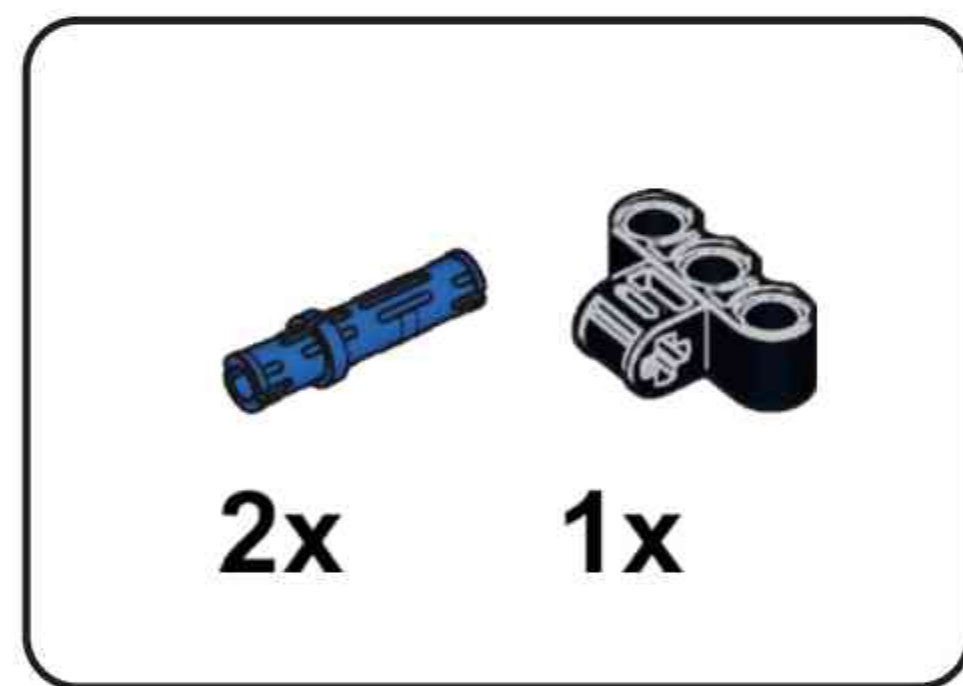
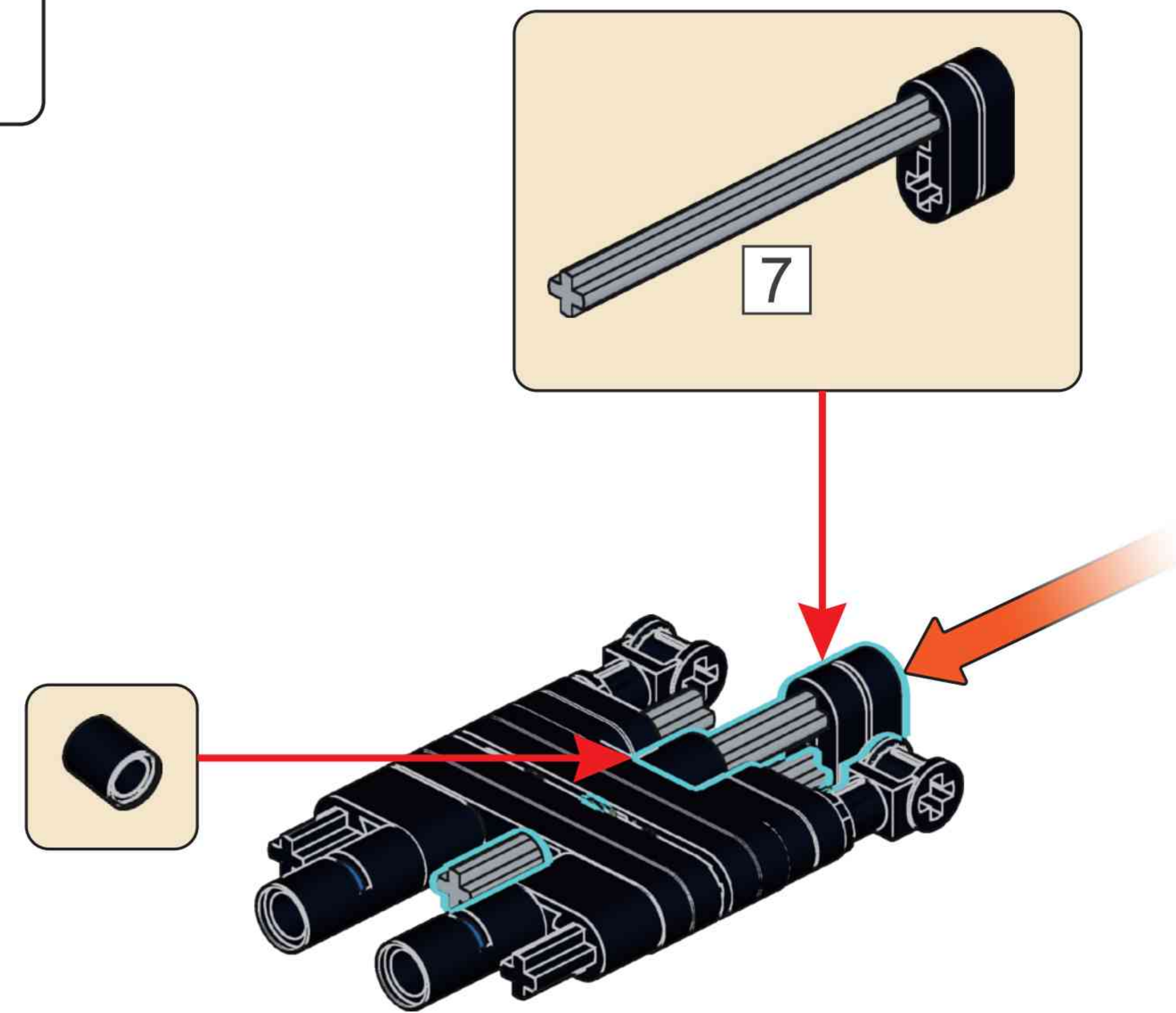




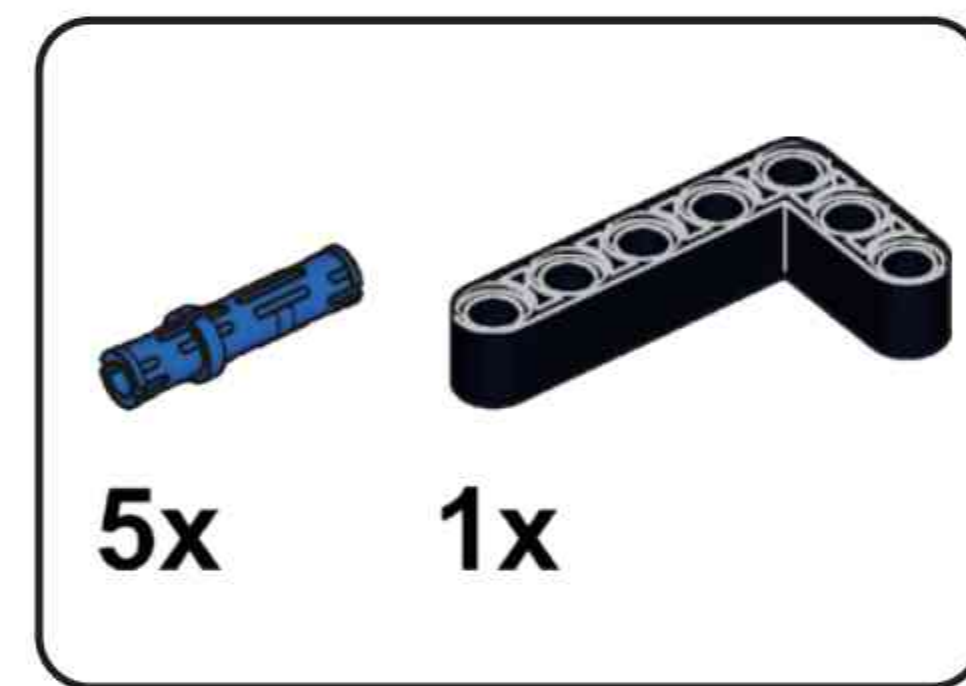
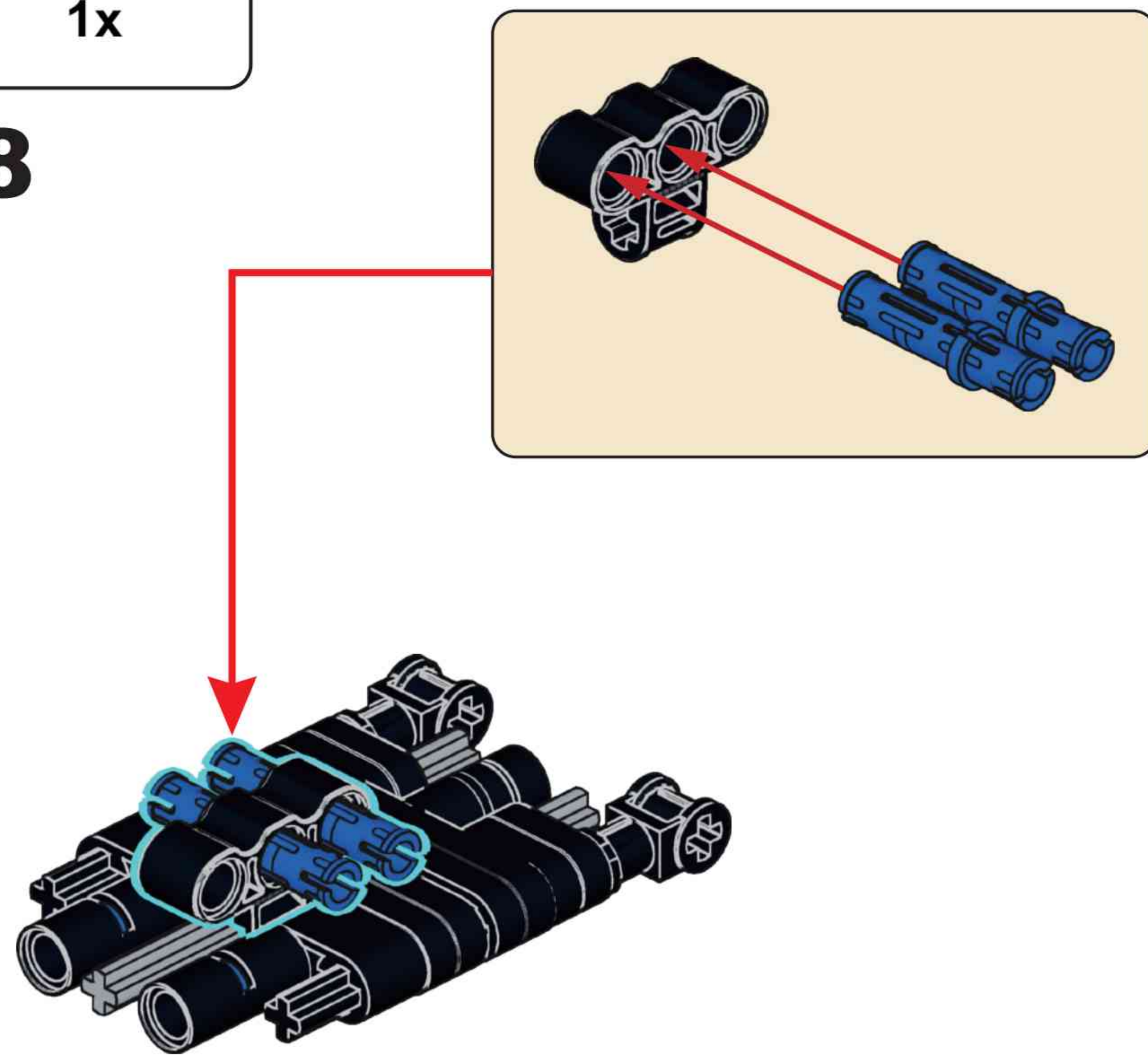
H56



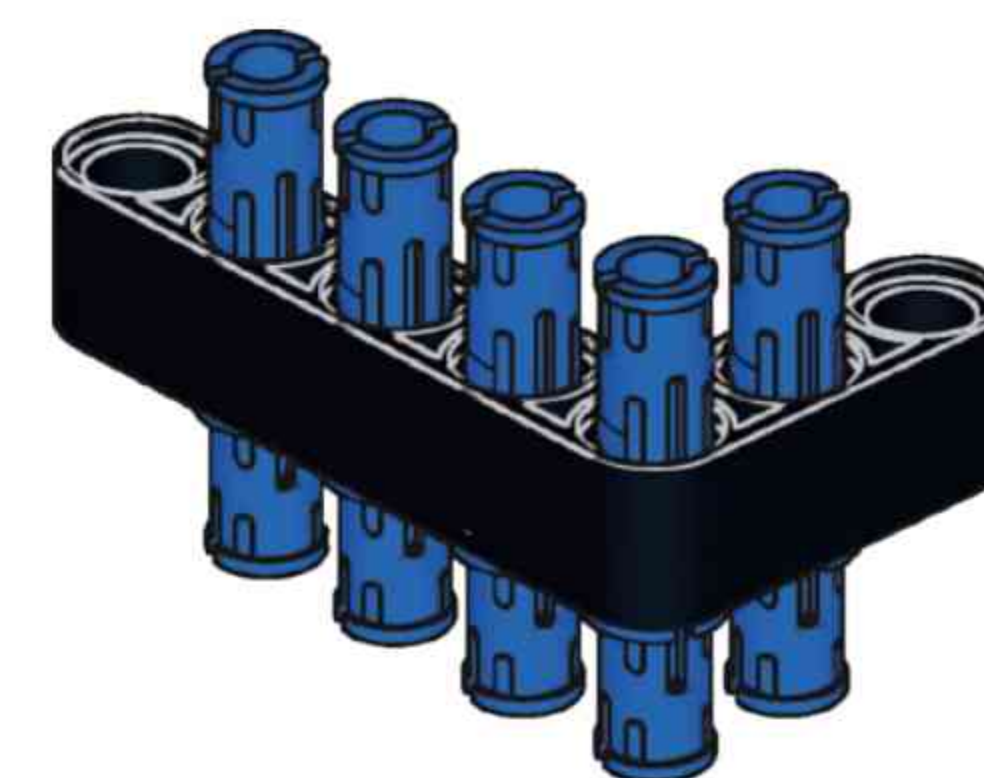
H57



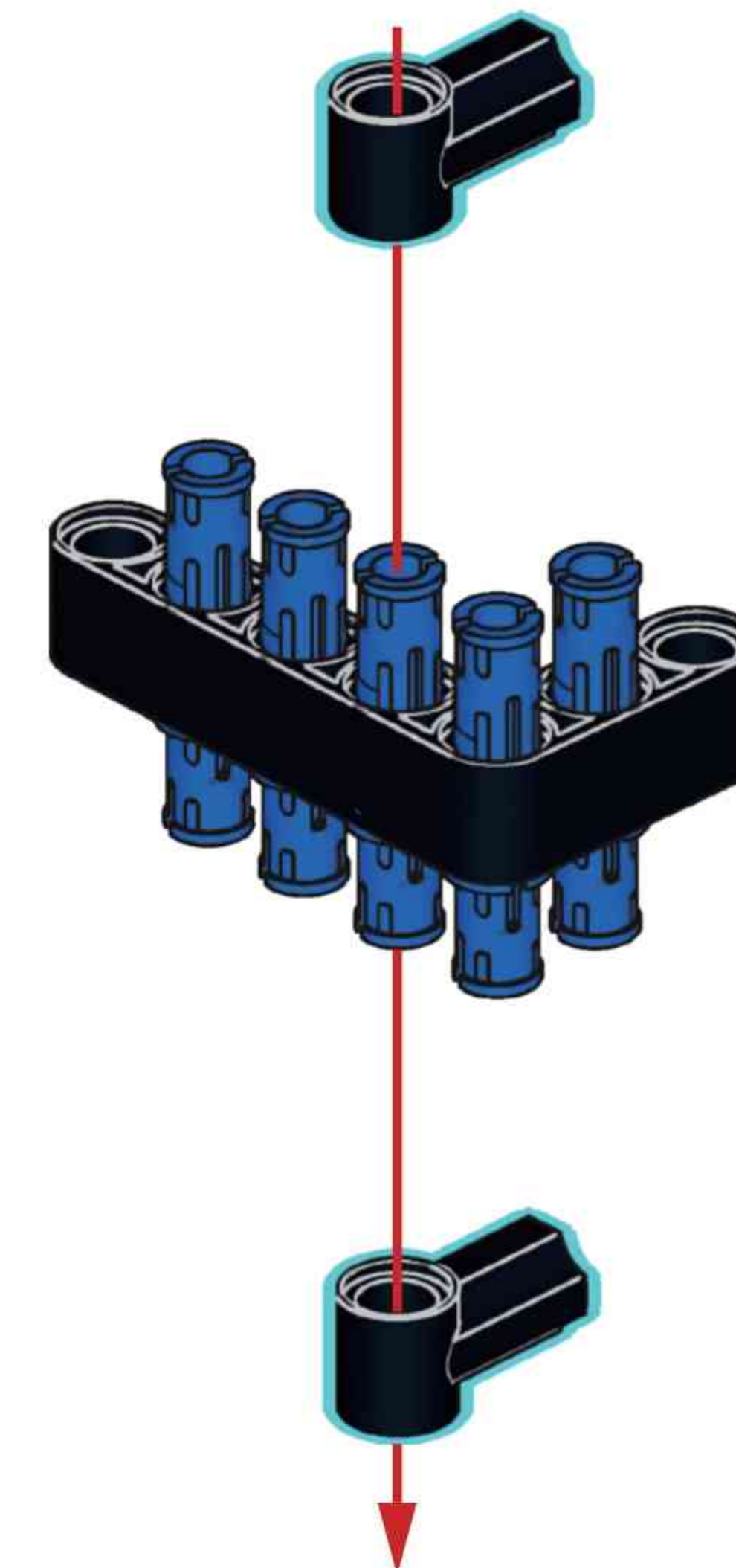
H58



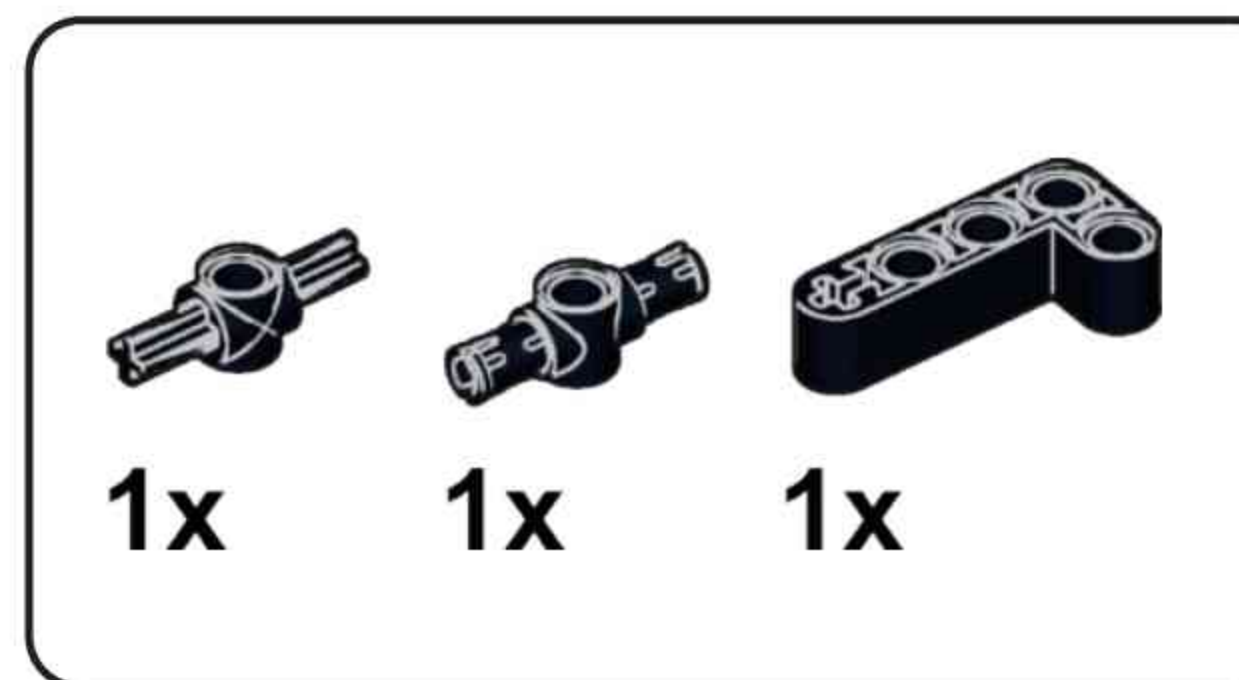
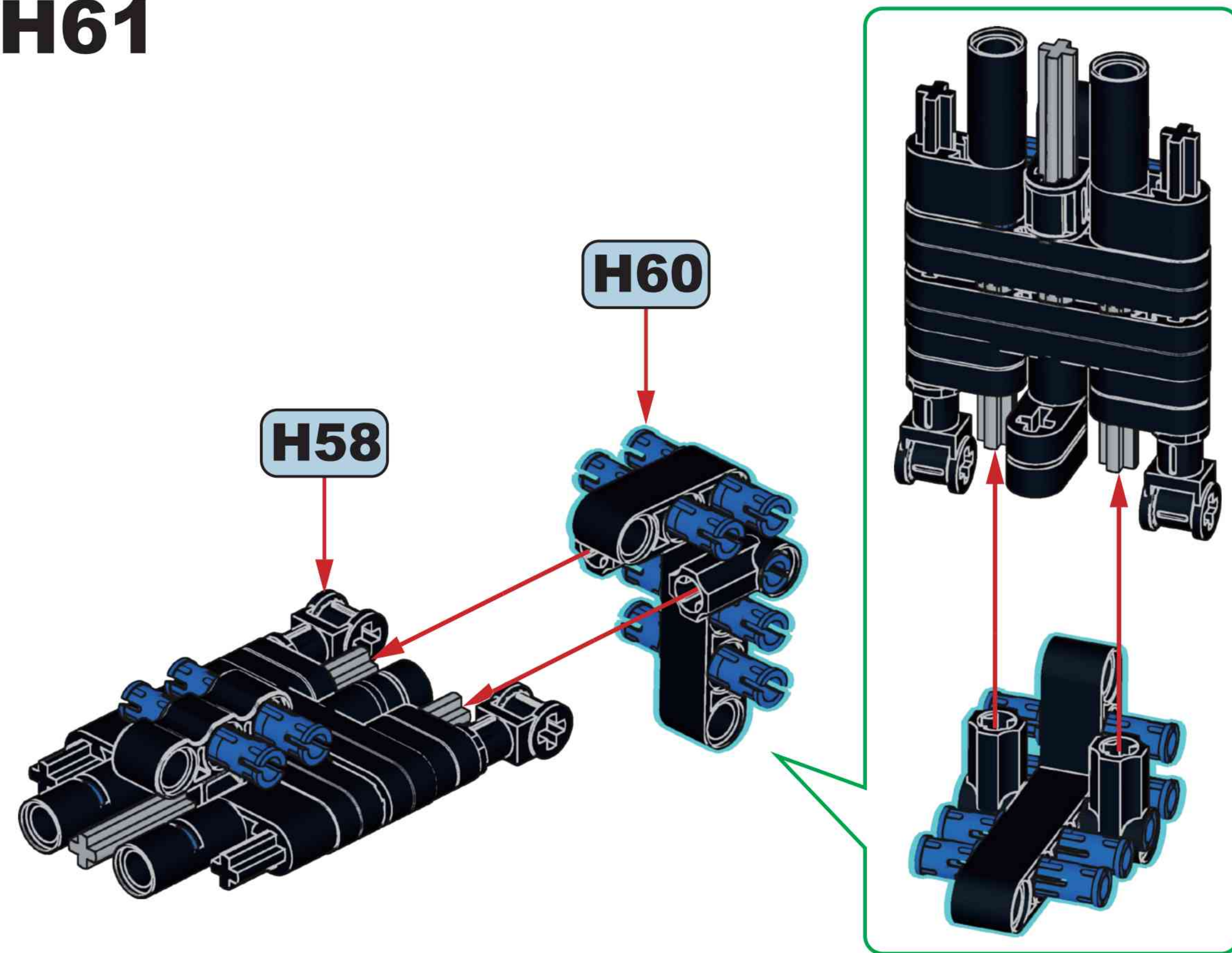
H59



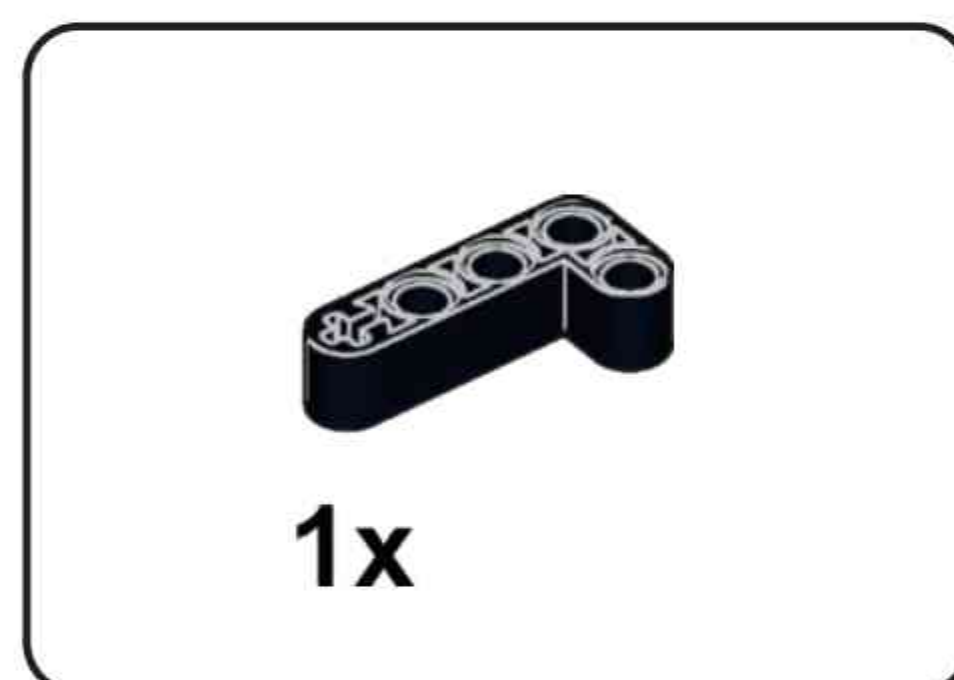
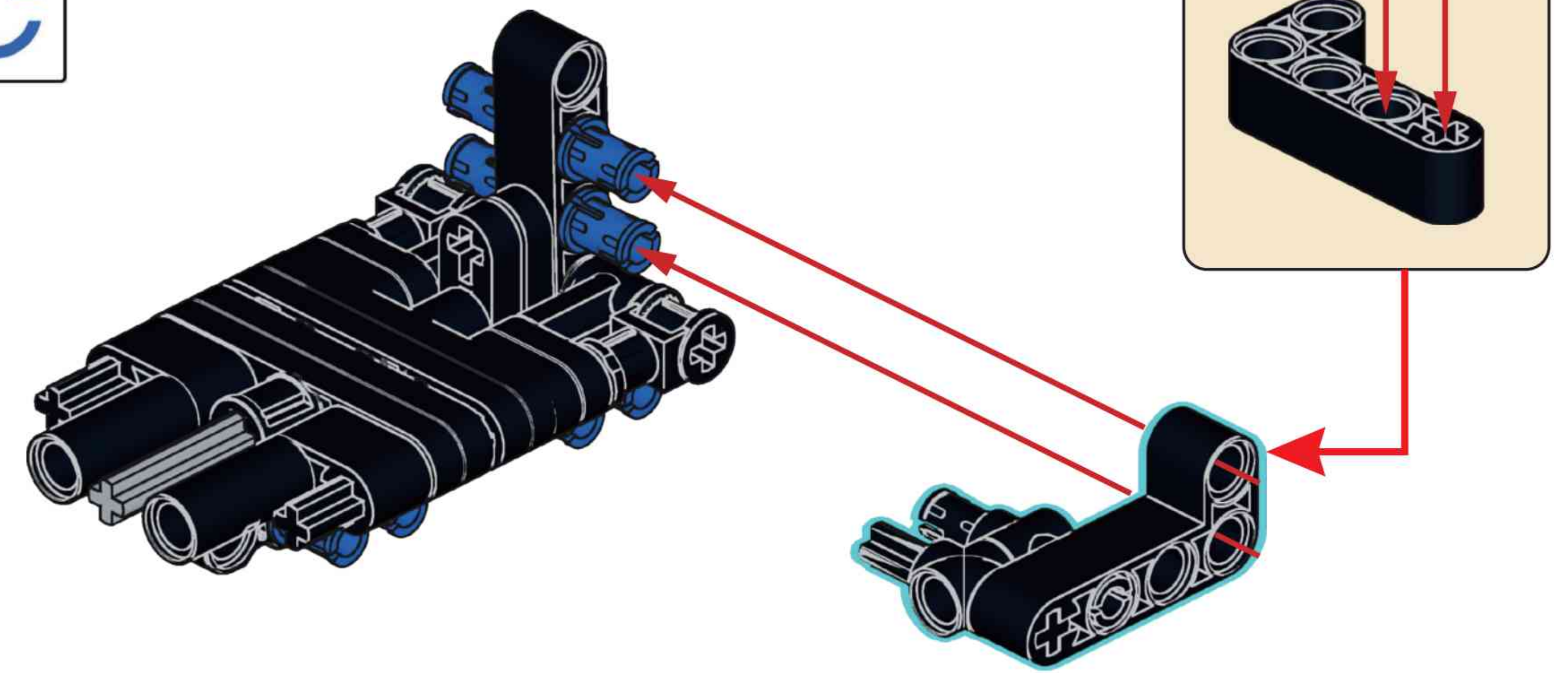
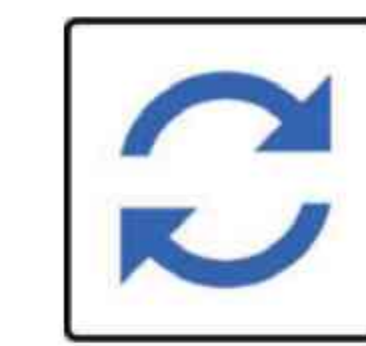
H60



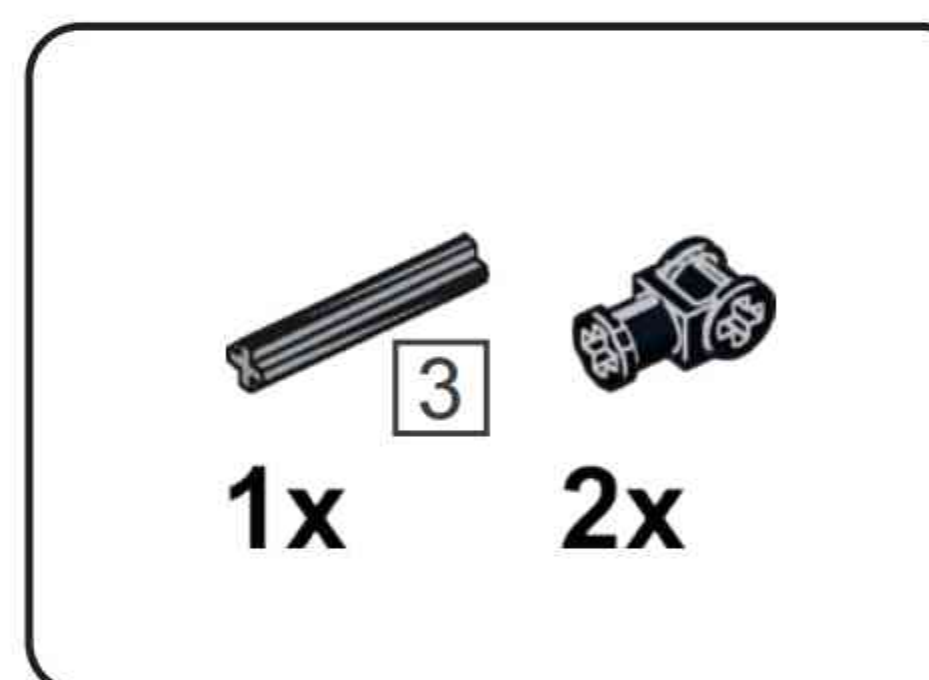
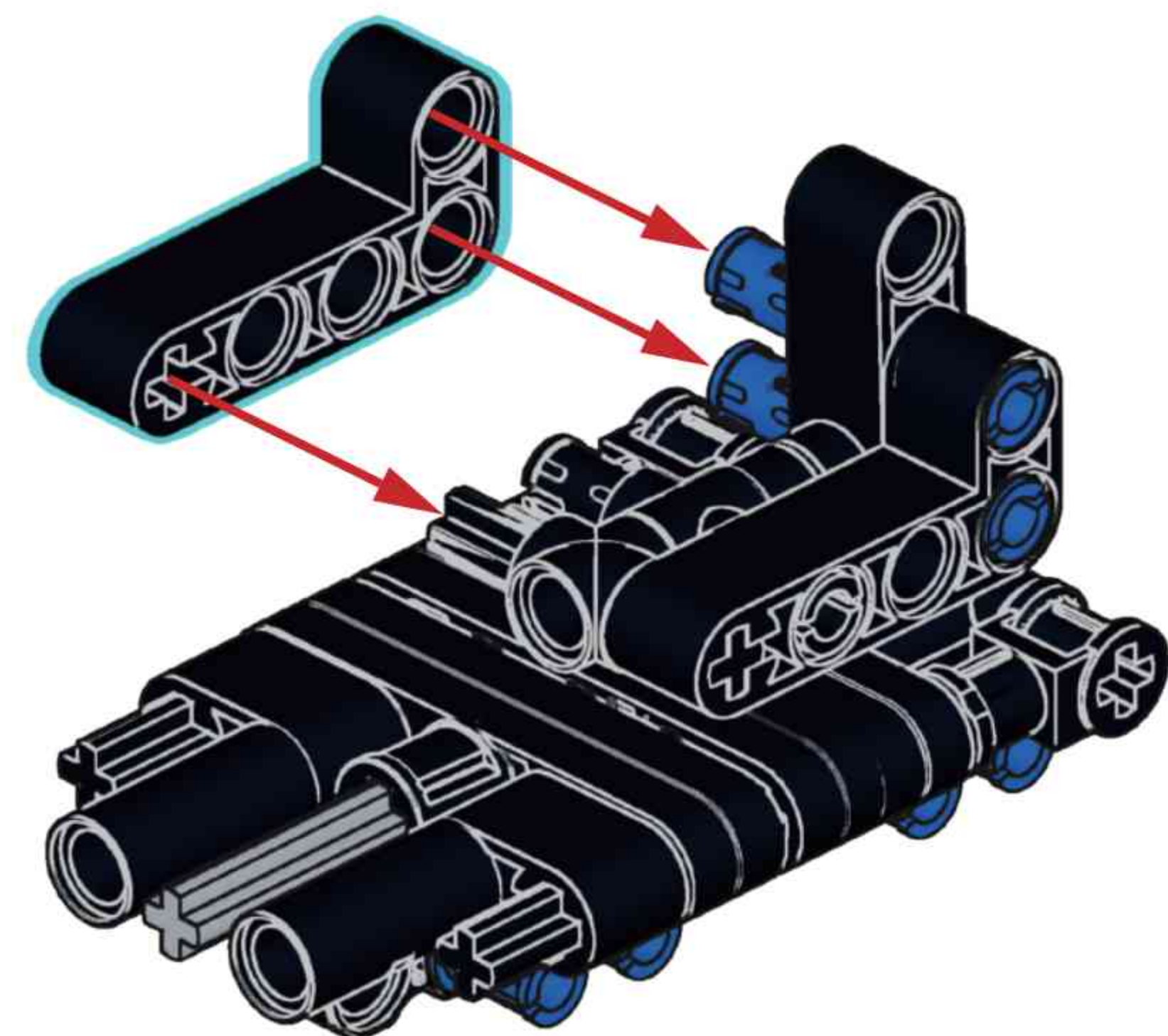
H61



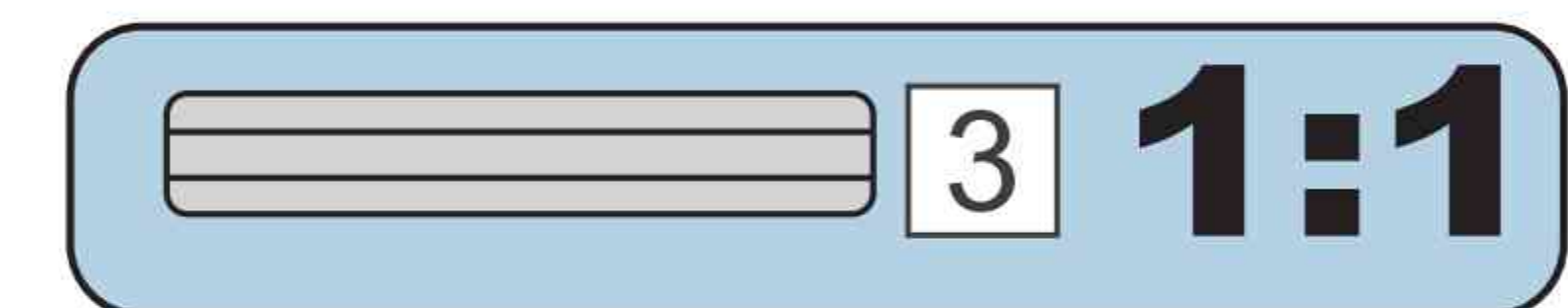
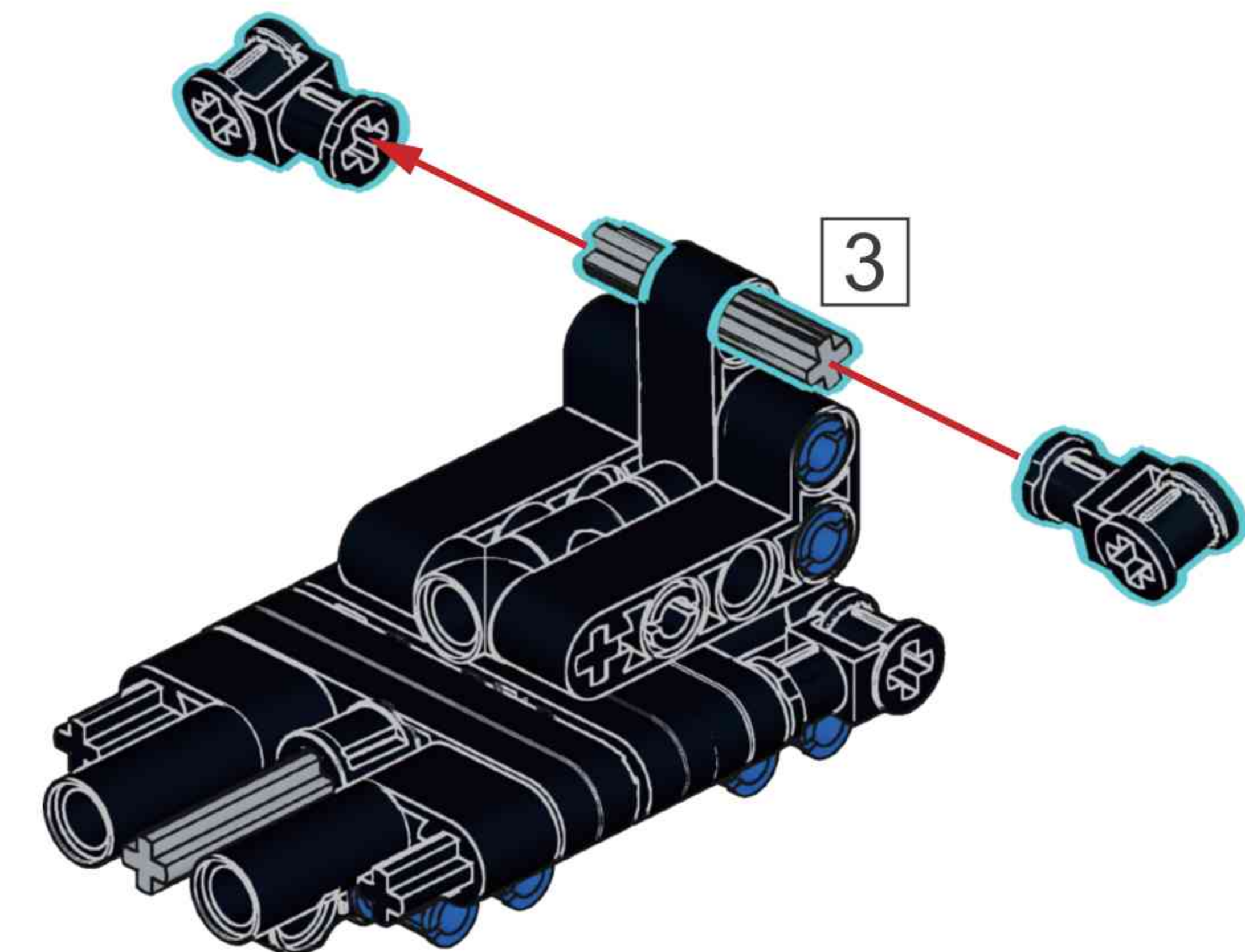
H62

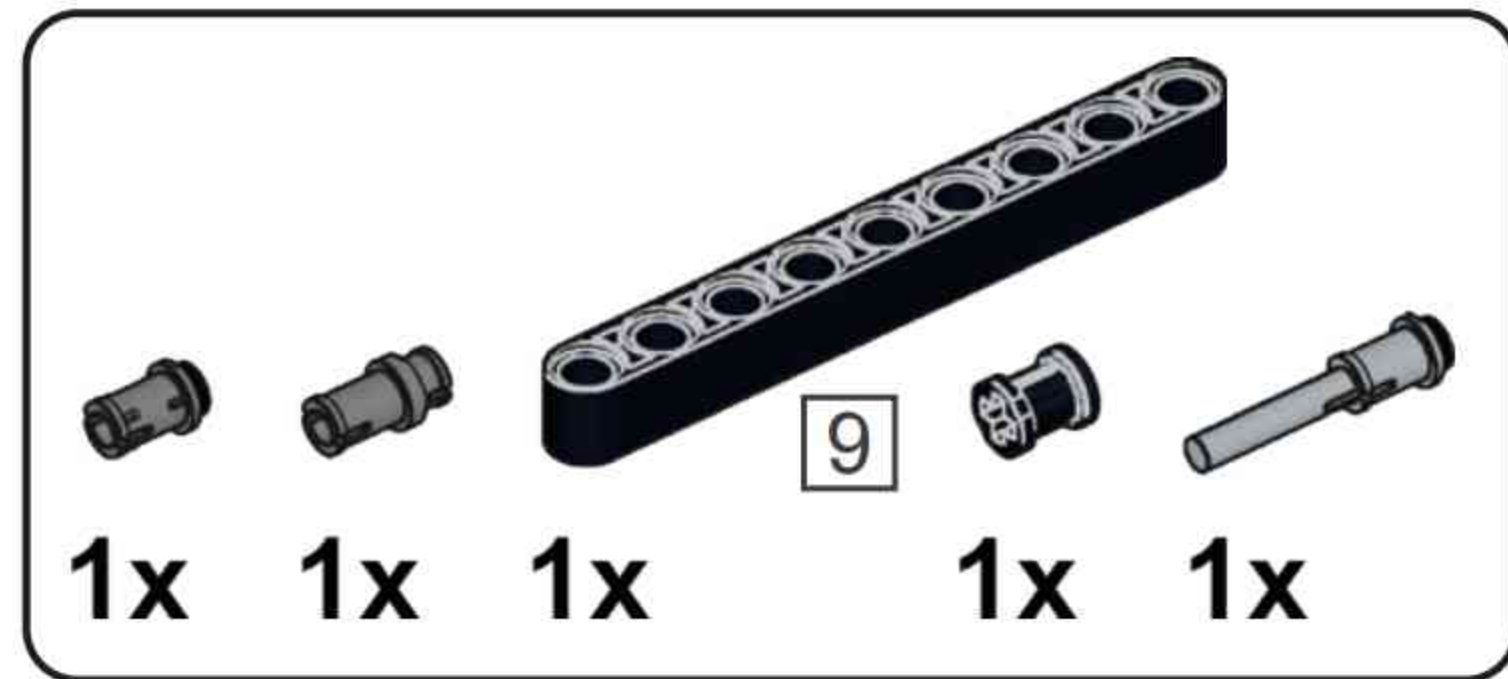


H63

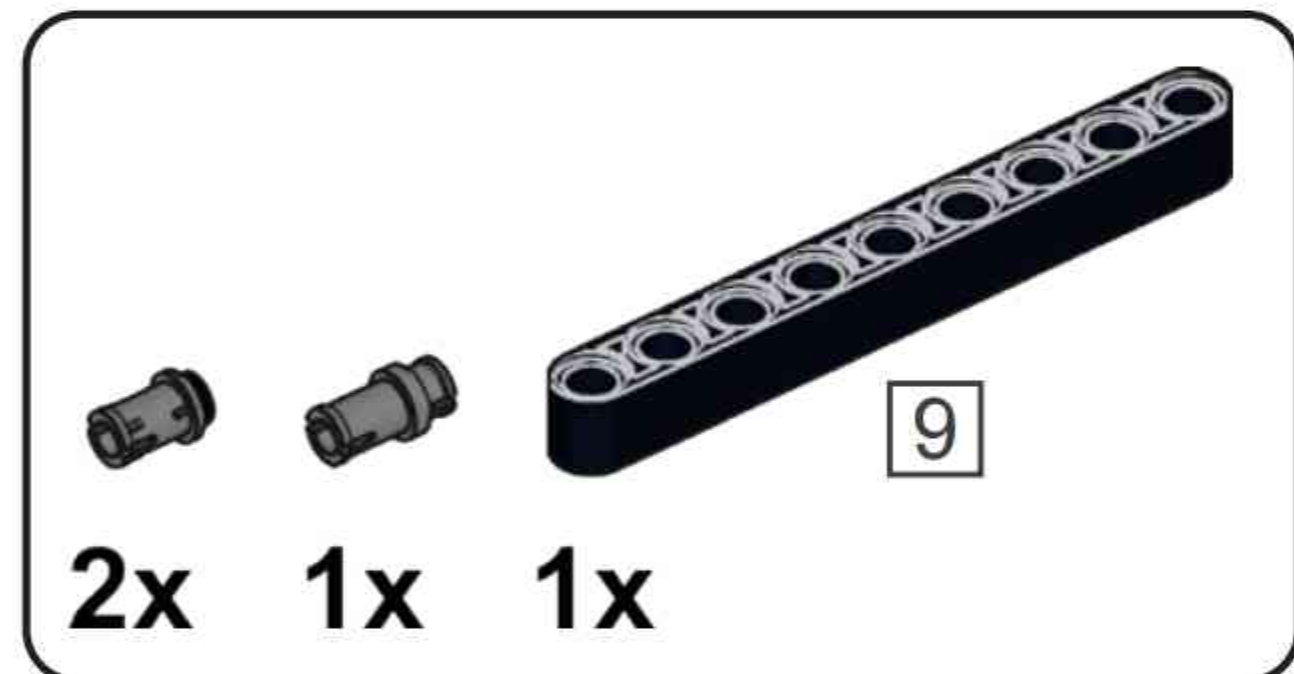
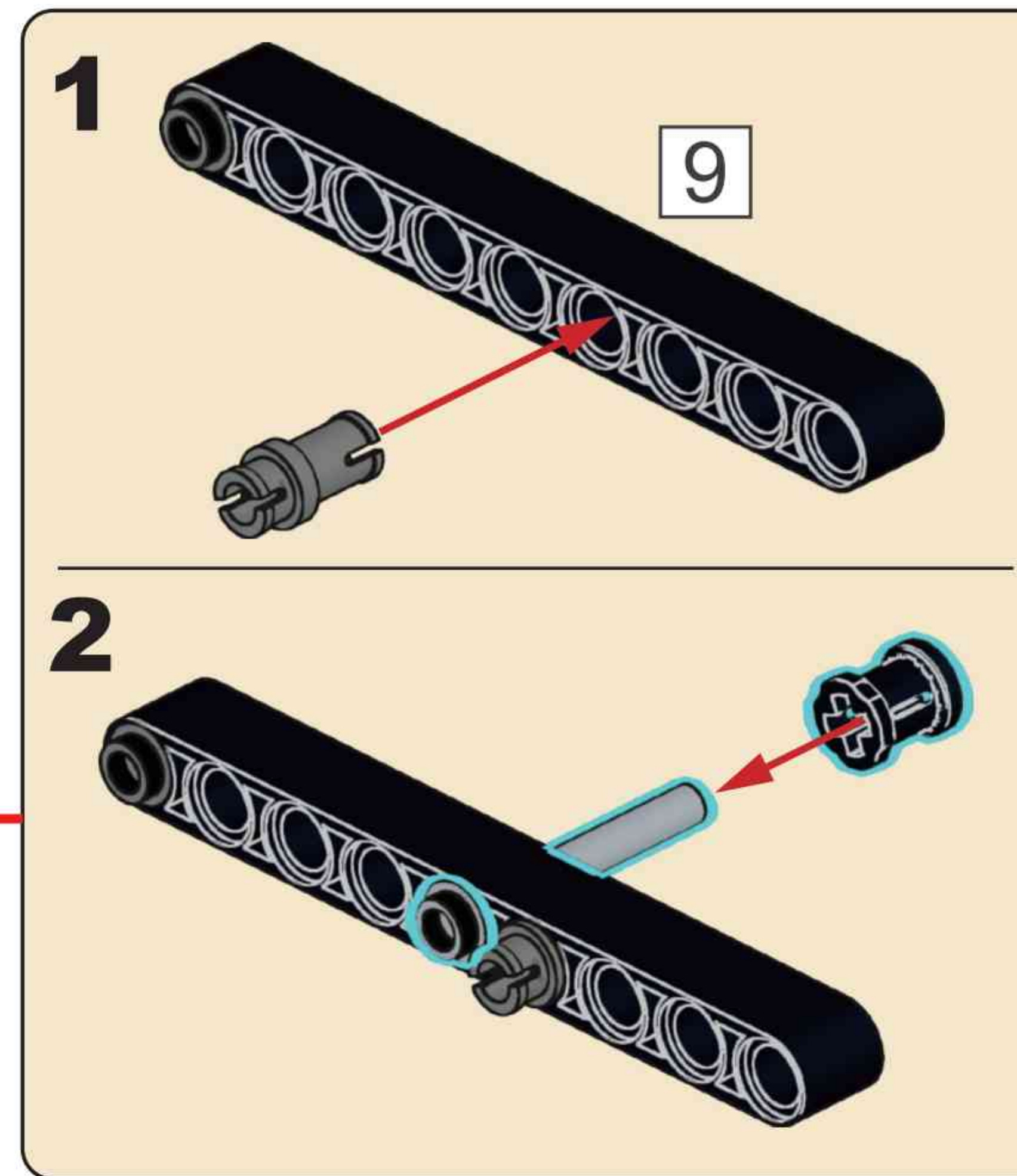
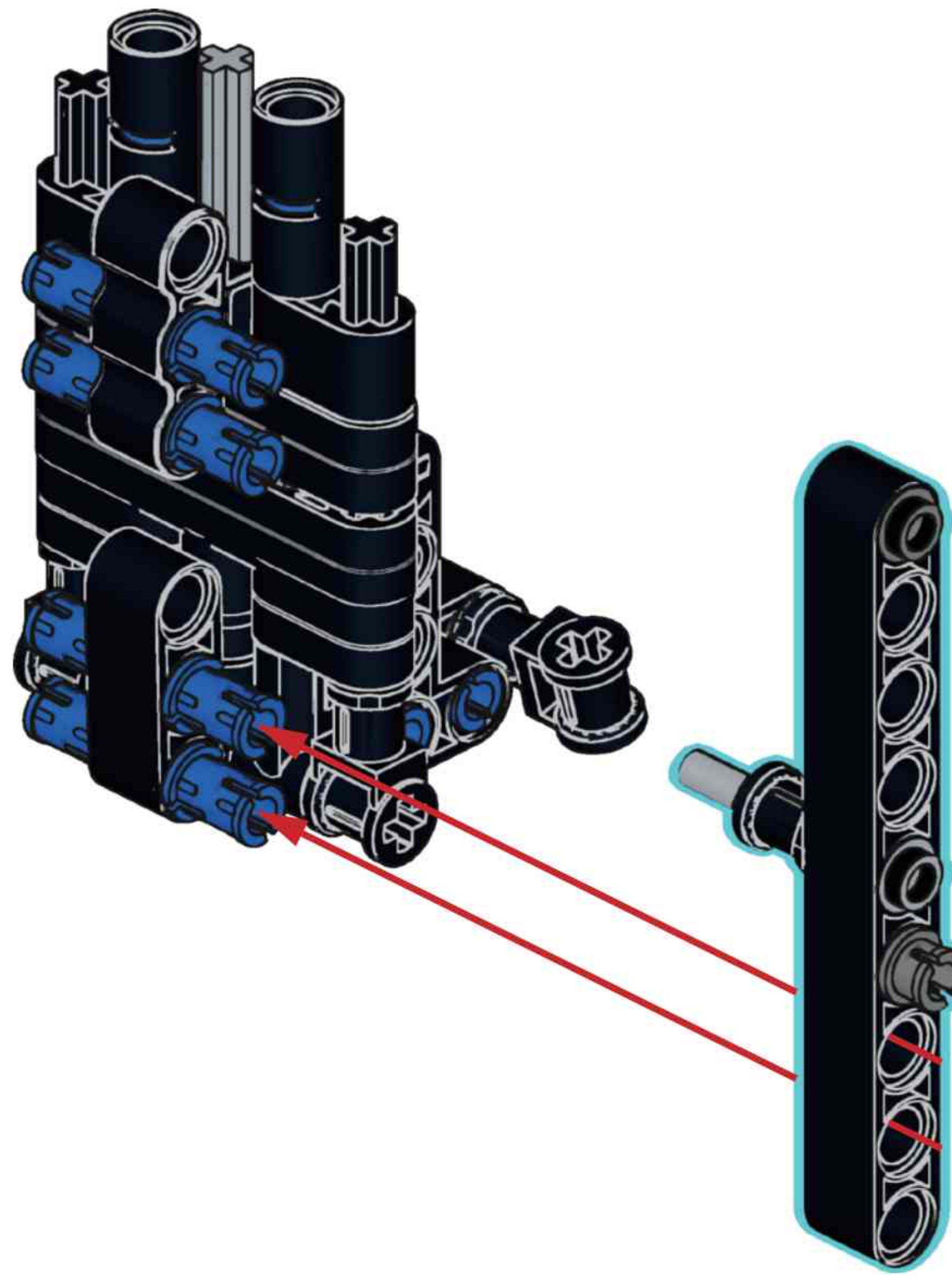


H64

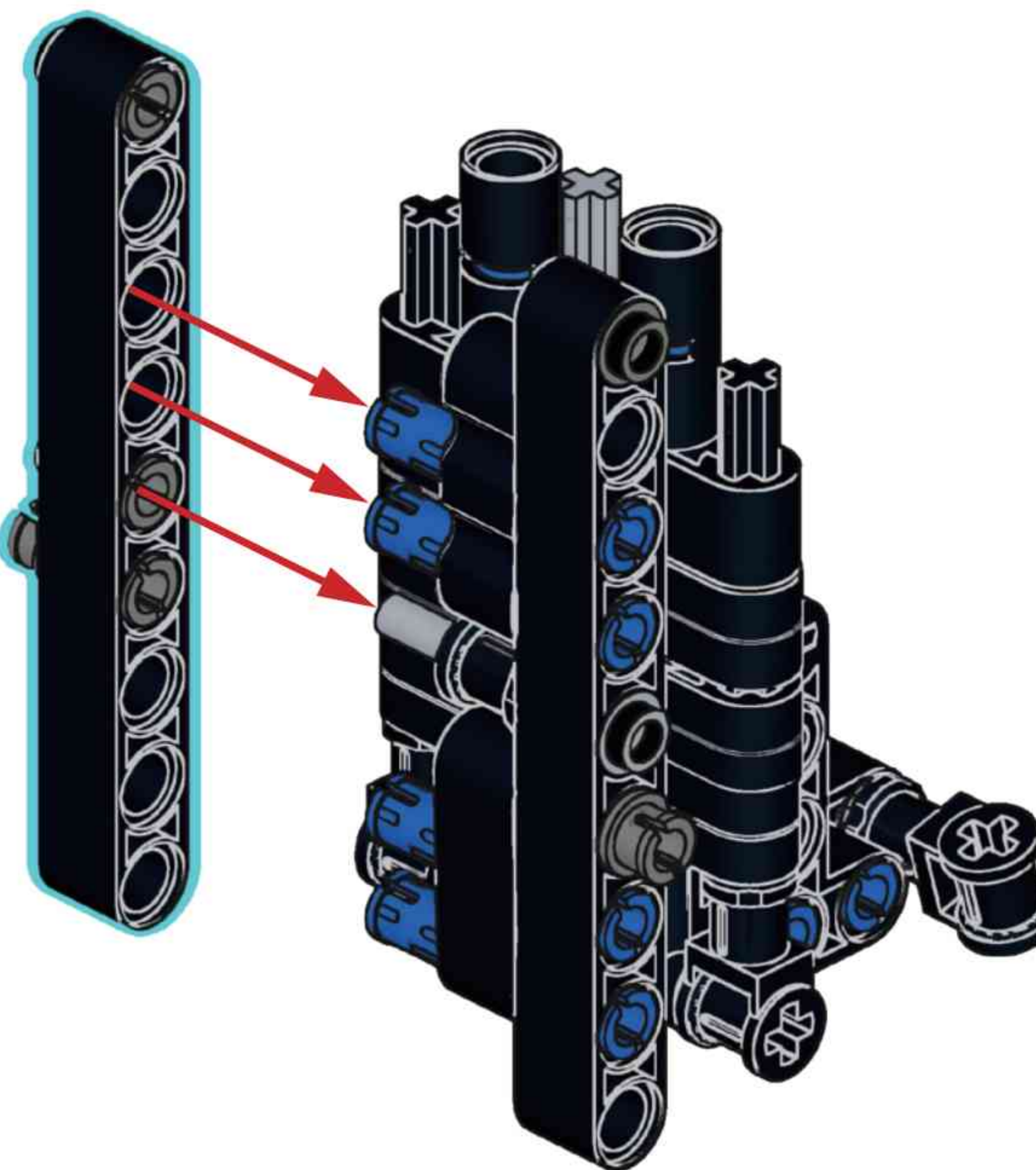
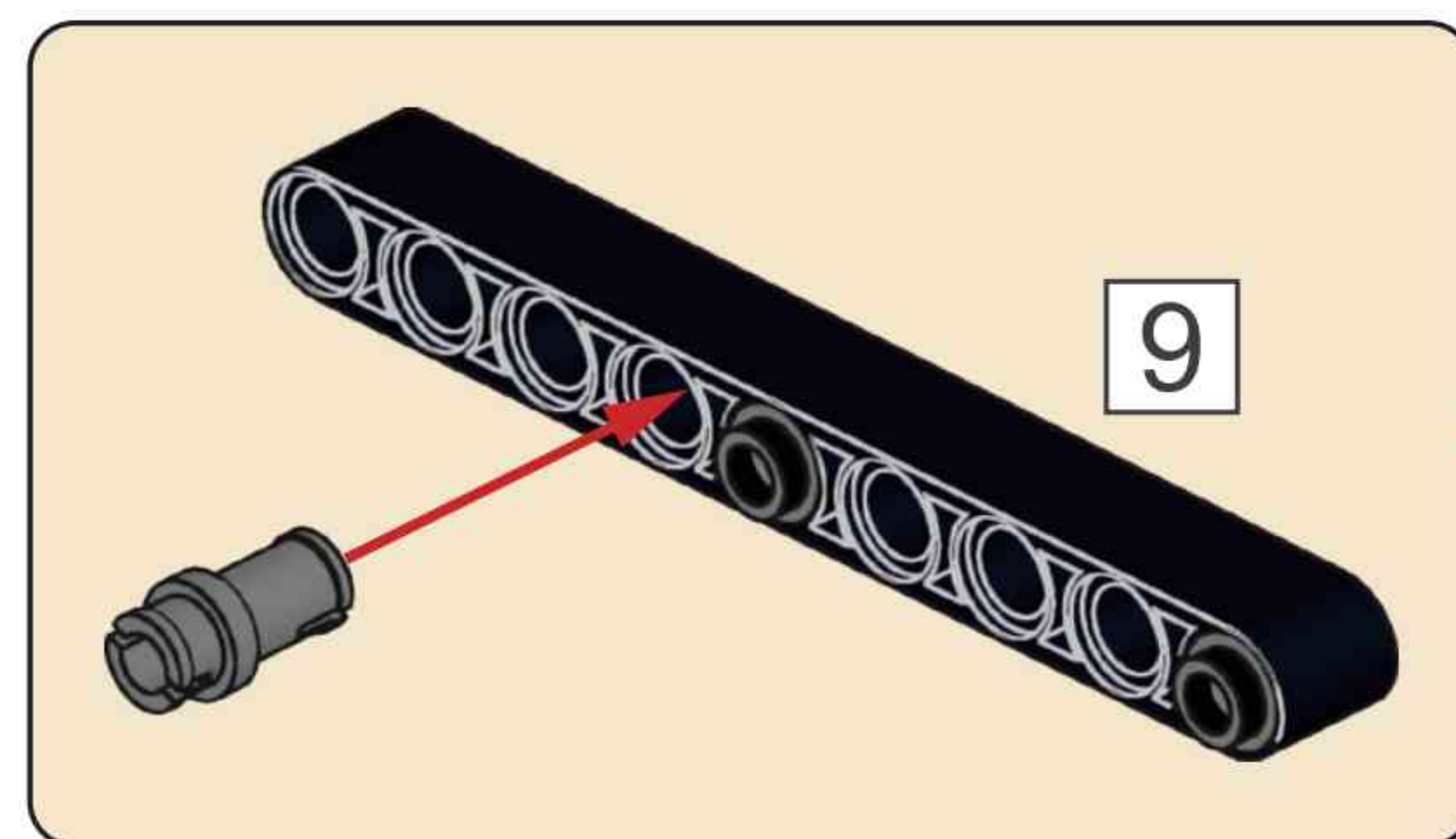
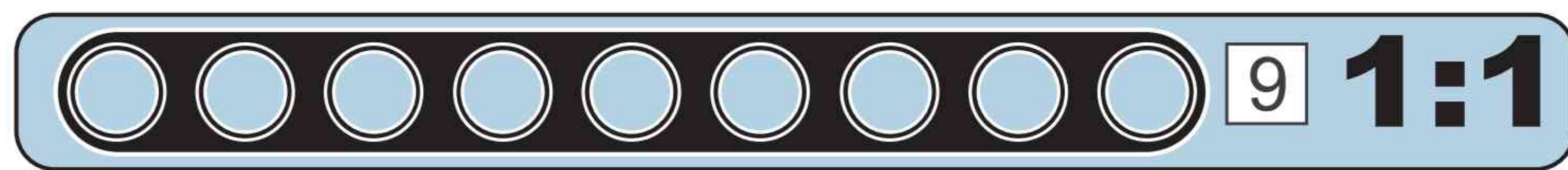


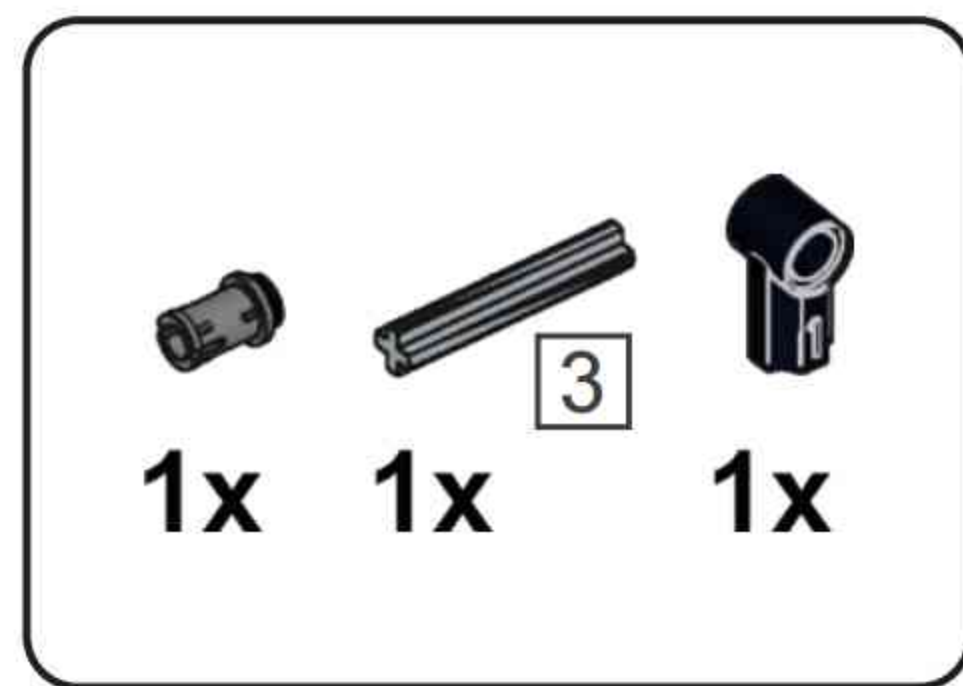


H65

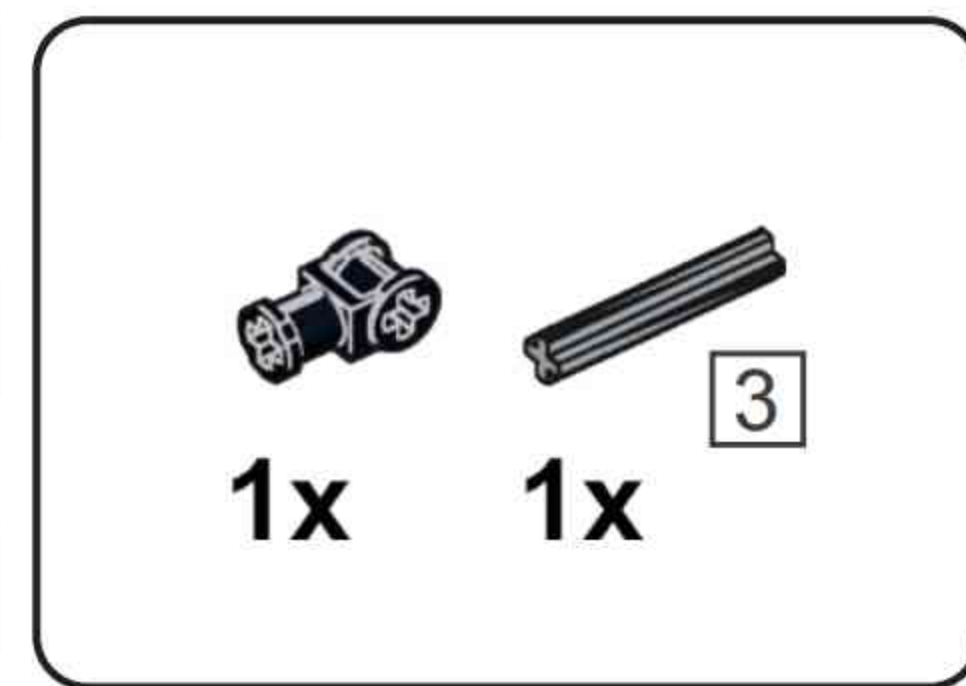
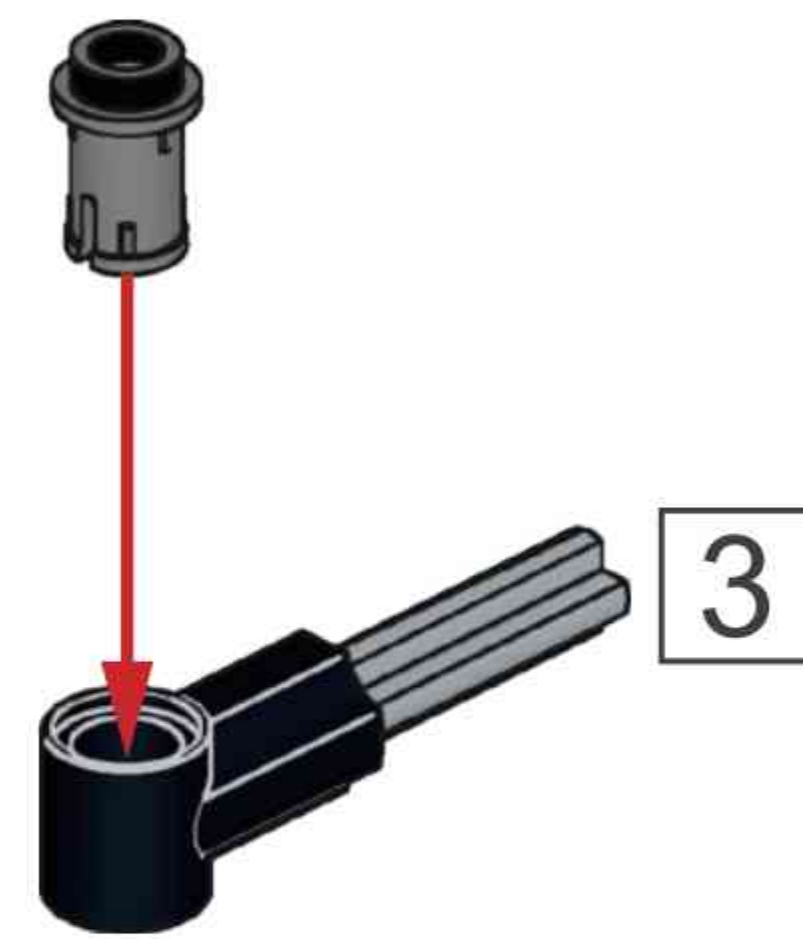


H66

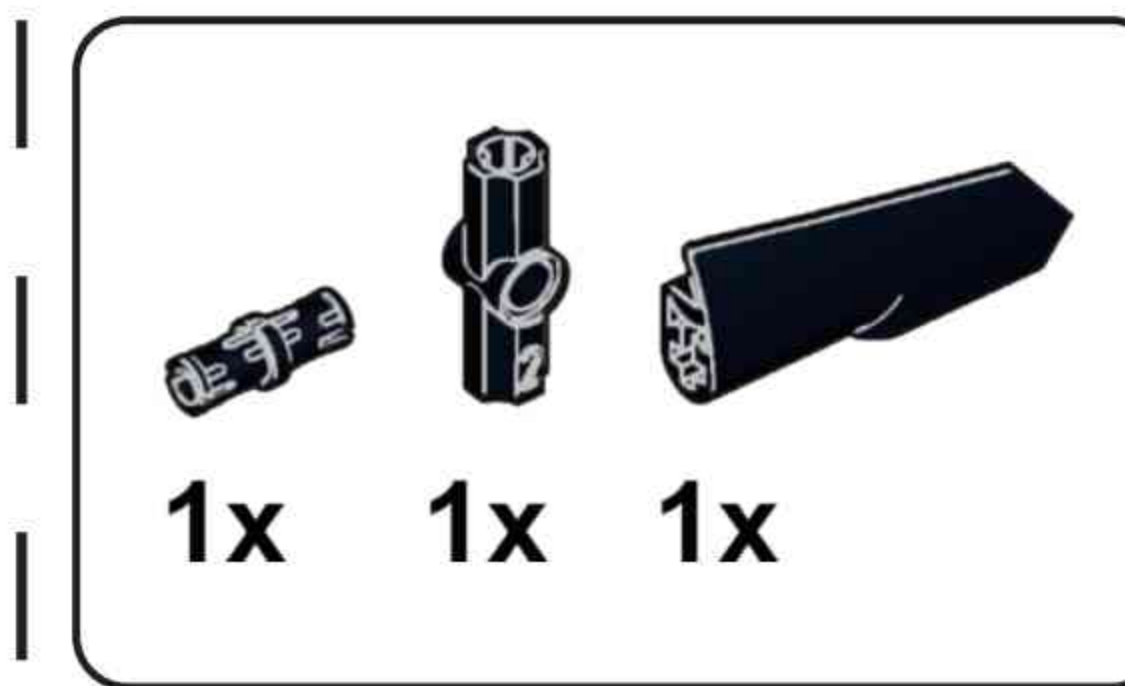
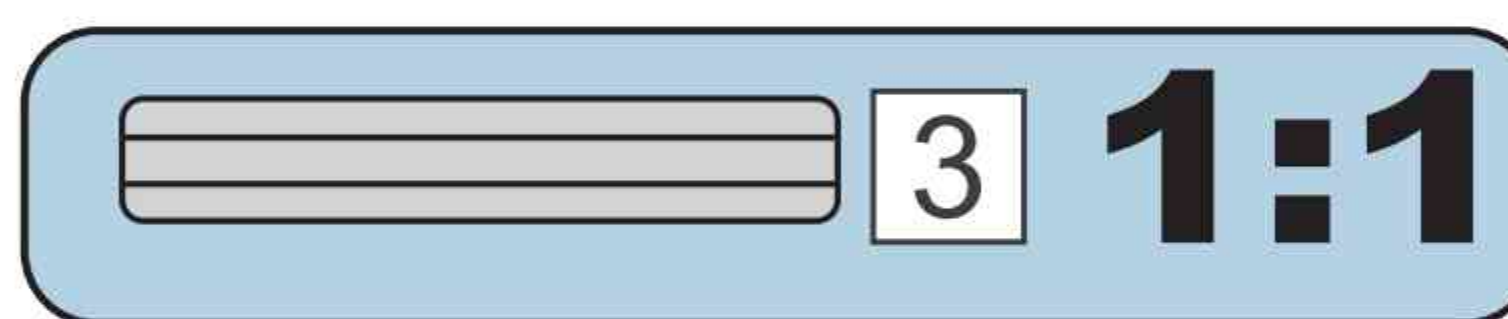
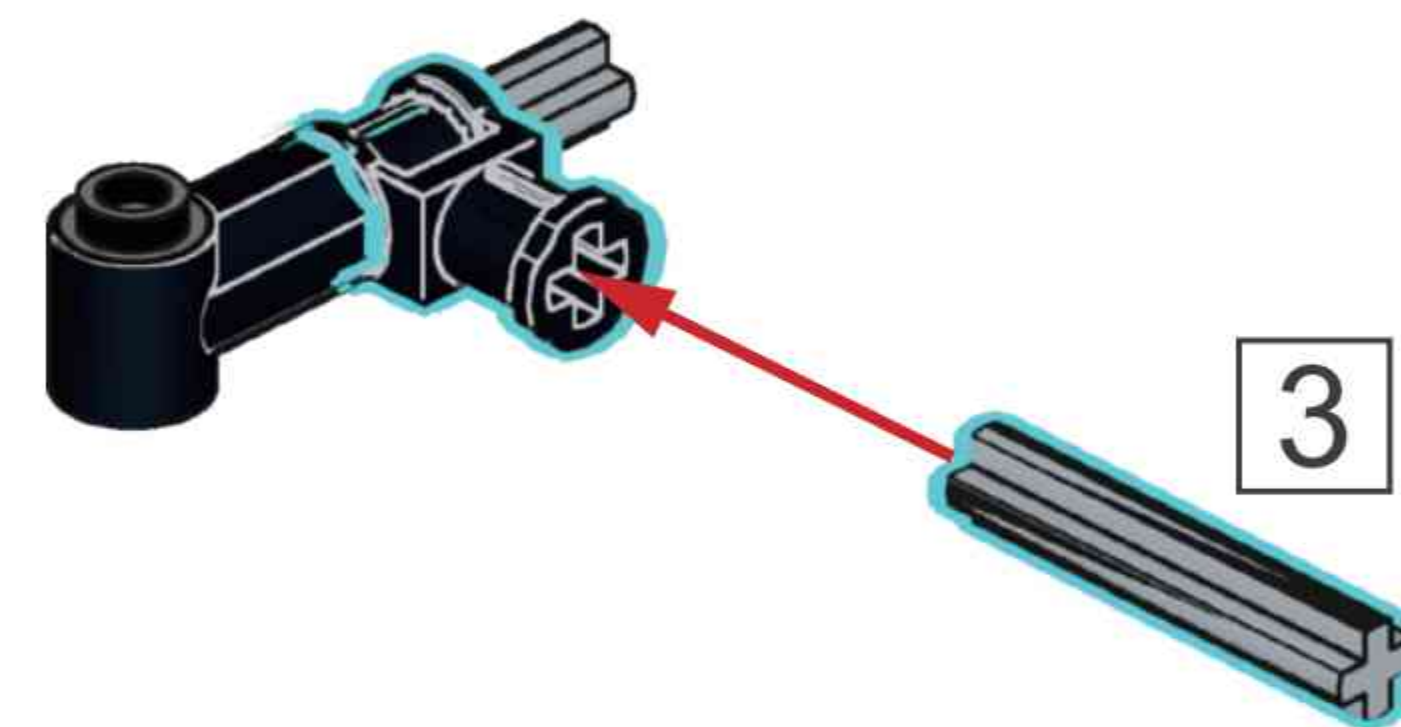




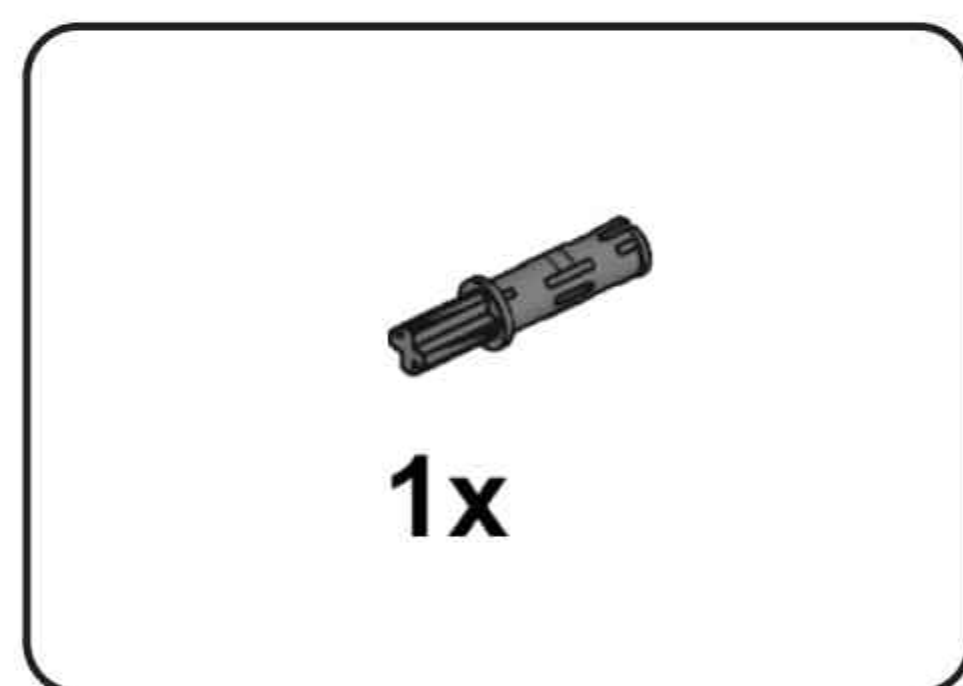
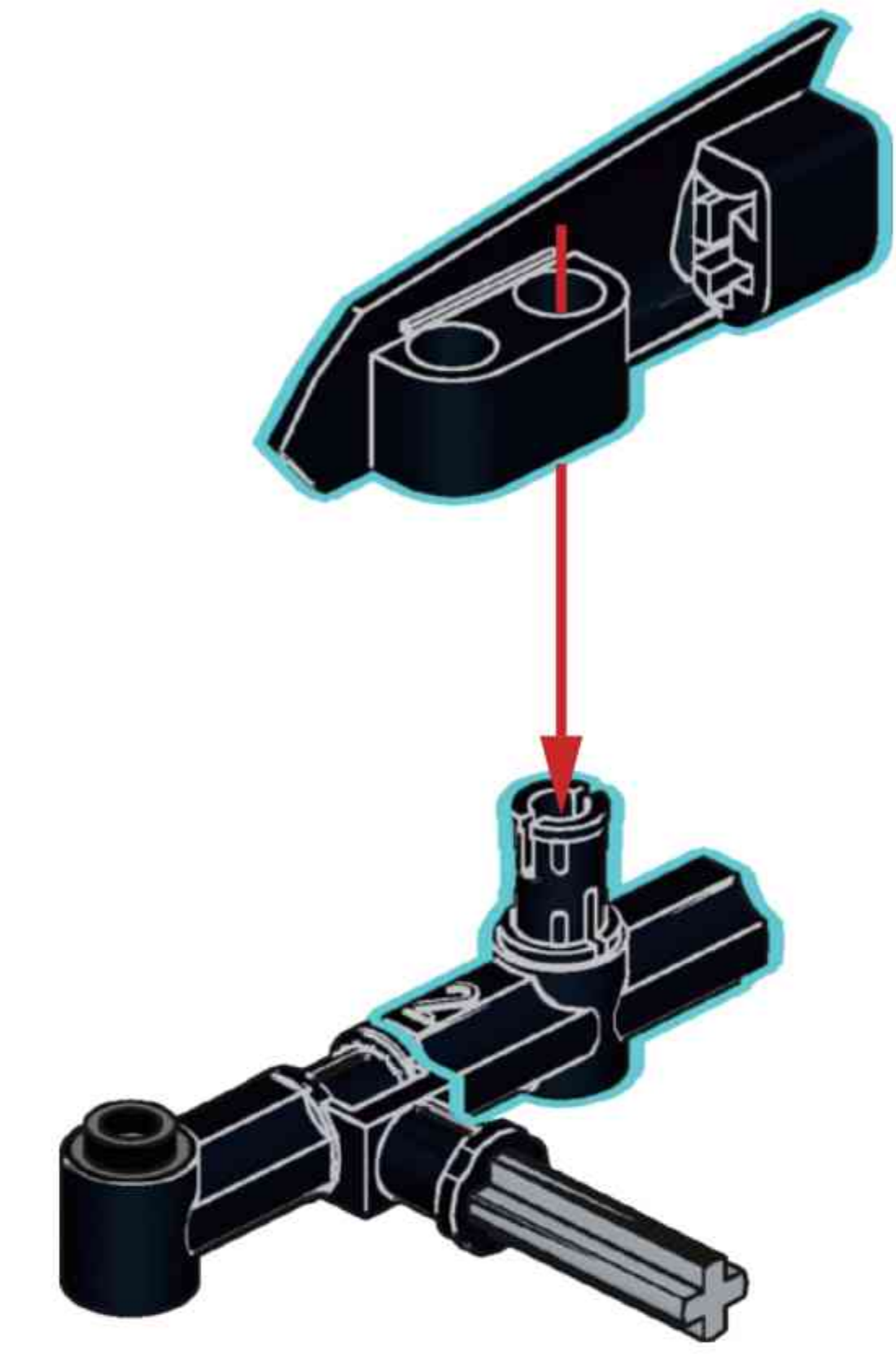
H67



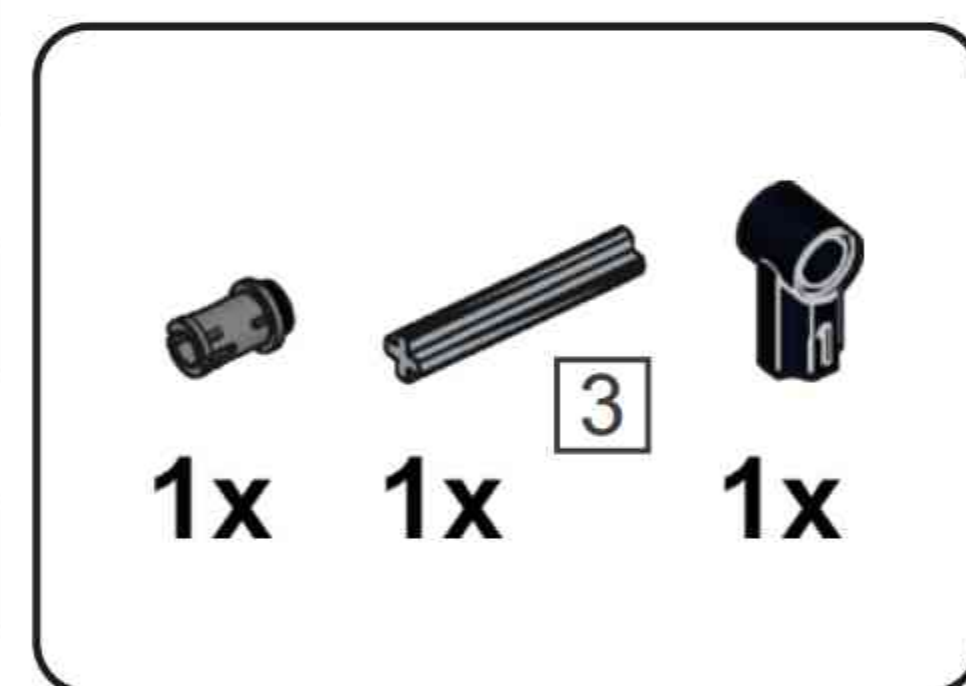
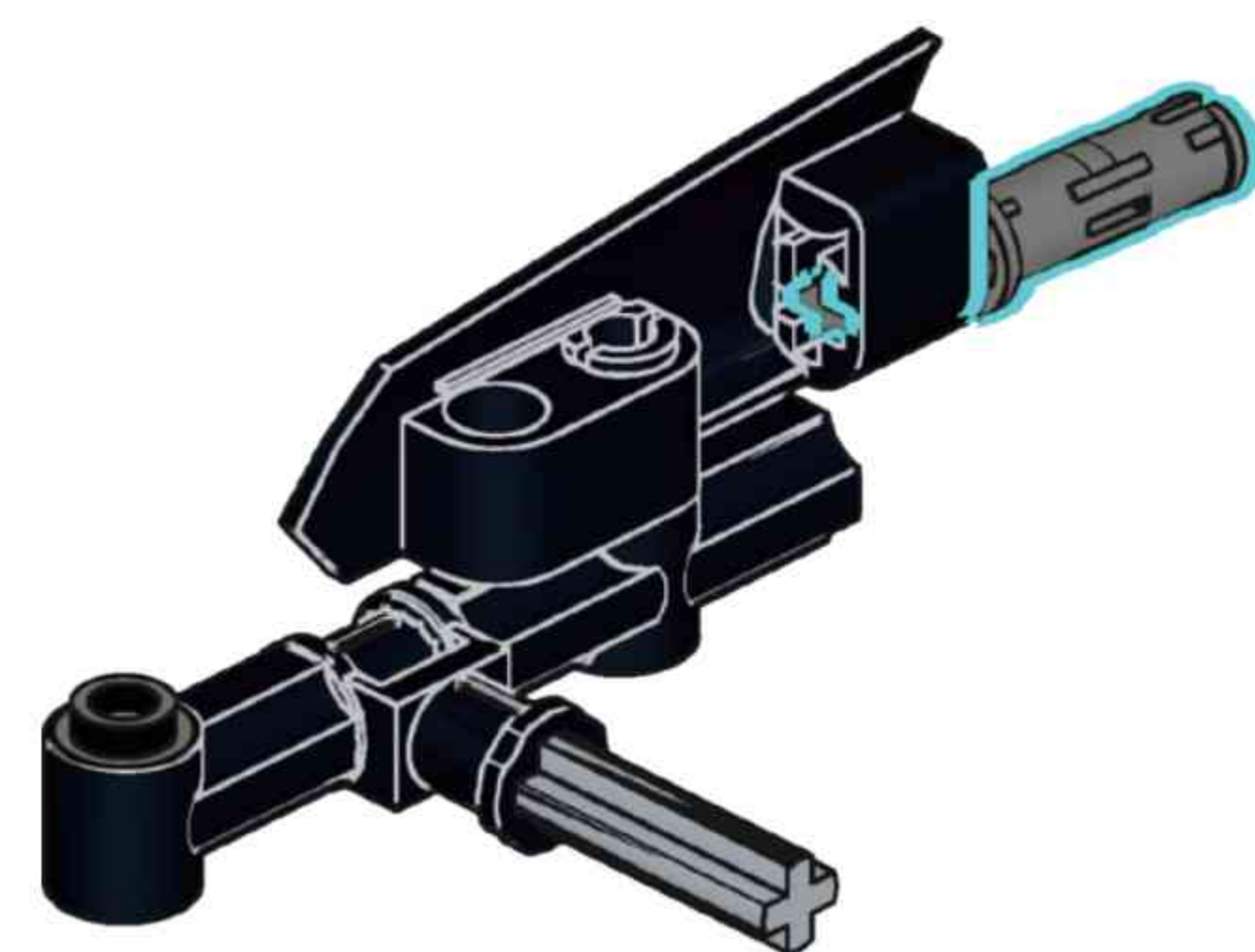
H68



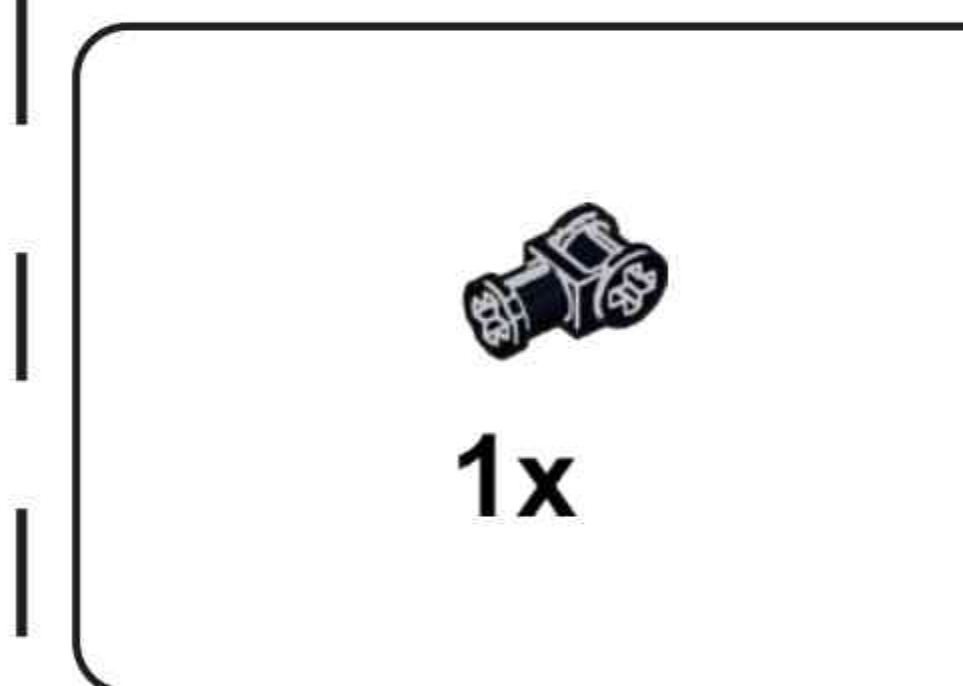
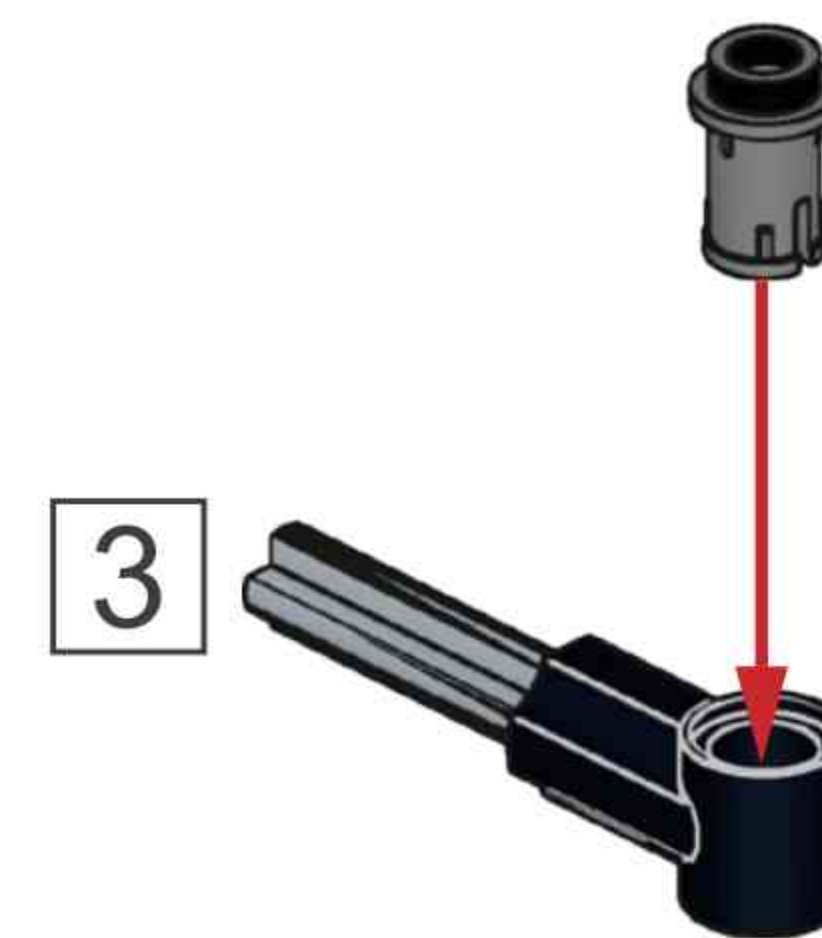
H69



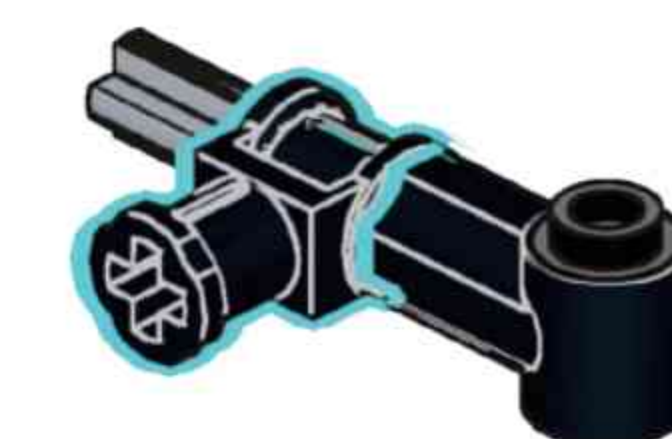
H70

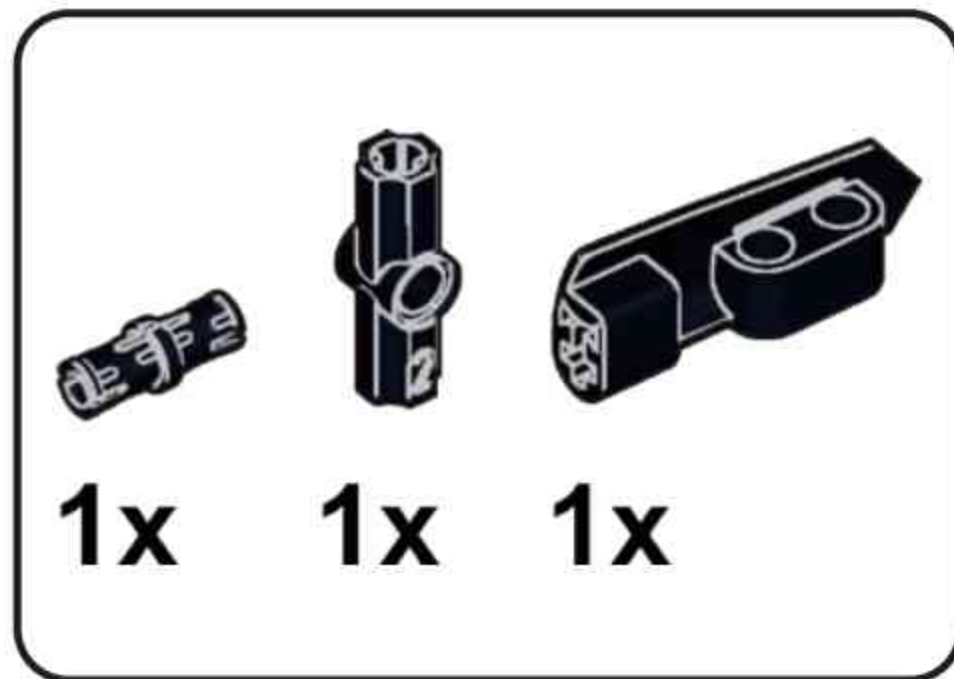


H71

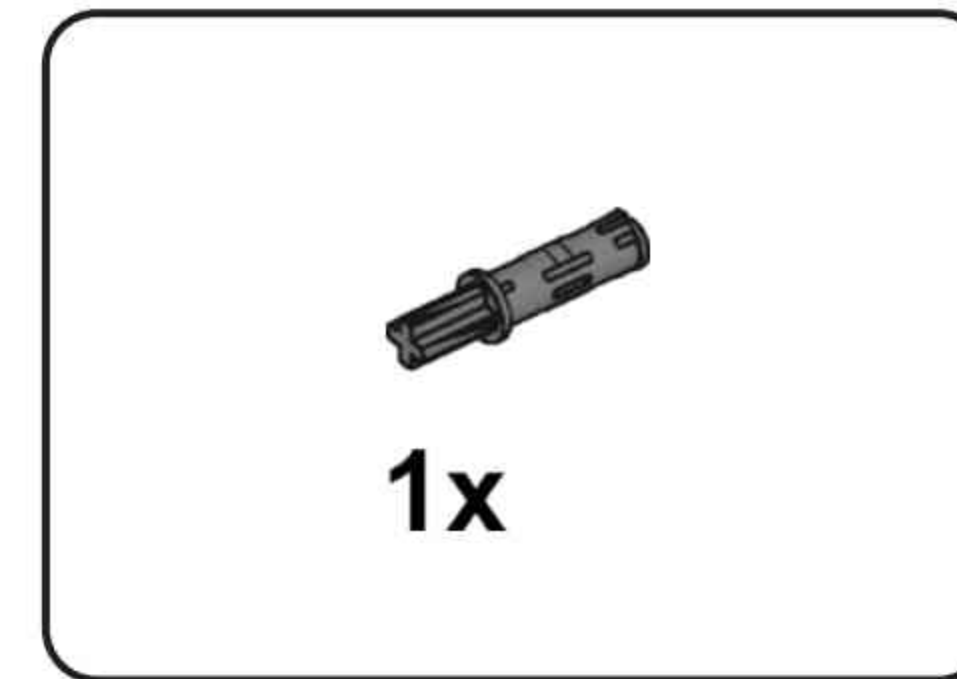
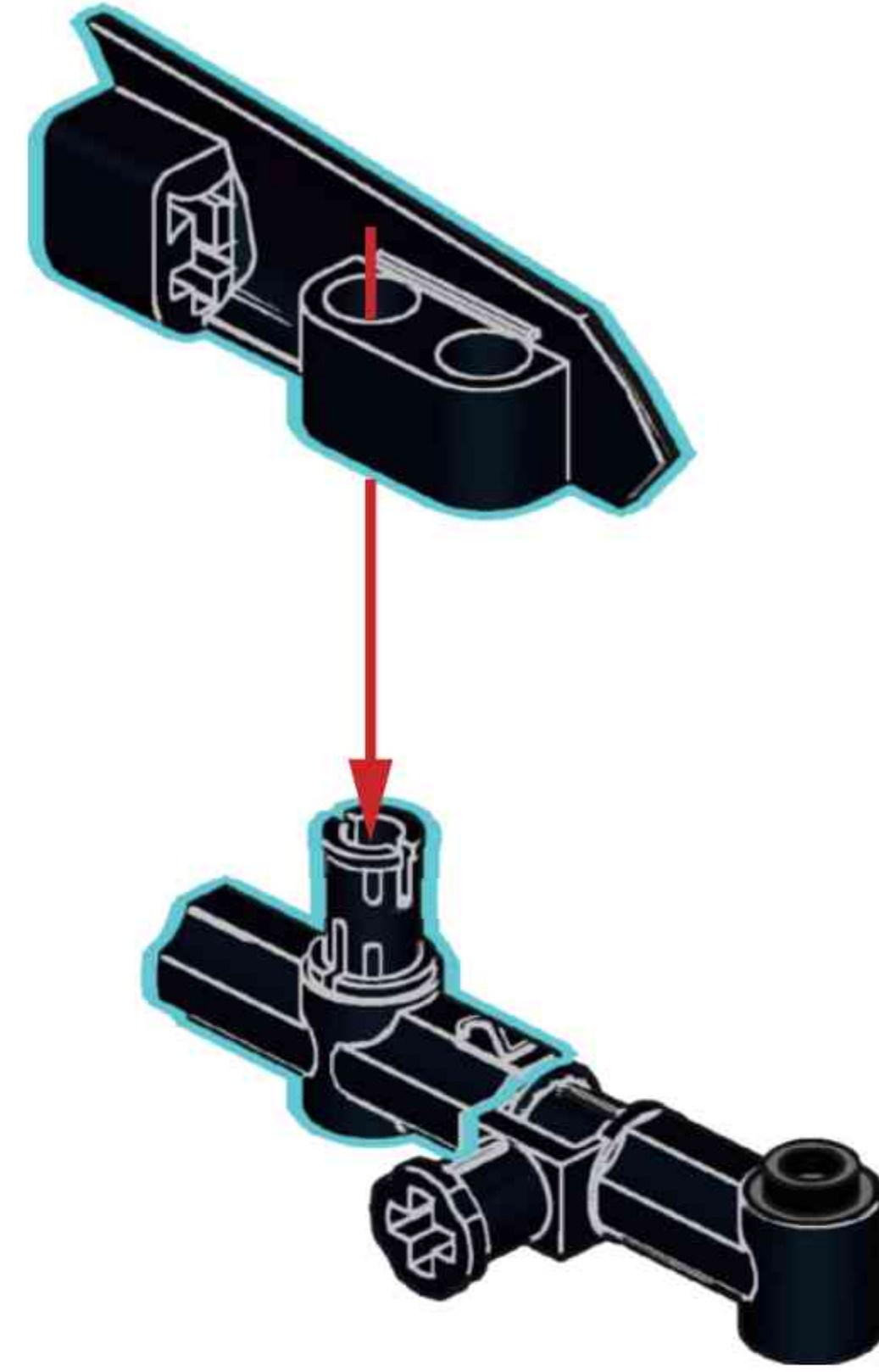


H72

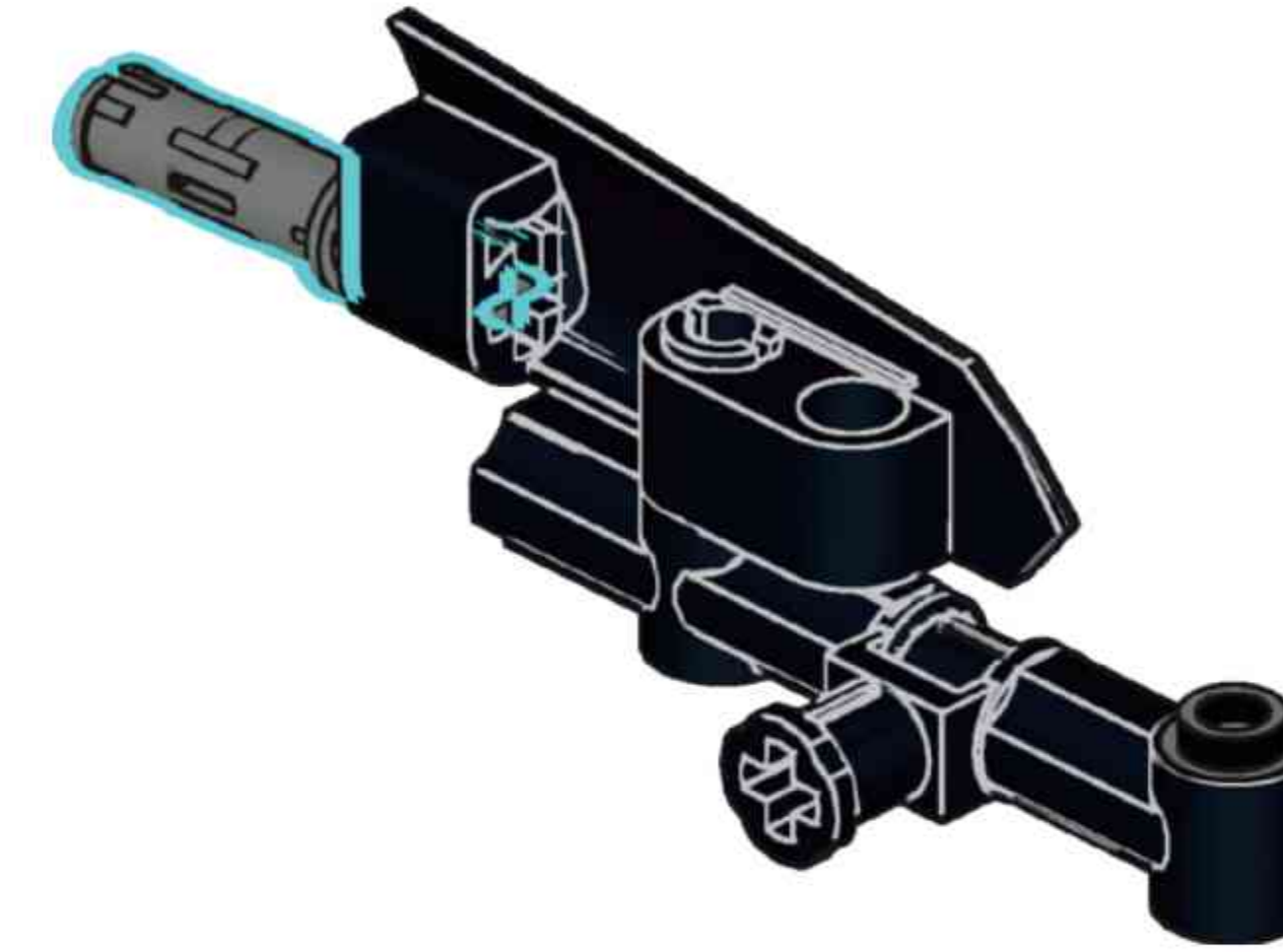




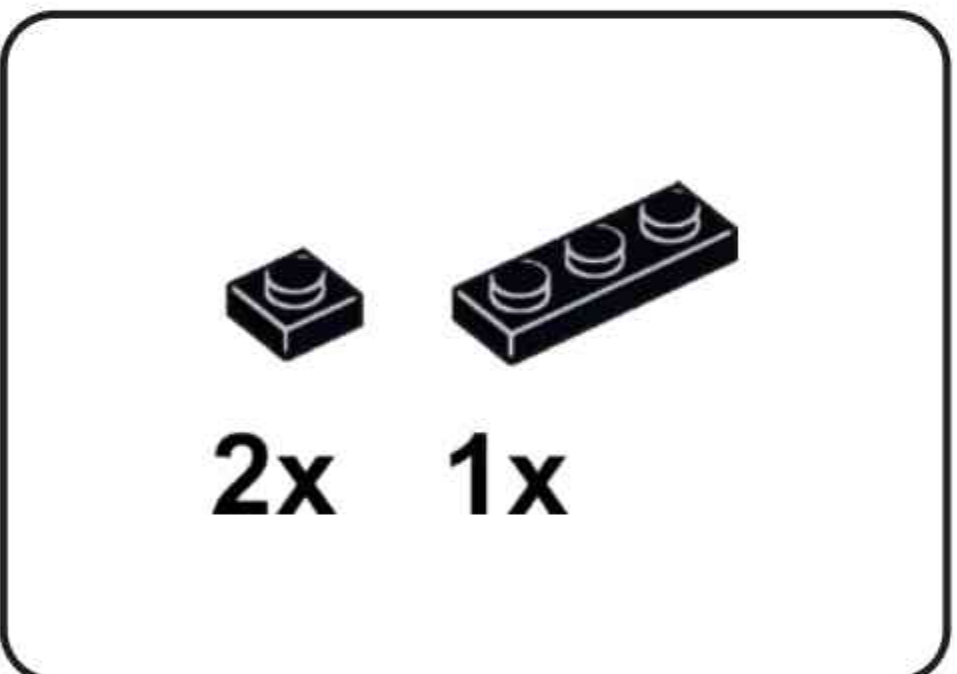
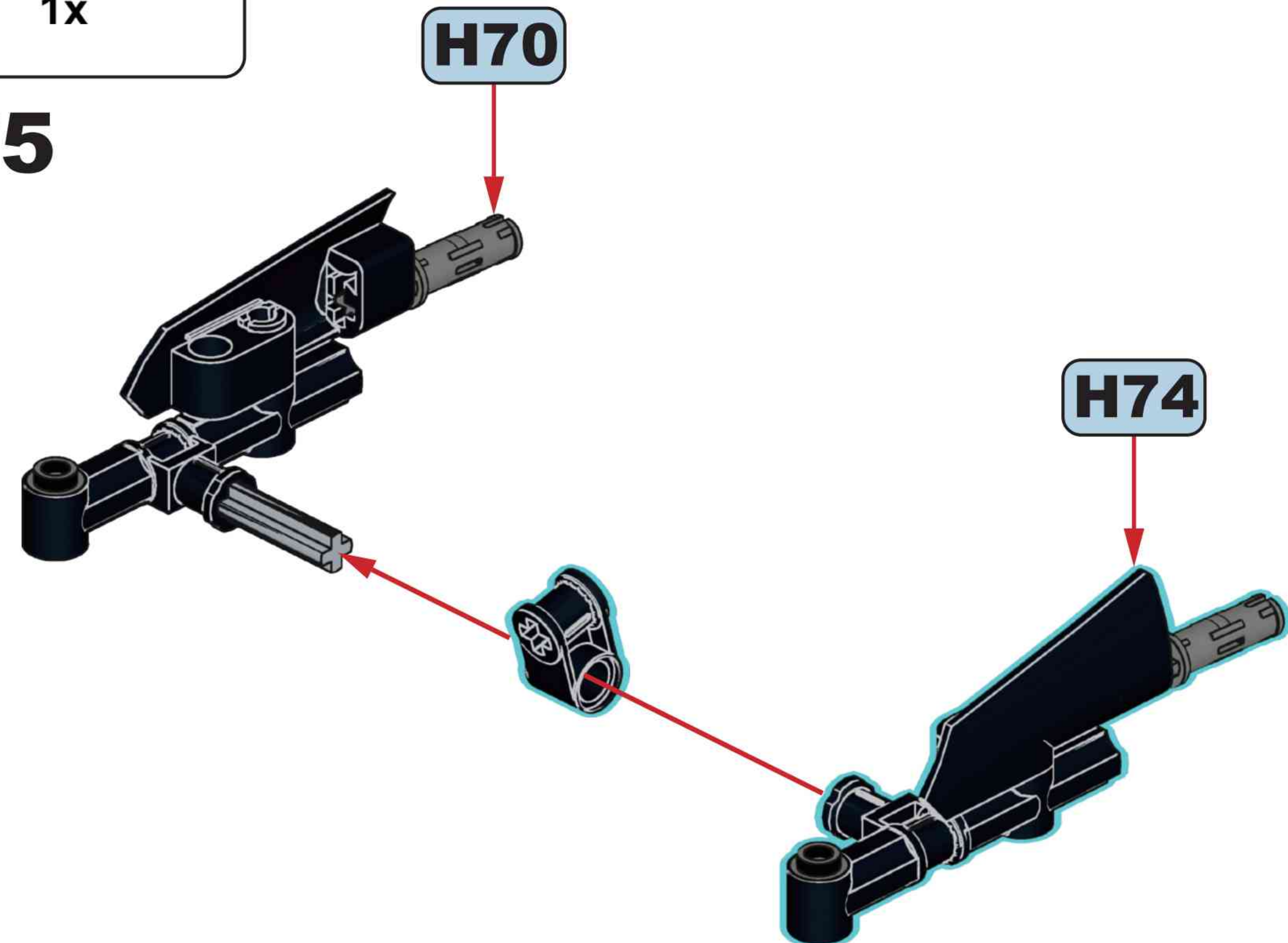
H73



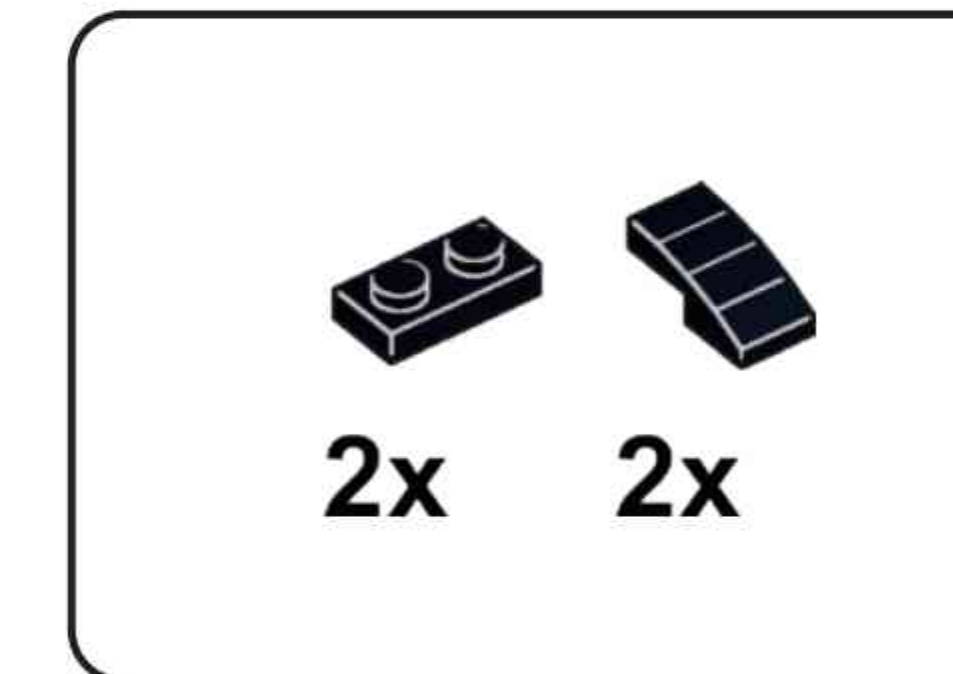
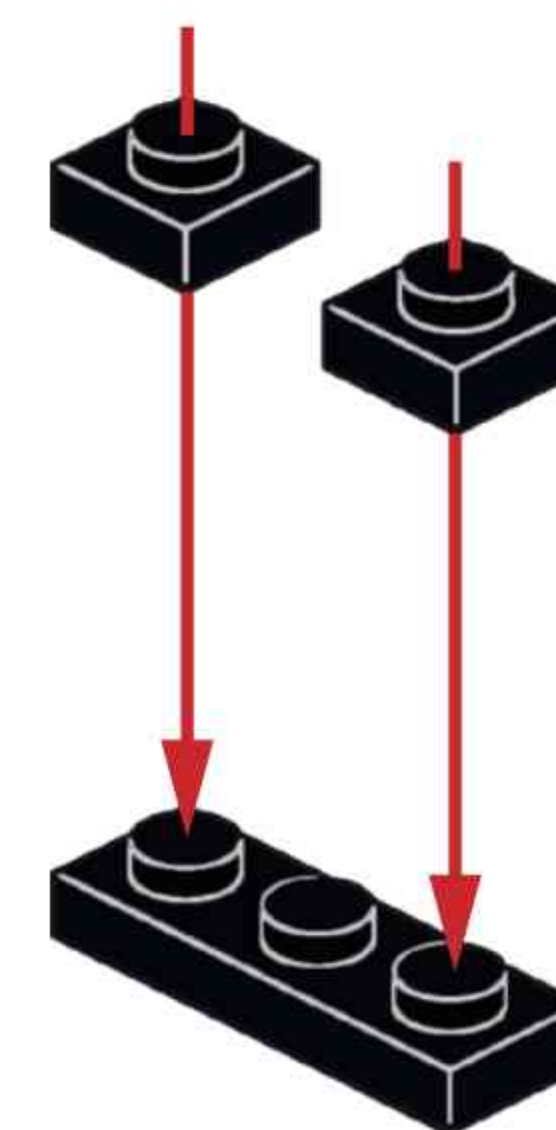
H74



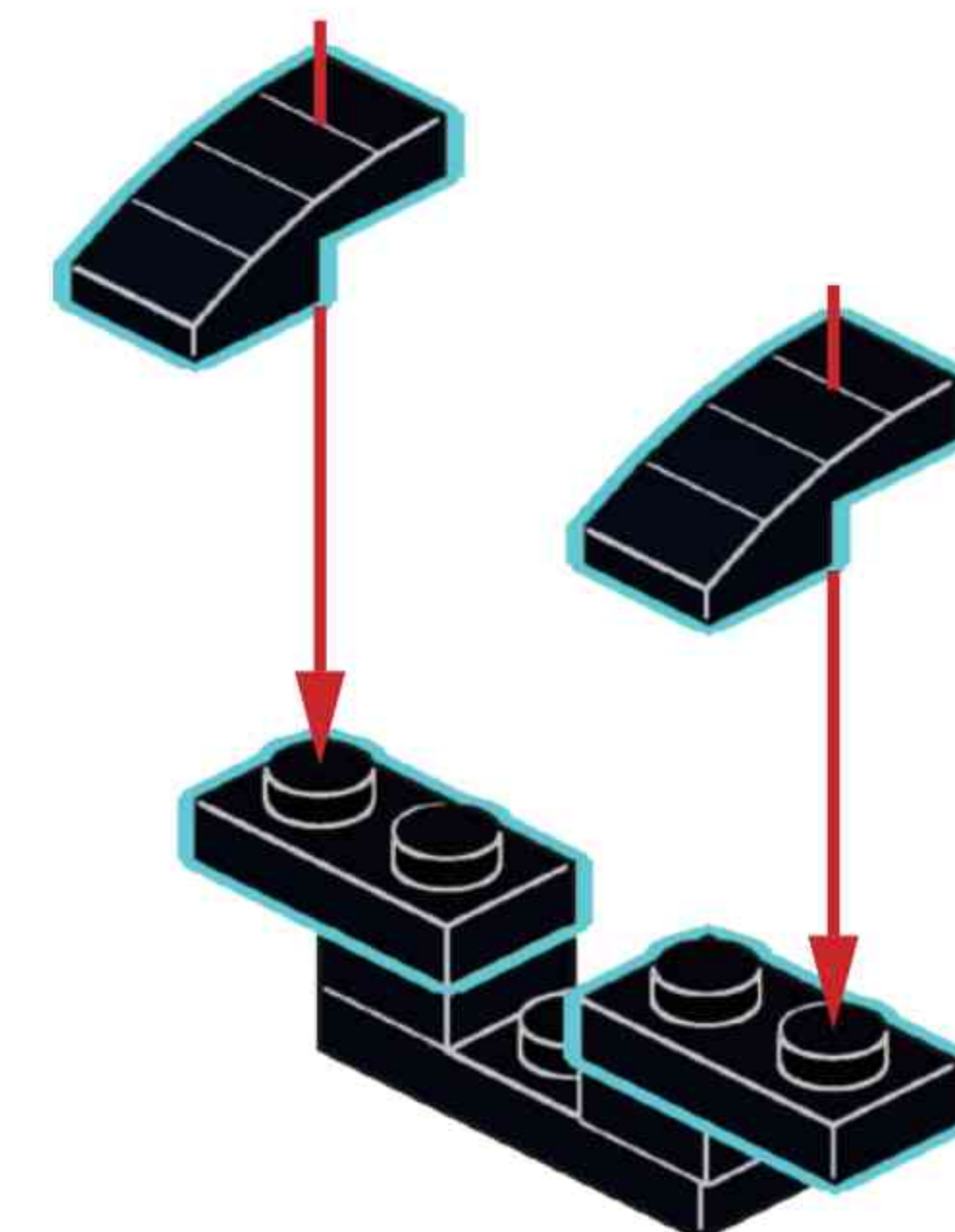
H75



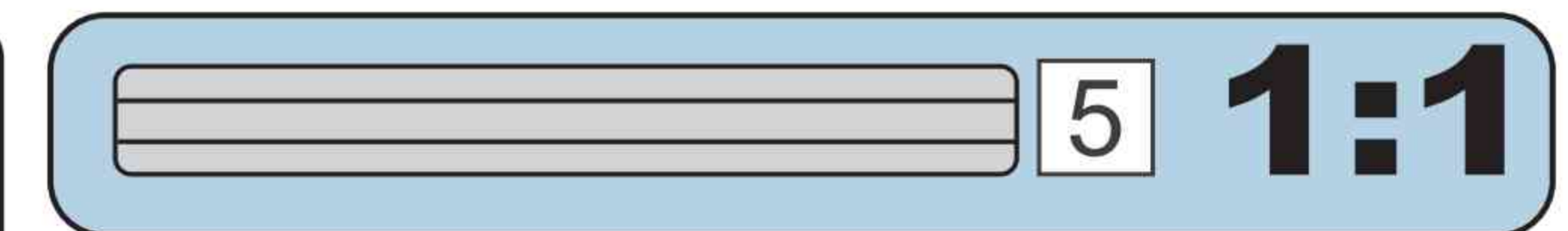
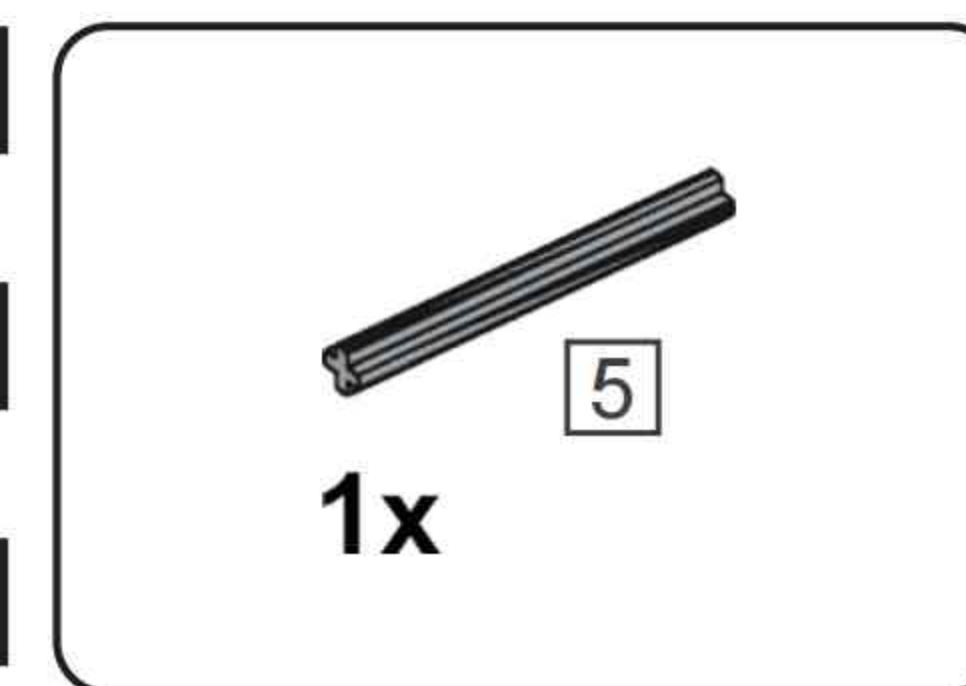
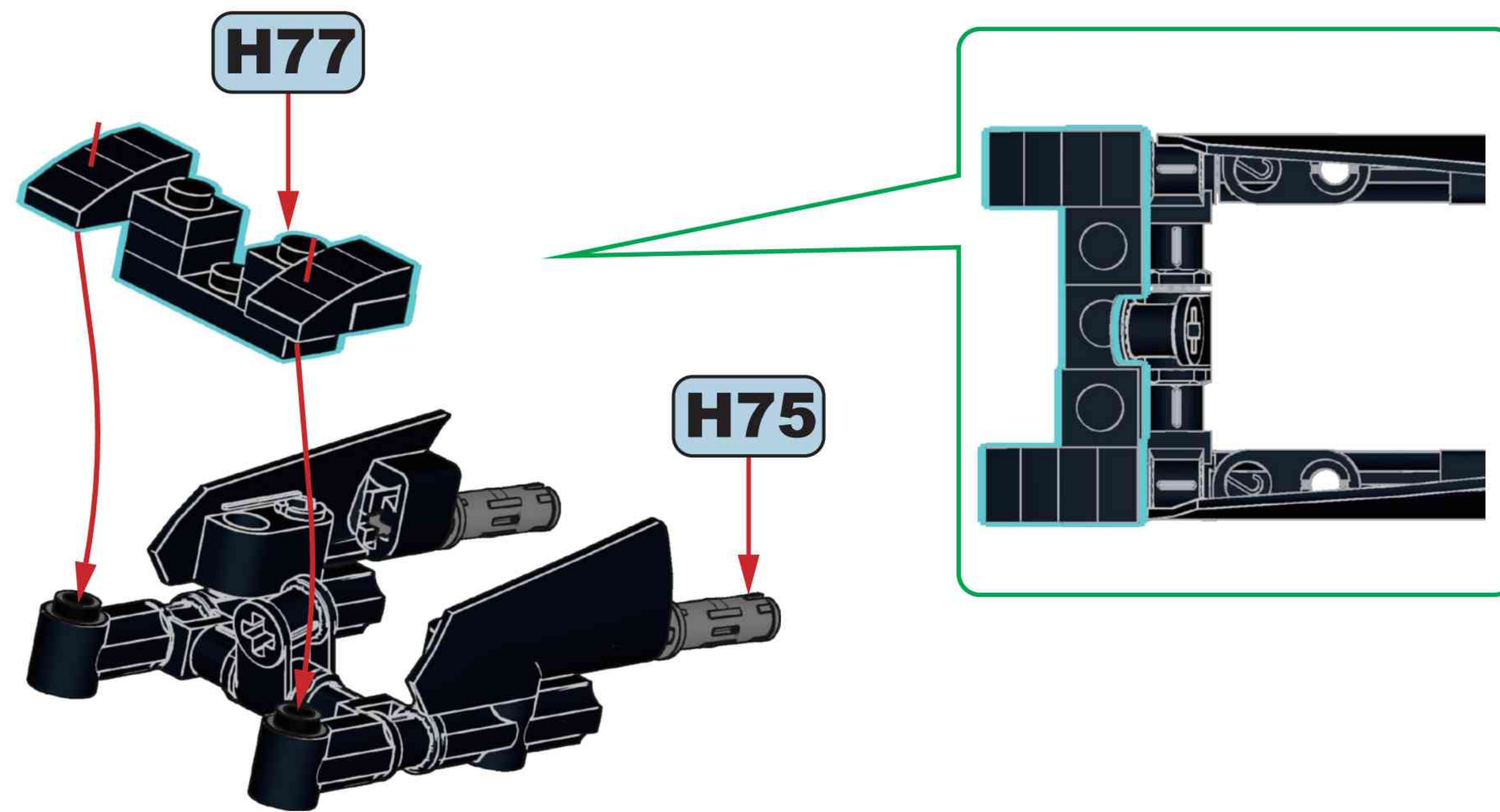
H76



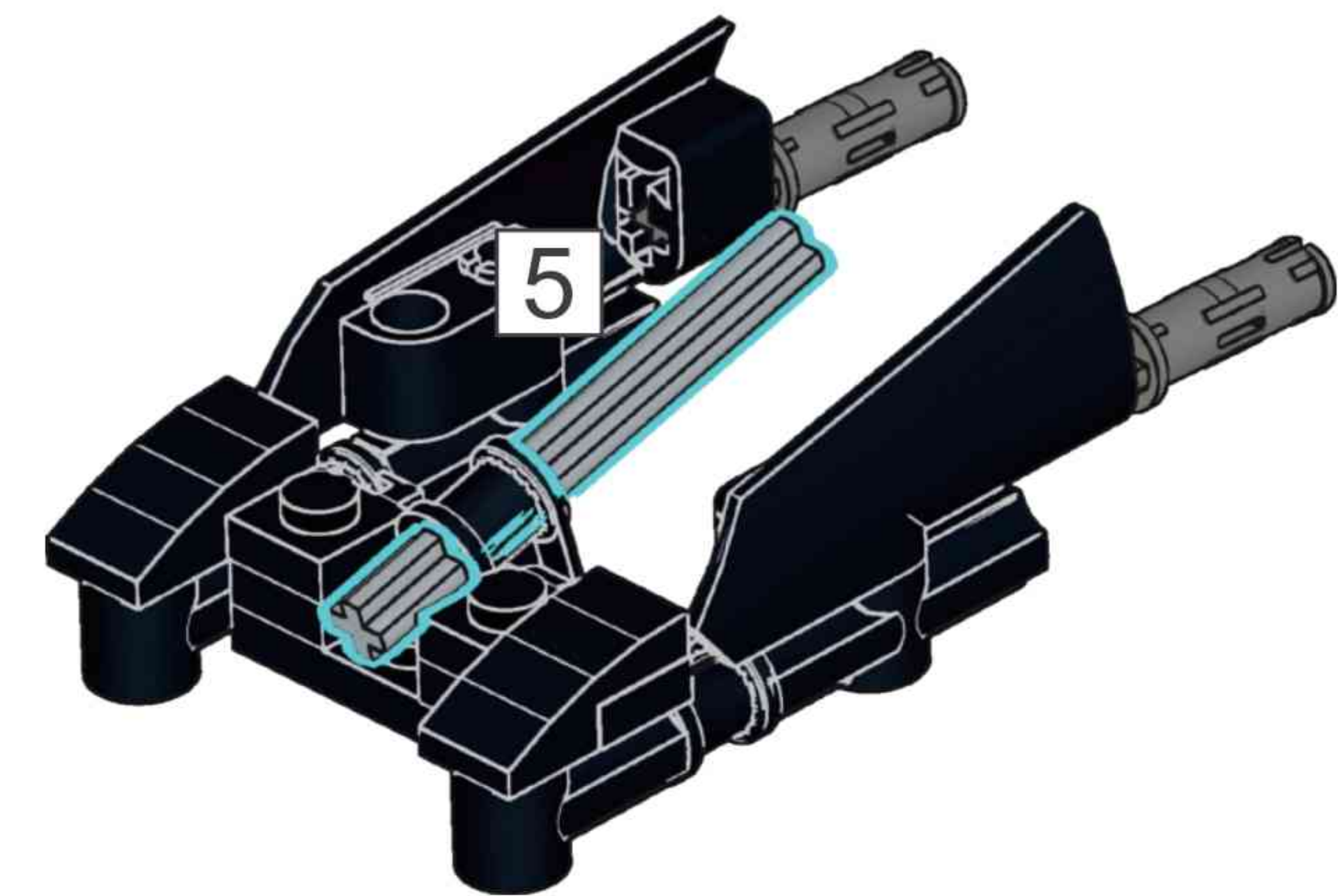
H77



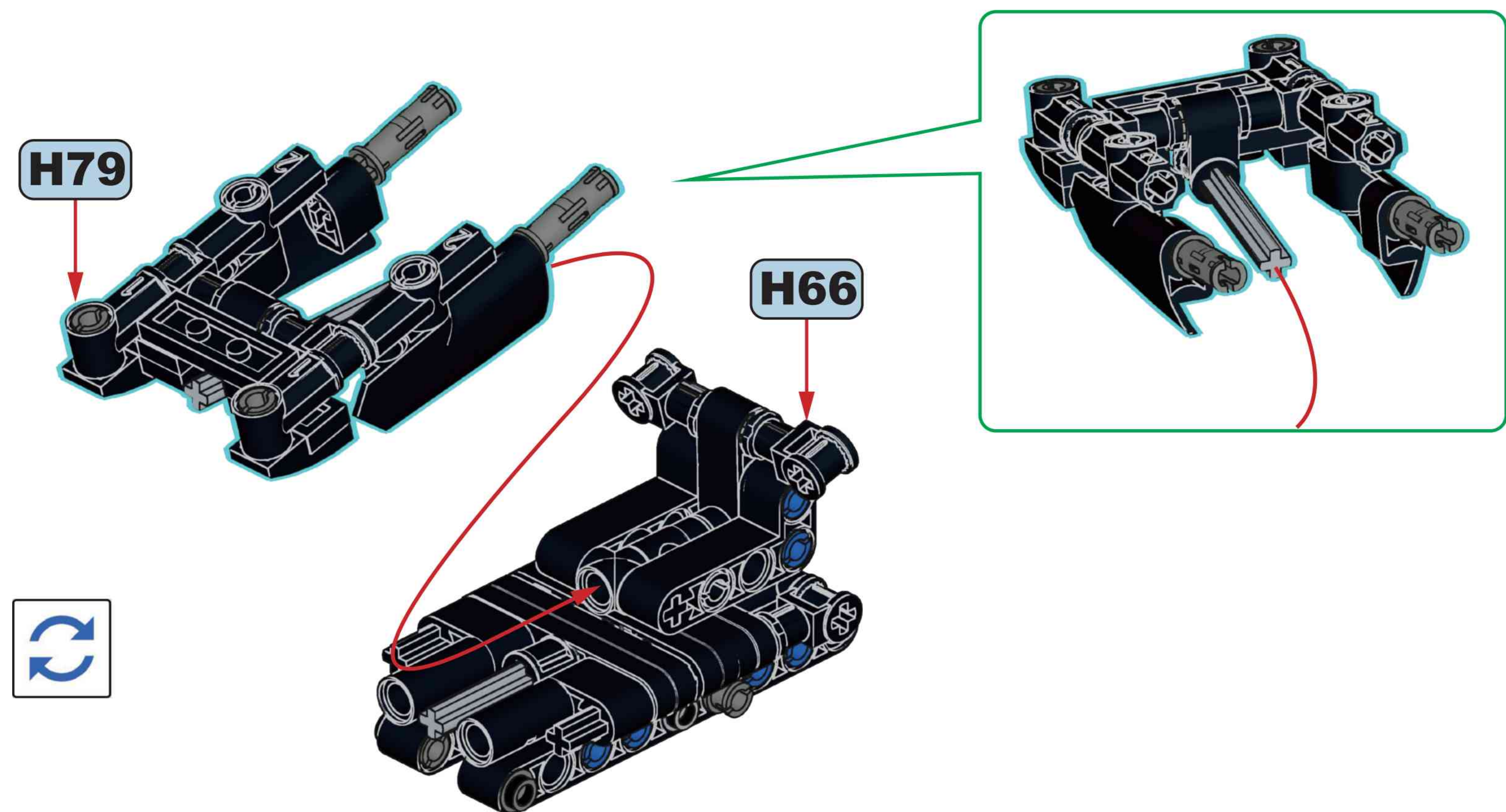
H78

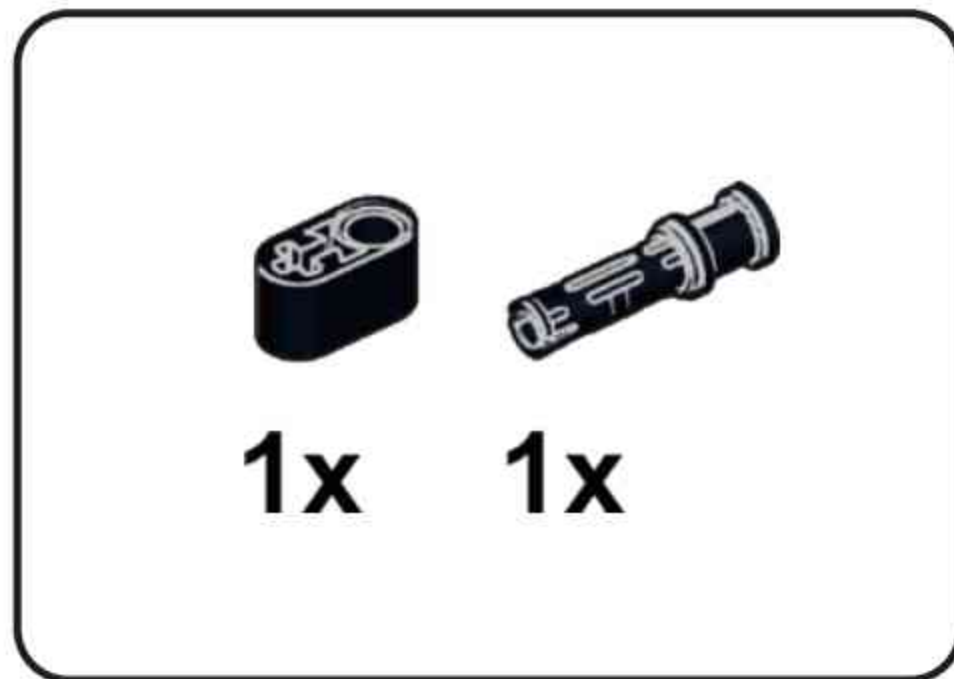


H79

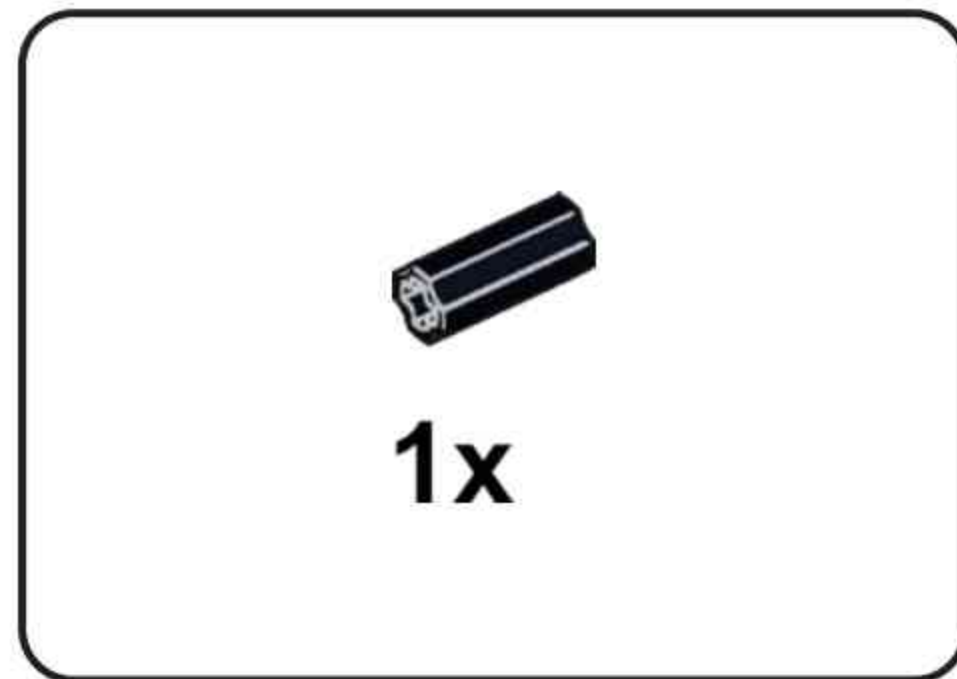
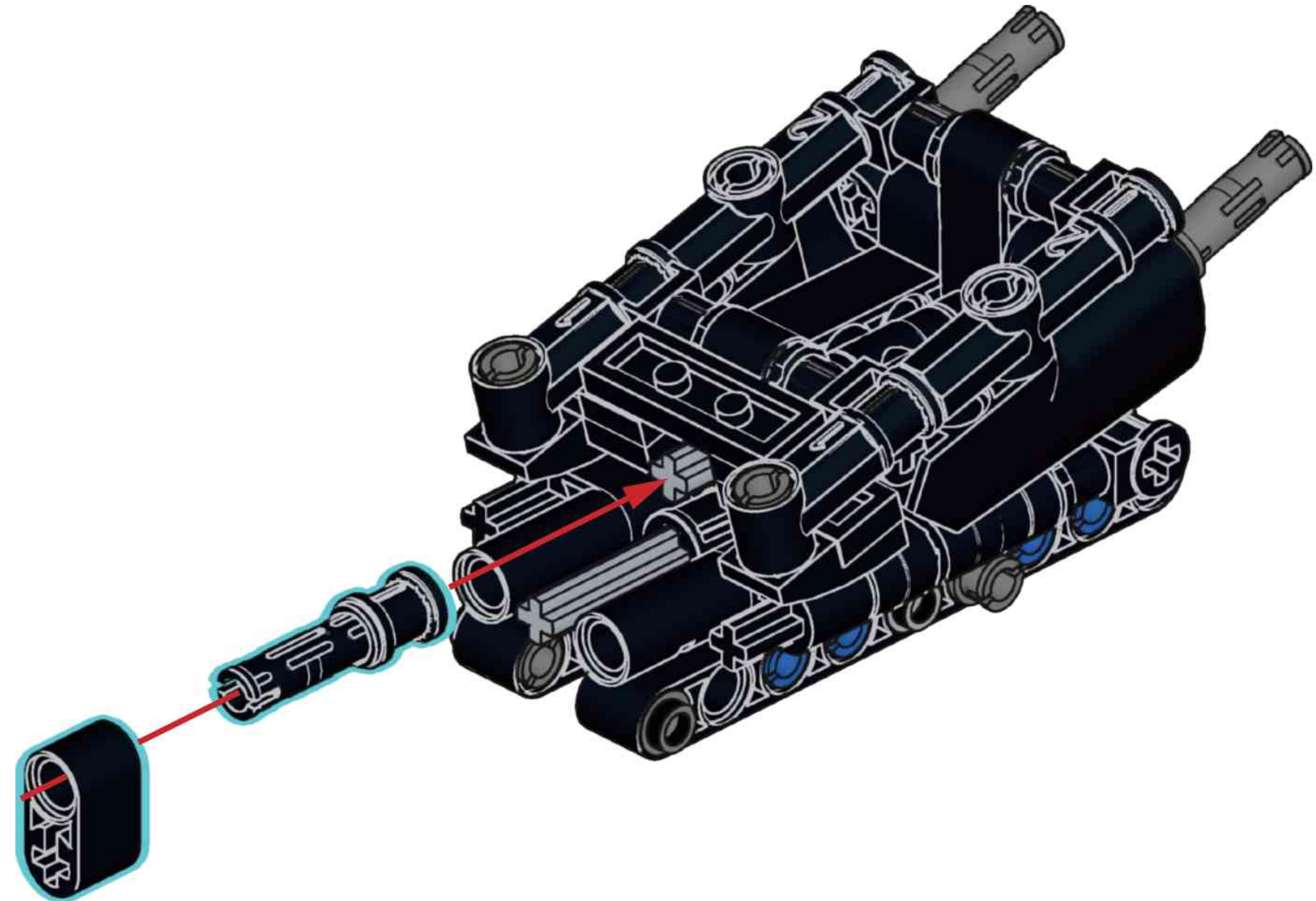


H80

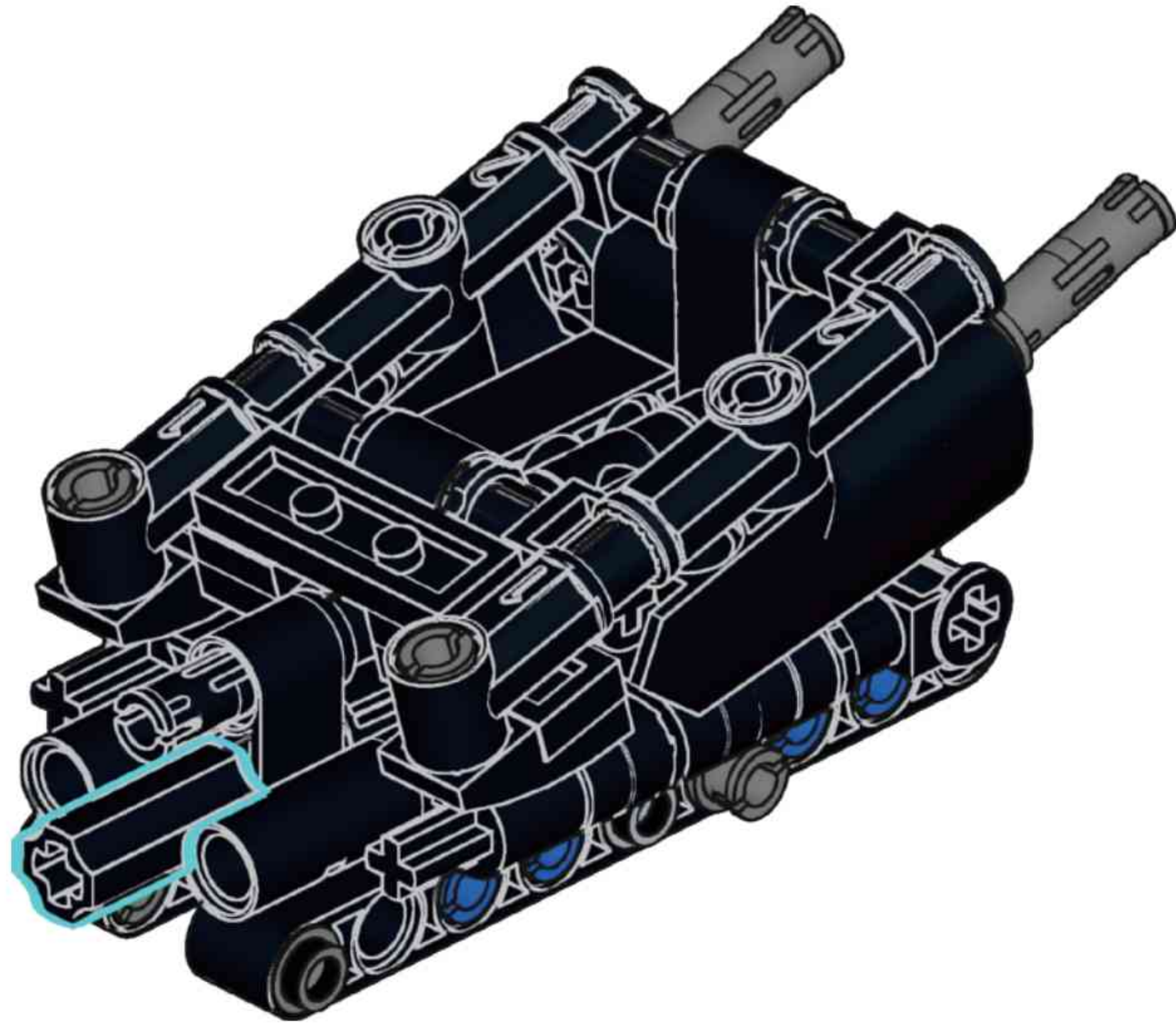




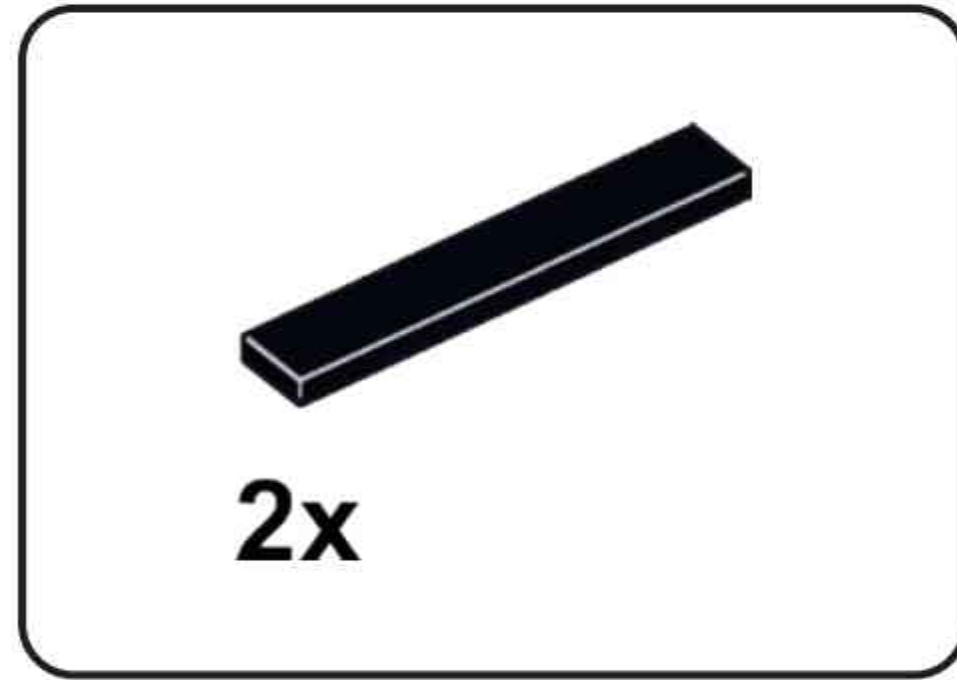
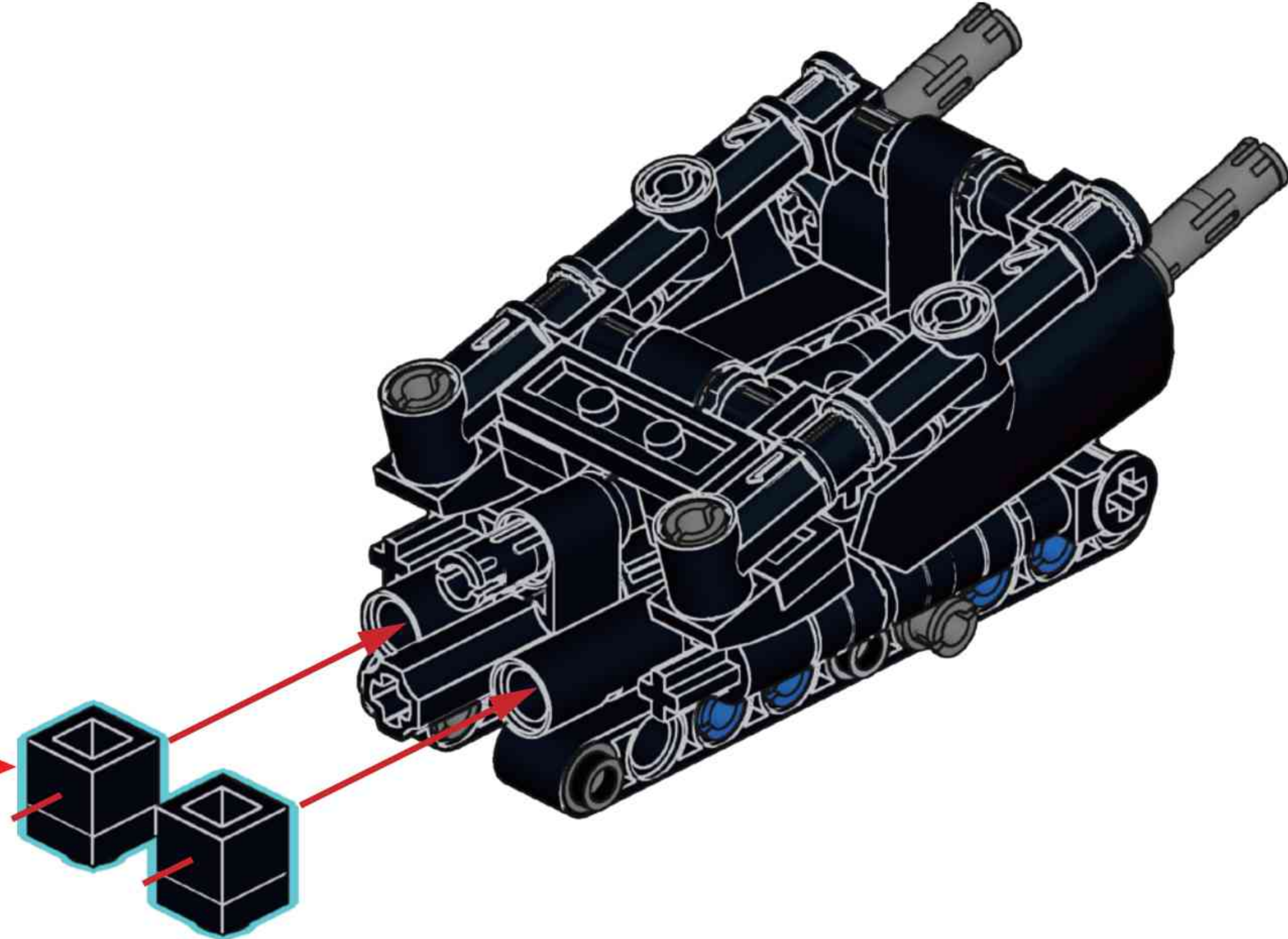
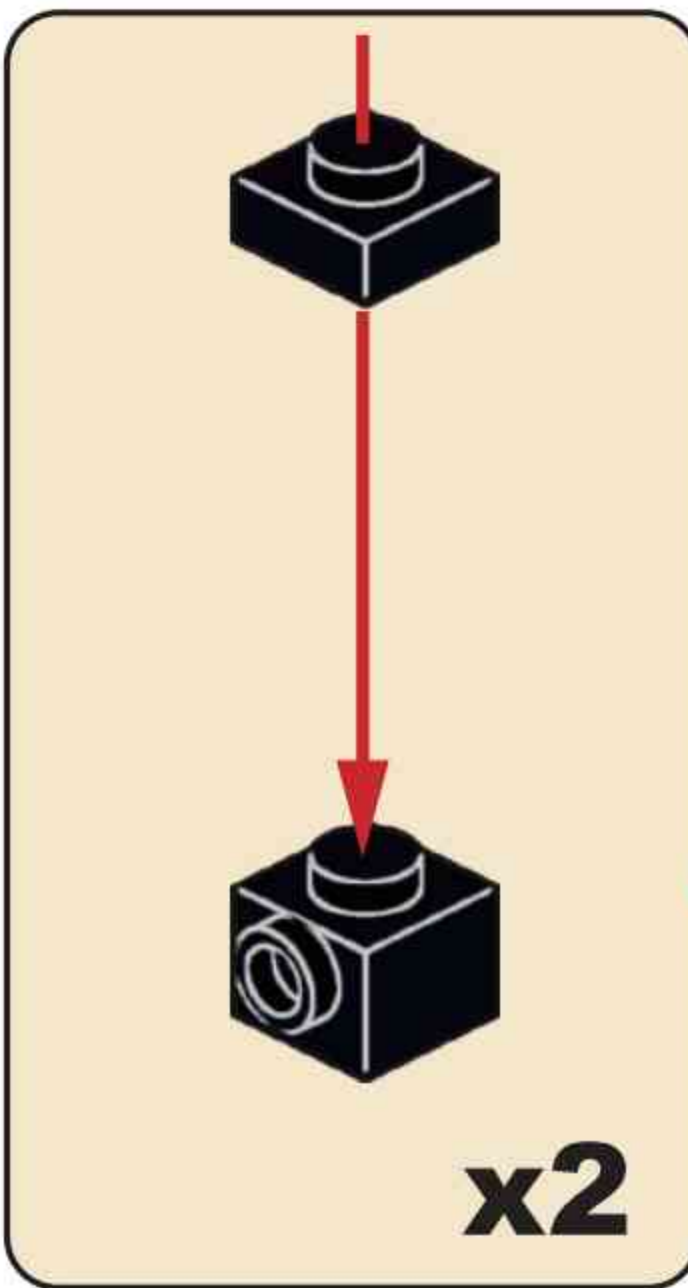
H81



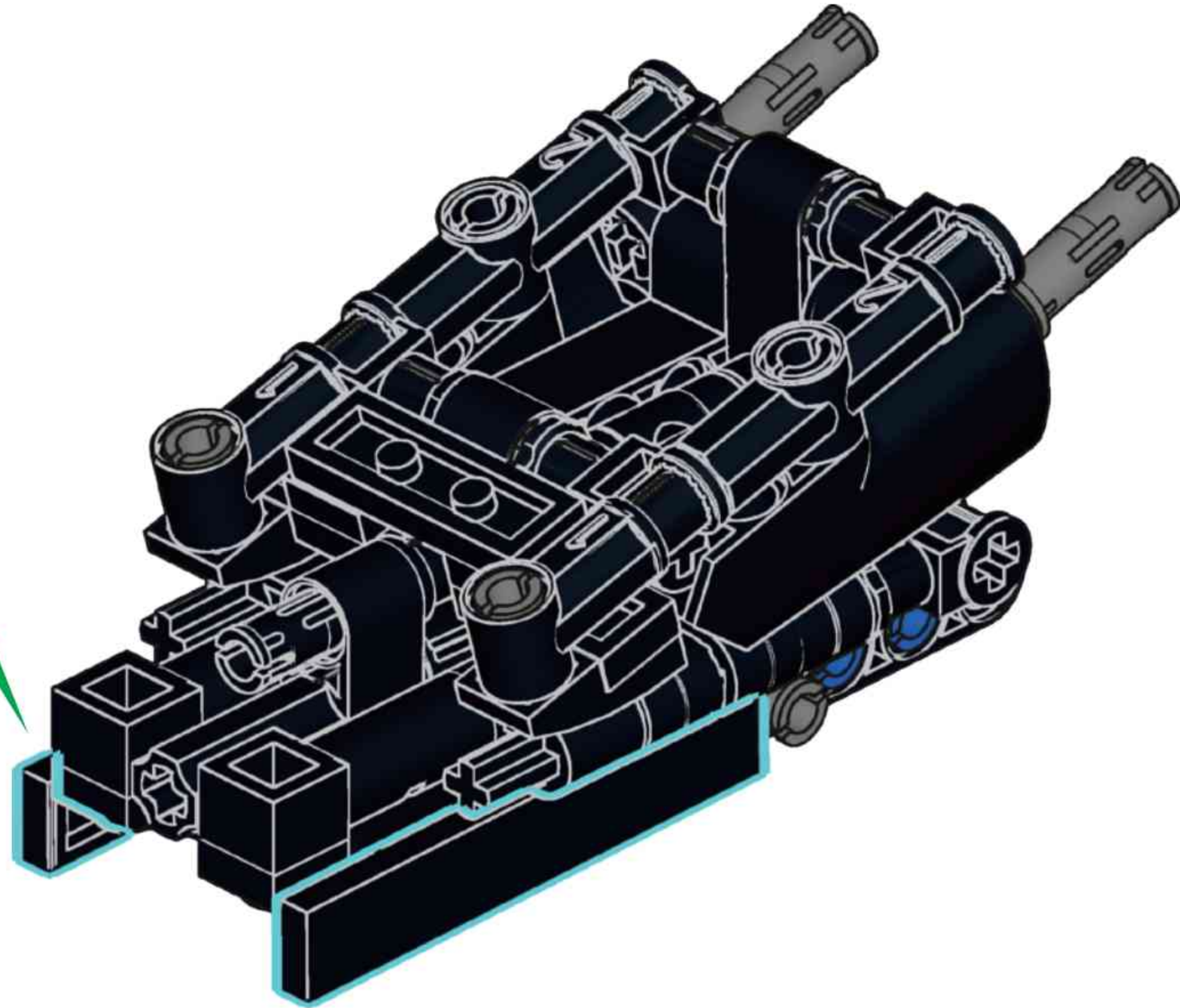
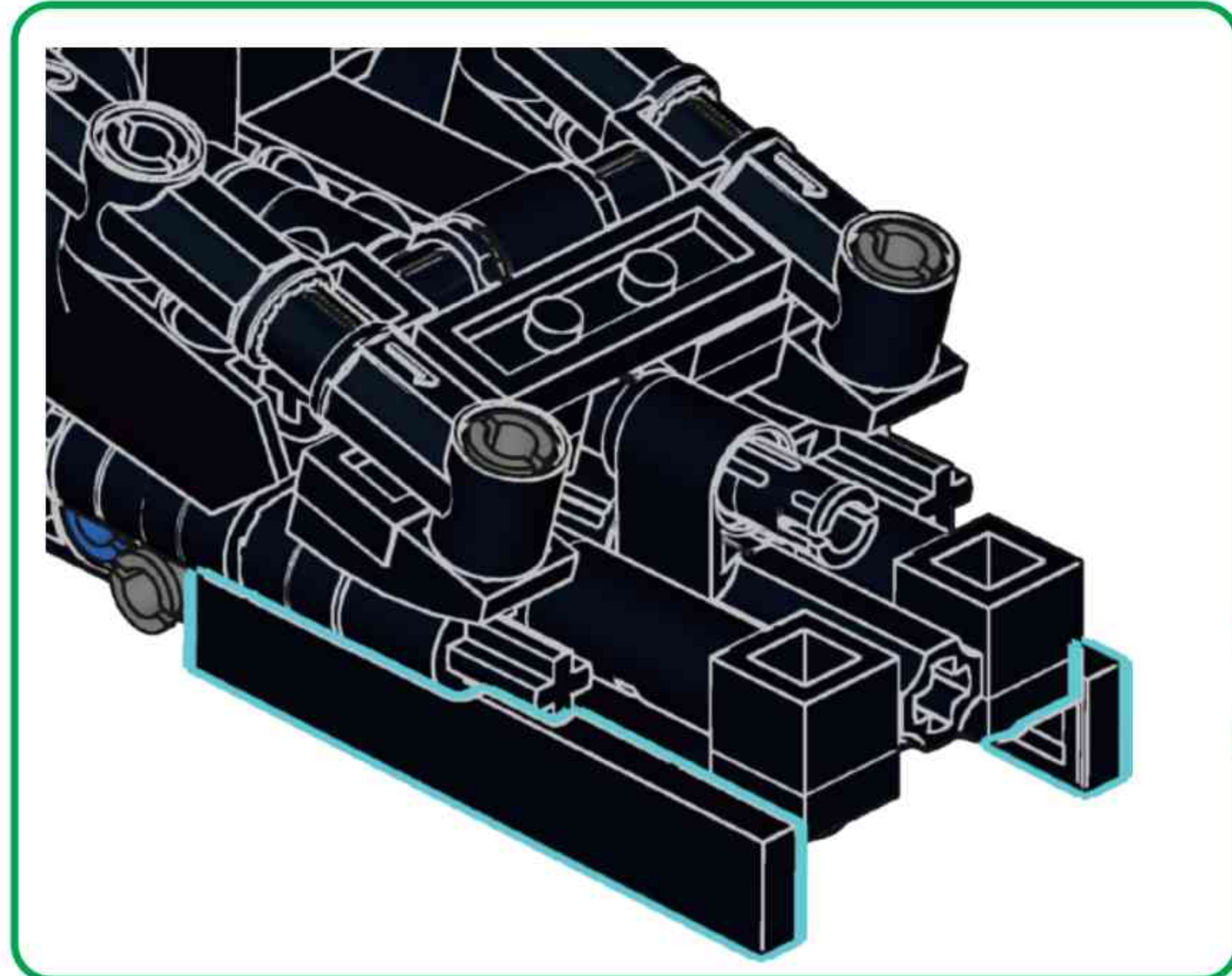
H82

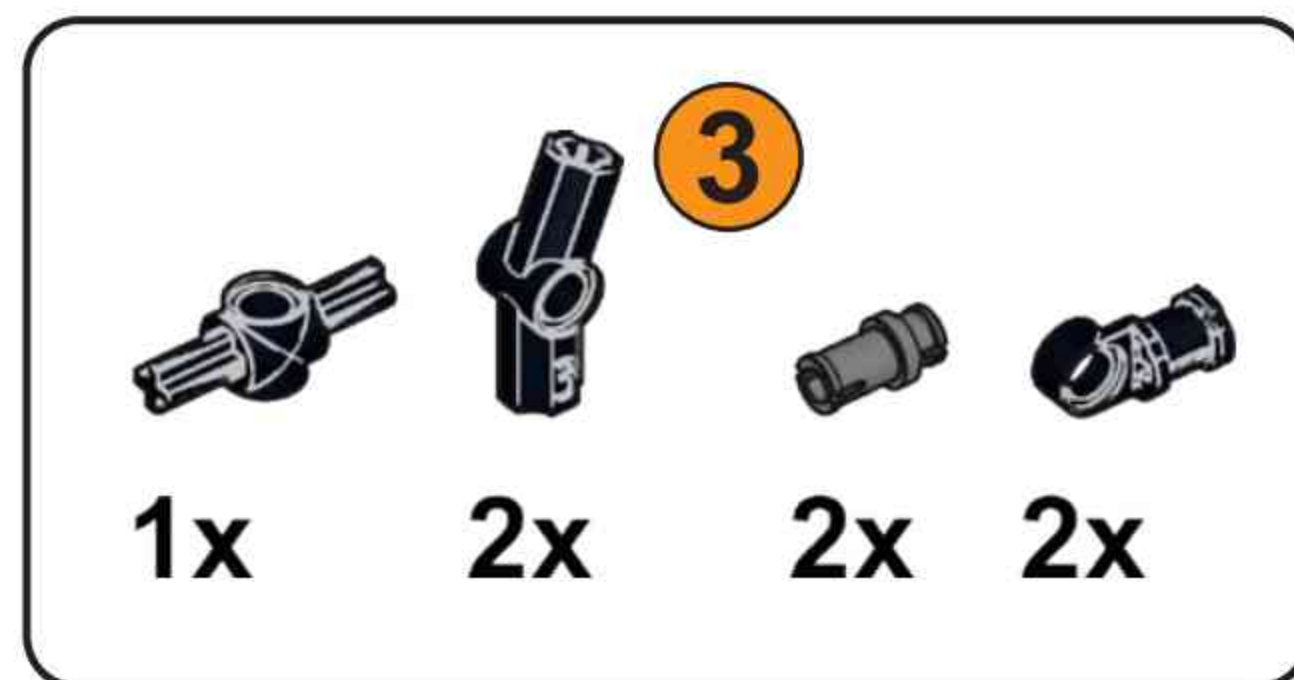


H83

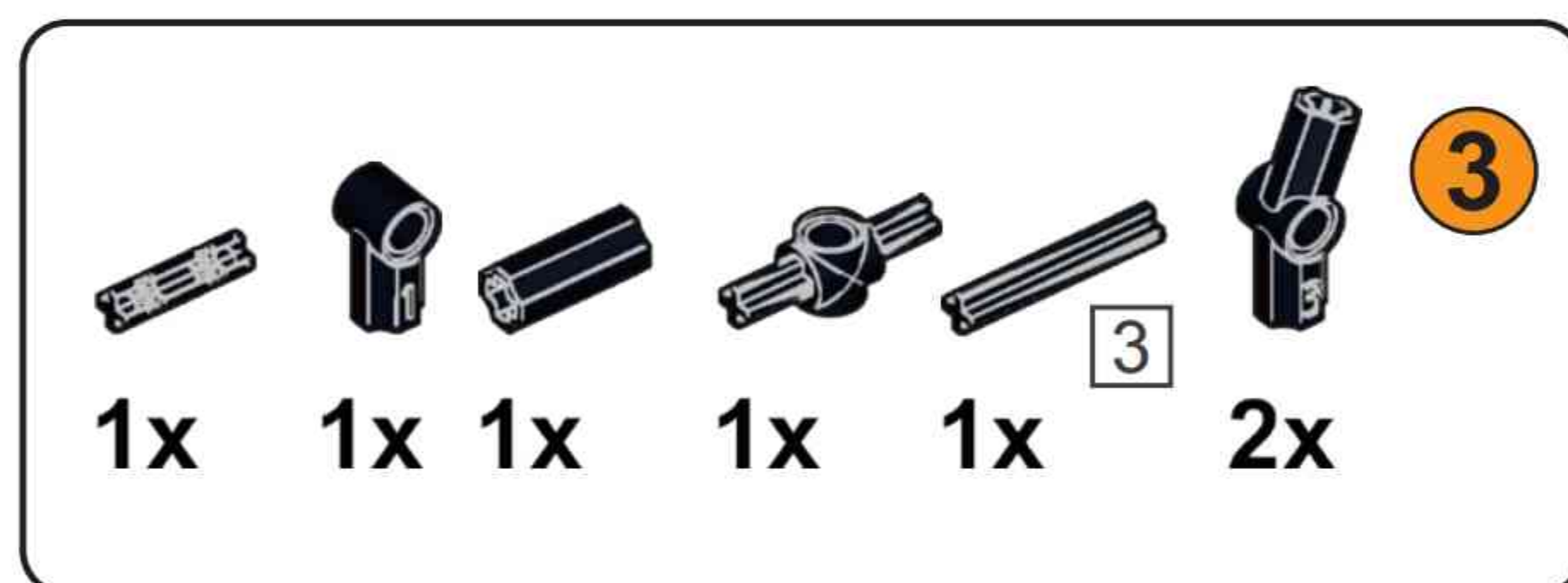
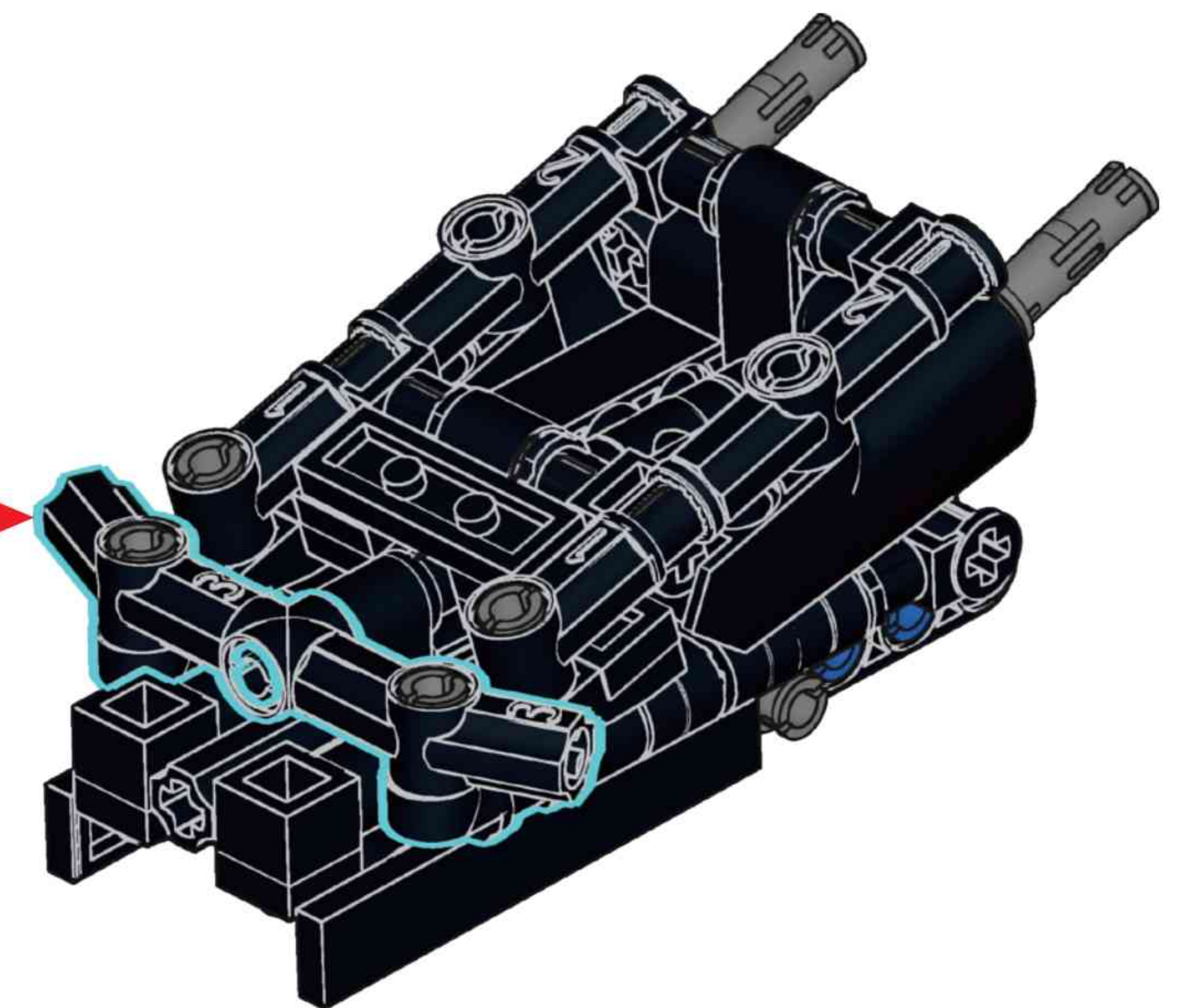
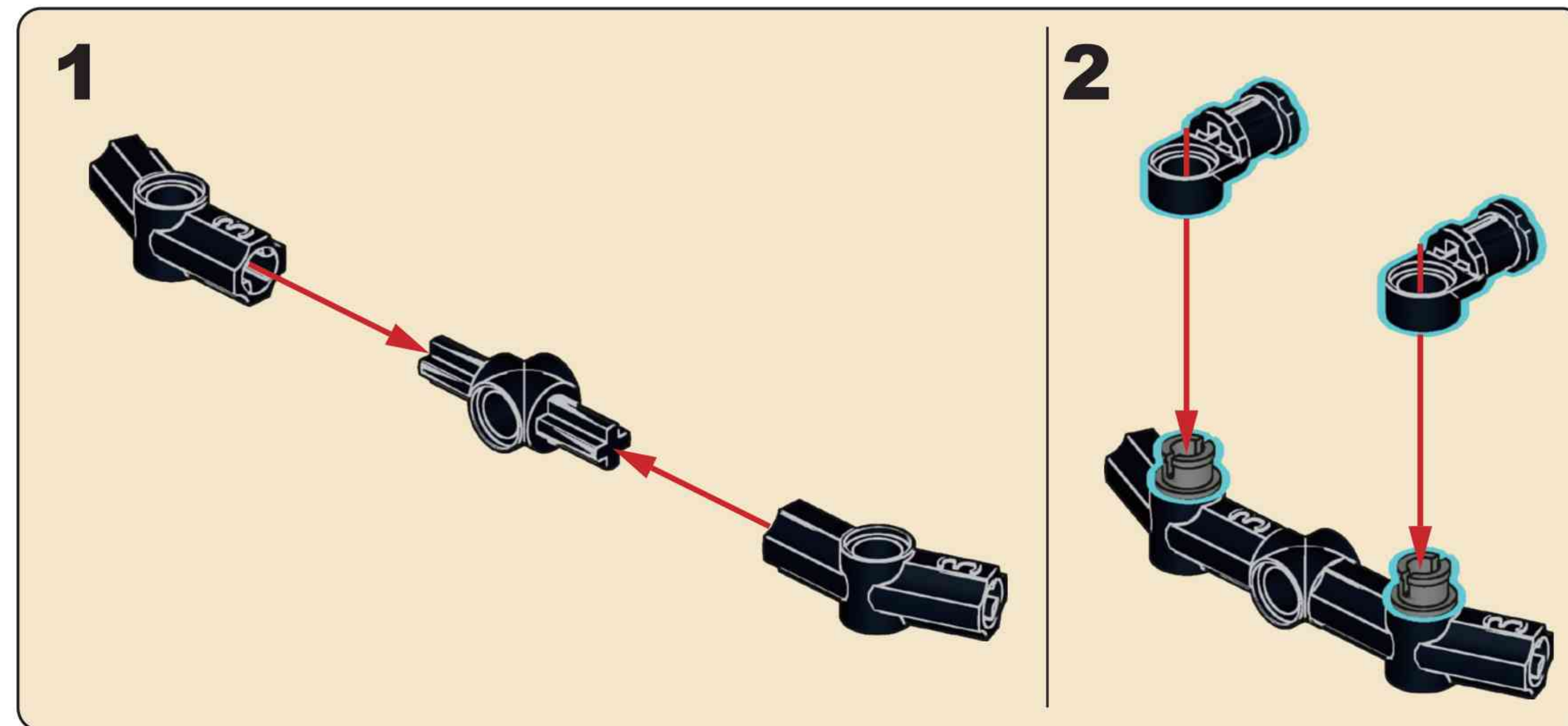


H84

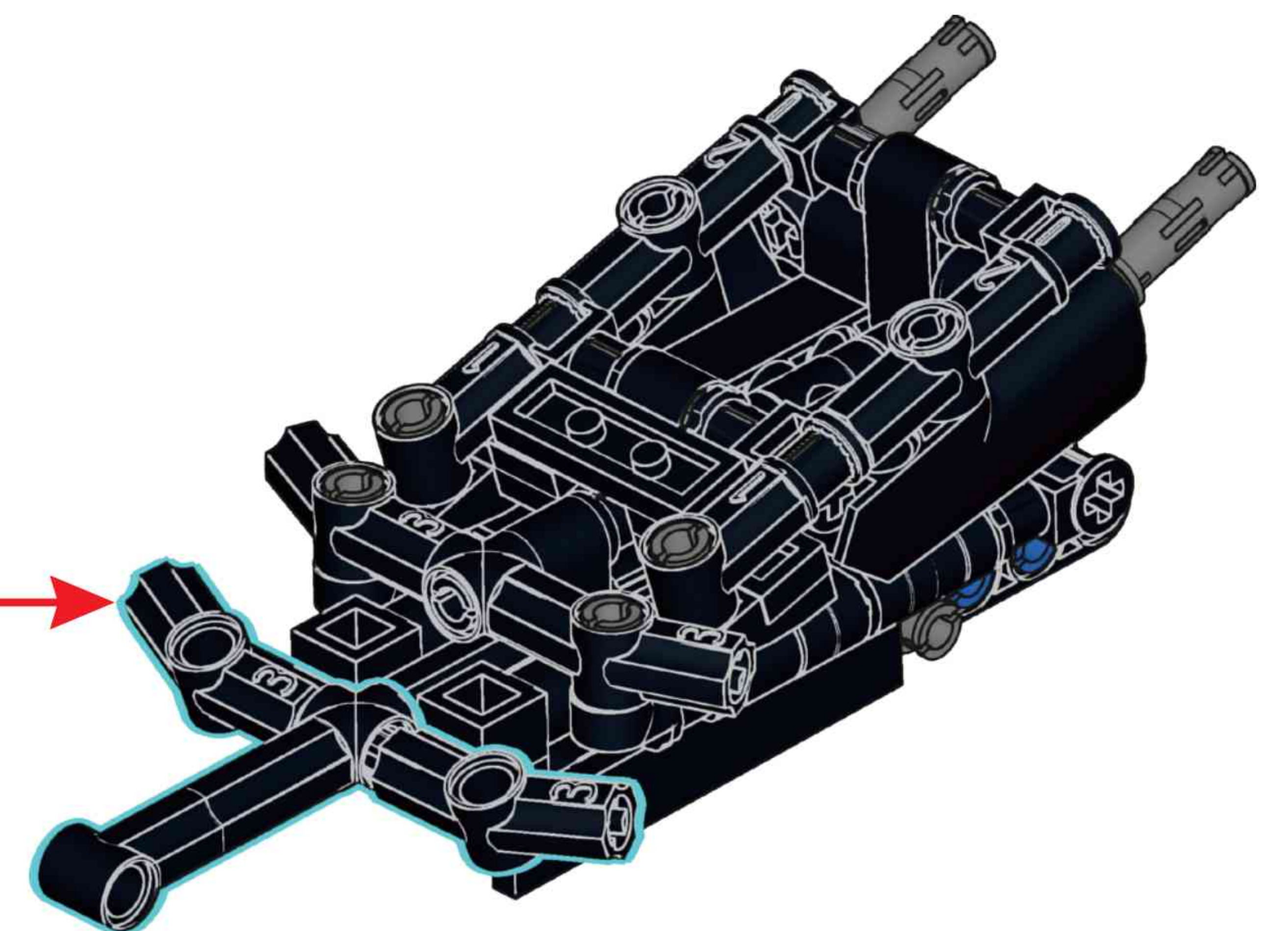
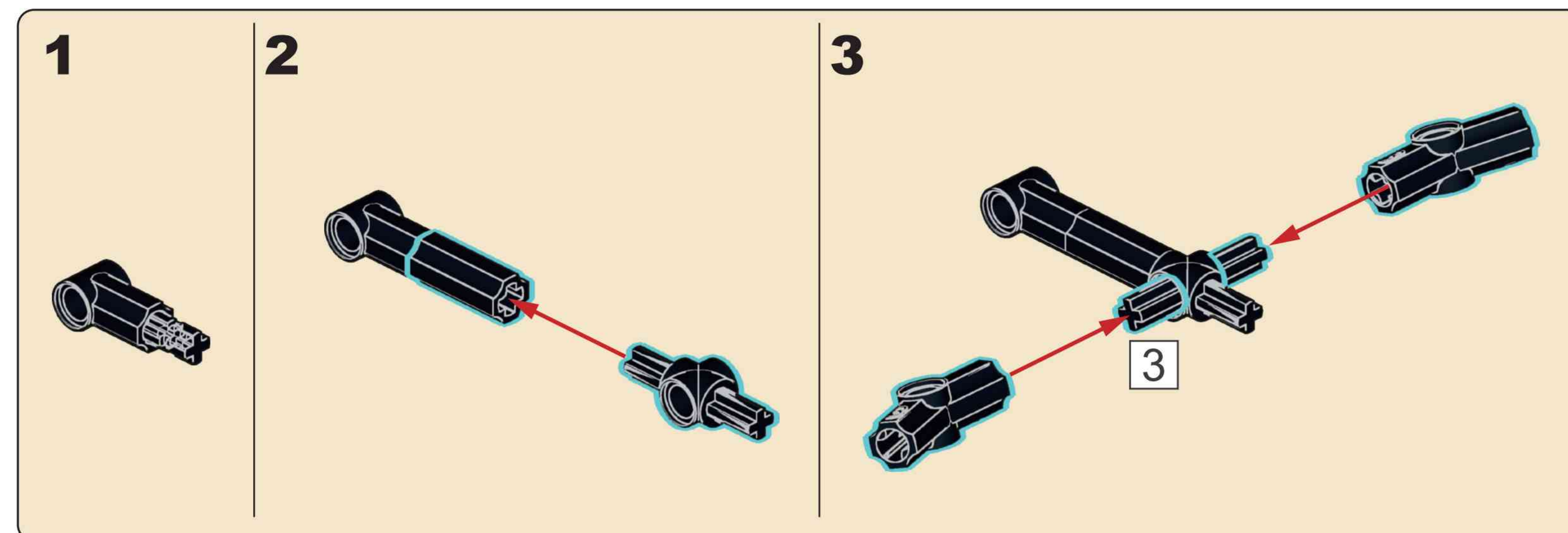
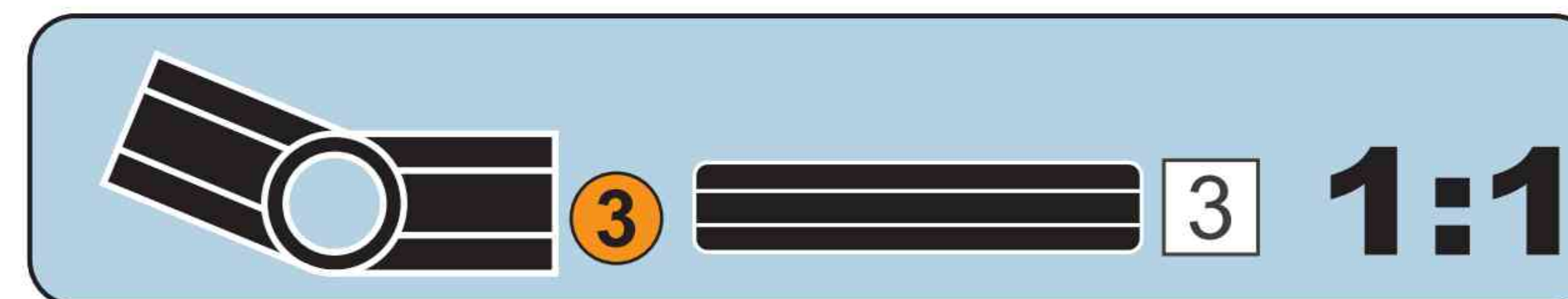


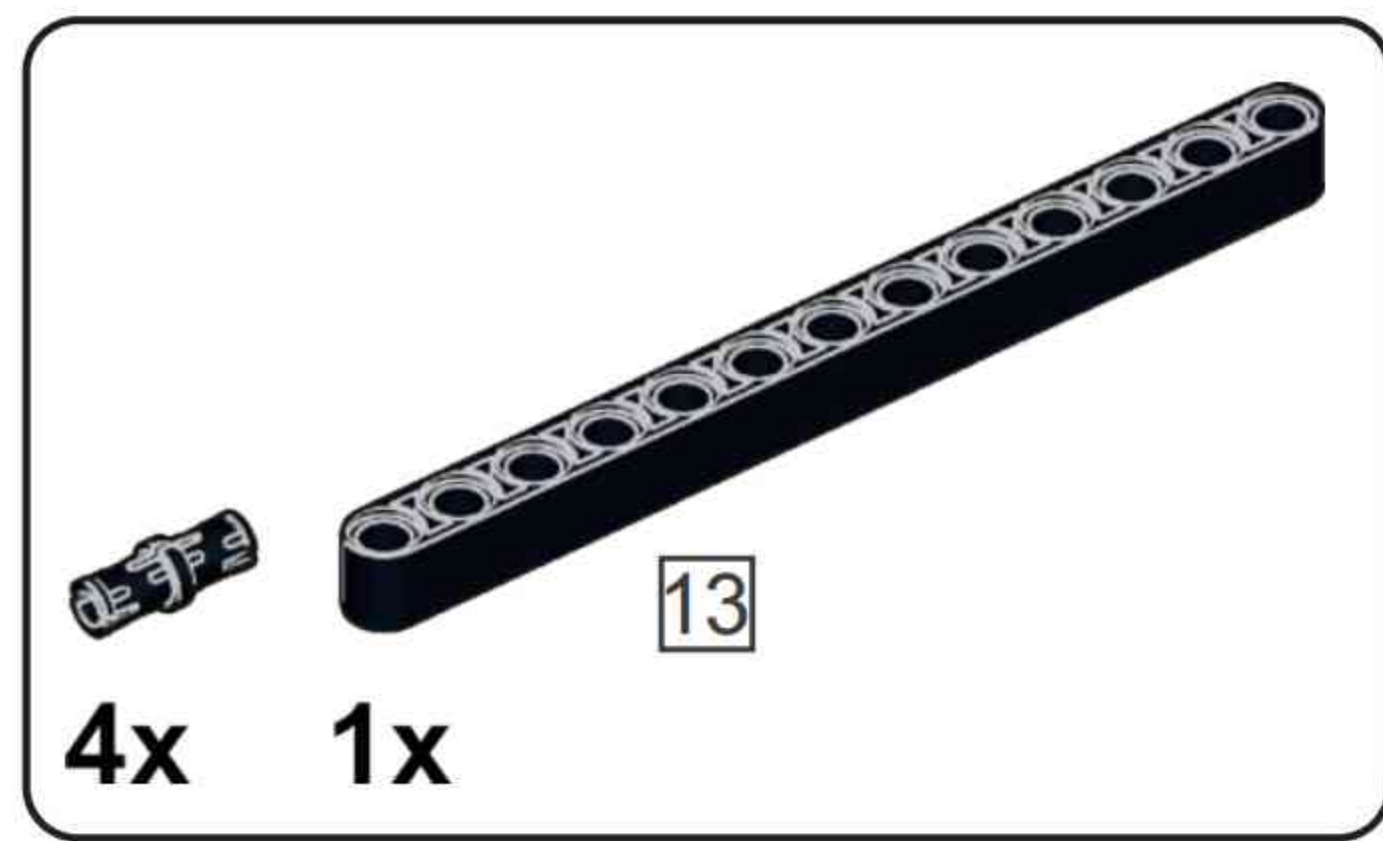


H85

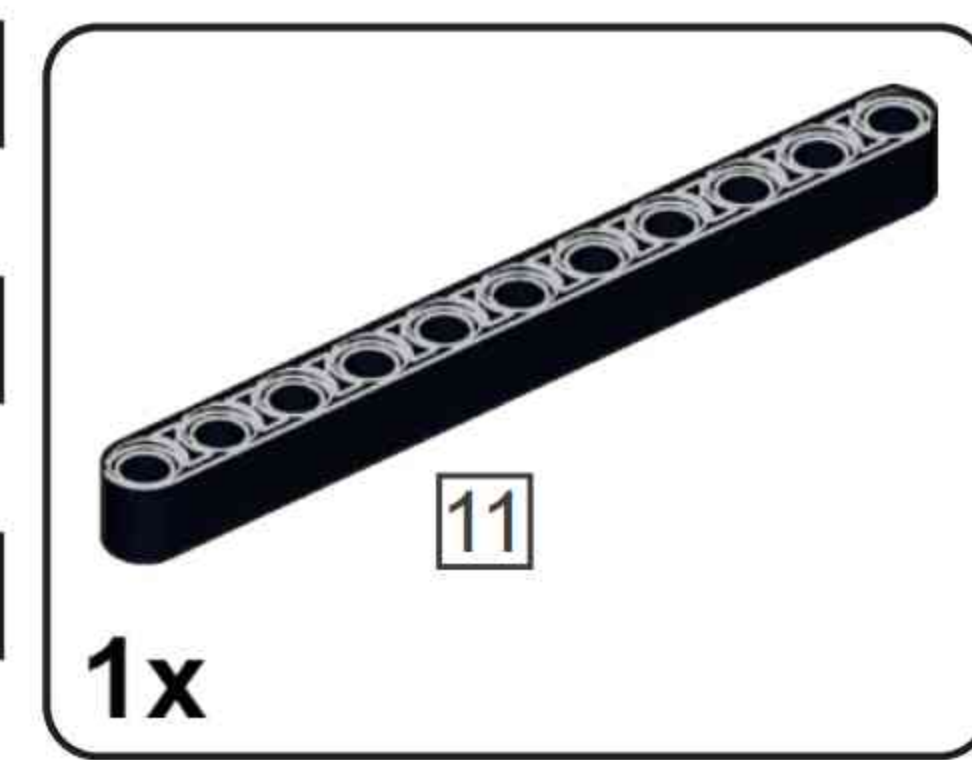


H86

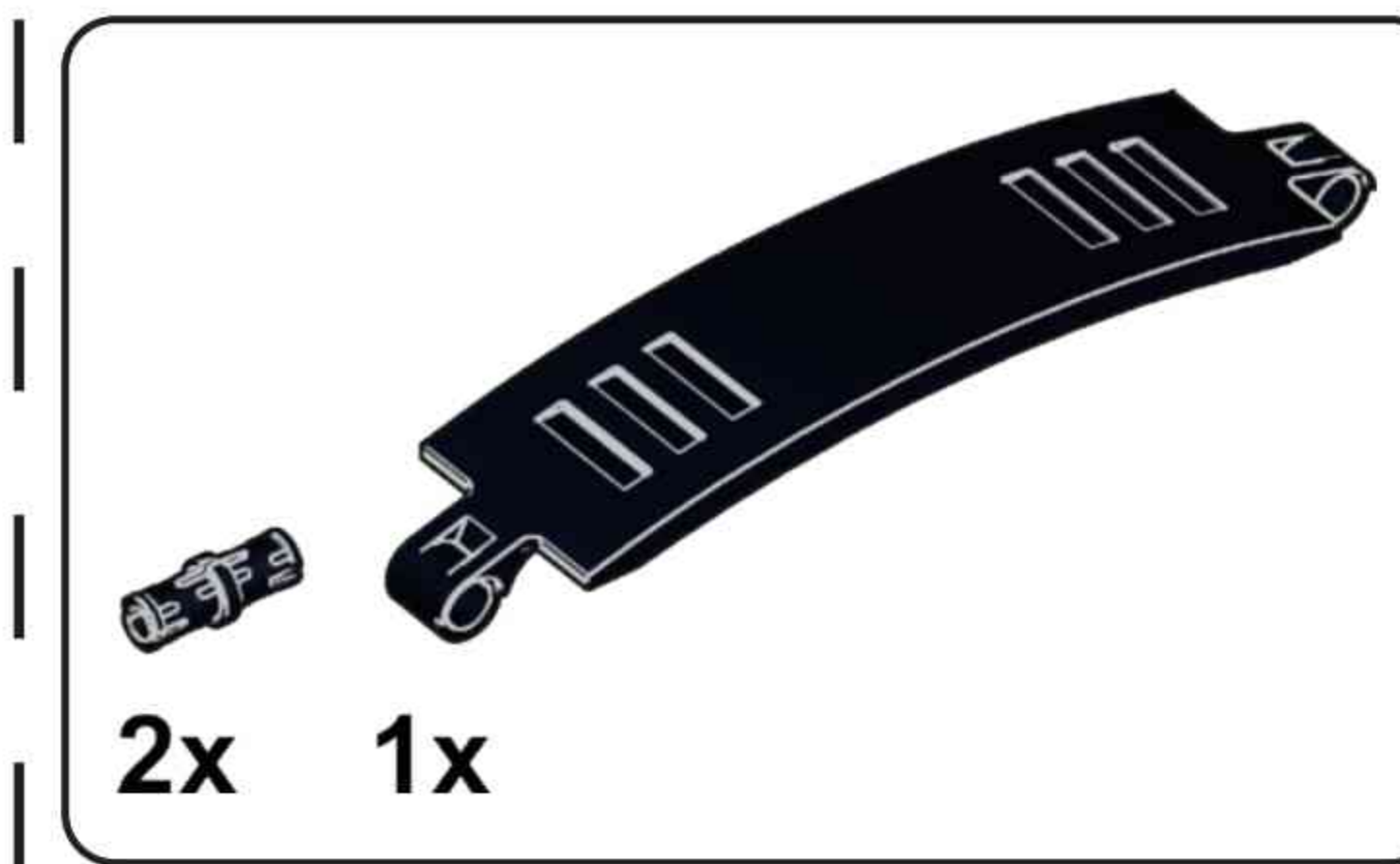




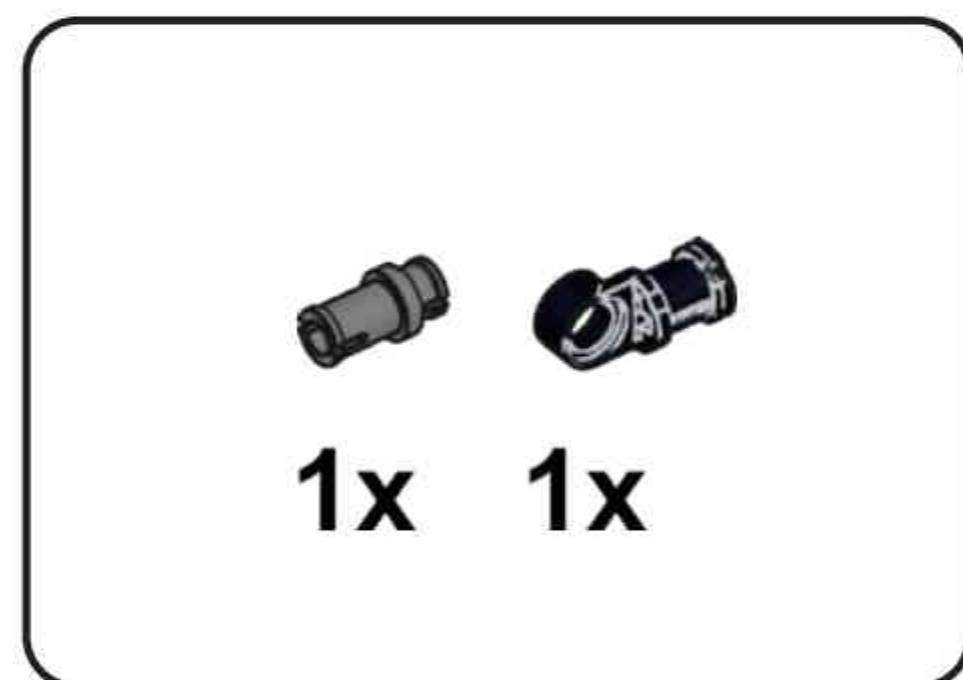
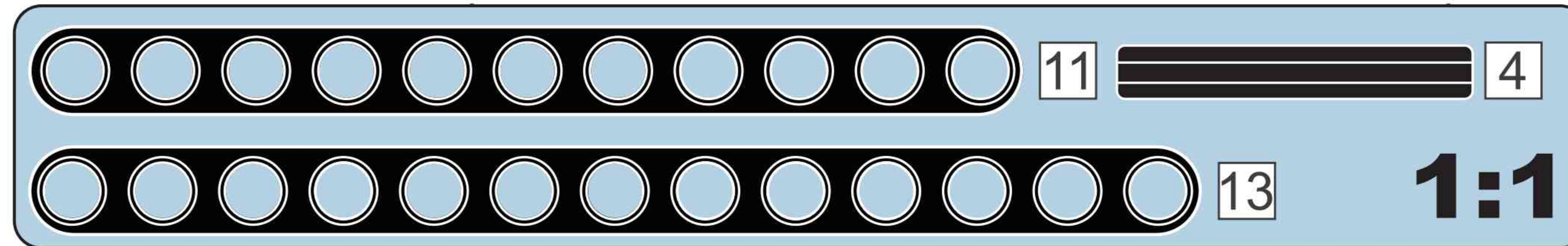
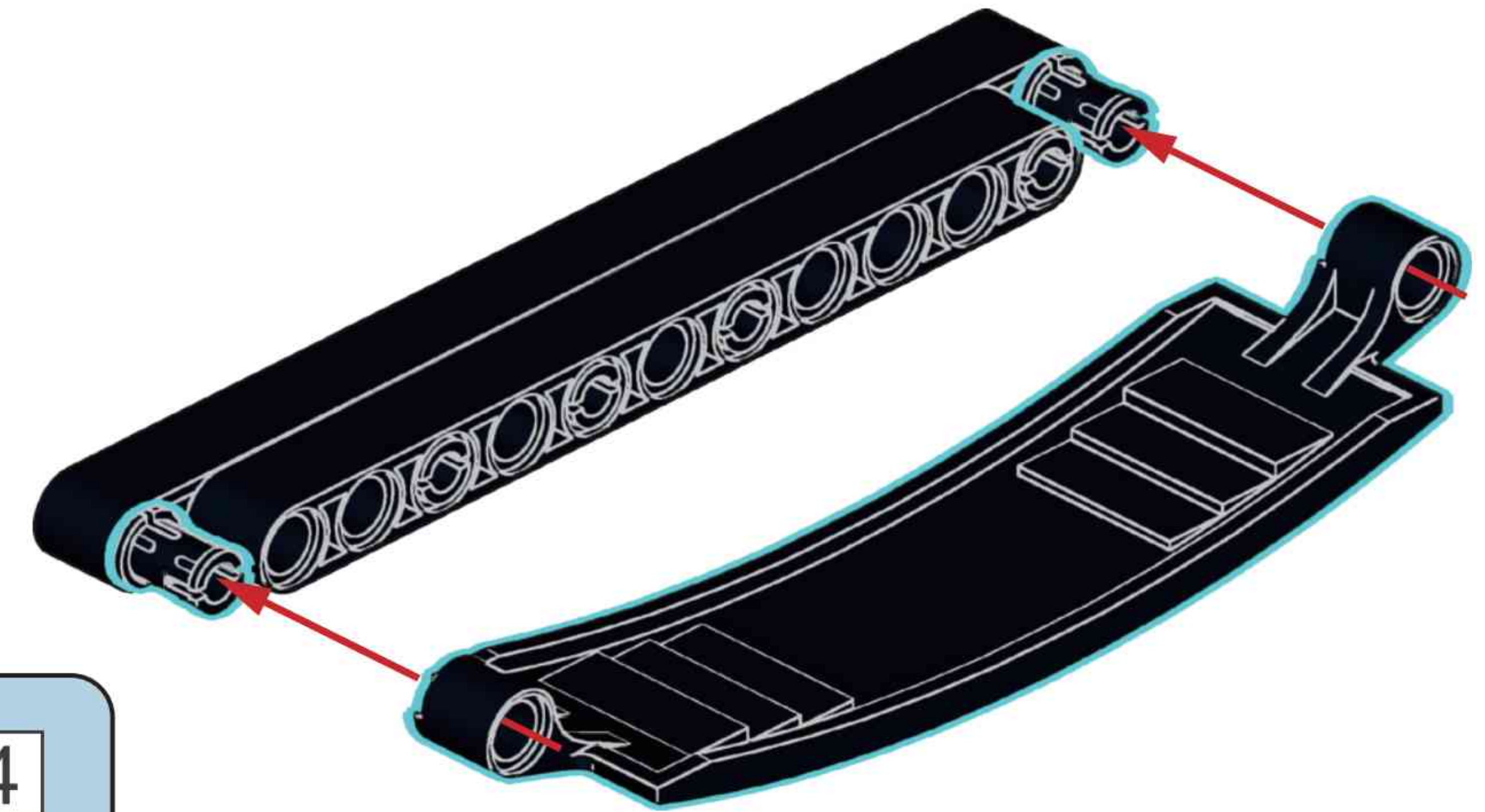
H87



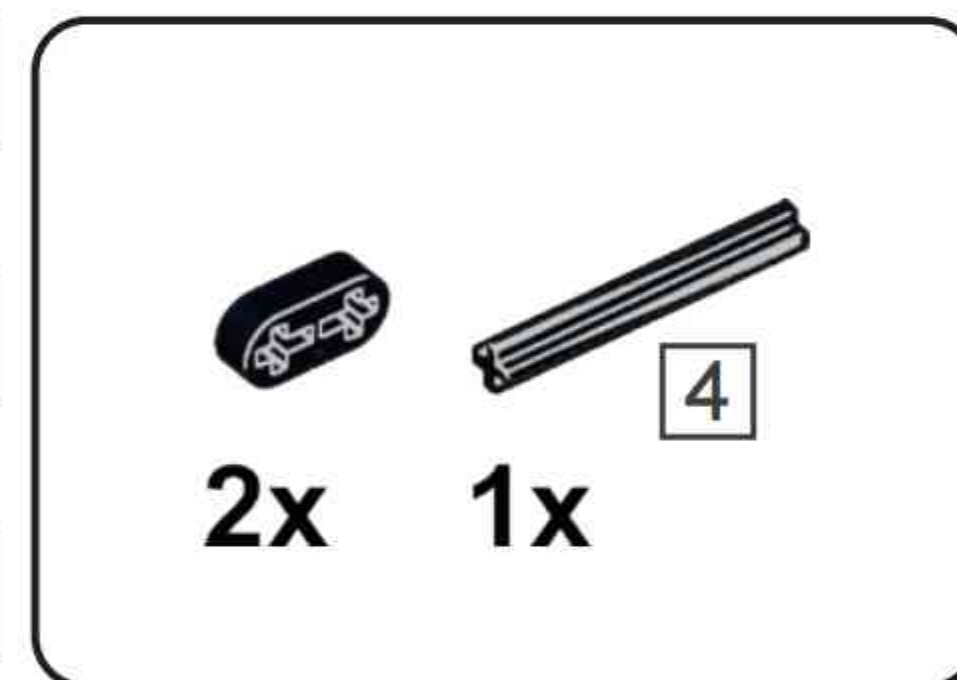
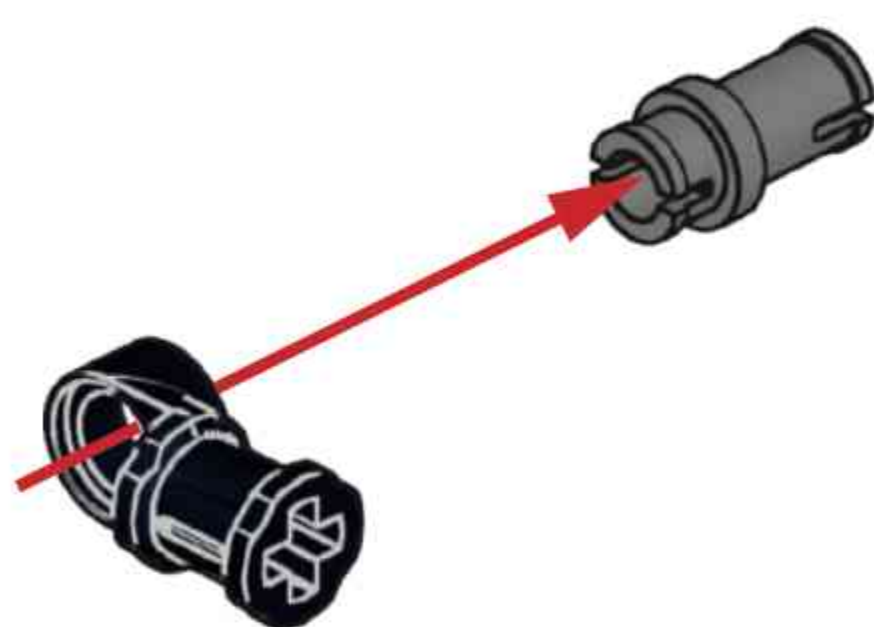
H88



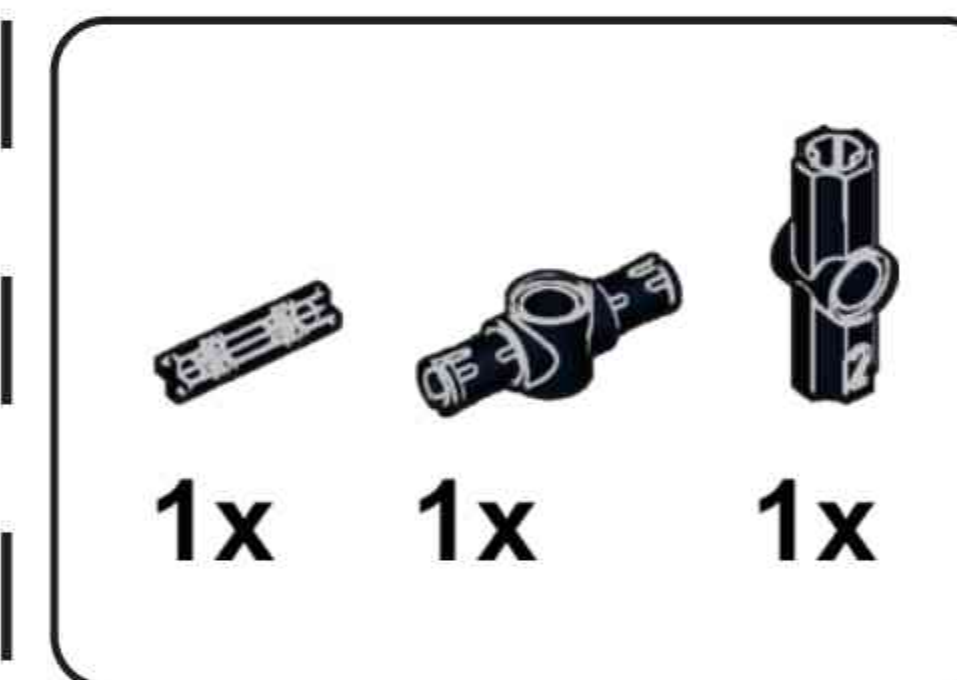
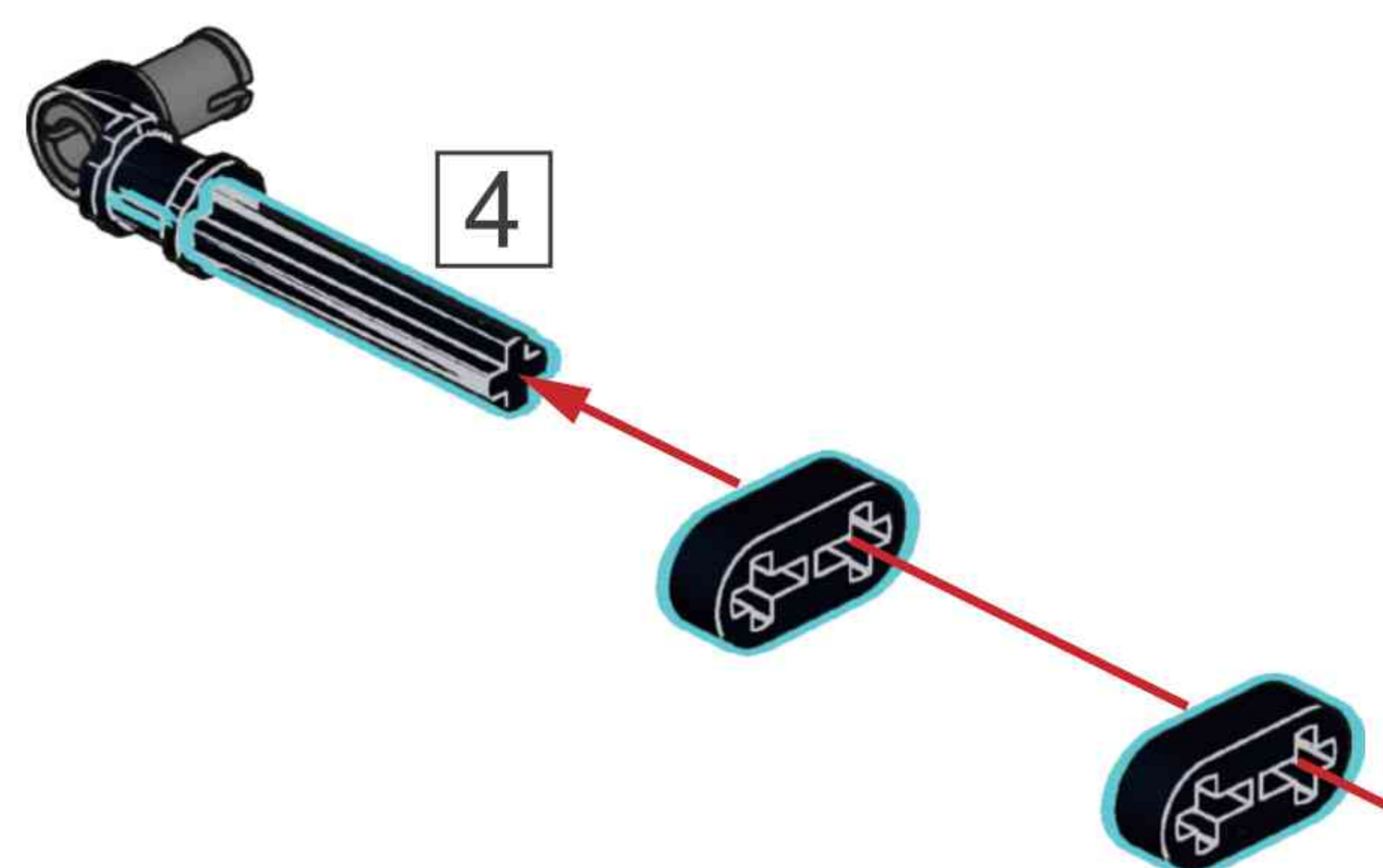
H89



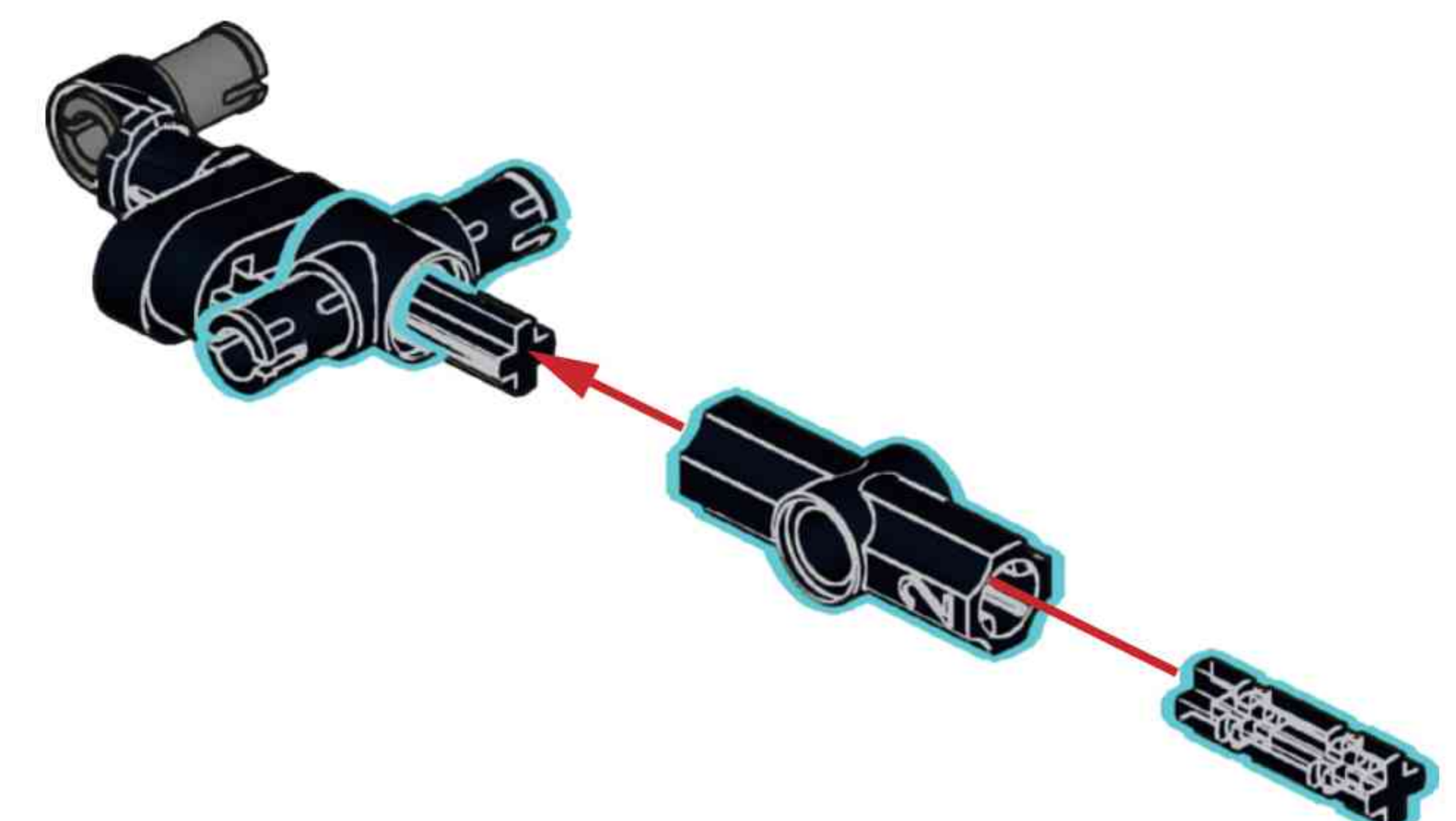
H90

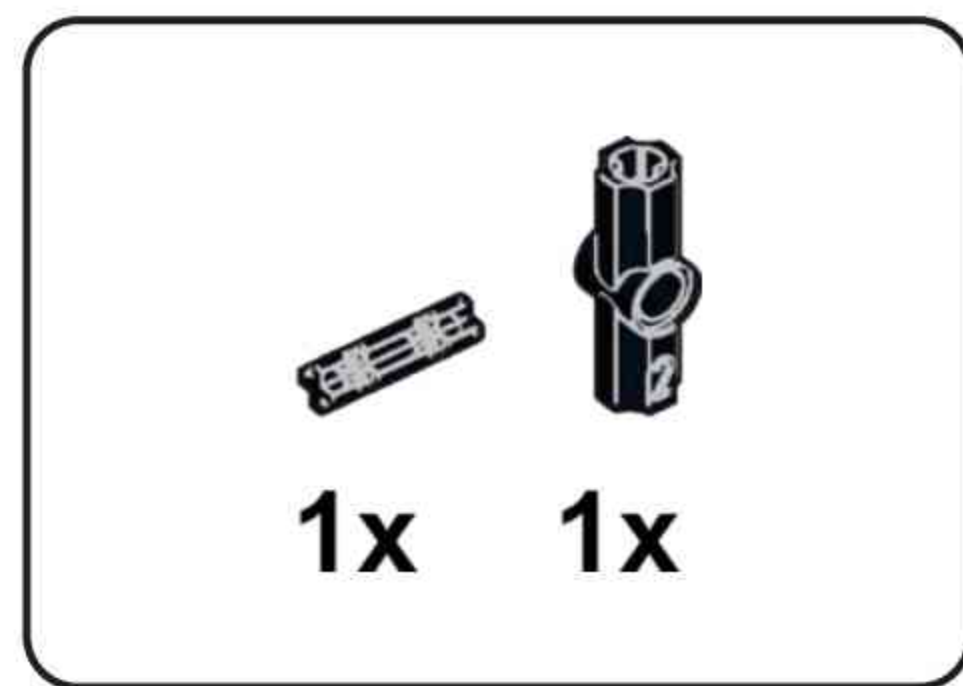


H91

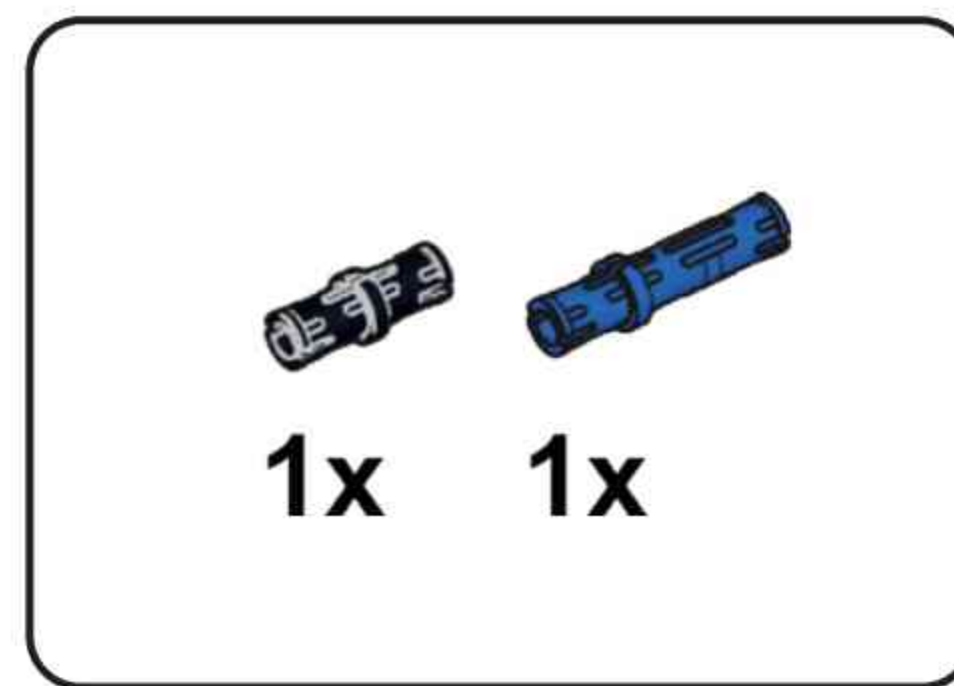
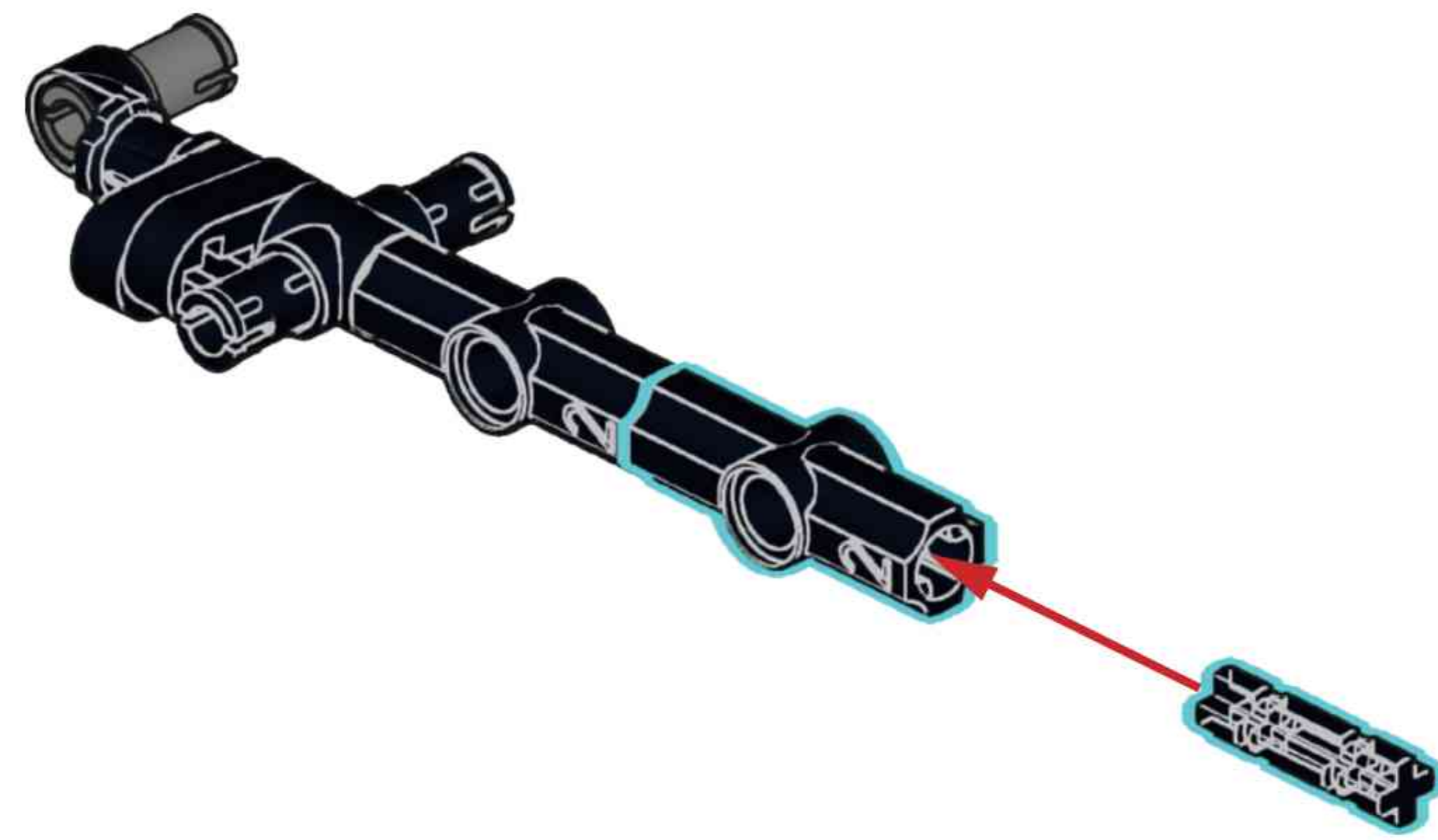


H92

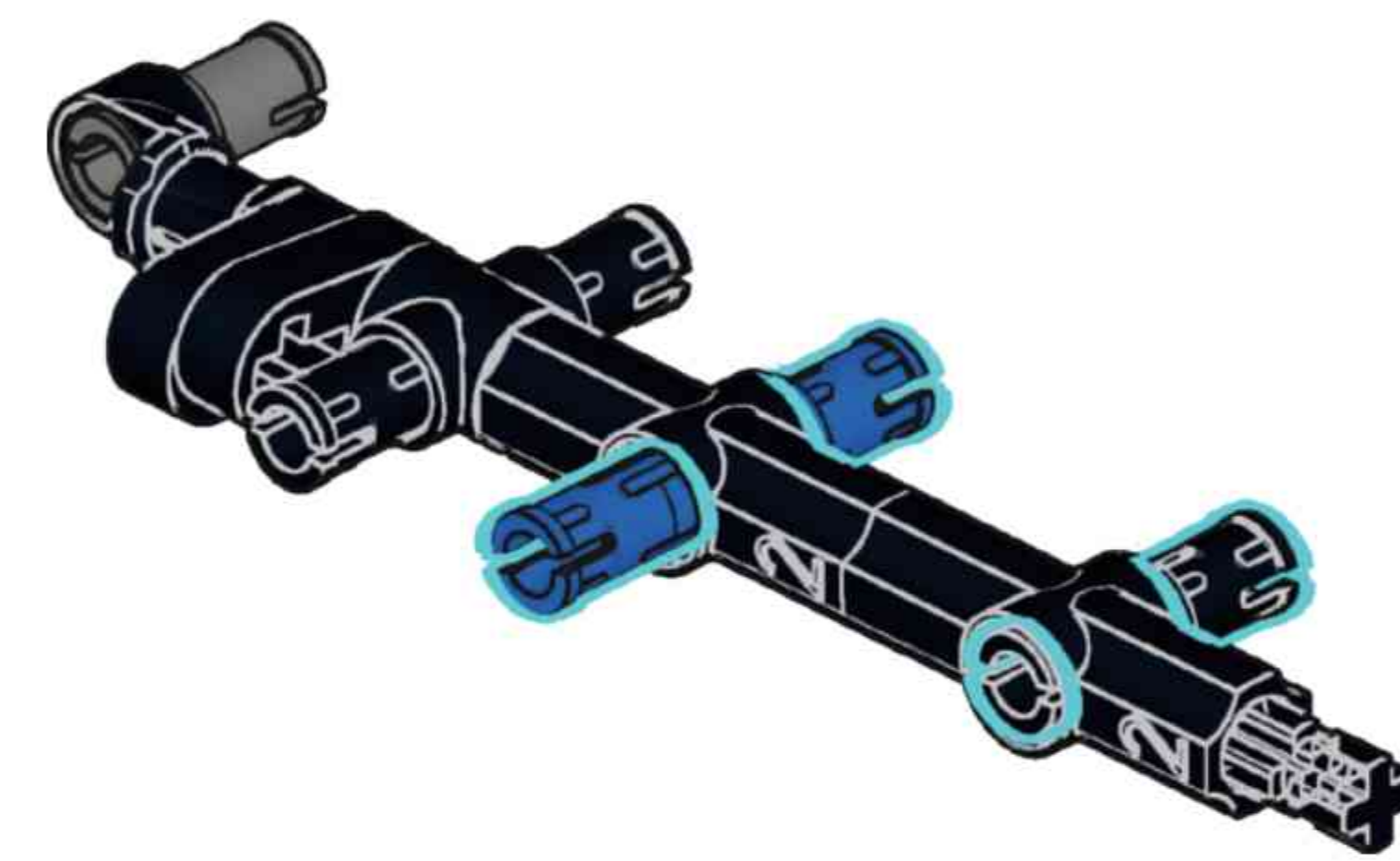




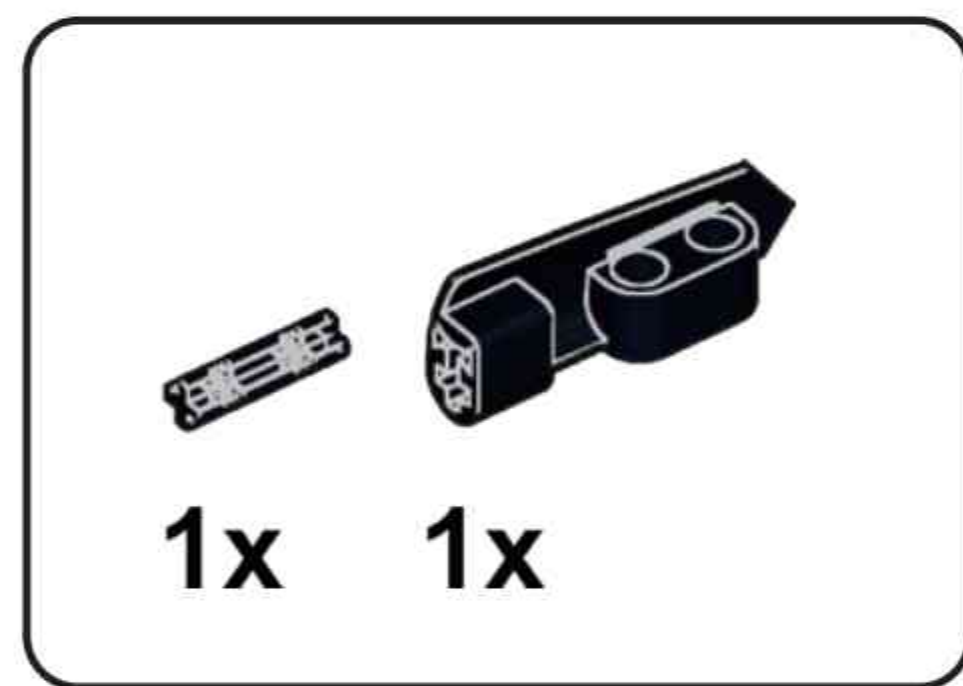
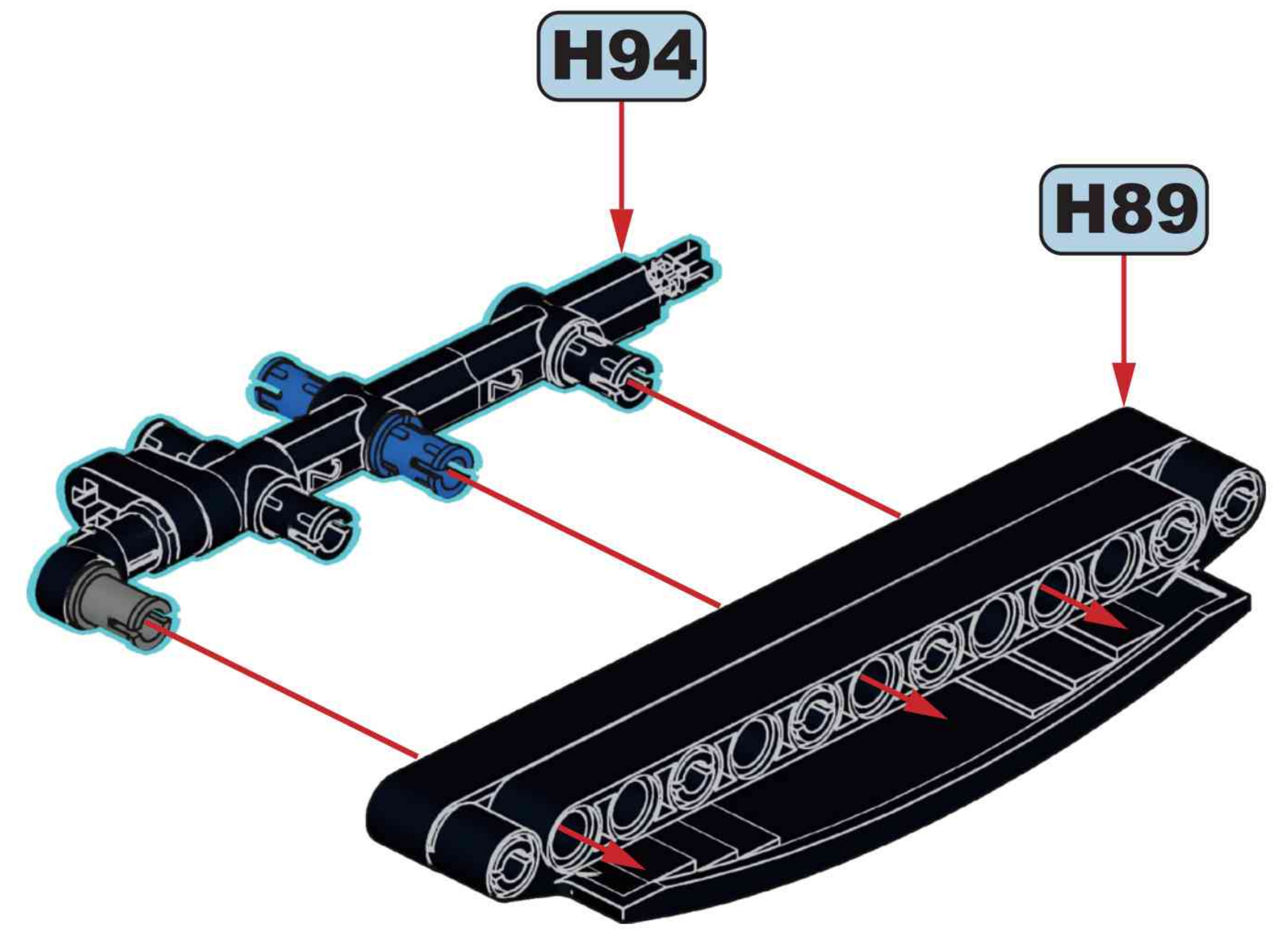
H93



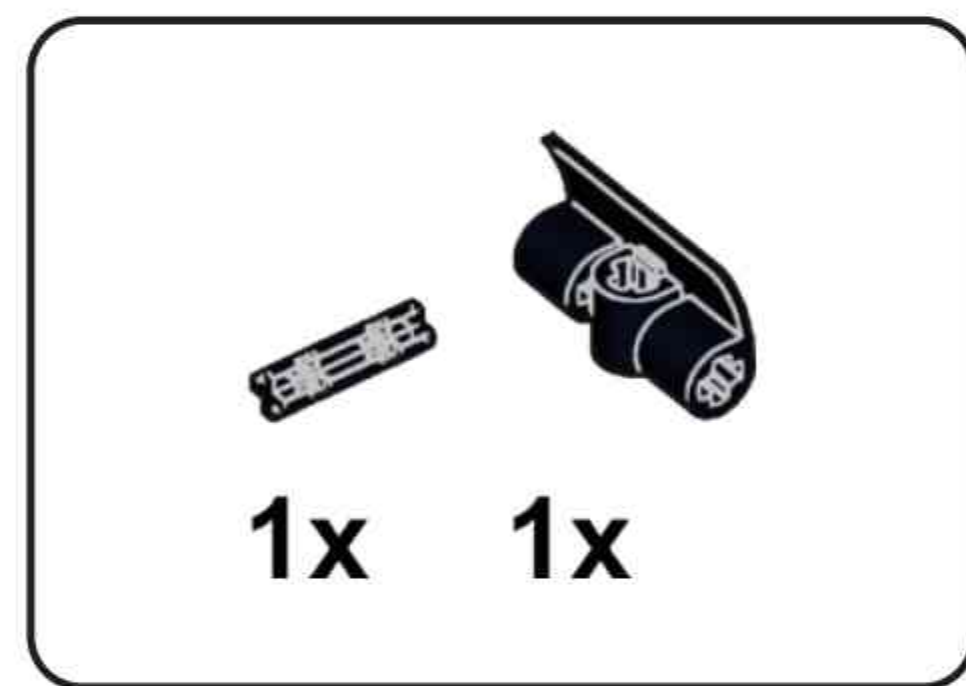
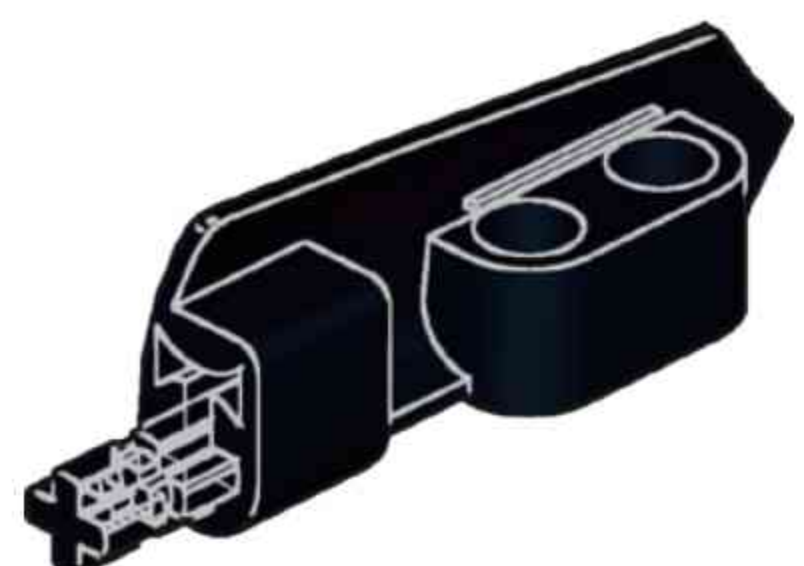
H94



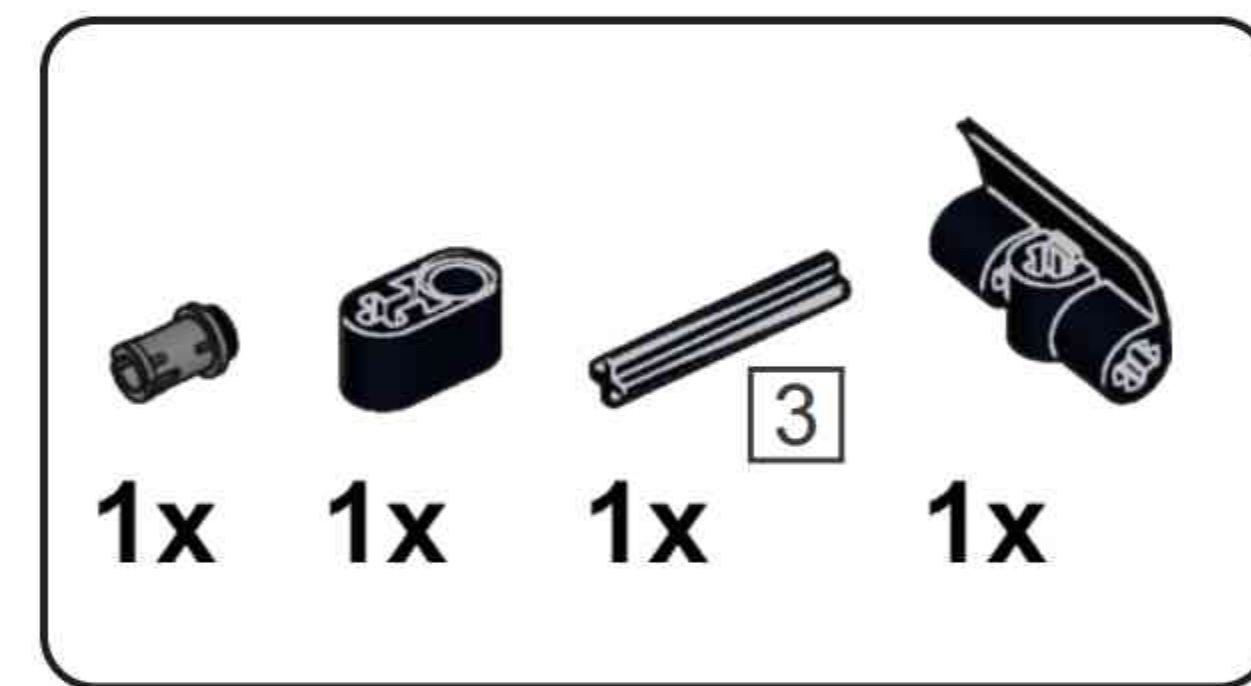
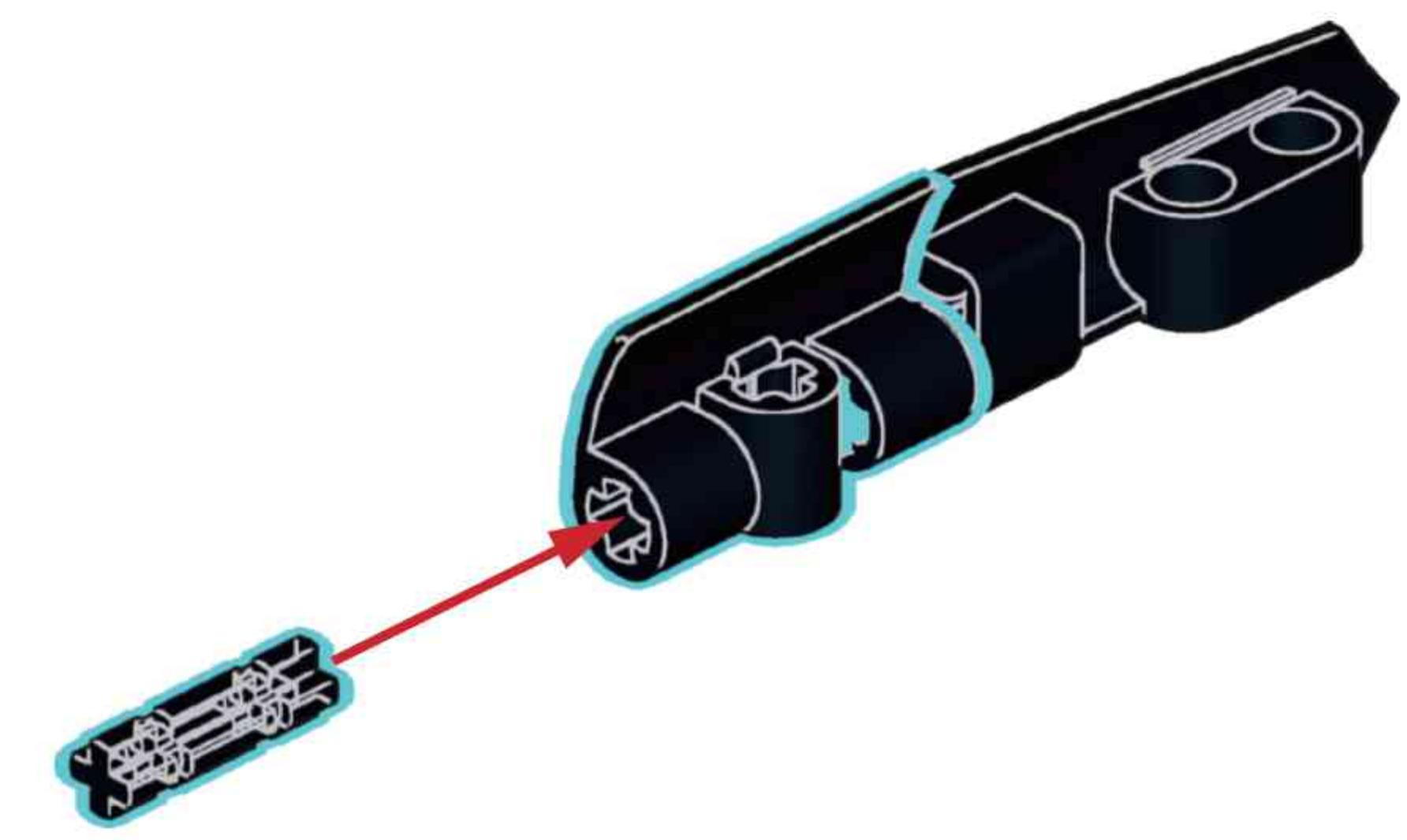
H95



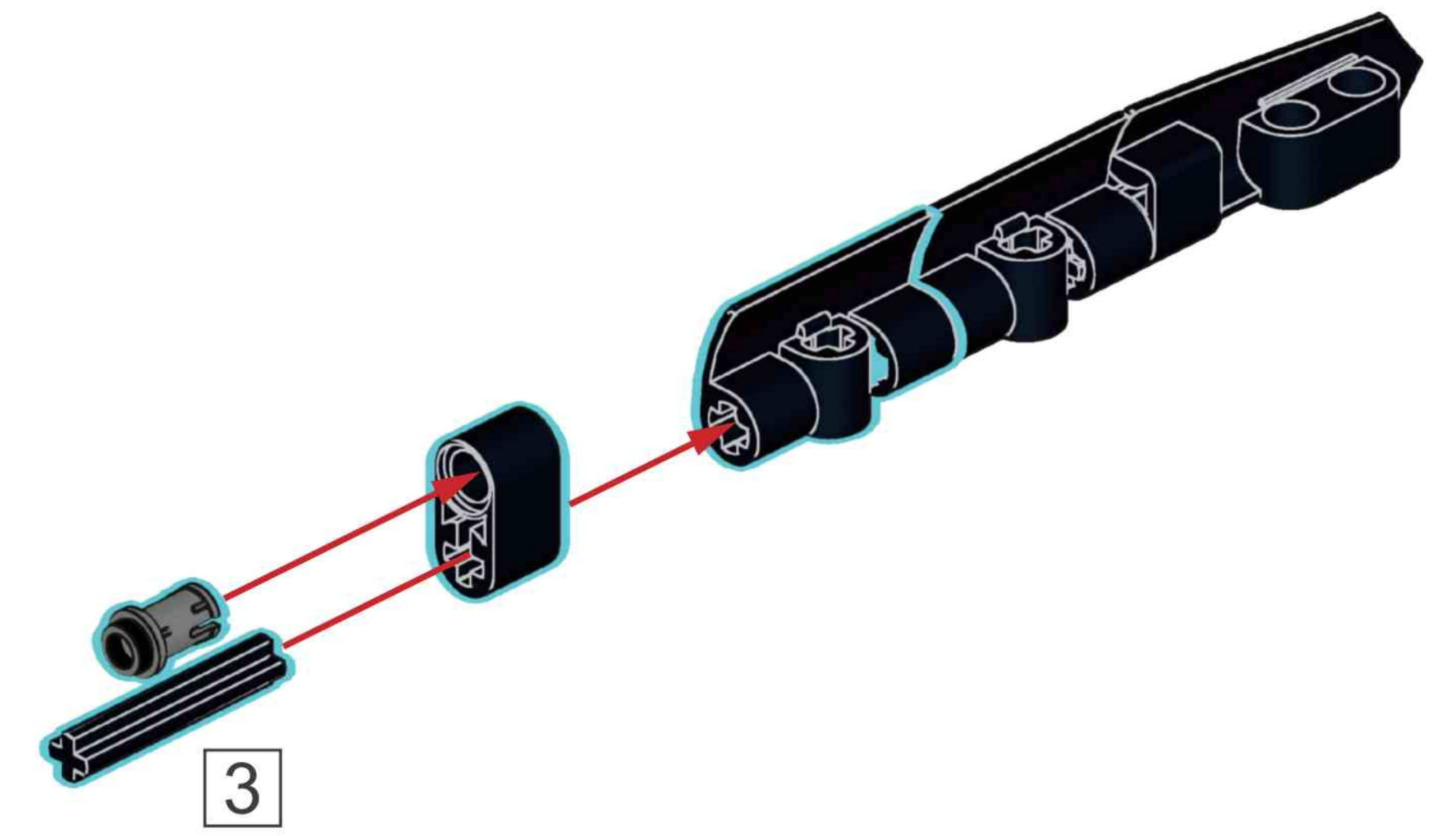
H96

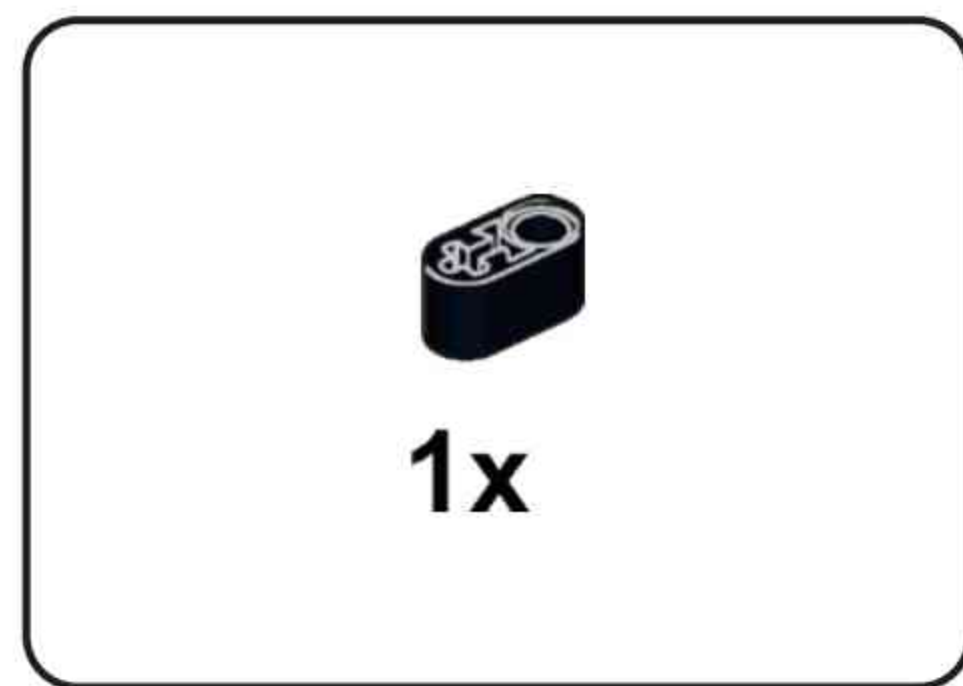


H97

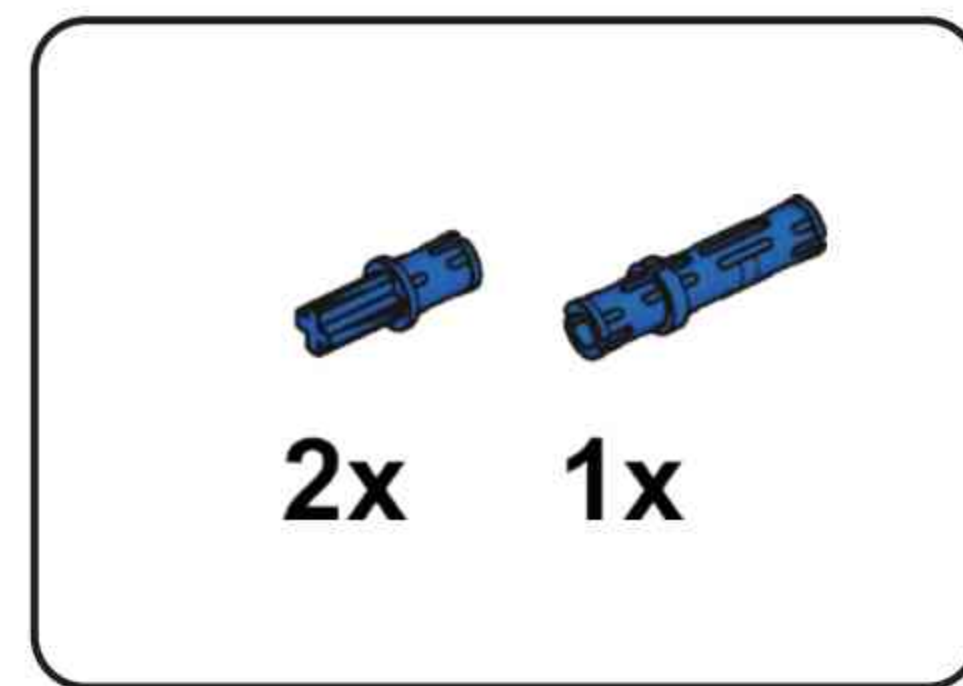
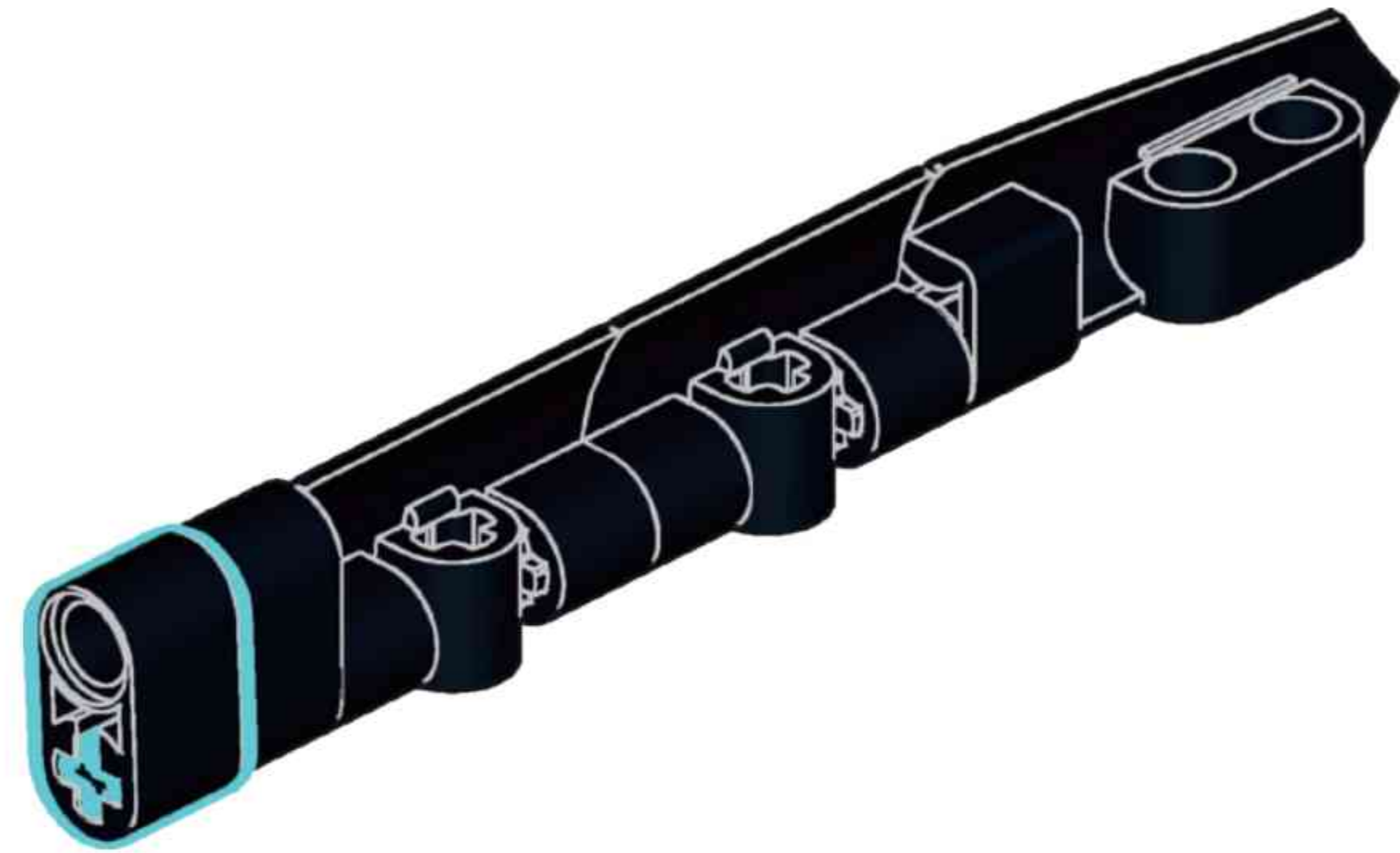


H98

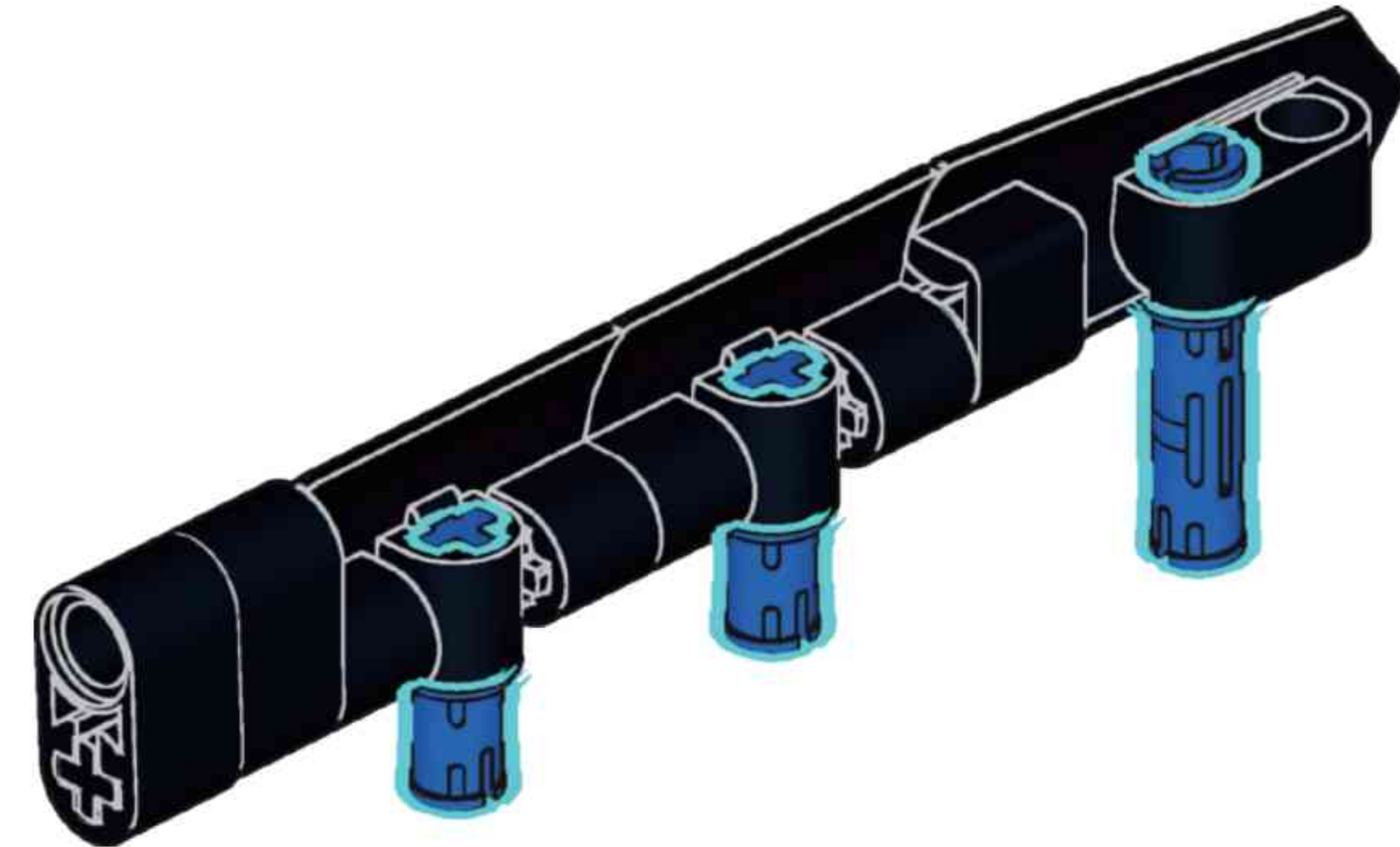




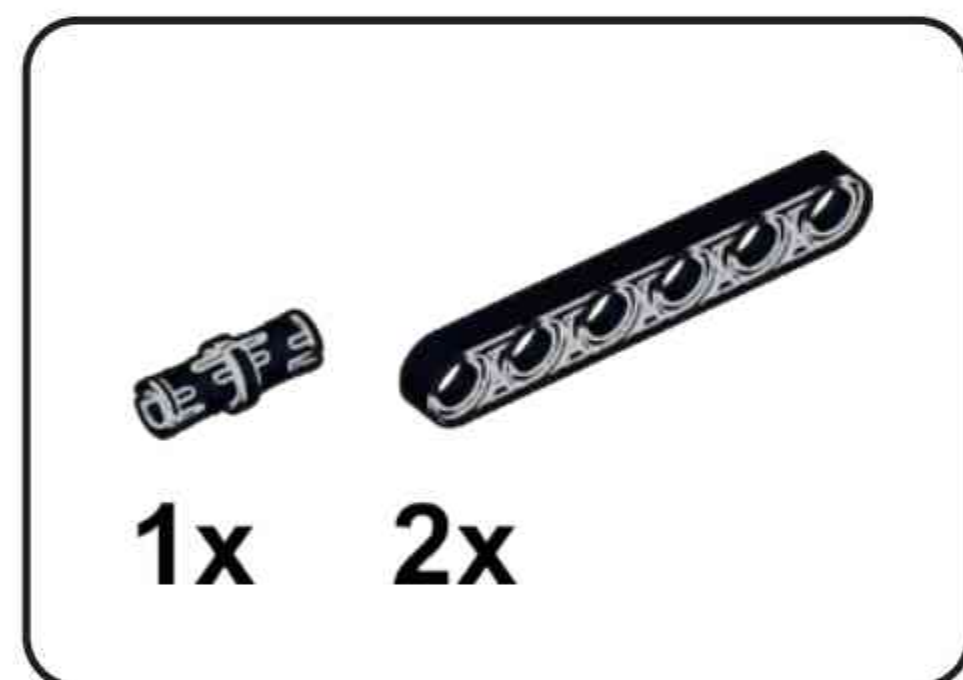
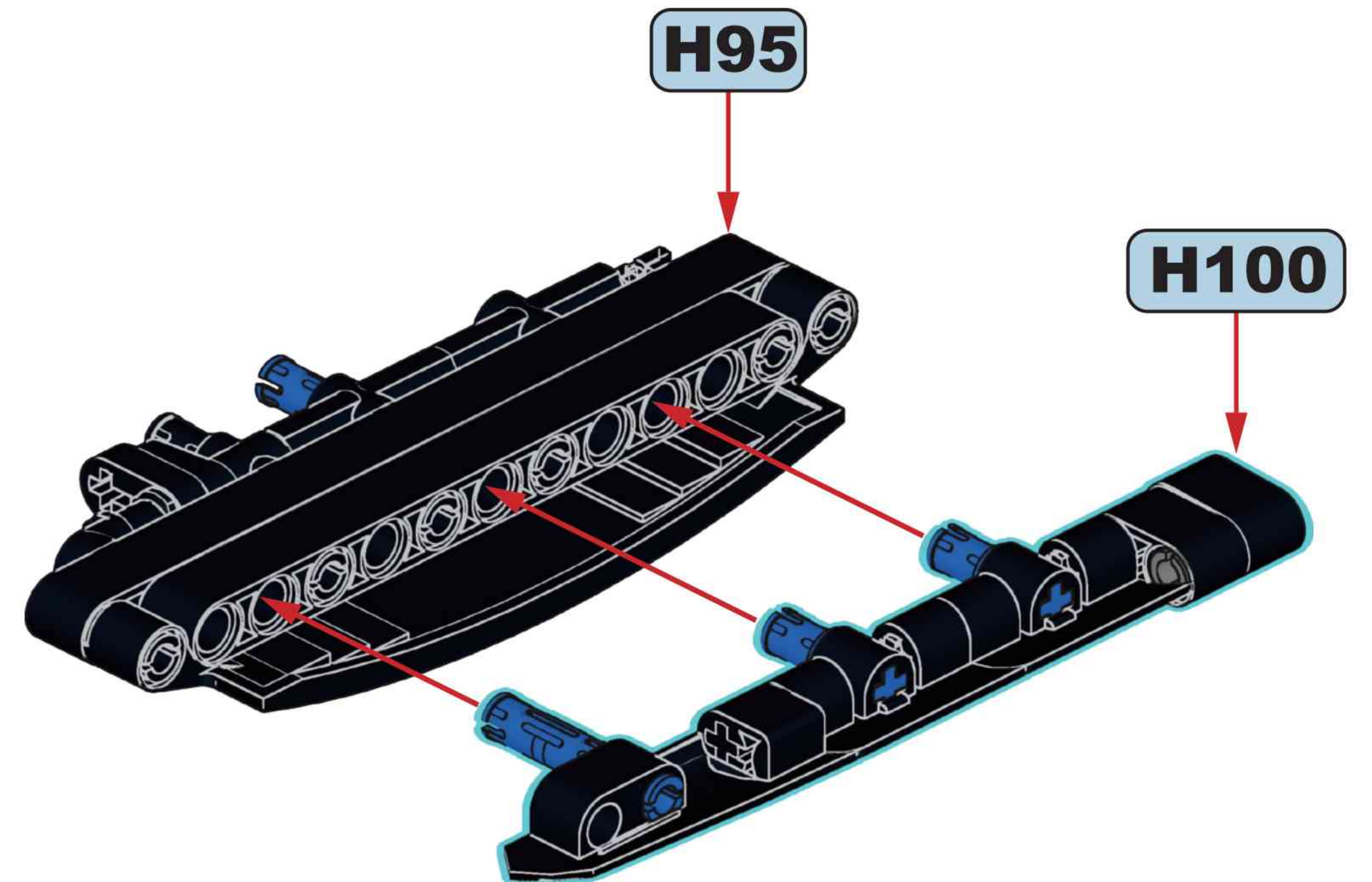
H99



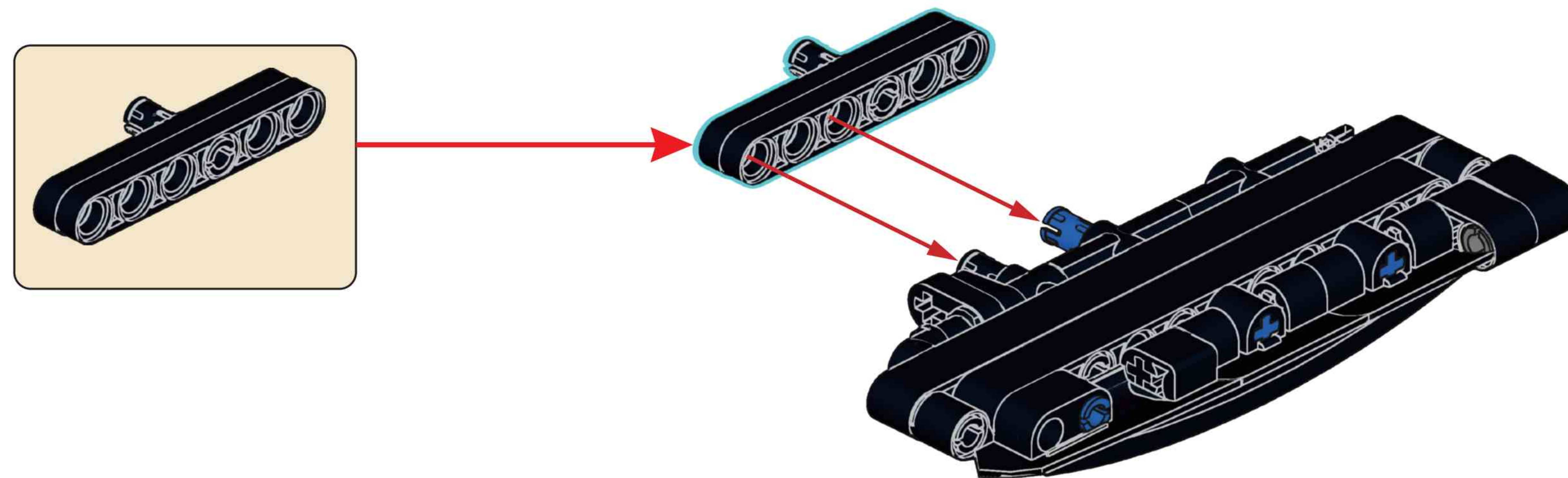
H100

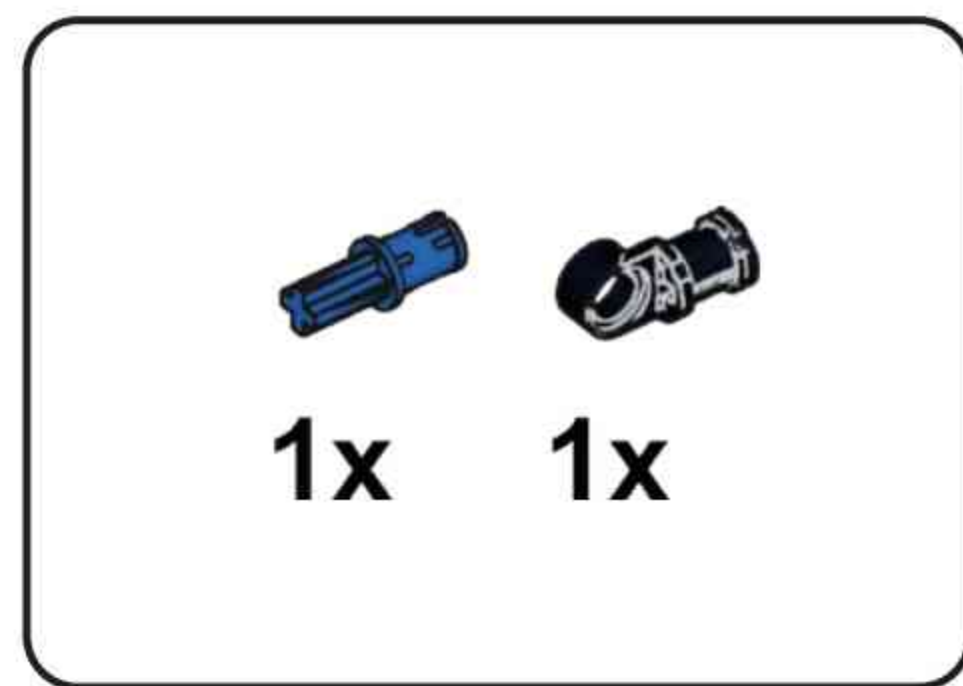


H101

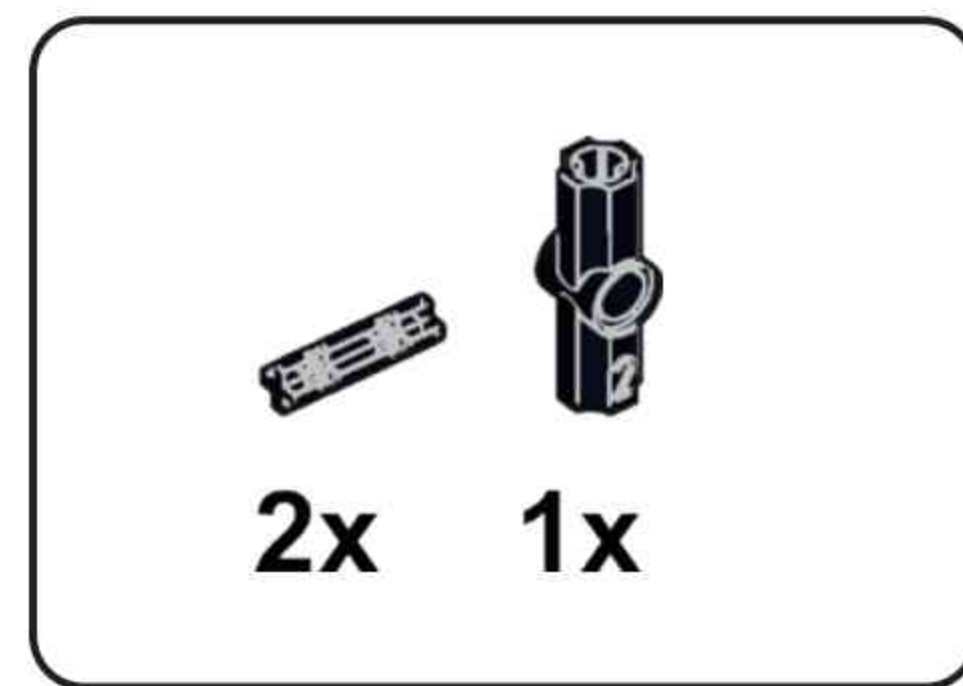
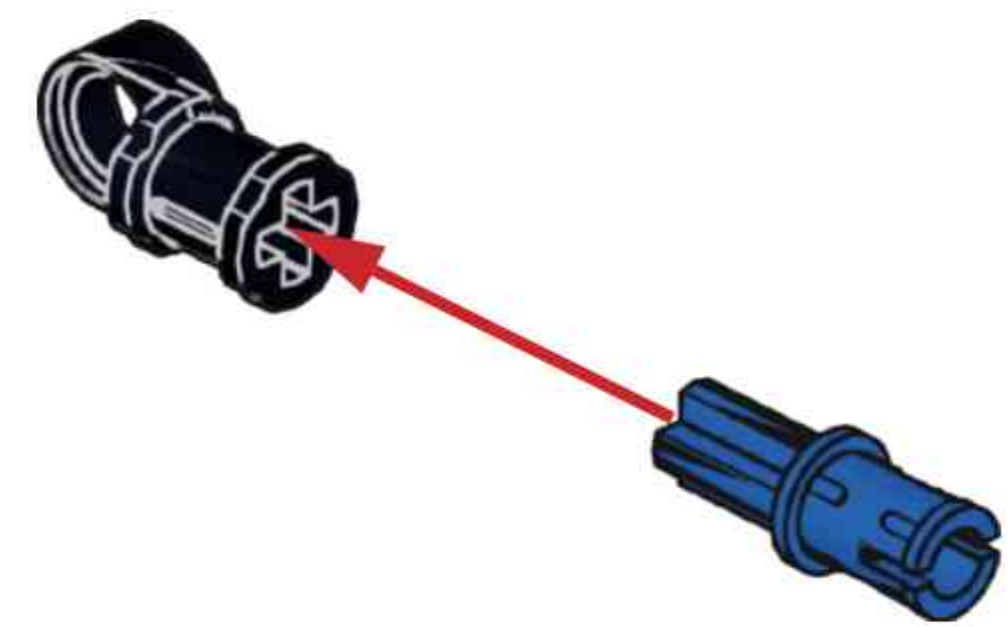


H102

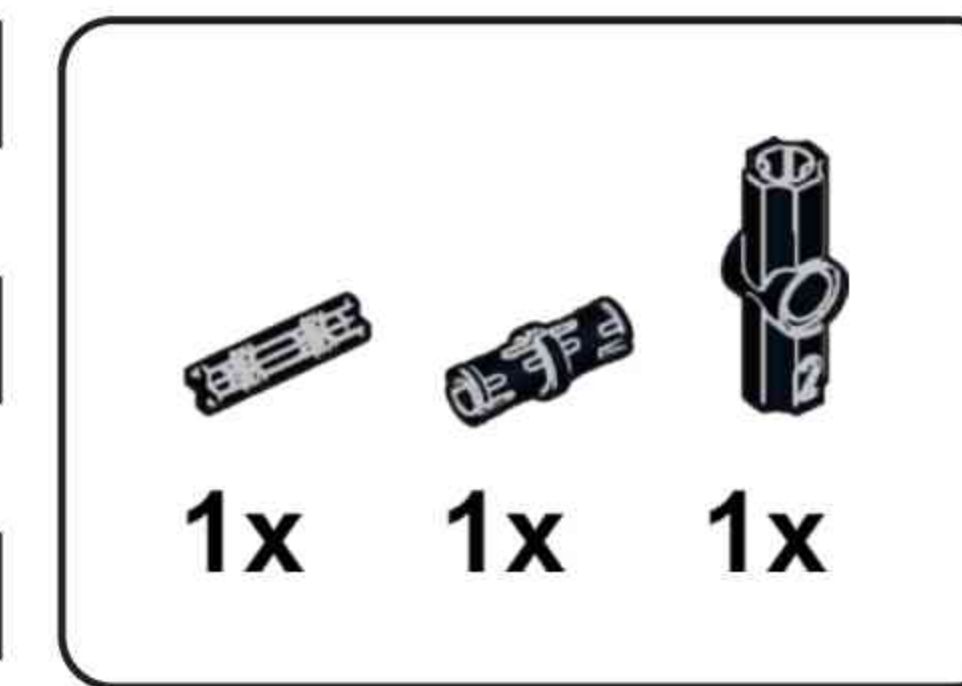
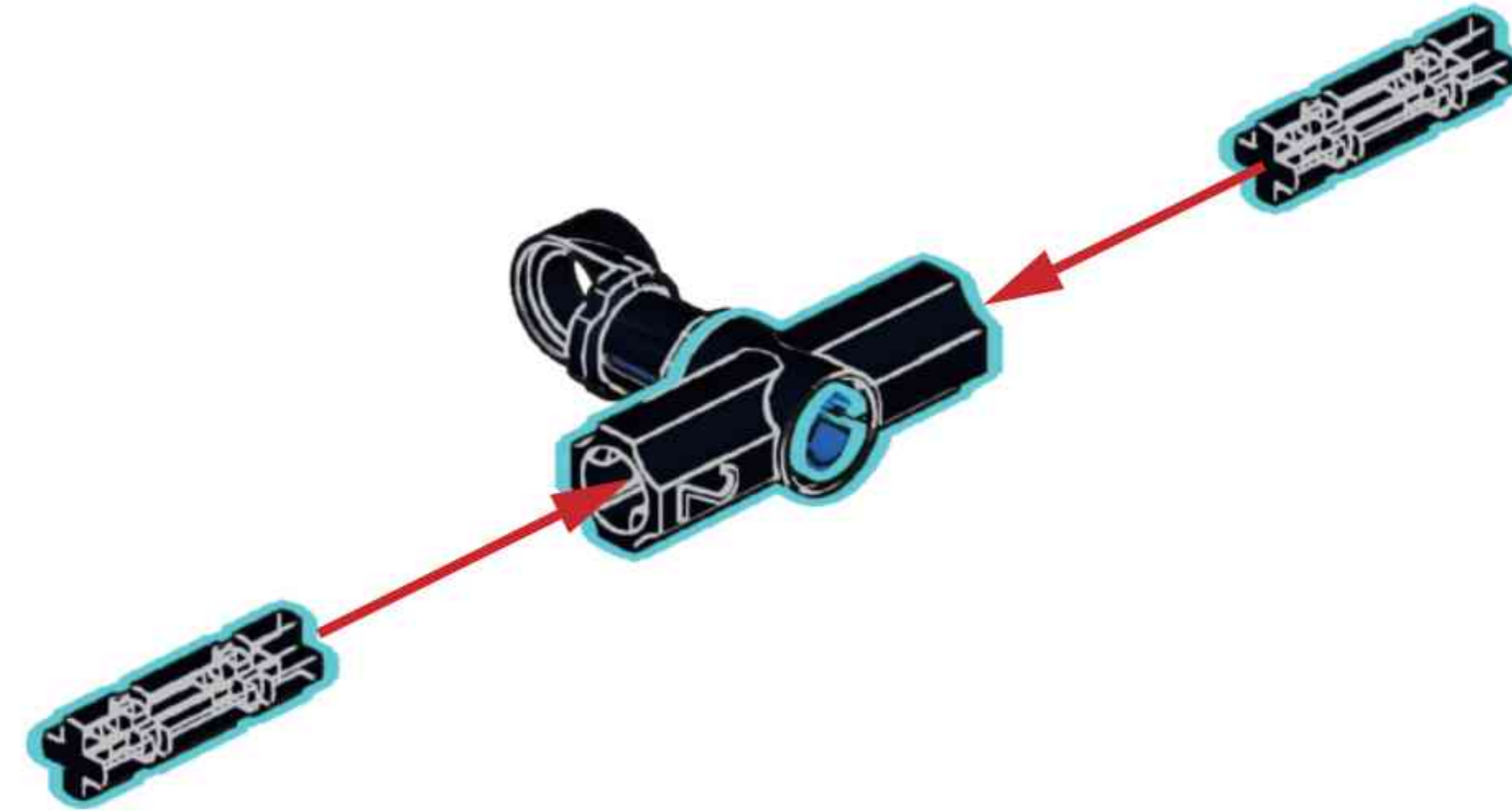




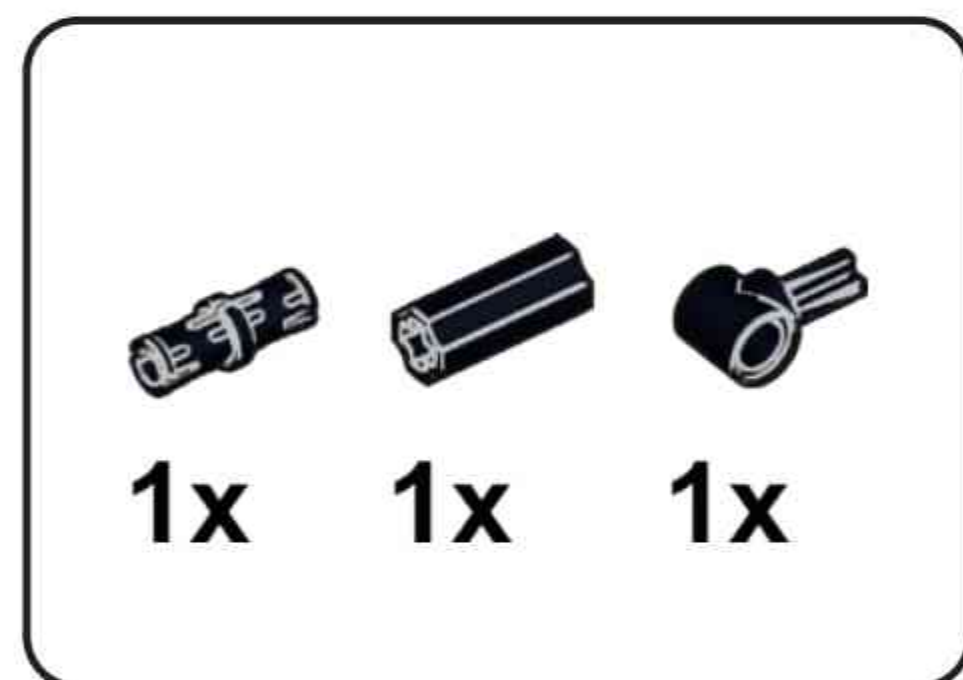
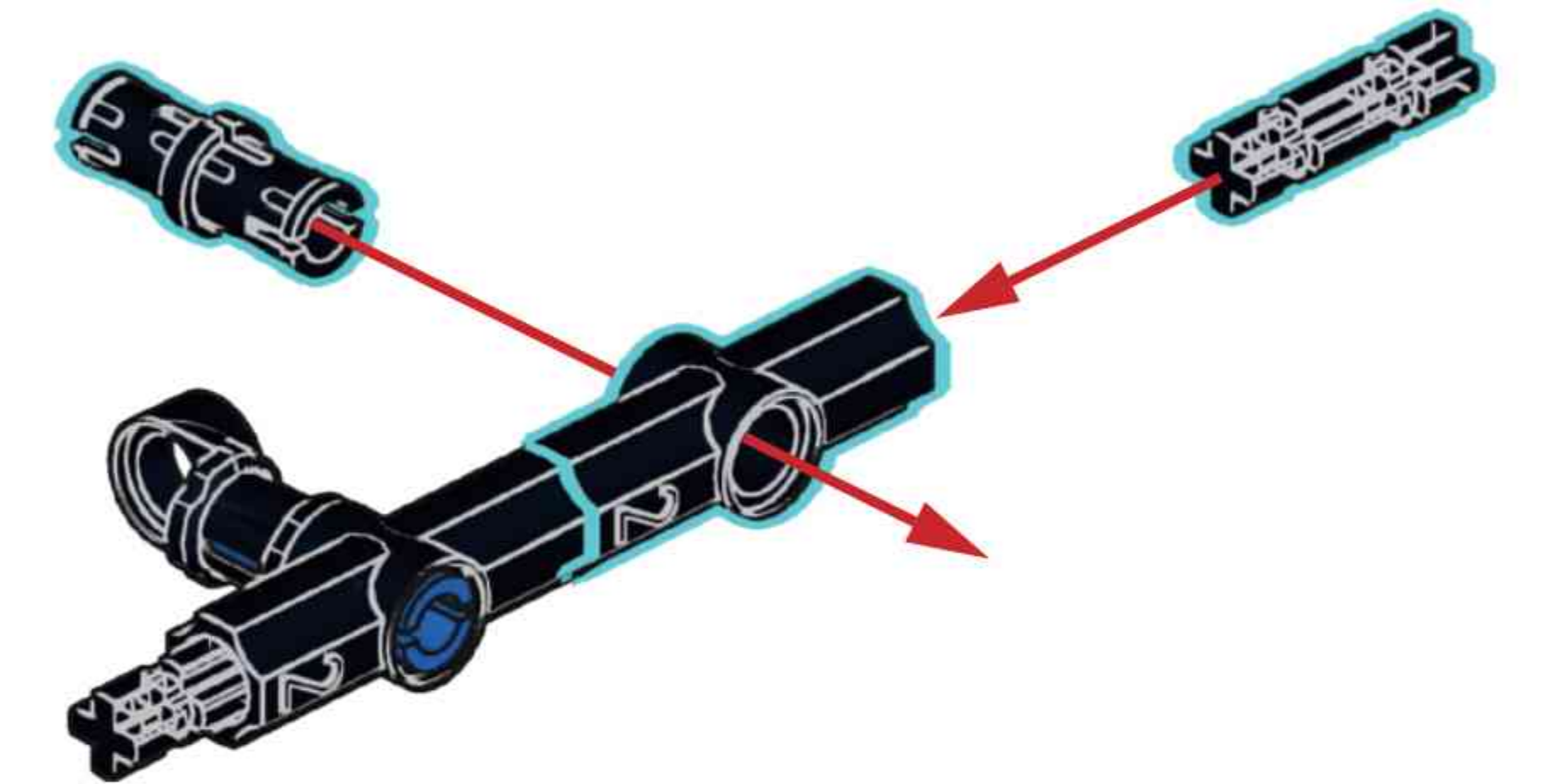
H103



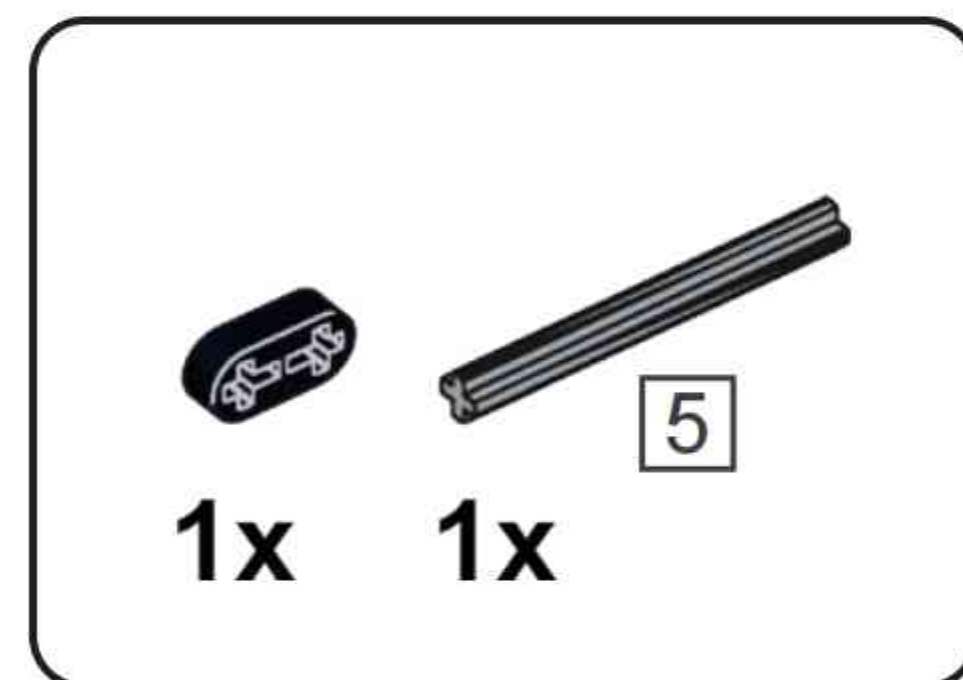
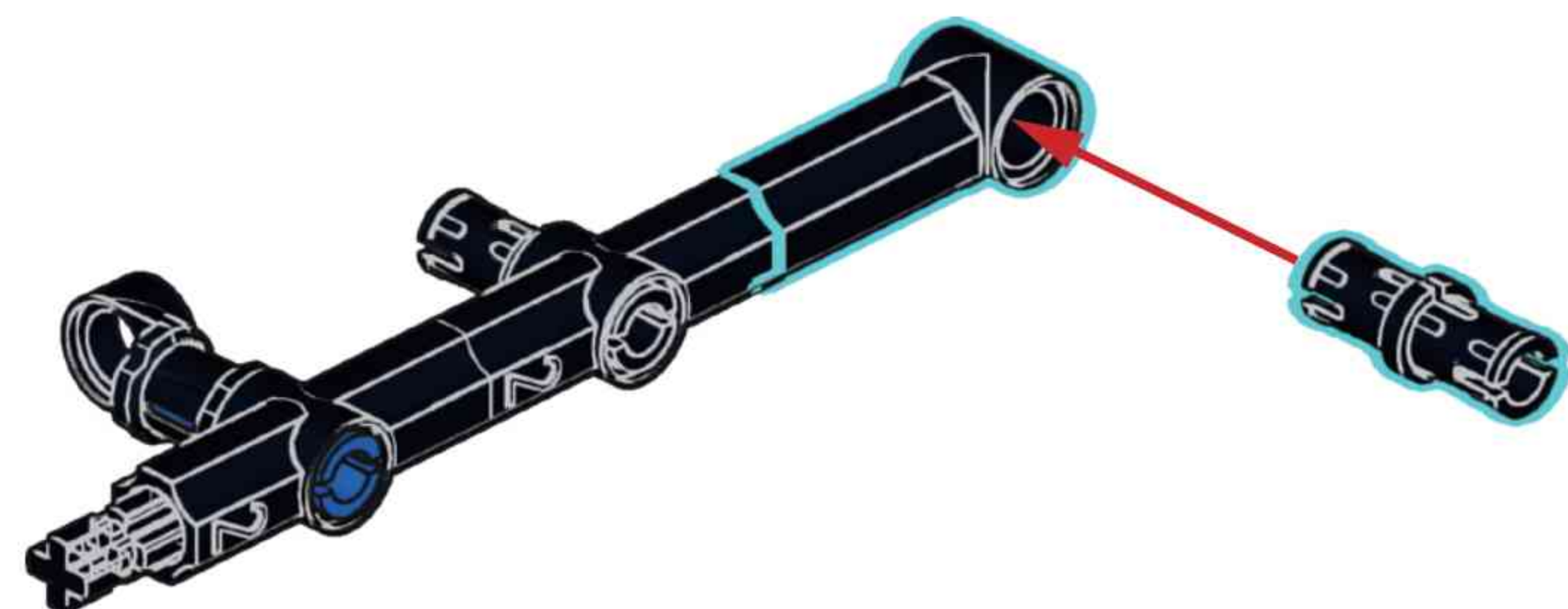
H104



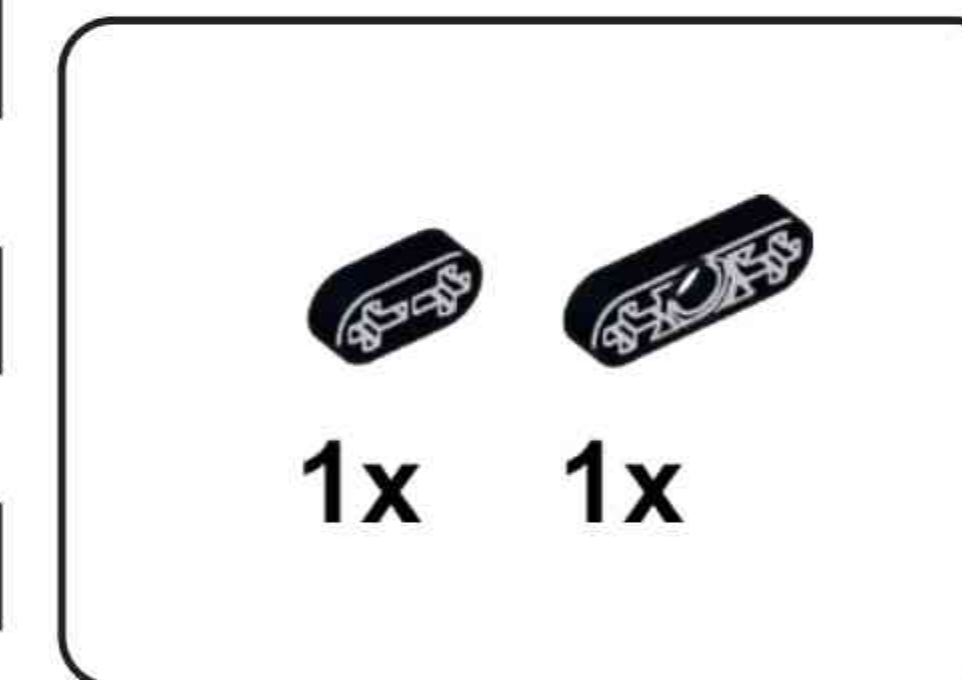
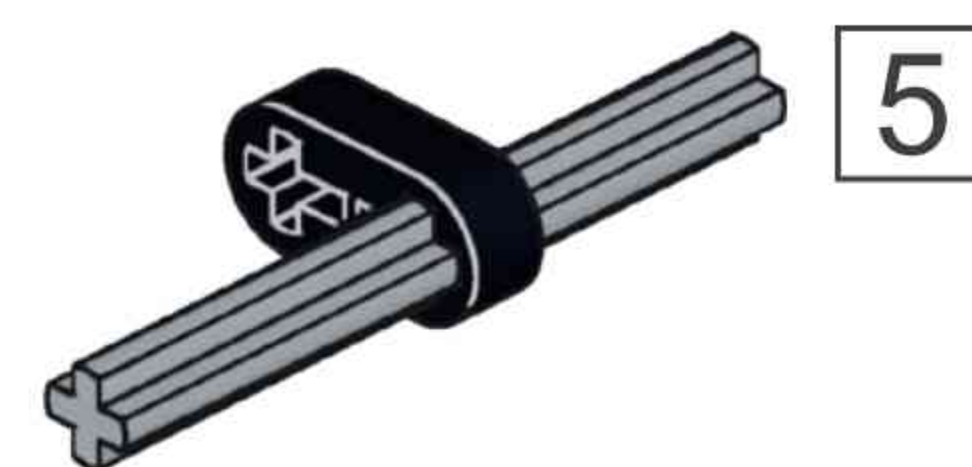
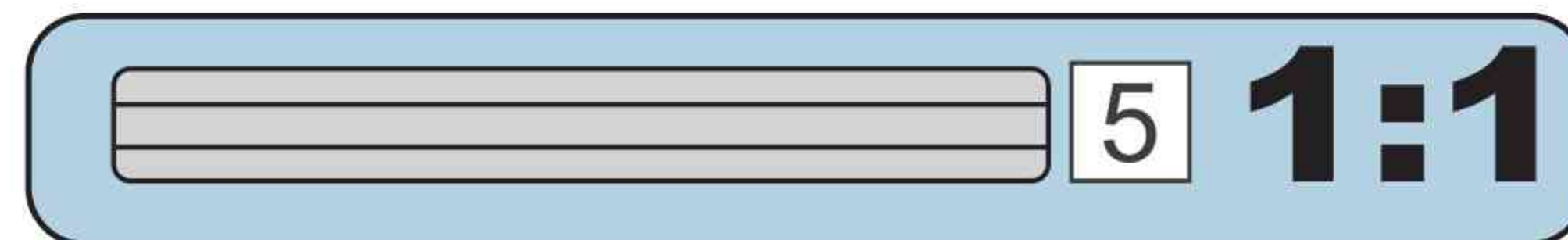
H105



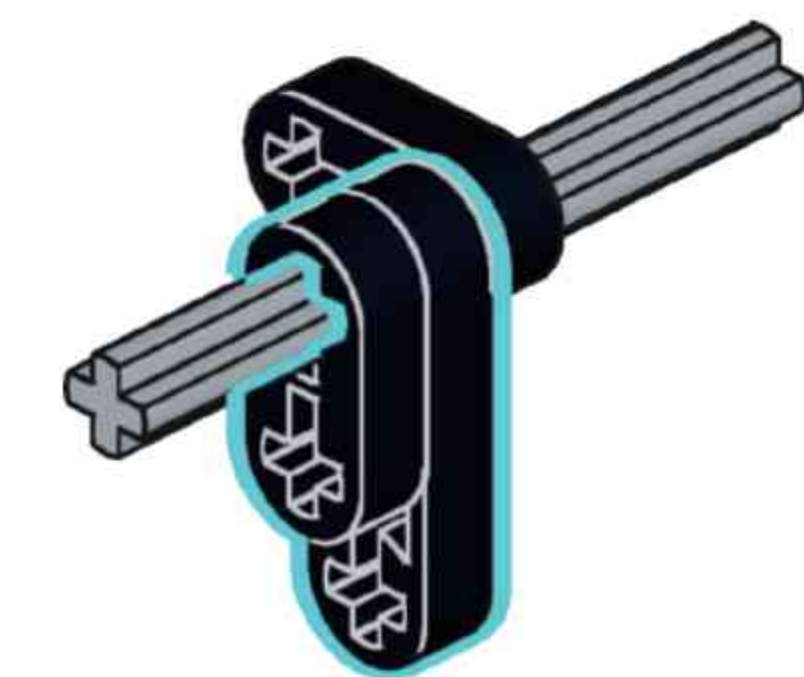
H106

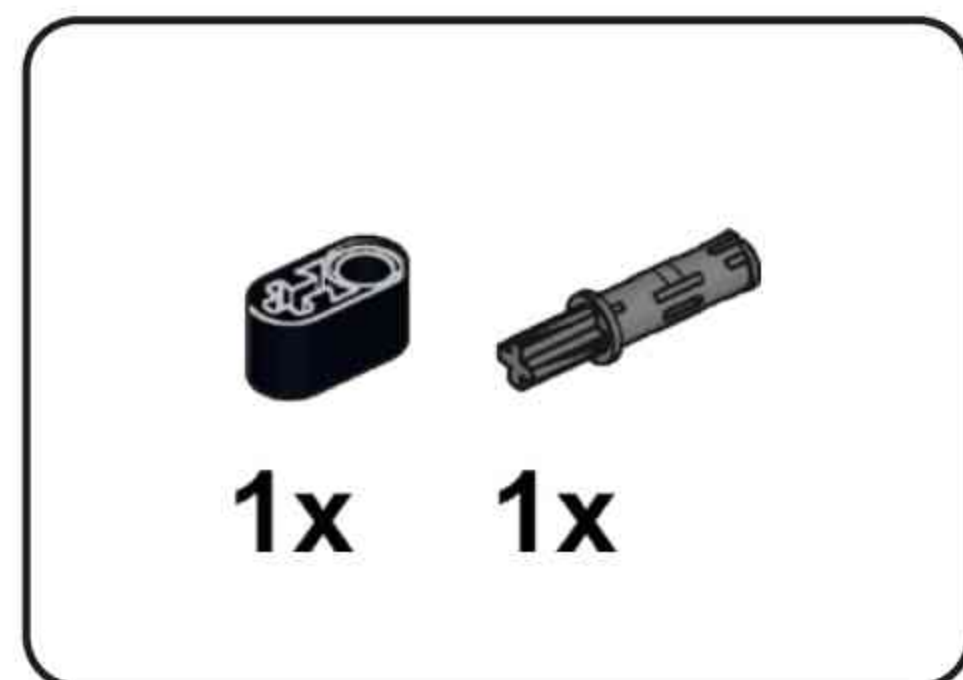


H107

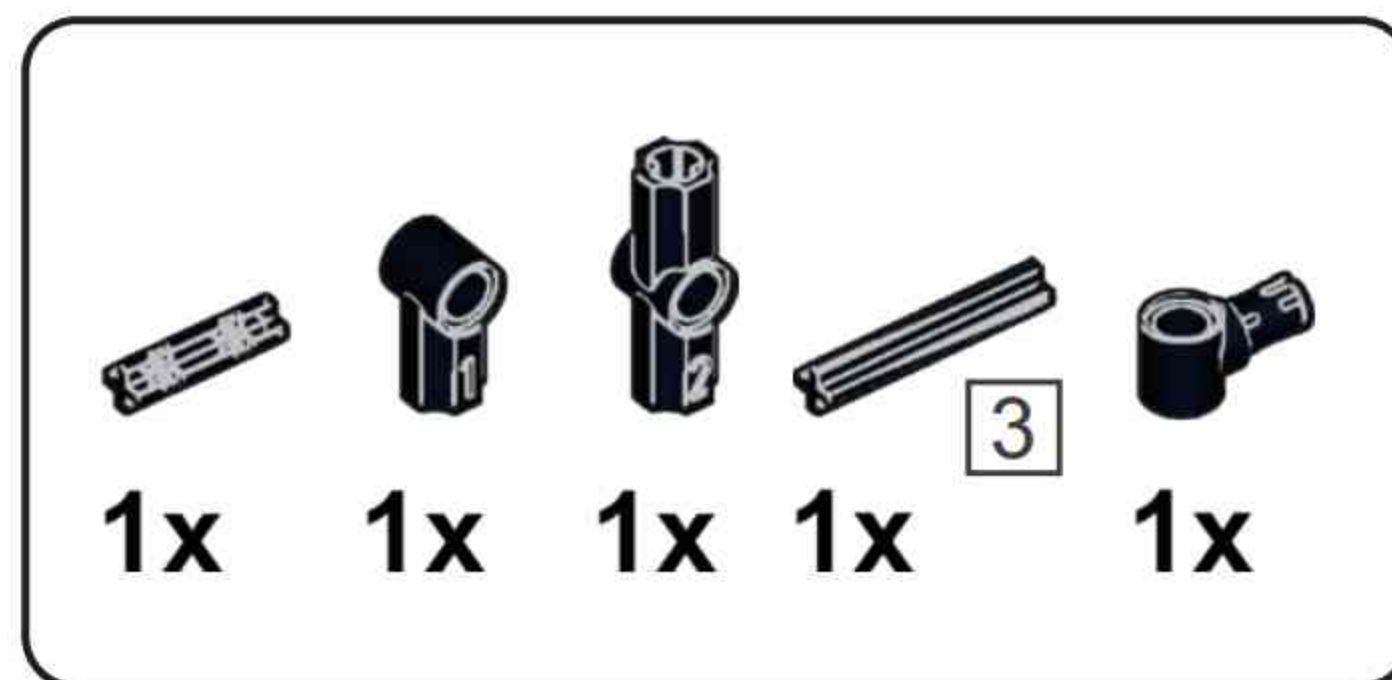
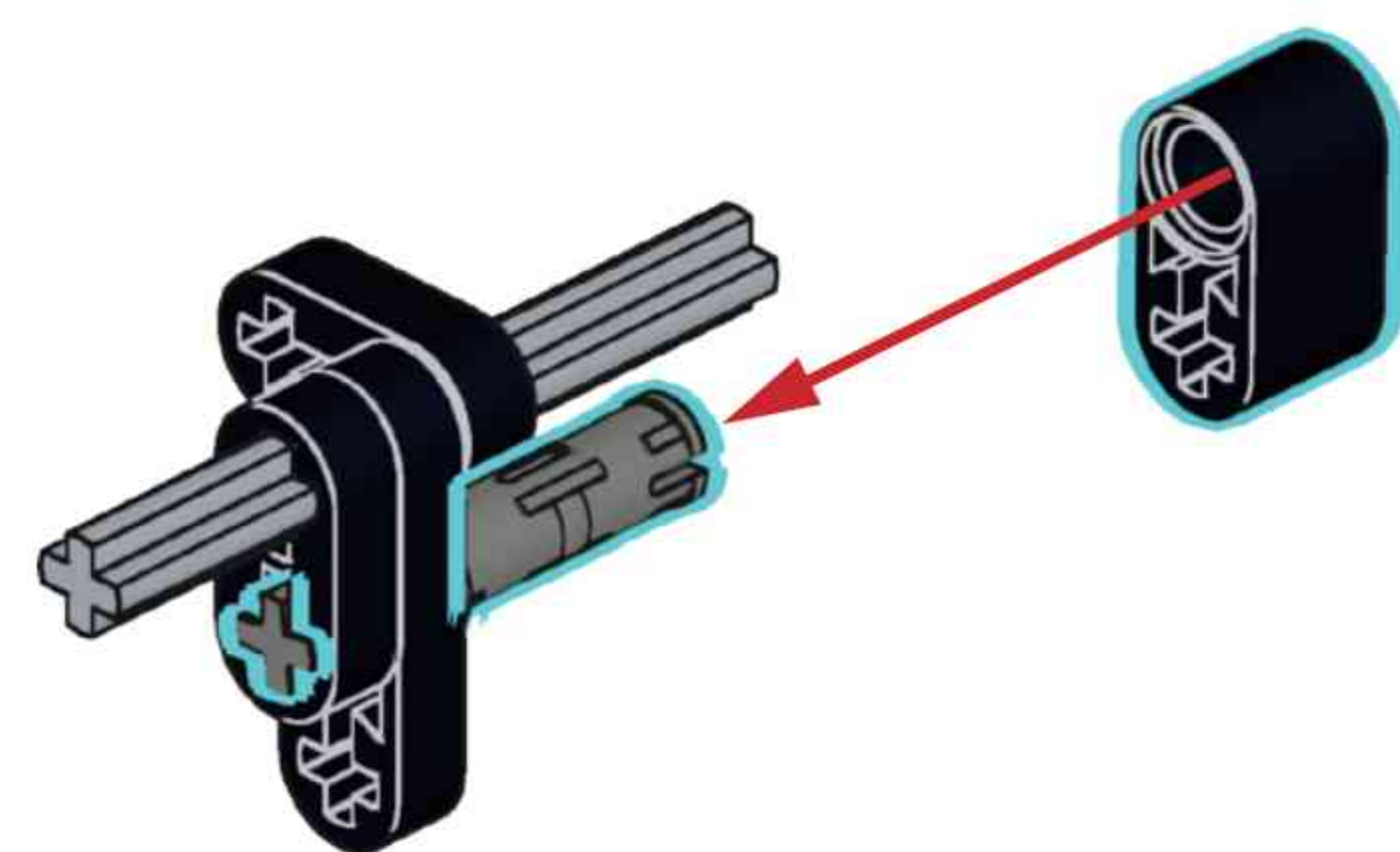


H108

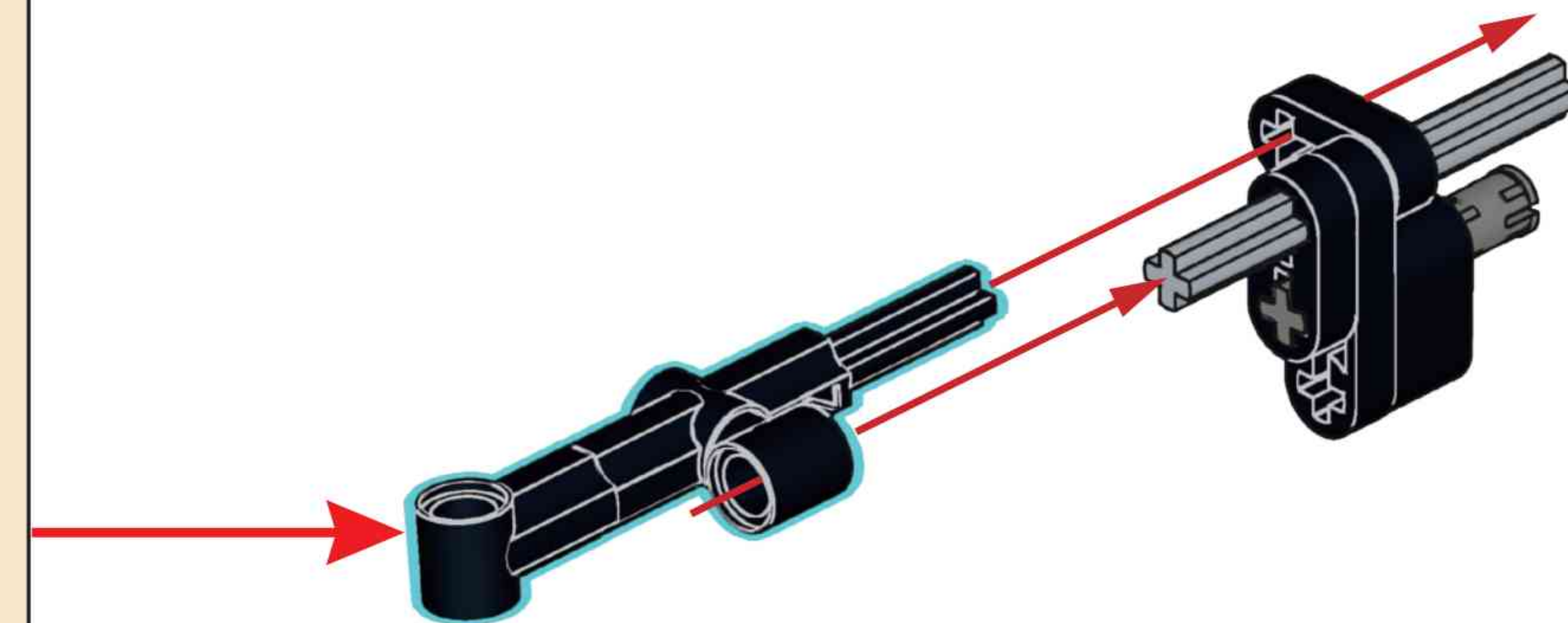
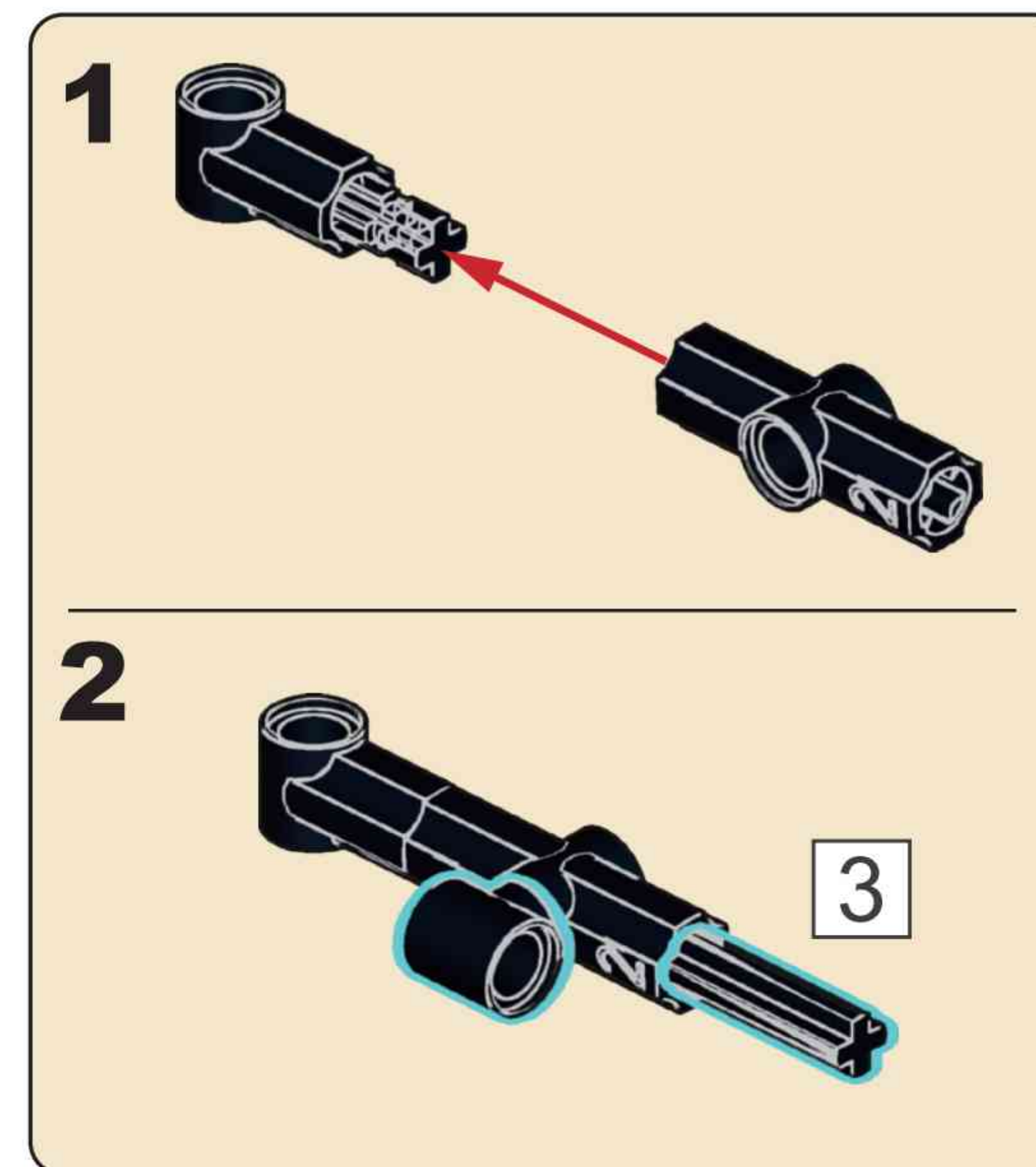
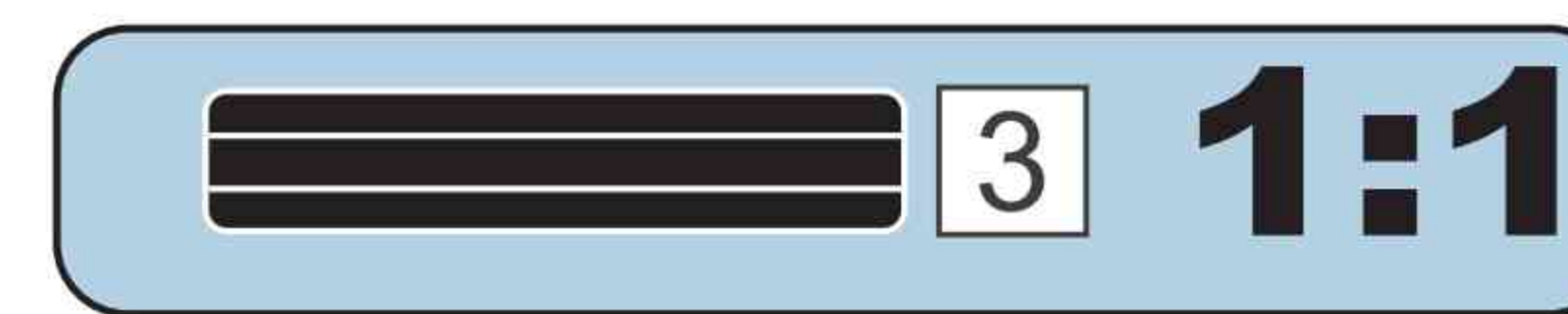




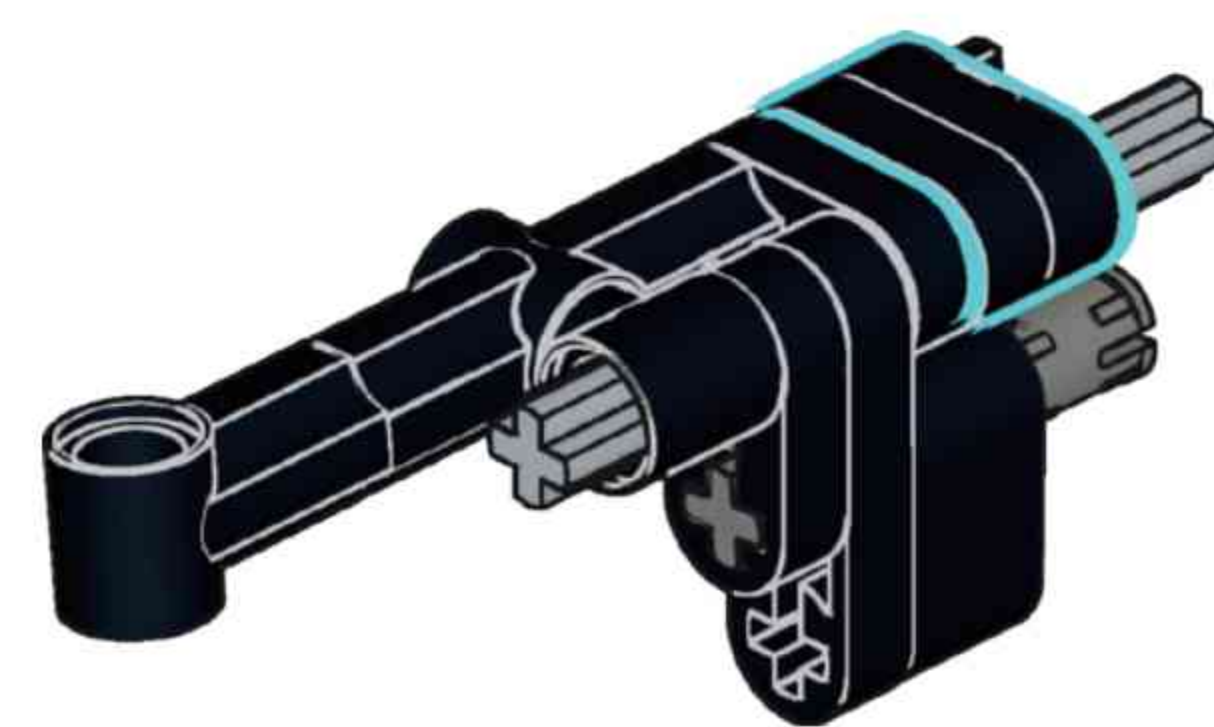
H109



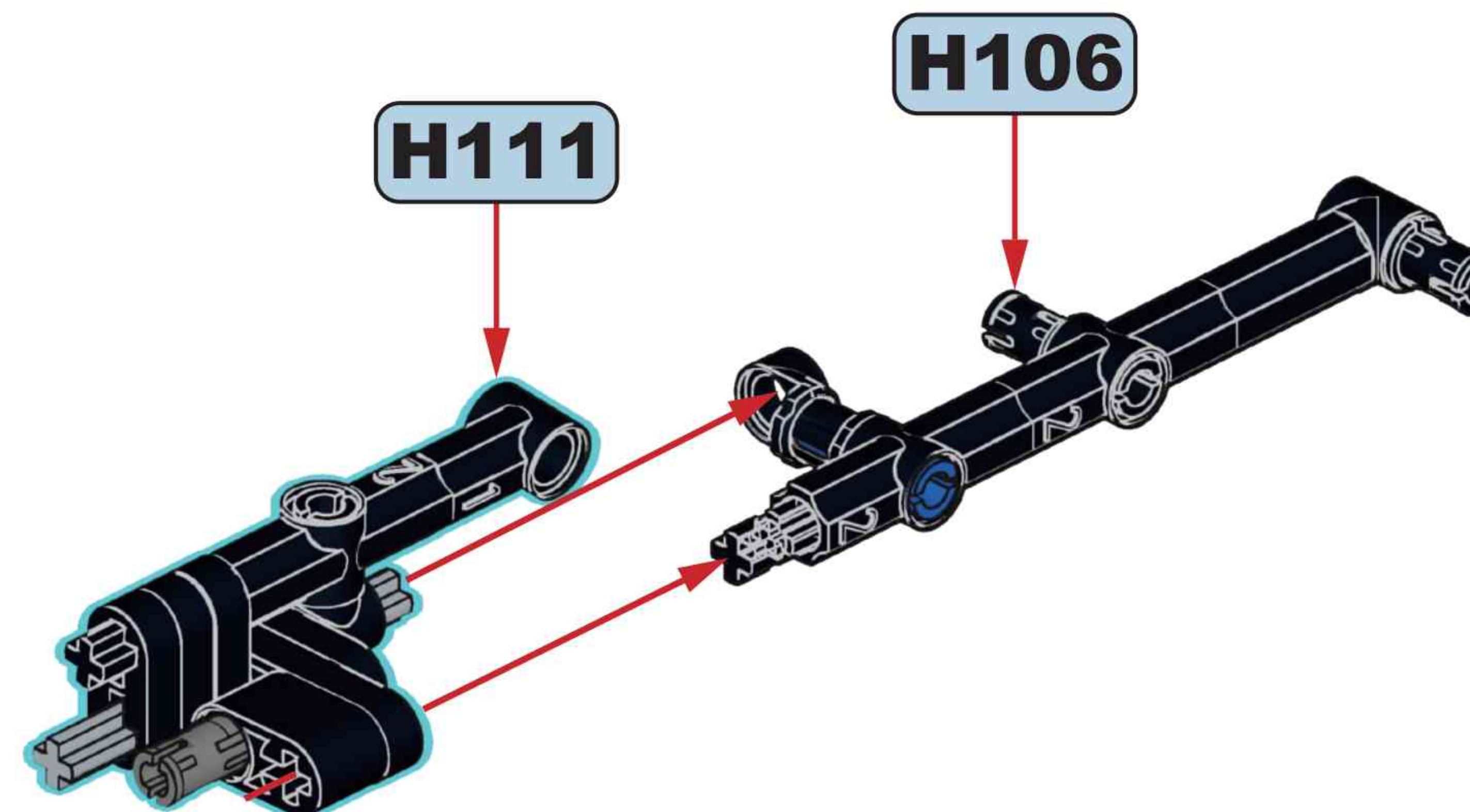
H110



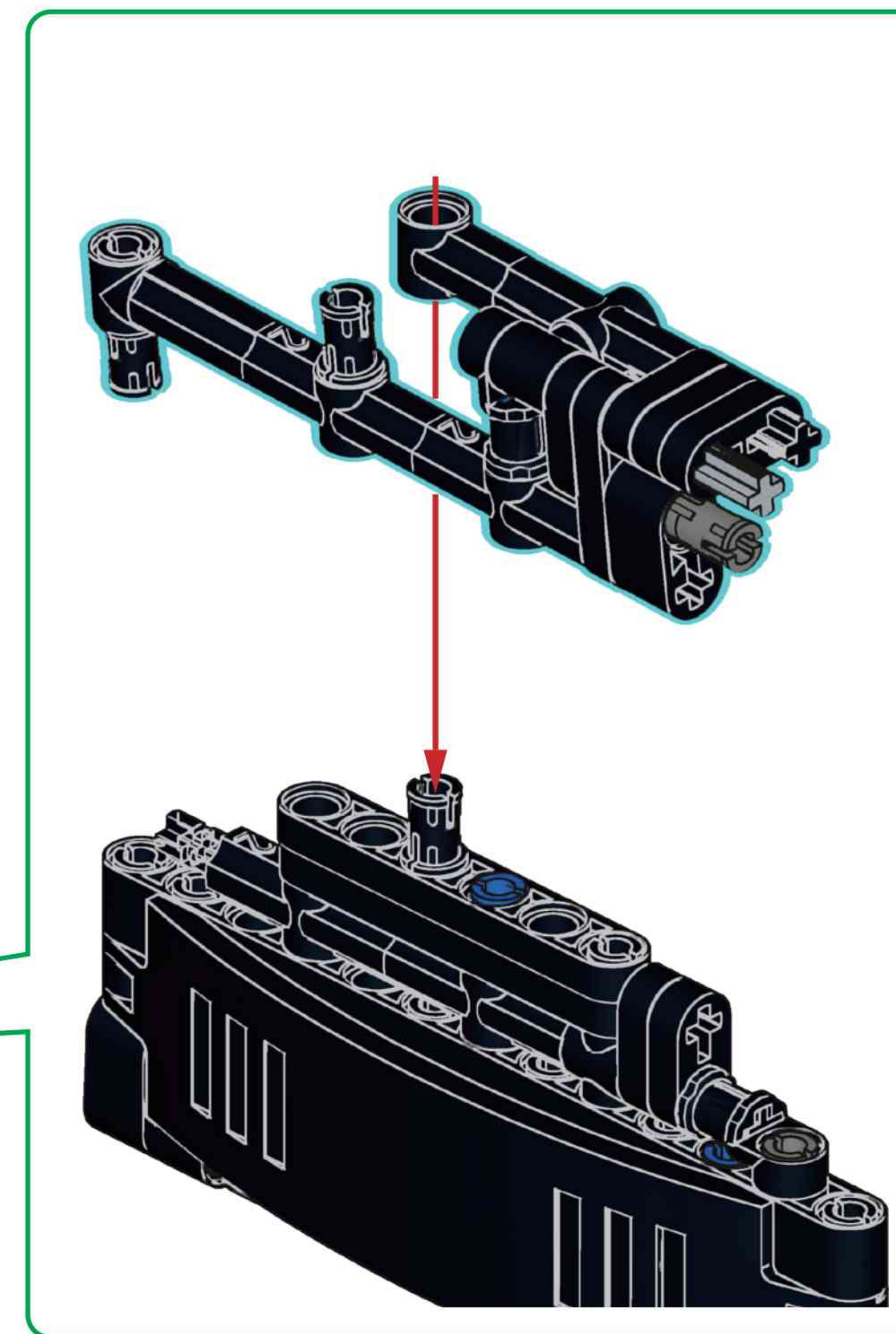
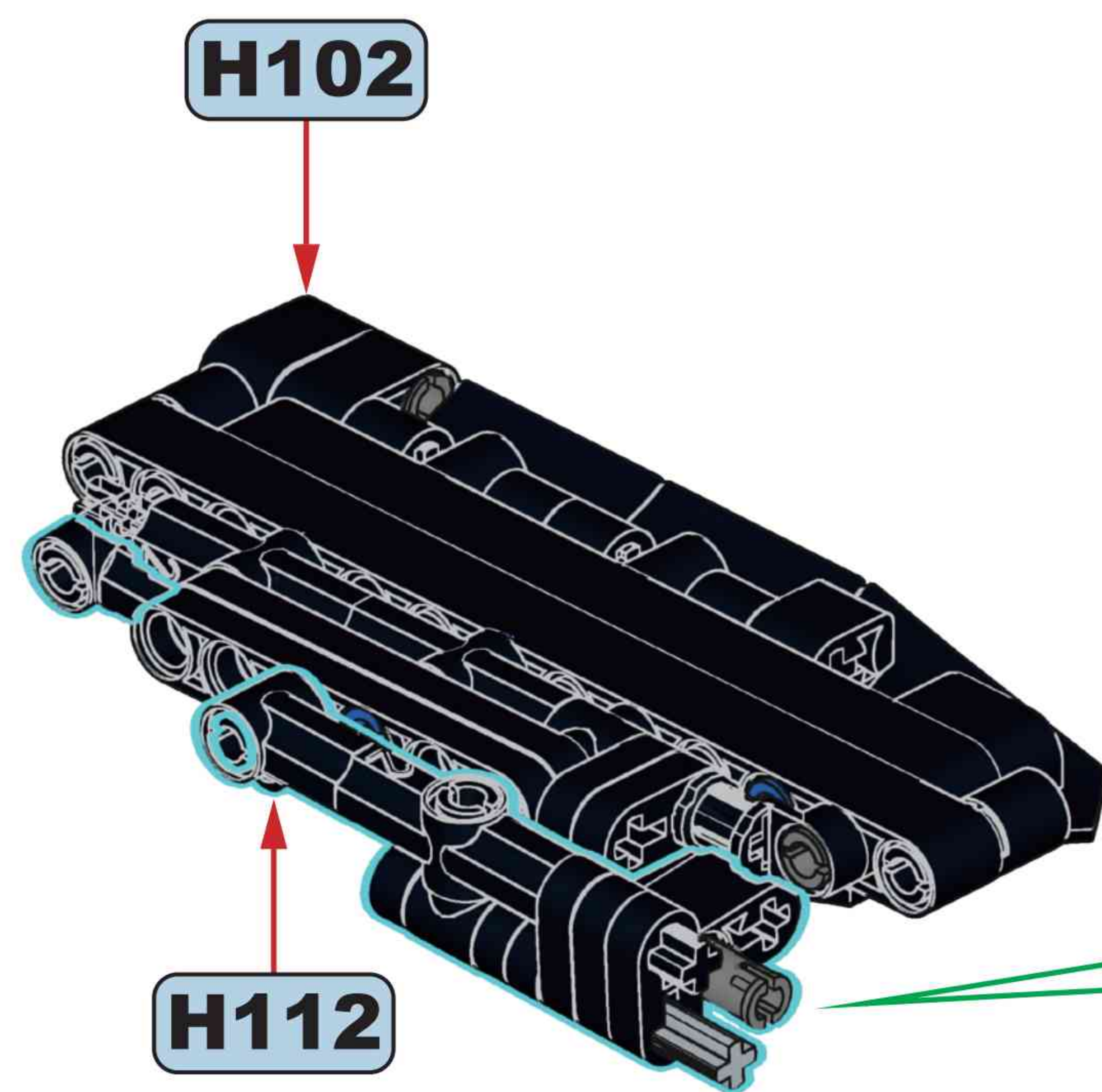
H111



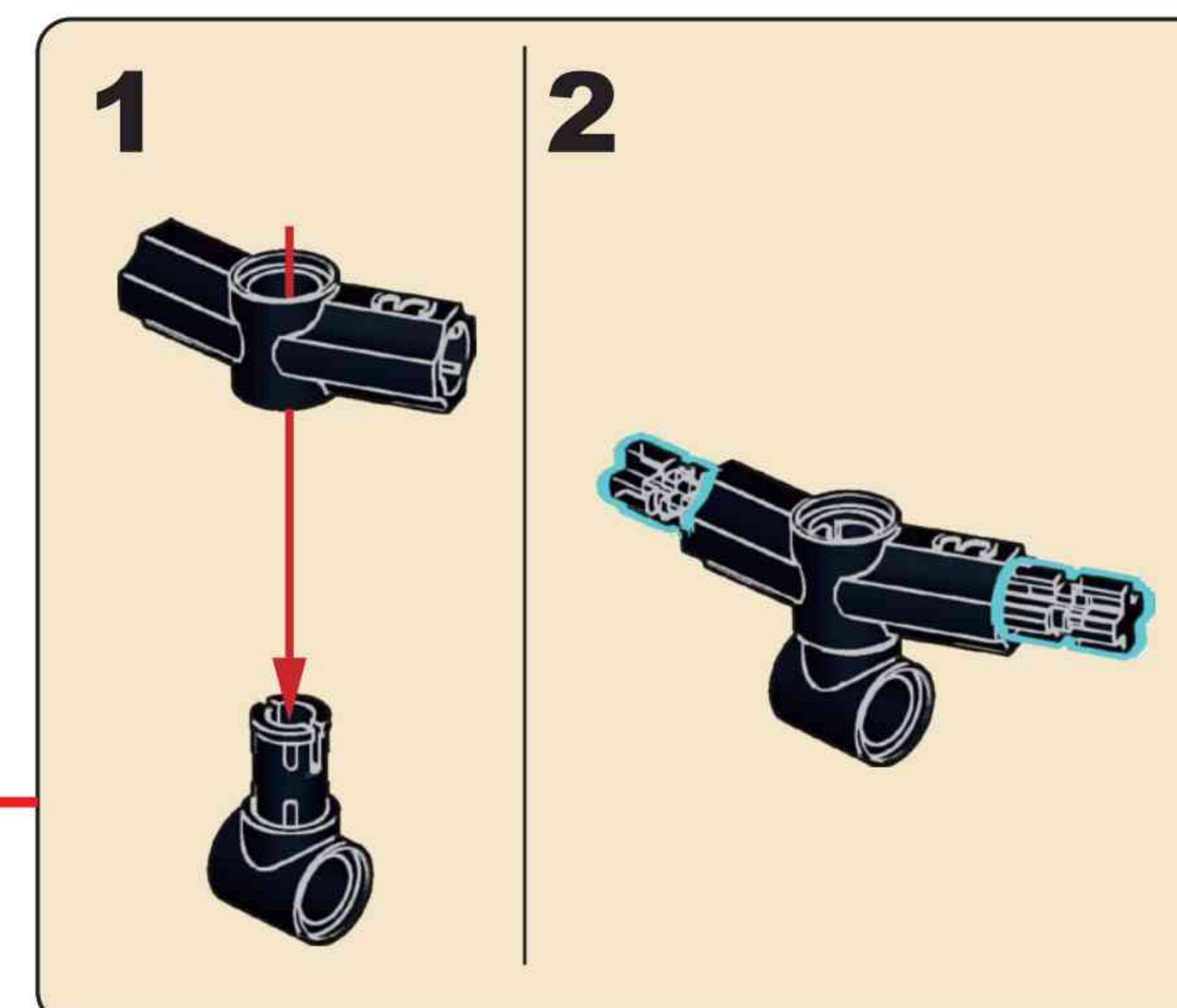
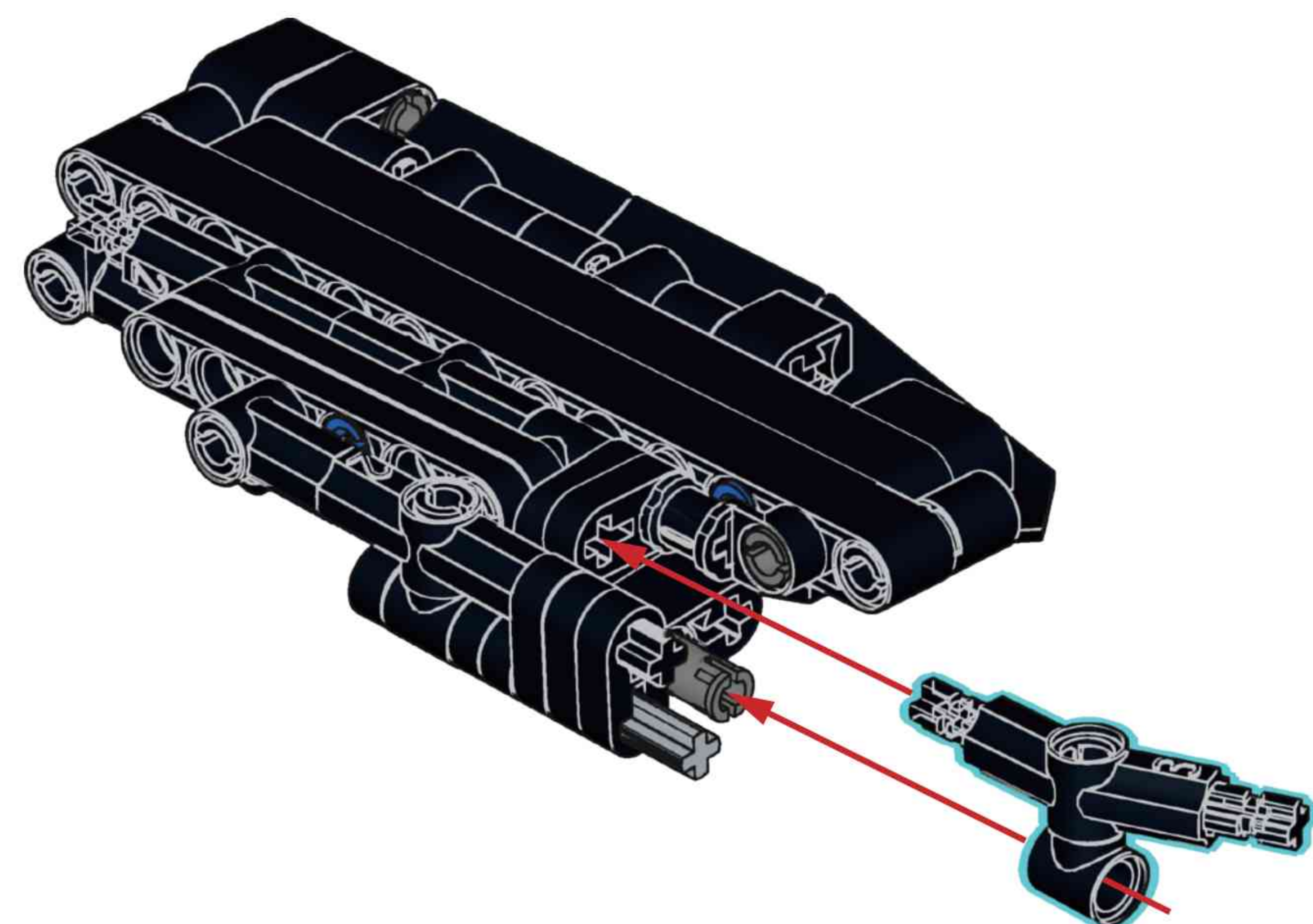
H112

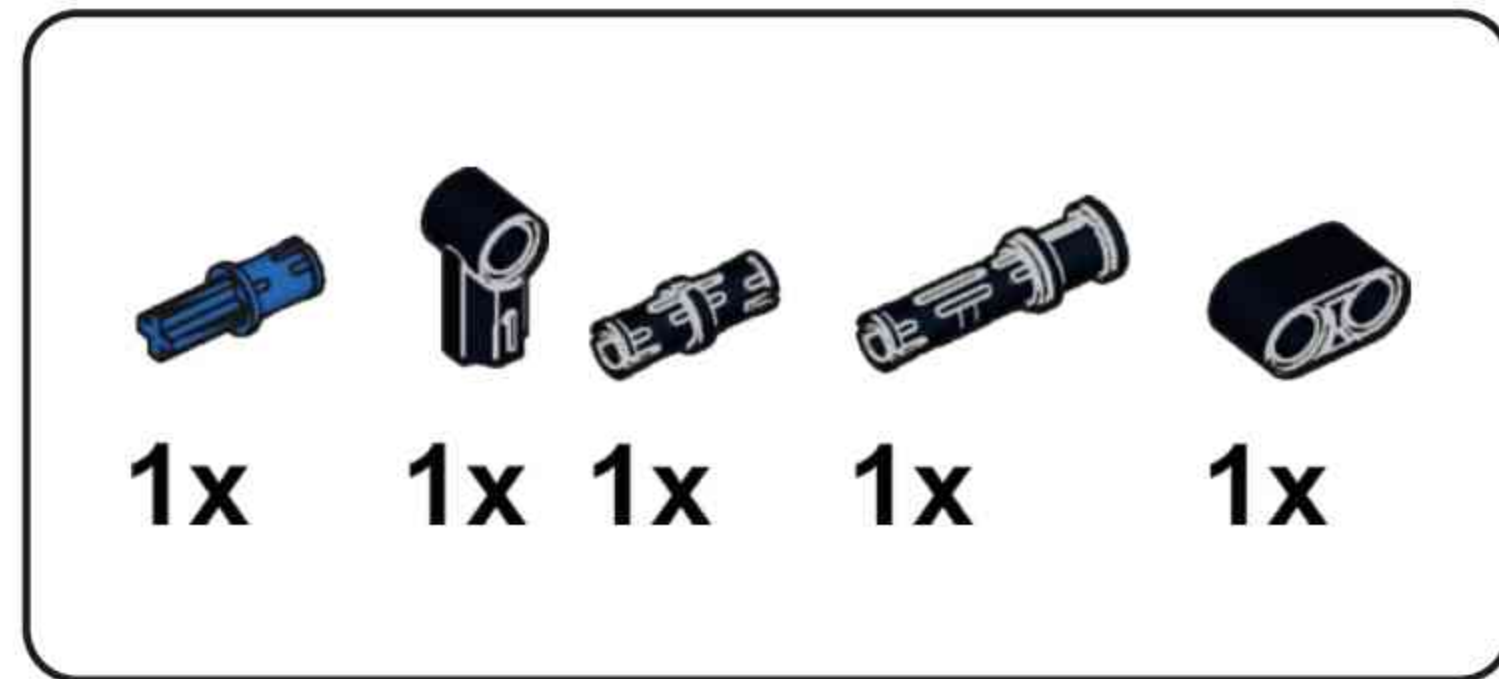


H113

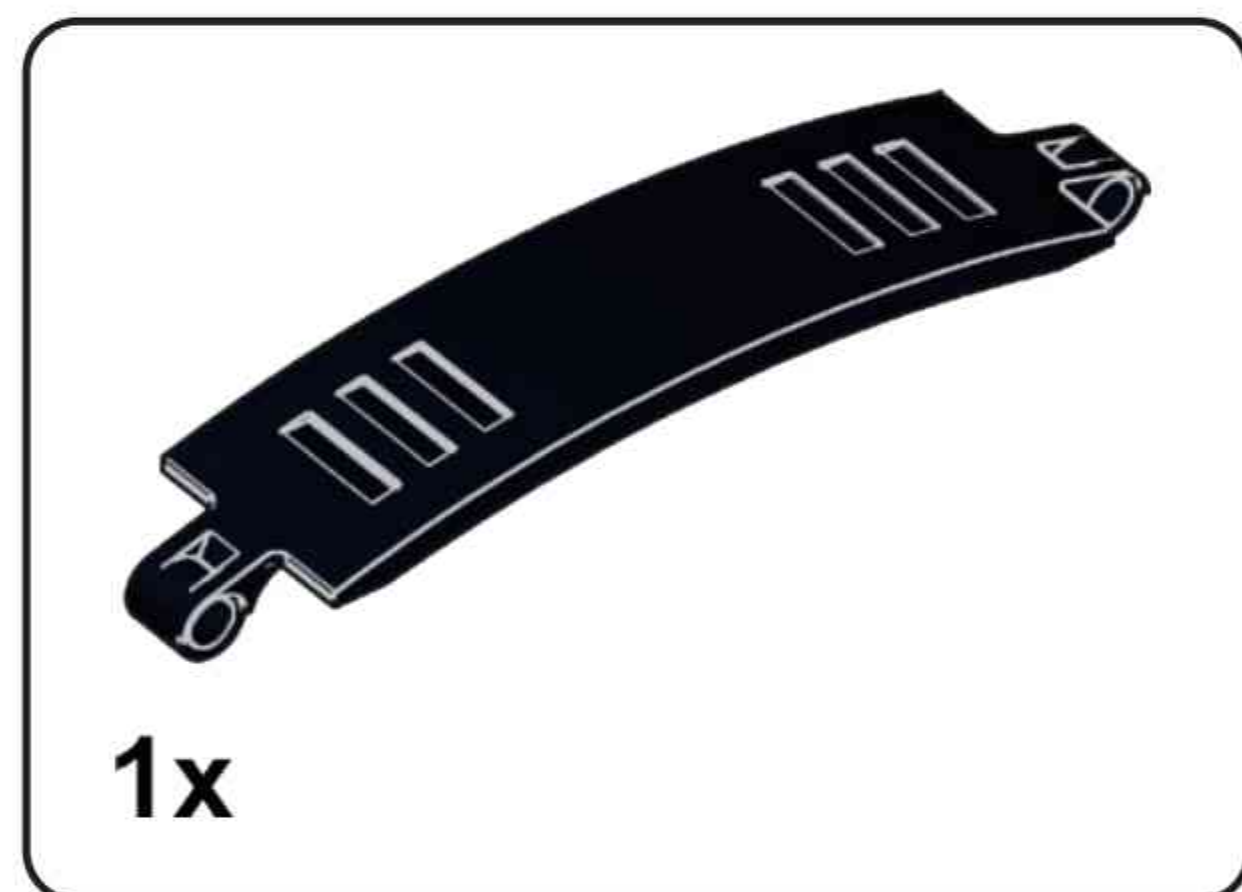
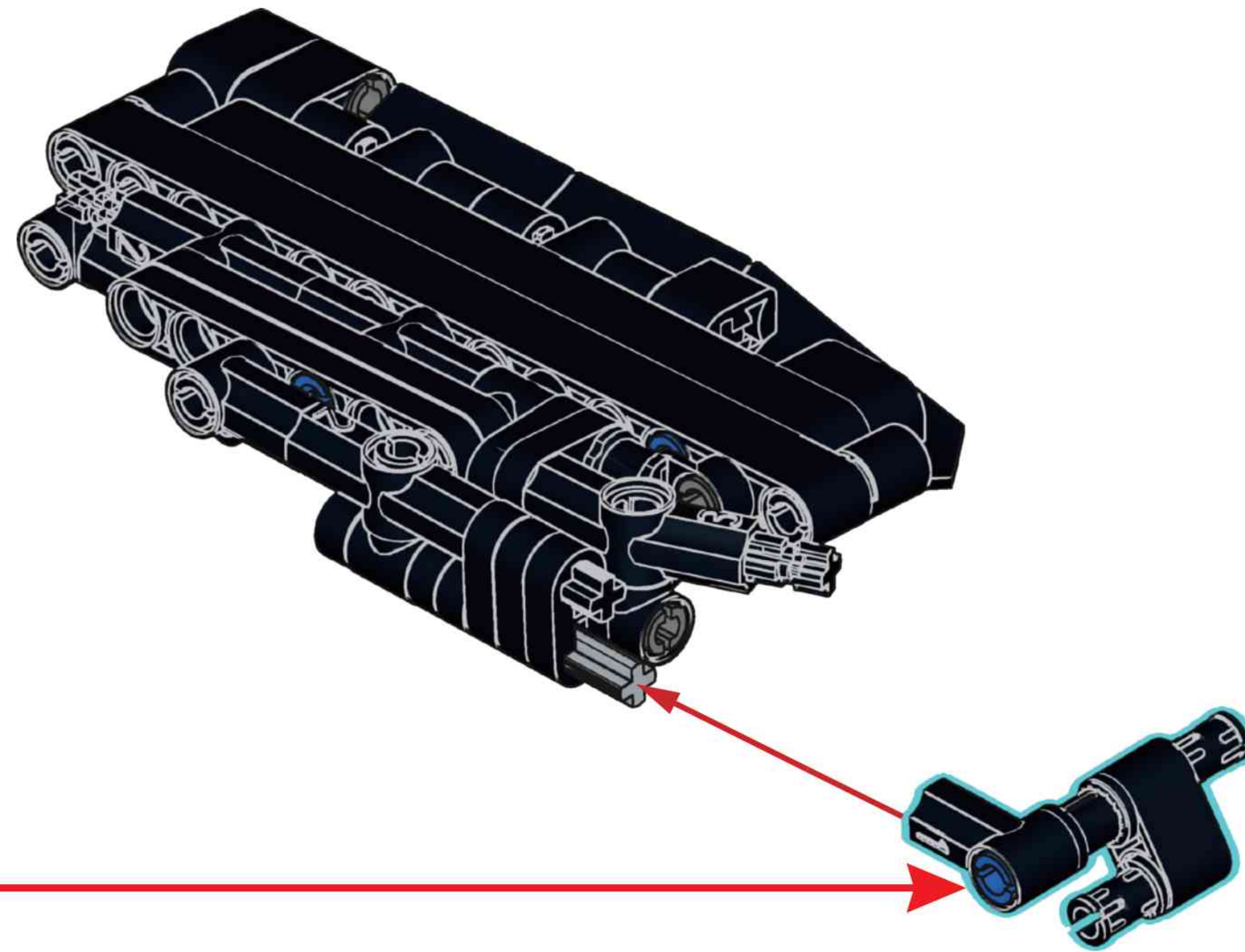
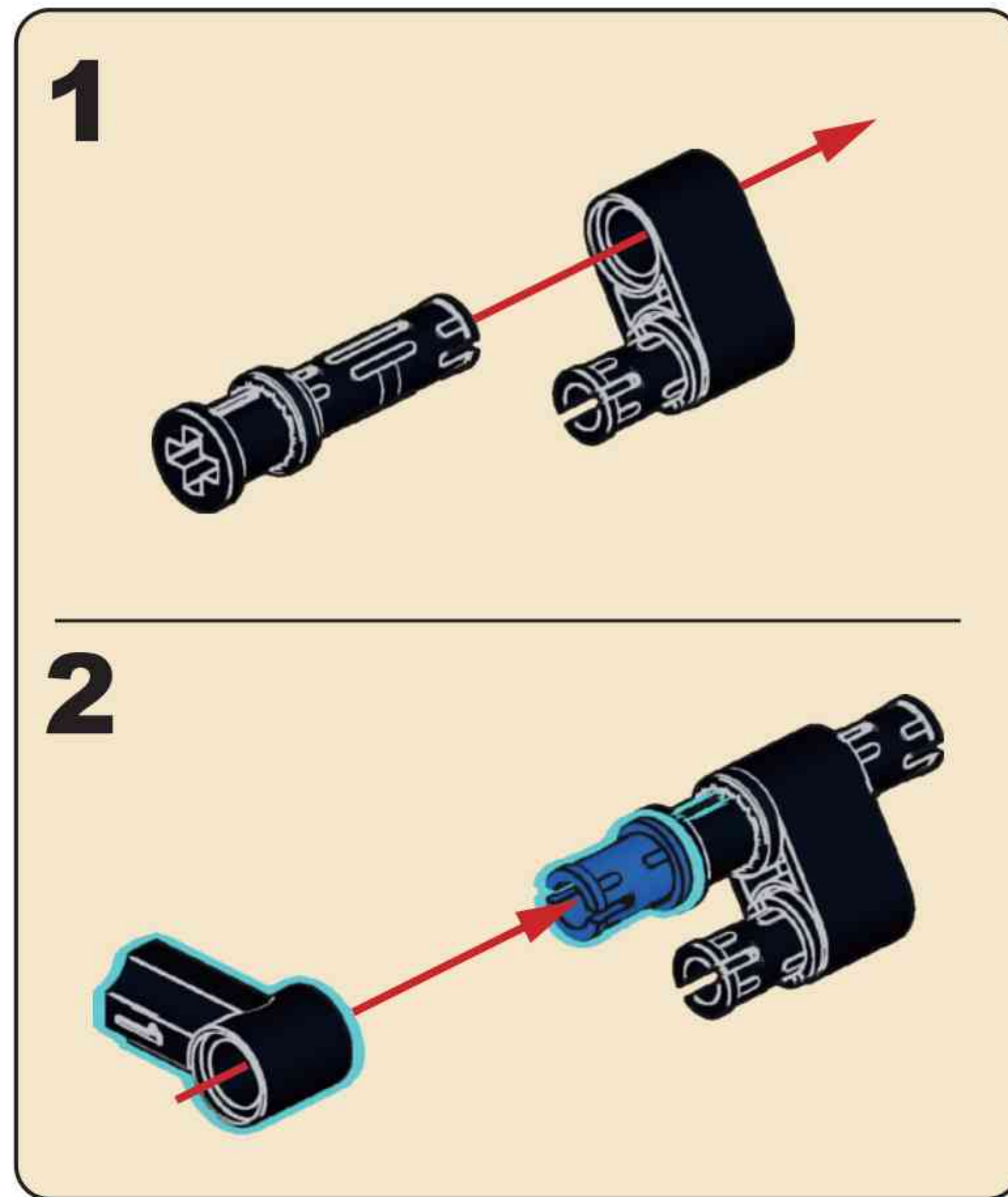


H114

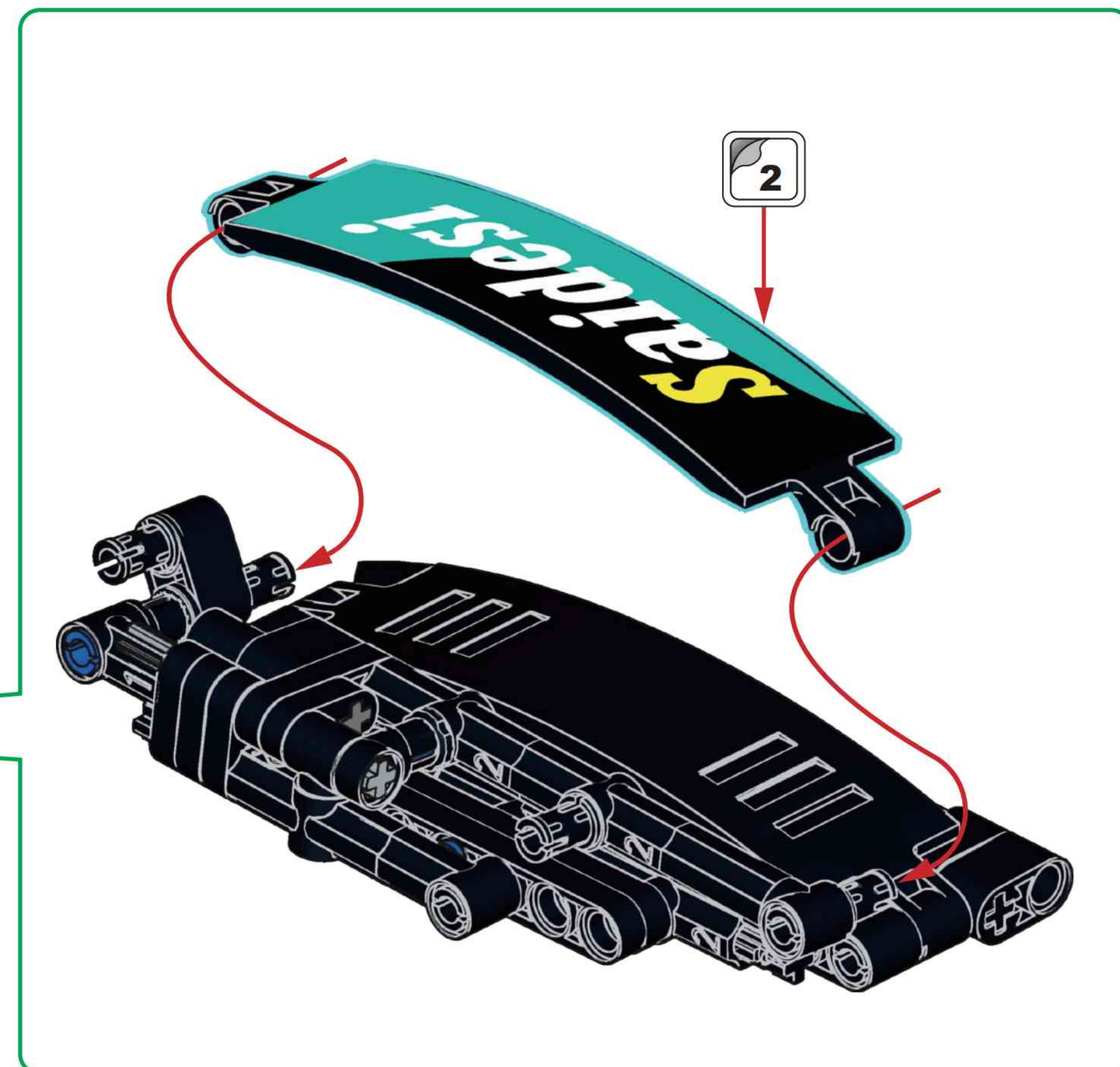
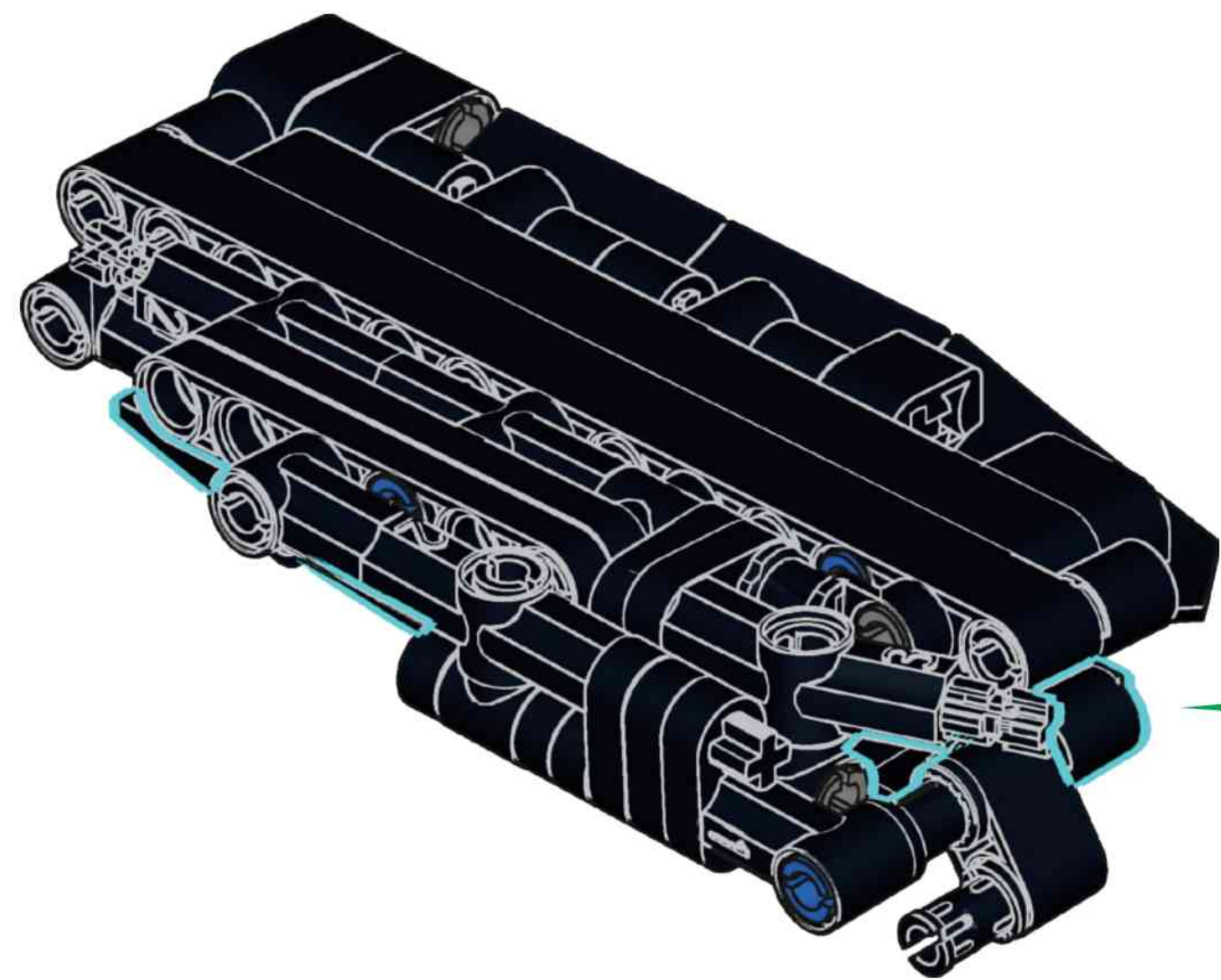


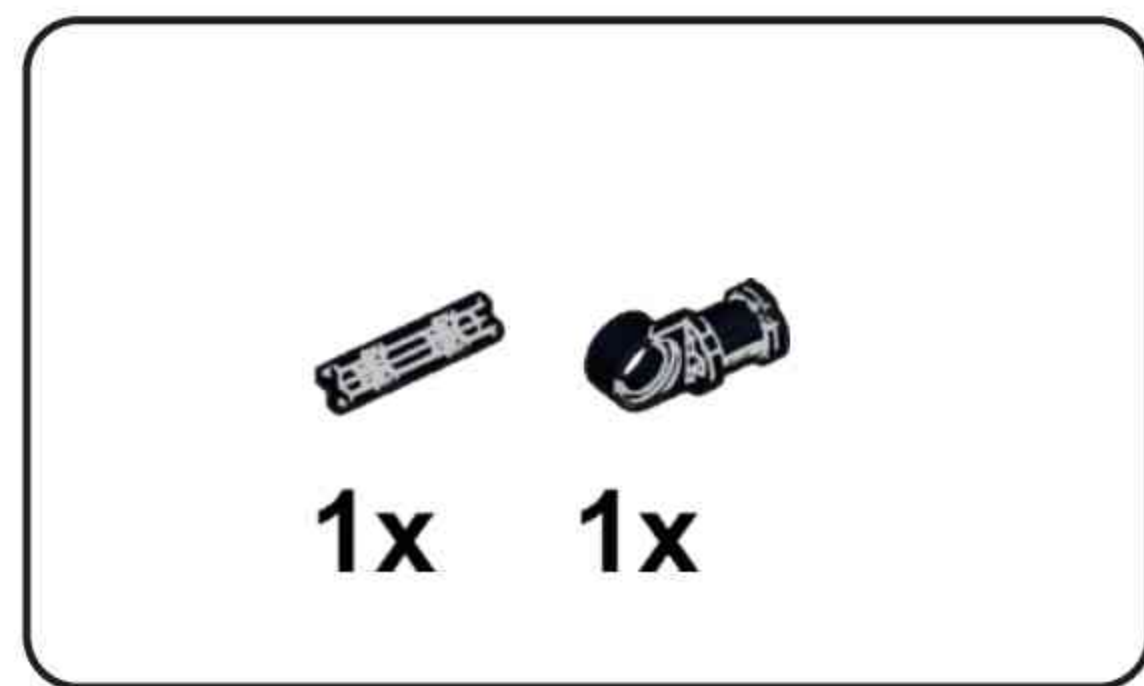


H115

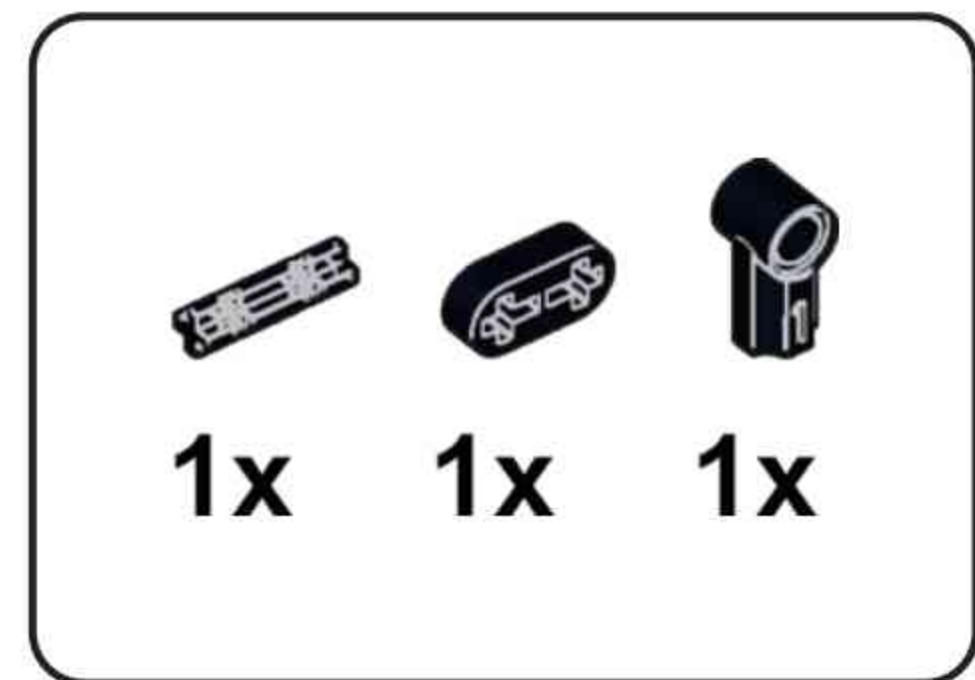
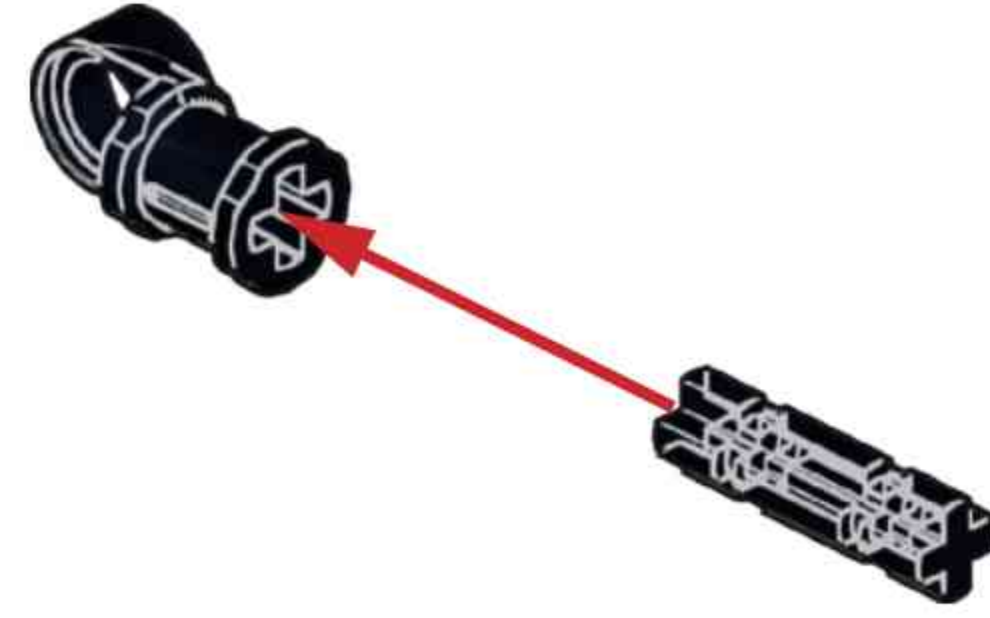


H116

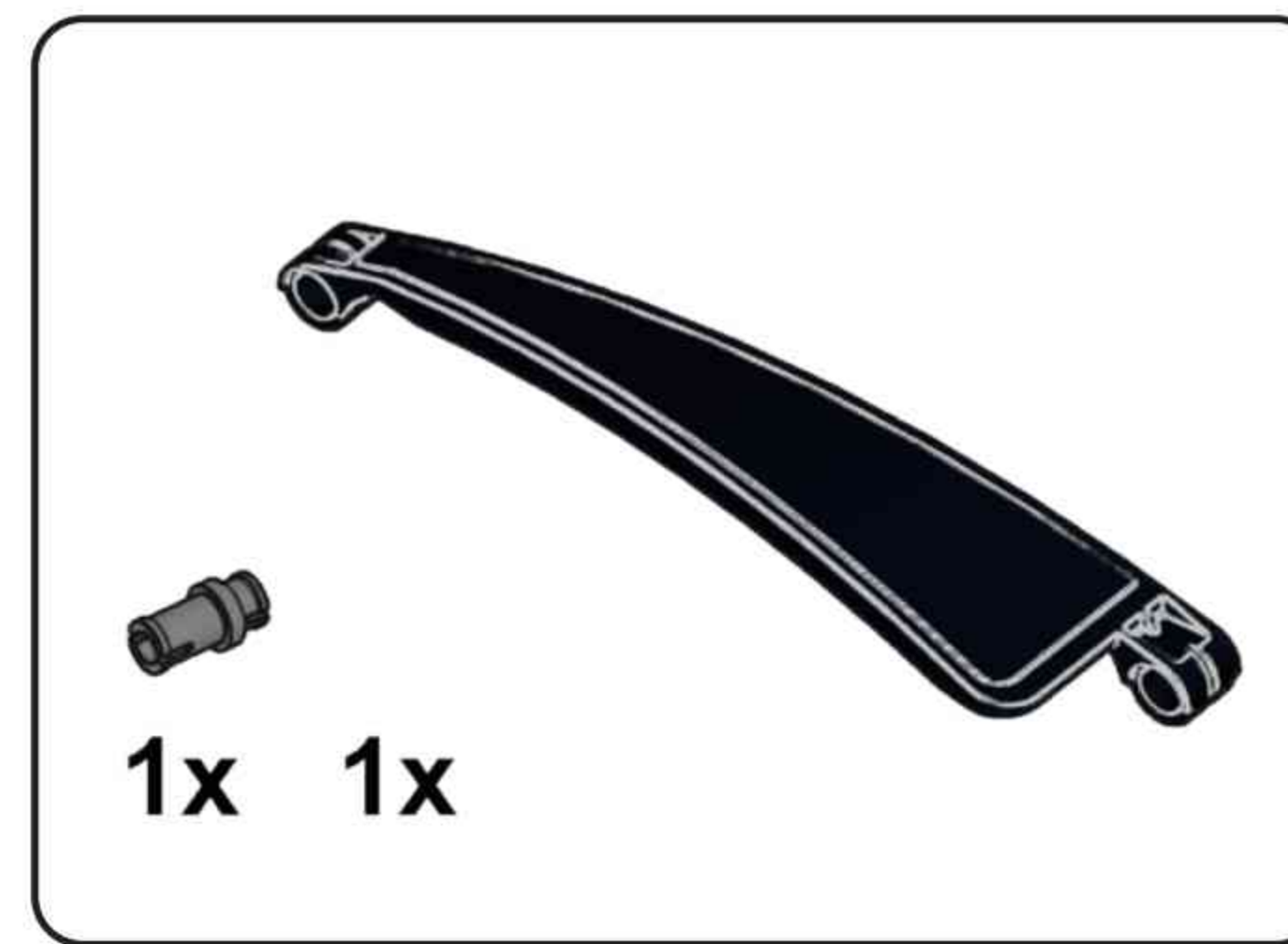
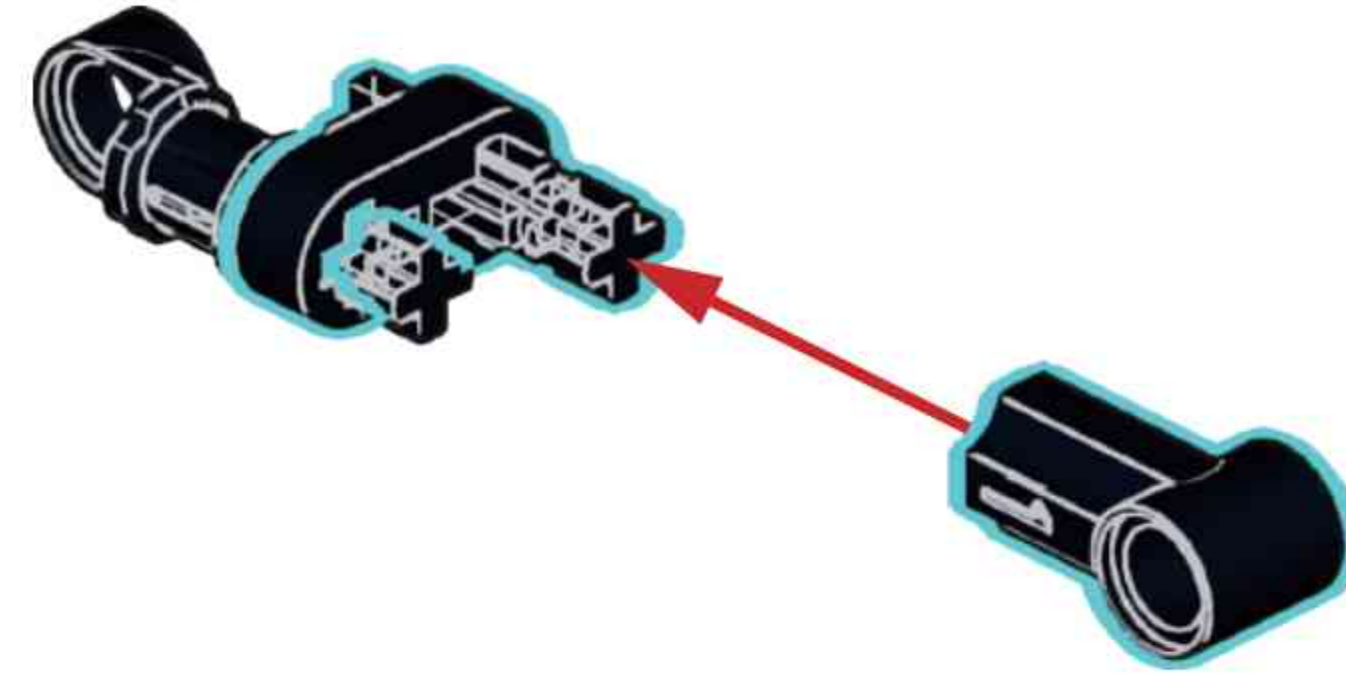




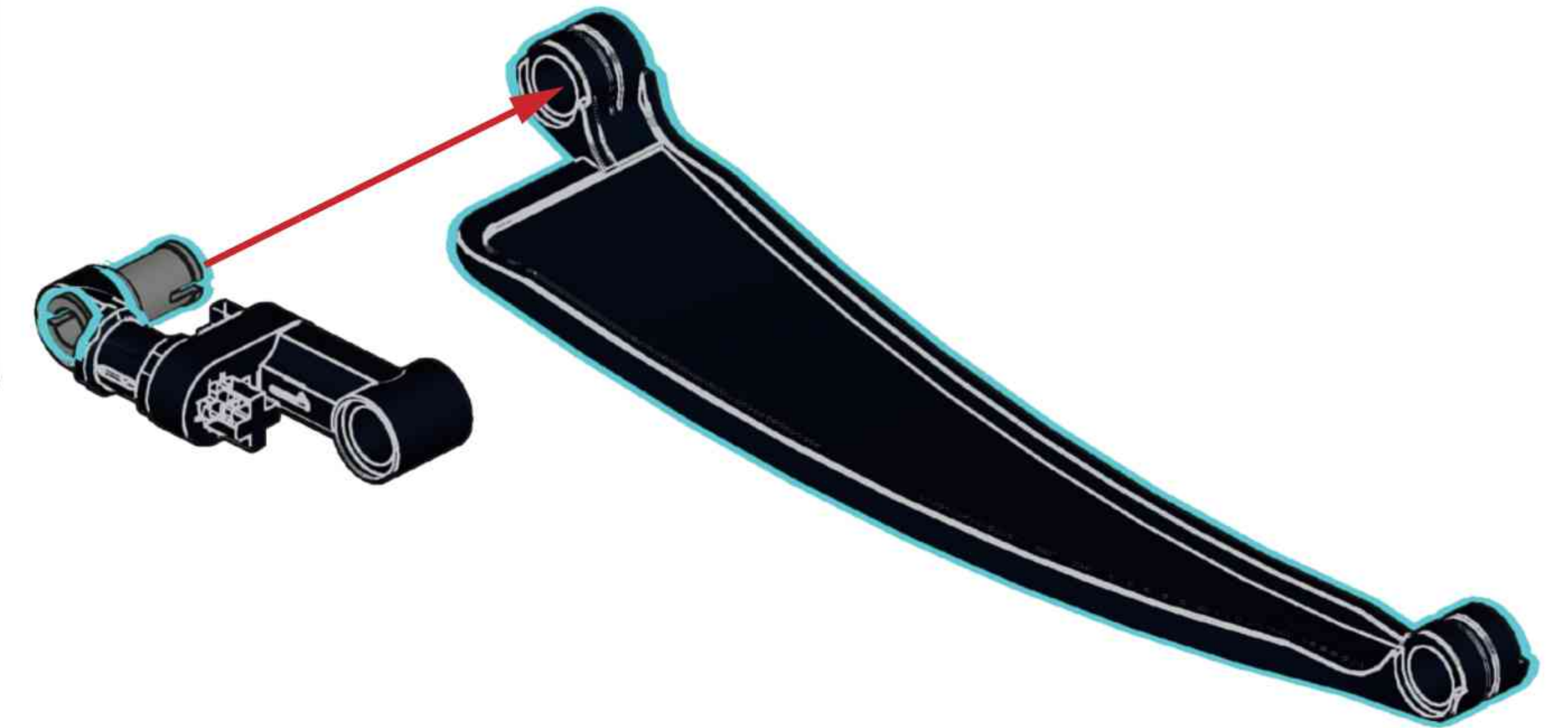
H117



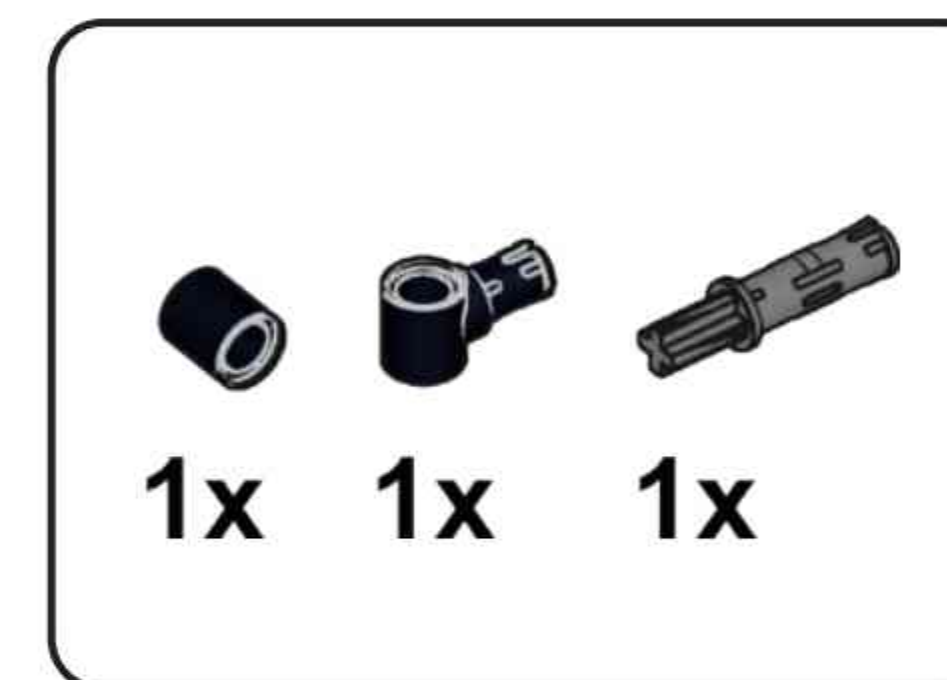
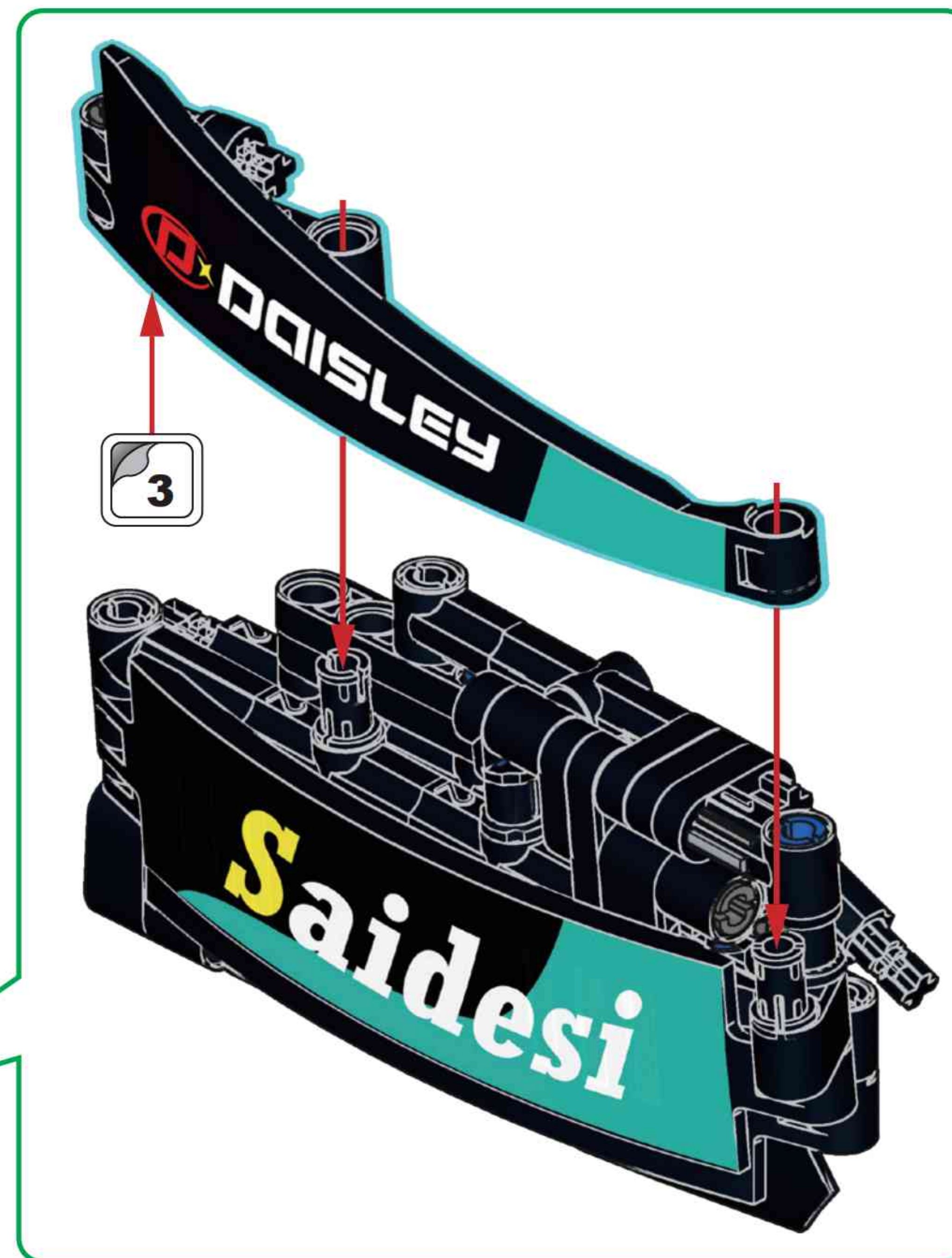
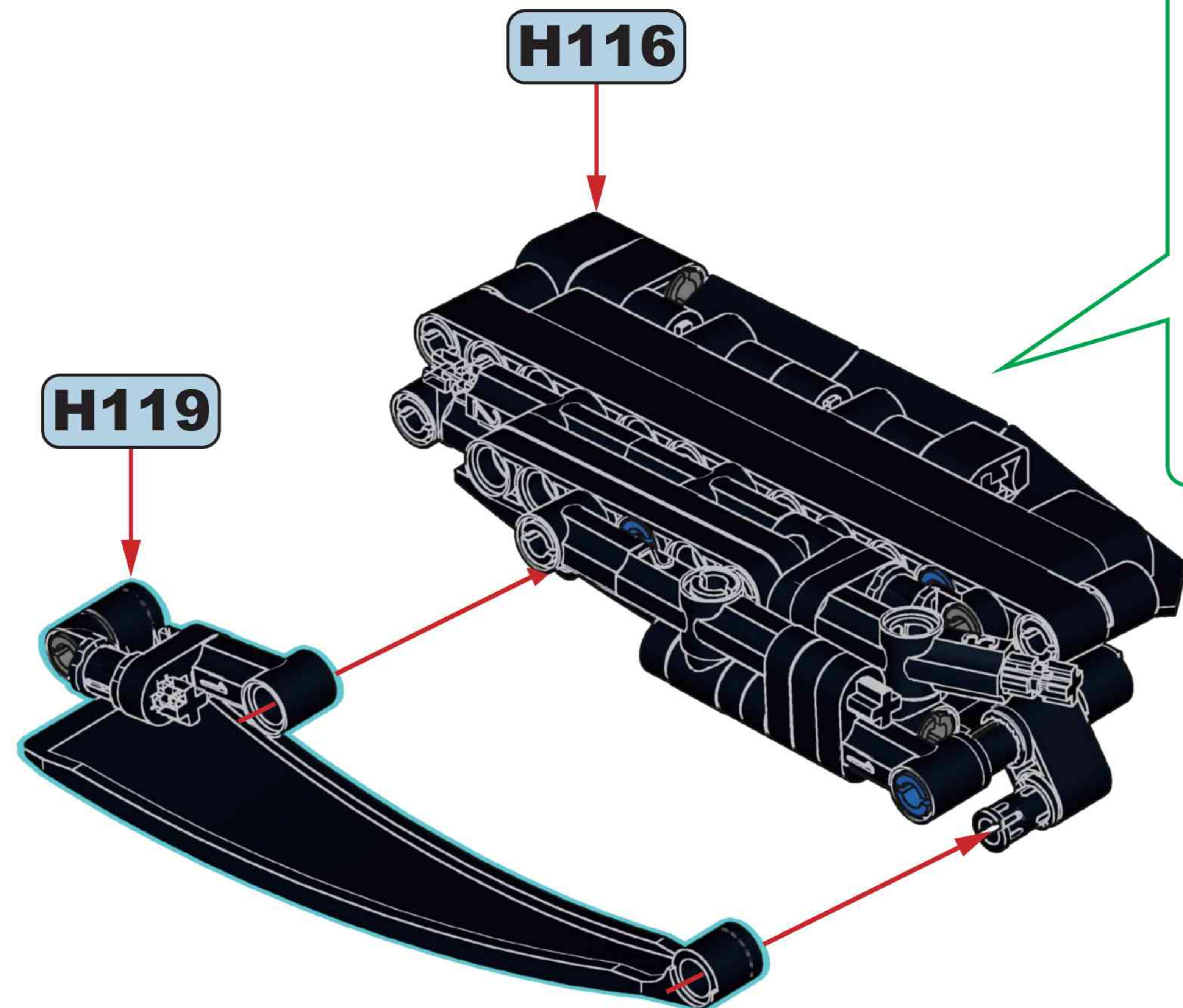
H118



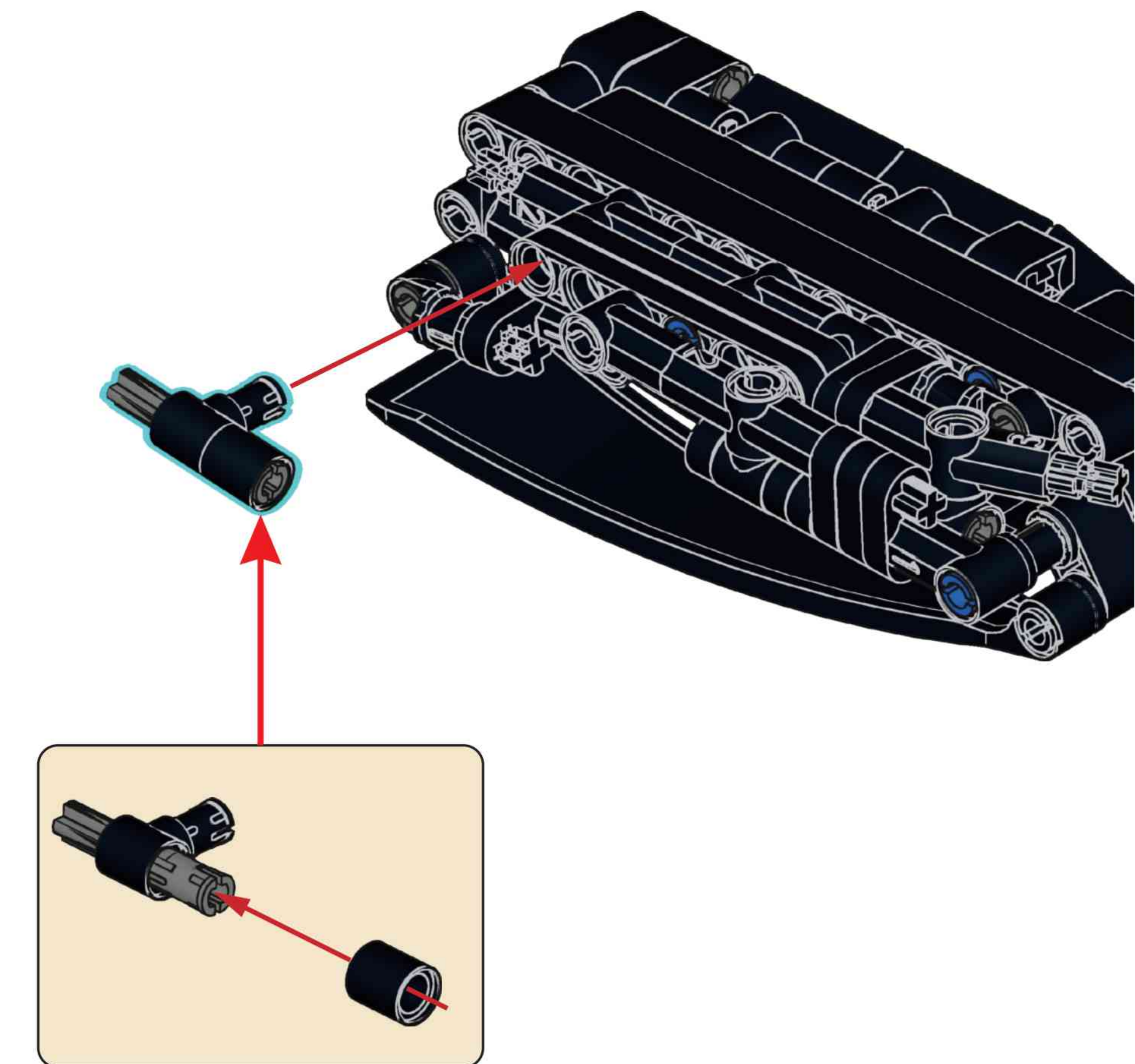
H119

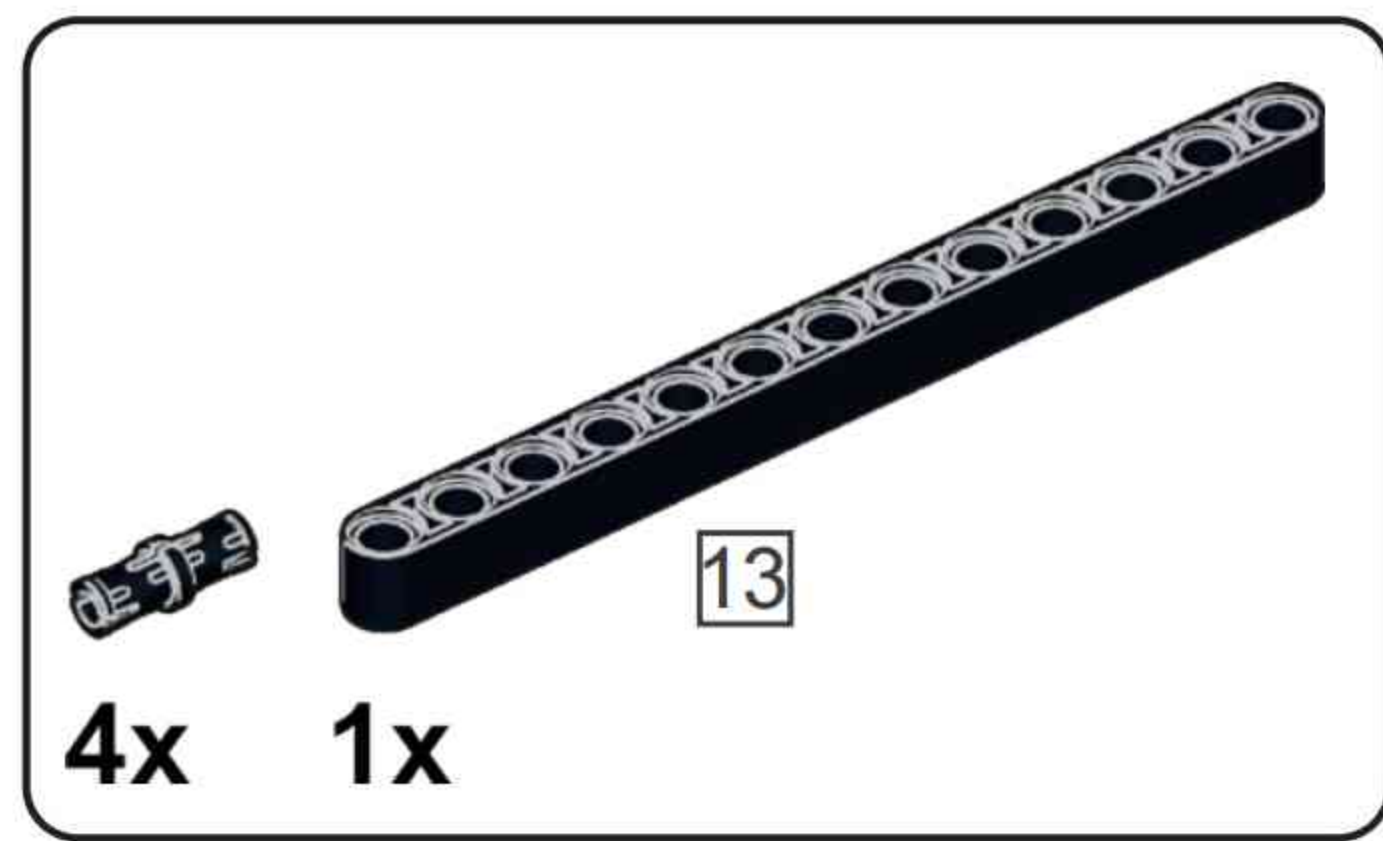


H120

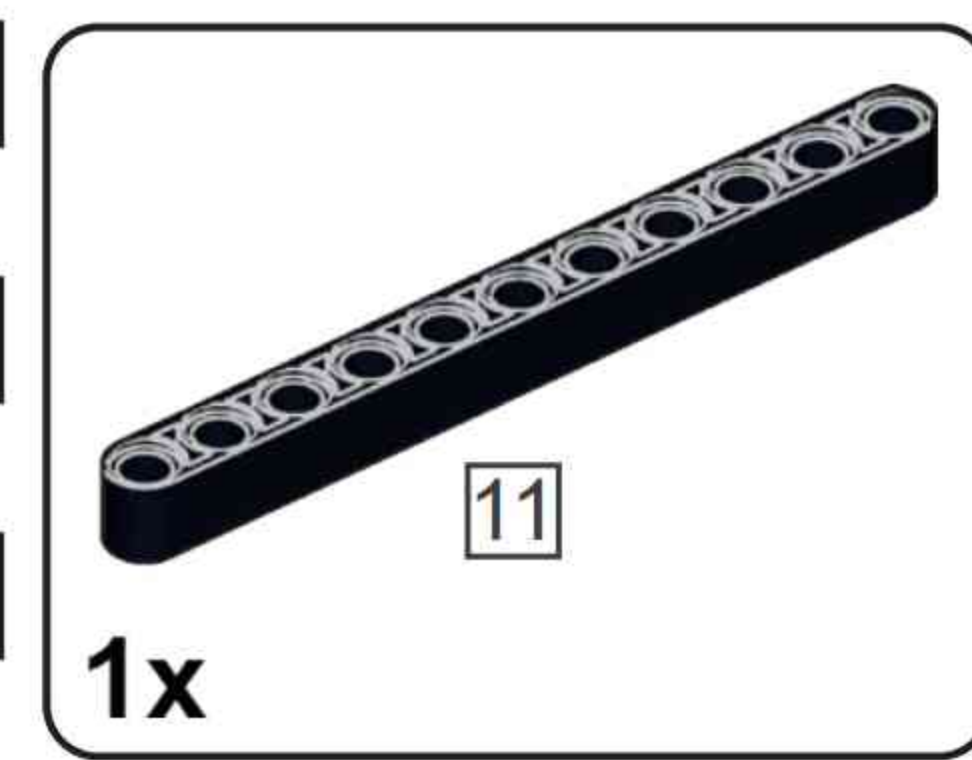


H121

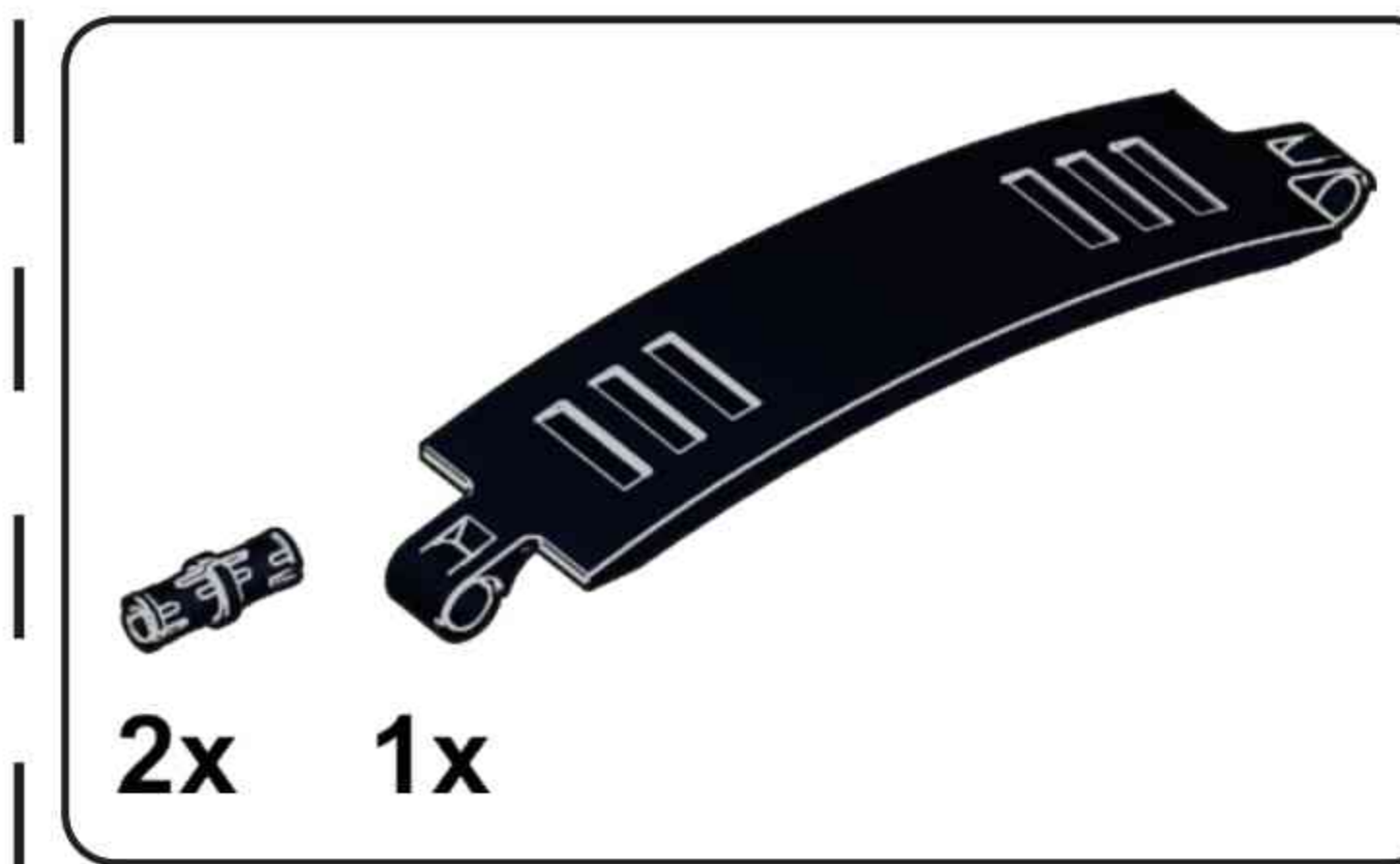




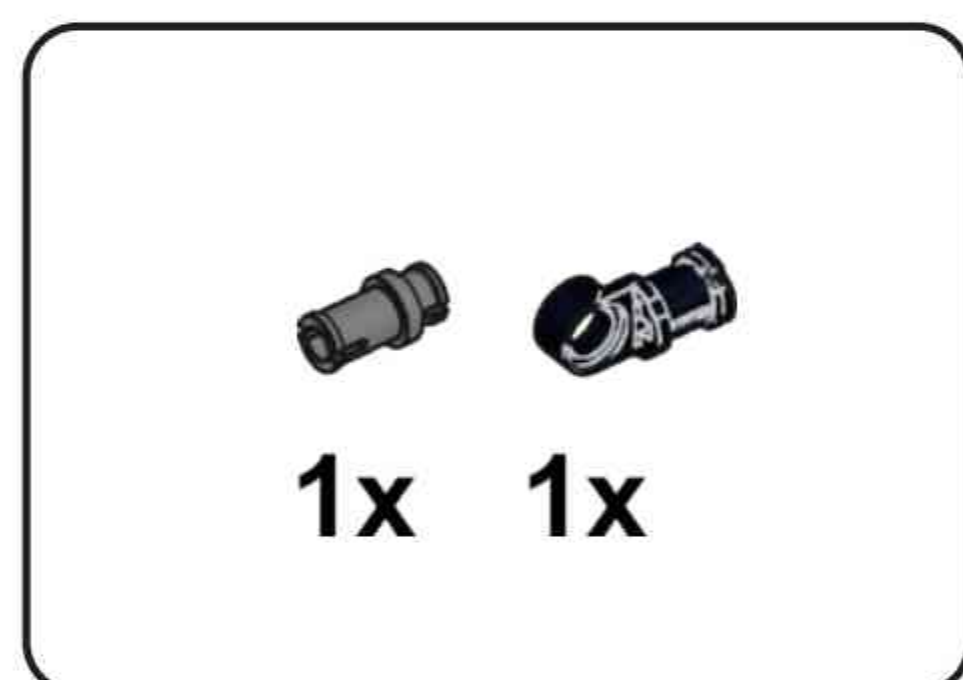
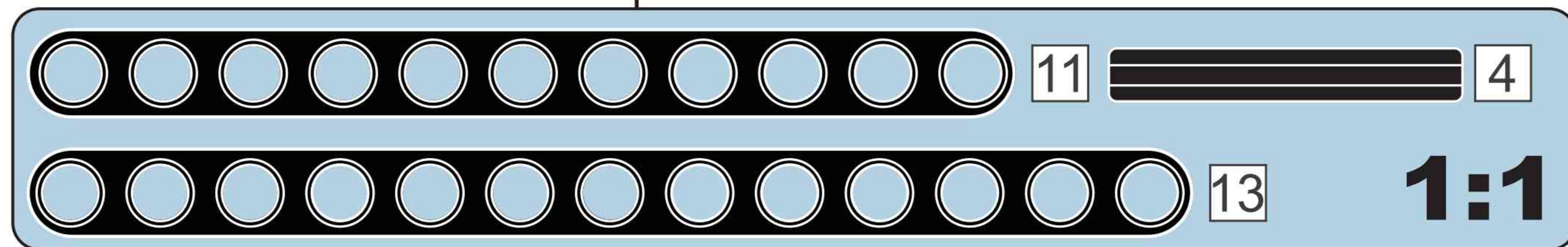
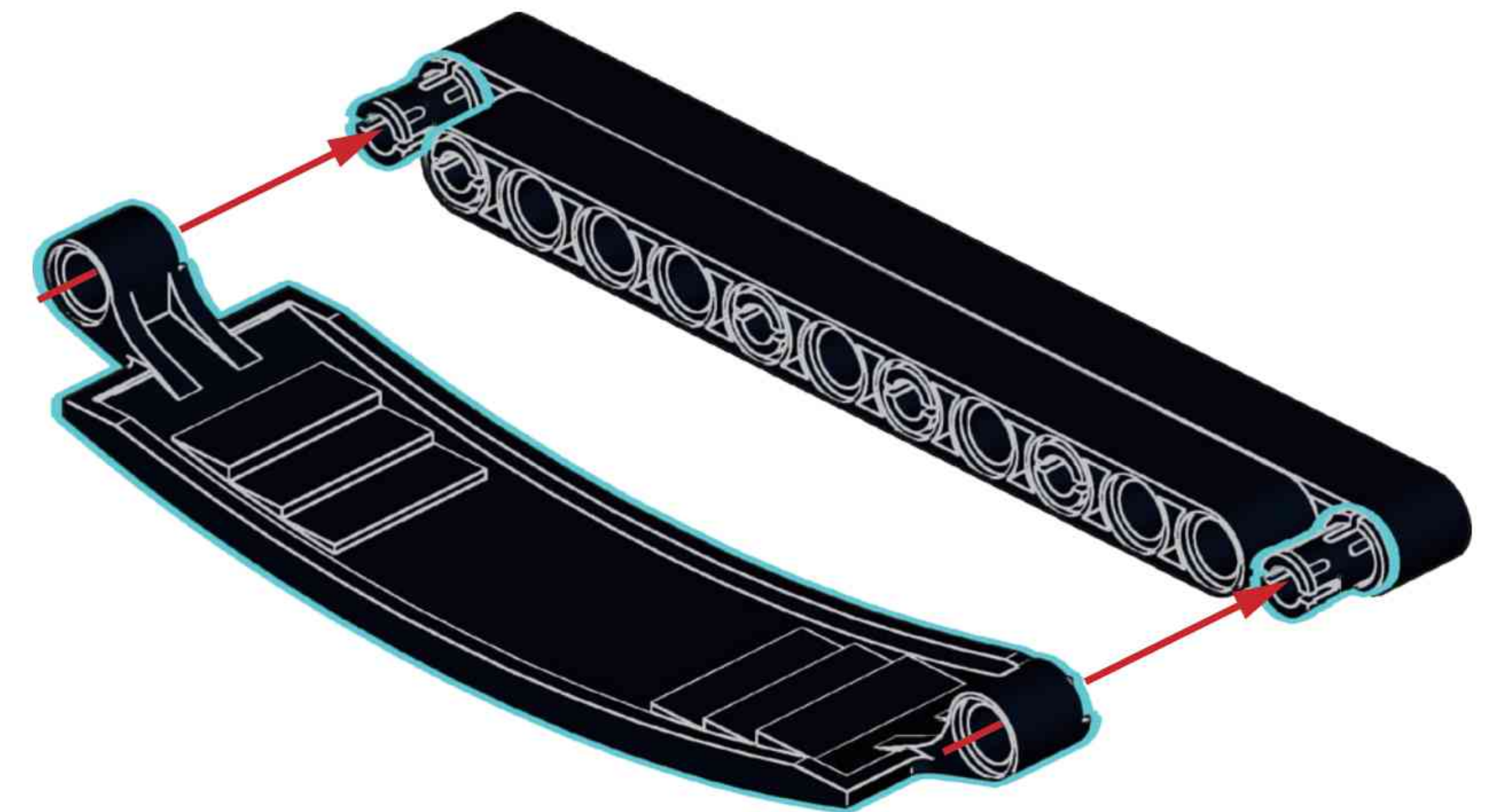
H122



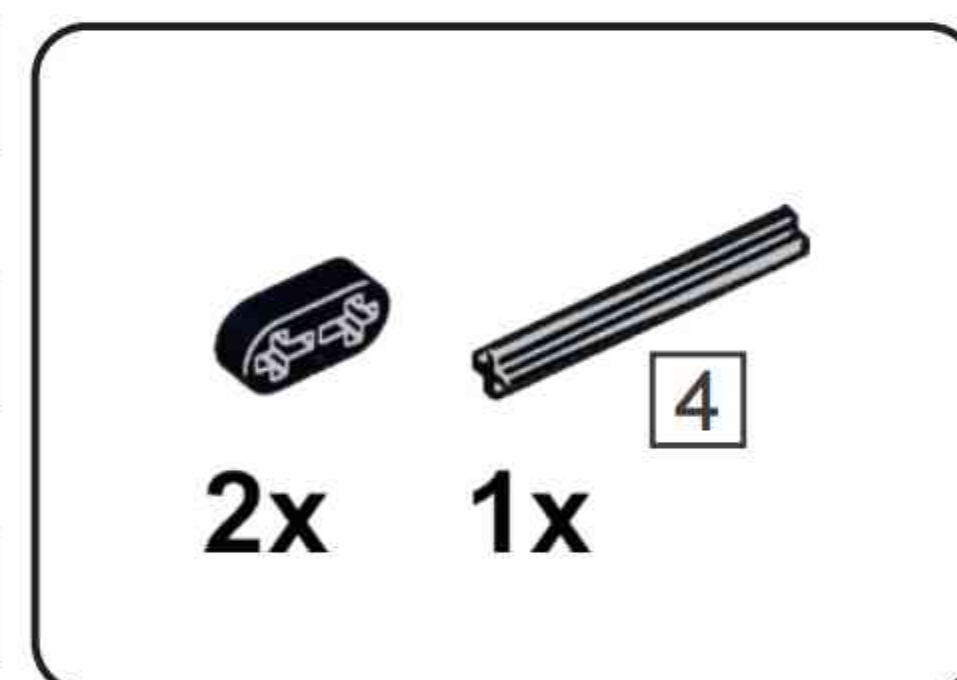
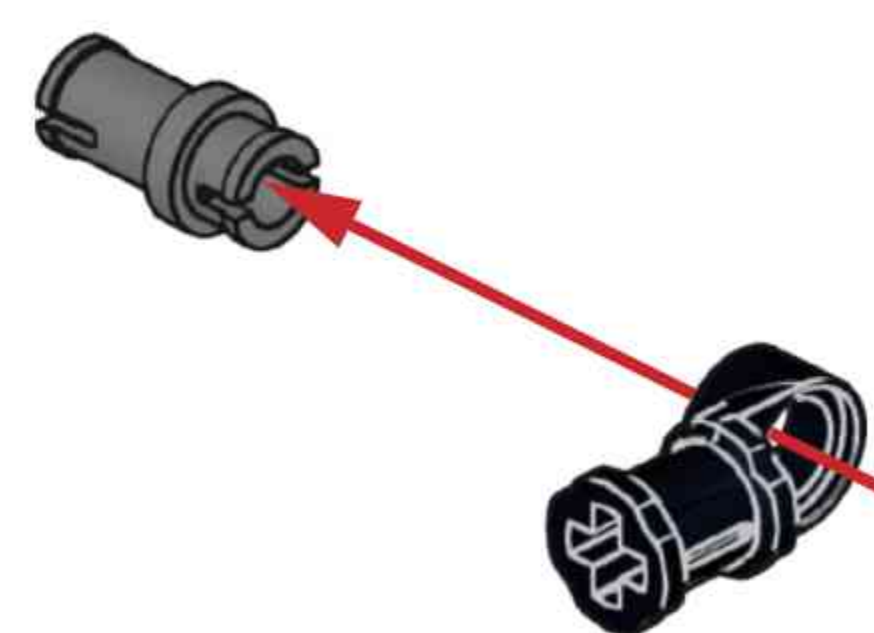
H123



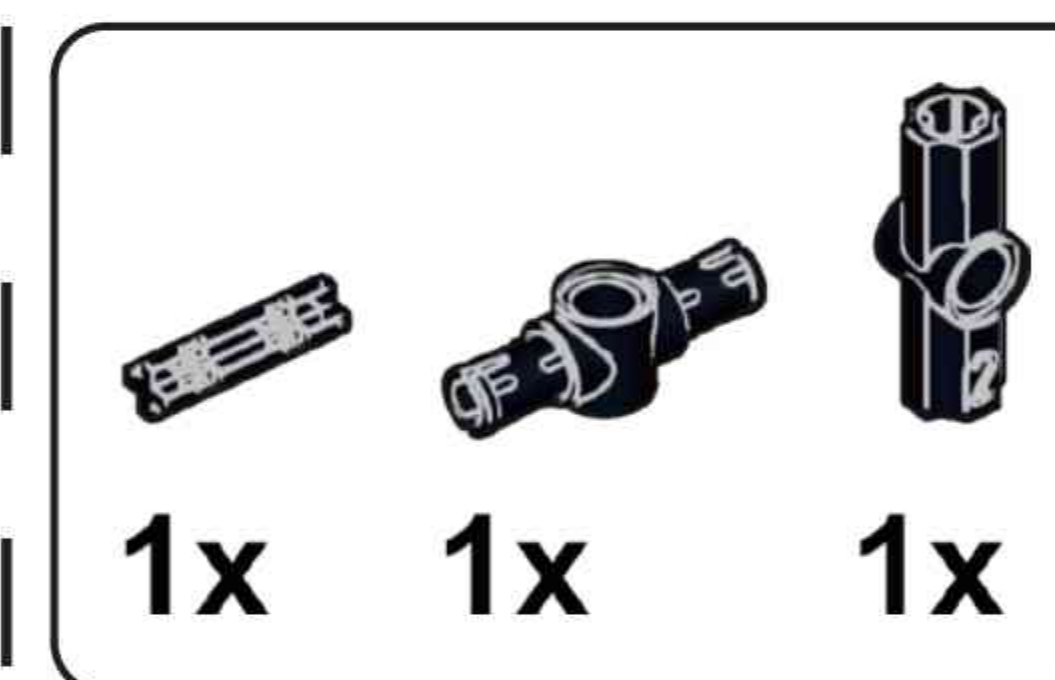
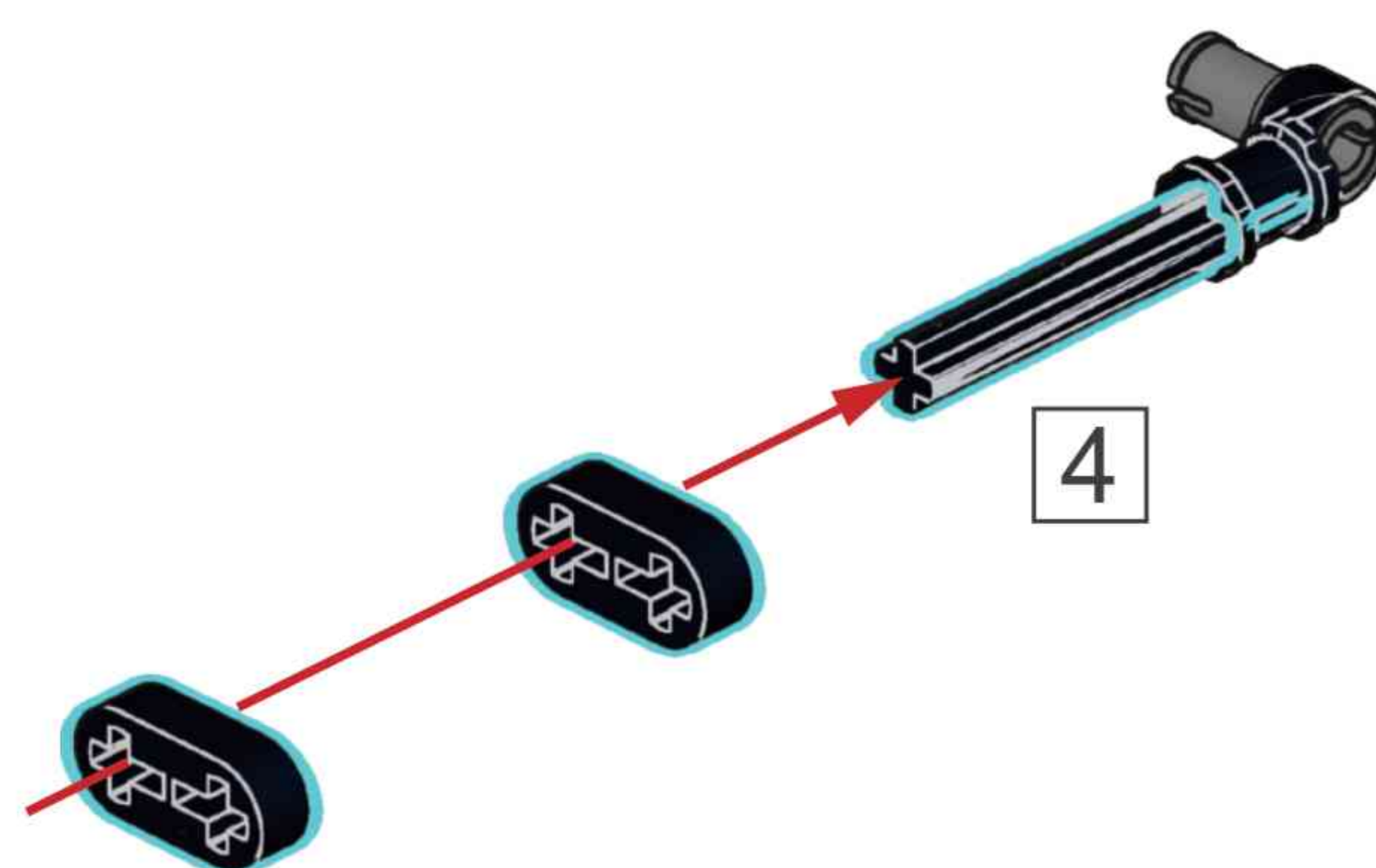
H124



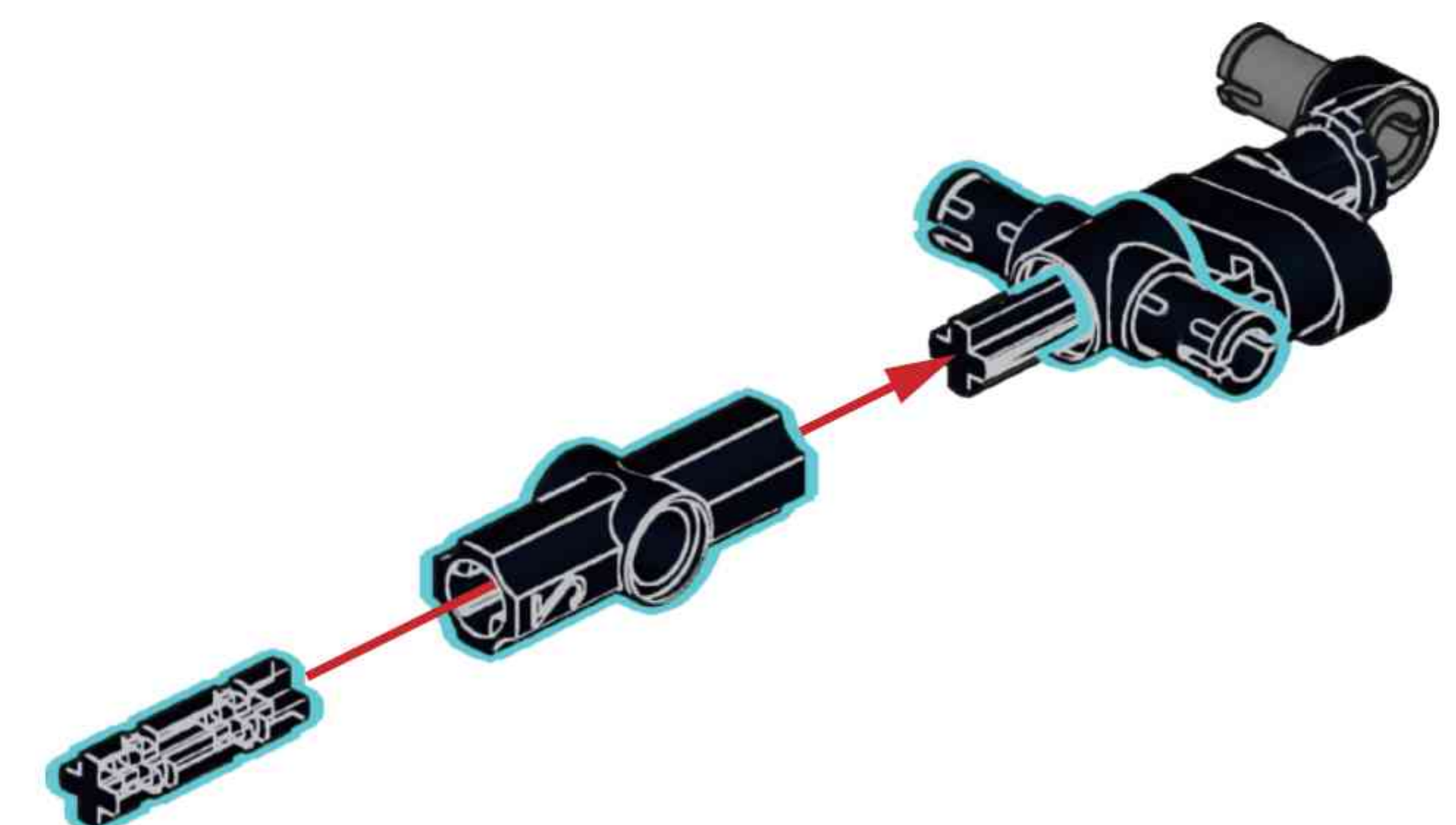
H125

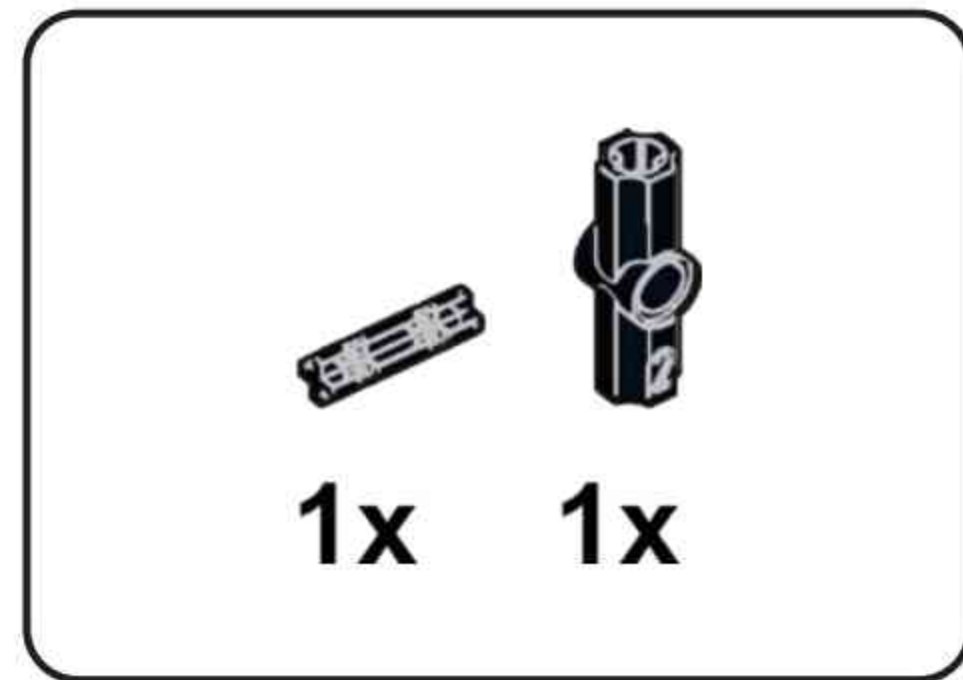


H126

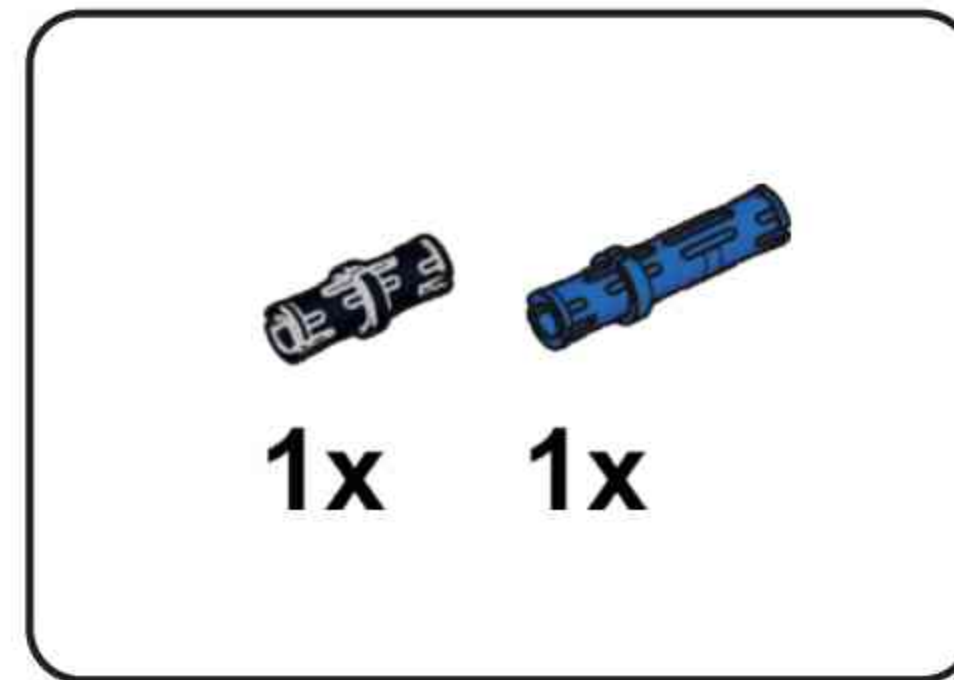
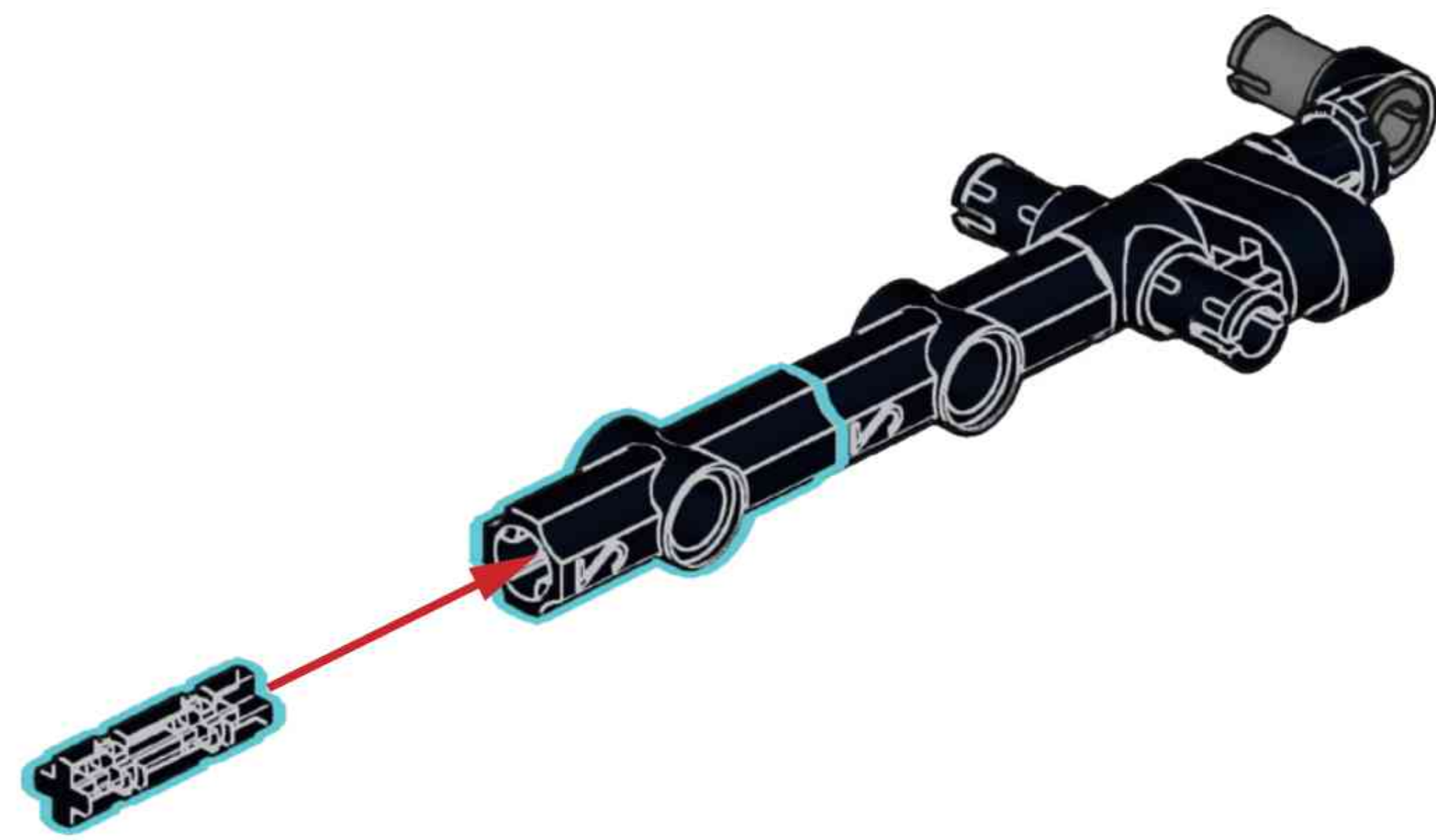


H127

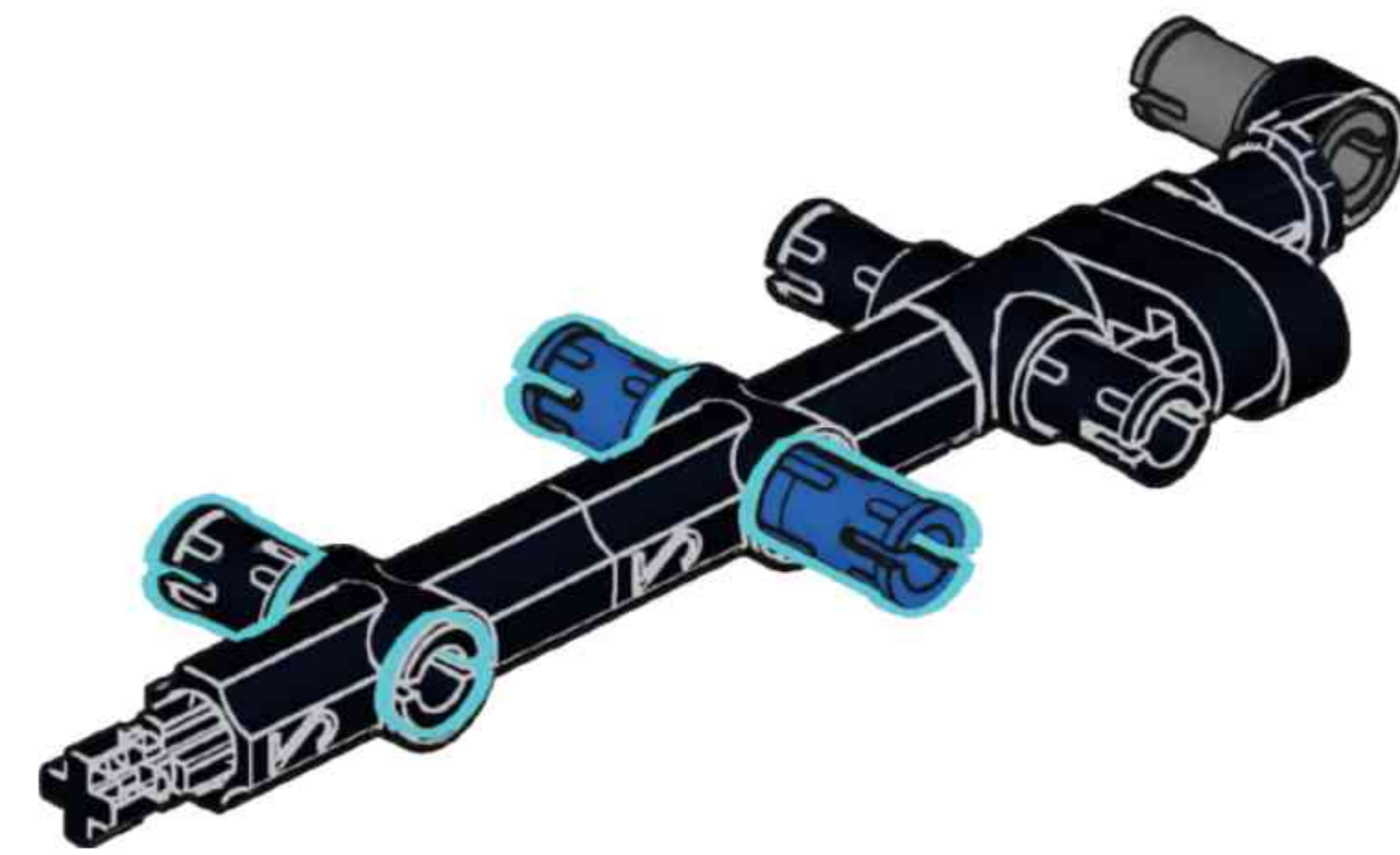




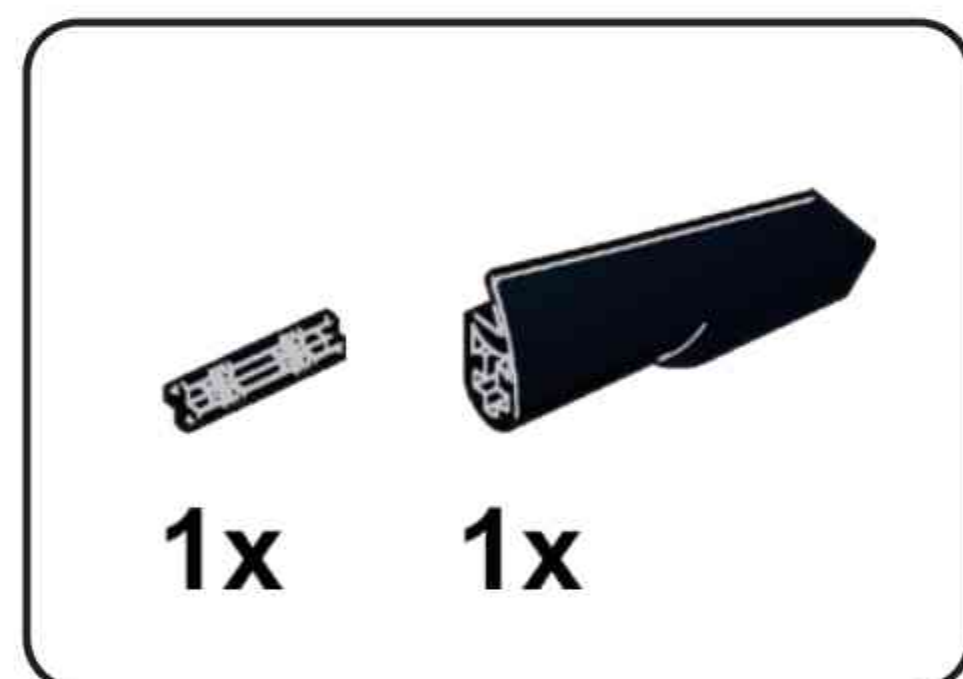
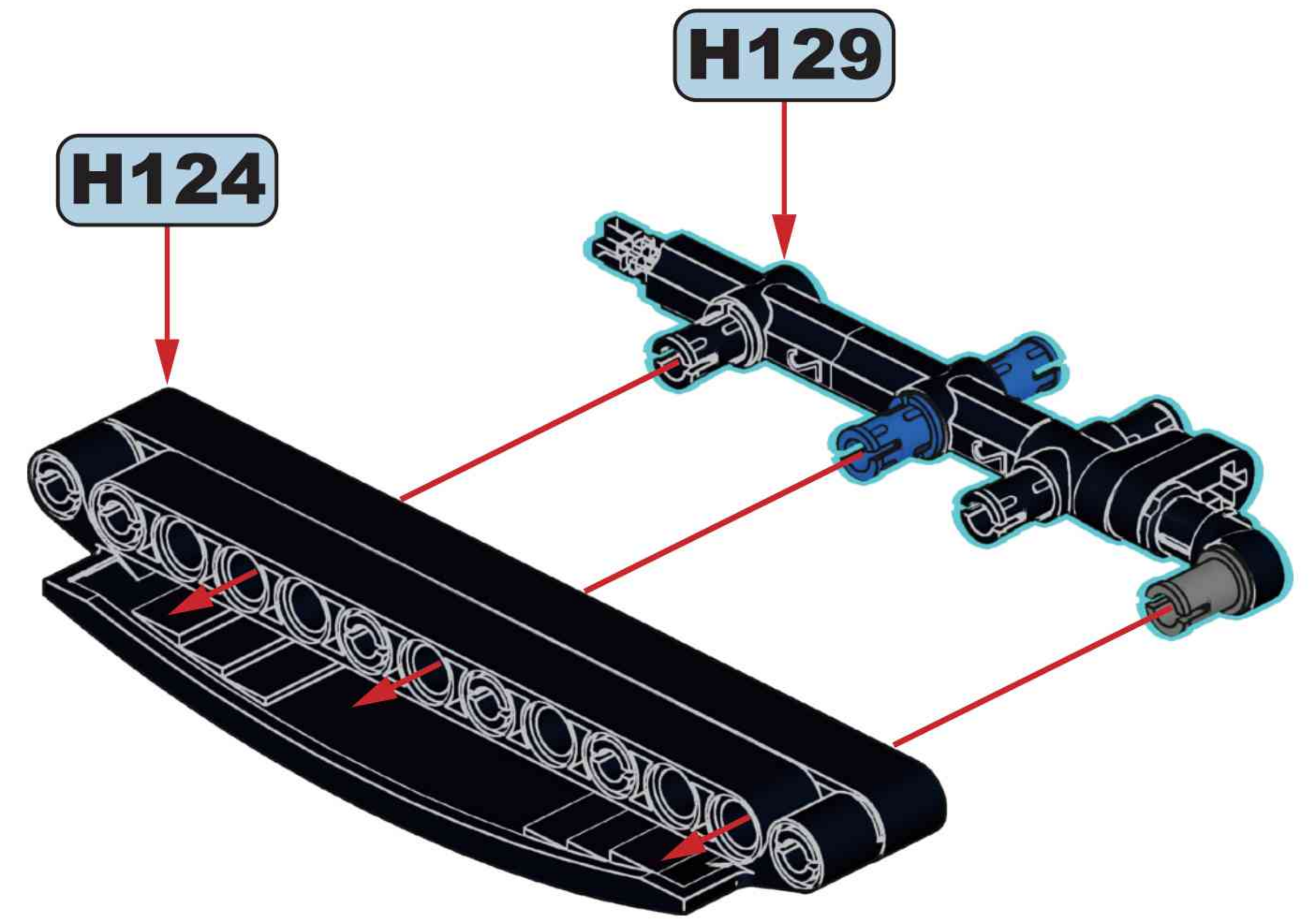
H128



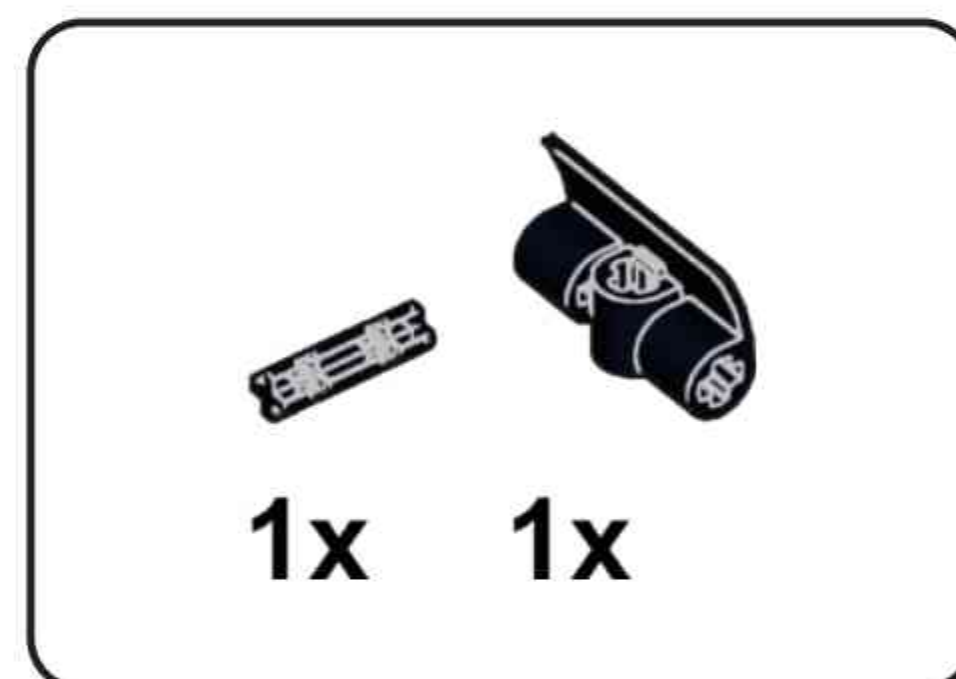
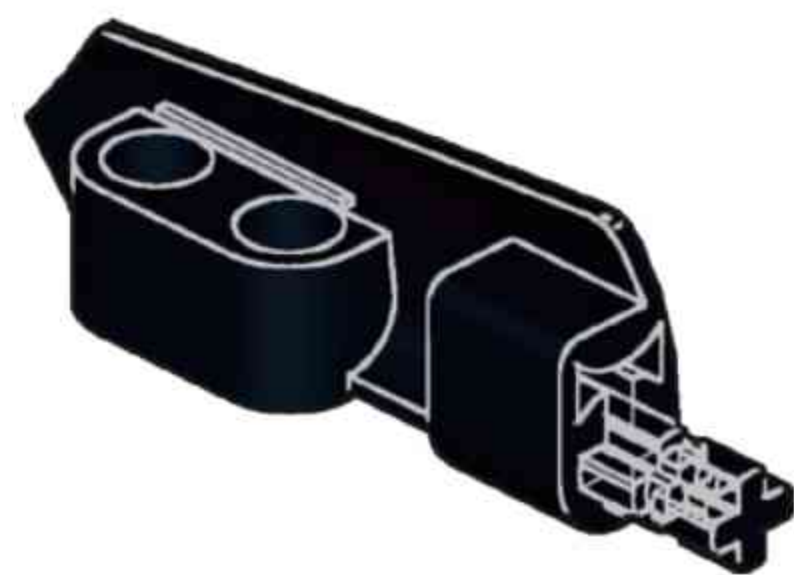
H129



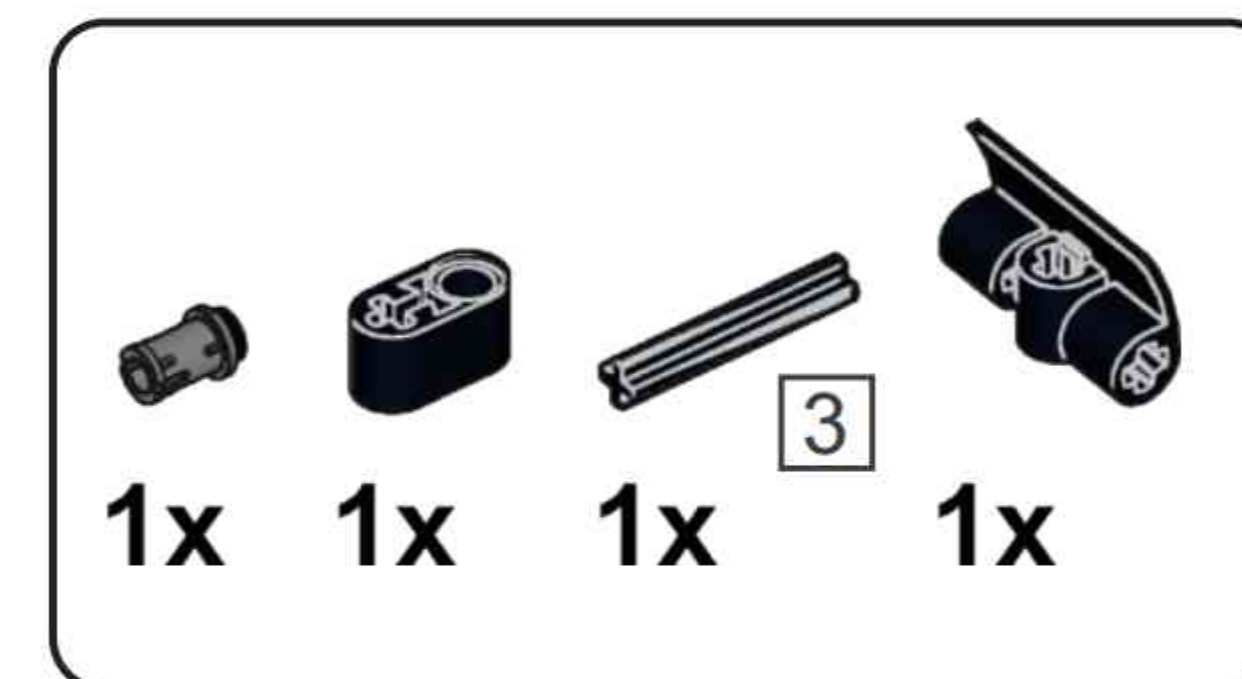
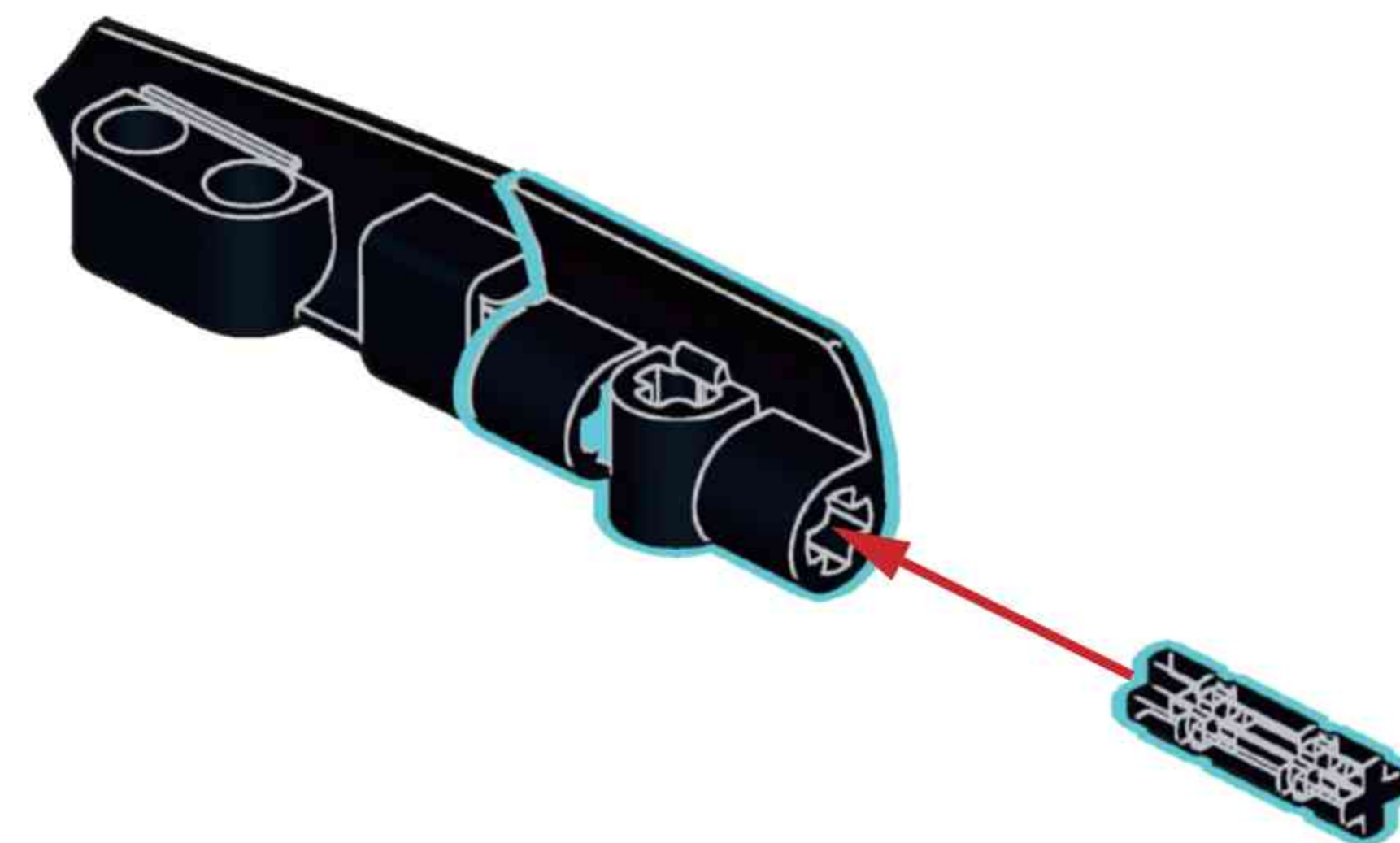
H130



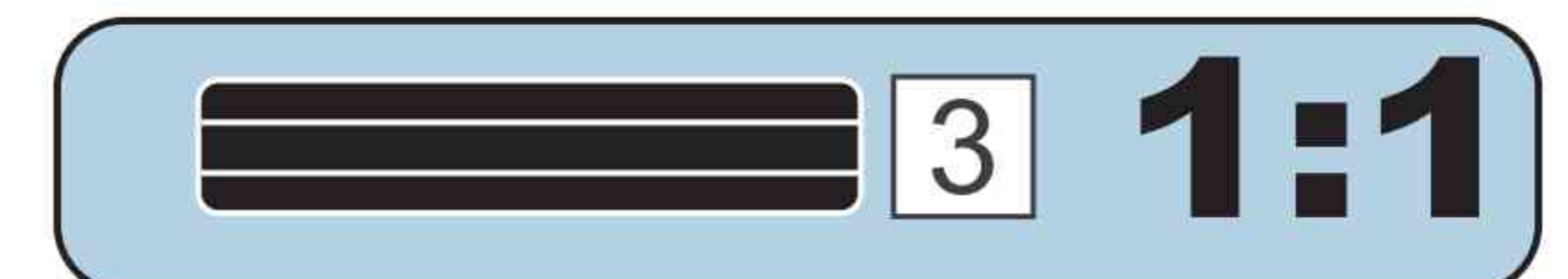
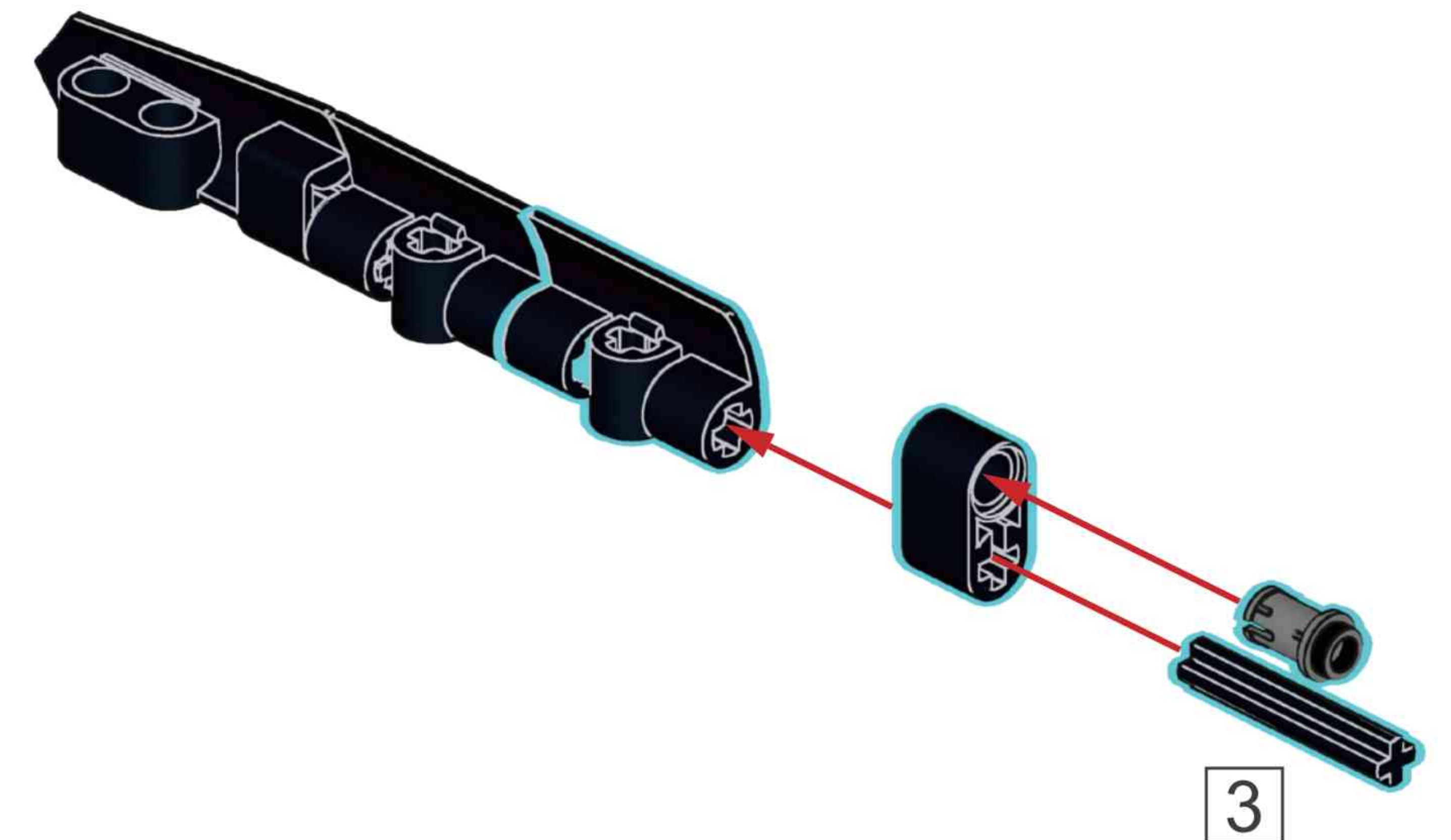
H131

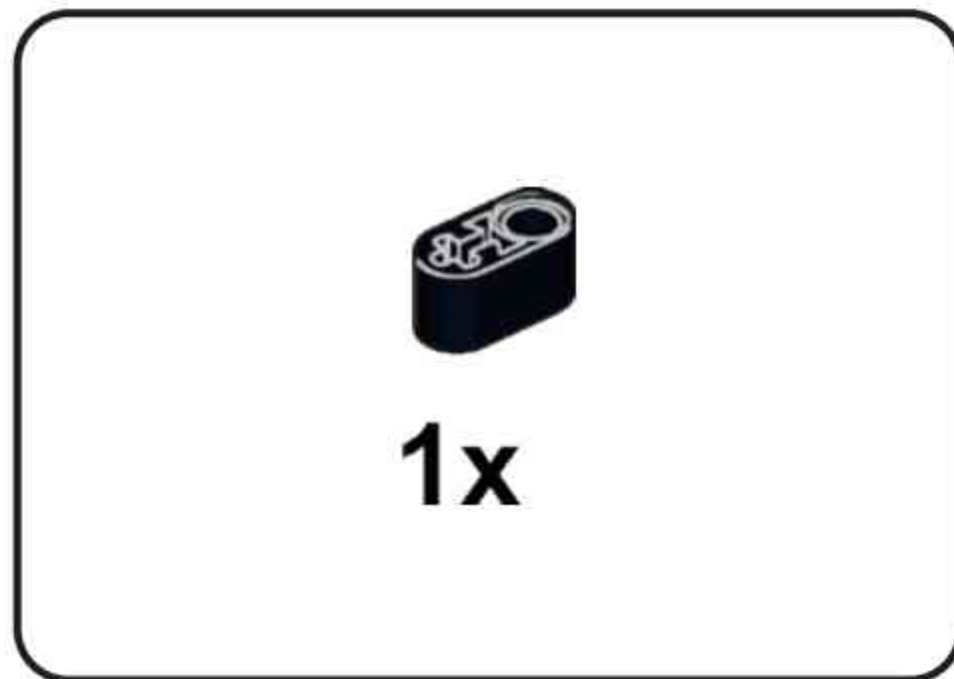


H132

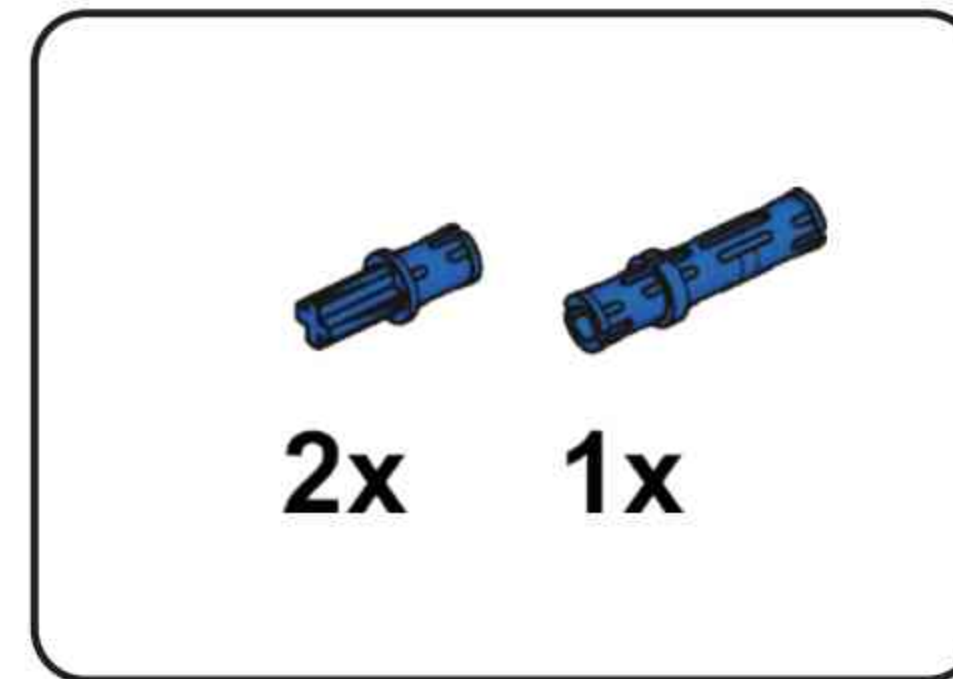
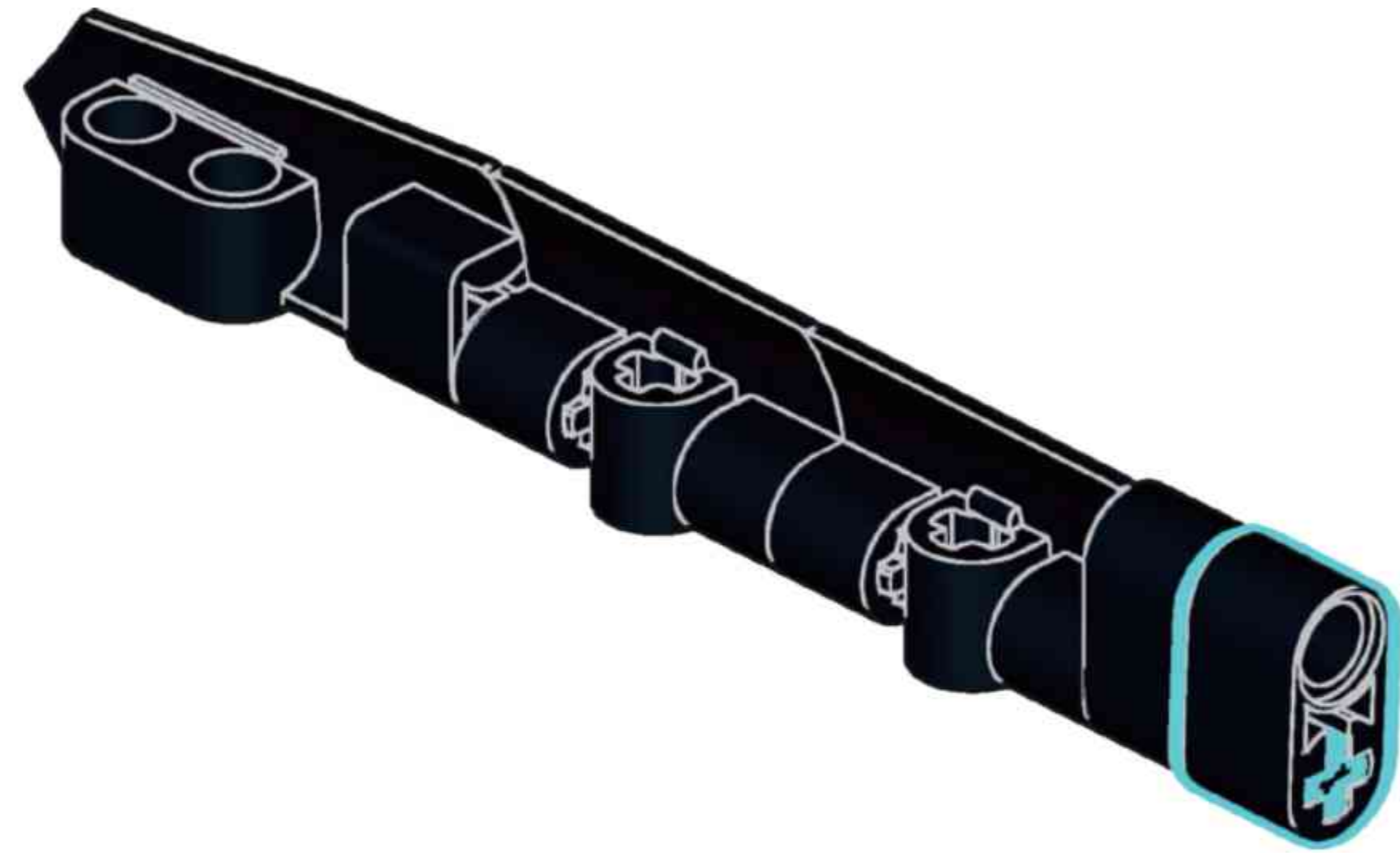


H133

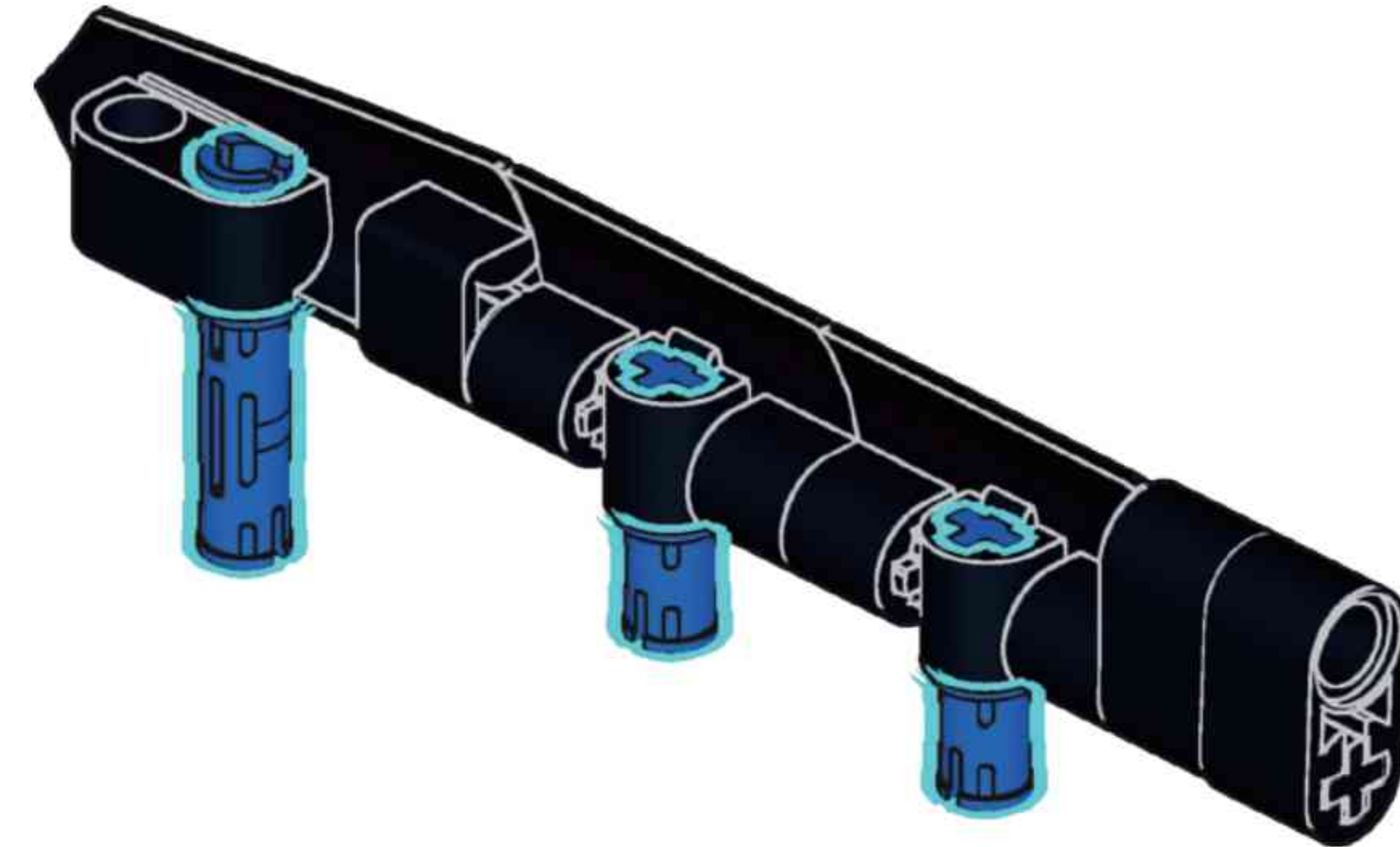




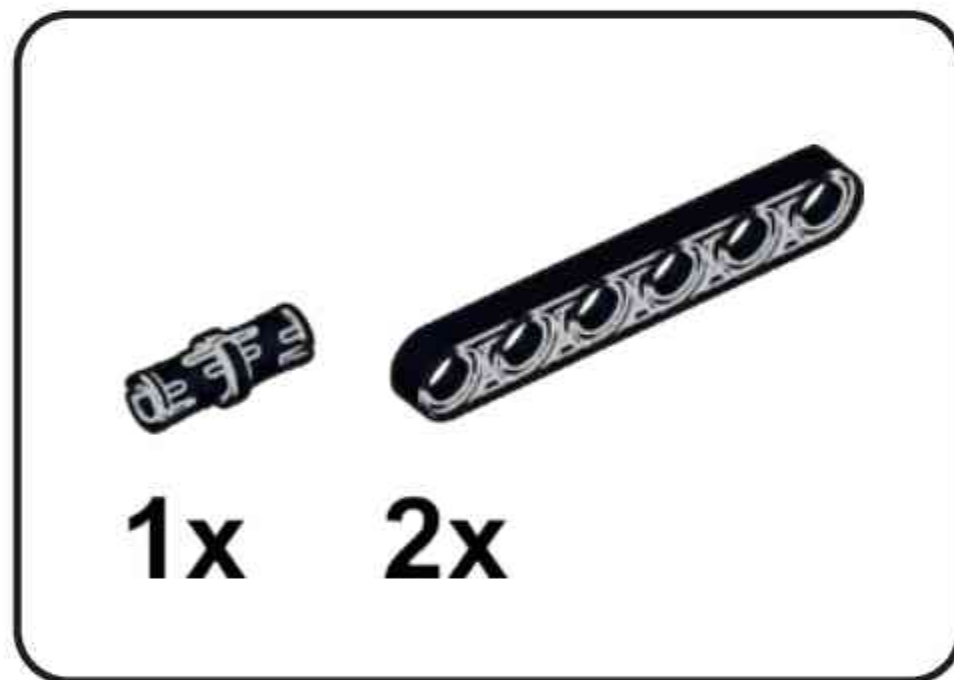
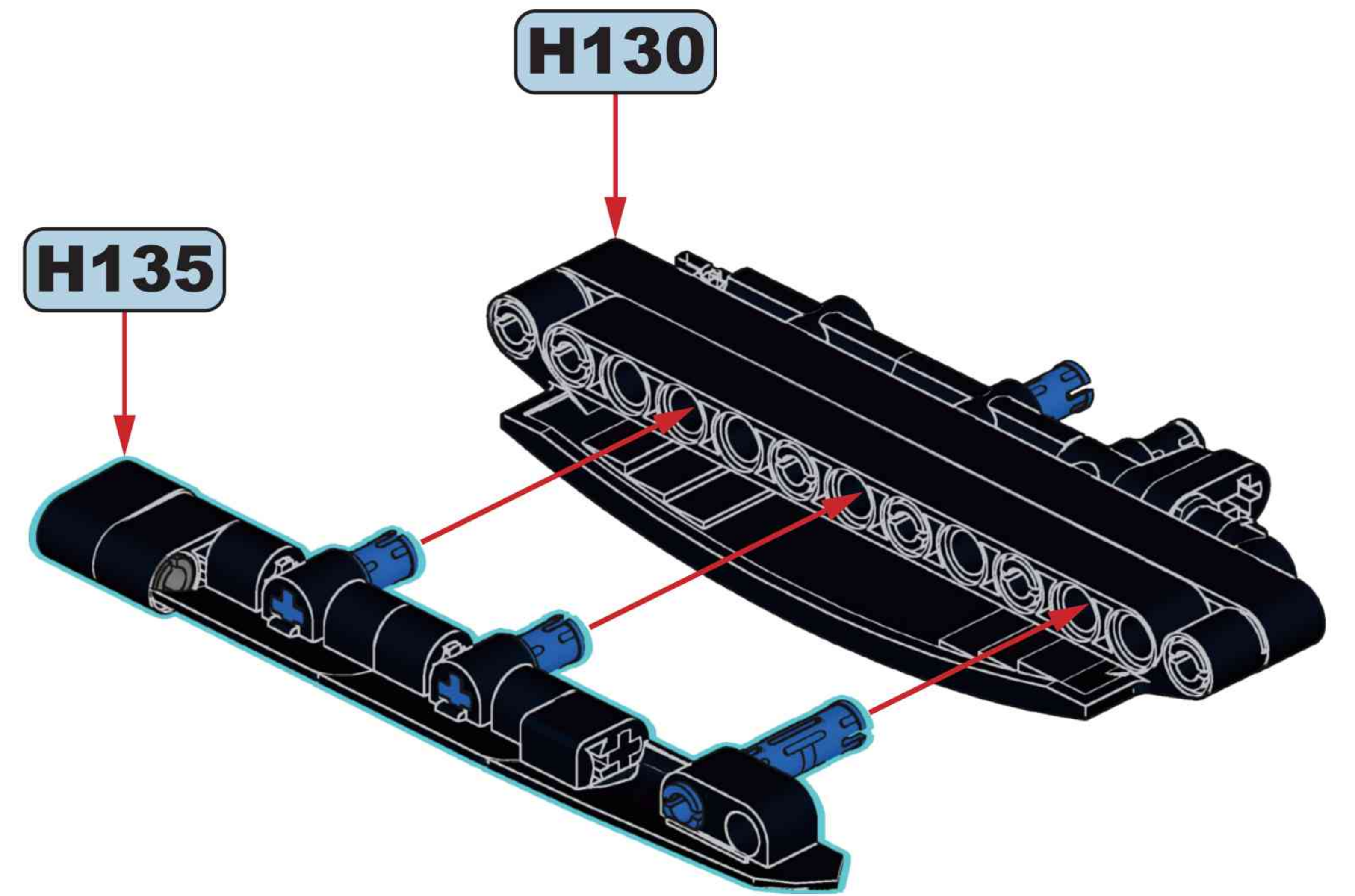
H134



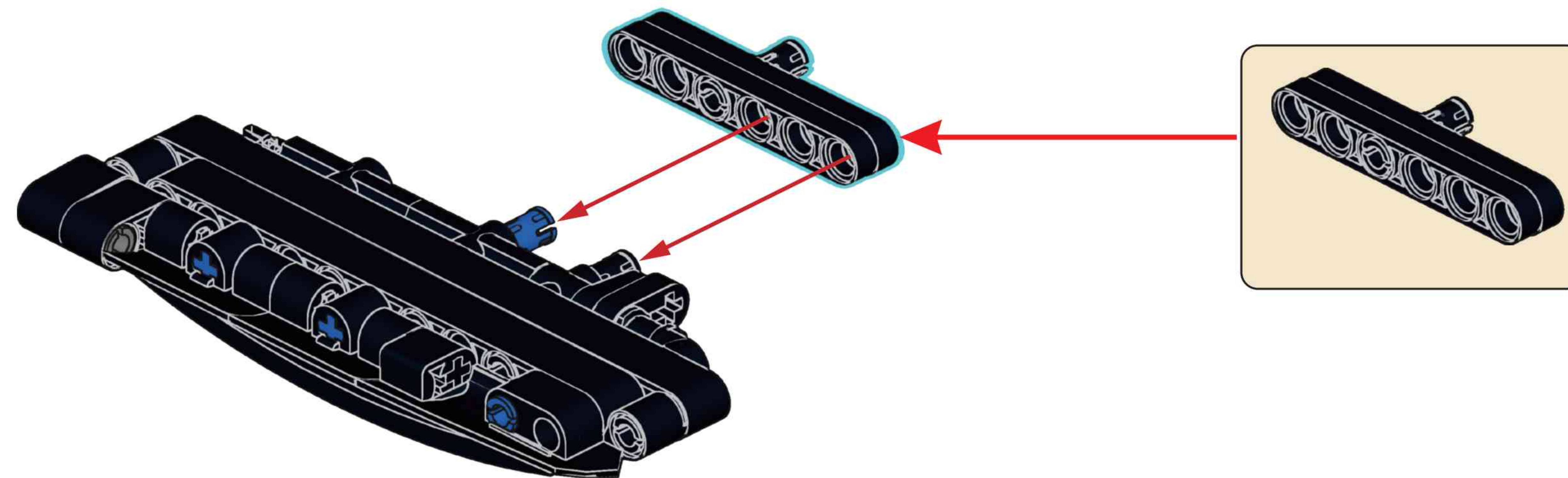
H135

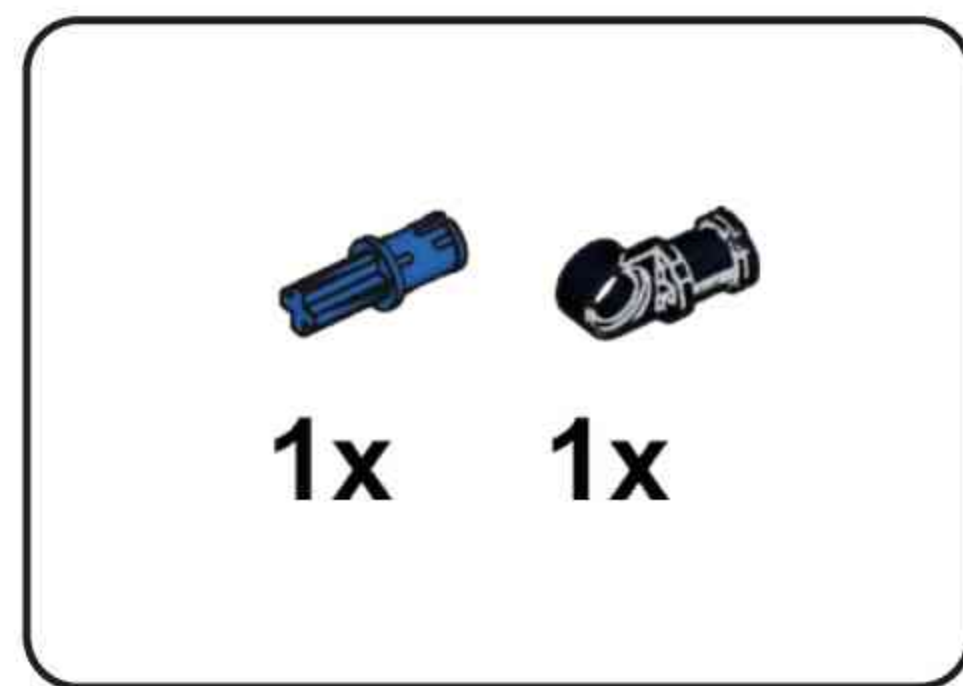


H136

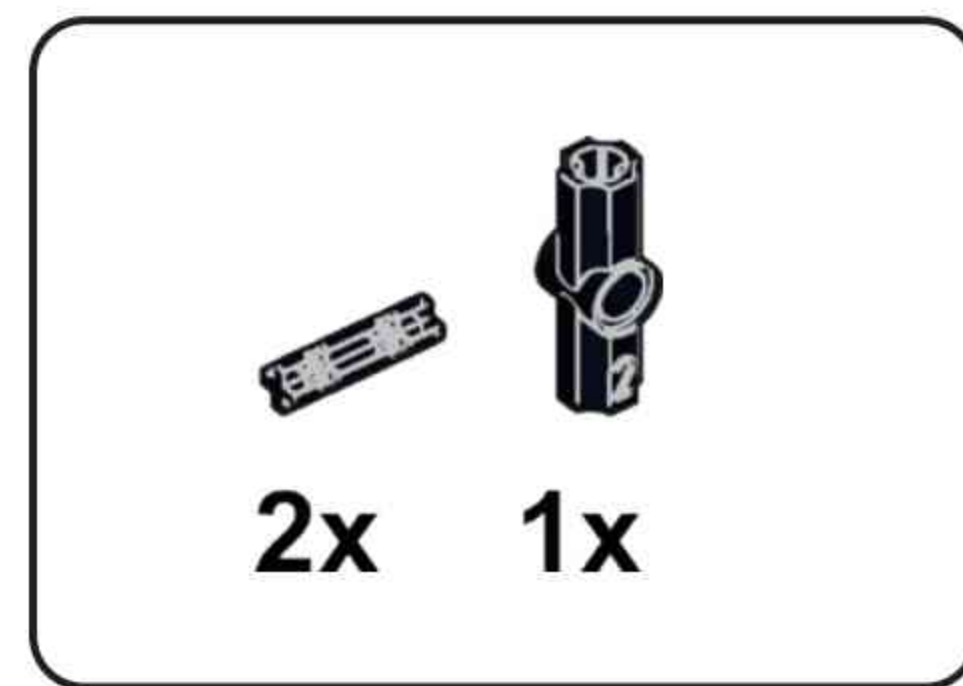
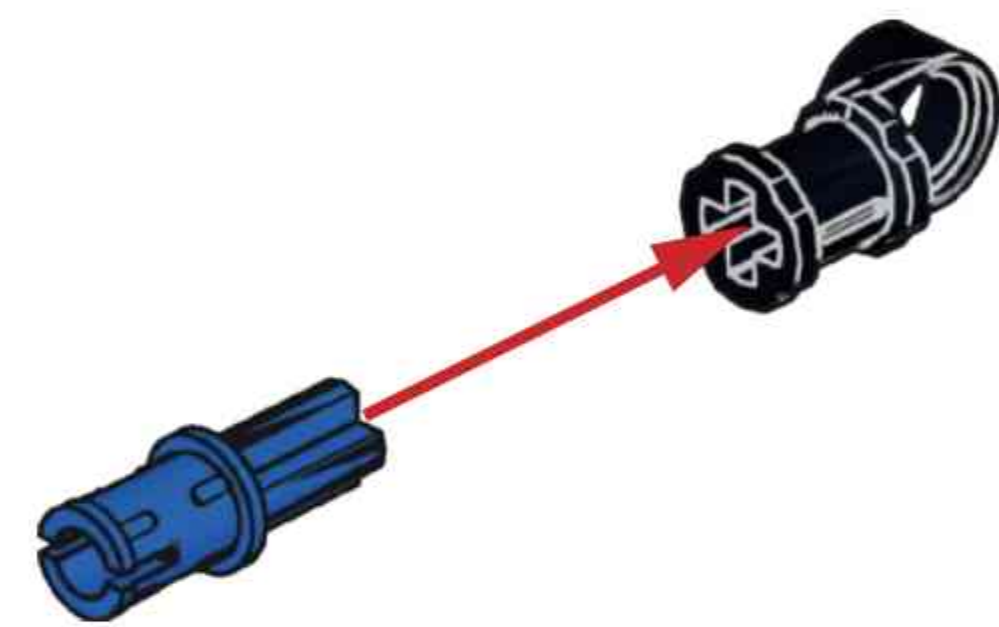


H137

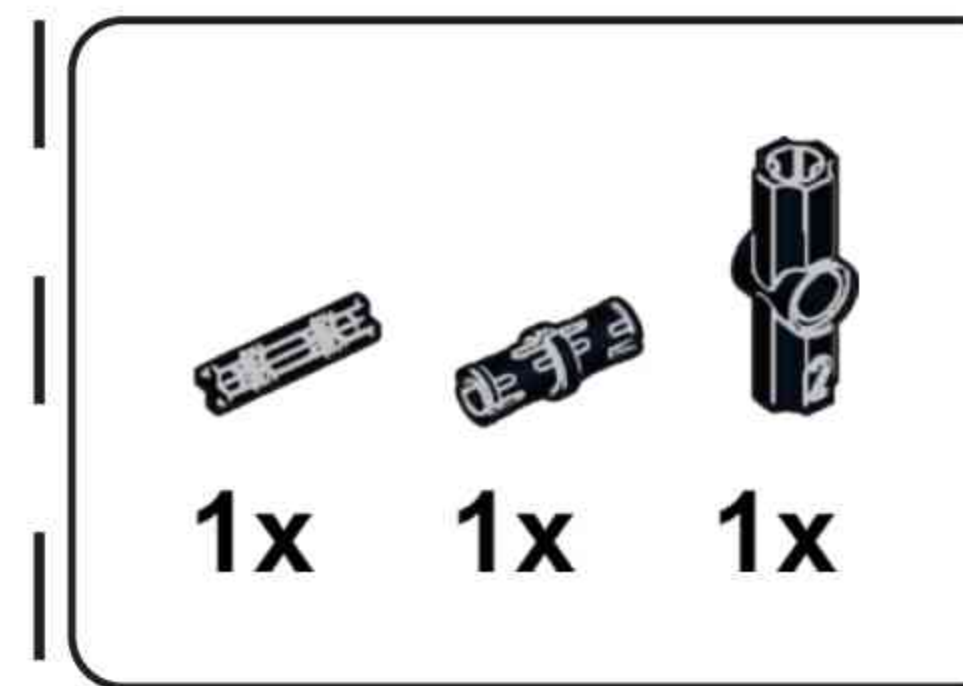
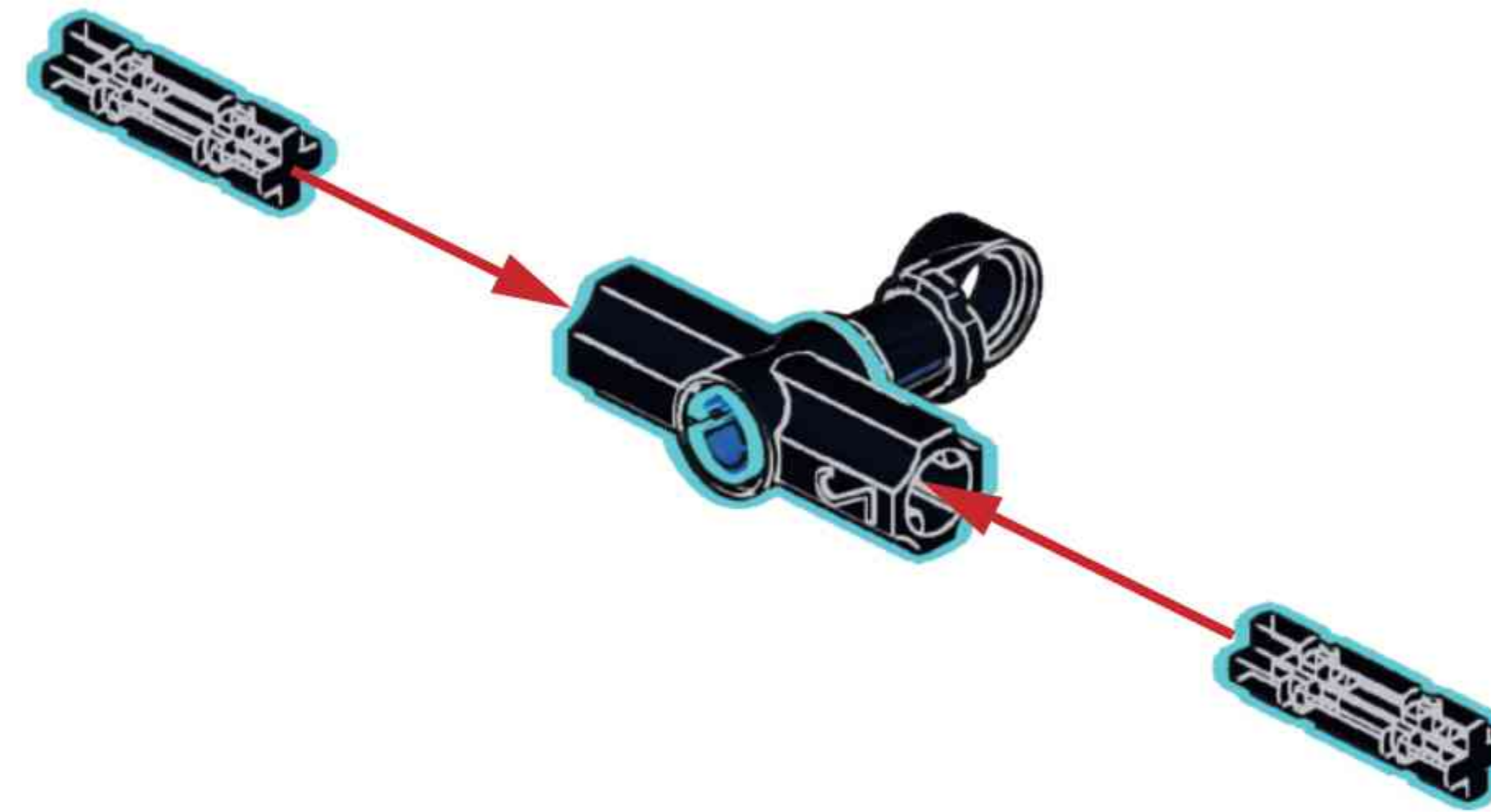




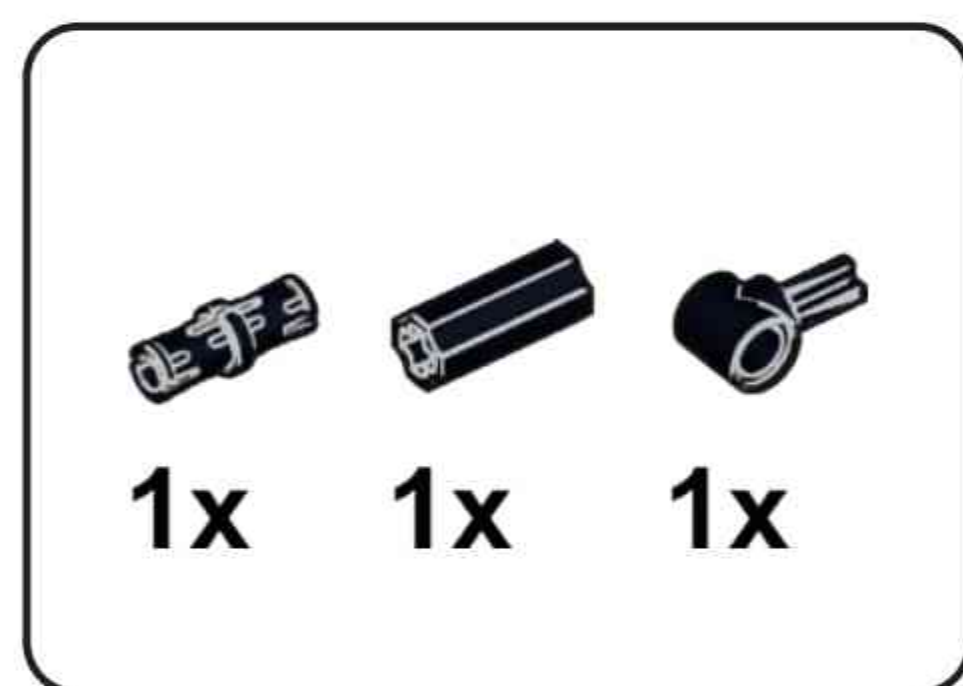
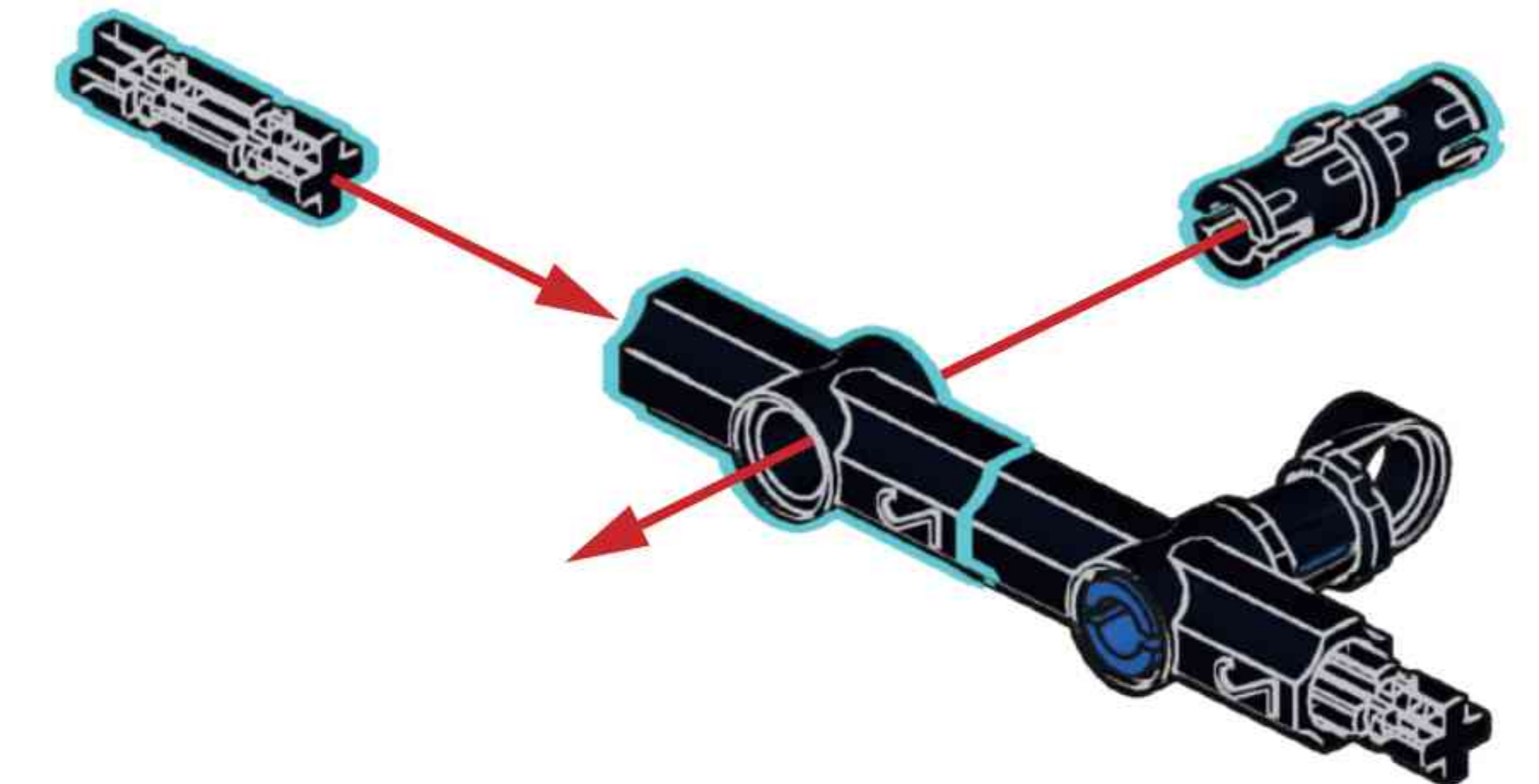
H138



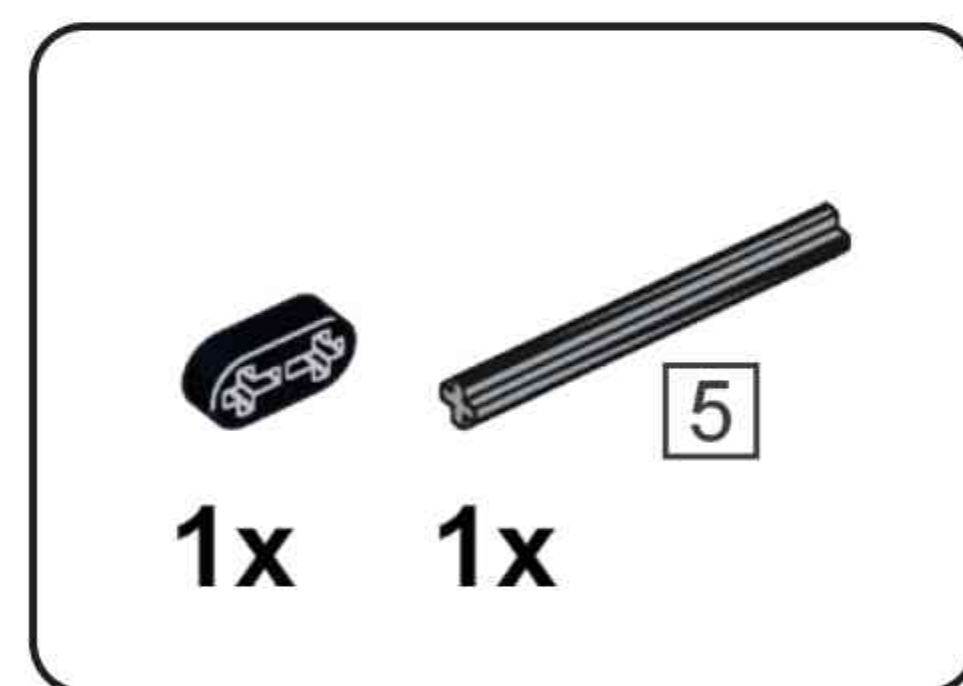
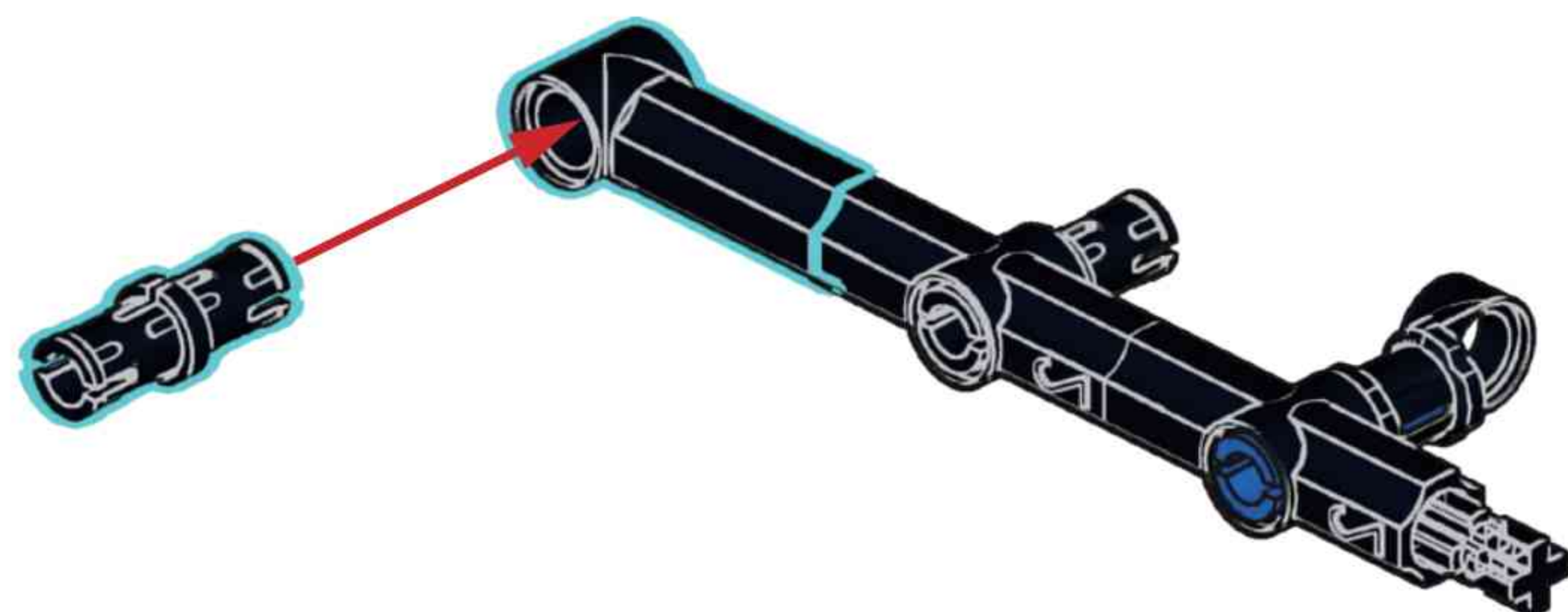
H139



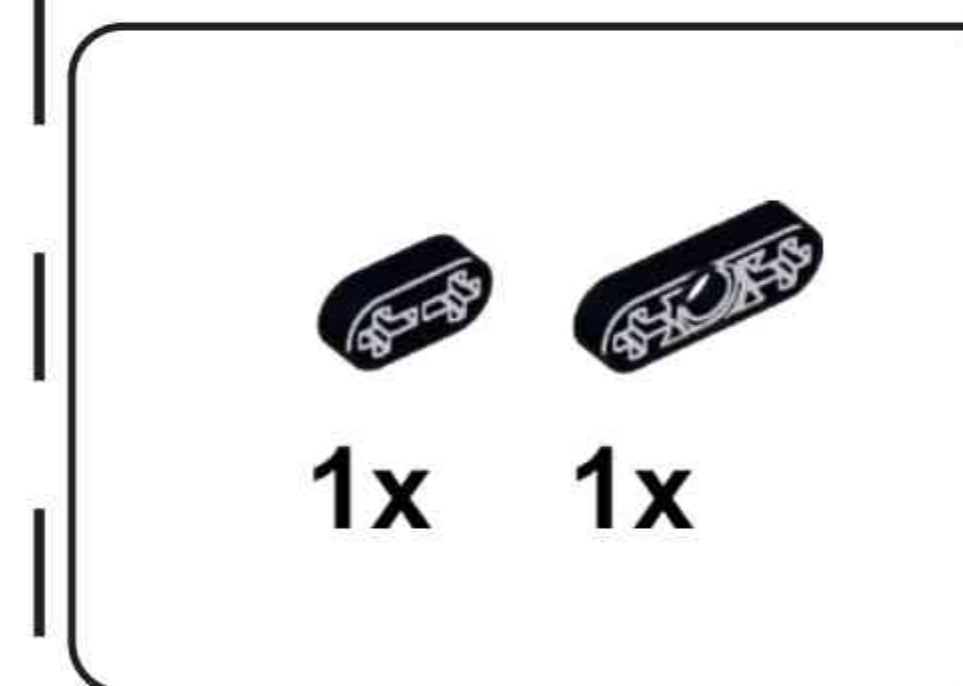
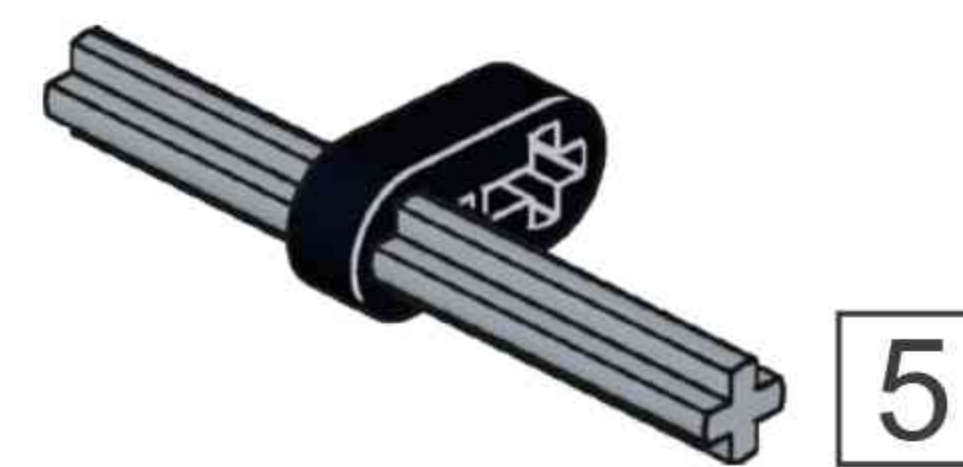
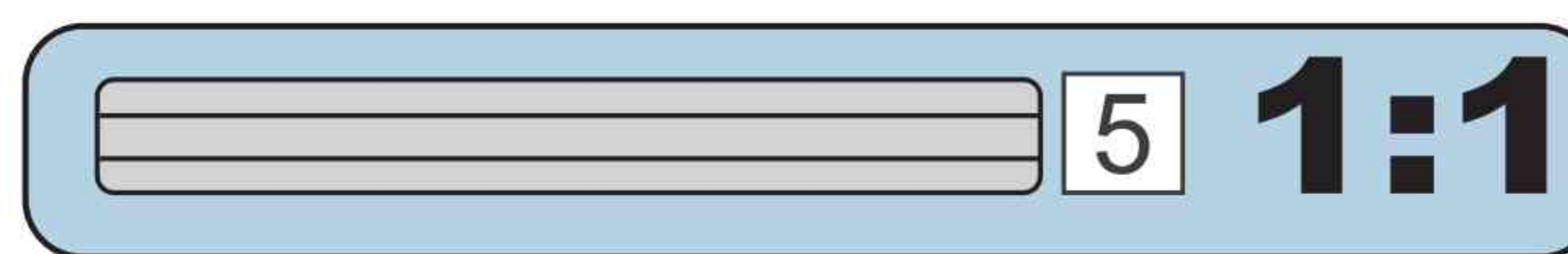
H140



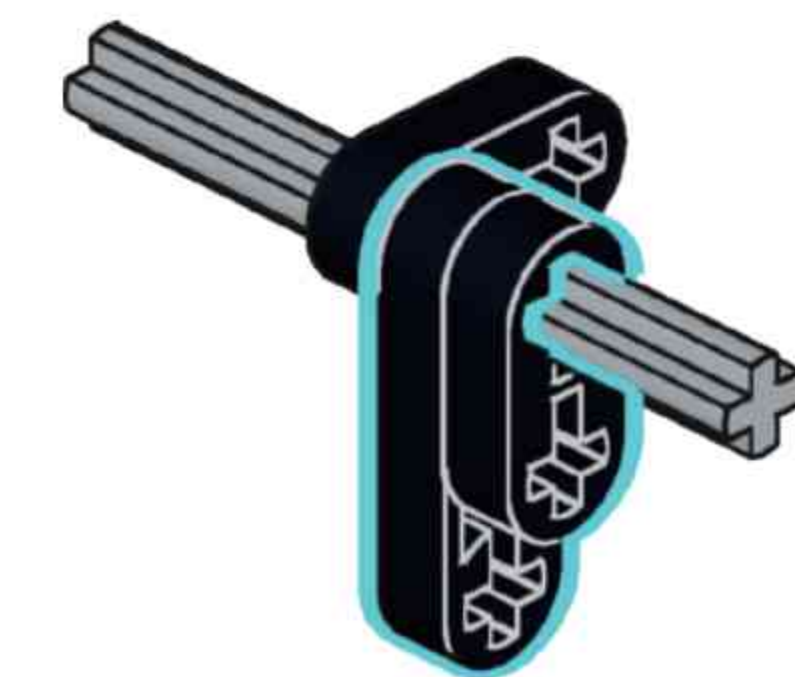
H141

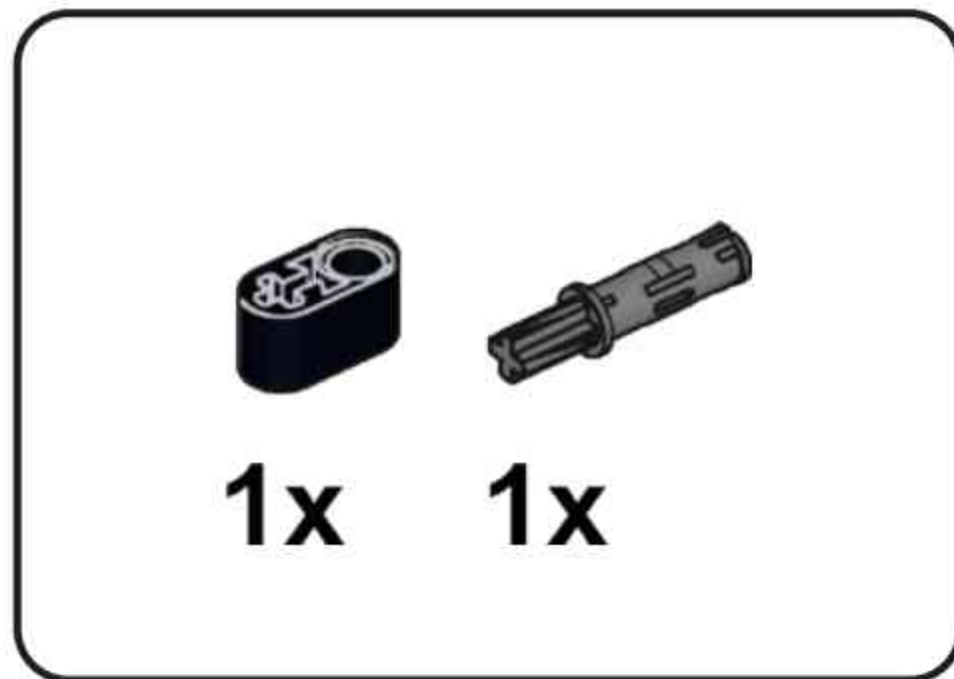


H142

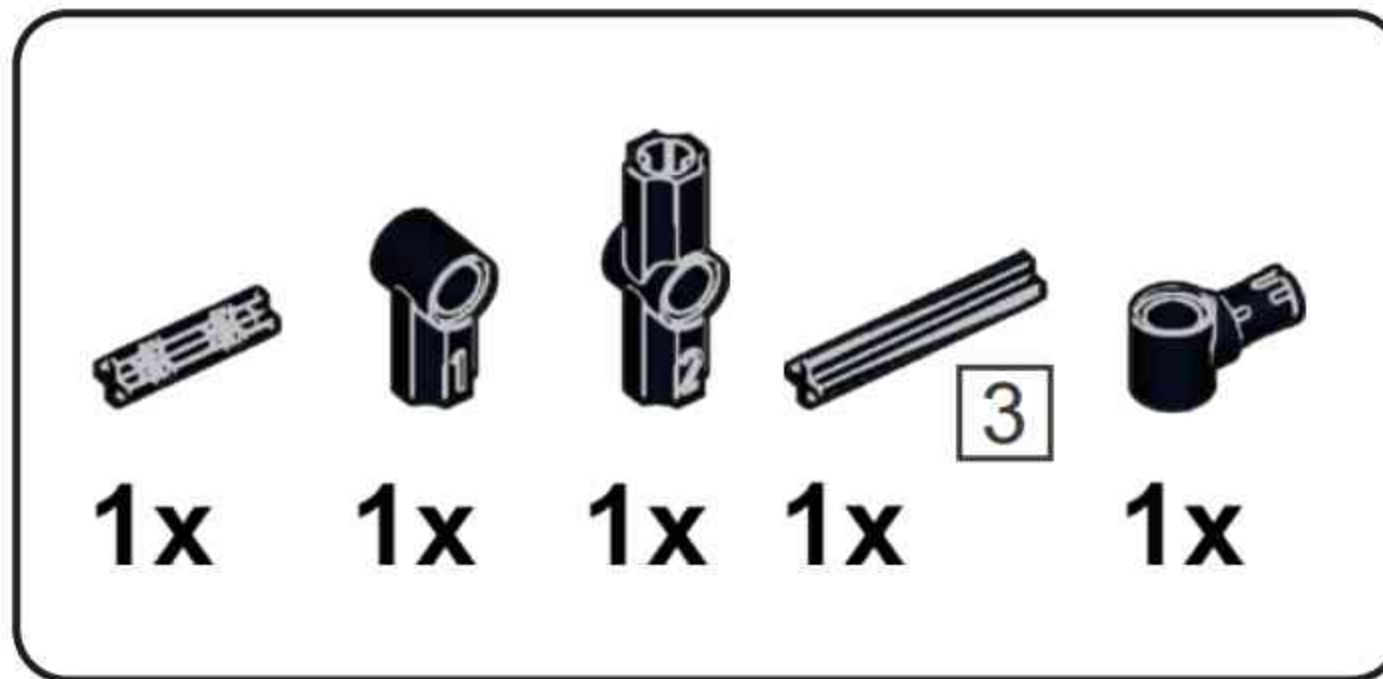
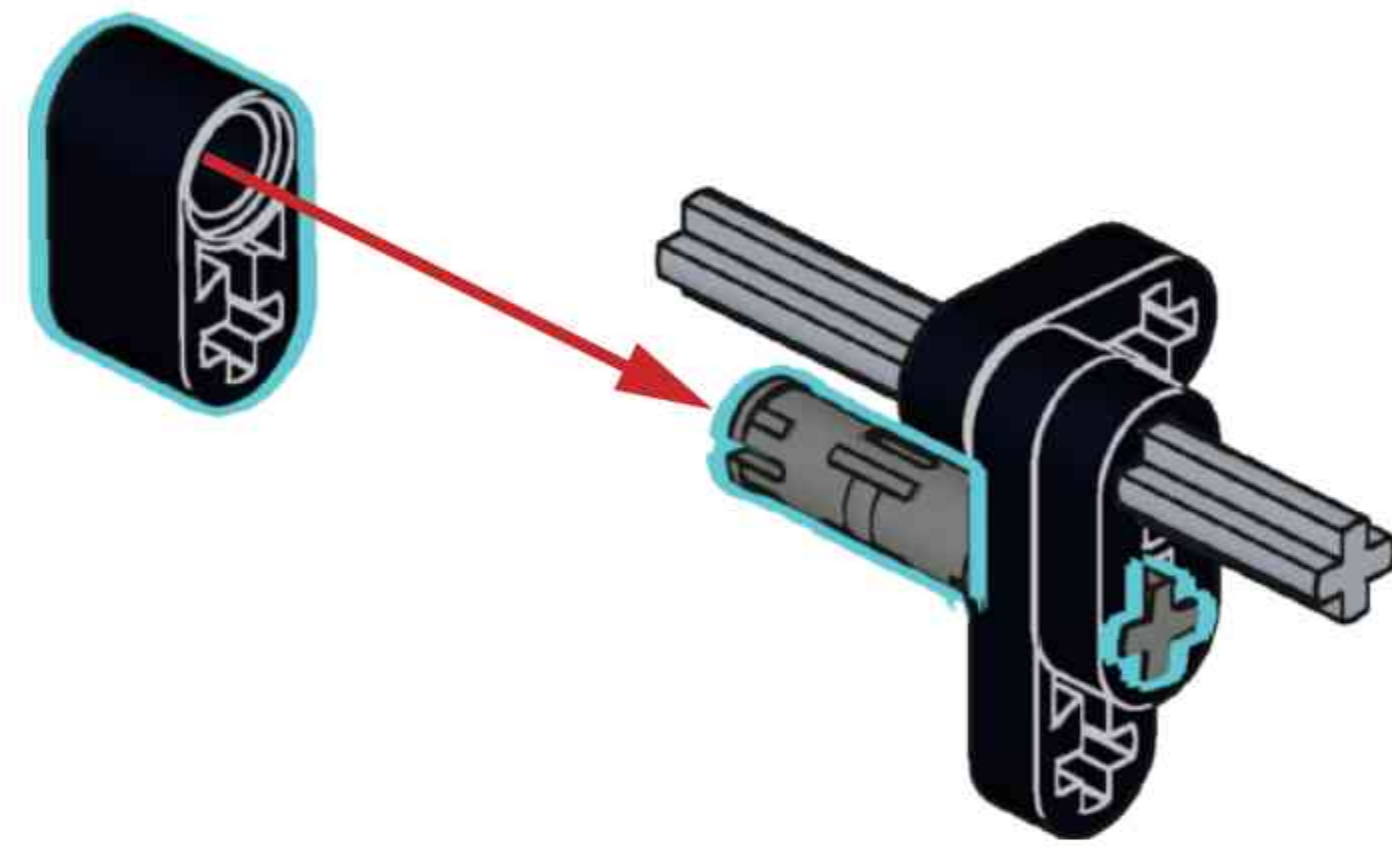


H143

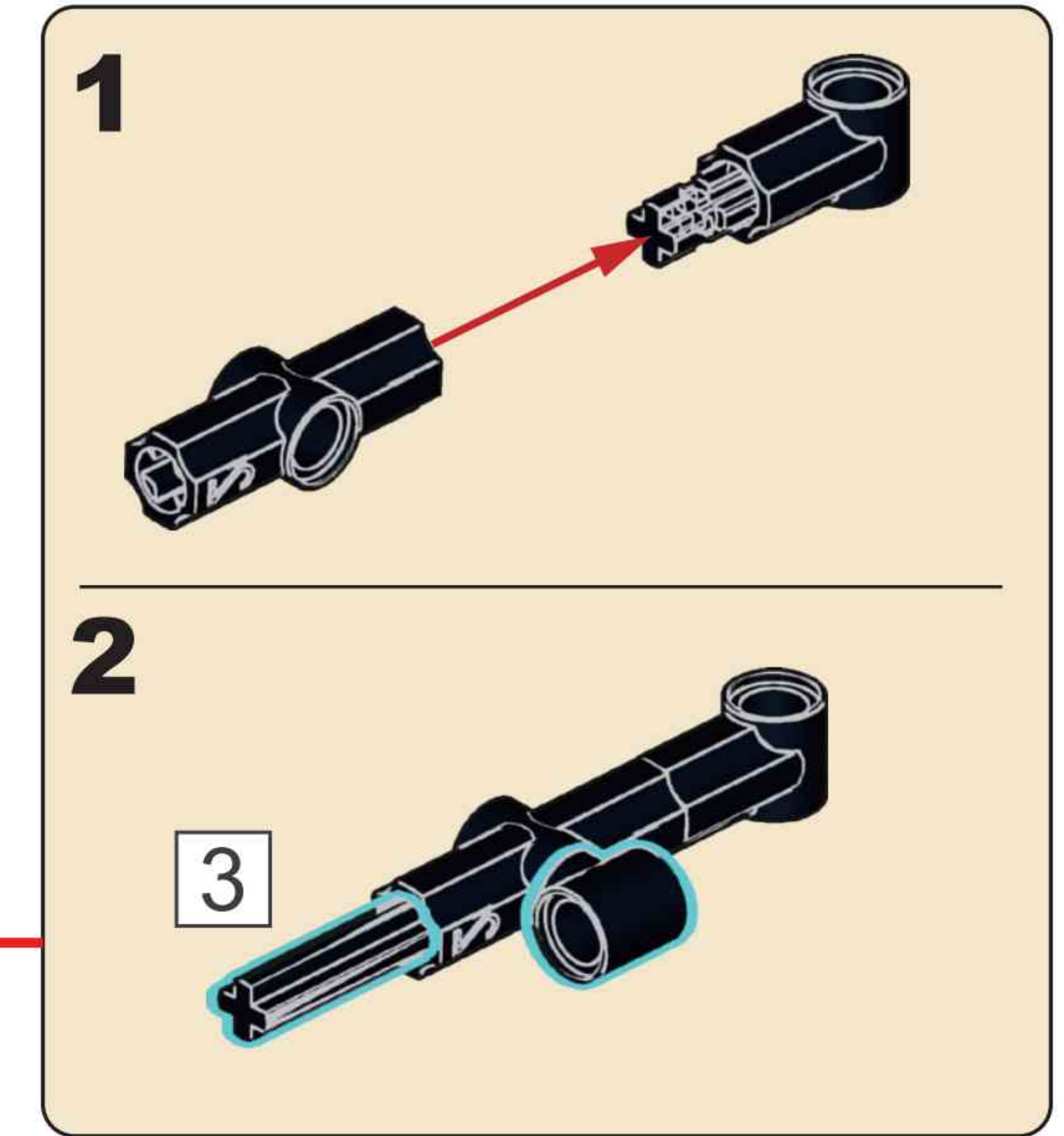
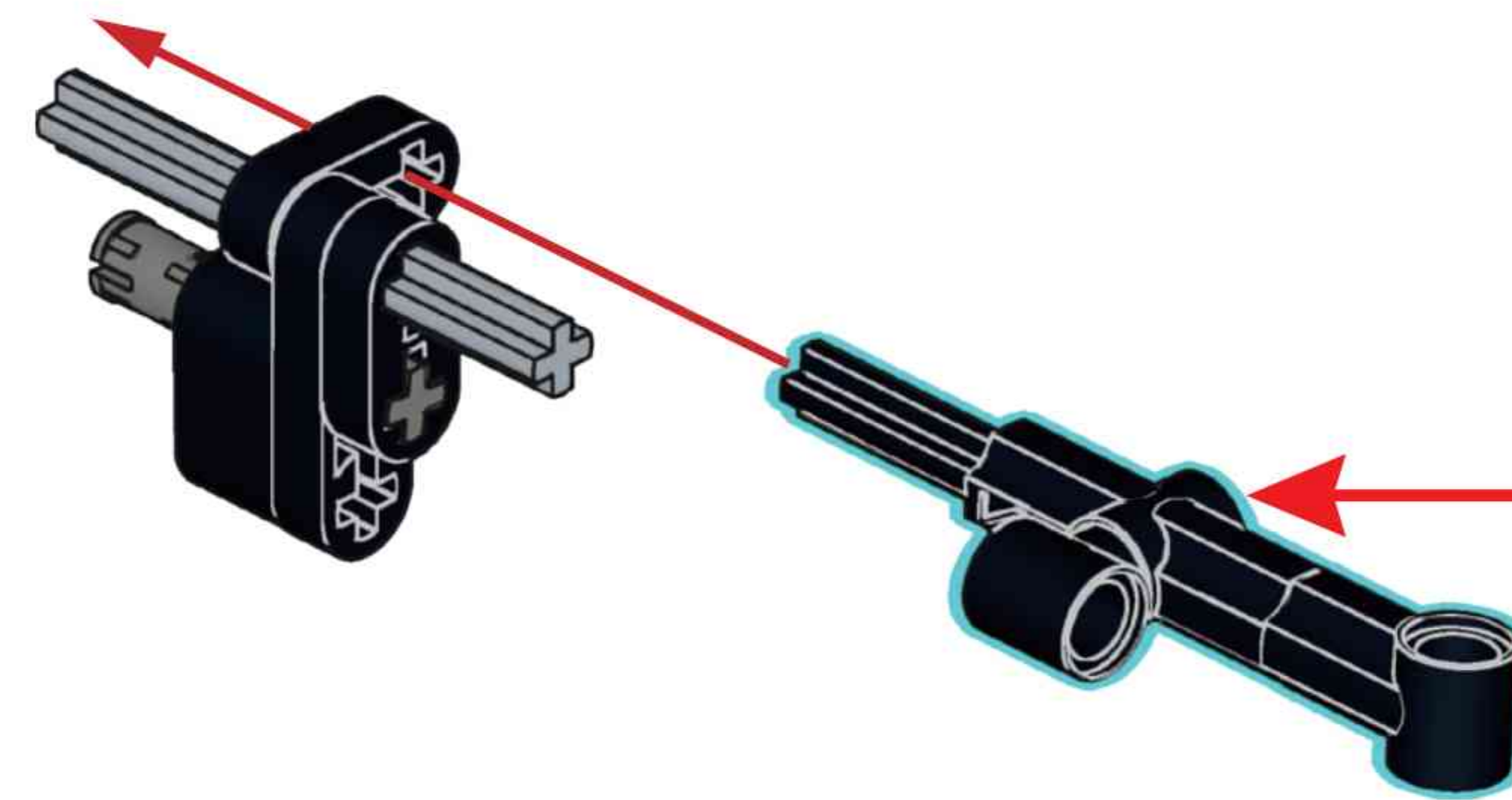
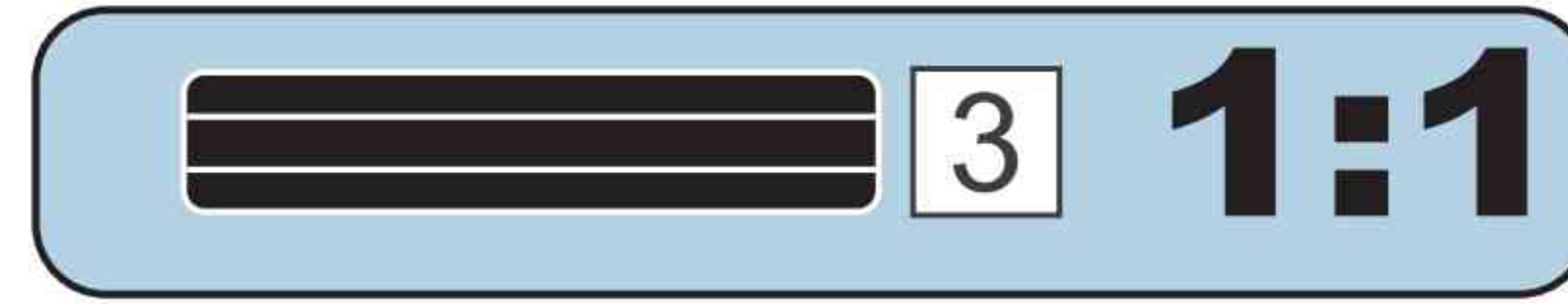




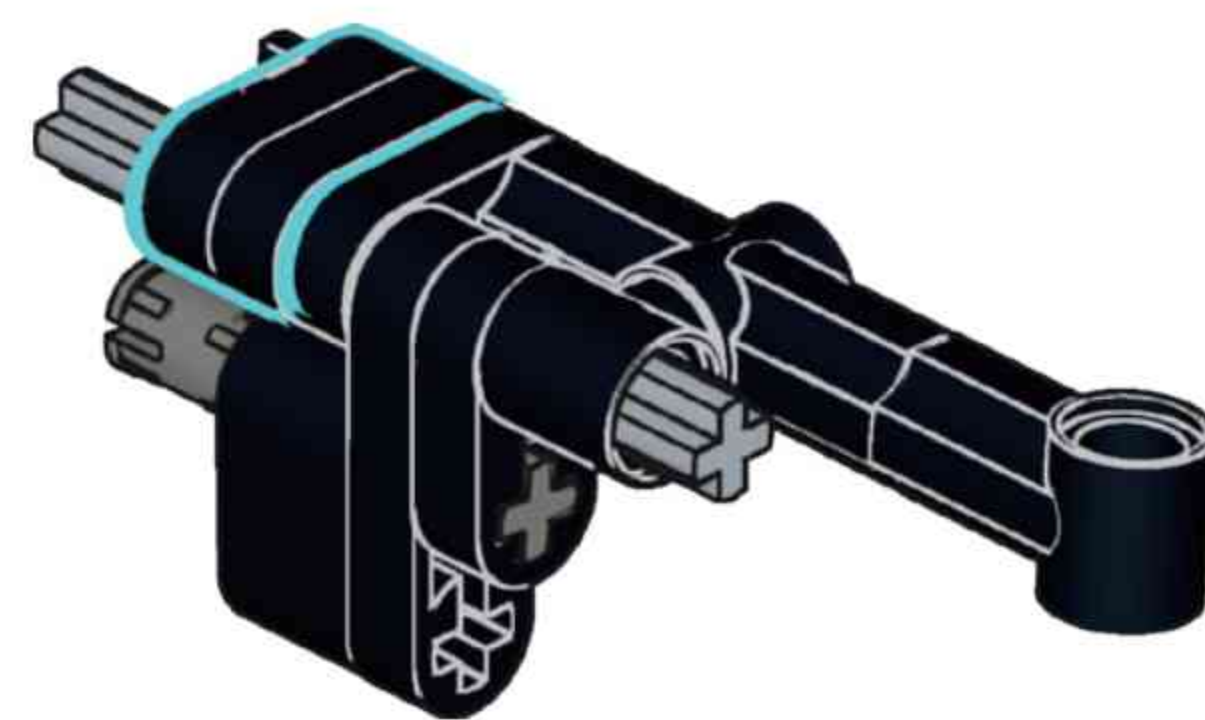
H144



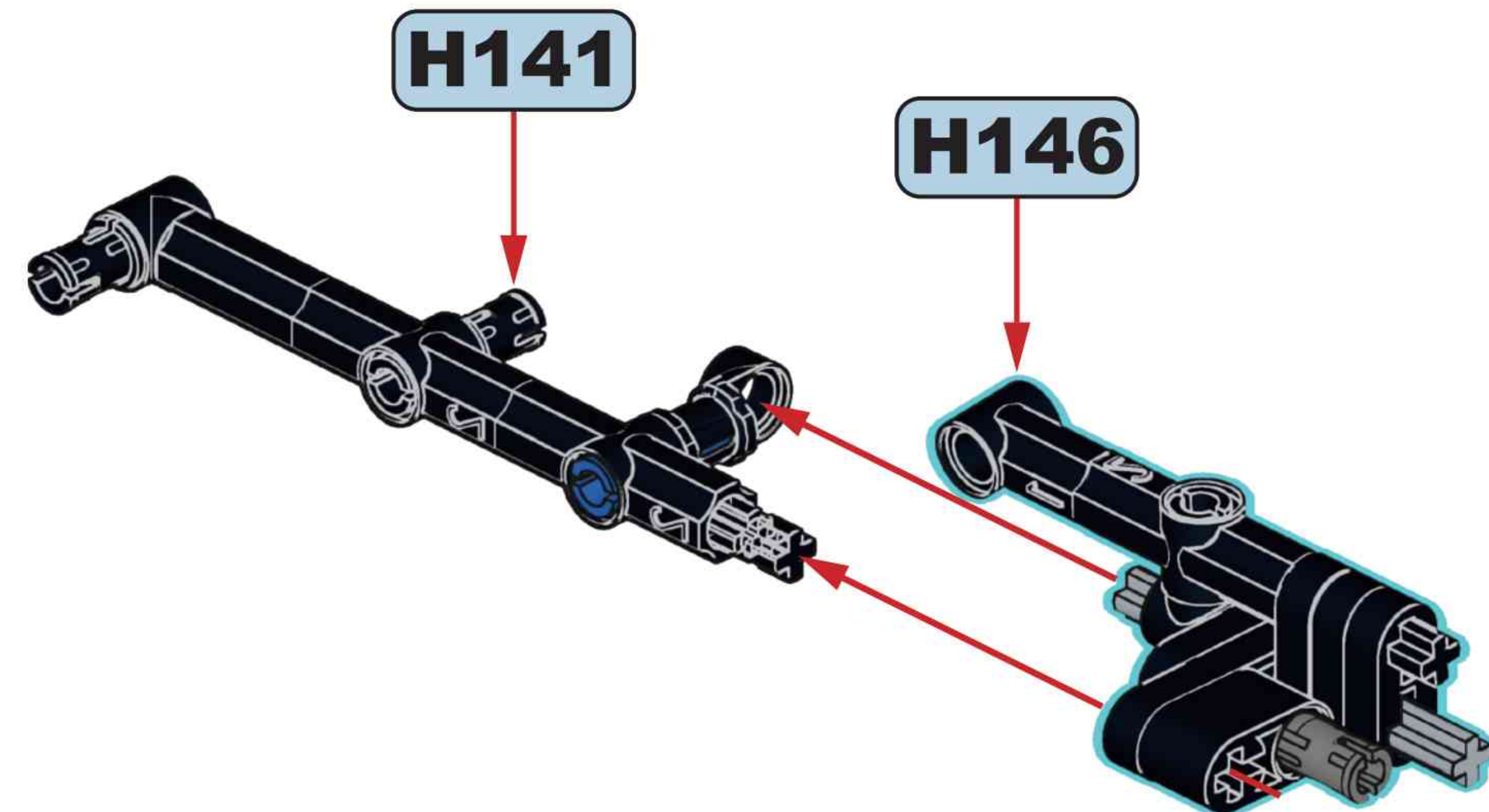
H145



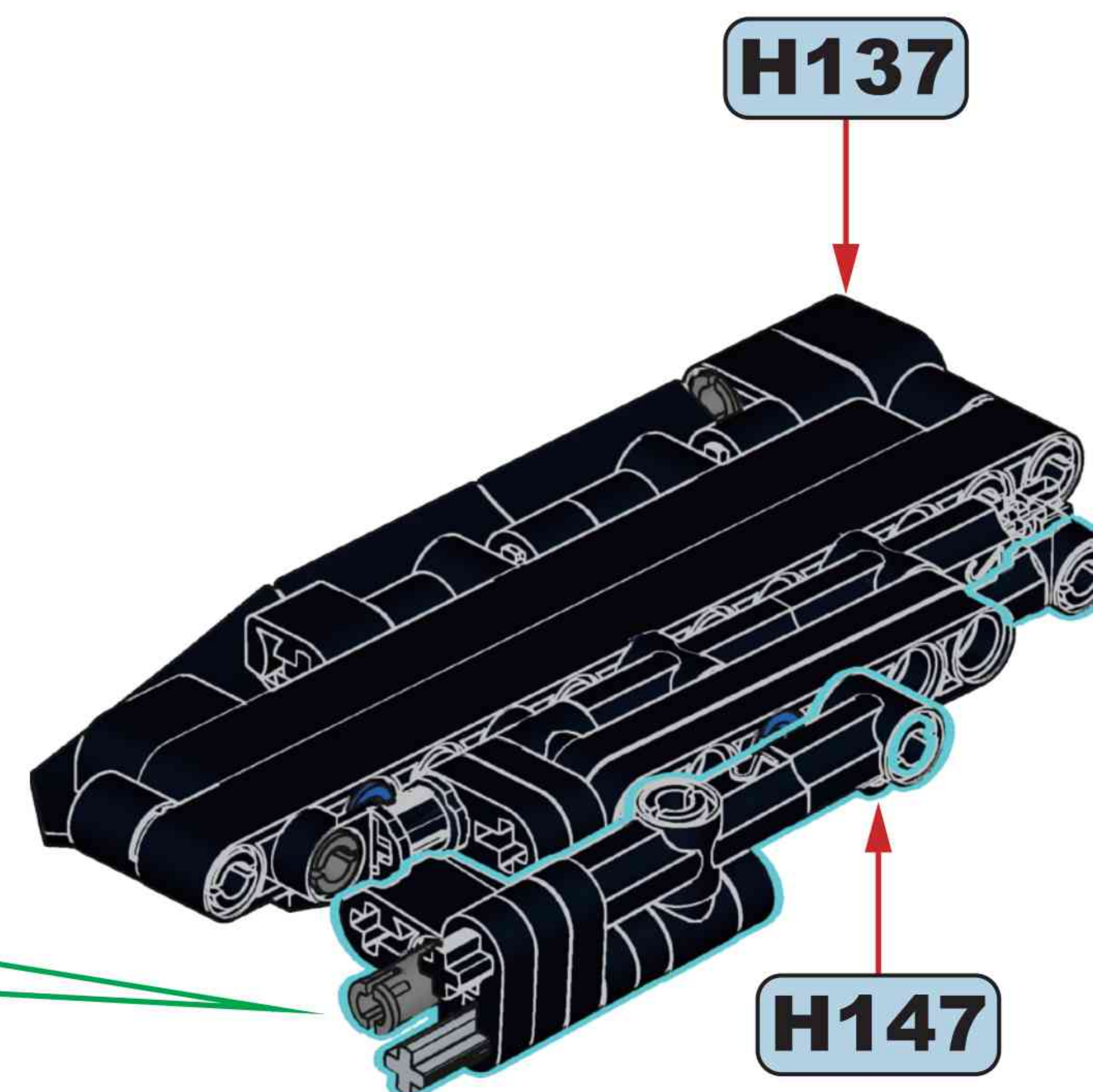
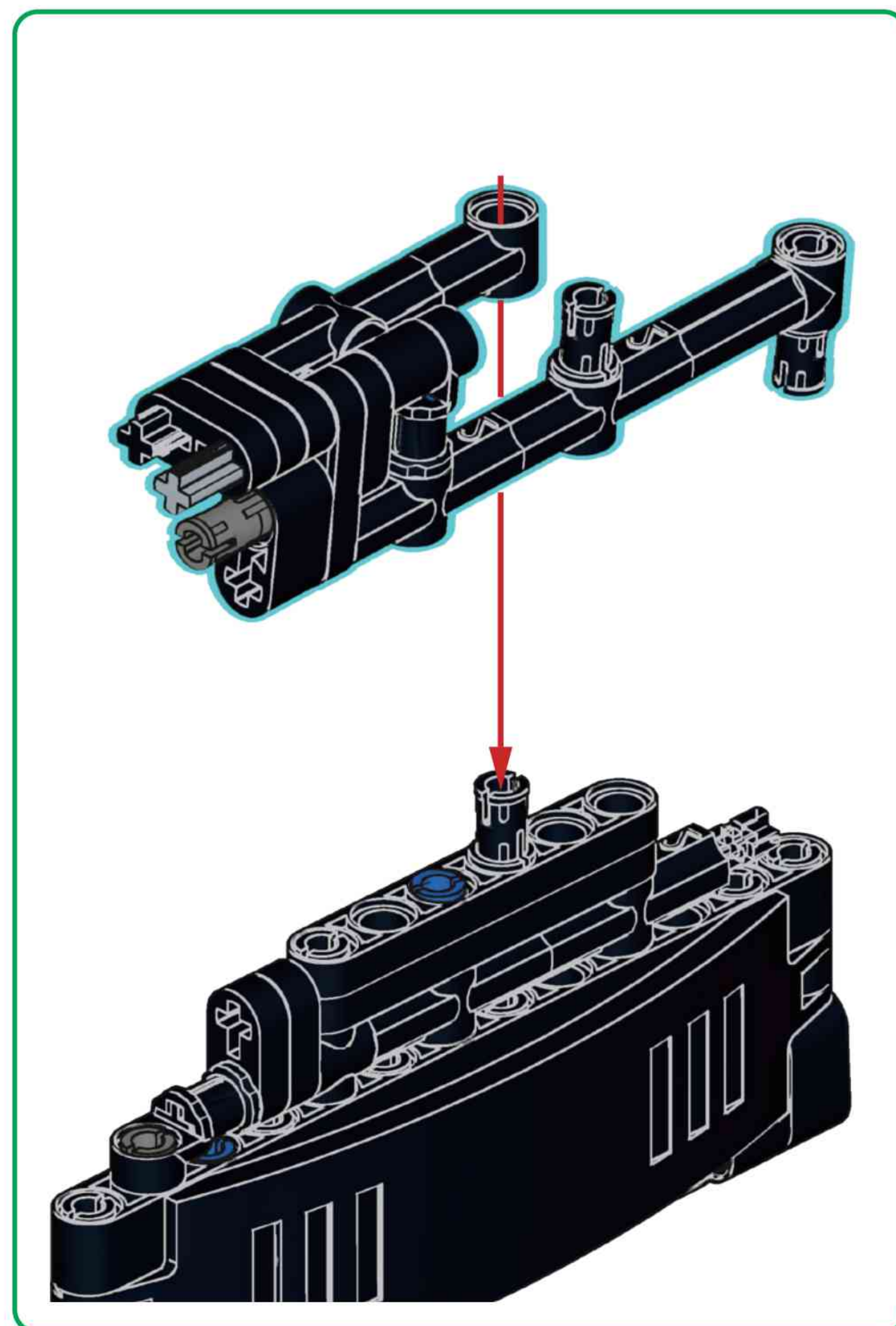
H146



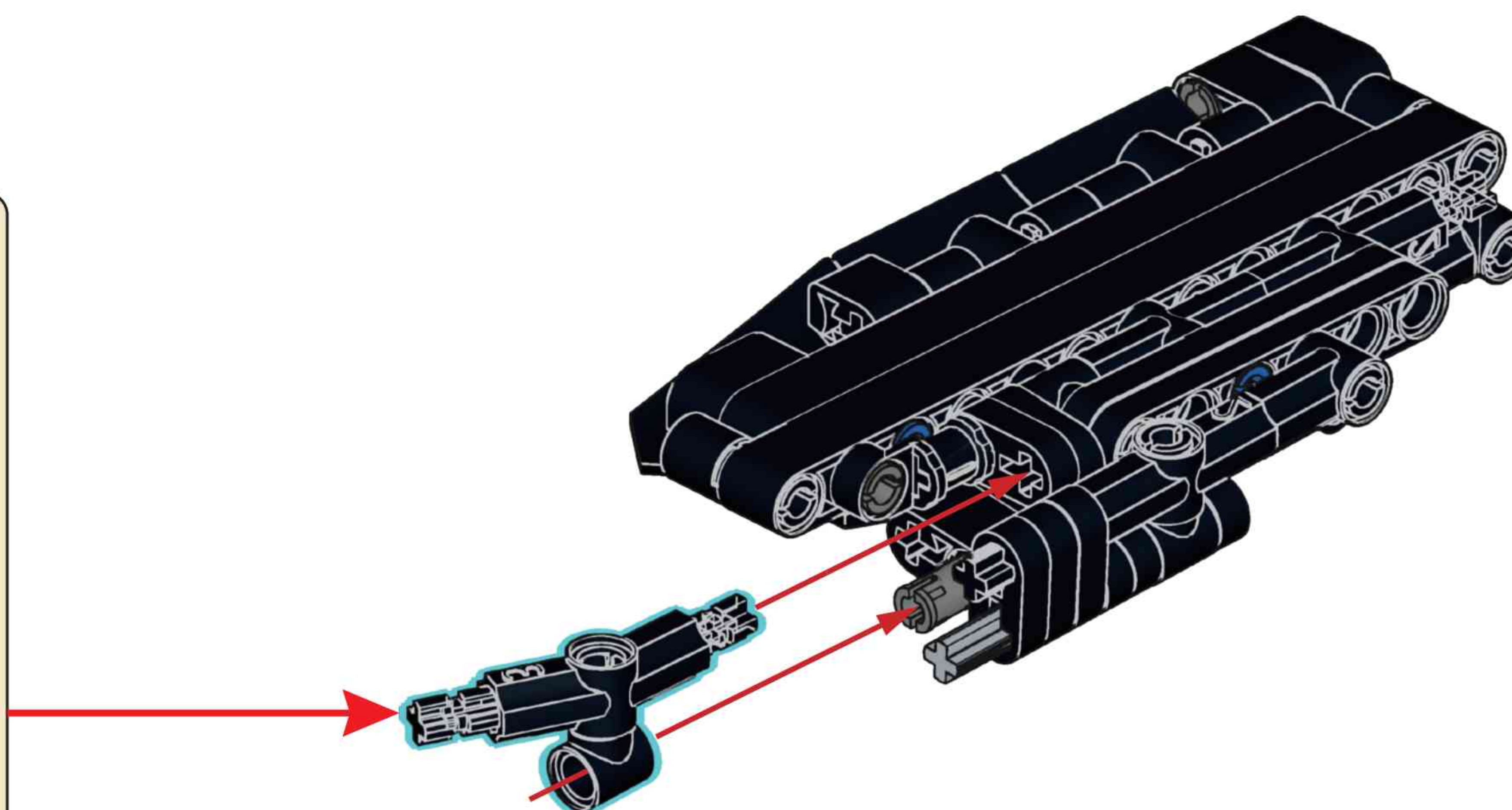
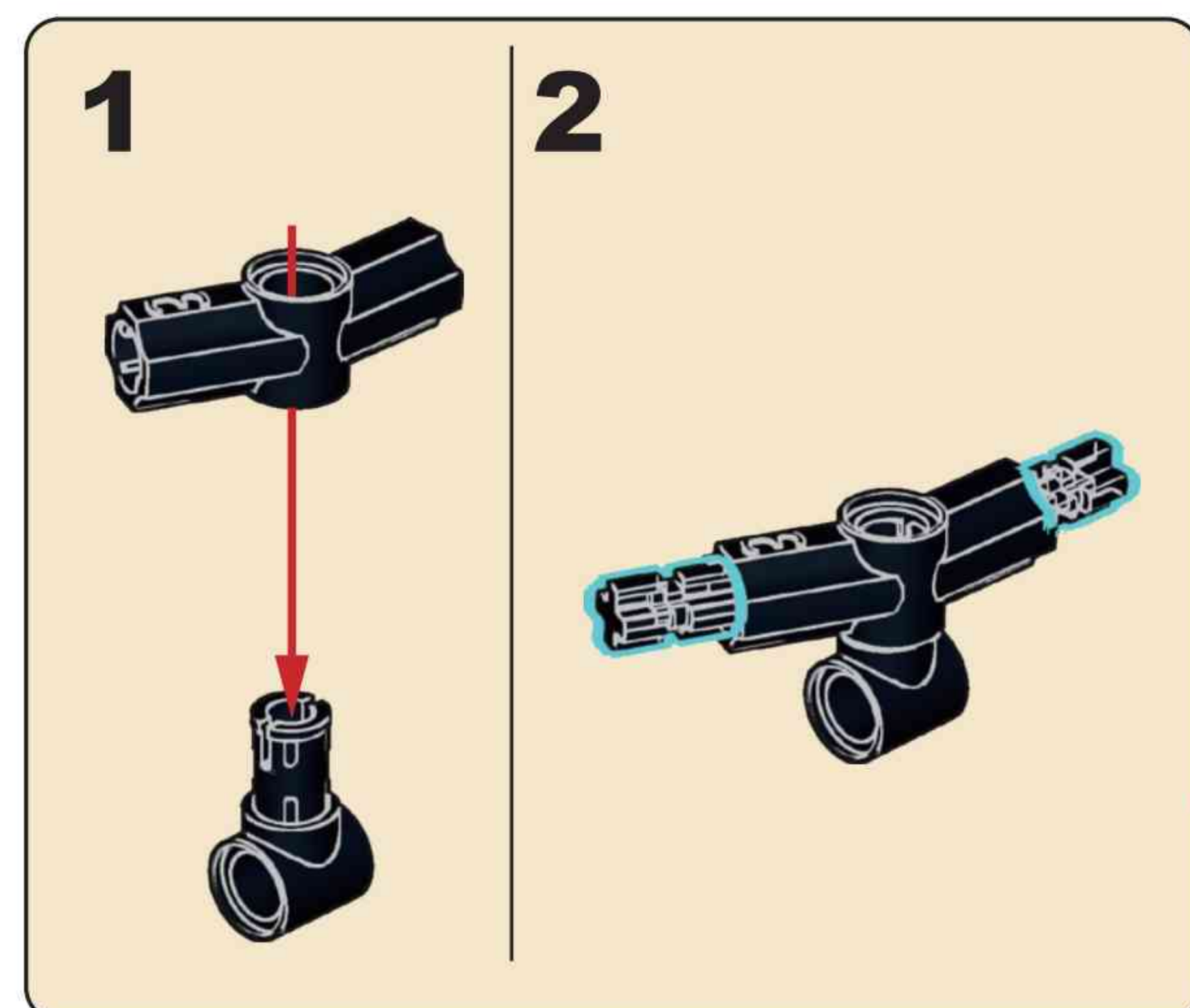
H147

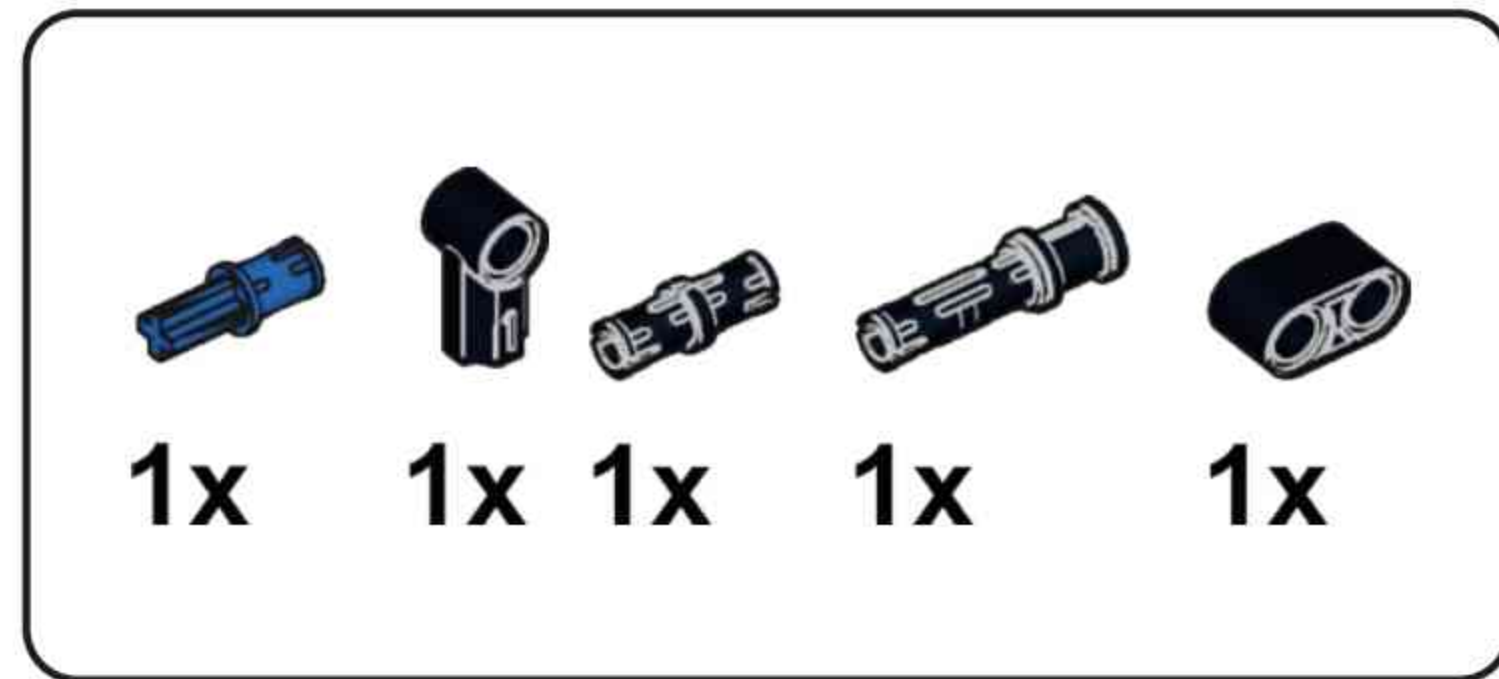


H148

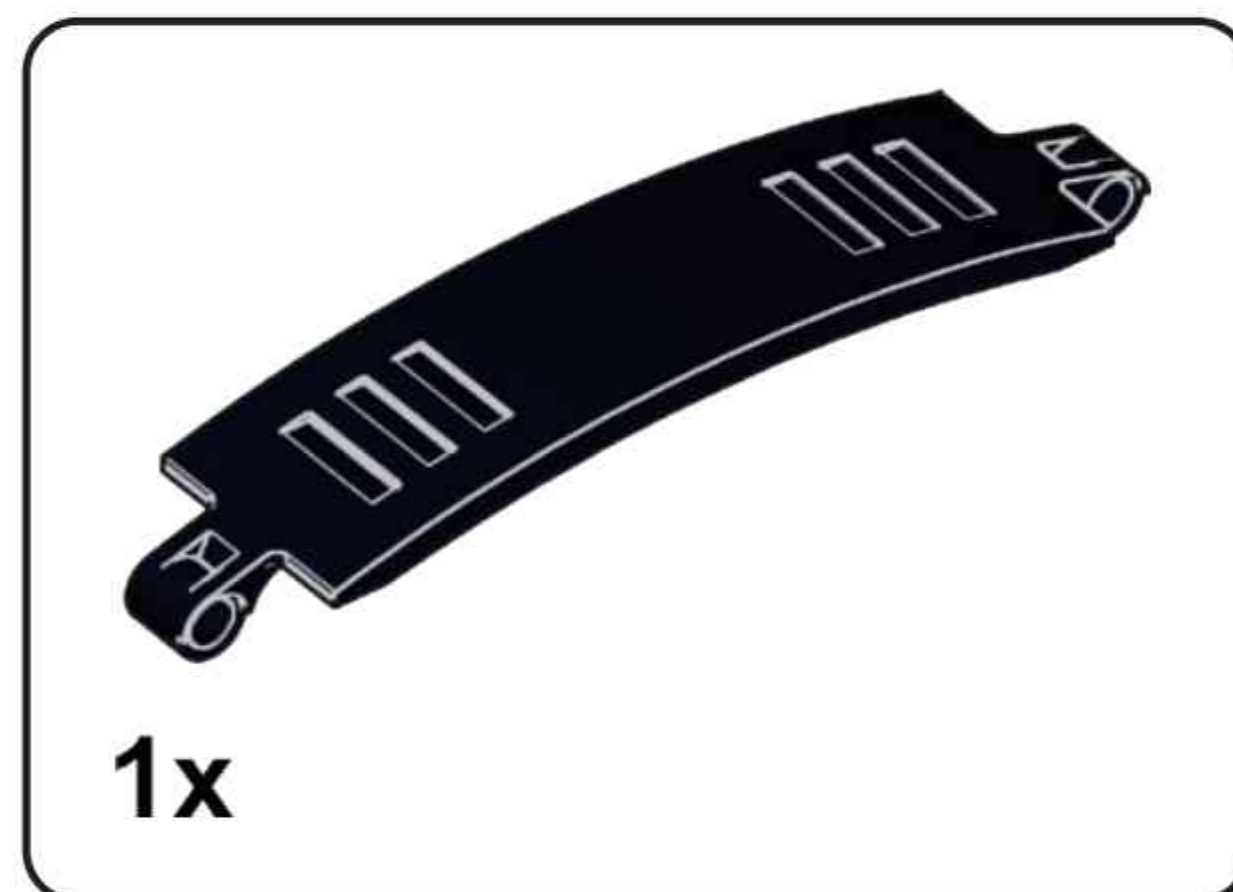
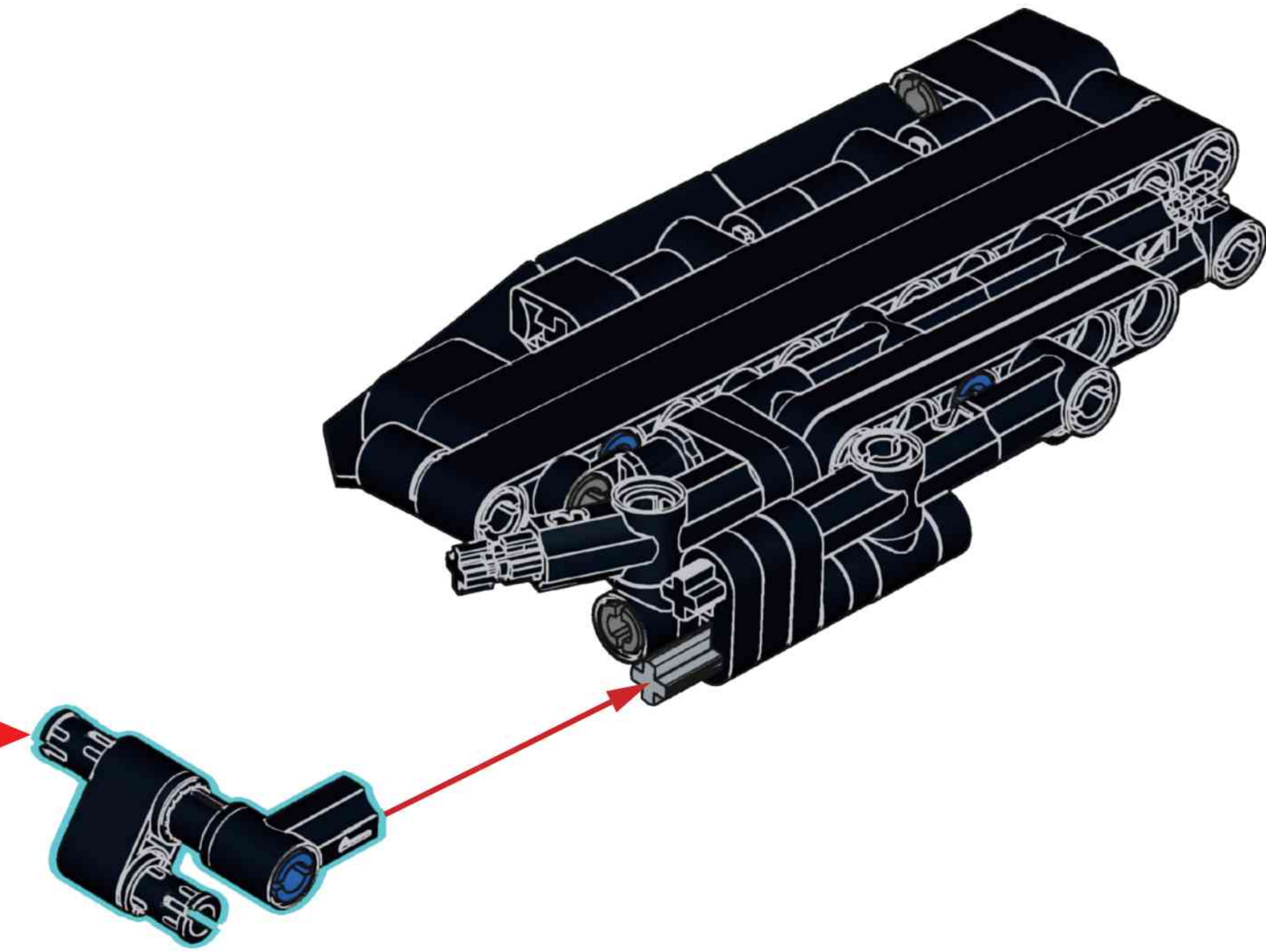
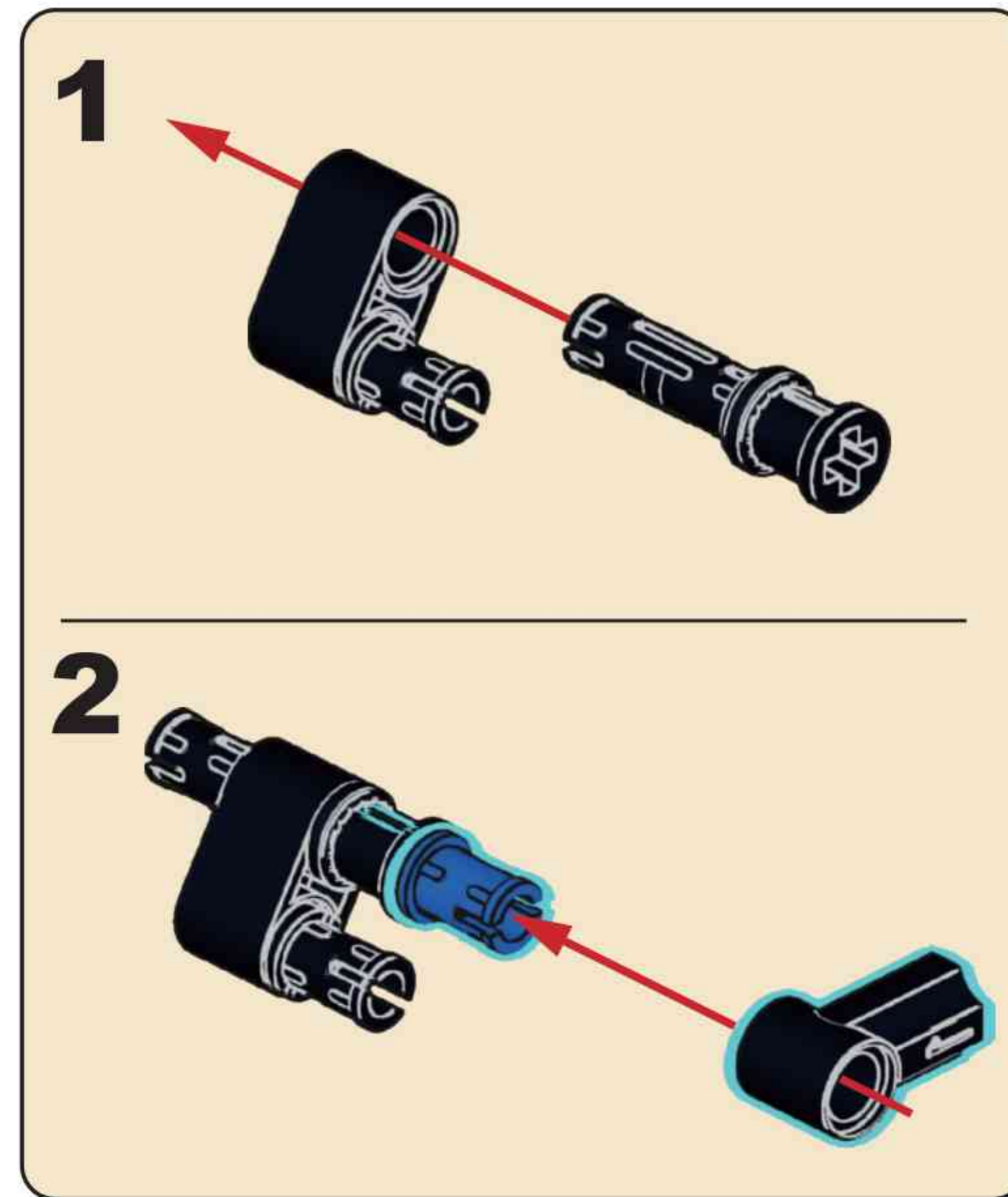


H149

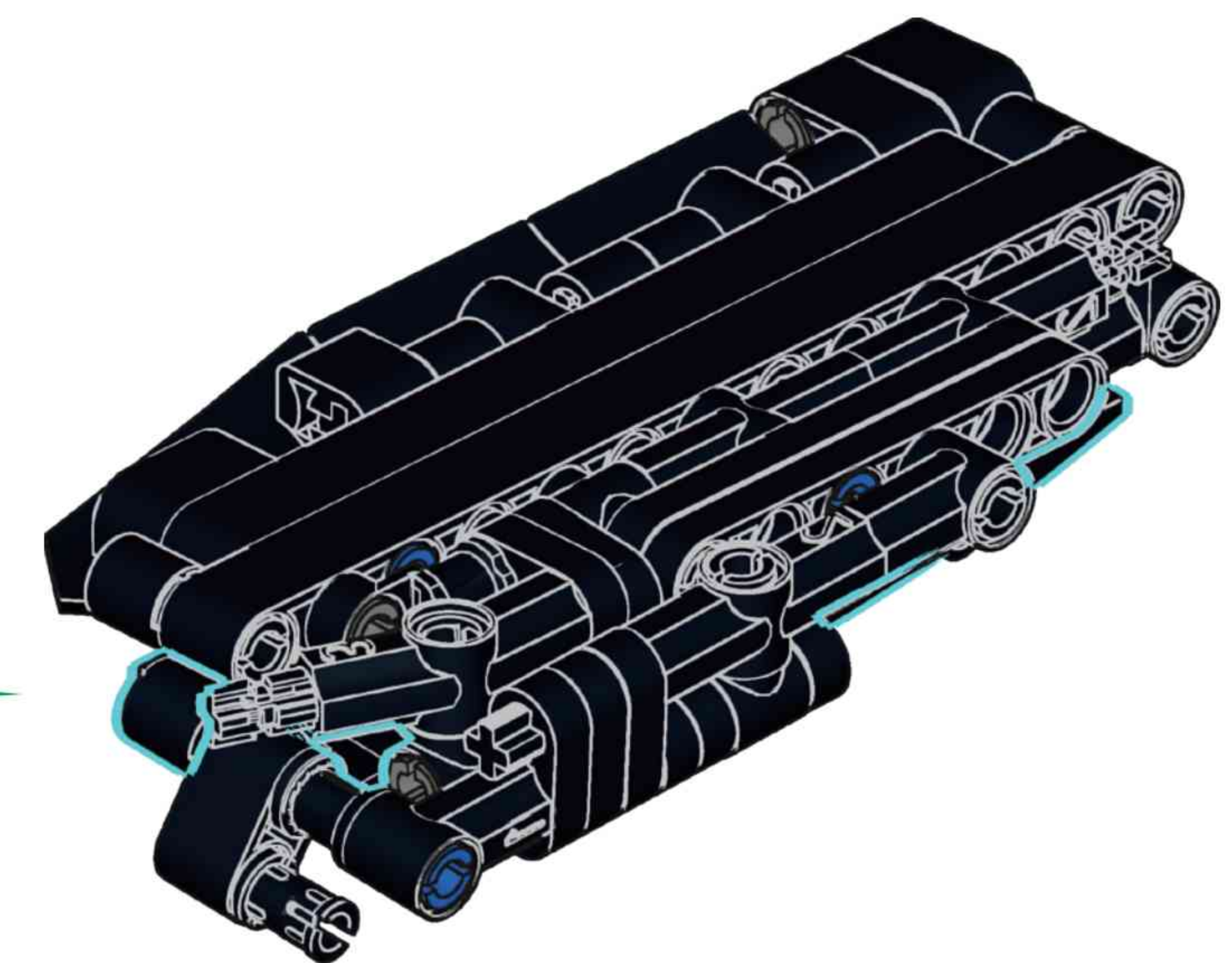
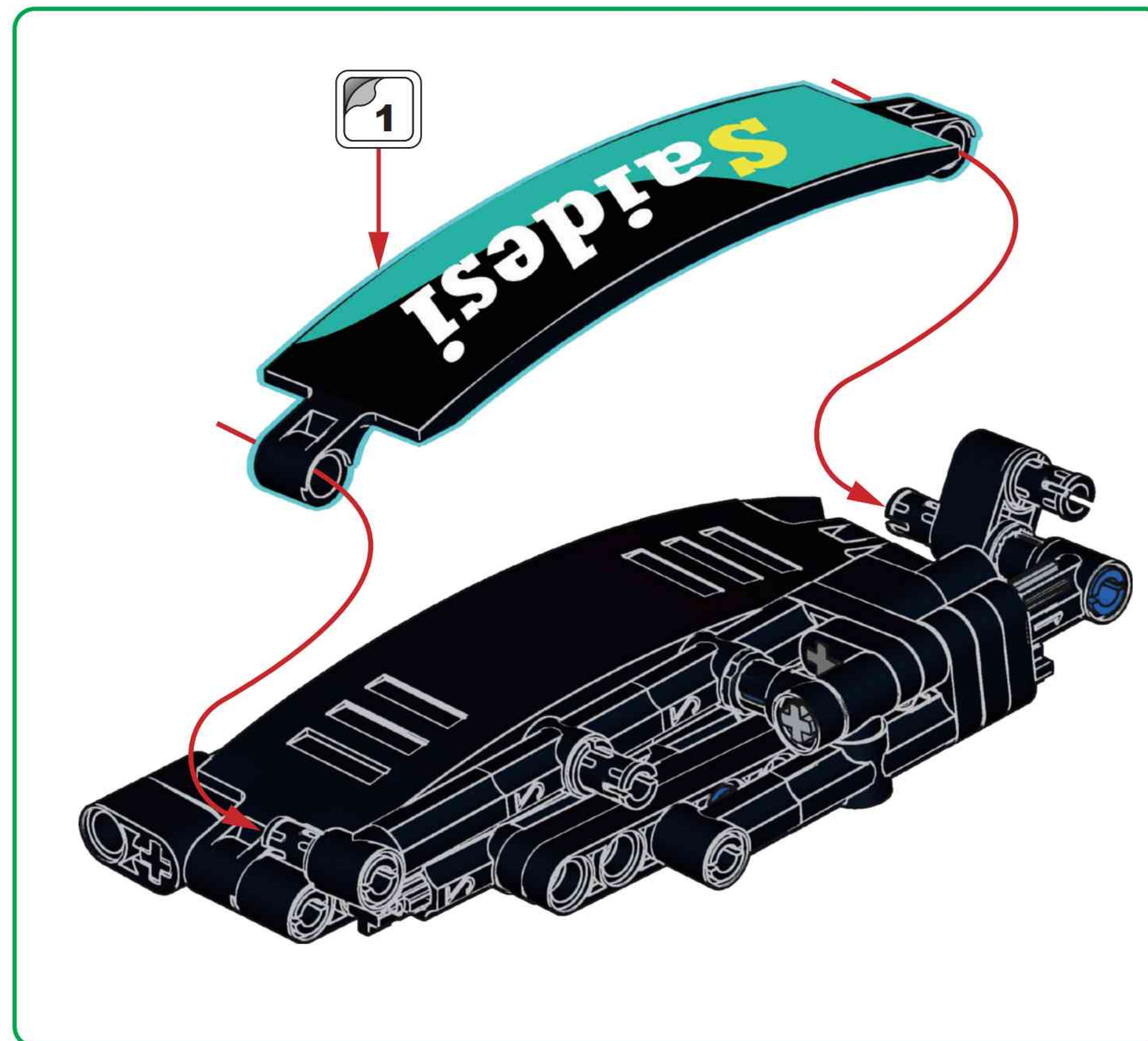


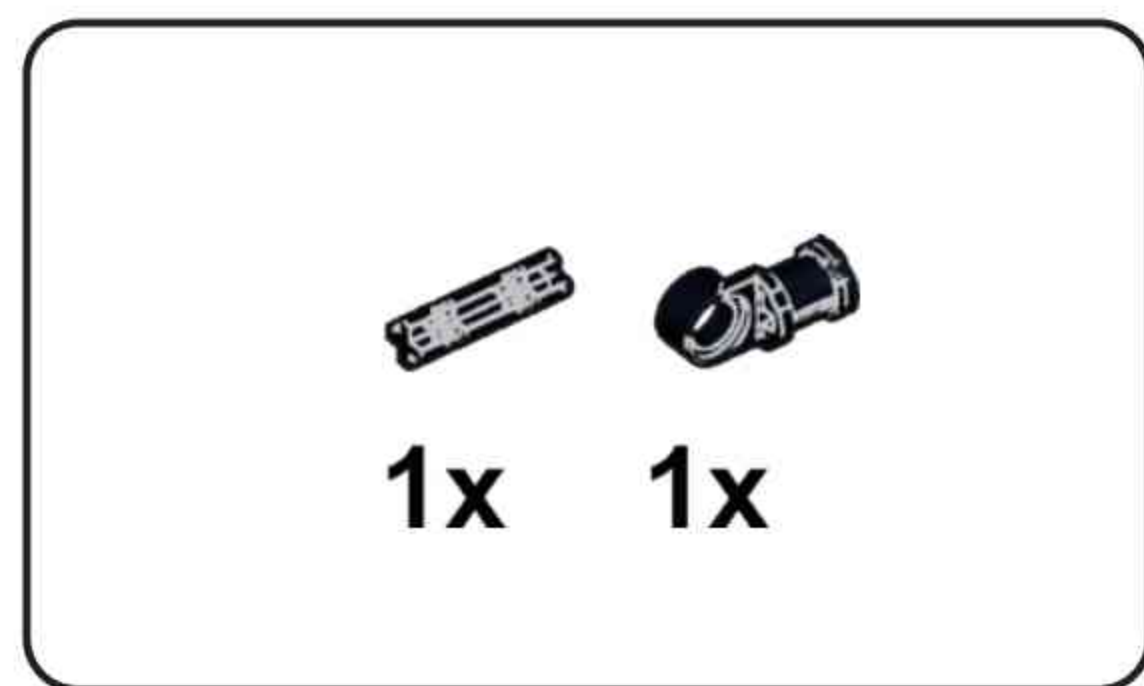


H150

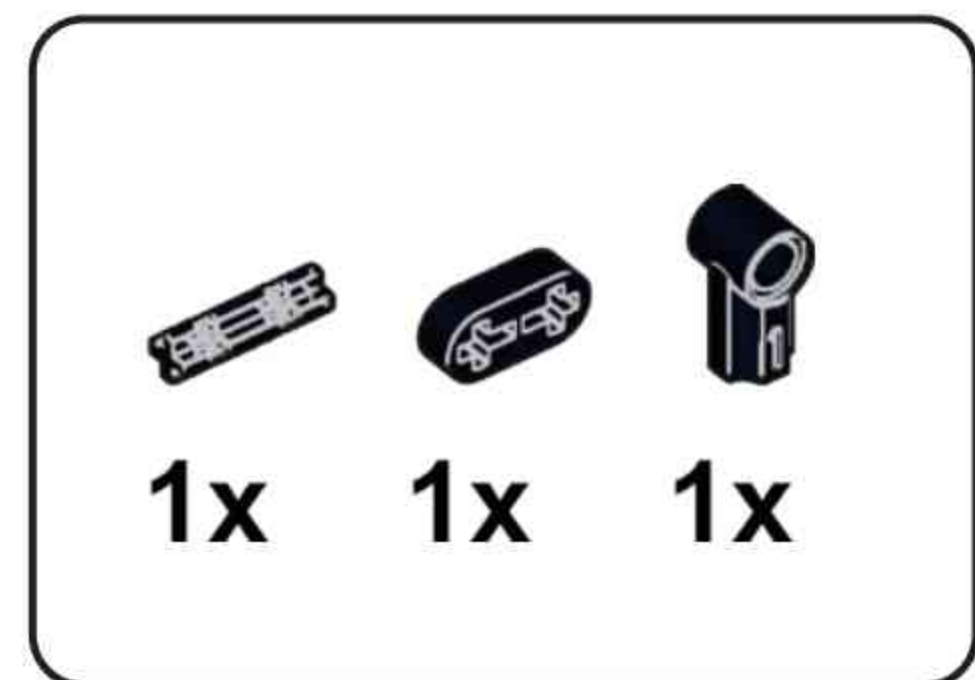
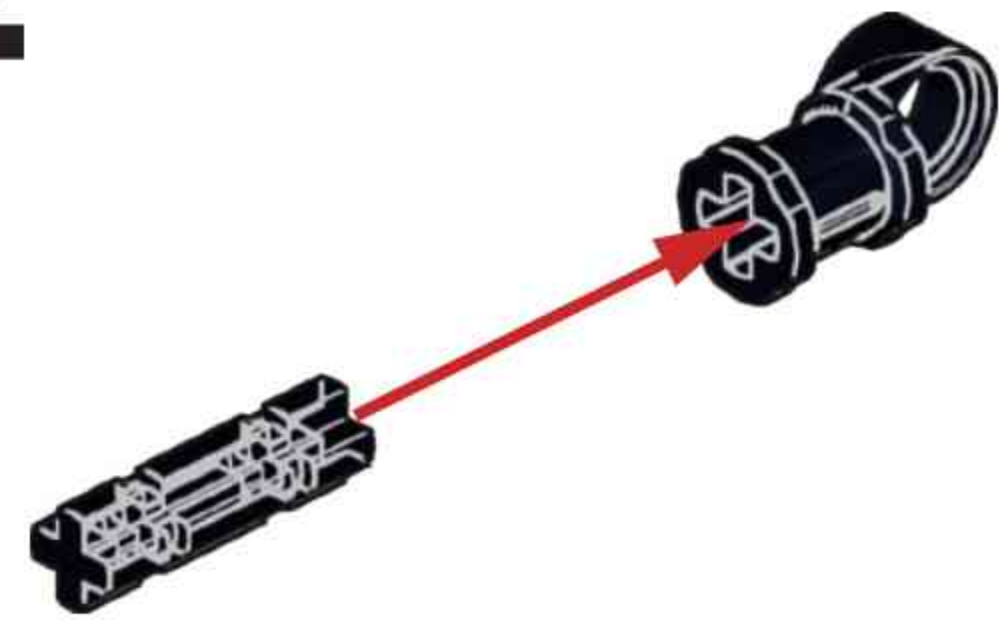


H151

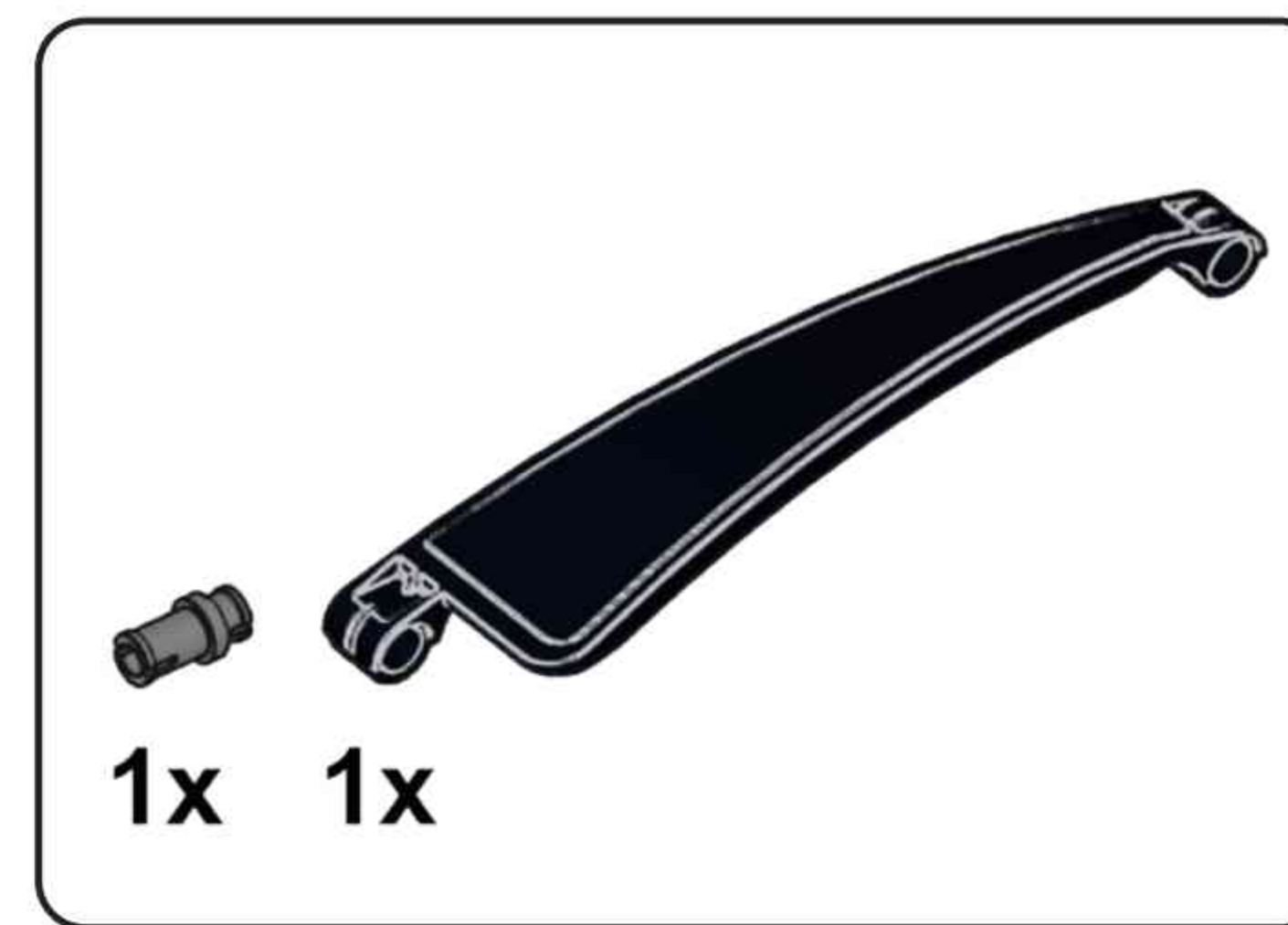
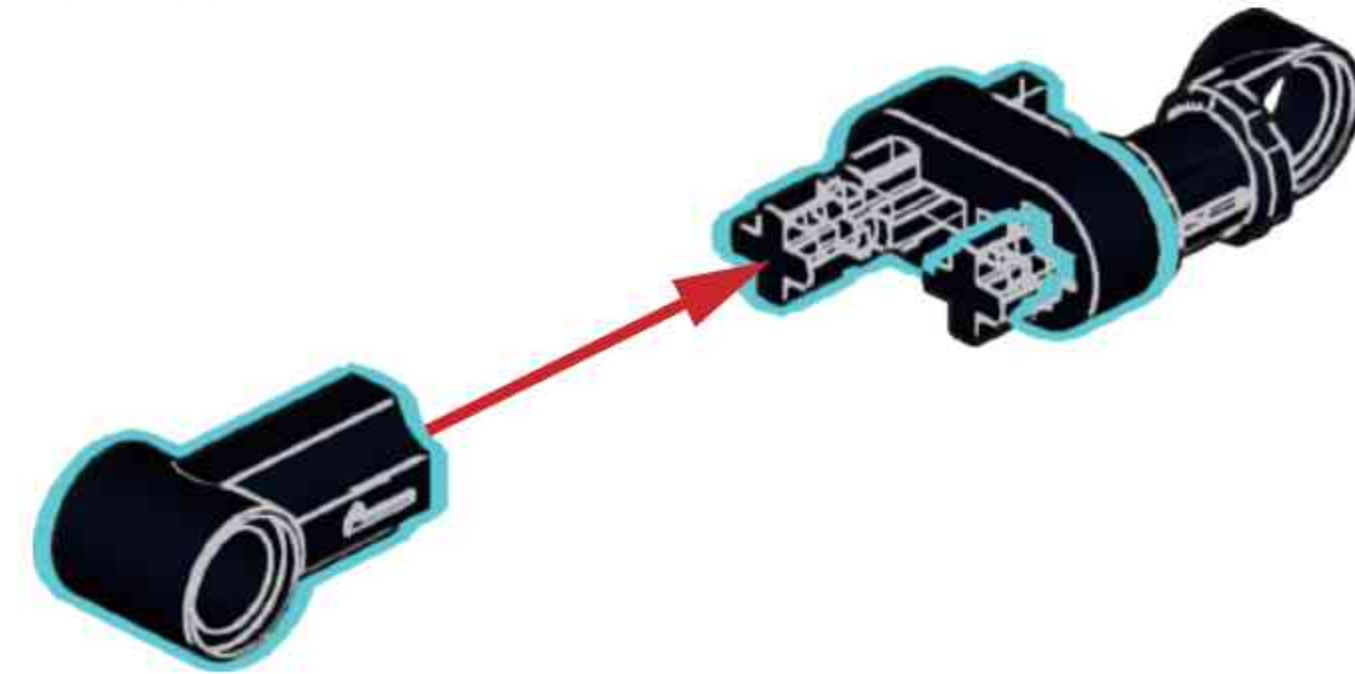




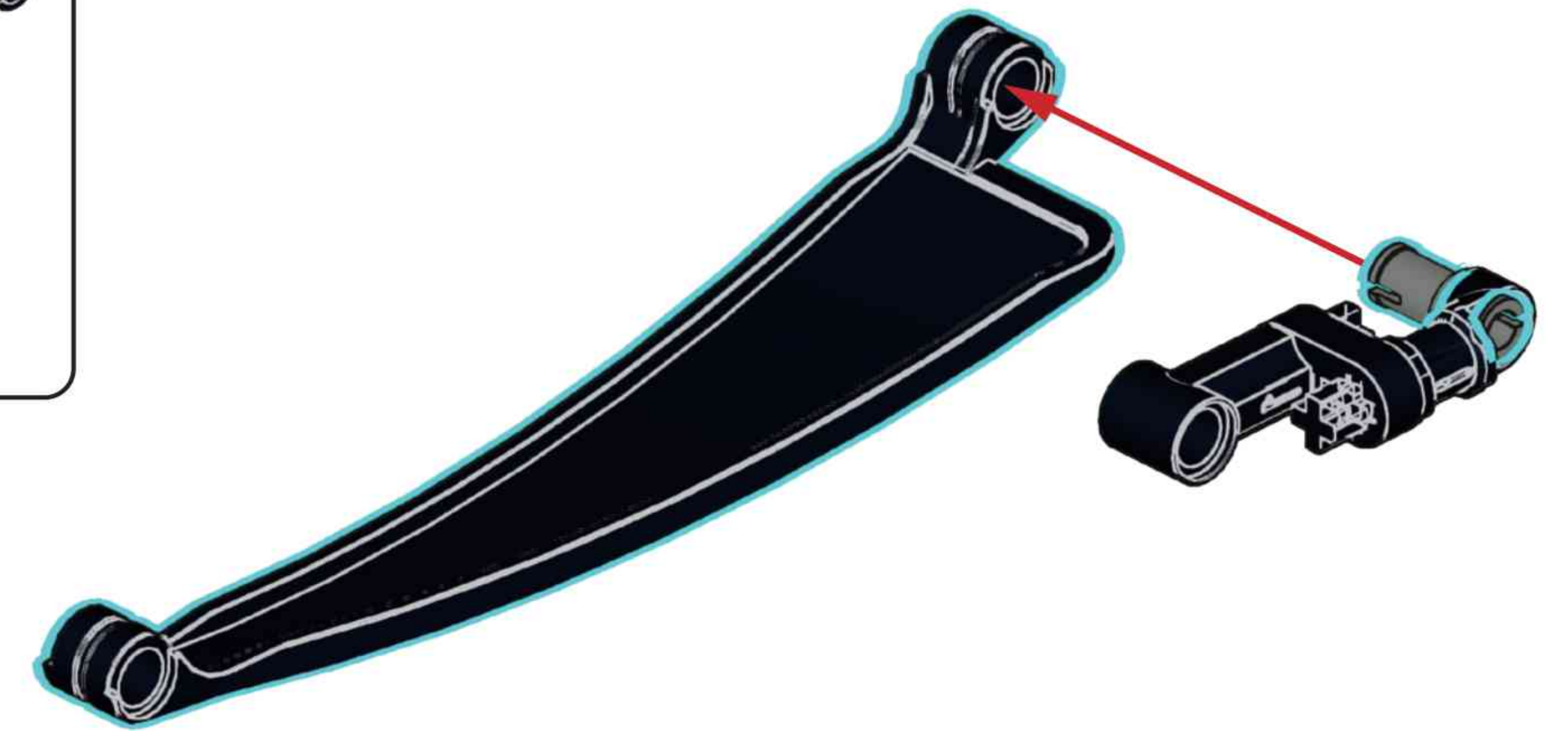
H152



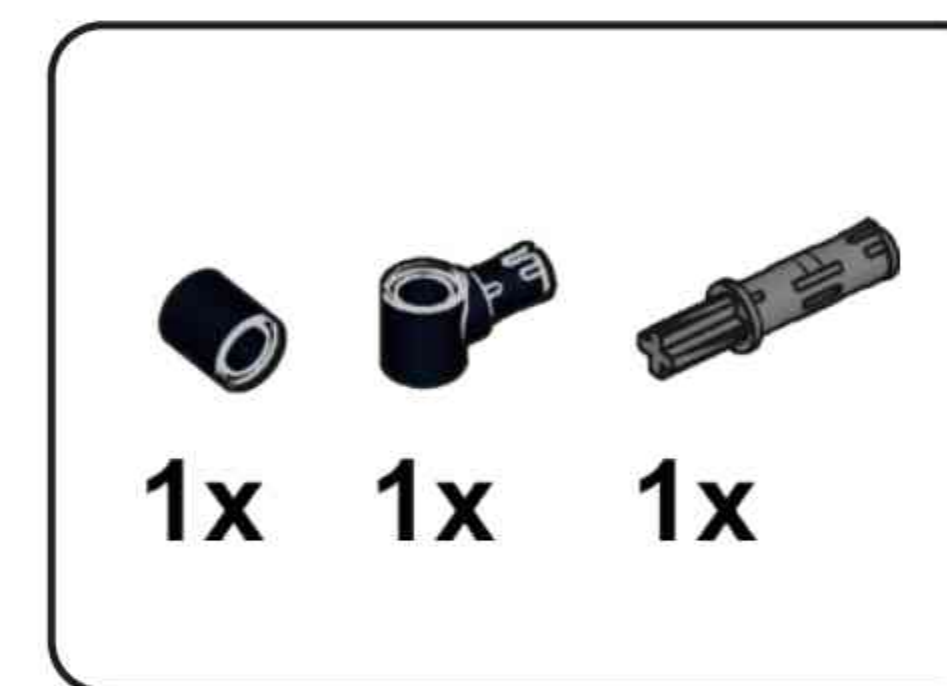
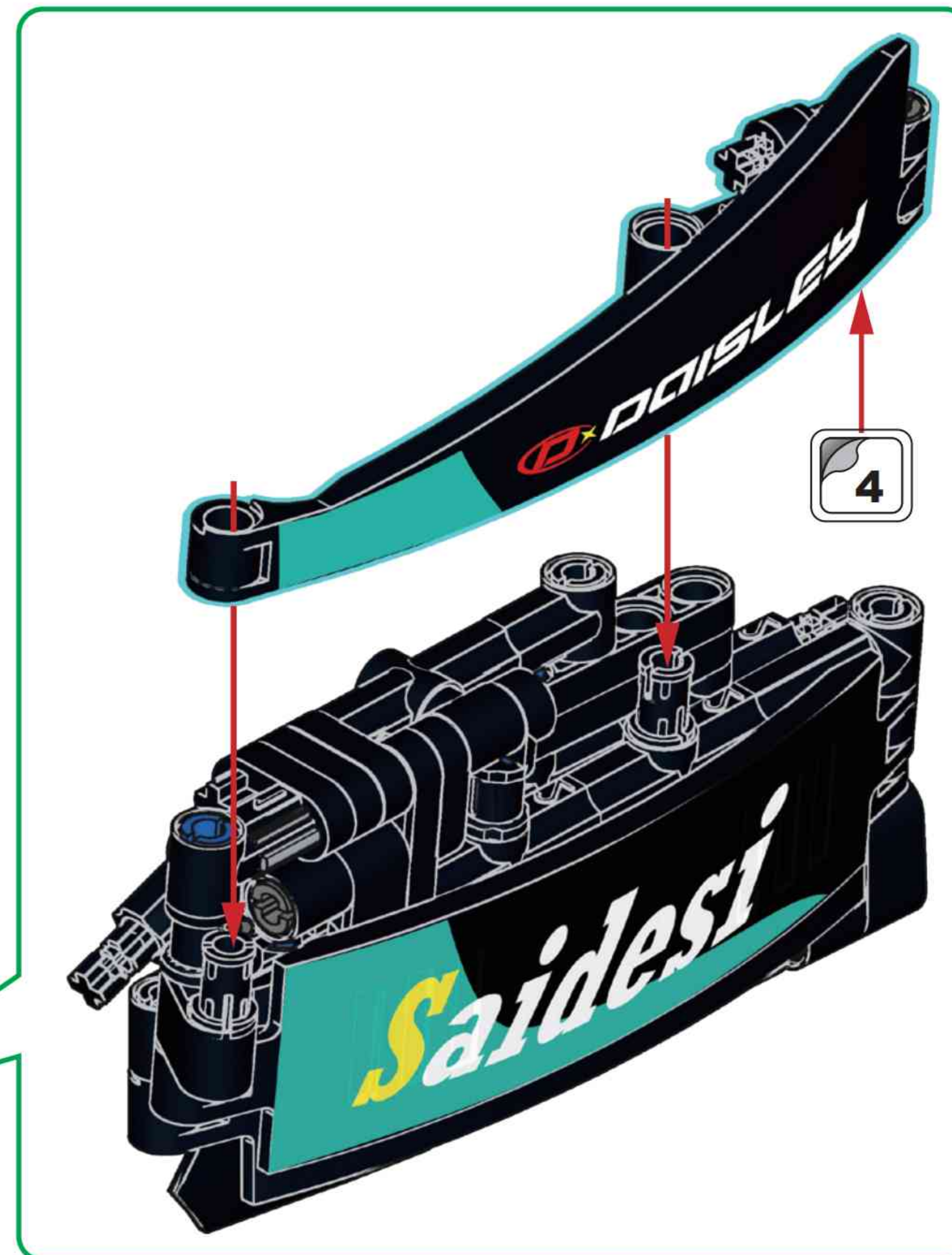
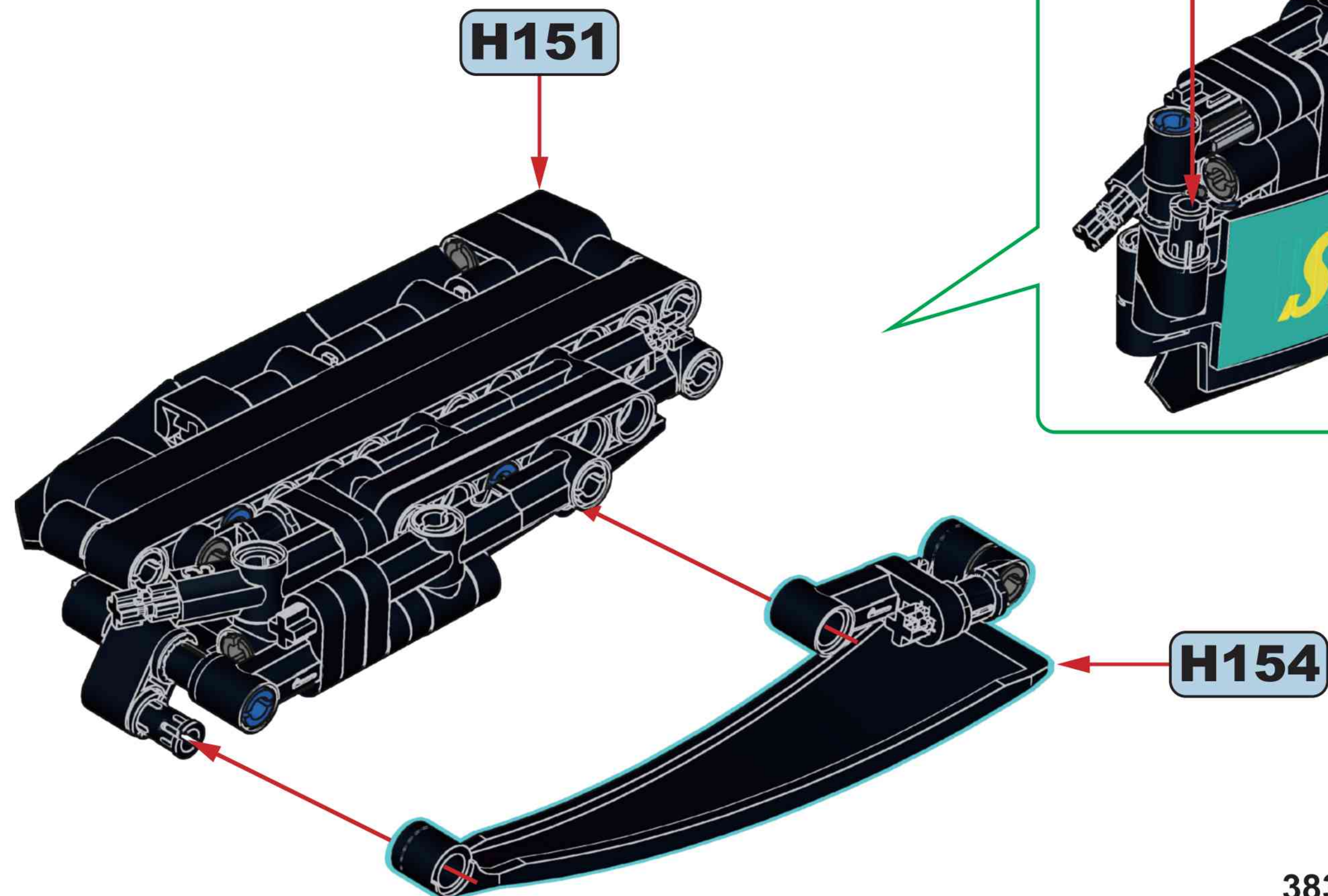
H153



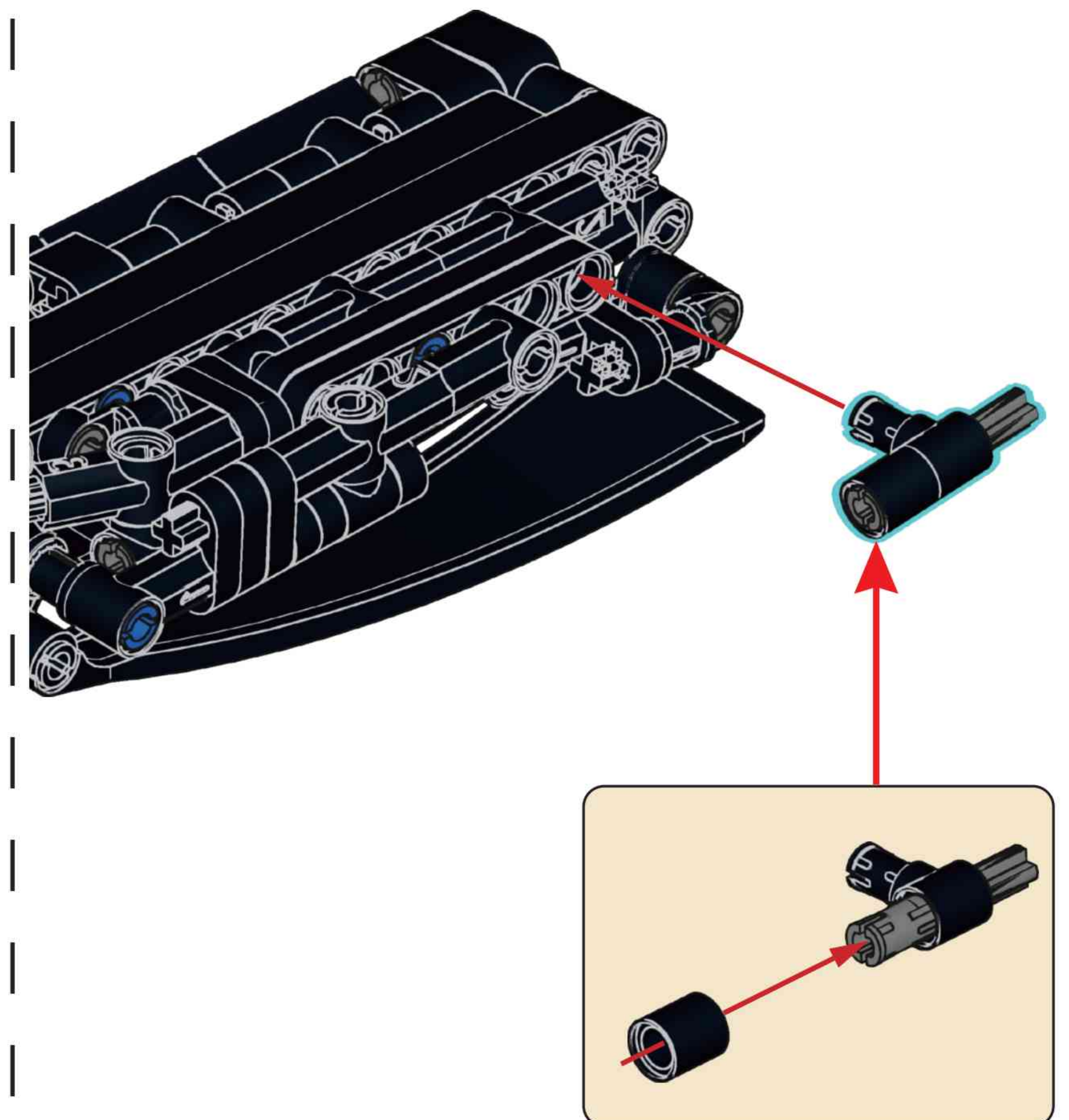
H154

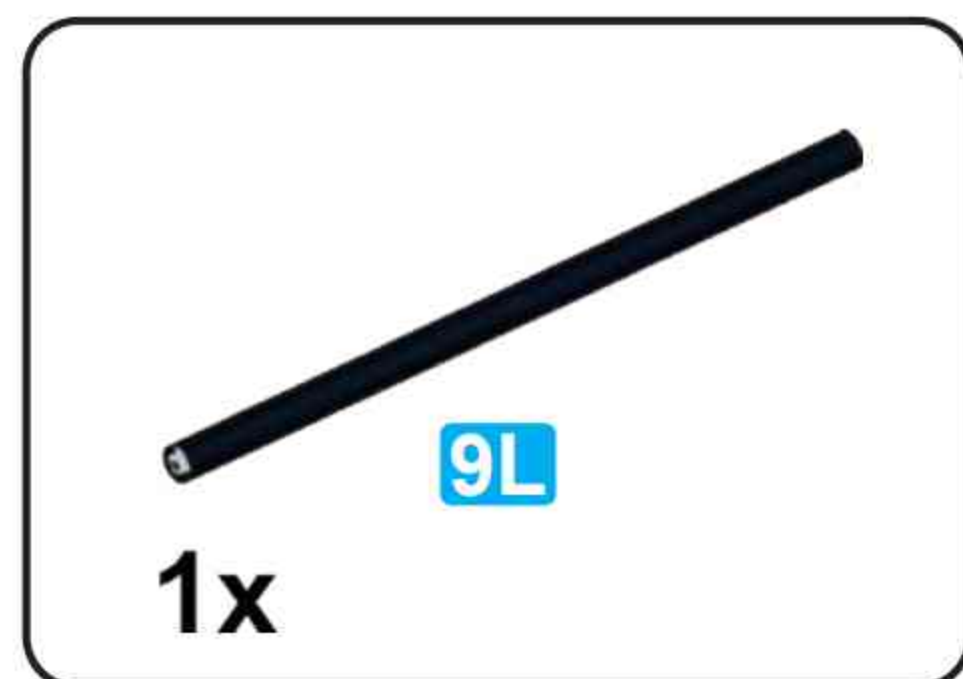


H155

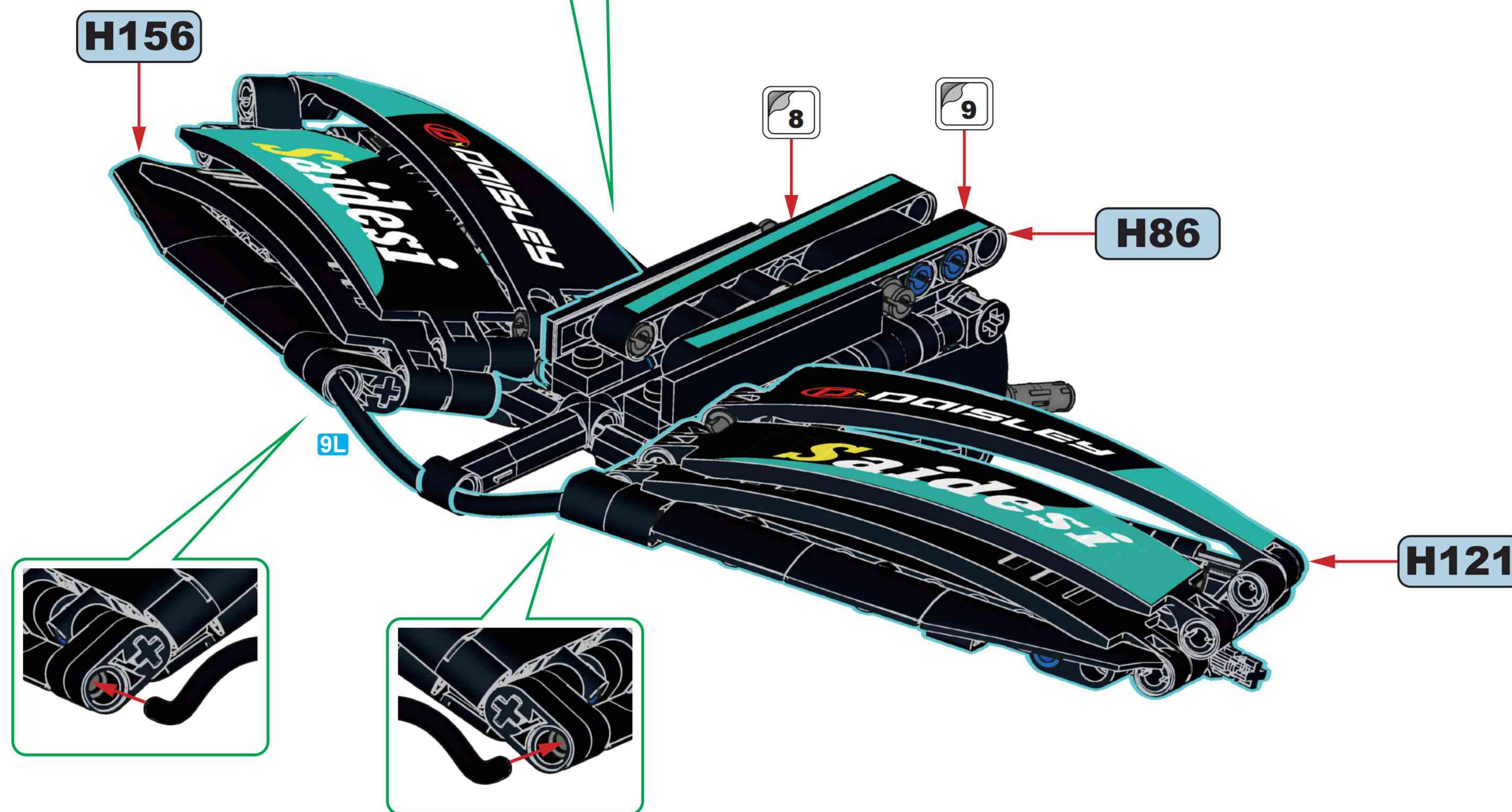
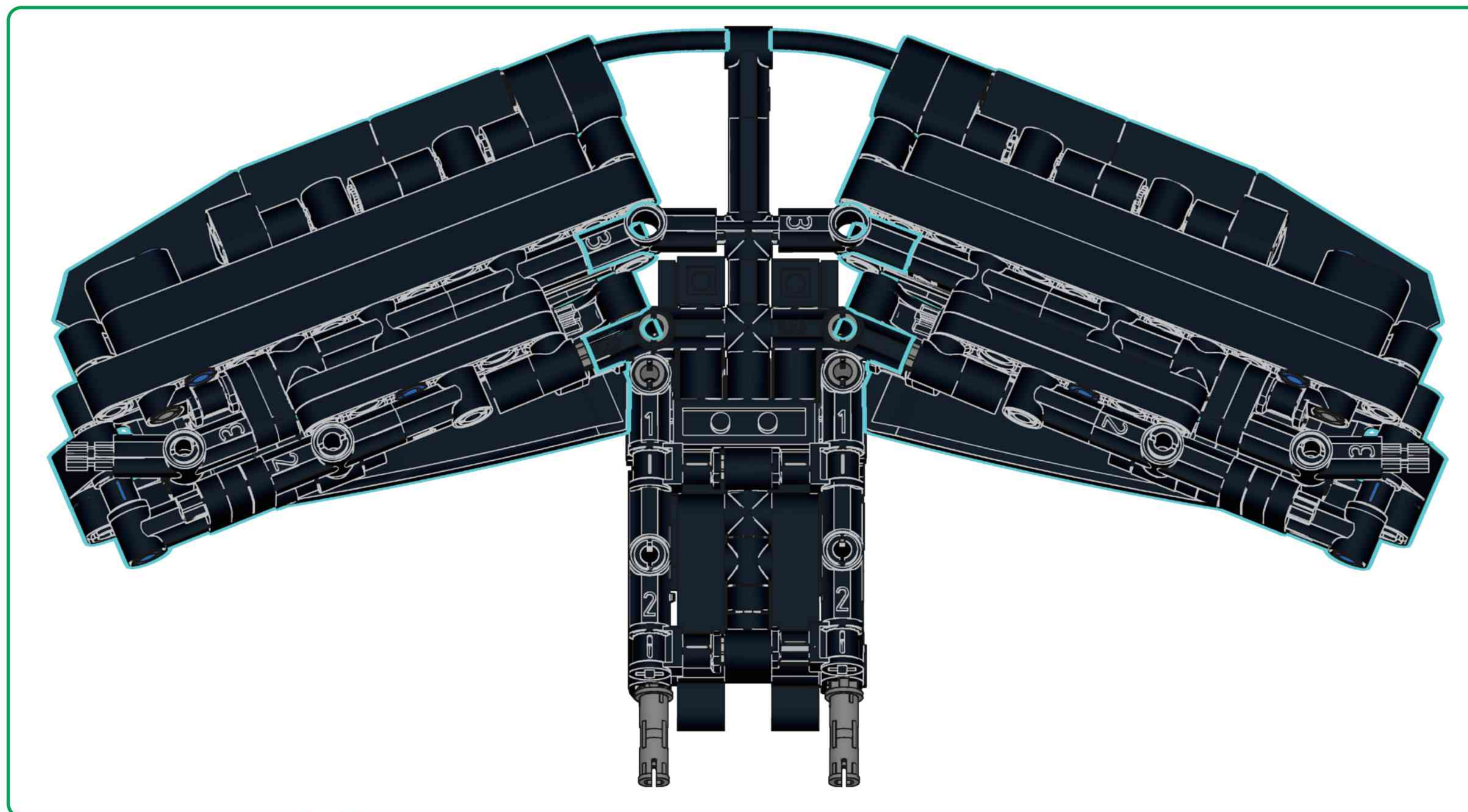


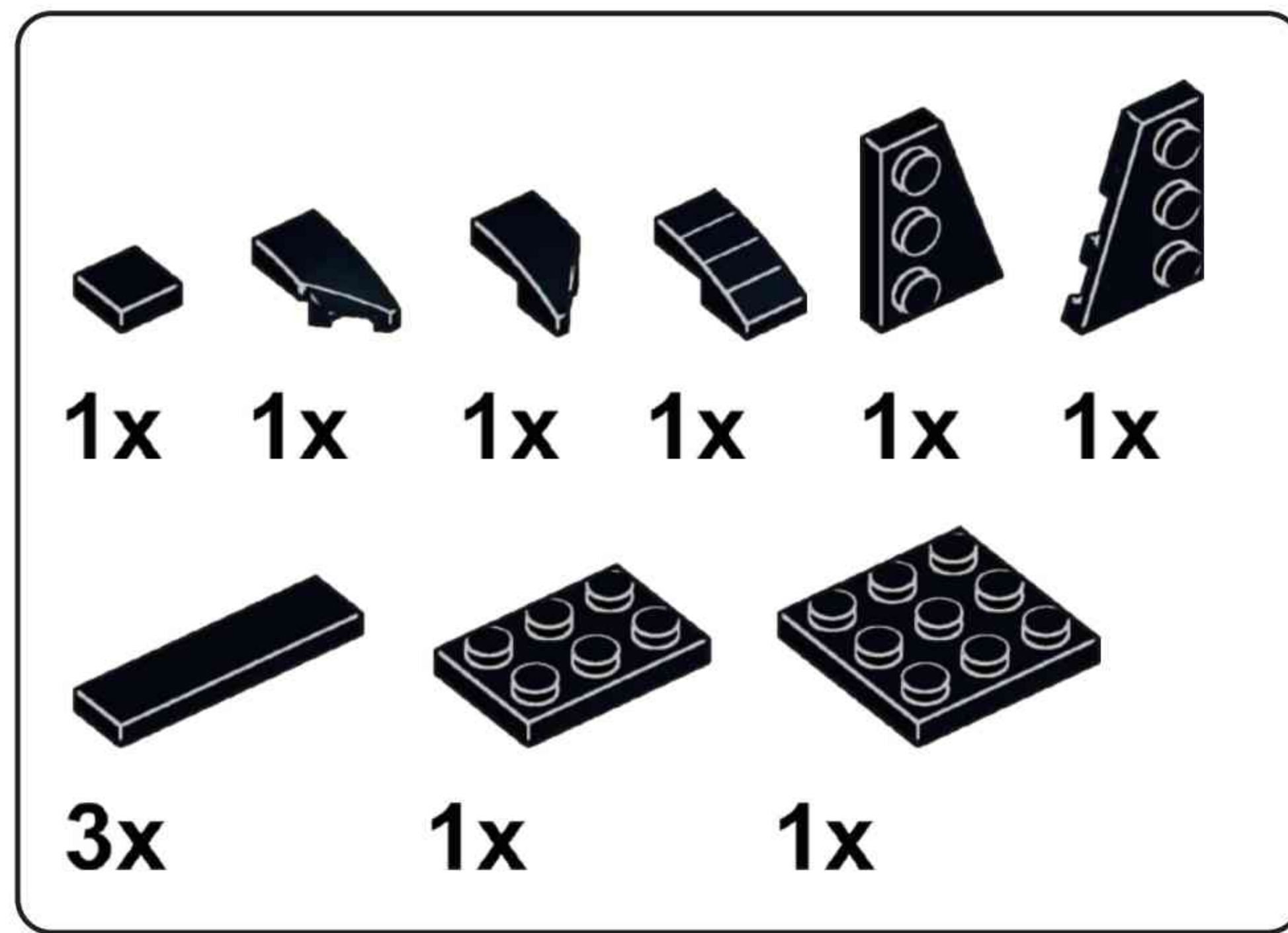
H156



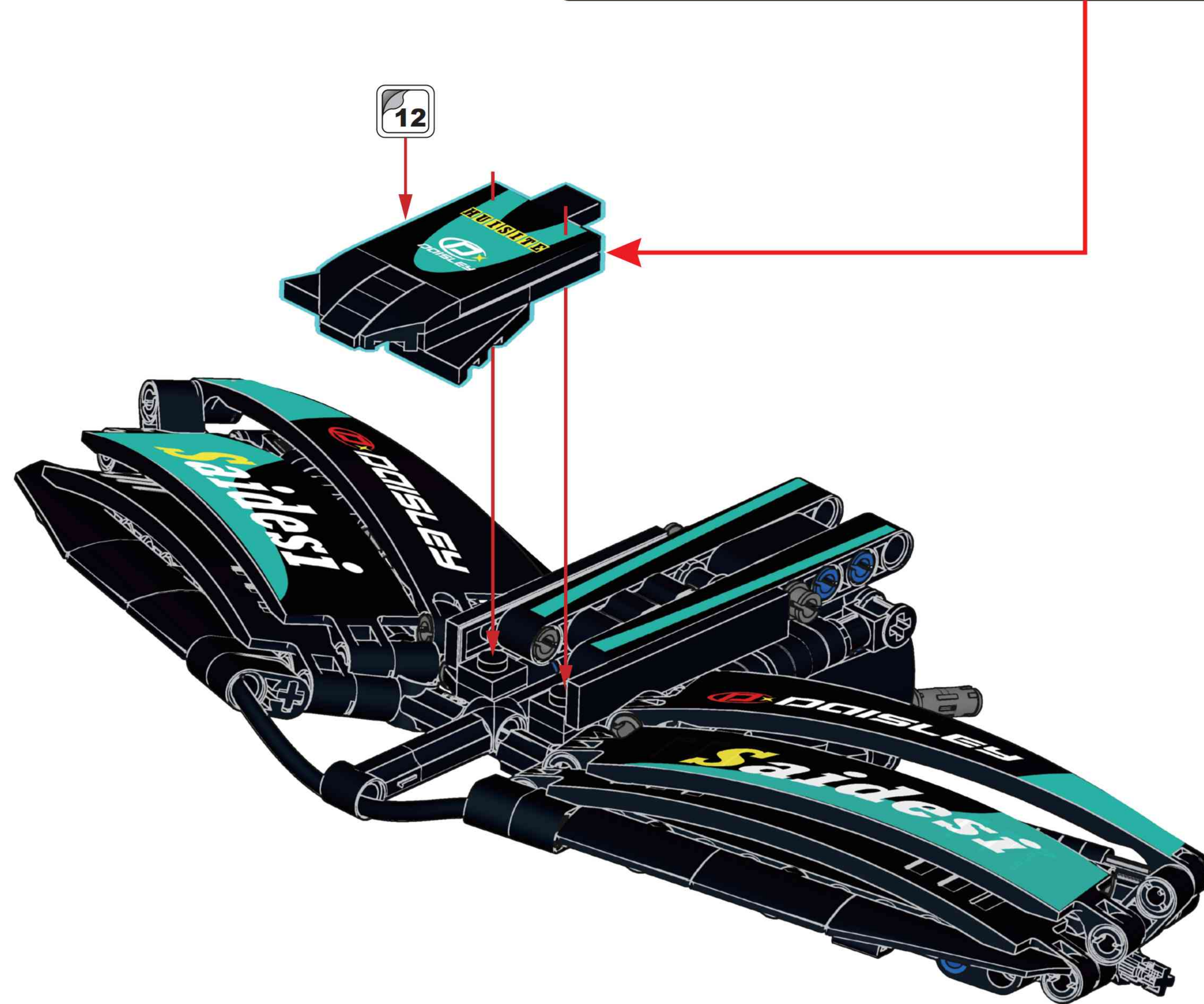
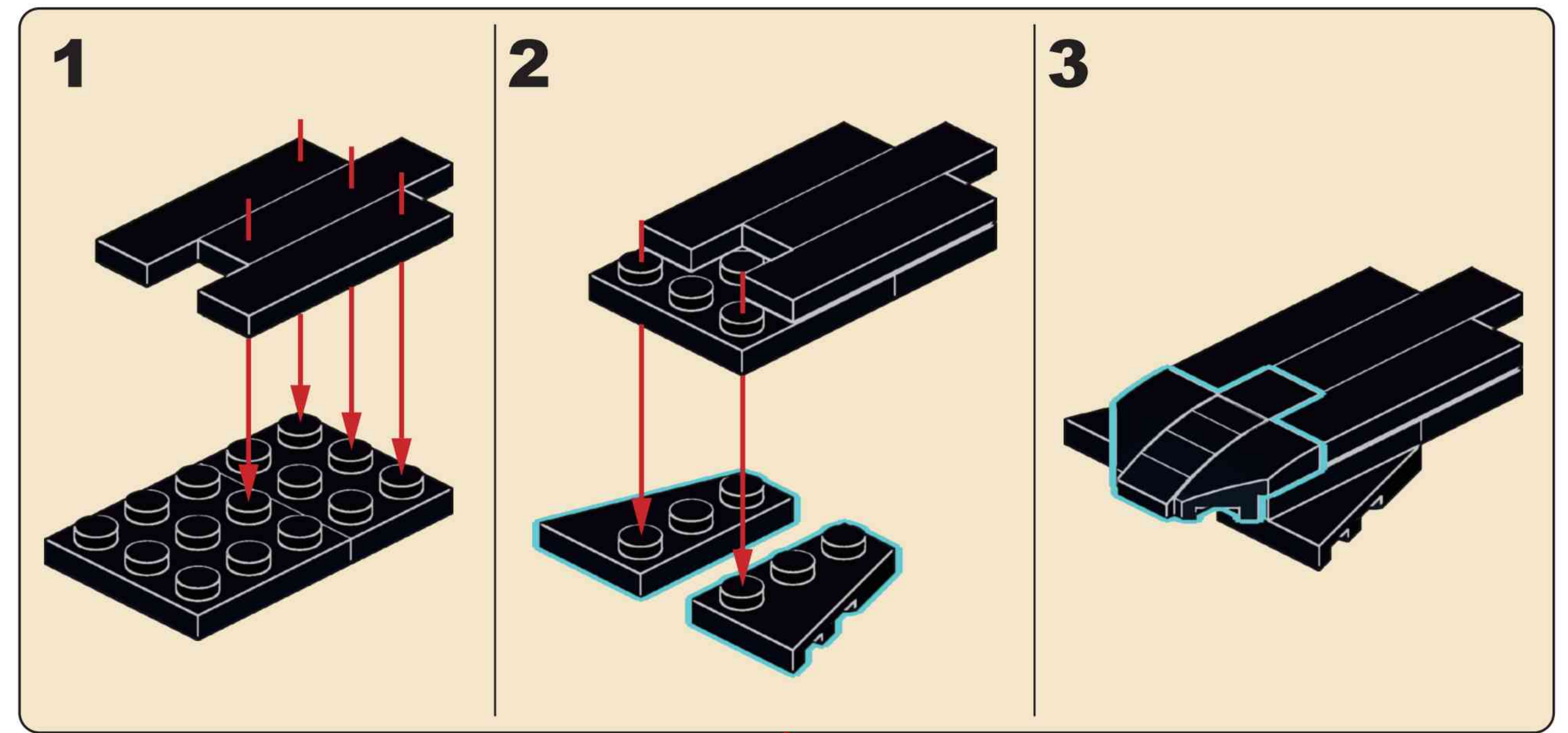


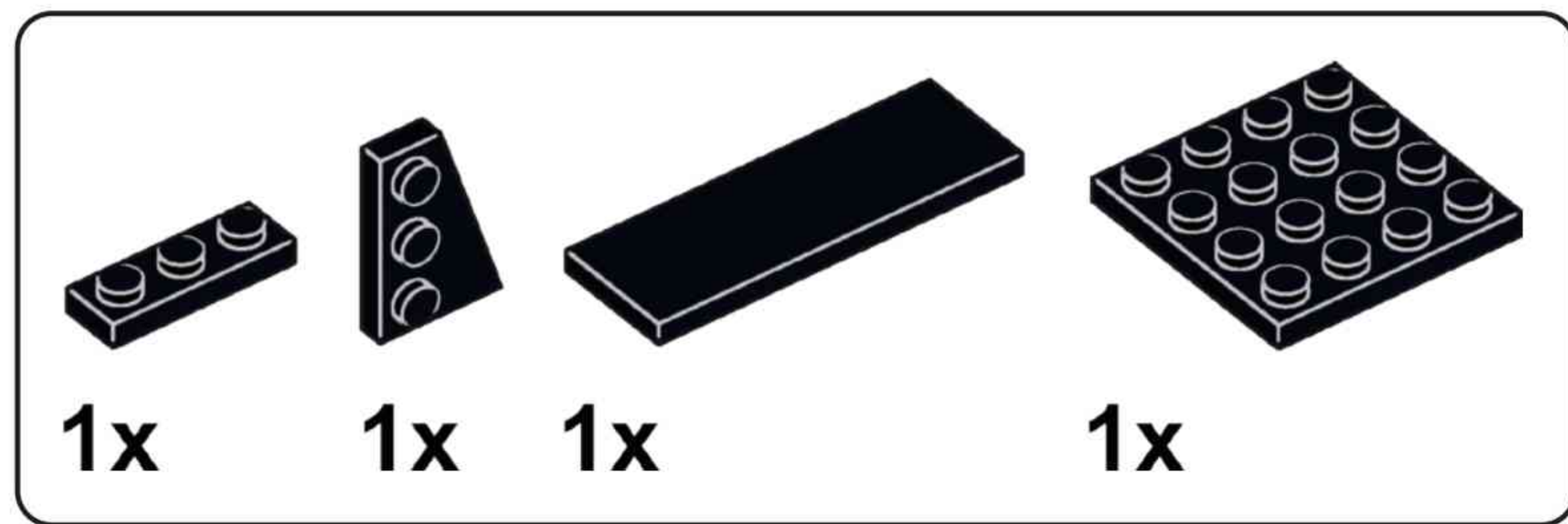
H157



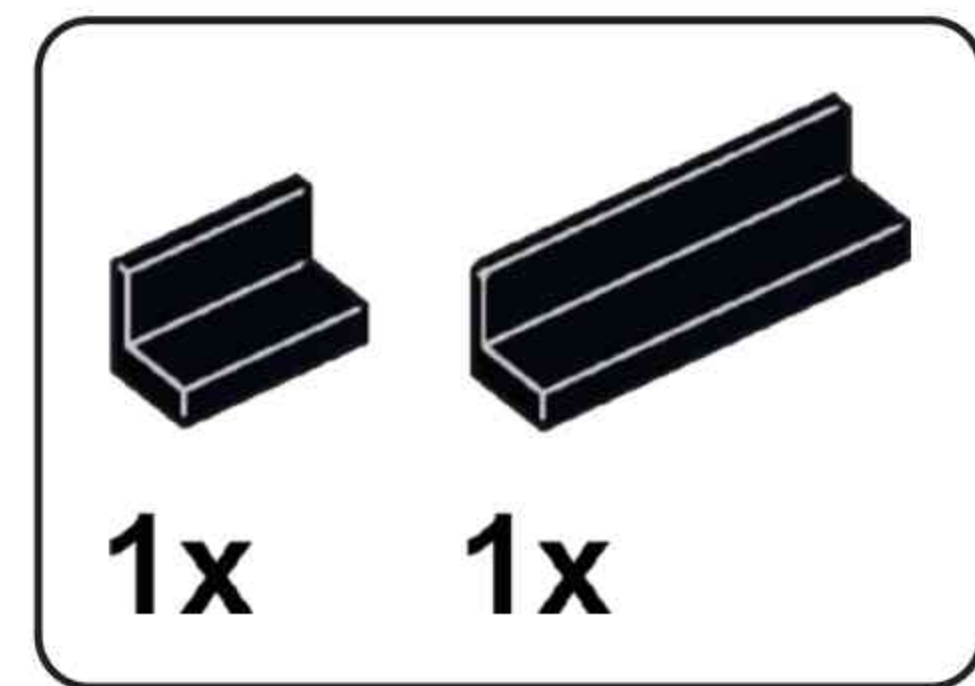
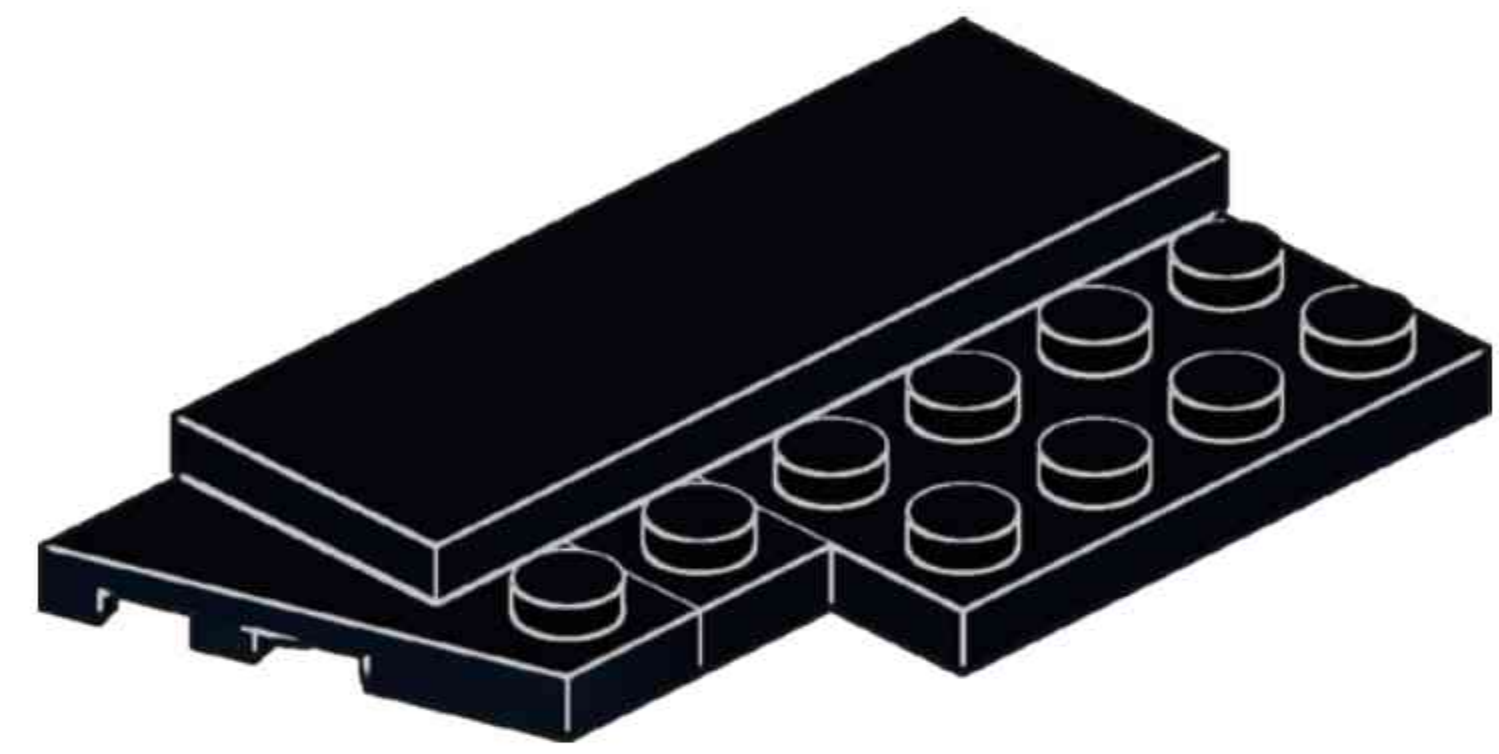


H158

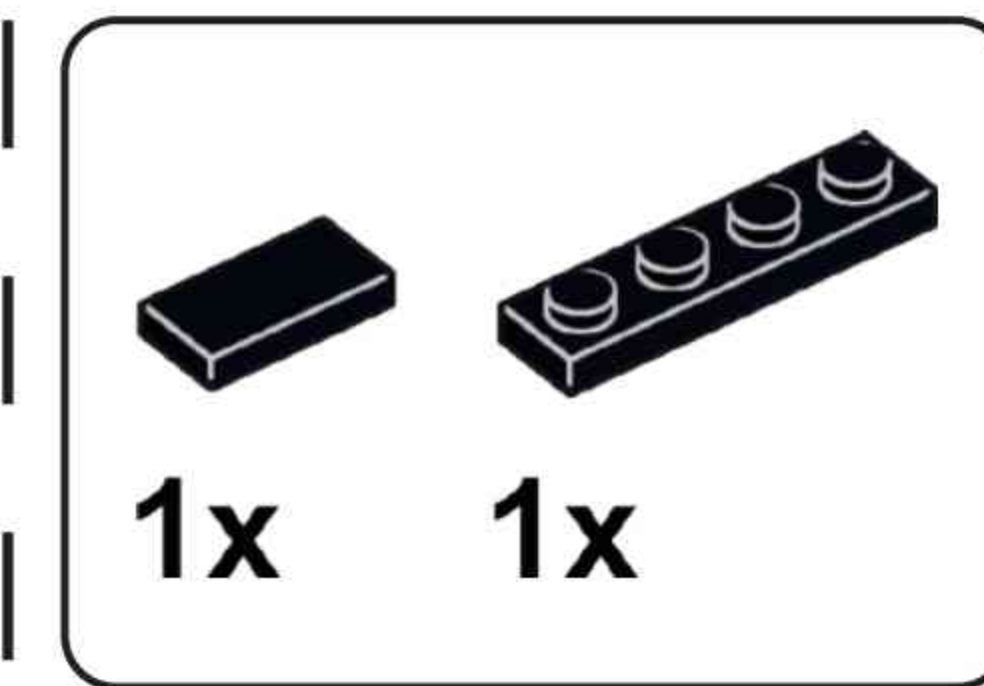
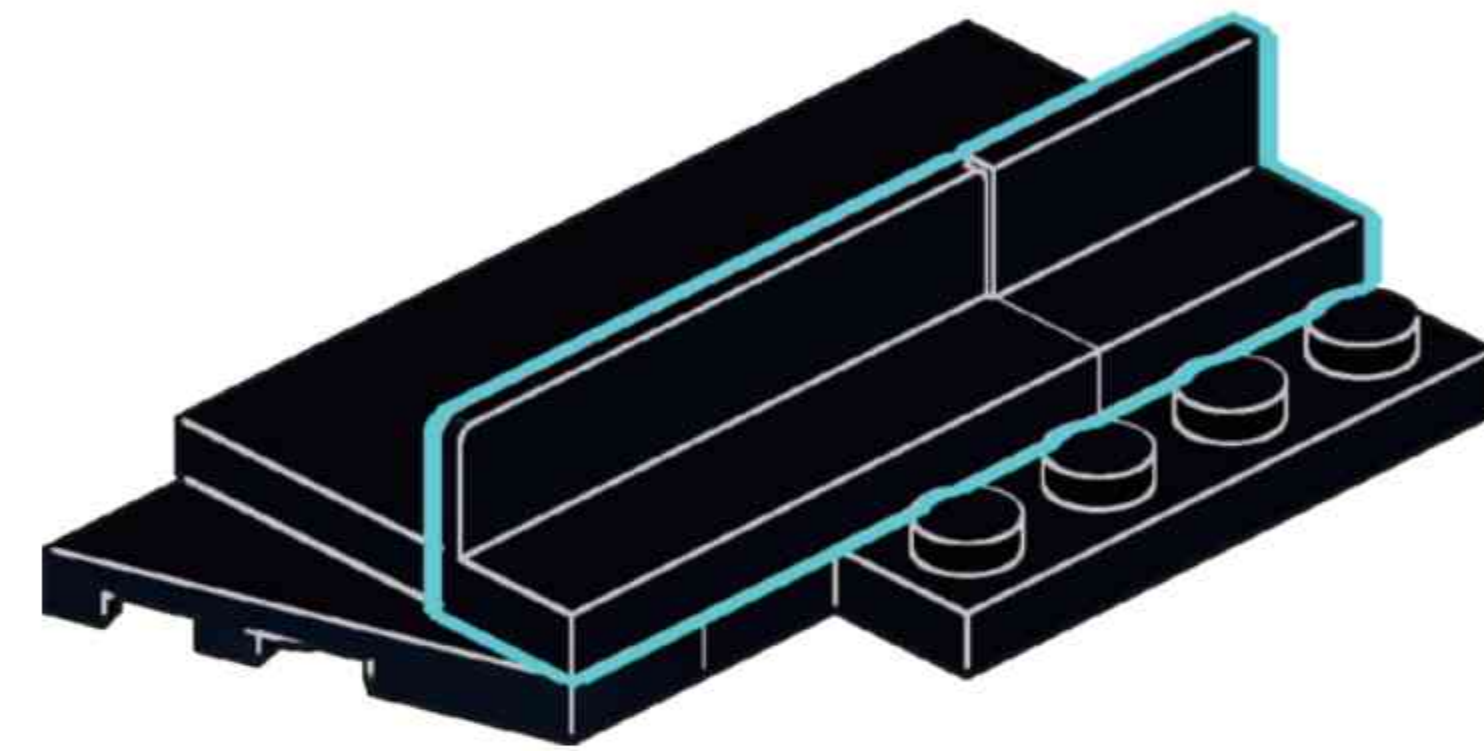




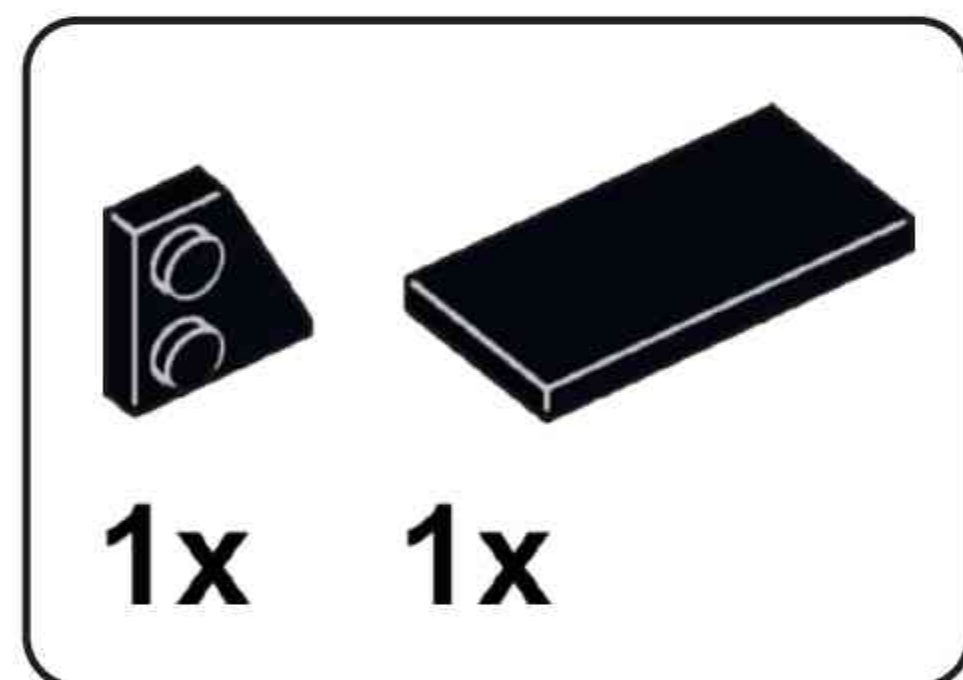
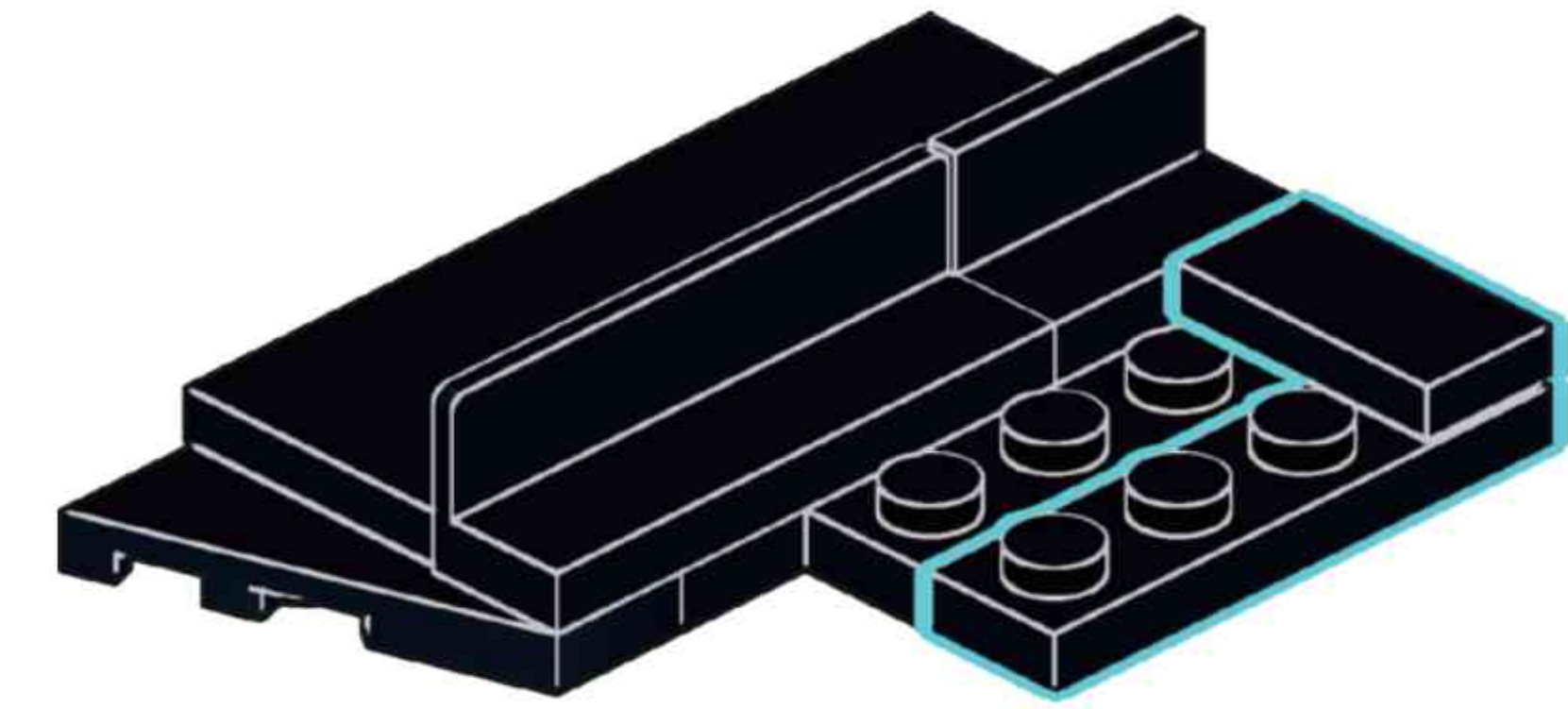
H159



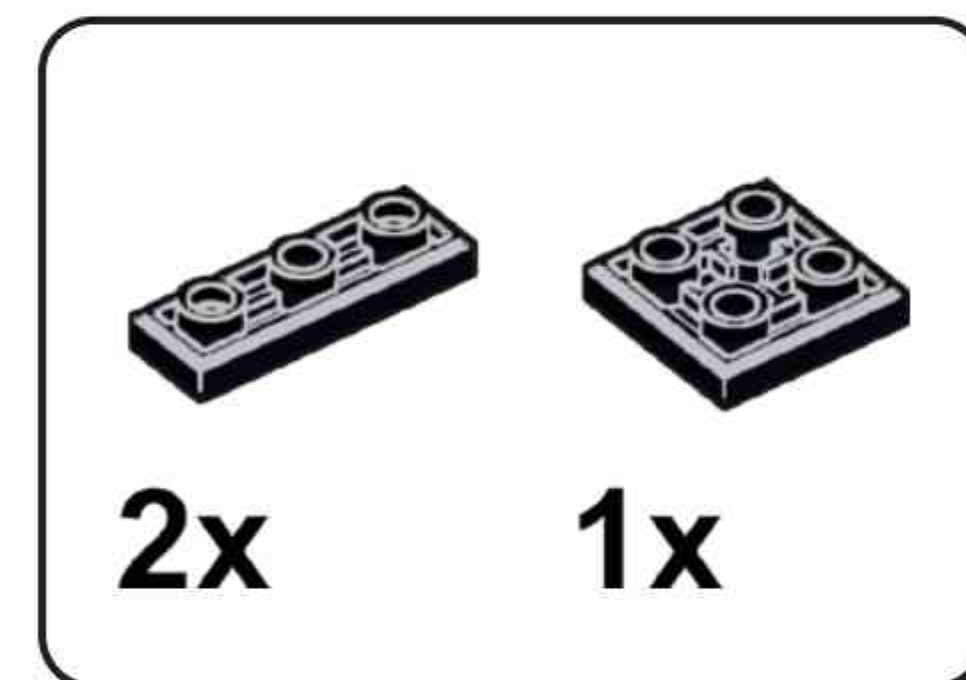
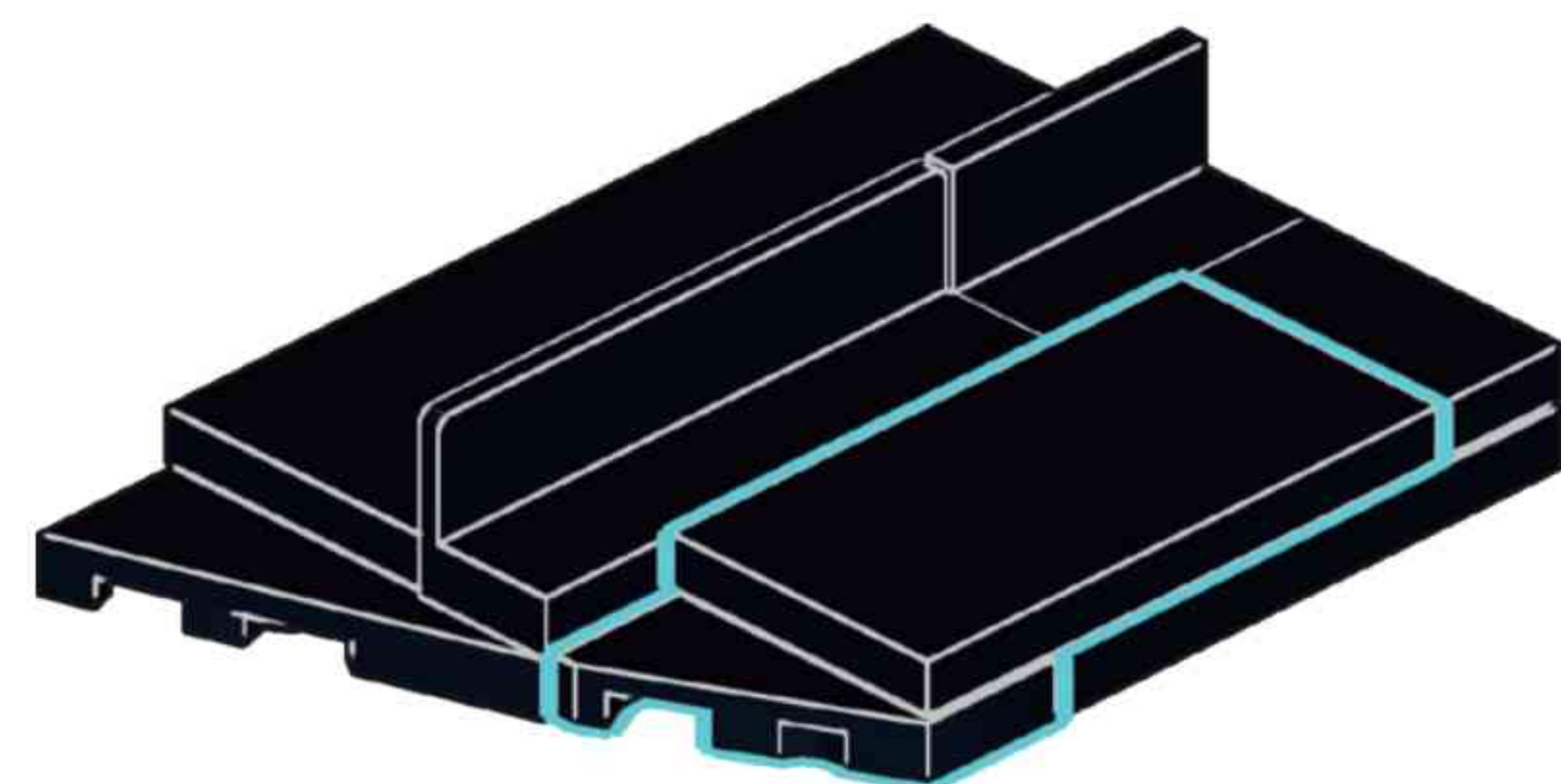
H160



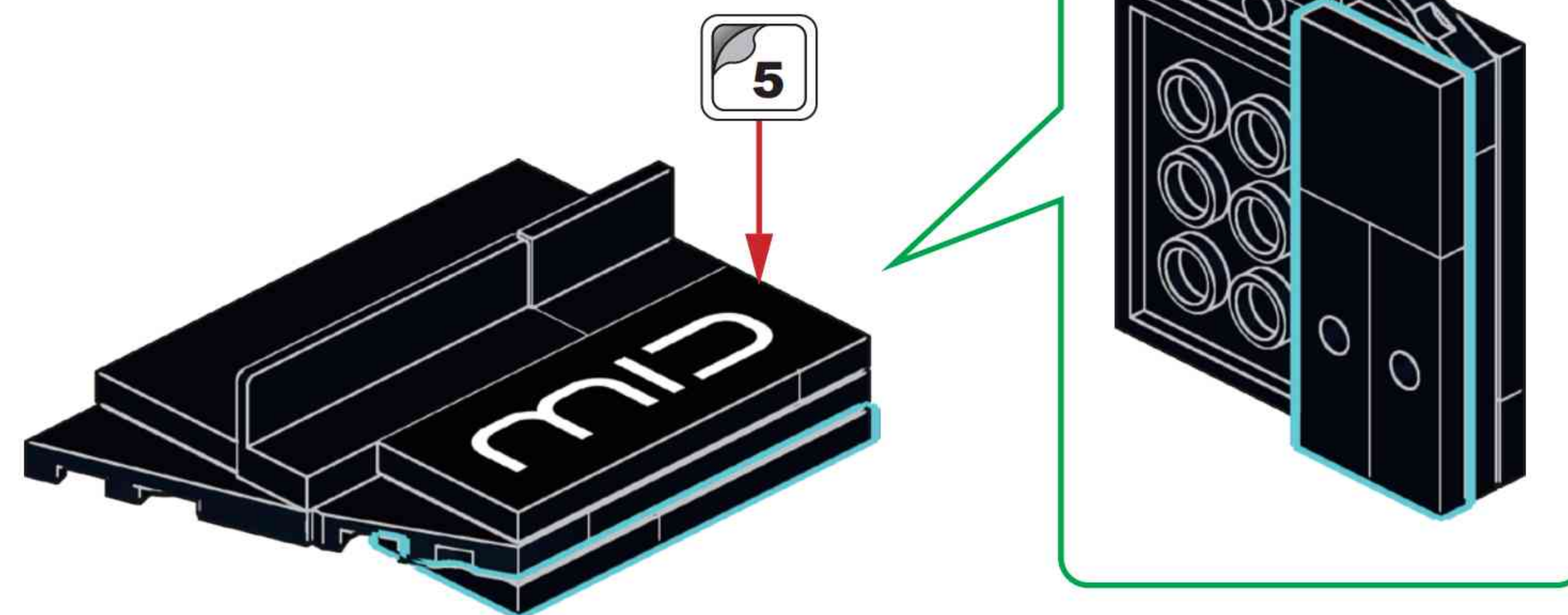
H161



H162

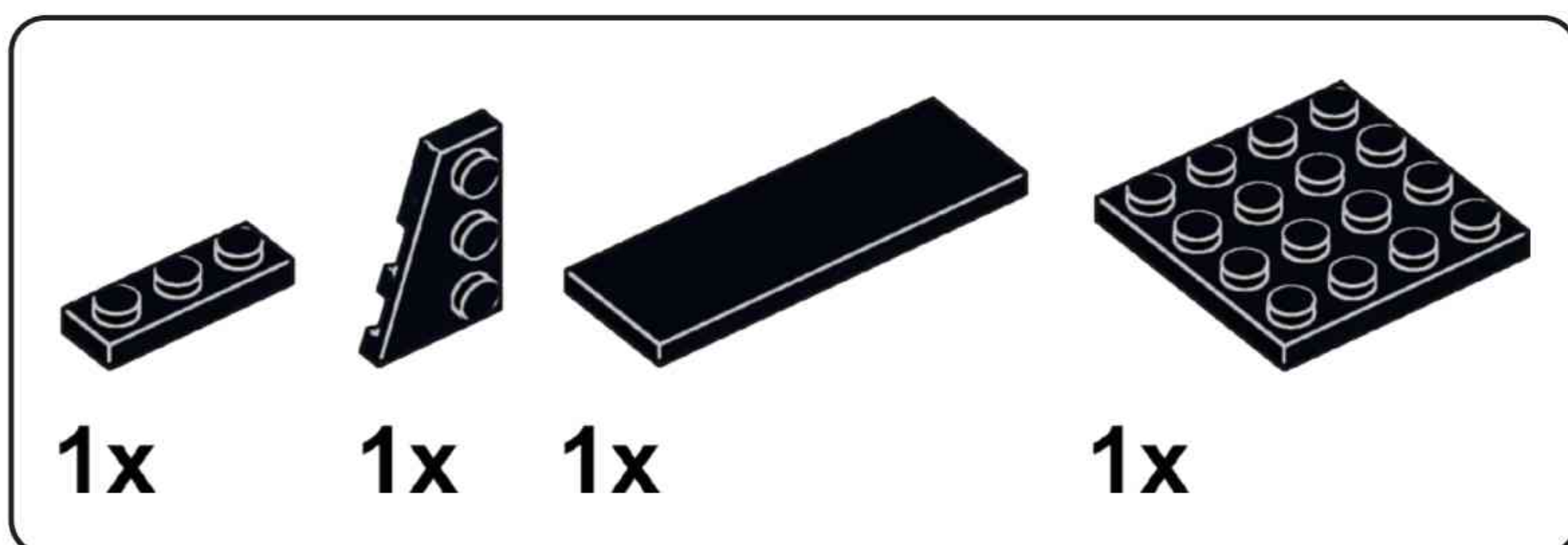
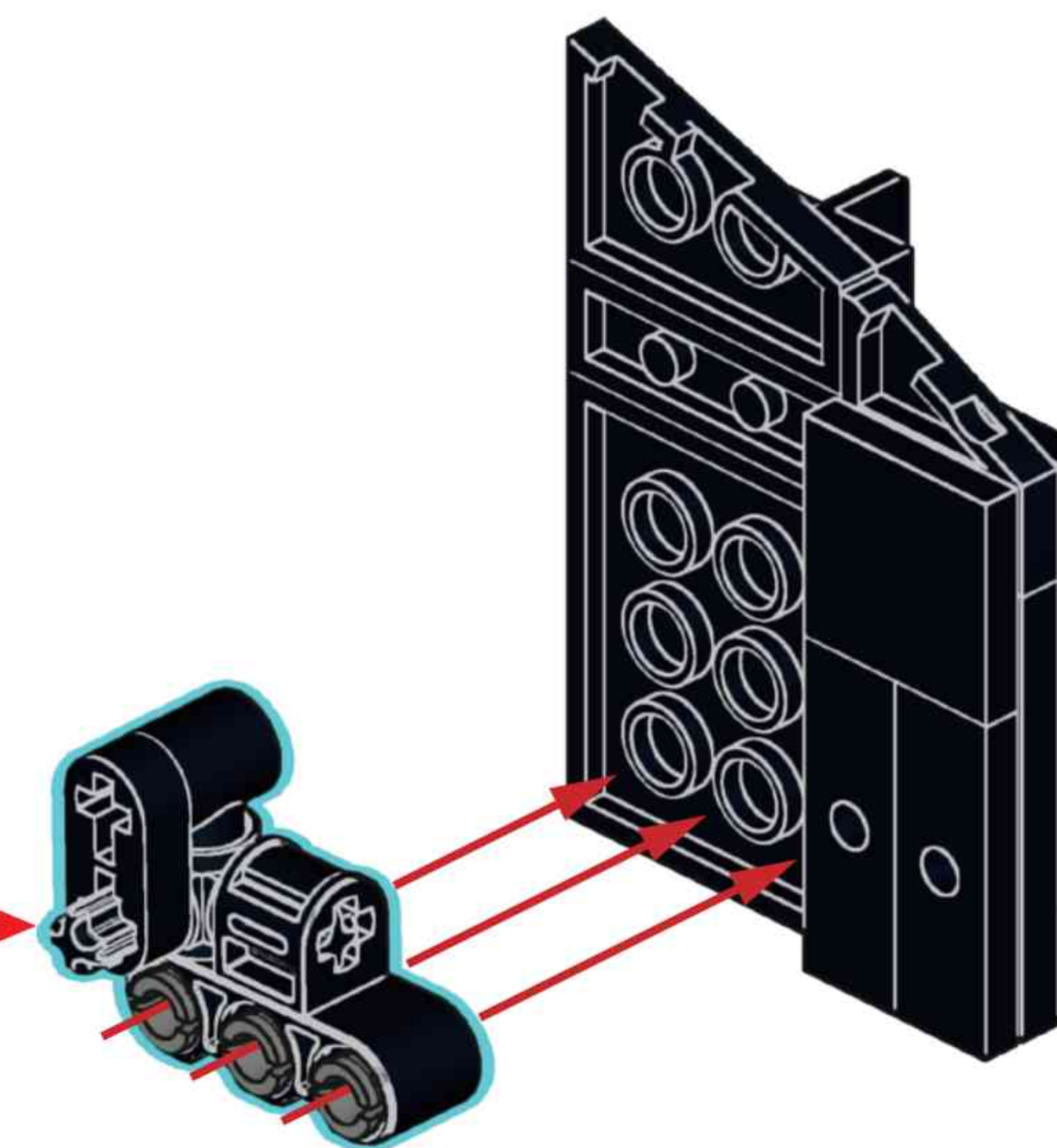
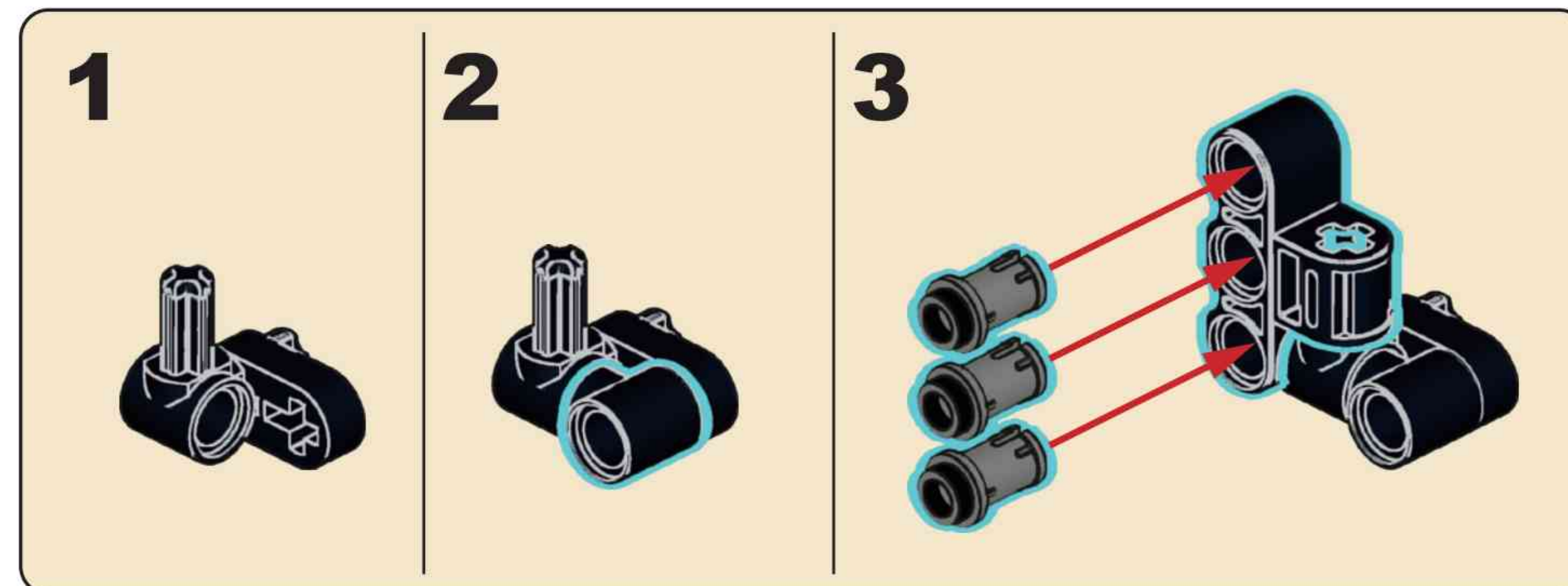


H163

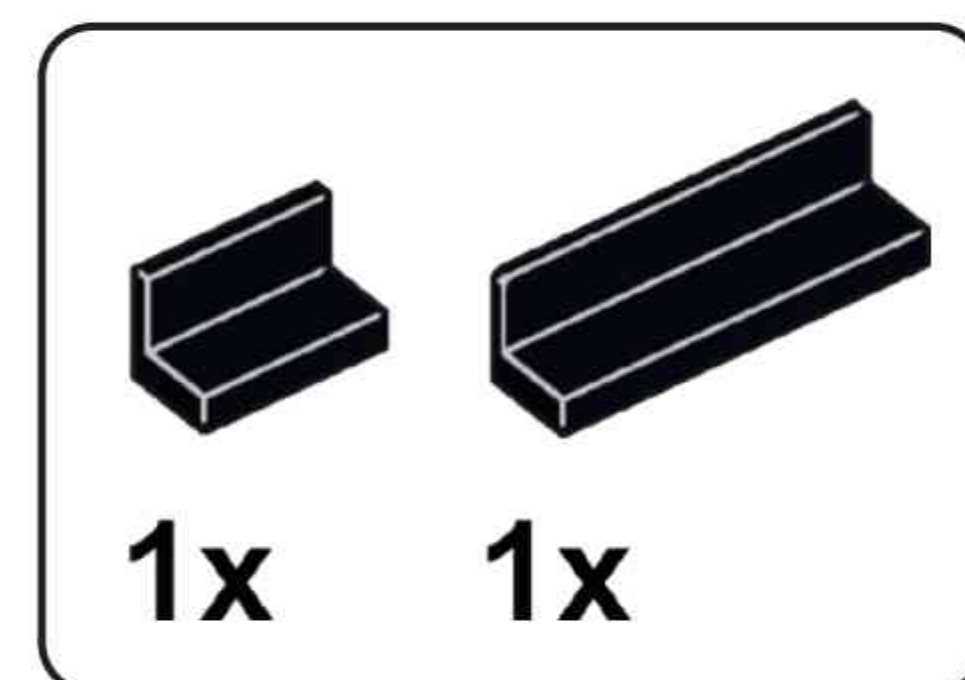
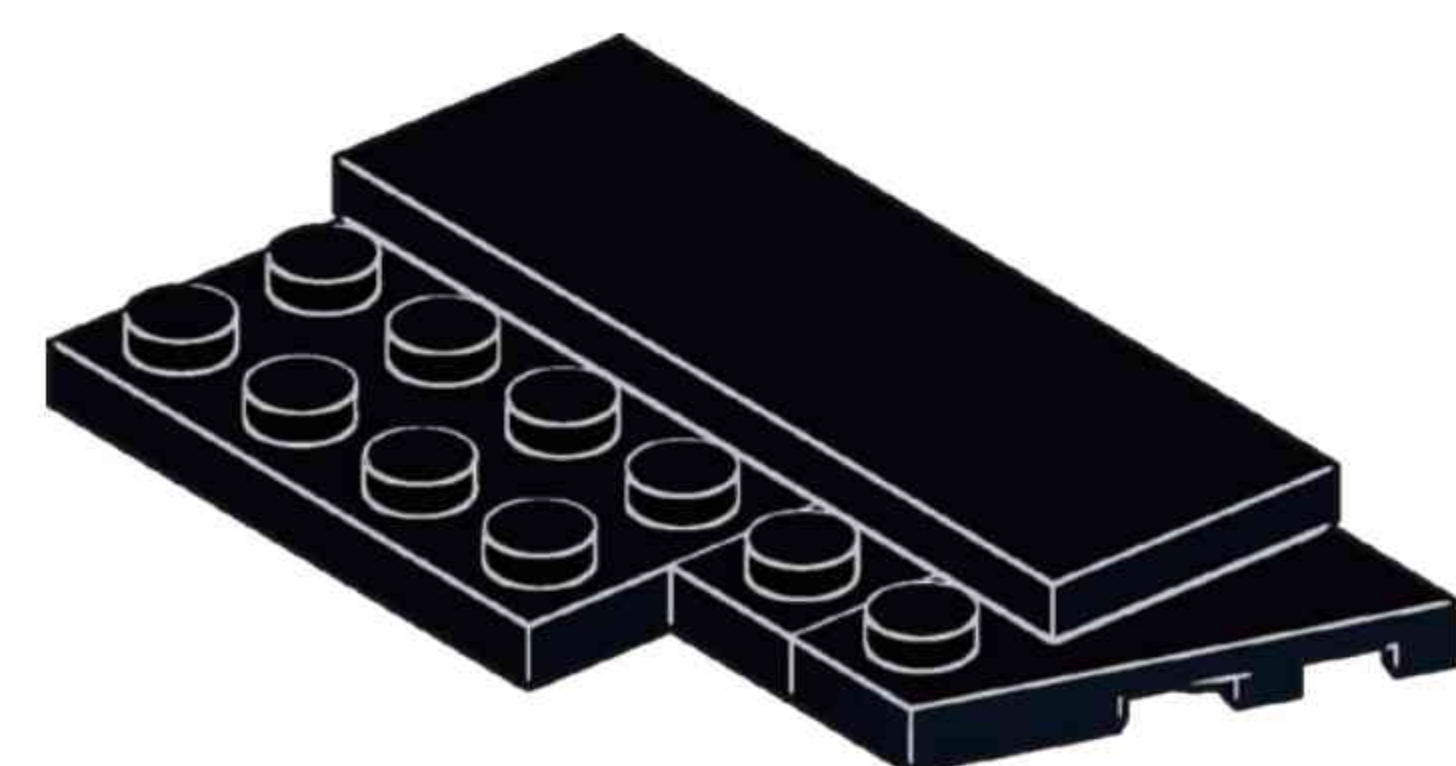




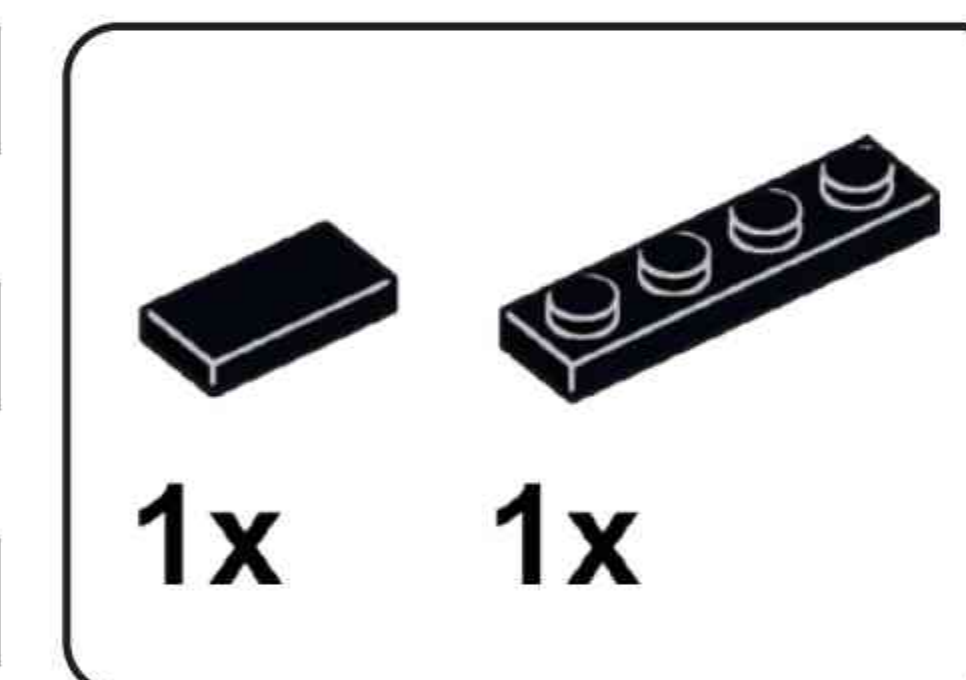
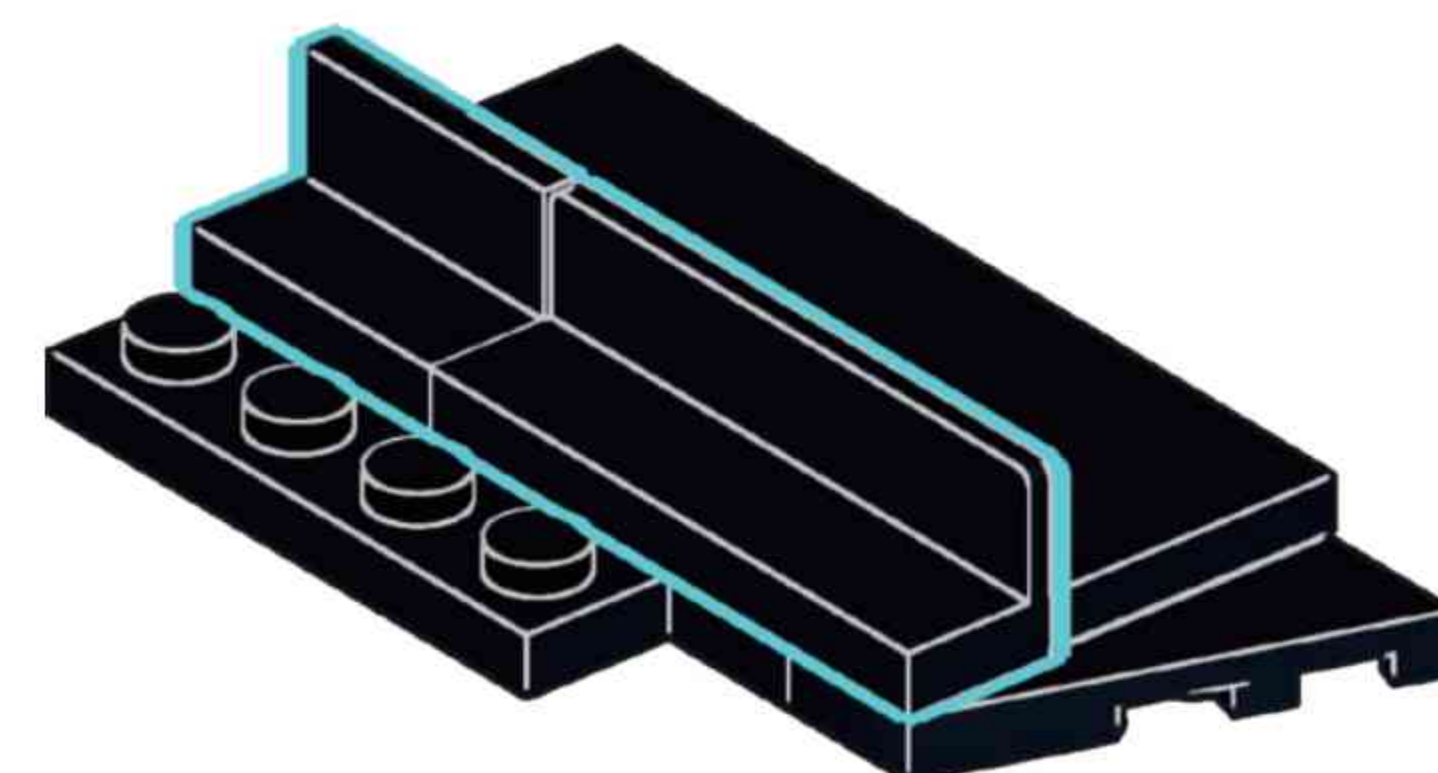
H164



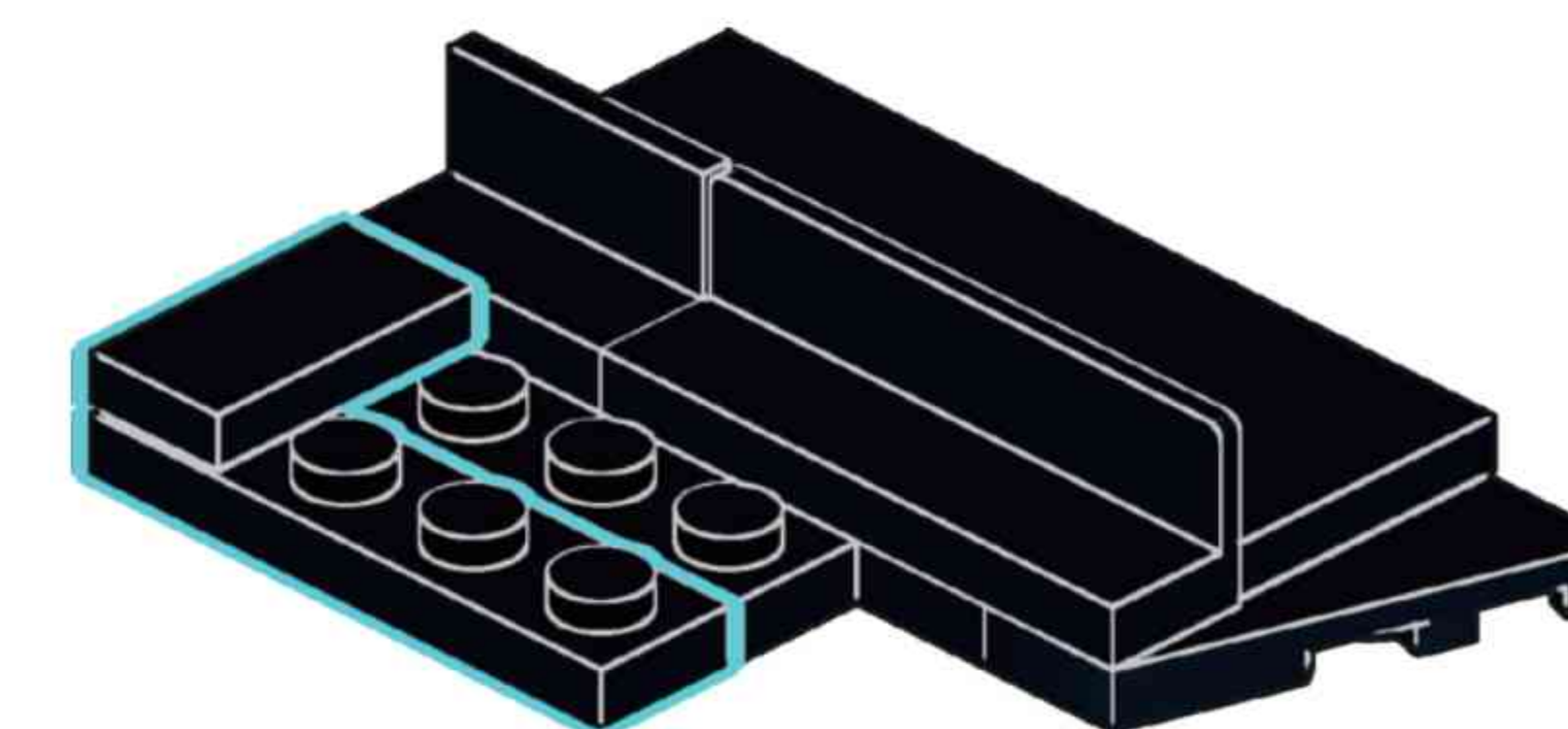
H165

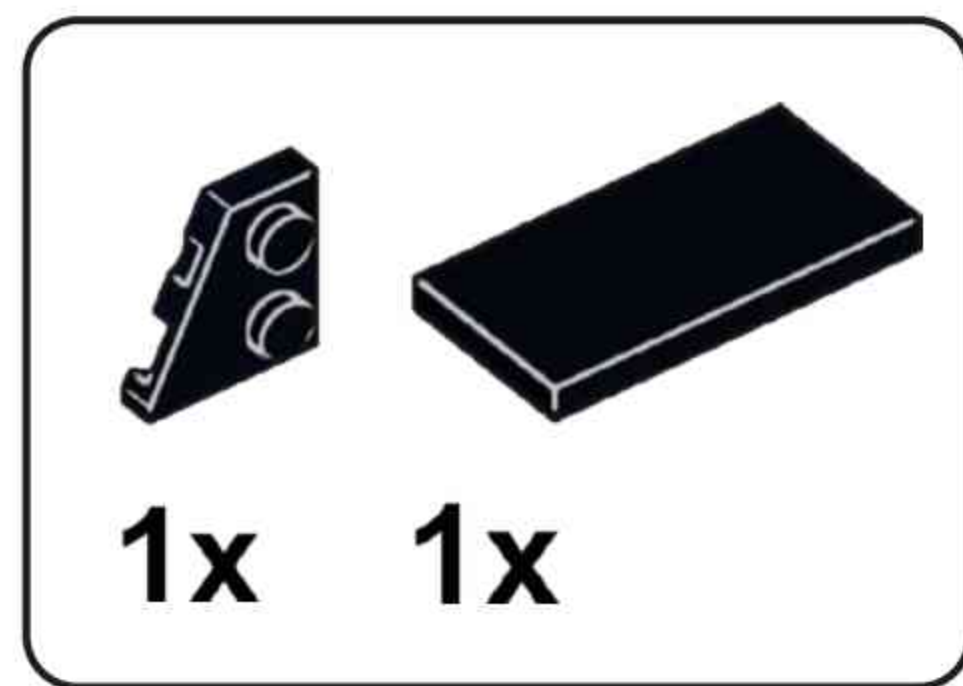


H166

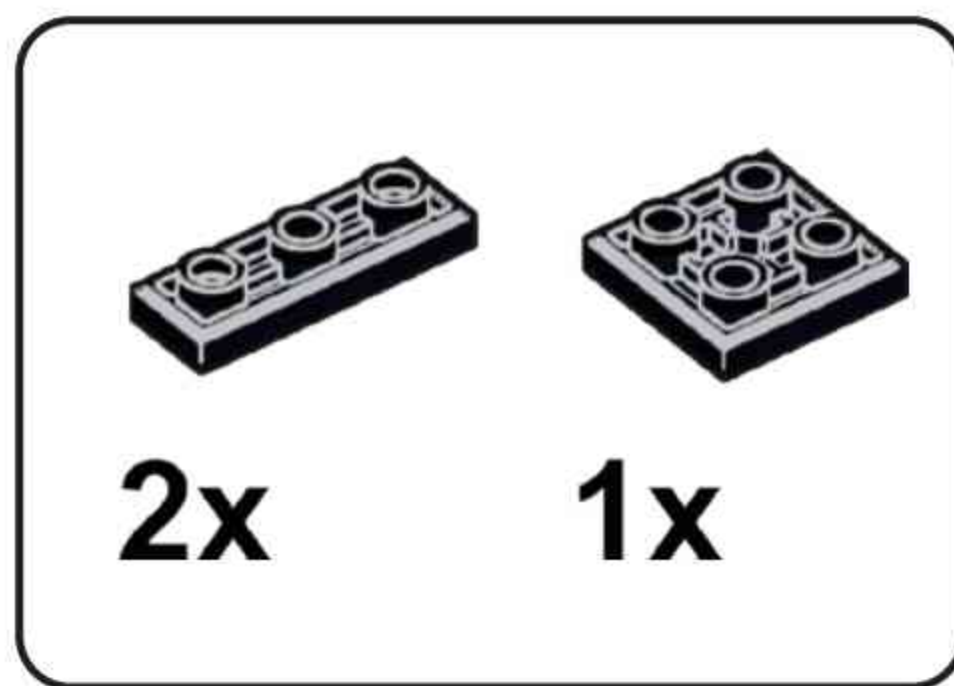
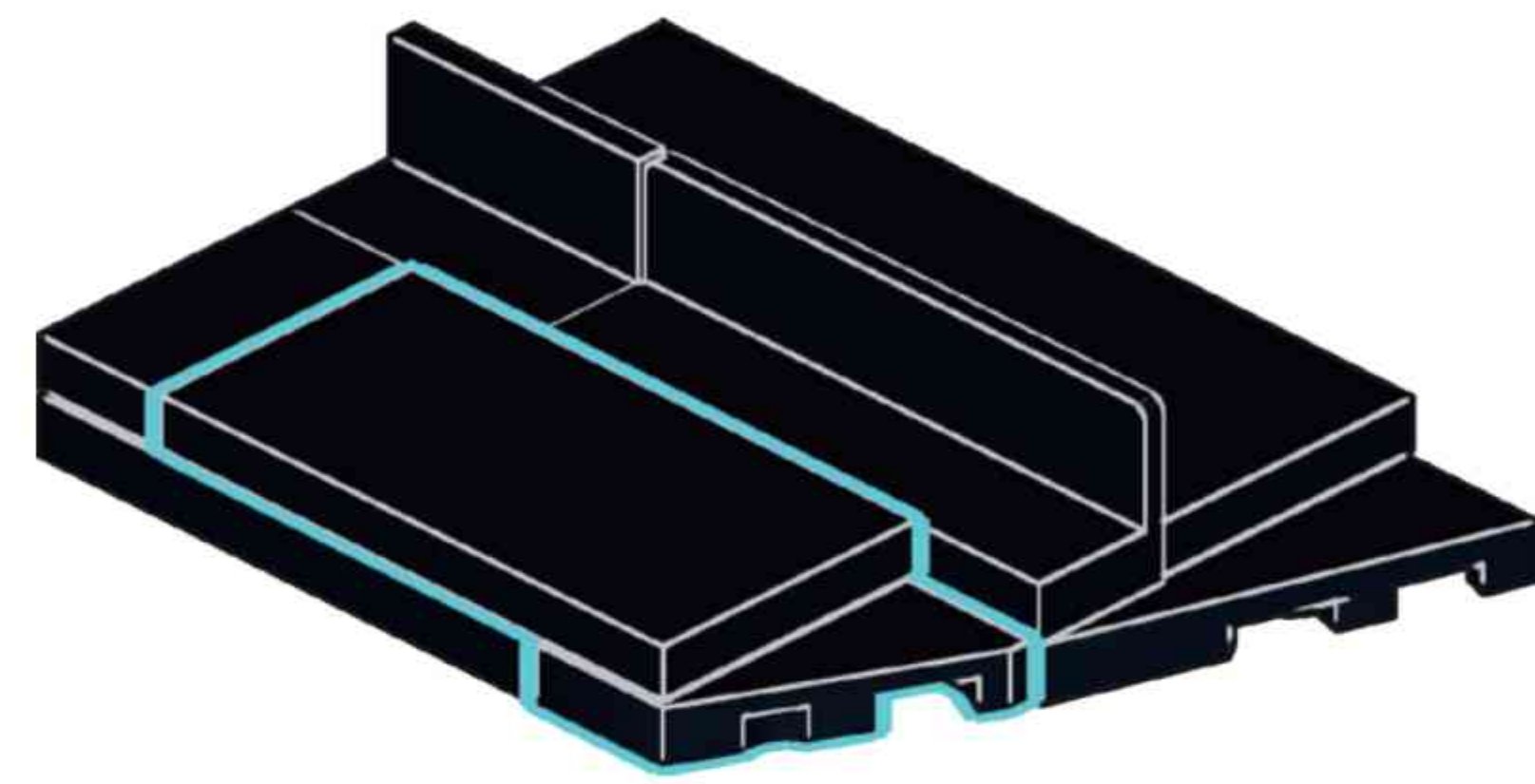


H167

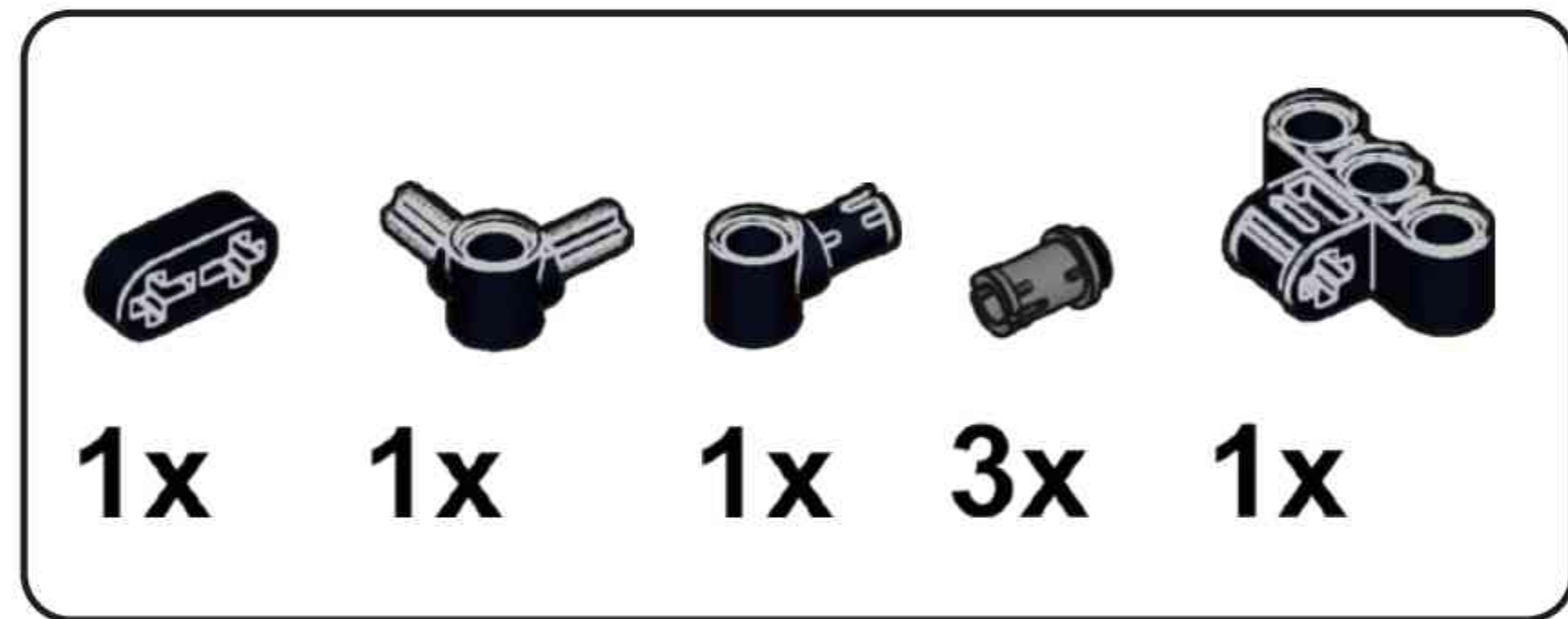
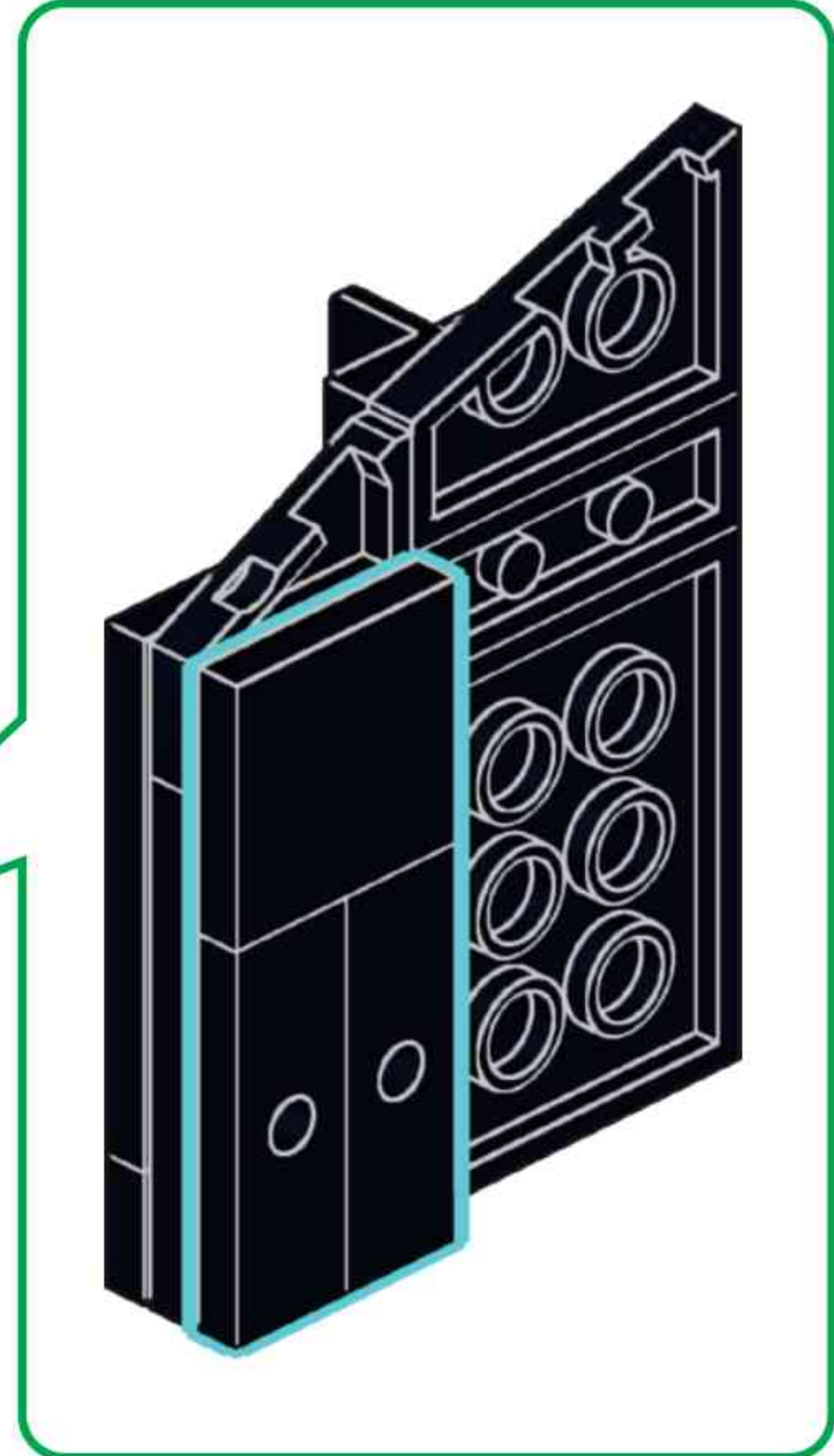
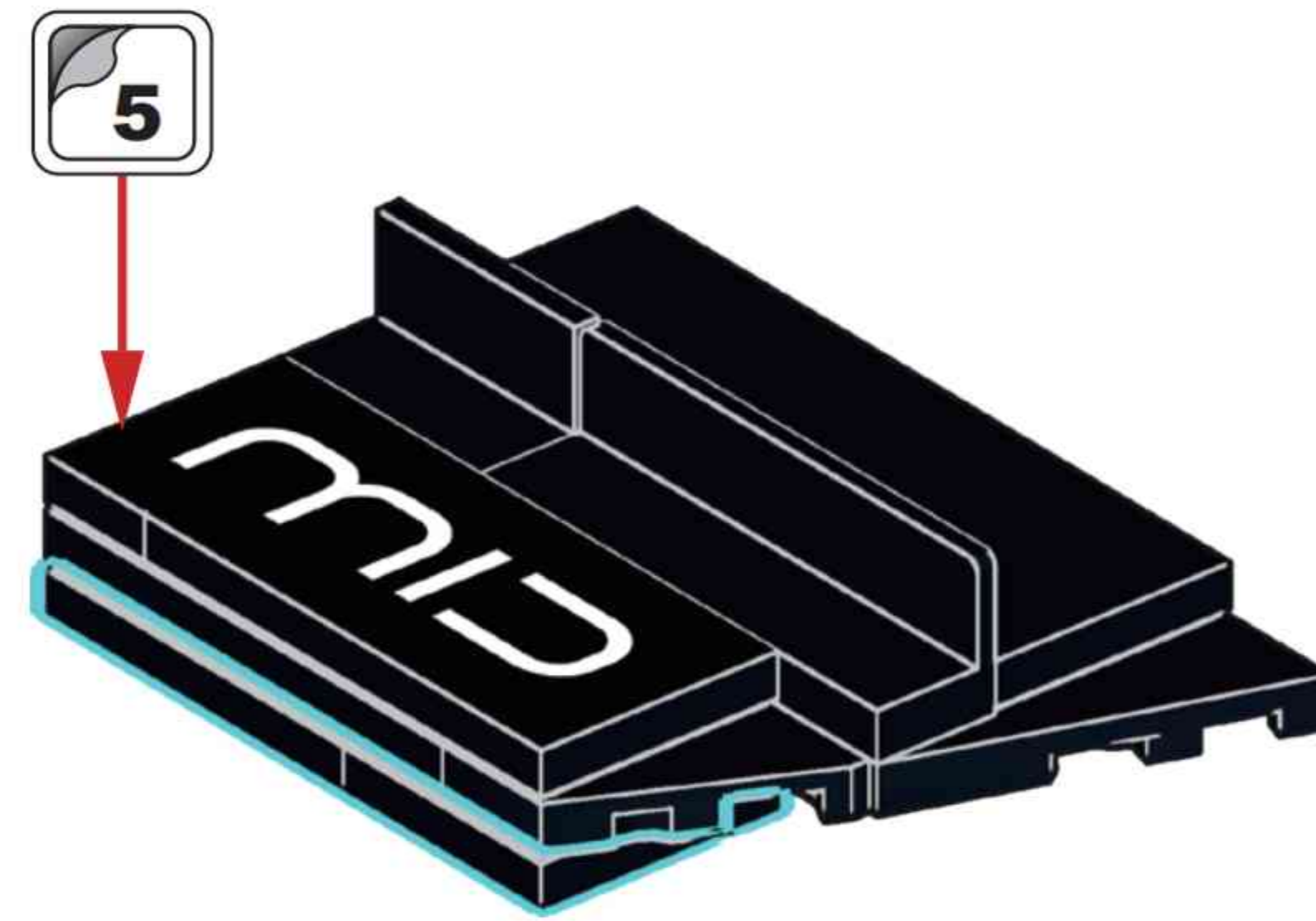




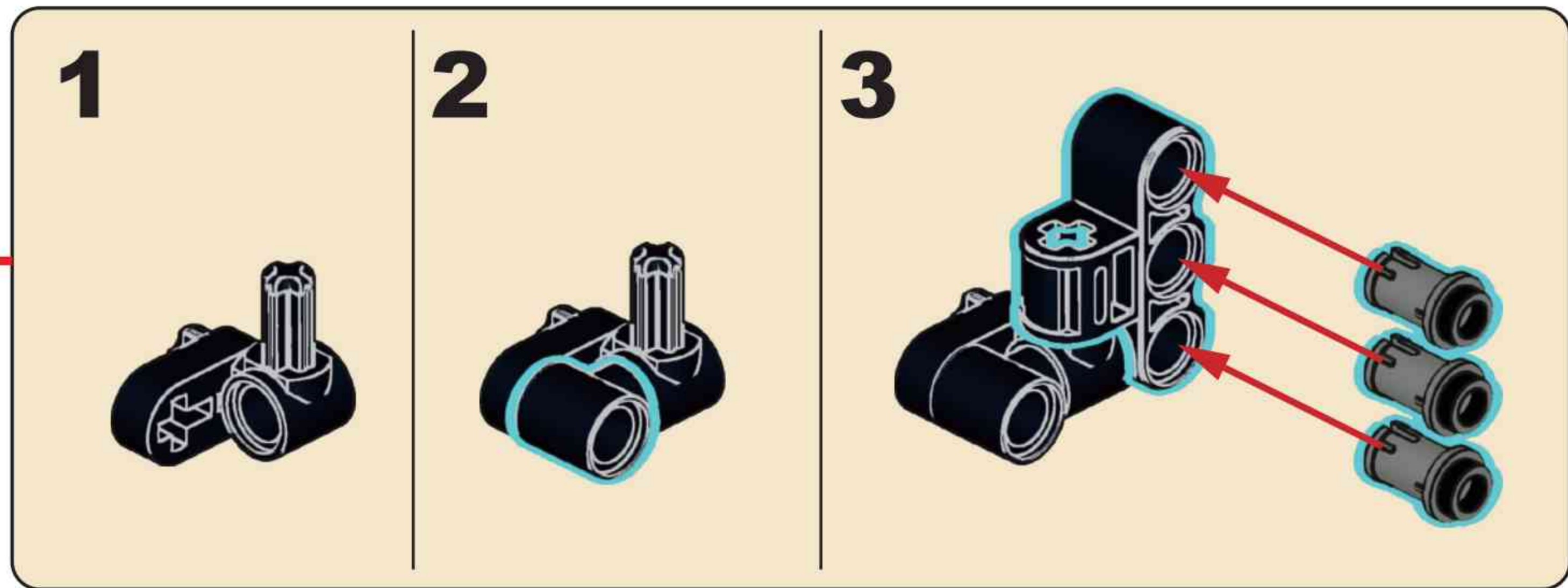
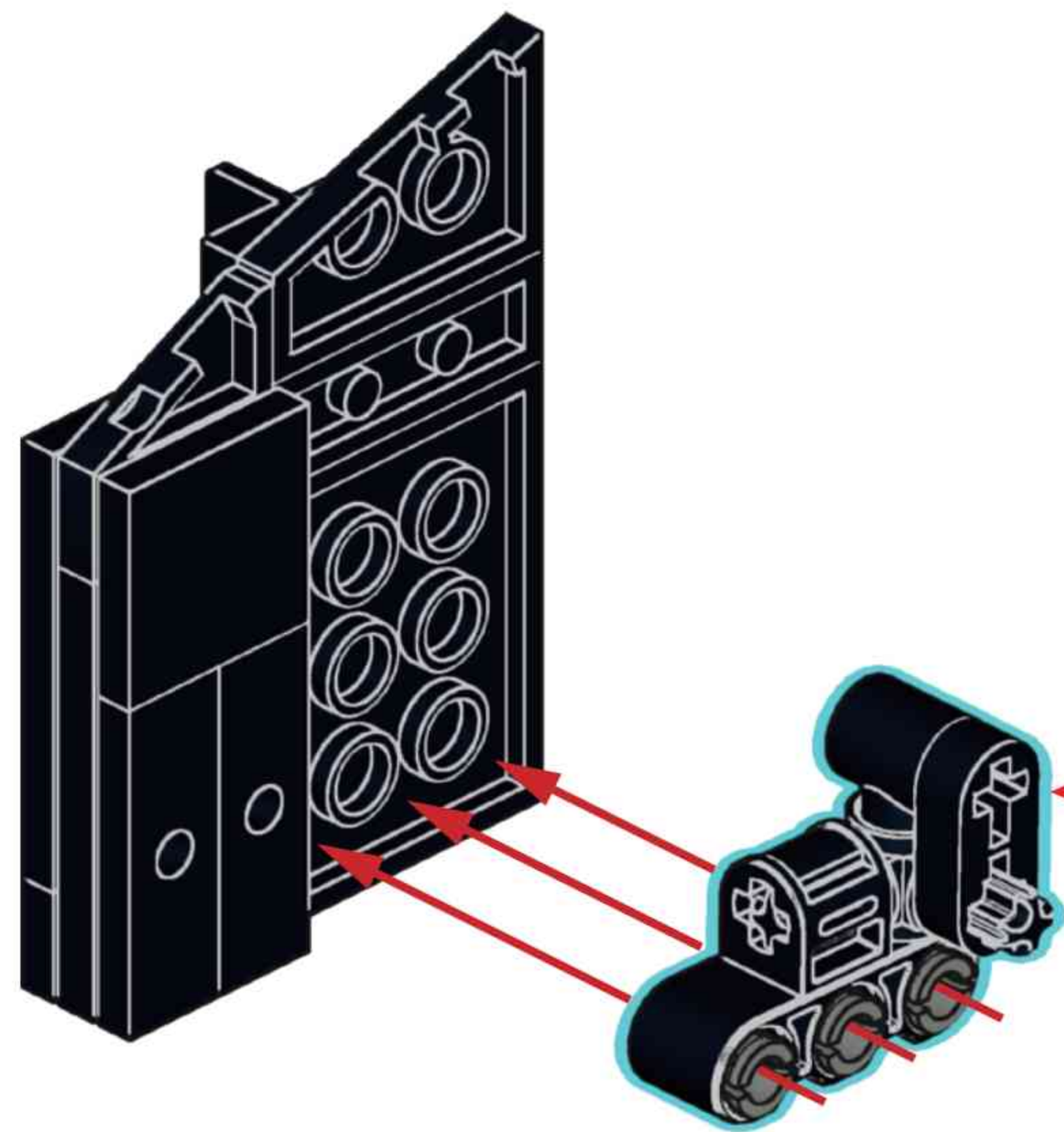
H168



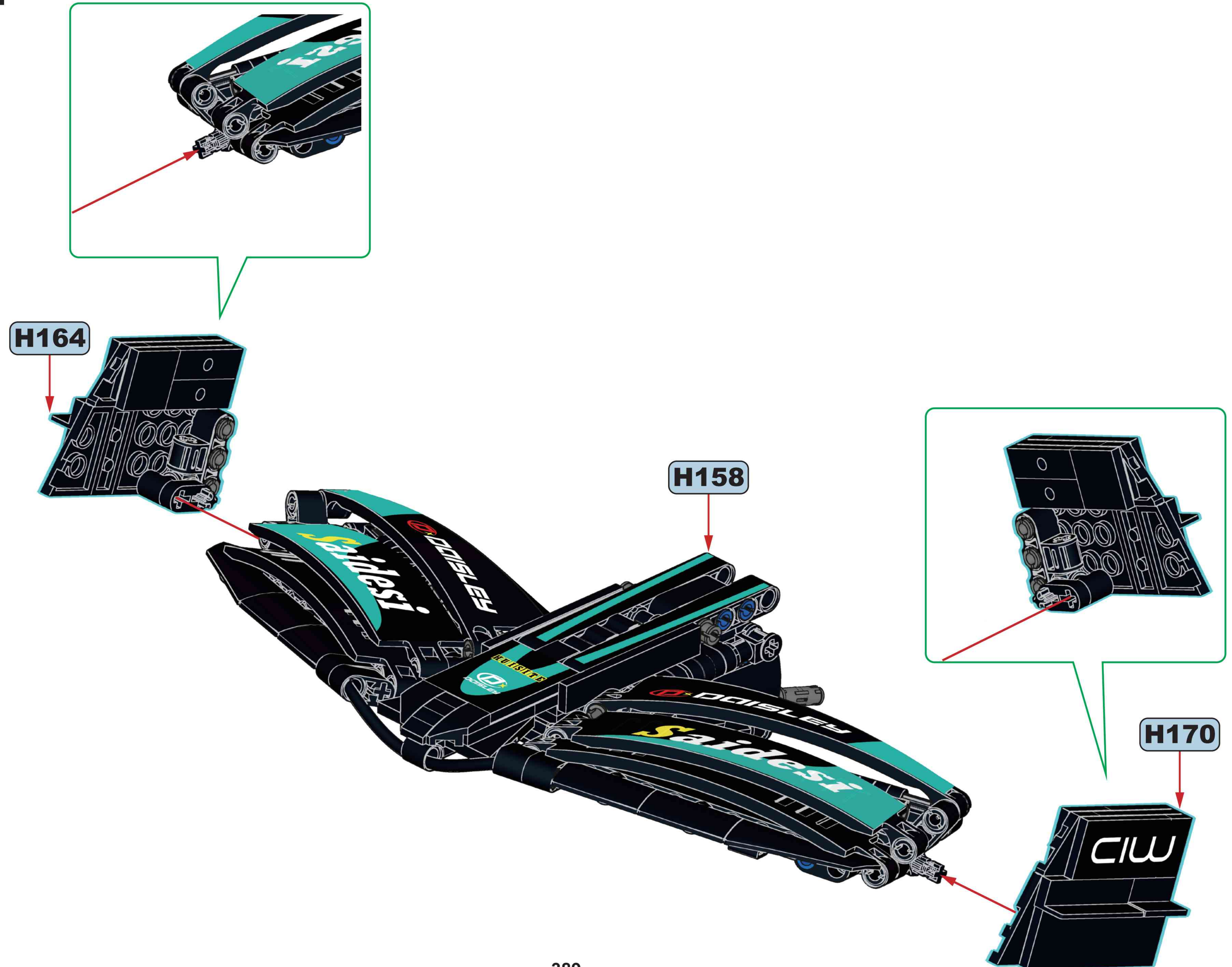
H169

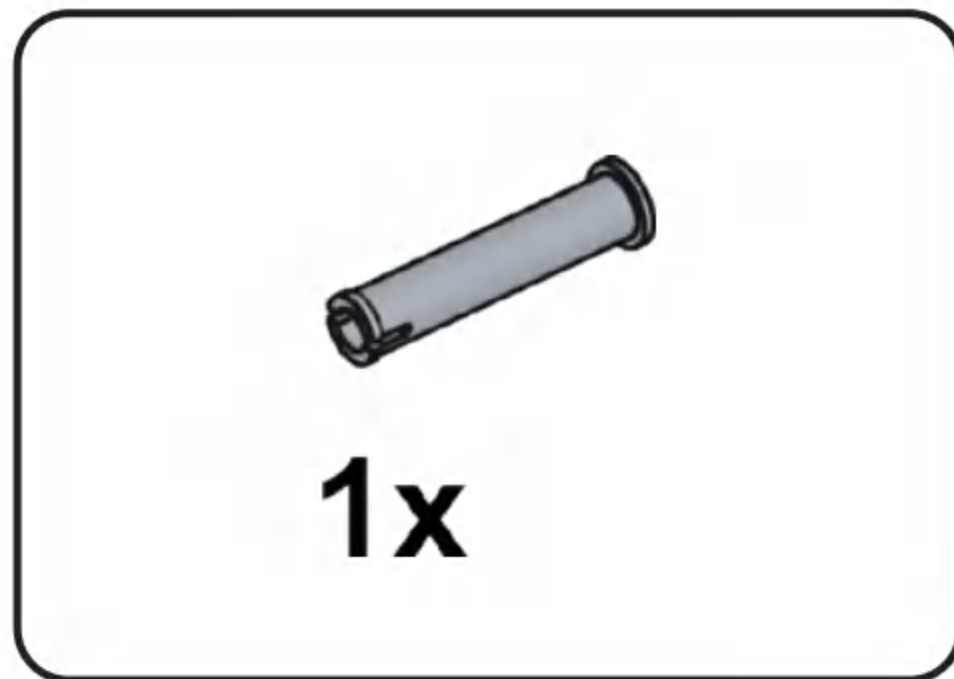


H170

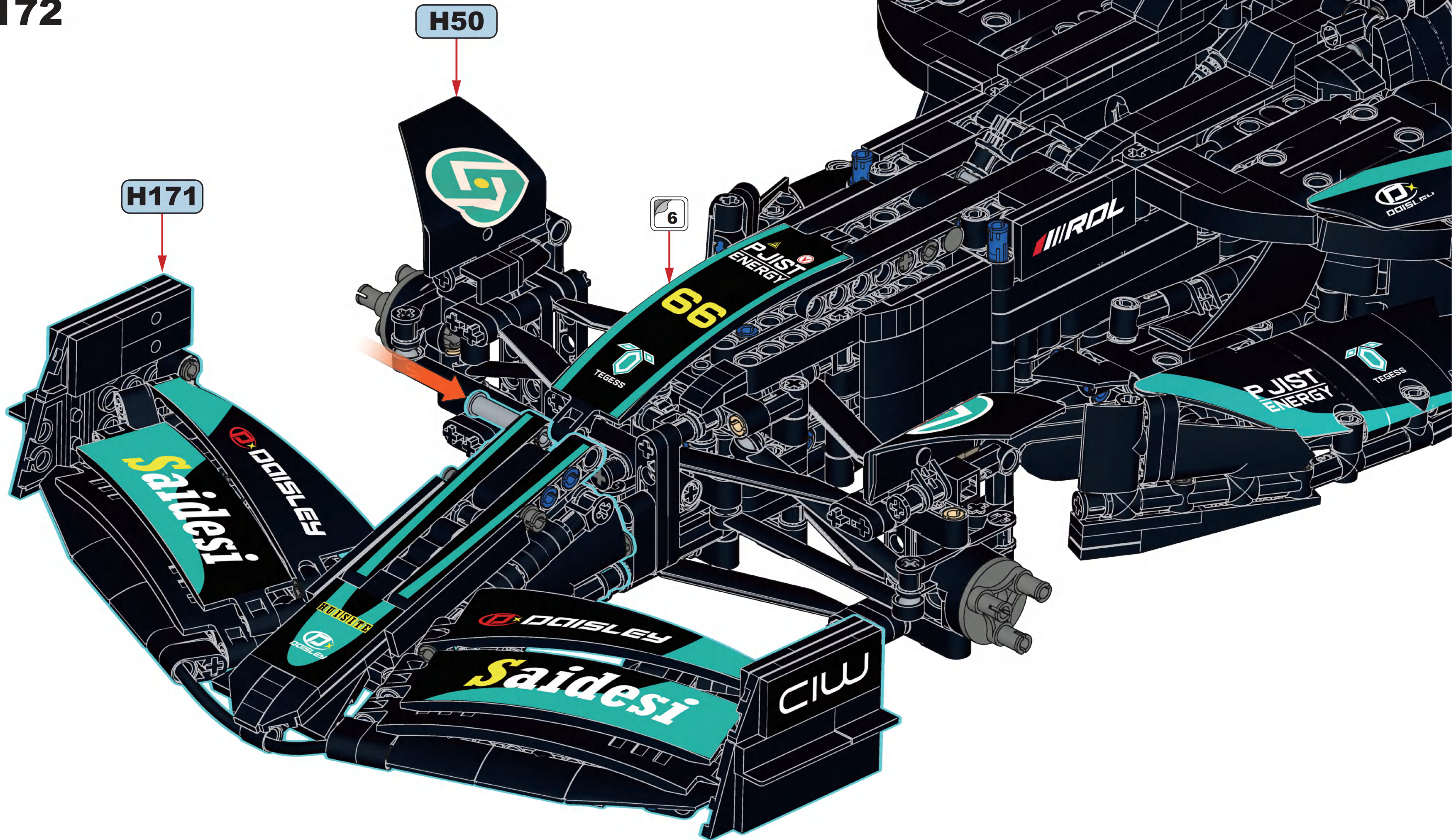


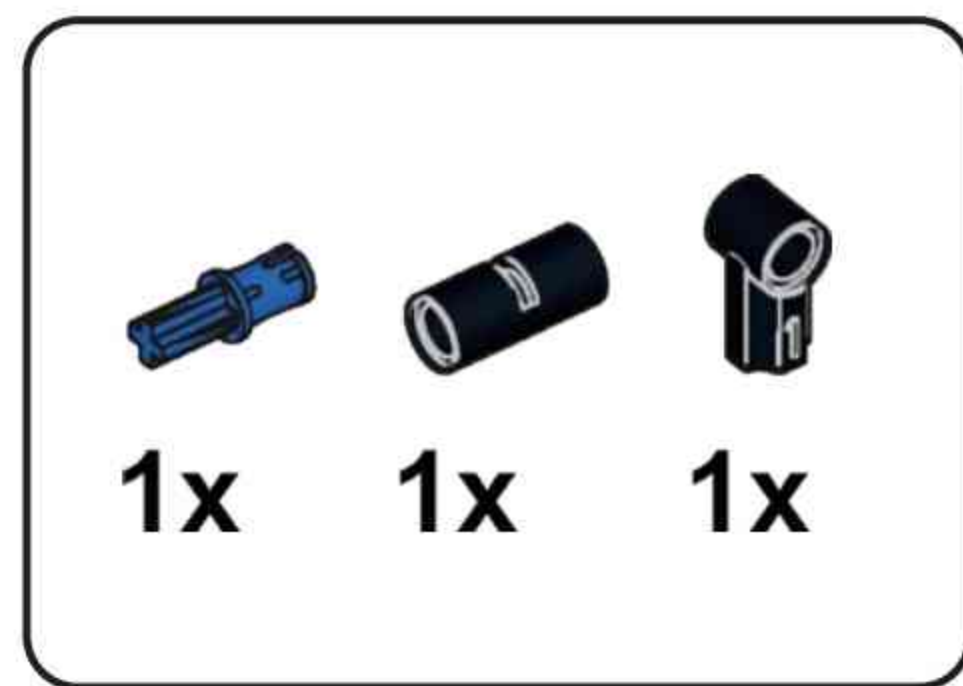
H171



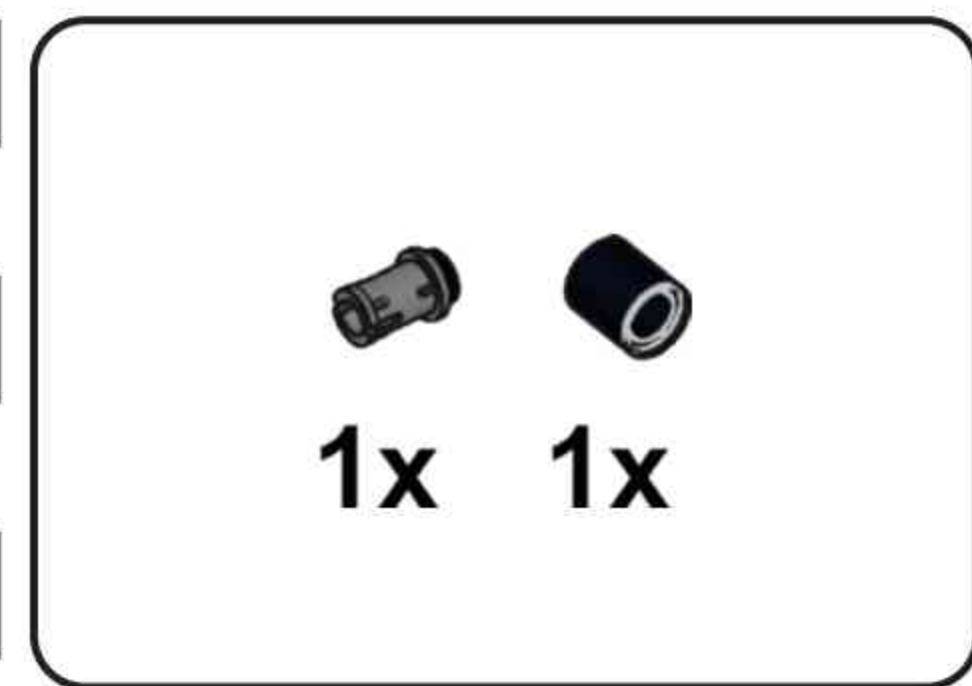
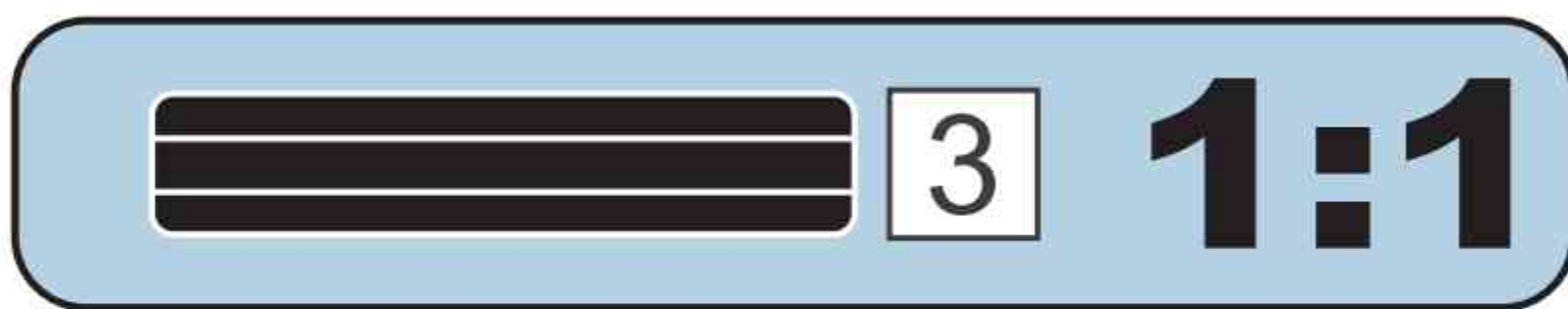
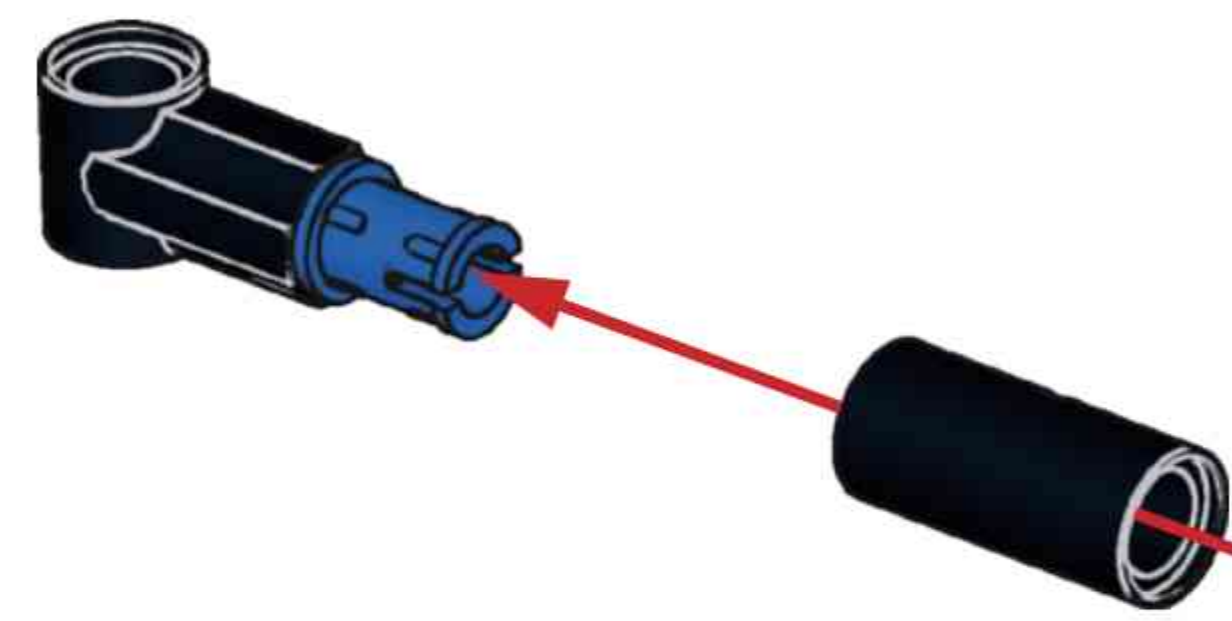


H172

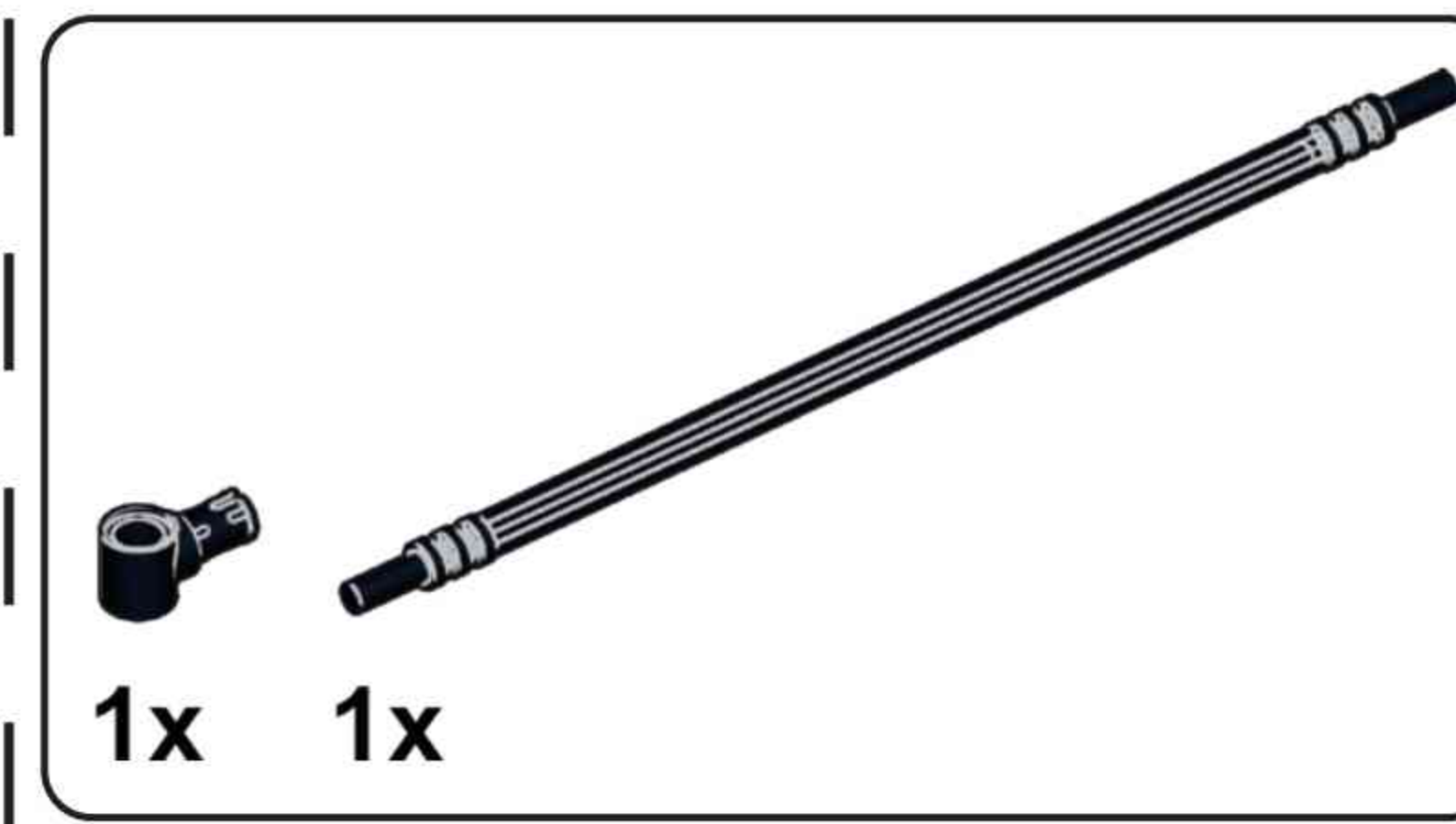
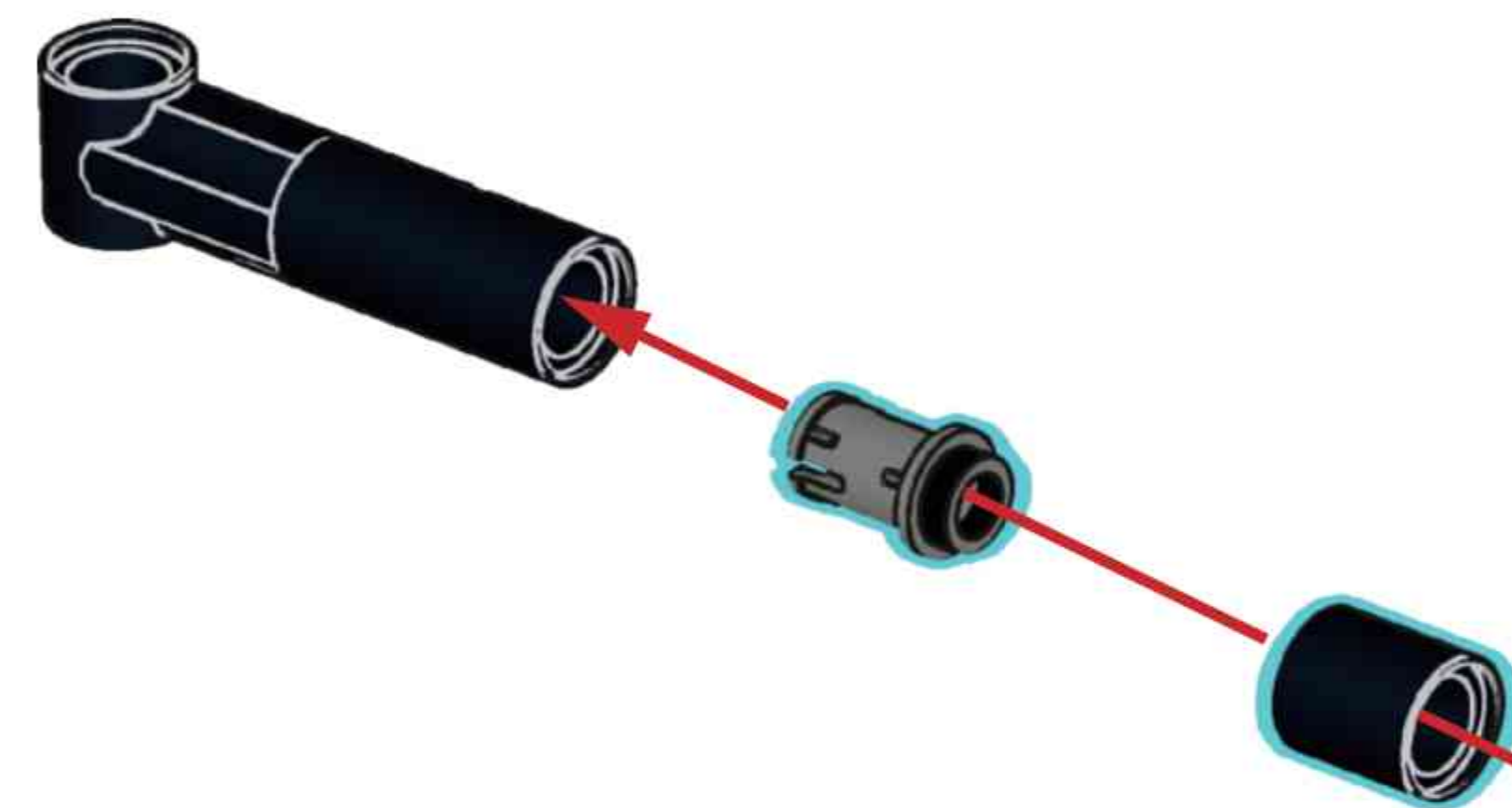




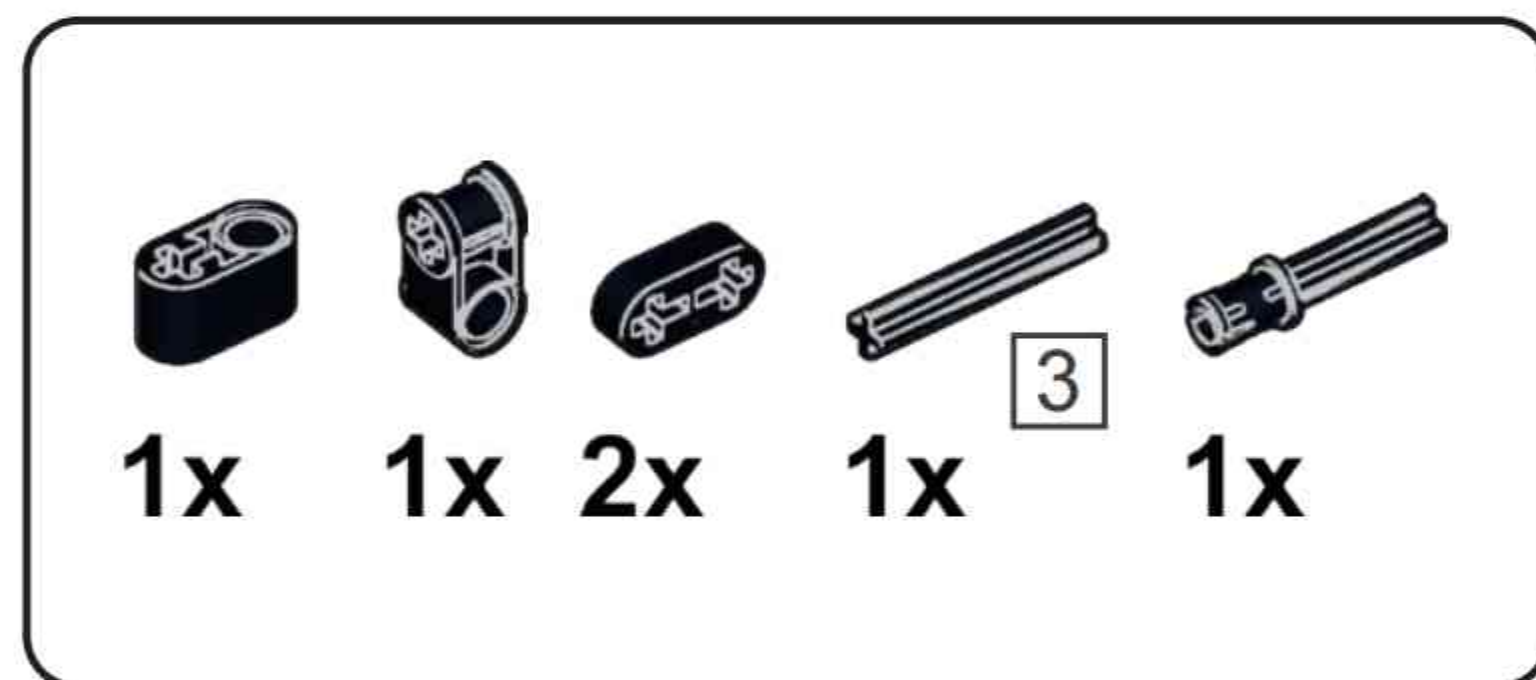
H173



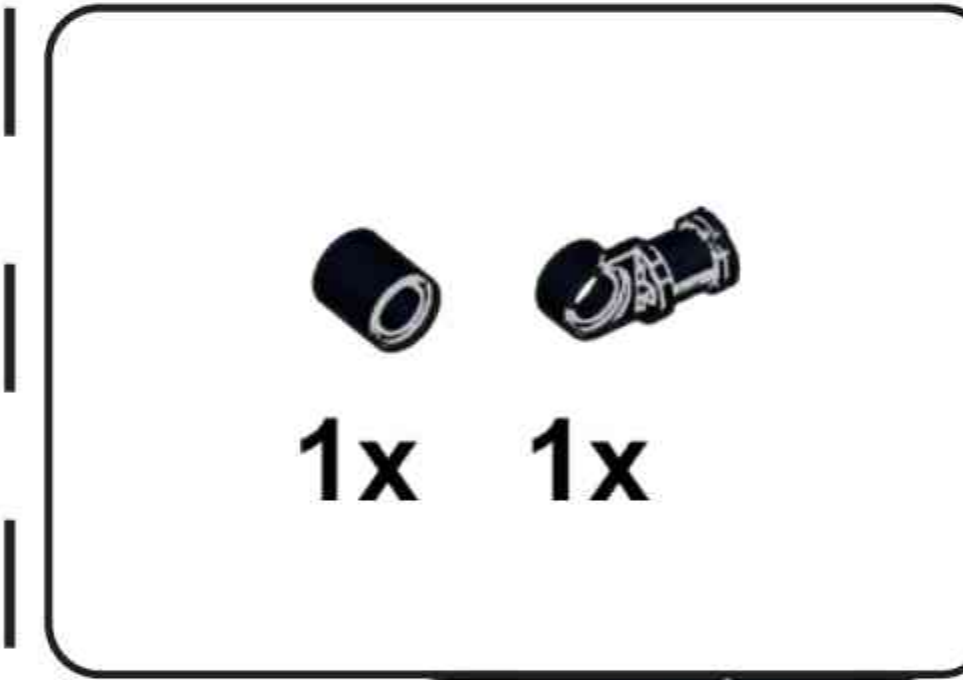
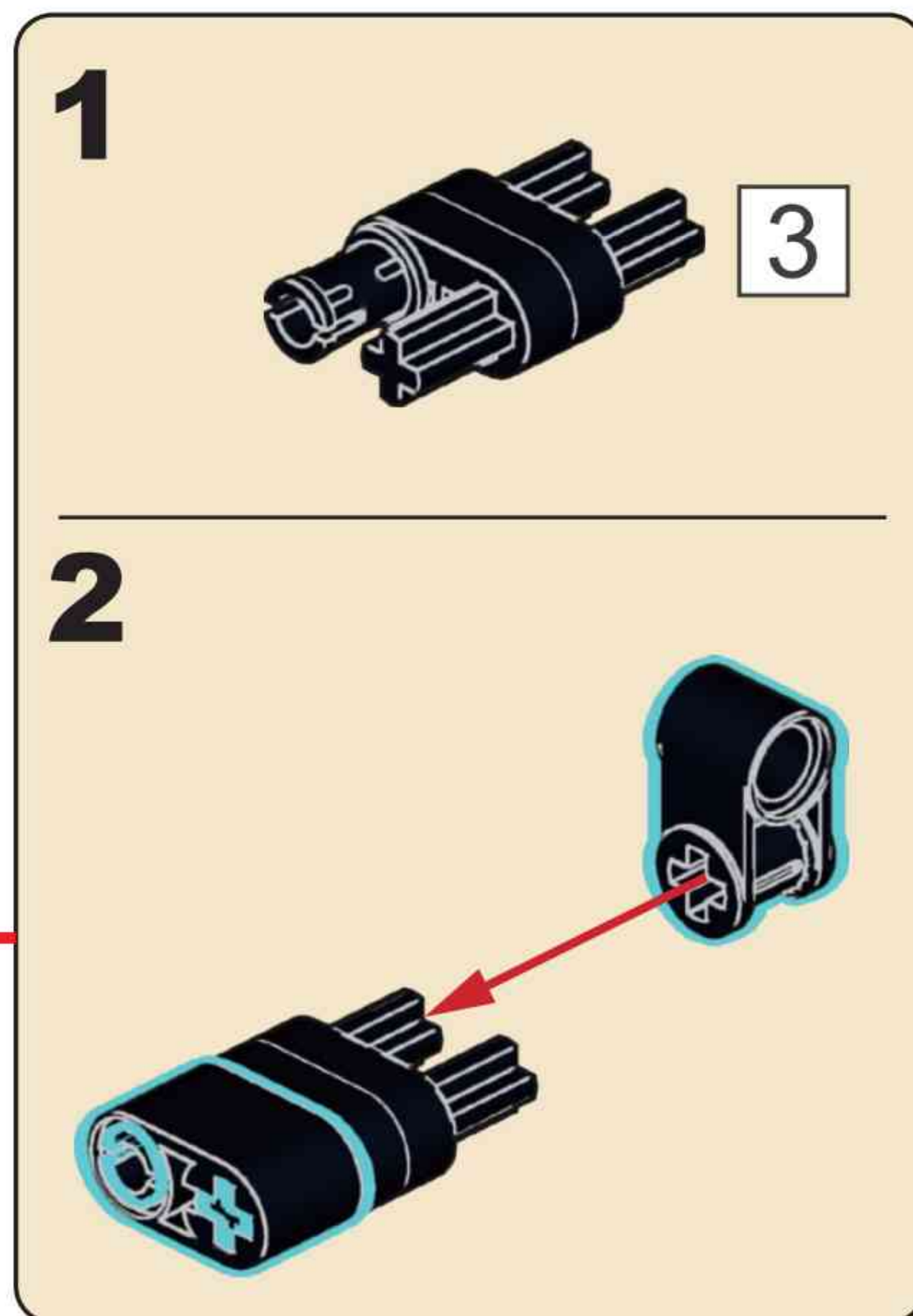
H174



H175

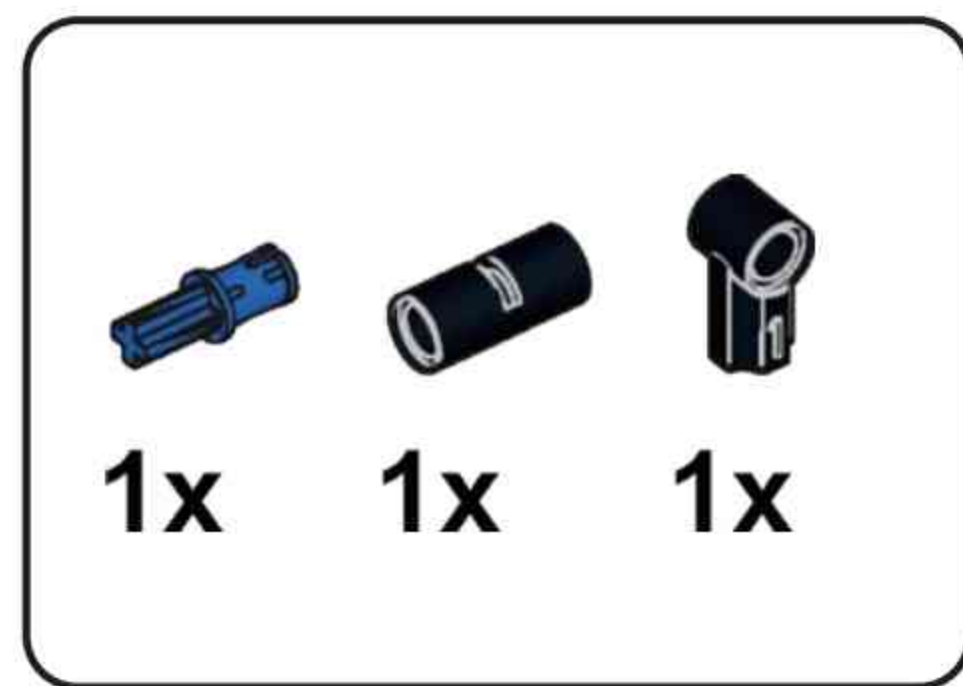


H176

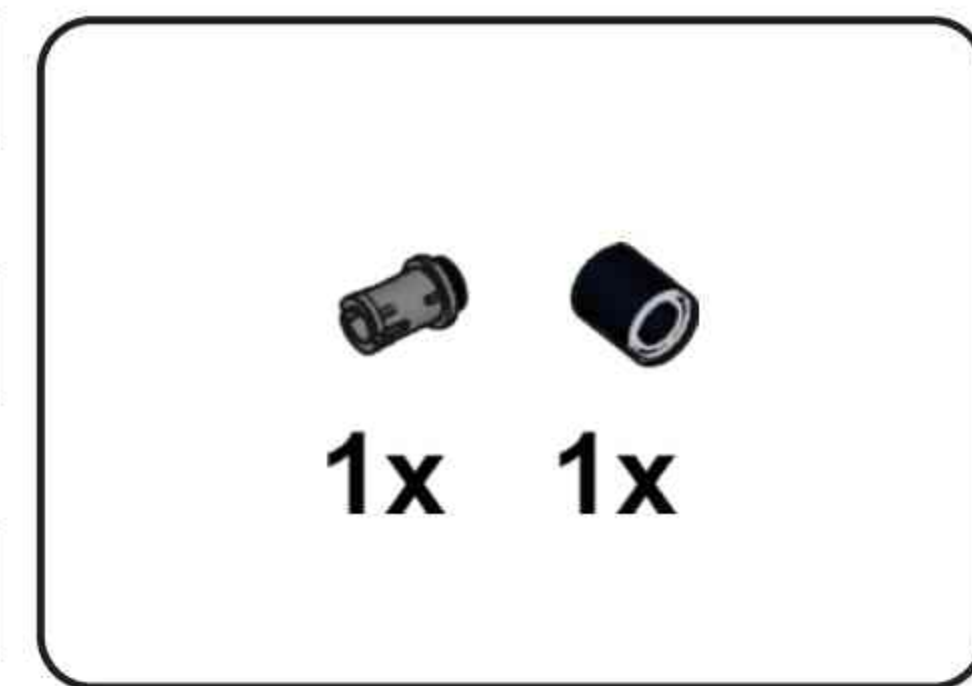
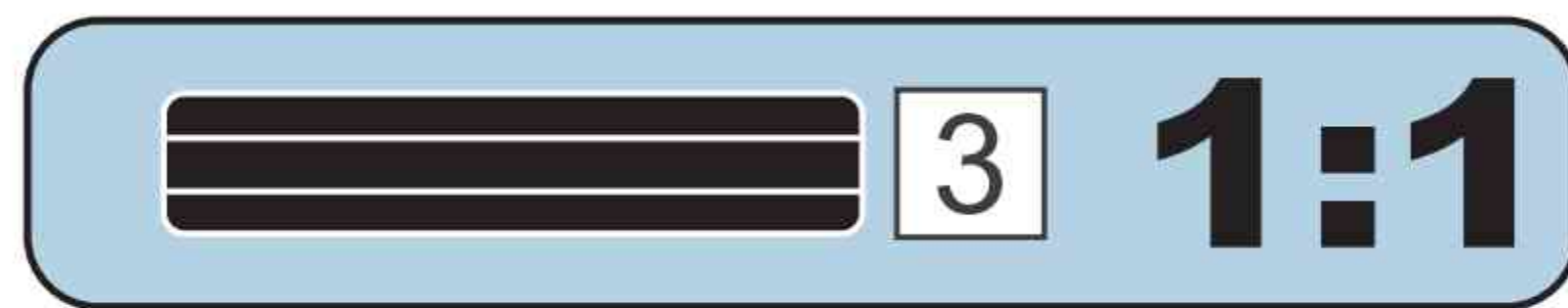
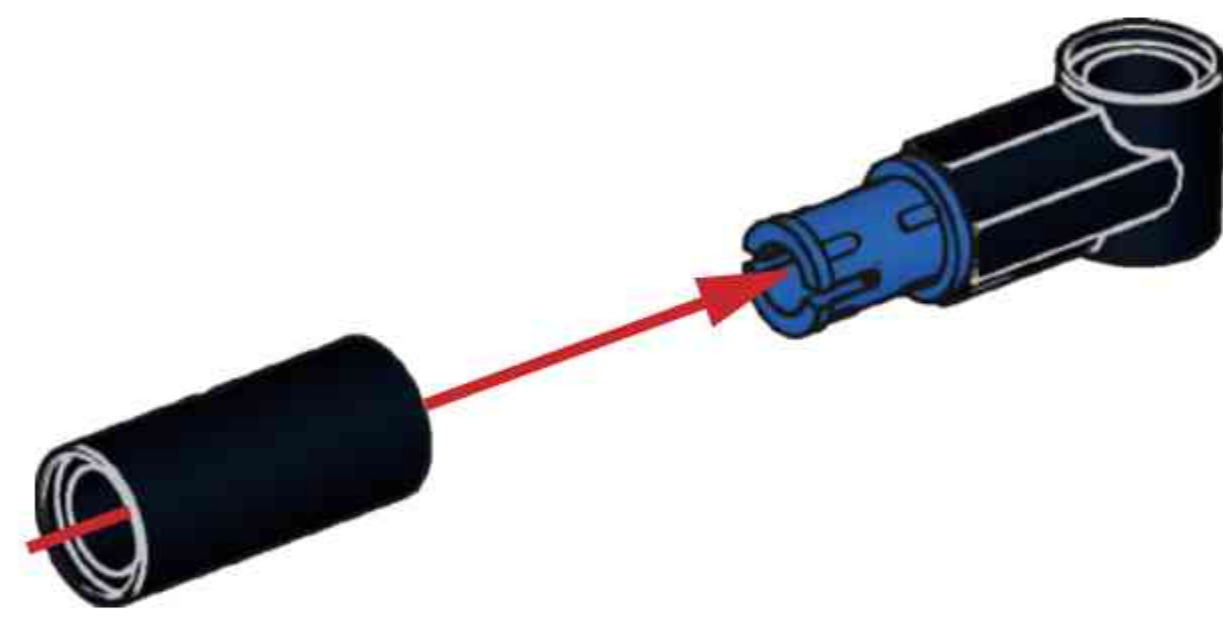


H177

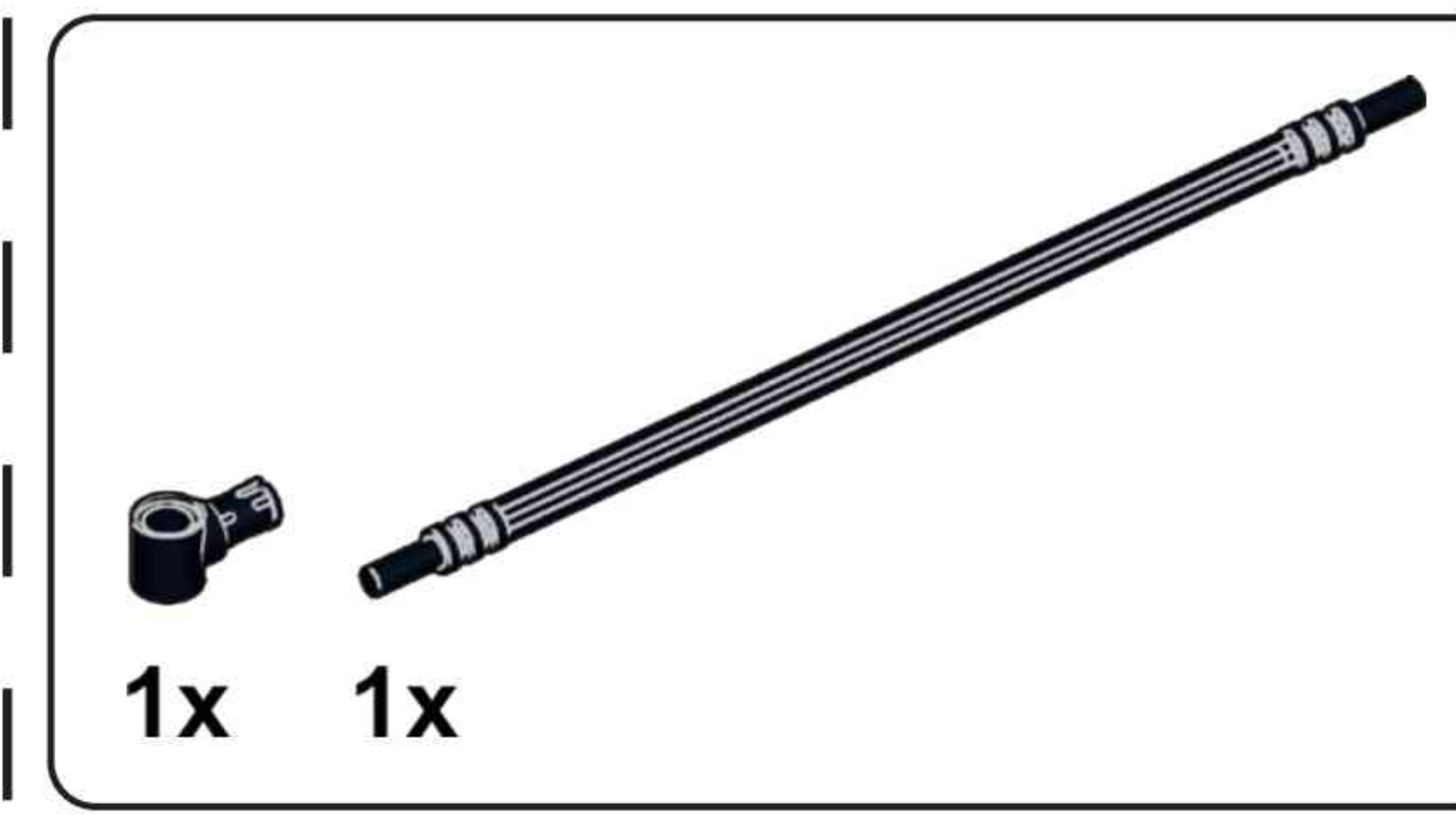
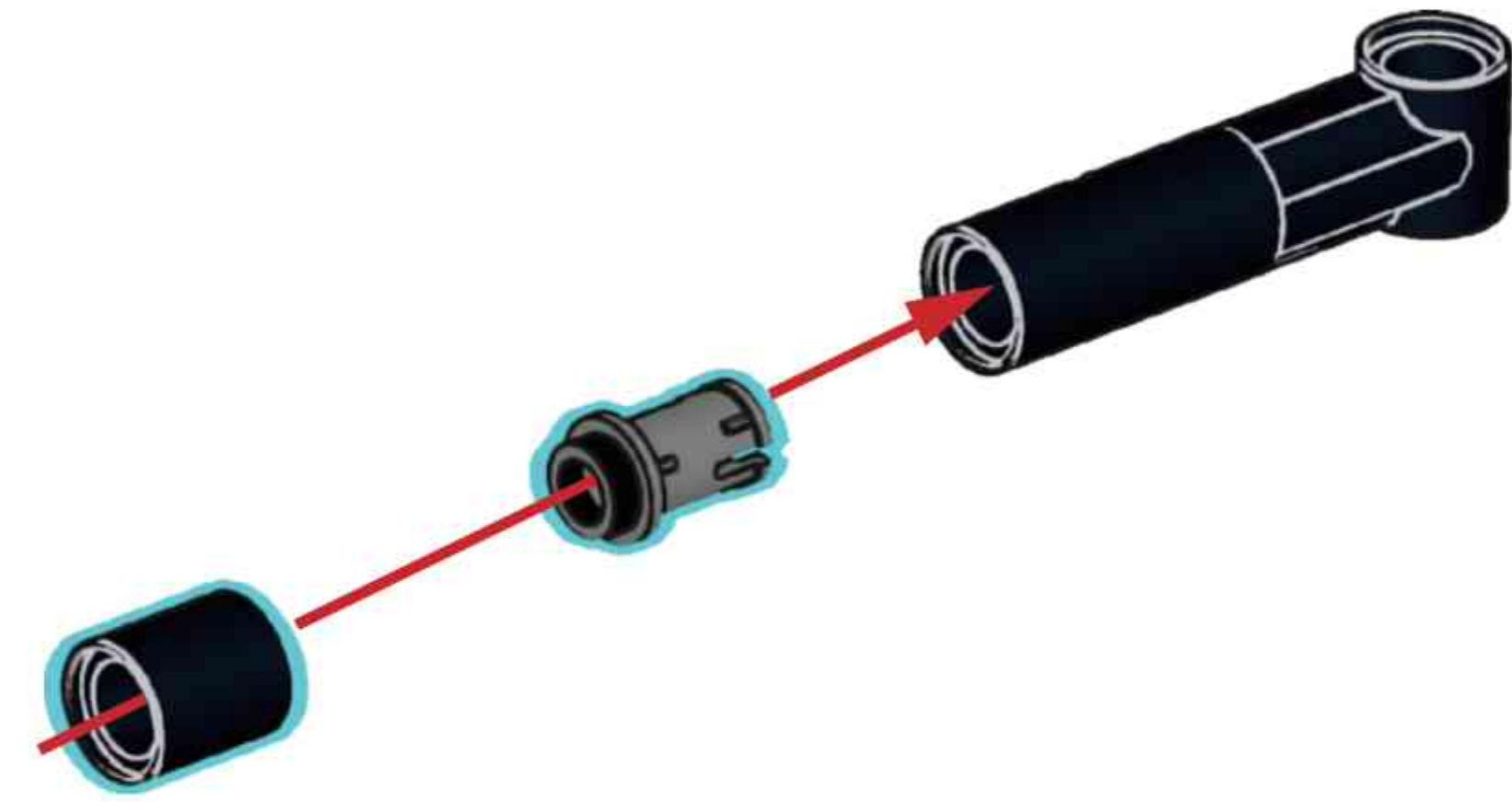




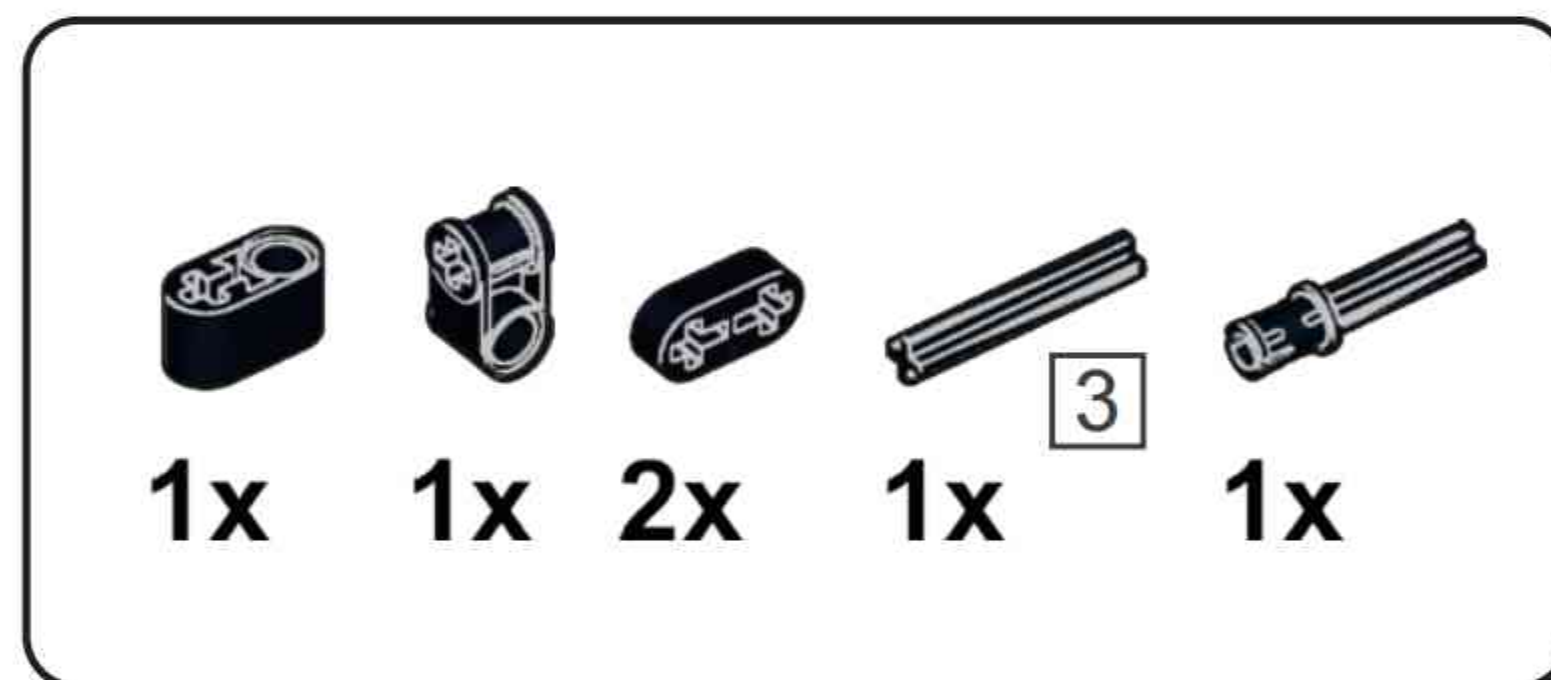
H178



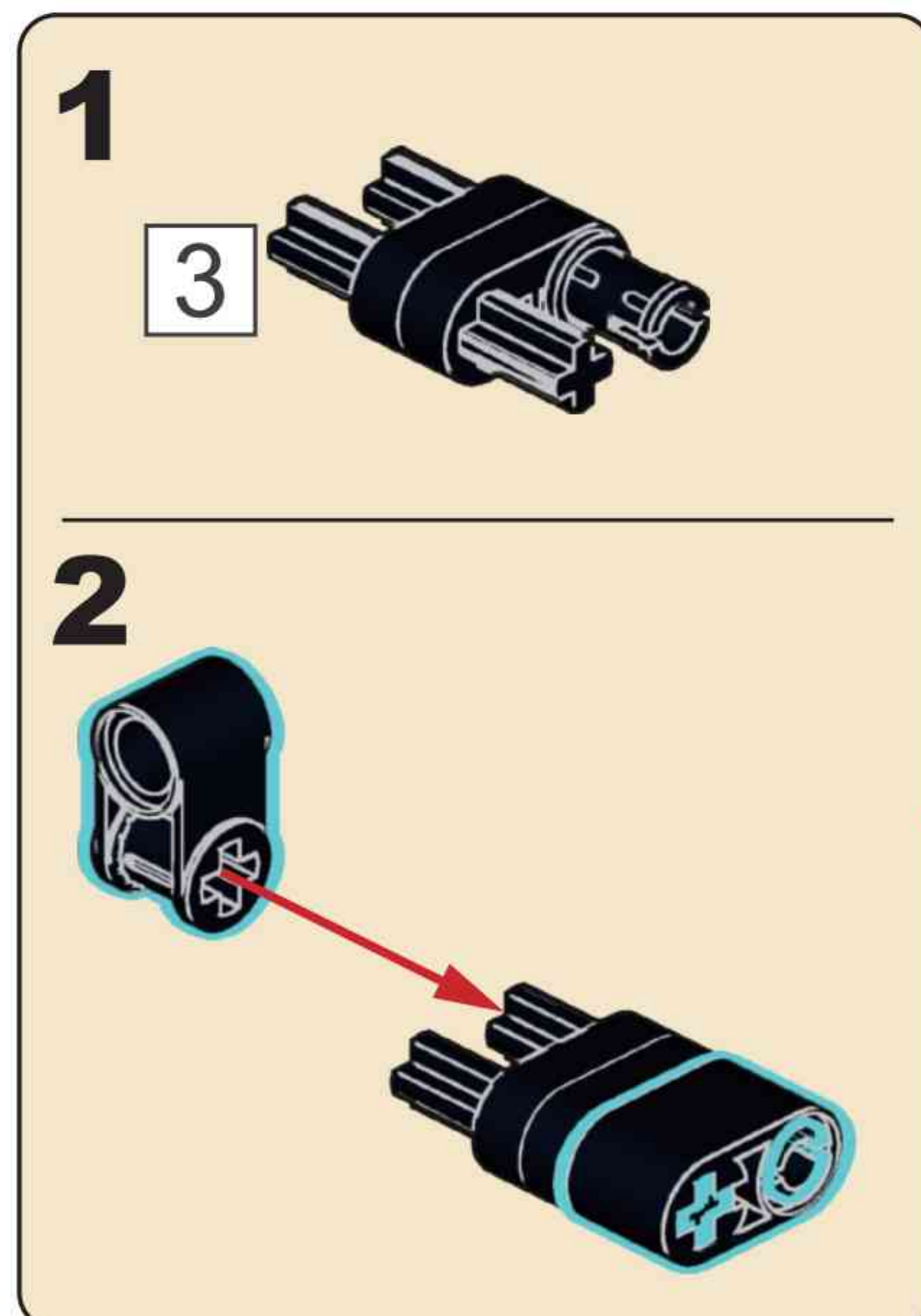
H179



H180



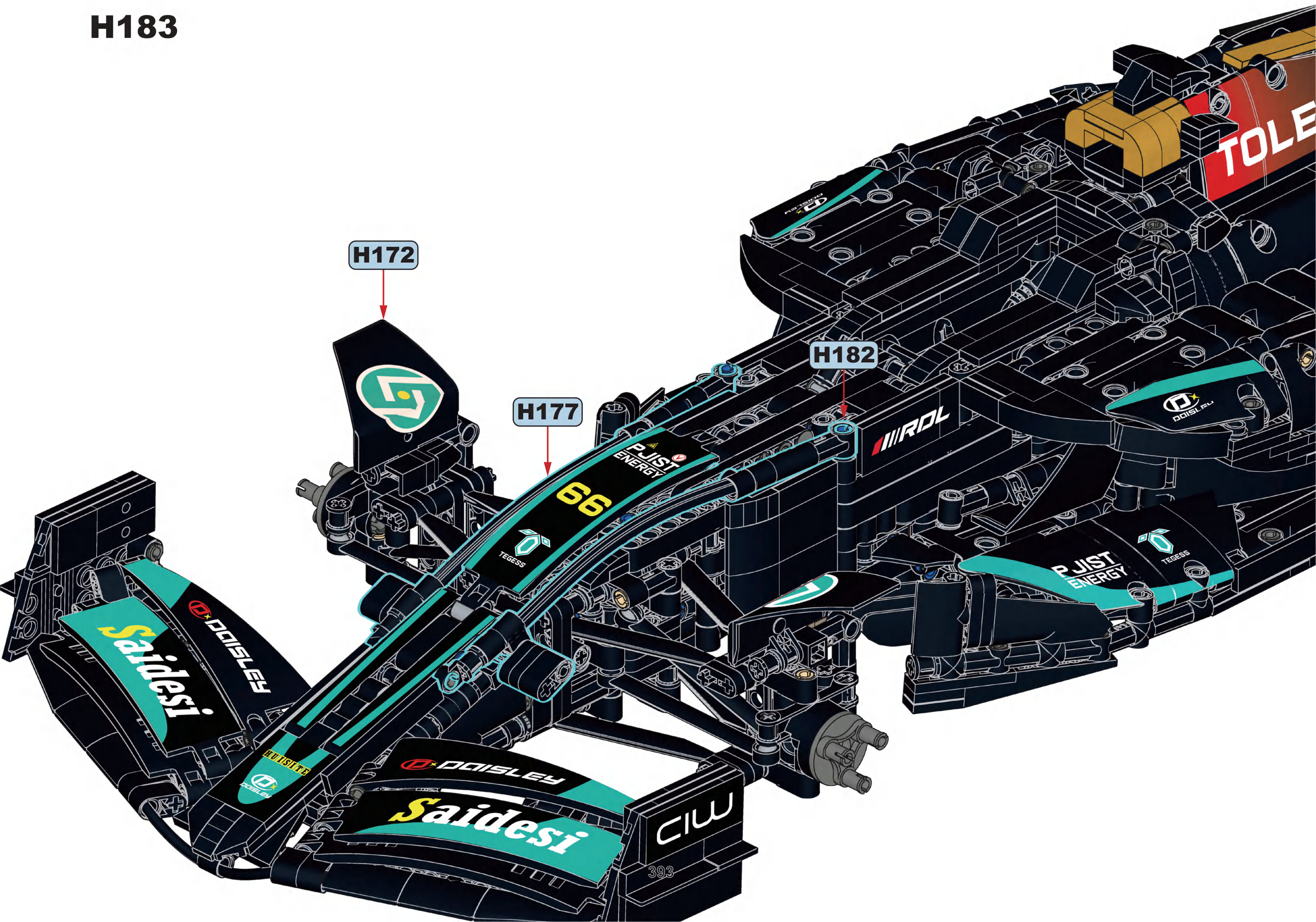
H181

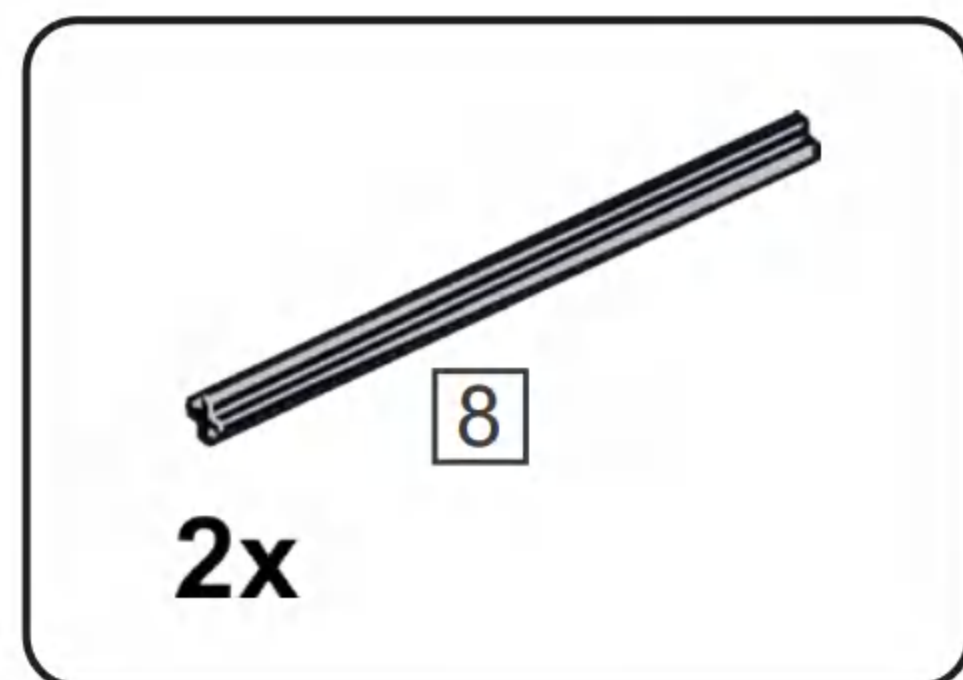


H182

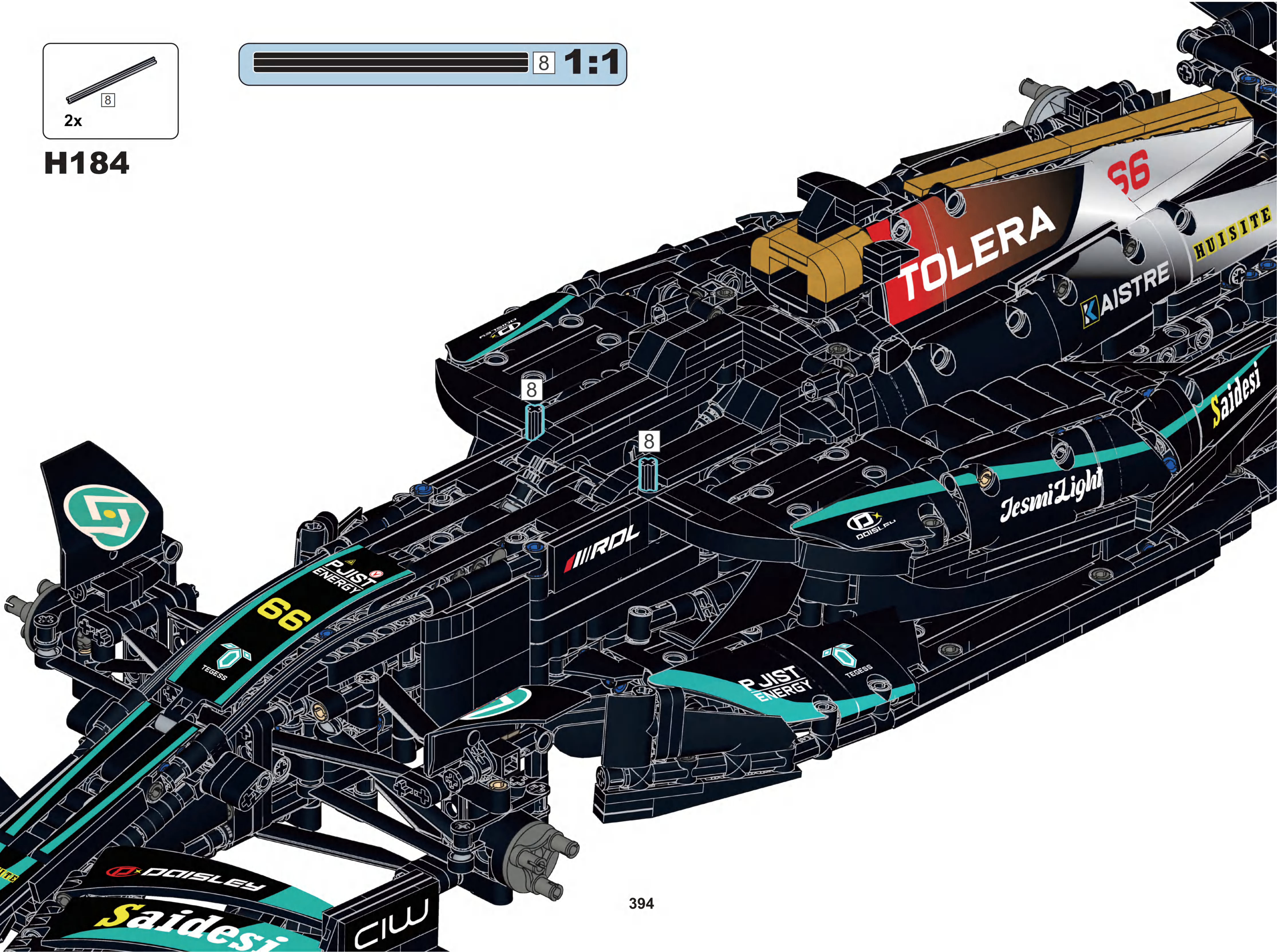



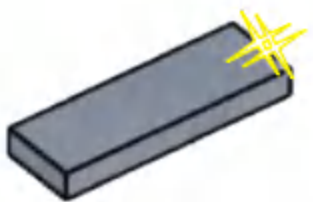



H183





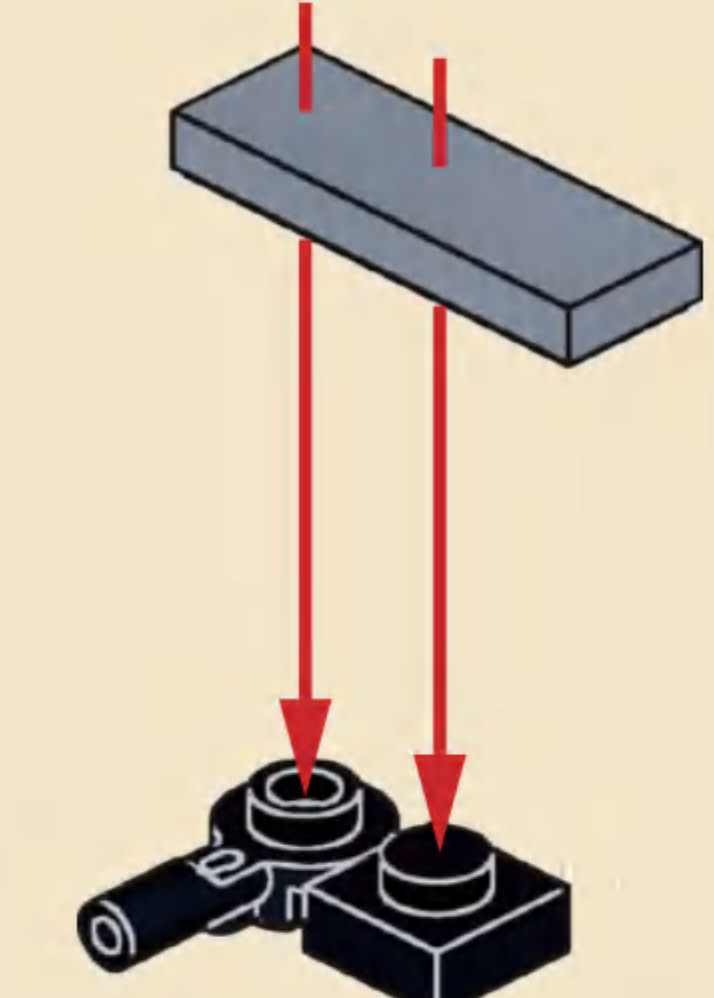
H184



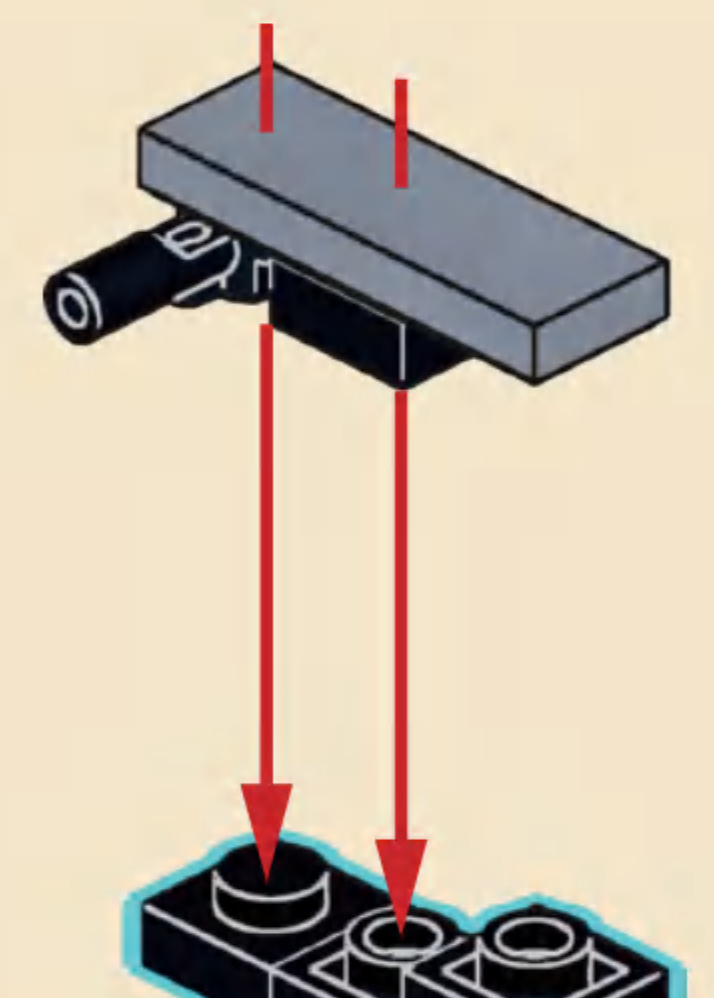
-  2x
-  2x
-  4x
-  2x
-  2x

H185

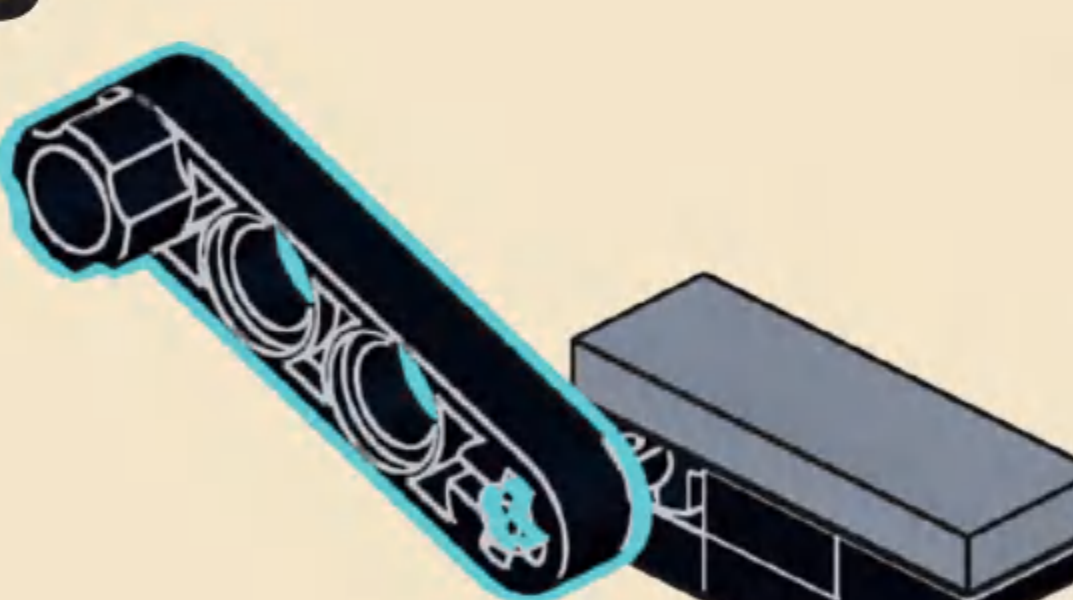
1



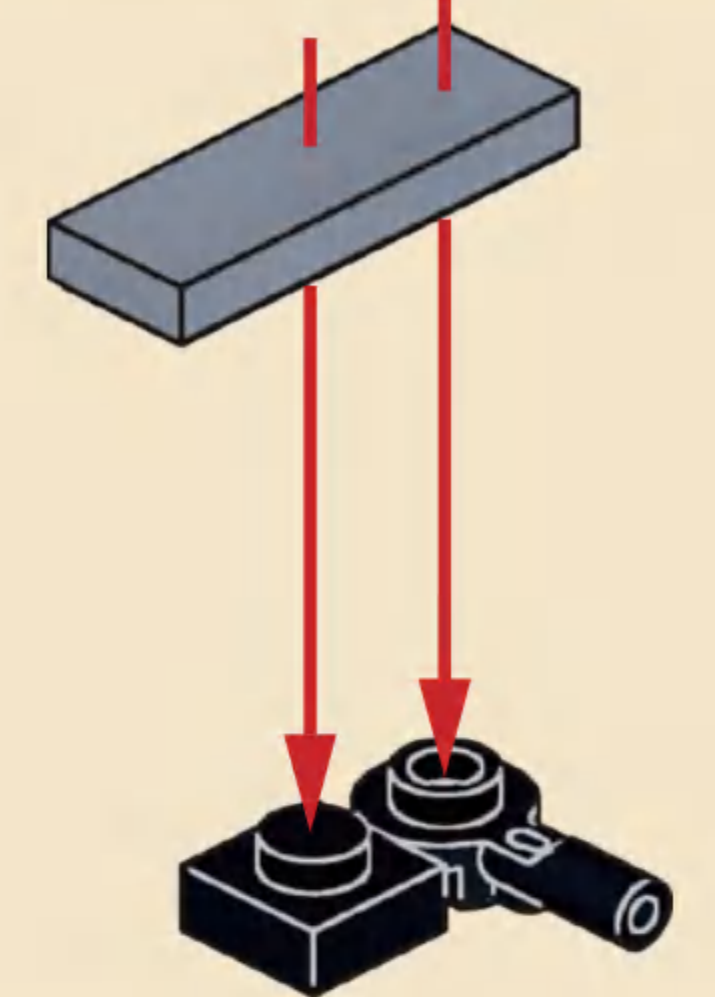
2



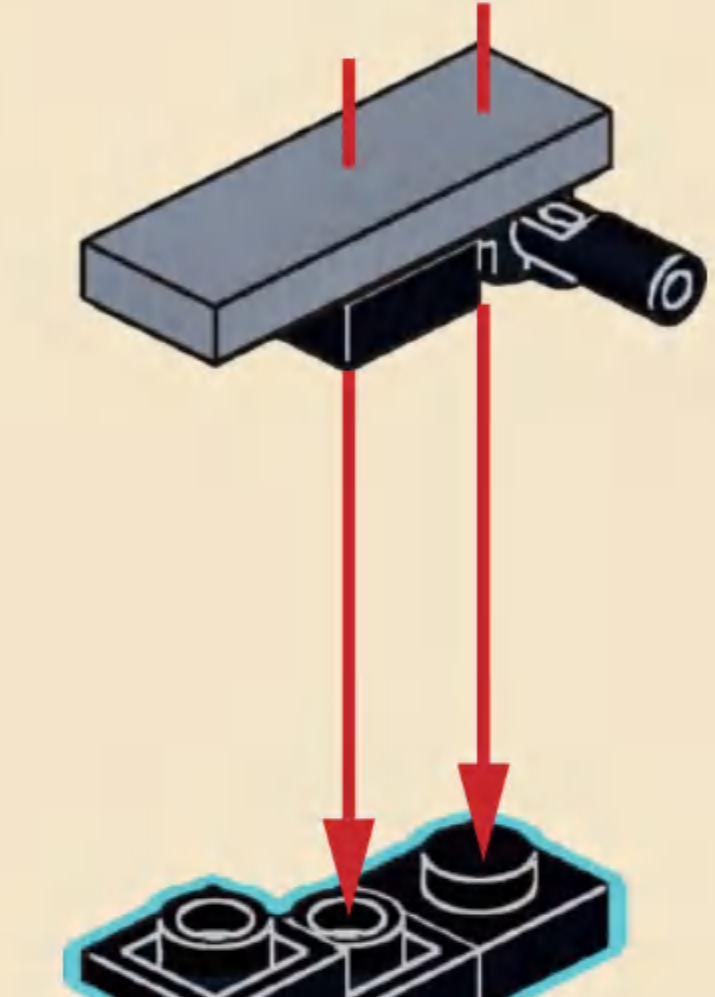
3



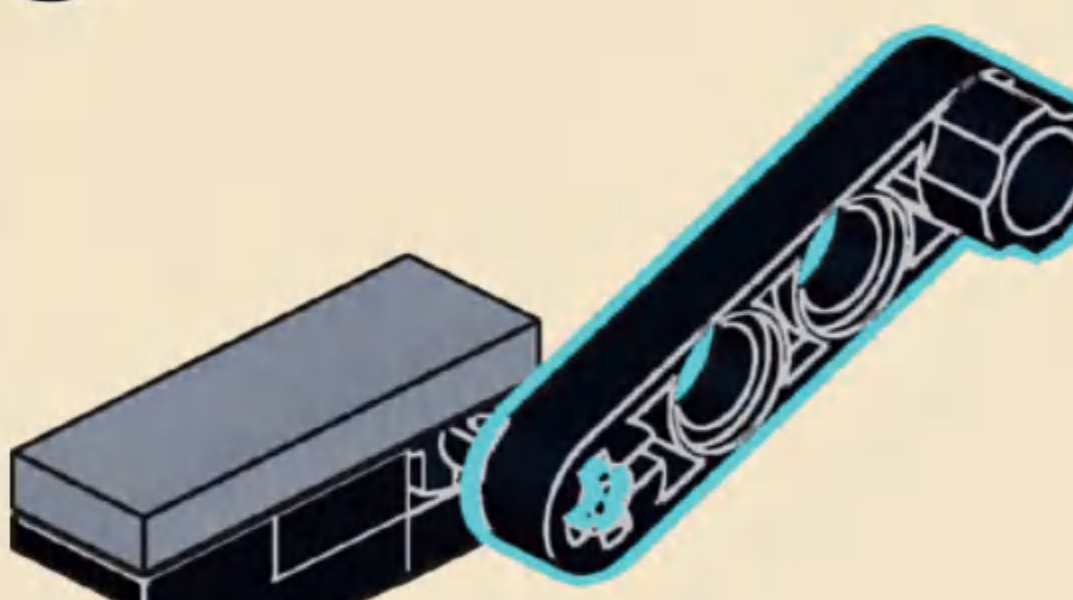
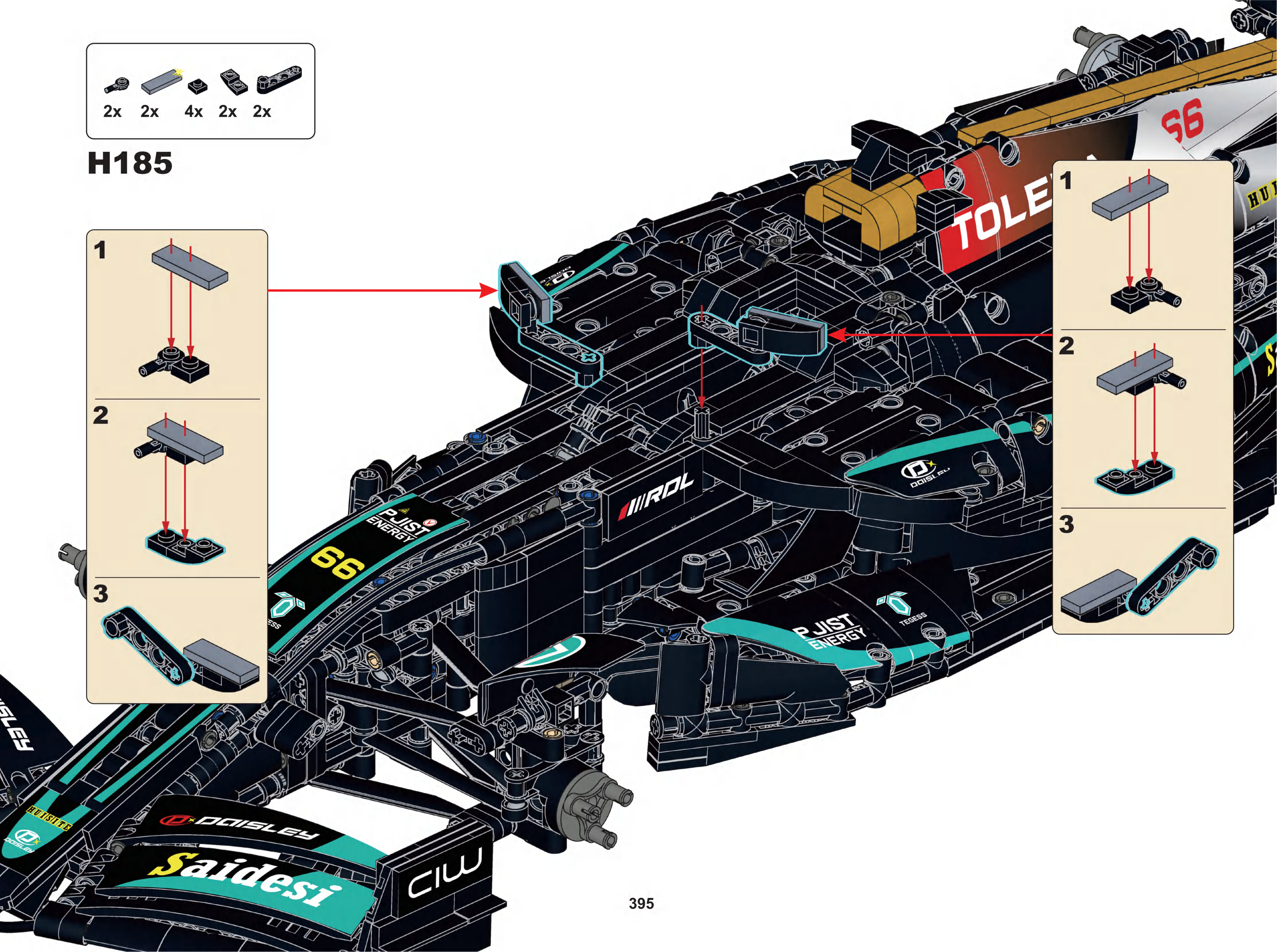
1

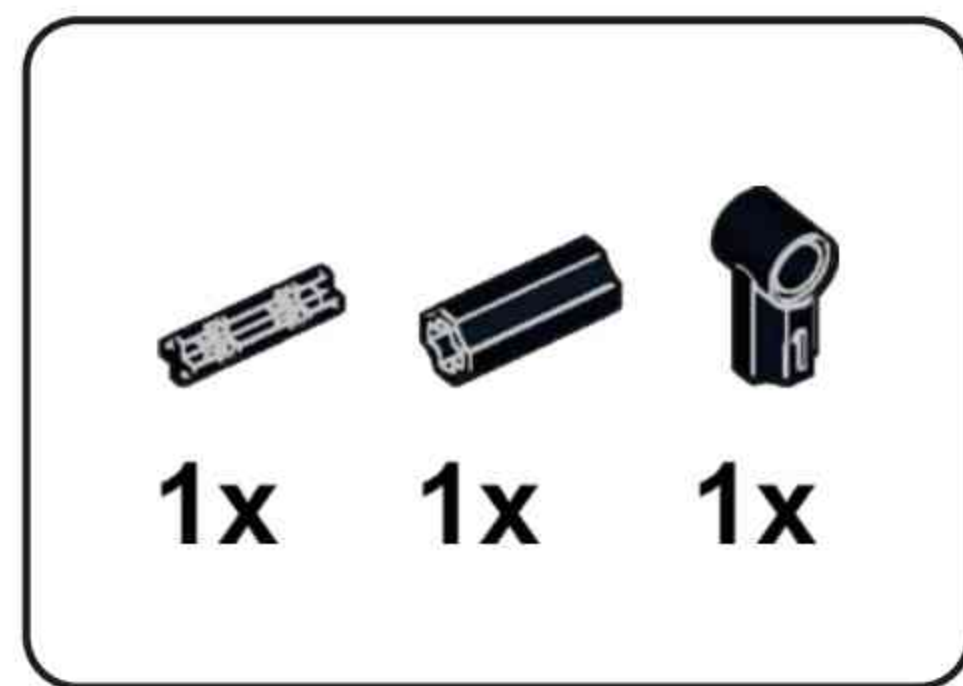


2

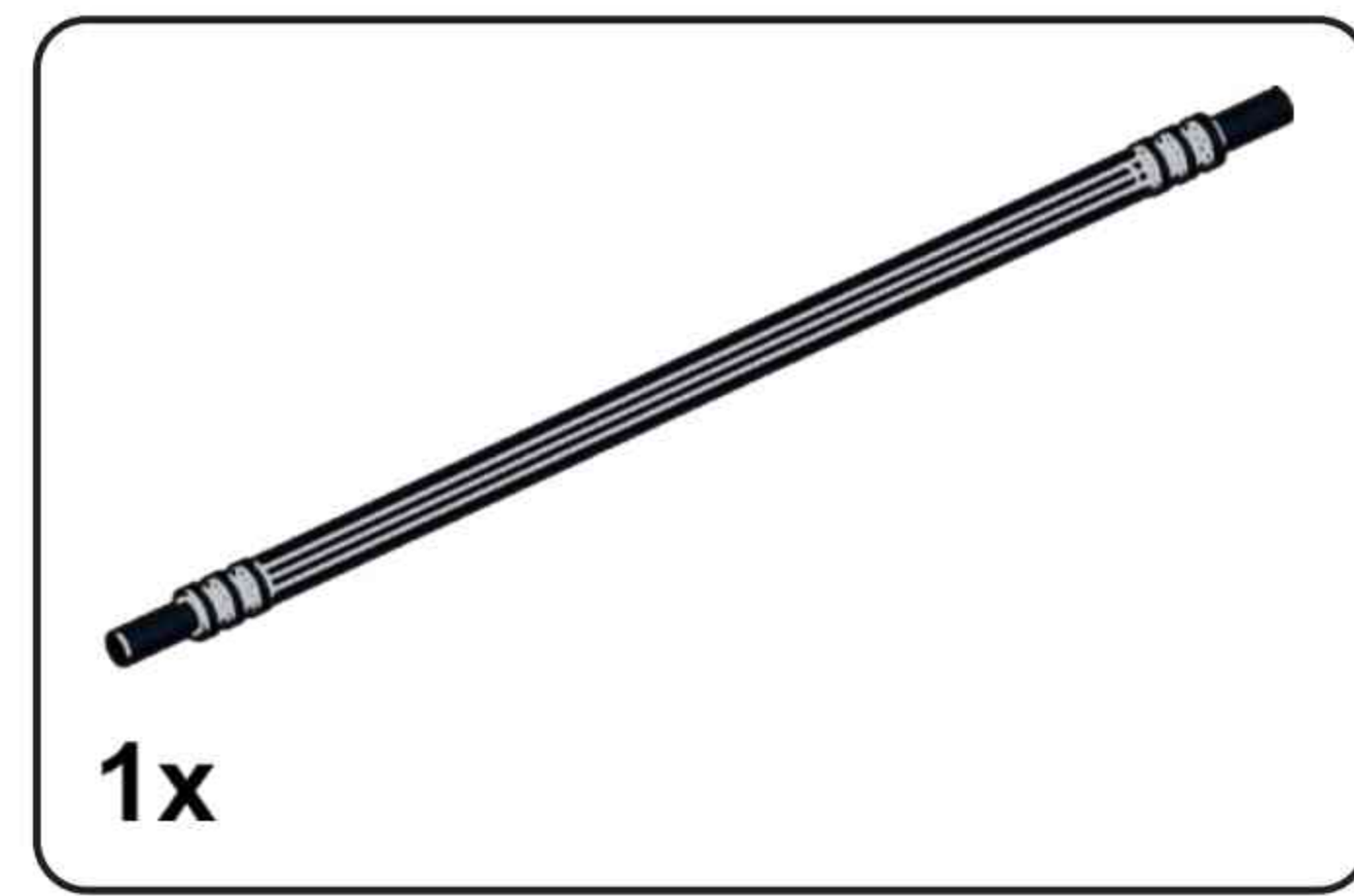
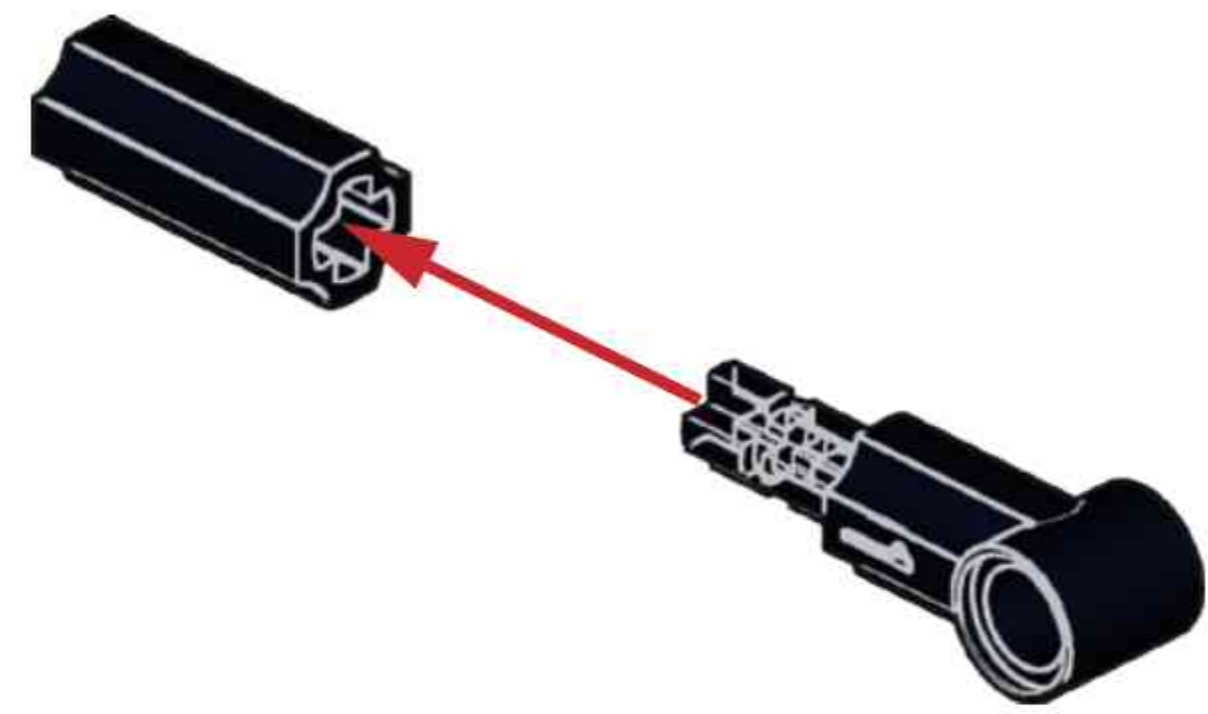


3

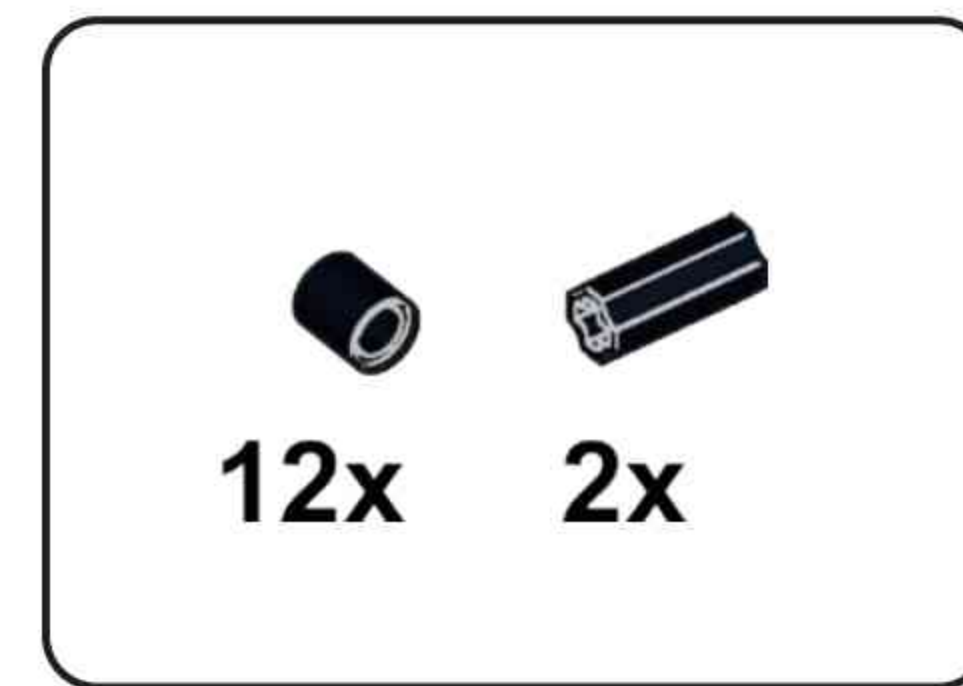





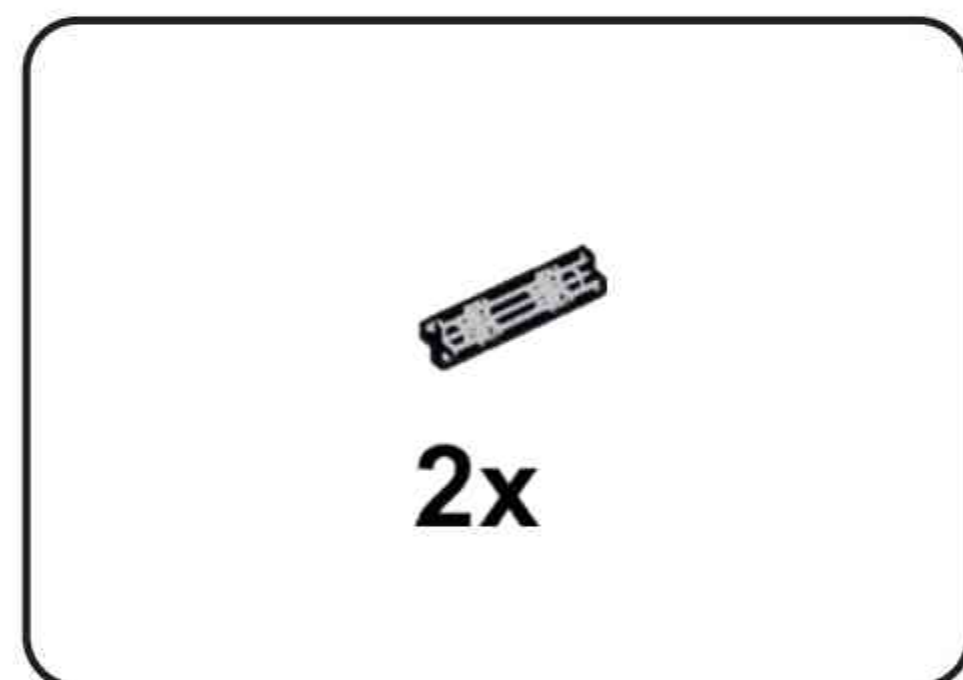
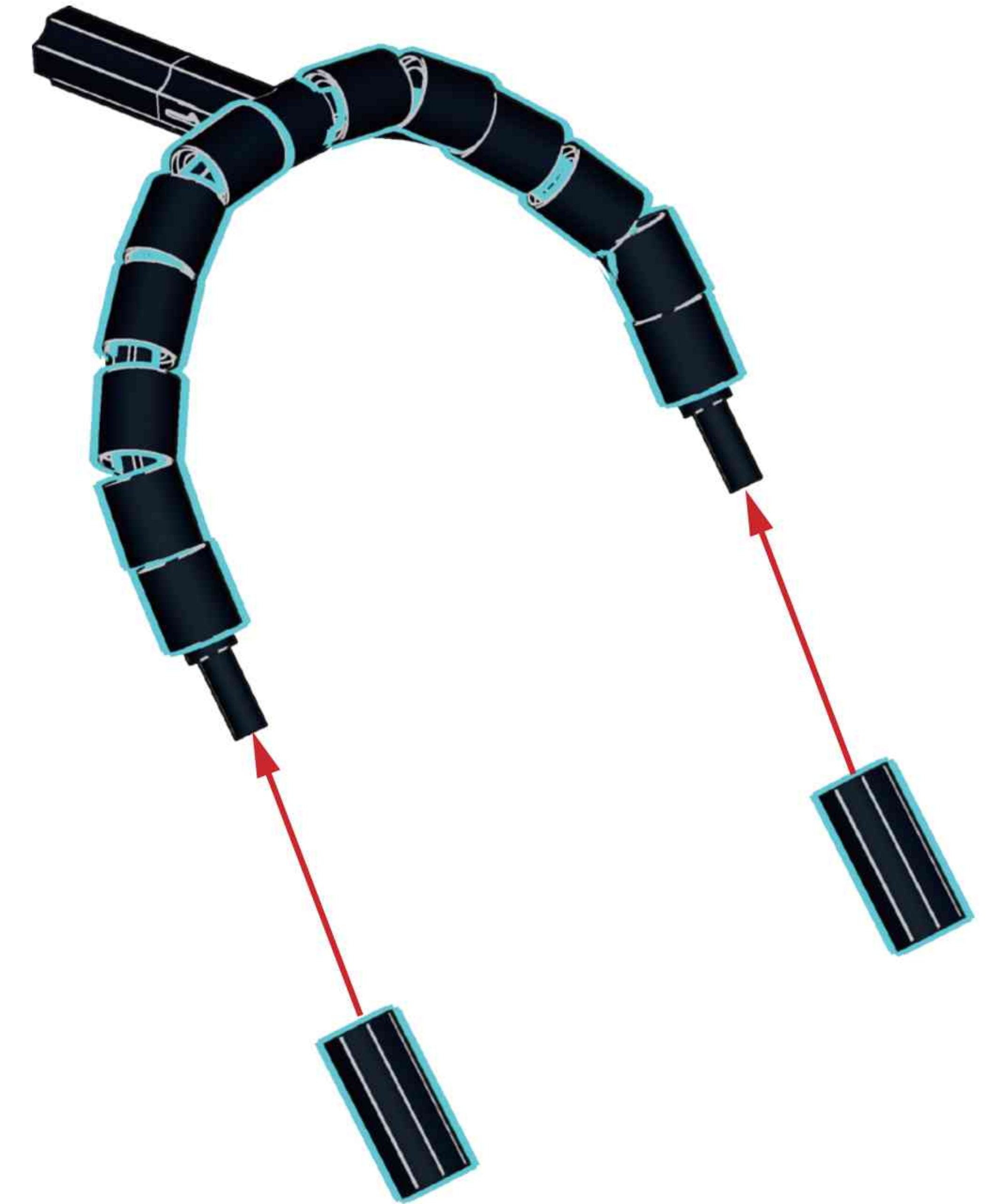
H186



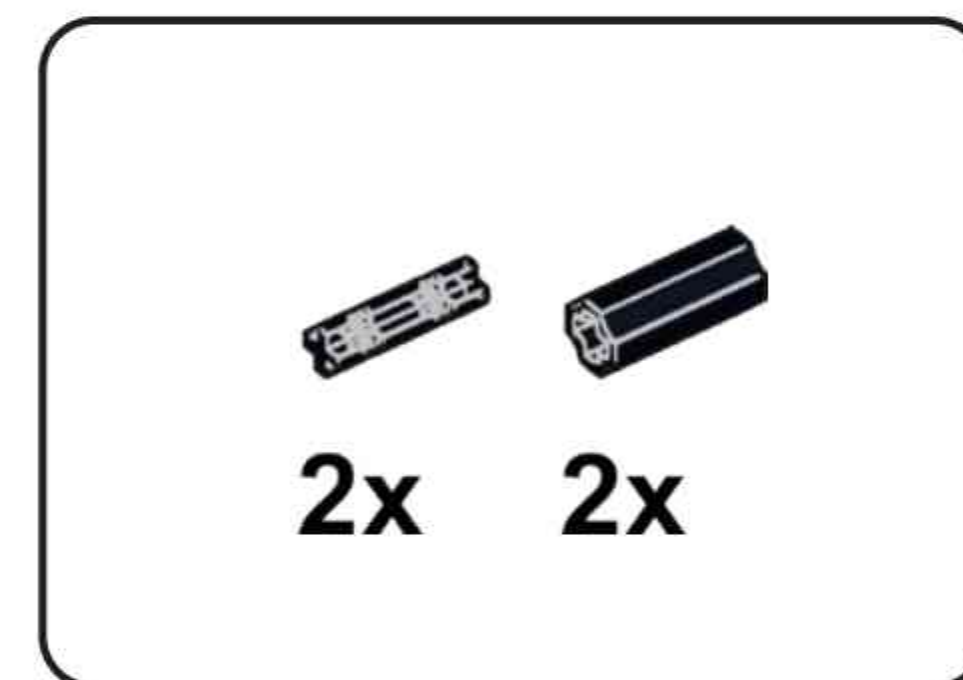
H187



H188



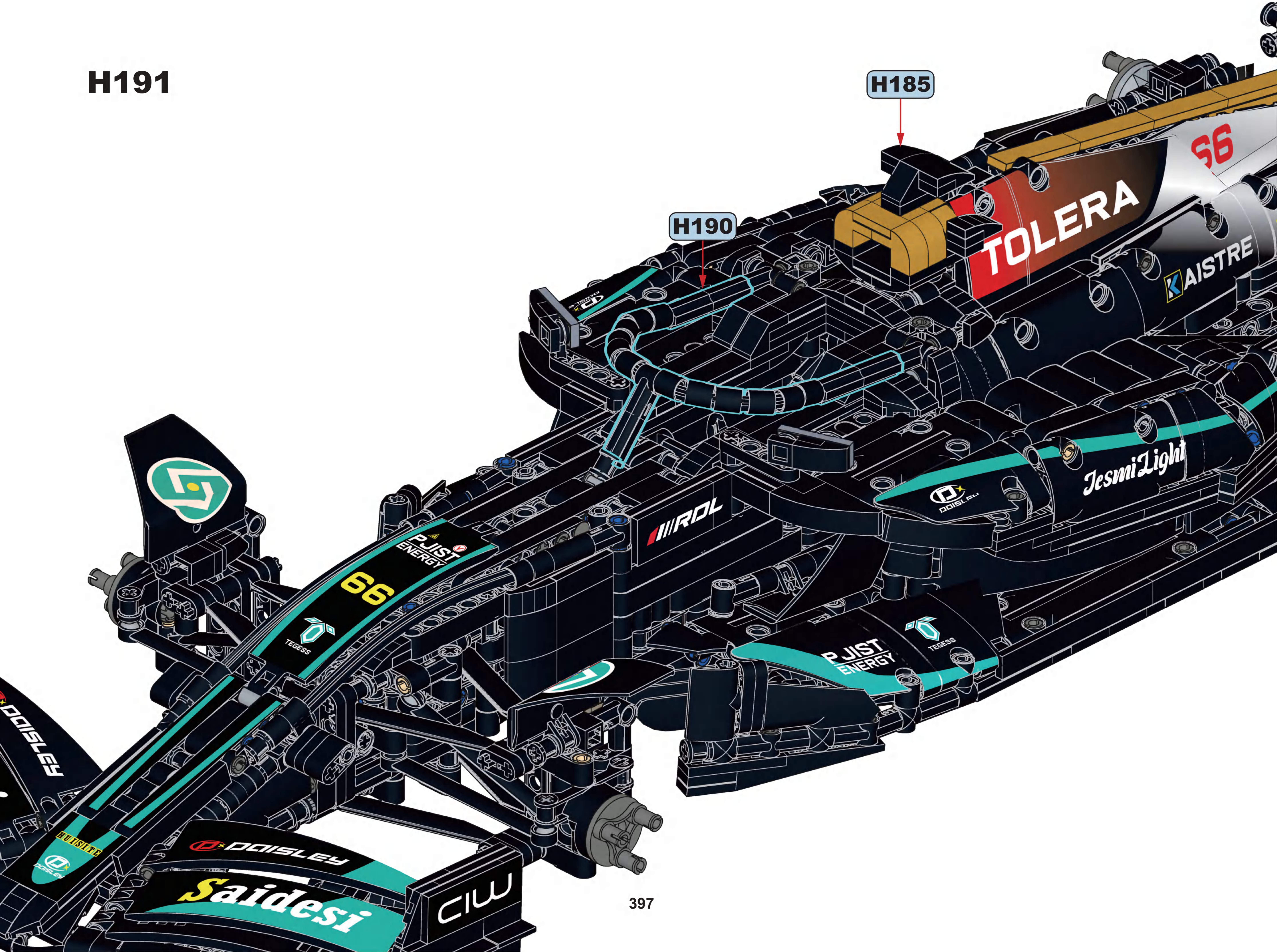
H189

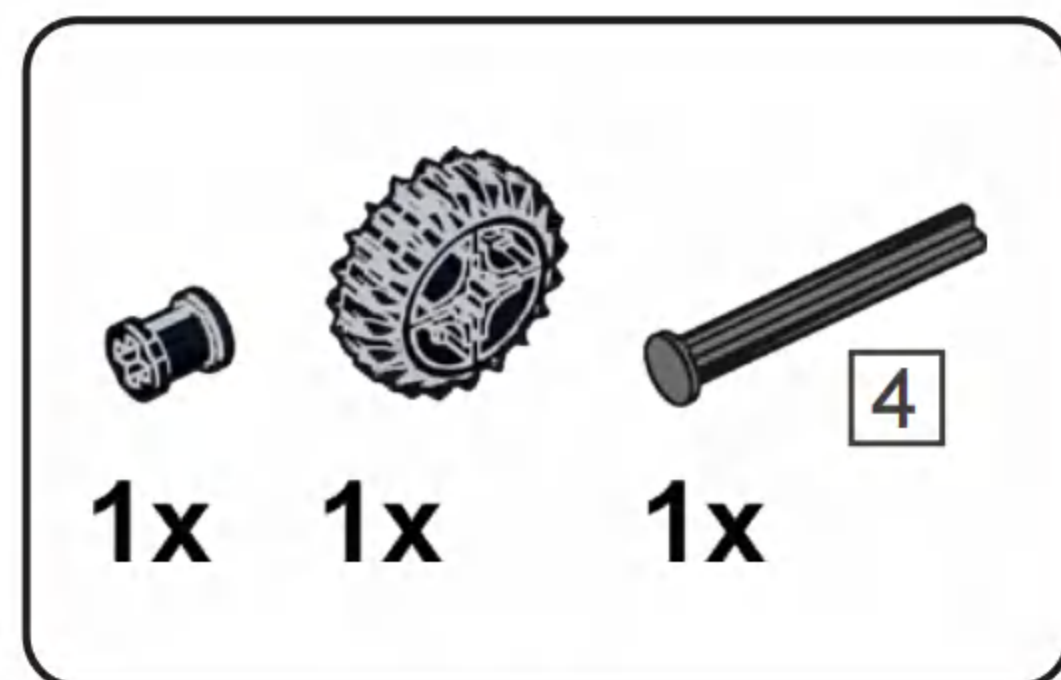


H190

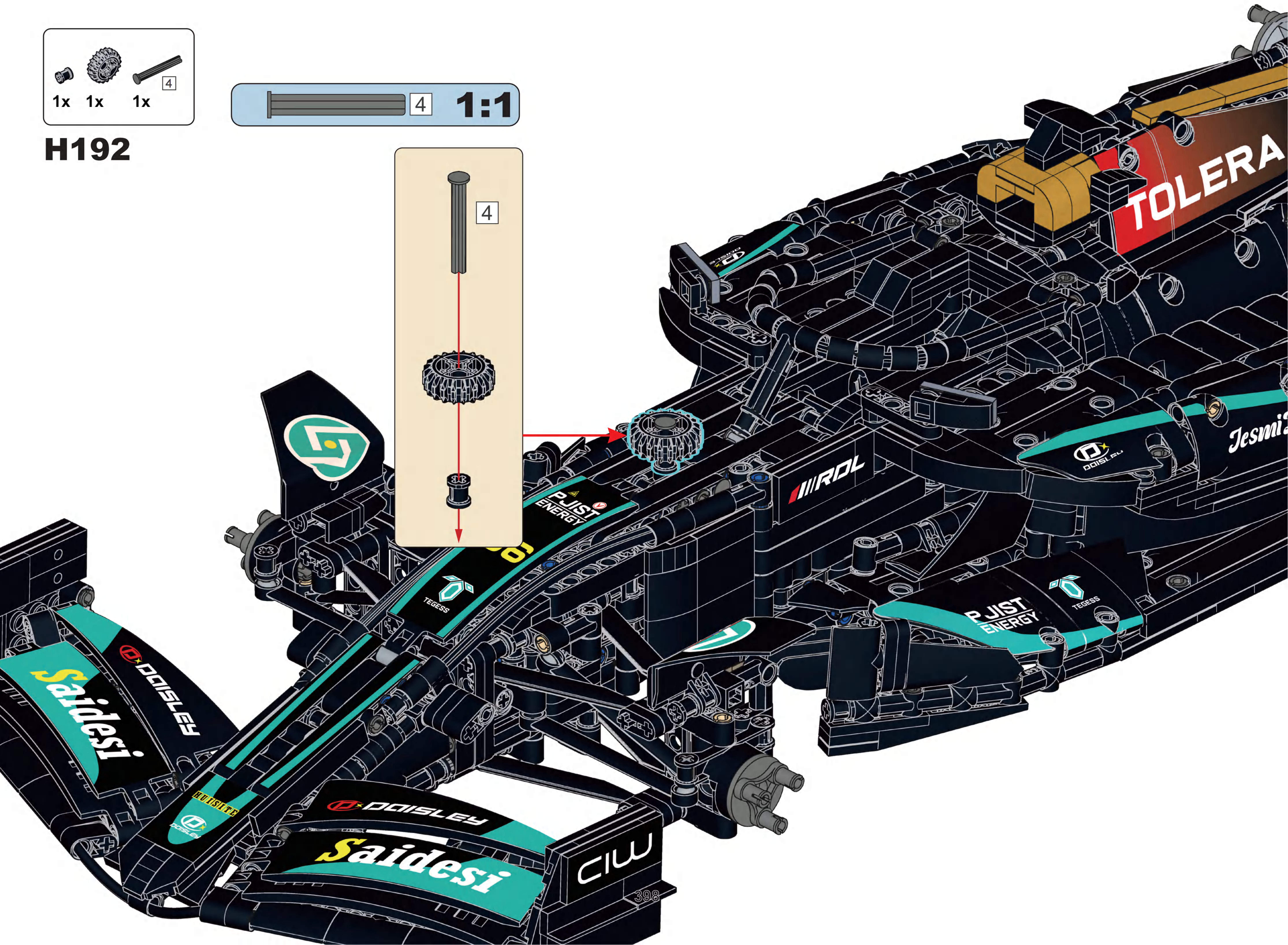
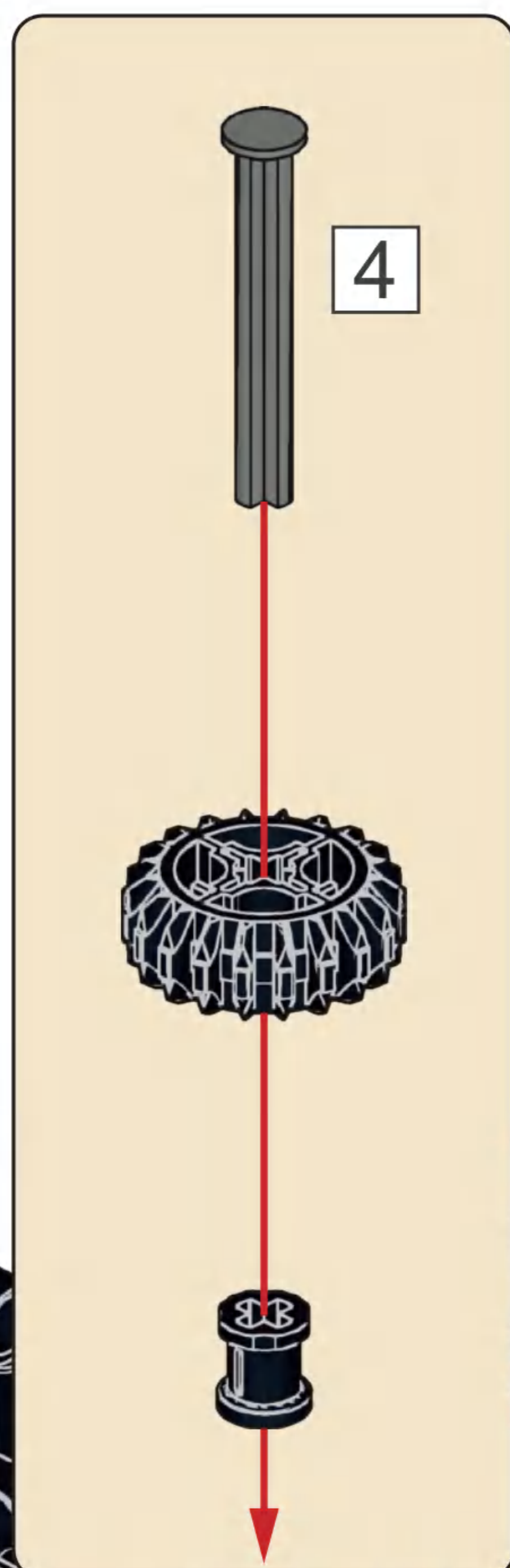


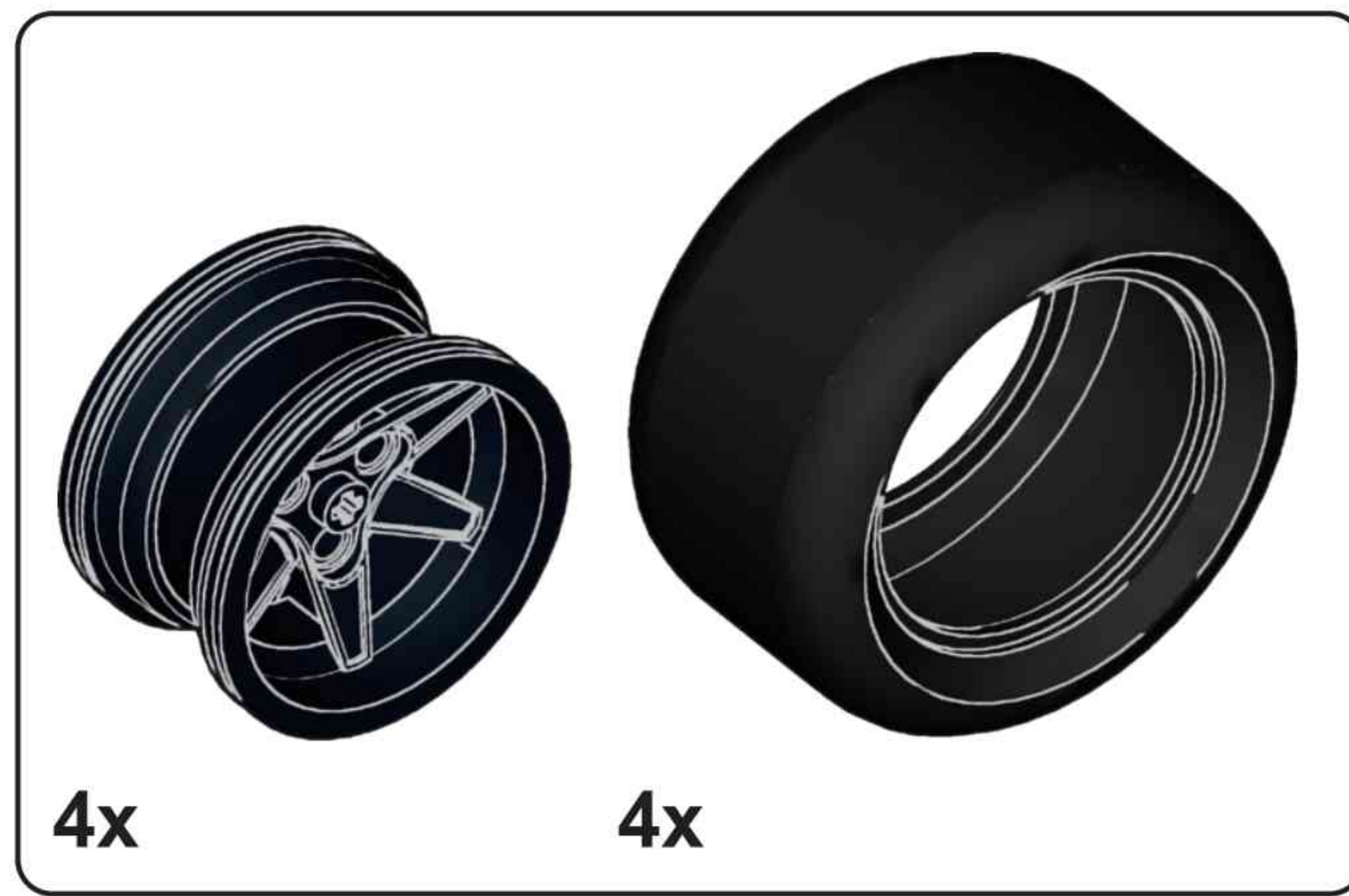
H191





H192

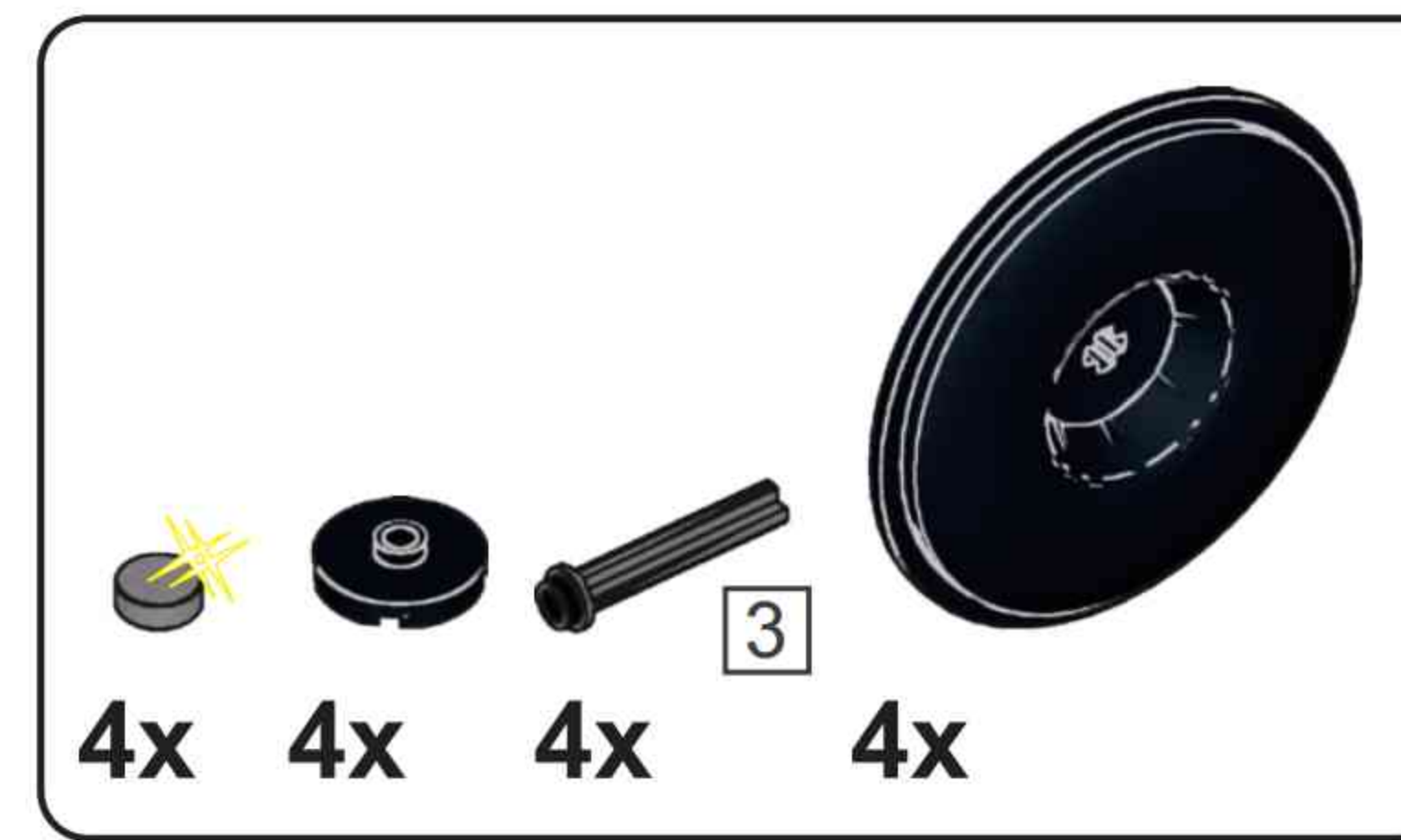




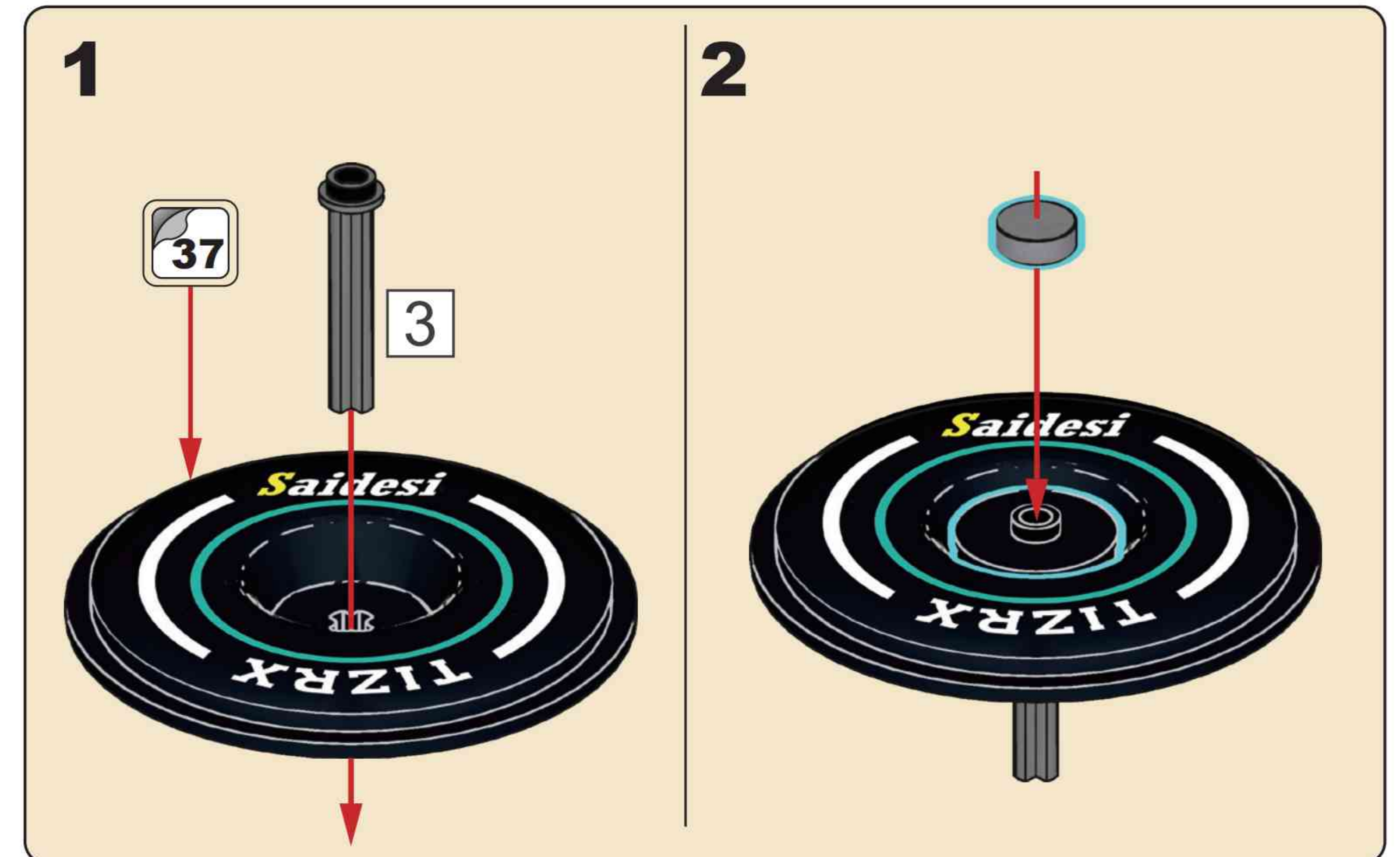
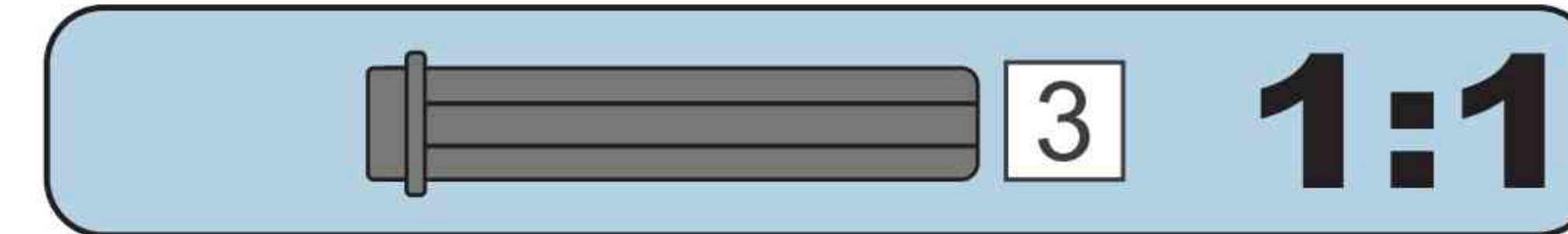
H193



x4

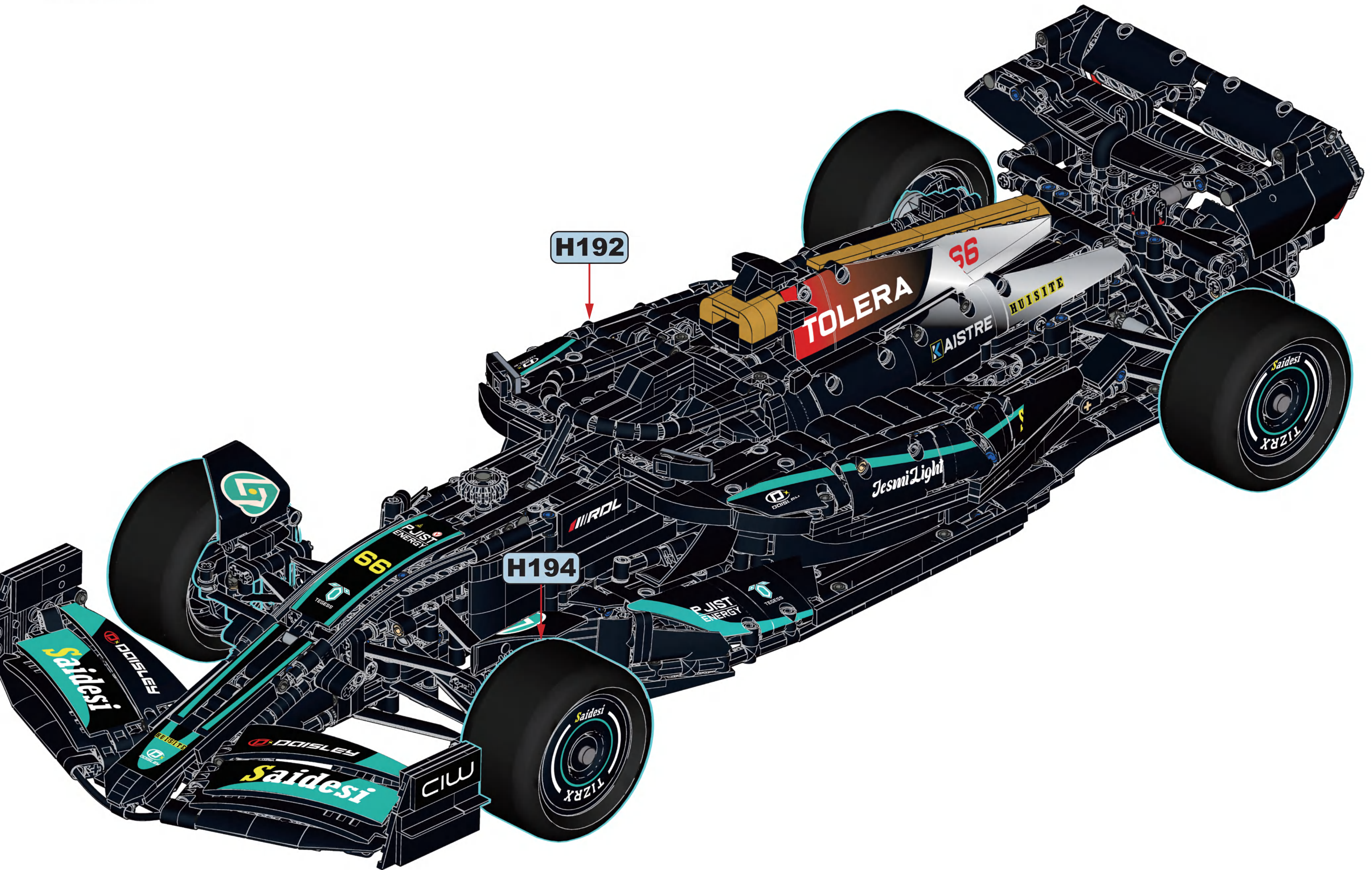


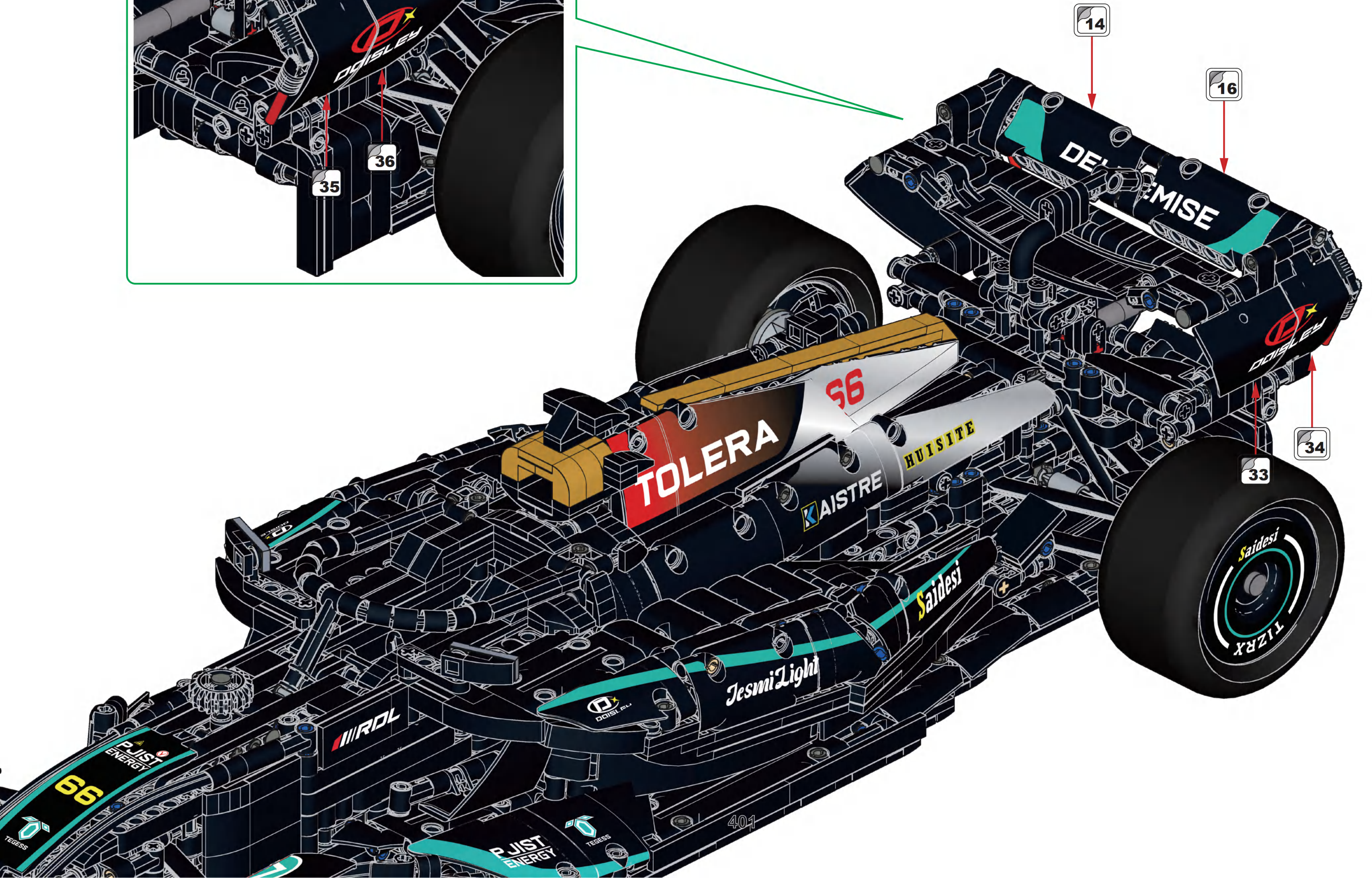
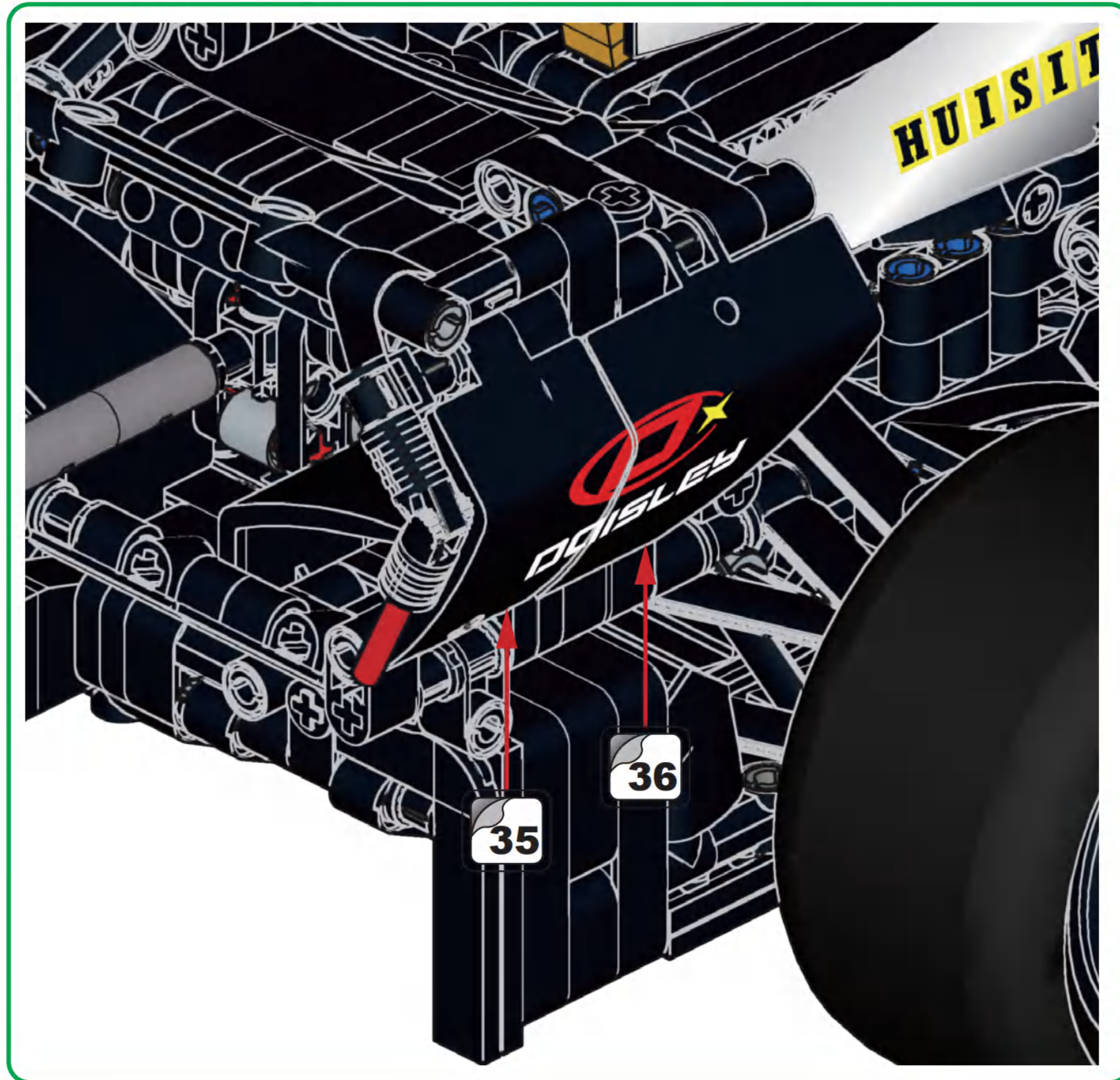
H194

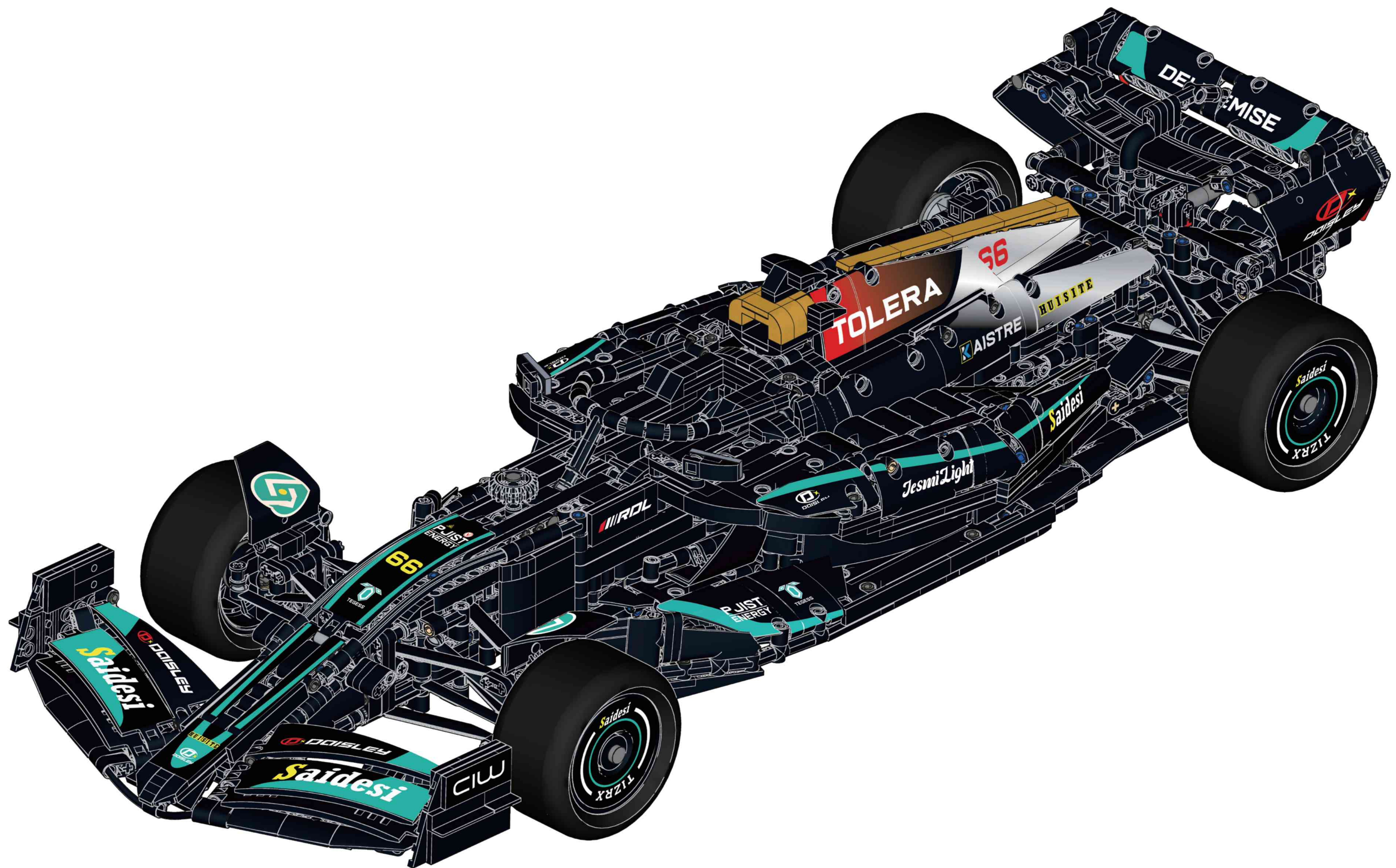


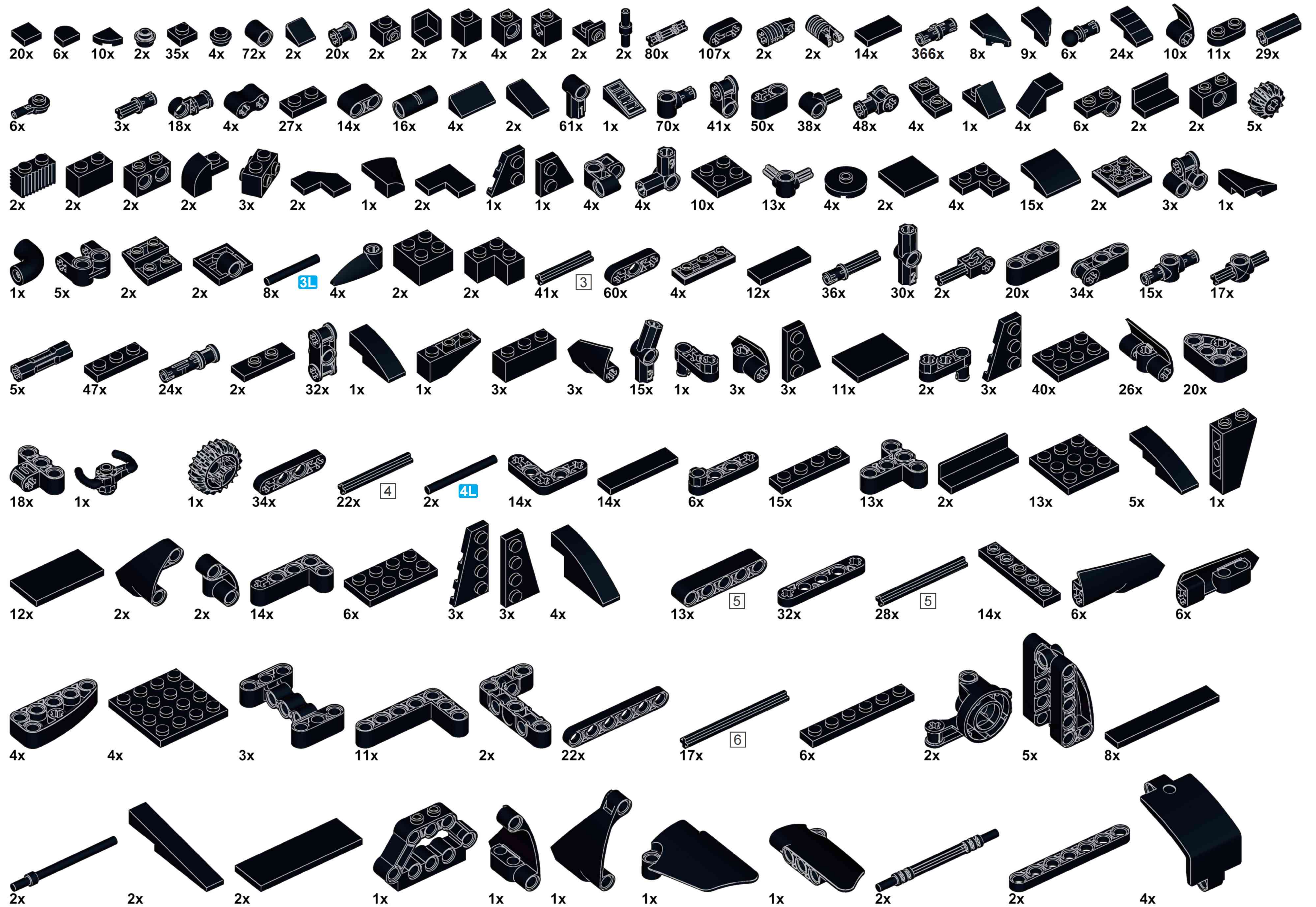
x4

H195

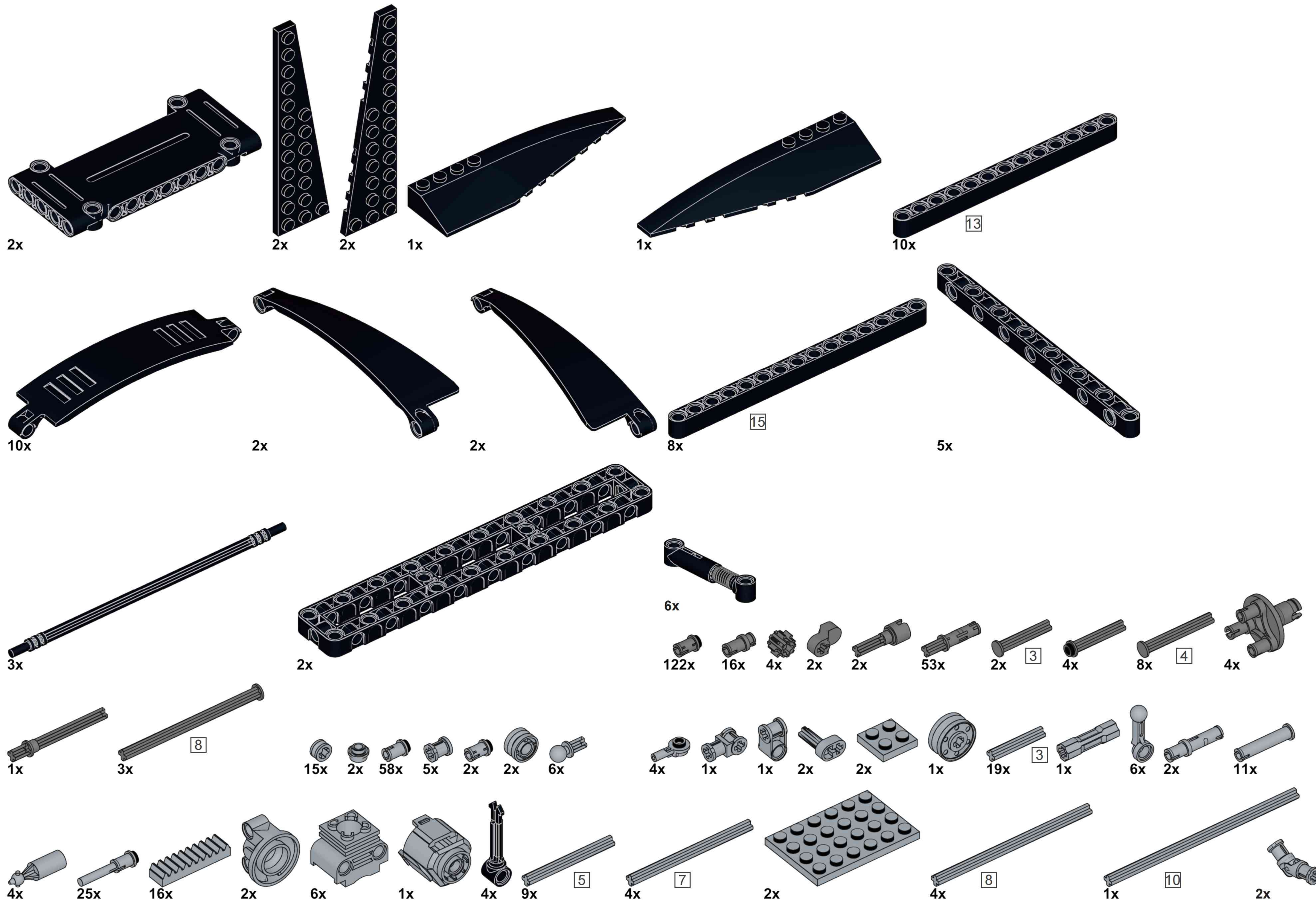


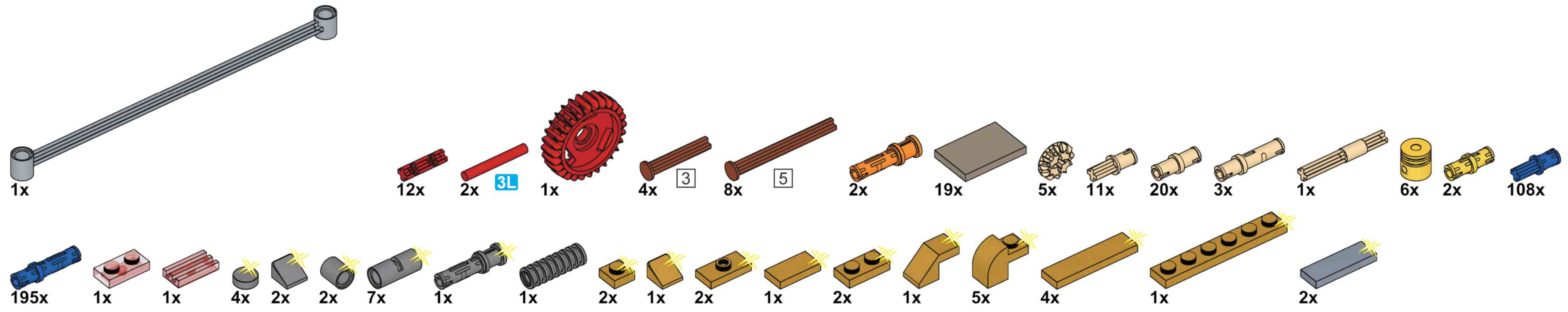












4x



NO.11040

TECHNOLOGIE