



Reobrix

NO.66702



*Café Terrace
at Night*

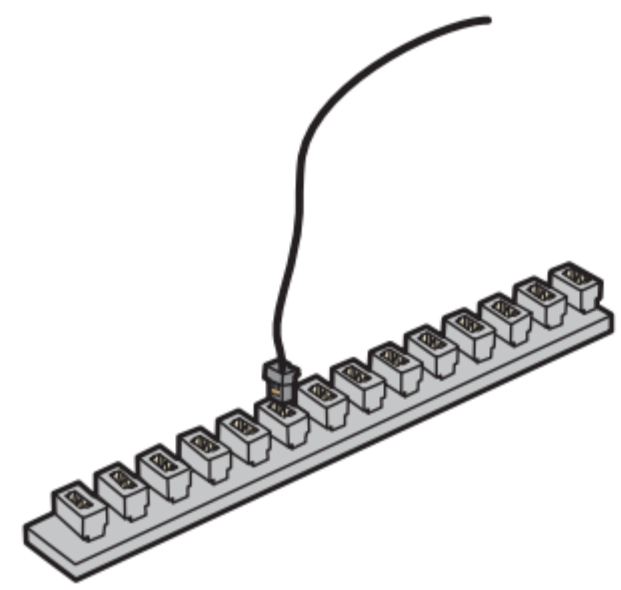
Vincent Willem van Gogh

.1888

TROUBLESHOOTING

Due to their small size, lighting accessories are susceptible to damage during installation. Common causes of failure include:

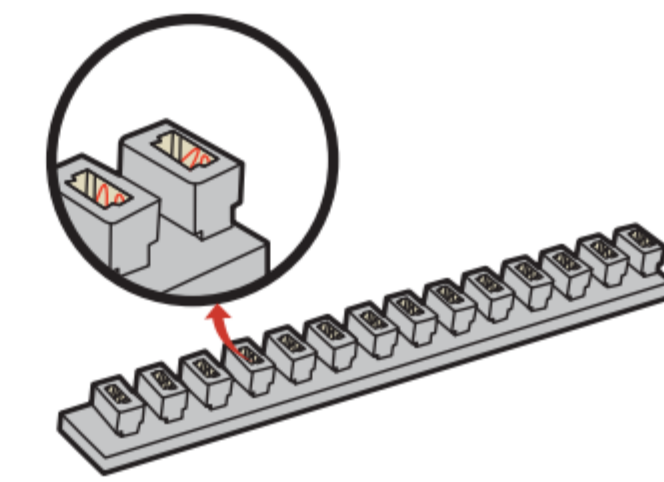
If you have checked each string of lights according to the guide above and the lights are still not working, please contact our customer service for assistance.



Ensure that the connectors are correctly installed as shown in the picture.



Check if the wires are disconnected or broken from the solder joints.



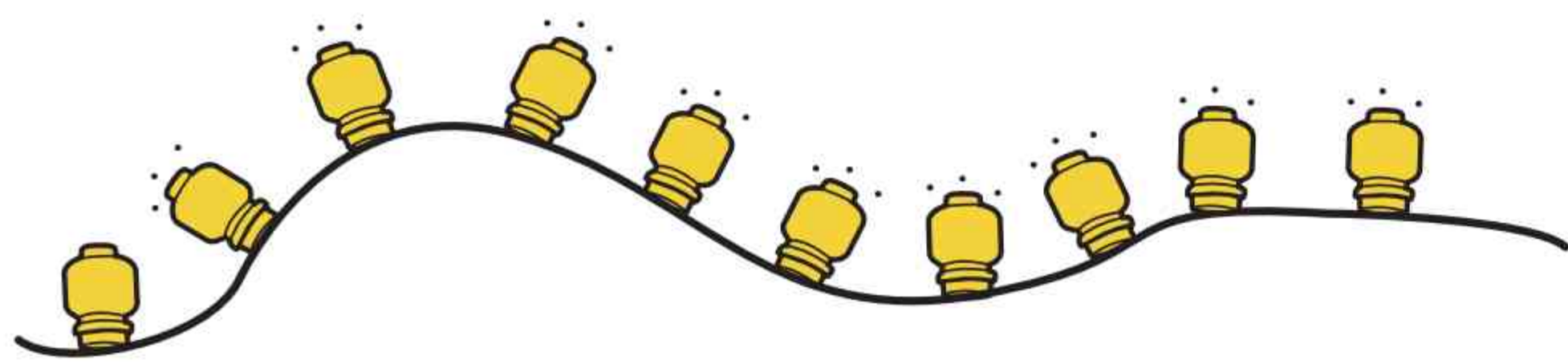
Check the internal pins of the expansion board. The internal pins of a properly working port should be straight, if the small pins are bent, they may be considered faulty ports.

SAFETY PRECAUTIONS

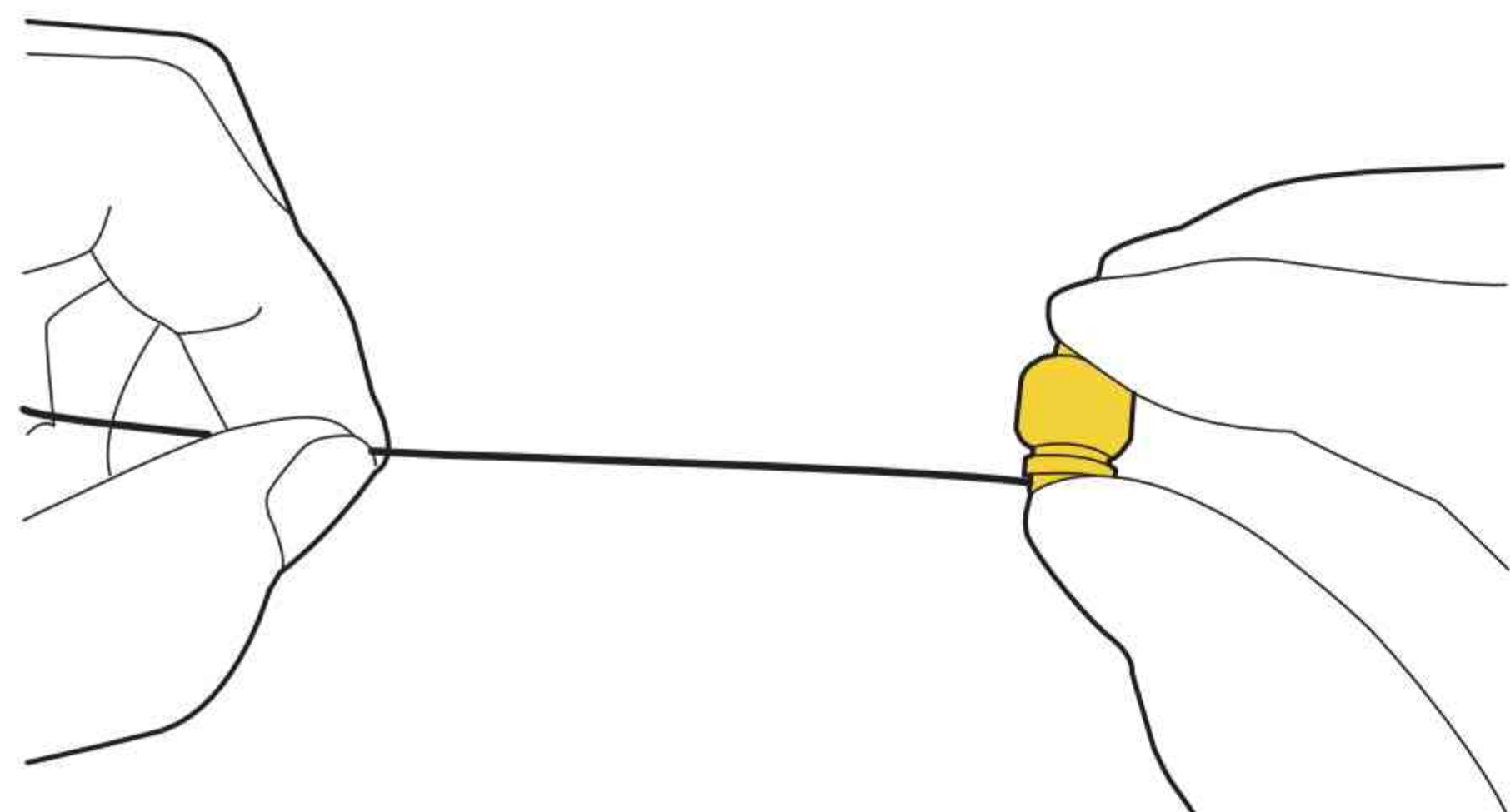
- 1 Before use, please be sure to check the voltage. Use a power supply or transformer with a voltage lower than 5V to avoid damaging the product and preventing potential safety hazards.
- 2 The lights in the product are not replaceable. If they are damaged or not lighting up, please refer to the troubleshooting section or contact our customer service for assistance.
- 3 Avoid pulling on the lighting wires as this may cause damage.
- 4 Do not expose the product to water as it may damage the product.
- 5 If the plug does not fit easily into the ports on the board, reverse the direction and insert it again to avoid damage and short circuits, rather than forcing it in.
- 6 Please read and follow the instructions carefully during building to ensure a good building experience.

USER INSTRUCTION

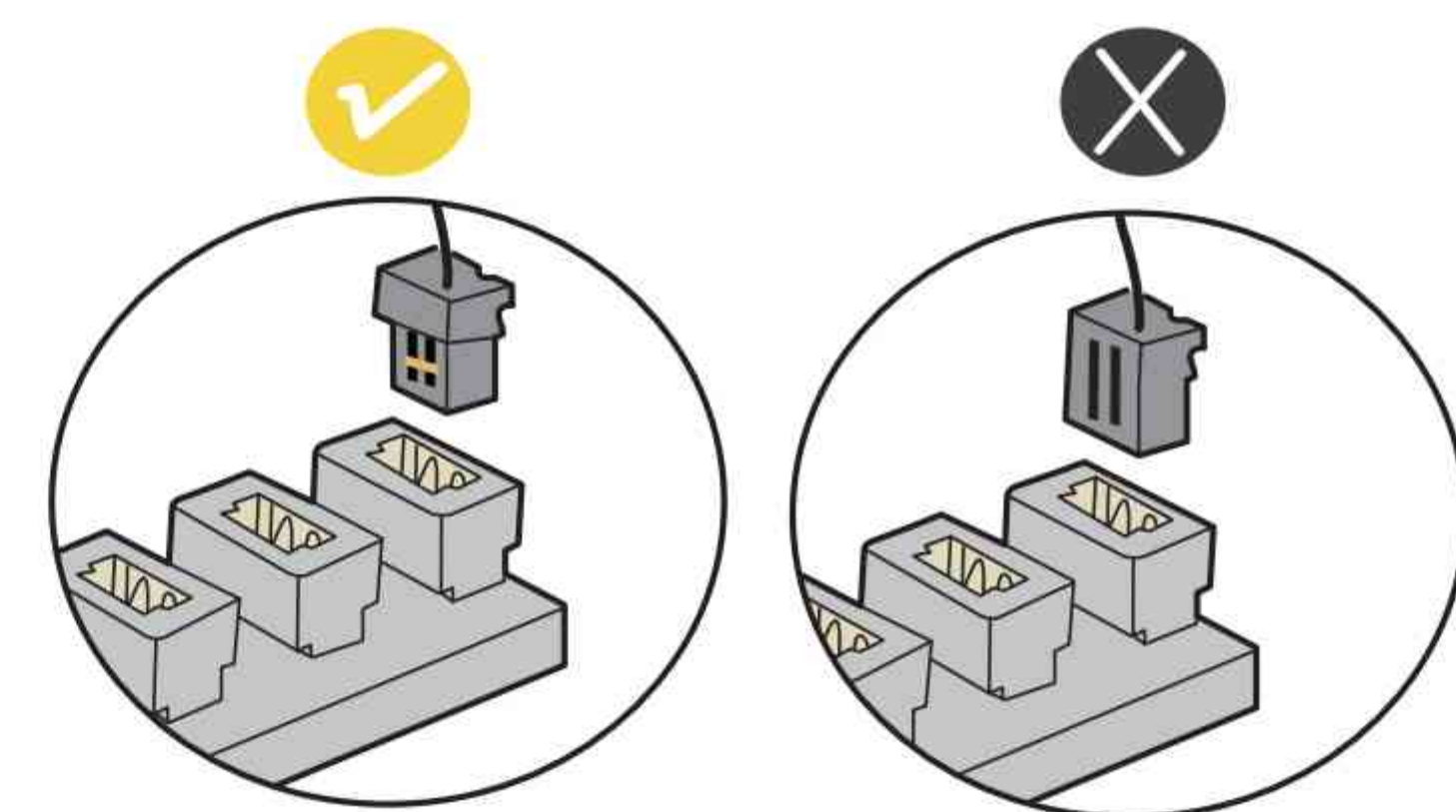
Please read the following carefully before installing the lights.



Before installation, please connect to a power supply below 5V and test the lights to ensure everything is functioning properly. If the lights do not work, please refer to troubleshooting guide or contact us.

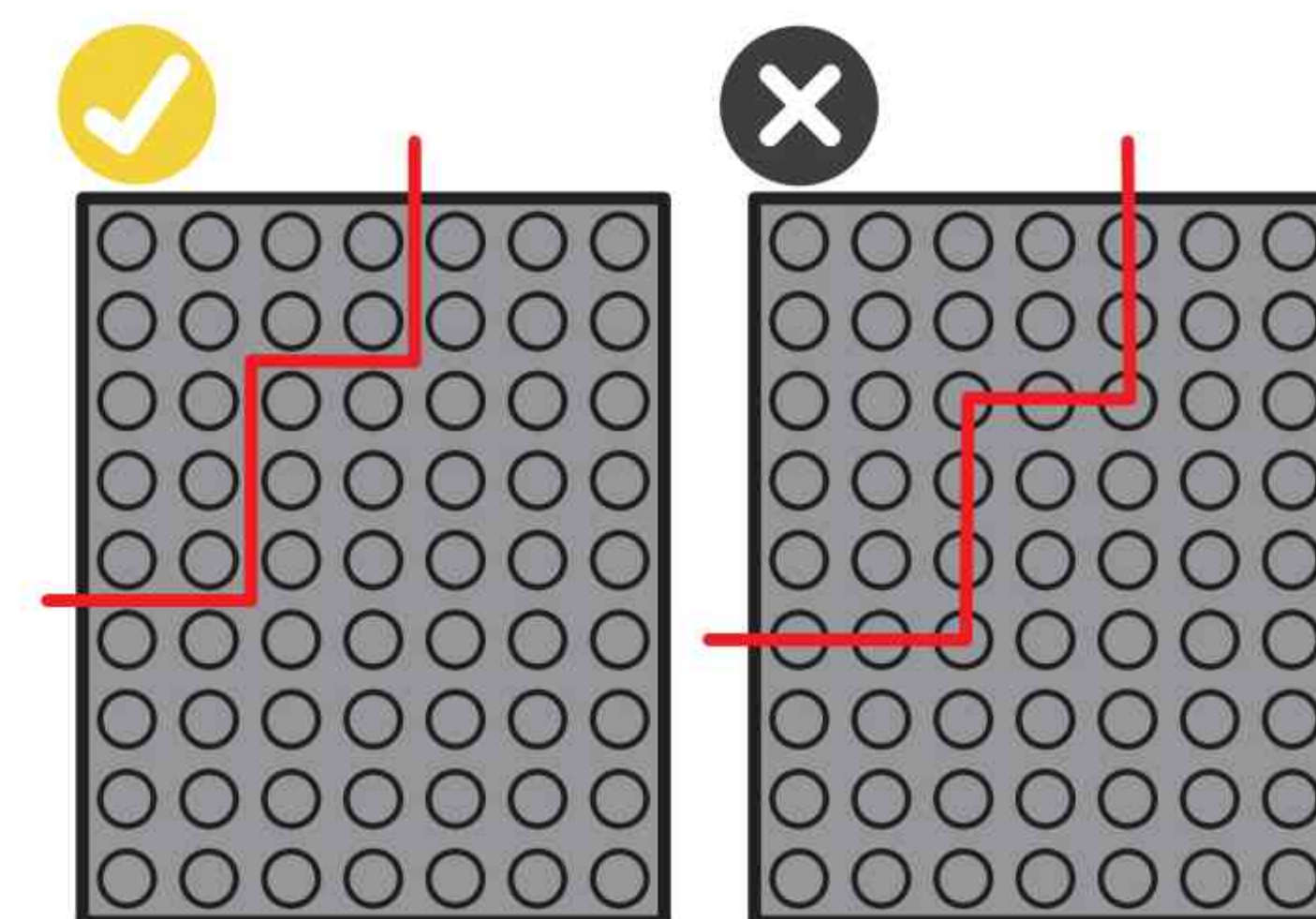


LED components are delicate, so please take extra care when installing, no hard pulling, no bending or shaking.

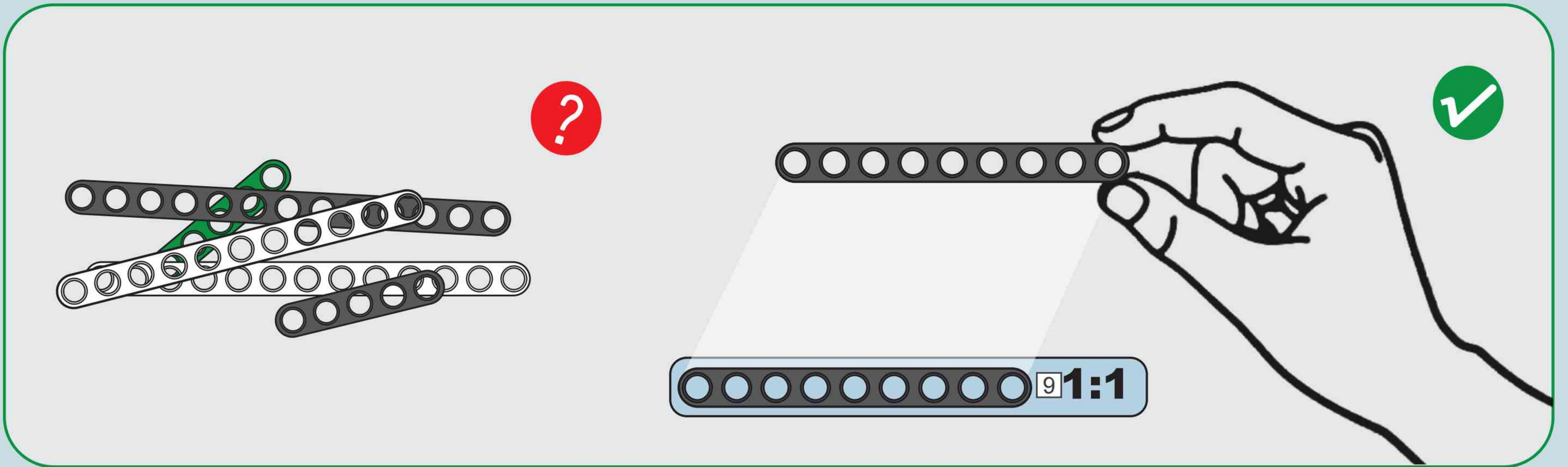
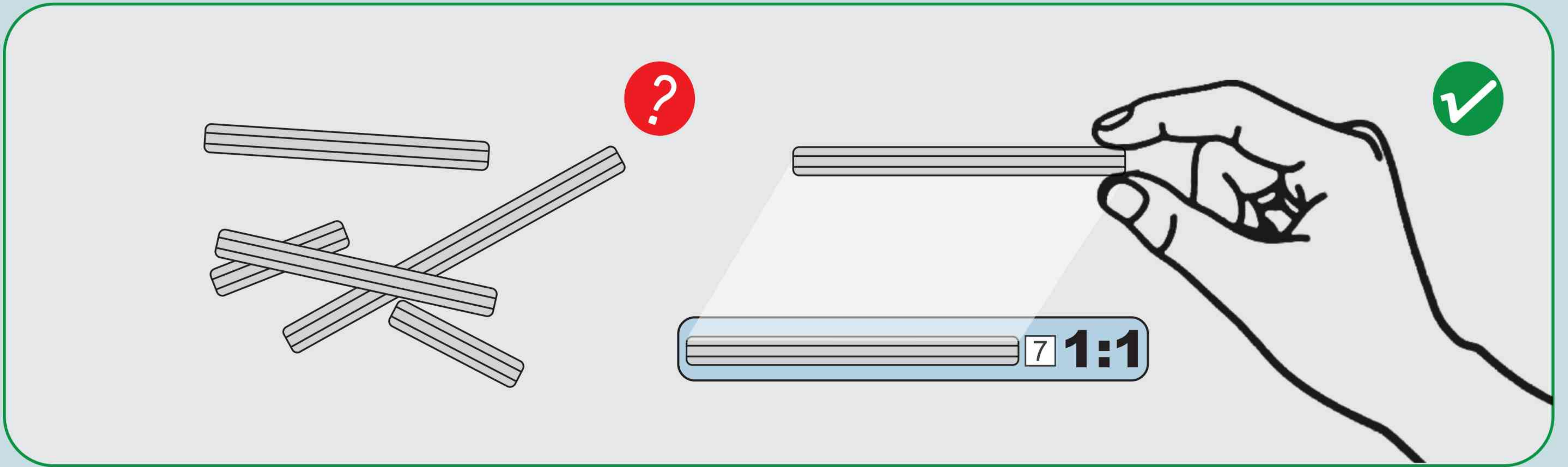


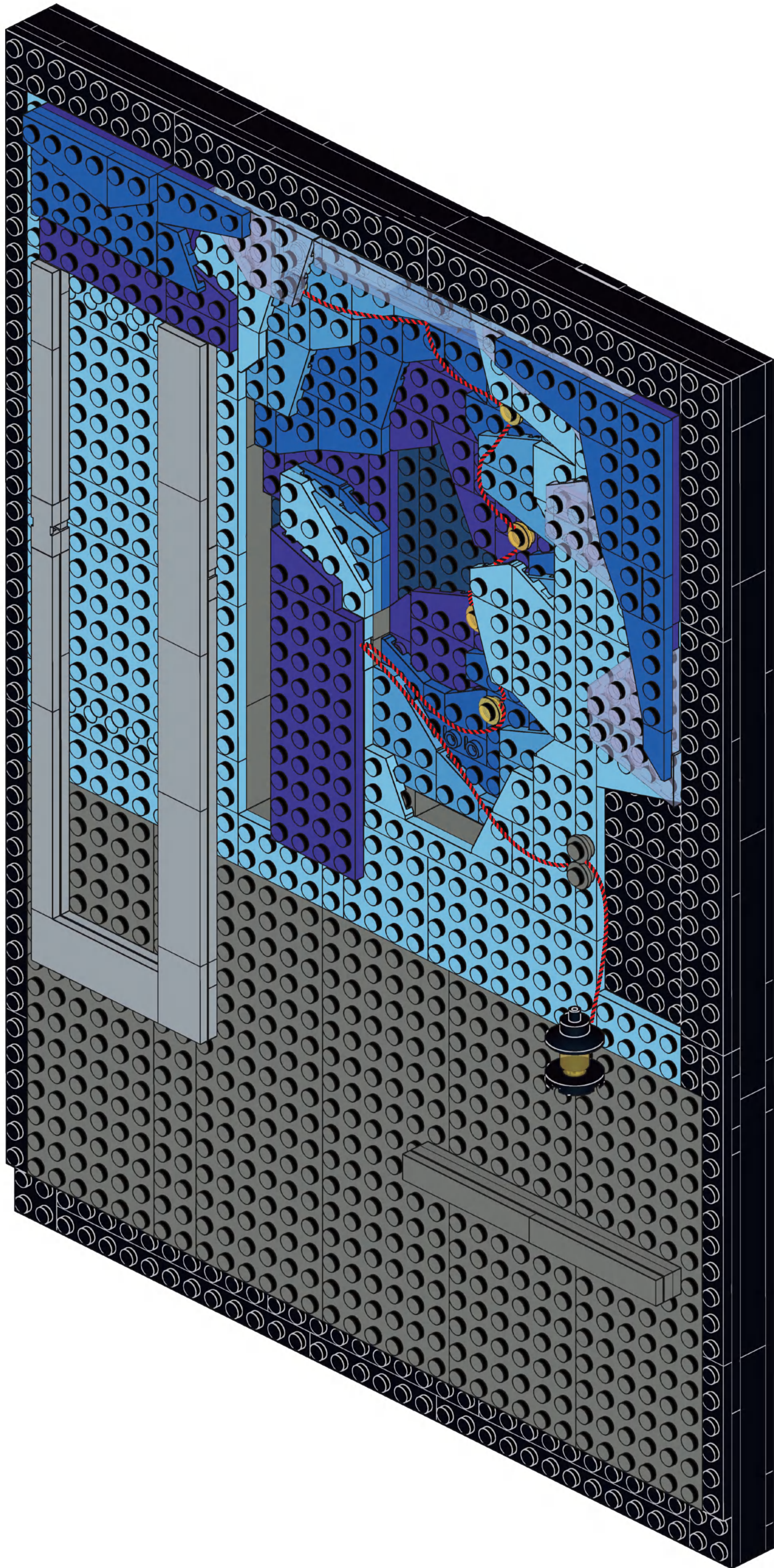
Connectors can be inserted into ports of the expansion board in only one certain way. Make sure the plug's direction is correct before connecting.

Tips: if plug doesn't fit easily into a port, don't force it.

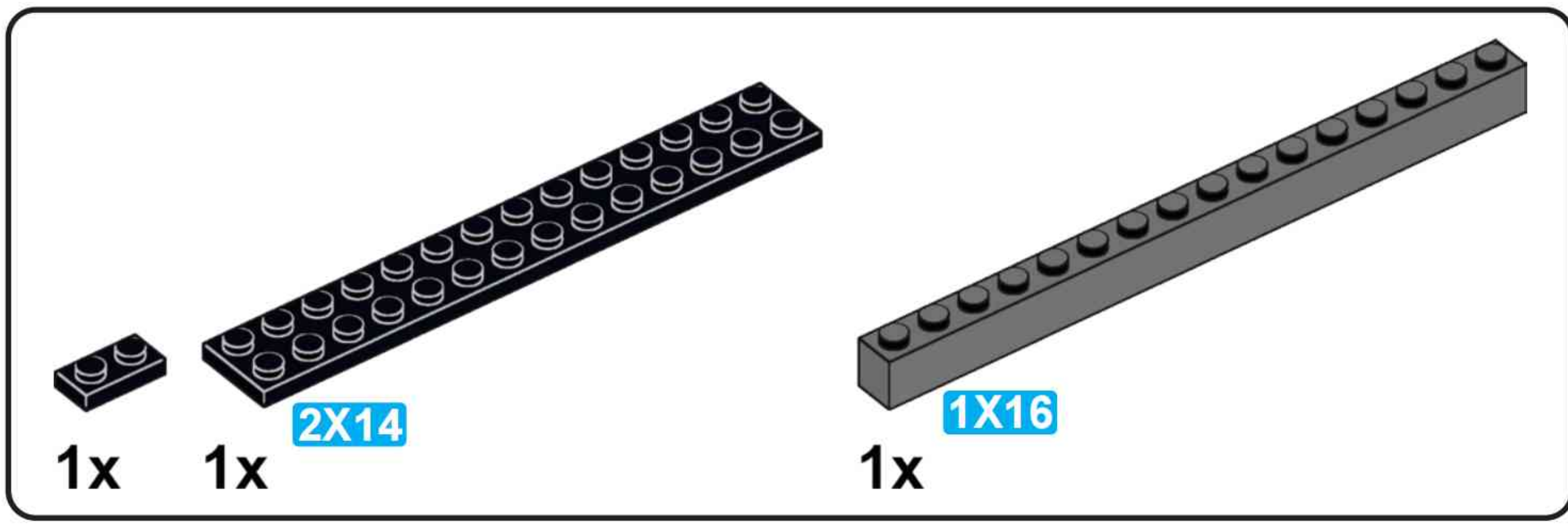


Hide the spare wire under the bricks: when installing, please make sure that the wire is laid between two studs of the bricks, but not pressed by the bricks directly.

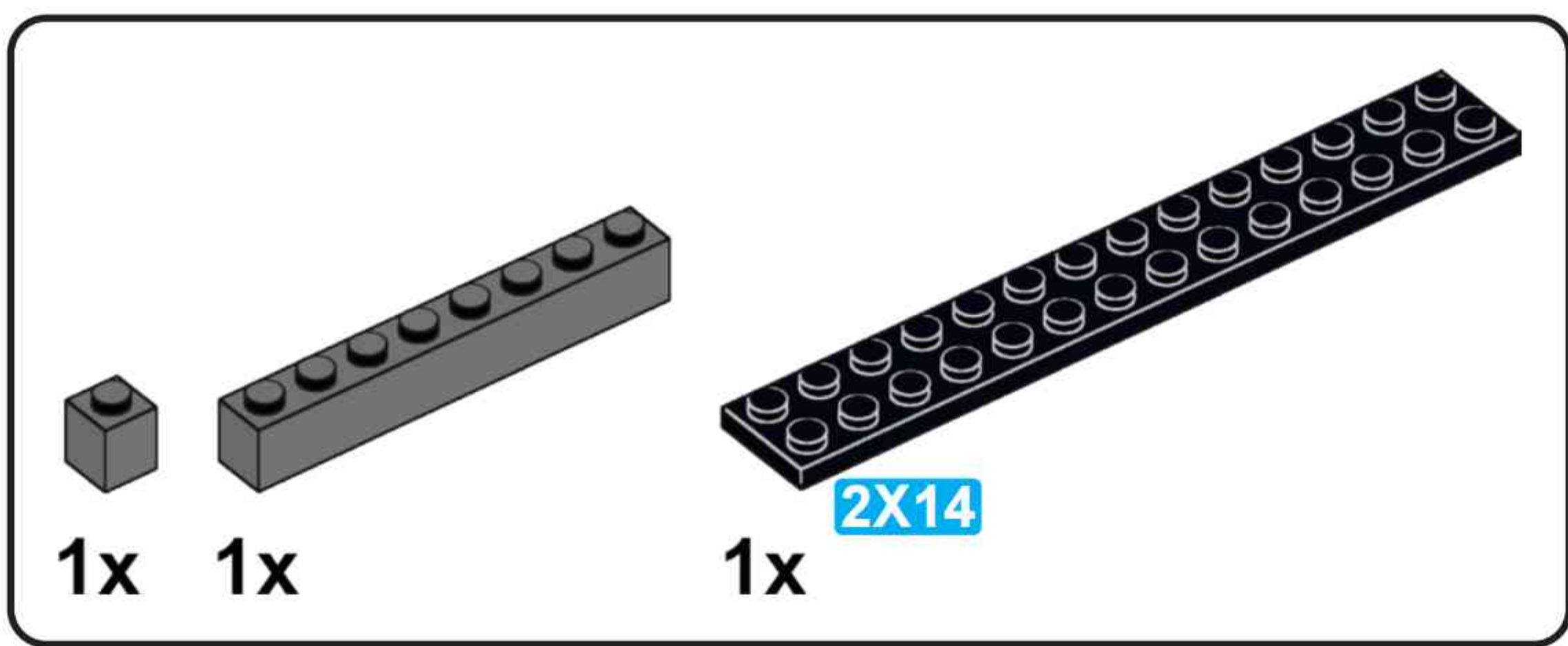
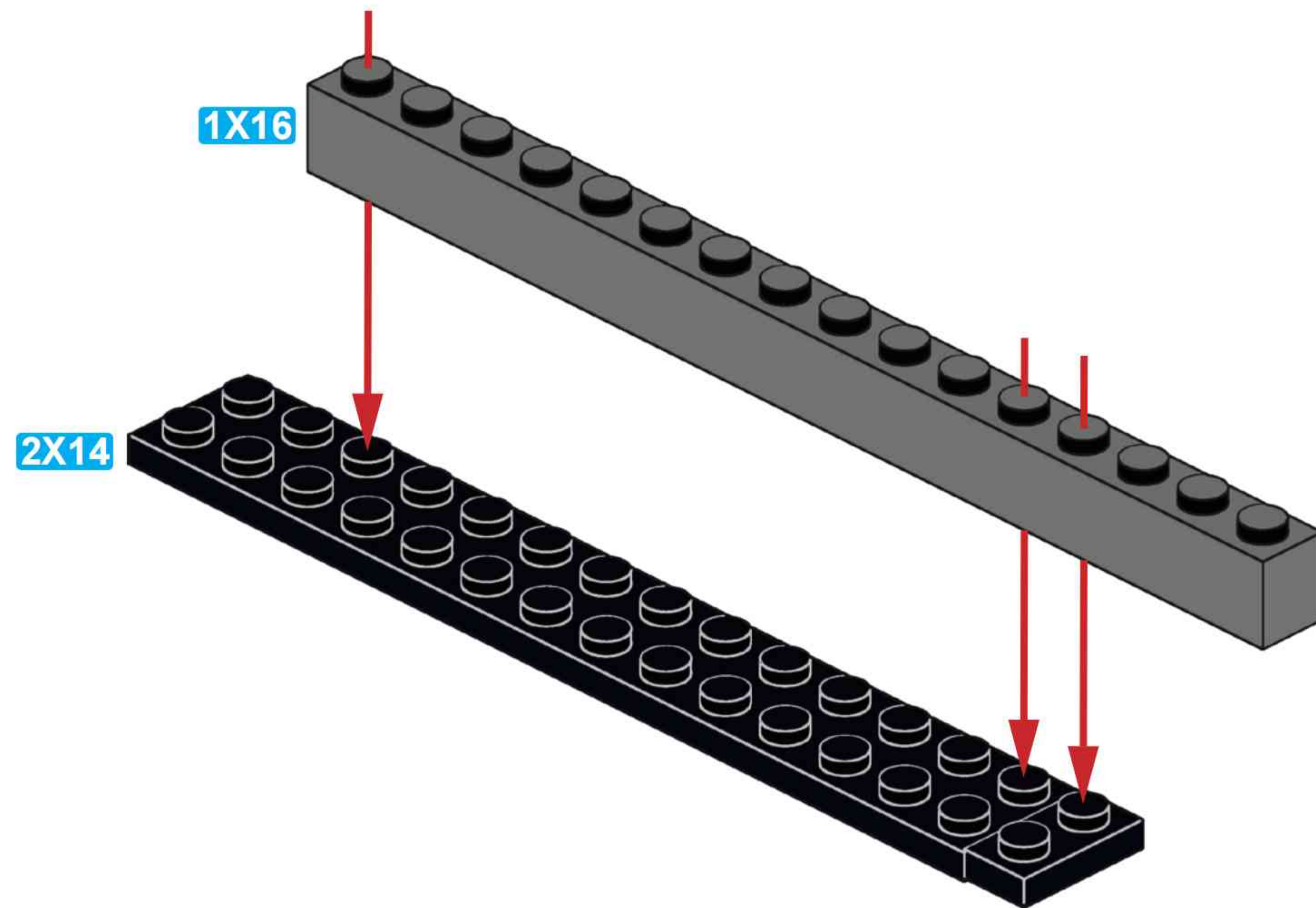




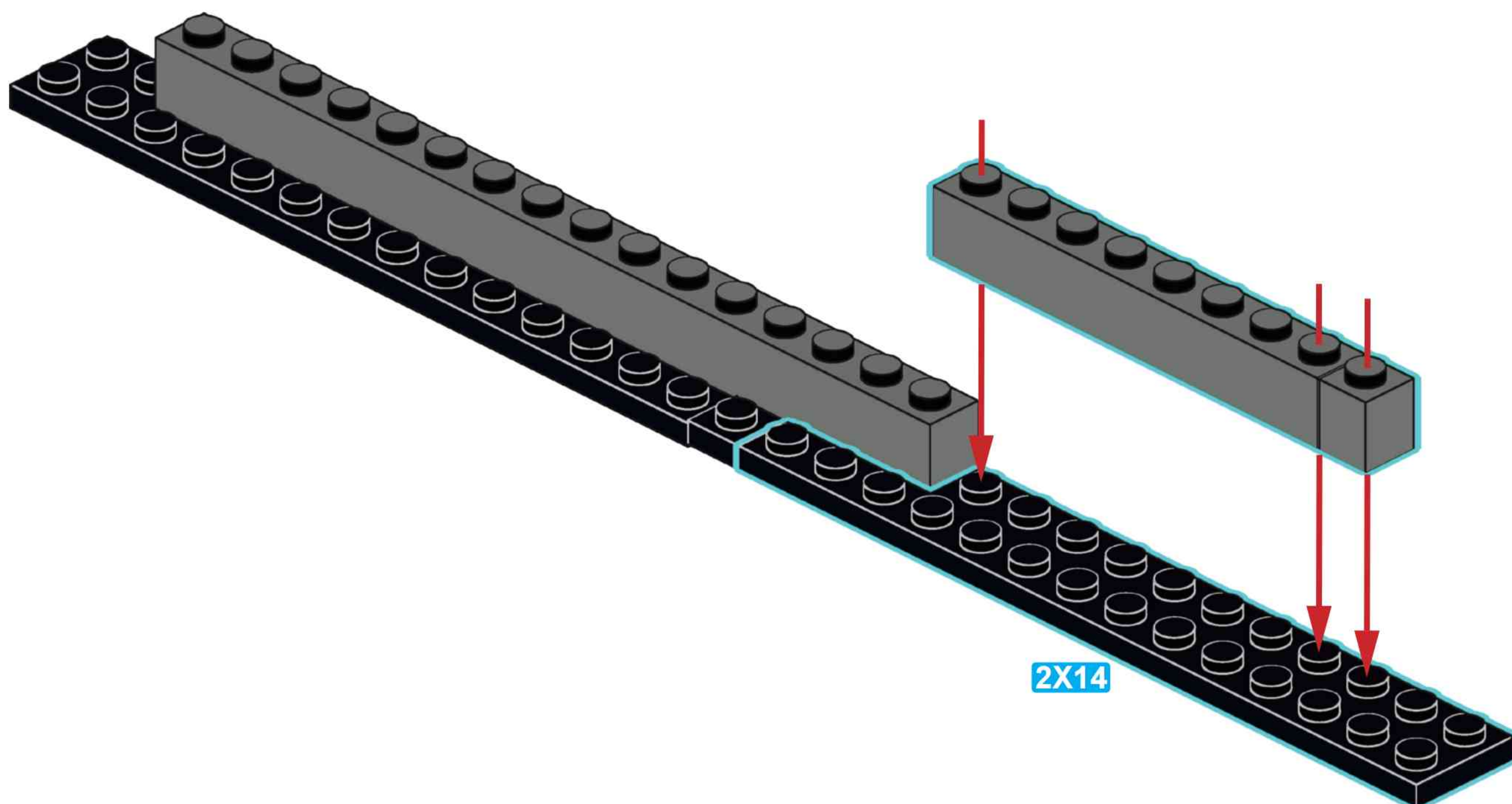
A

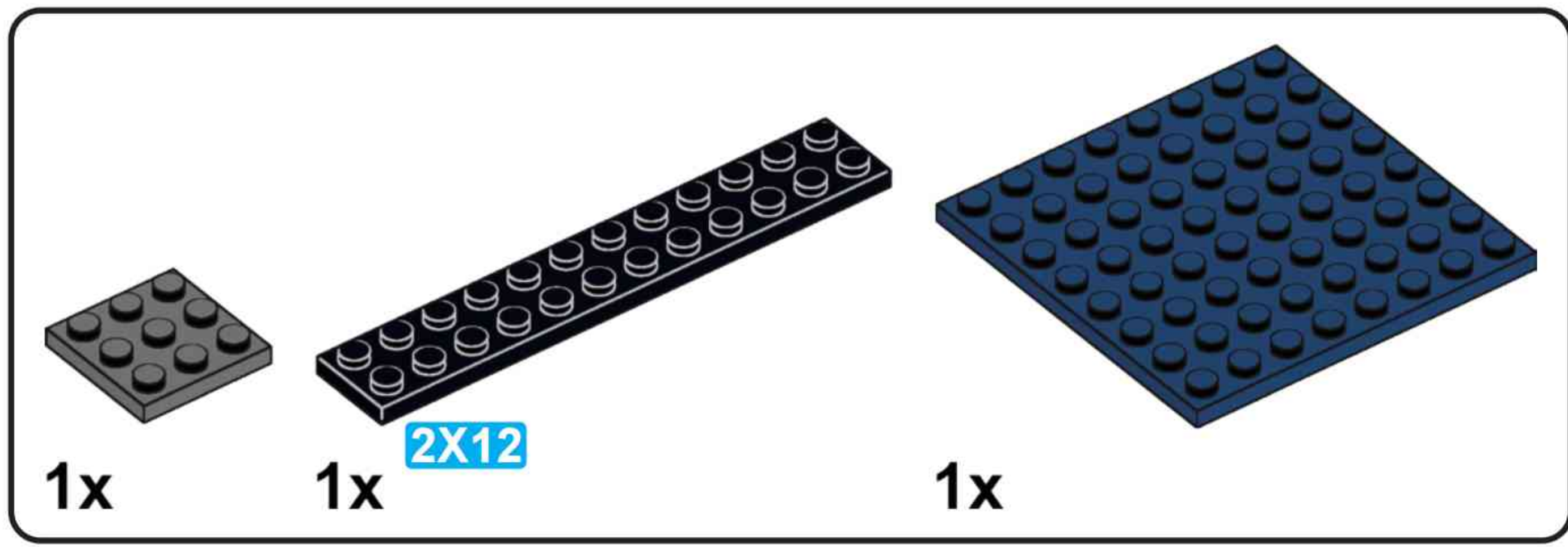


A1

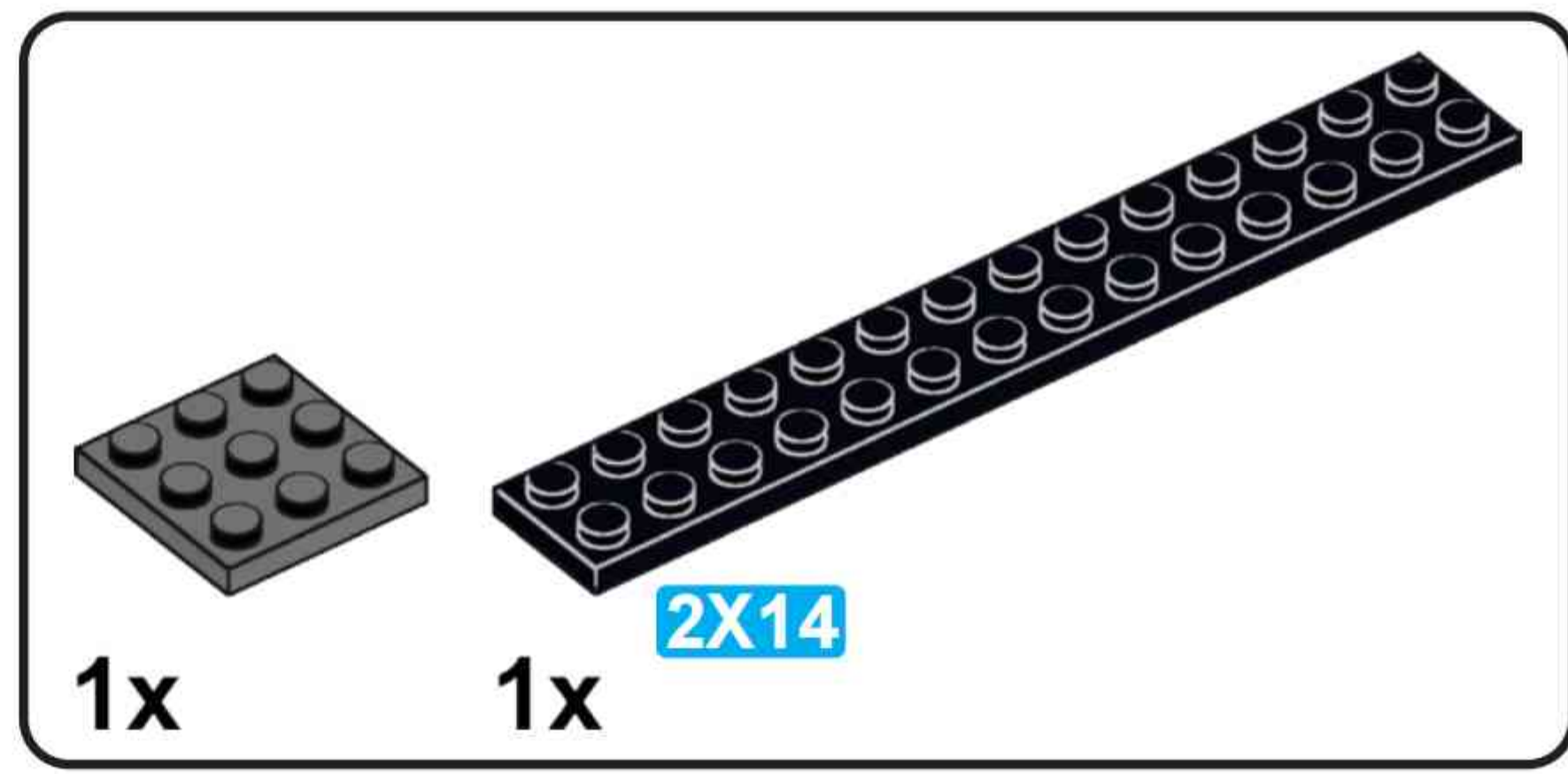


A2

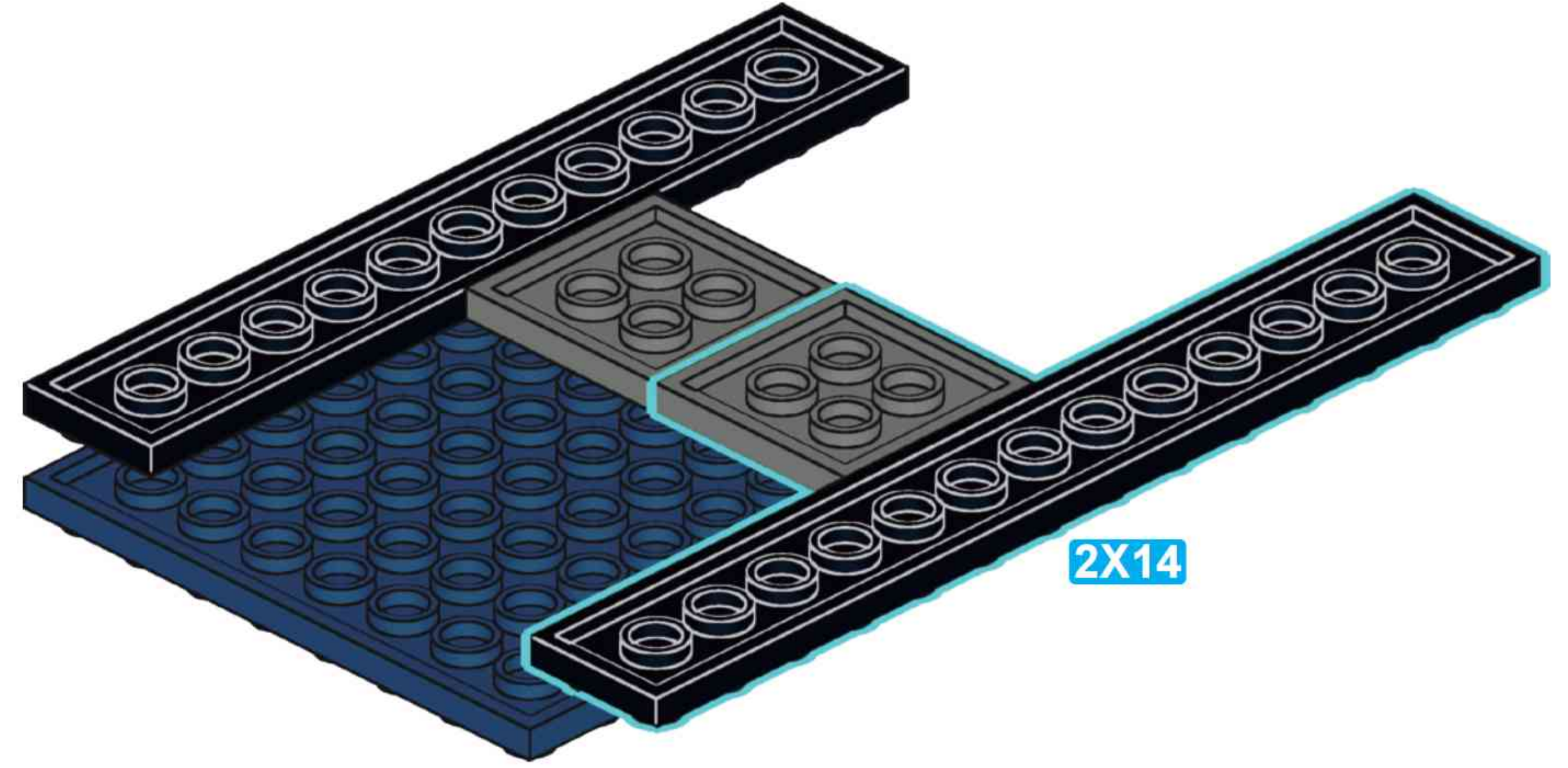
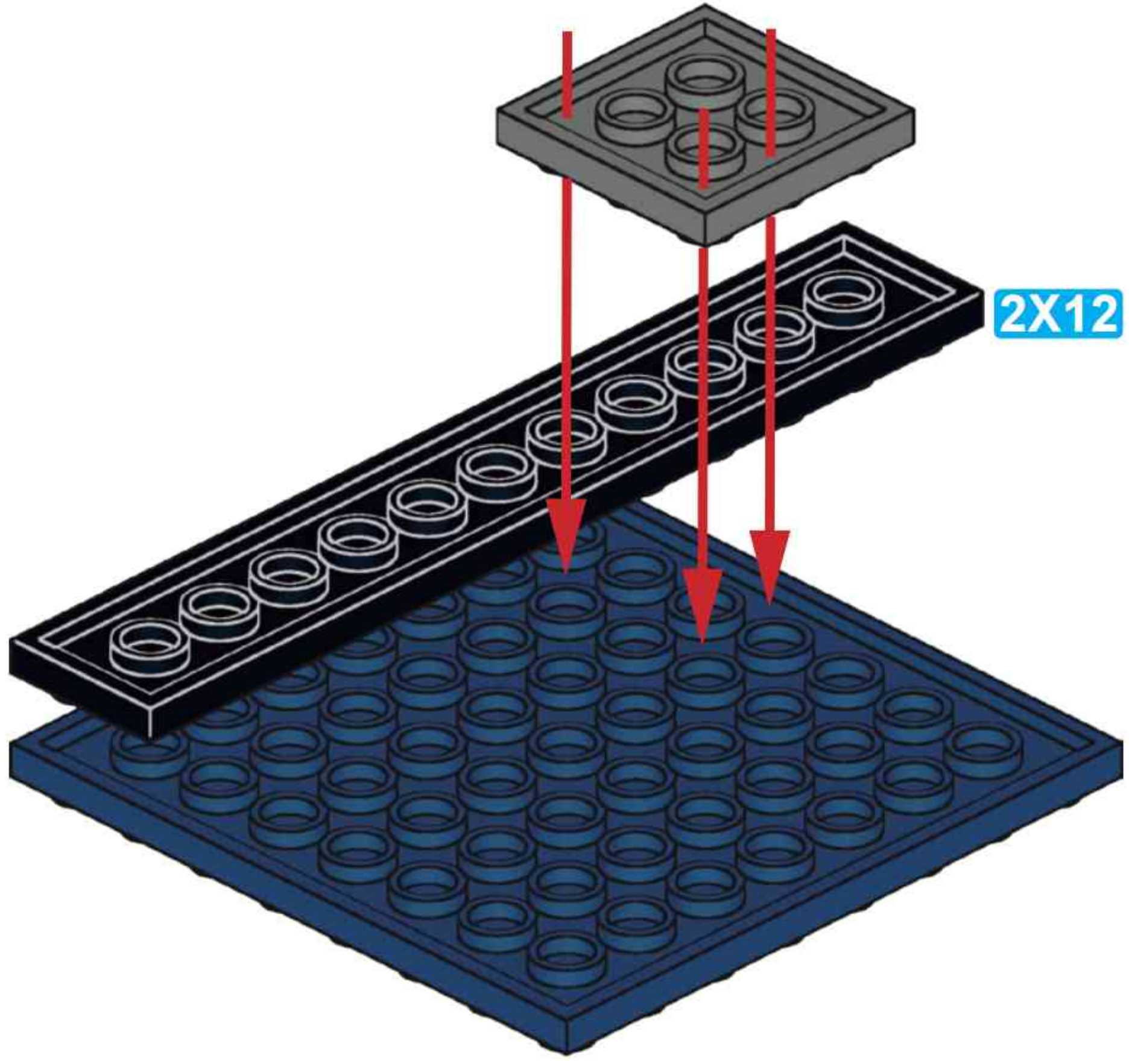




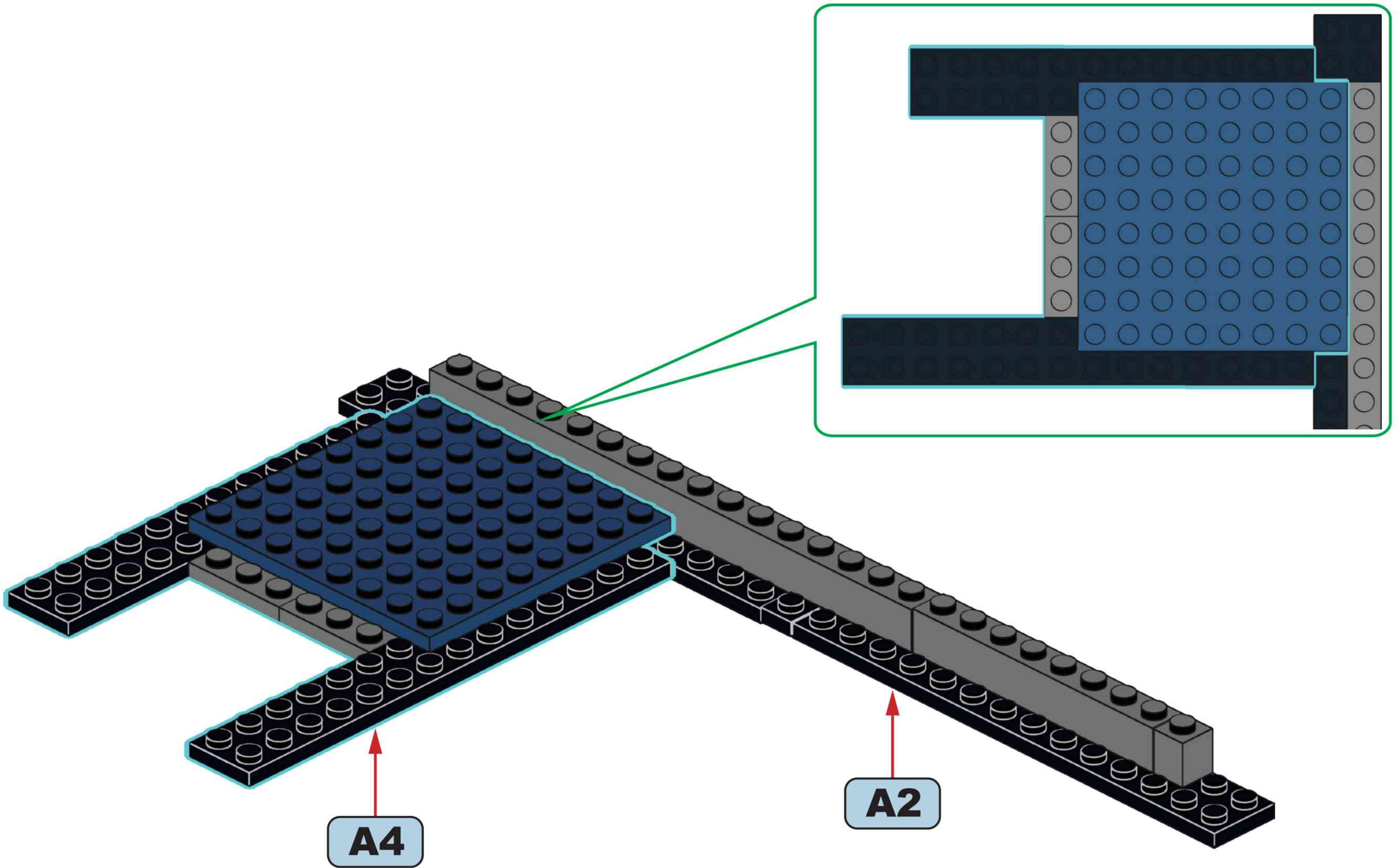
A3

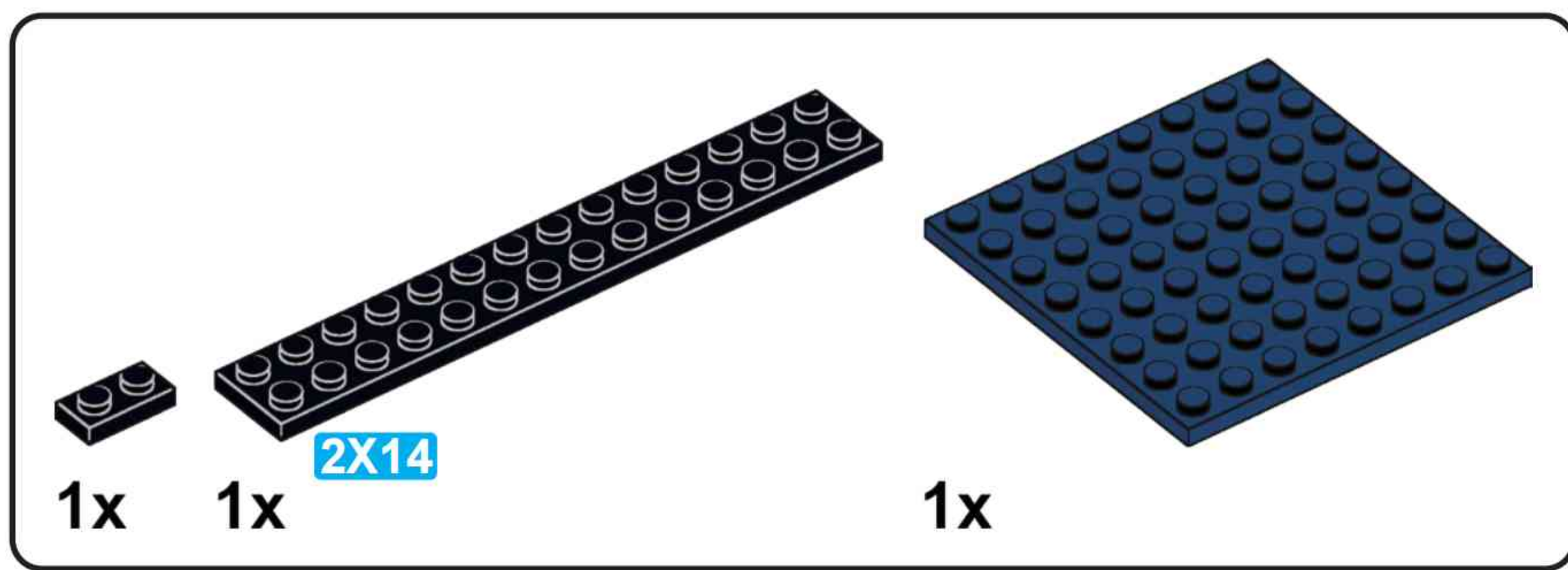


A4

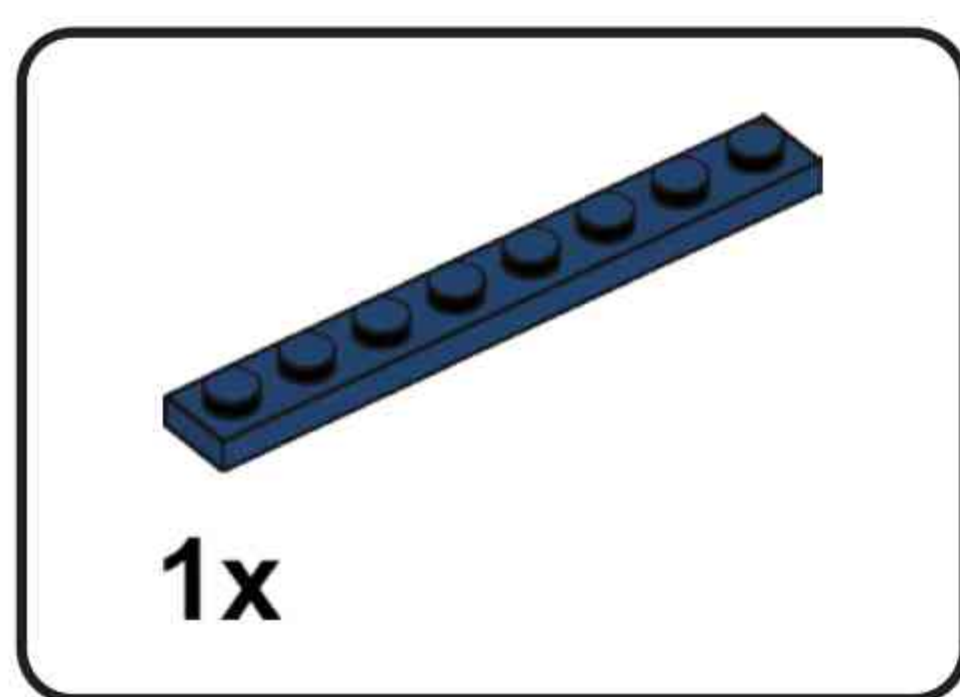
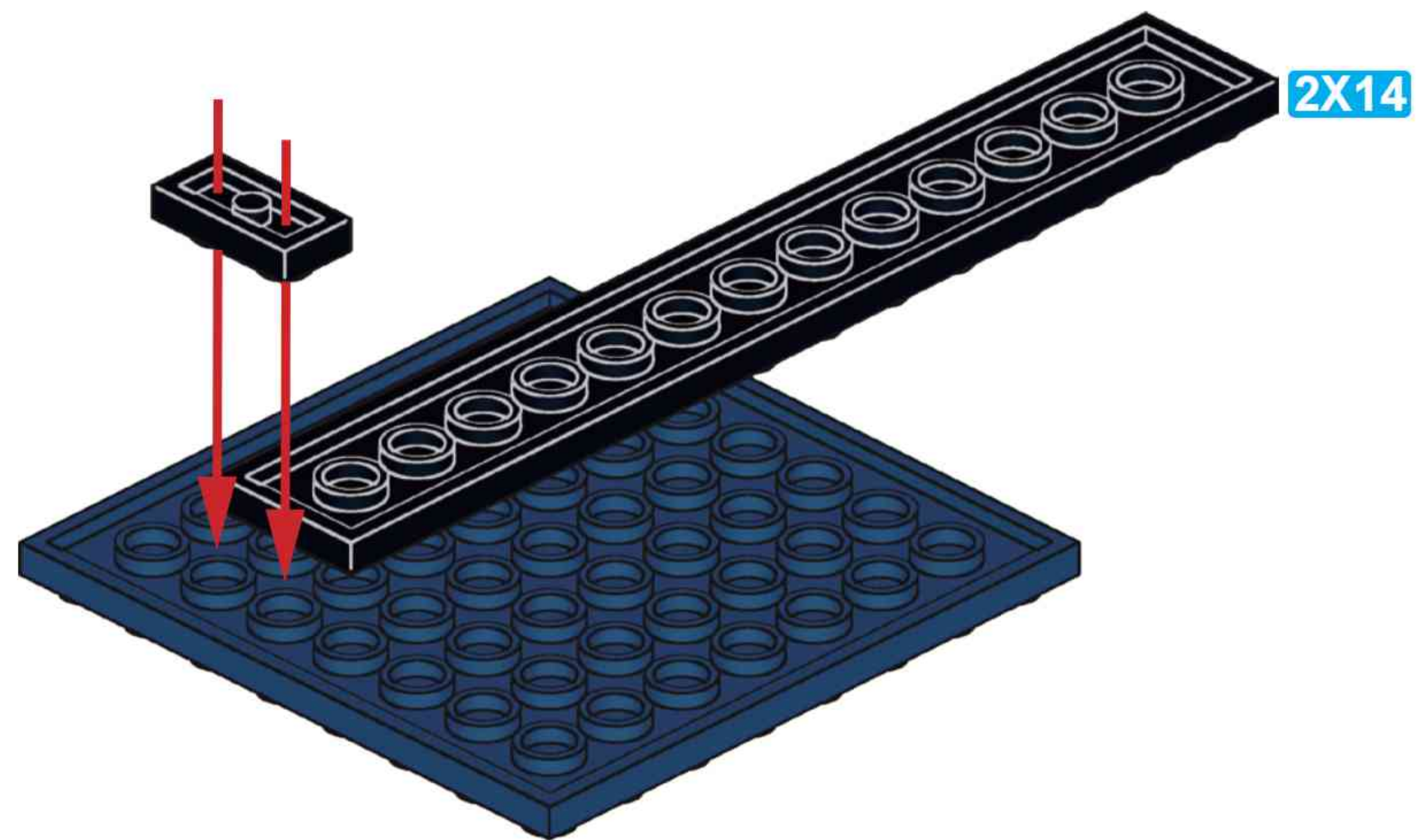


A5

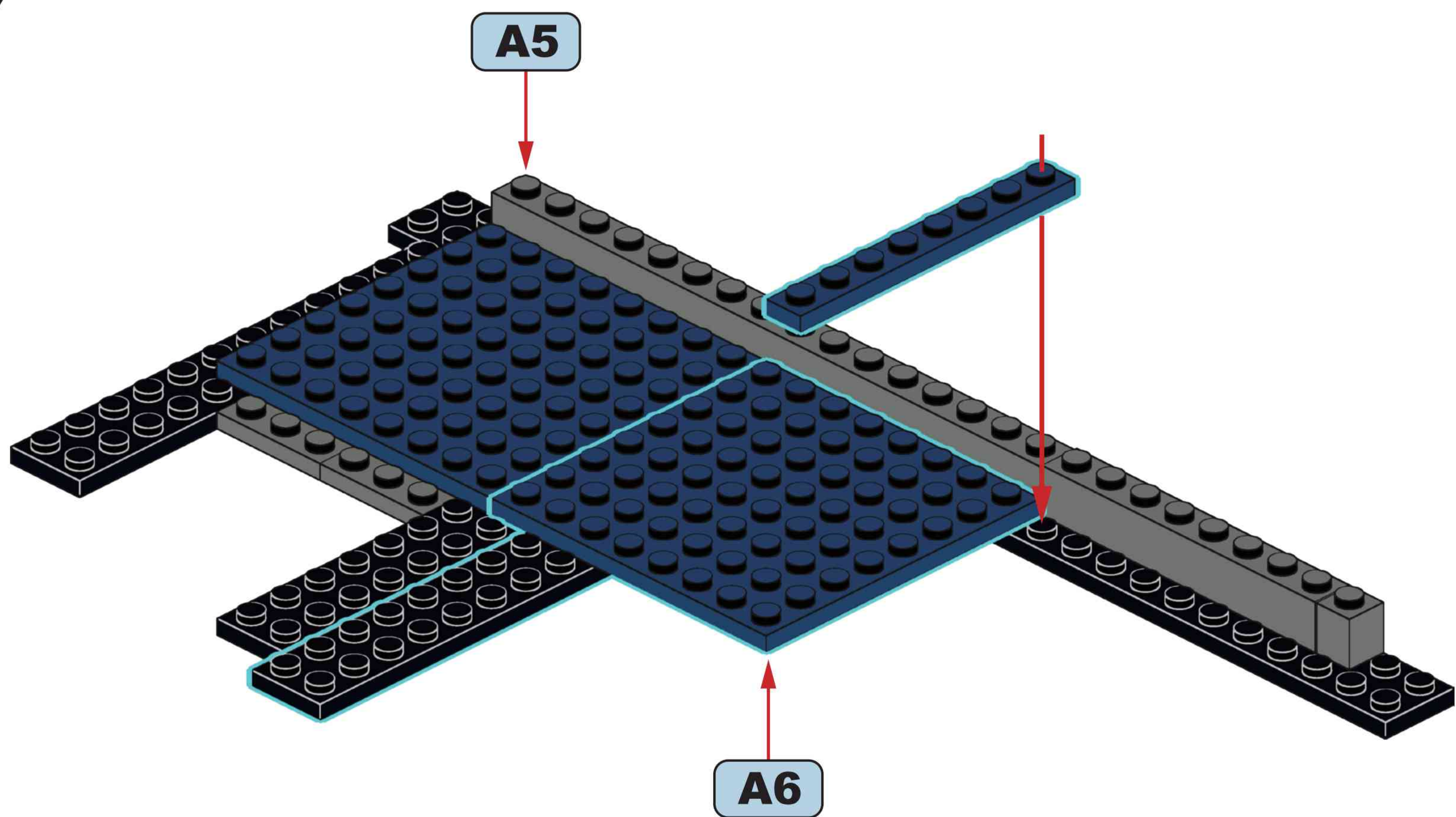


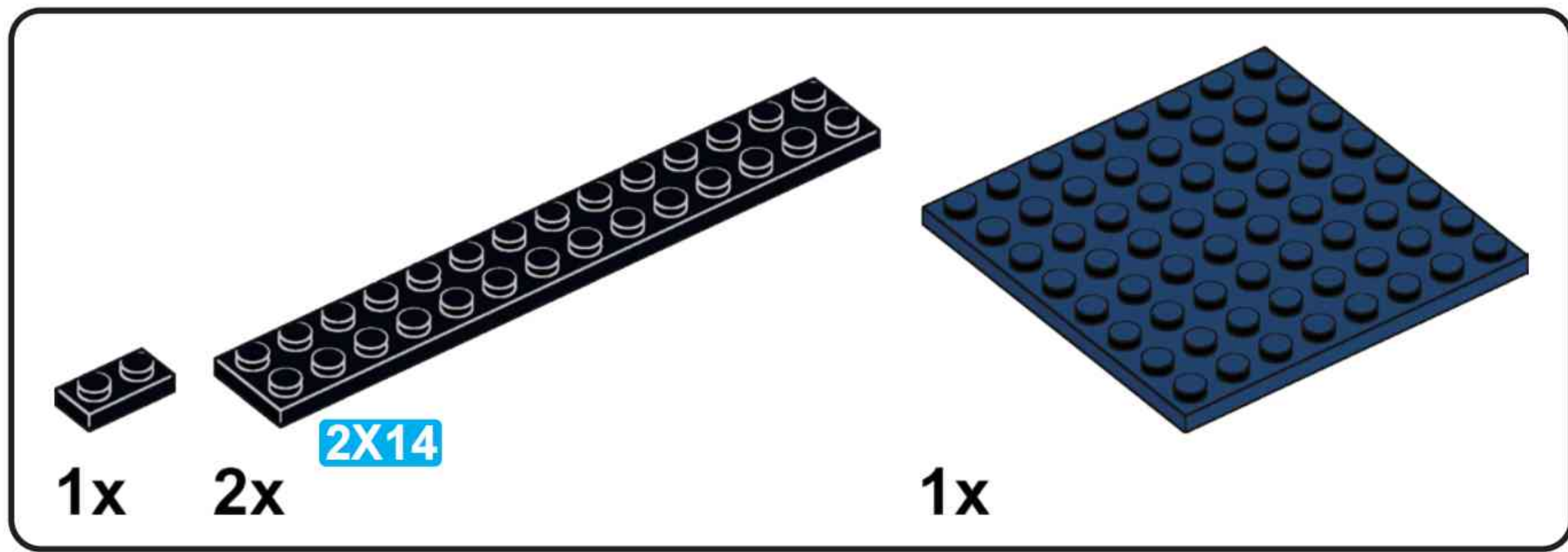


A6

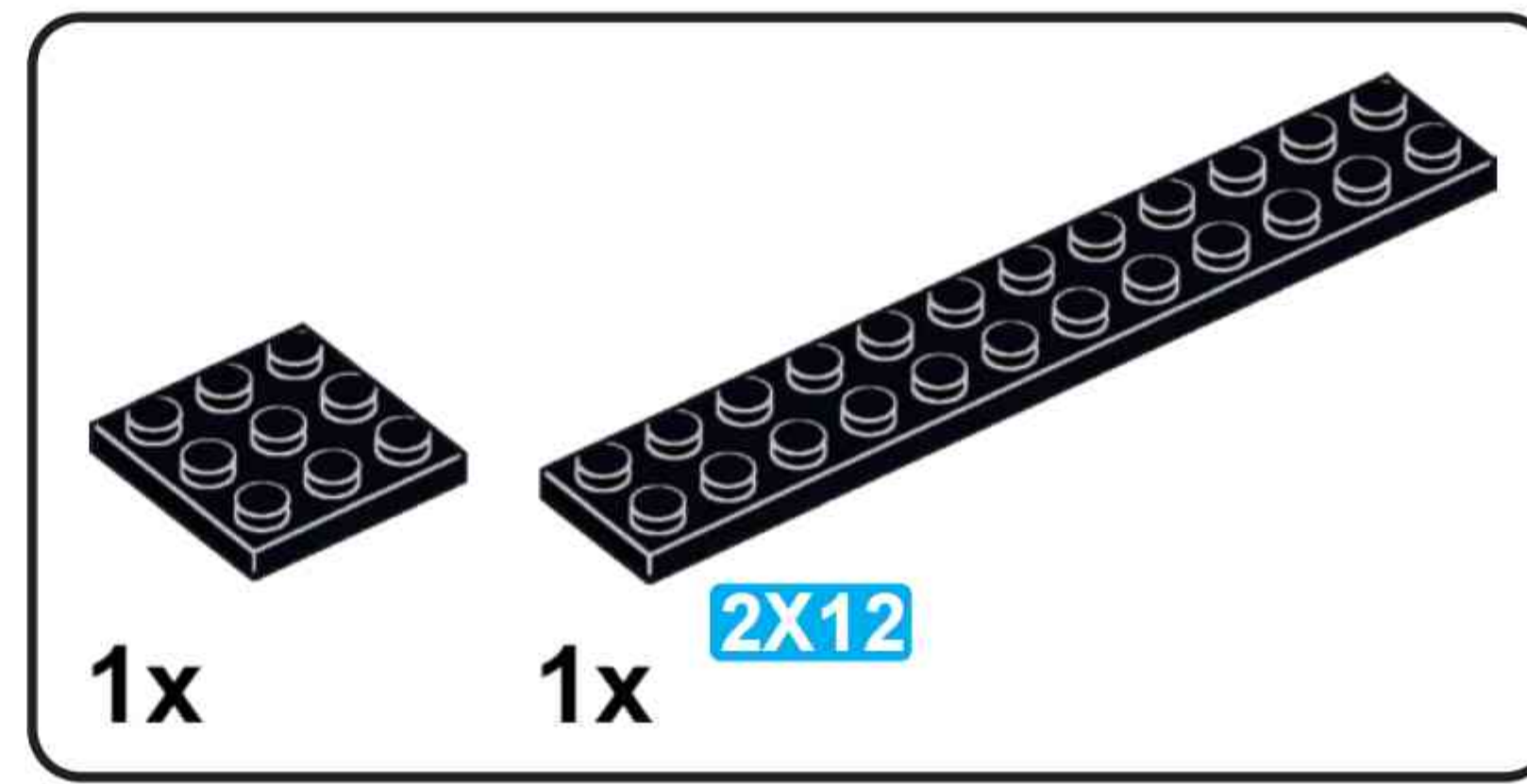
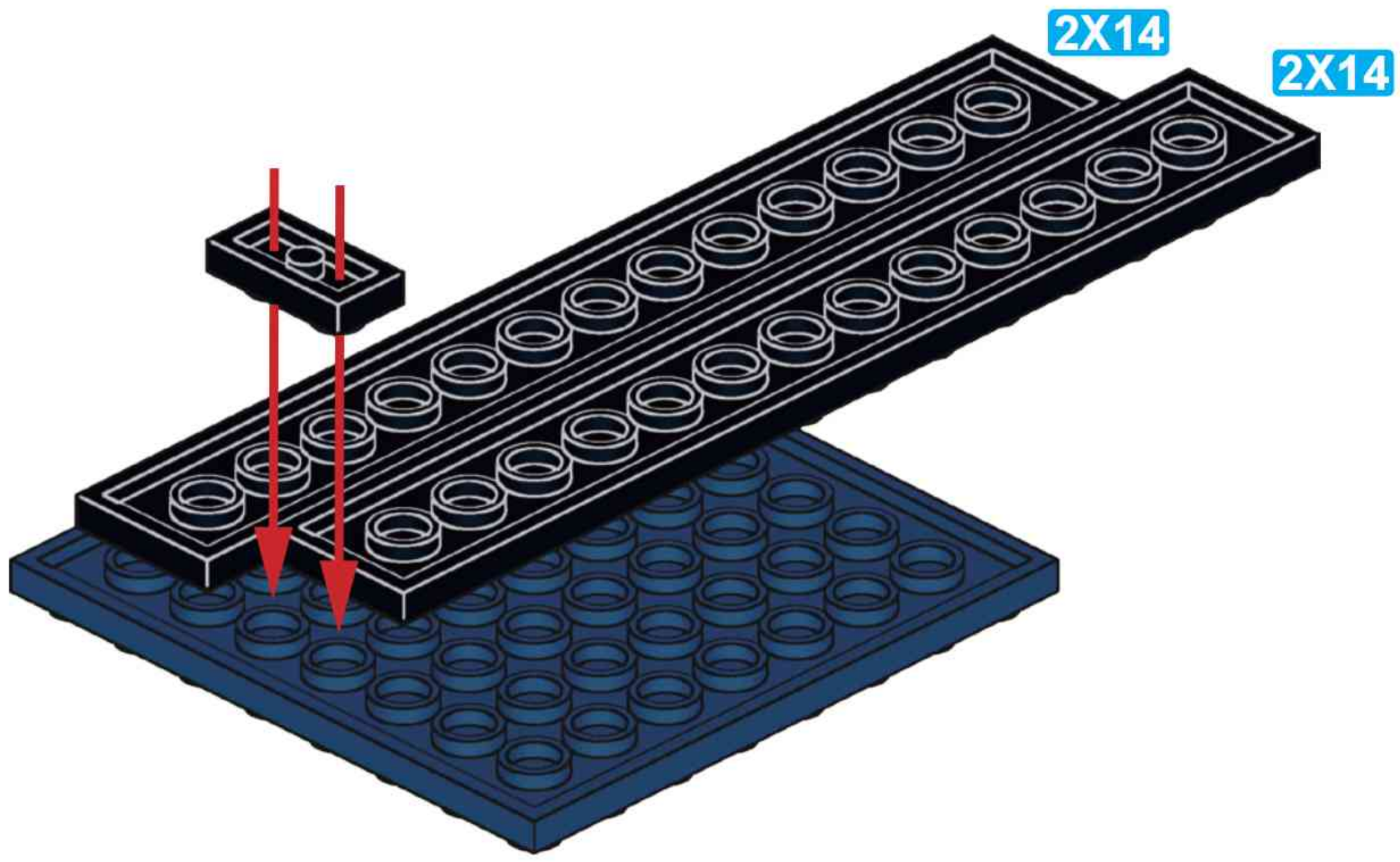


A7

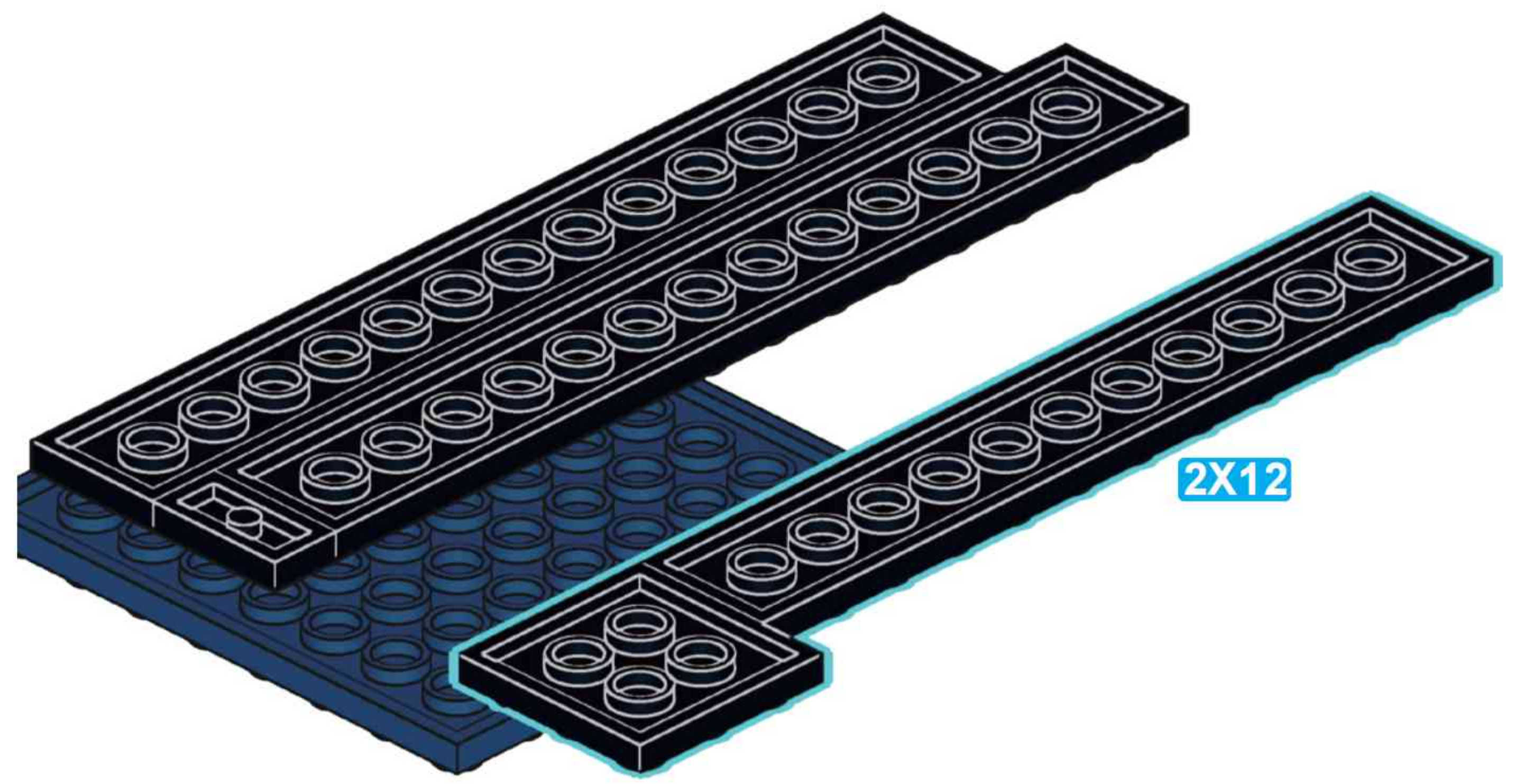




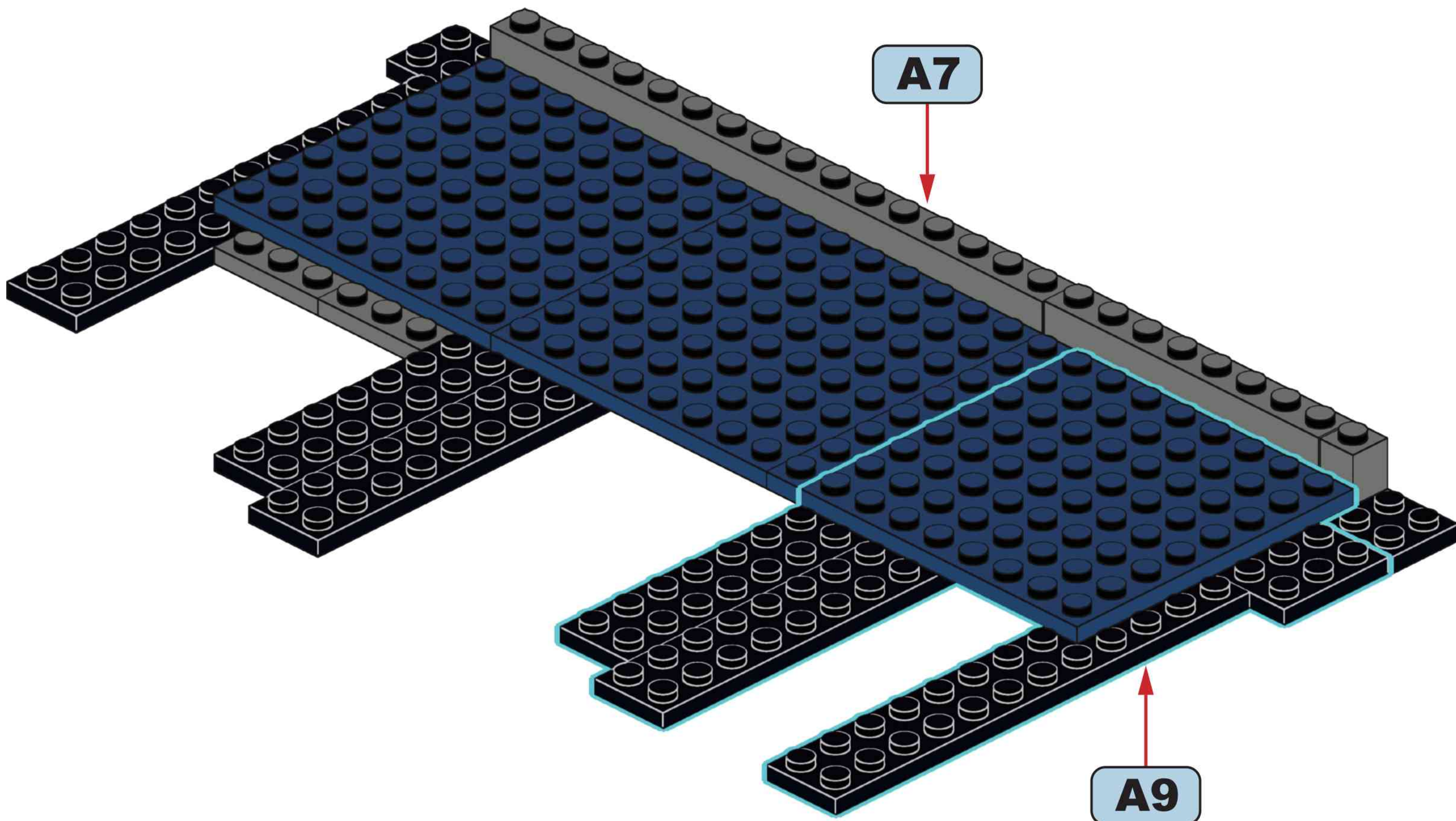
A8

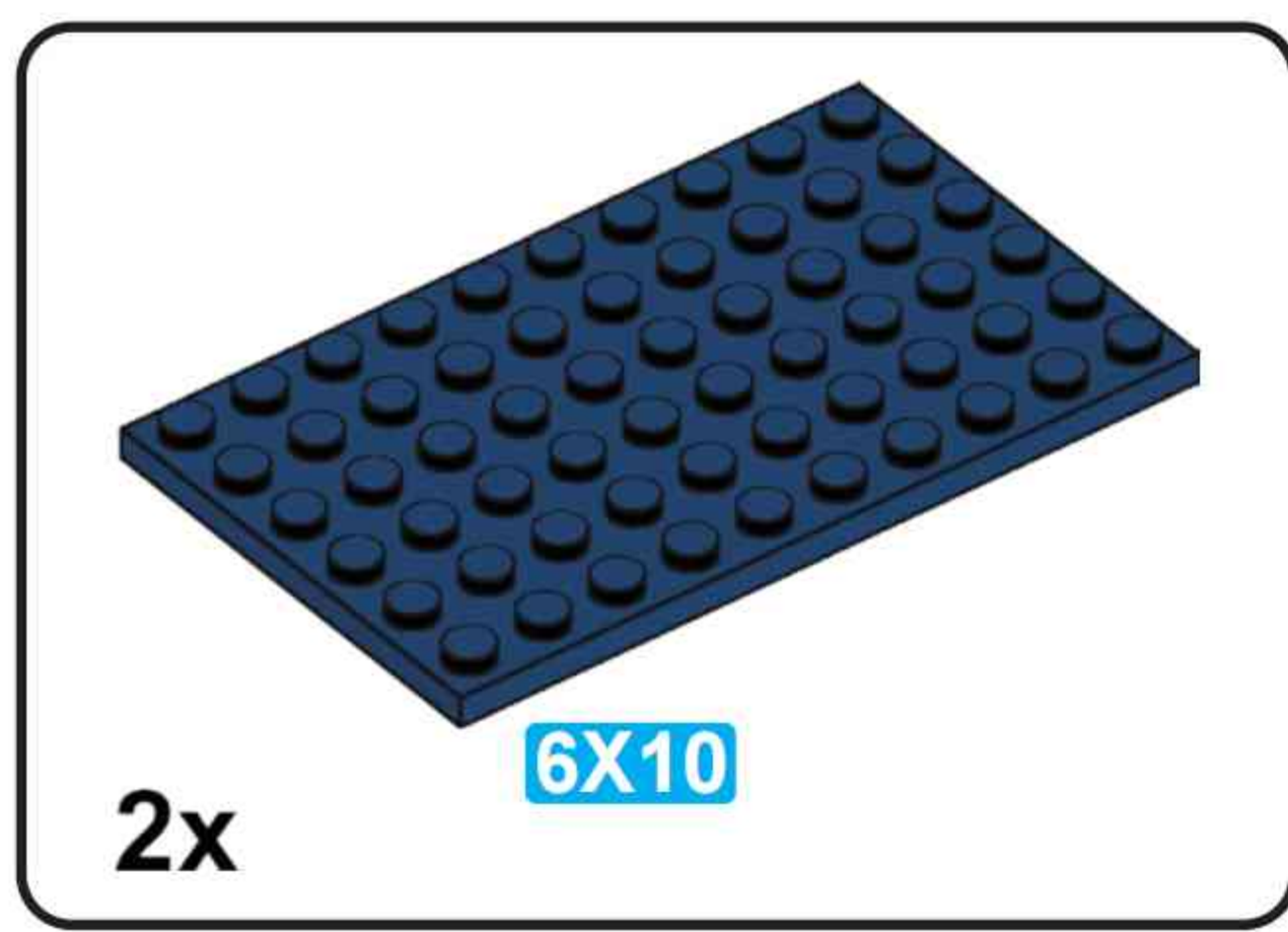


A9

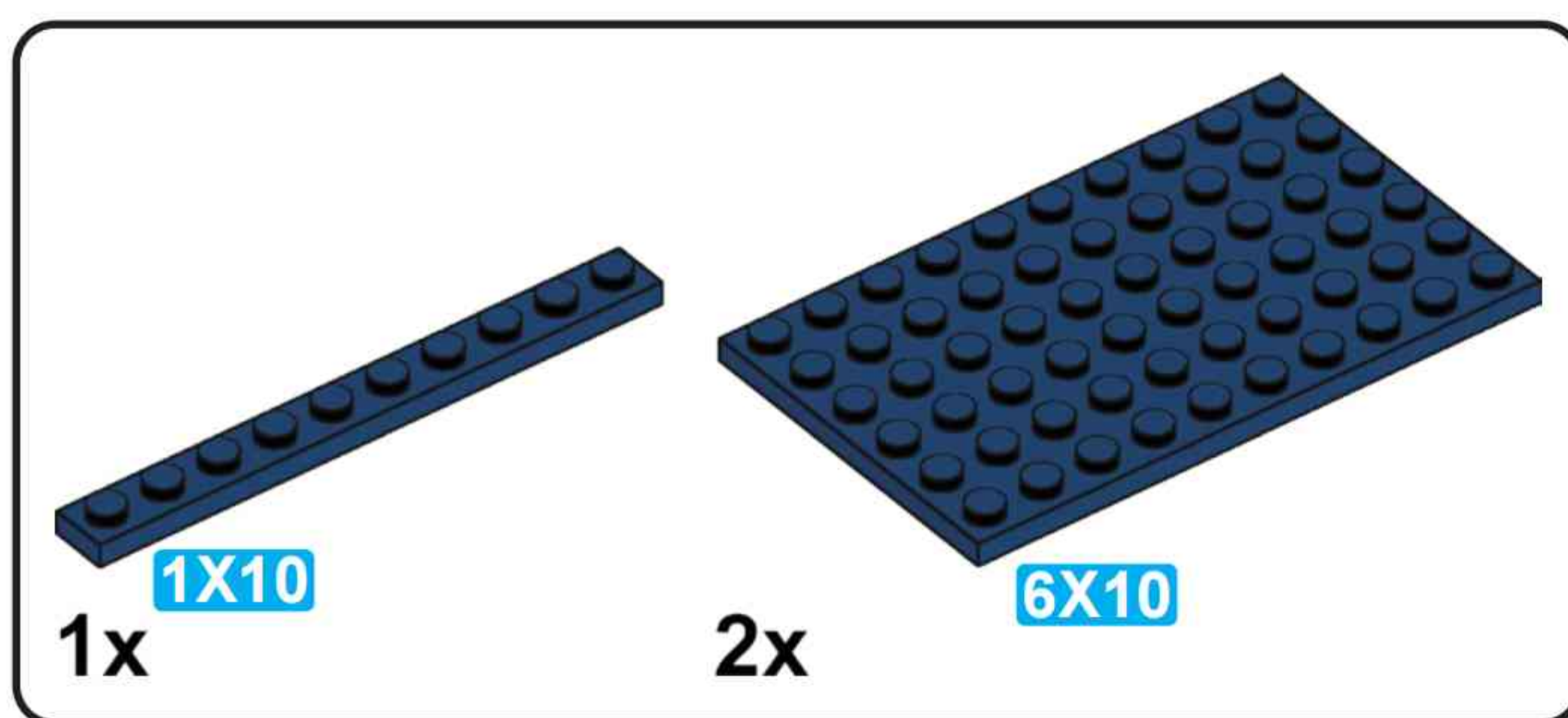
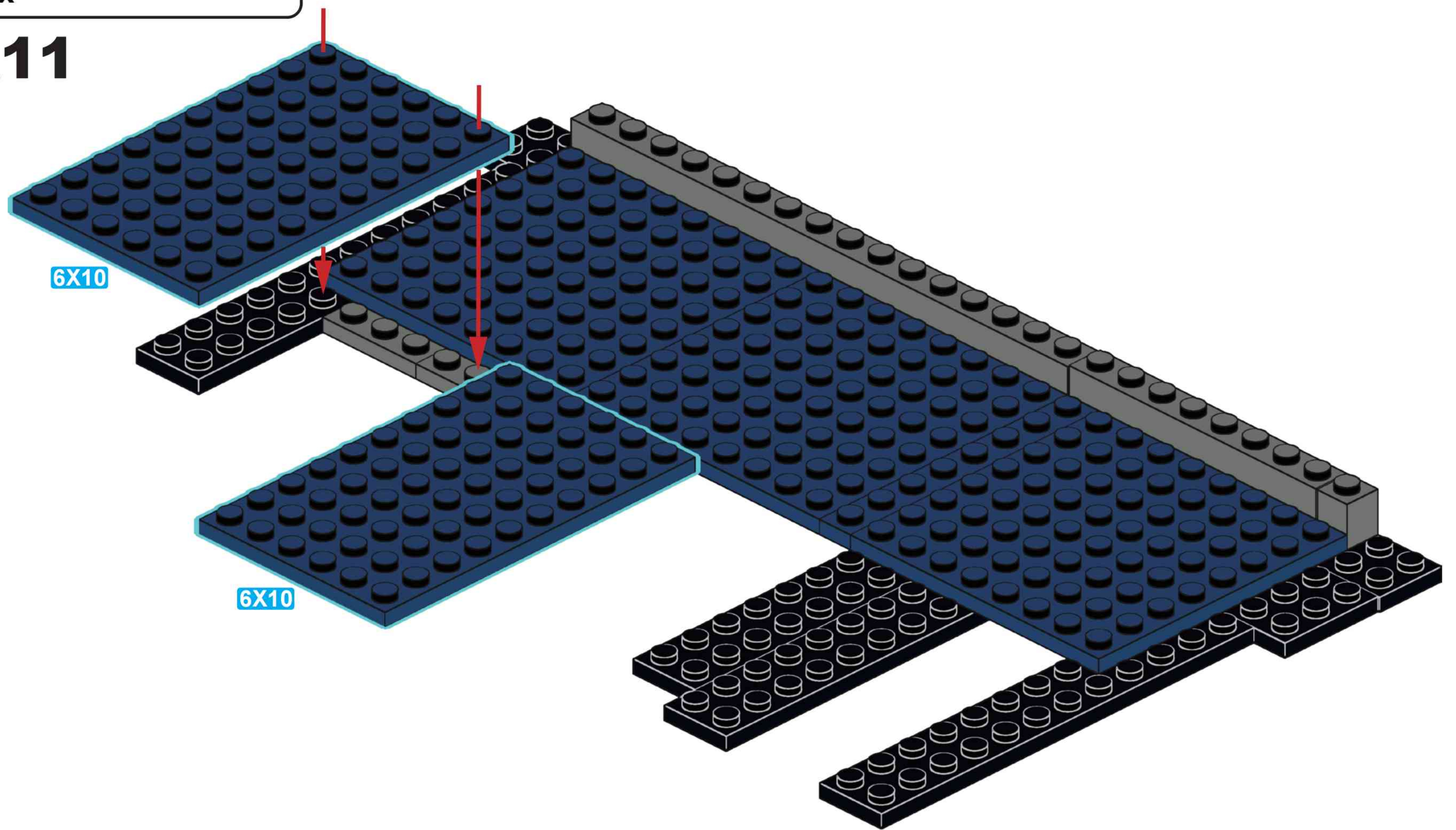


A10

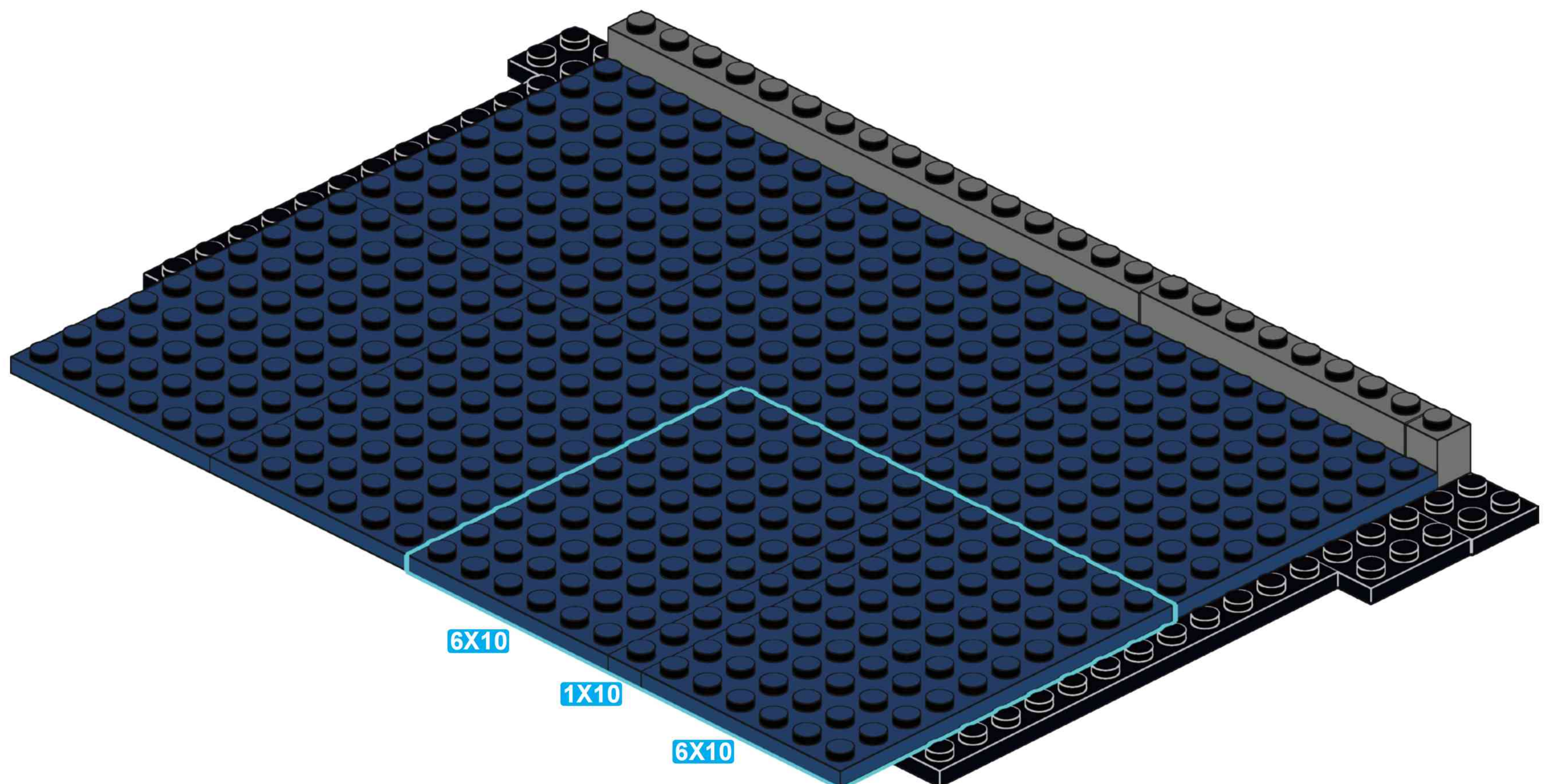


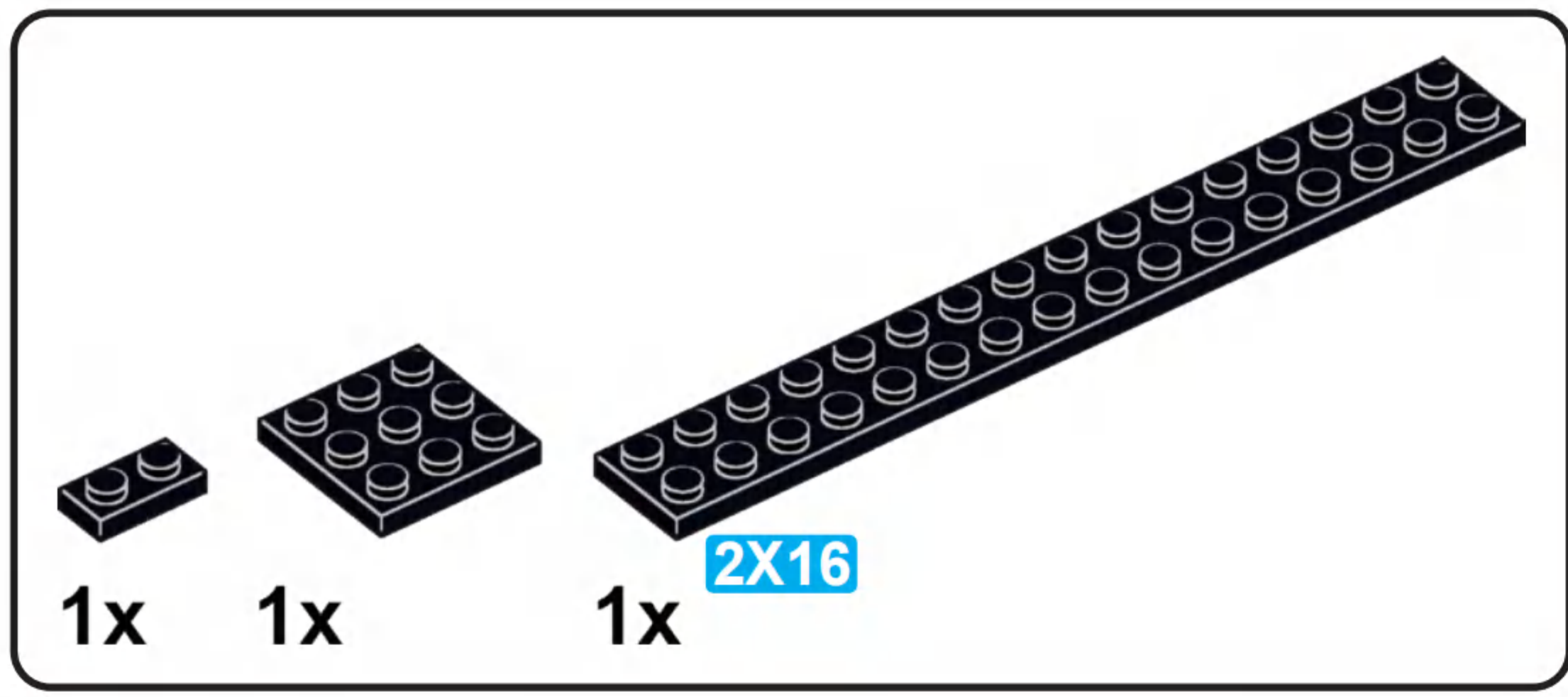


A11

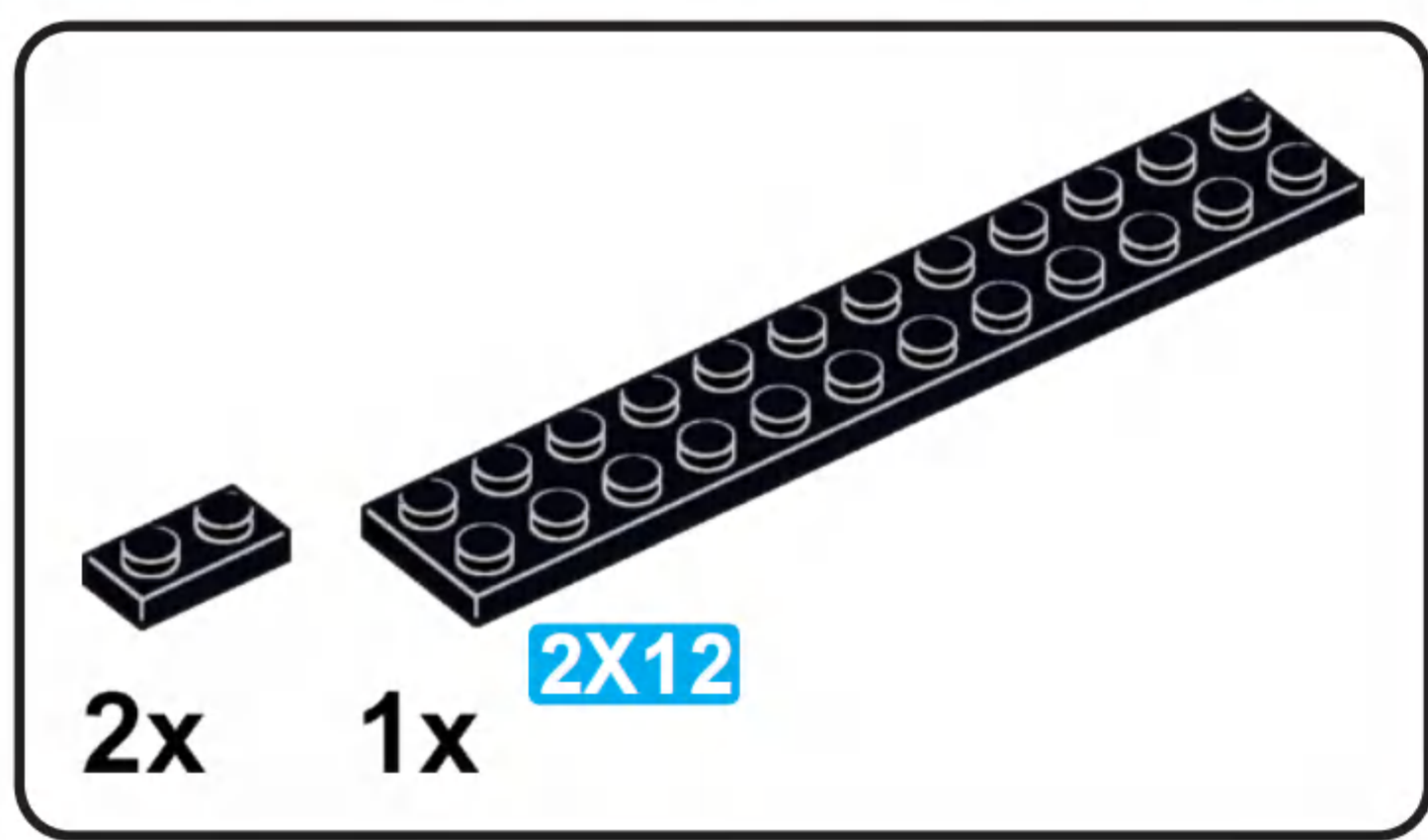
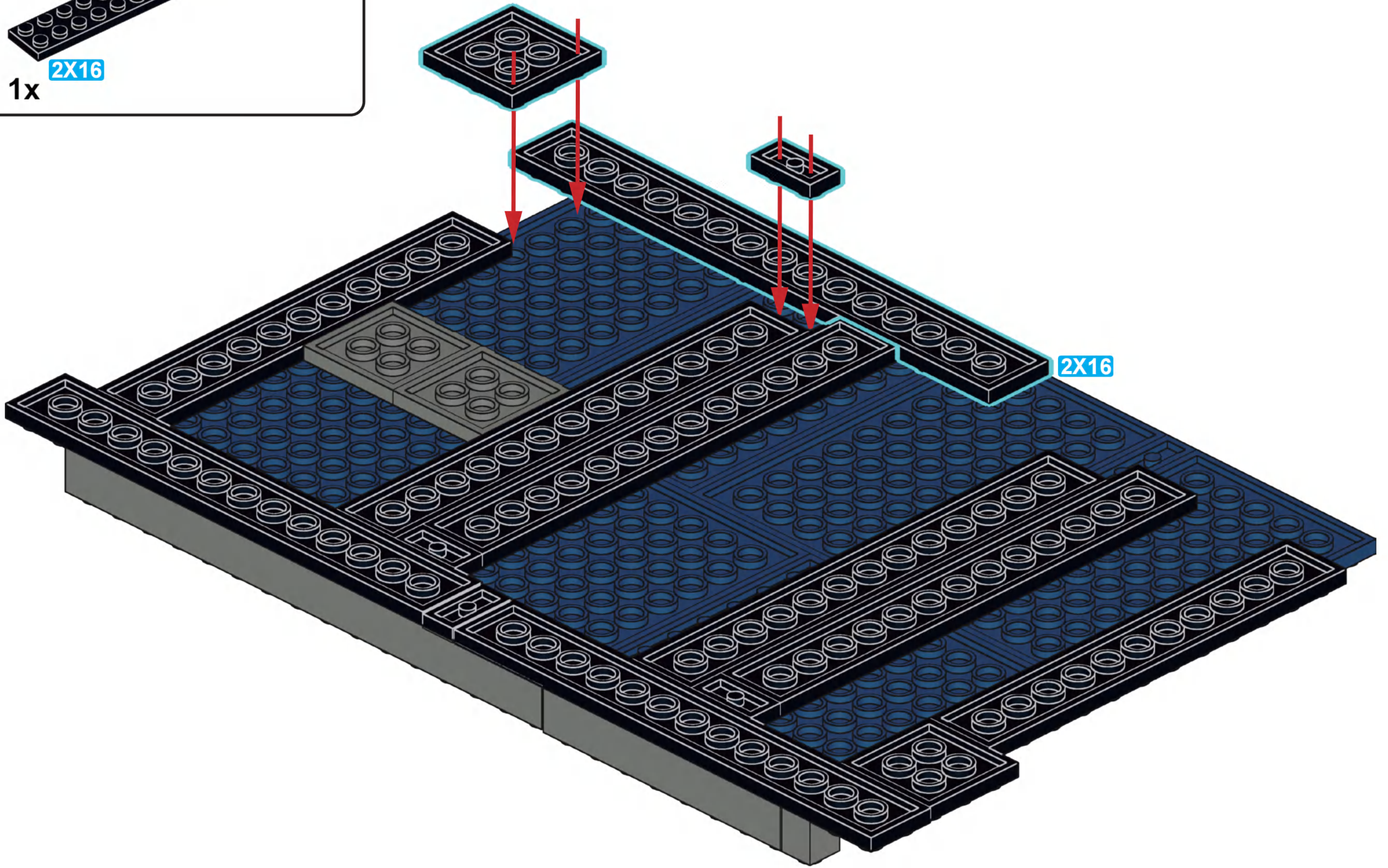


A12

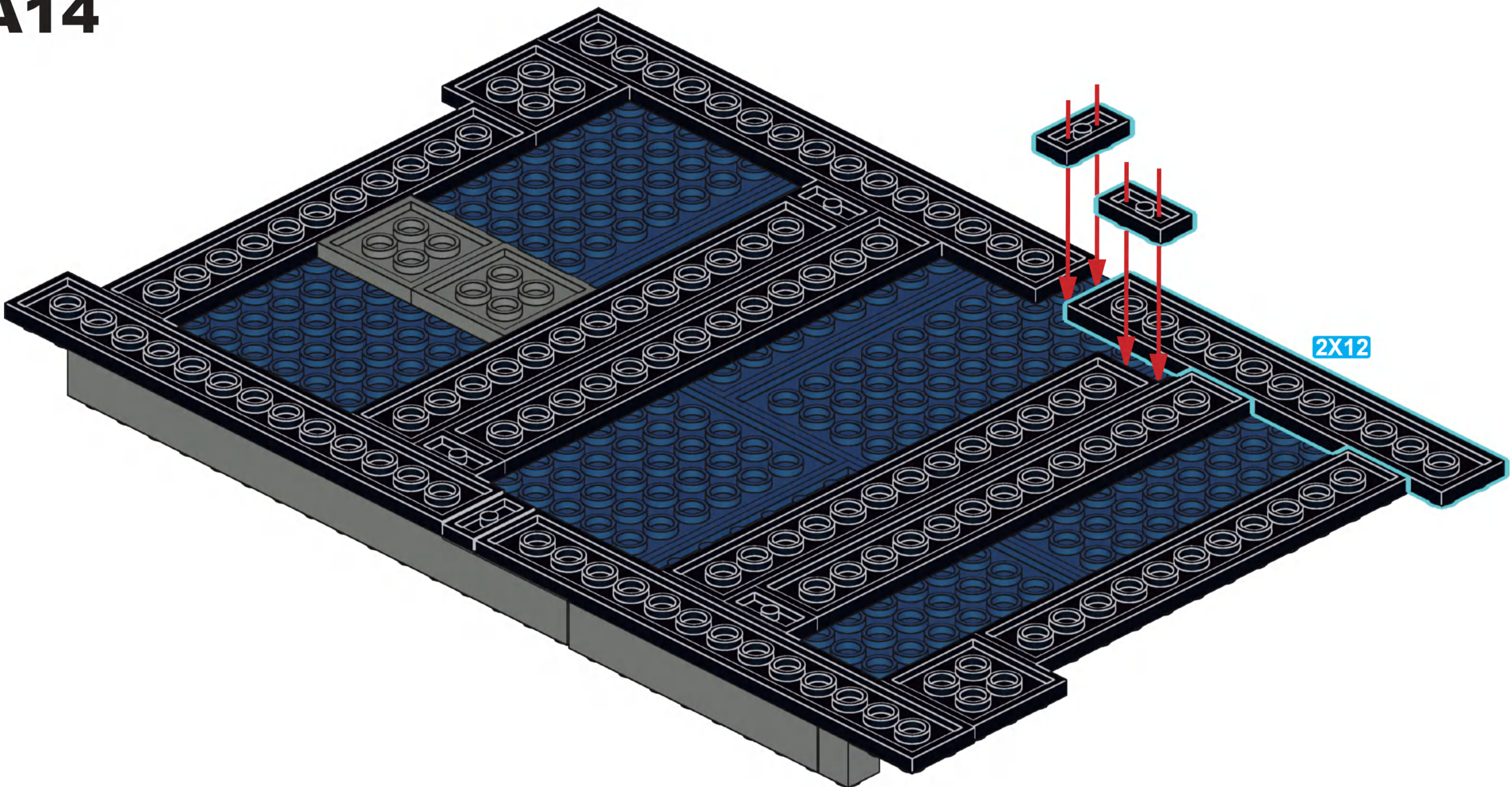


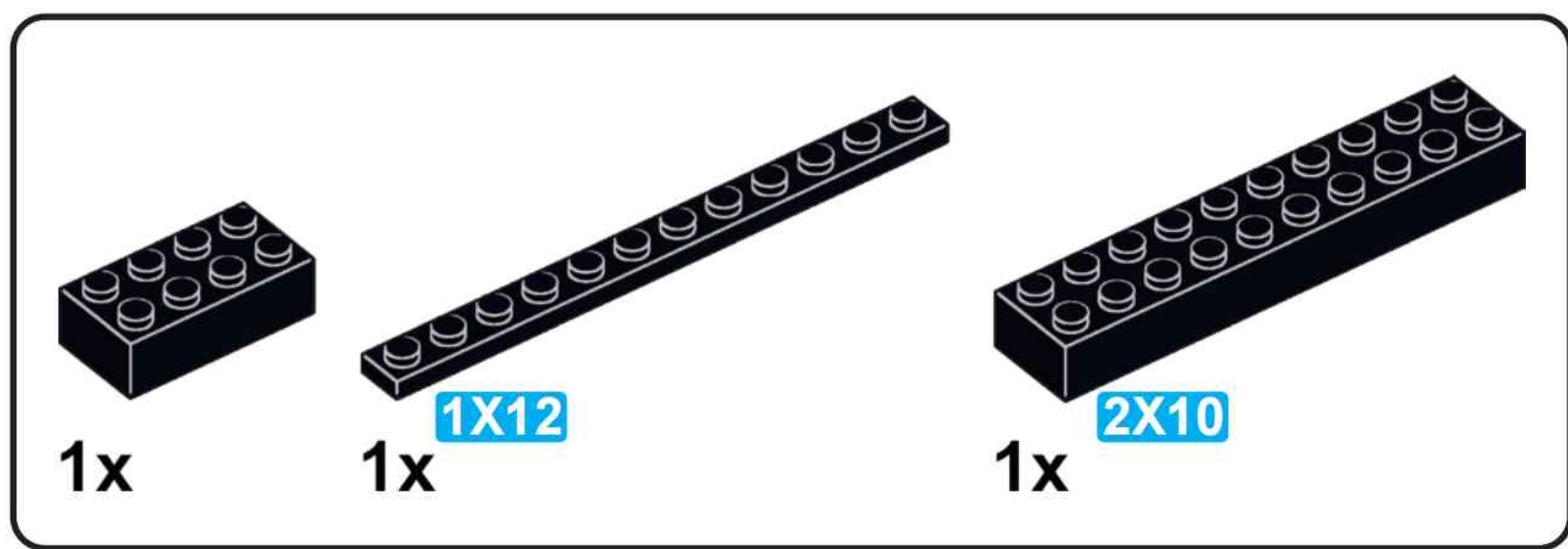


A13

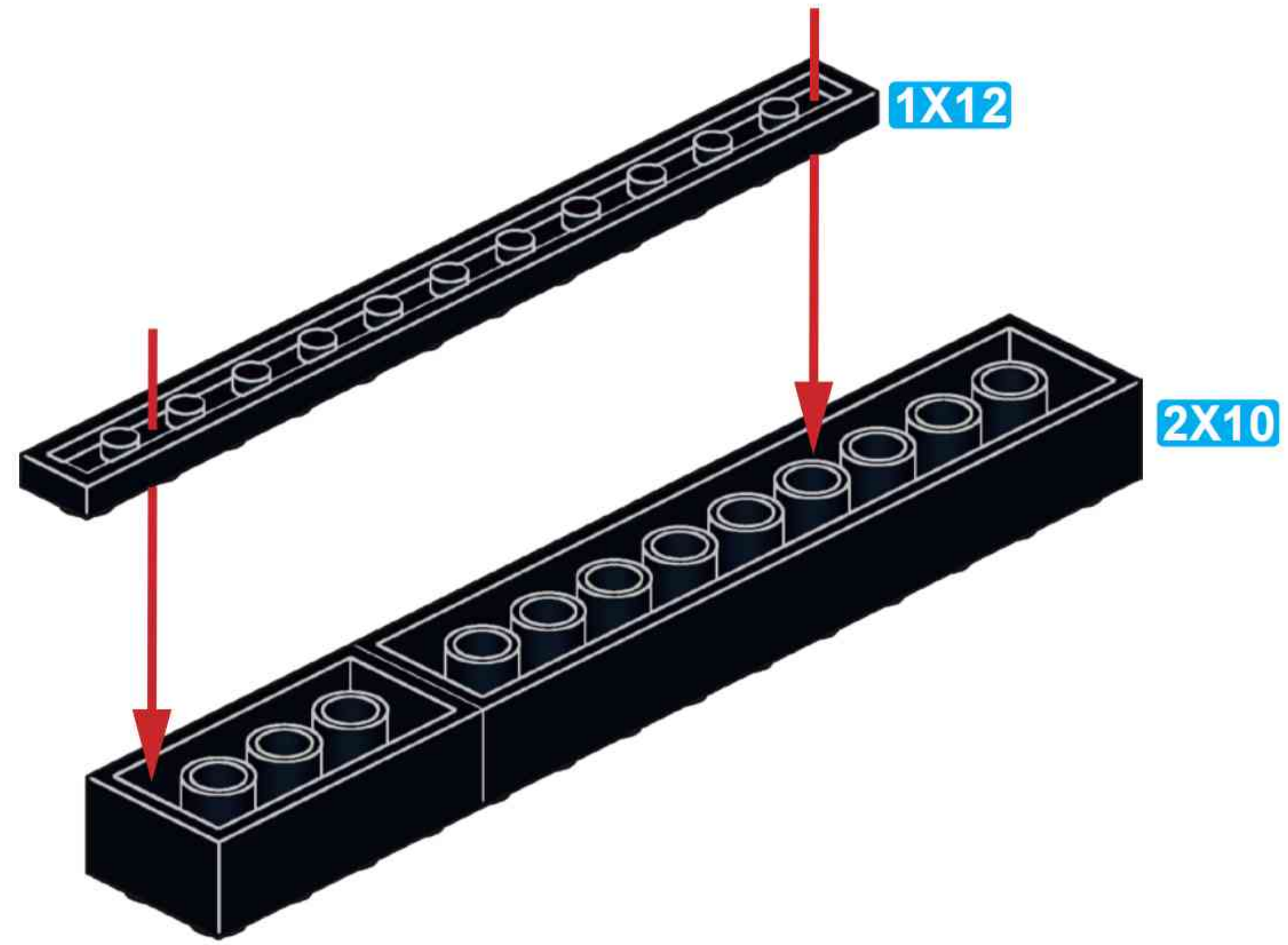


A14

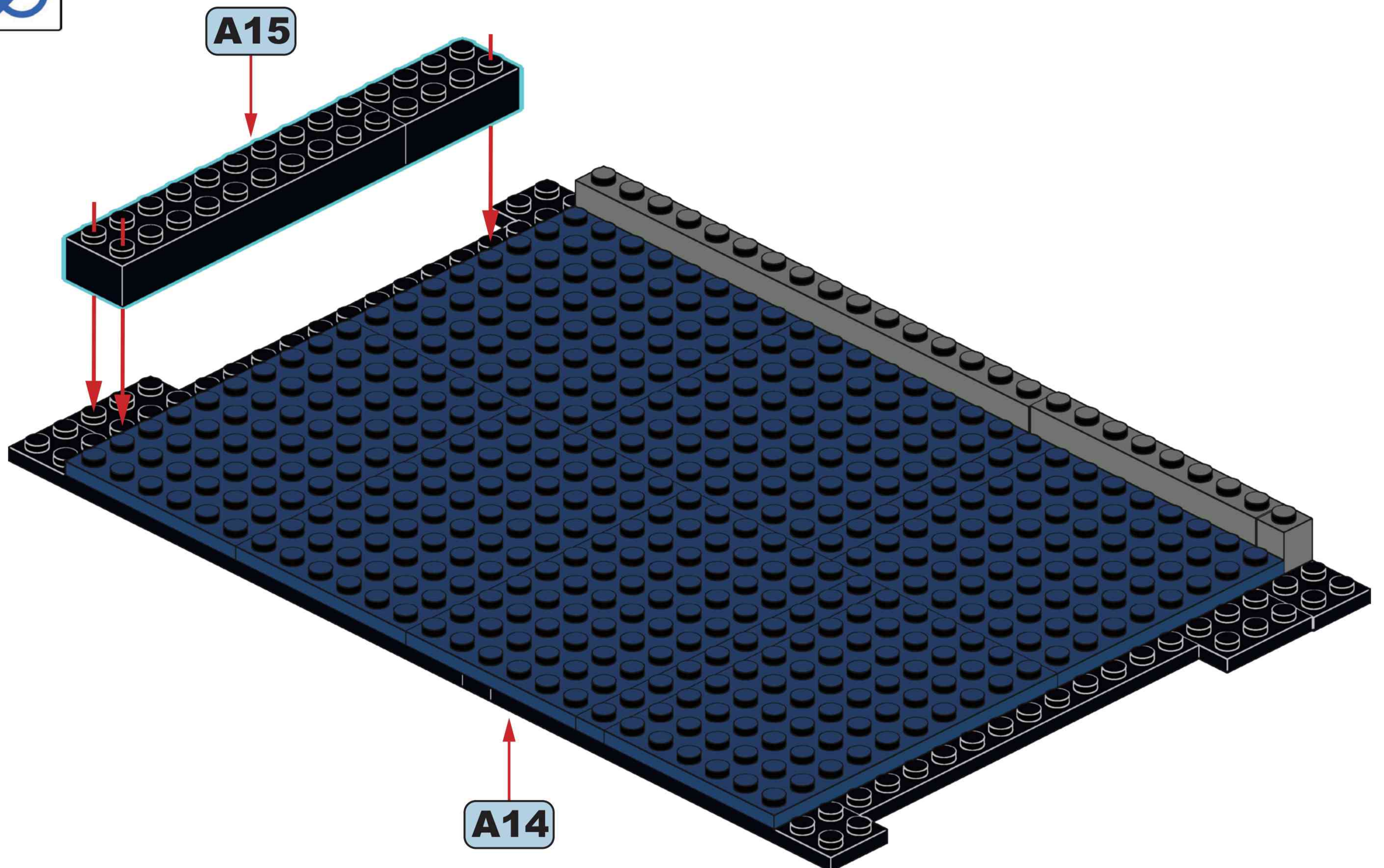


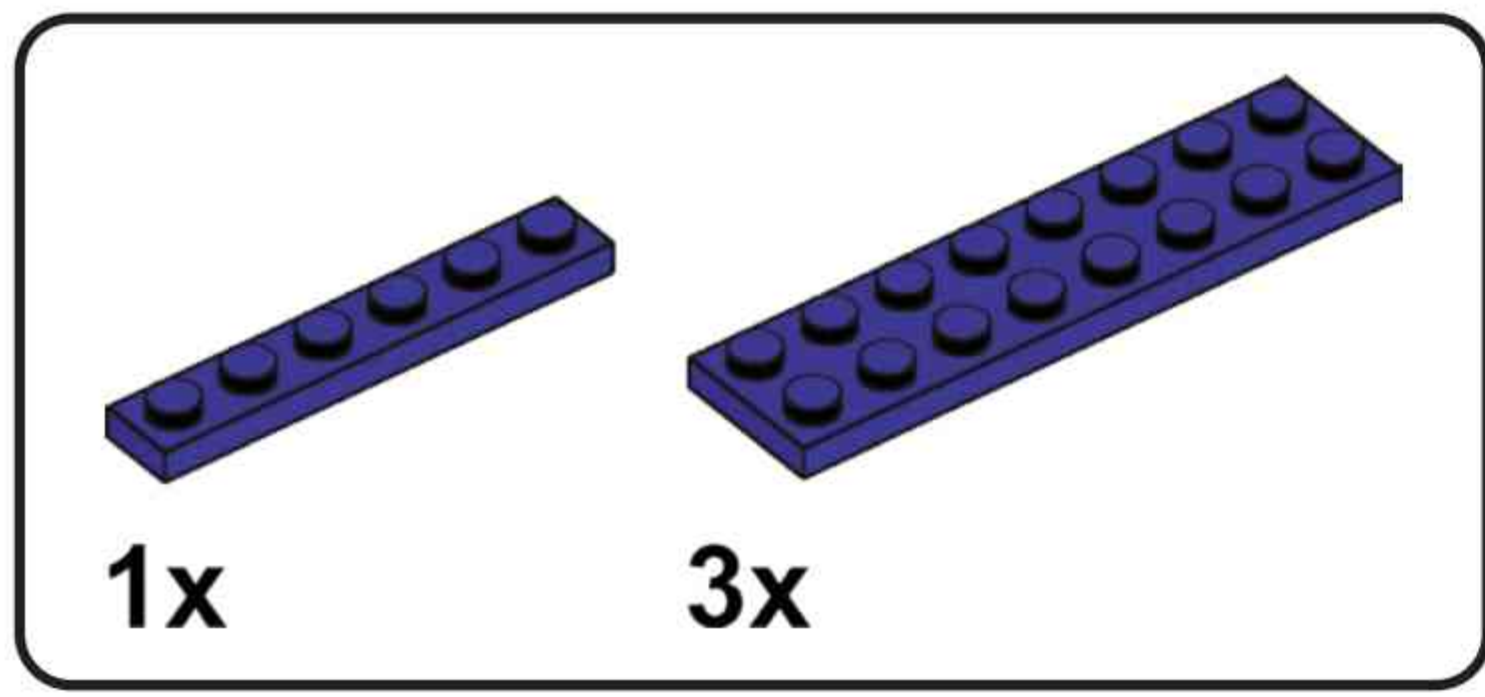


A15

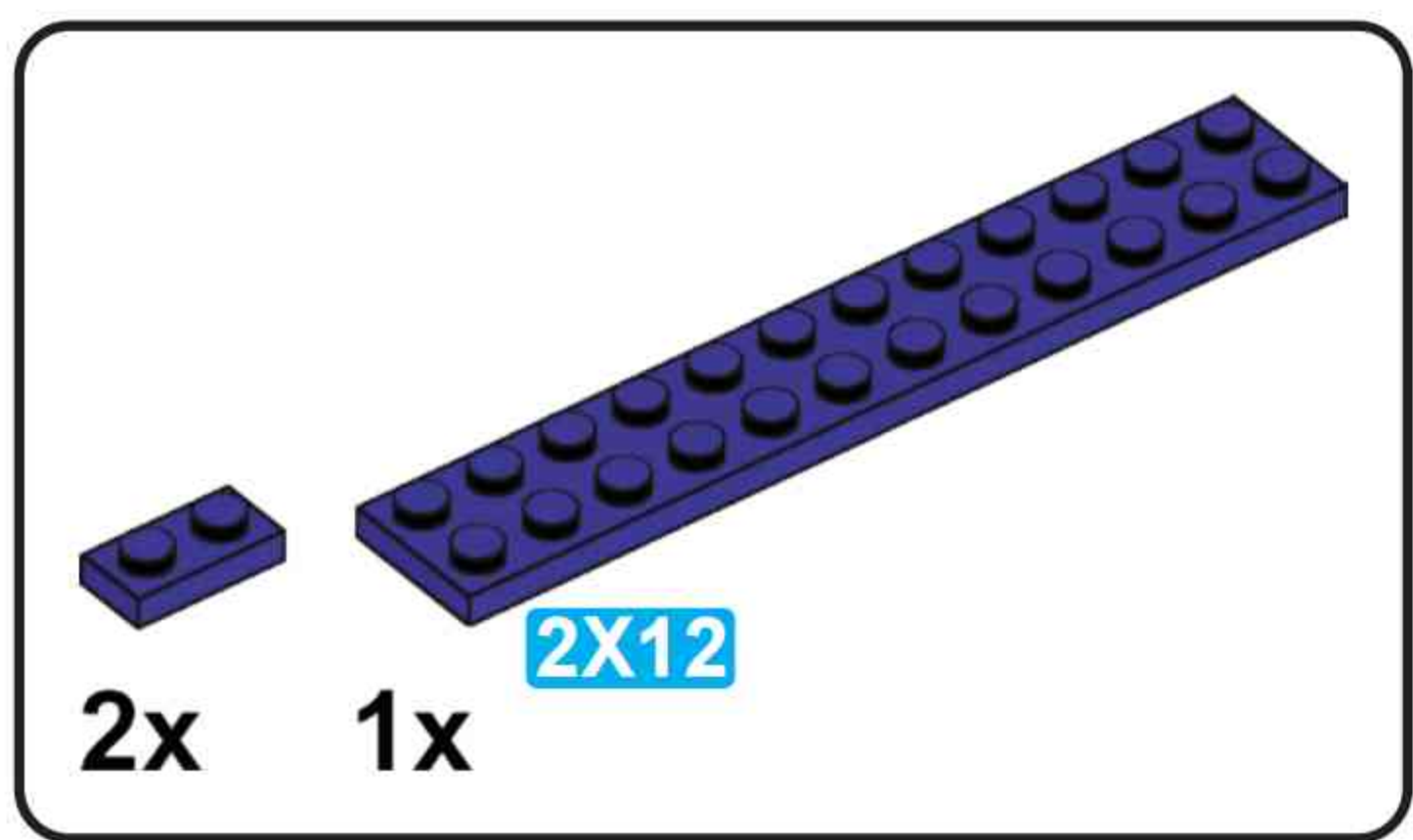
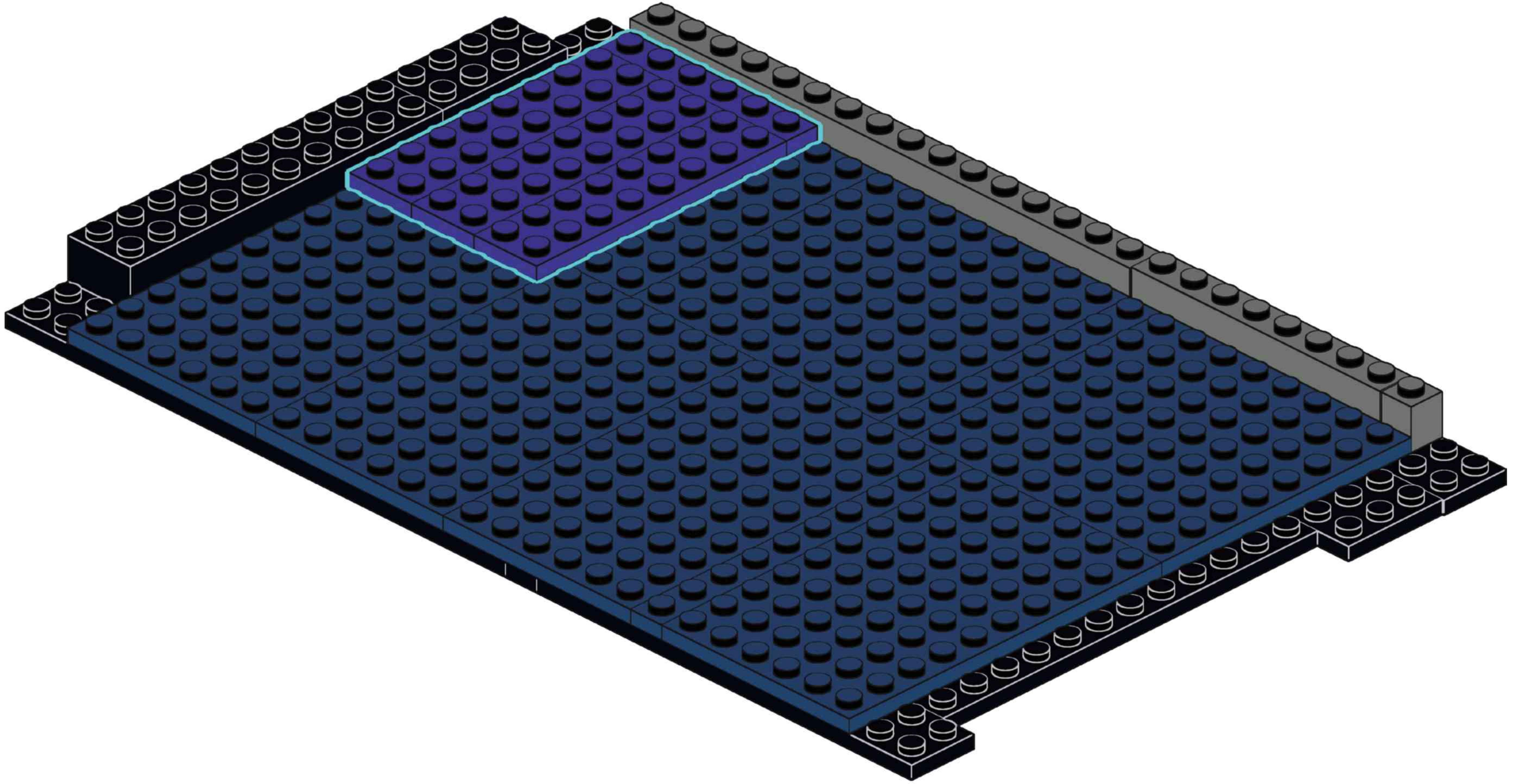


A16

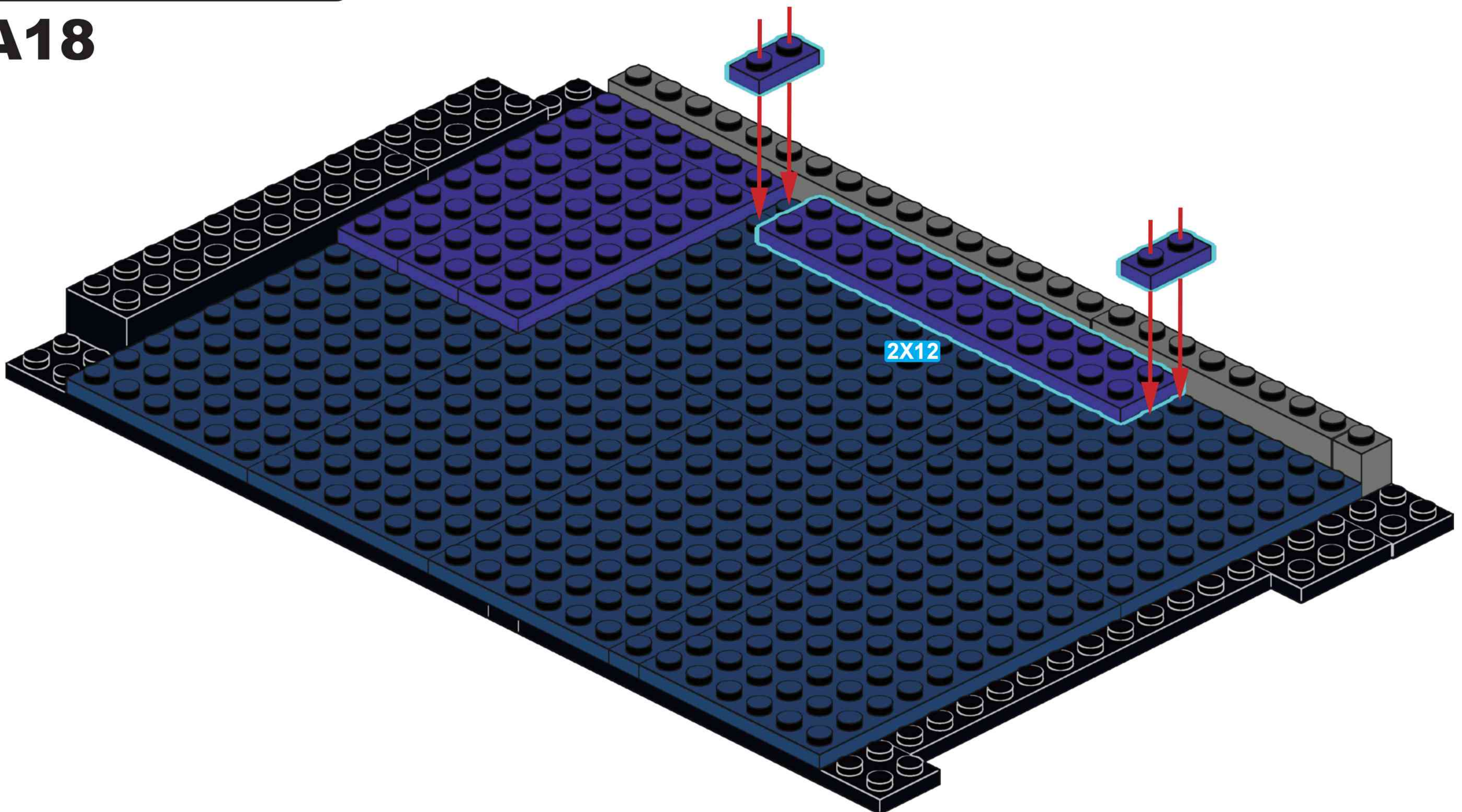


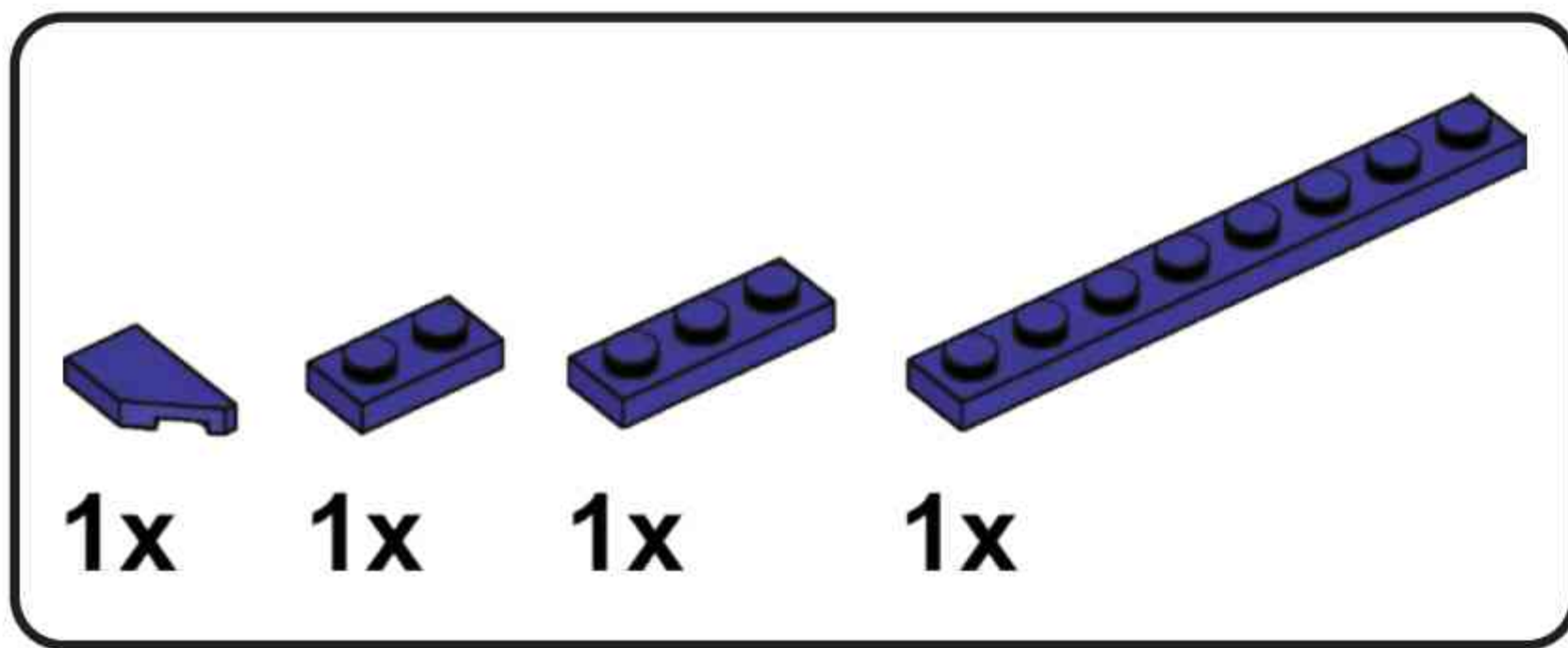


A17

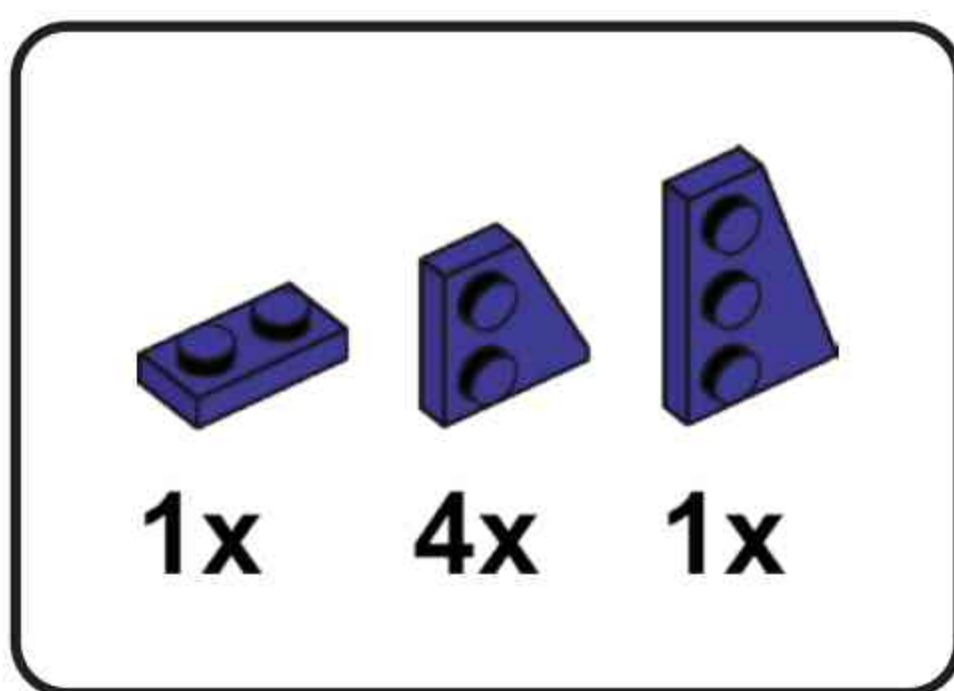
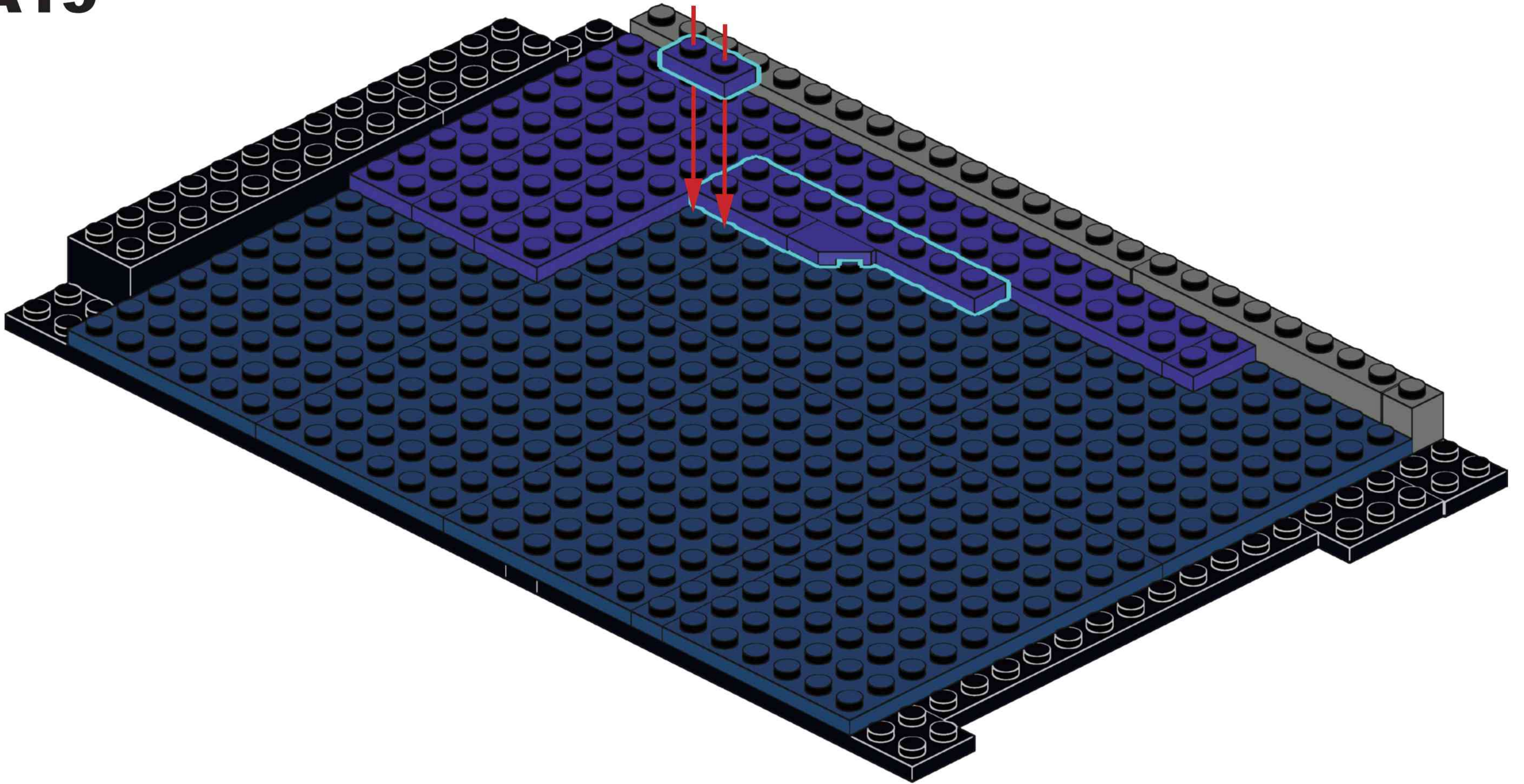


A18

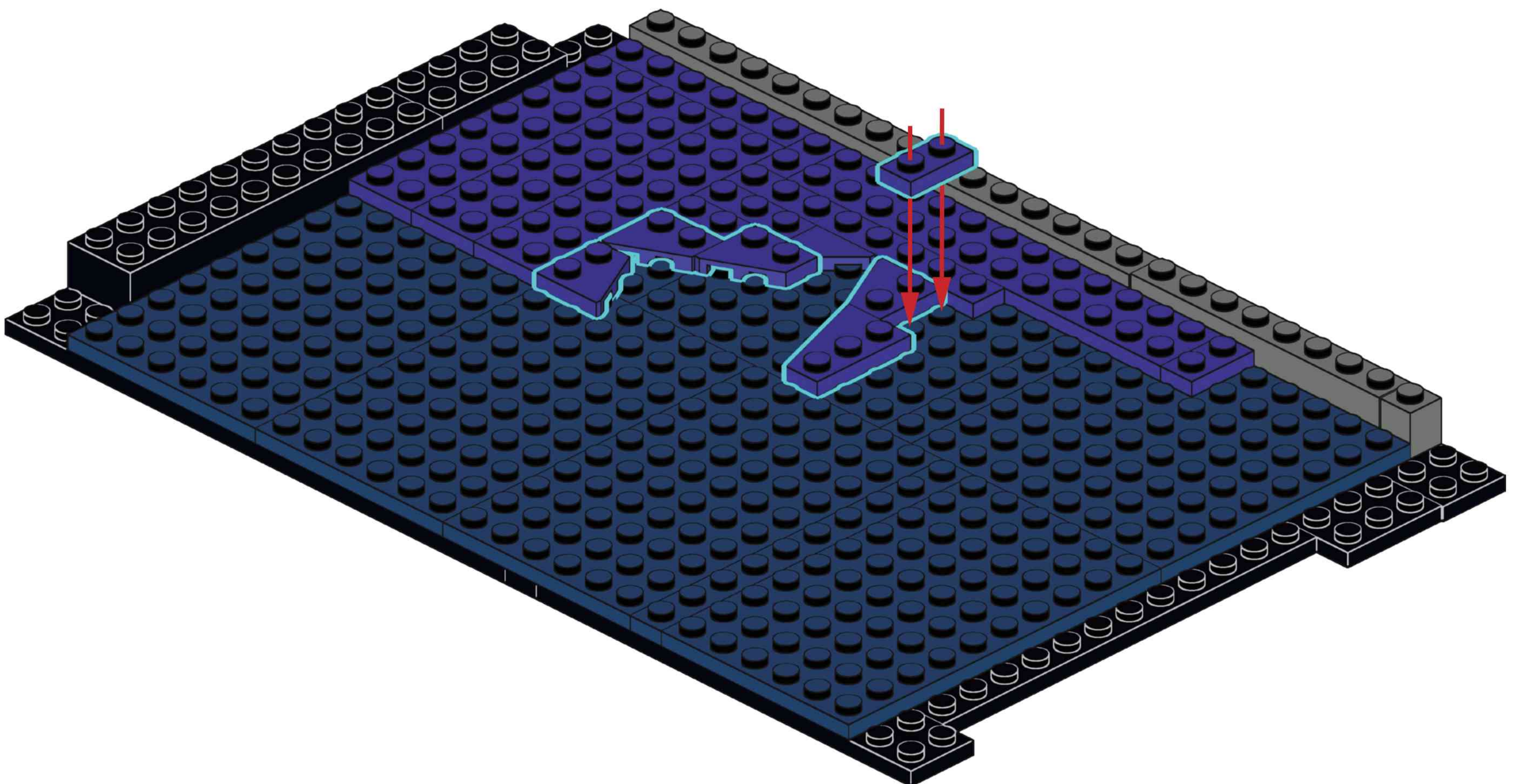


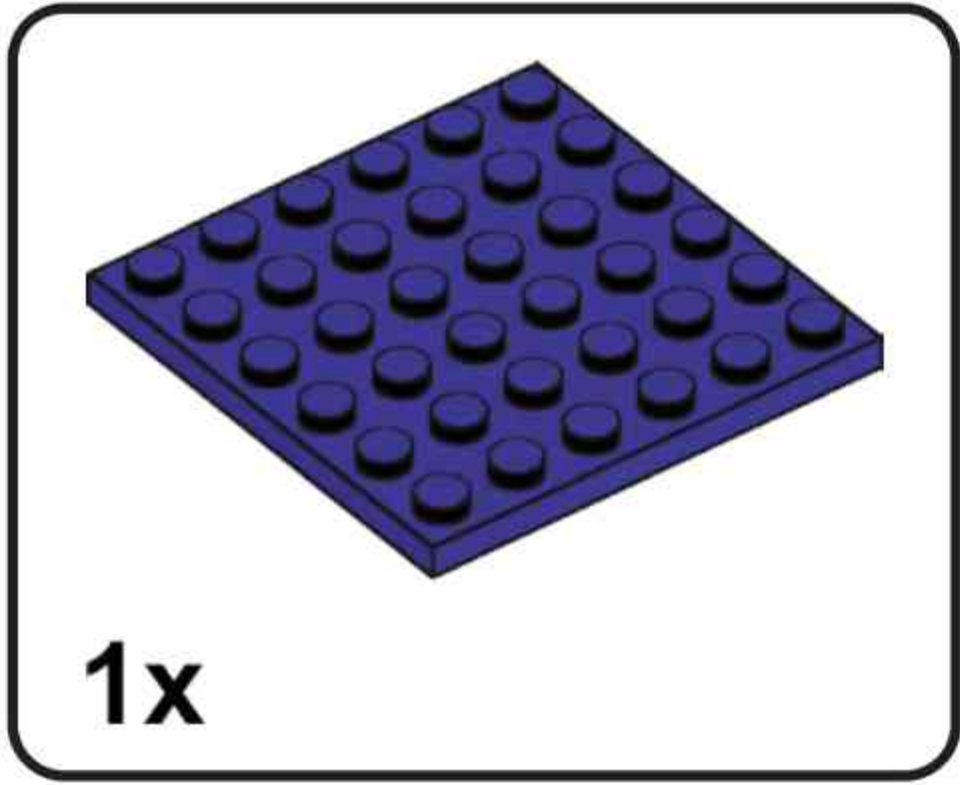


A19

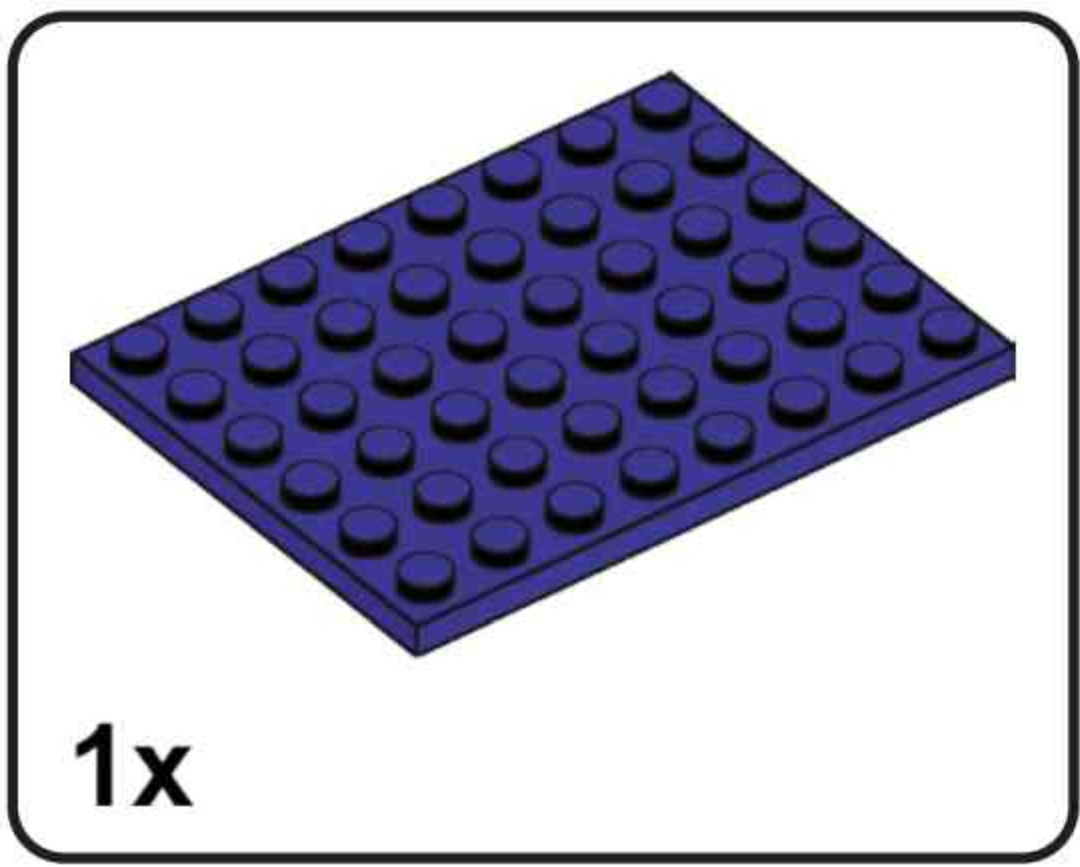
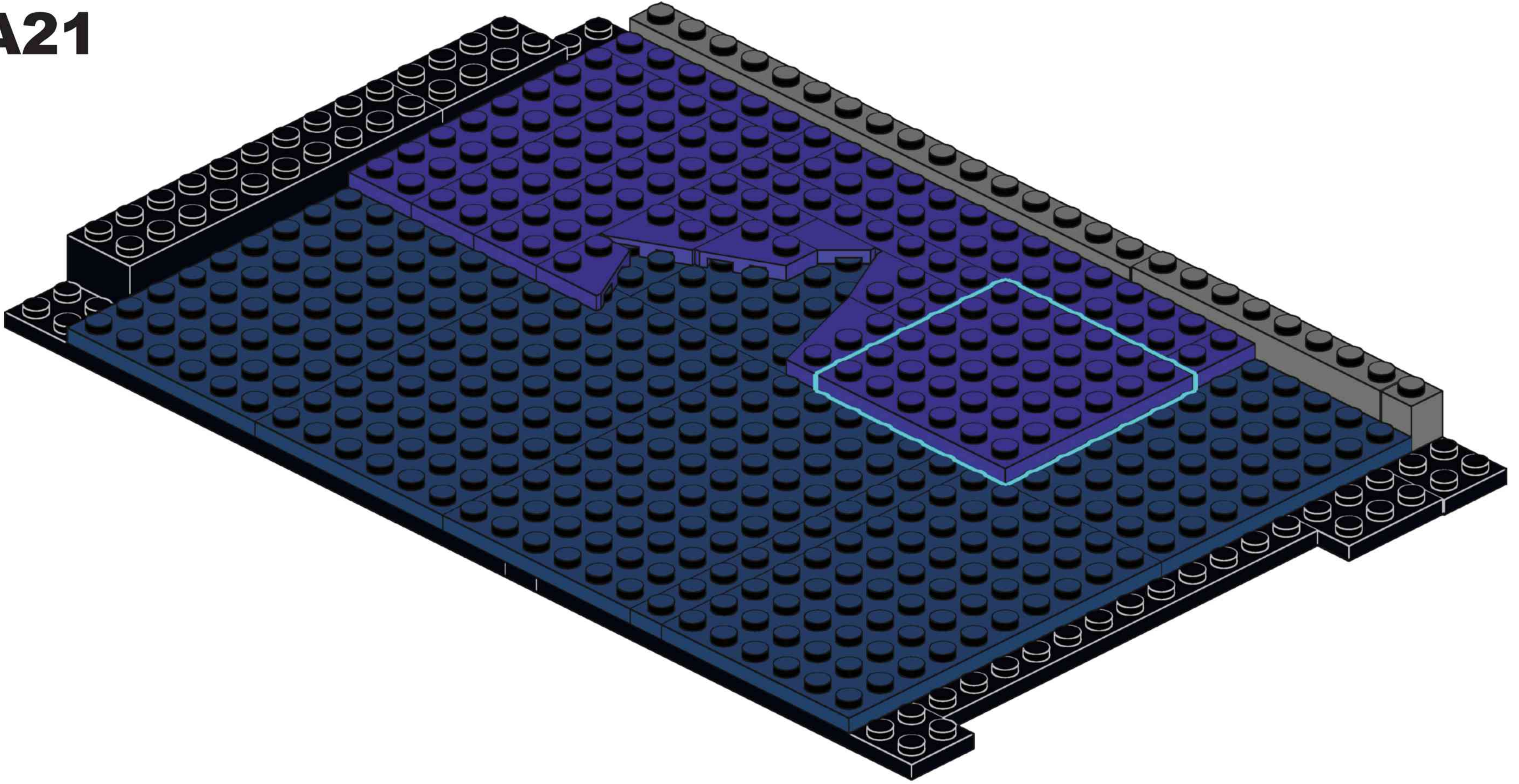


A20

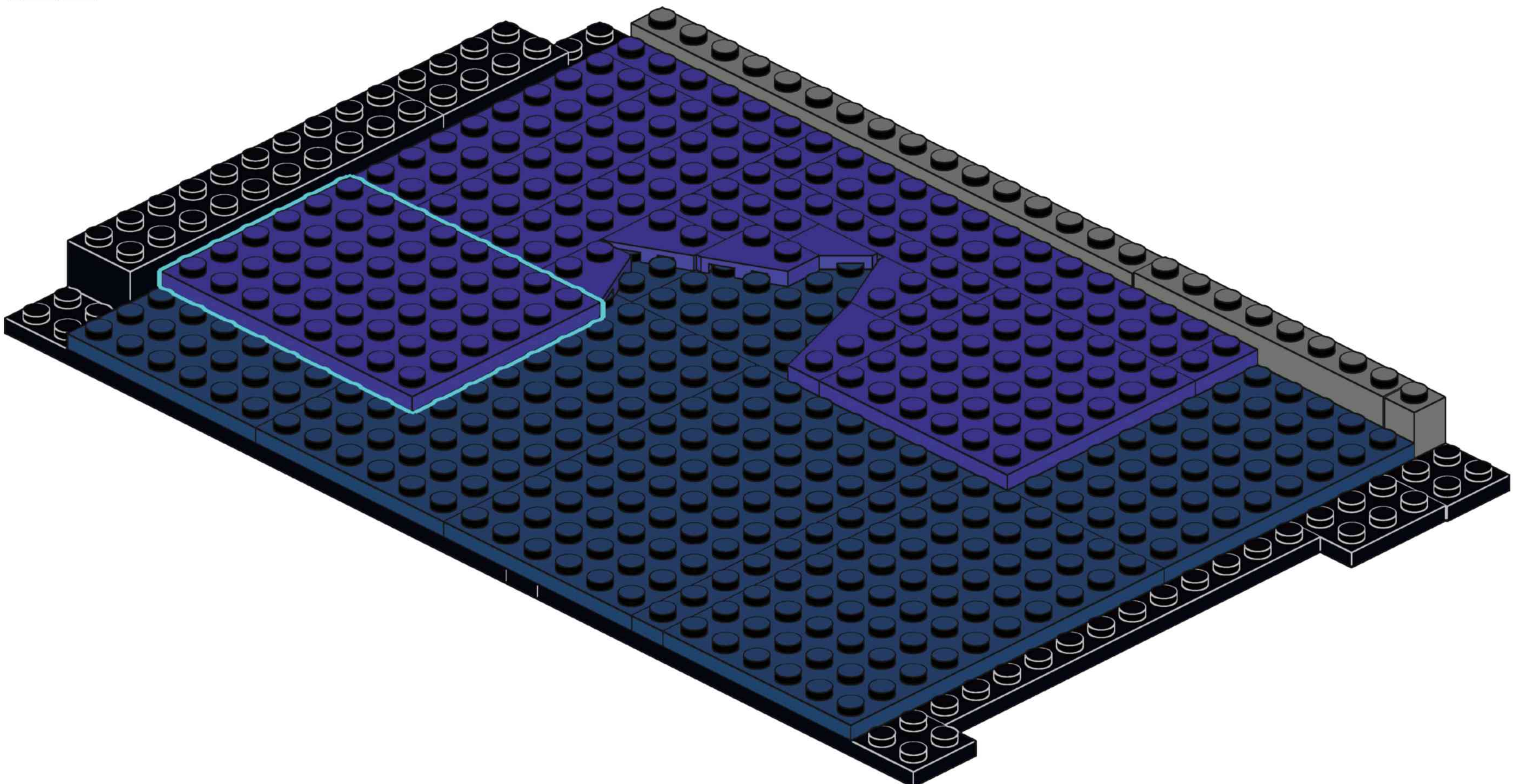


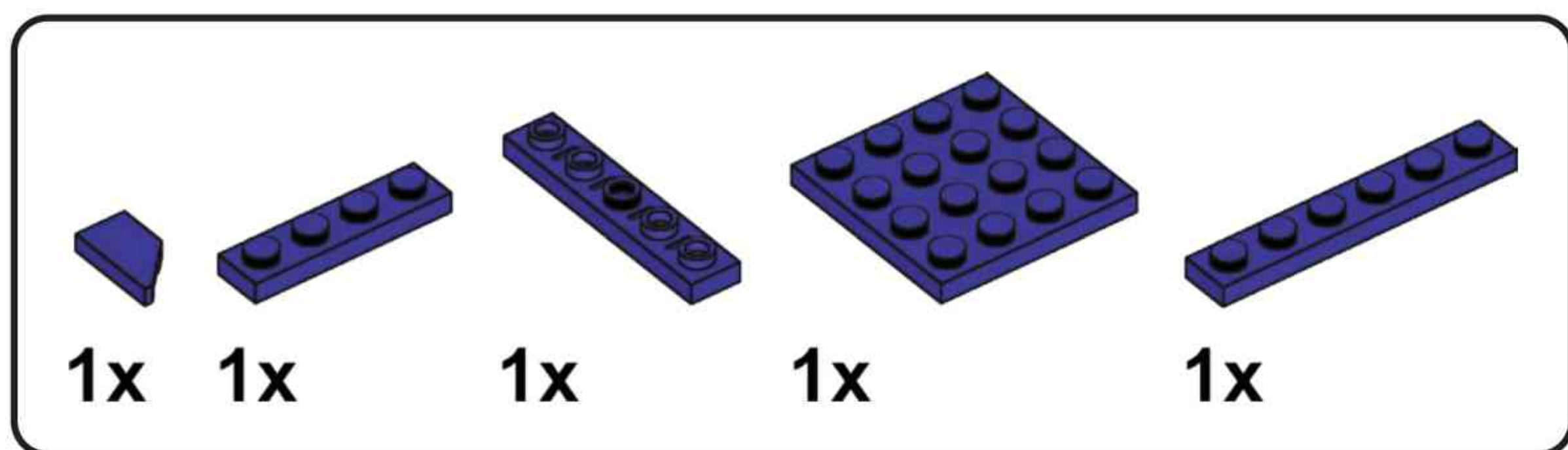


A21

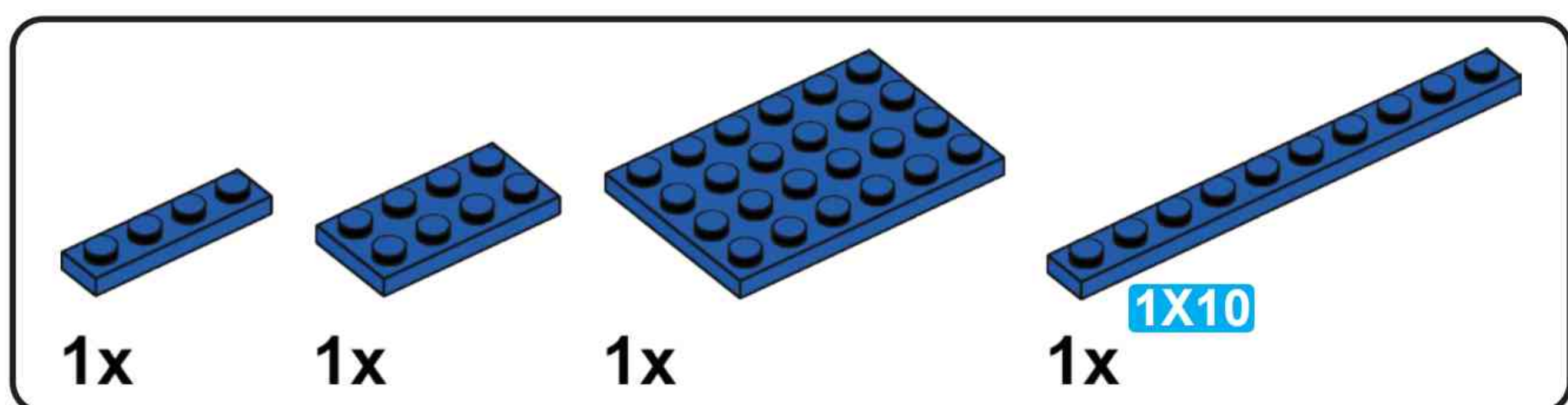
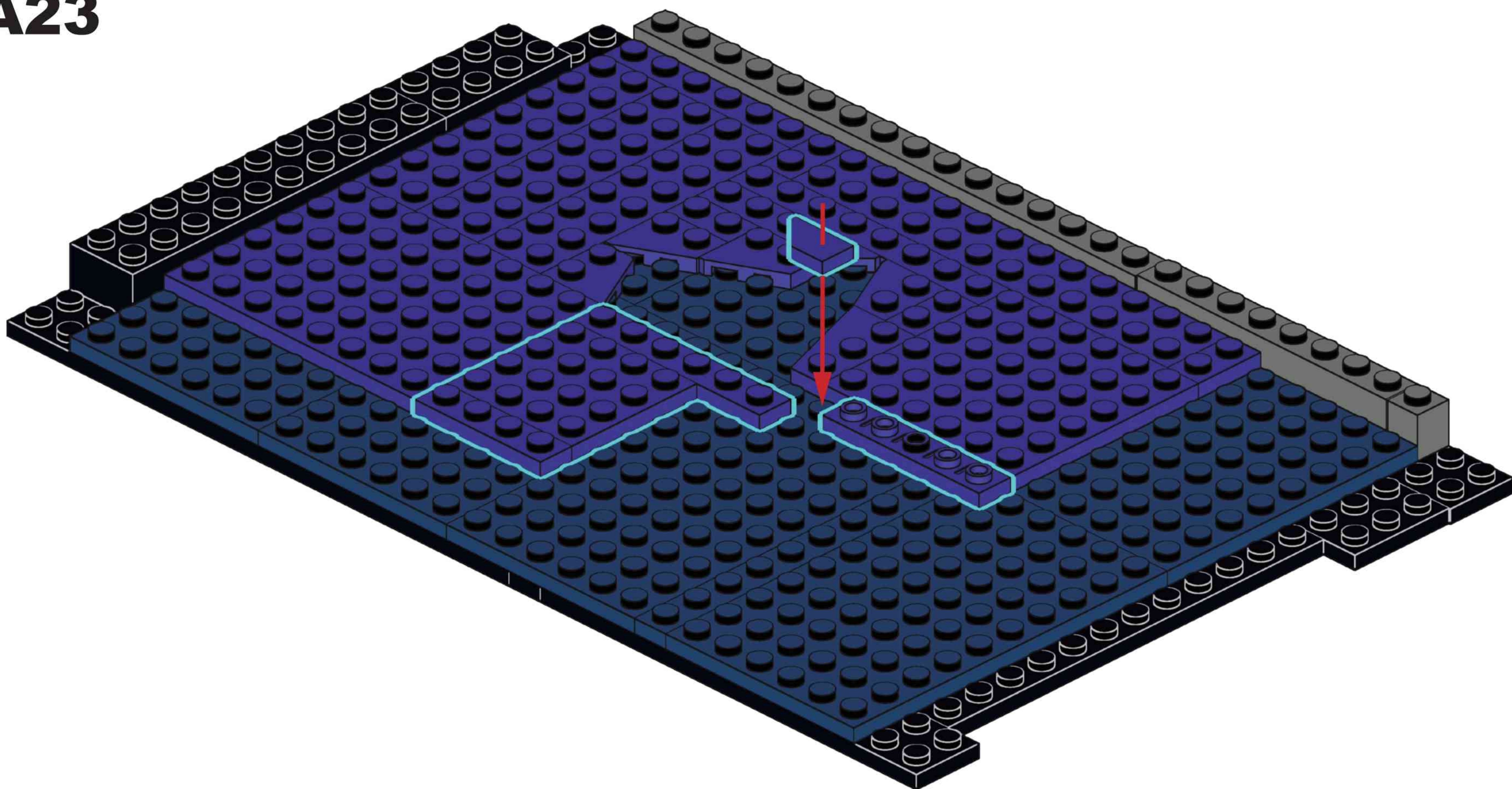


A22

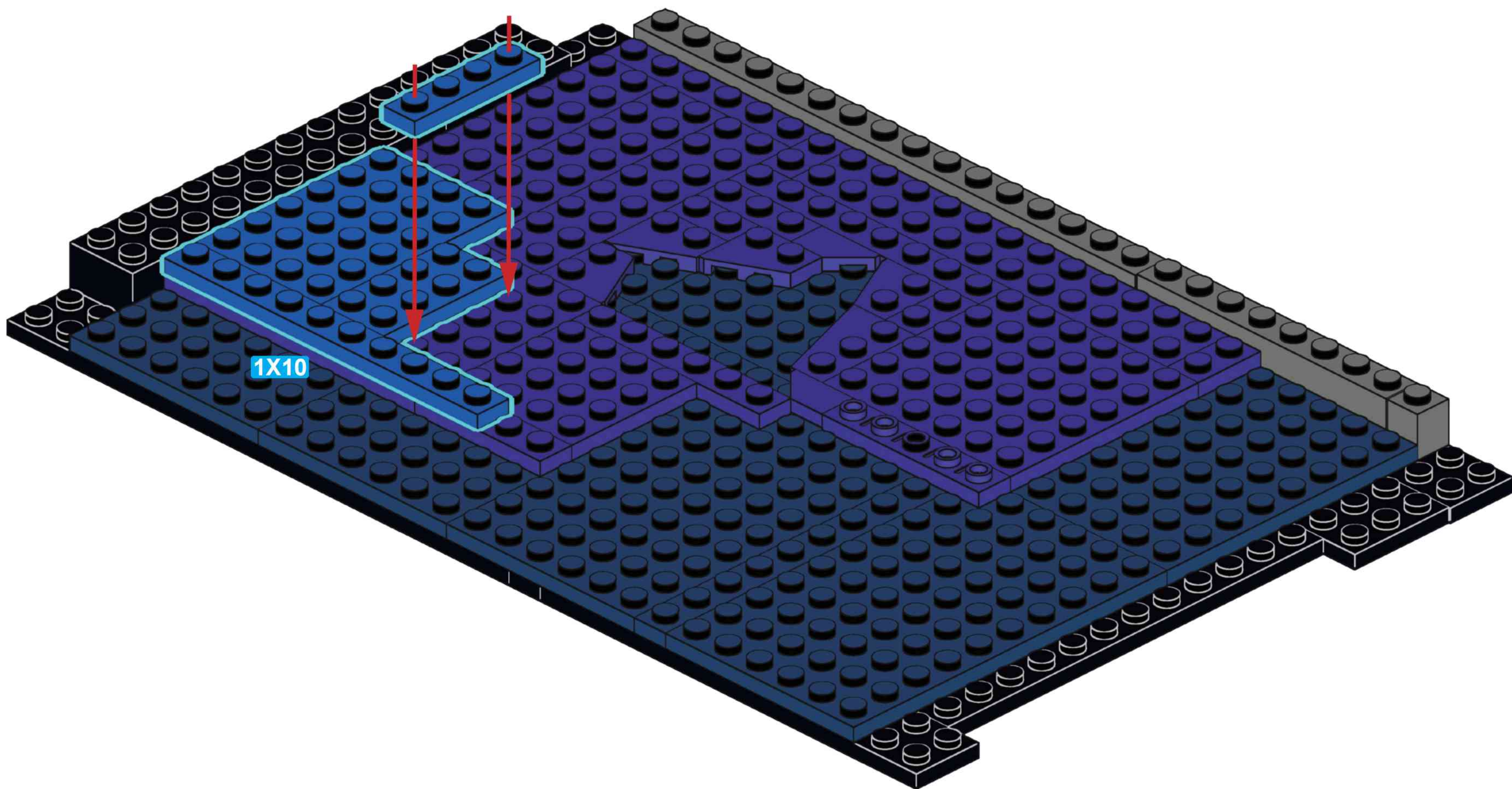


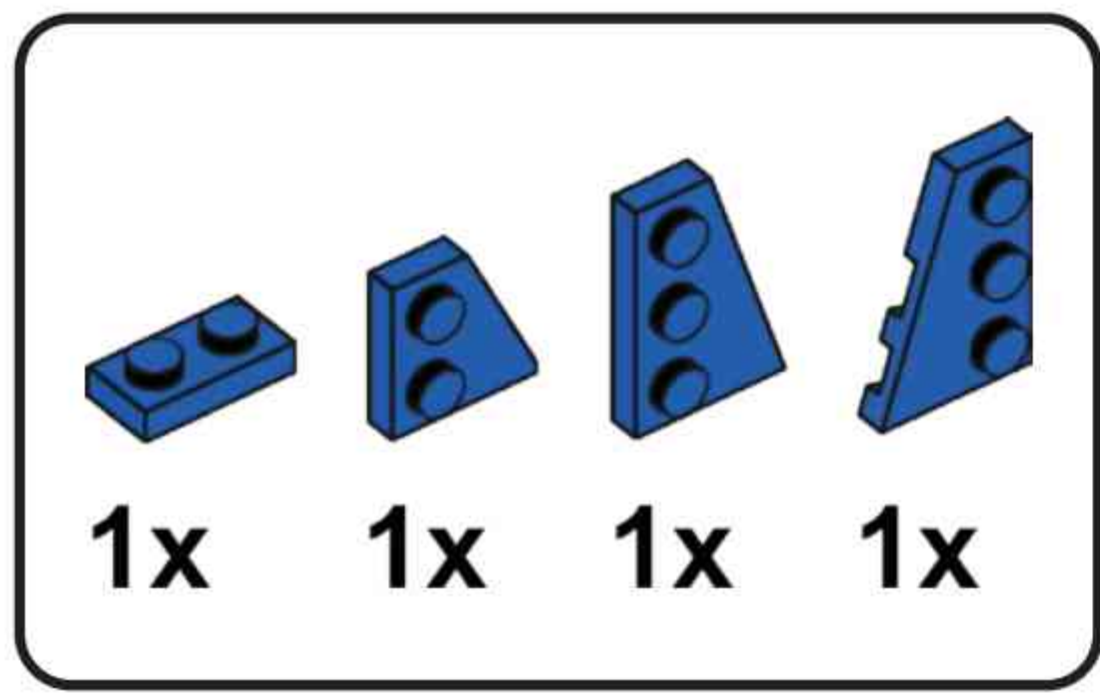


A23

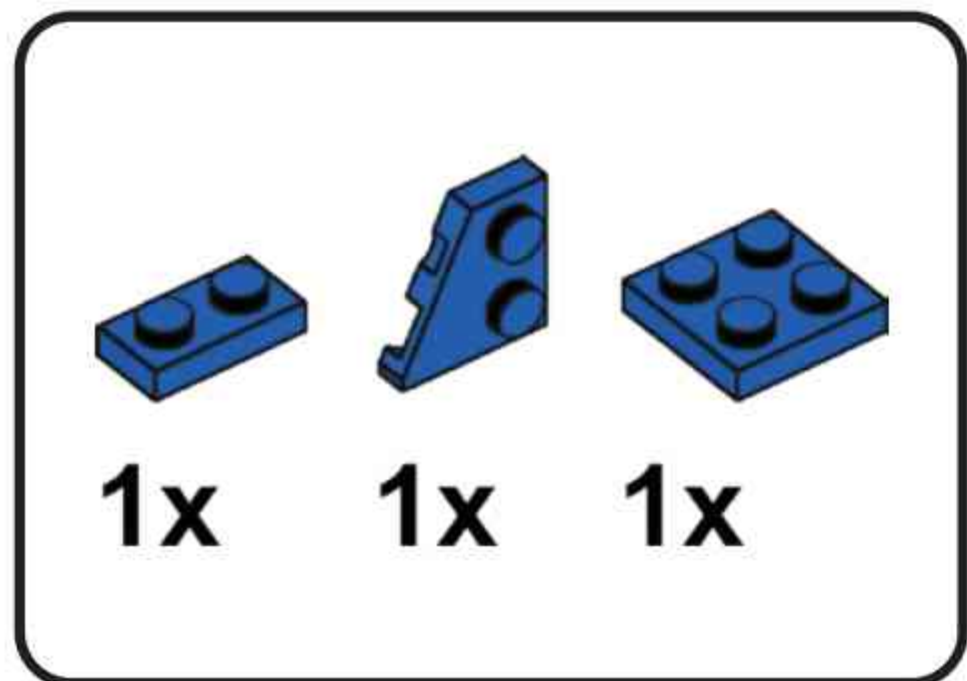
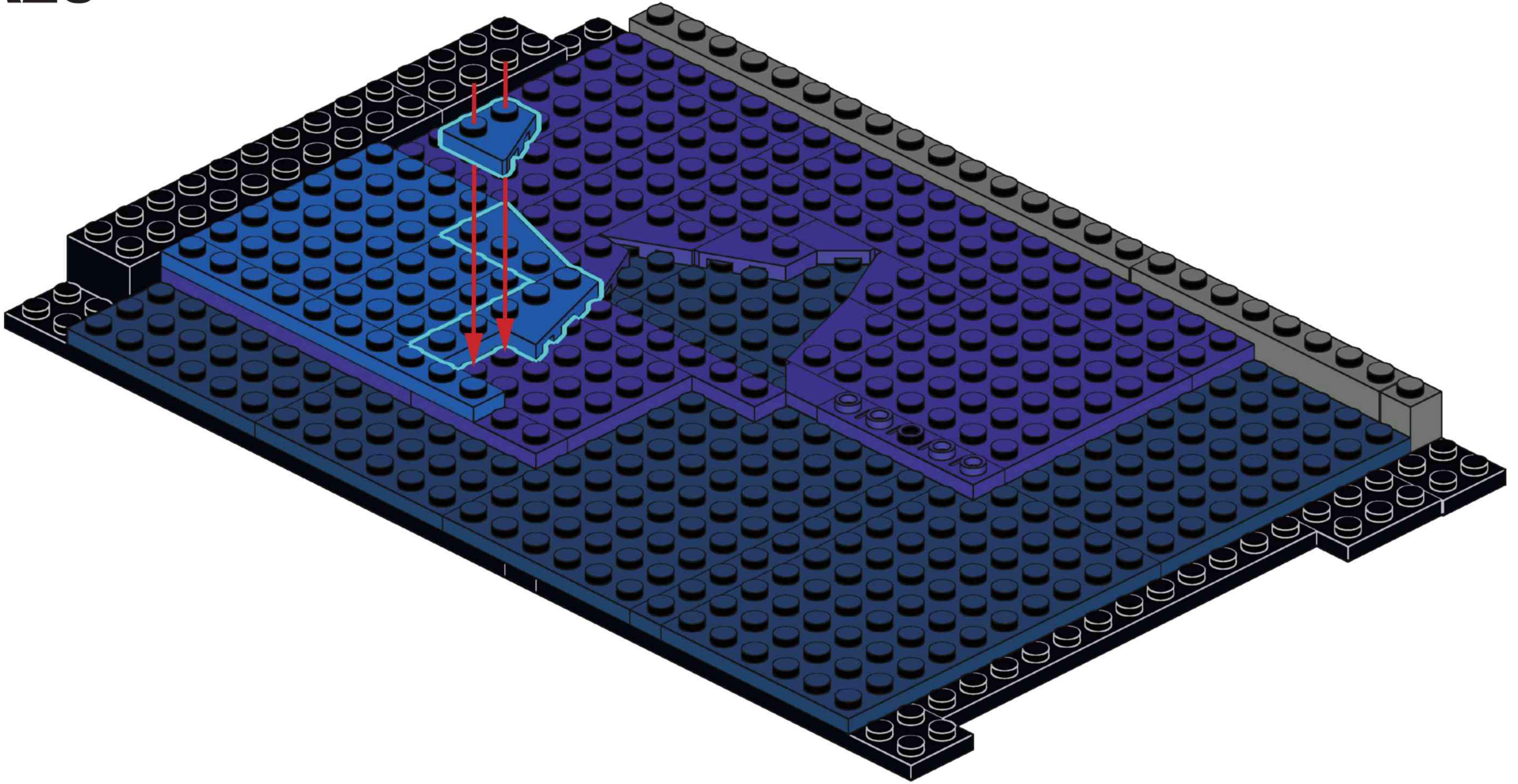


A24

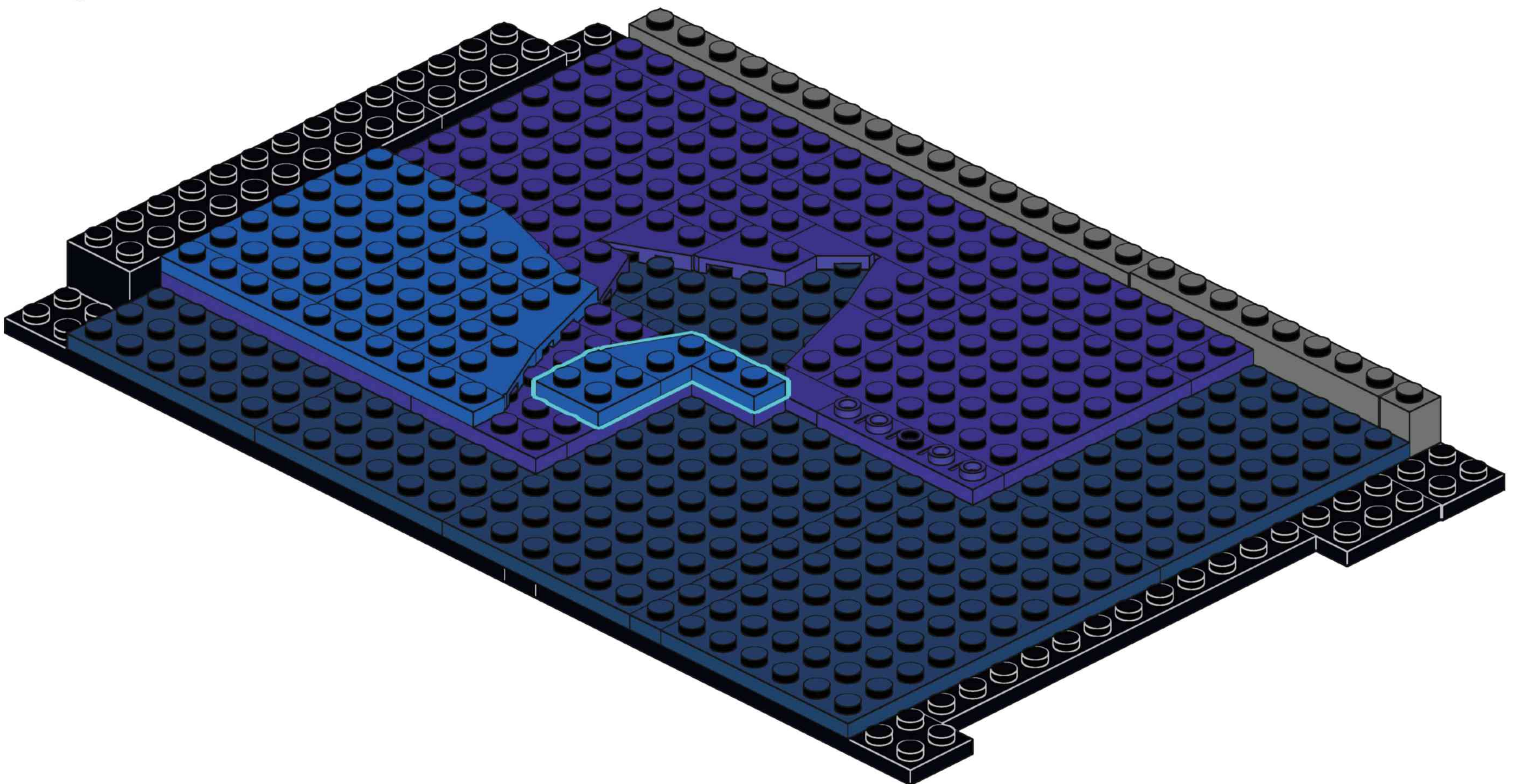


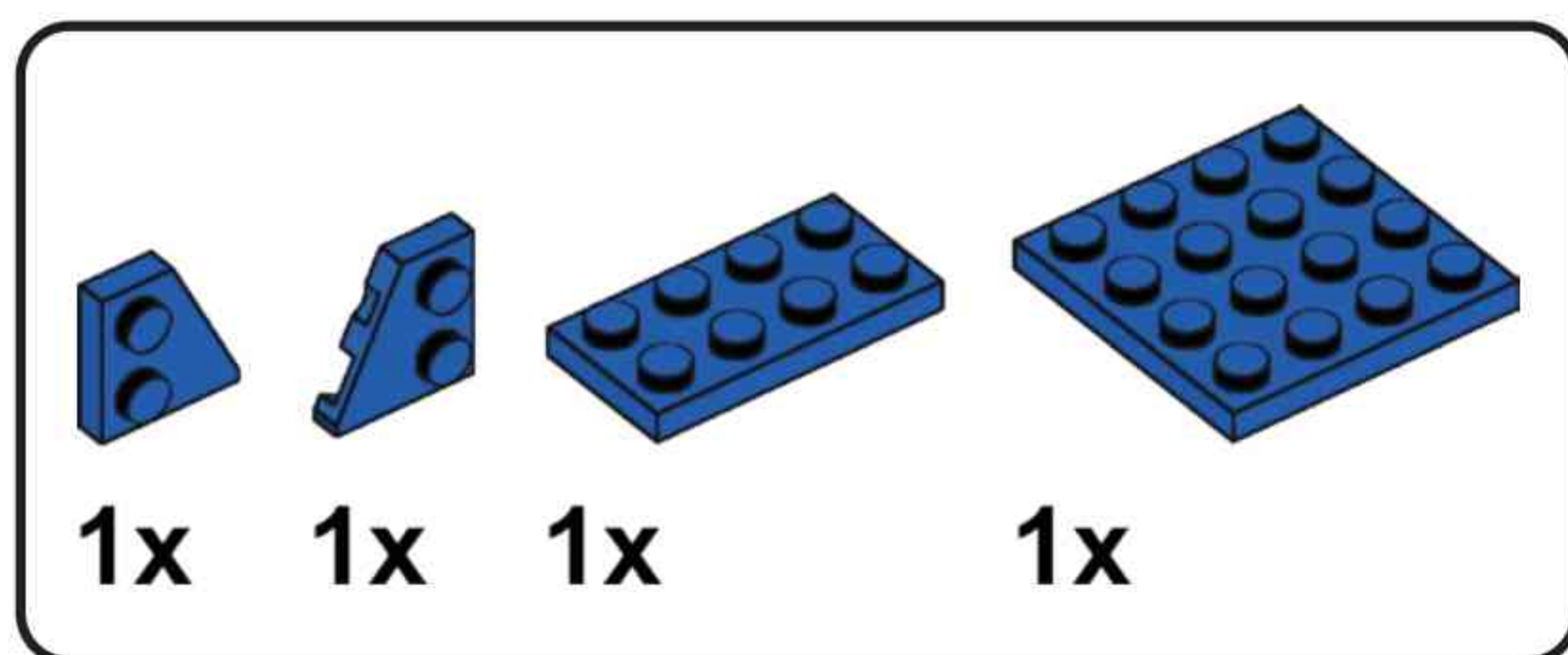


A25

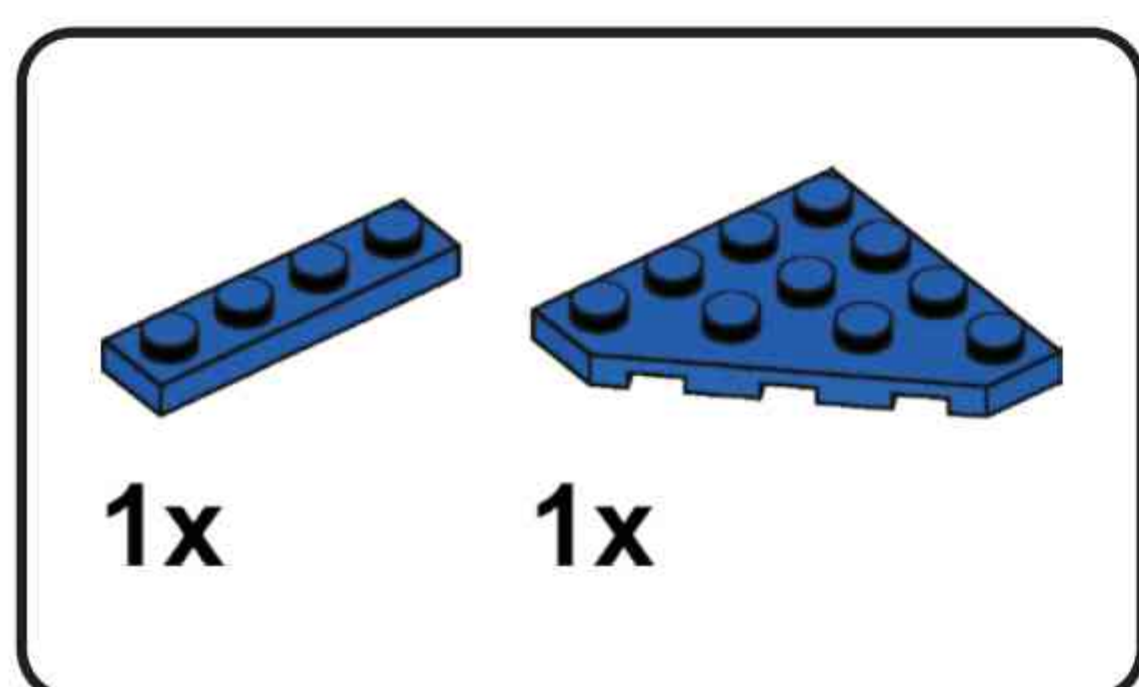
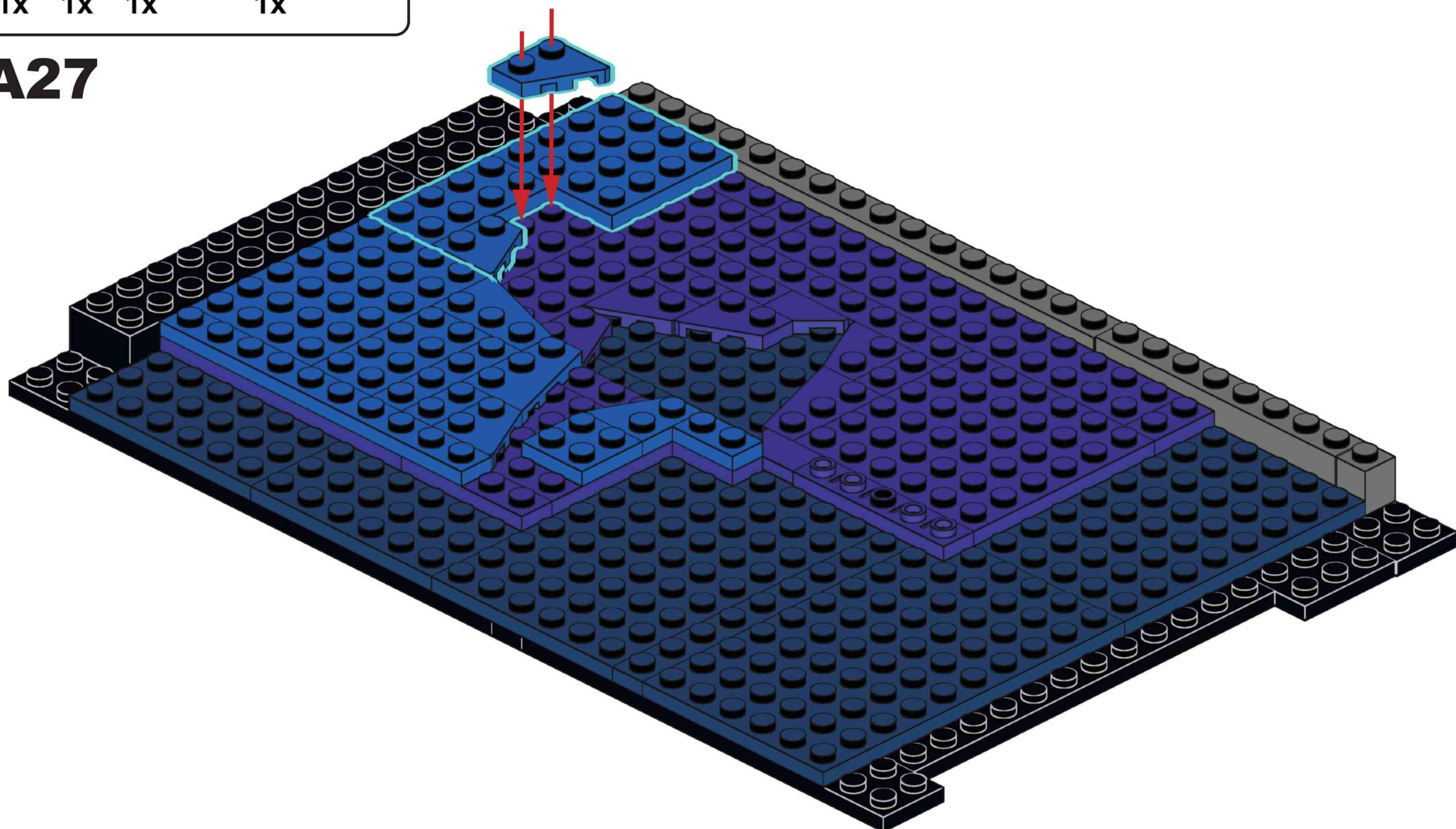


A26

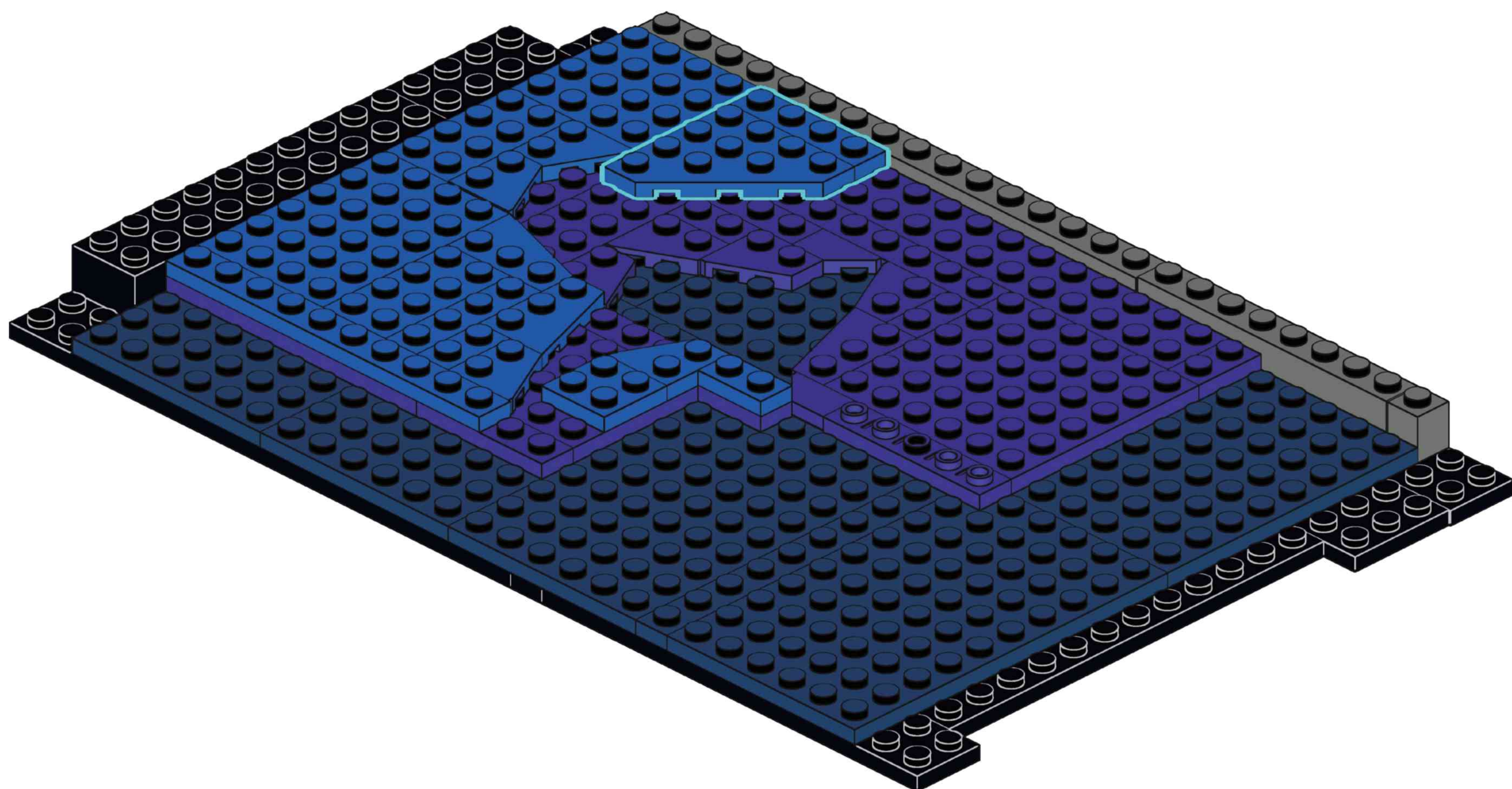


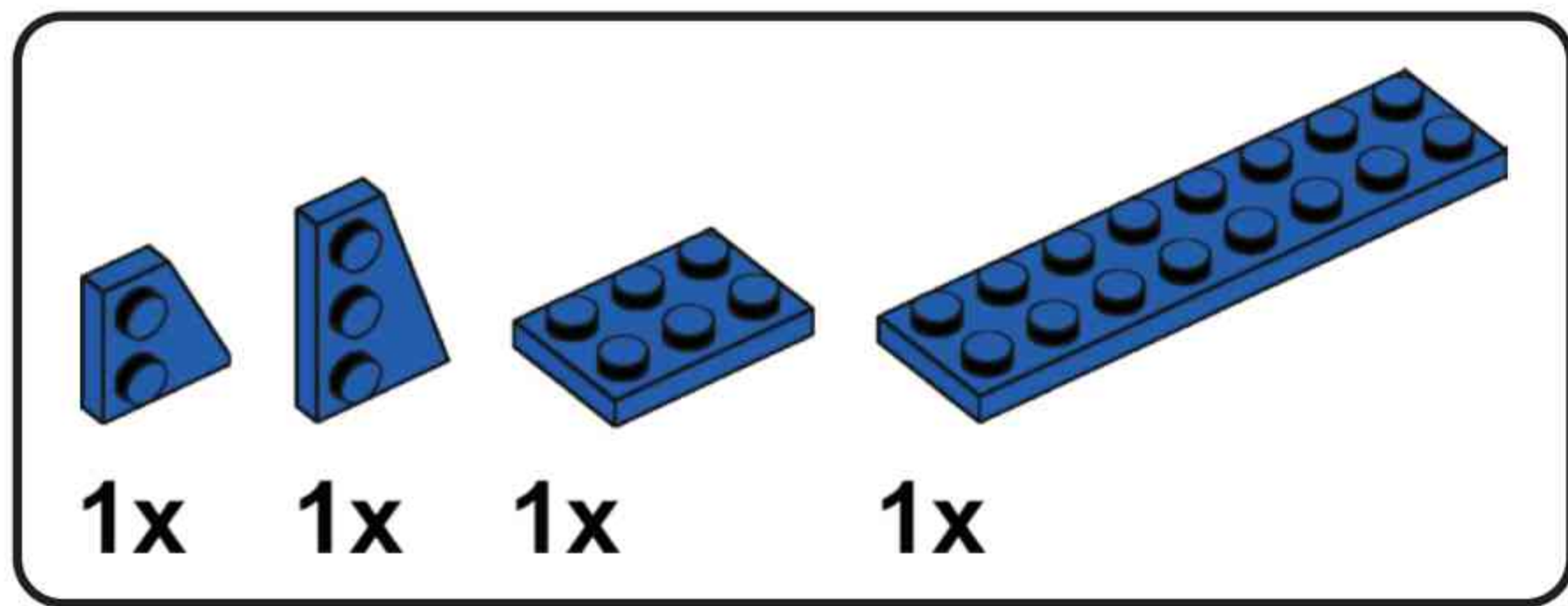


A27

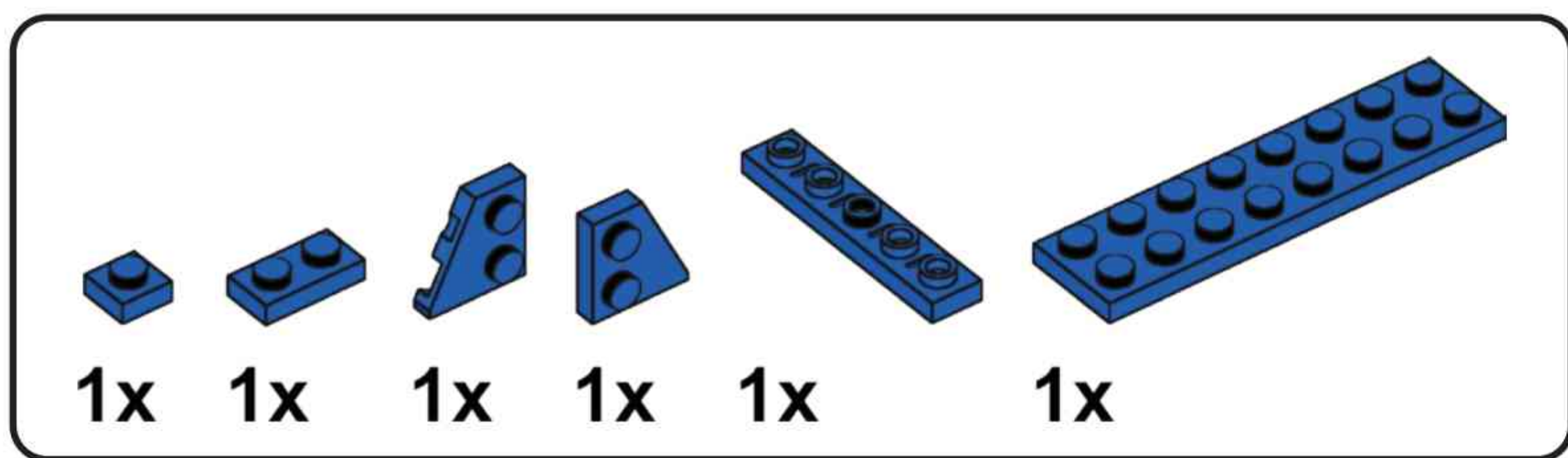
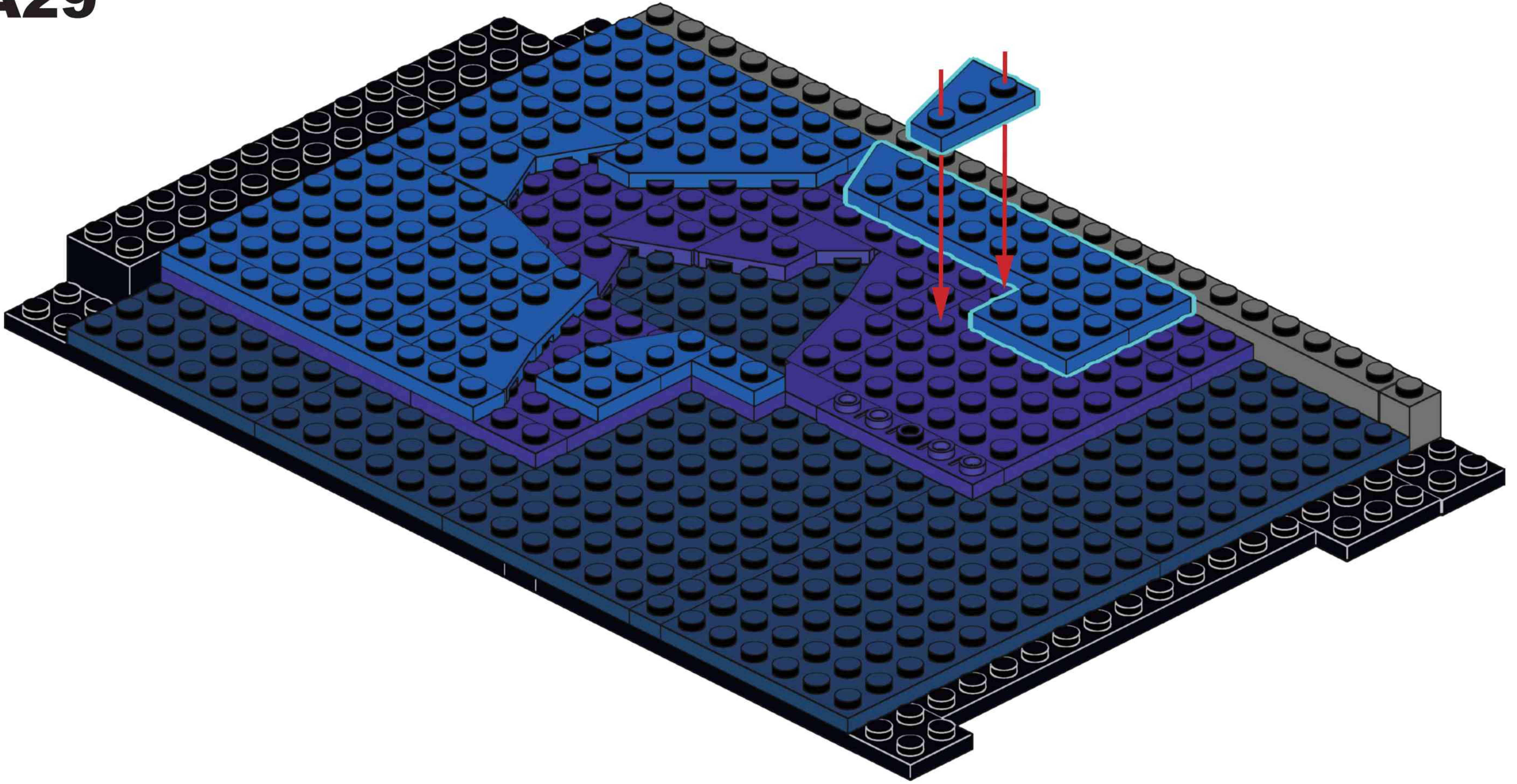


A28

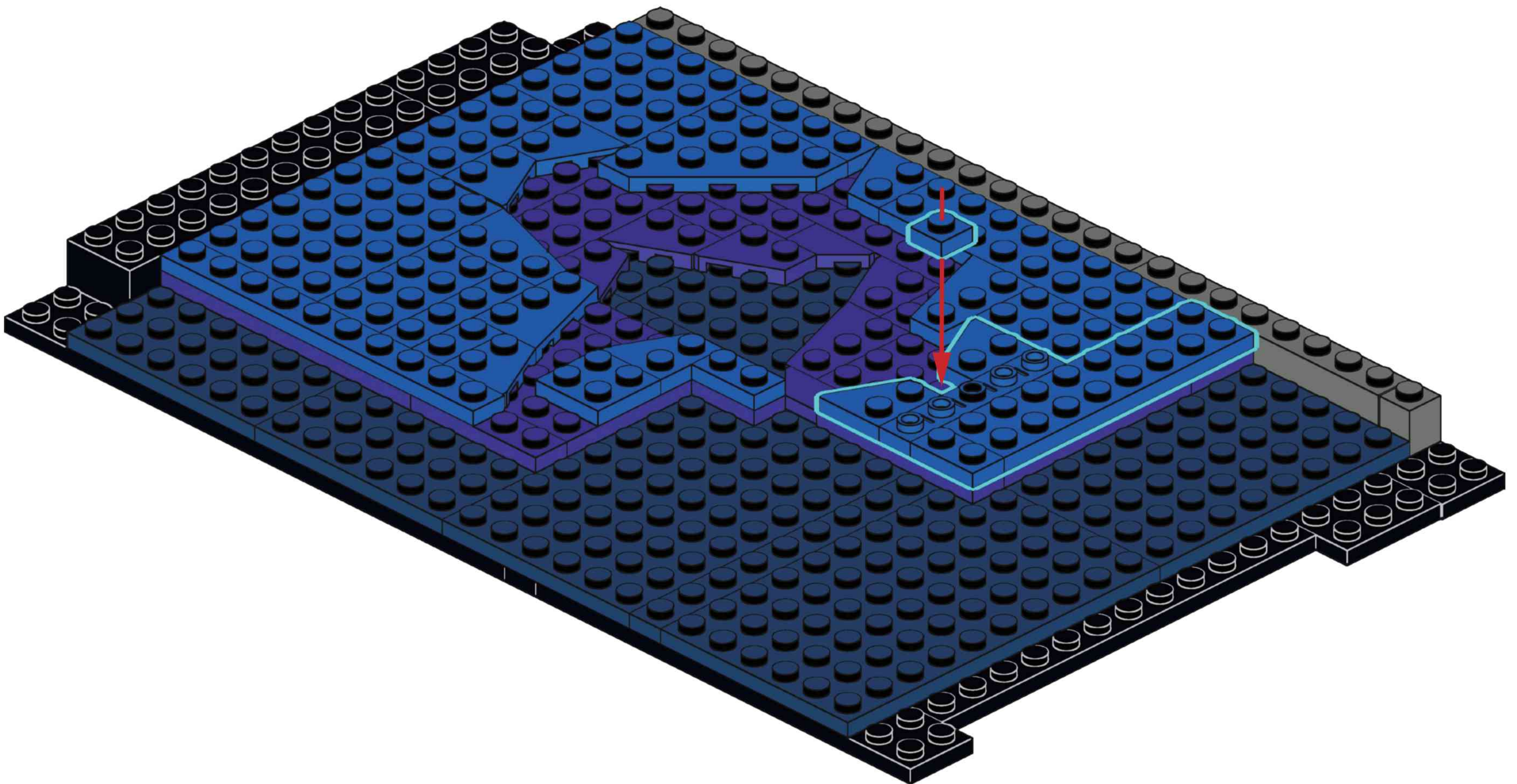


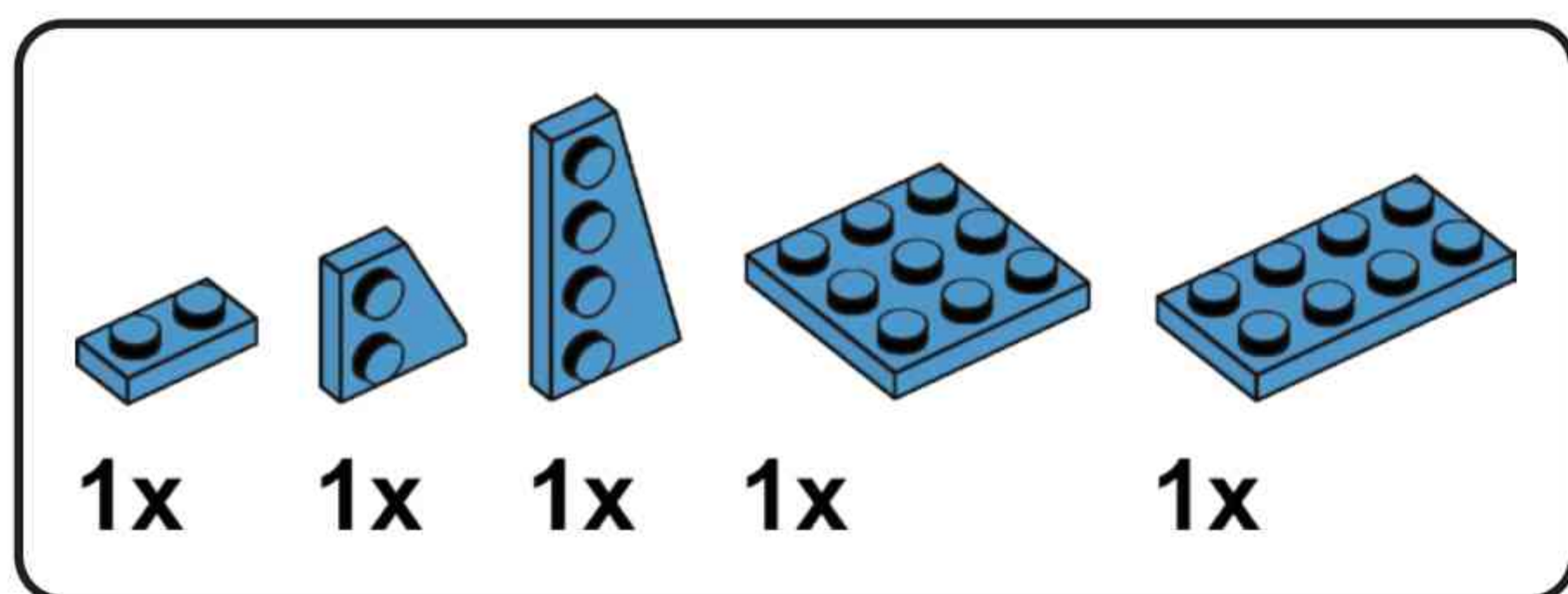


A29

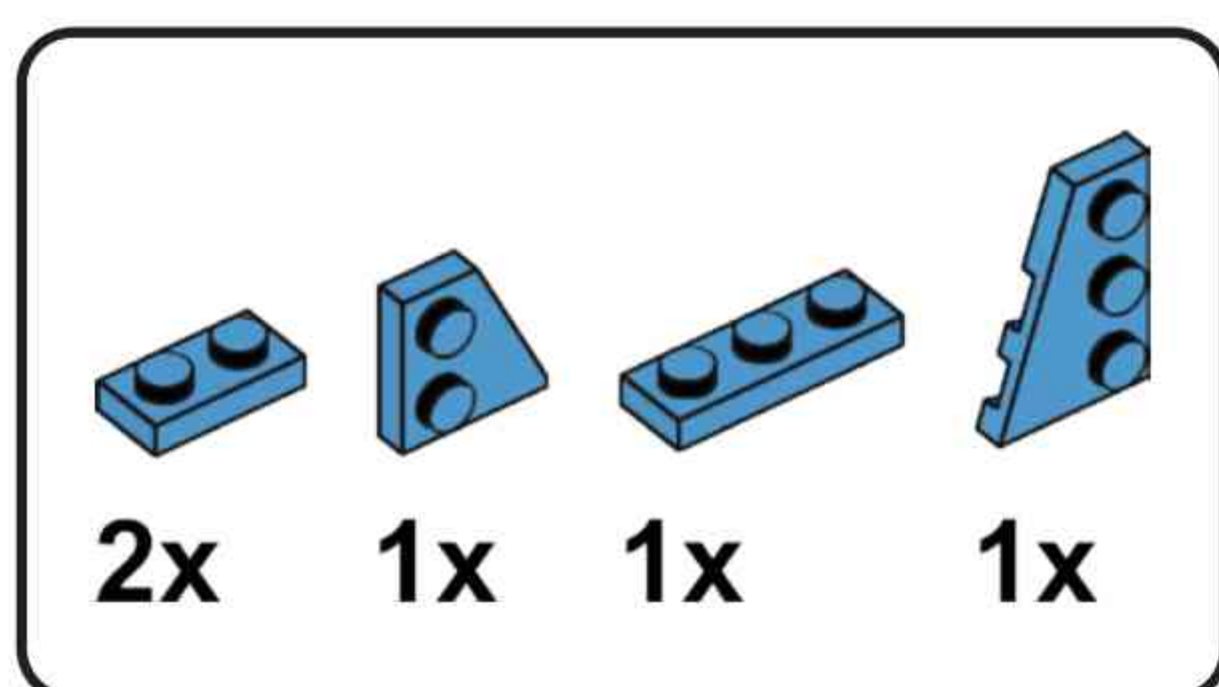
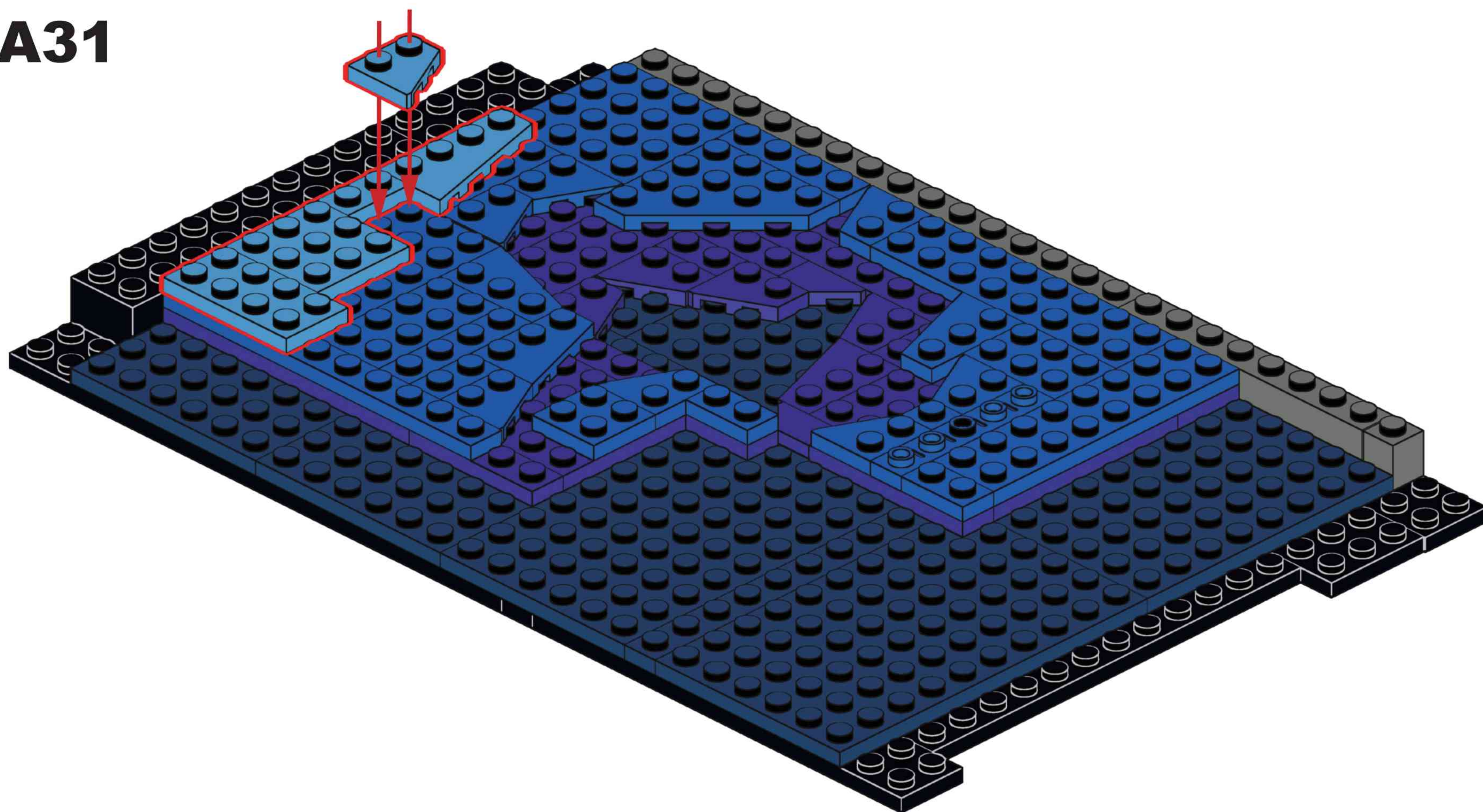


A30

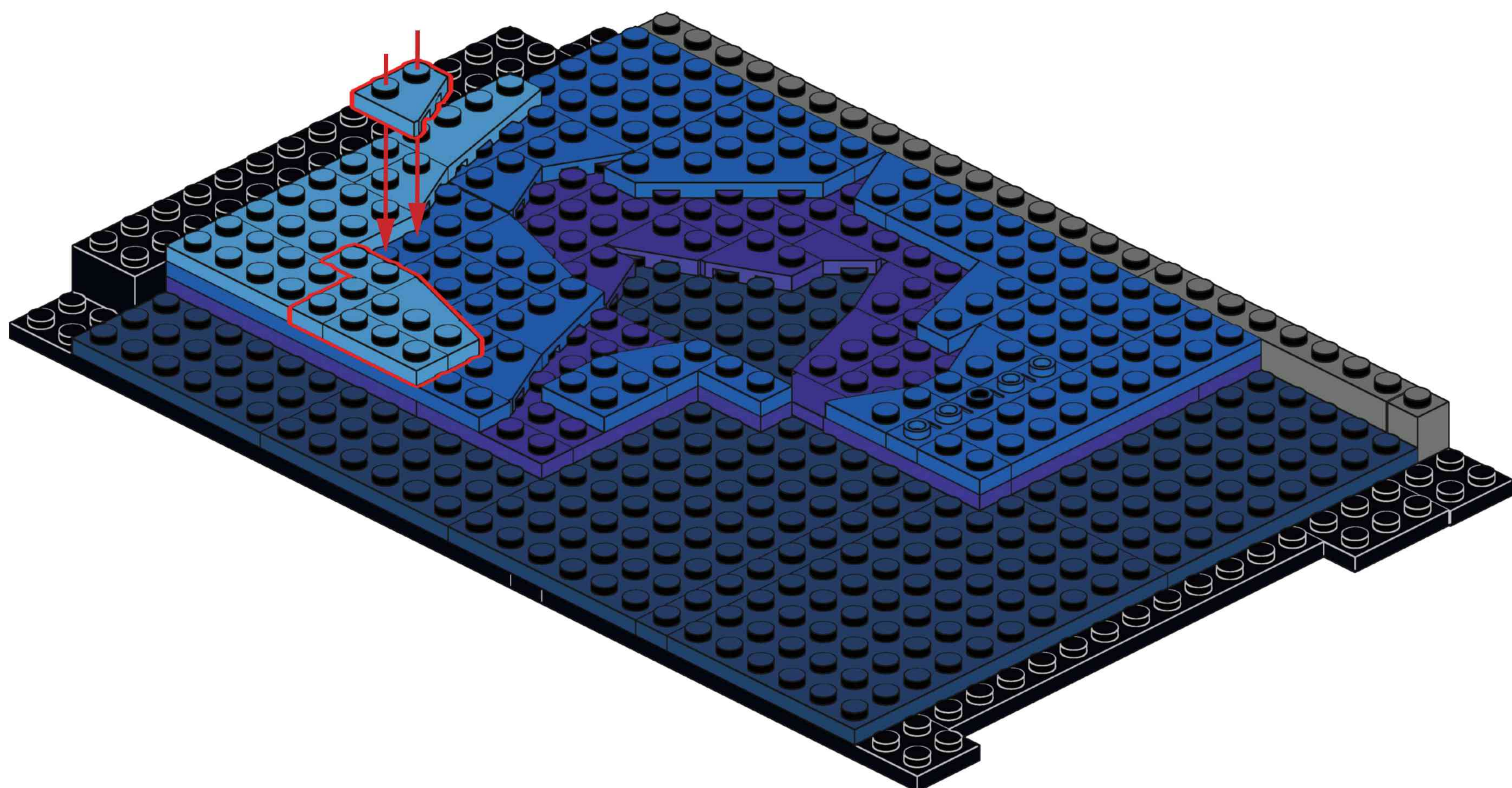


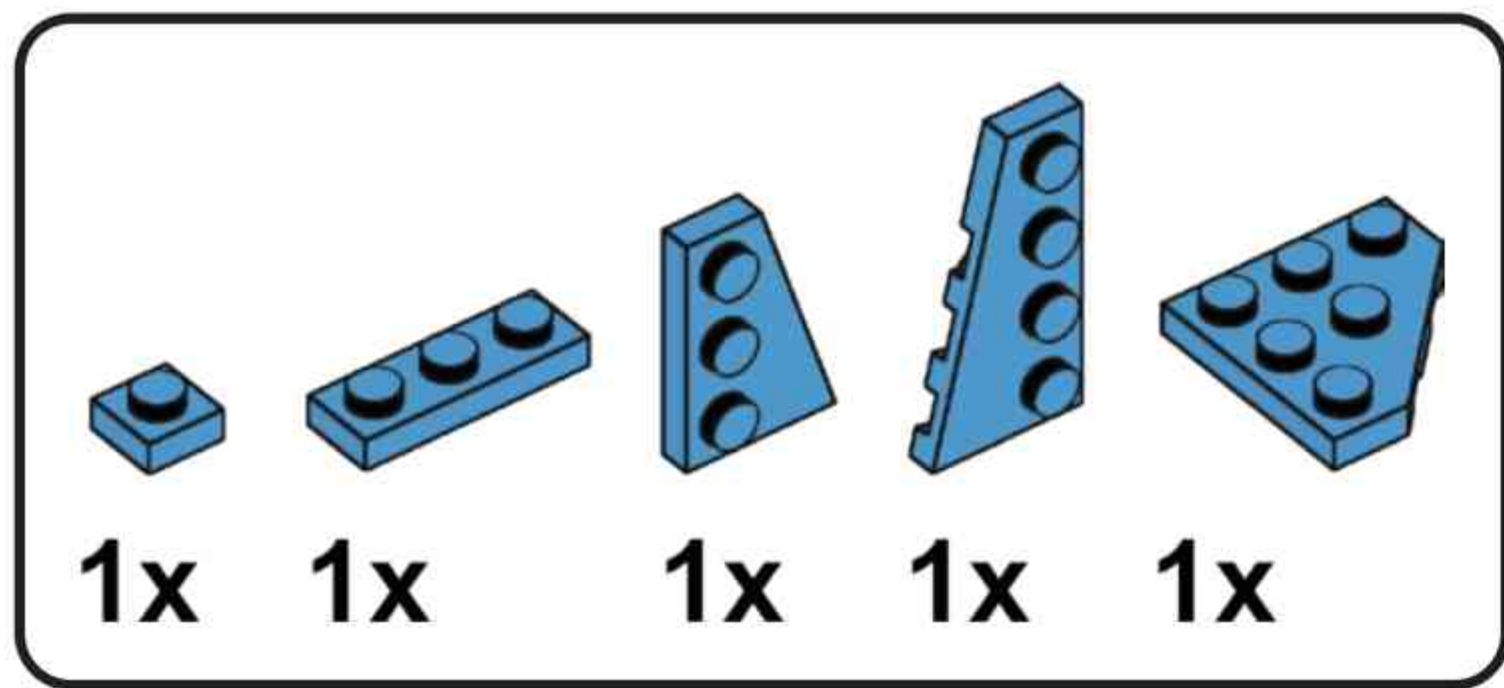


A31

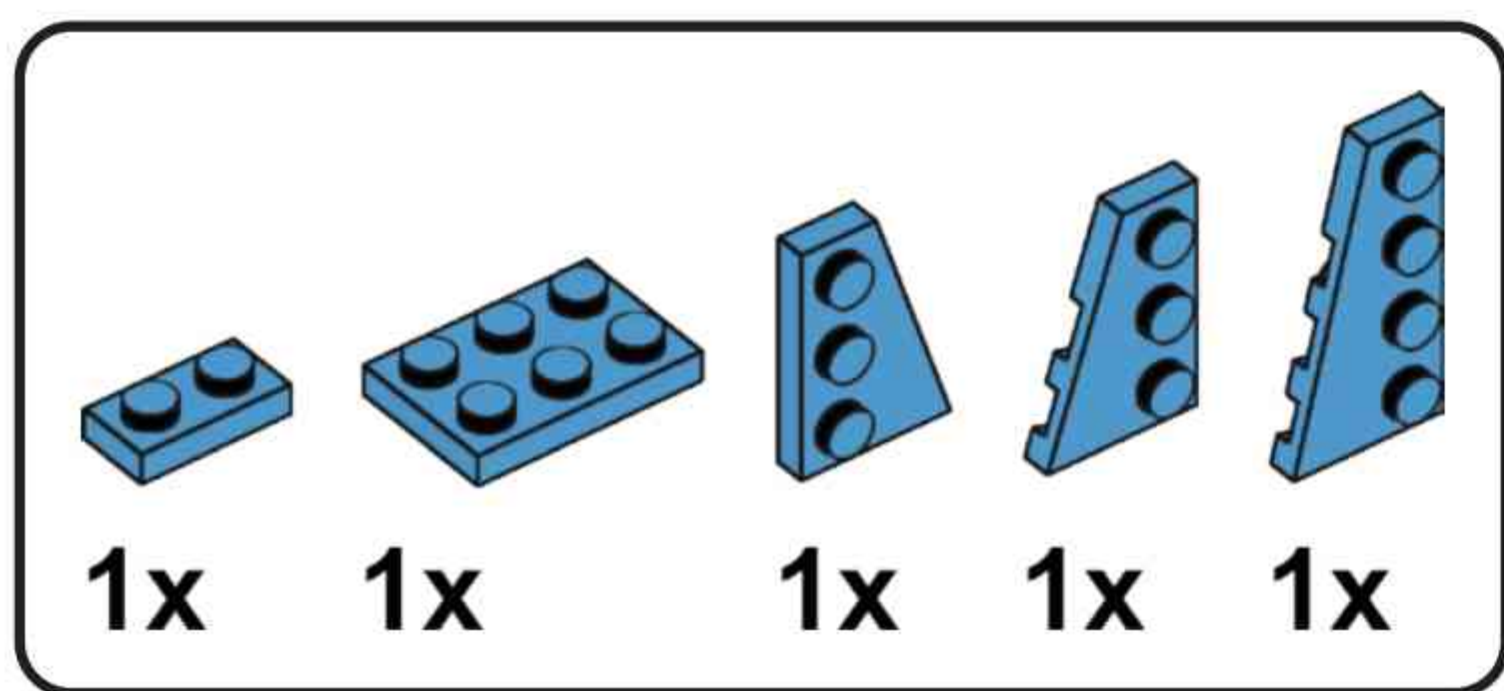
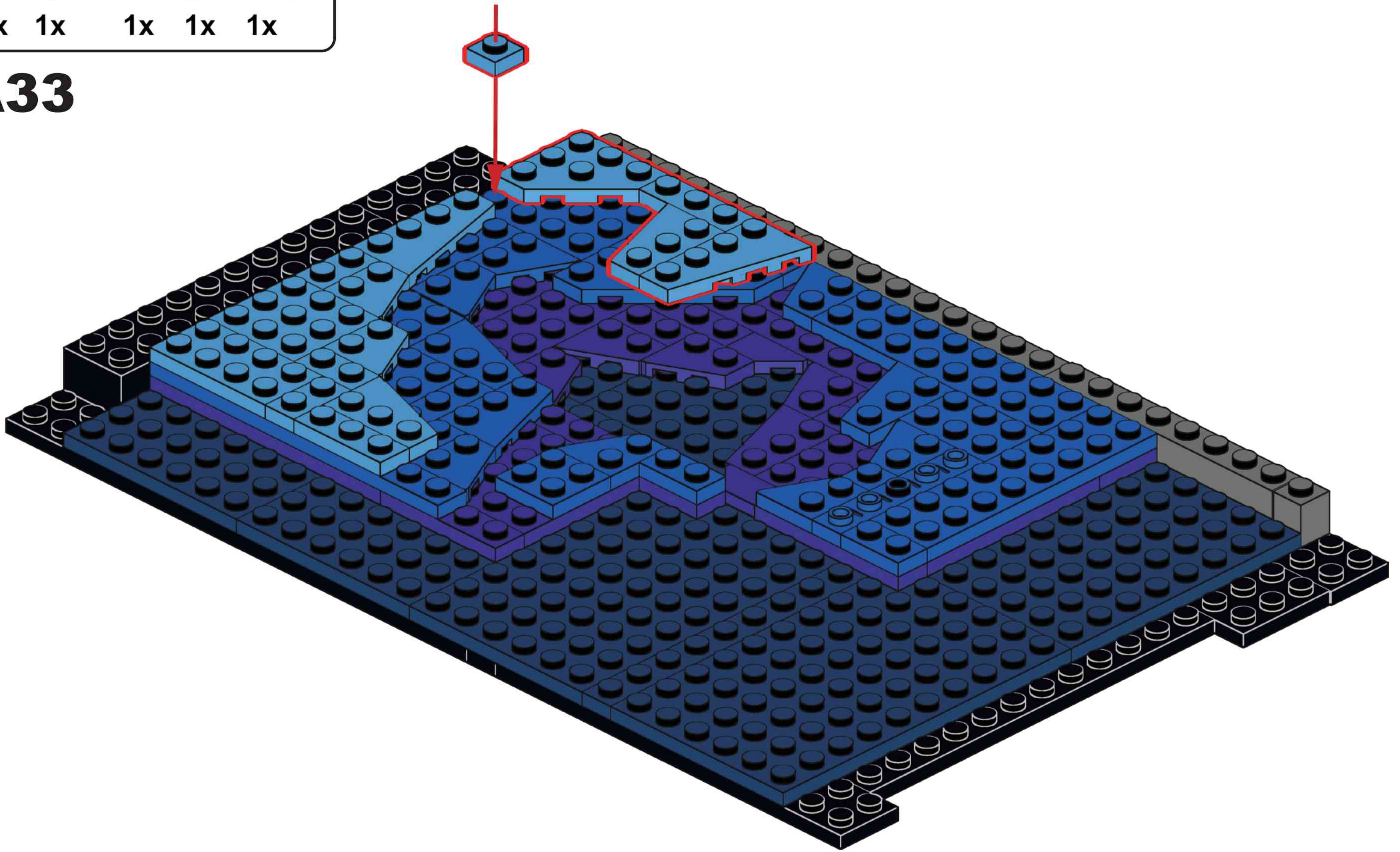


A32

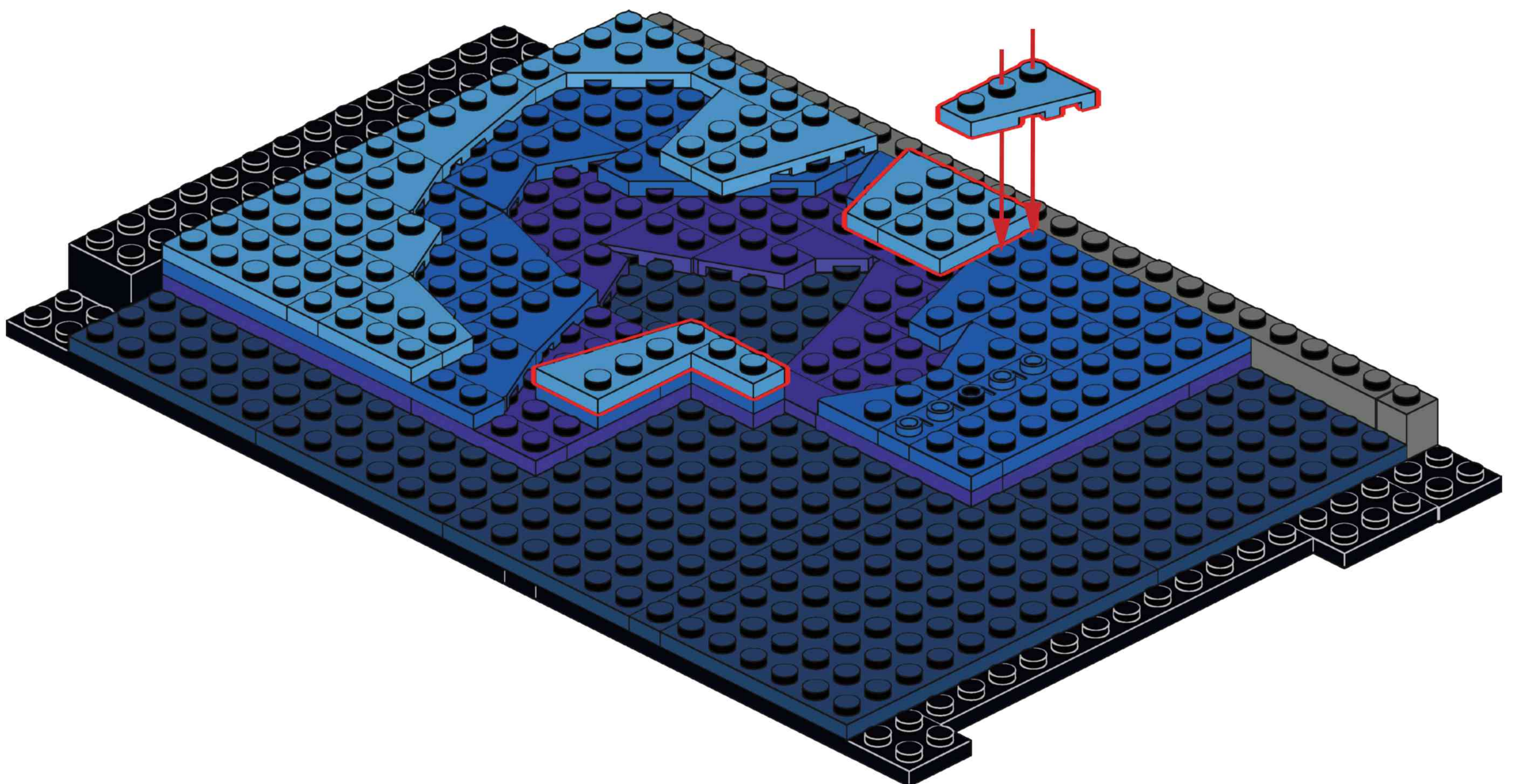


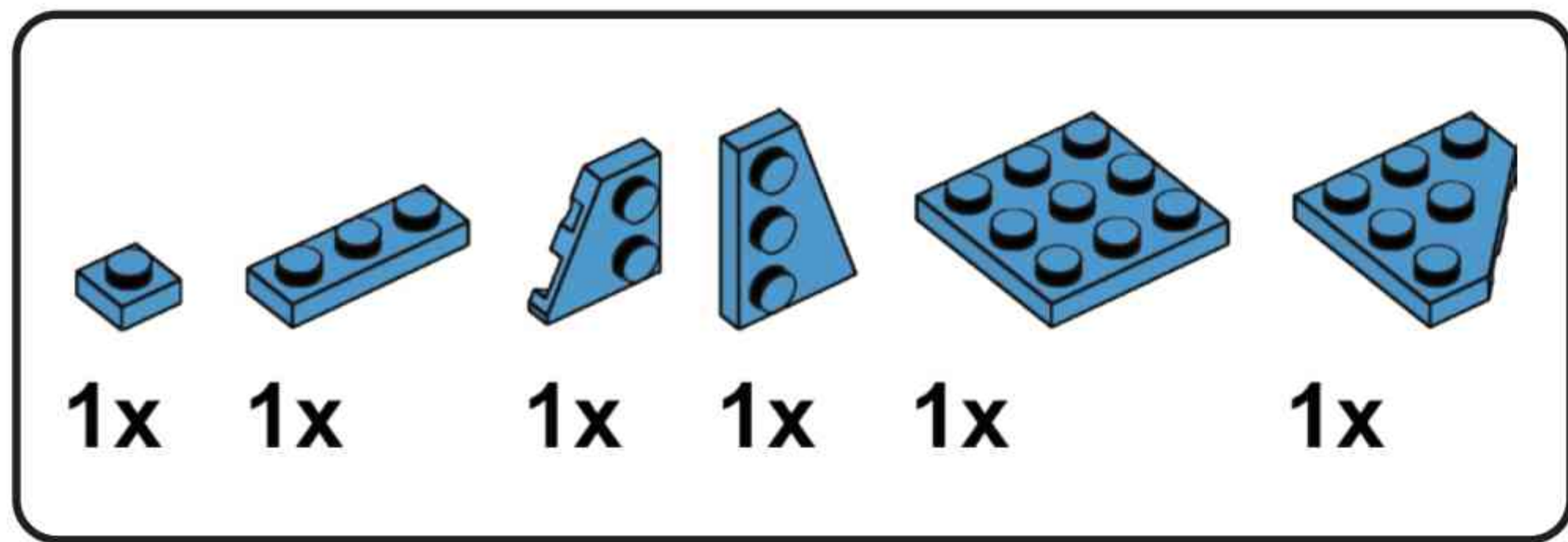


A33

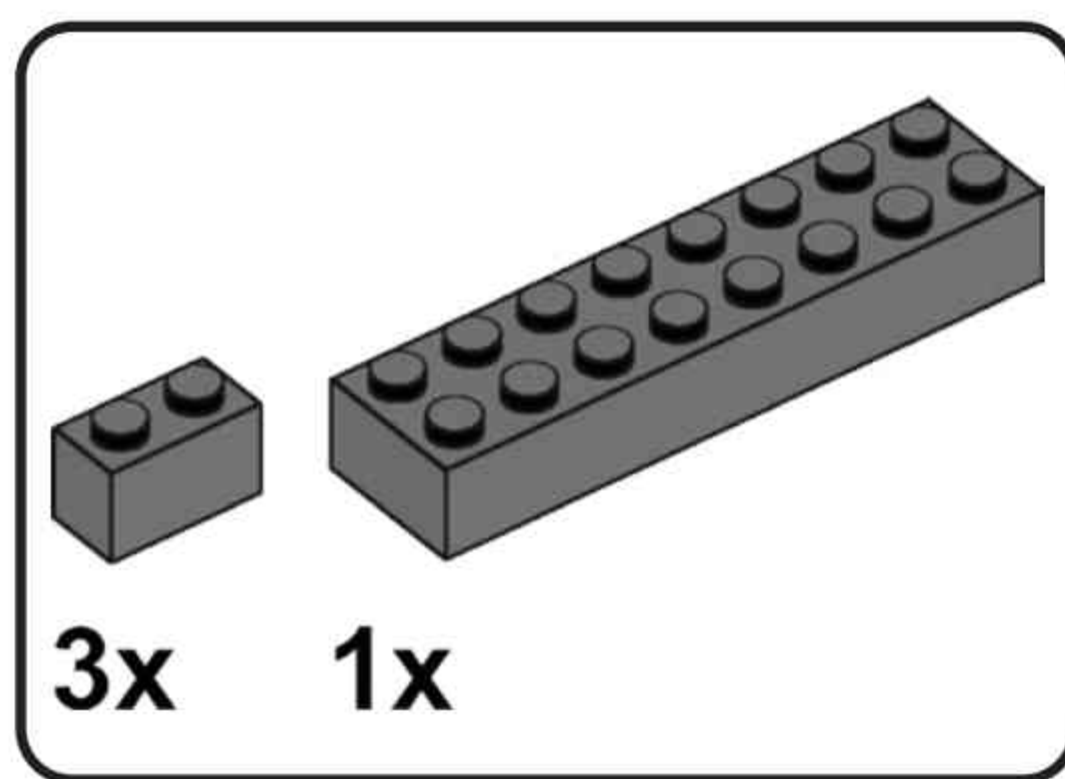
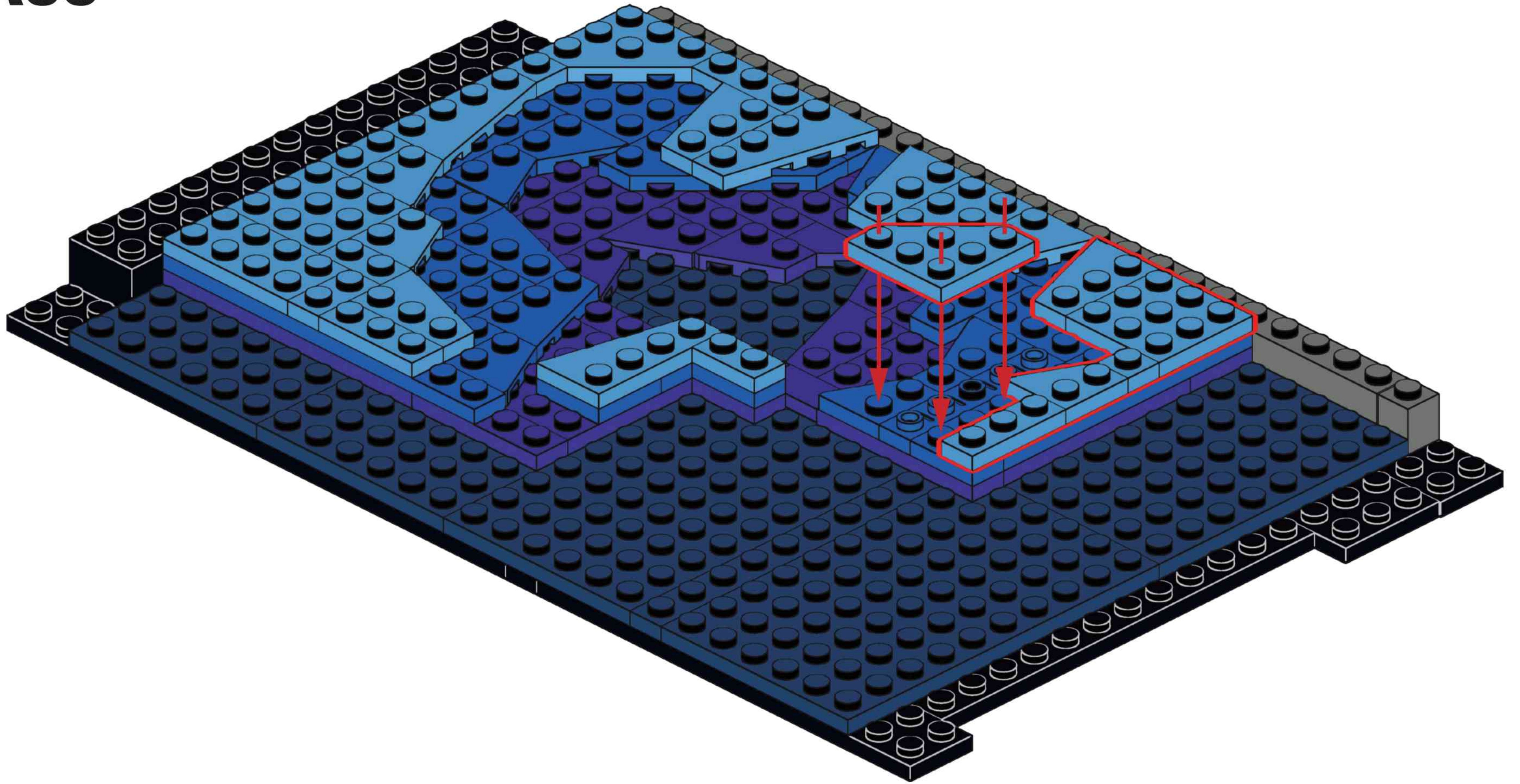


A34

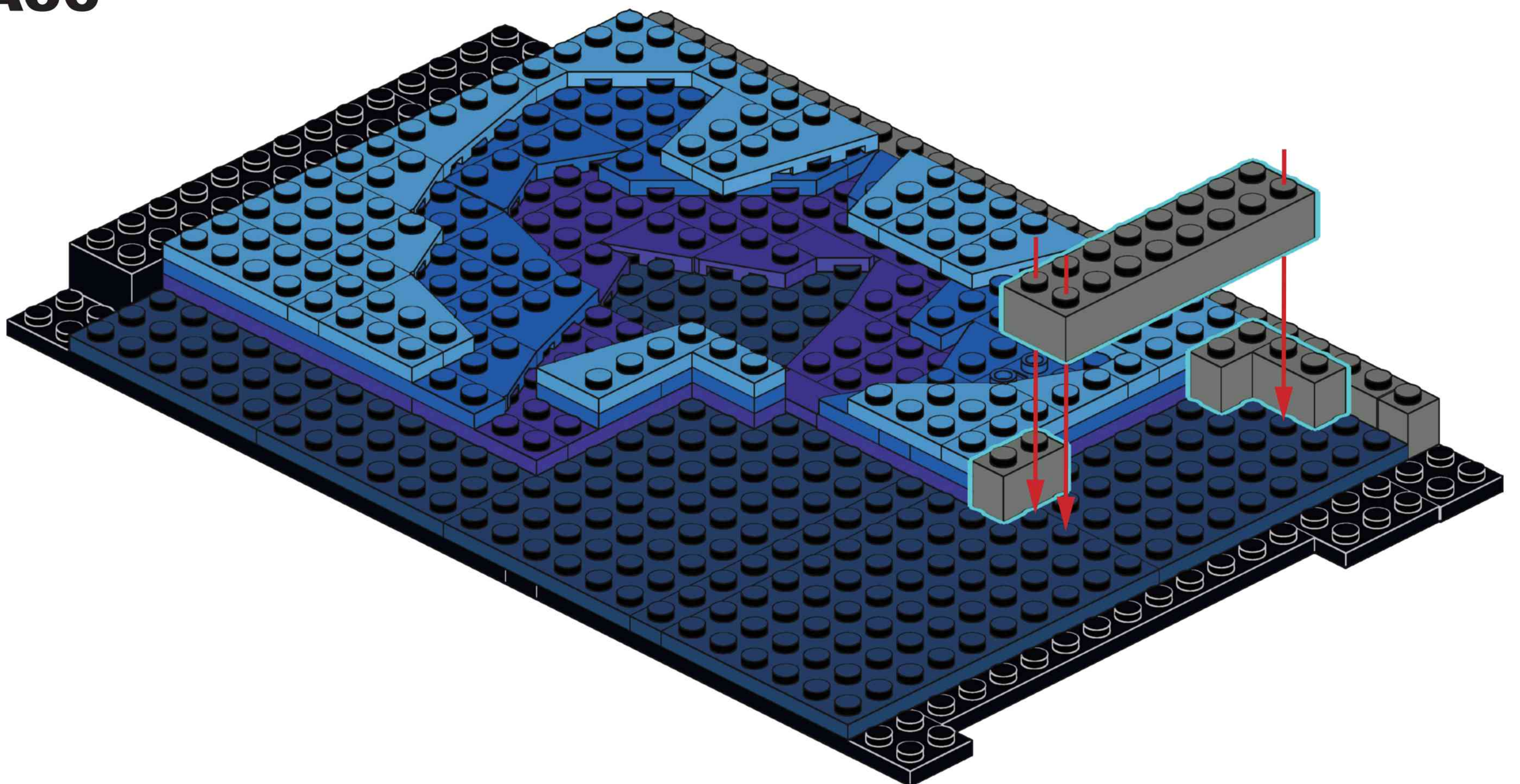


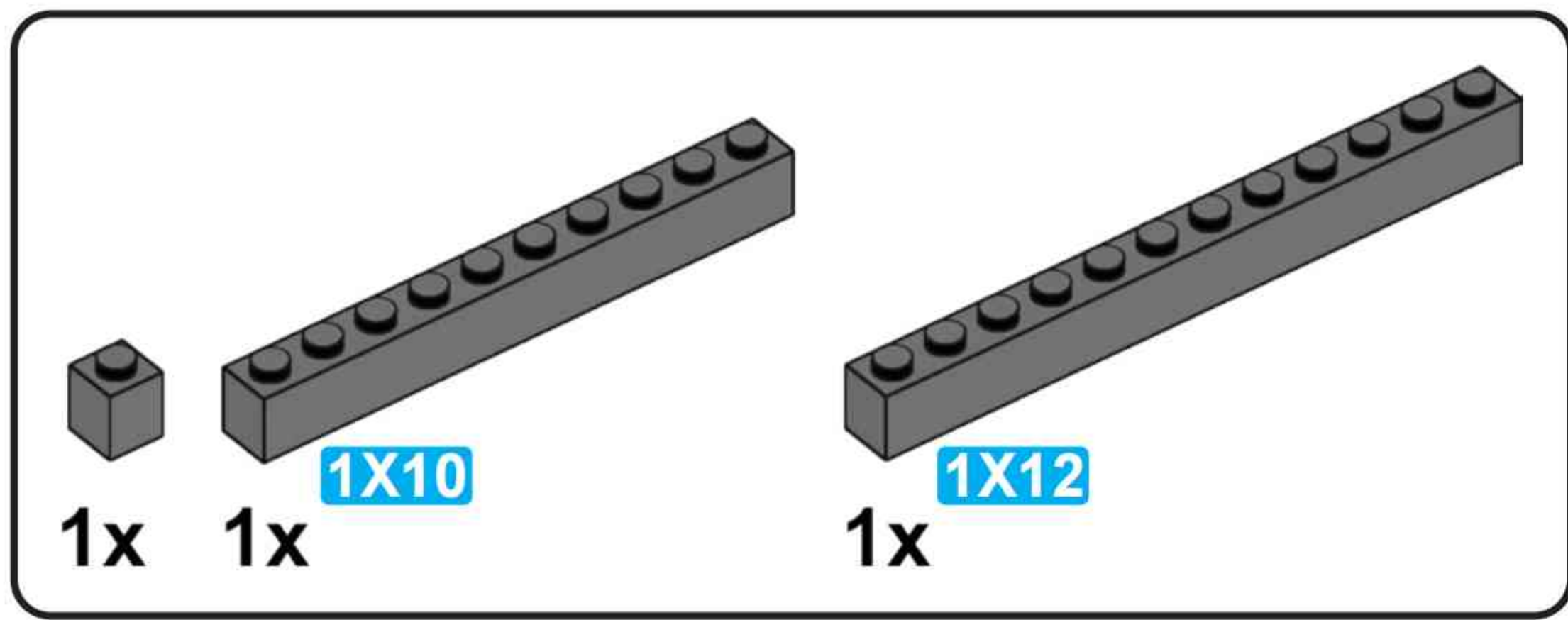


A35

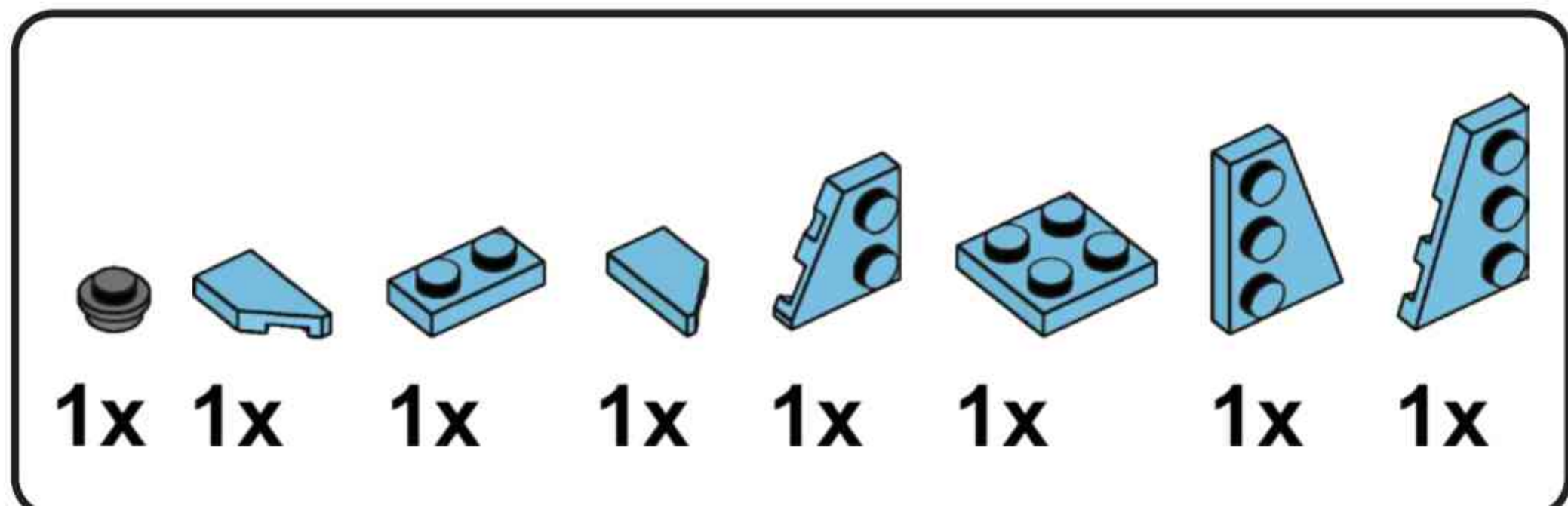
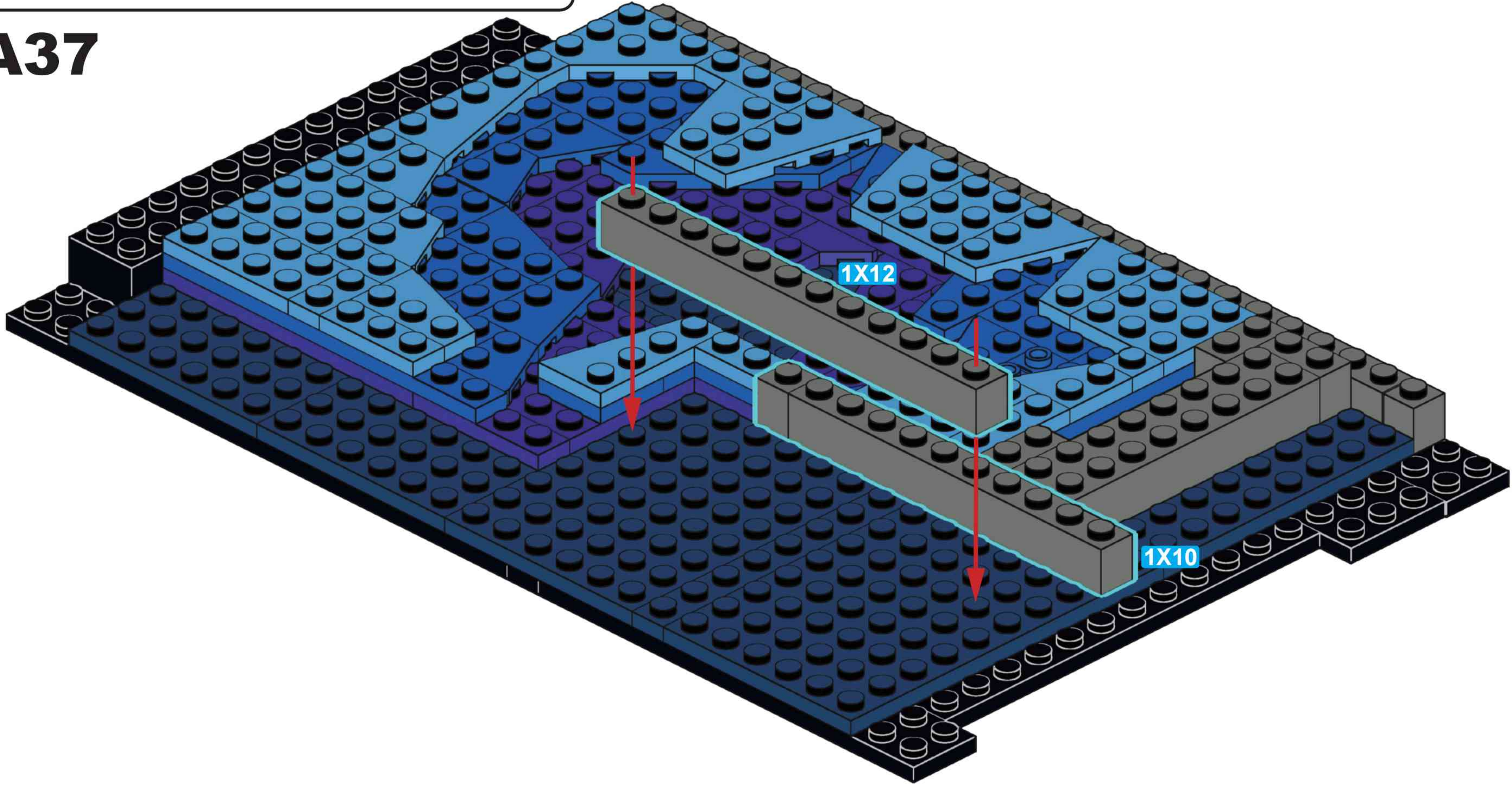


A36

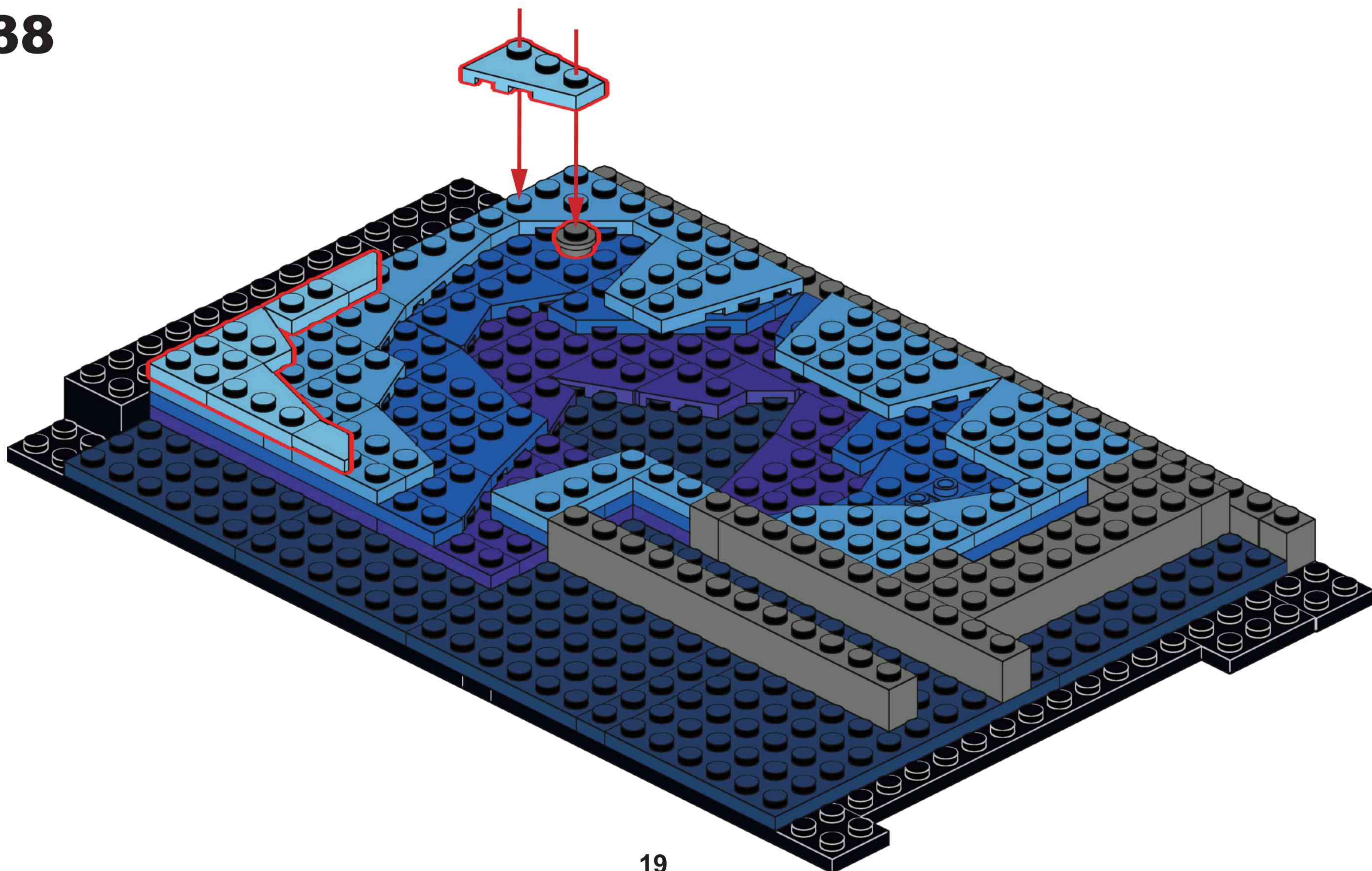


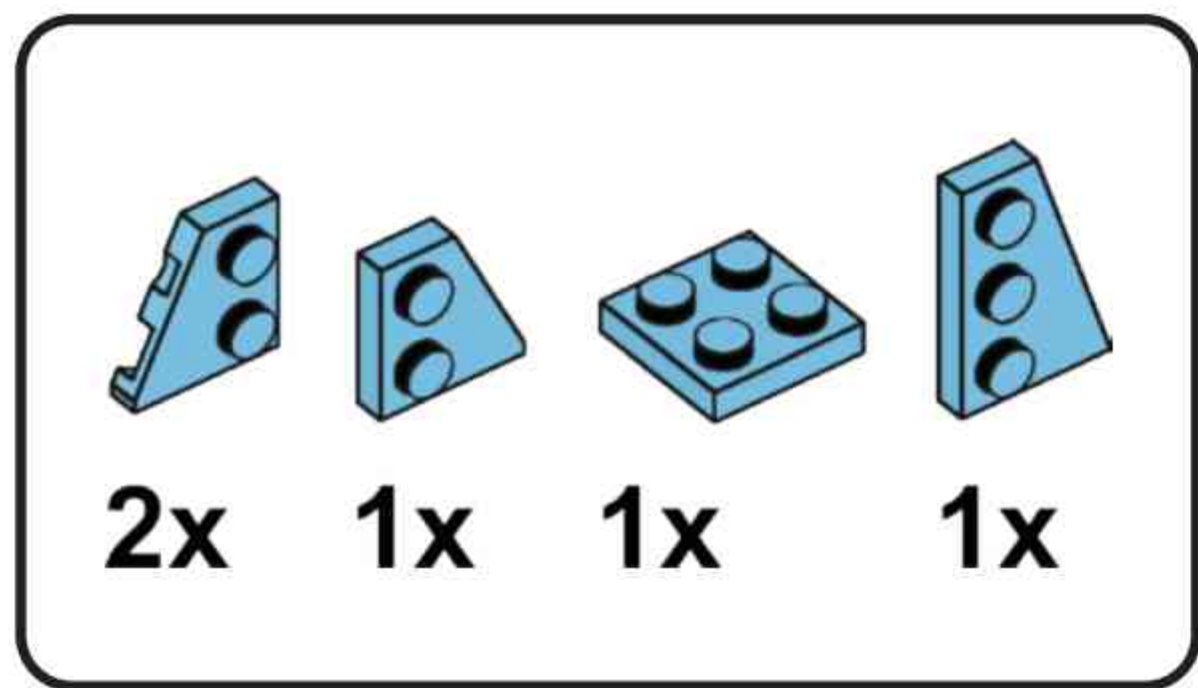


A37

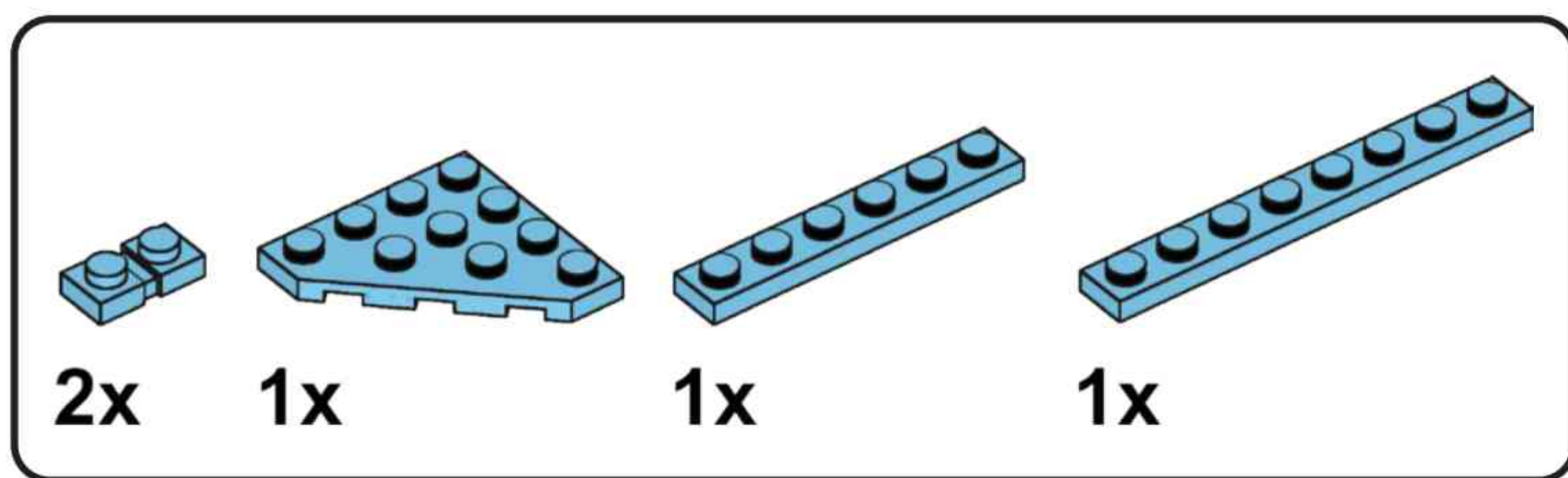
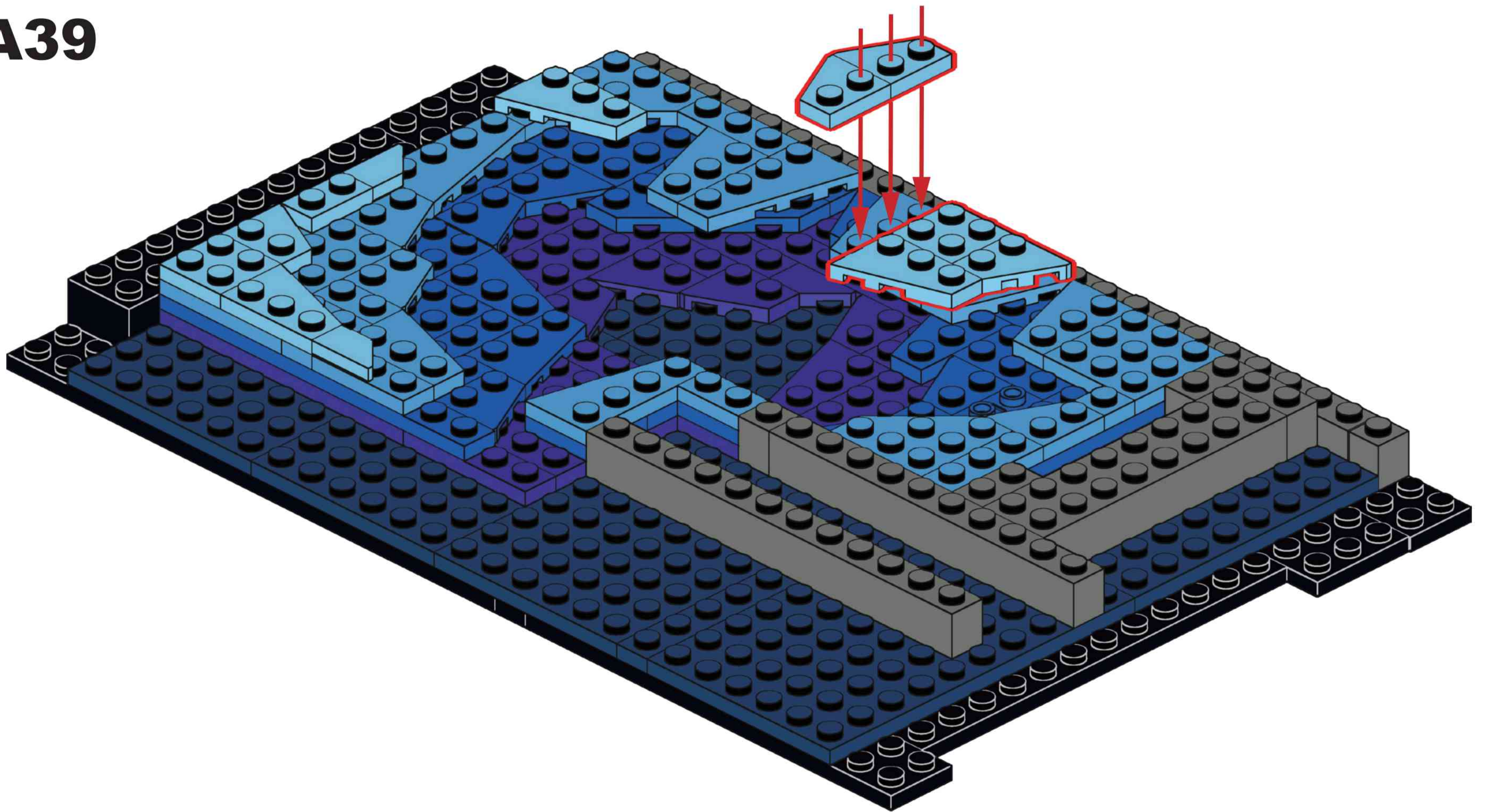


A38

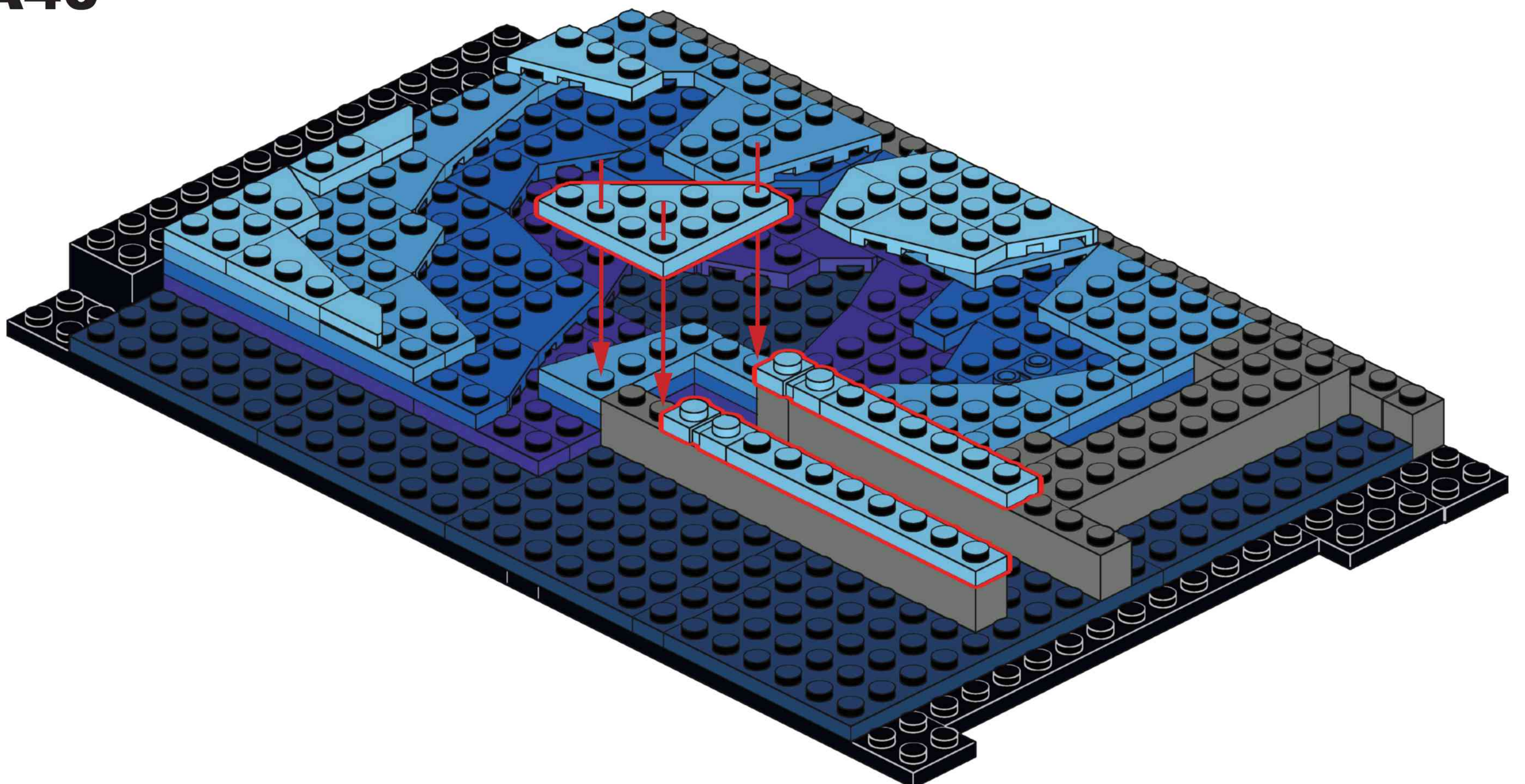


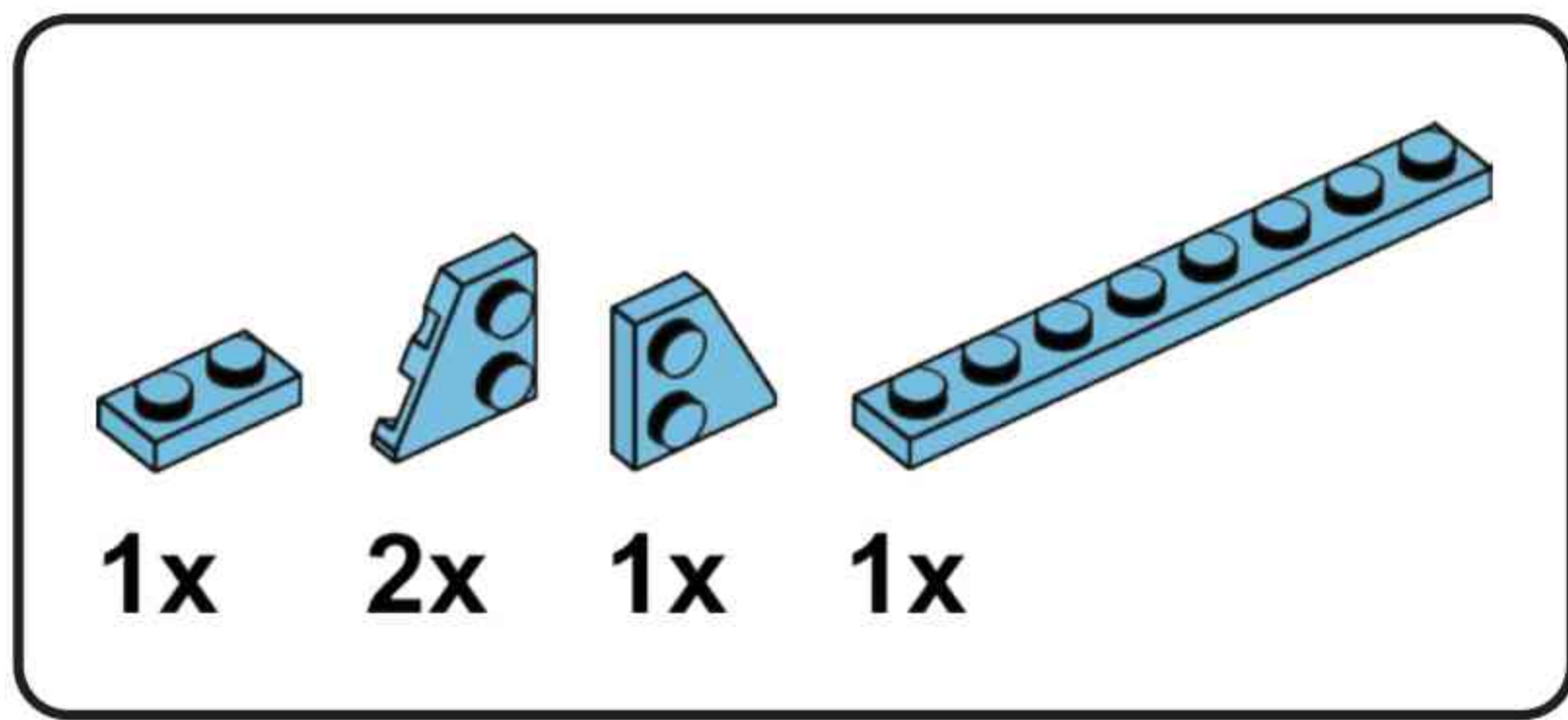


A39

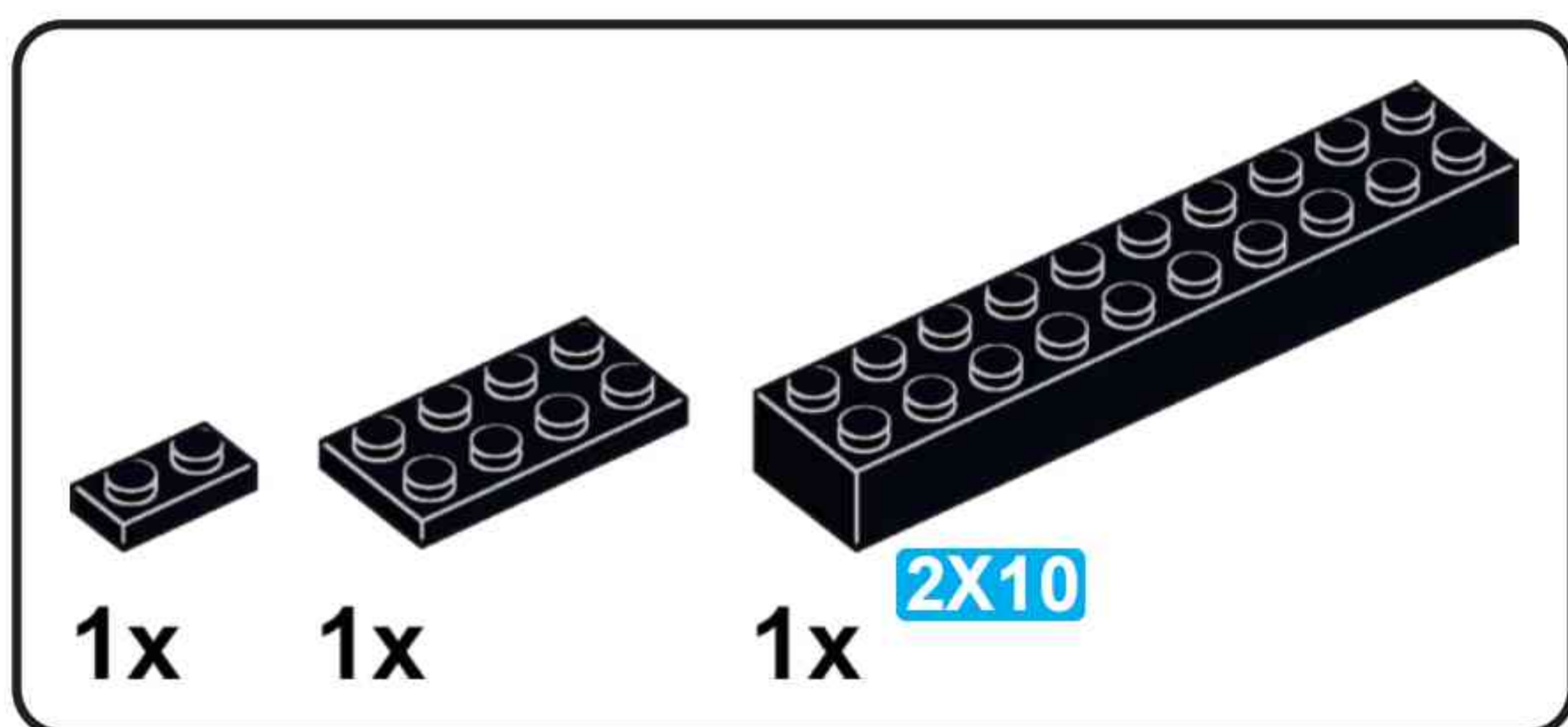
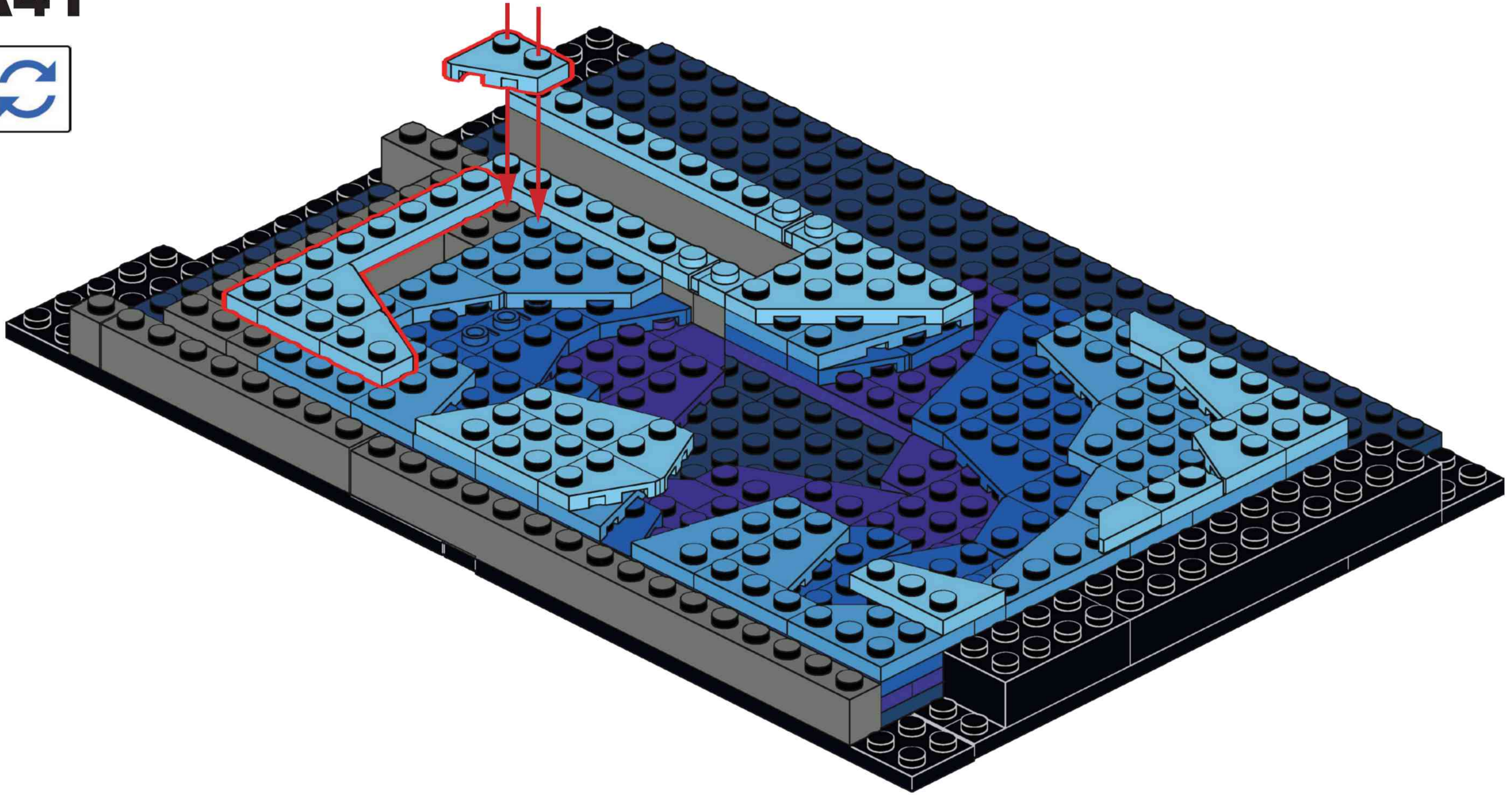


A40

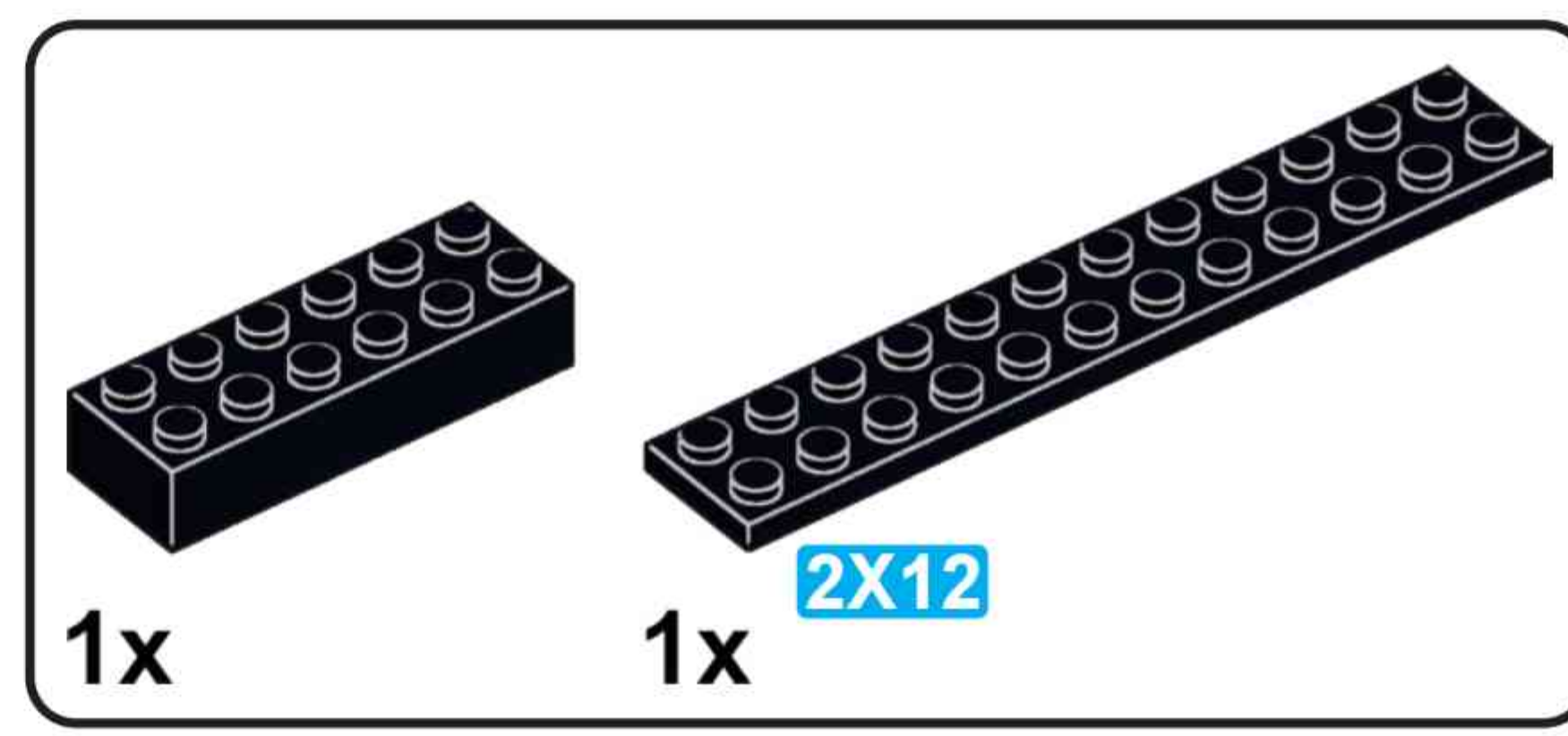
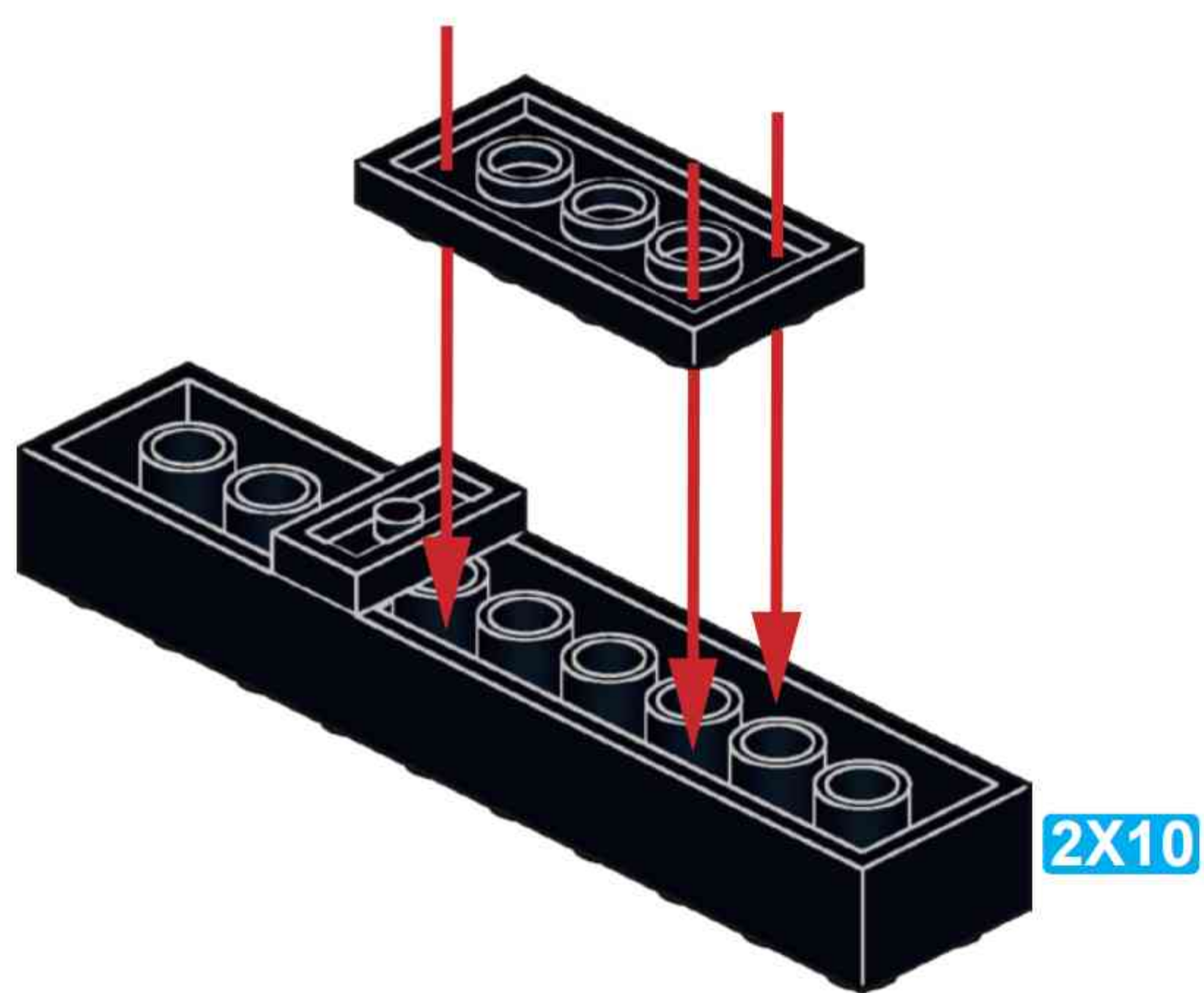




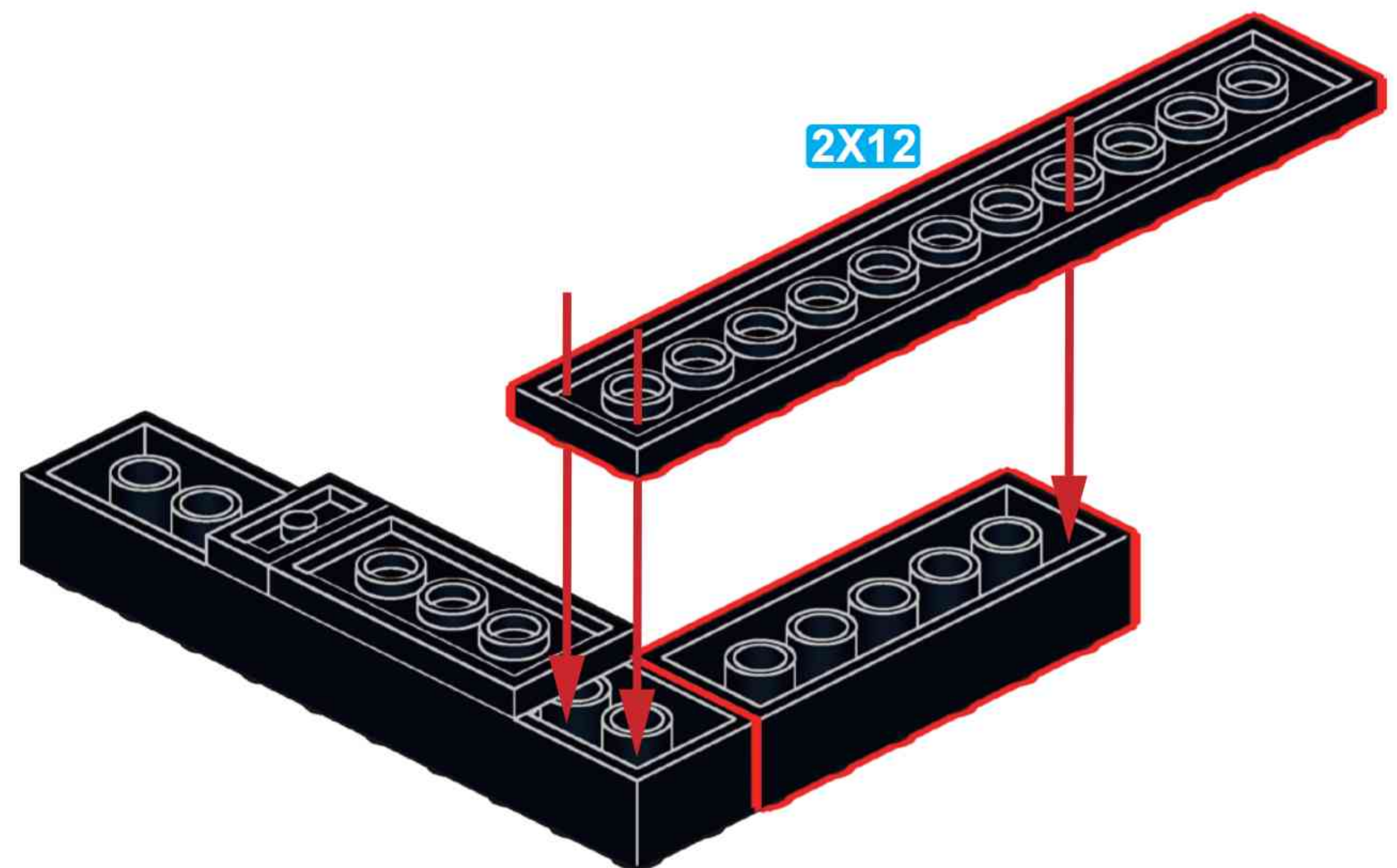
A41



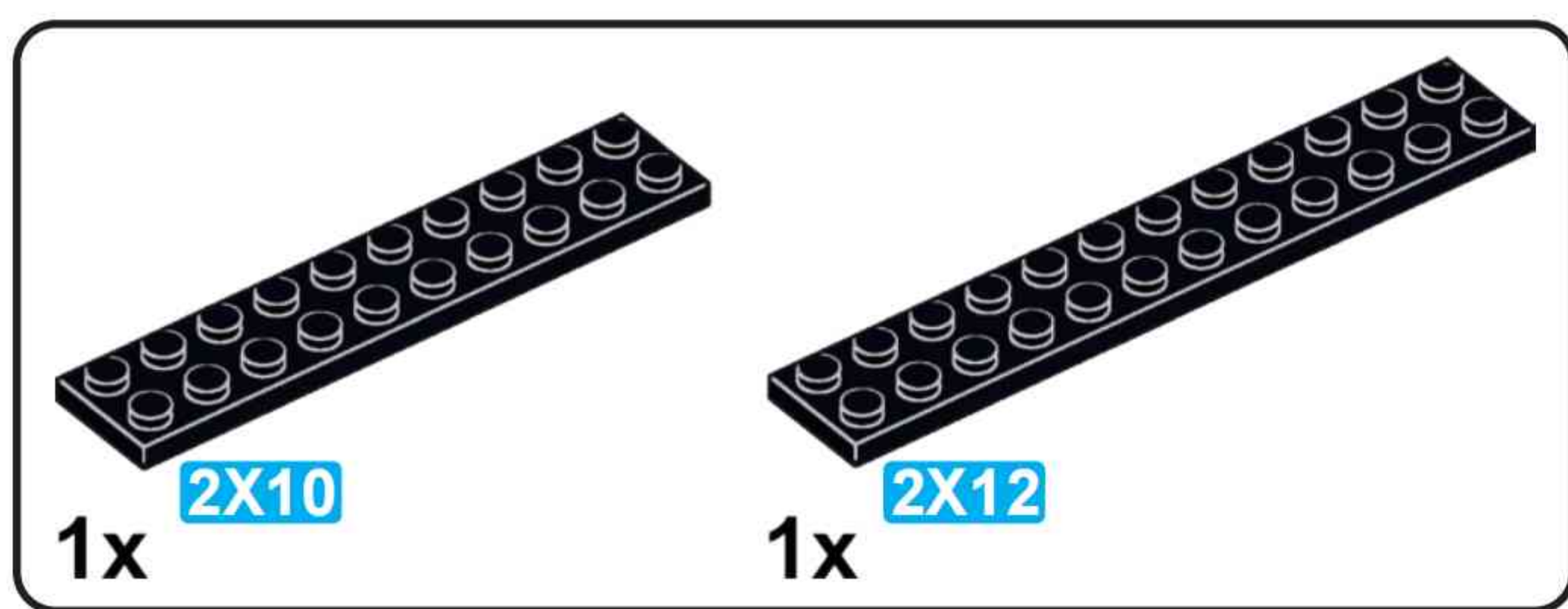
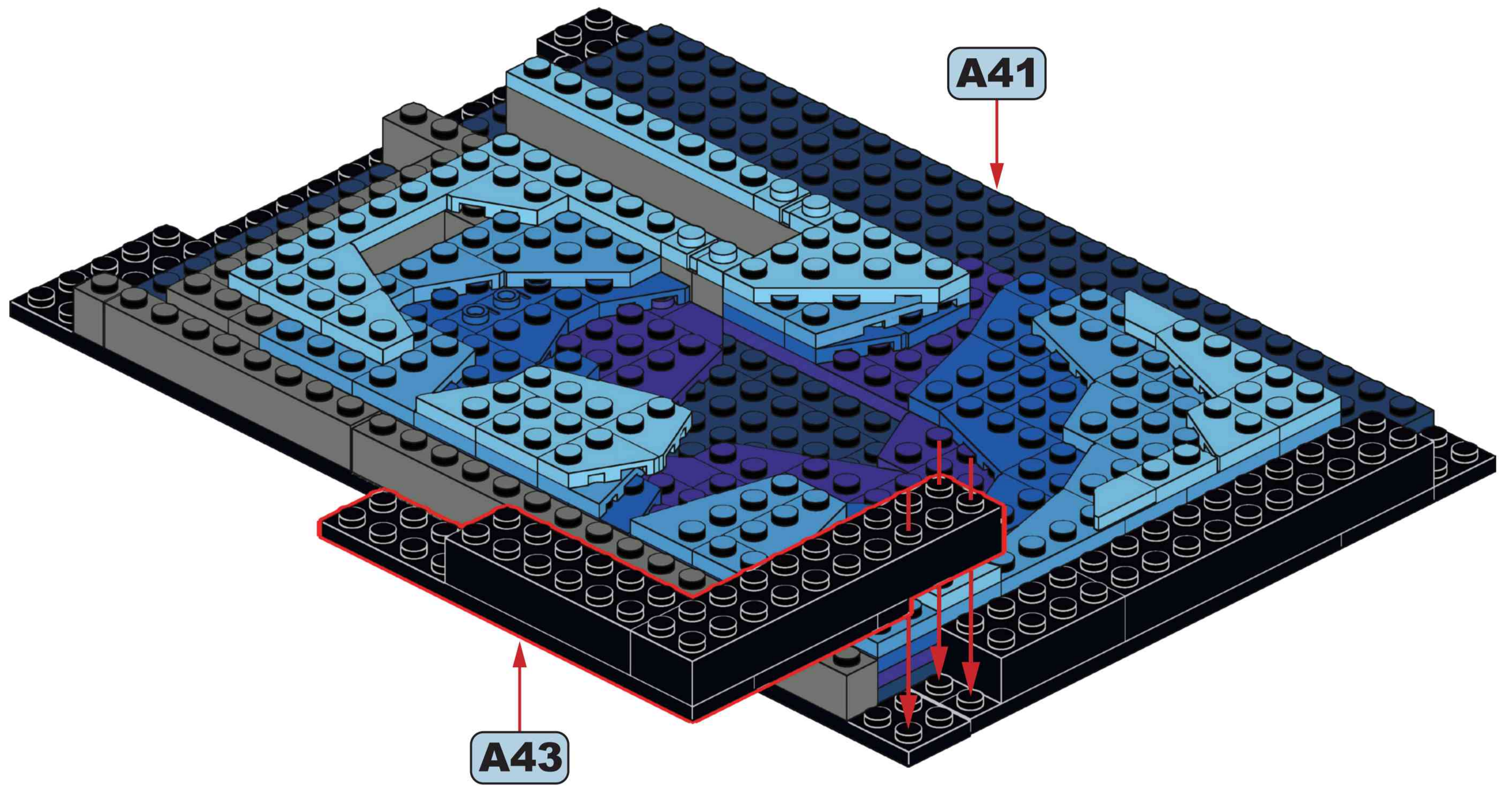
A42



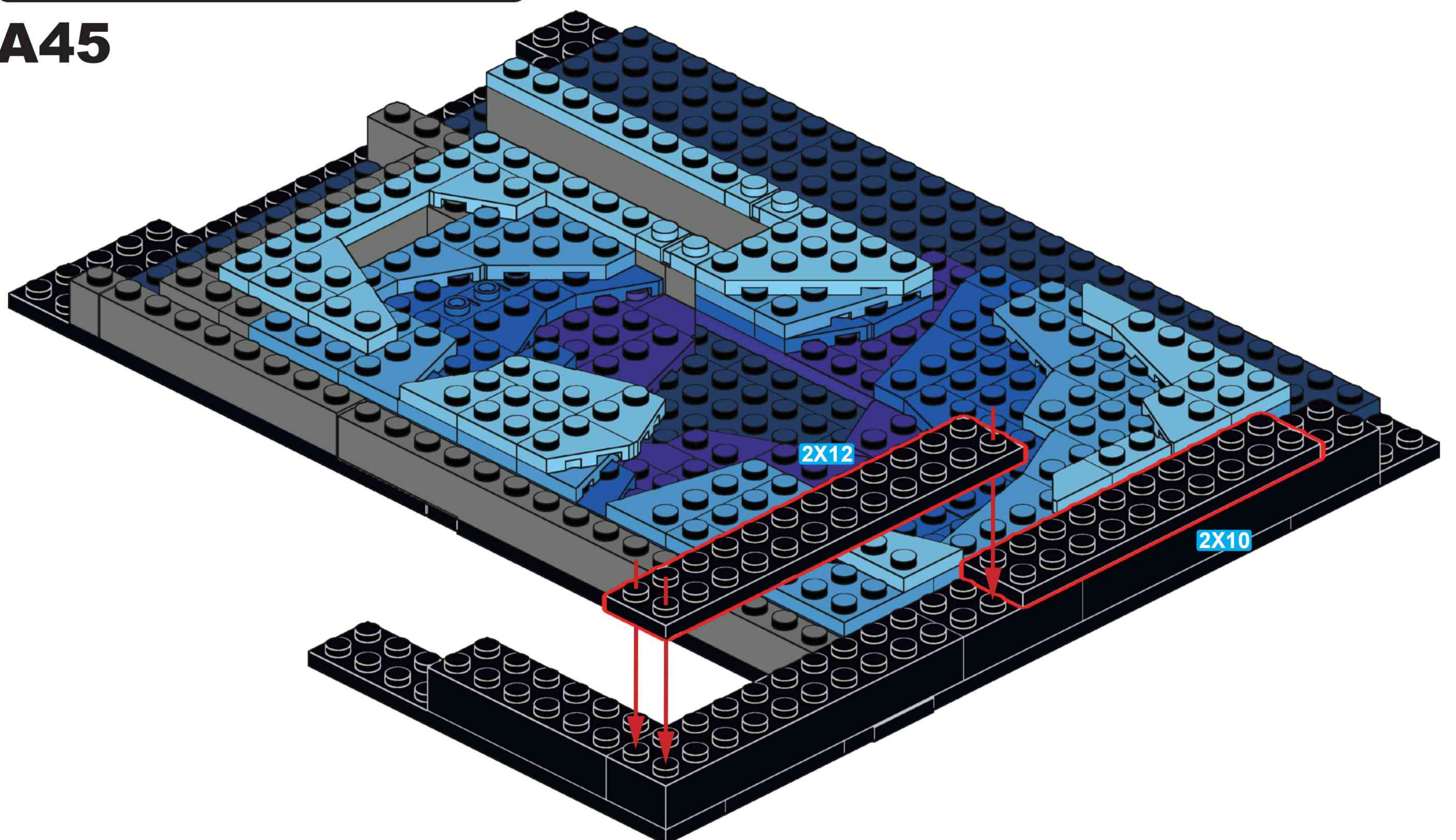
A43

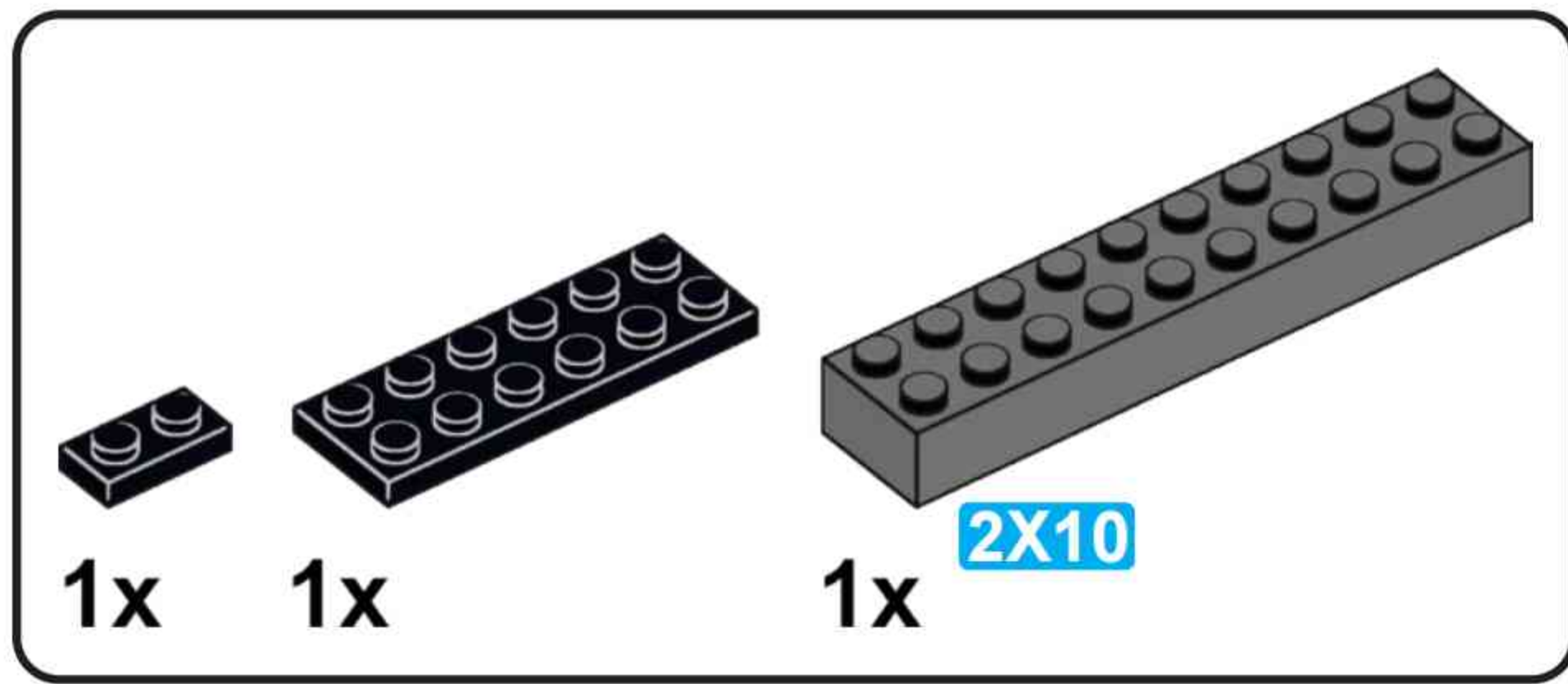


A44

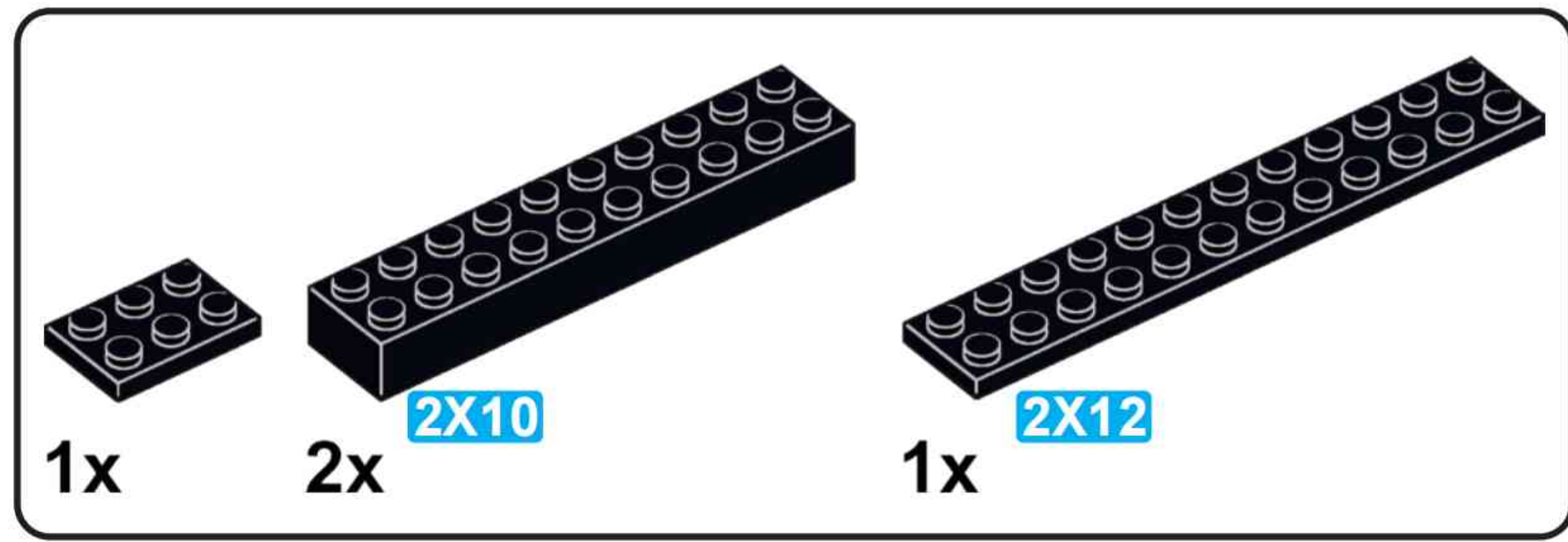
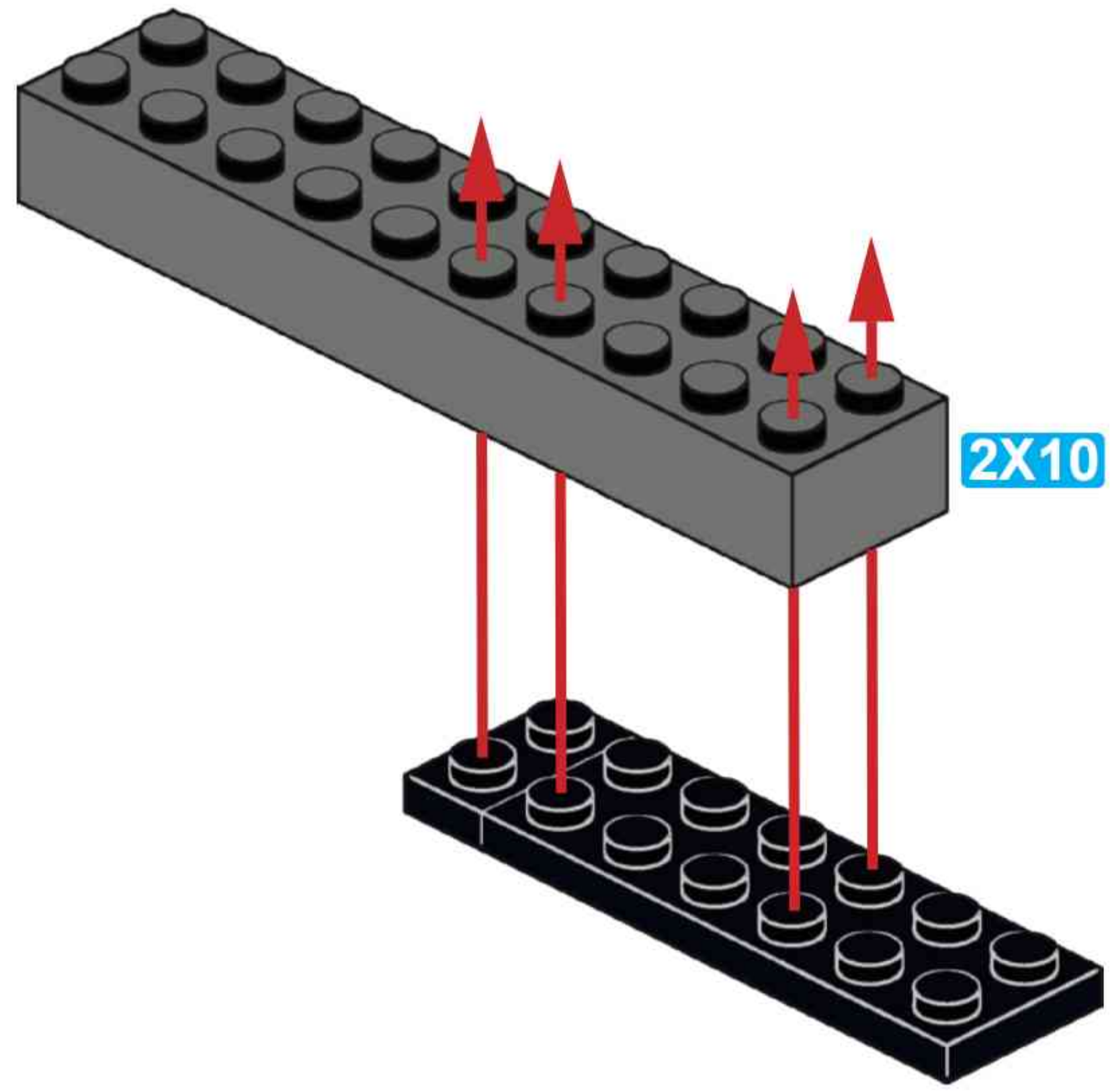


A45

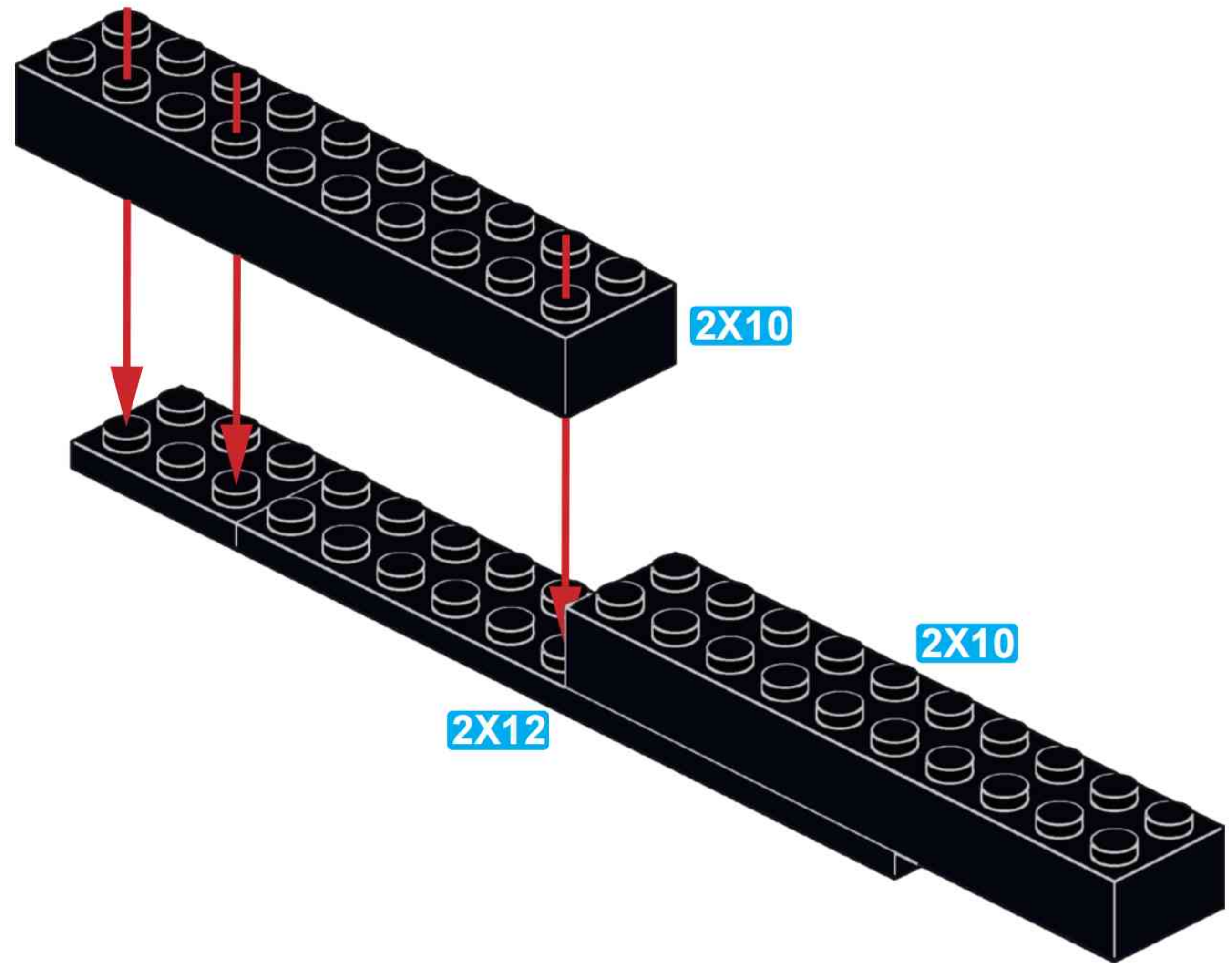




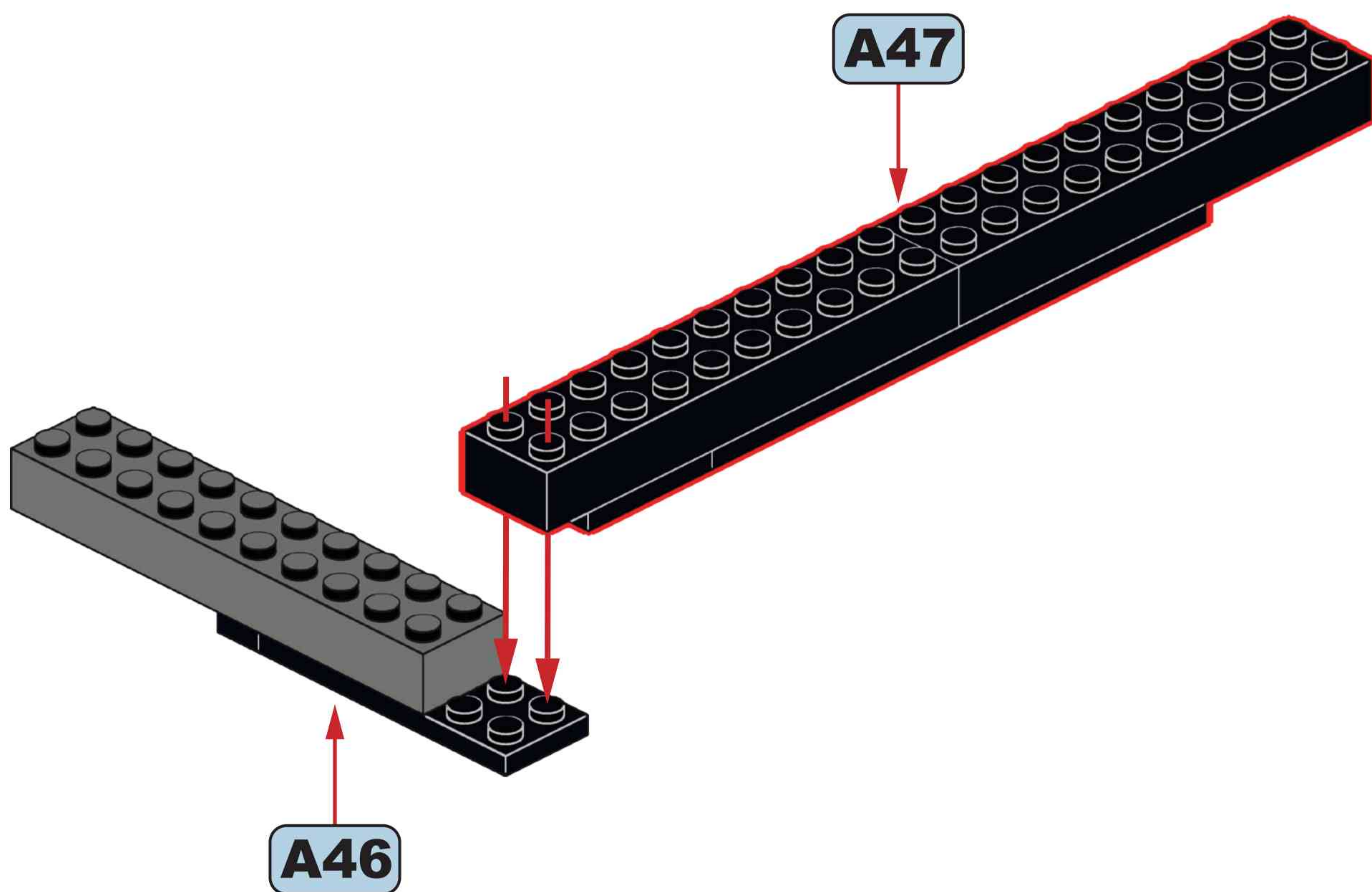
A46



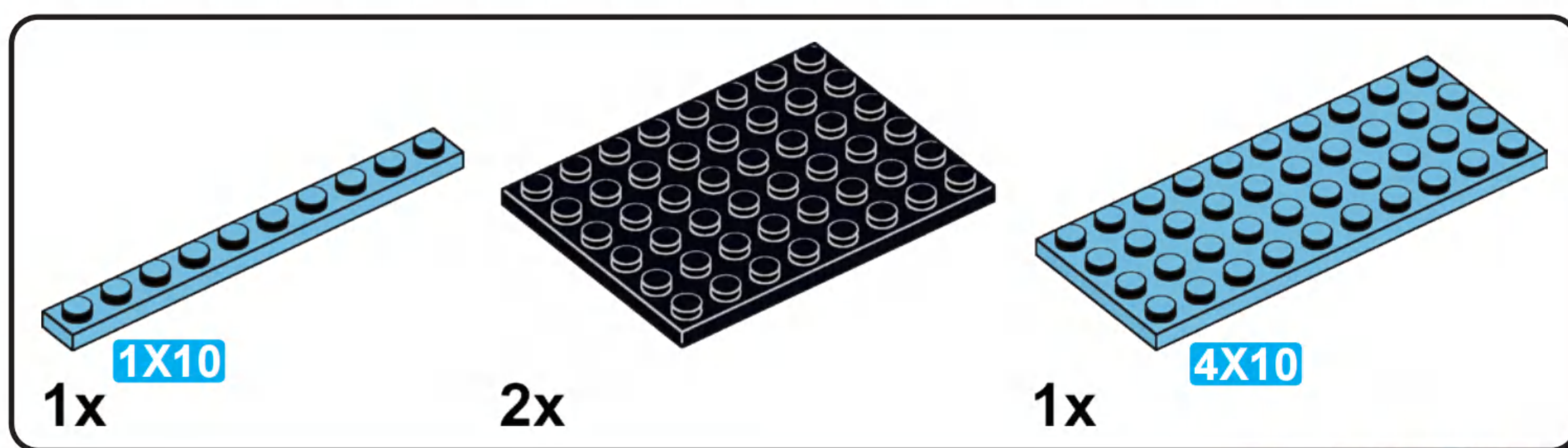
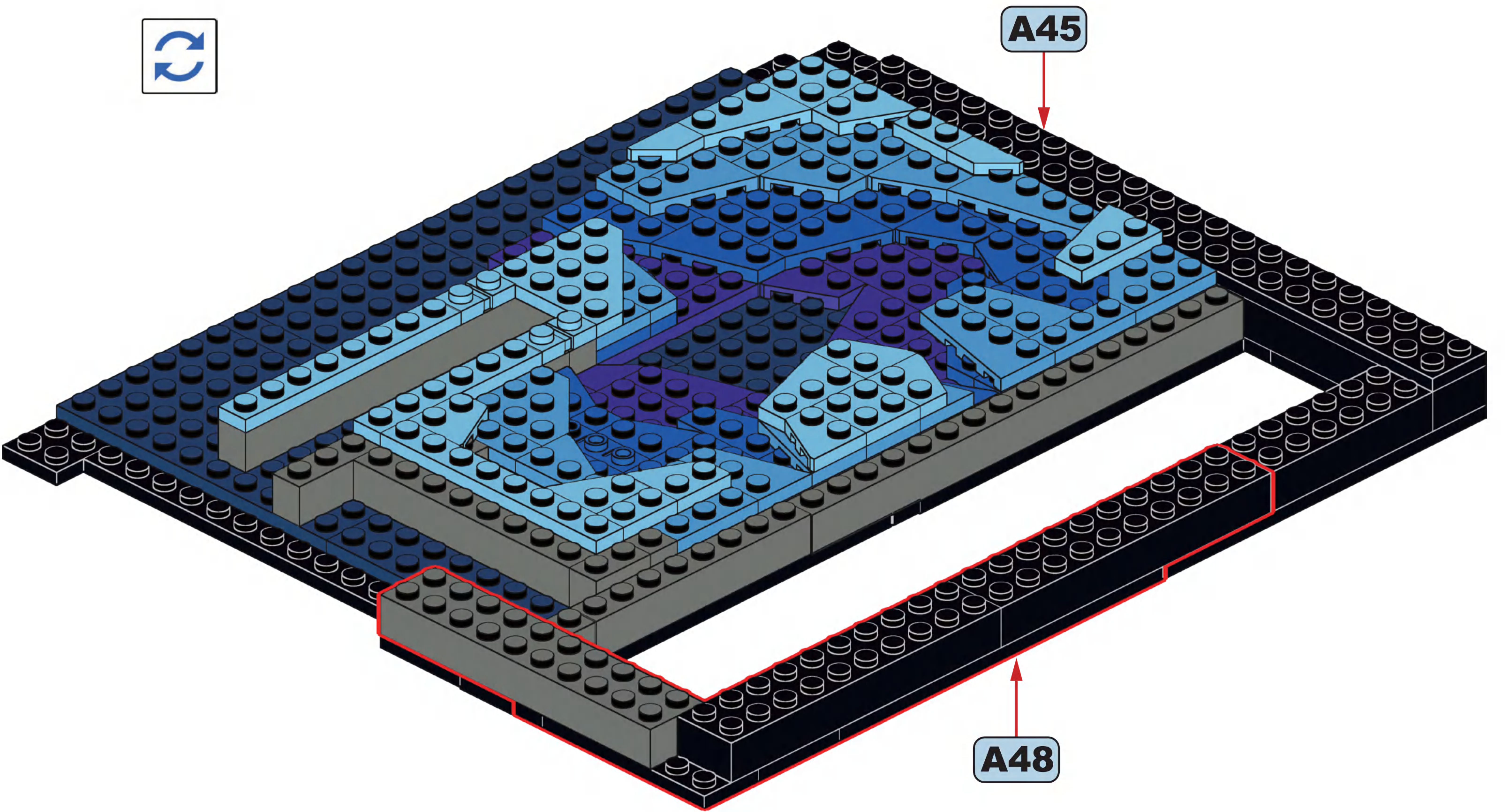
A47



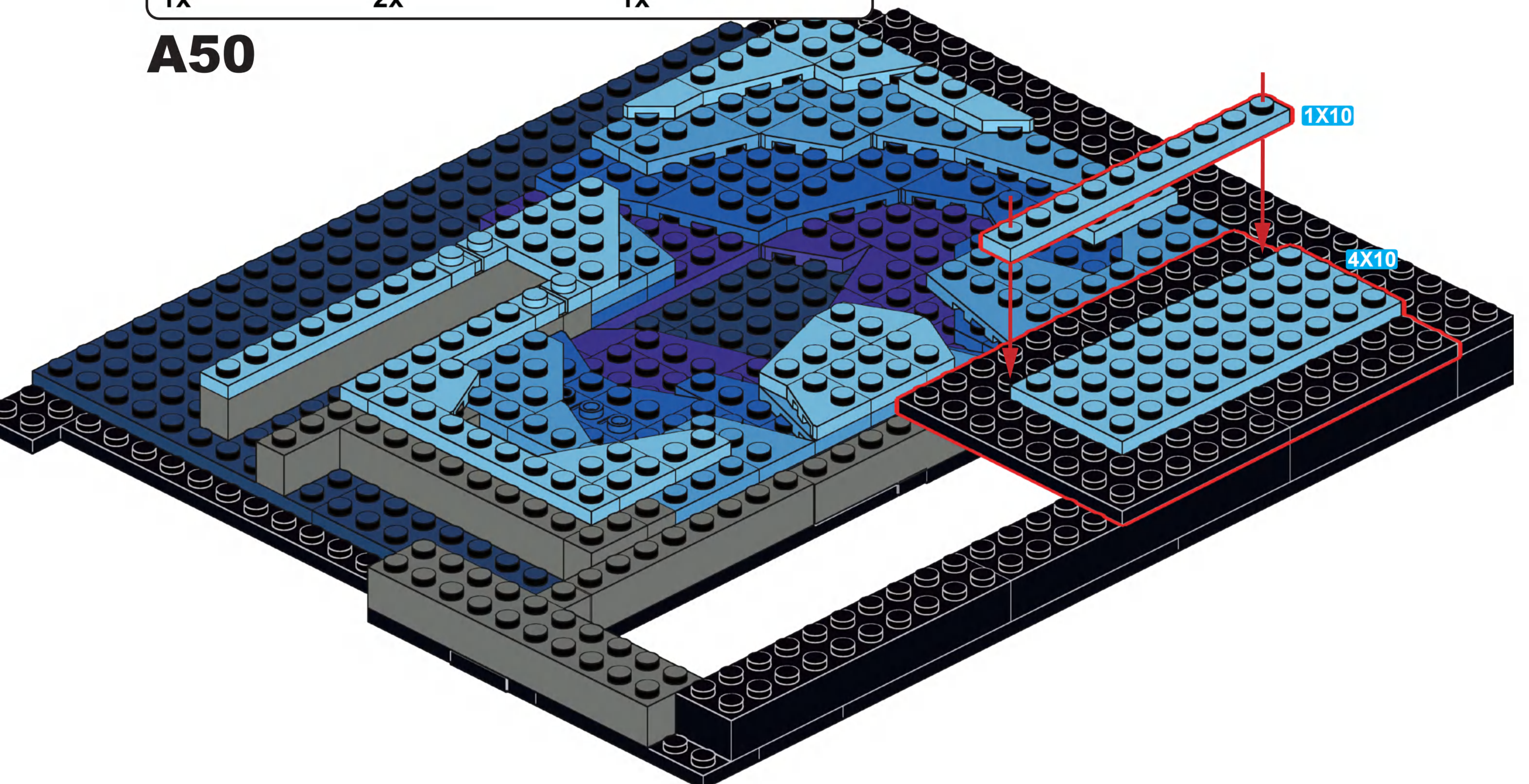
A48

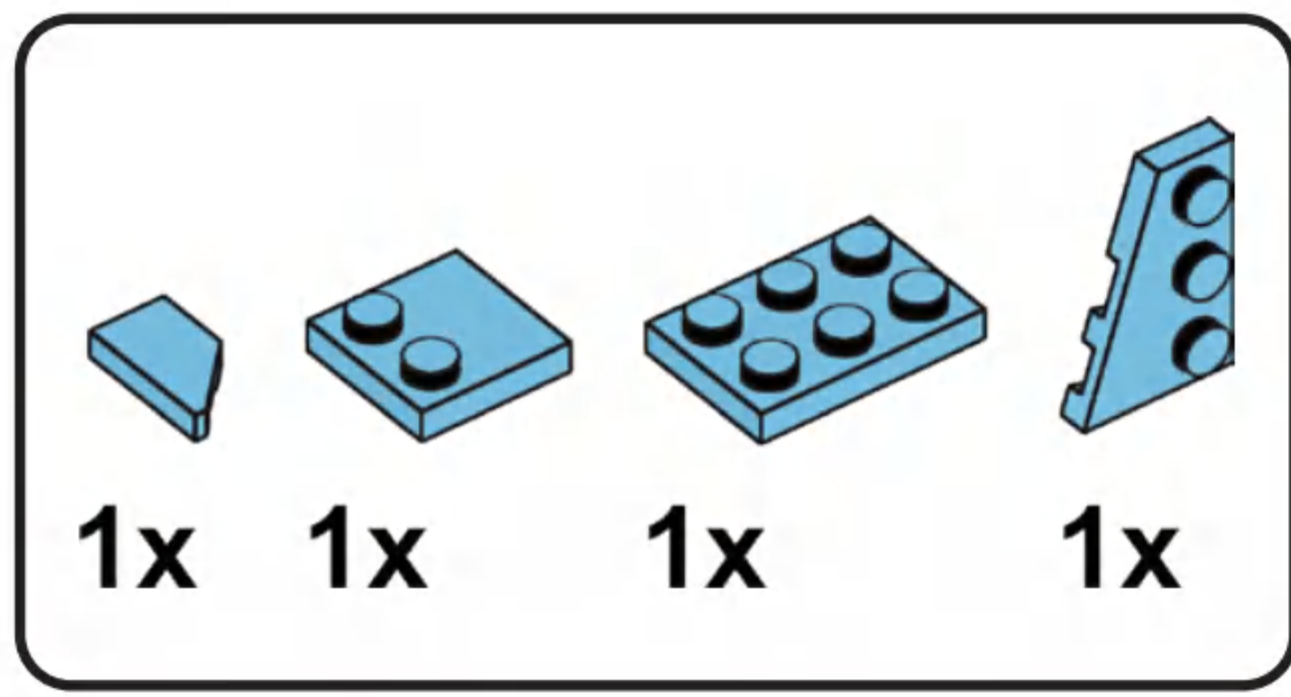


A49

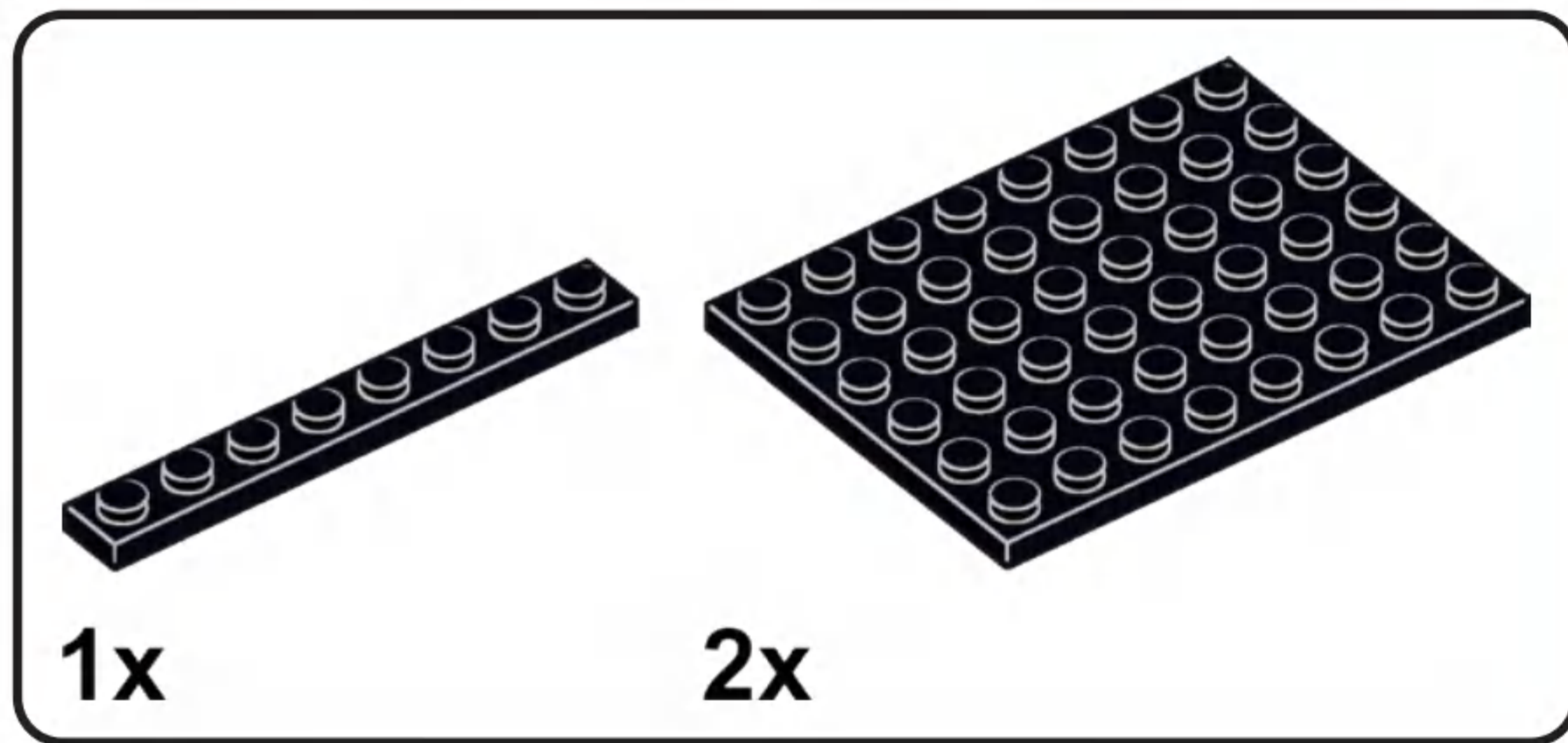
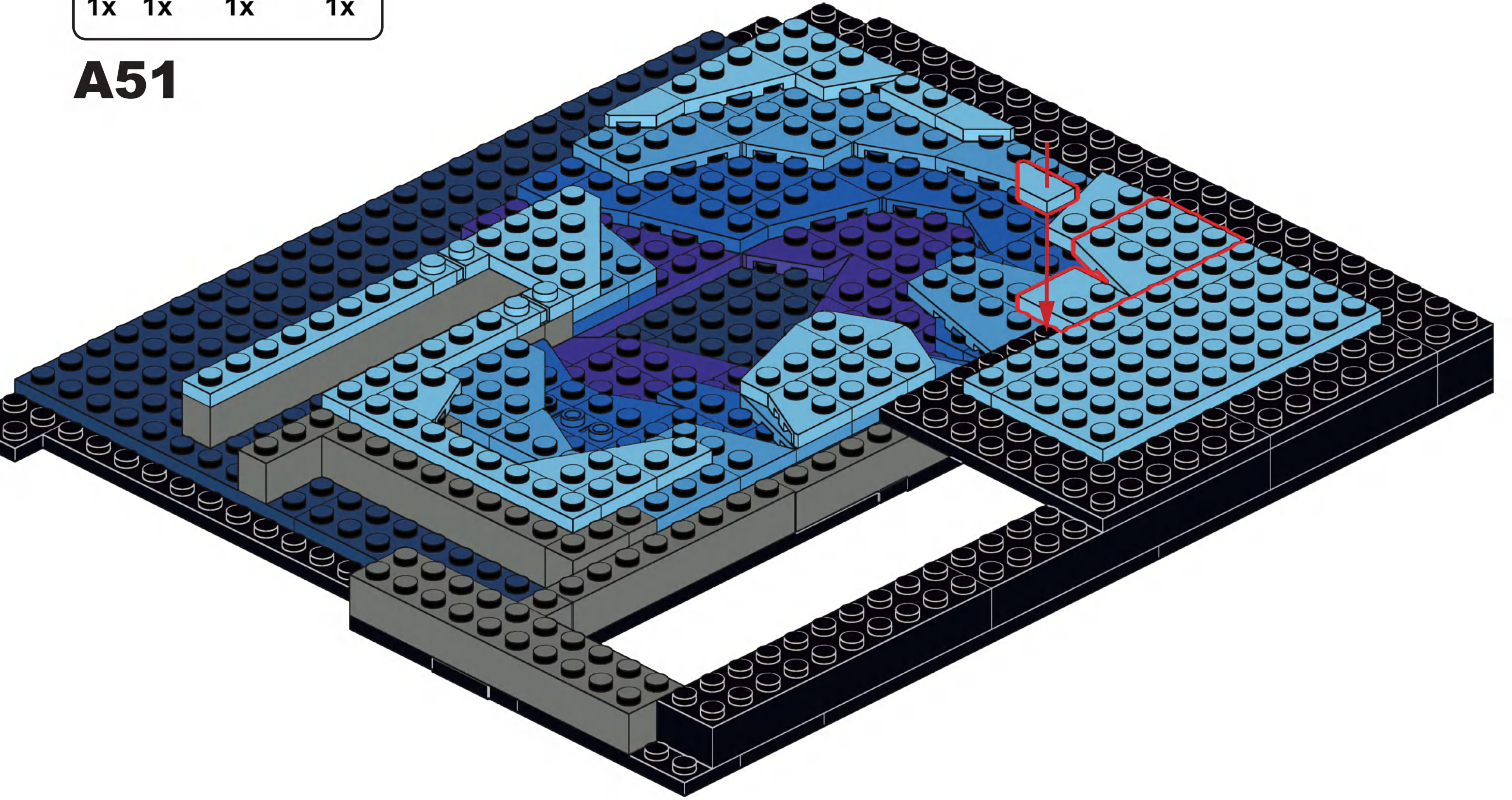


A50

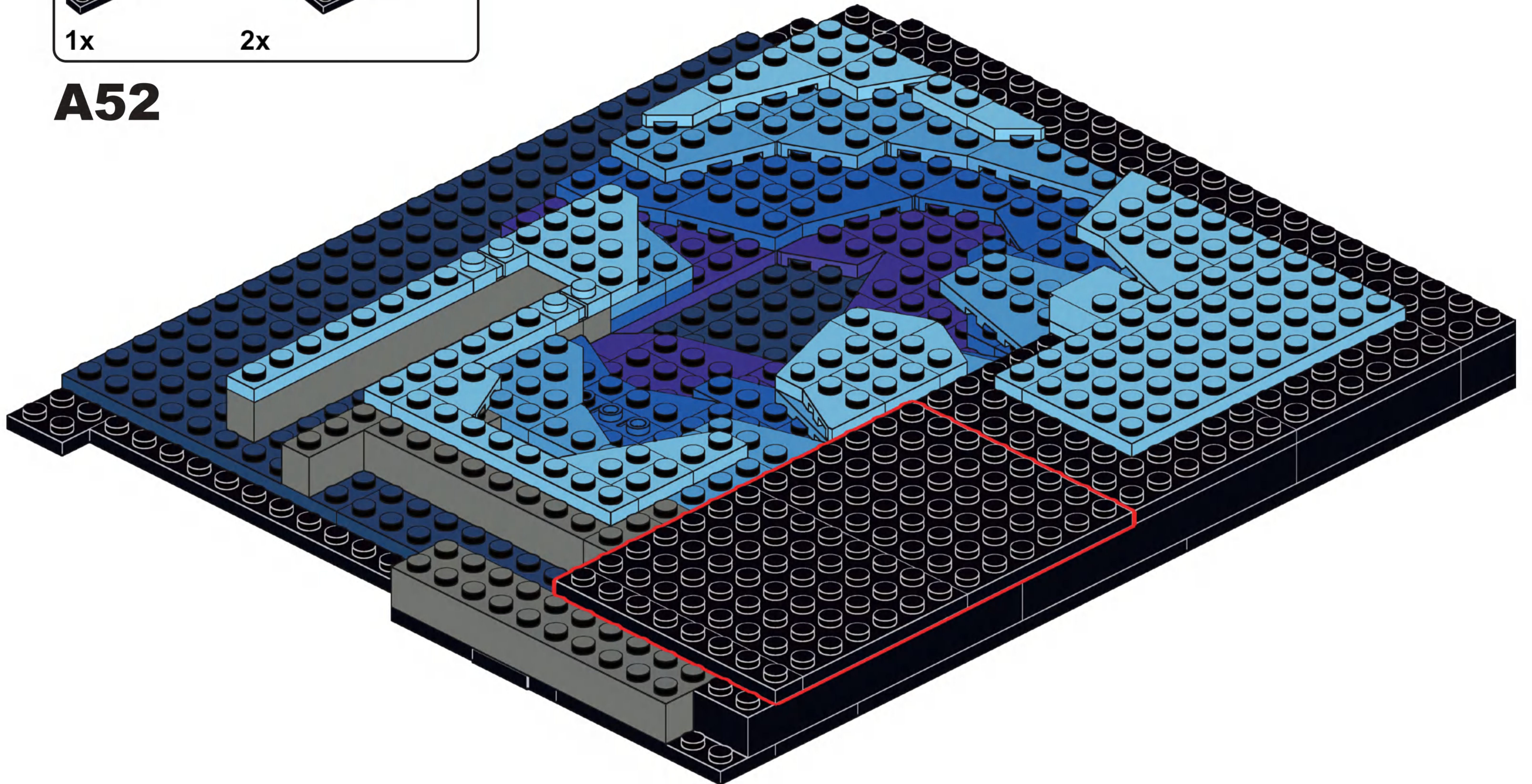


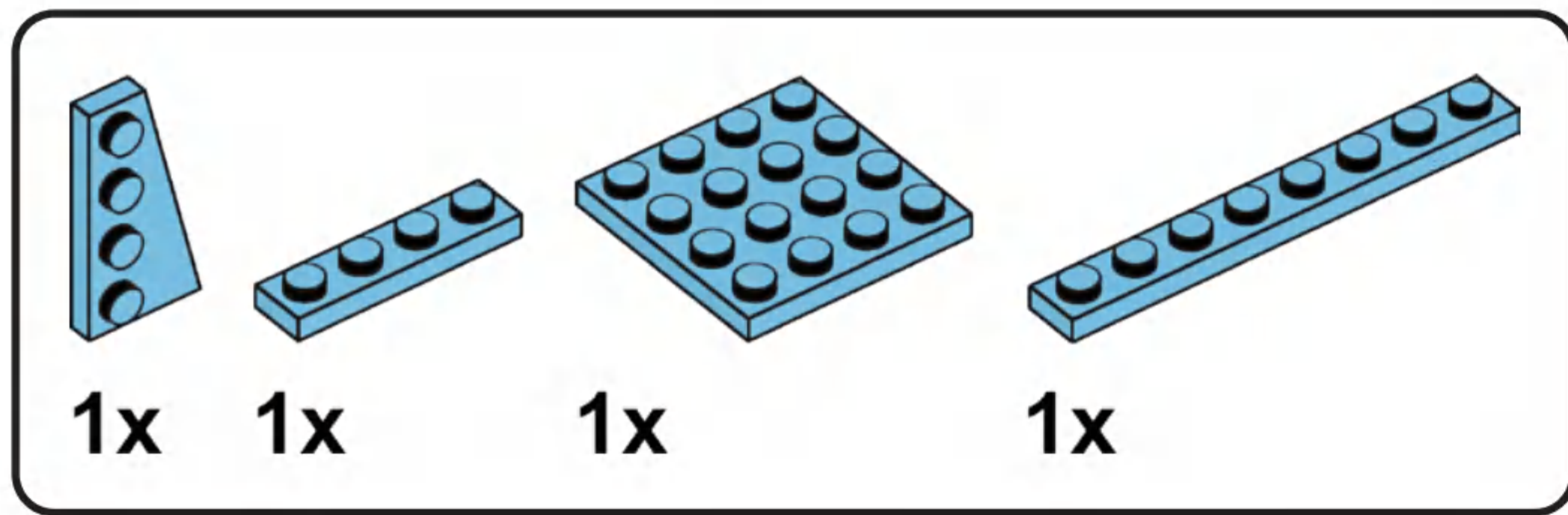


A51

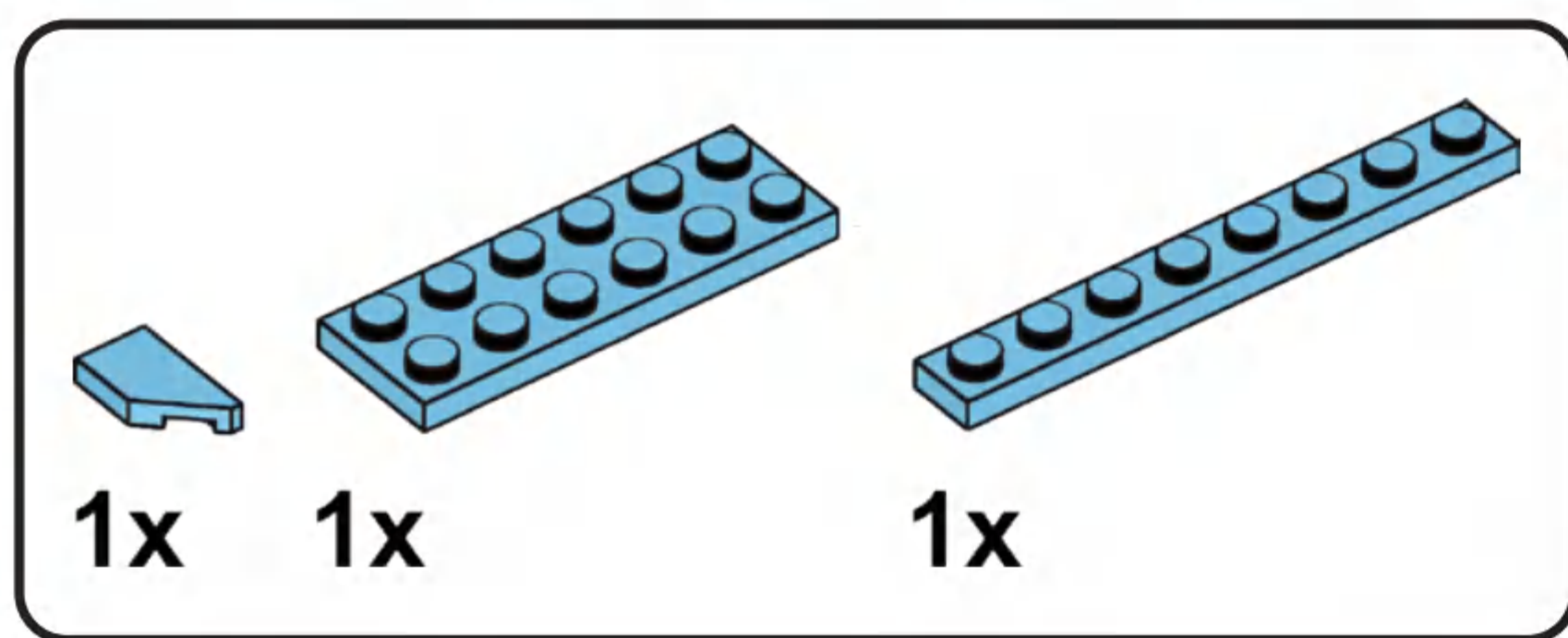
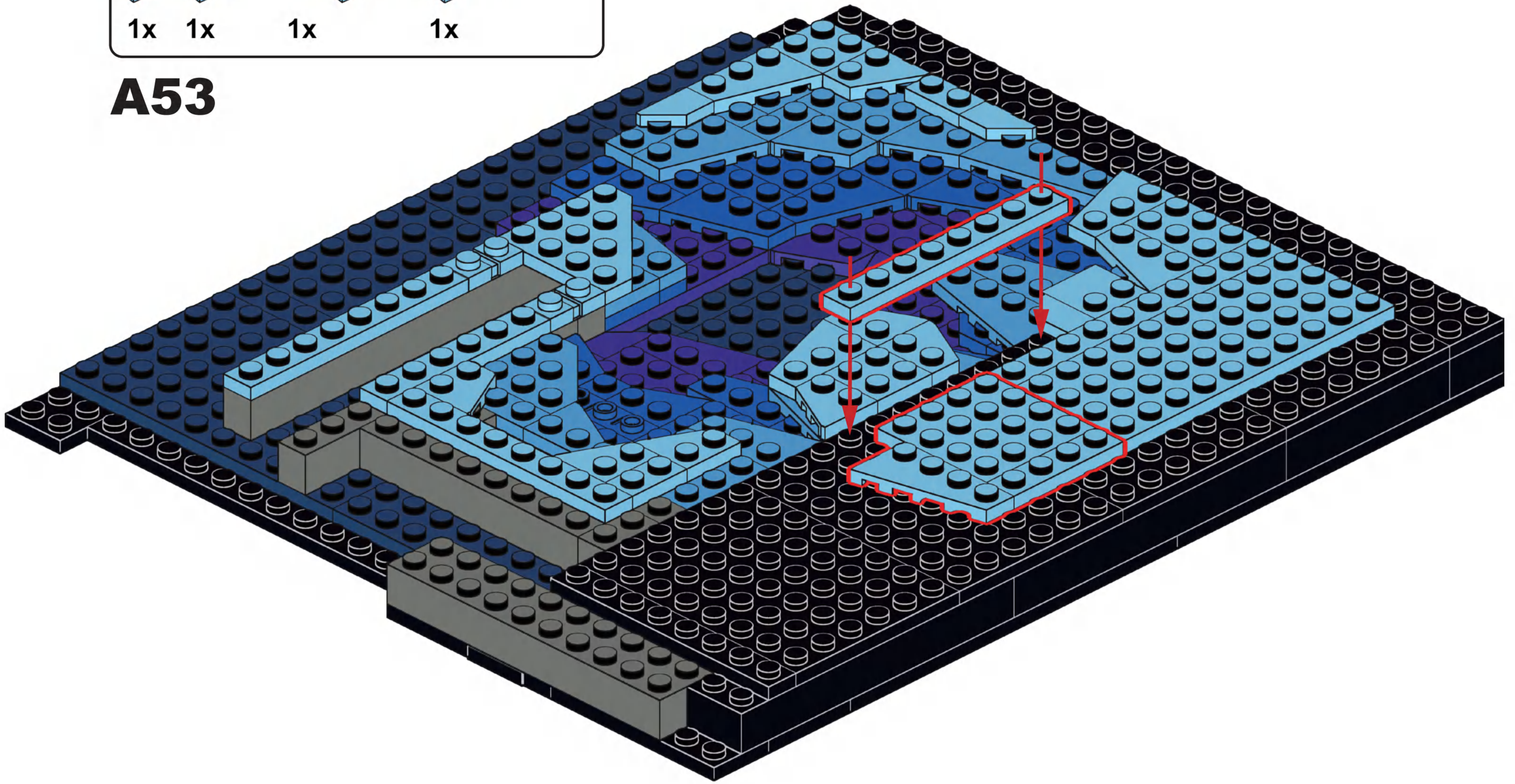


A52

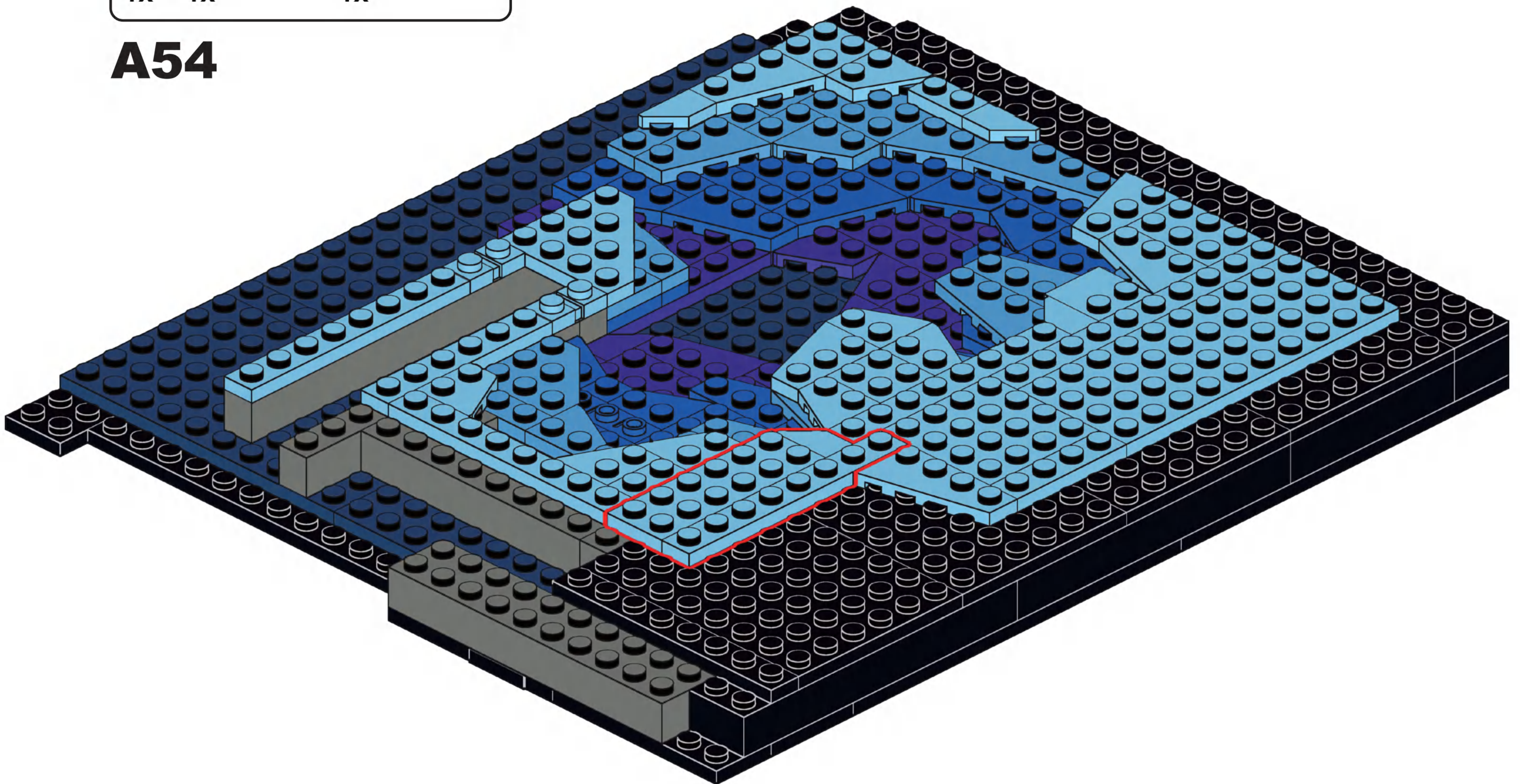


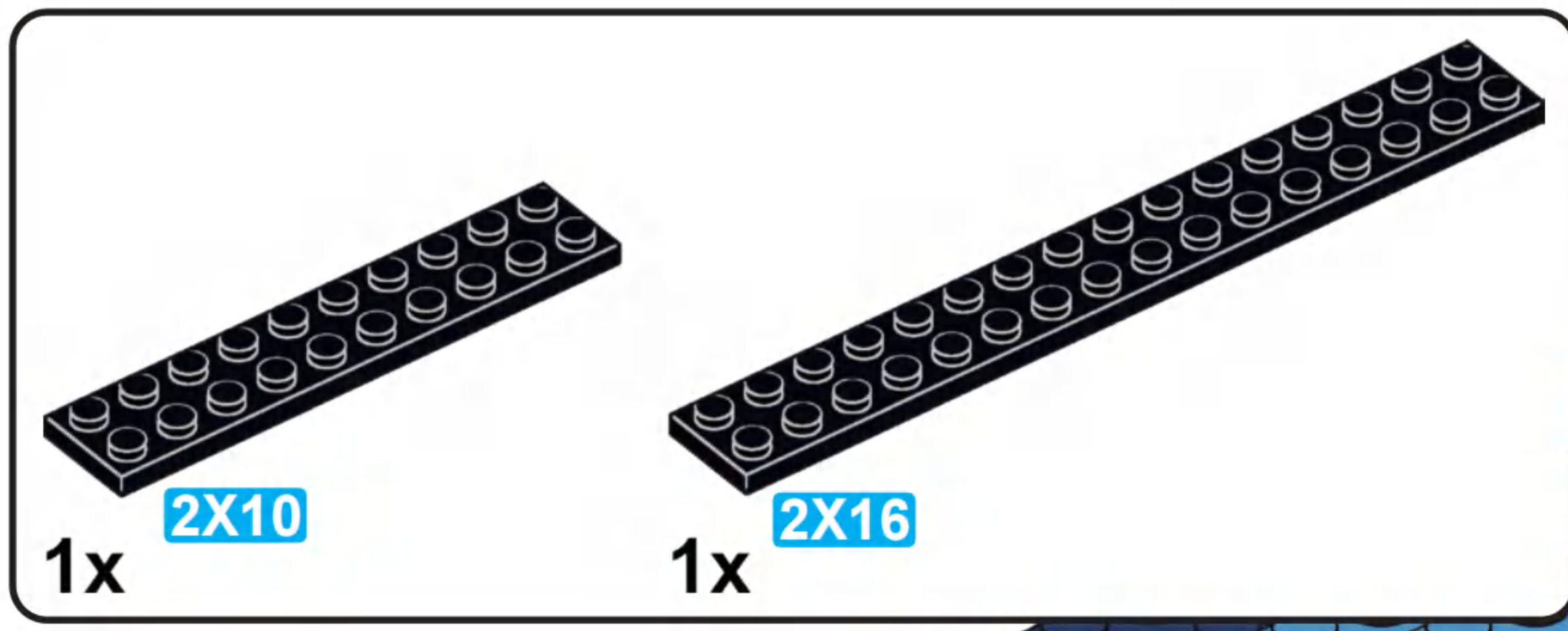


A53

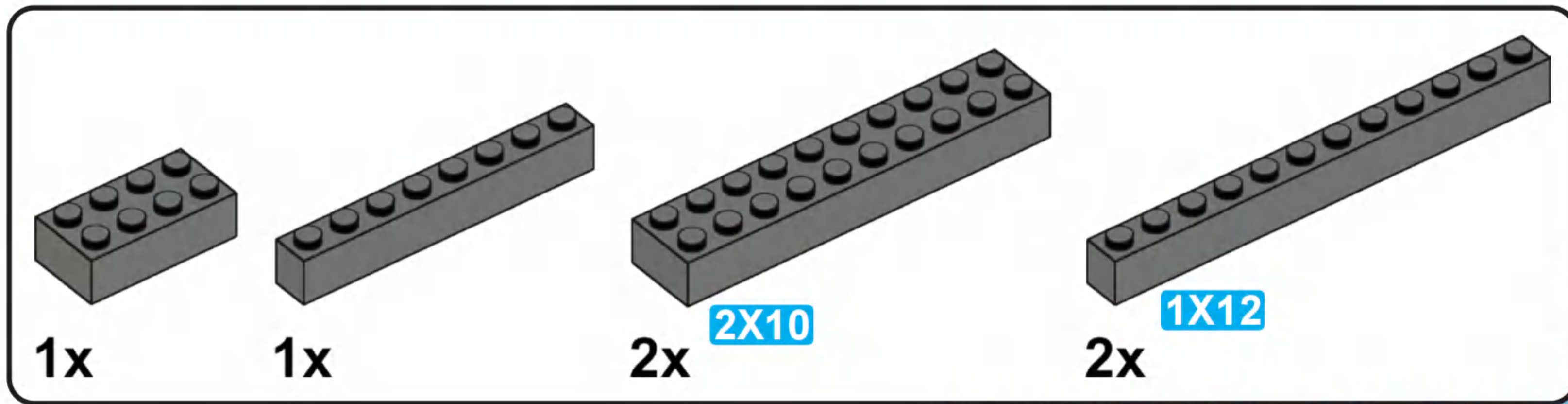
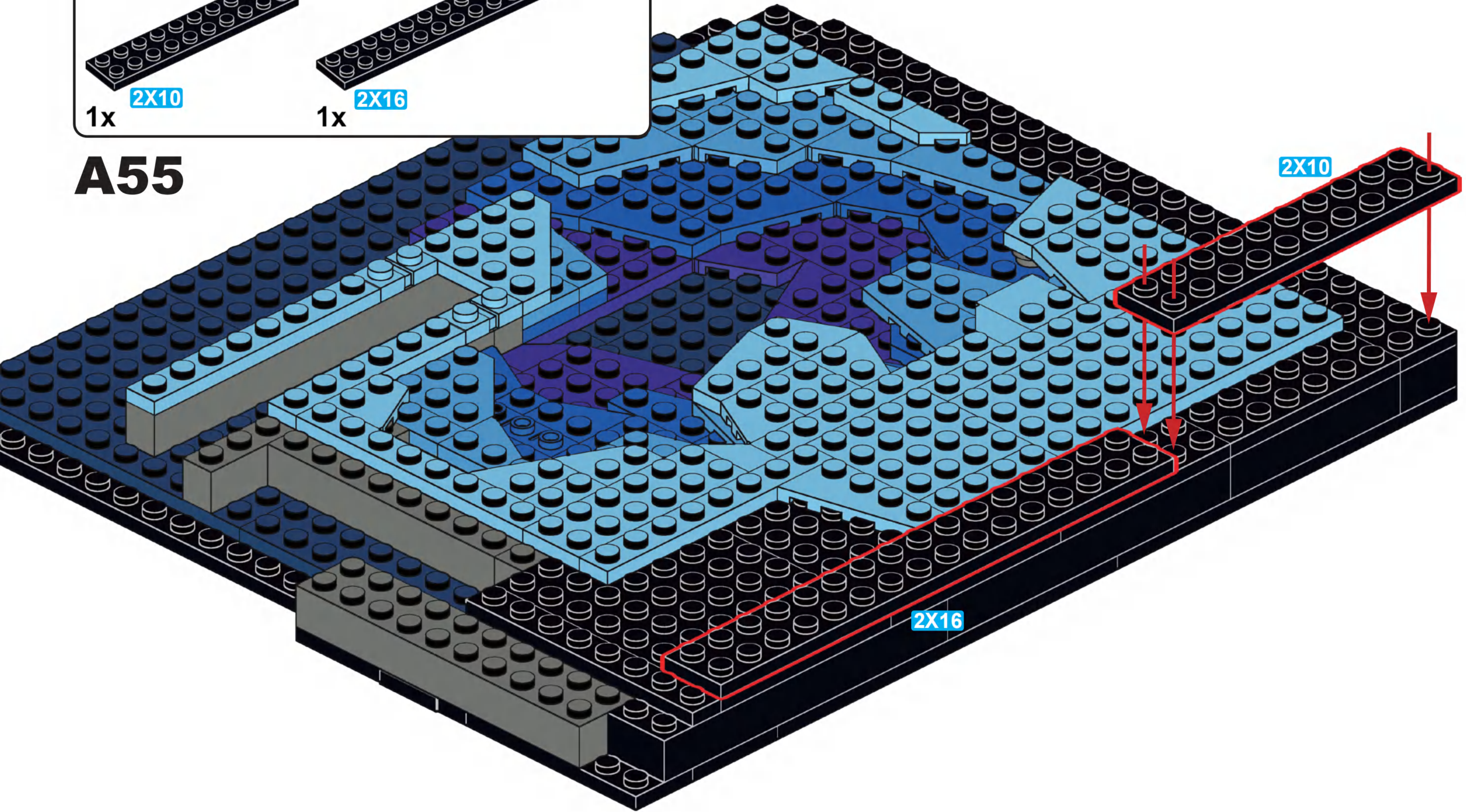


A54

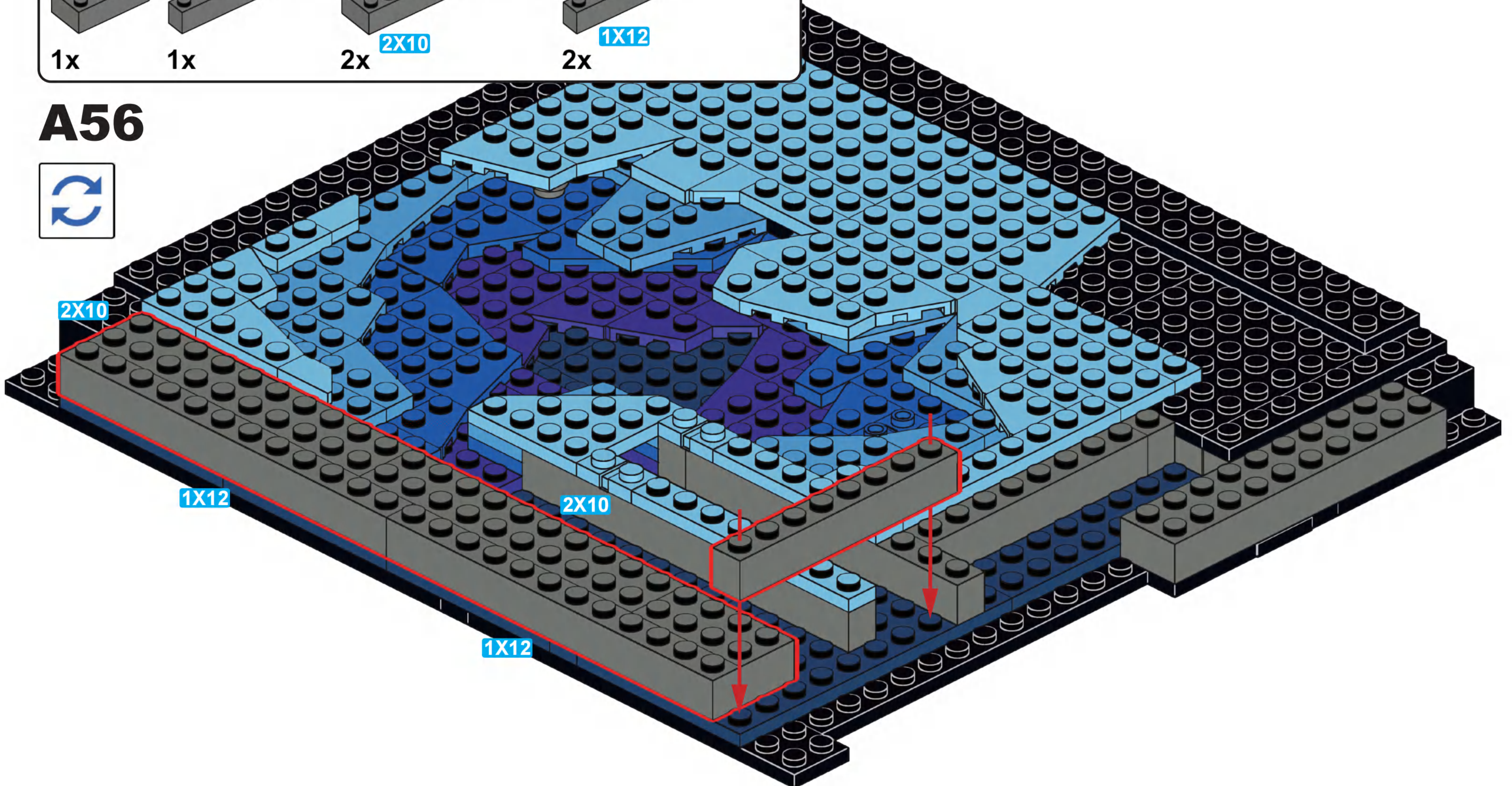


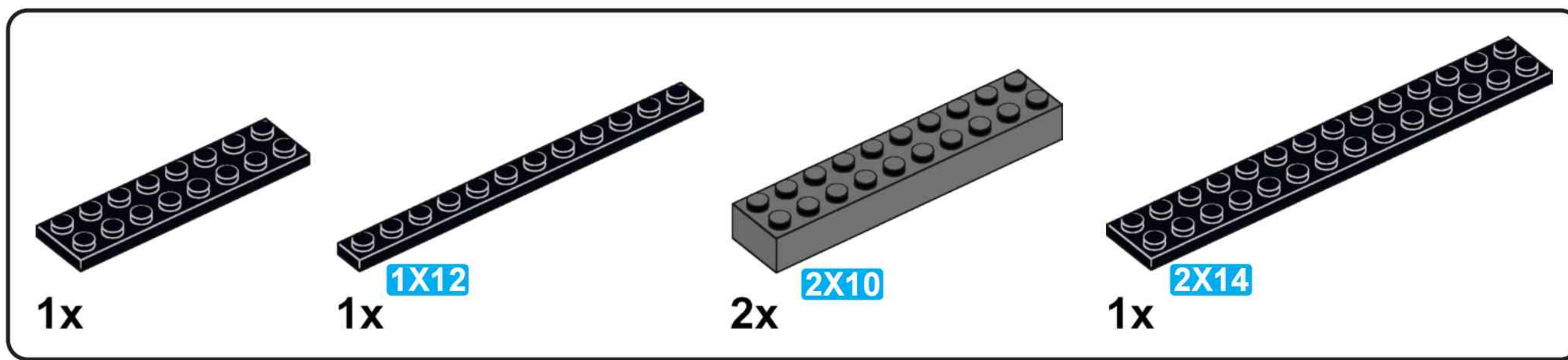


A55

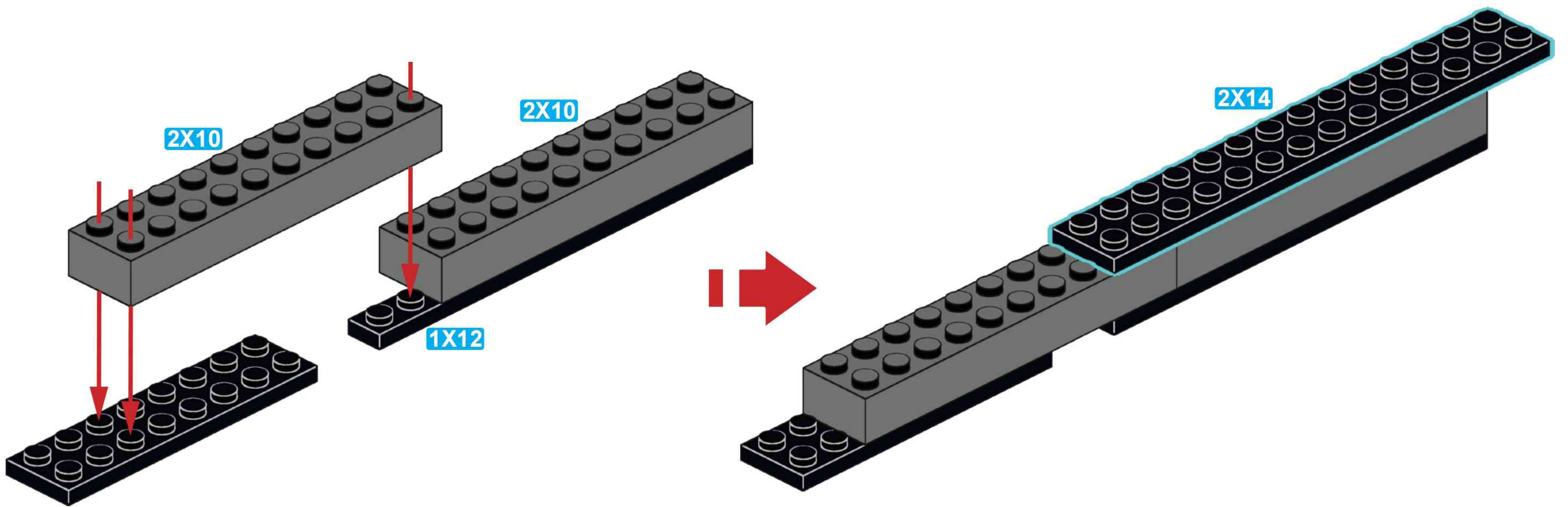


A56

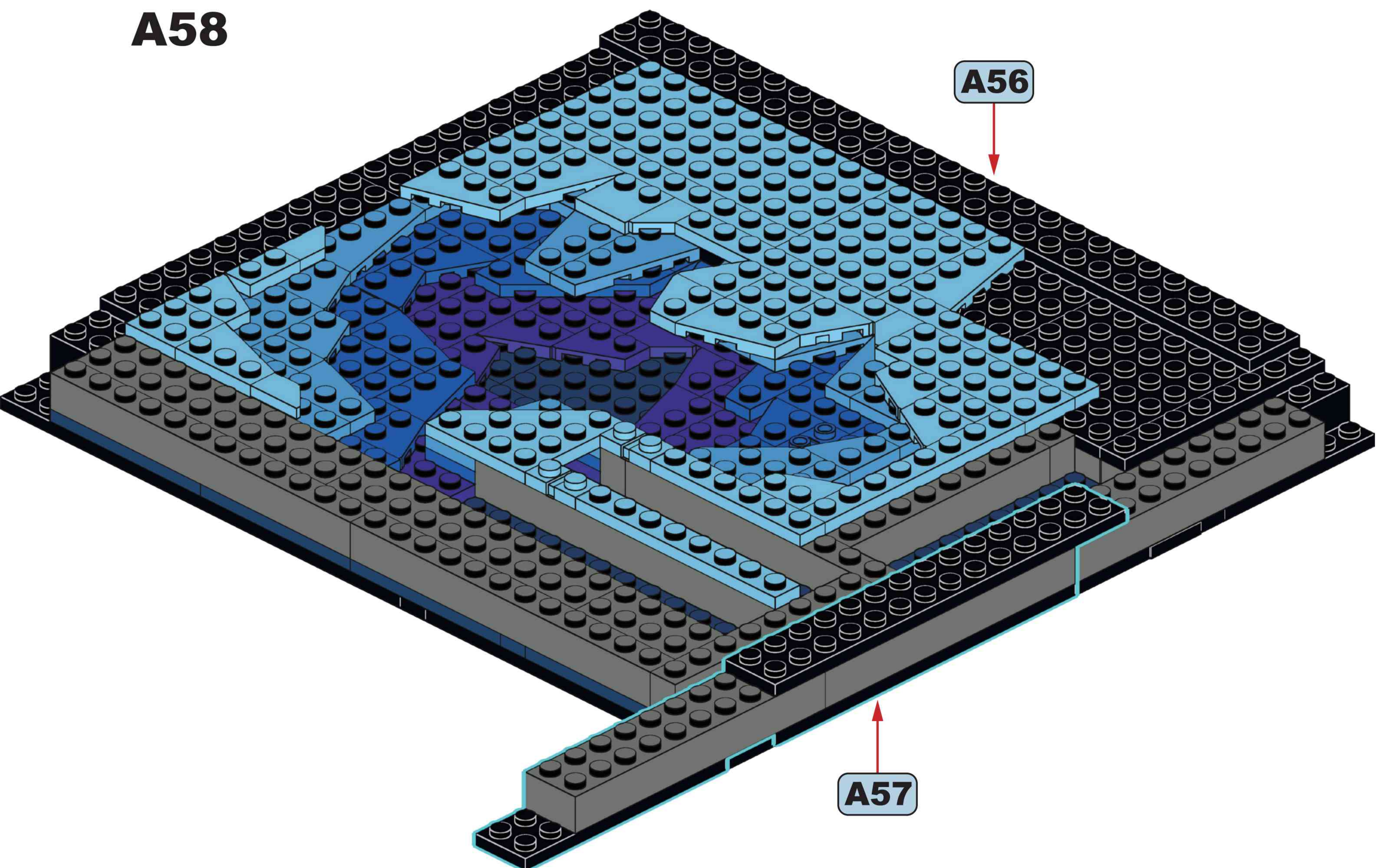


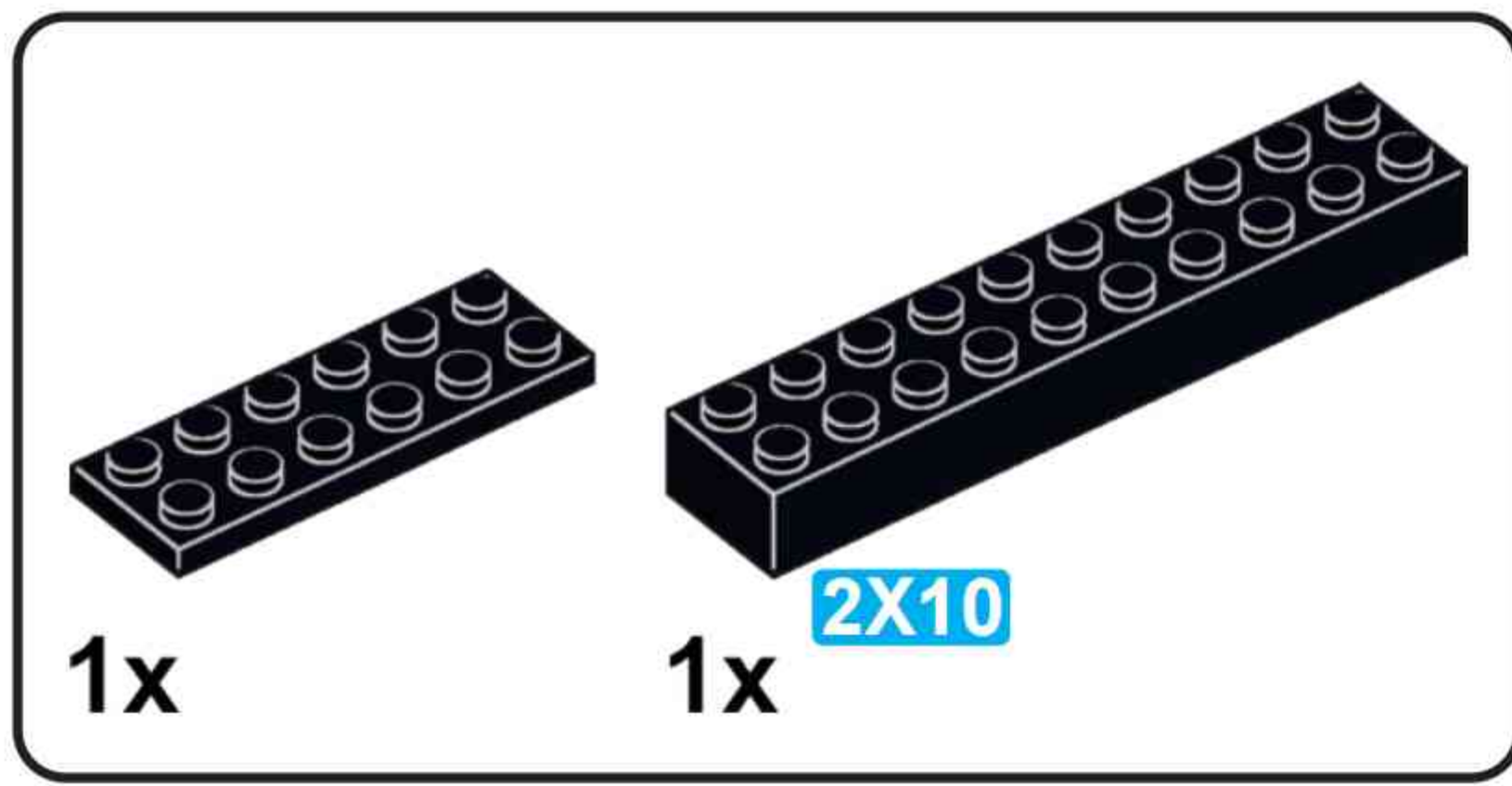


A57

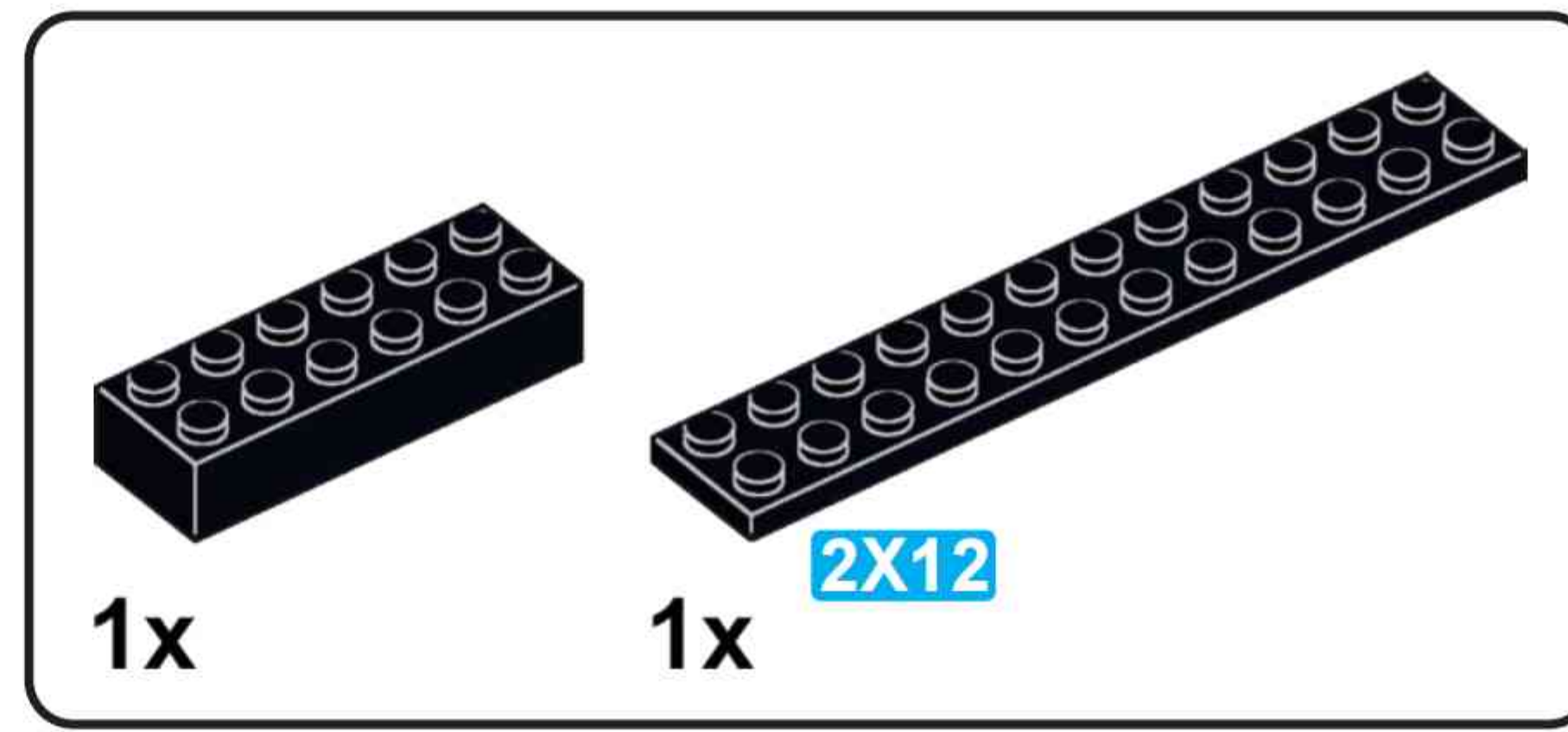
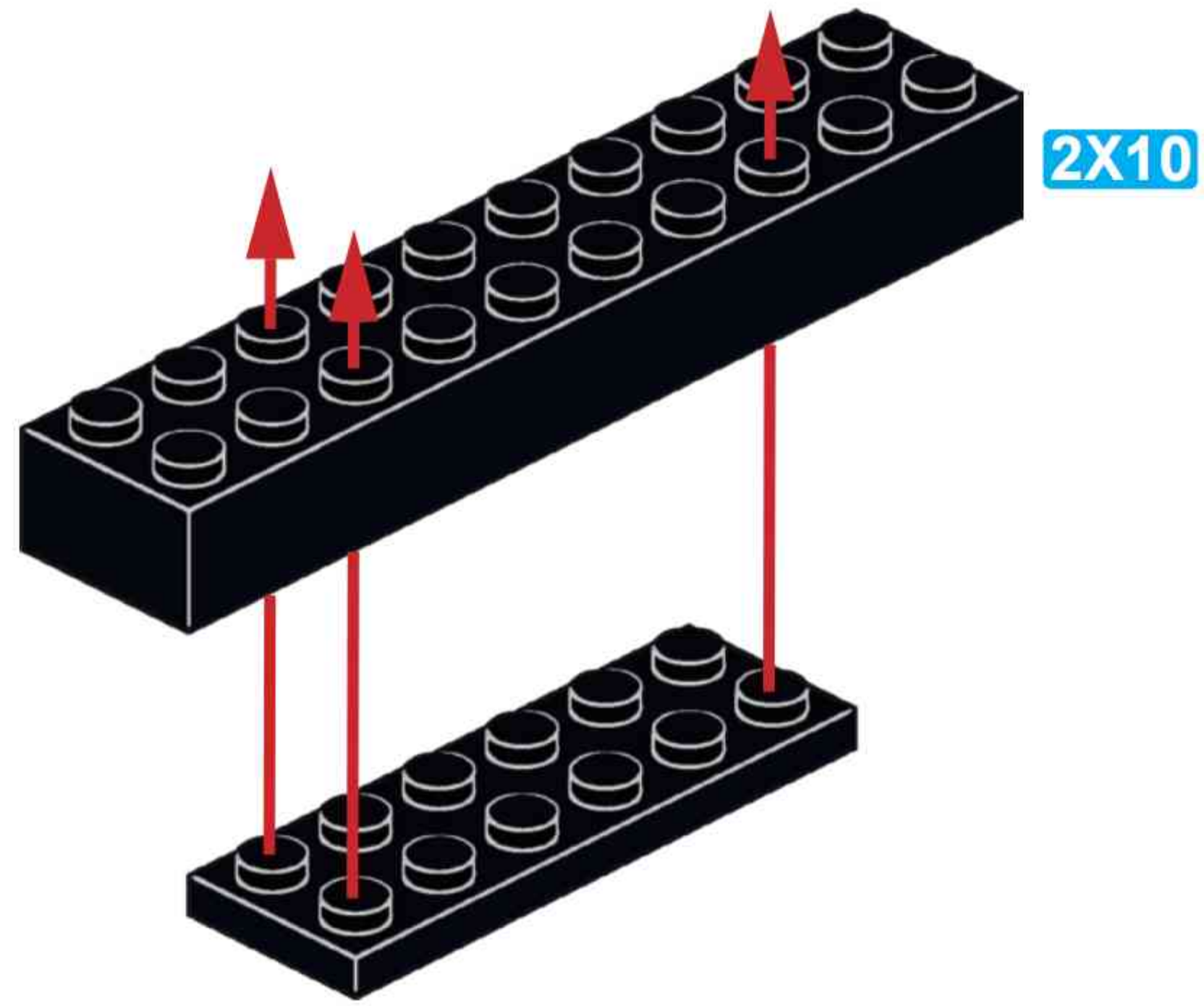


A58

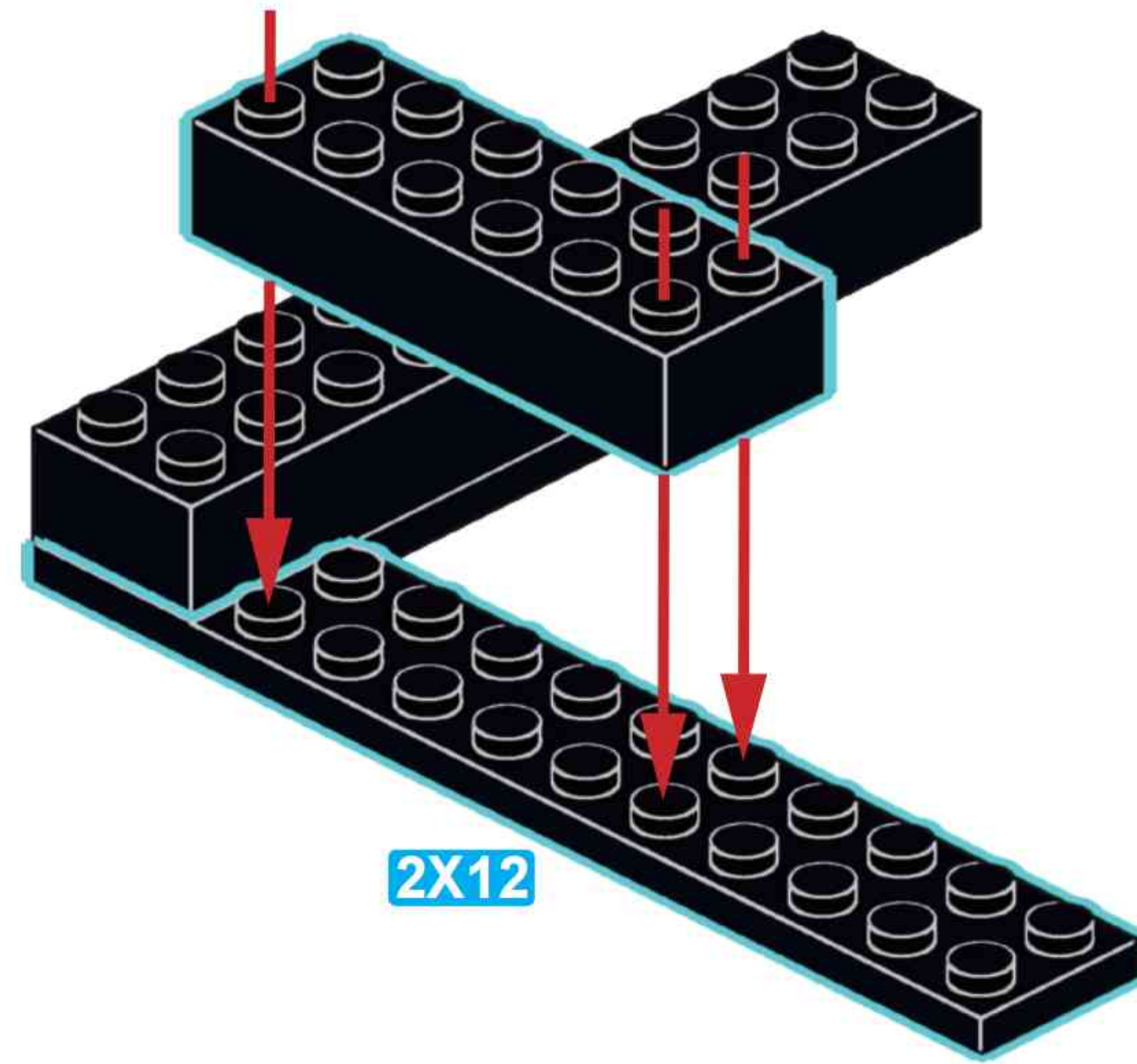




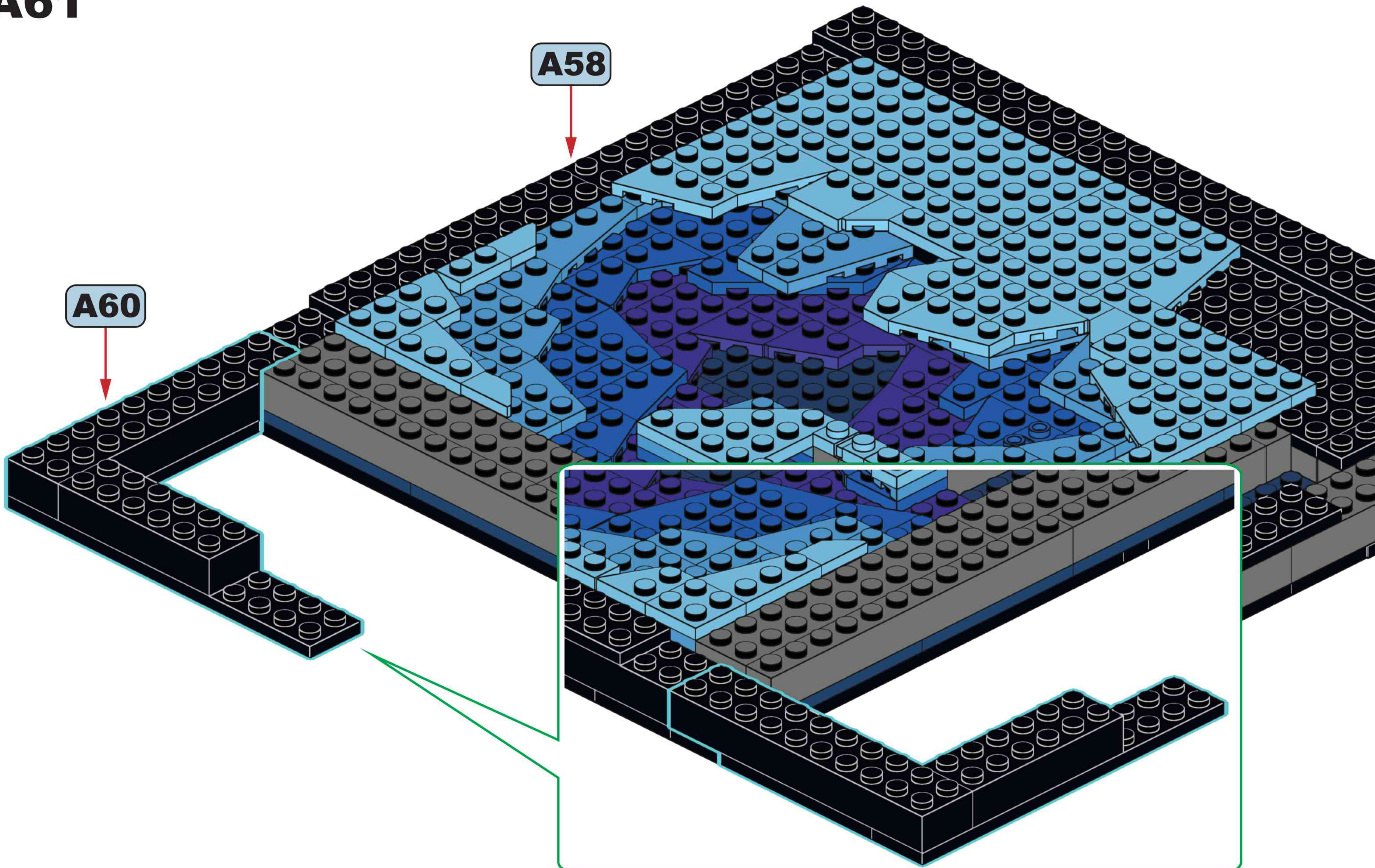
A59

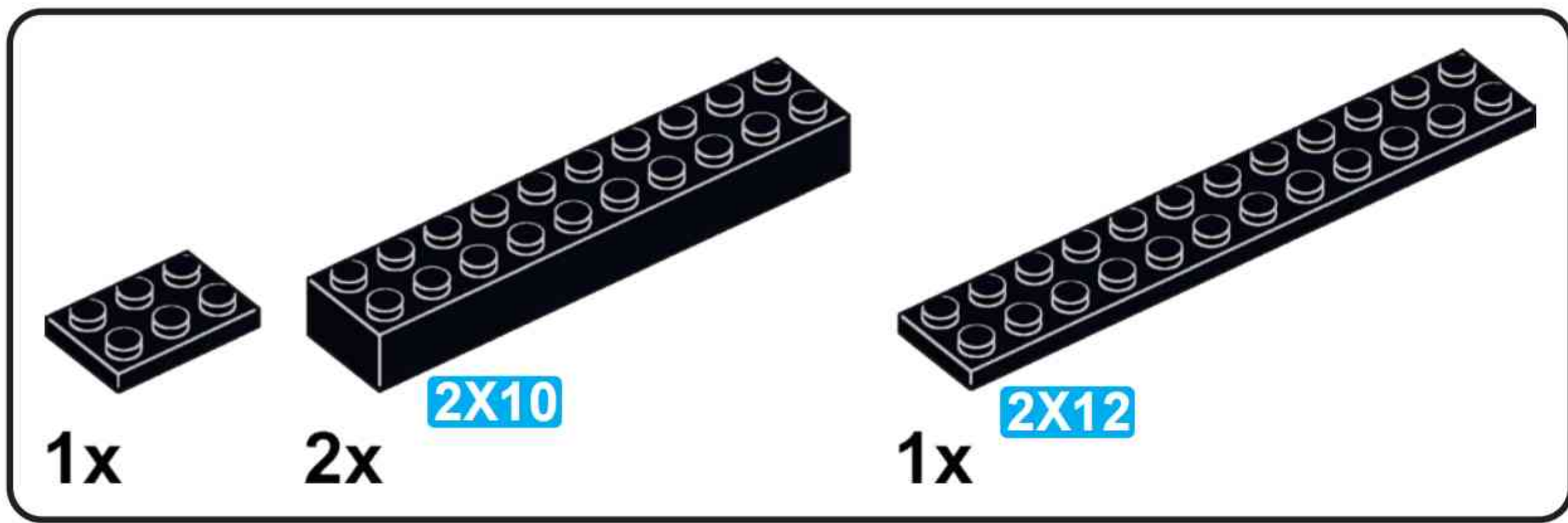


A60

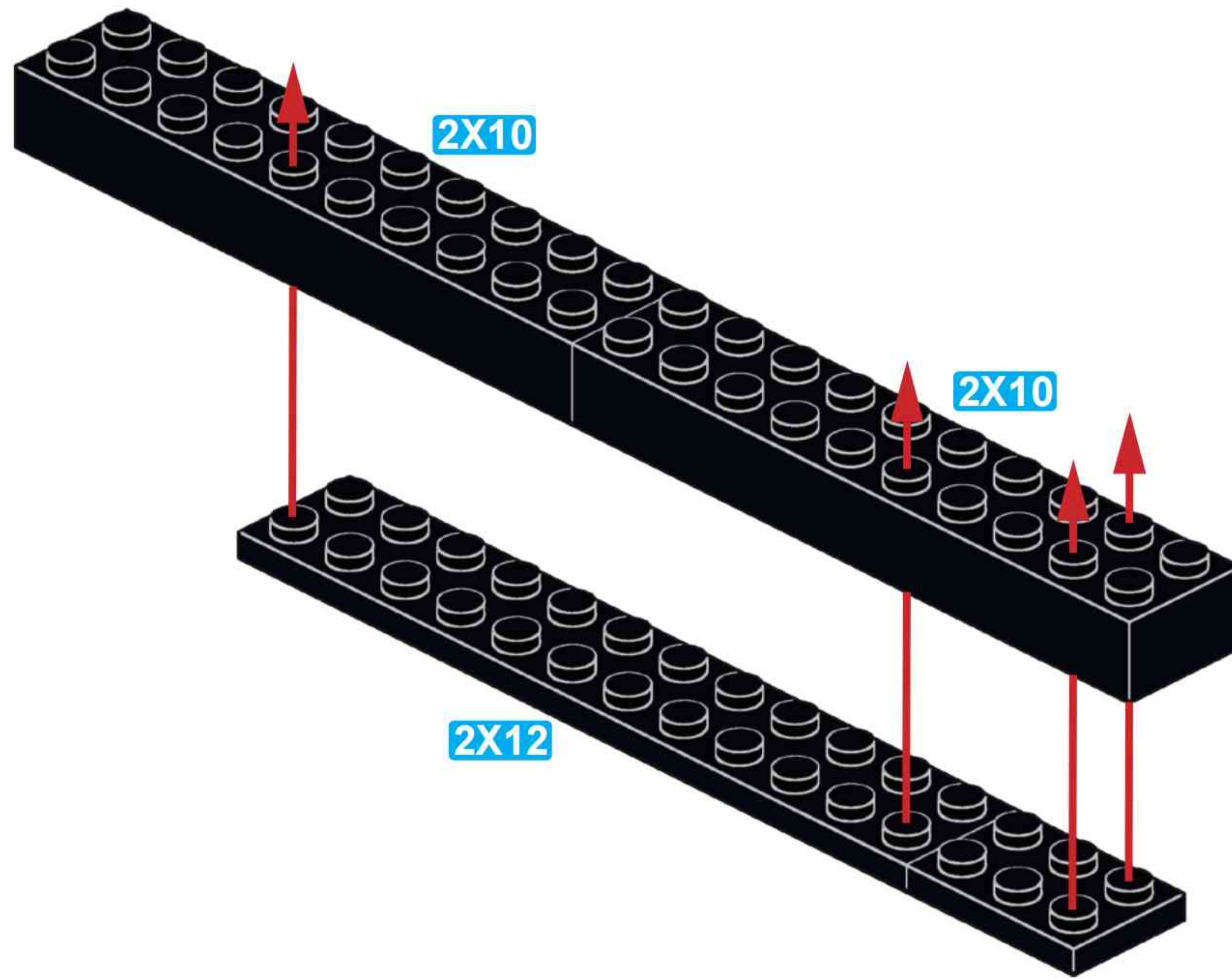


A61

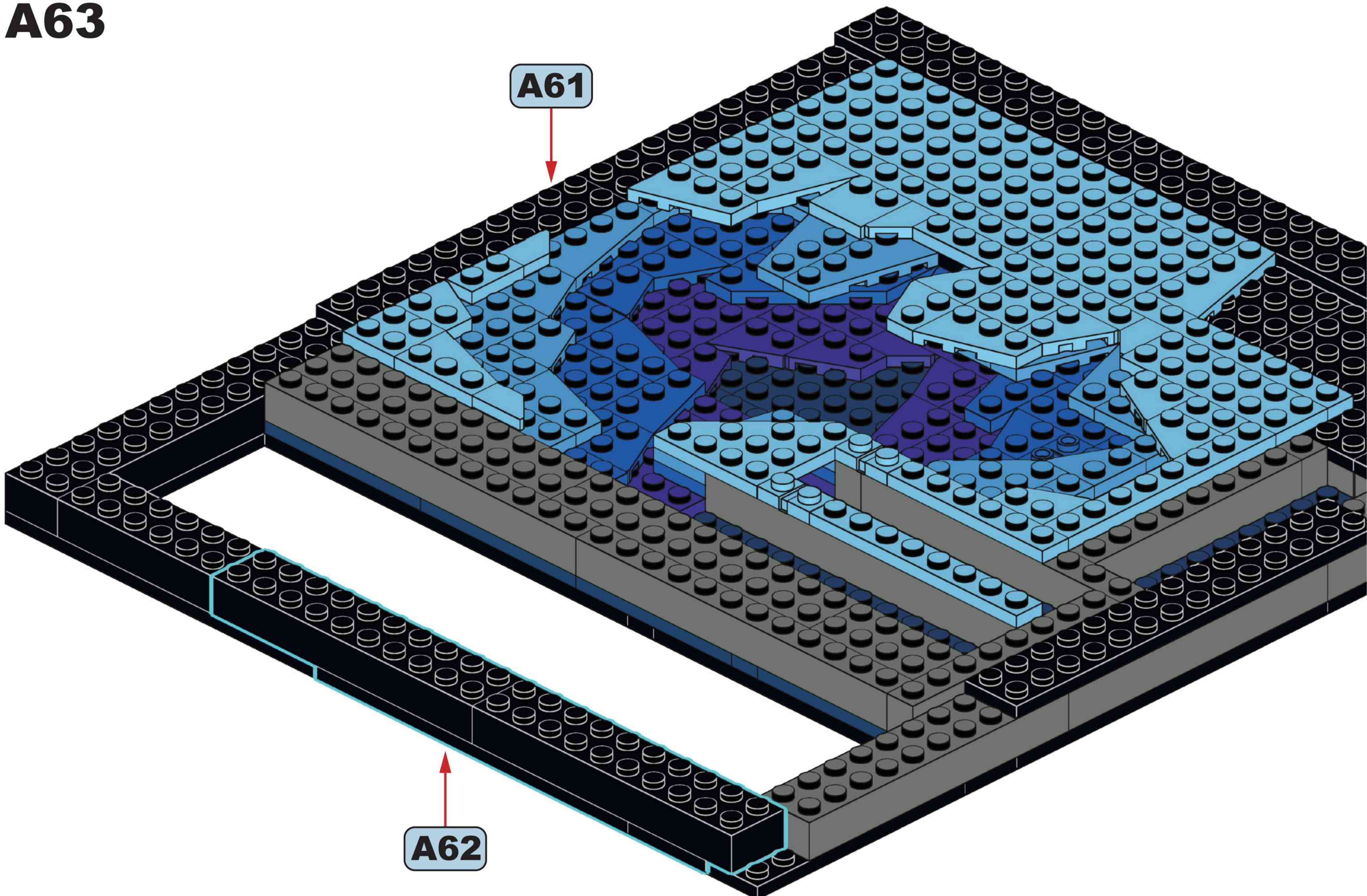


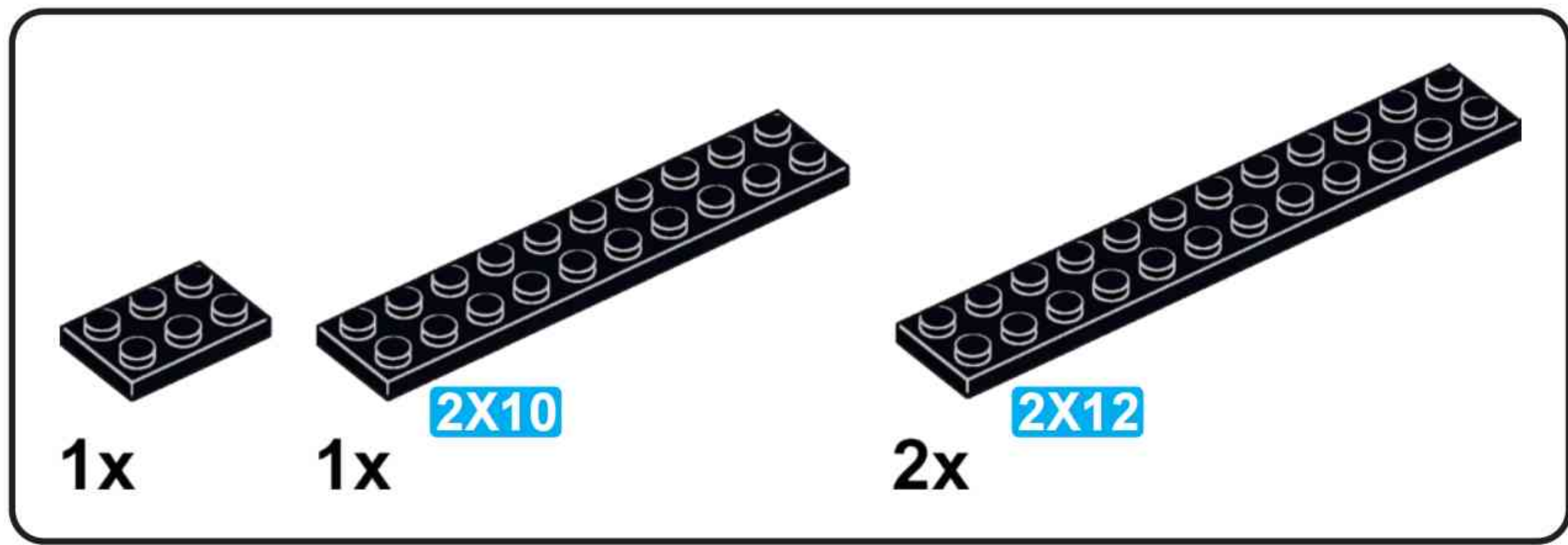


A62

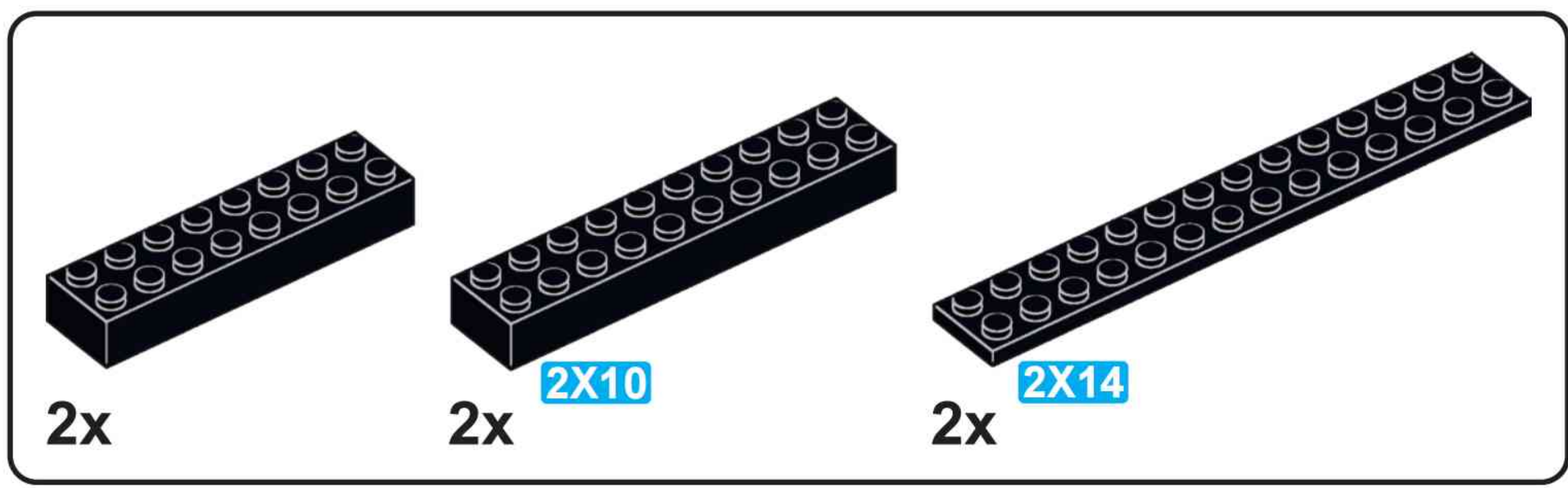
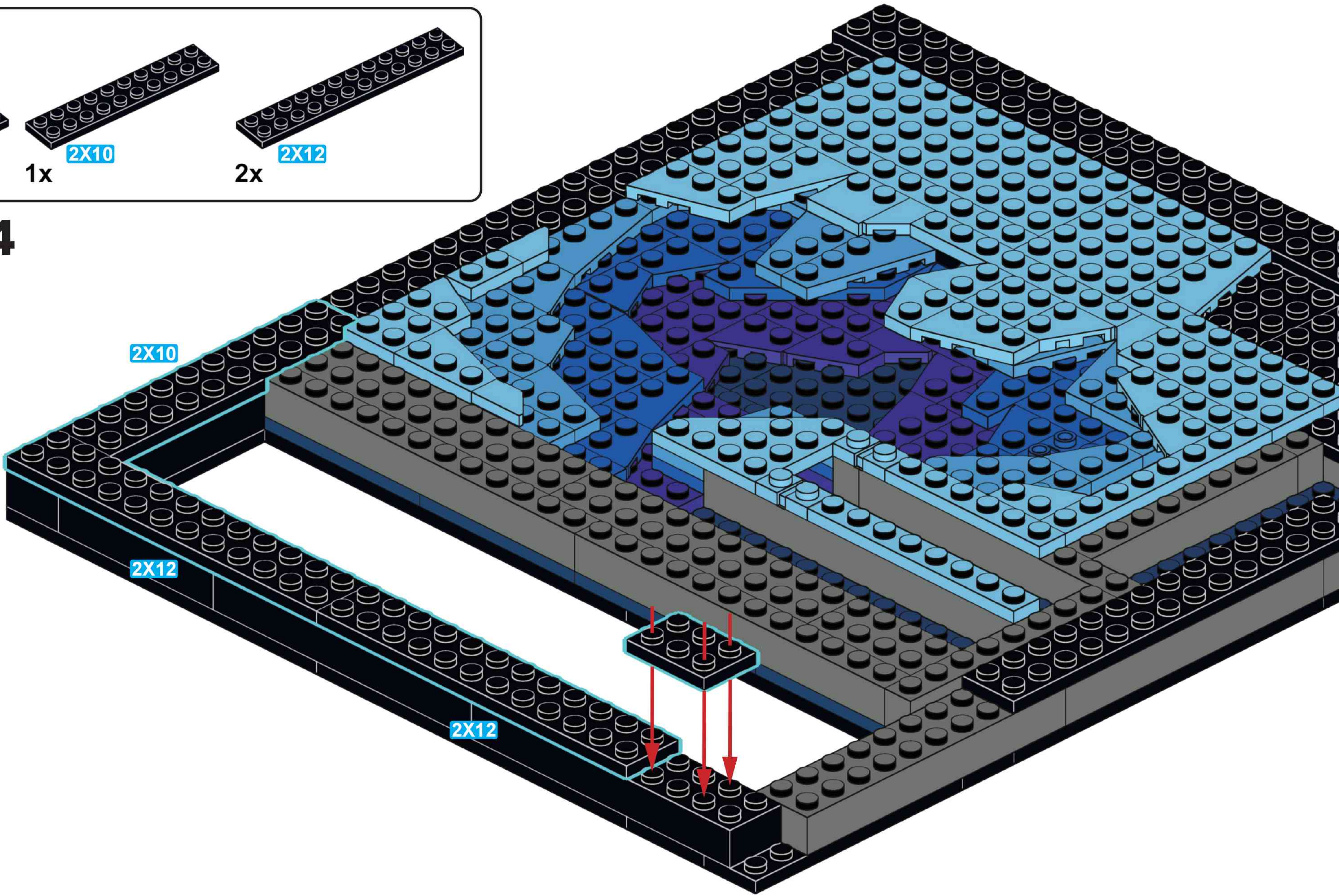


A63

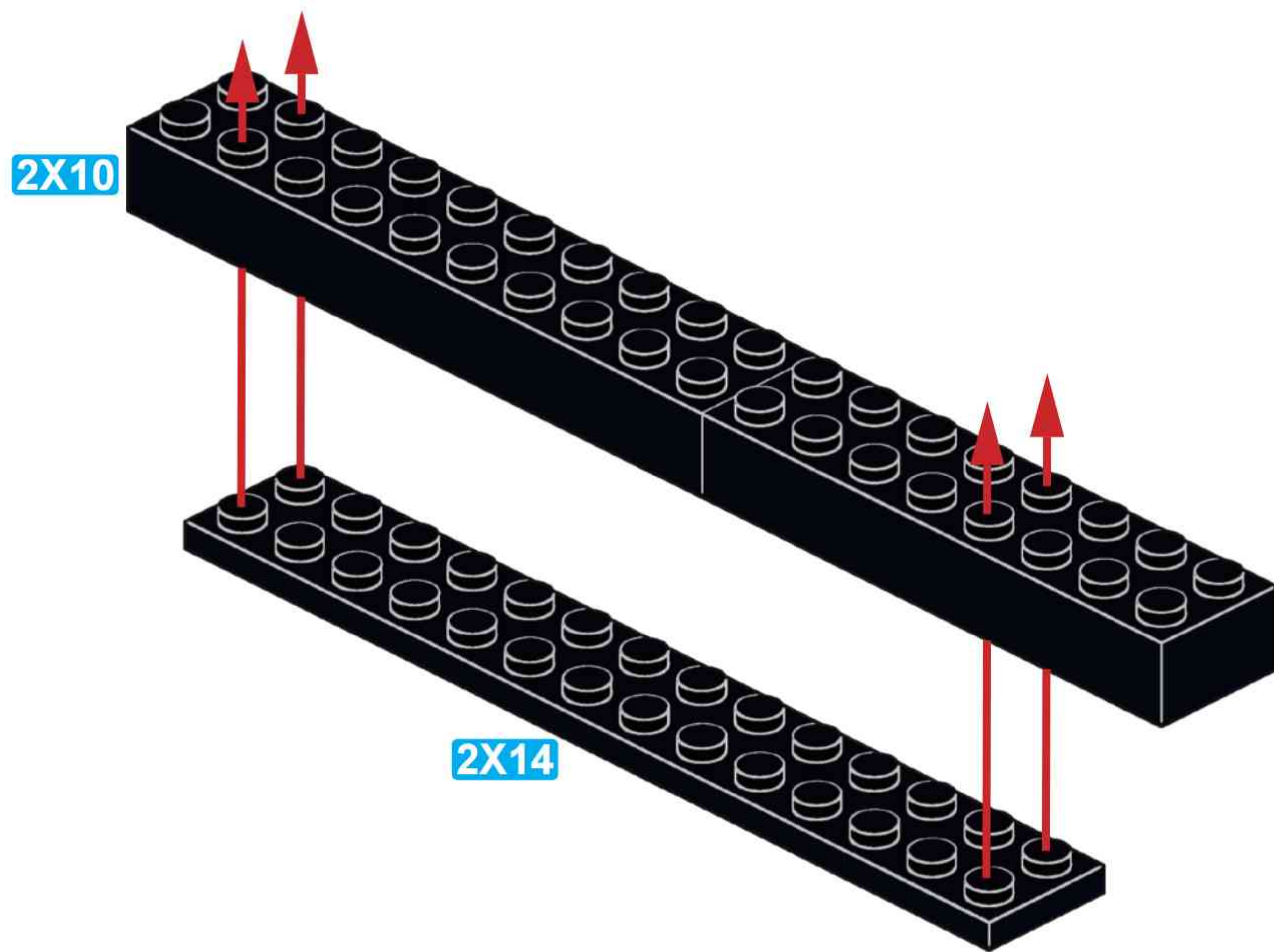




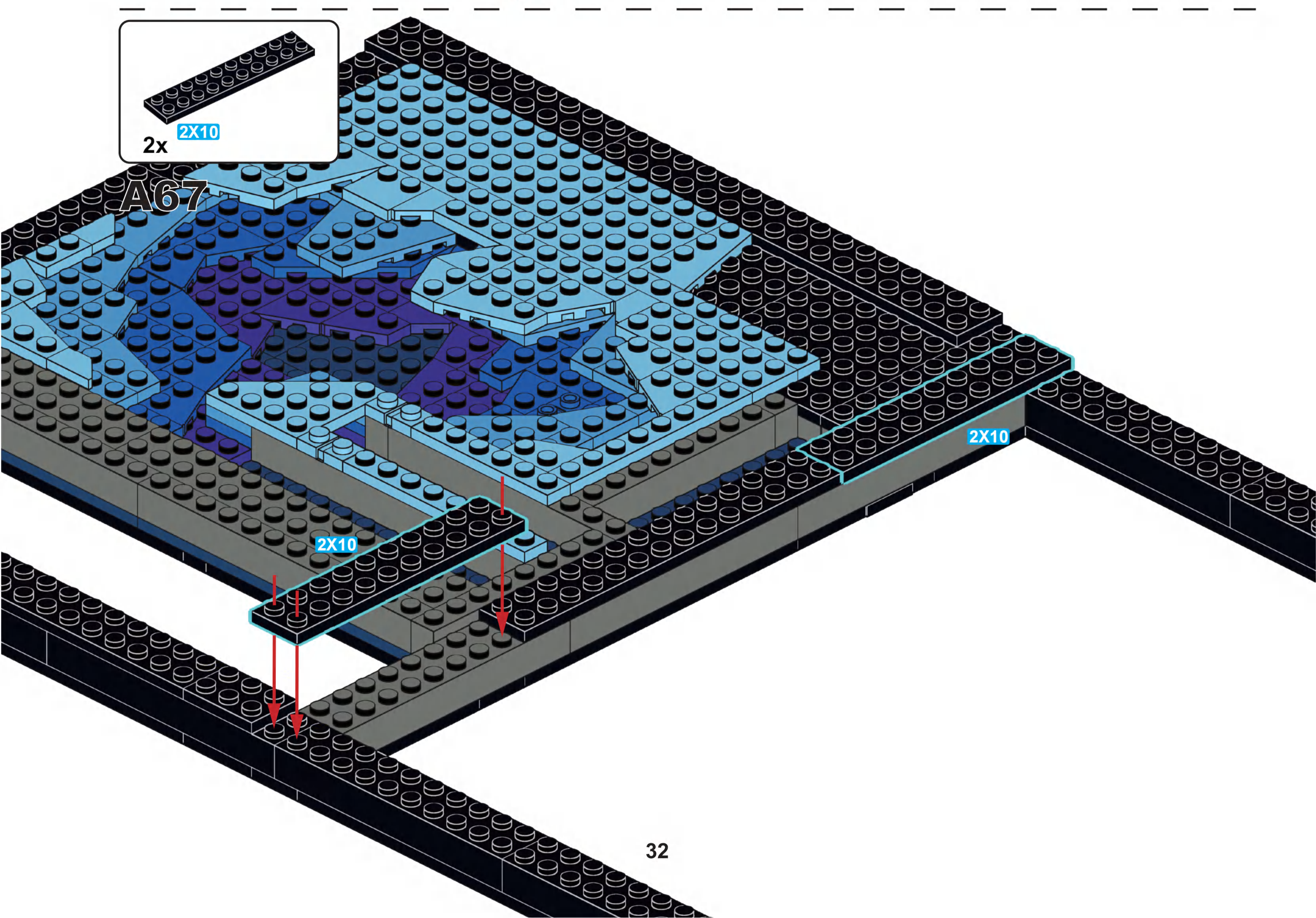
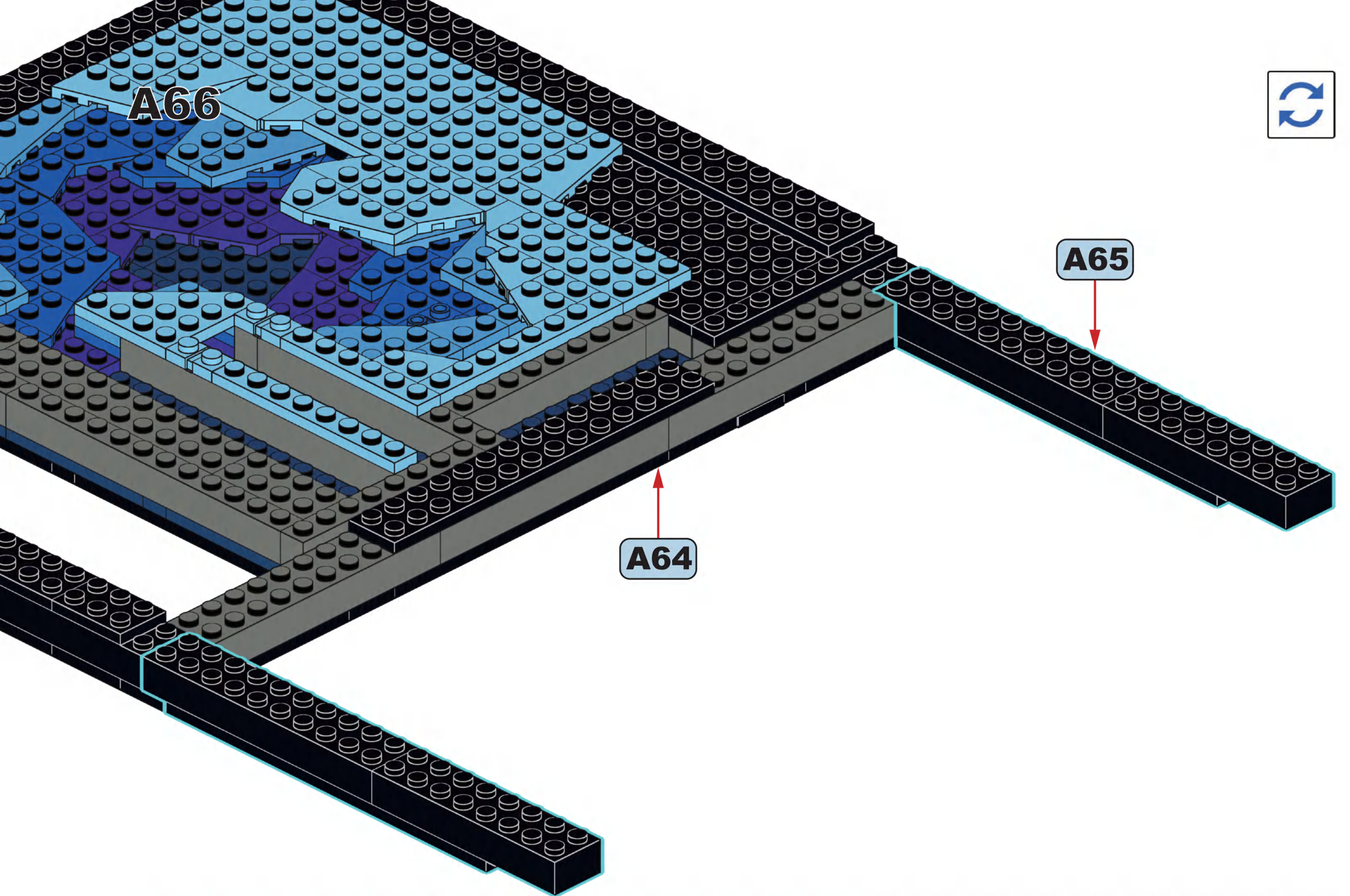
A64

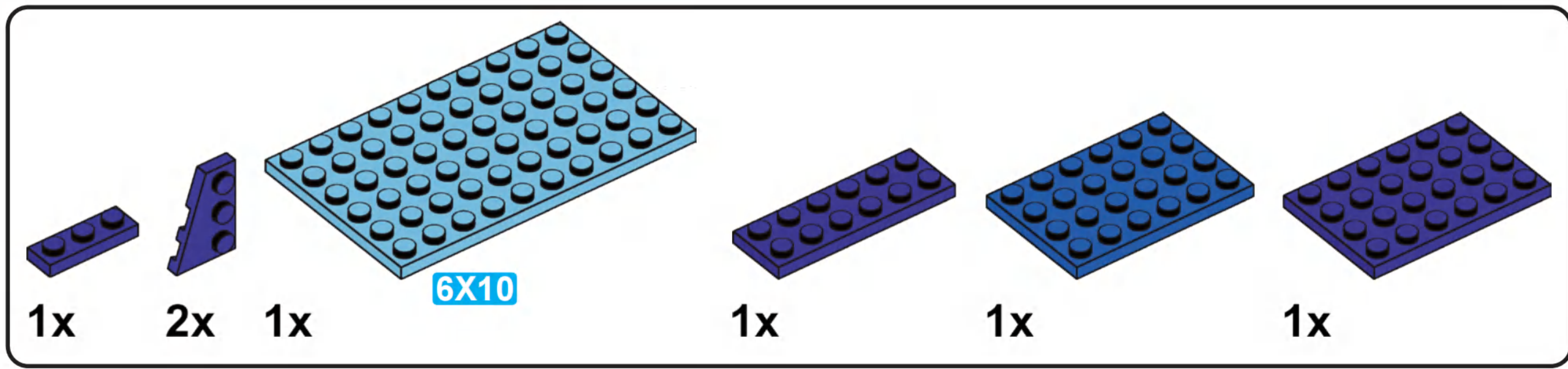


A65

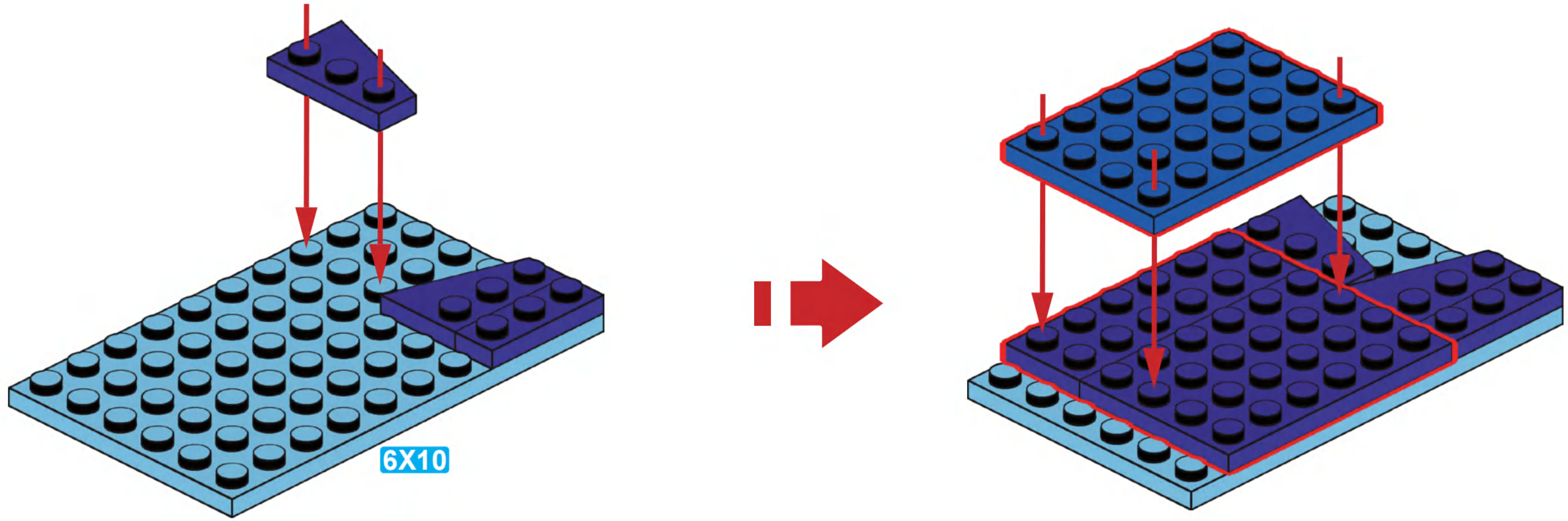


x2

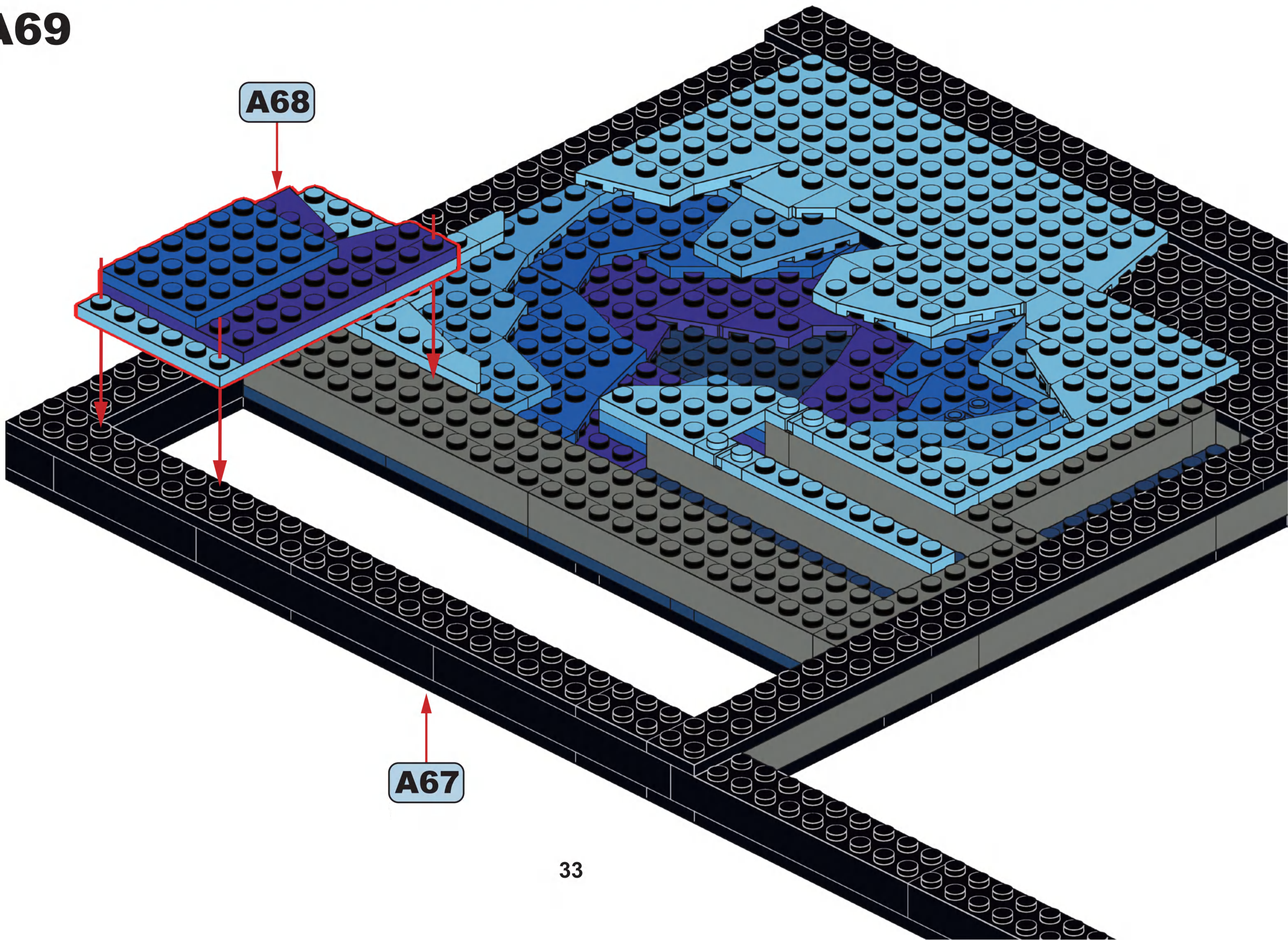


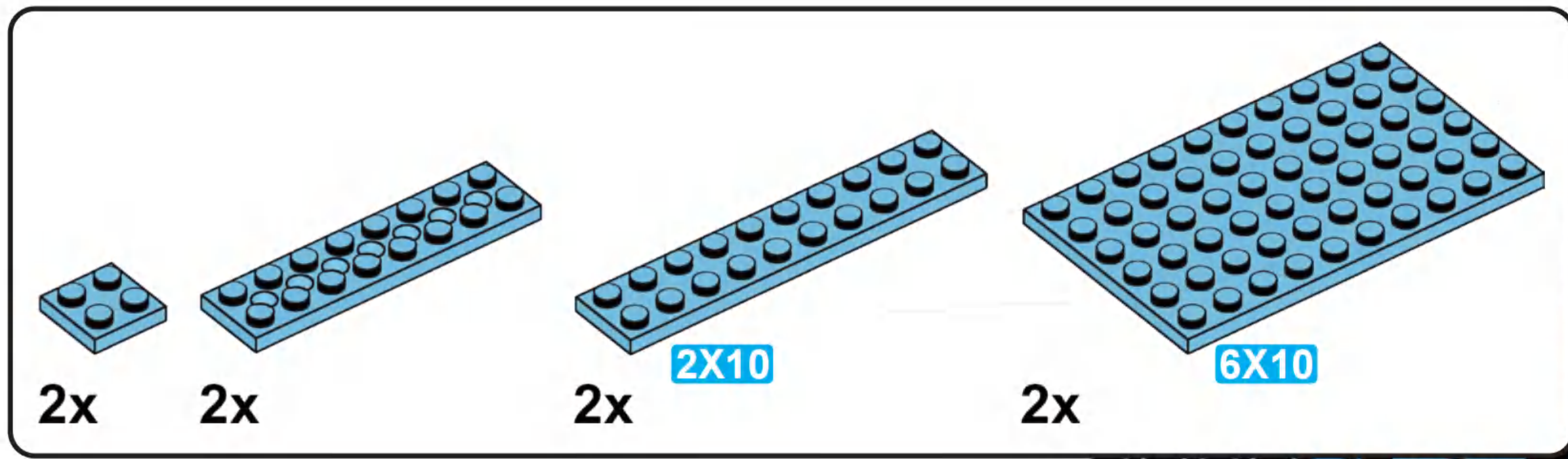


A68

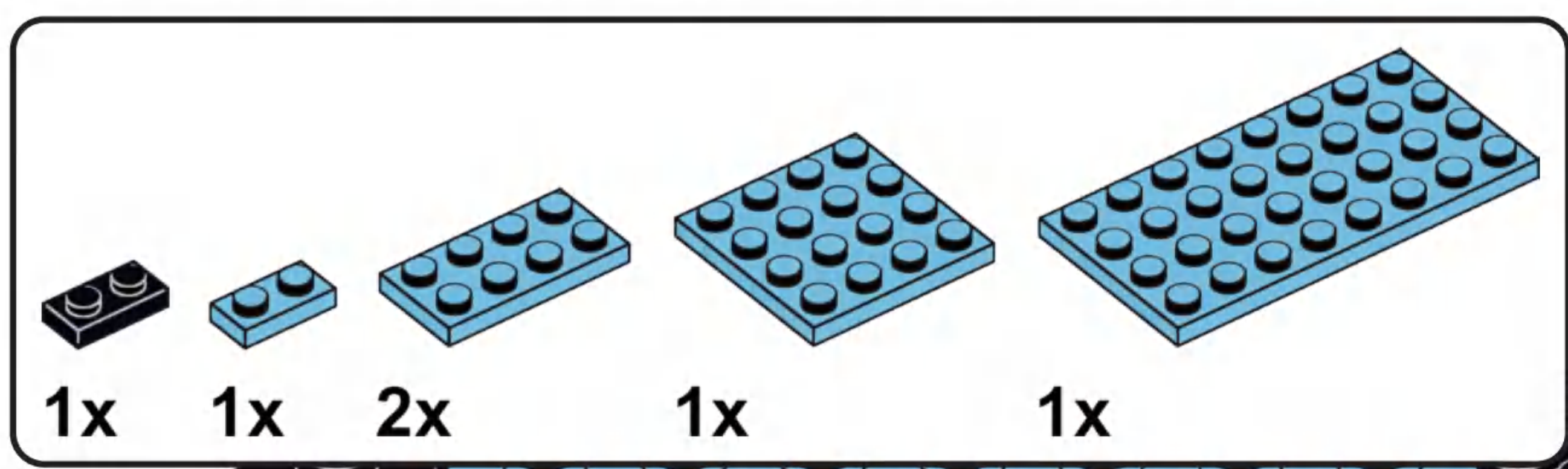
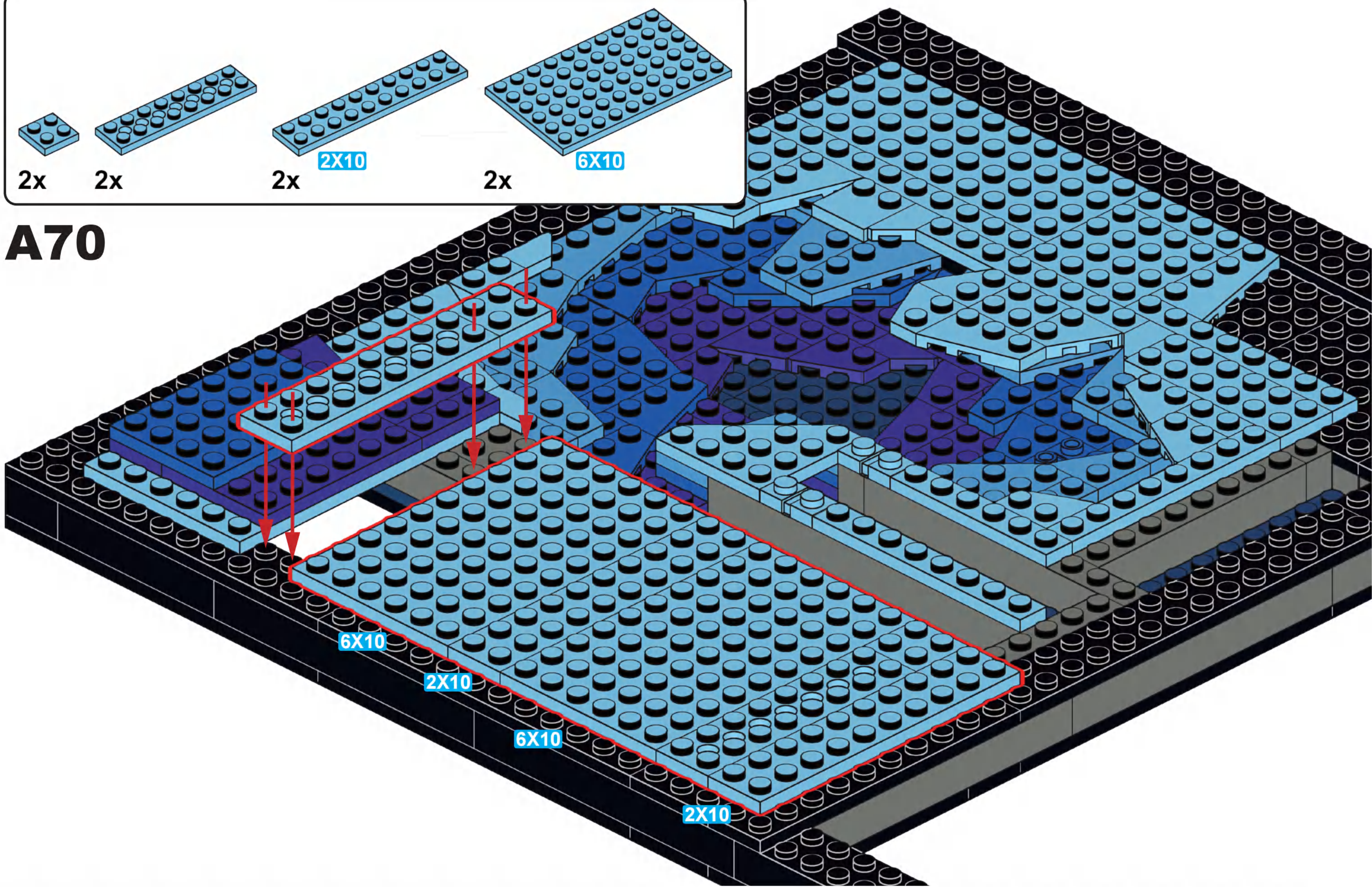


A69

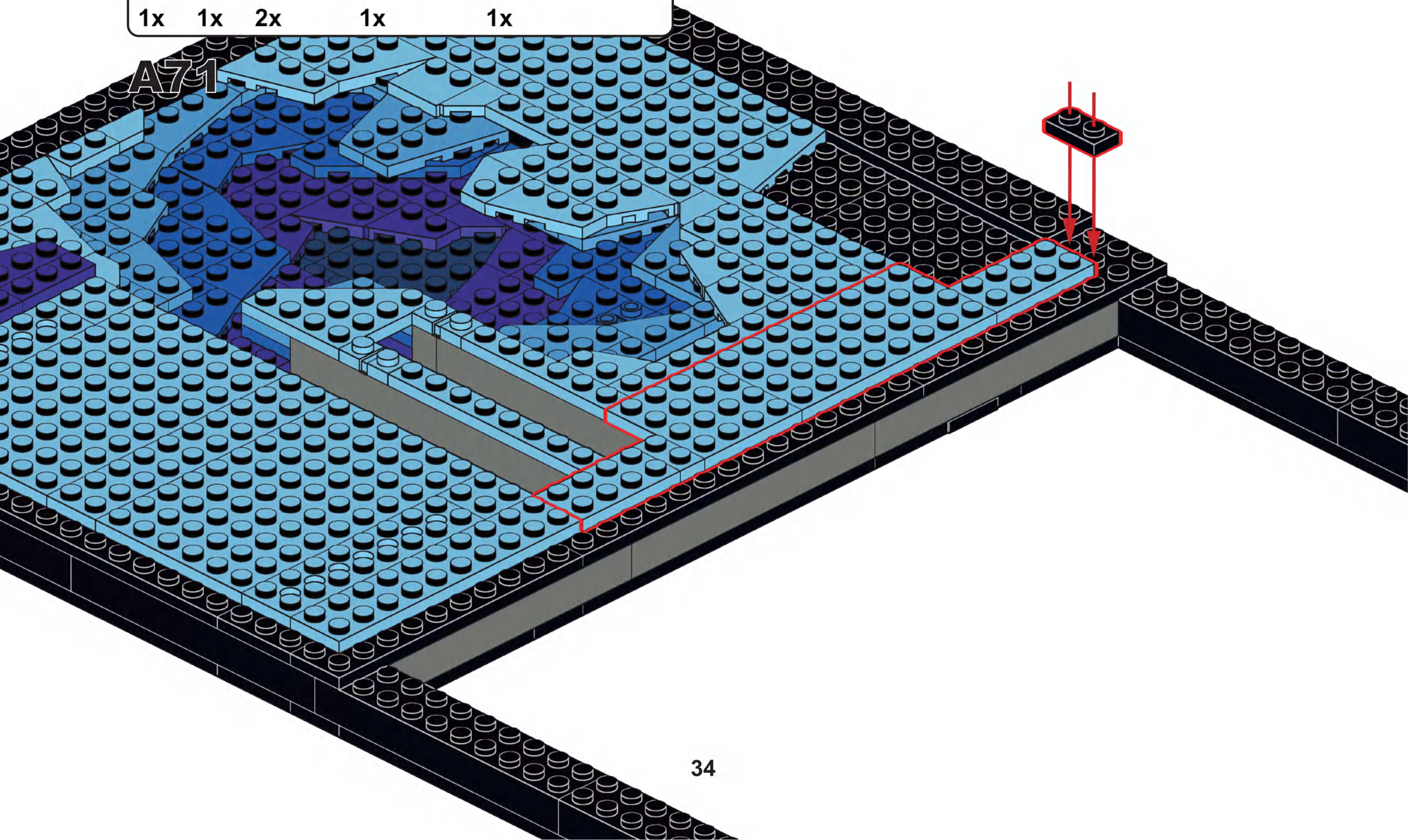


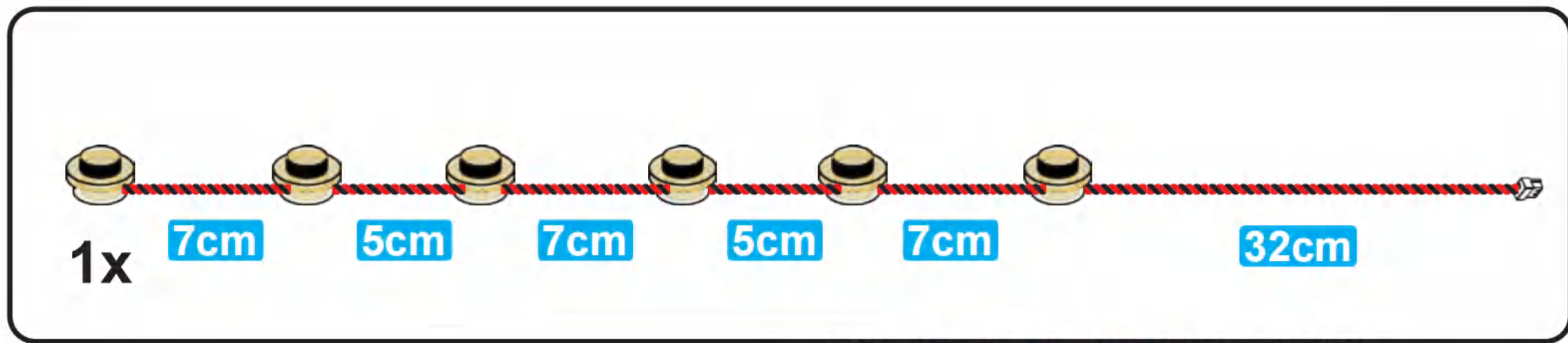


A70

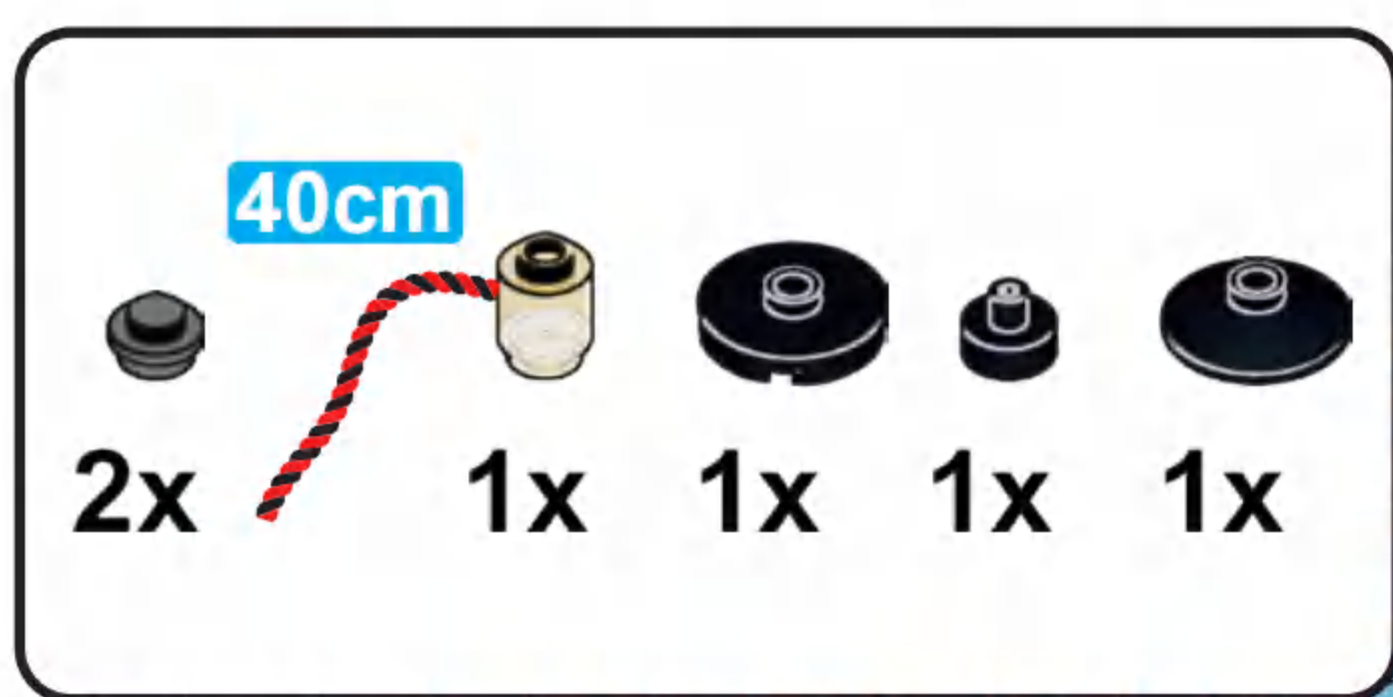
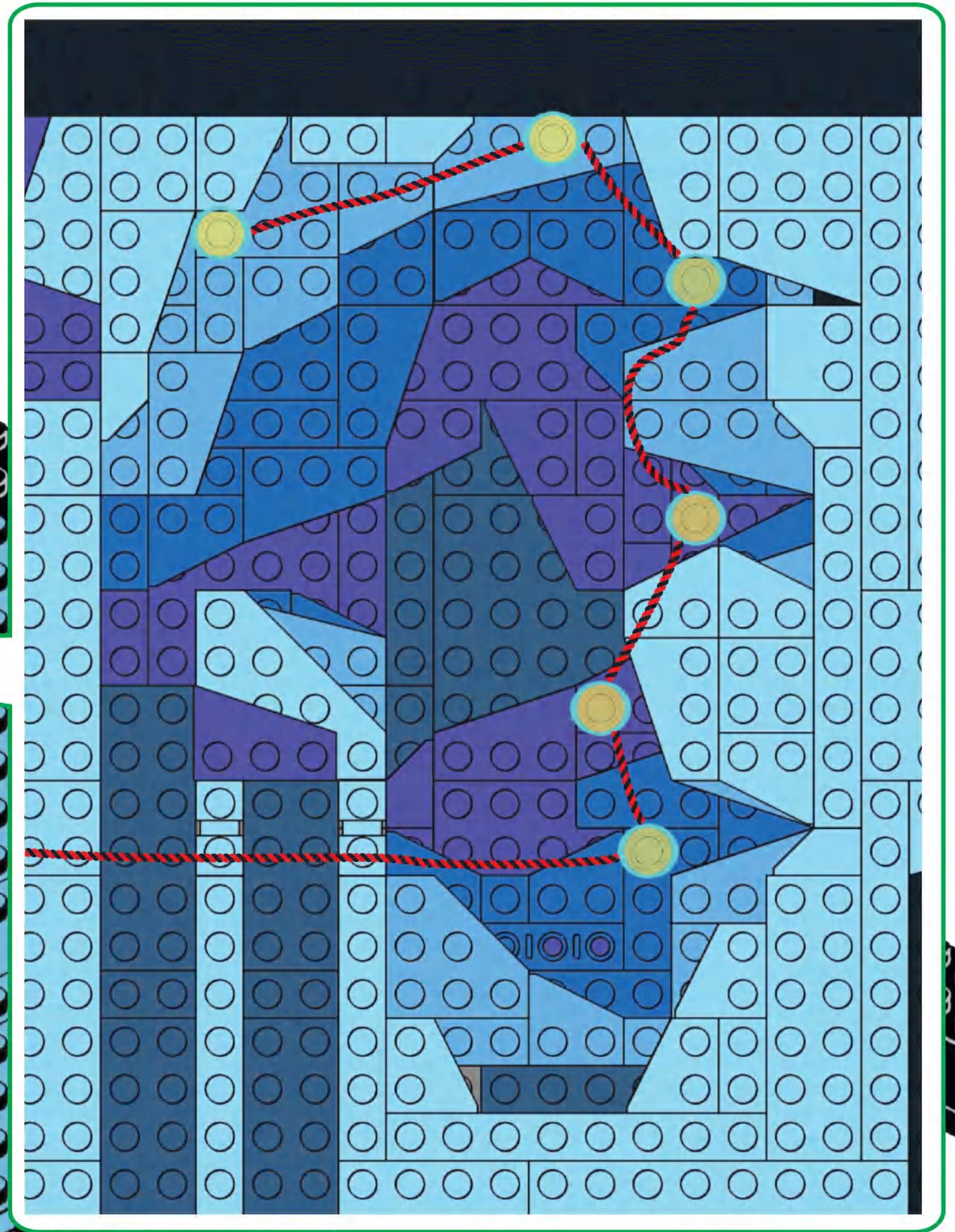
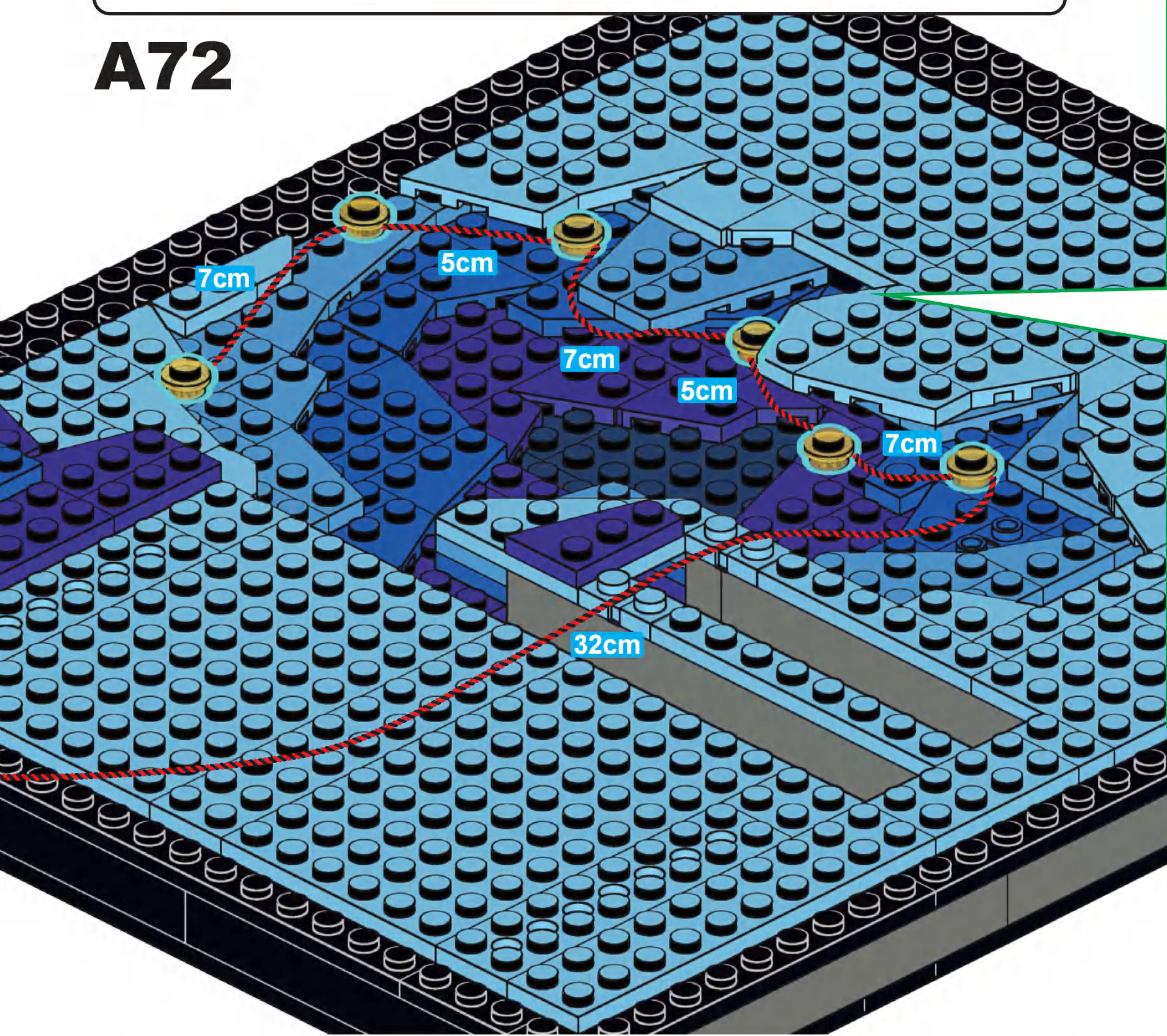


A71

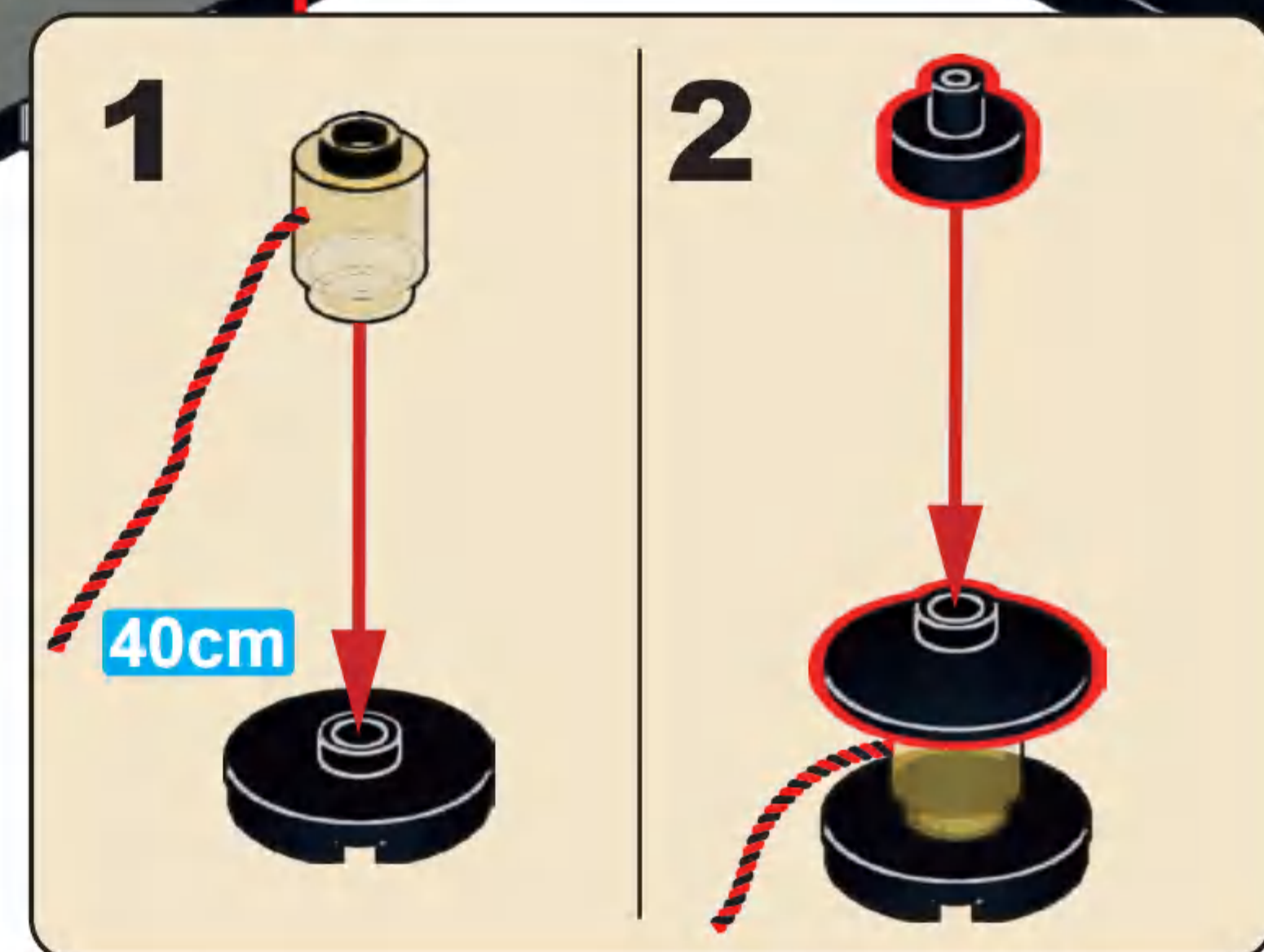
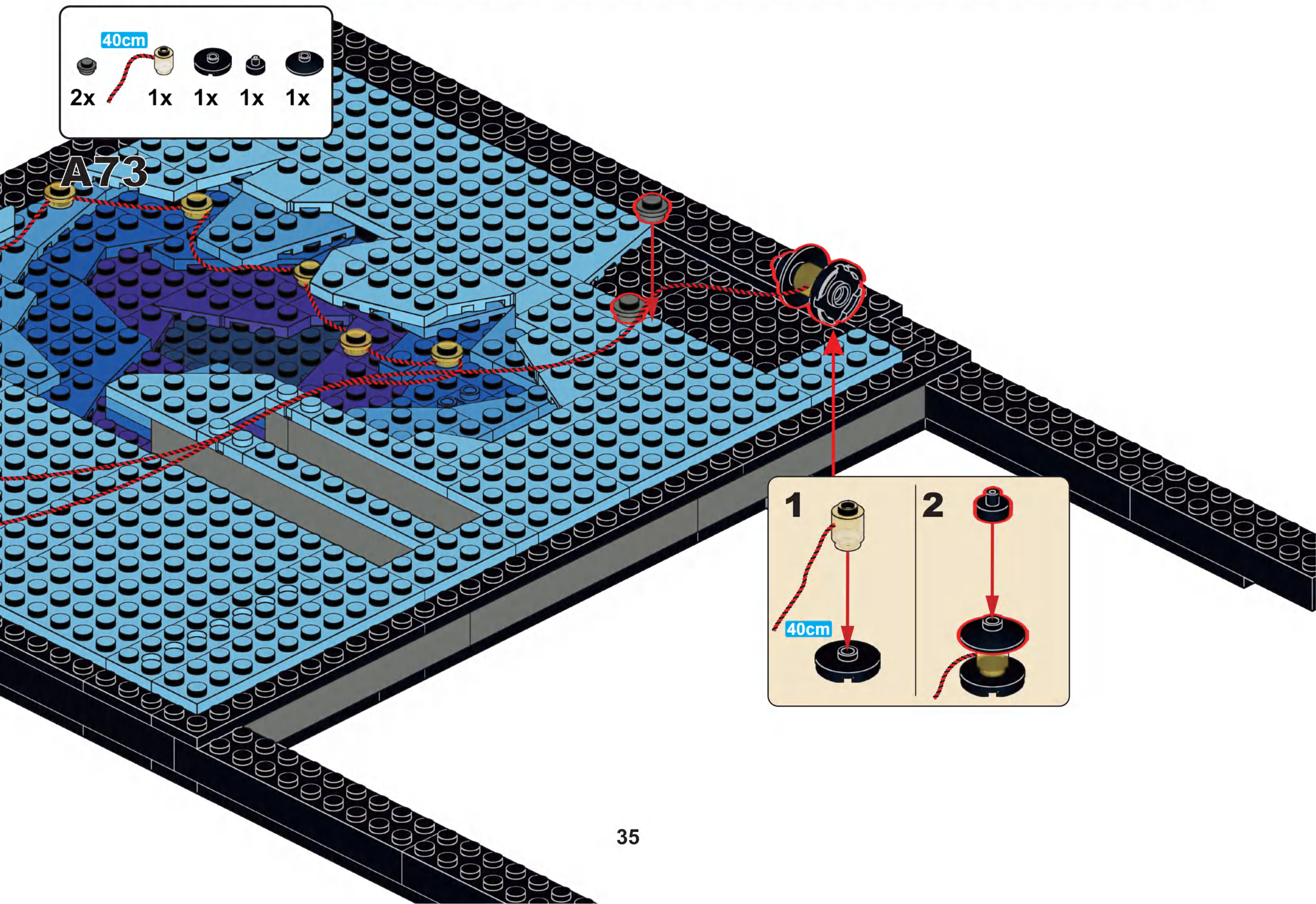


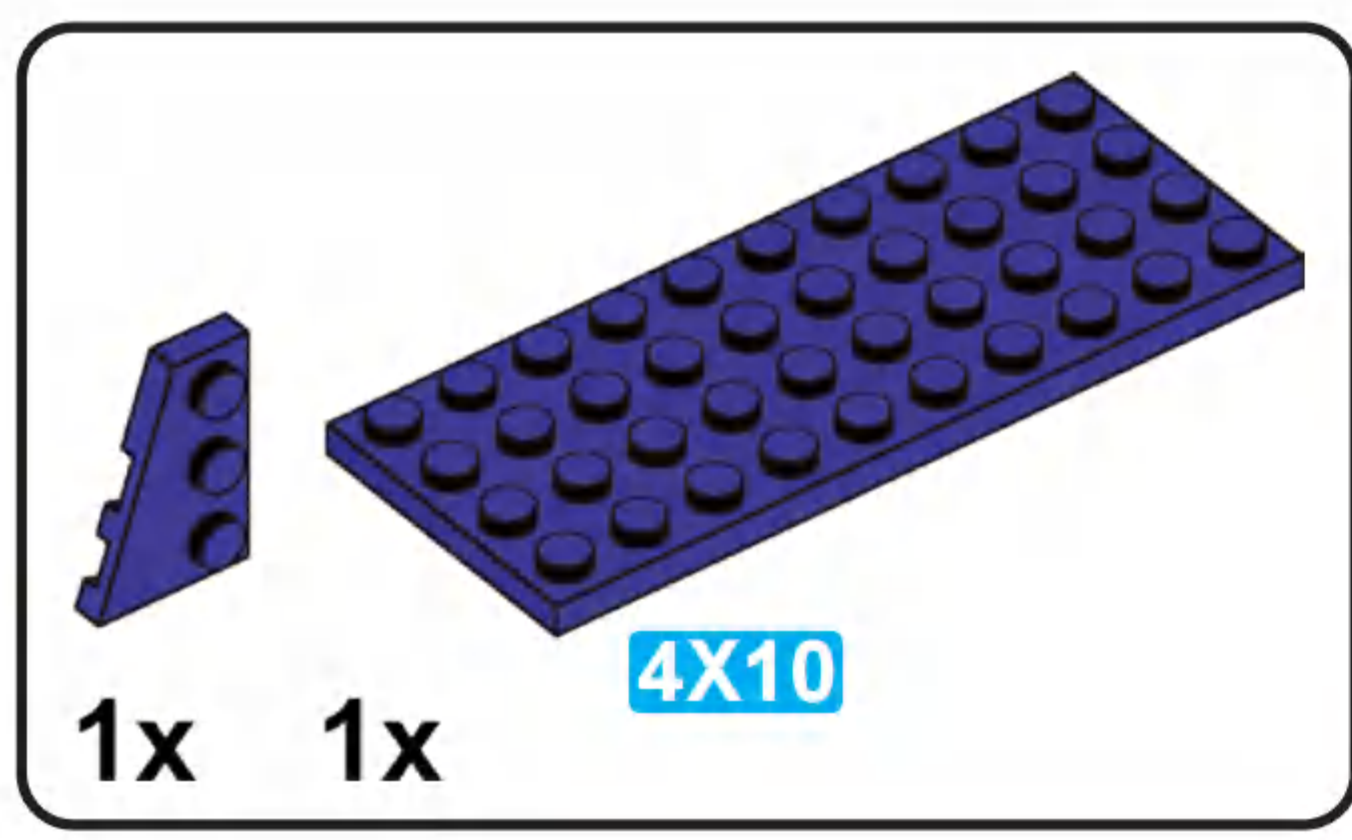


A72

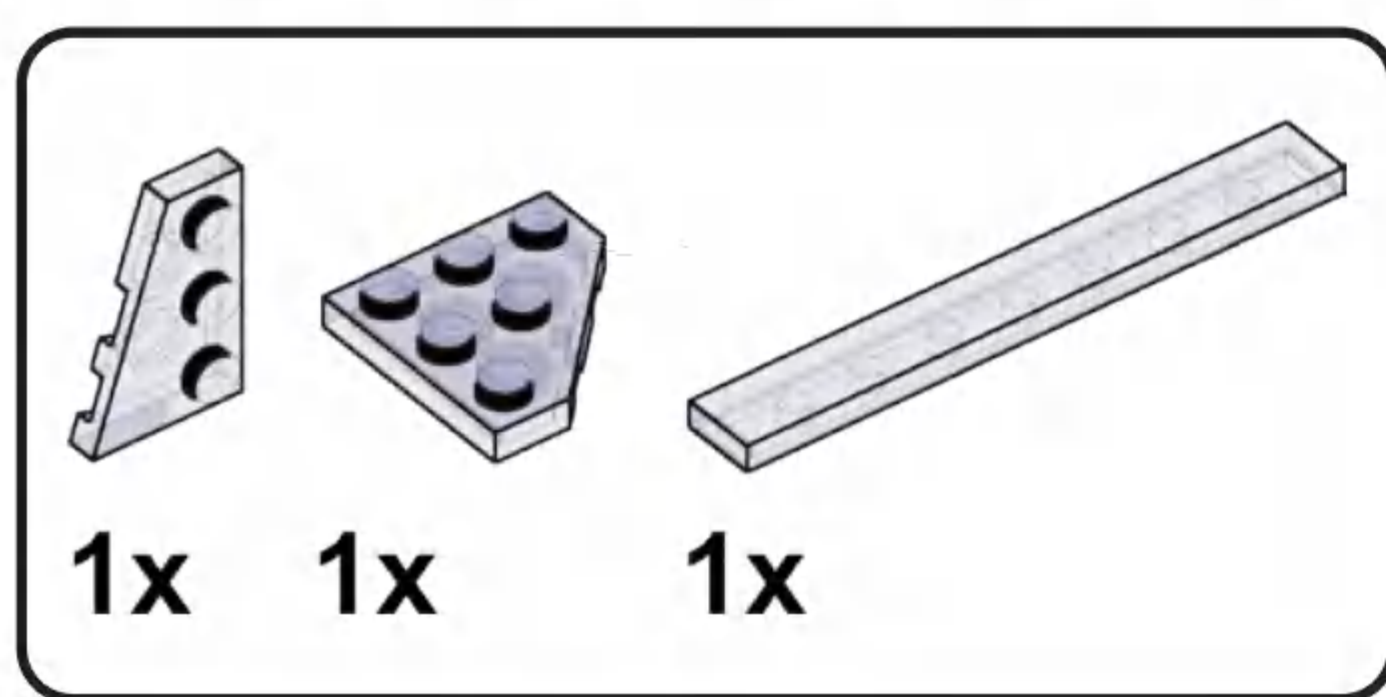
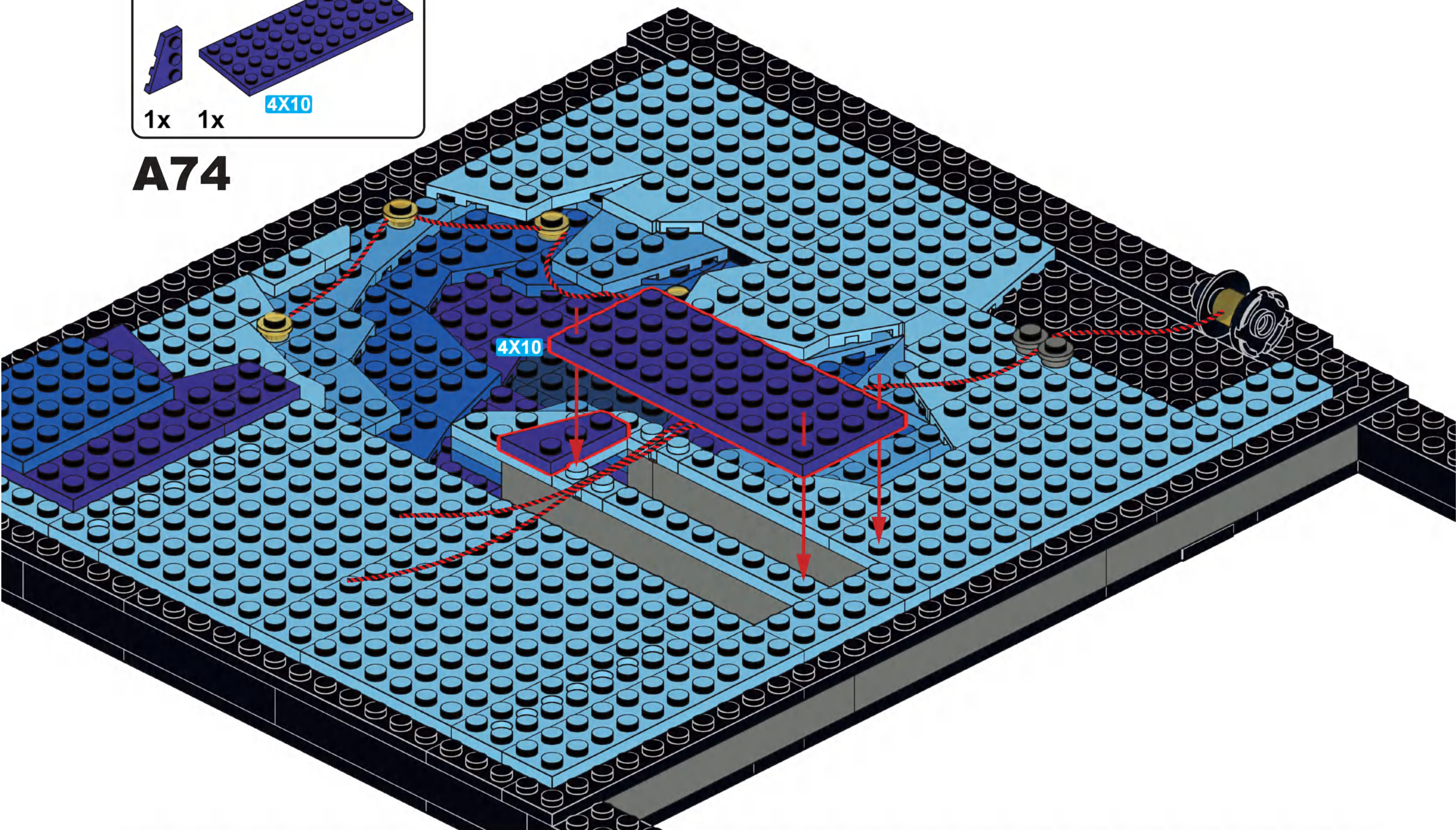


A73

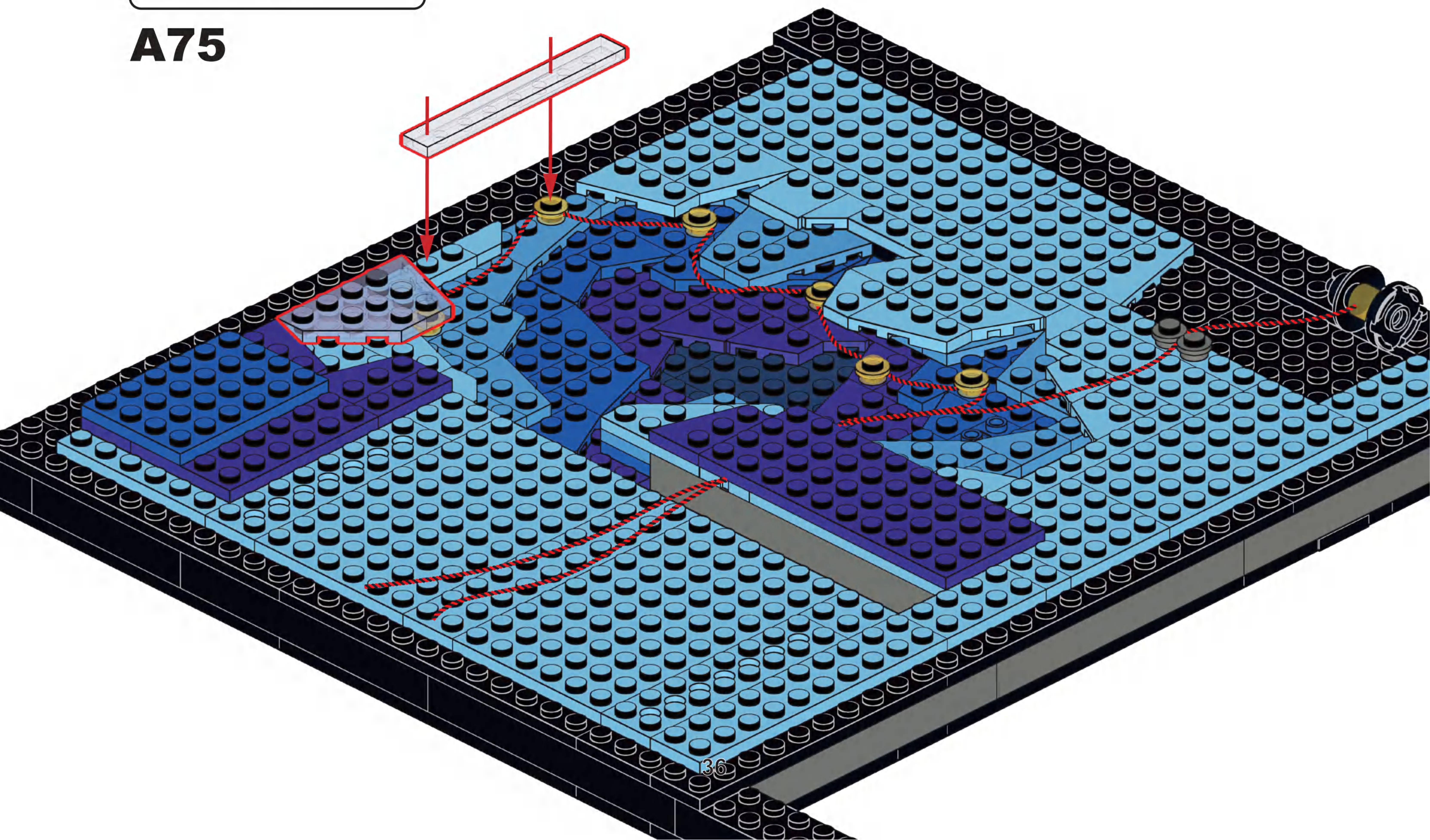


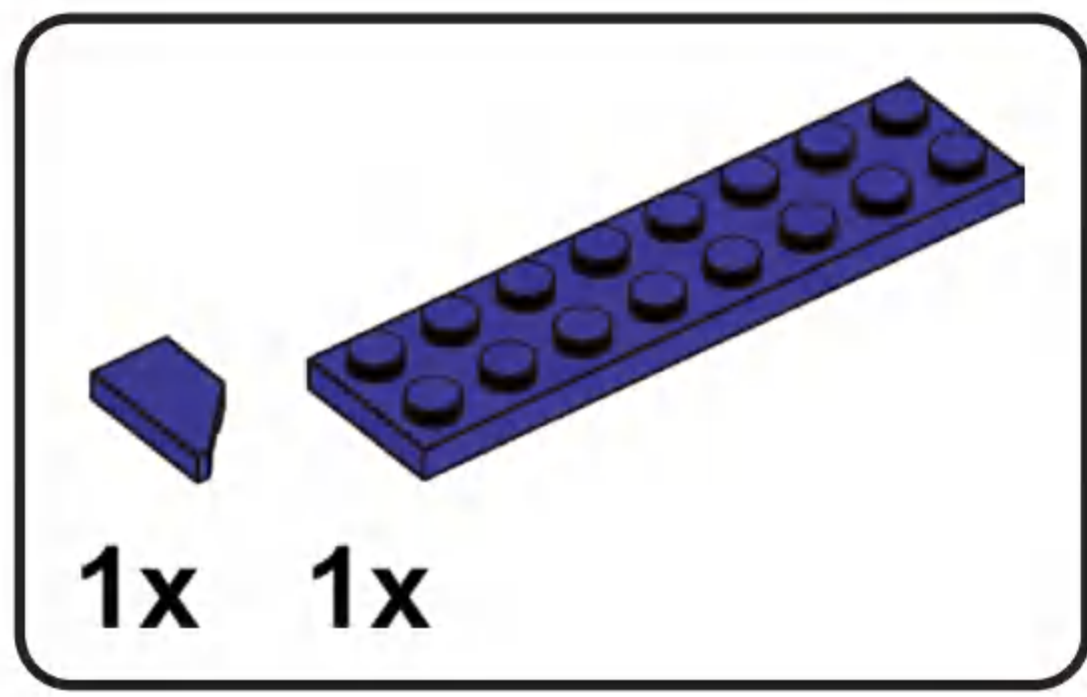


A74

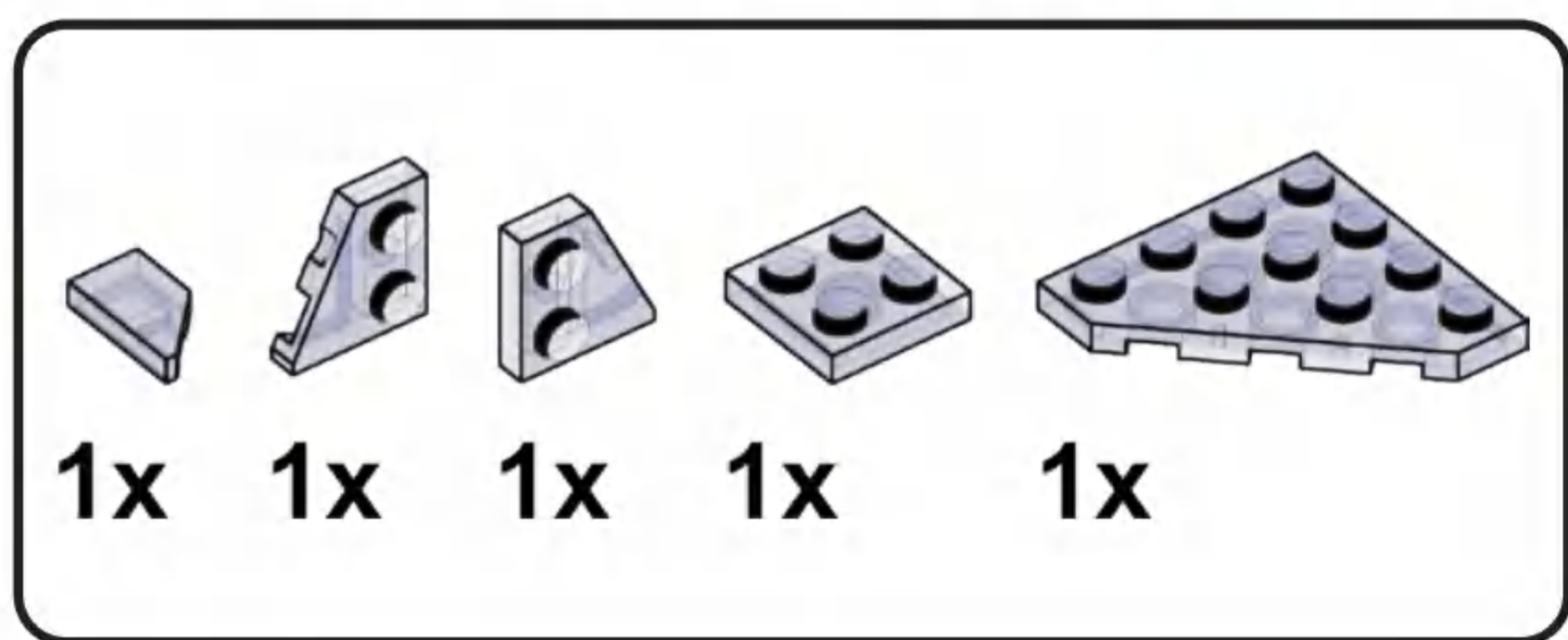
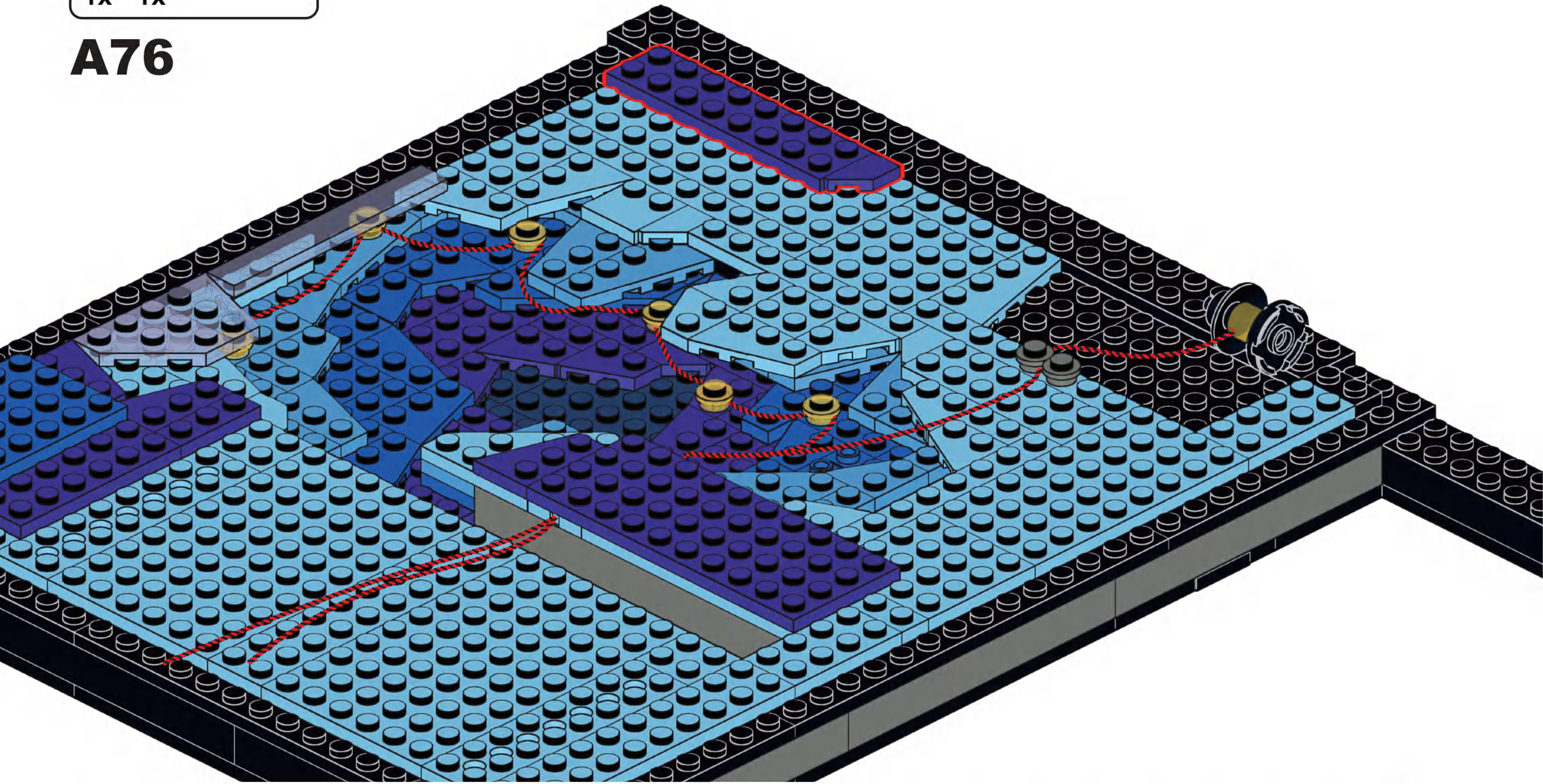


A75

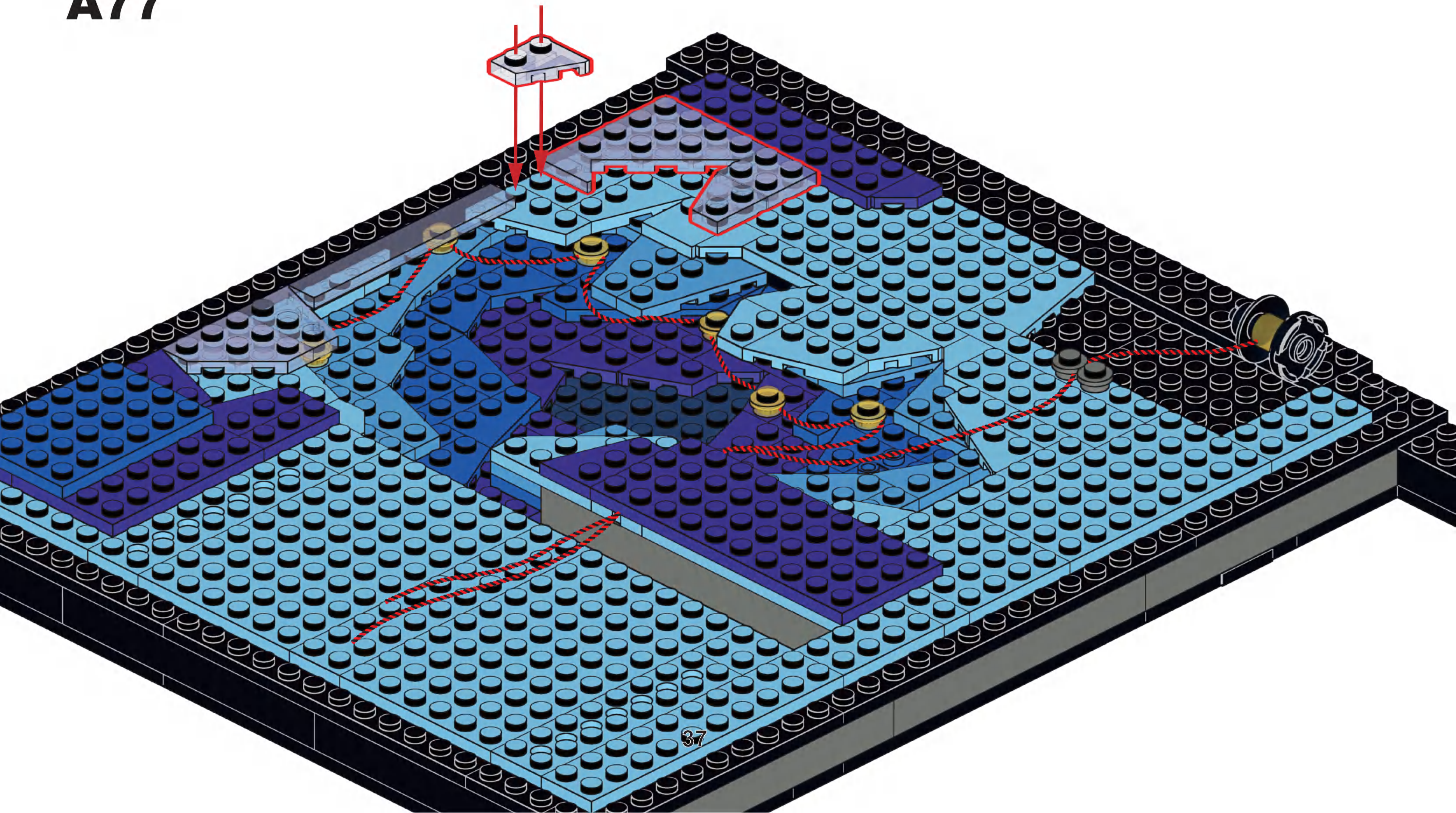


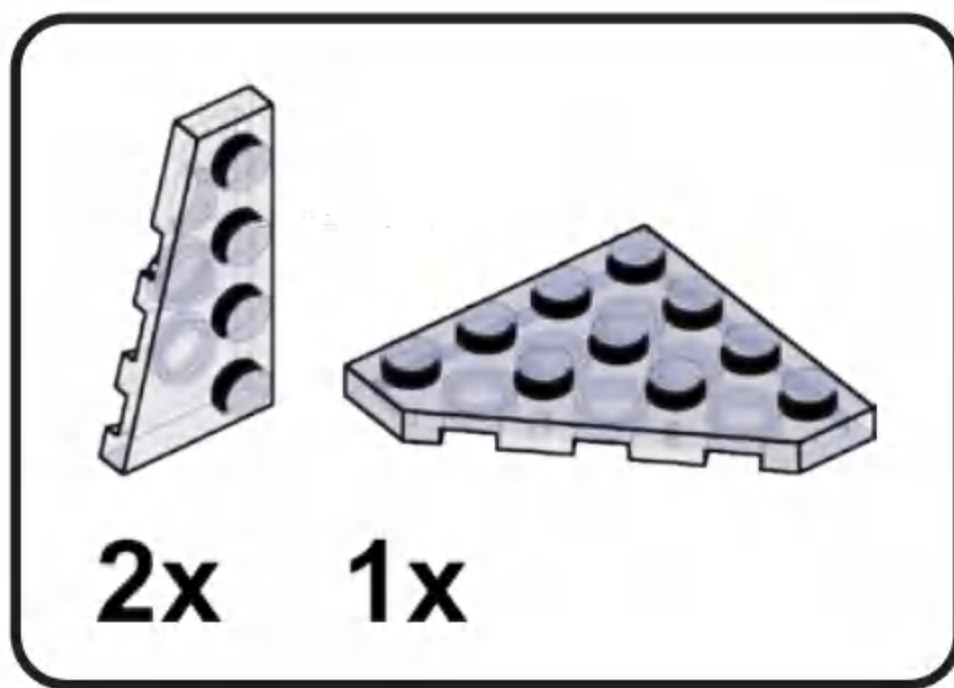


A76

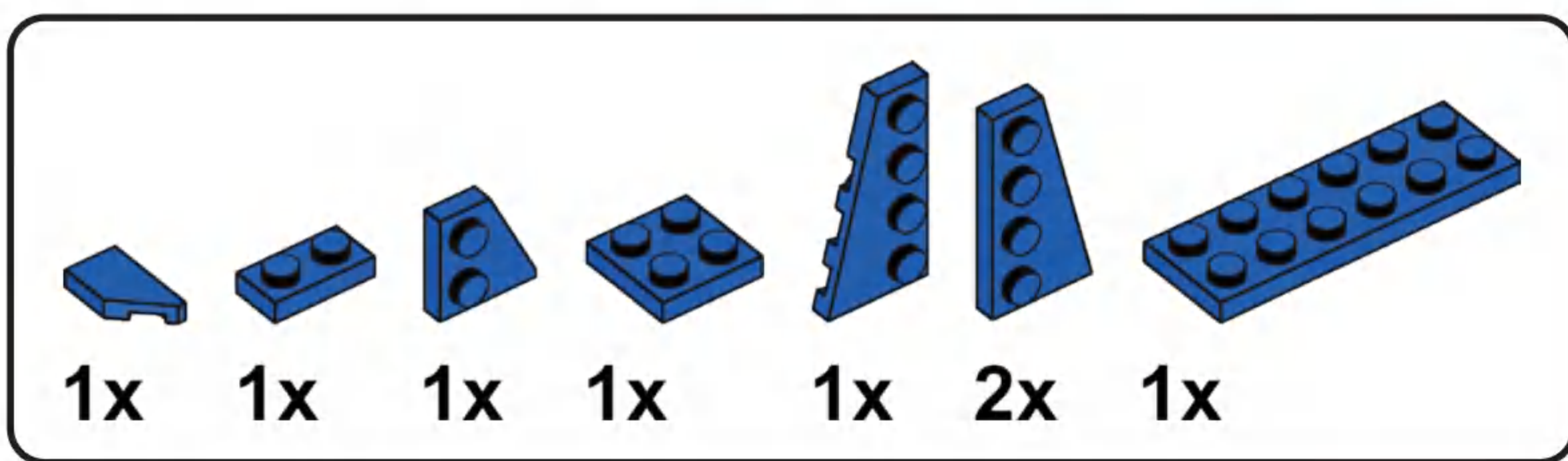
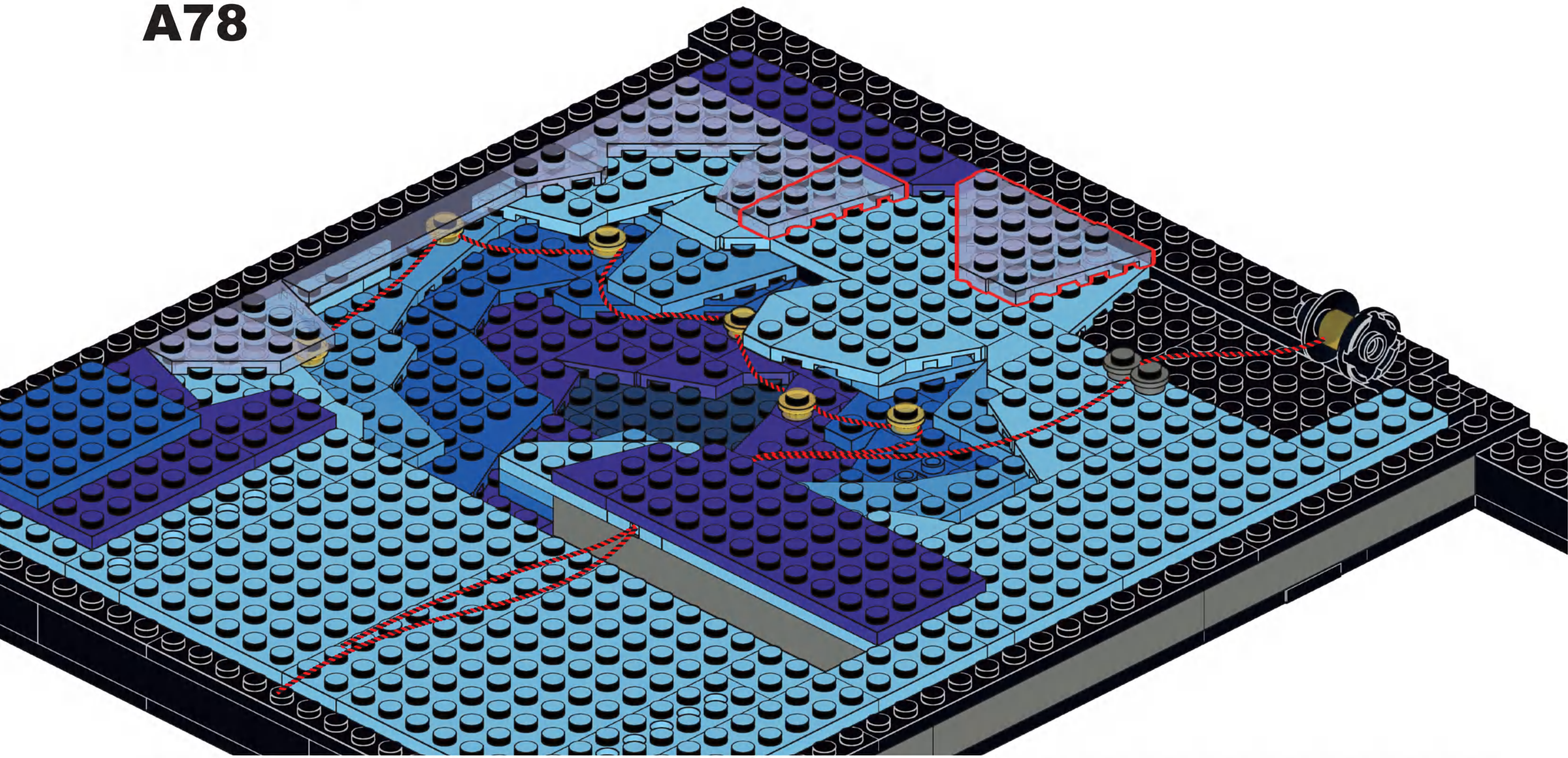


A77

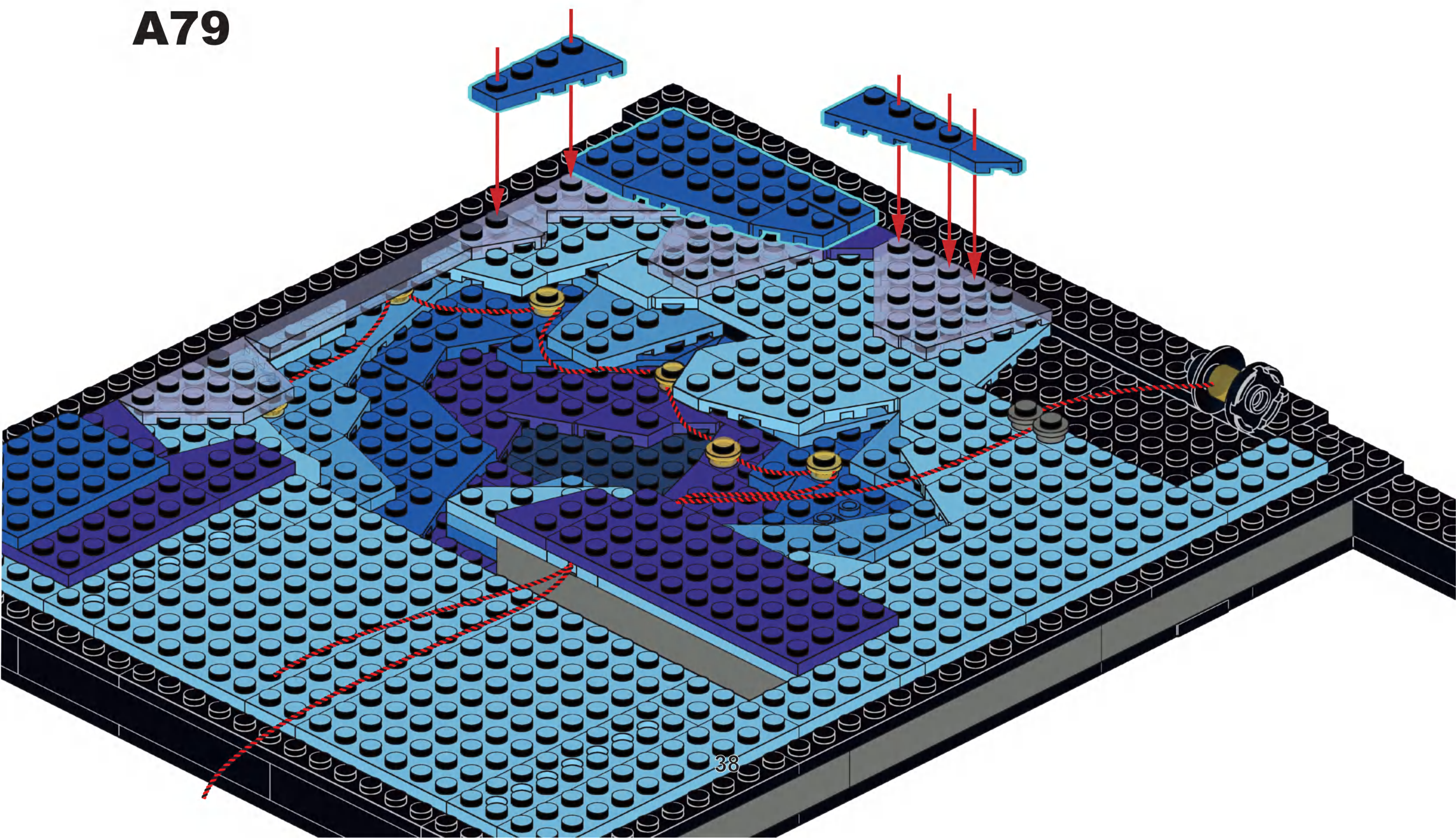


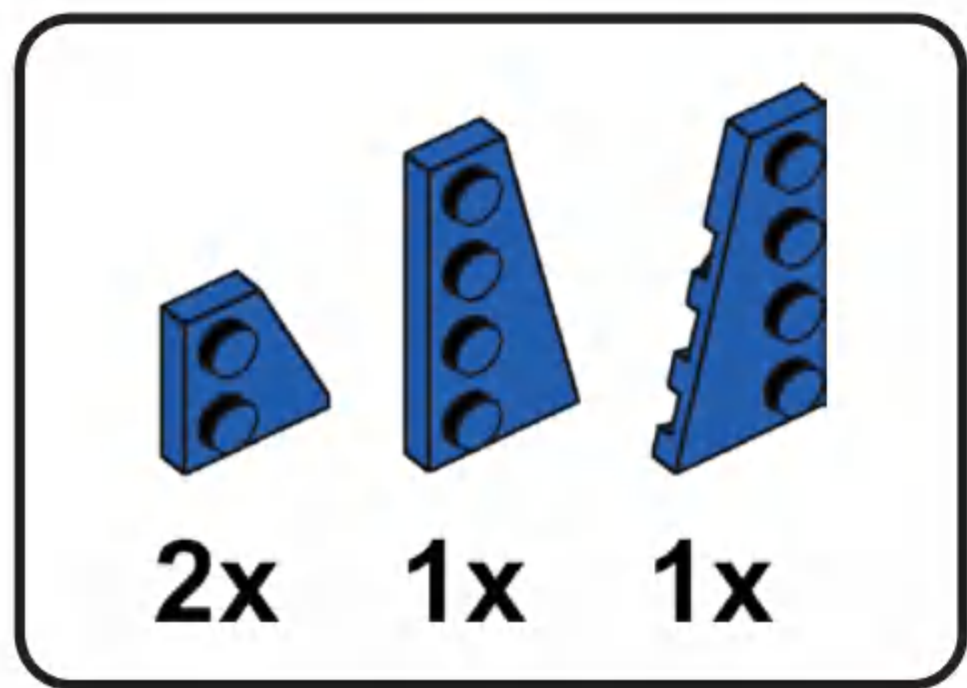


A78

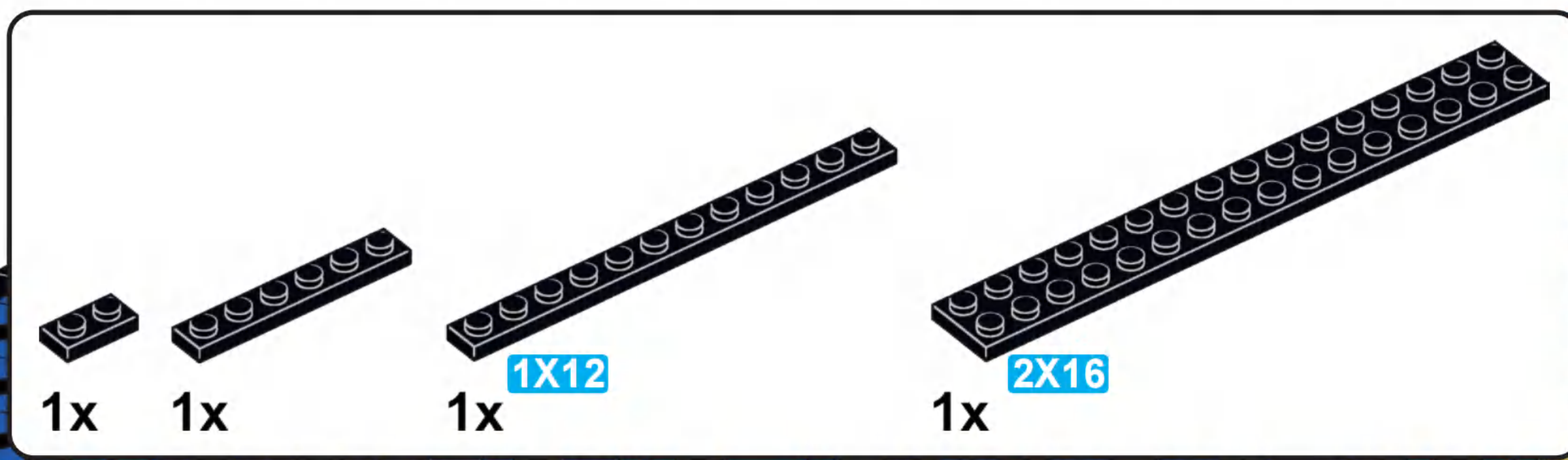
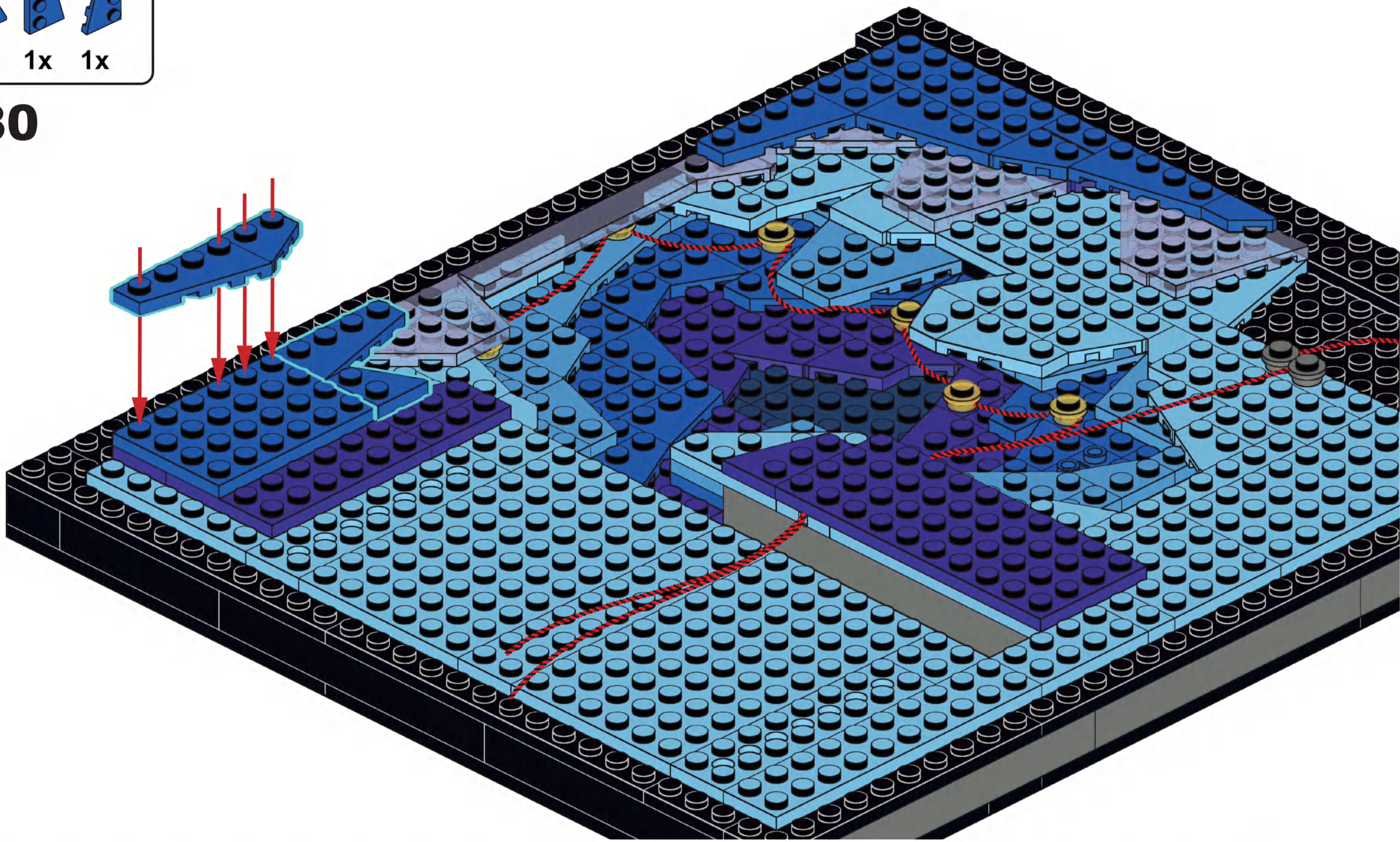


A79

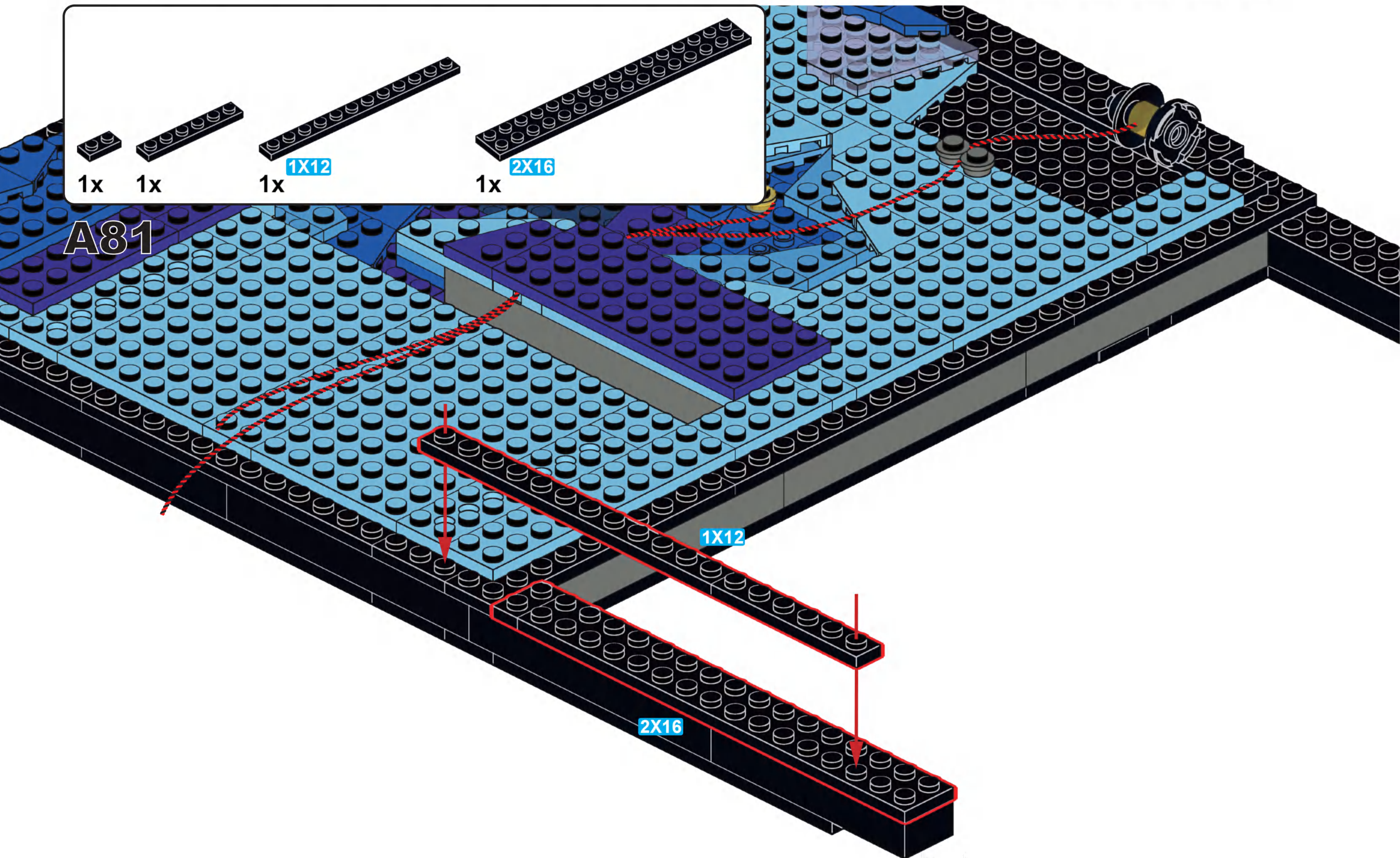


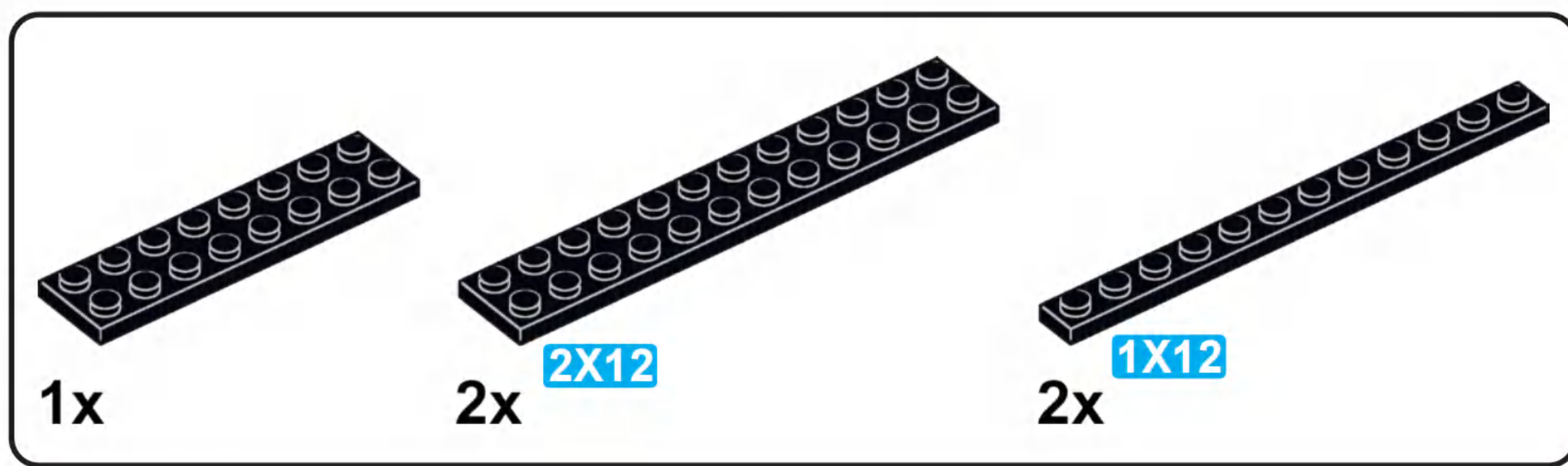


A80

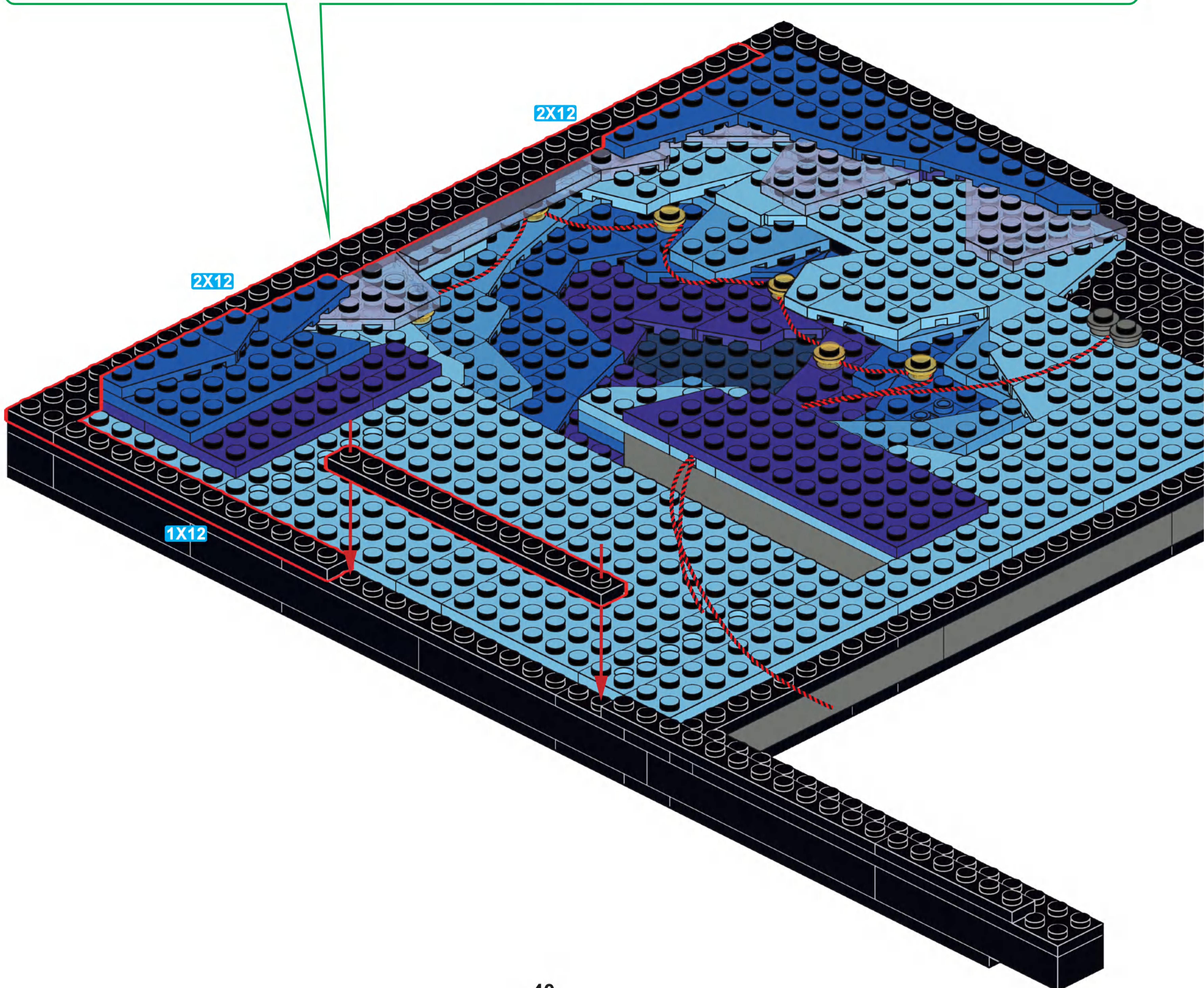
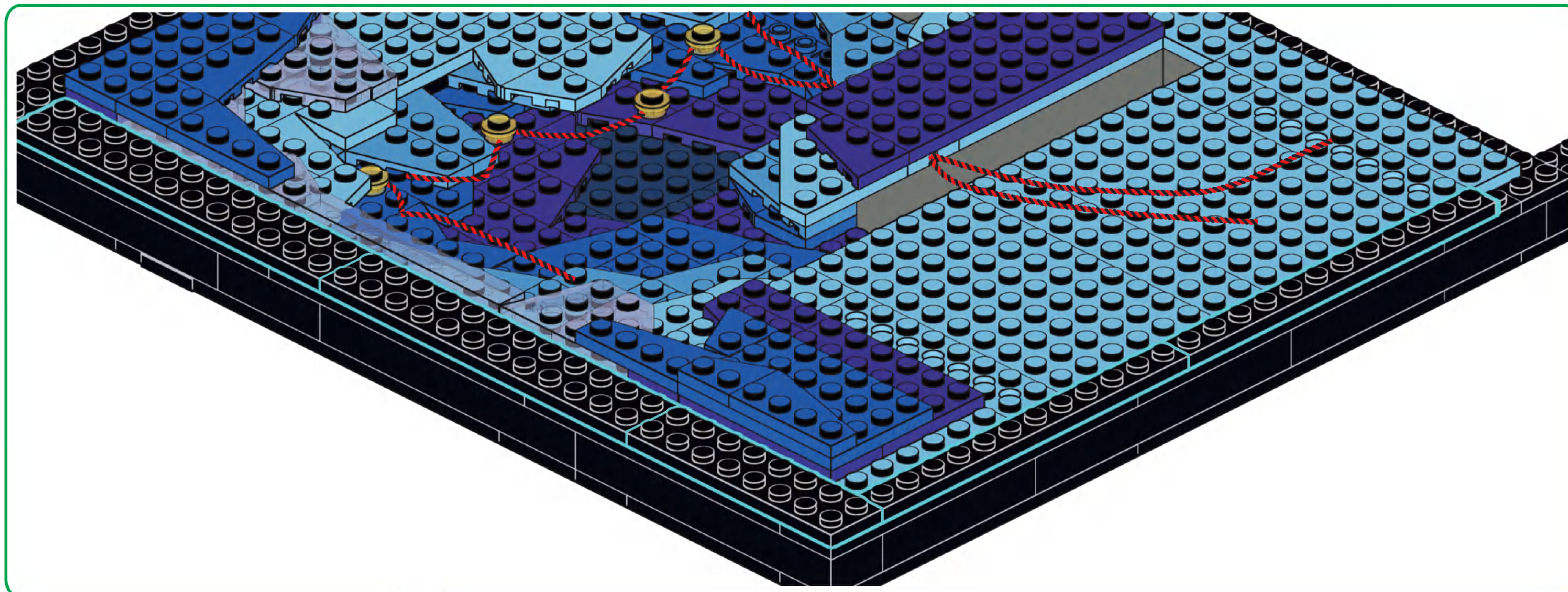


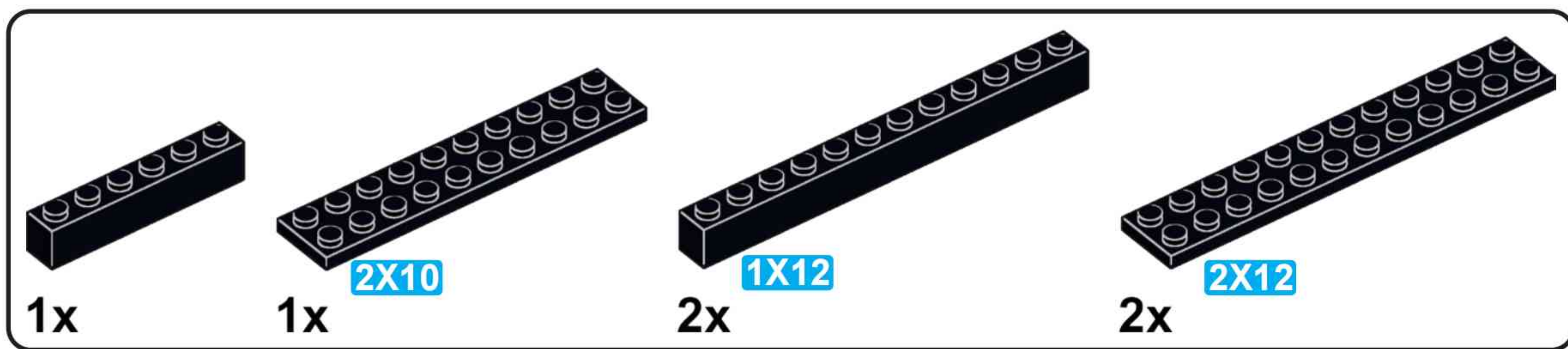
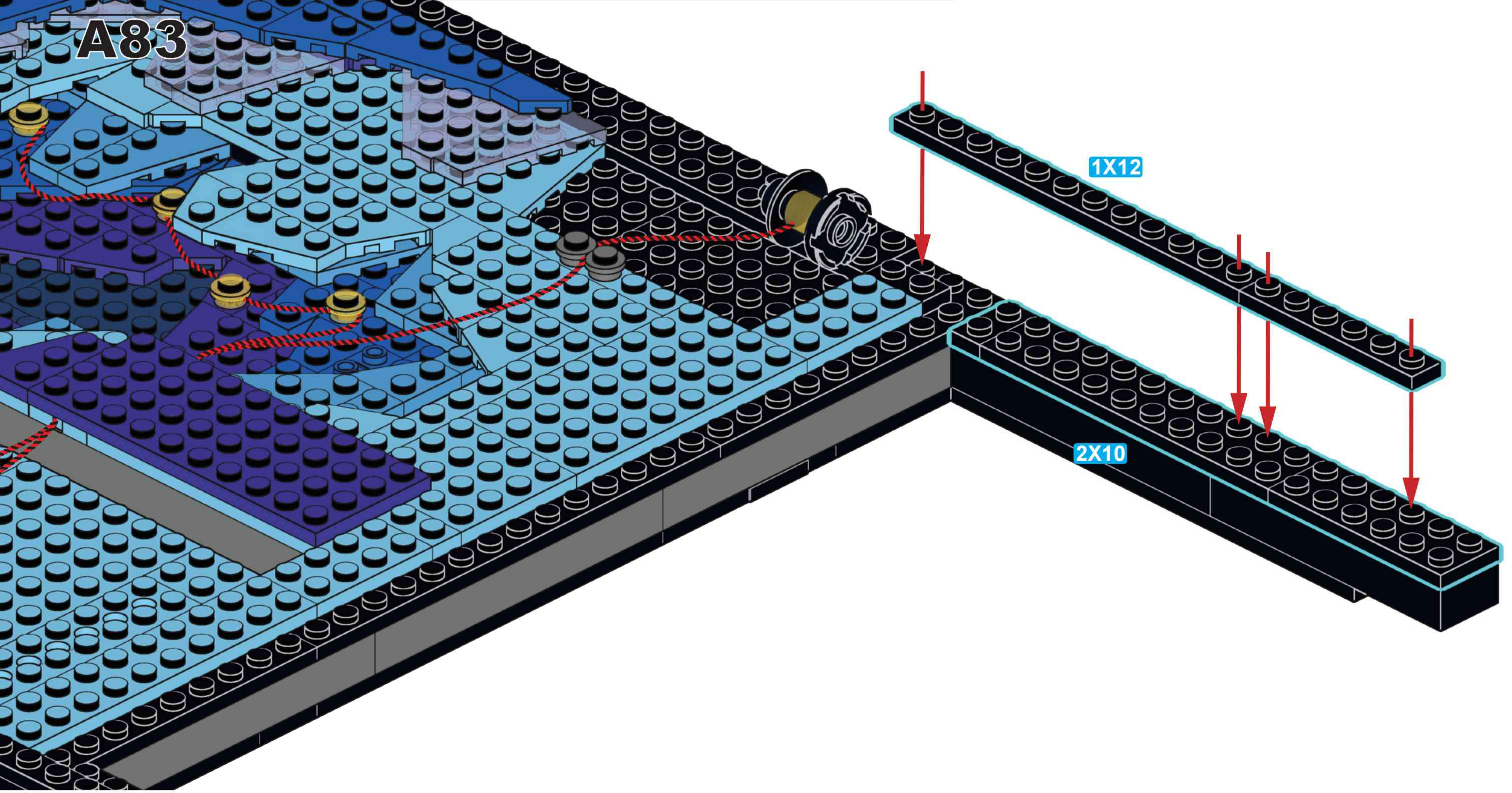
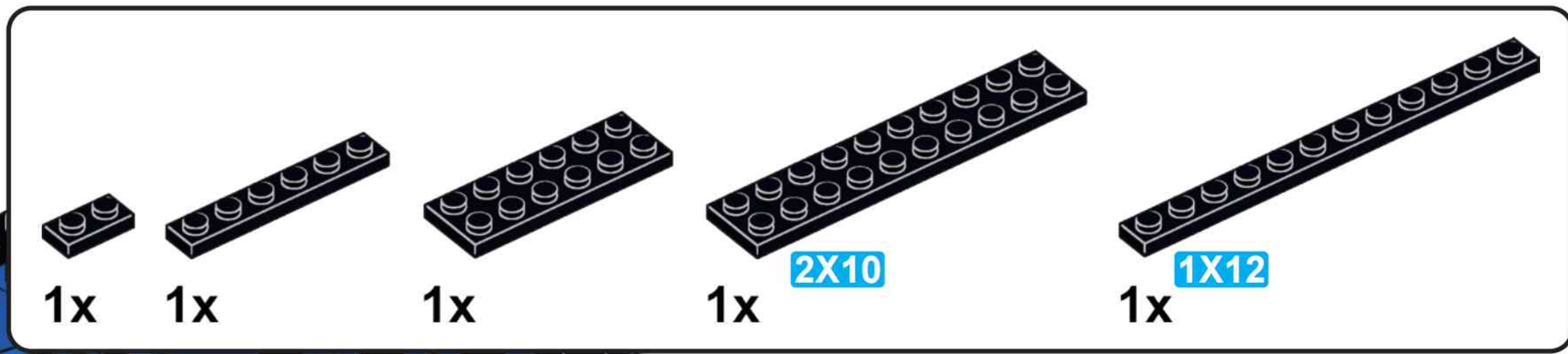
A81



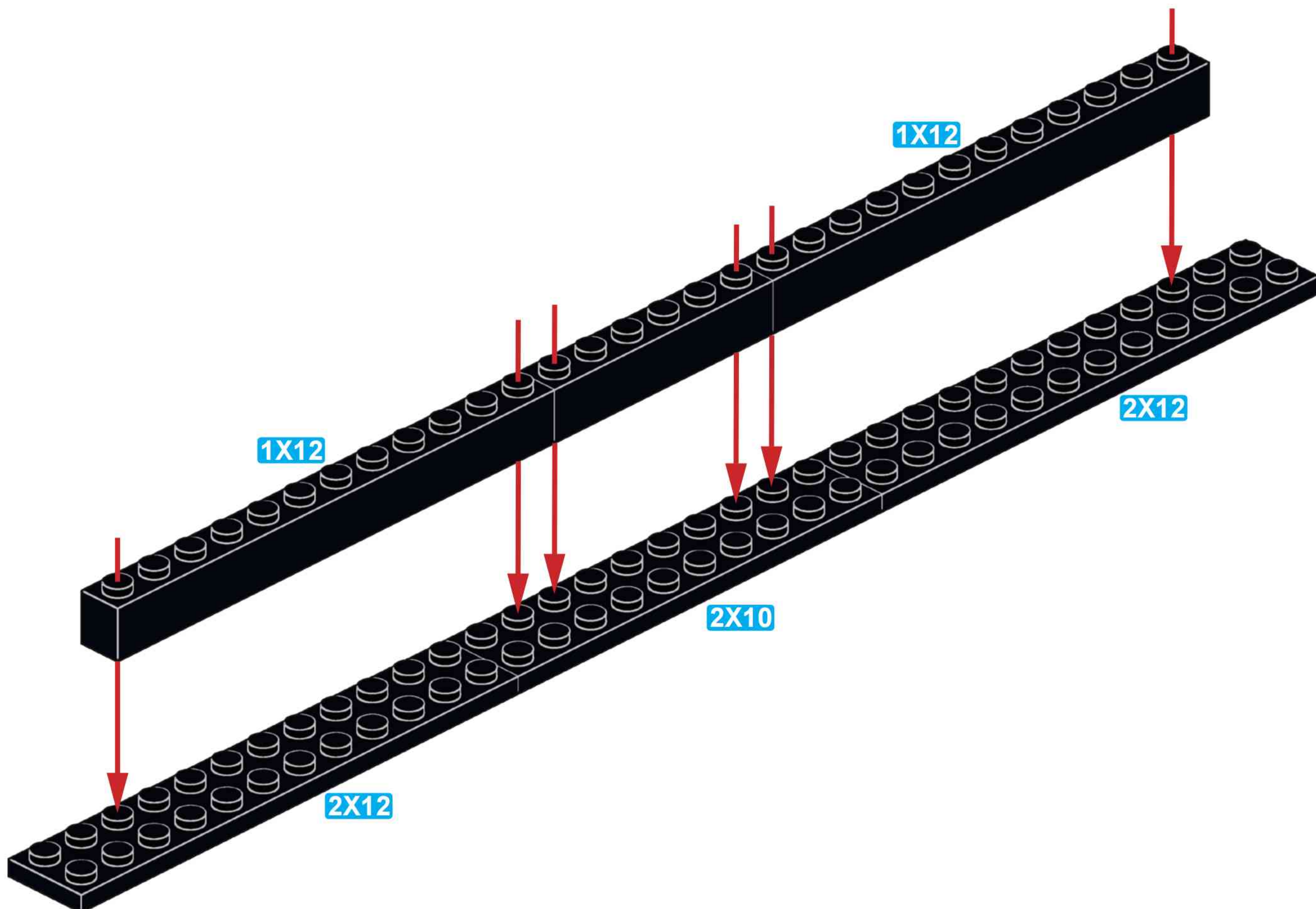


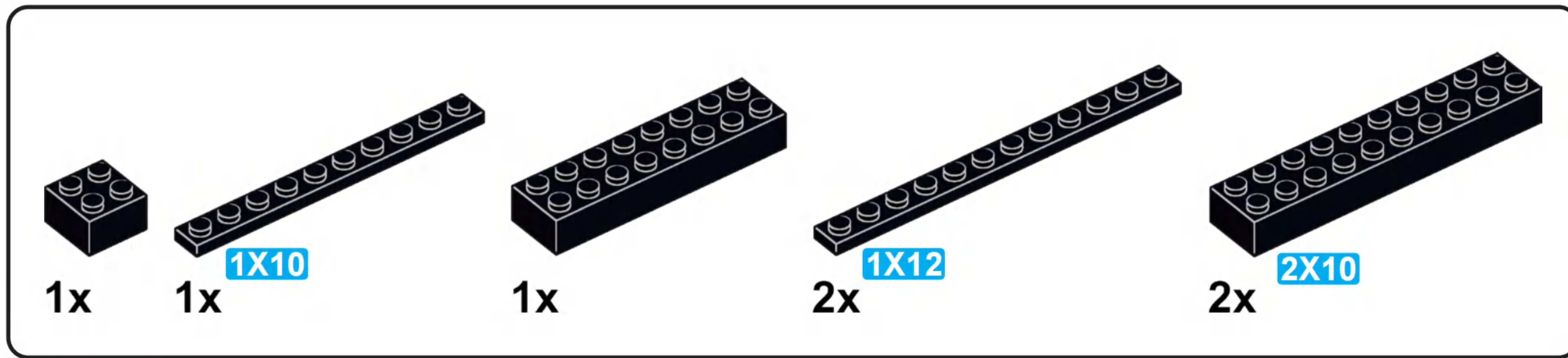
A82



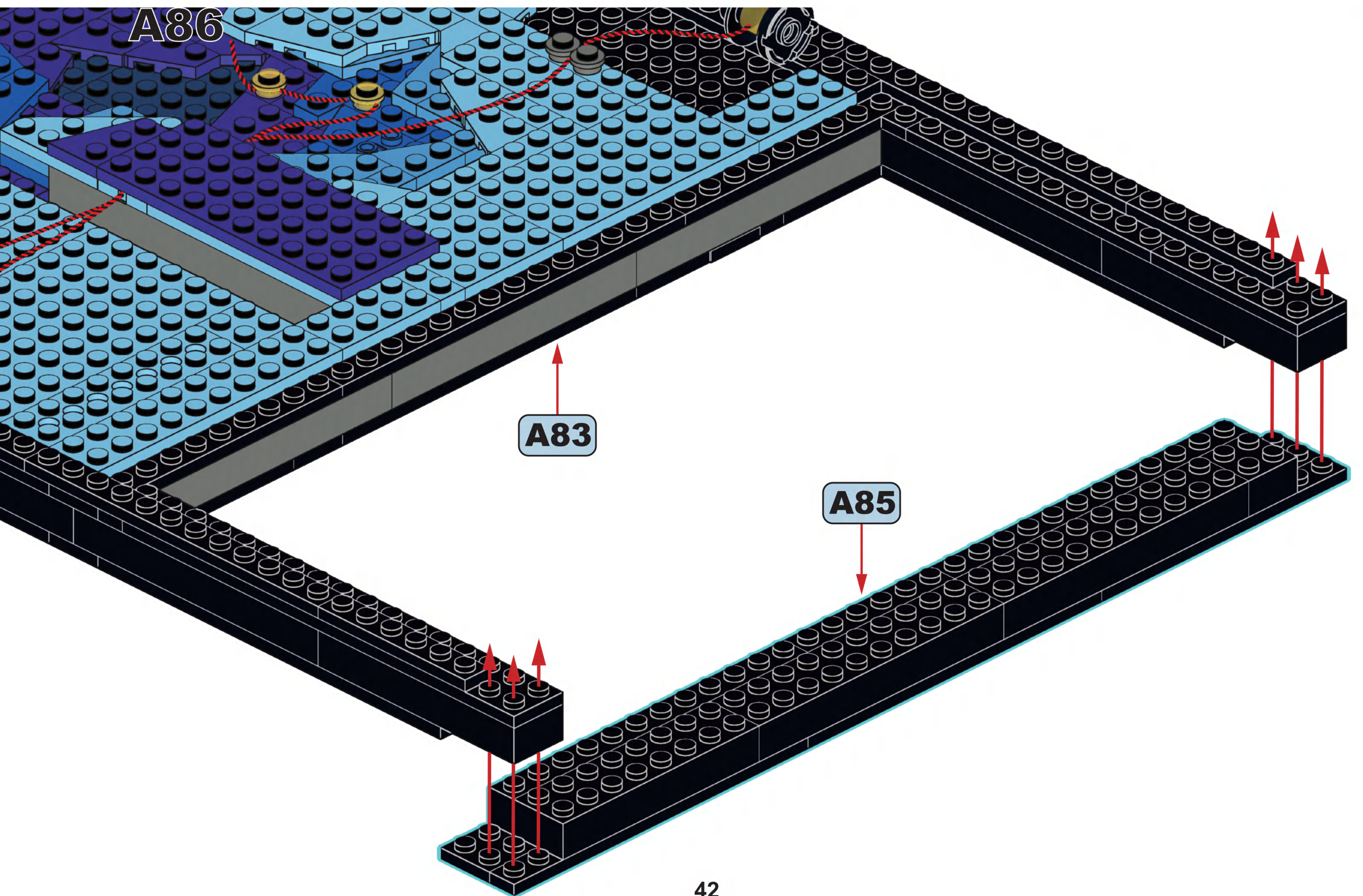
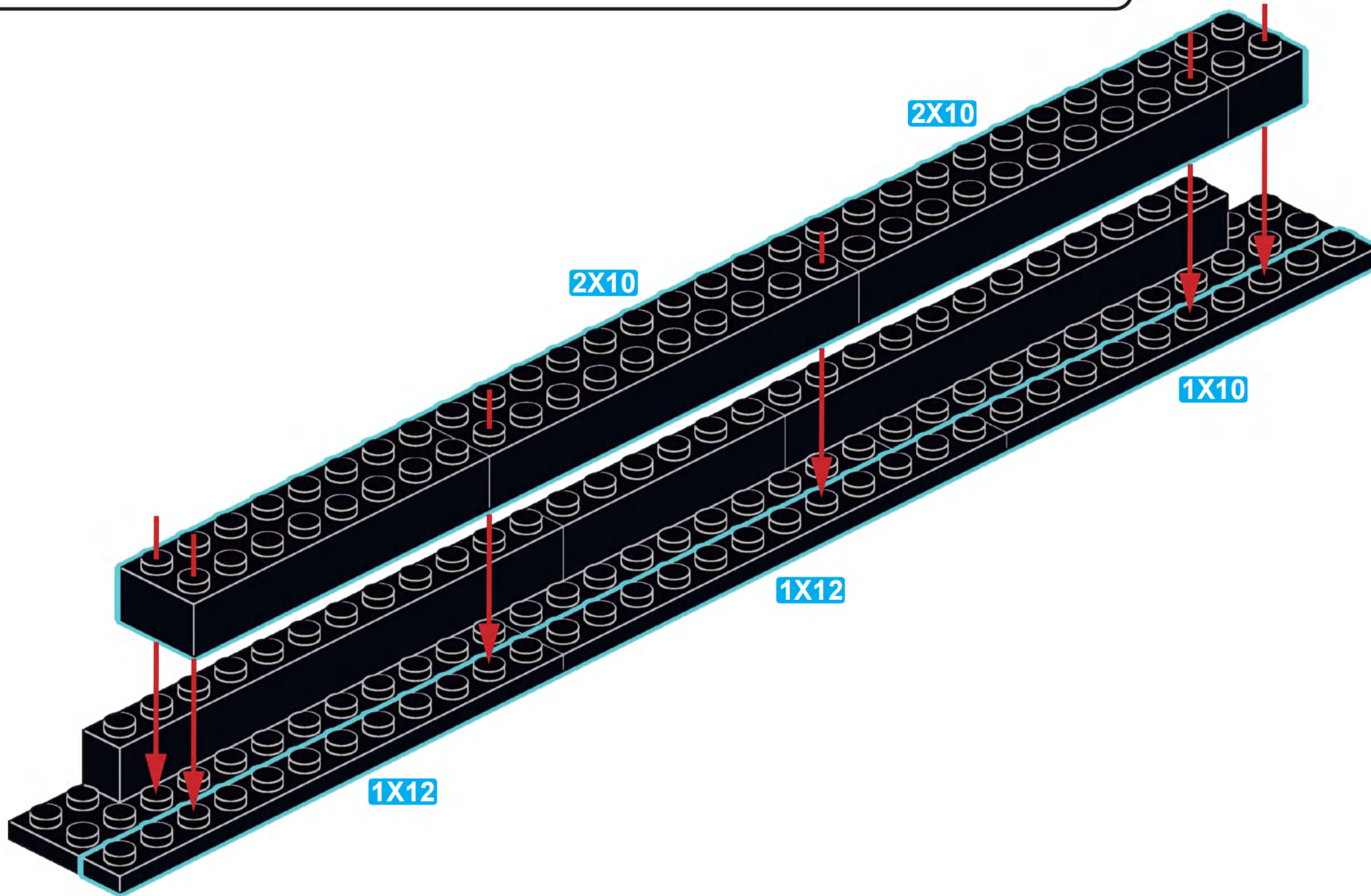


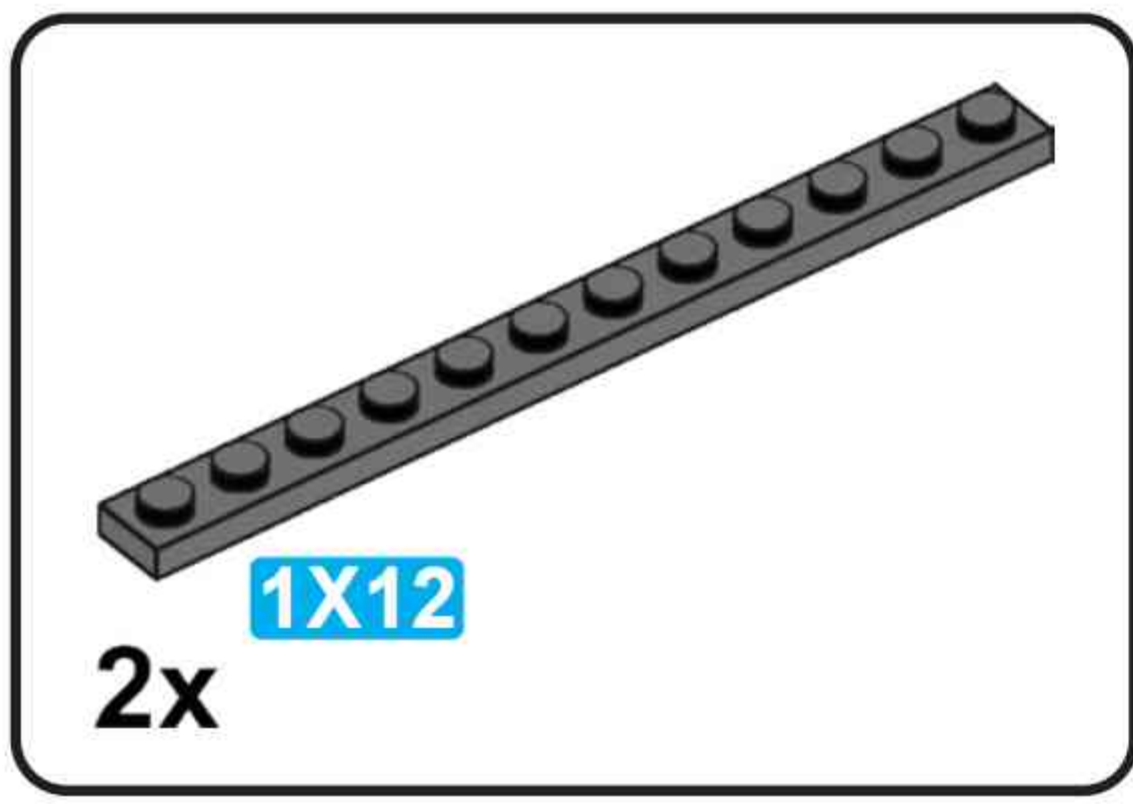
A84



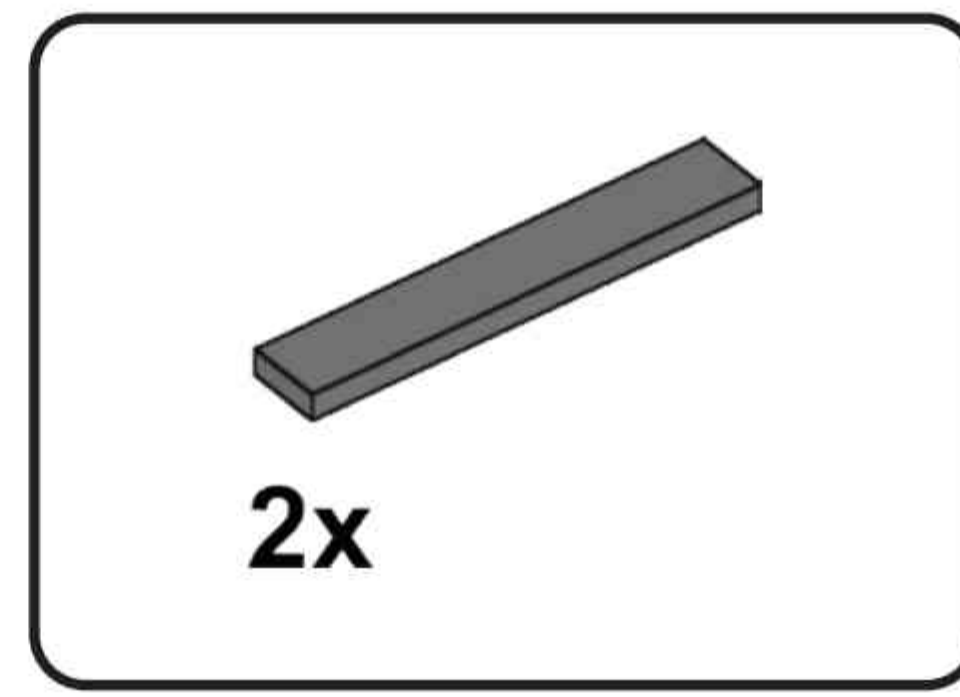
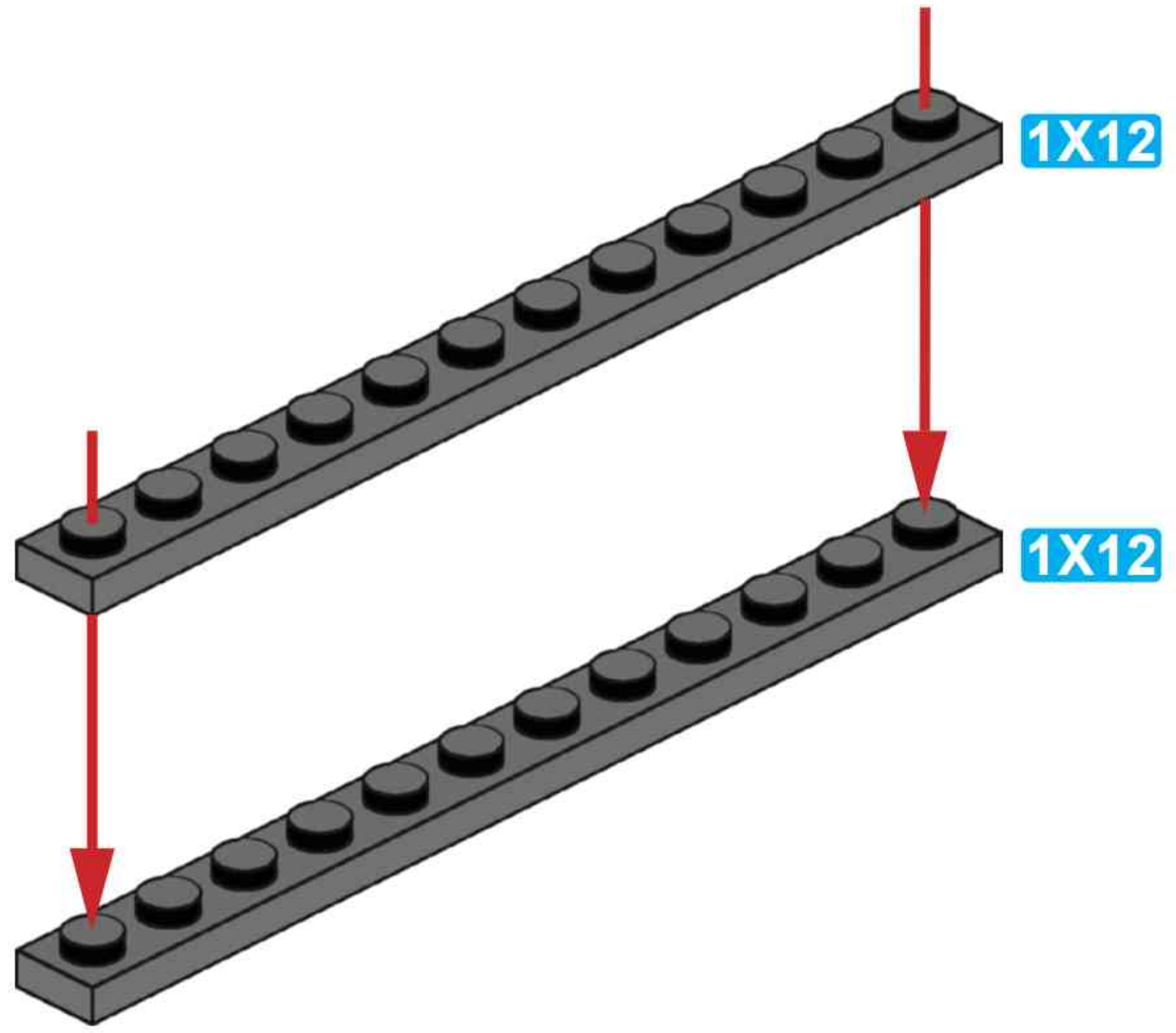


A85

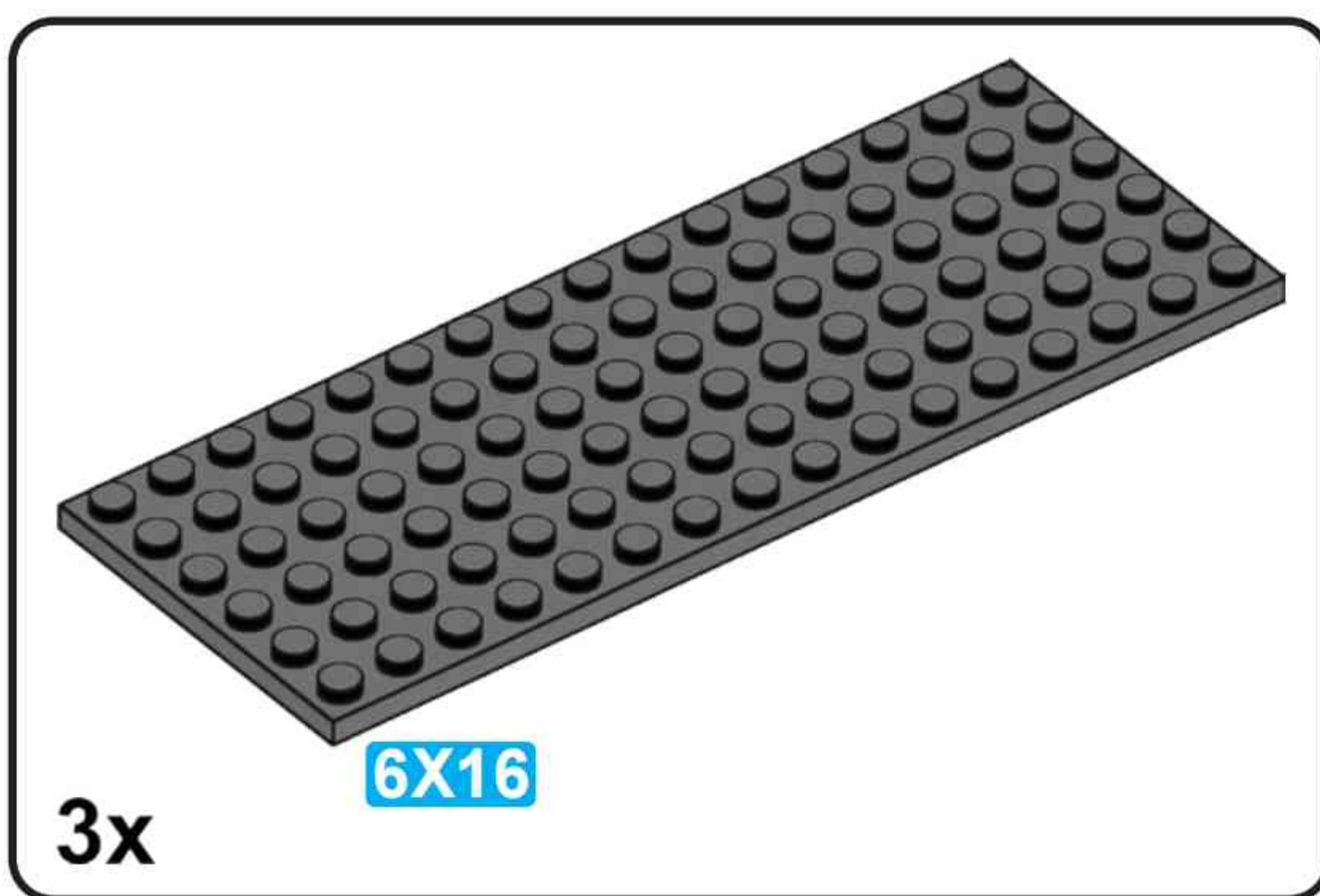
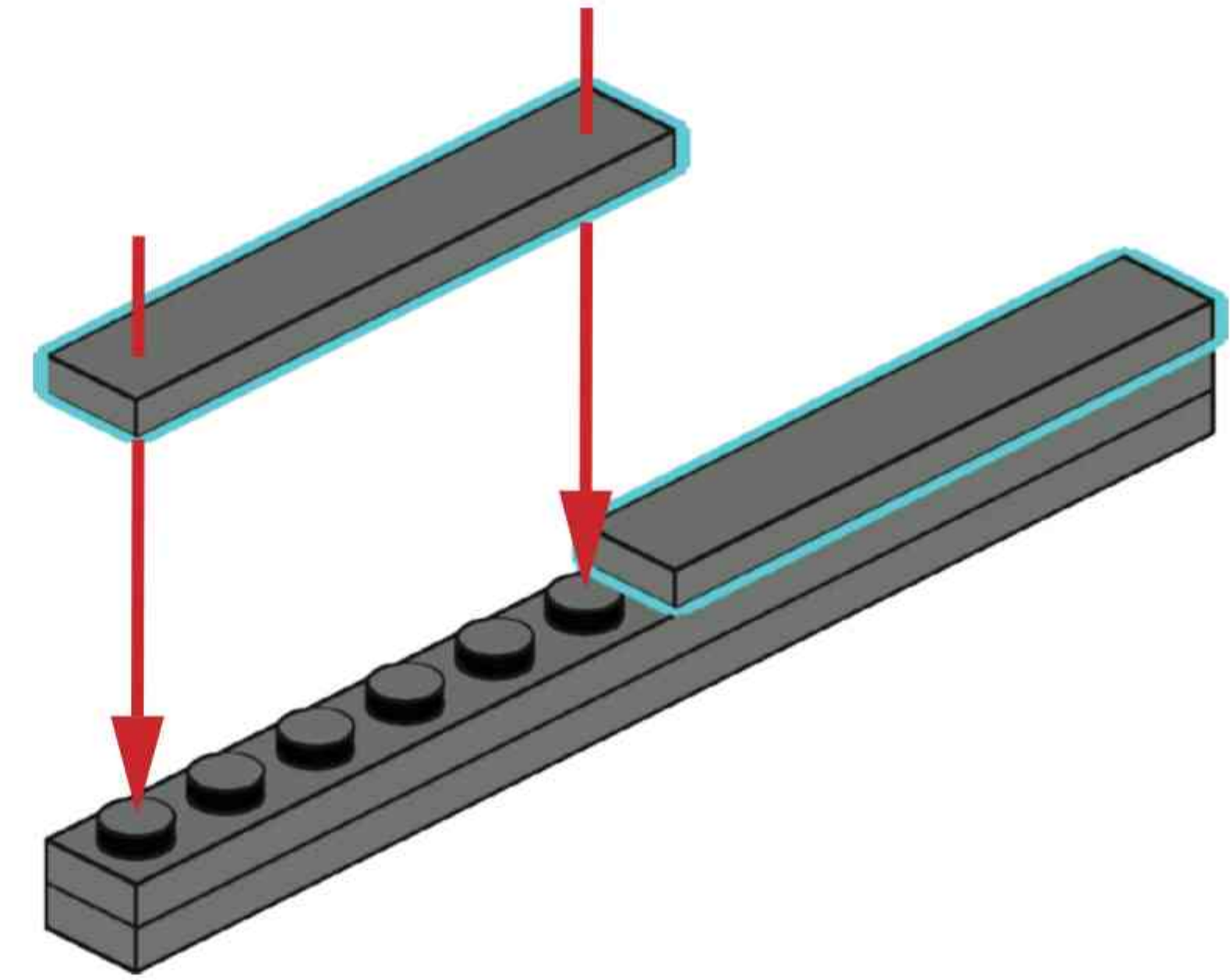




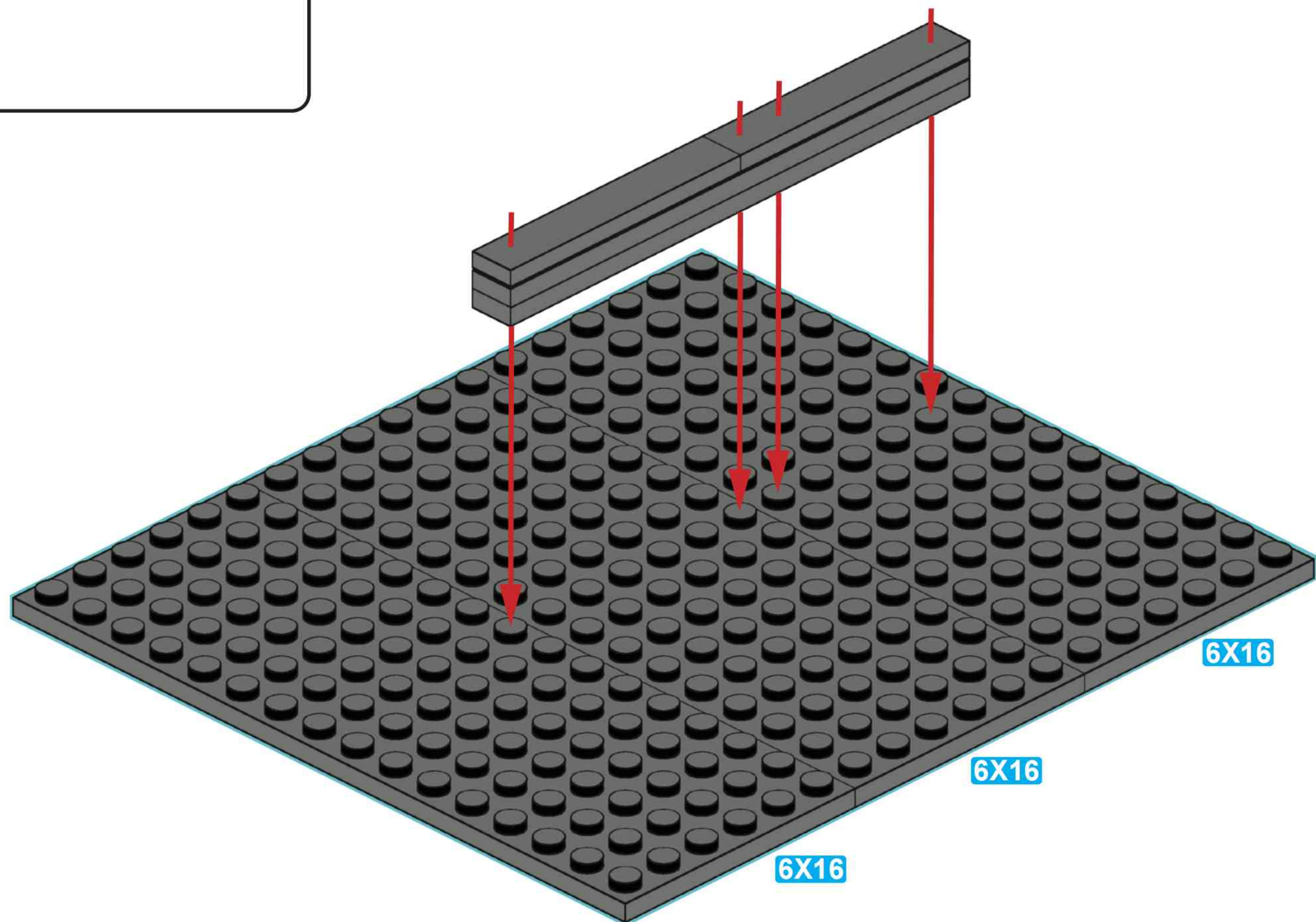
A88

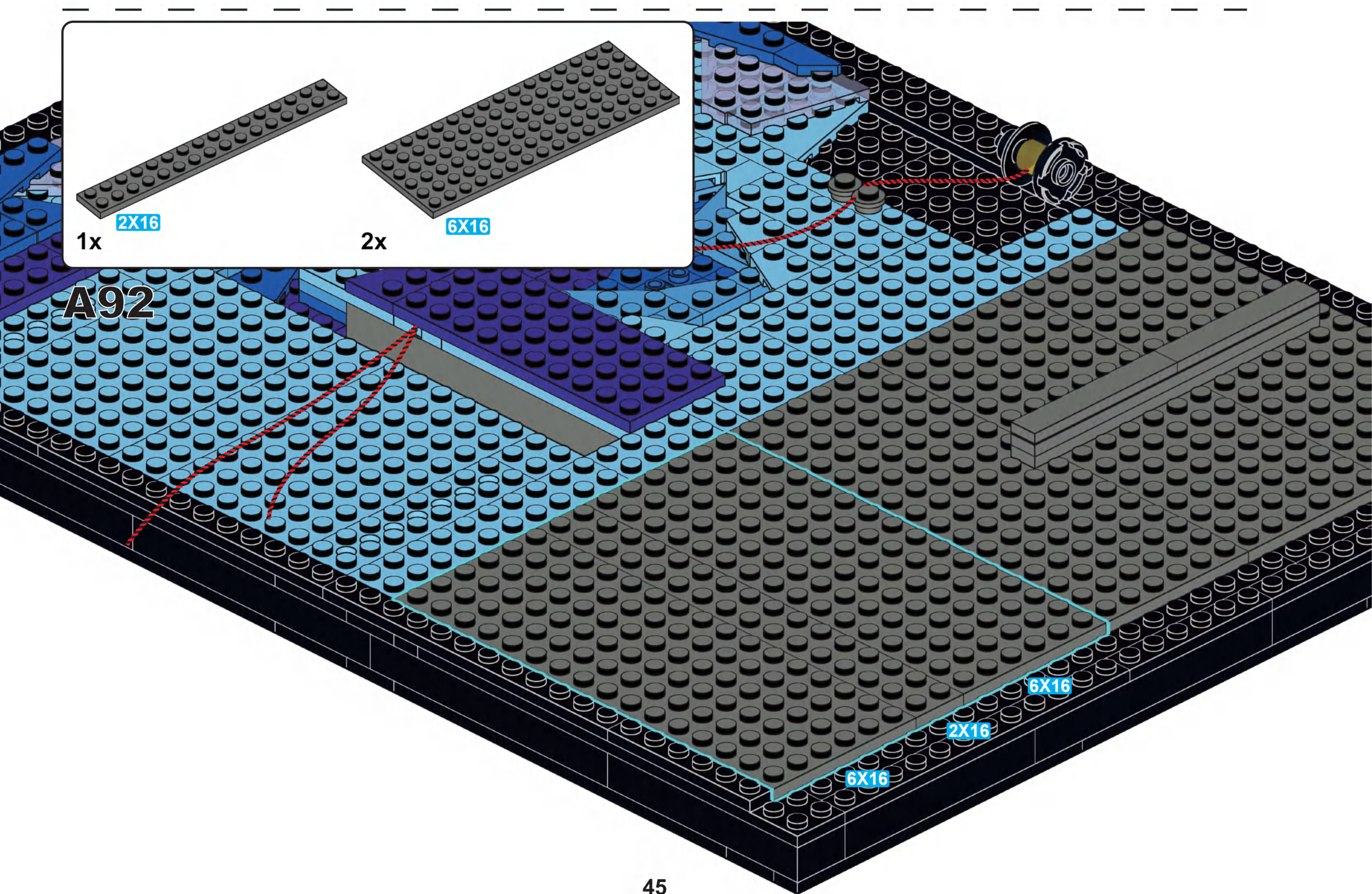
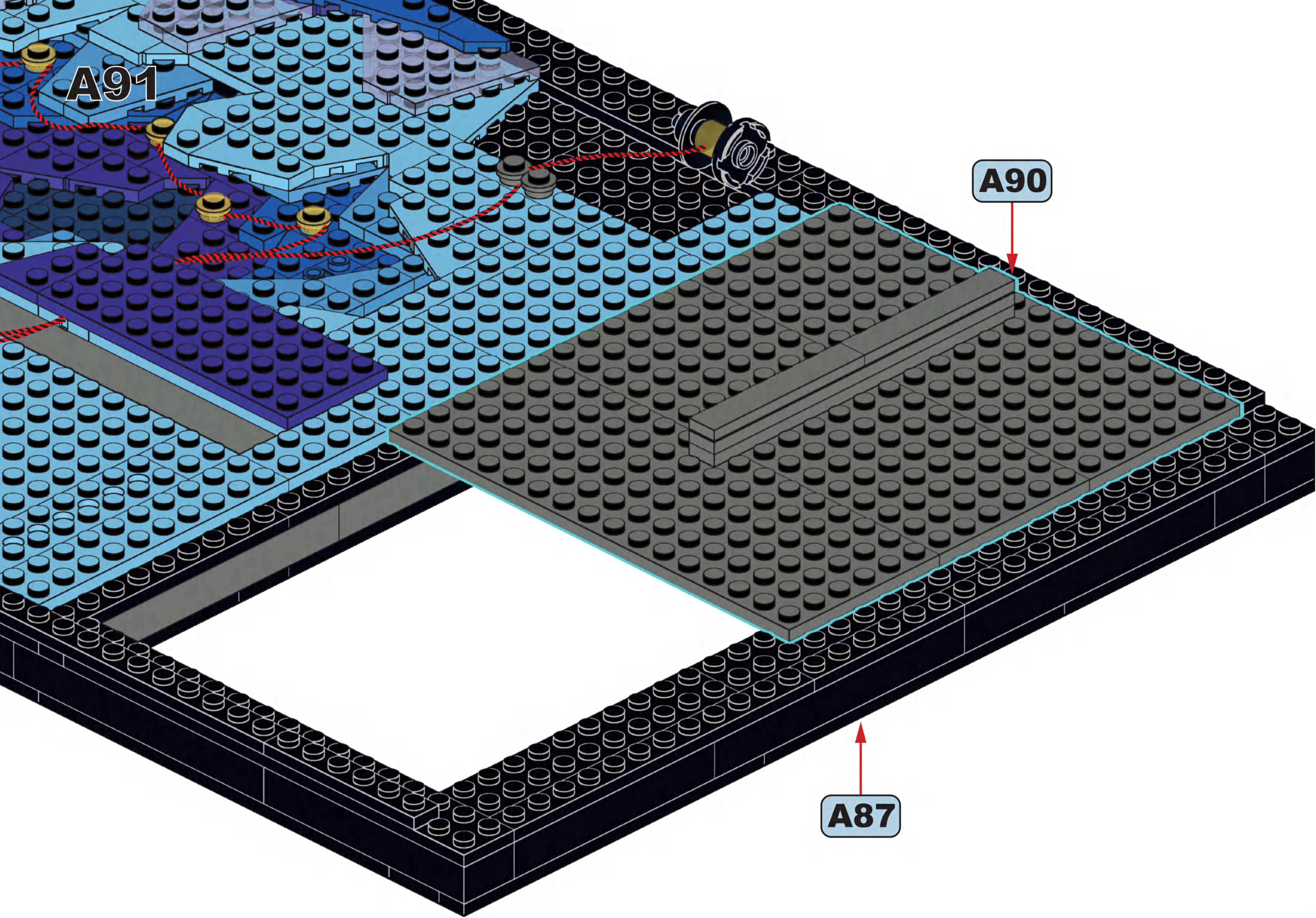


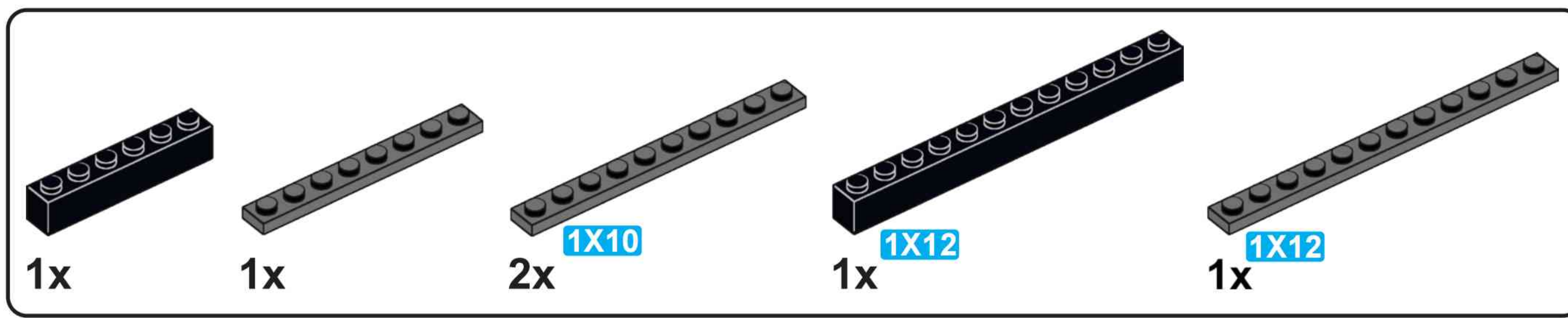
A89



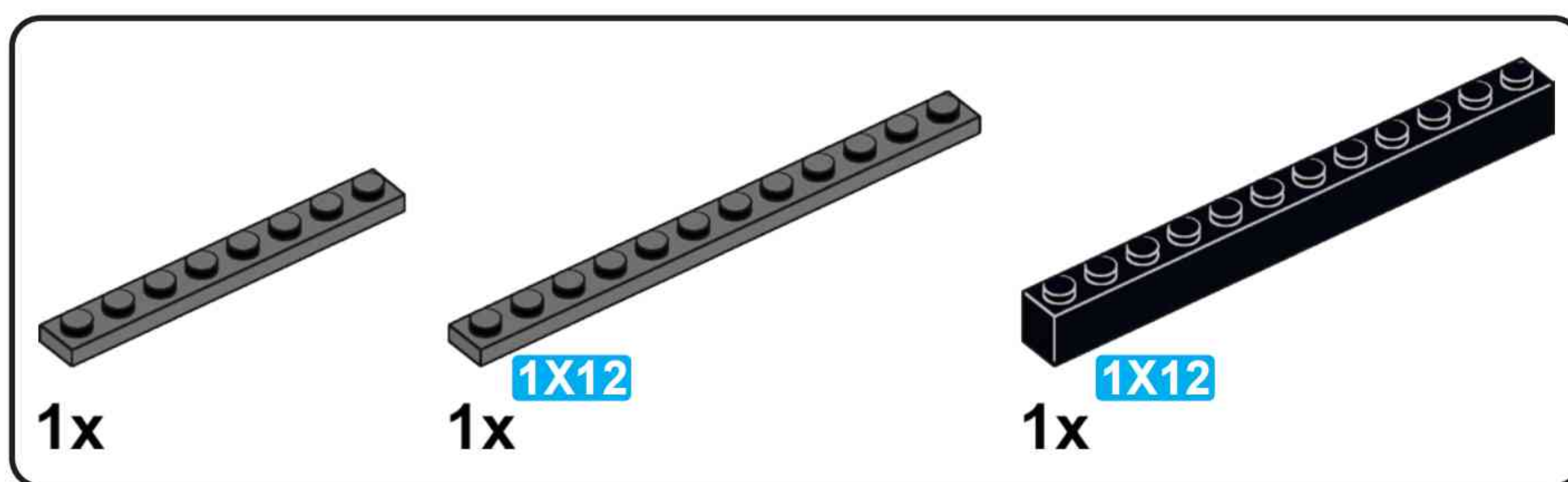
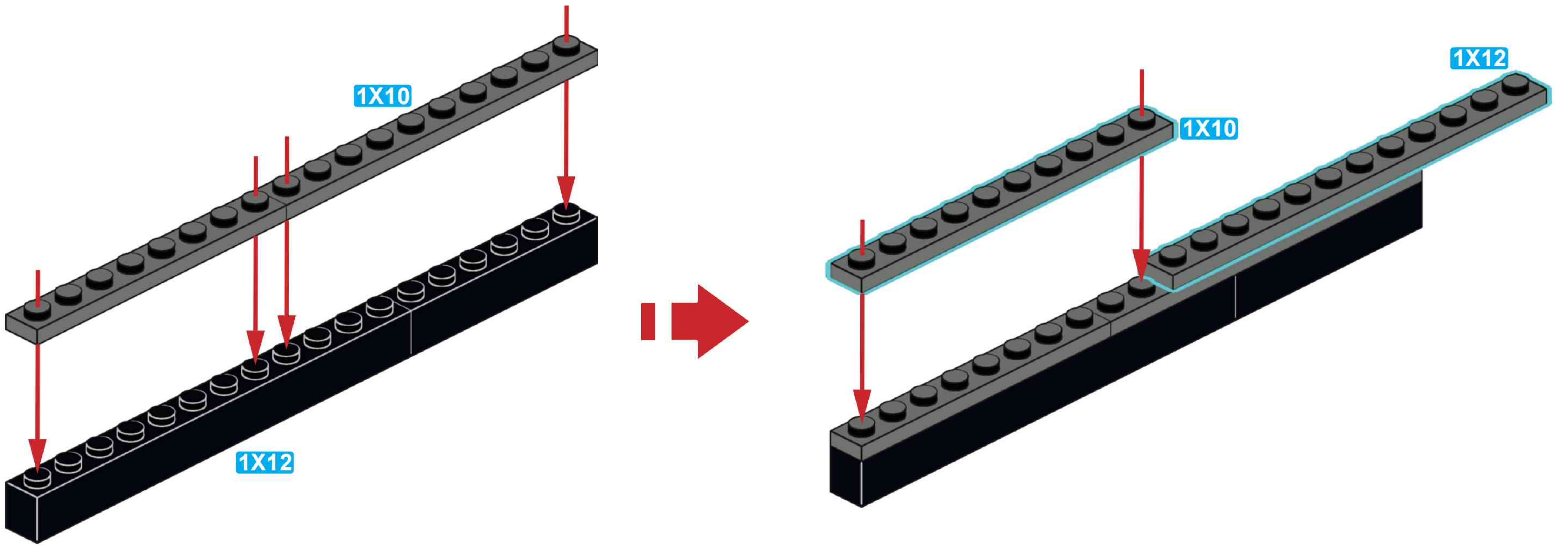
A90







A93



A94

