

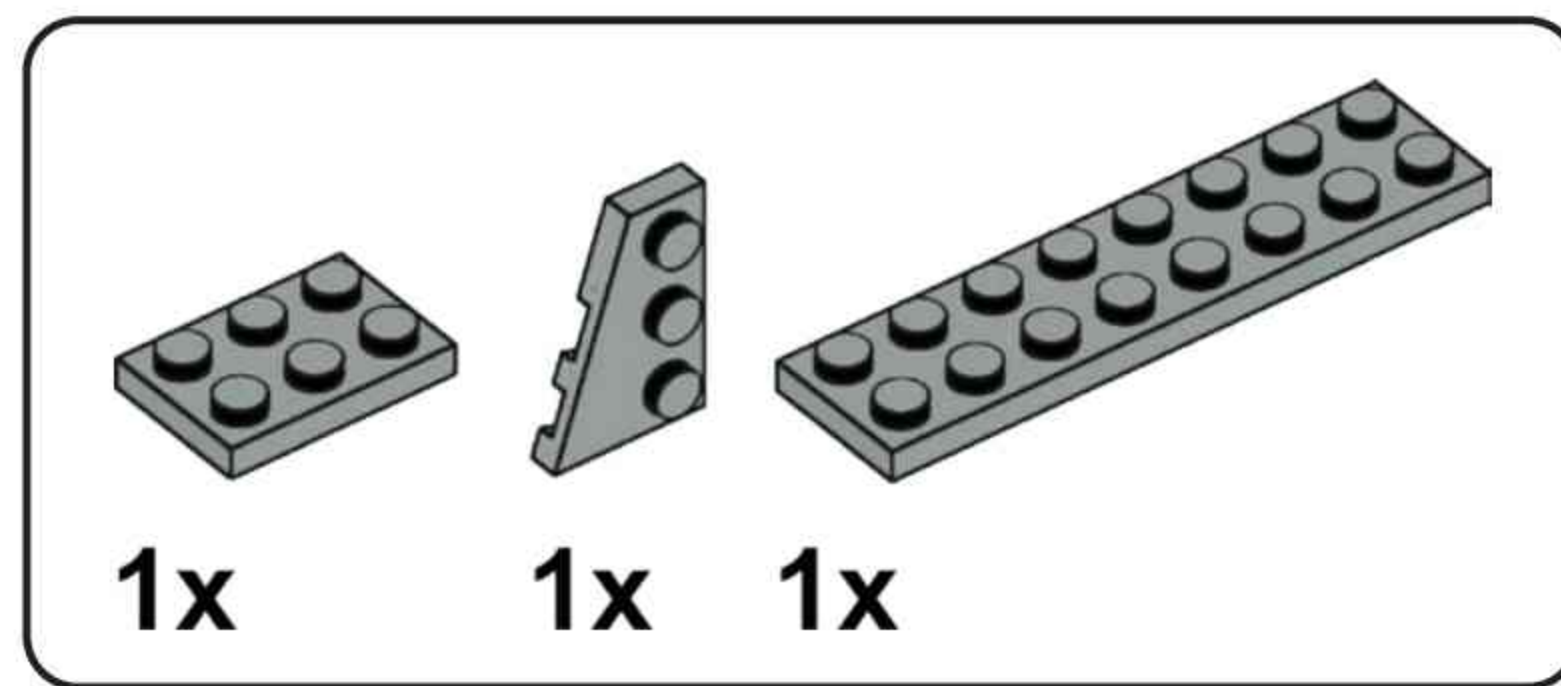
P54



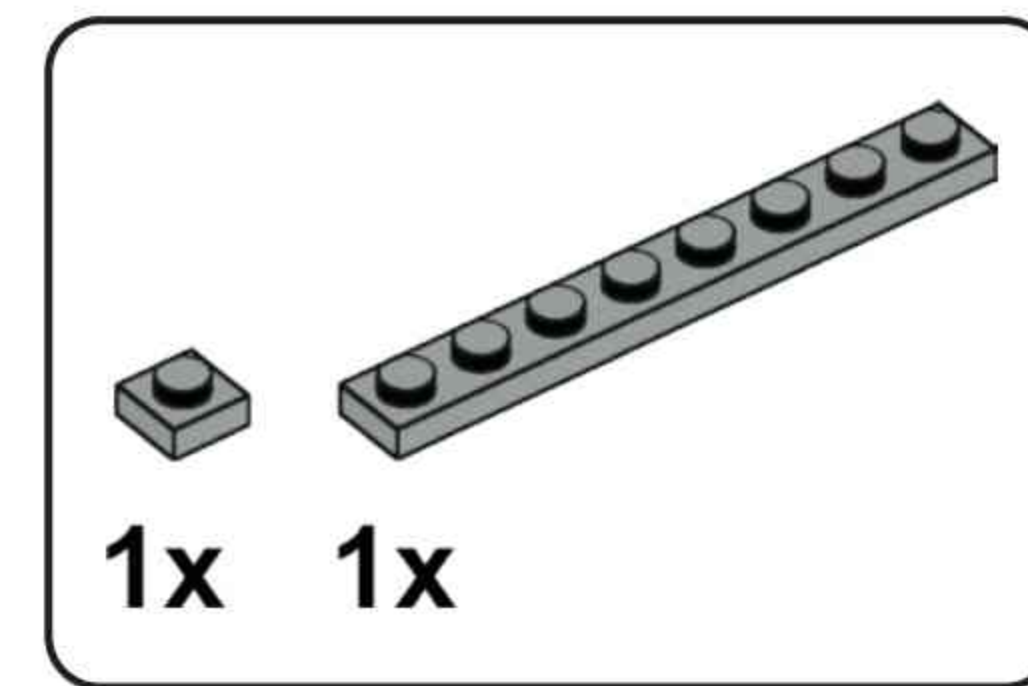
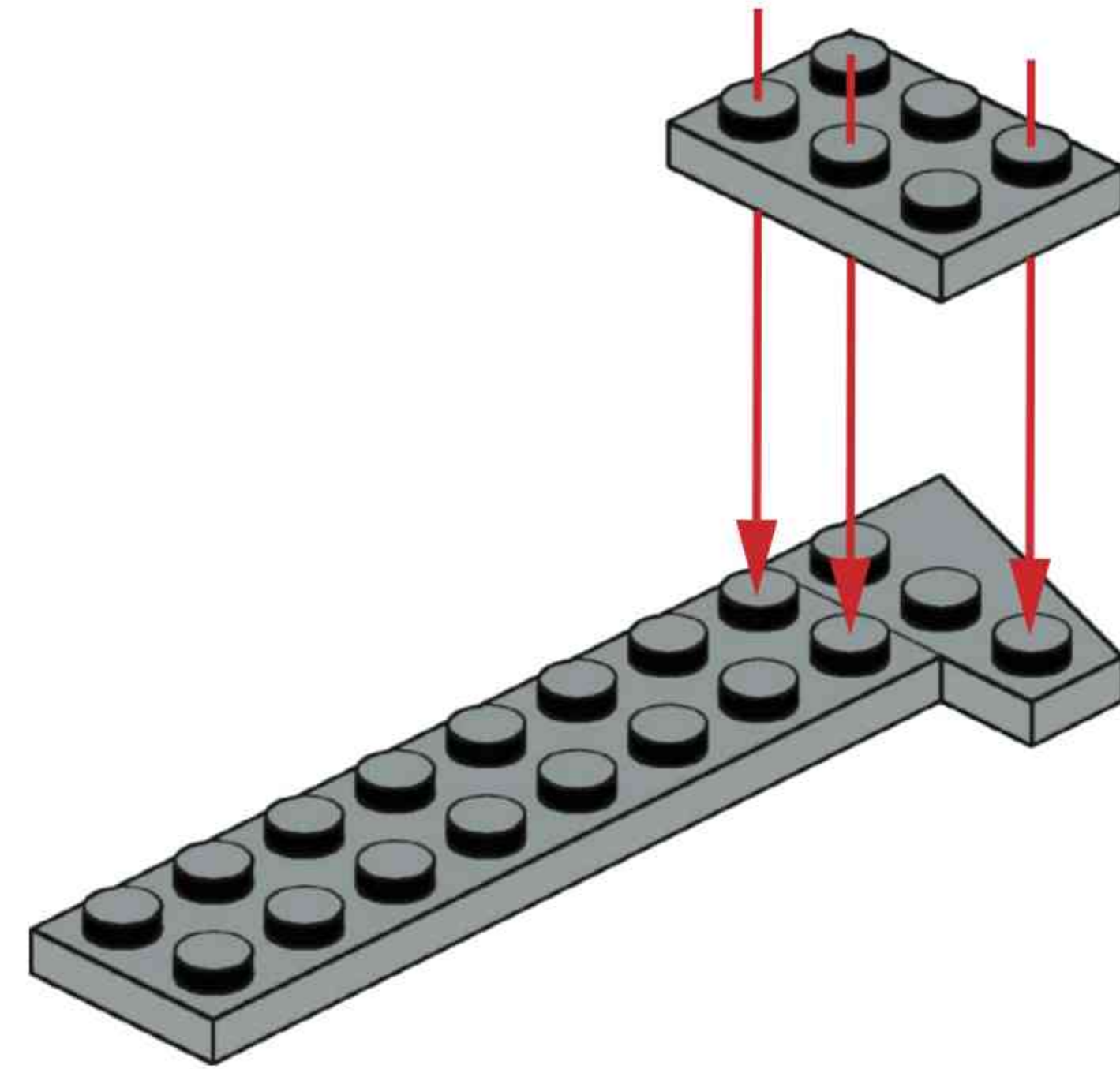
064



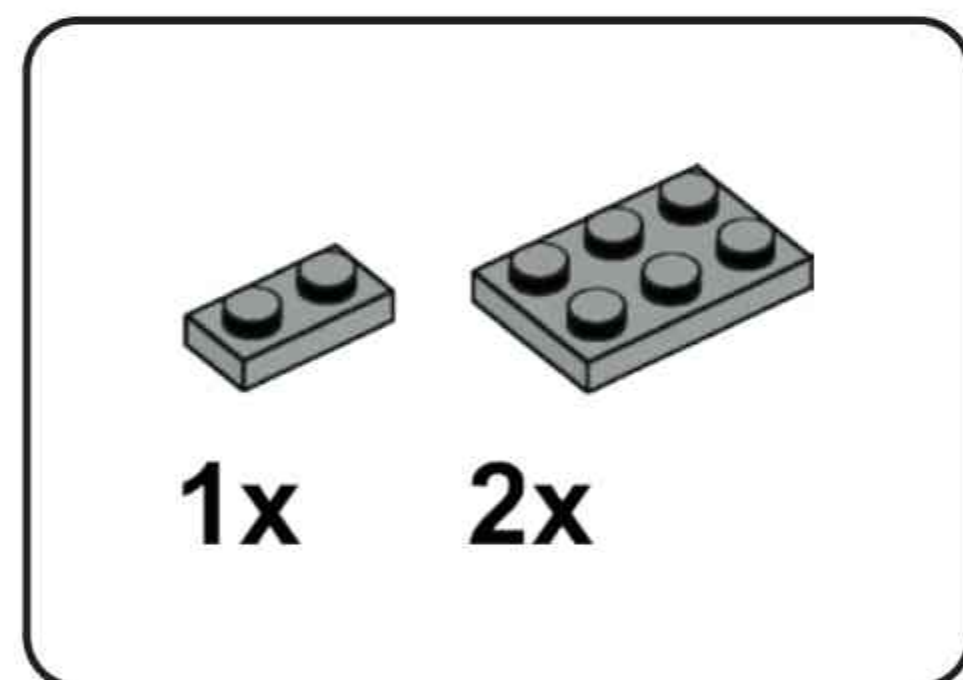
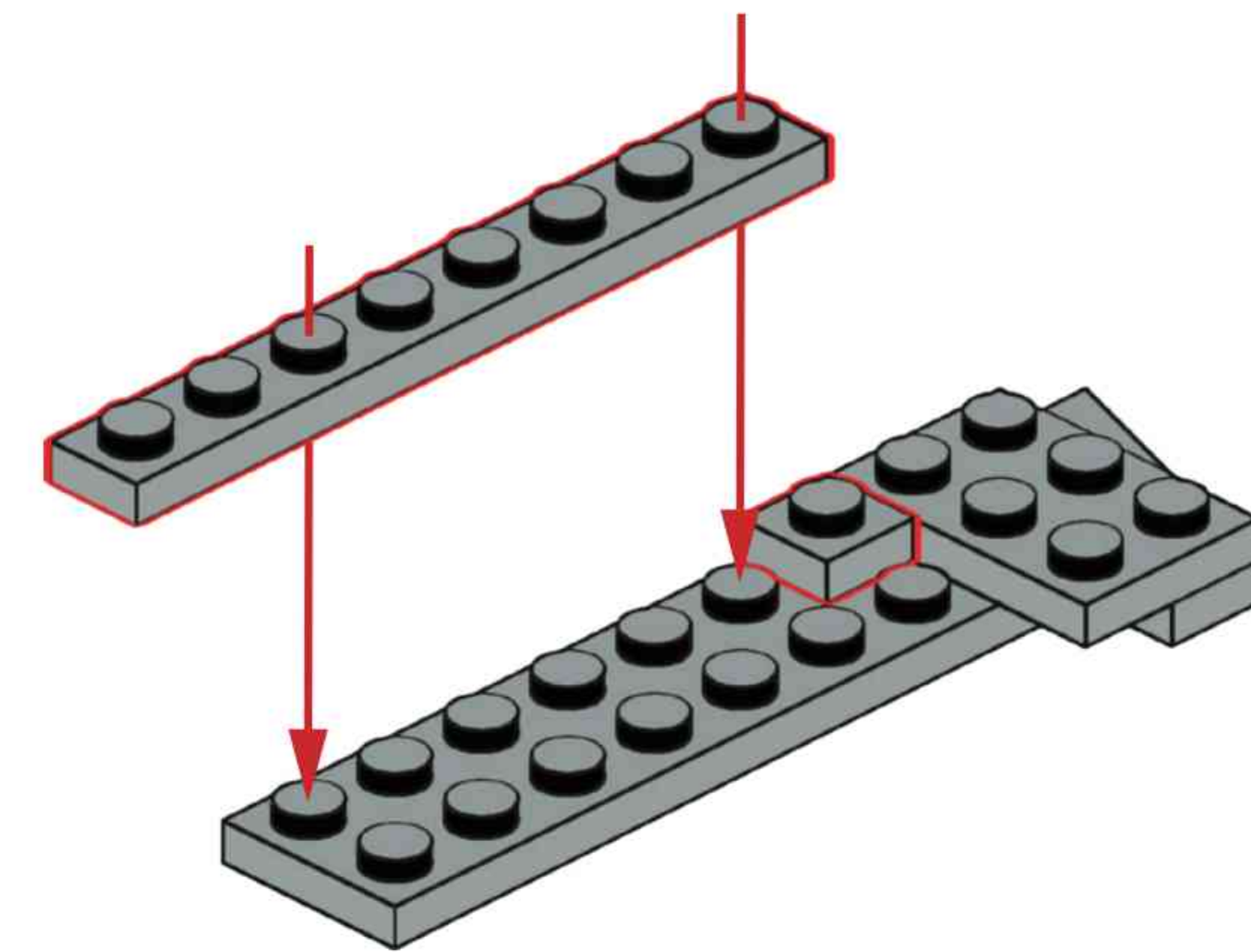
P53



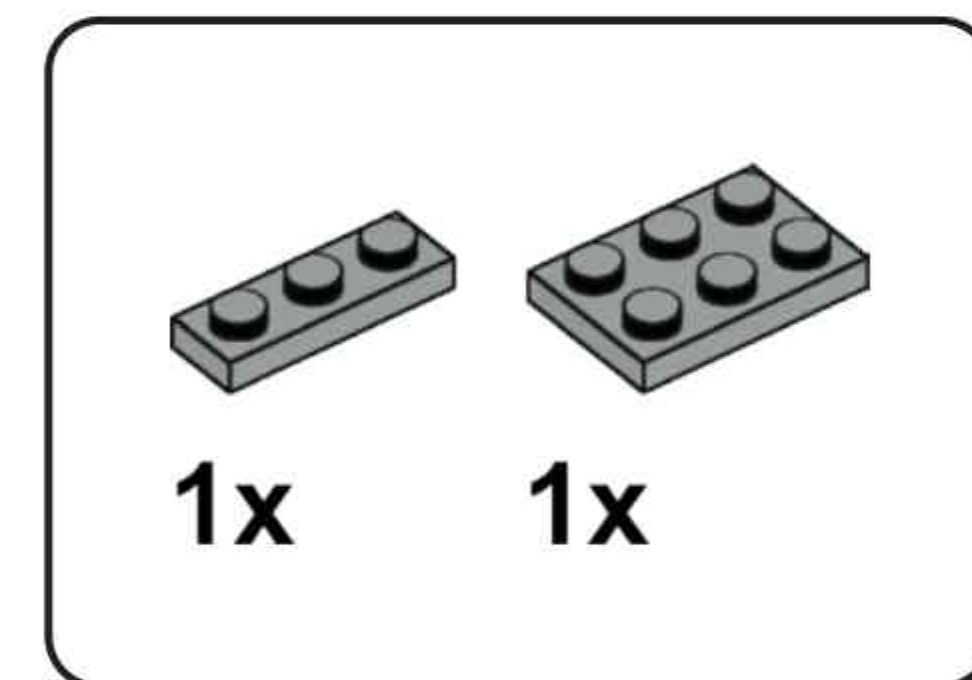
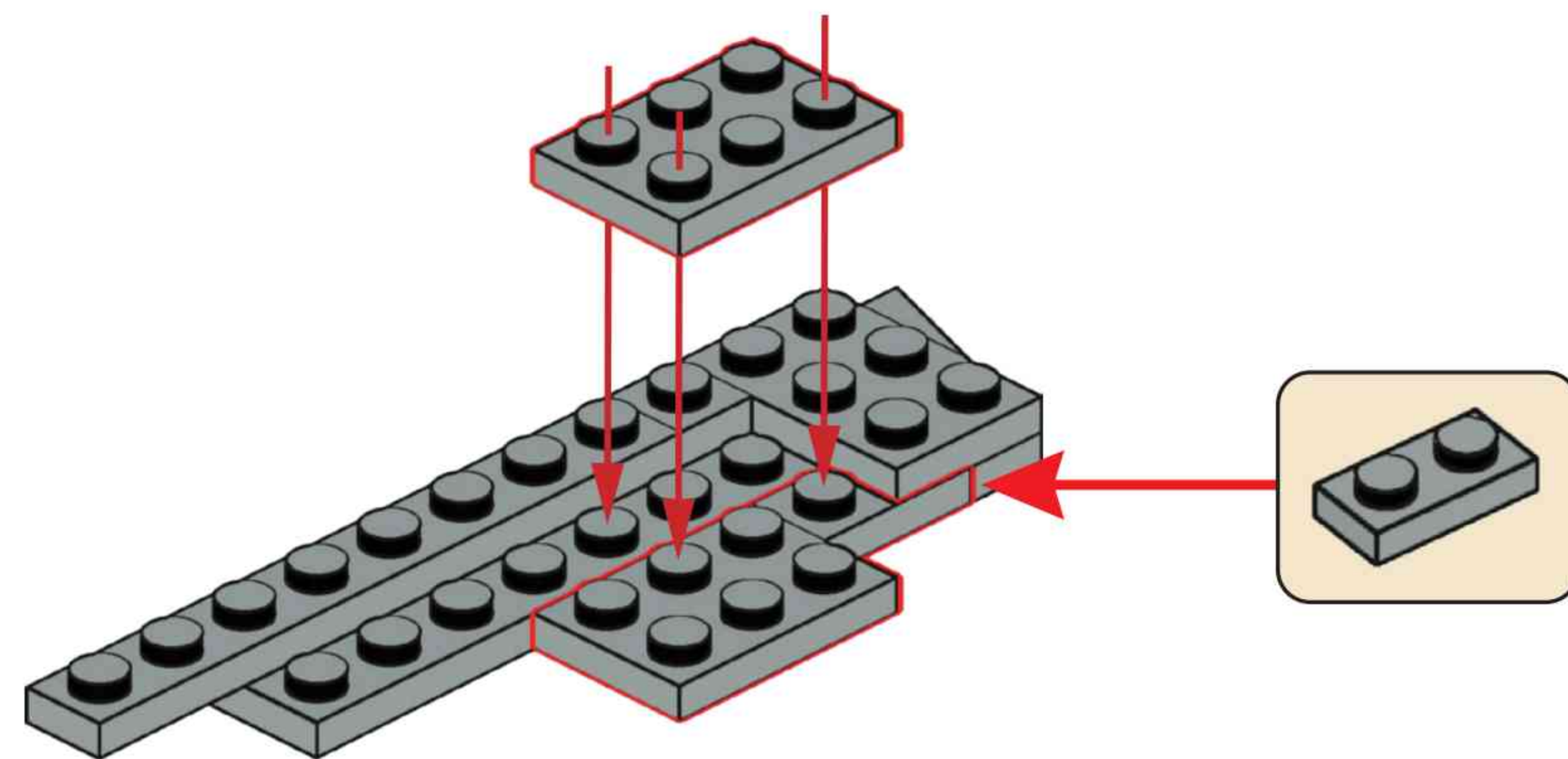
P55



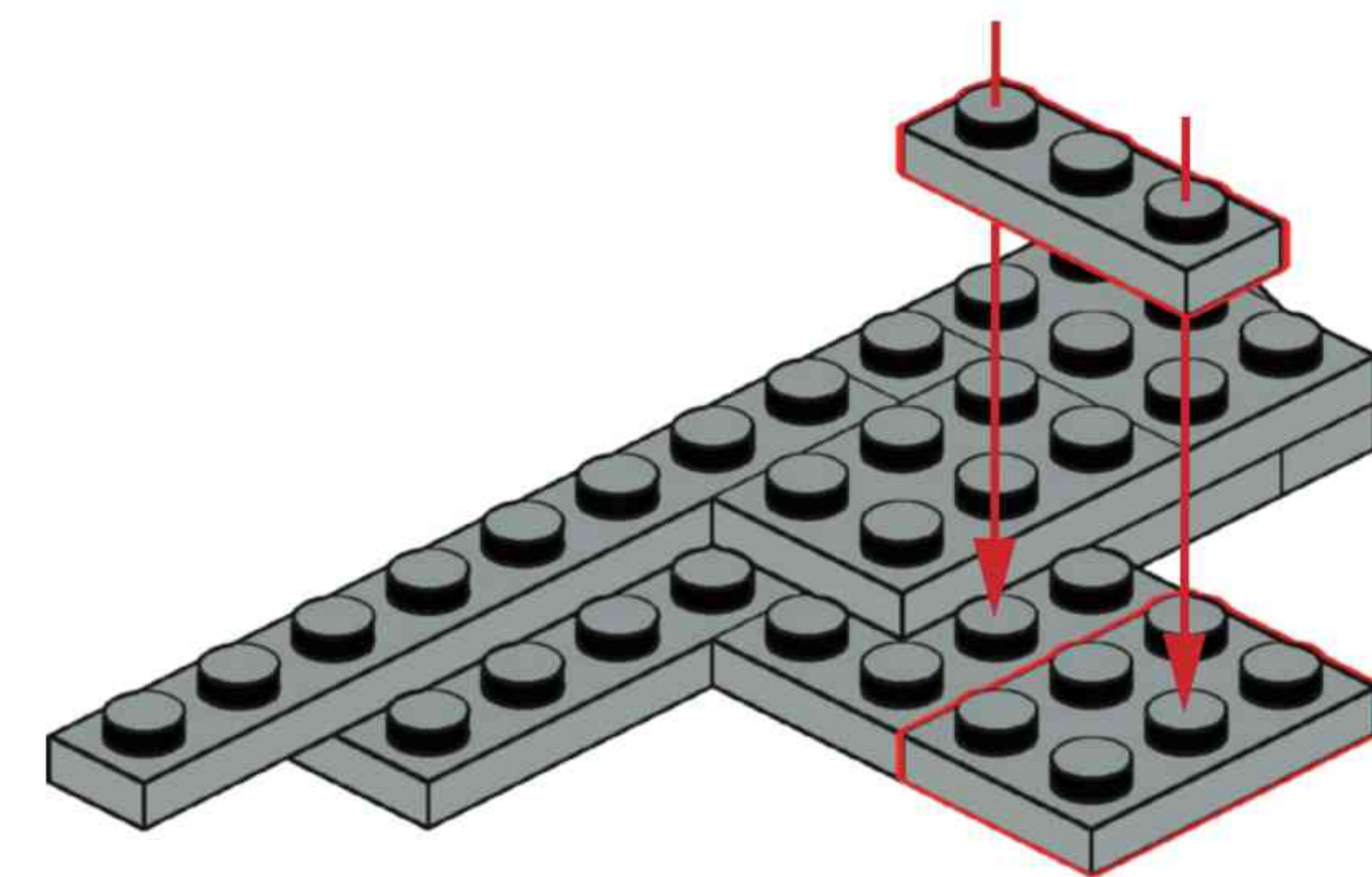
P56

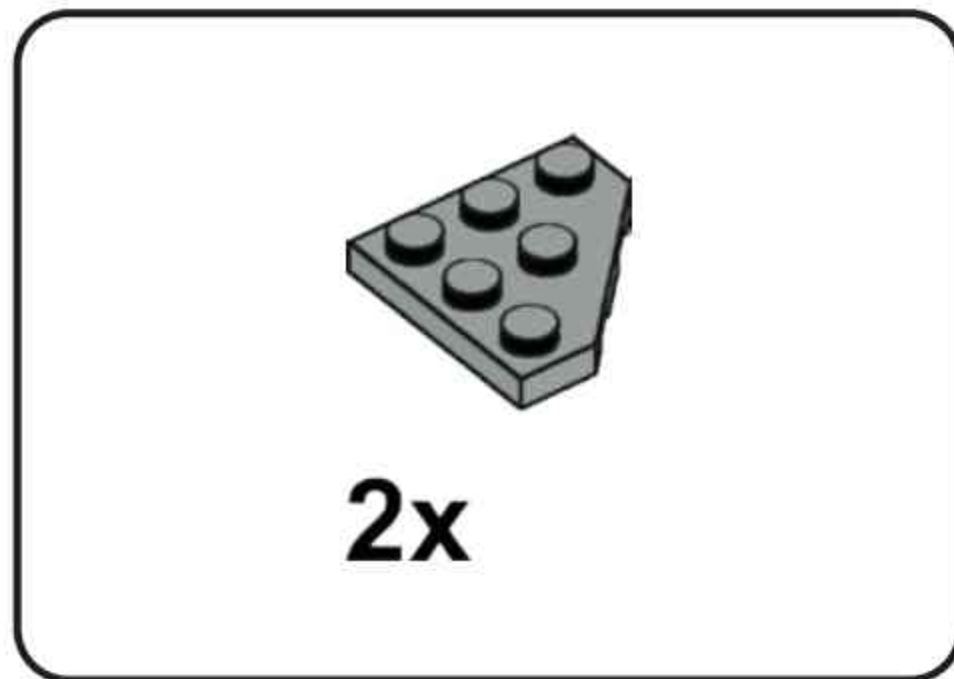


P57

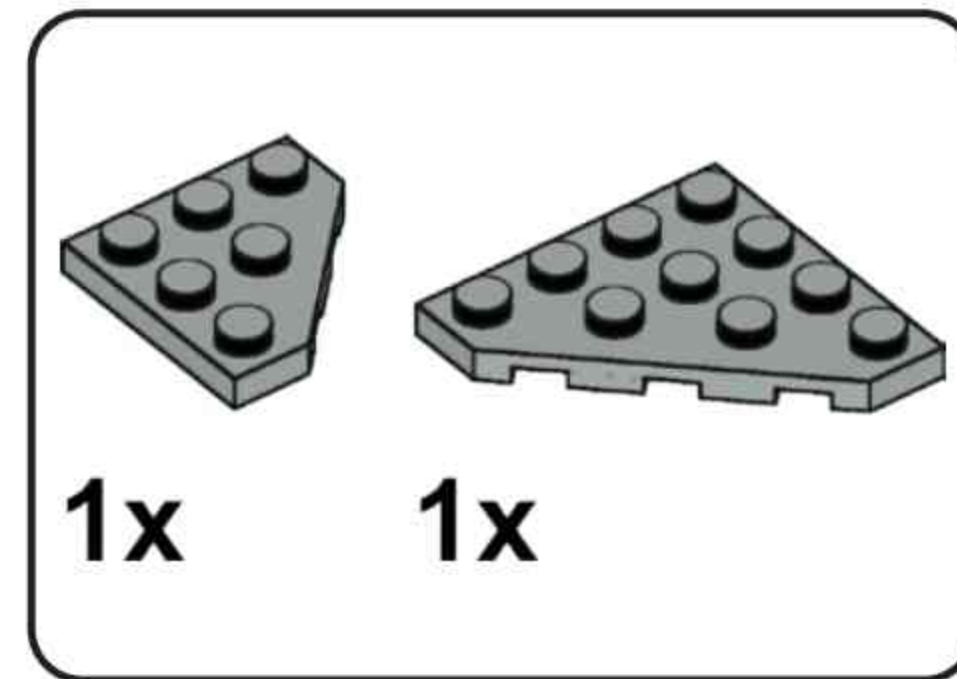
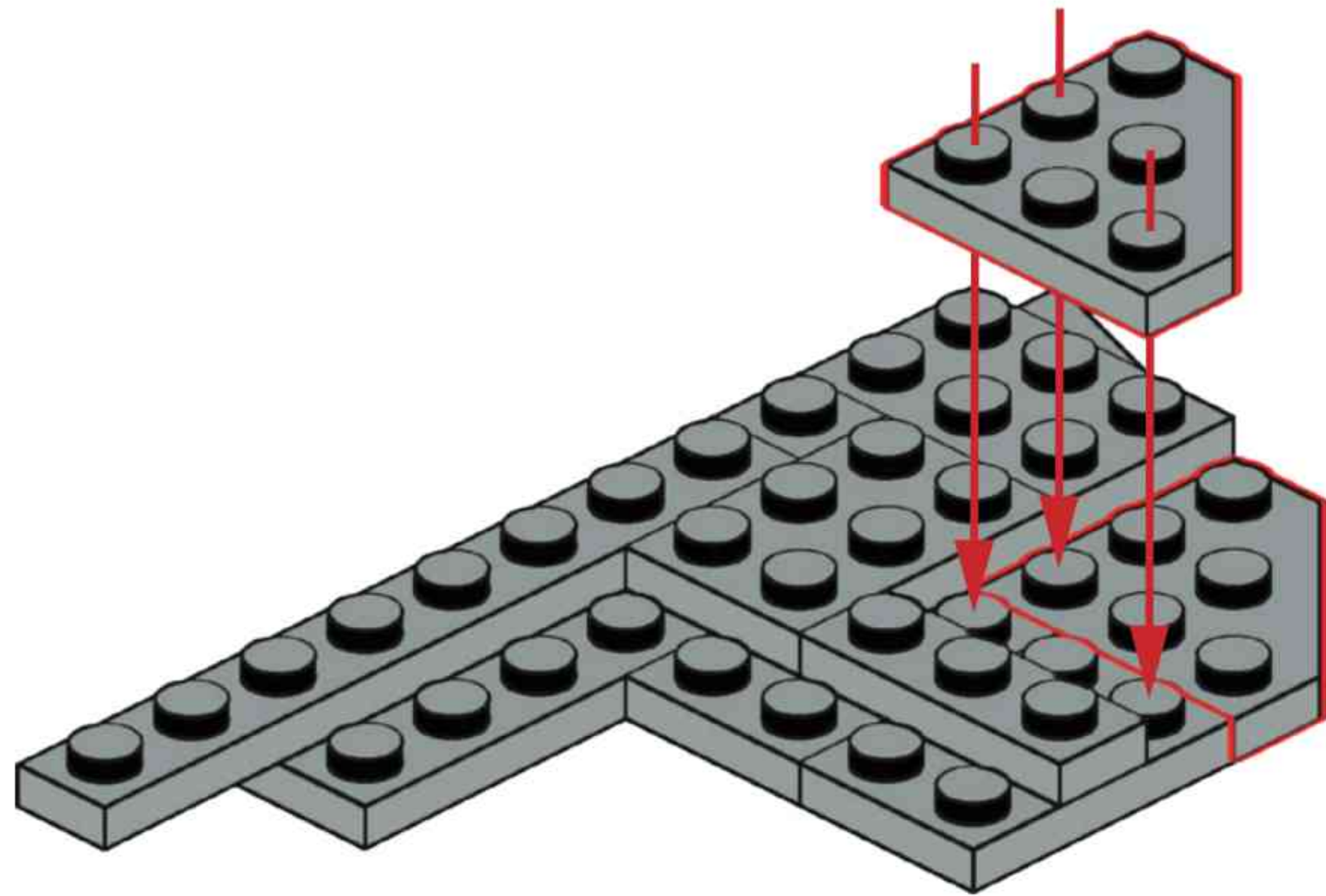


P58

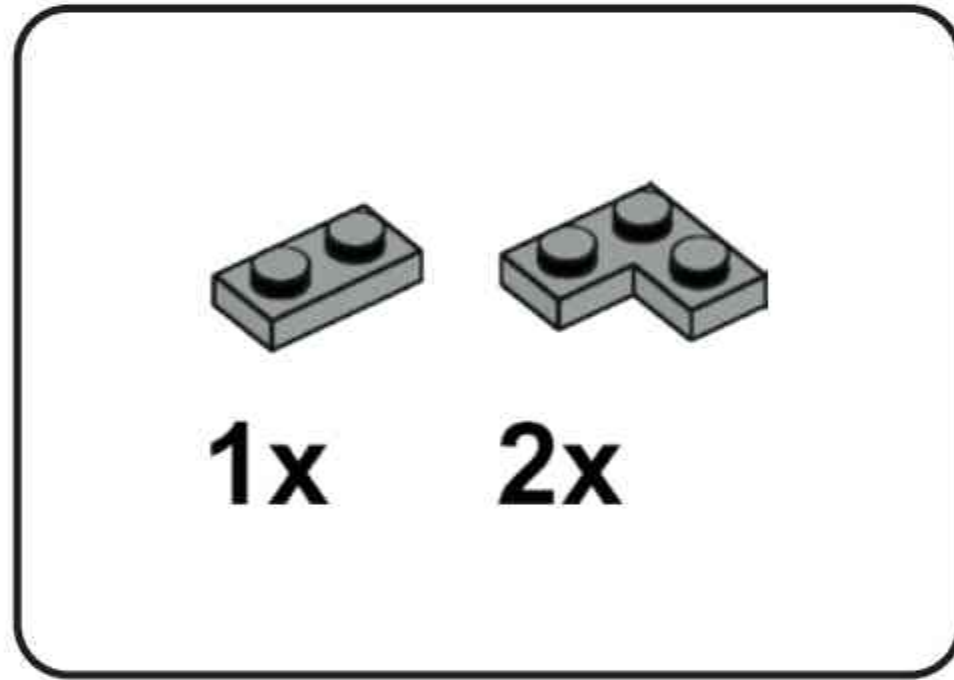
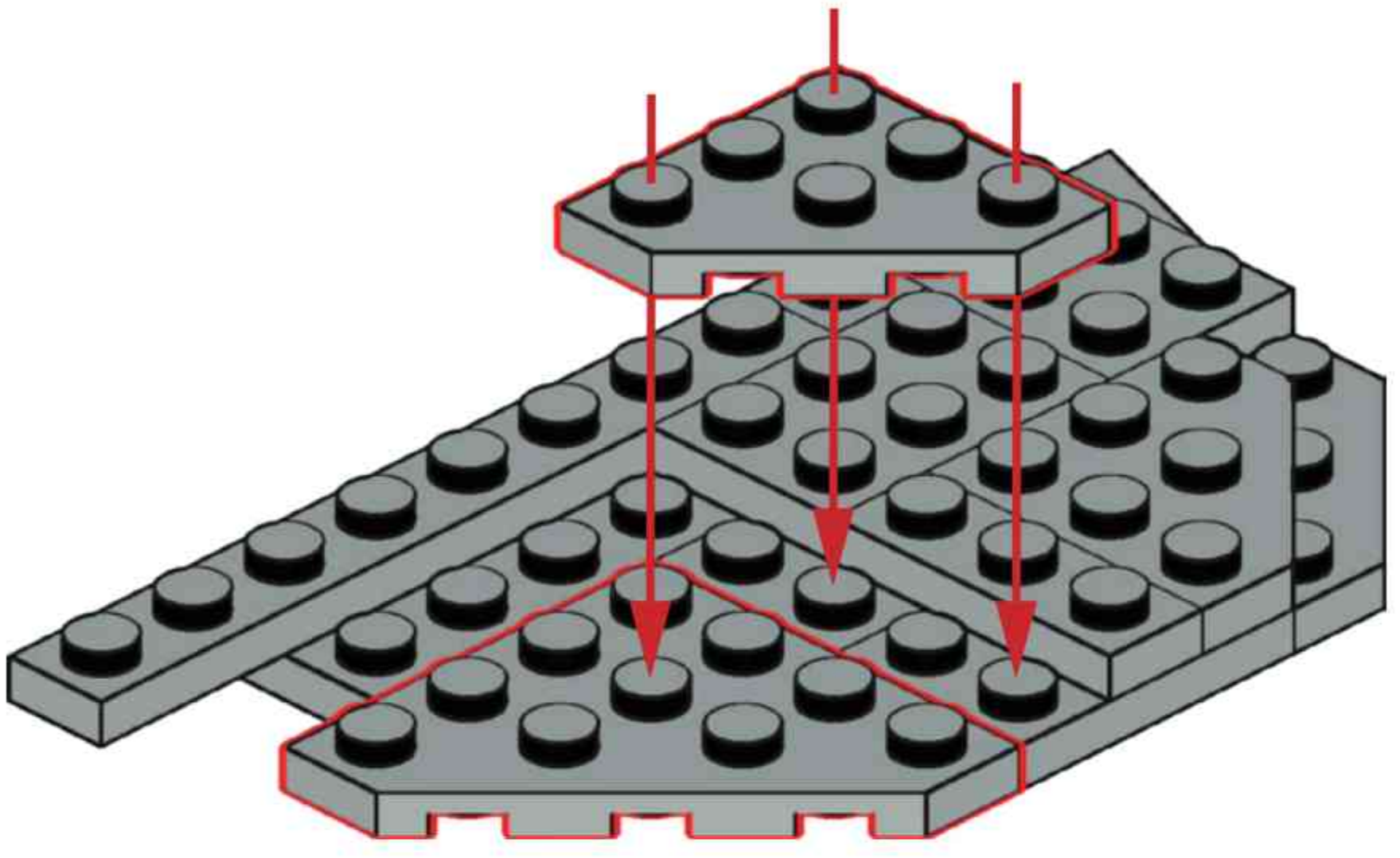




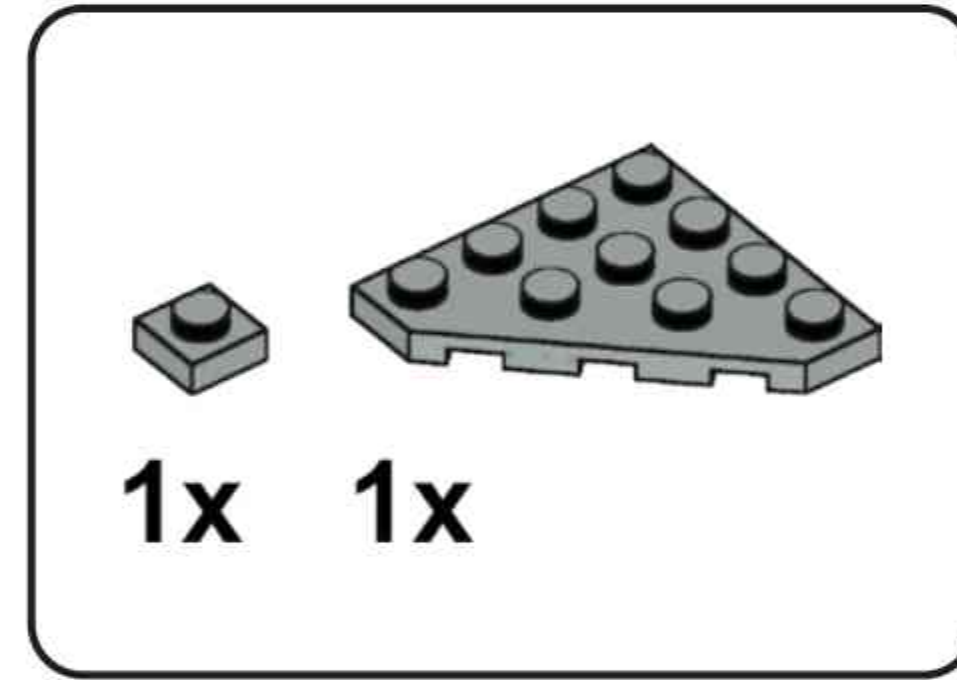
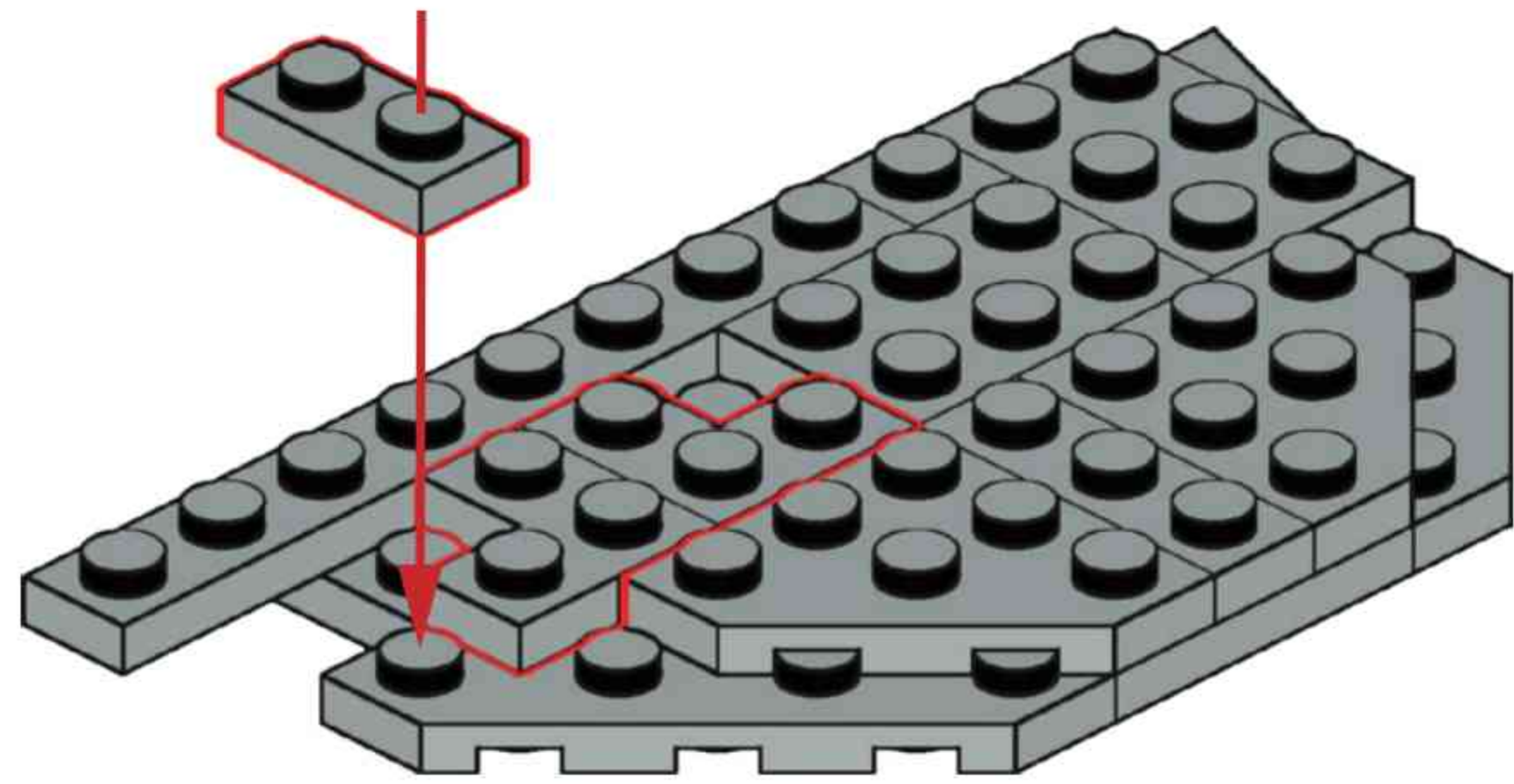
P59



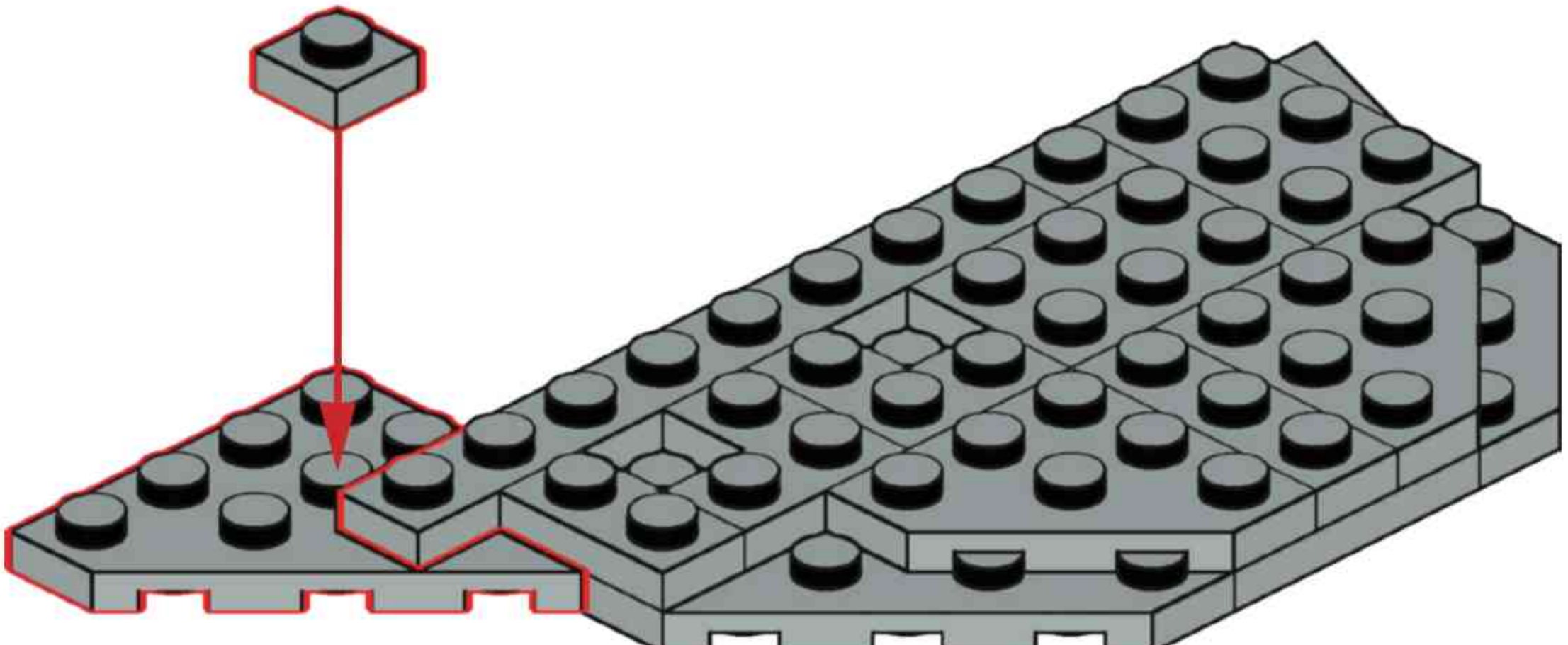
P60

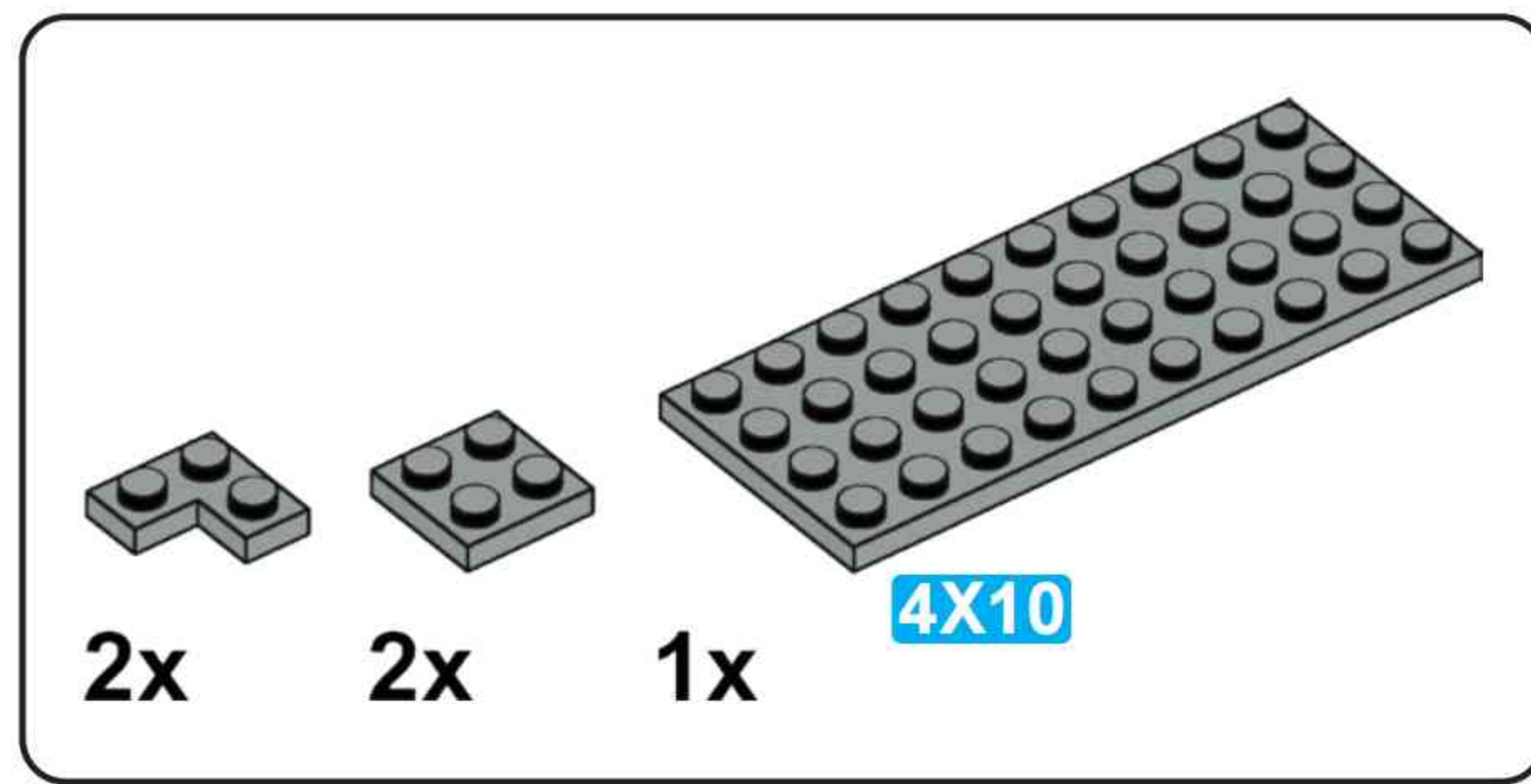


P61

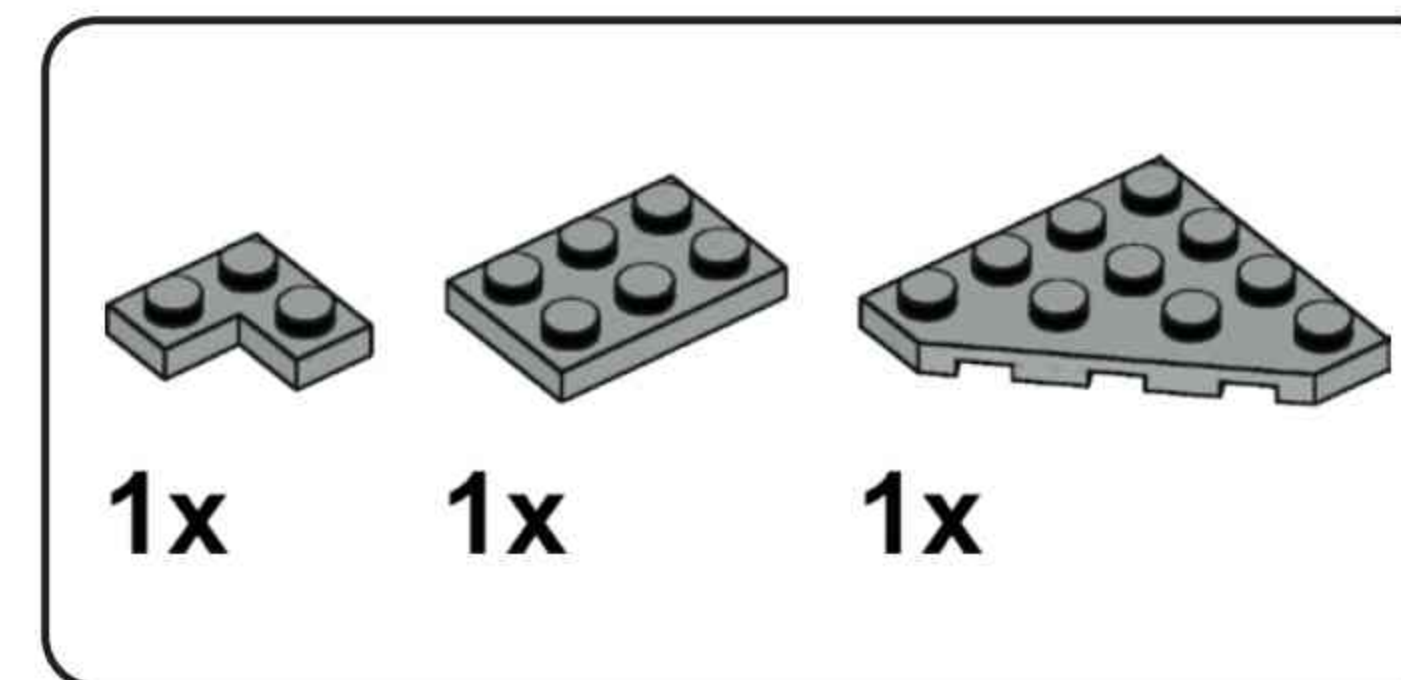
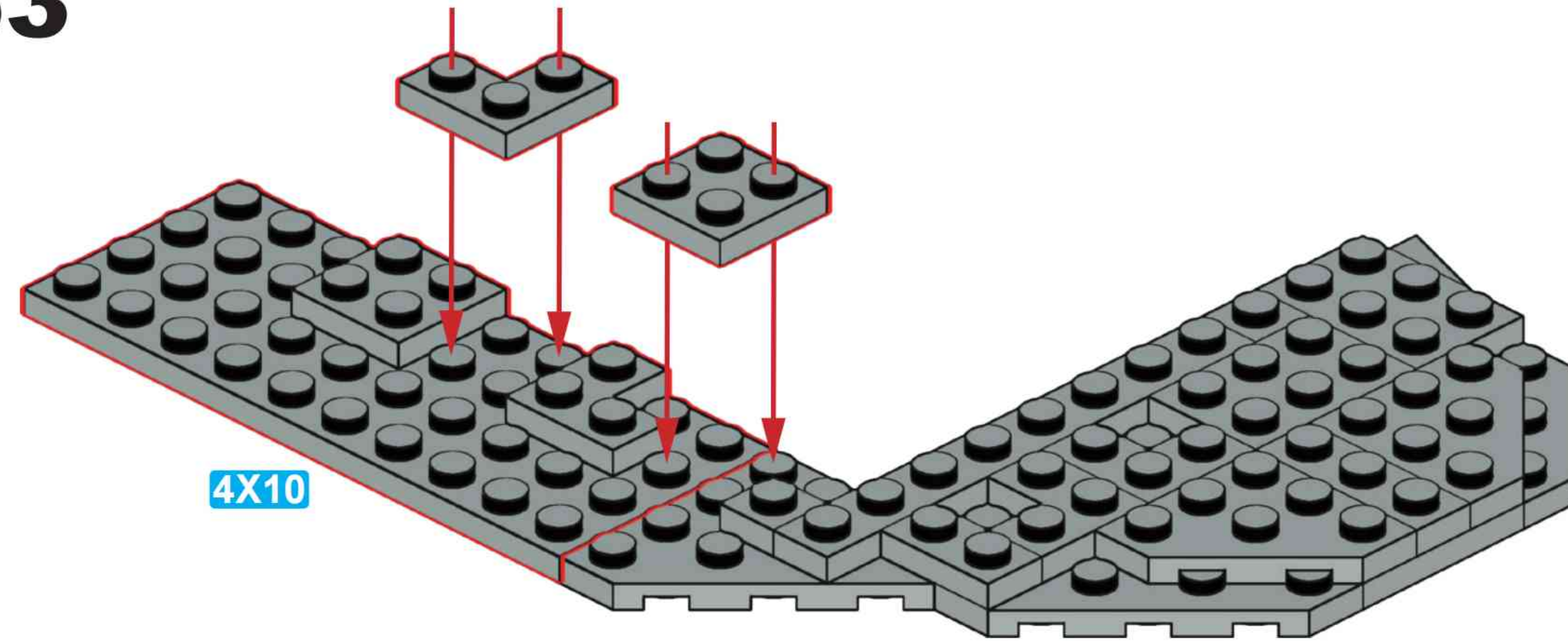


P62

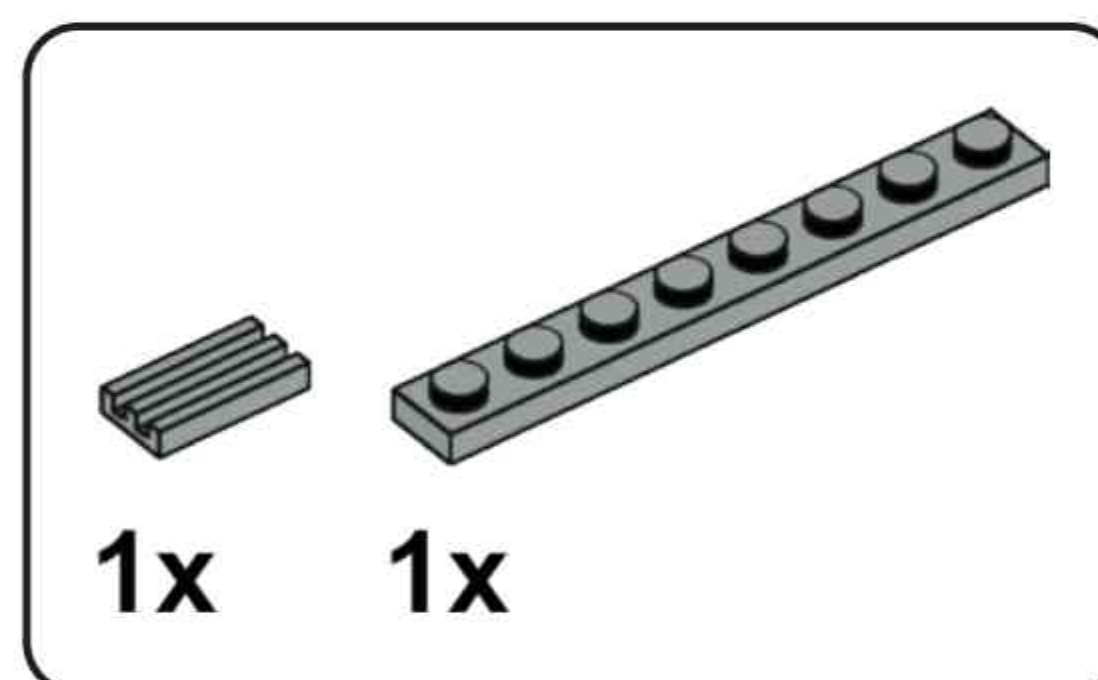
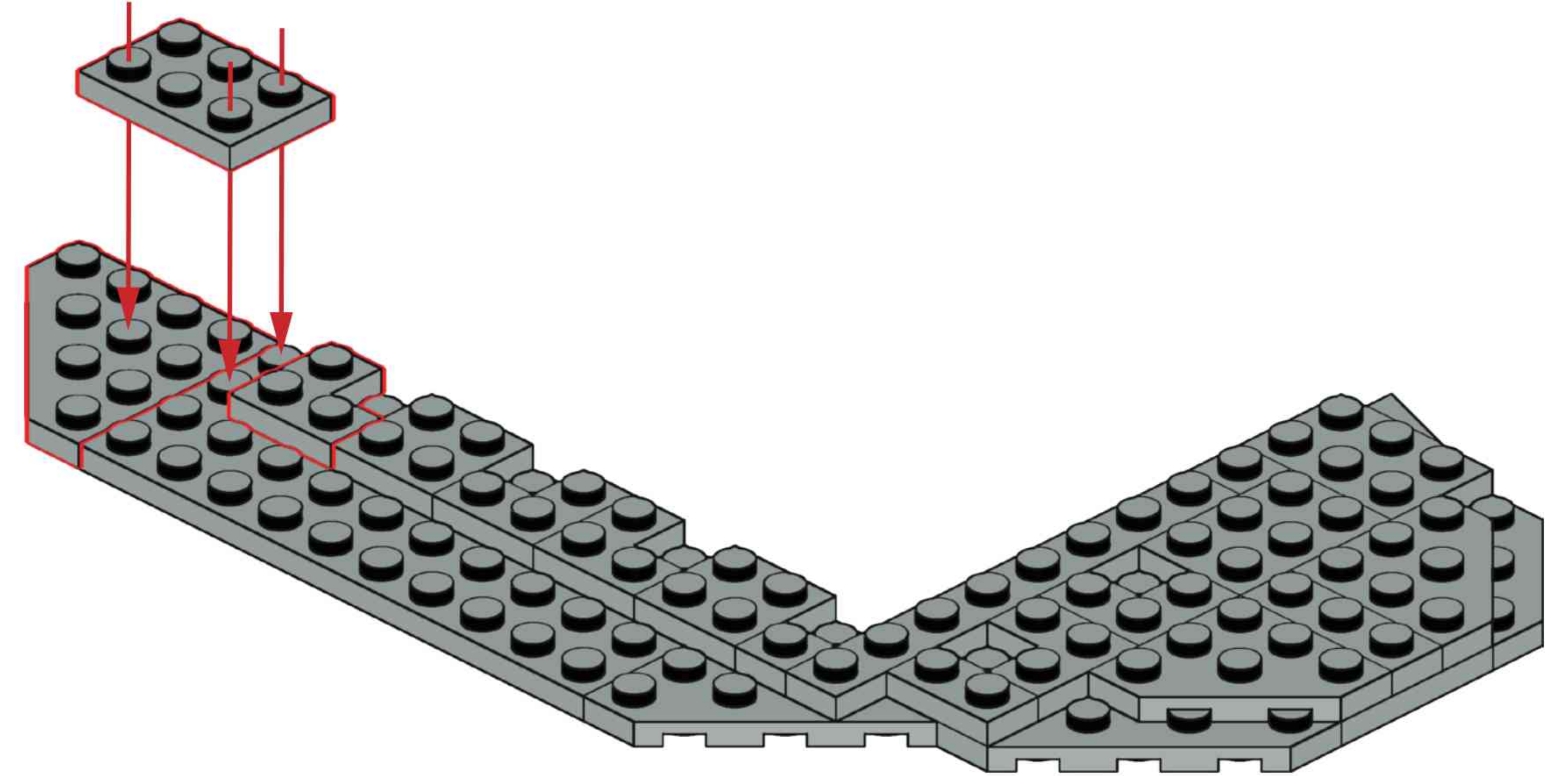




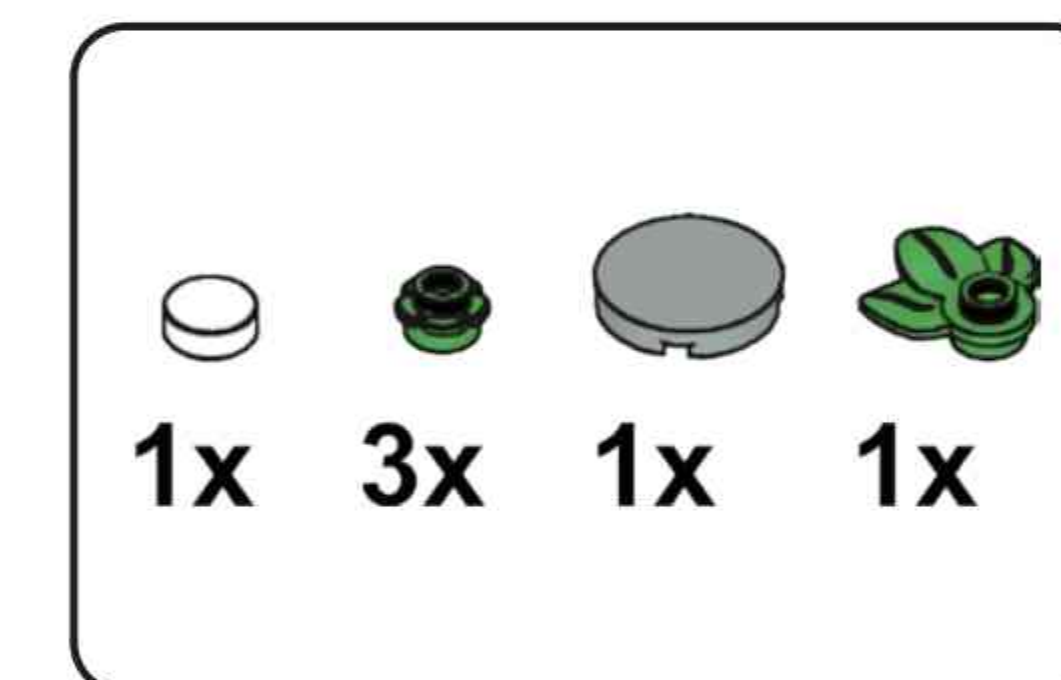
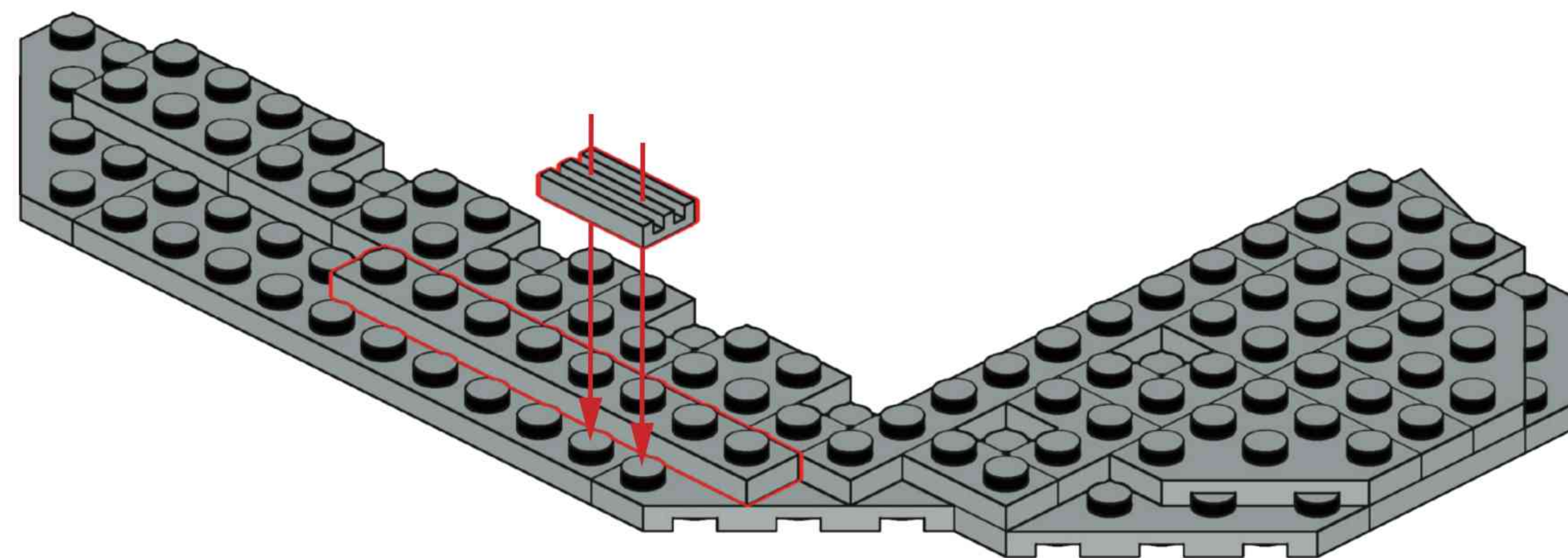
P63



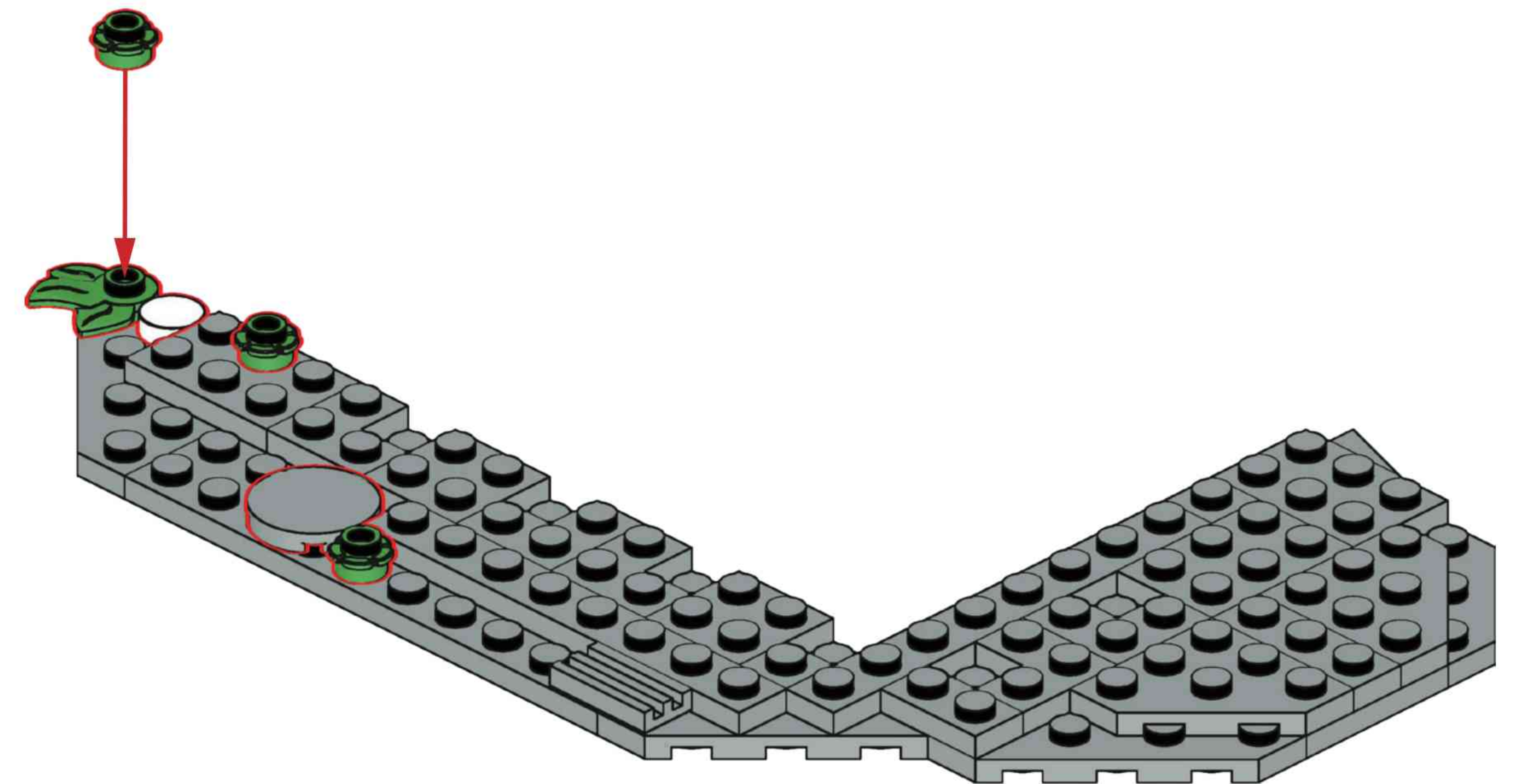
P64

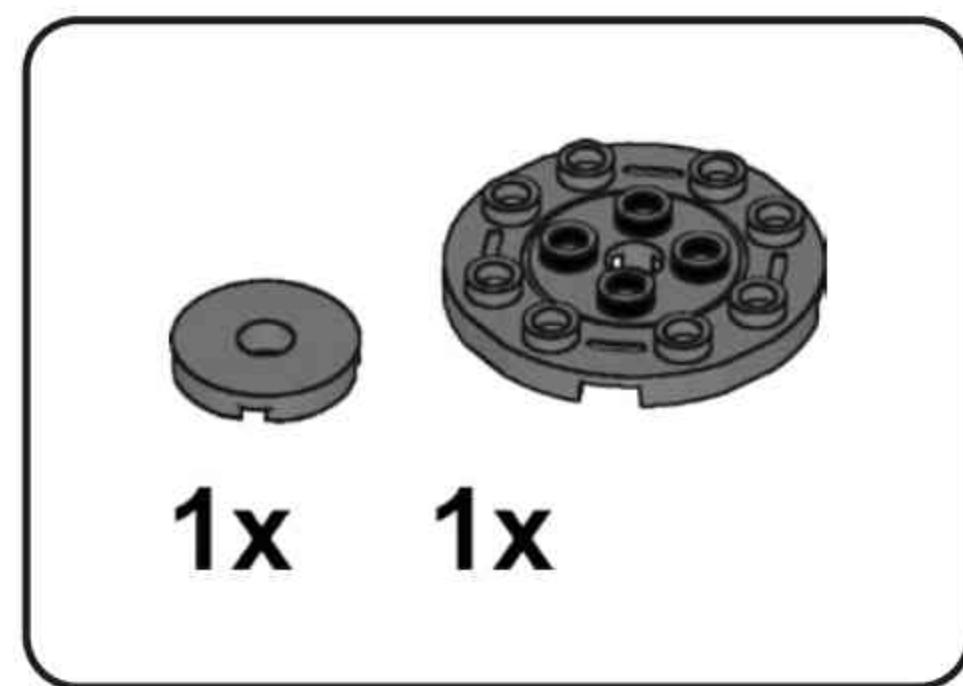


P65

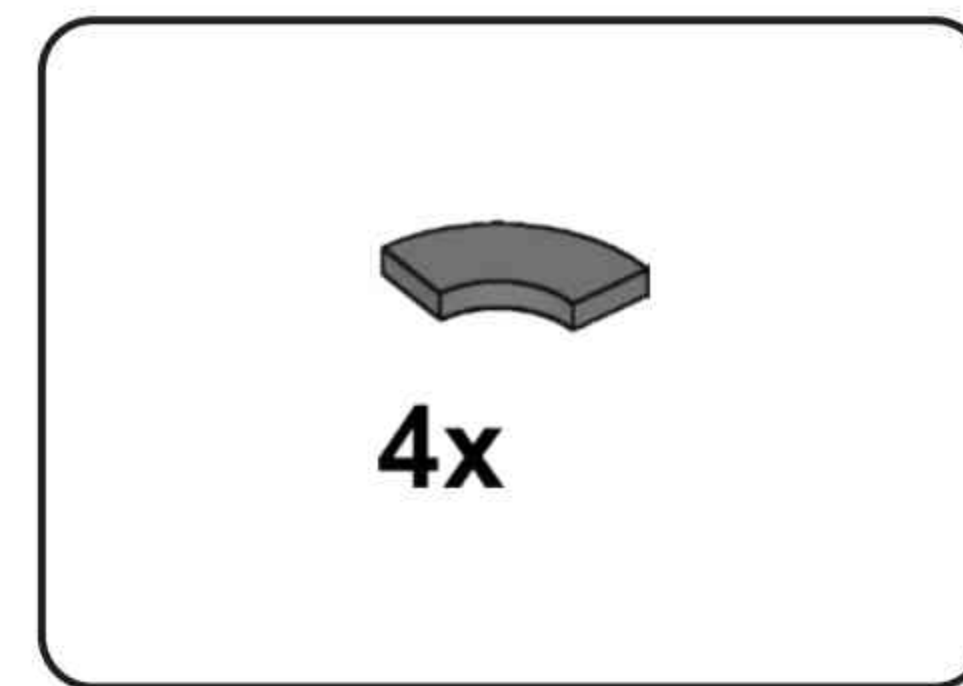
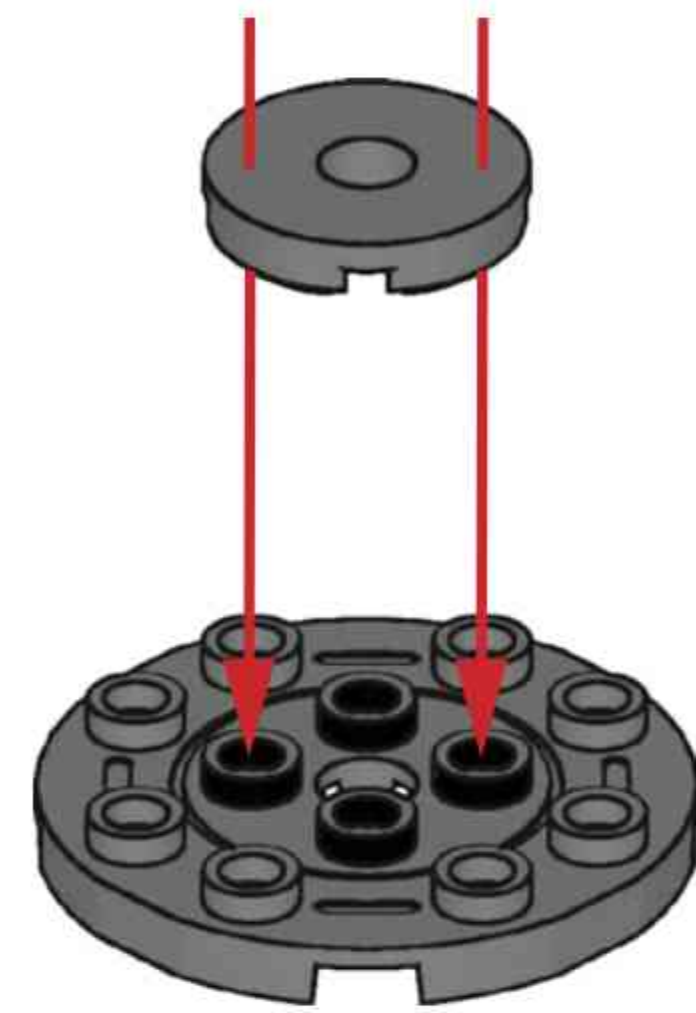


P66

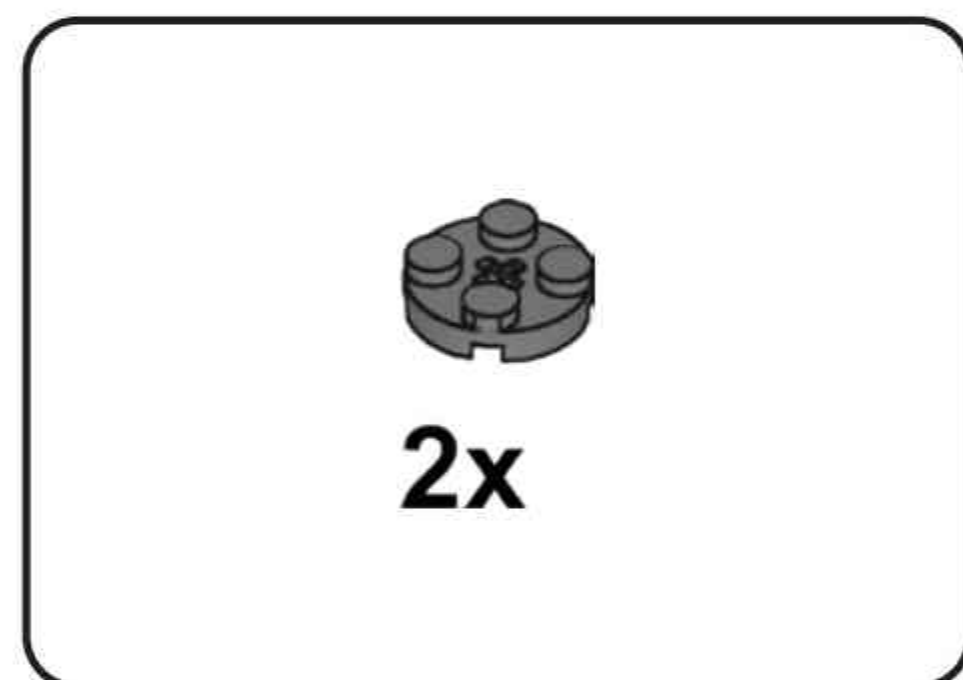
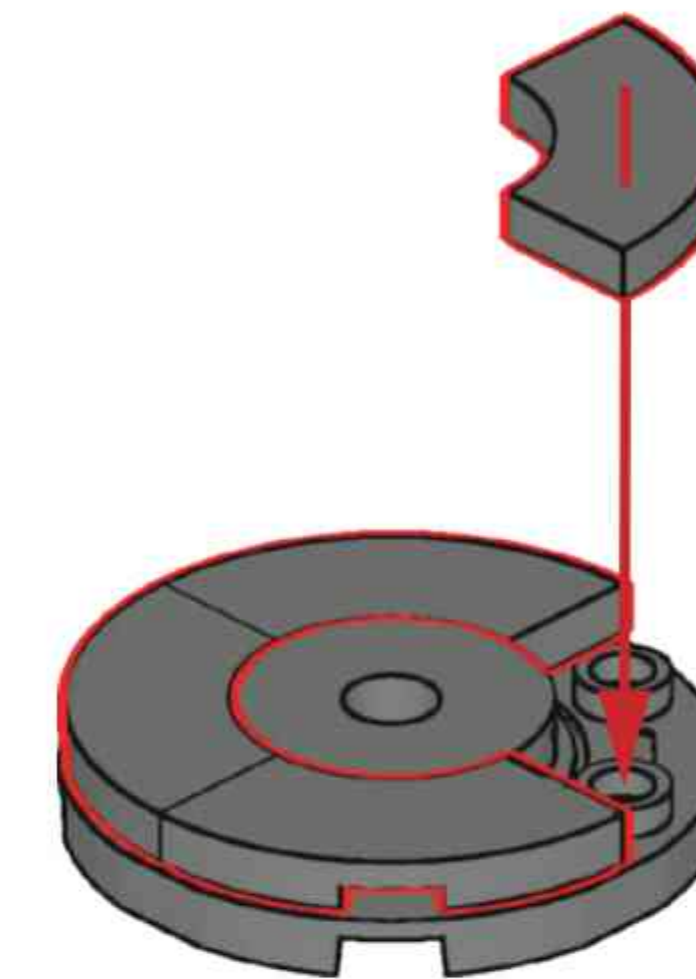




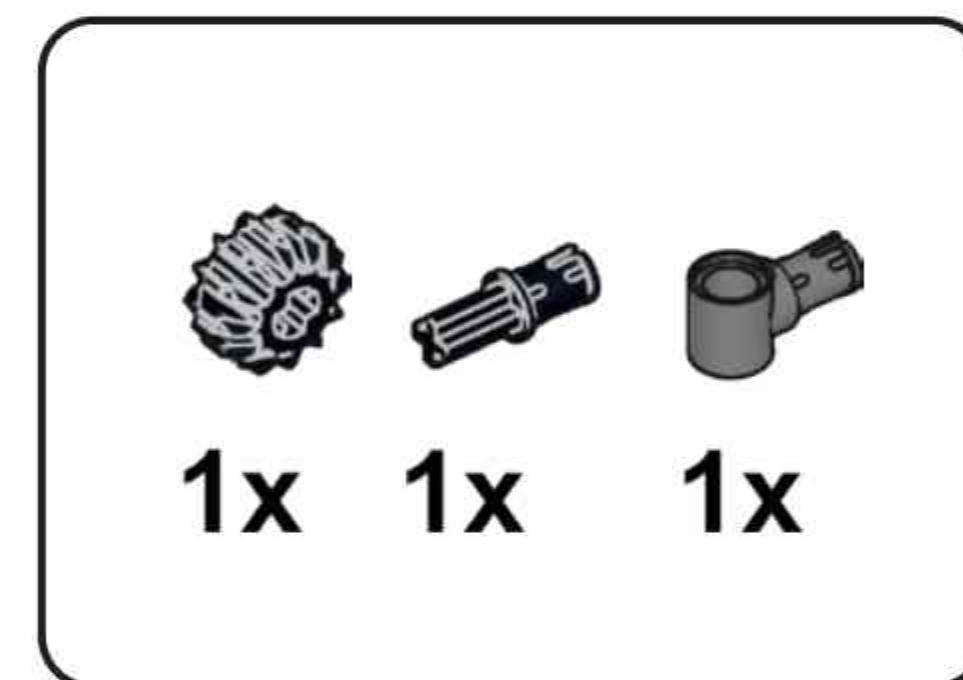
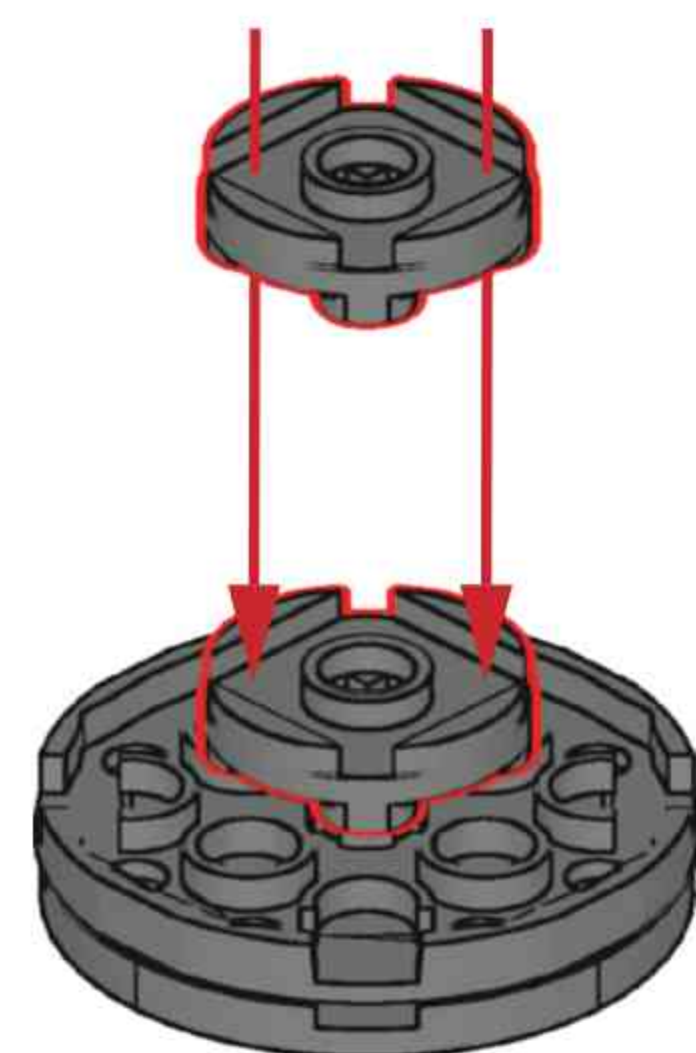
P67



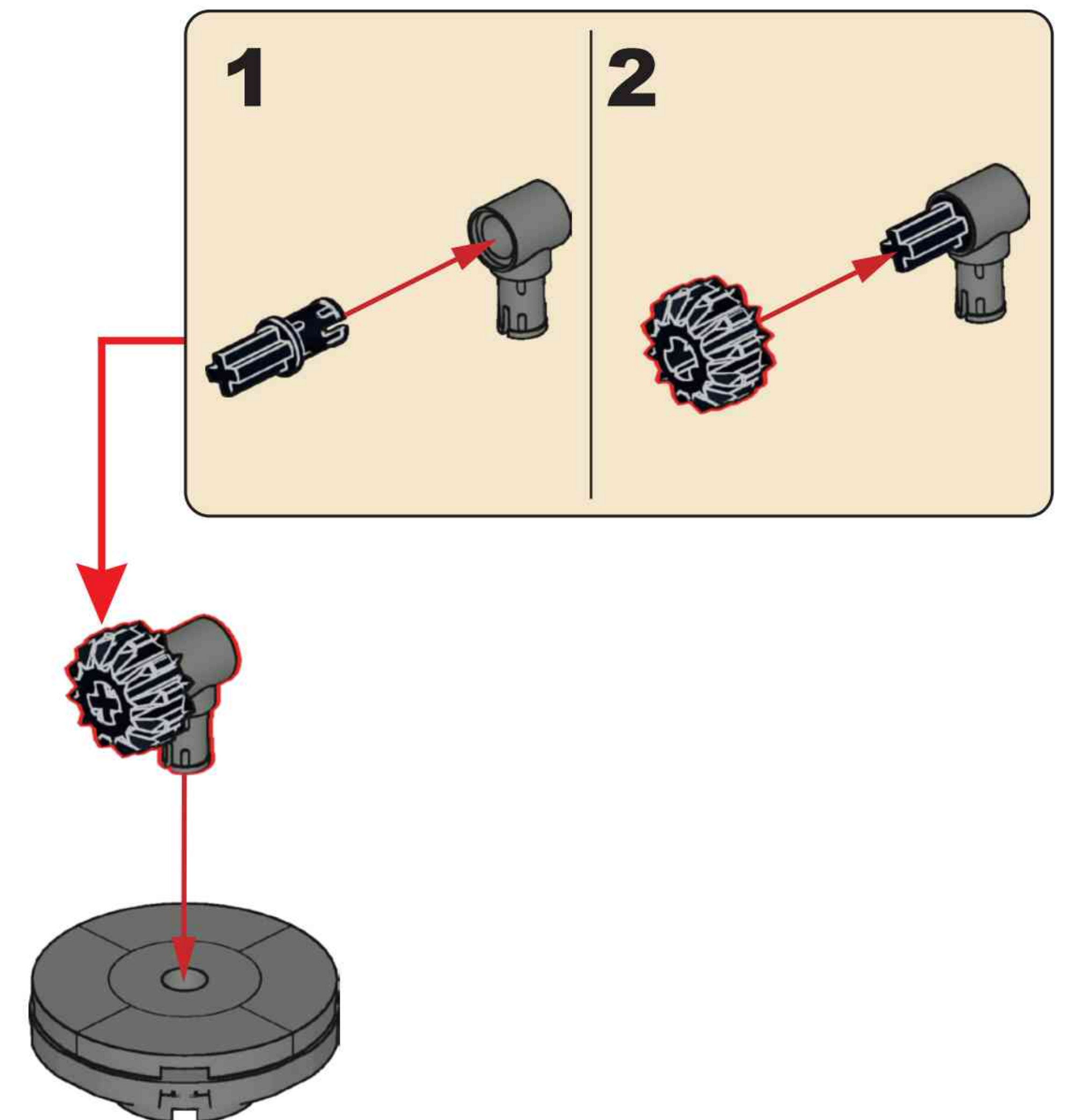
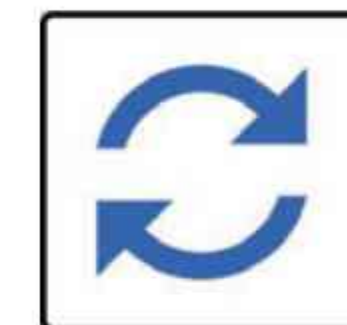
P68



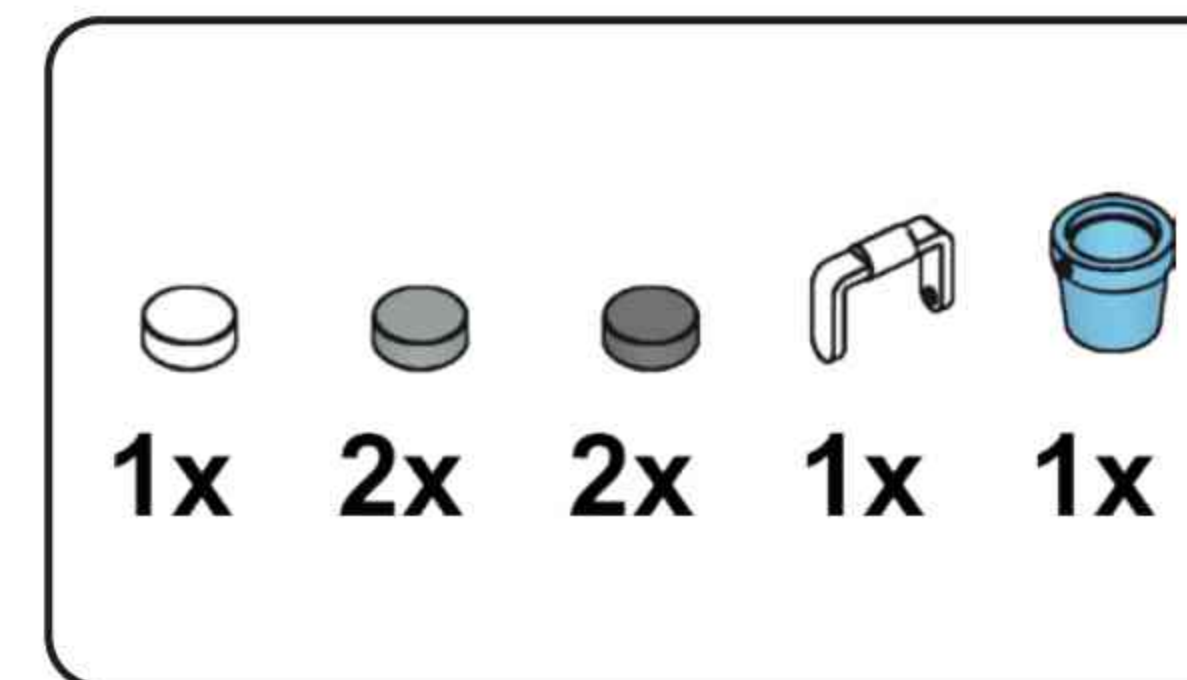
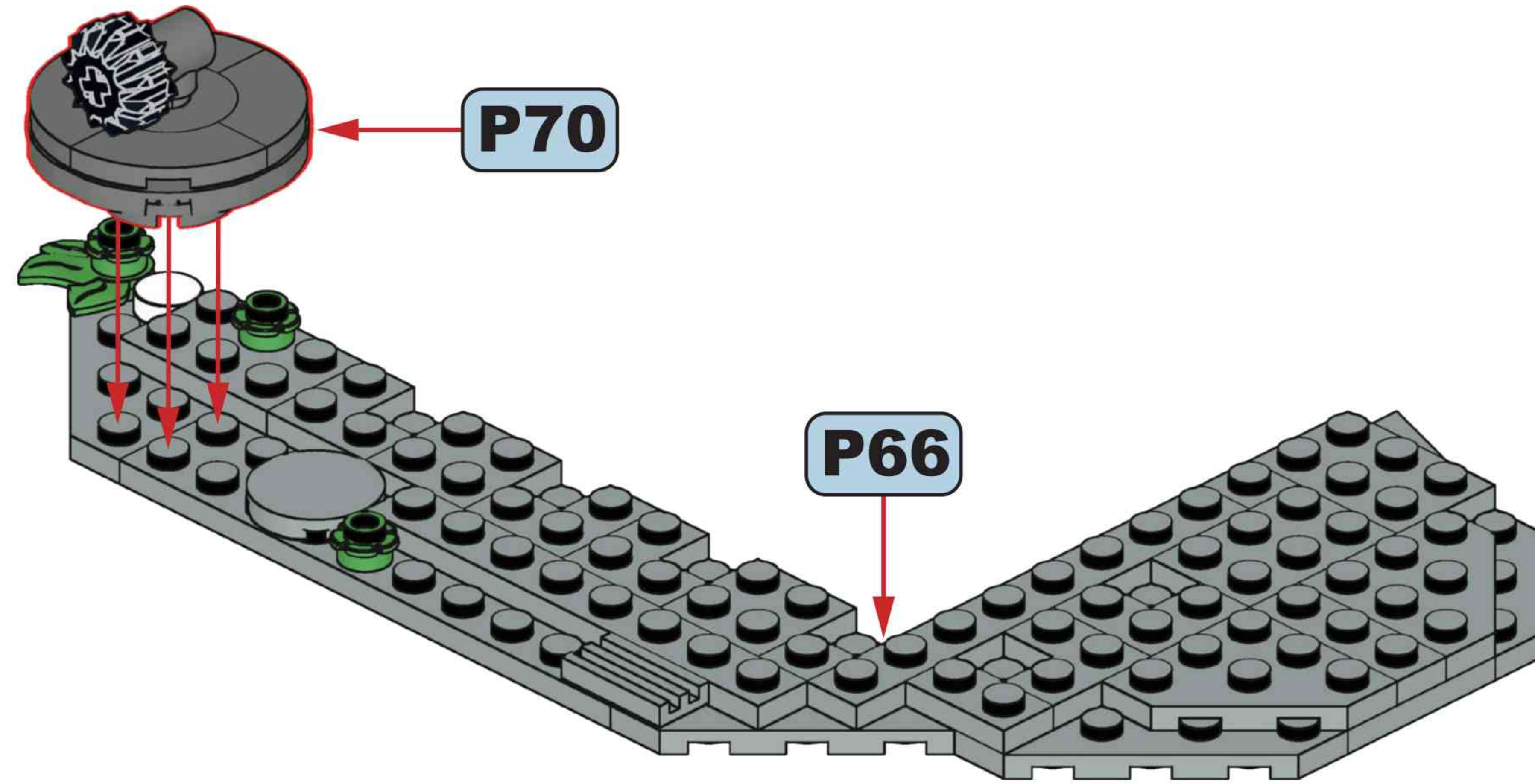
P69



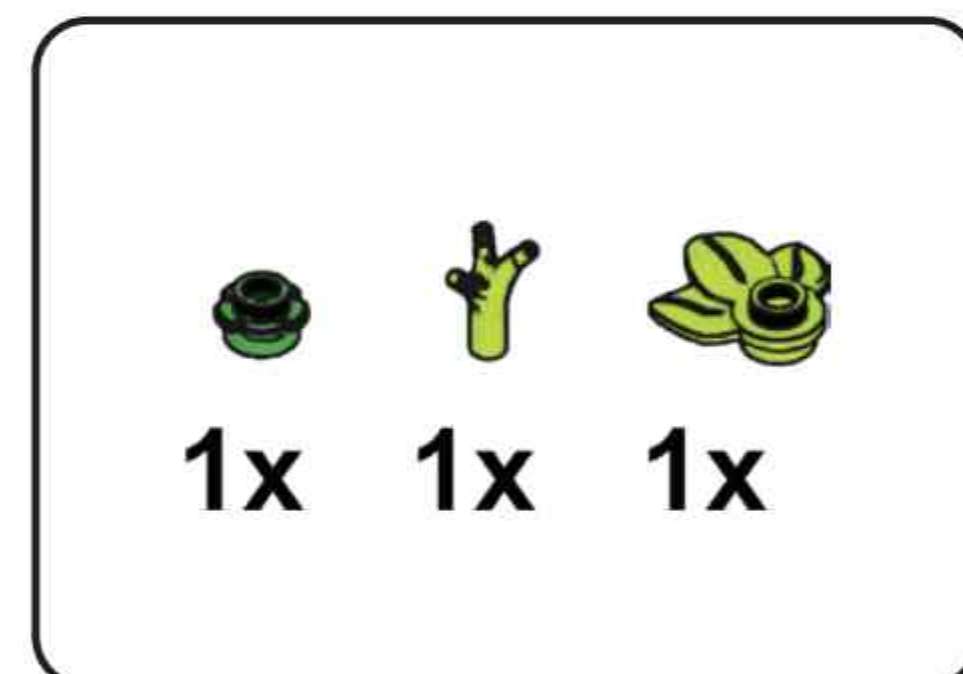
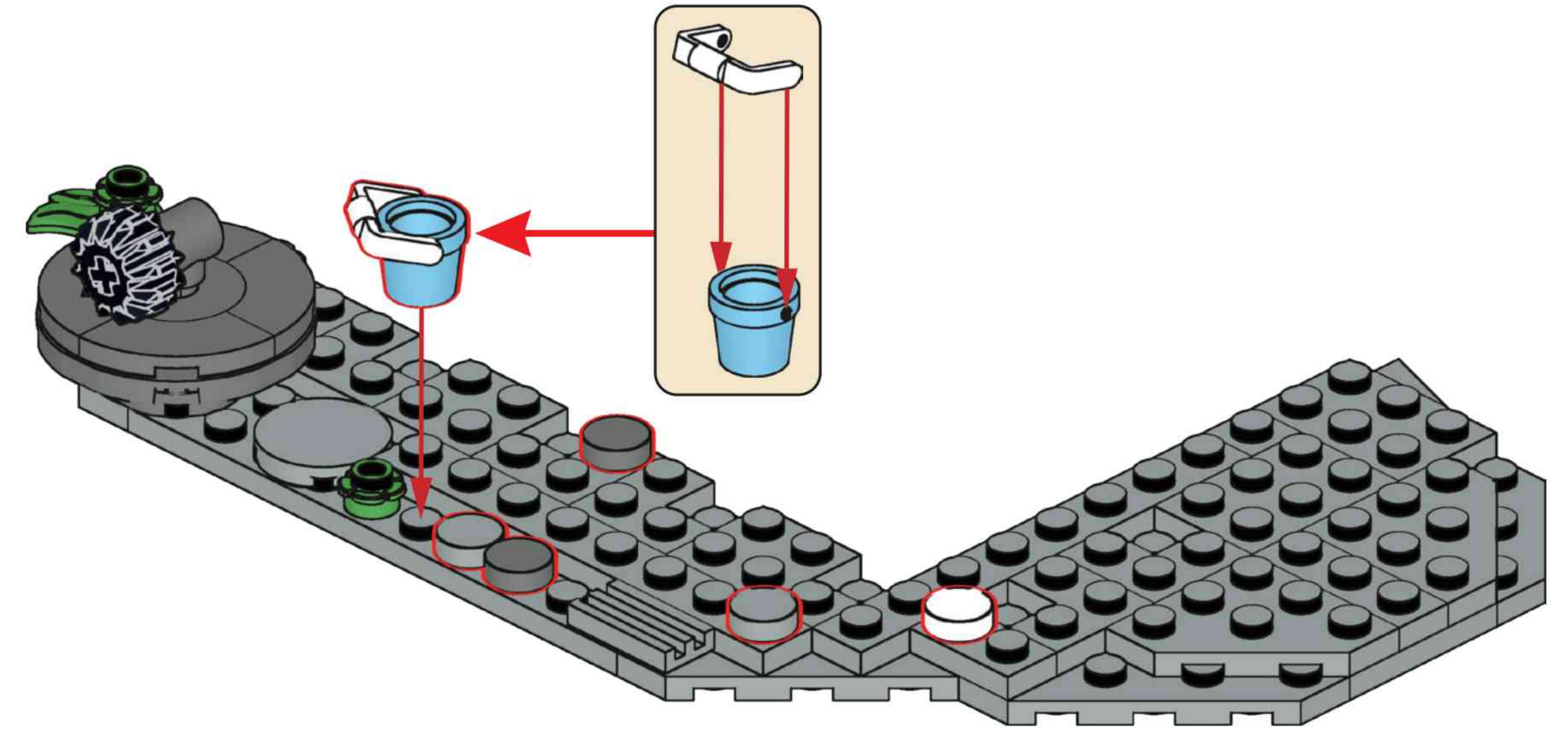
P70



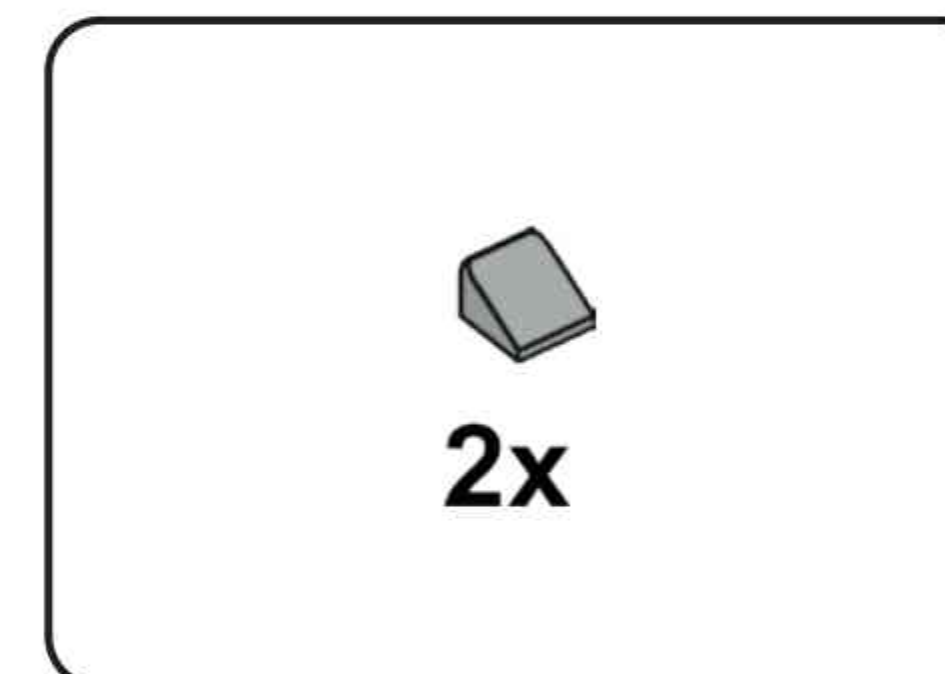
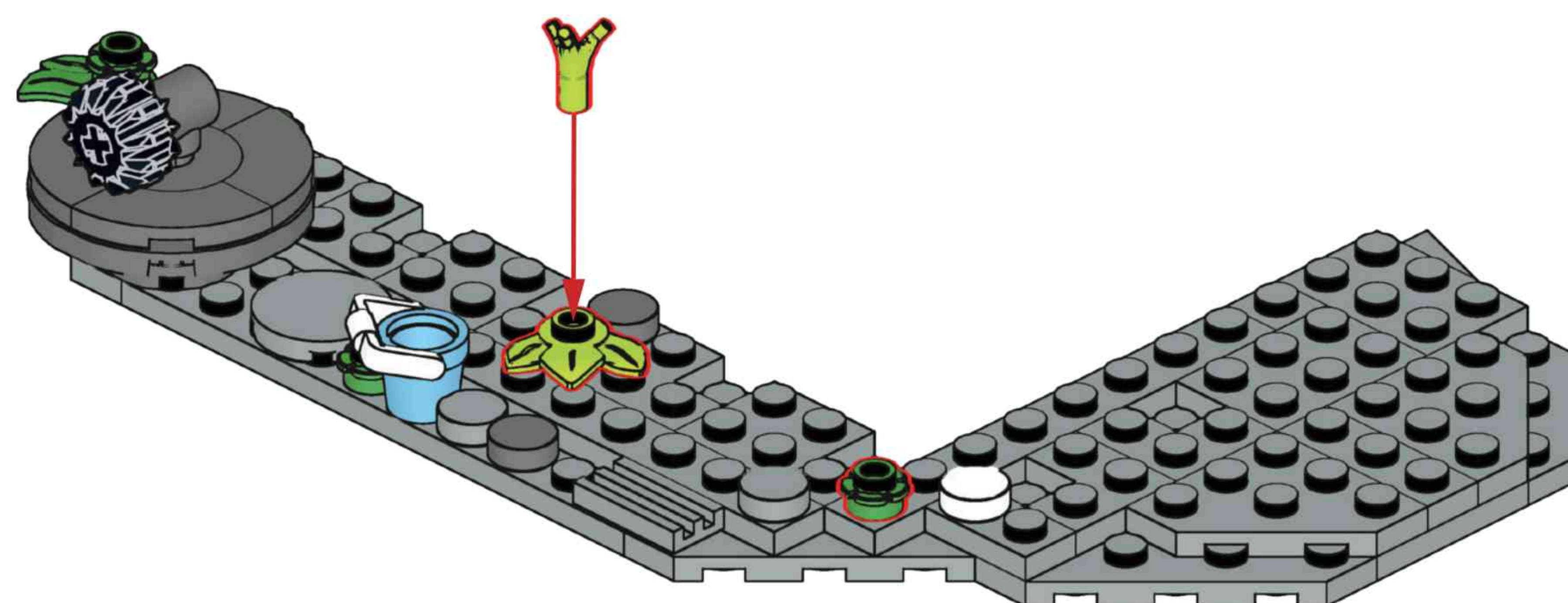
P71



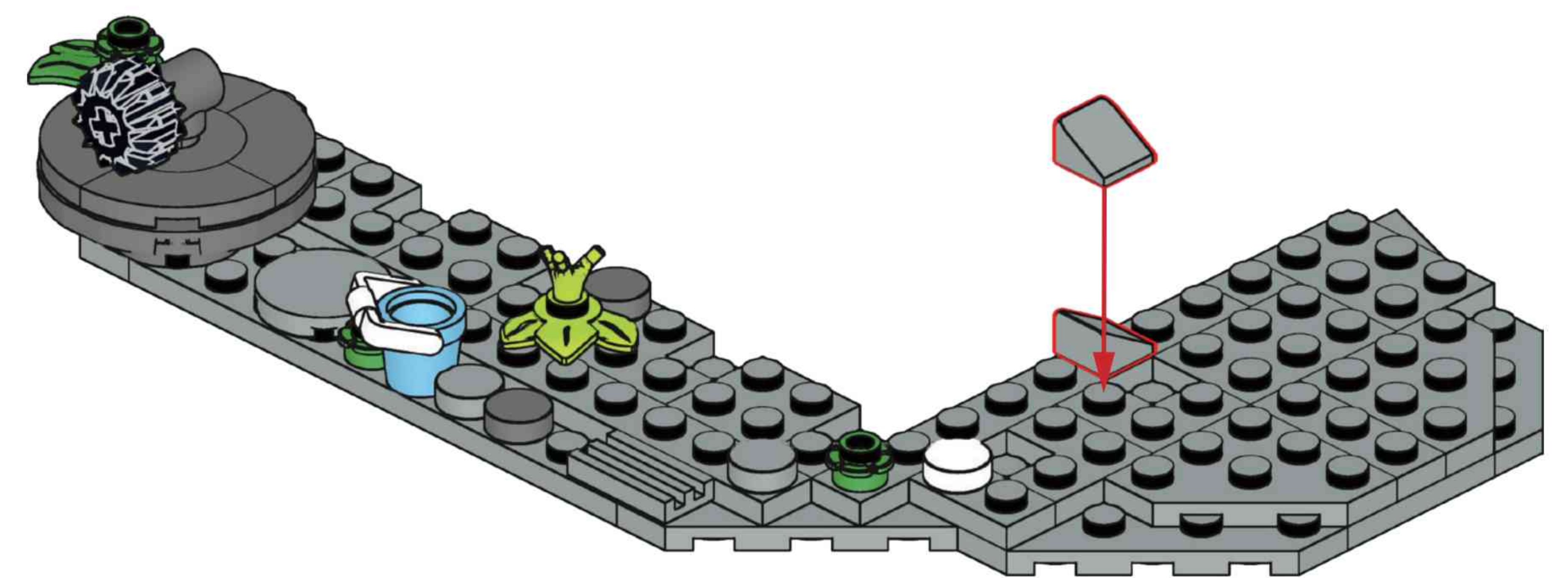
P72

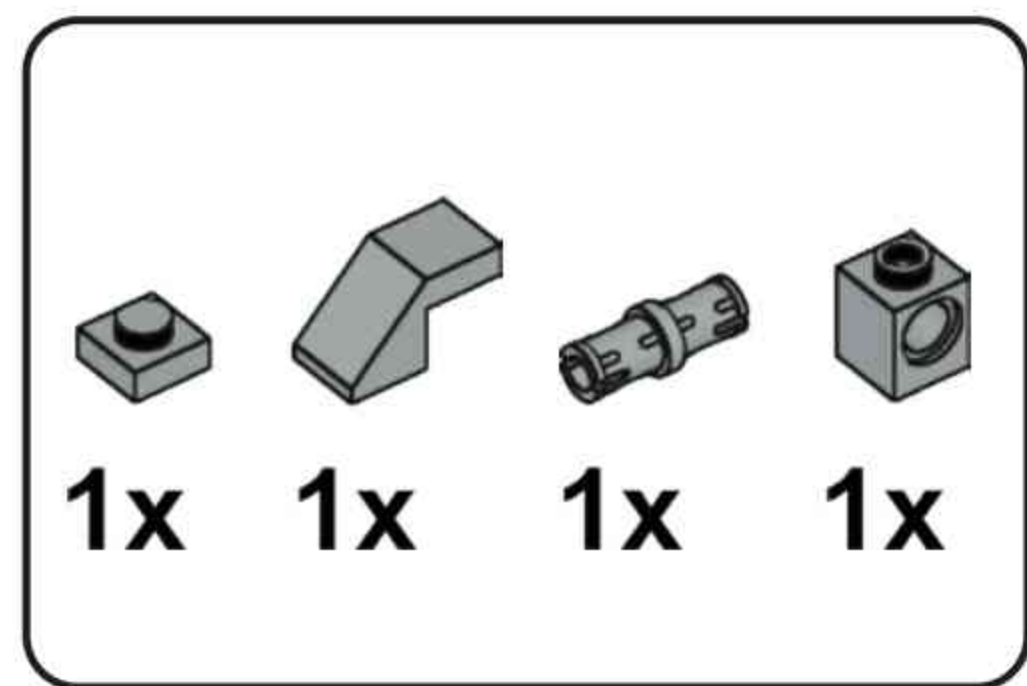


P73

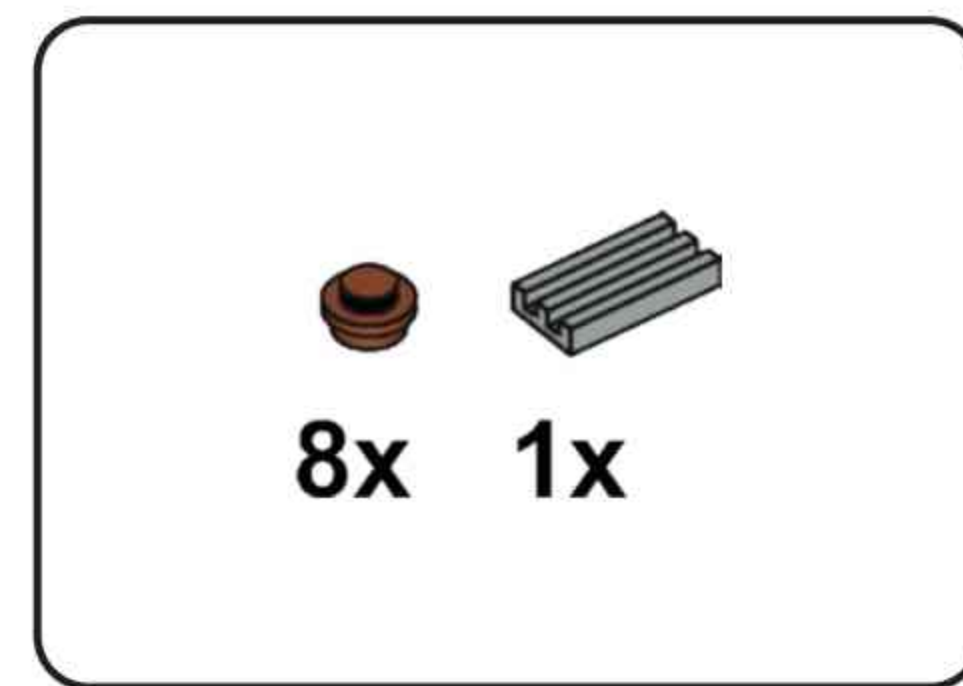
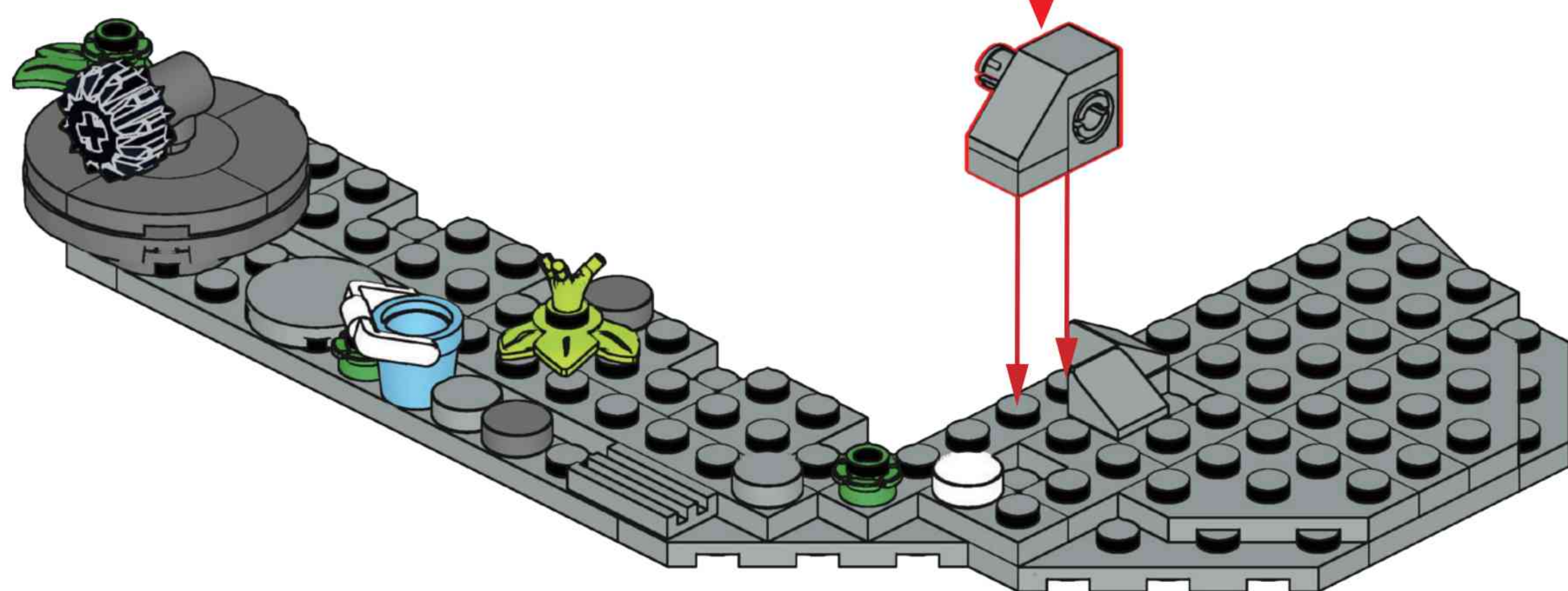
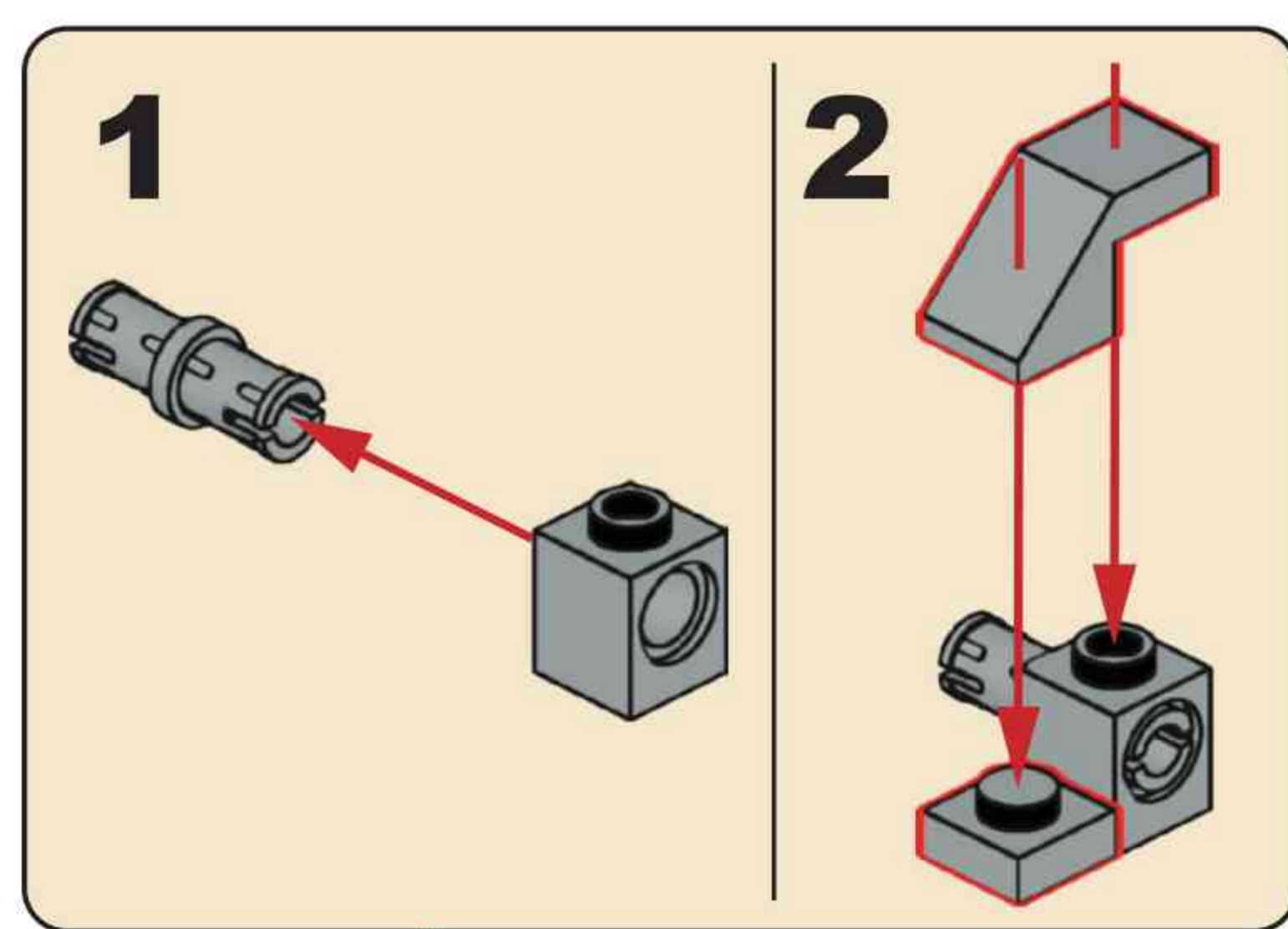


P74

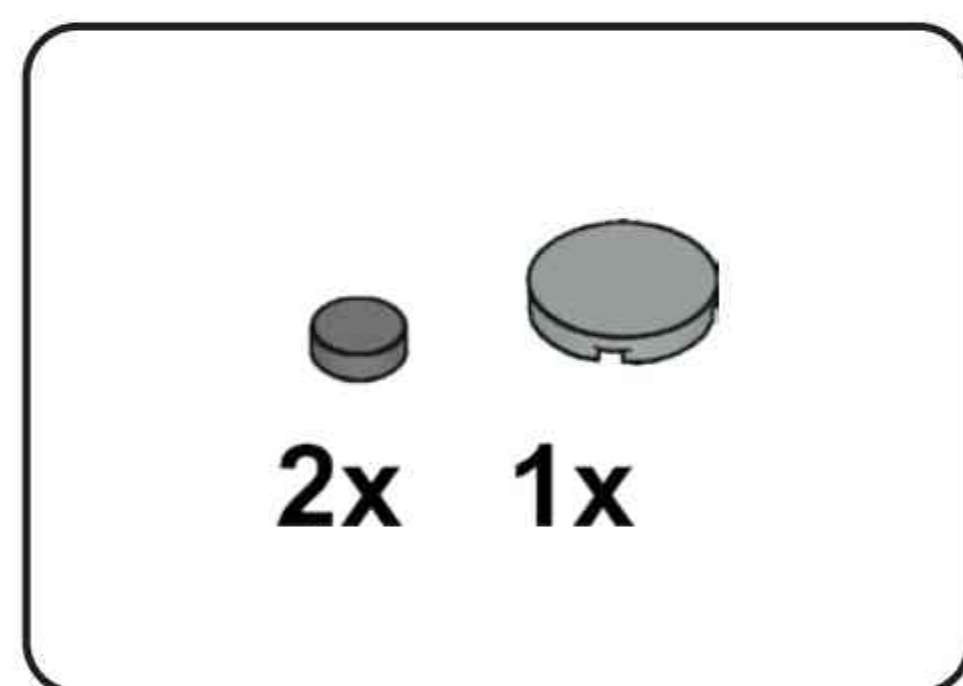
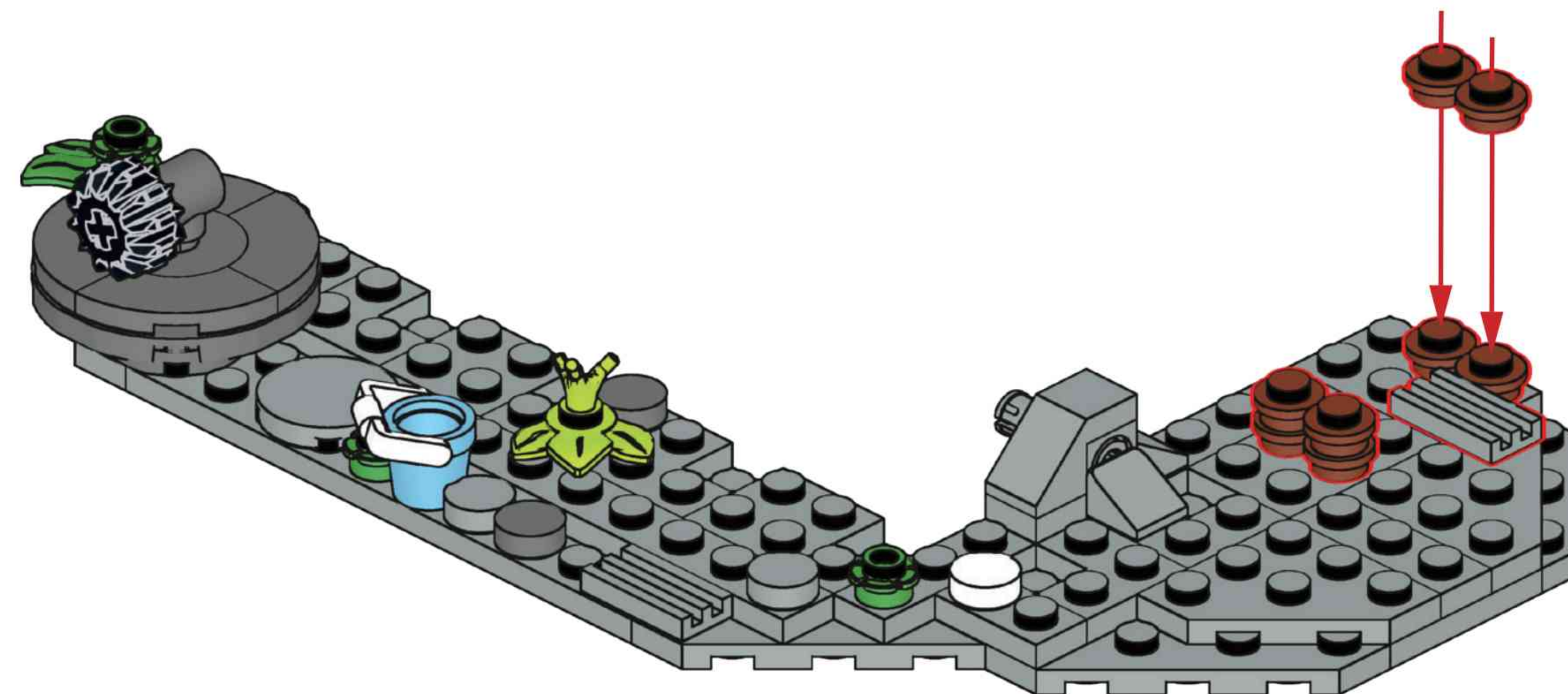




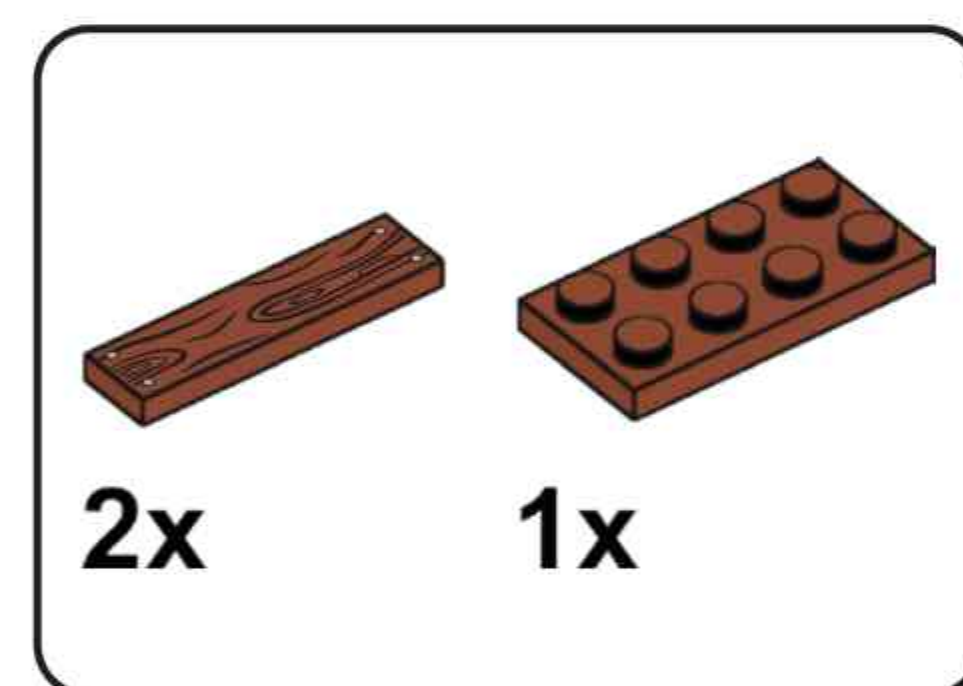
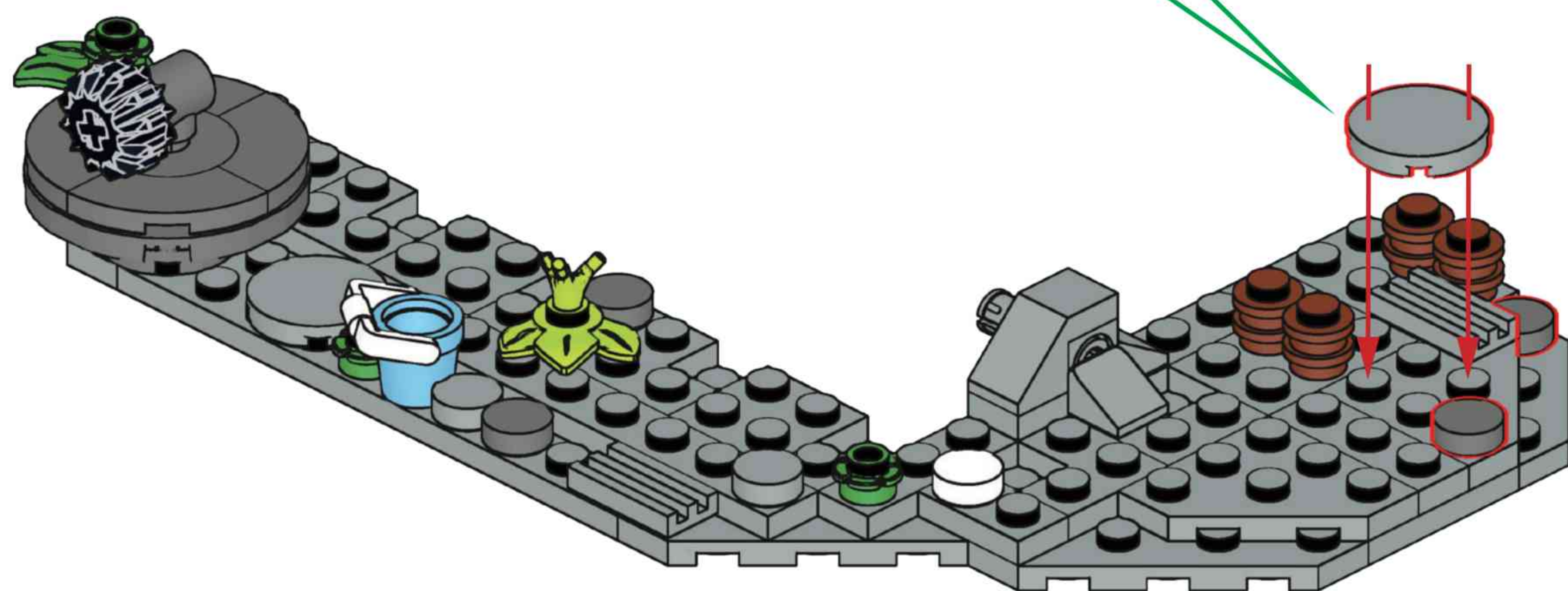
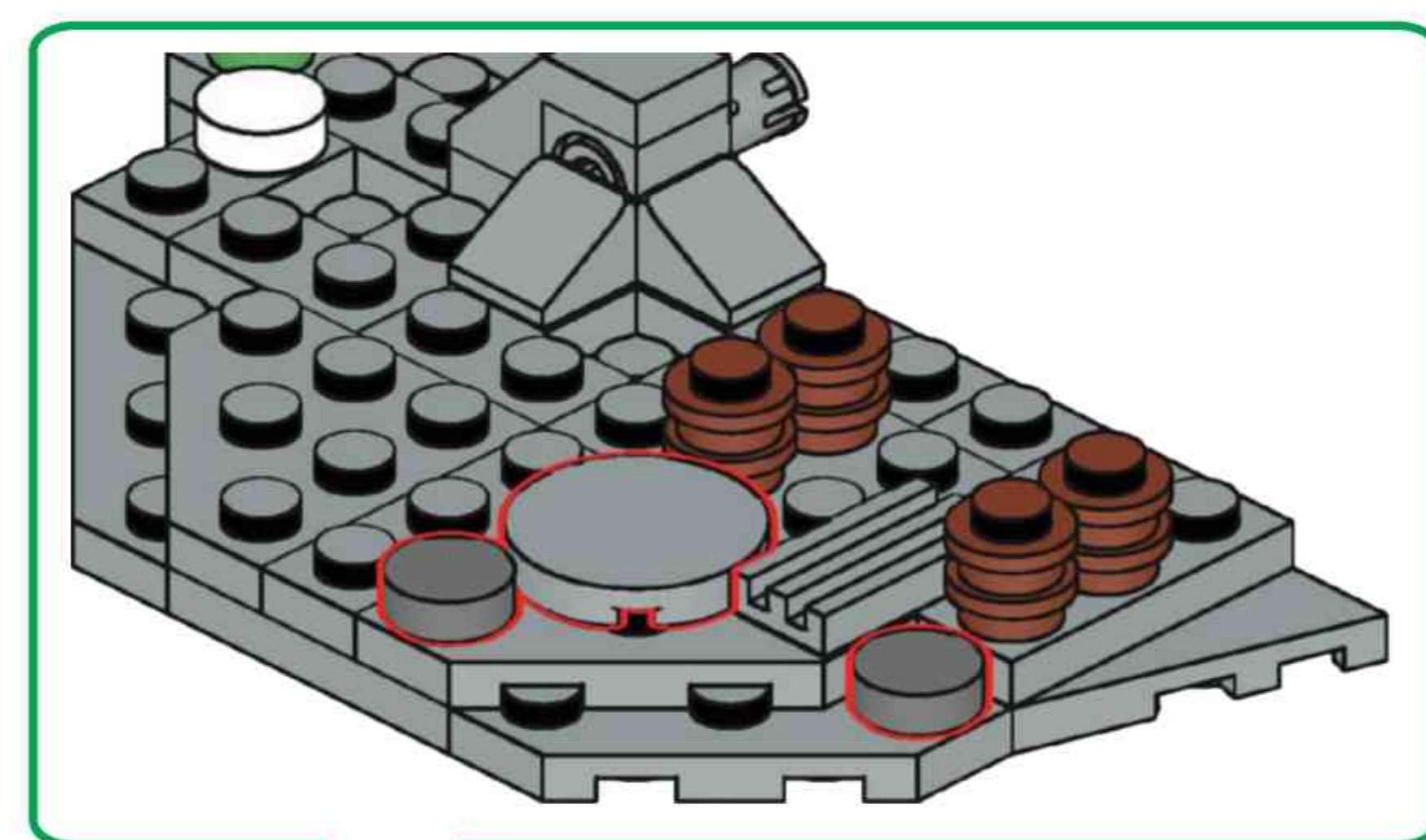
P75



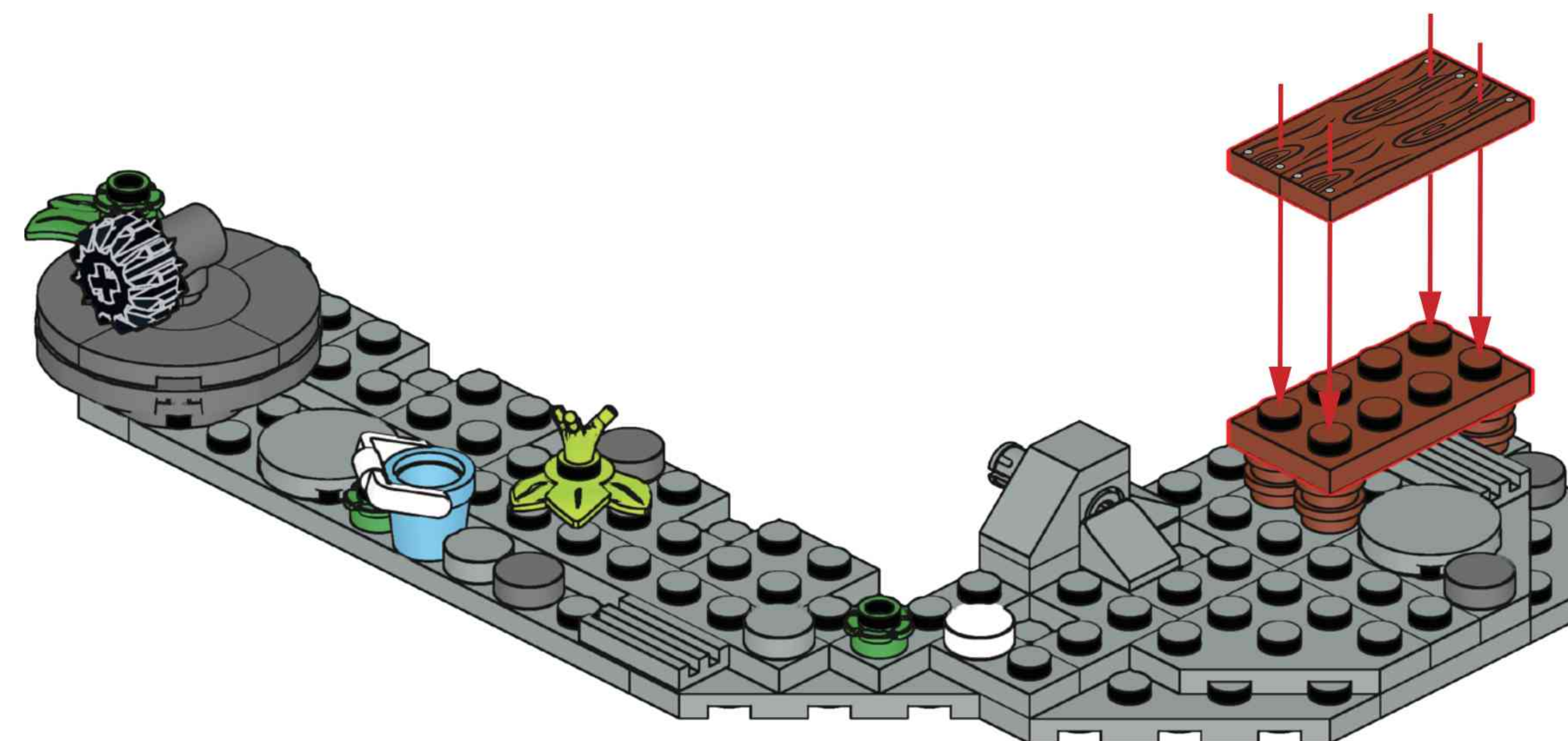
P76

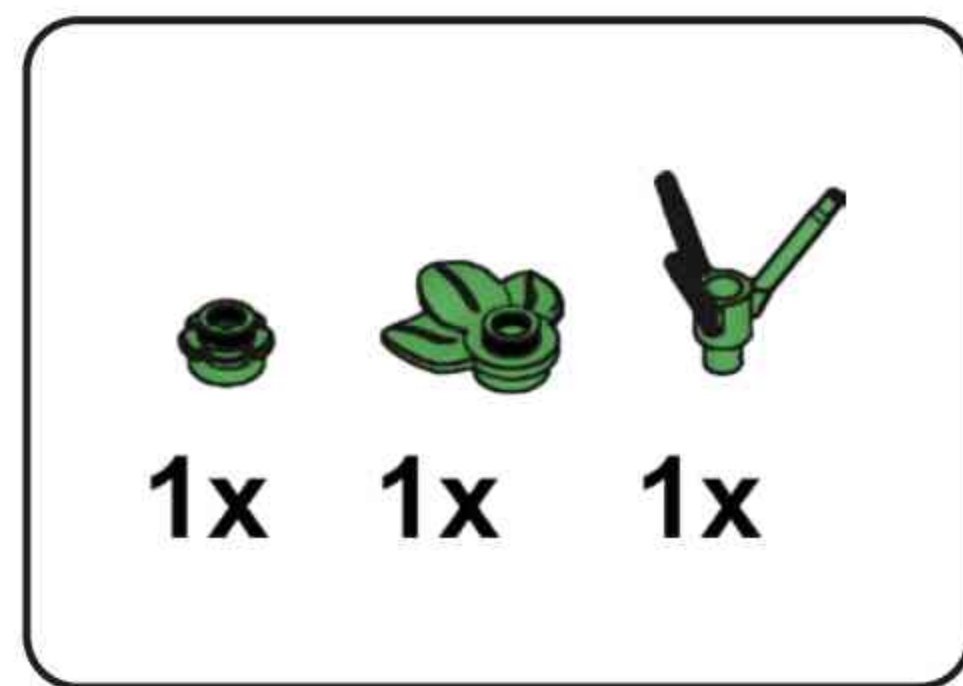


P77

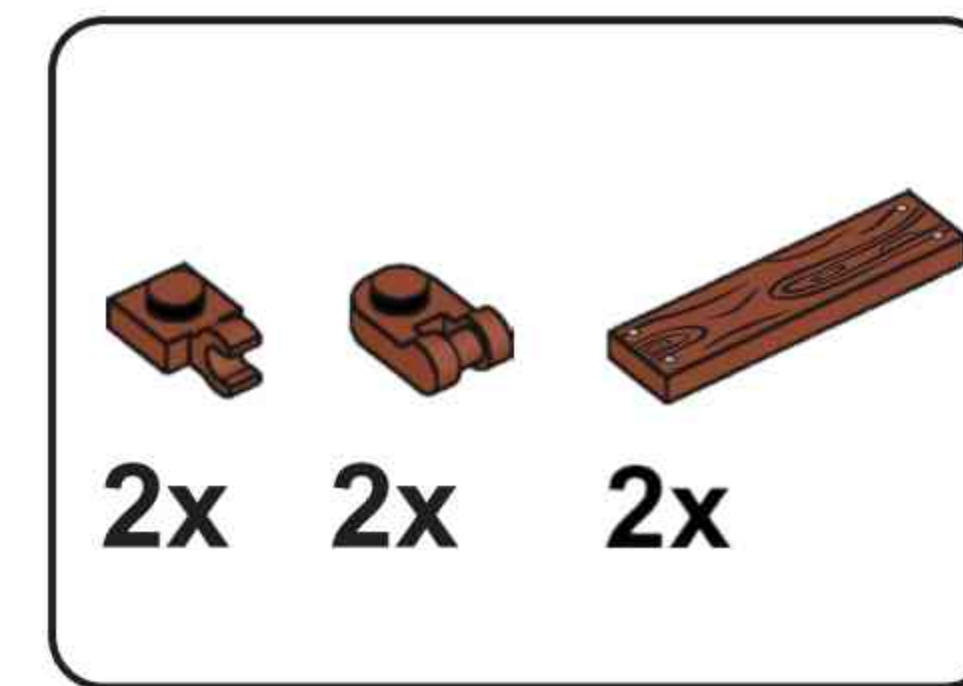
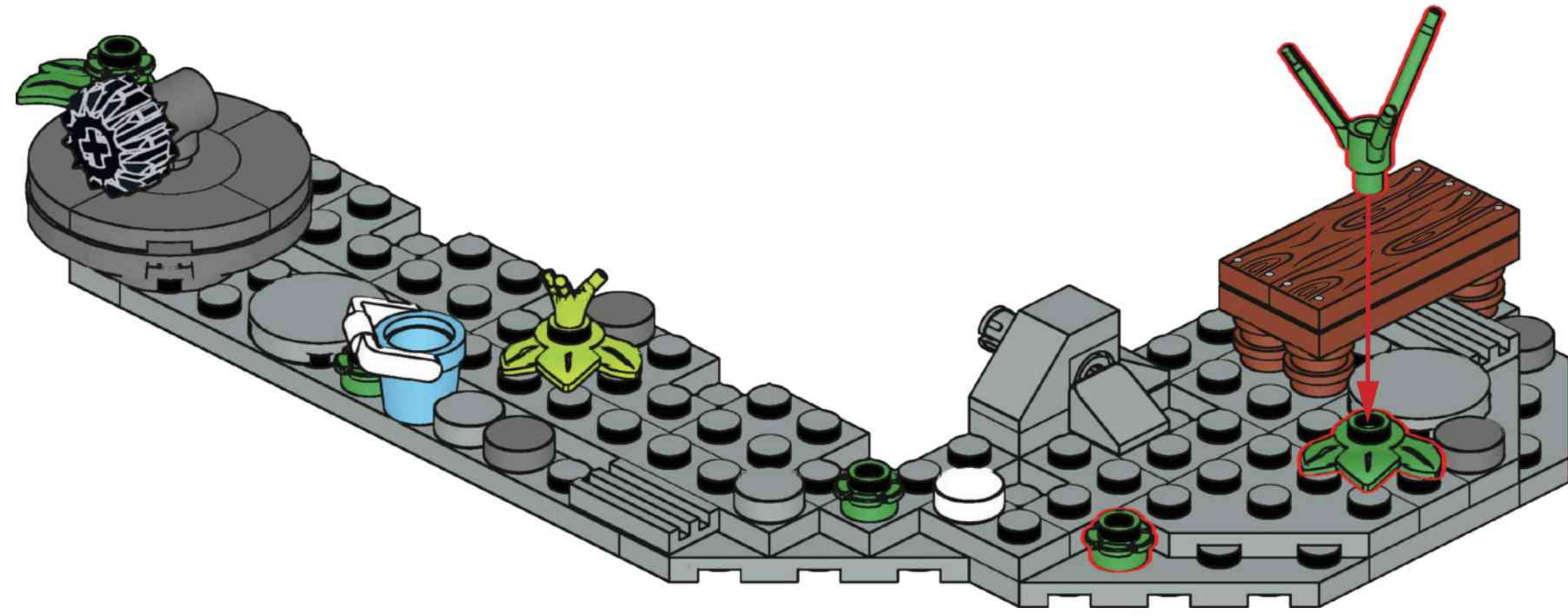


P78

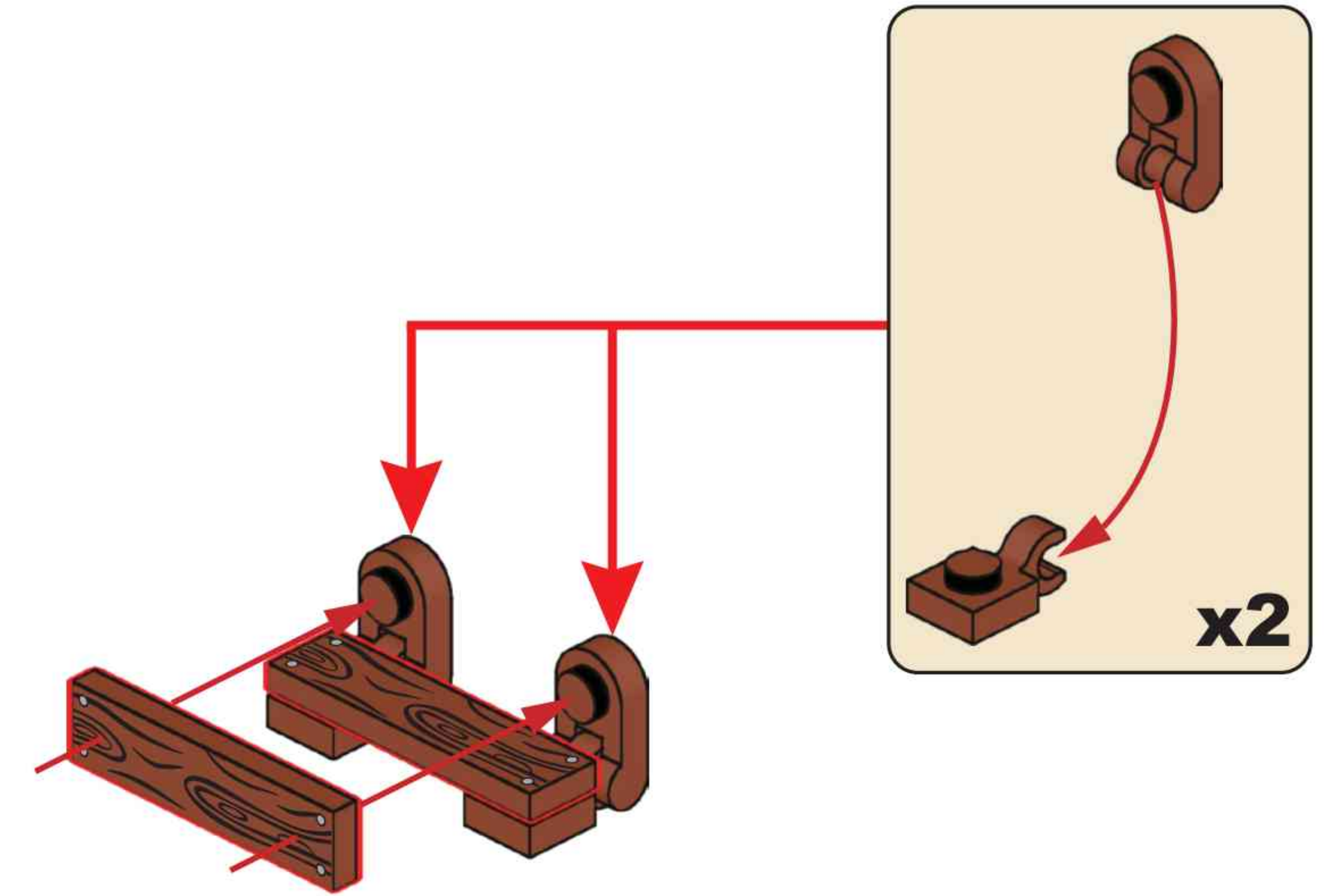




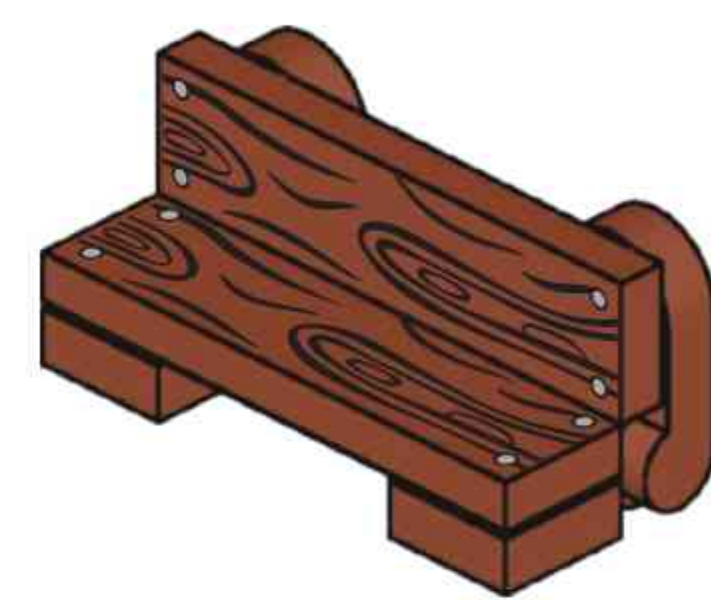
P79



P80

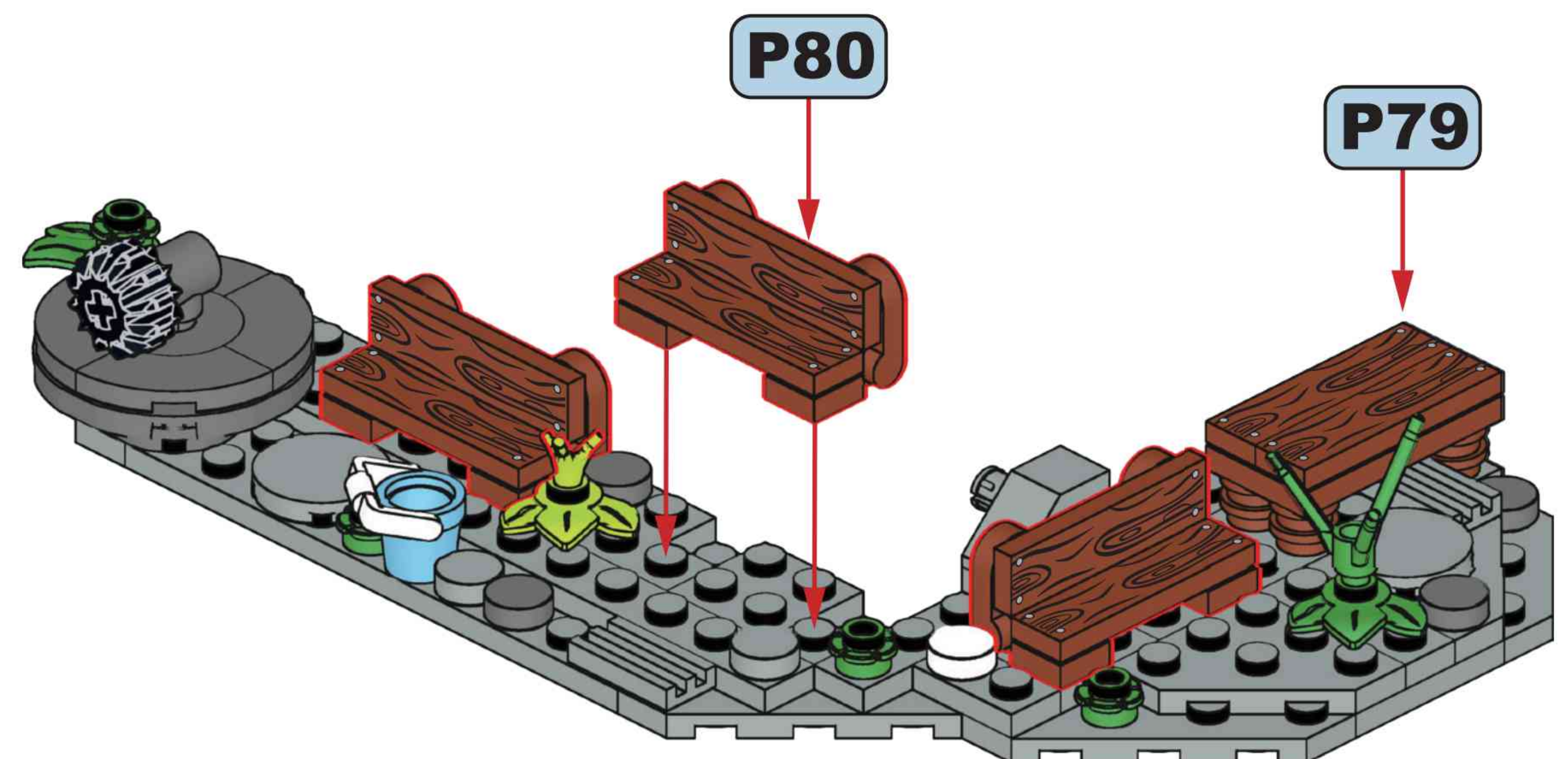


P81



x3

P82

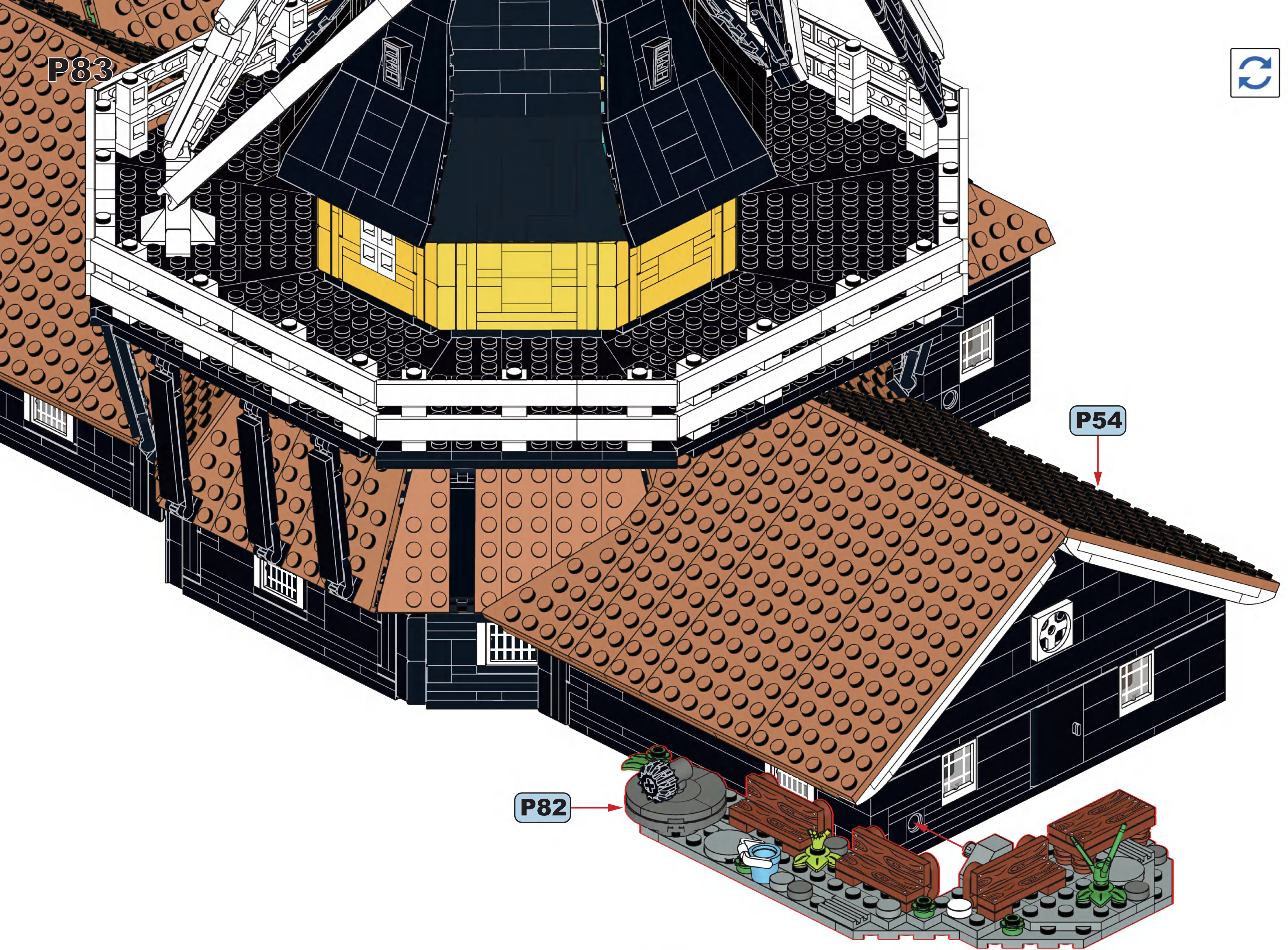


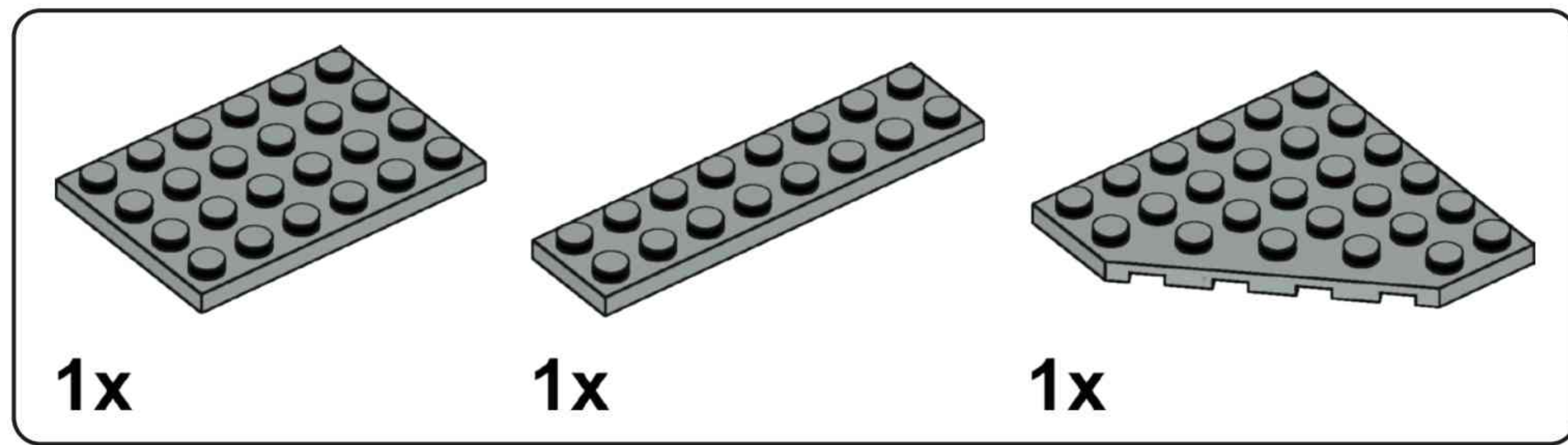
P83



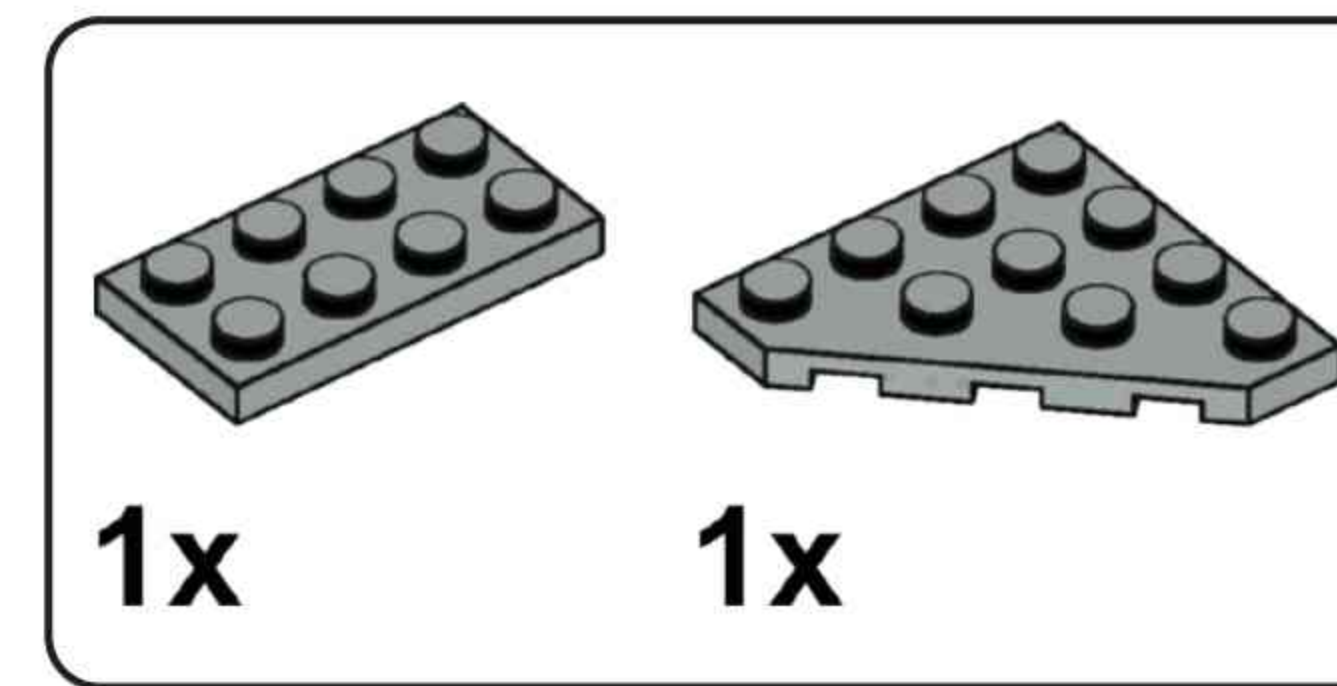
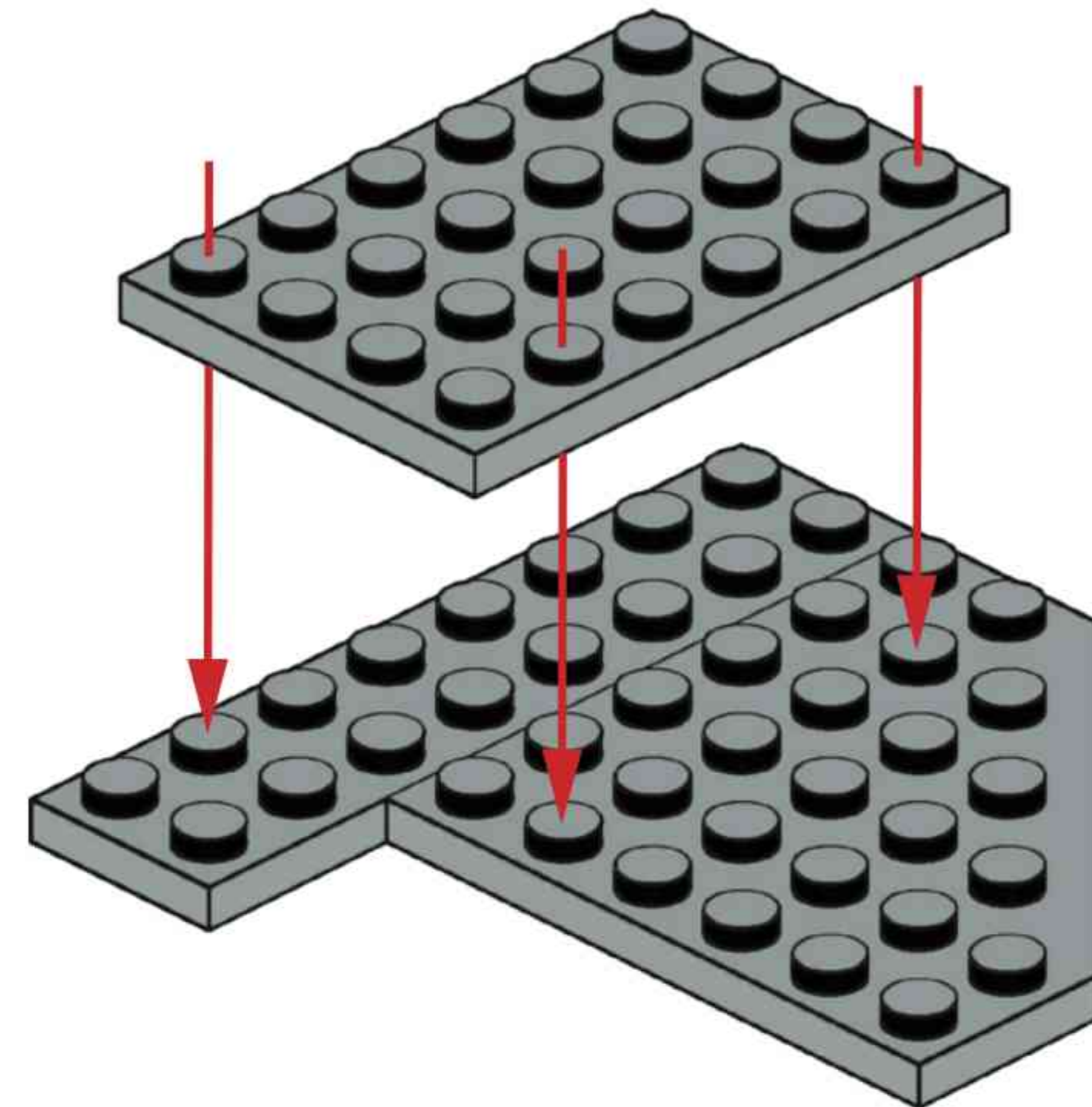
P54

P82

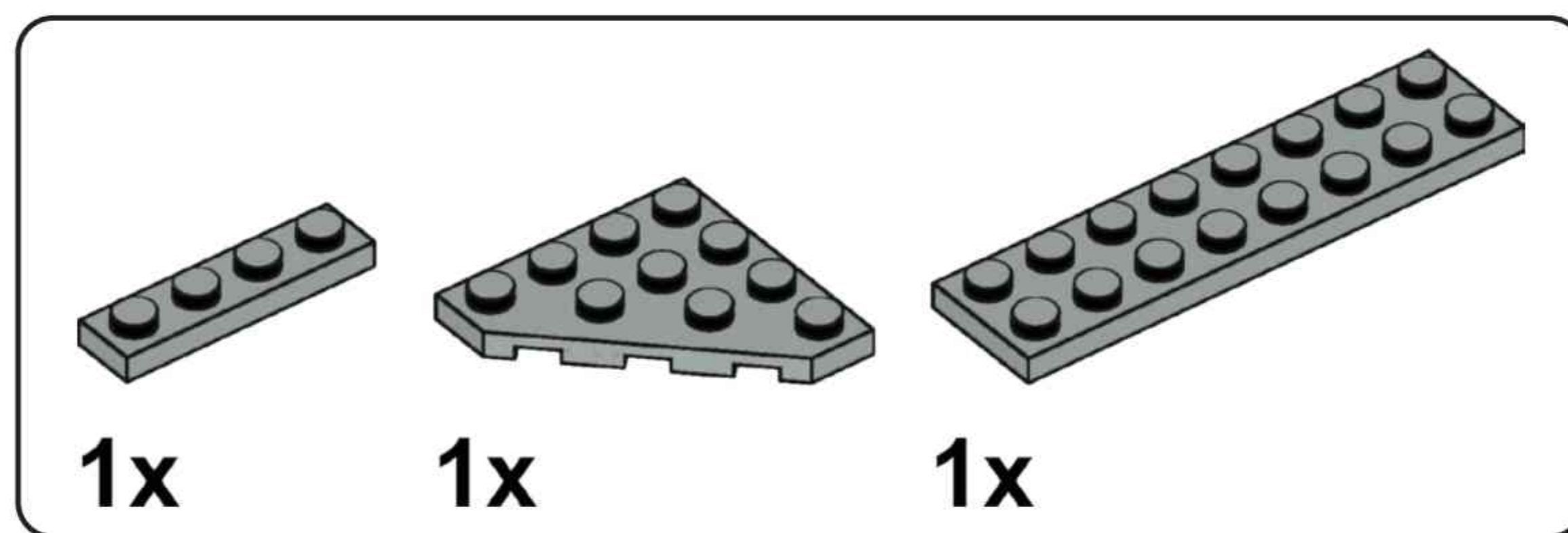
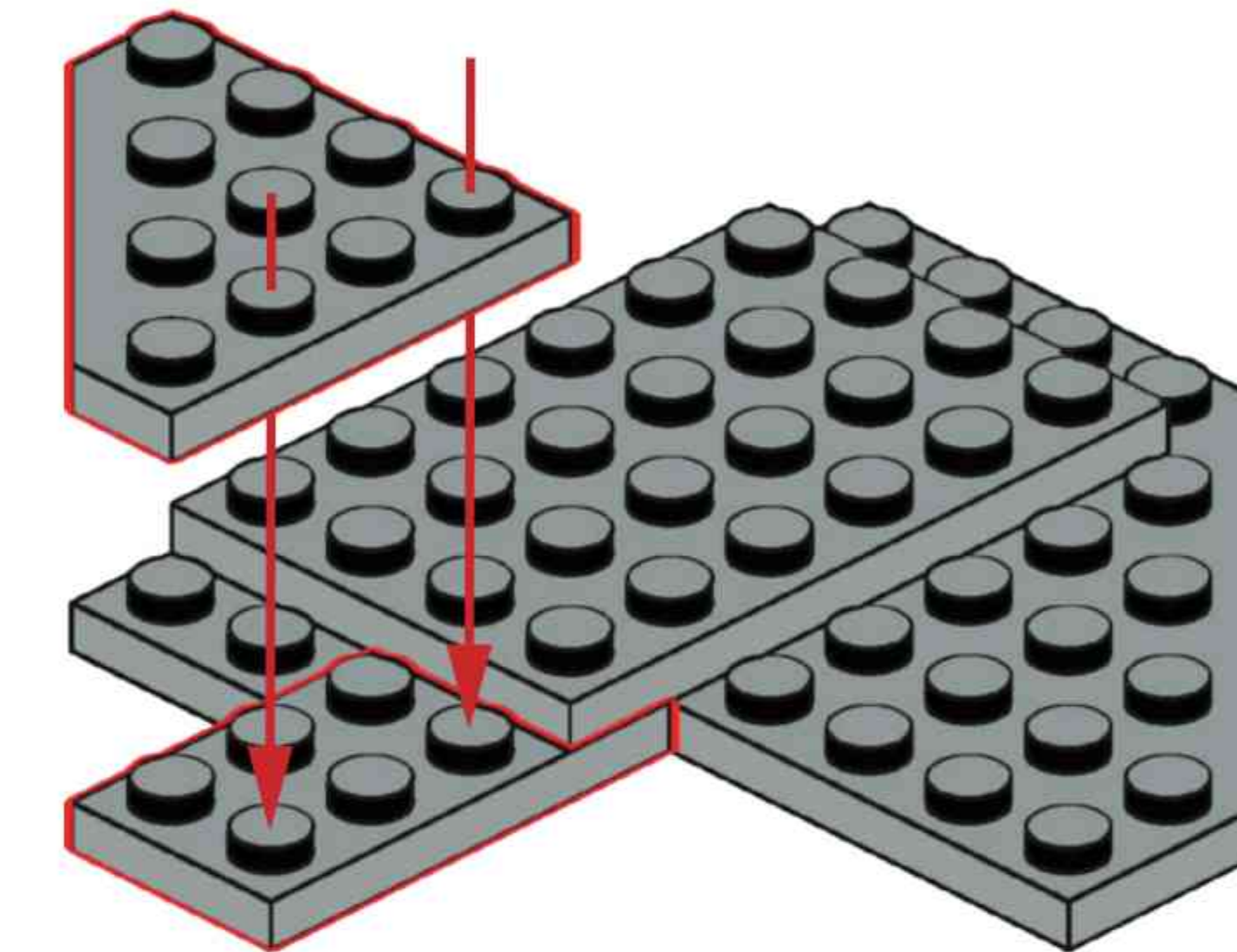




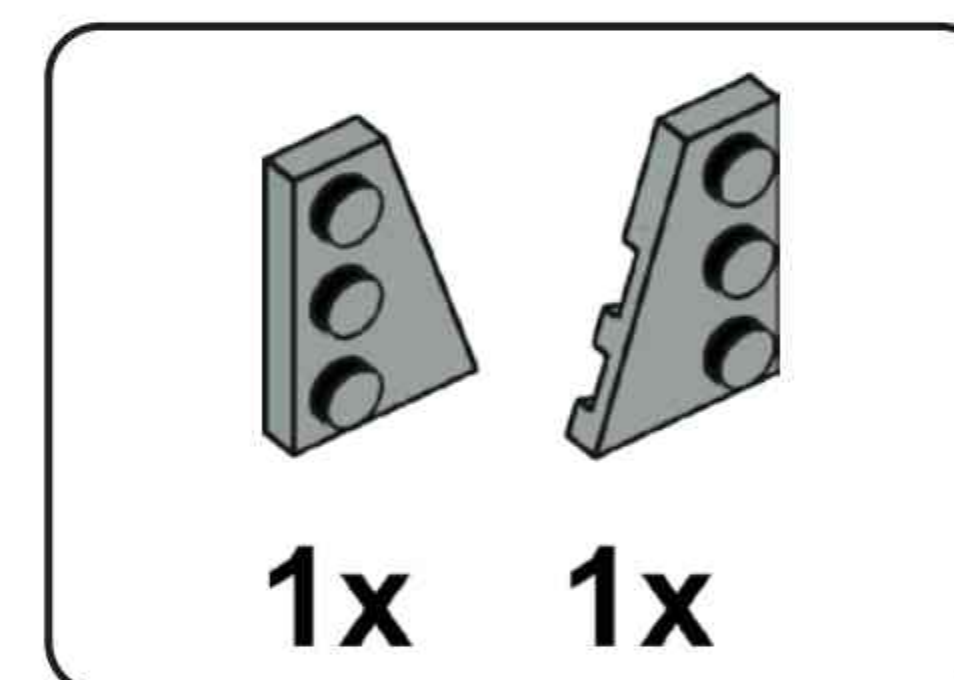
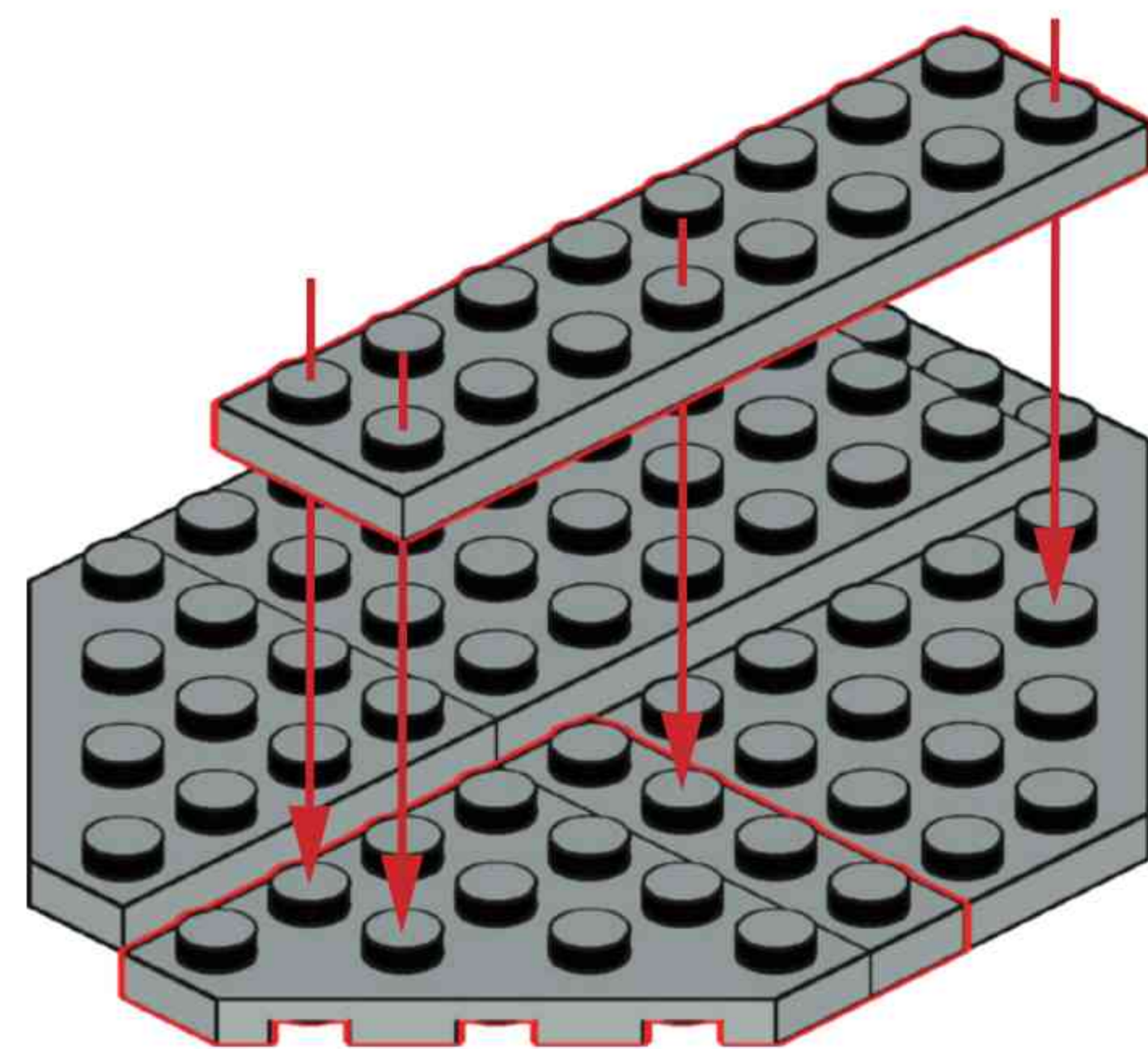
P84



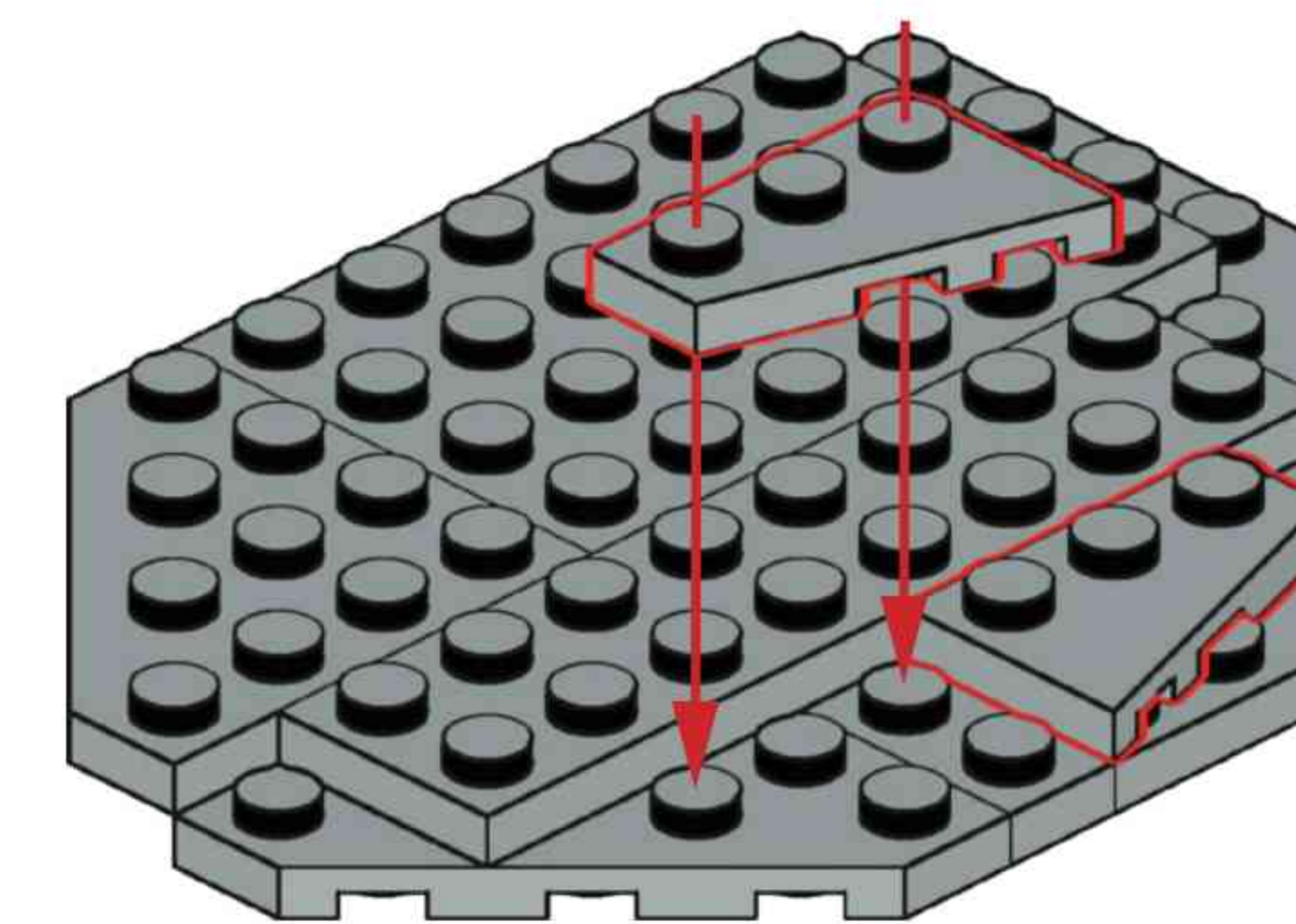
P85

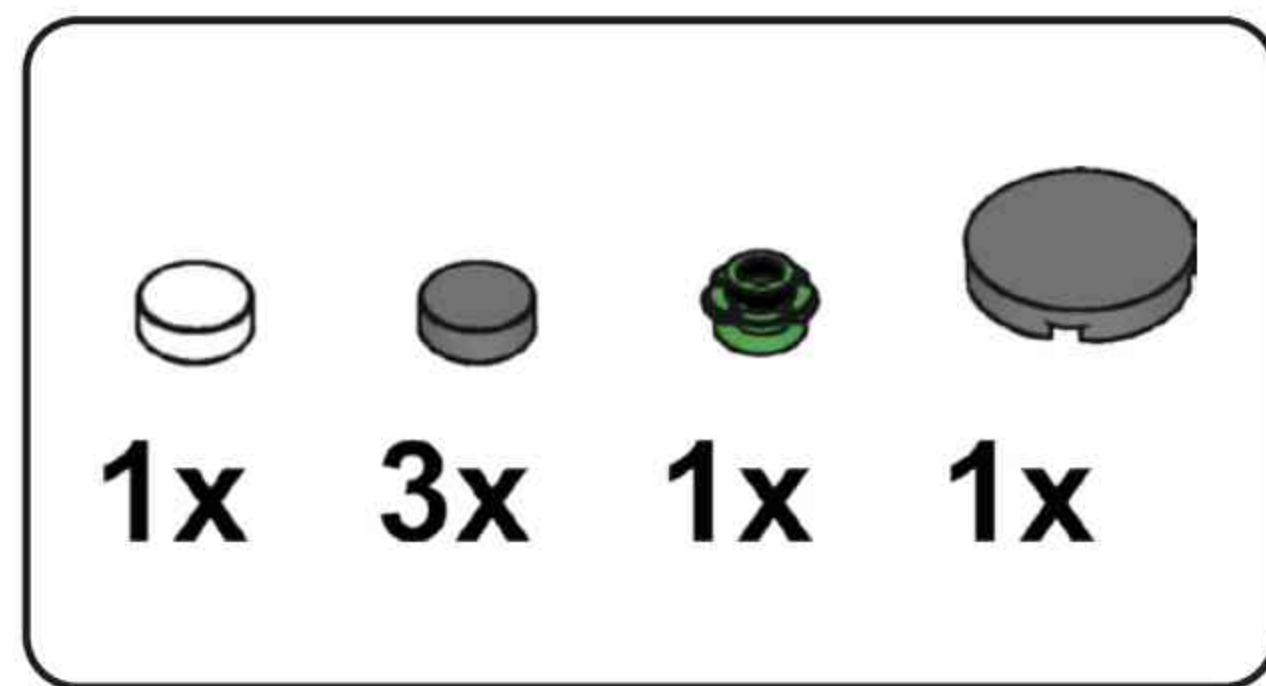


P86

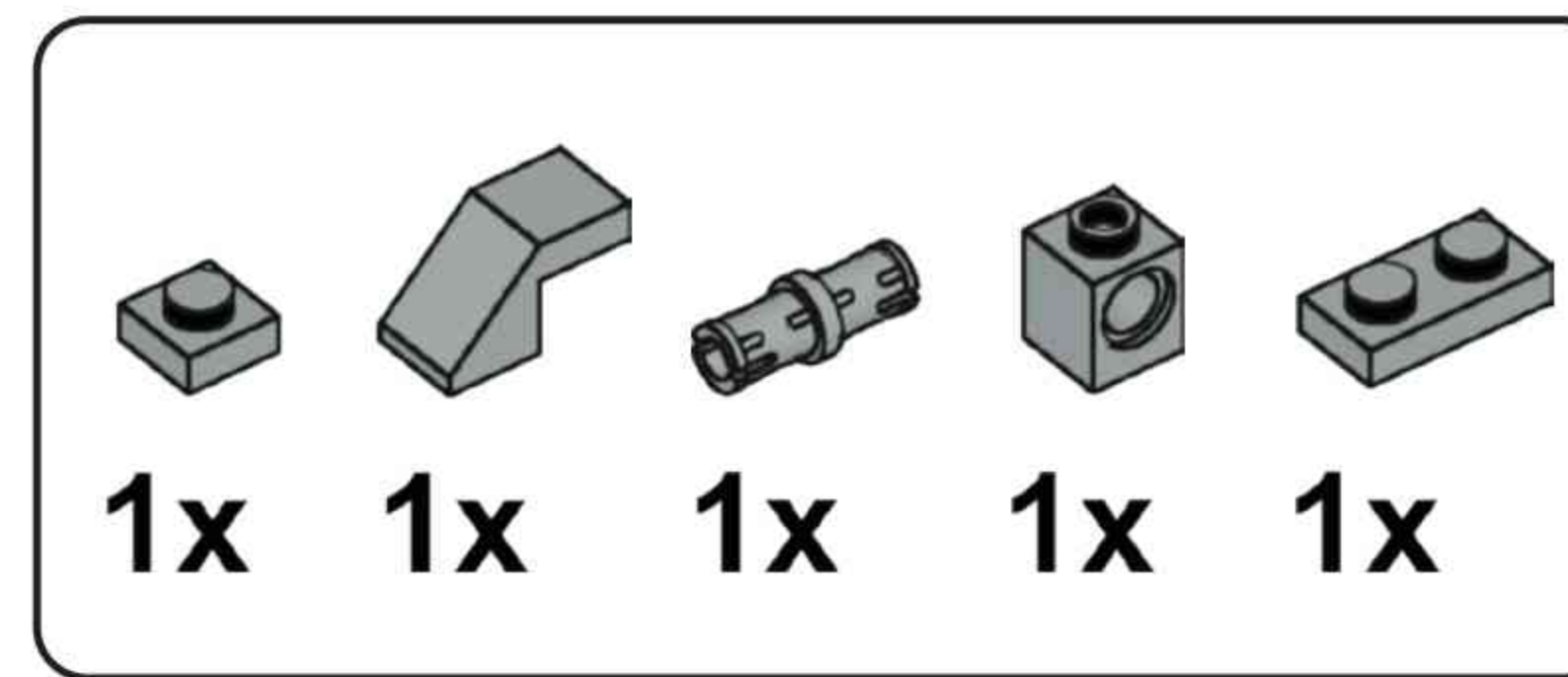
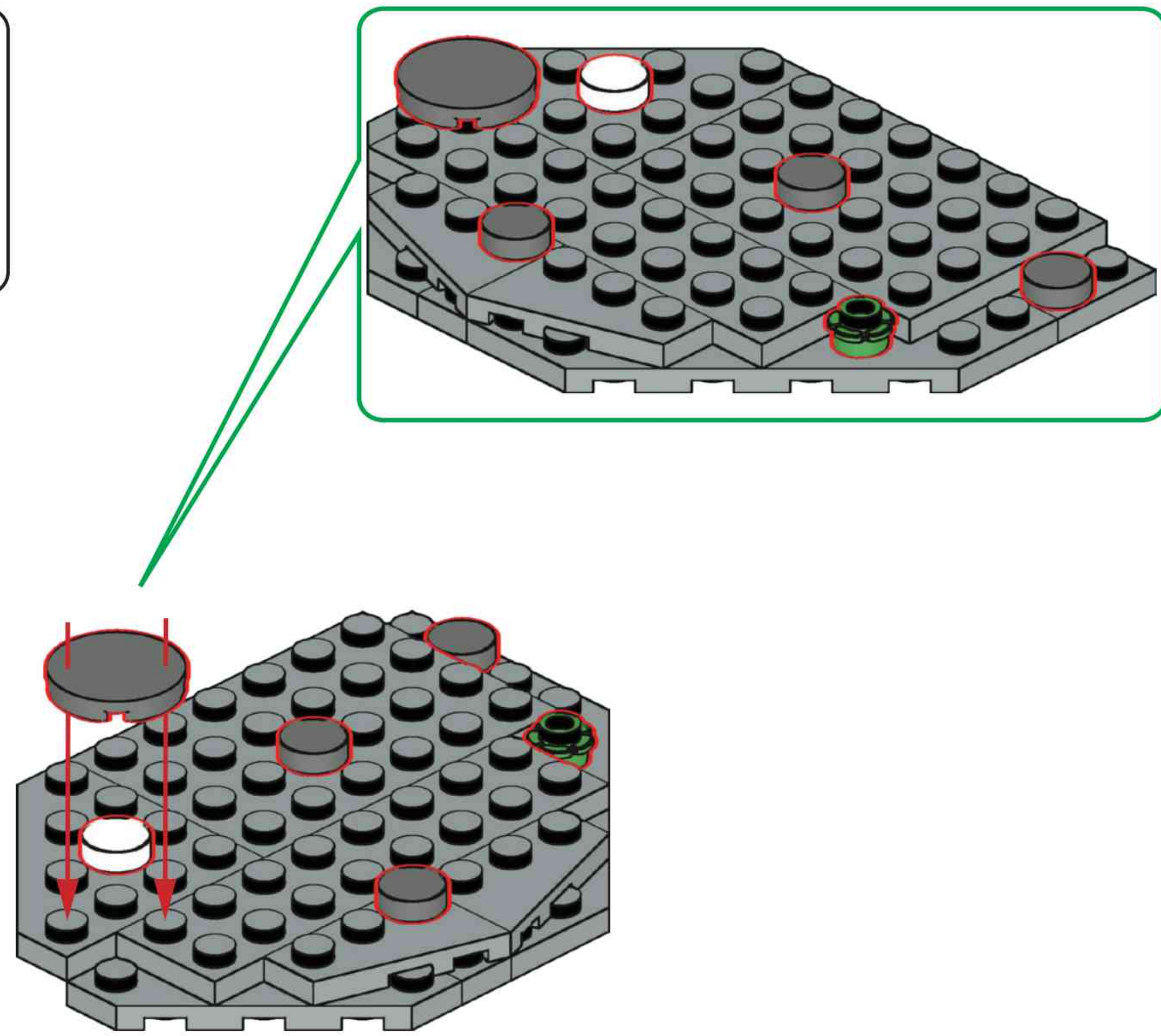


P87

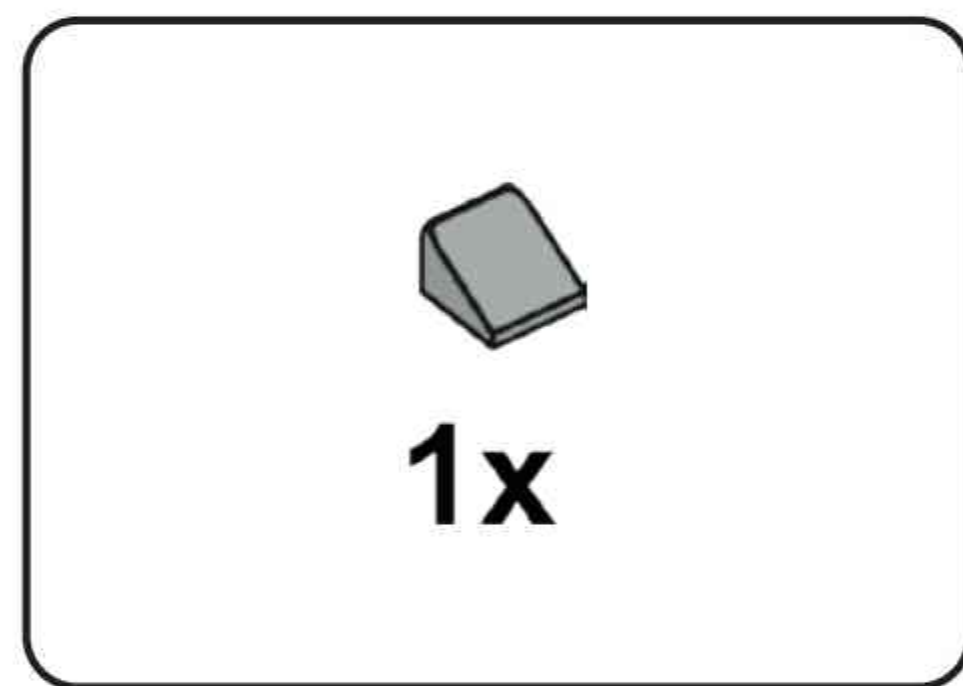
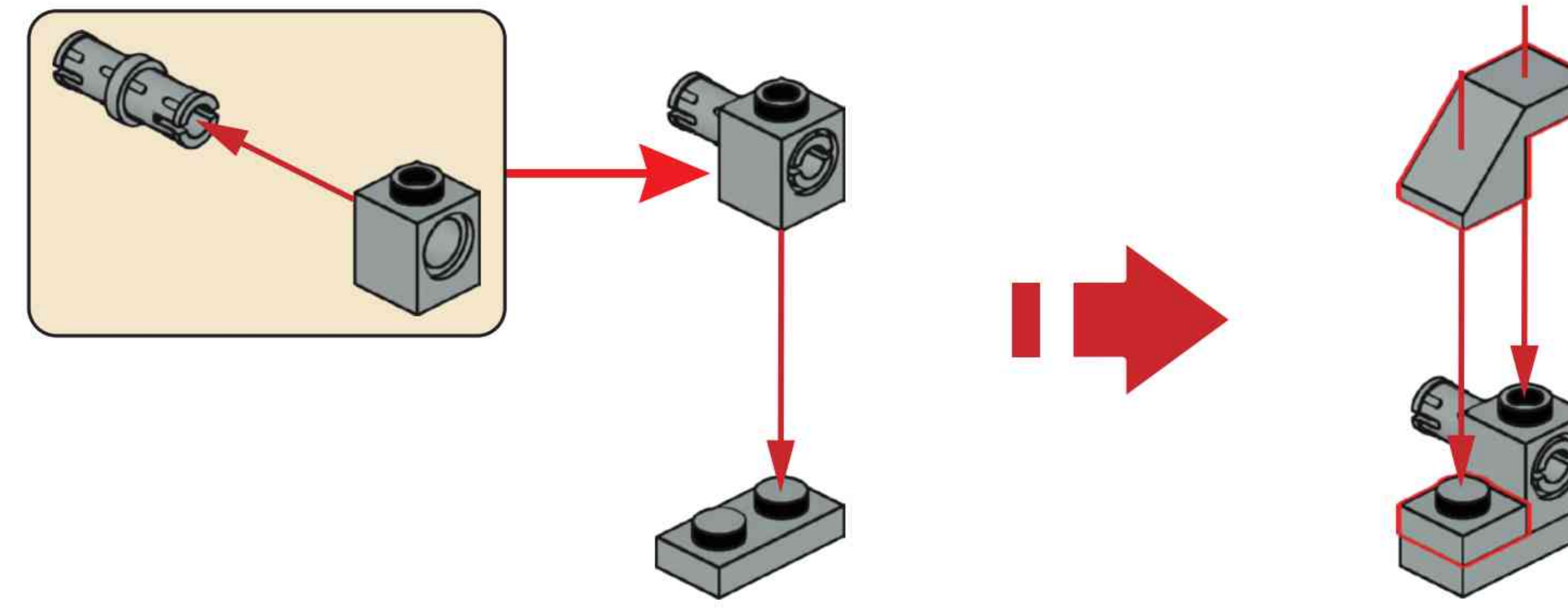




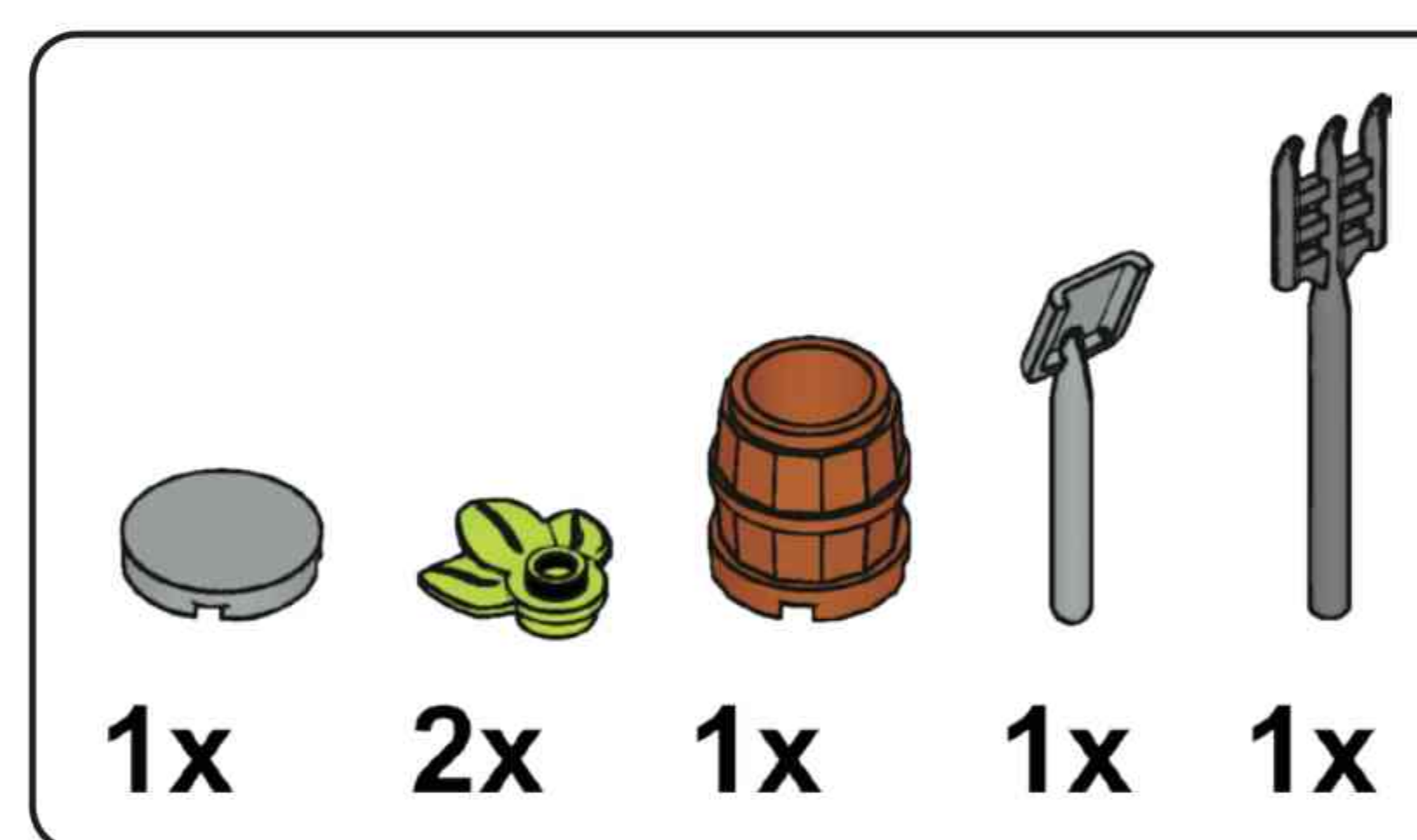
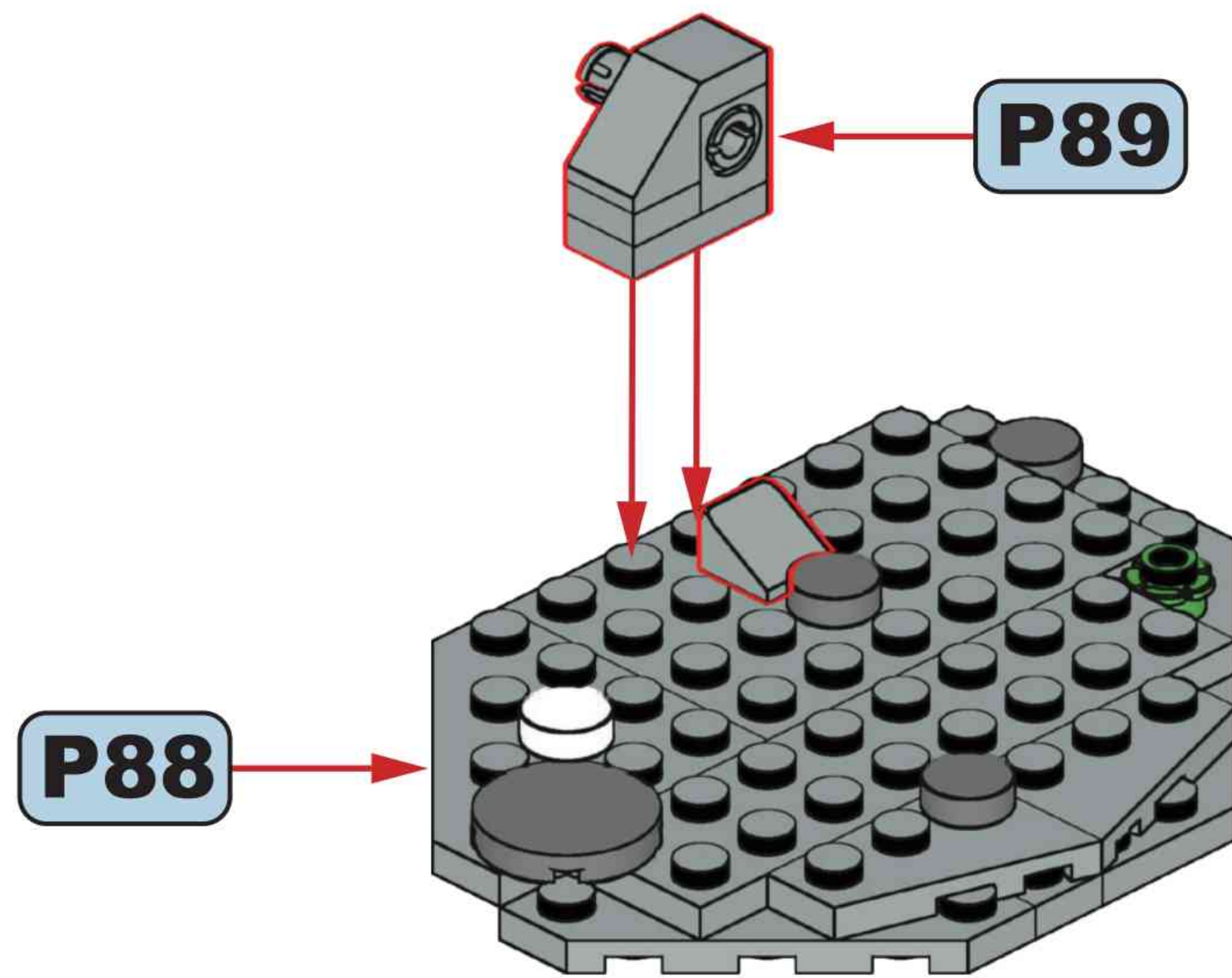
P88



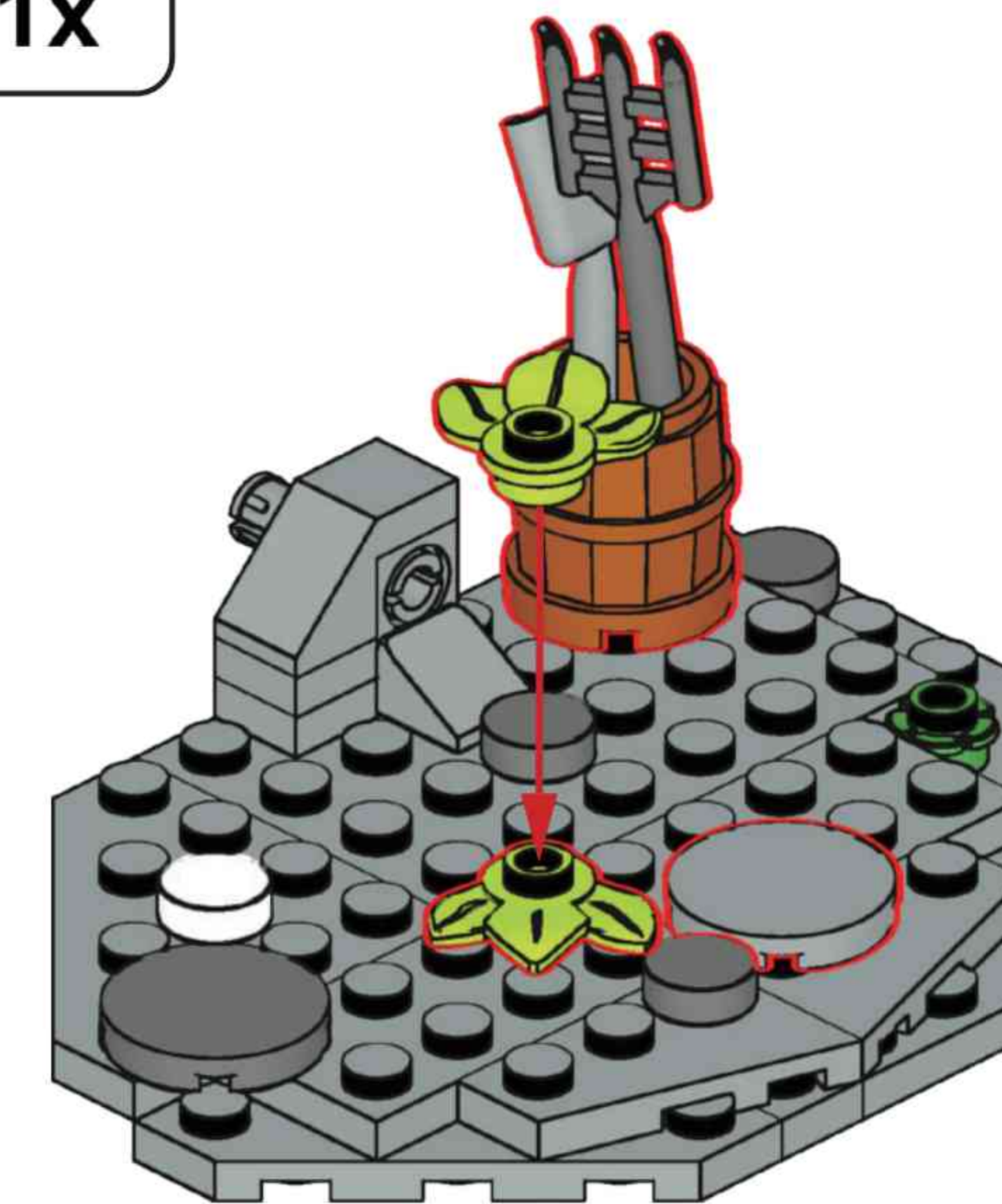
P89

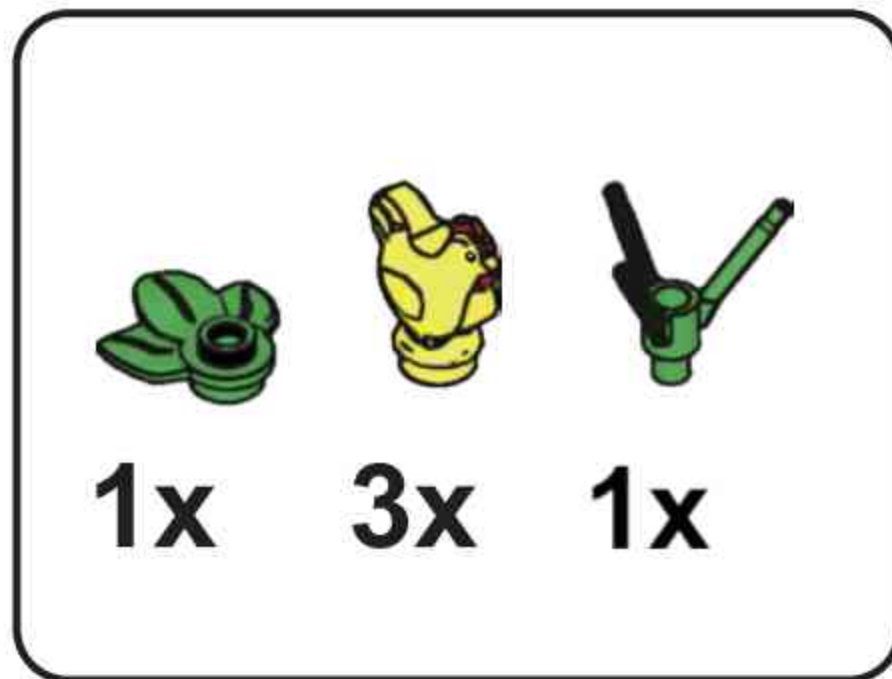


P90

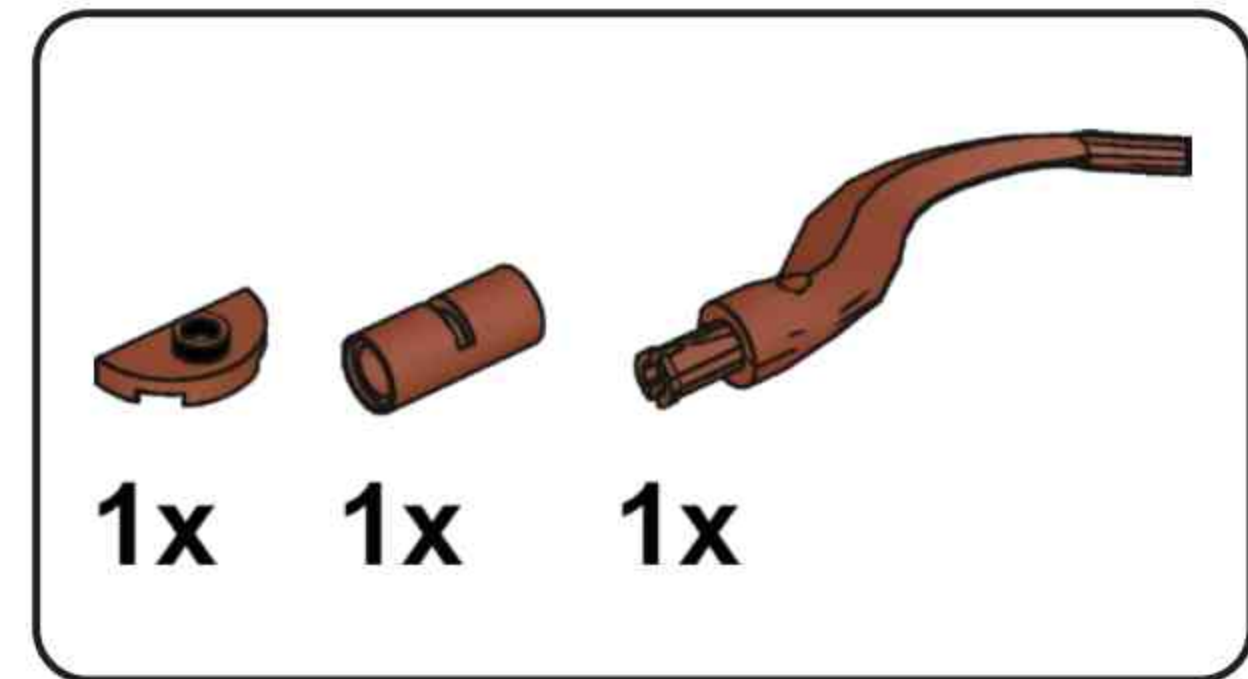


P91

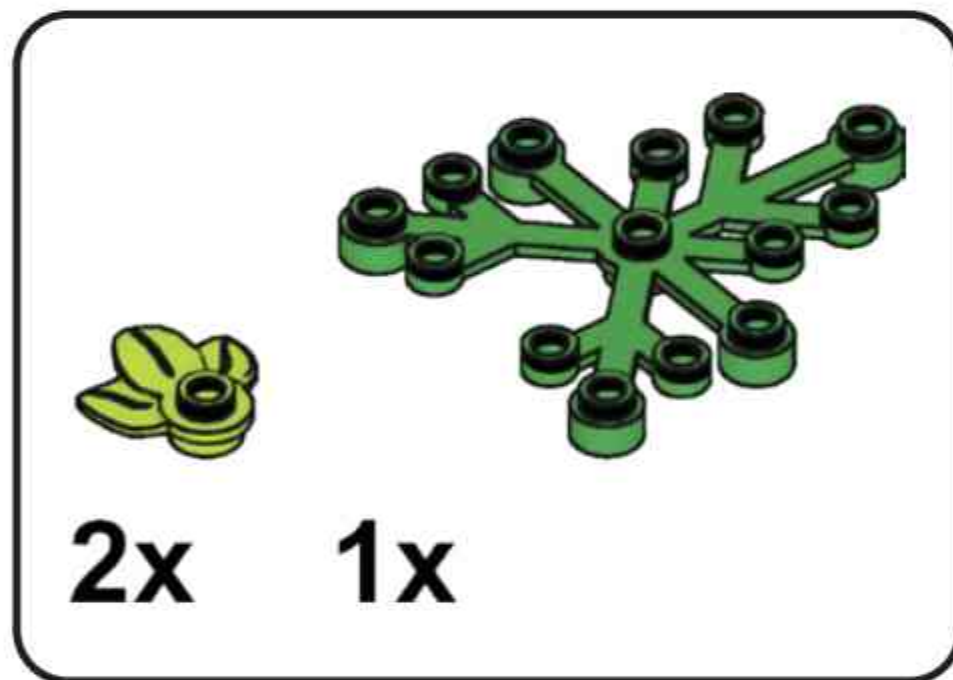
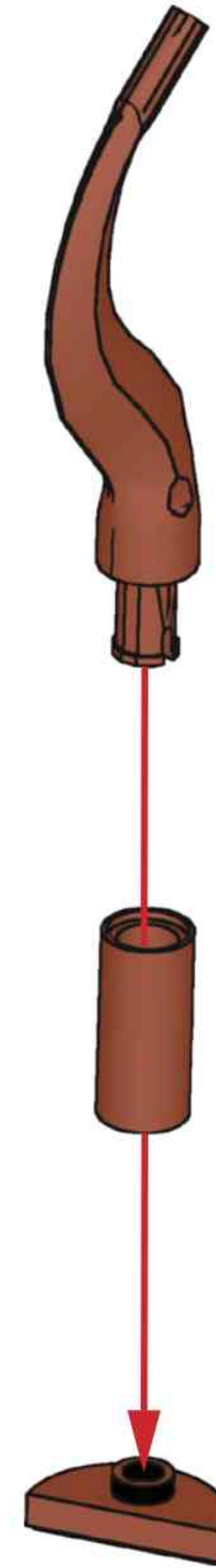




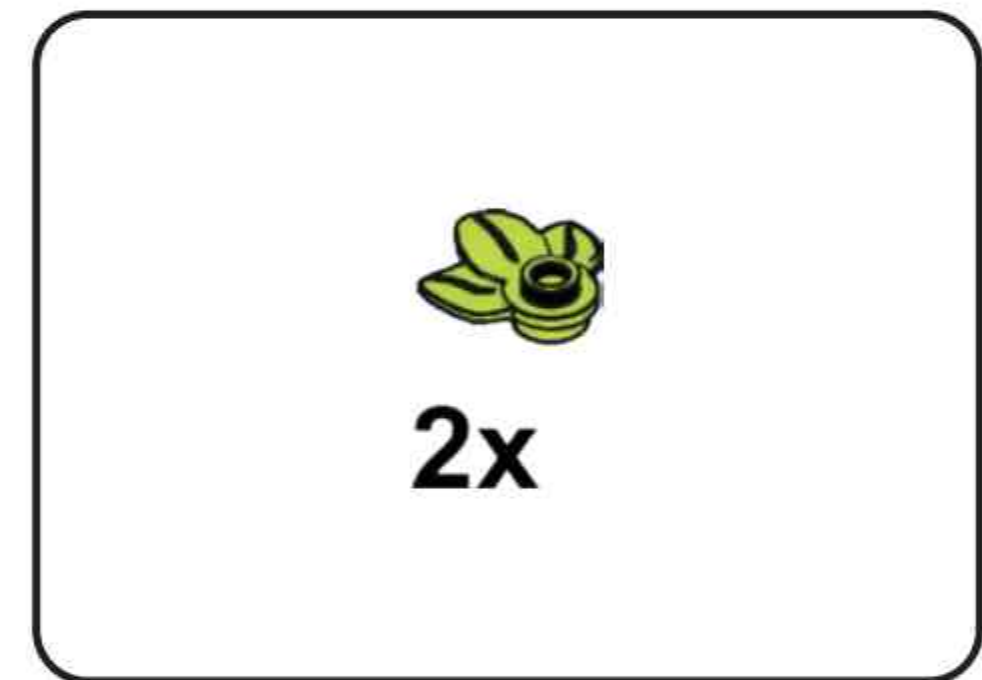
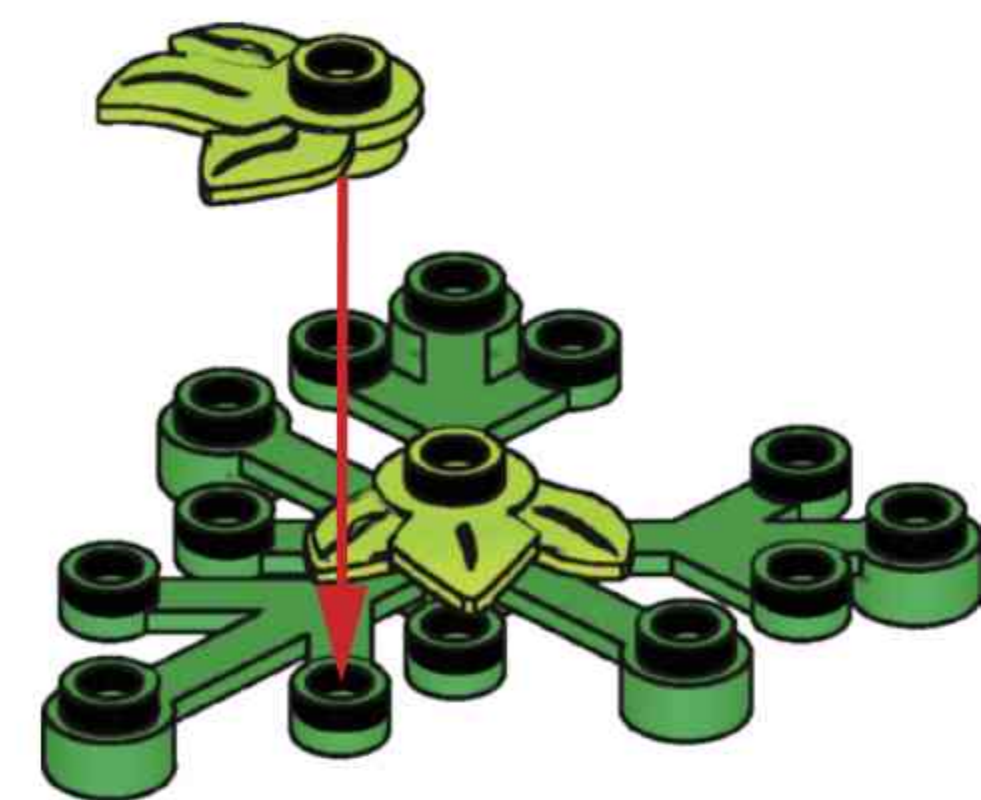
P92



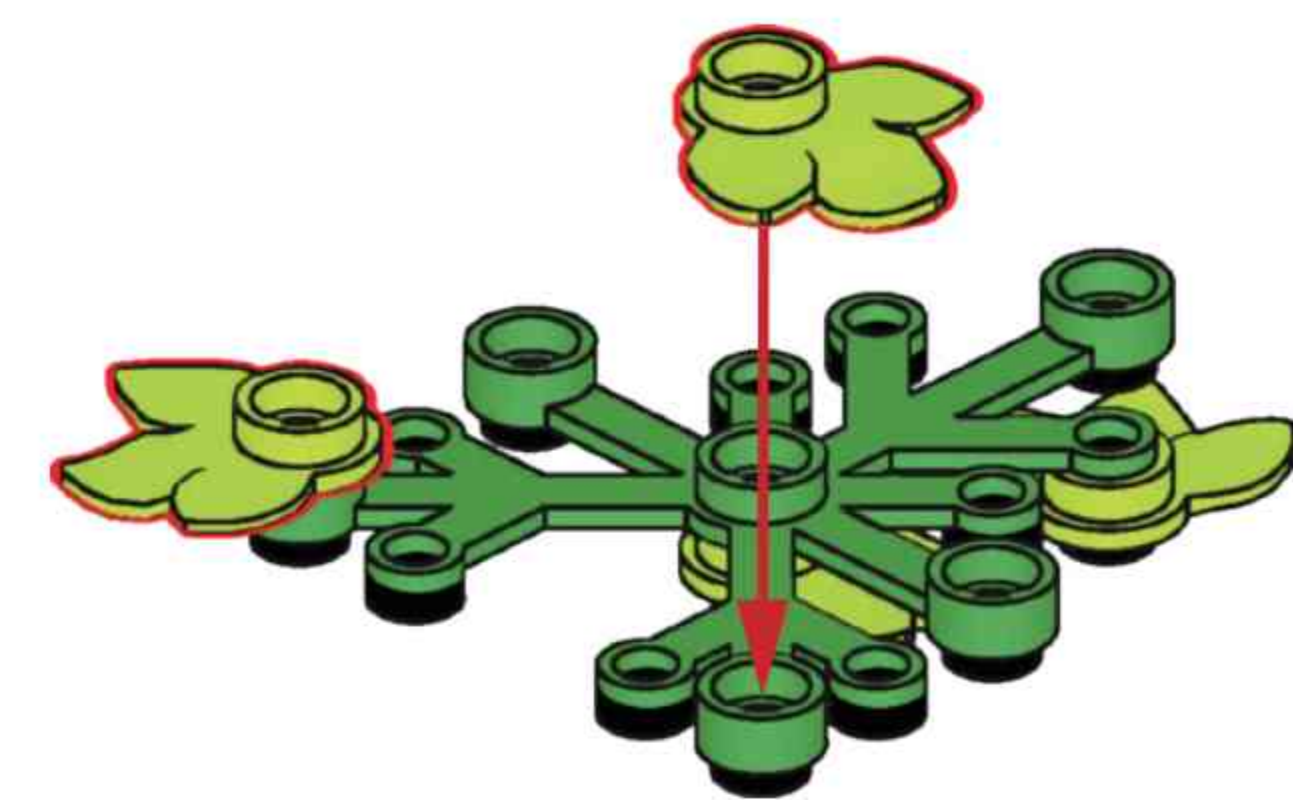
P93



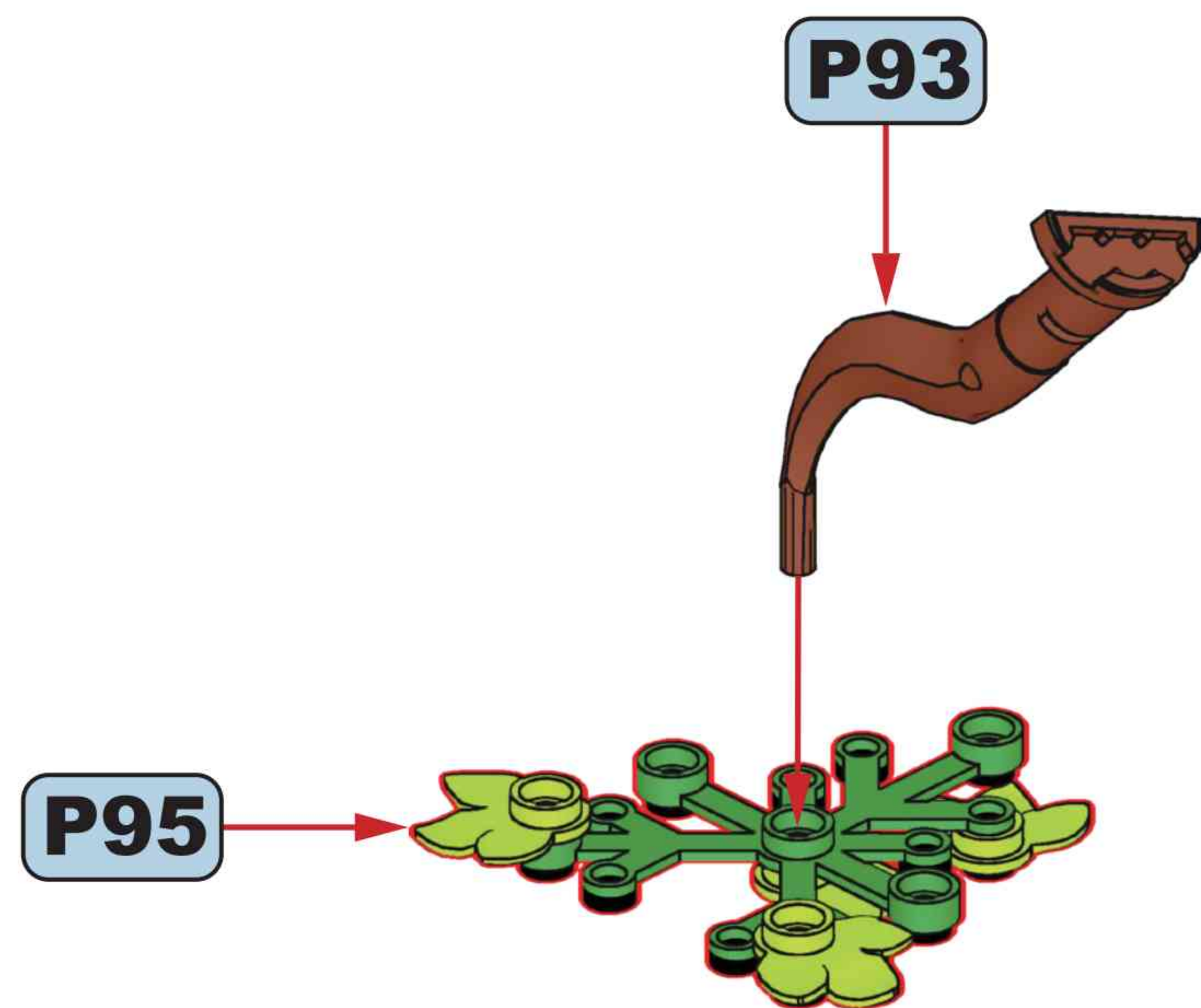
P94



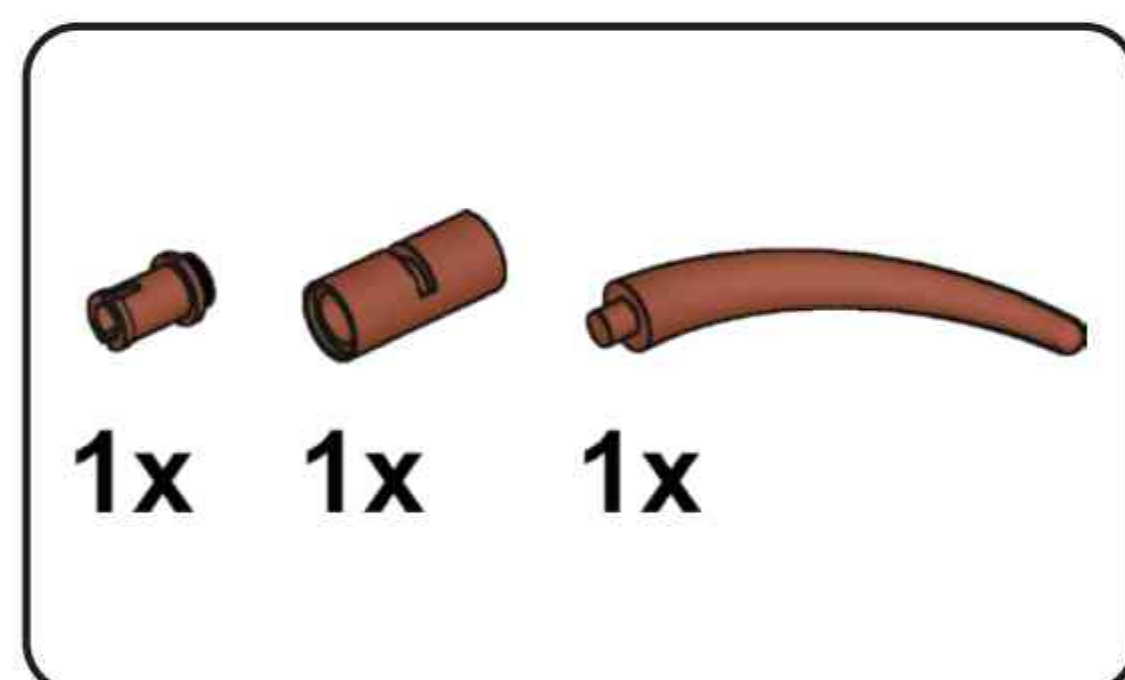
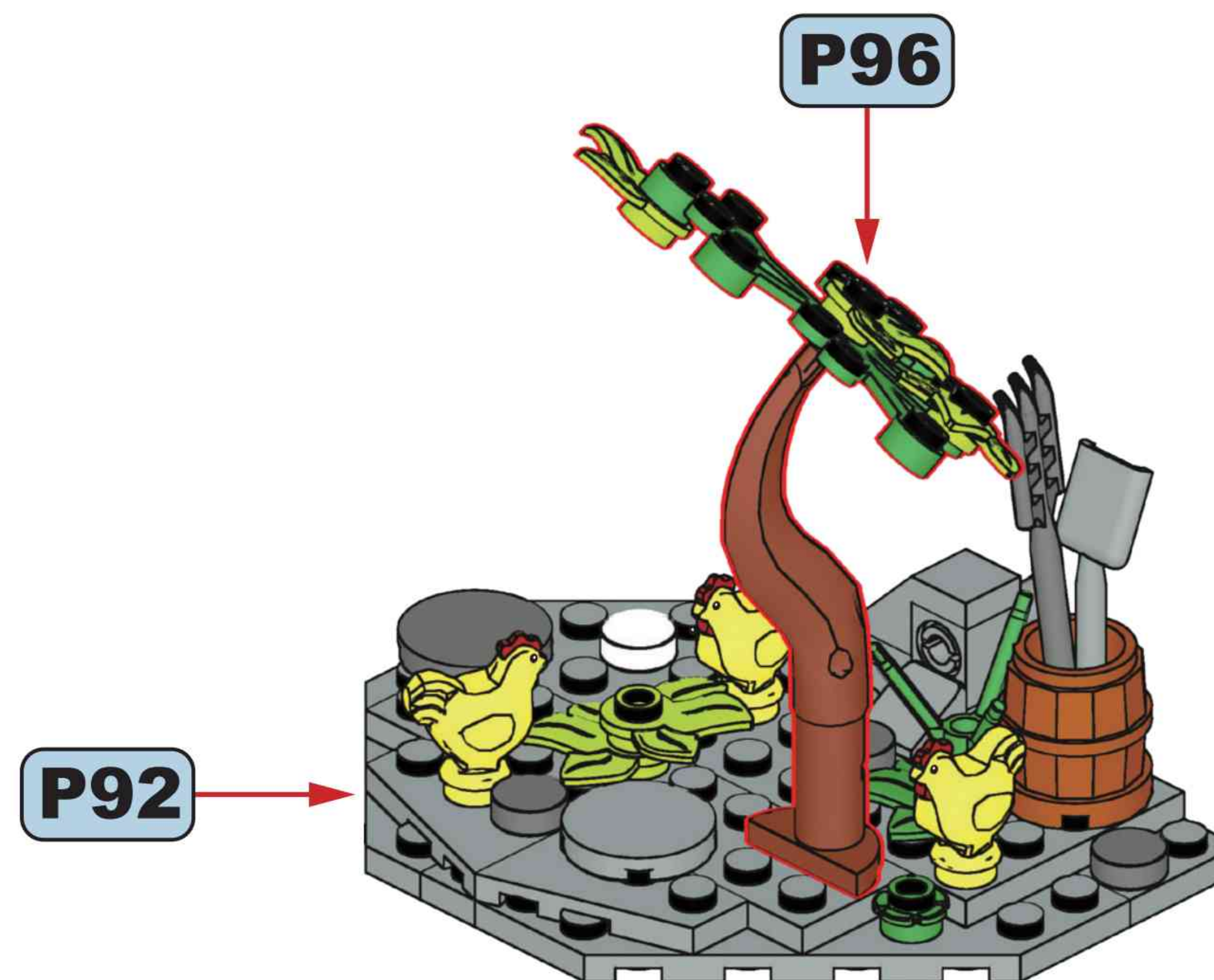
P95



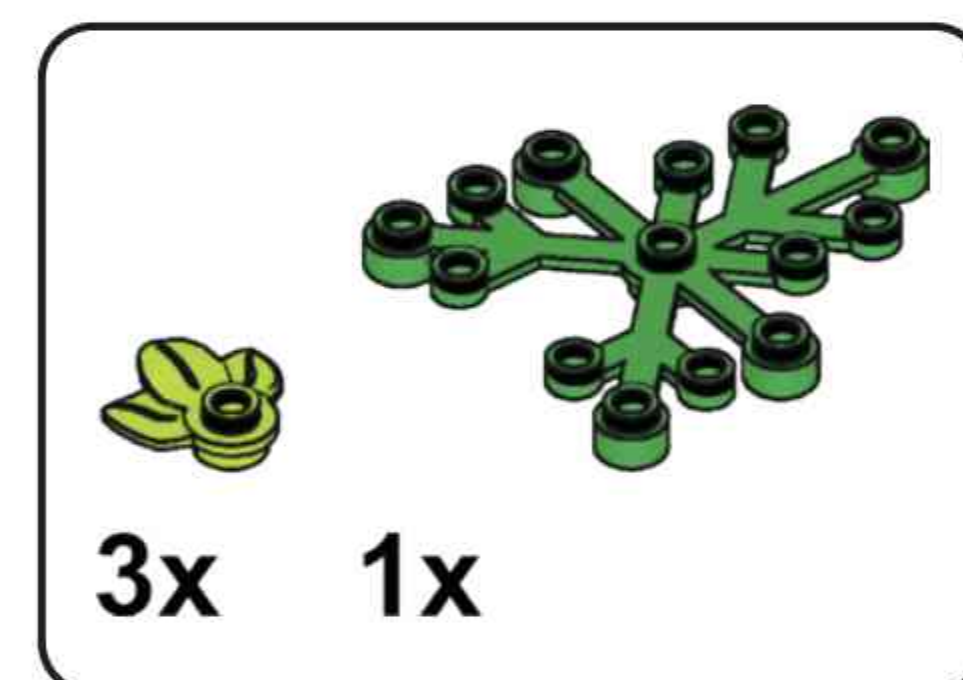
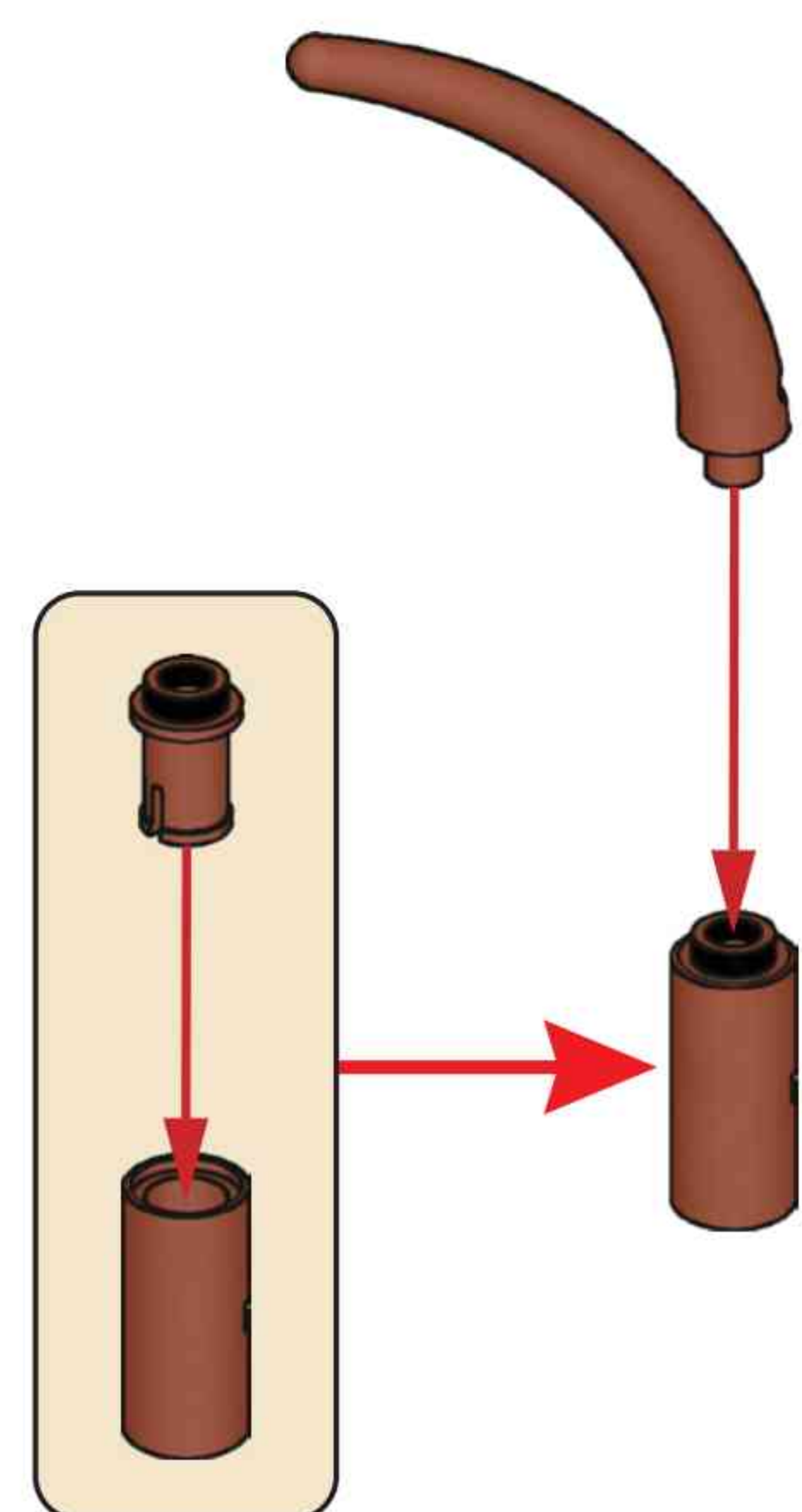
P96



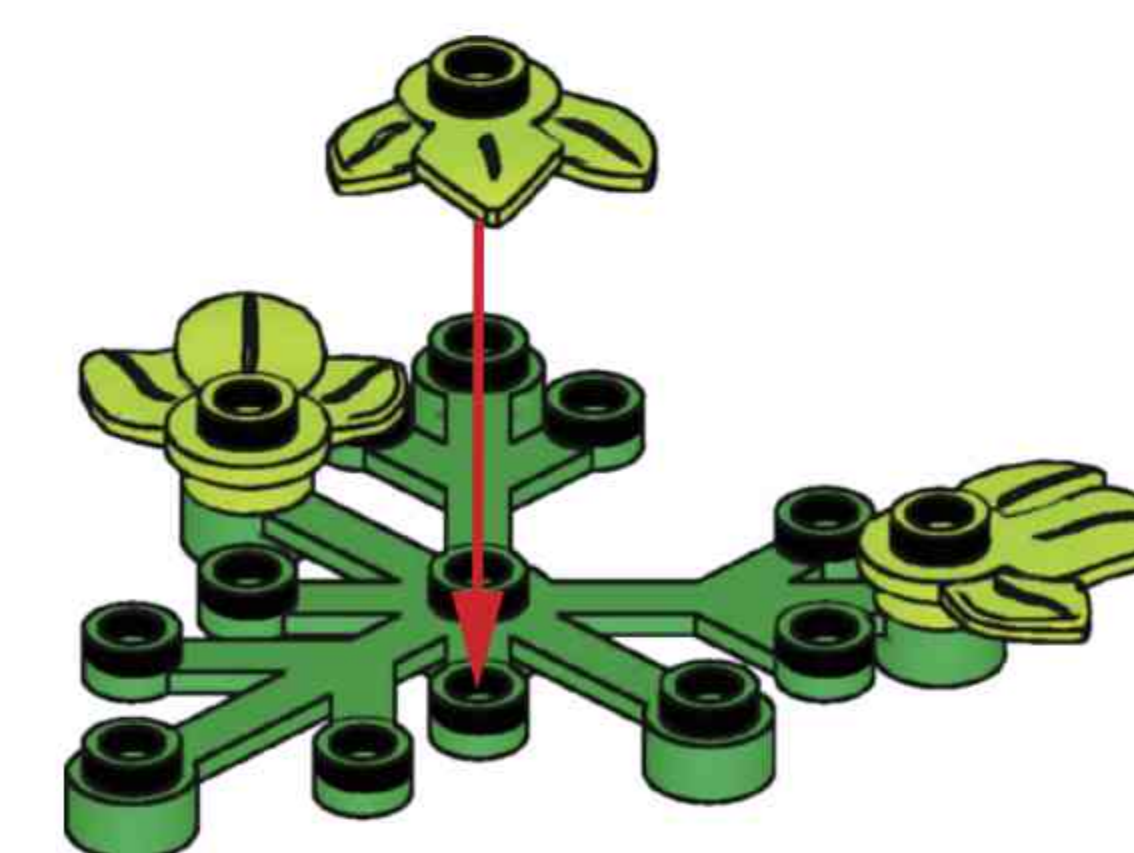
P97

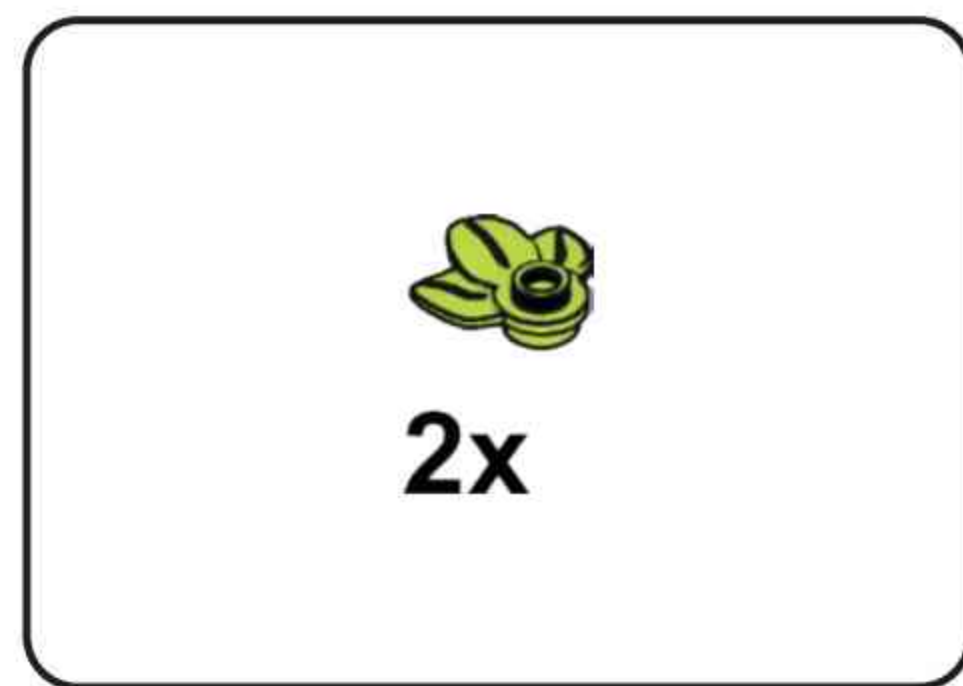


P98

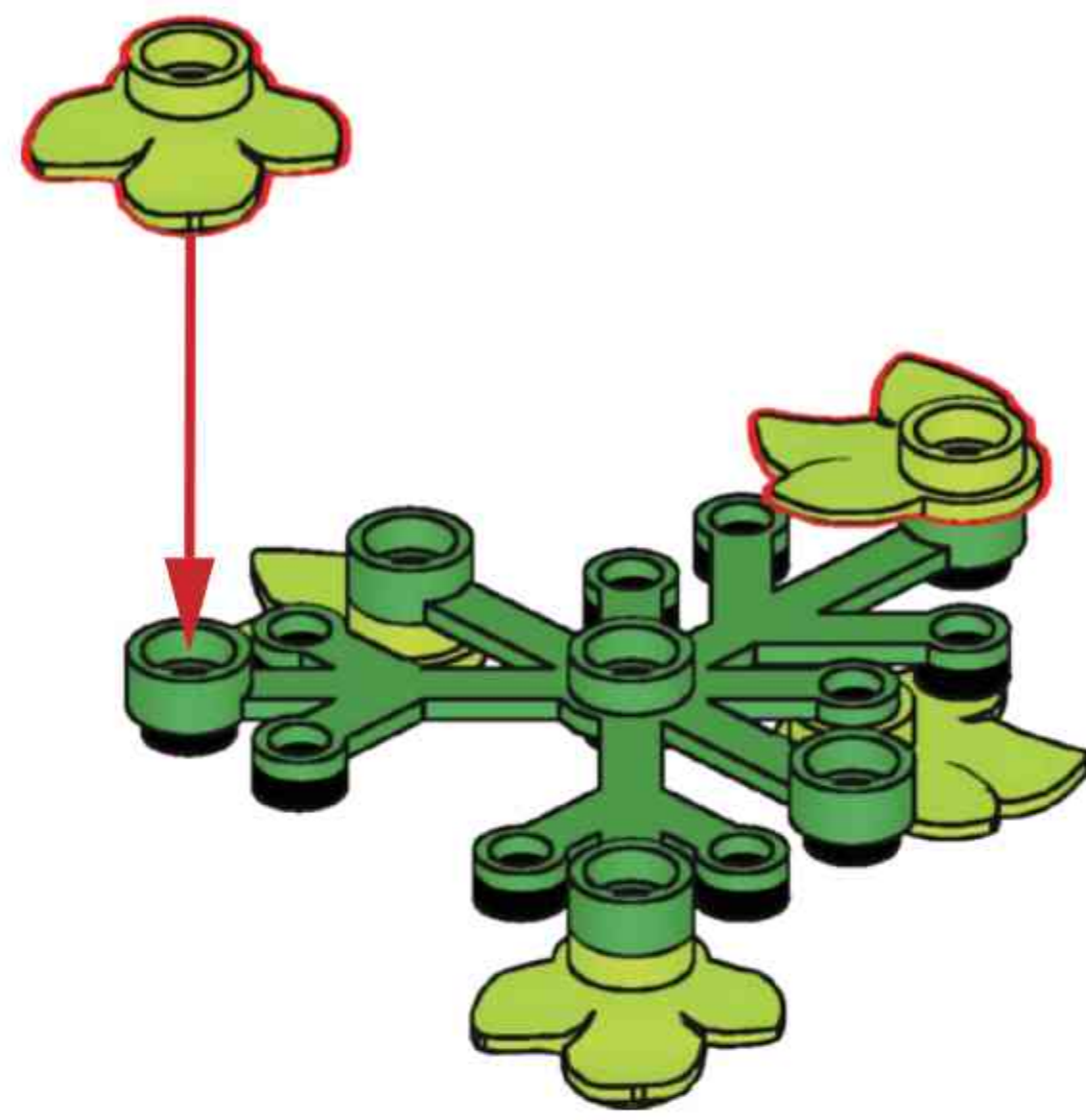


P99

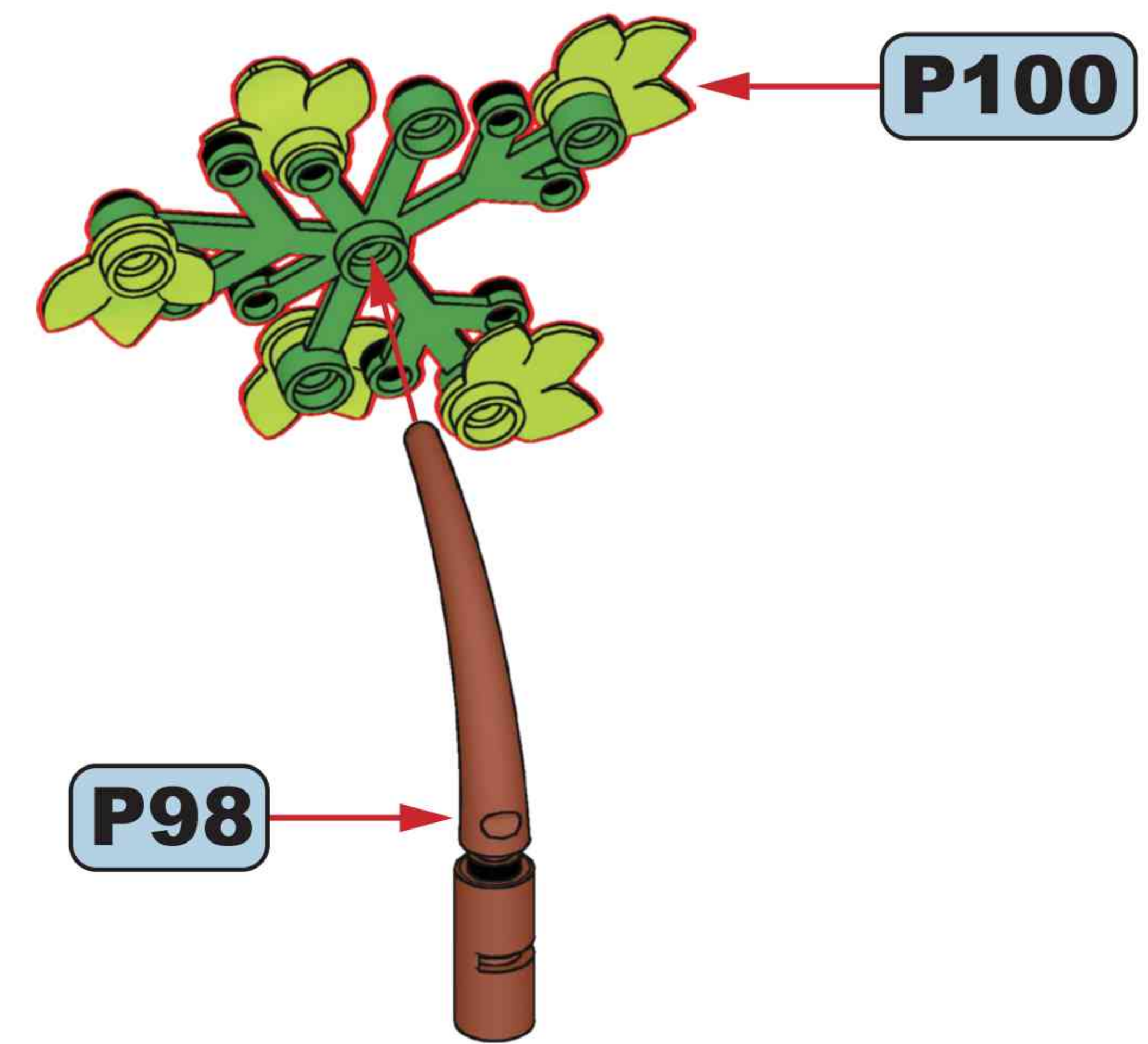
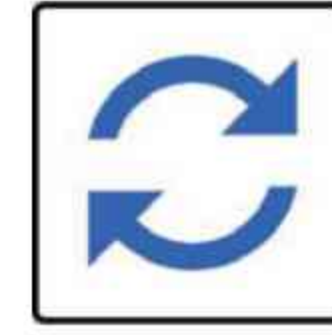




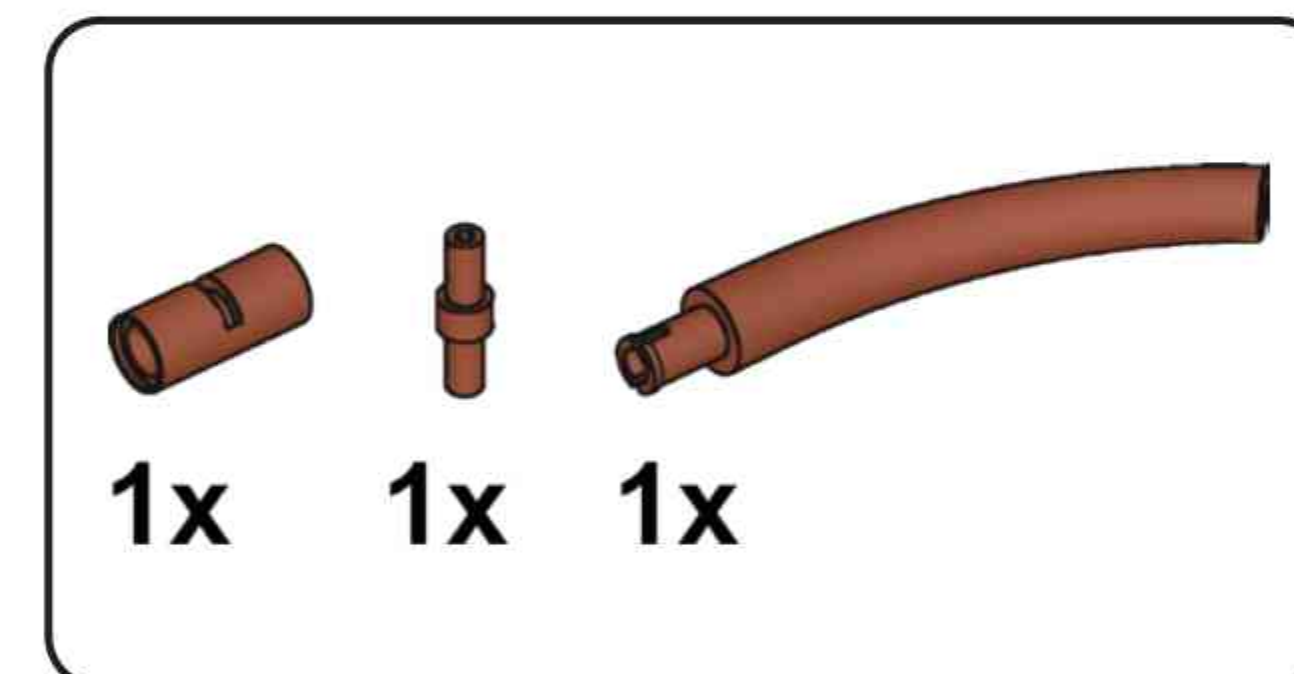
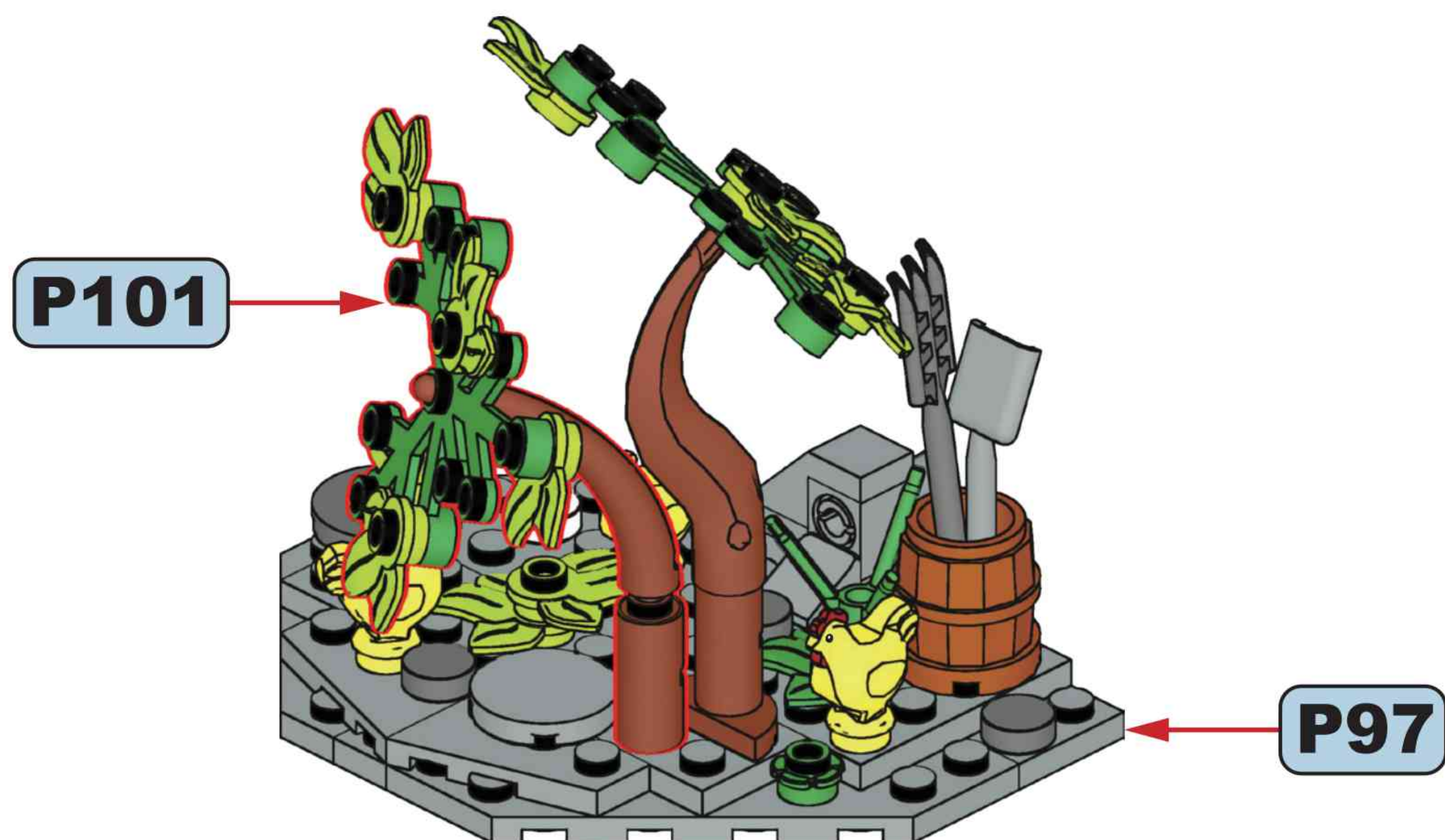
P100



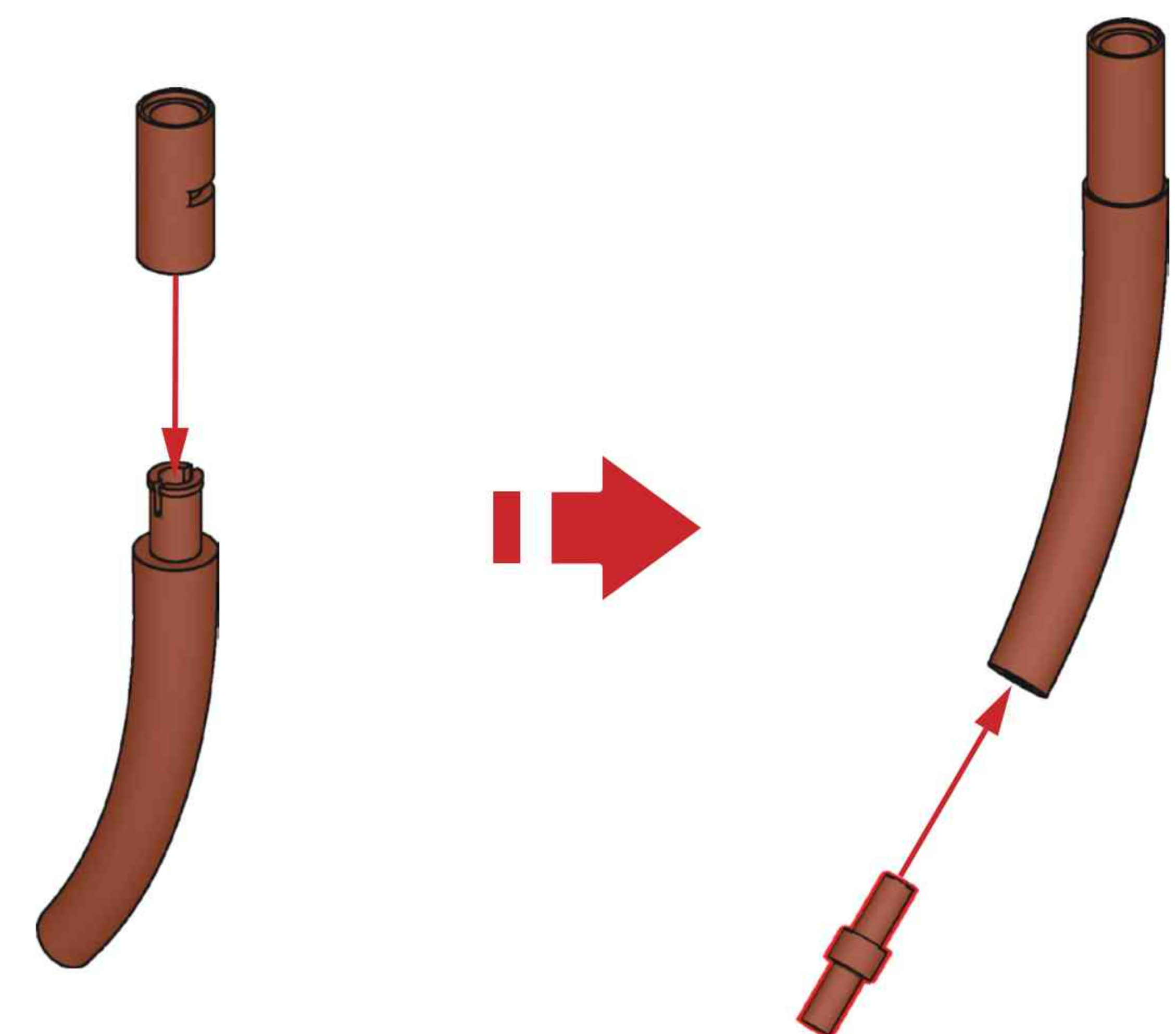
P101

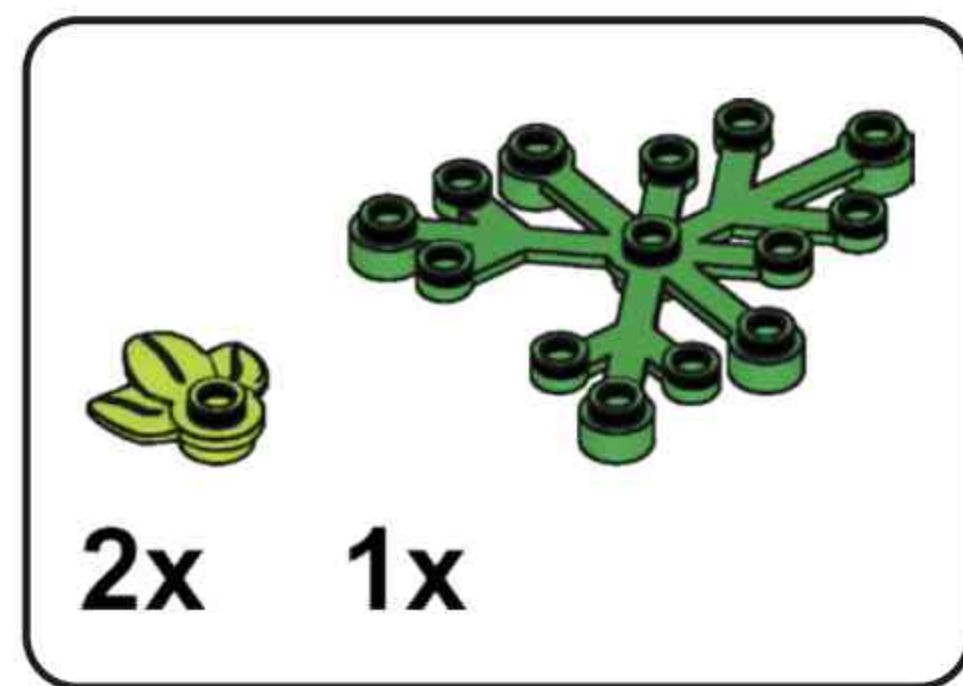


P102

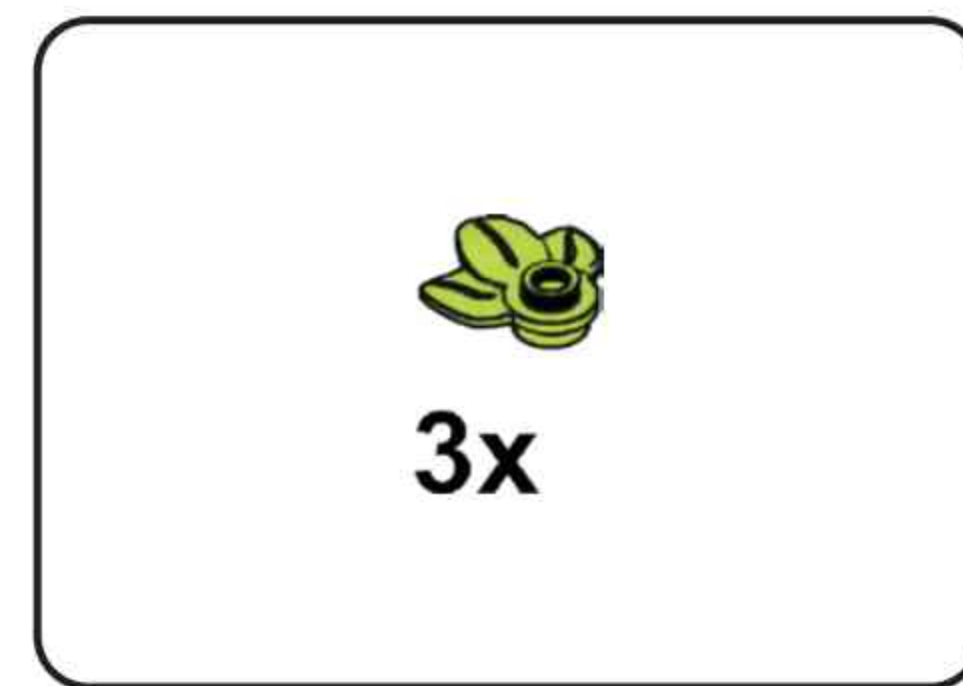
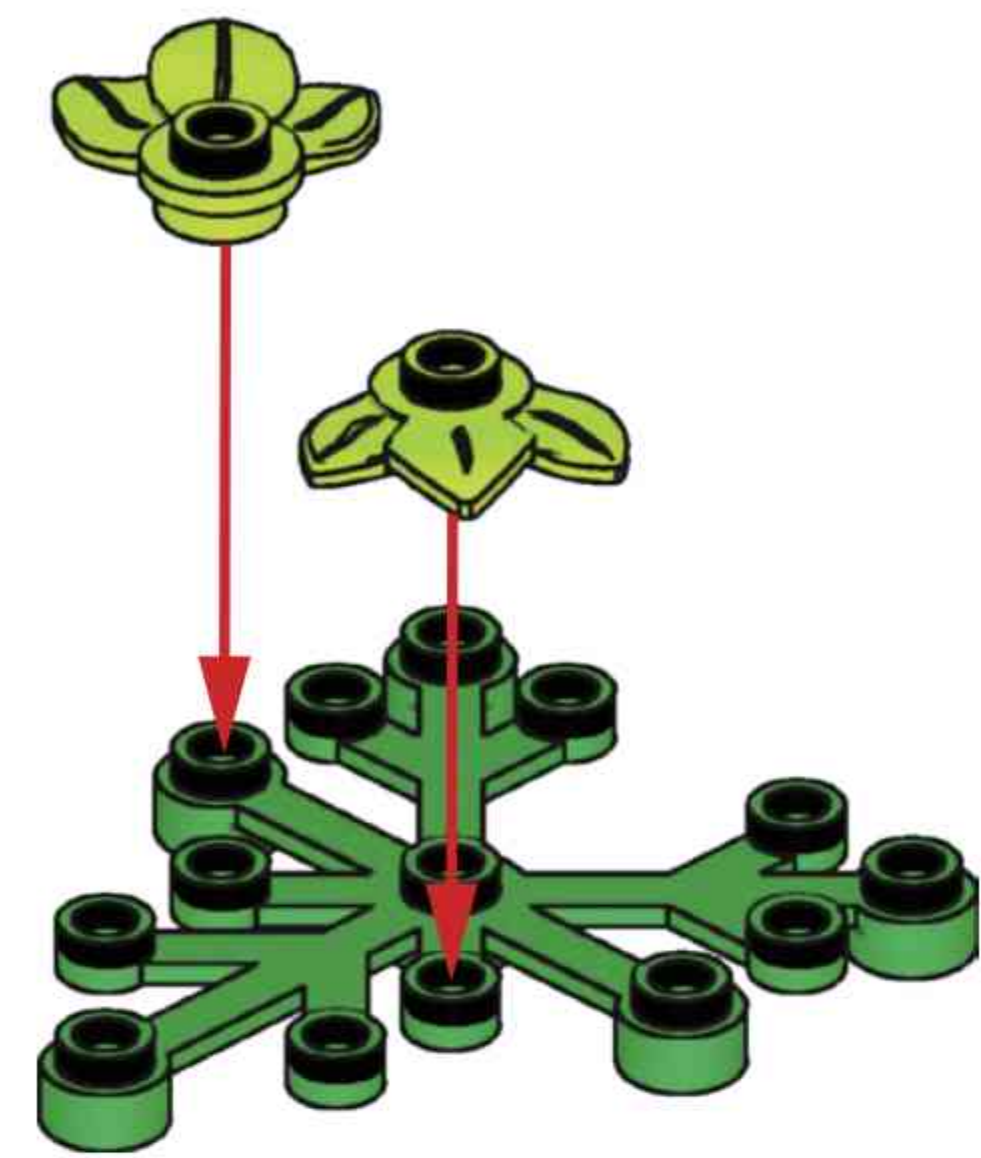


P103

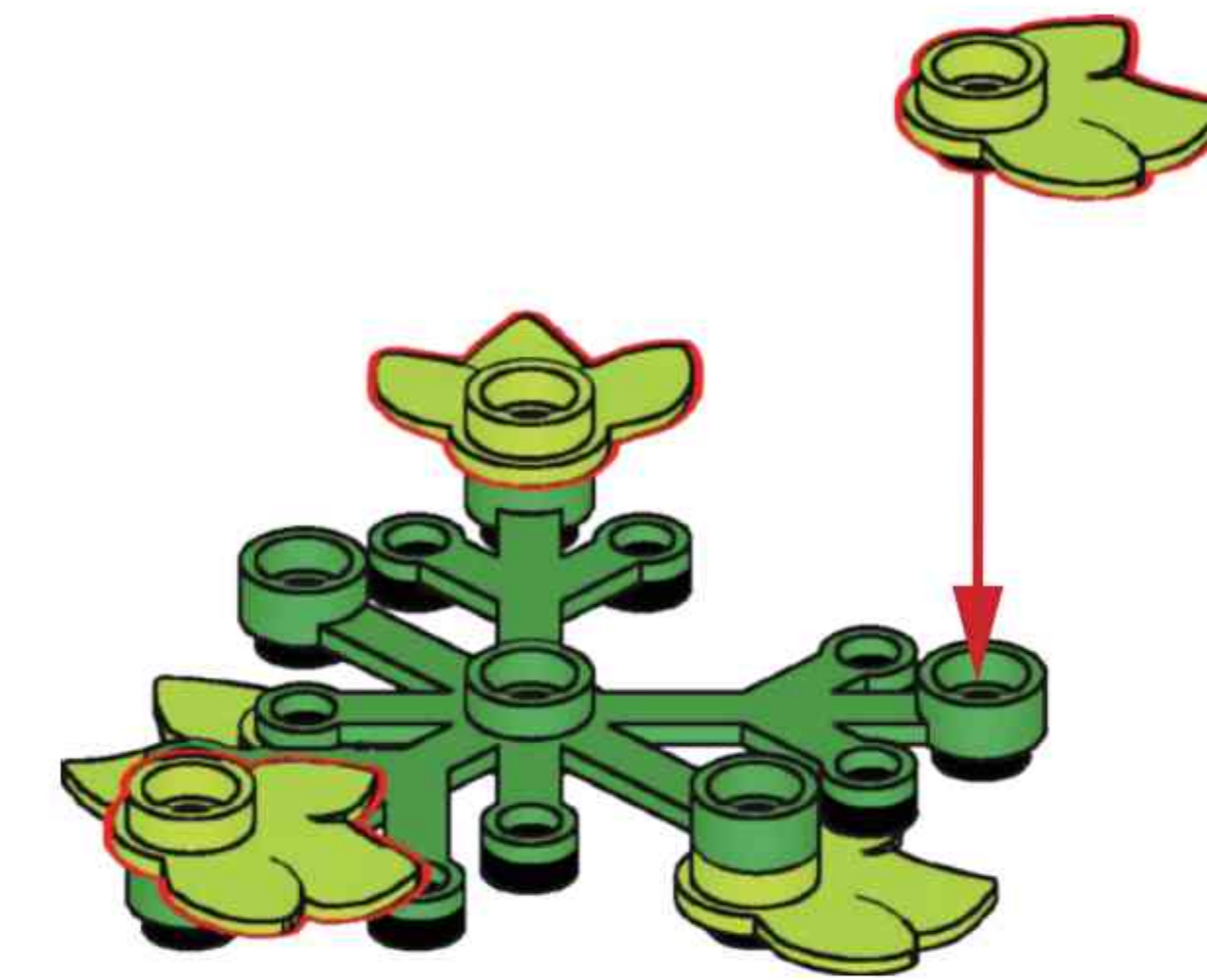




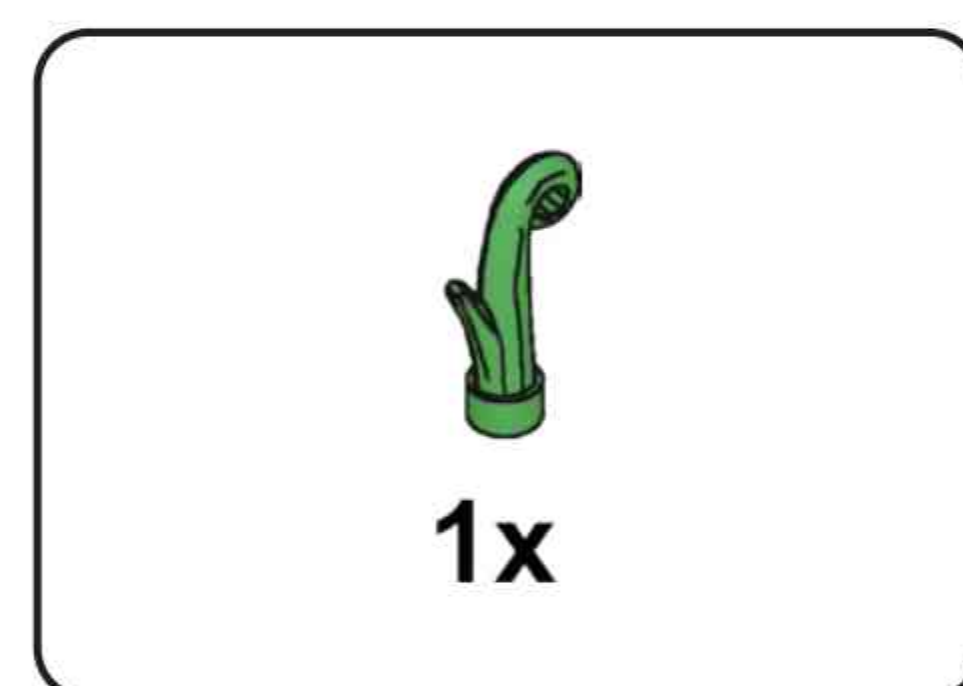
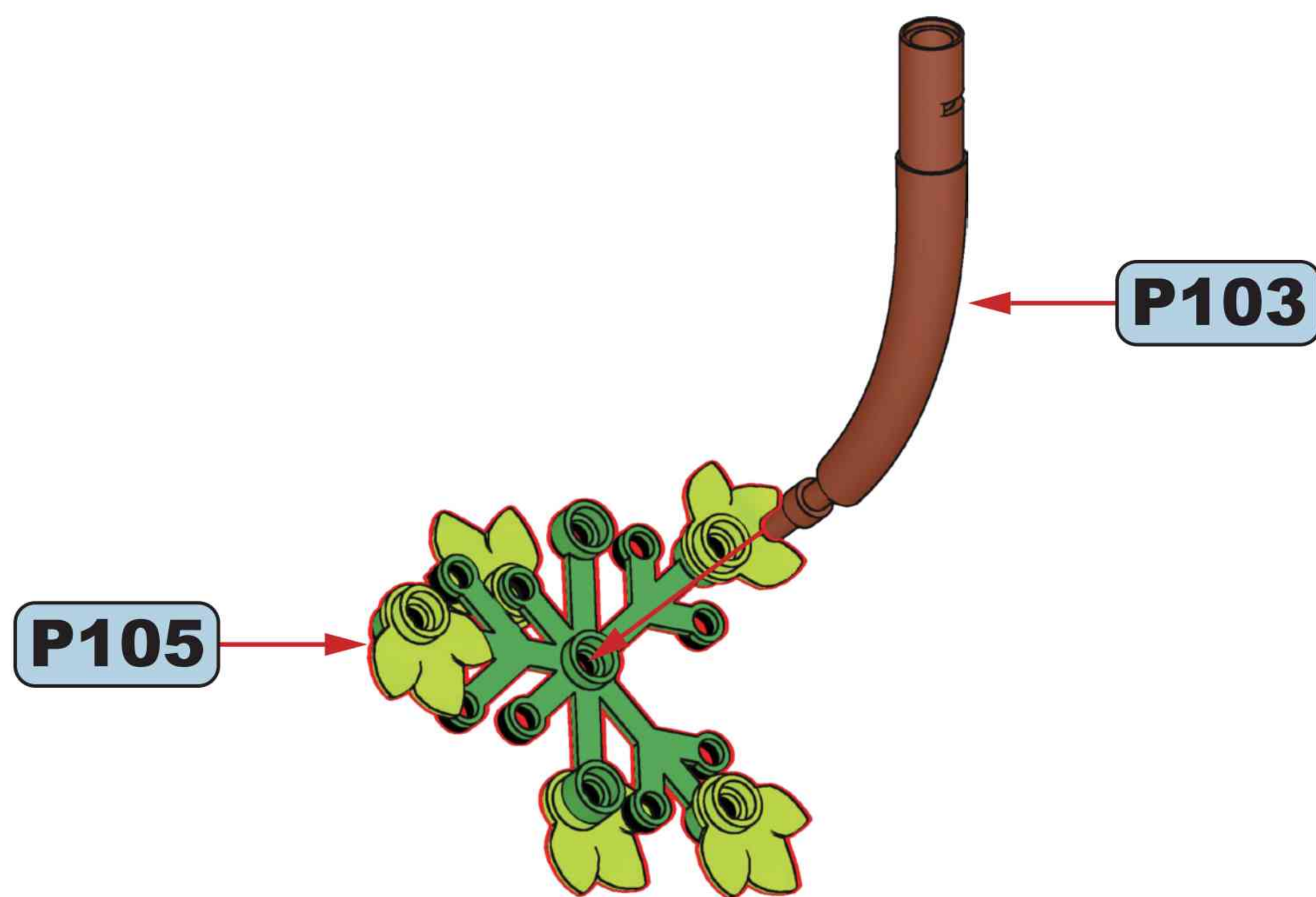
P104



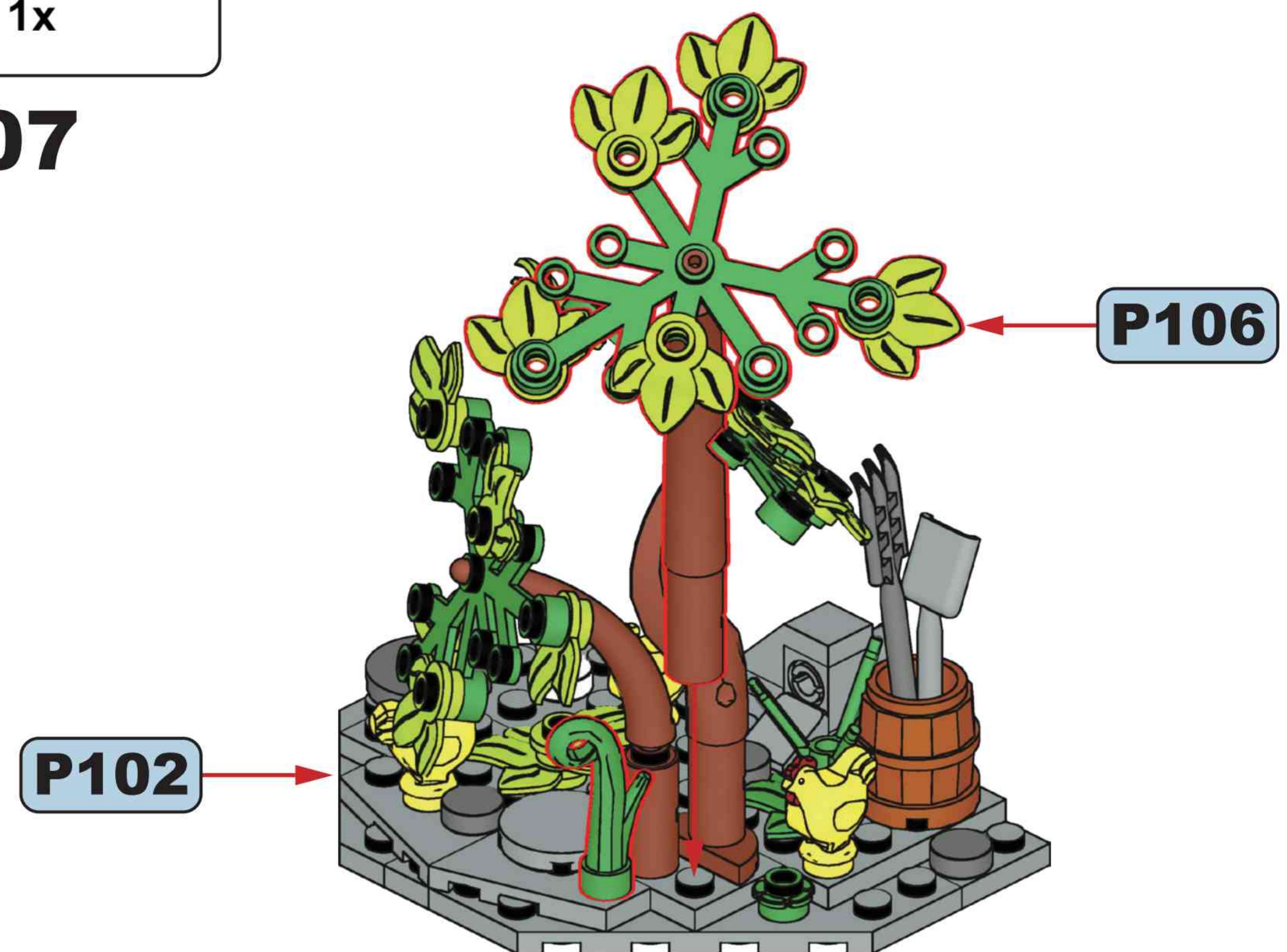
P105



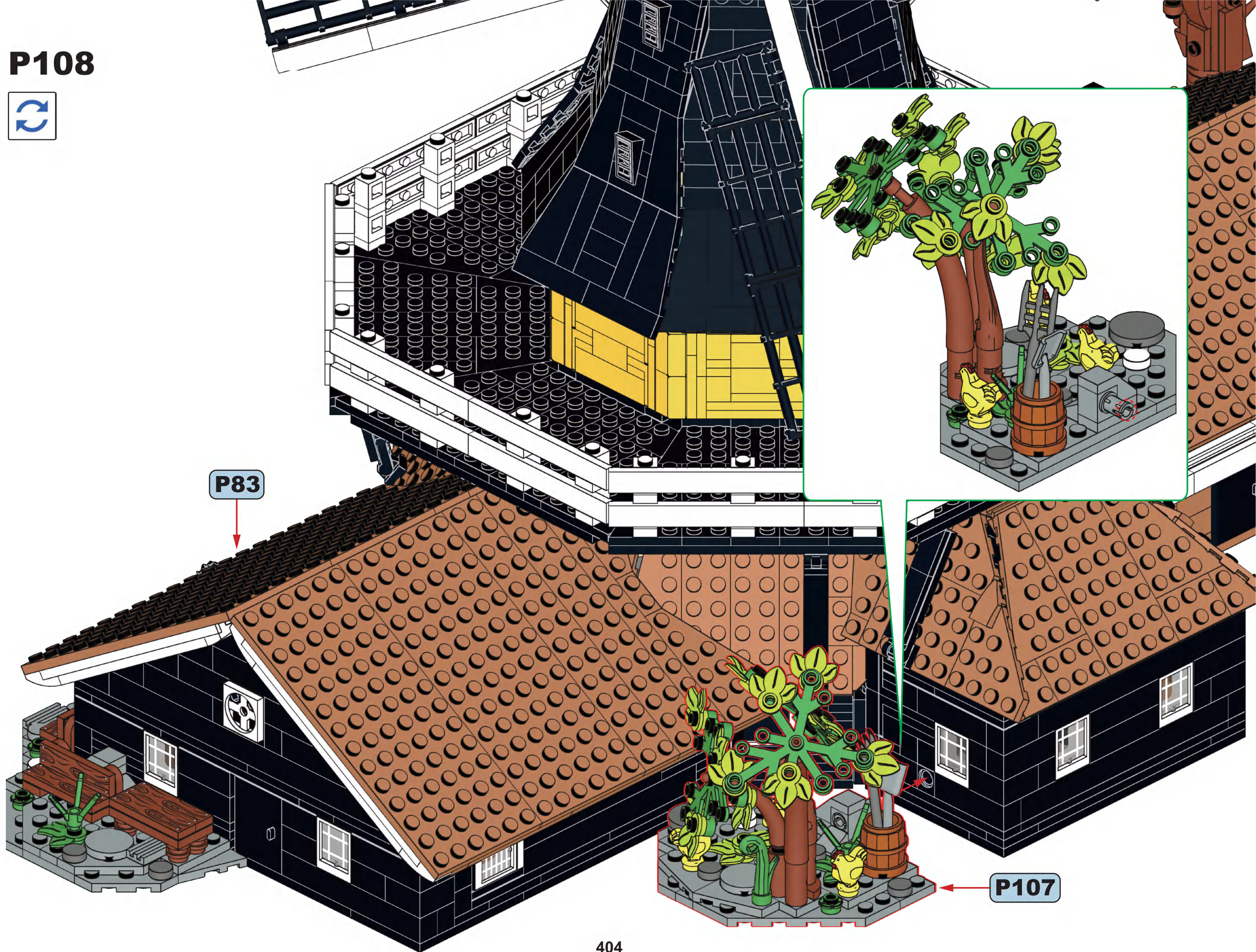
P106



P107



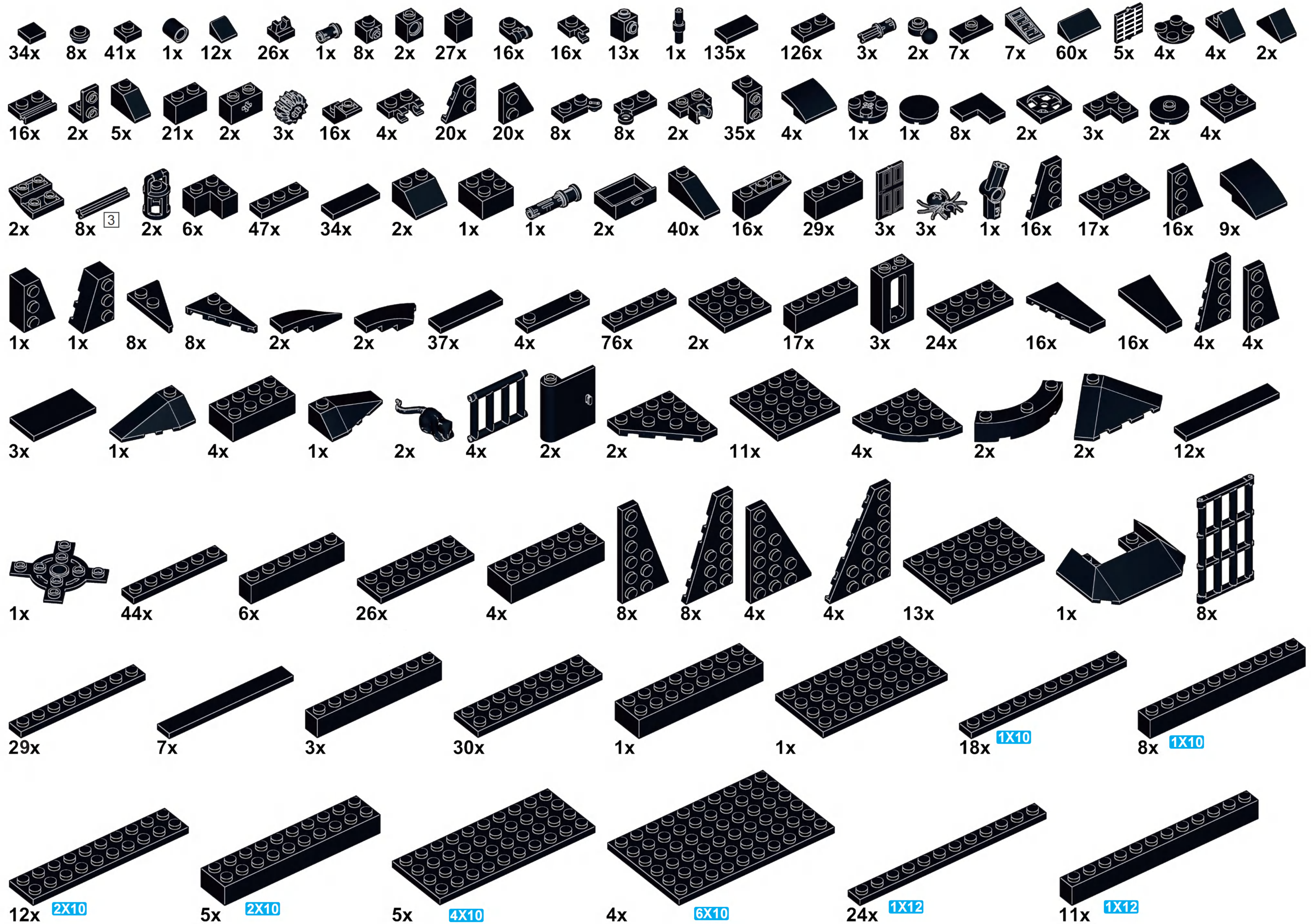
P108

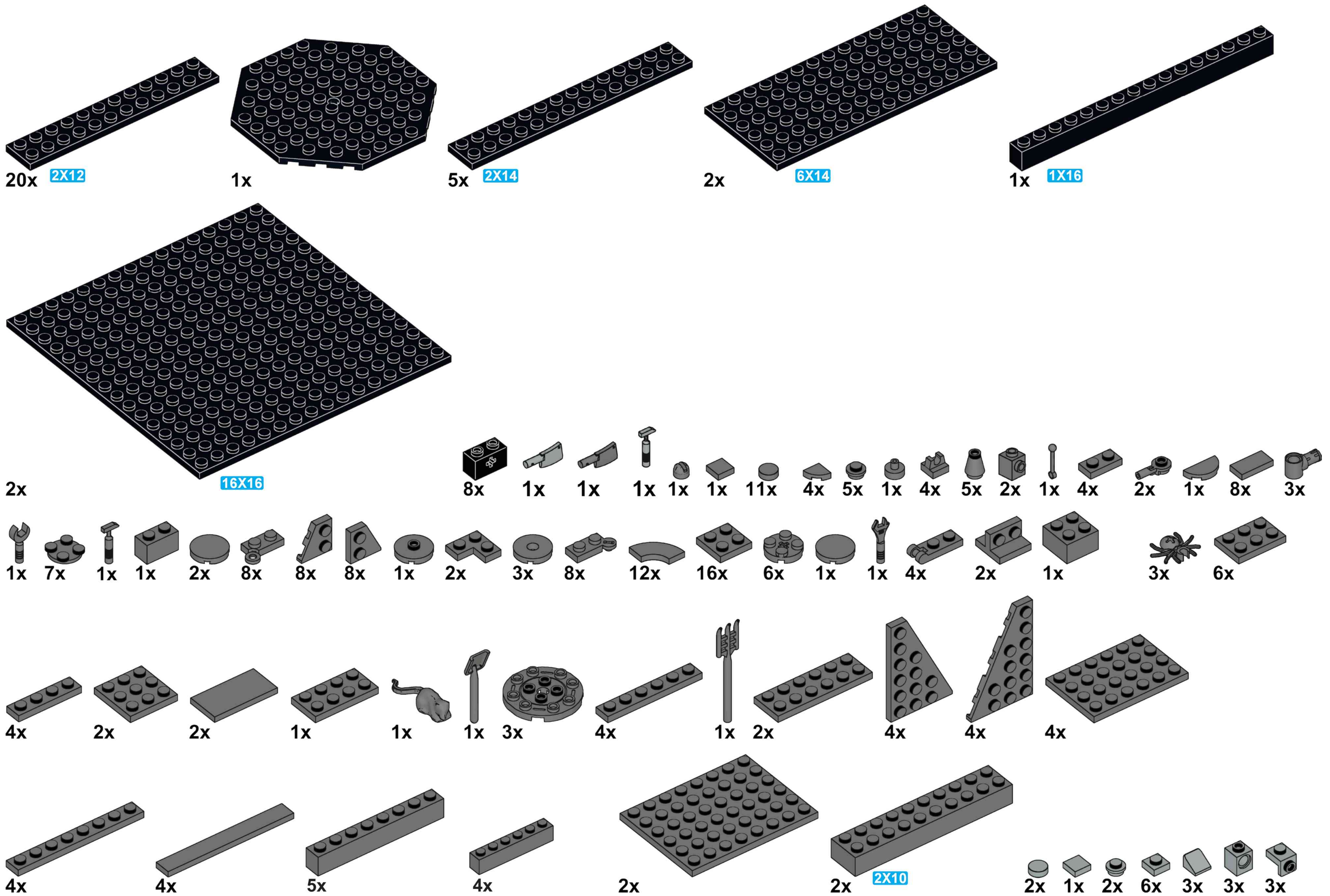


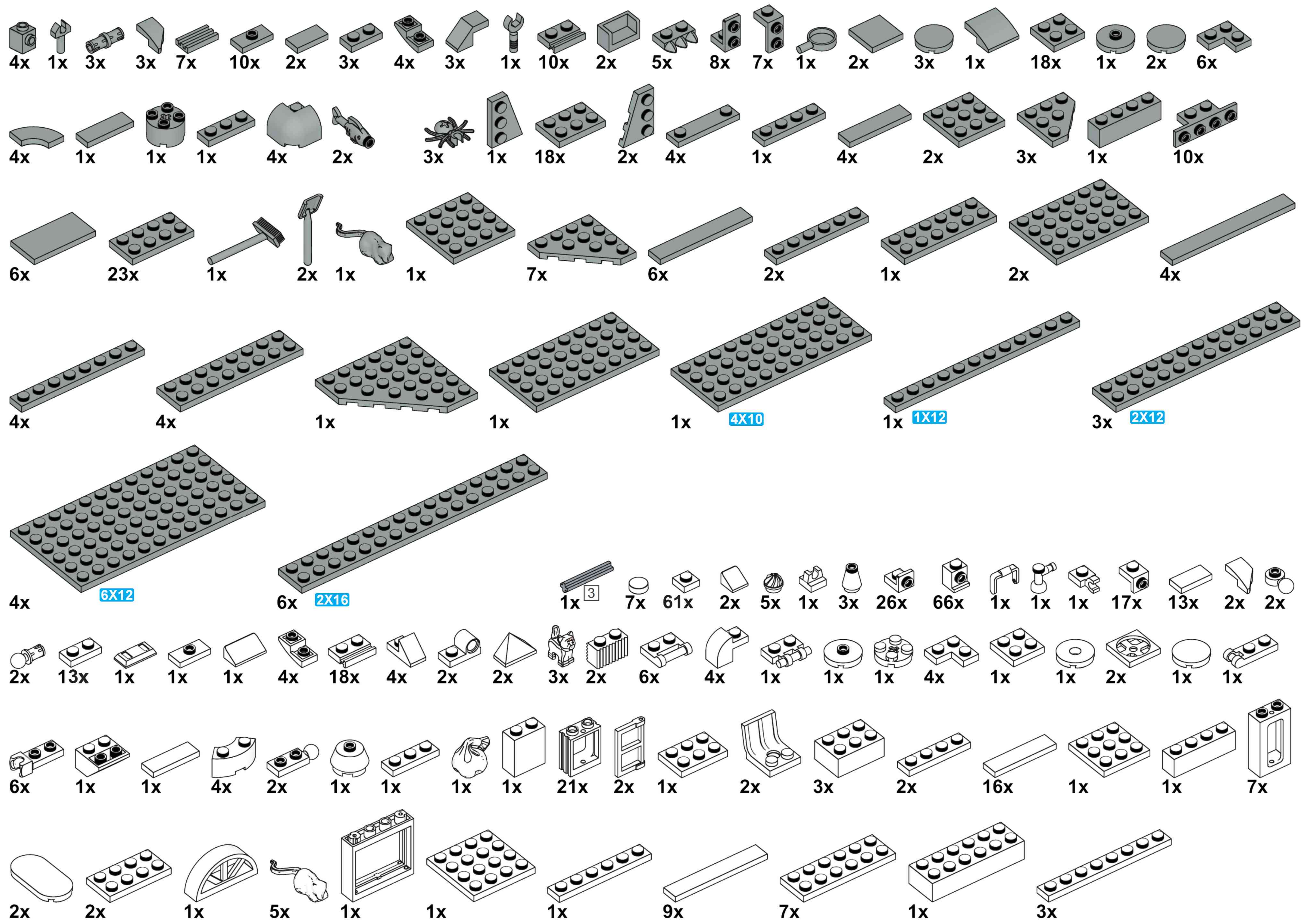
P83

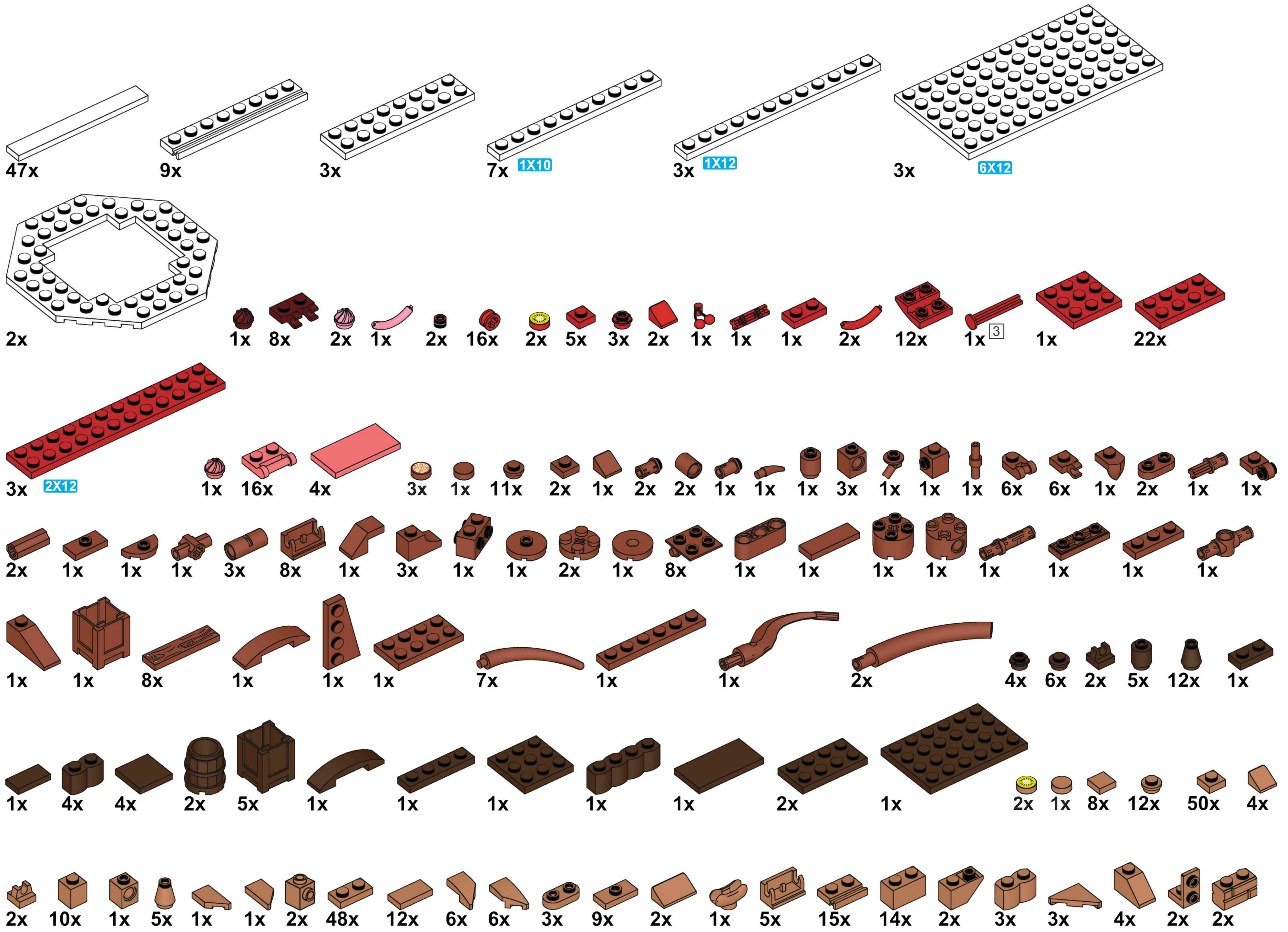
P107

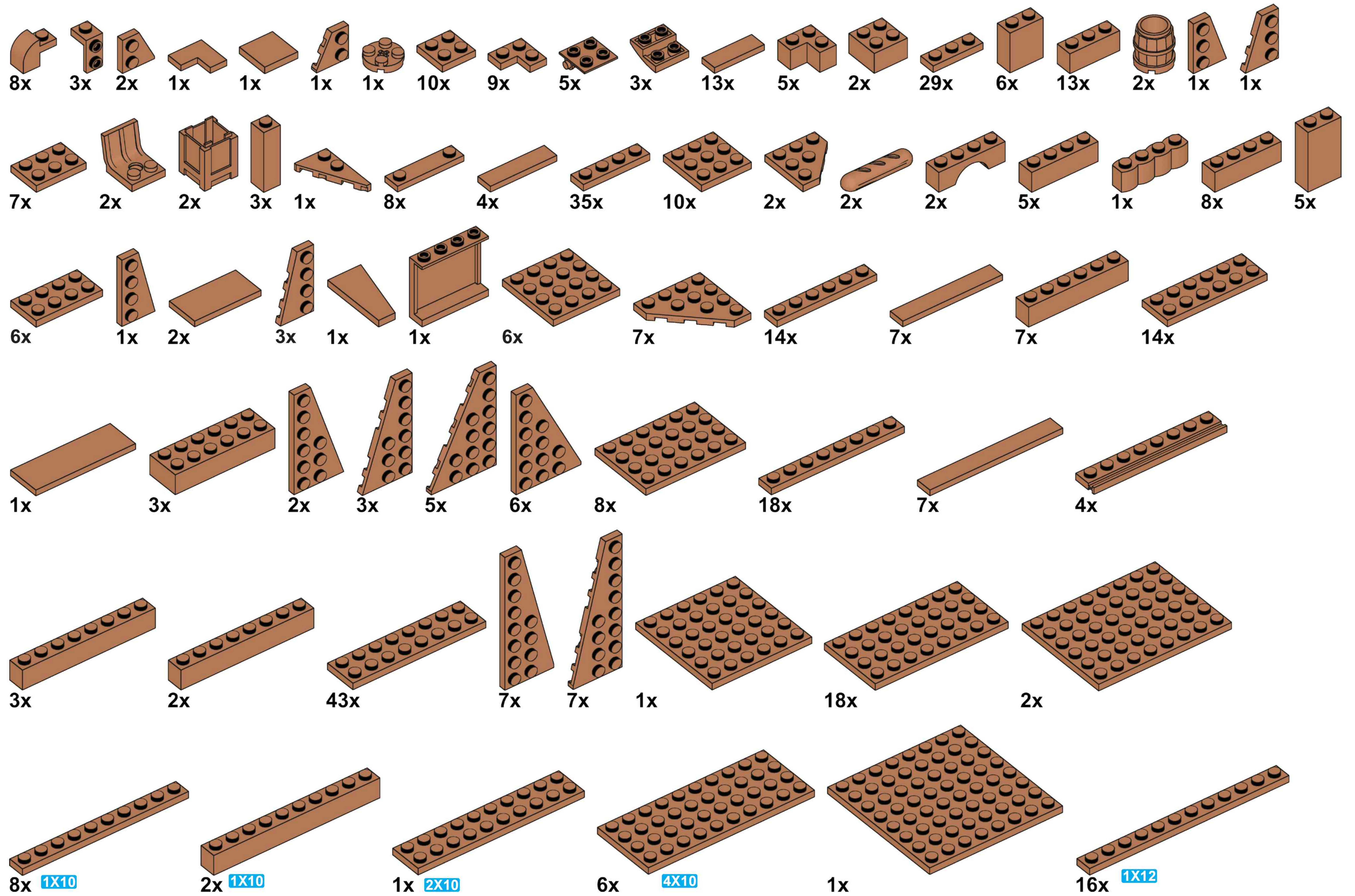


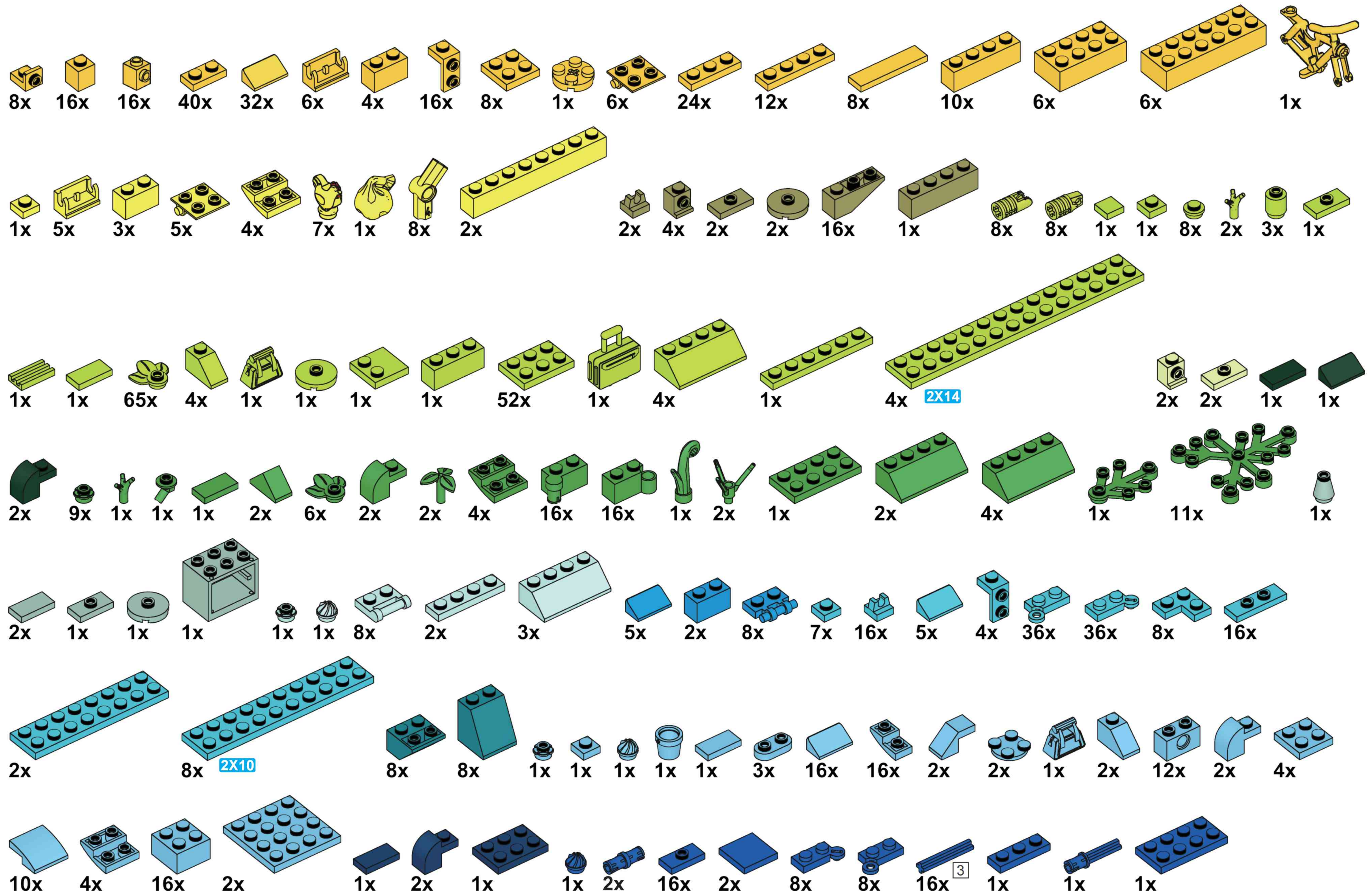


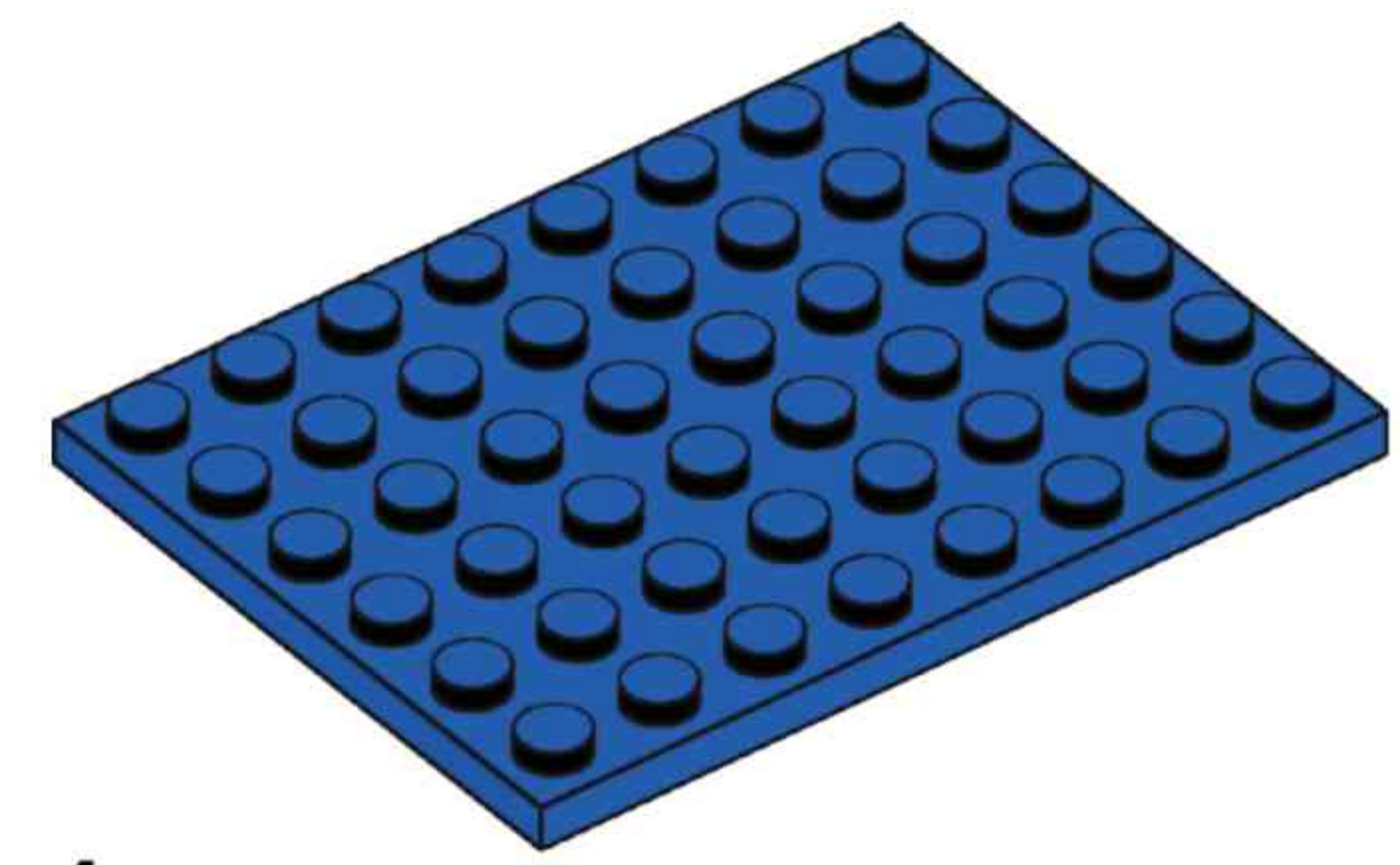




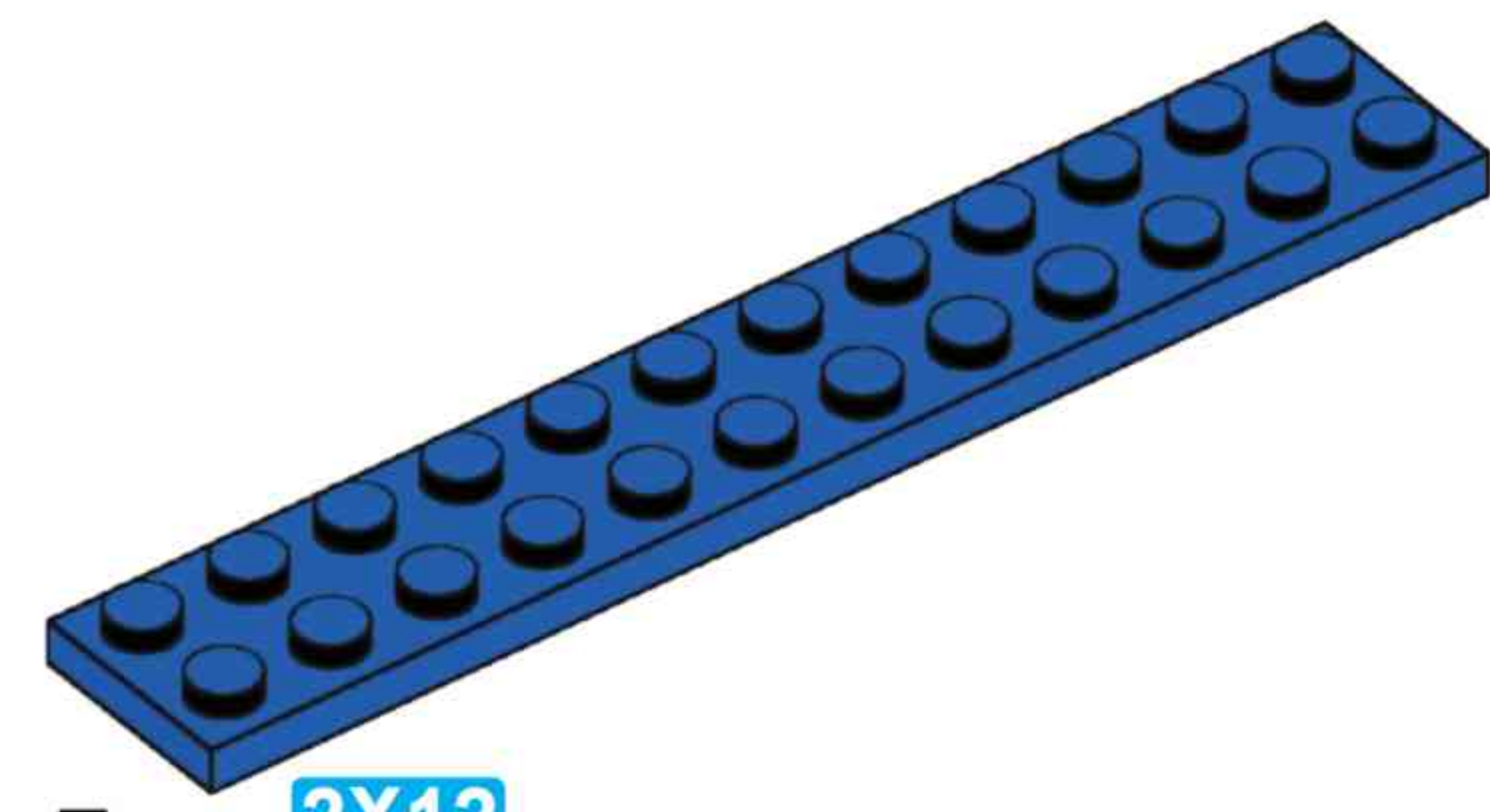








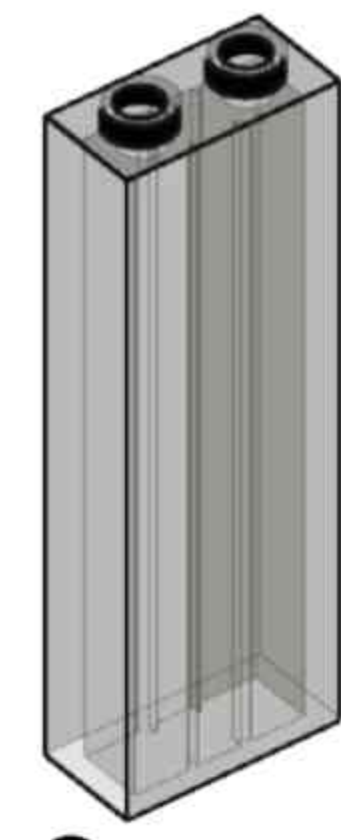
1x



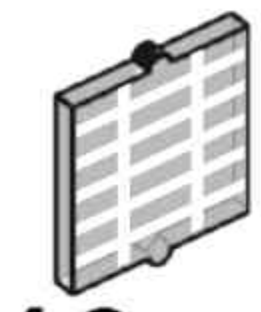
5x **2x12**



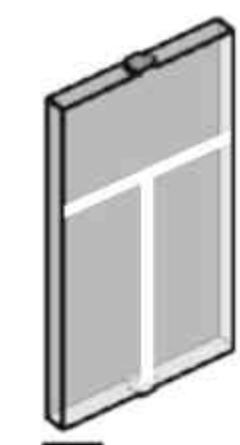
8x



8x



16x



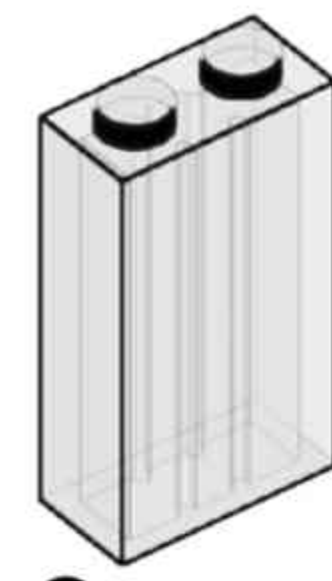
7x



1x



2x



8x



1x



1x



2x



1x



1x



2x



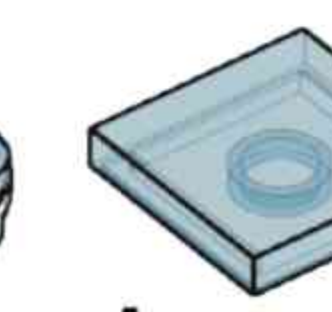
2x



2x



2x



1x



NO.55019



Windmills

The Iconic Landscape Of The Netherlands

In 1752, Mayor Jan Ter Horst of Rijssen built this oil and peeling mill next to the river Regge.

The mill pressed oil from linseed. Linseed comes from the flax plant.

A second mechanism was used to hull barley, which produces pearl barley.

Linseed, barley, and the final products were transported by land and over the river Regge.

The Pelmolen was one of the three industrial mills in Twente.

Oil-rich crops came from all over the eastern part of the Netherlands.

Due to the Industrial Revolution,

the mill fell out of use in 1913 and became heavily deteriorated.

Just in time, the mill was preserved as a historical monument,

In 1975, the mill was fully restored and opened to the public as a fully working mill.

Linseed, linseed cakes, and linseed oil are still for sale,

as well as flour products from other nearby mills.