



NO.55018

TOWER BRIDGE





TOWER BRIDGE

LONDON
LANDMARK



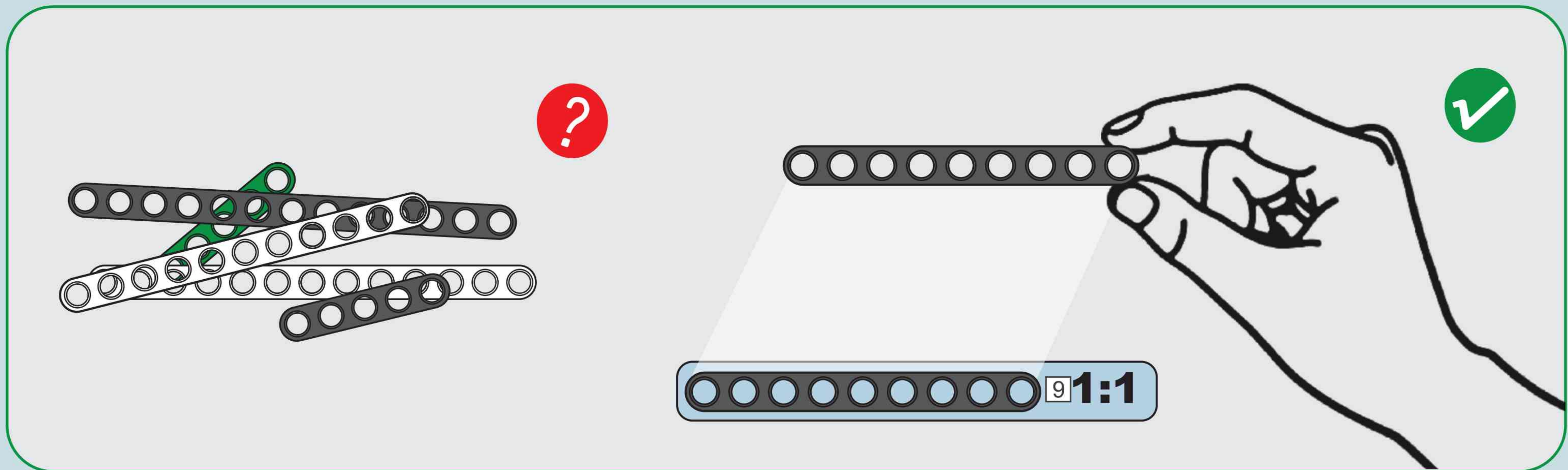
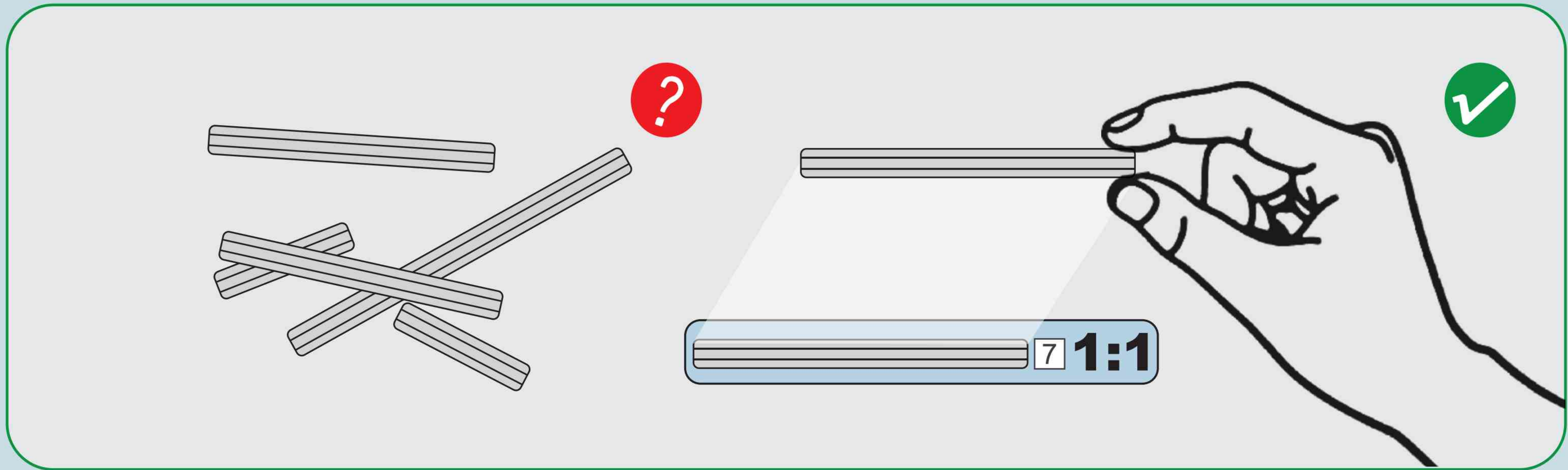
ARCHITECTURE
CLASSIC



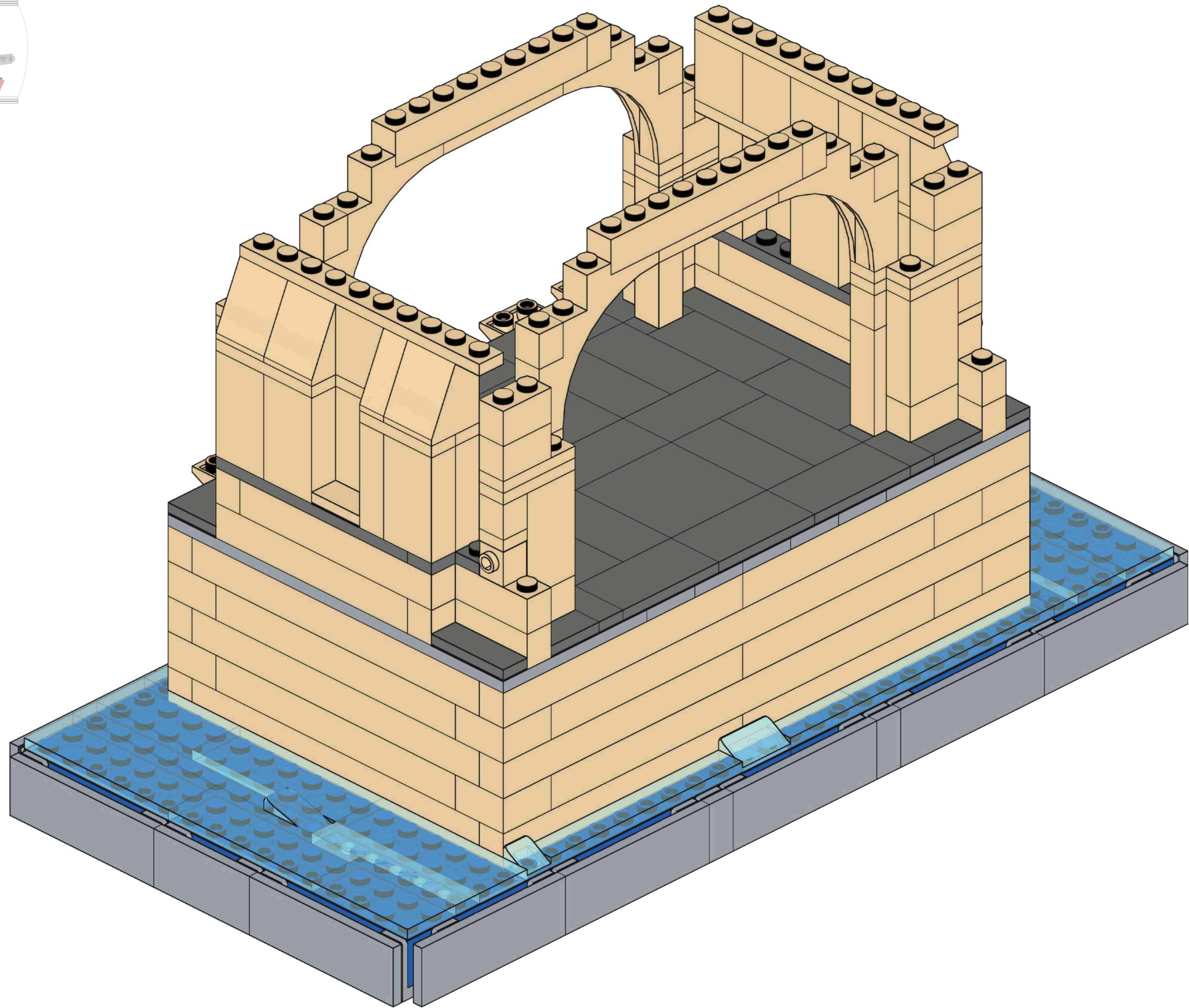
TOWER BRIDGE

Tower Bridge, one of London's most iconic landmarks, spans the River Thames and stands as a testament to the city's rich history and engineering prowess. Completed in 1894, it was designed to address the growing need for a bridge that could accommodate both road and river traffic, featuring a unique twin-leaf bascule mechanism that allows it to open for large vessels.

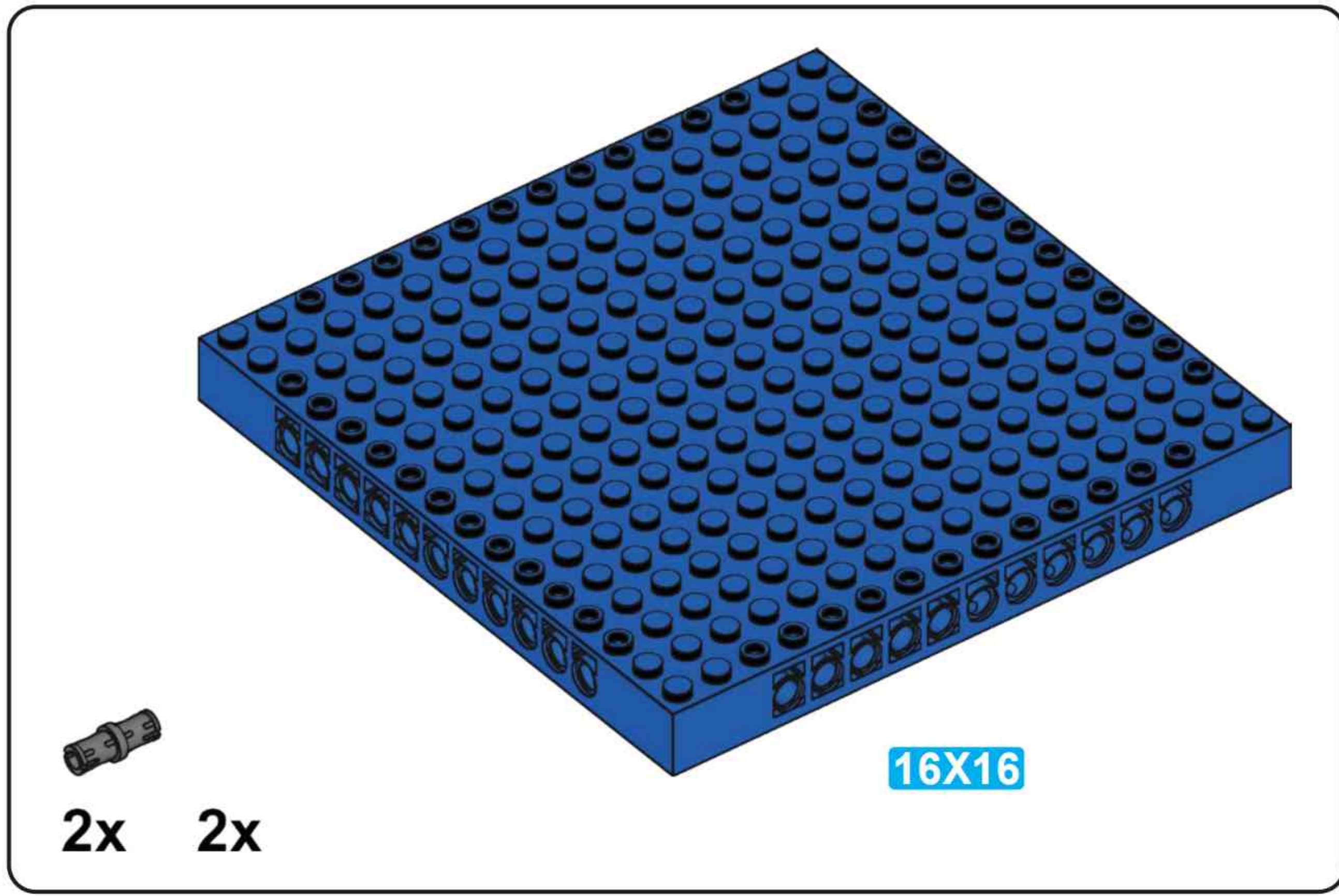
The bridge's Gothic-style towers, clad in granite and Portland stone, rise 61 meters high, protecting the internal steel structure while echoing the architectural grandeur of the Victorian era. Its 244-meter-long span includes a central section with two massive leaves, each weighing over 1,000 tons, which can be raised to 83 degrees in a minute using counterweights and hydraulic systems. Originally steam-powered, it was converted to electro-hydraulic operation in 1976, with the original engines preserved for public viewing. An elevated walkway, once intended for pedestrians during bridge openings, was closed due to low usage but reopened in 1982 as an exhibition space. Today, it offers a glass-floor corridor with stunning views of the river. Tower Bridge opens about 850 times annually, primarily for river traffic, serving as a vital symbol of London's heritage and a must-visit destination for tourists worldwide.



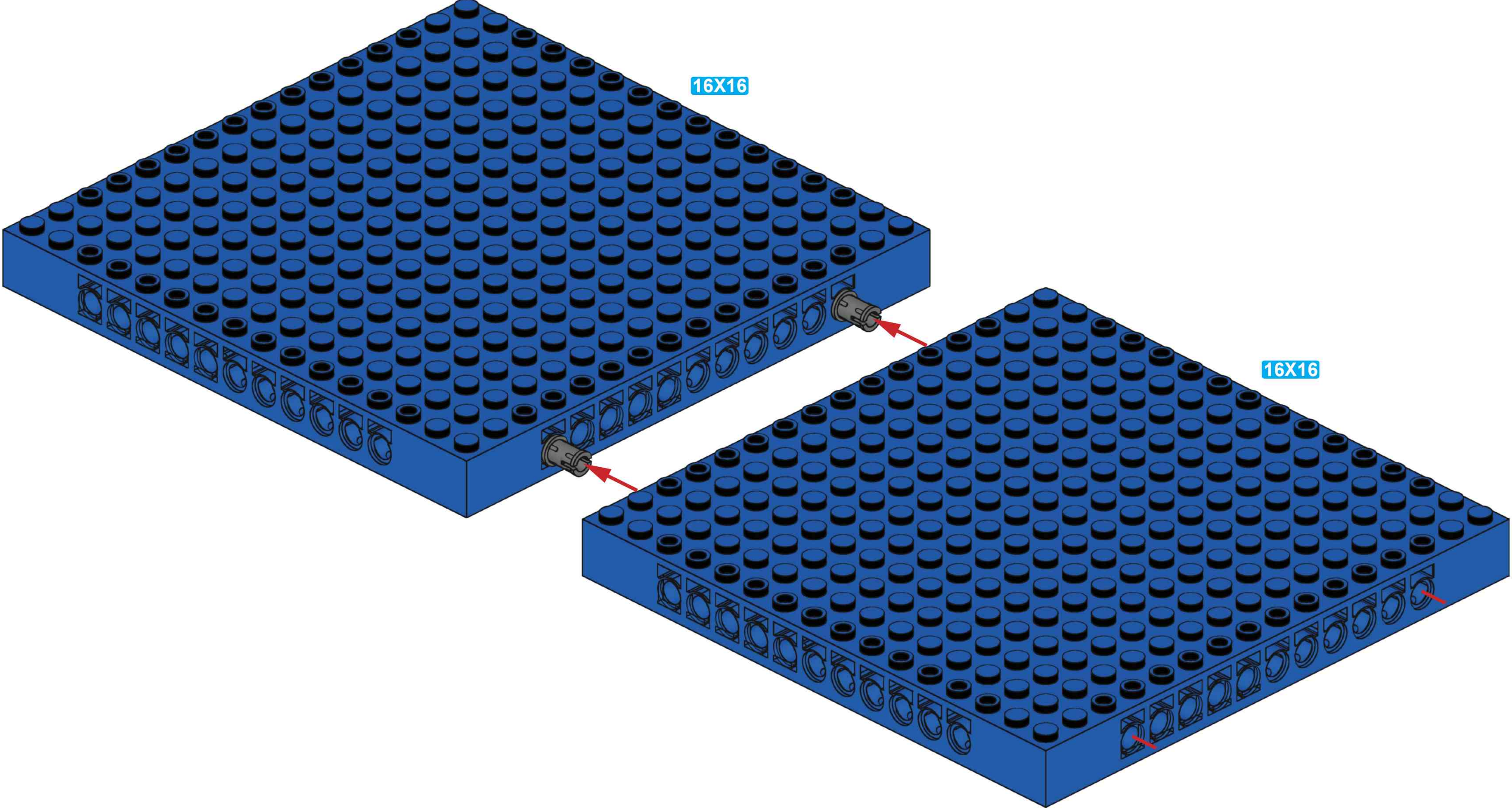
19

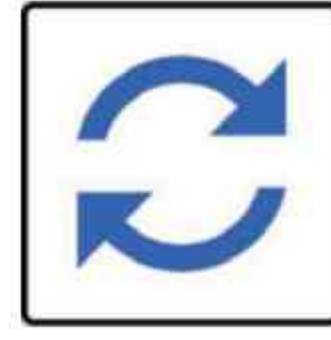
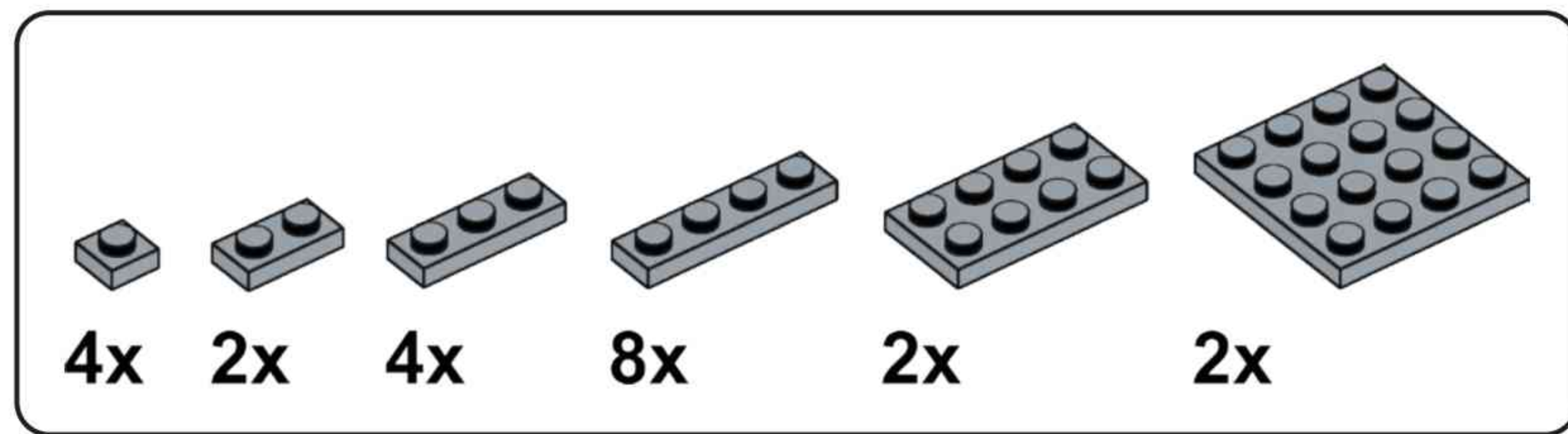


S

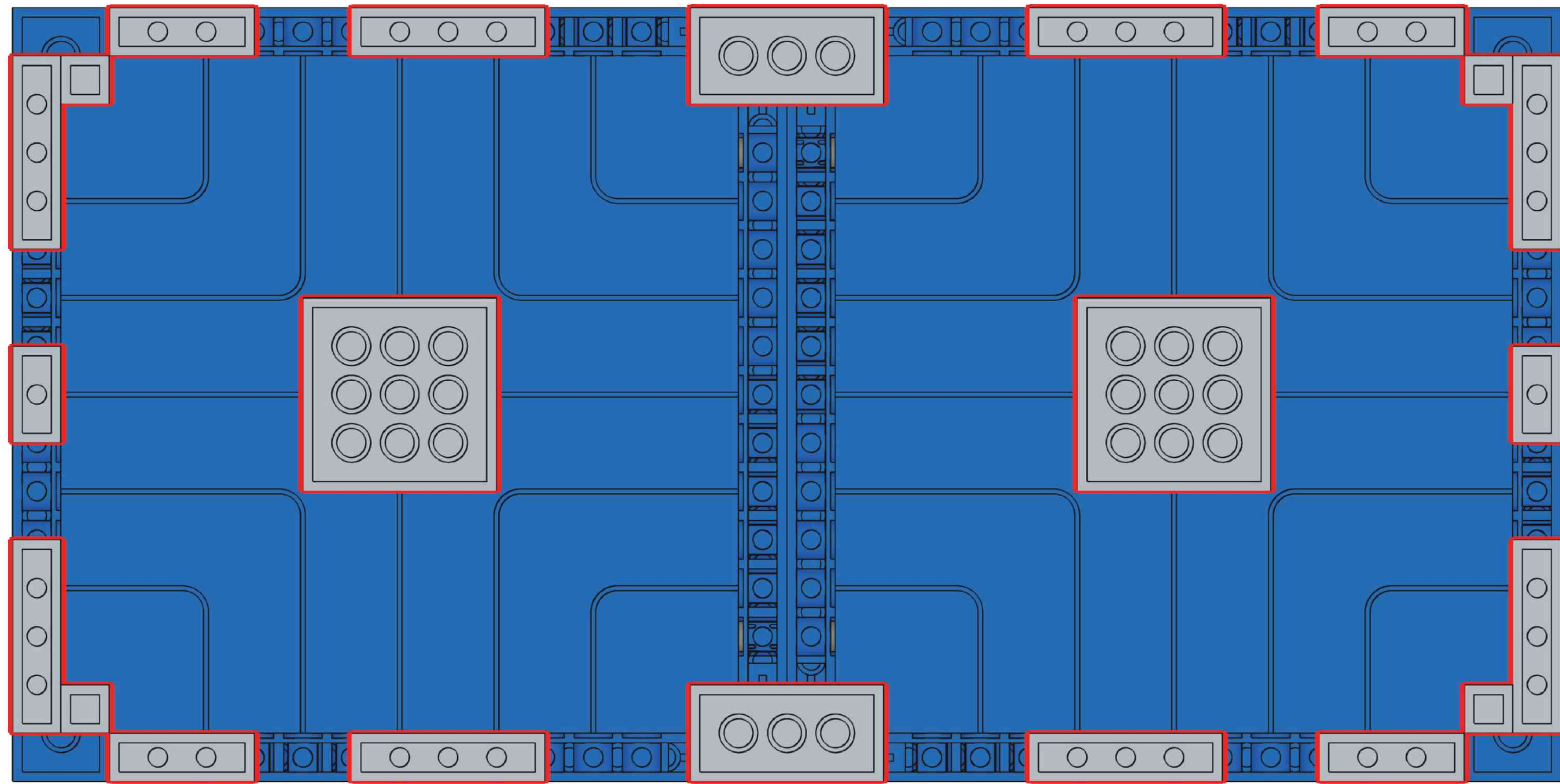


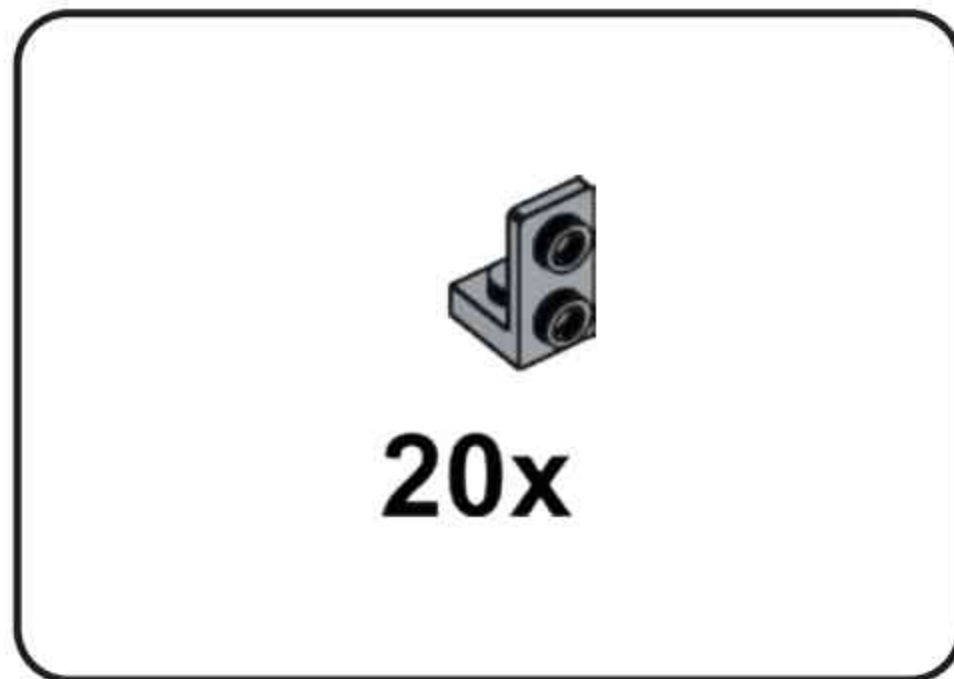
S1



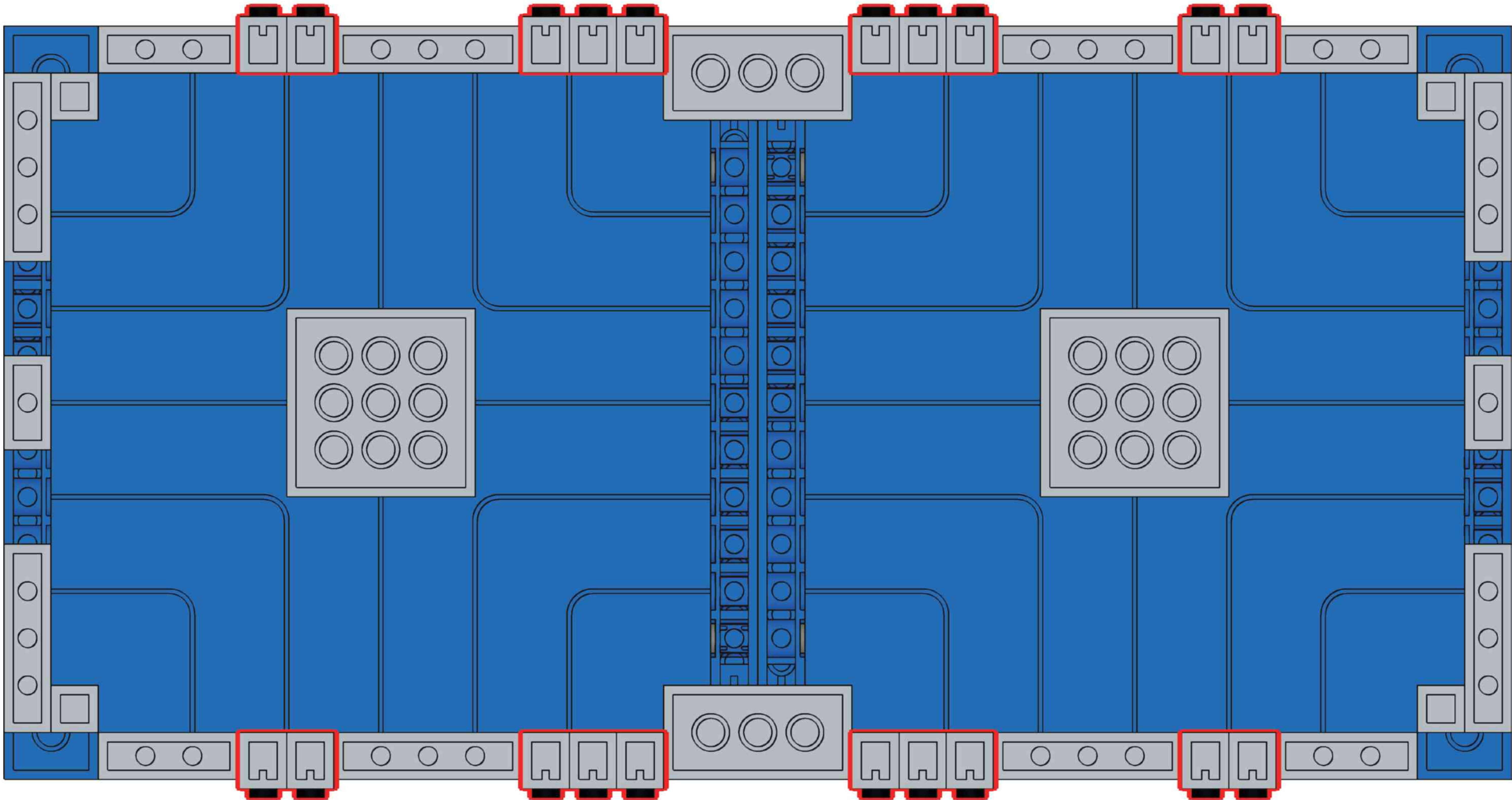


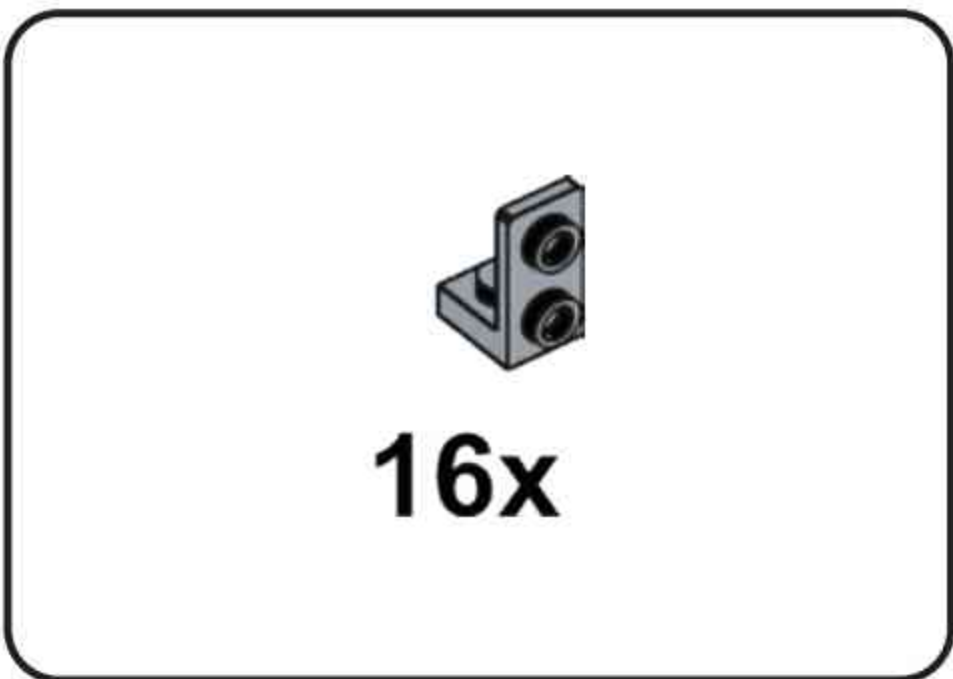
S2



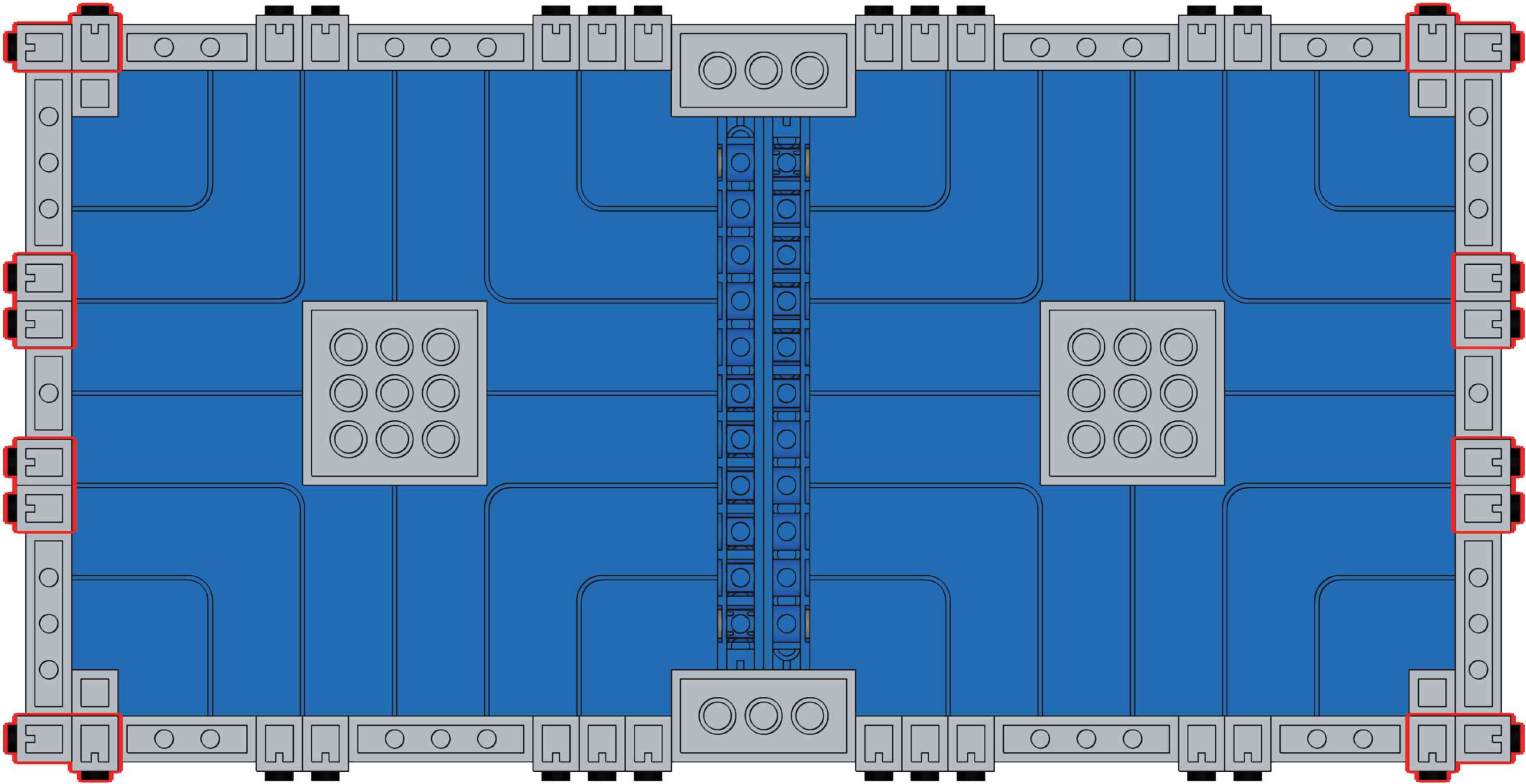


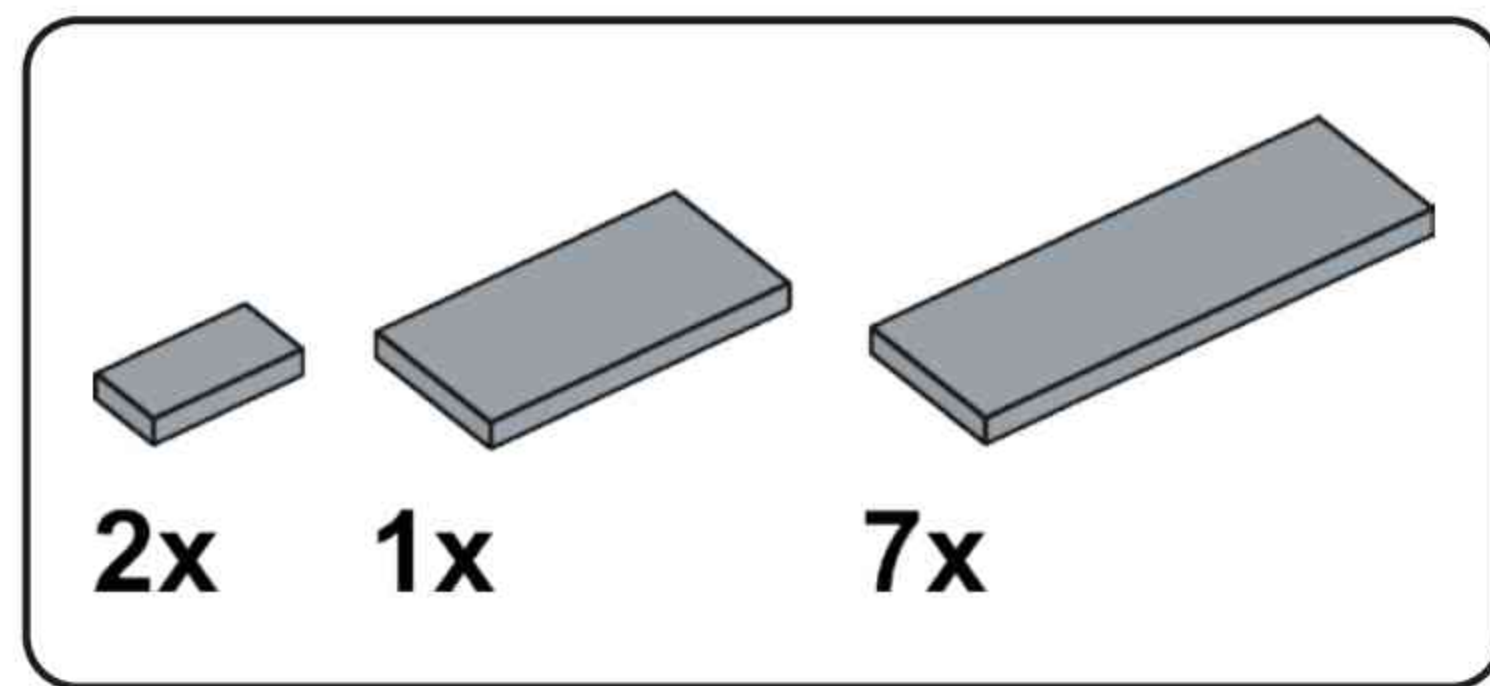
S3



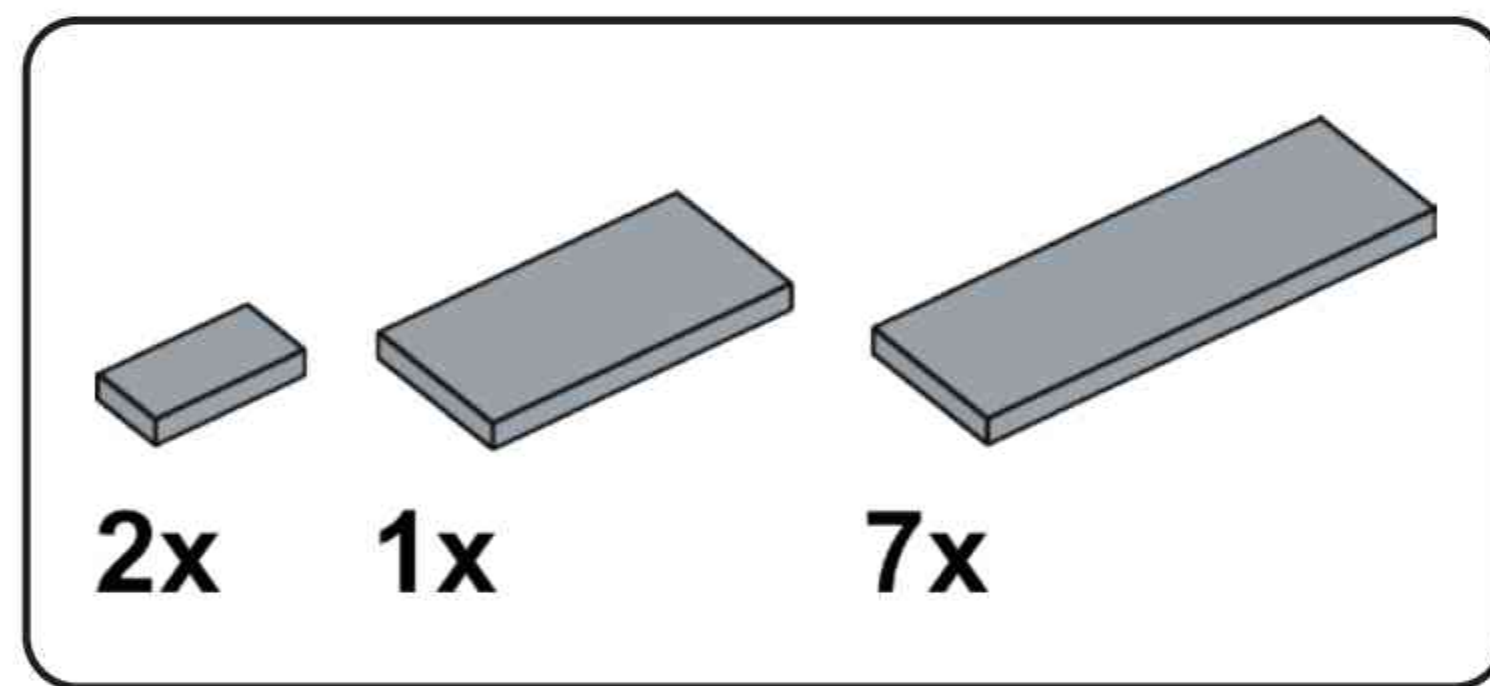
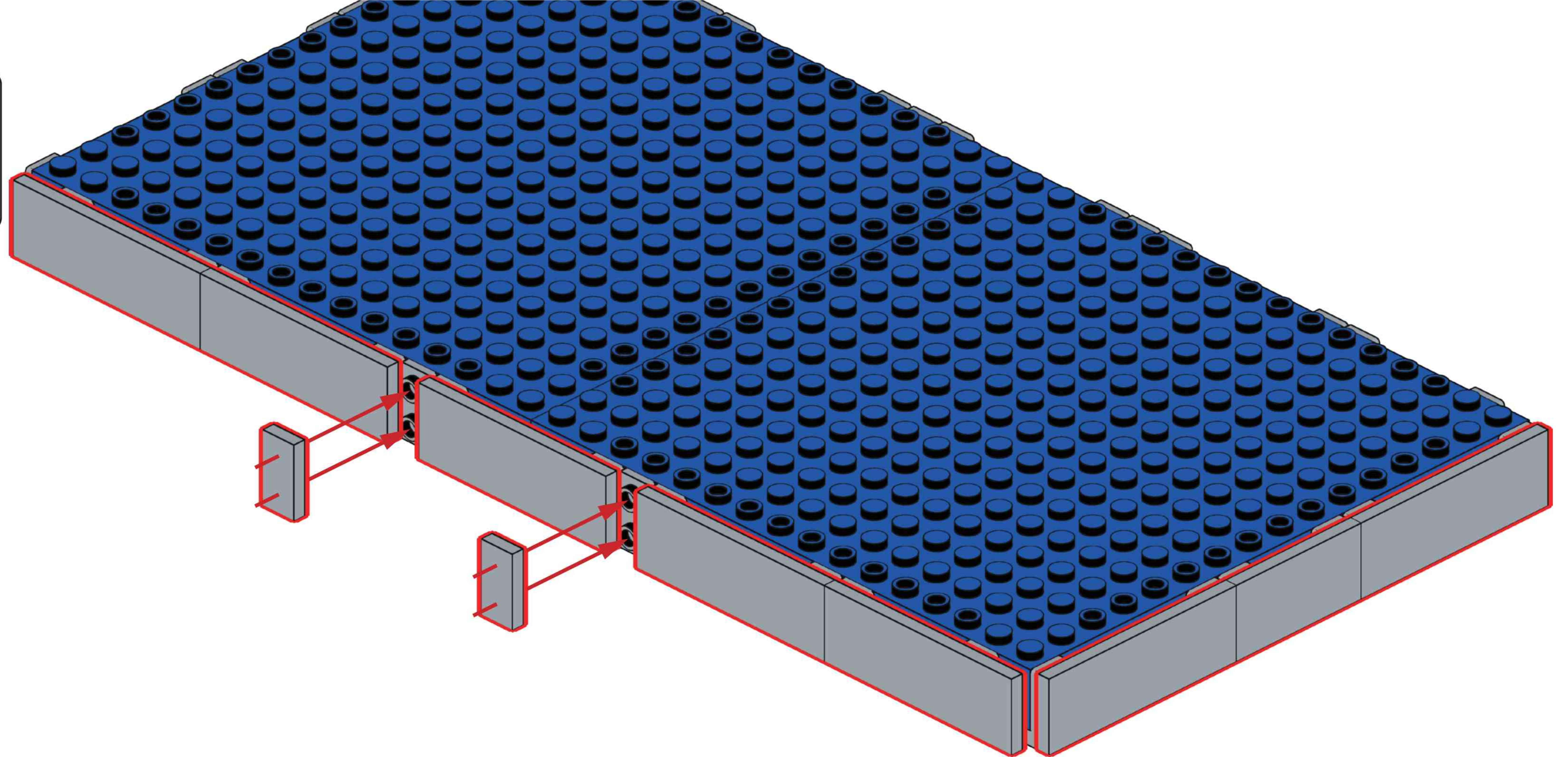


S4

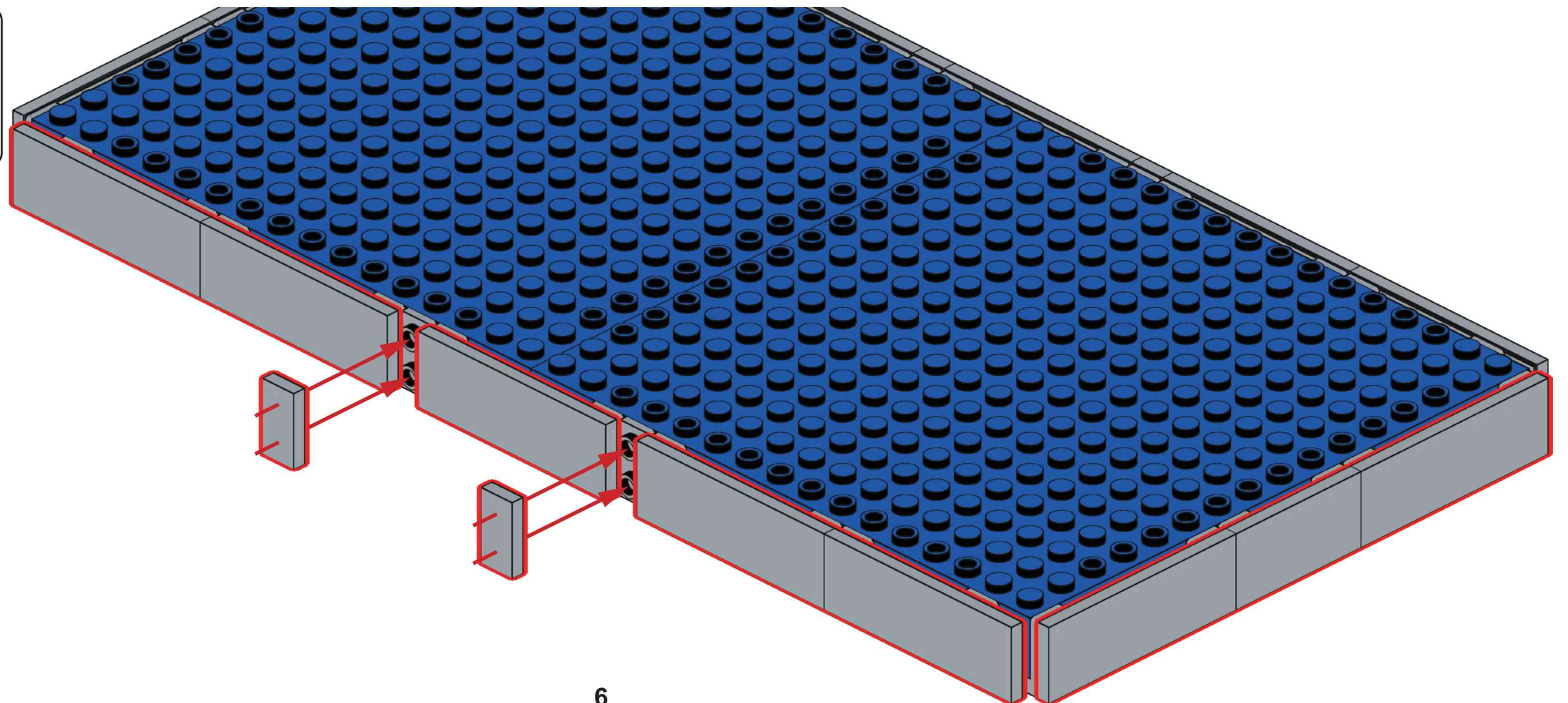


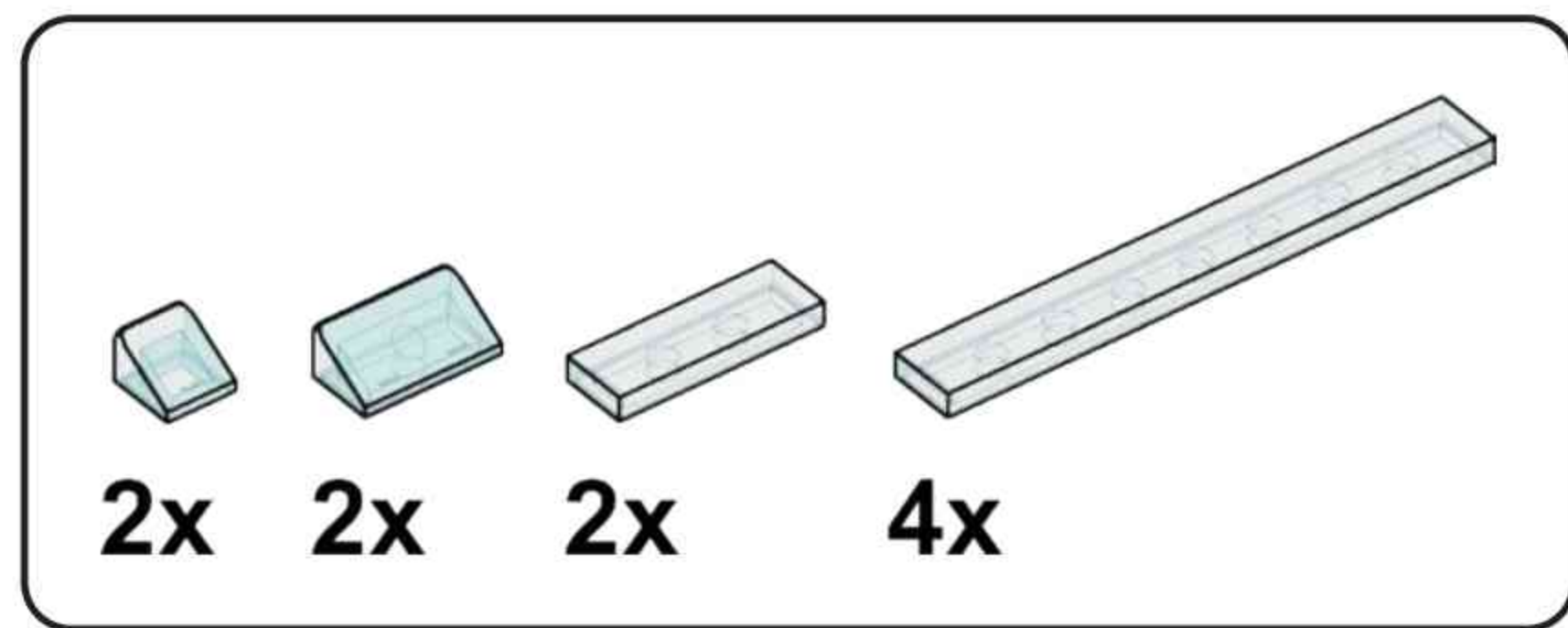


S5

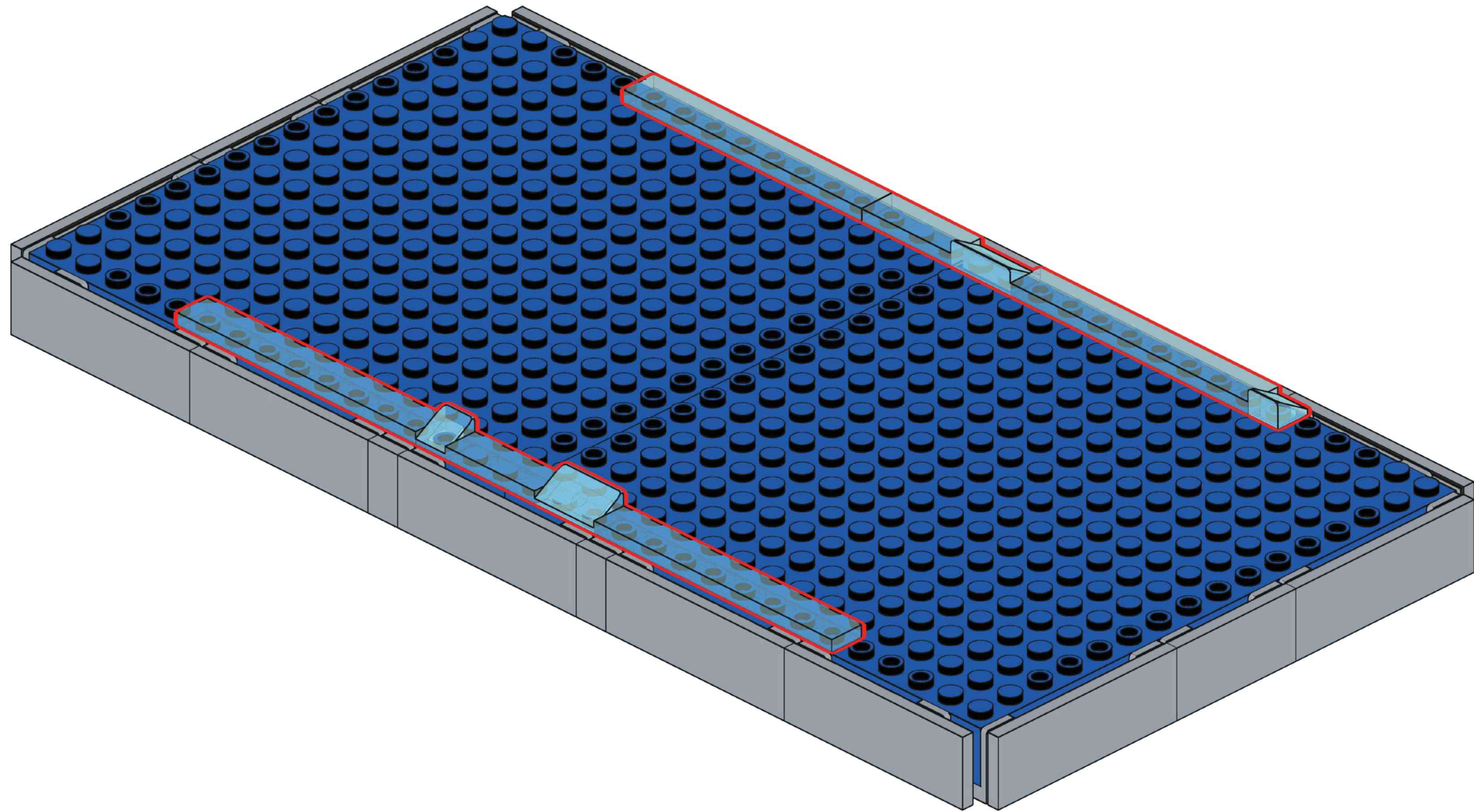


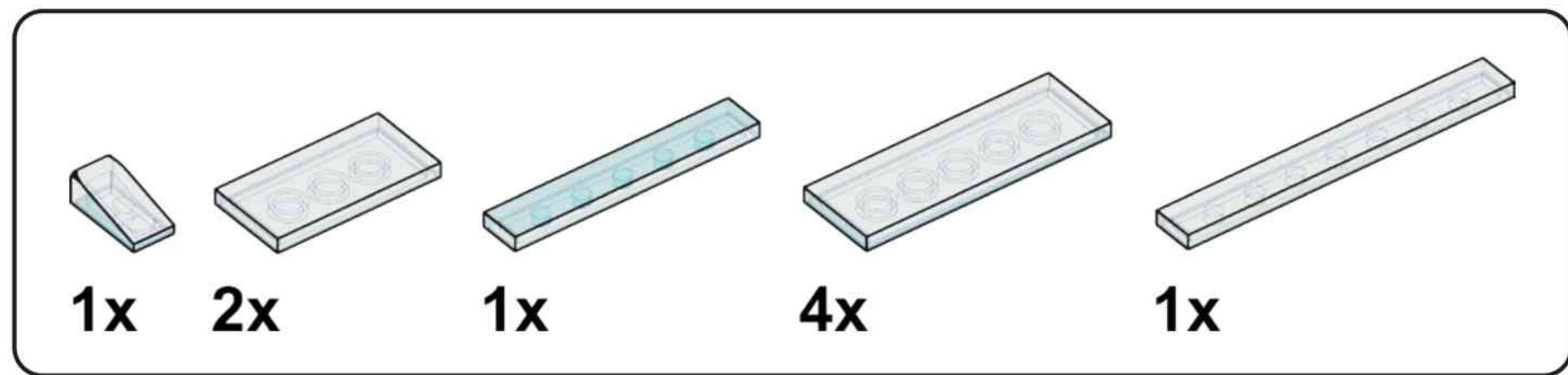
S6



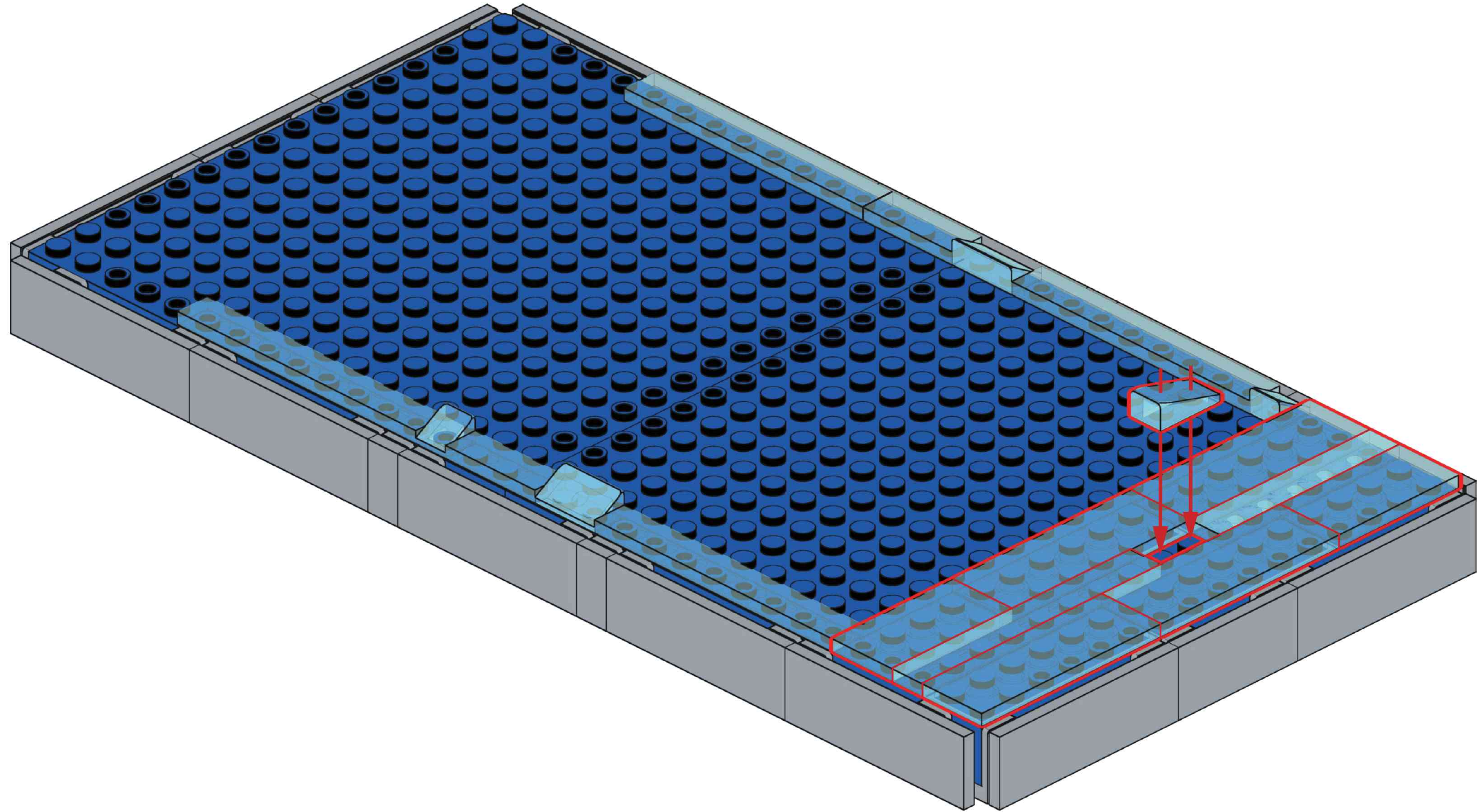


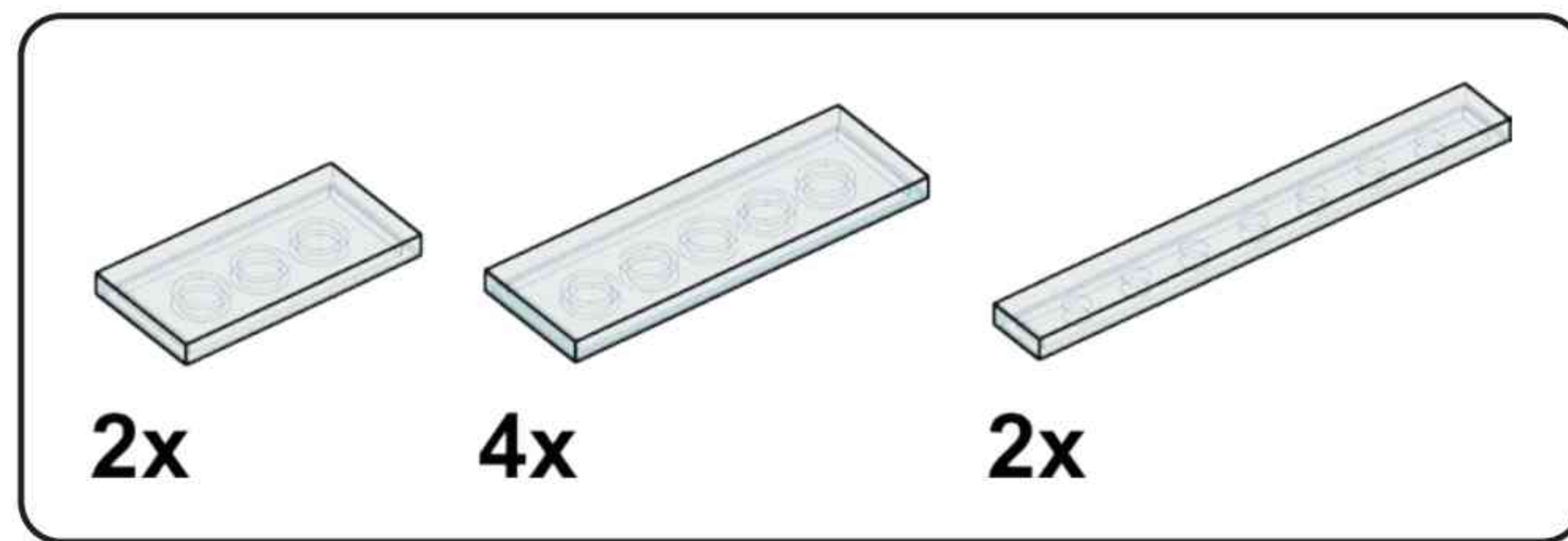
S7



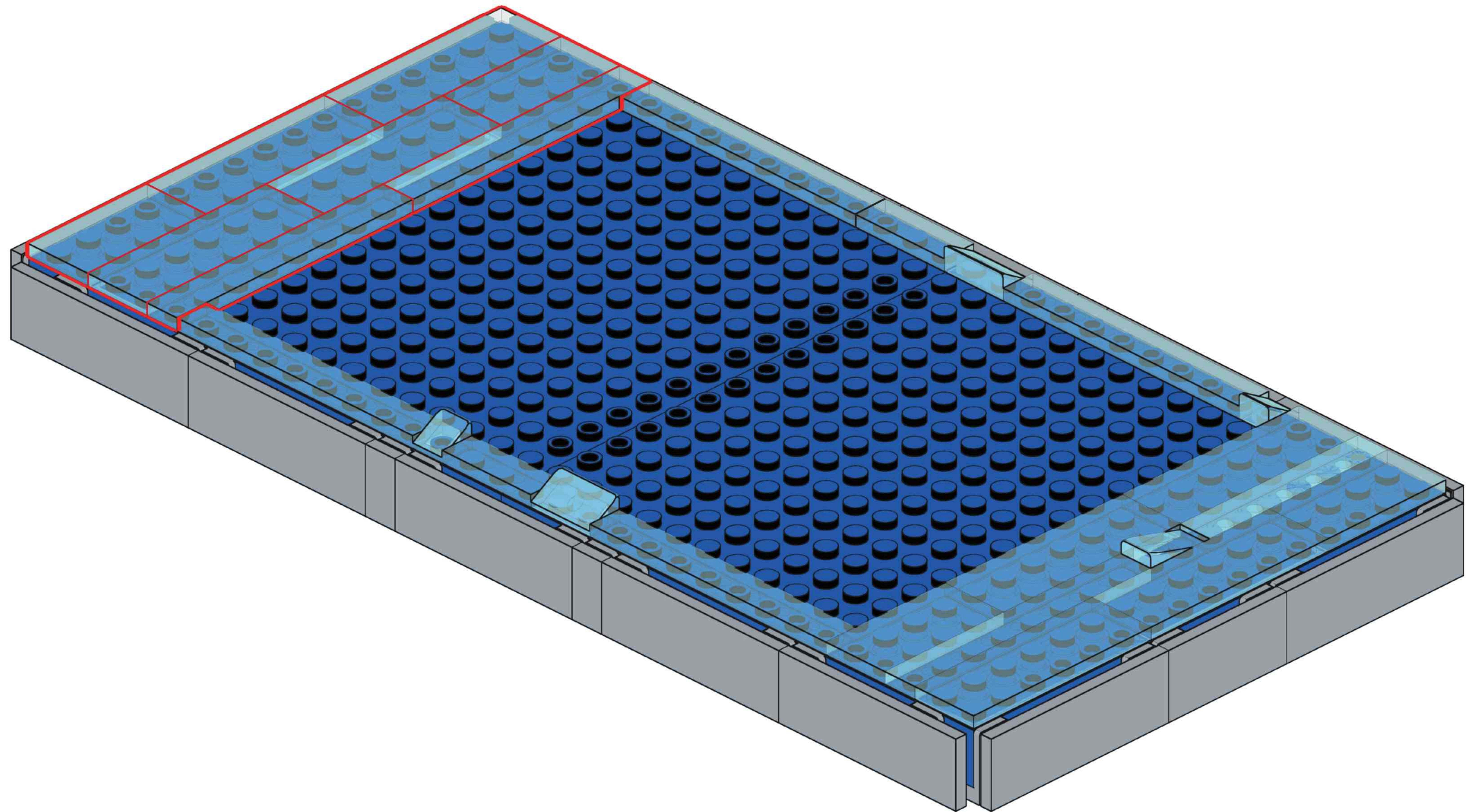


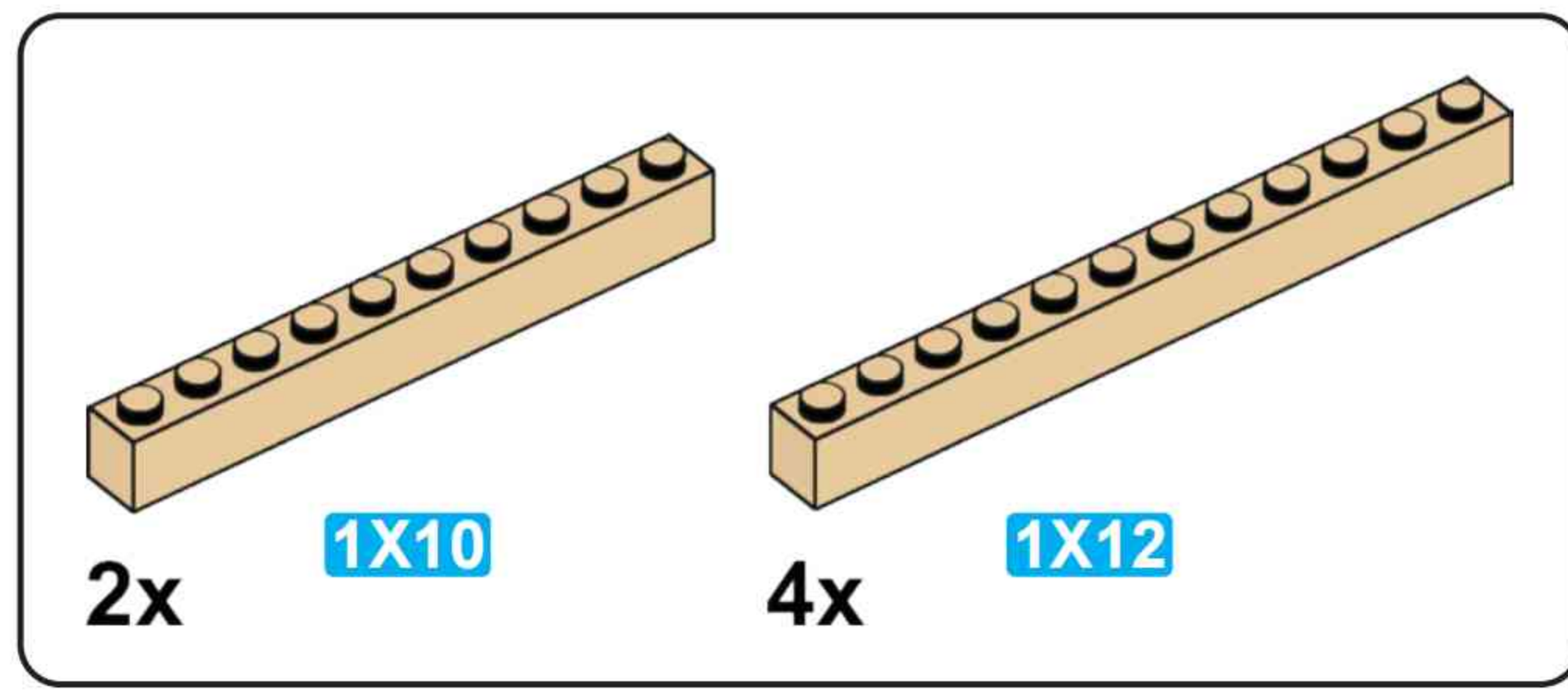
S8



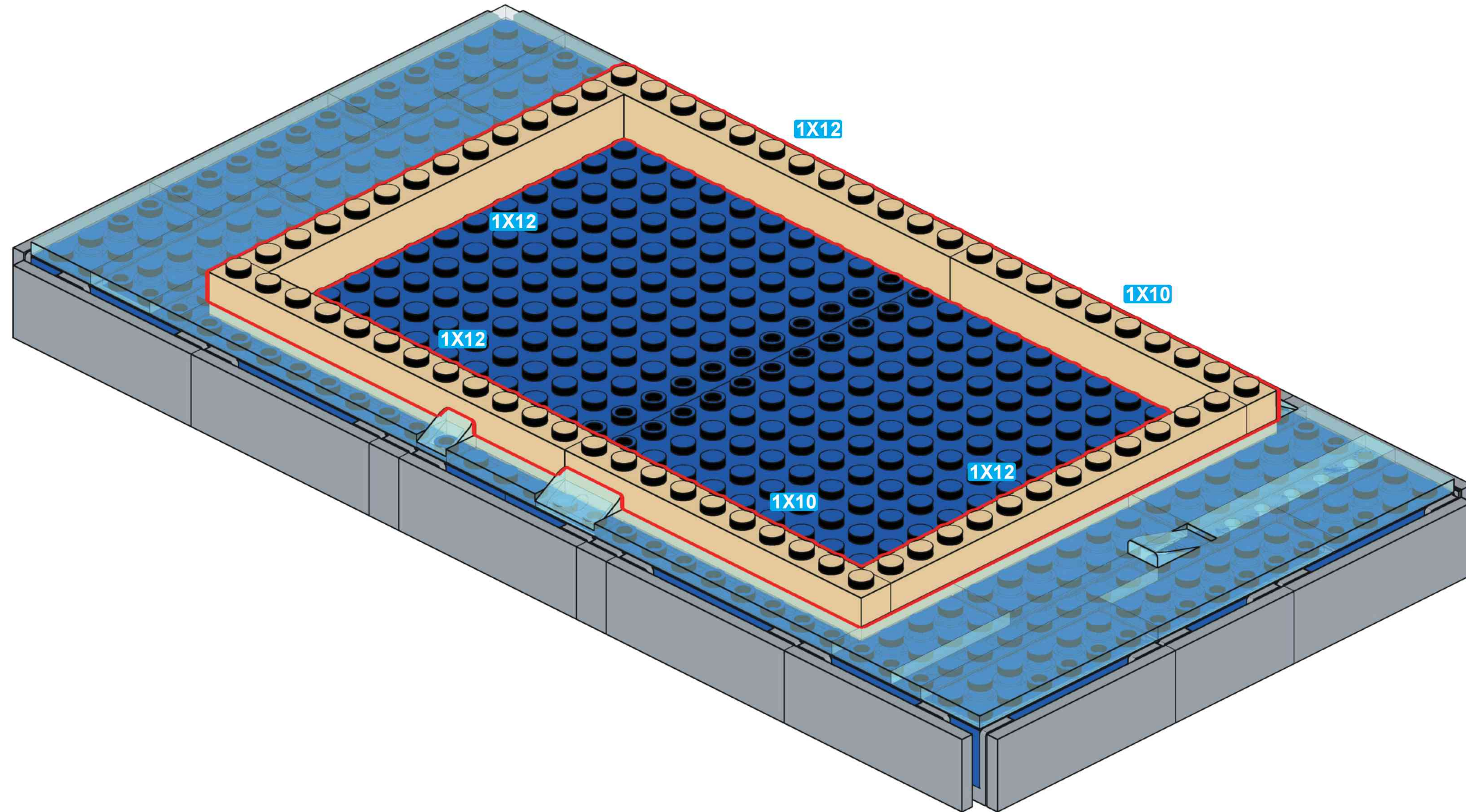


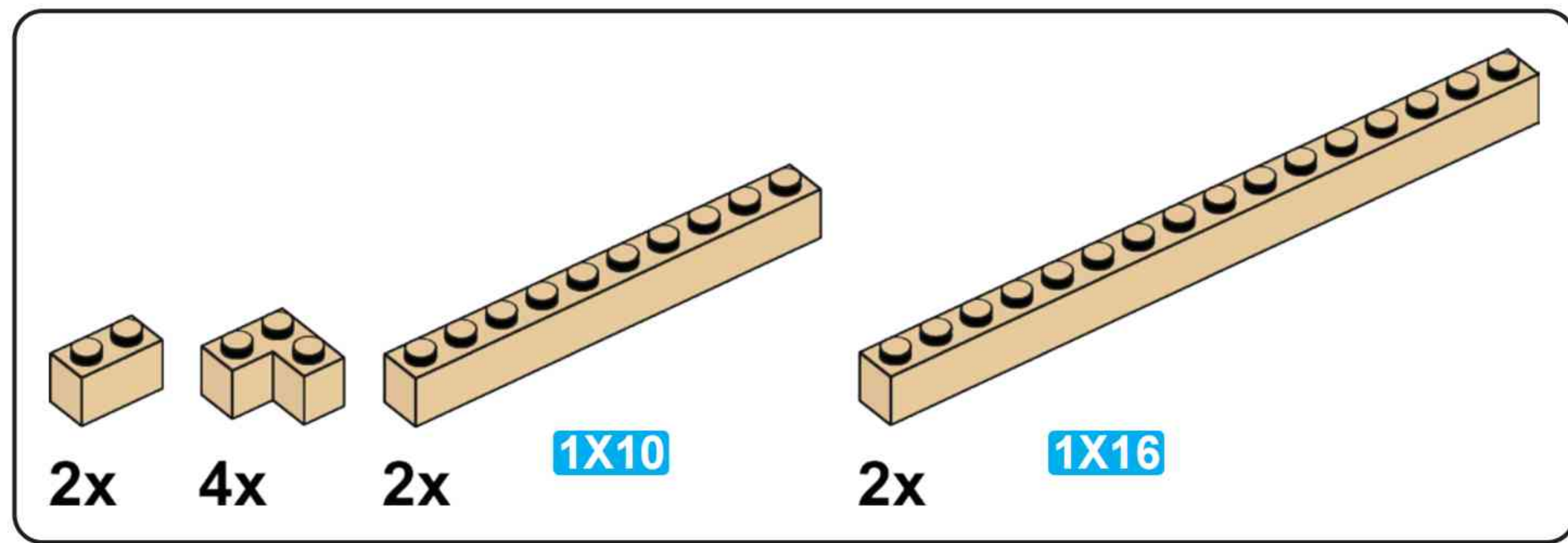
S9



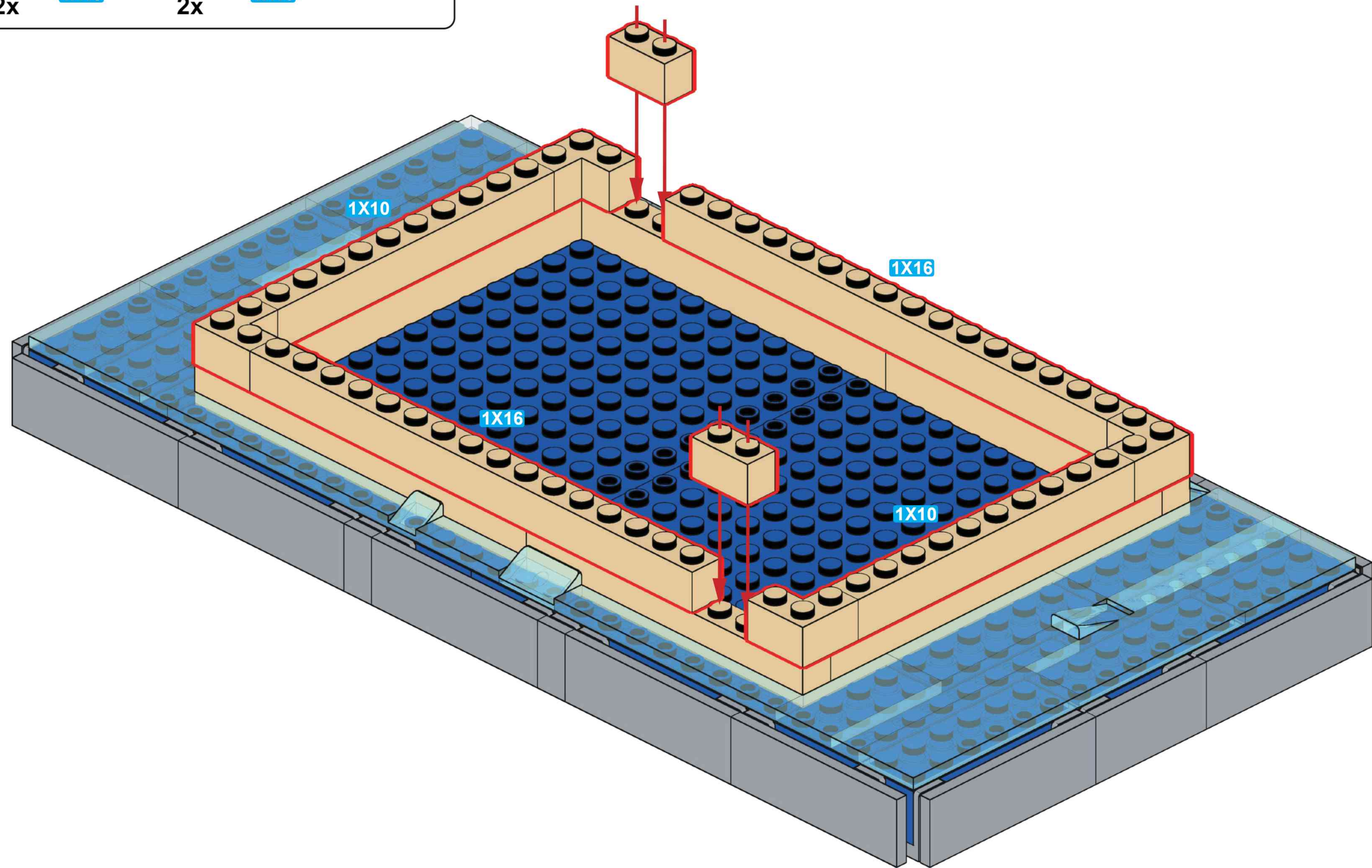


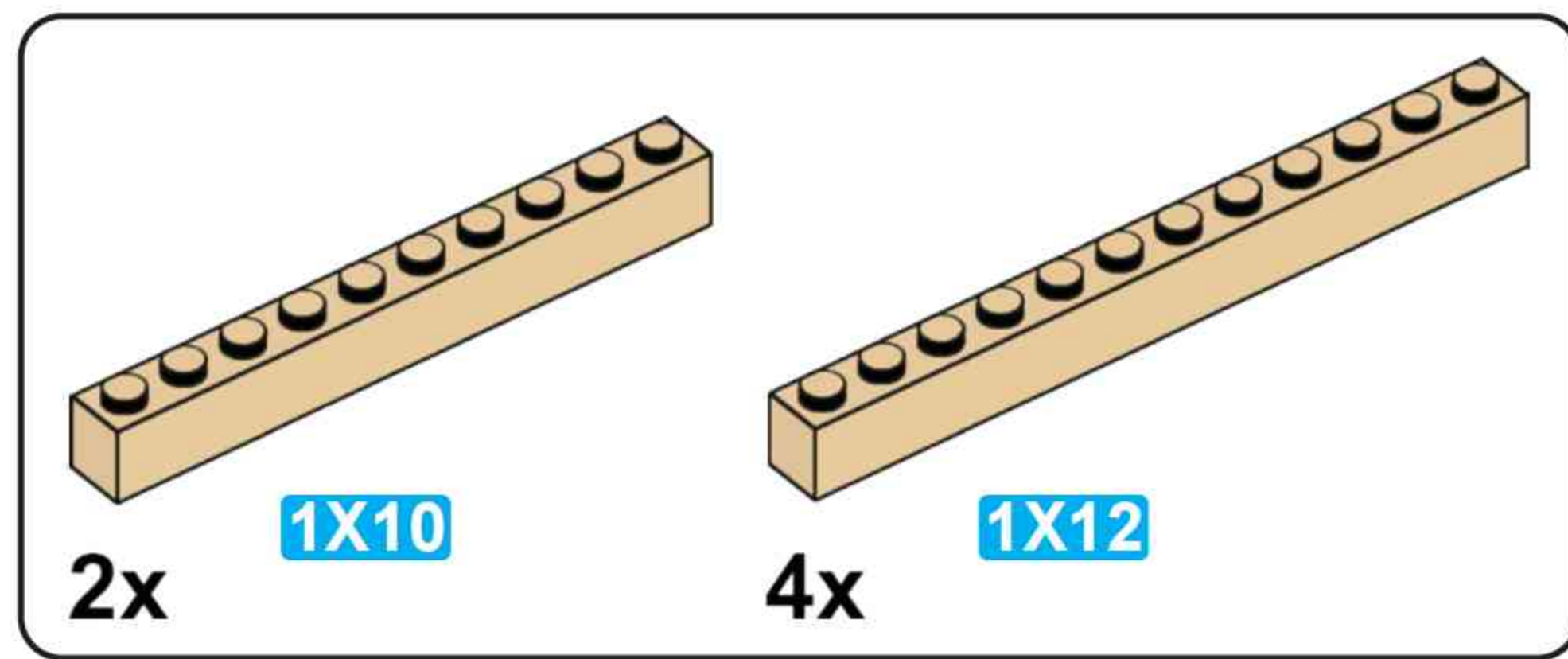
S10



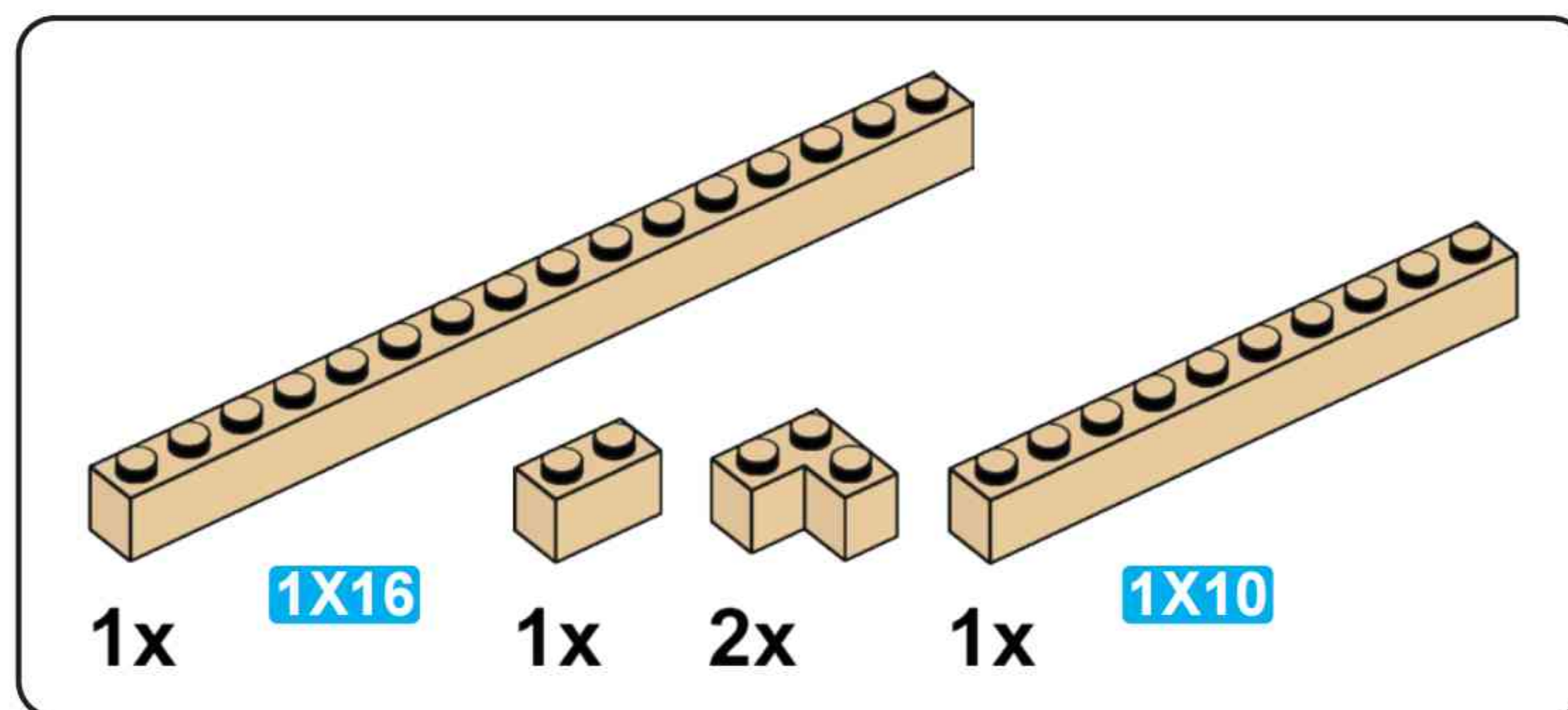
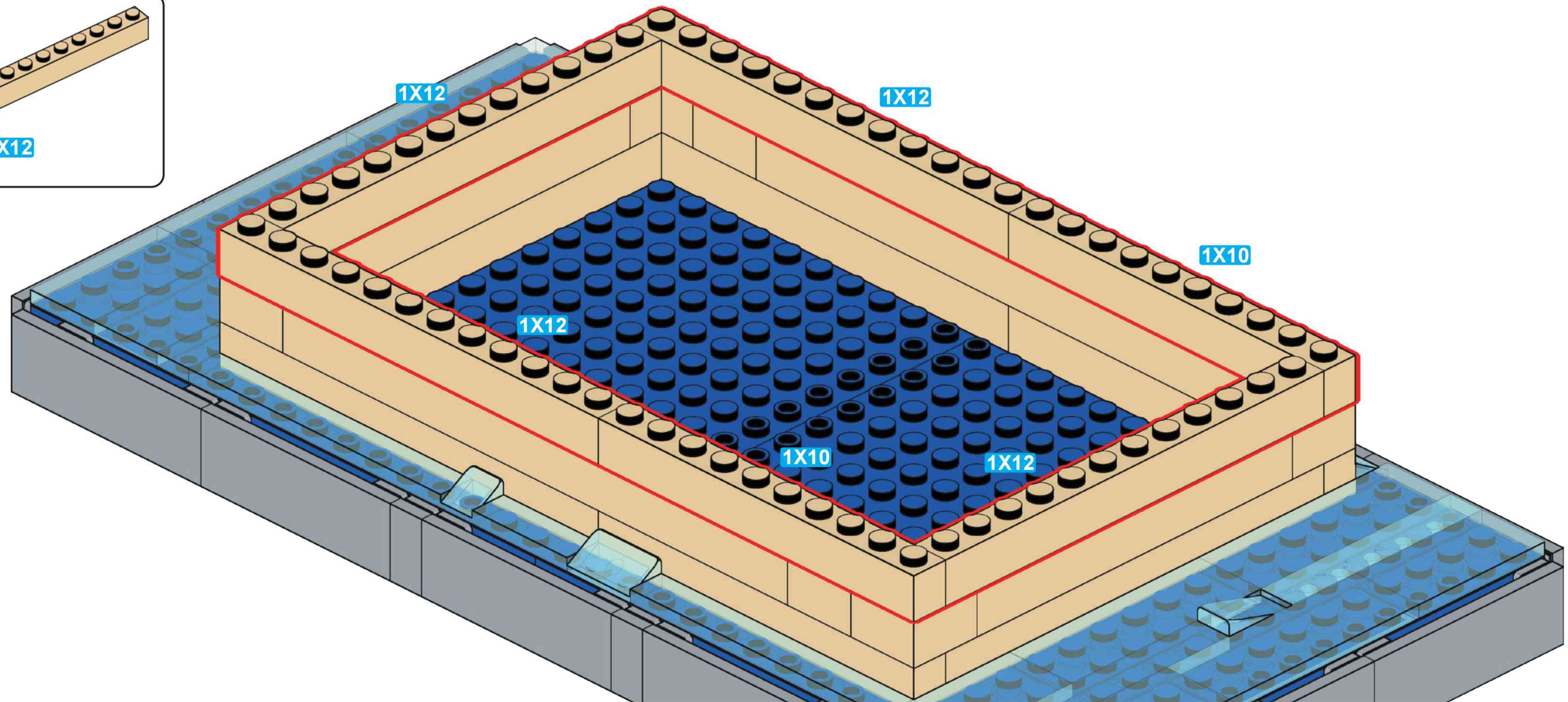


S11

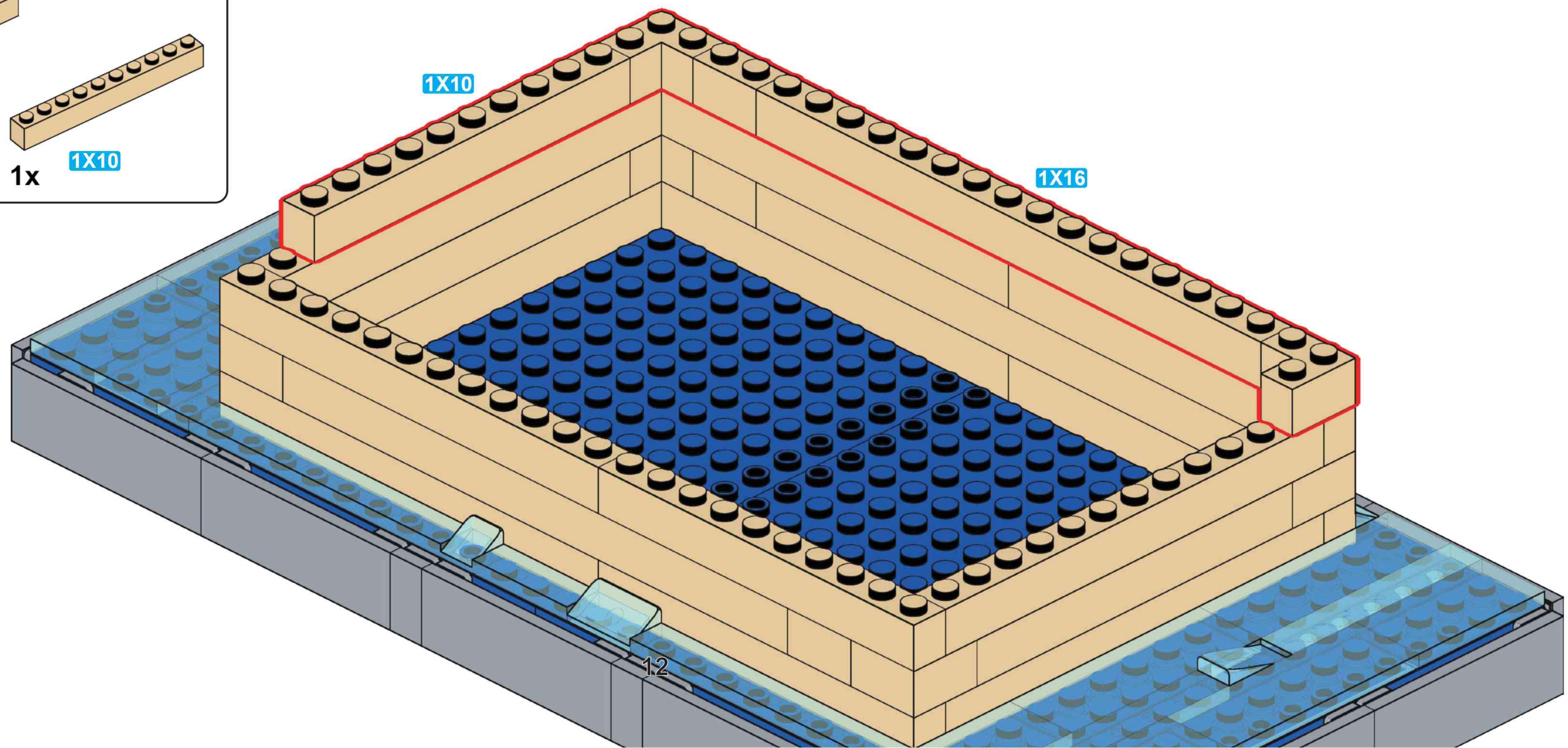


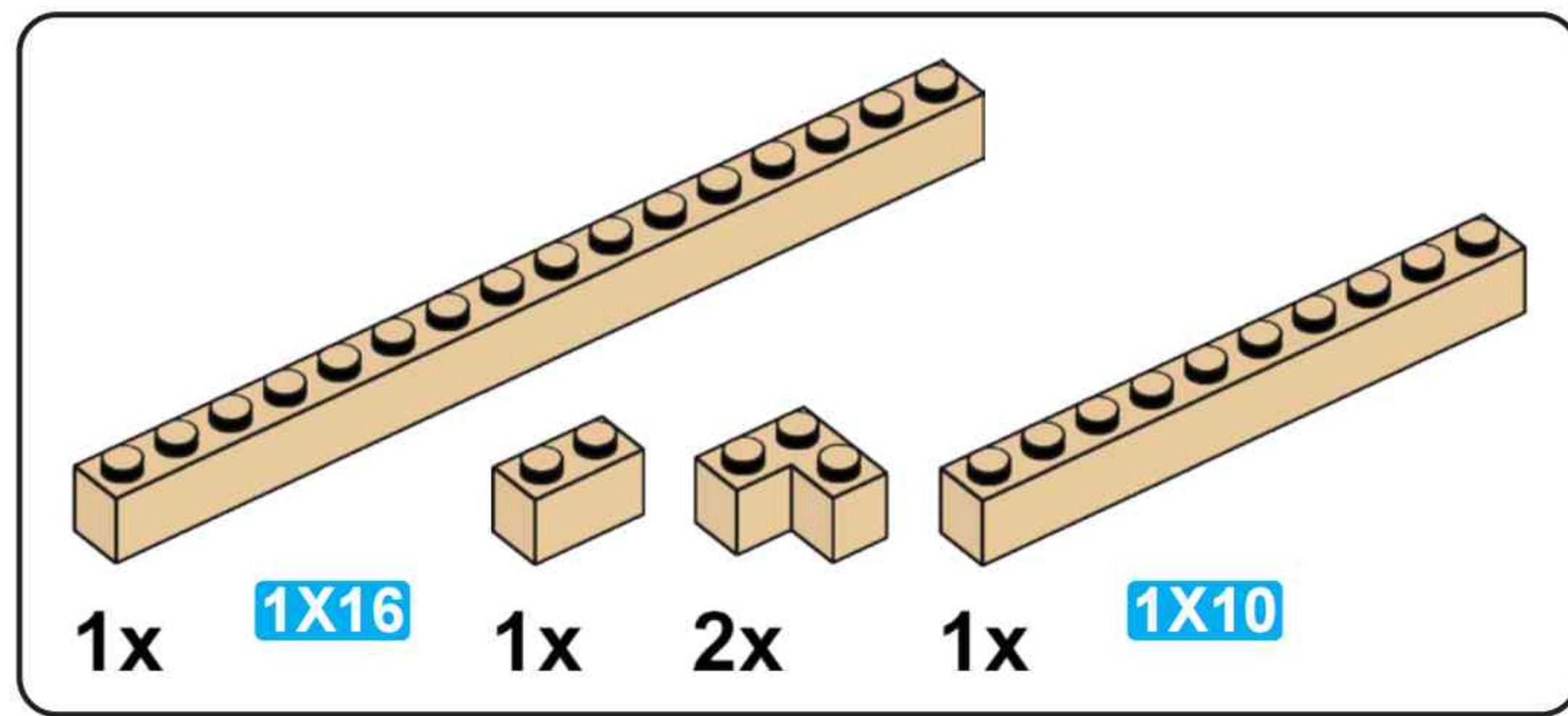


S12

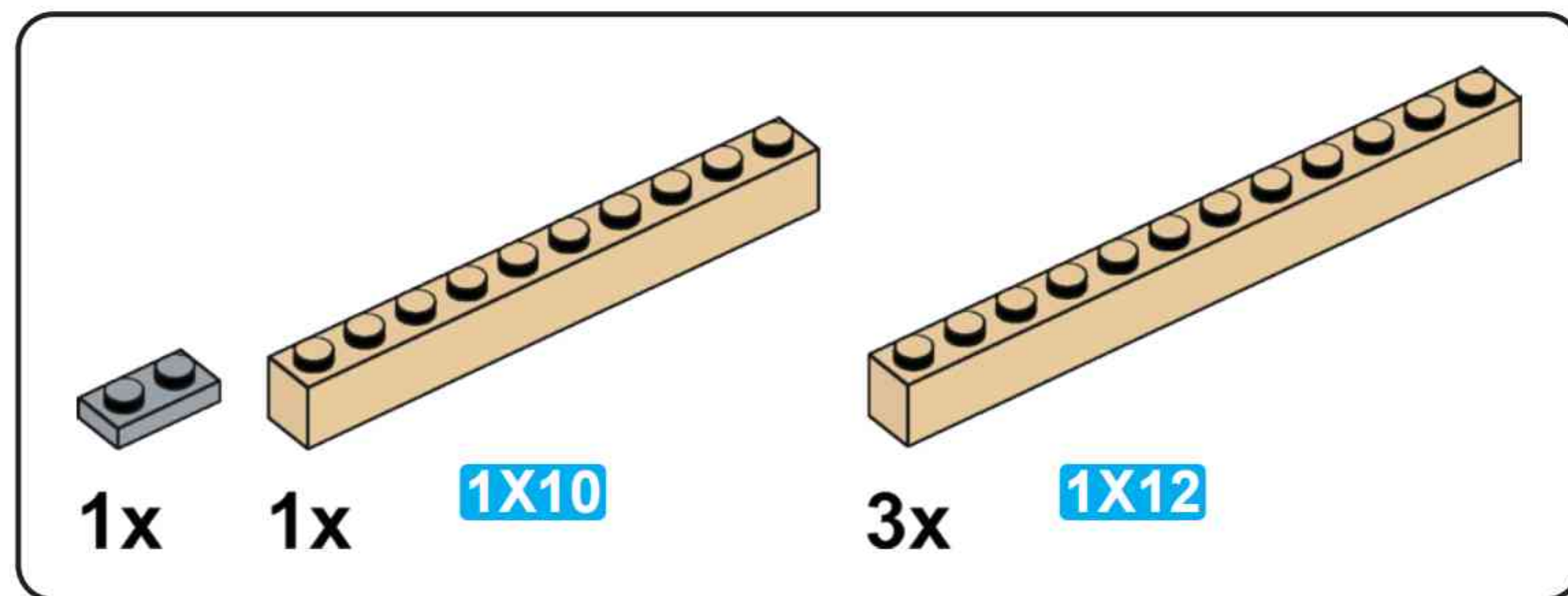
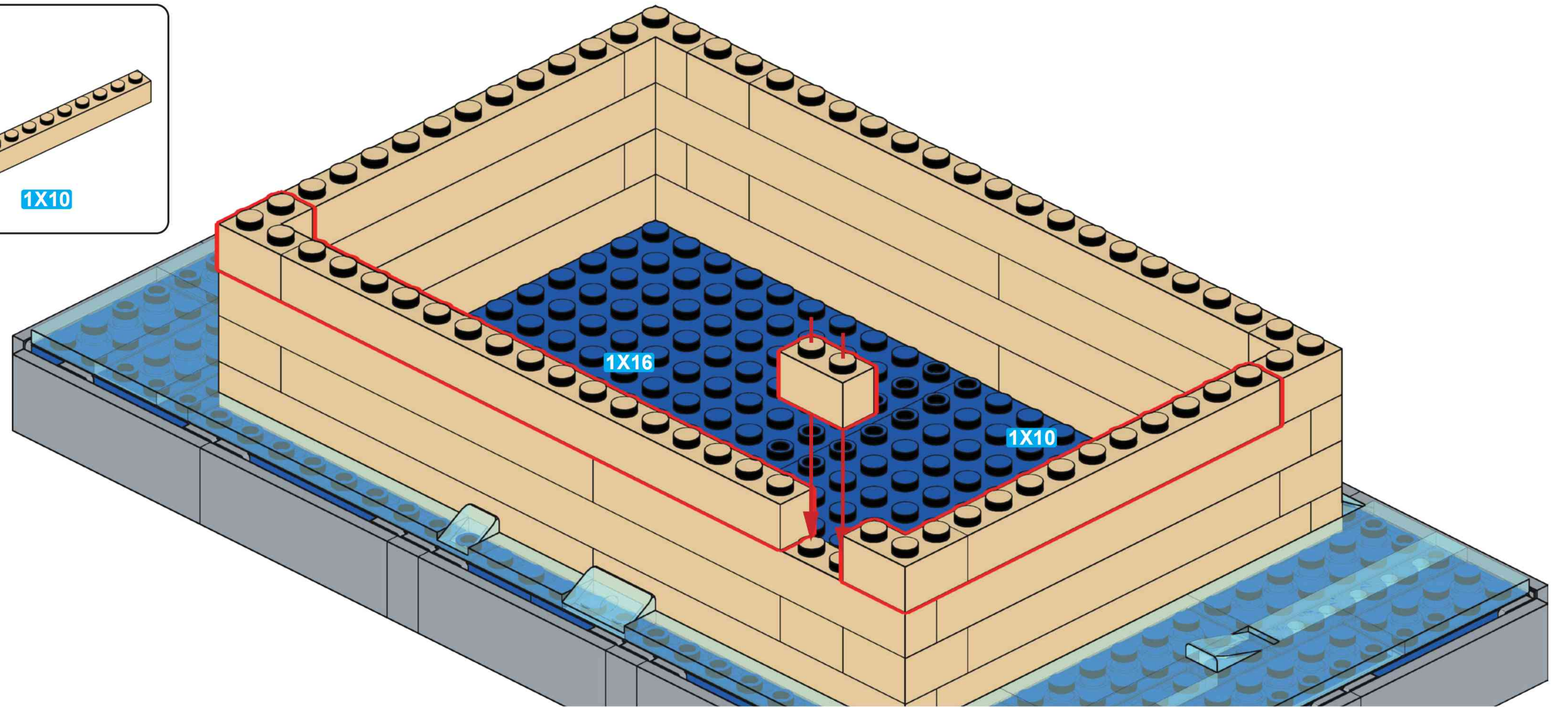


S13

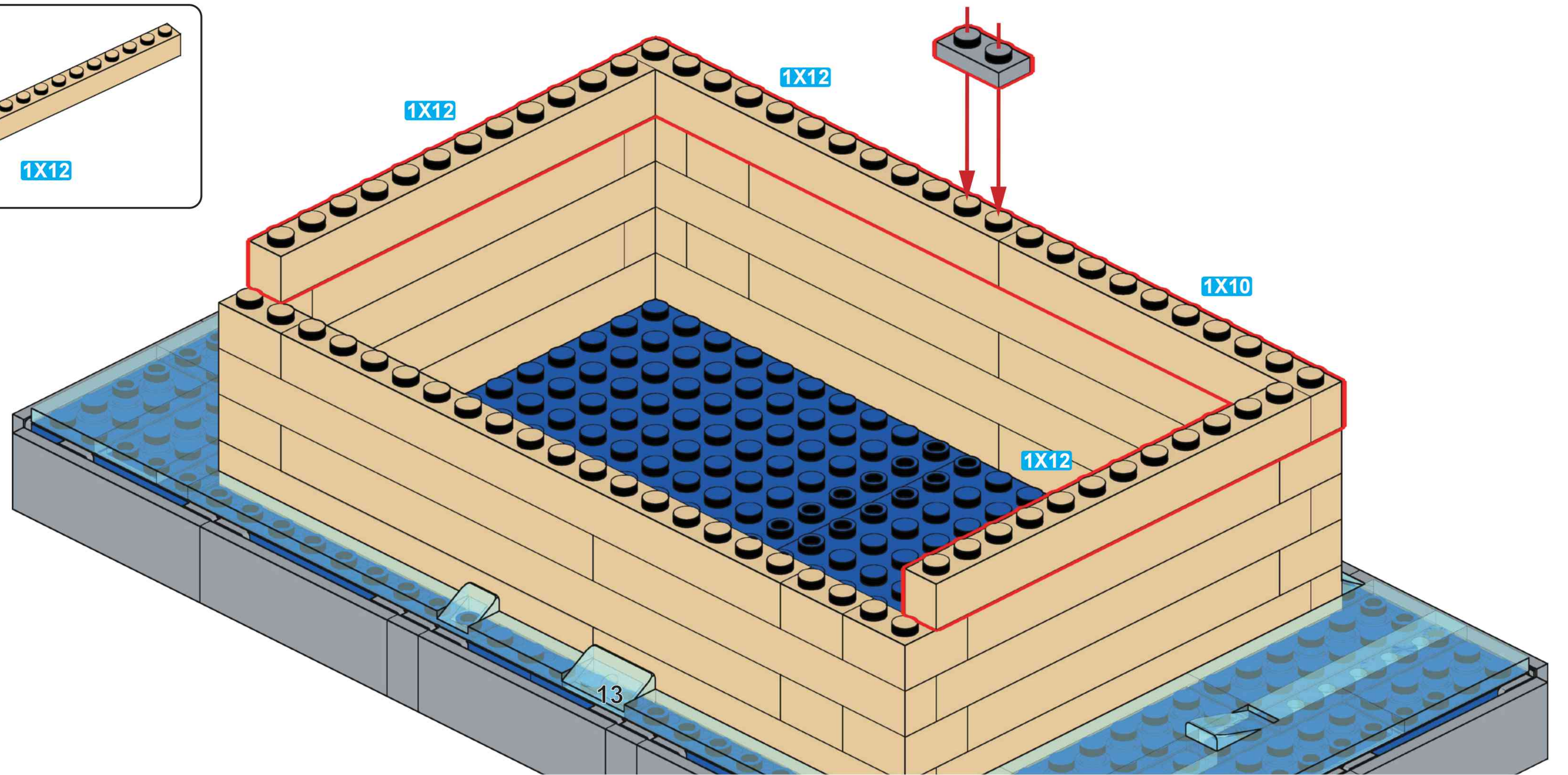


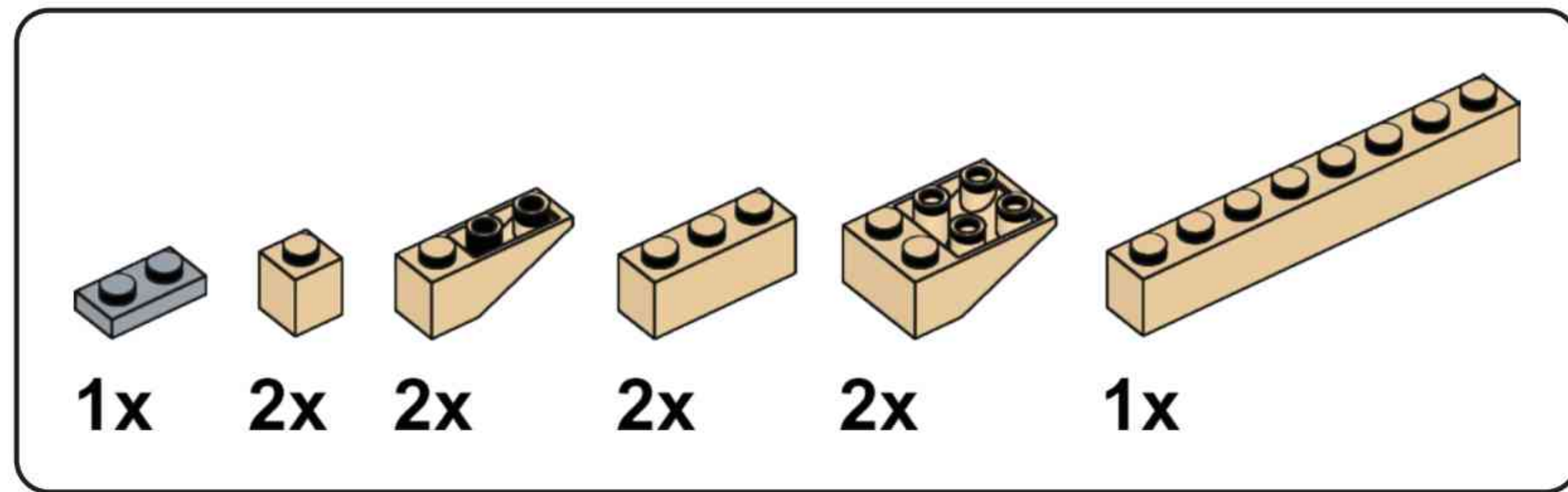


S14

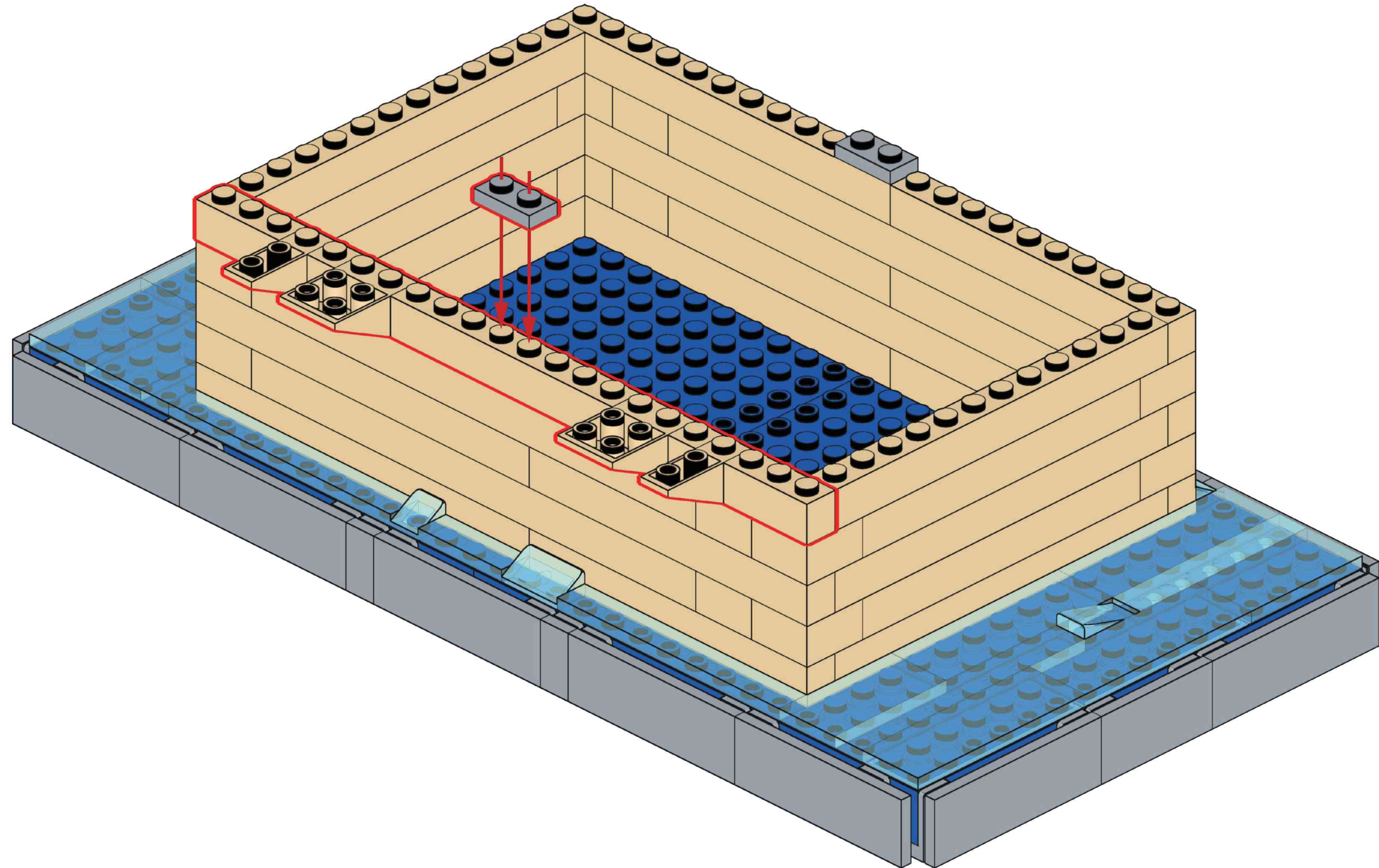


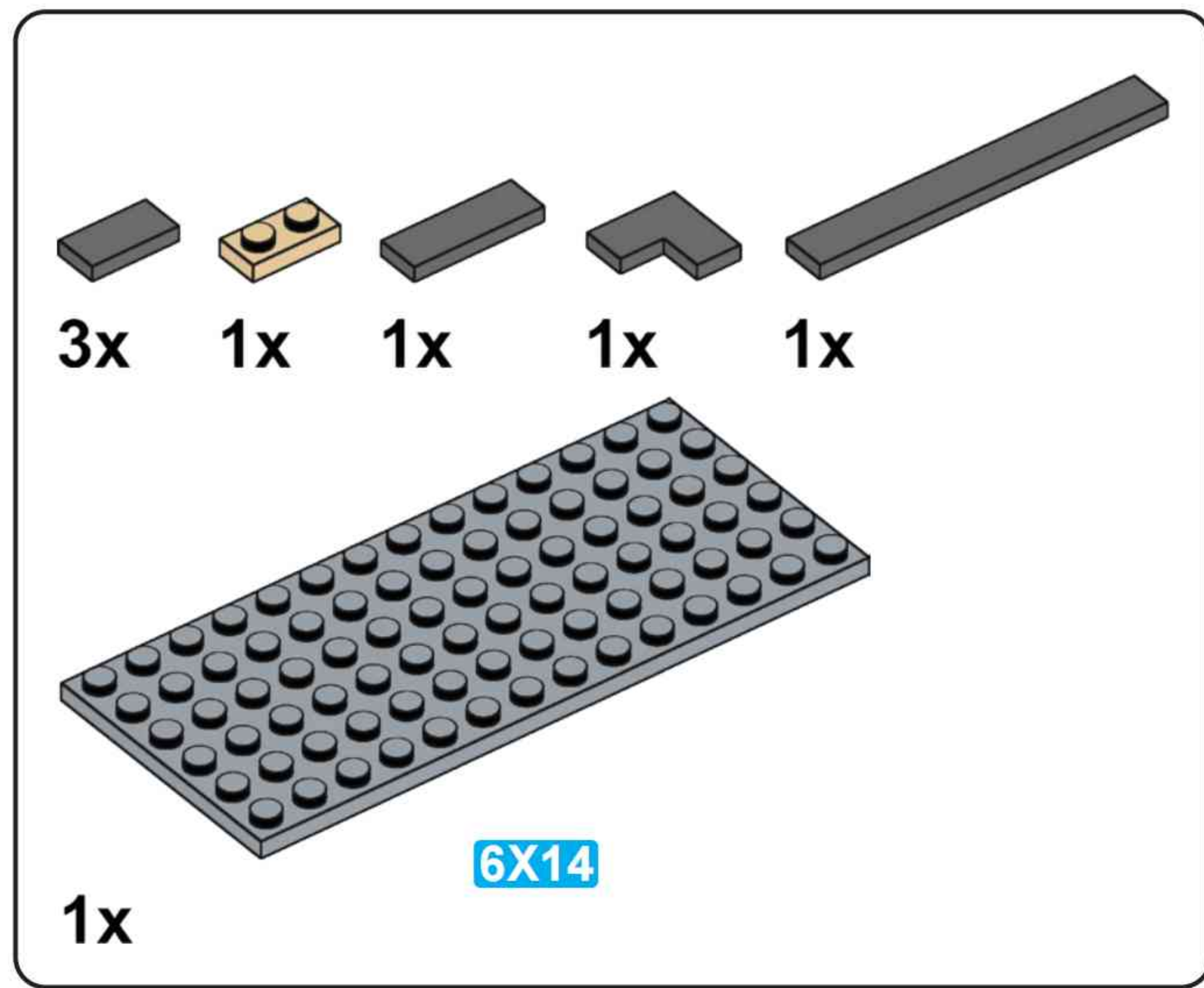
S15



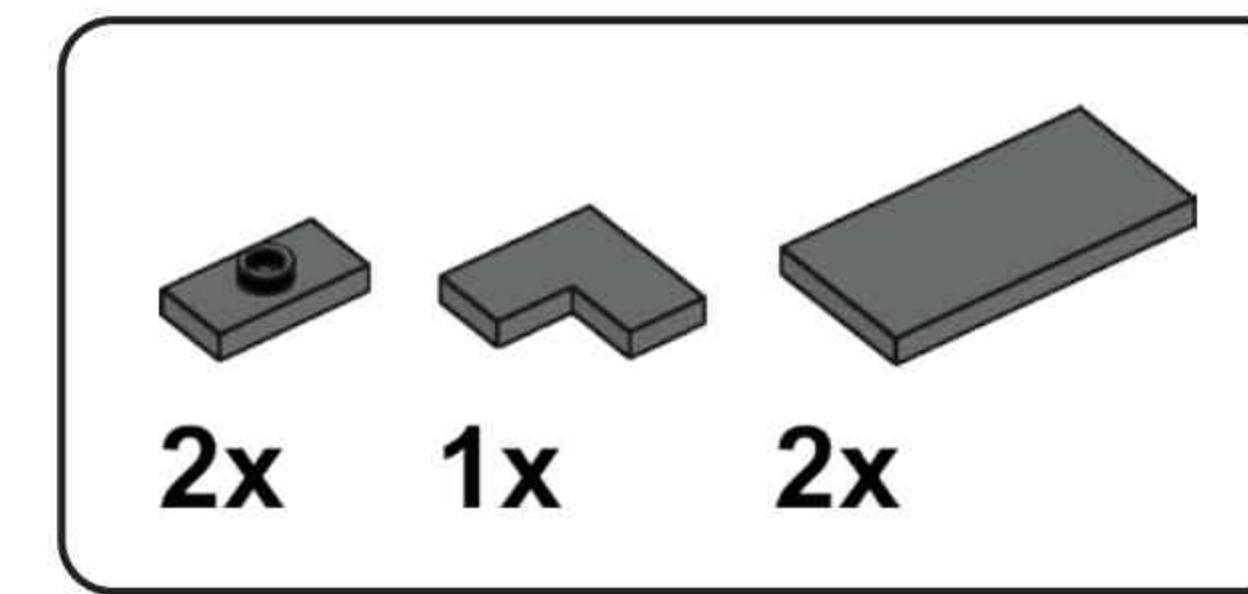
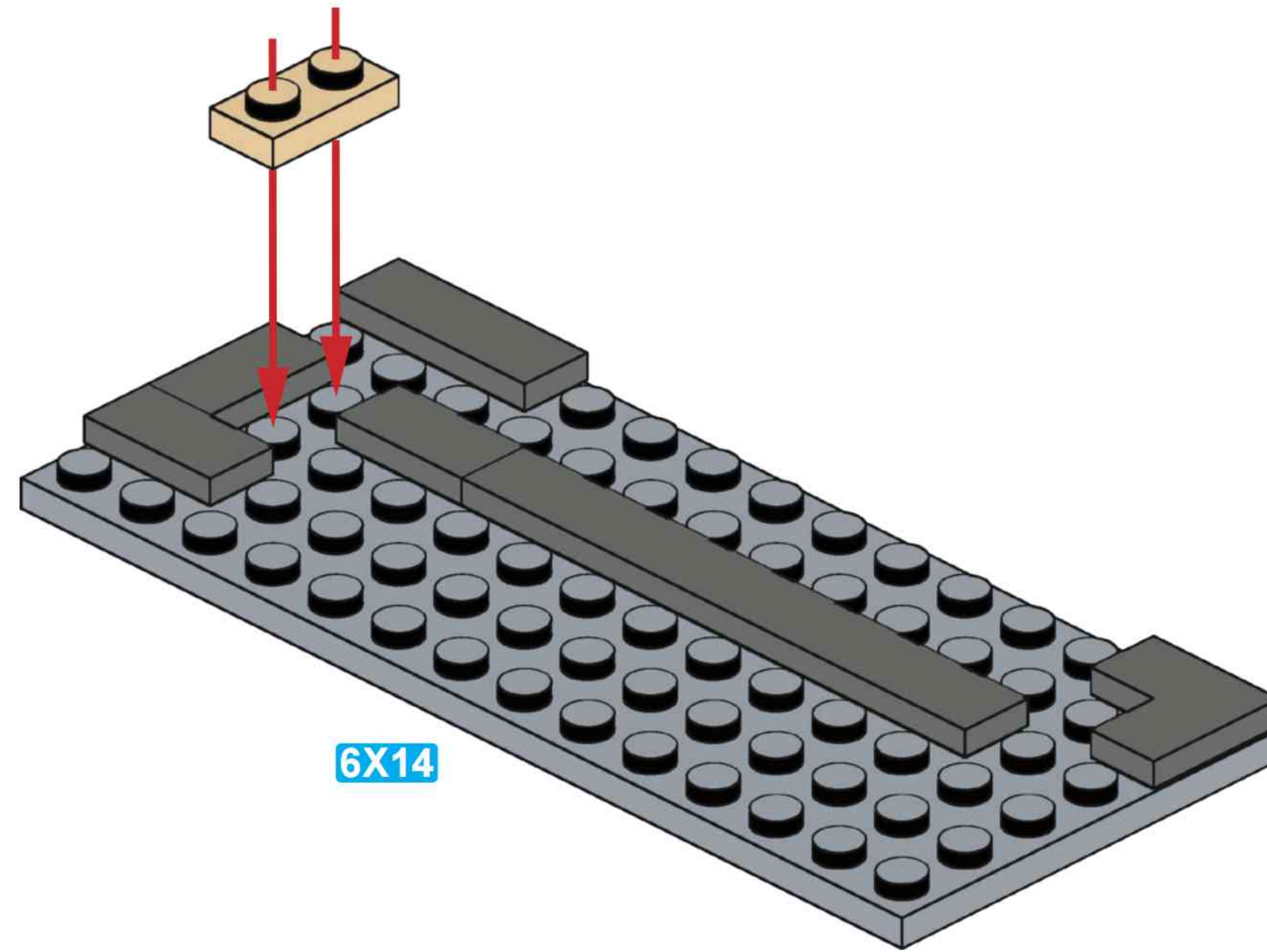


S16

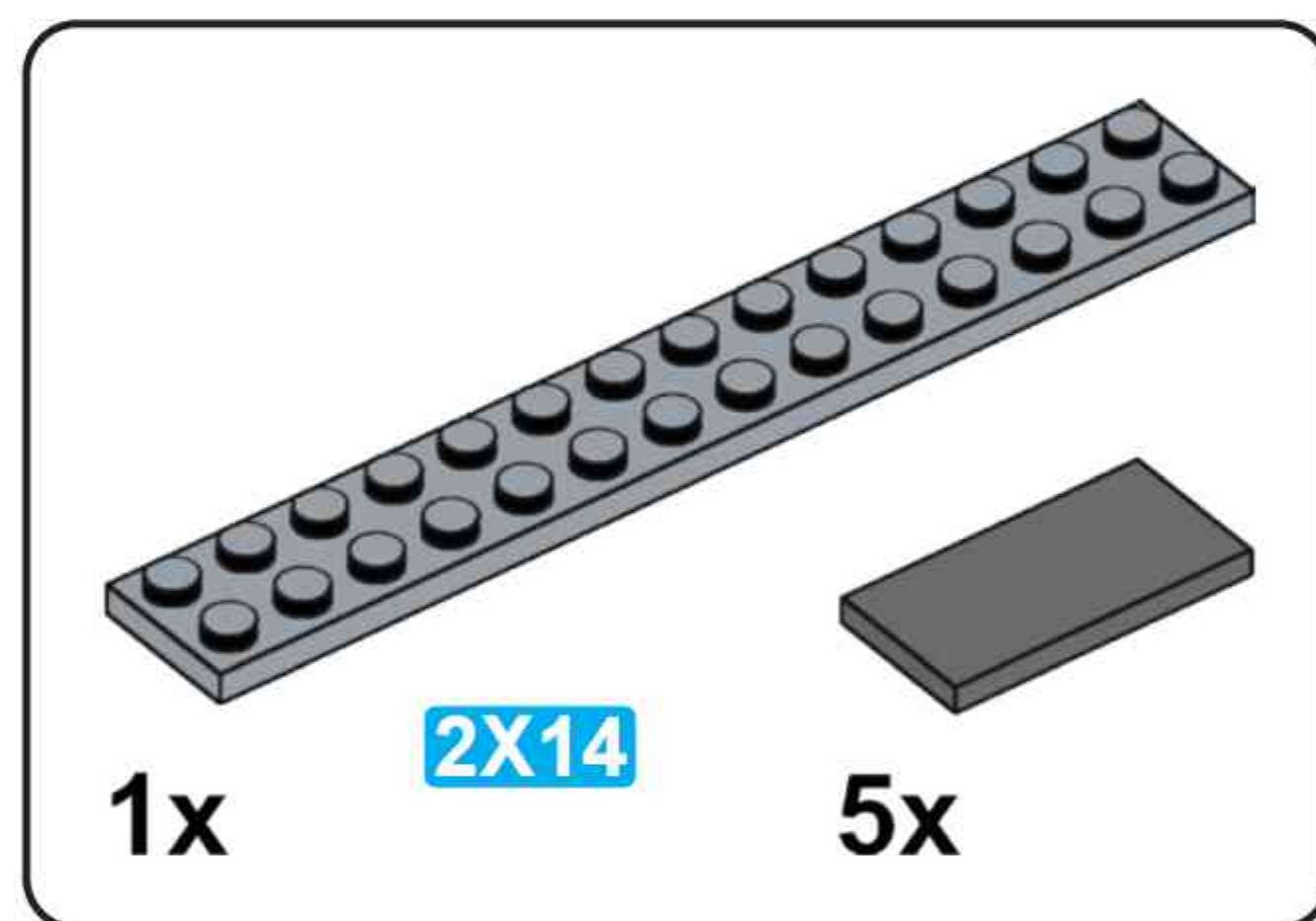
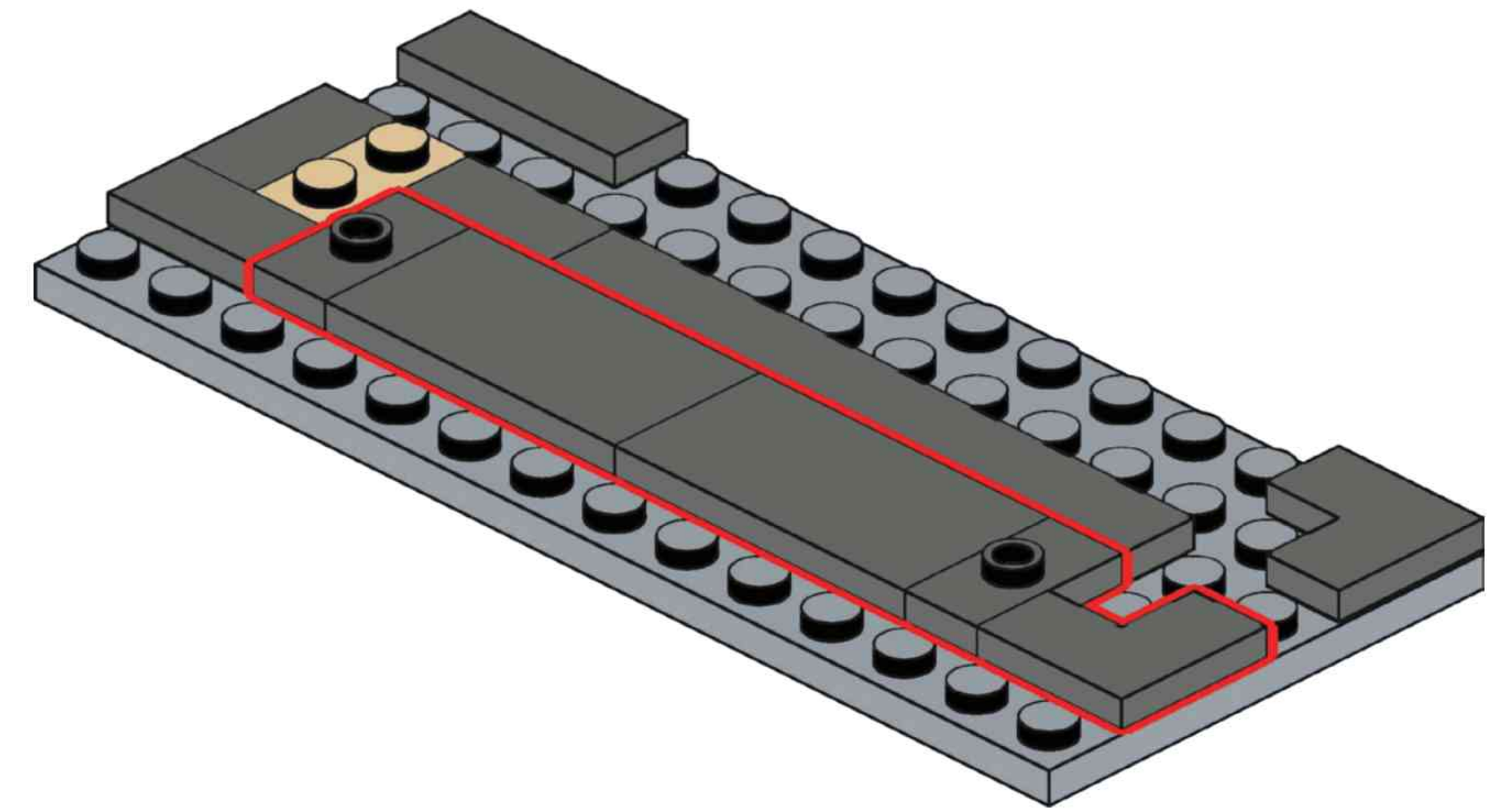




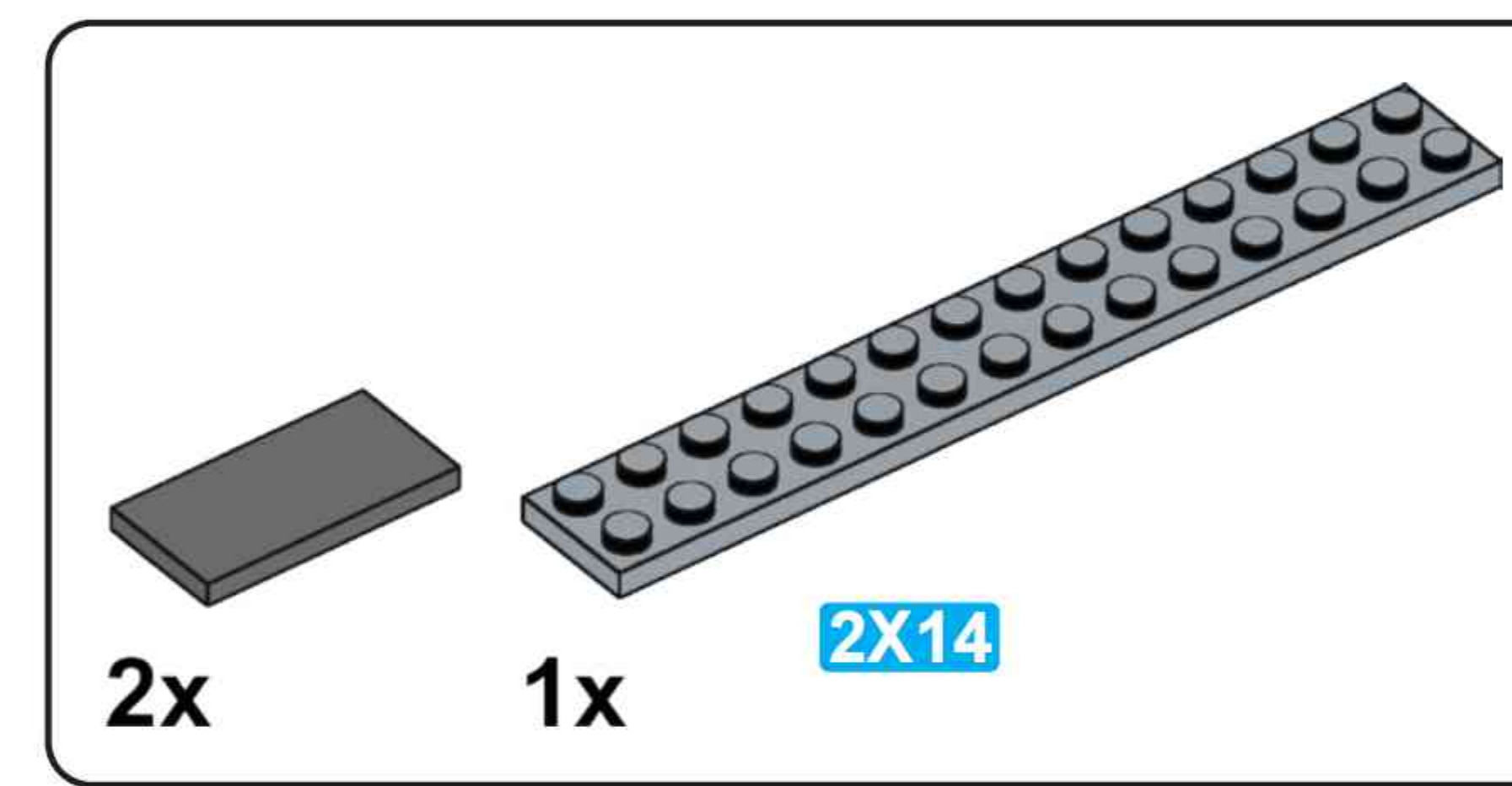
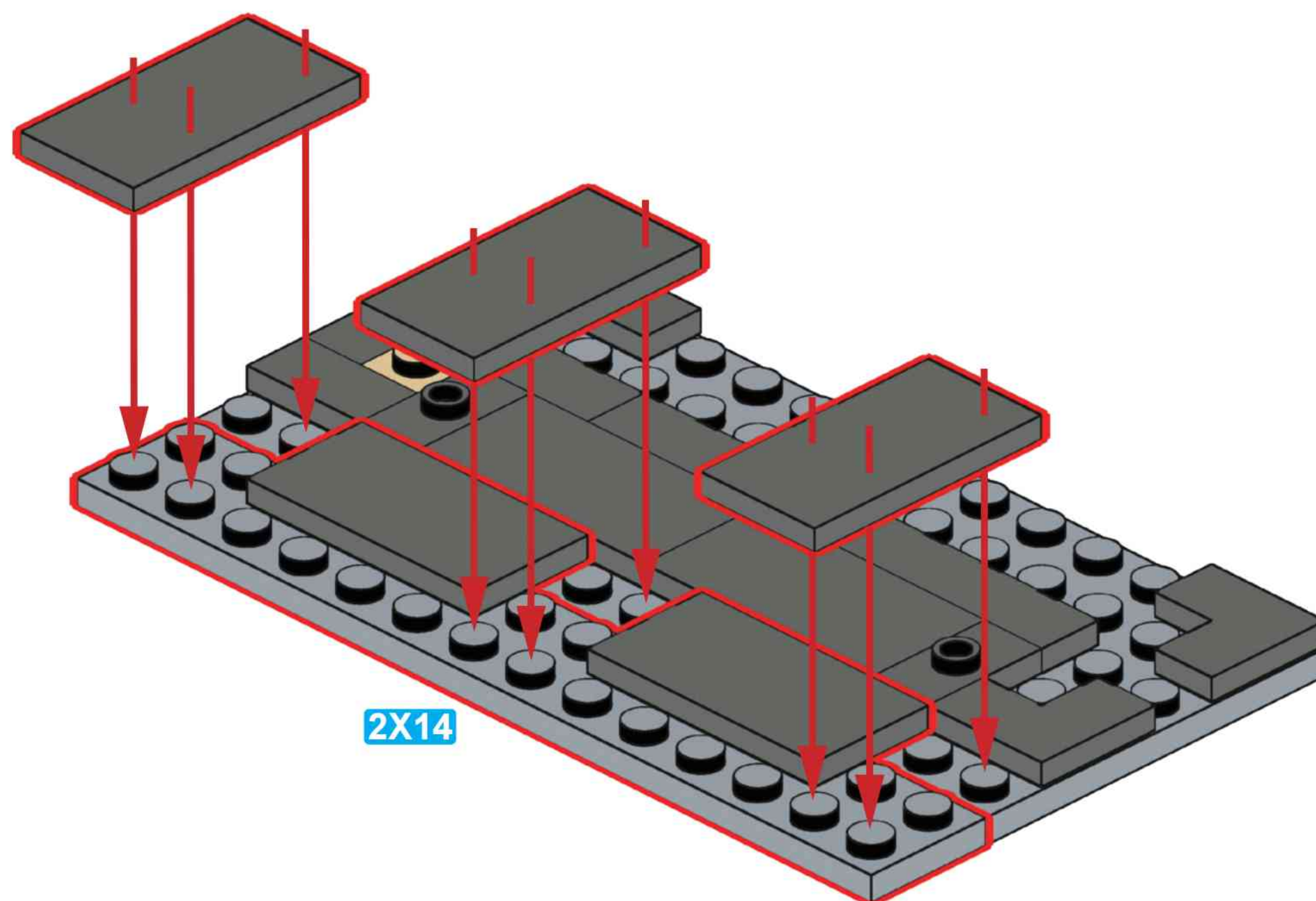
S17



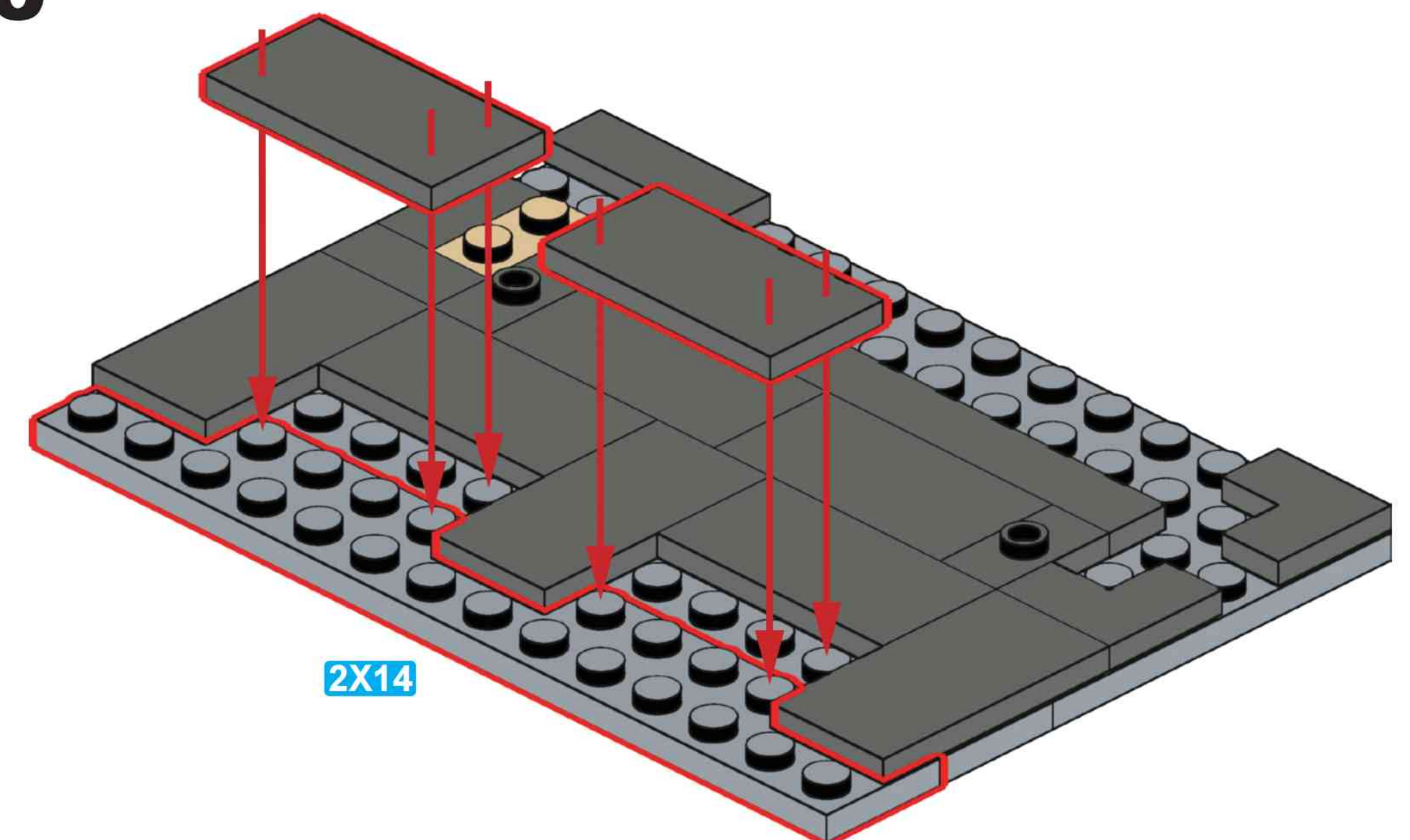
S18

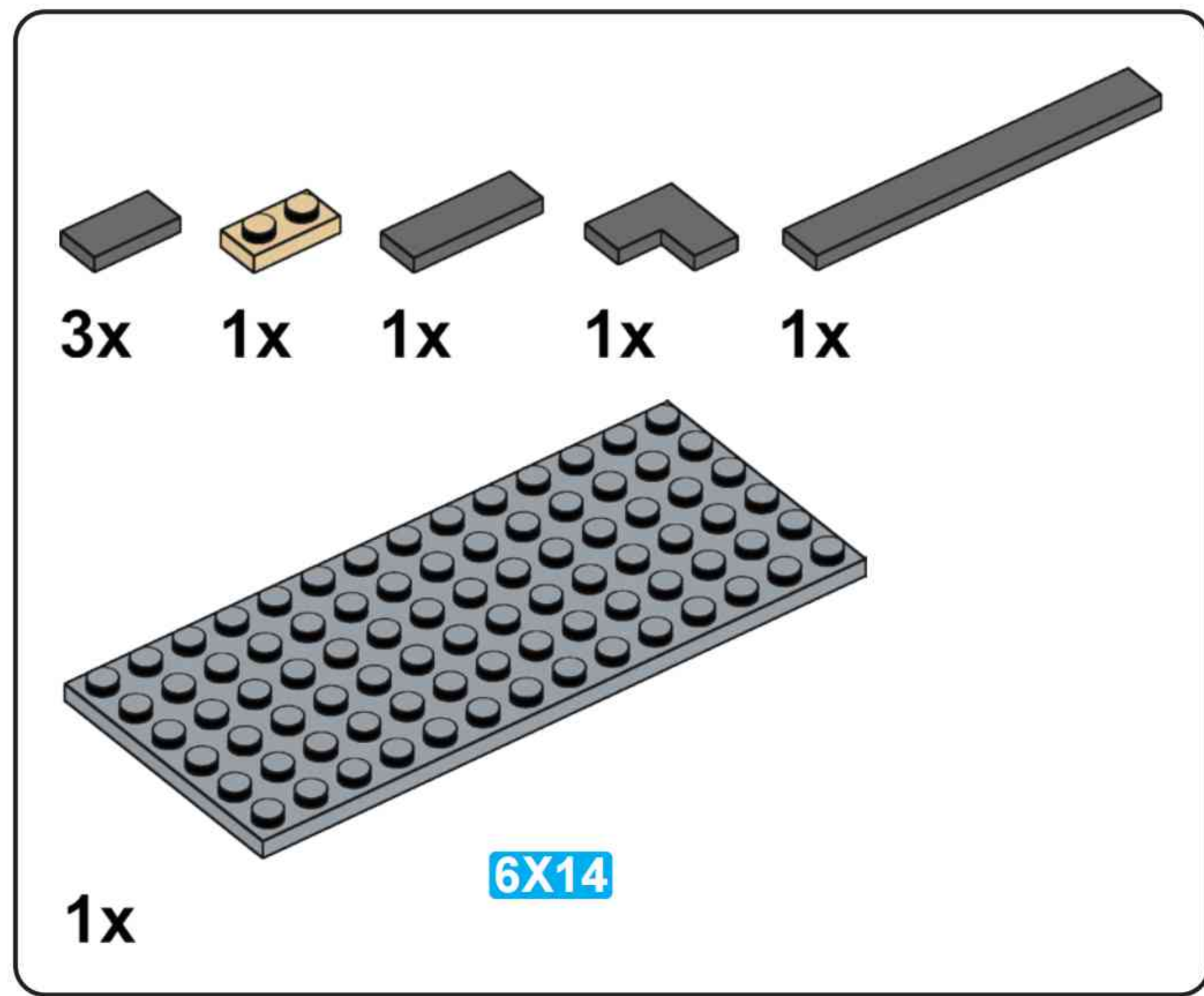


S19

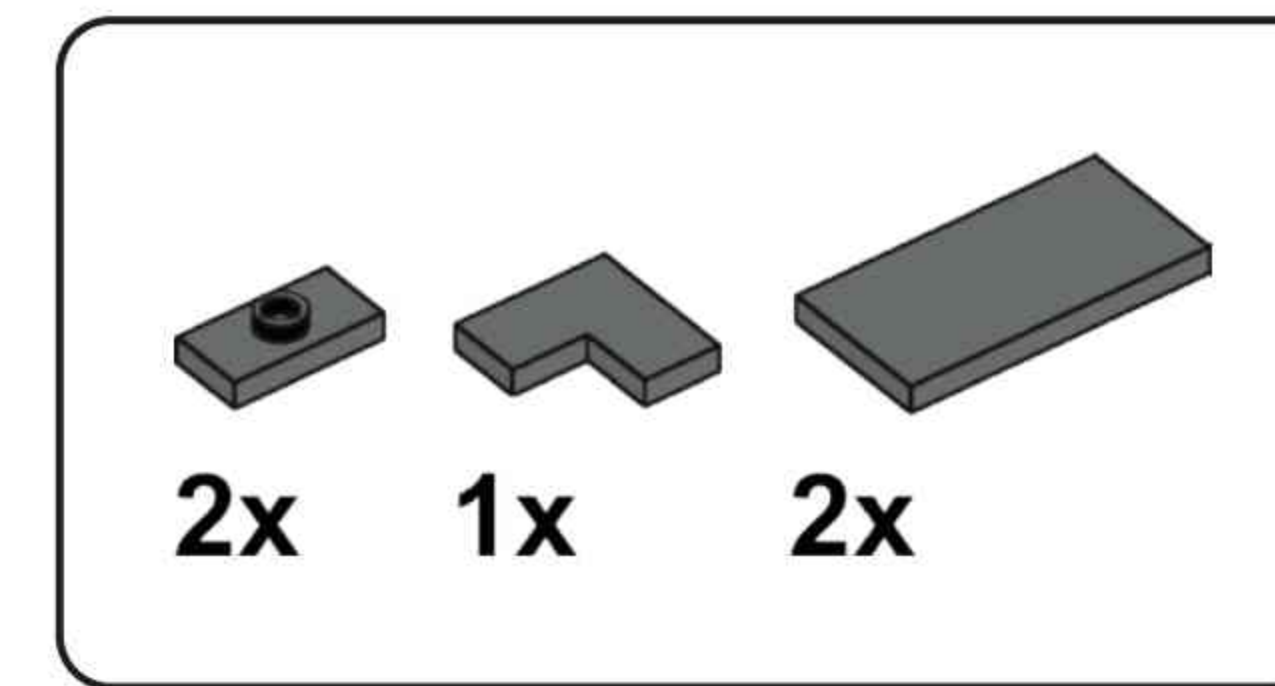
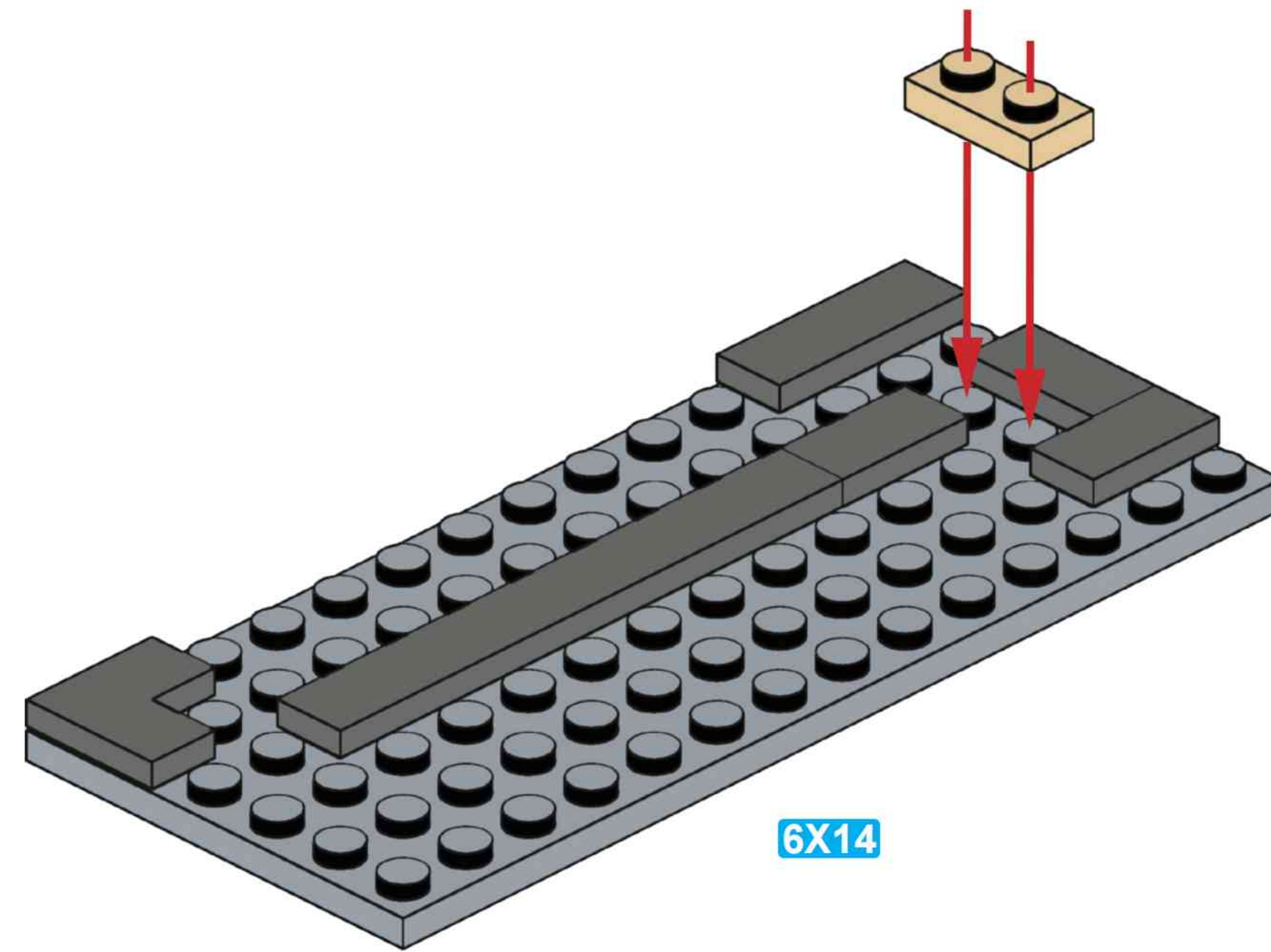


S20

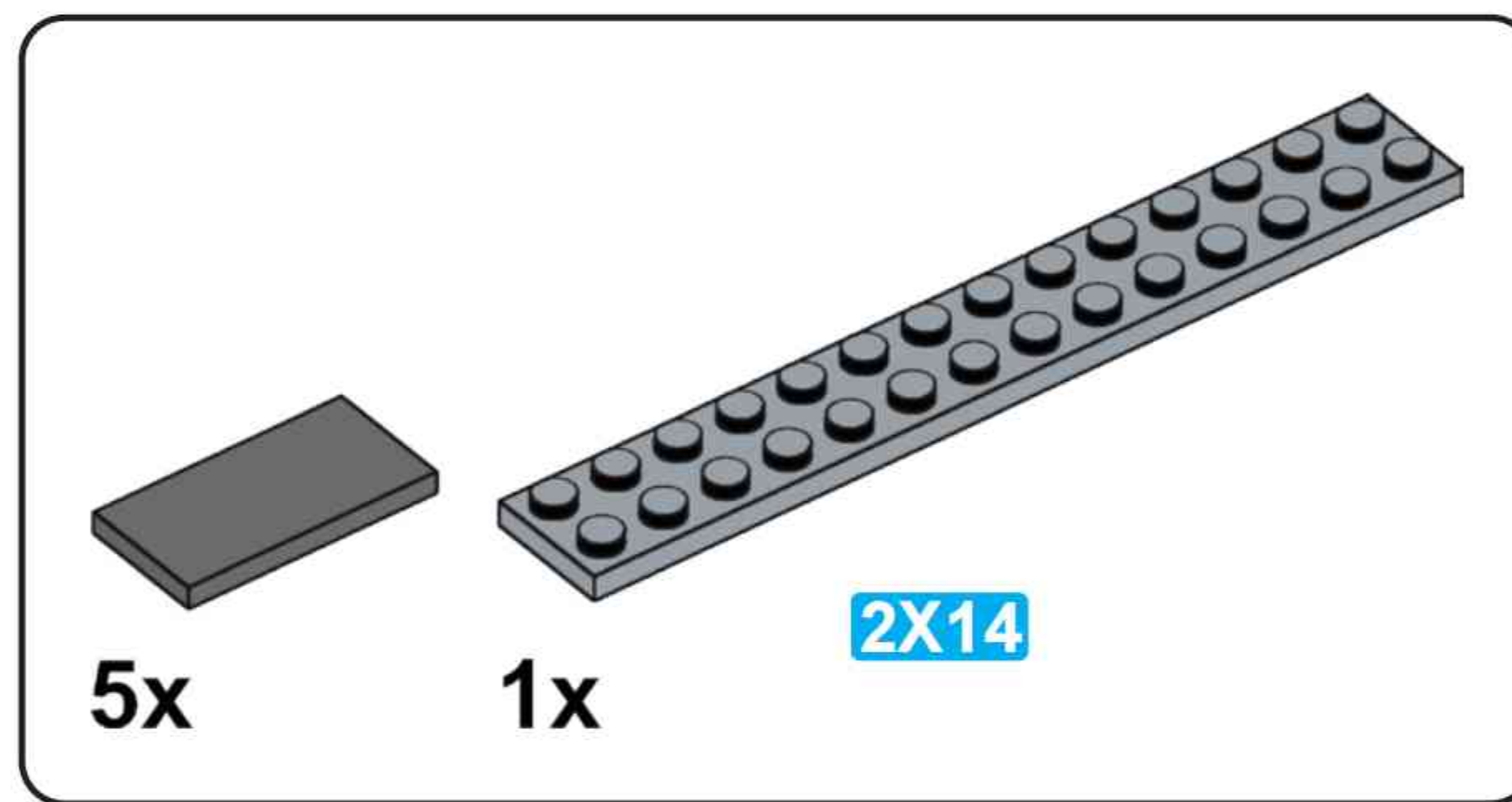
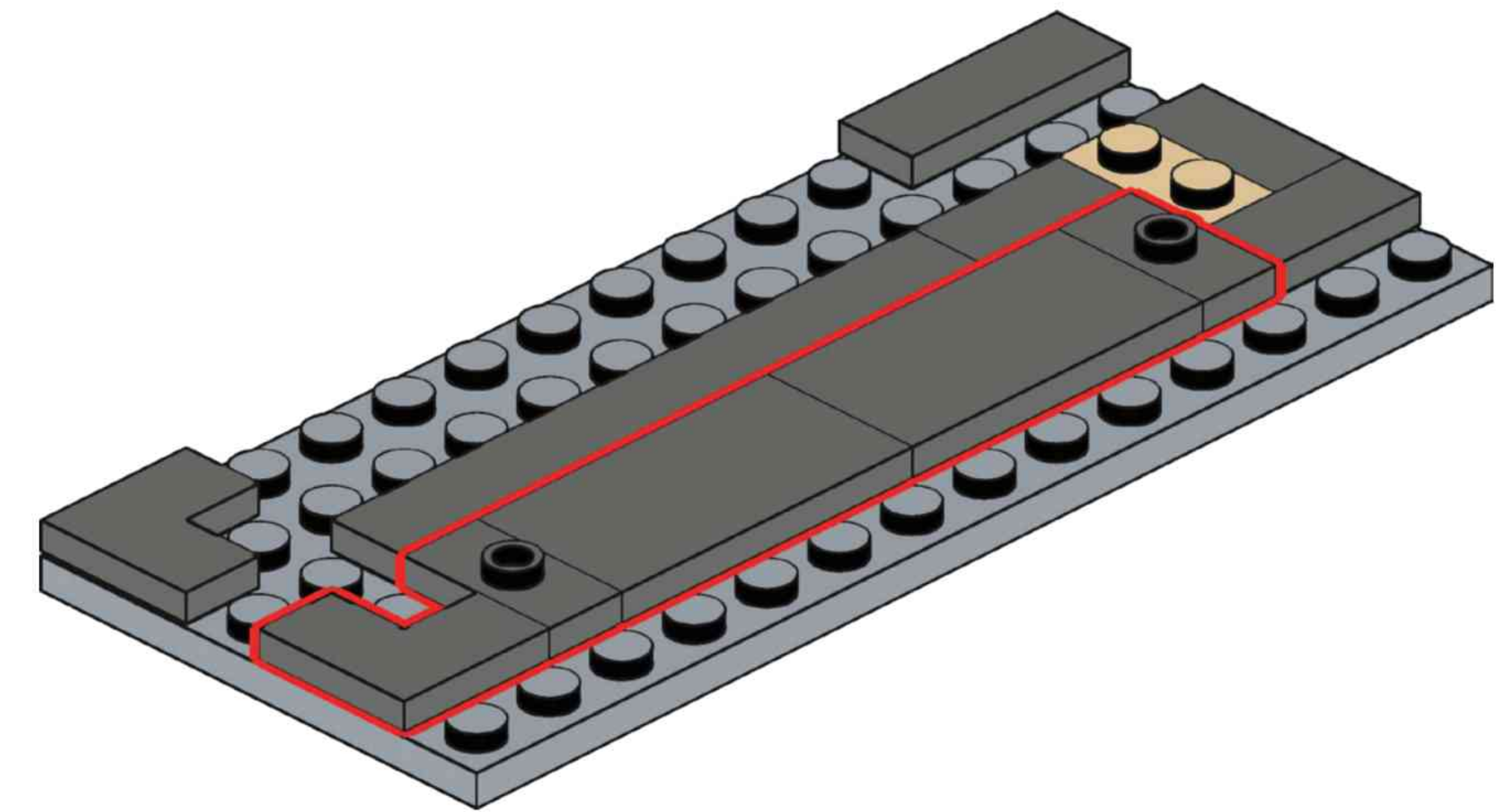




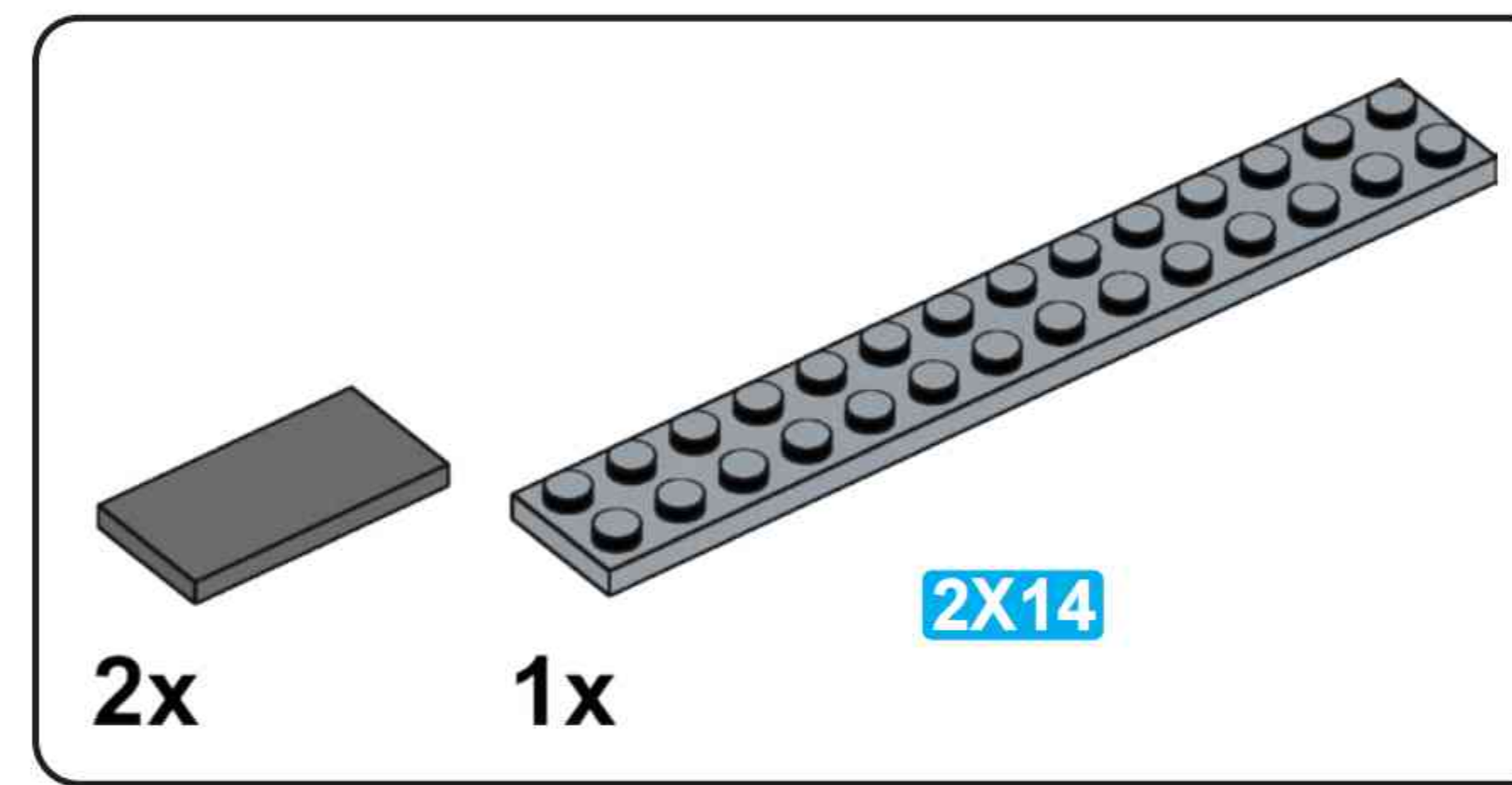
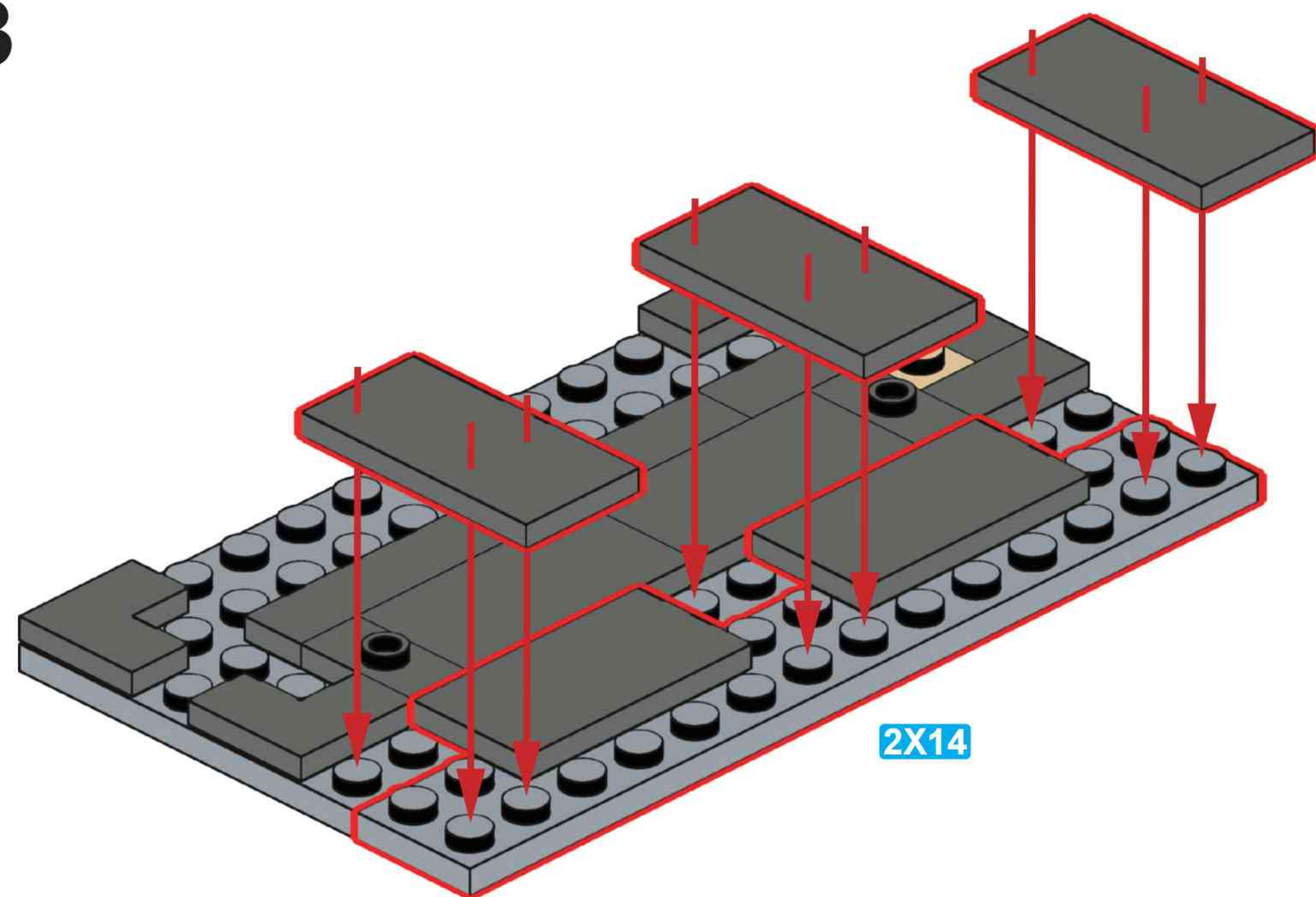
S21



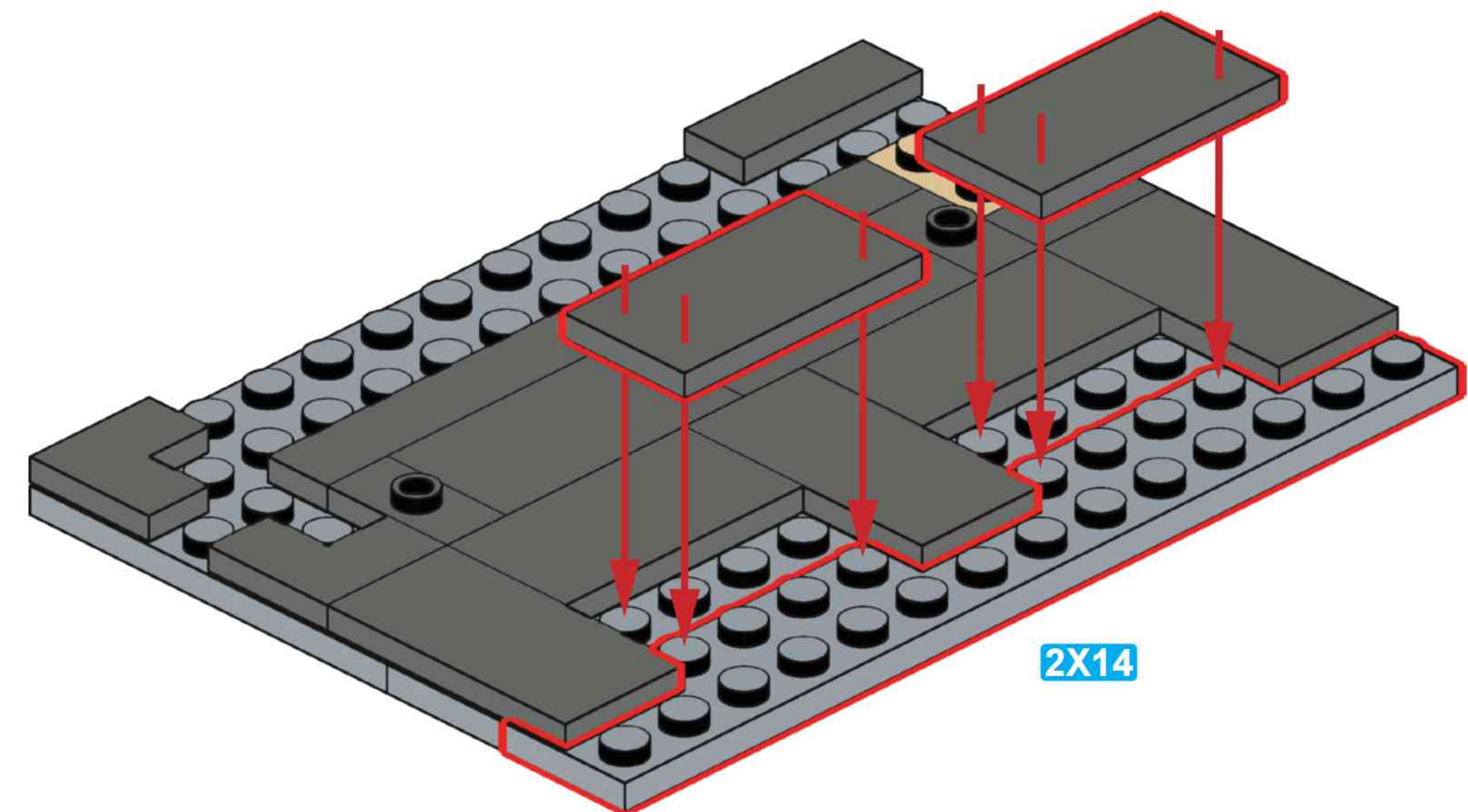
S22



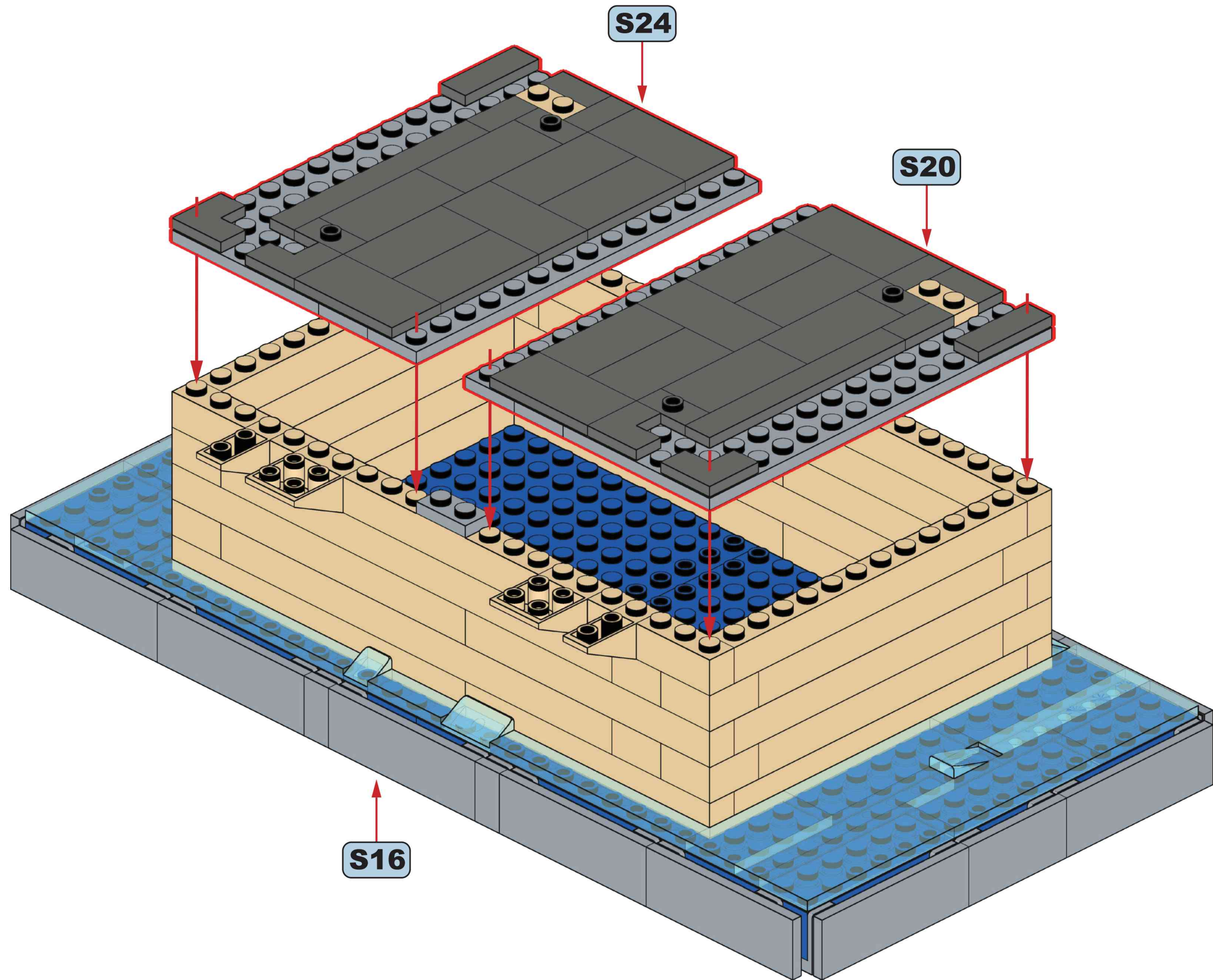
S23



S24



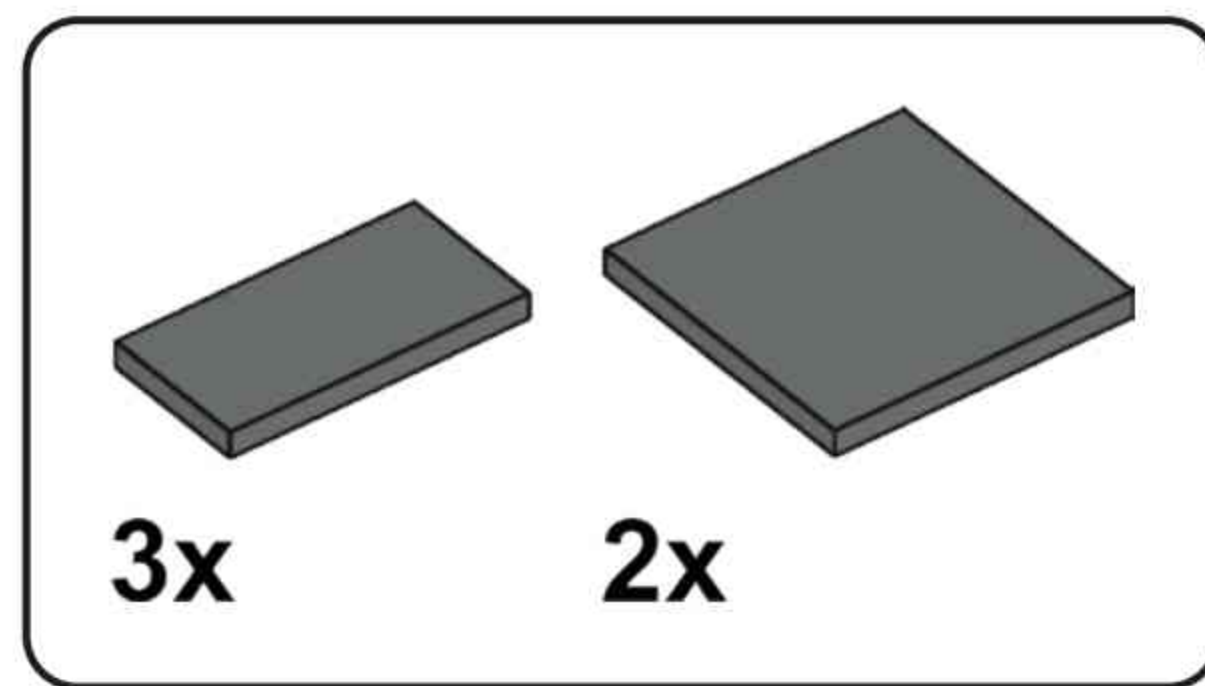
S25



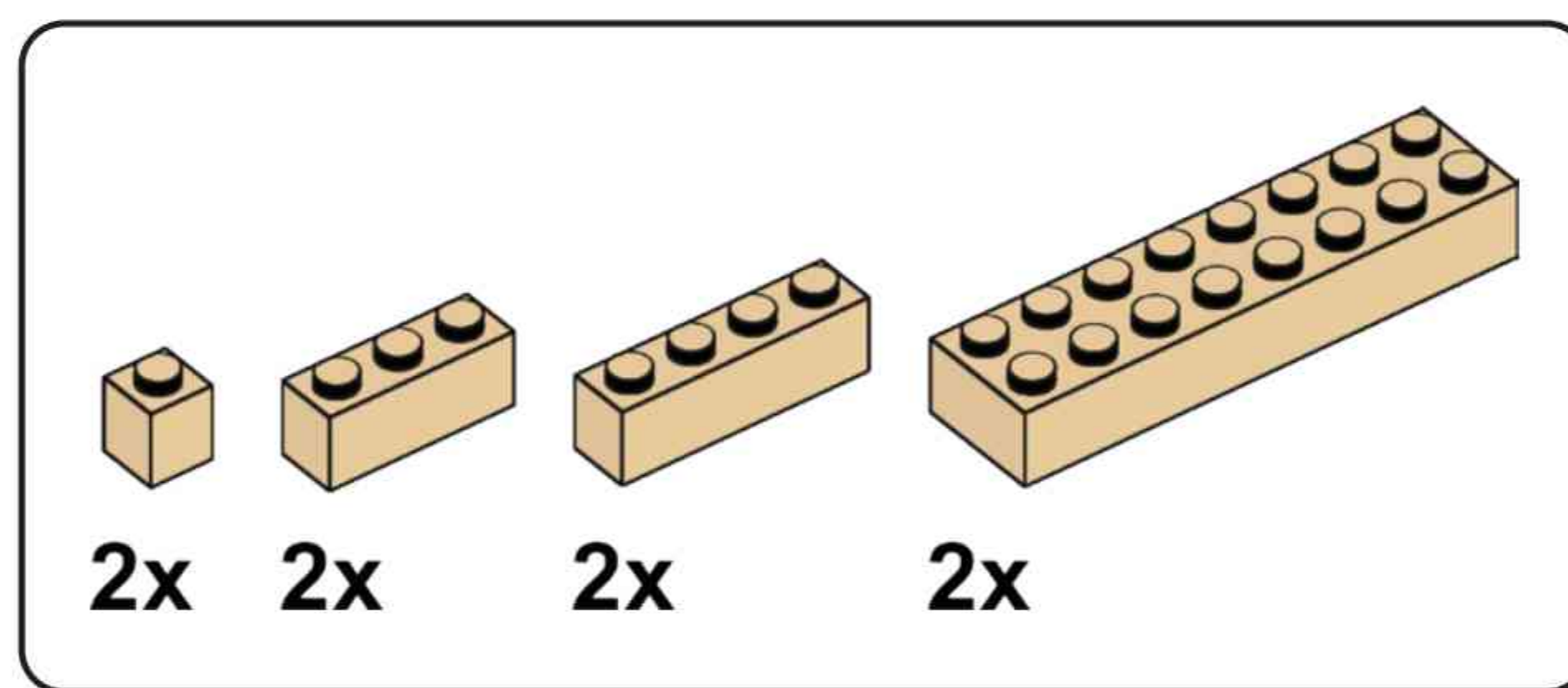
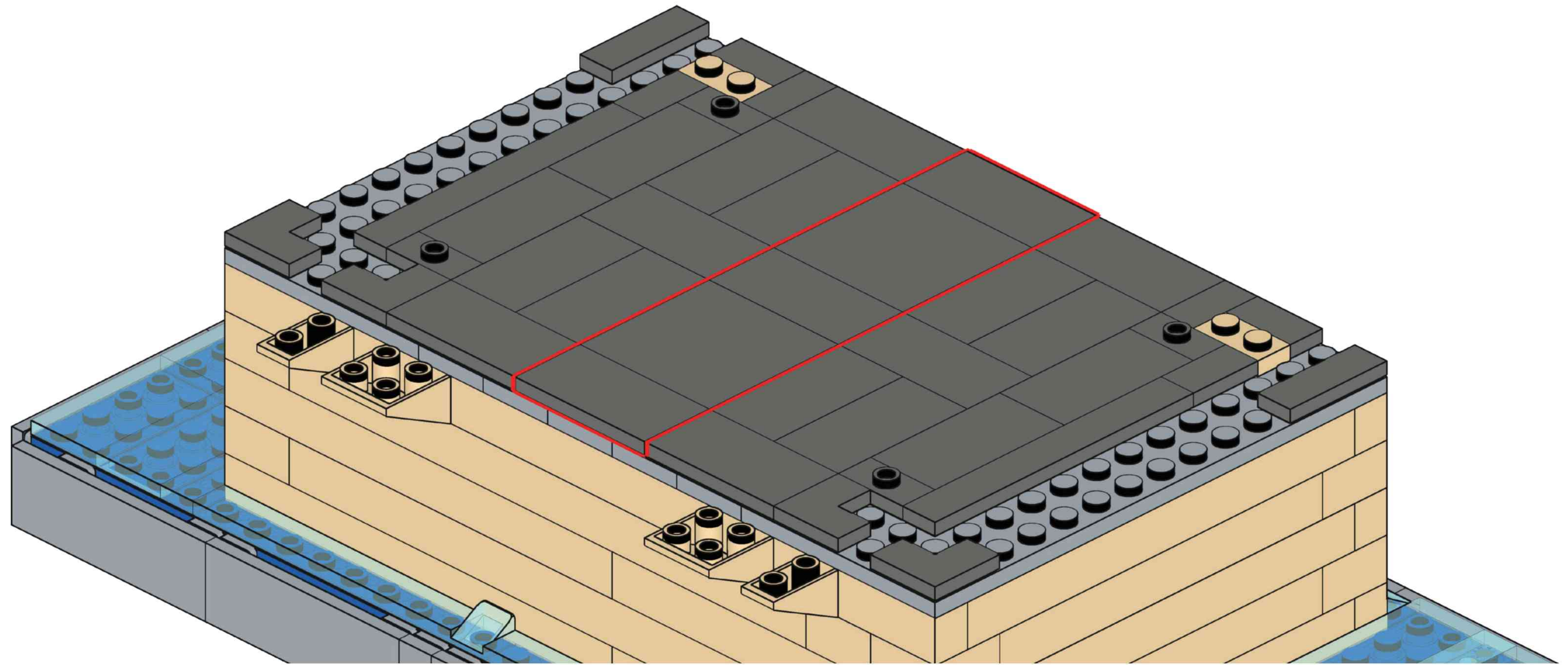
S24

S20

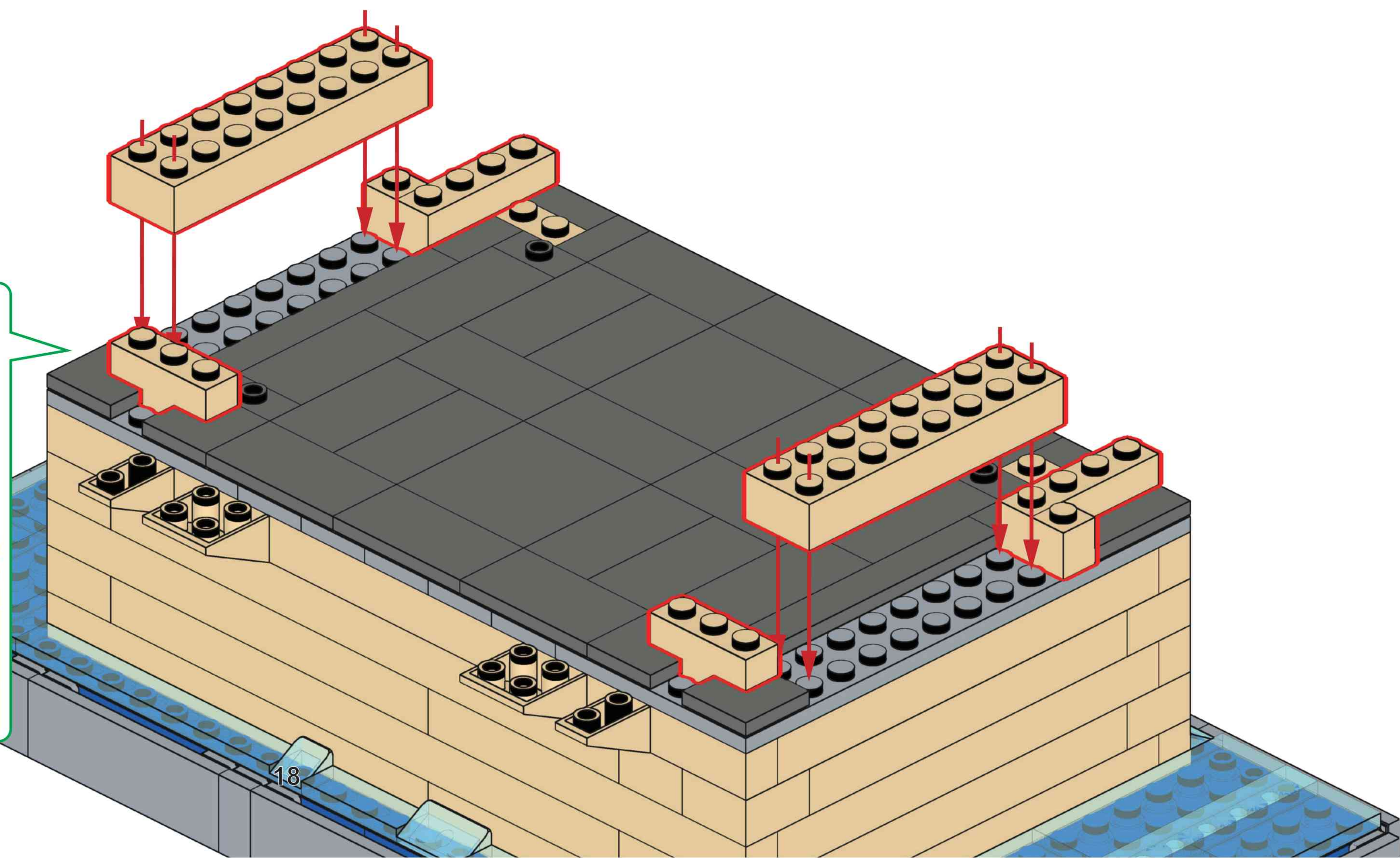
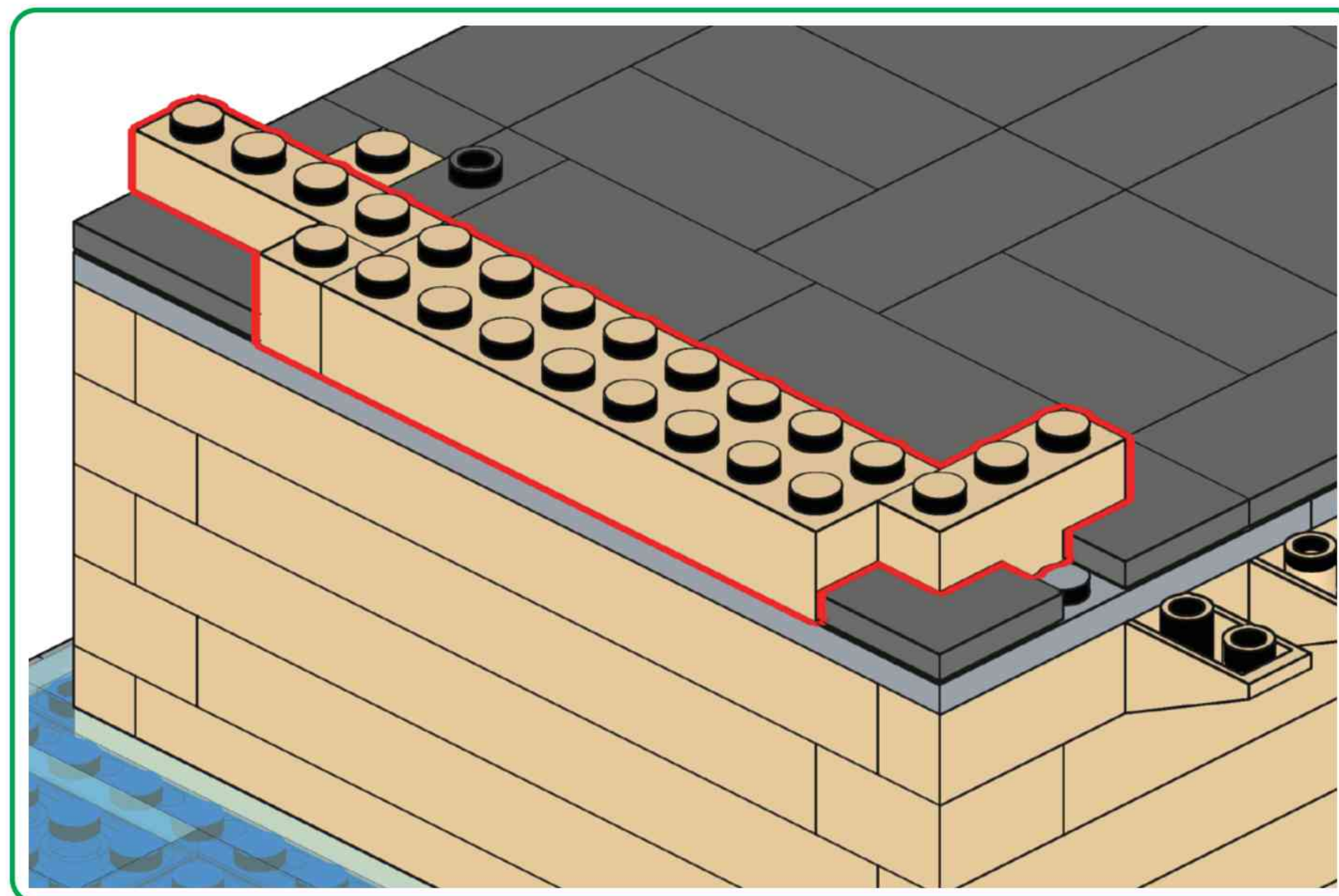
S16

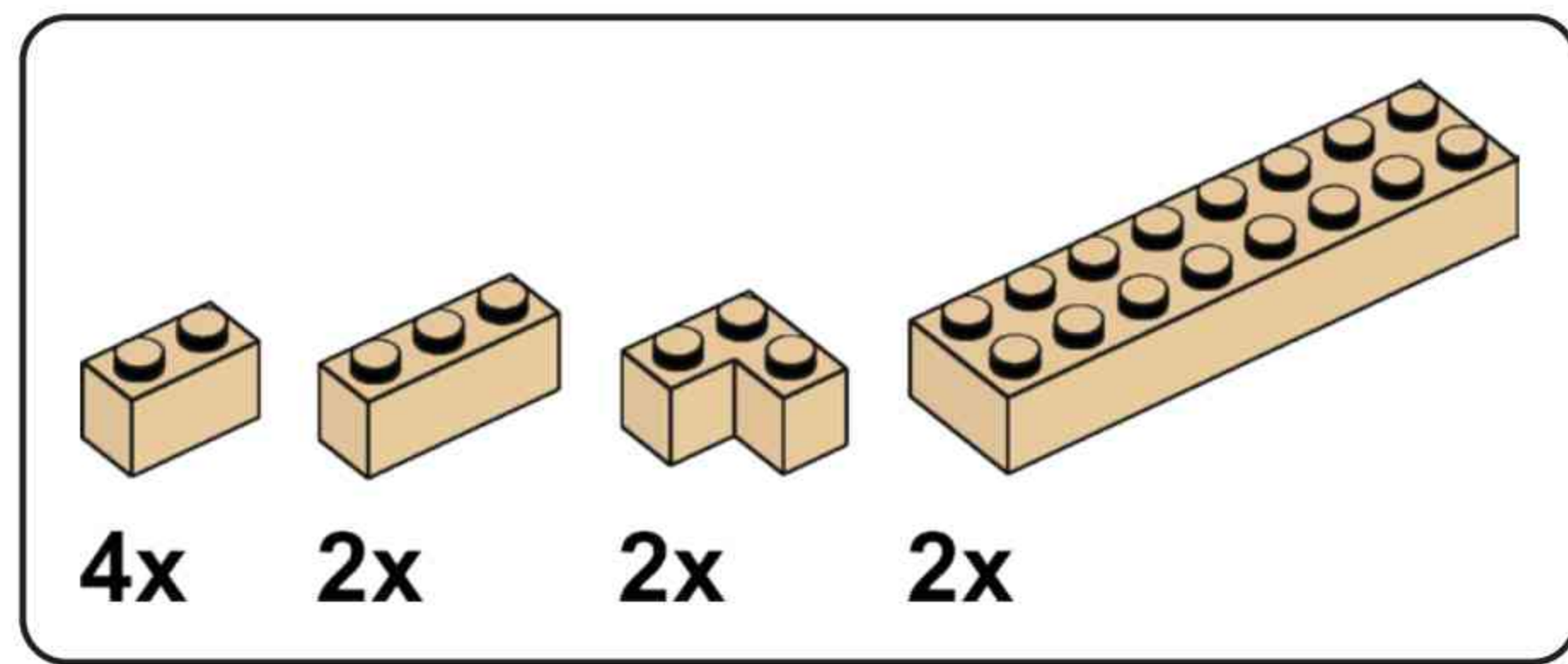


S26

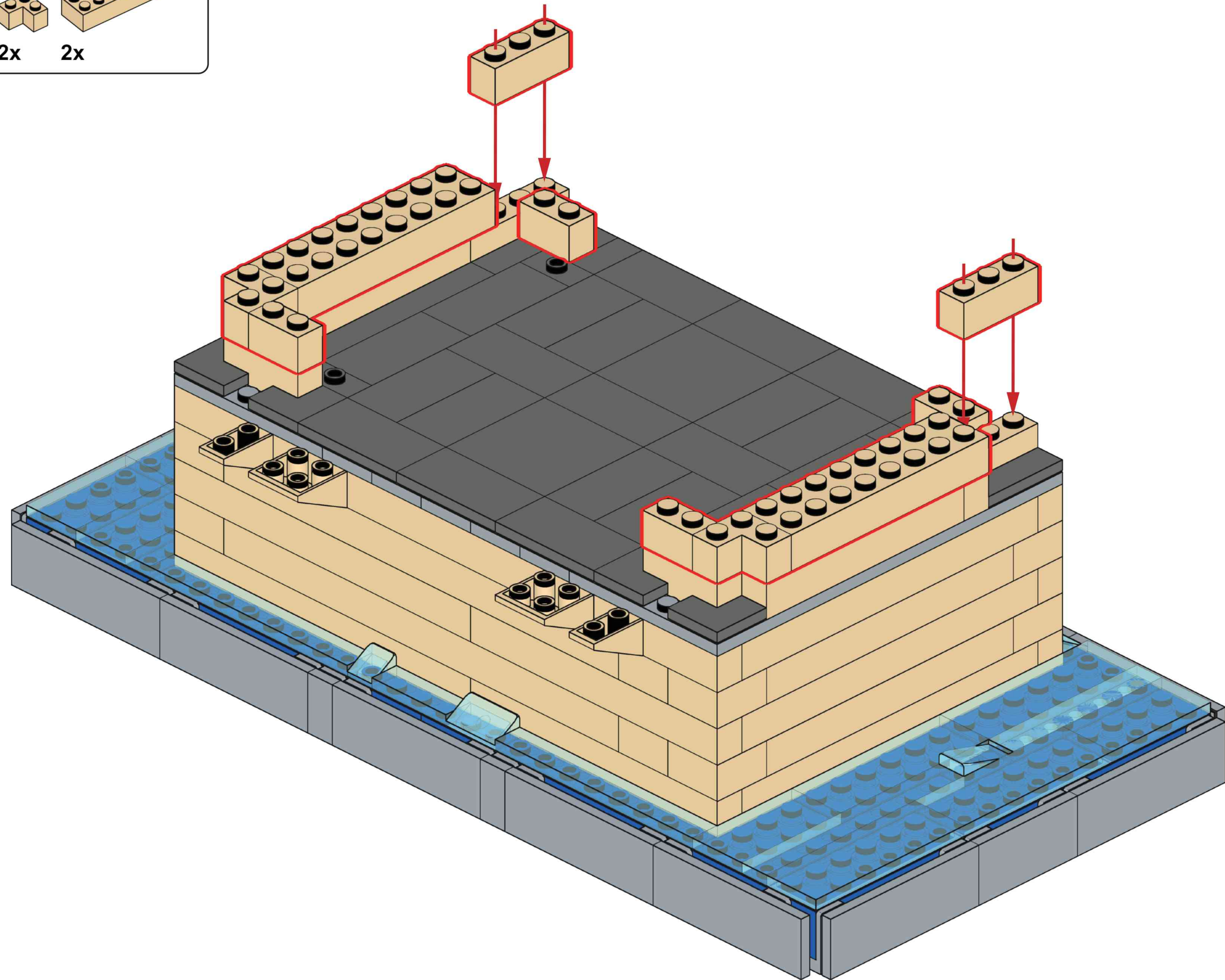


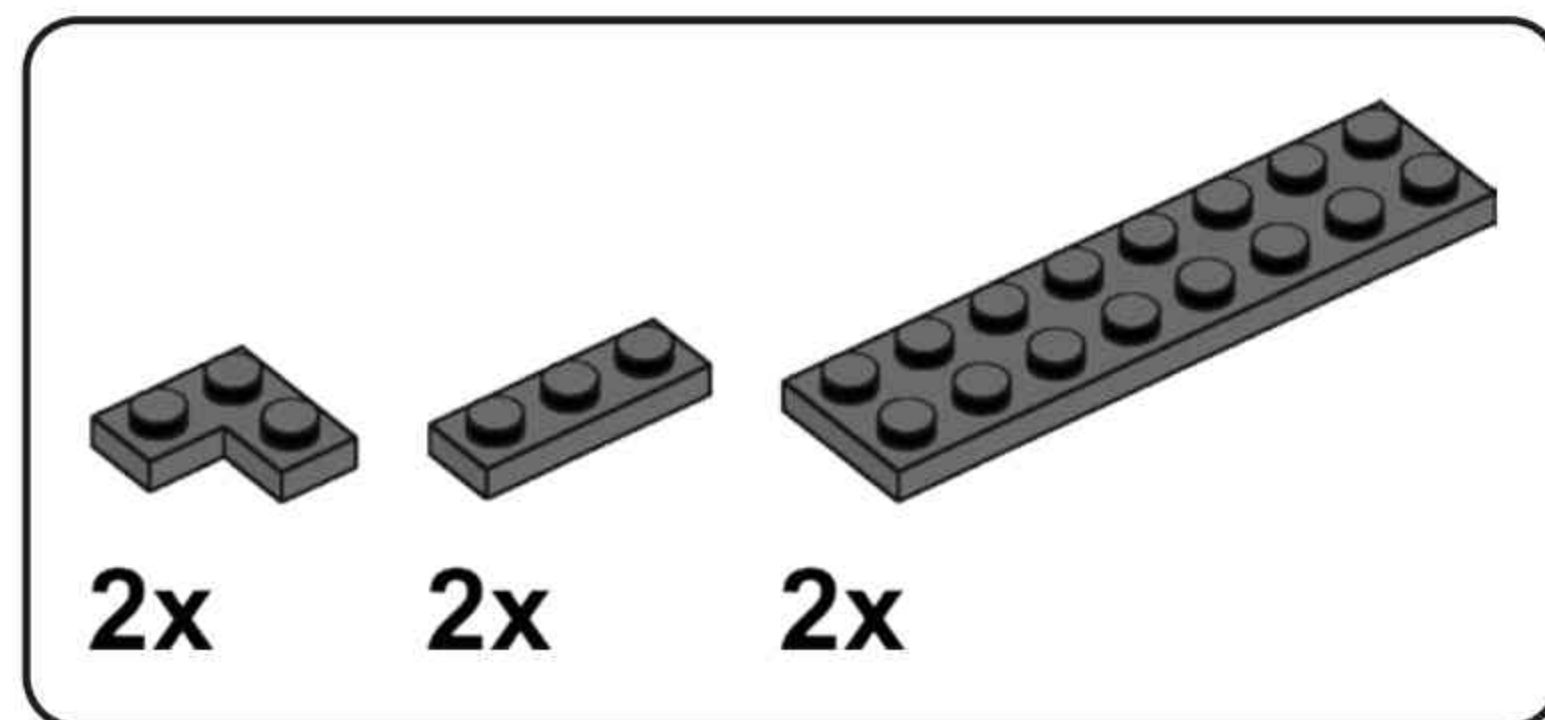
S27



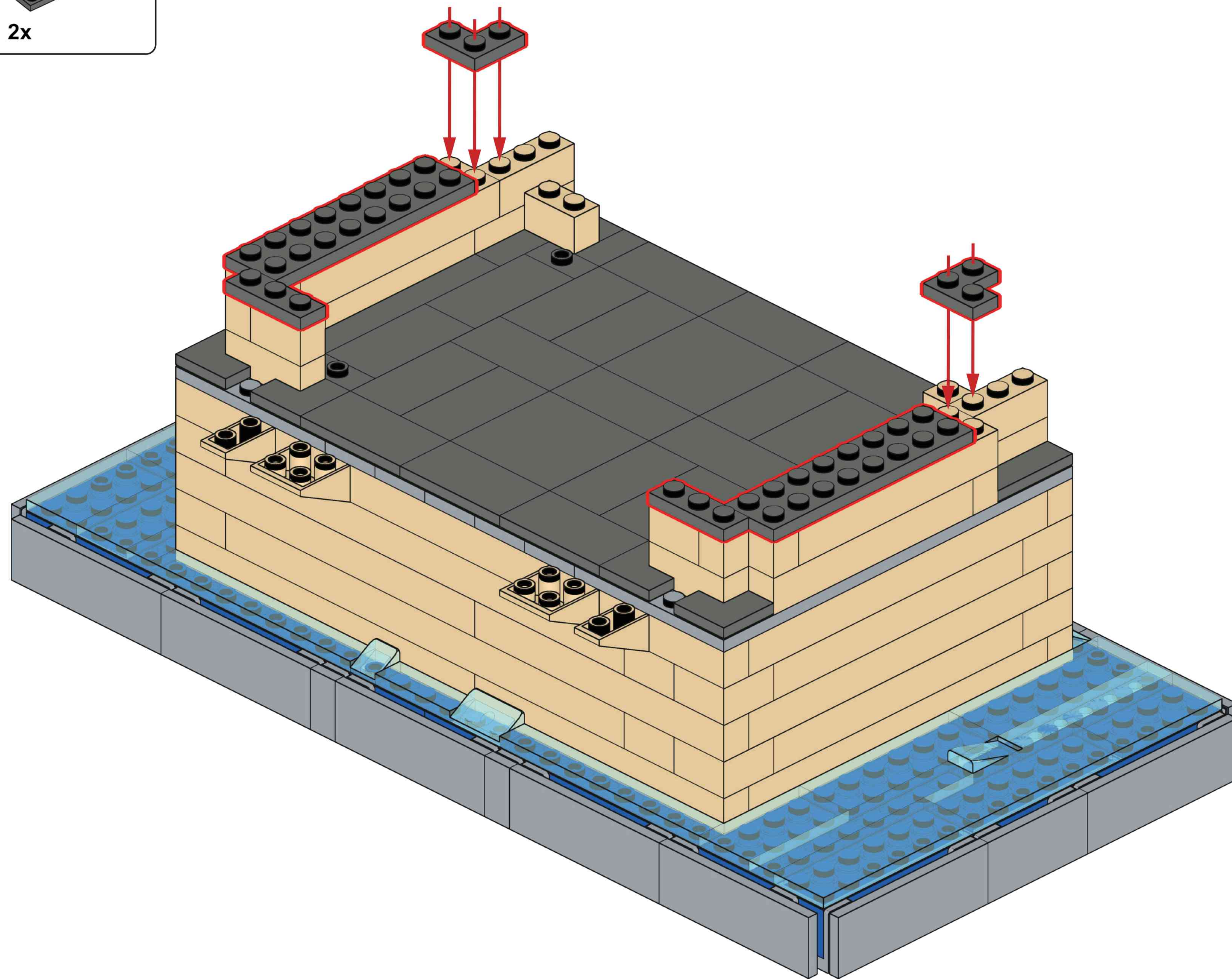


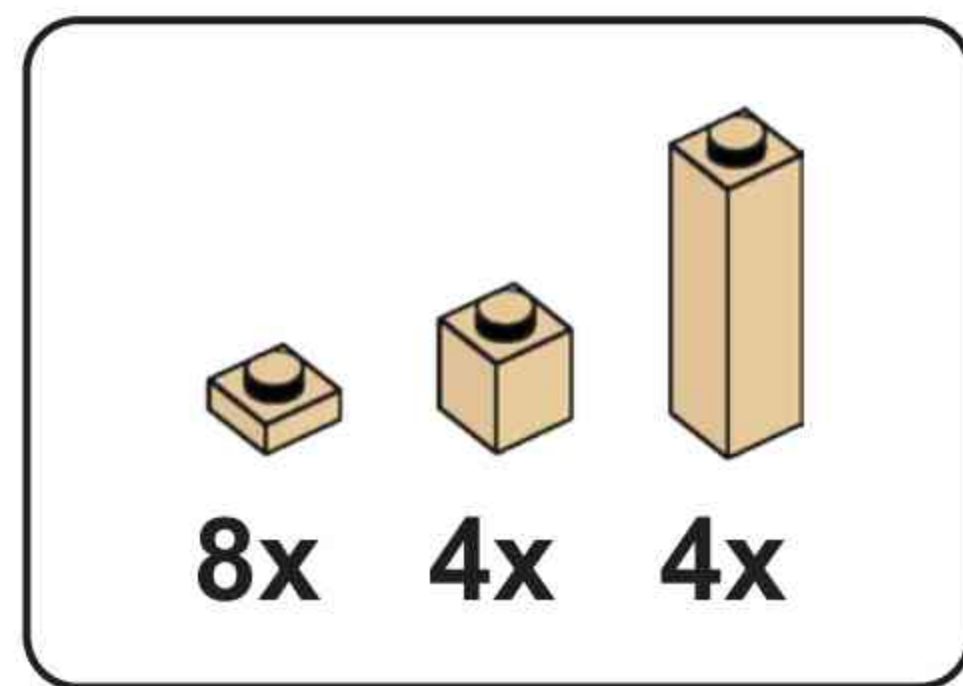
S28



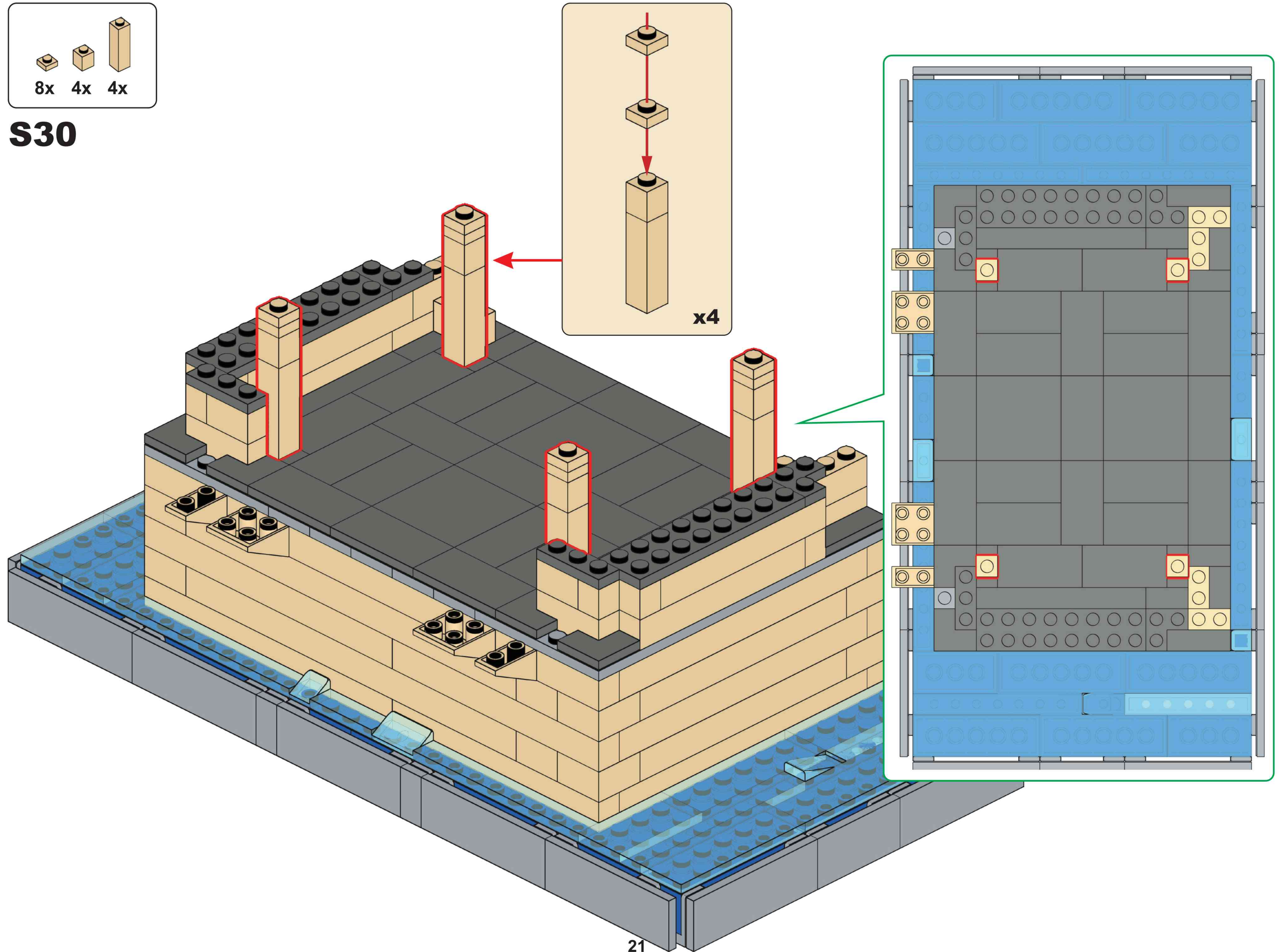


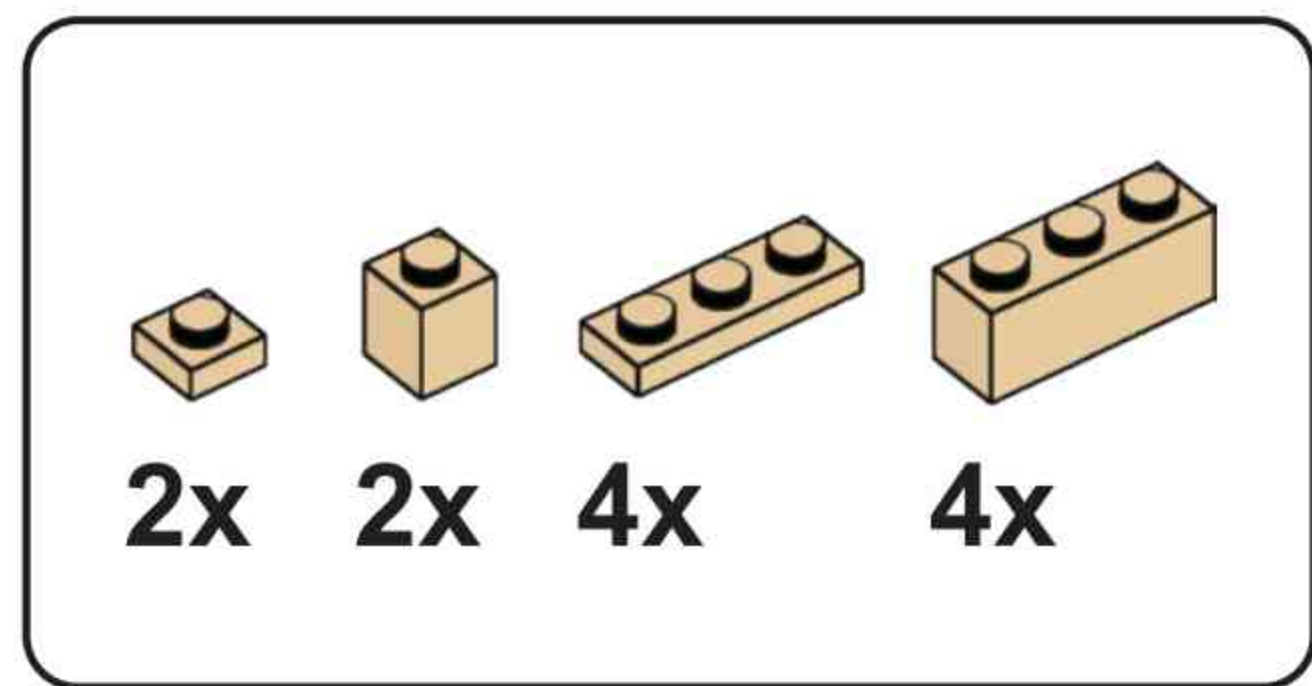
S29



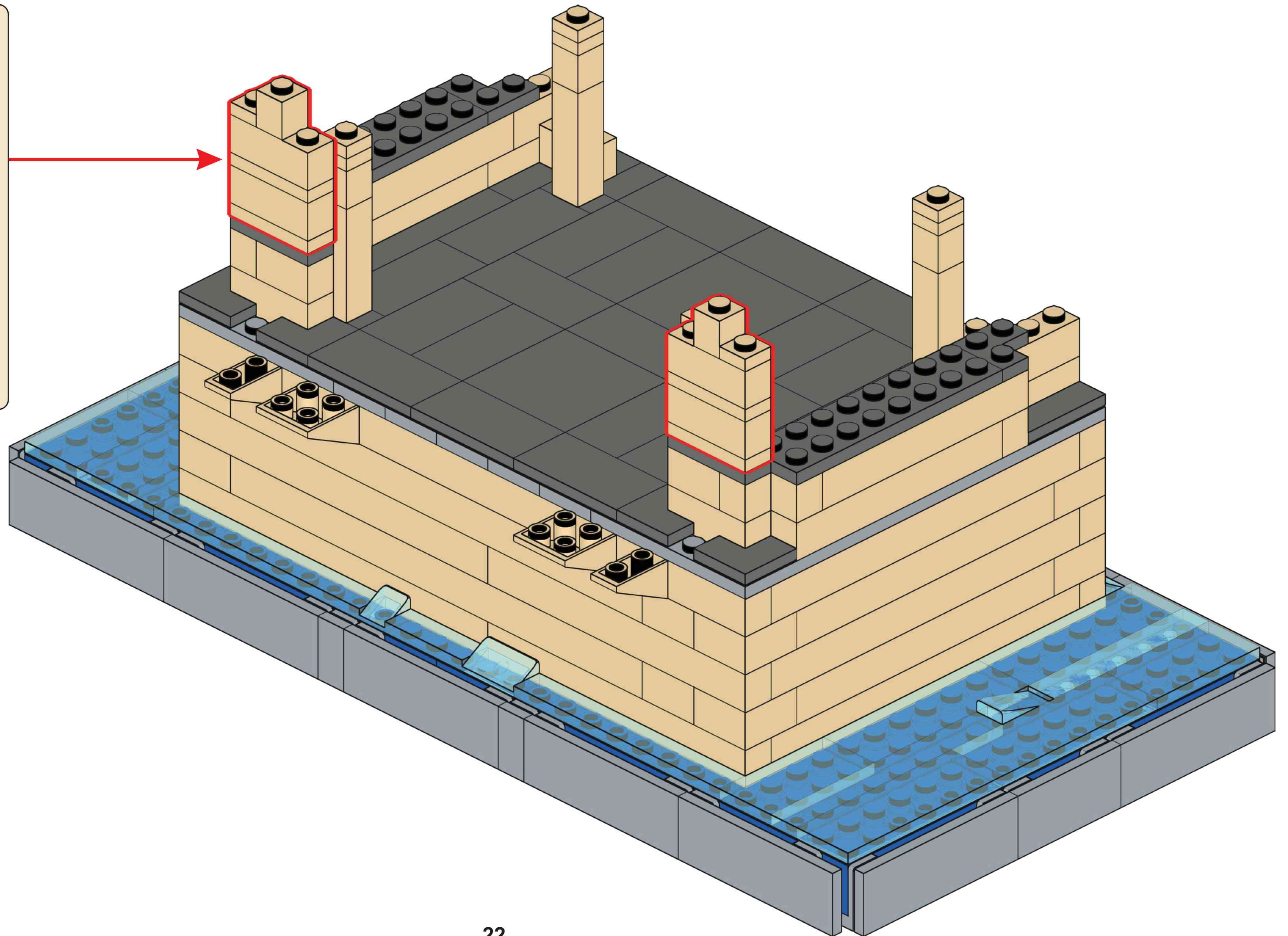
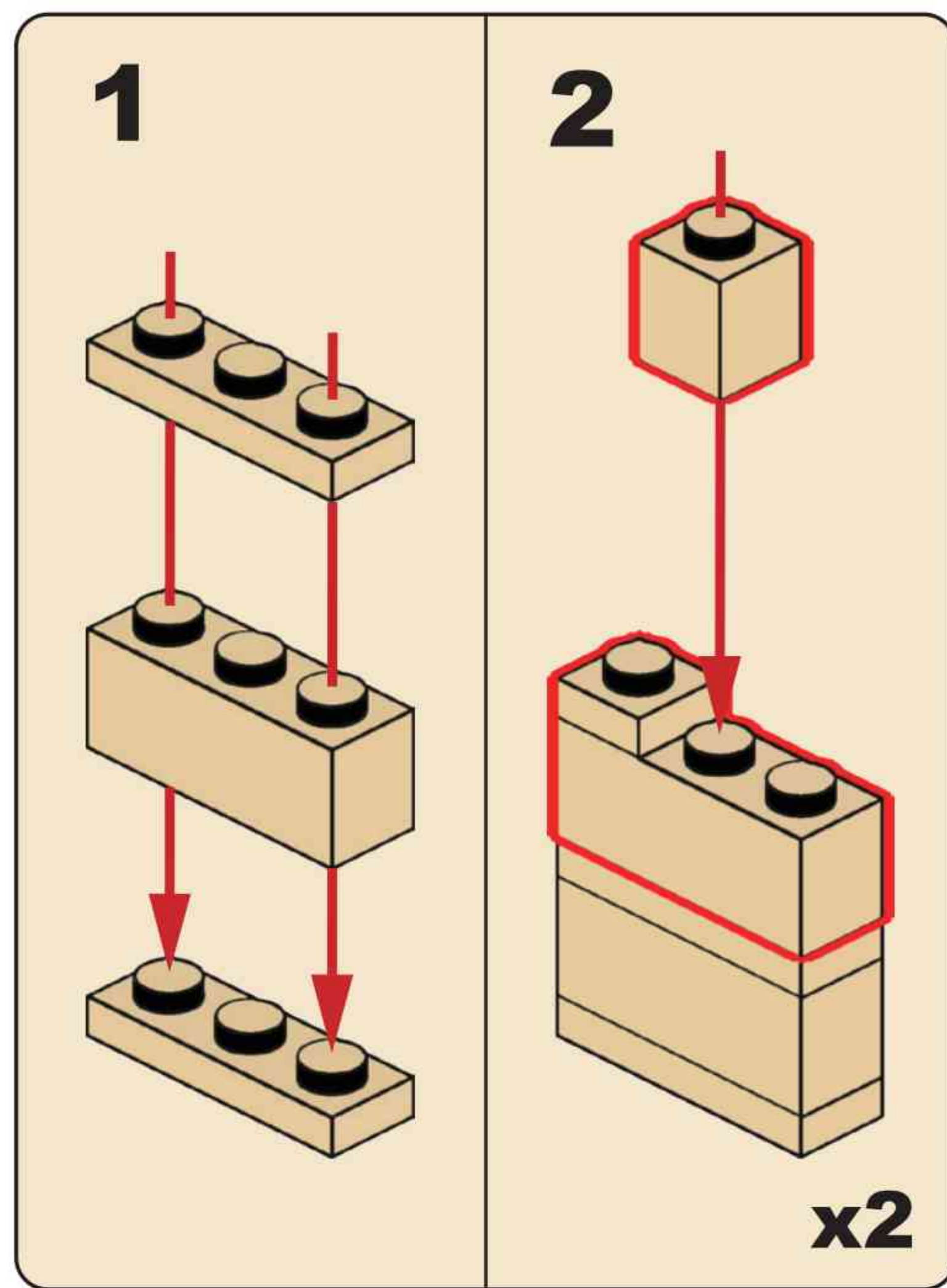


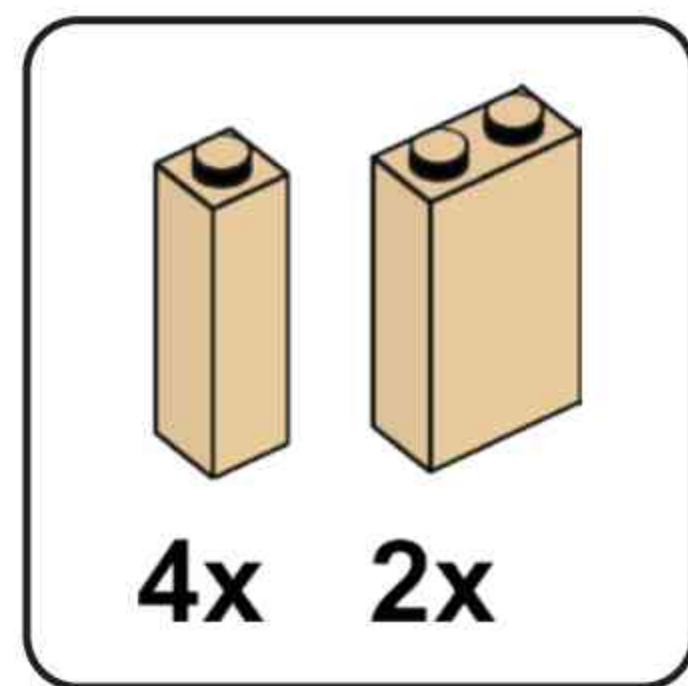
S30



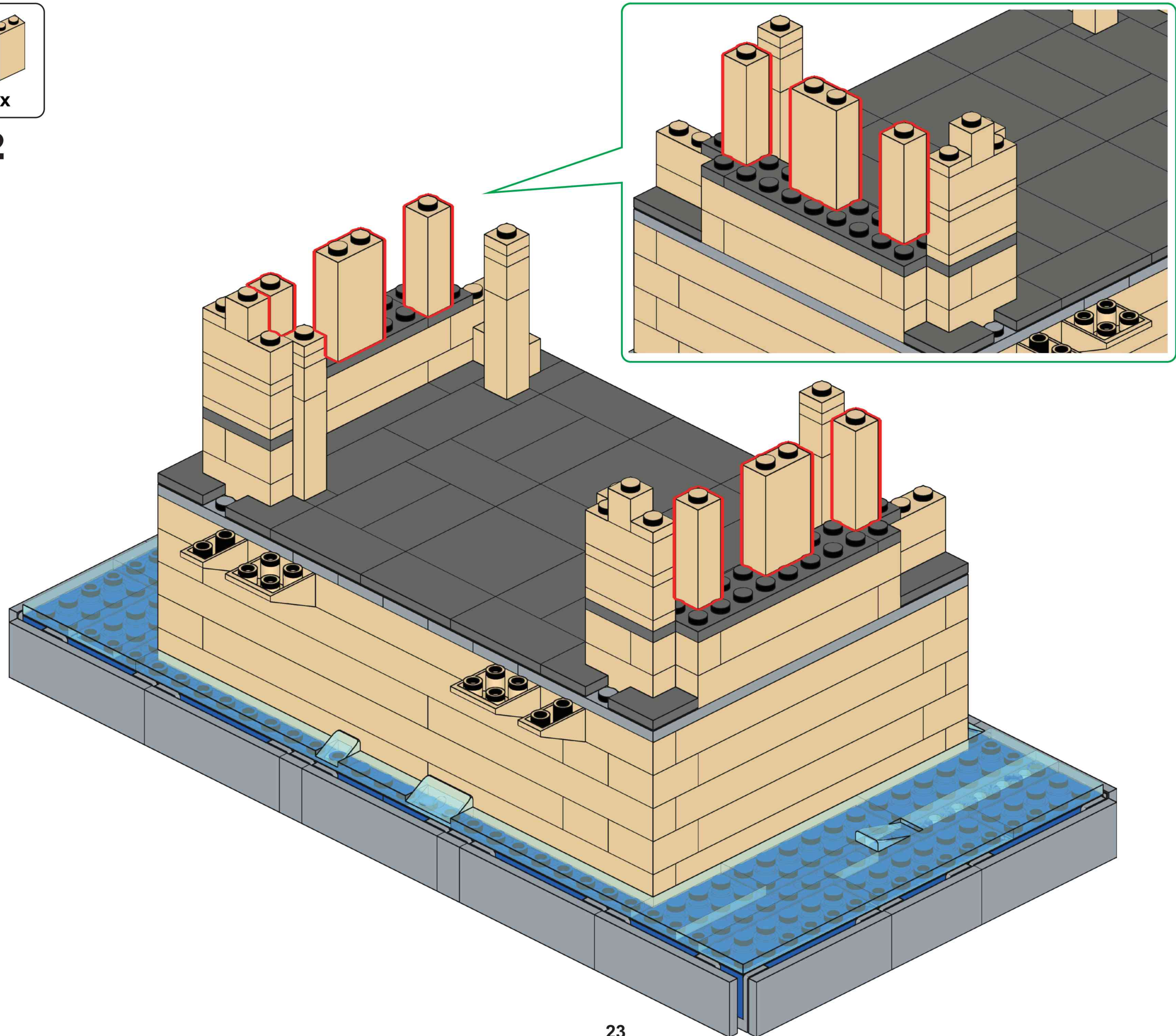


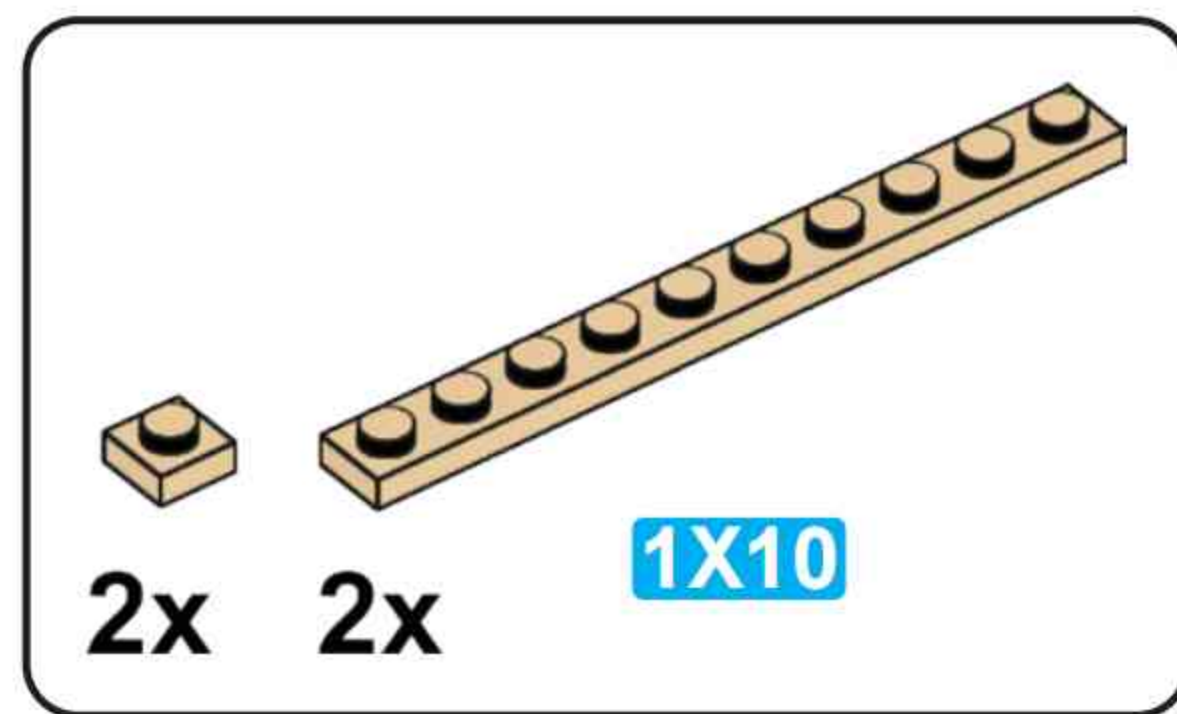
S31



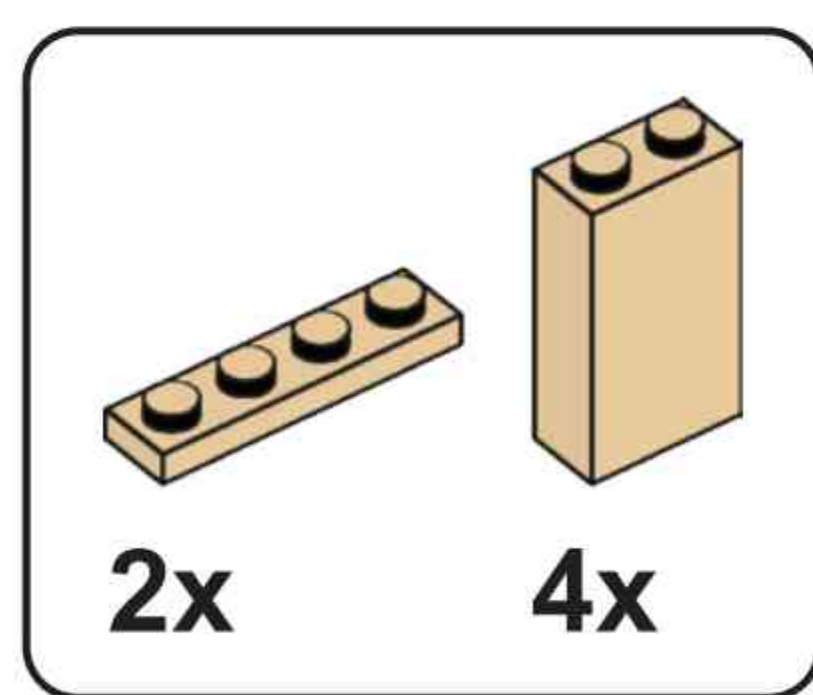
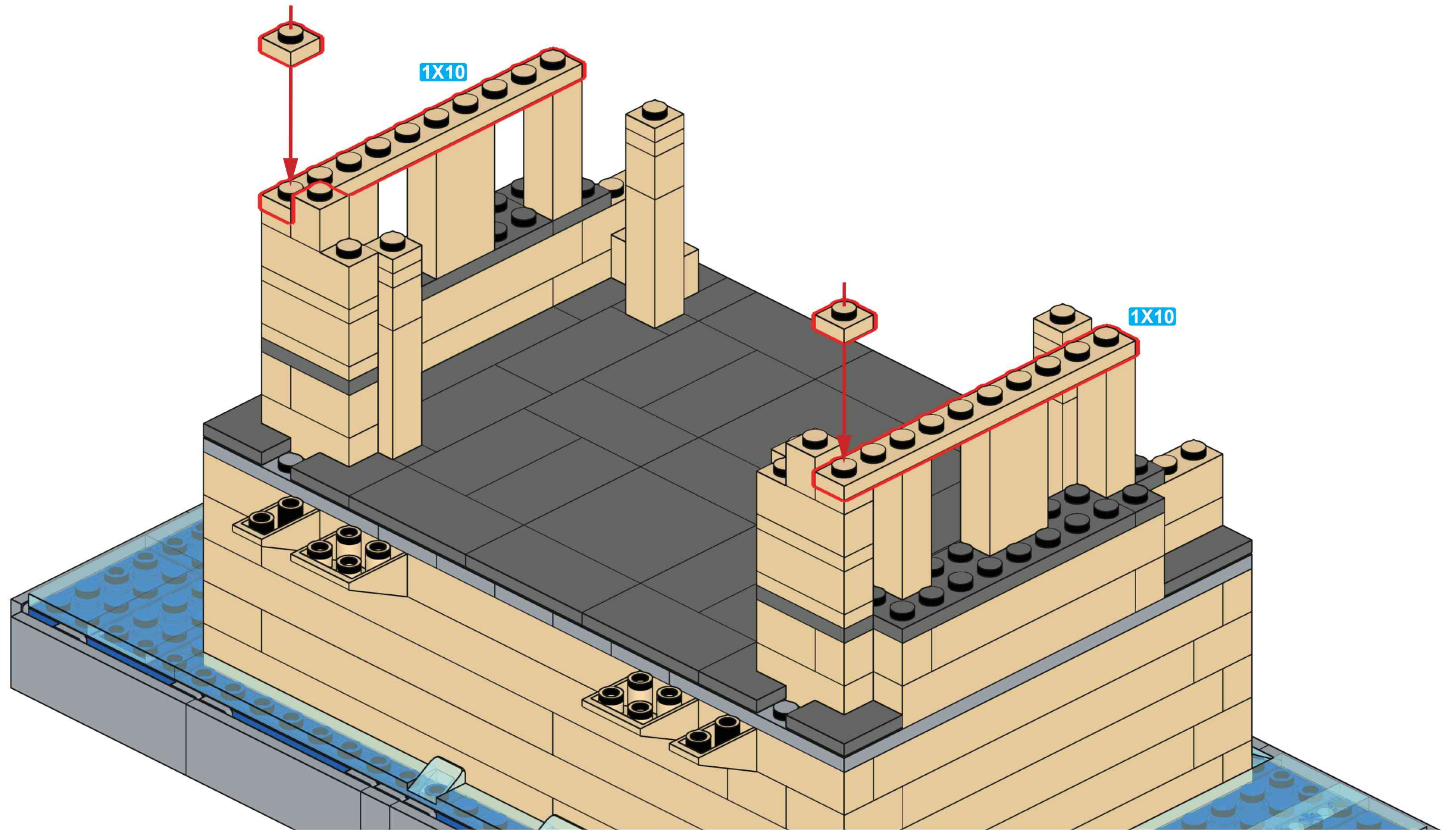


S32

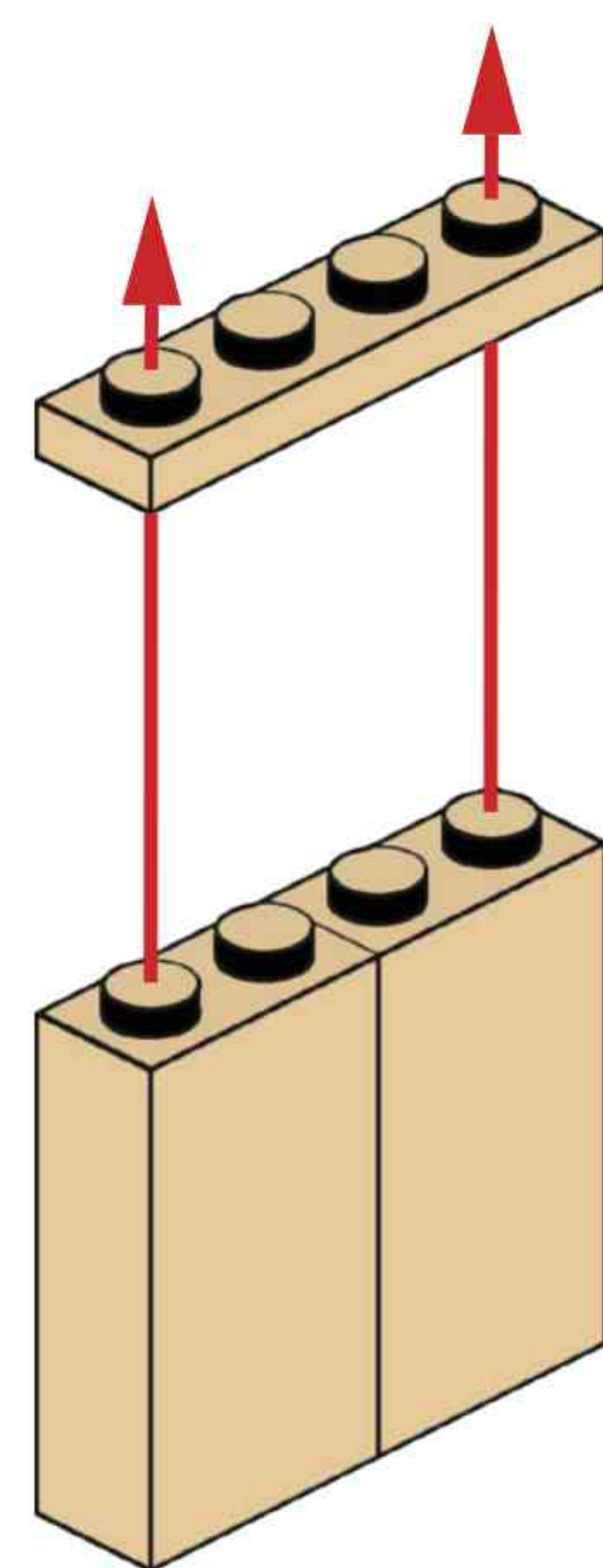




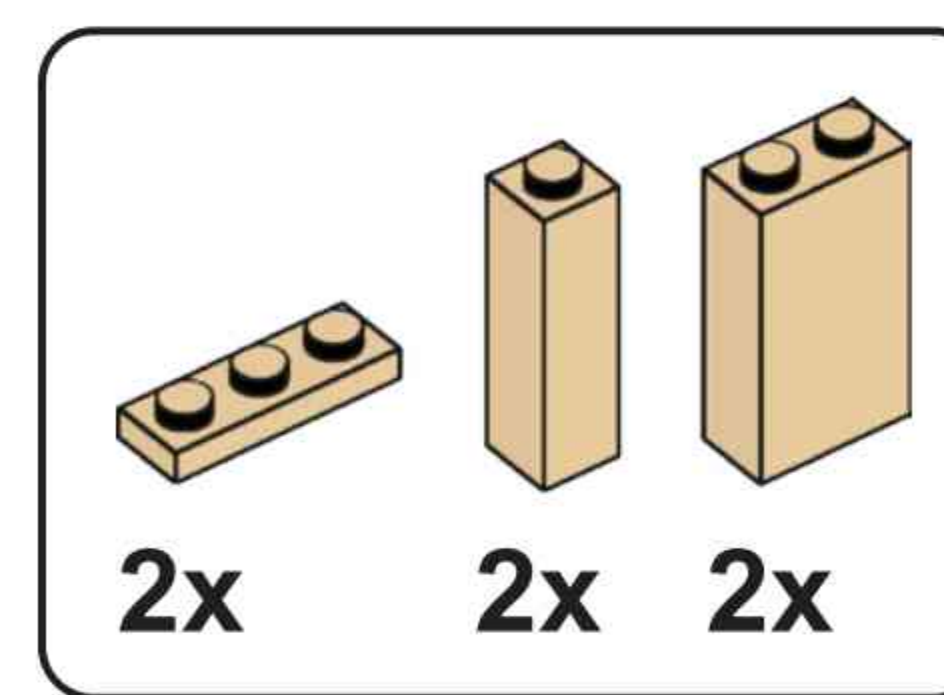
S33



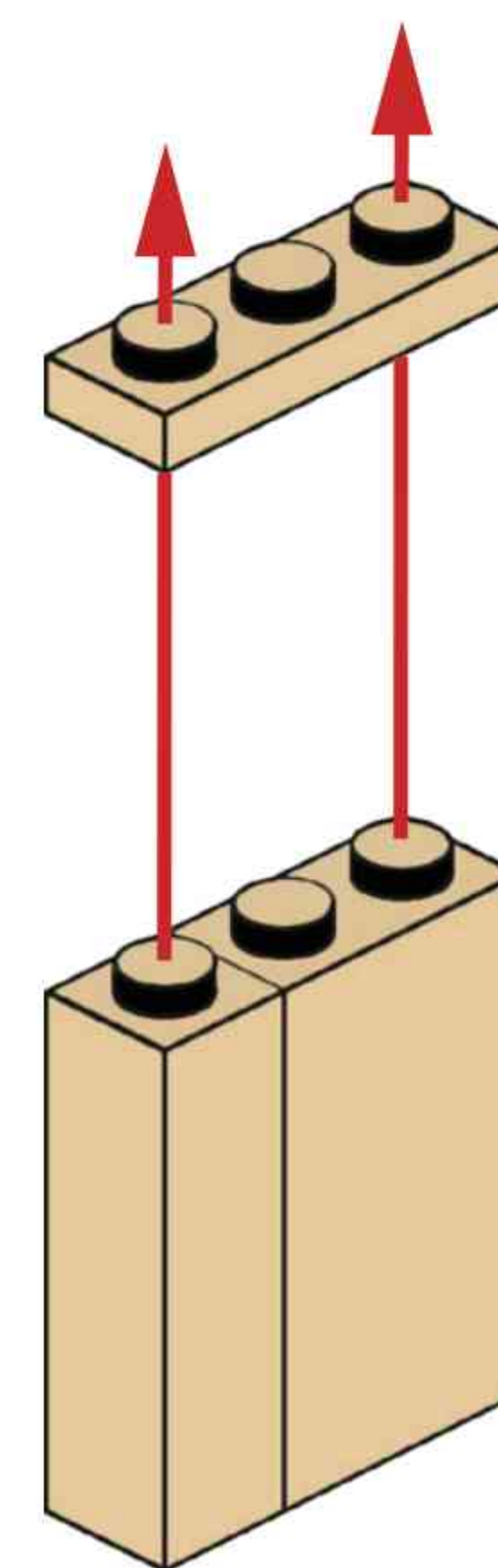
S34



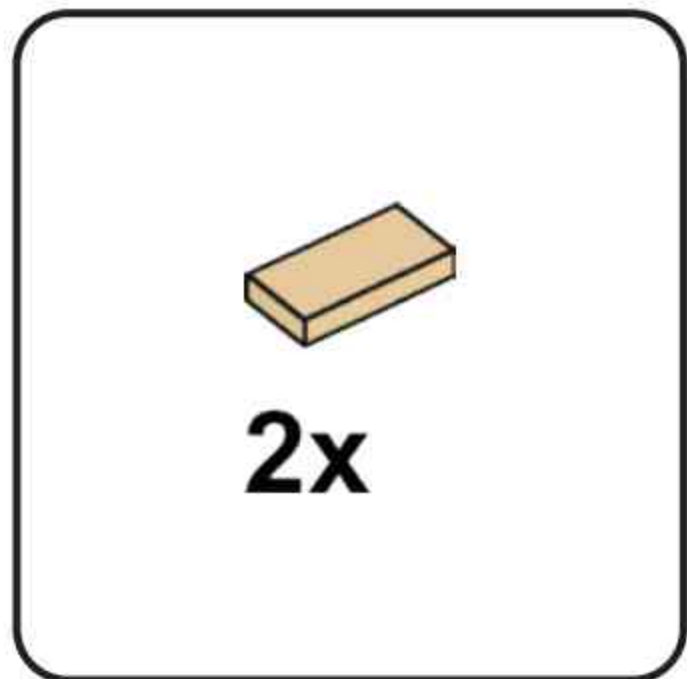
x2



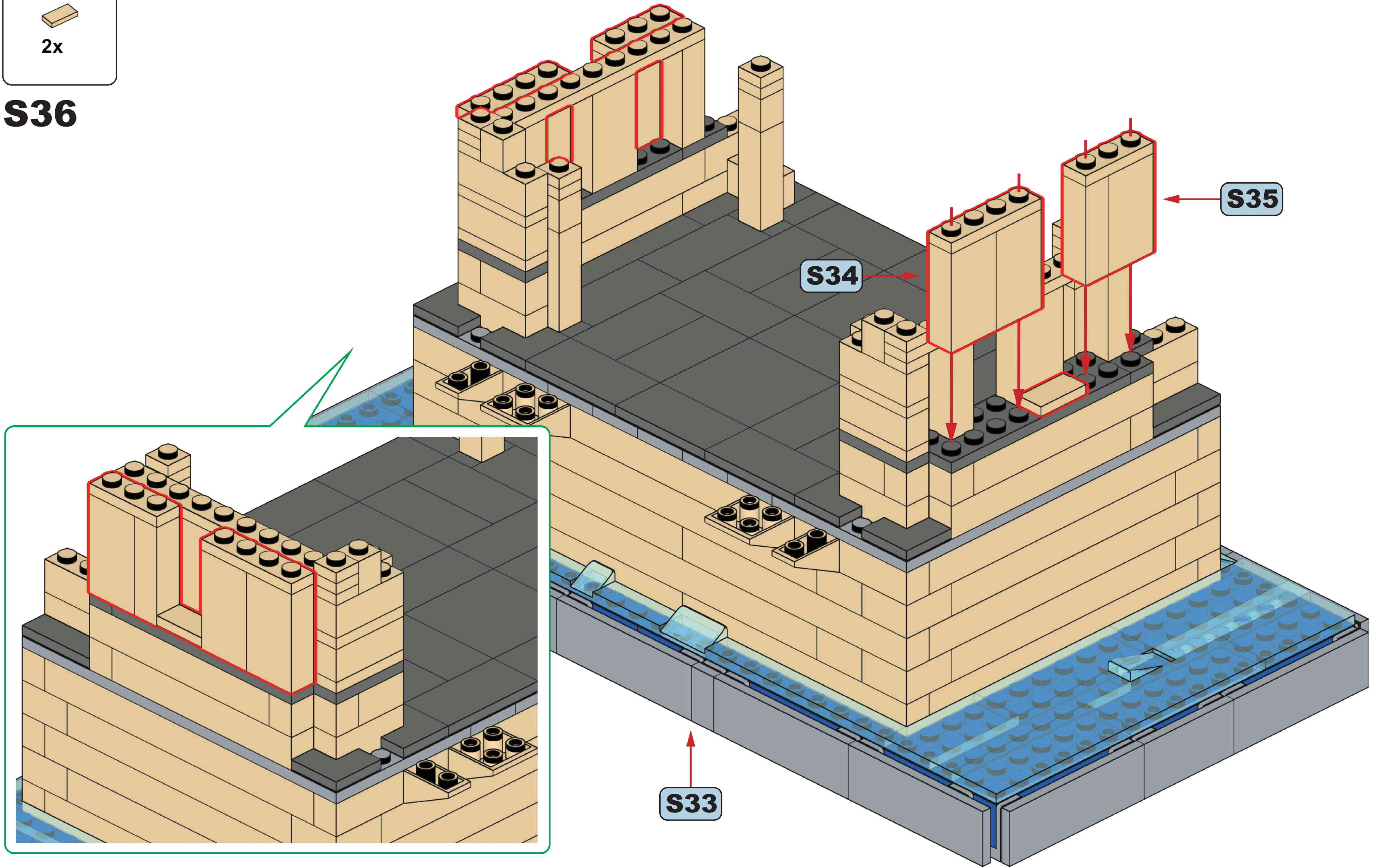
S35



x2



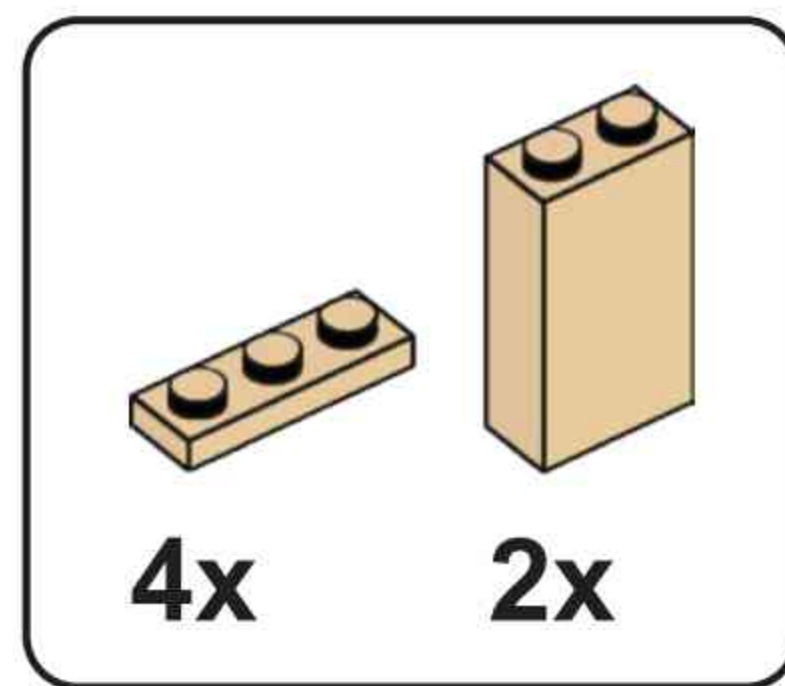
S36



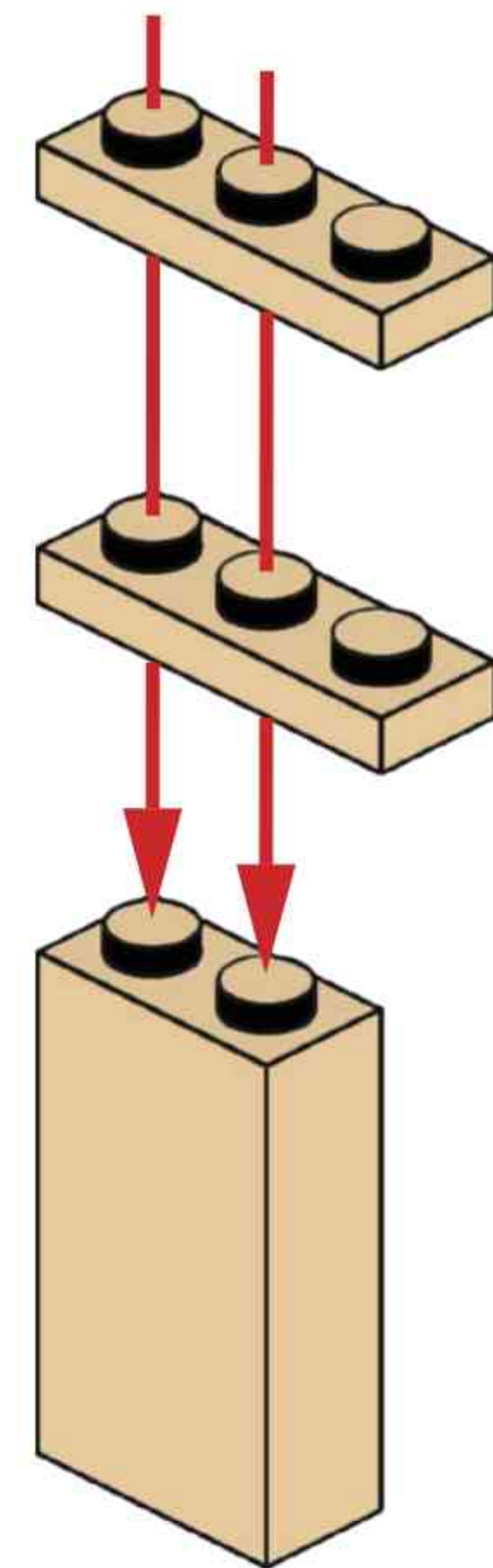
S33

S34

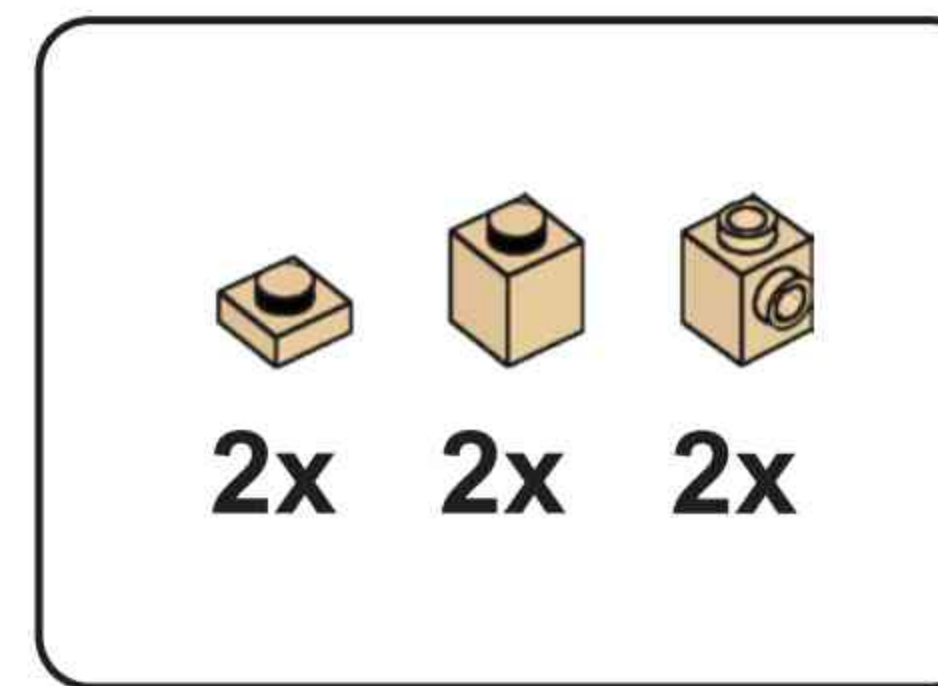
S35



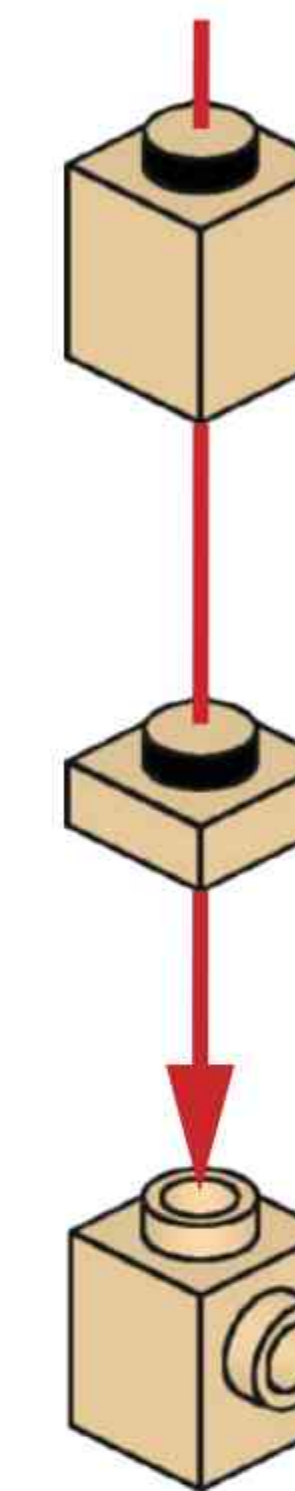
S37



x2

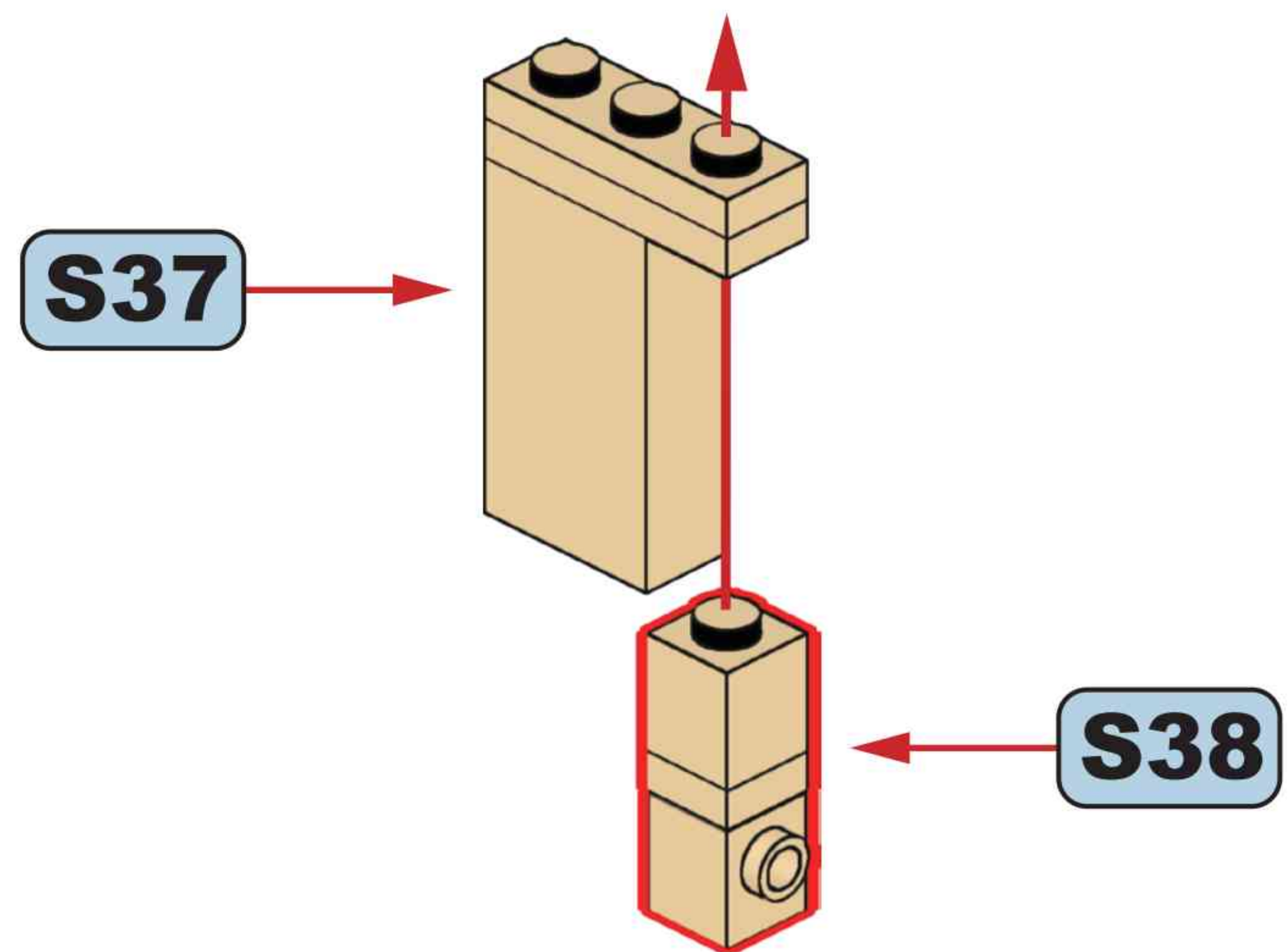


S38

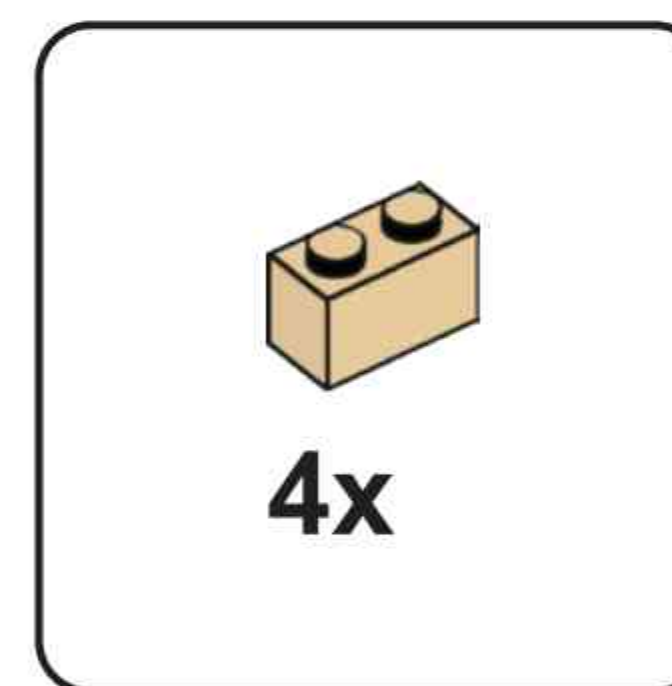


x2

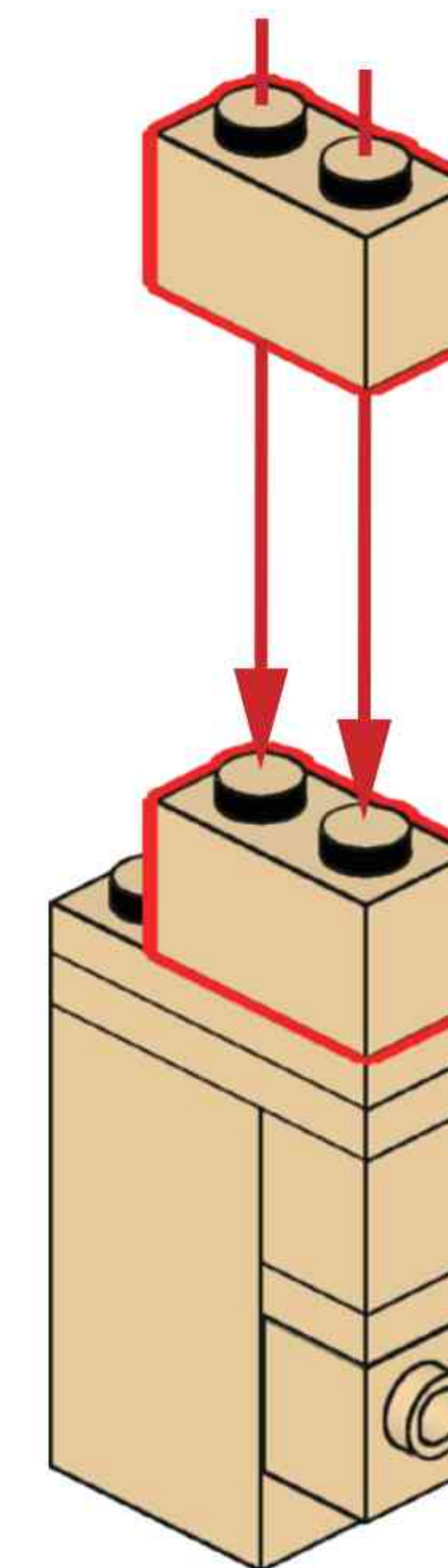
S39



x2

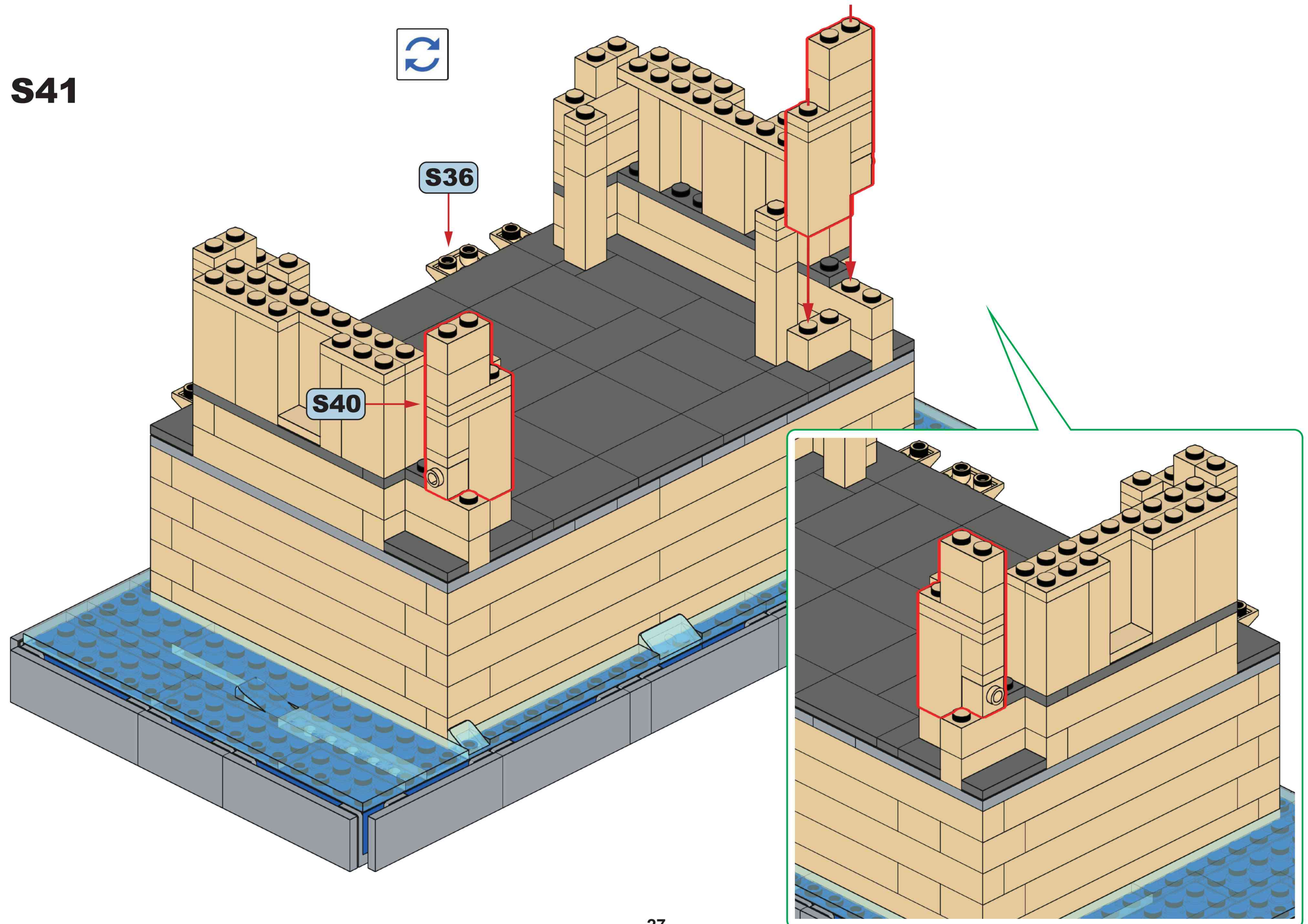


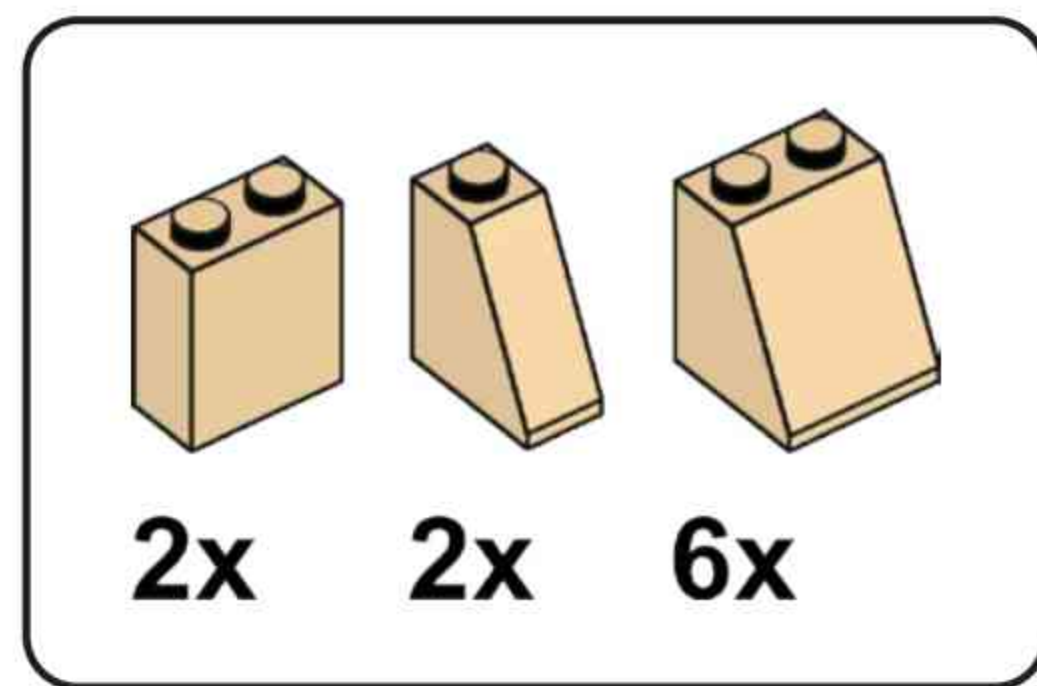
S40



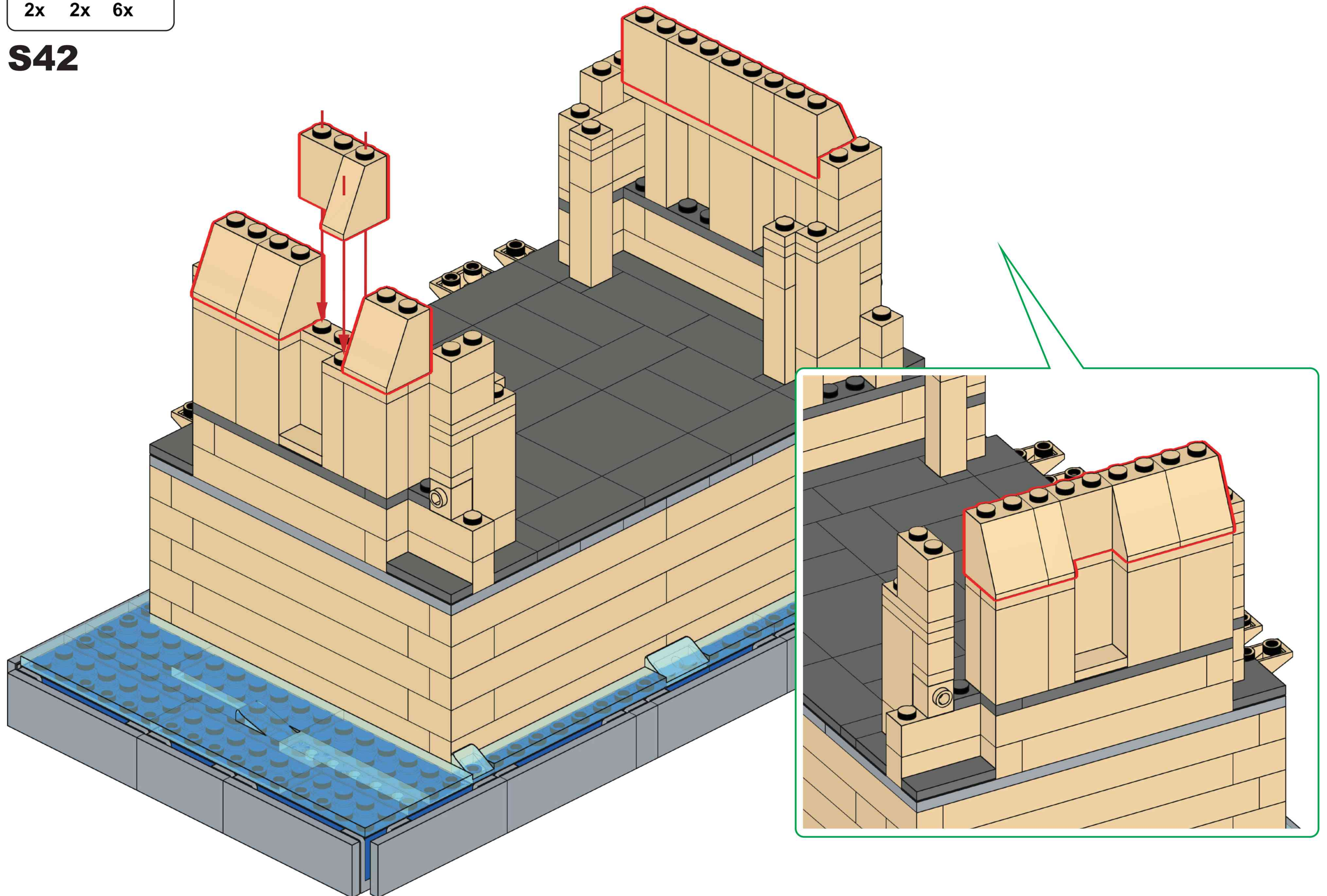
x2

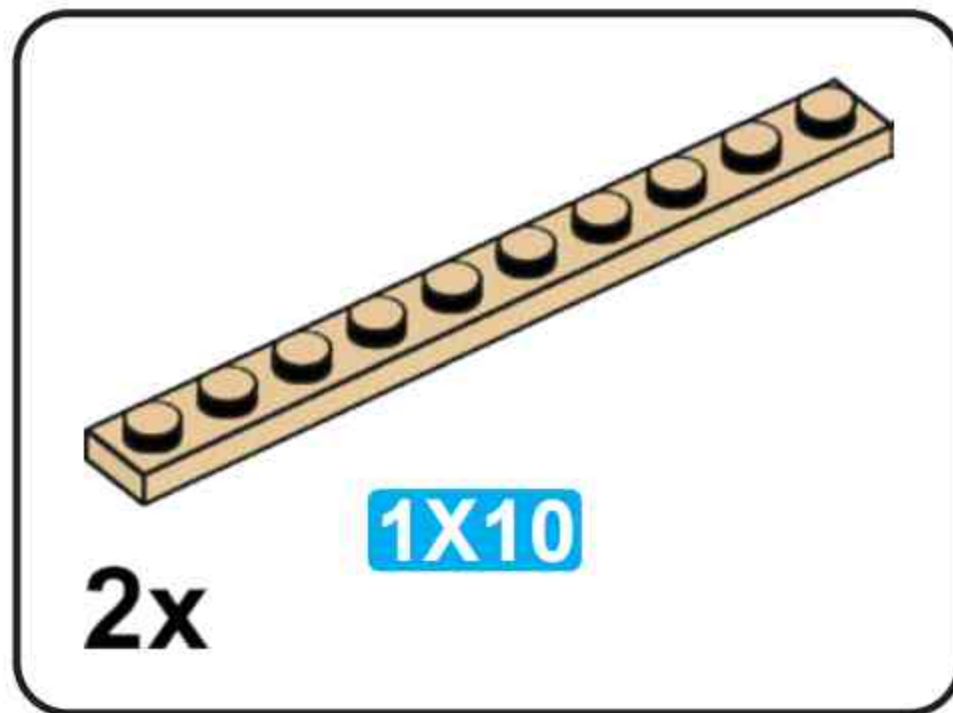
S41



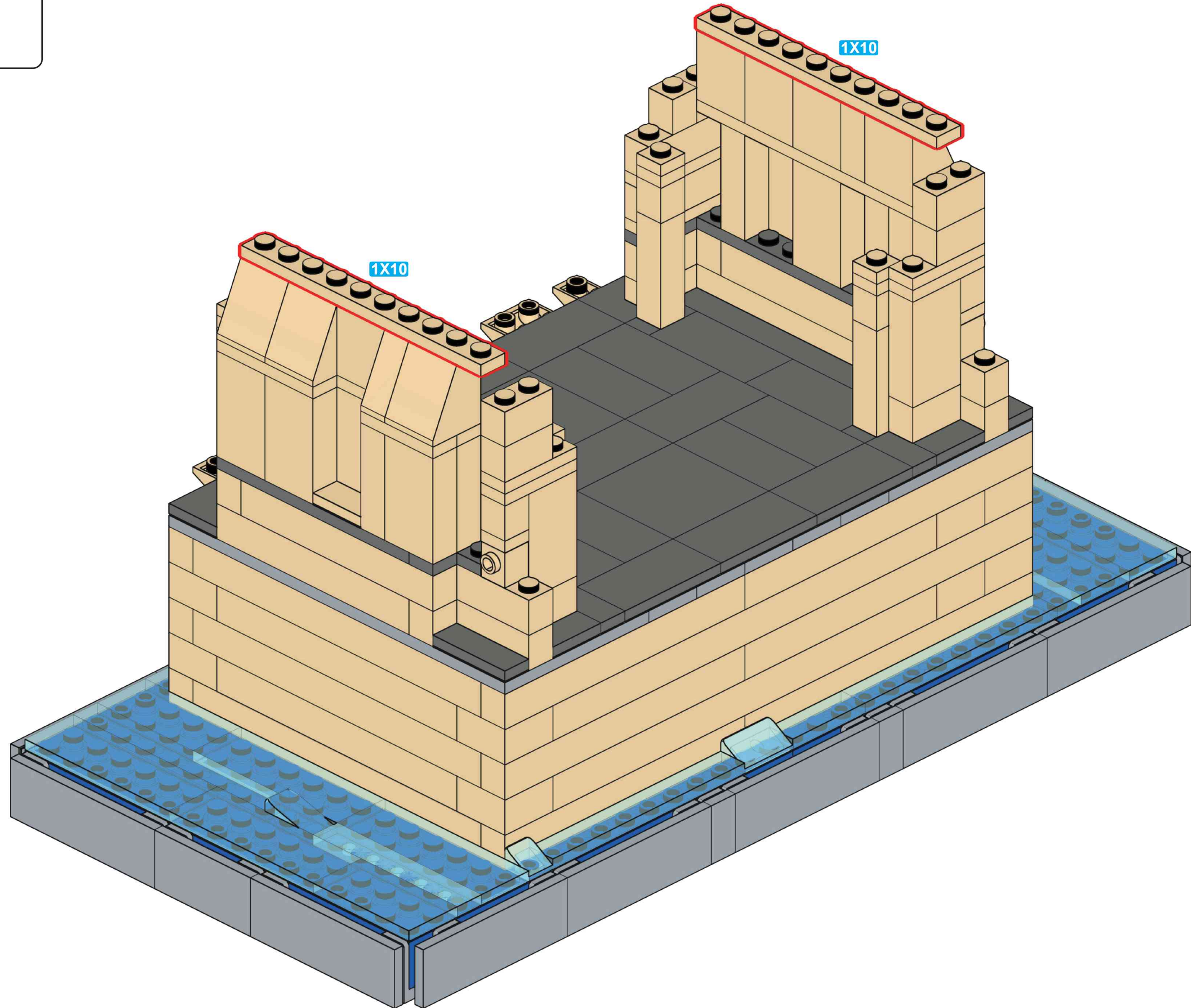


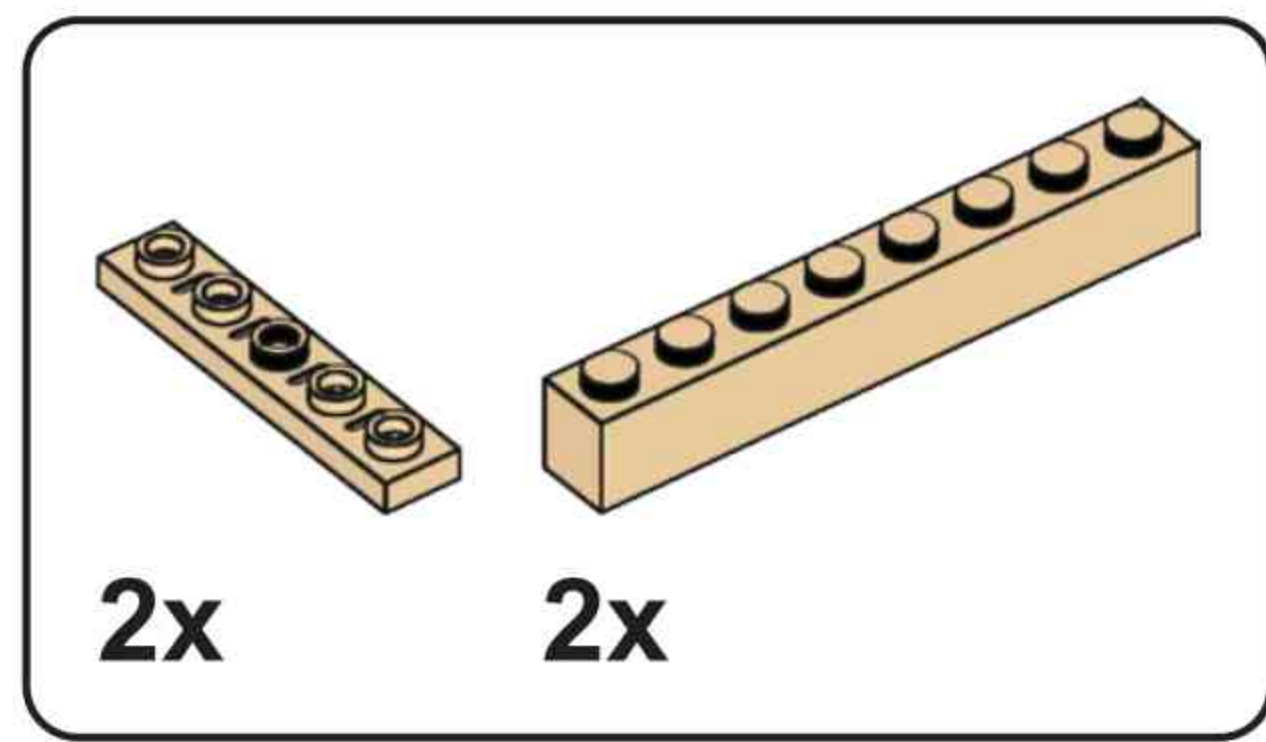
S42



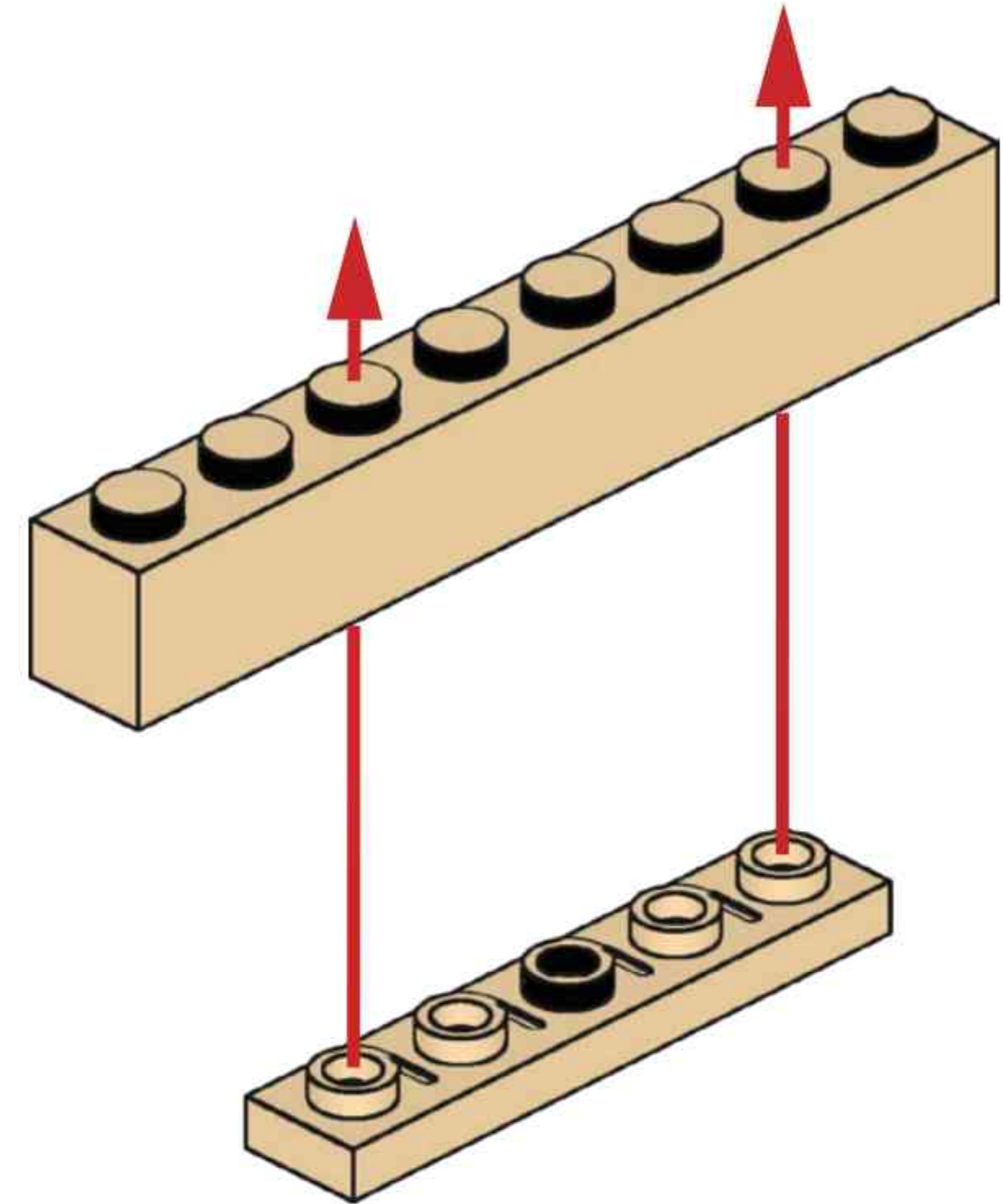


S43

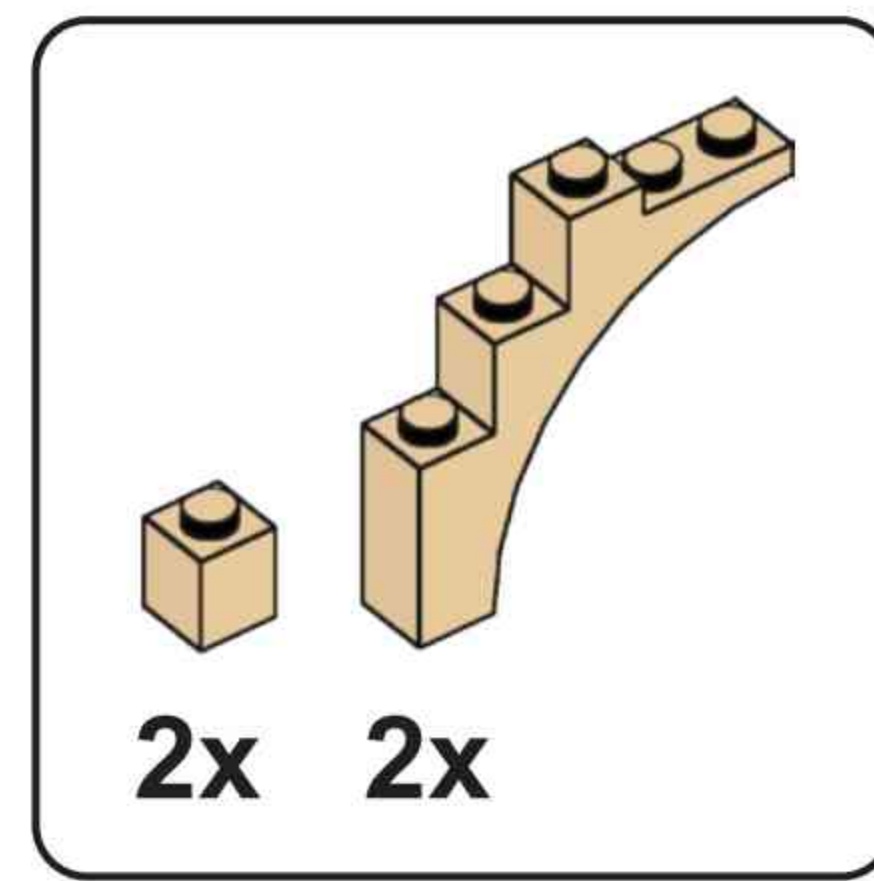




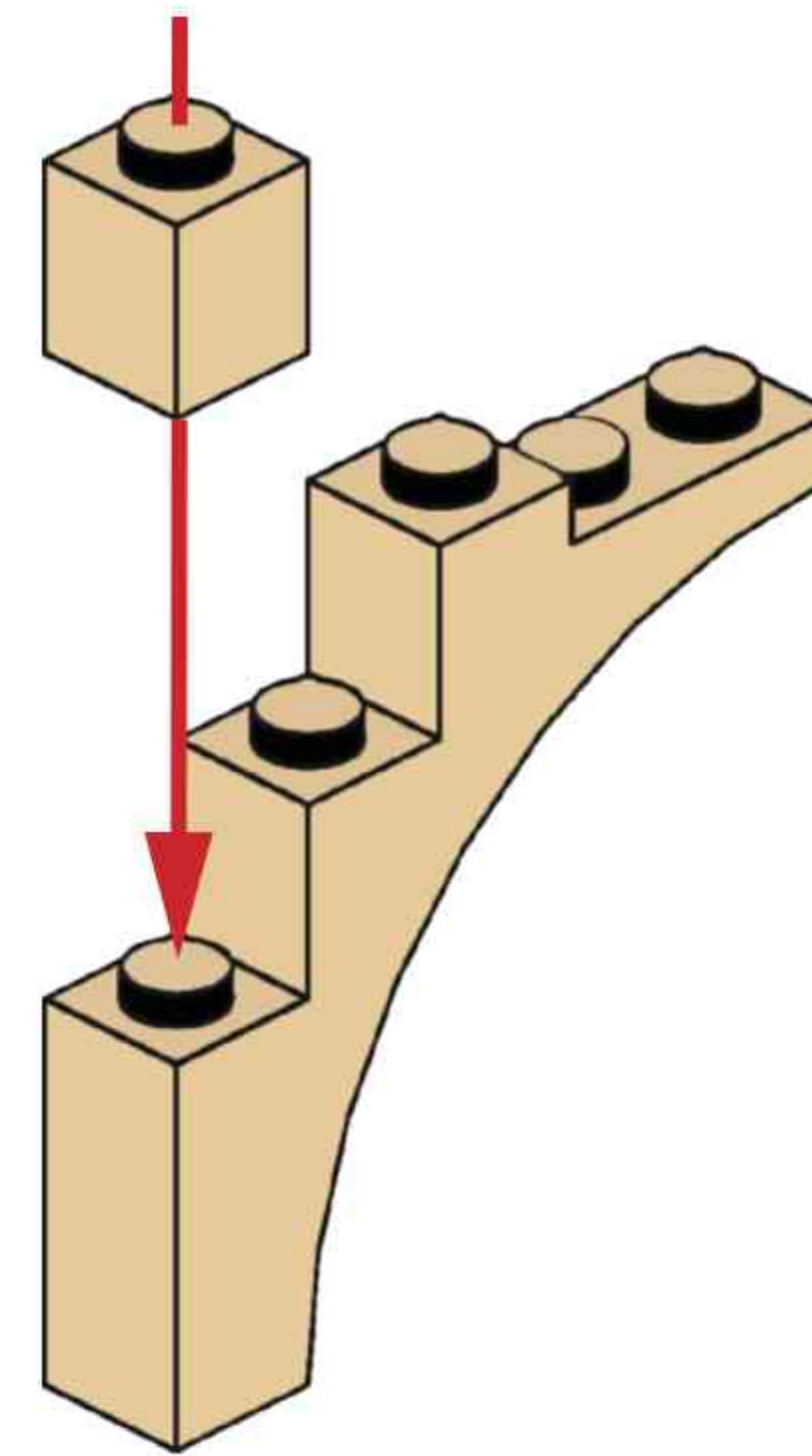
S44



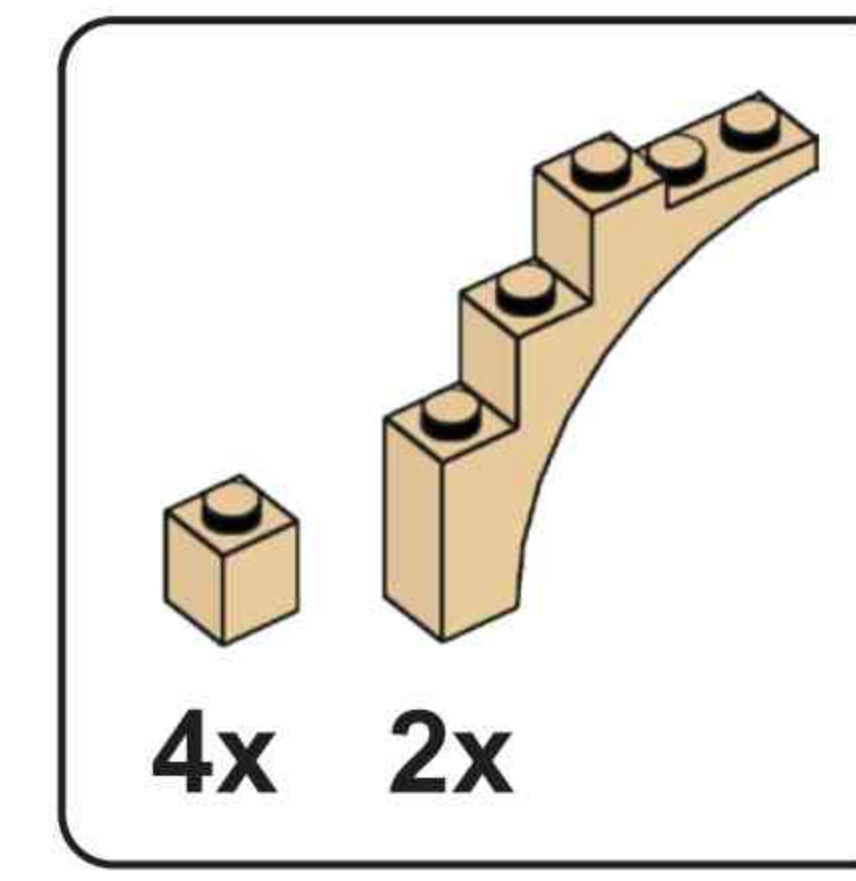
x2



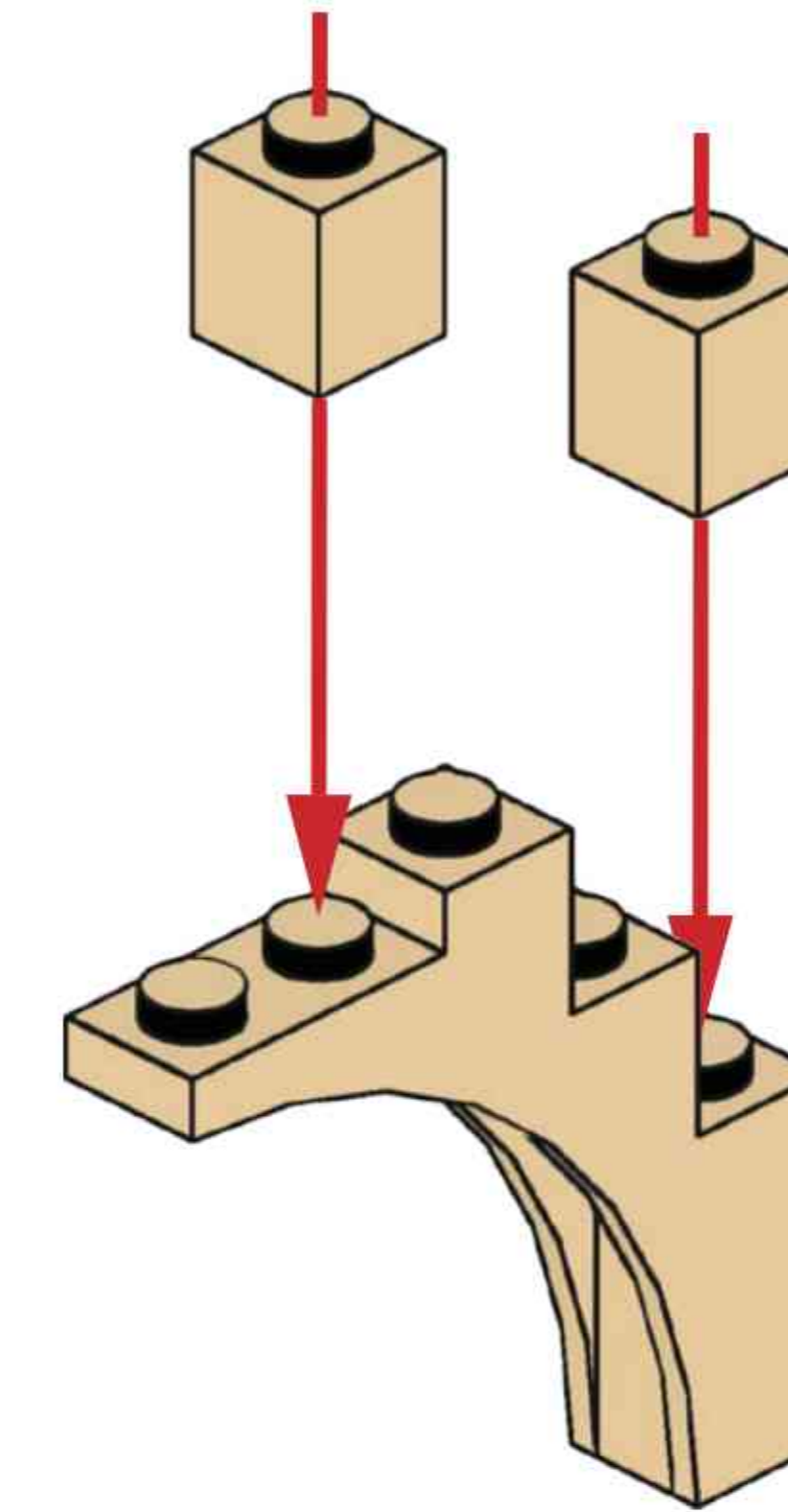
S45



x2

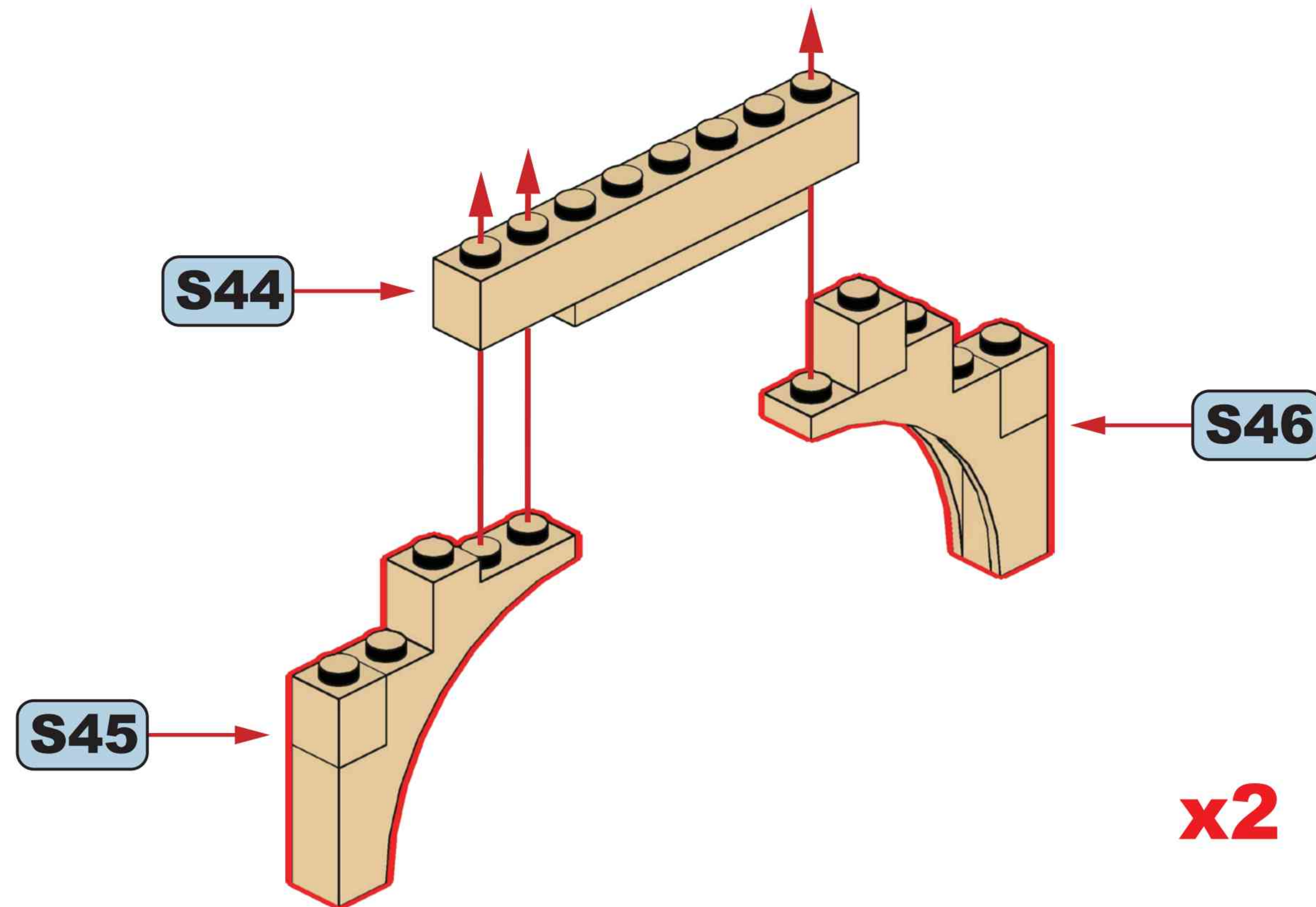


S46

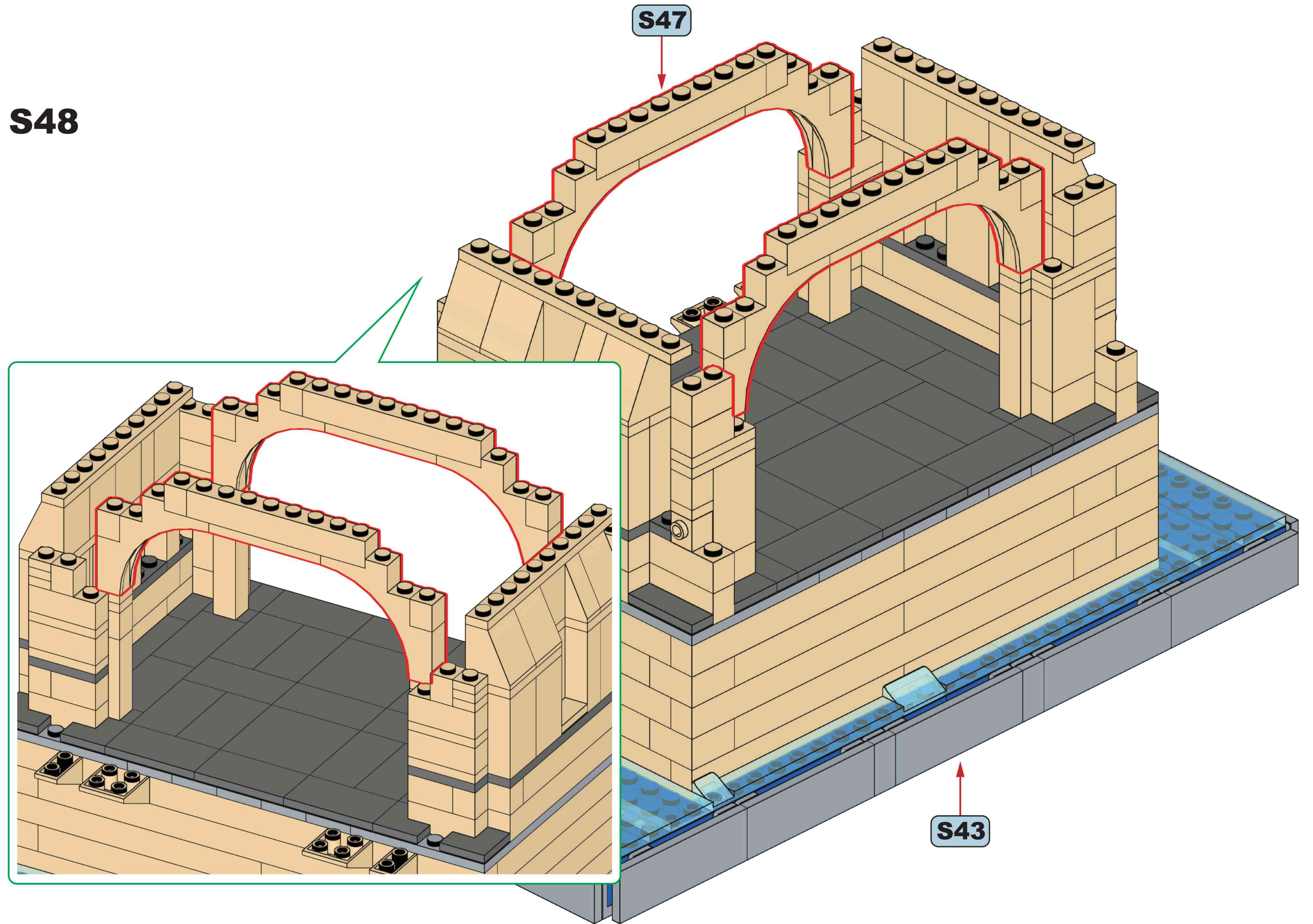


x2

S47

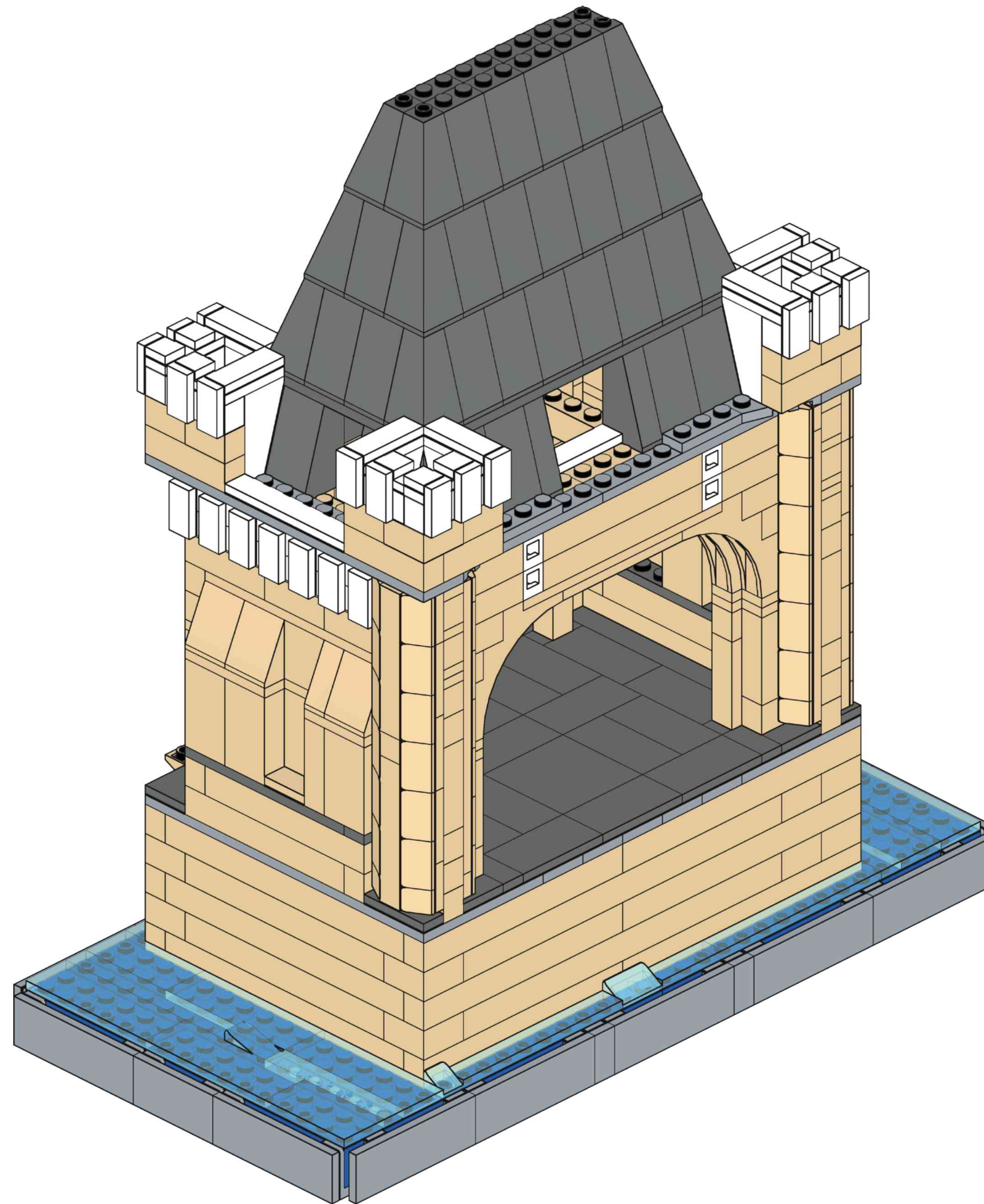


S48

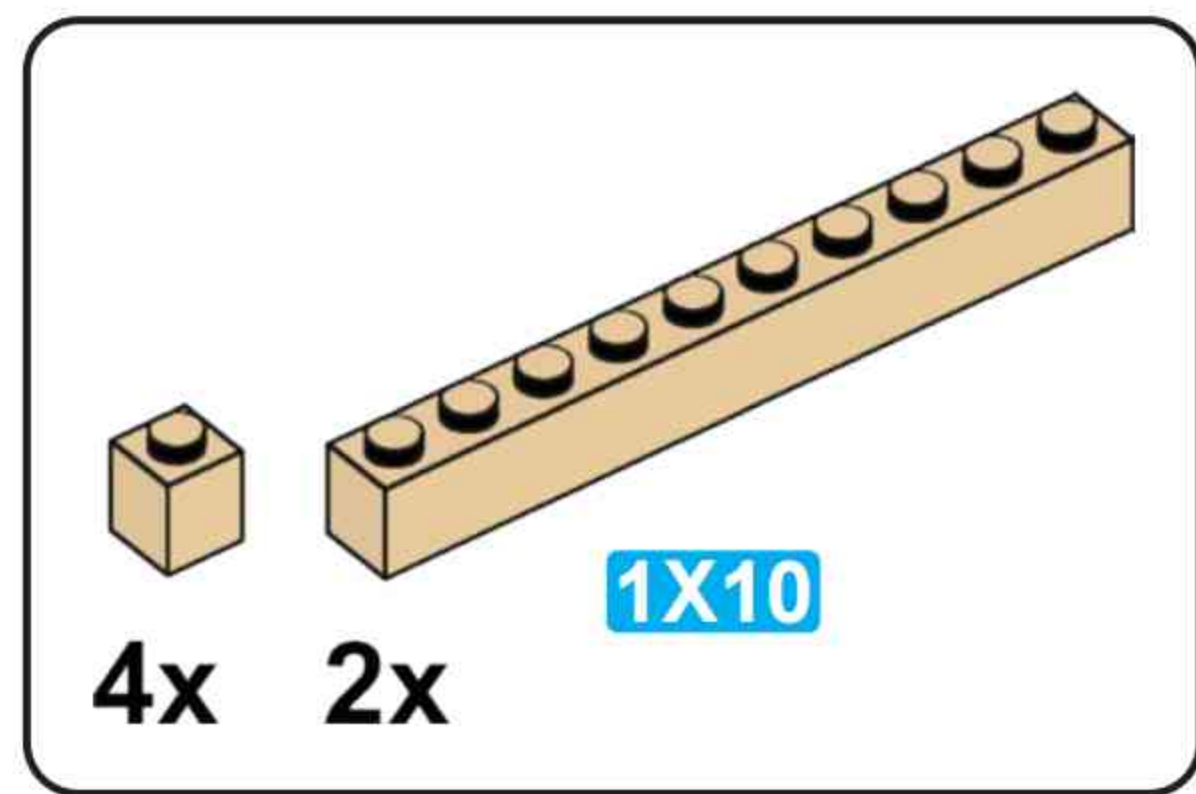


S47

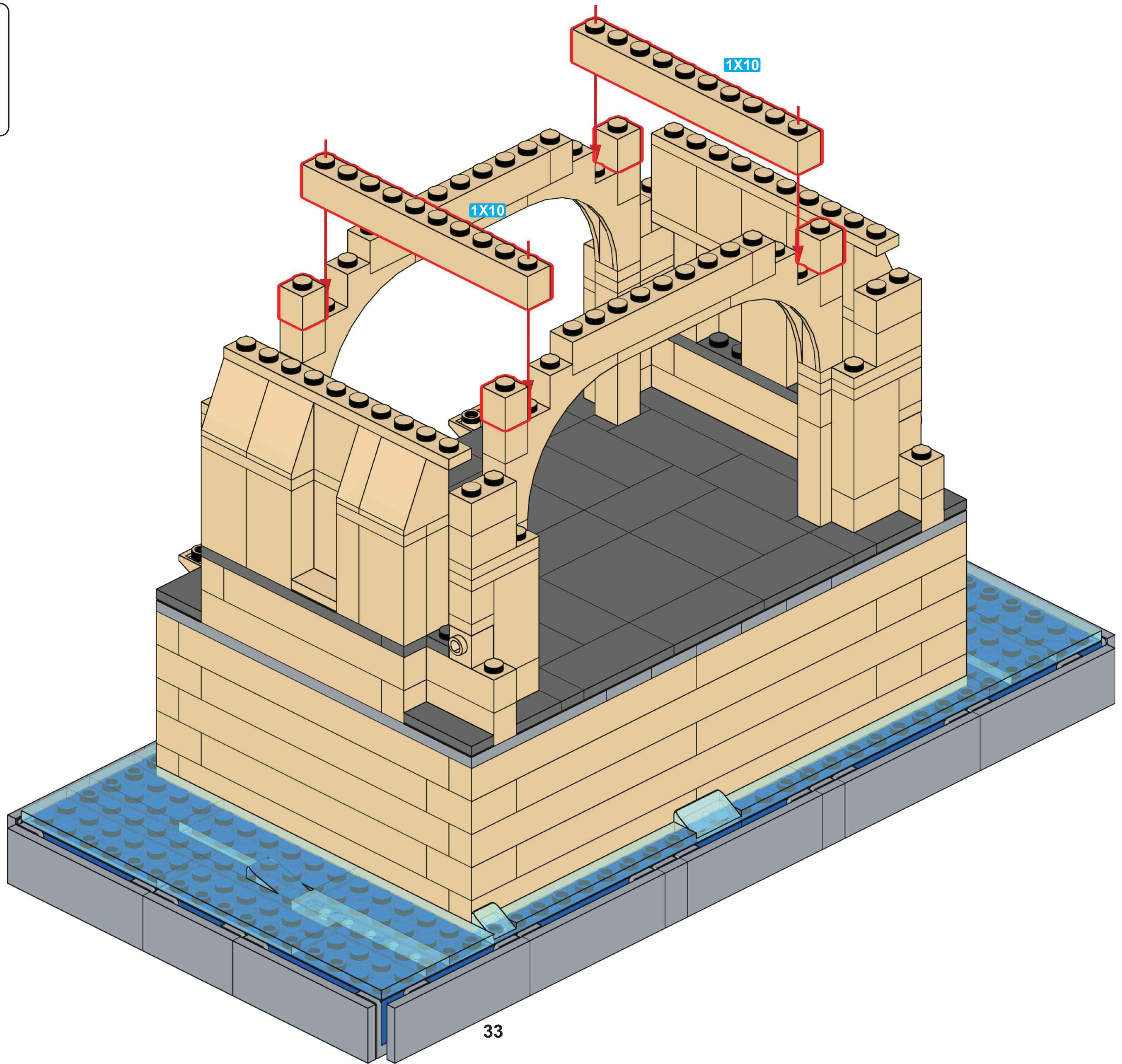
S43

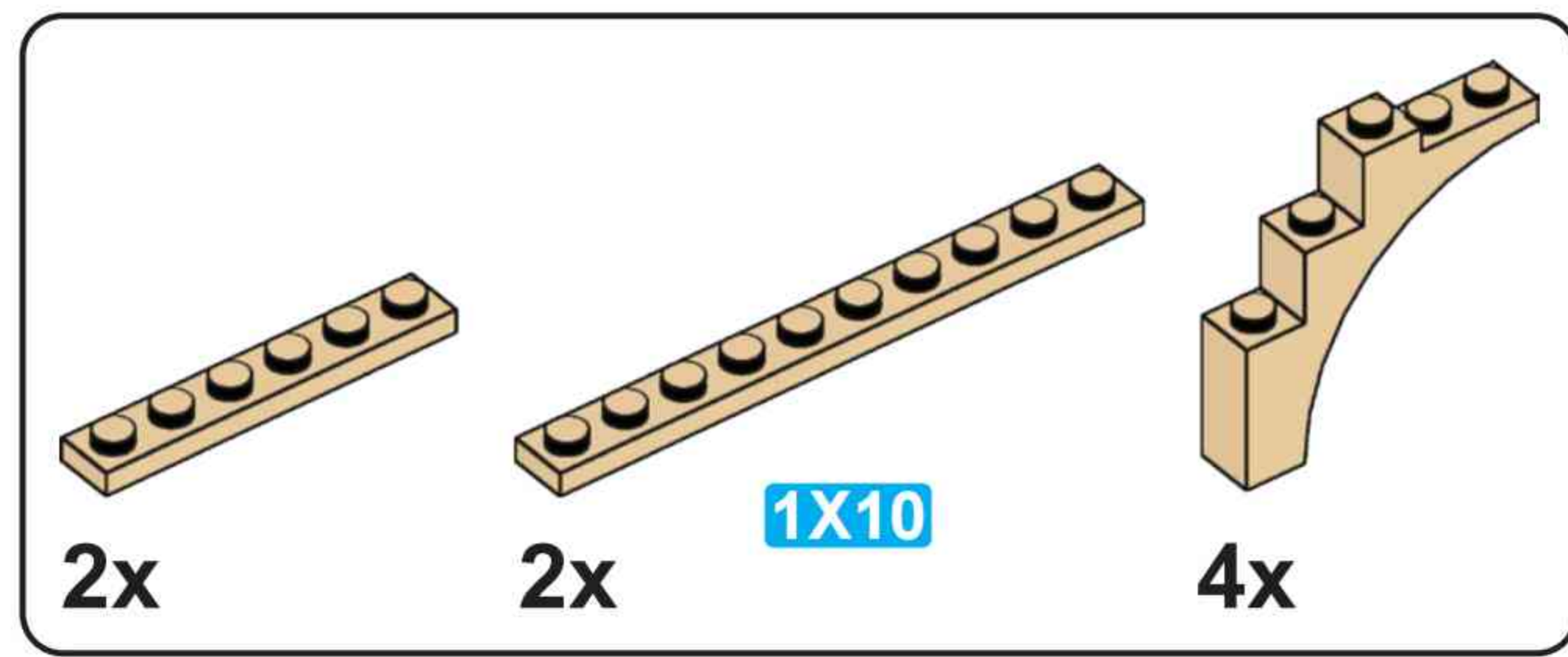


T

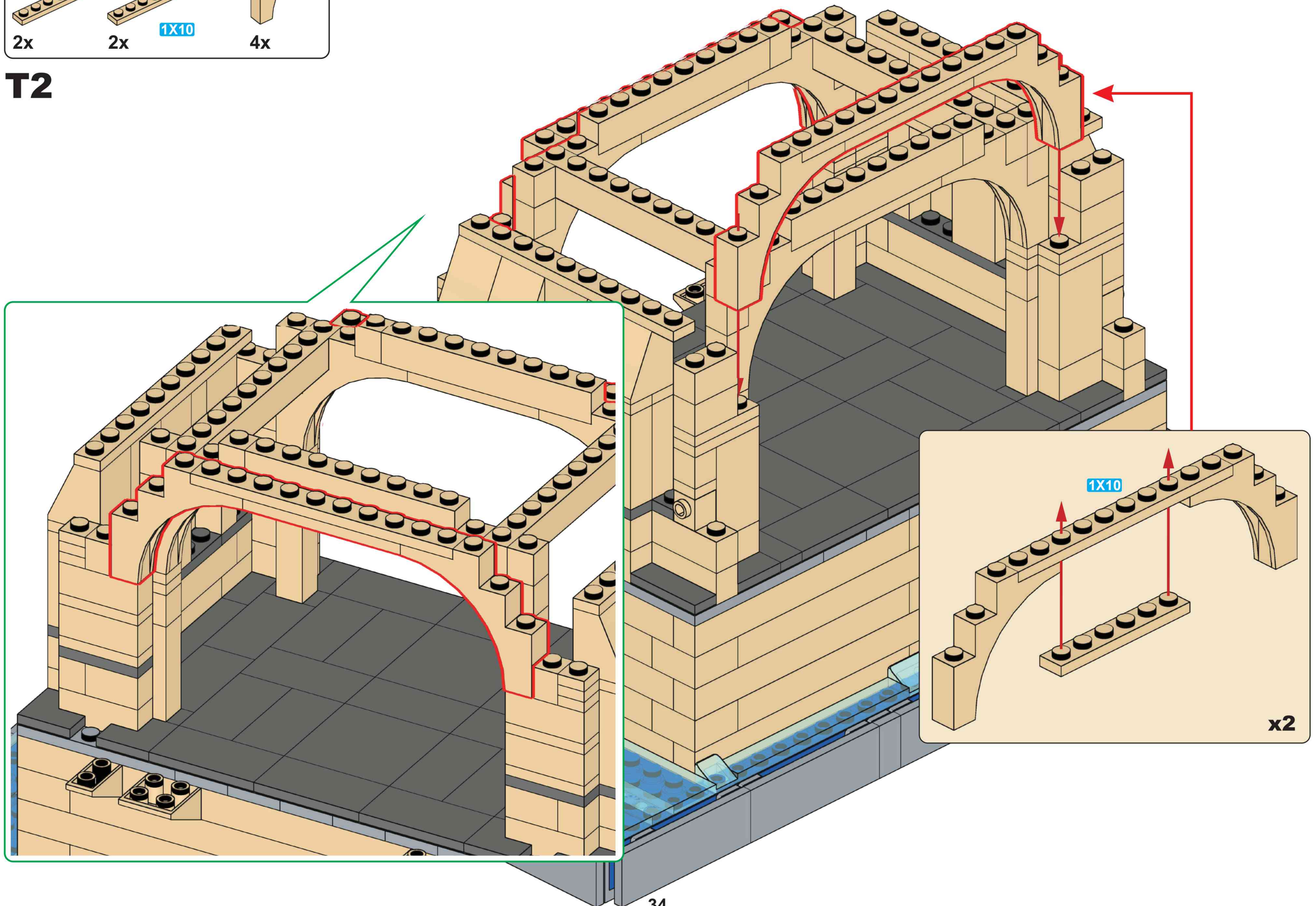


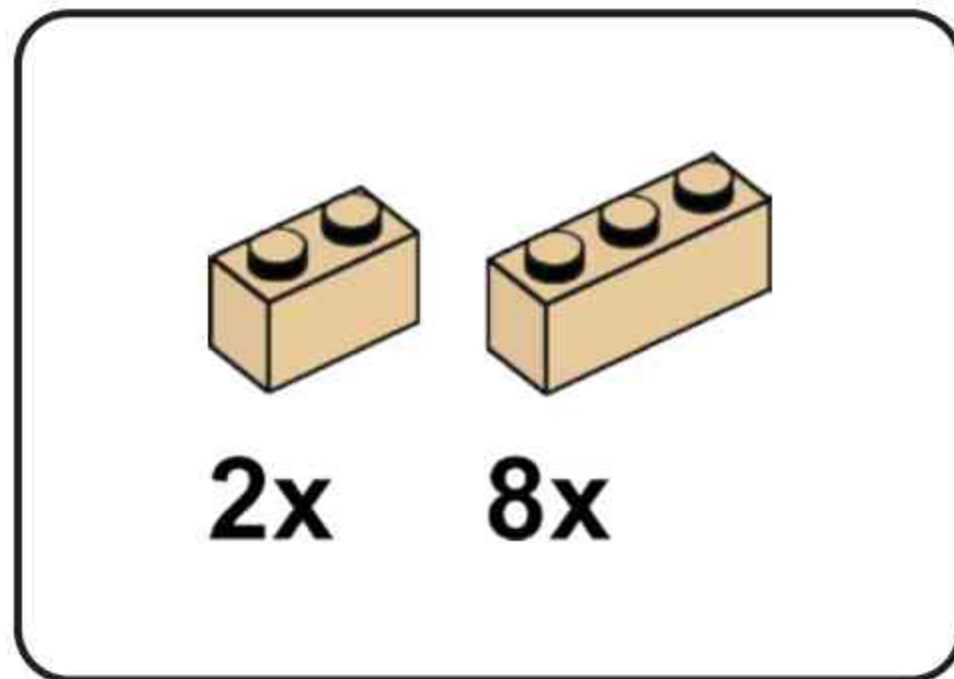
T1



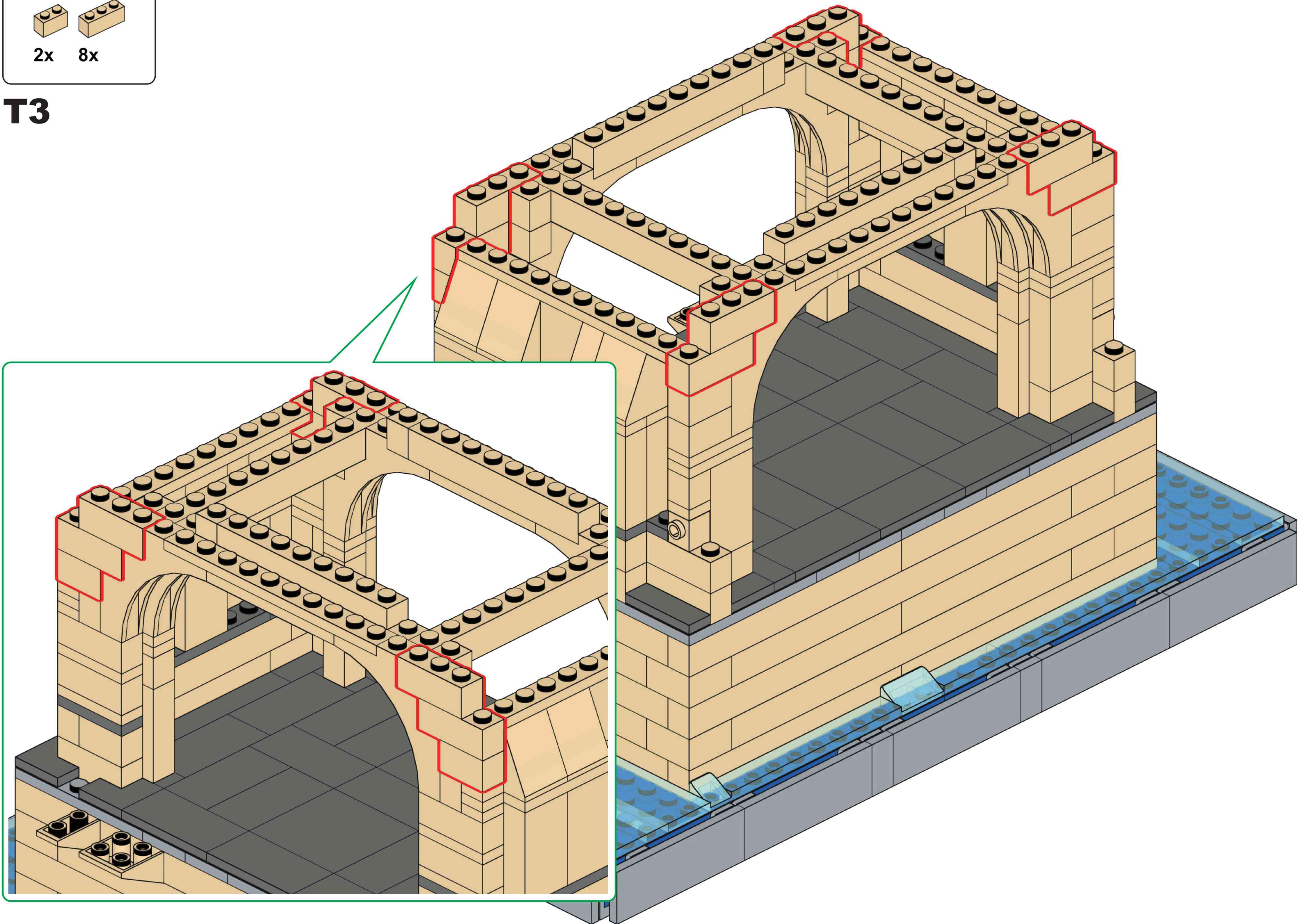


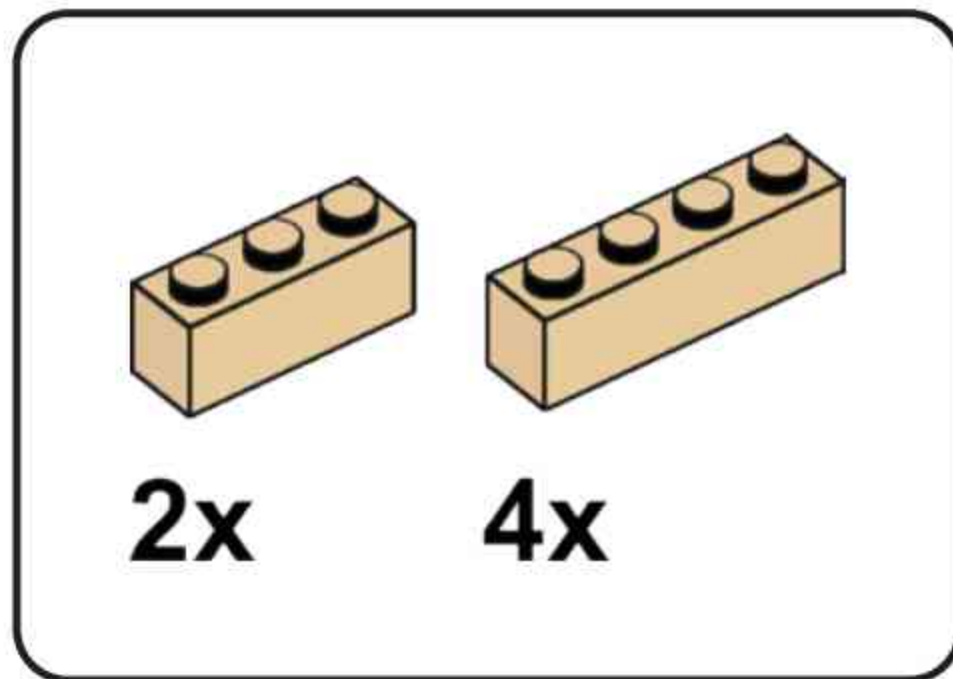
T2



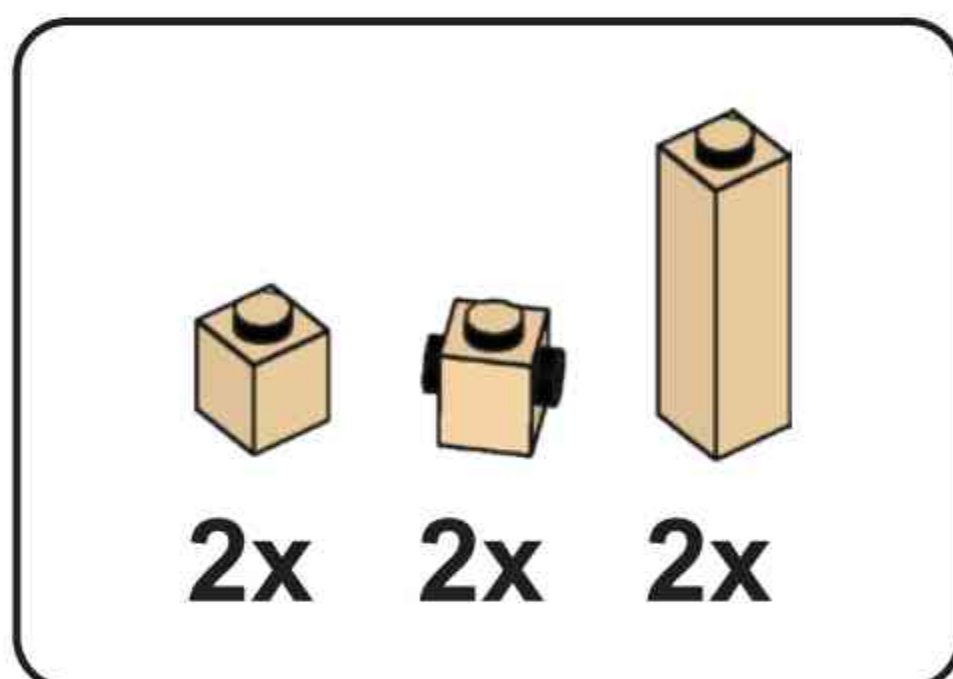
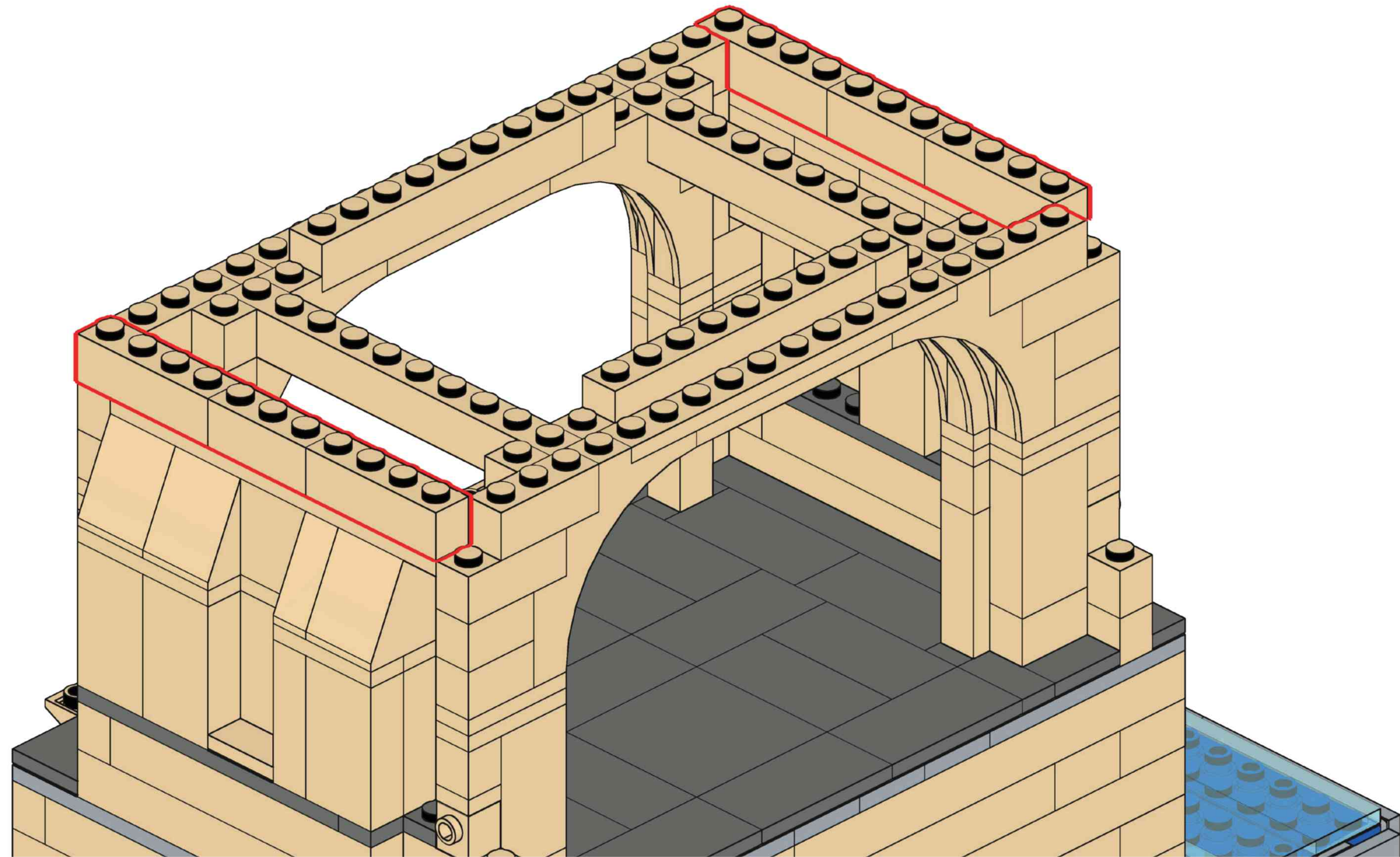


T3

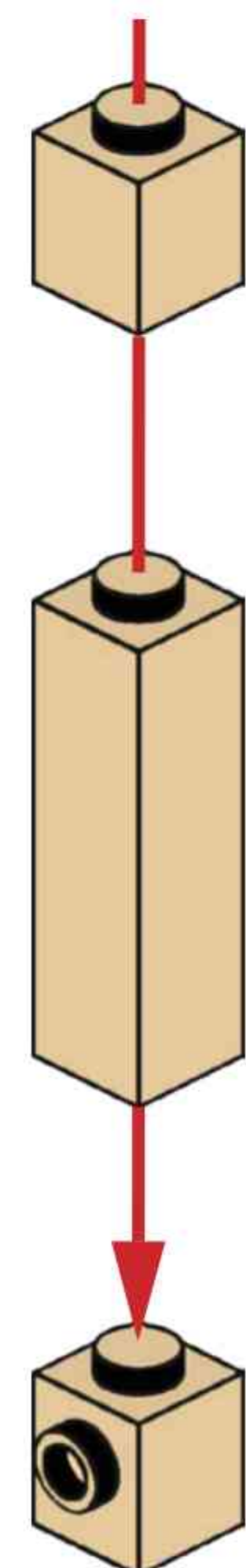




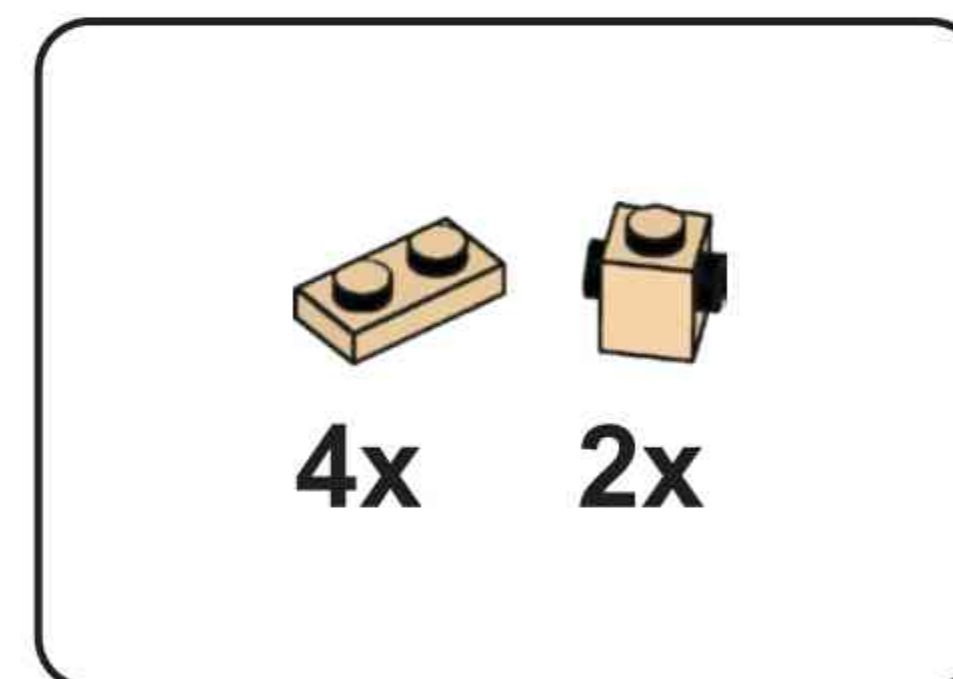
T4



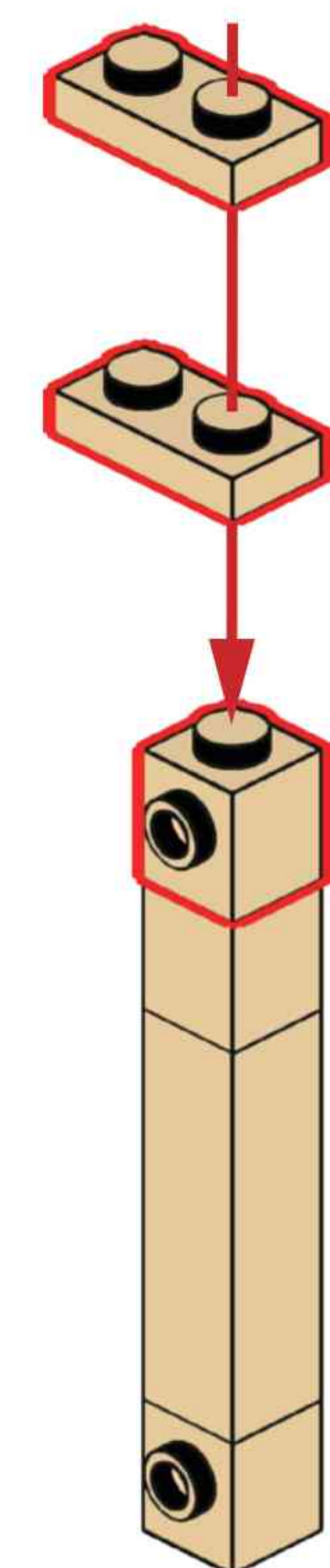
T5



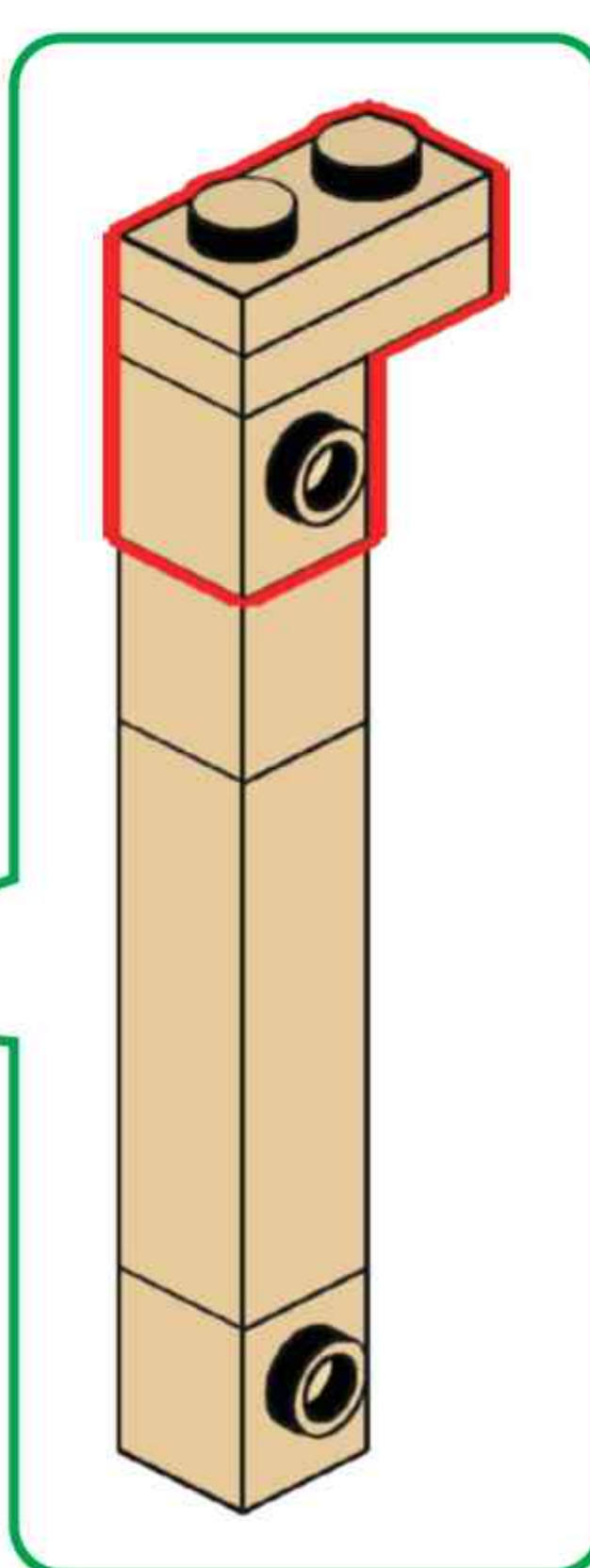
x2



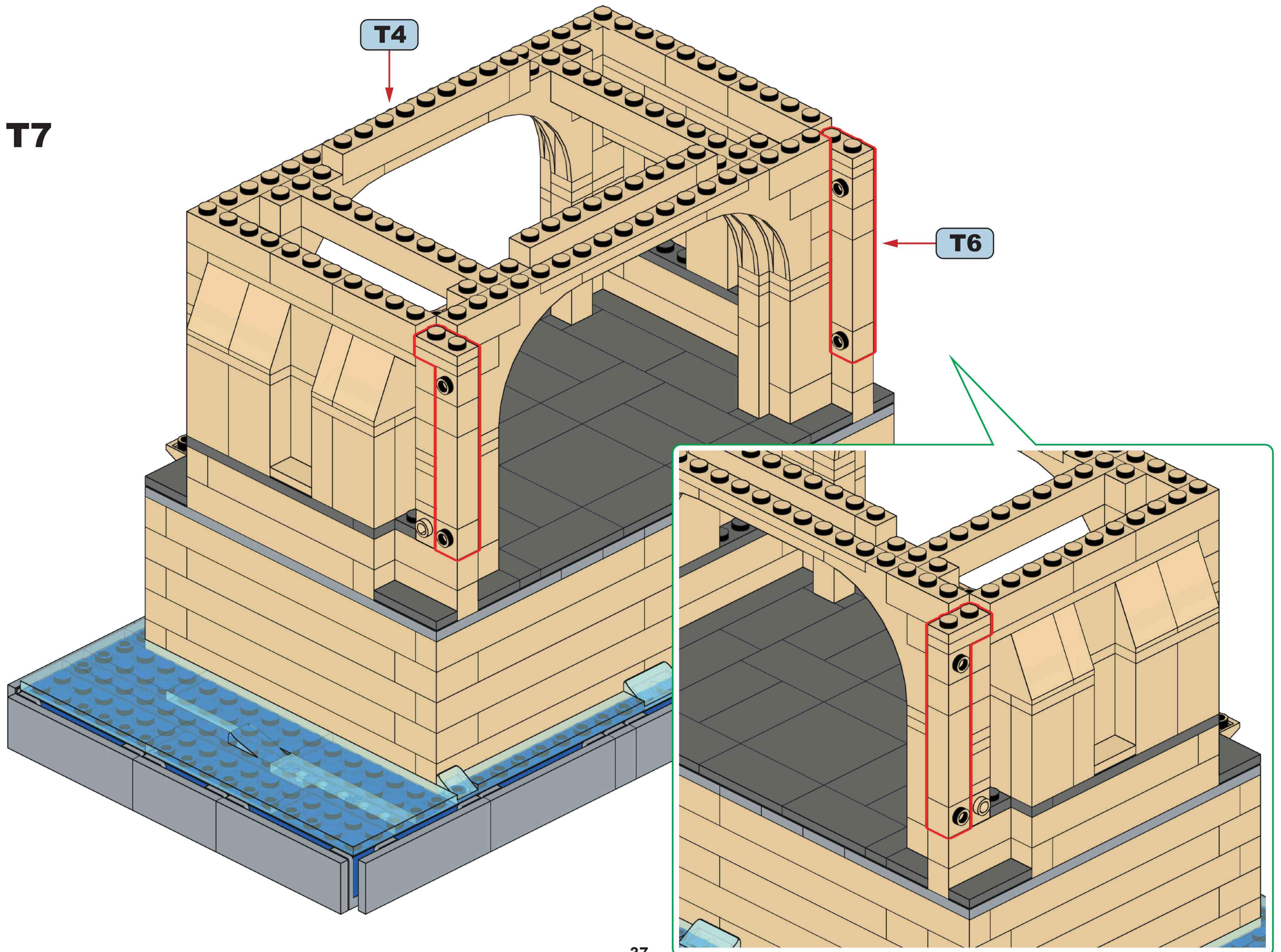
T6

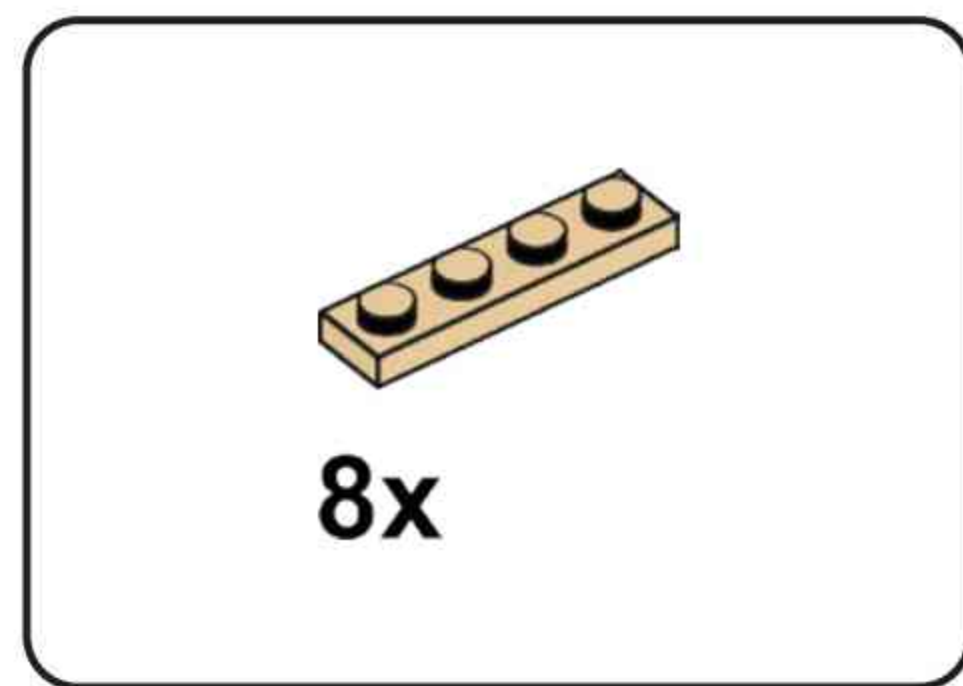


x2

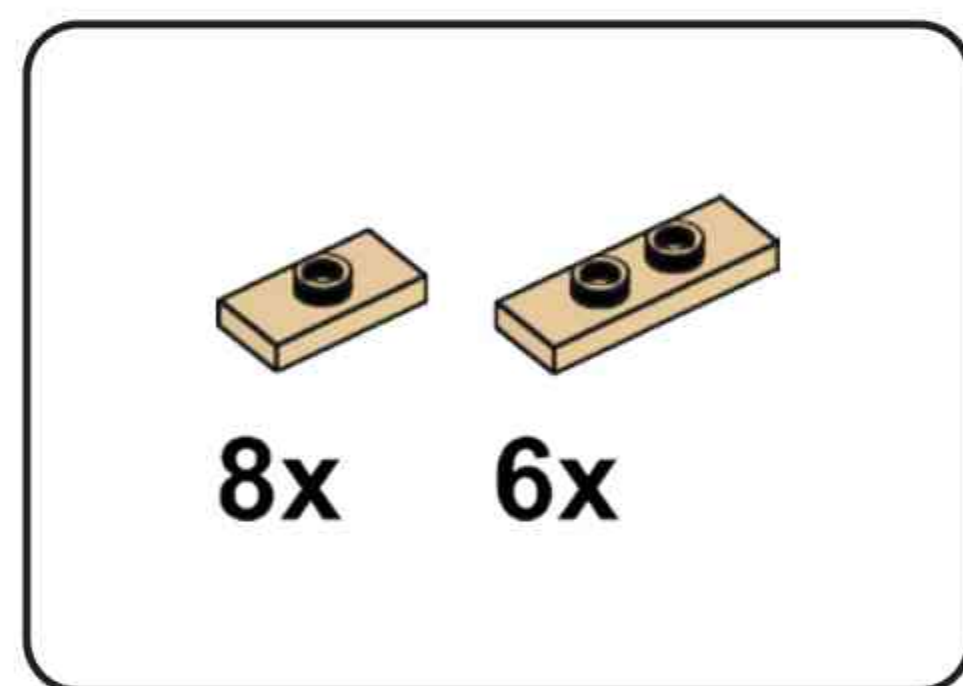
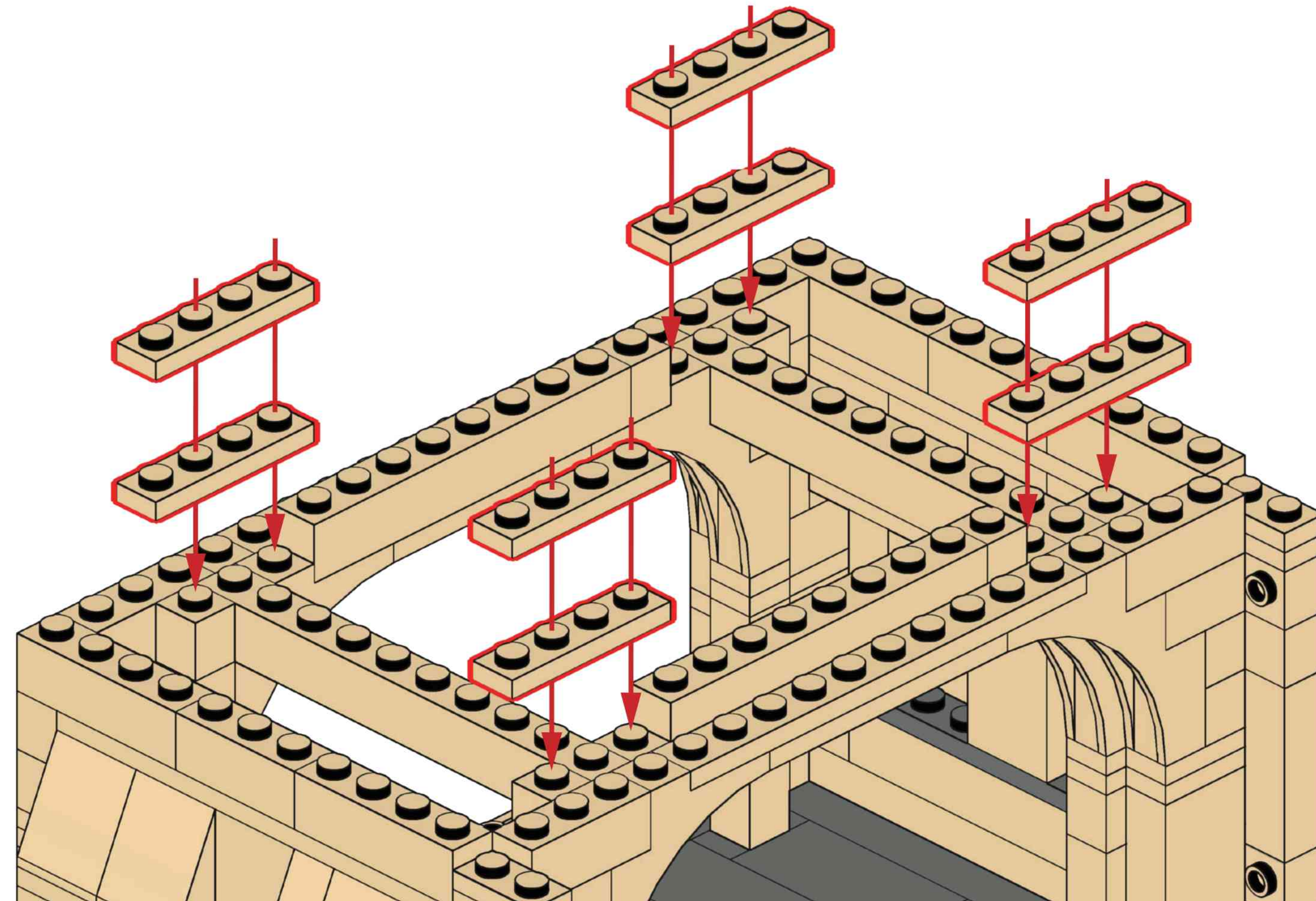


T7

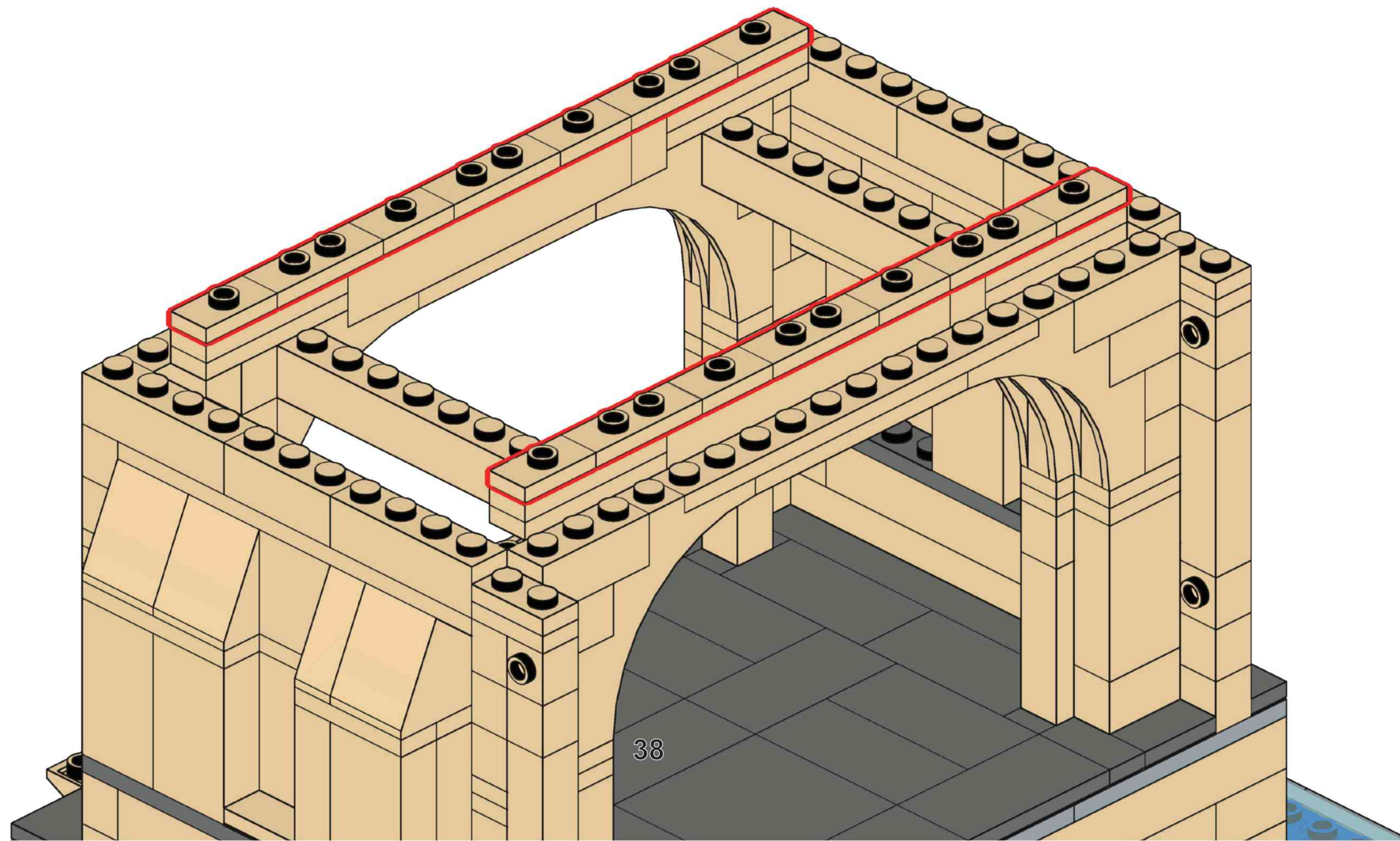


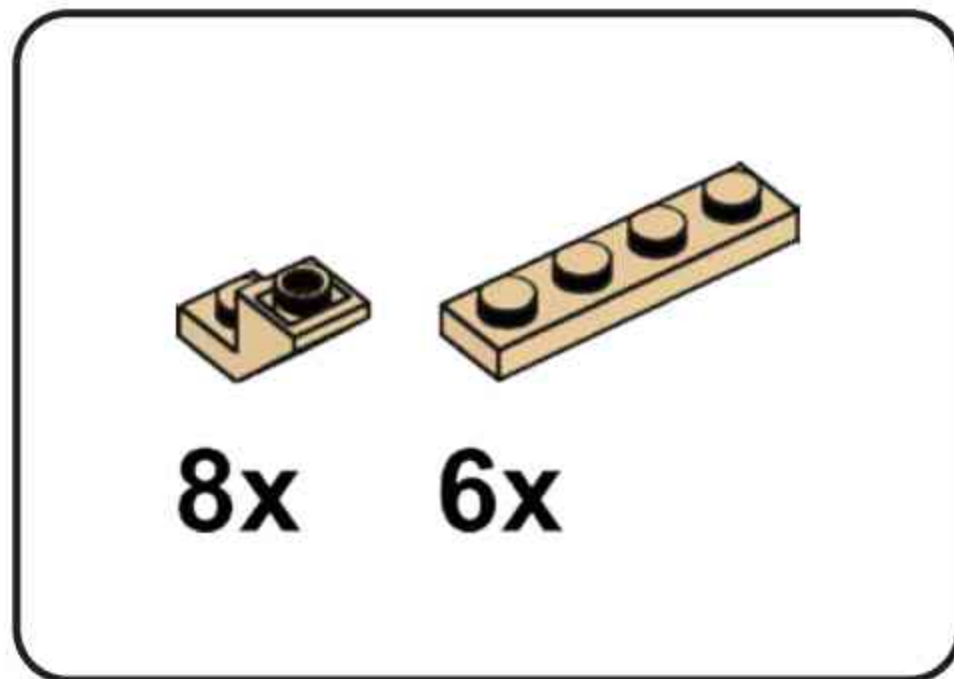


T8

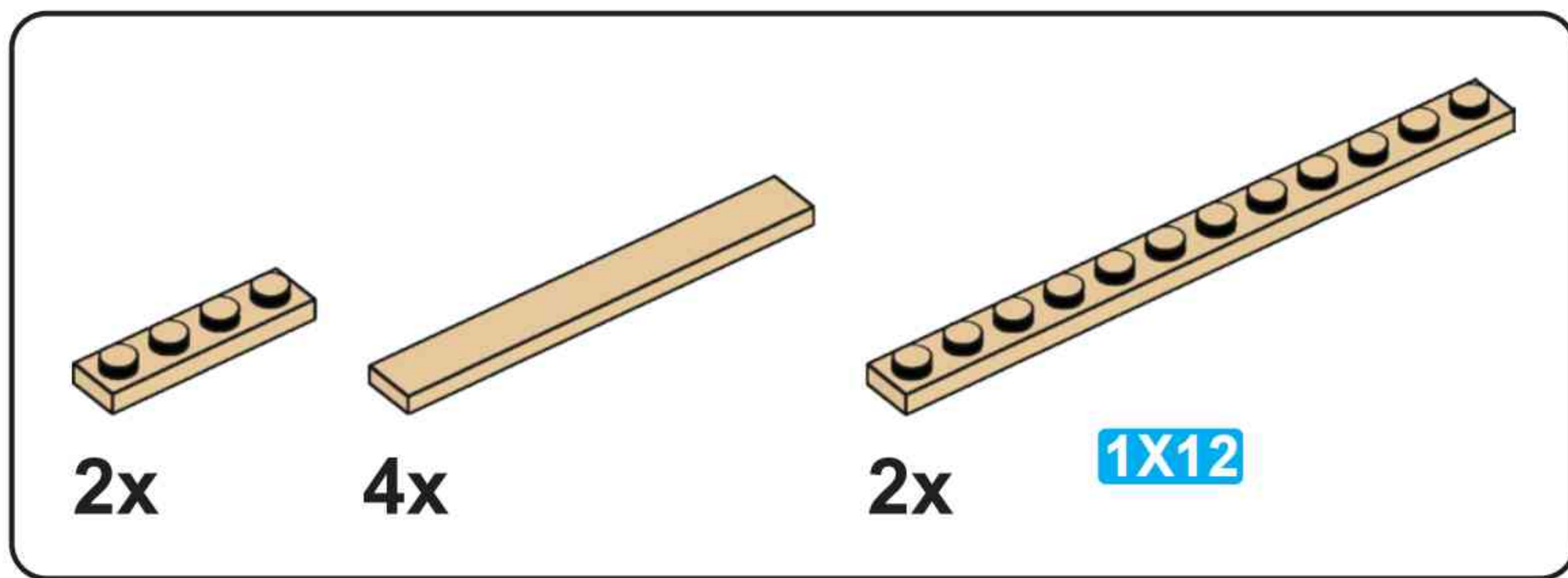
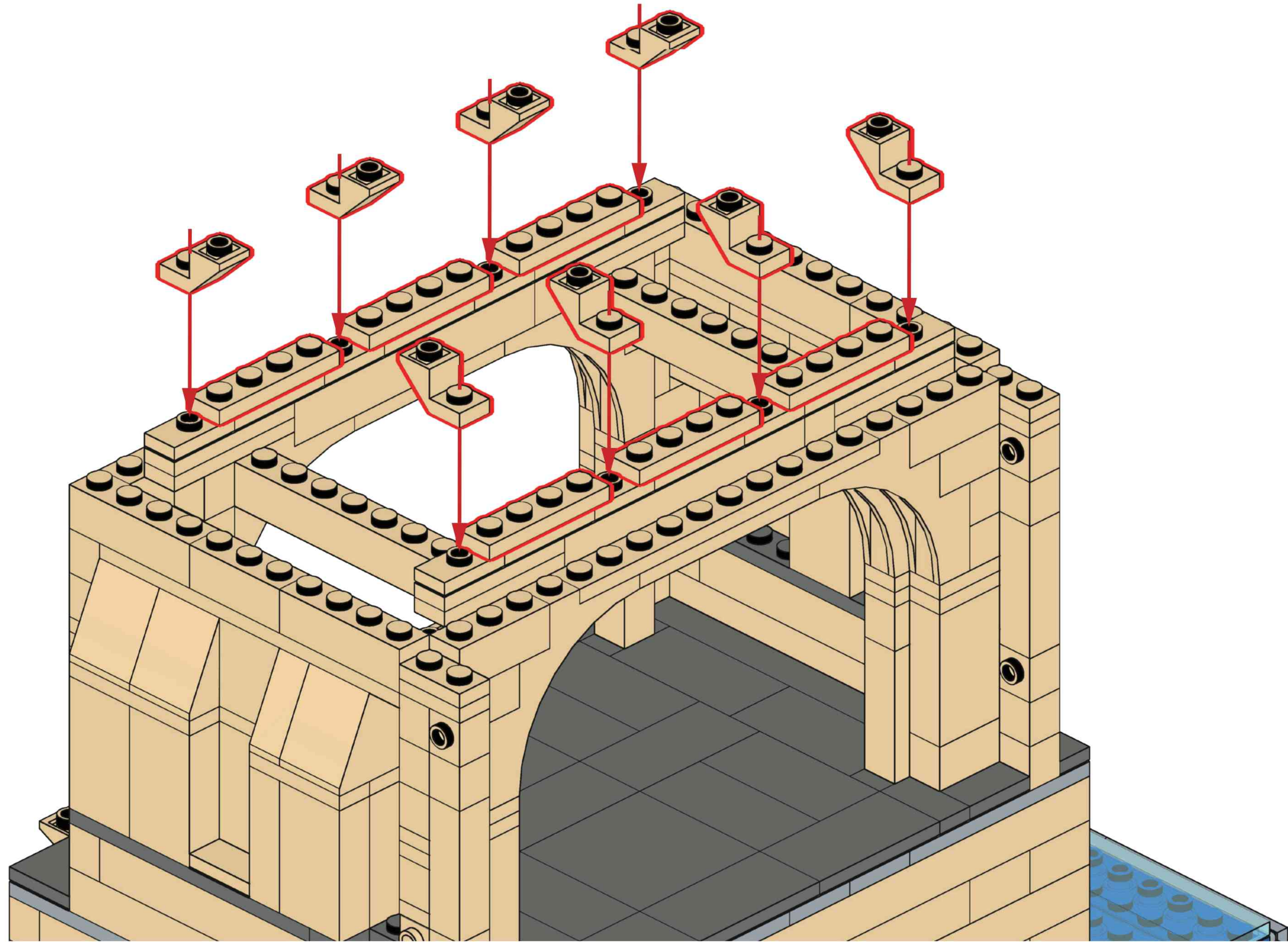


T9

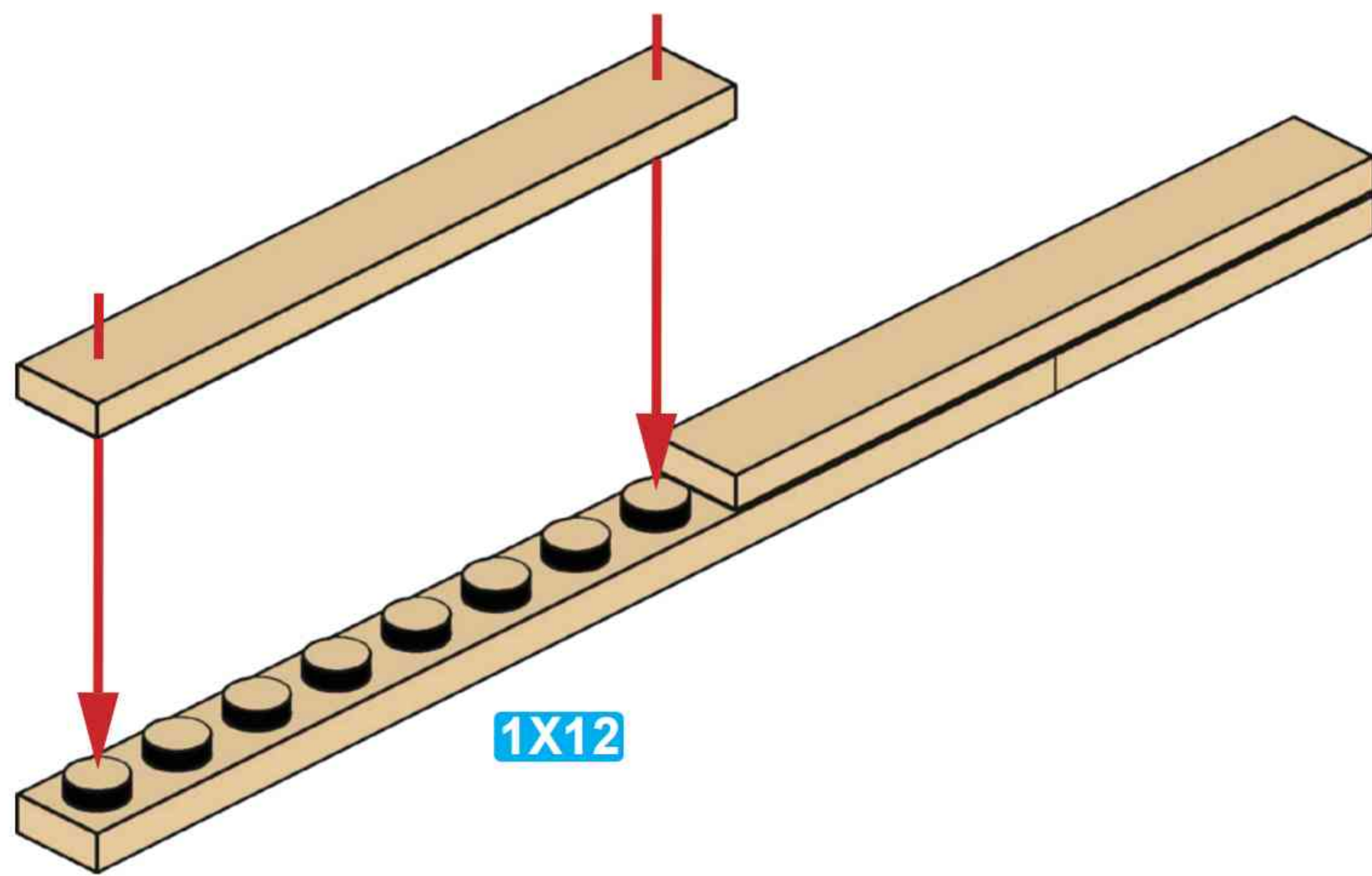




T10

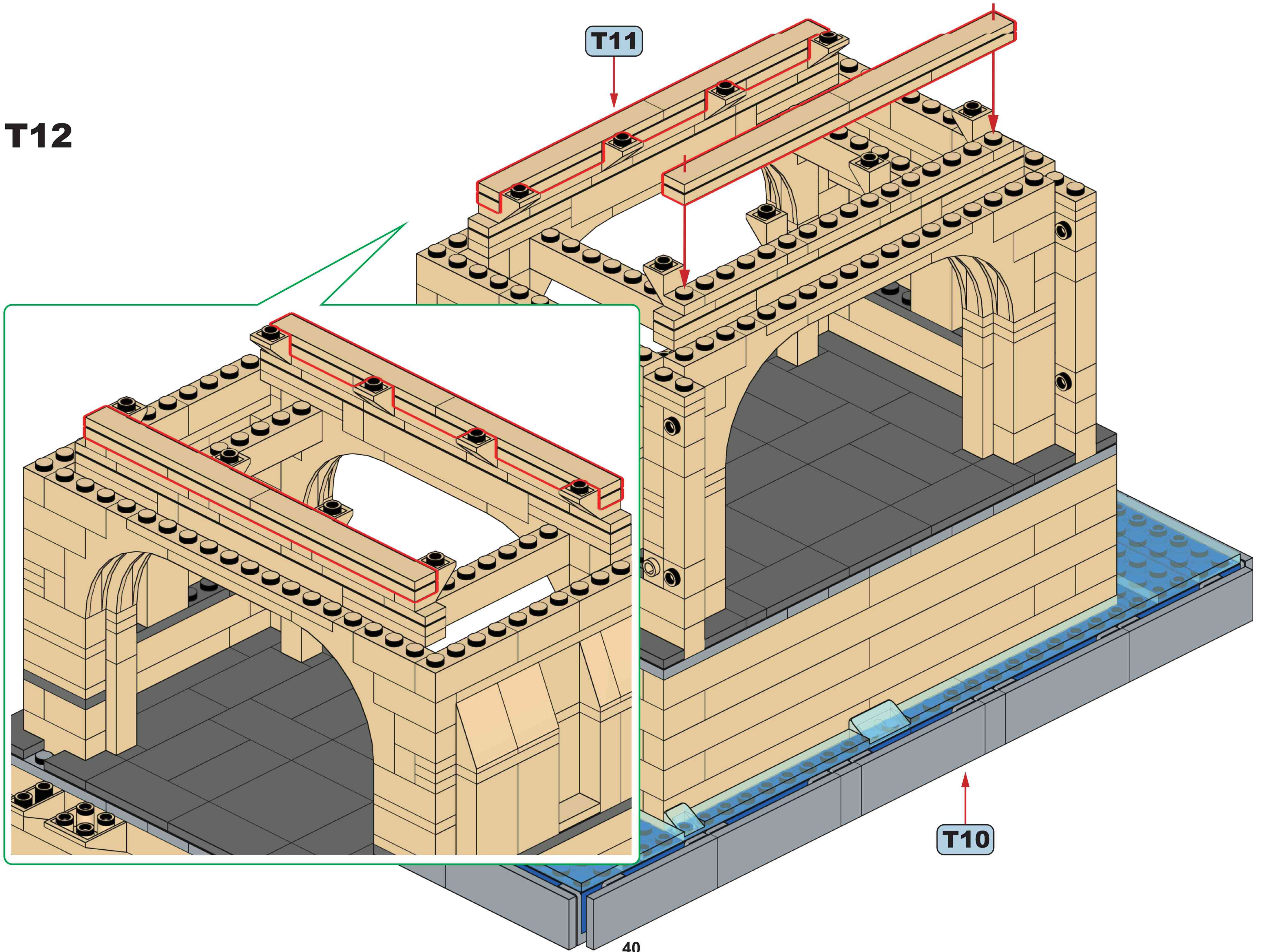


T11



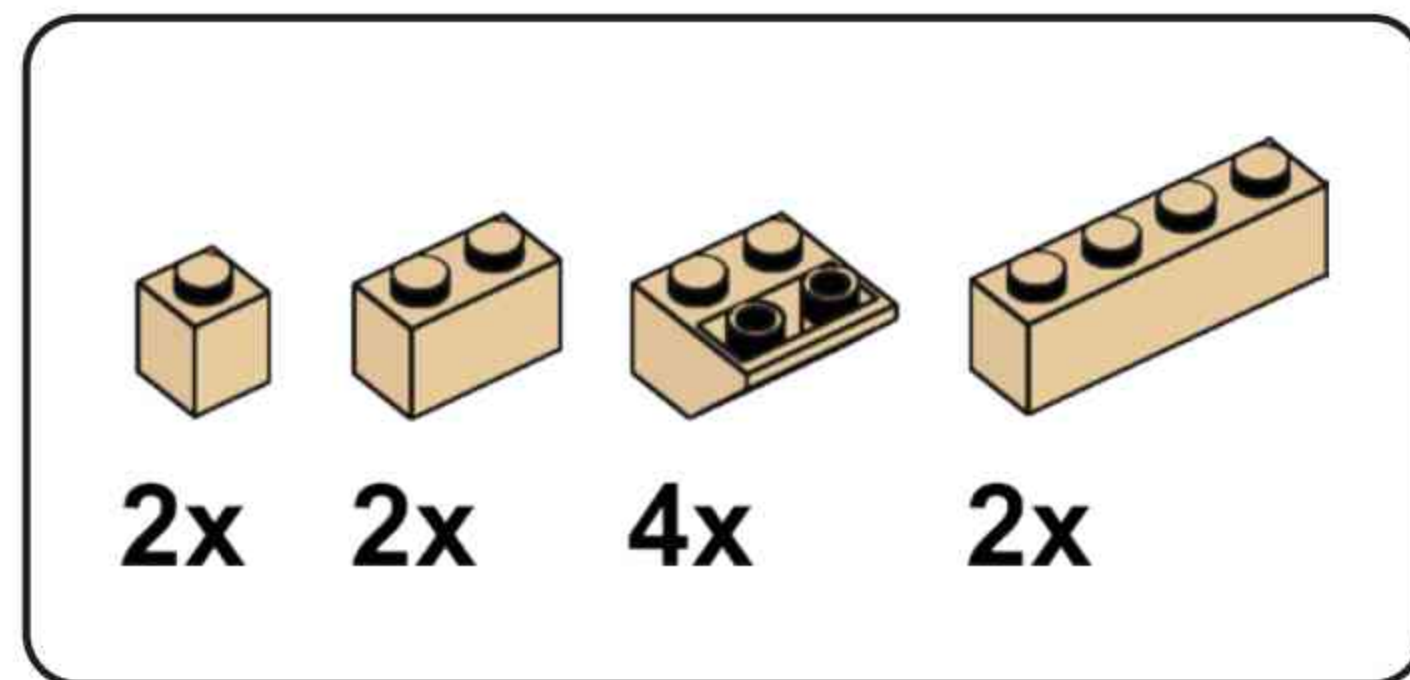
x2

T12

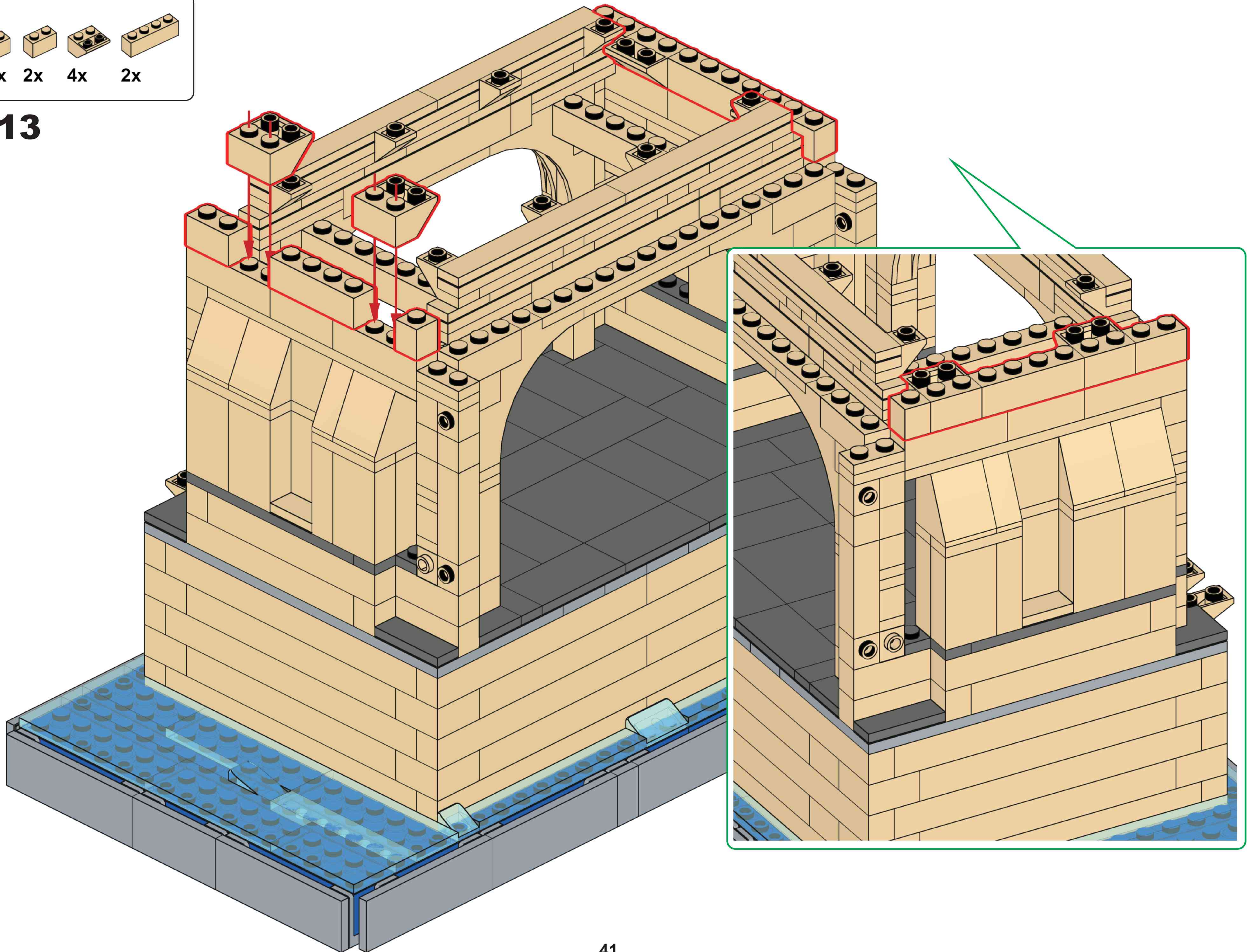


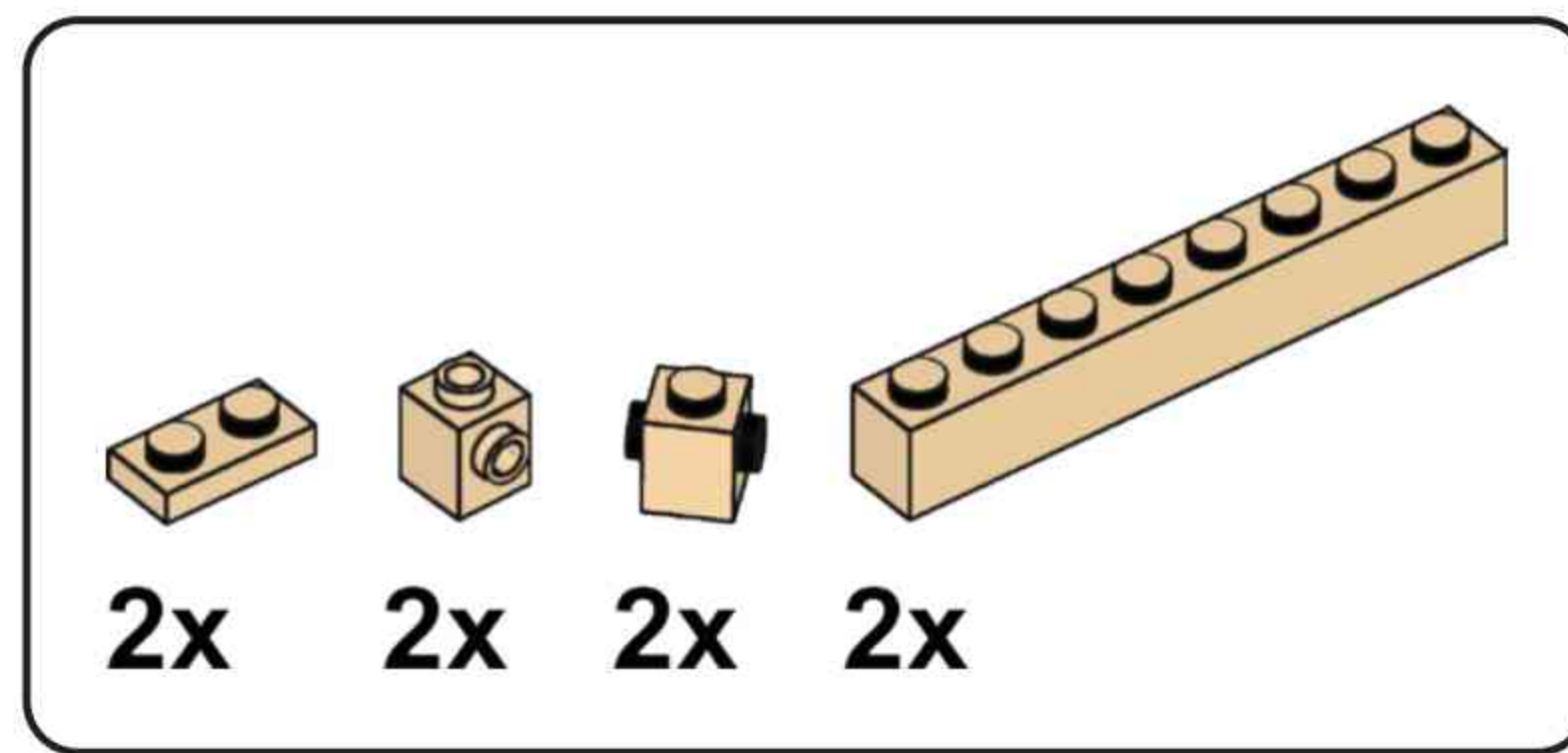
T11

T10

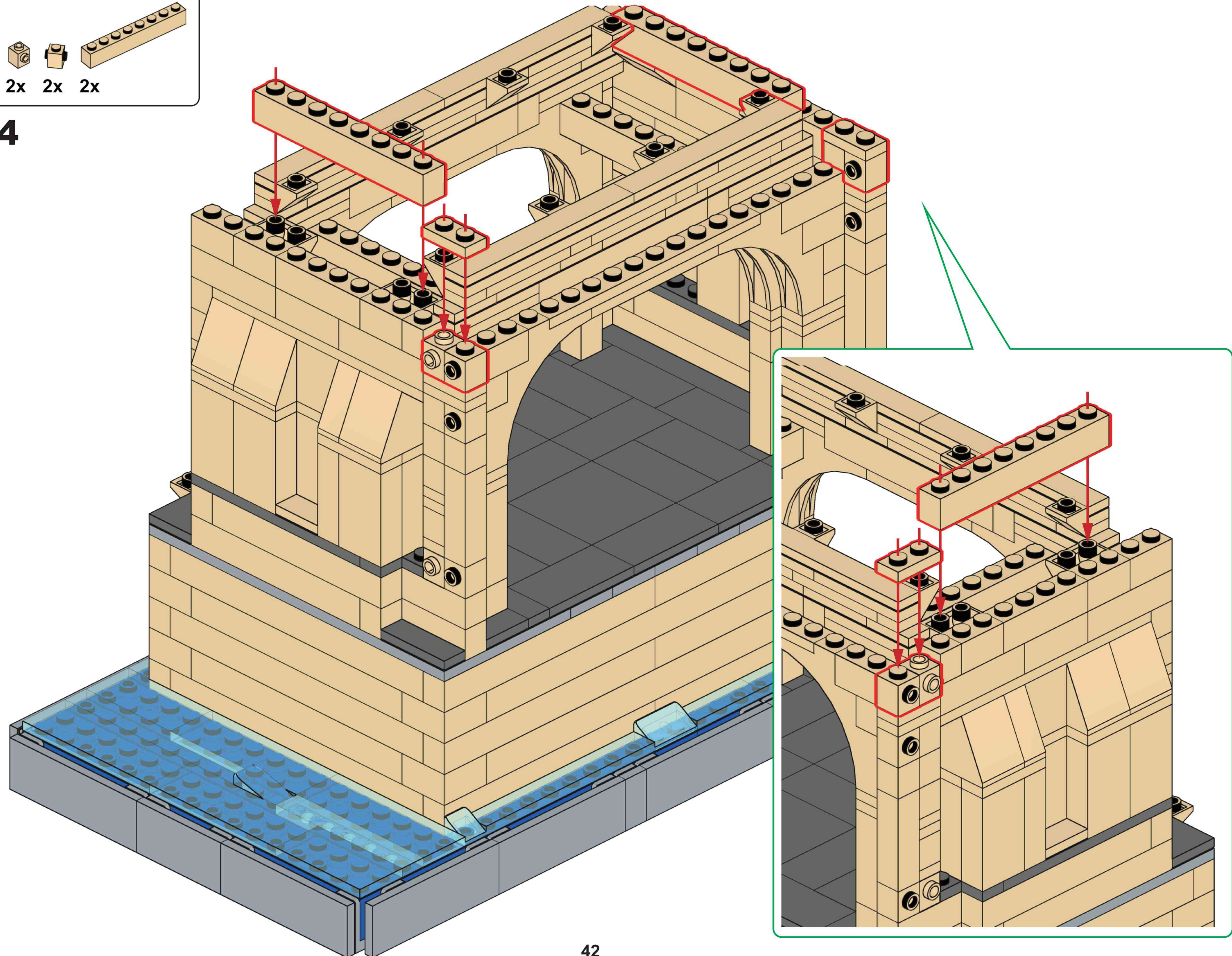


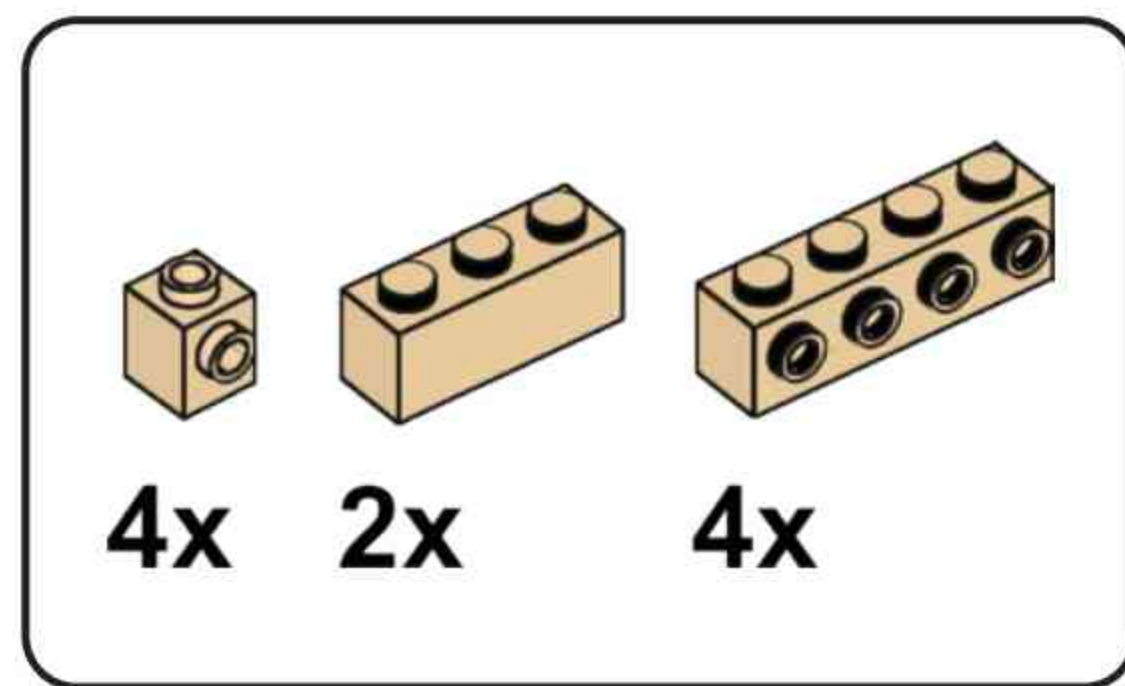
T13



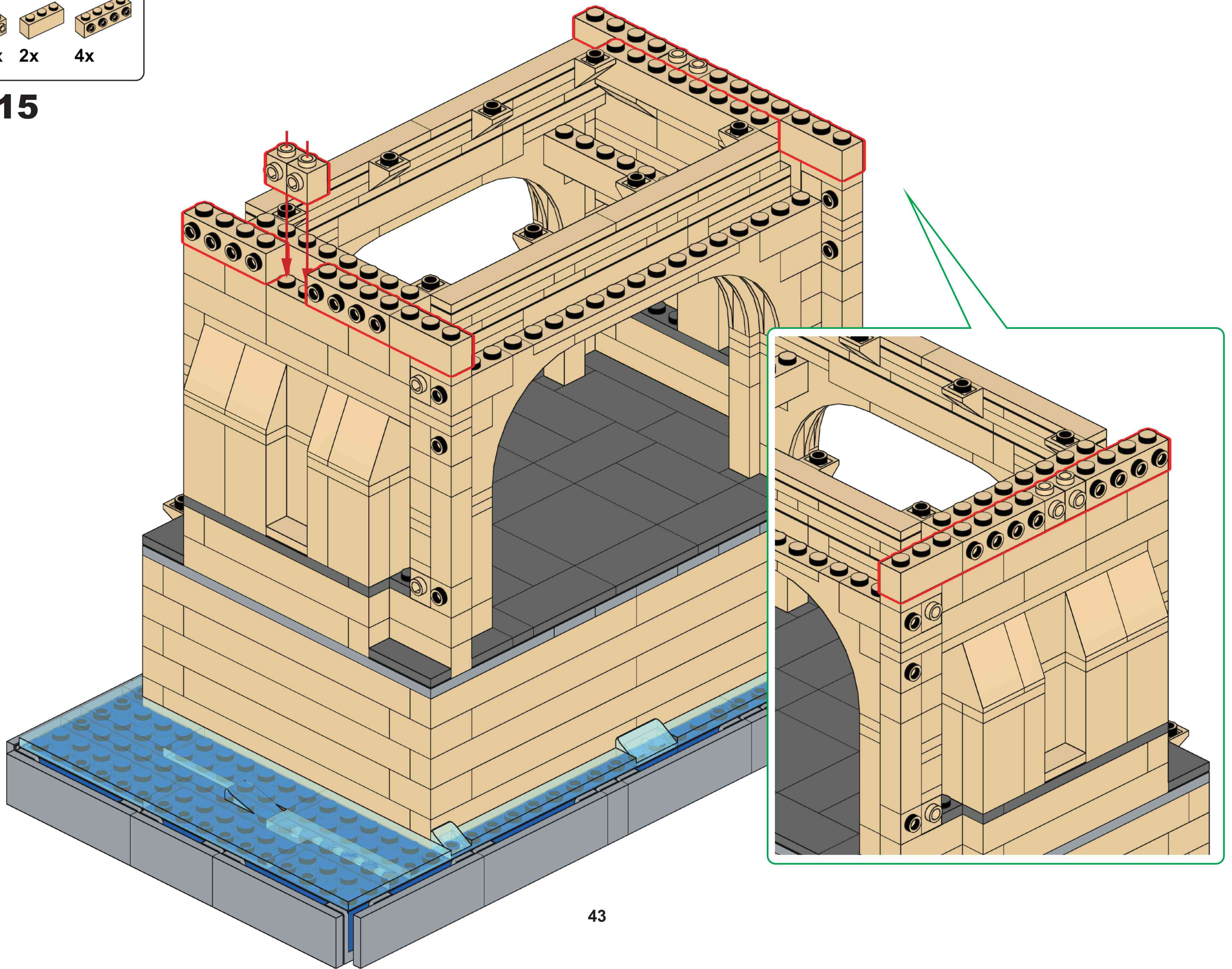


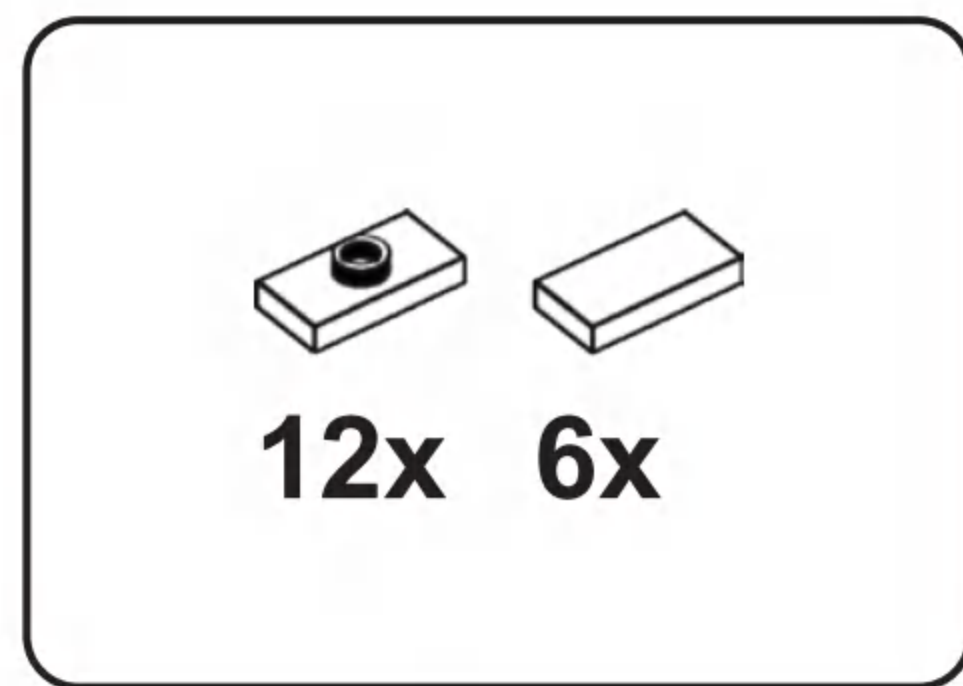
T14



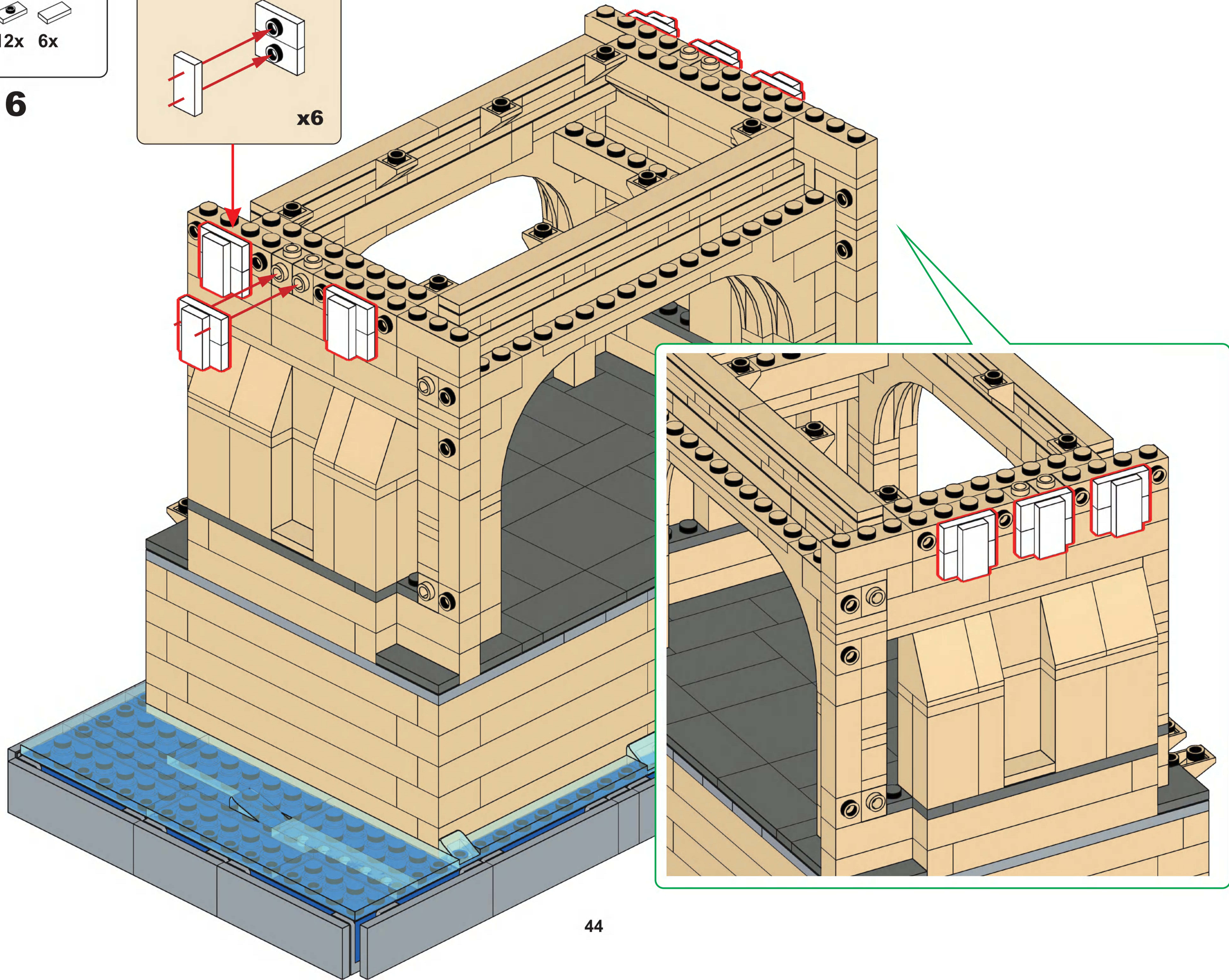
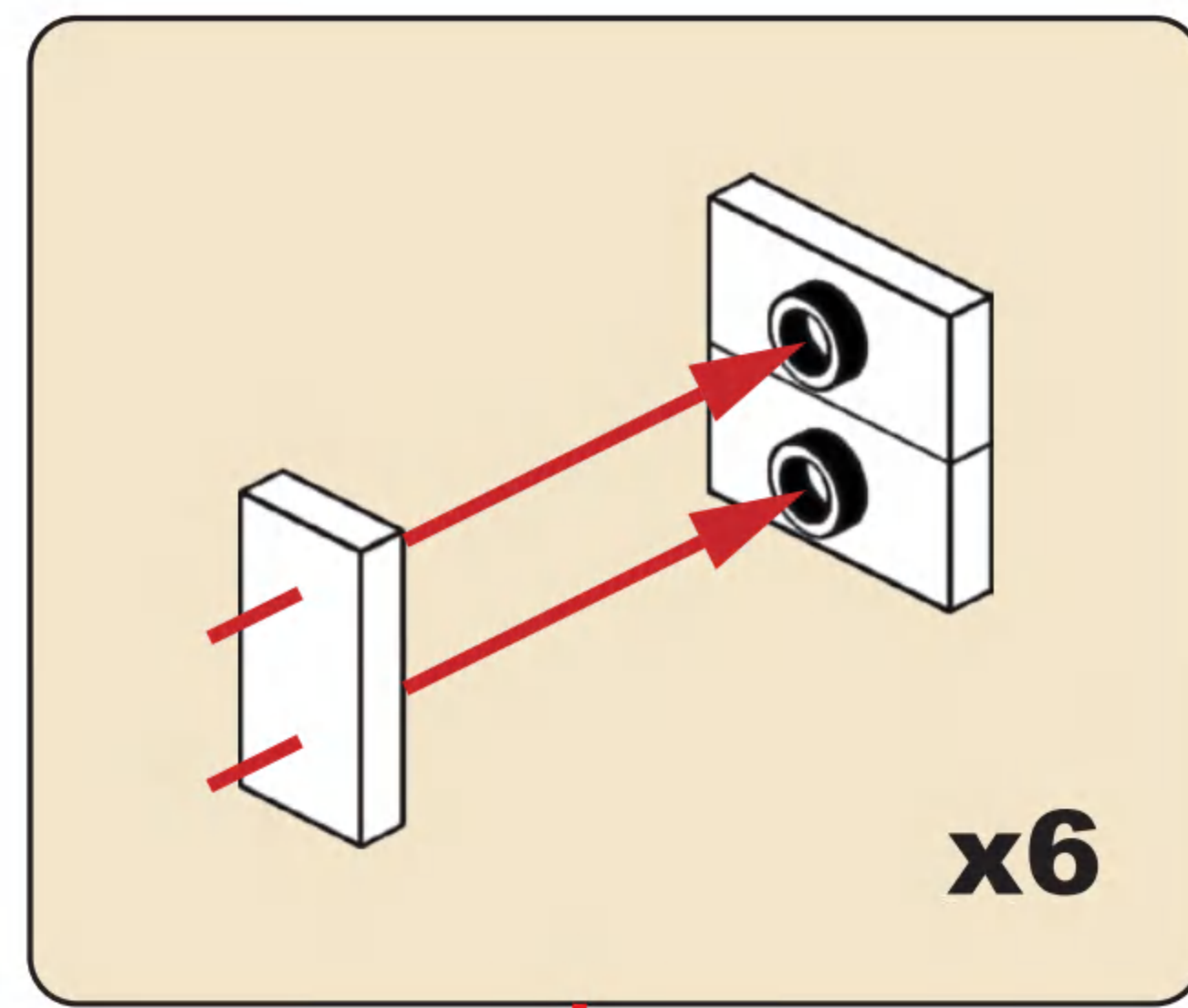


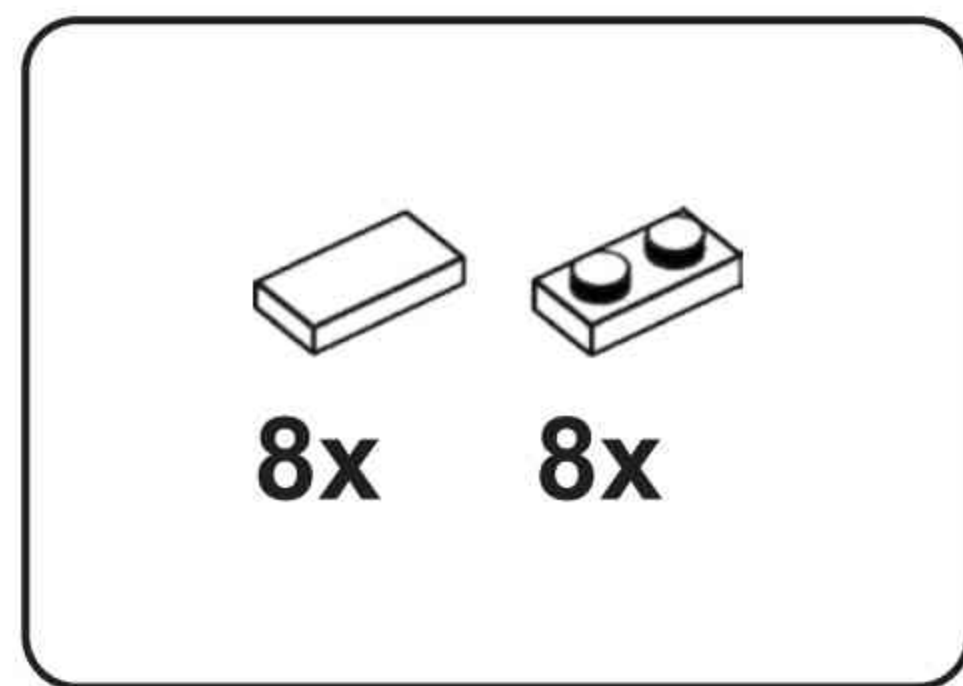
T15



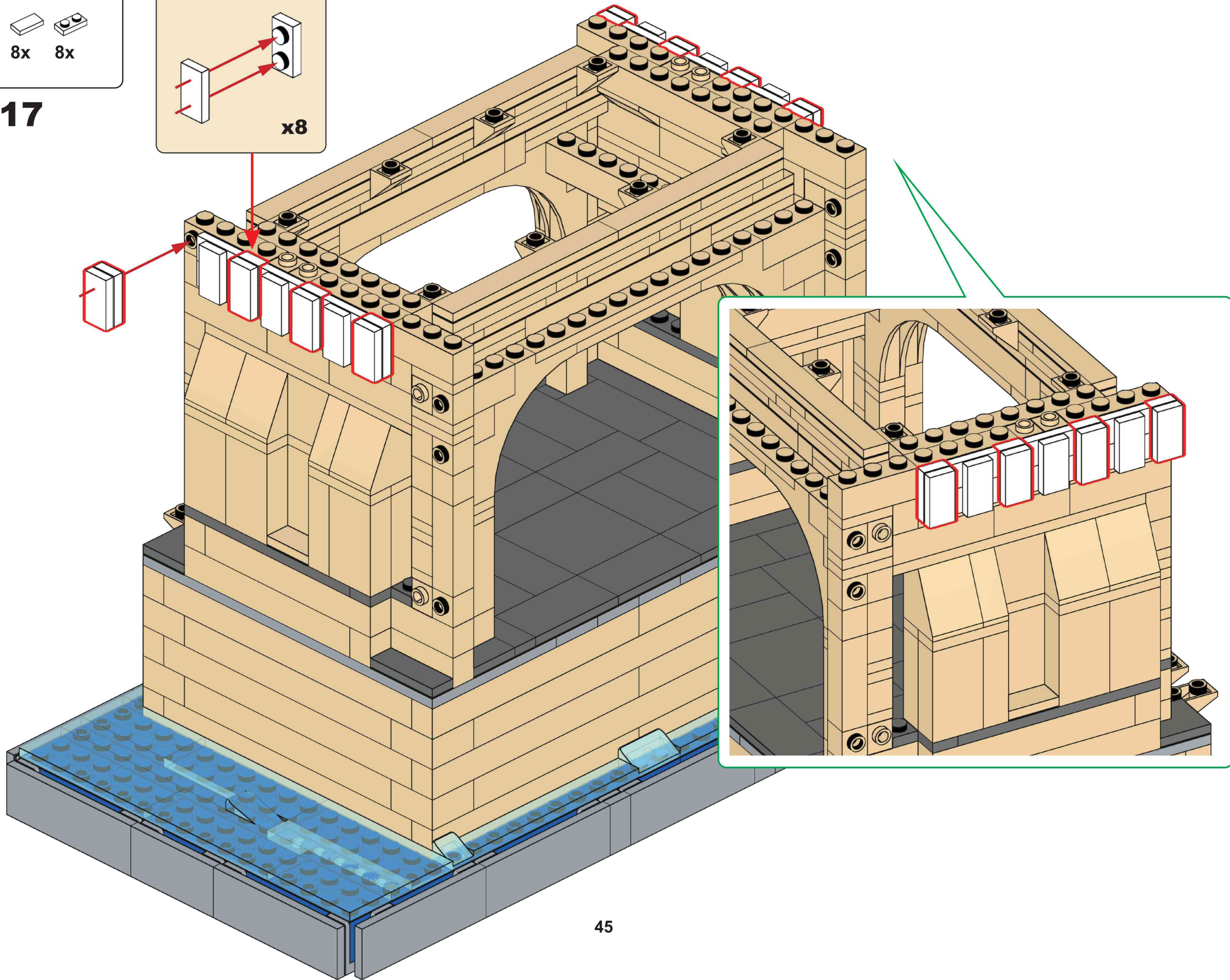
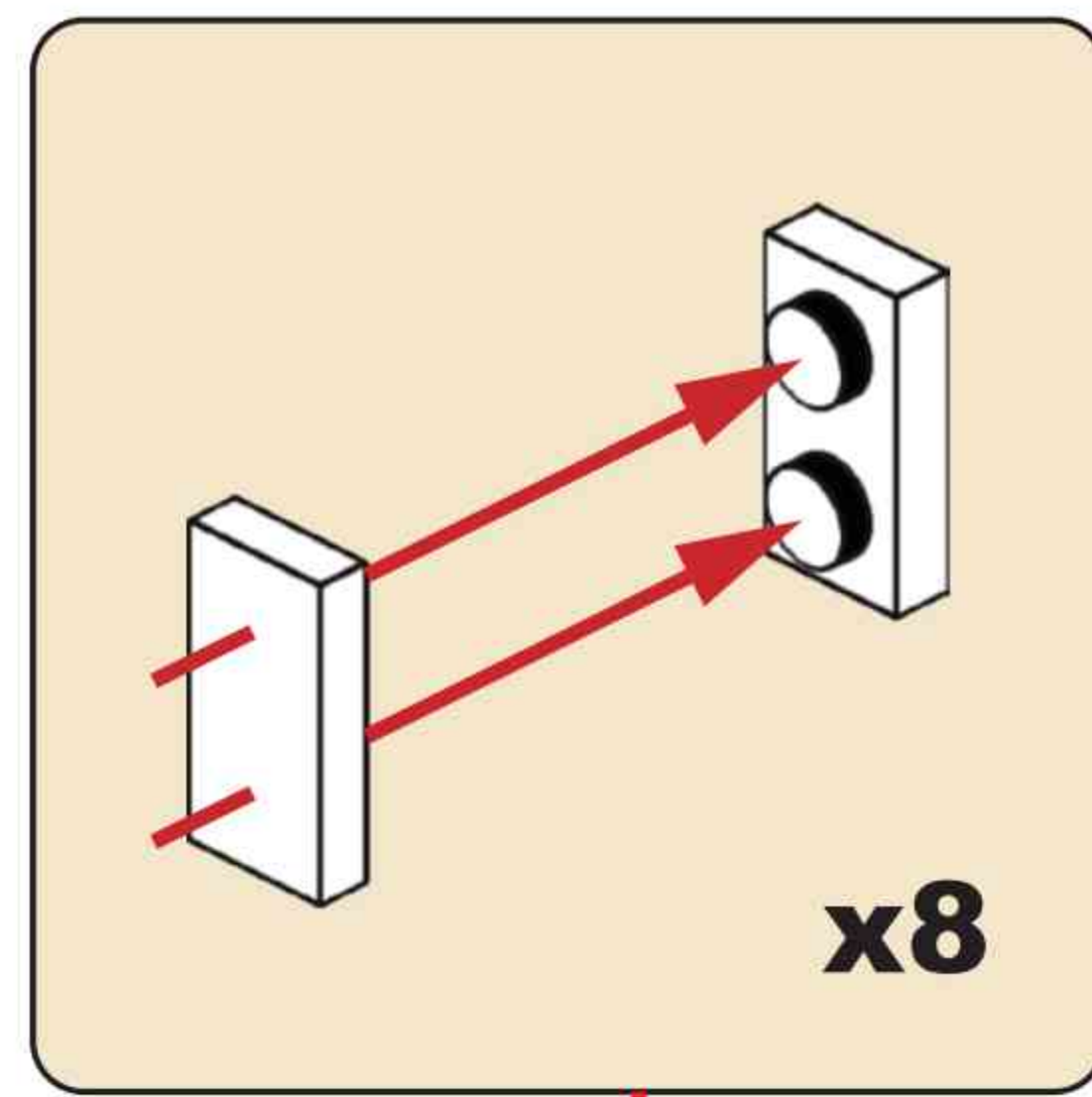


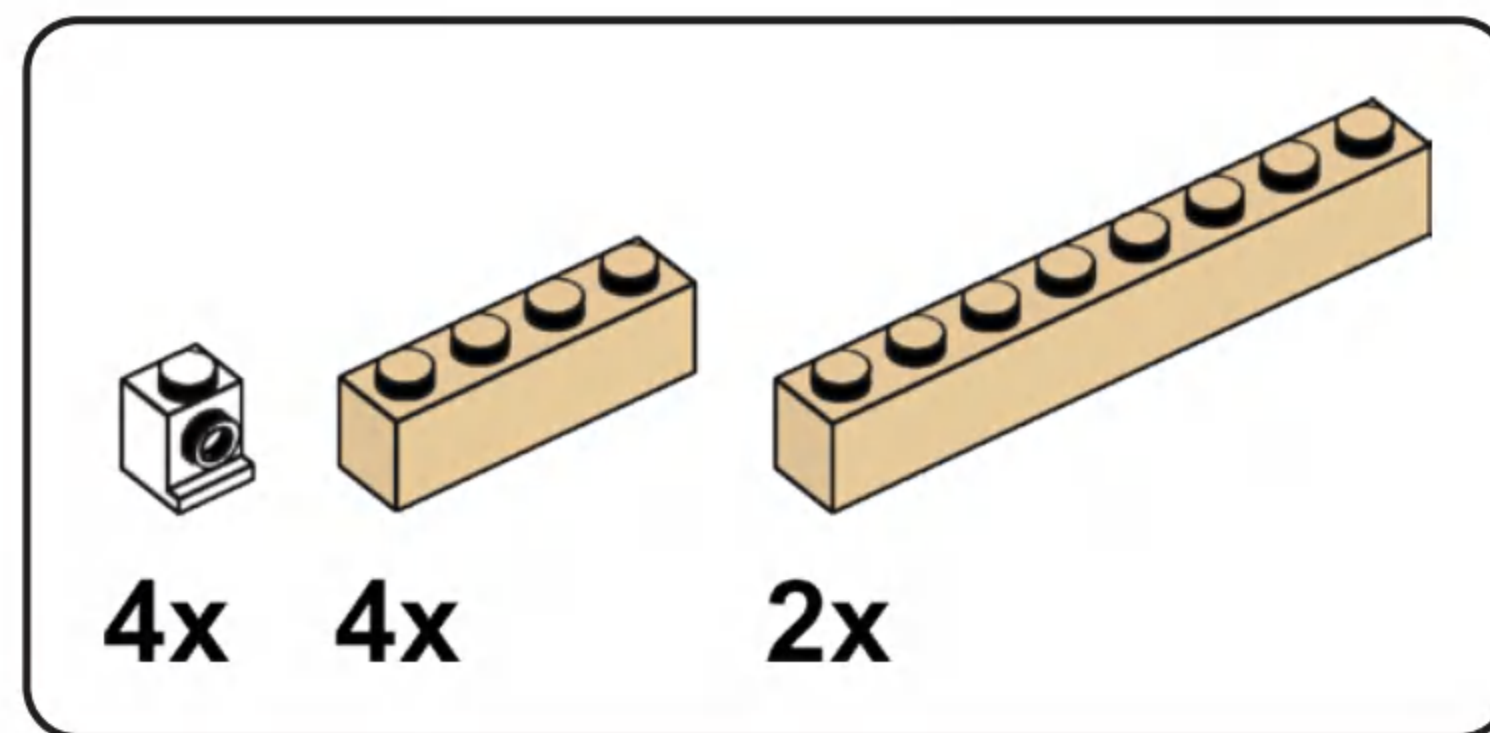
T16



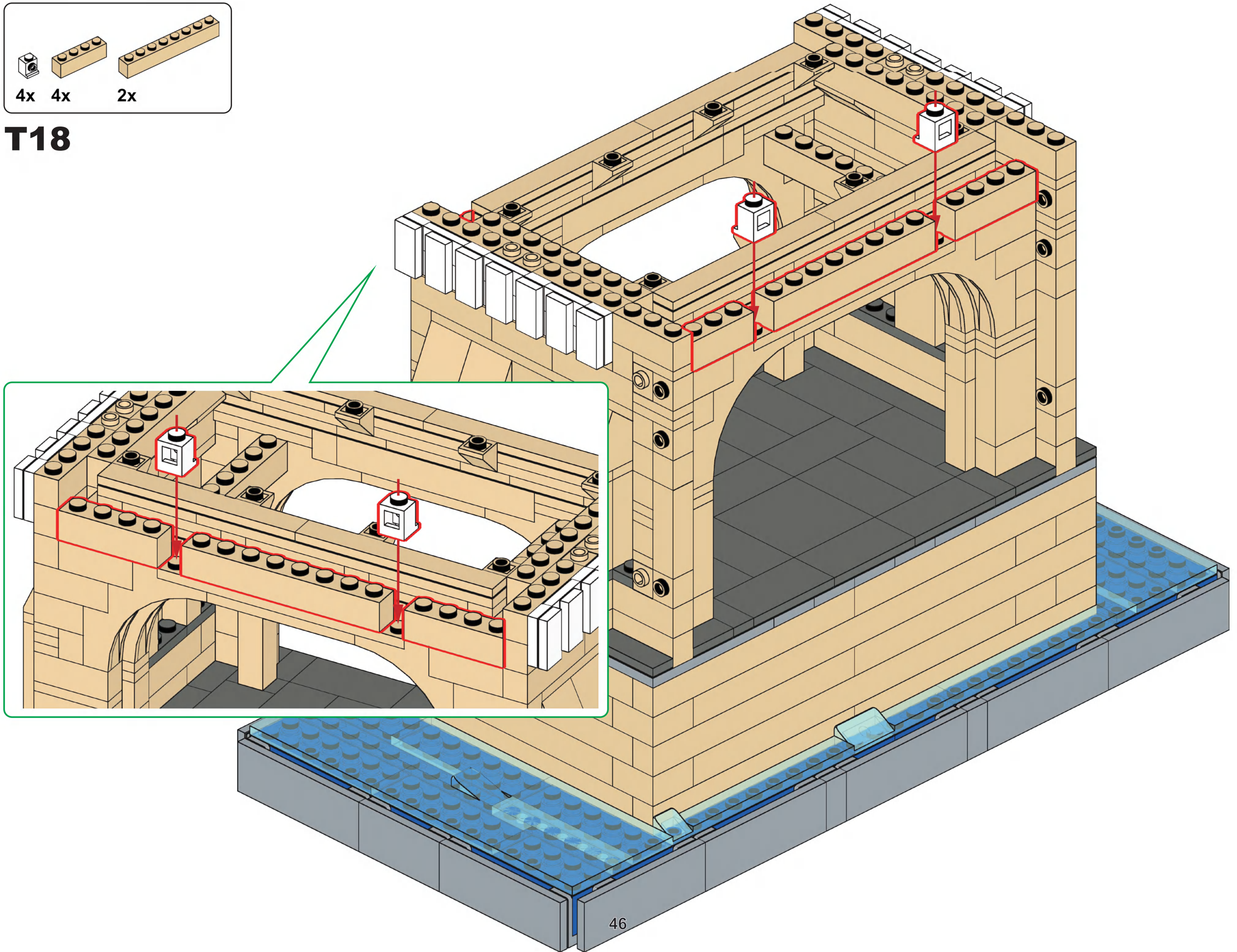


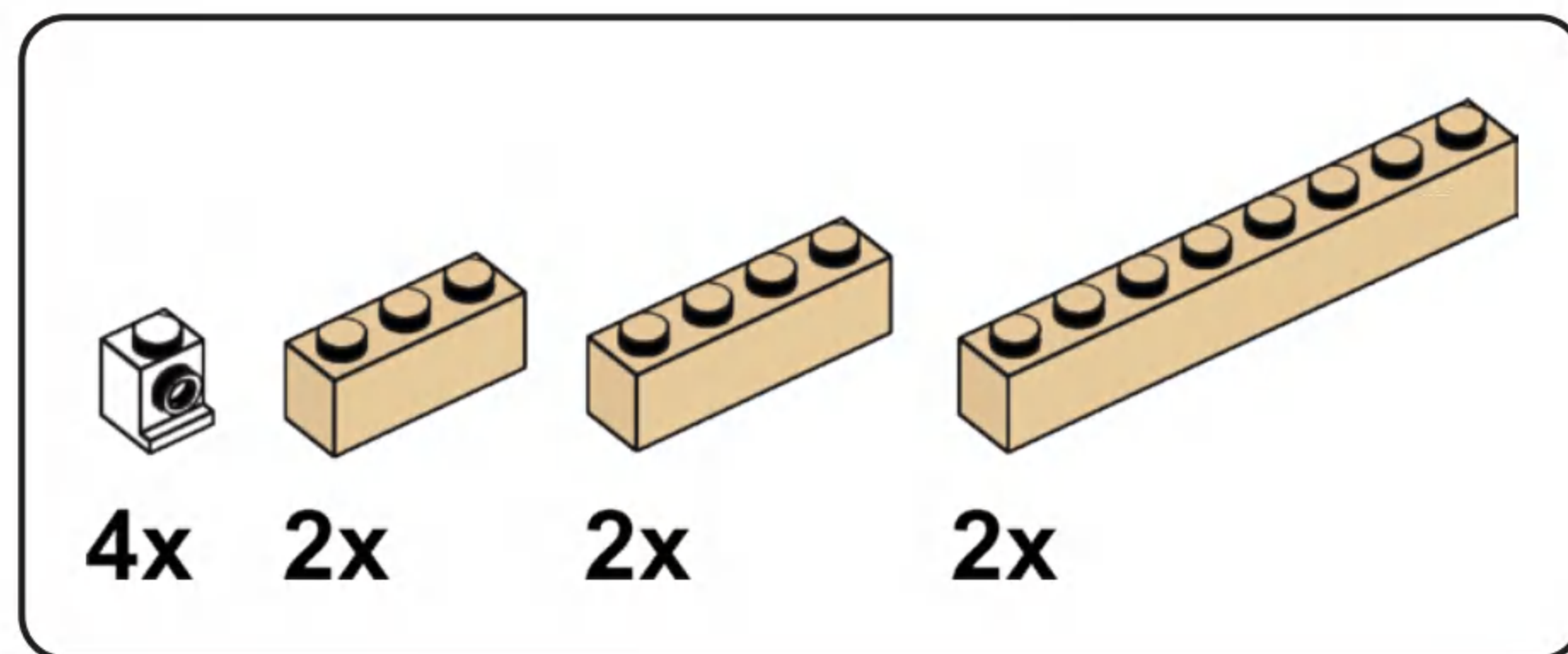
T17



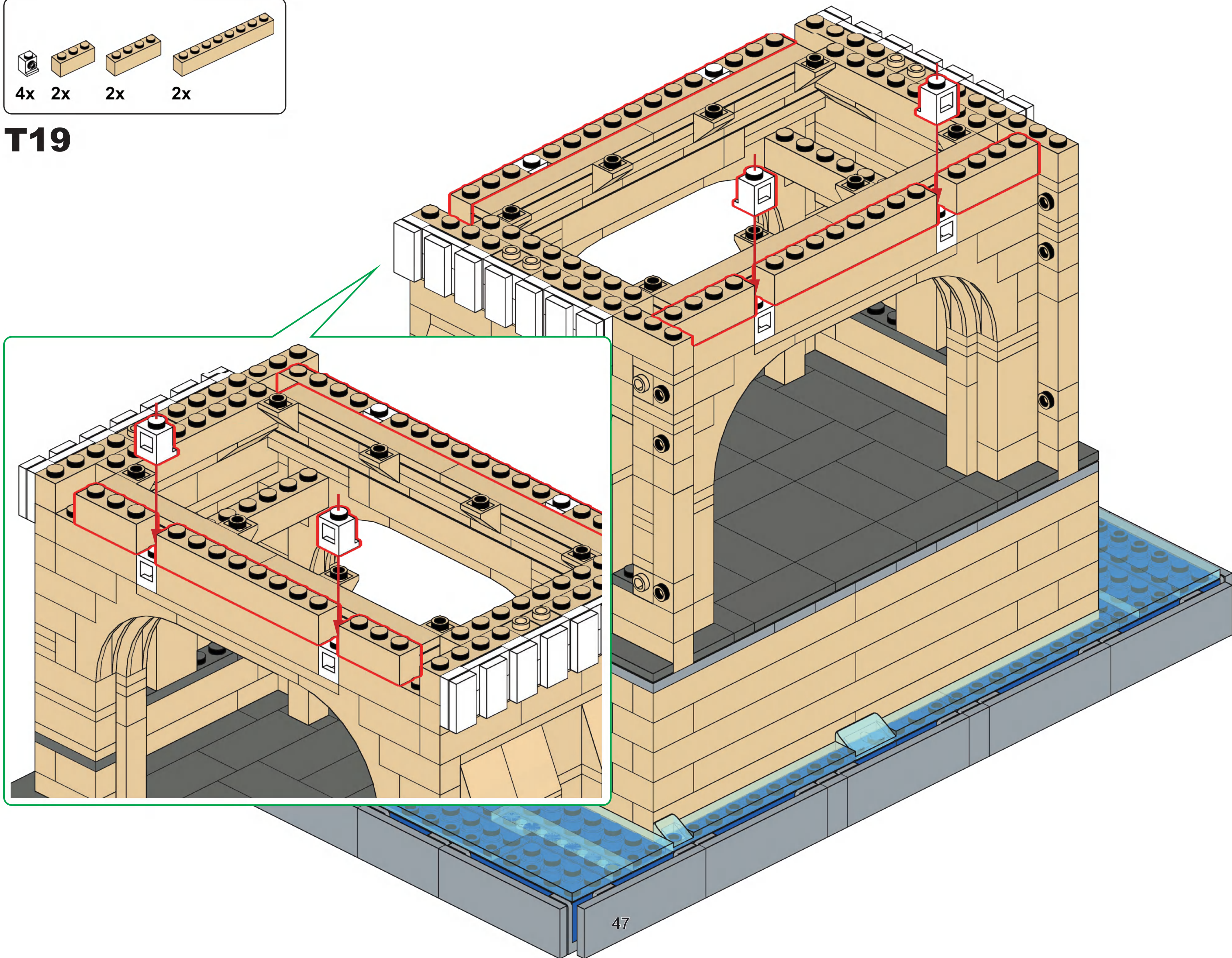


T18

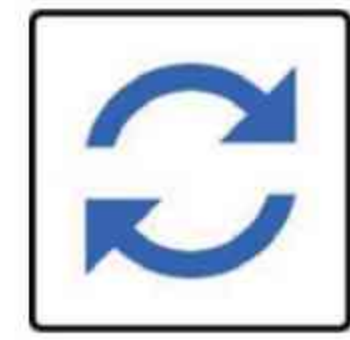




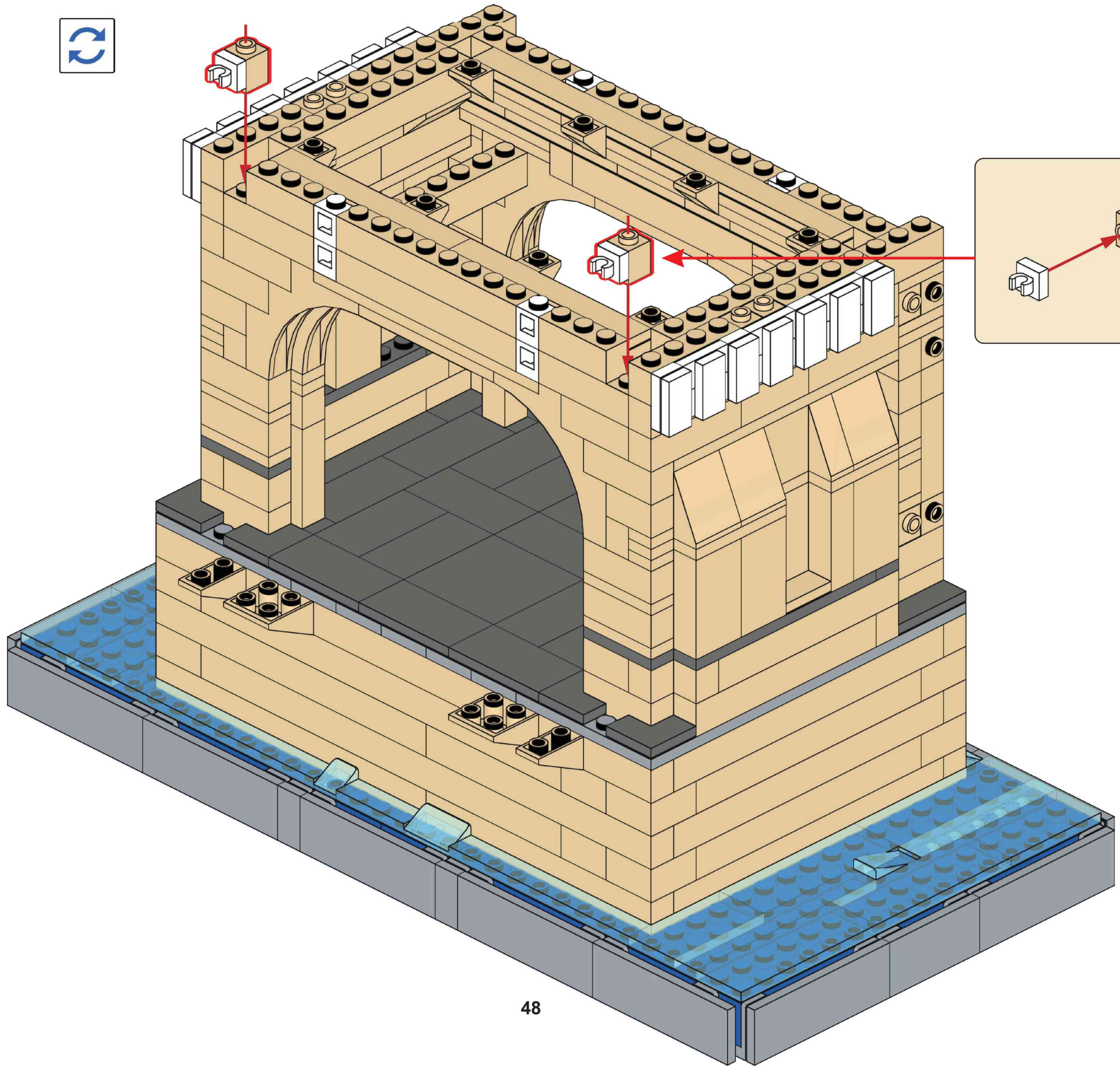
T19



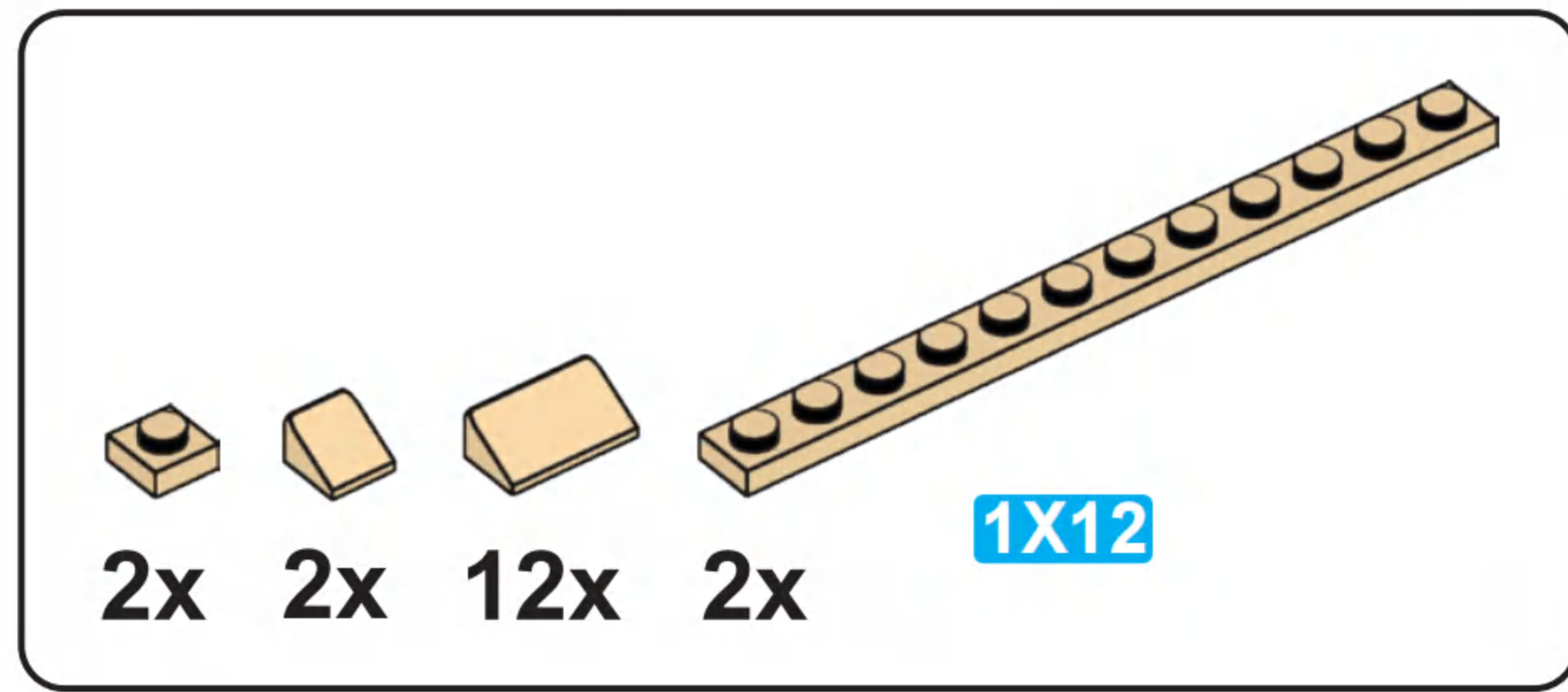
2x 2x



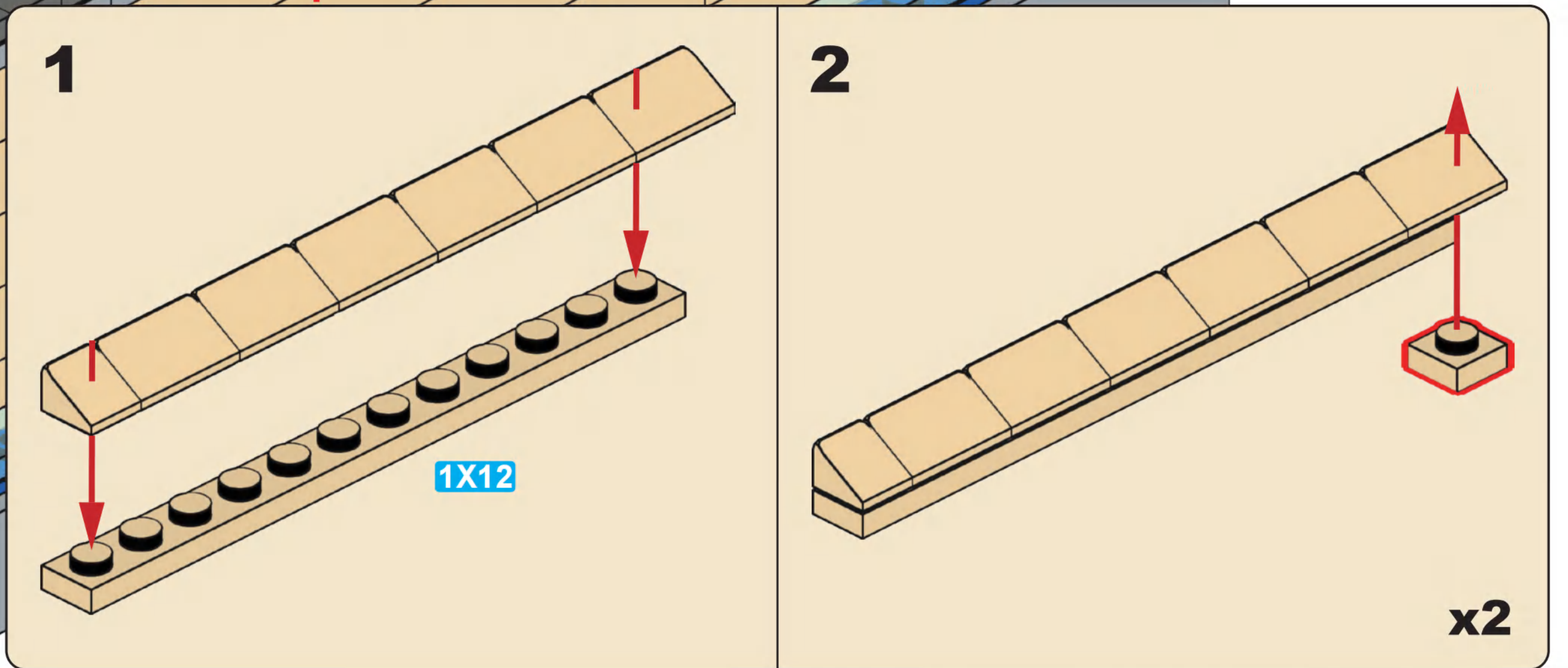
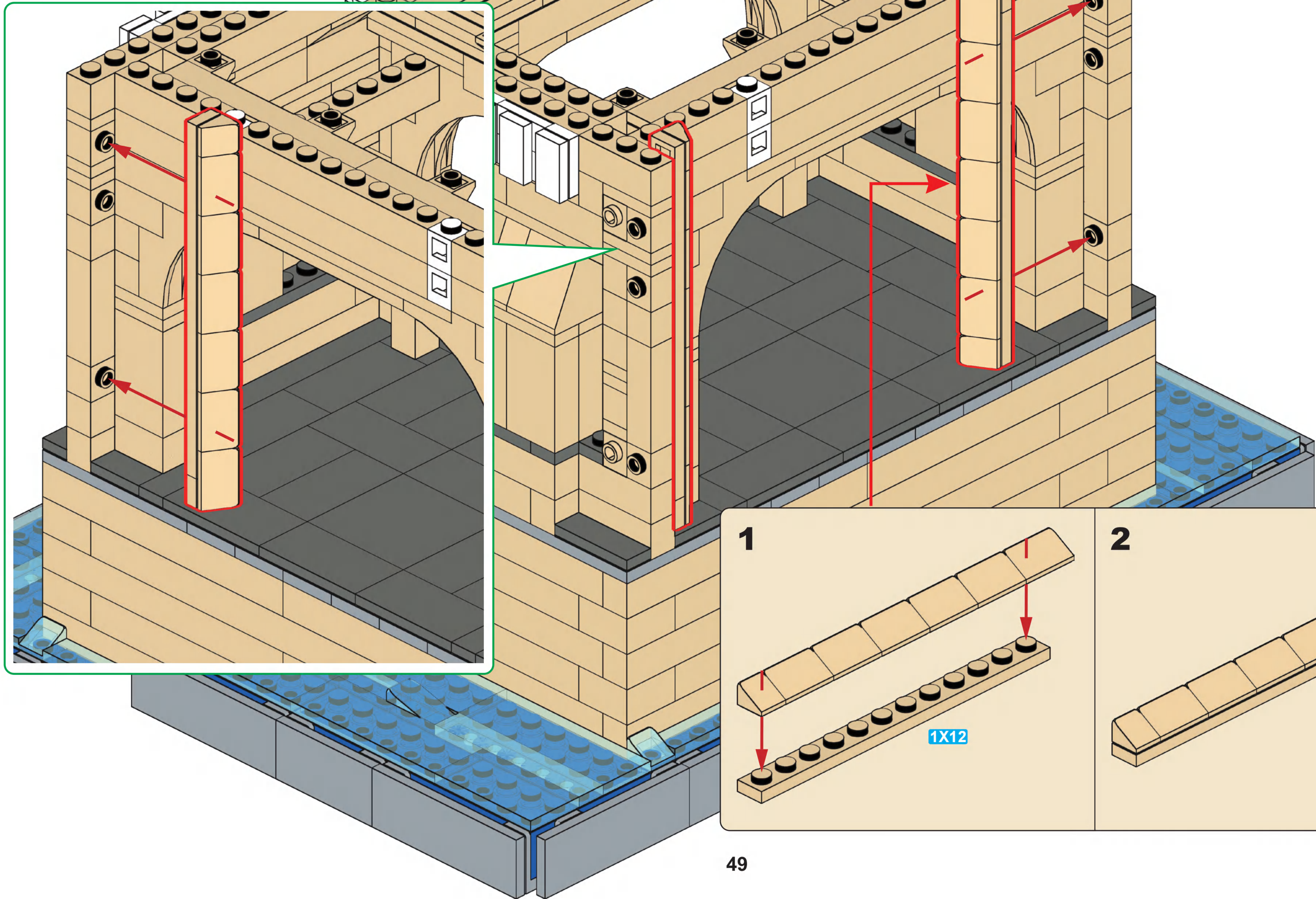
T20

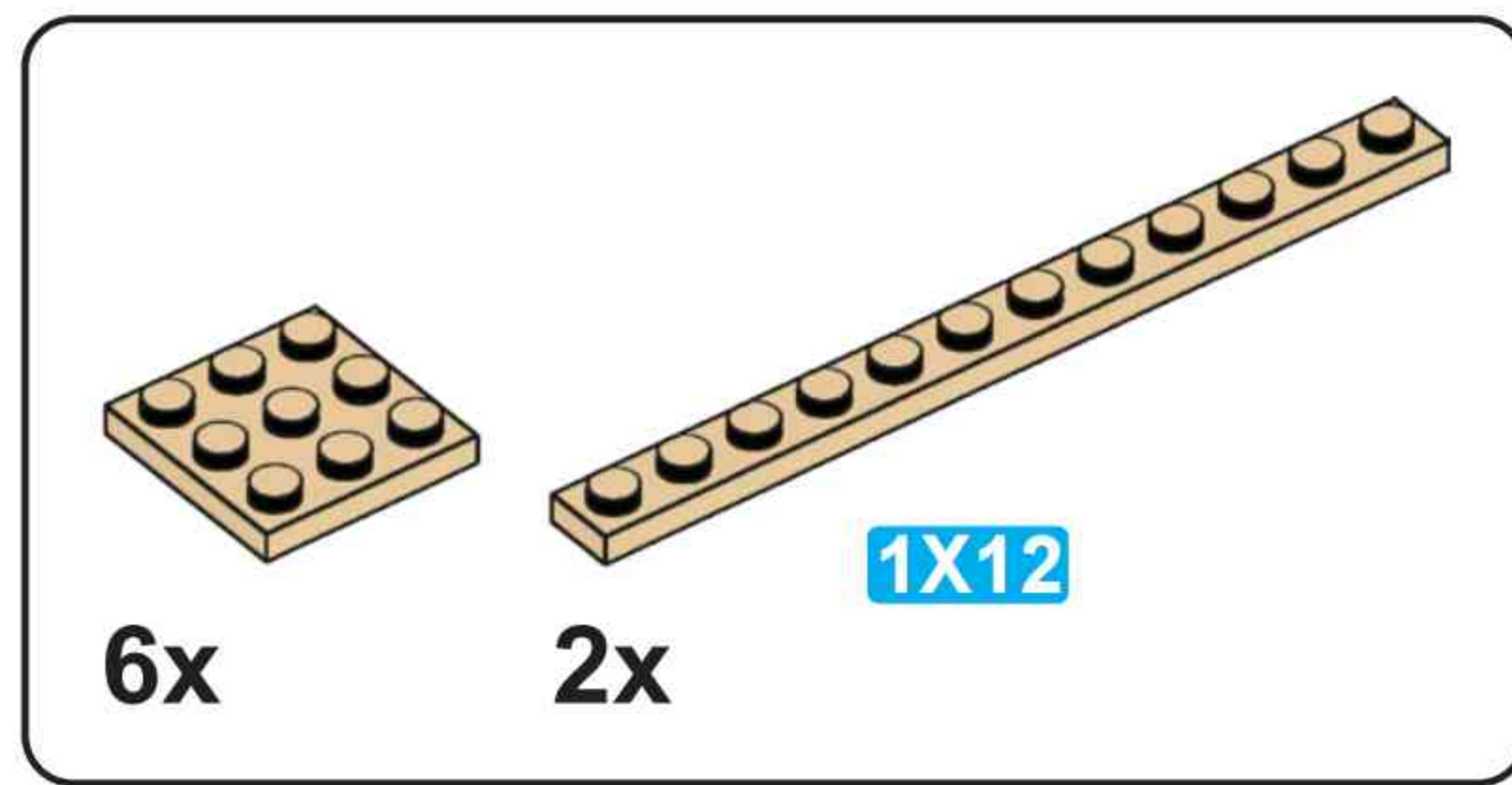


x2

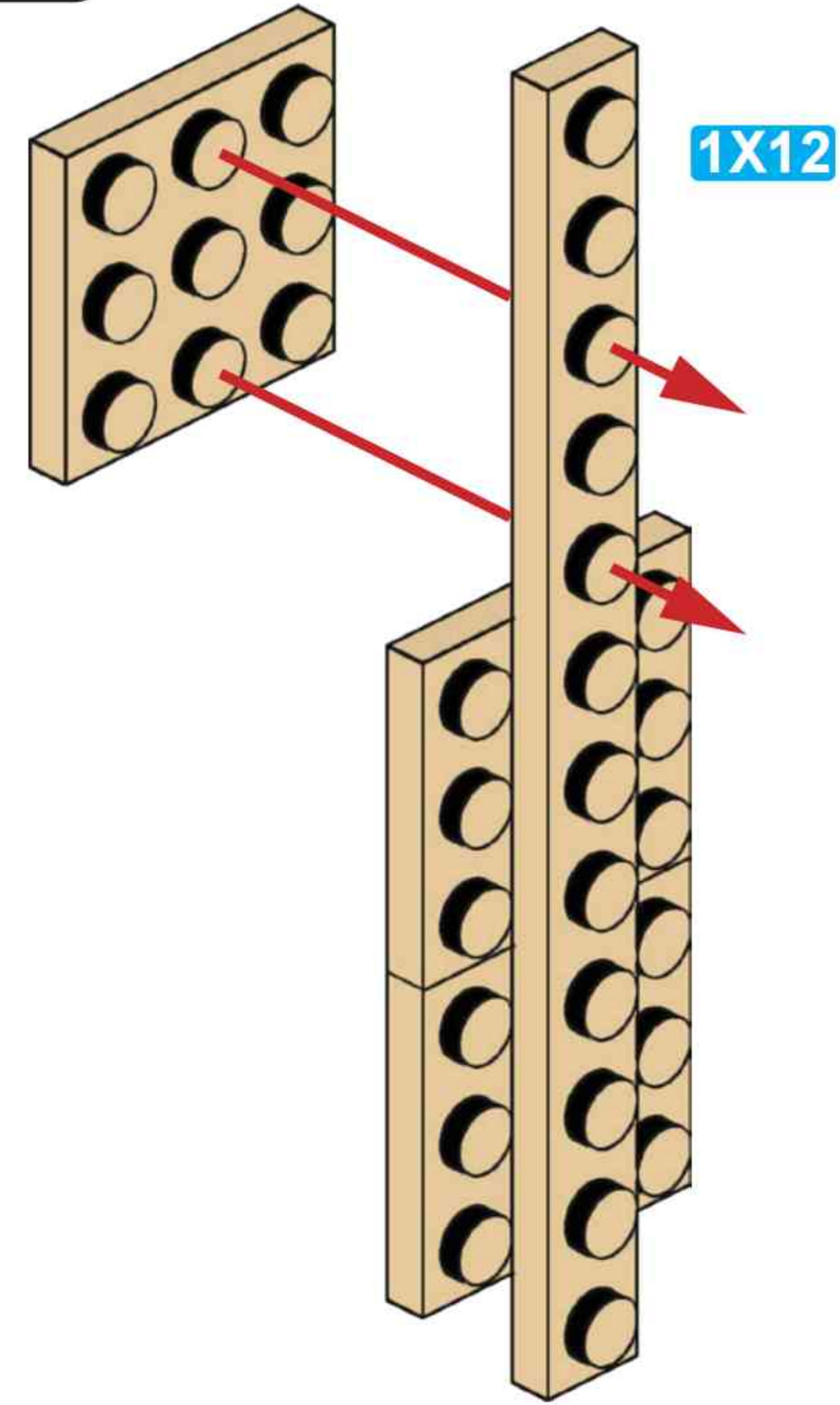


T21

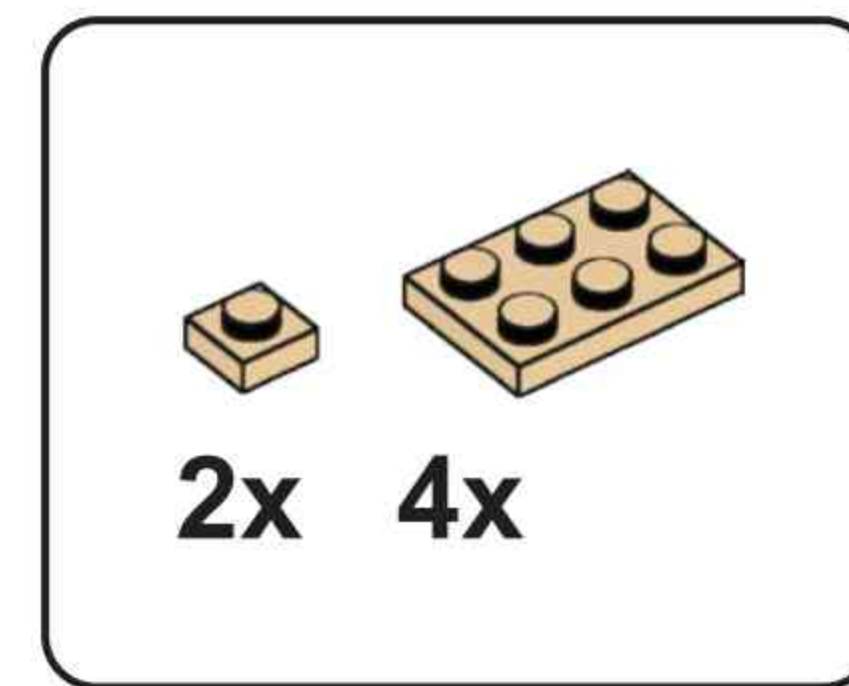




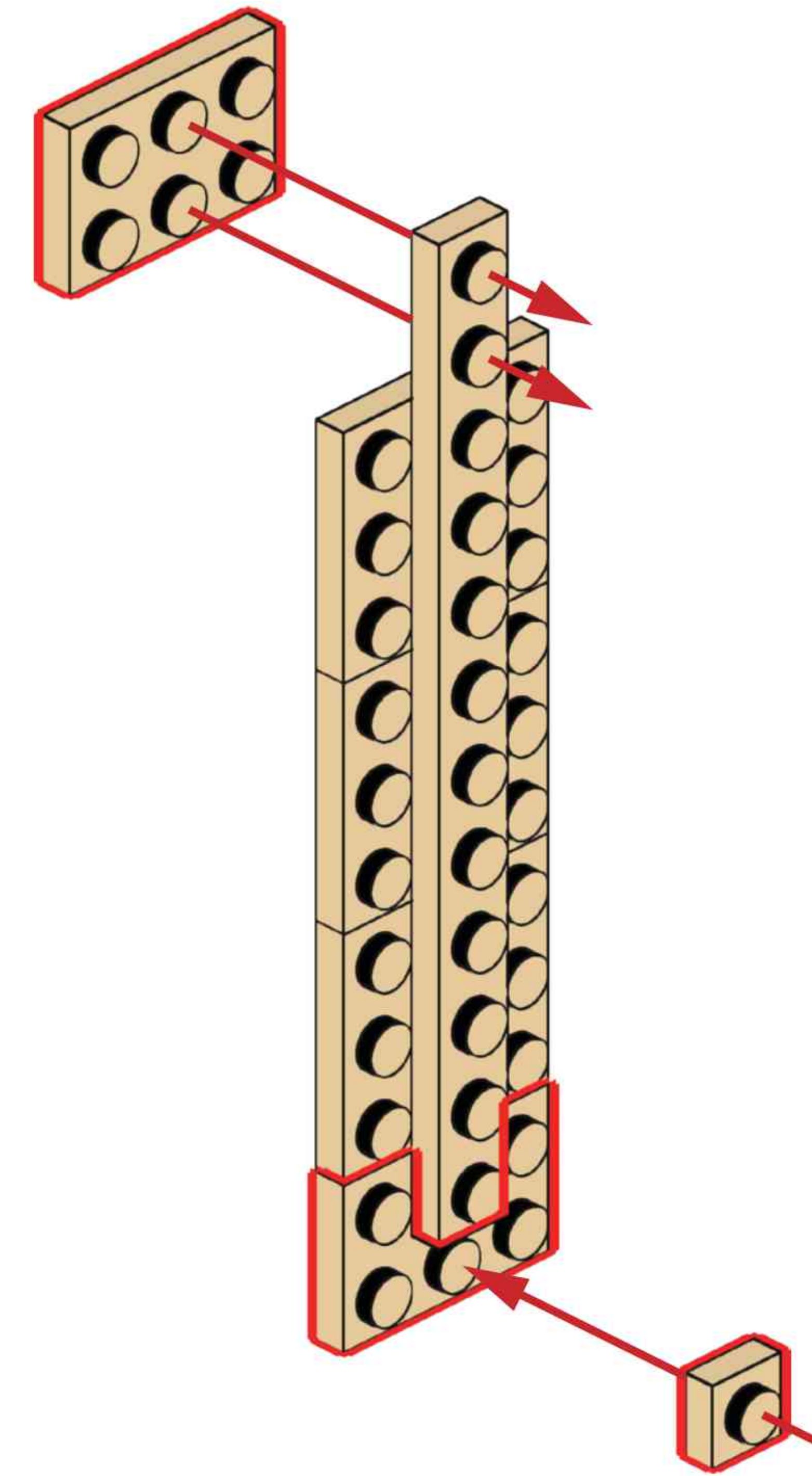
T22



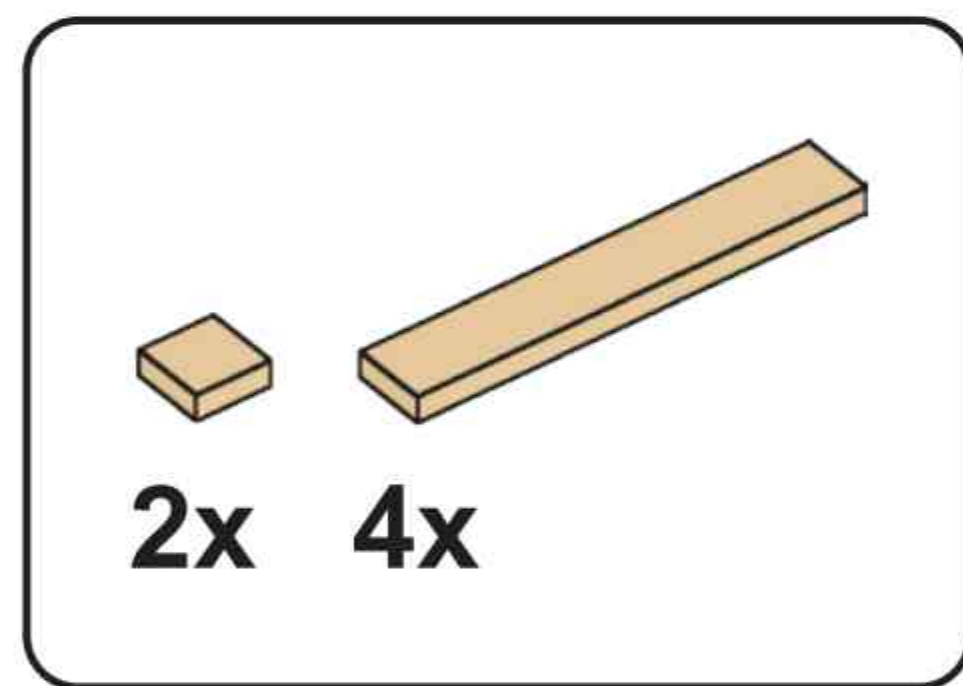
x2



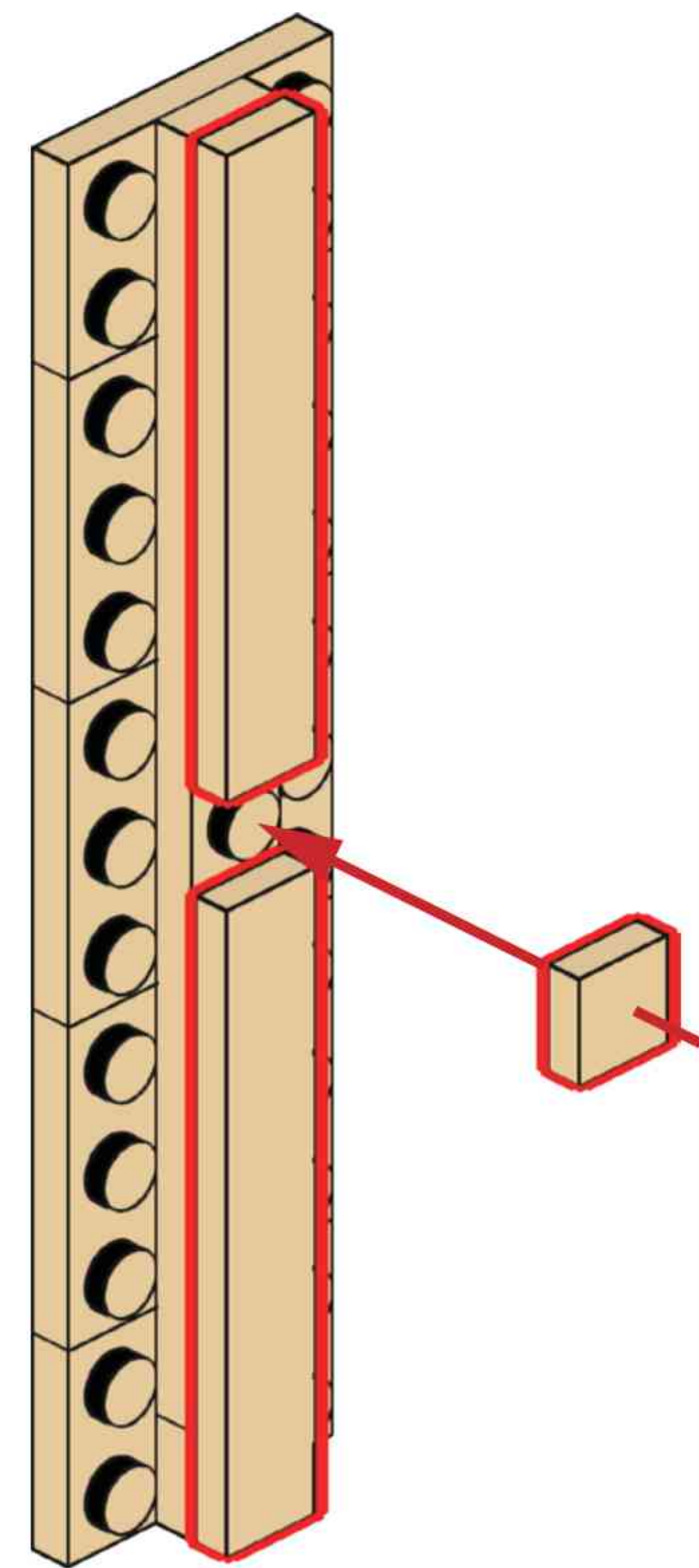
T23



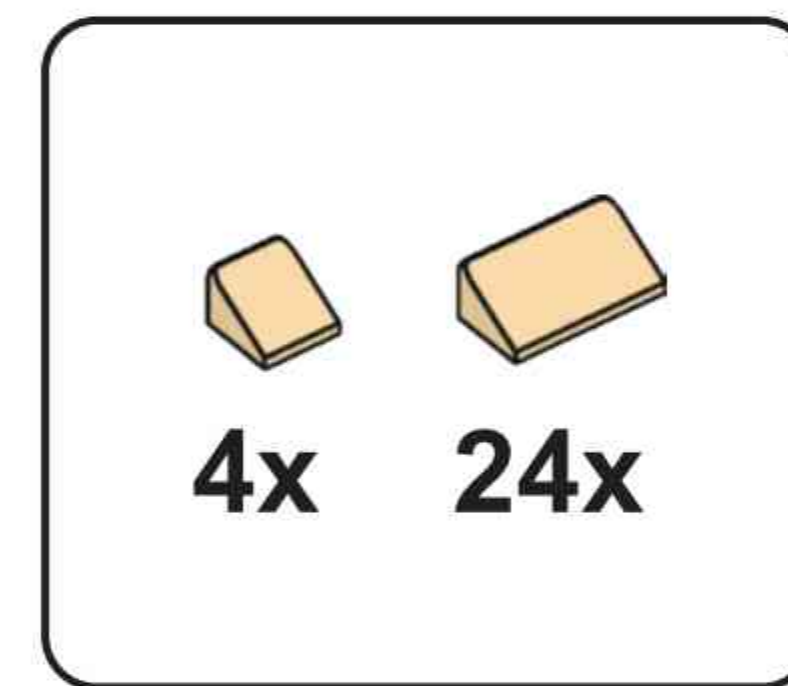
x2



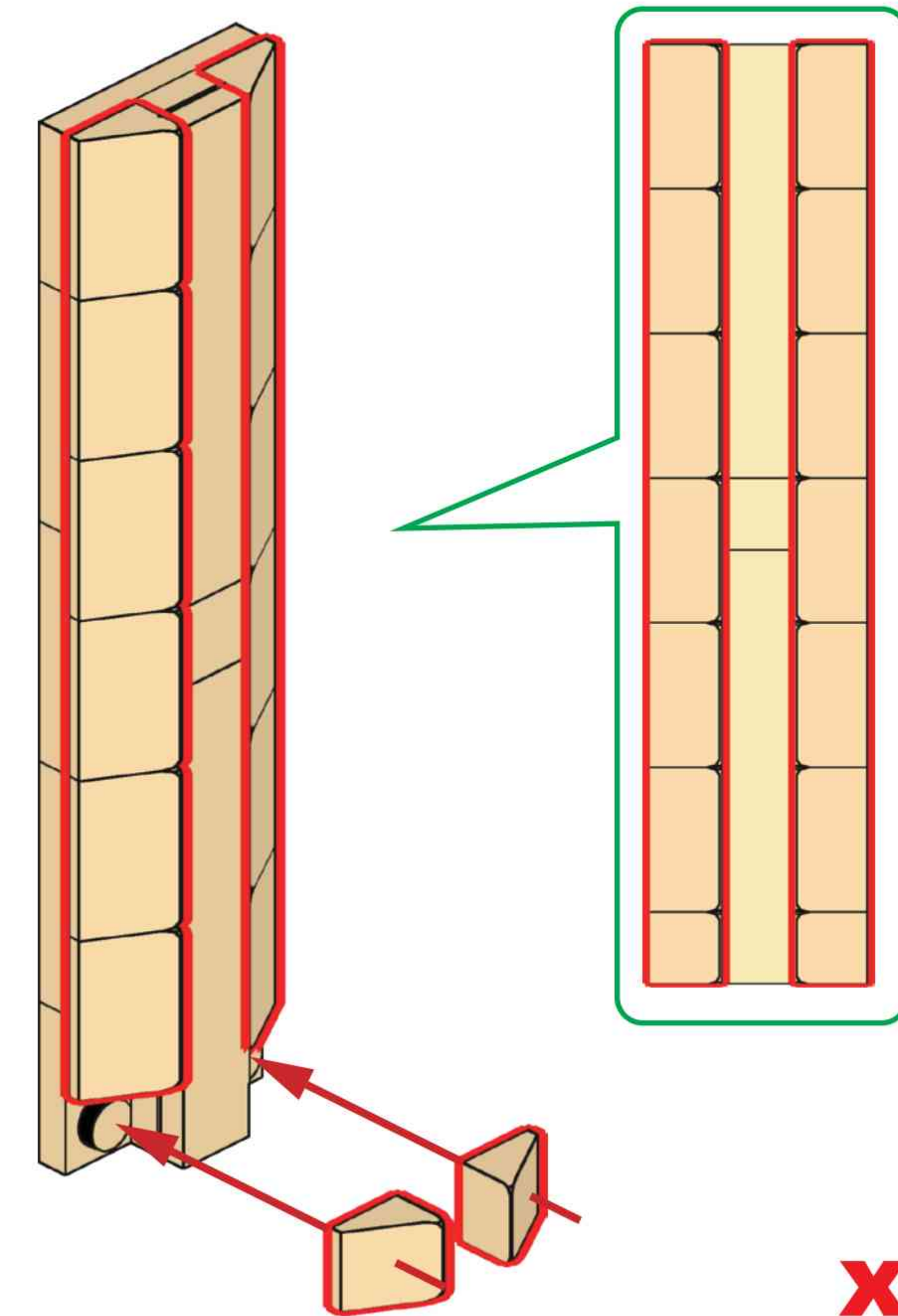
T24



x2

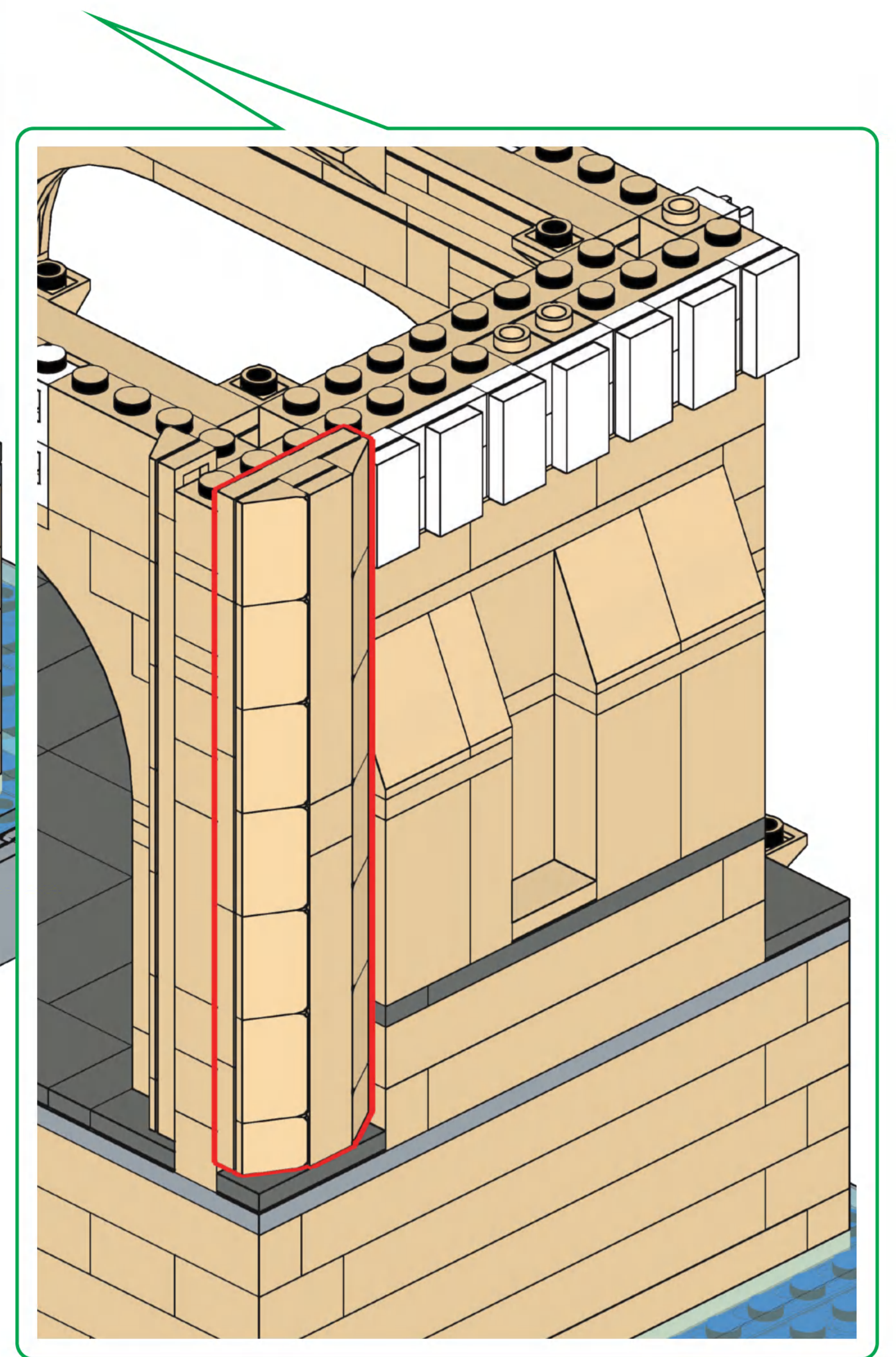
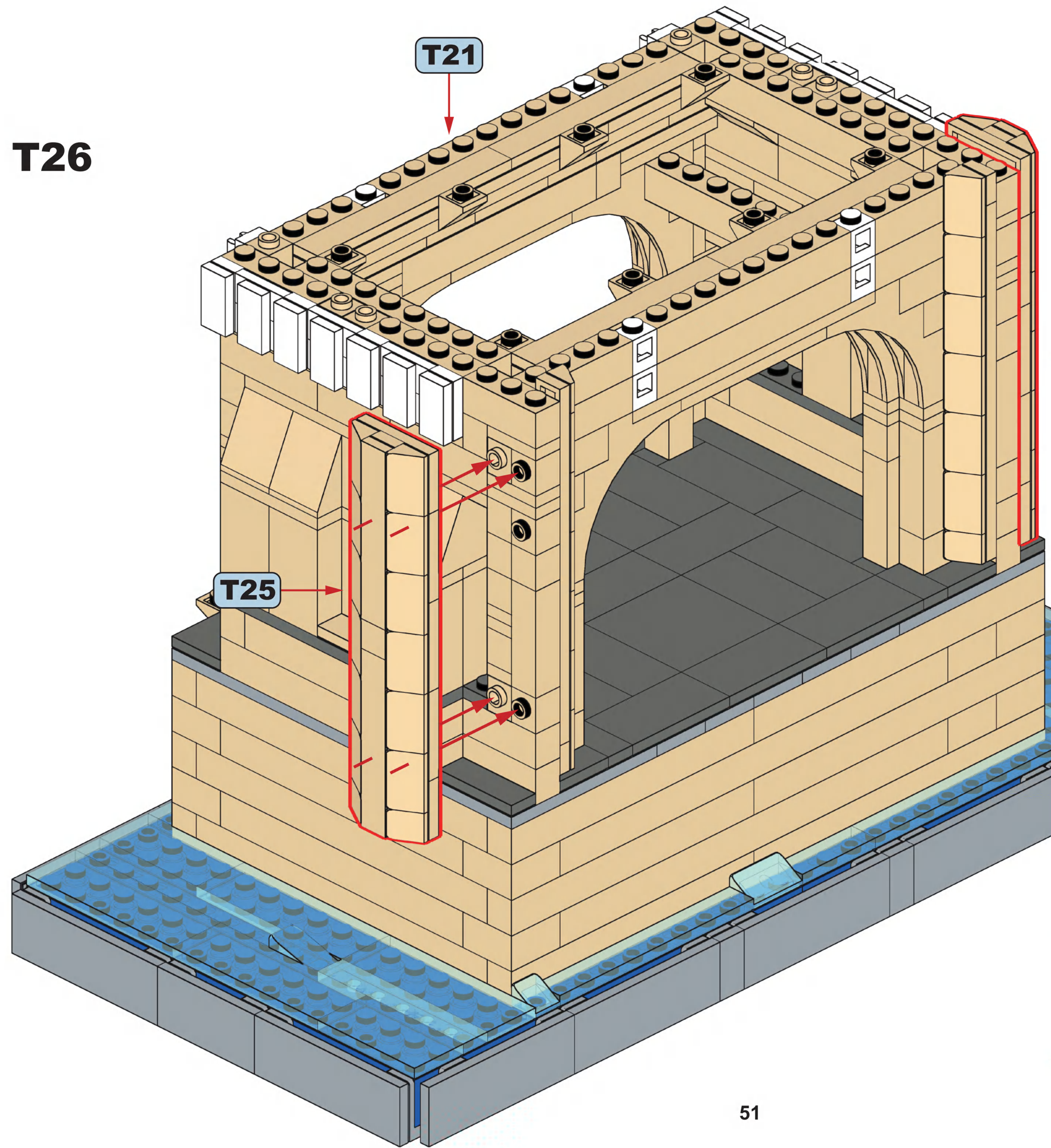


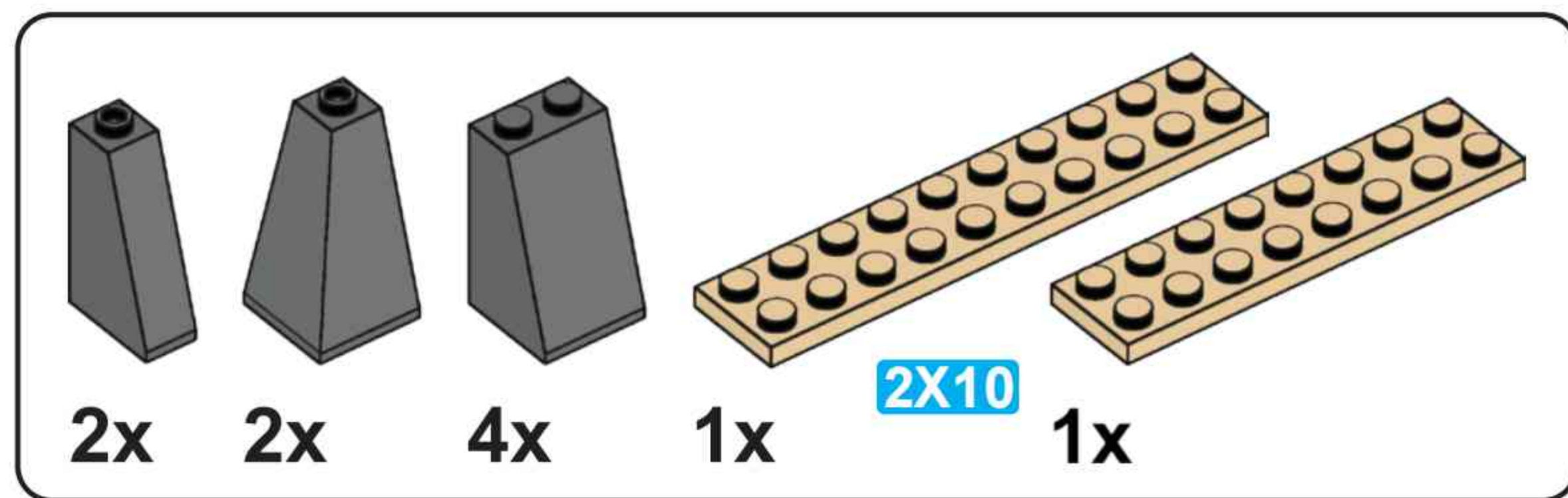
T25



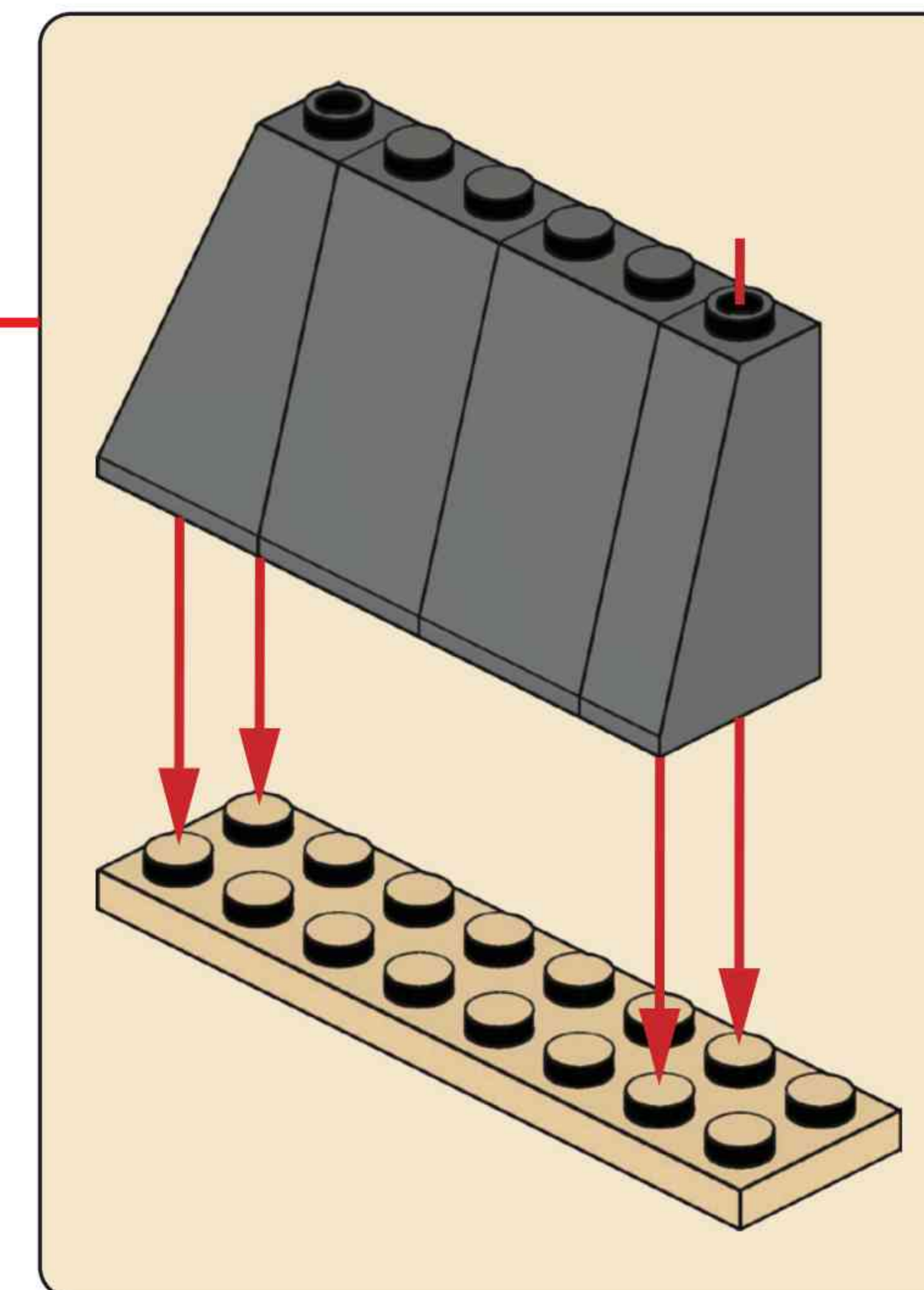
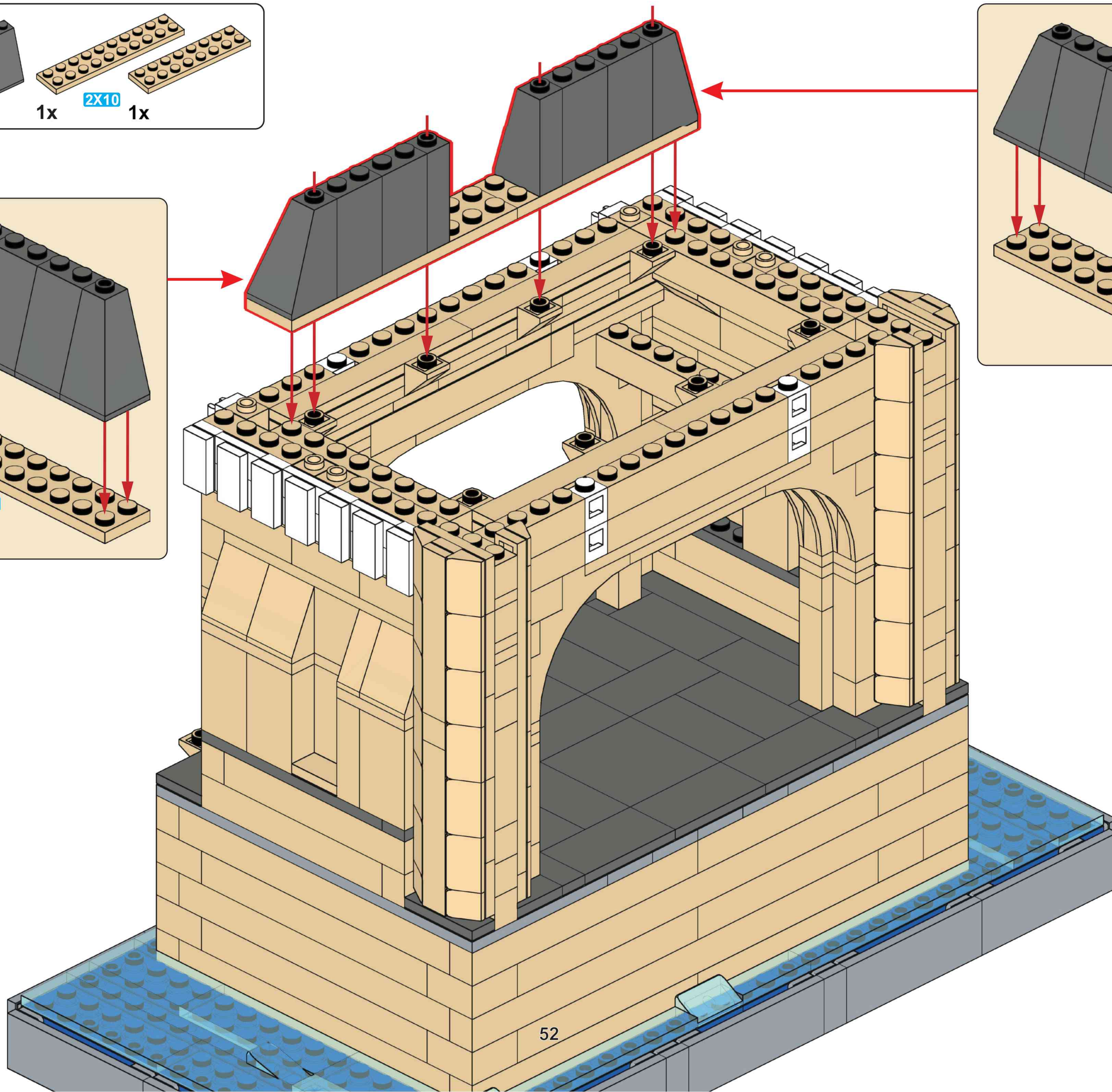
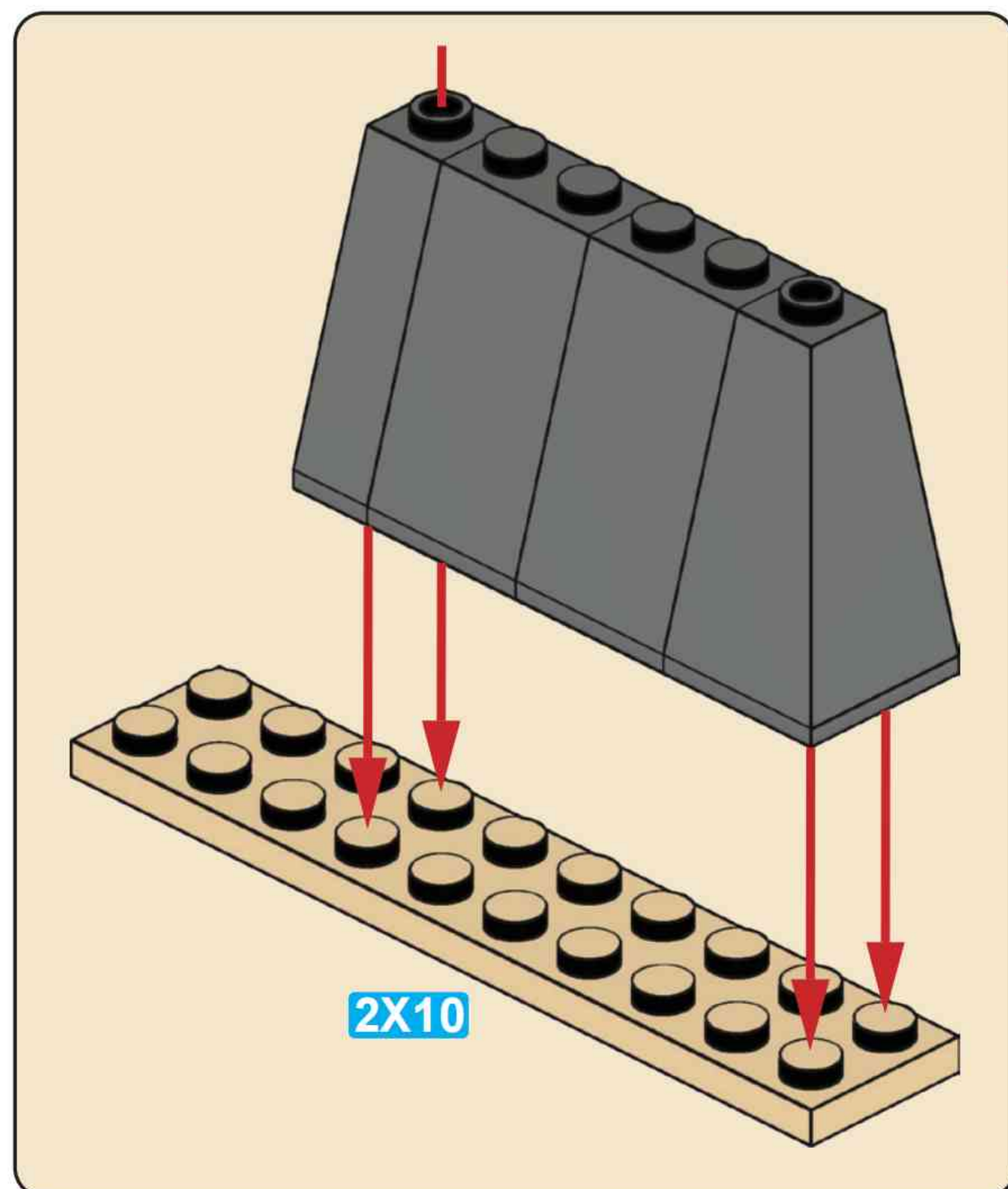
x2

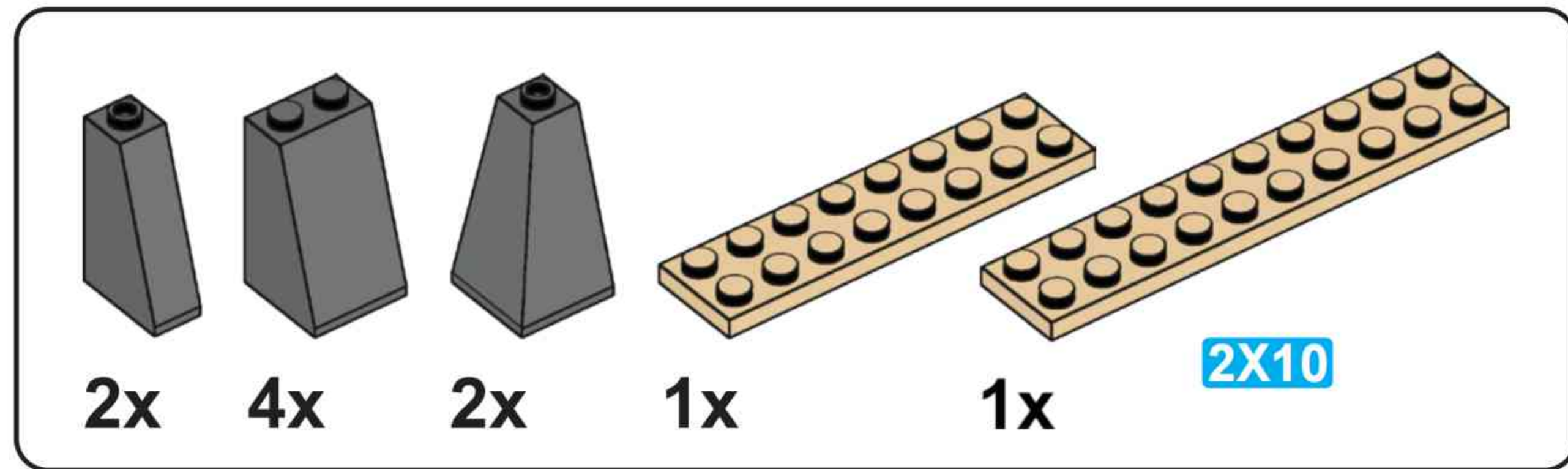
T26



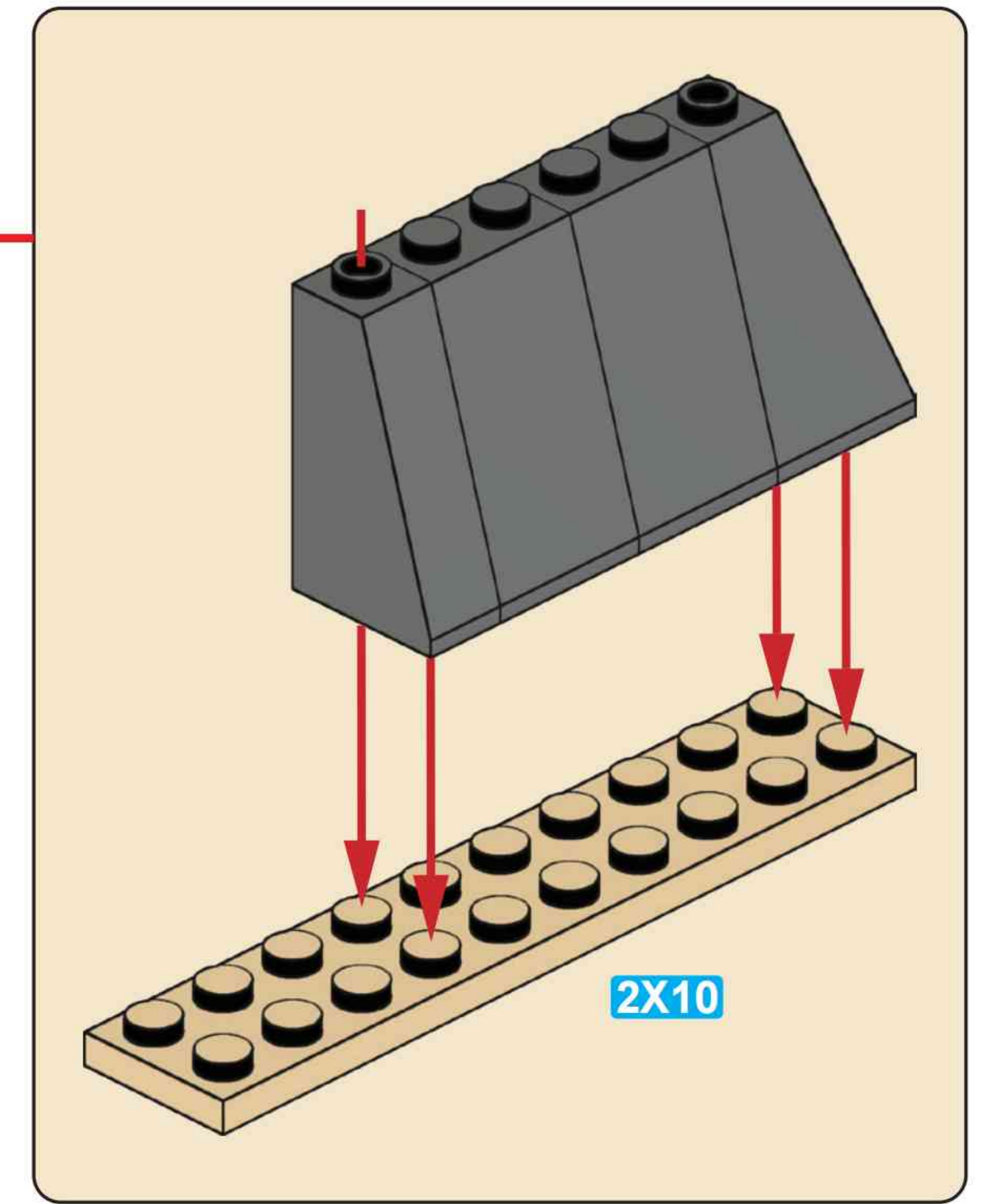
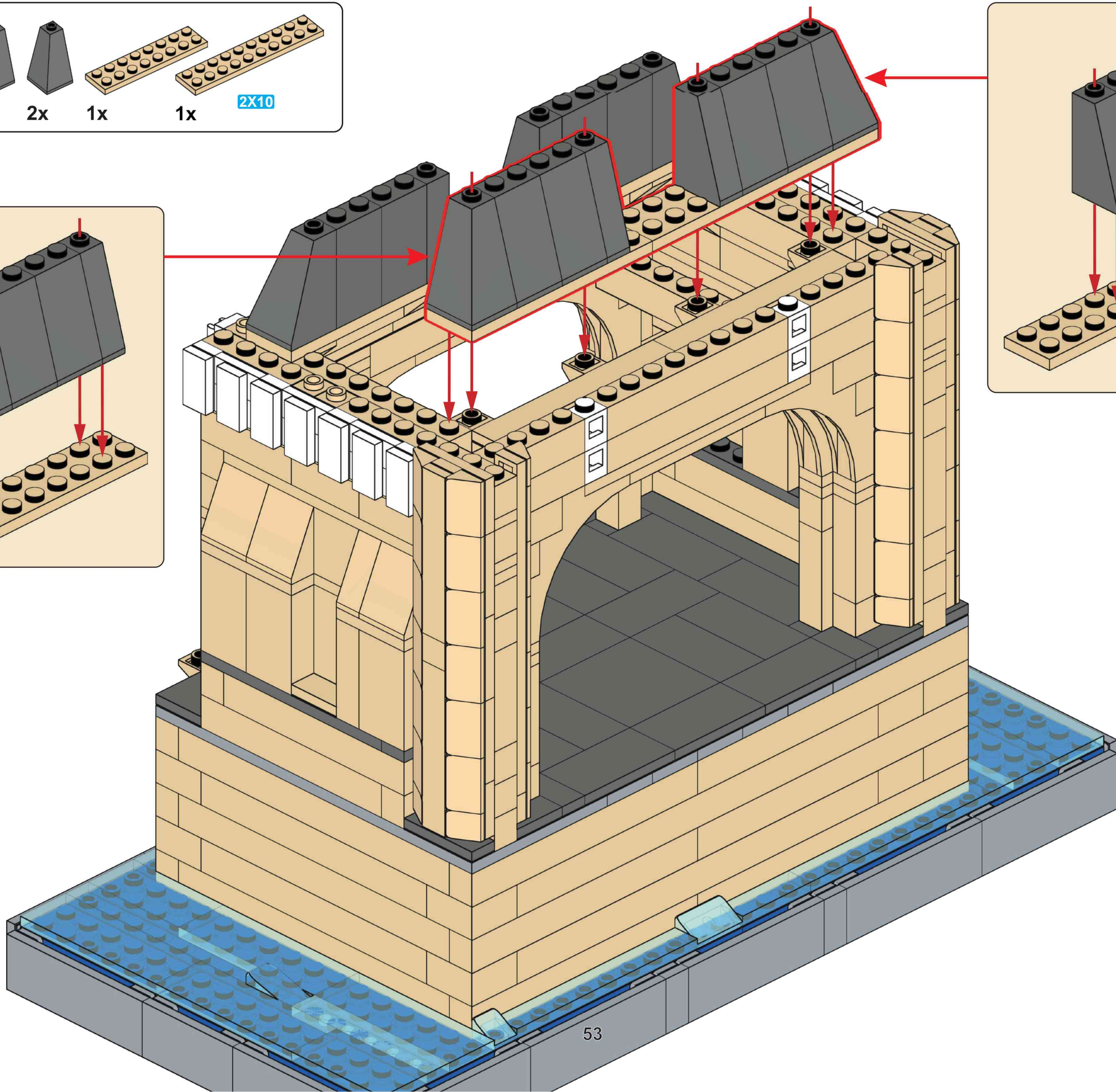
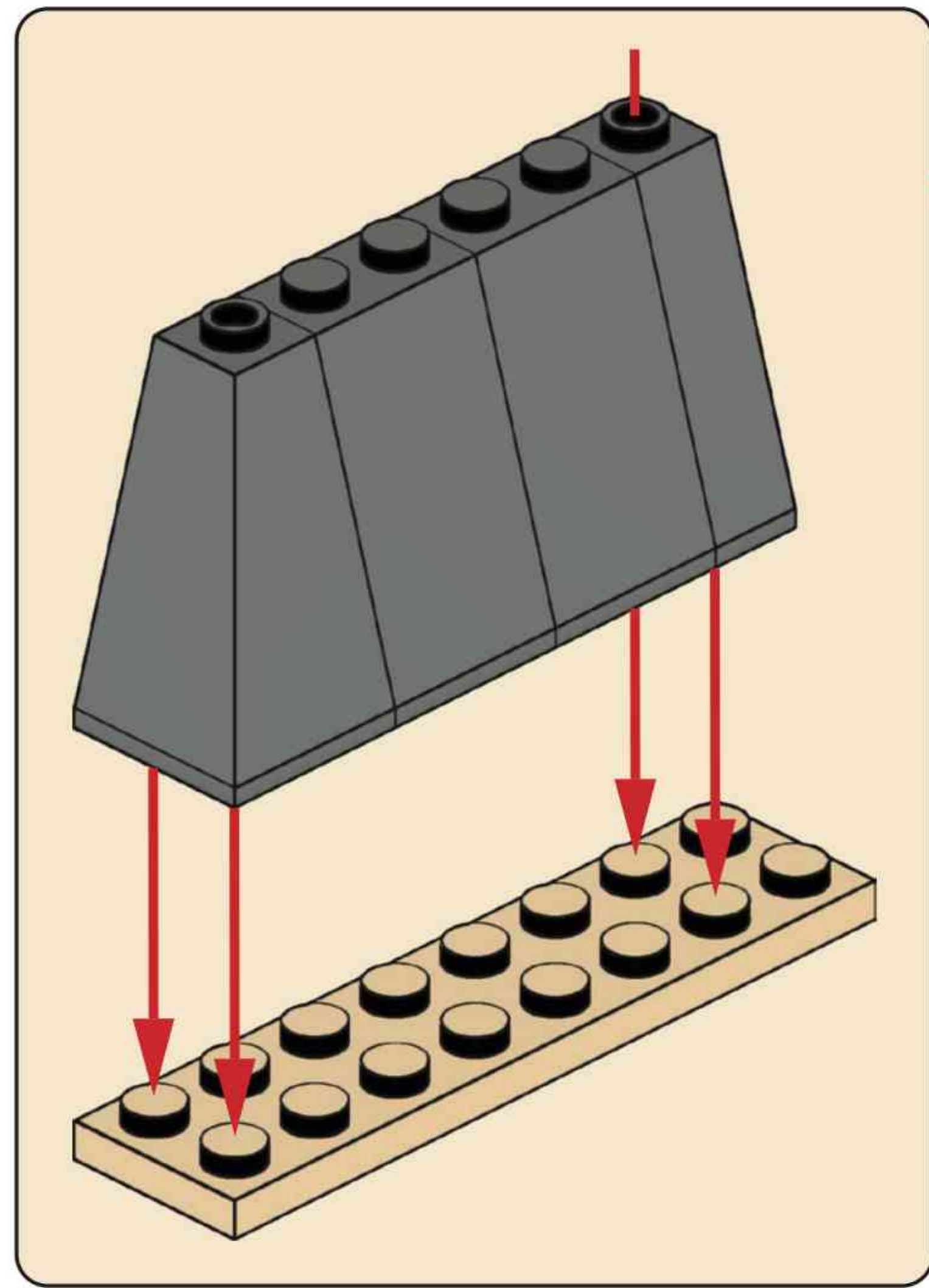


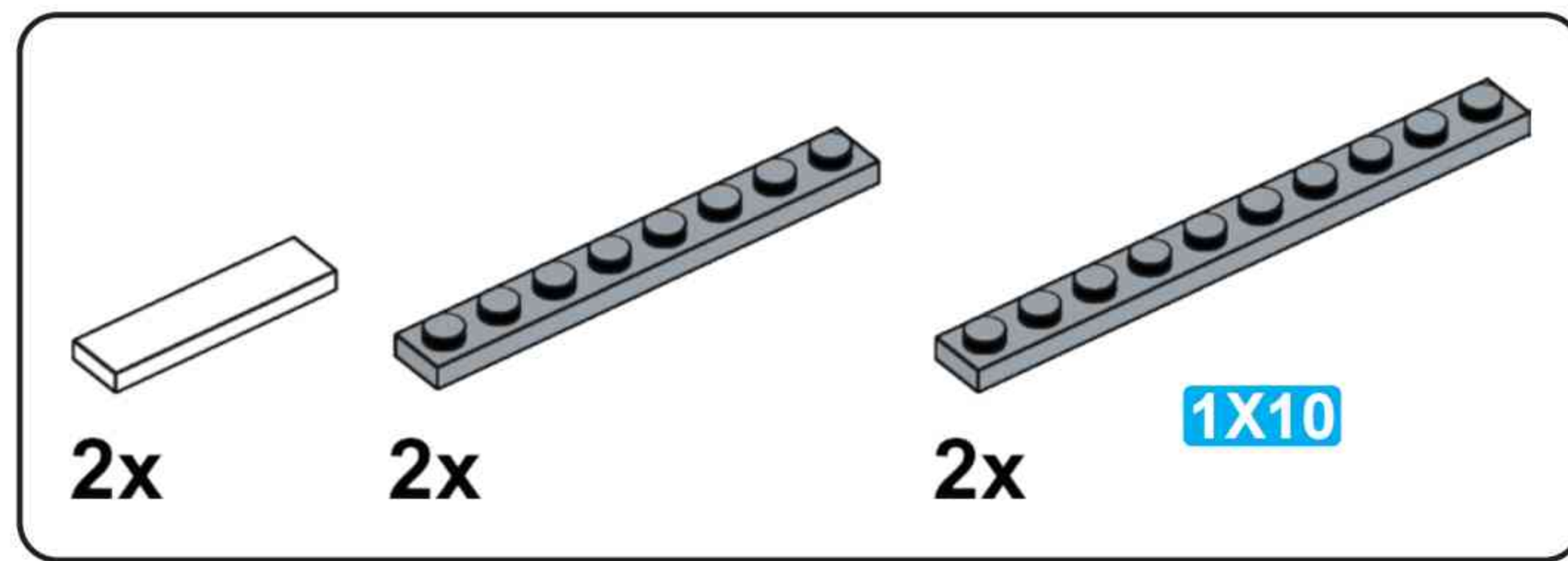
T27



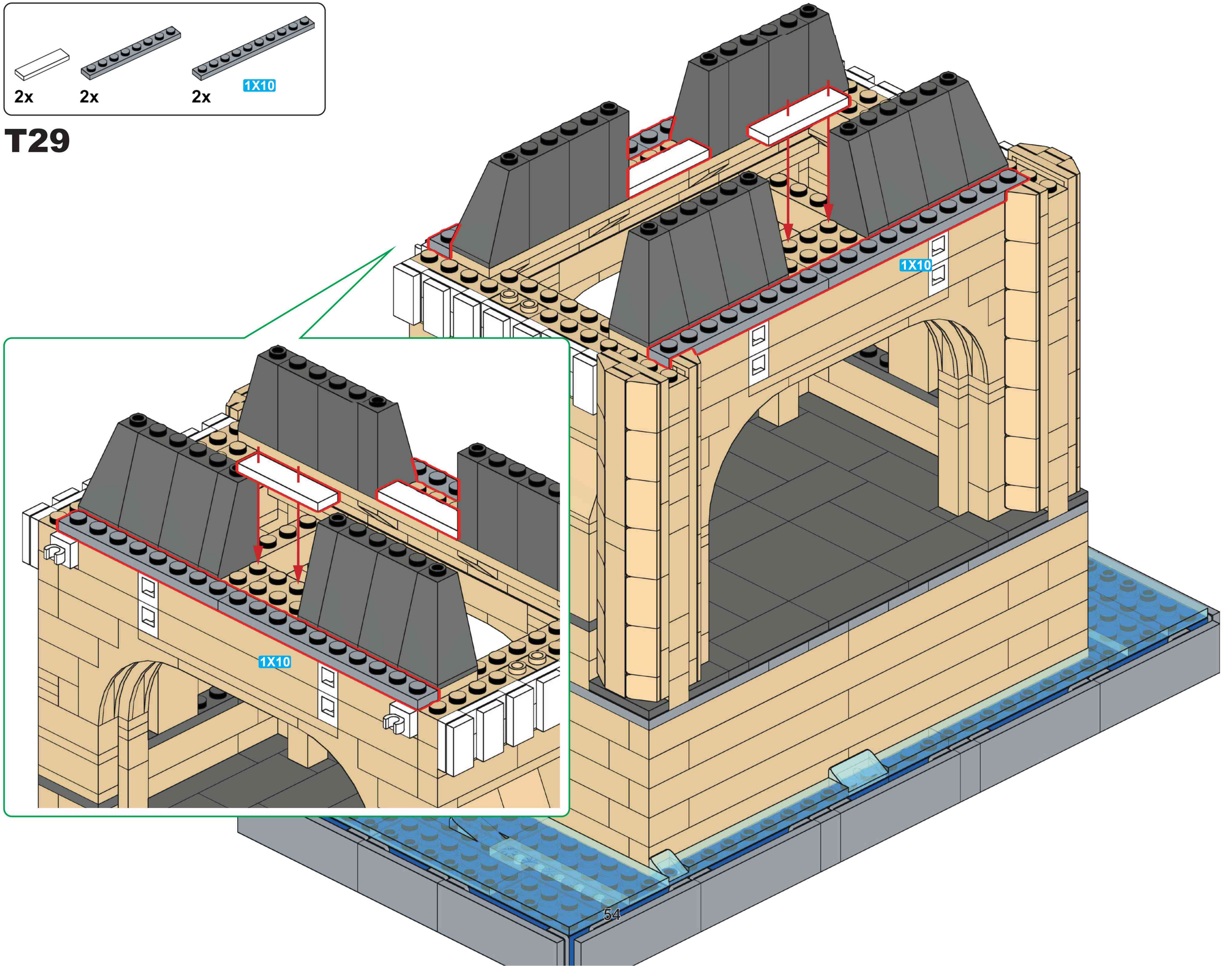


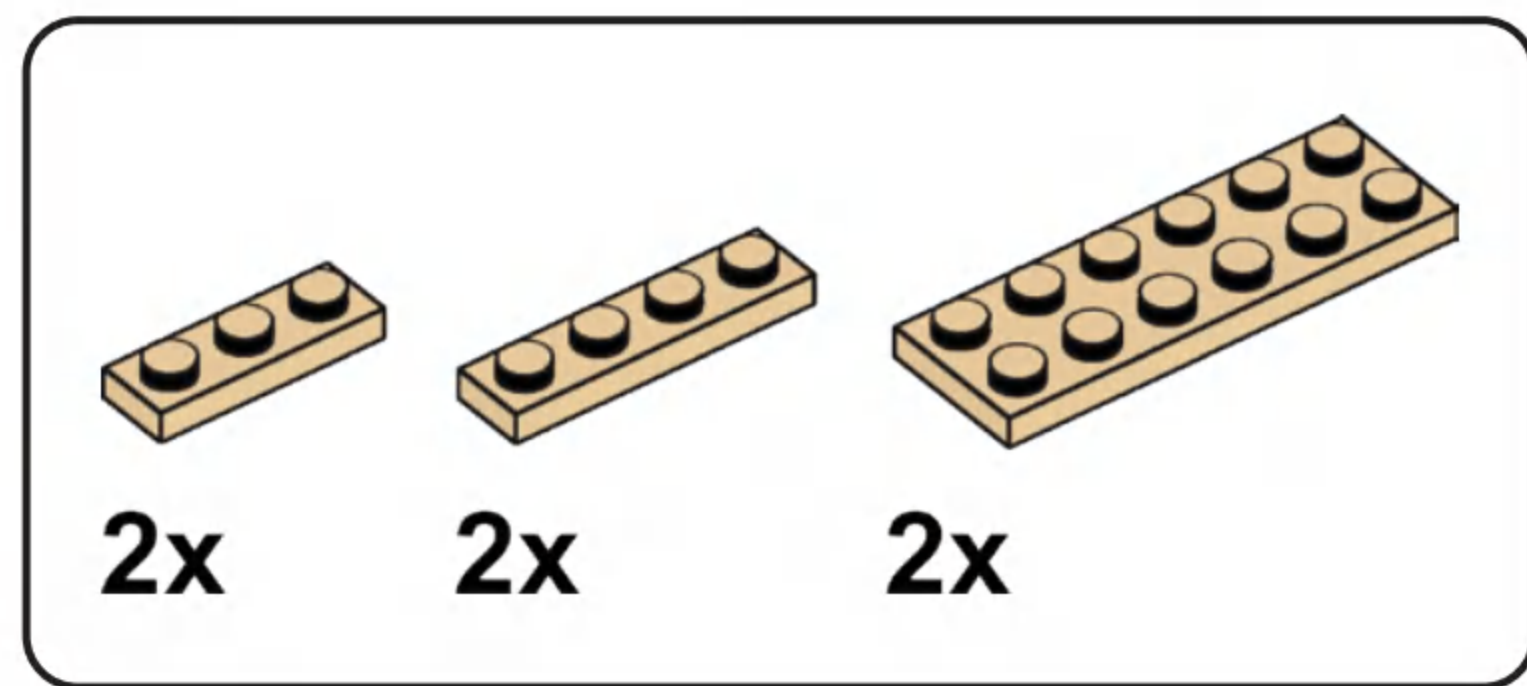
T28



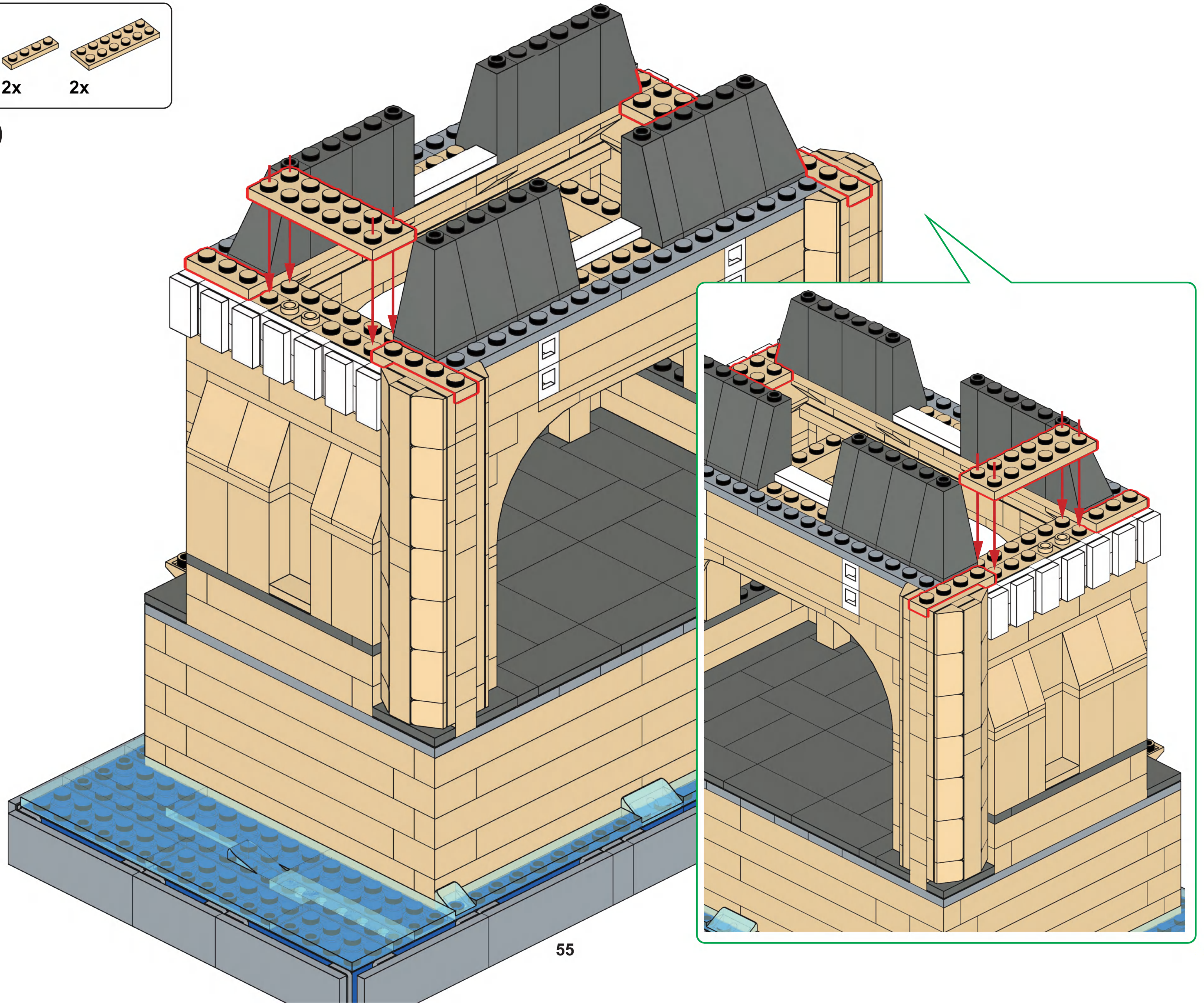


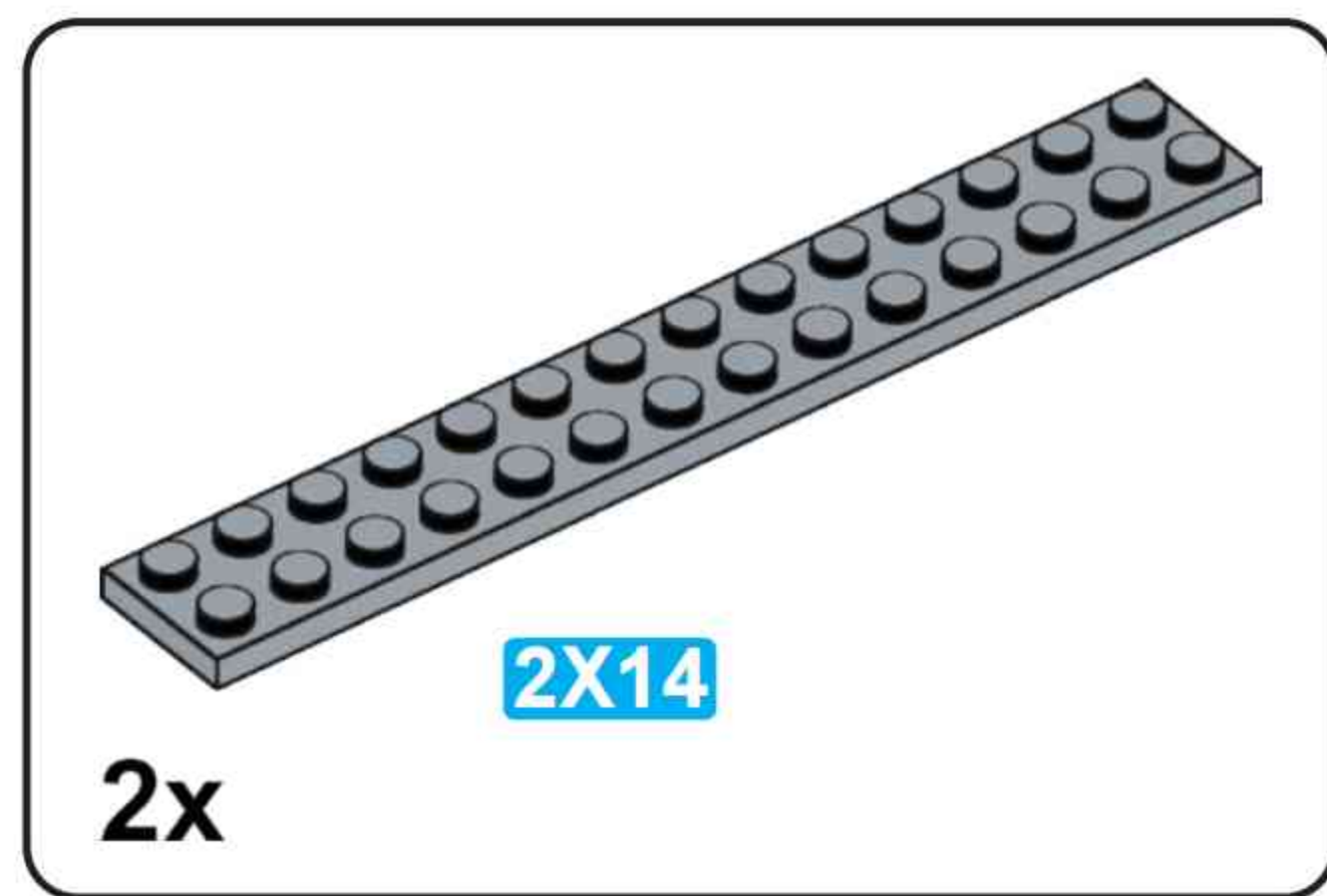
T29



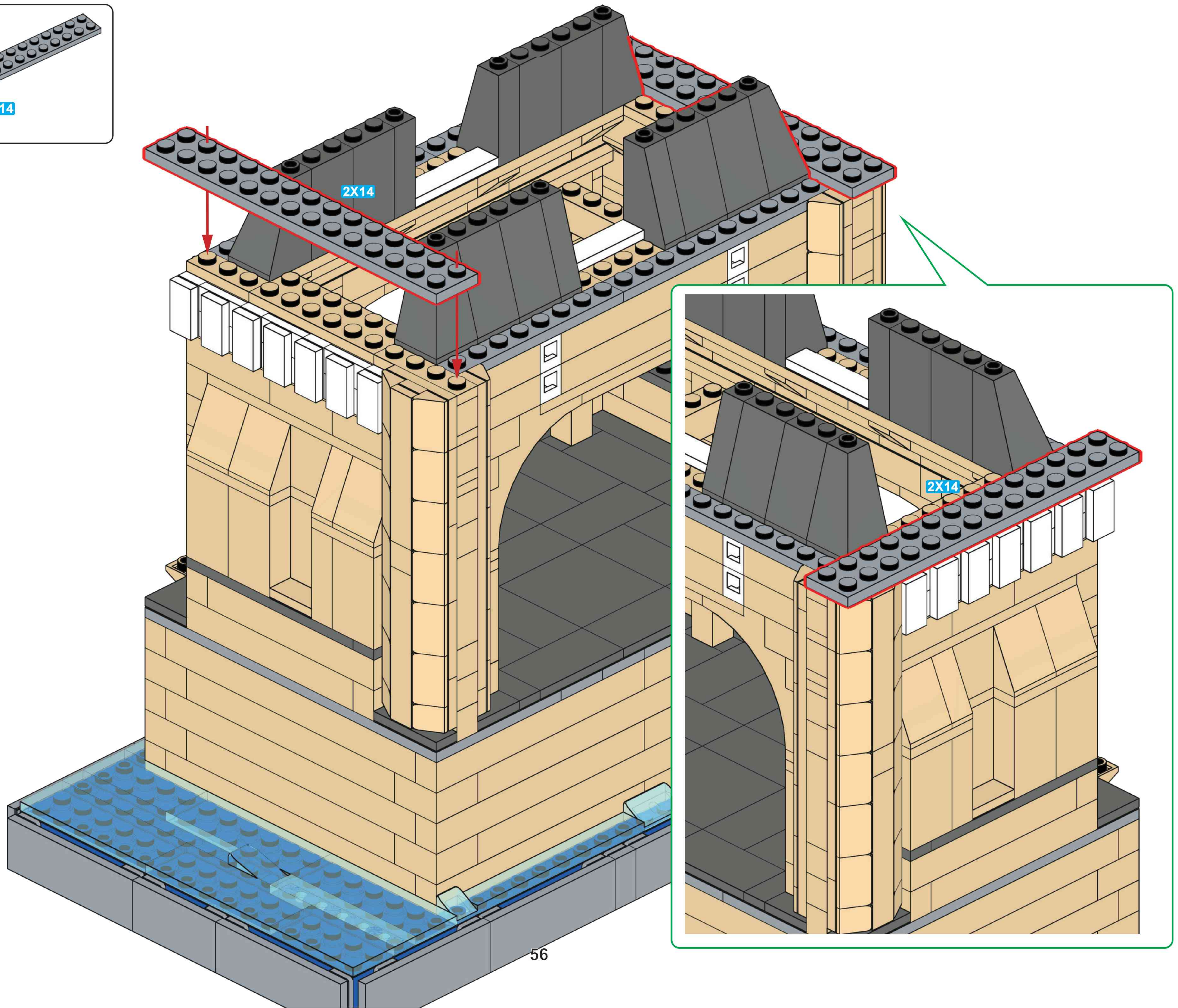


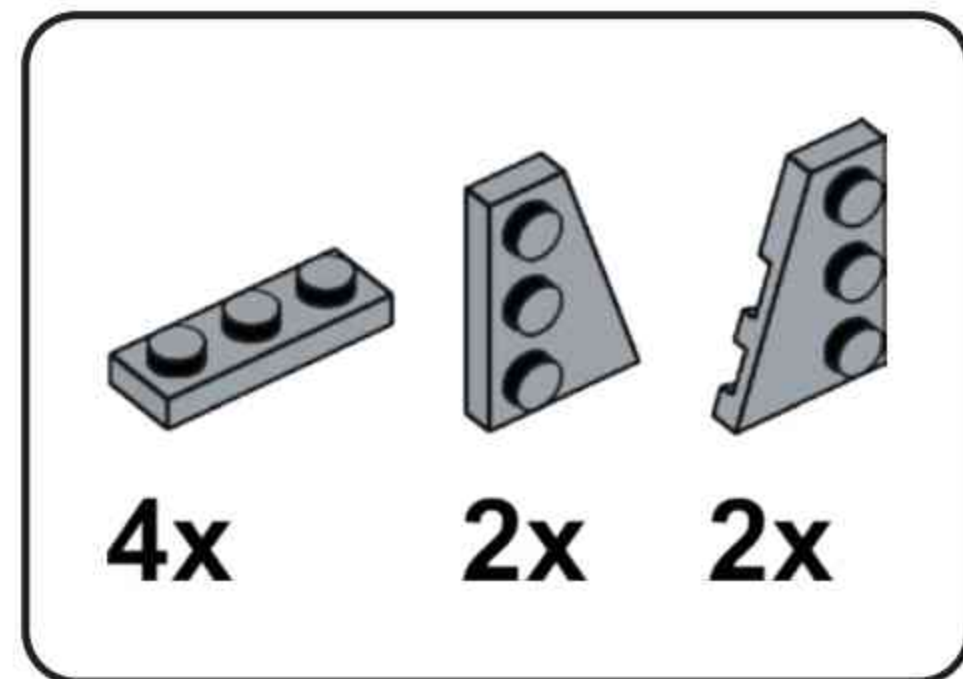
T30



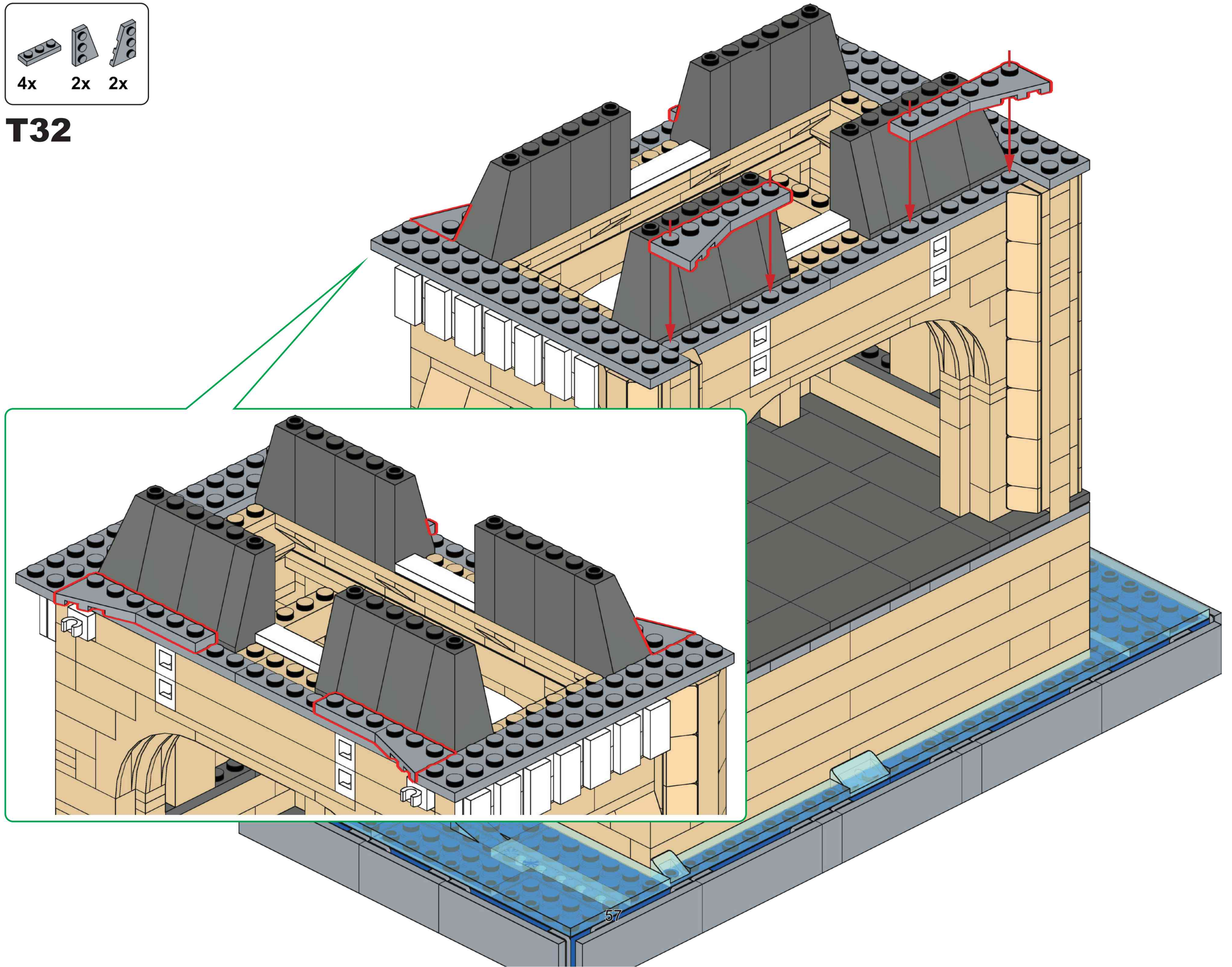


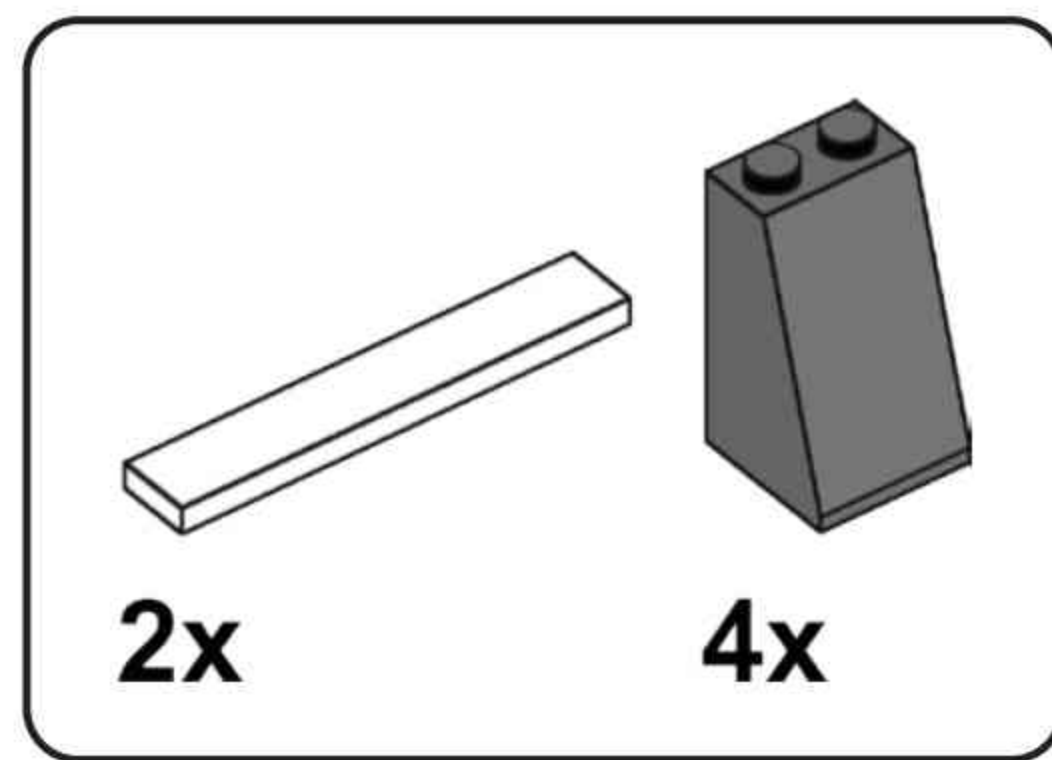
T31



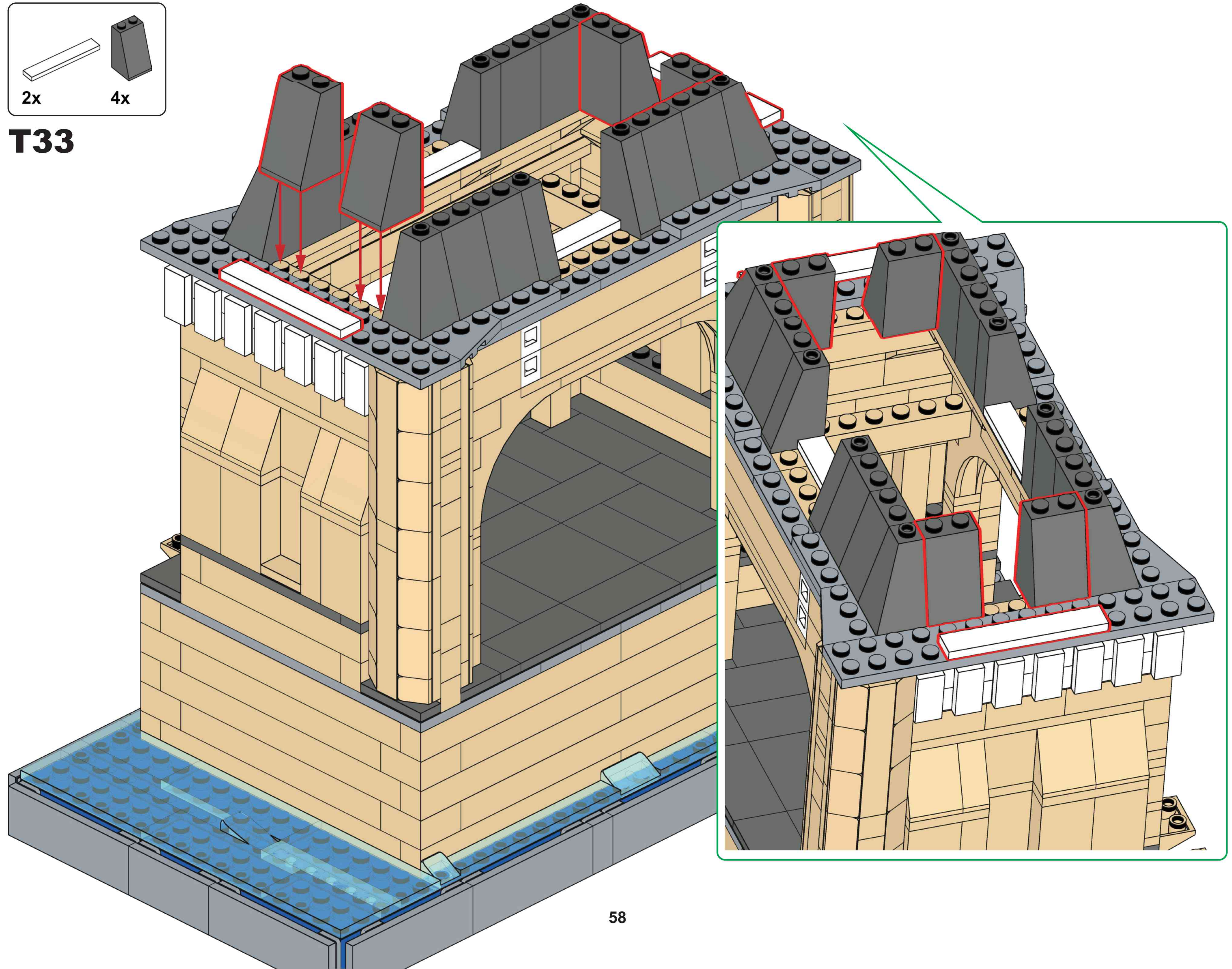


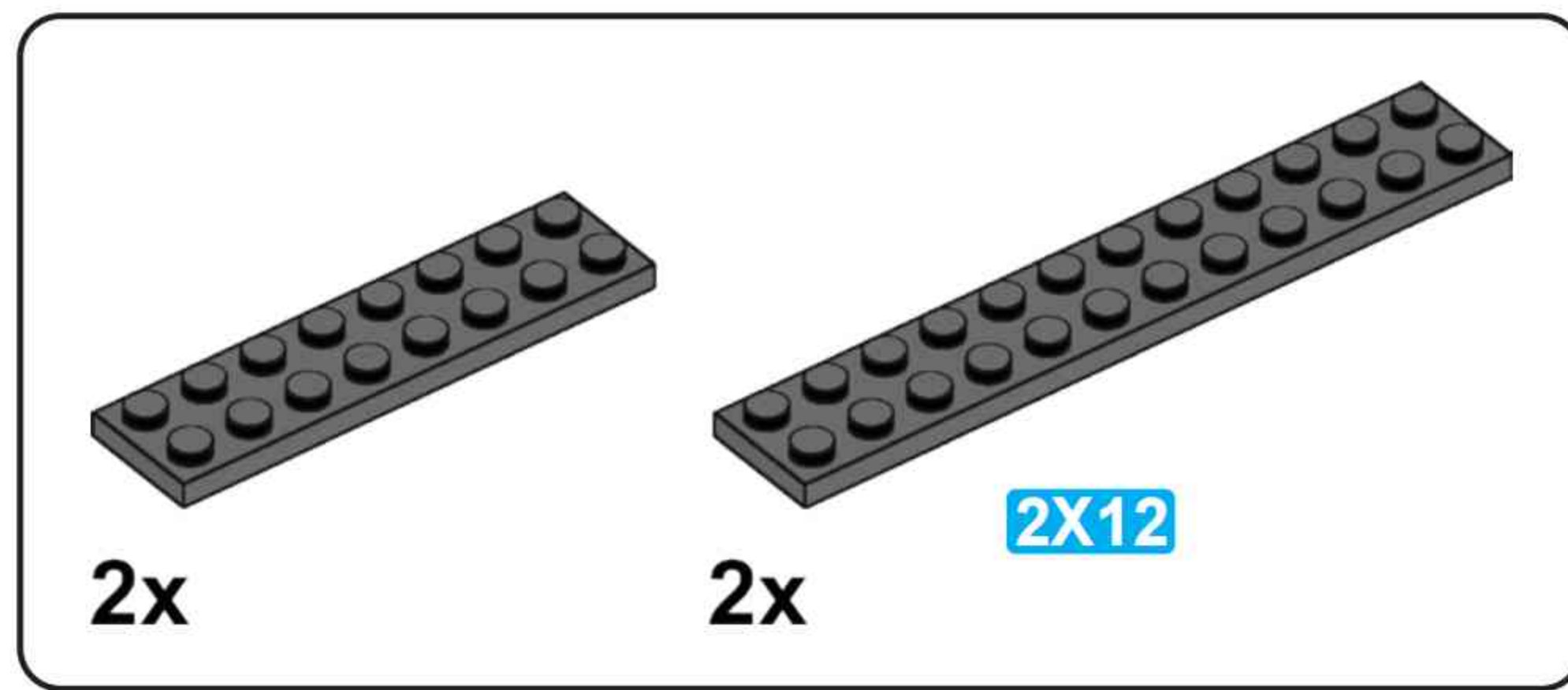
T32



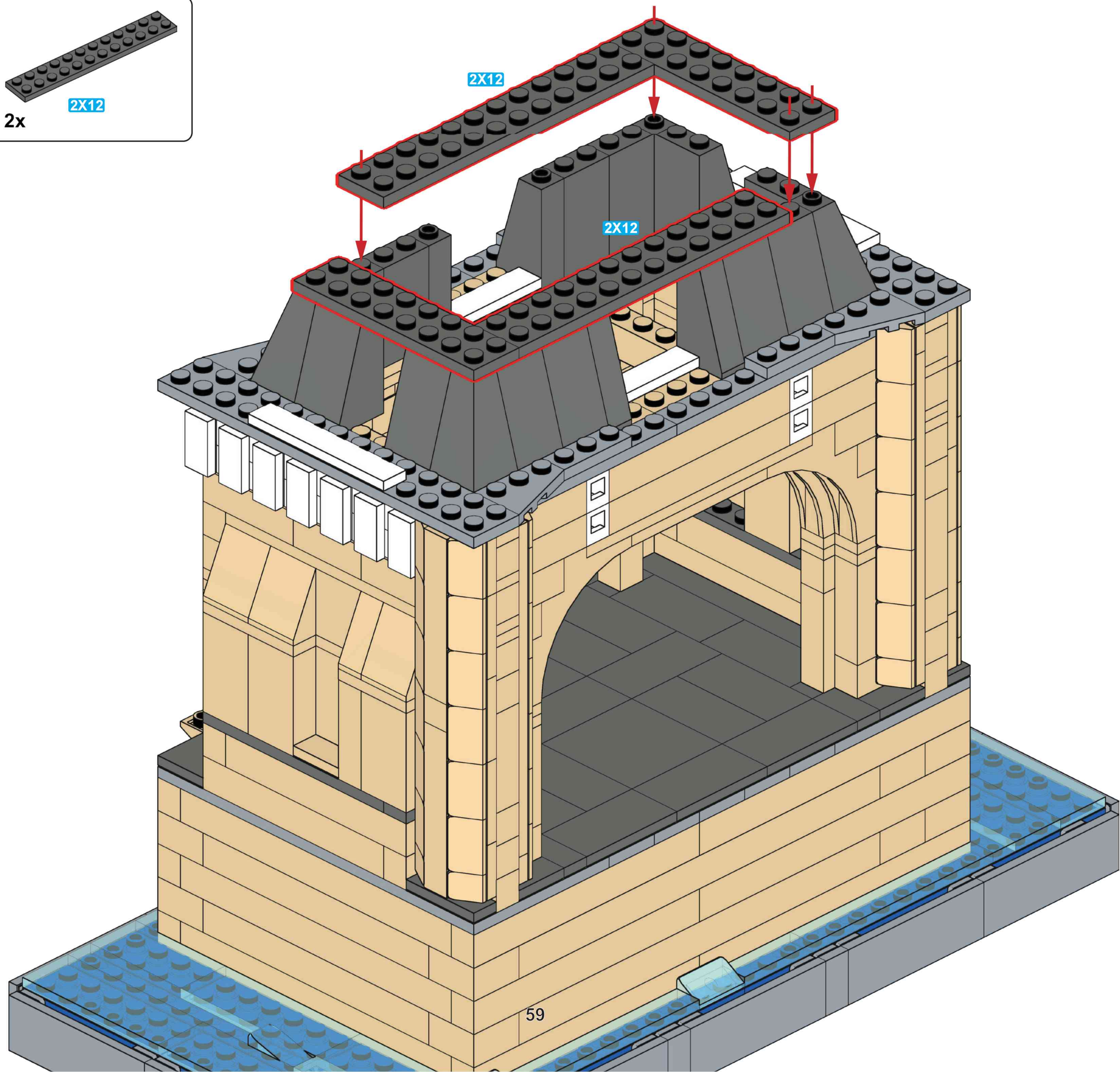


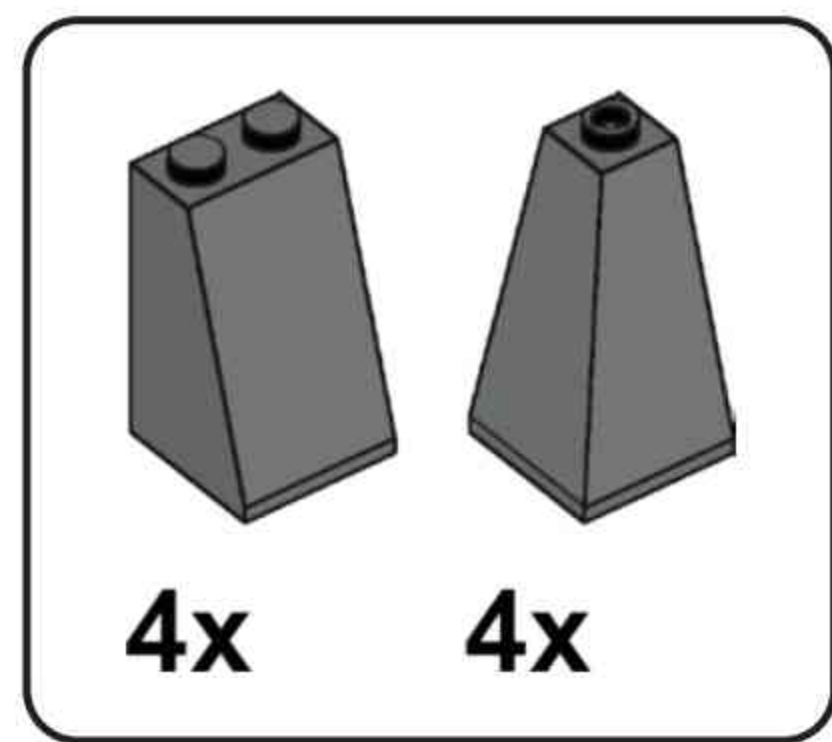
T33





T34





T35

