



NO.55018

# TOWER BRIDGE





# TOWER BRIDGE

LONDON  
LANDMARK



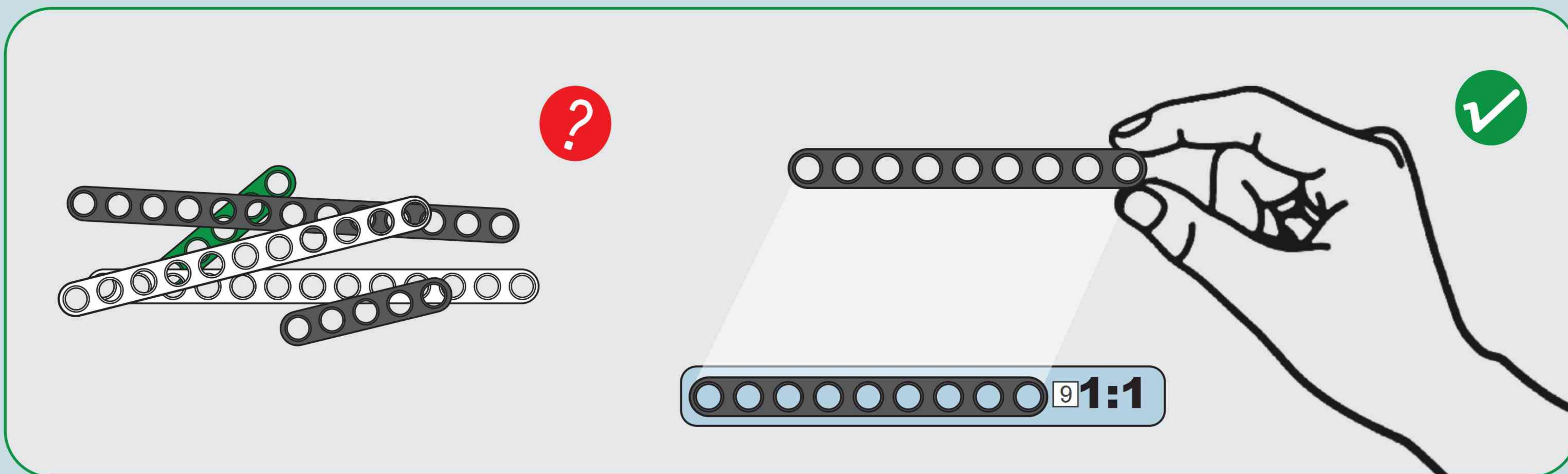
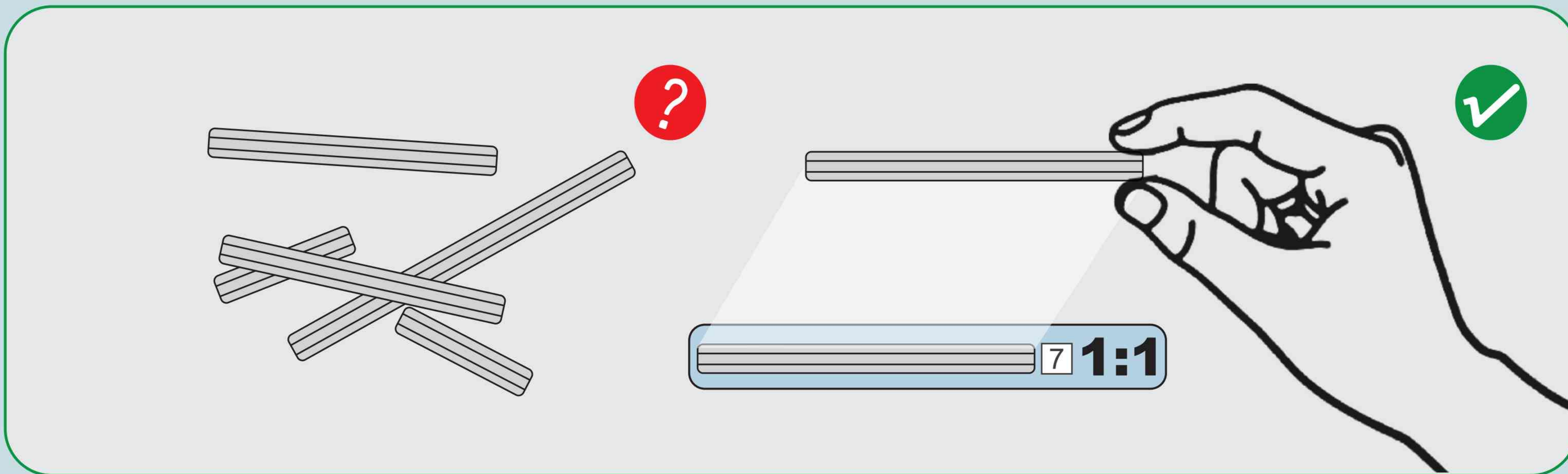
ARCHITECTURE  
CLASSIC



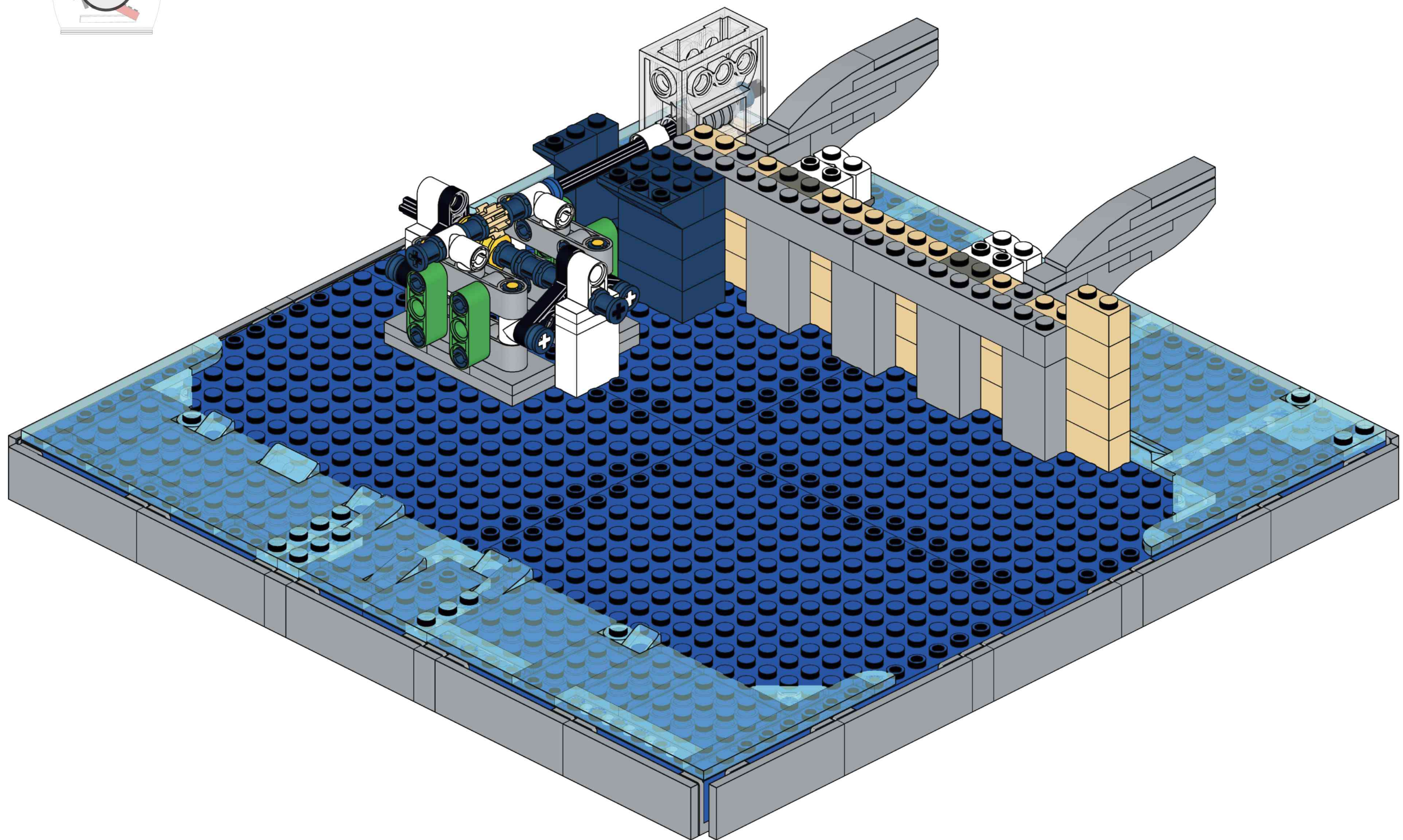
# TOWER BRIDGE

Tower Bridge, one of London's most iconic landmarks, spans the River Thames and stands as a testament to the city's rich history and engineering prowess. Completed in 1894, it was designed to address the growing need for a bridge that could accommodate both road and river traffic, featuring a unique twin-leaf bascule mechanism that allows it to open for large vessels.

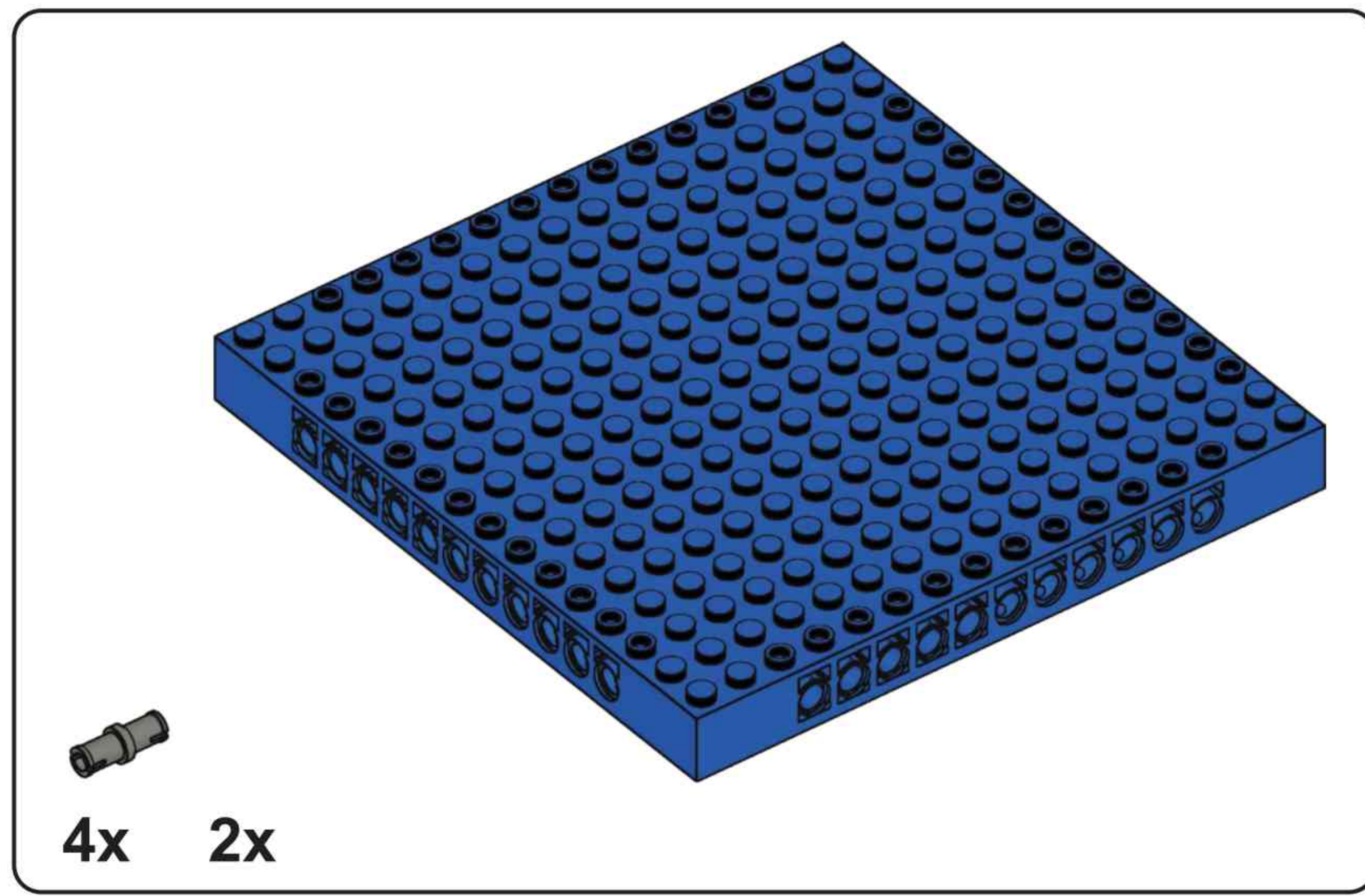
The bridge's Gothic-style towers, clad in granite and Portland stone, rise 61 meters high, protecting the internal steel structure while echoing the architectural grandeur of the Victorian era. Its 244-meter-long span includes a central section with two massive leaves, each weighing over 1,000 tons, which can be raised to 83 degrees in a minute using counterweights and hydraulic systems. Originally steam-powered, it was converted to electro-hydraulic operation in 1976, with the original engines preserved for public viewing. An elevated walkway, once intended for pedestrians during bridge openings, was closed due to low usage but reopened in 1982 as an exhibition space. Today, it offers a glass-floor corridor with stunning views of the river. Tower Bridge opens about 850 times annually, primarily for river traffic, serving as a vital symbol of London's heritage and a must-visit destination for tourists worldwide.



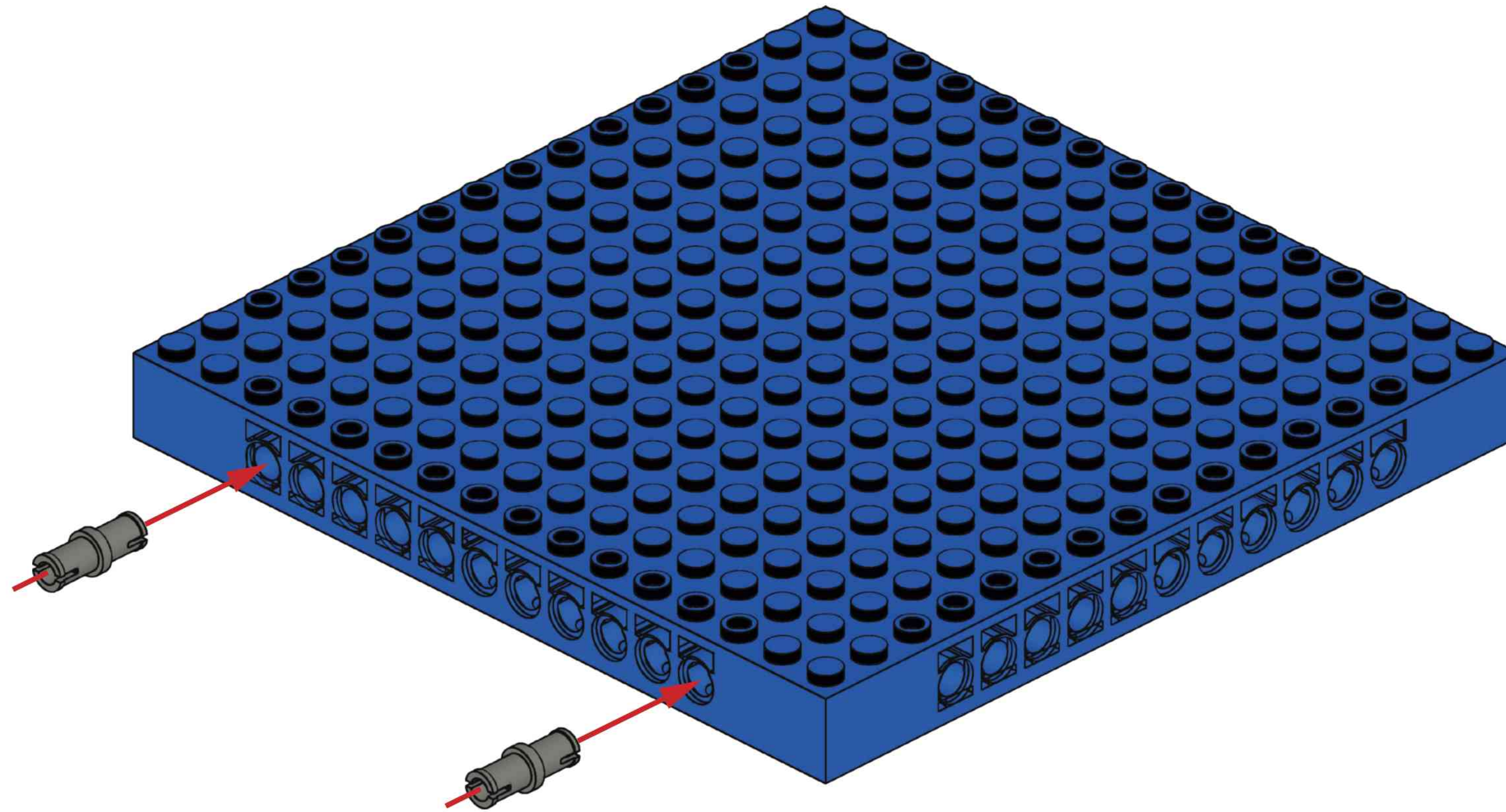
1



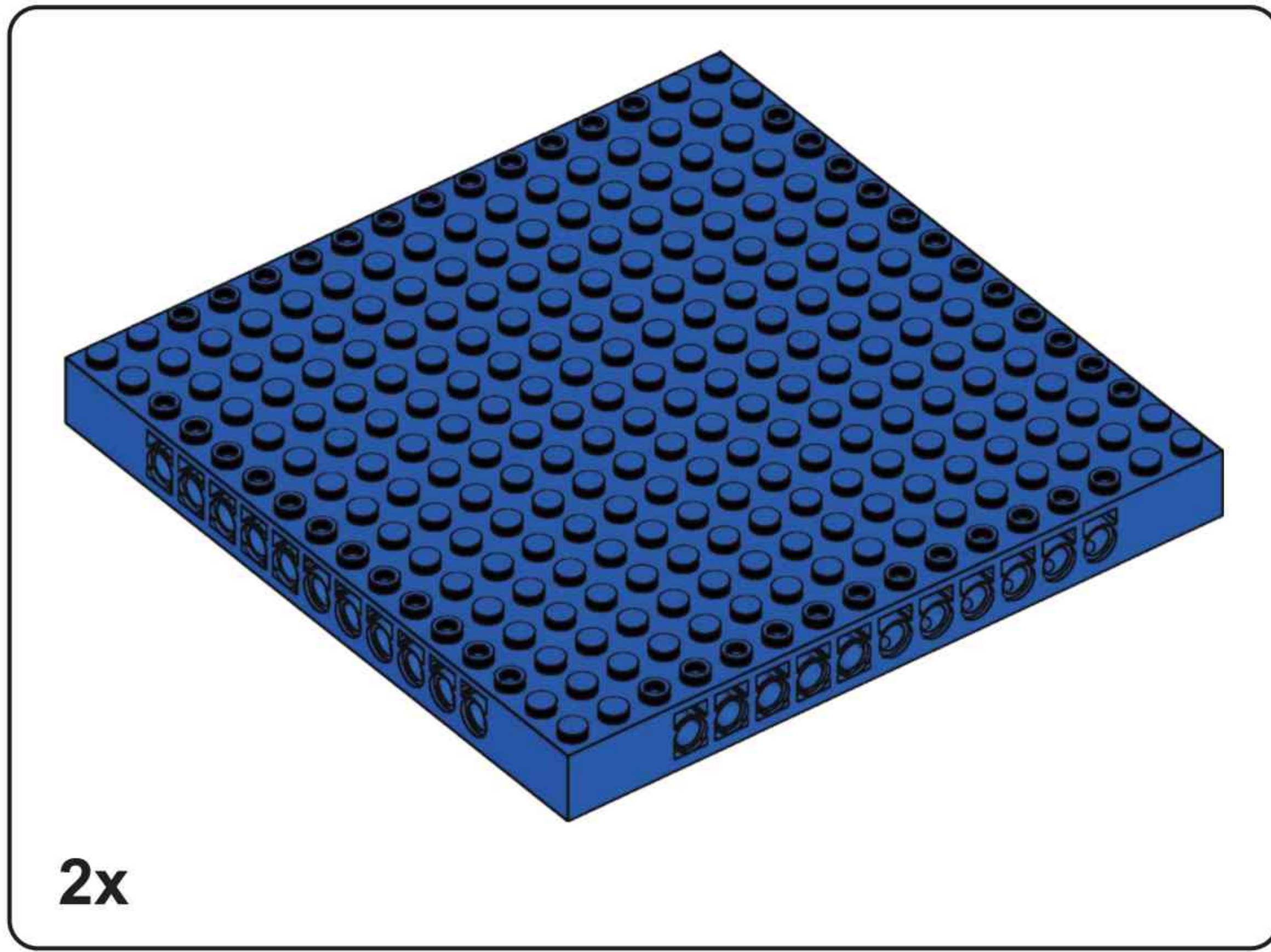
A



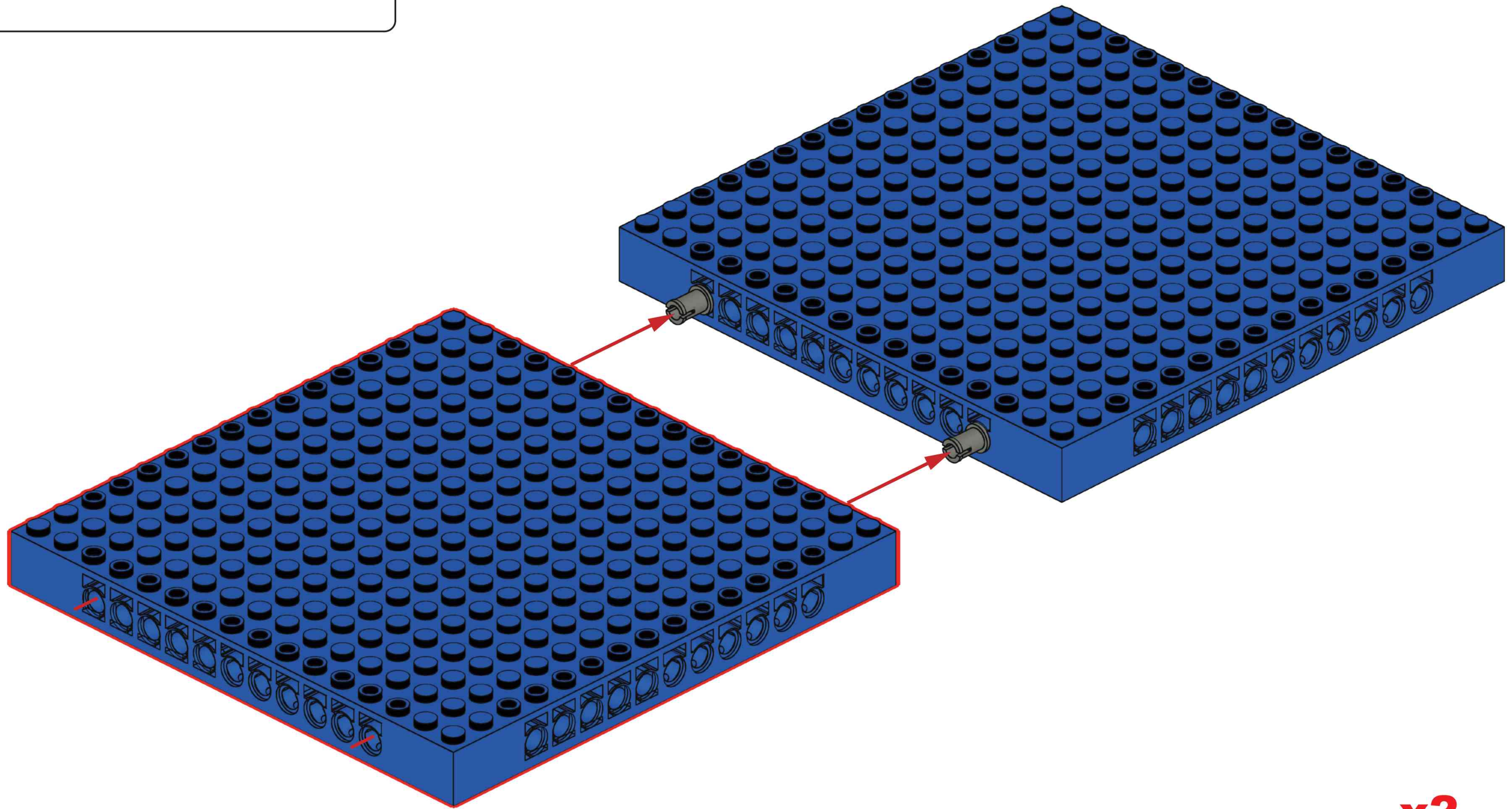
**A1**



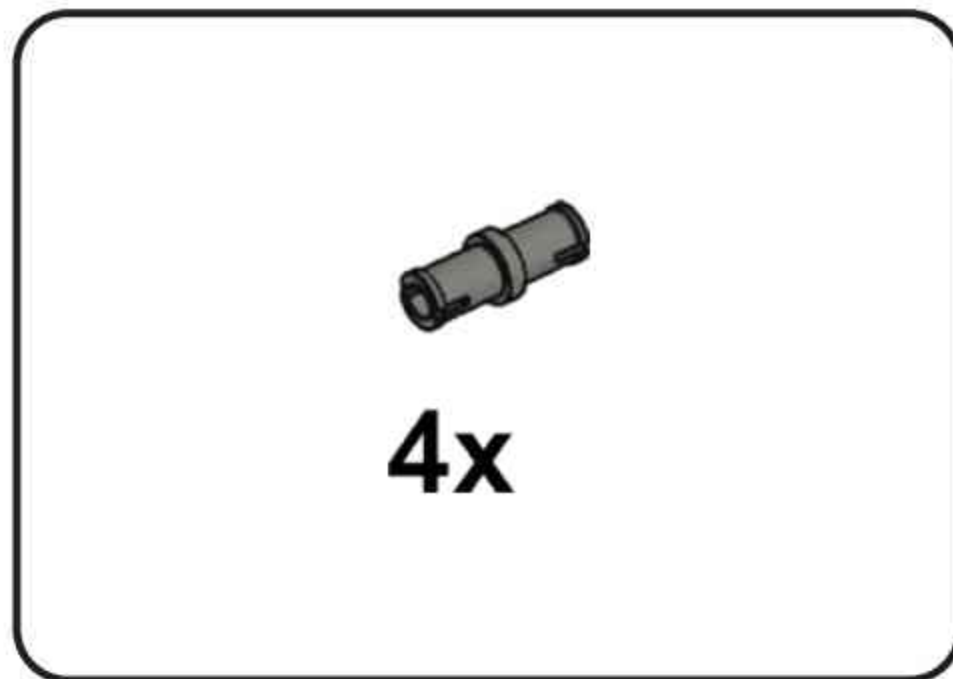
**x2**



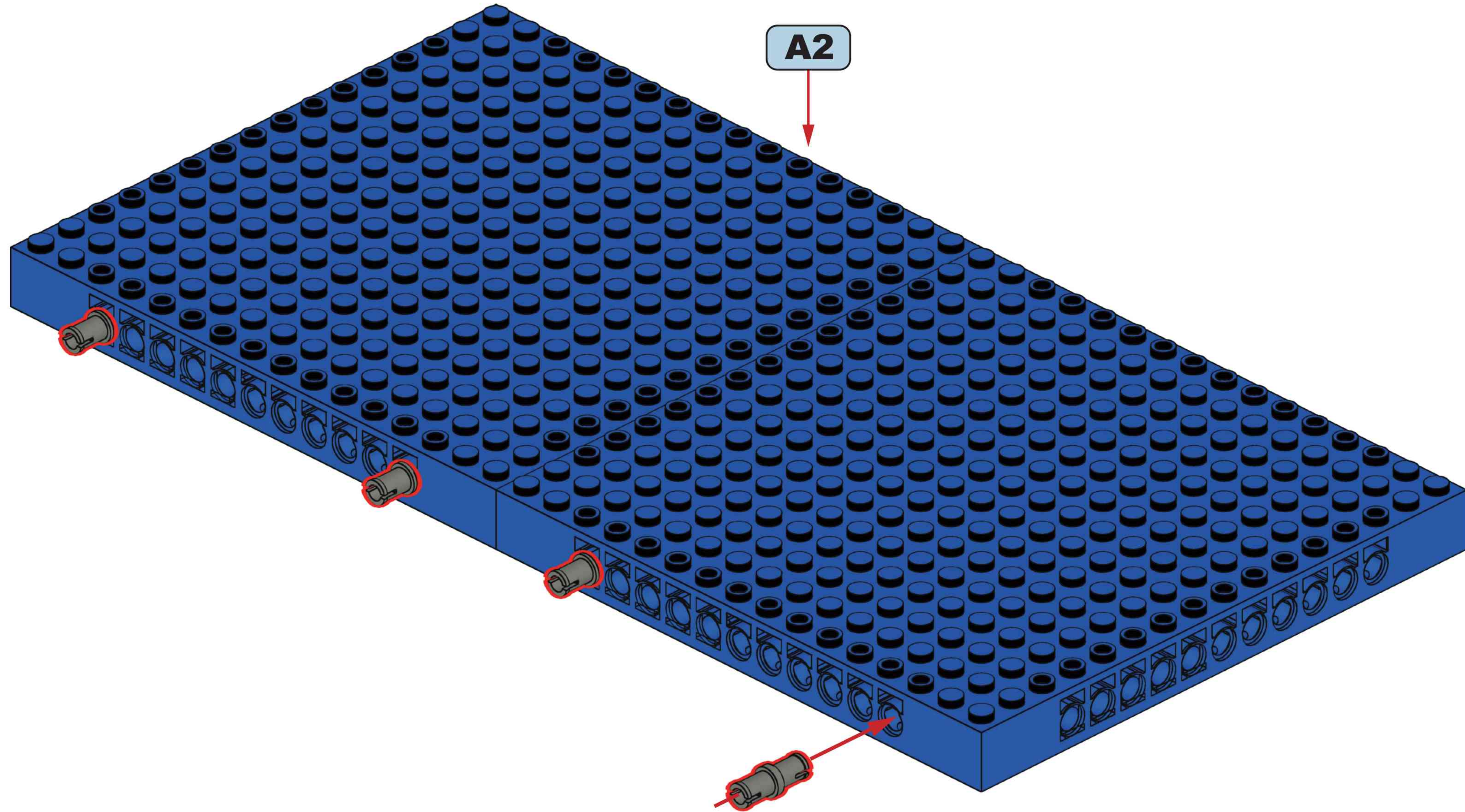
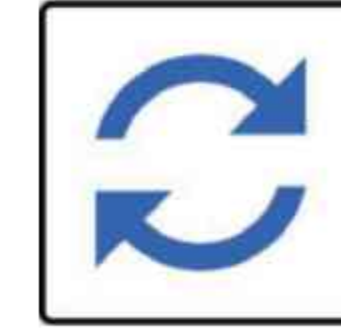
**A2**



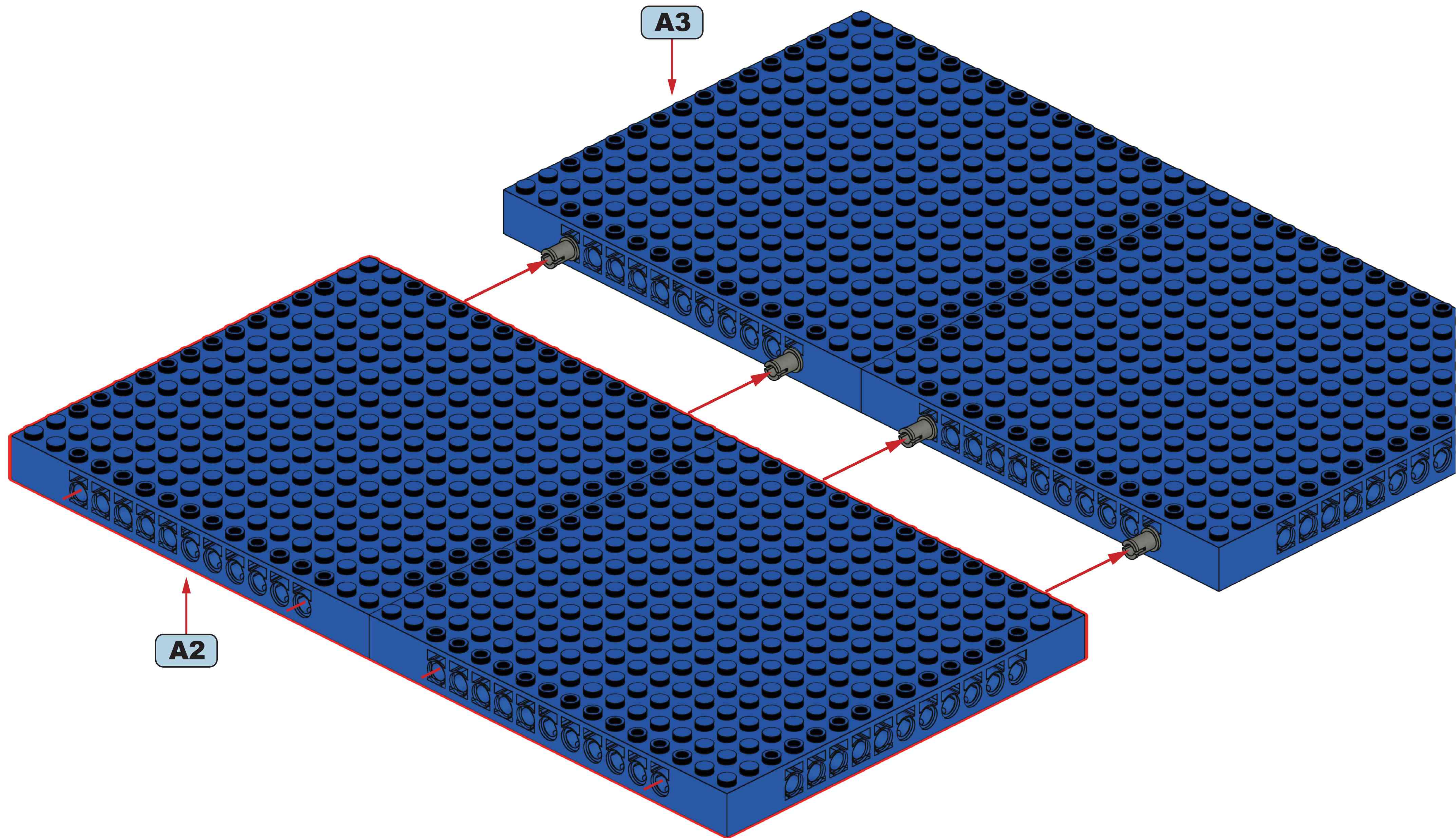
**x2**

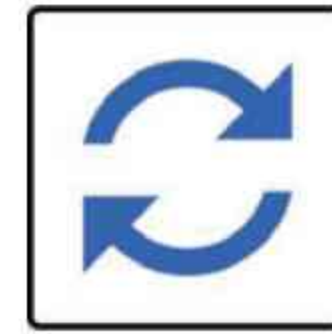
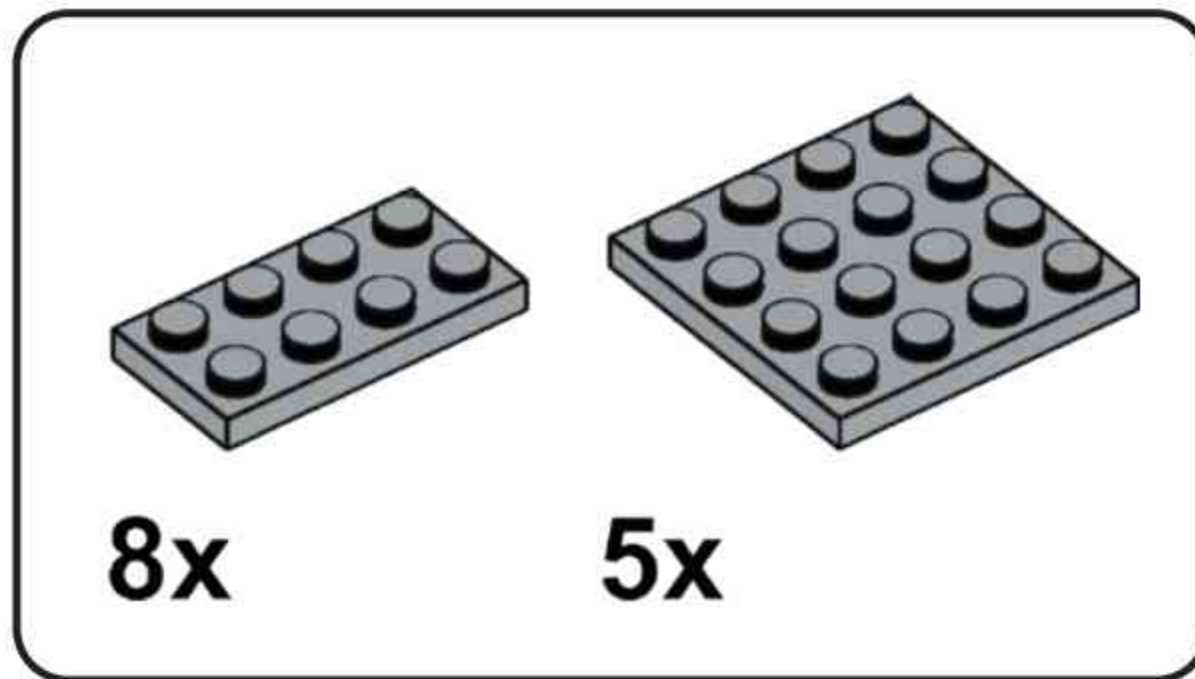


**A3**

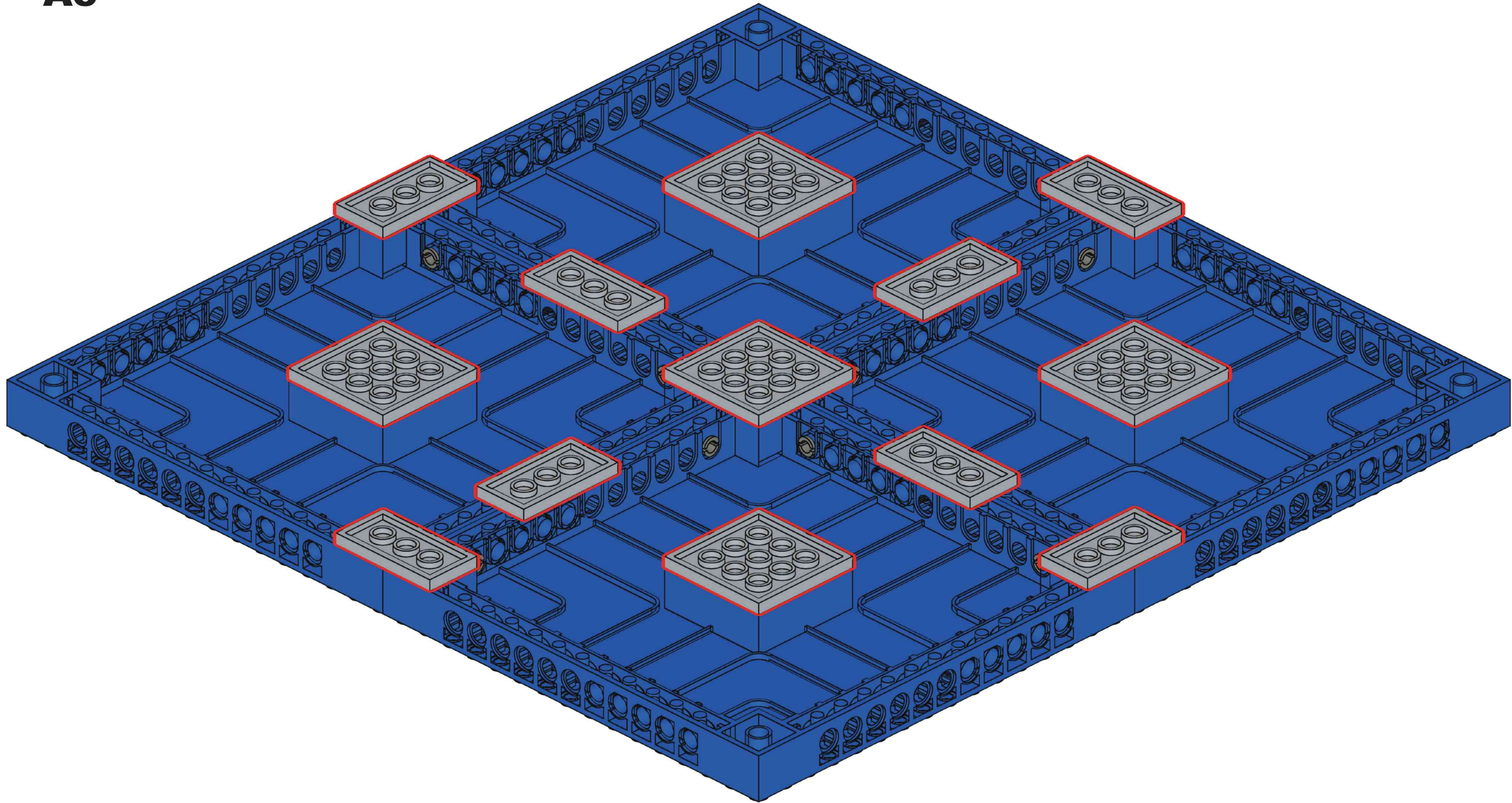


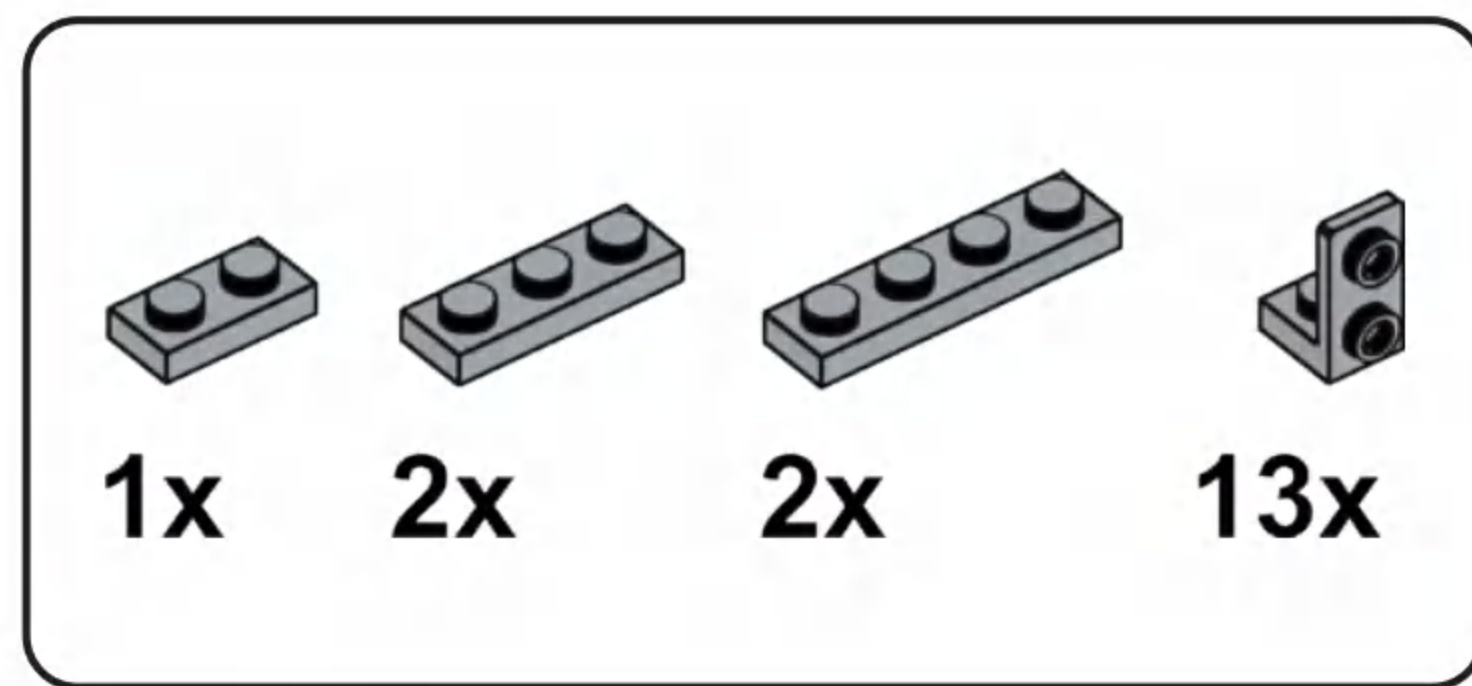
**A4**



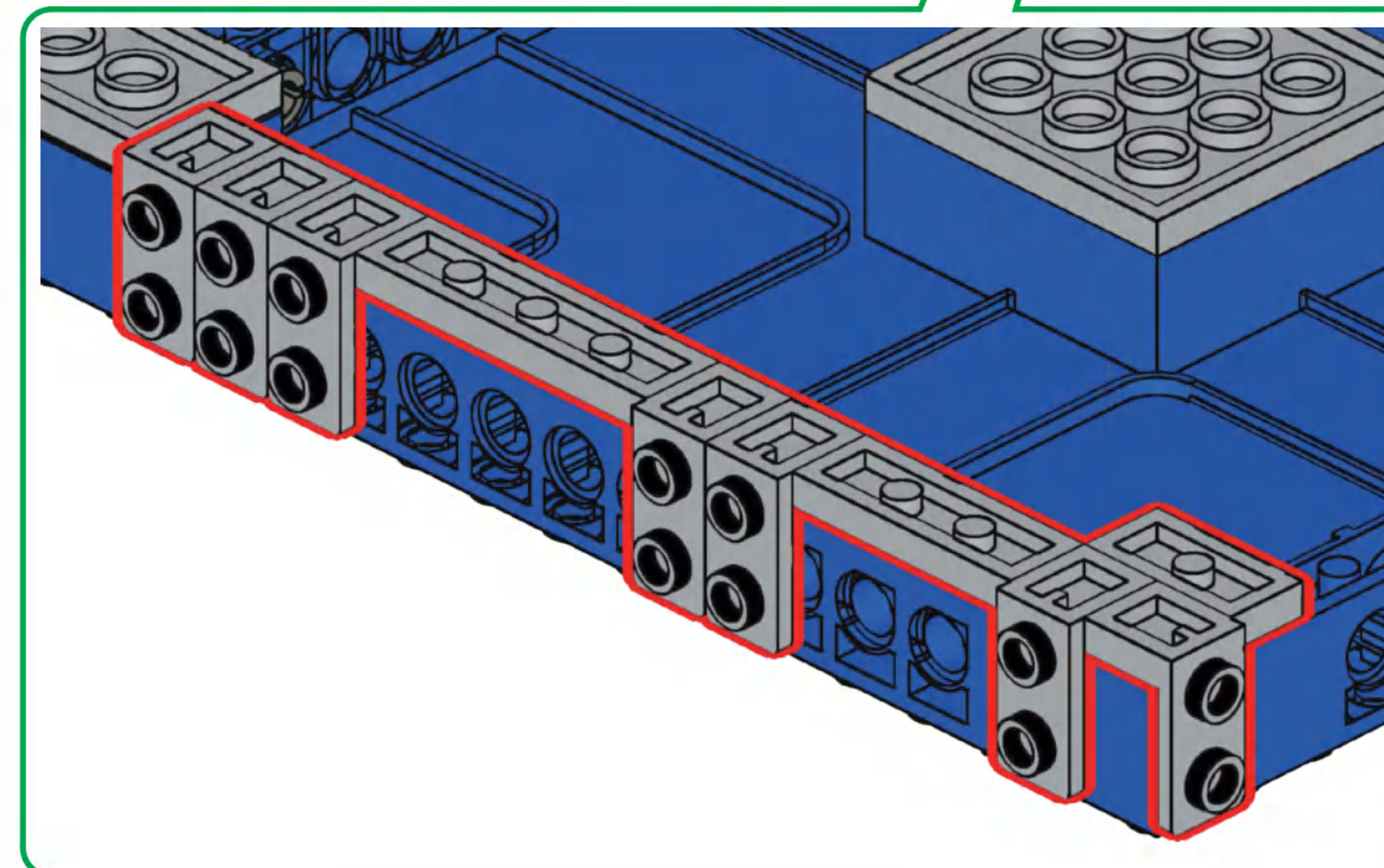
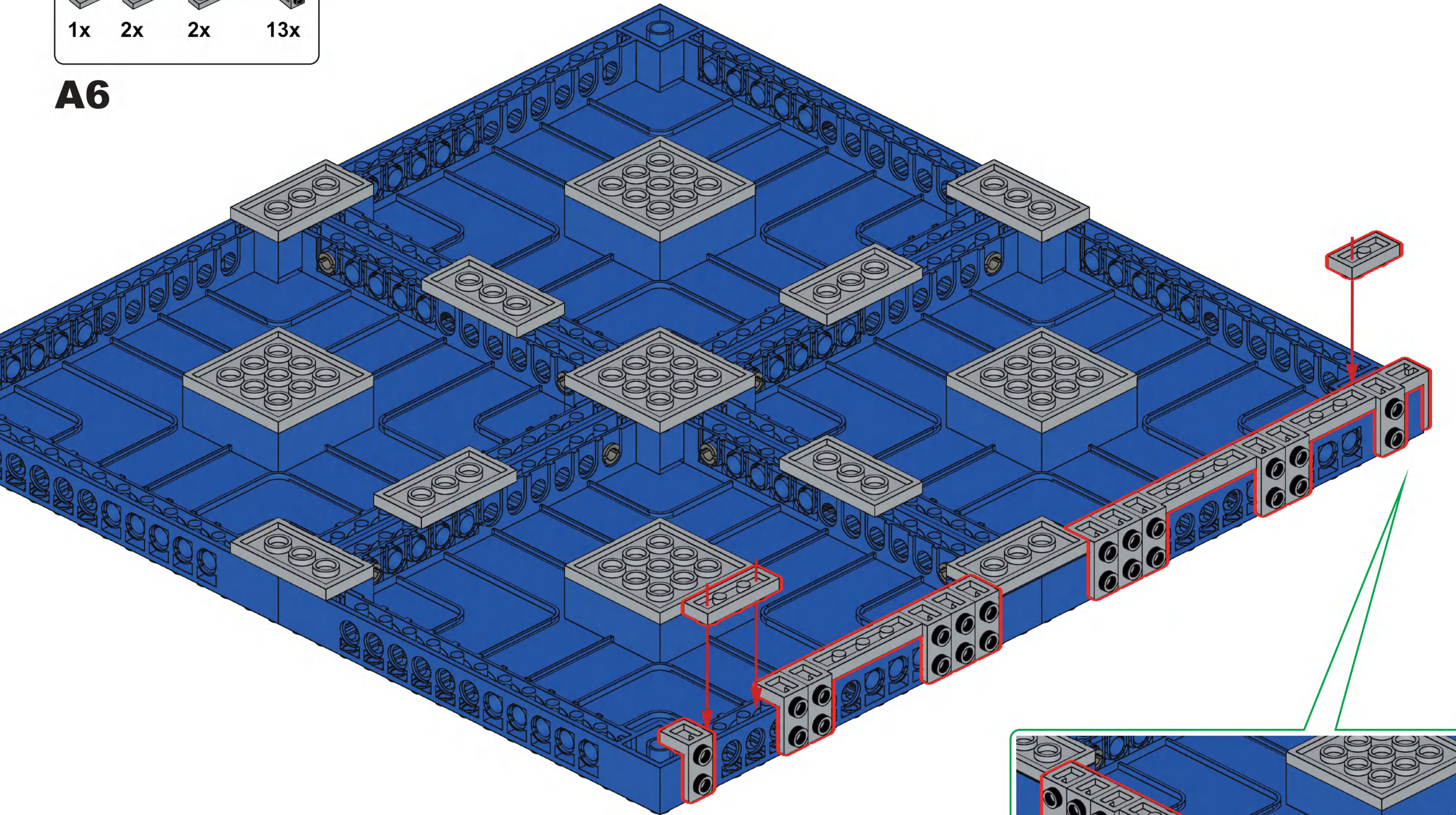


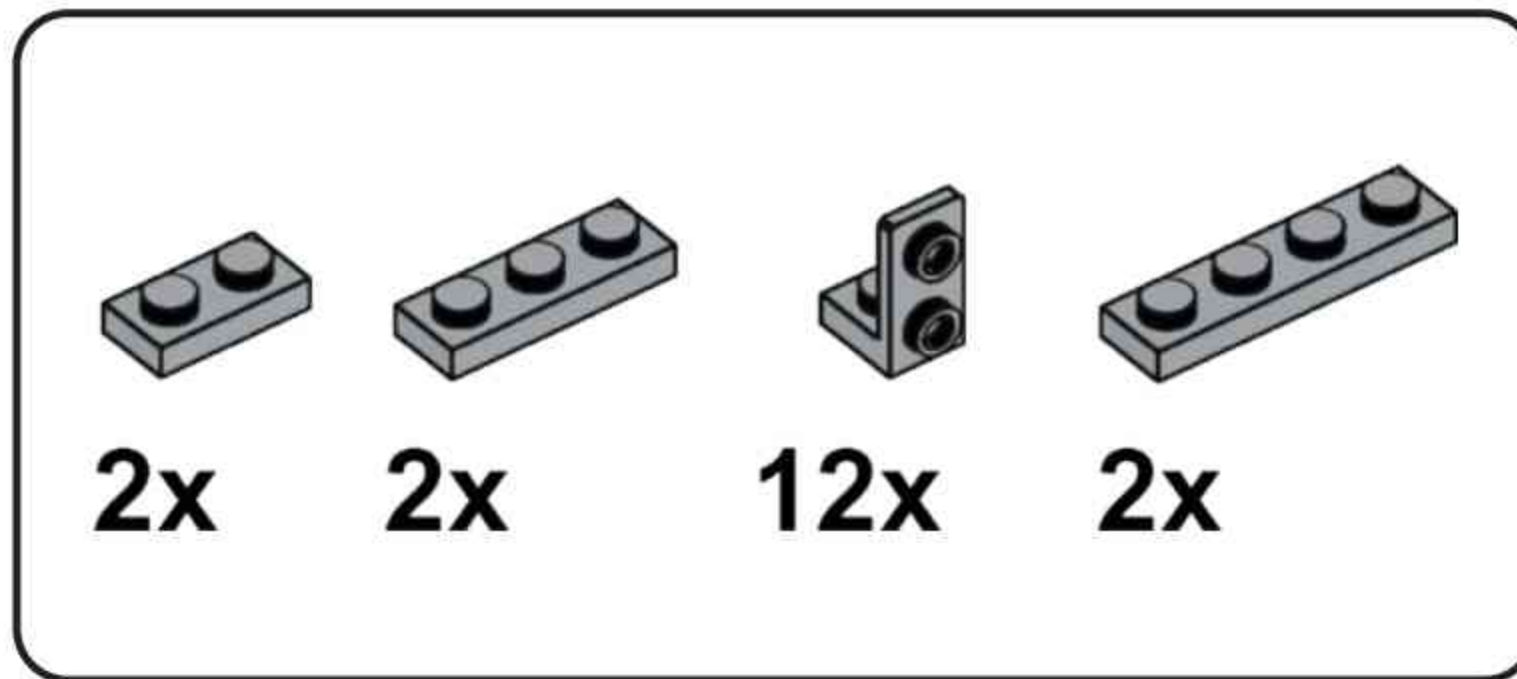
**A5**



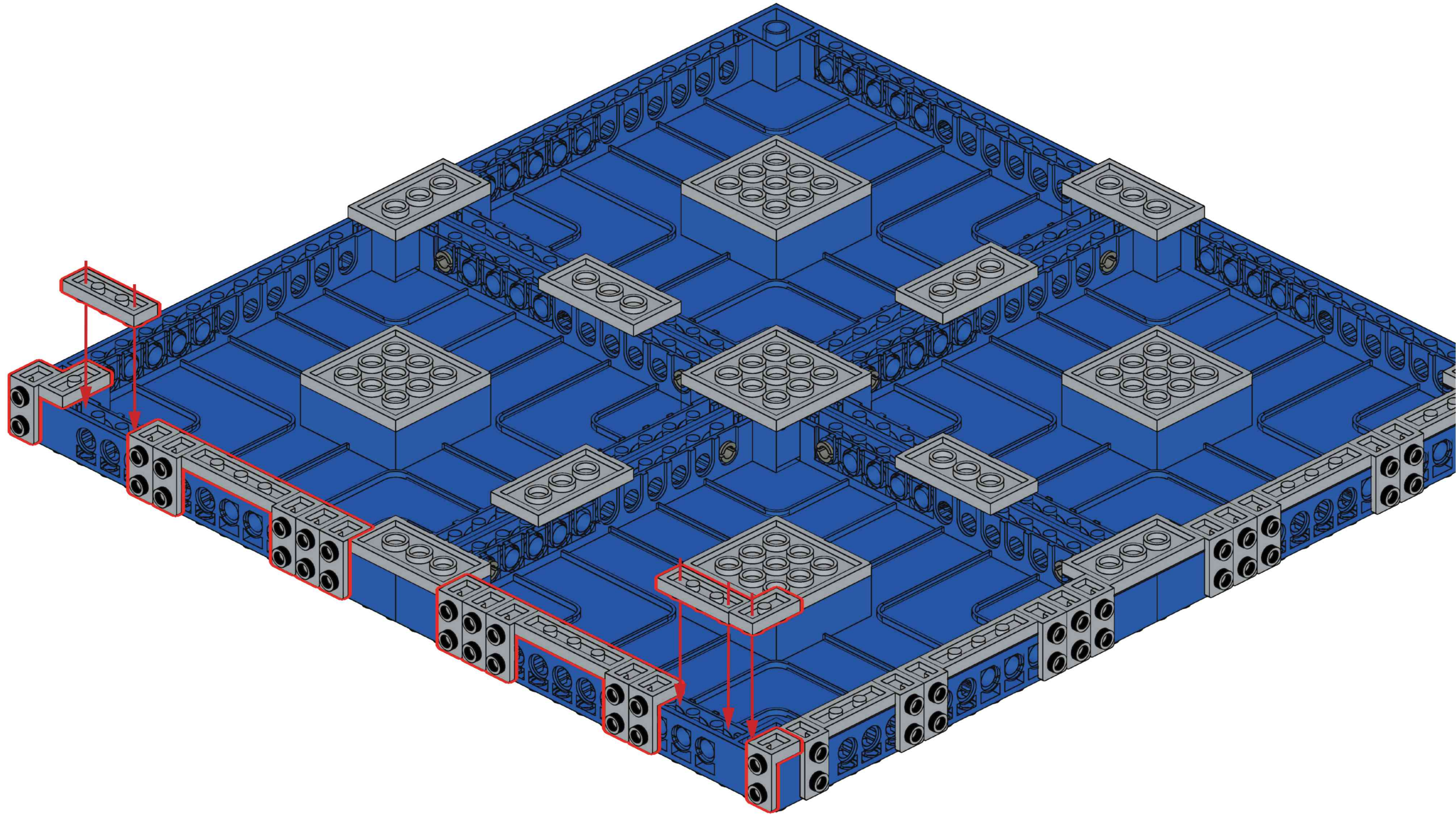


# A6

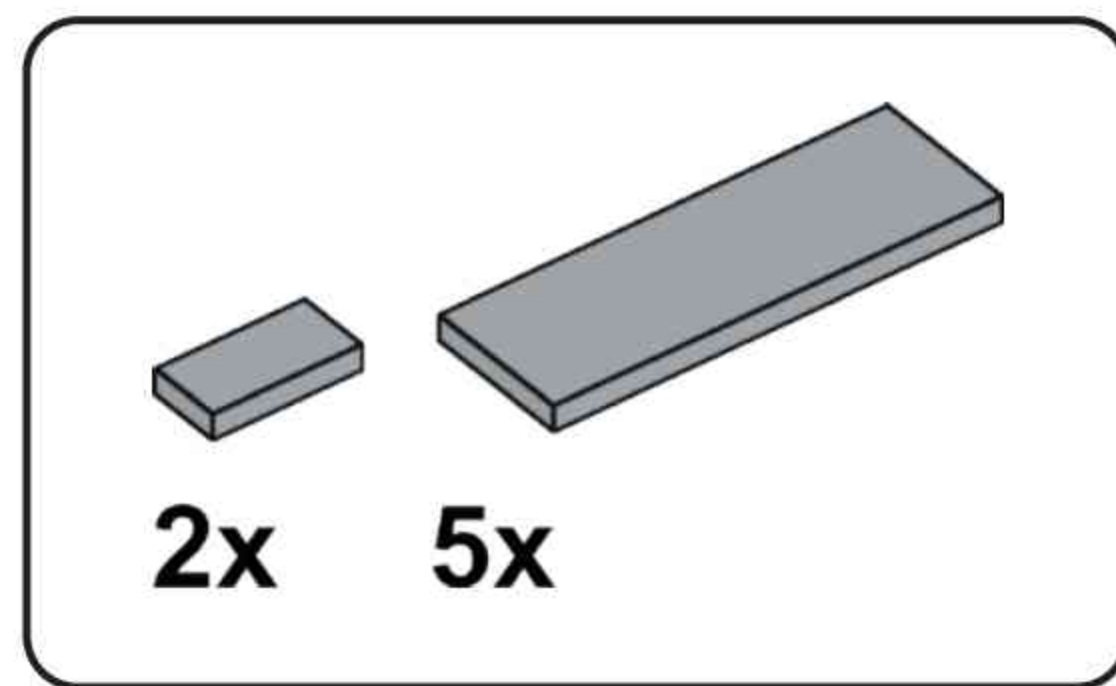




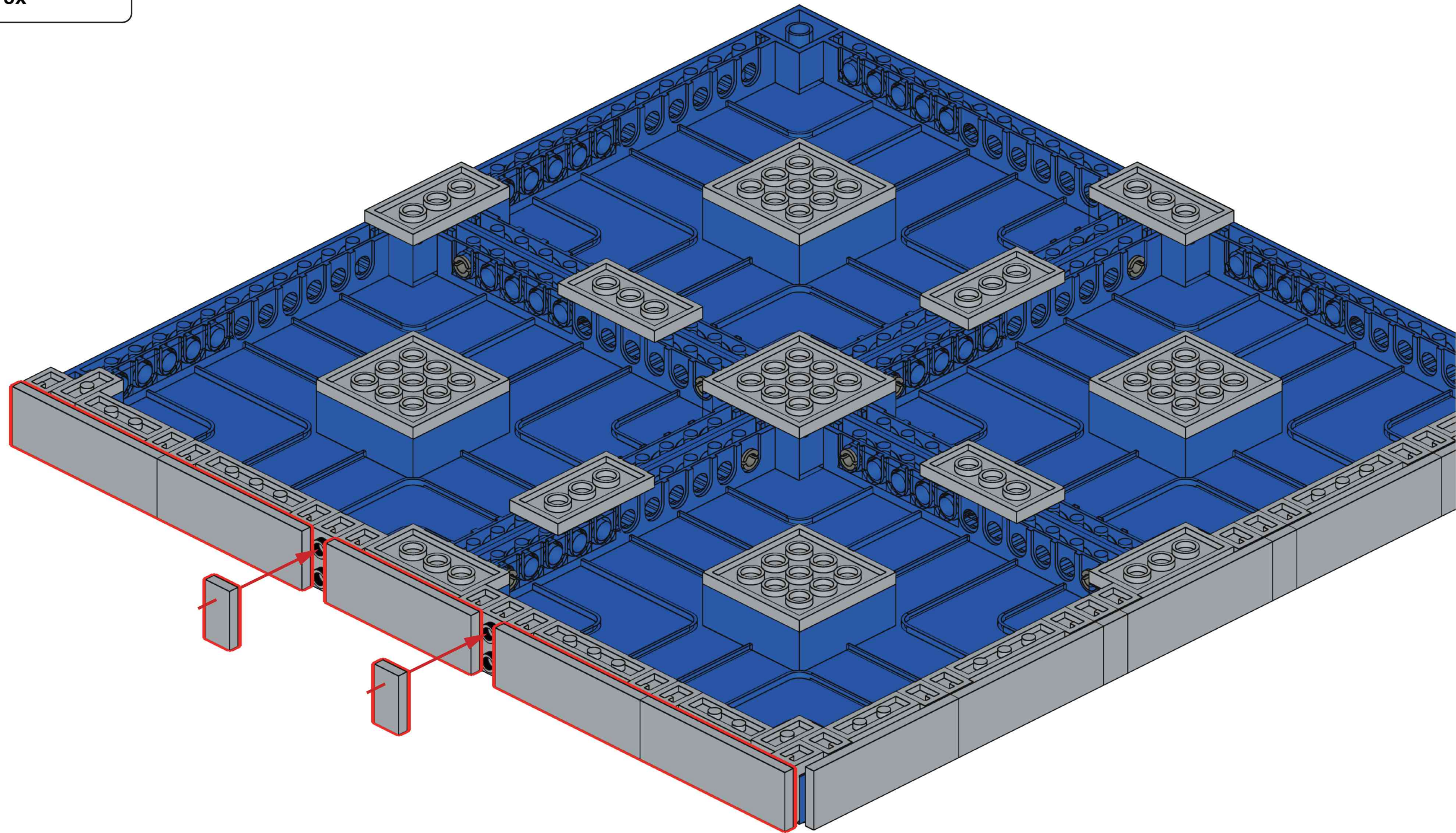
# A7

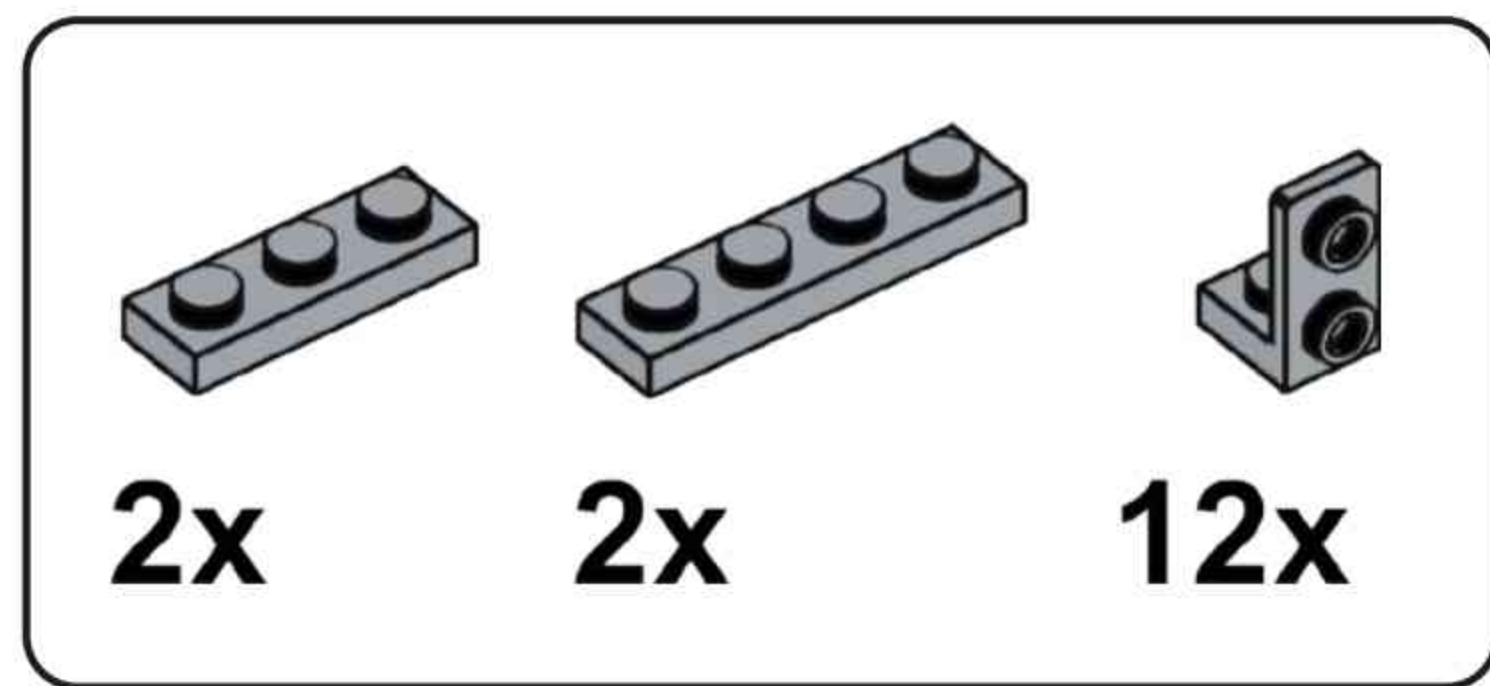




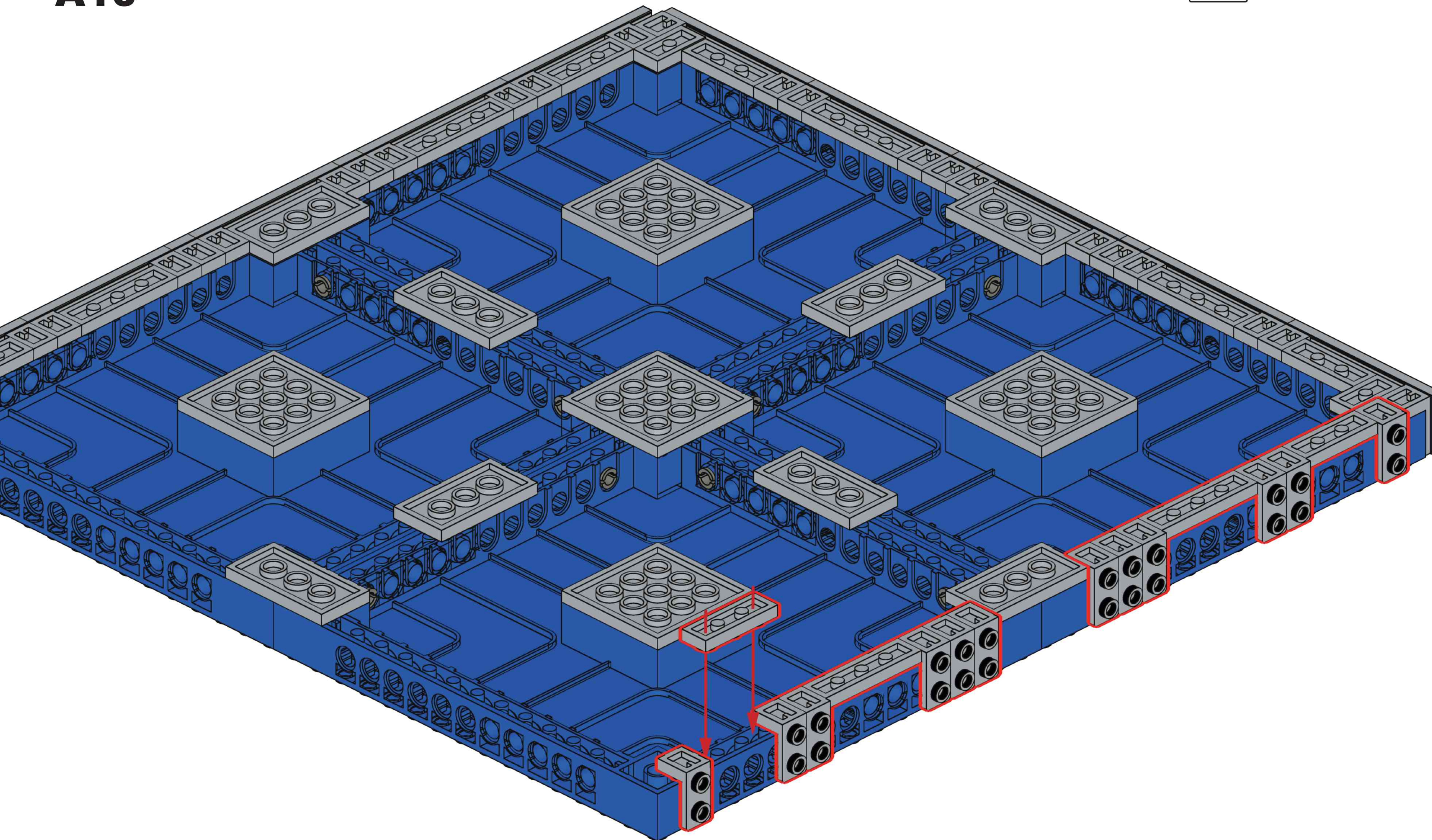


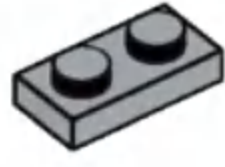
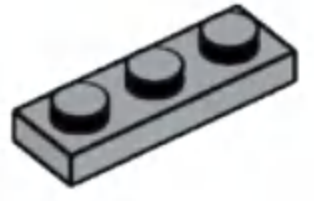

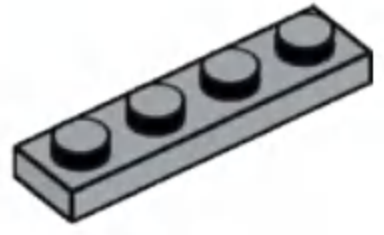
# A9



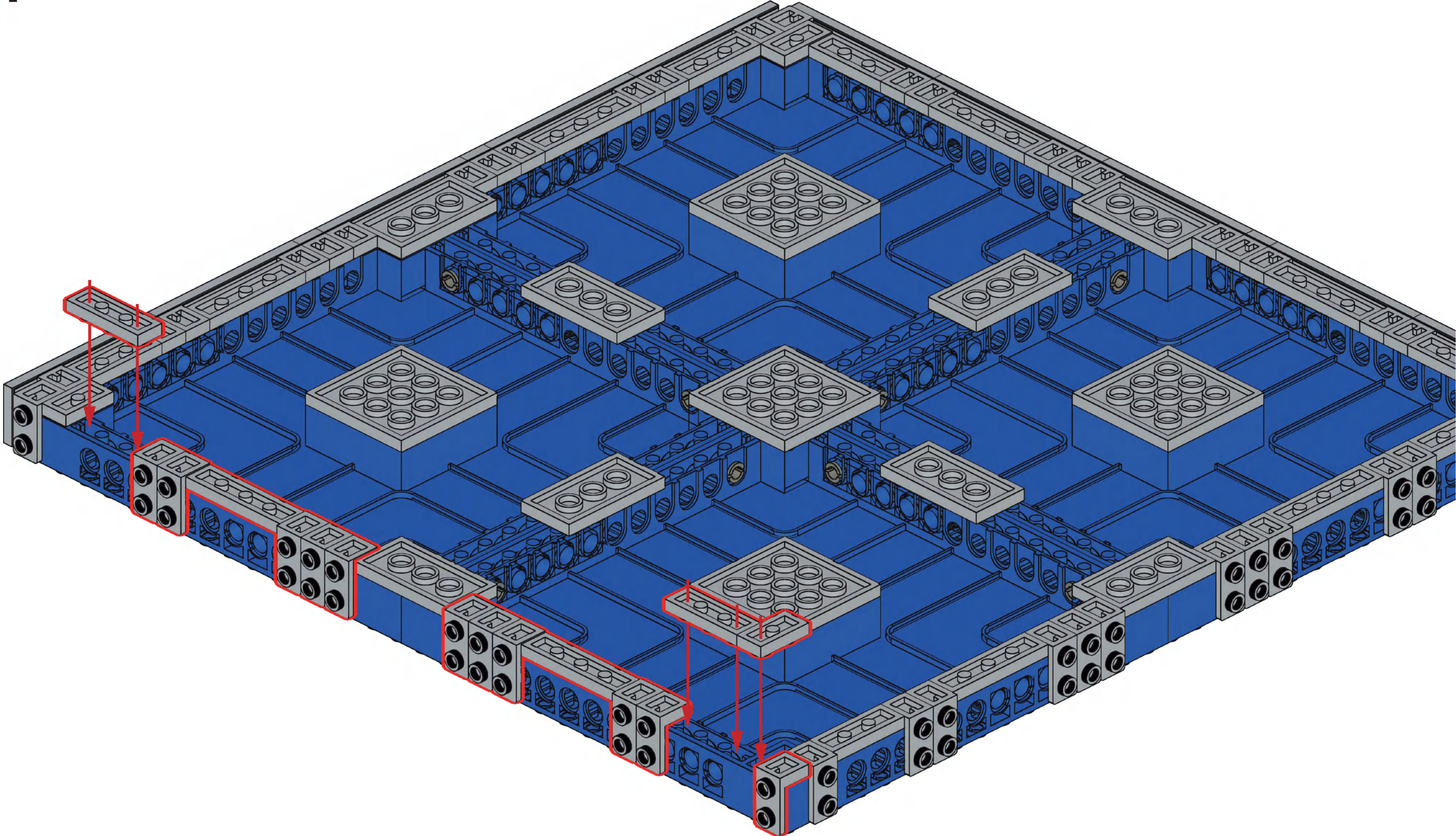


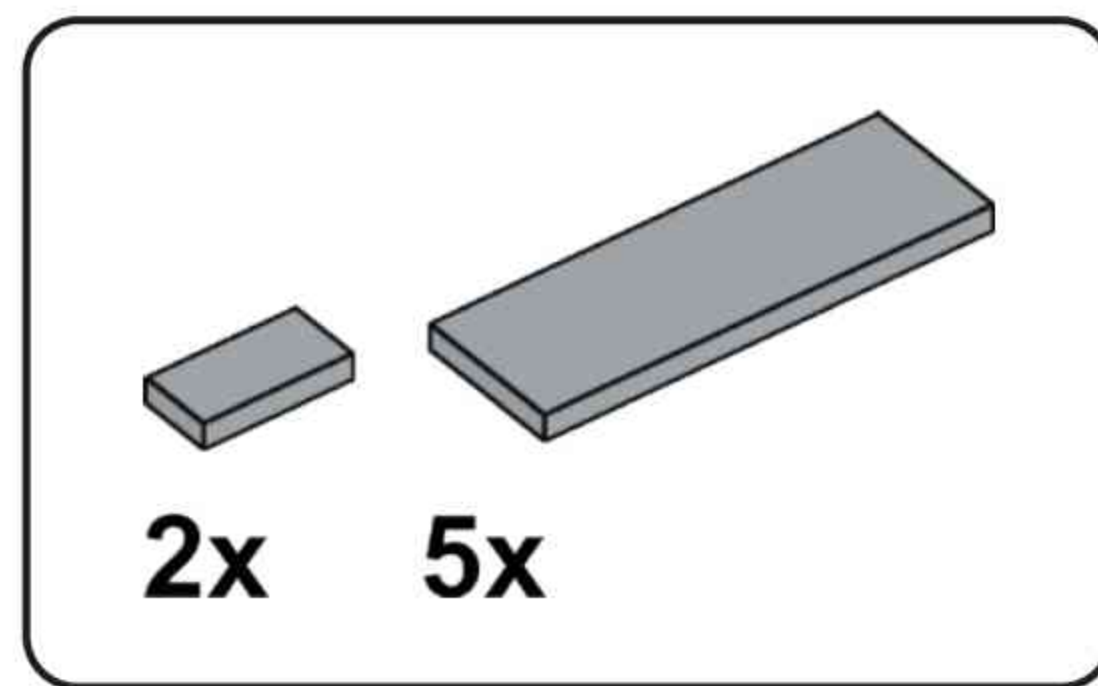
# A10



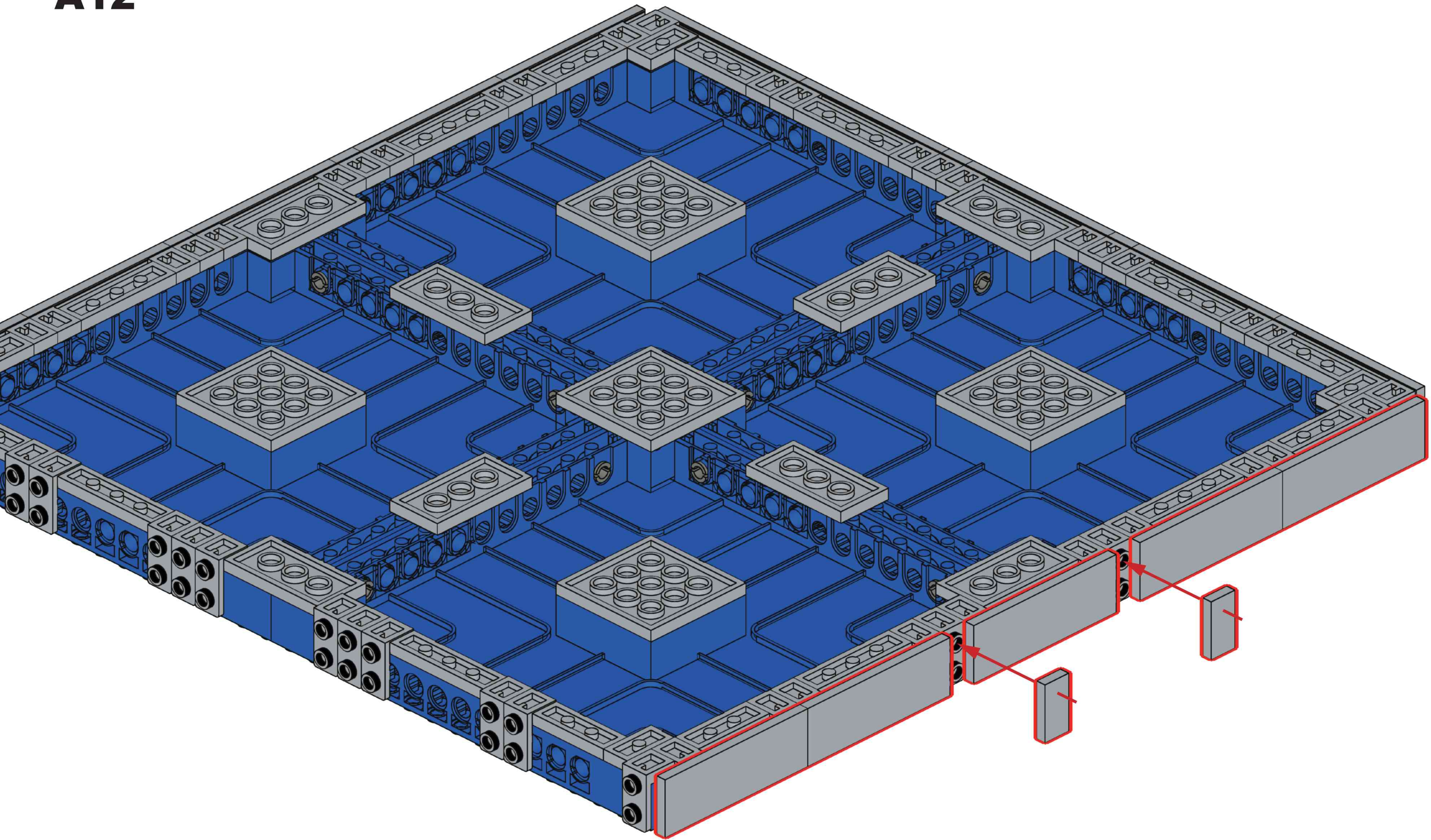
			
1x	2x	11x	2x

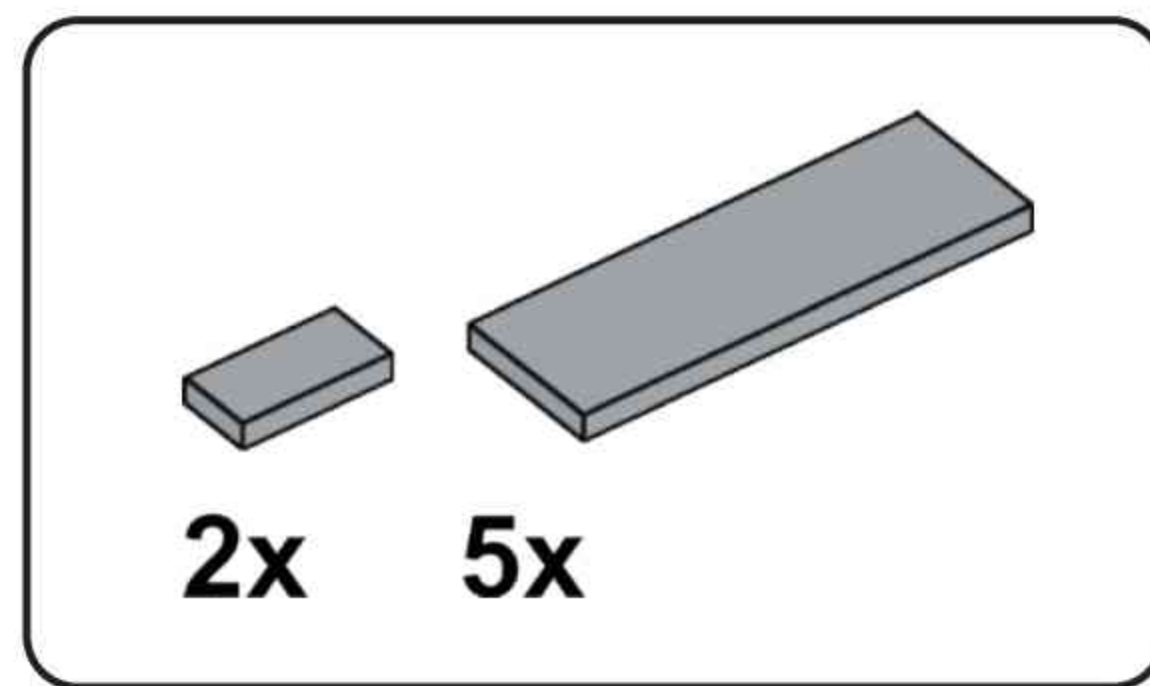
# A11



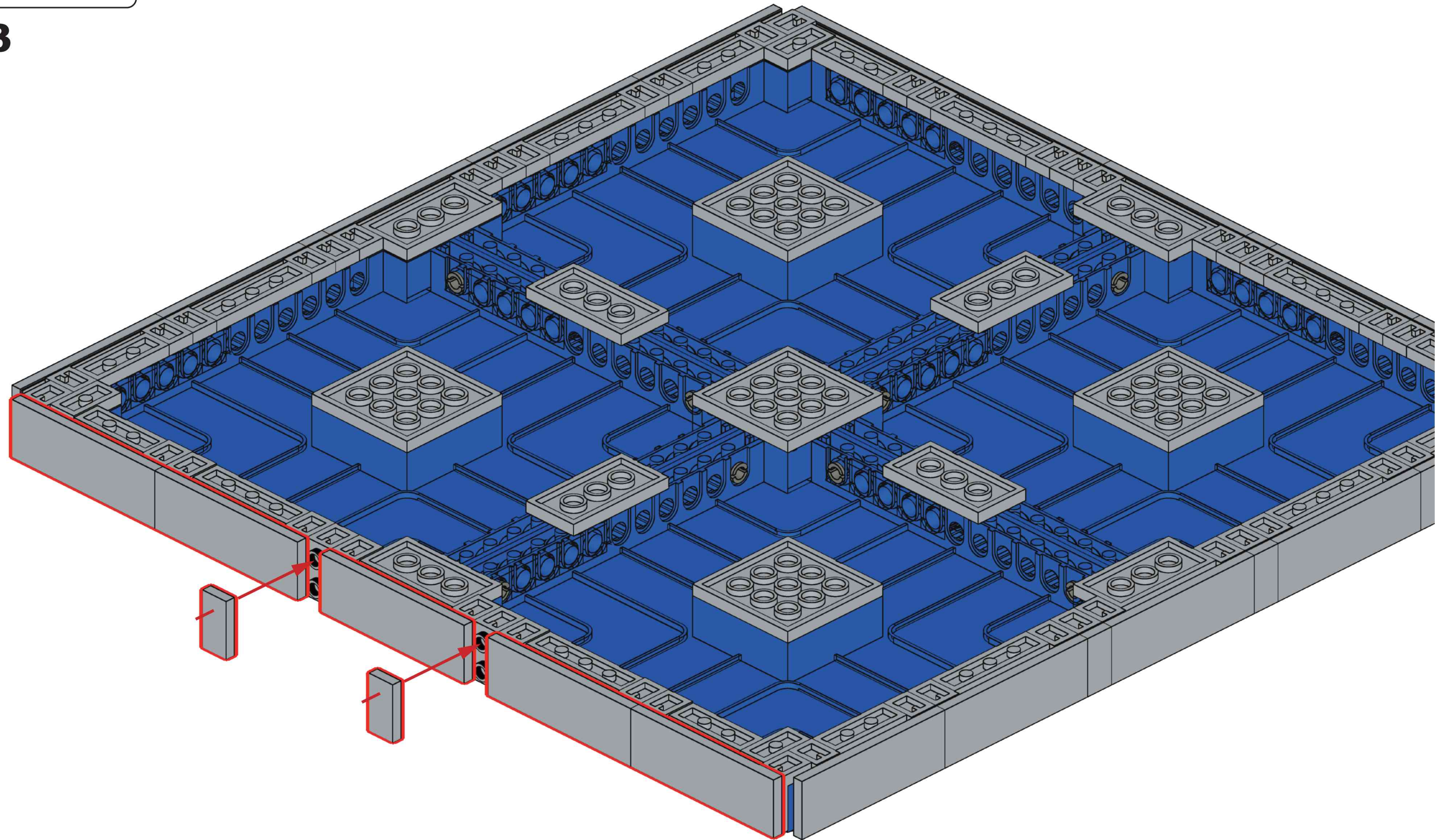


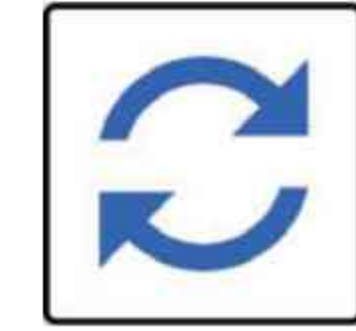
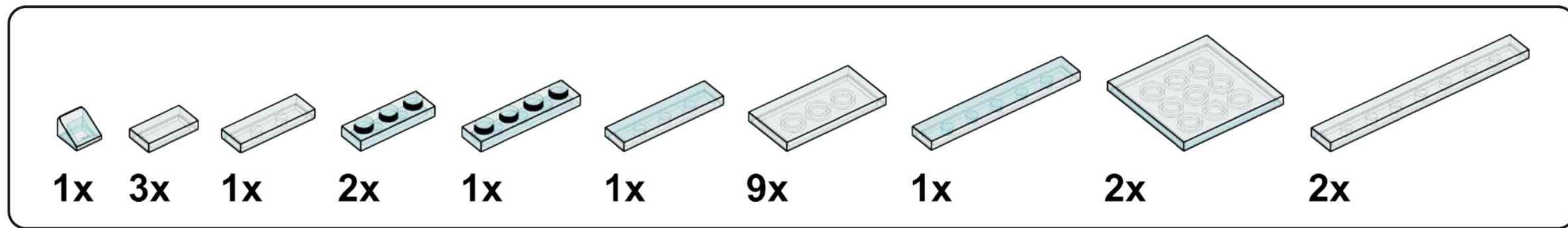
# A12



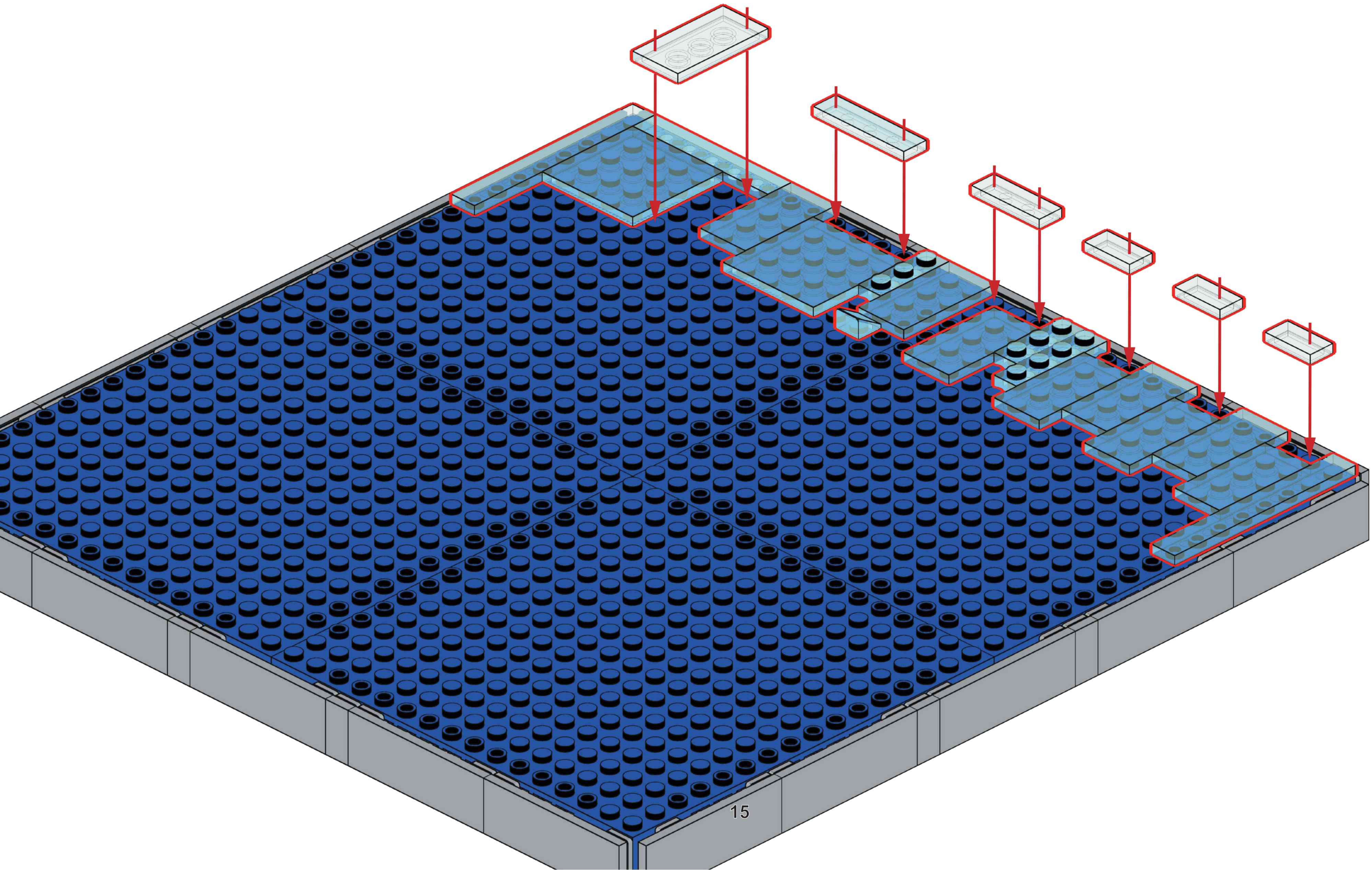


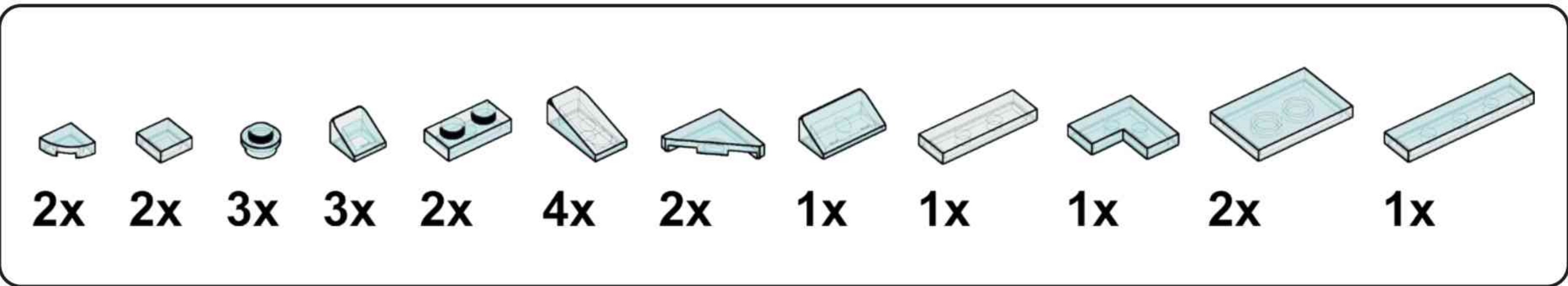
# A13



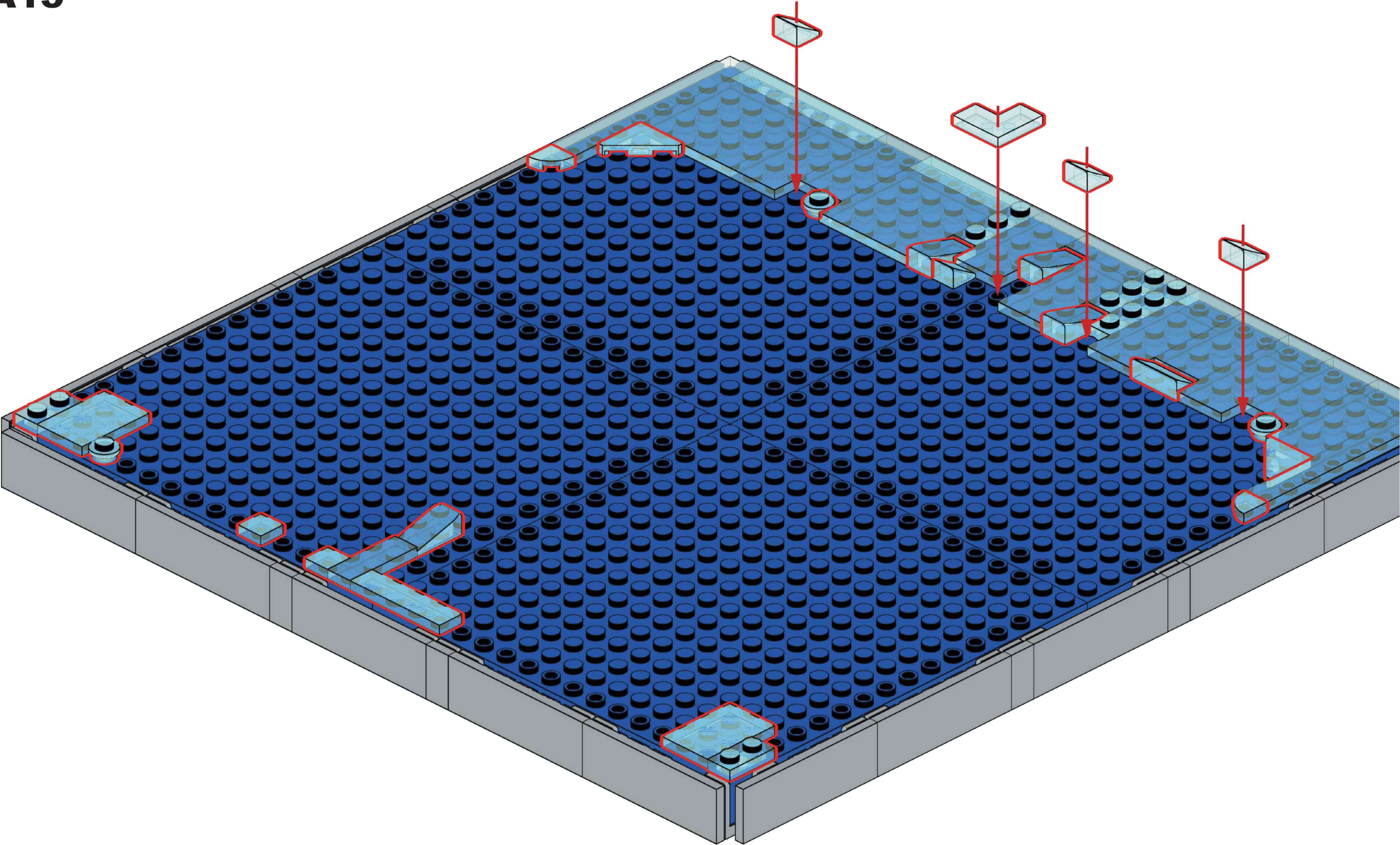


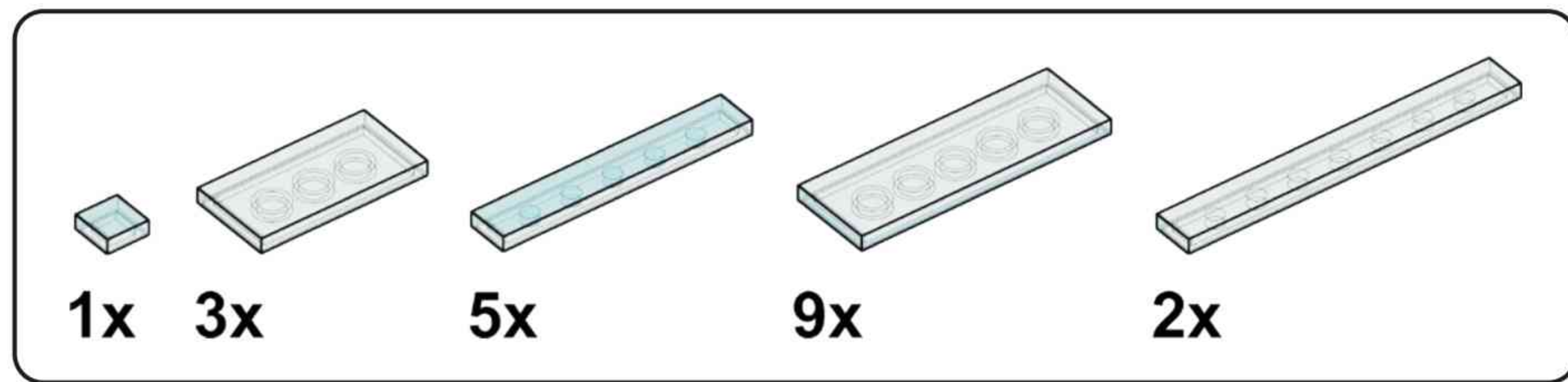
# A14



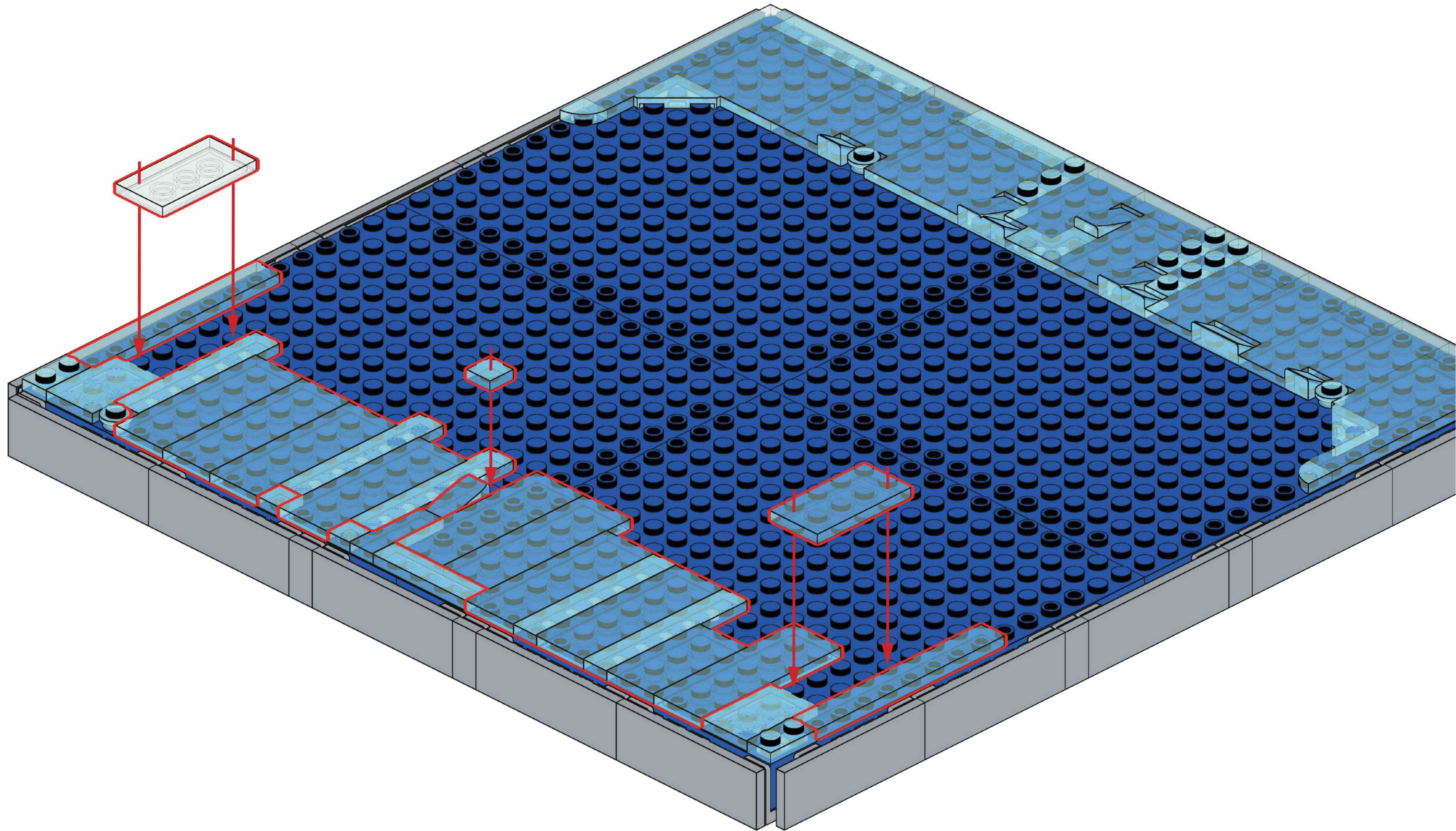










# A15



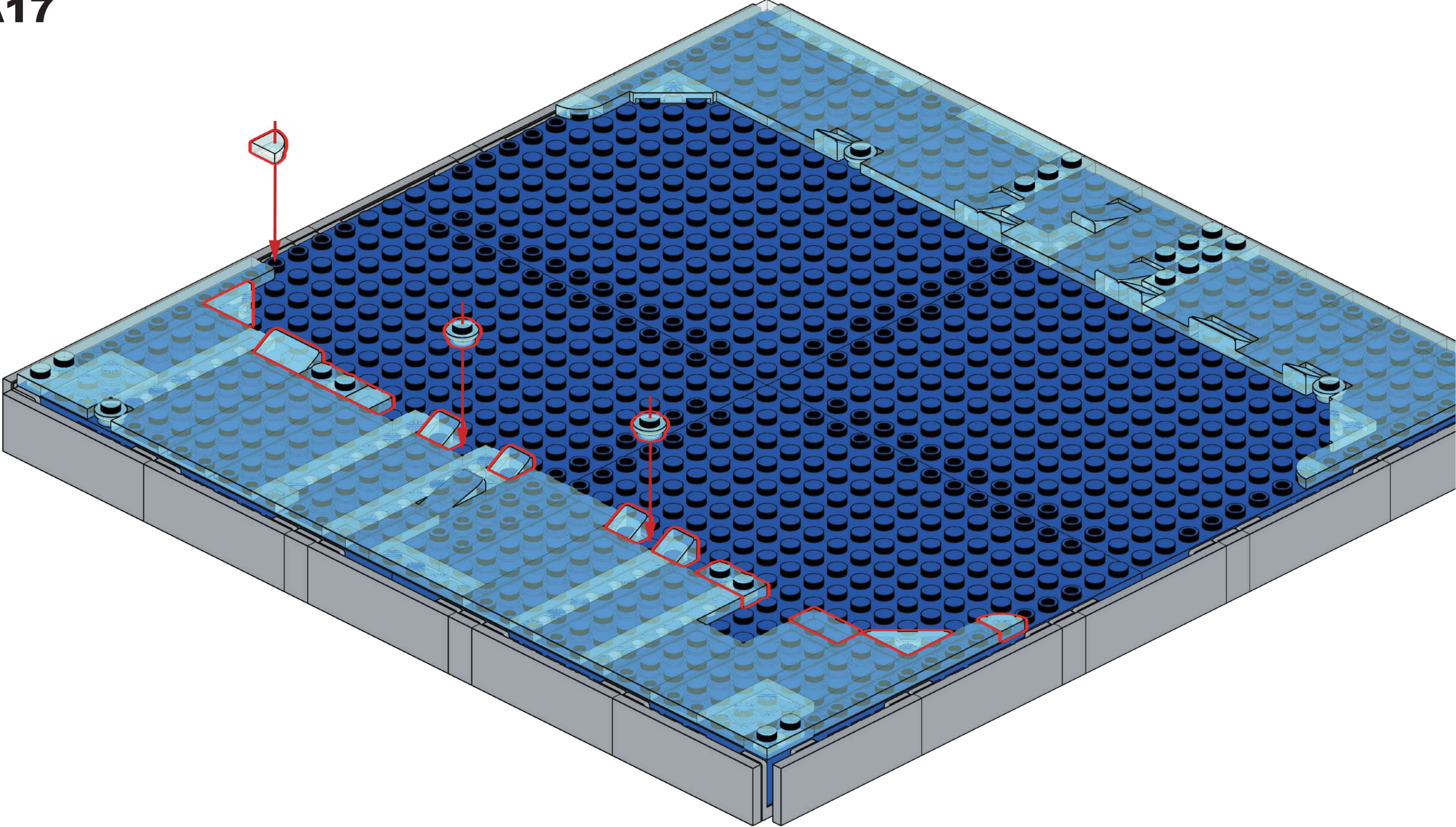


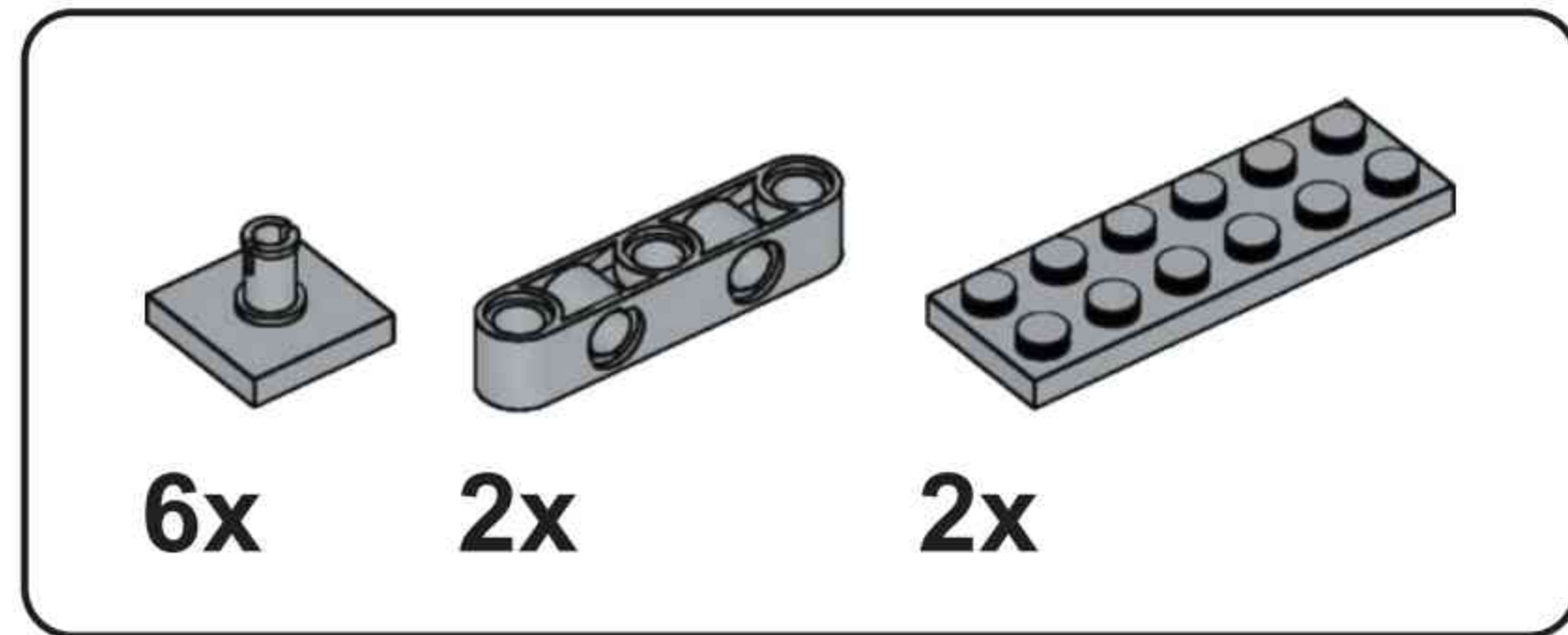
# A16



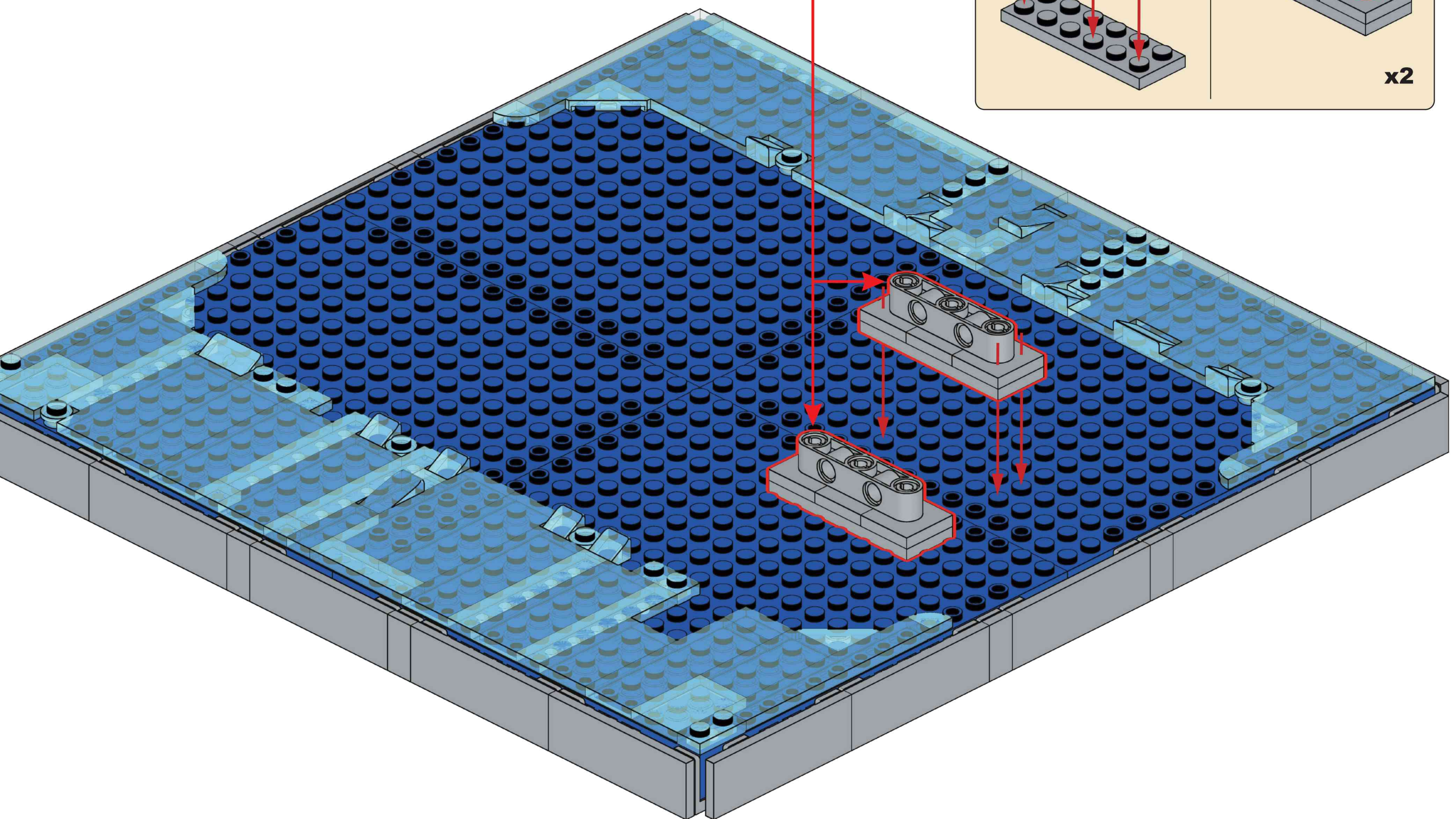
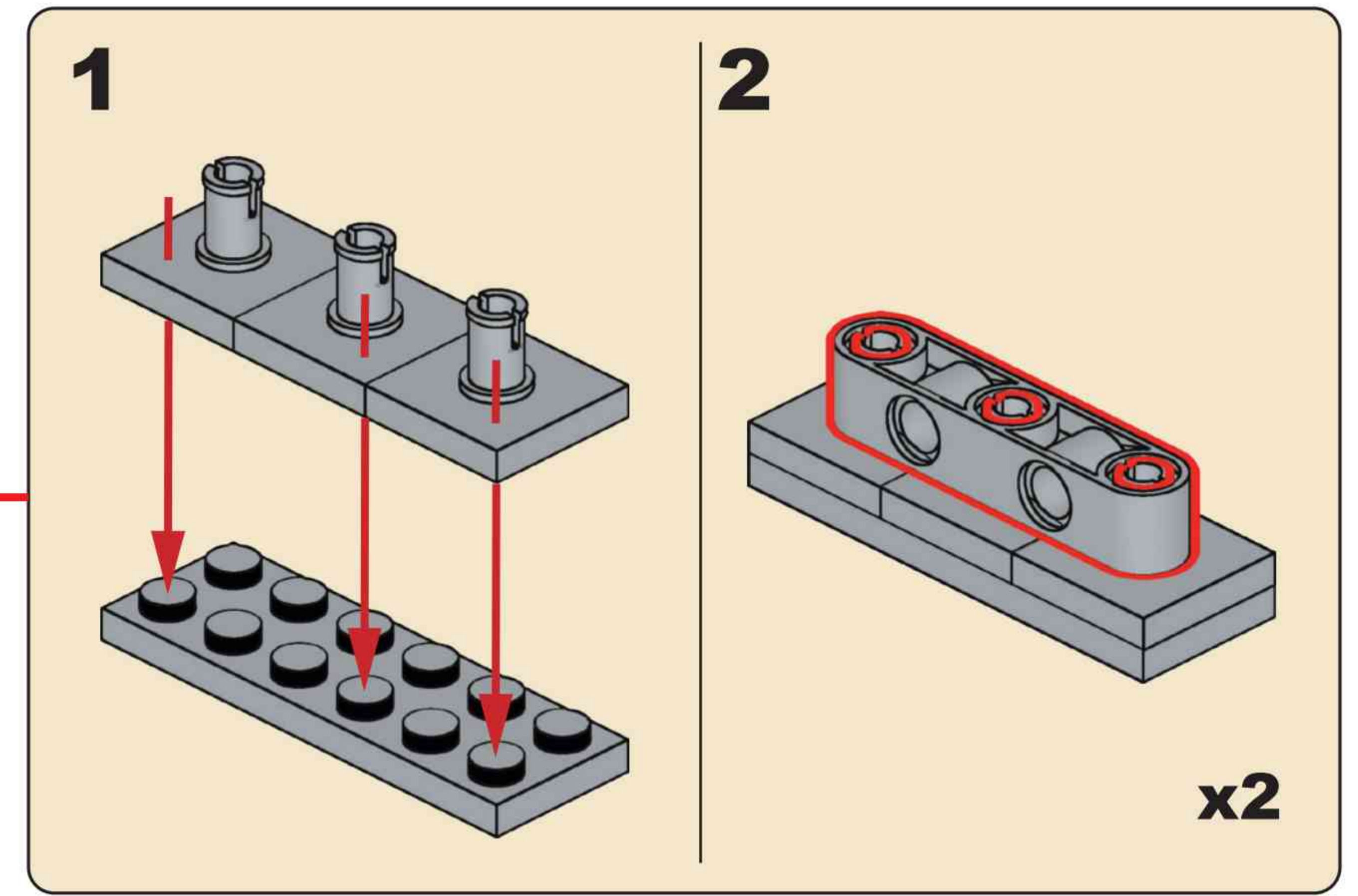
							
2x	1x	2x	4x	1x	2x	2x	1x

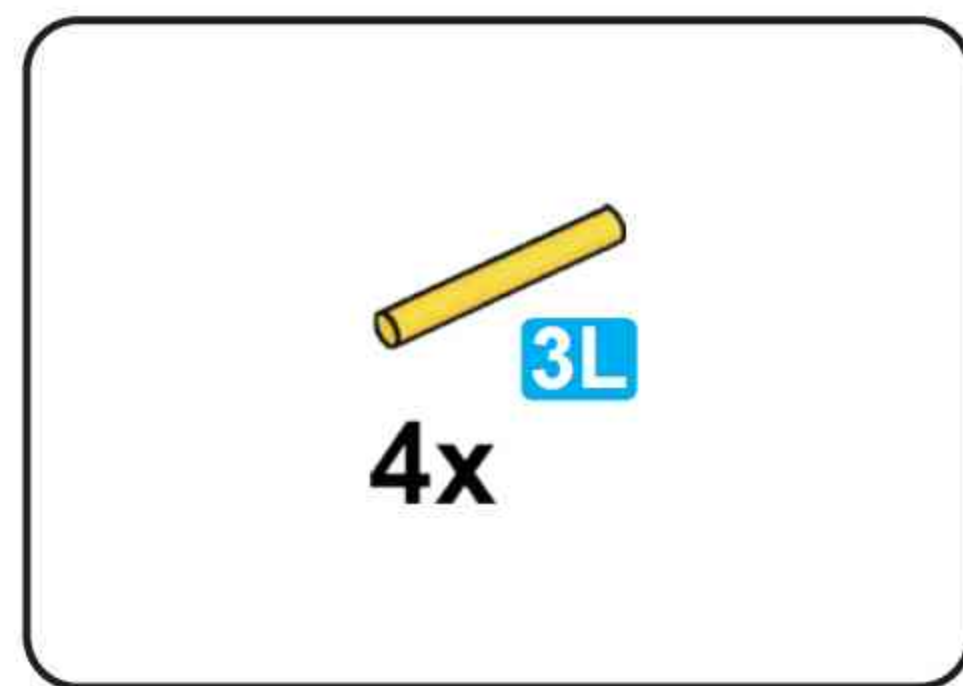
# A17



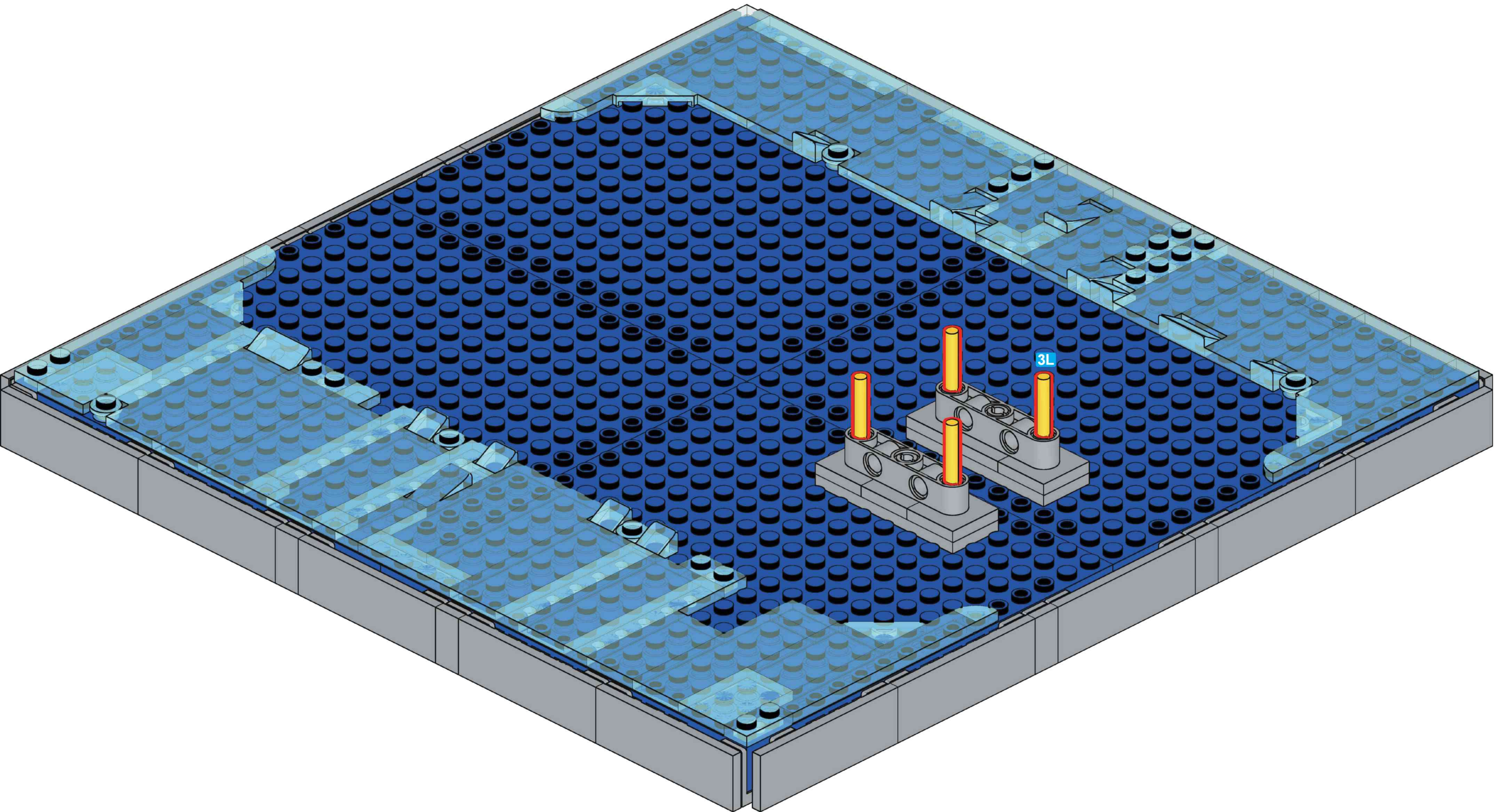


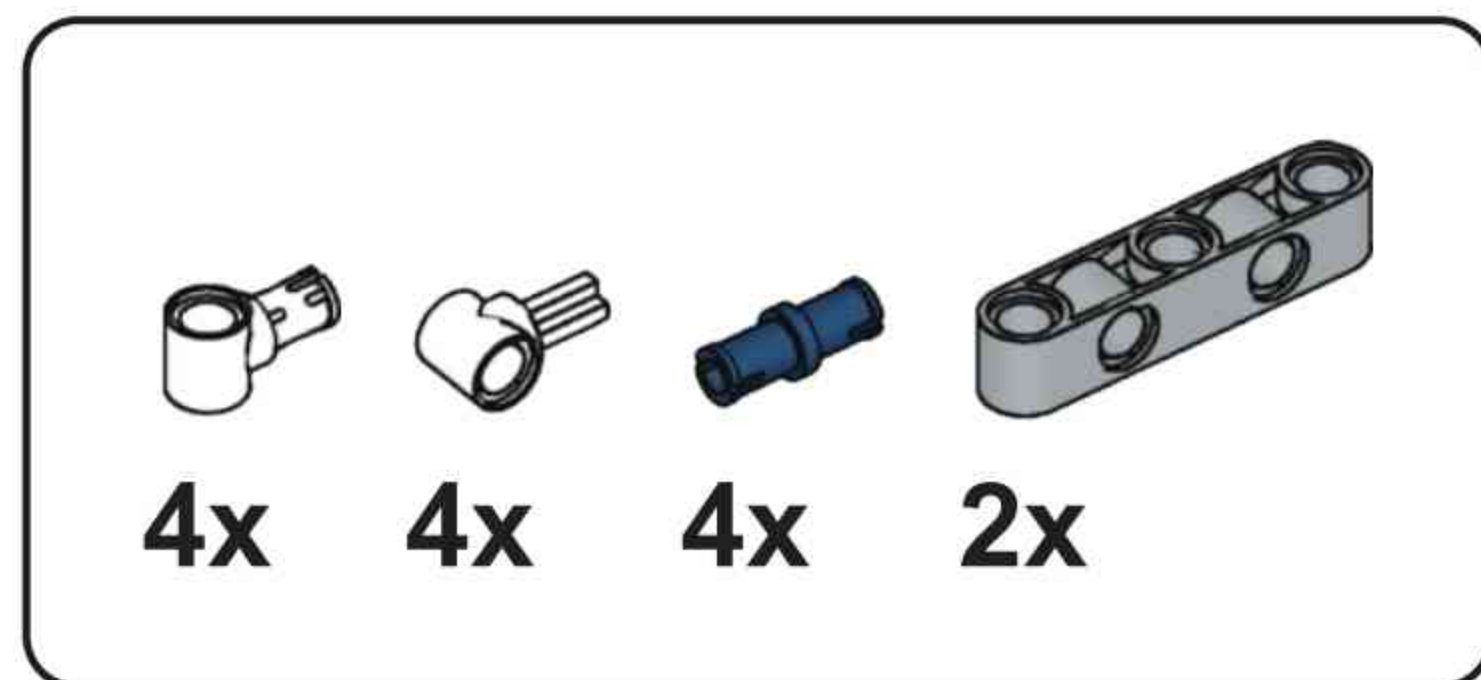
# A18



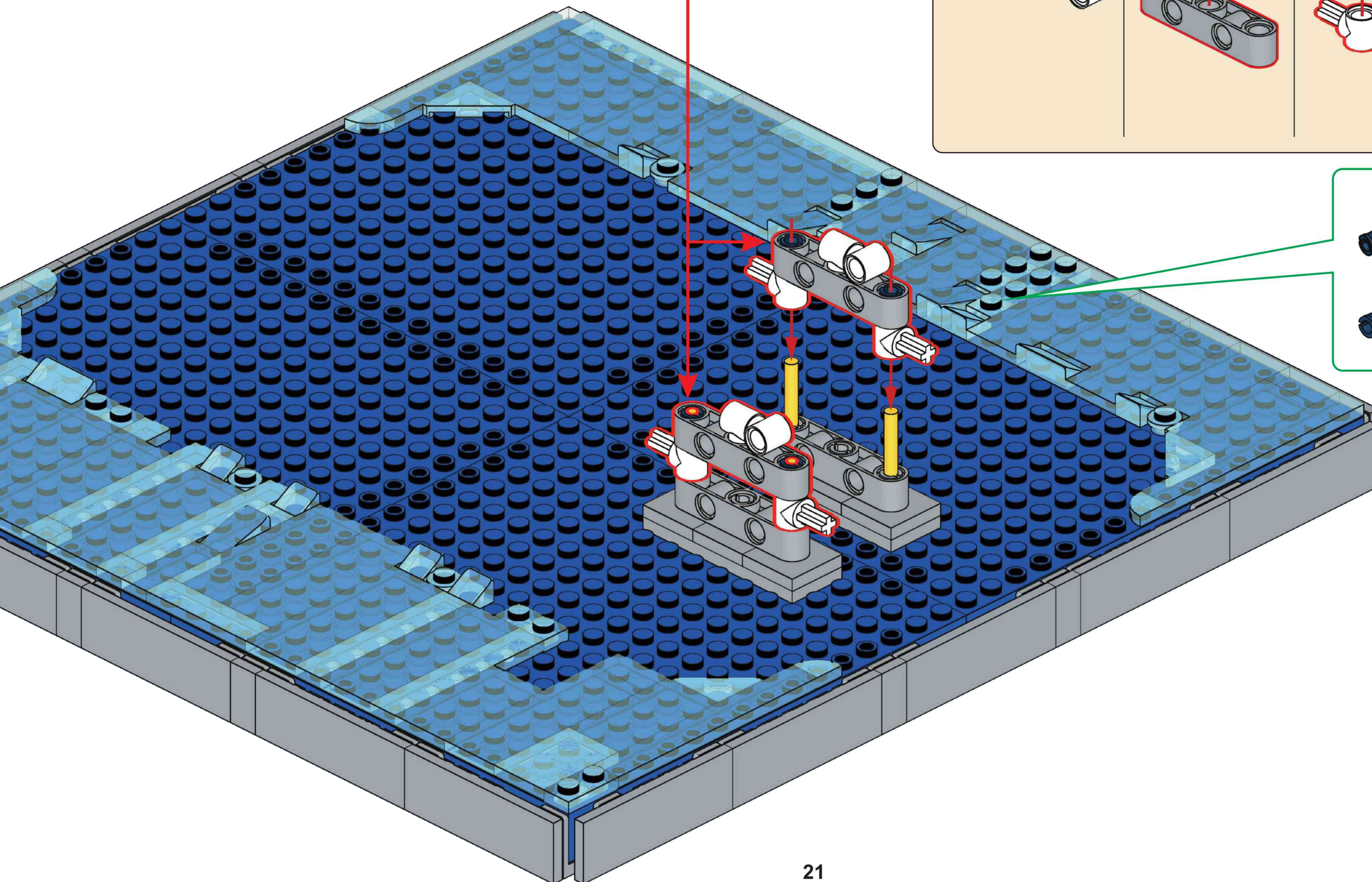
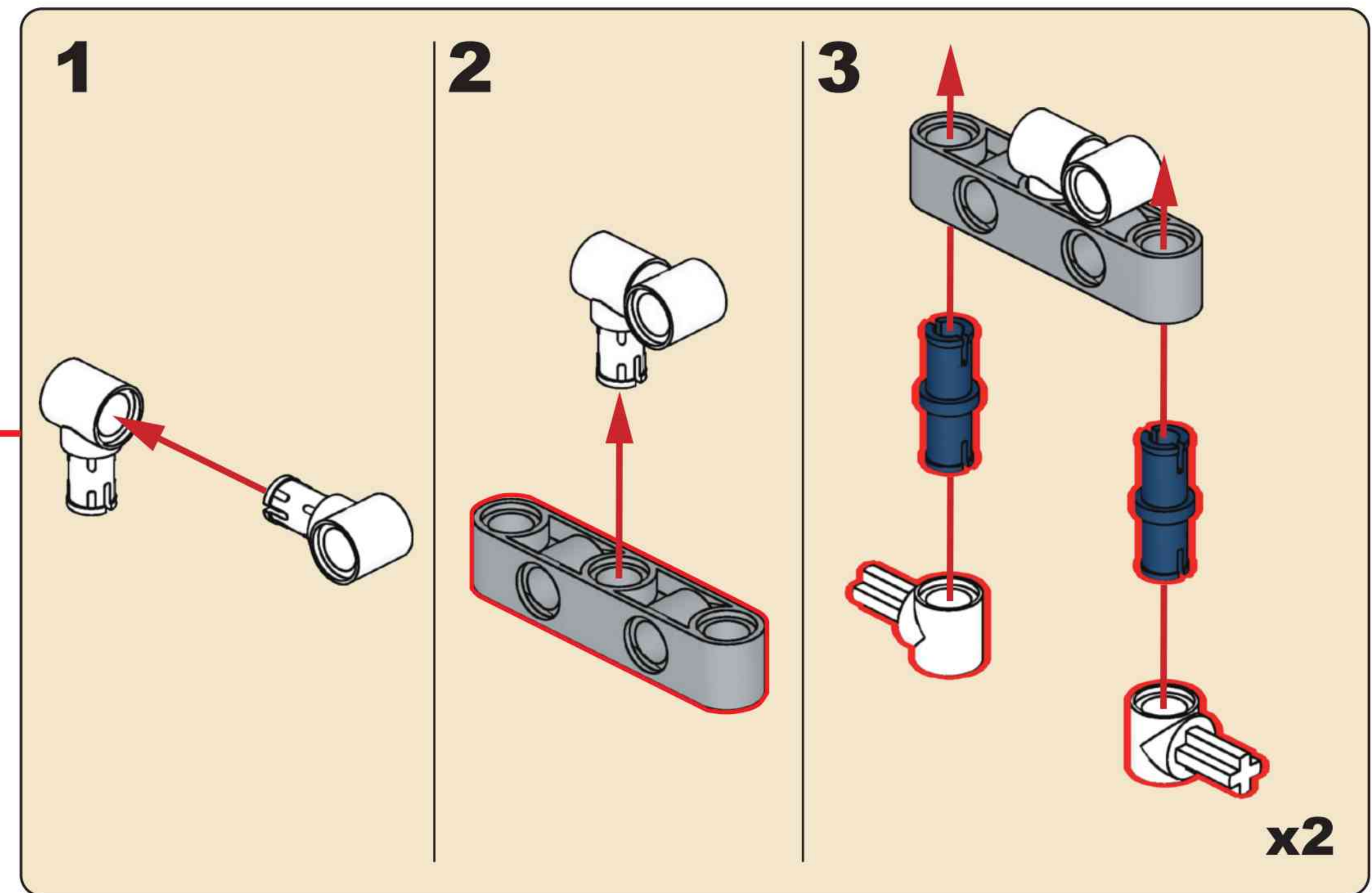


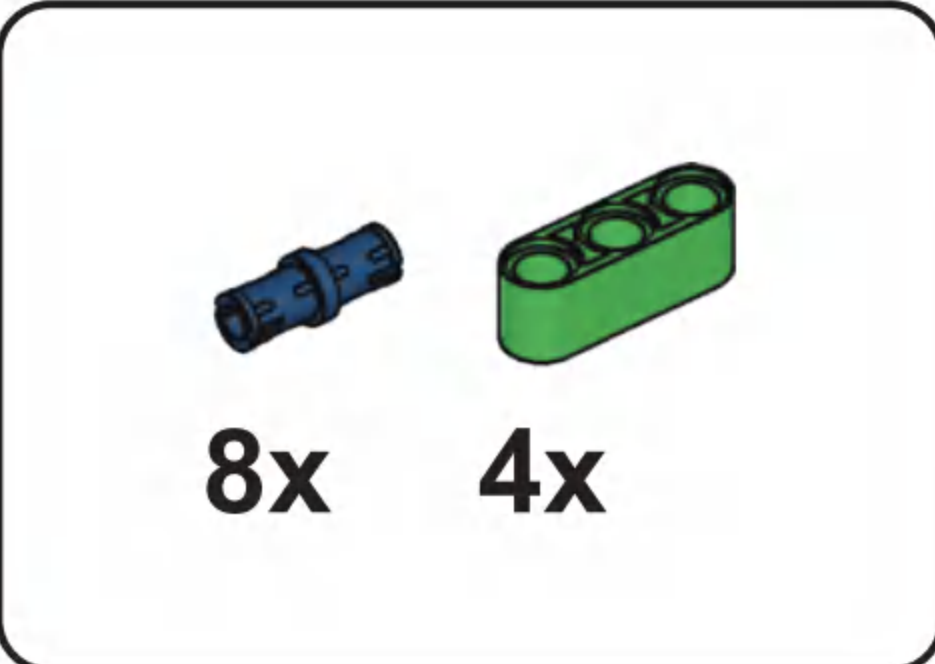
# A19



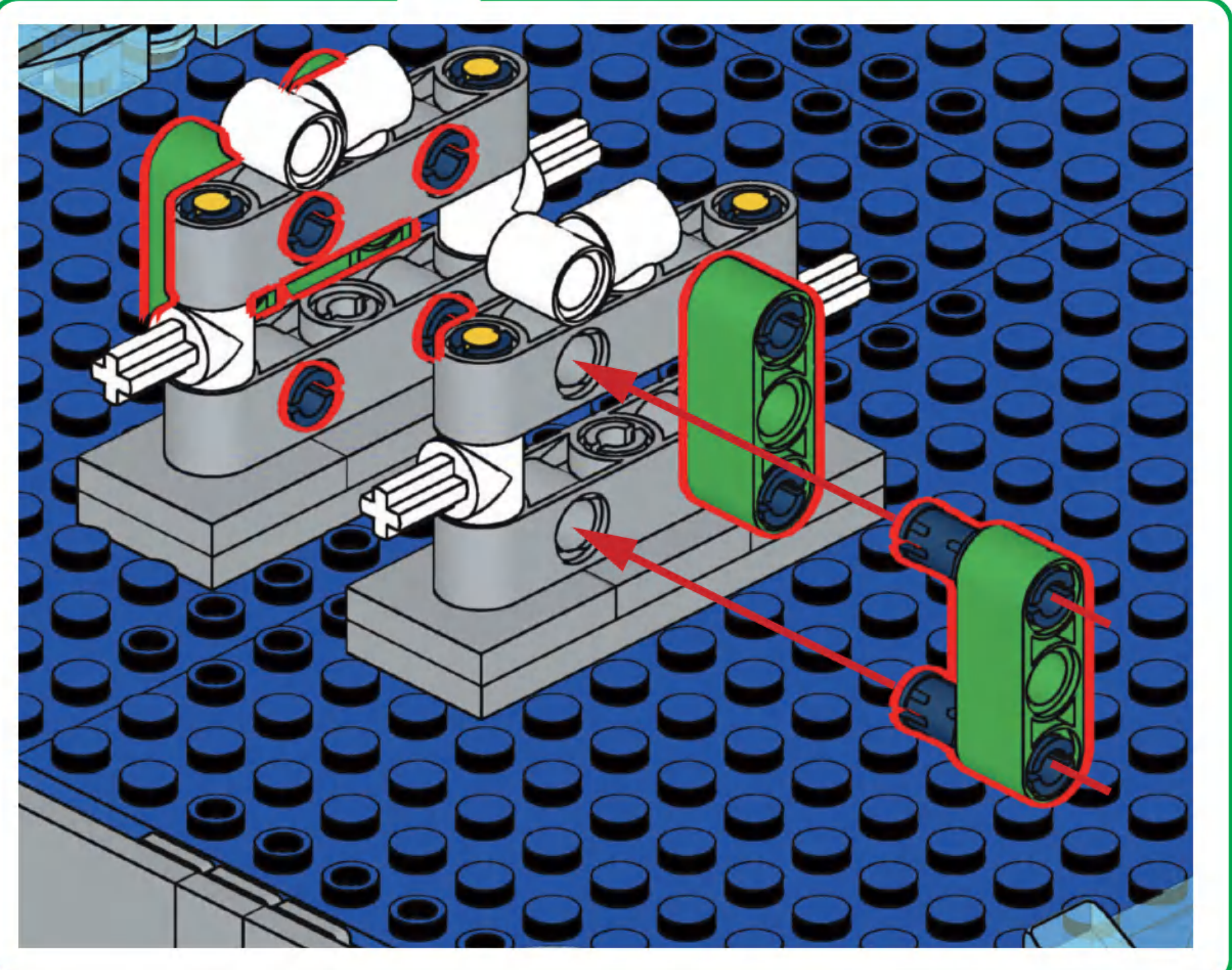
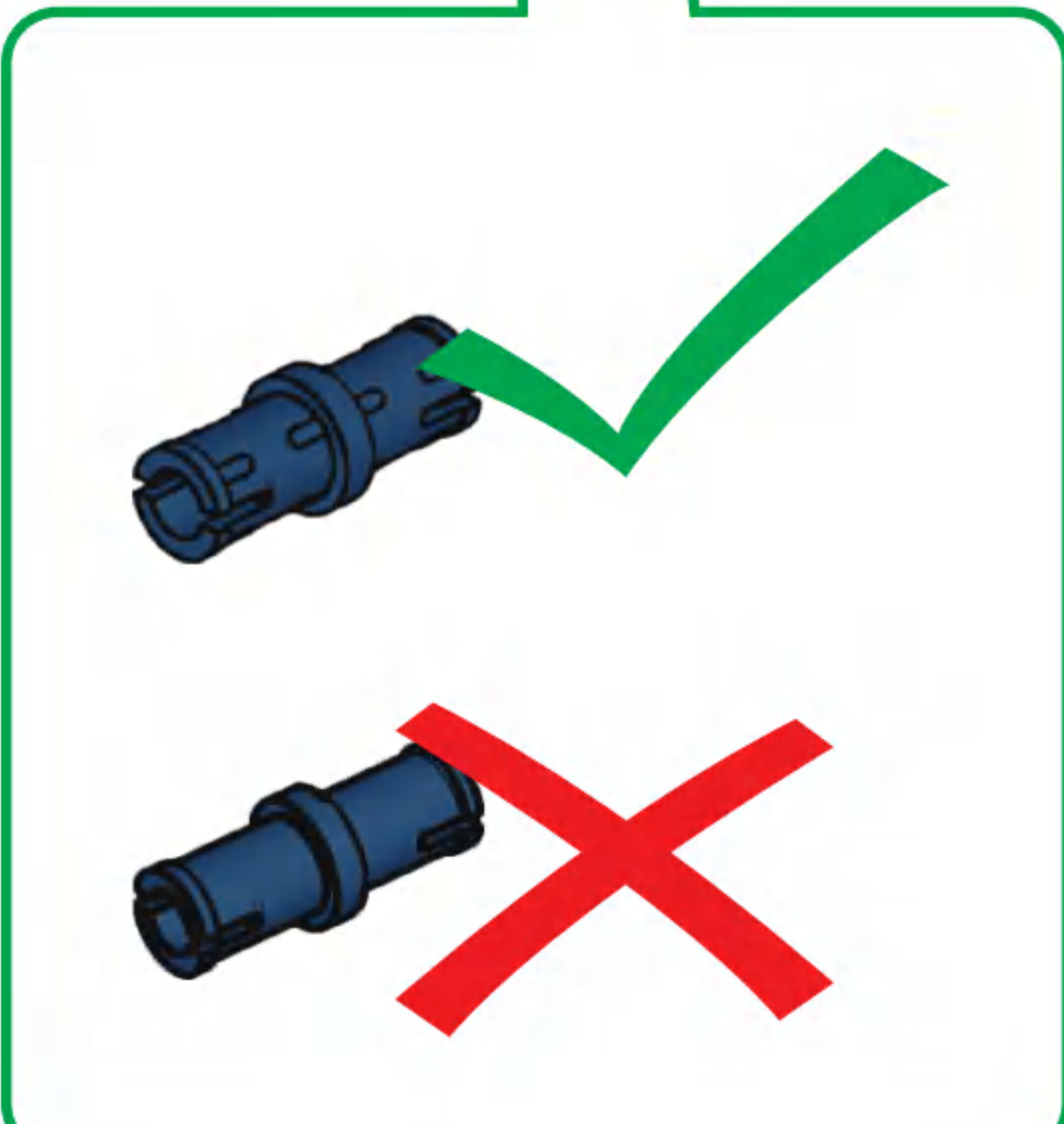
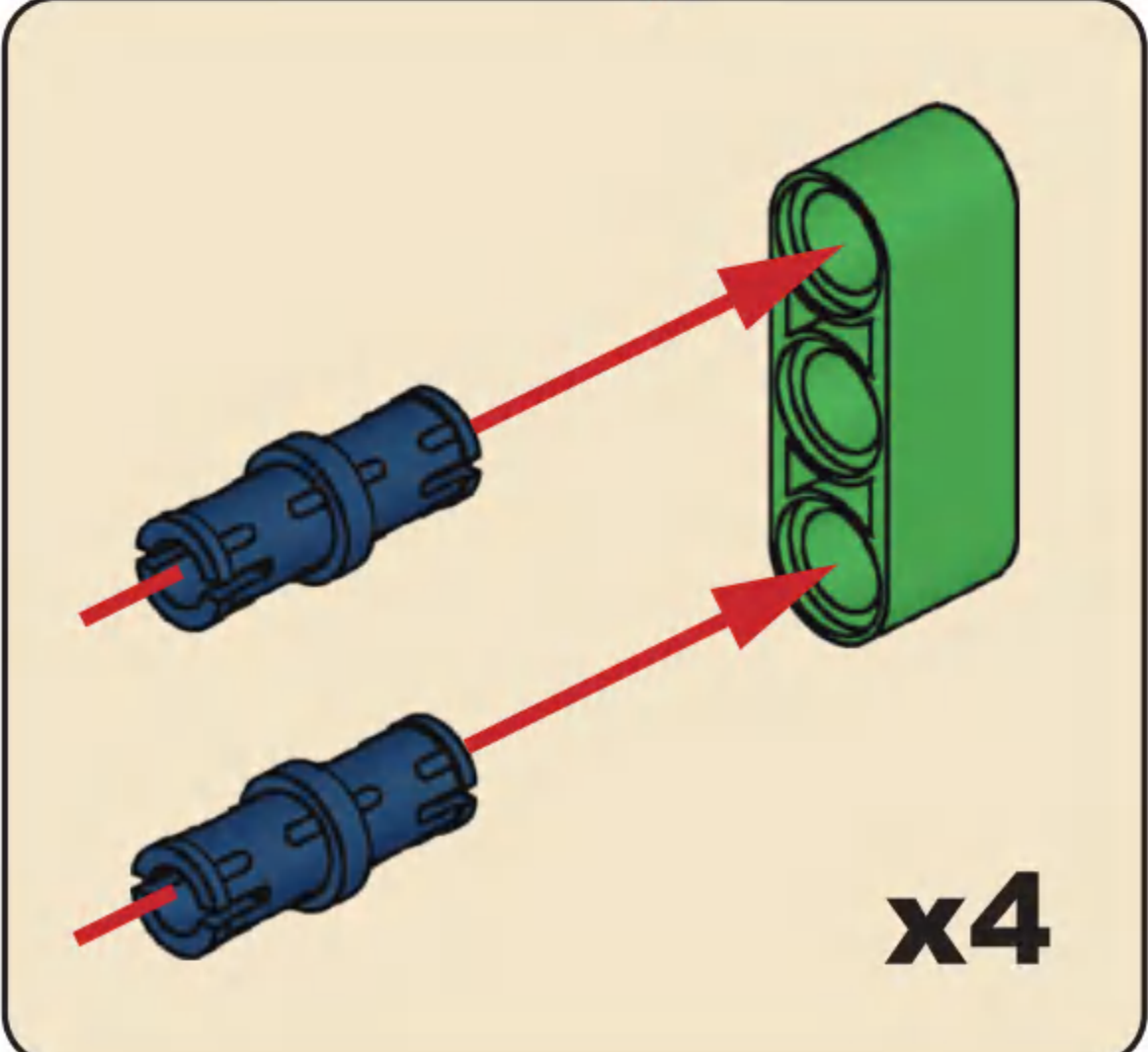
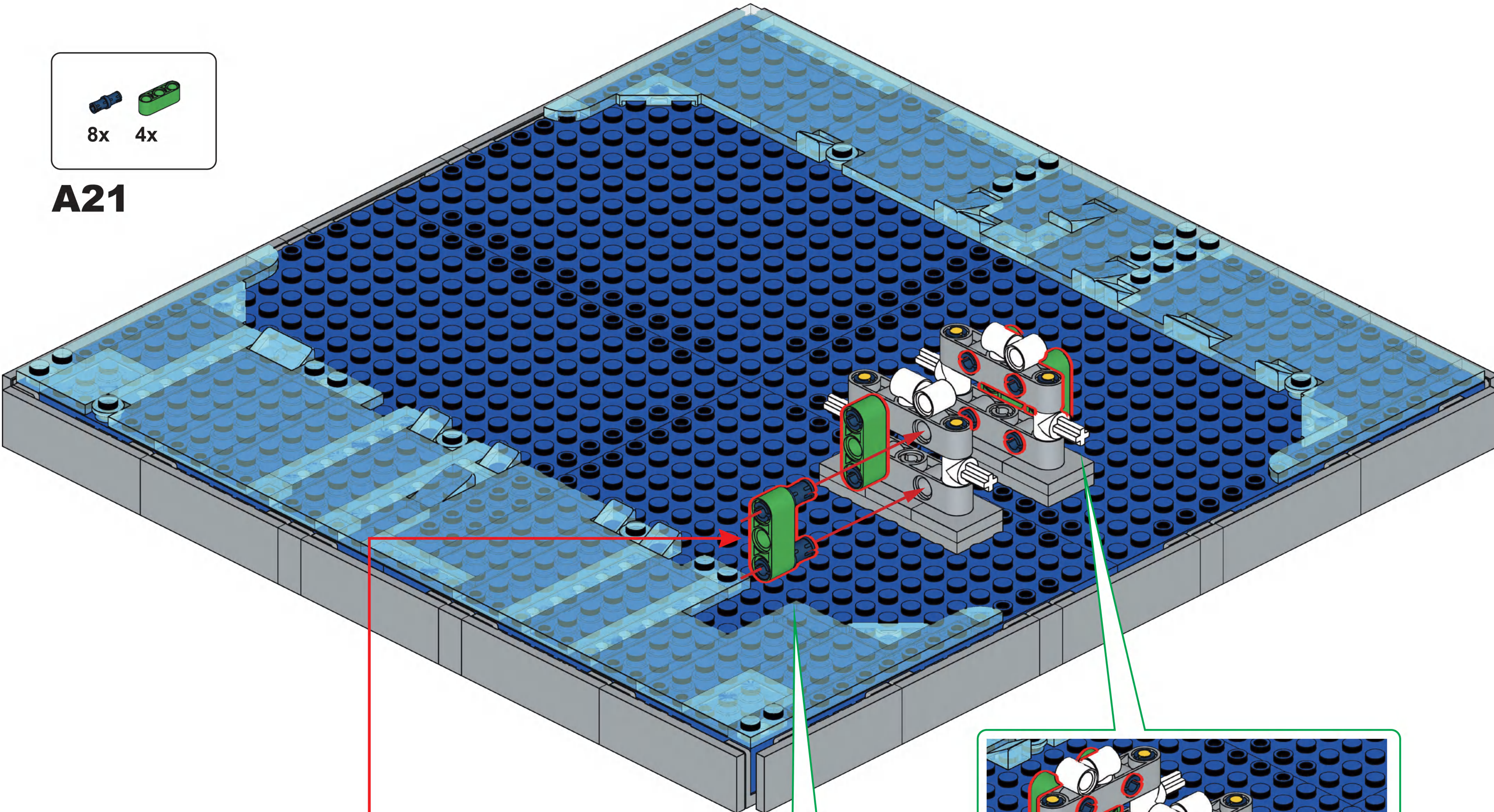


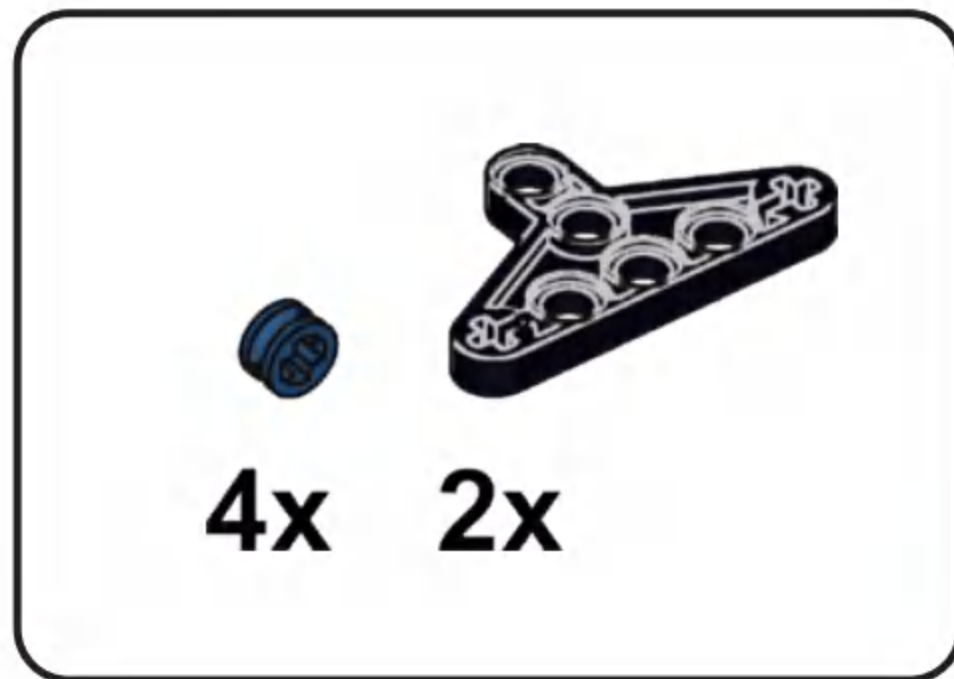
# A20



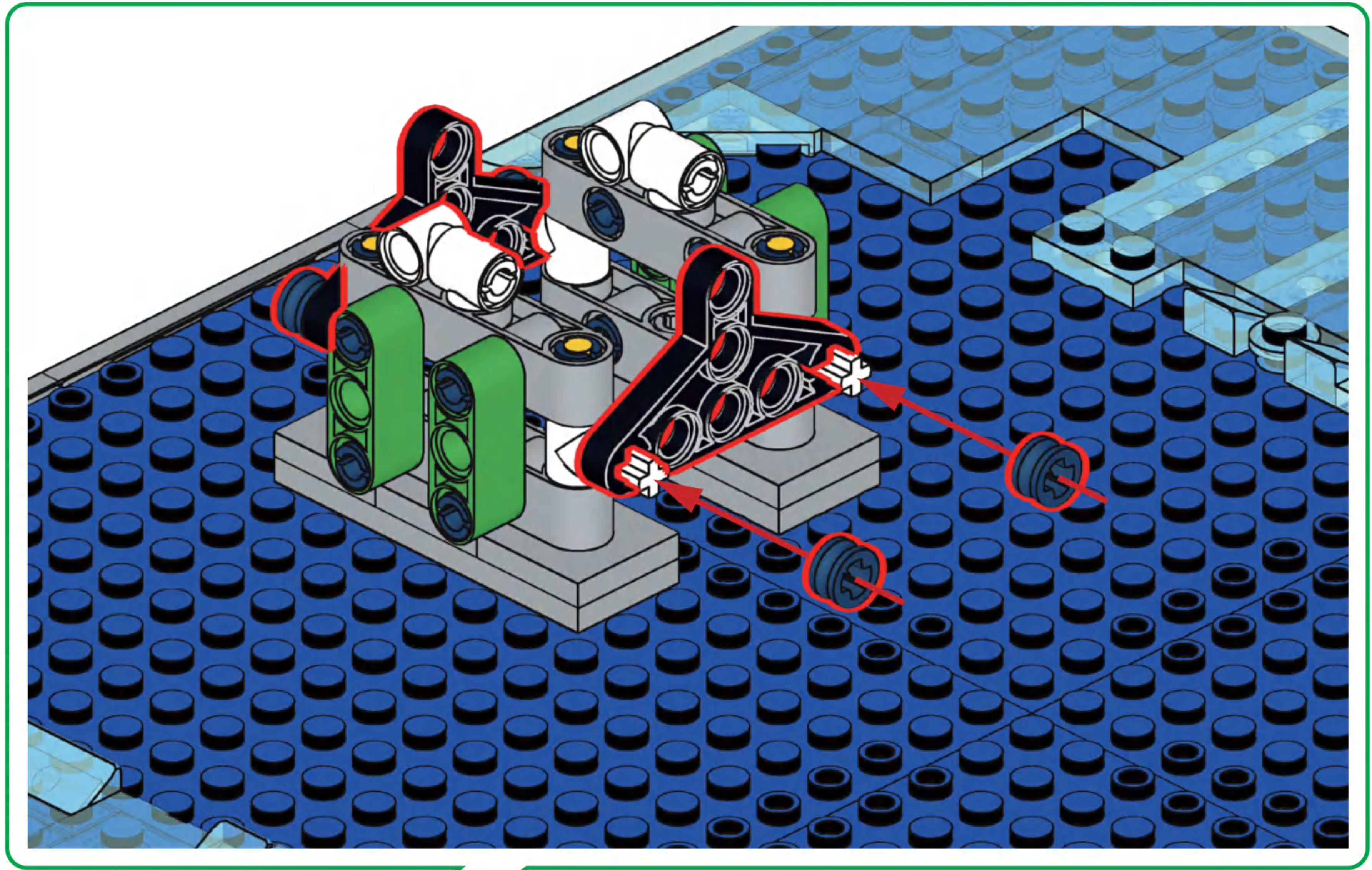
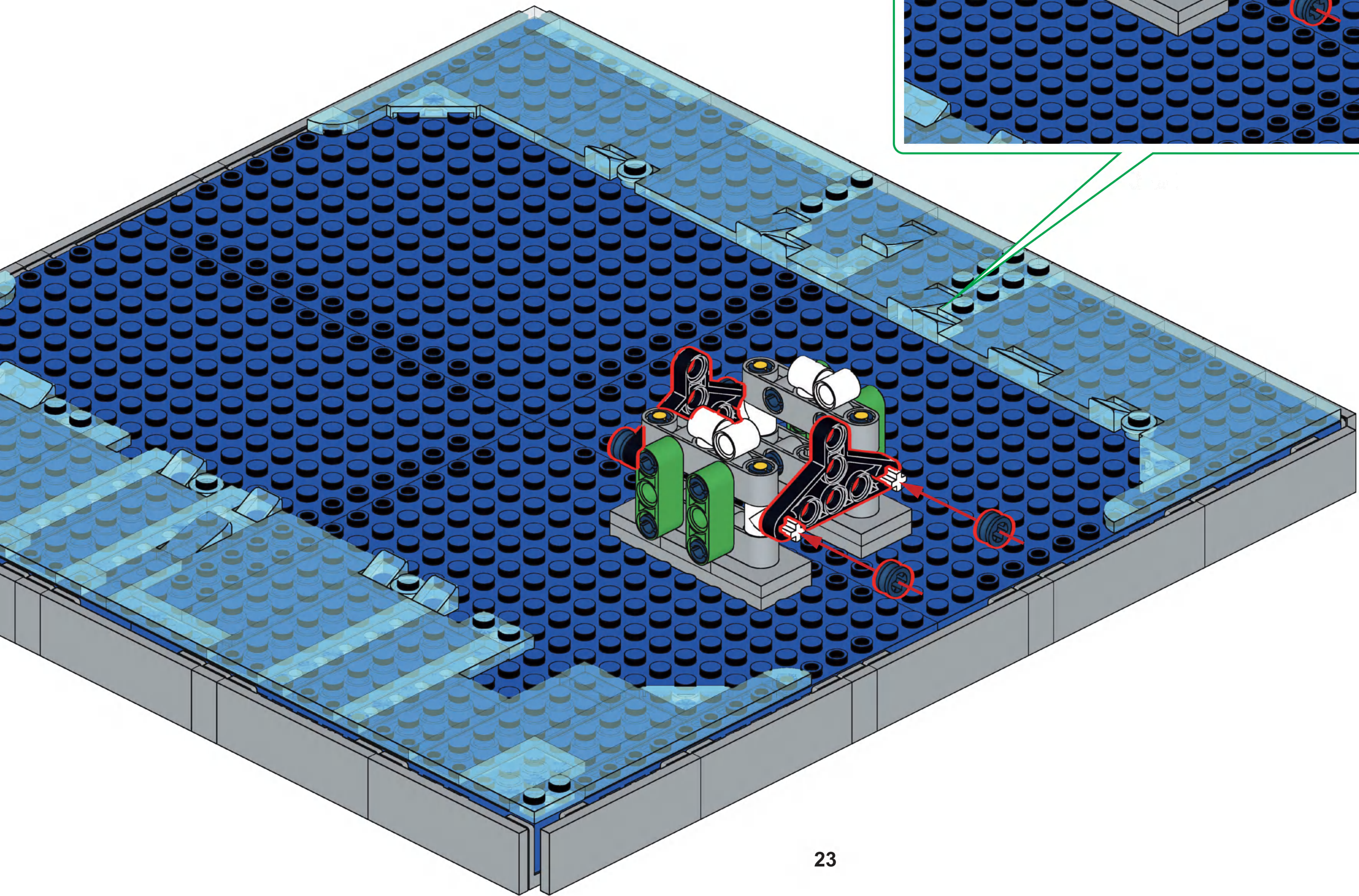


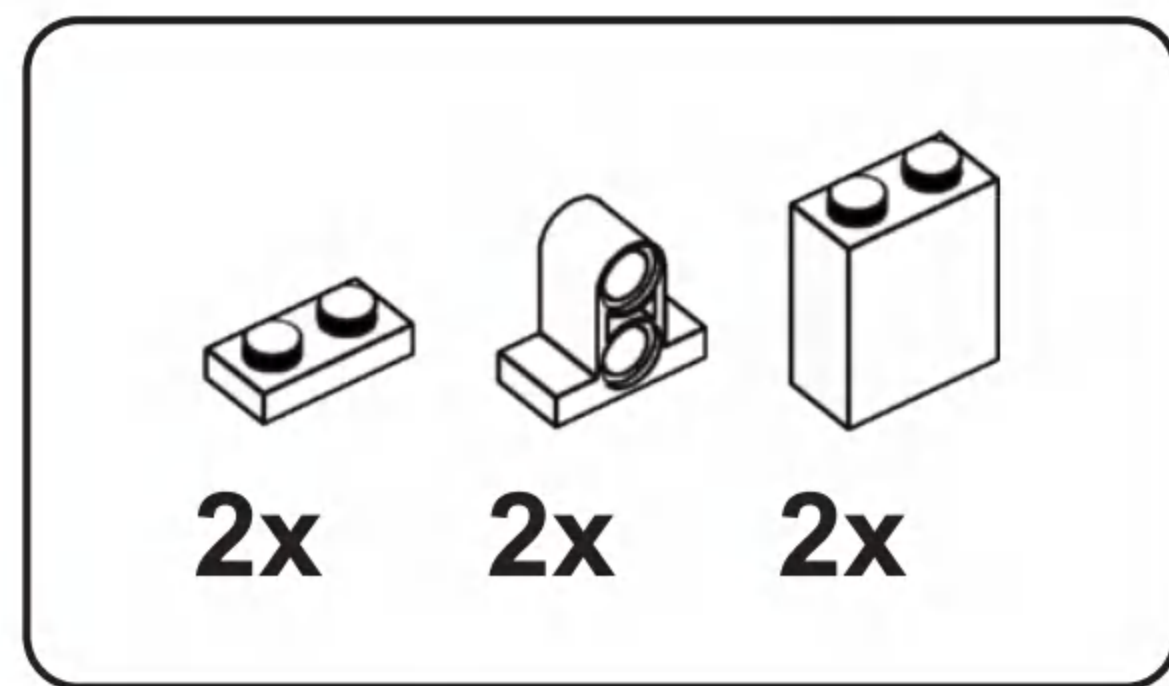
# A21



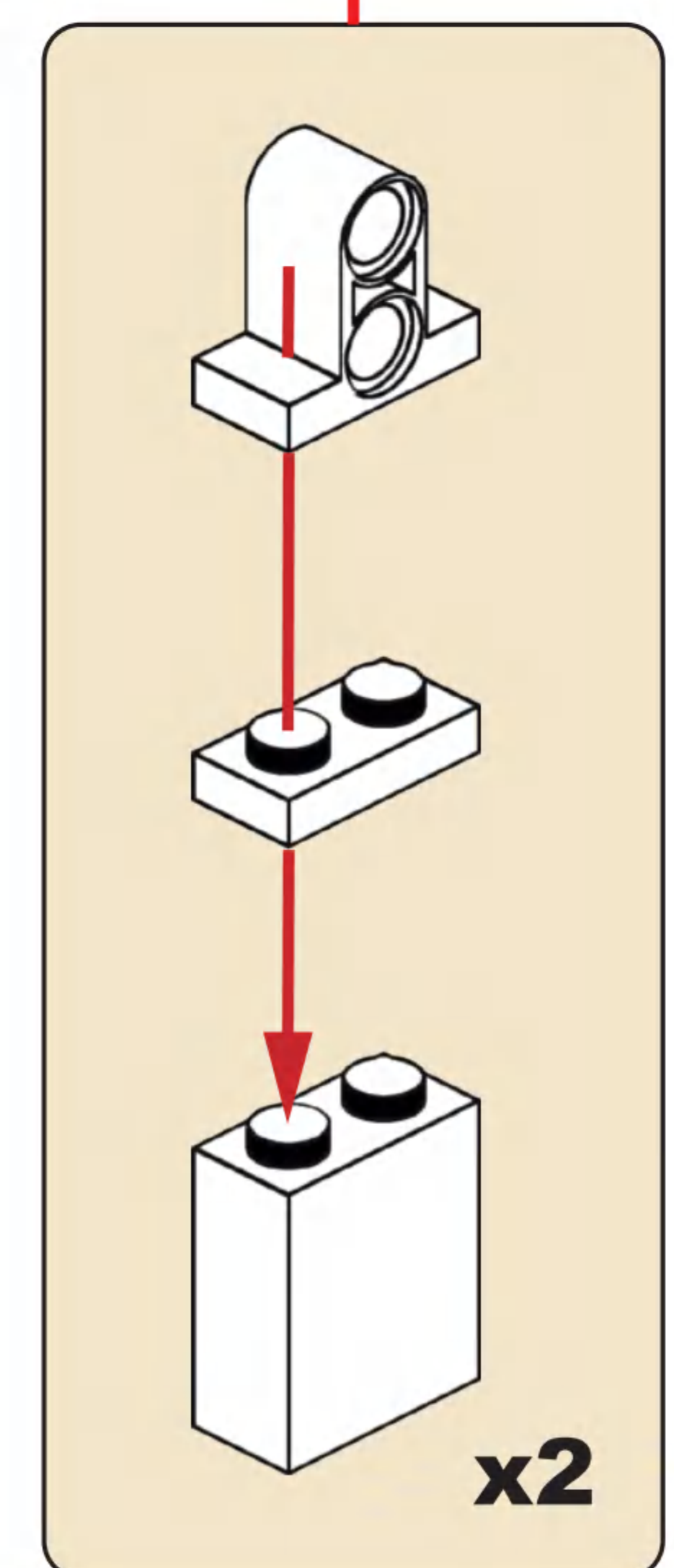
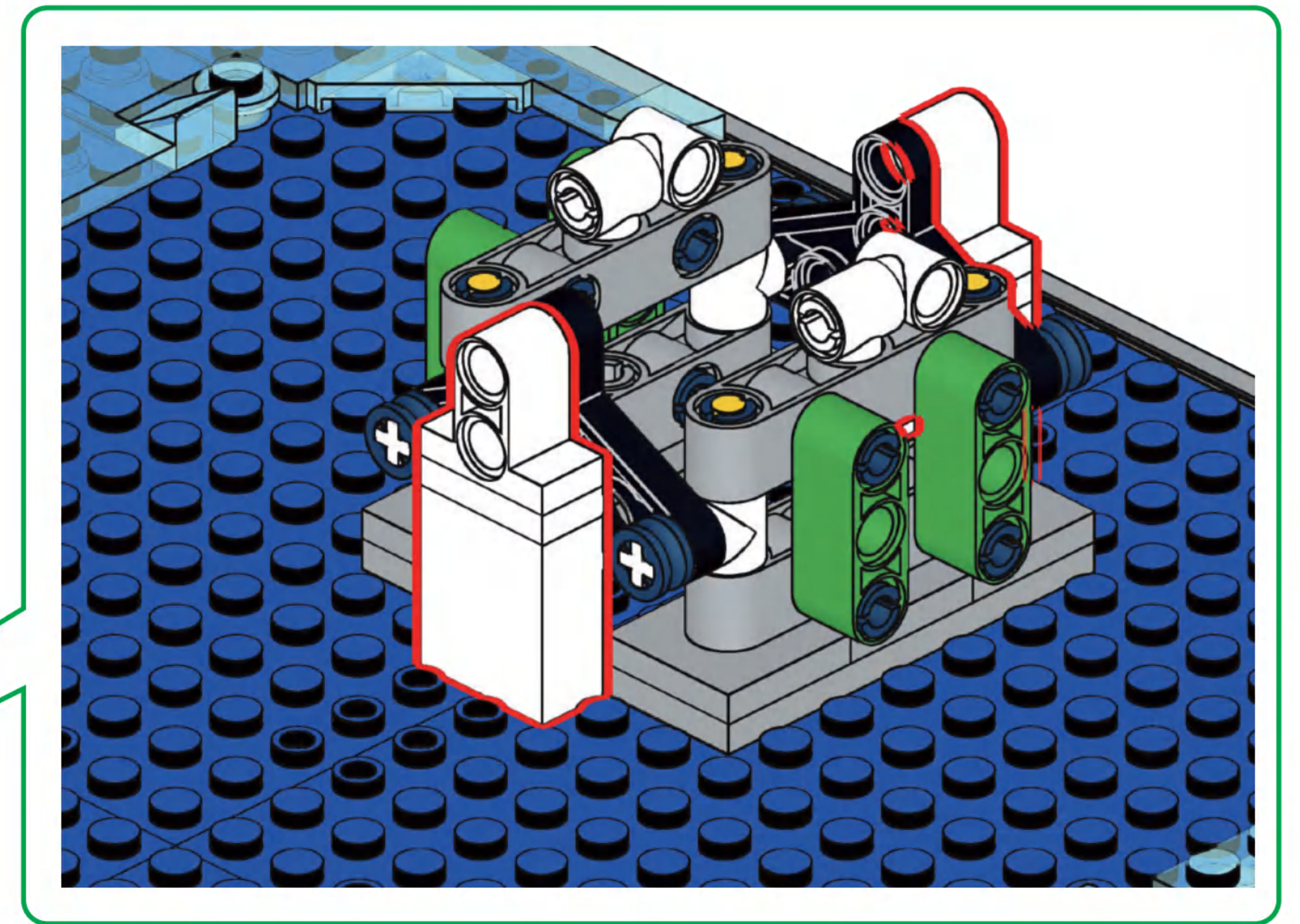
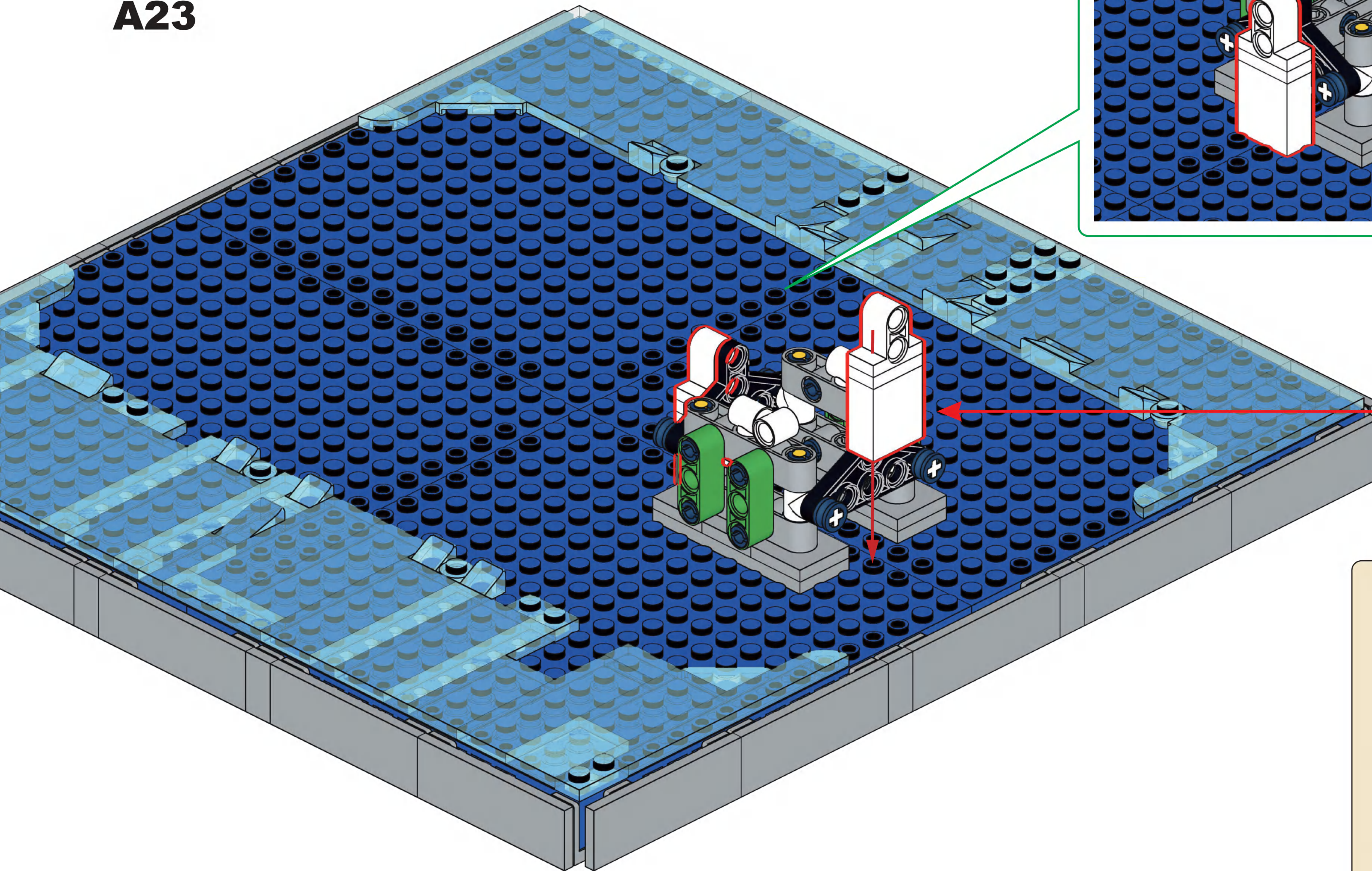


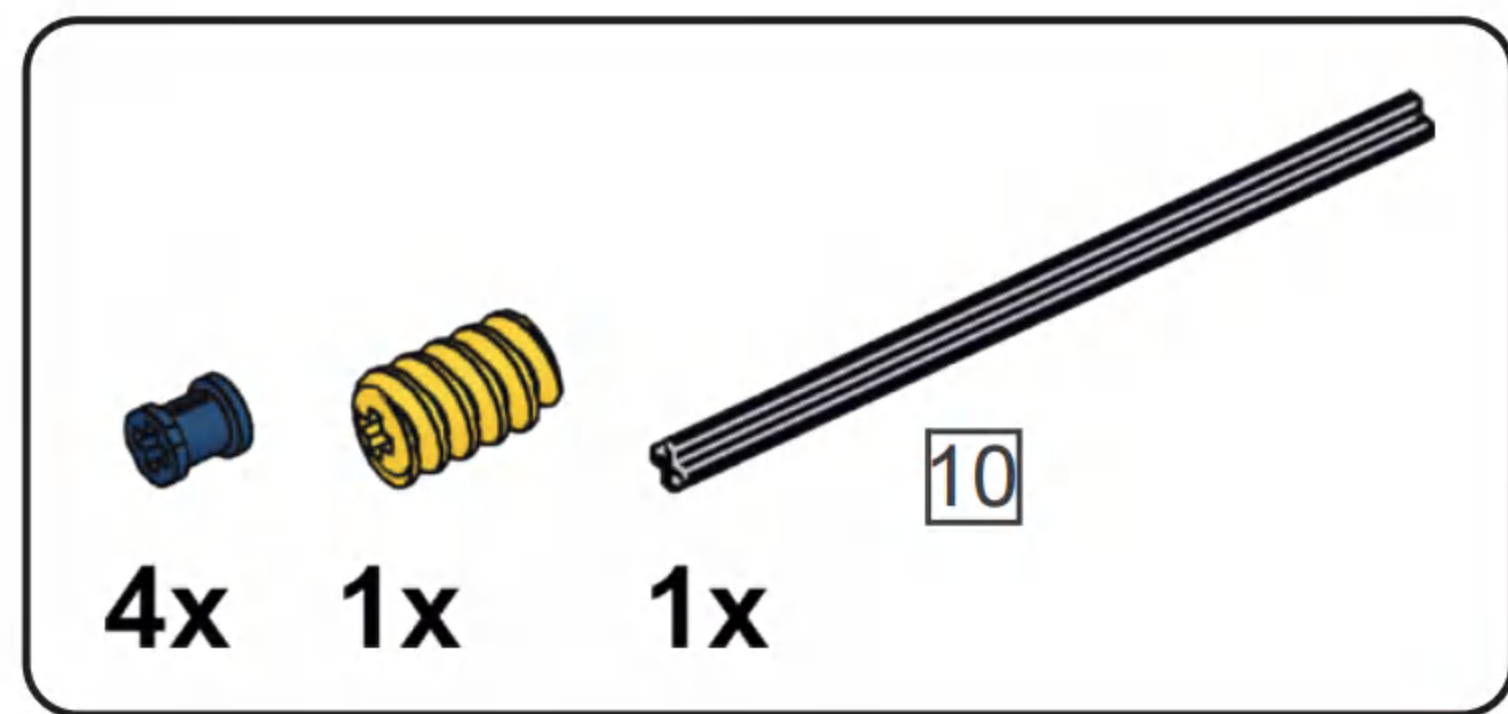
**A22**



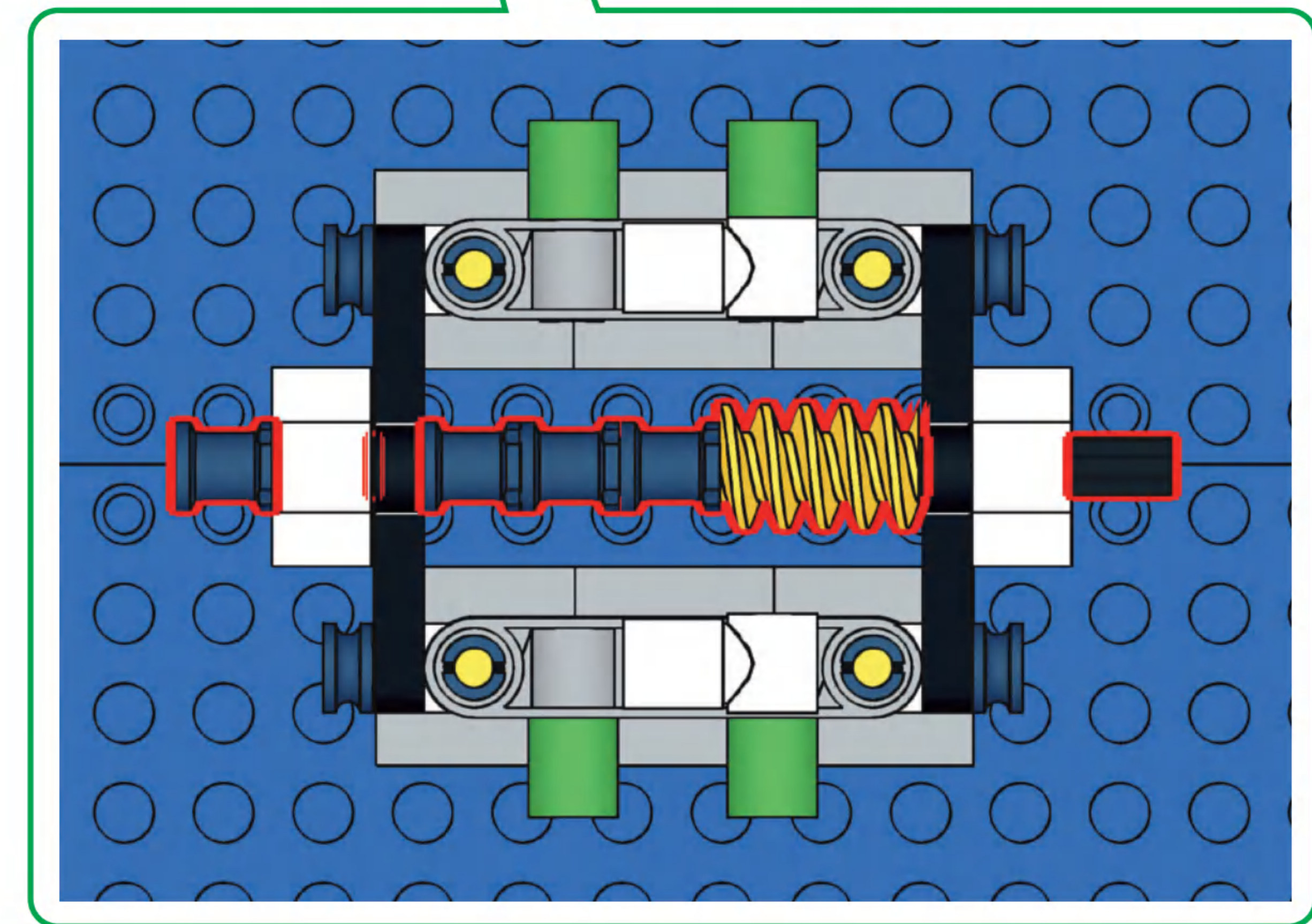
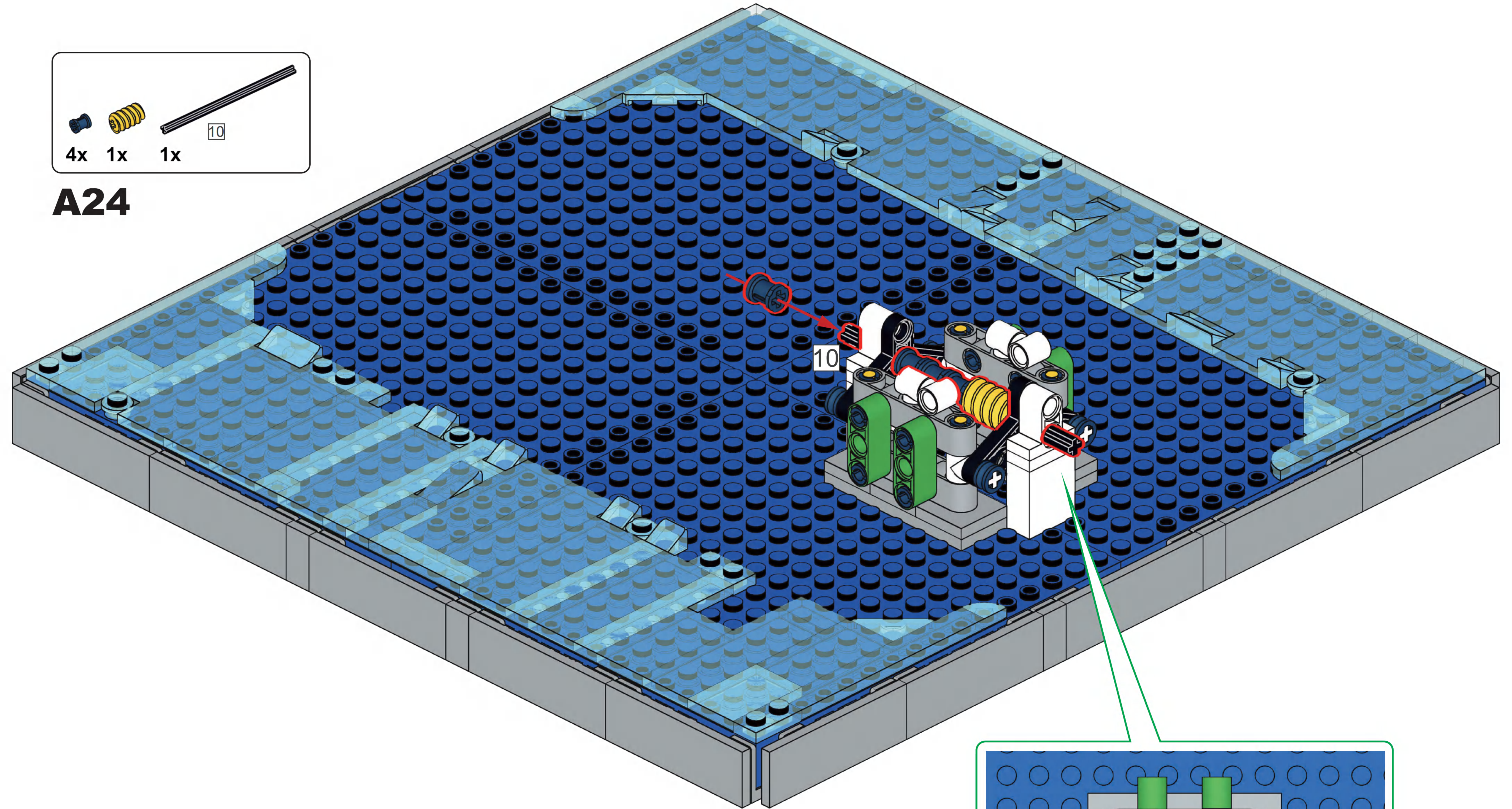


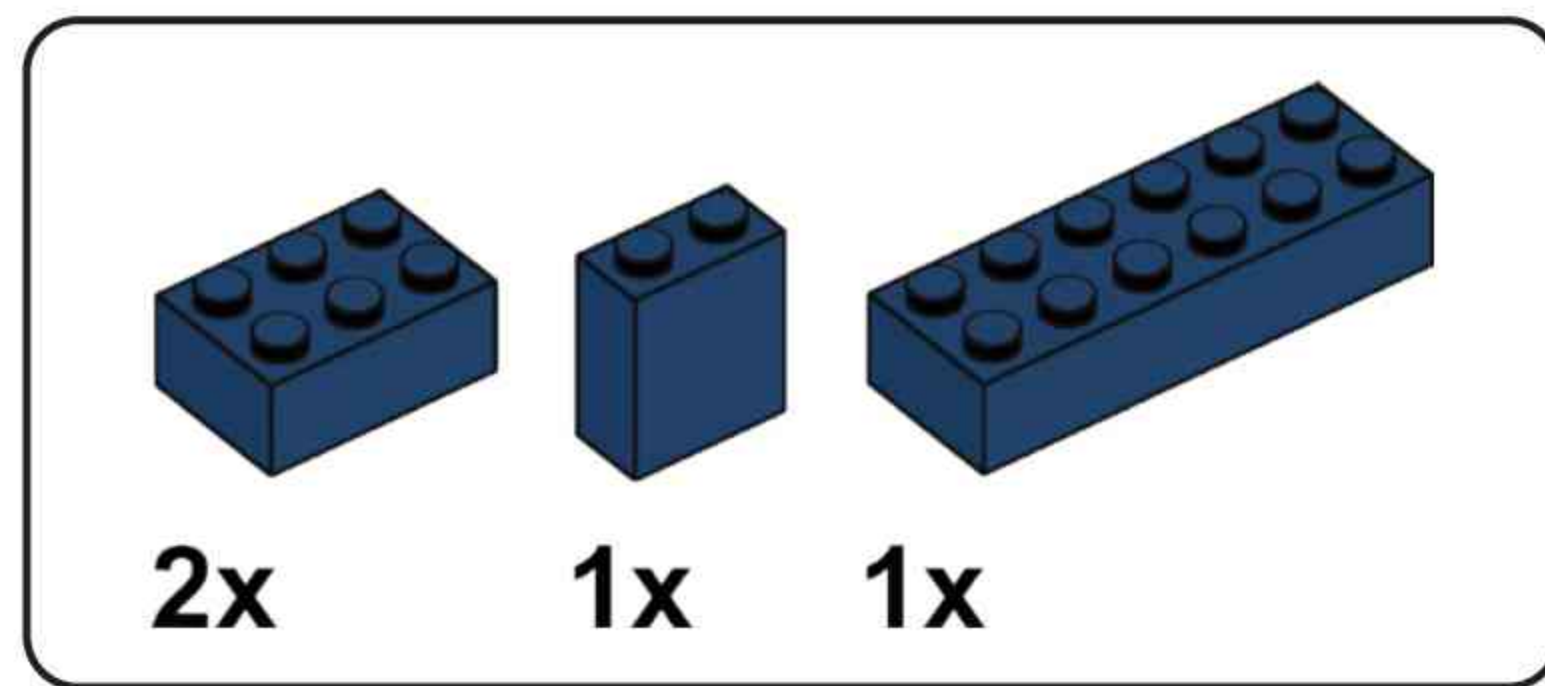
# A23



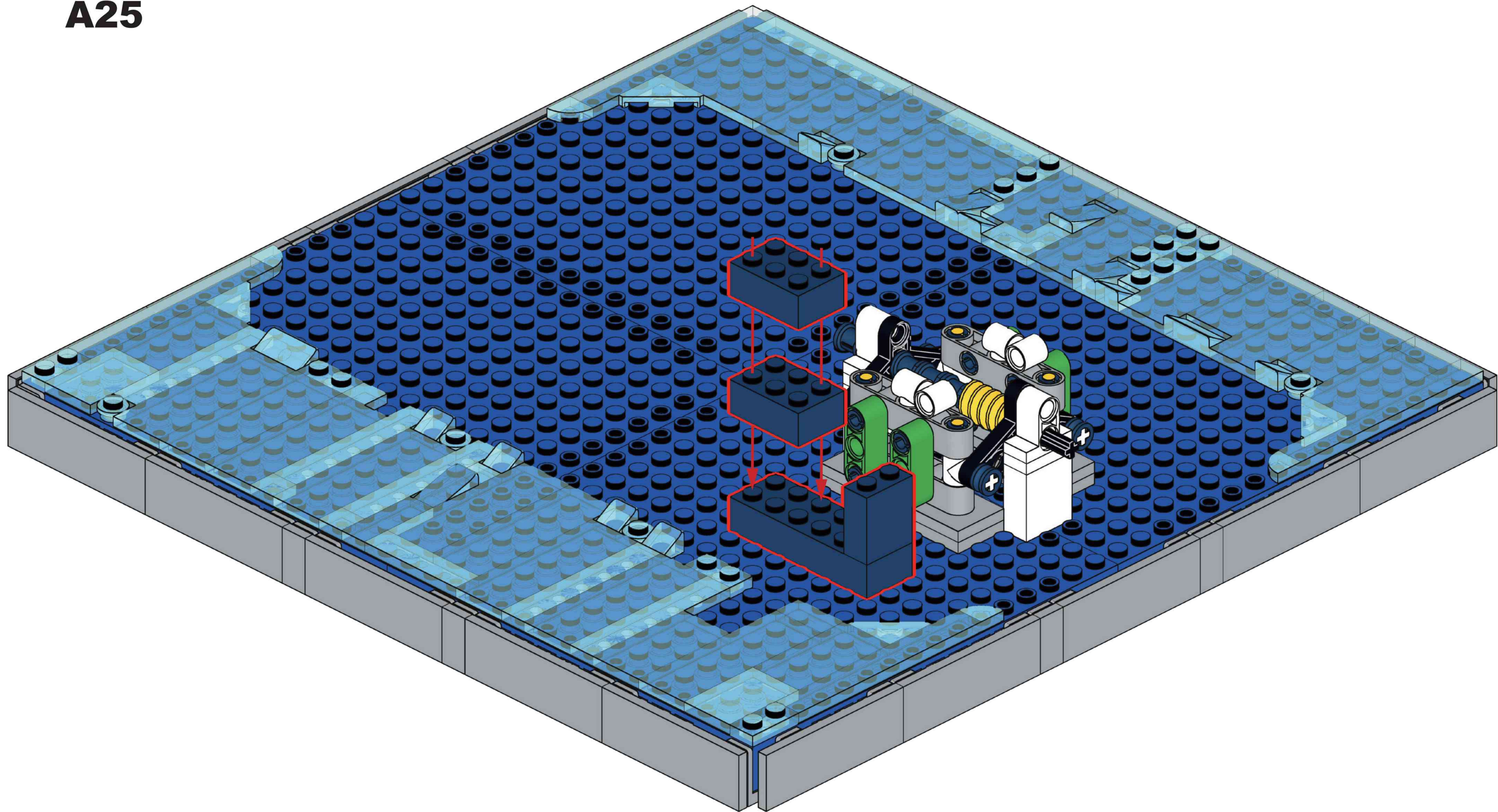


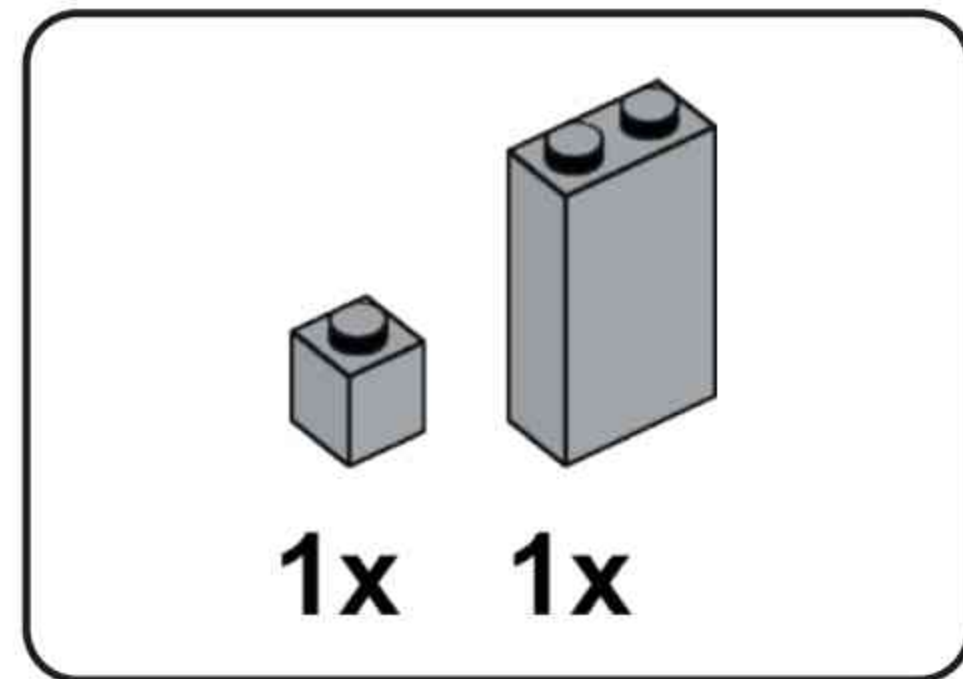
# A24



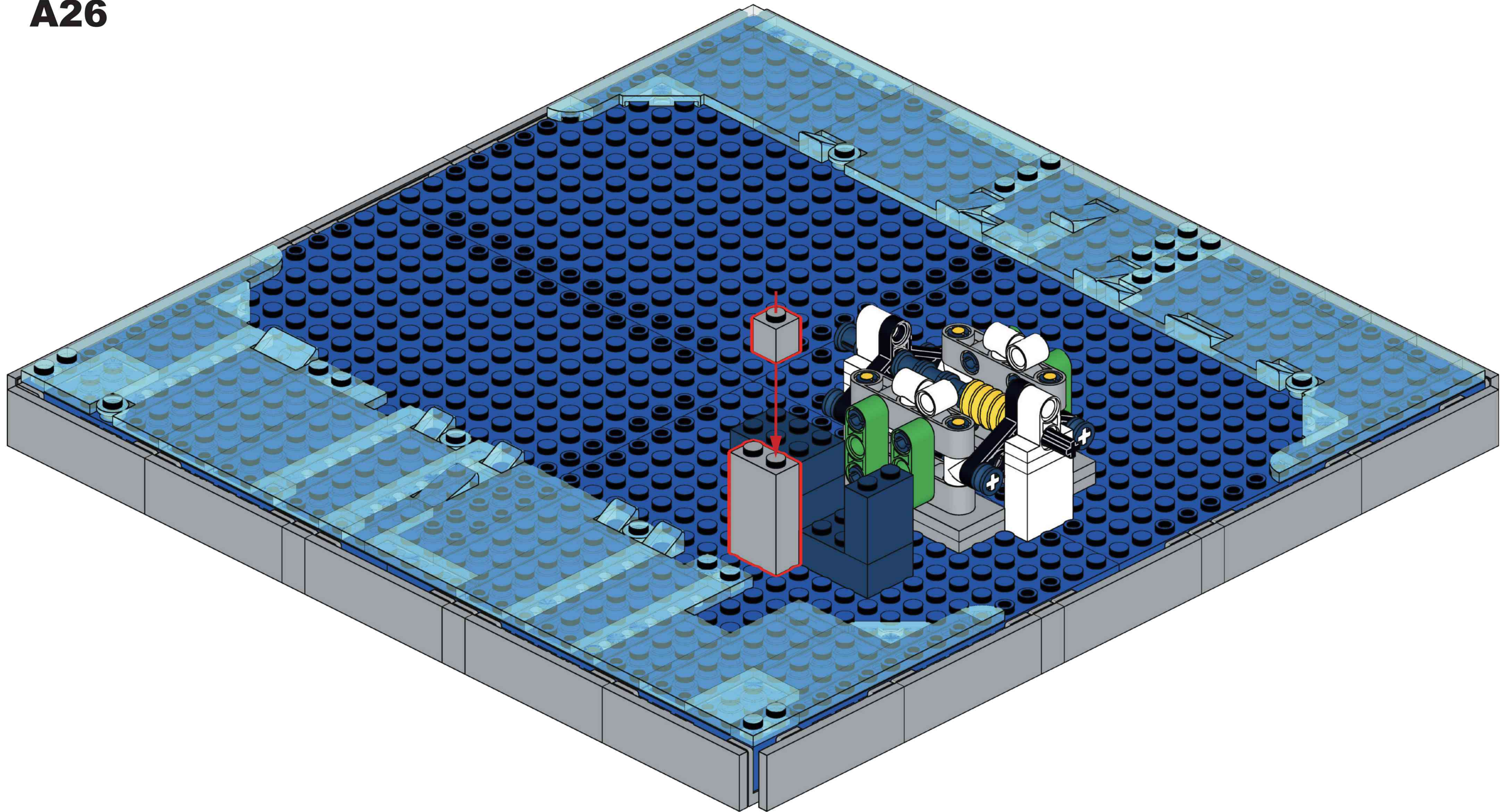


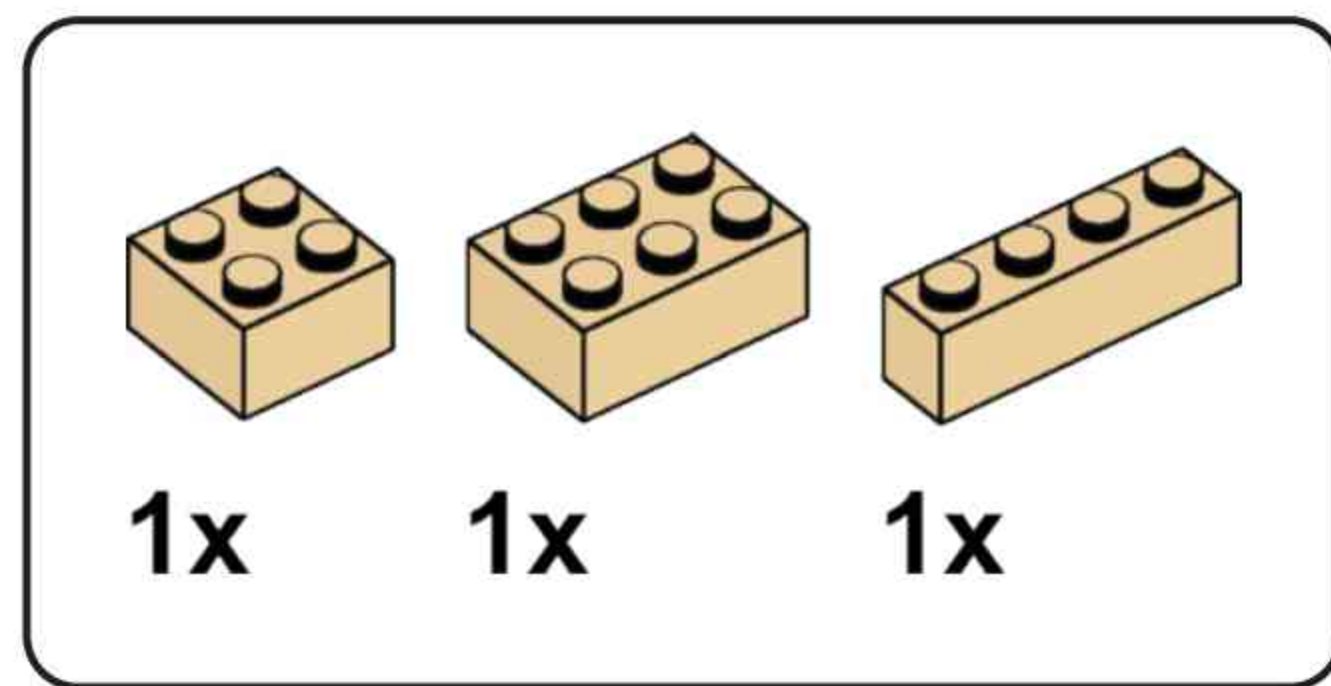
# A25



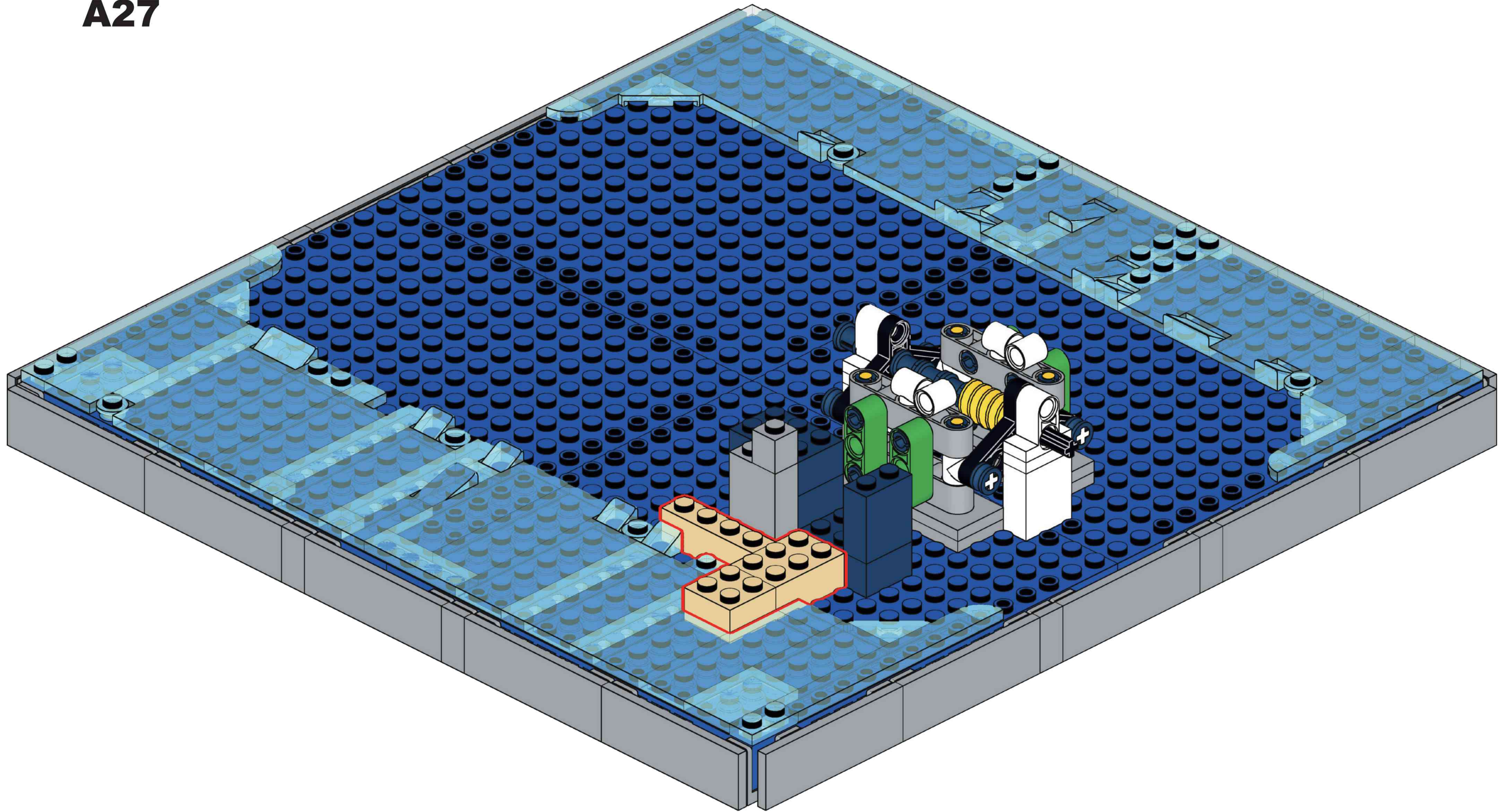


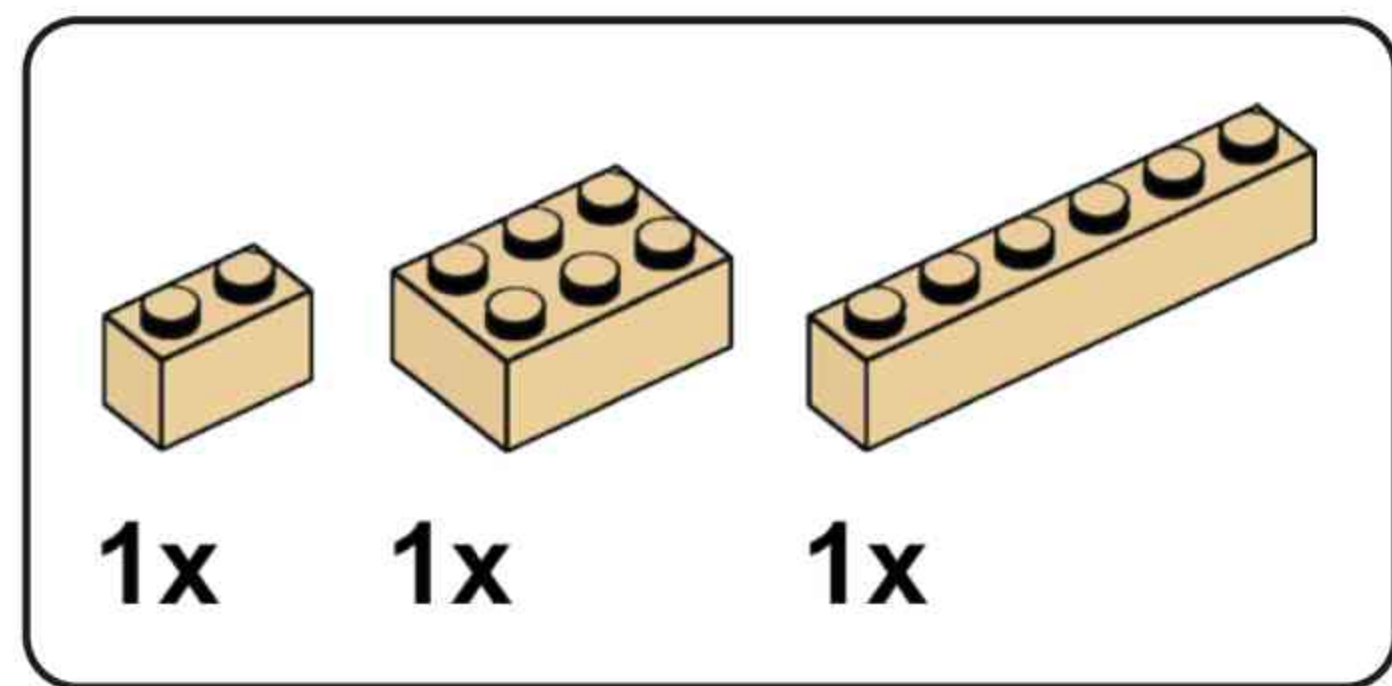
# A26



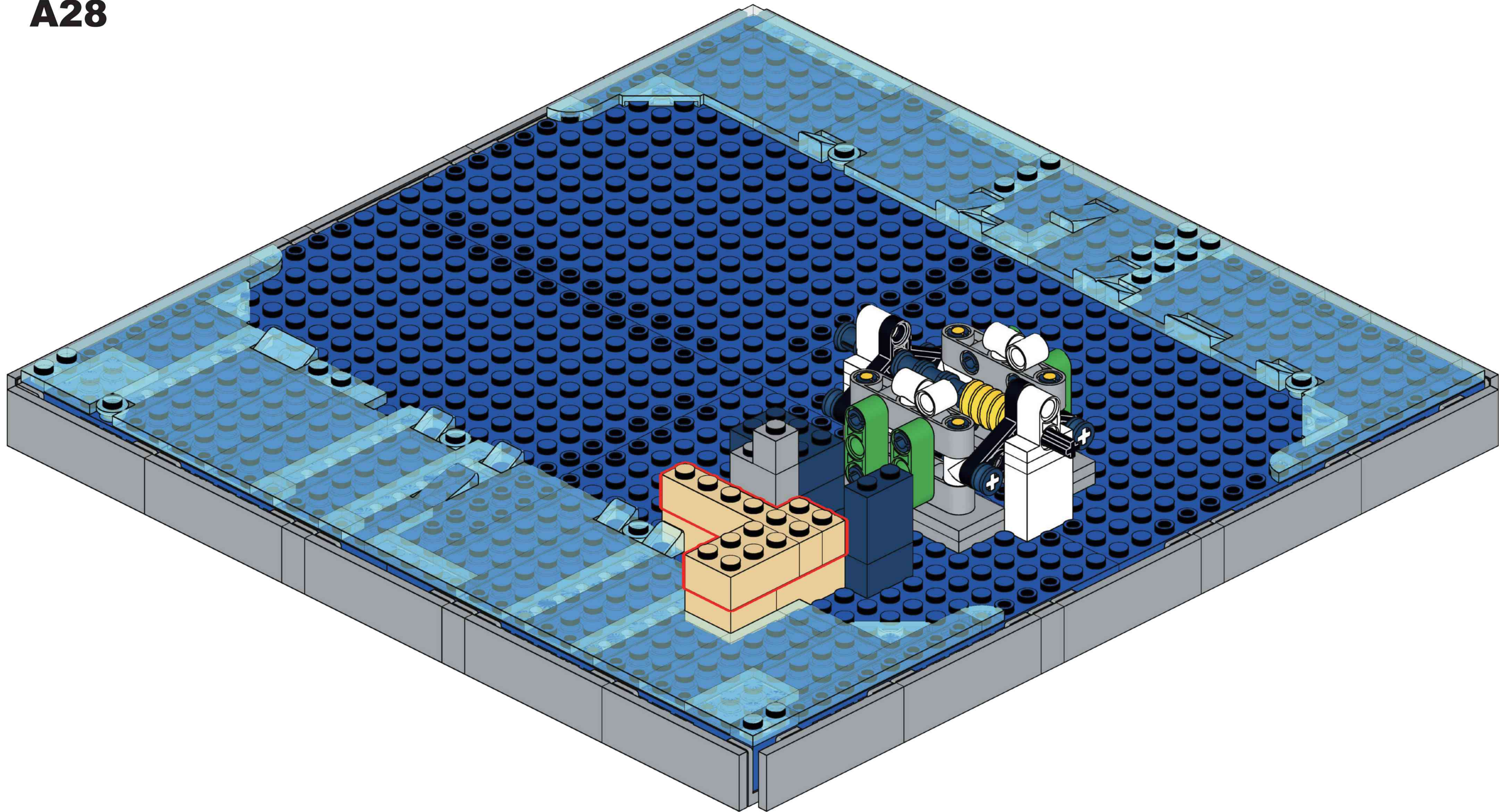


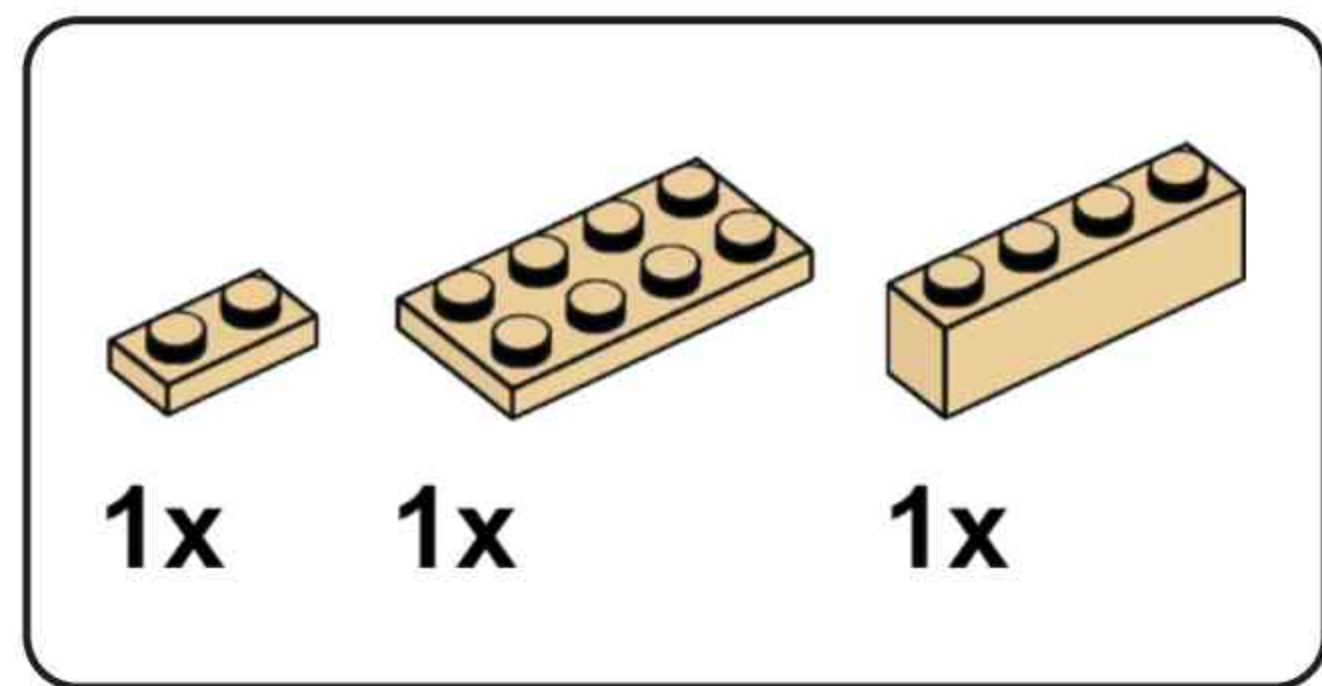
# A27



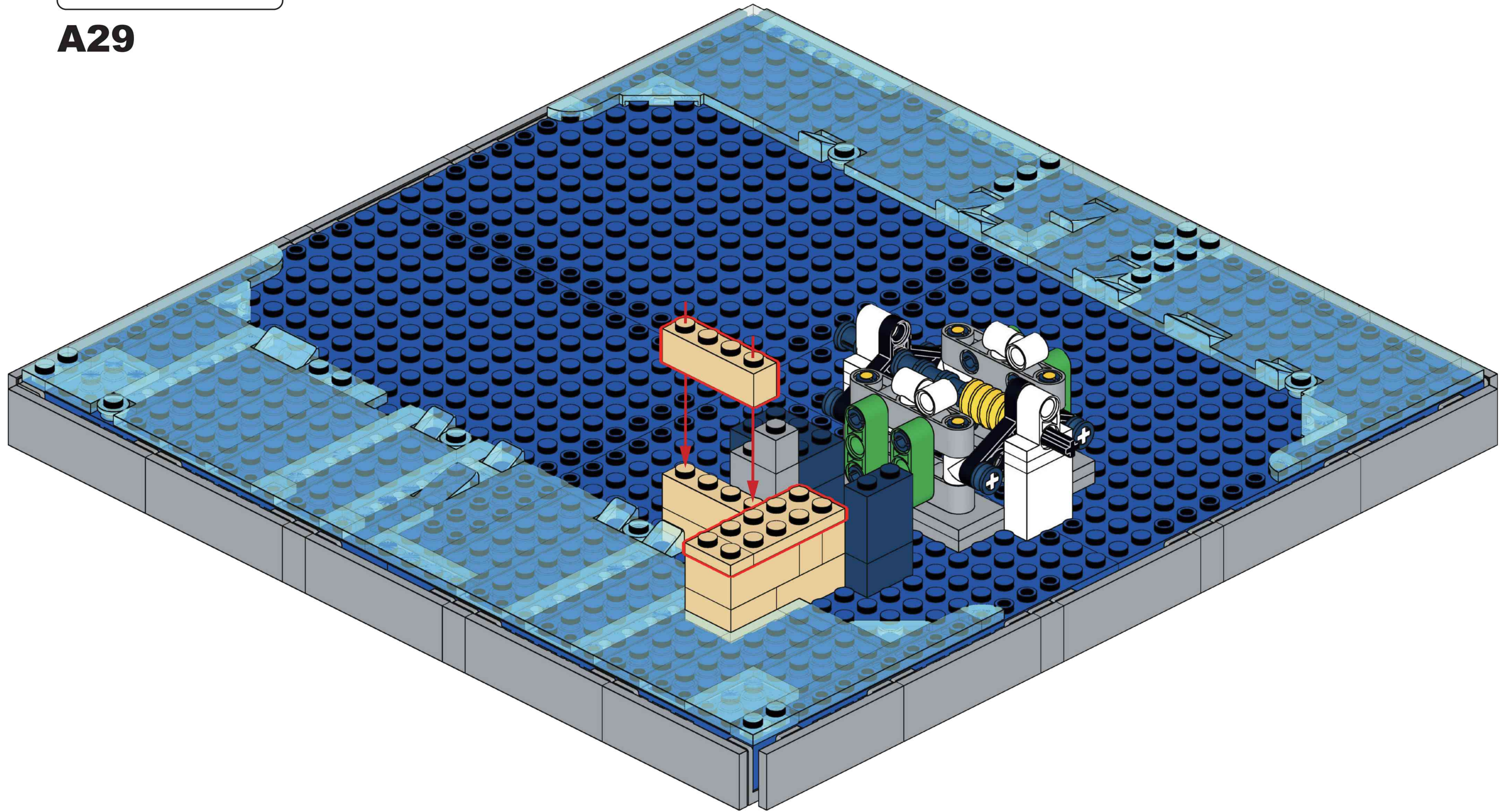


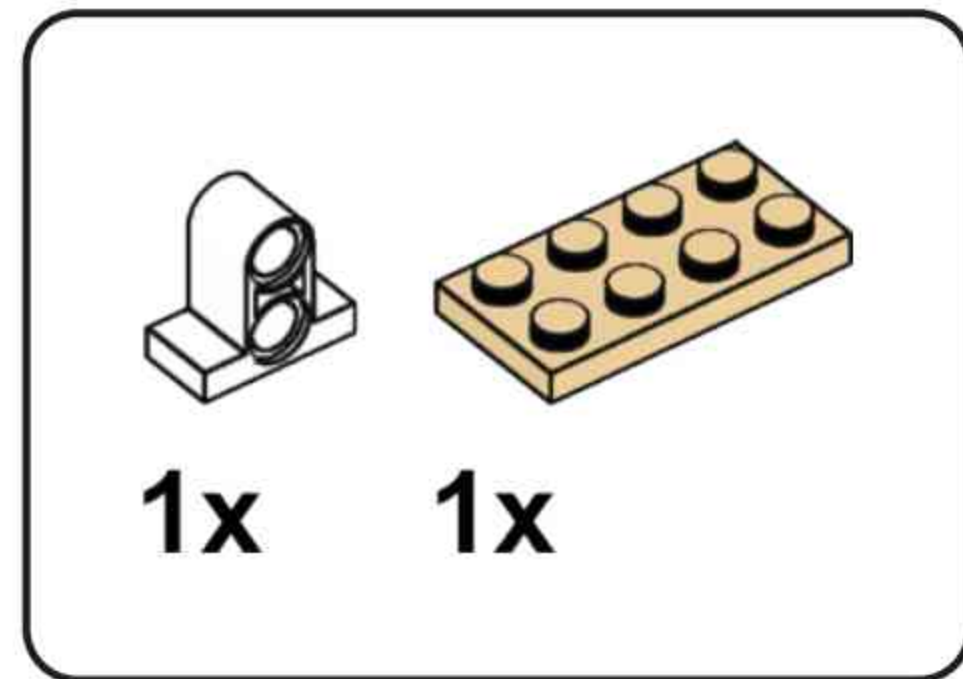
# A28



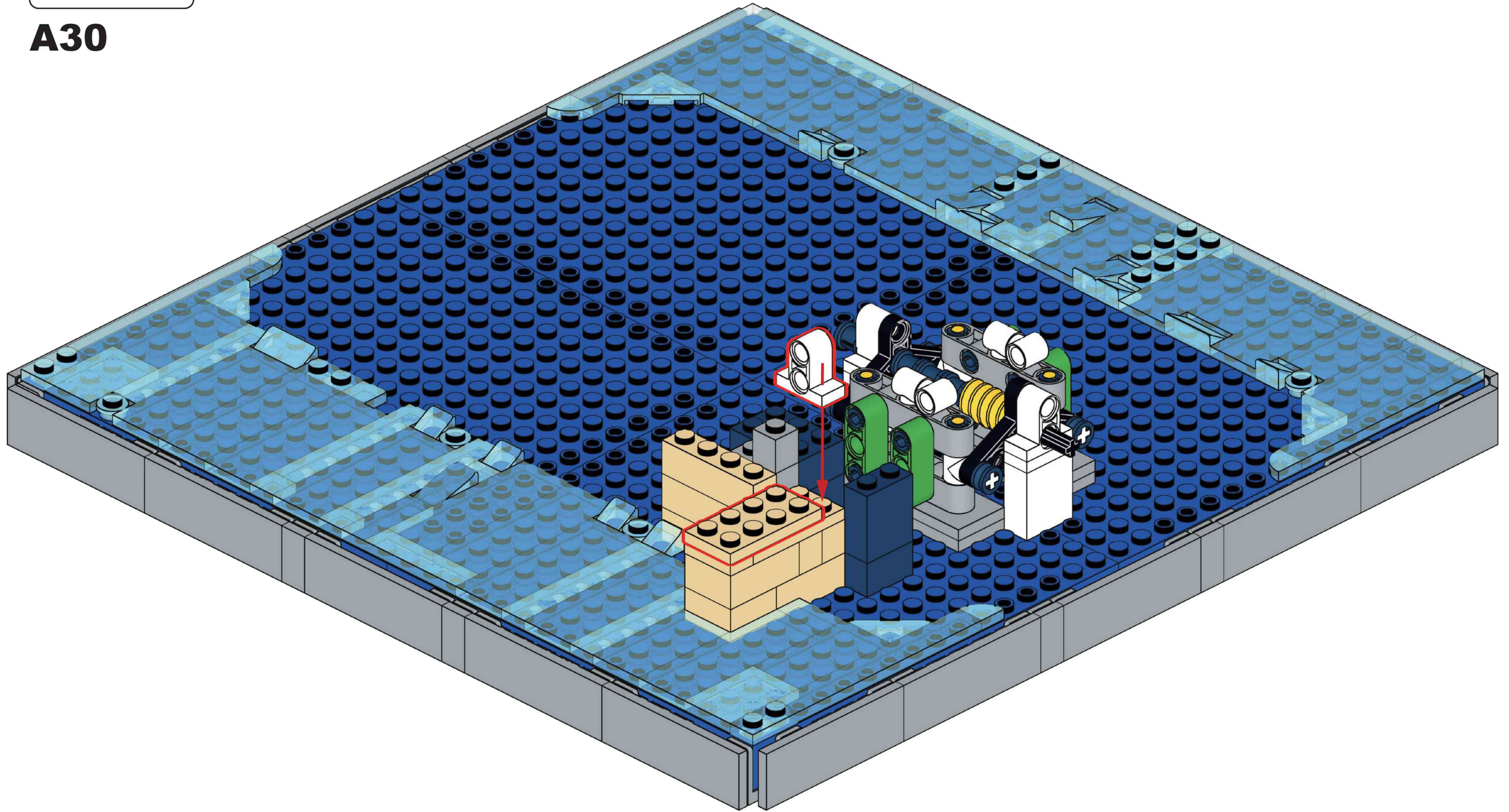


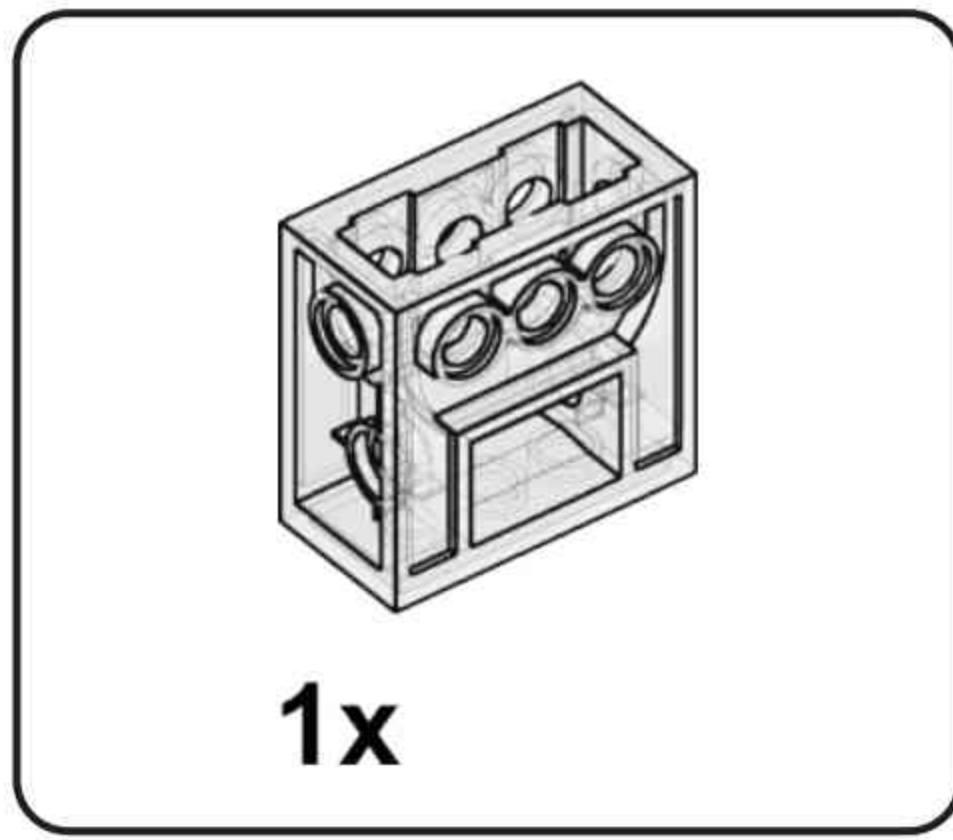
# A29



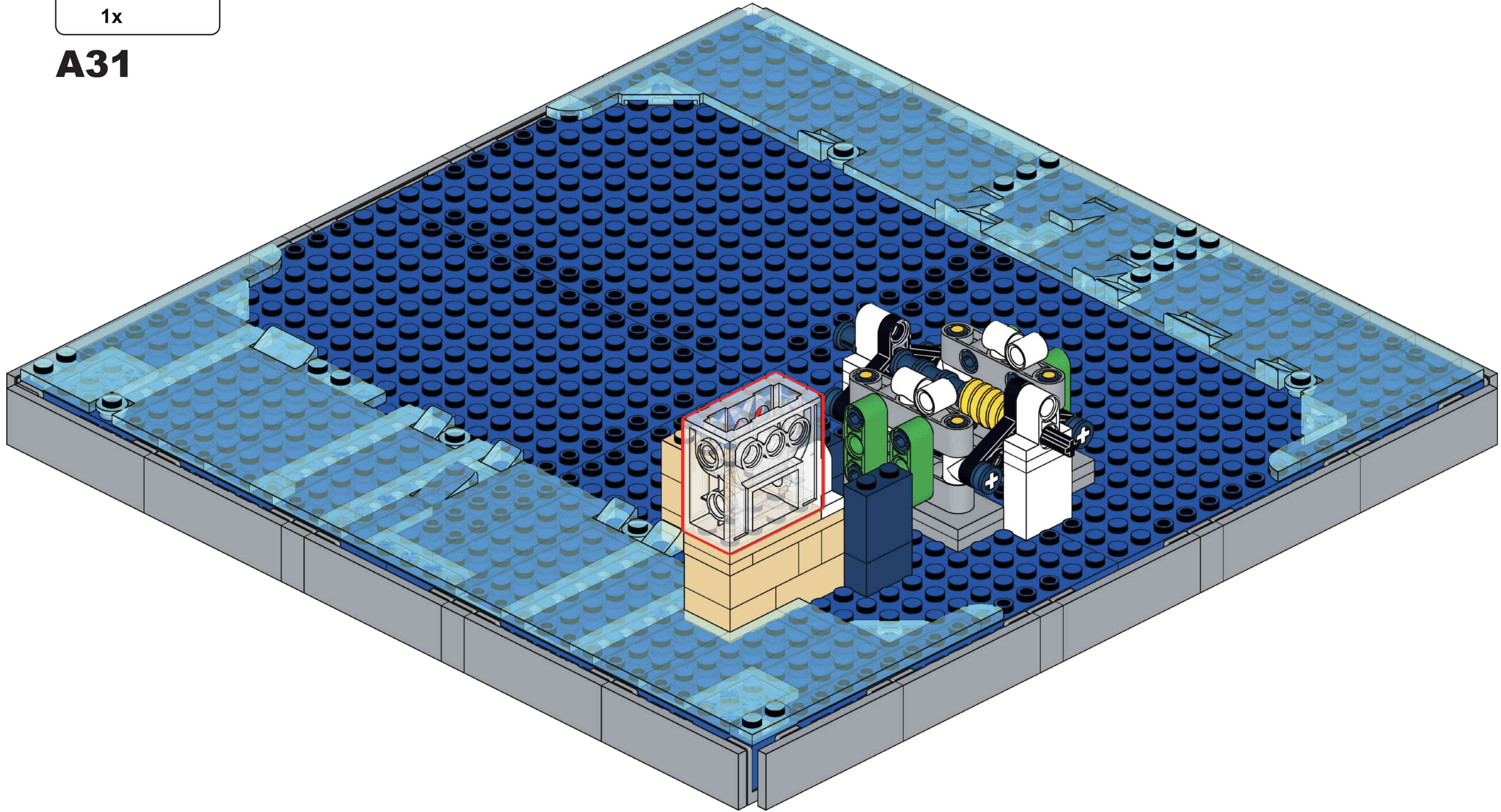


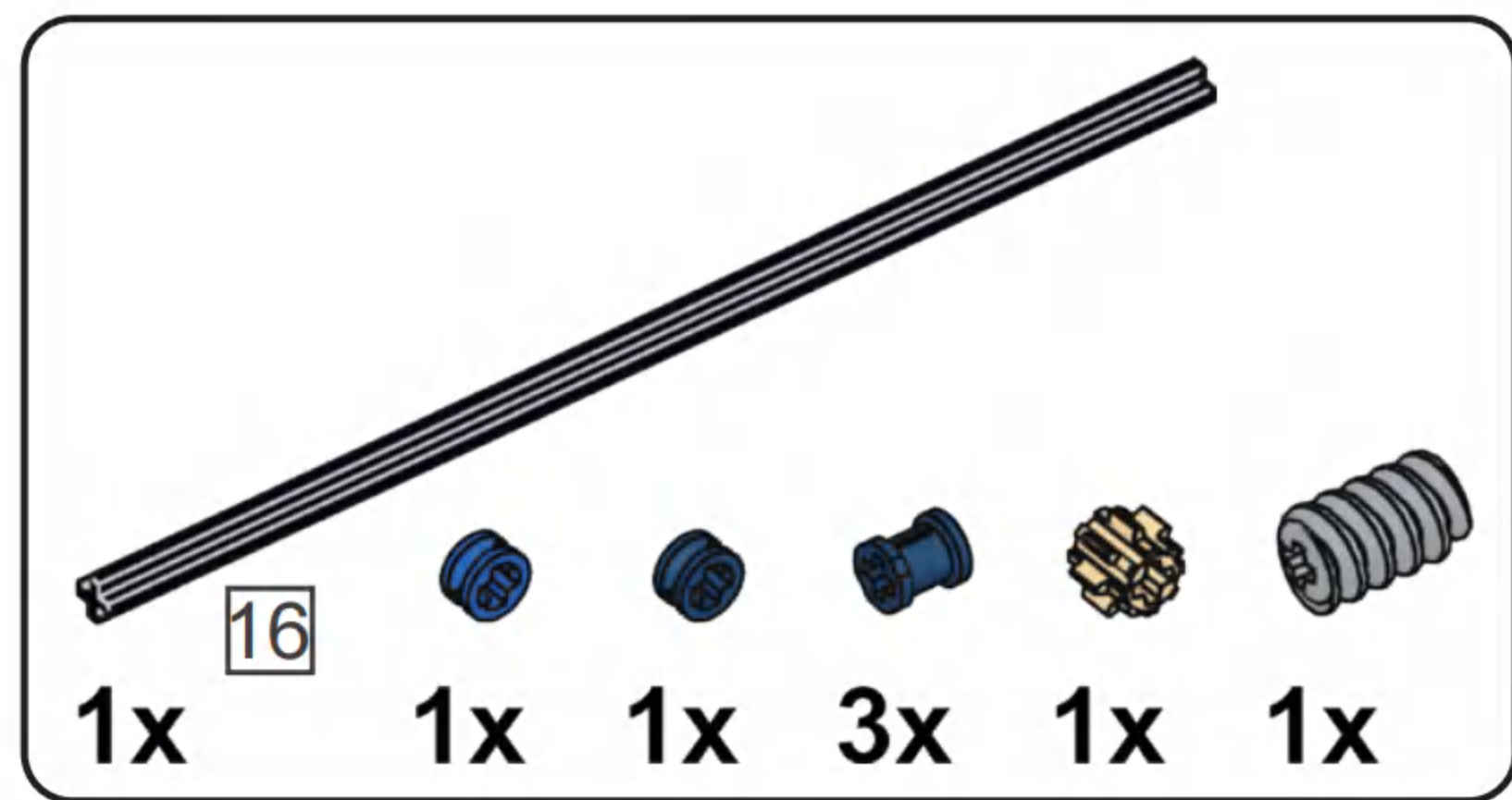
# A30



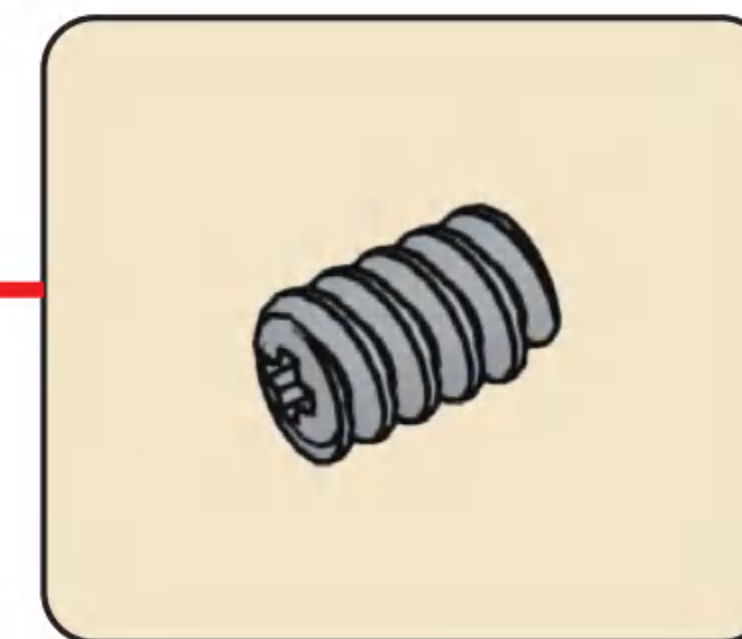
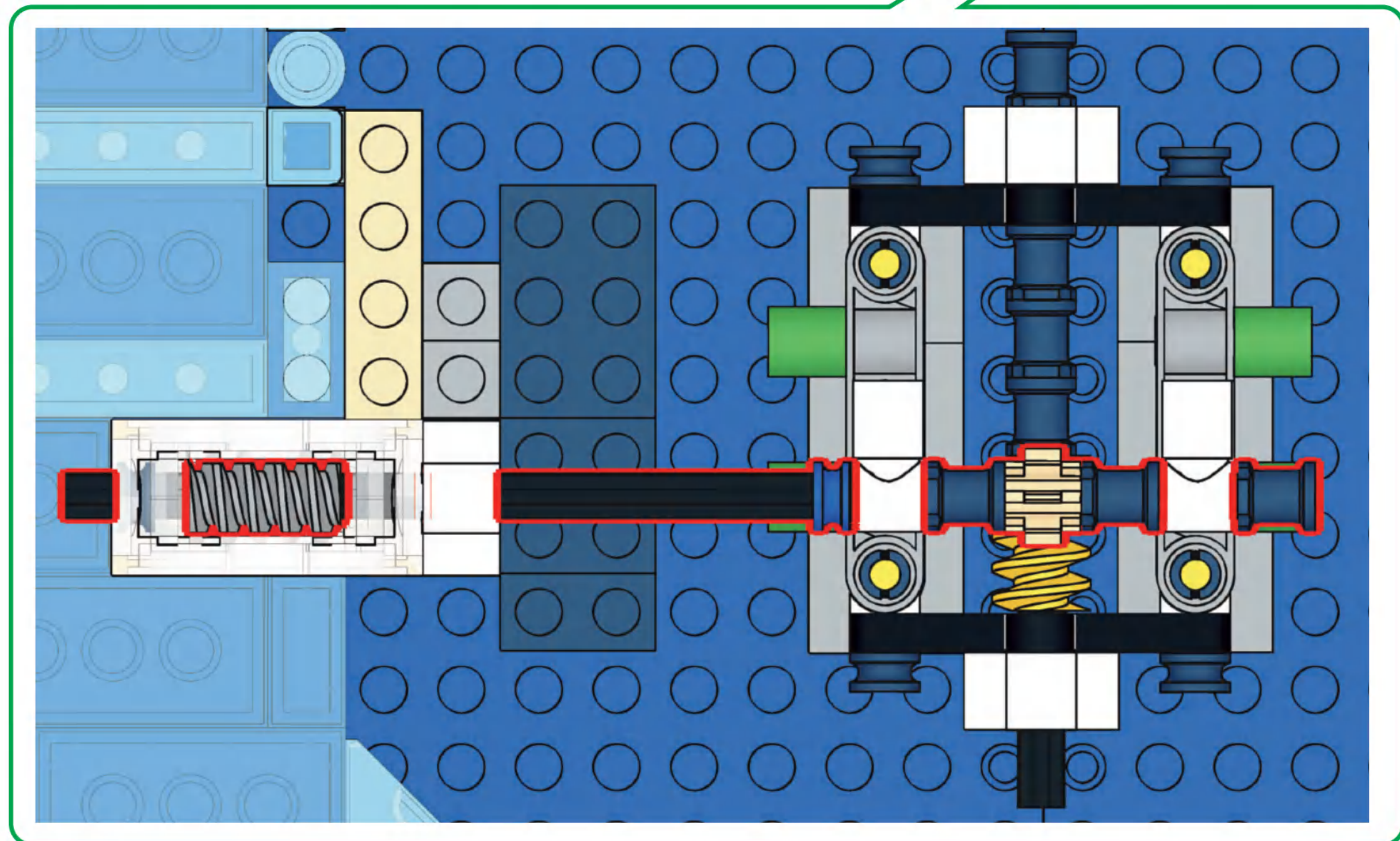
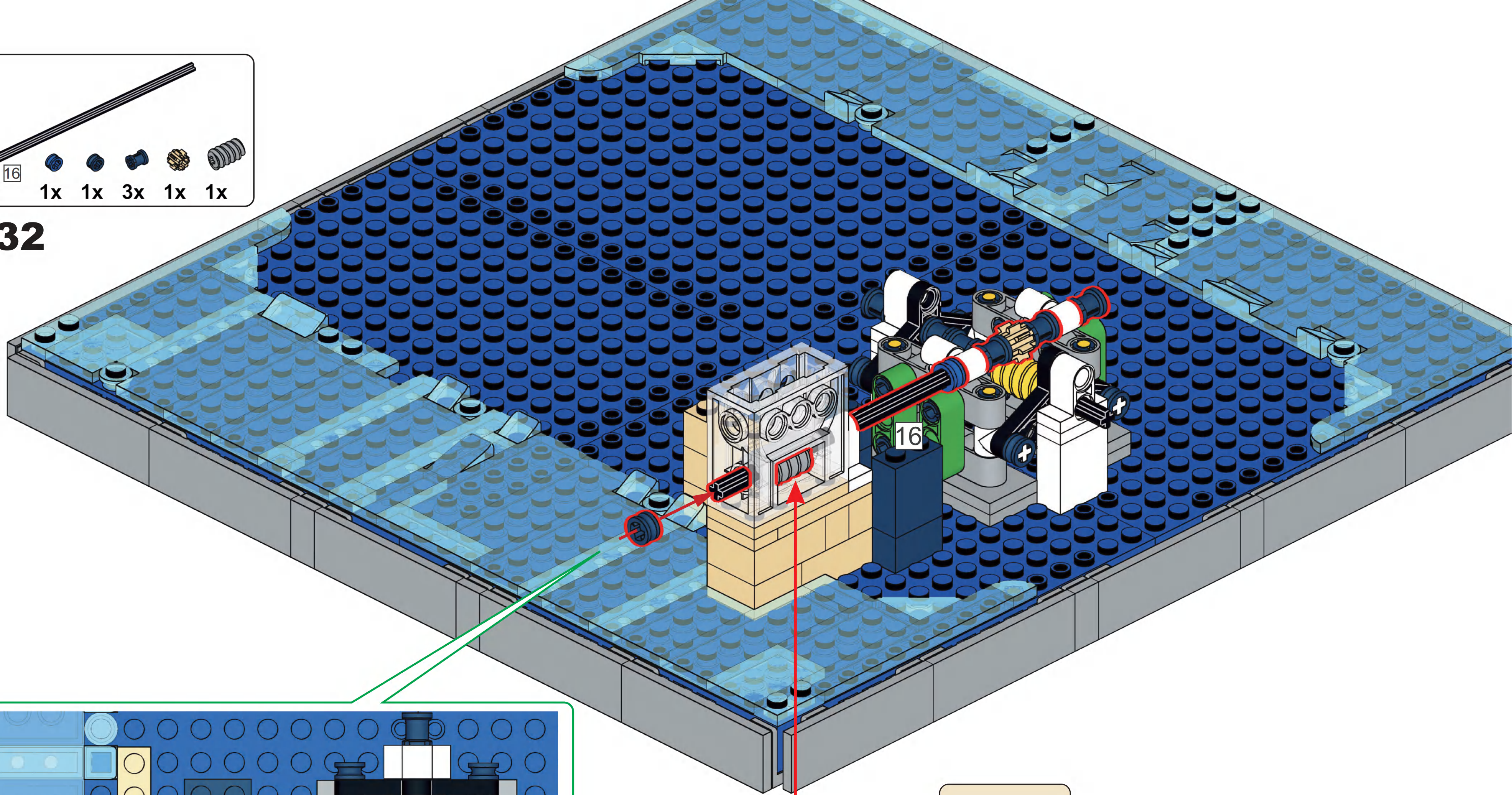


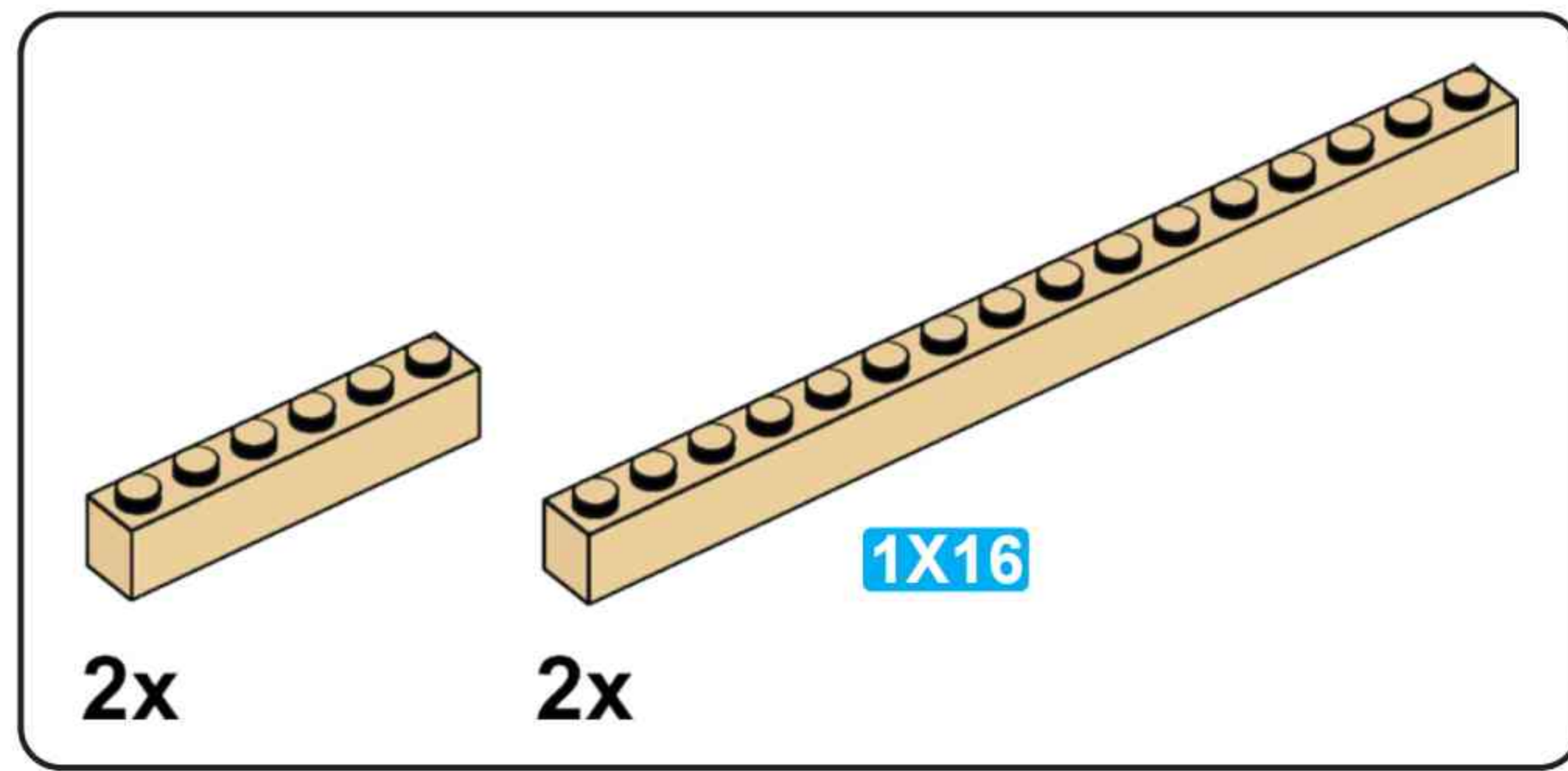
**A31**



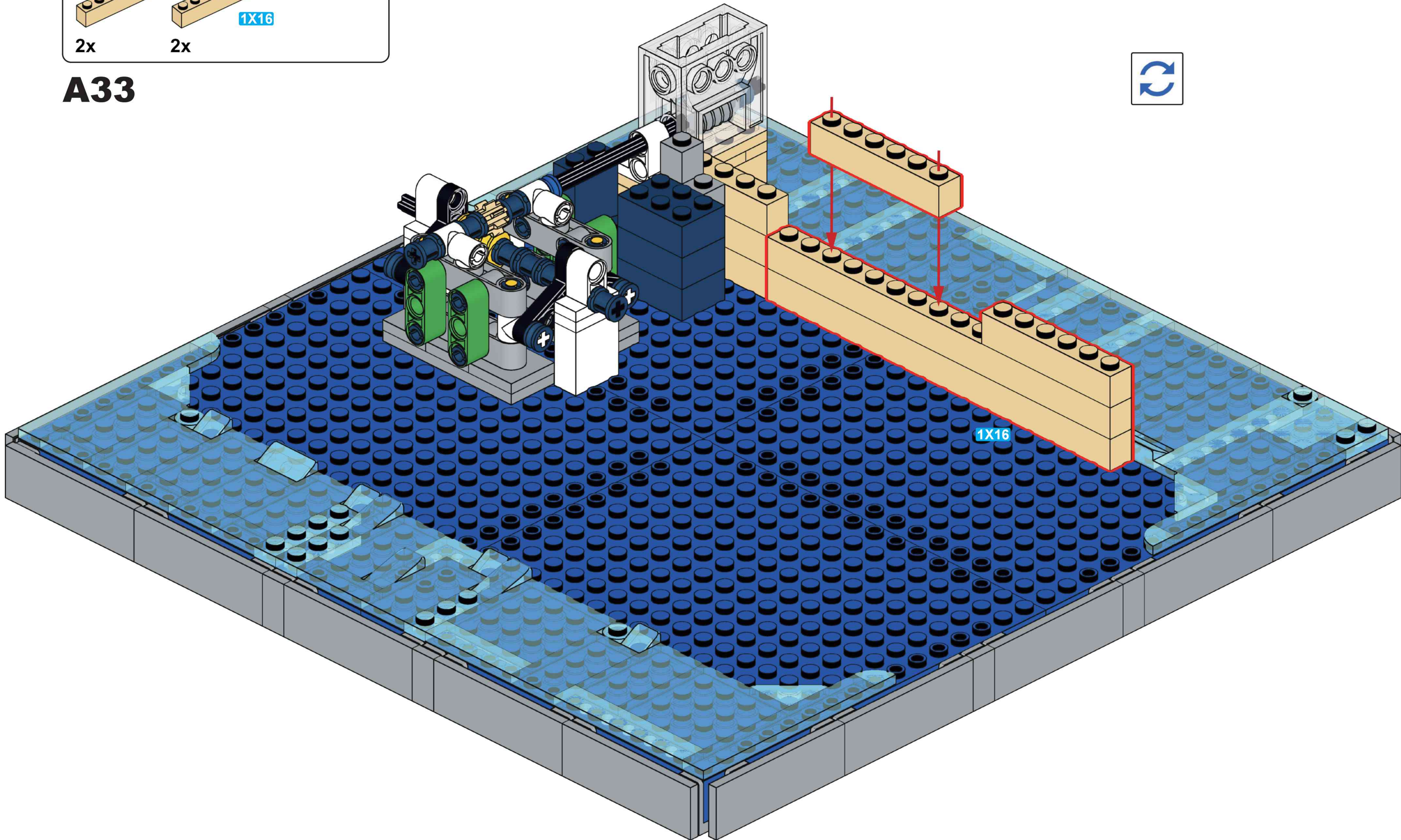
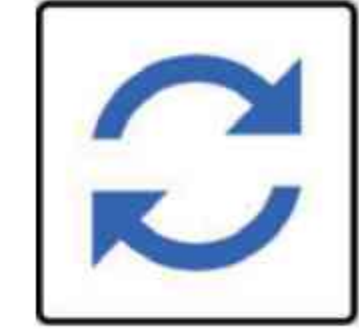


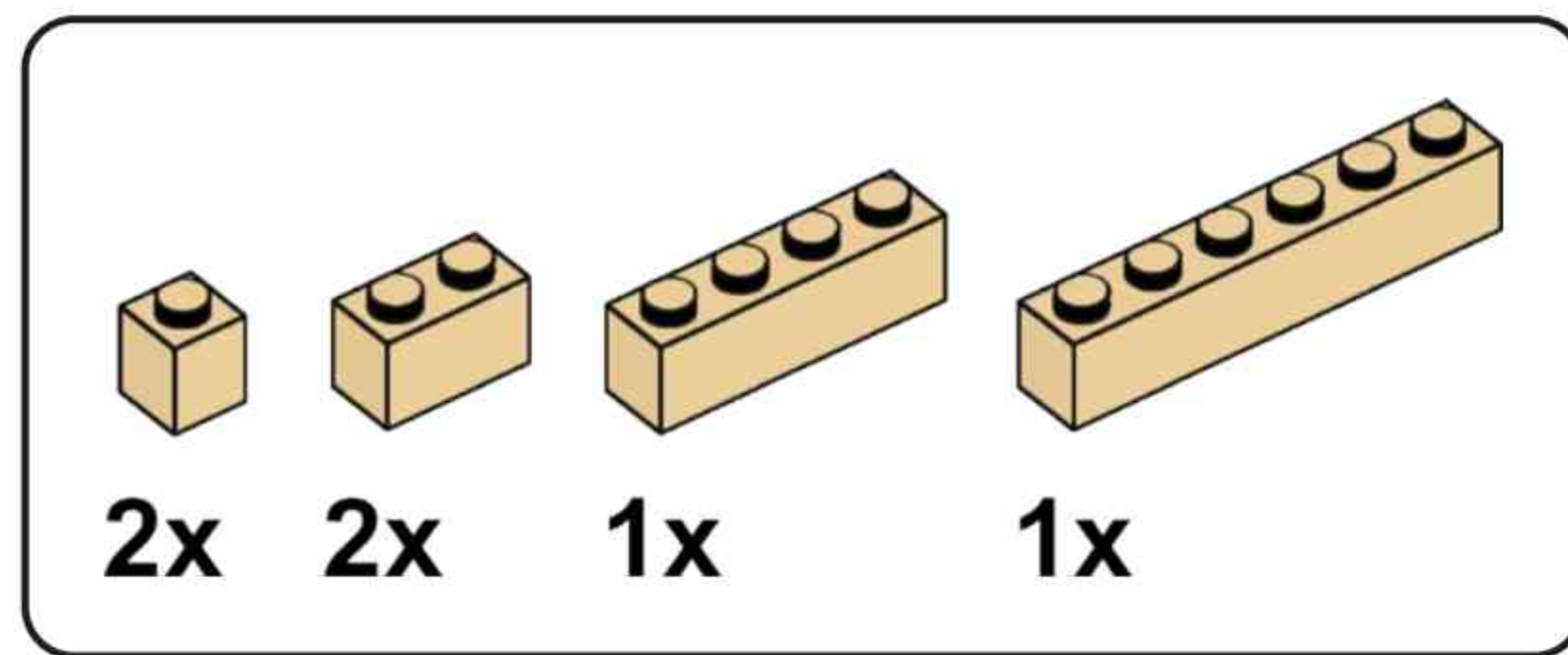
# A32



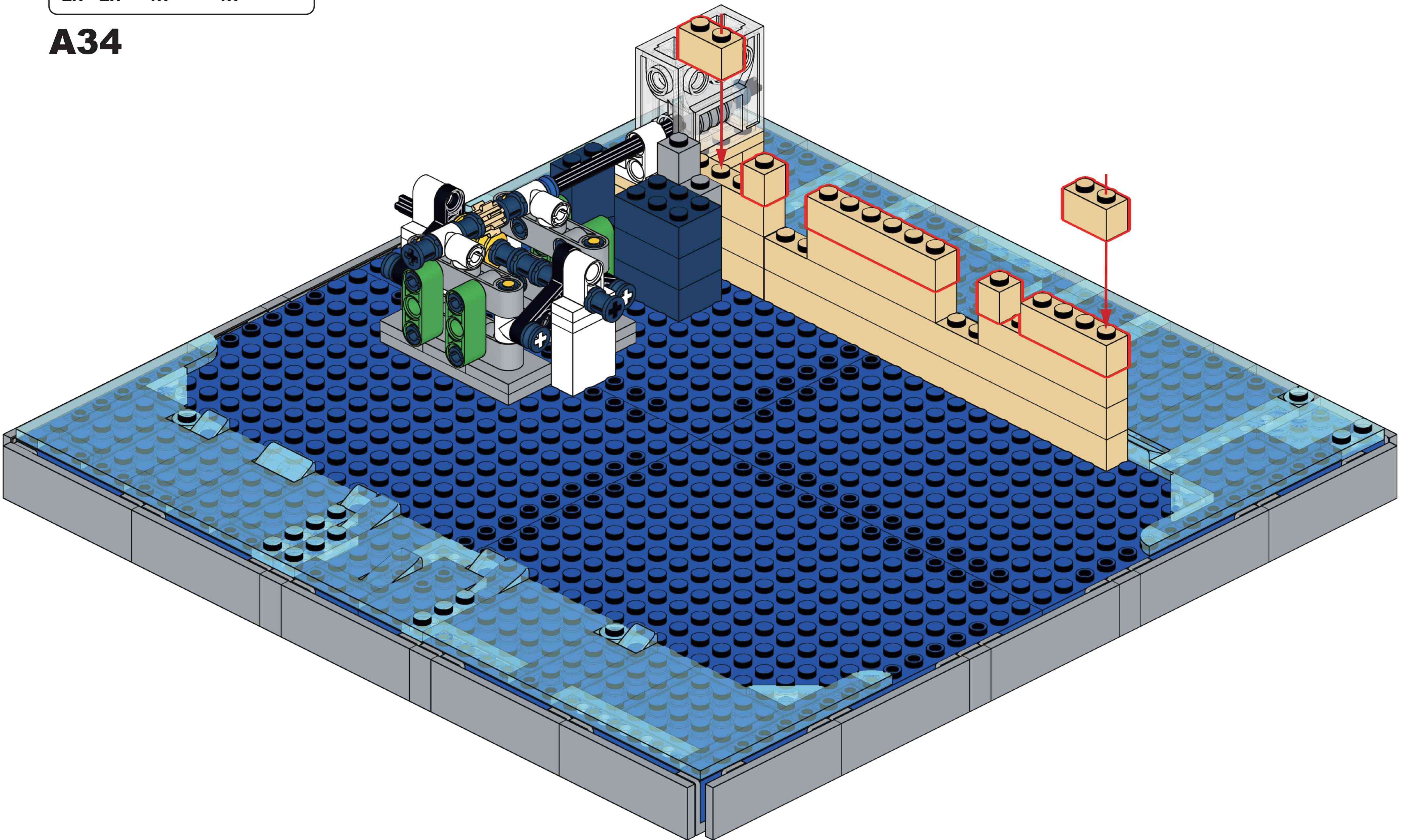


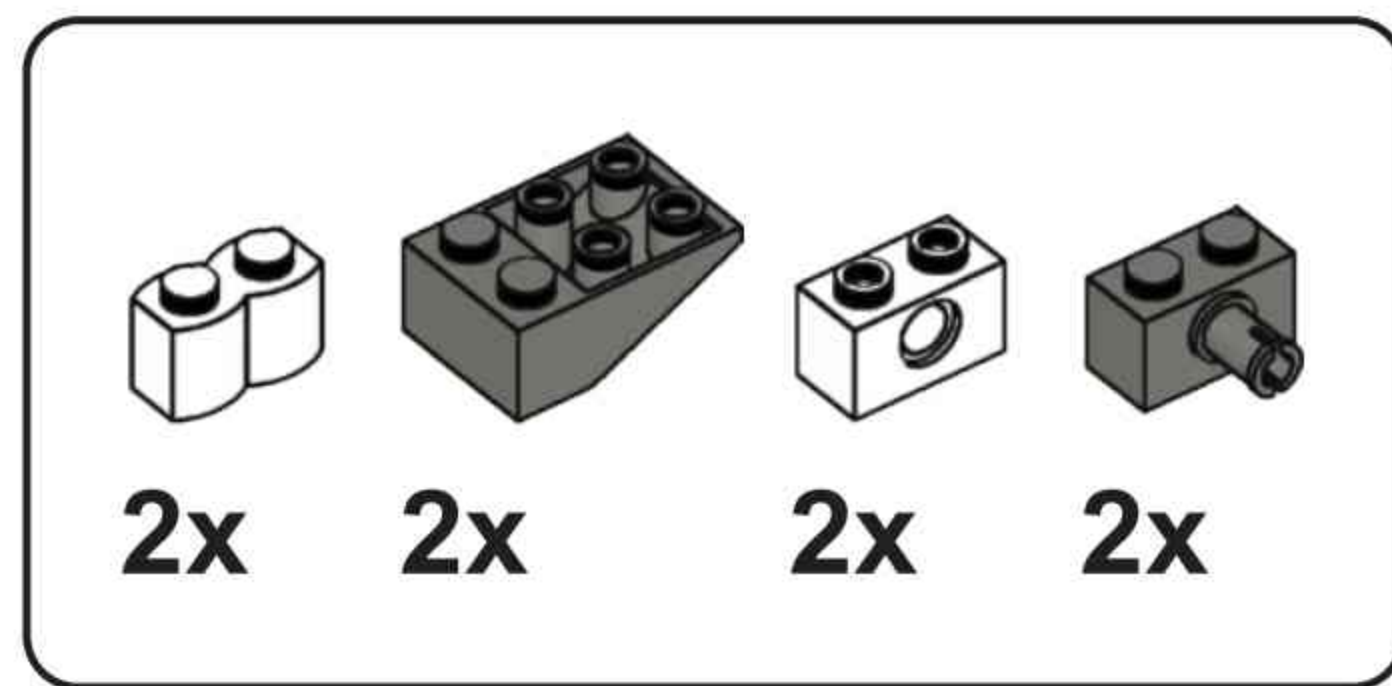
**A33**



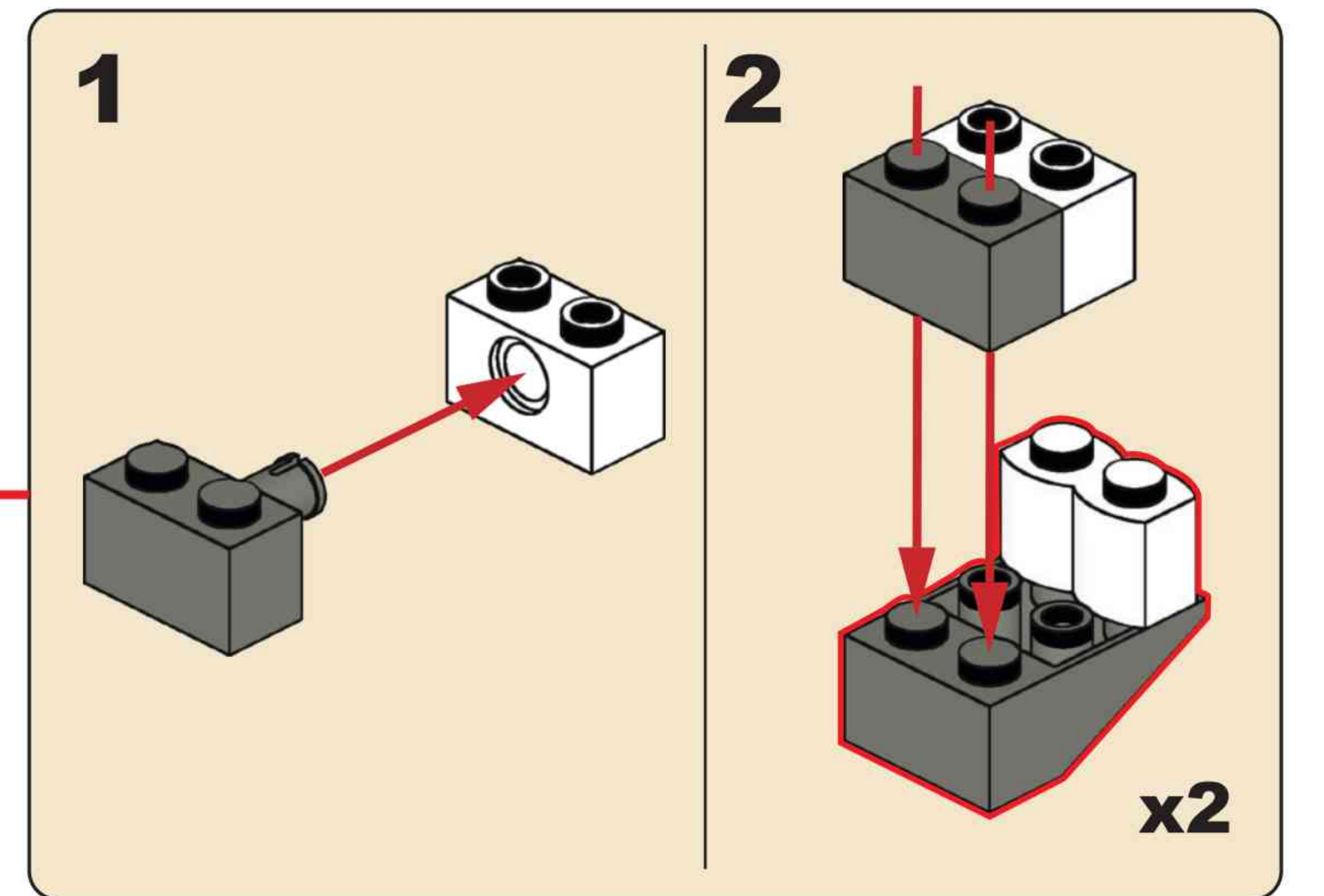
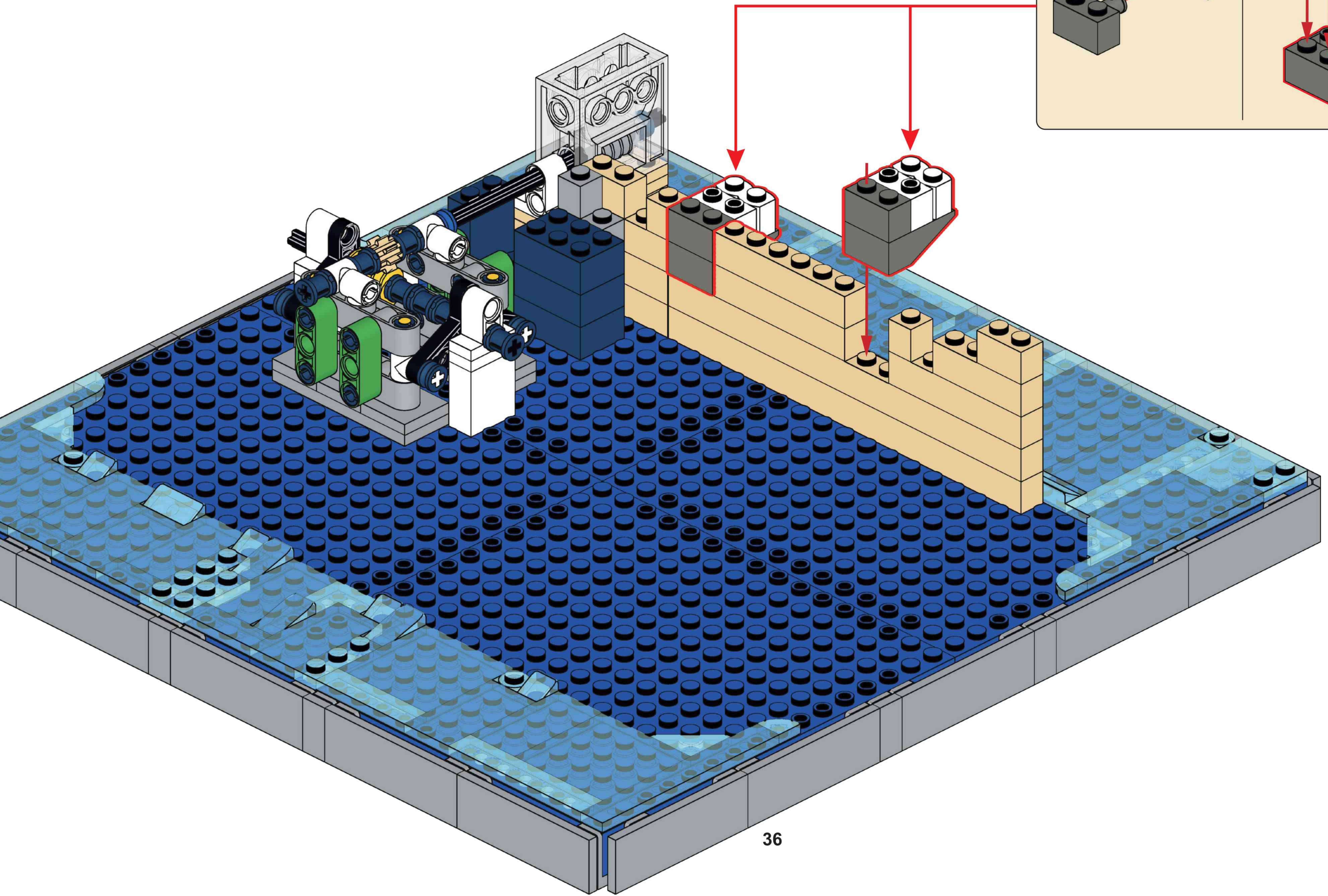


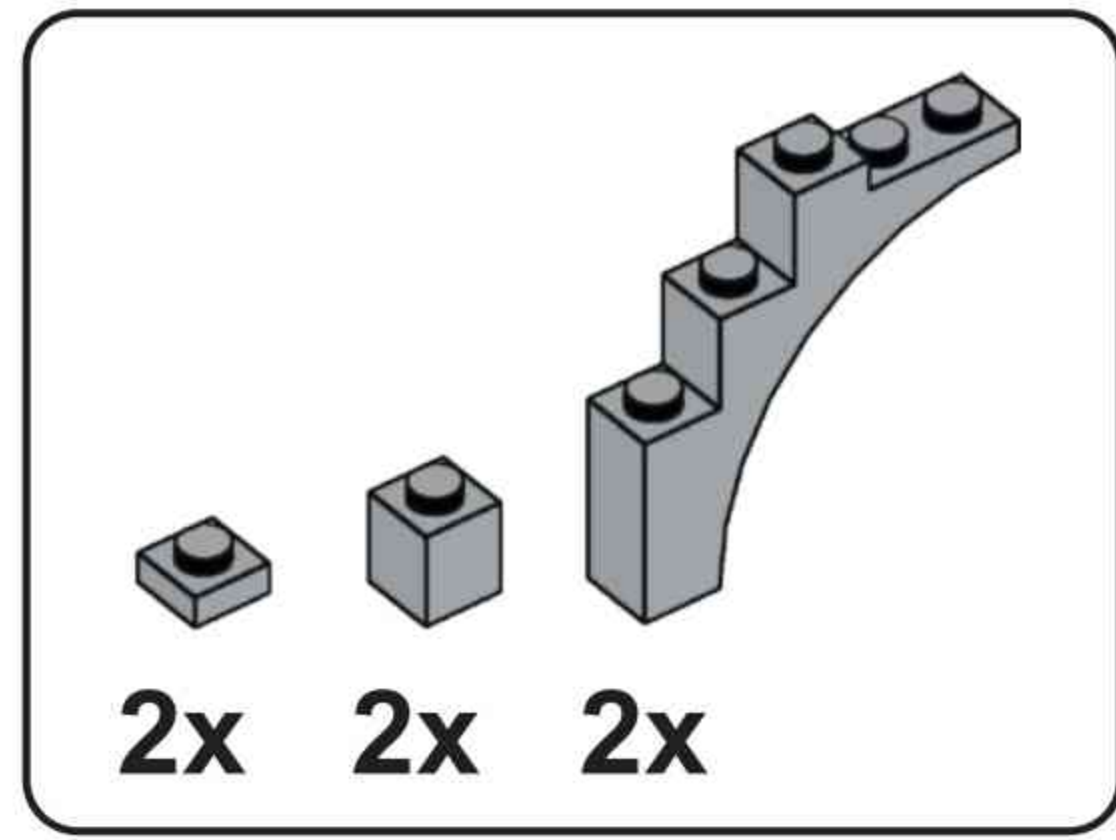
# A34



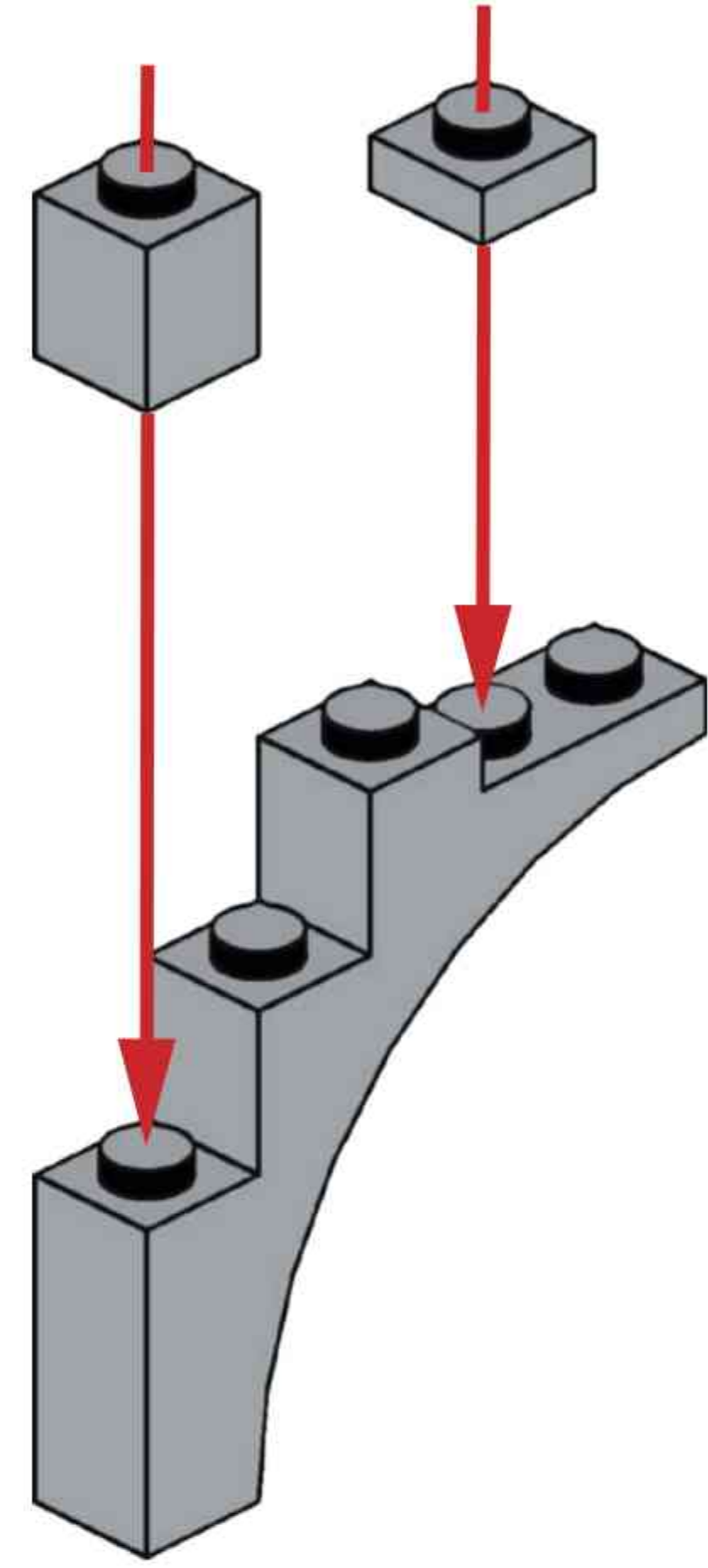


# A35

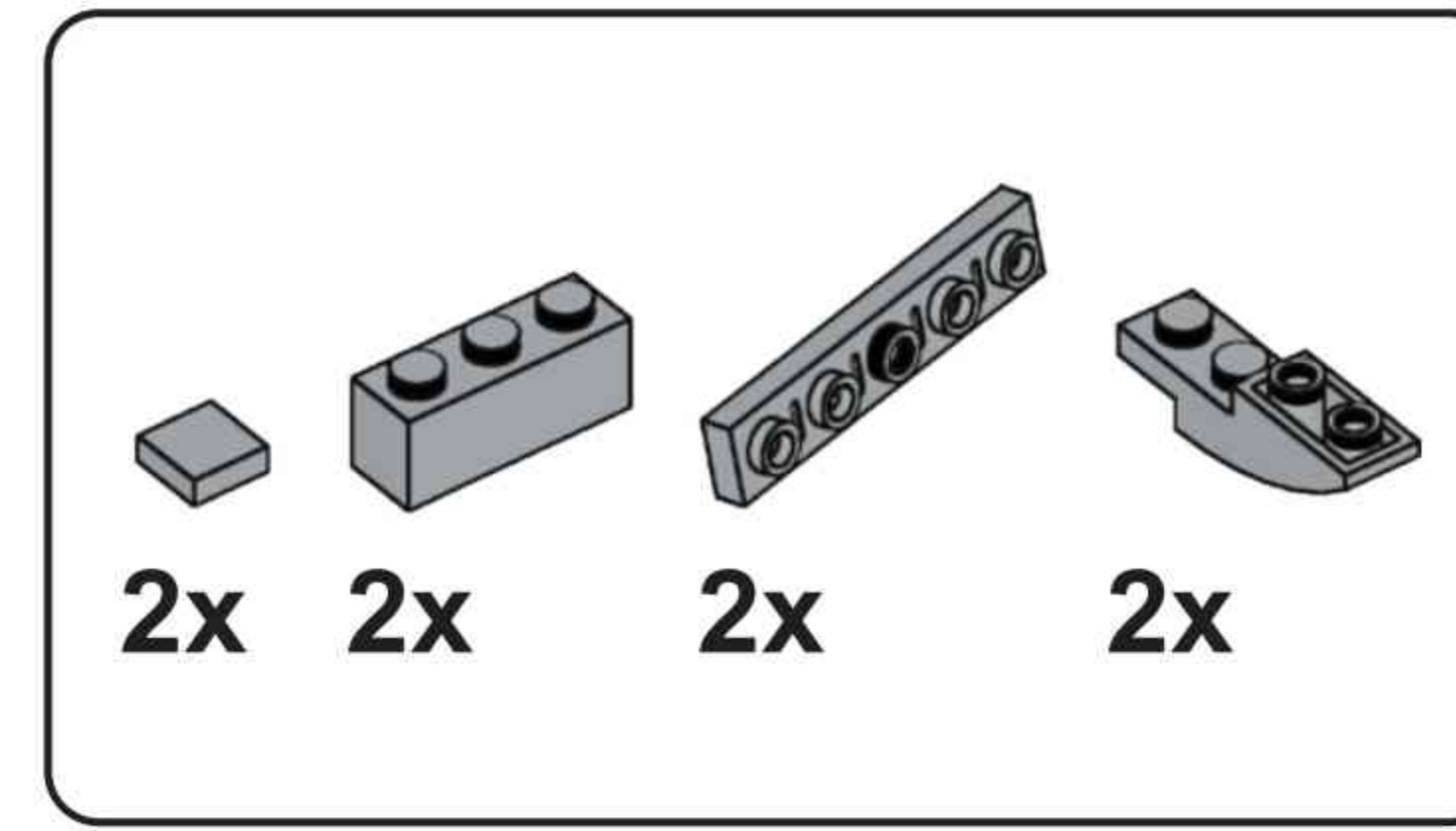




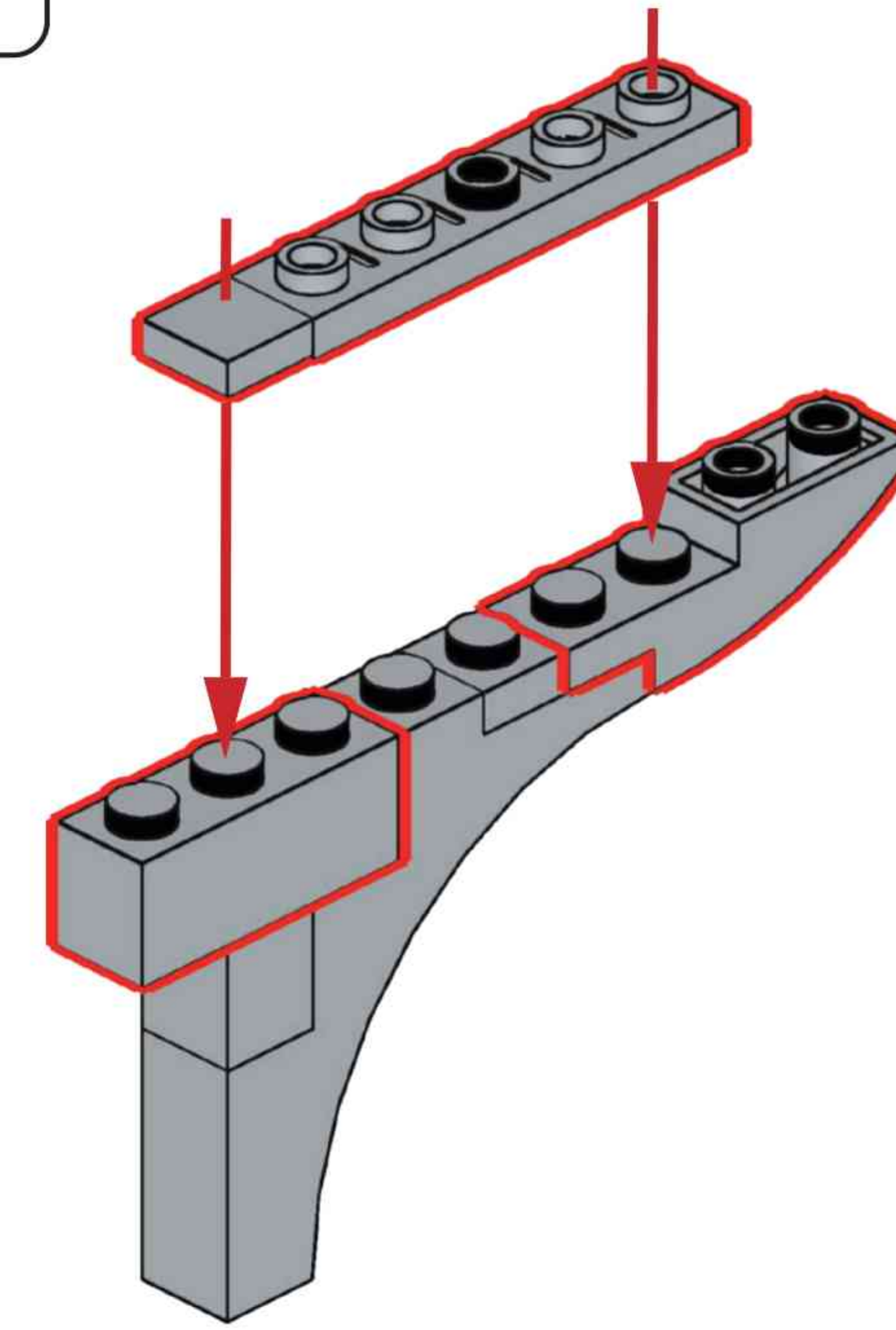
**A36**



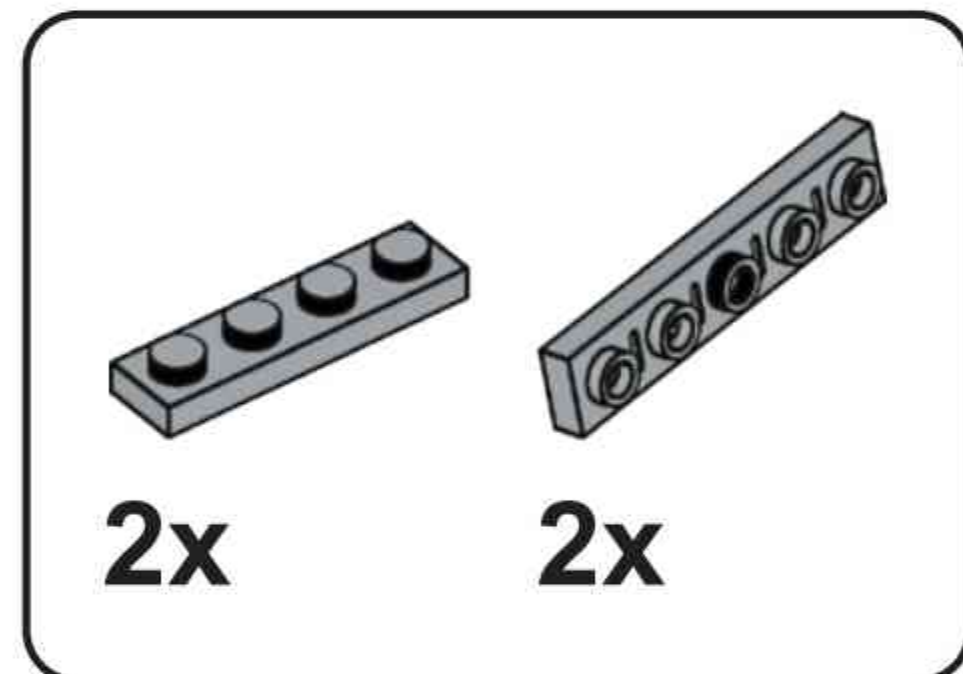
**x2**



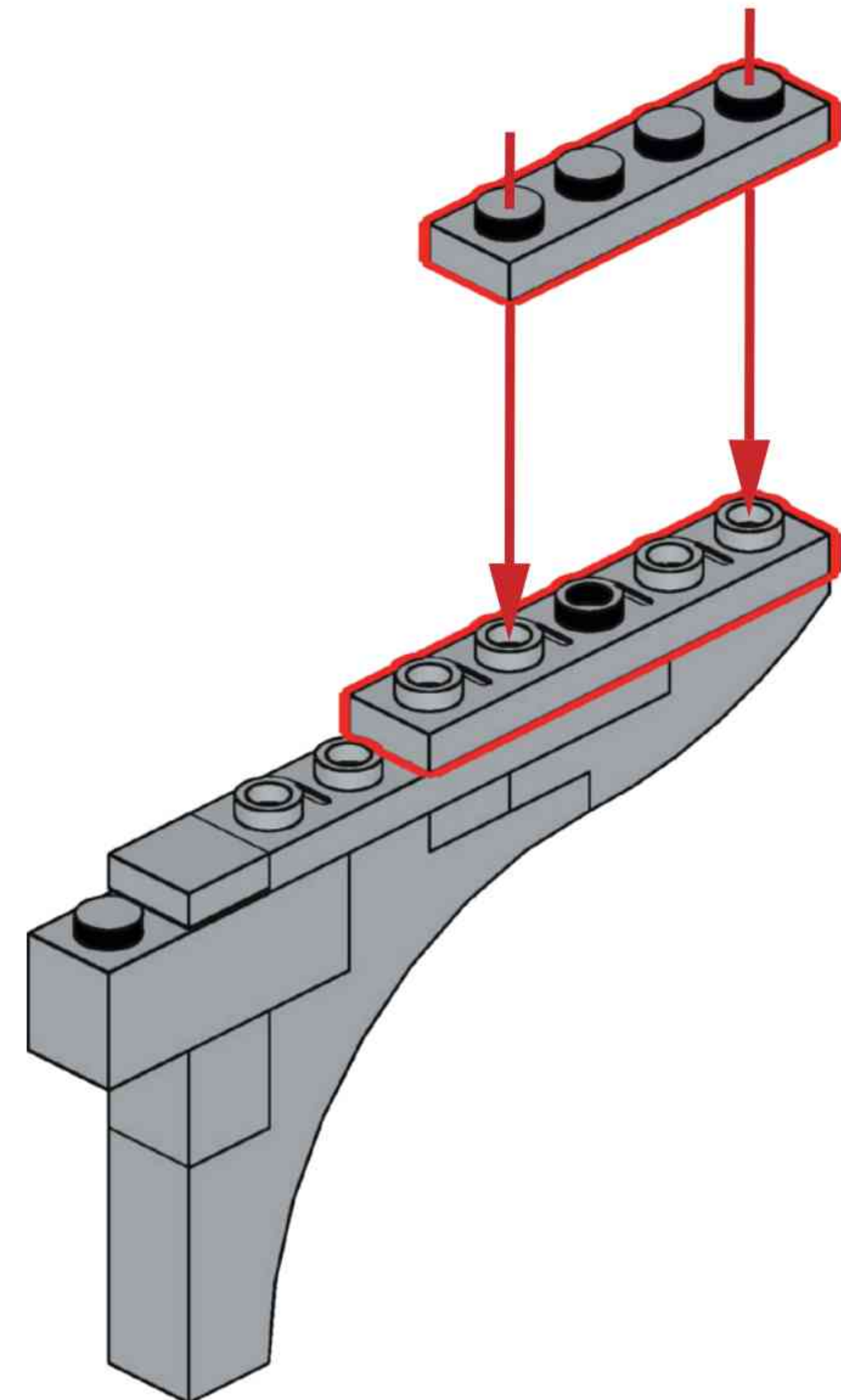
**A37**



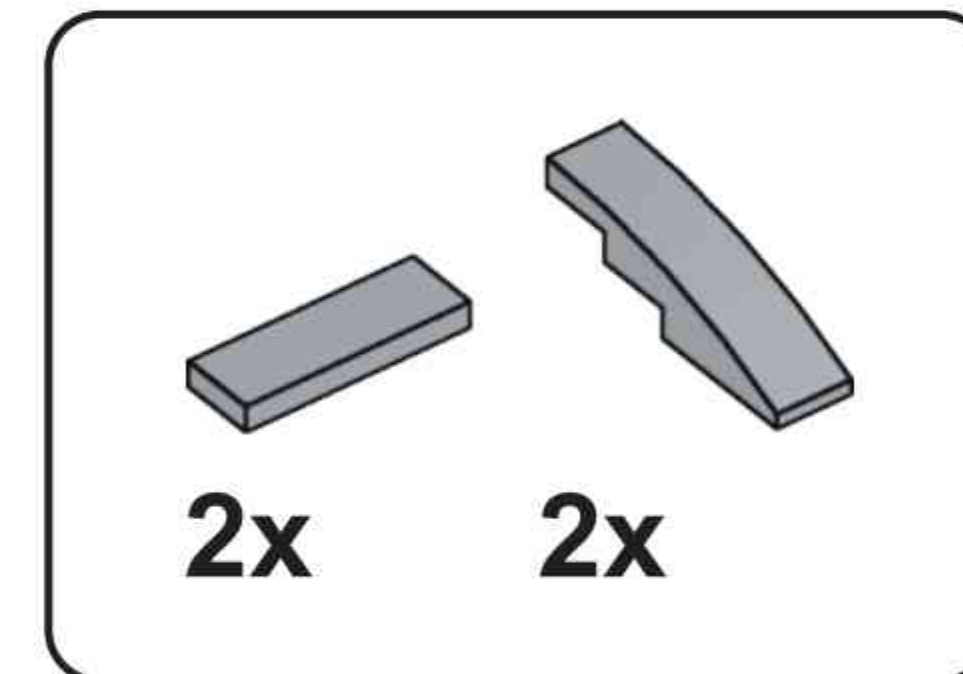
**x2**



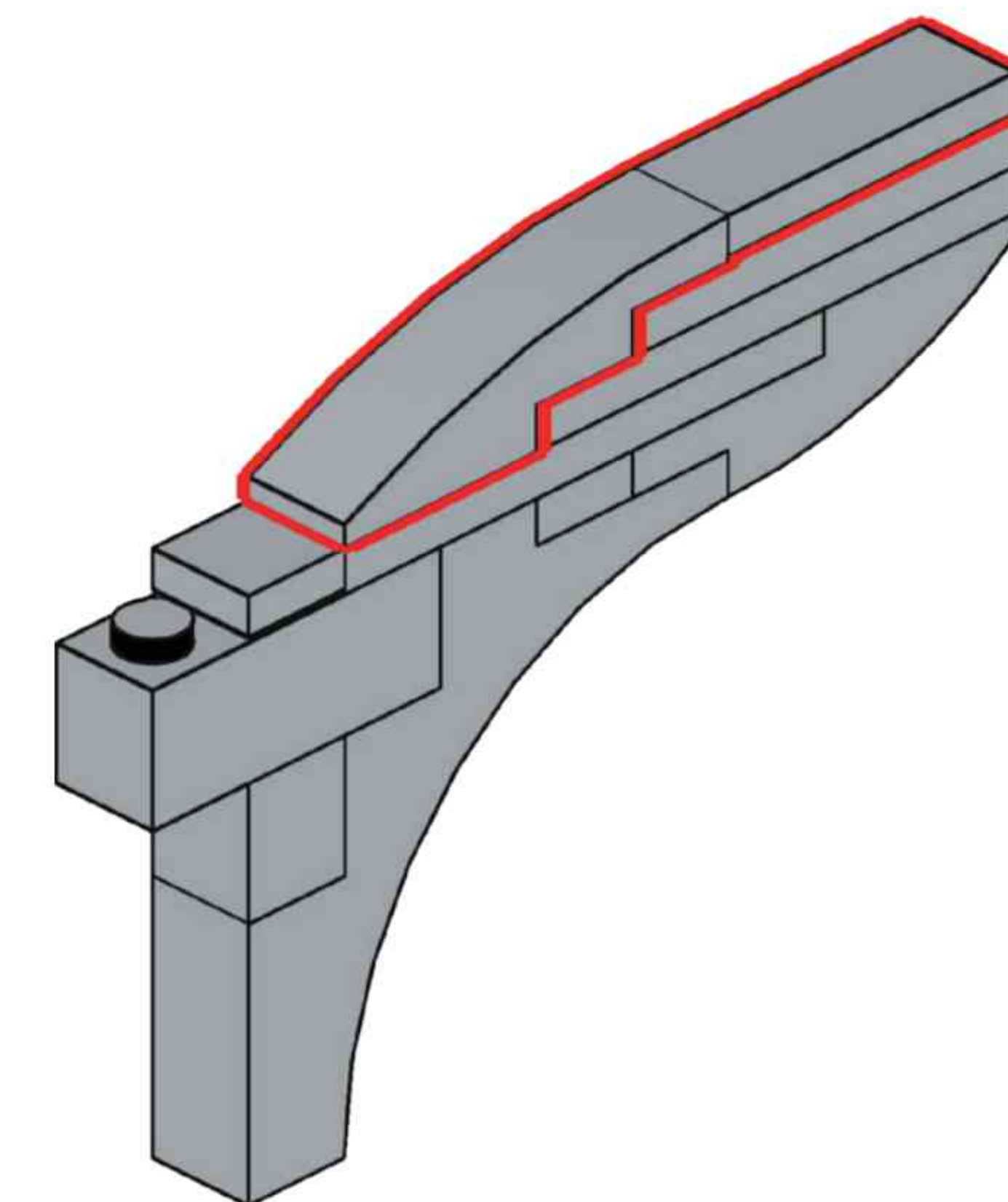
**A38**



**x2**

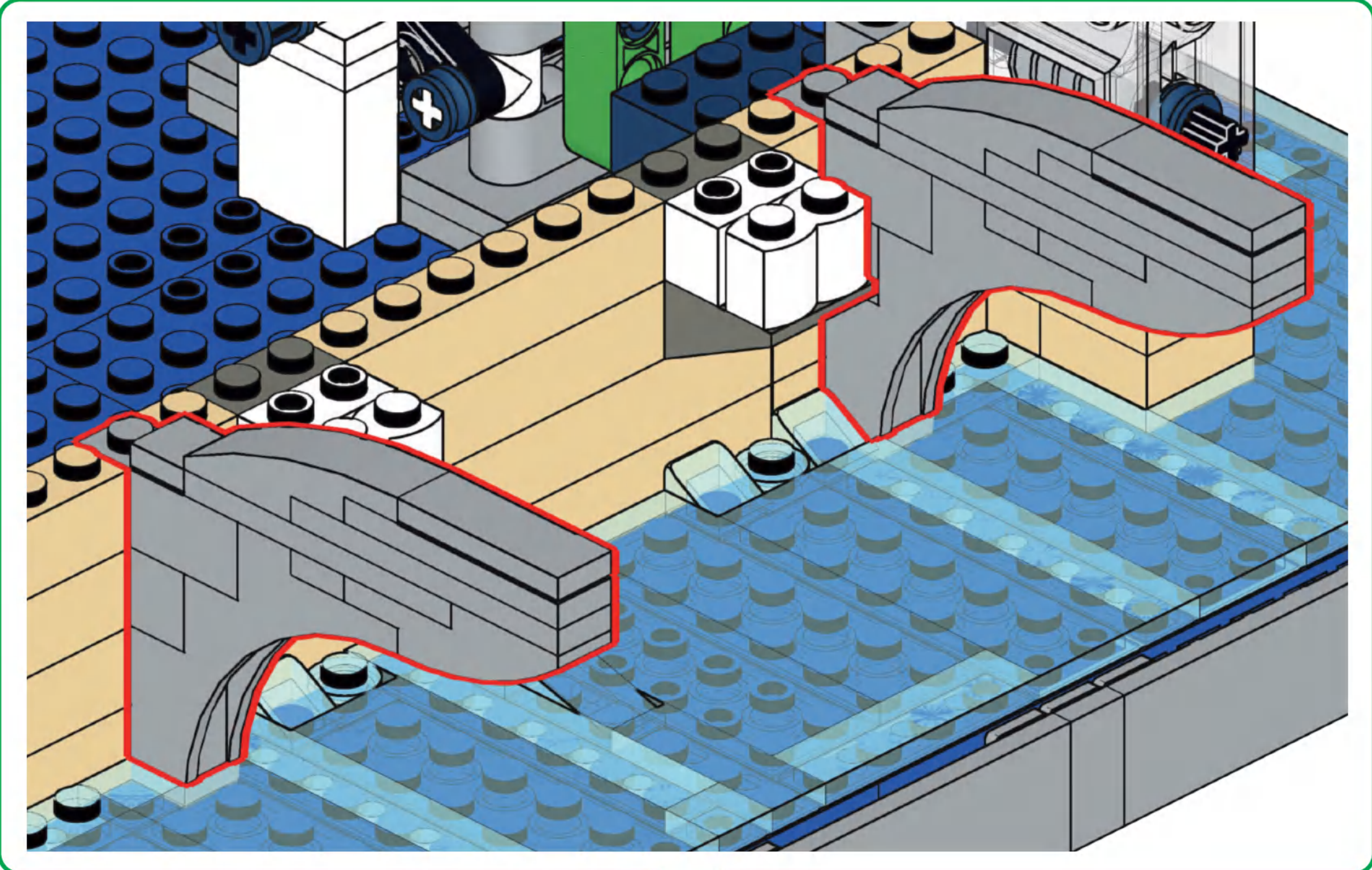
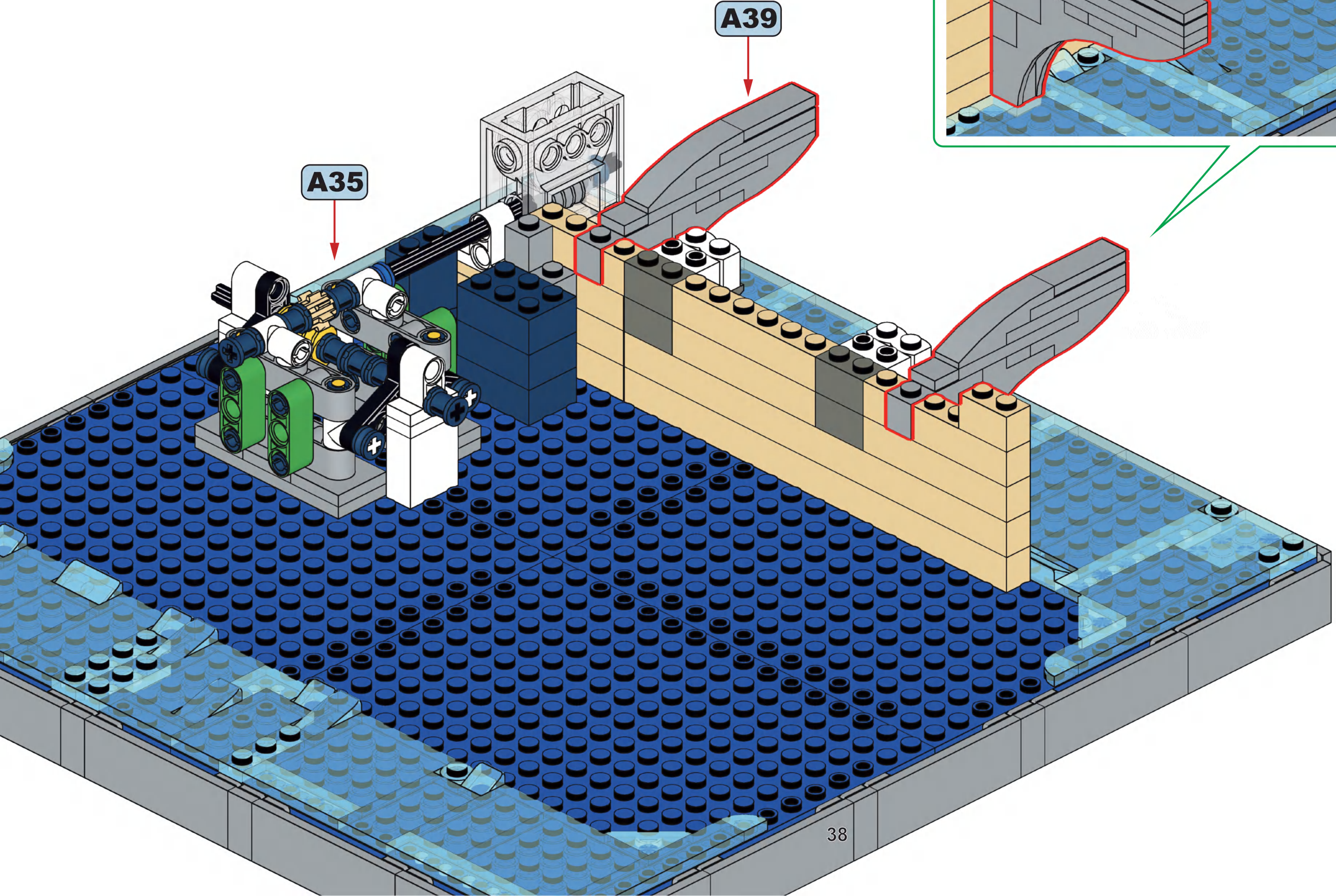


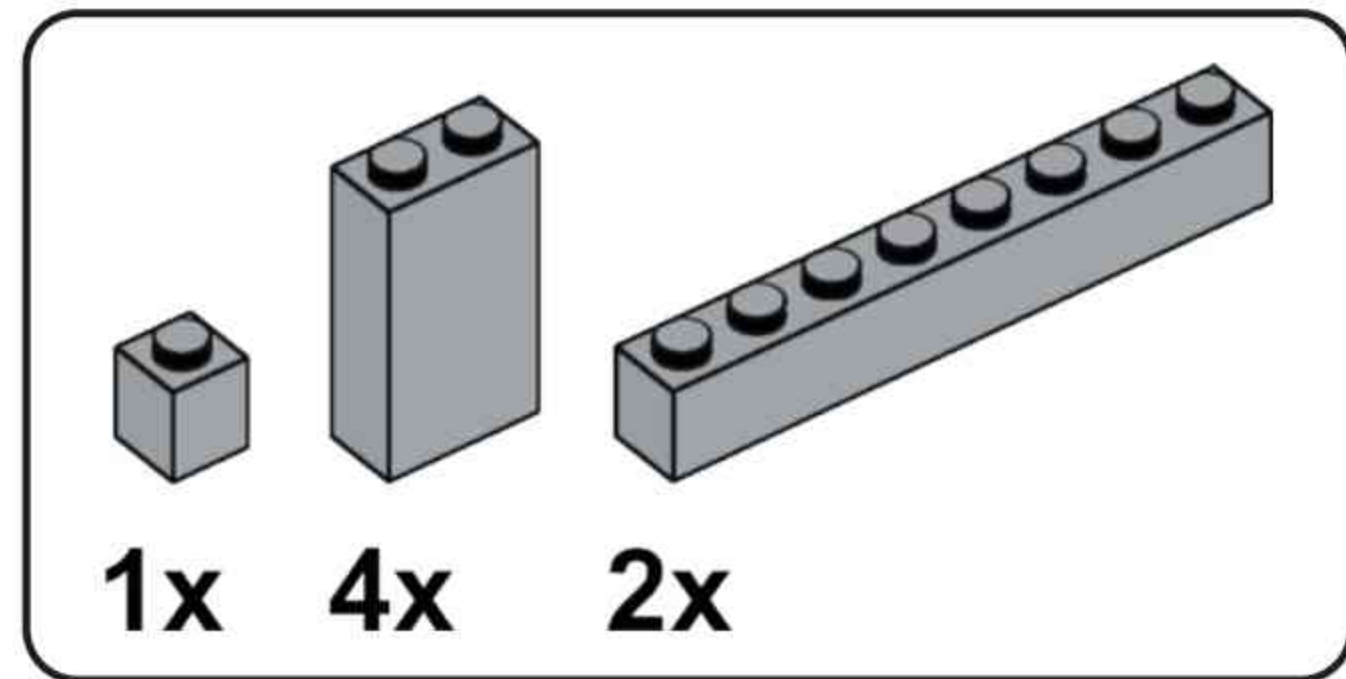
**A39**



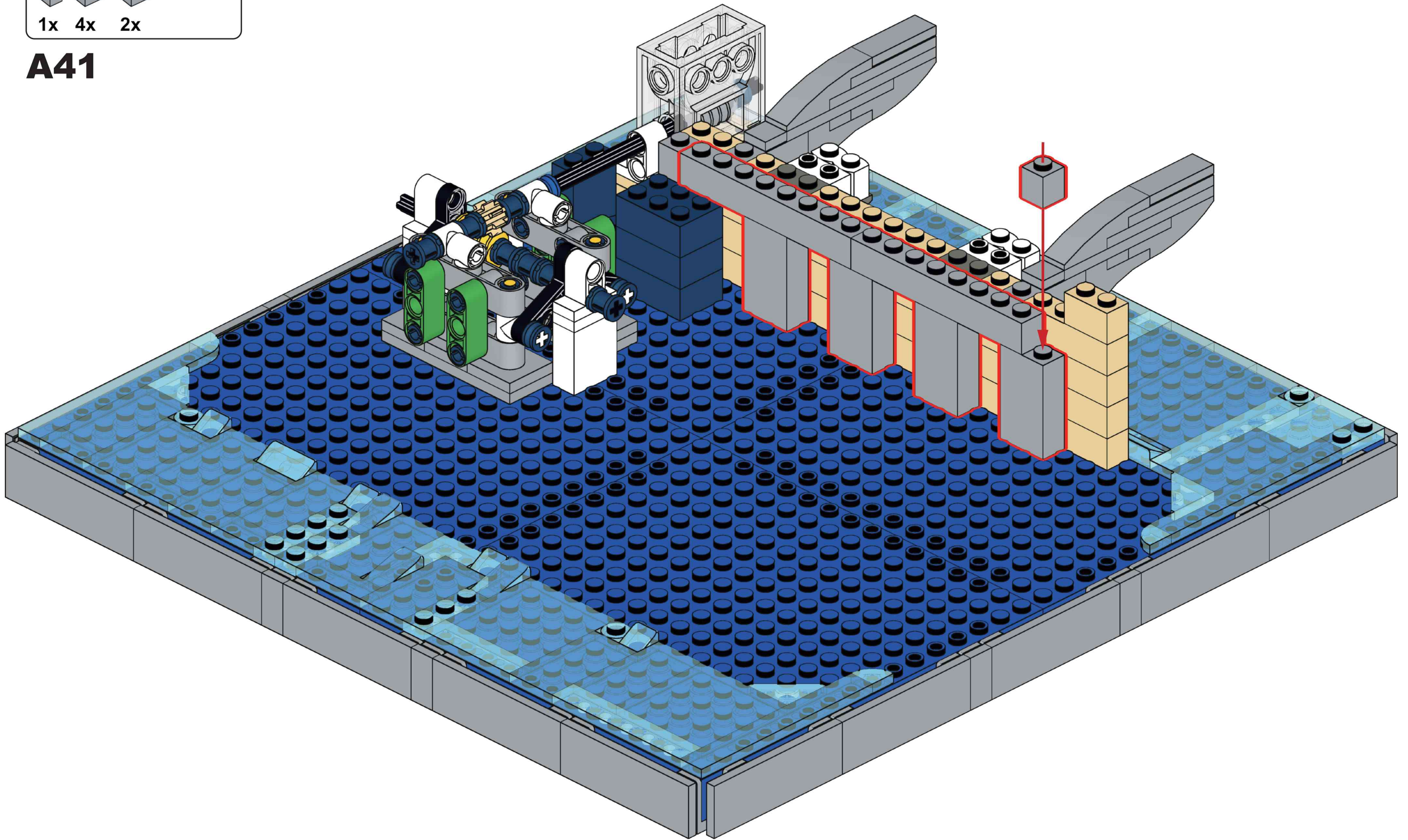
**x2**

# A40



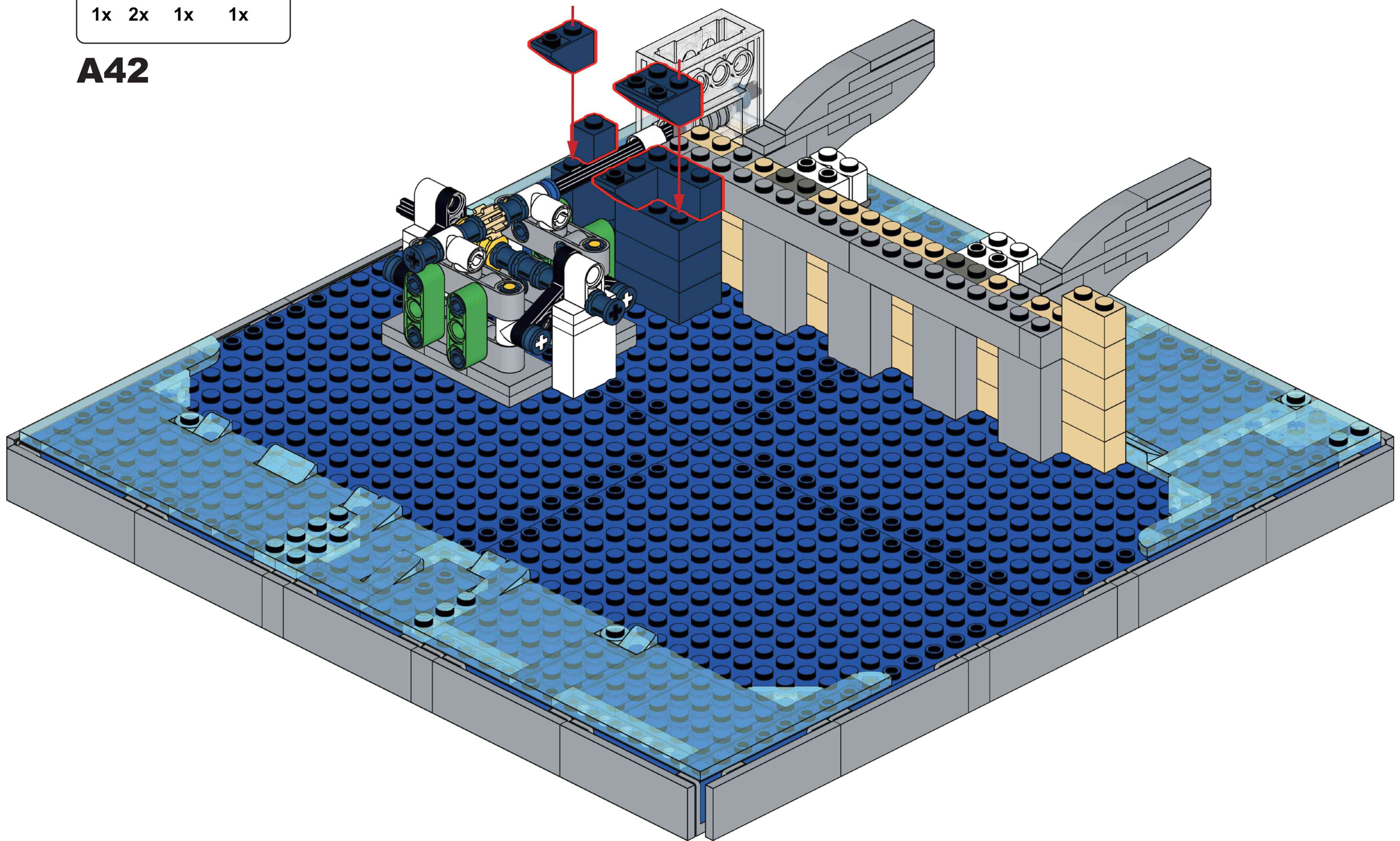


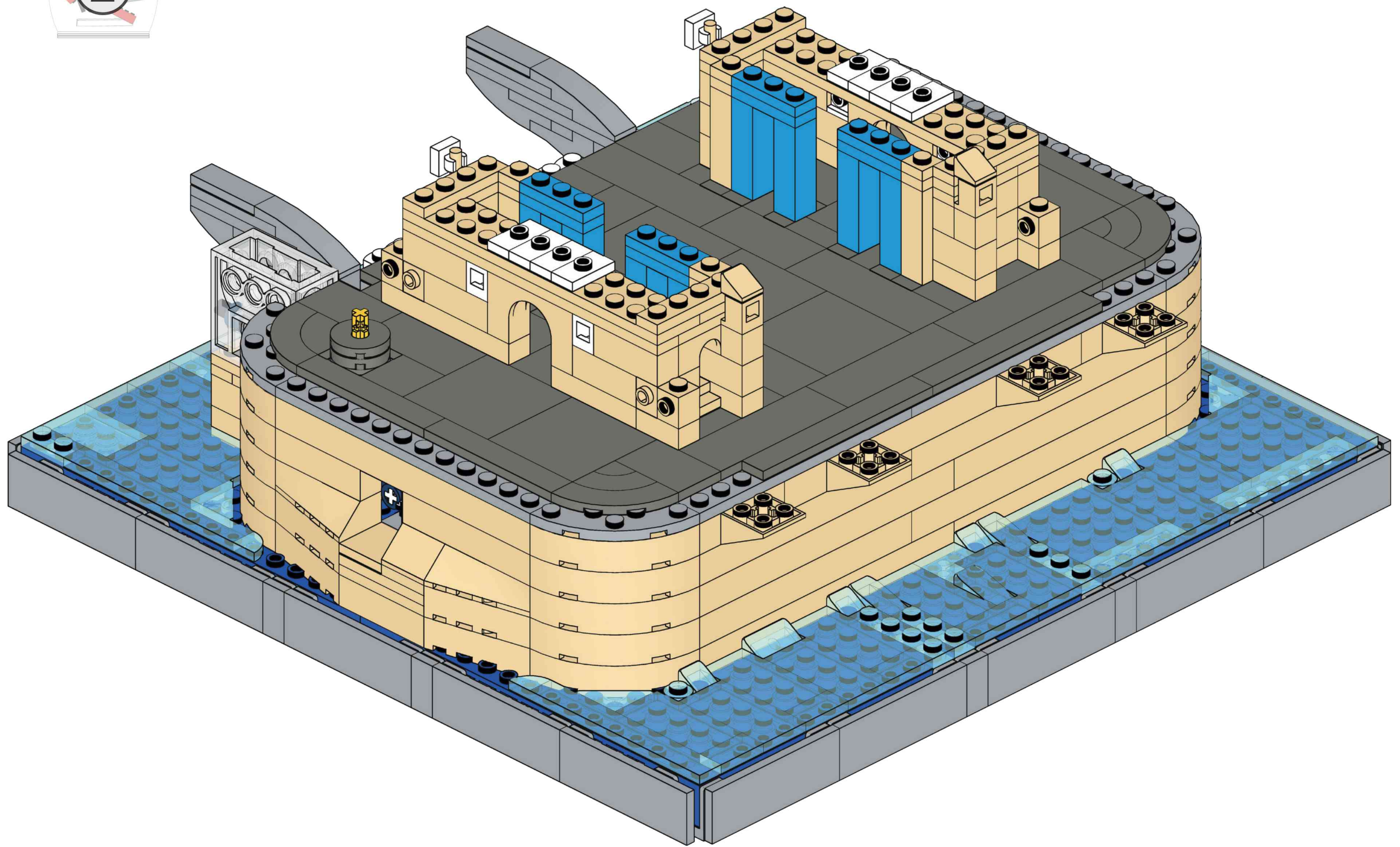
# A41



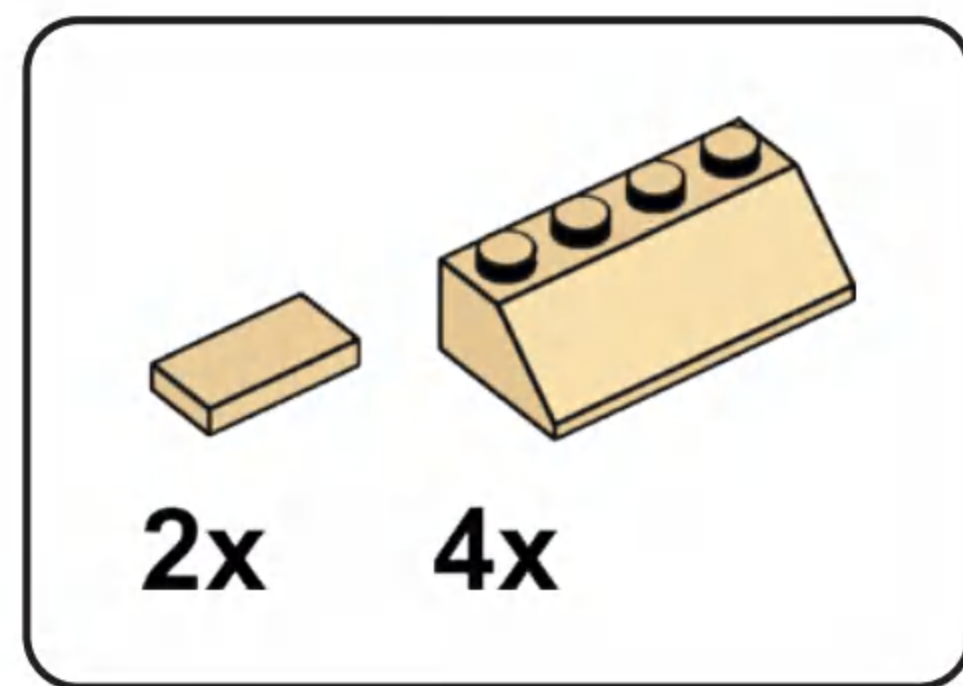
1x 2x 1x 1x

# A42

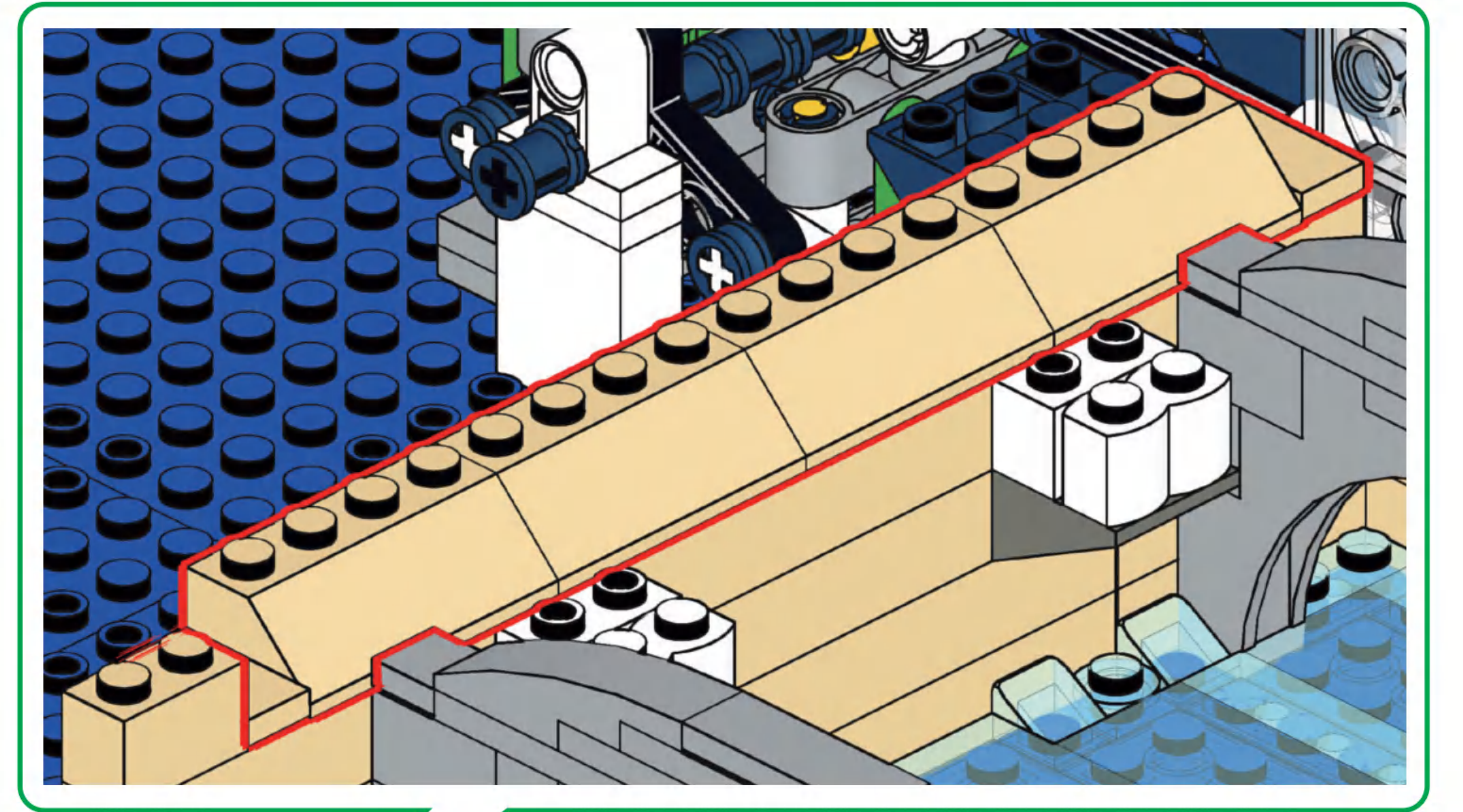
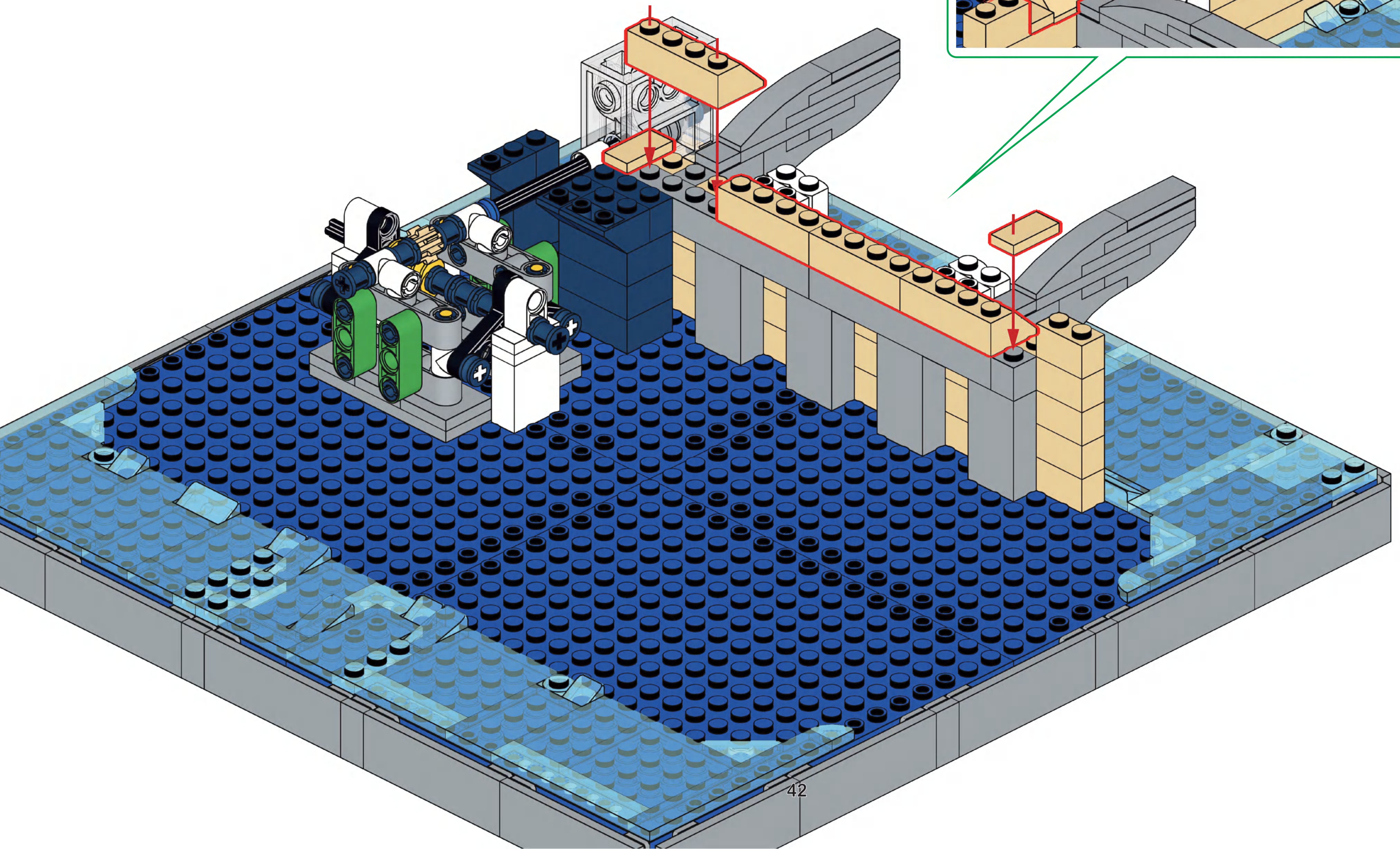


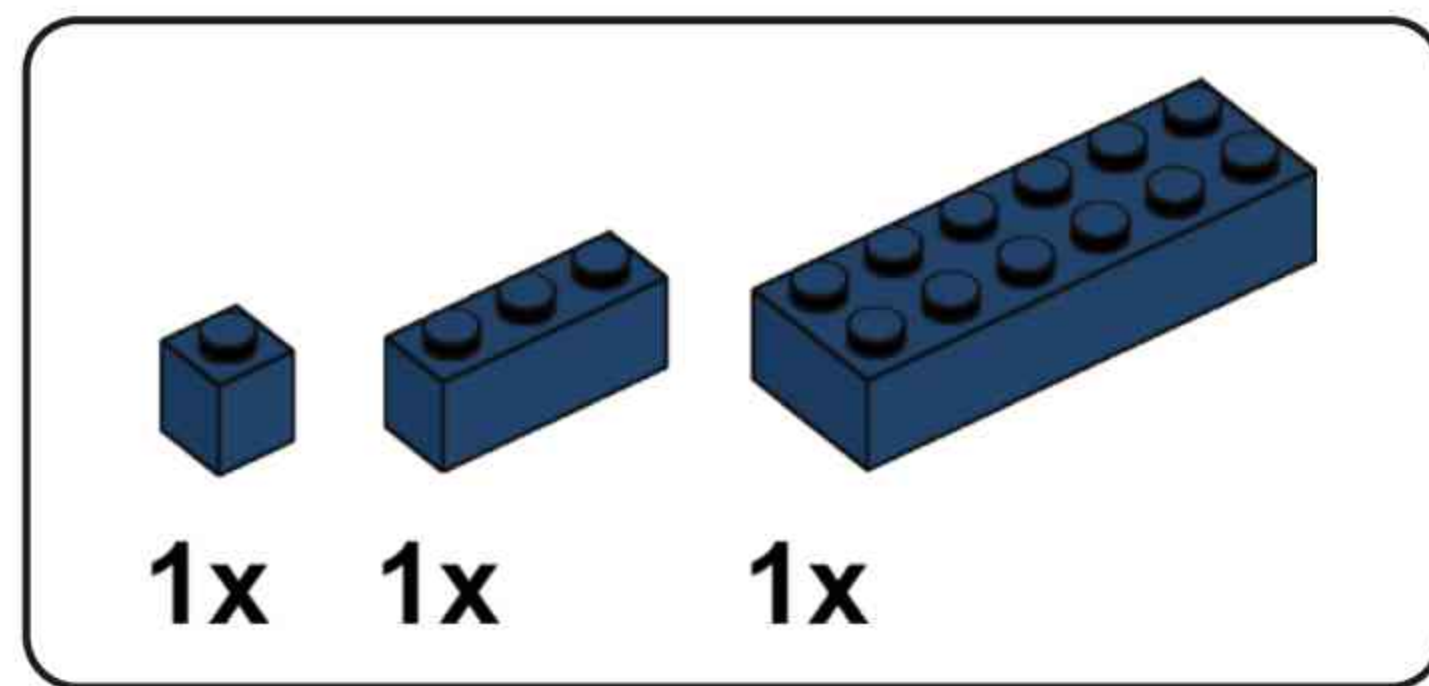


**B**

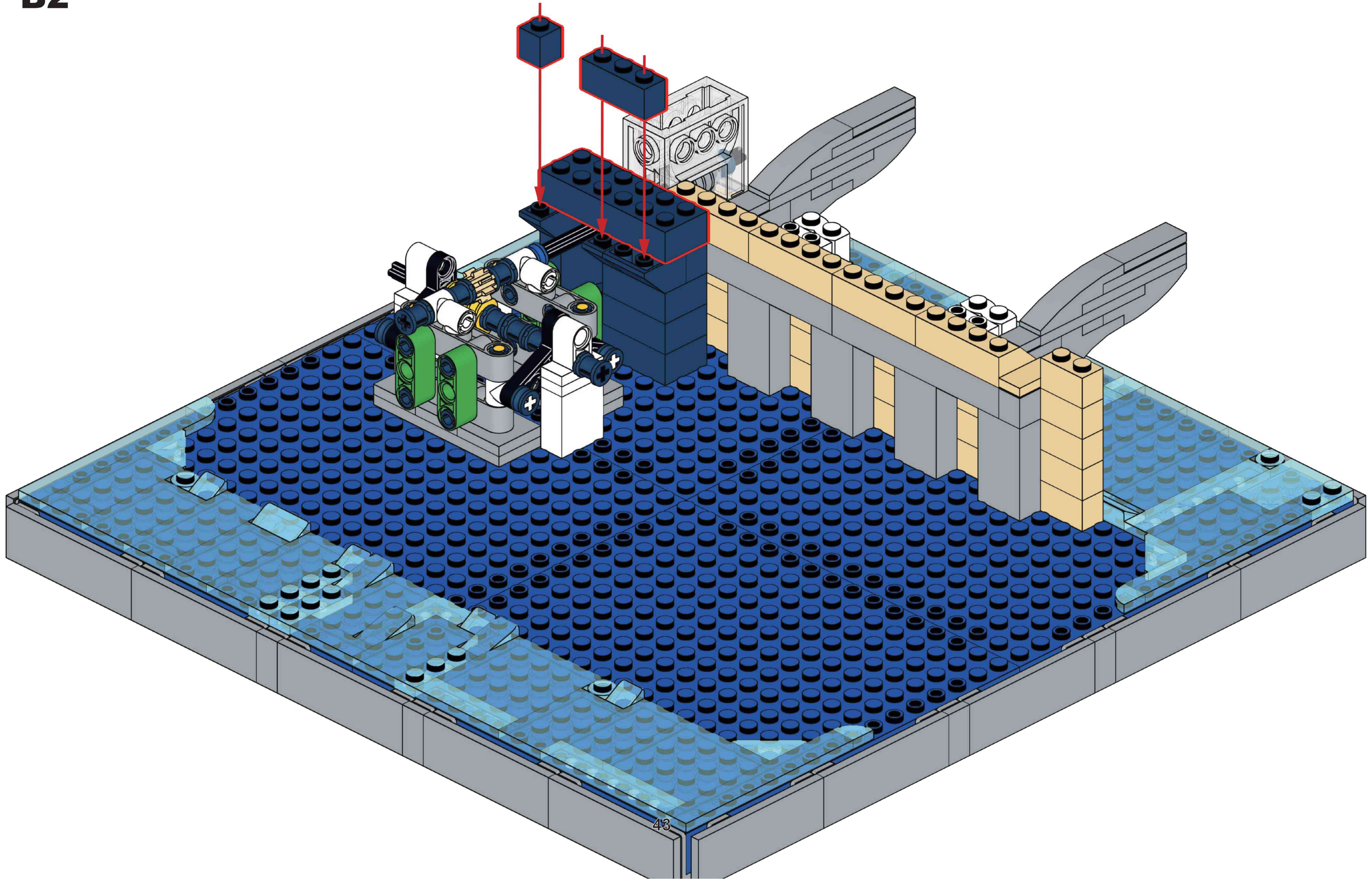


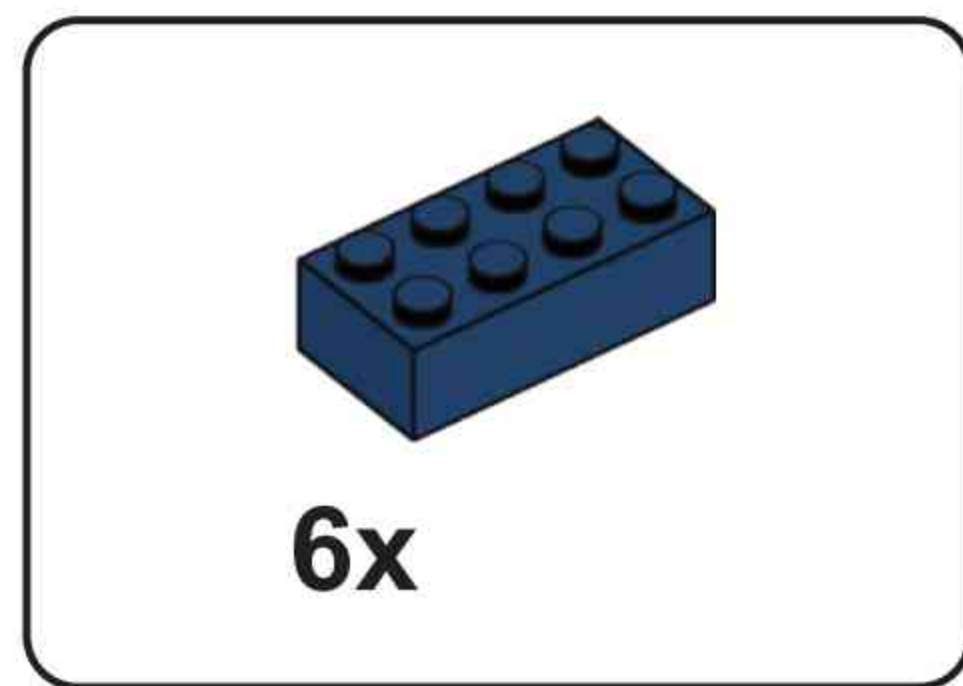
# B1



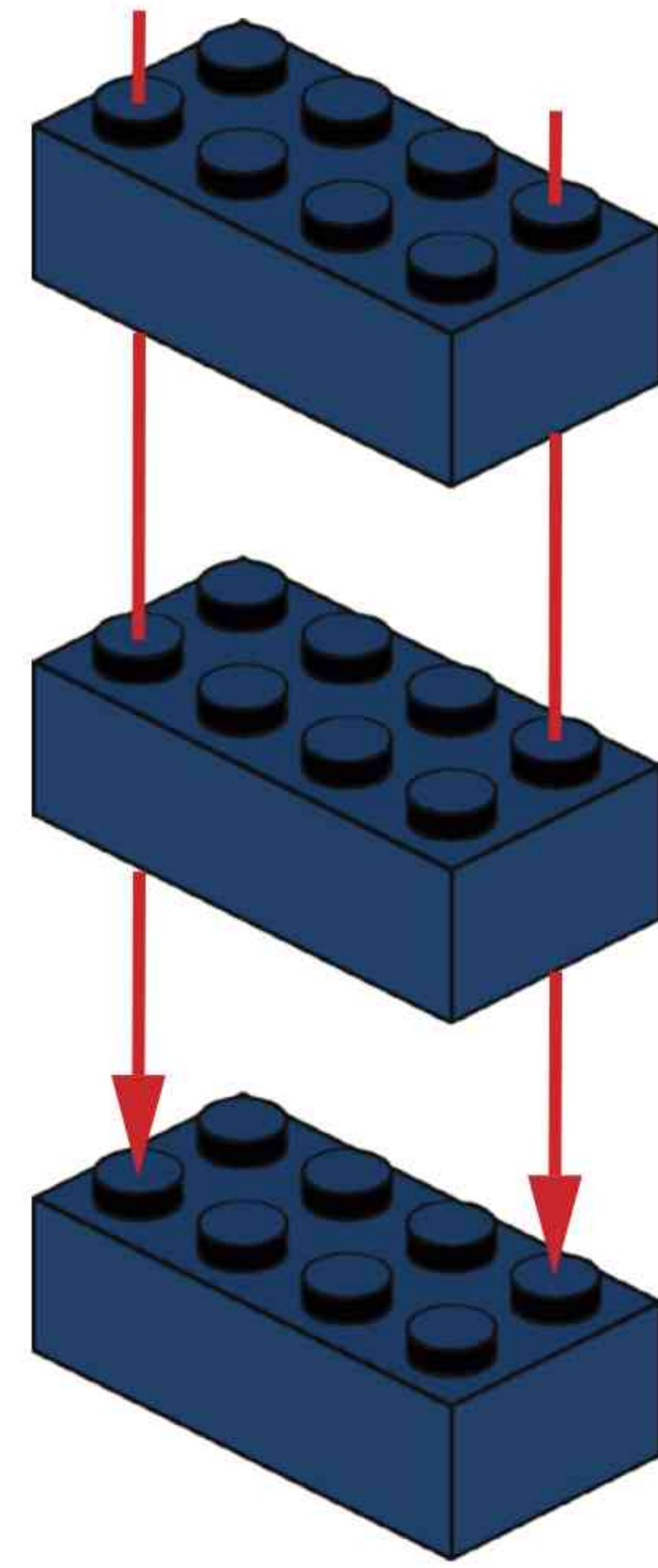


# B2

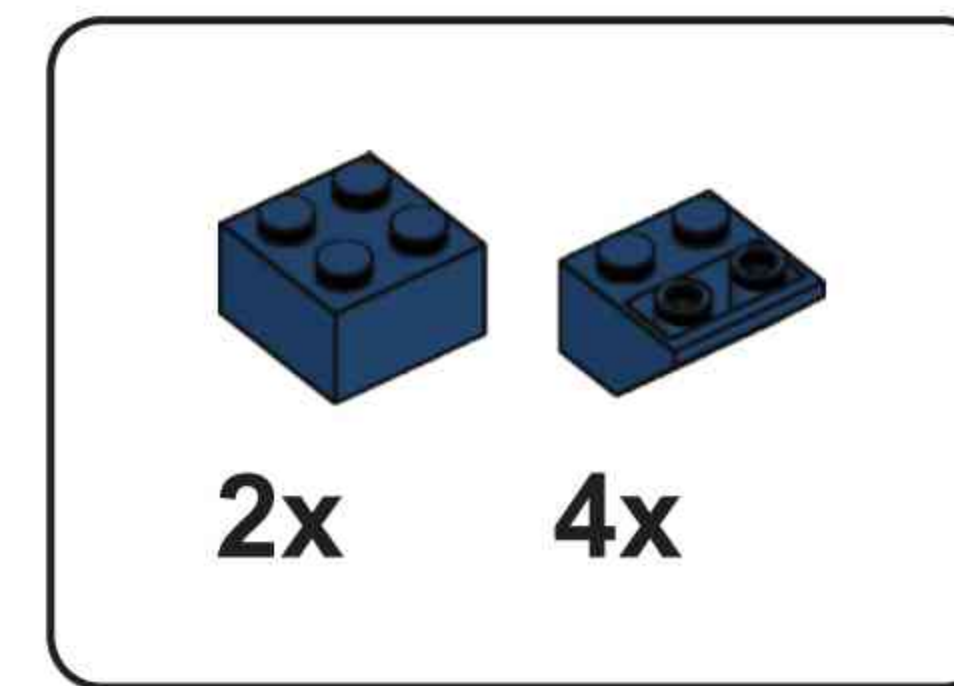




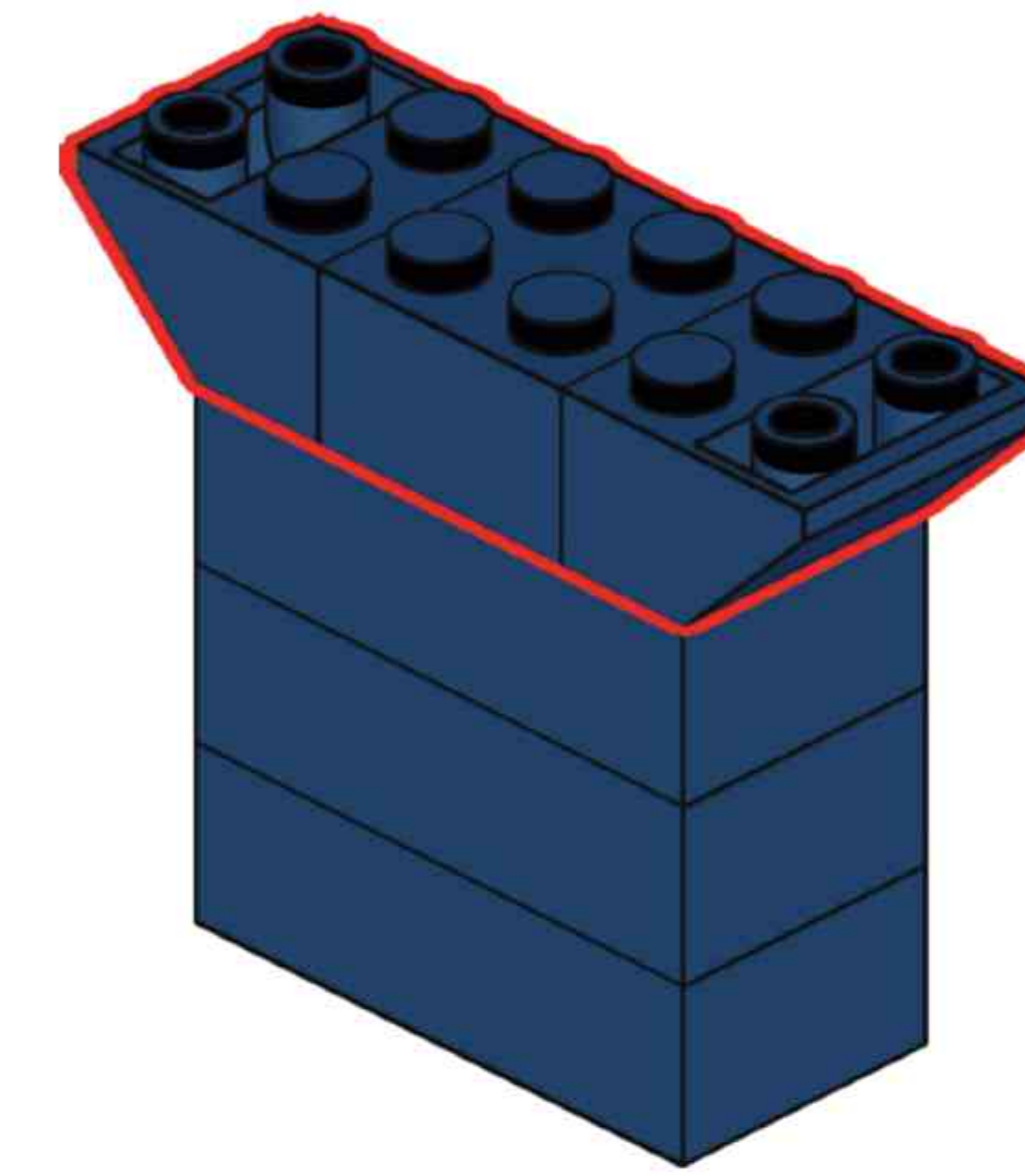
**B3**



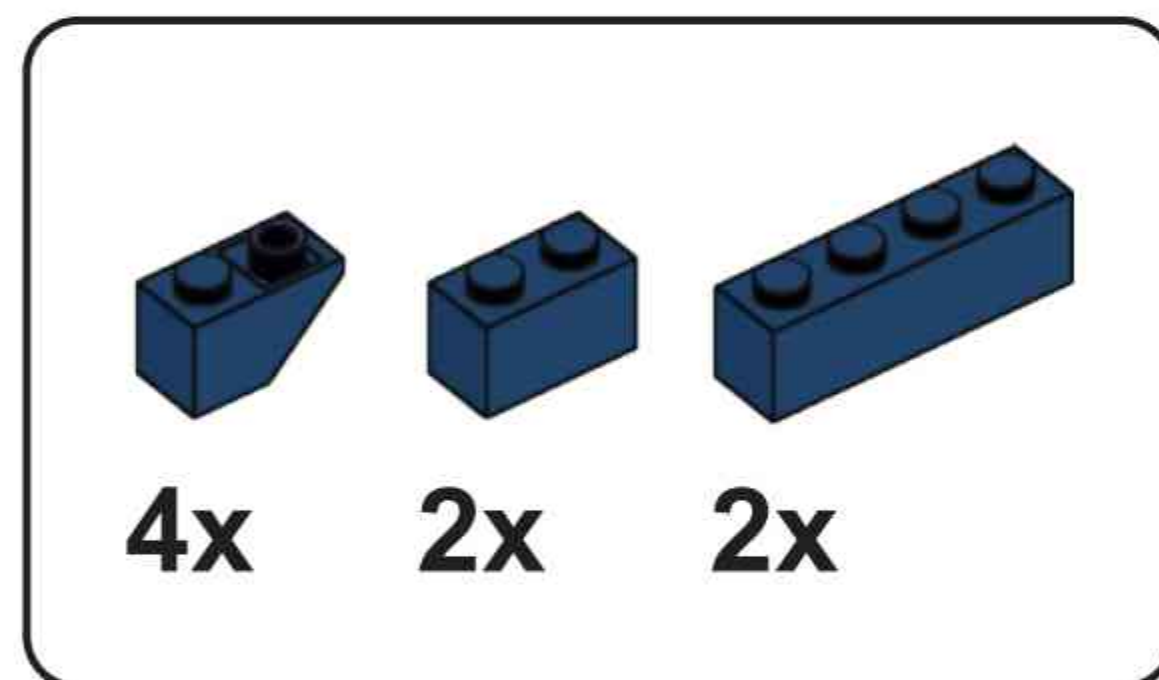
**x2**



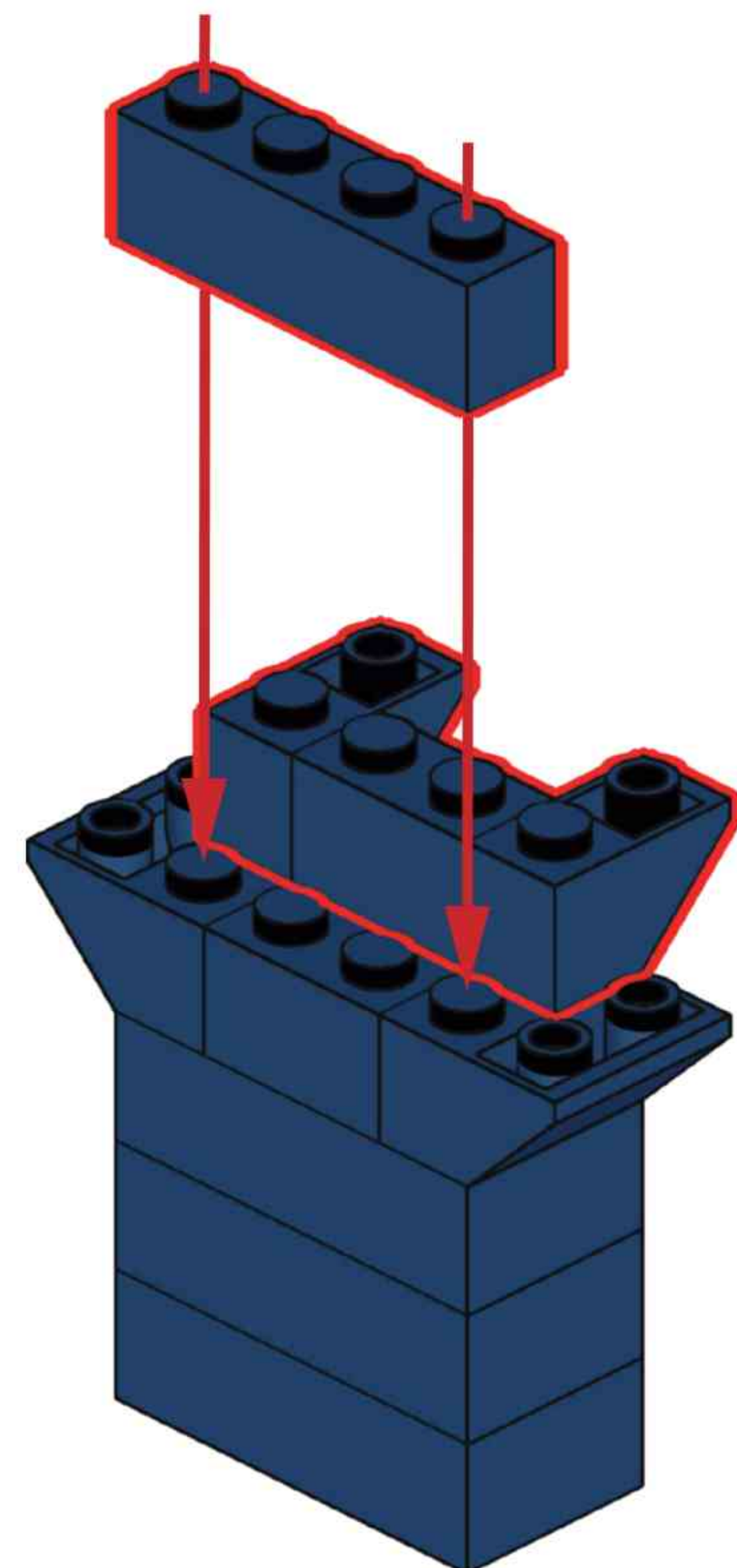
**B4**



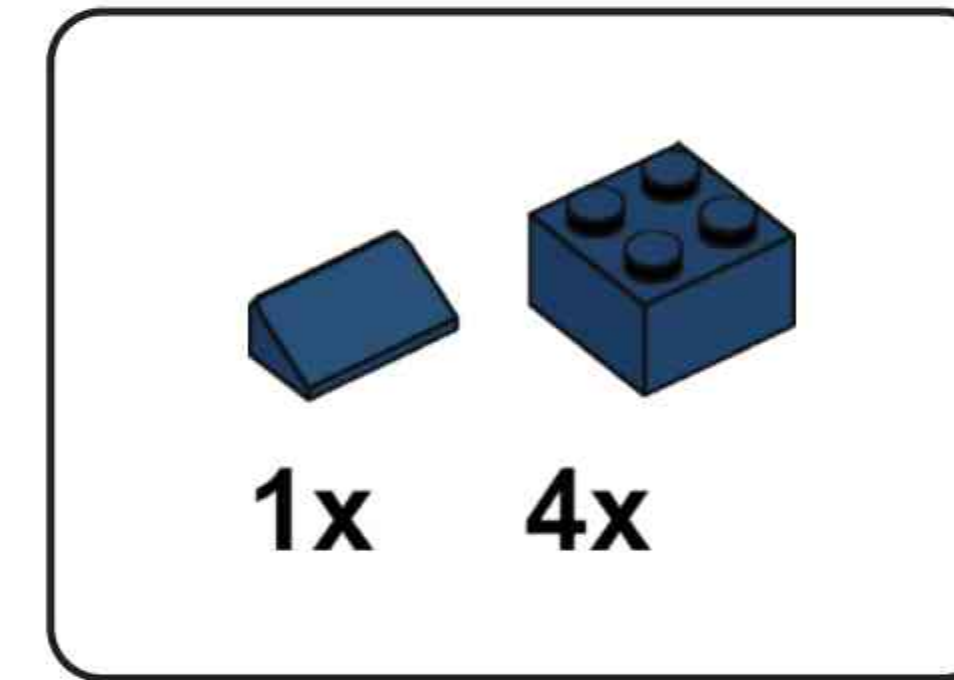
**x2**



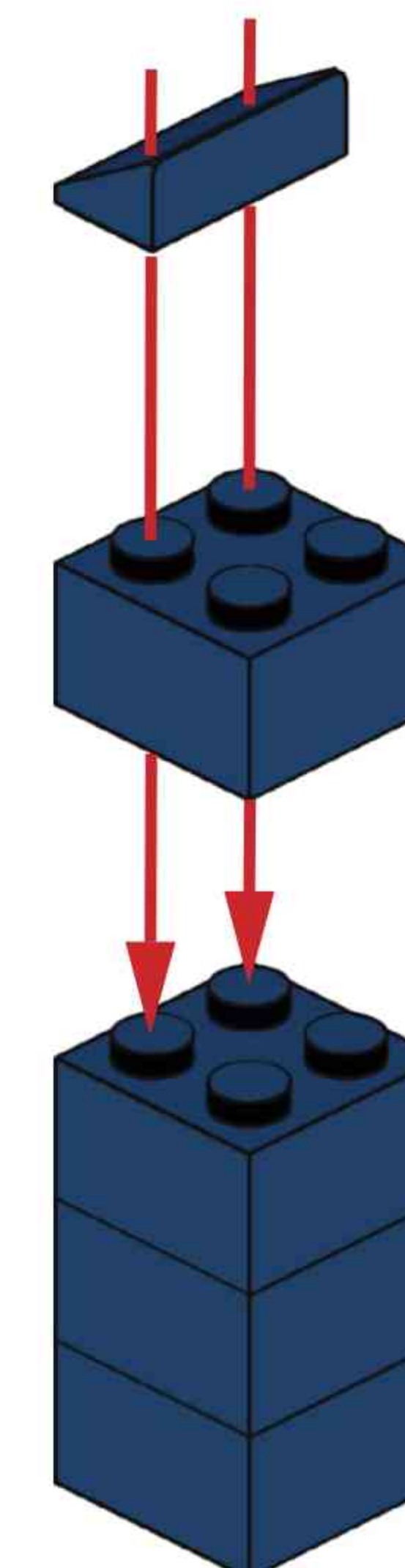
**B5**



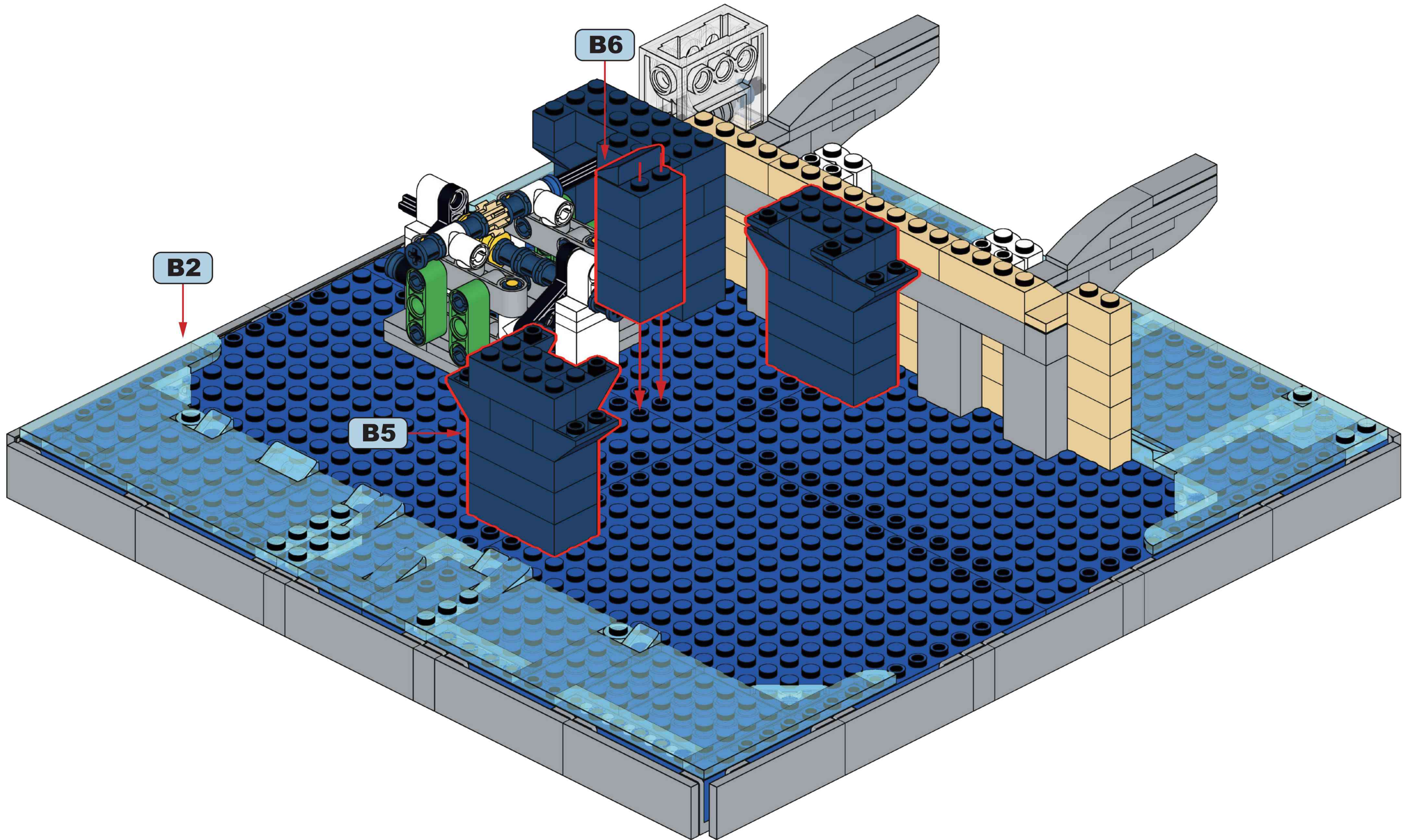
**x2**

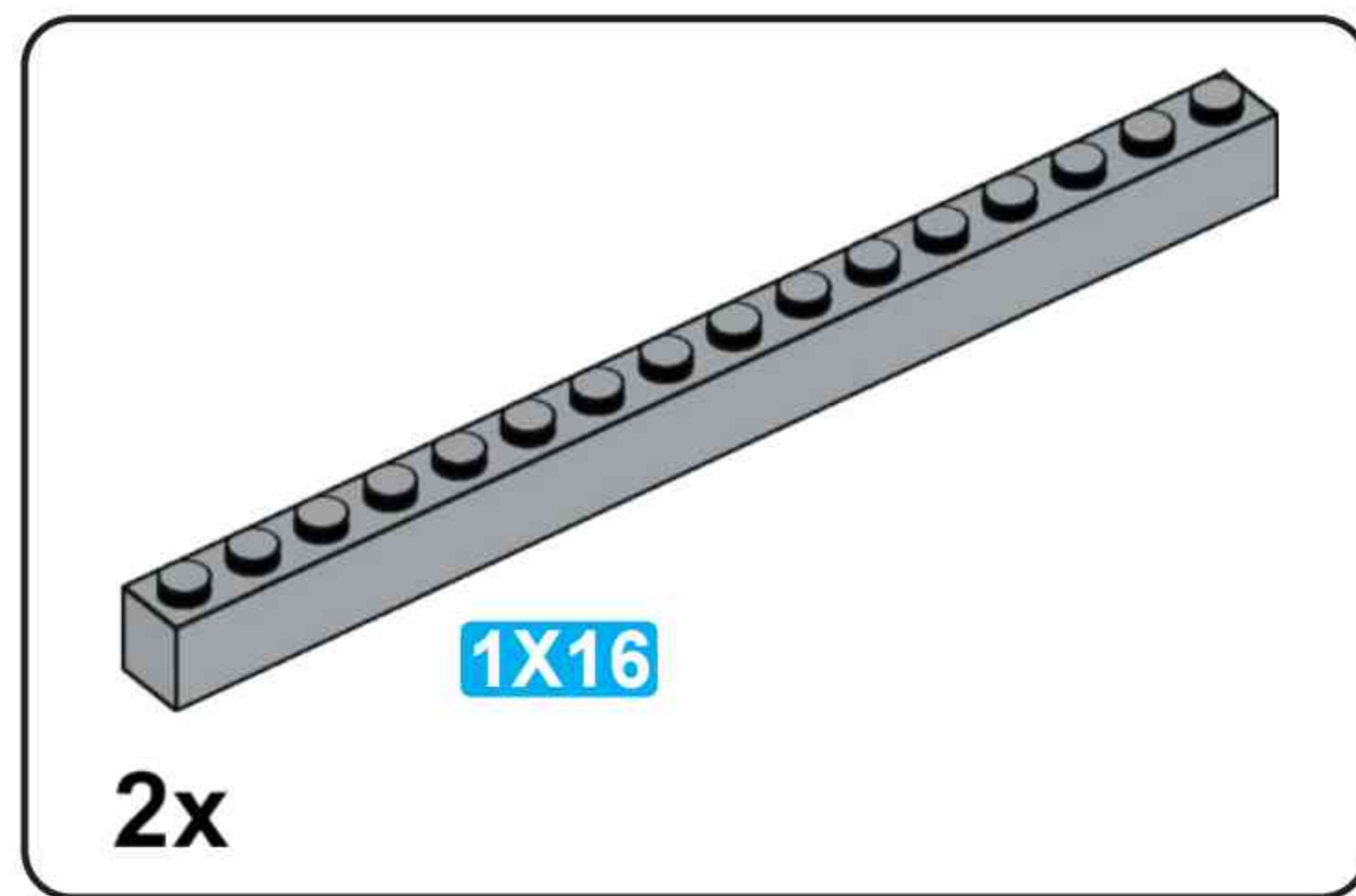


**B6**



# B7





**B8**

