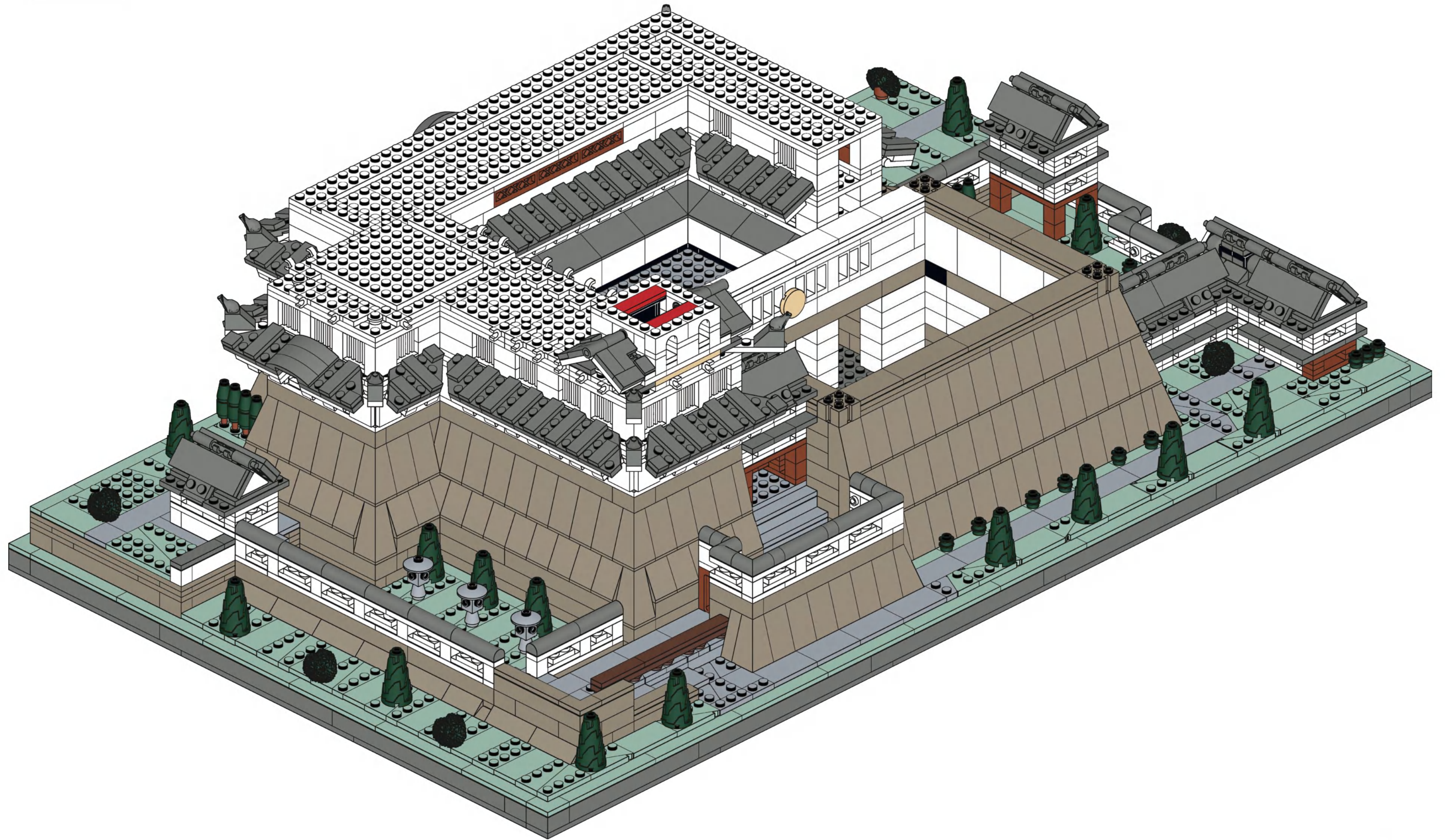
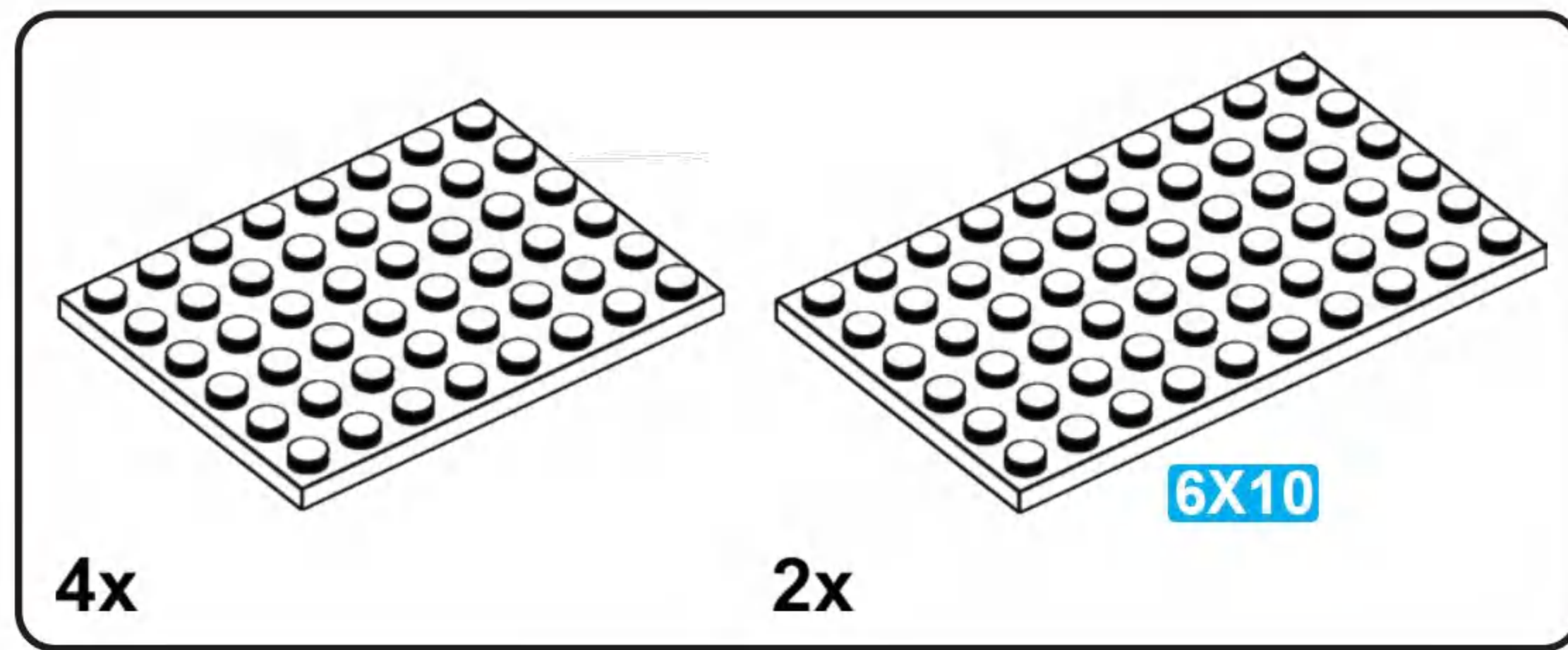


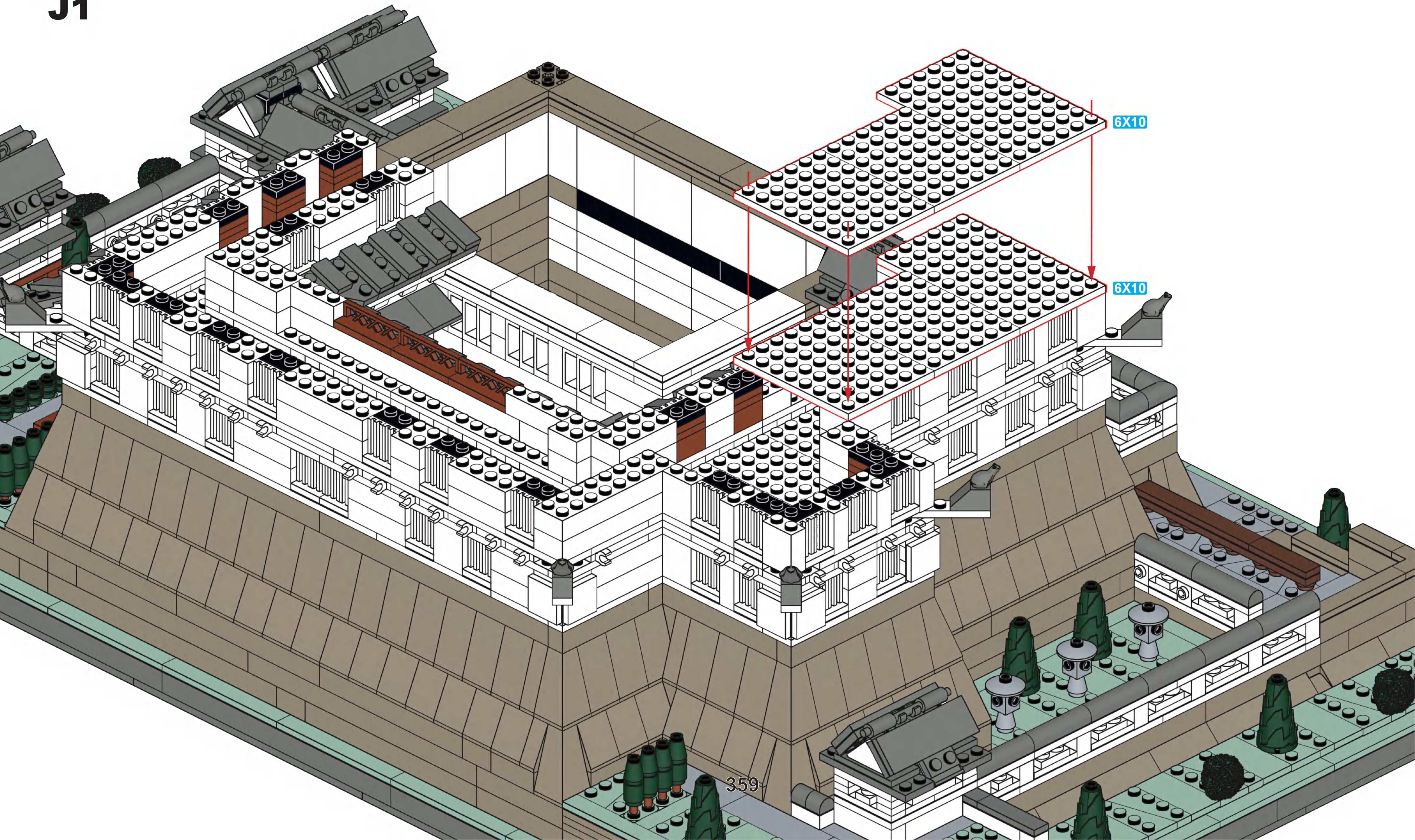
10

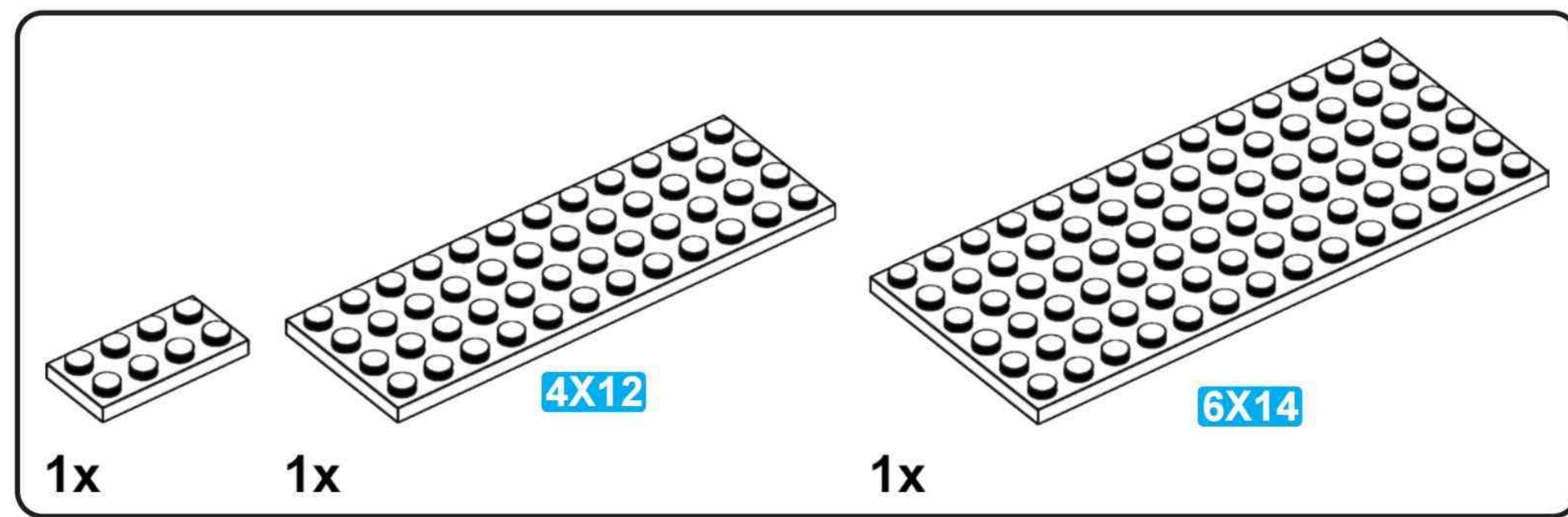


J

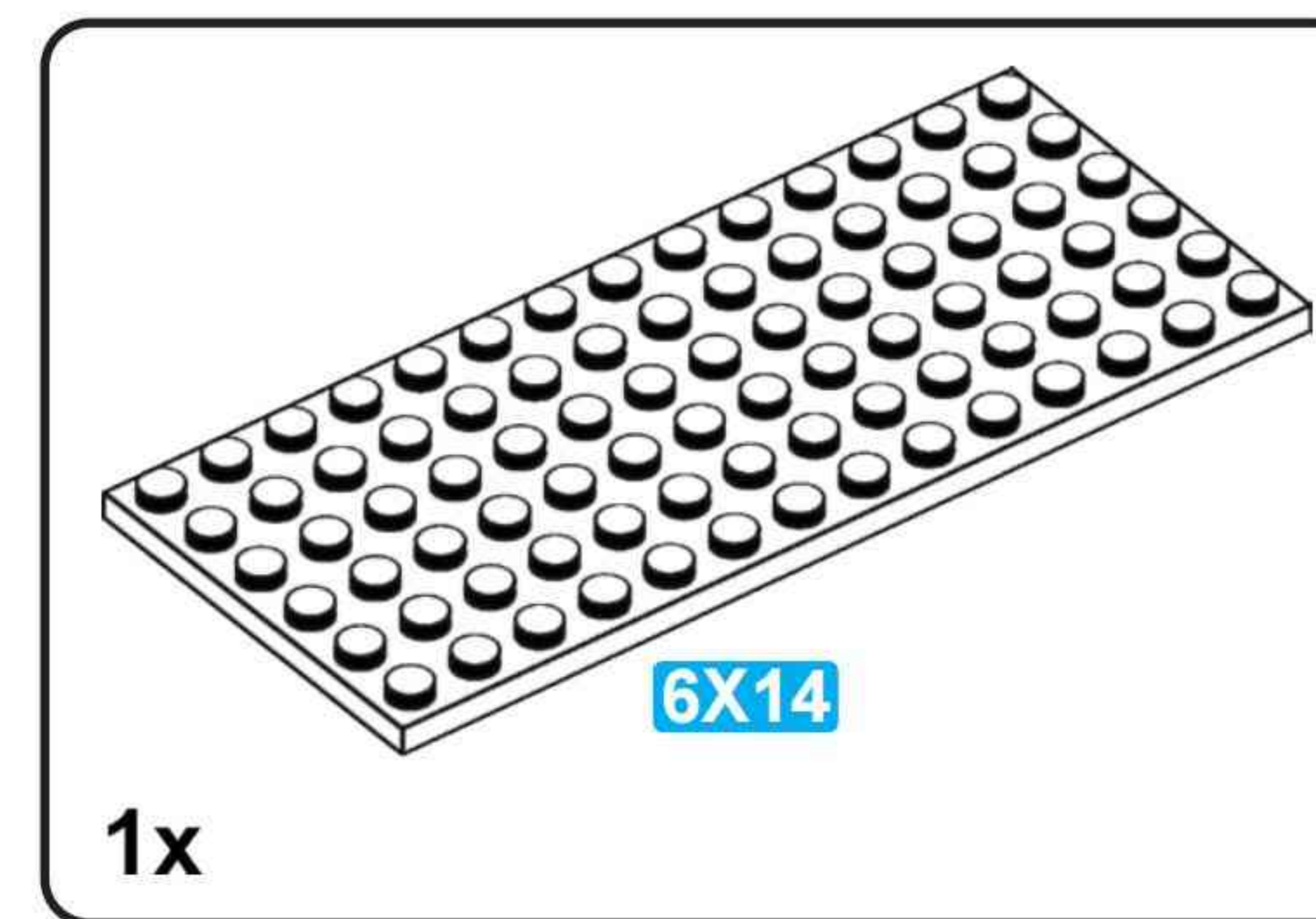
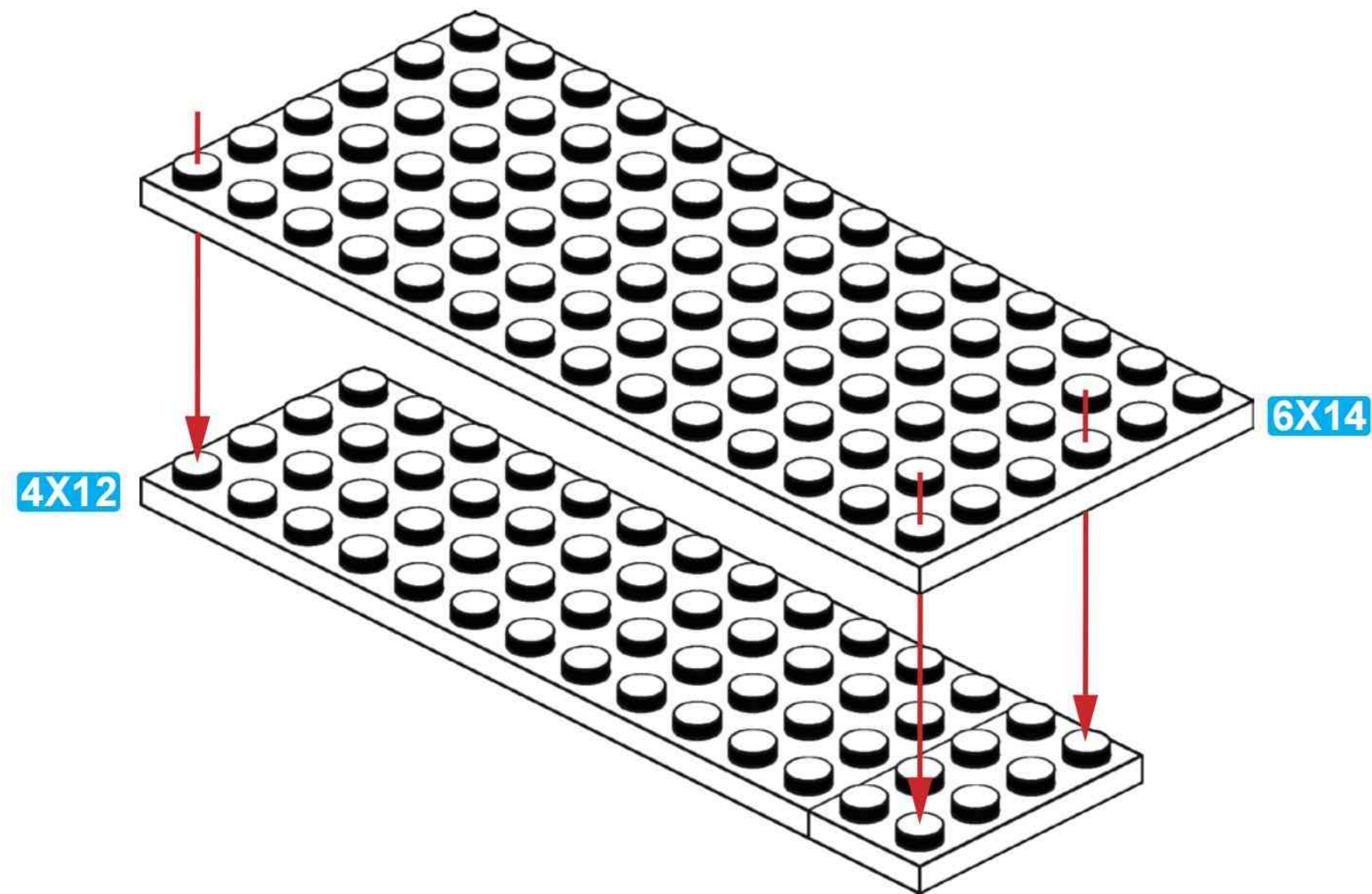


J1

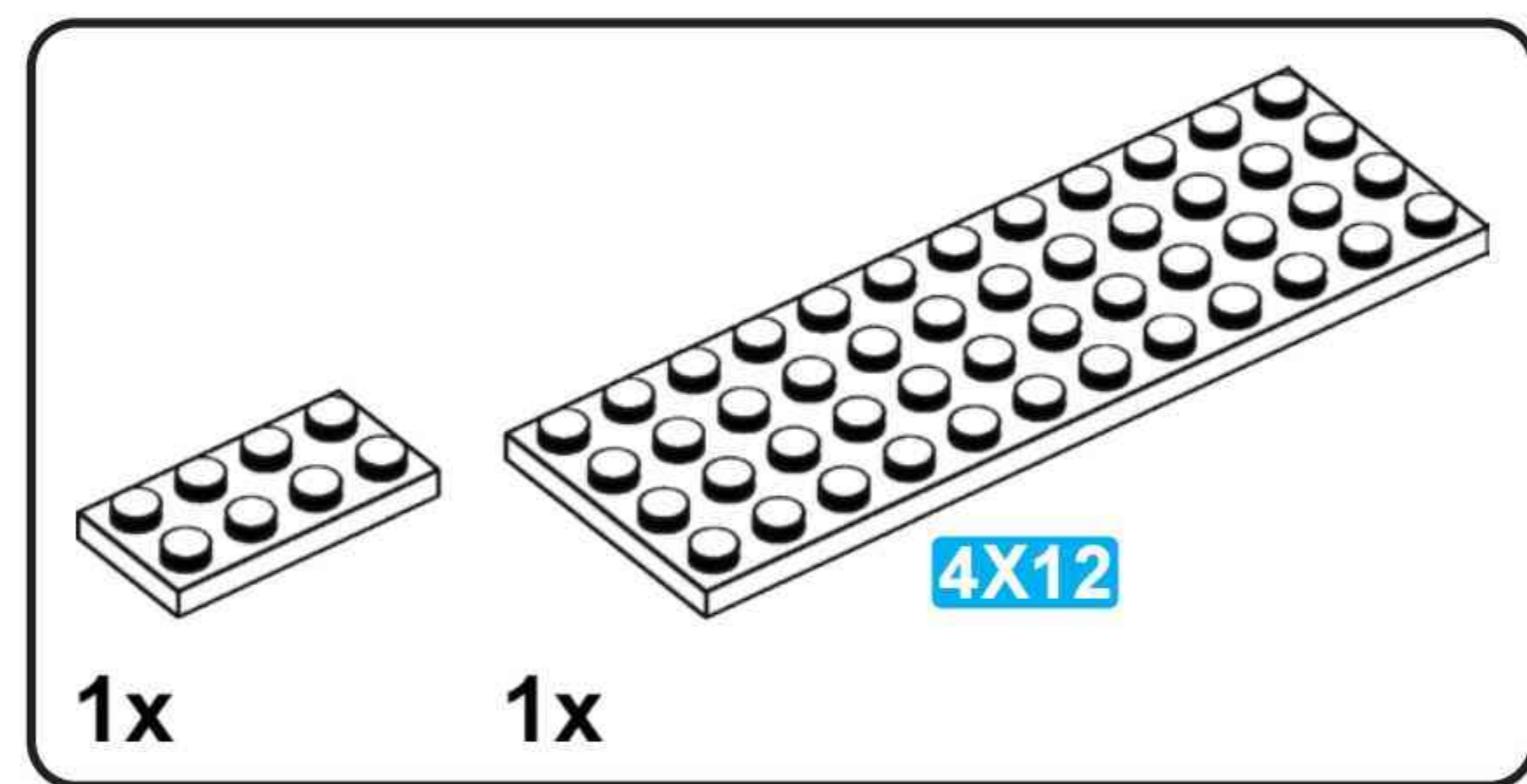
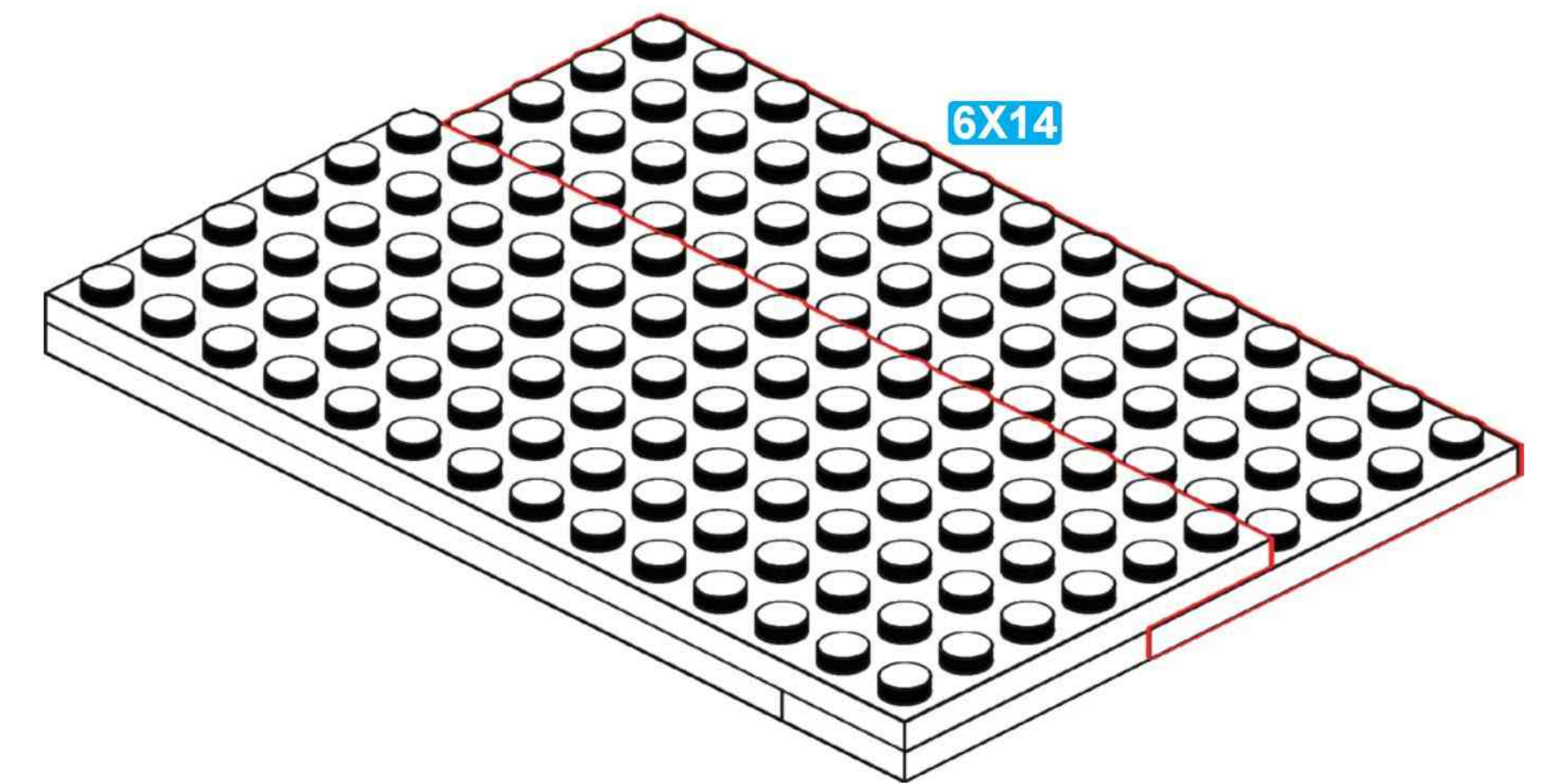




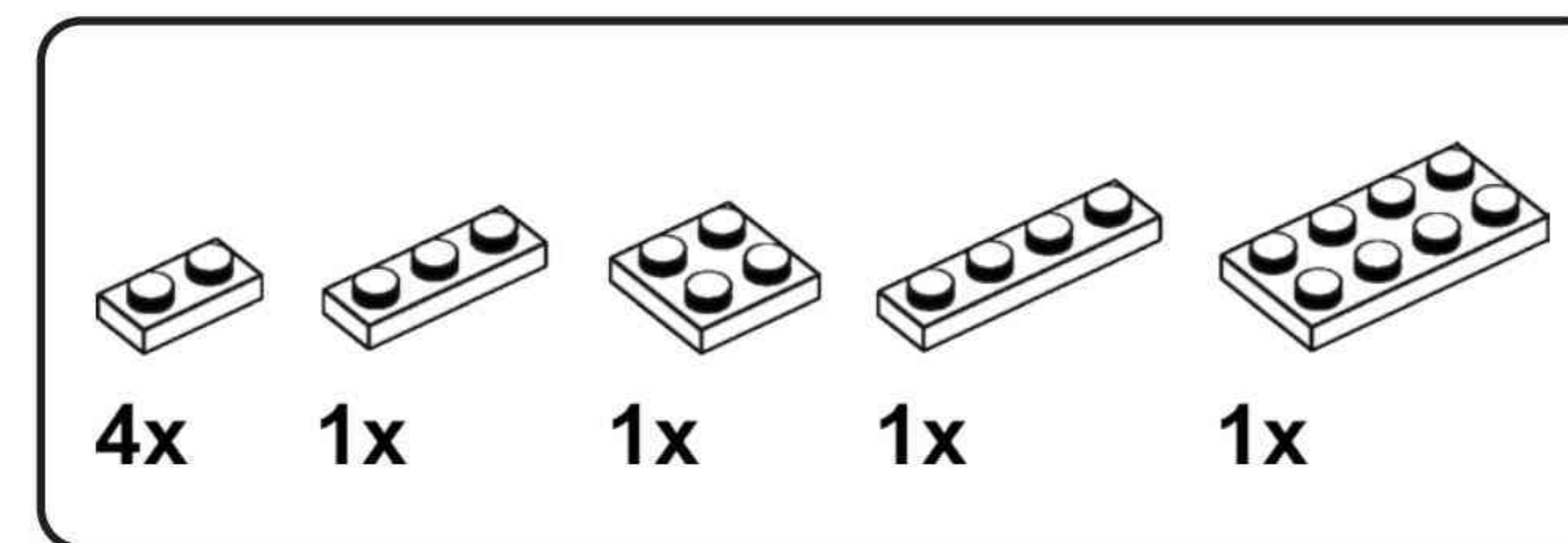
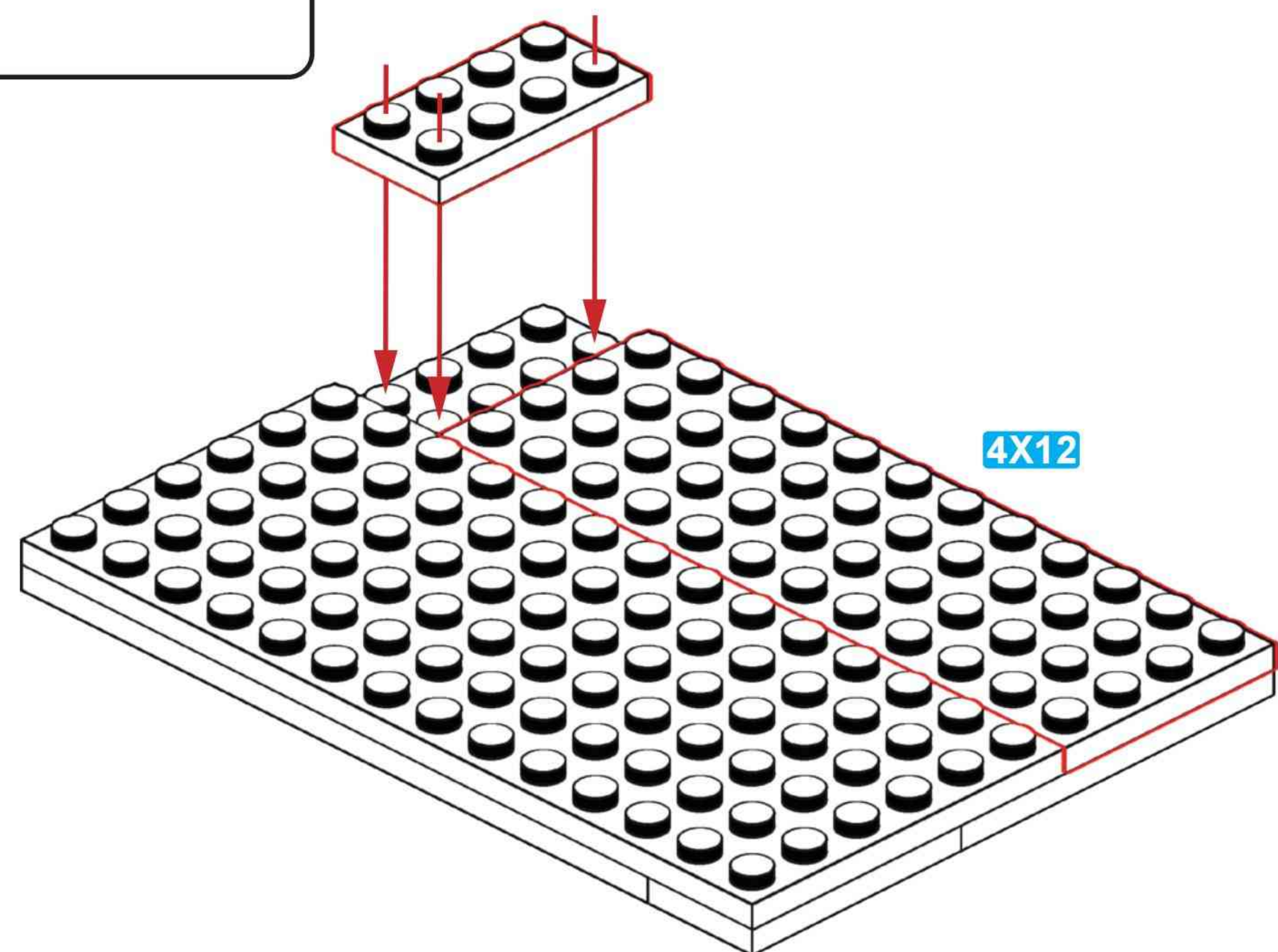
J2



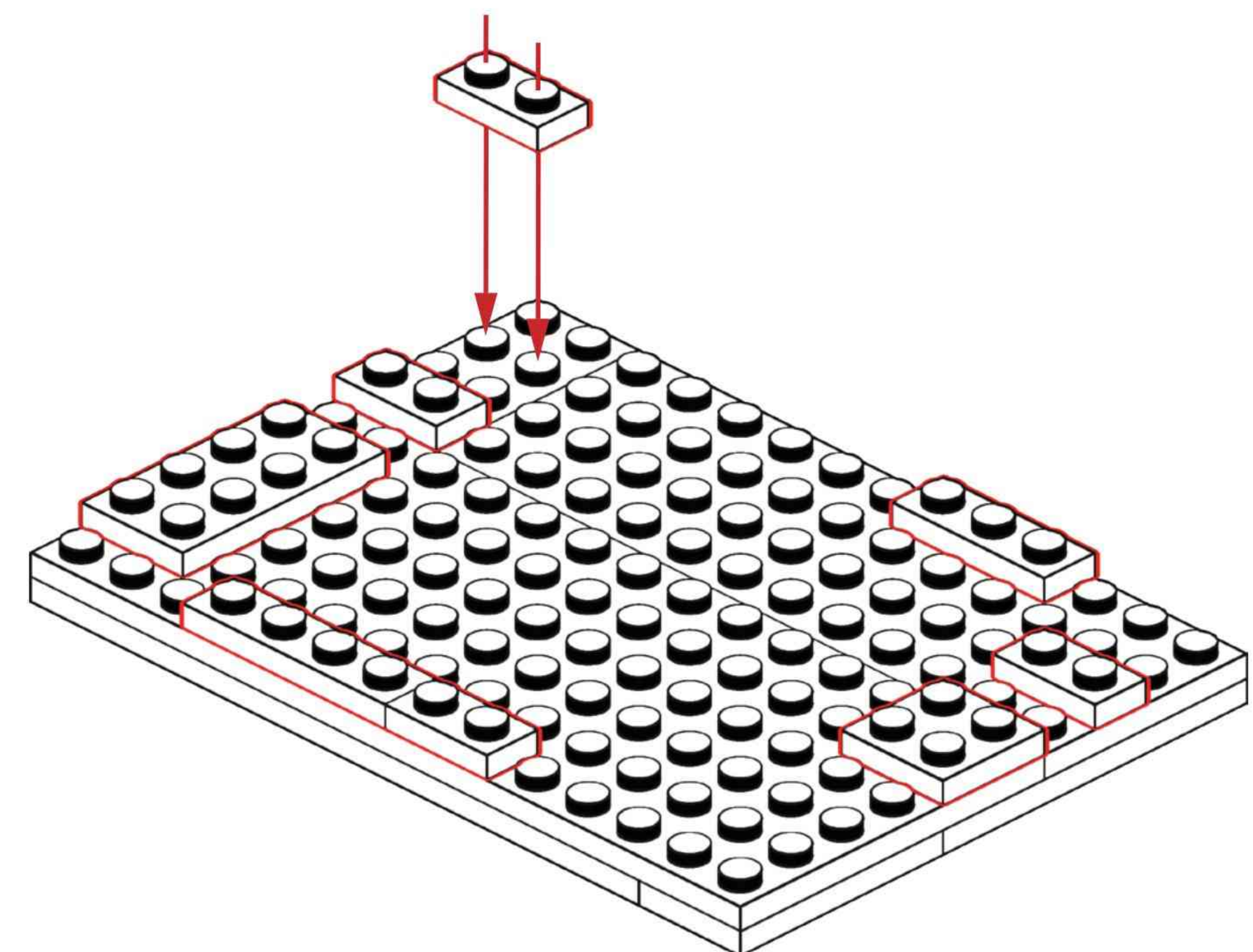
J3

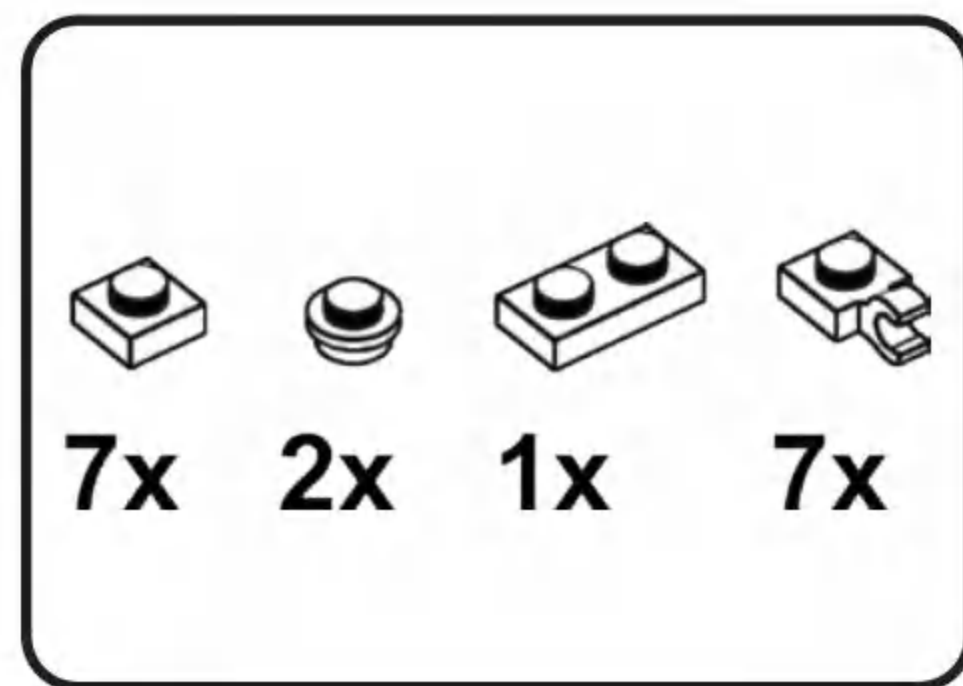


J4

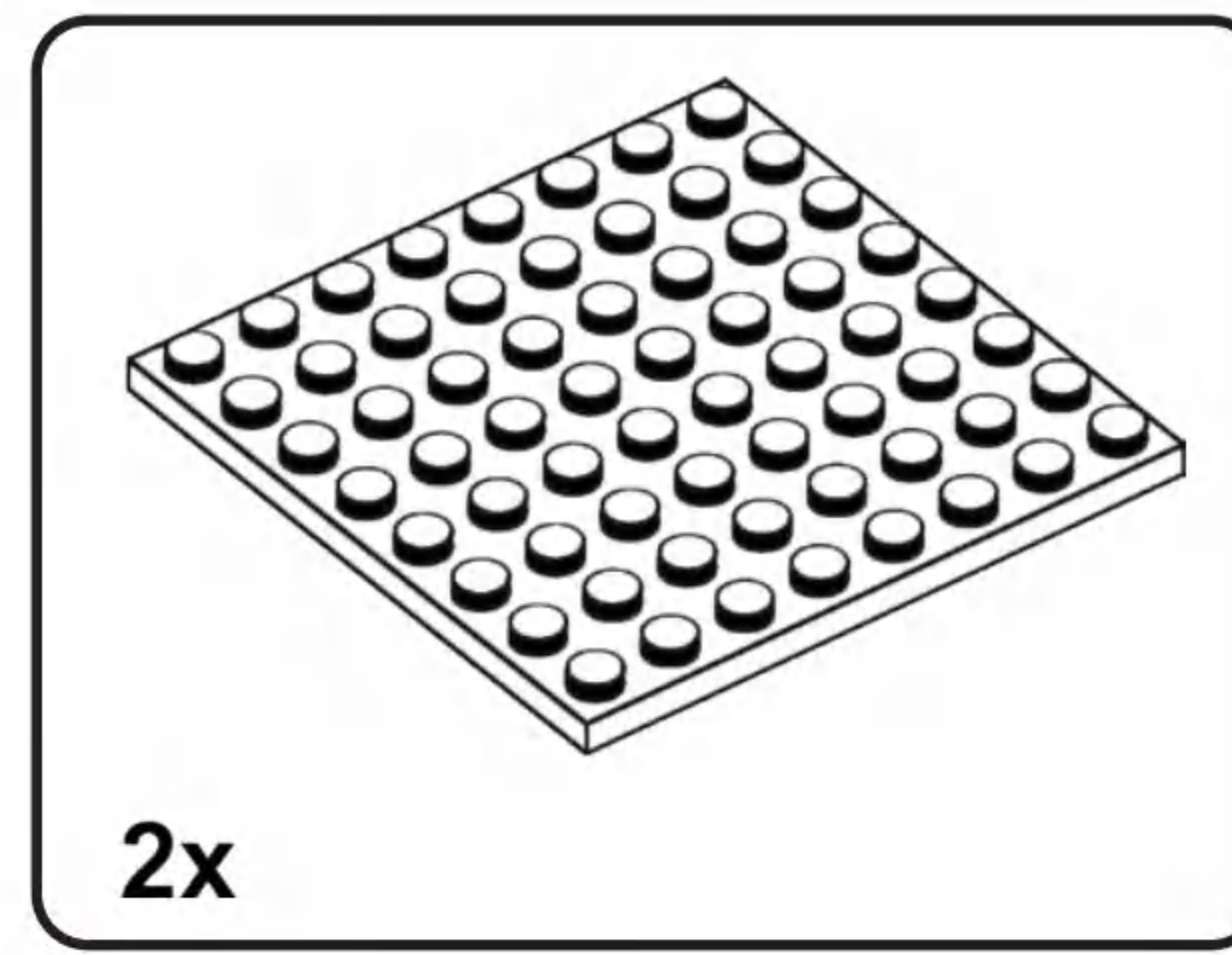
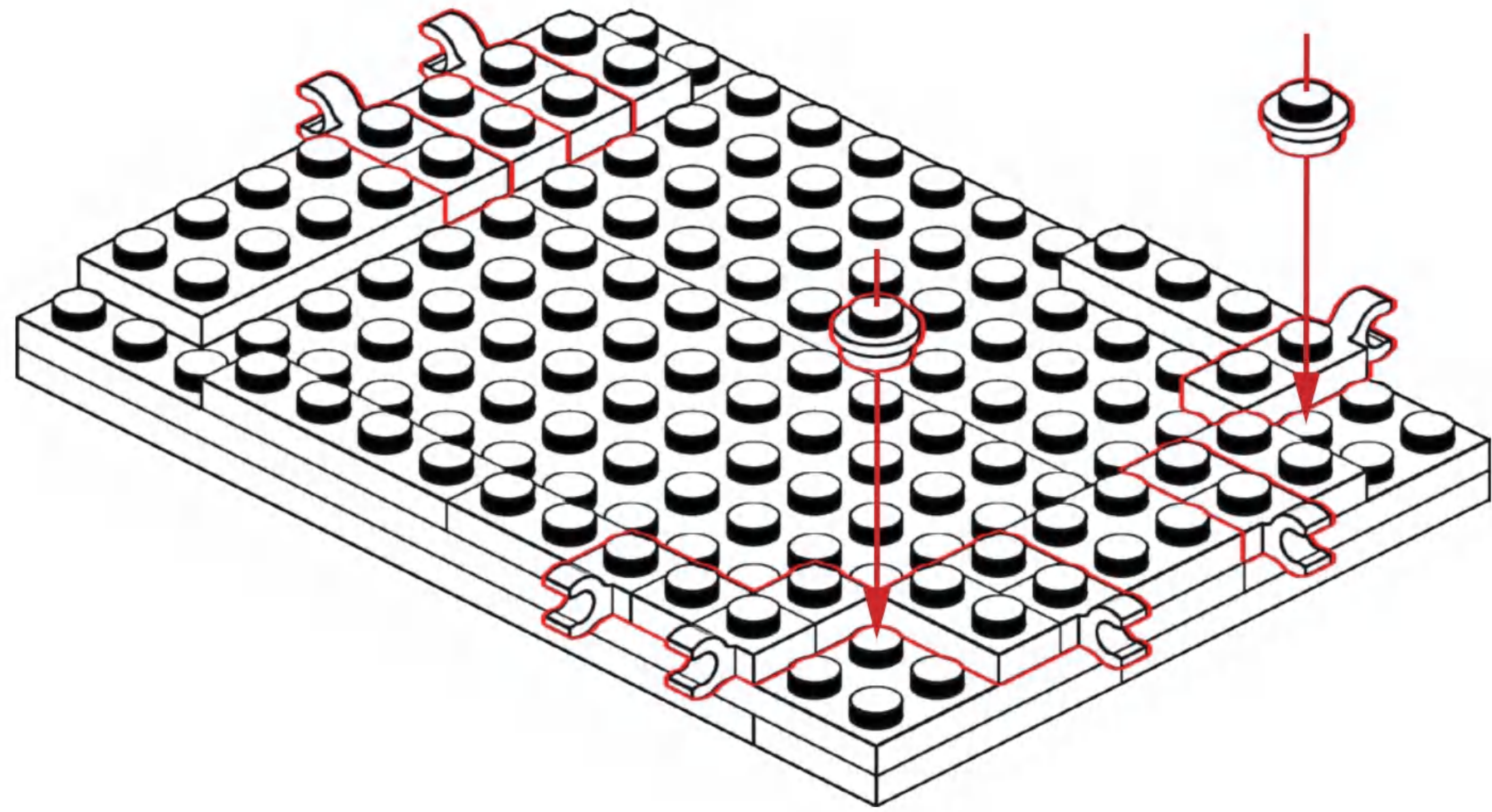


J5

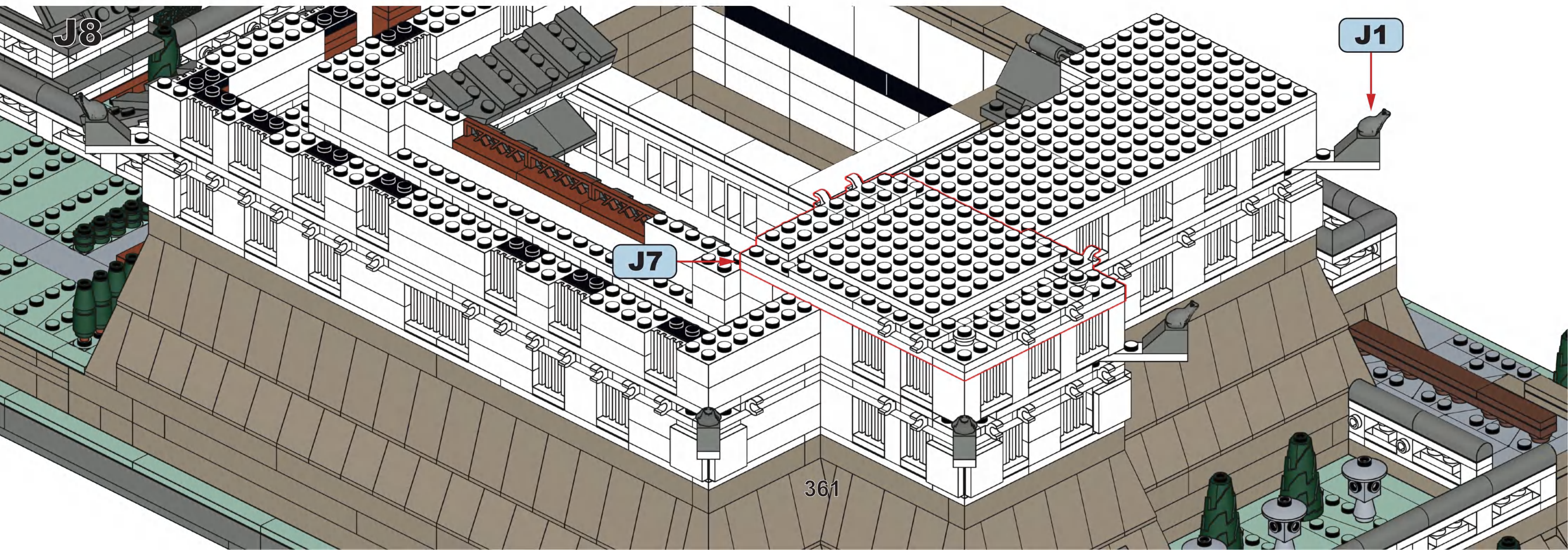
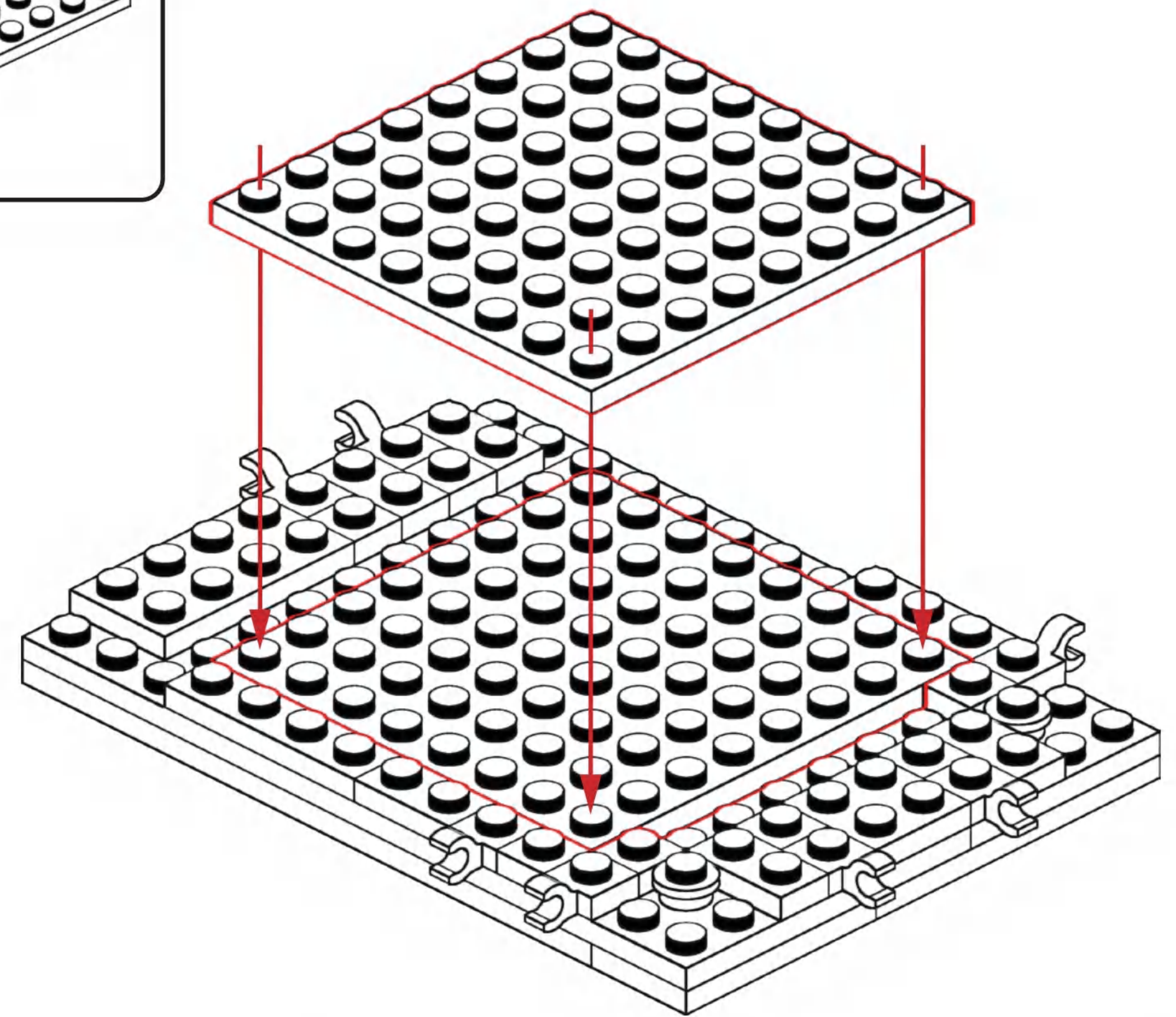


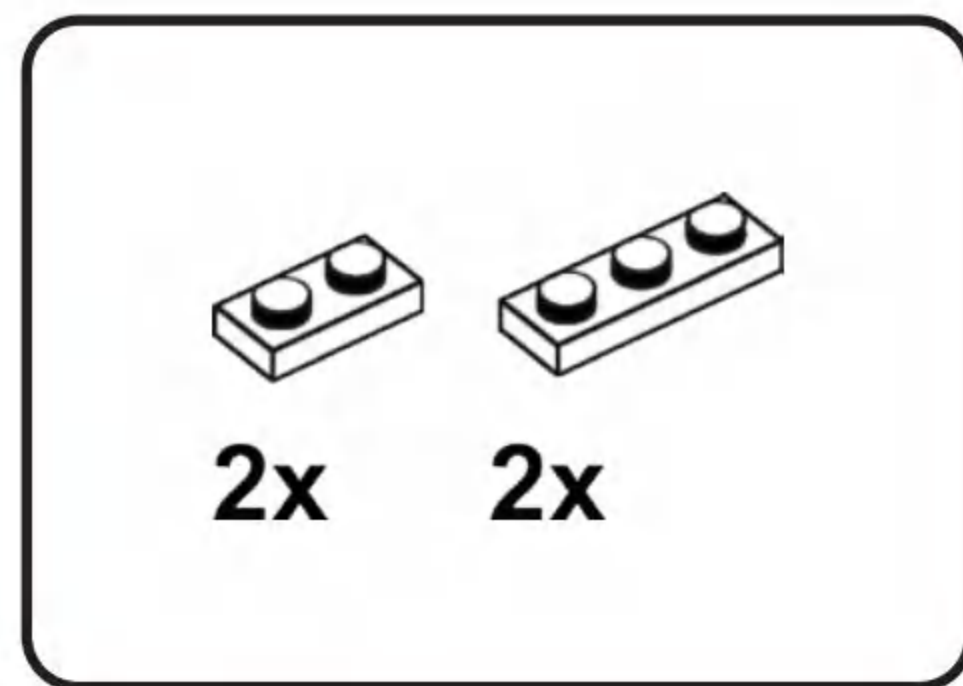


J6

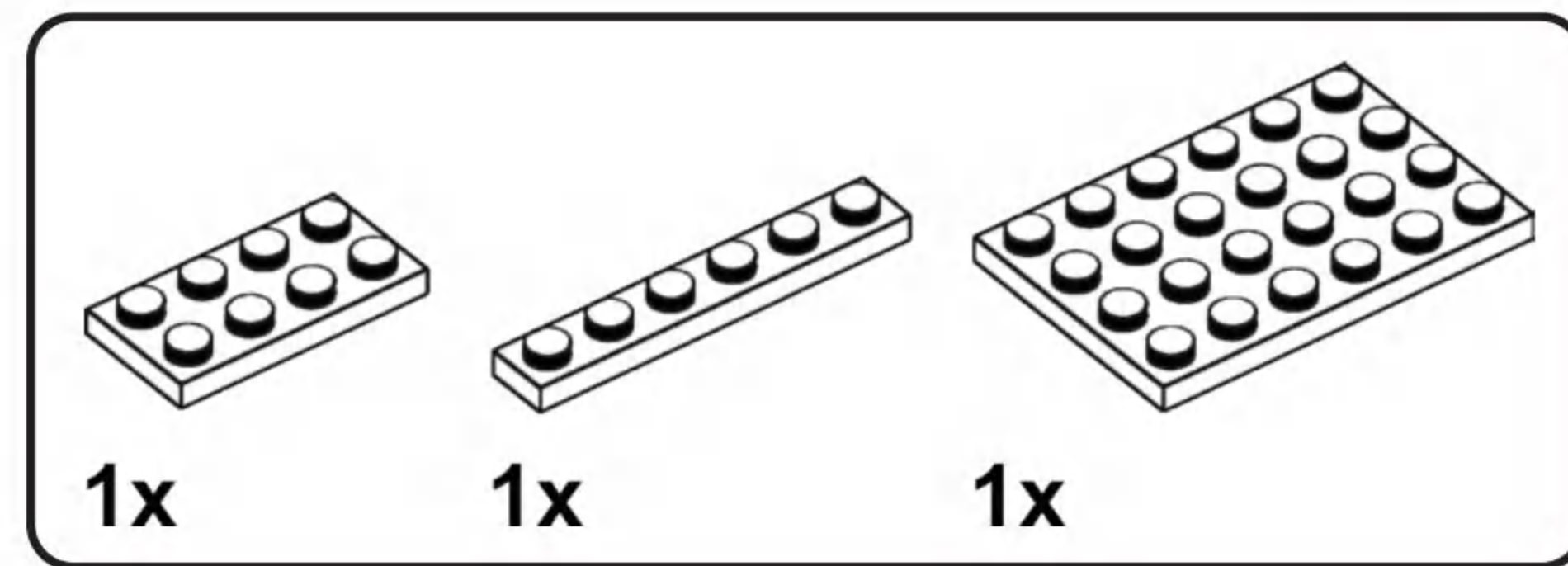
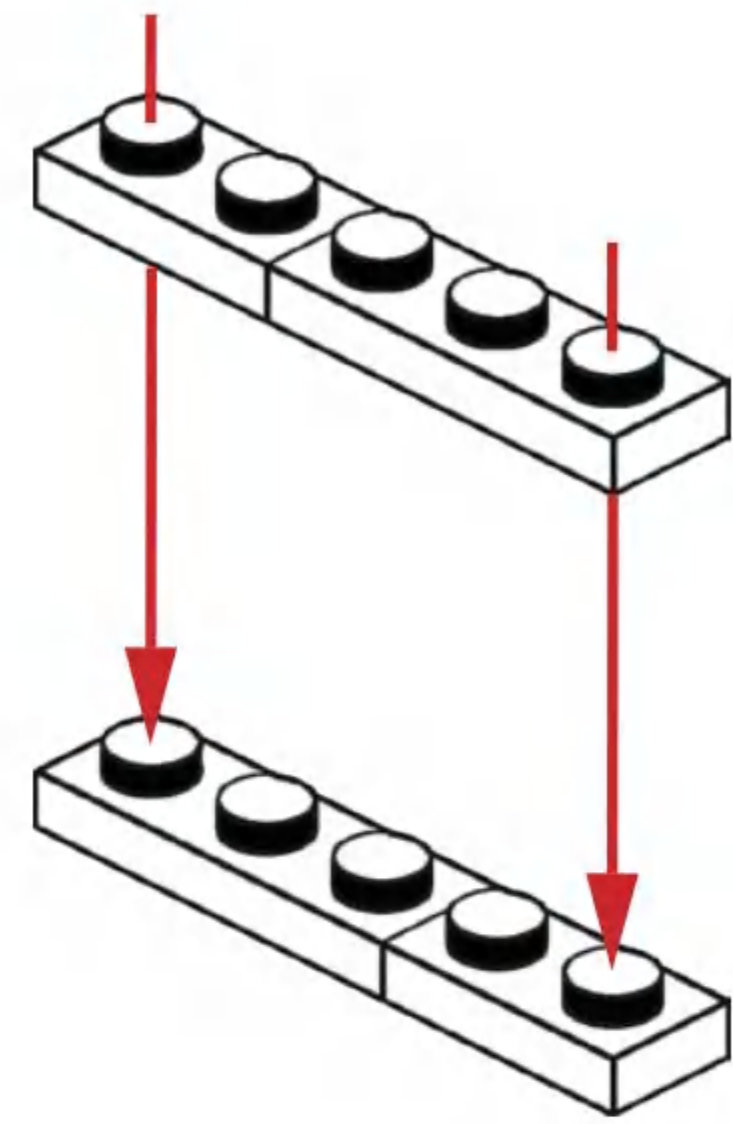


J7

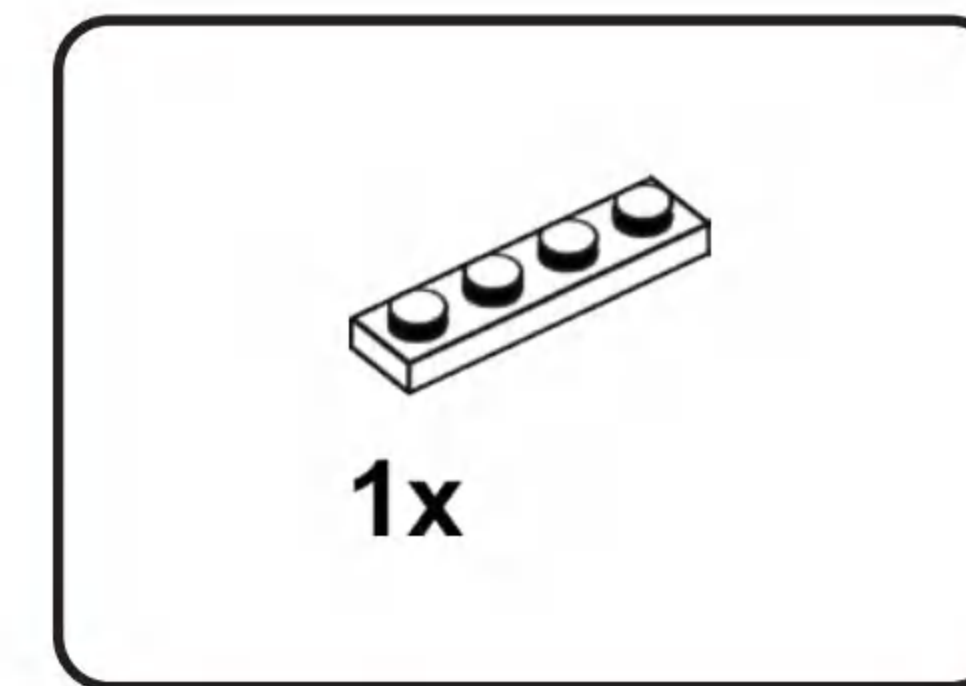
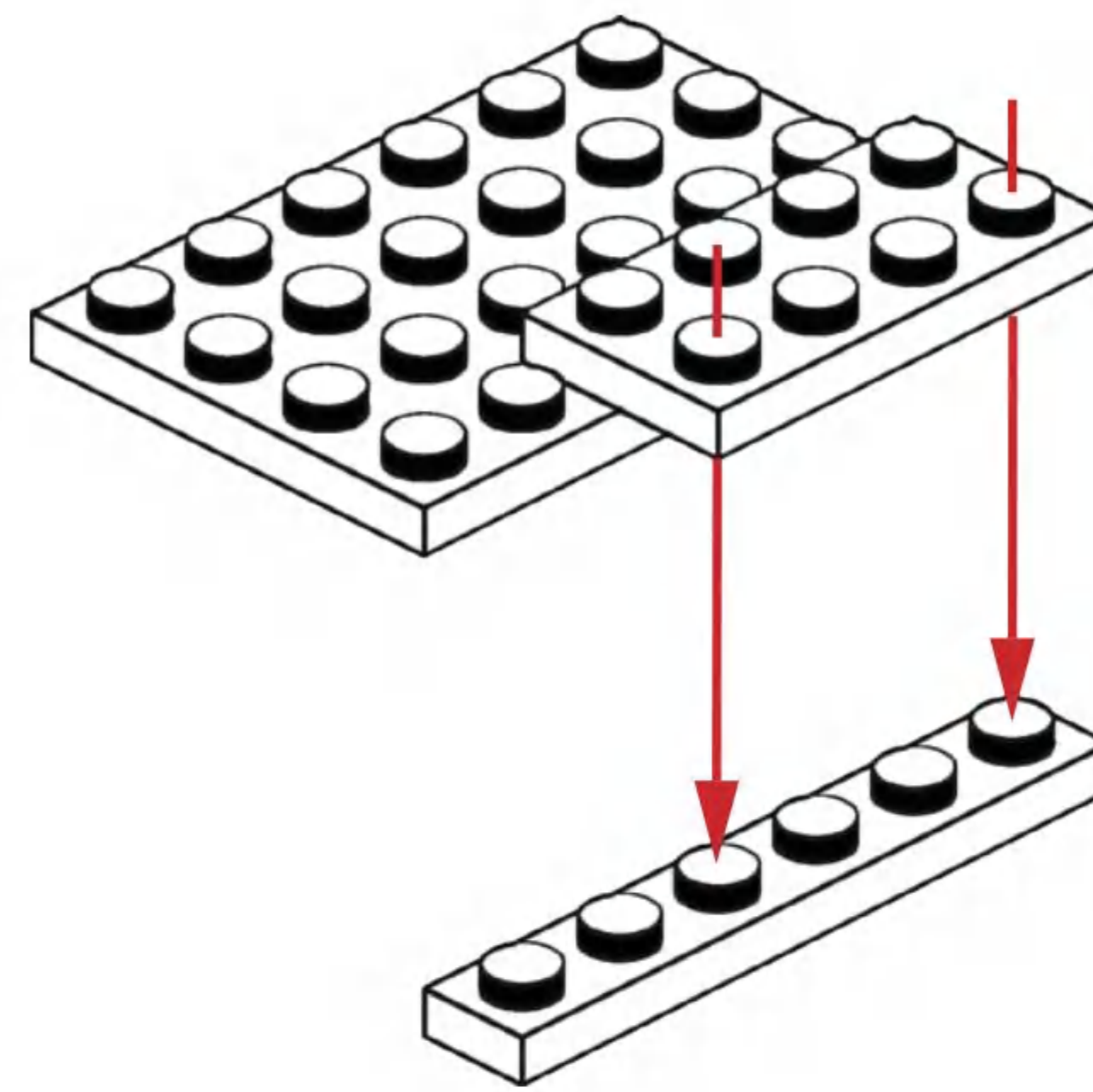




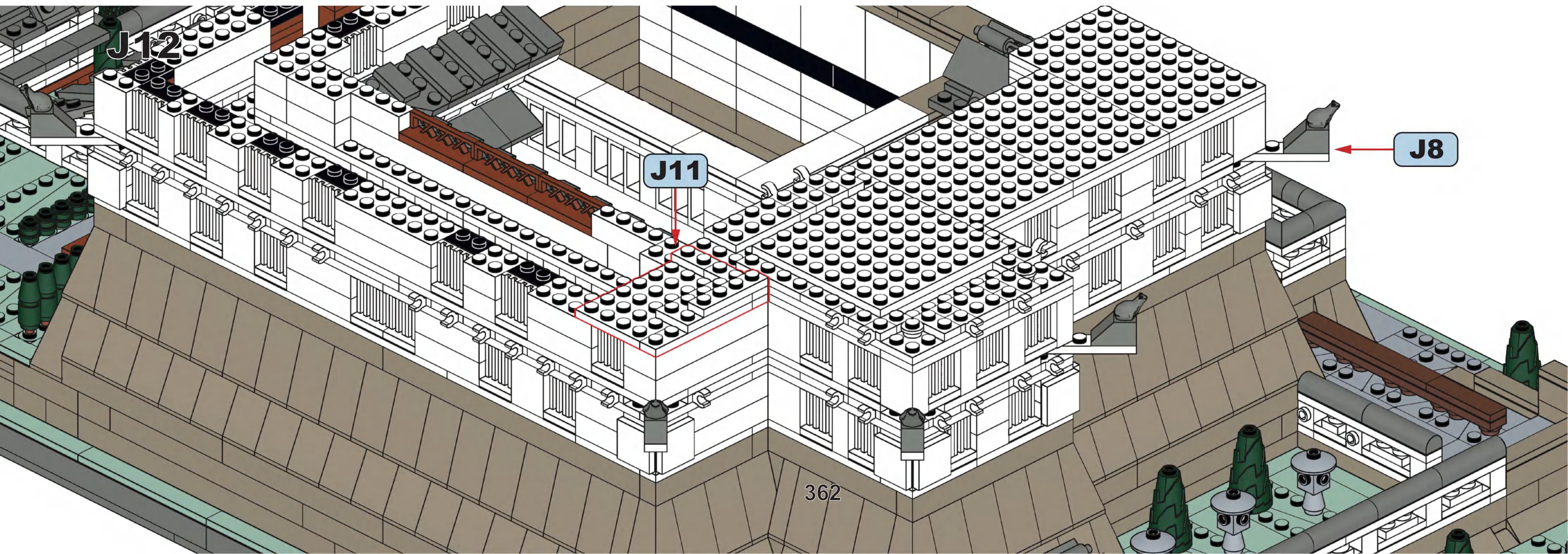
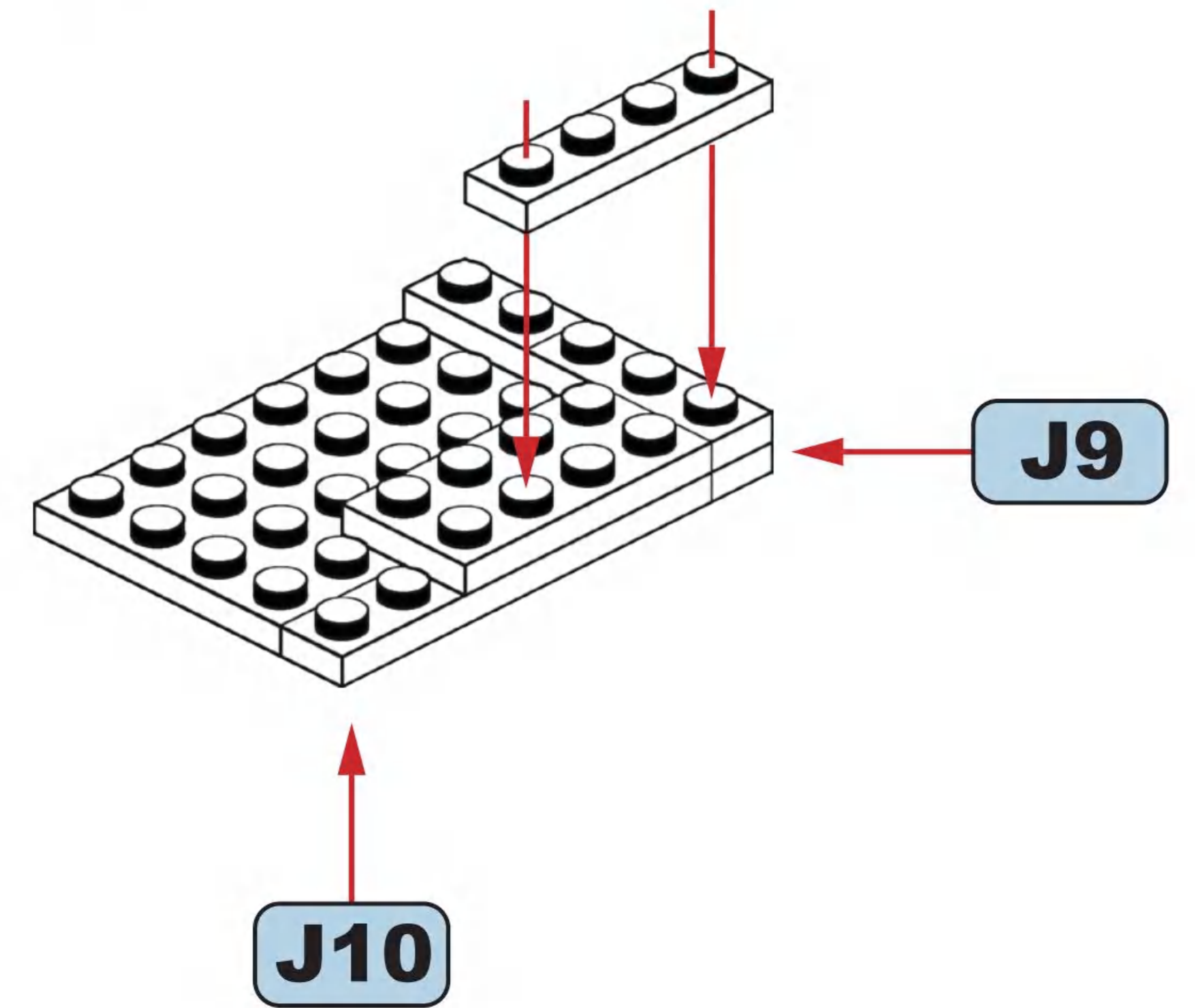
J9

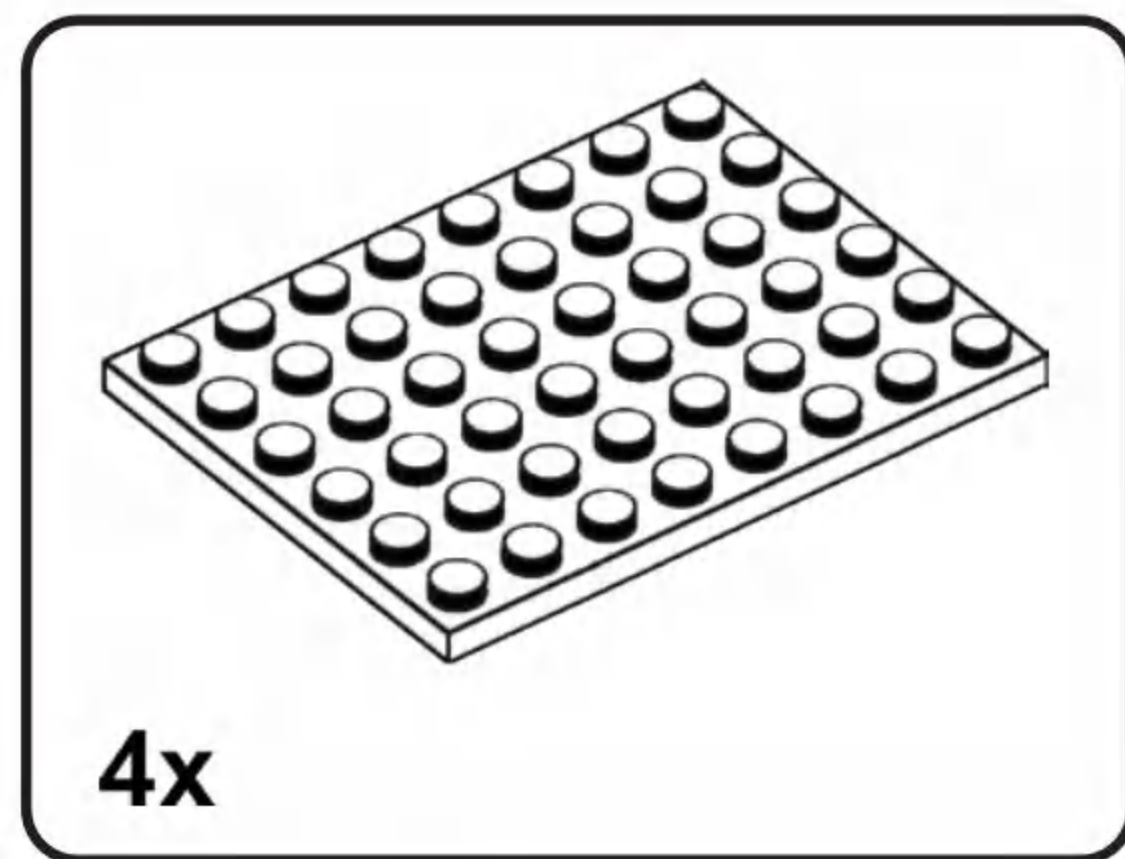


J10



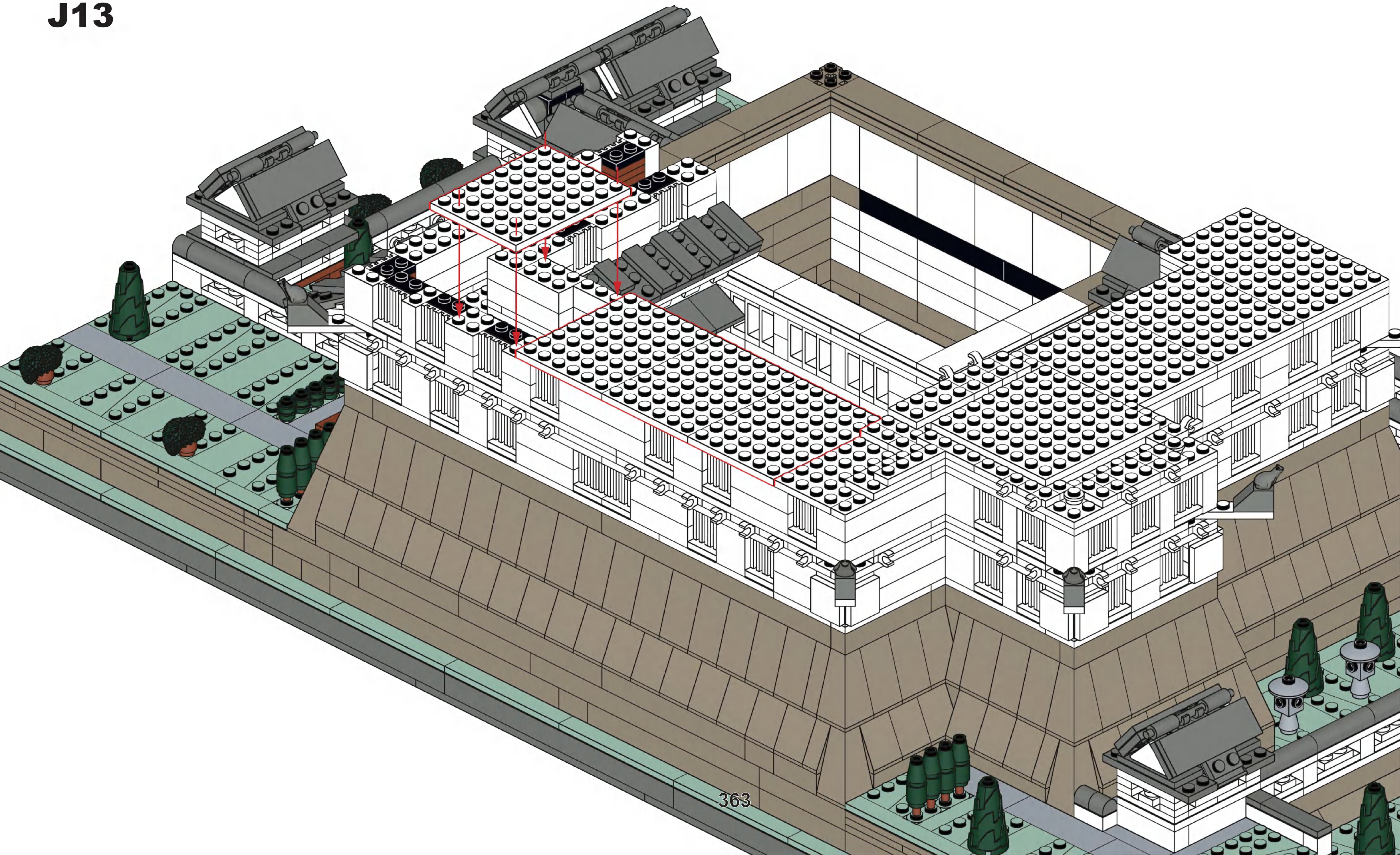
J11

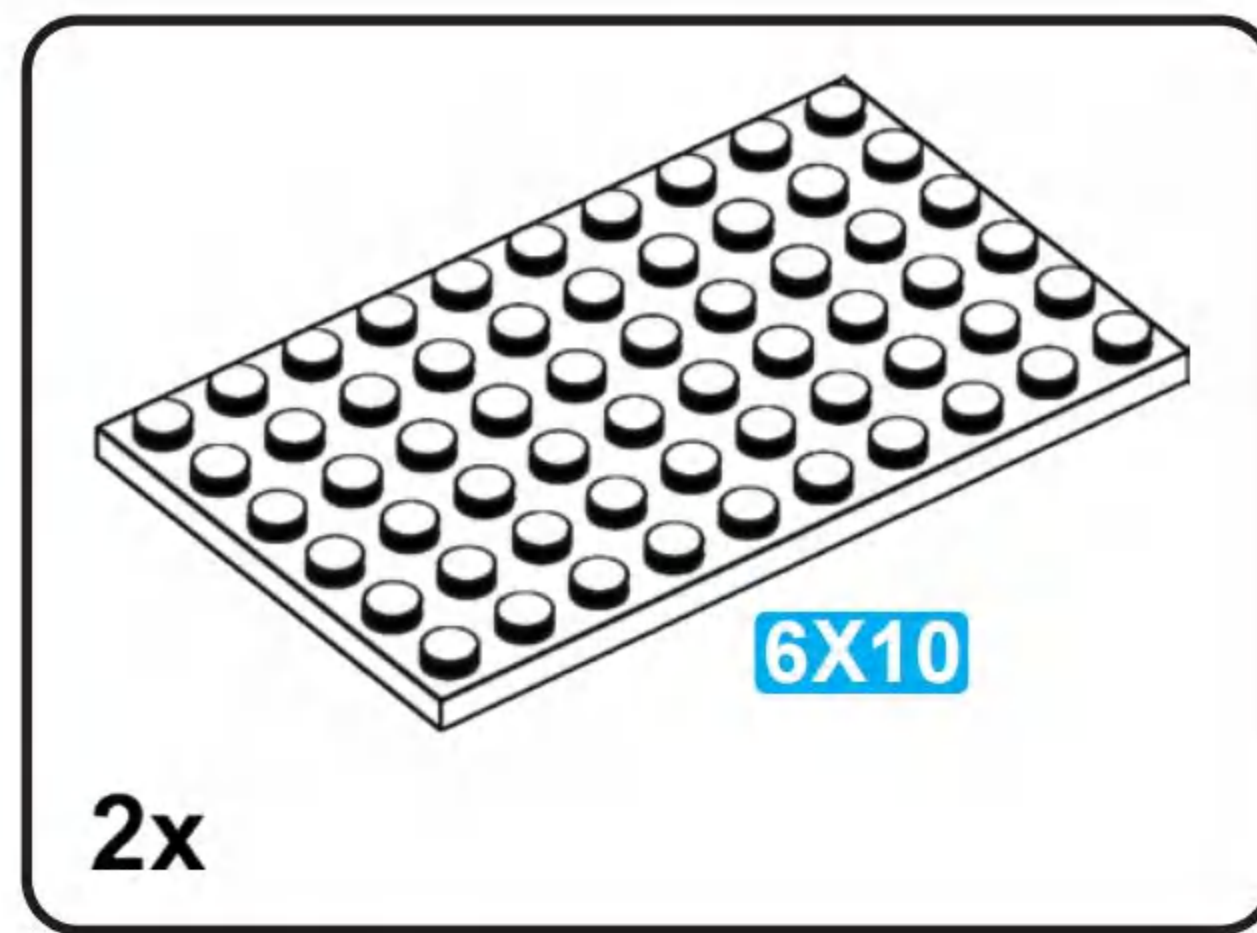




4x

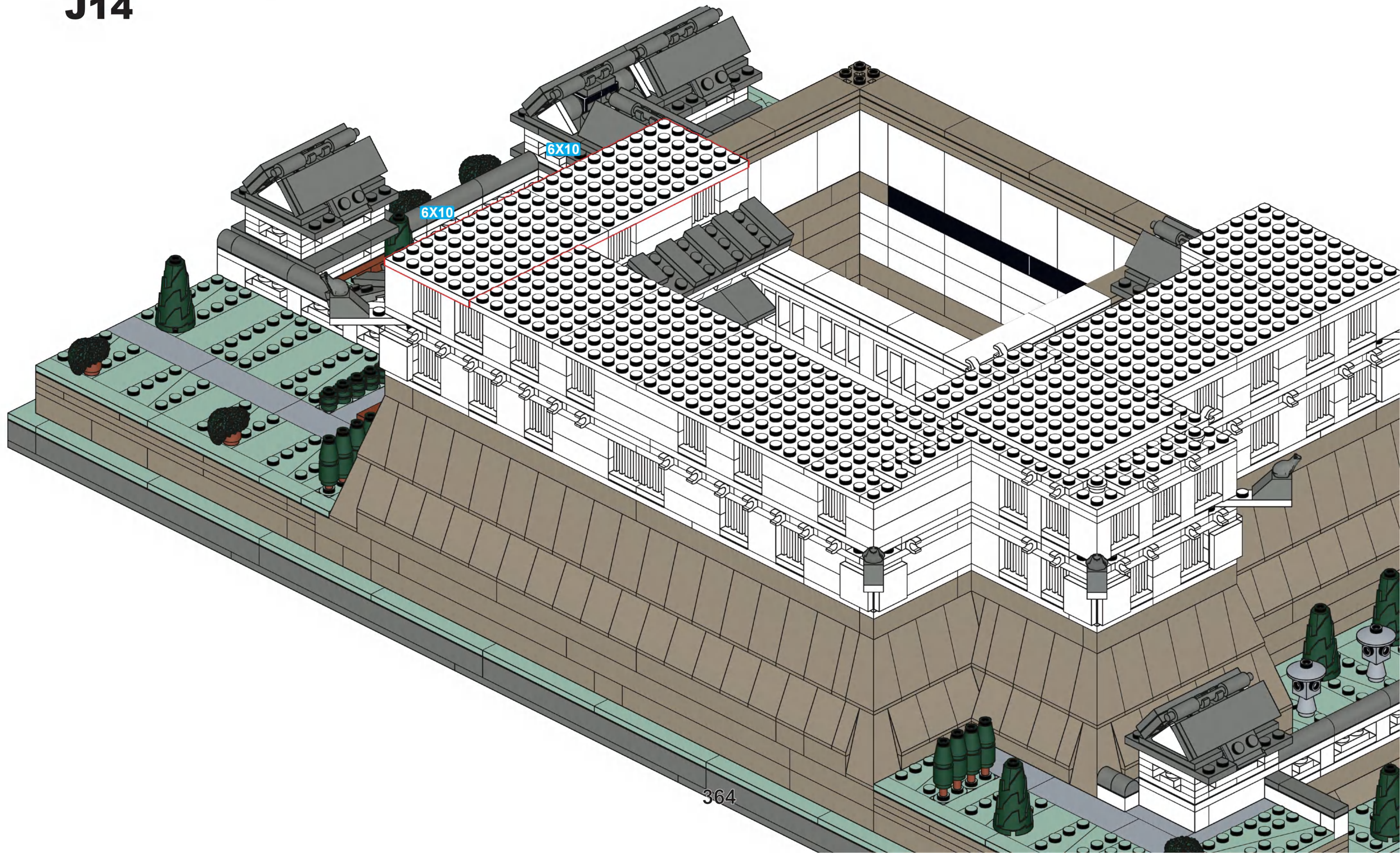
J13

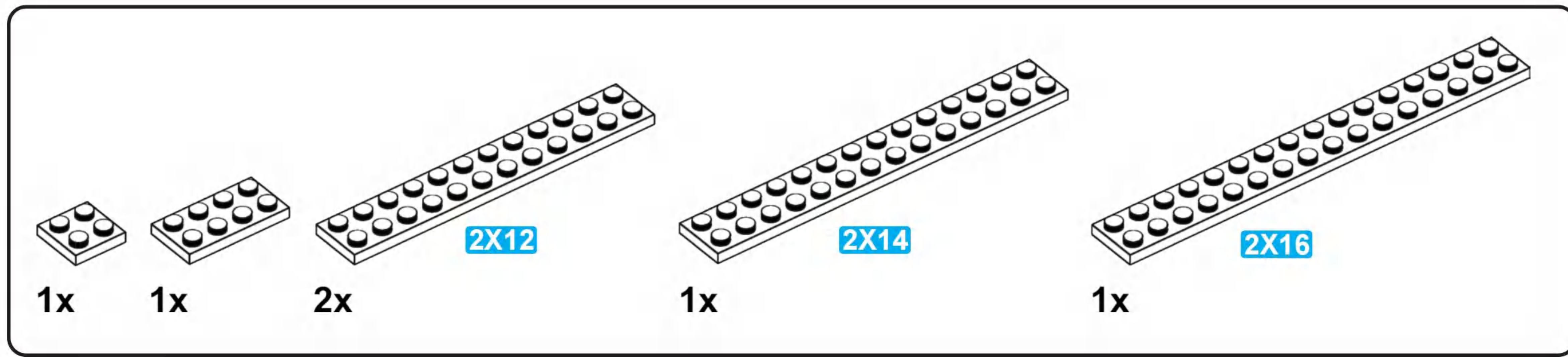




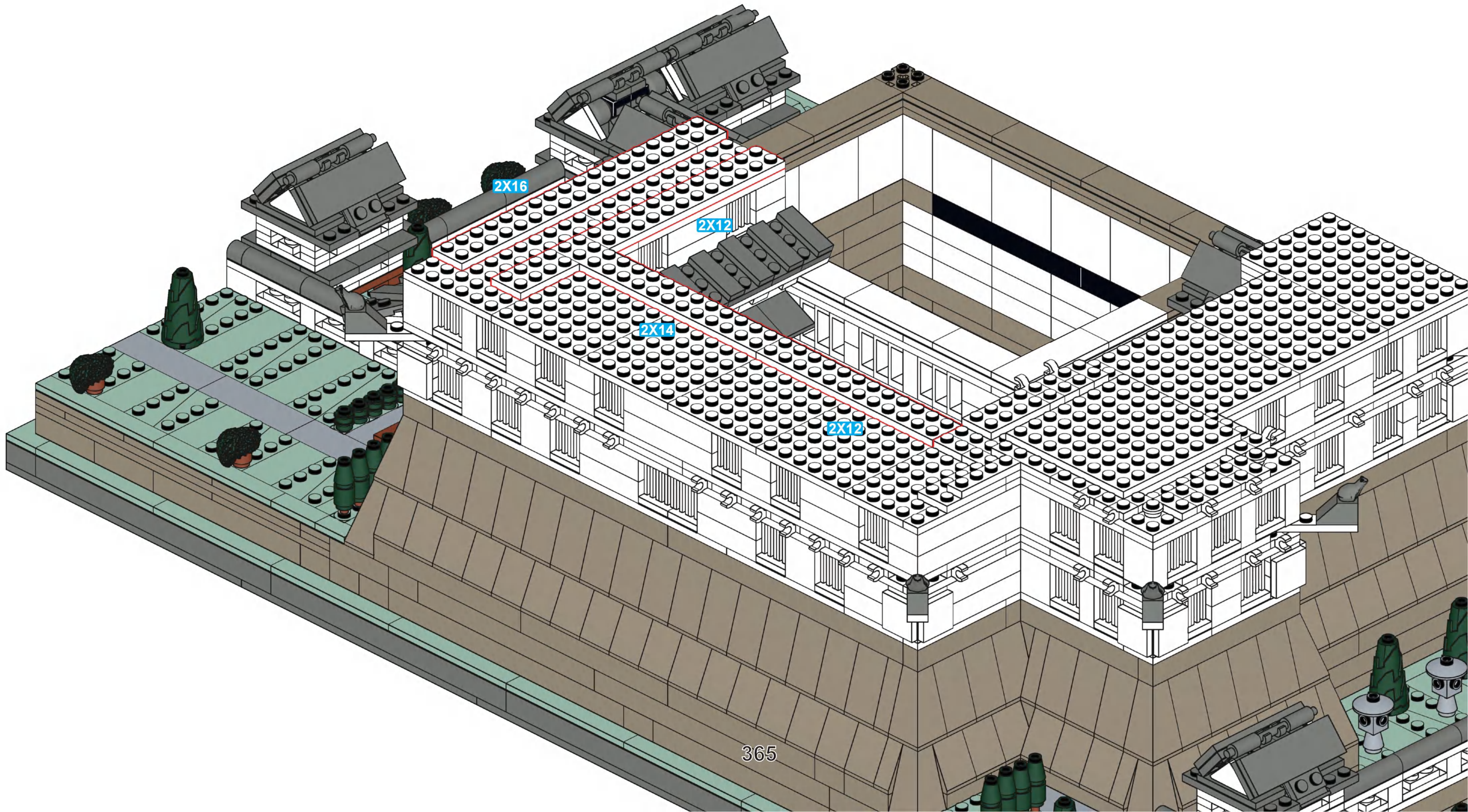
2x

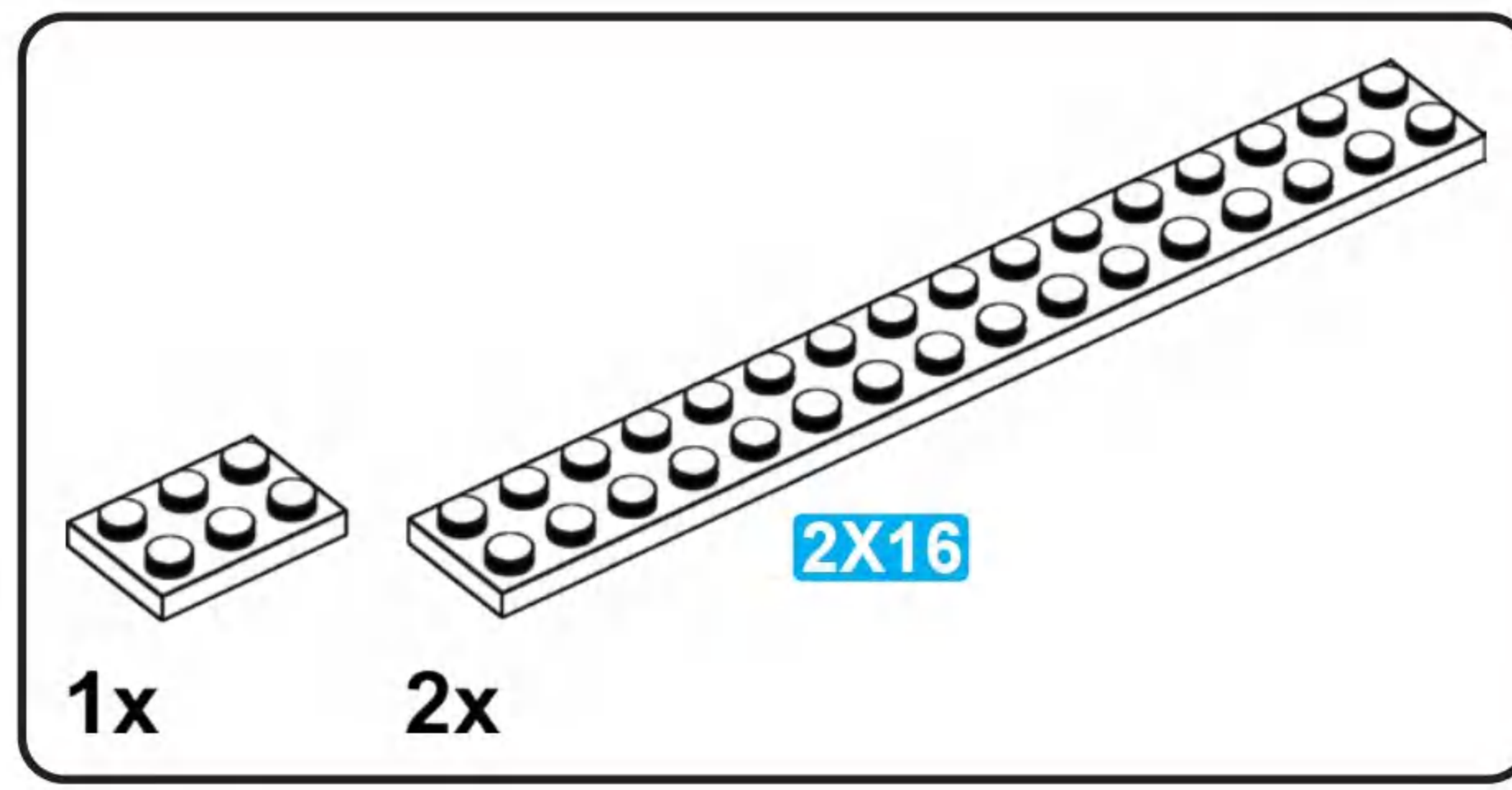
J14



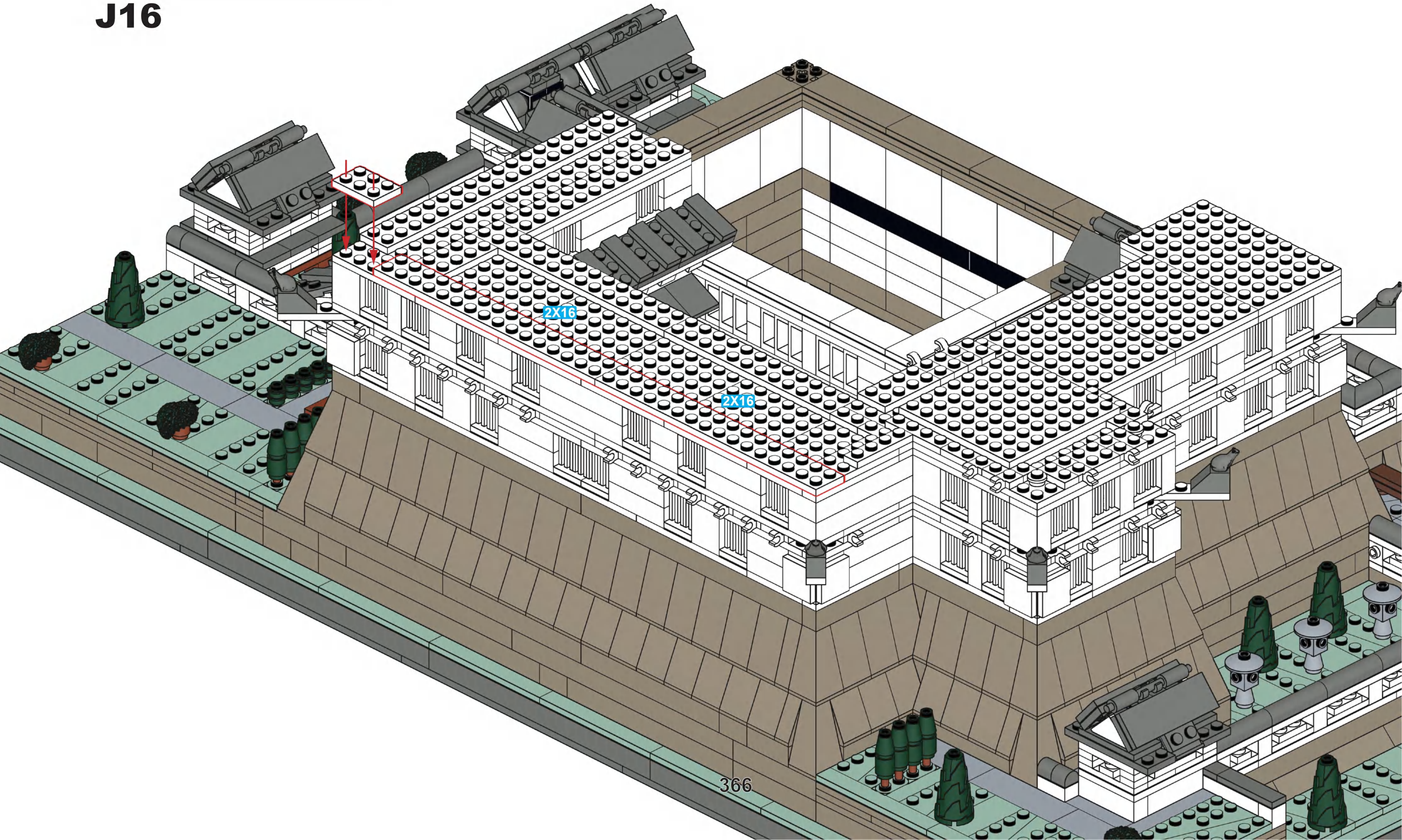


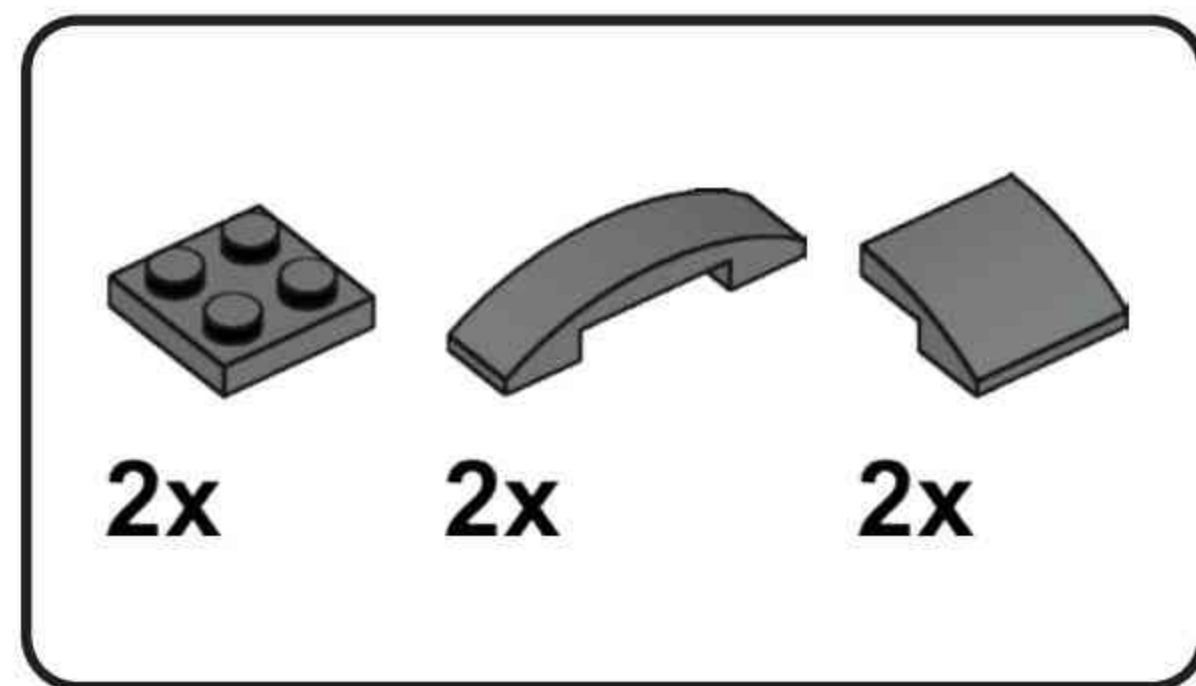
J15



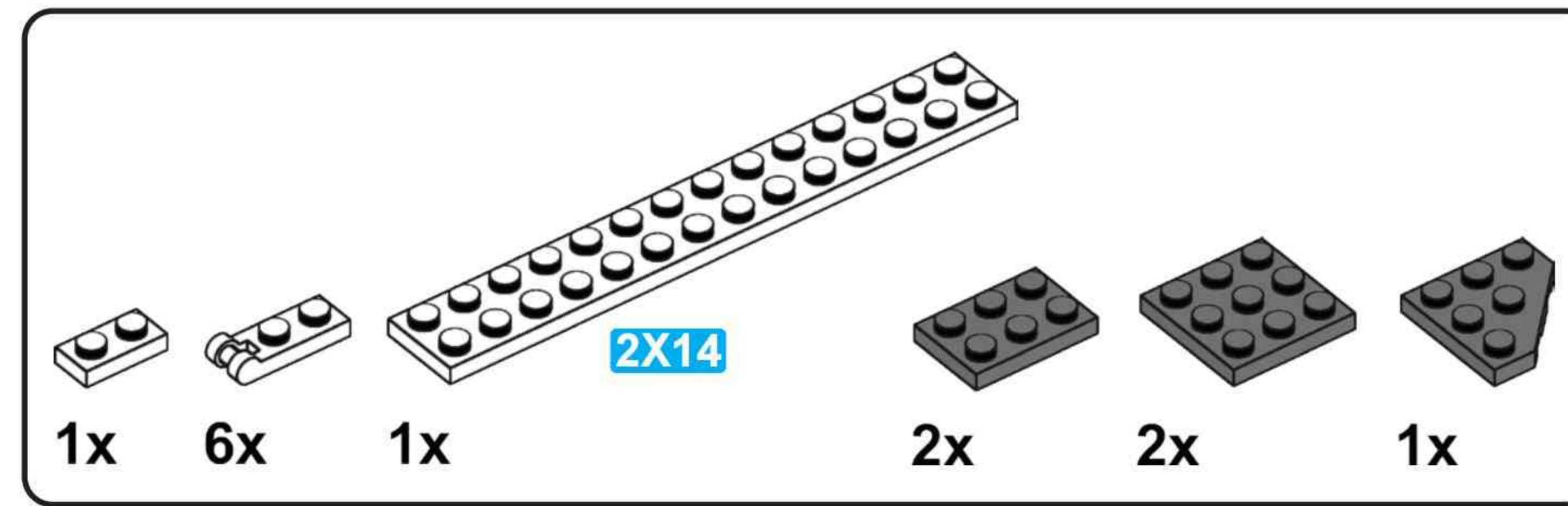
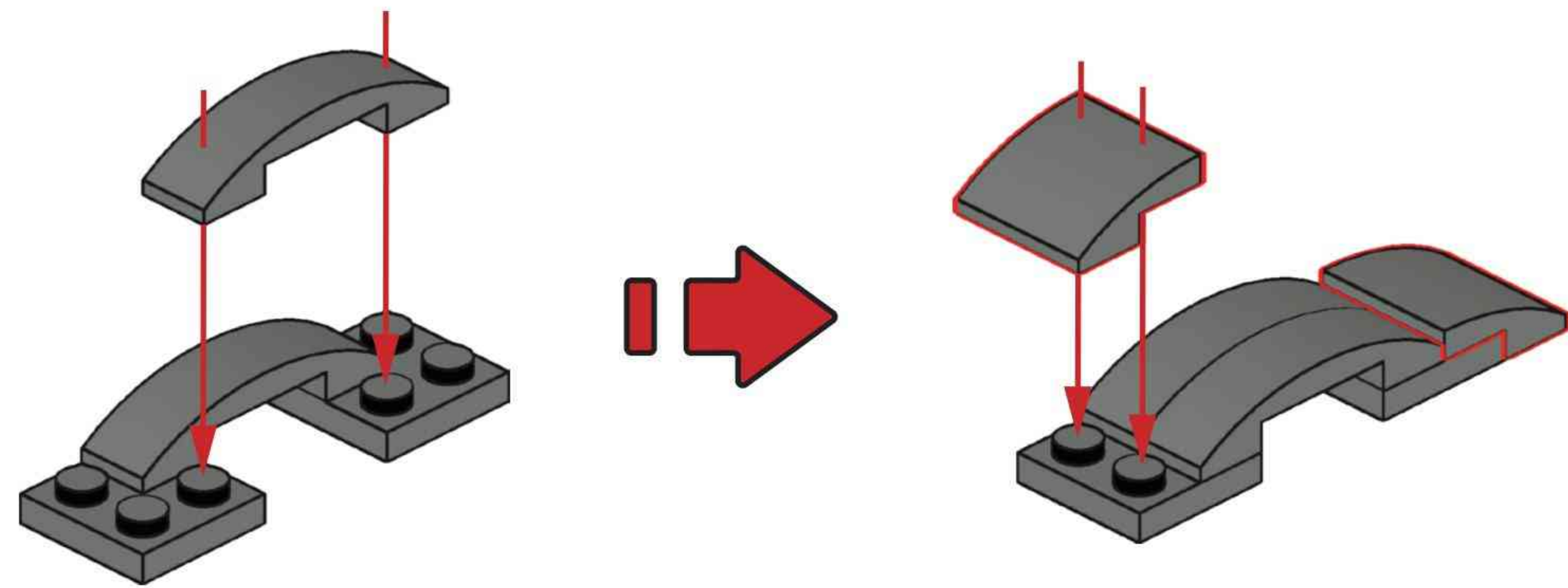


J16

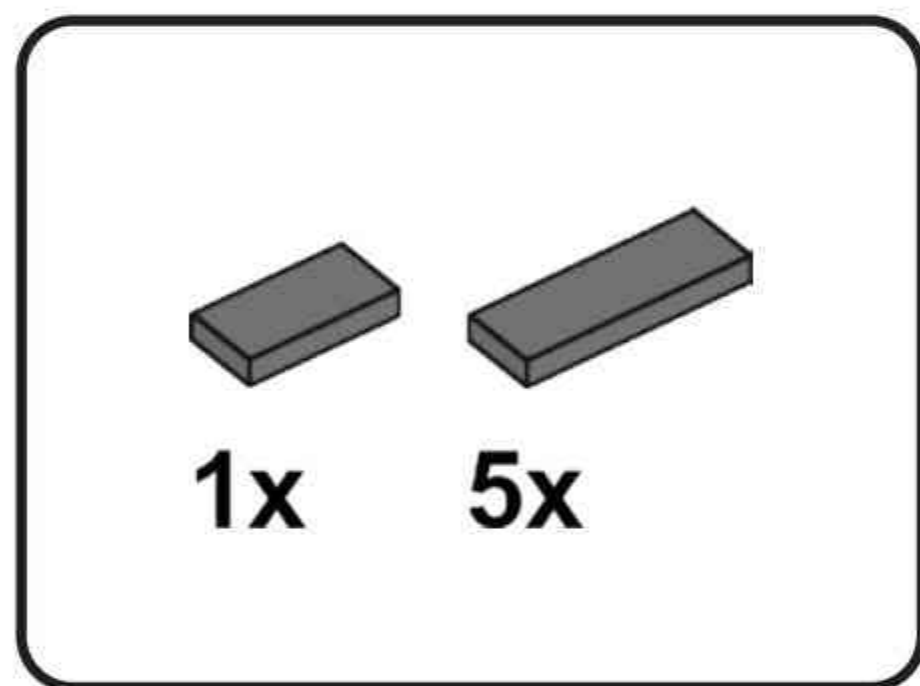
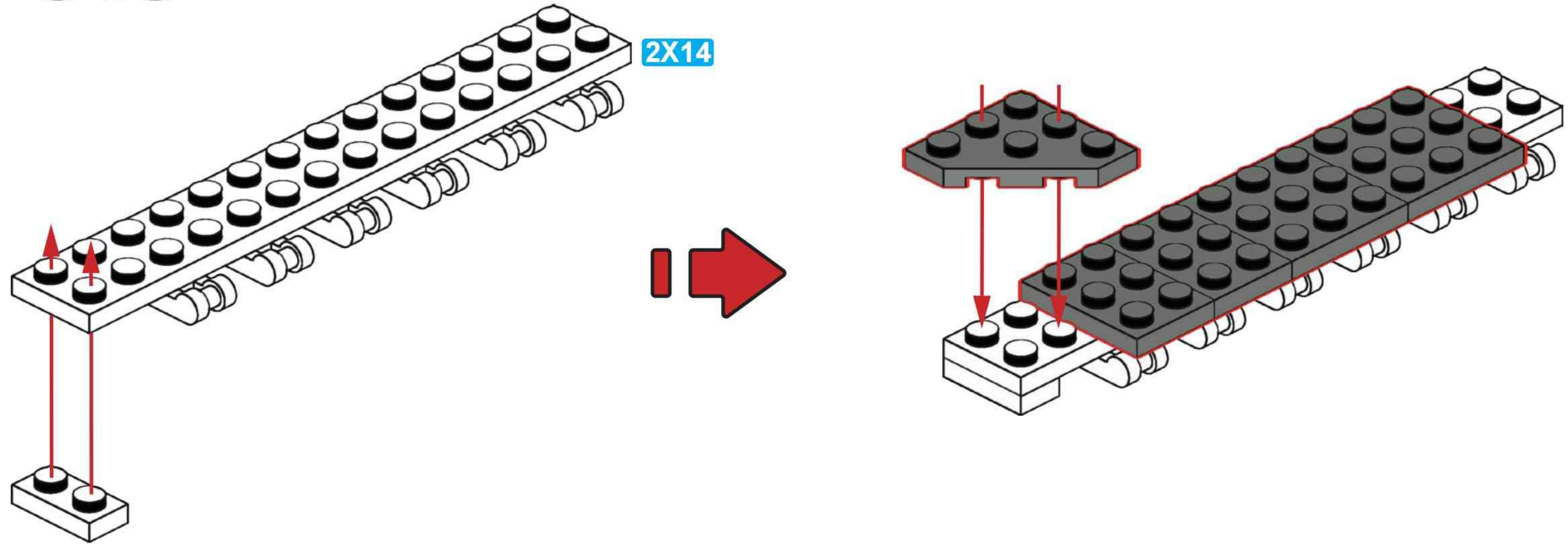




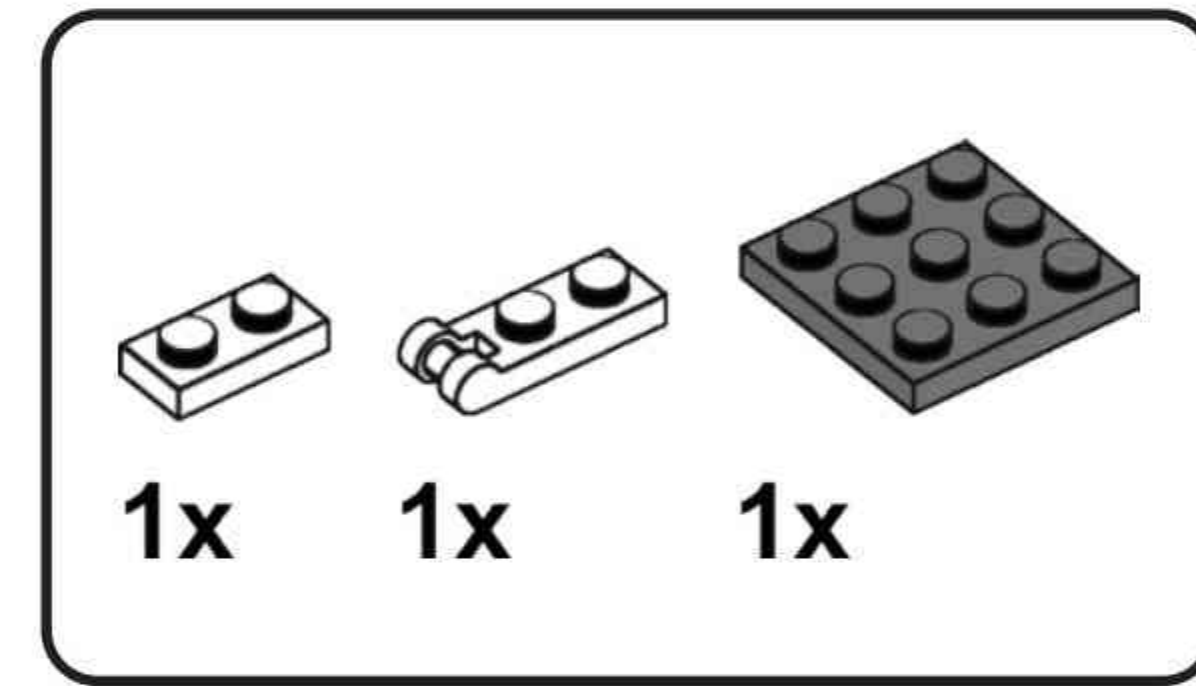
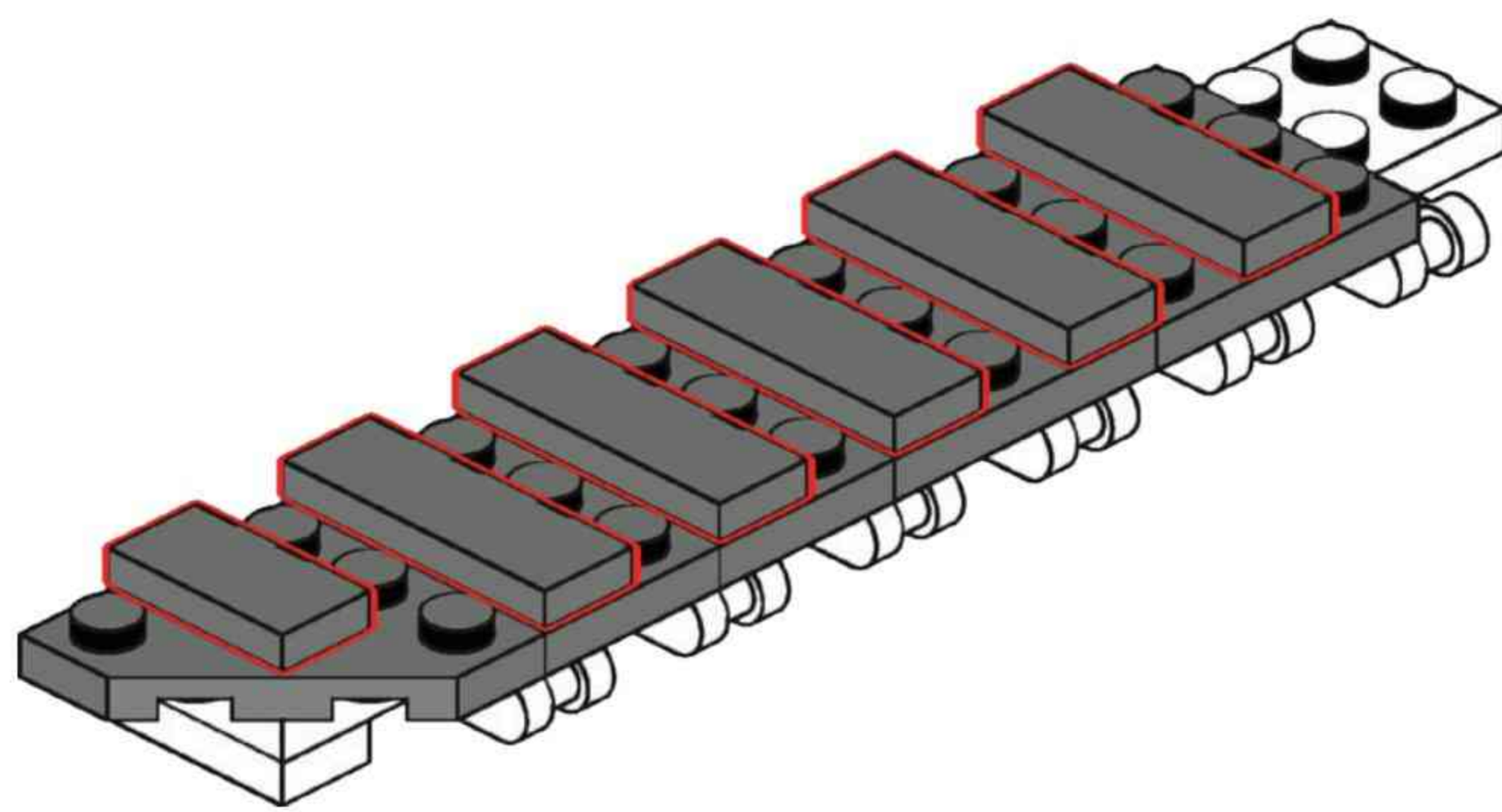
J17



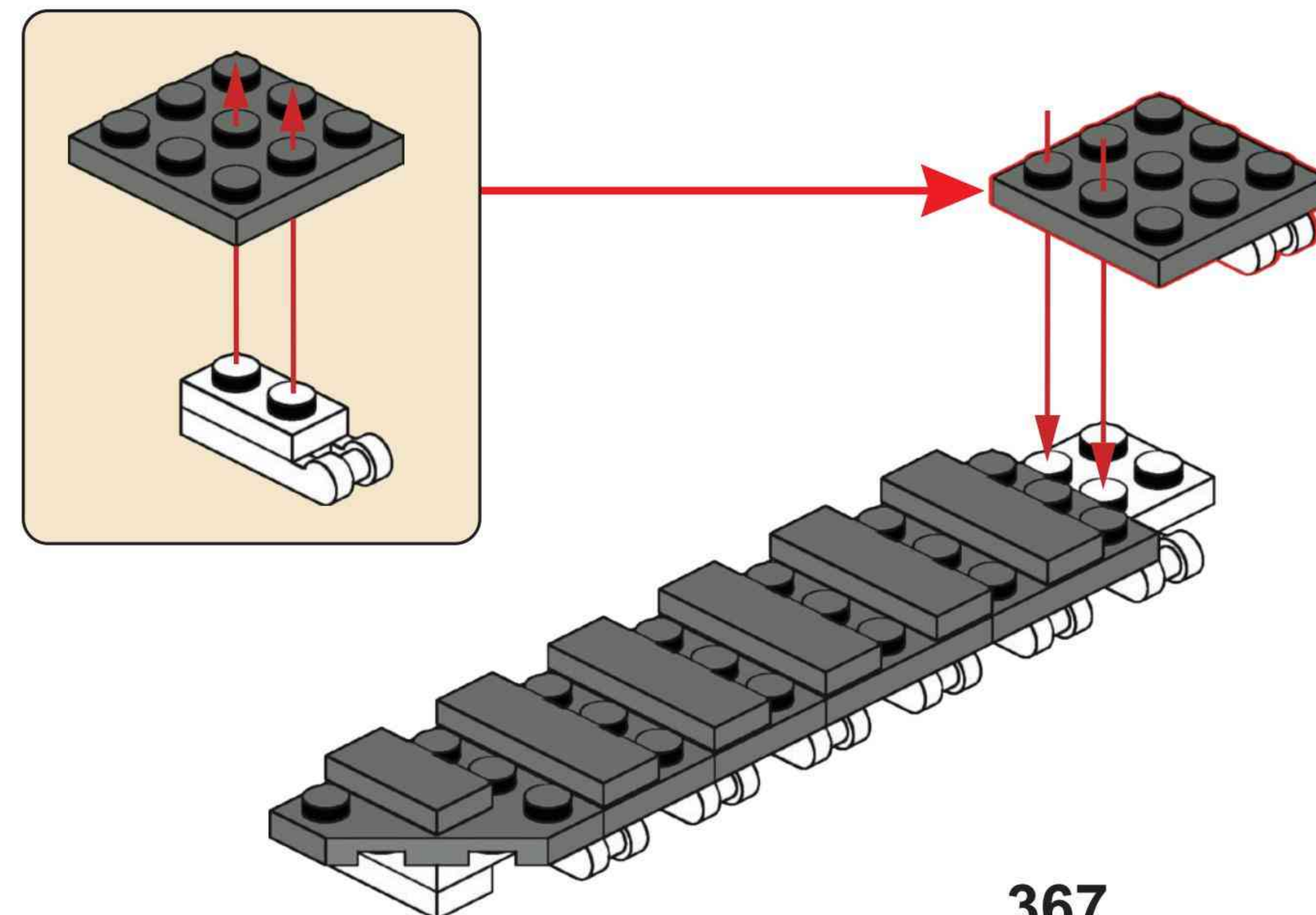
J18



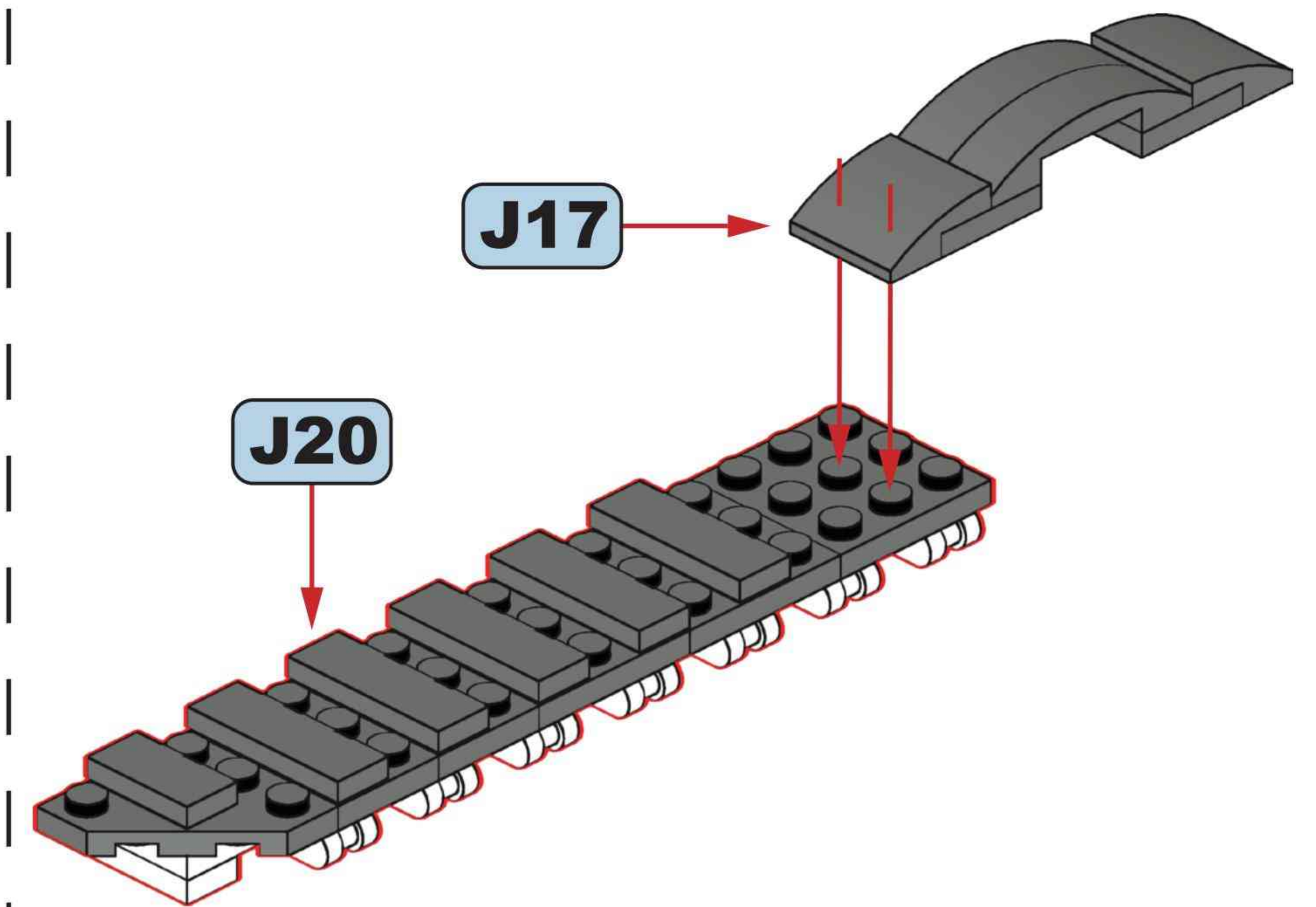
J19



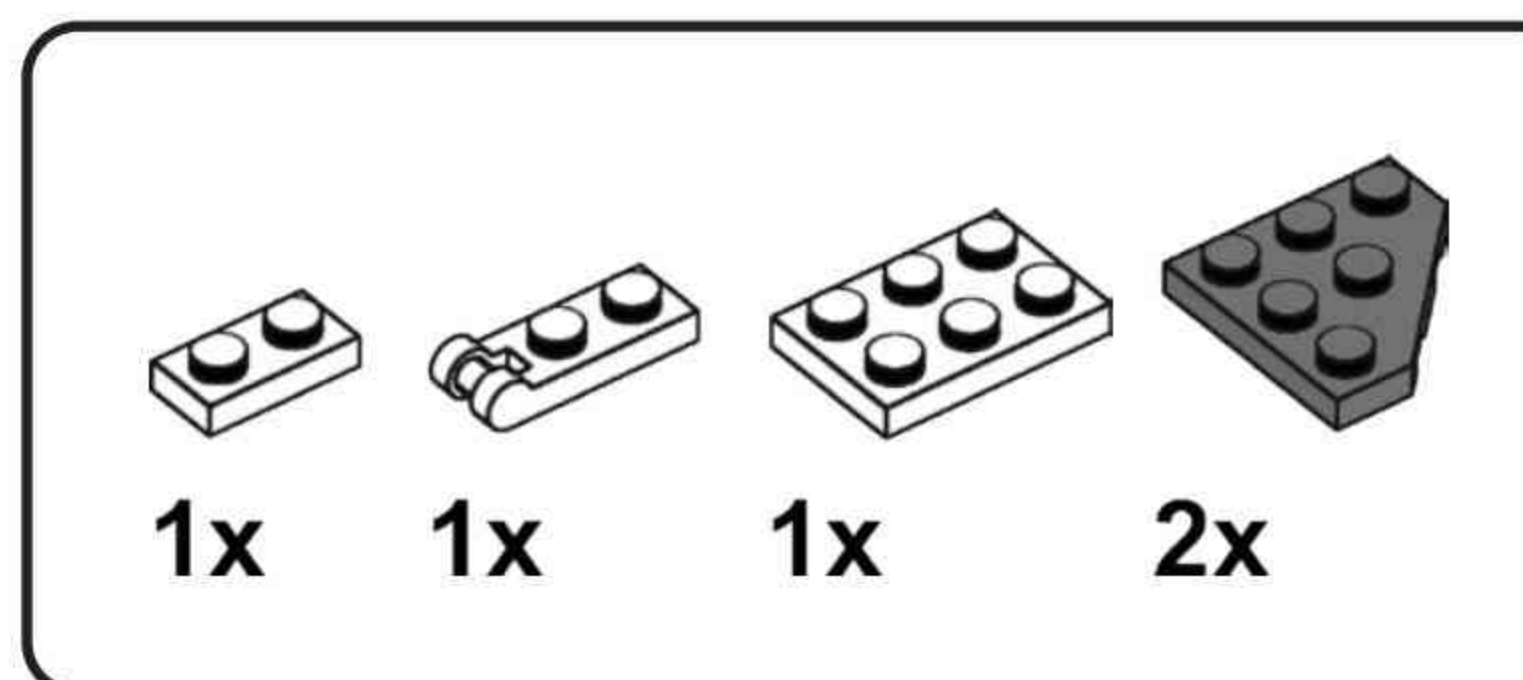
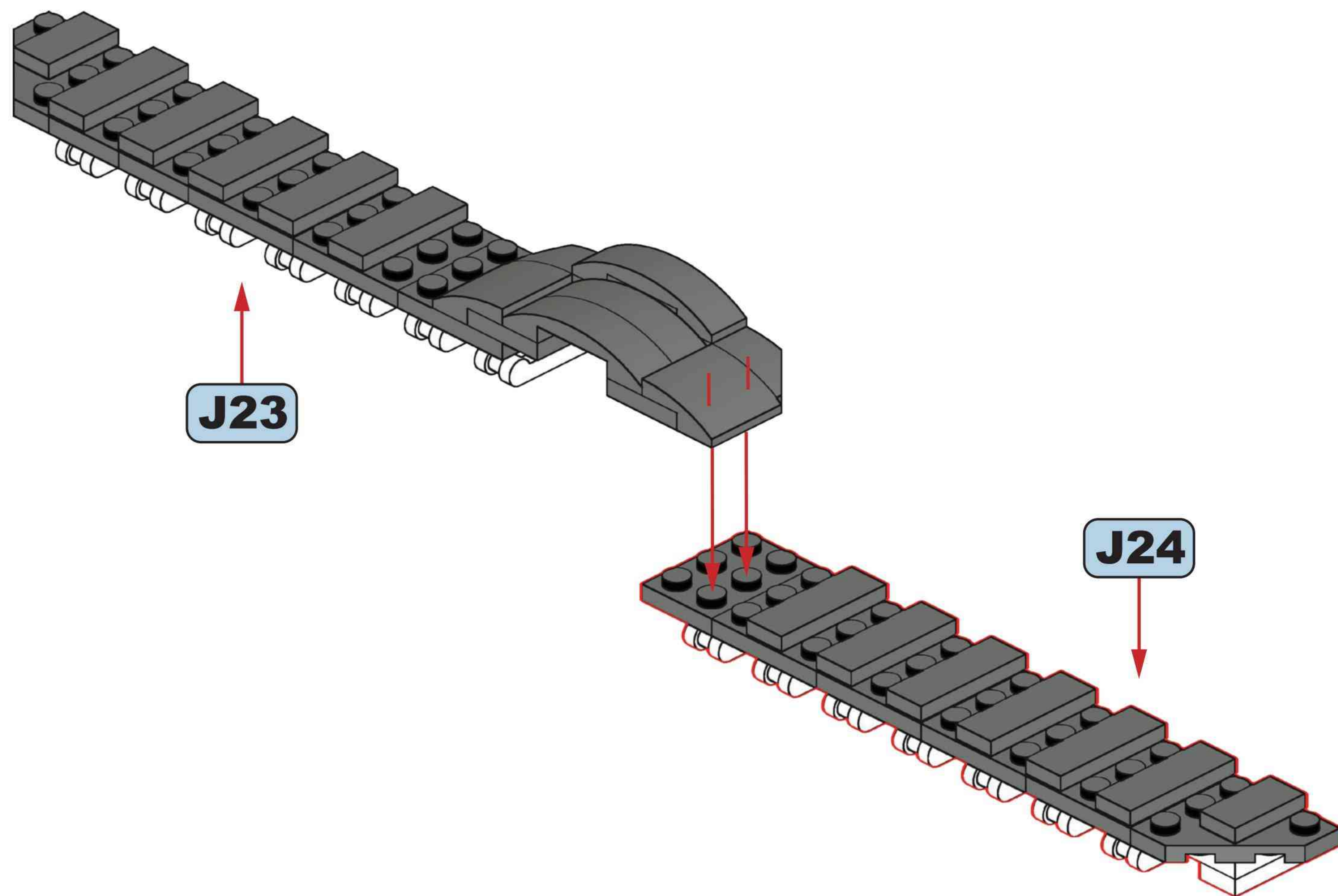
J20



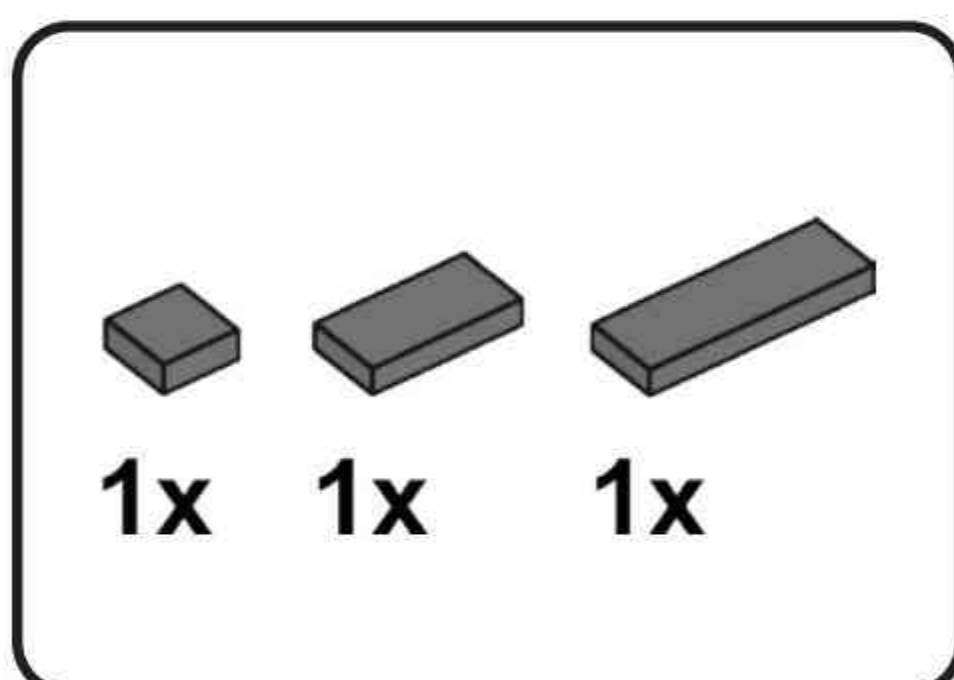
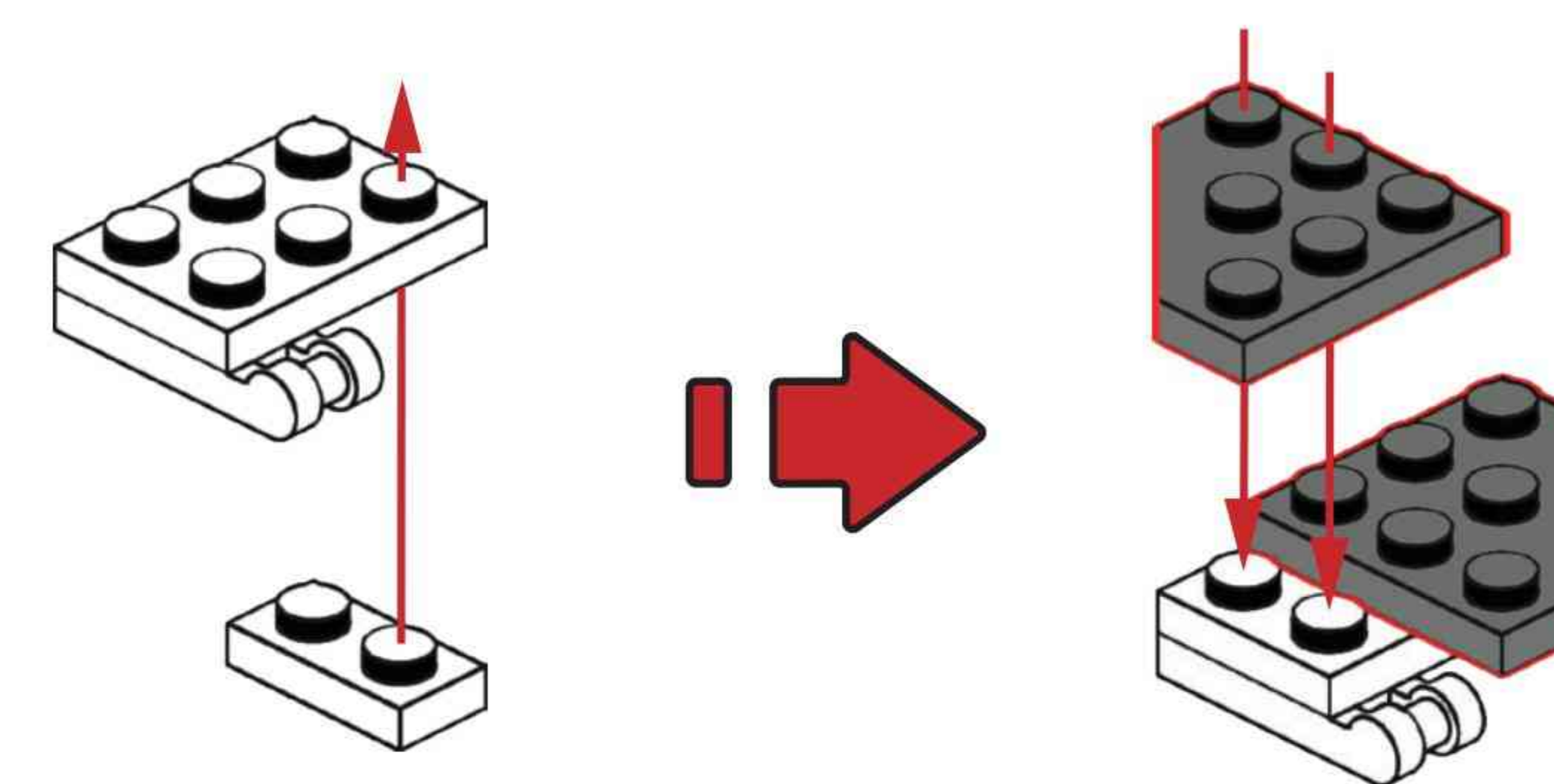
J21



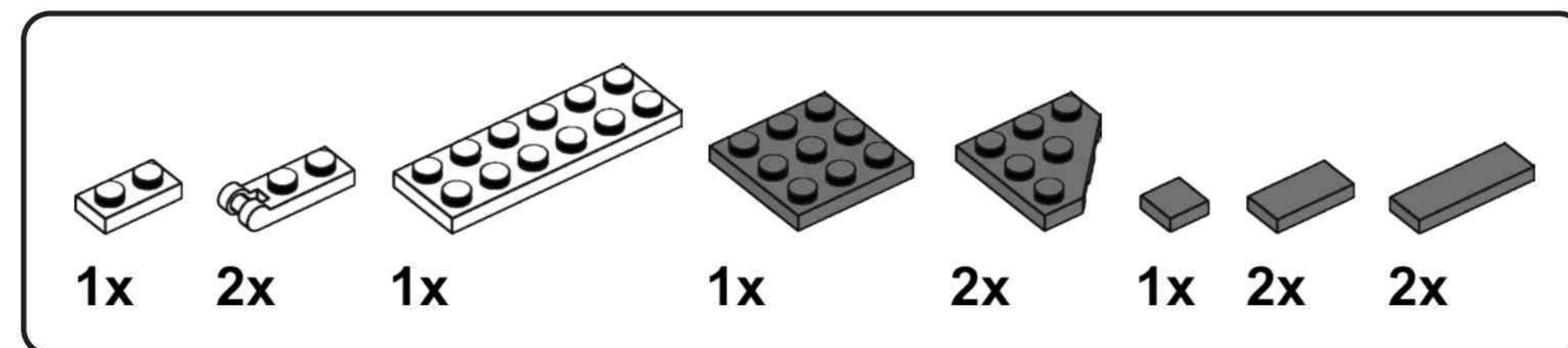
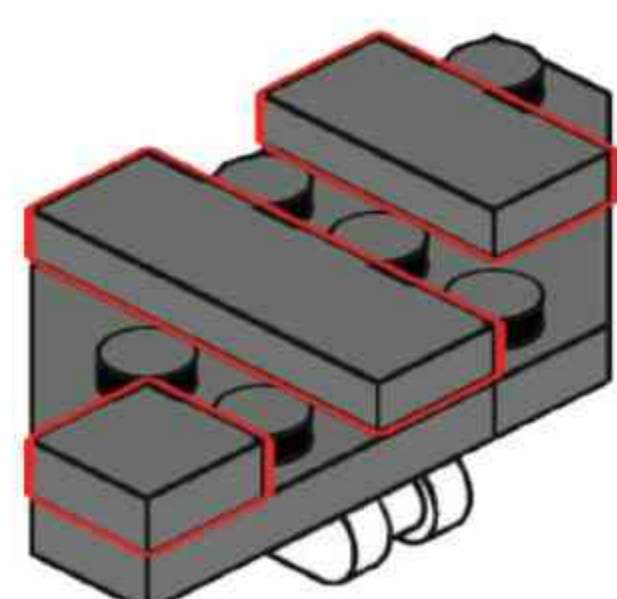
J25



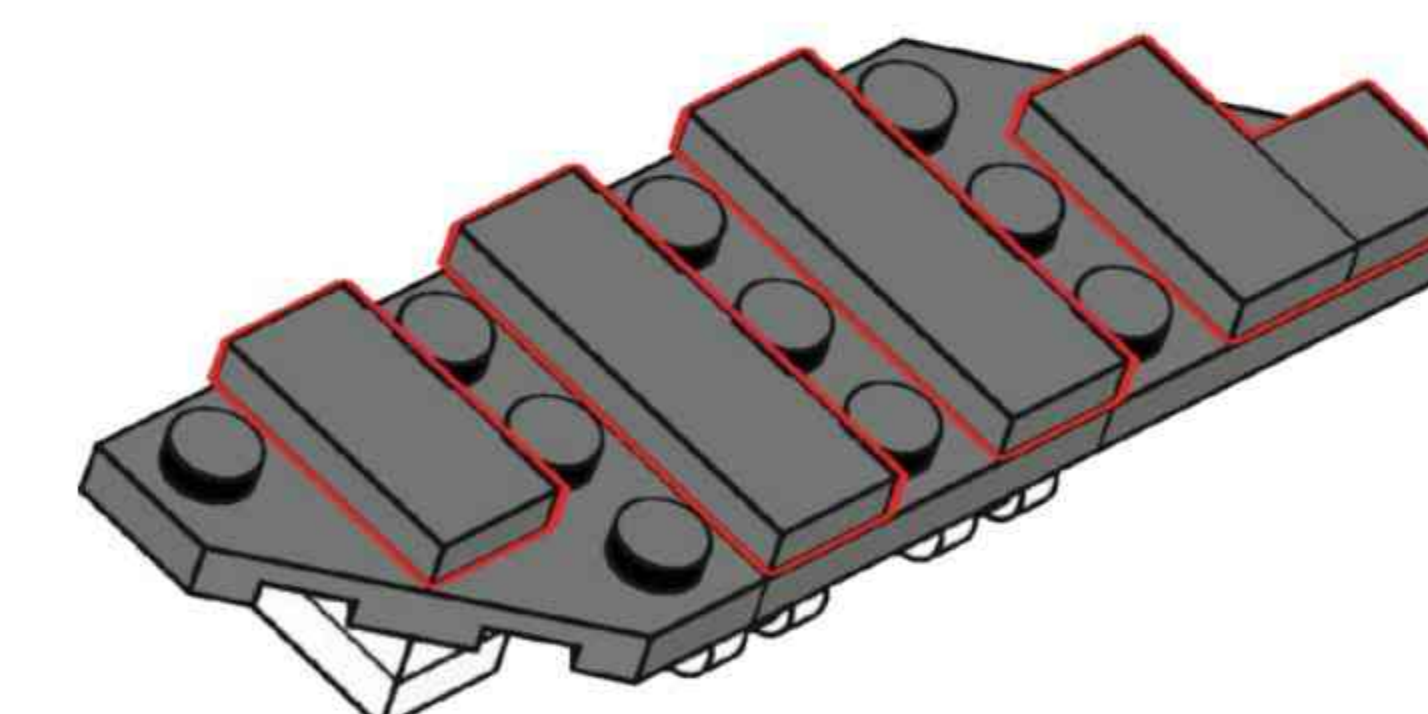
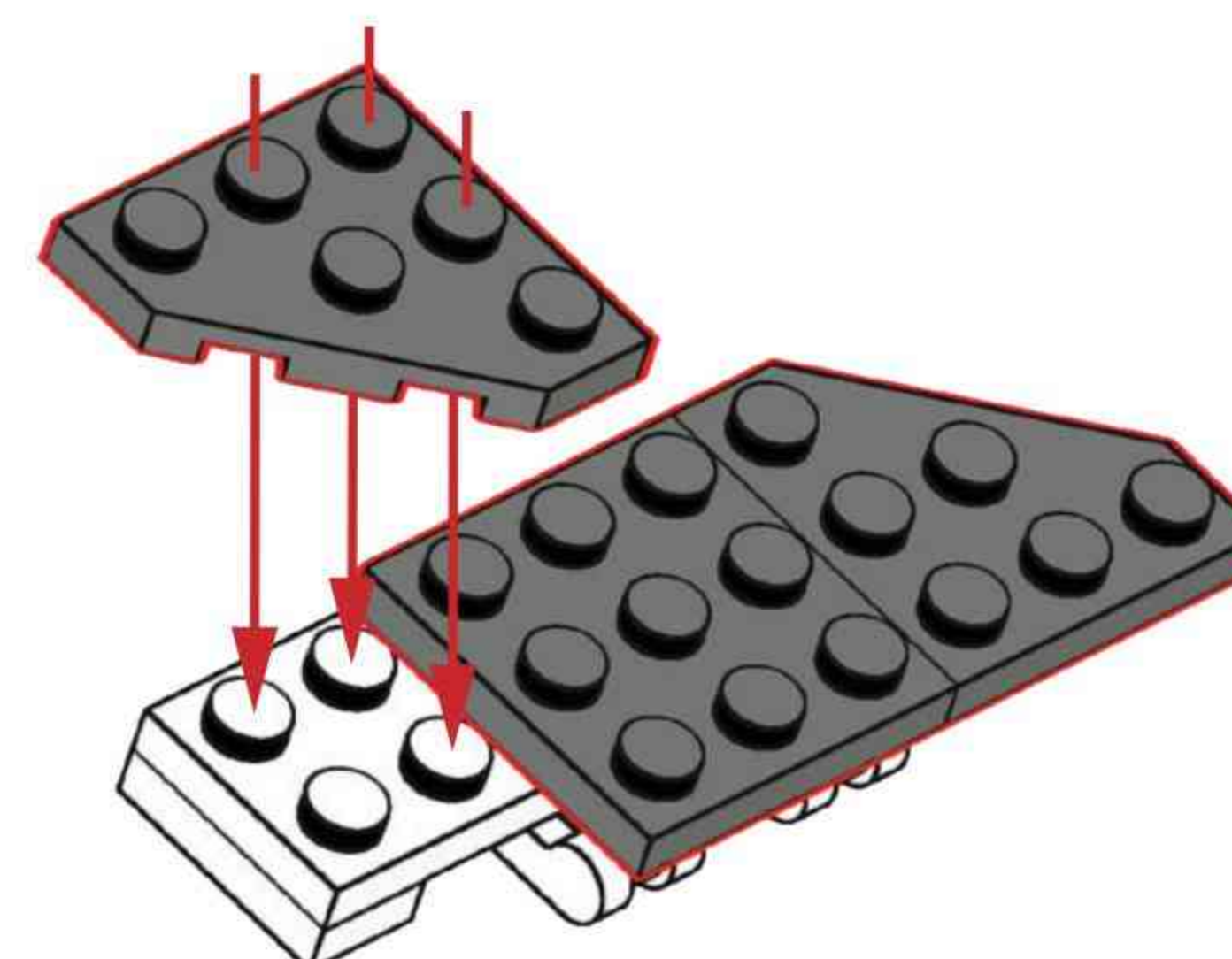
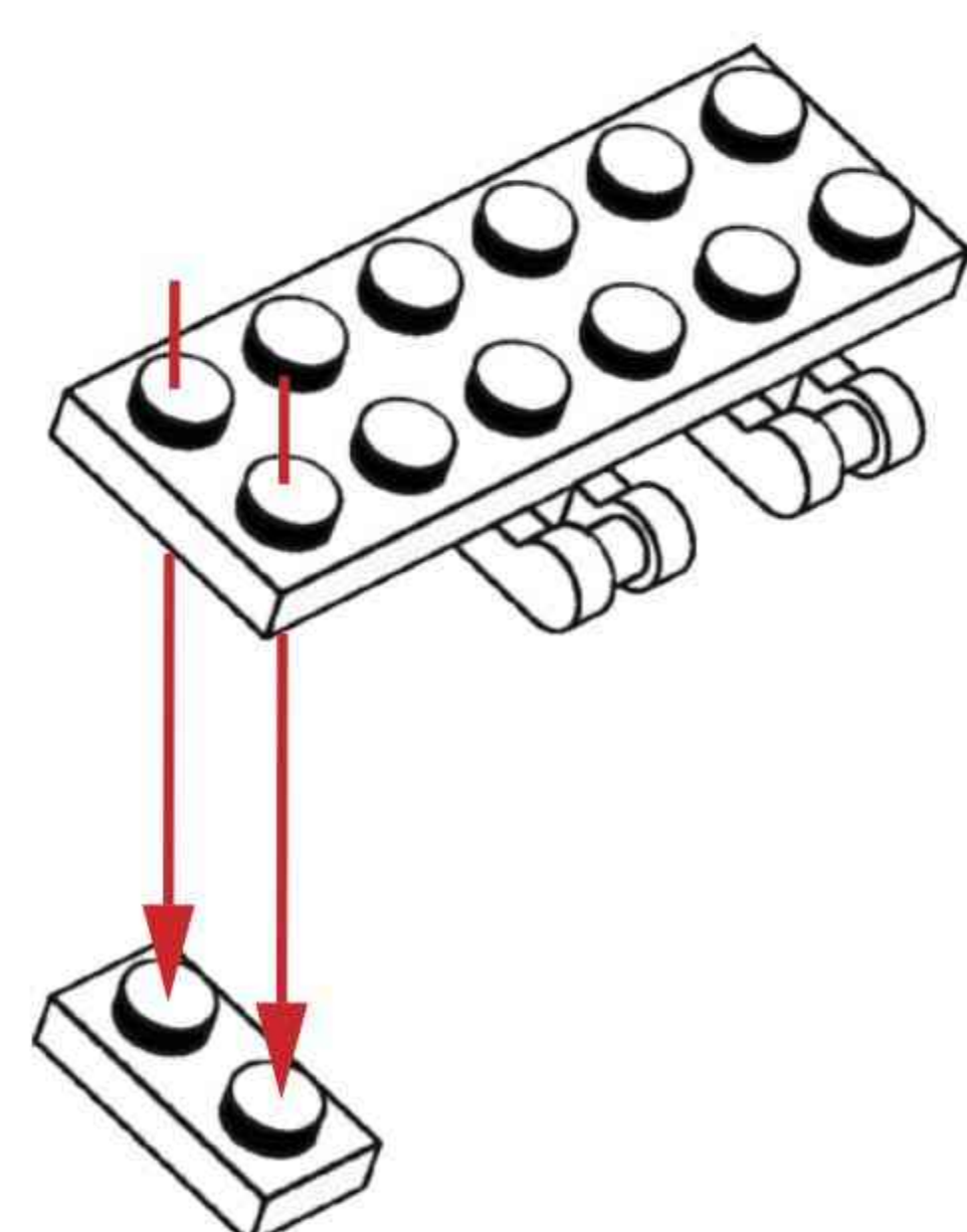
J26



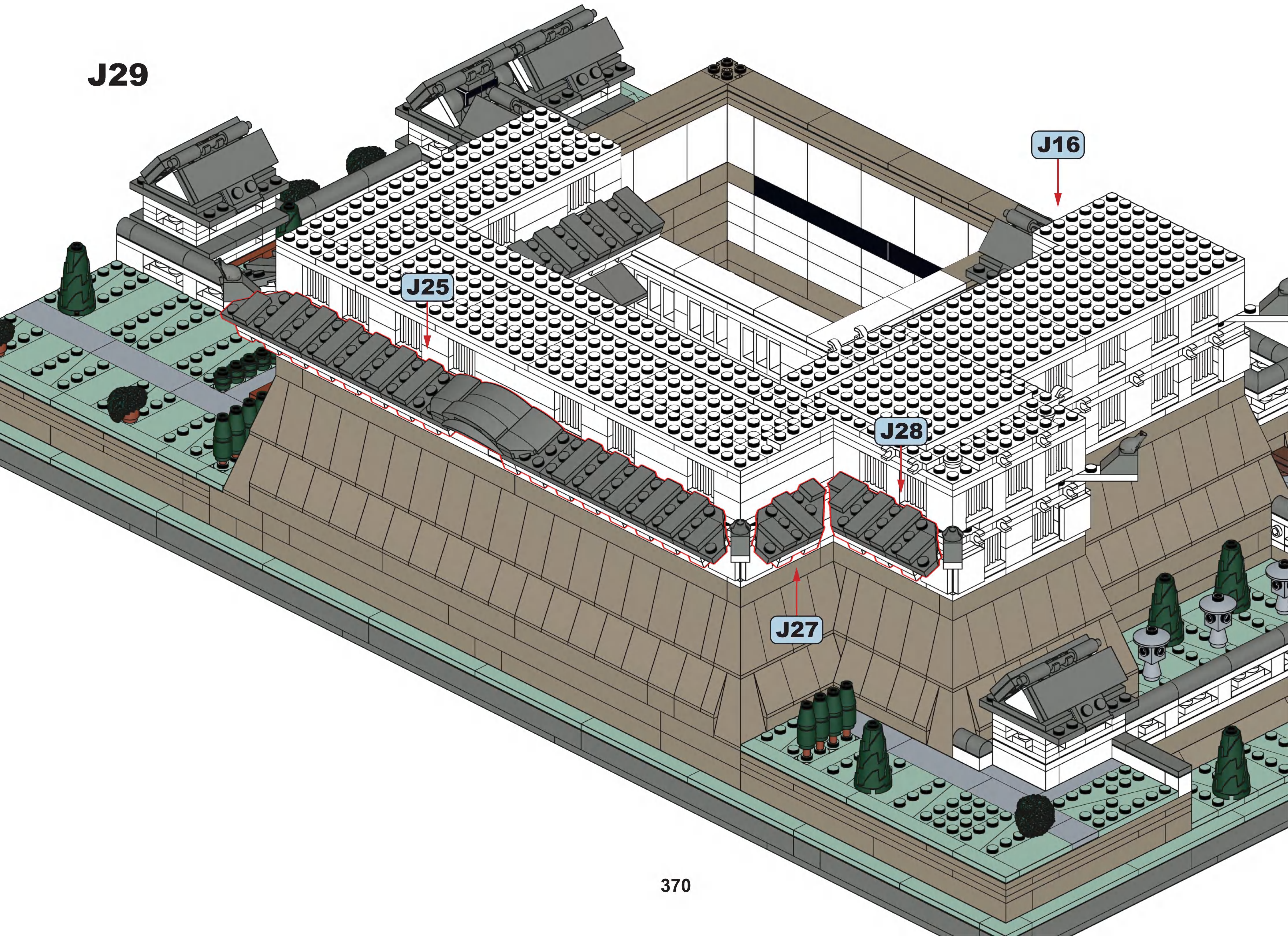
J27

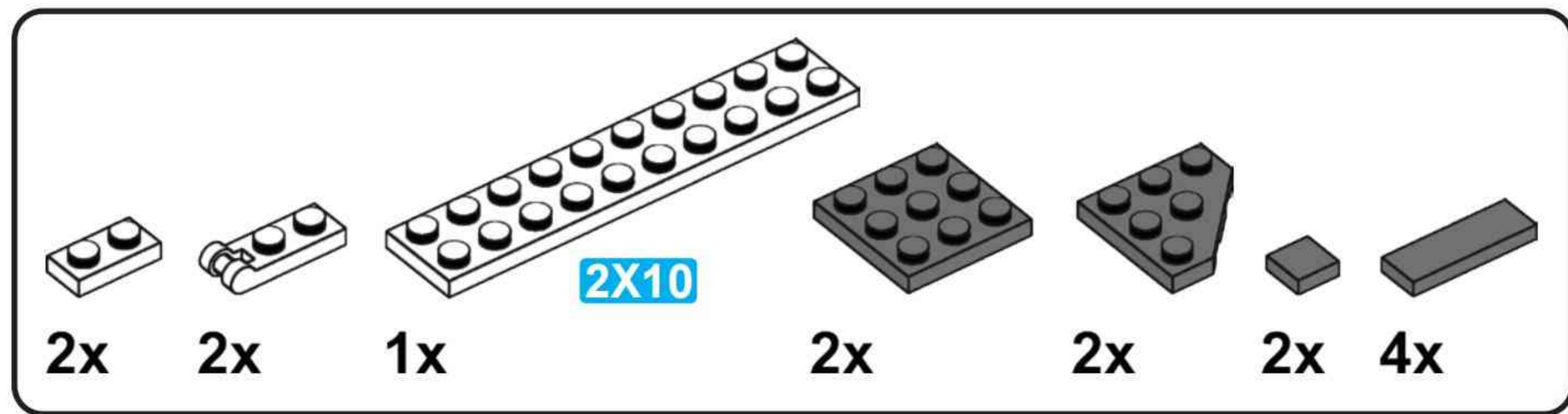


J28

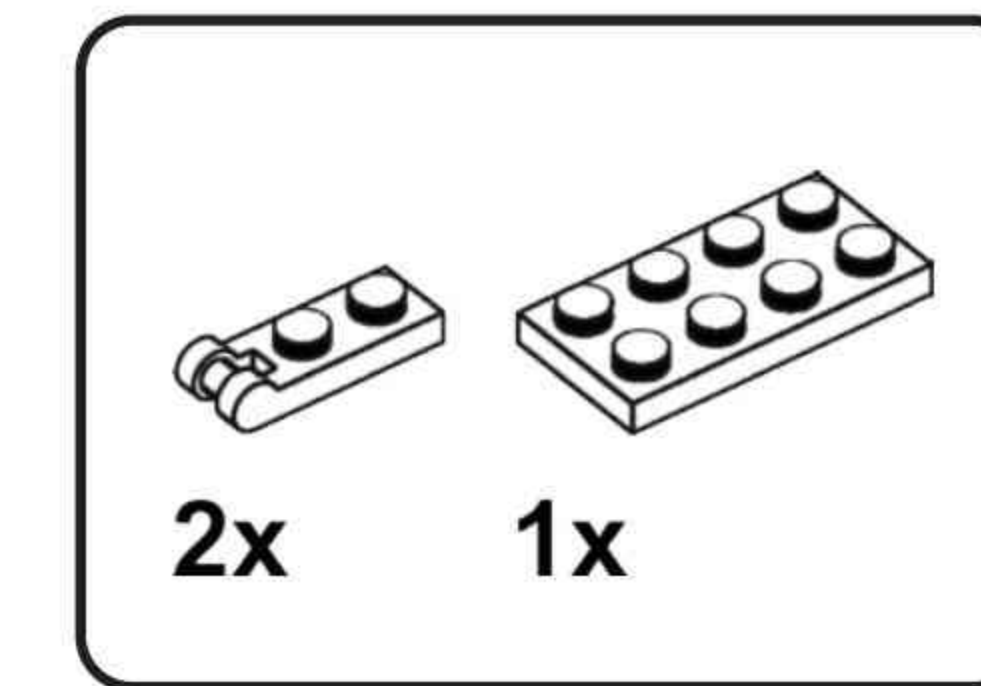
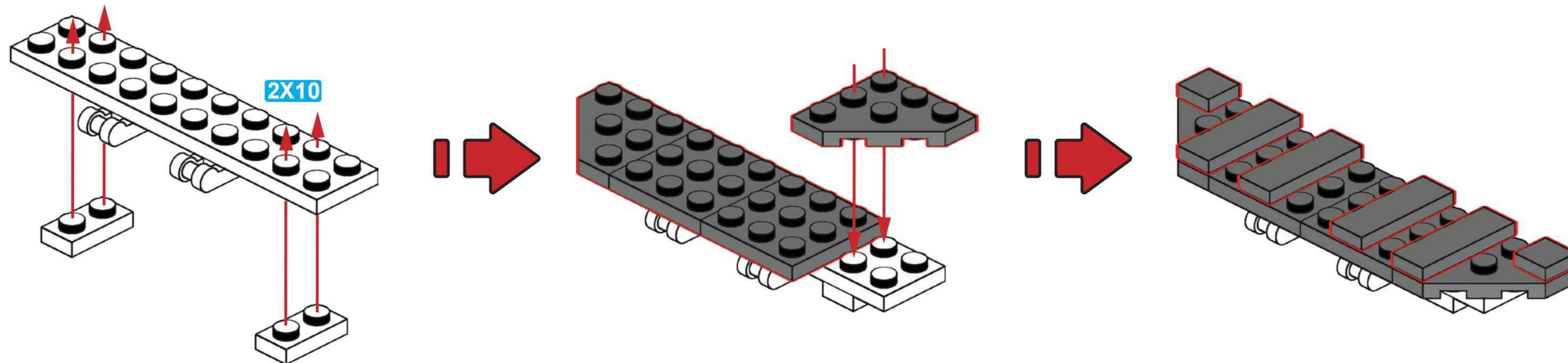


J29

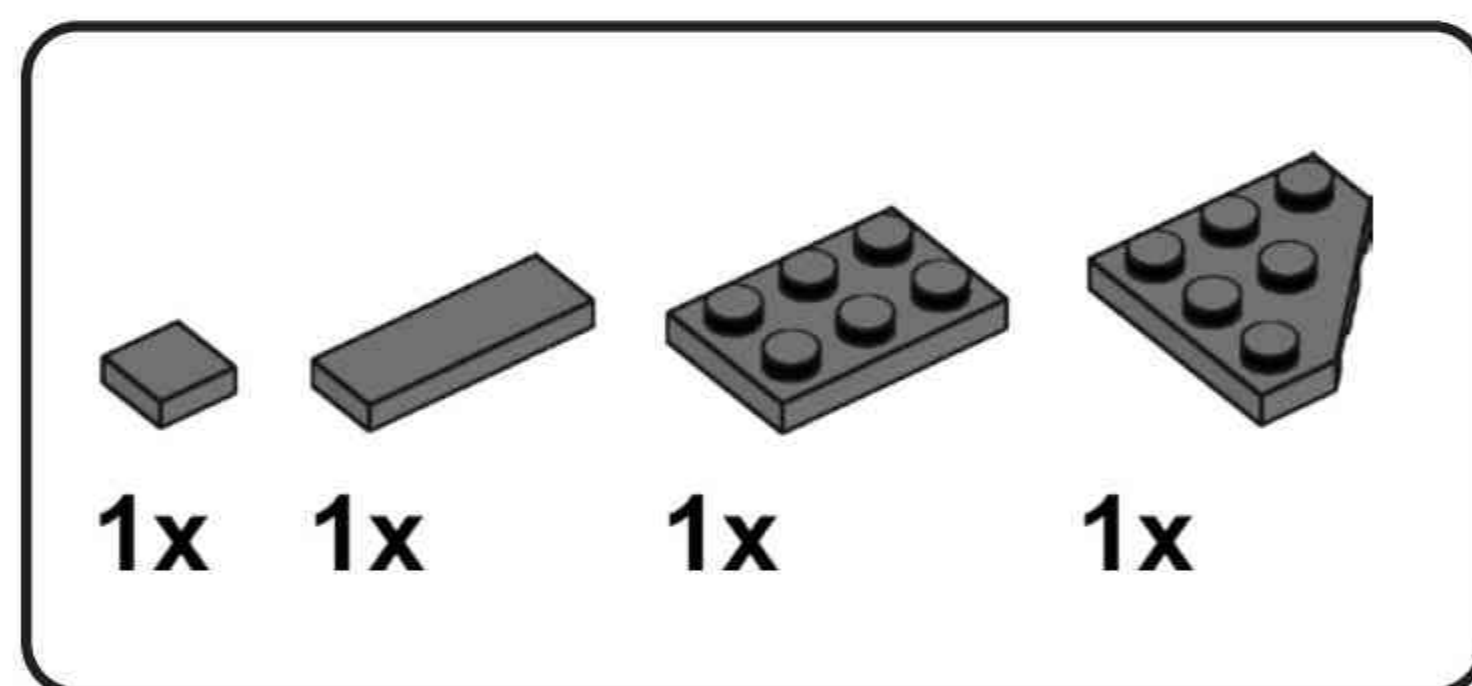
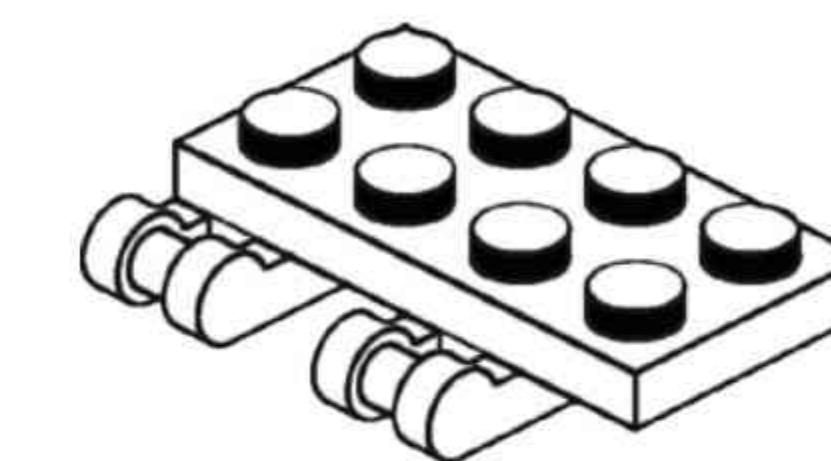




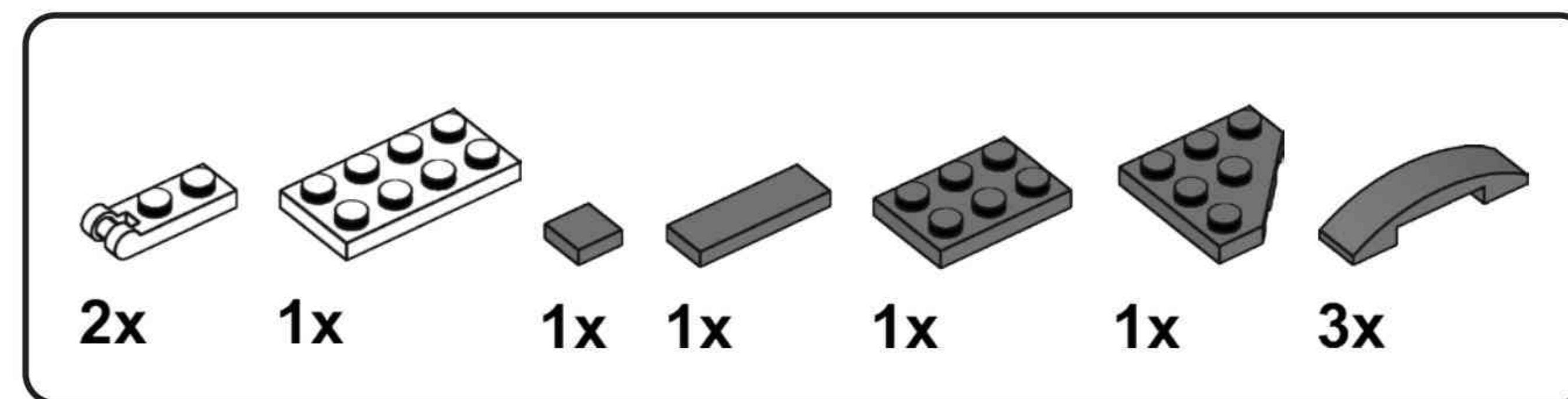
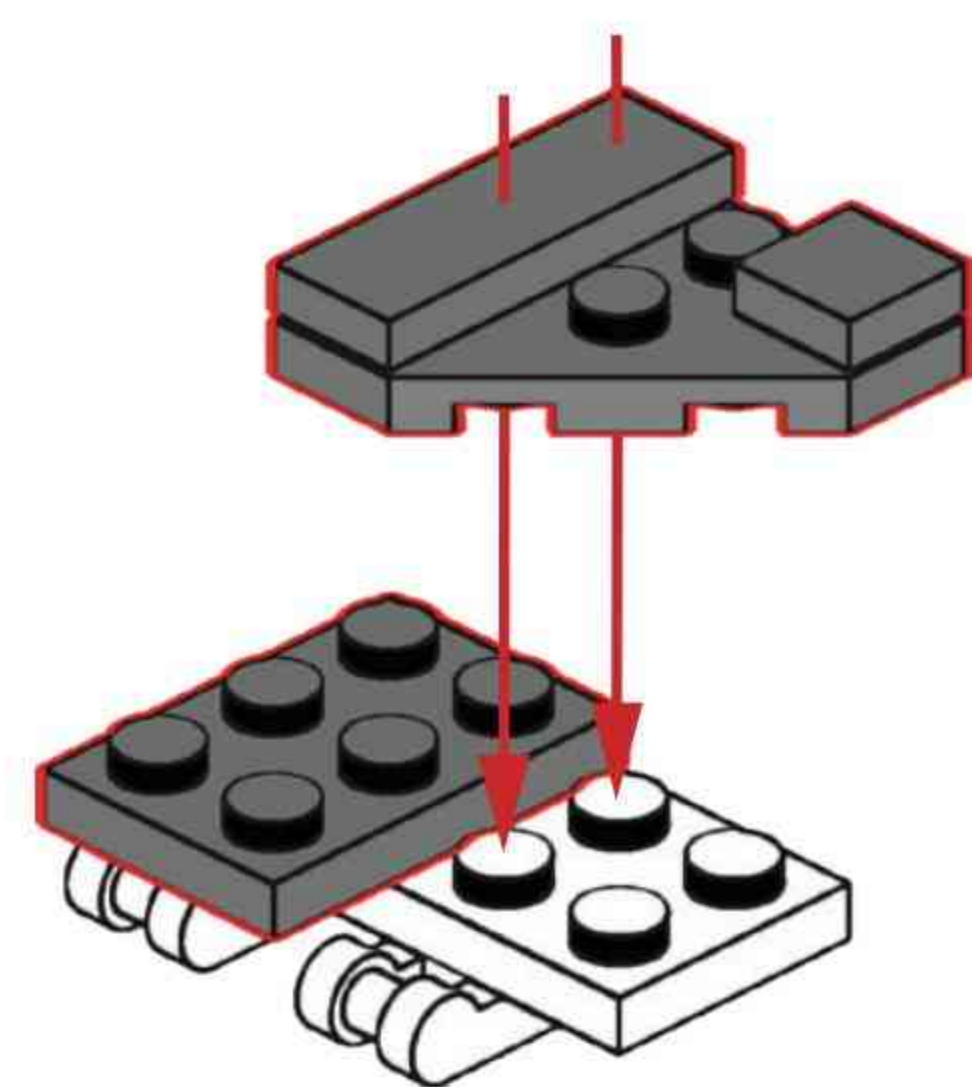
J30



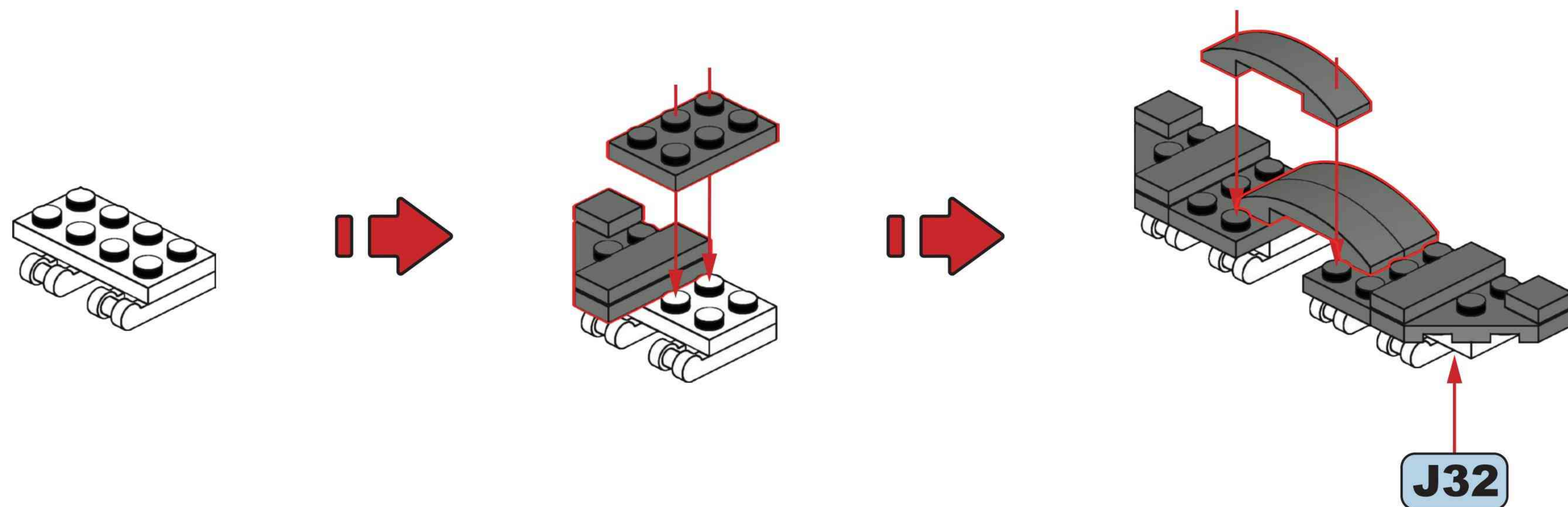
J31

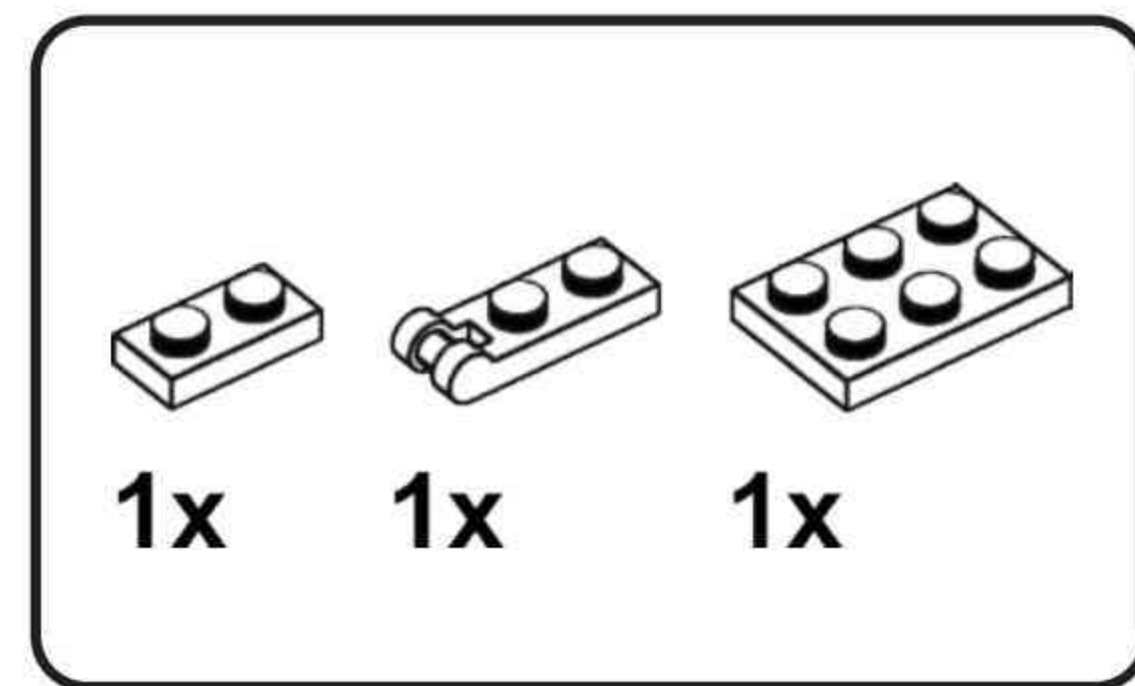


J32

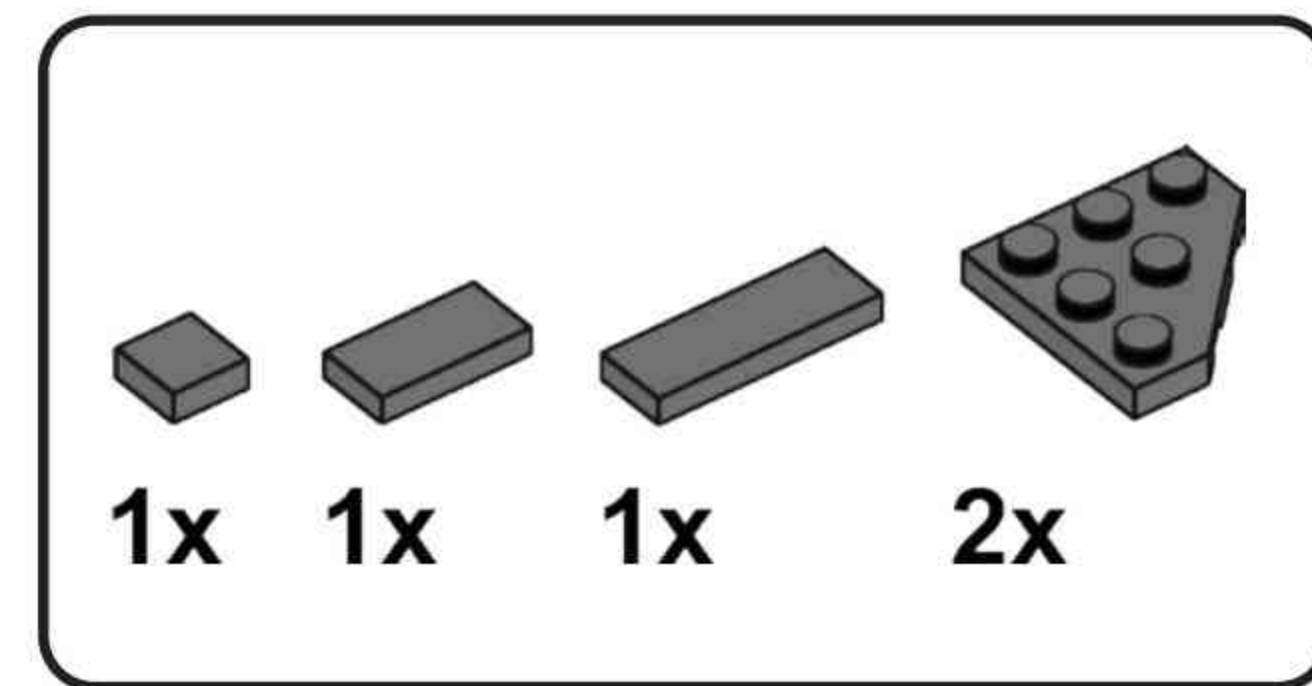
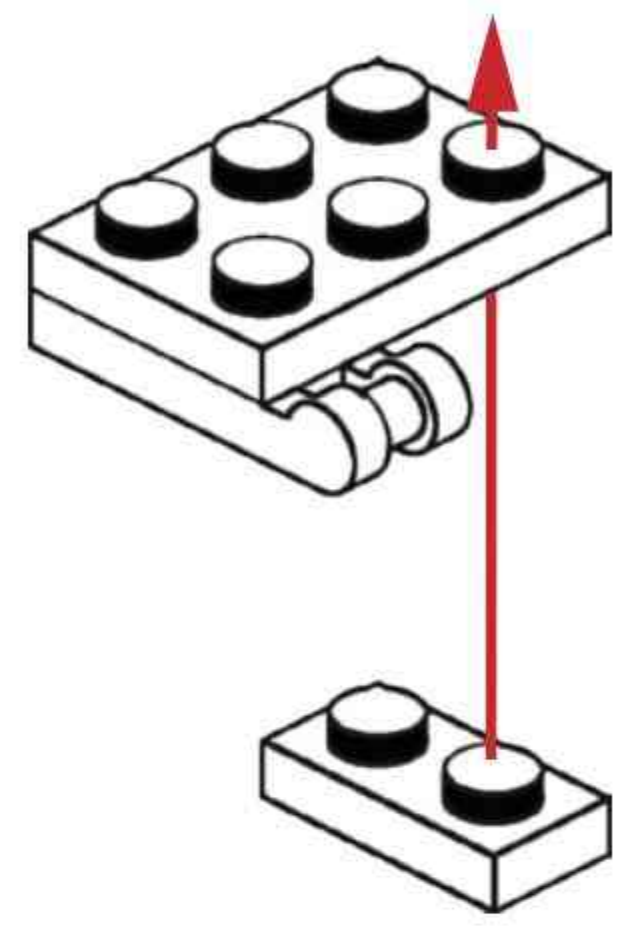


J33

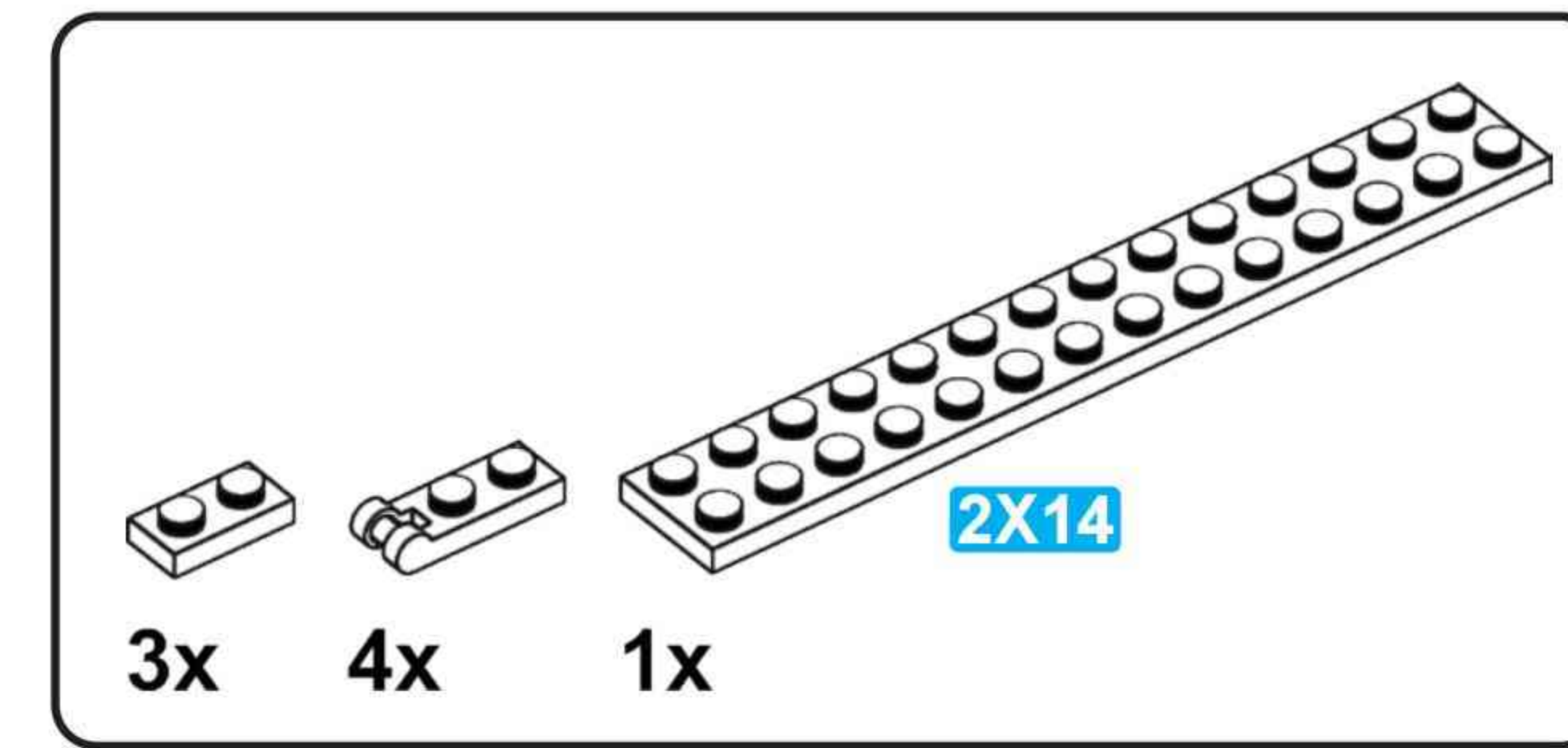
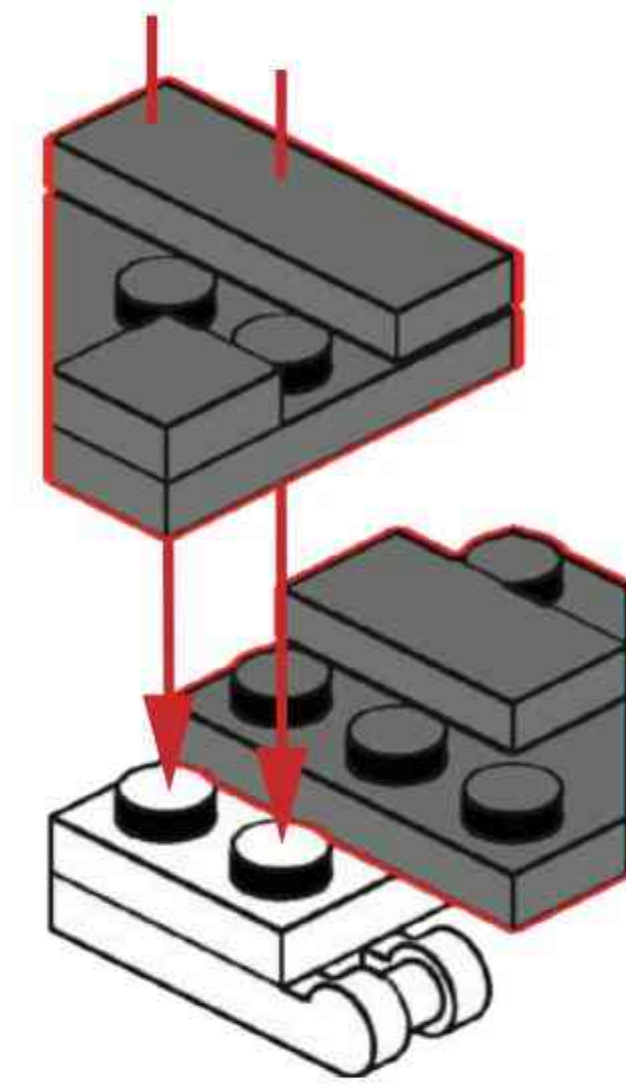




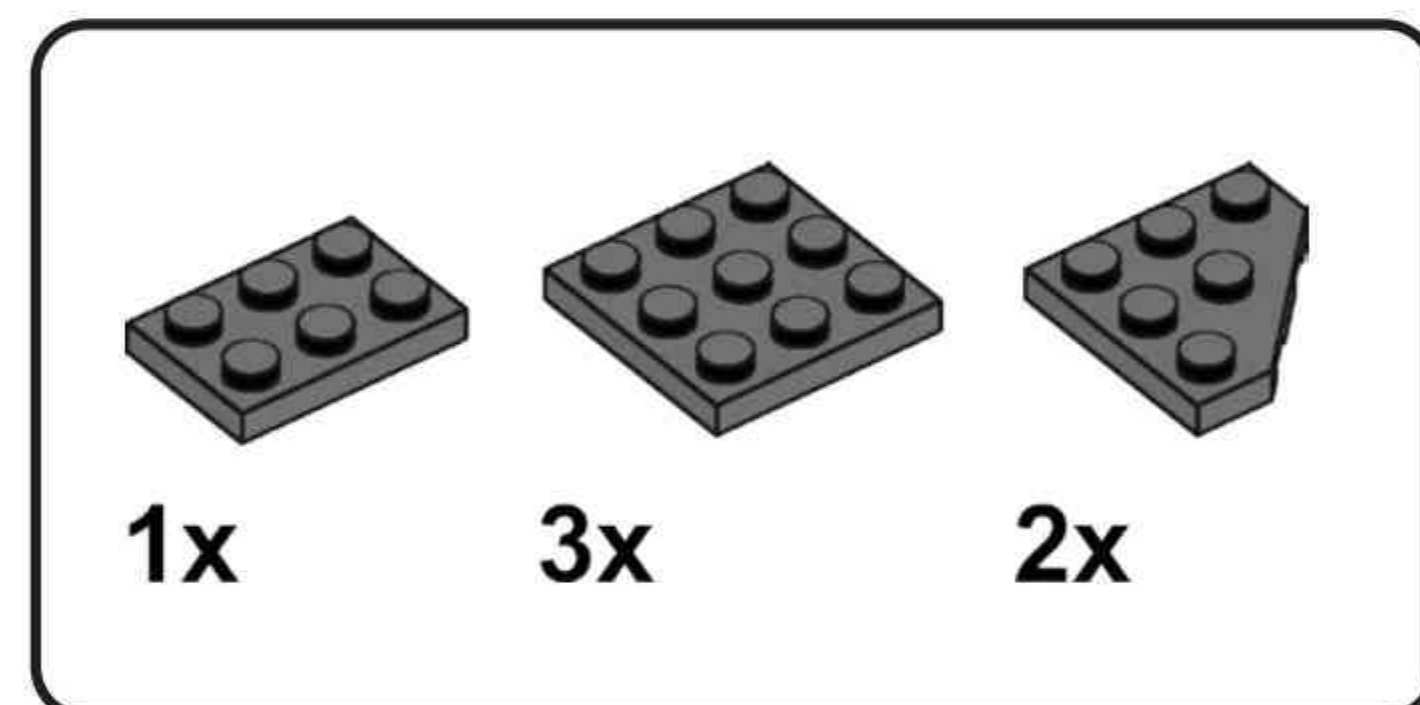
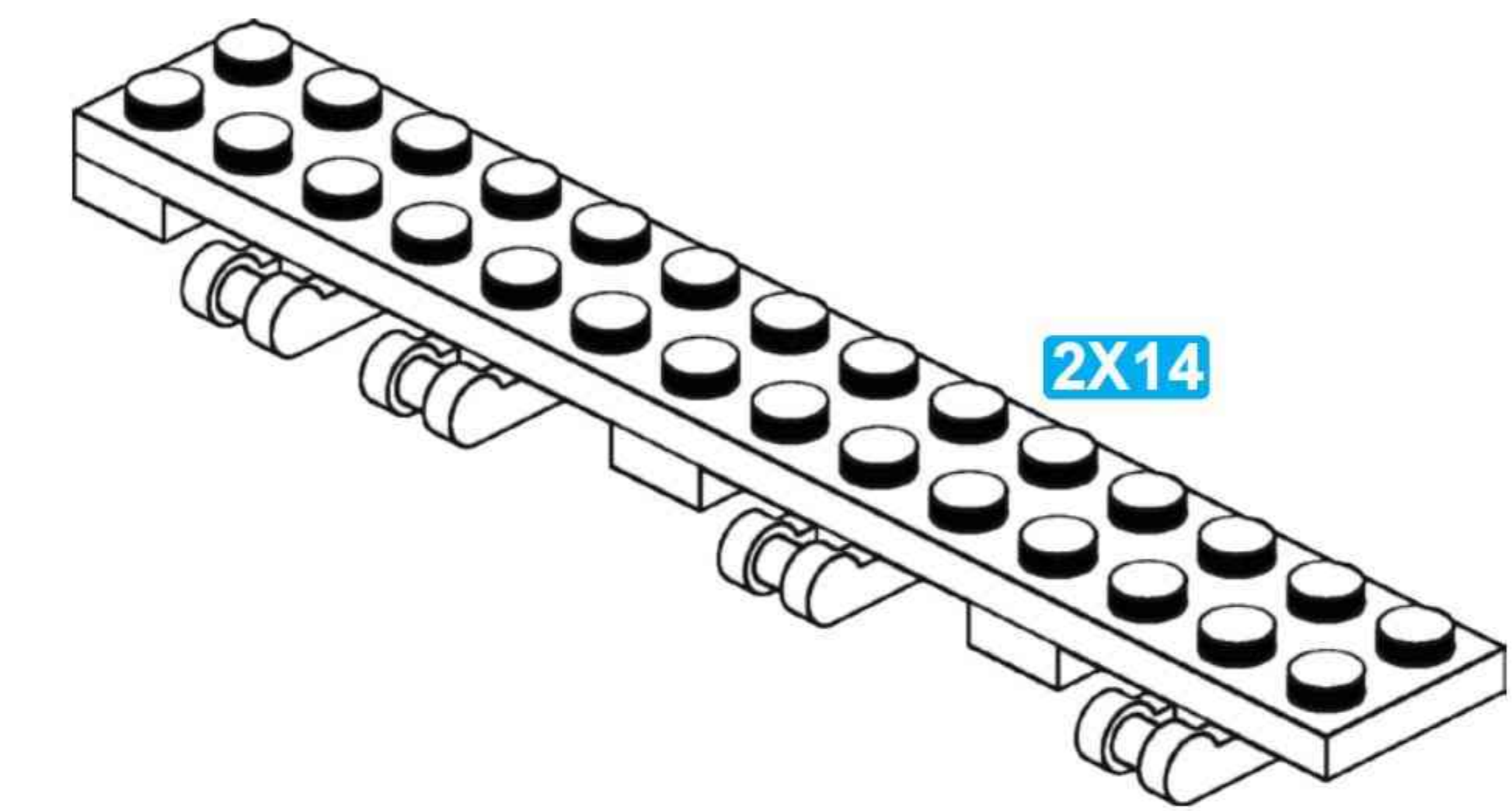
J34



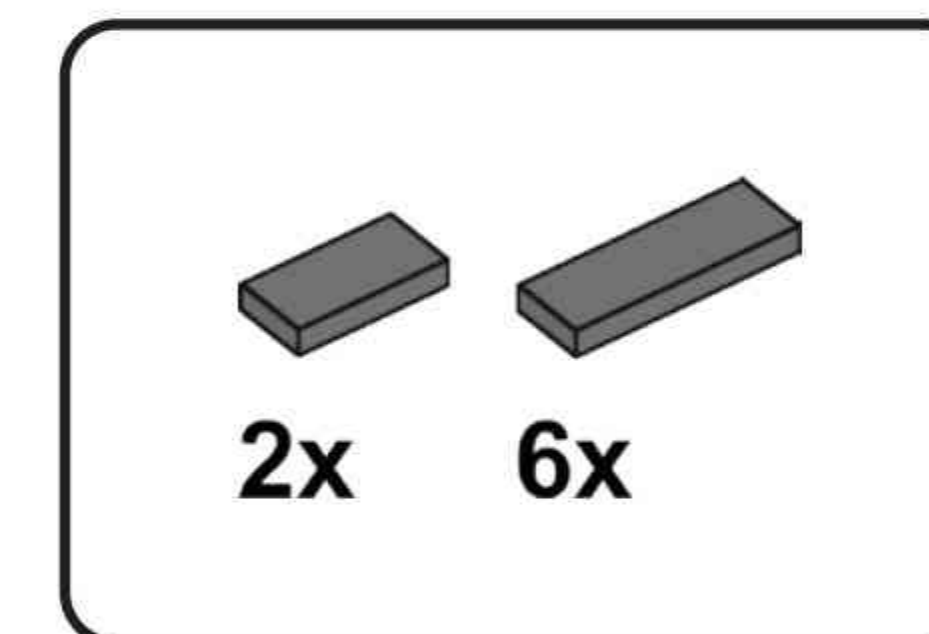
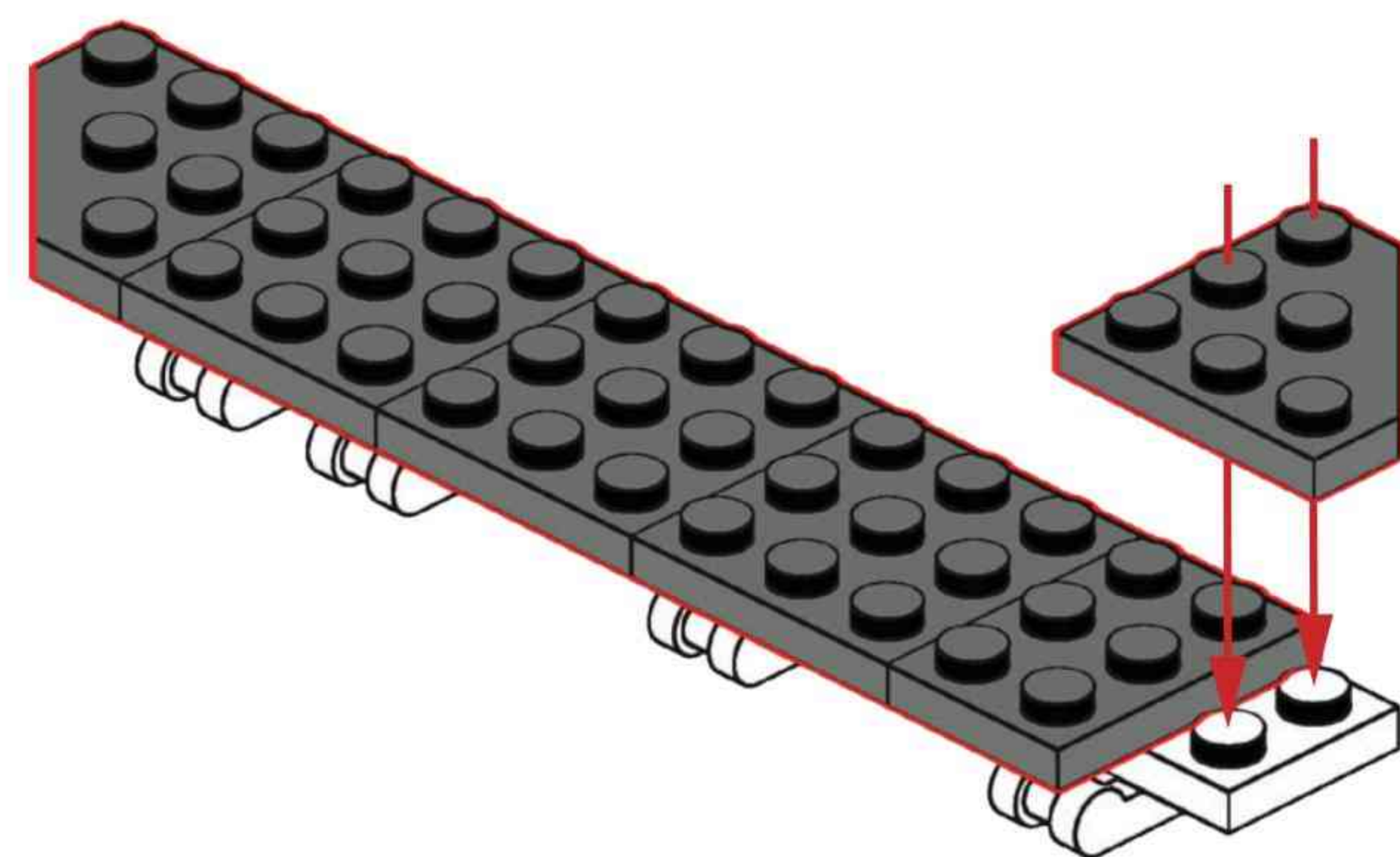
J35



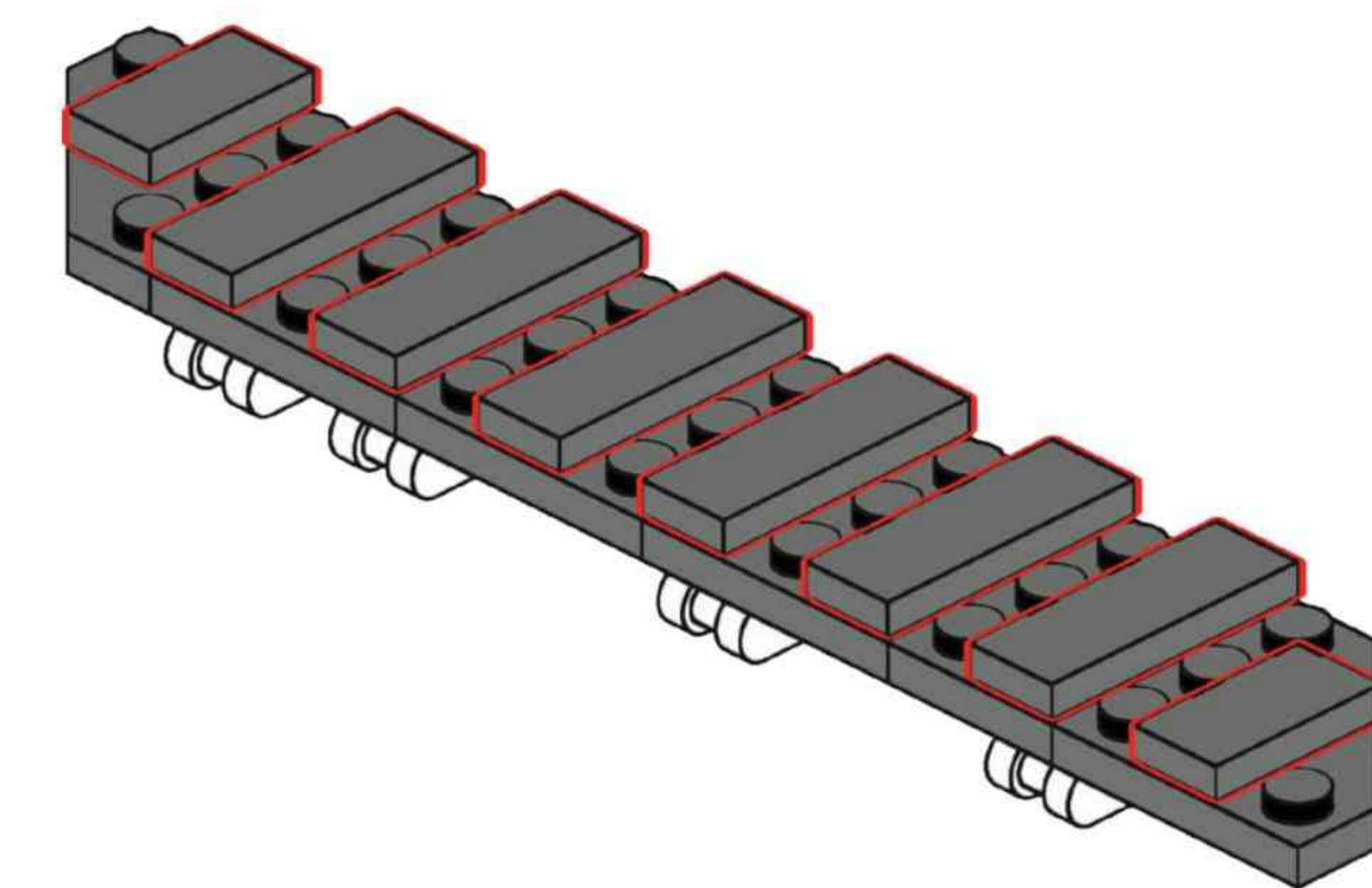
J36



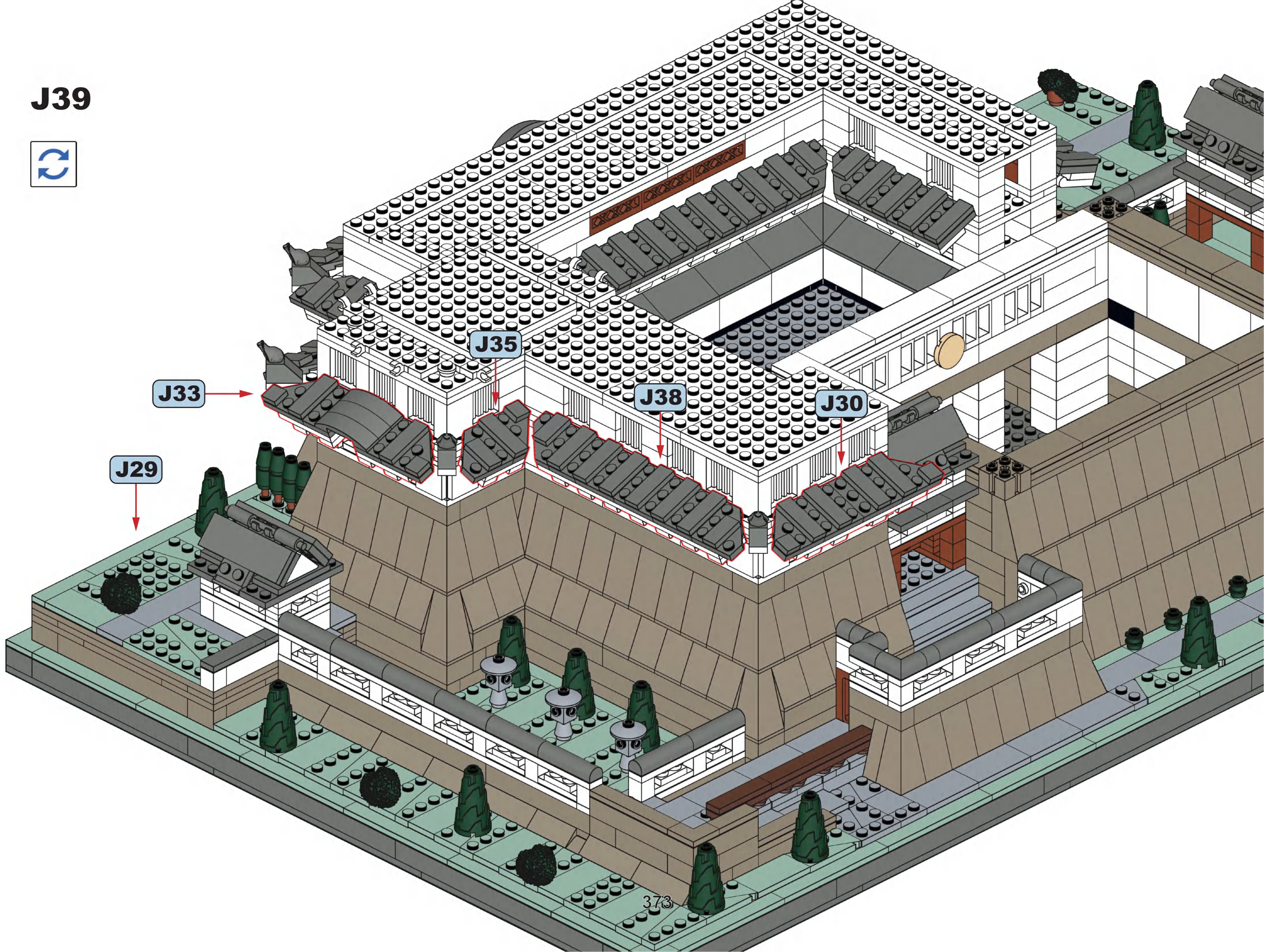
J37



J38

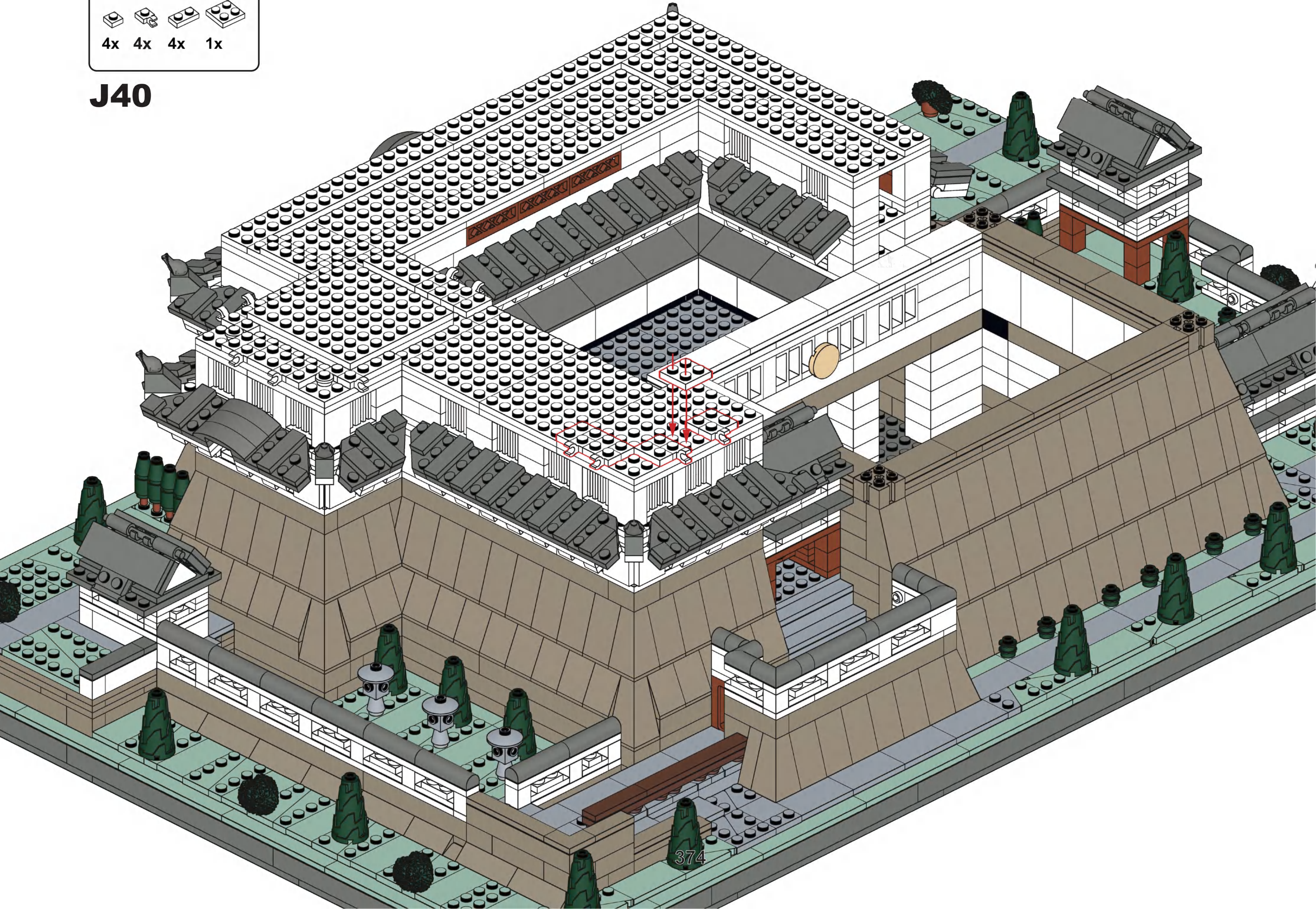


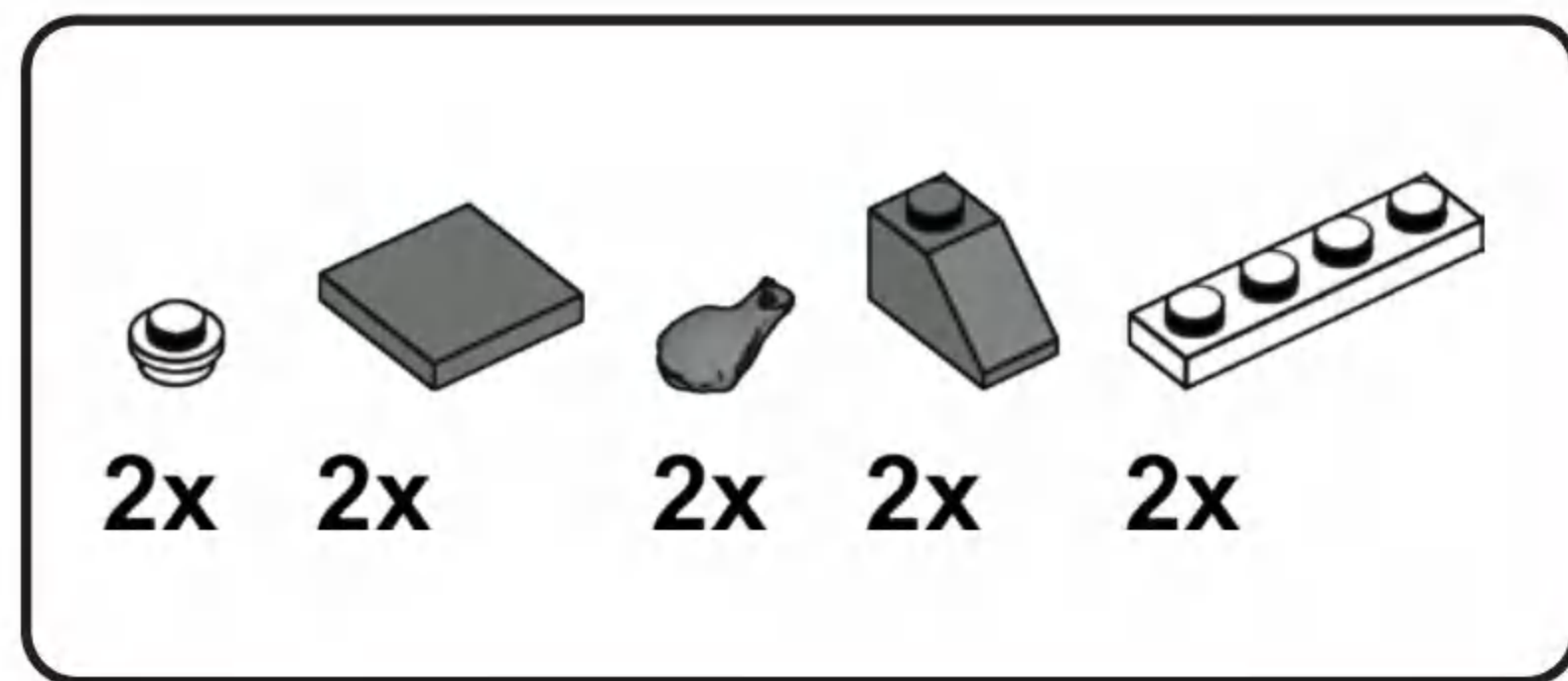
J39



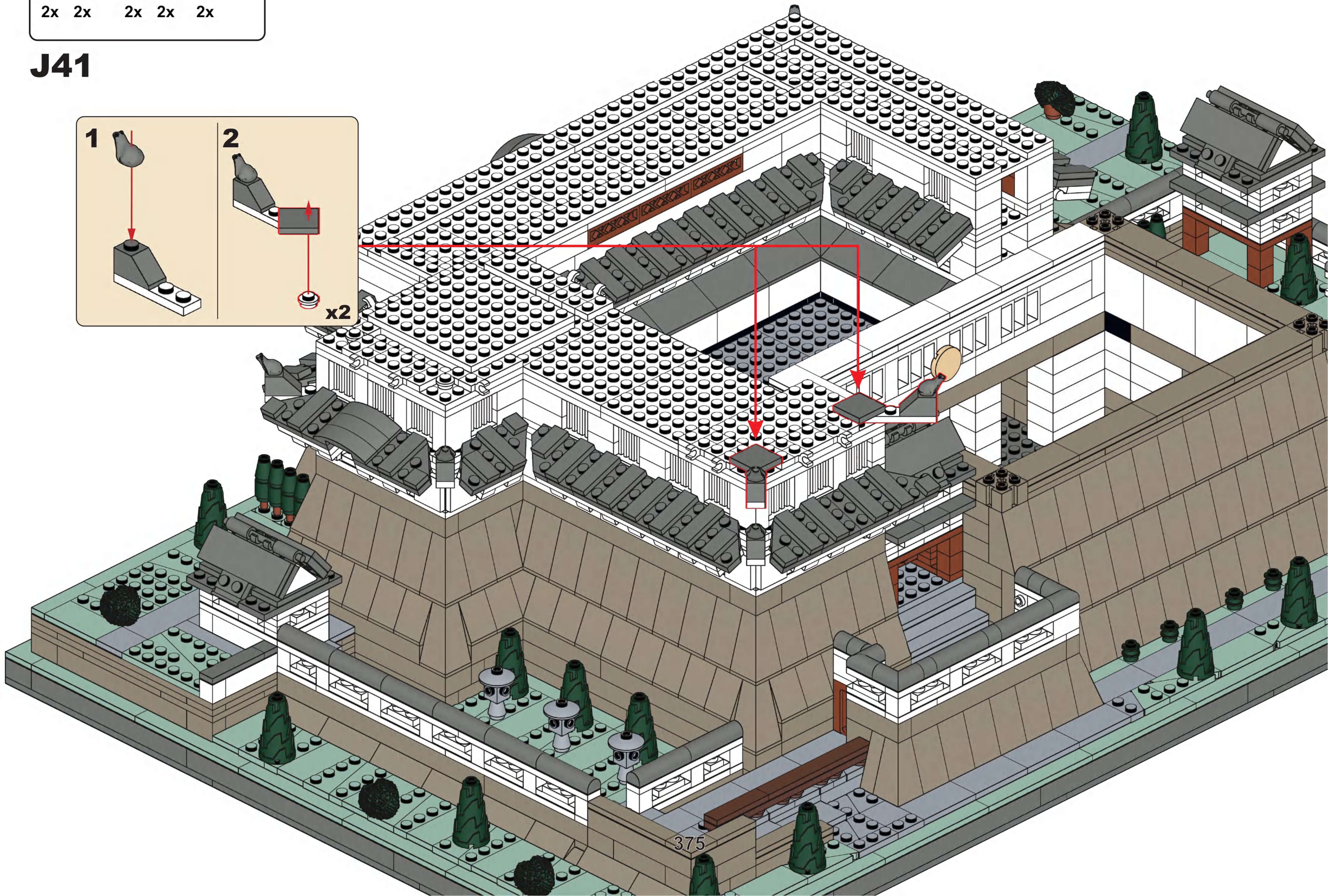
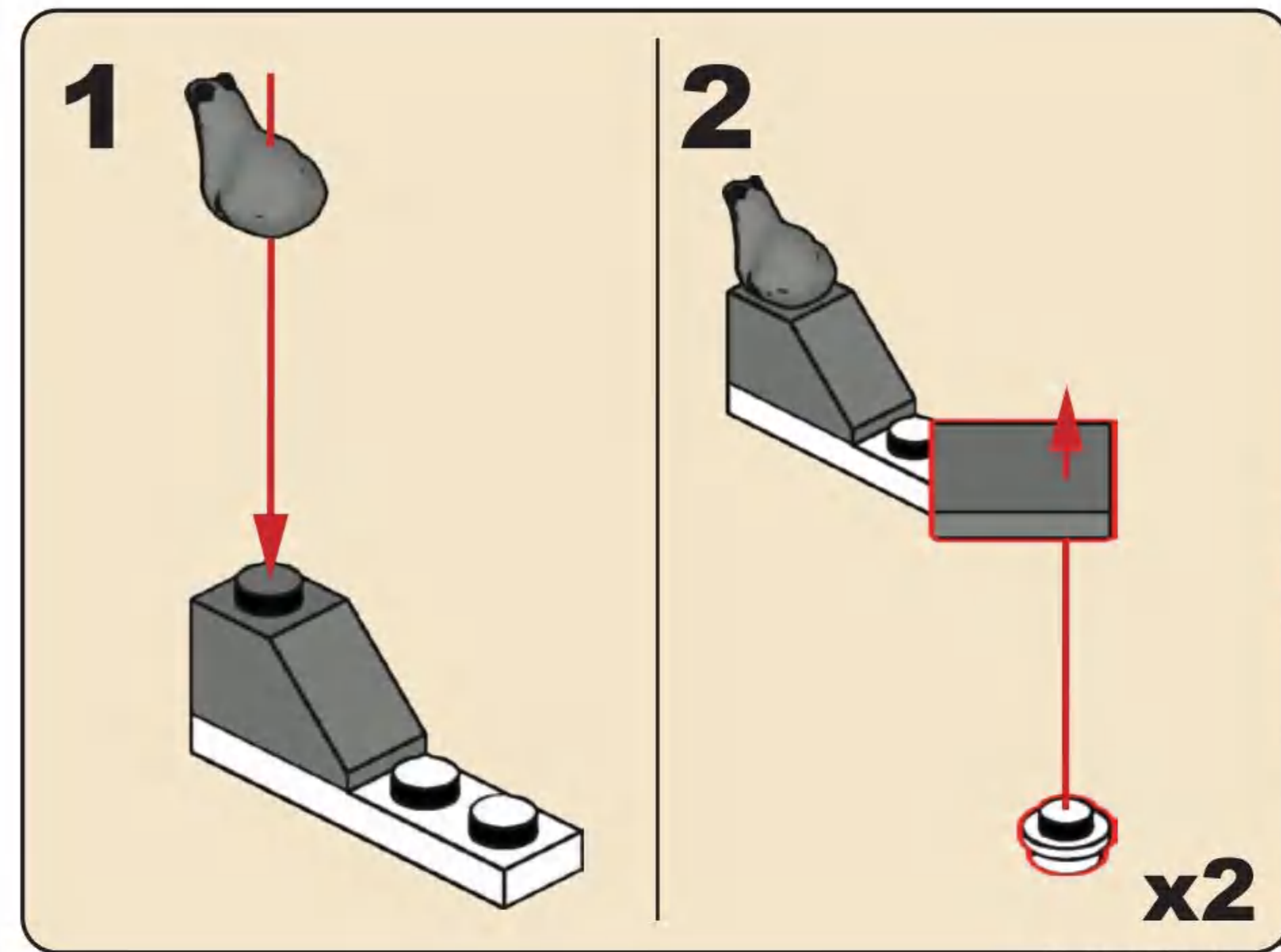
4x 4x 4x 1x

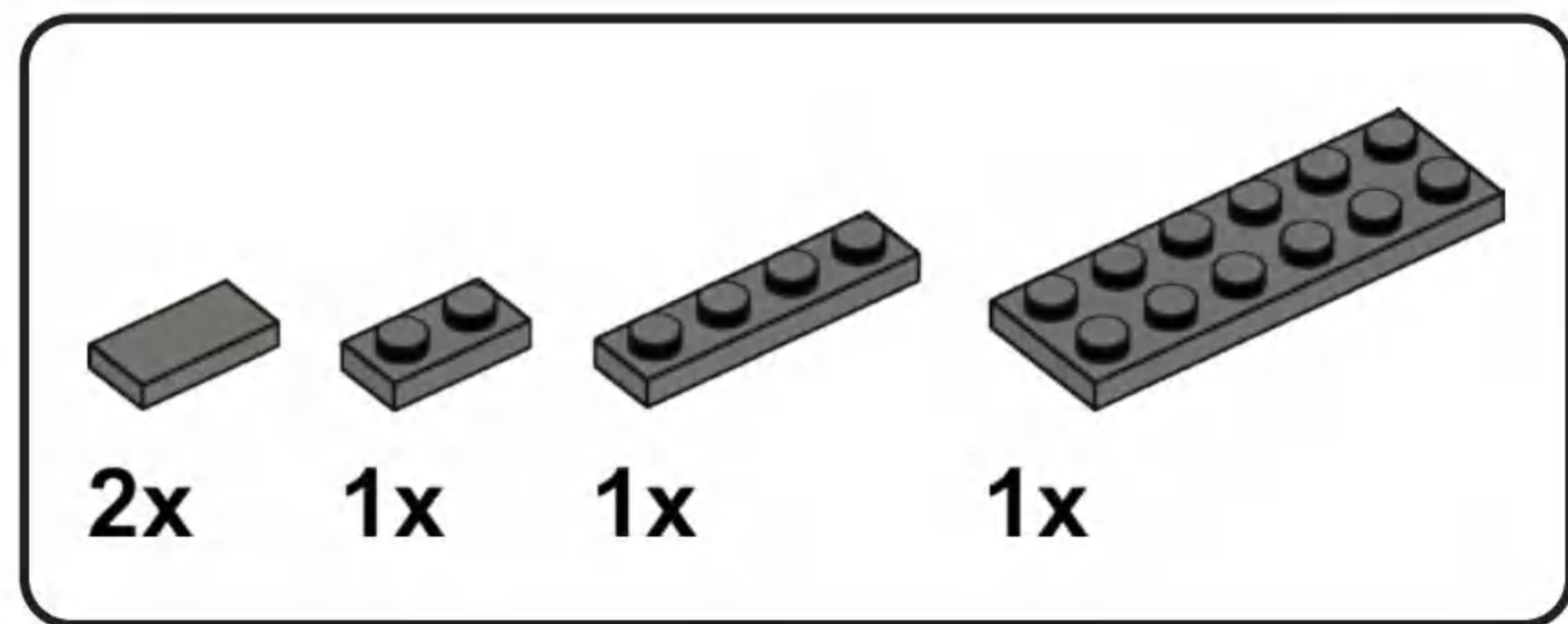
J40



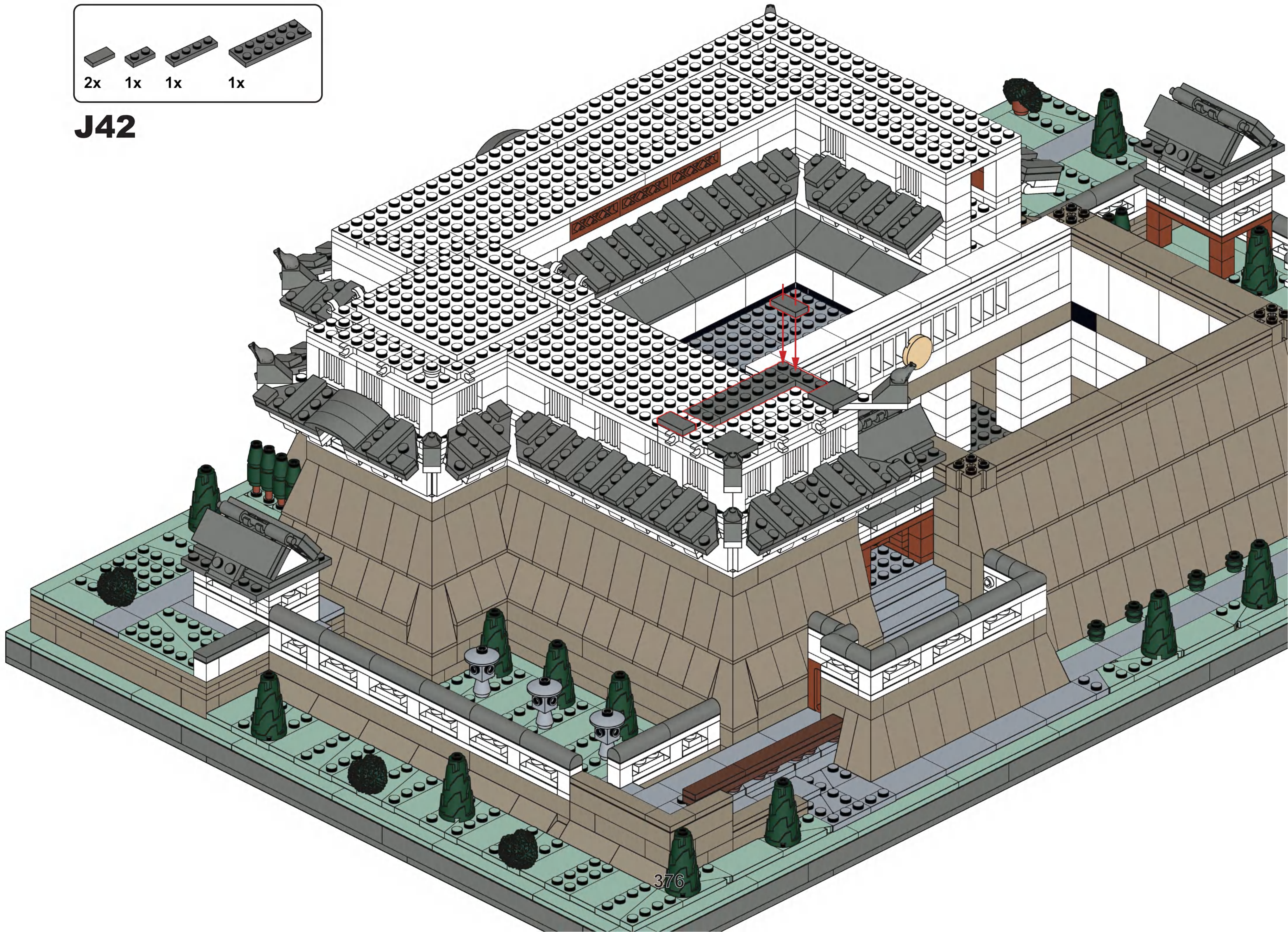


J41



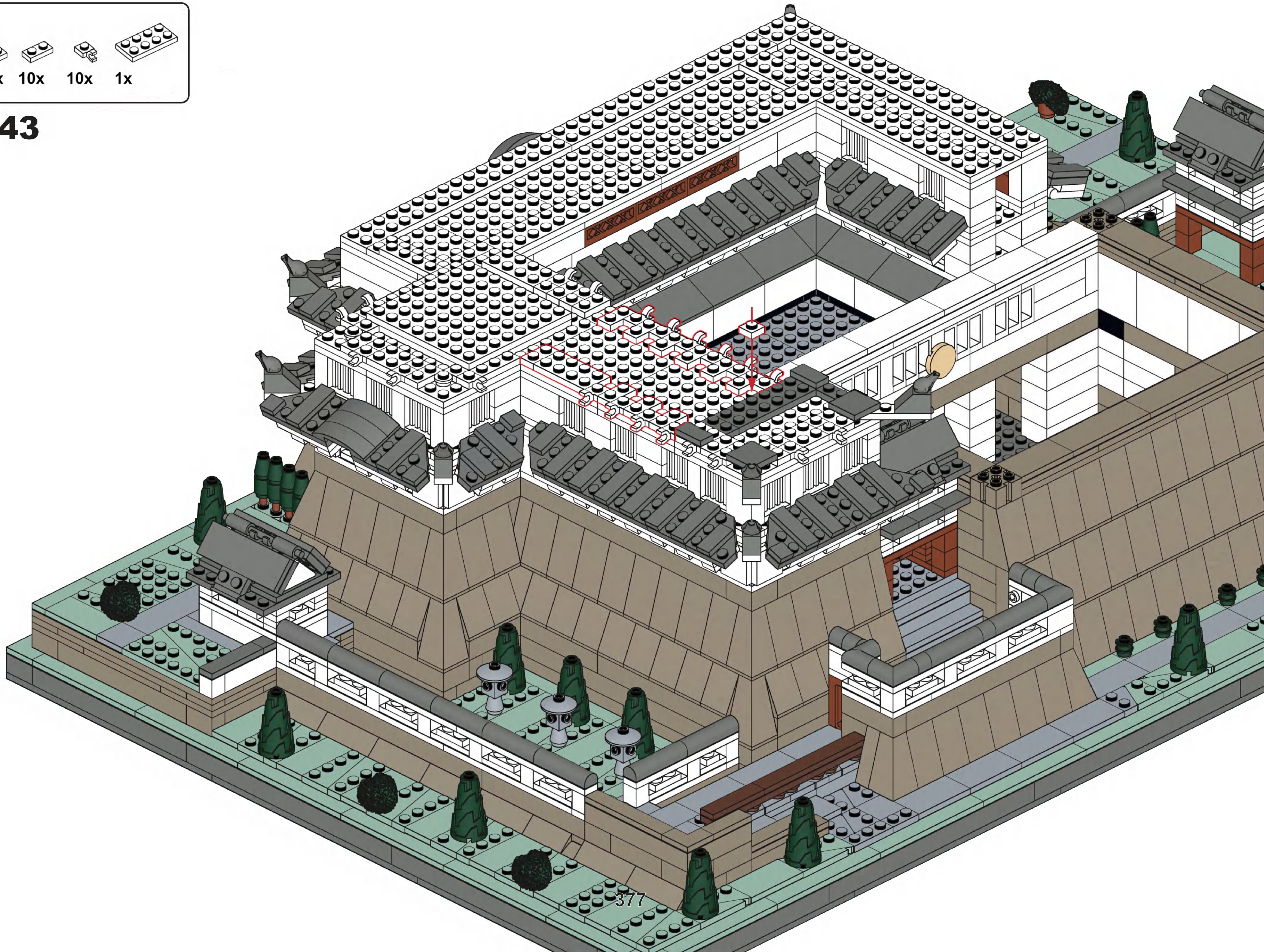


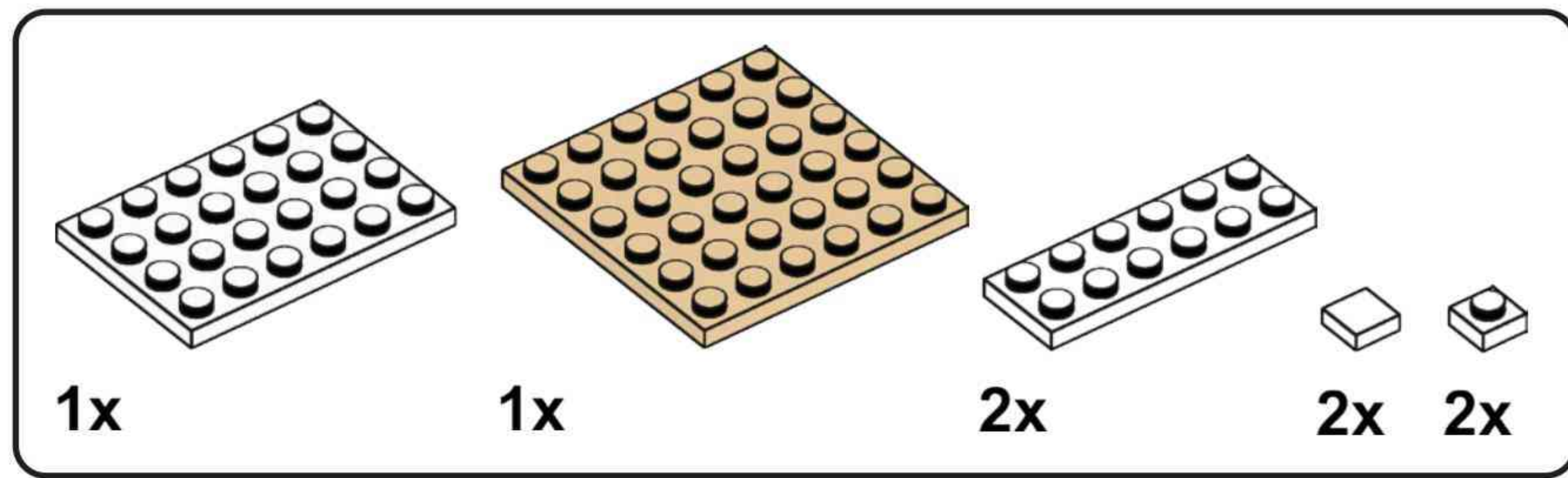
J42



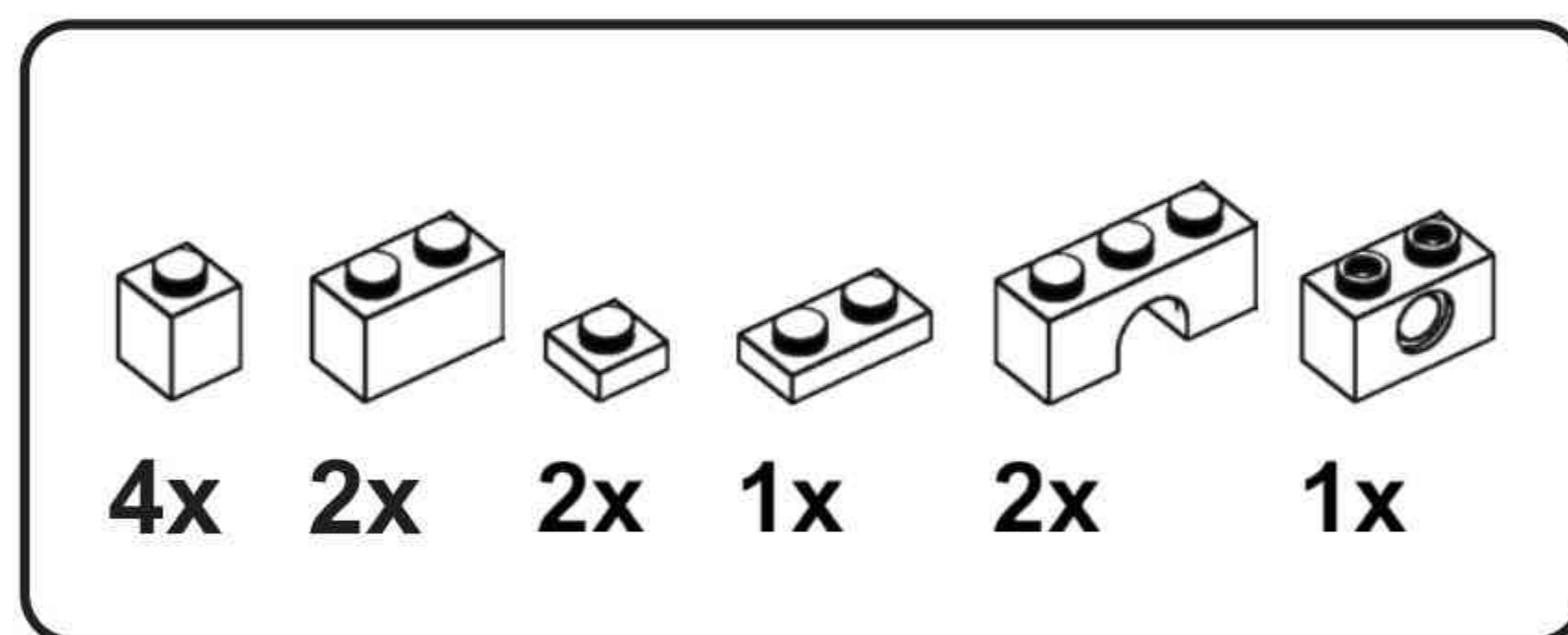
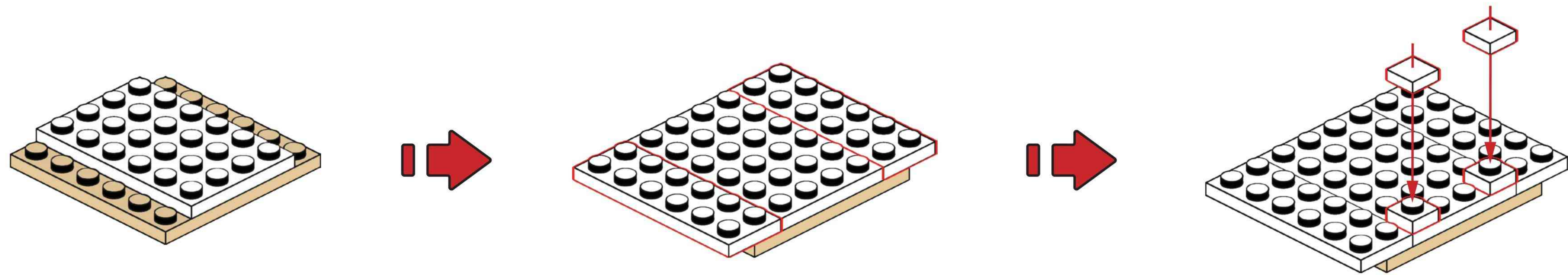
1x 10x 10x 1x

J43

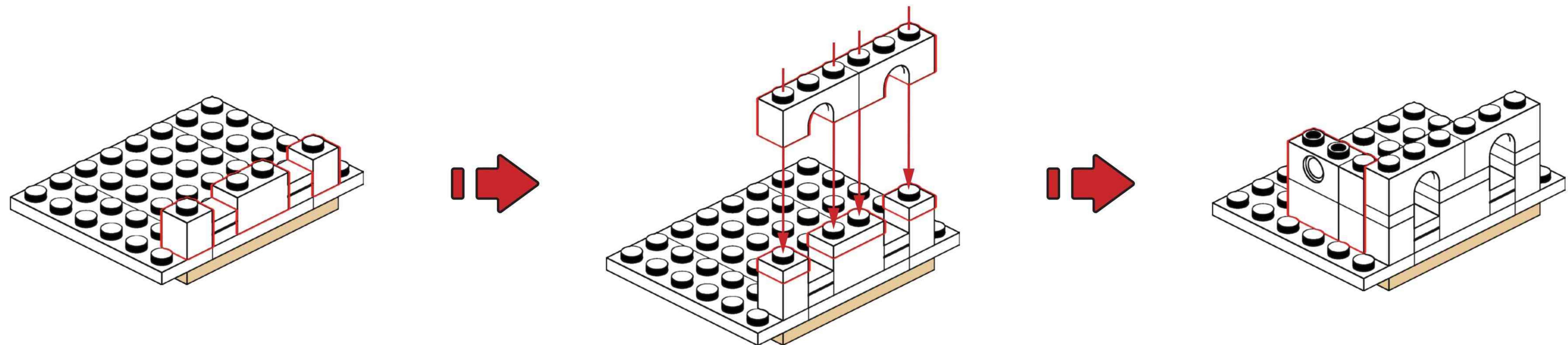


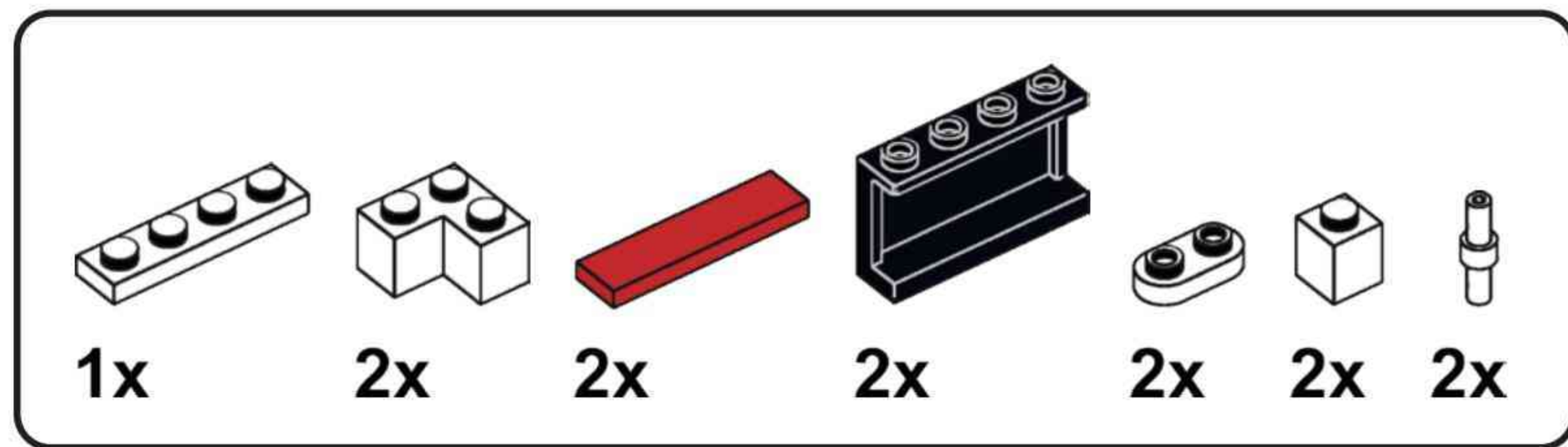


J44

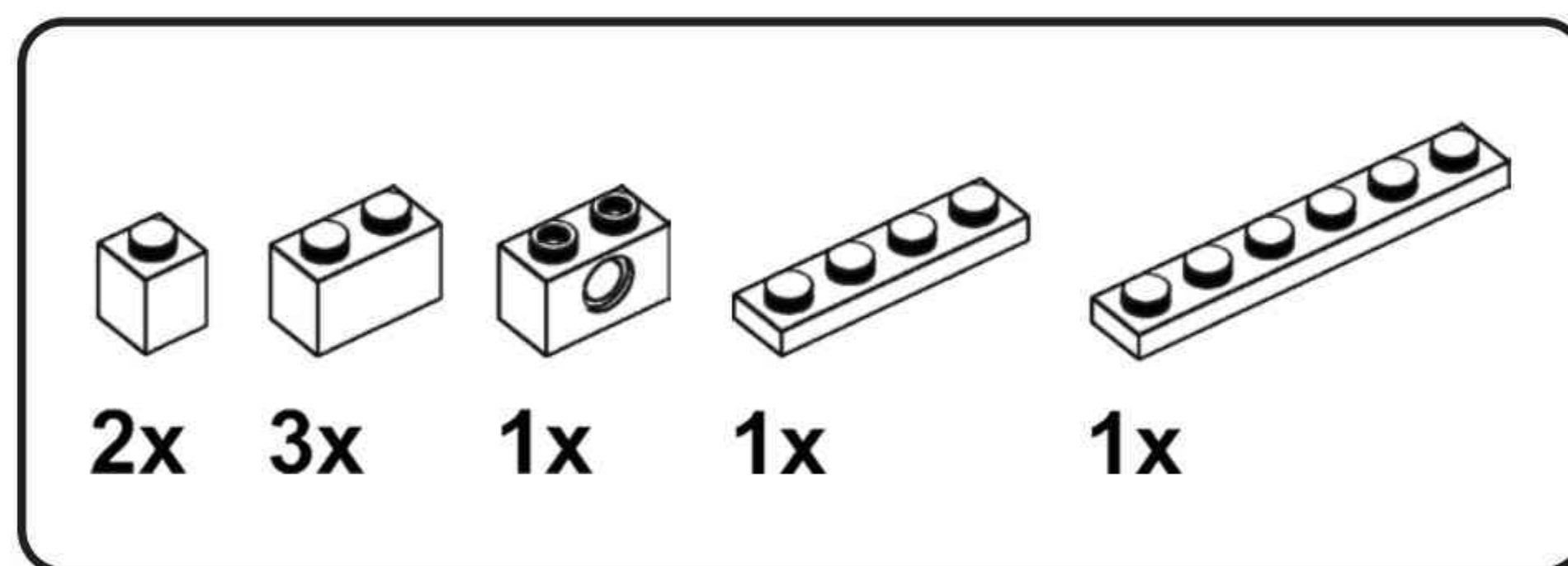
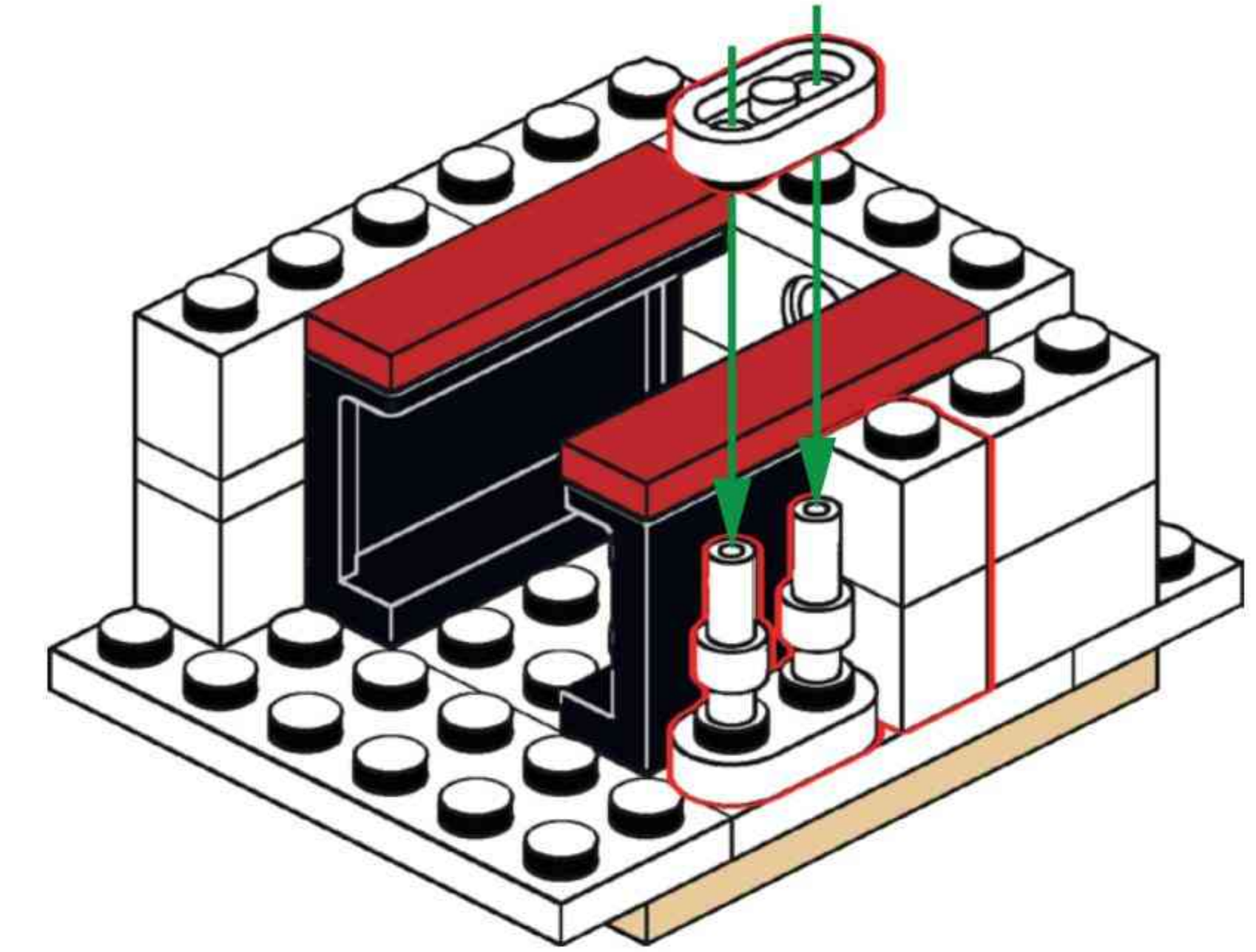
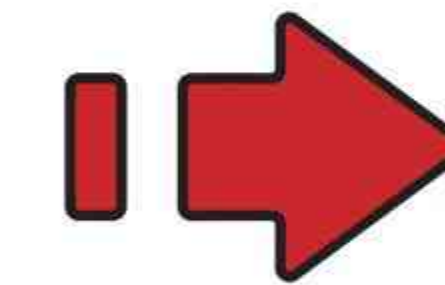
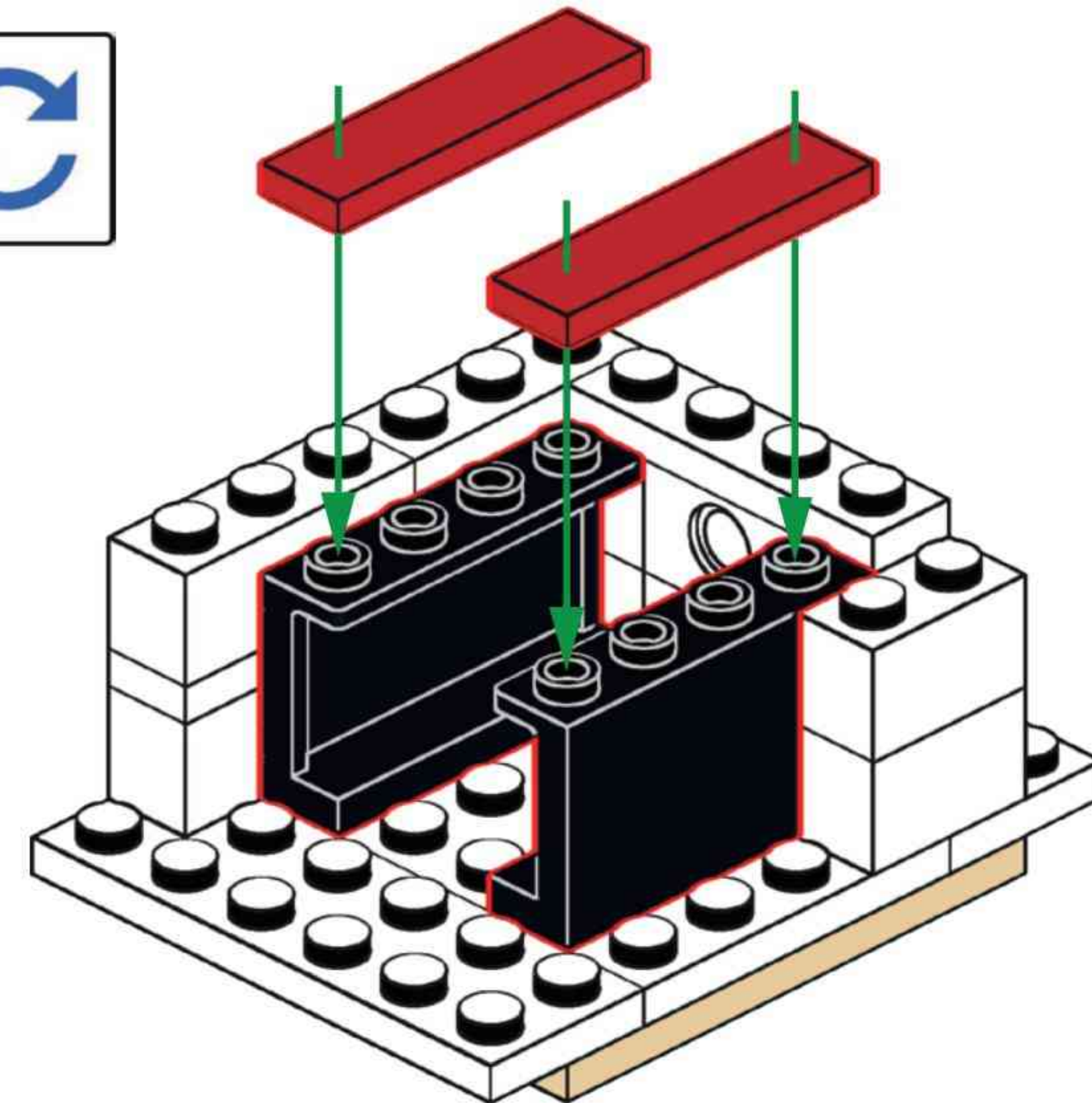
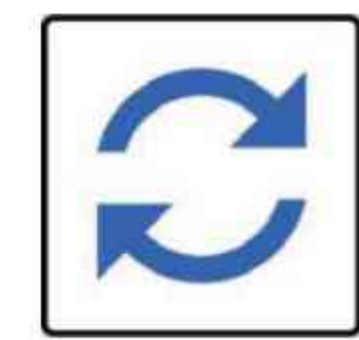
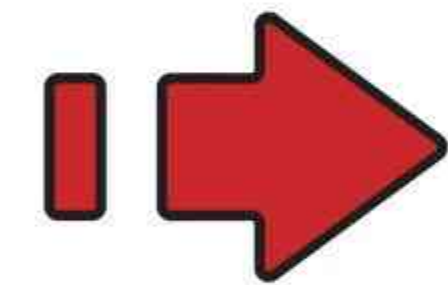
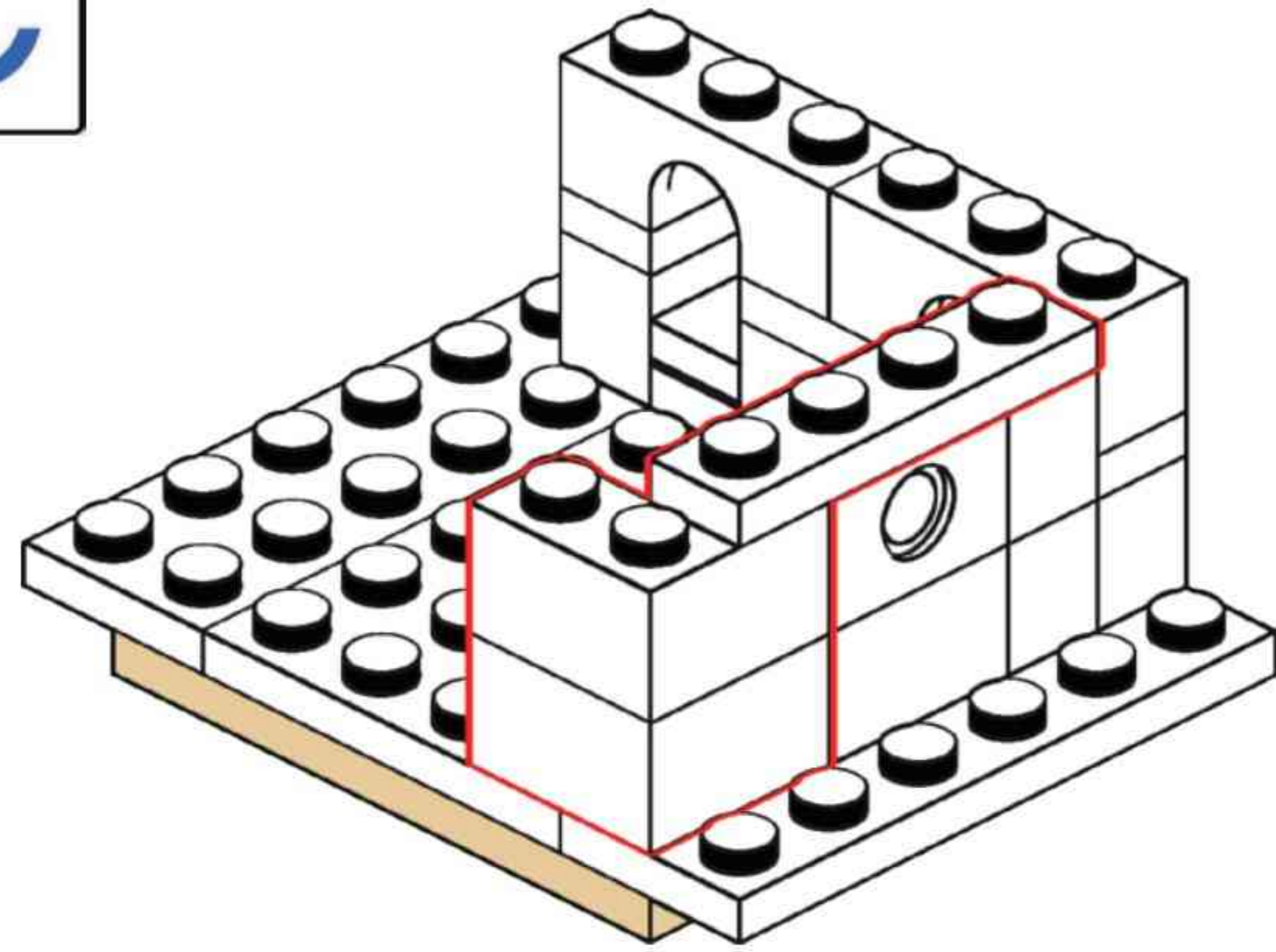


J45

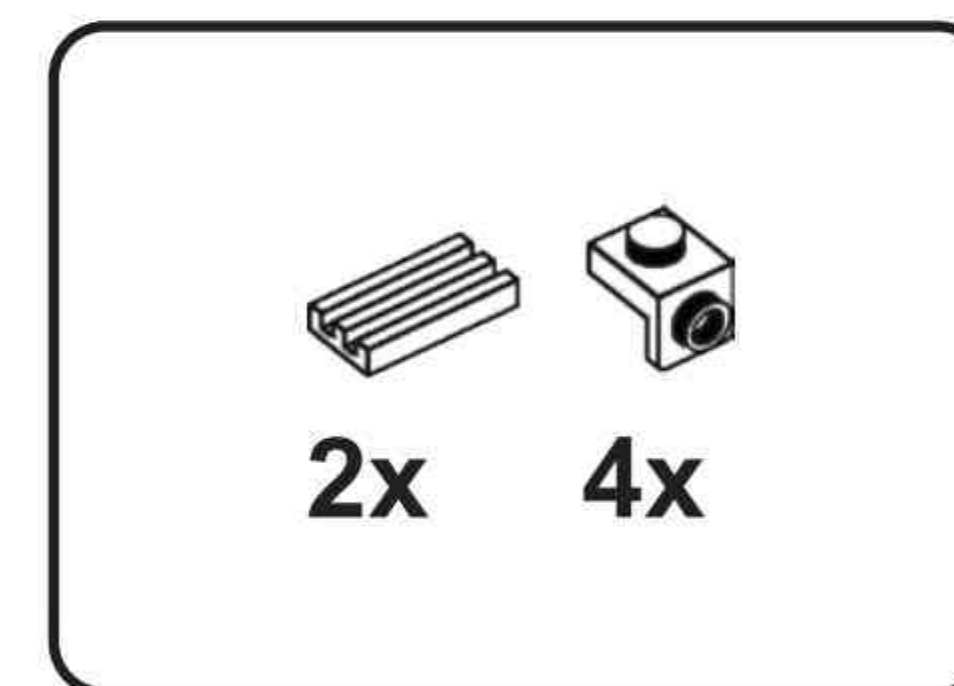
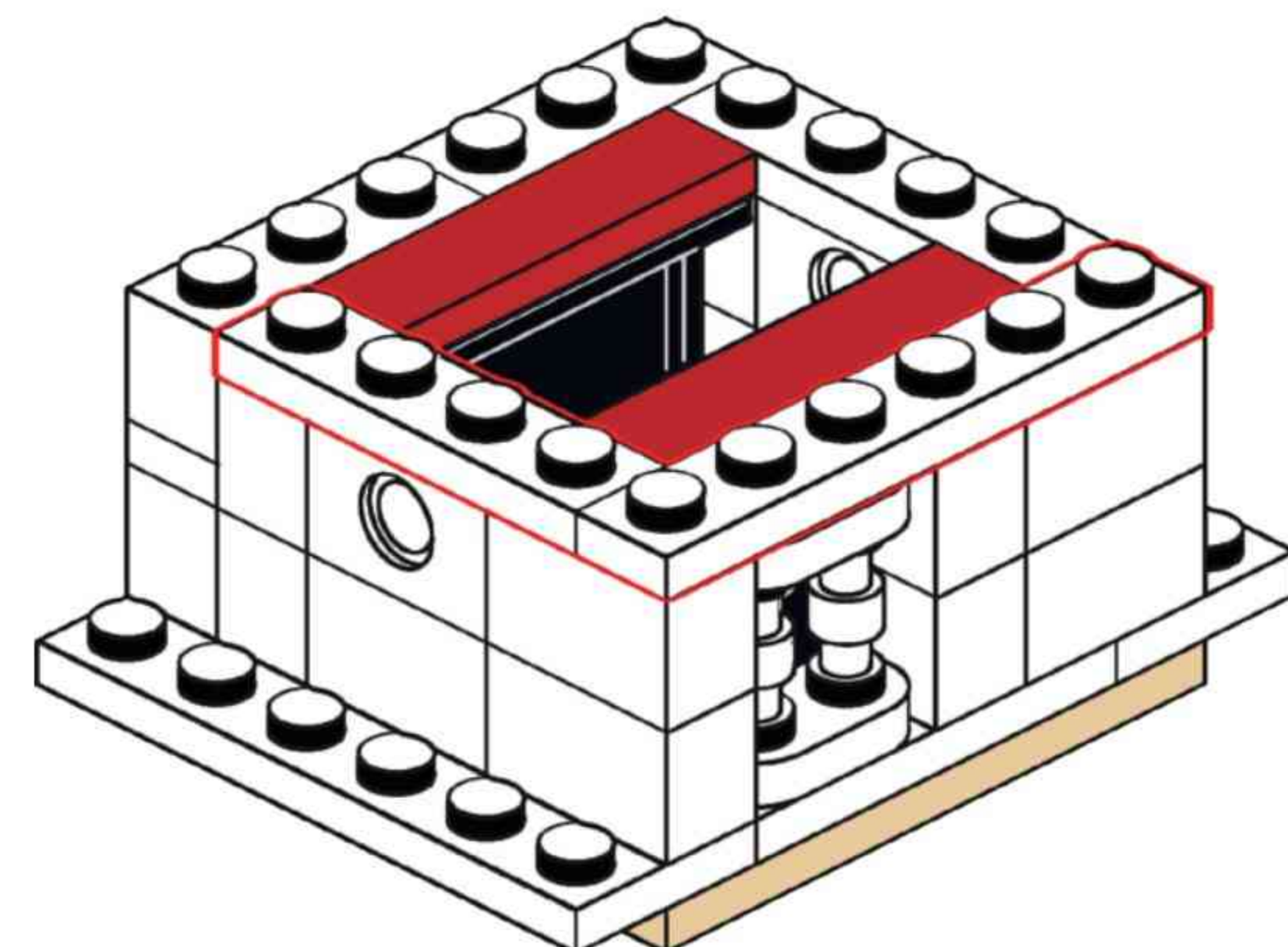
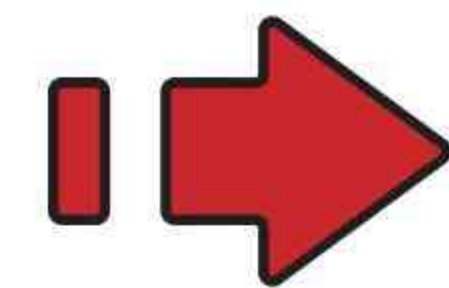
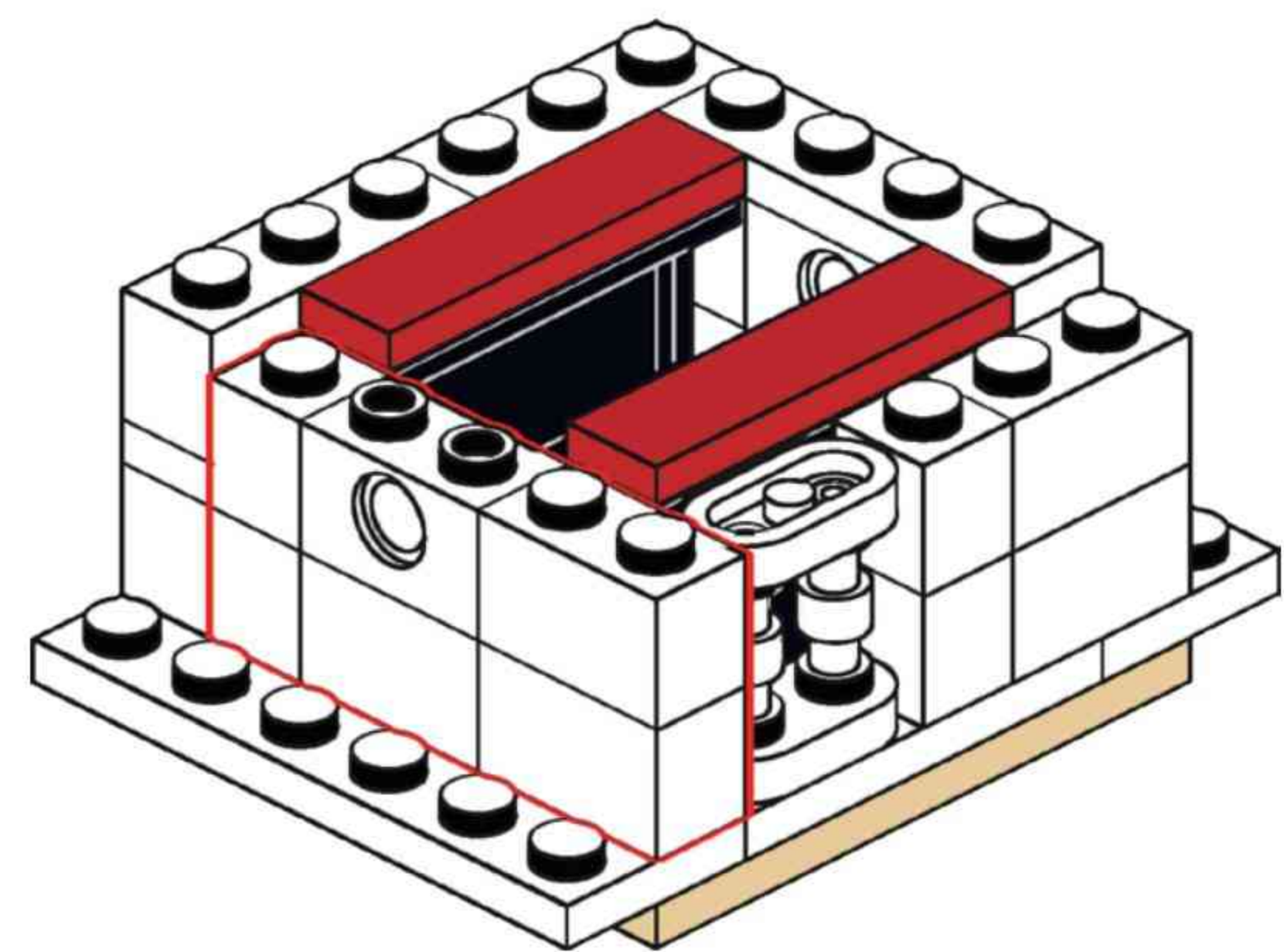




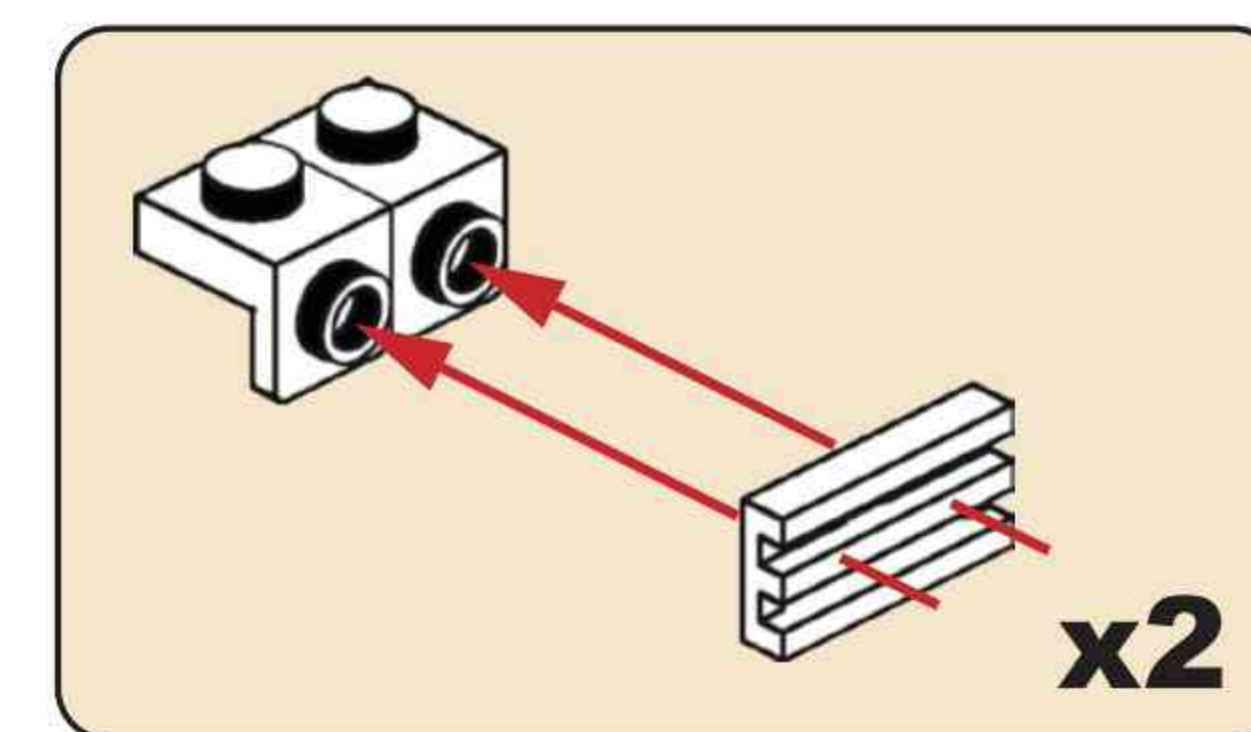
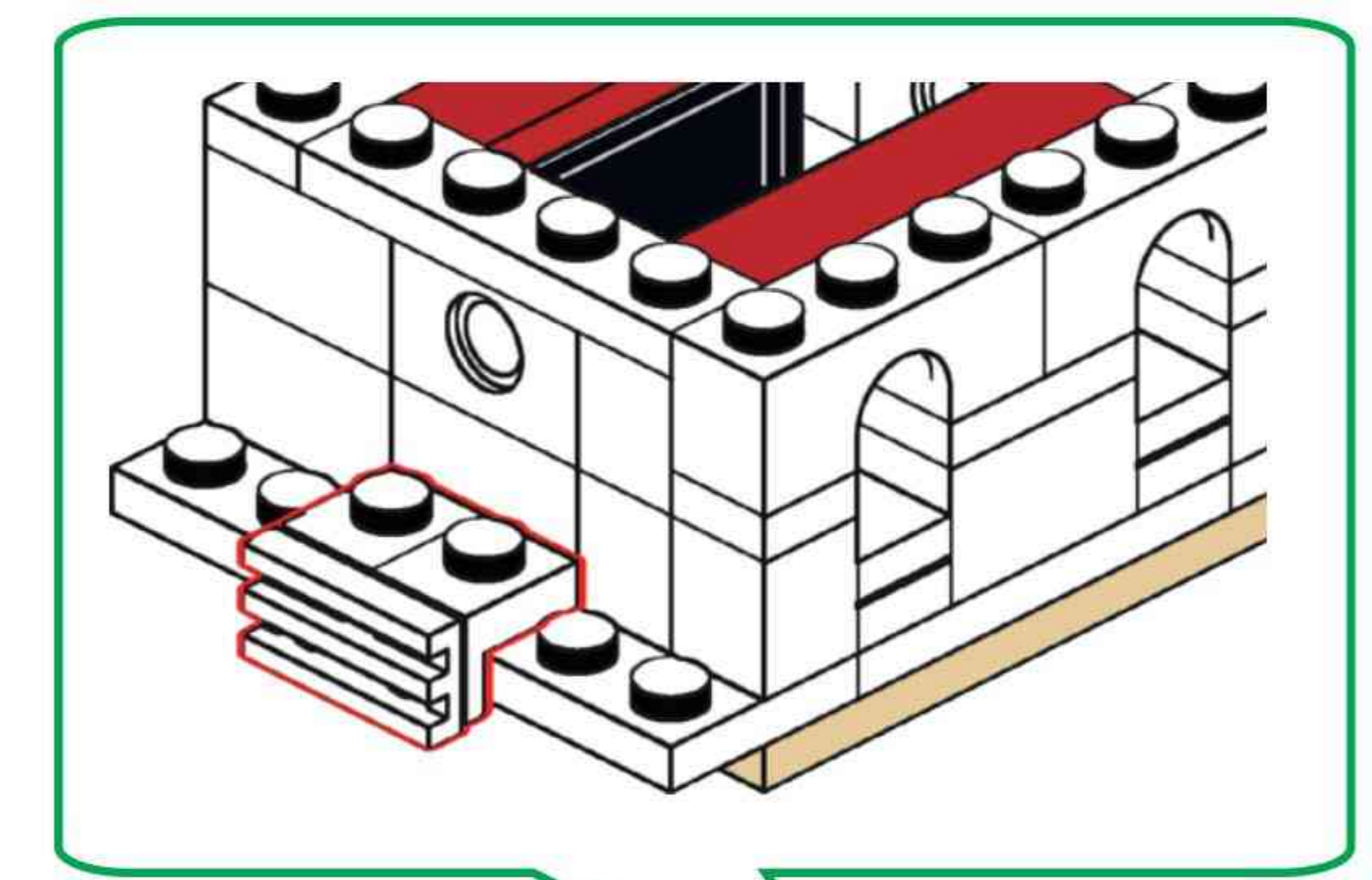
J46



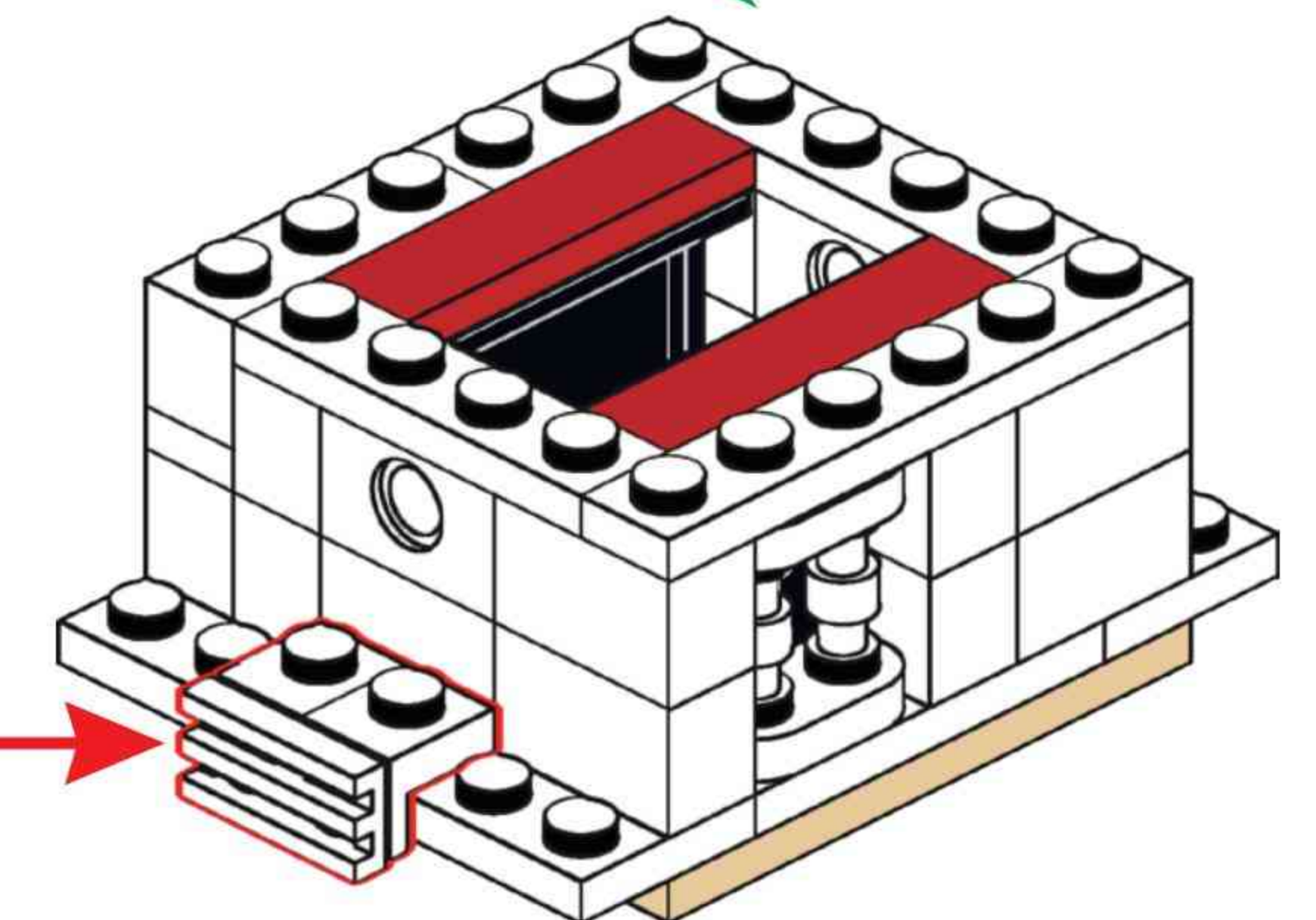
J47

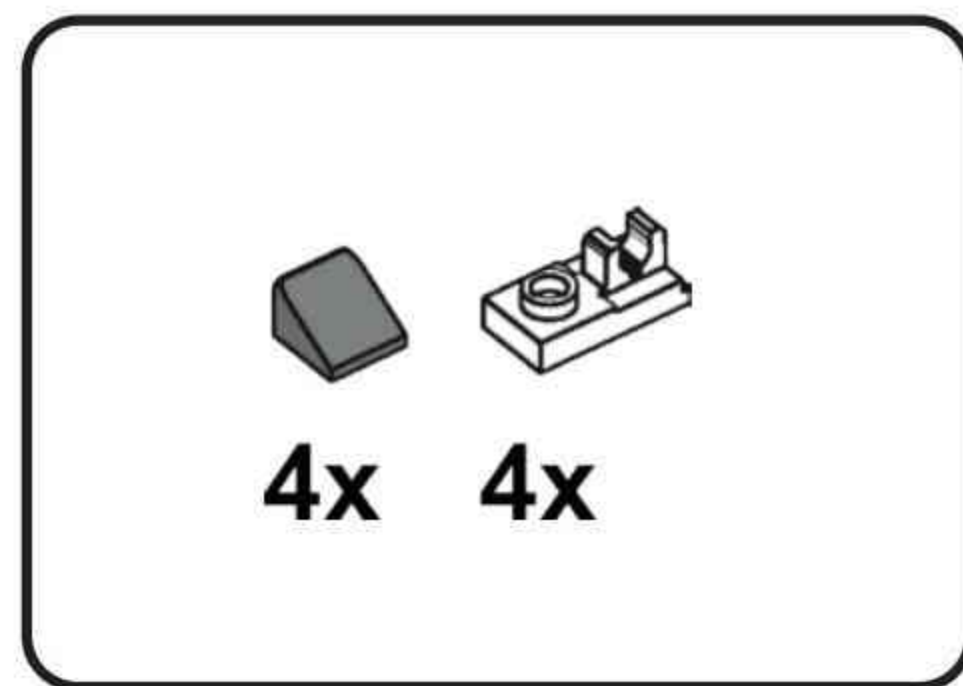


J48

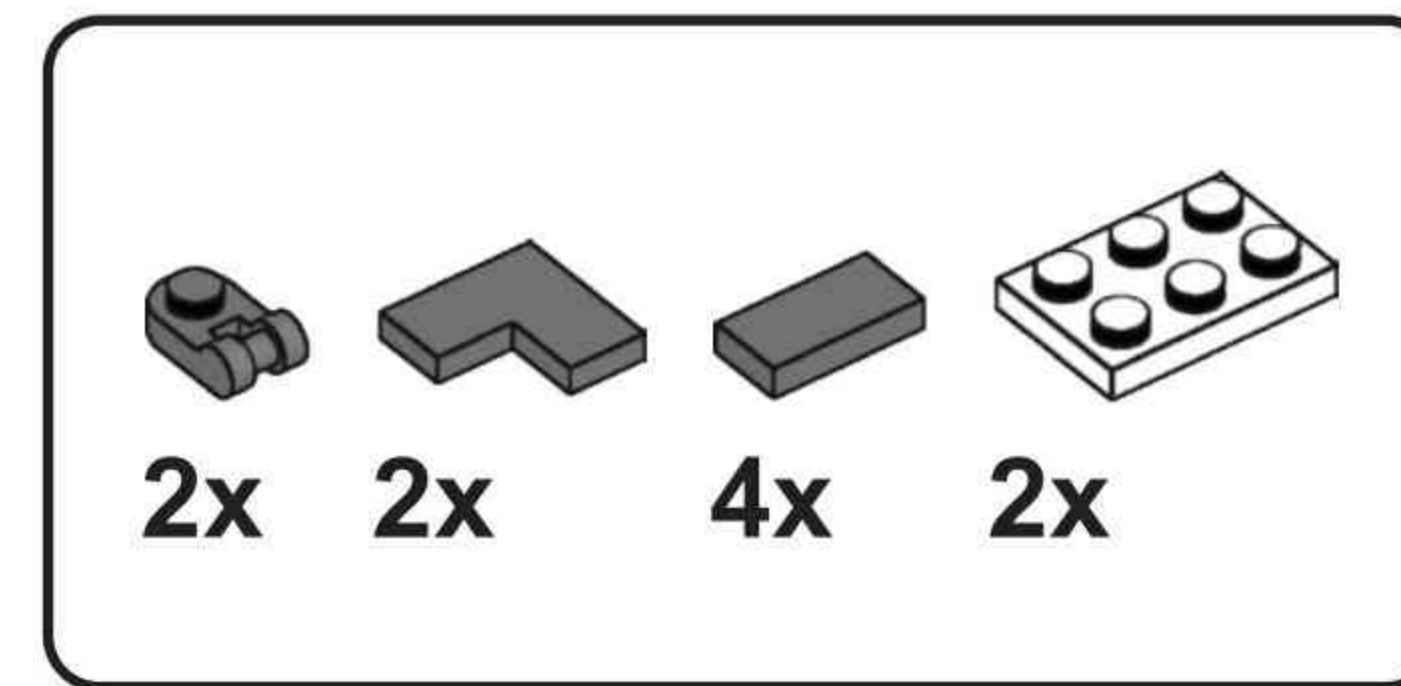
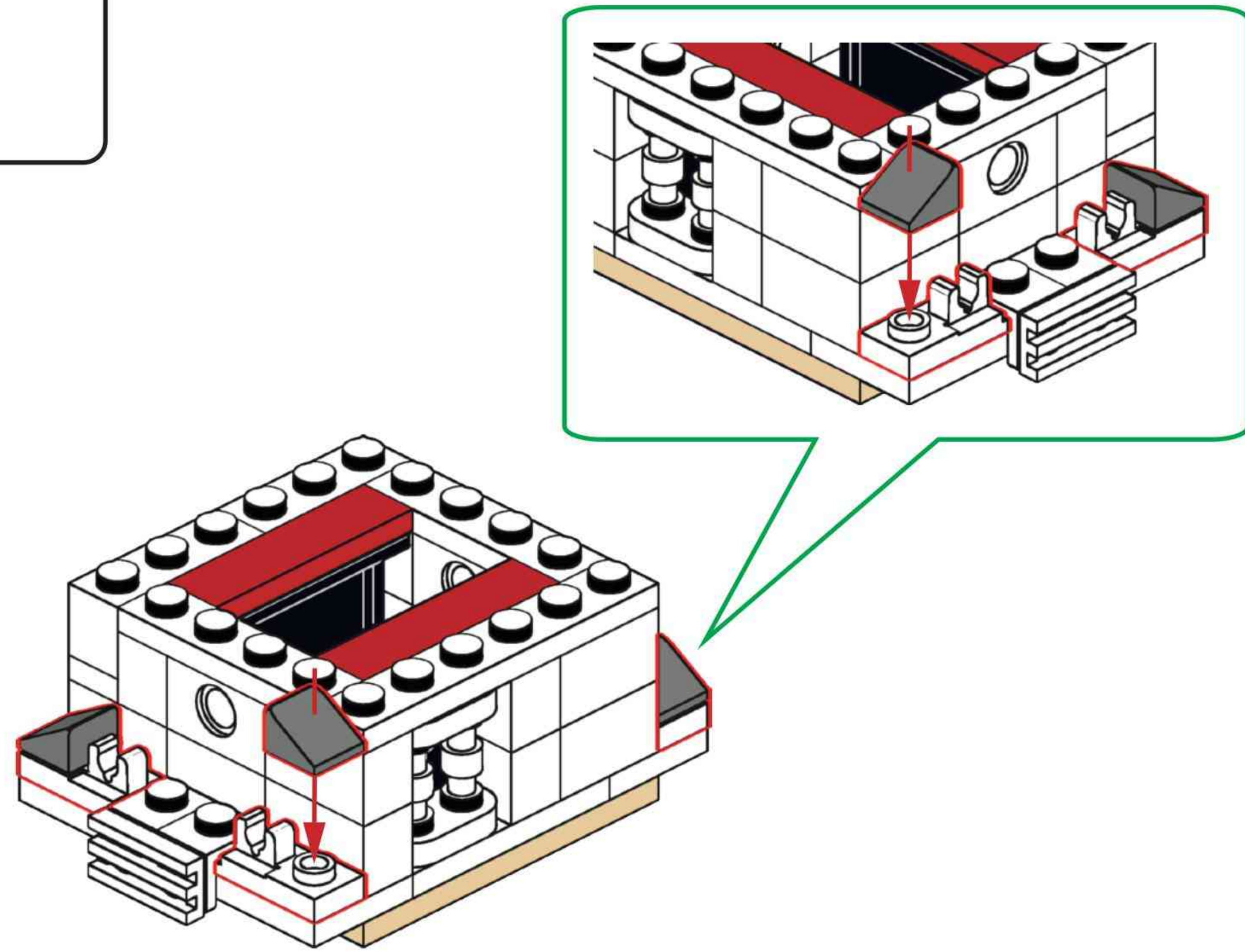


x2

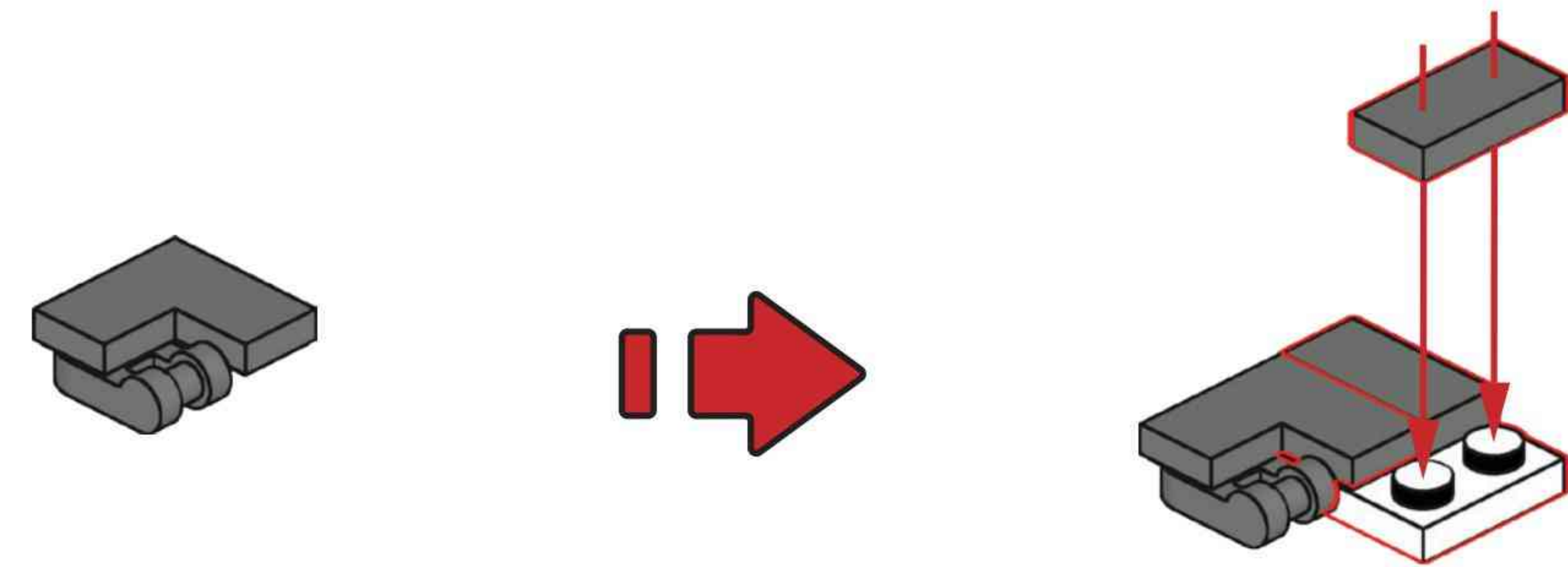




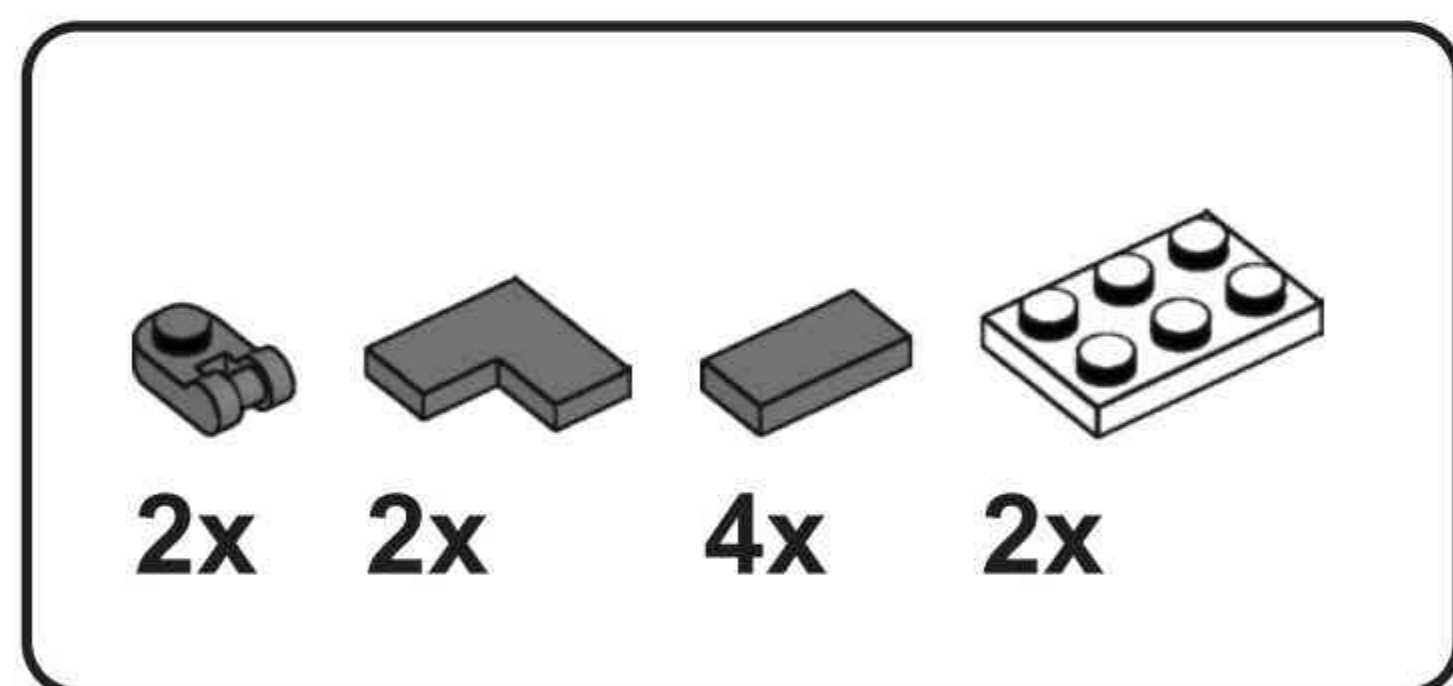
J49



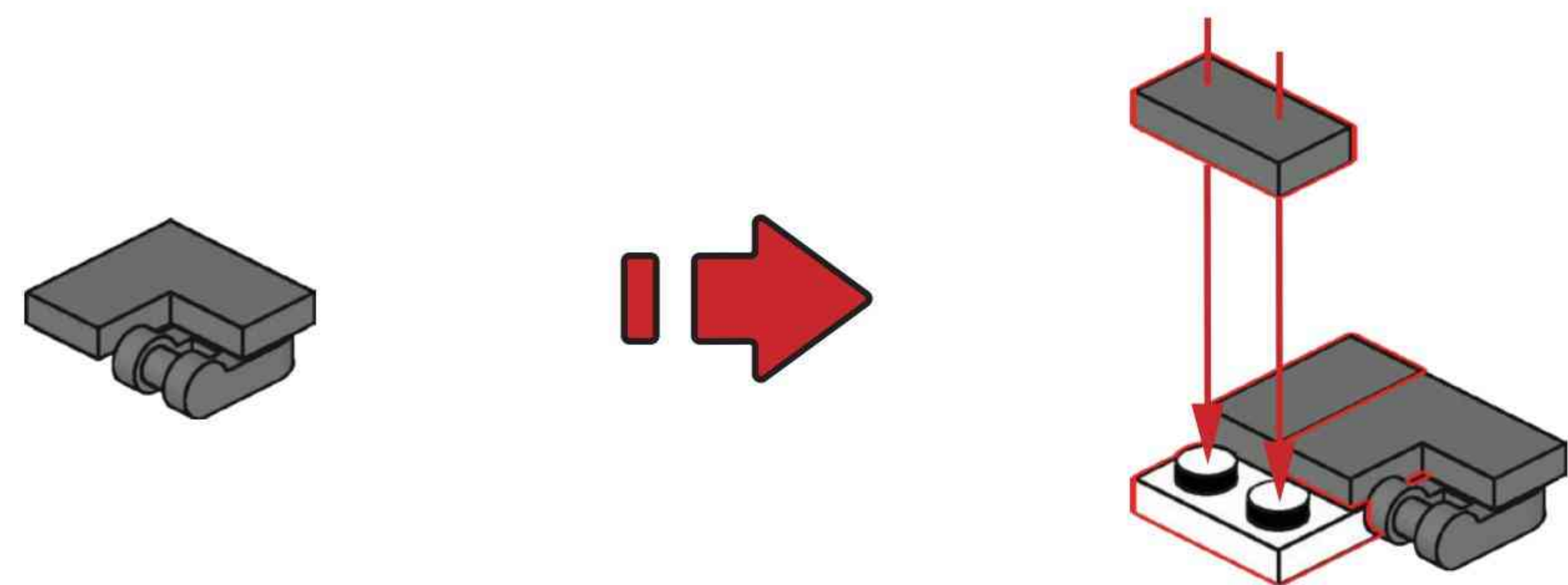
J50



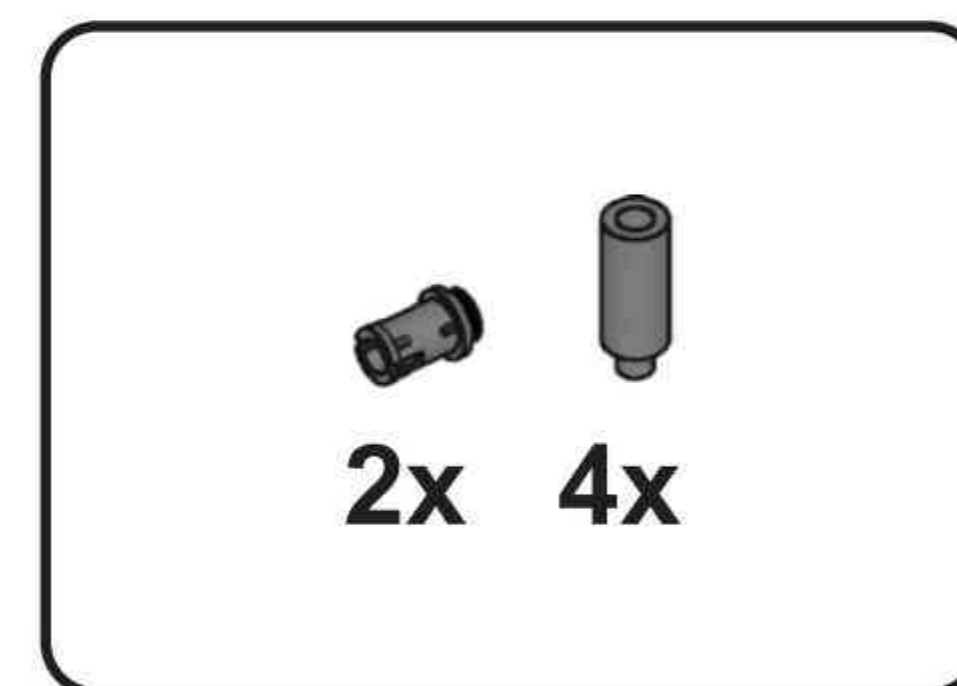
x2



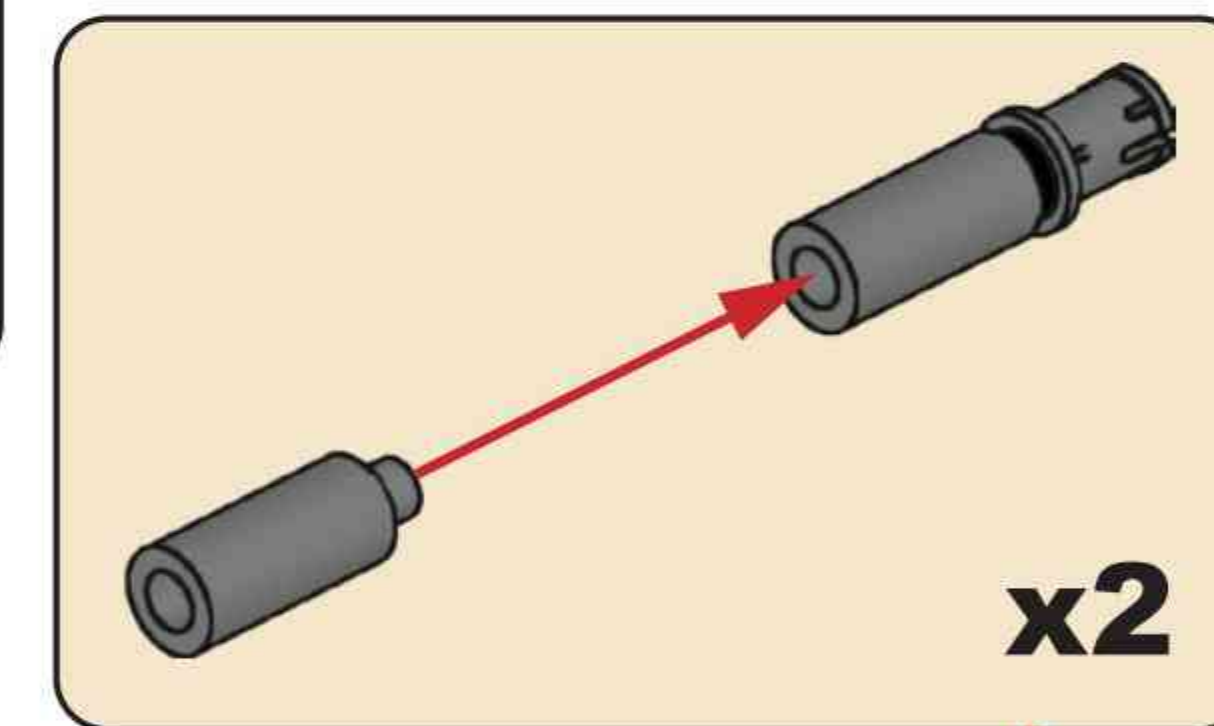
J51



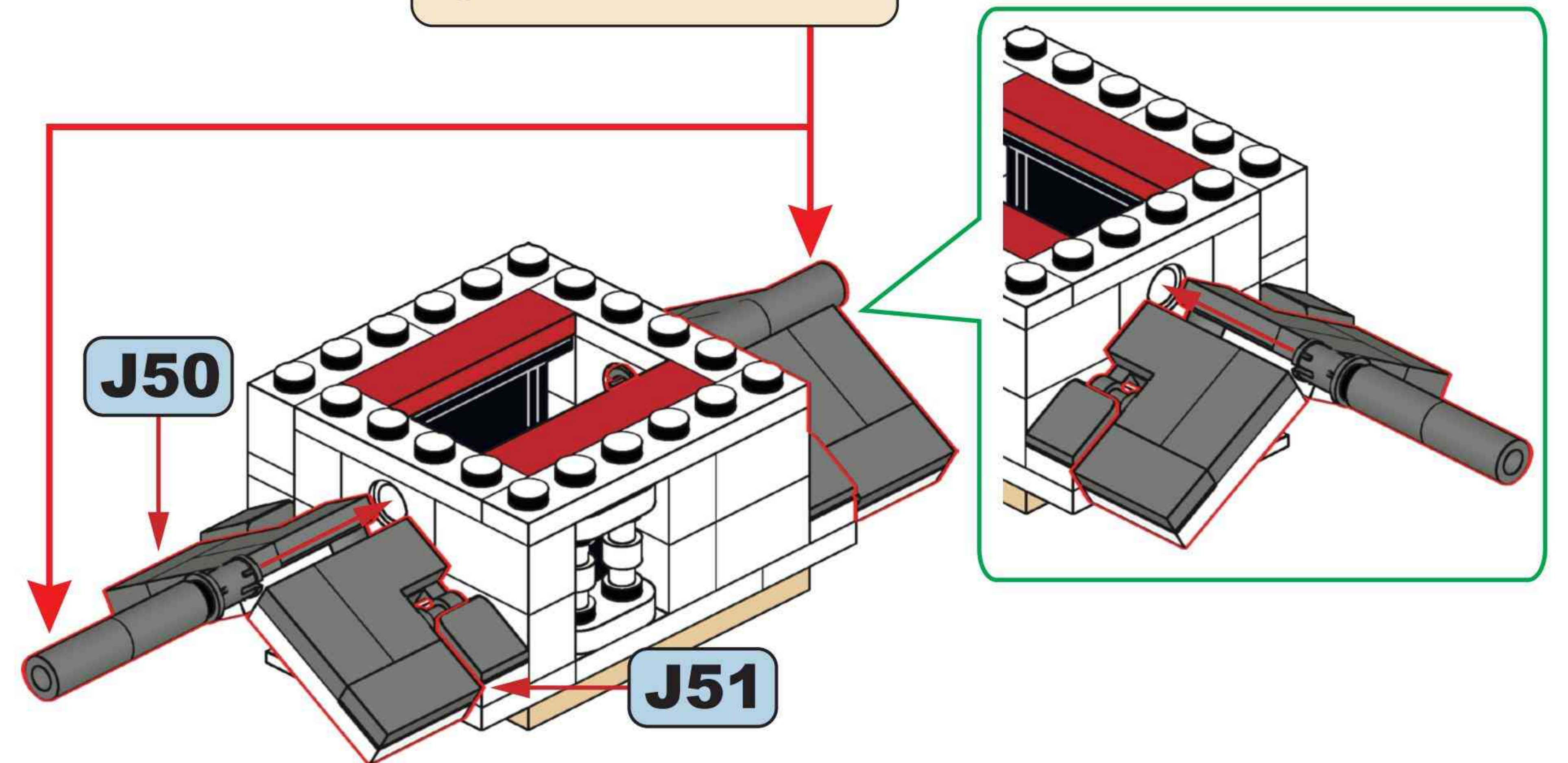
x2



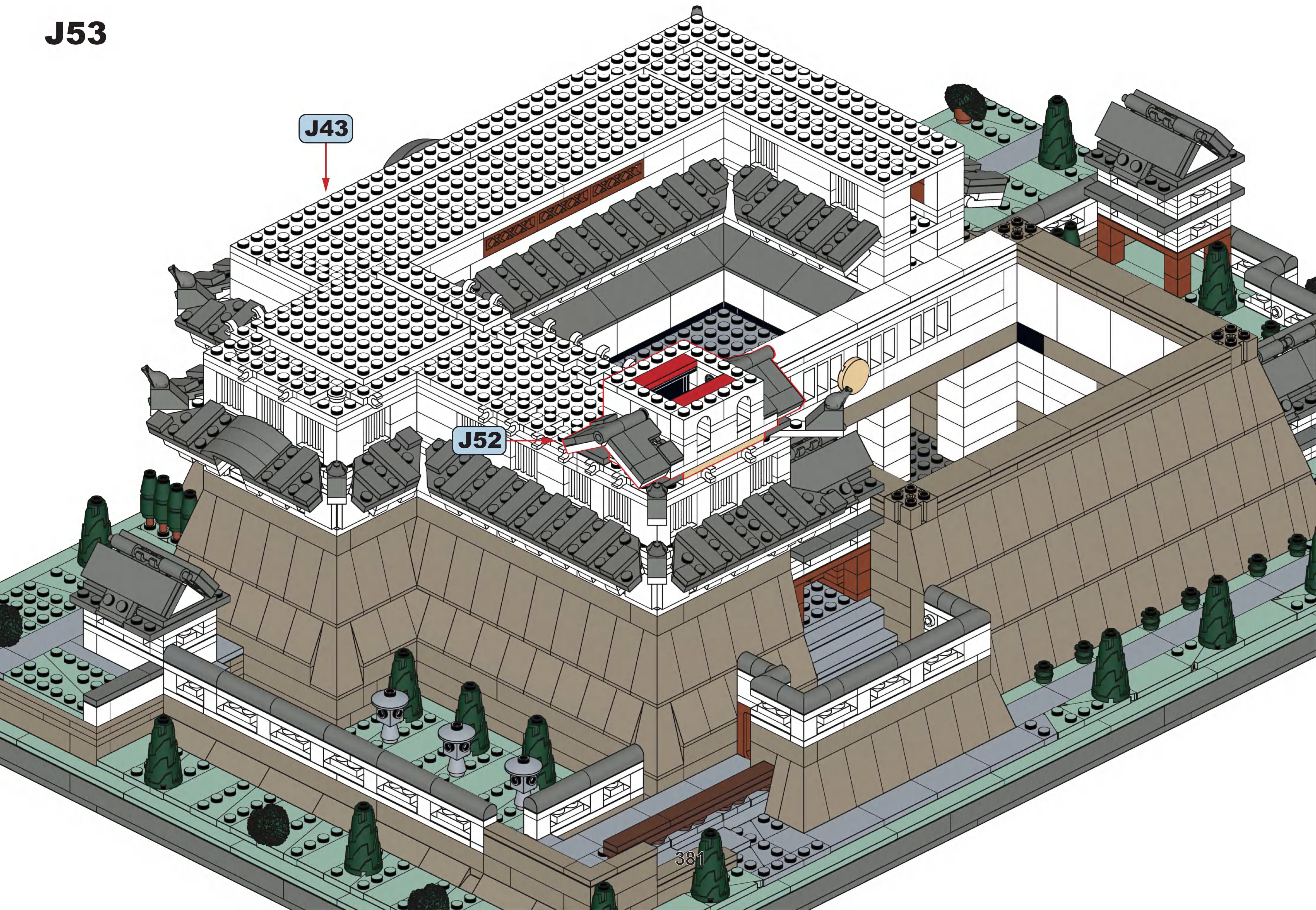
J52



x2



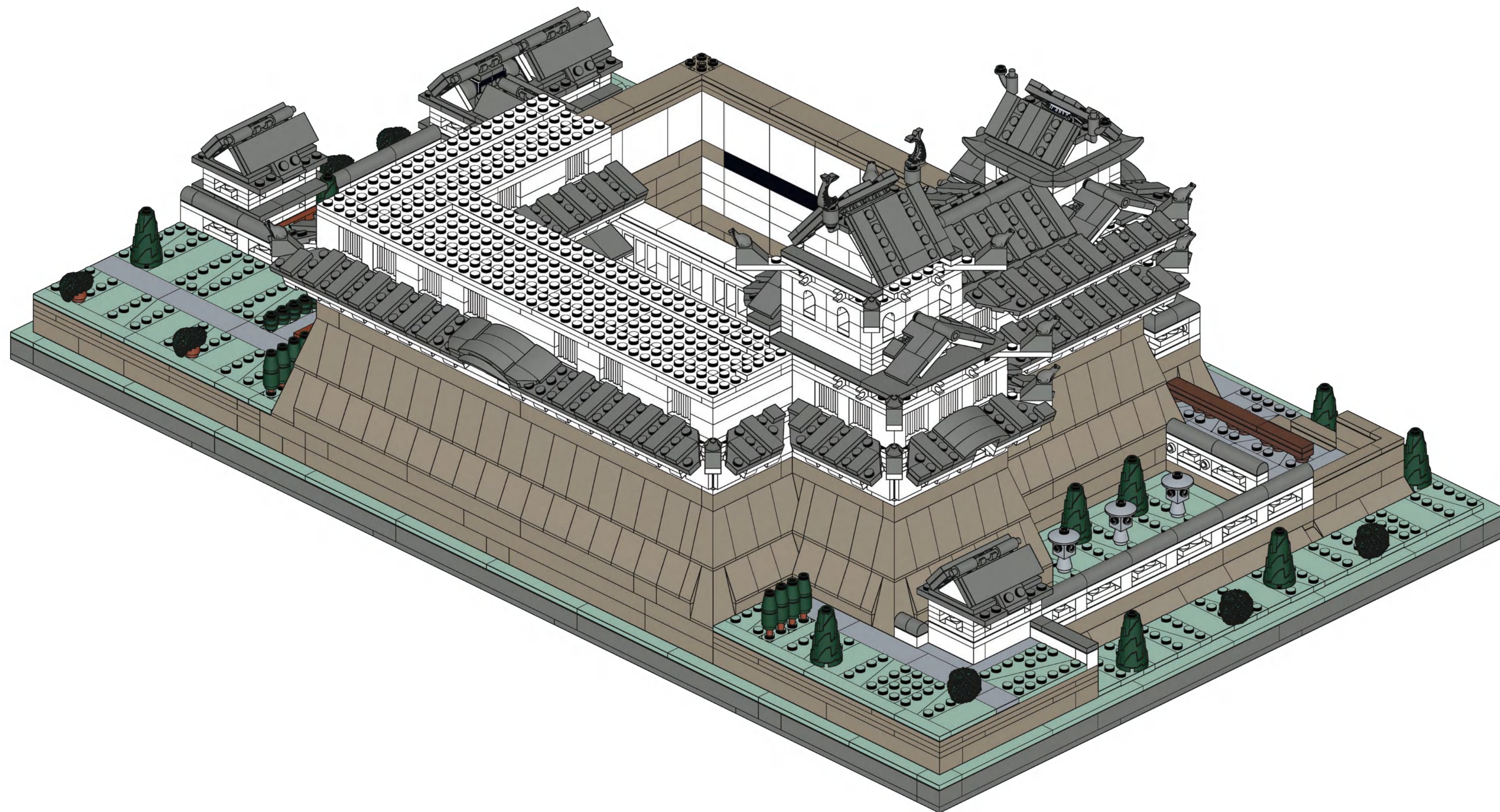
J53



J43

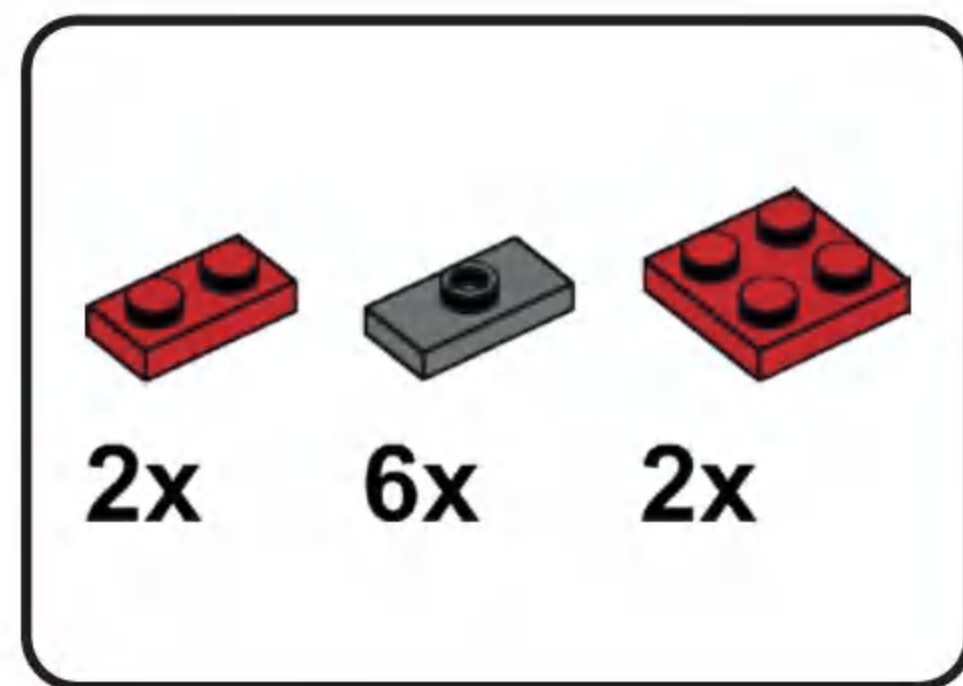
J52

11

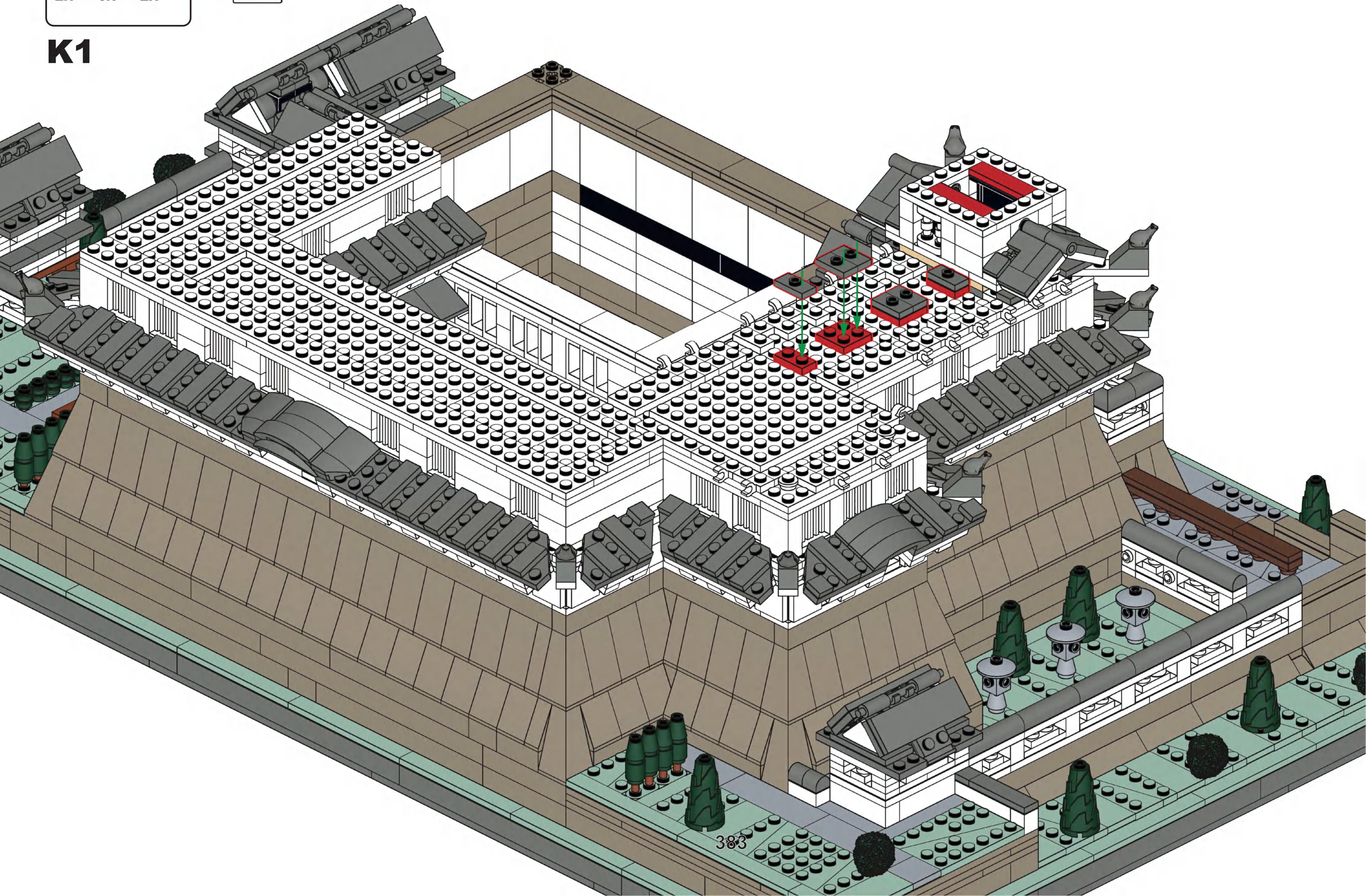


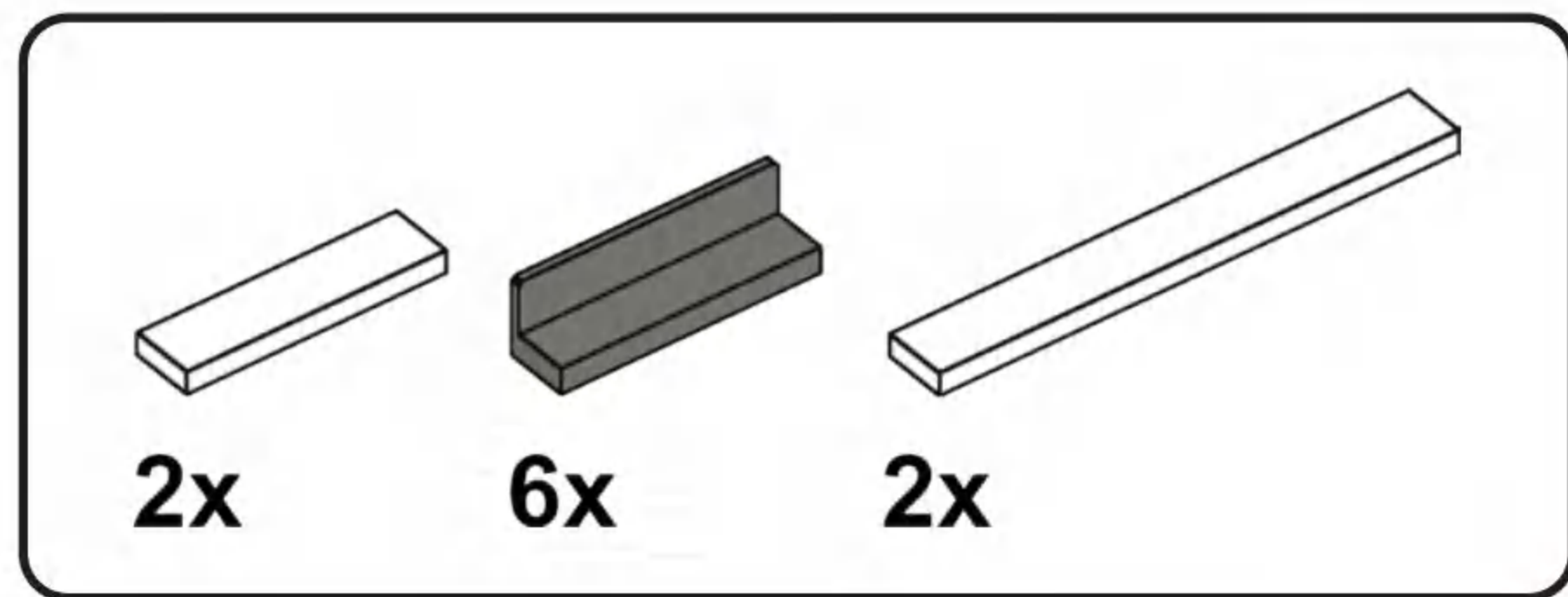
K

2x 6x 2x

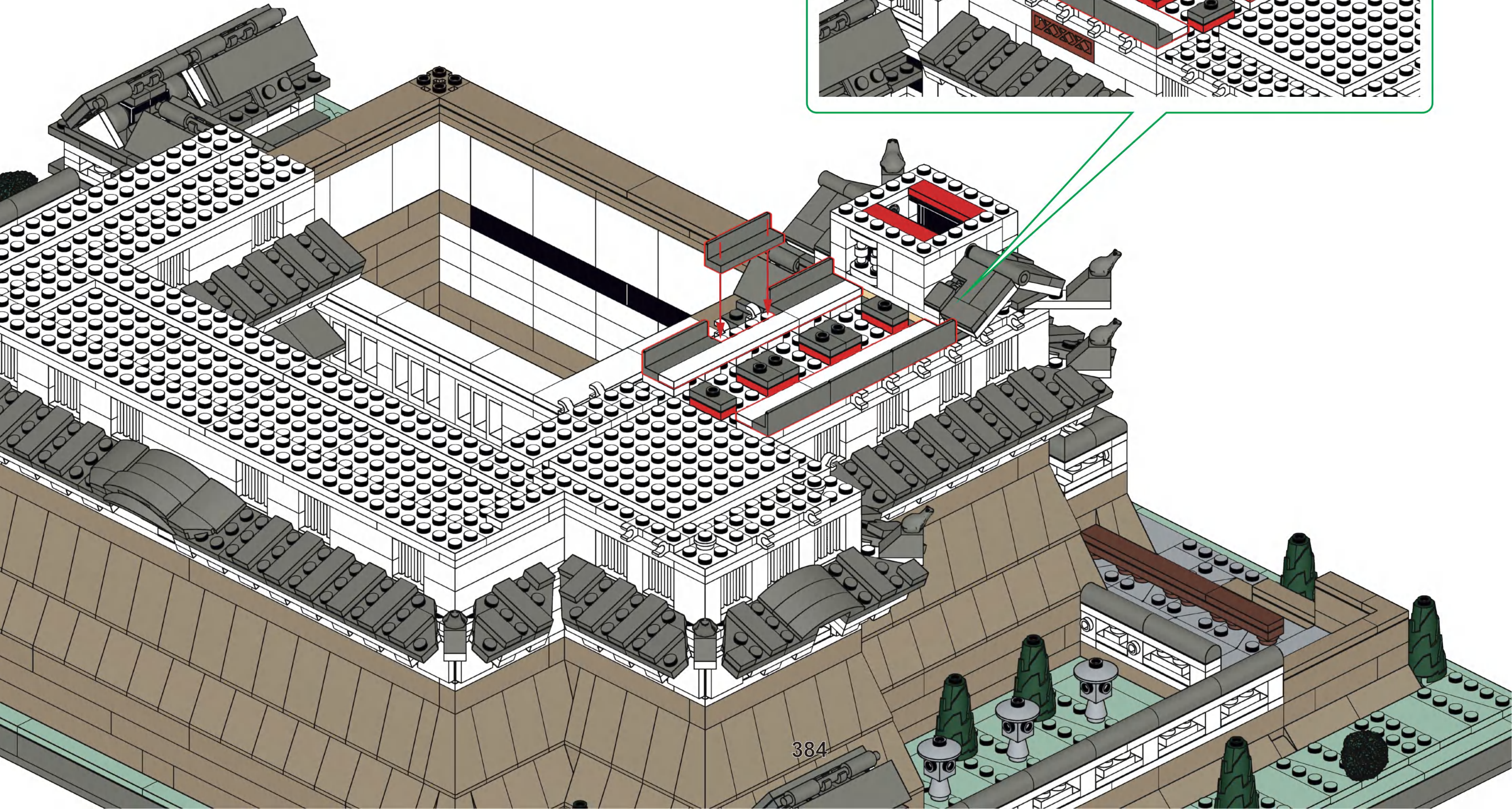
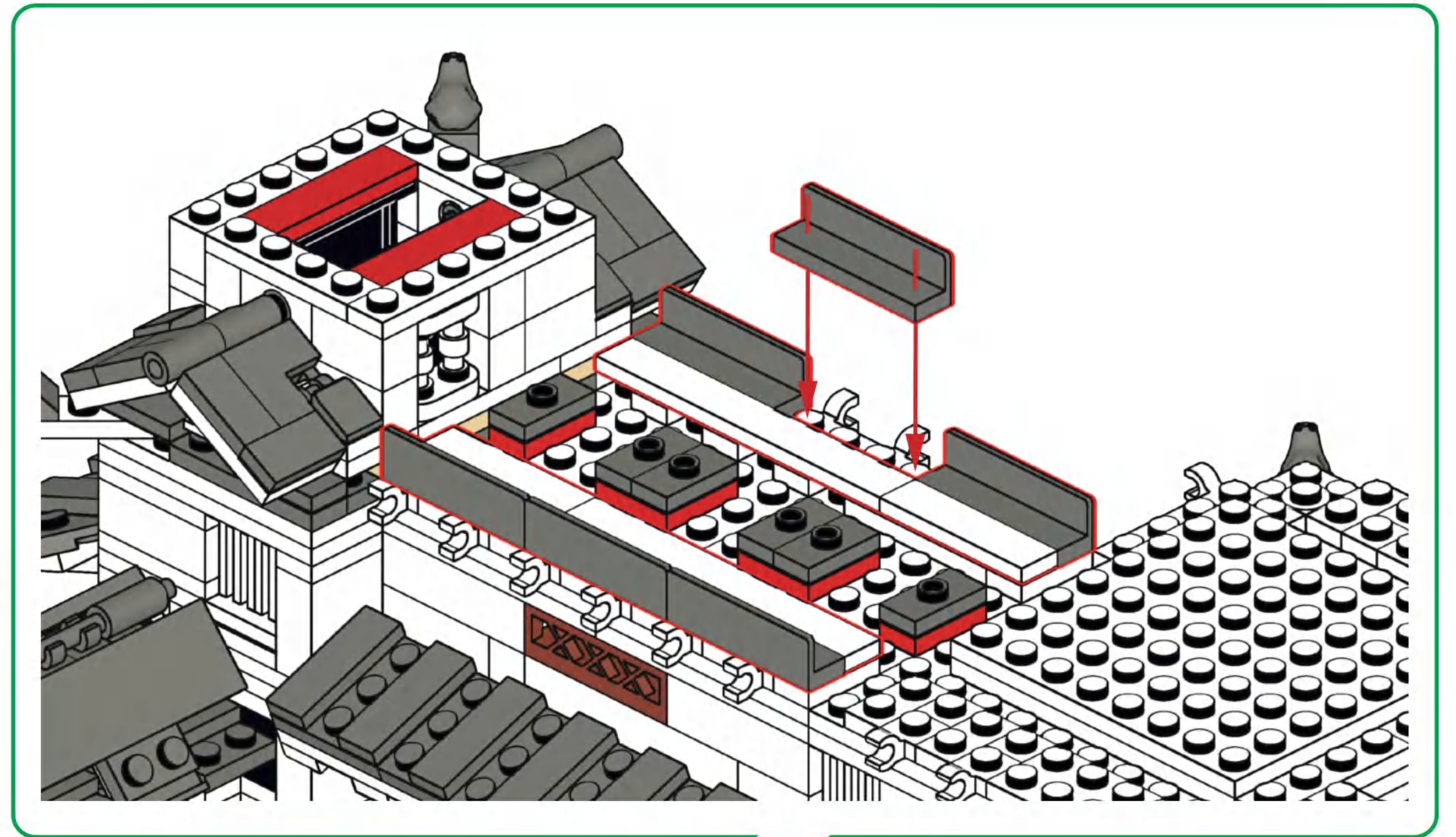


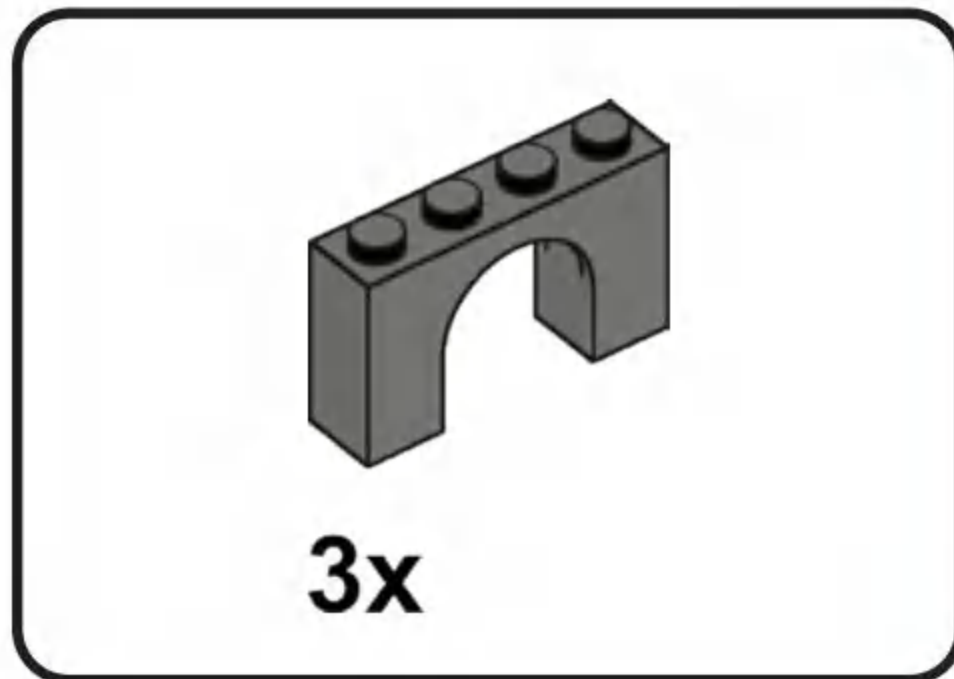
K1



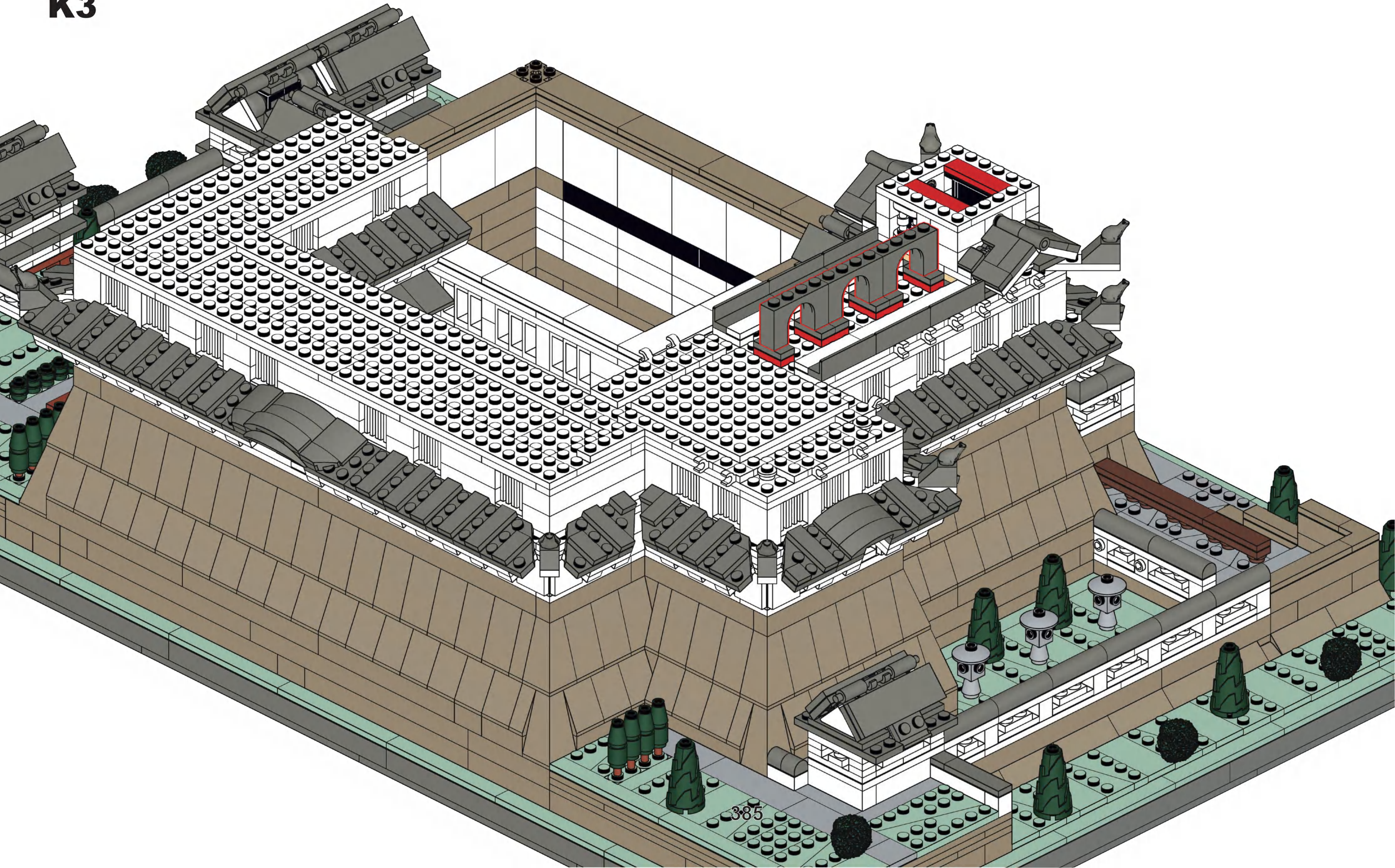


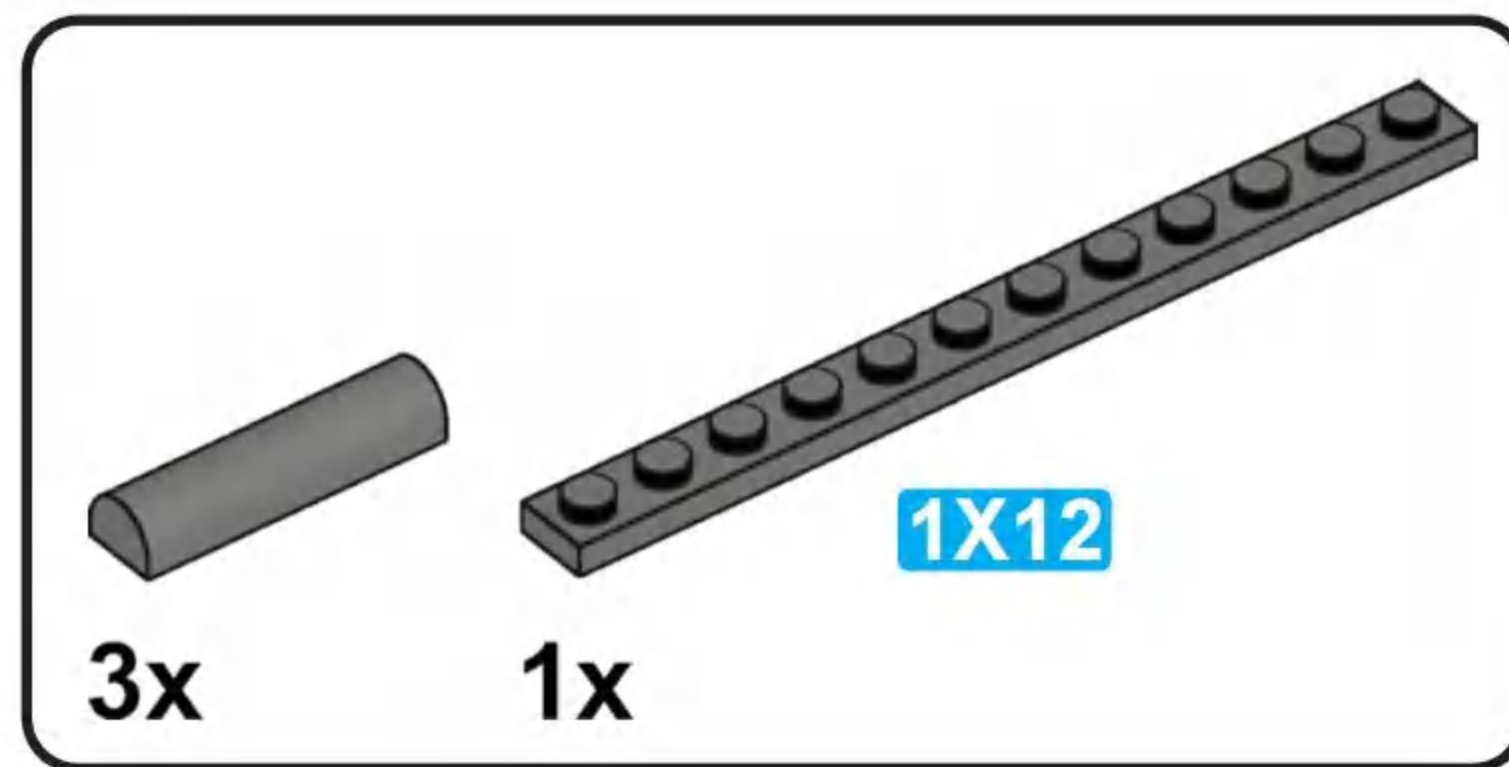
K2



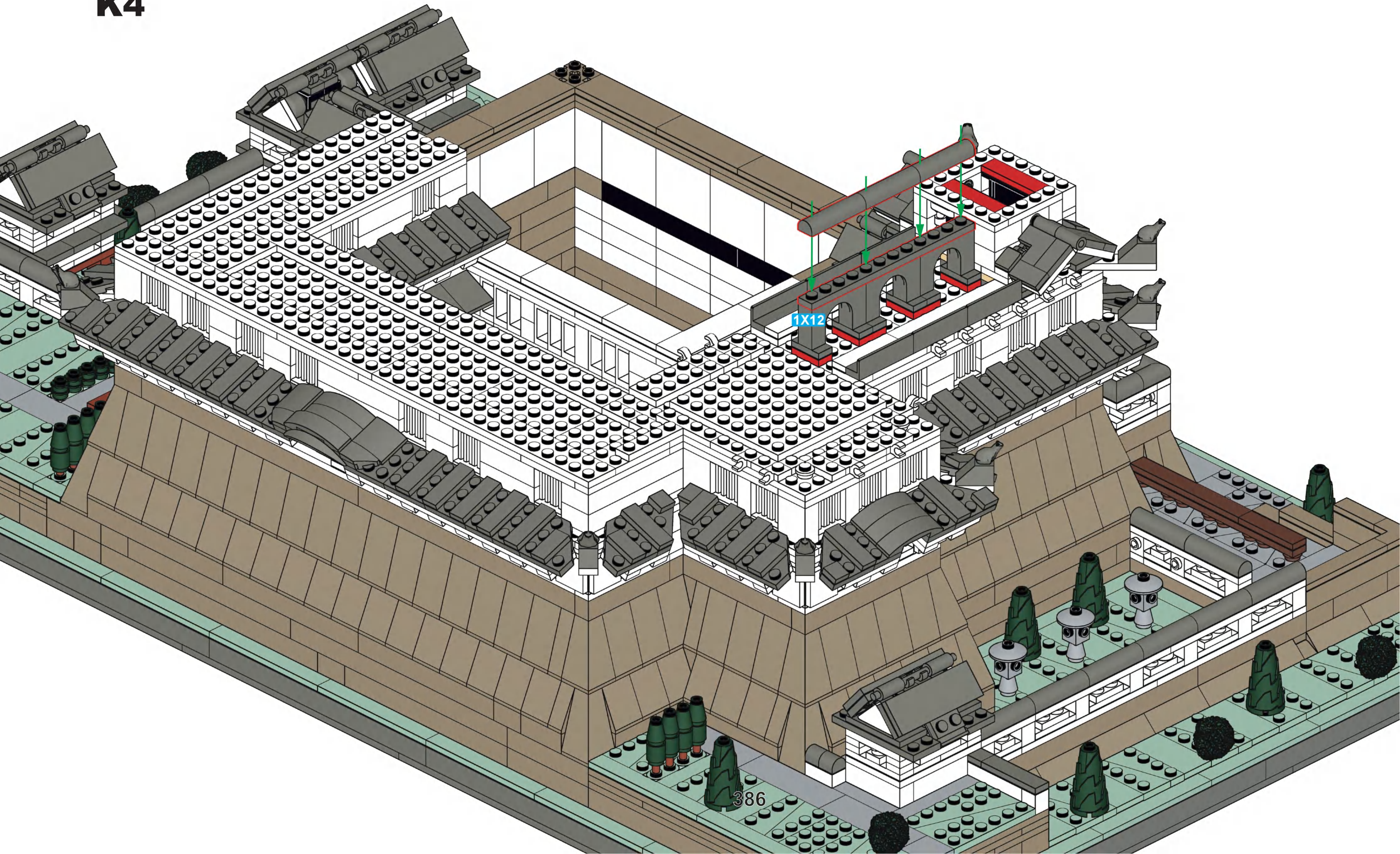


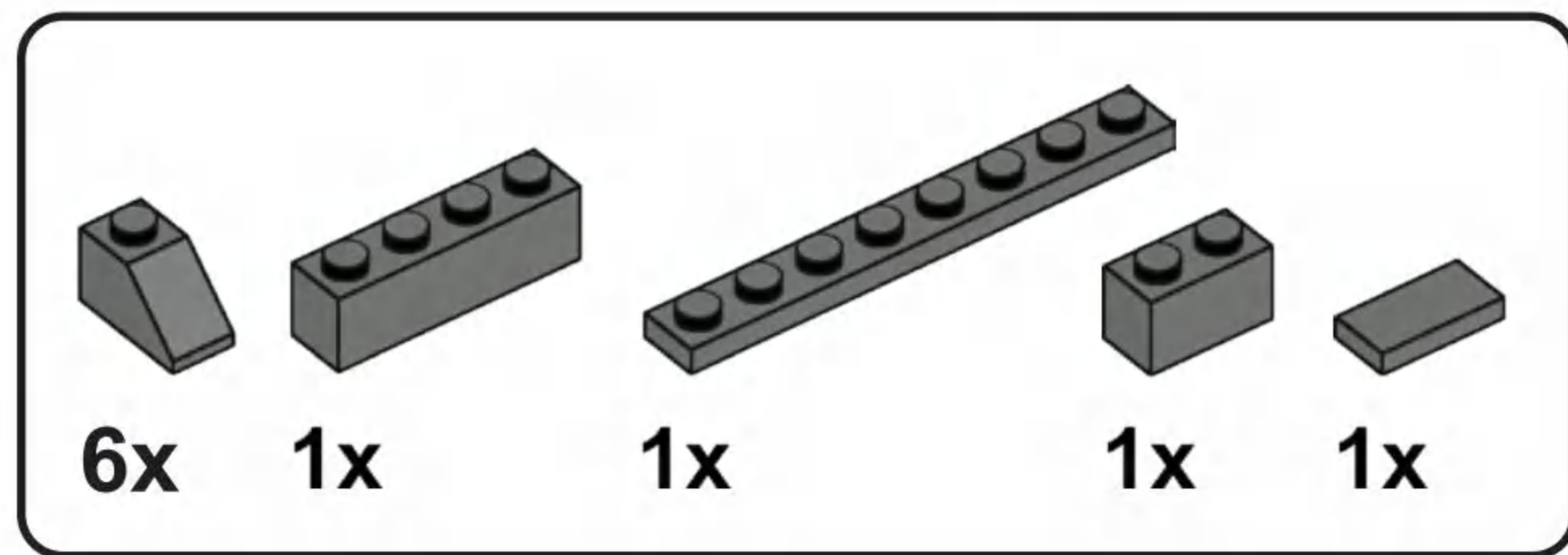
K3



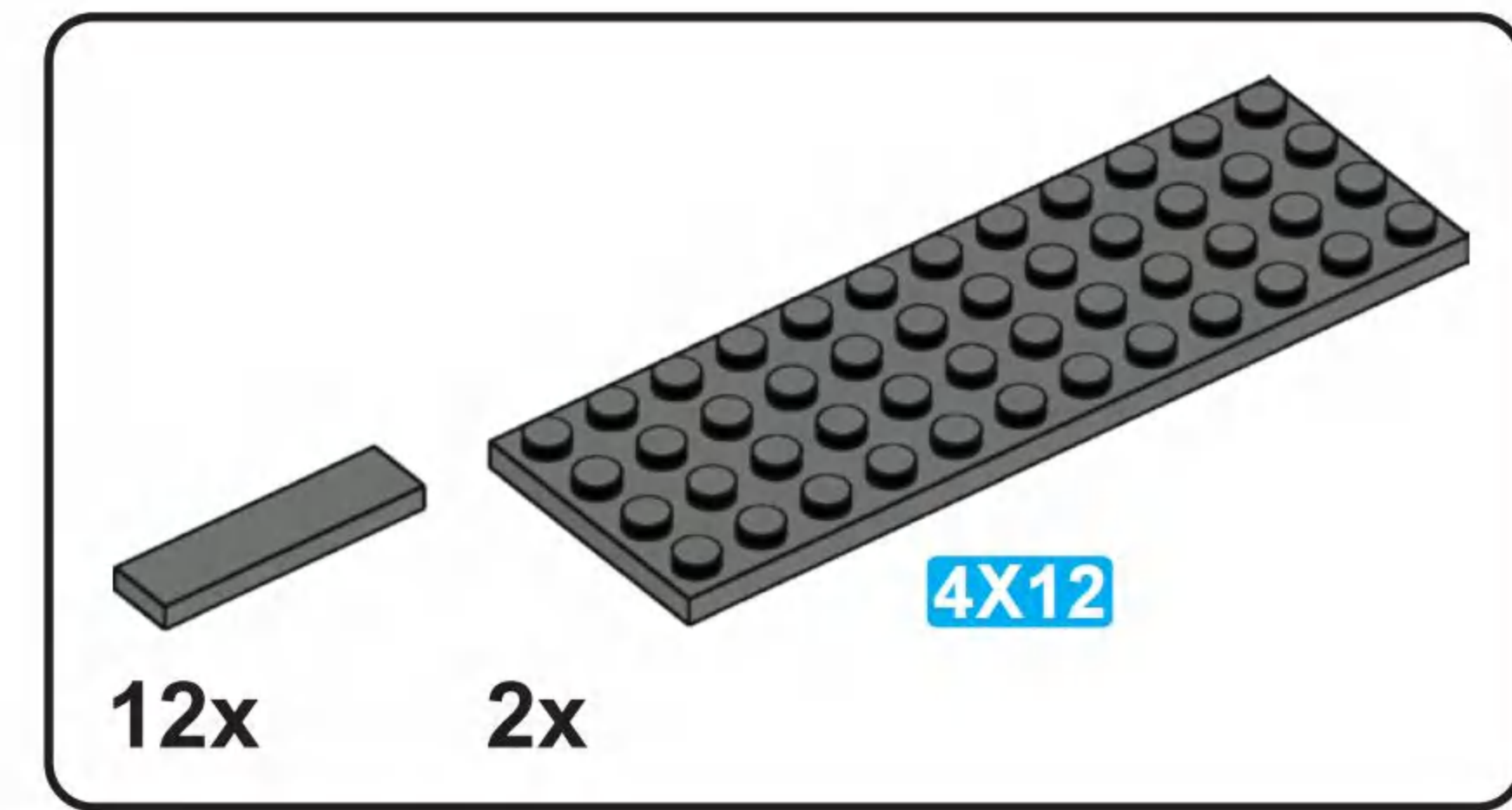
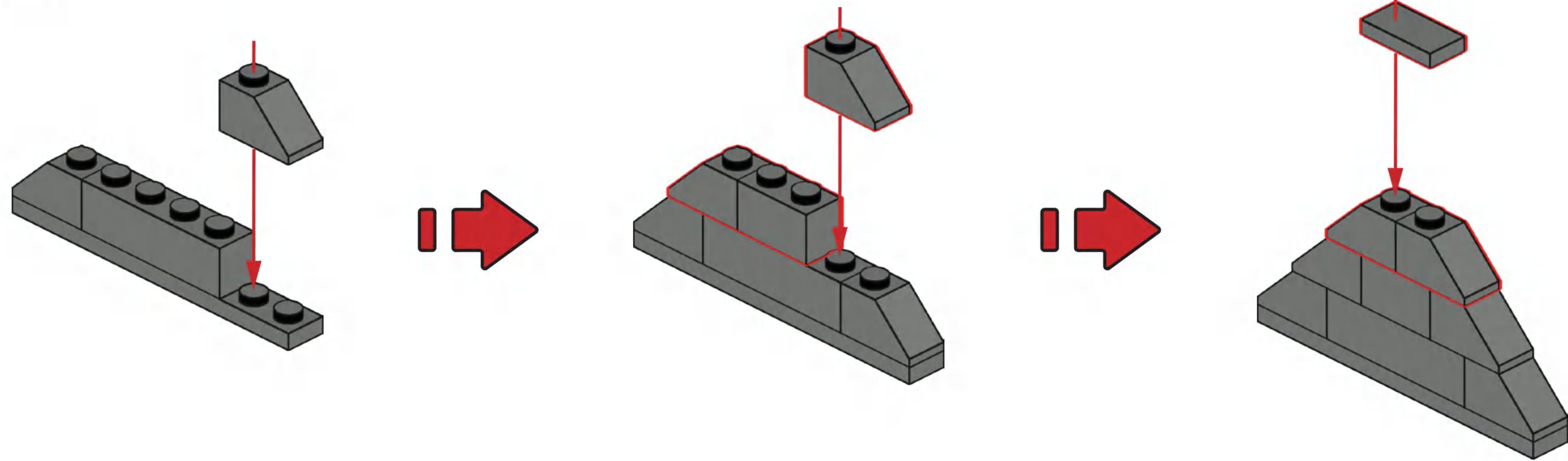


K4

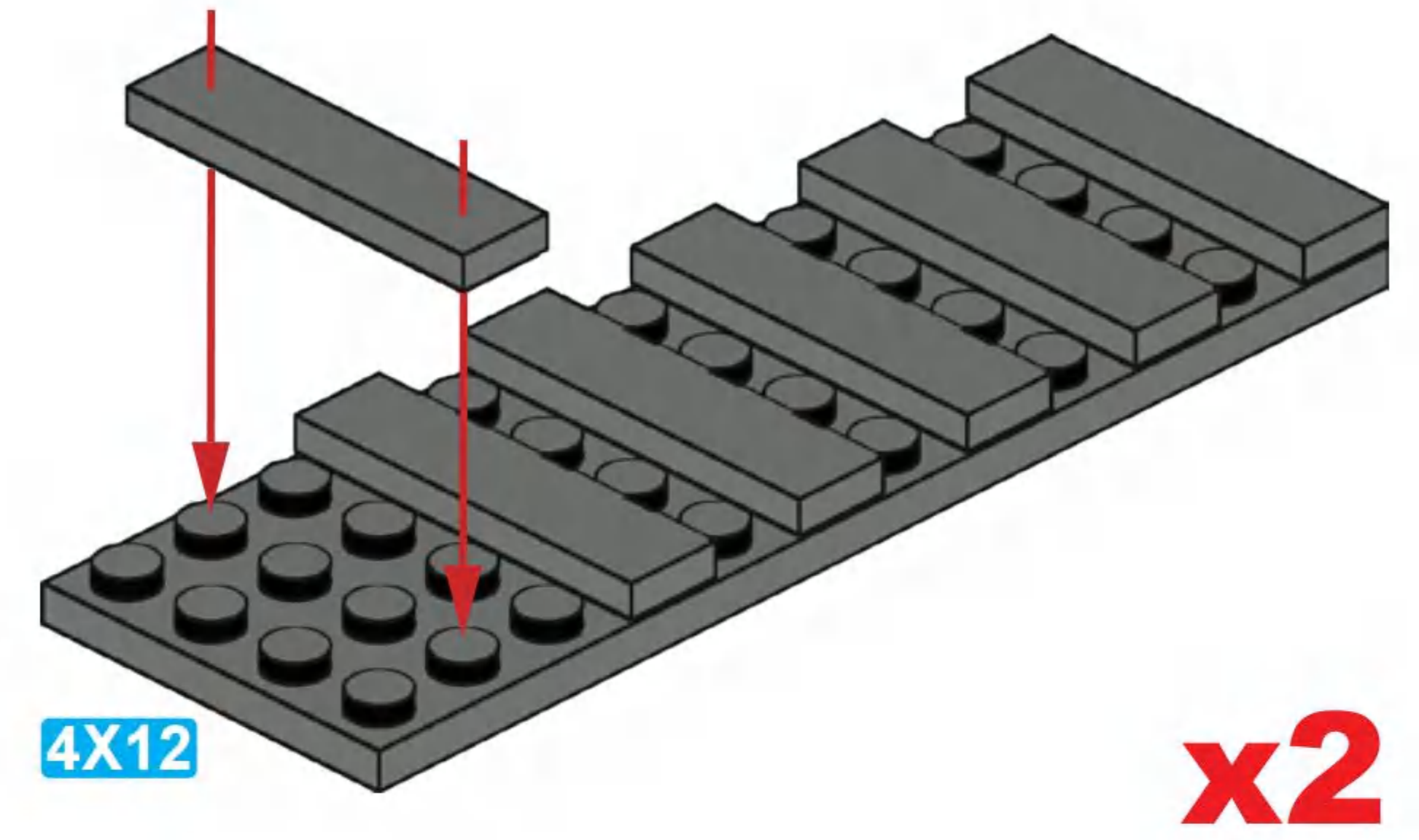




K5



K6



K7

