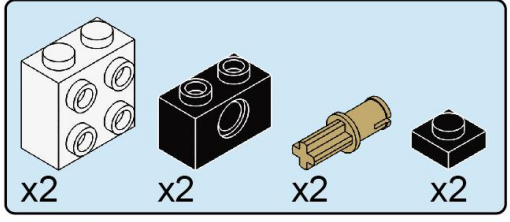
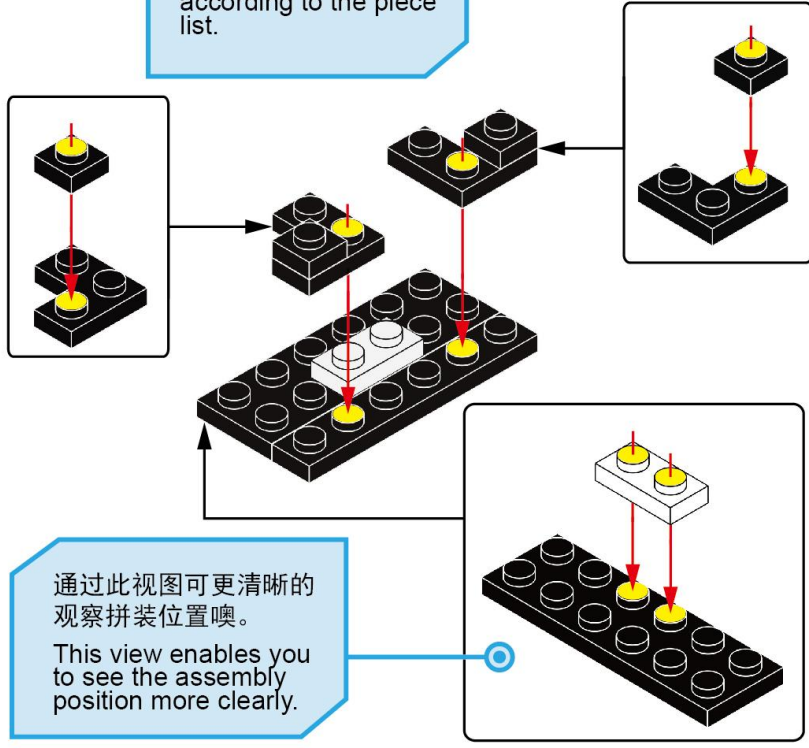


这是零件尺寸标识, 1x6表示该零件宽度为1个积木颗粒, 长度为6个积木颗粒。
This is the size mark of the piece. 1x6 means that the piece is 1 studwide and 6 studs long.



1

按零件表分拣零件拼搭更快捷。
It's faster to sort and assemble pieces according to the piece list.

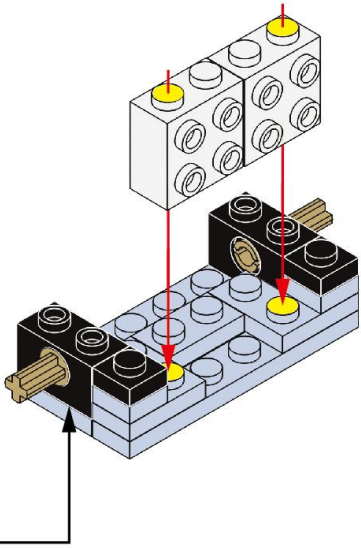
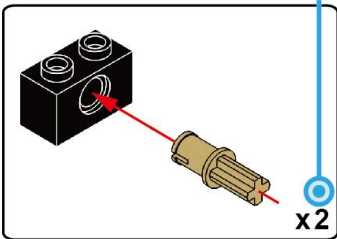


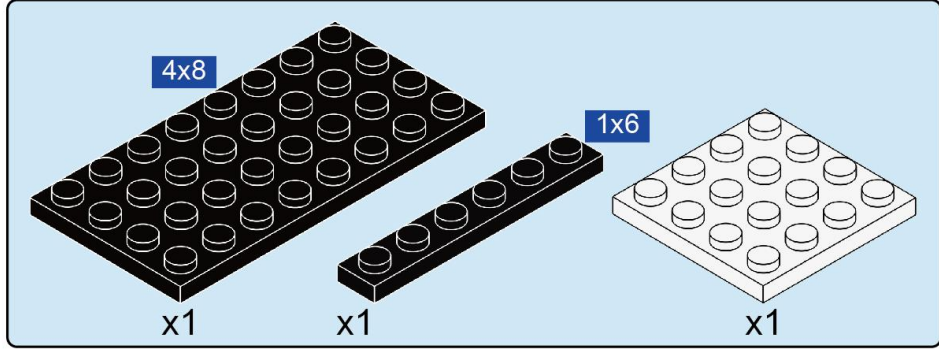
通过此视图可更清晰的观察拼装位置噢。
This view enables you to see the assembly position more clearly.

1

2

x2表示该模块需要拼2个。
x2 means 2 modules like this are needed.

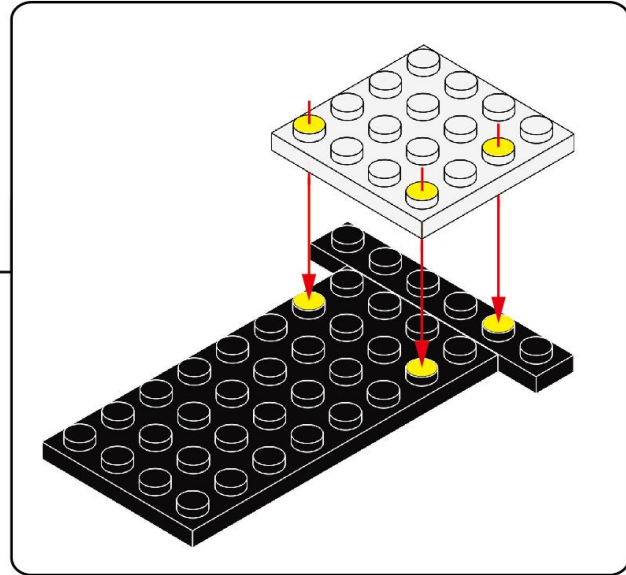
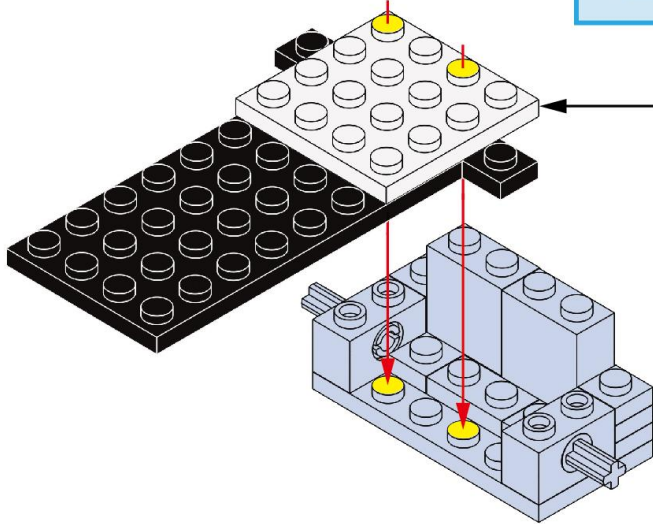


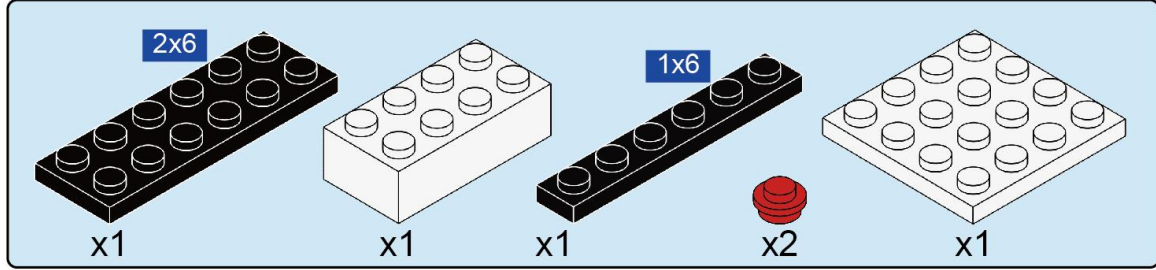


3

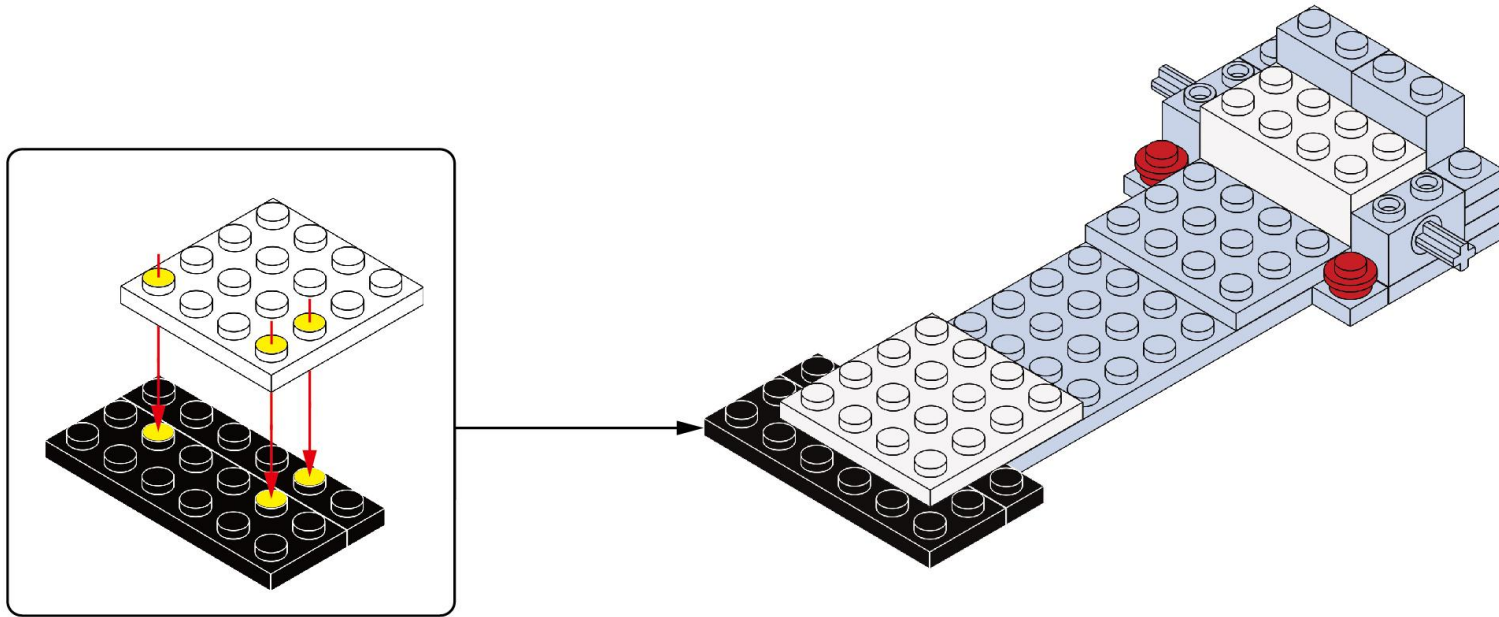


这是旋转标识，表示下方部件需要旋转方向。
This is the rotation mark, indicating that the lower part needs to rotate in the direction.

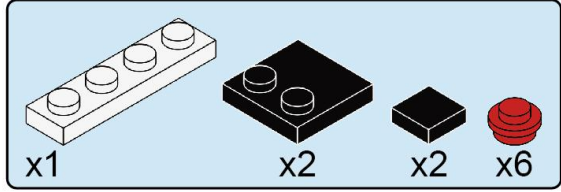




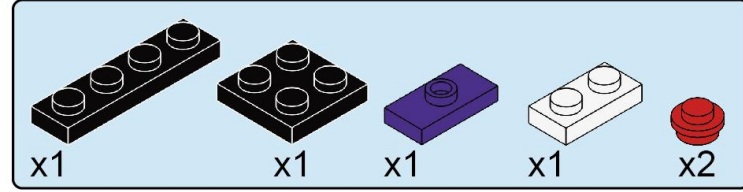
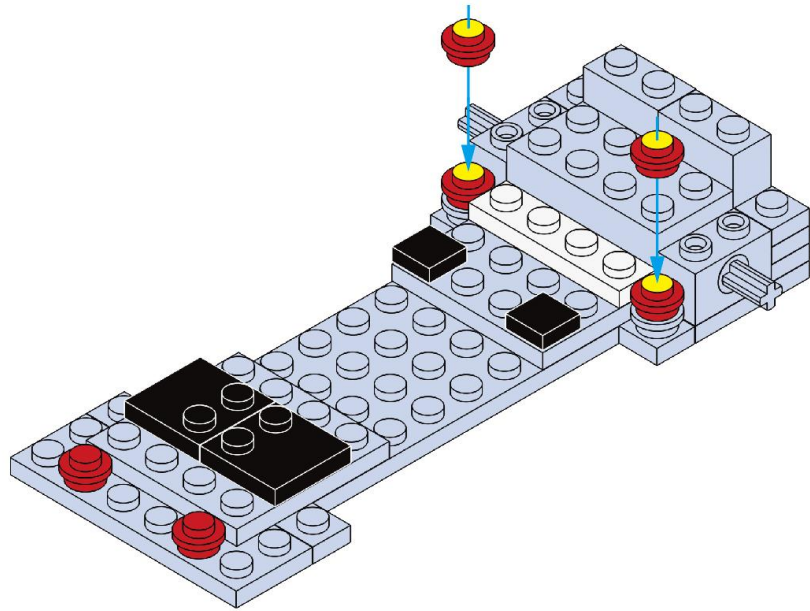
4



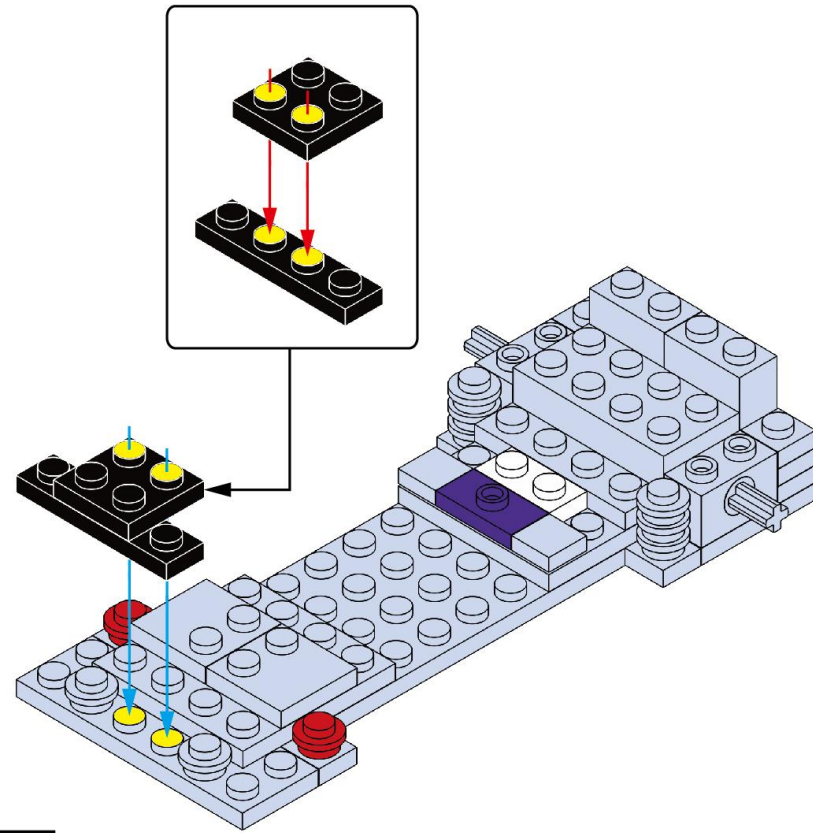
3



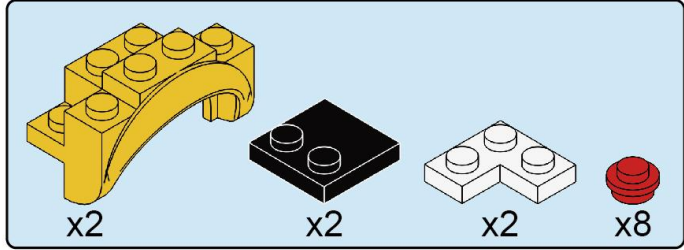
5



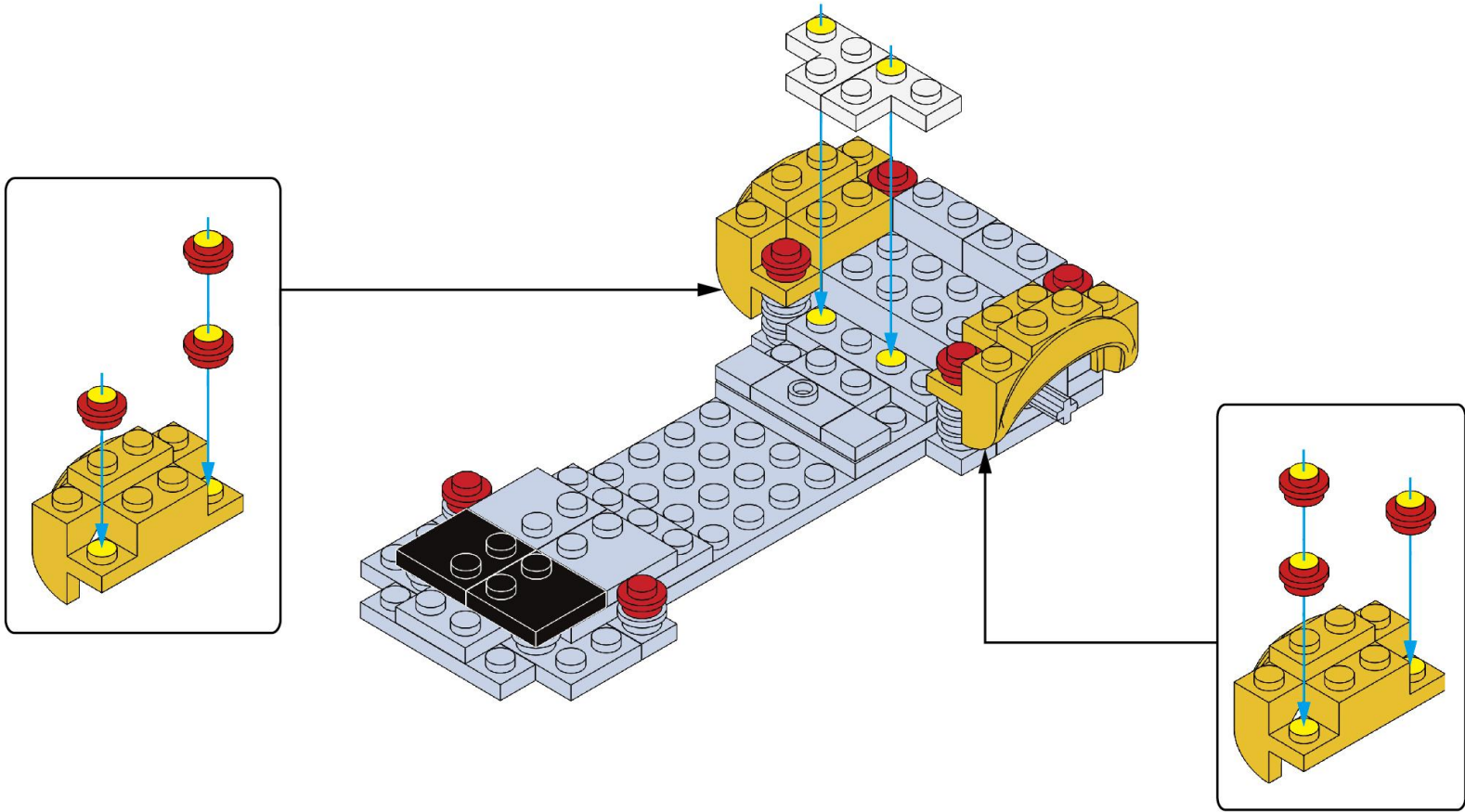
6



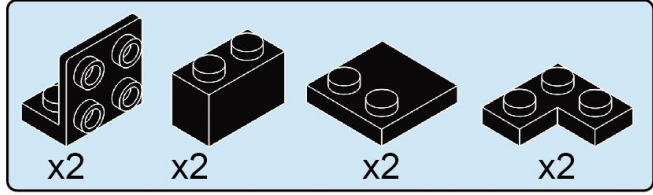
4



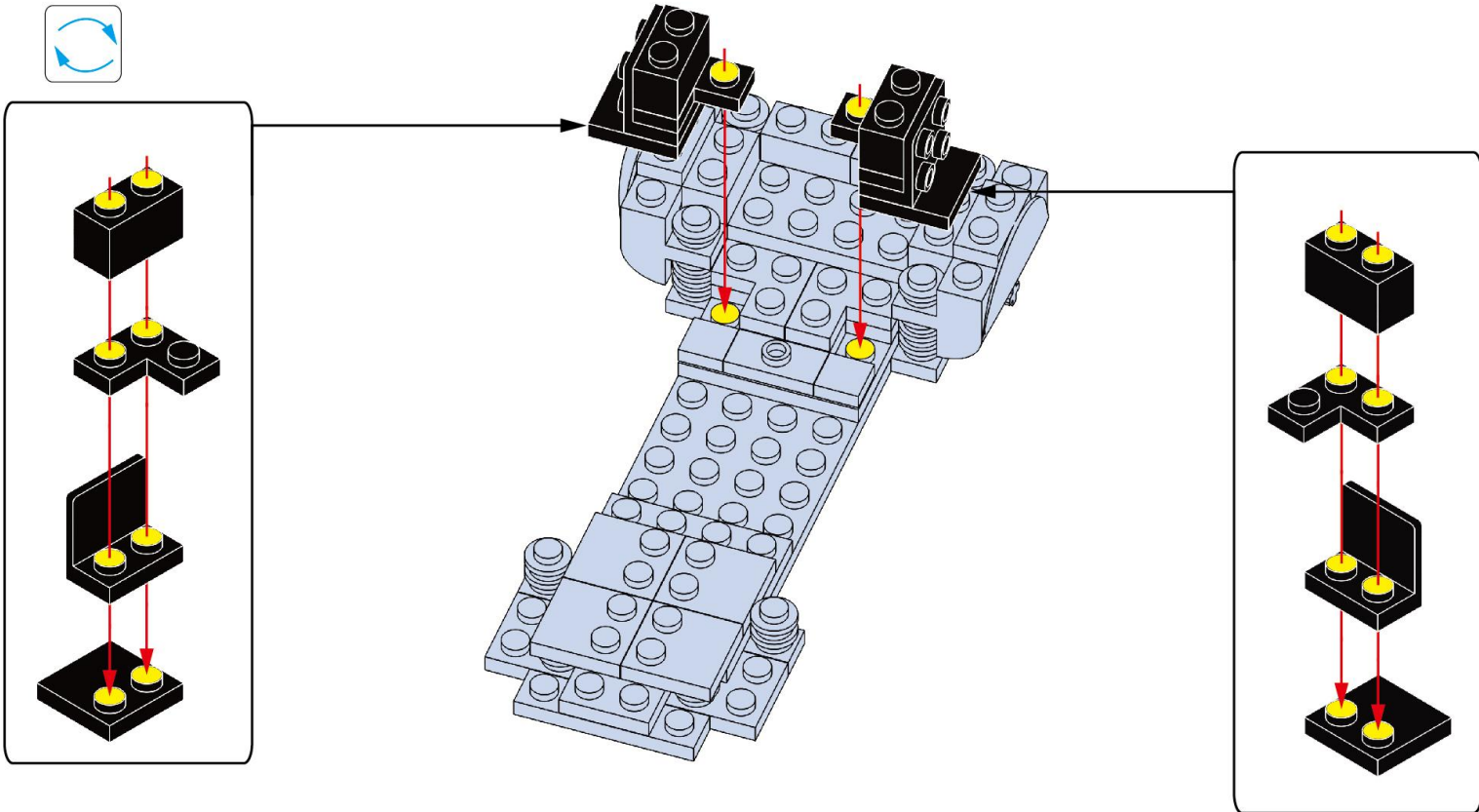
7



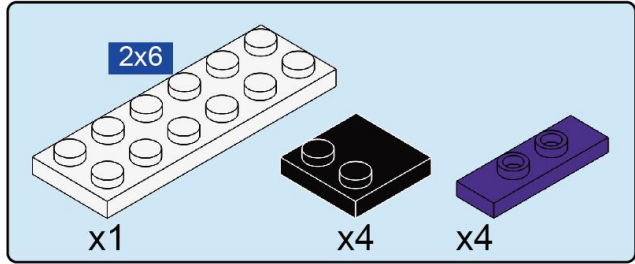
5



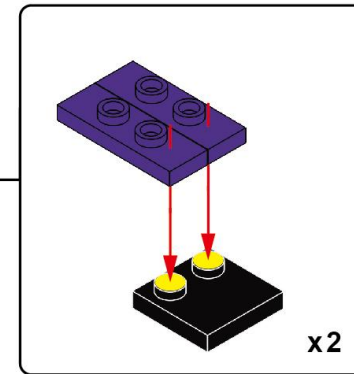
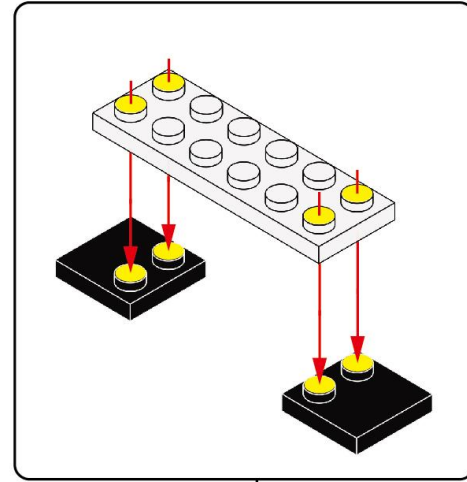
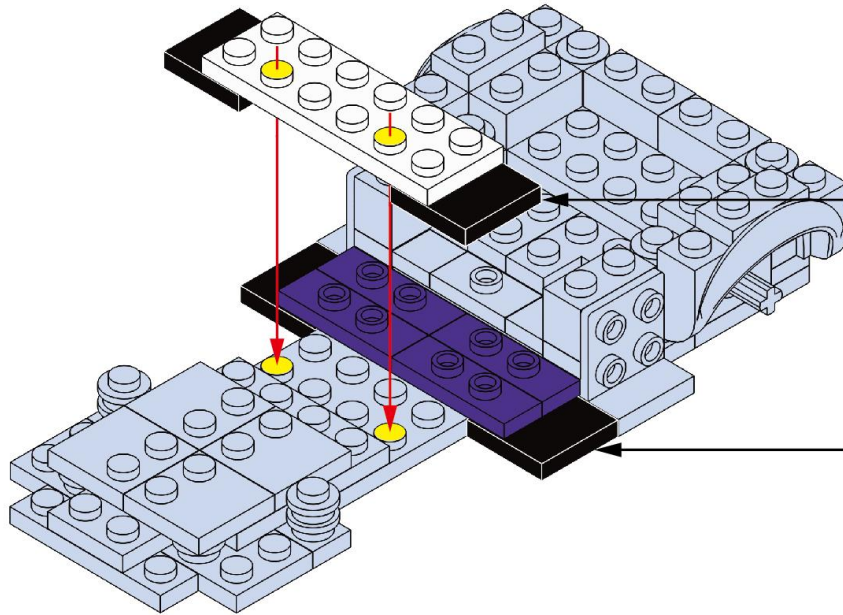
8

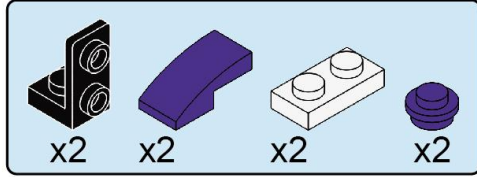


6

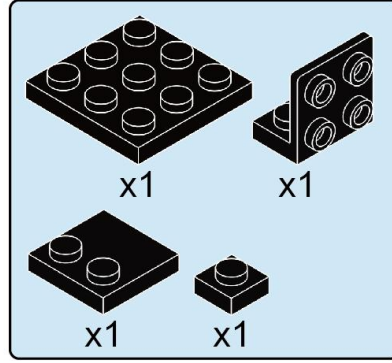
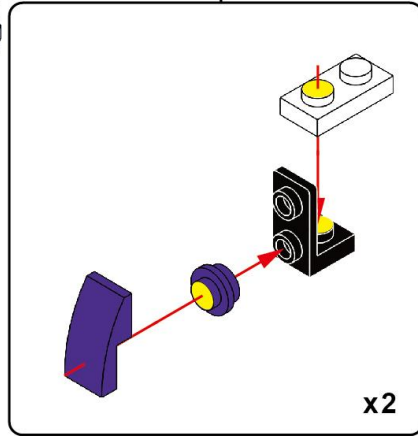
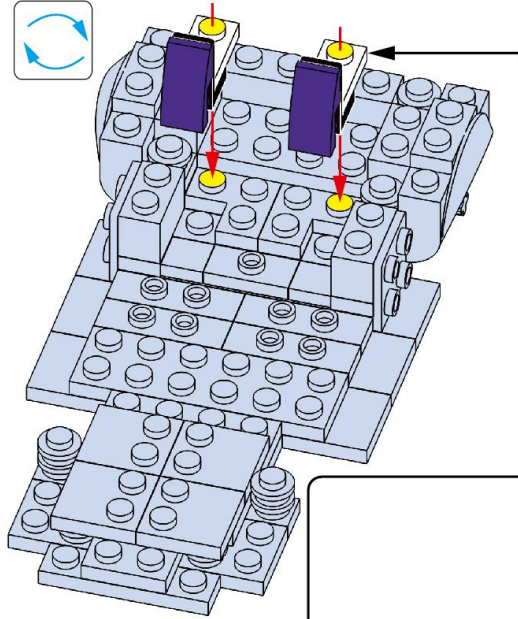


9

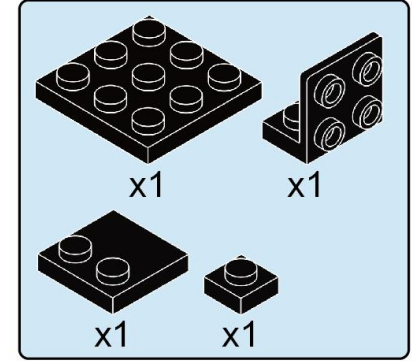
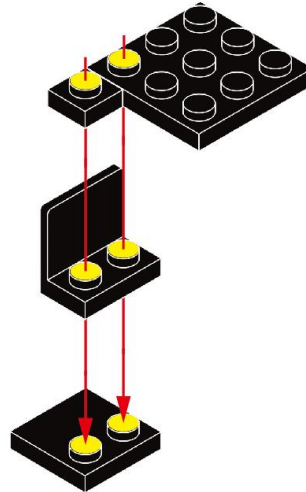




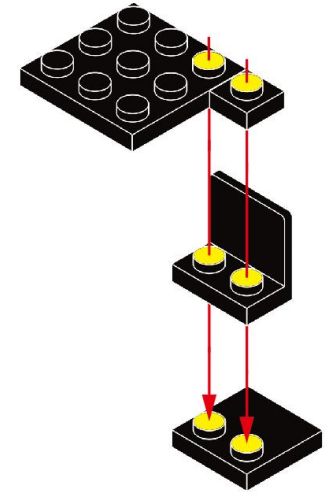
10



11



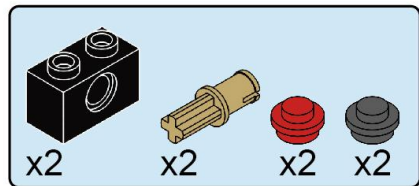
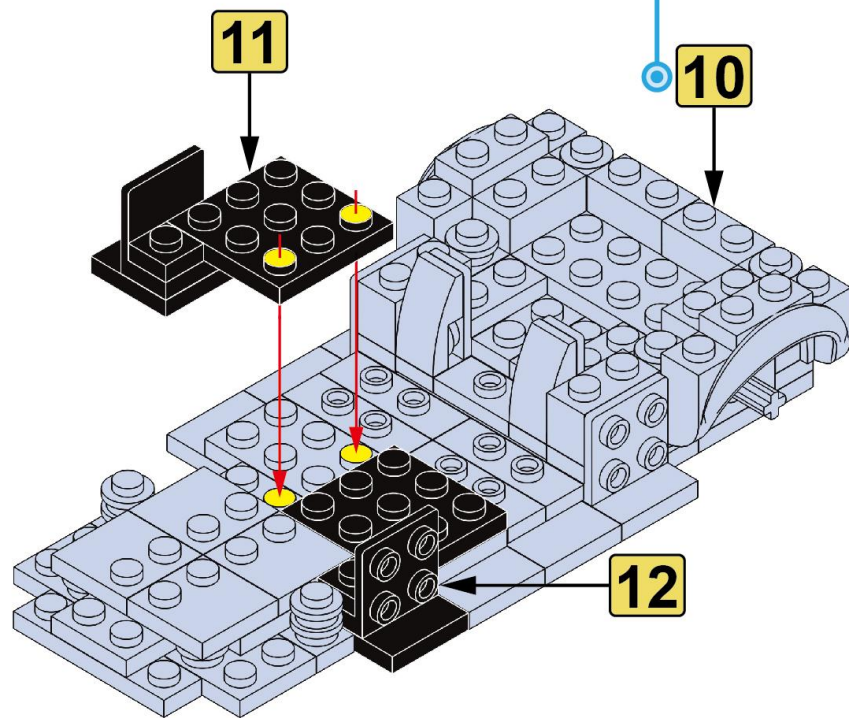
12



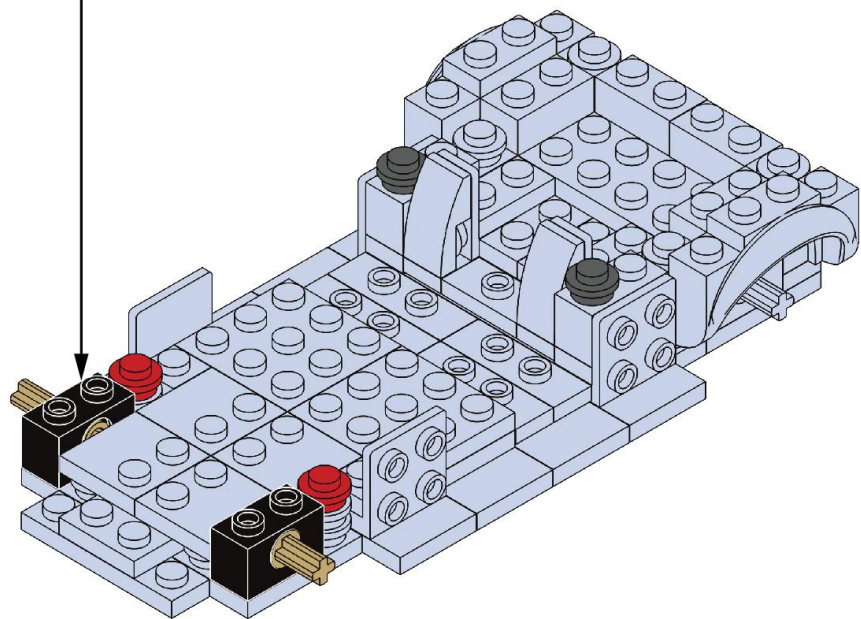
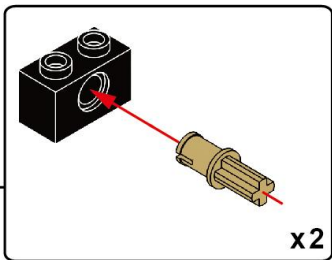
13

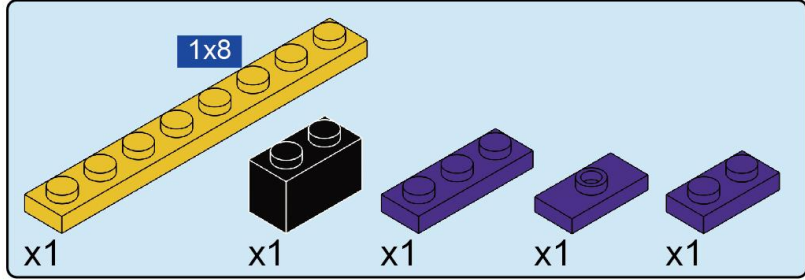


这是步骤标识，10表示第10步骤，
已经拼装好的部件
This is the step identifier,
10 for Step 10, the part that has
been assembled

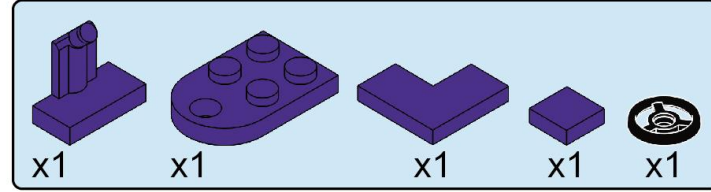
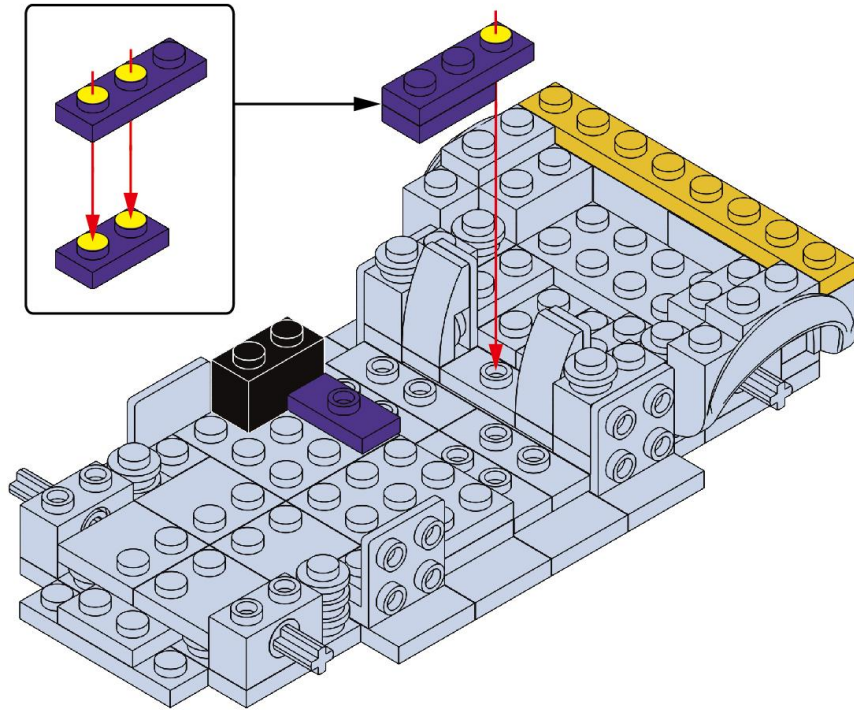


14

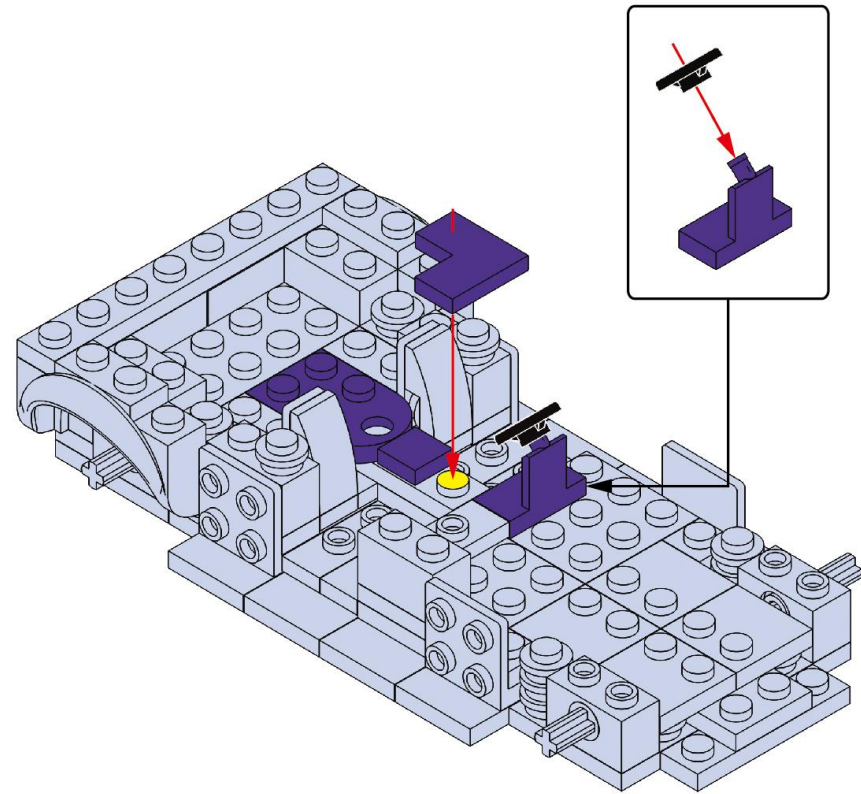


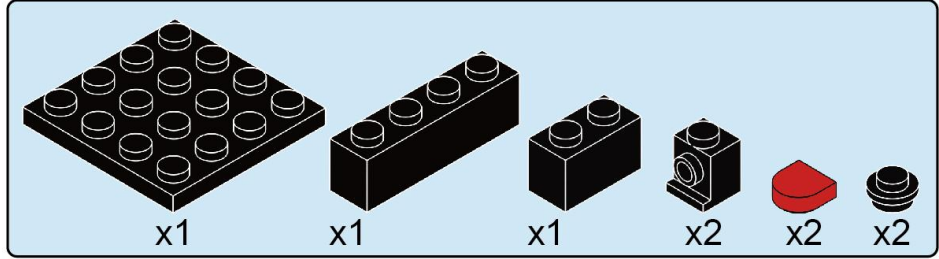


15

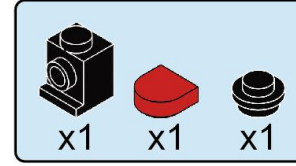
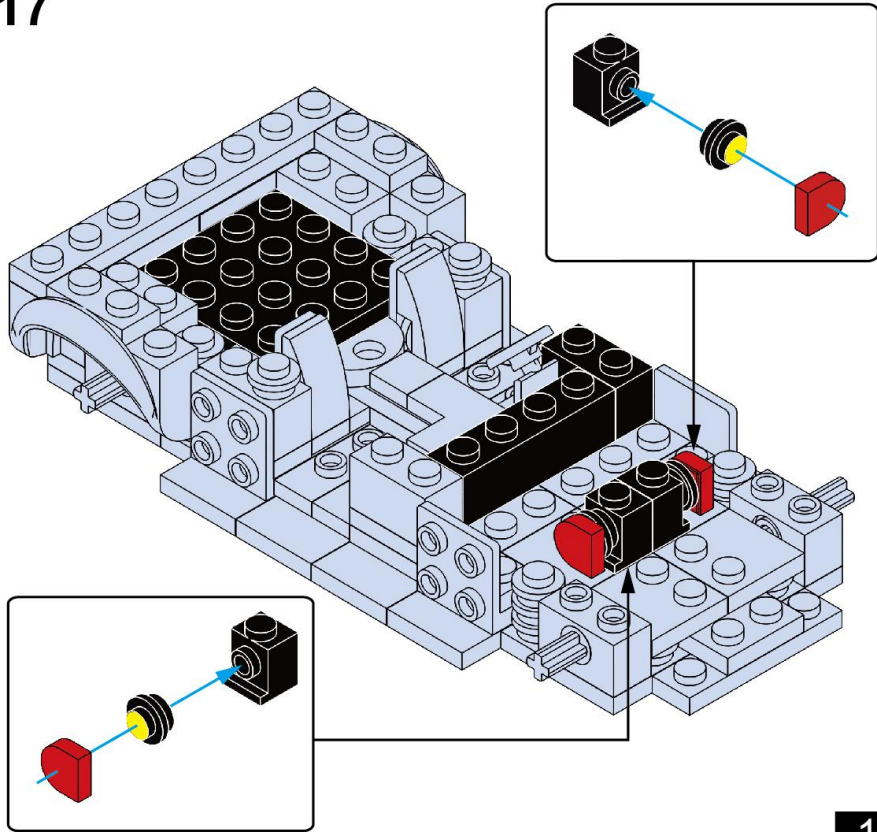


16

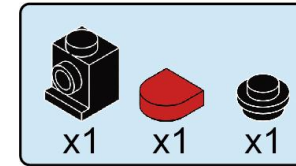
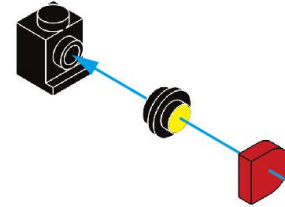




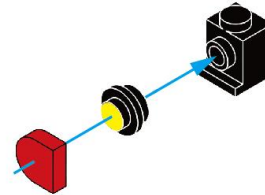
17

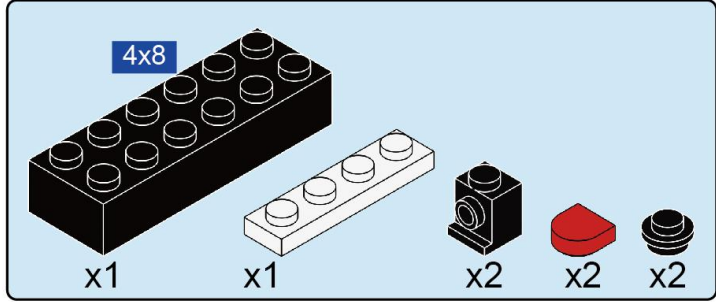


18

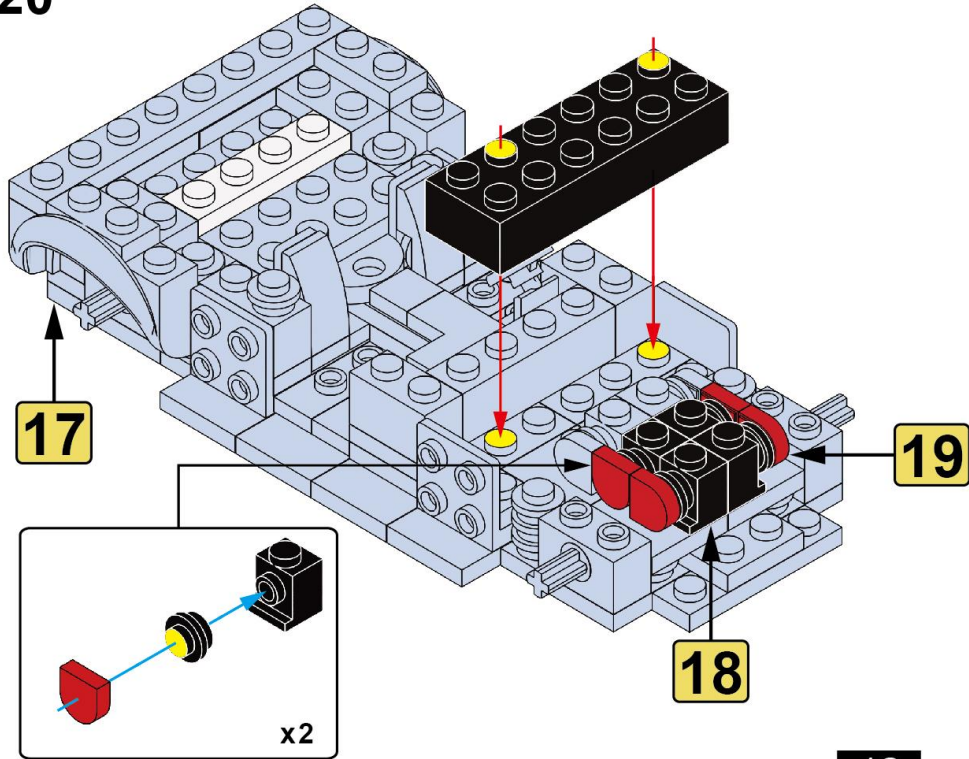


19

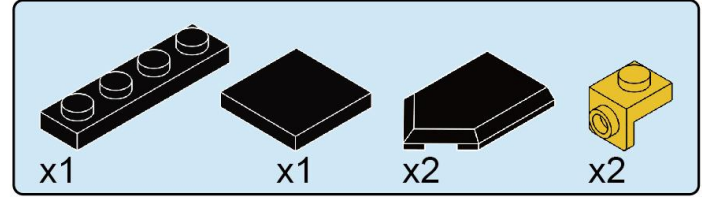




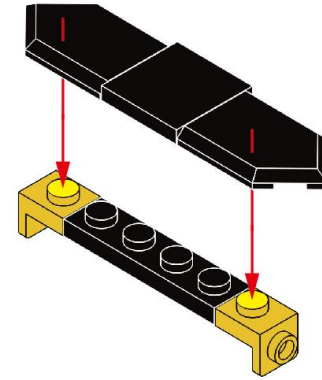
20

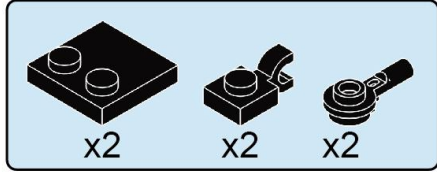


12

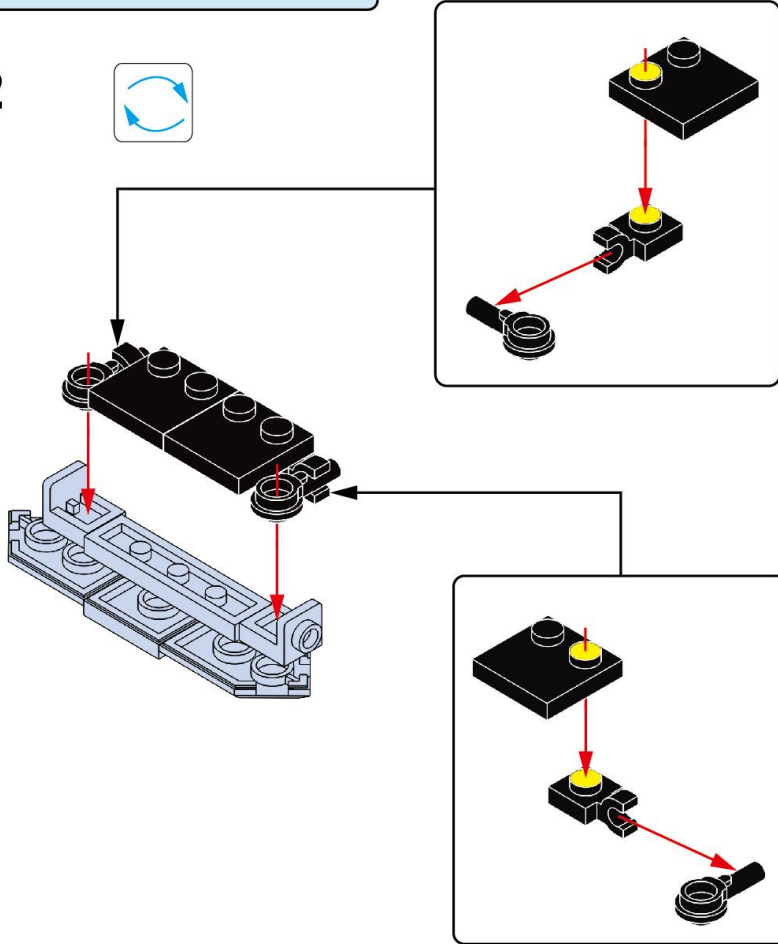


21

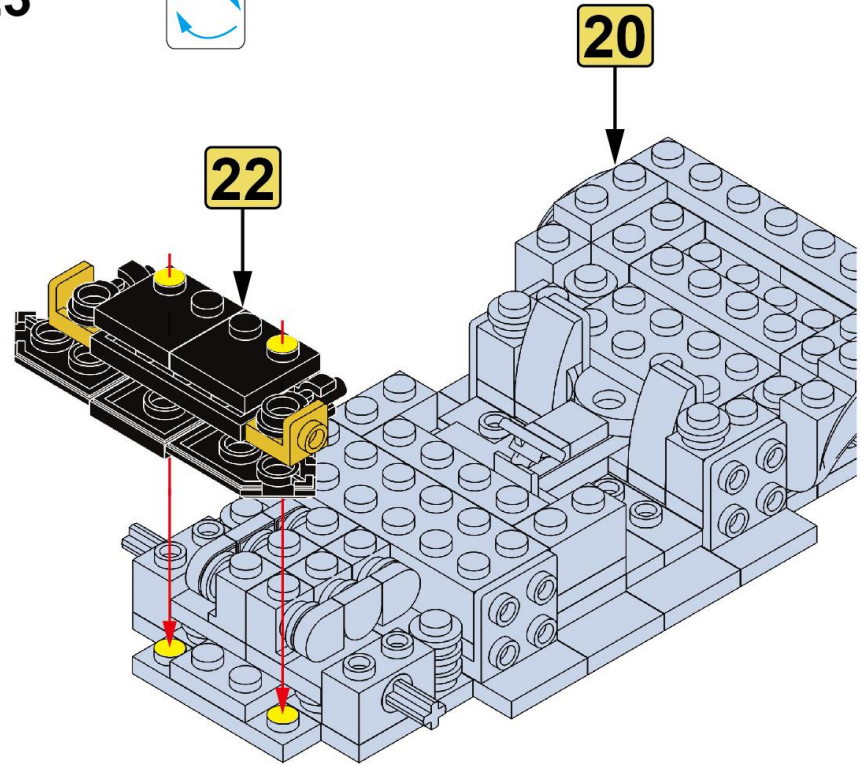


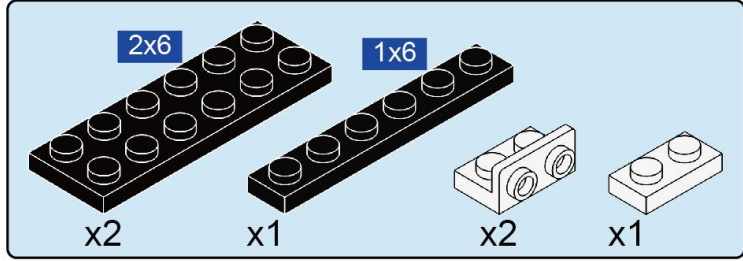


22

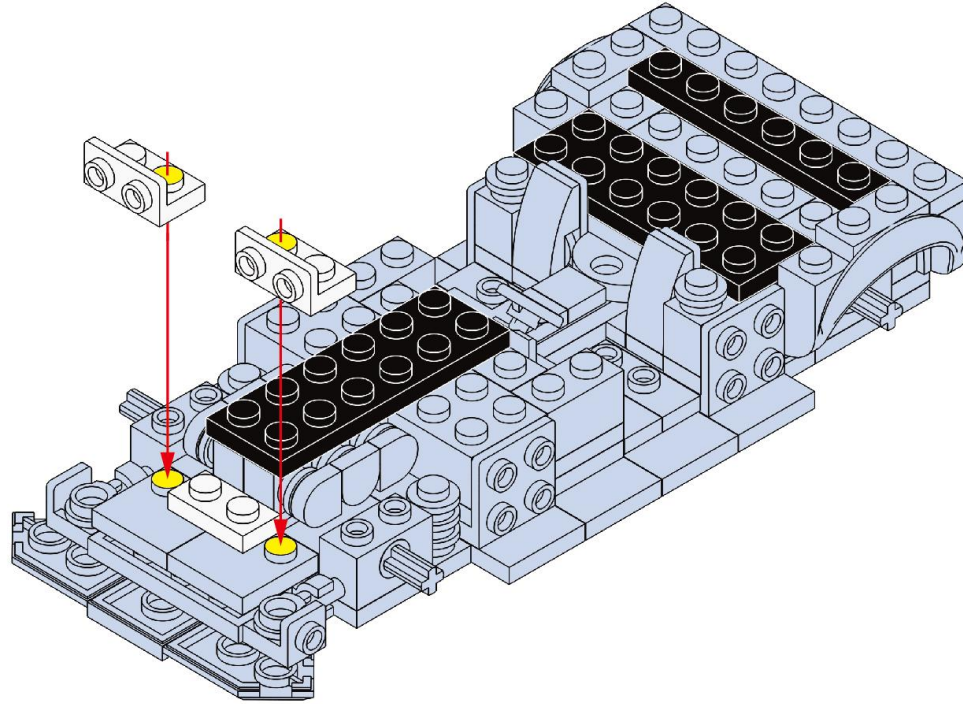


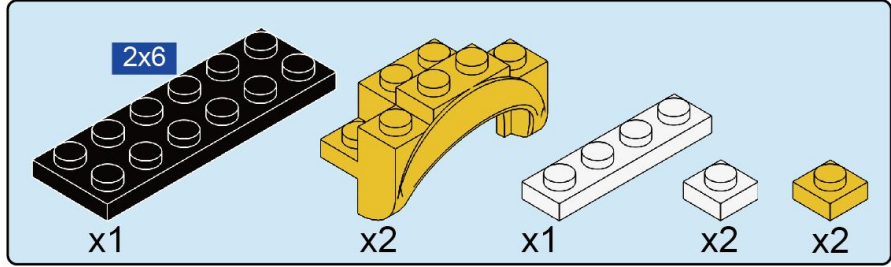
23



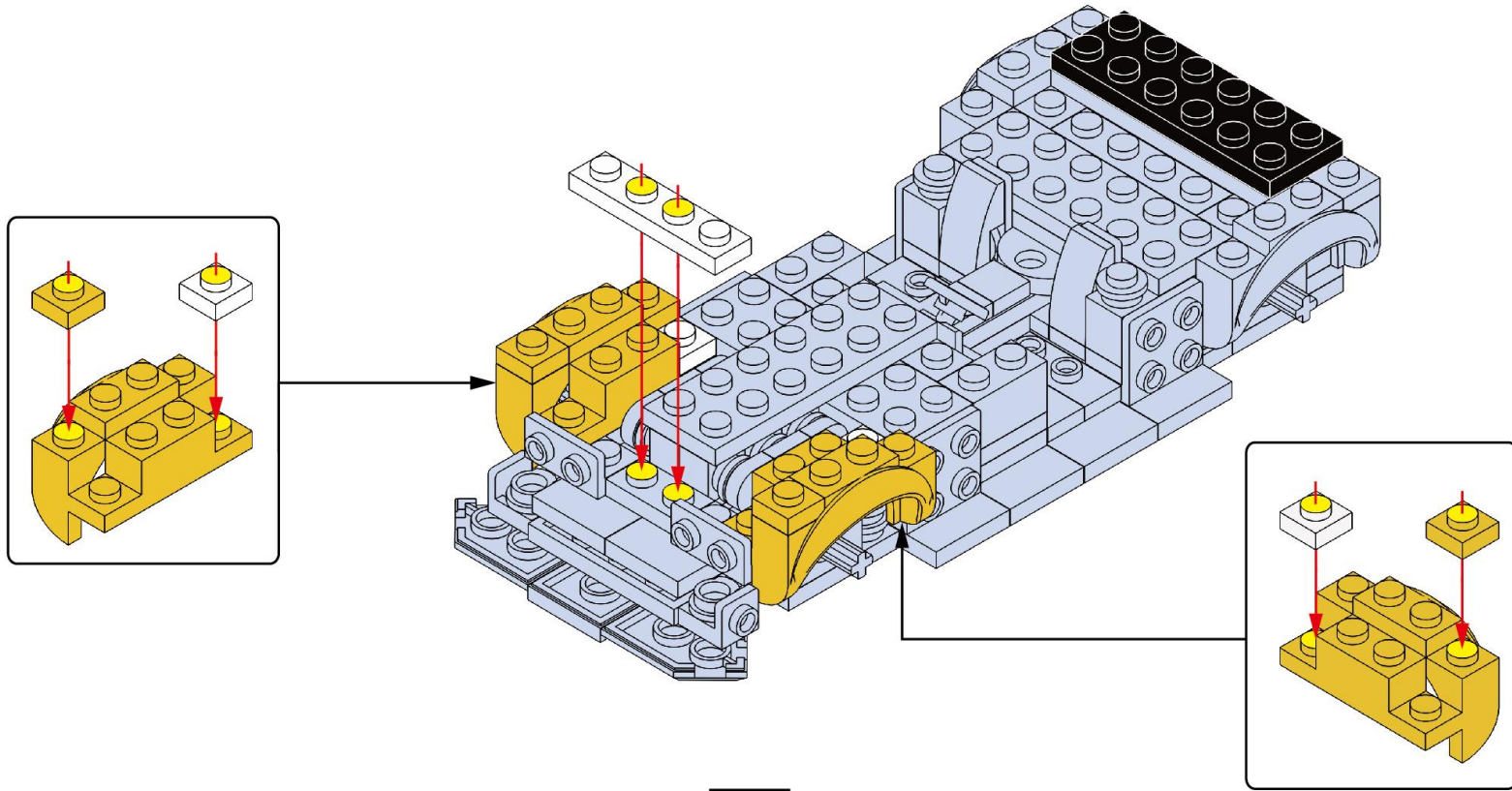


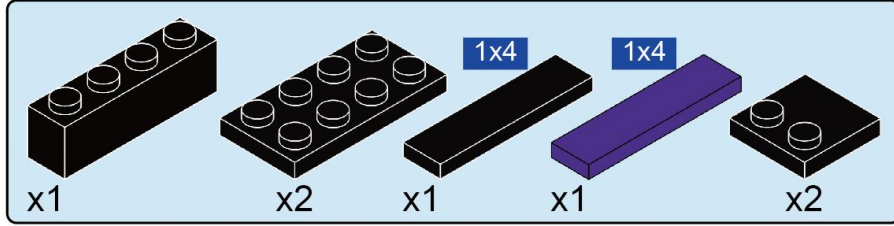
24



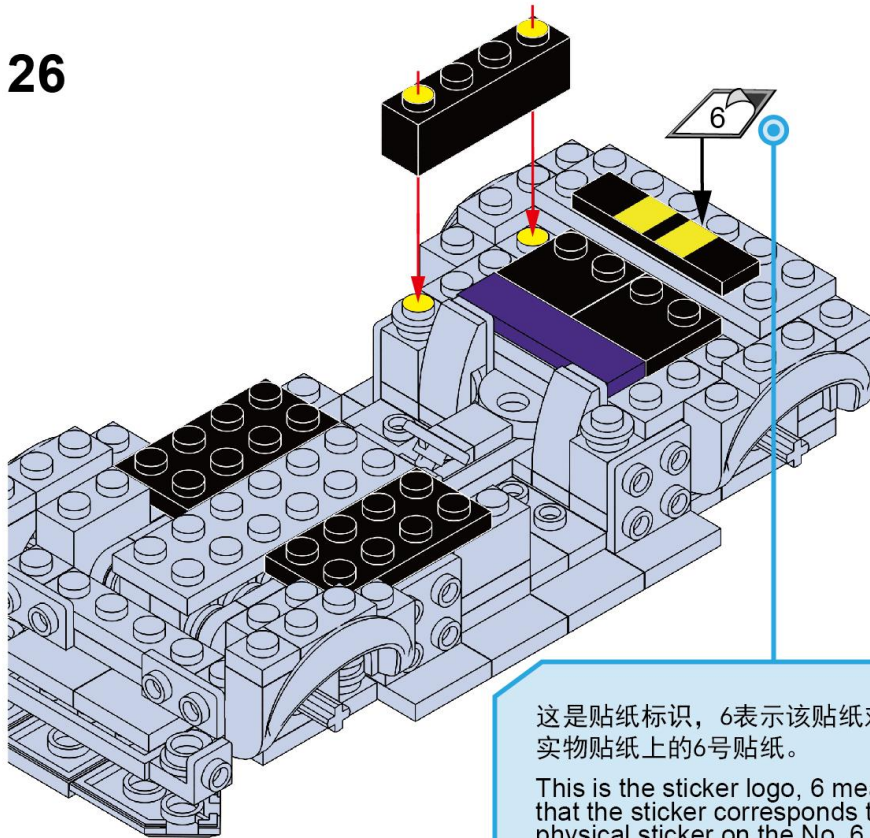


25





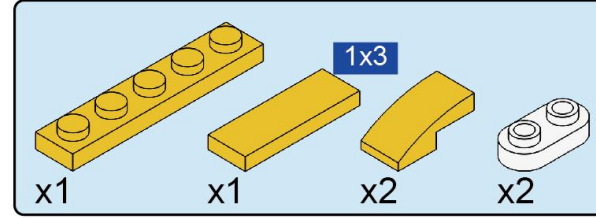
26



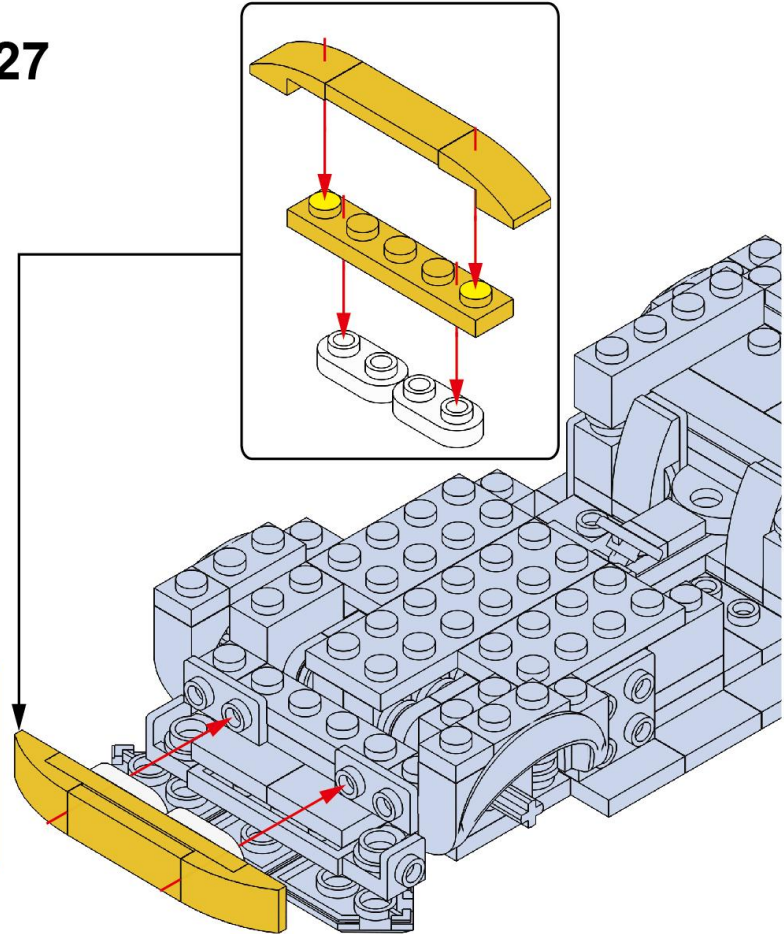
这是贴纸标识，6表示该贴纸对应实物贴纸上的6号贴纸。

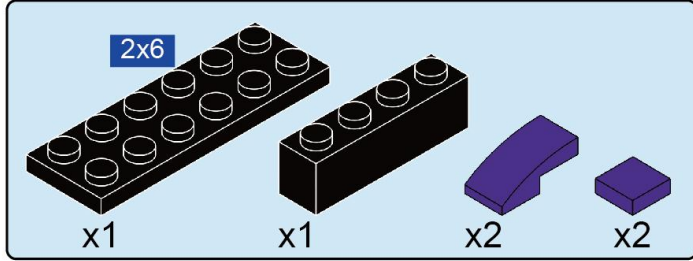
This is the sticker logo, 6 means that the sticker corresponds to the physical sticker on the No. 6 sticker.

16

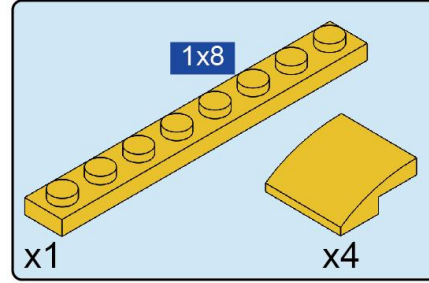
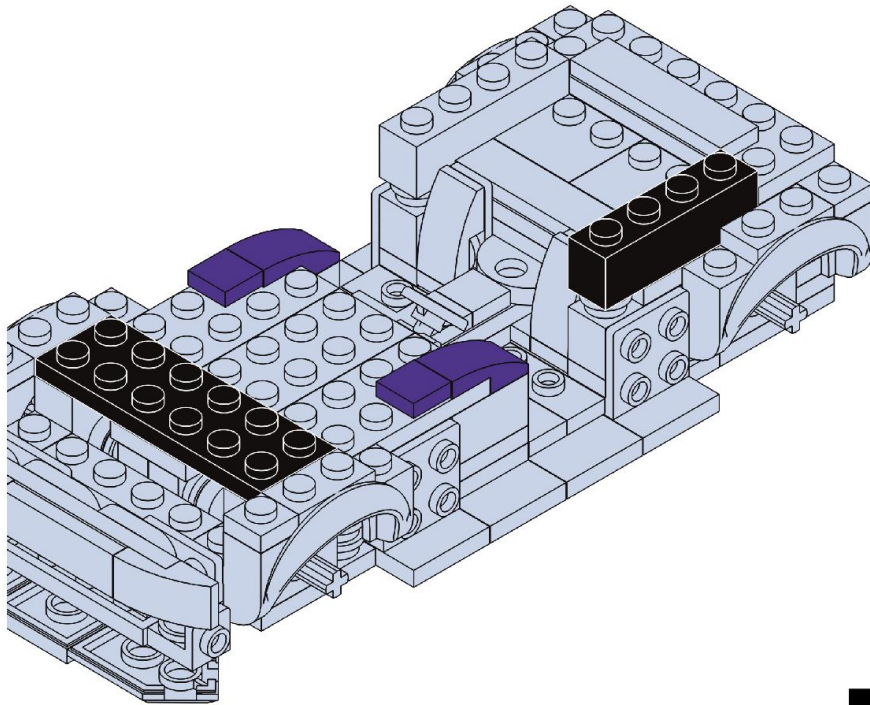


27

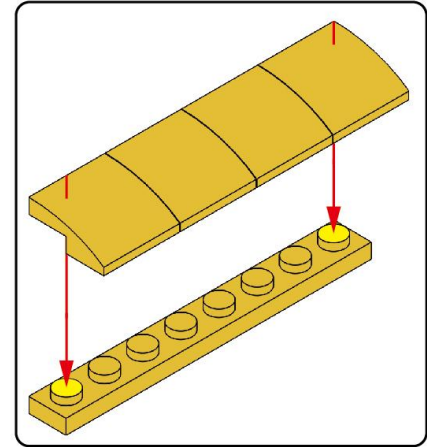




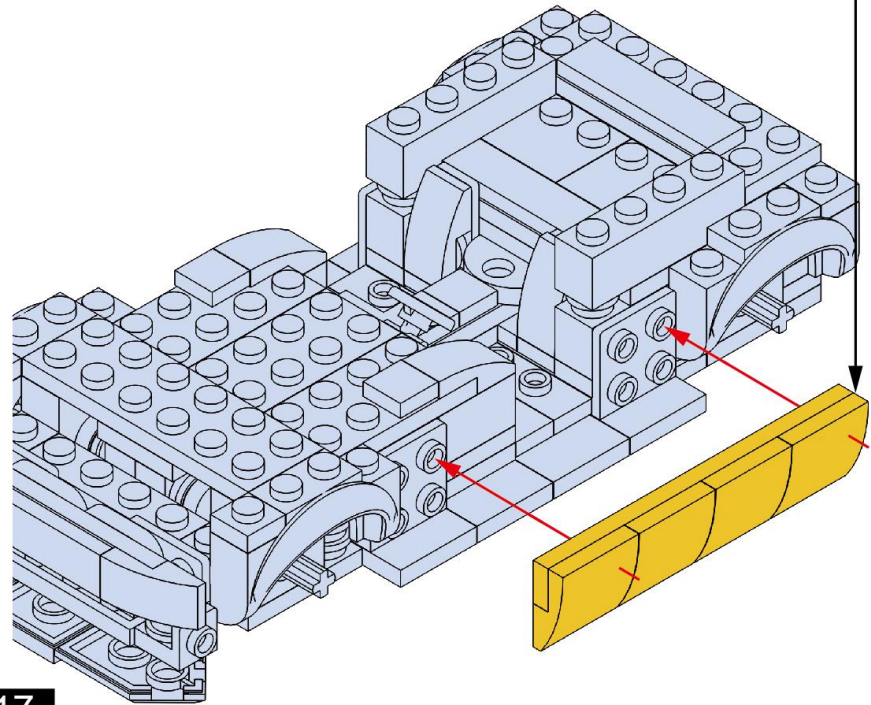
28

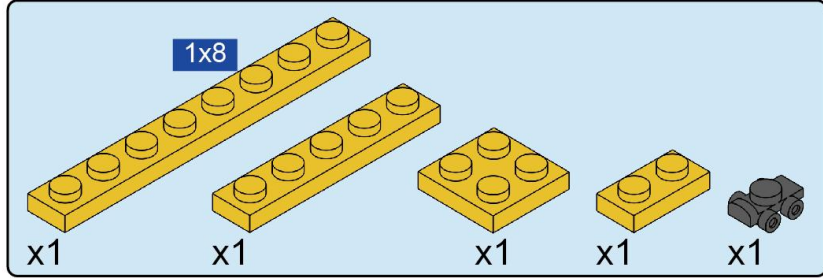


29

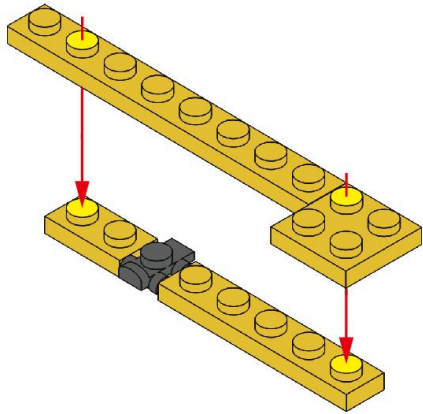


17



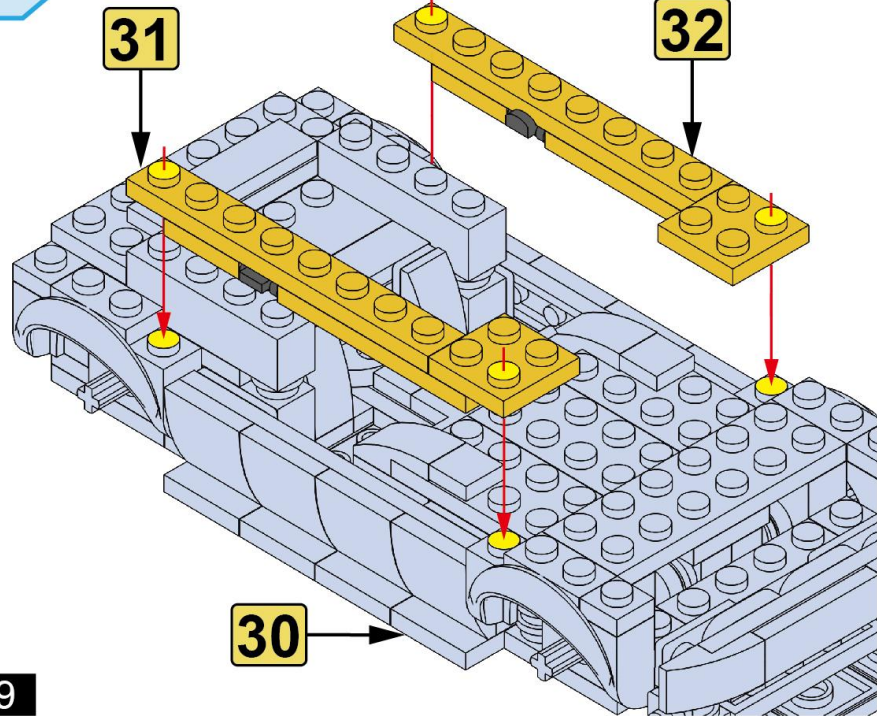
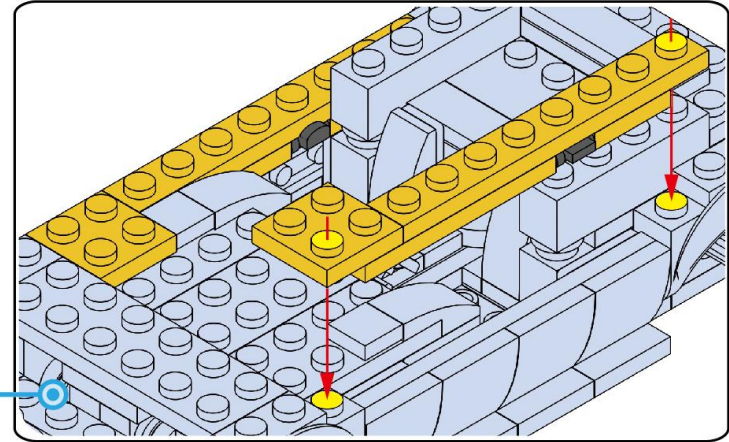


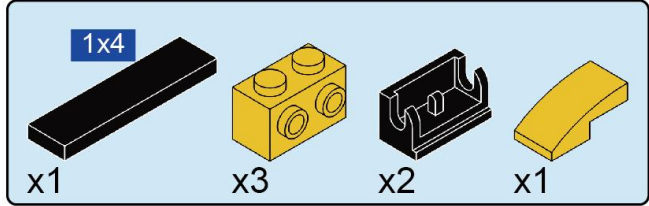
32



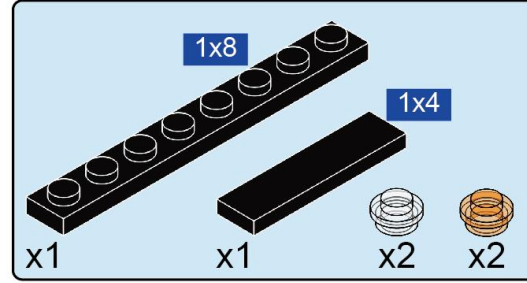
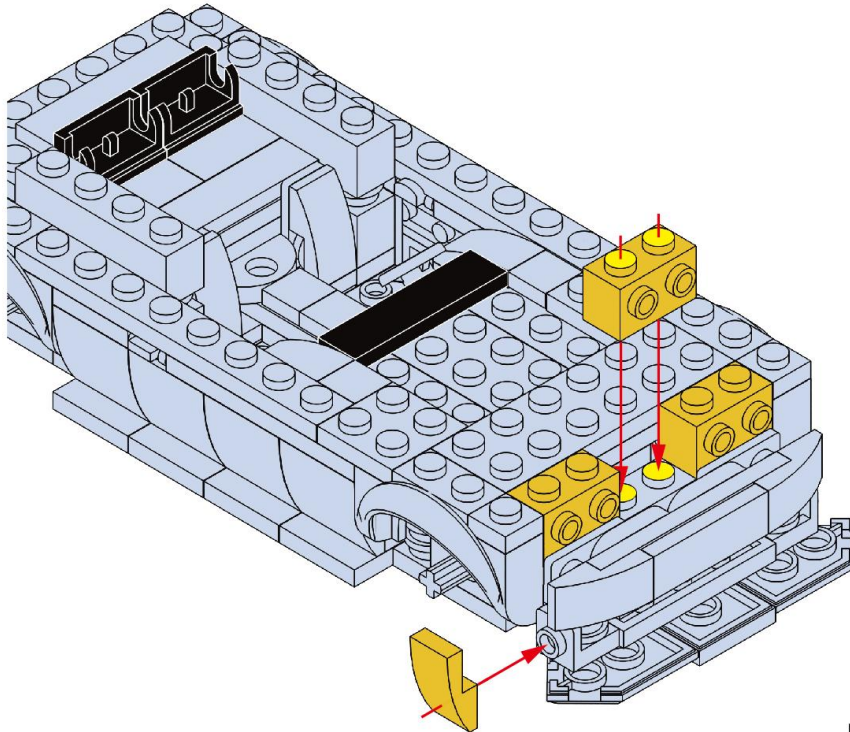
通过此视图可更清晰的观察拼装位置噢。
This view enables you to see the assembly position more clearly.

33

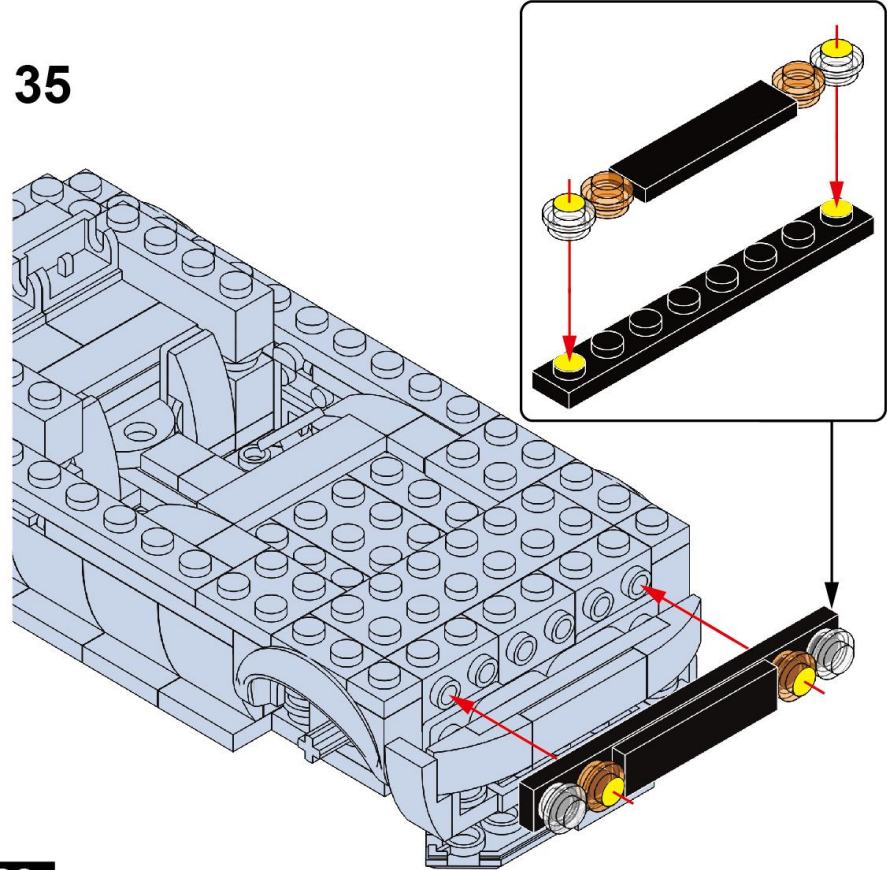


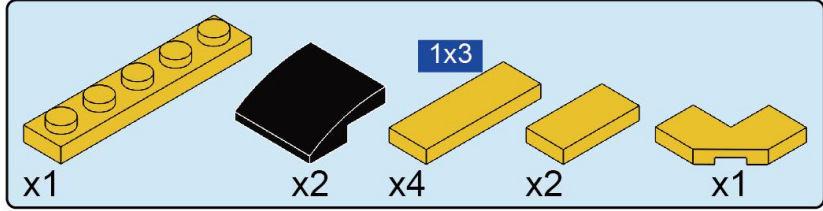


34

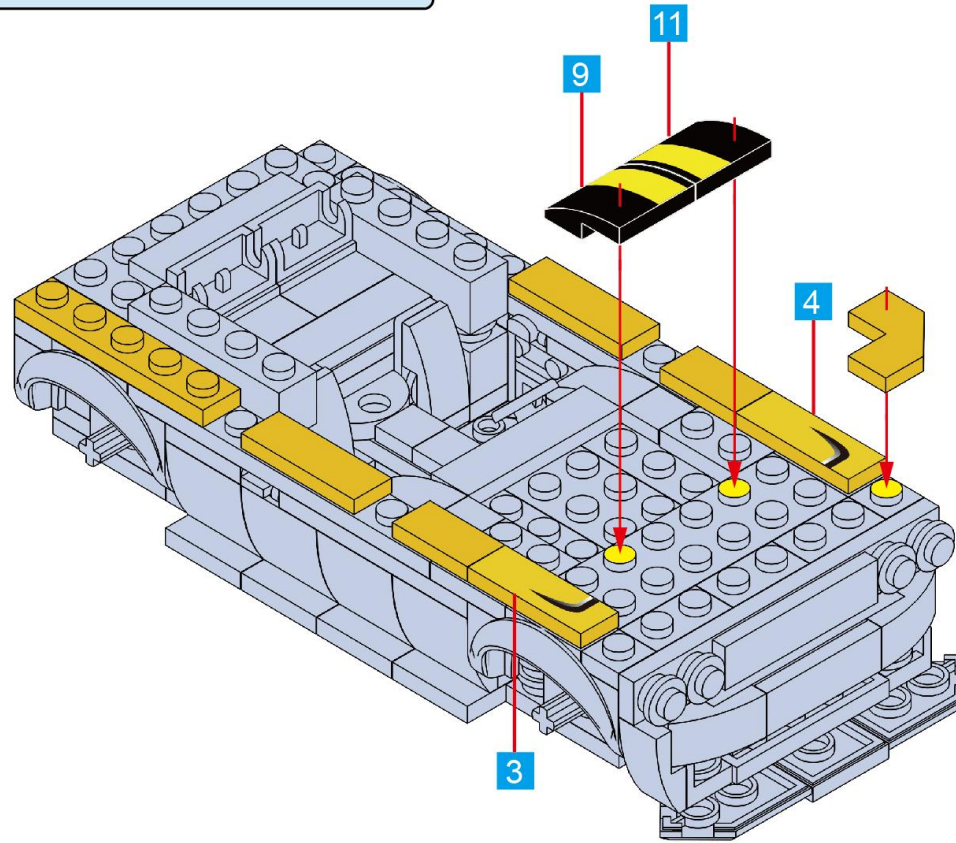


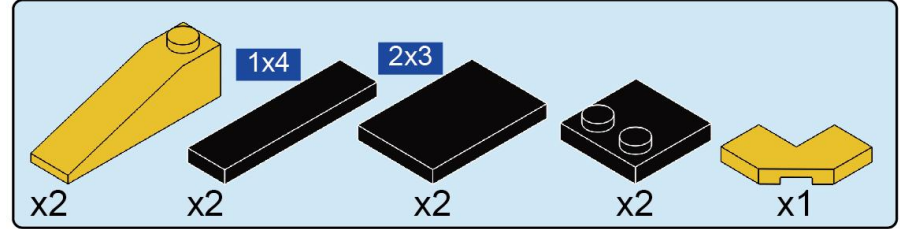
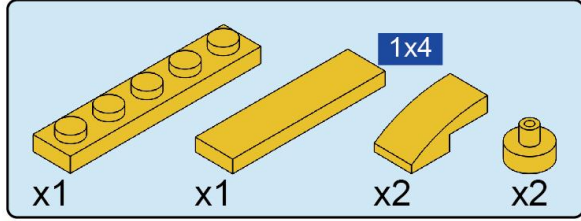
35



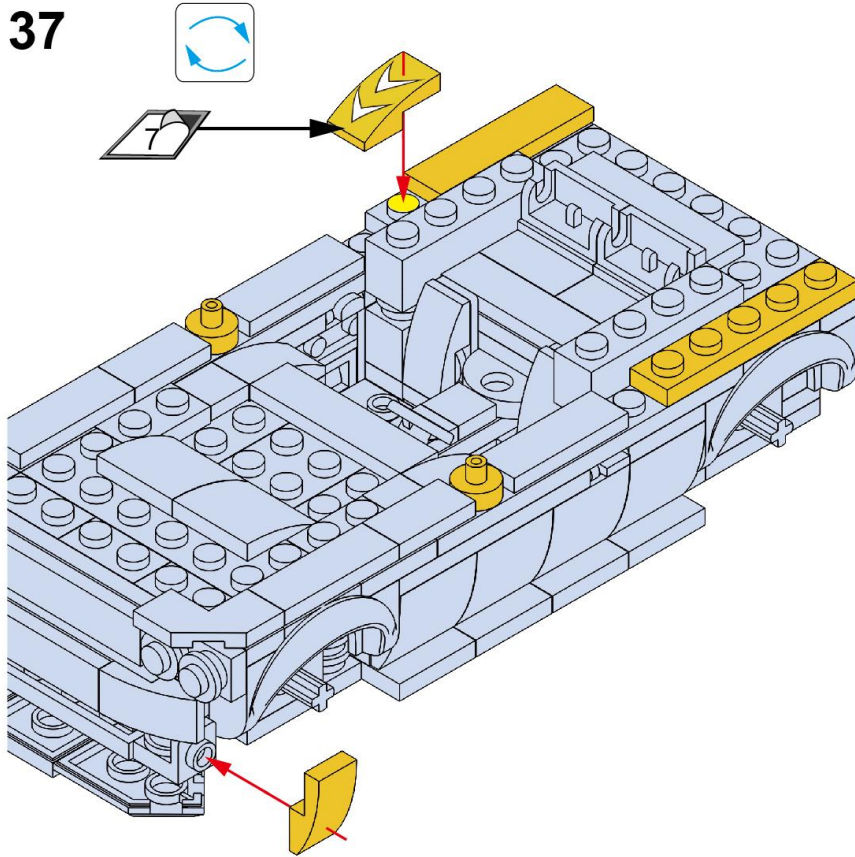


36

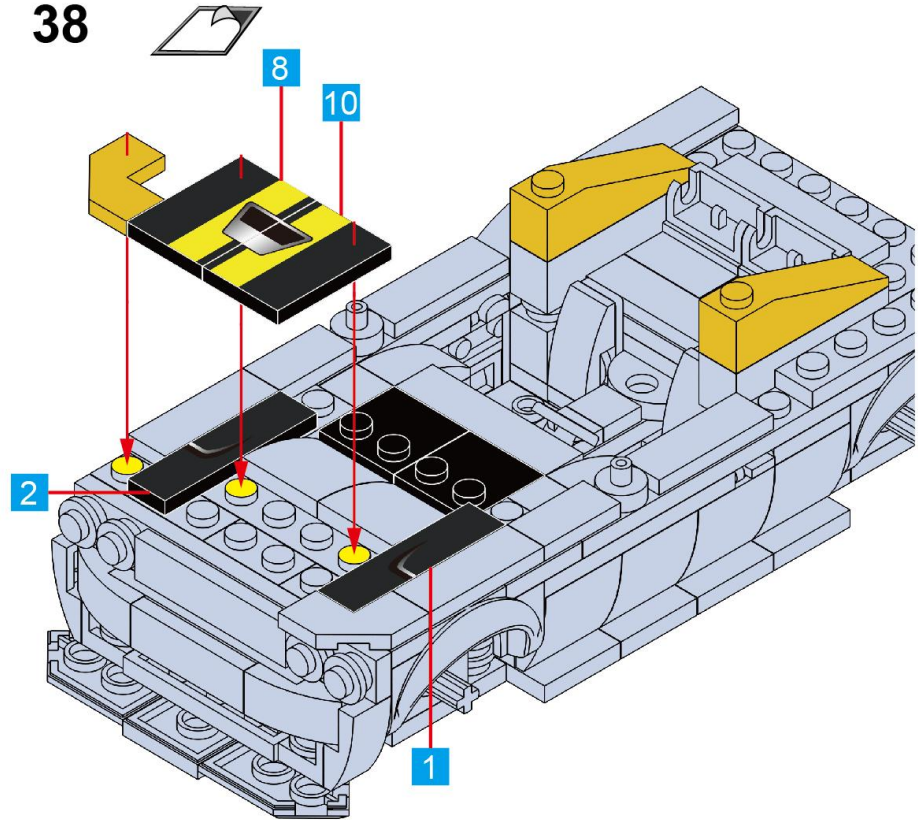


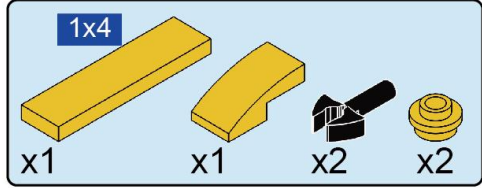


37

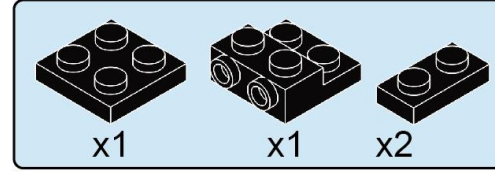
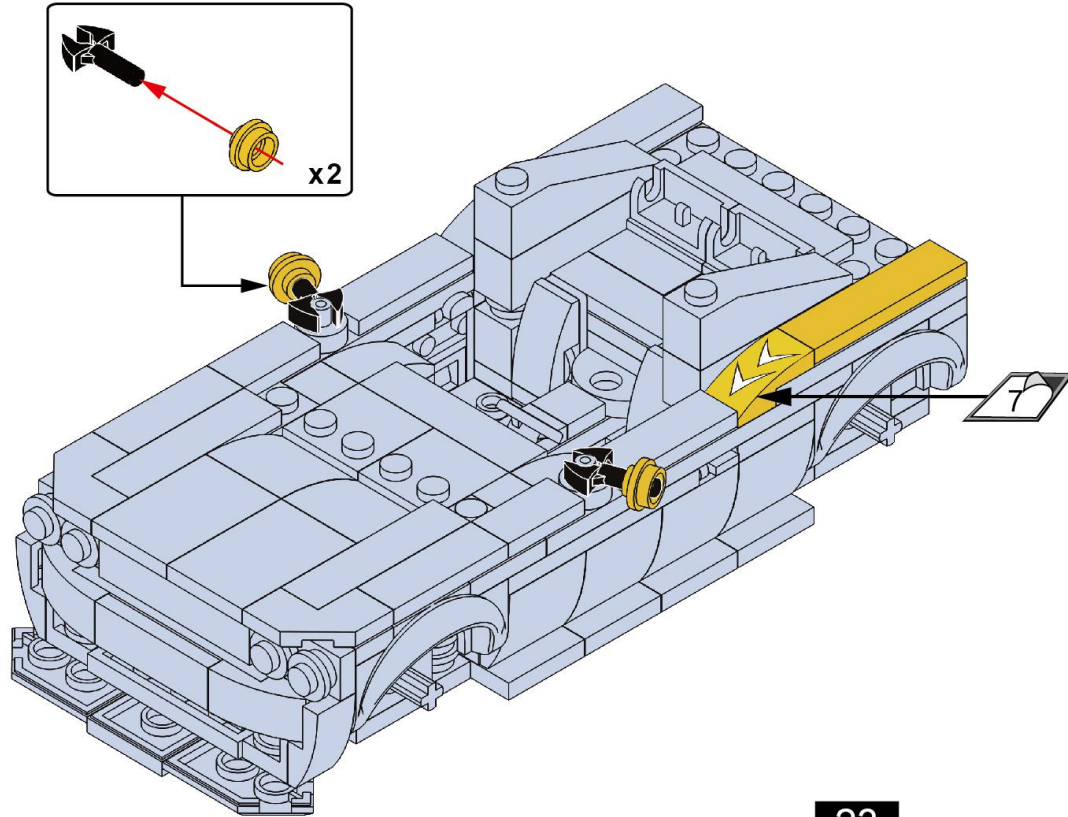


38

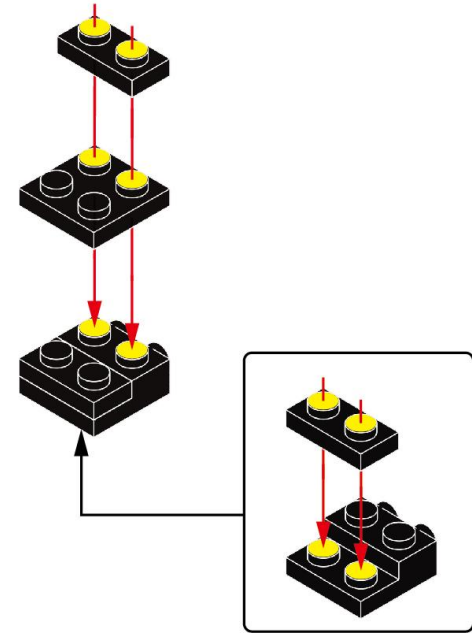


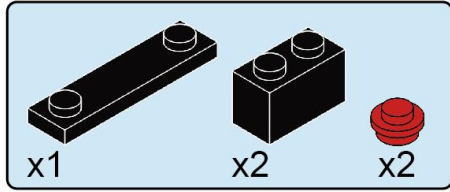


39

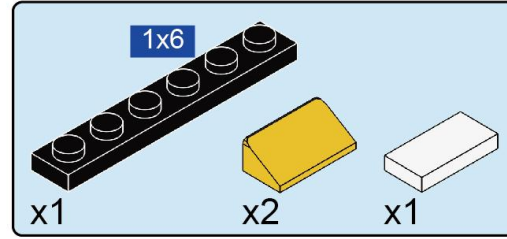
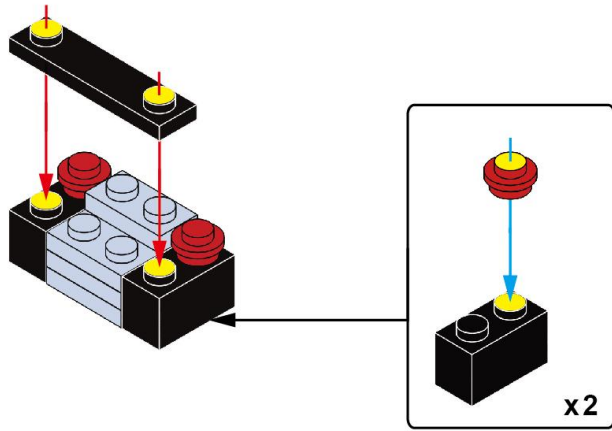


40

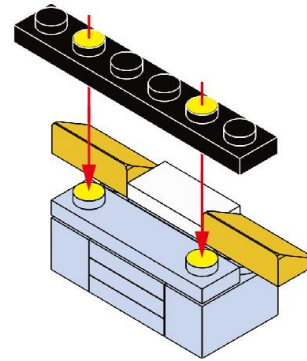


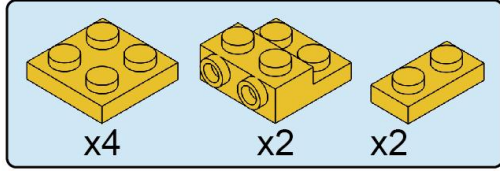


41

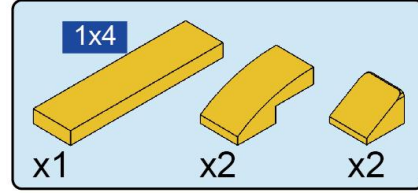
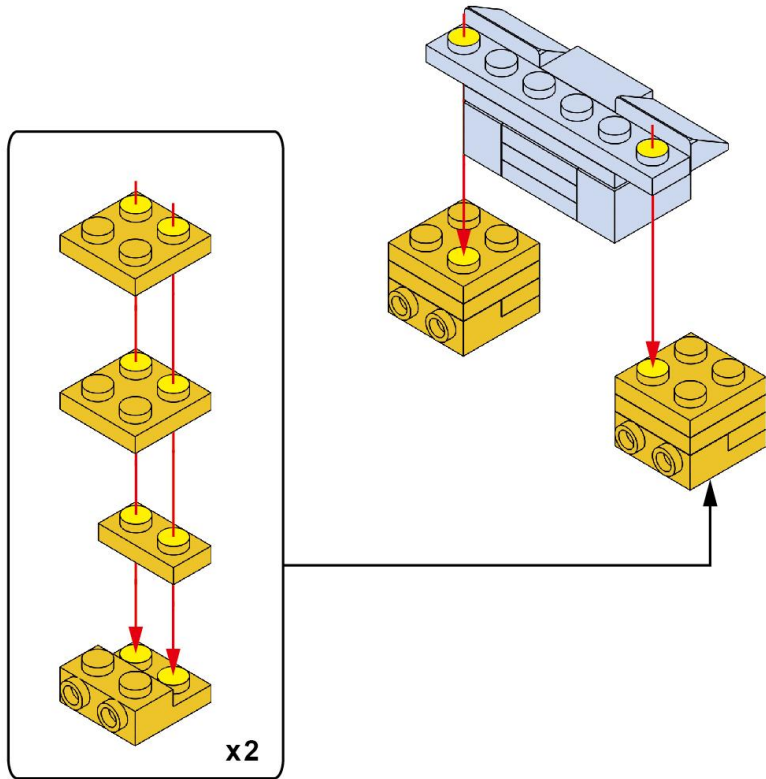


42

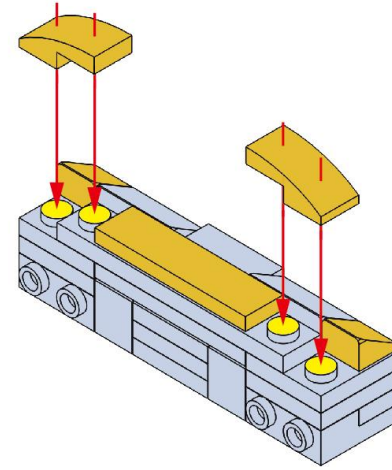


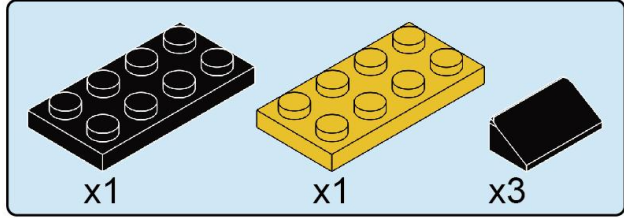


43

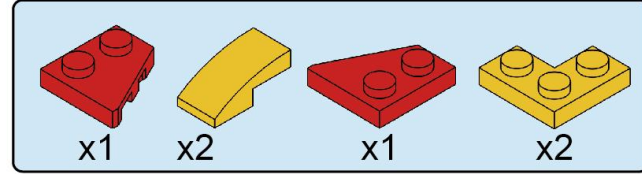
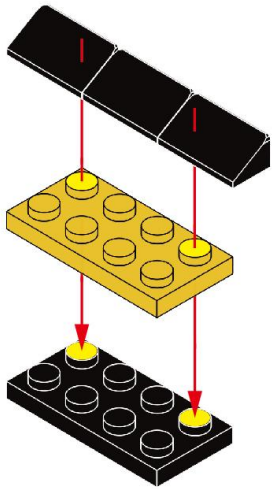


44

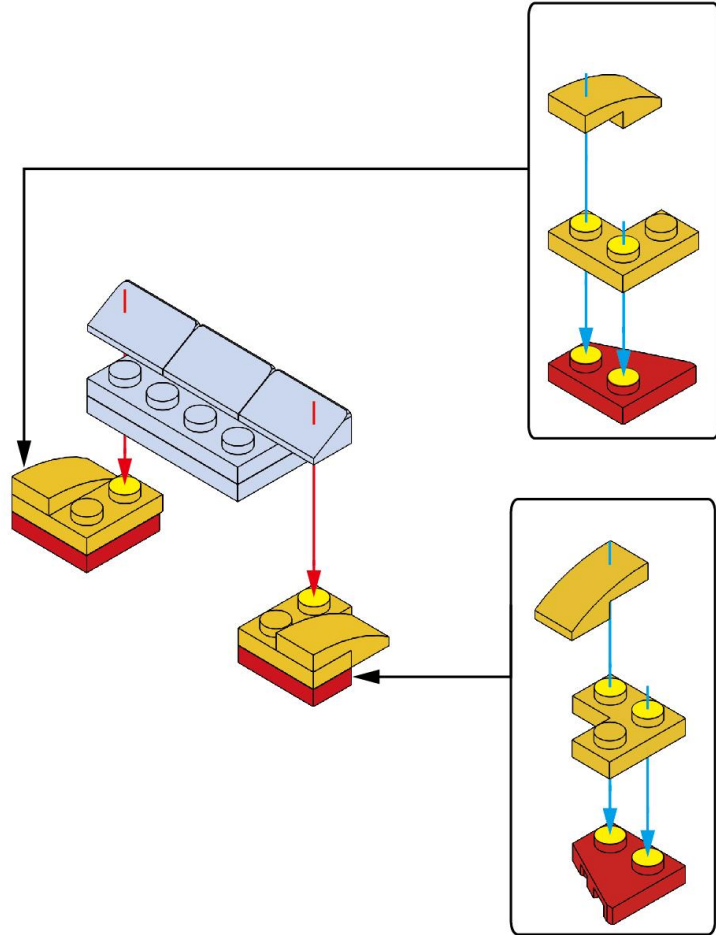




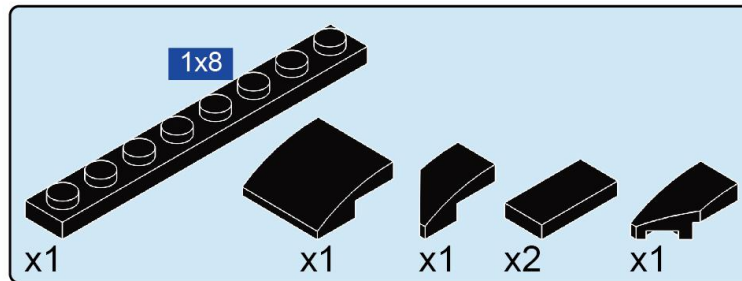
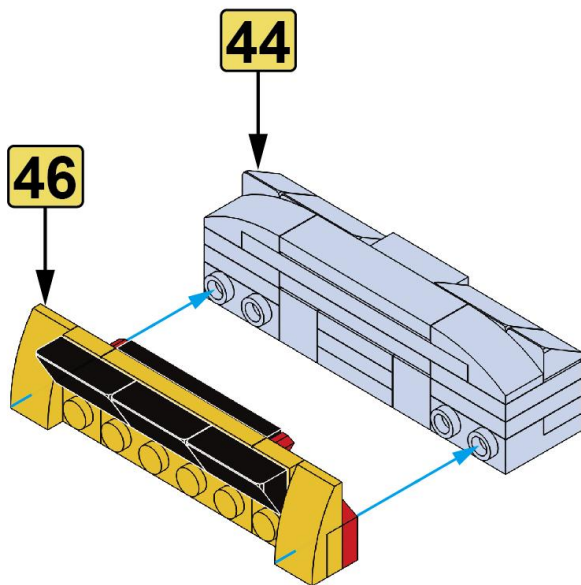
45



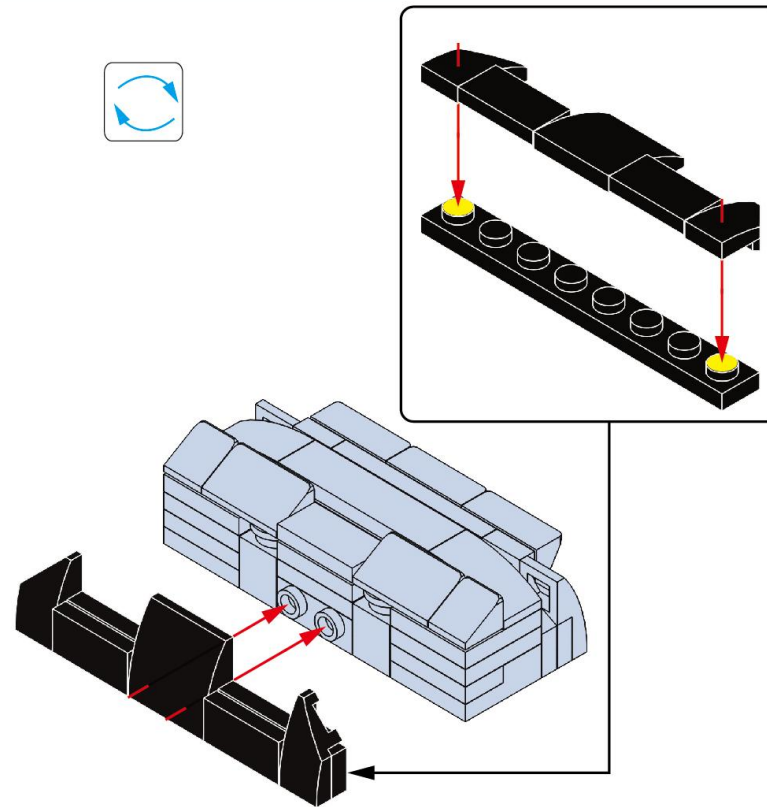
46

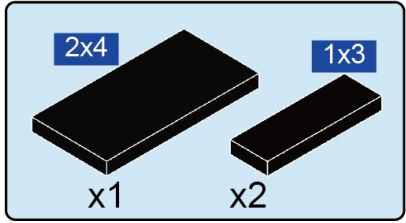


47

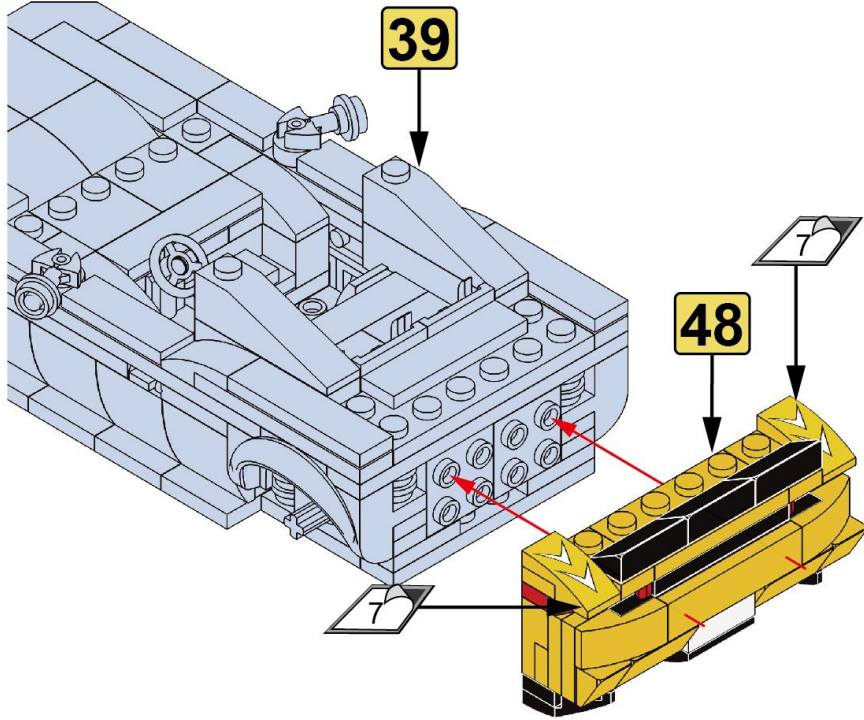


48

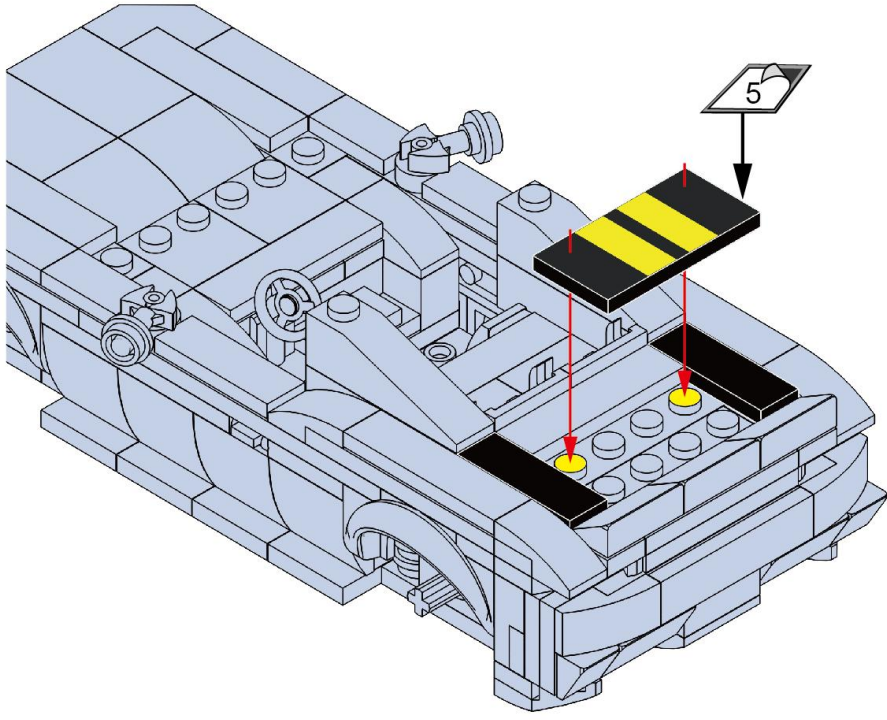


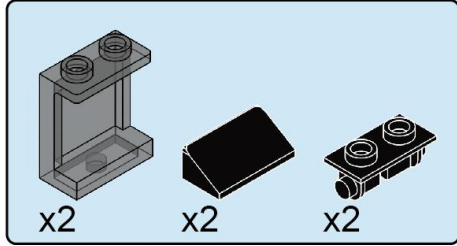


49

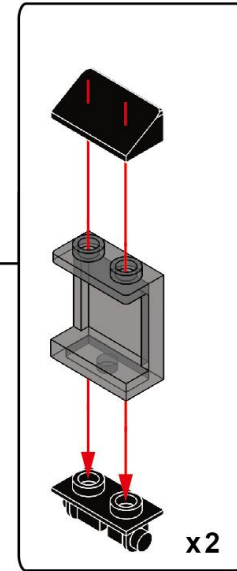
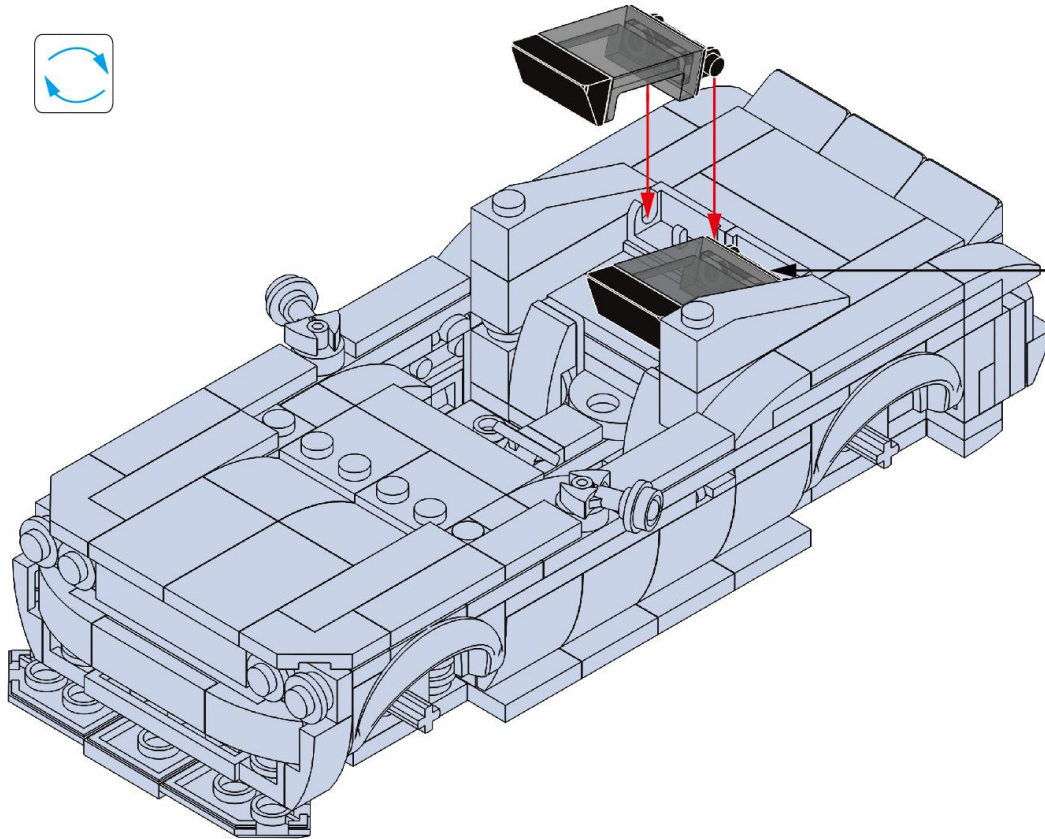


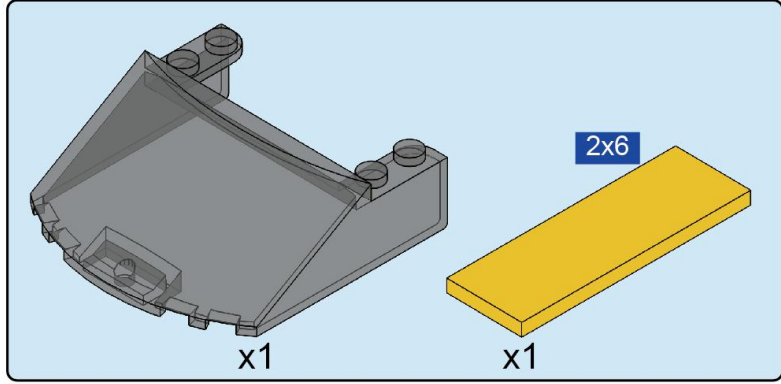
50



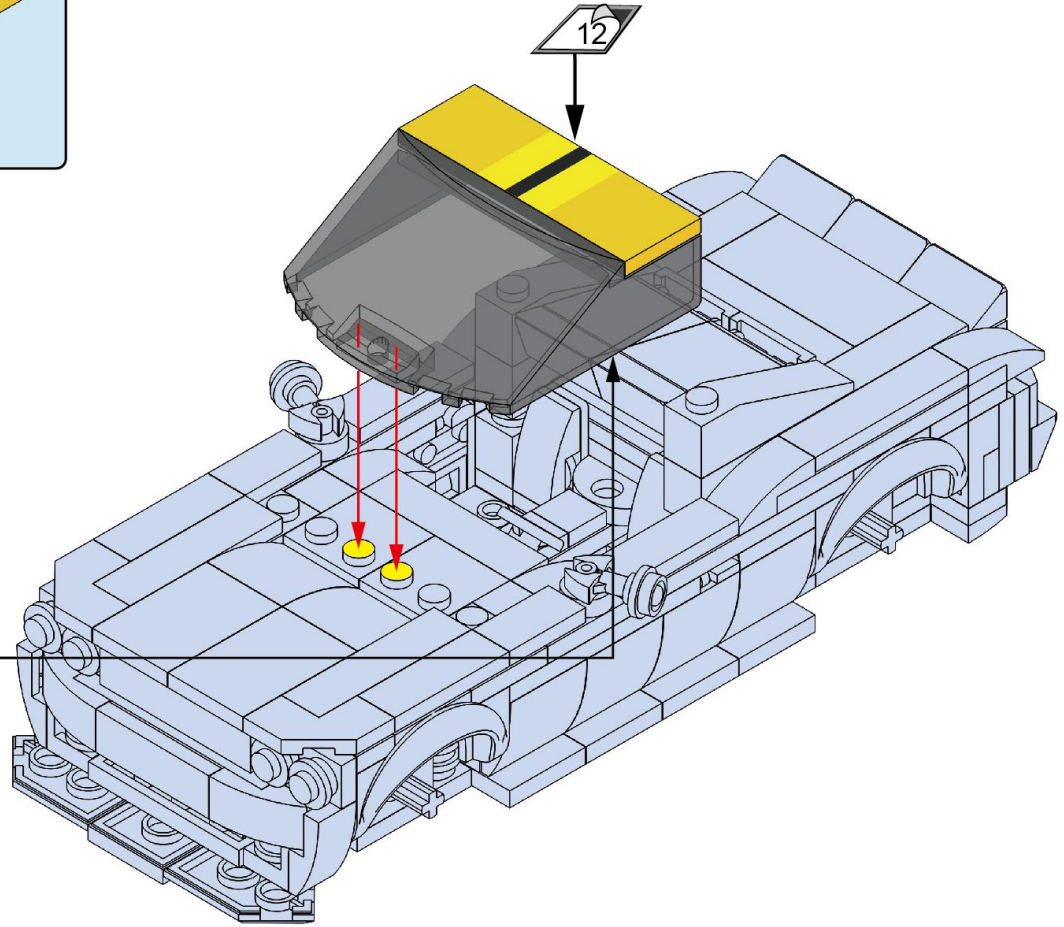
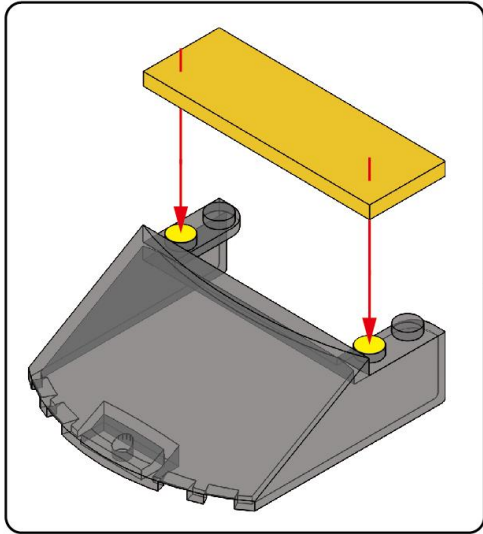


51

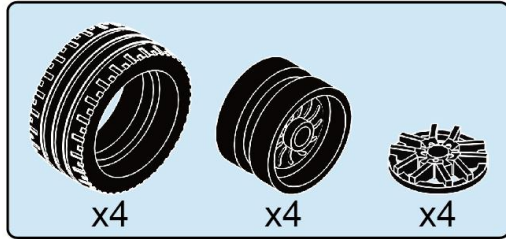




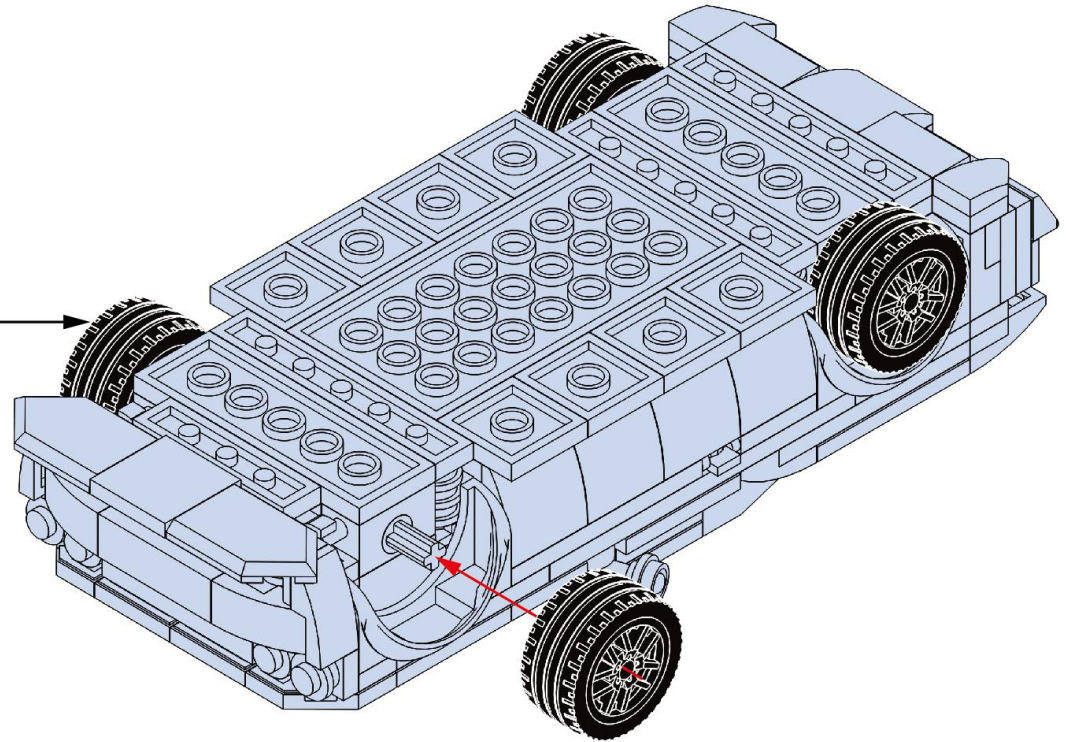
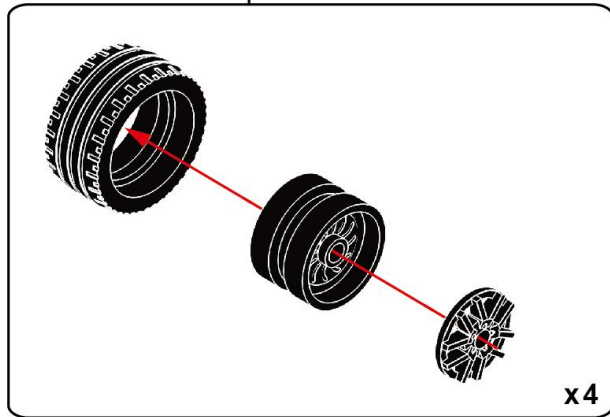
52



30



53



31

