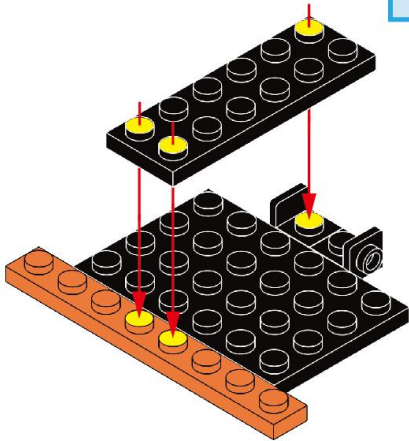


1

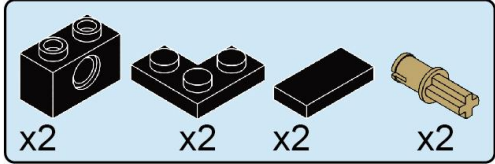
这是零件尺寸标识, 2x6表示该零件宽度为2个积木颗粒, 长度为6个积木颗粒。
This is the size mark of the piece. 2x6 means that the piece is 2 studwide and 6 studs long.

按零件表分拣零件拼搭更快捷。
It's faster to sort and assemble pieces according to the piece list.

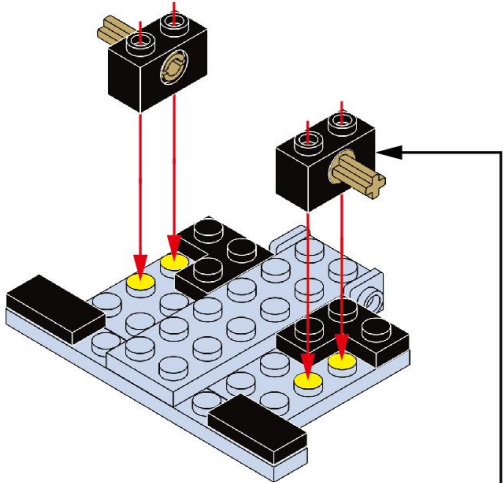


通过此视图可更清晰的观察拼装位置噢。
This view enables you to see the assembly position more clearly.

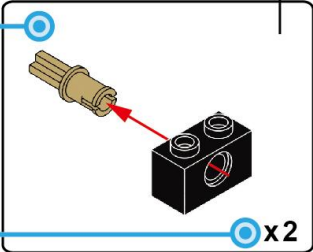
1

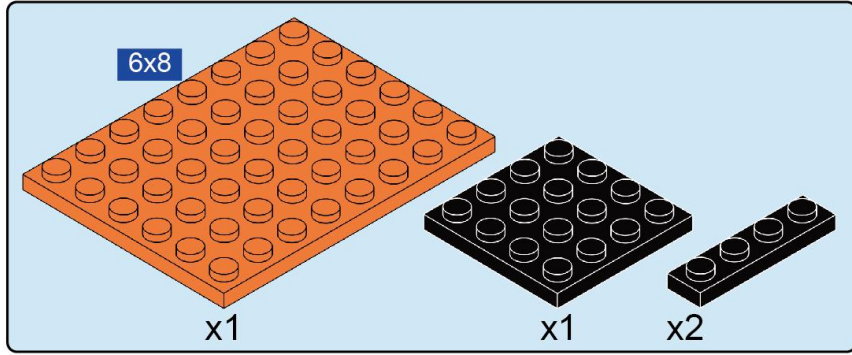


2

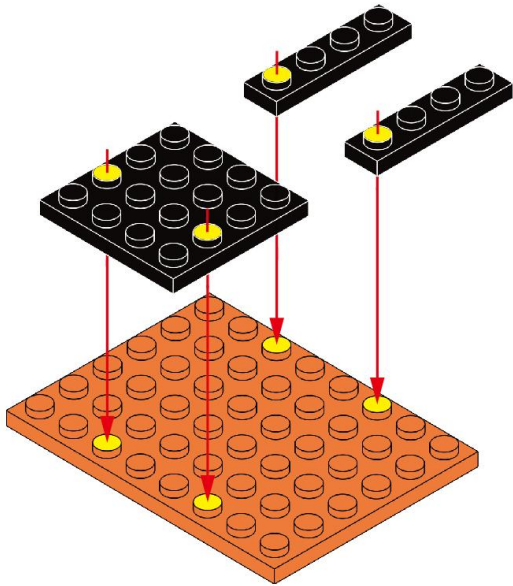


x2表示该模块需要拼2个。
x2 means 2 modules like this are needed.



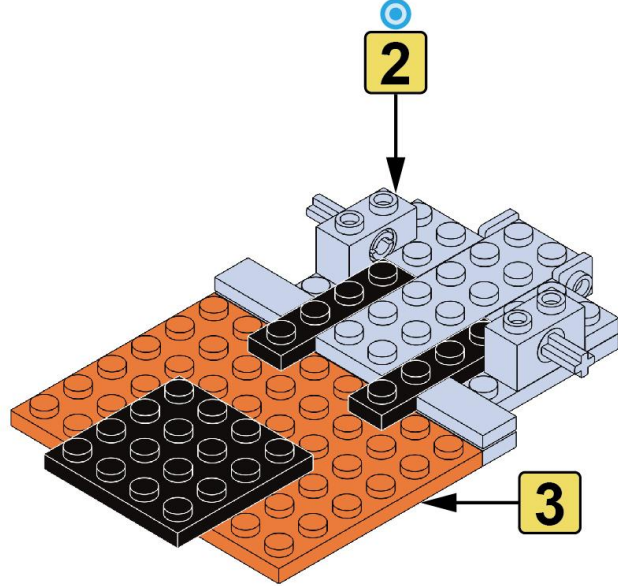


3

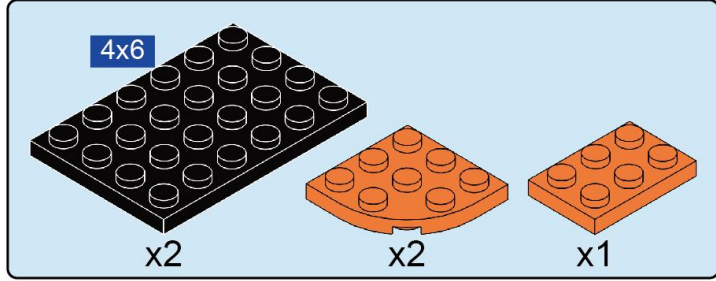


4

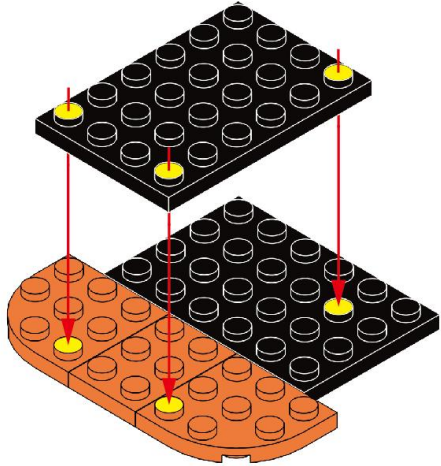
这是步骤标识，2表示第2步骤，已经拼装好的部件
This is the step identifier, 2 for Step 2, the part that has been assembled



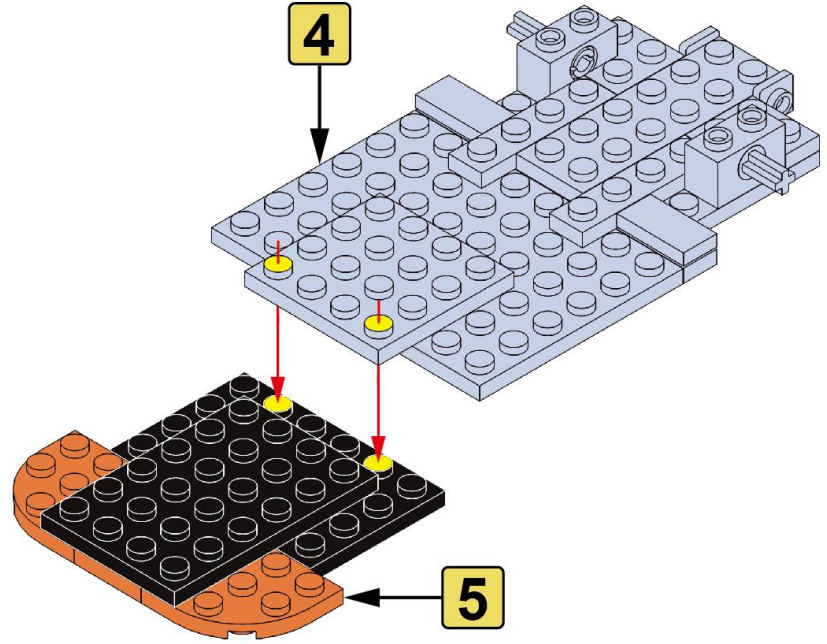
2



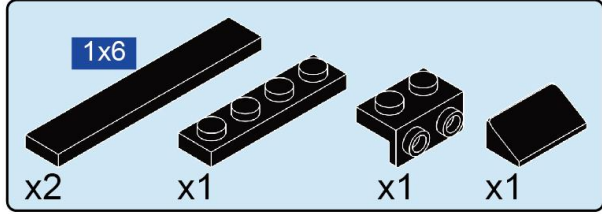
5



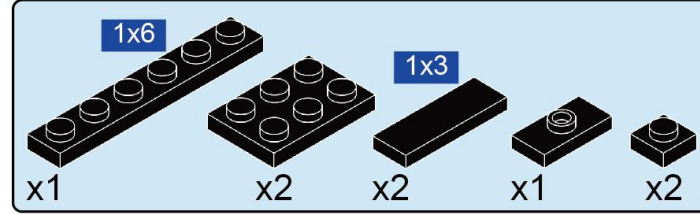
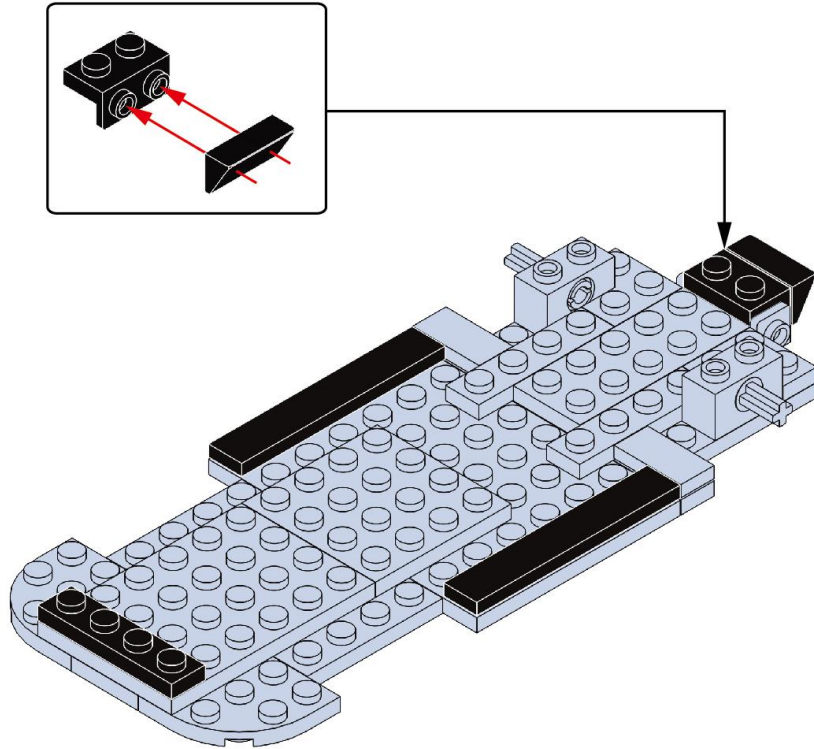
6



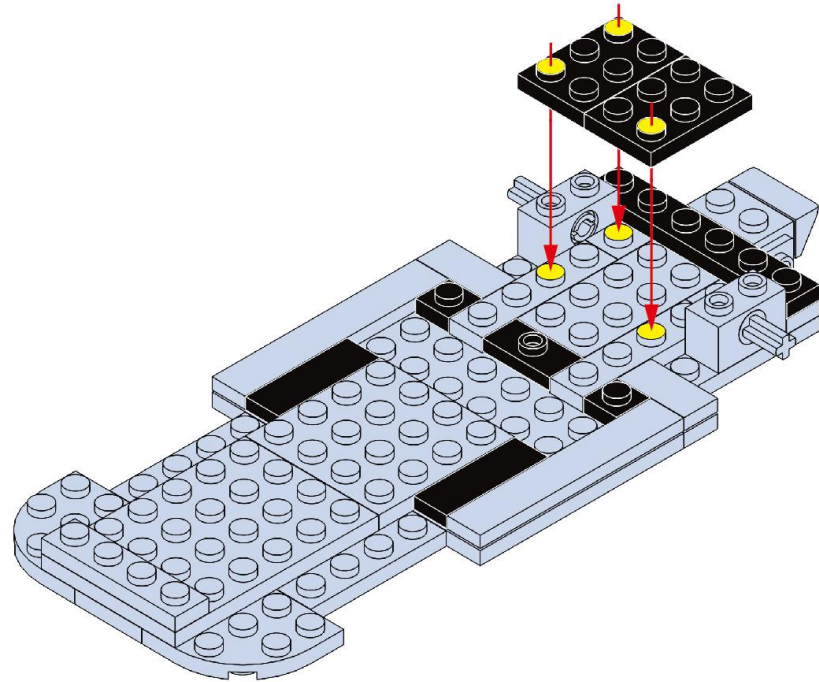
3

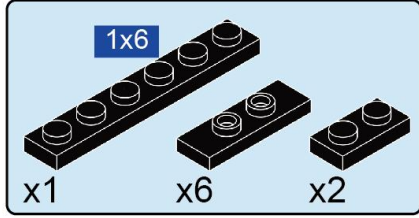


7

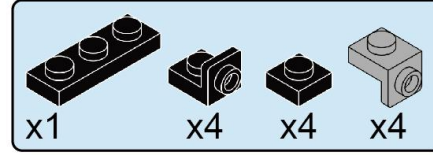
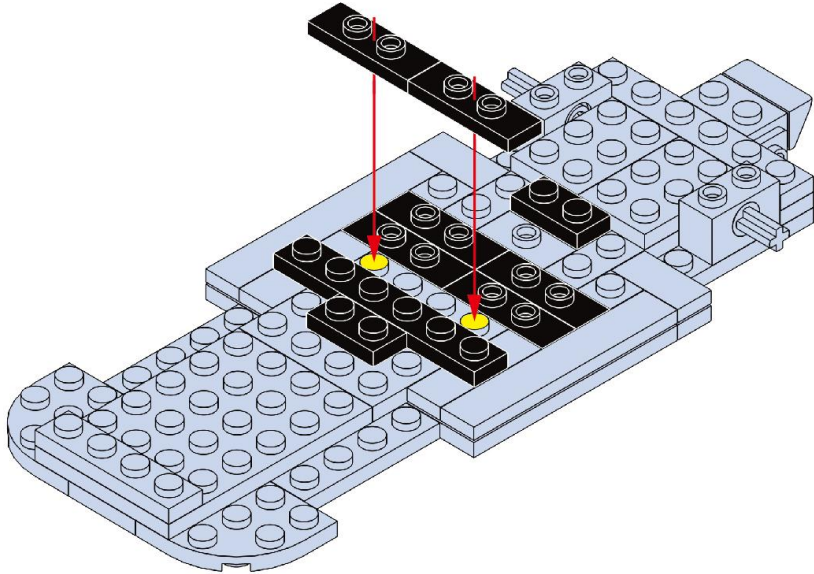


8

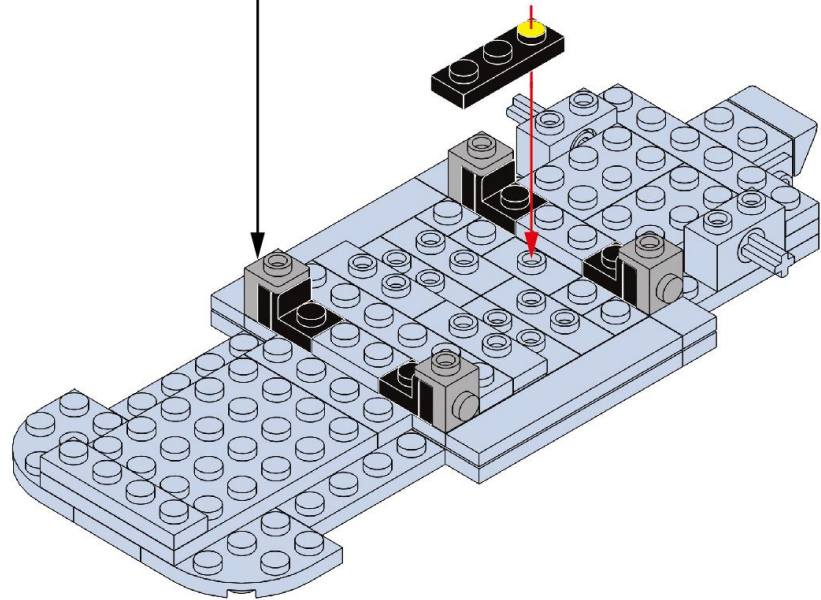
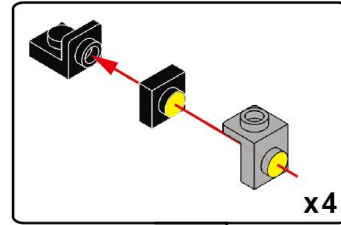




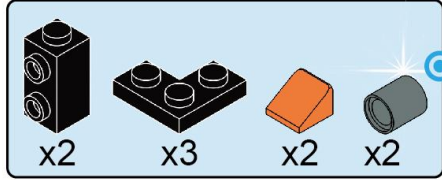
9



10



5

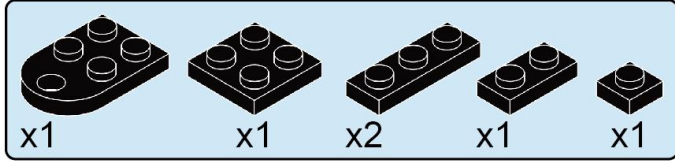
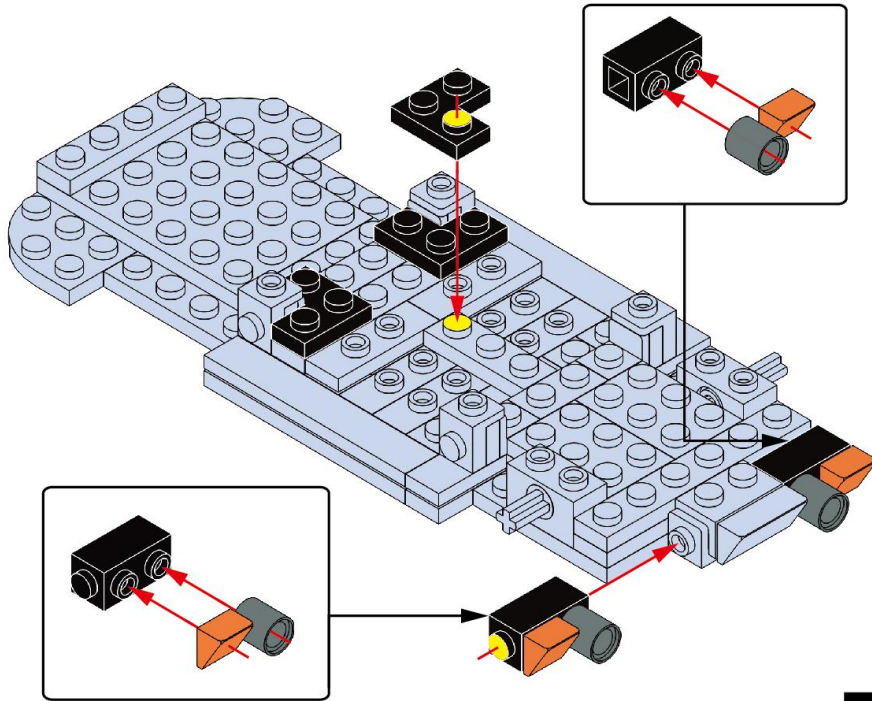


有星标质的零件为金属质感零件。
Pieces marked with stars are metallic.

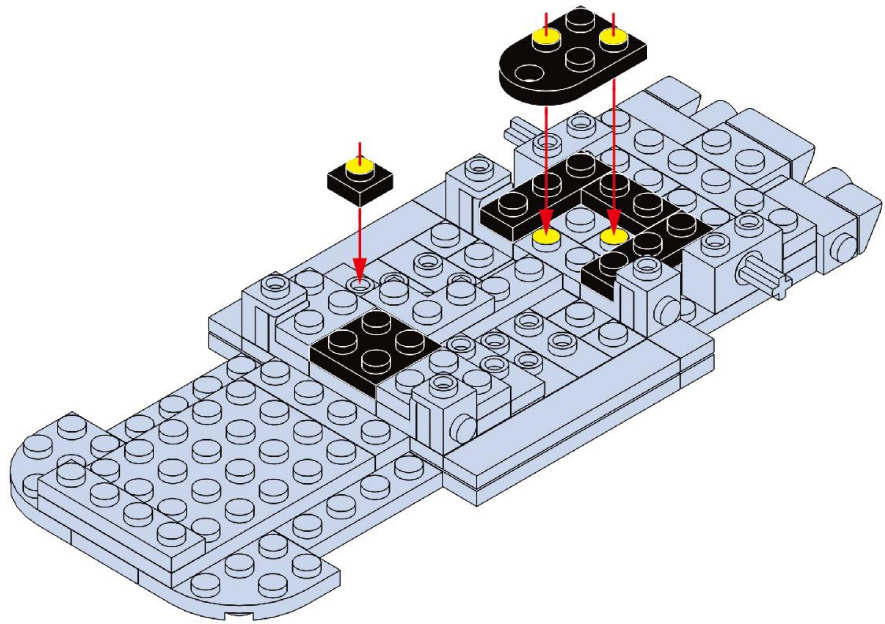
11

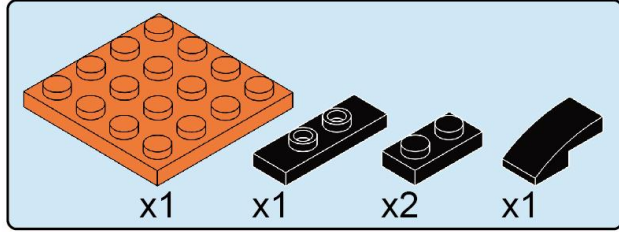


这是旋转标识，表示下方部件需要旋转方向。
This is the rotation mark, indicating that the lower part needs to rotate in the direction.

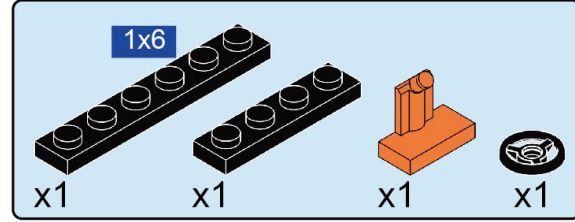
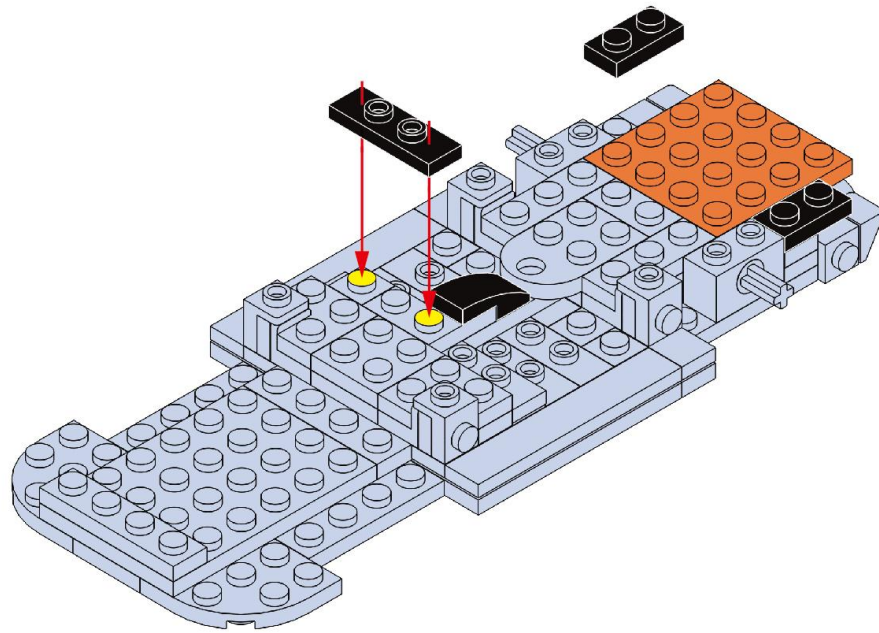


12

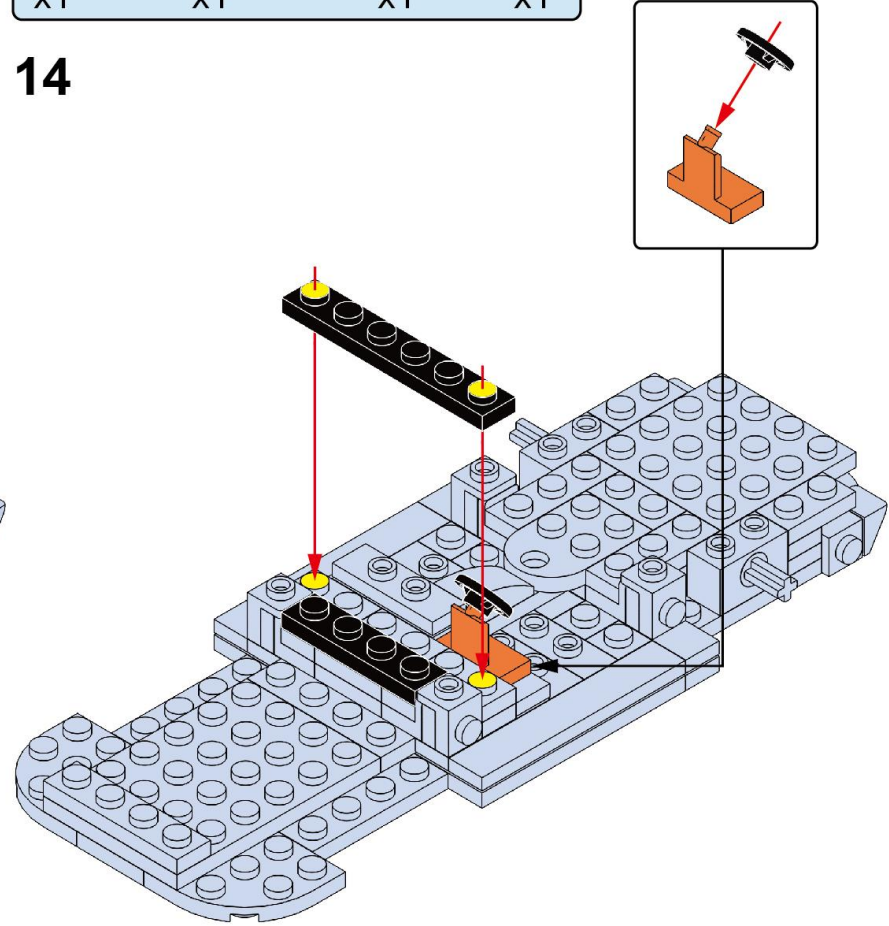


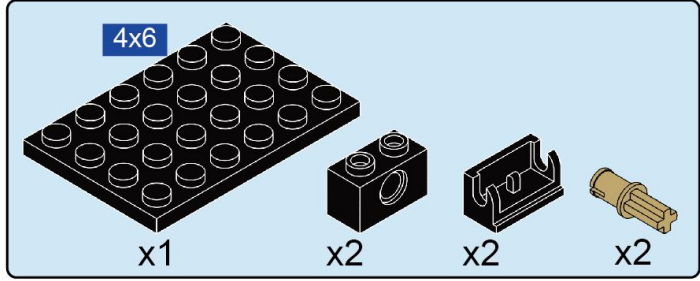


13

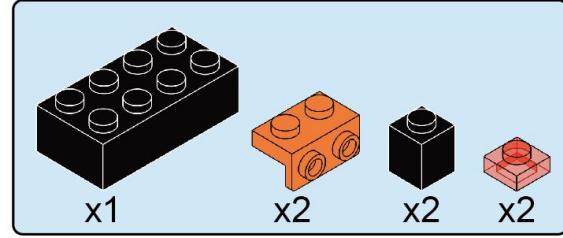
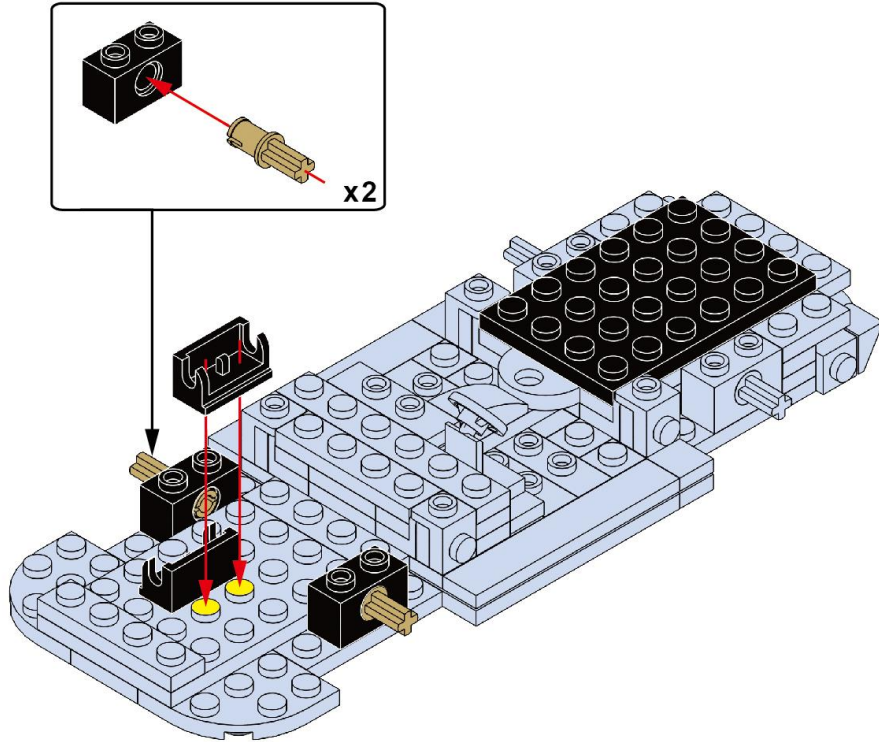


14

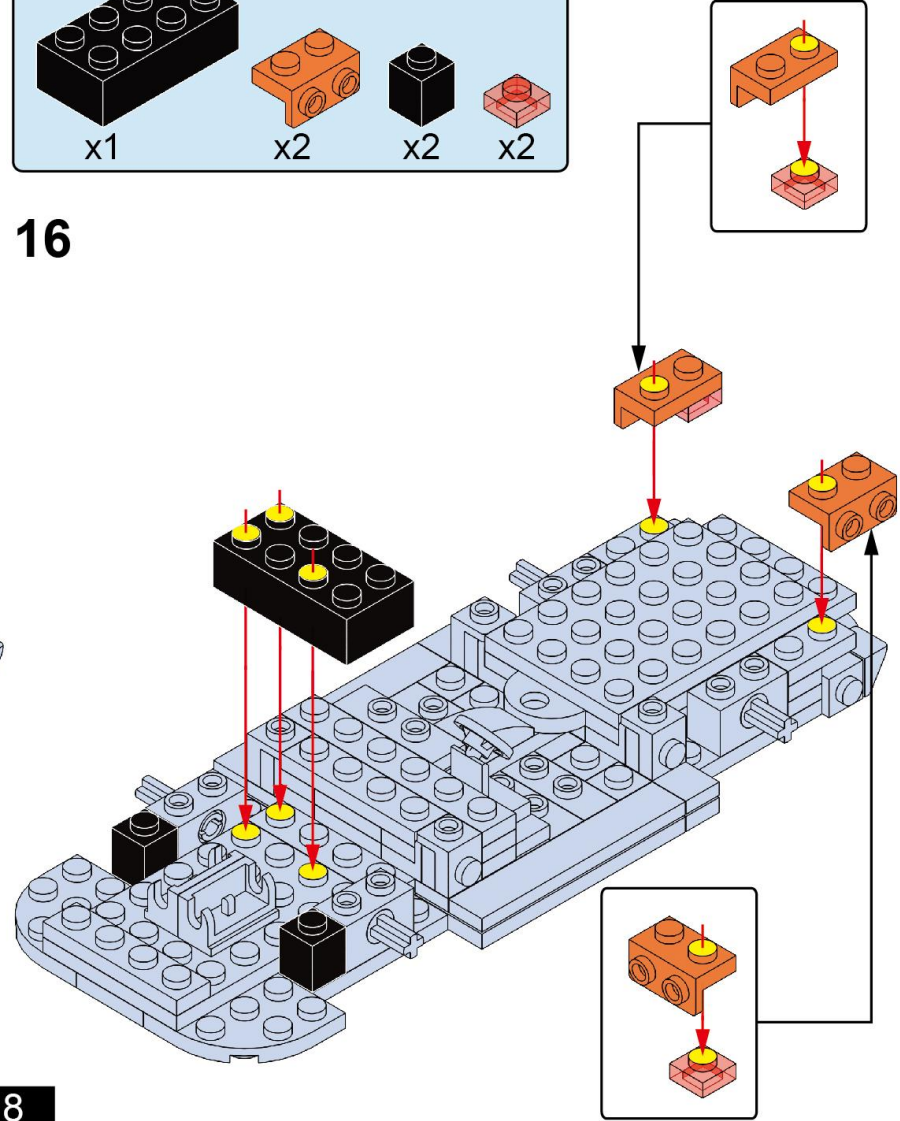


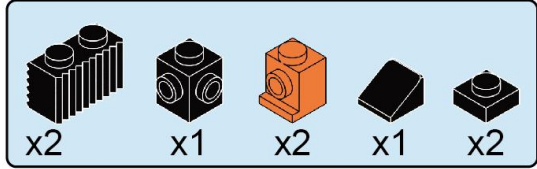


15

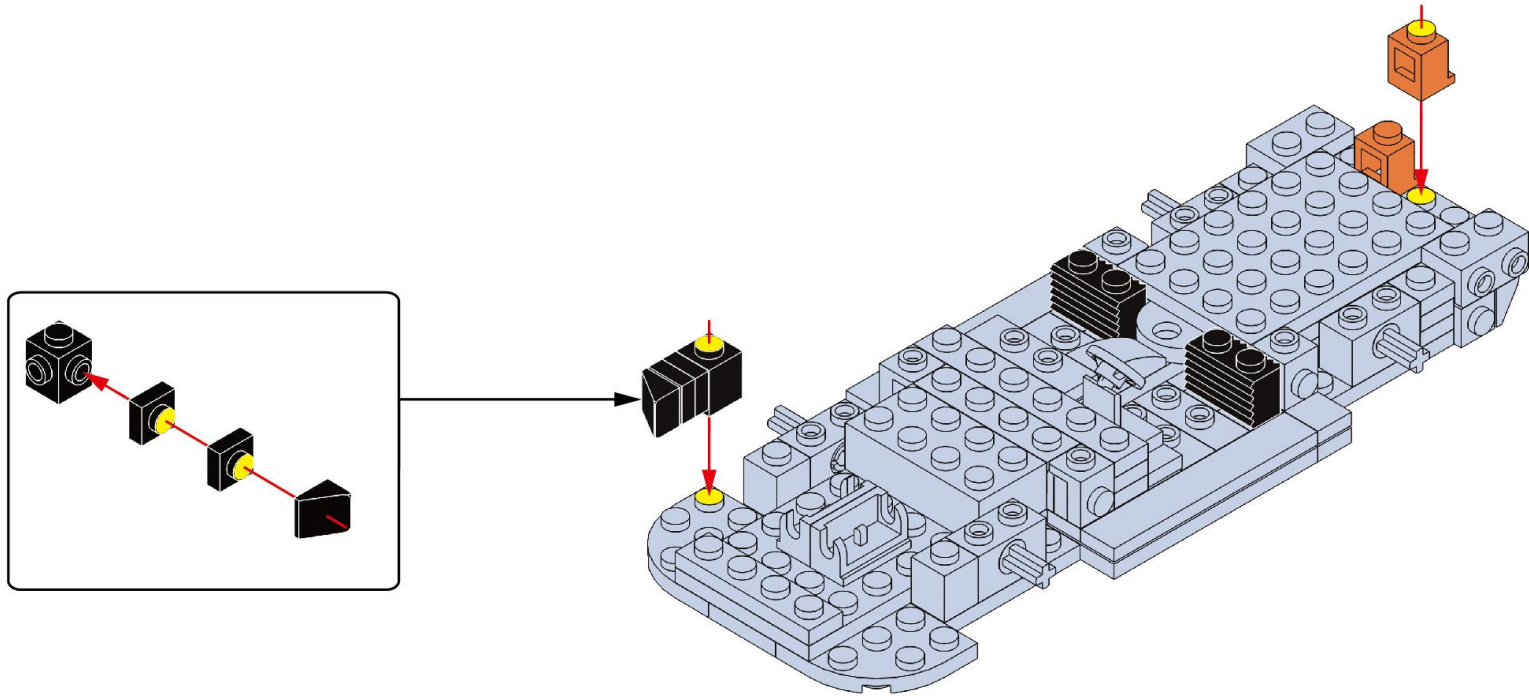


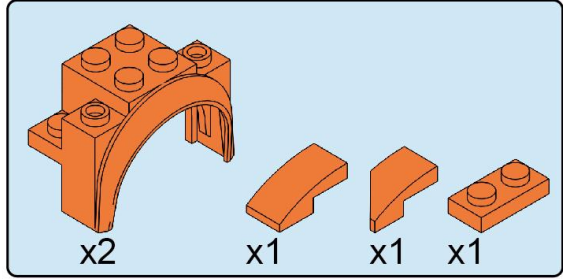
16



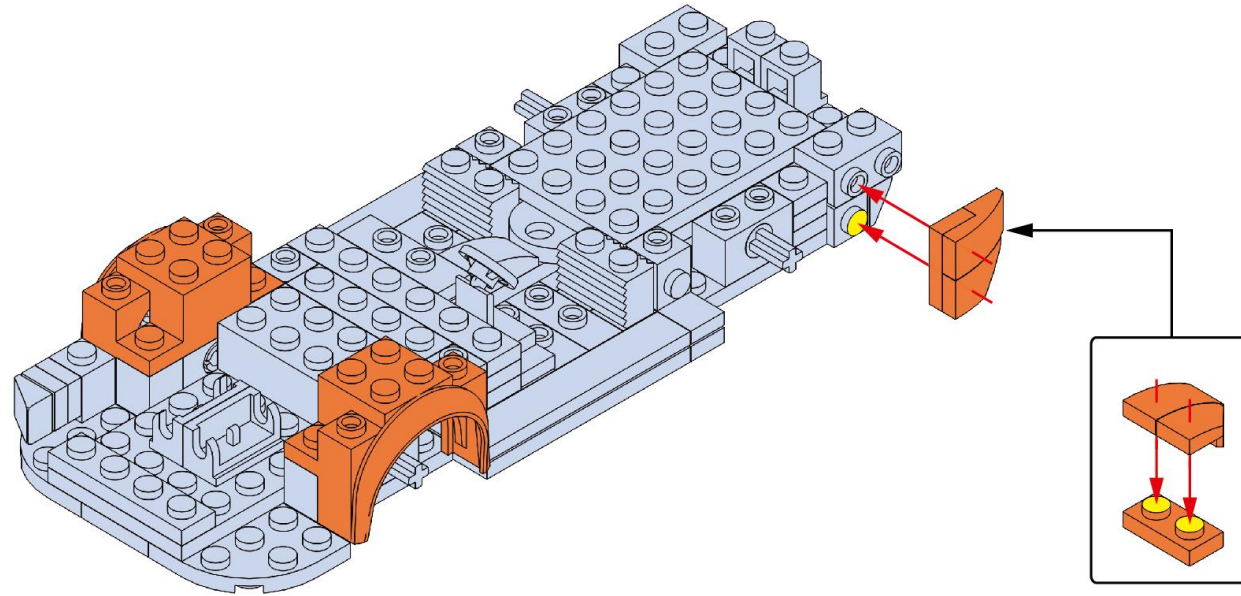


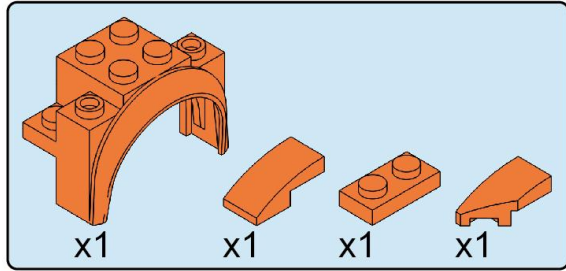
17



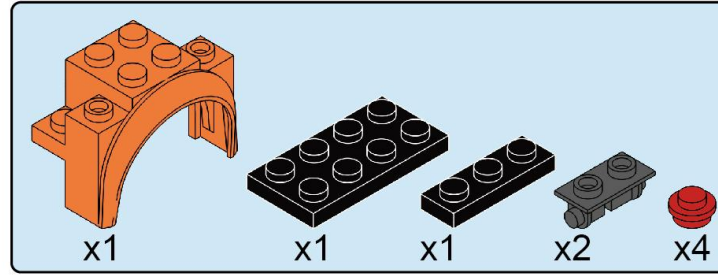
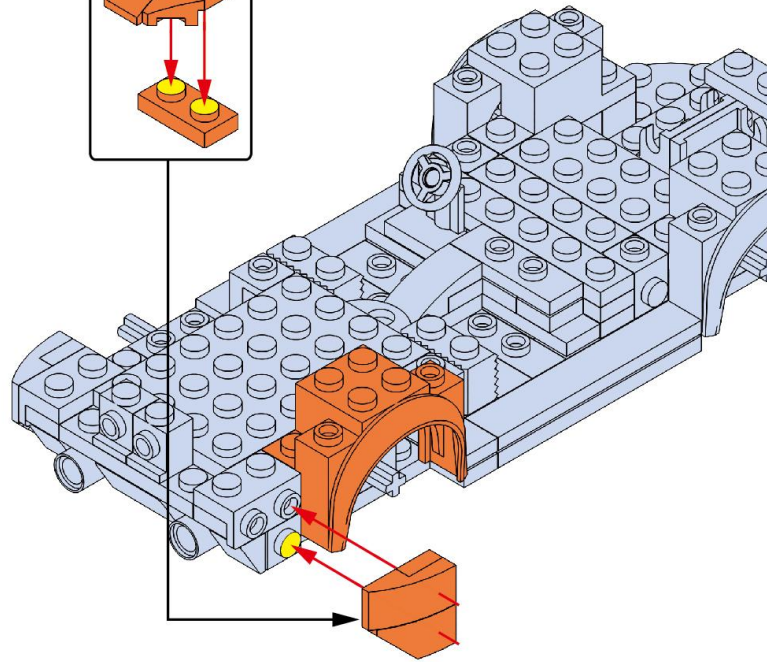
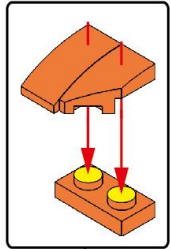


18

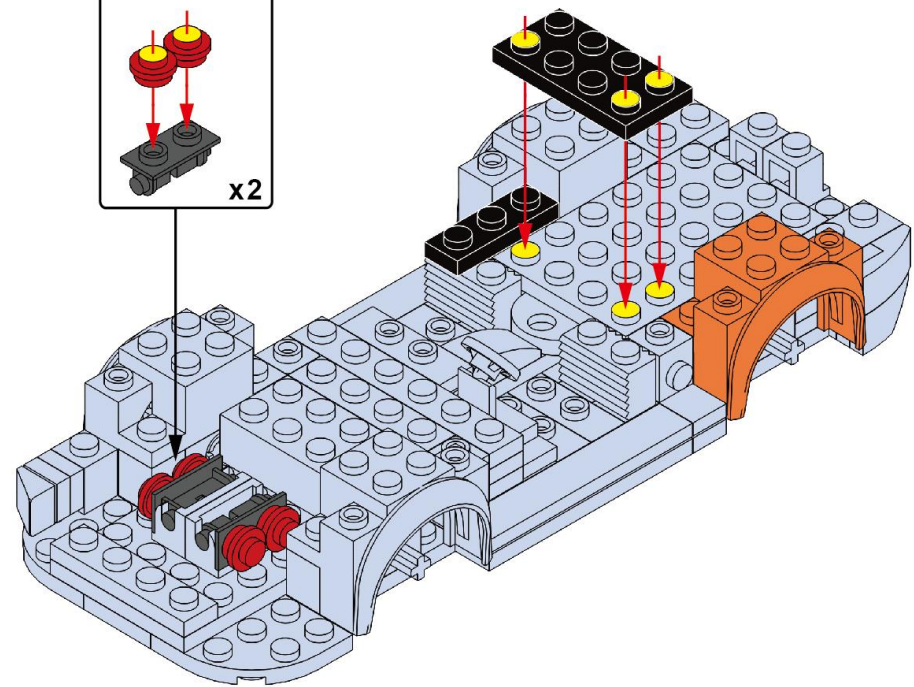
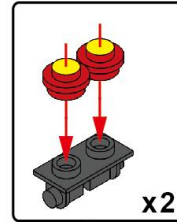


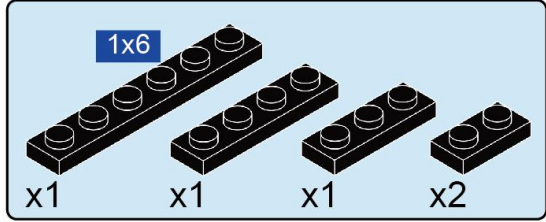


19

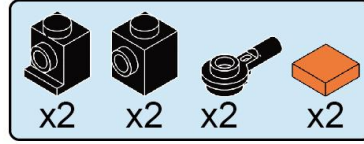
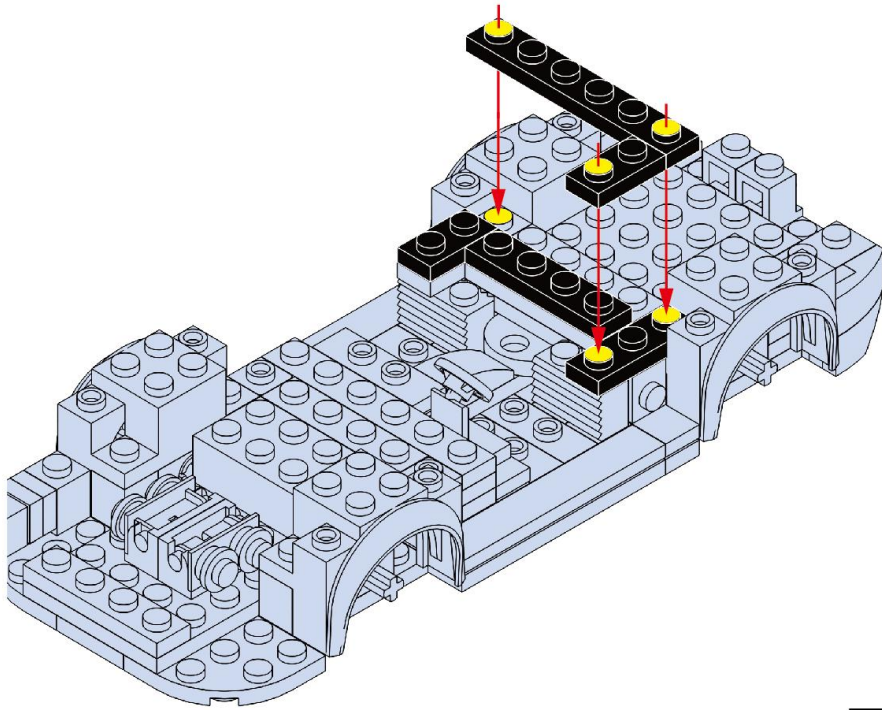


20

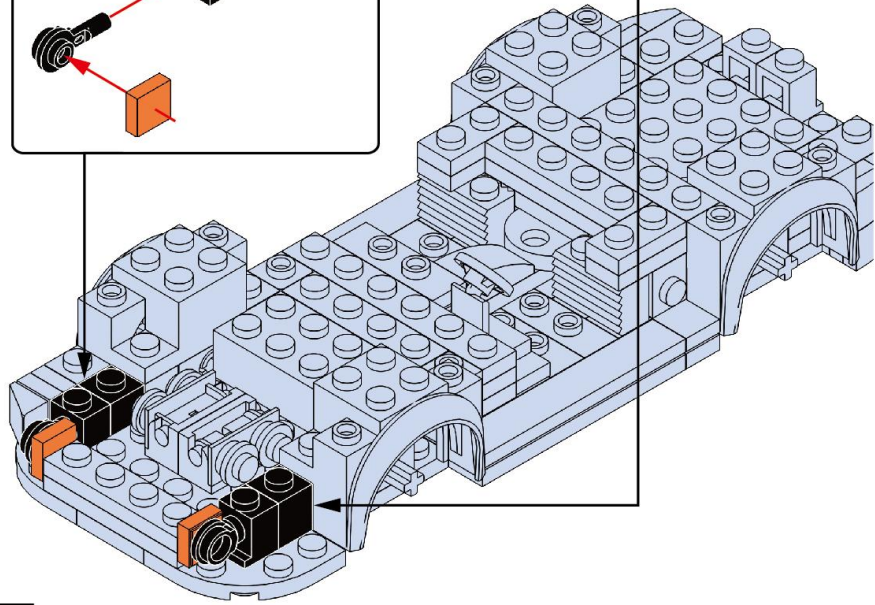
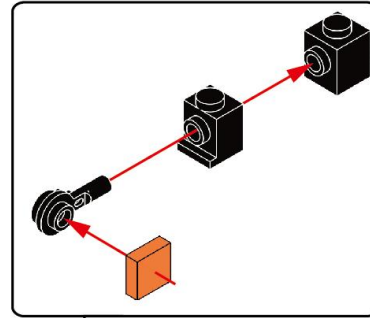
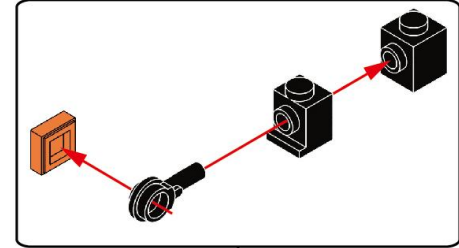




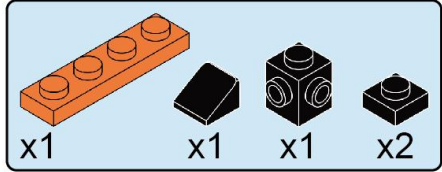
21



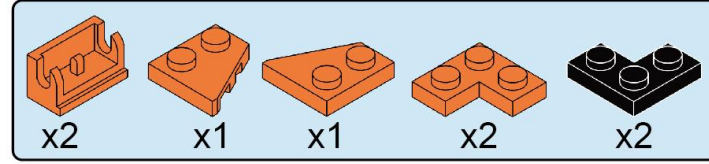
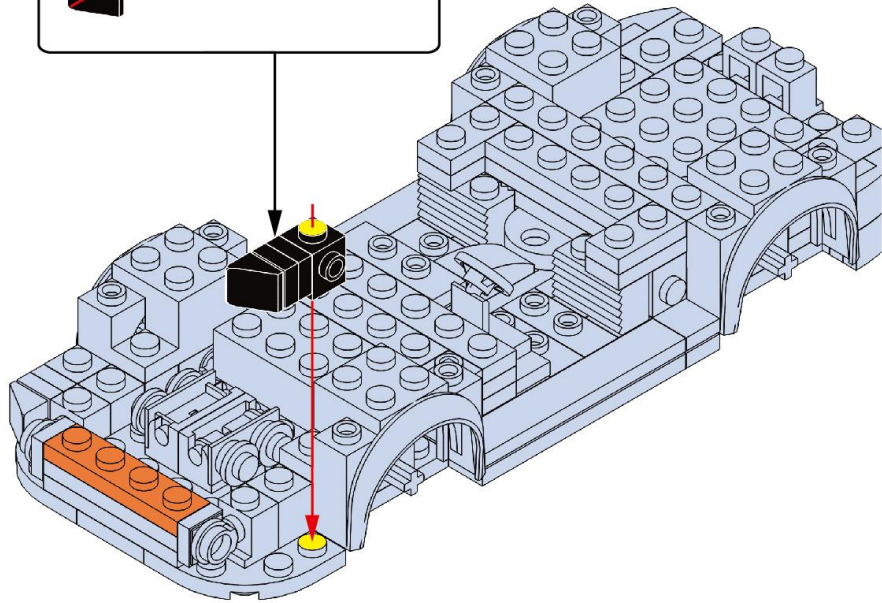
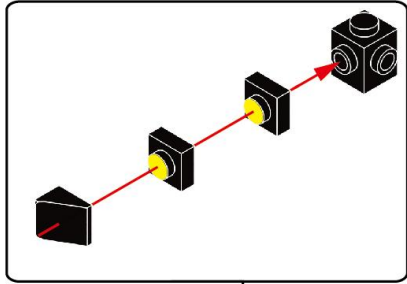
22



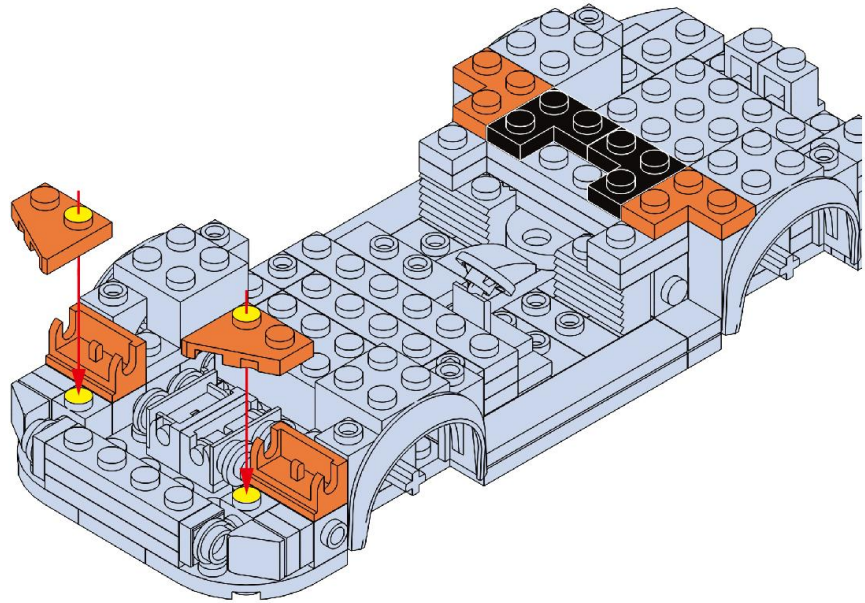
12

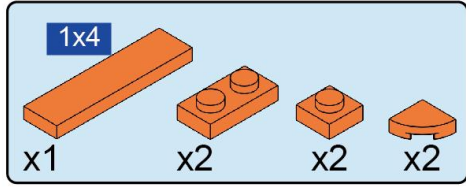


23

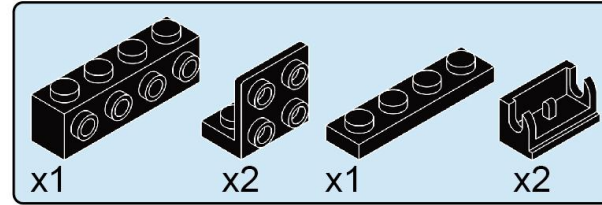
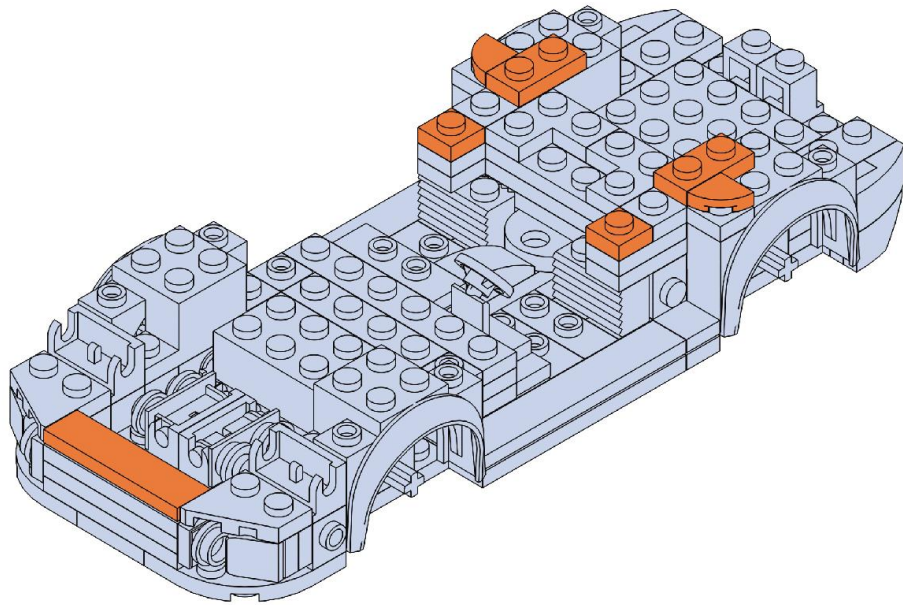


24

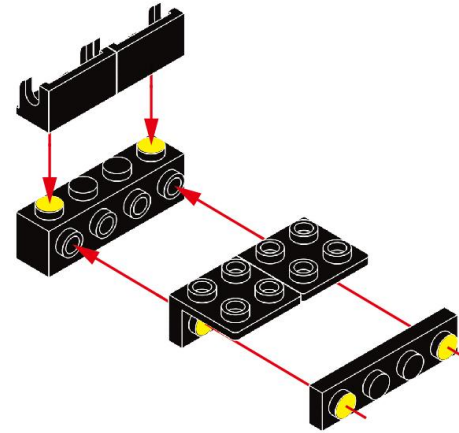


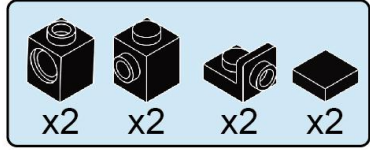


25

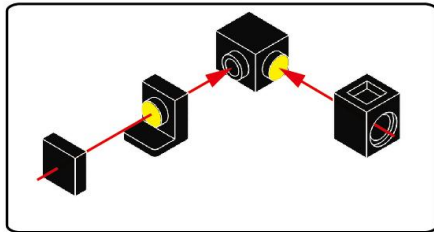
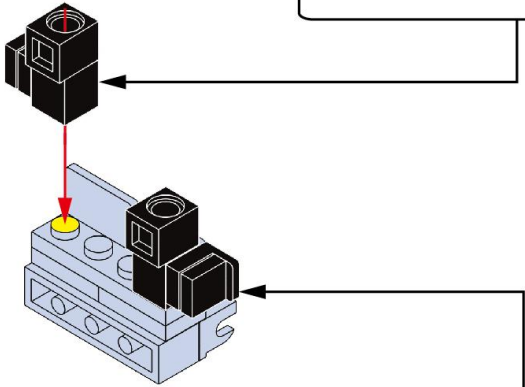
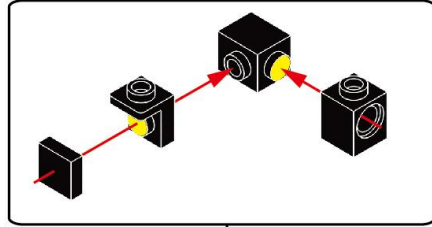


26

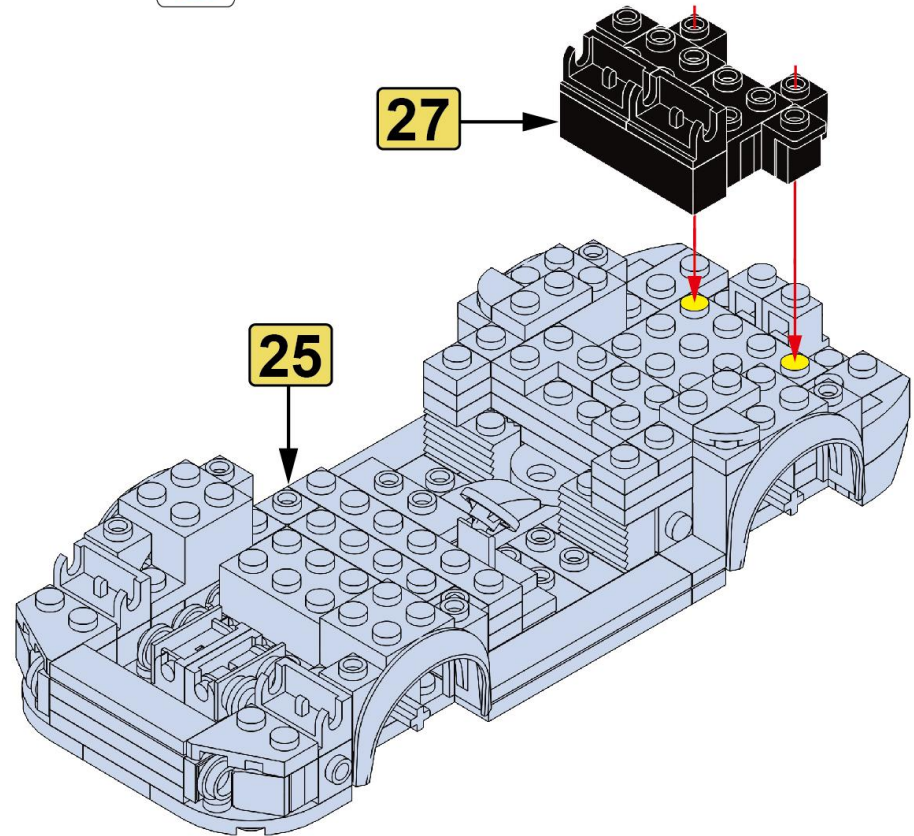


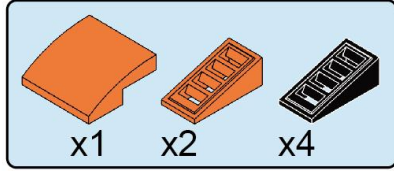


27

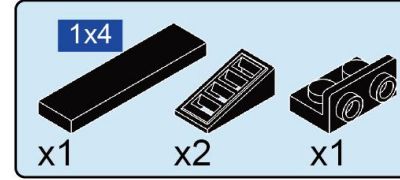
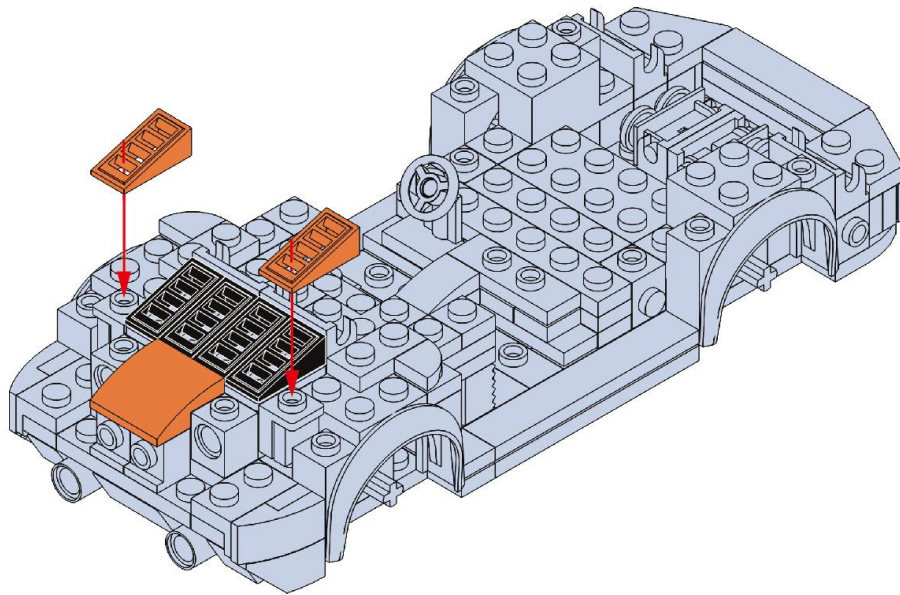


28

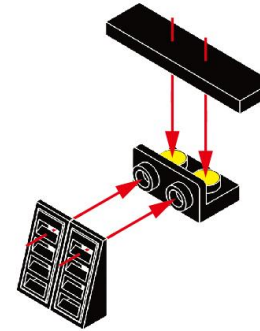




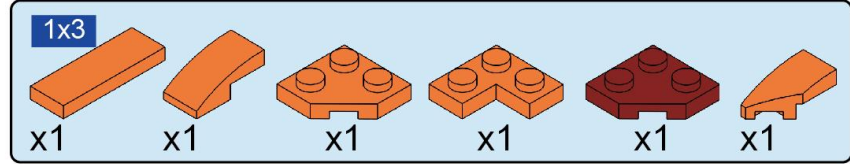
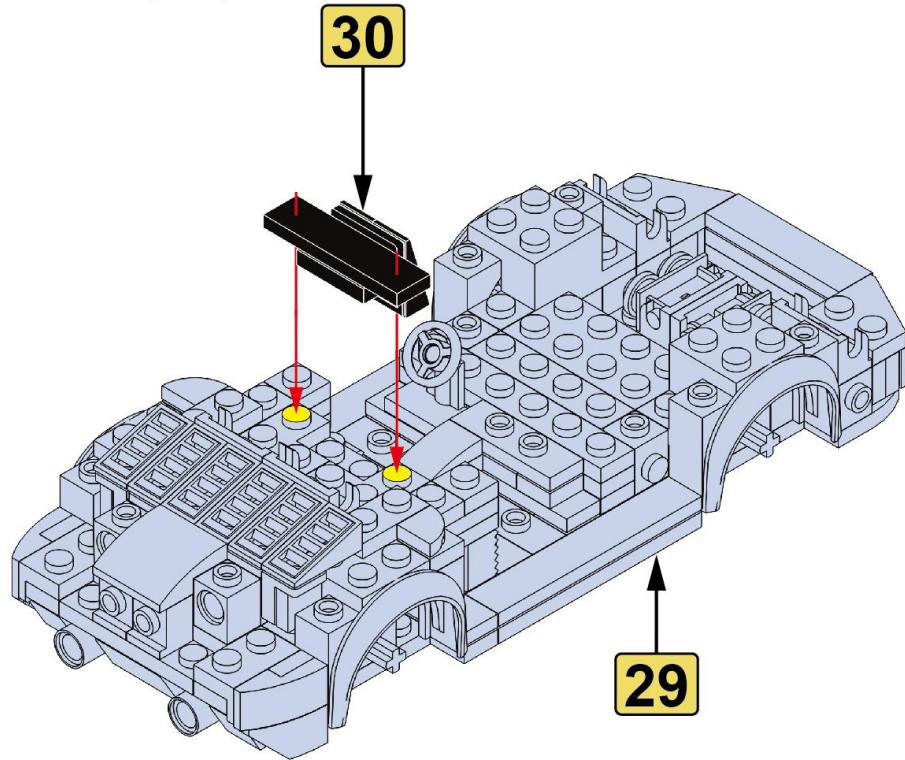
29



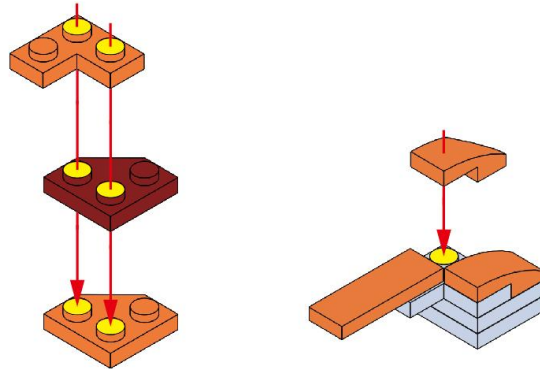
30



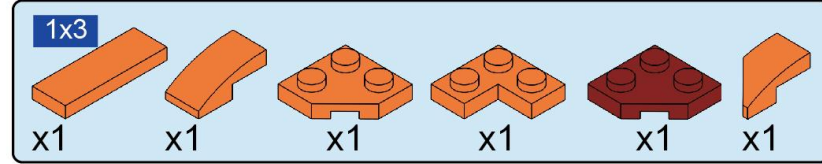
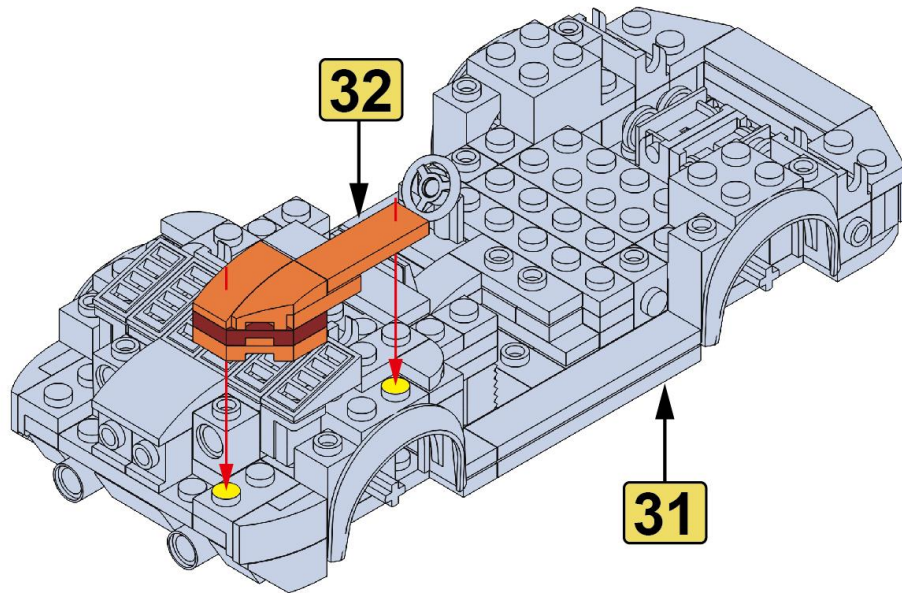
31



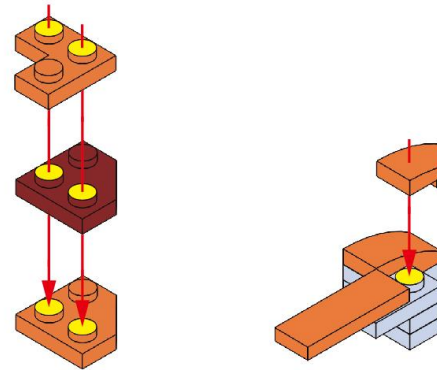
32



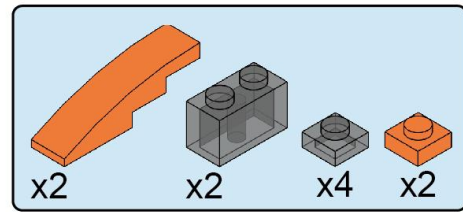
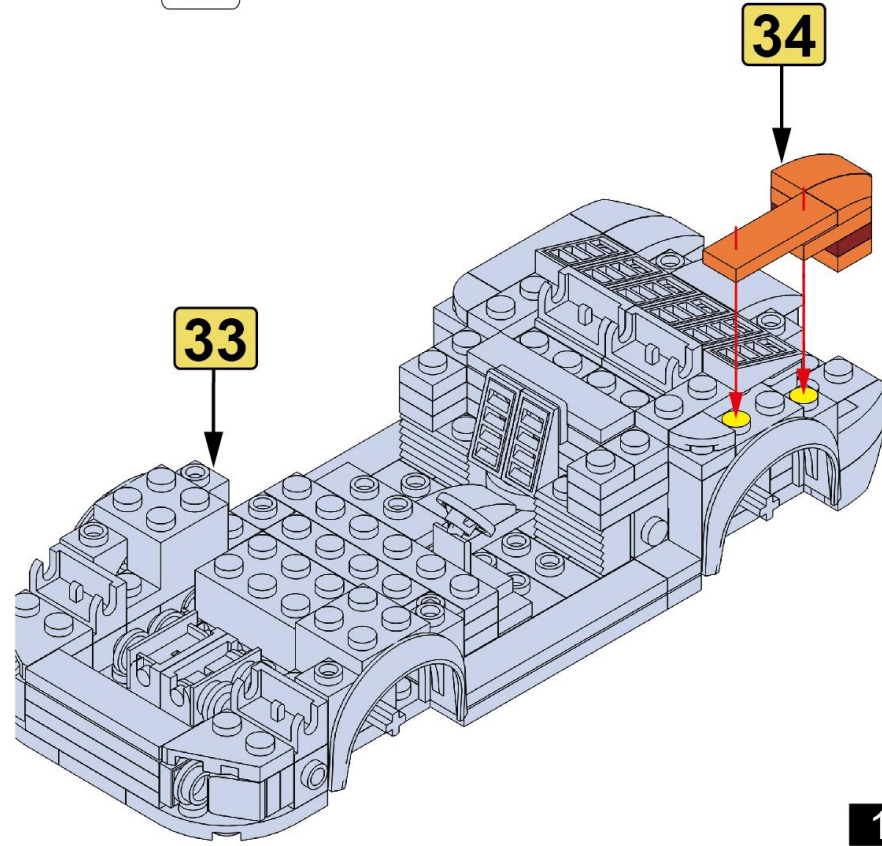
33



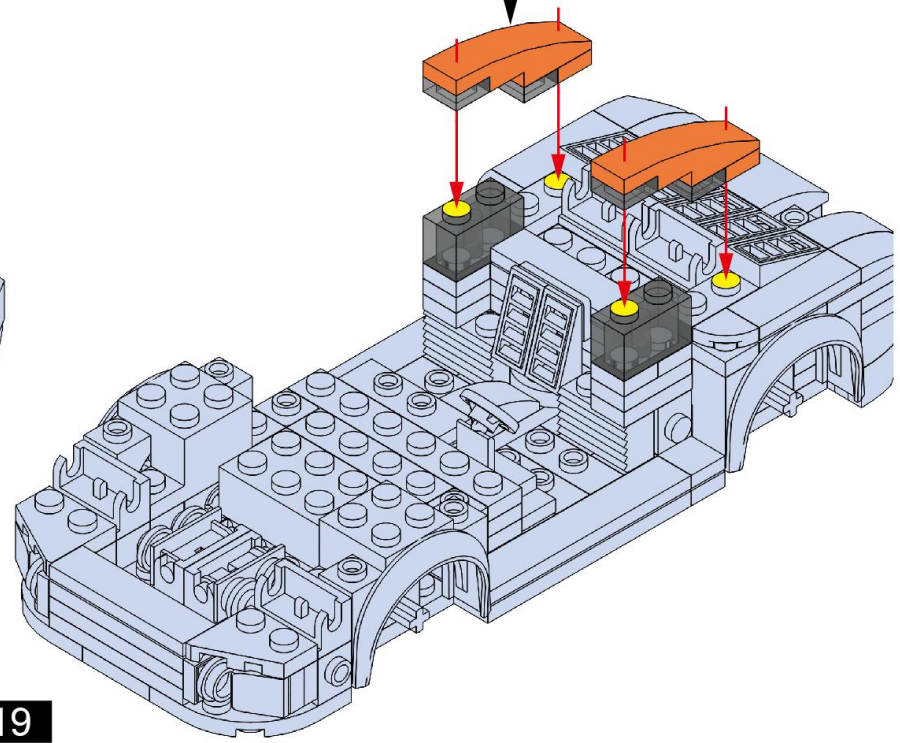
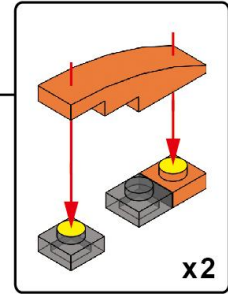
34

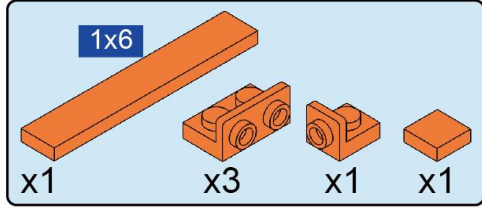


35

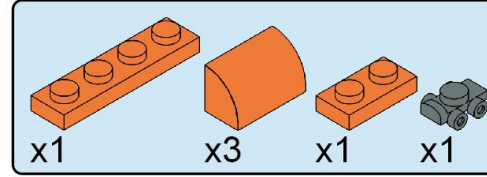
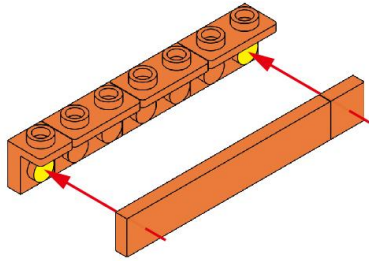


36

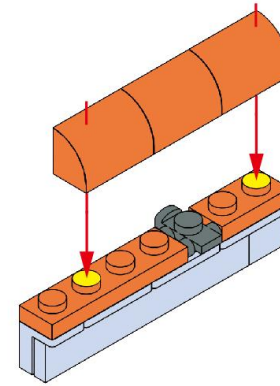


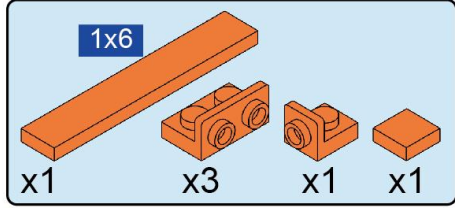


37

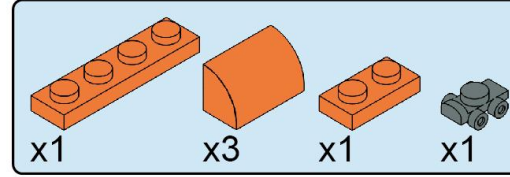
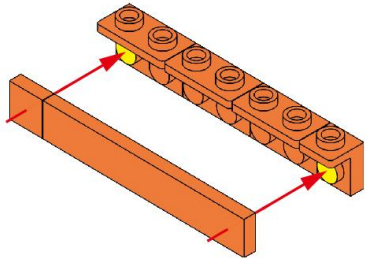


38

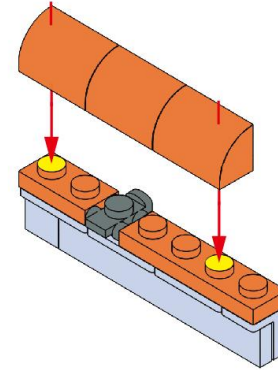




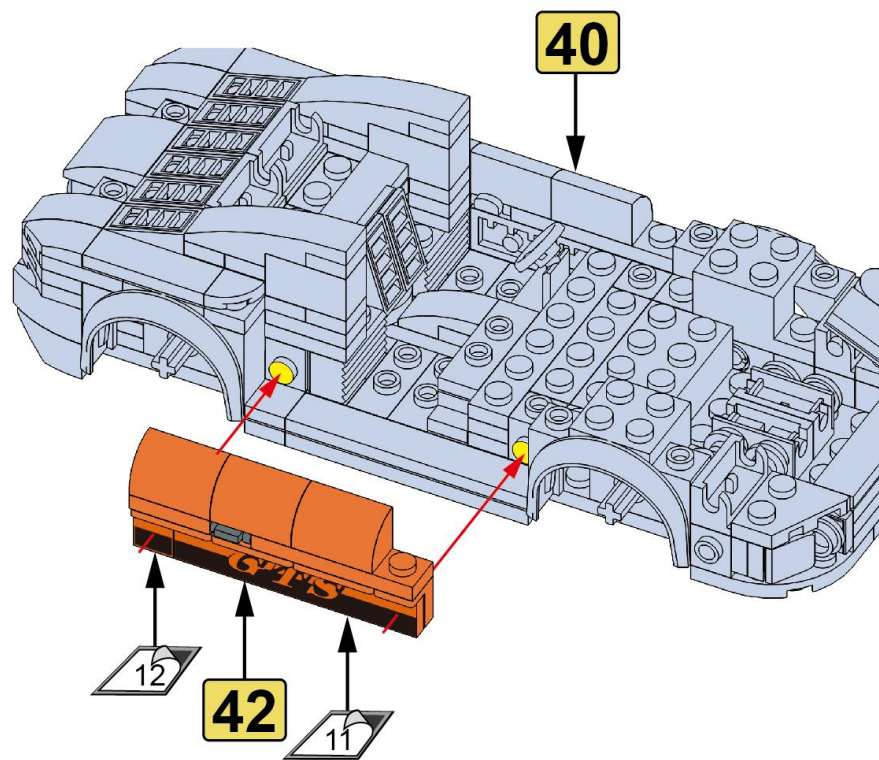
41



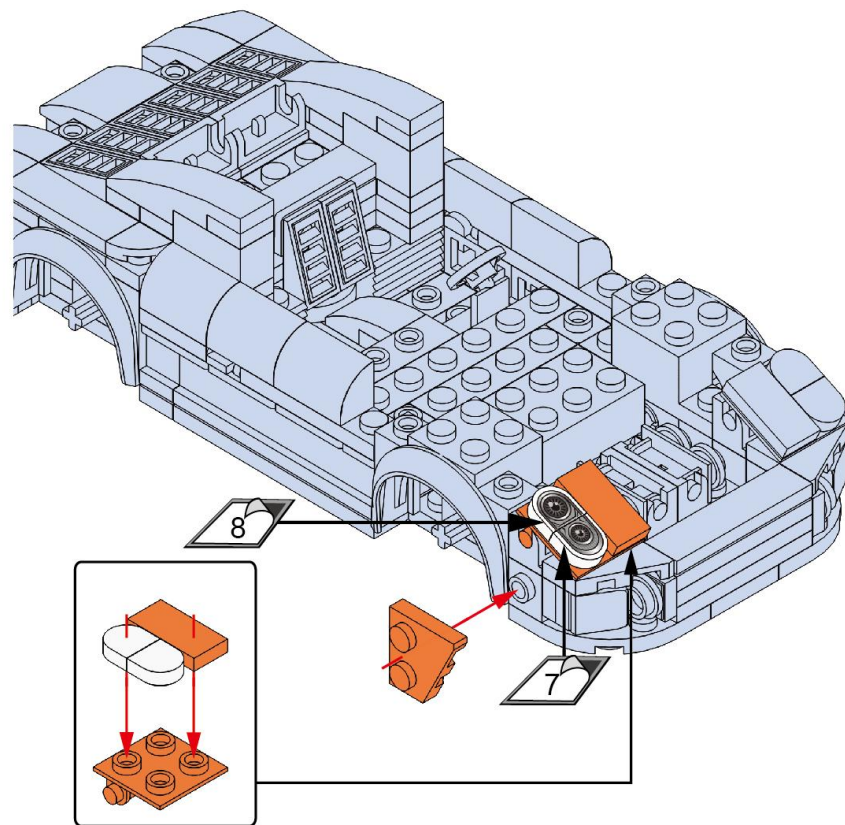
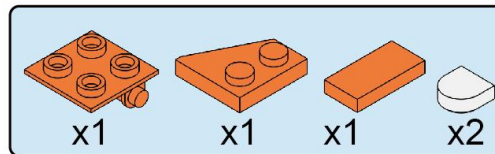
42

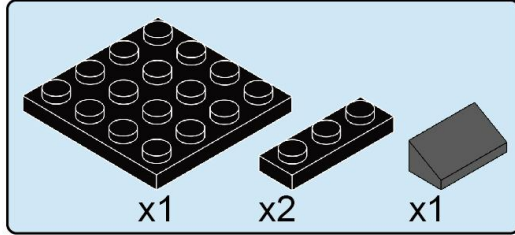


43

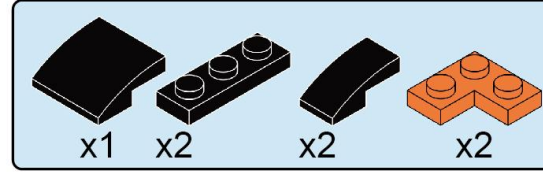
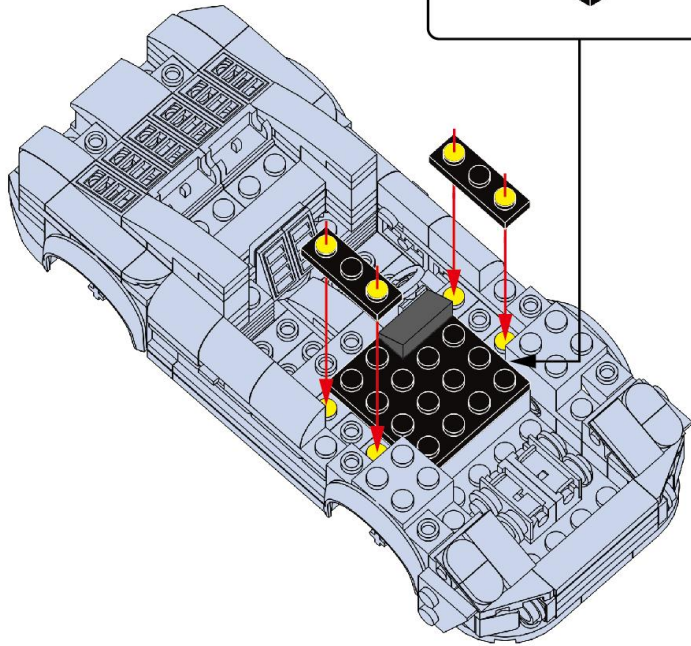
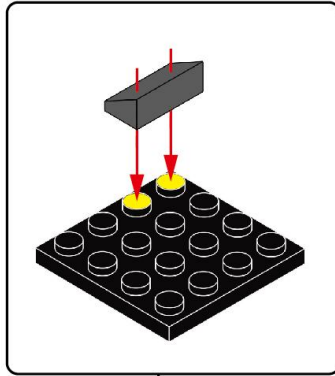


44

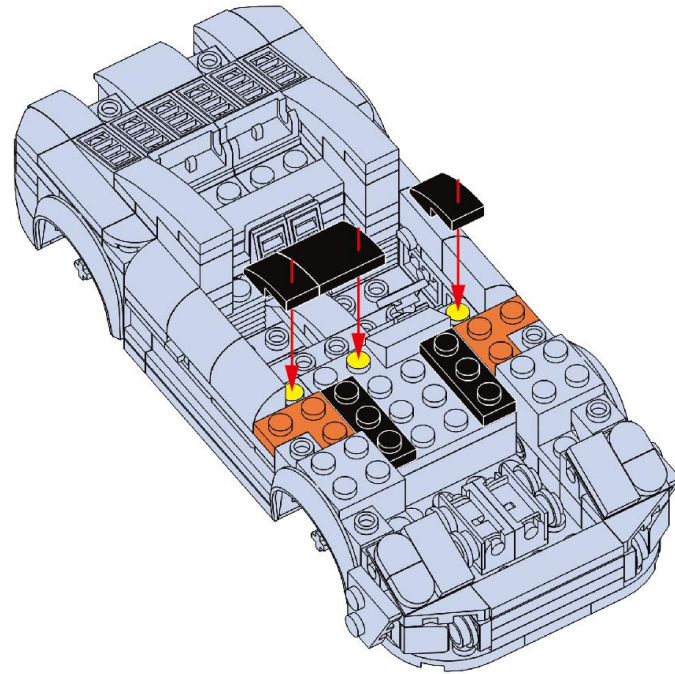


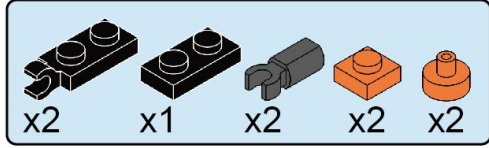


45

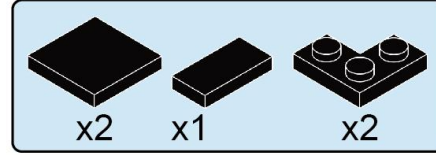
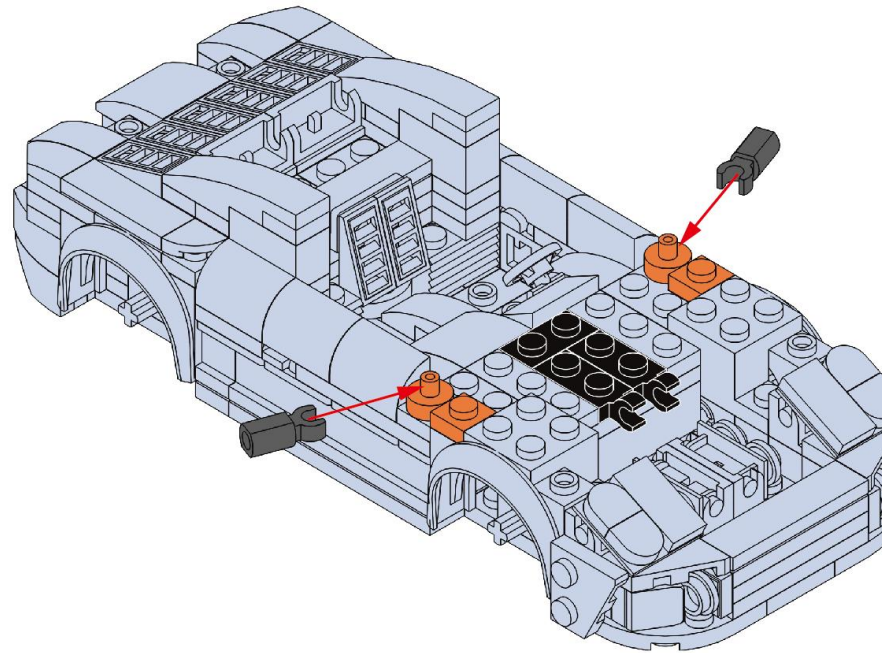


46

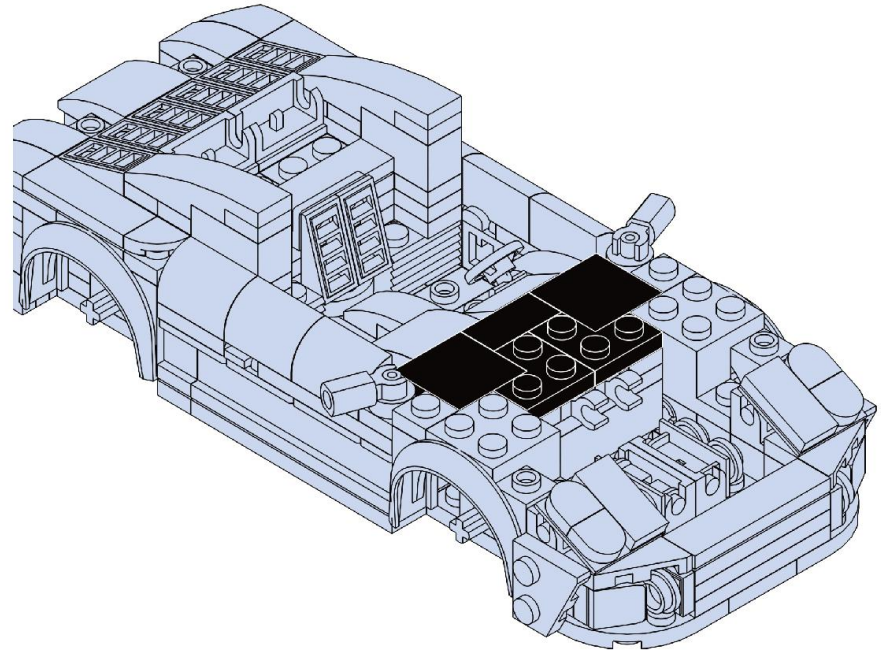


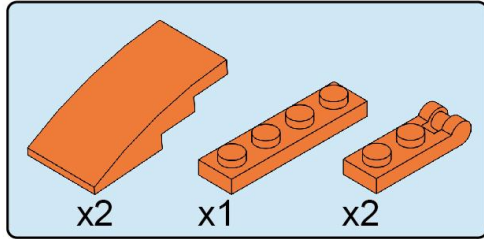


47

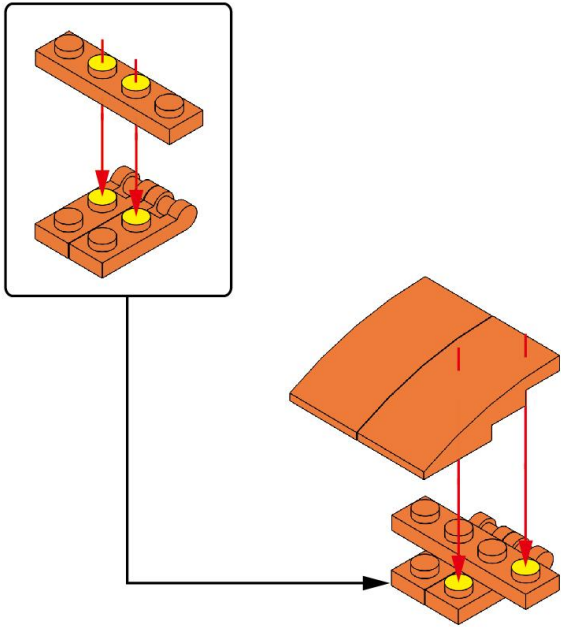


48

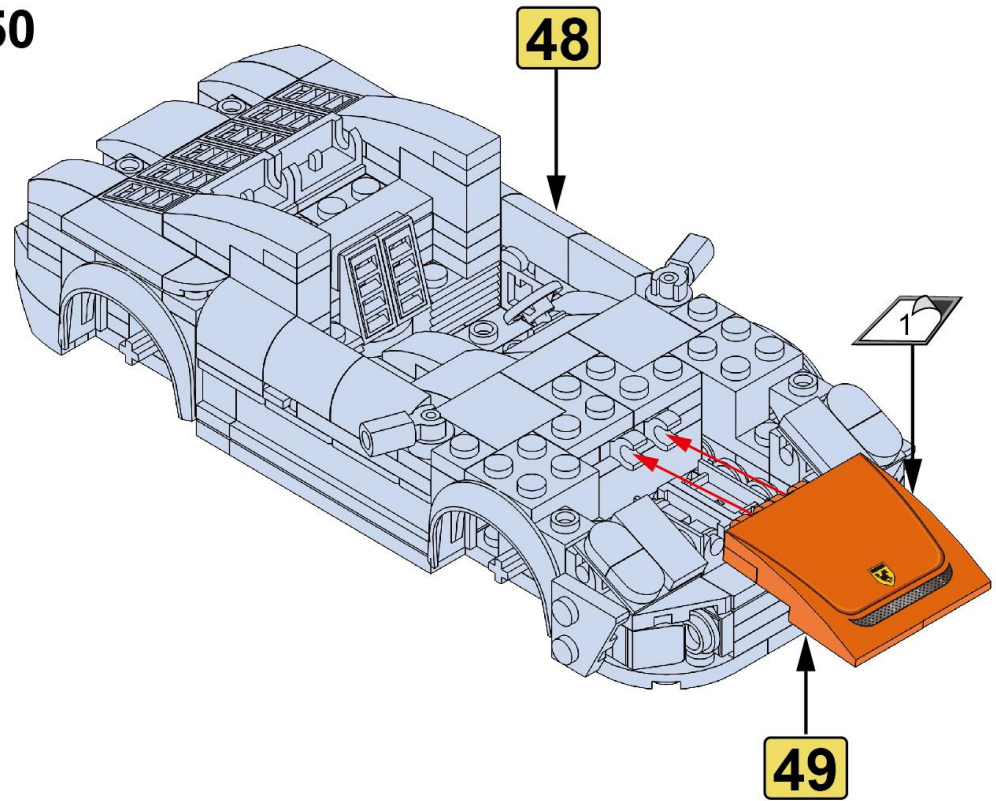


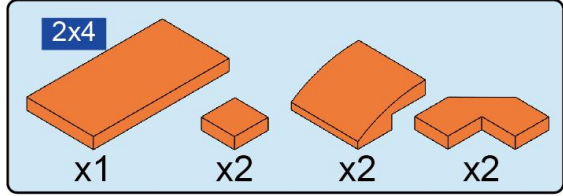


49

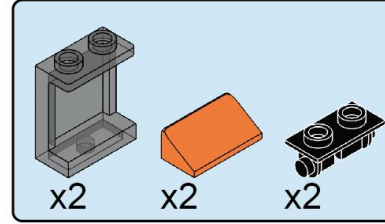
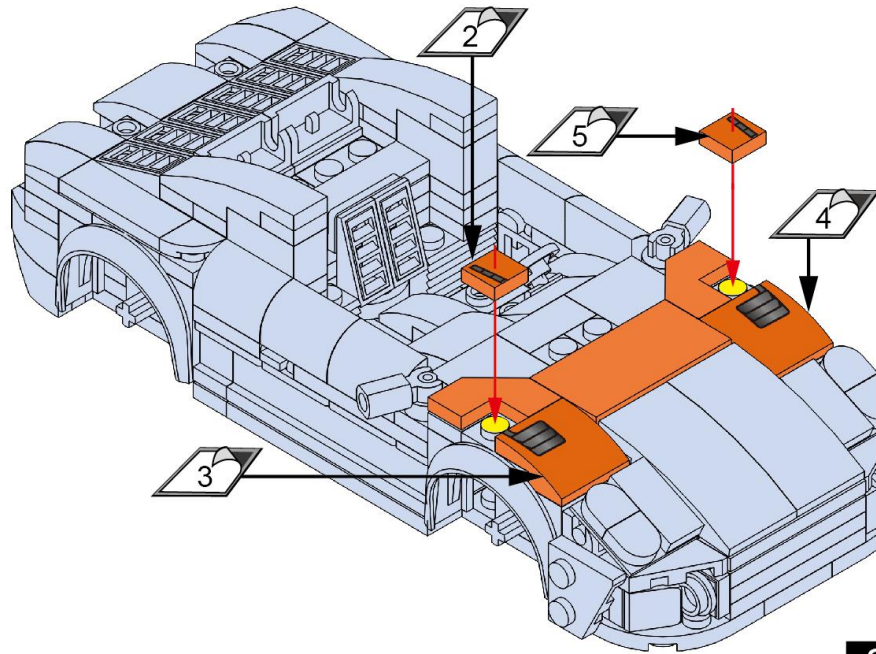


50

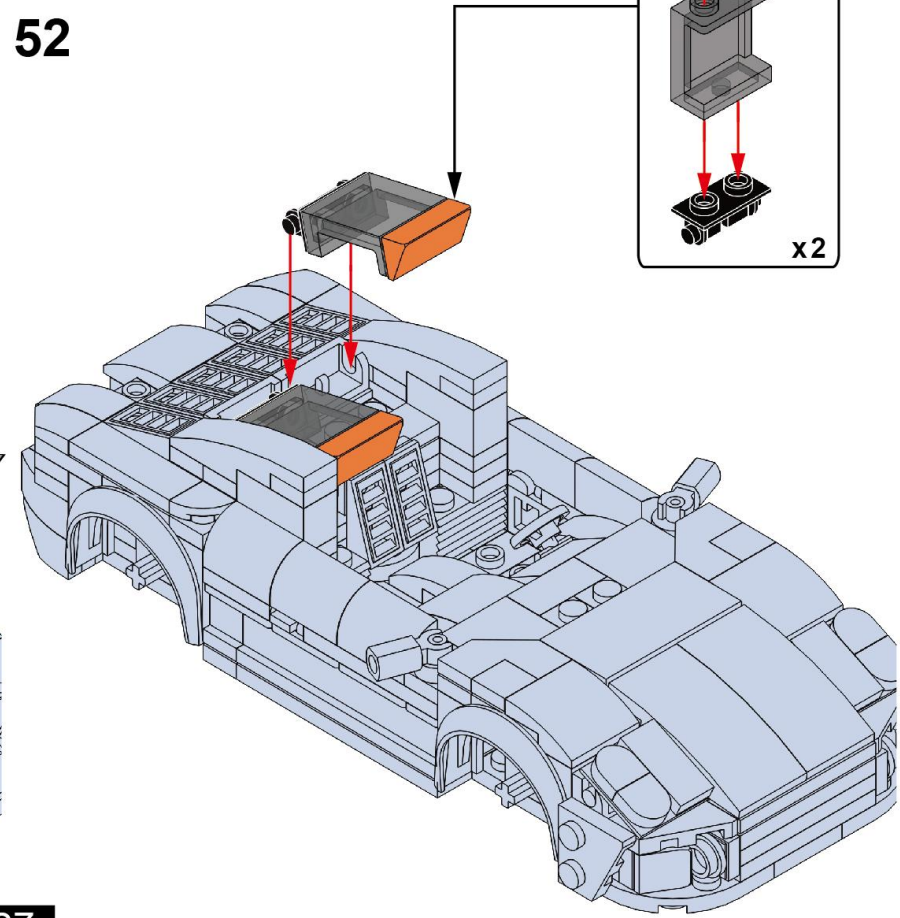


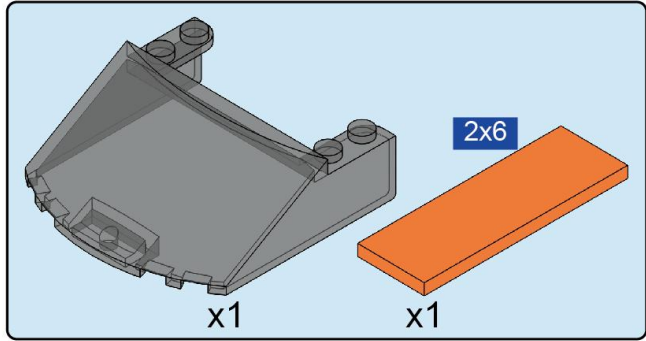


51

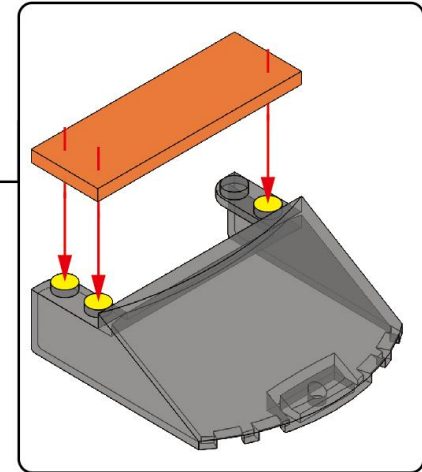
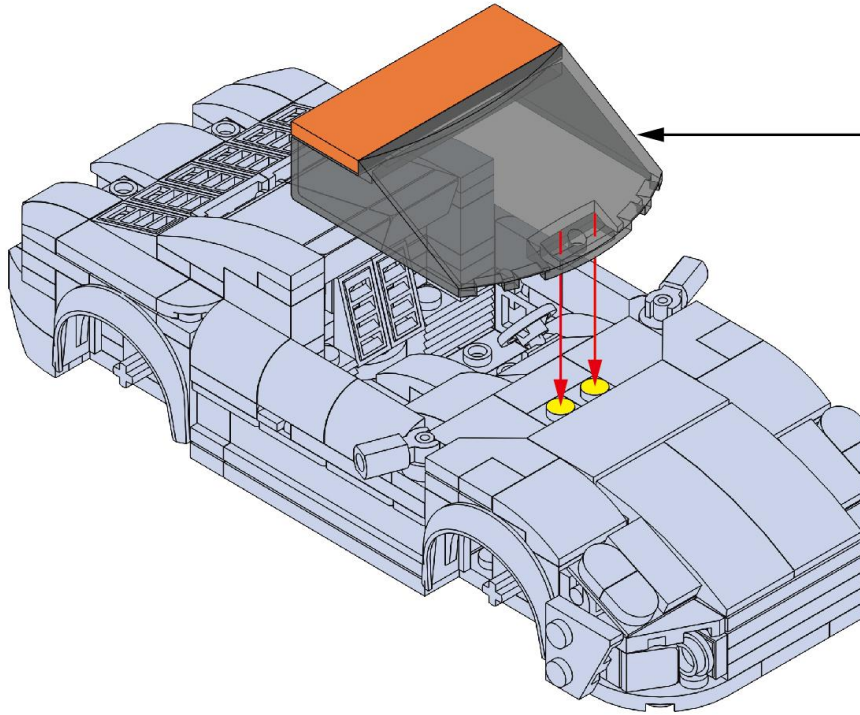


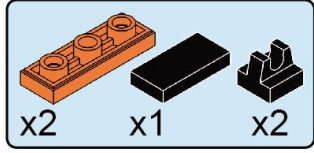
52



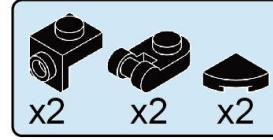
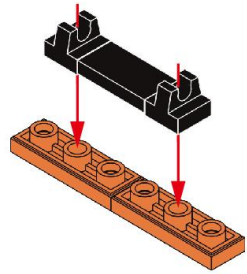


53

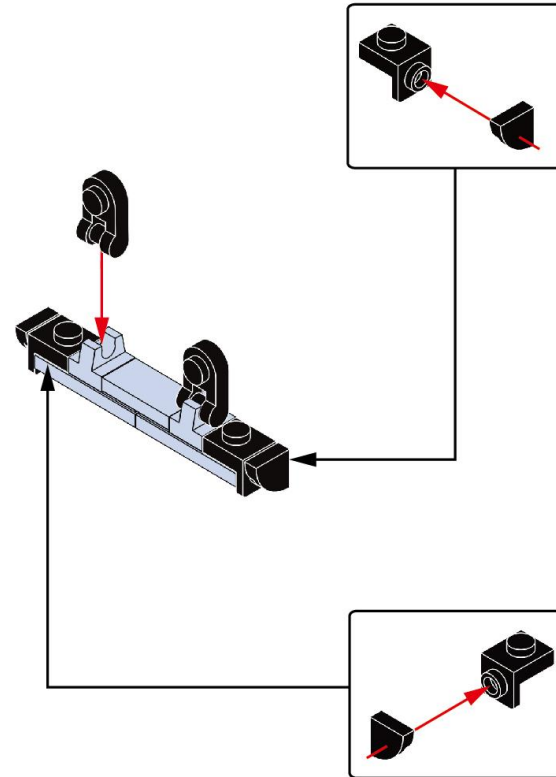




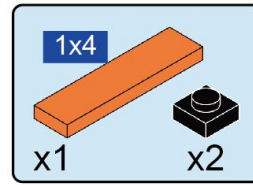
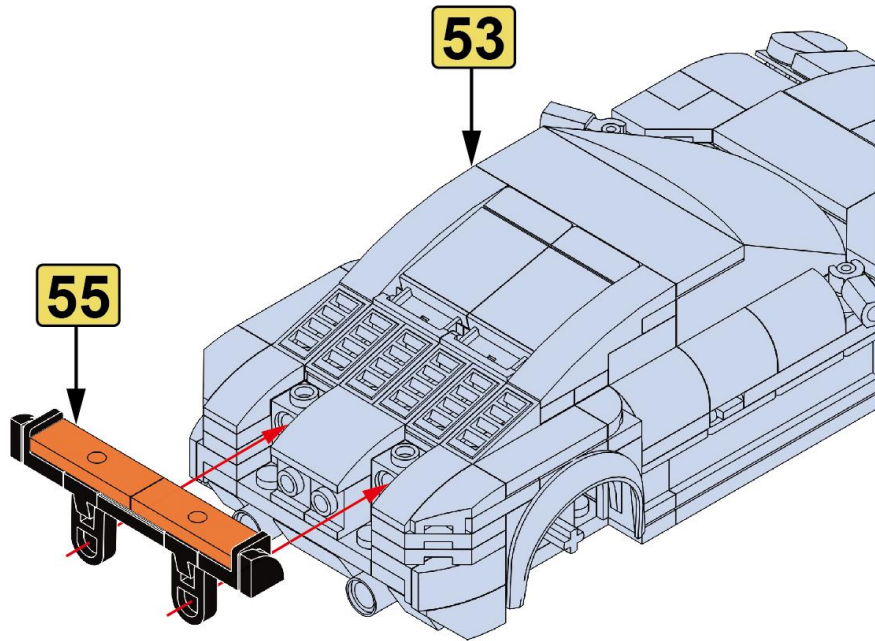
54



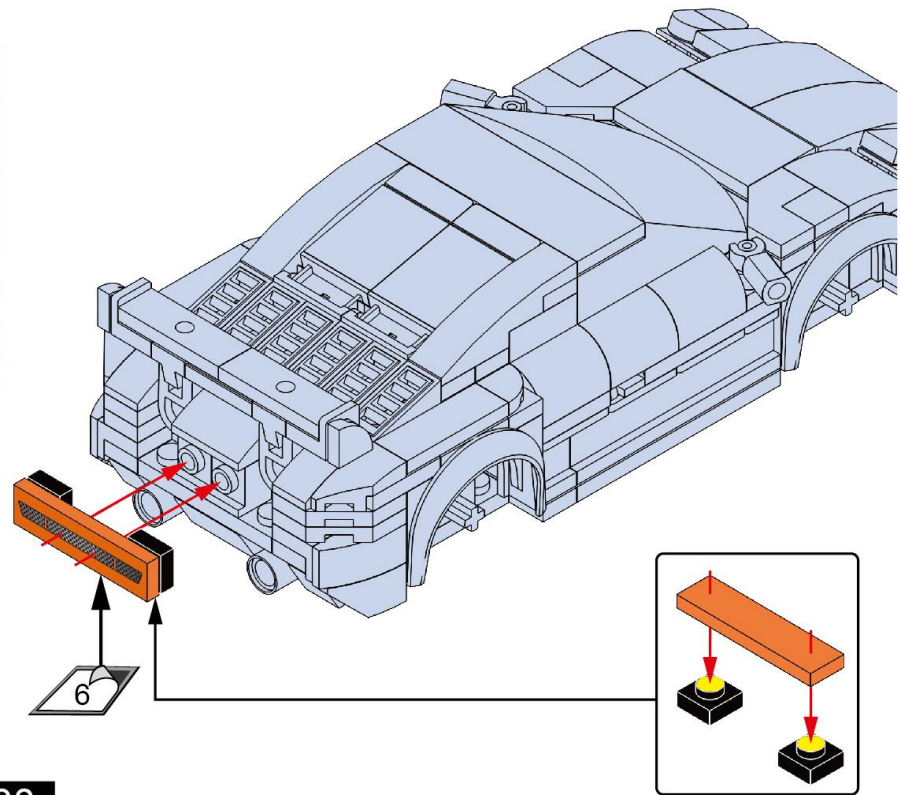
55



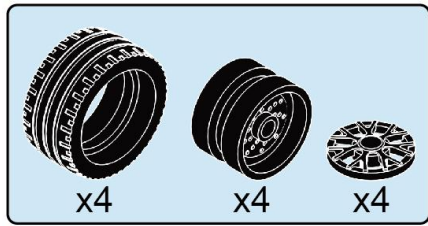
56



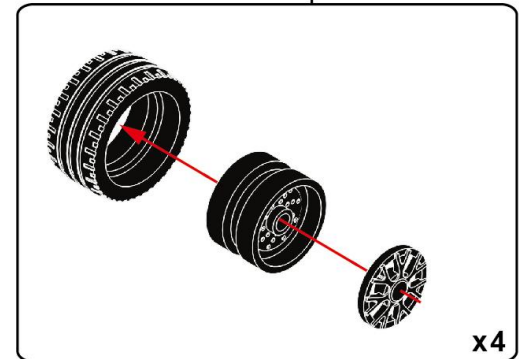
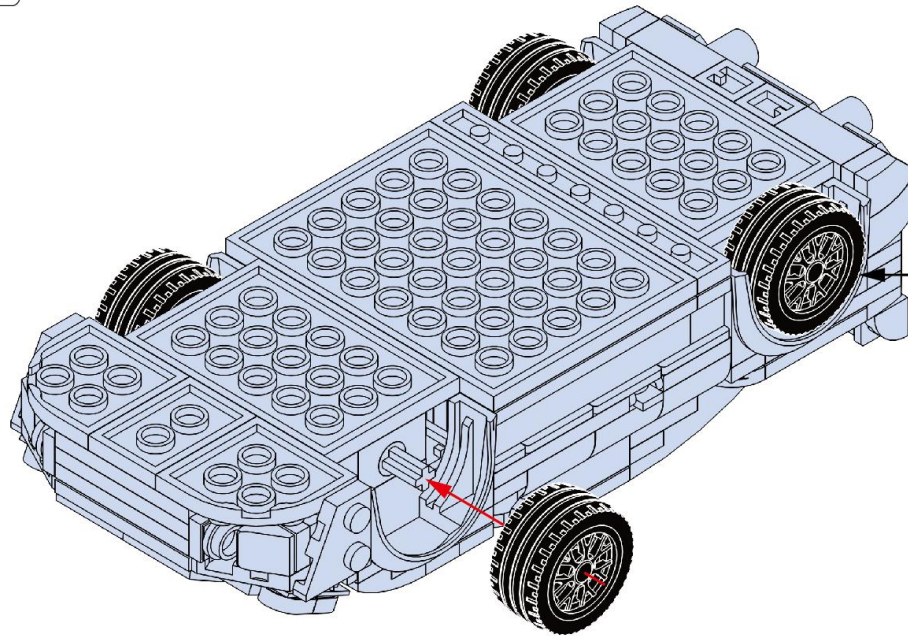
57

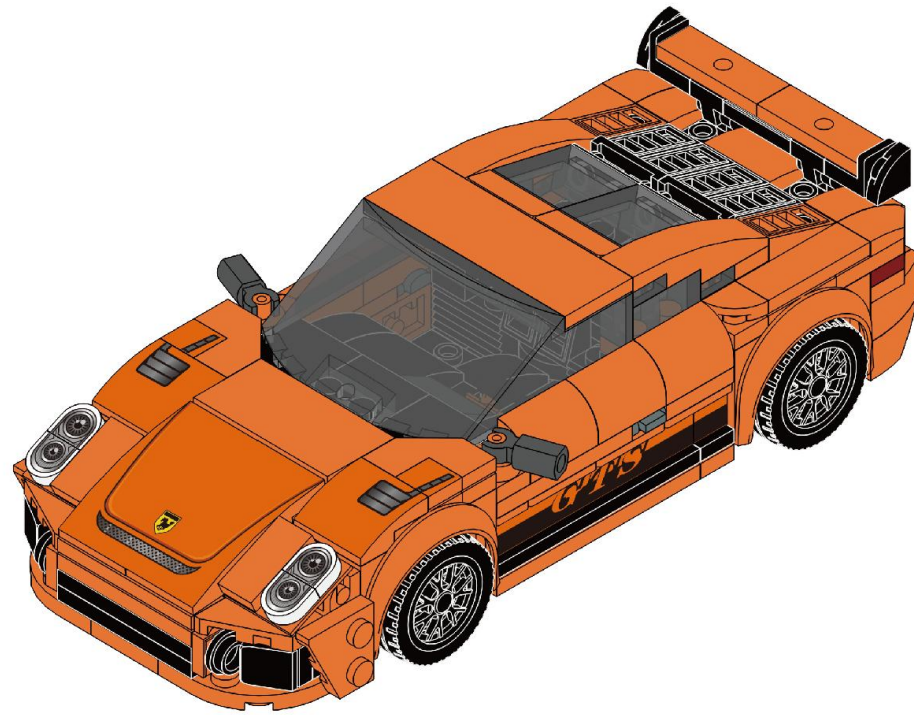


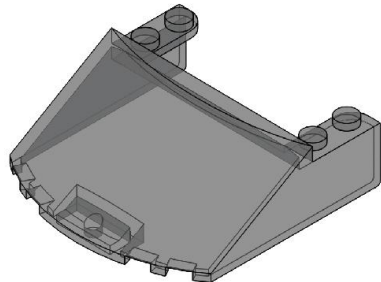
30



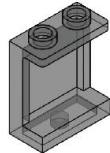
58



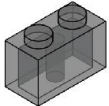




x1



x2



x2



x4



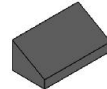
x4



x2



x4



x1



x2



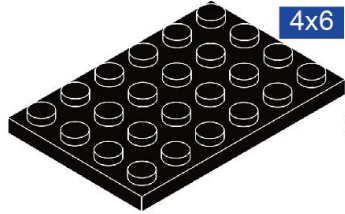
x2



x13

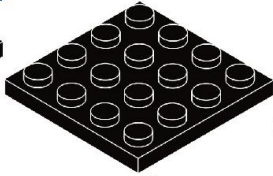


x8



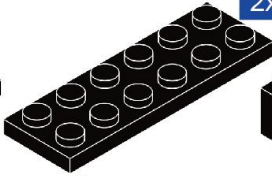
4x6

x4

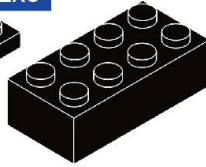


2x6

x2



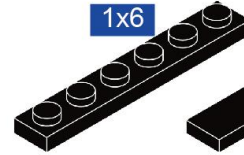
x1



x1

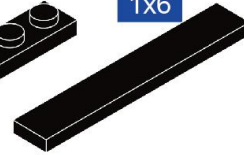


x4



1x6

x4

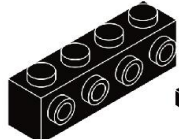


1x6

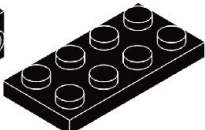
x2



x2



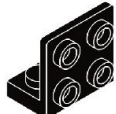
x1



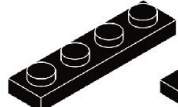
x1



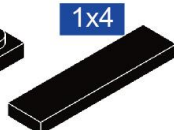
x4



x2



x6

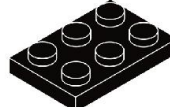


1x4

x1



x1



x2



x1



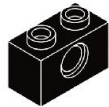
x2



x4



x2



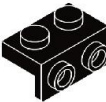
x4



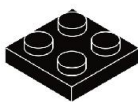
x2



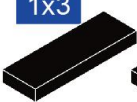
x4



x1

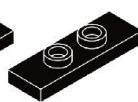


x1

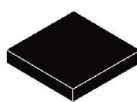


1x3

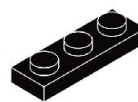
x2



x7



x2



x9



x3



x2



x2



x2



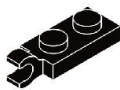
x4



x1



x6



x2



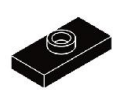
x2



x1



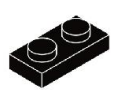
x2



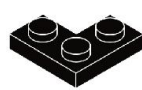
x1



x4



x8



x9



x2



x2



x2



x1



x2



x3

