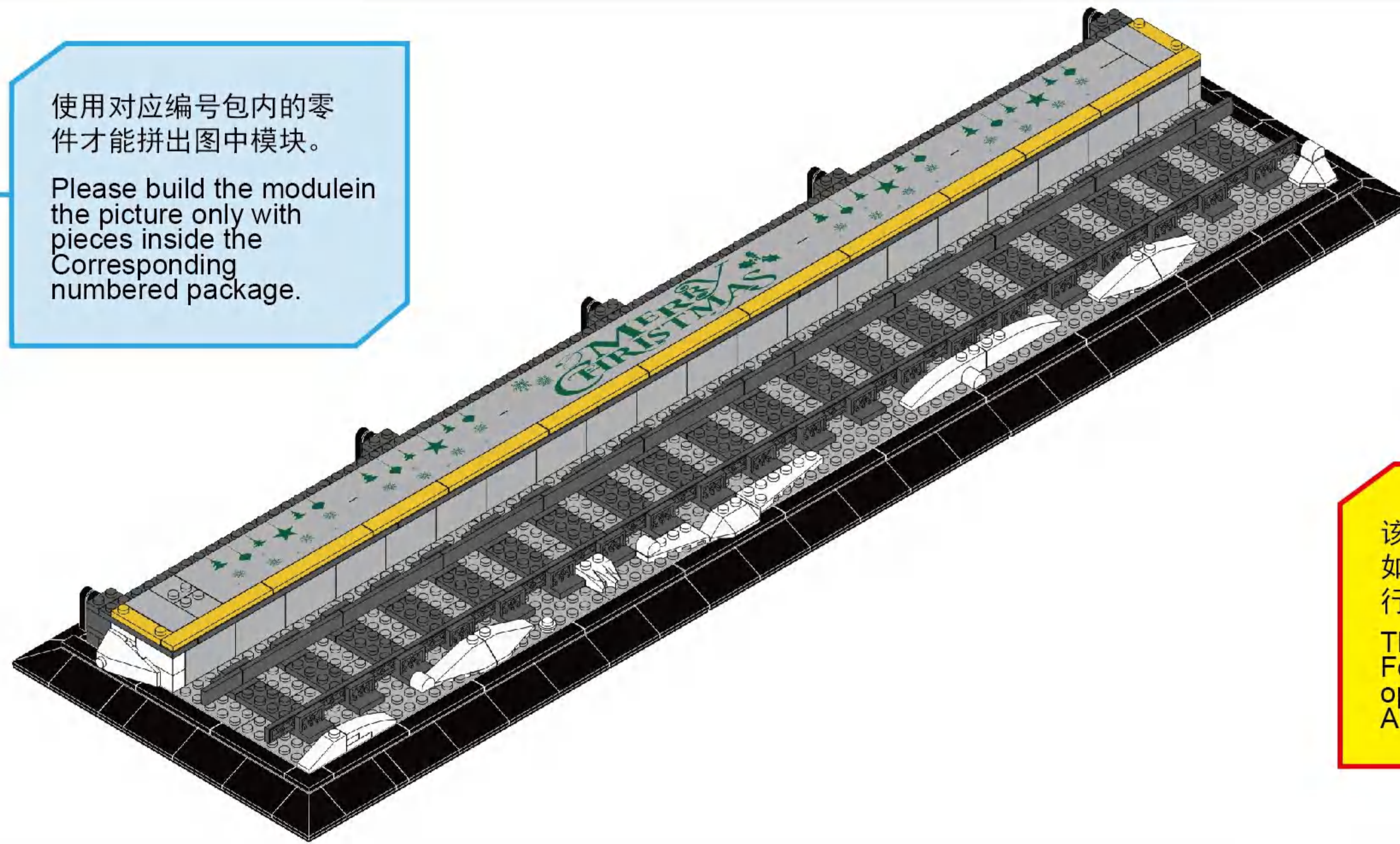


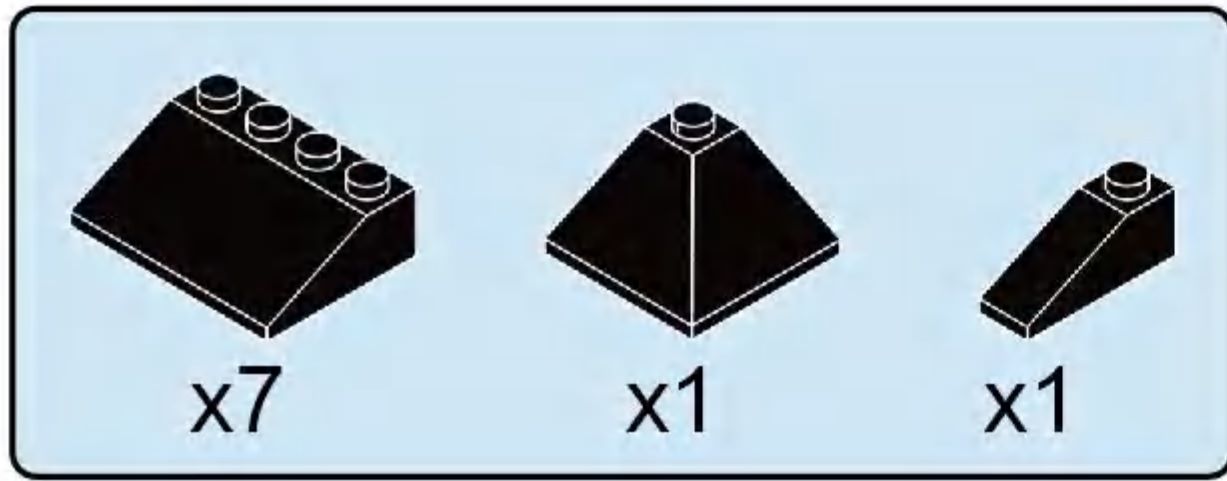


使用对应编号包内的零件才能拼出图中模块。

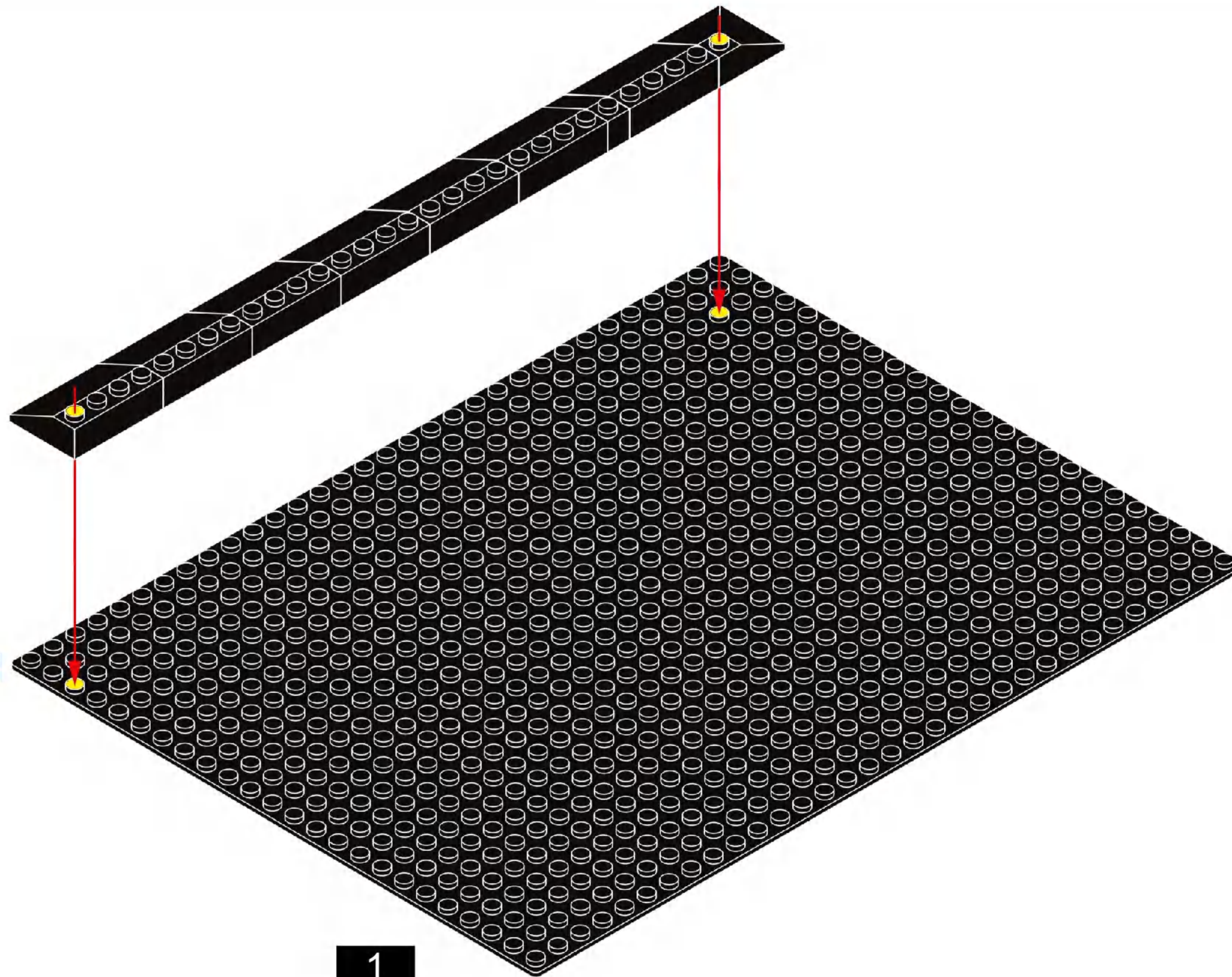
Please build the module in the picture only with pieces inside the corresponding numbered package.



该产品可以按步骤拼装。
如：1号配件包拼装完成后，再拆2号配件包进行拼装，依次拼装，直至拼装完成
This set of products can be assembled step by step.
For example, after the No. 1 accessory package has been assembled, open the No. 2 accessory package.
All right, put it together, put it together in turn, until it's finished.



1

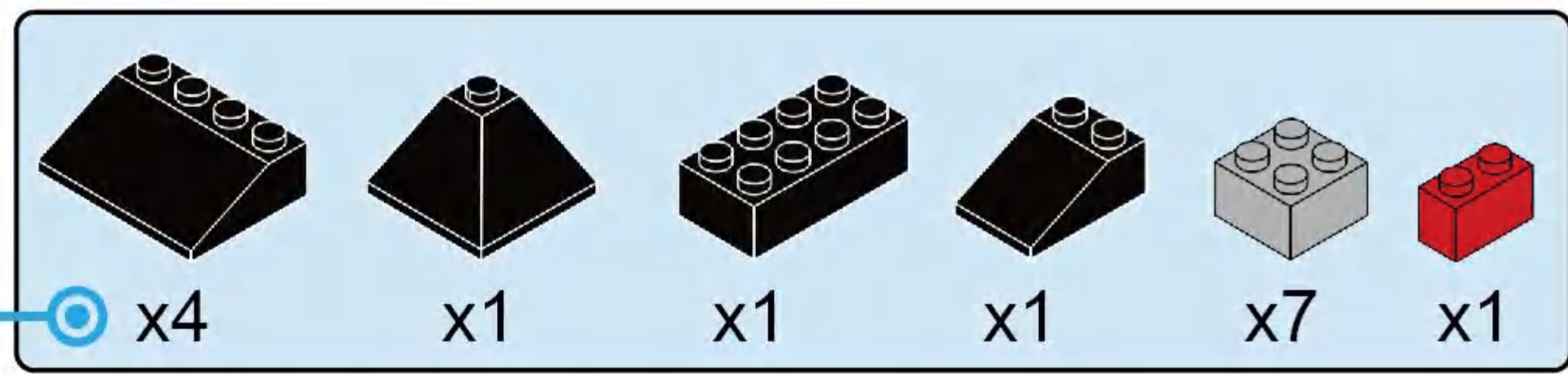


这是零件尺寸标识，24x32表示该零件宽度为24个积木颗粒，长度为32个积木颗粒。
This is the size mark of the piece. 24x32 means that the piece is 24 studwide and 32 studs long.

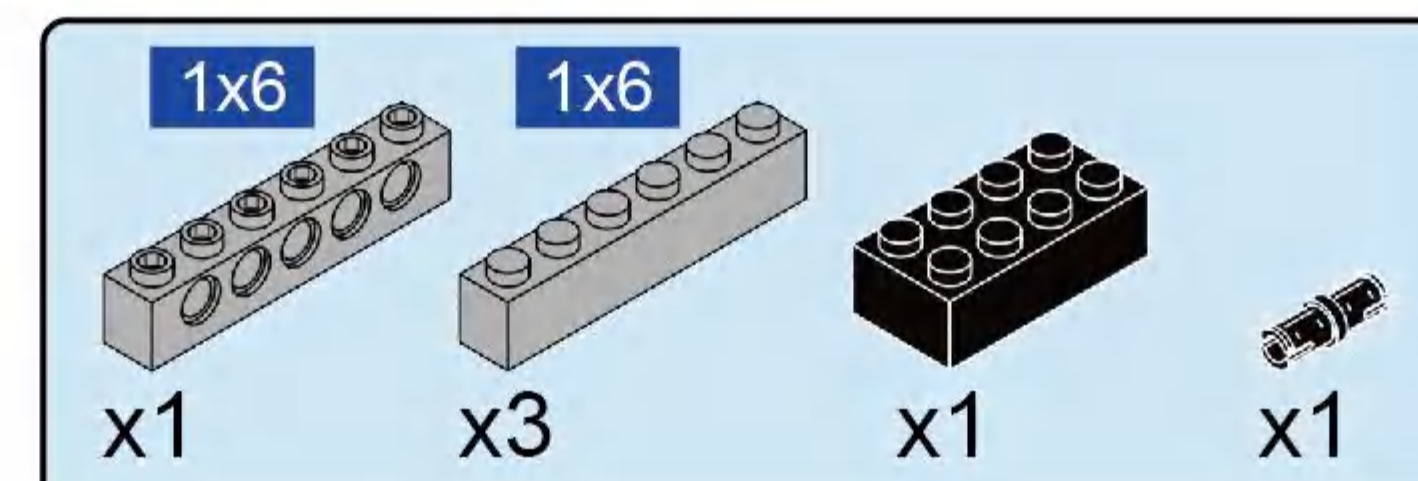
24x32

1

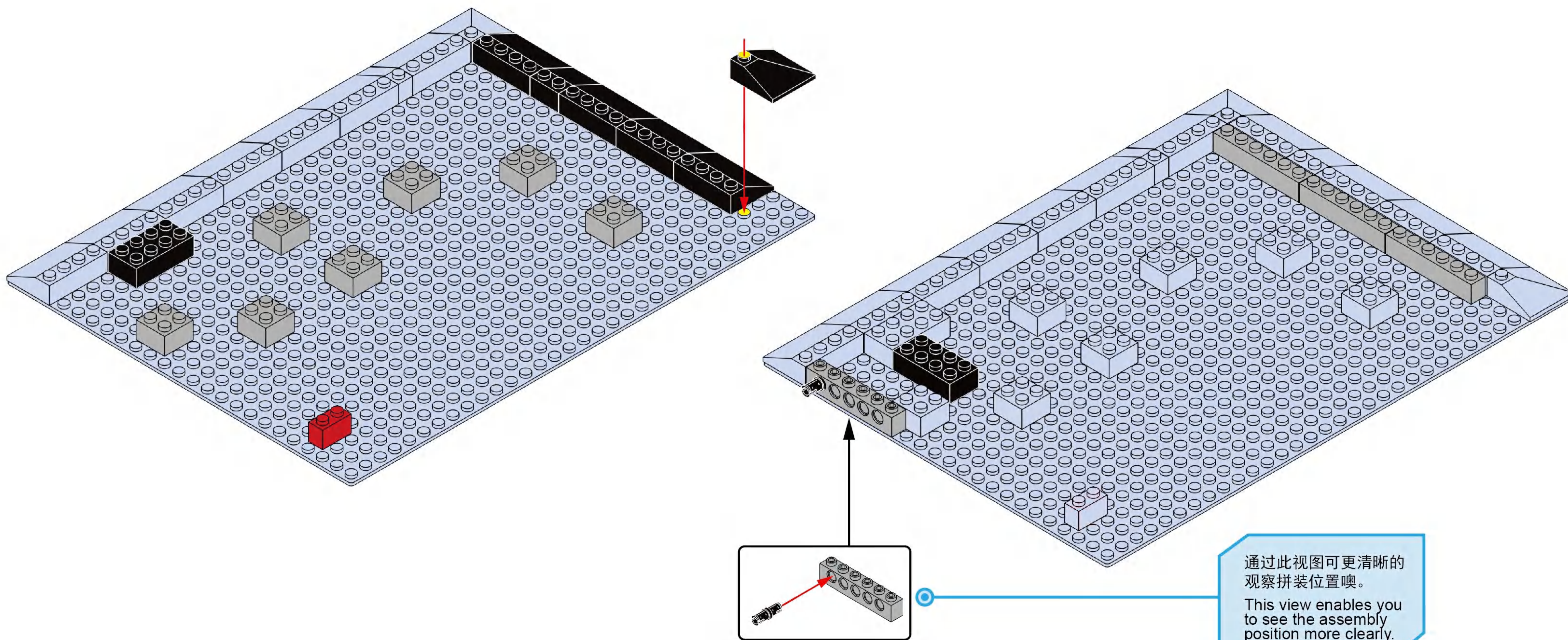
按零件表分拣零件拼搭更快捷。
It's faster to sort and assemble pieces according to the piece list.



2

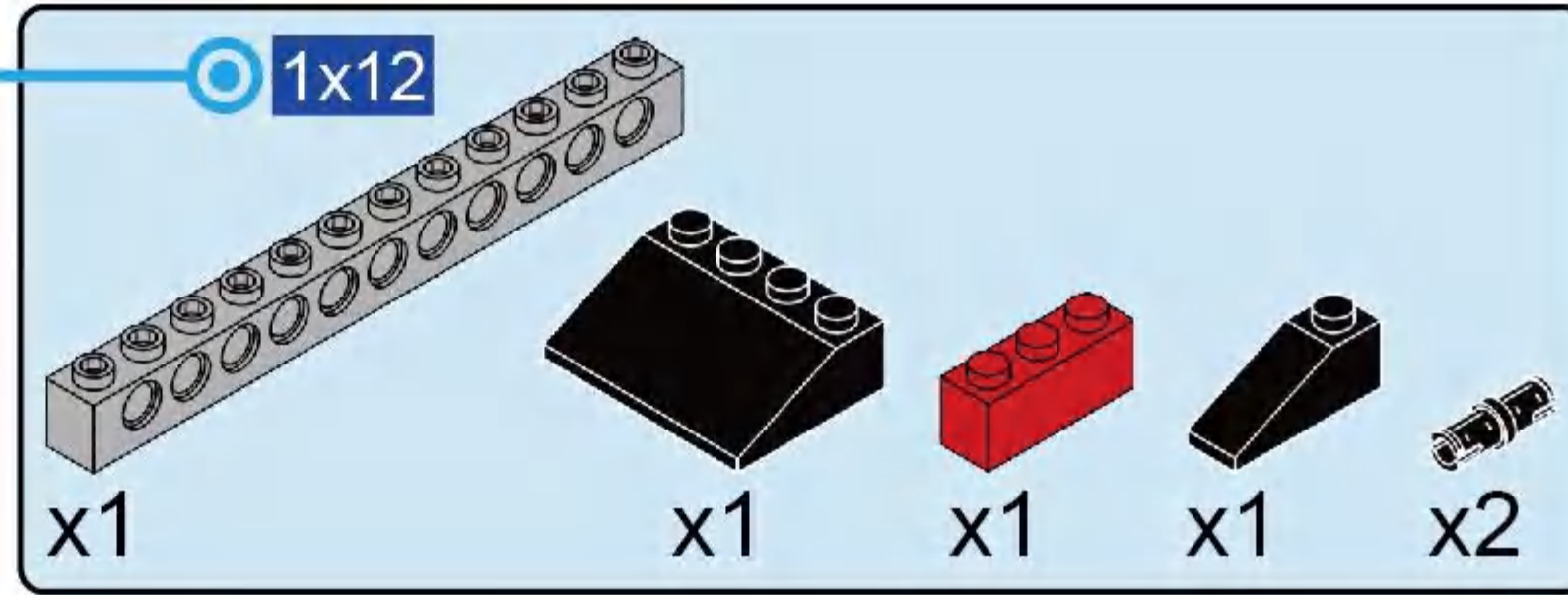


3

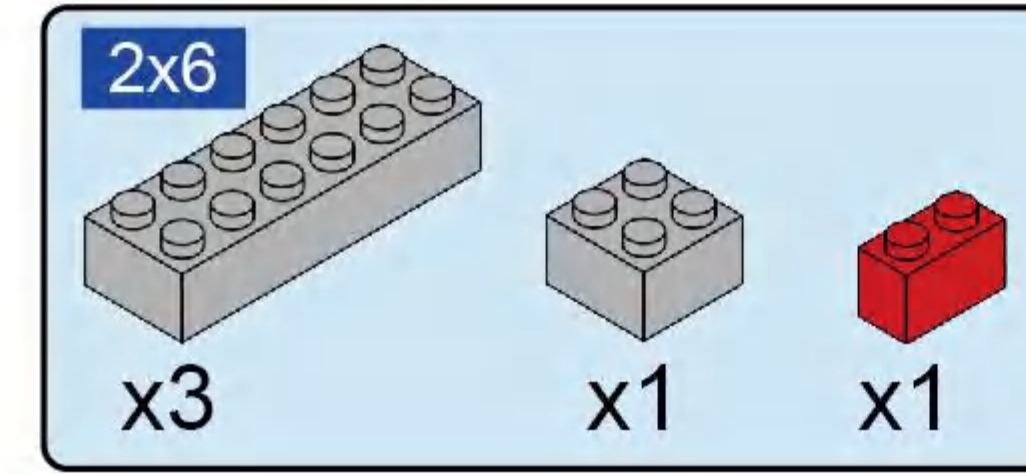


2

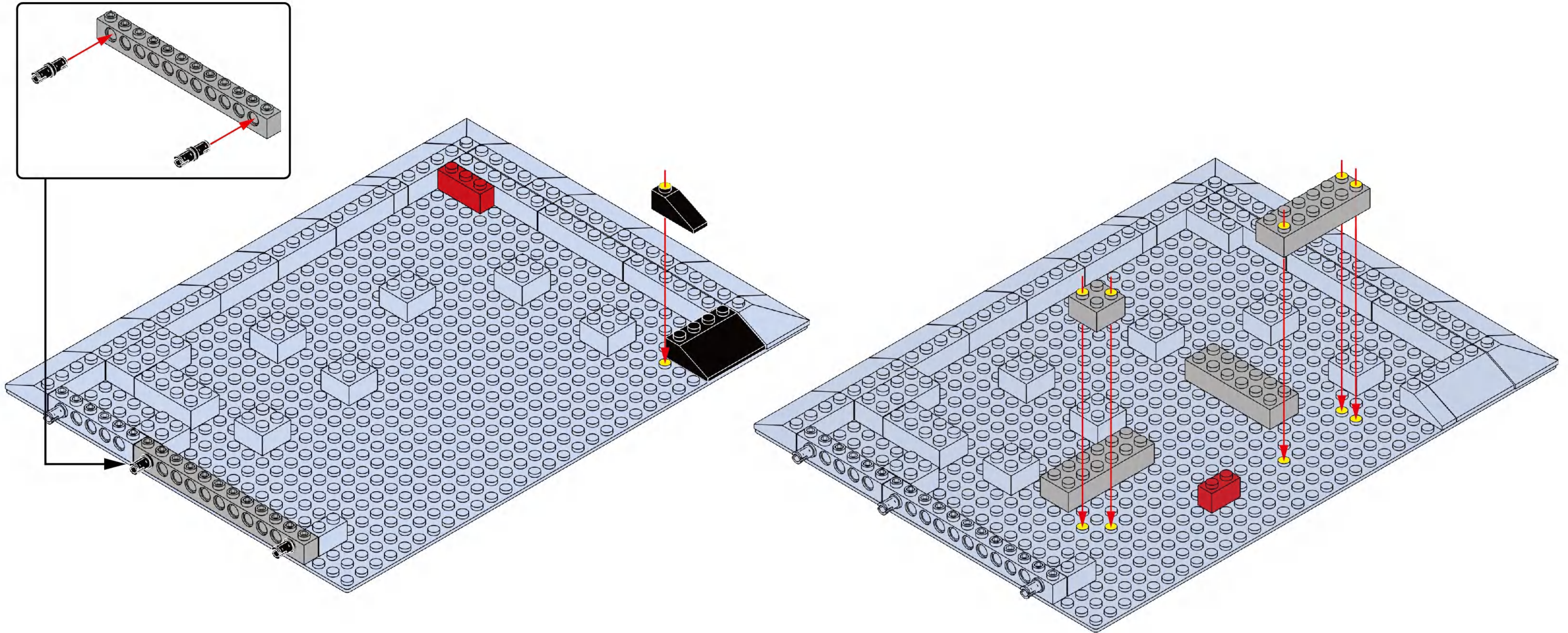
这是零件尺寸标识, 1x12表示
该零件宽度为1个积木颗粒,
长度为12个积木颗粒。
This is the size mark of the
piece. 1x12 means that the
piece is 1 studwide and
12 studs long.

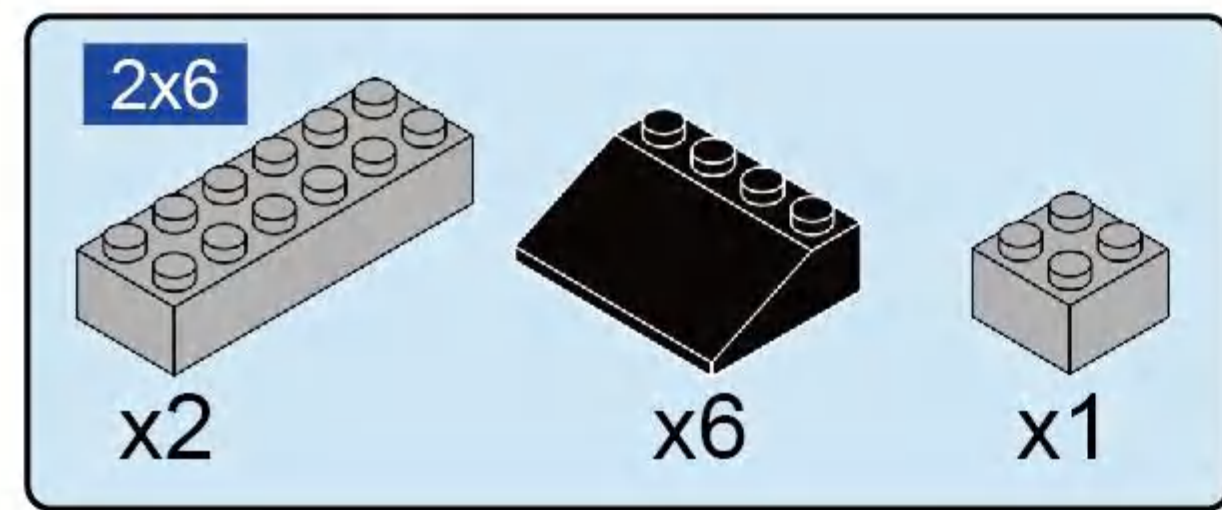


4

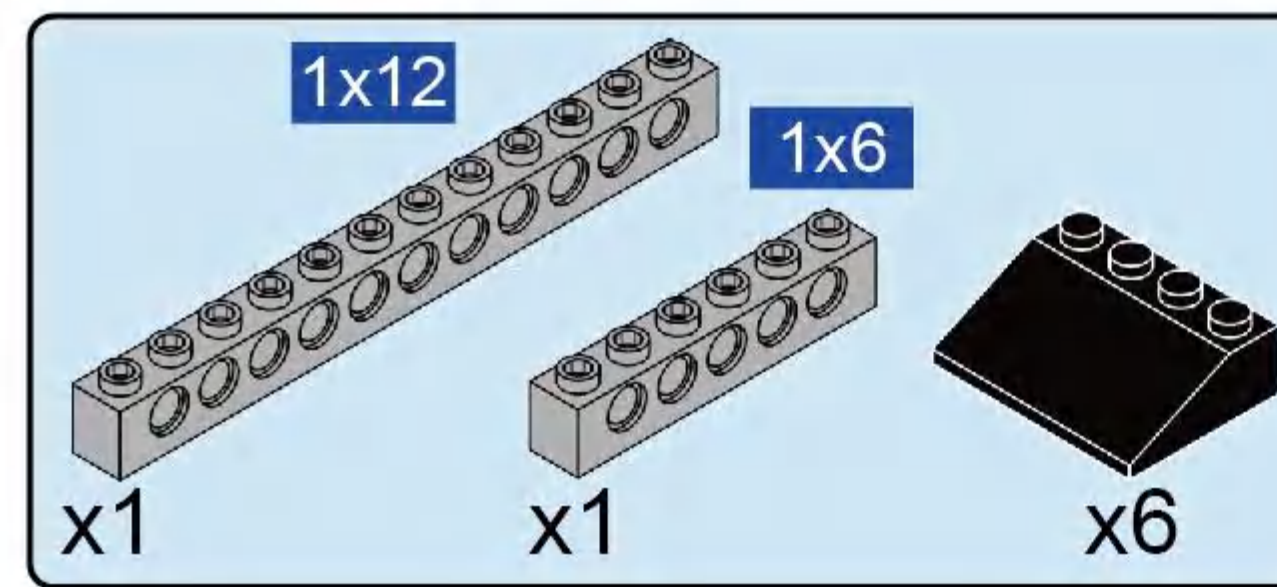
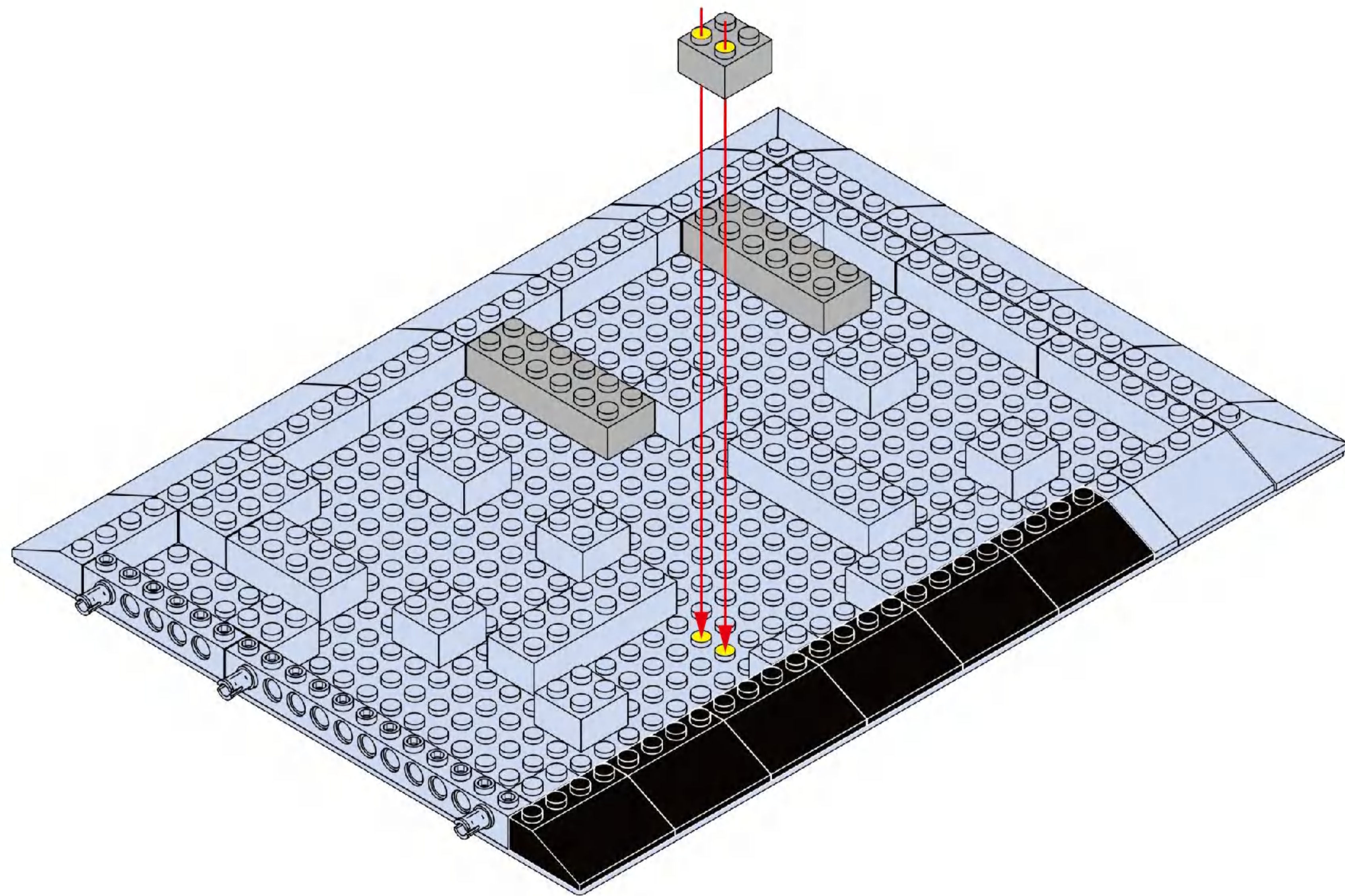


5

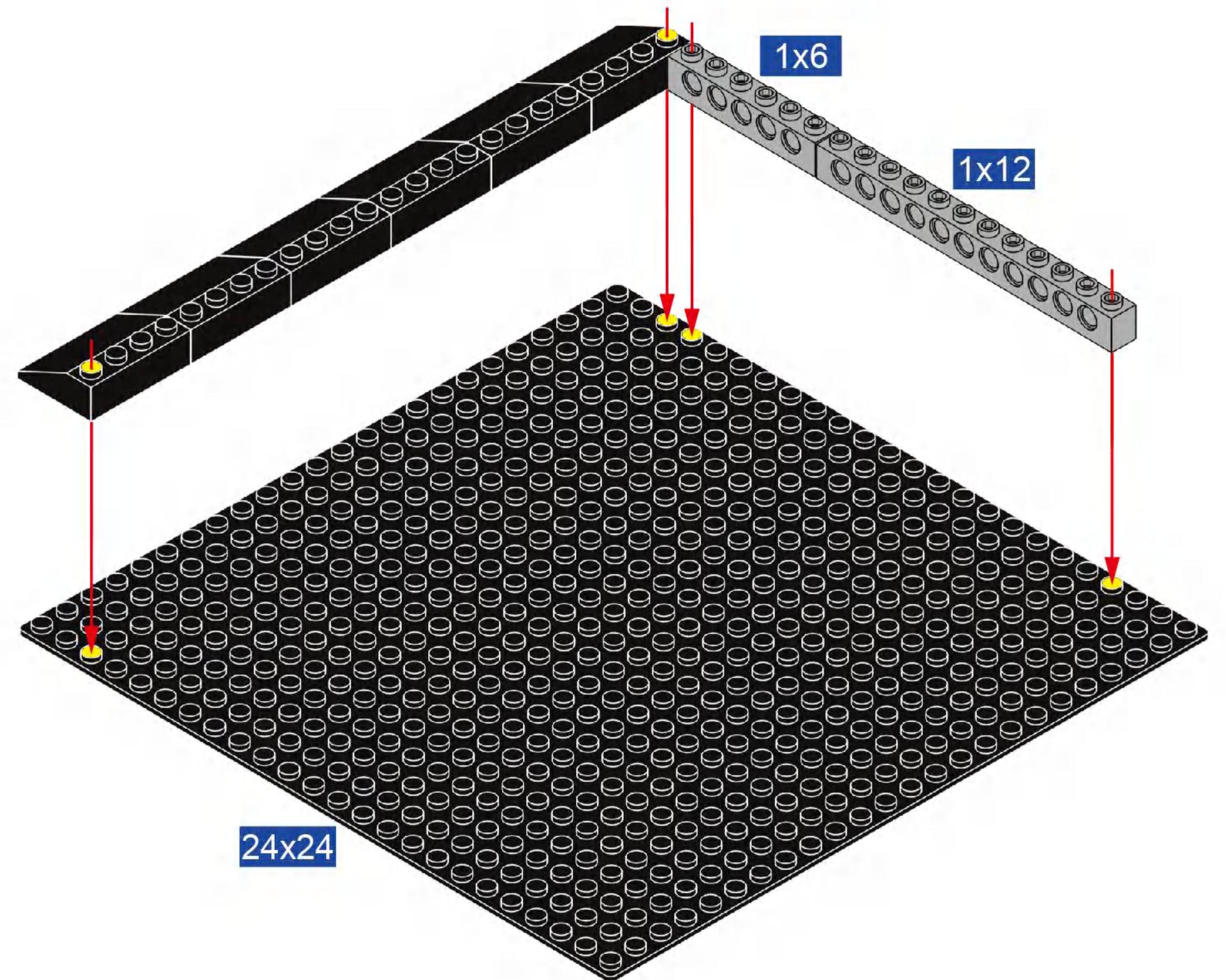


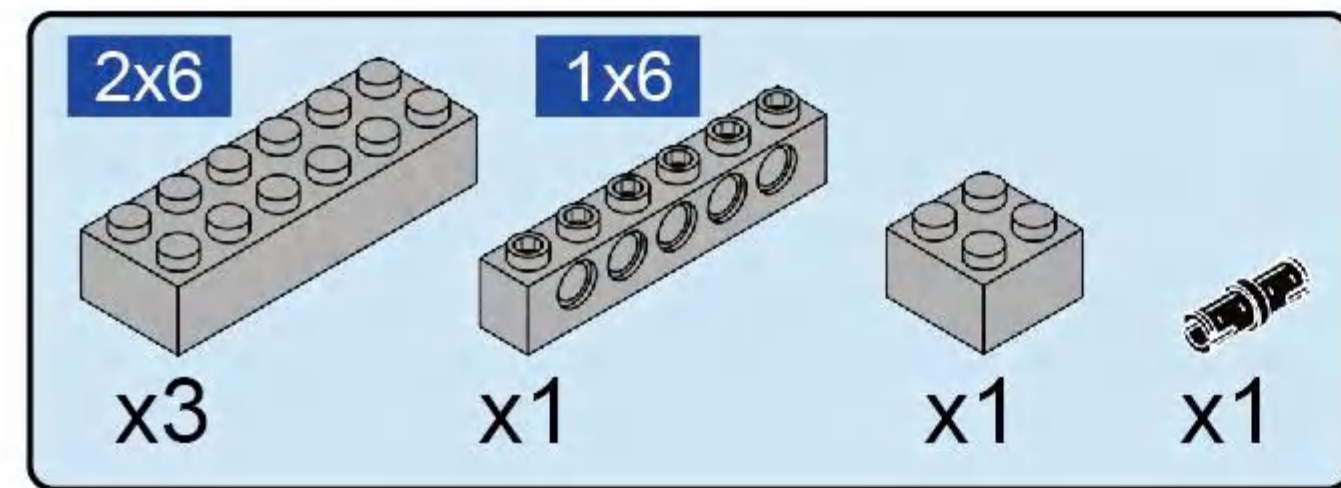


6

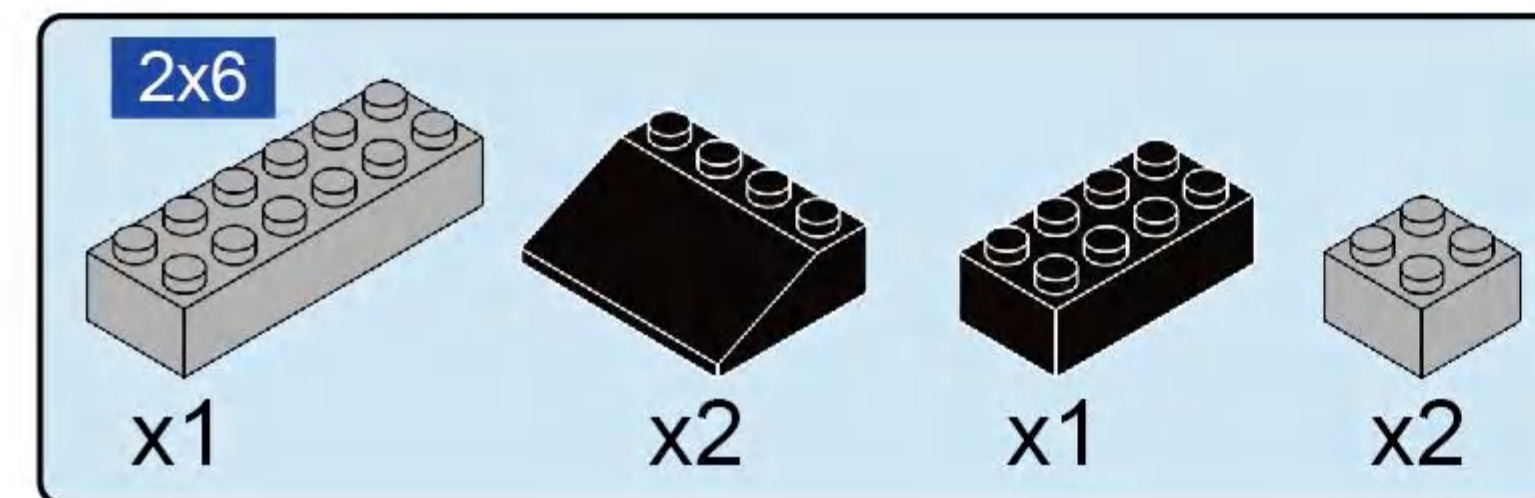
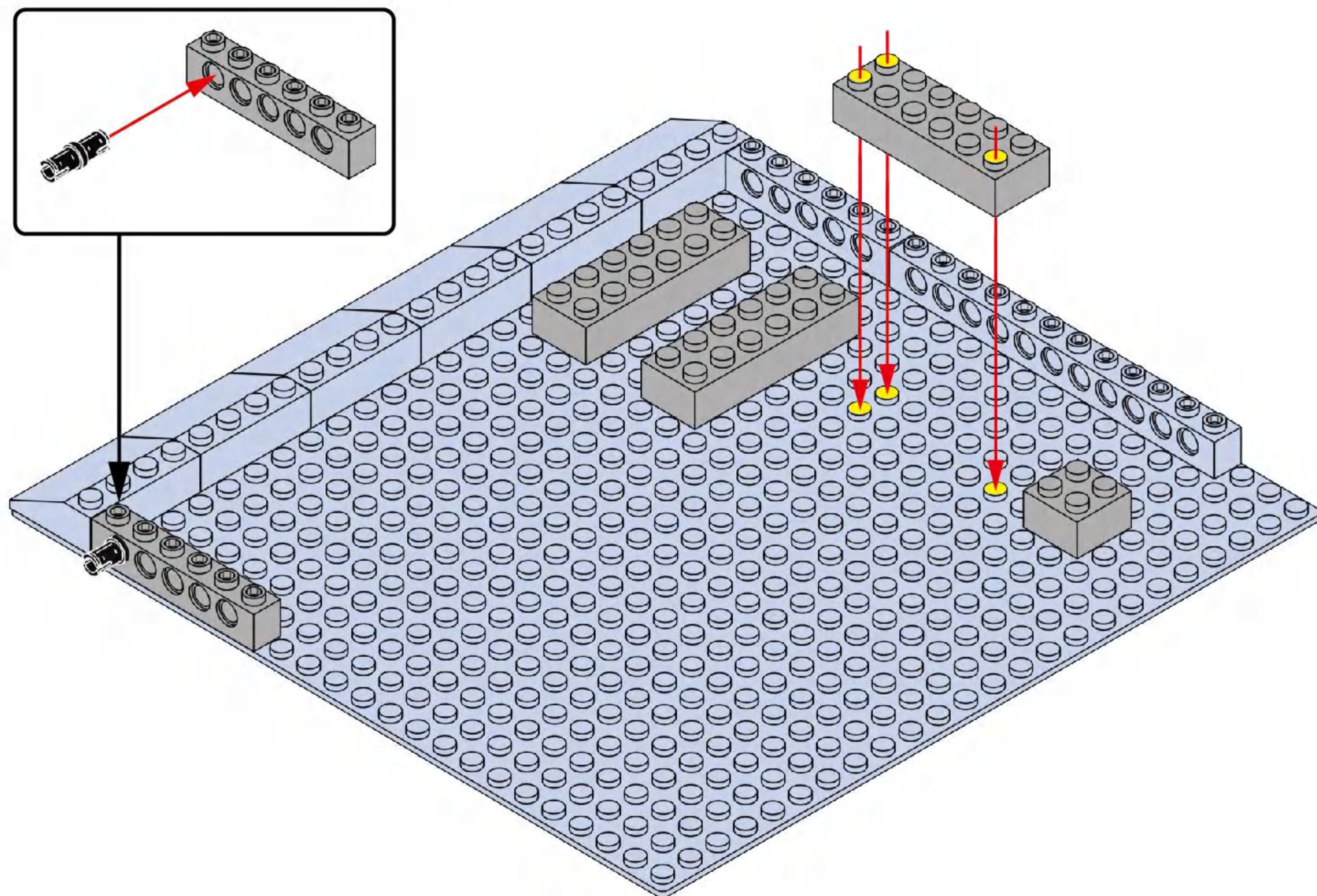


7

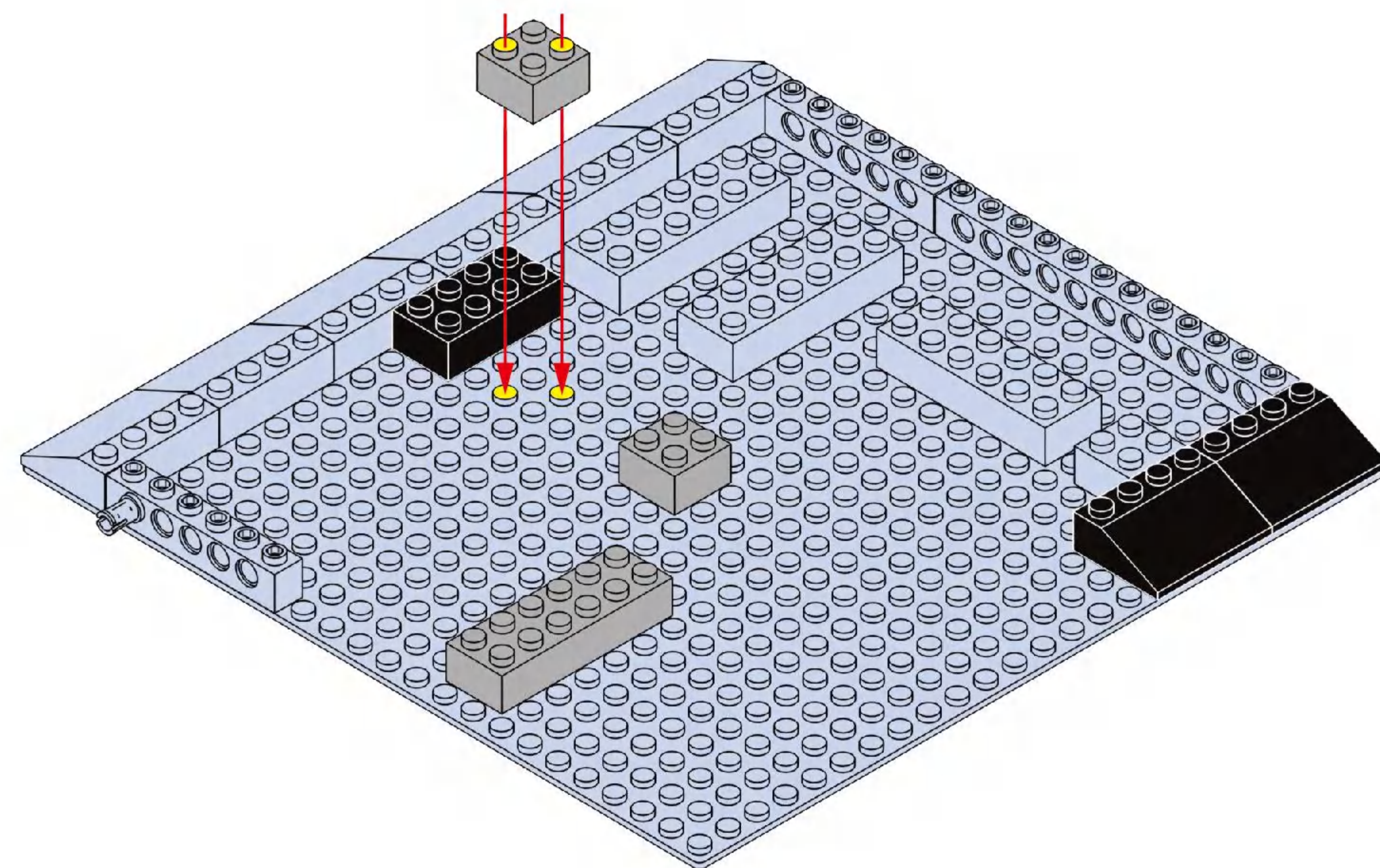


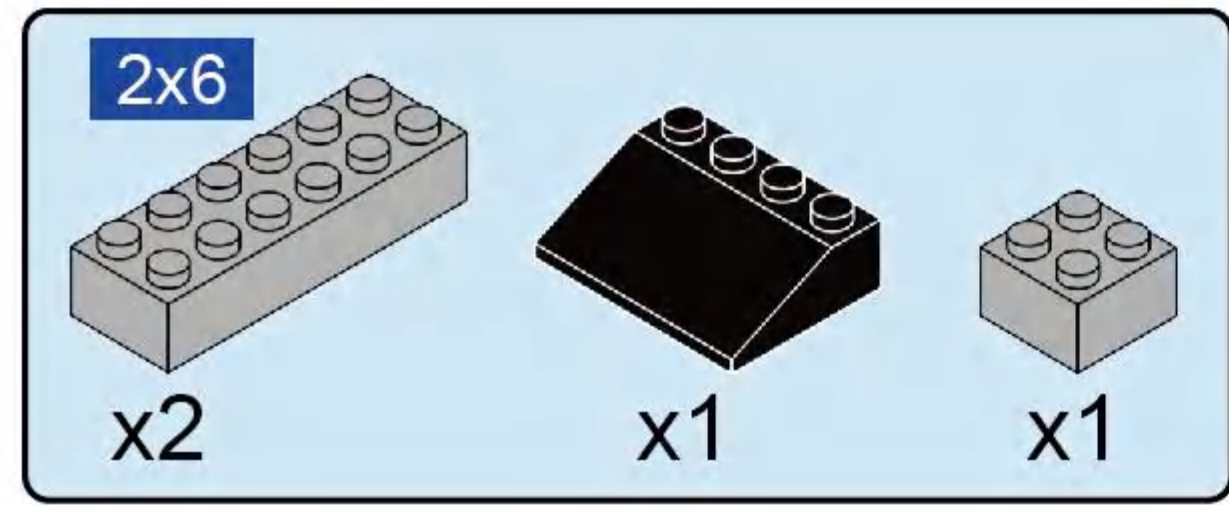


8

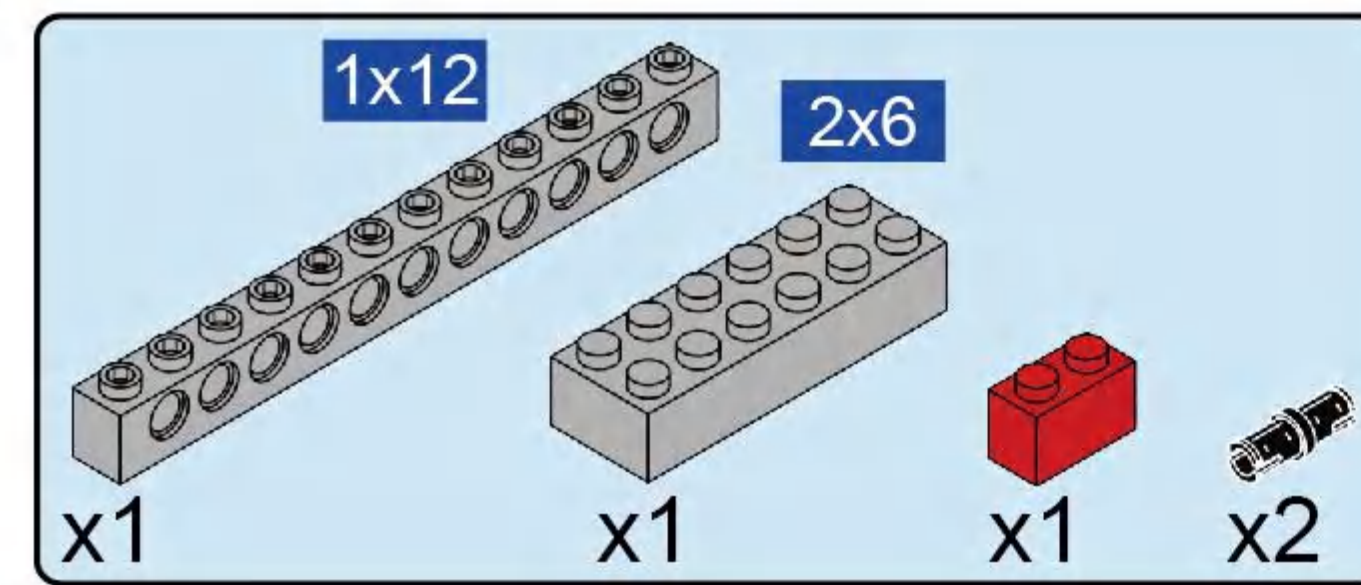
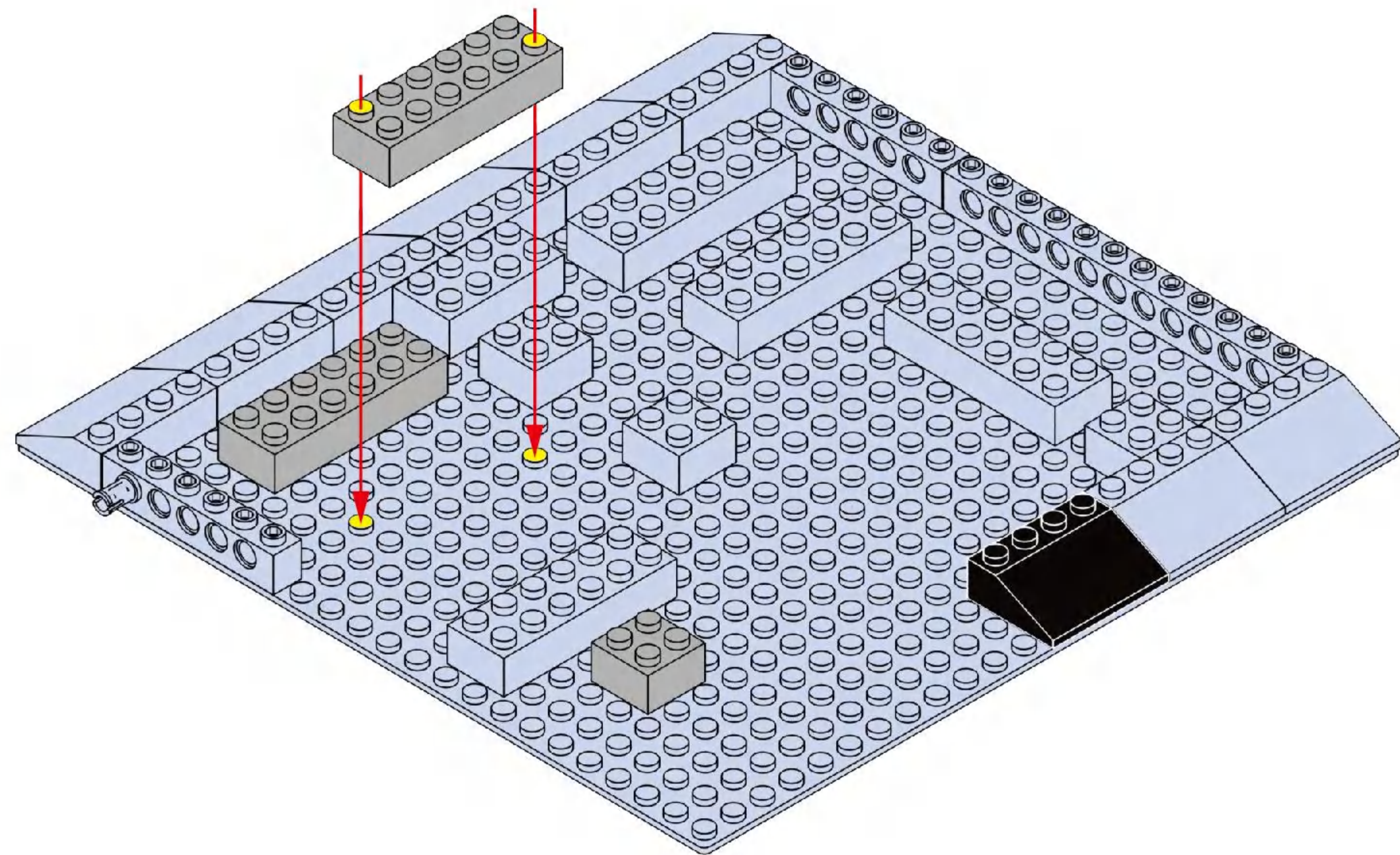


9

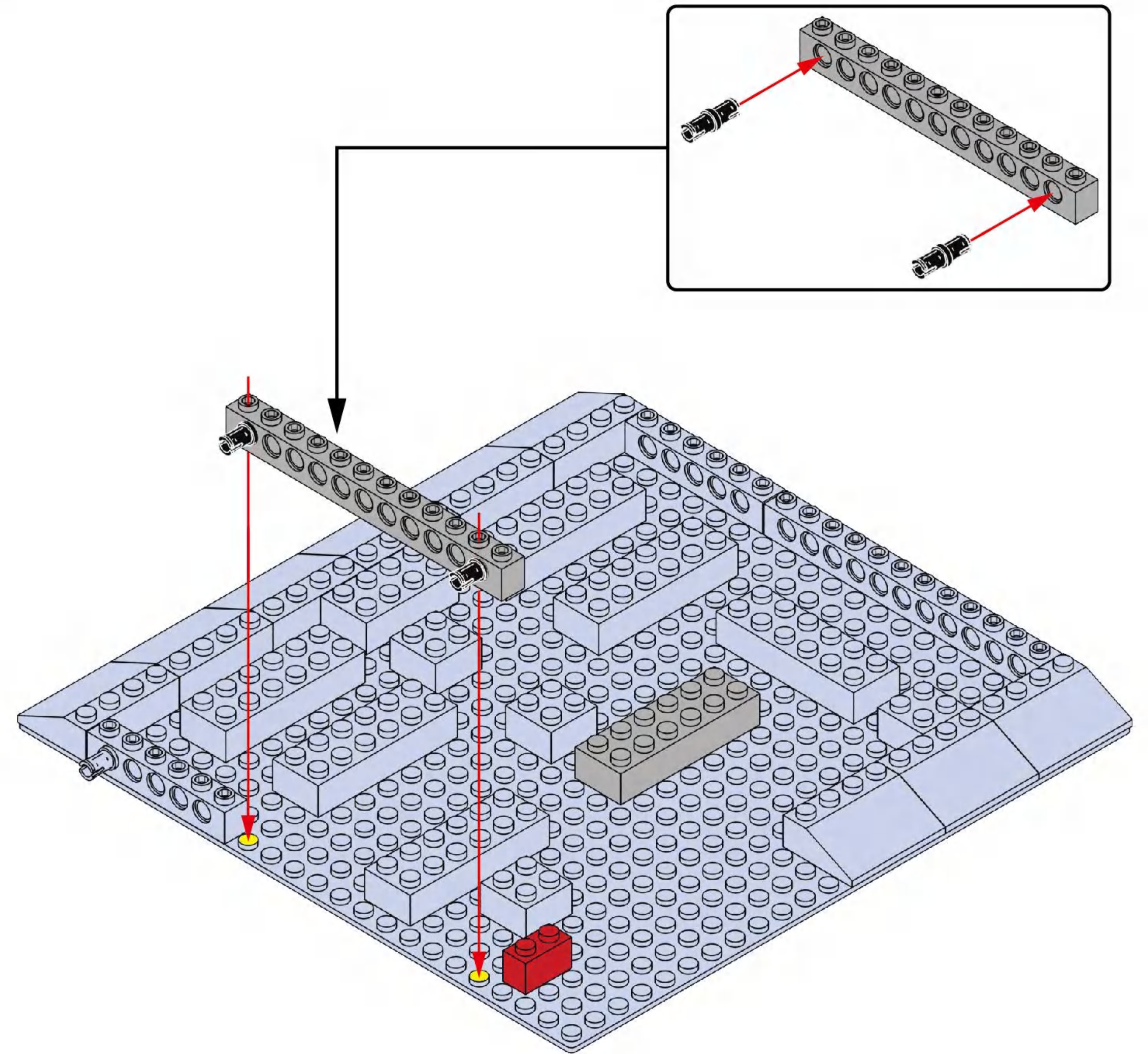


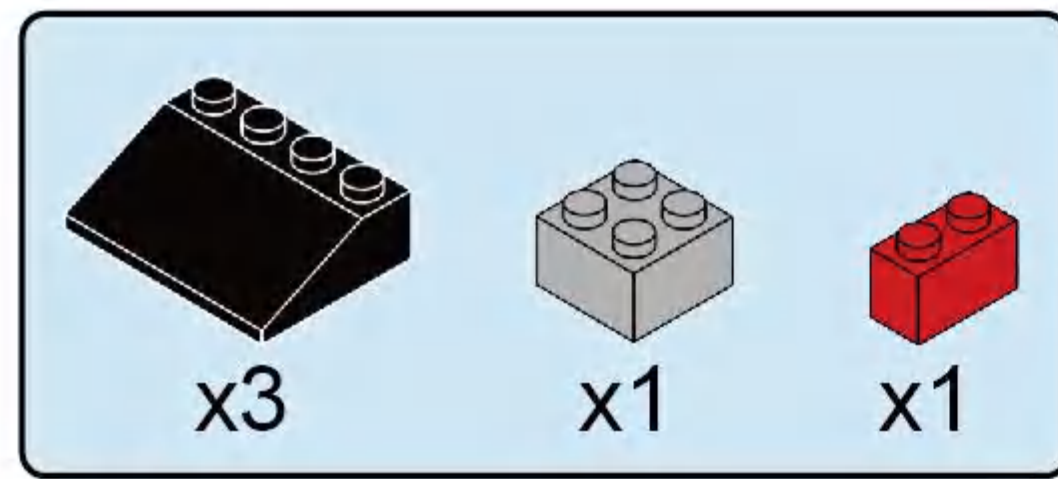


10

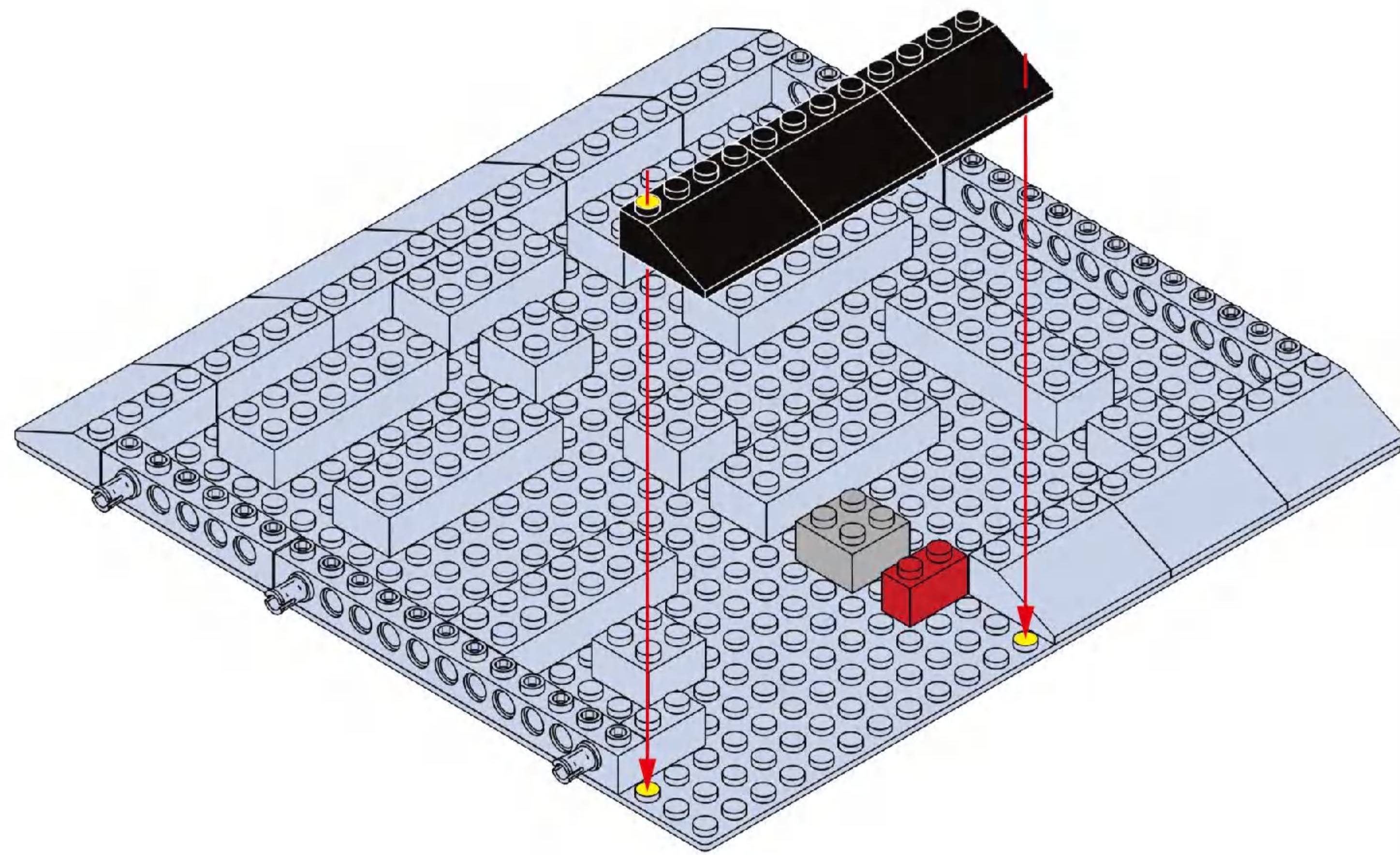


11



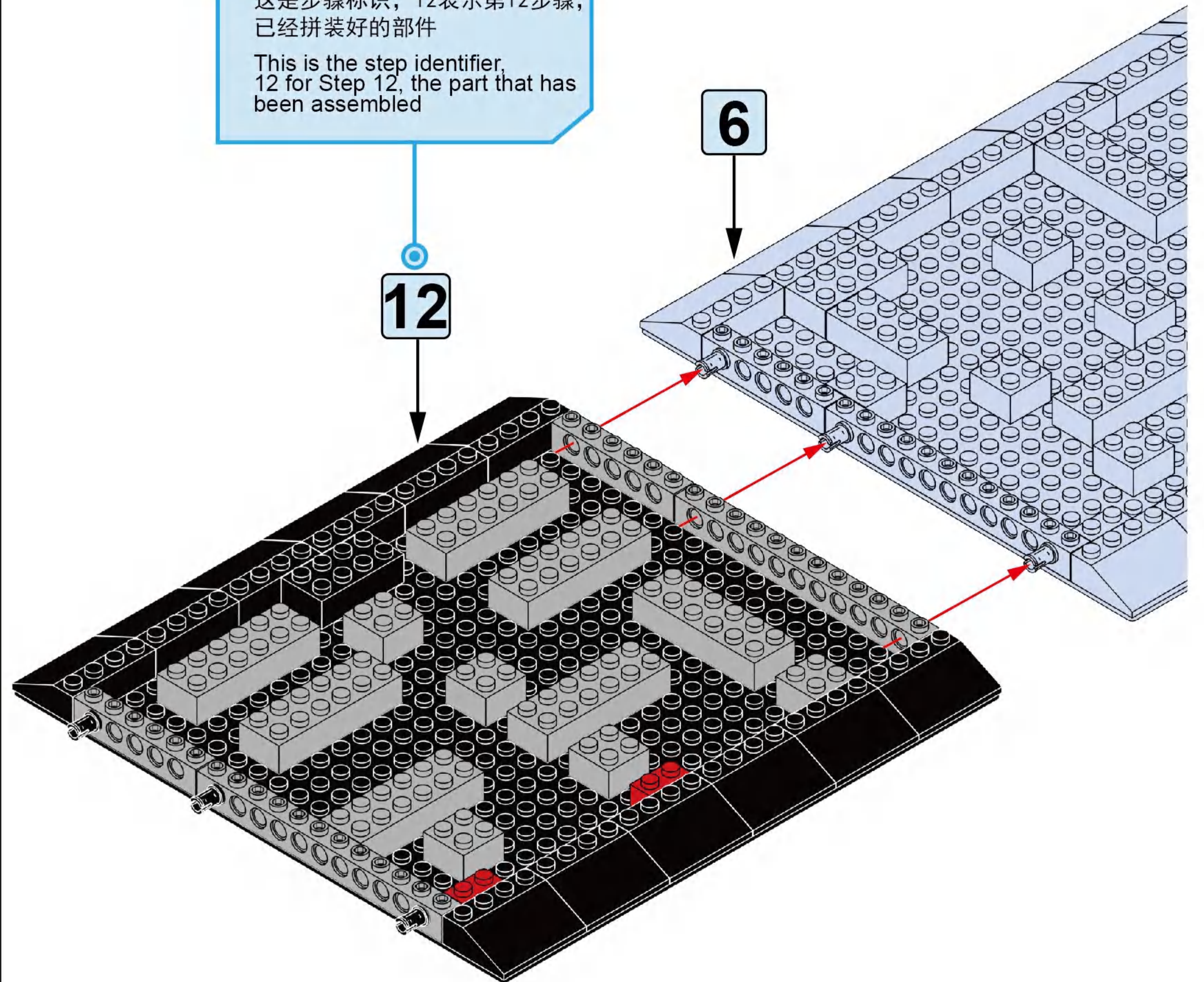


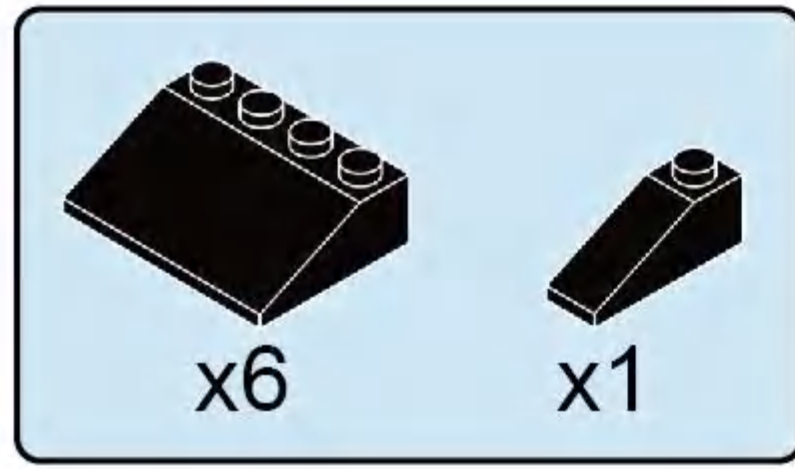
12



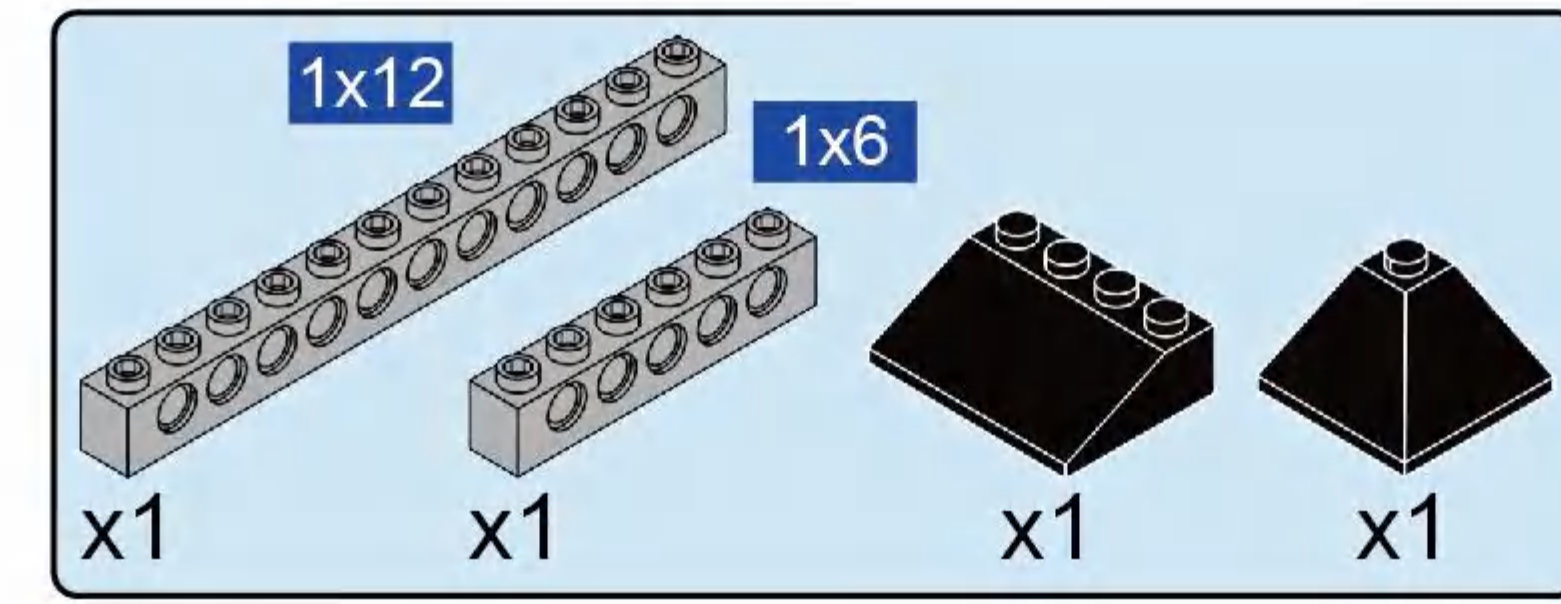
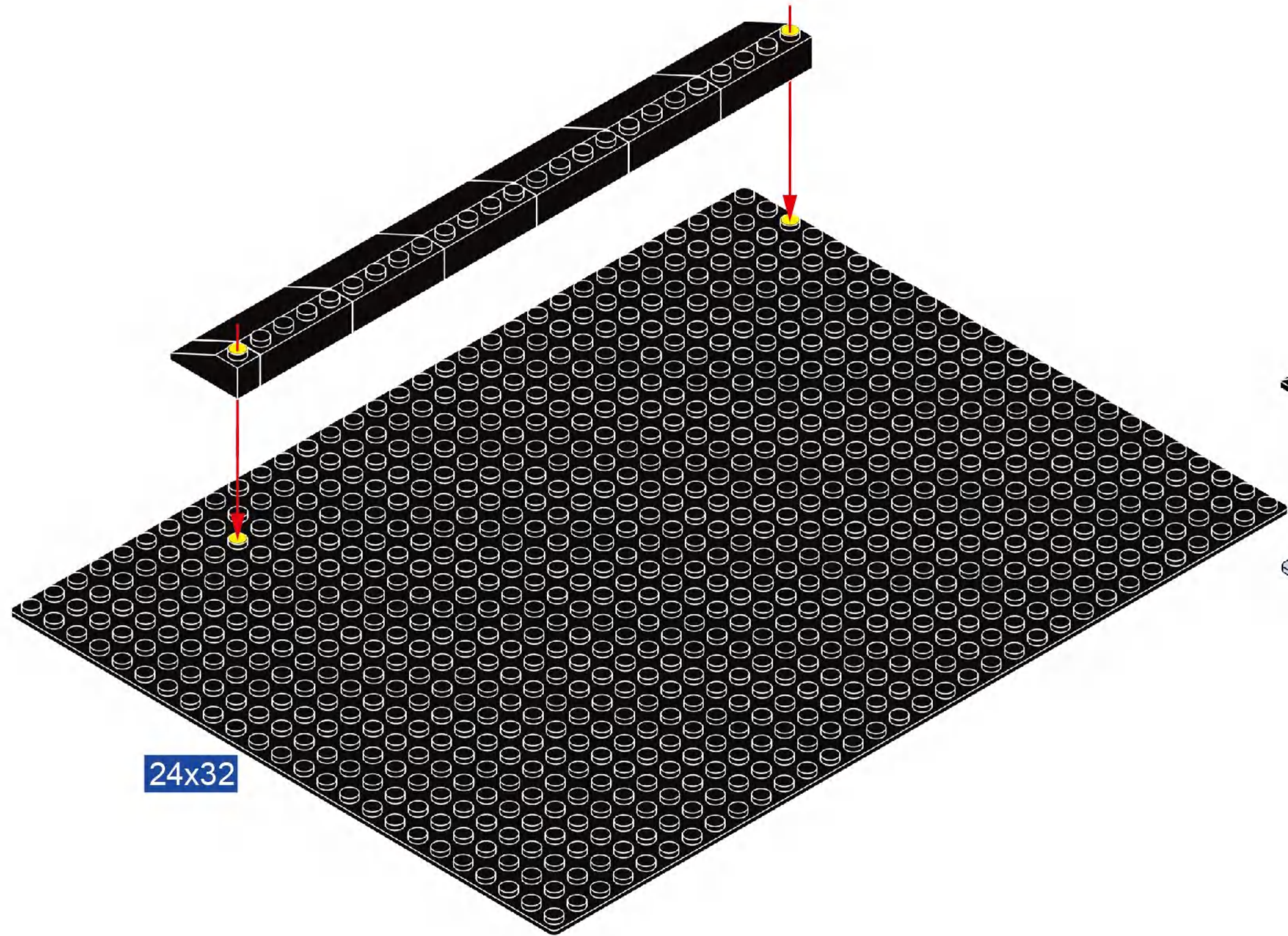
13

这是步骤标识，12表示第12步骤，
已经拼装好的部件
This is the step identifier,
12 for Step 12, the part that has
been assembled

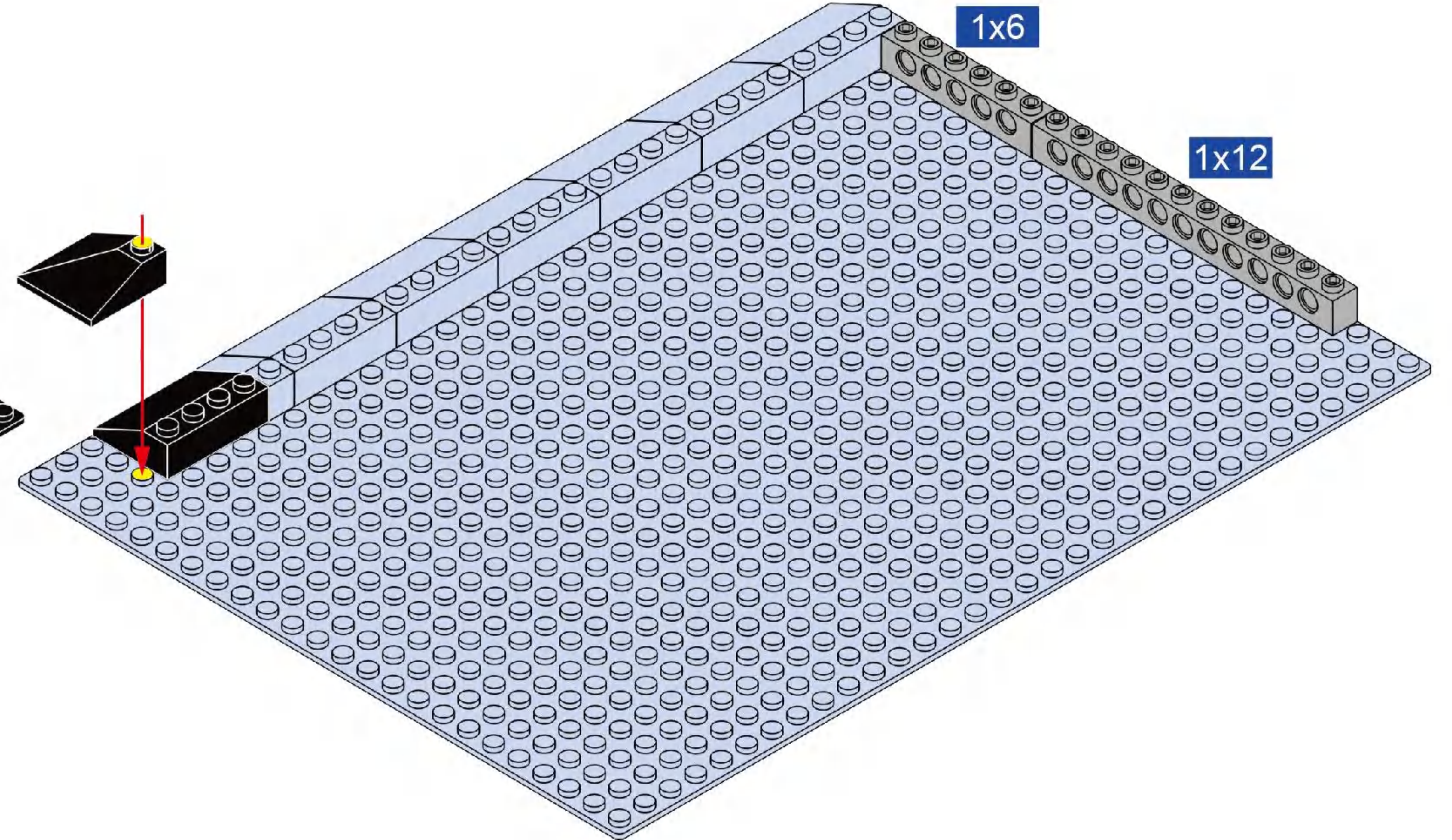


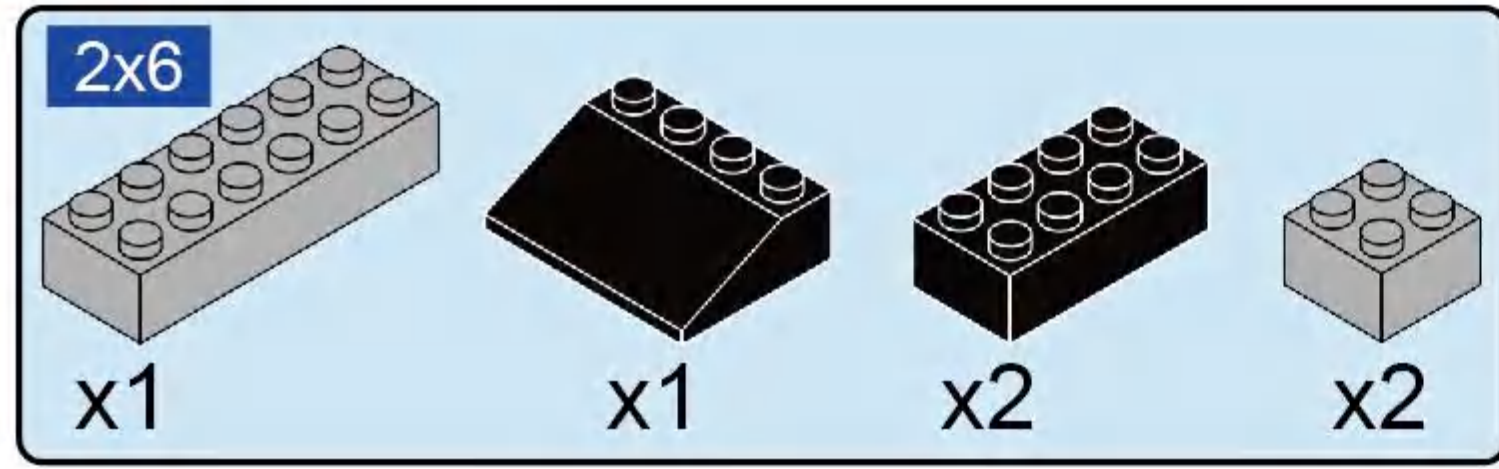


14

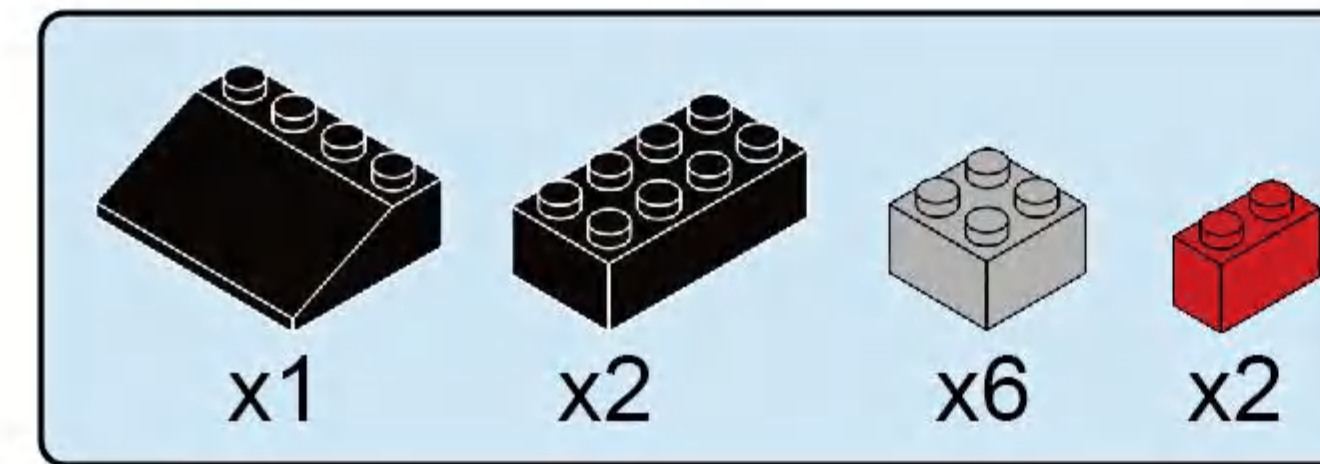
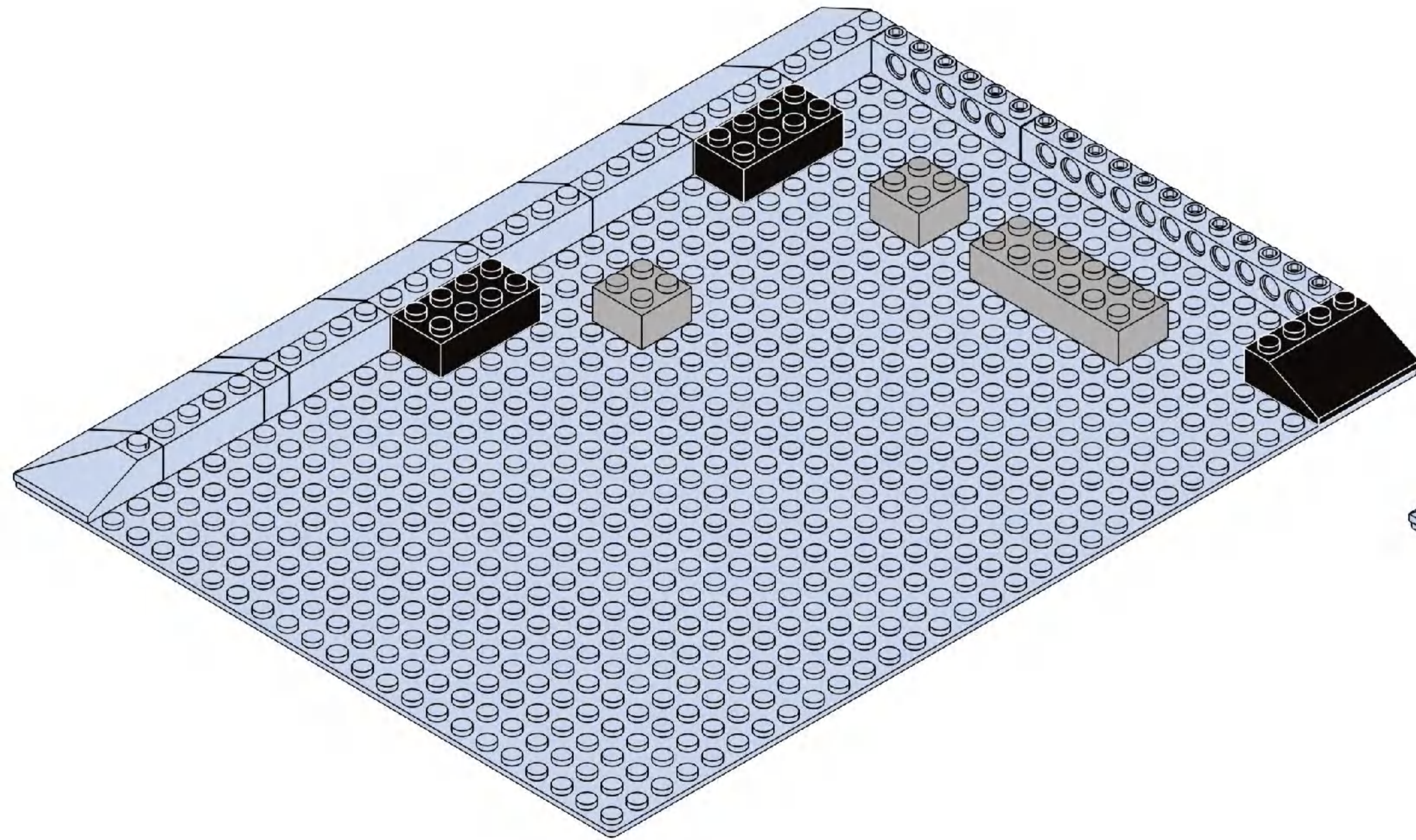


15

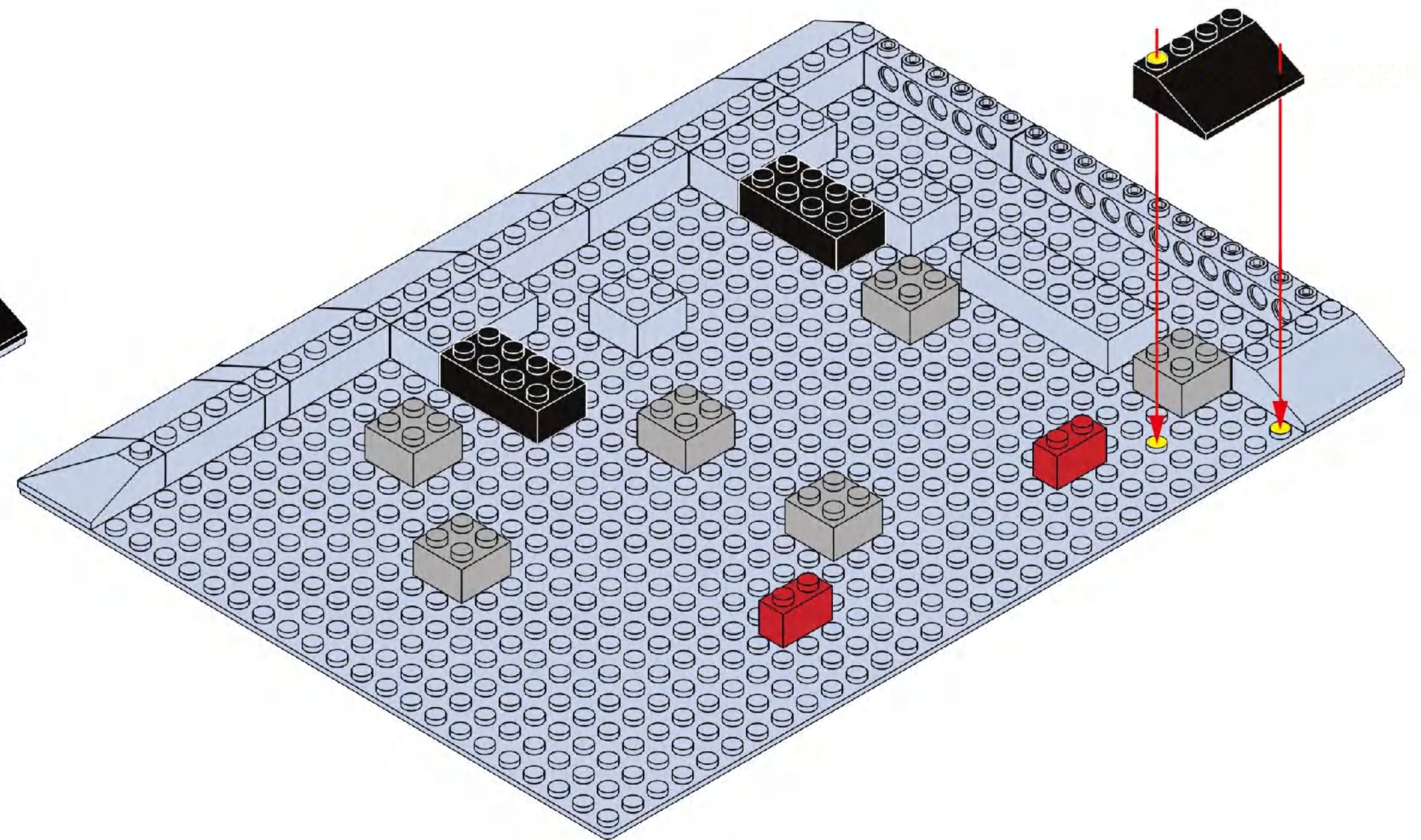


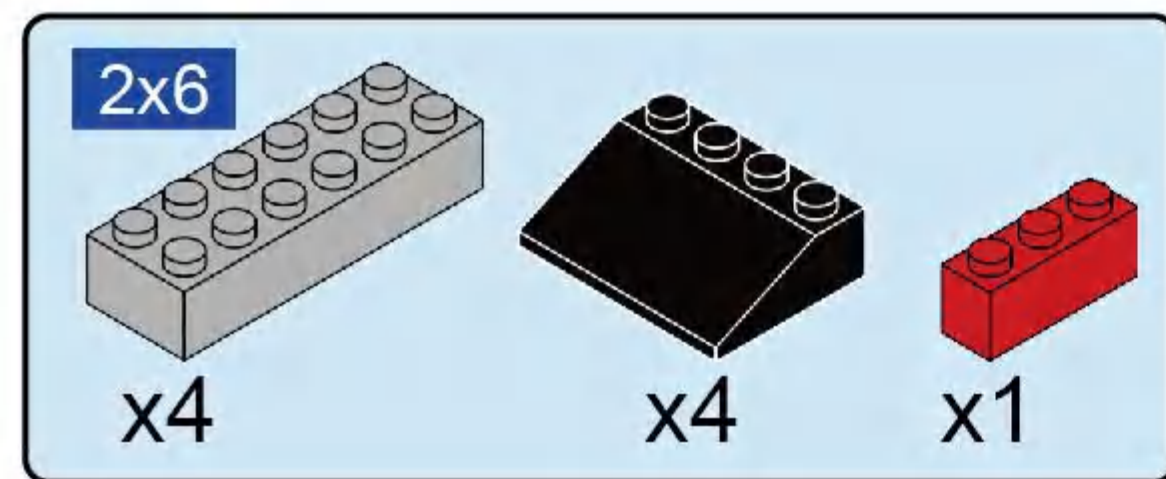


16

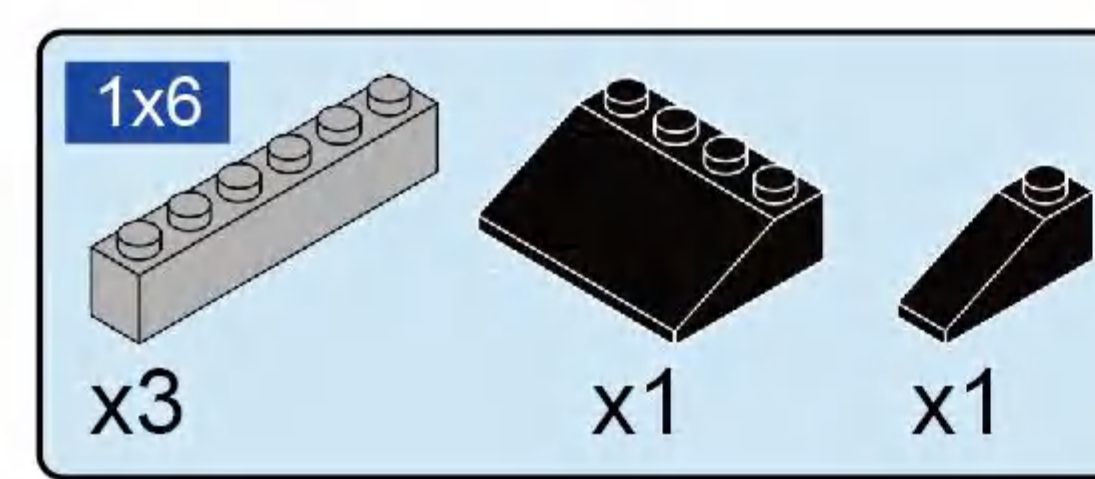
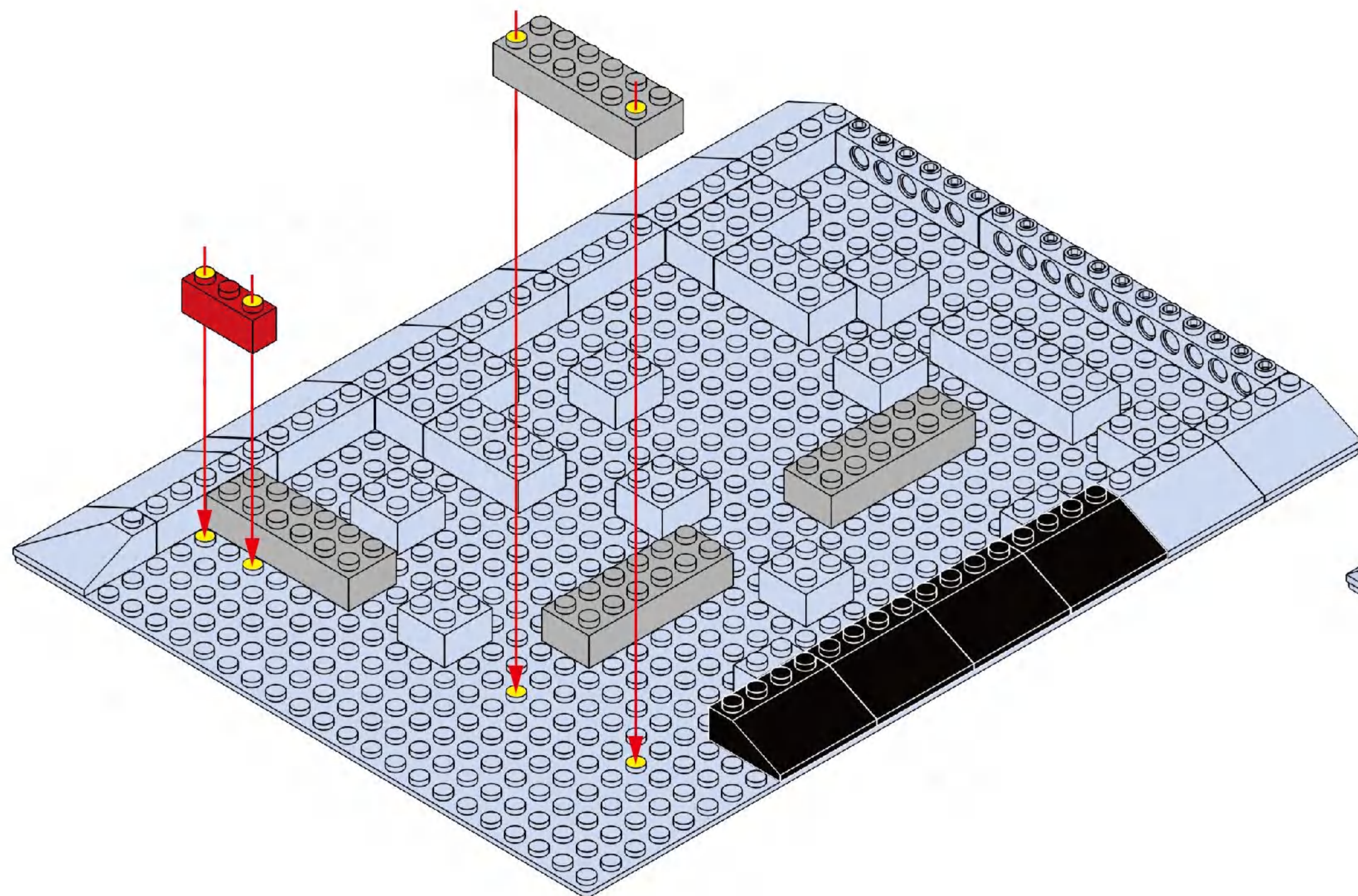


17

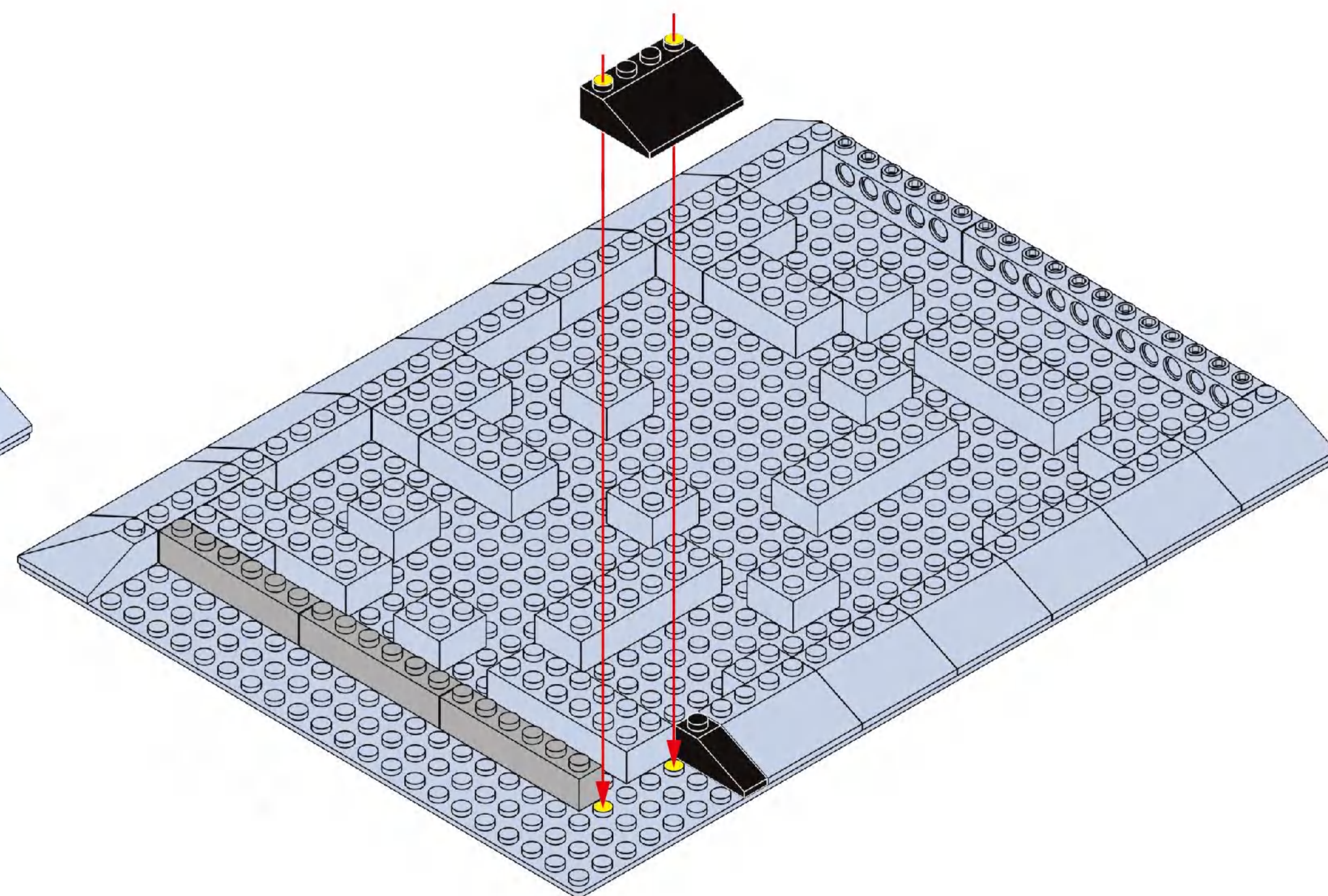


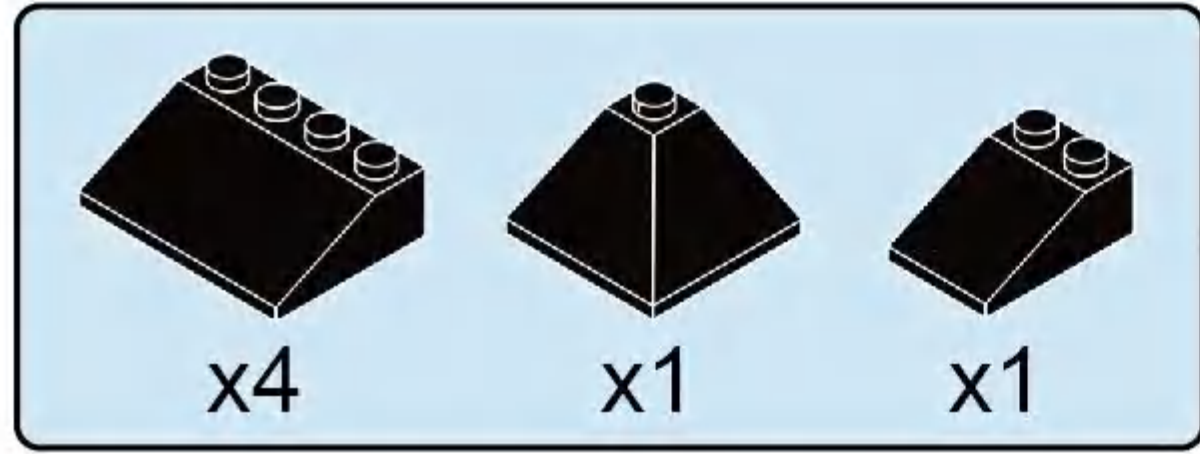


18



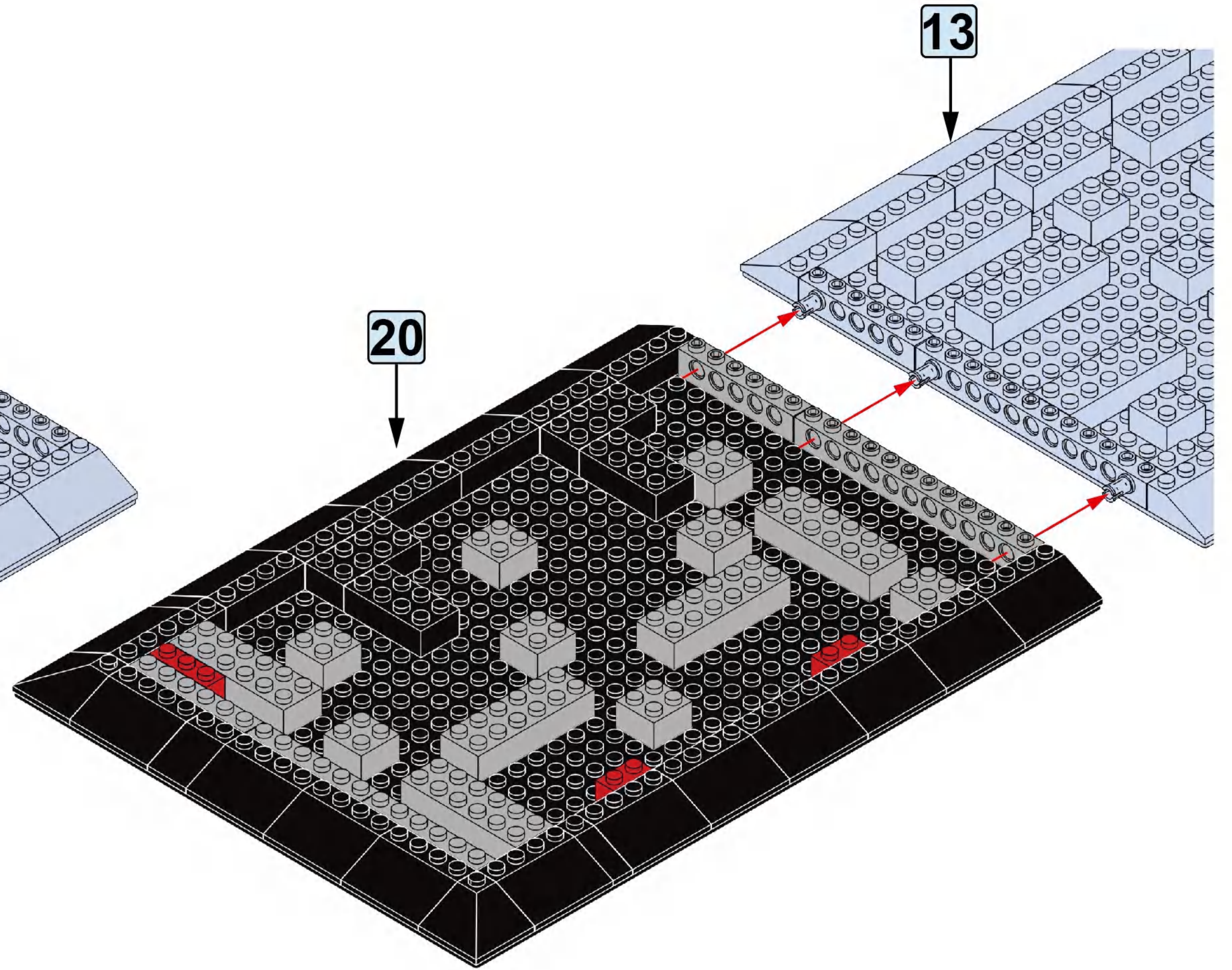
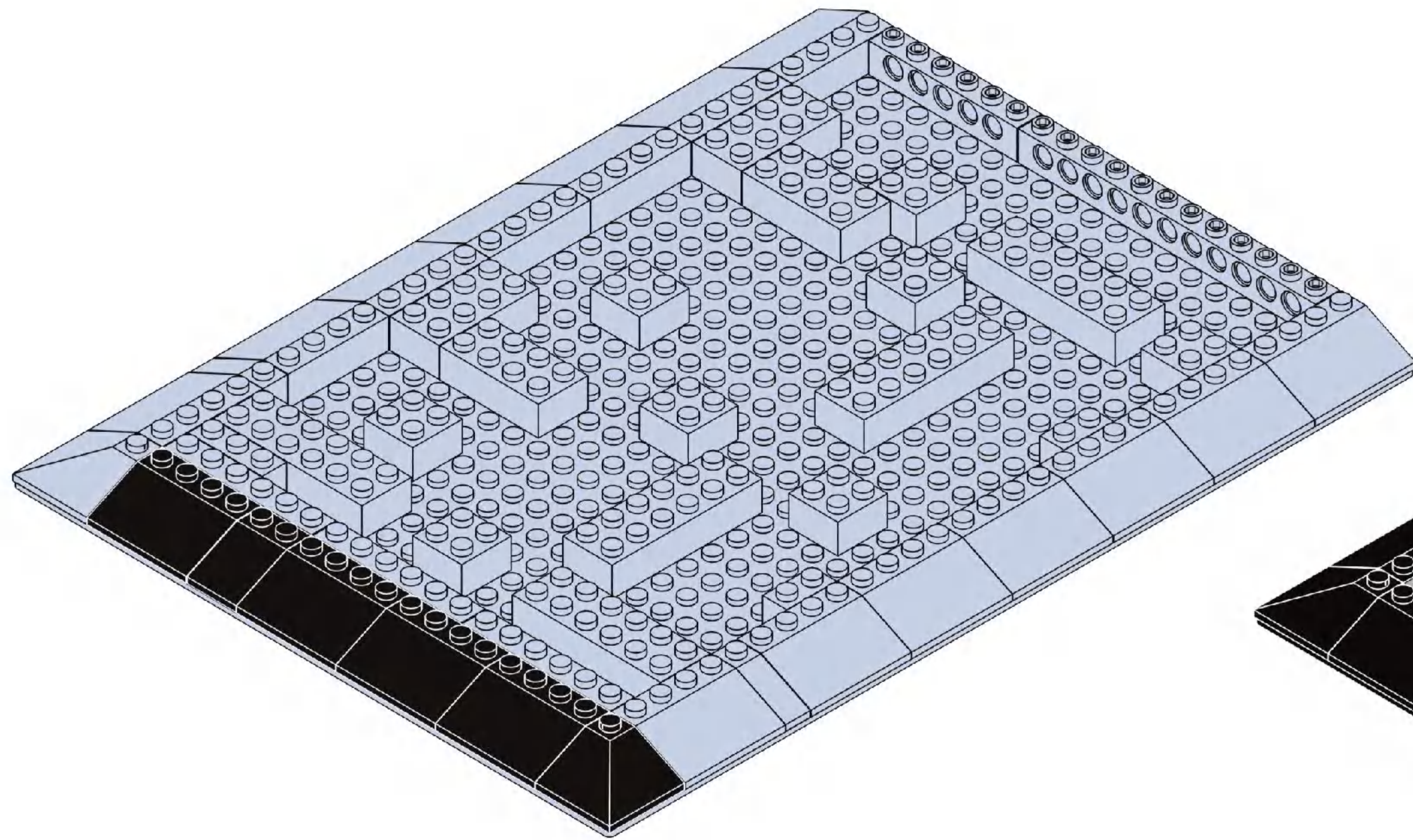
19

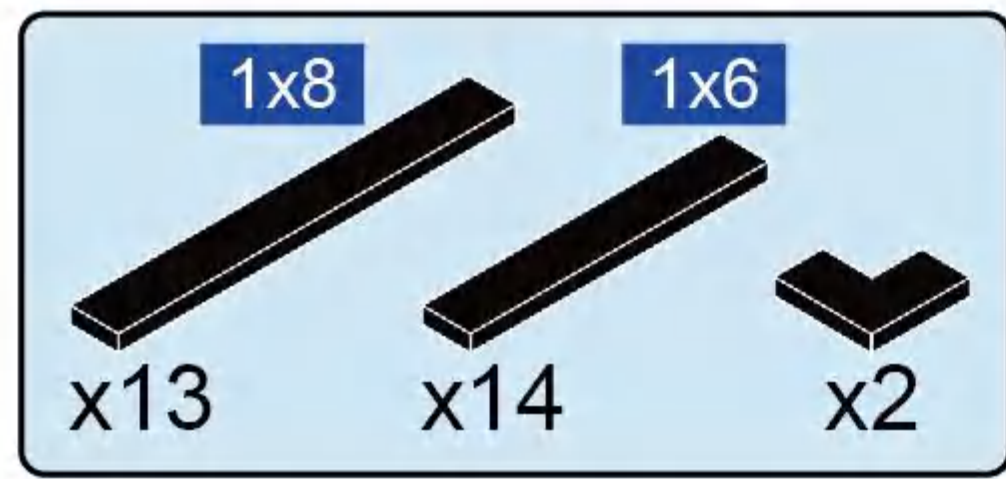




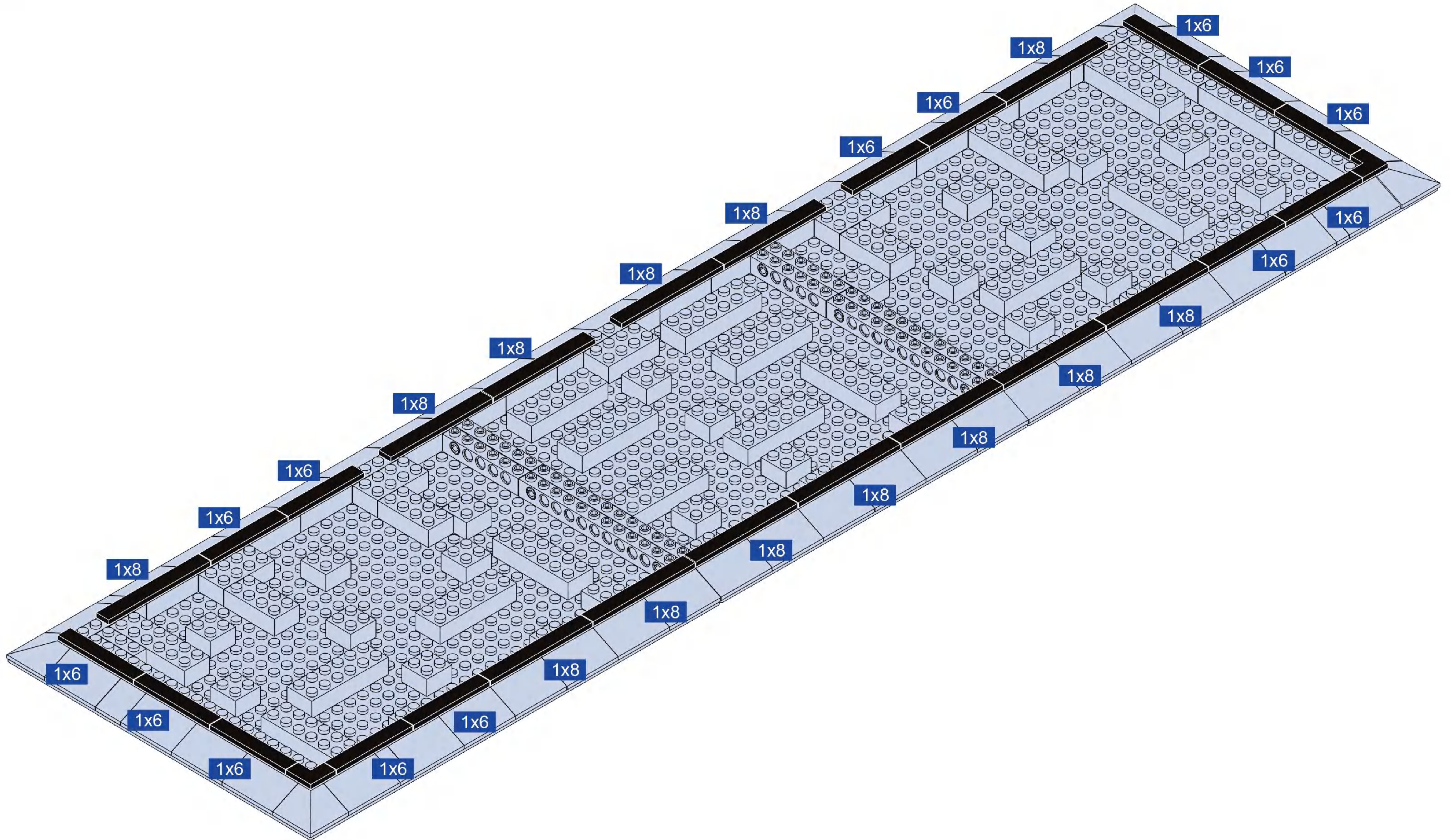
20

21





22



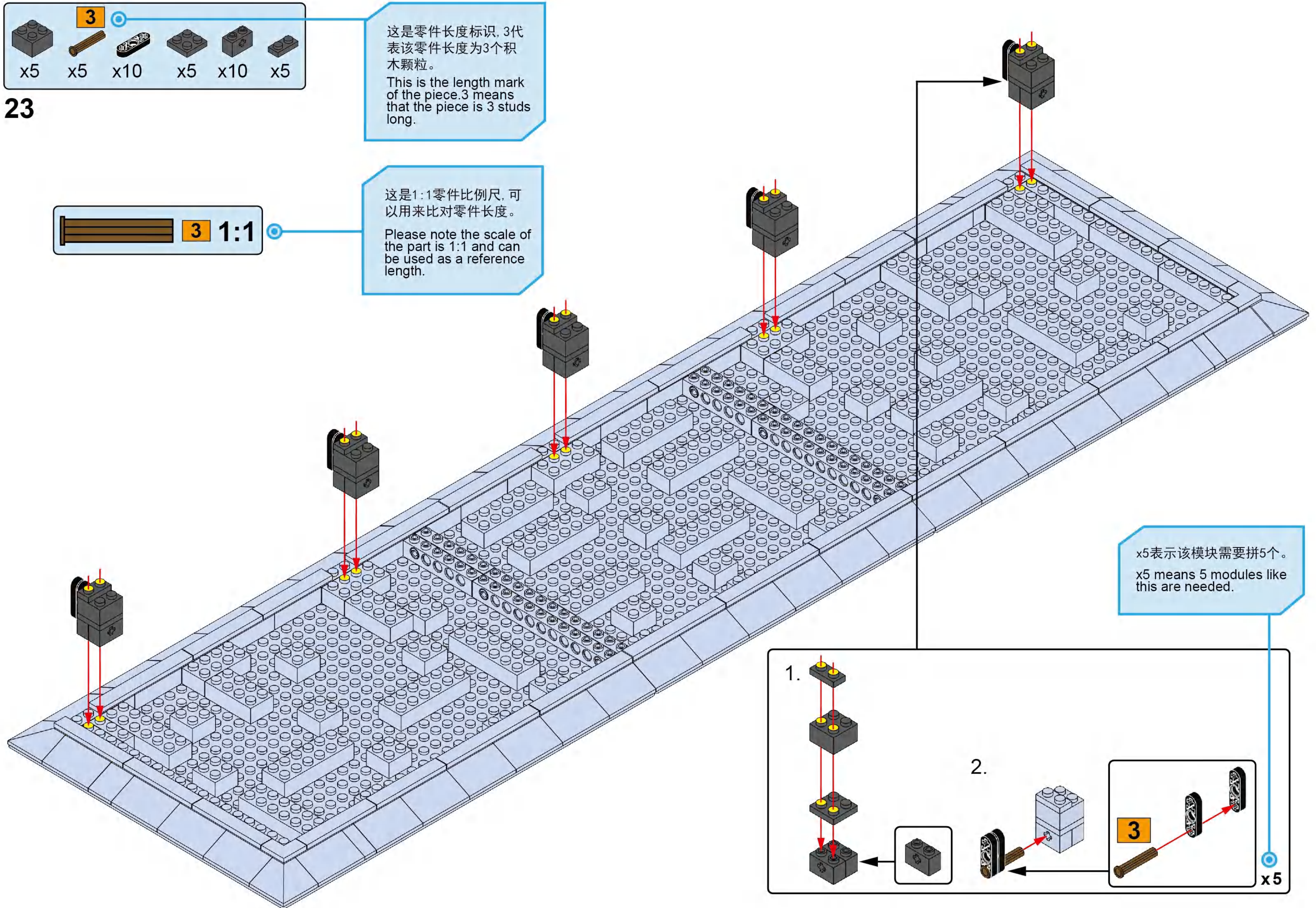


23

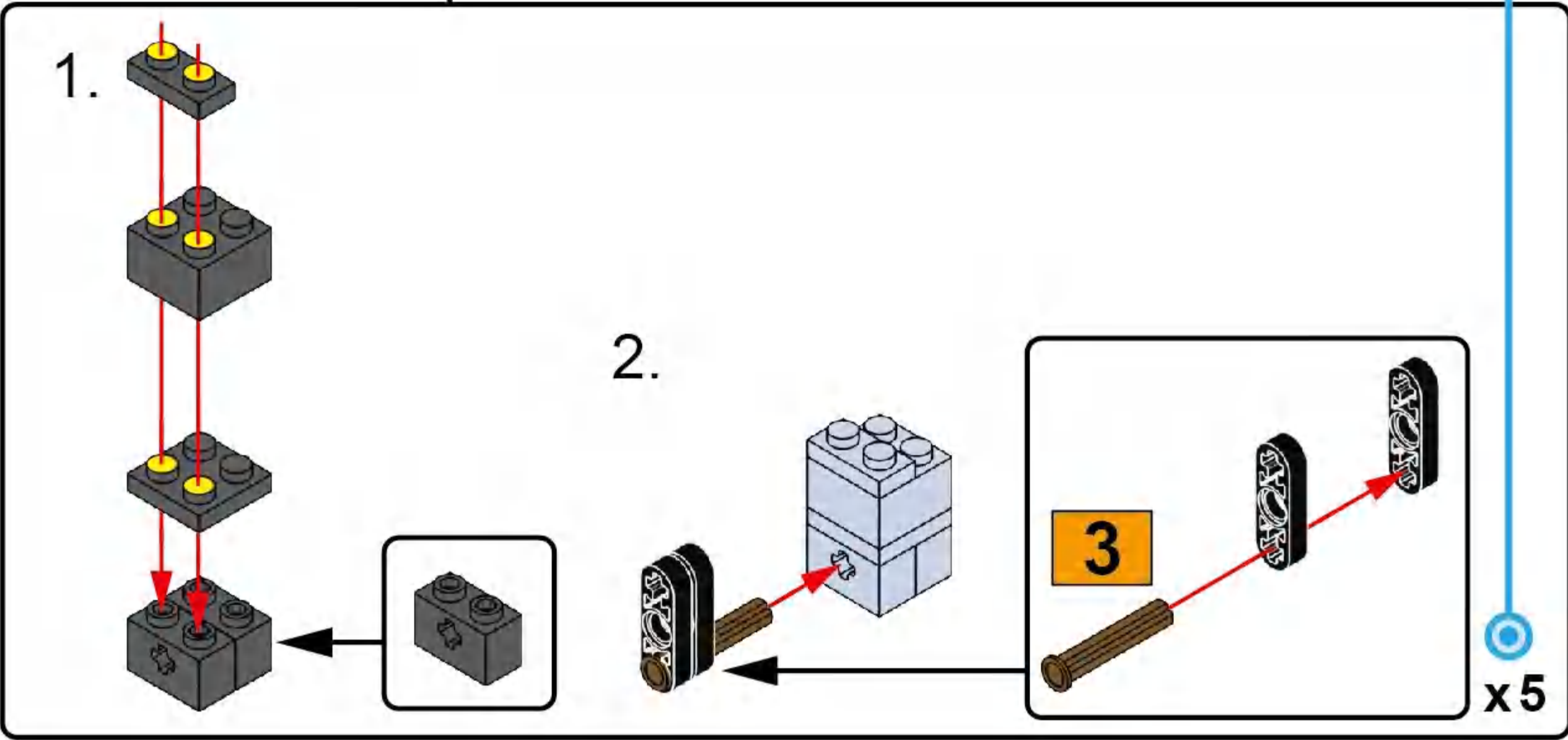
这是零件长度标识, 3代表该零件长度为3个积木颗粒。
This is the length mark of the piece. 3 means that the piece is 3 studs long.

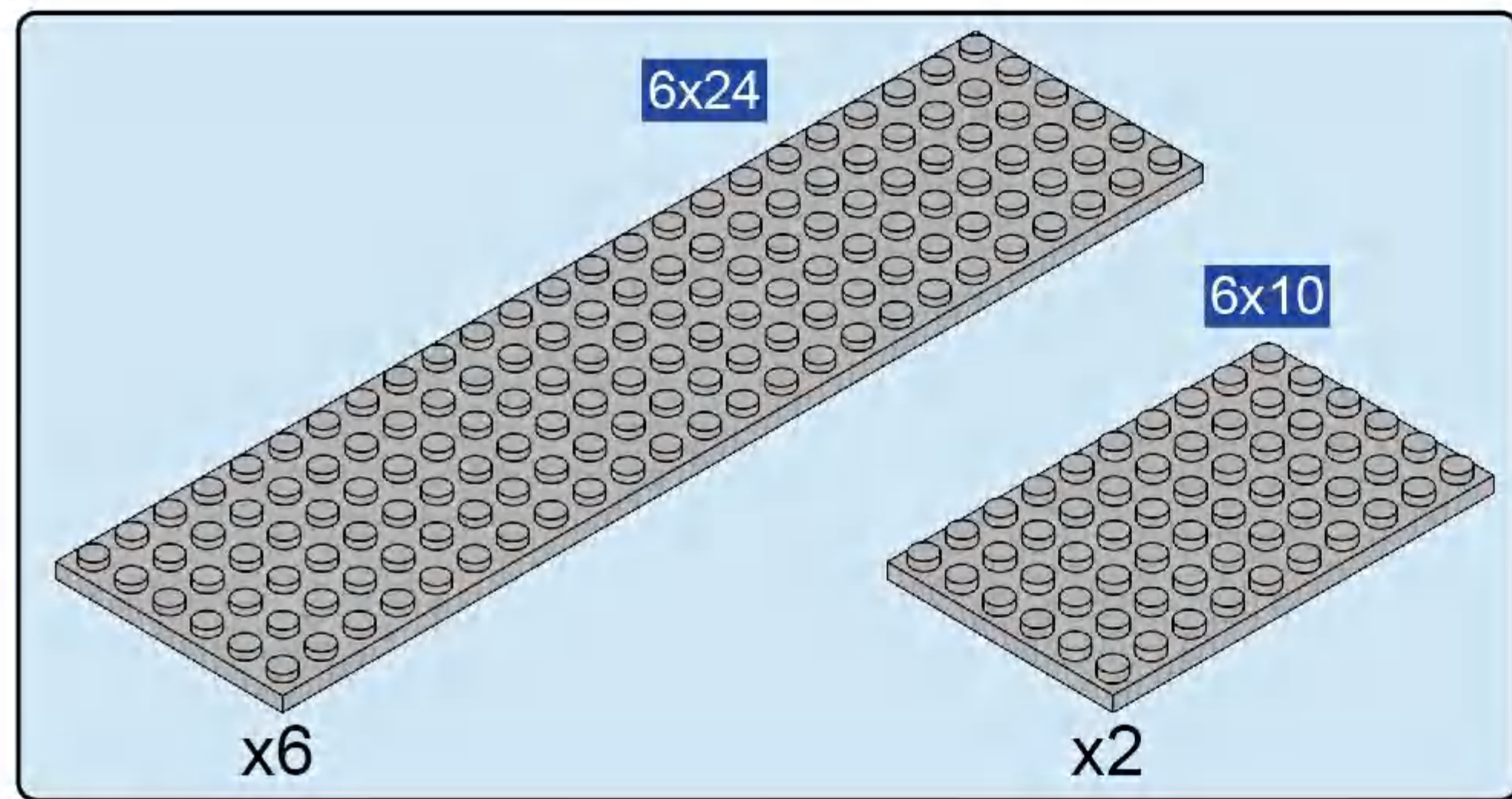


这是1:1零件比例尺, 可以用来比对零件长度。
Please note the scale of the part is 1:1 and can be used as a reference length.

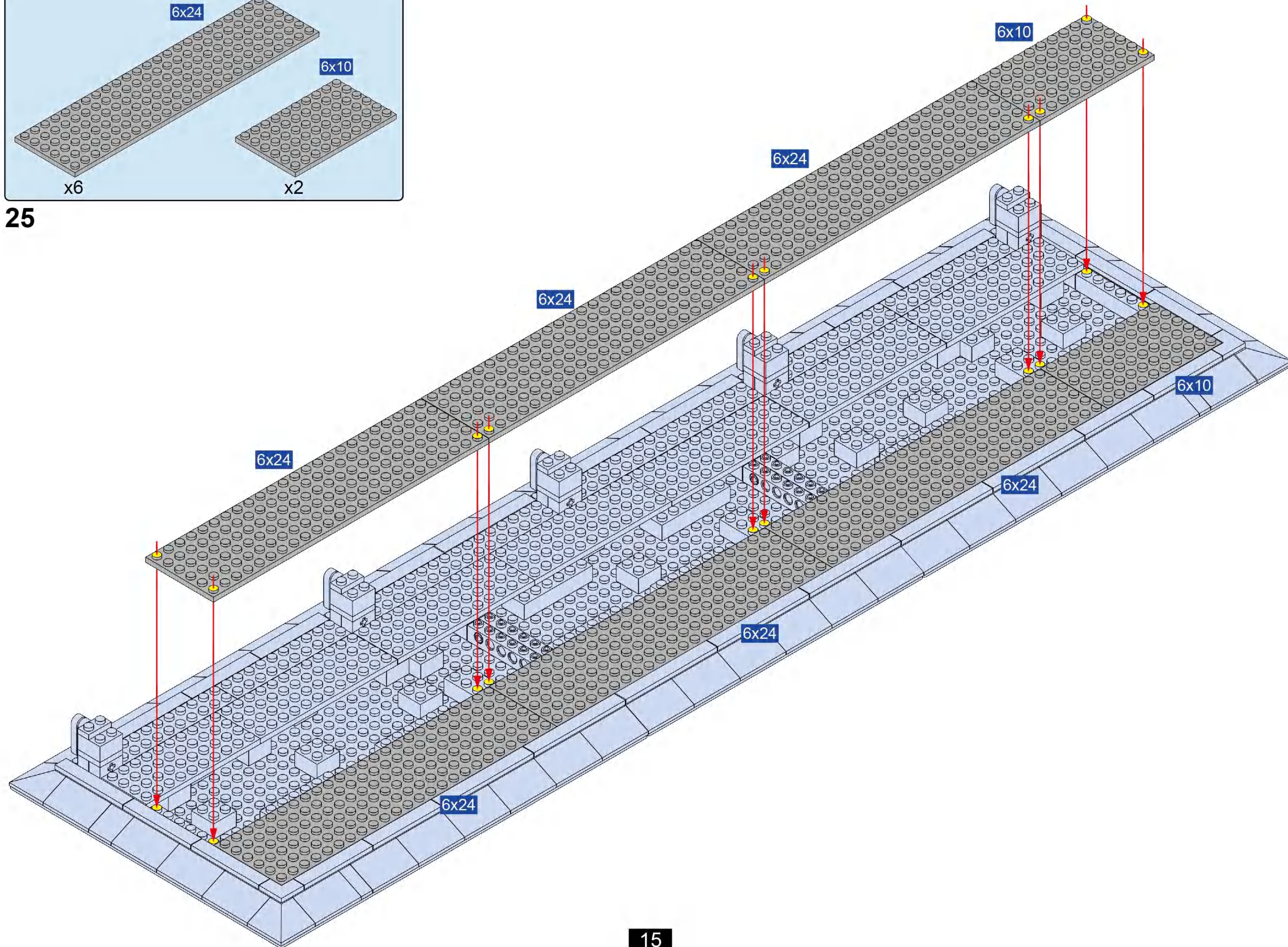


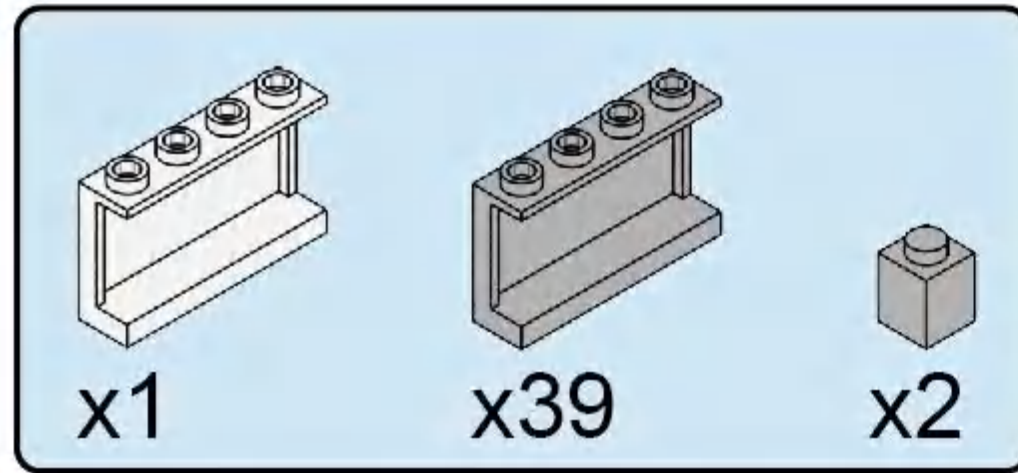
x5表示该模块需要拼5个。
x5 means 5 modules like this are needed.



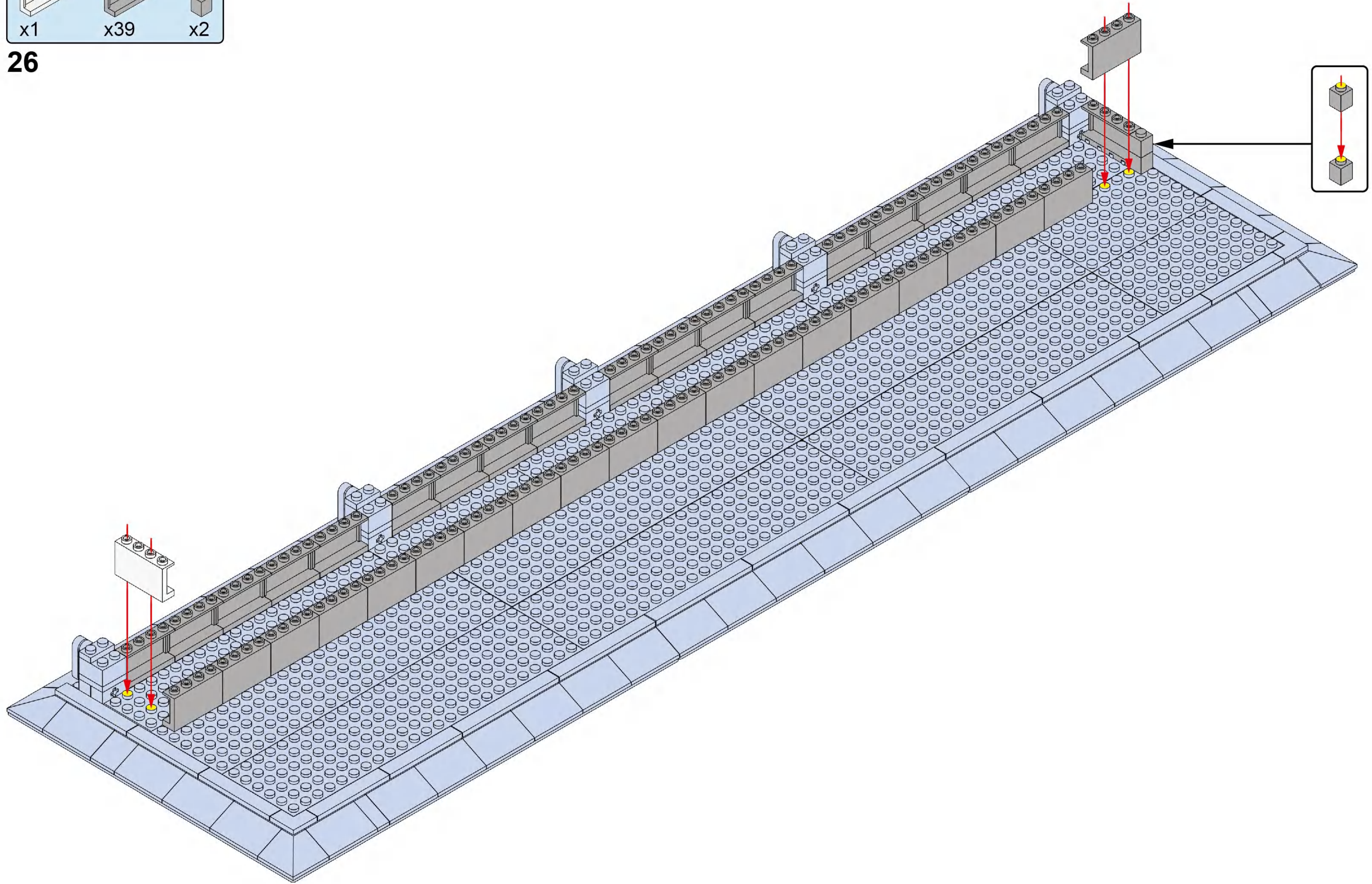


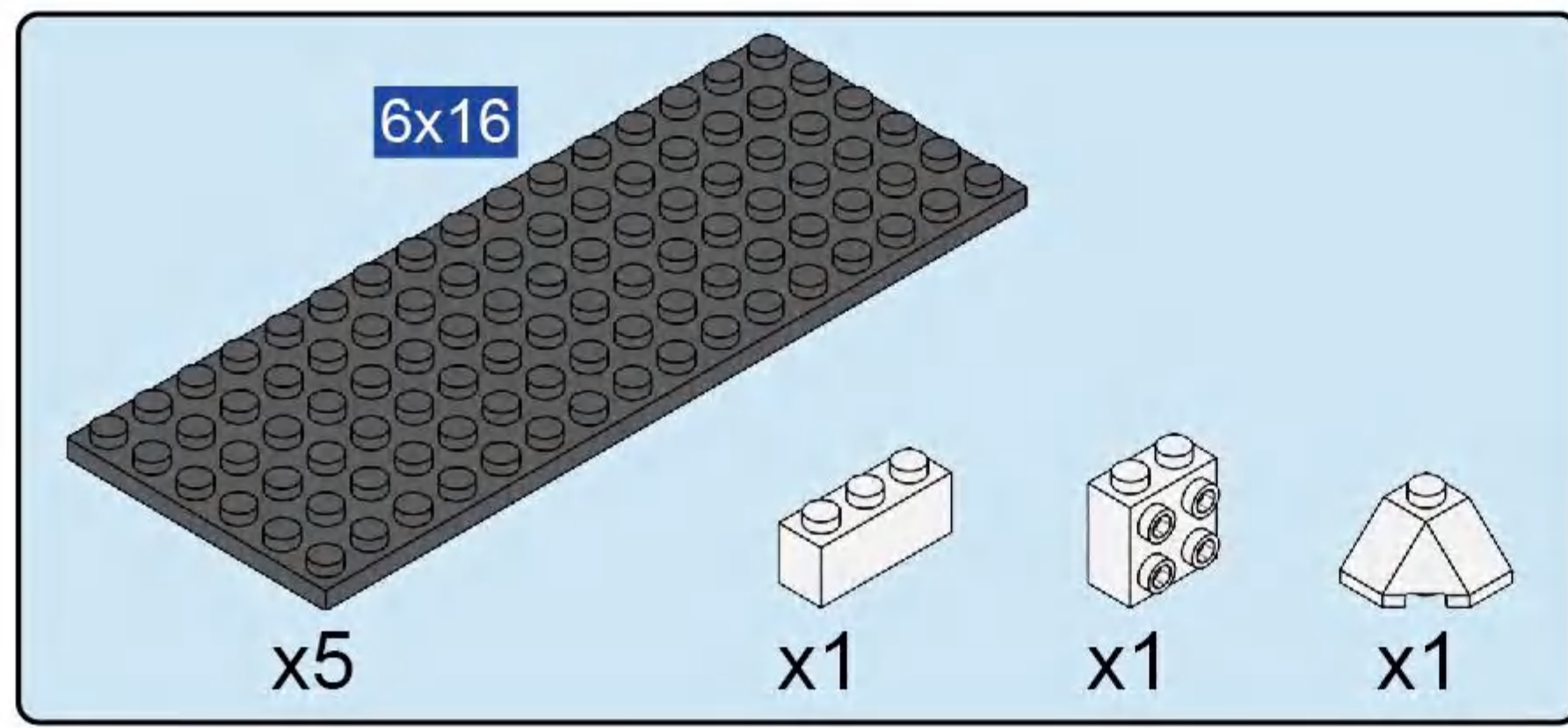
25



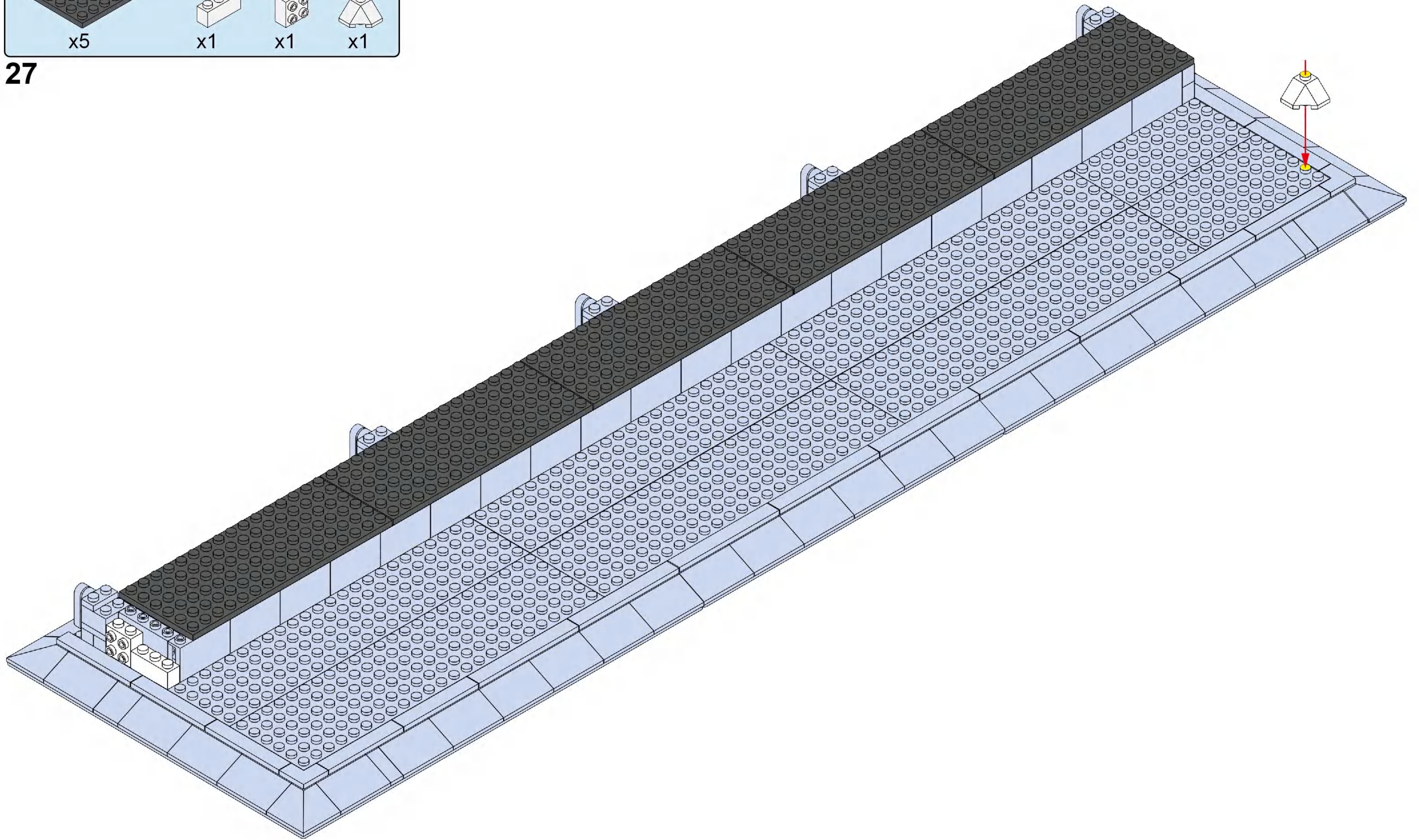


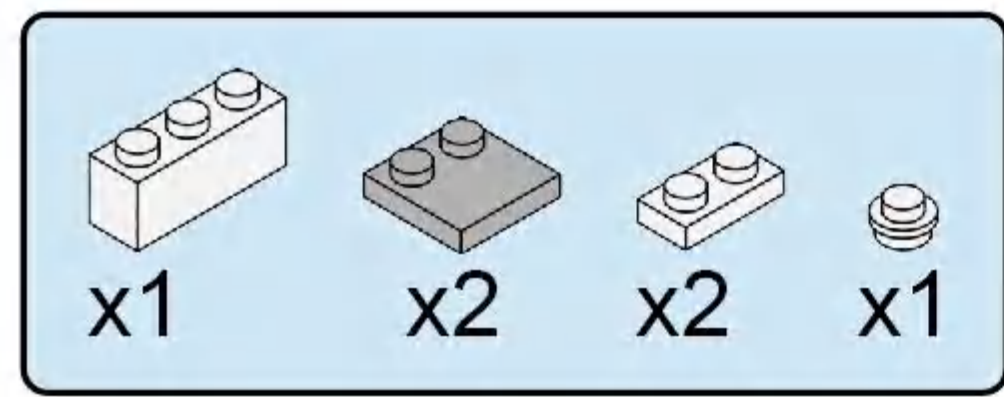
26



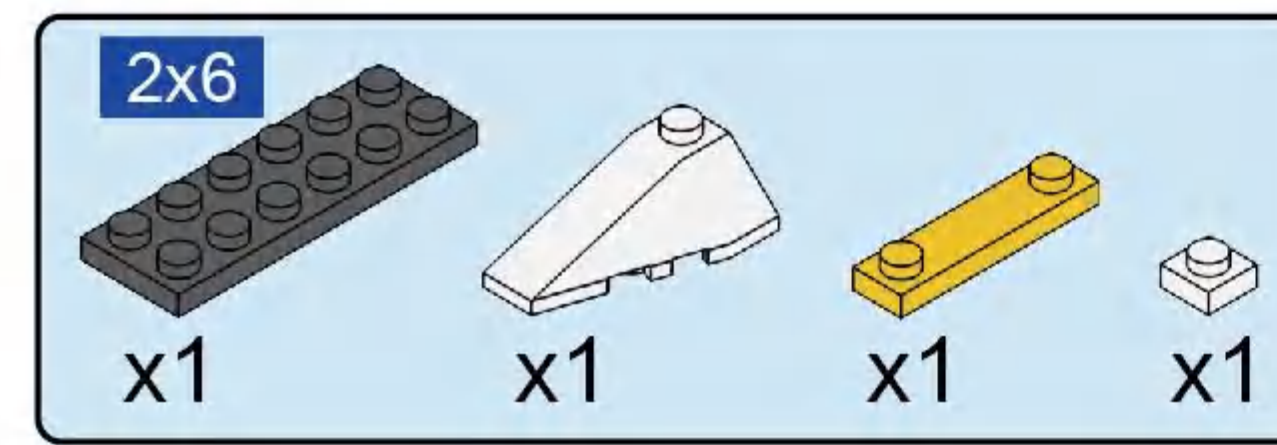
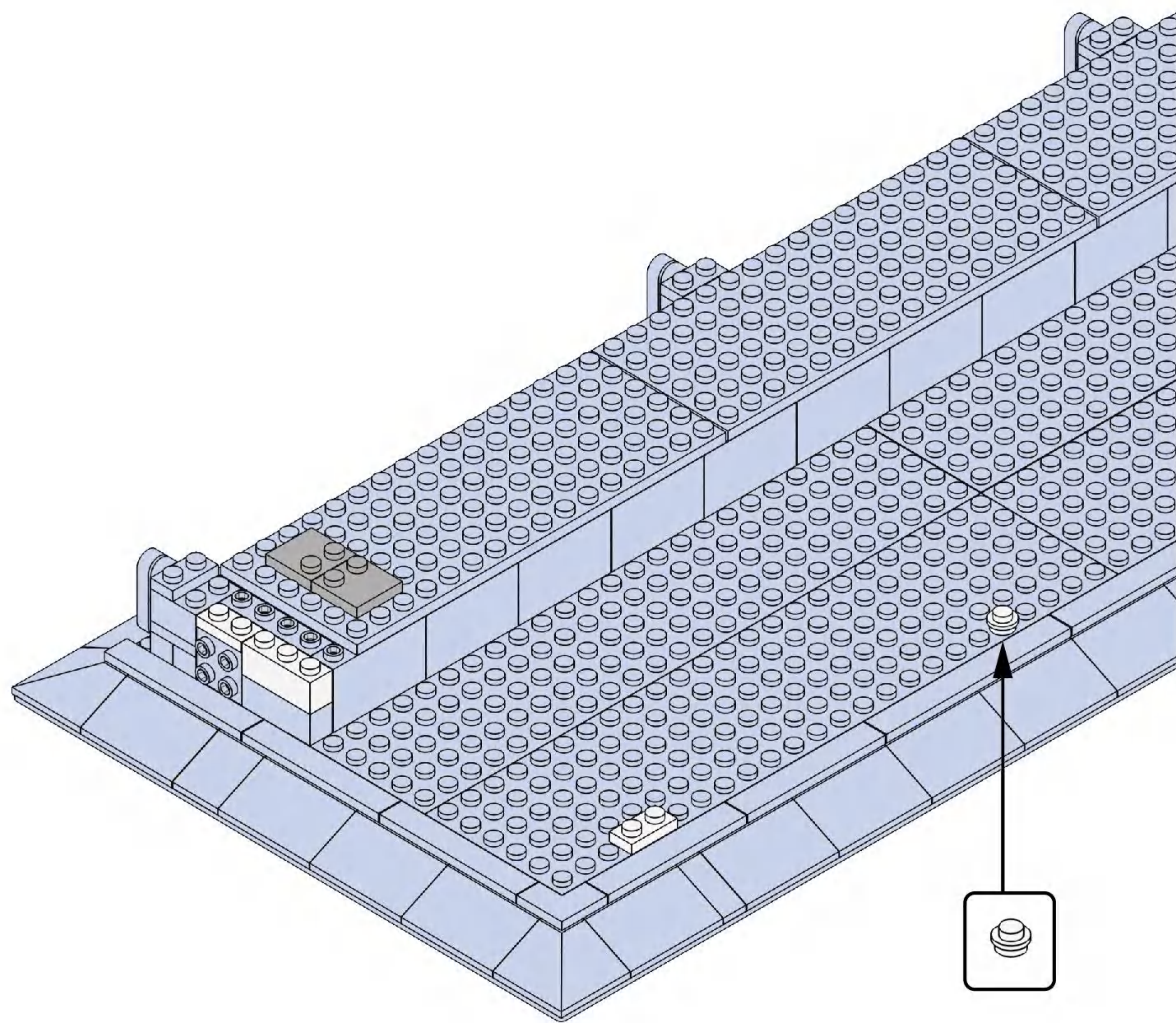


27

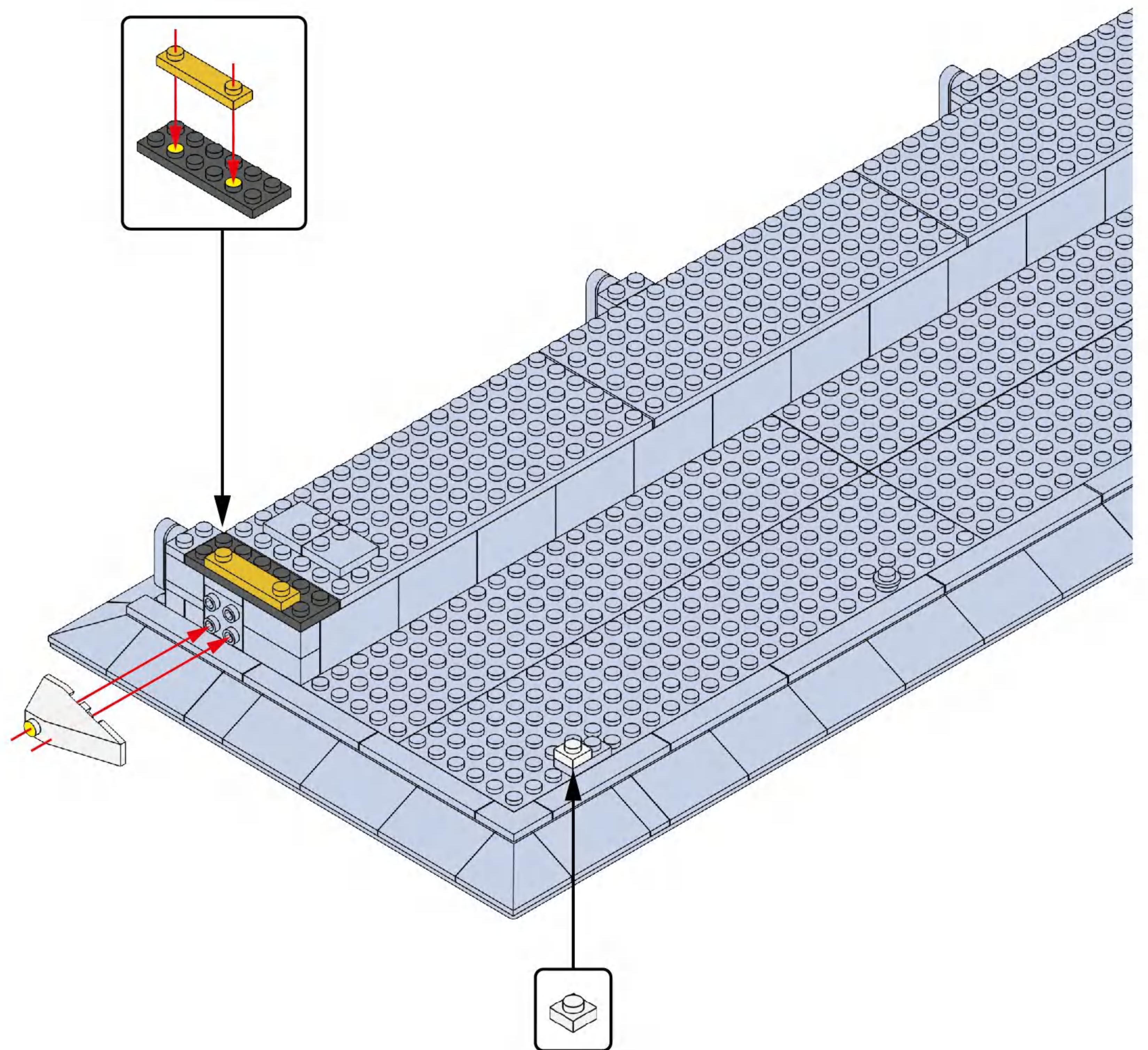


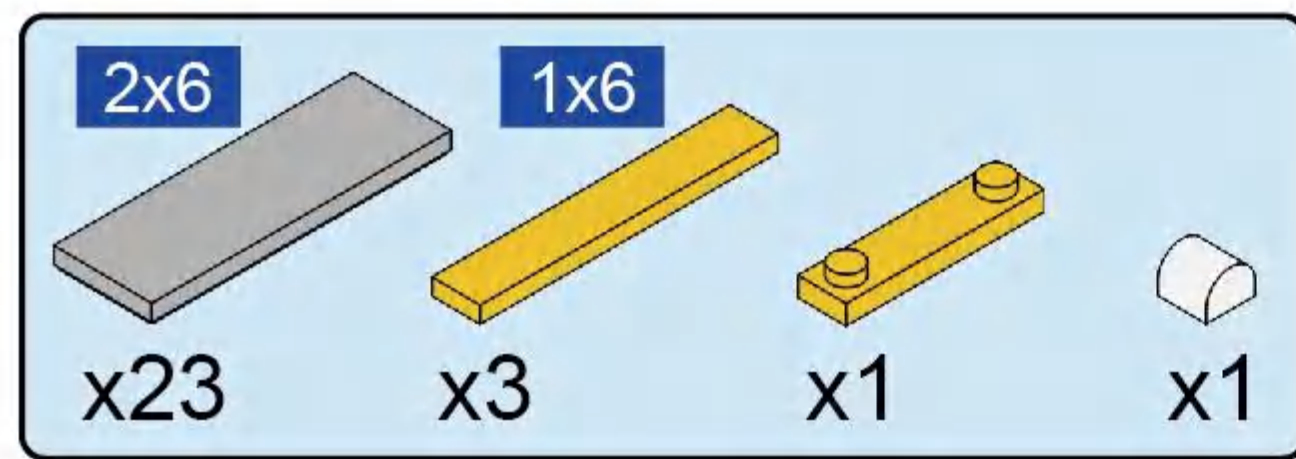


28

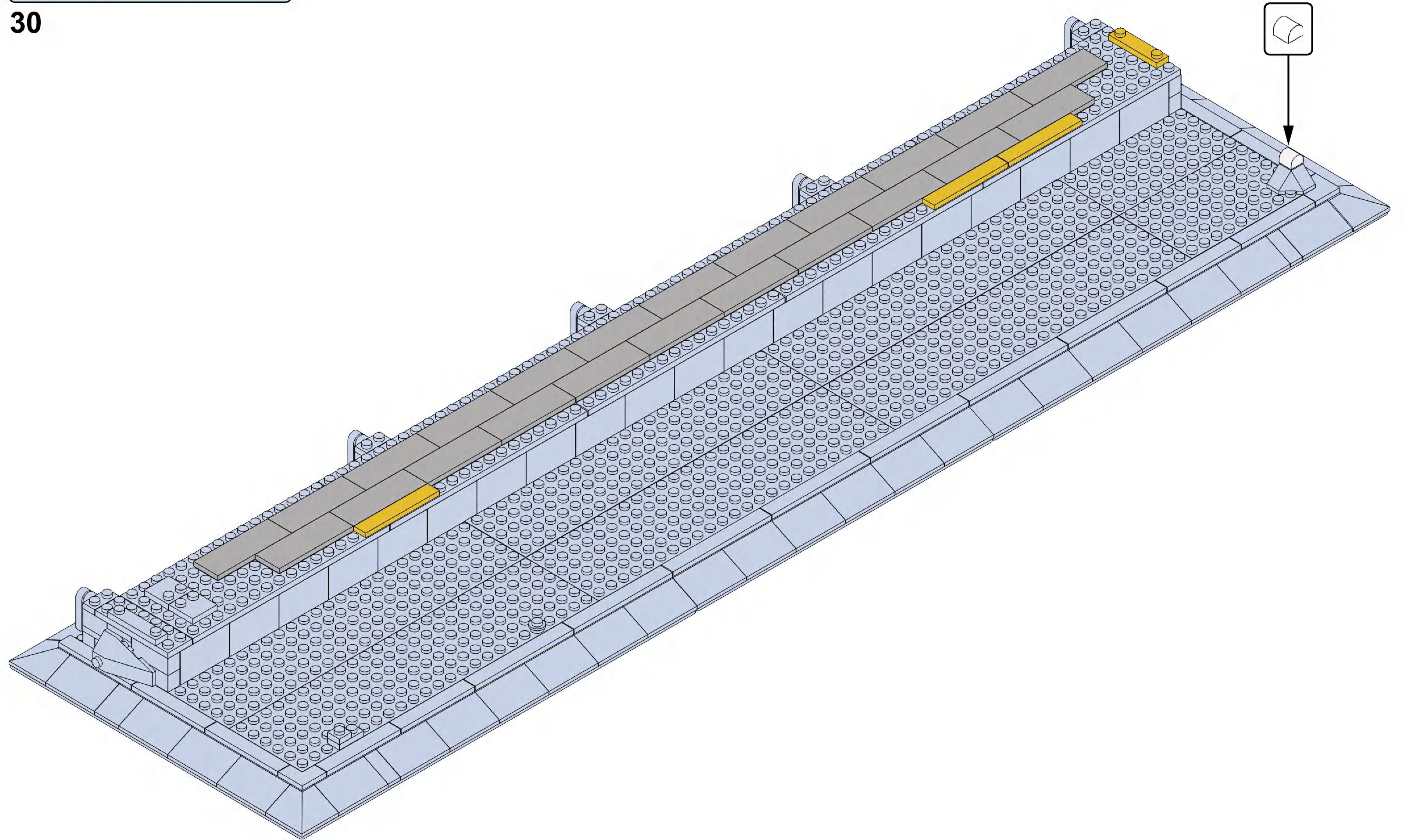


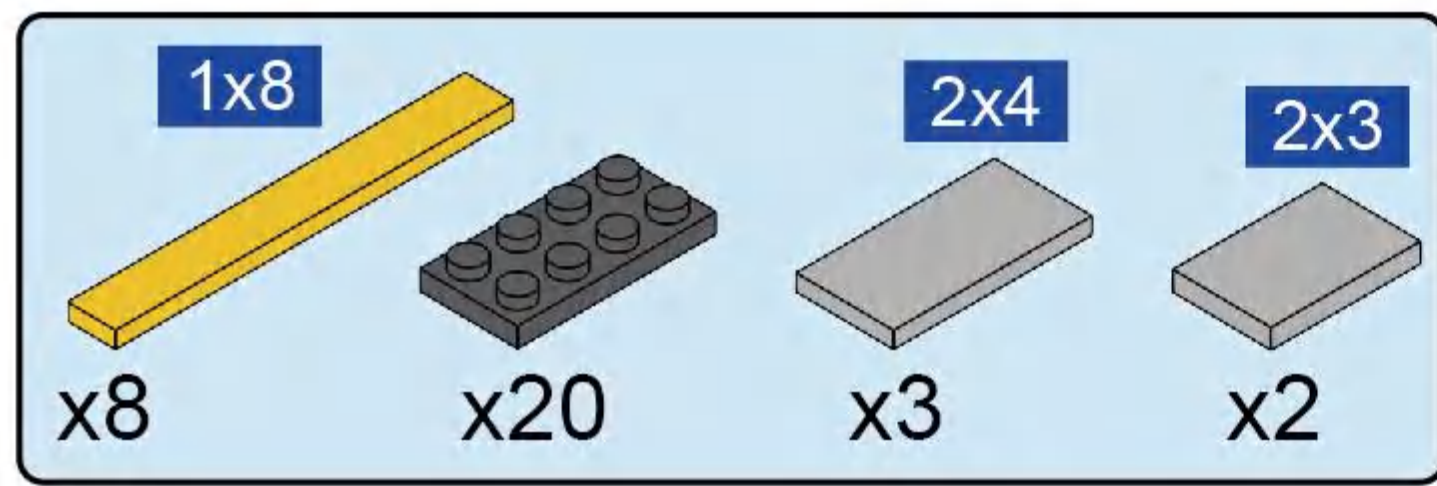
29



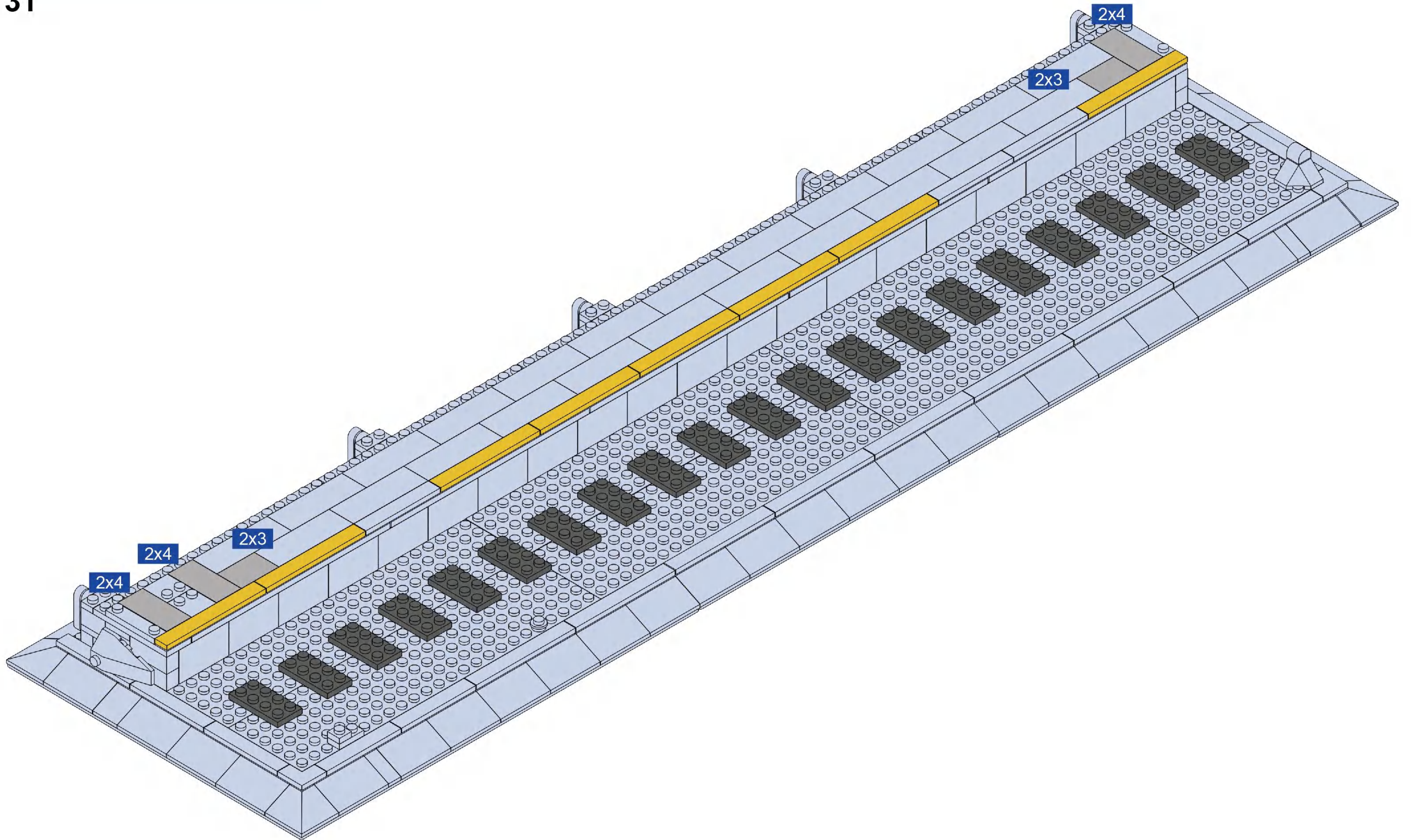


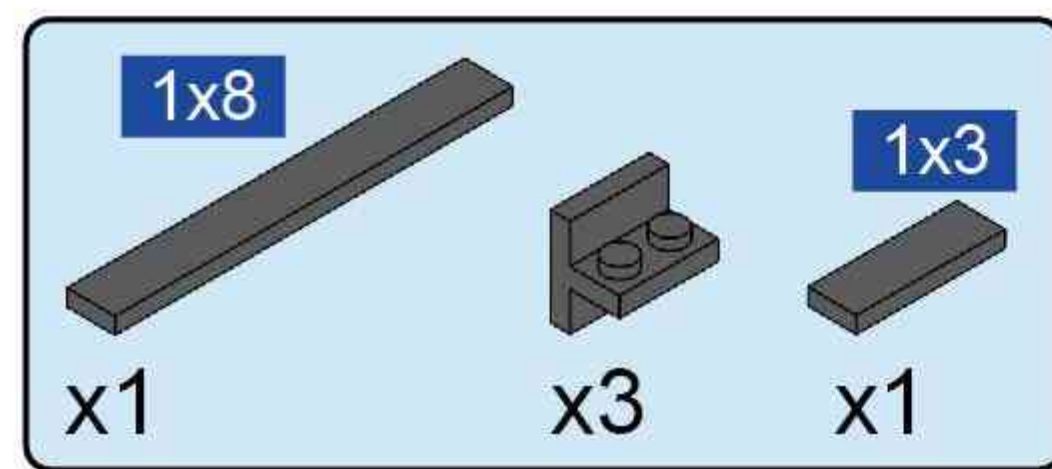
30



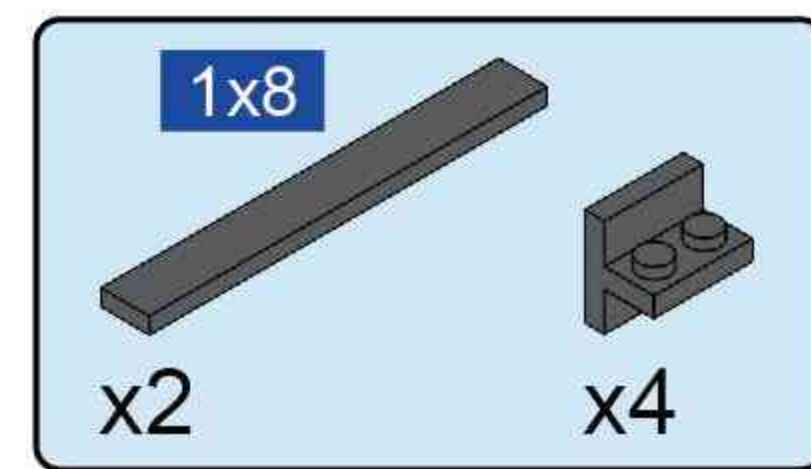
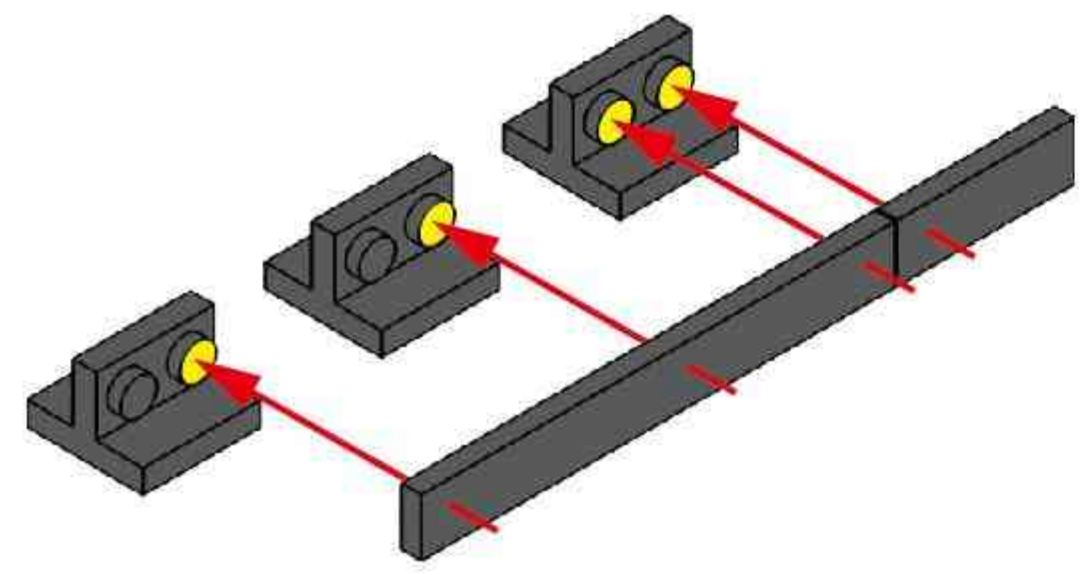


31

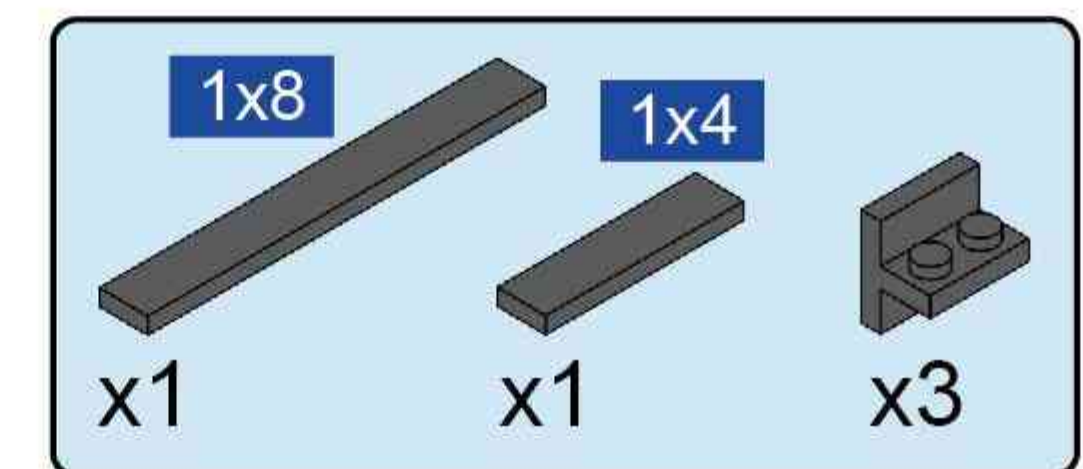
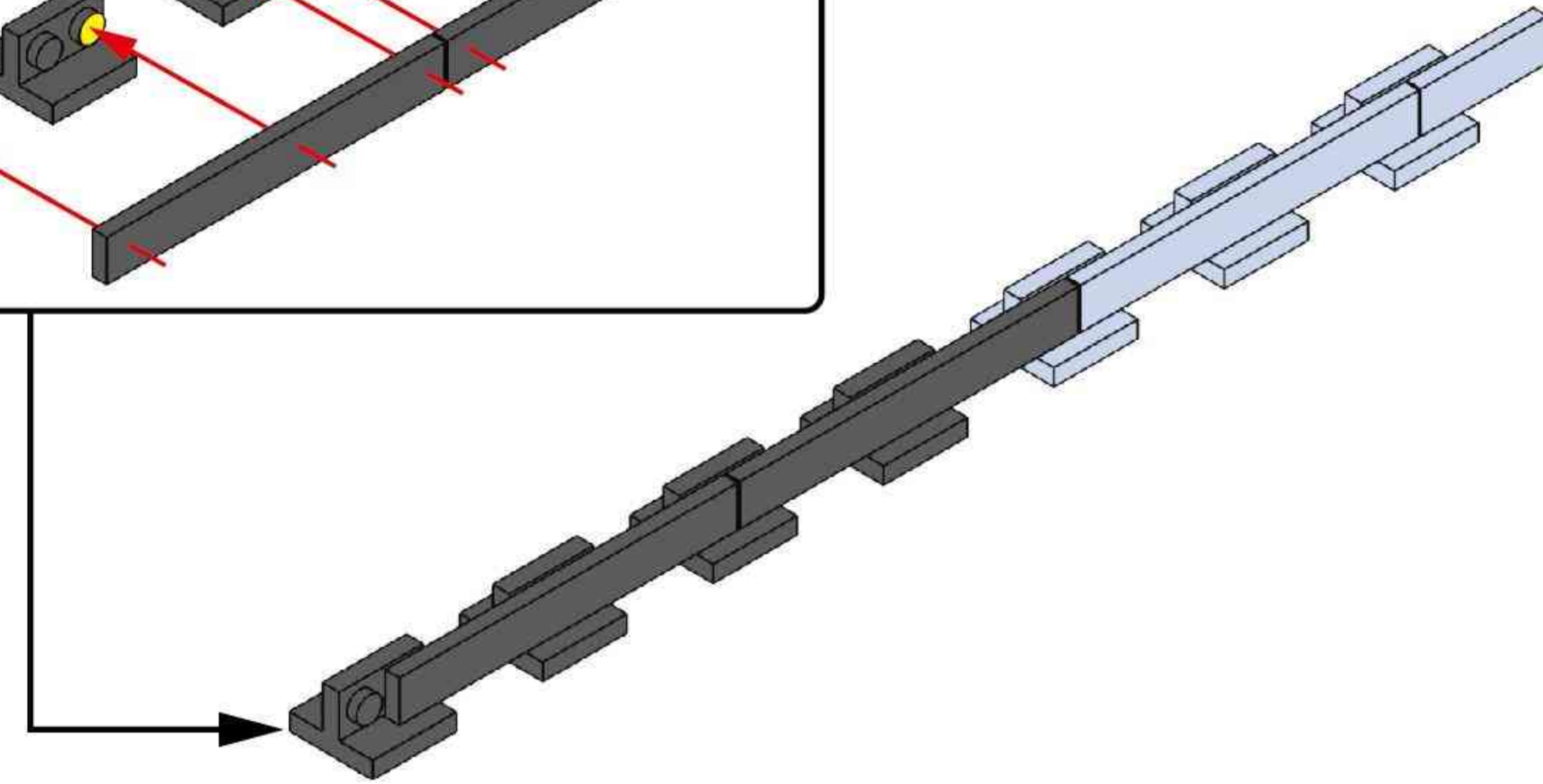
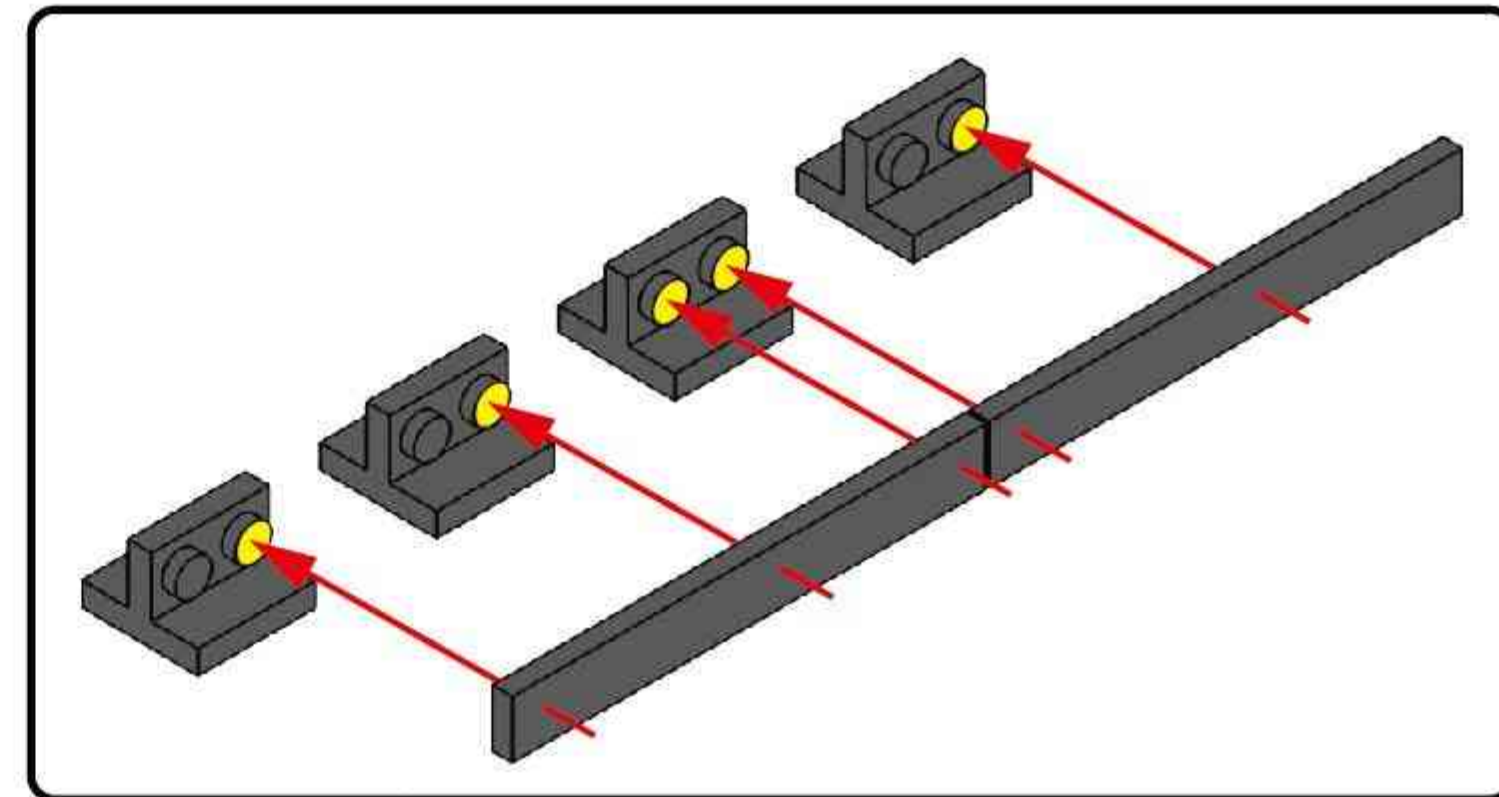




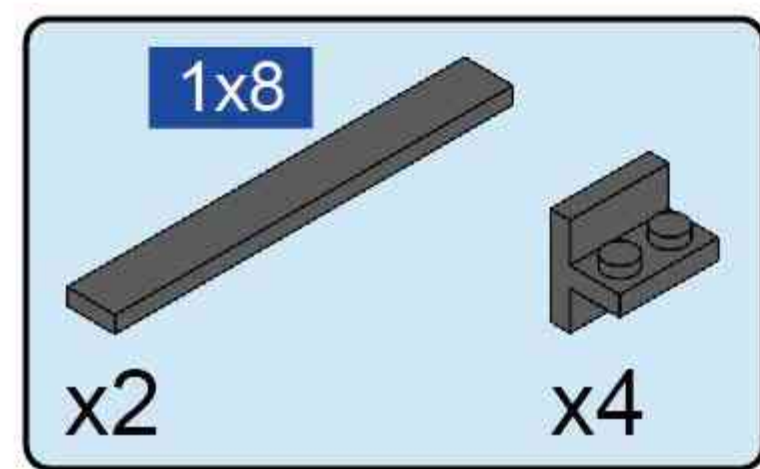
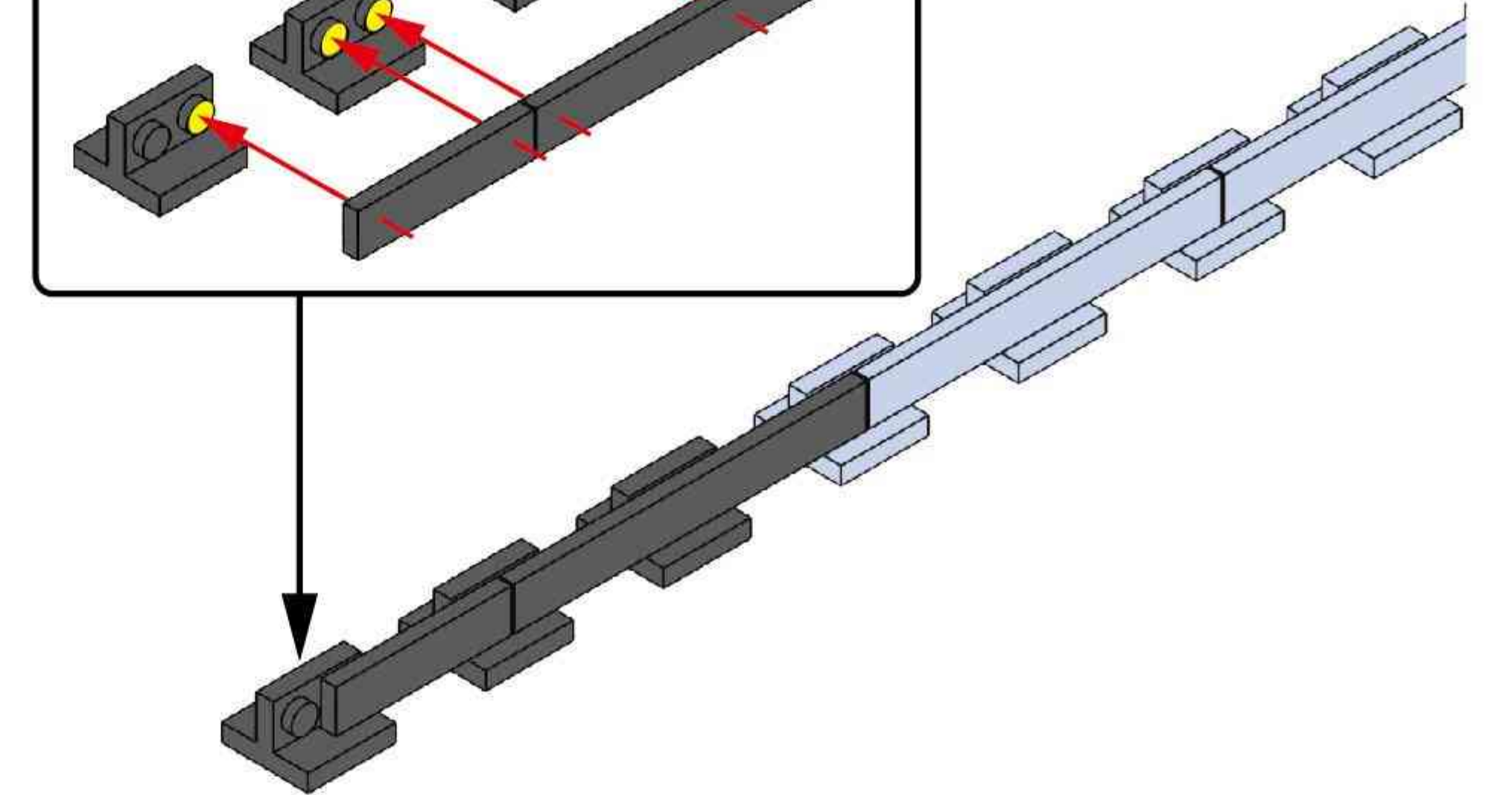
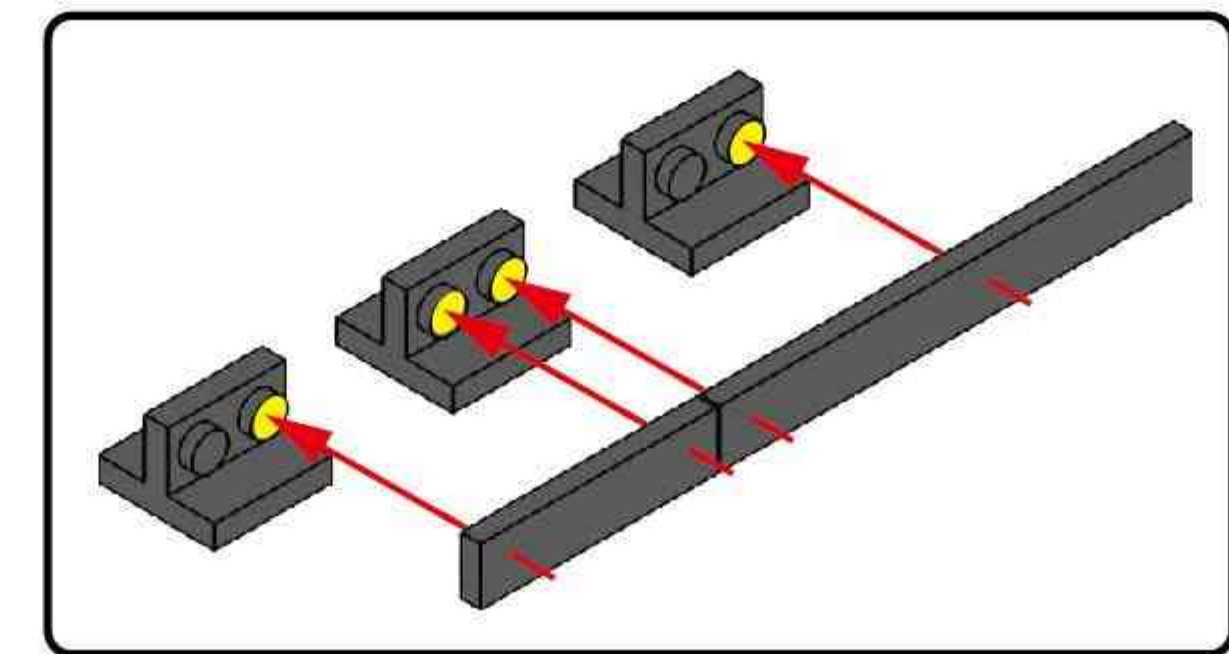
32



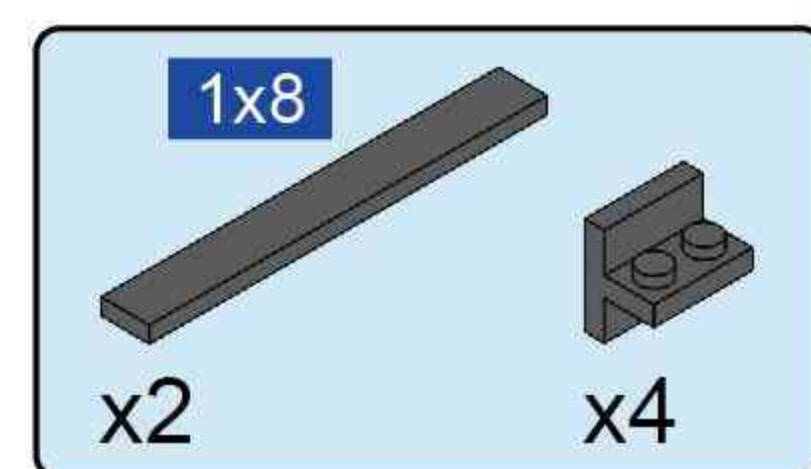
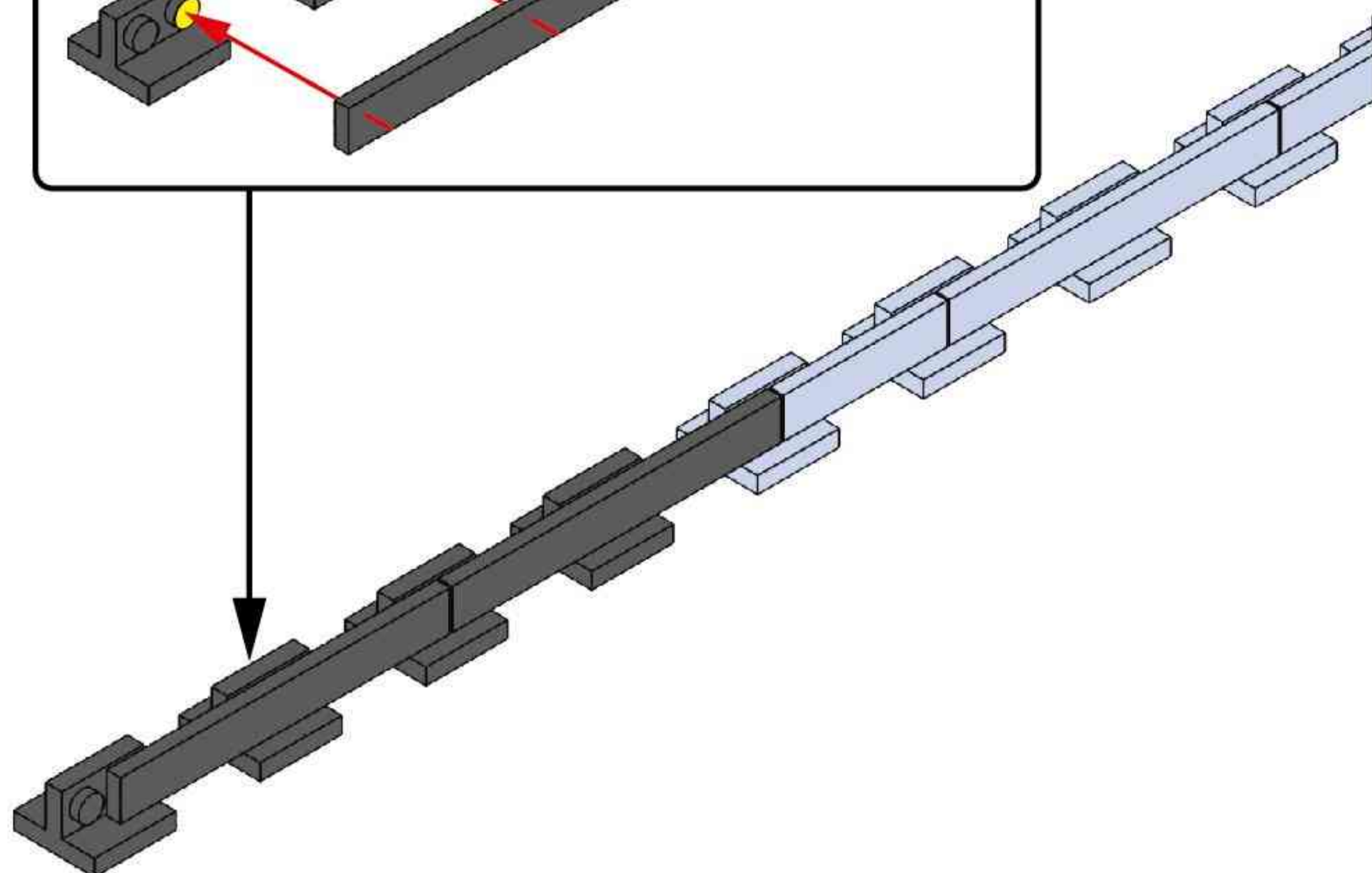
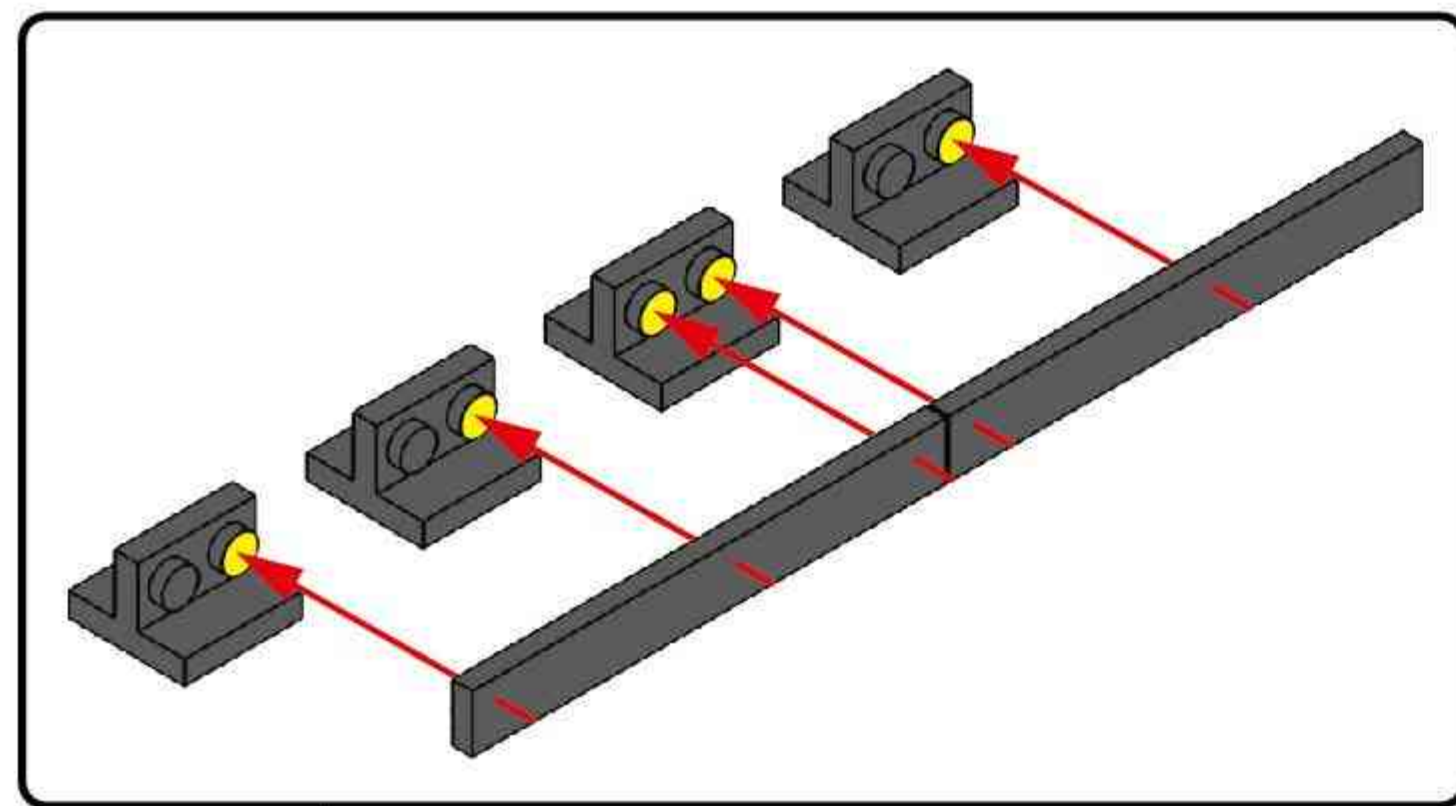
33



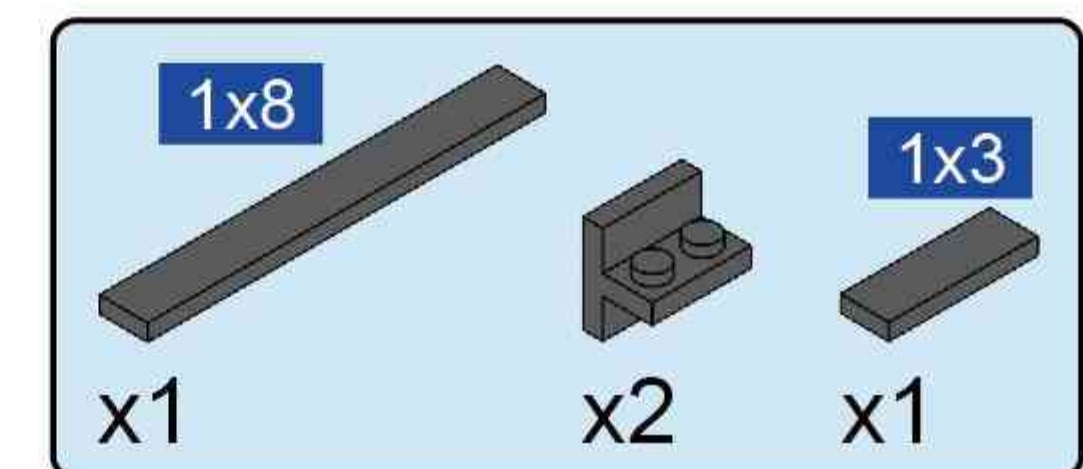
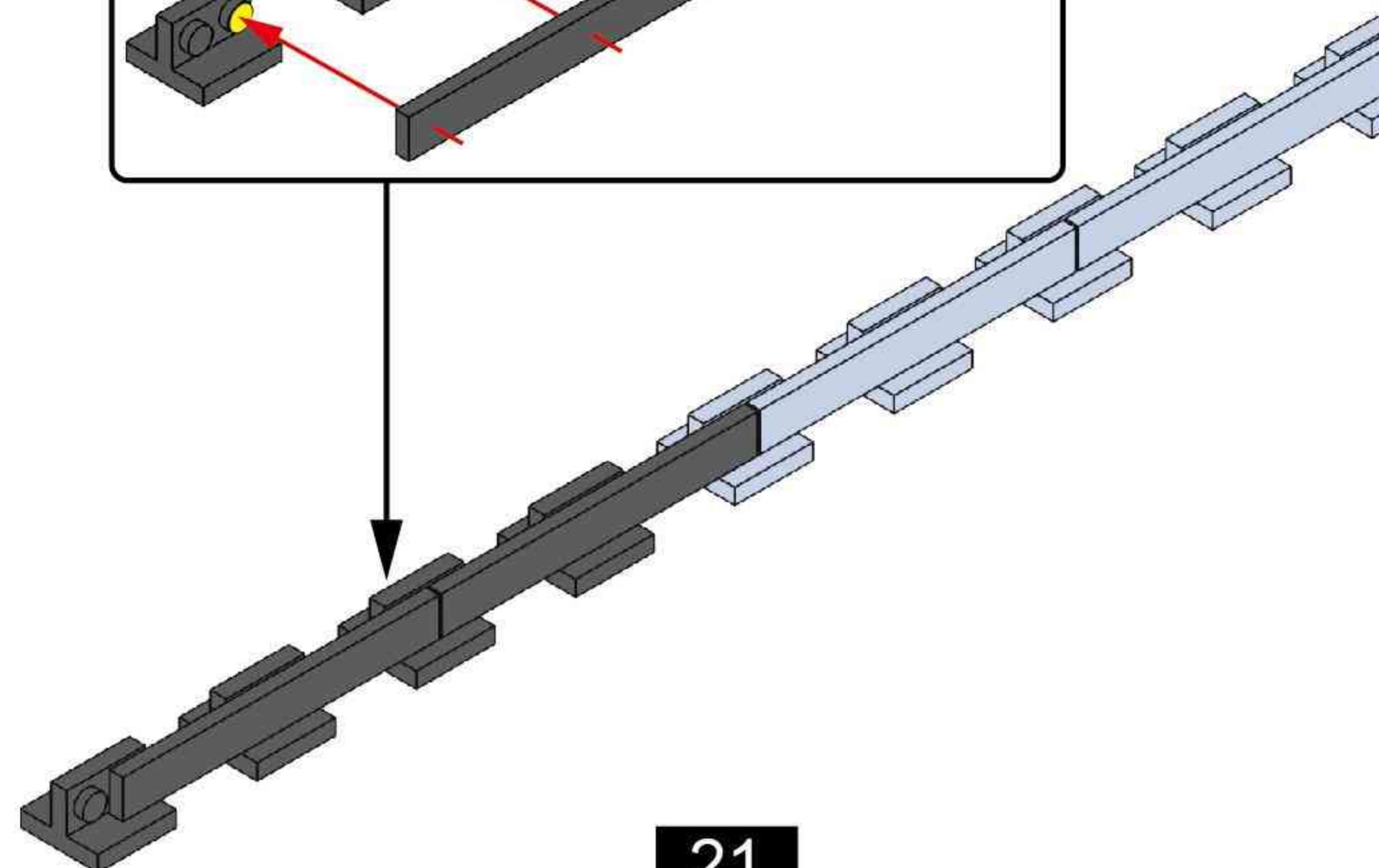
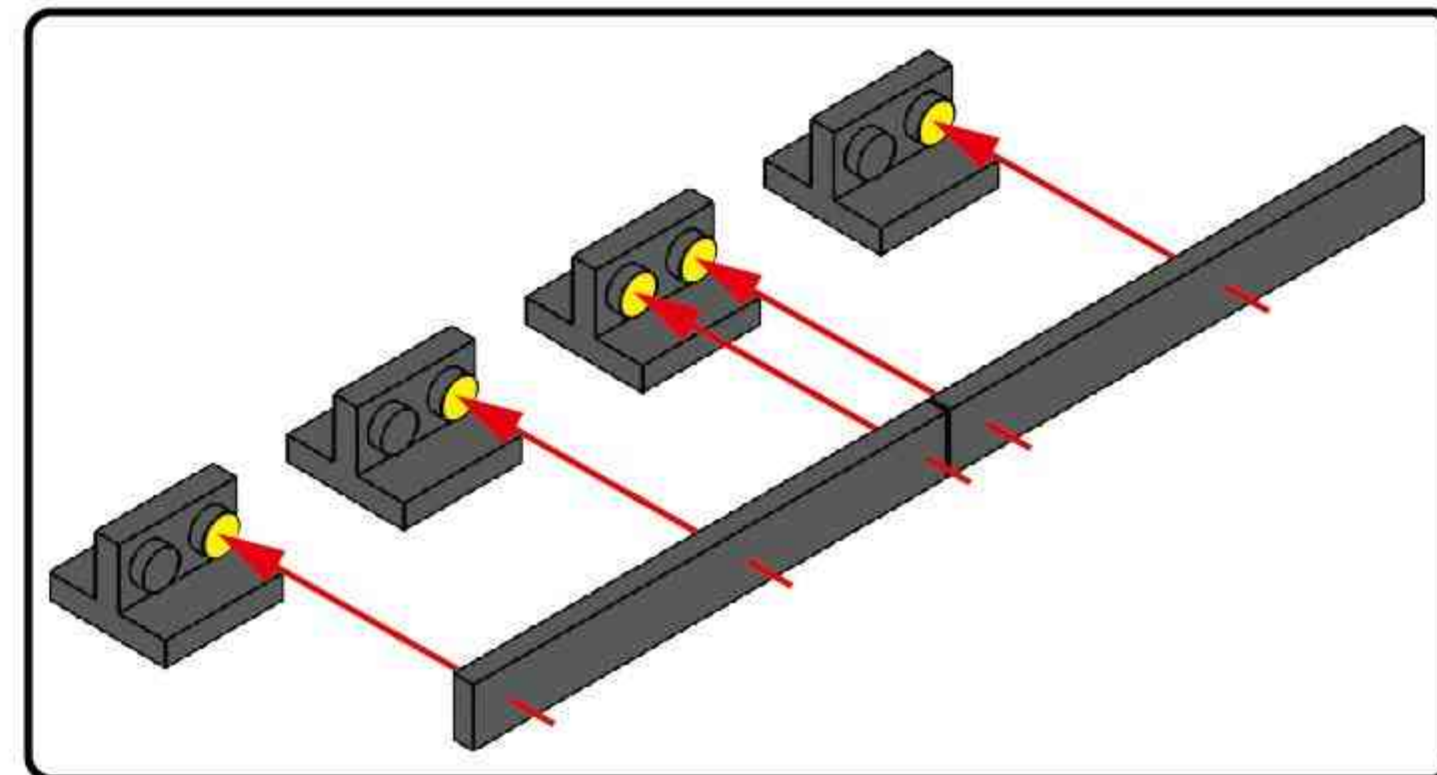
34



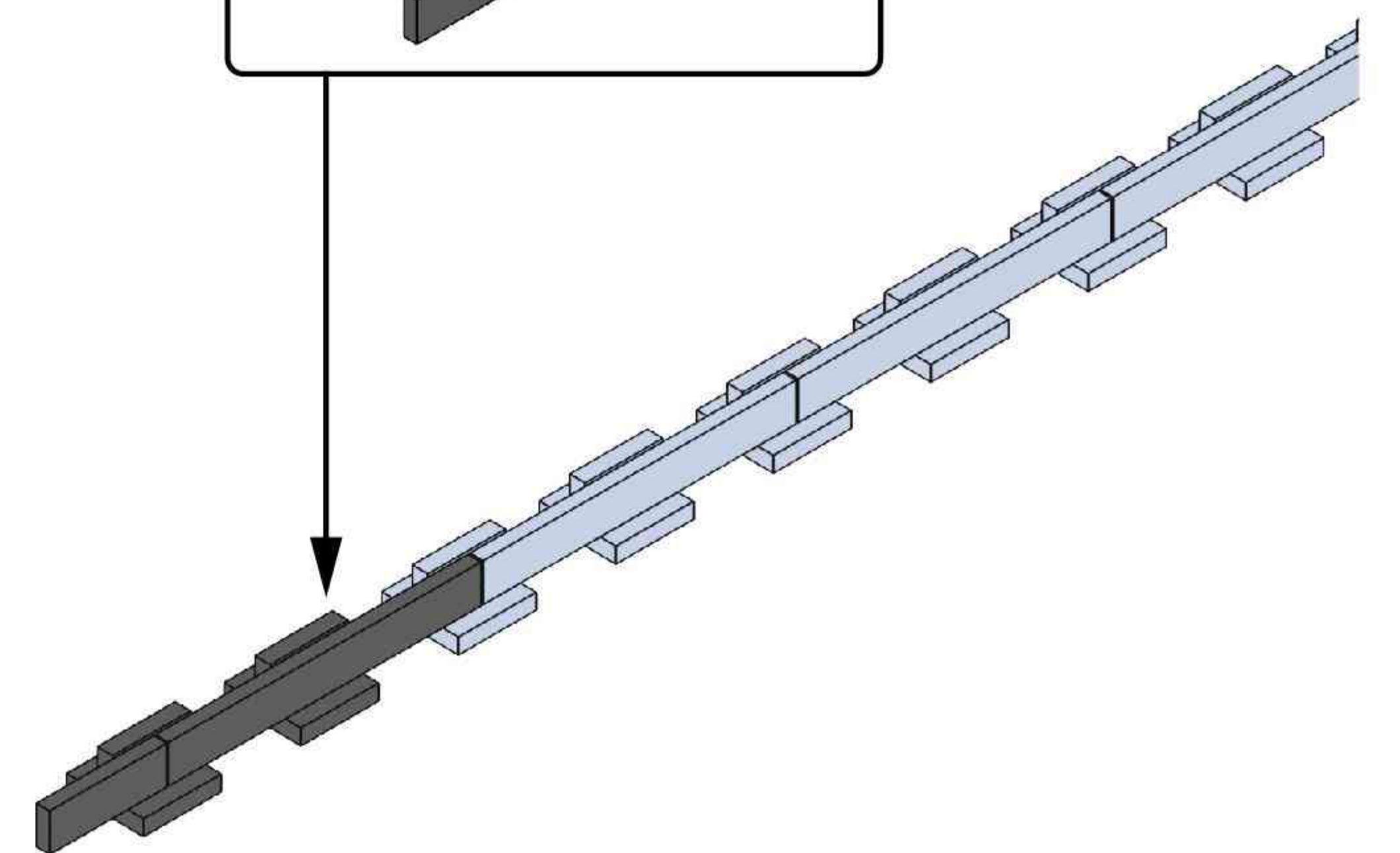
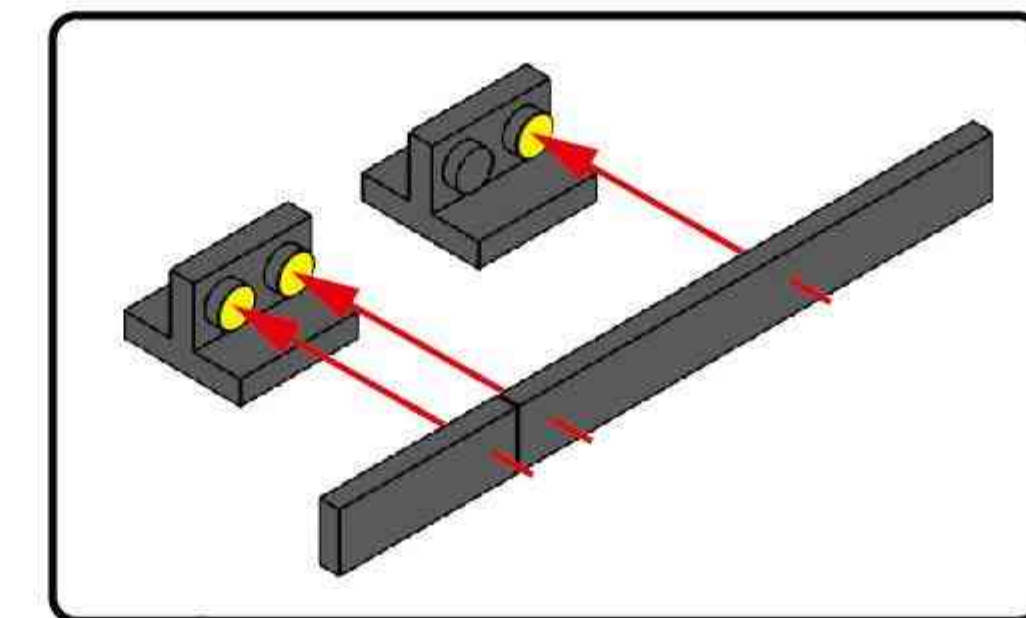
35

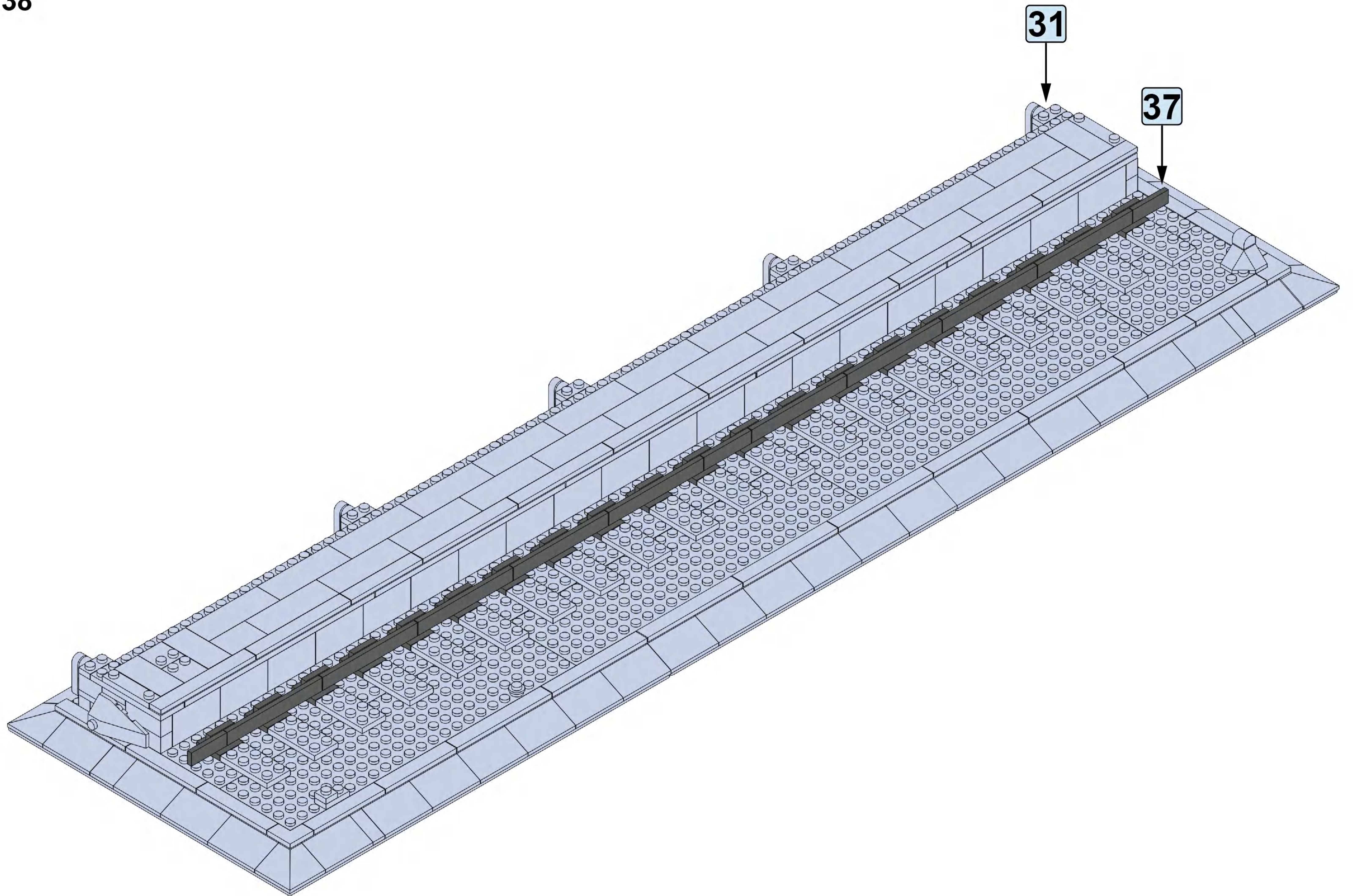


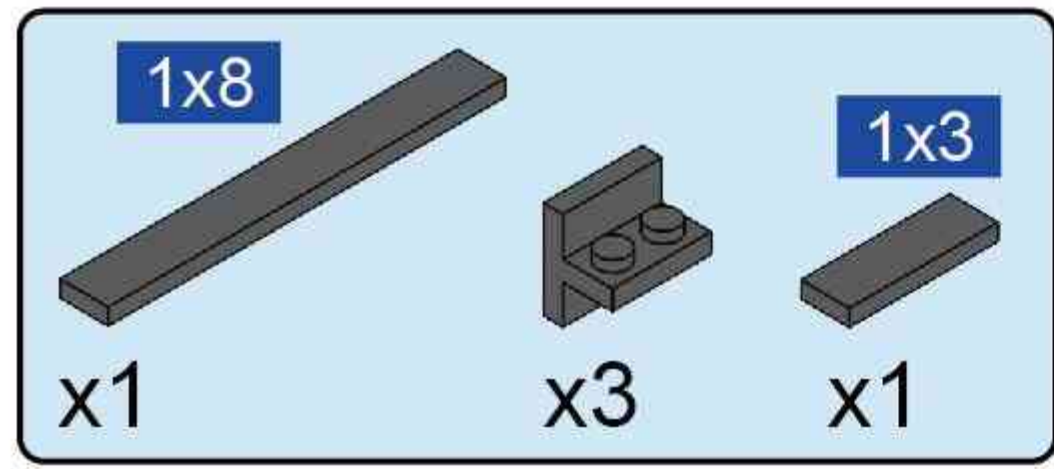
36



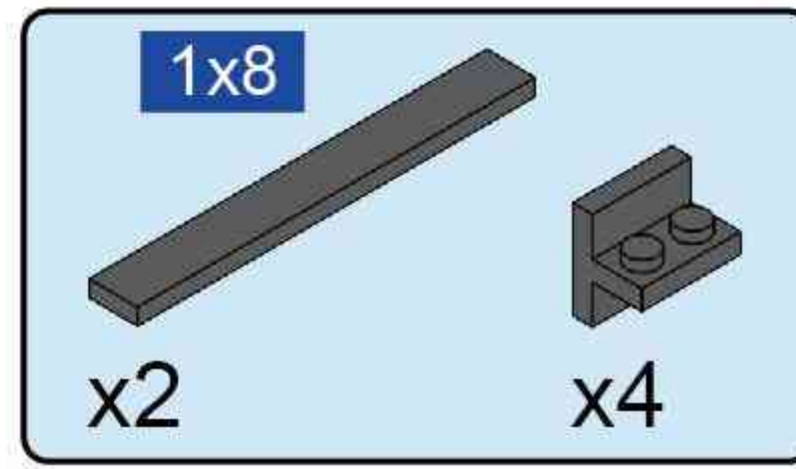
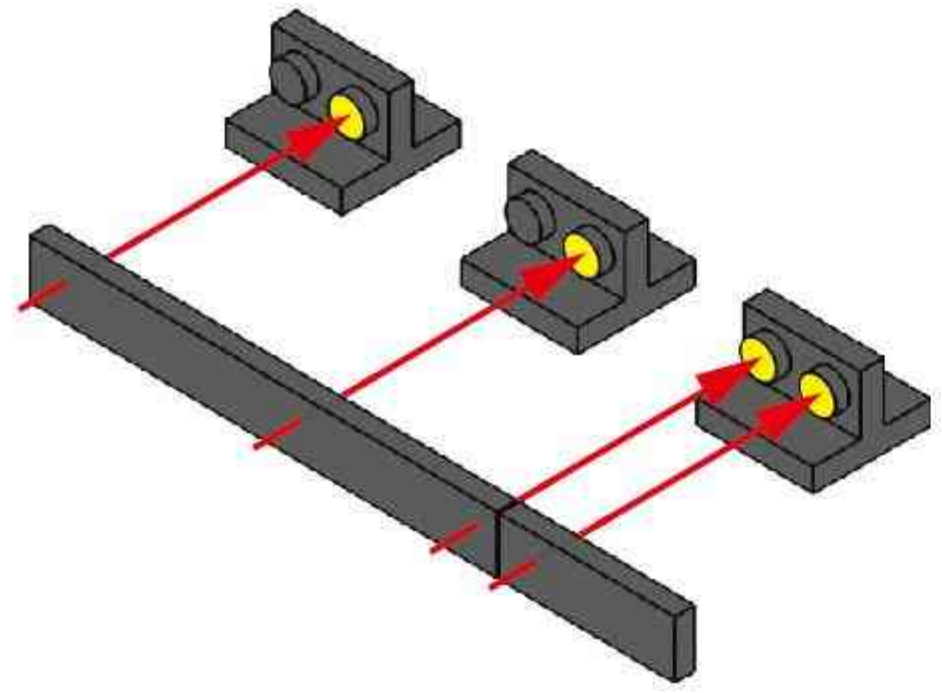
37



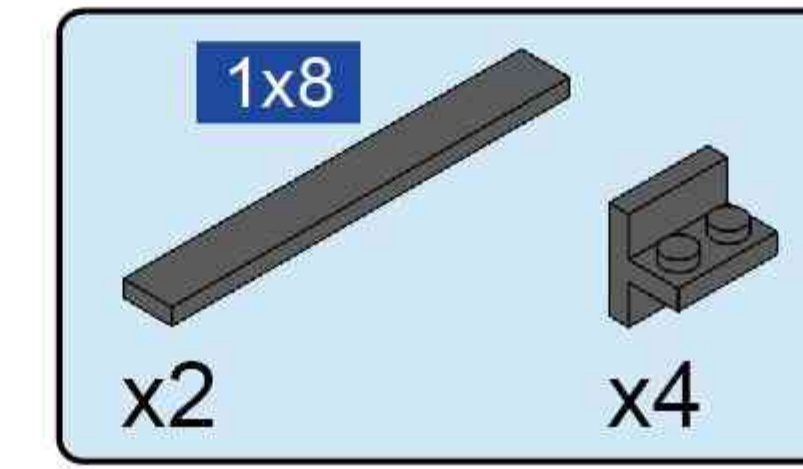
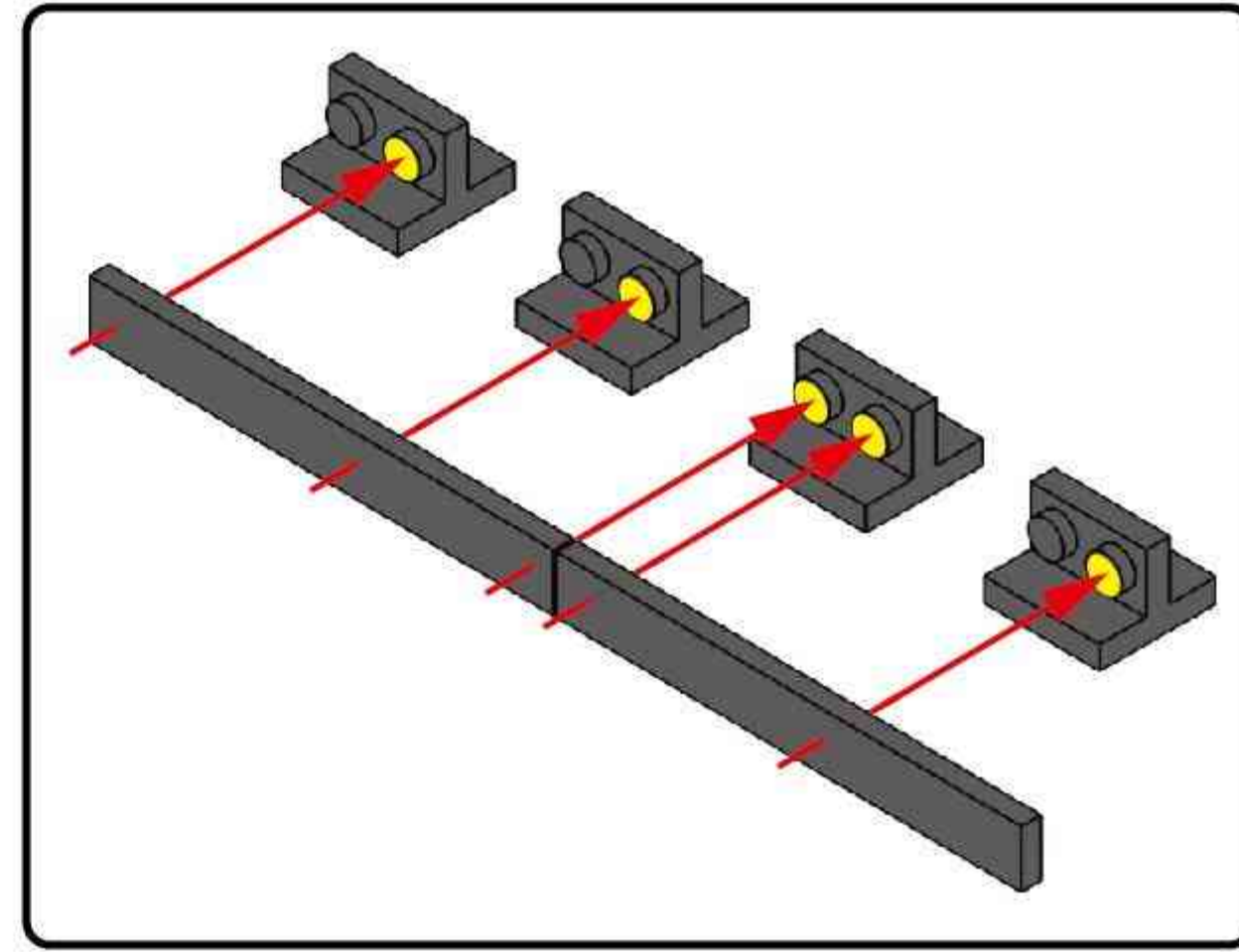




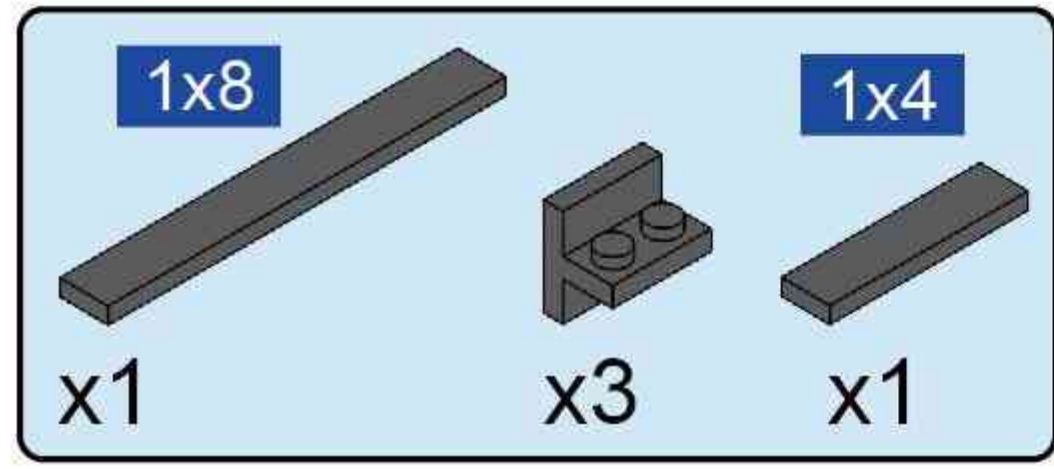
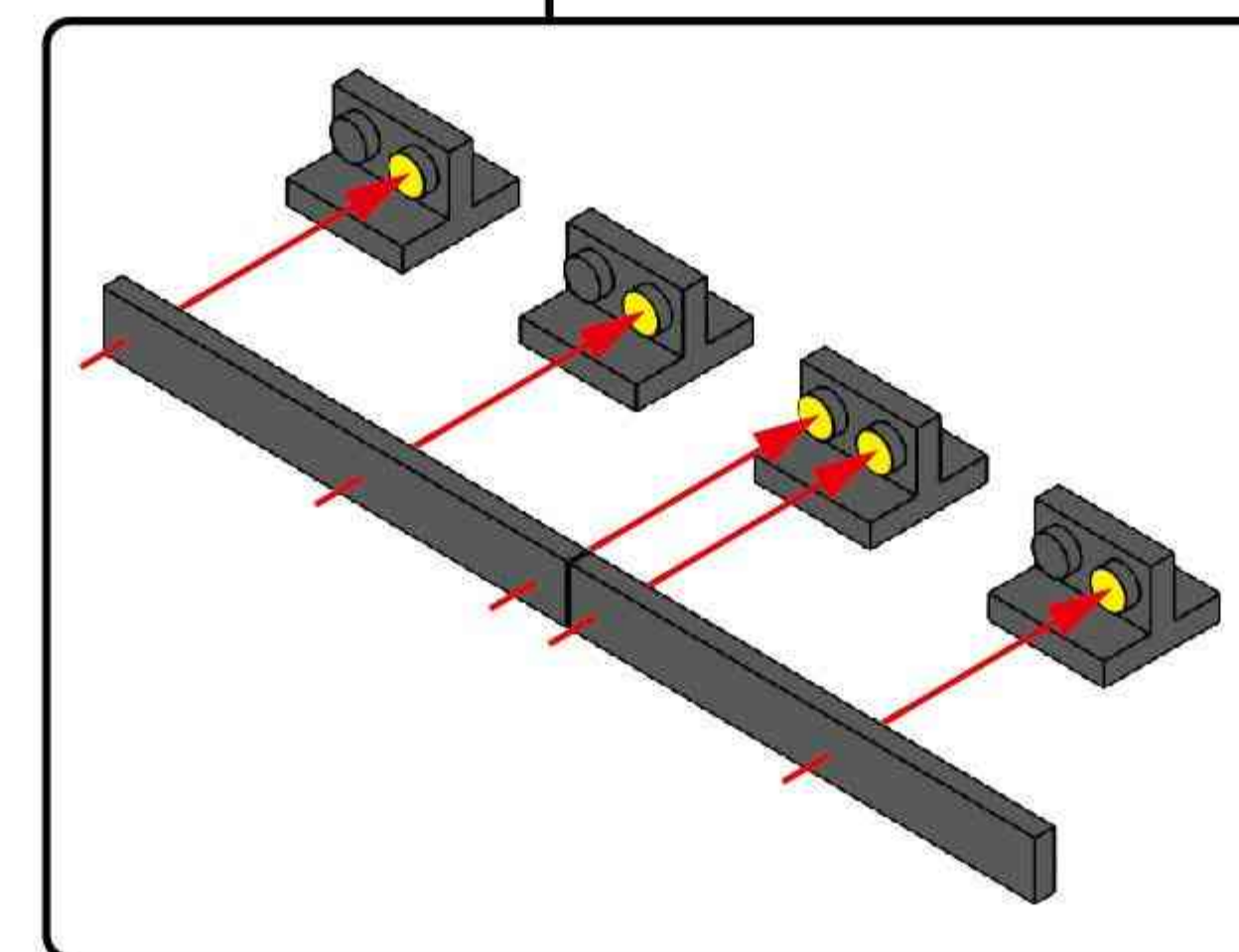
39



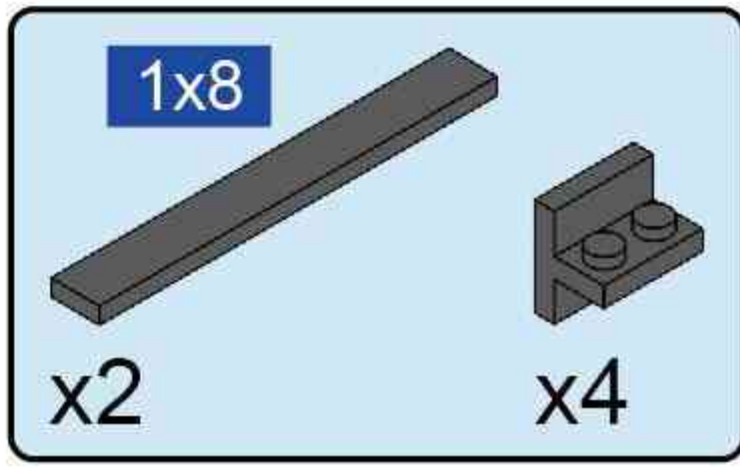
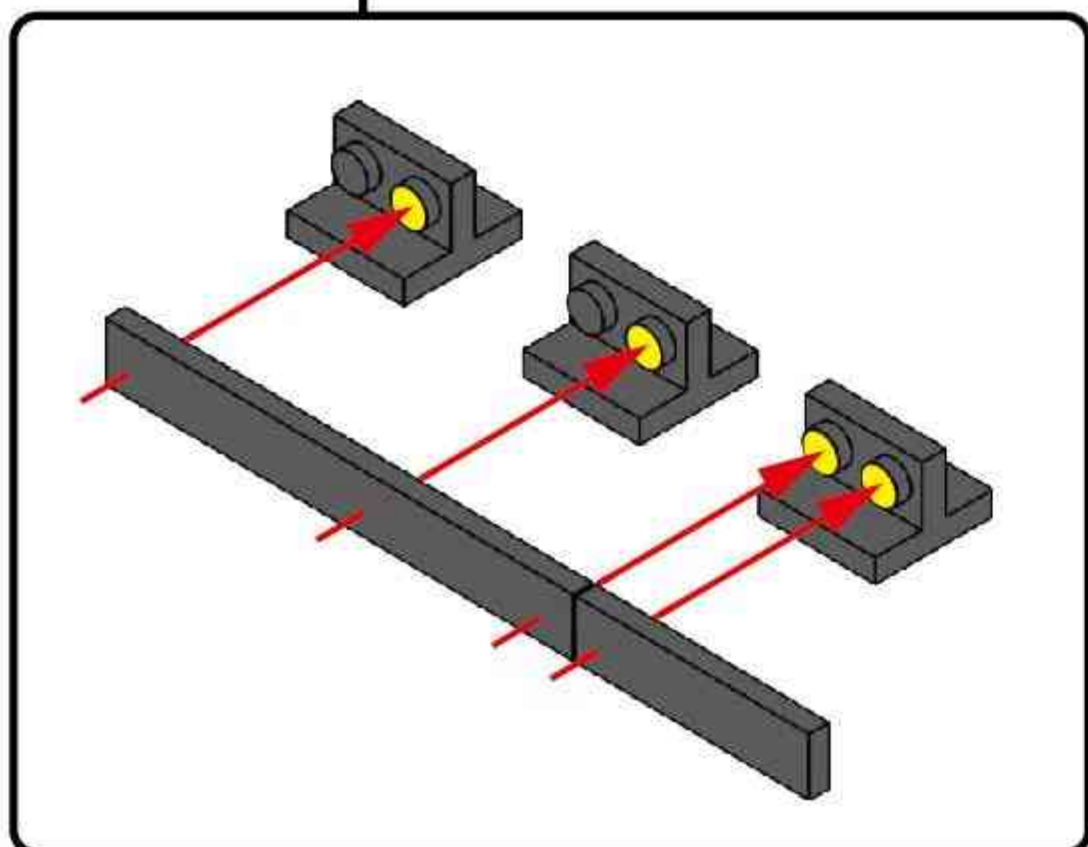
40



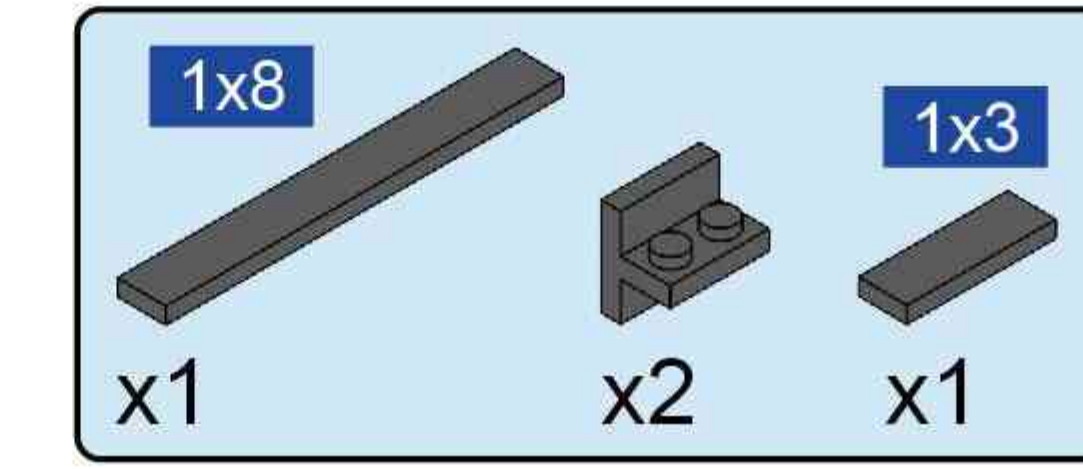
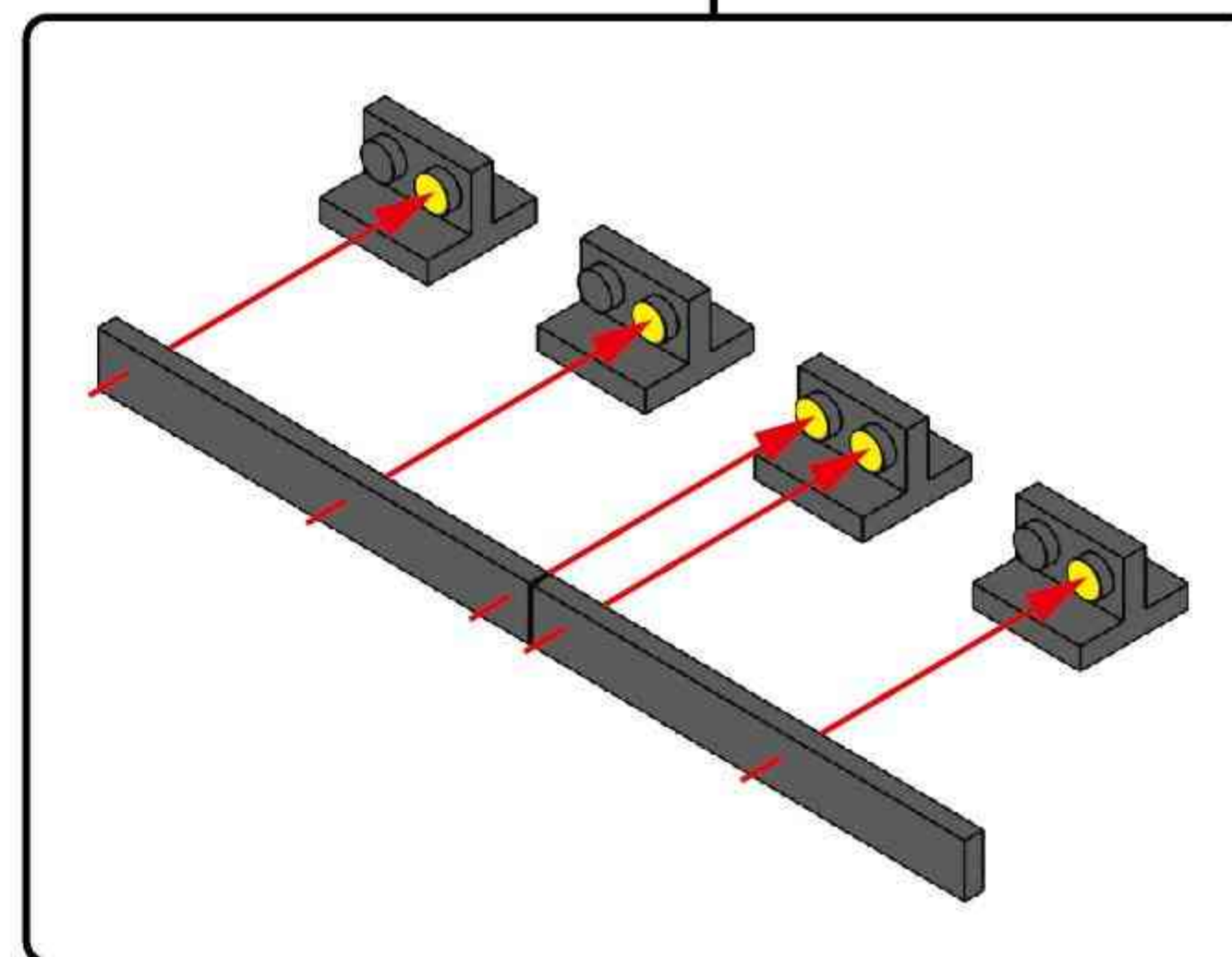
41



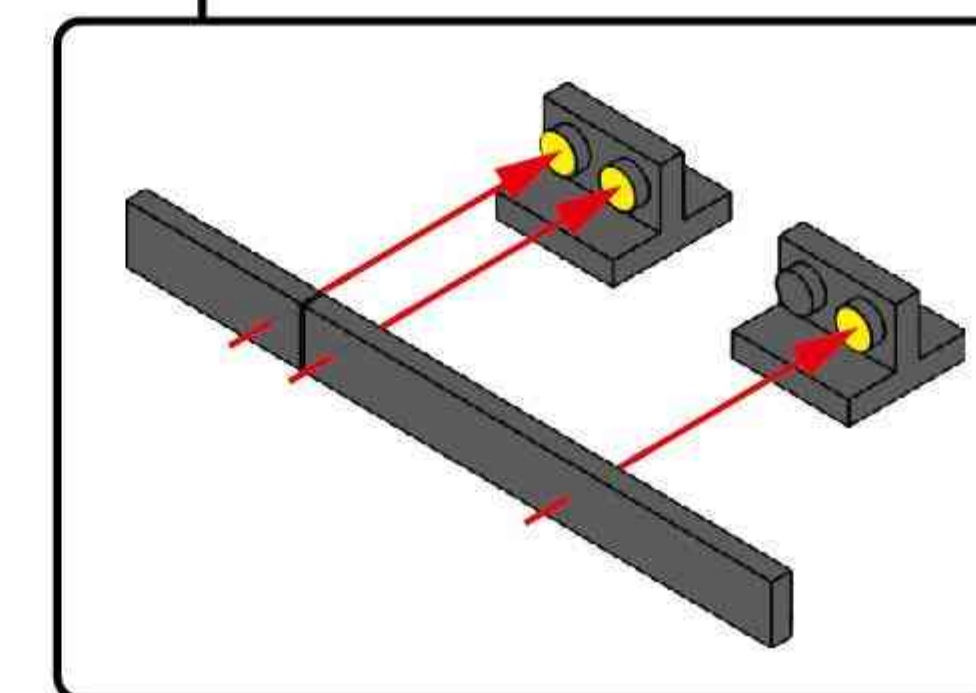
42



43



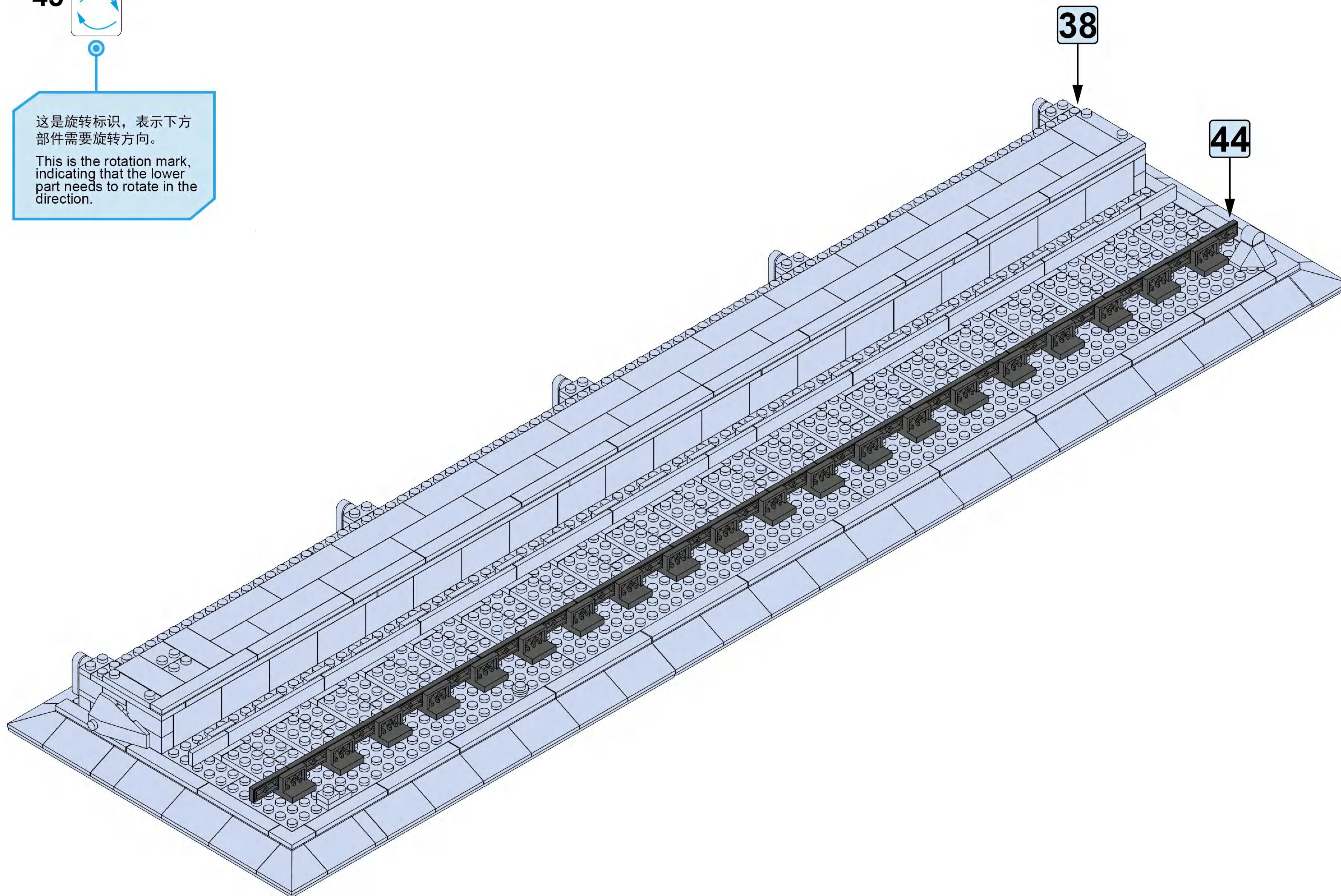
44

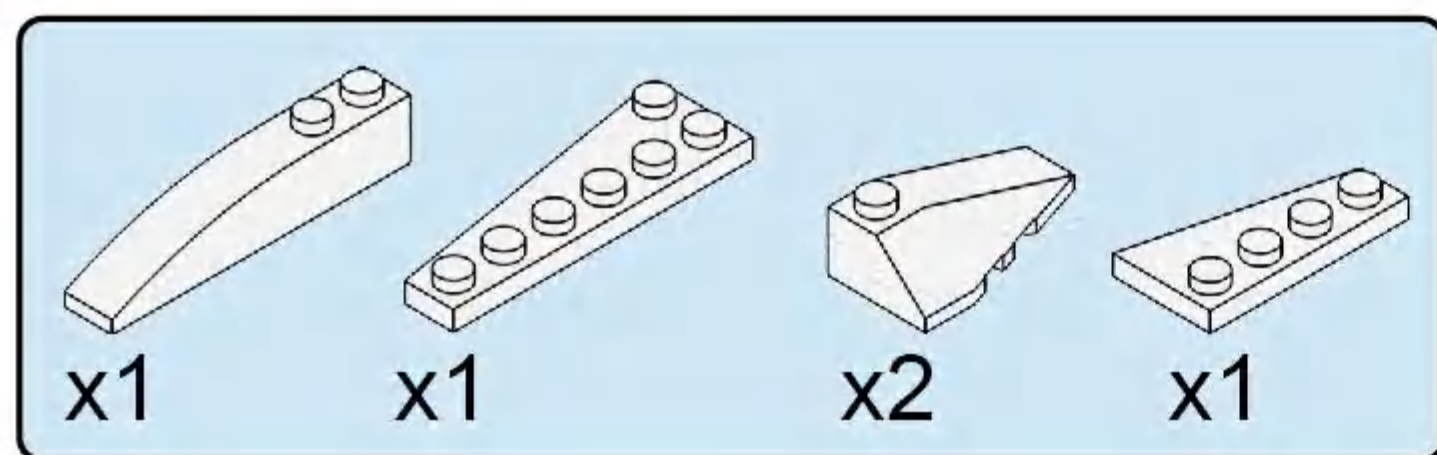


45 


这是旋转标识，表示下方
部件需要旋转方向。

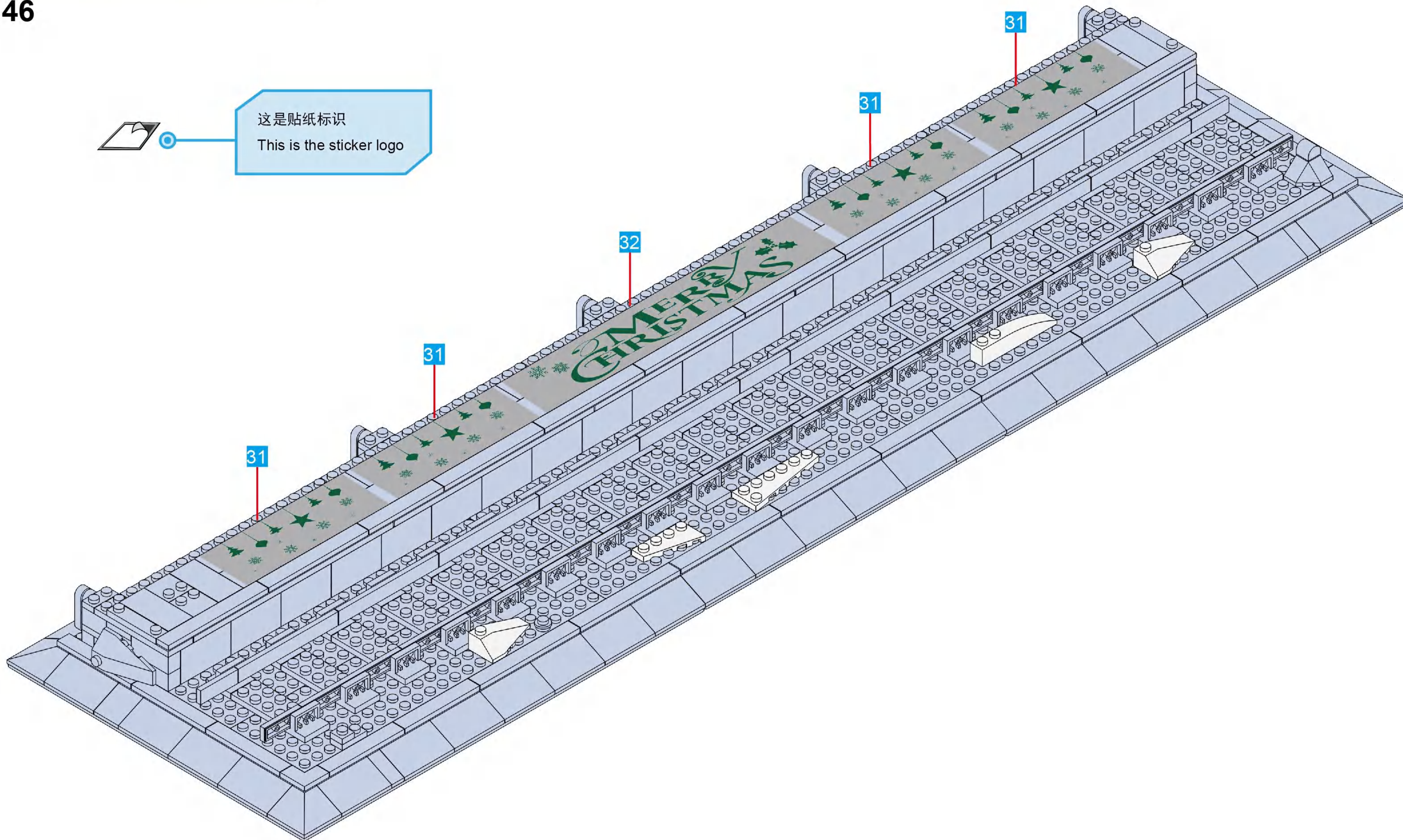
This is the rotation mark,
indicating that the lower
part needs to rotate in the
direction.

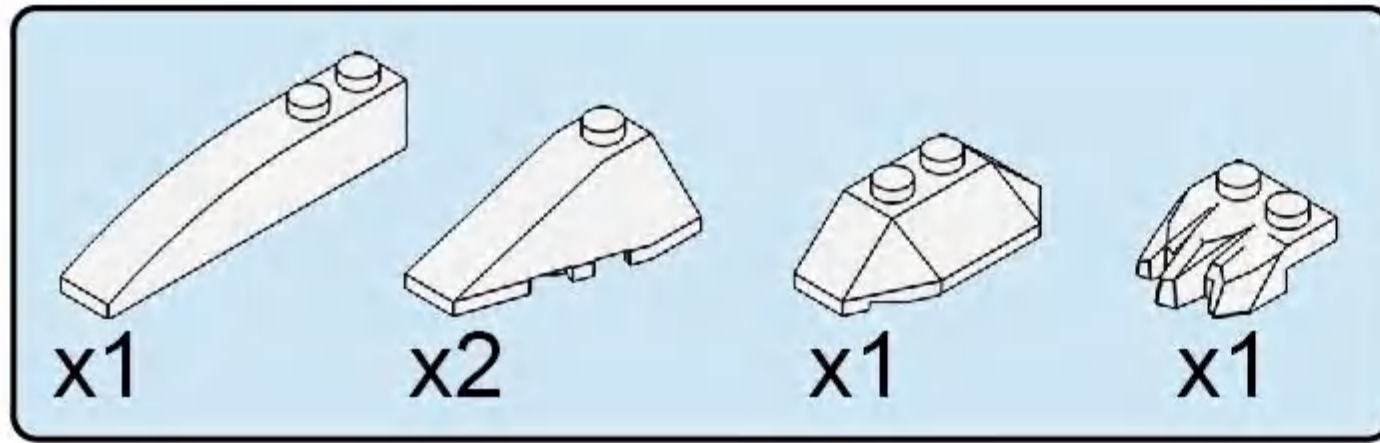




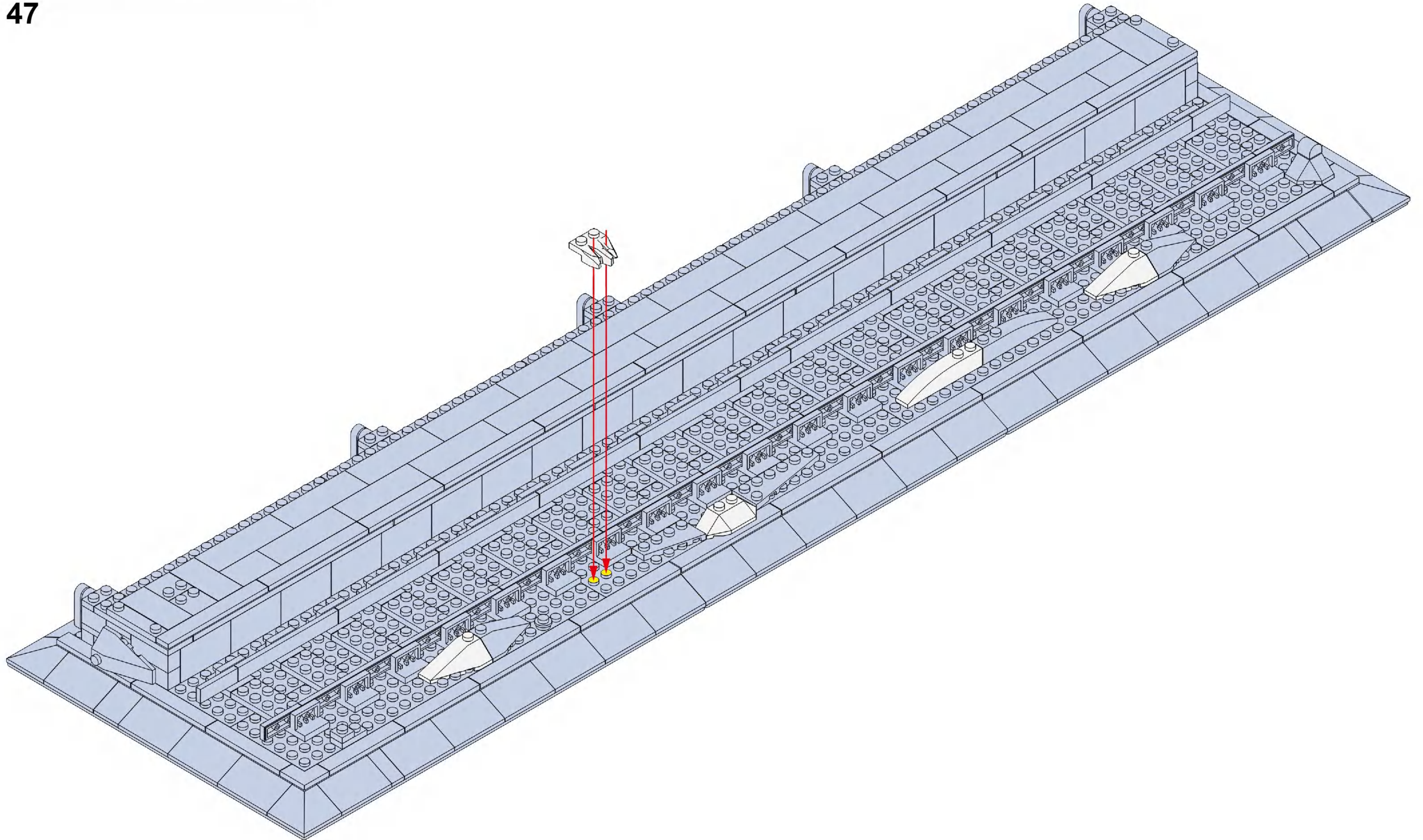
46

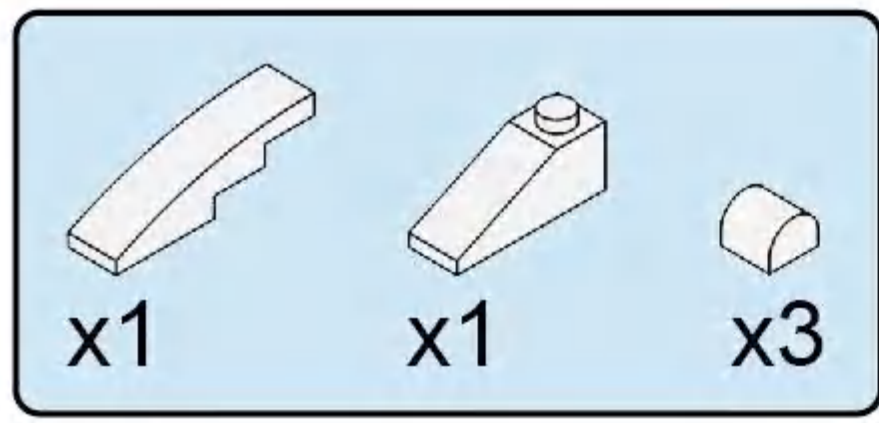
 这是贴纸标识
This is the sticker logo



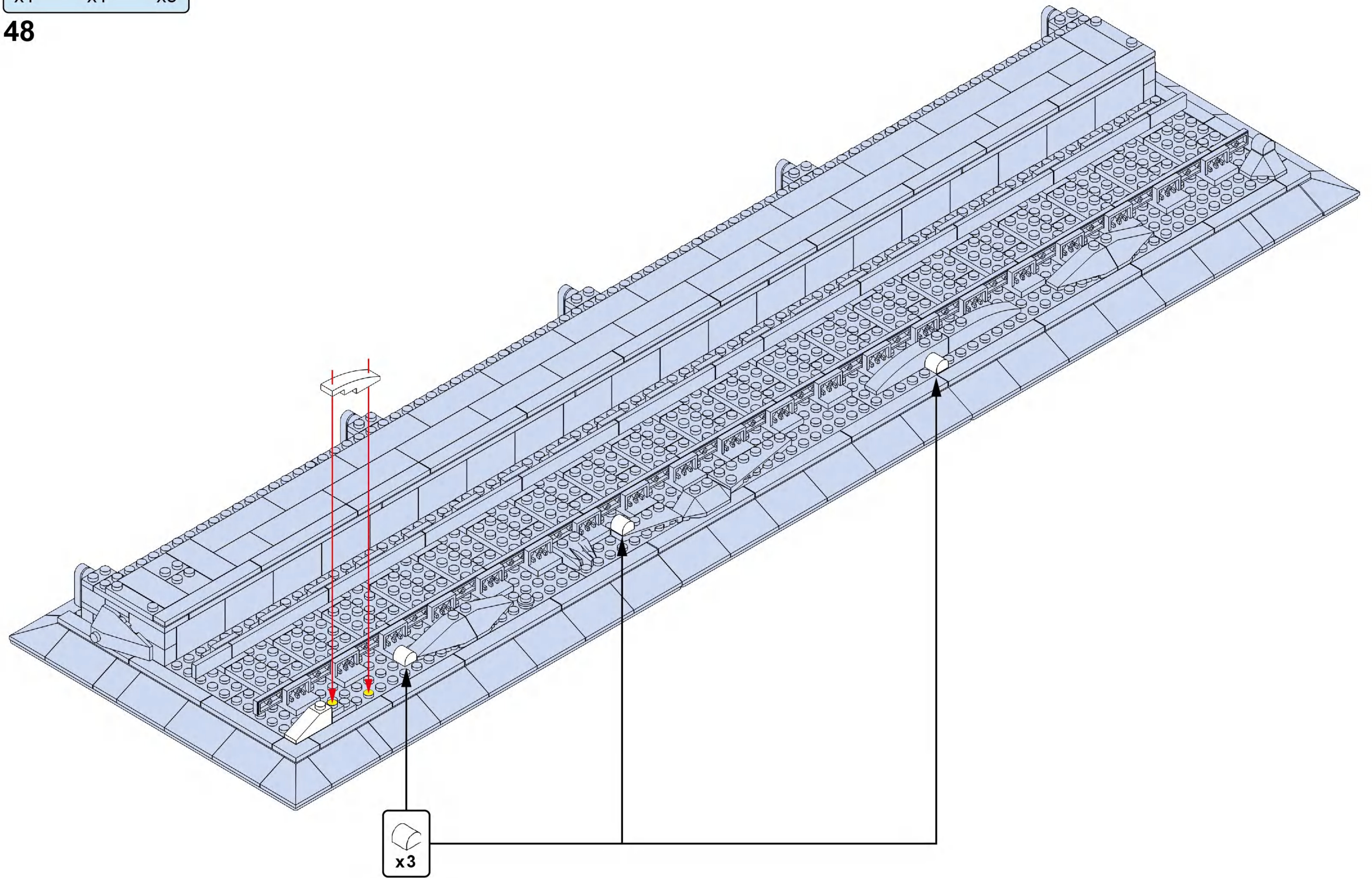


47

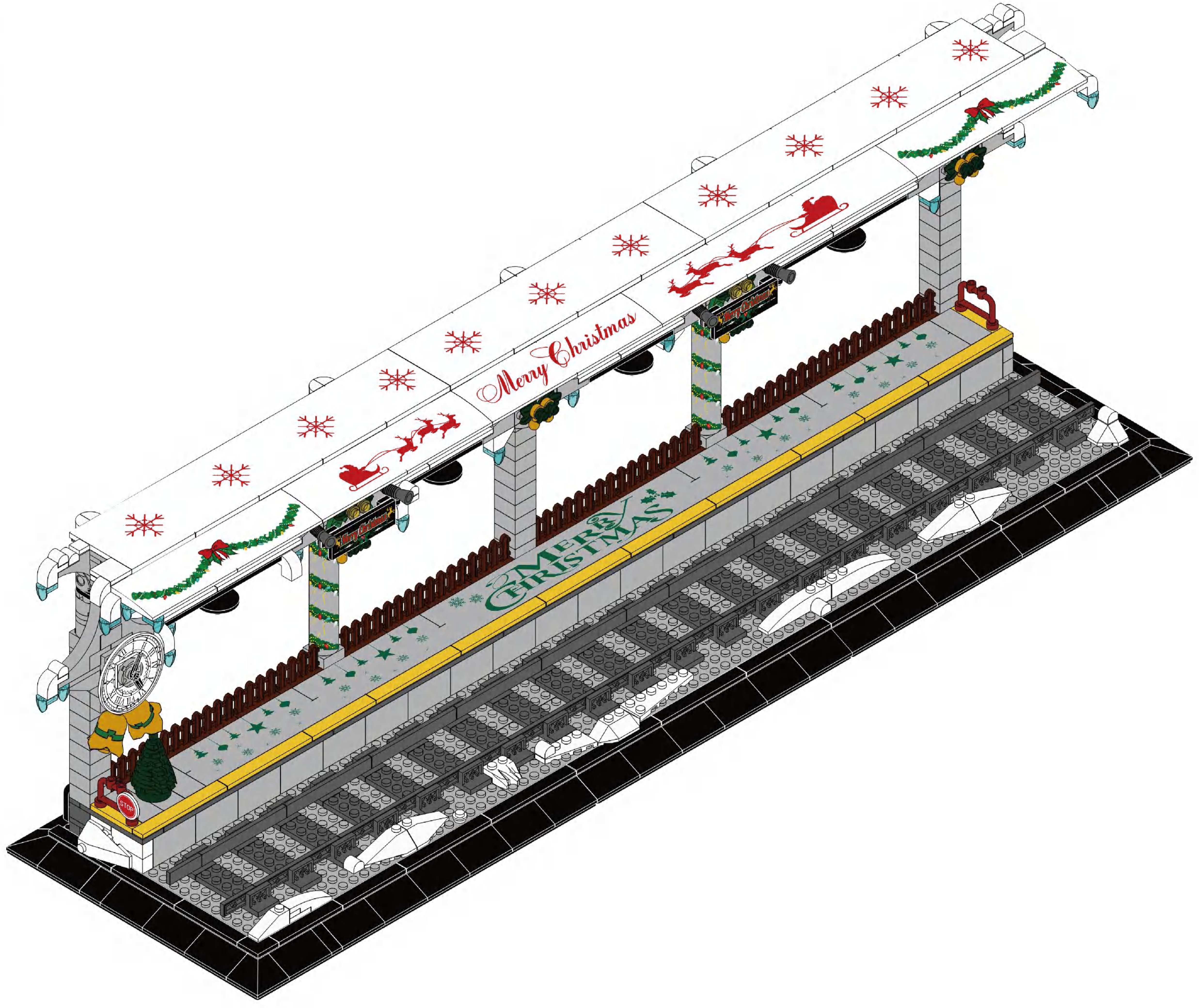


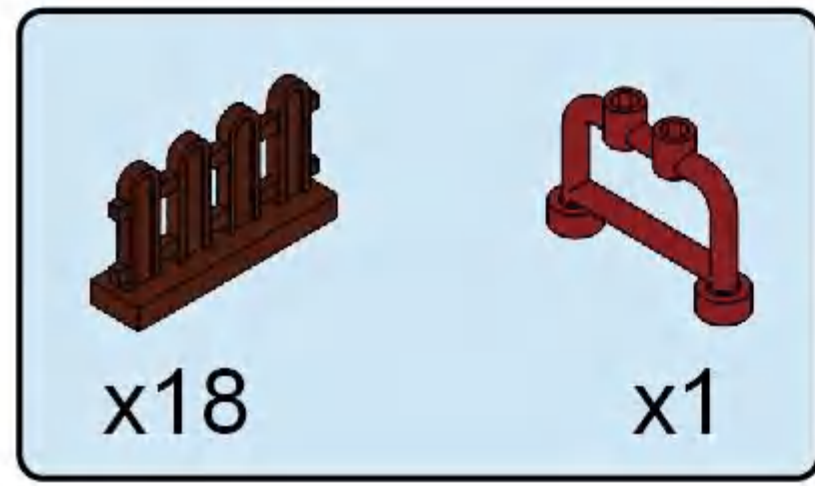


48

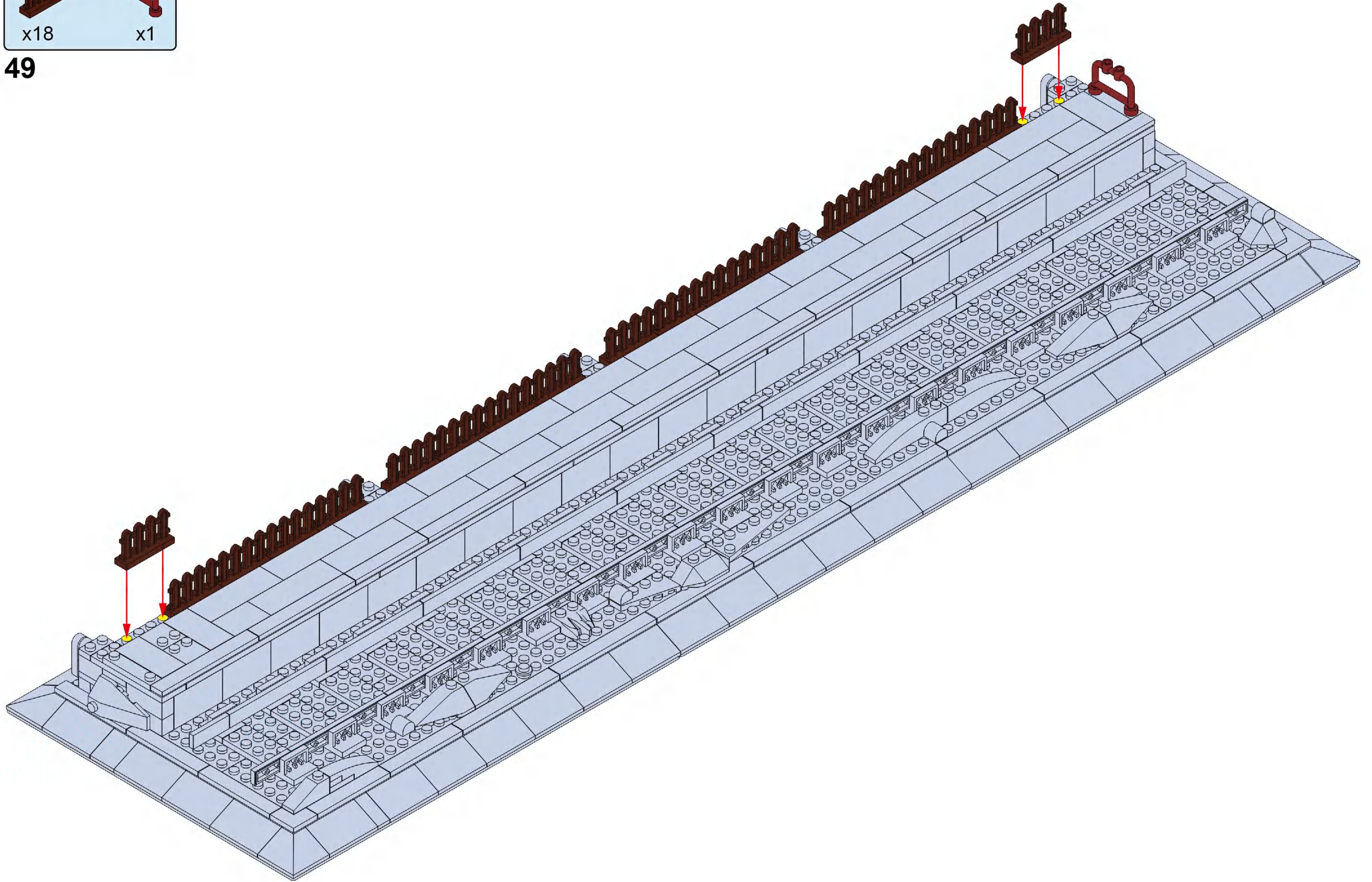


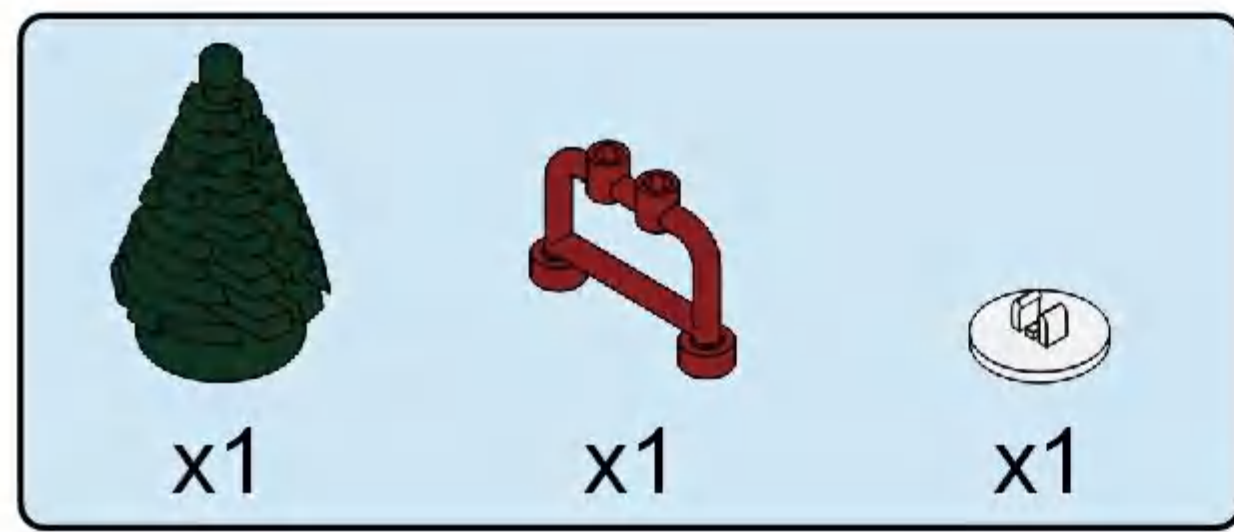
2



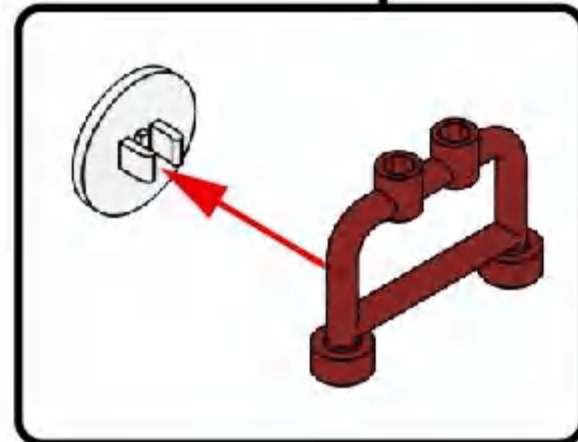
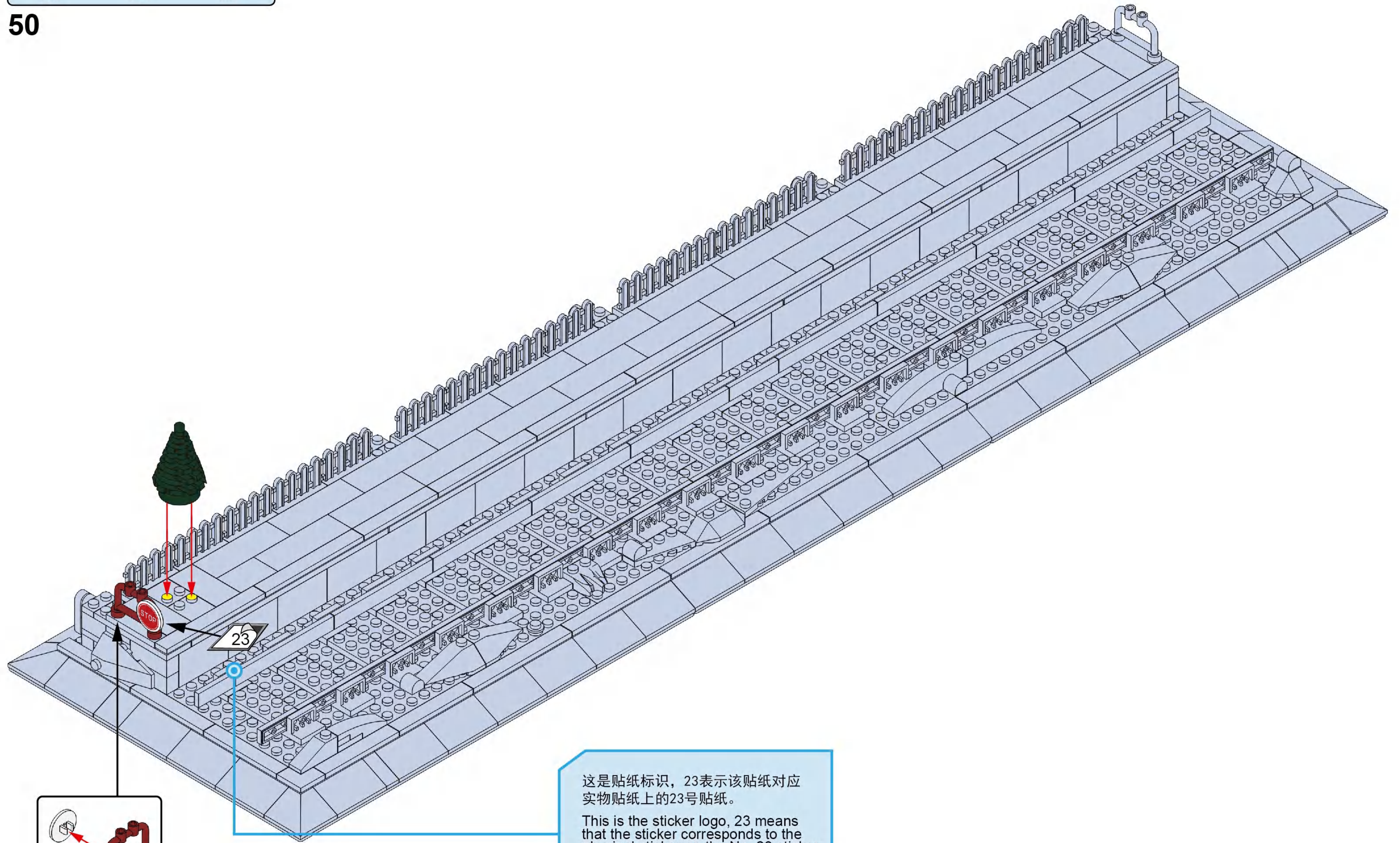


49





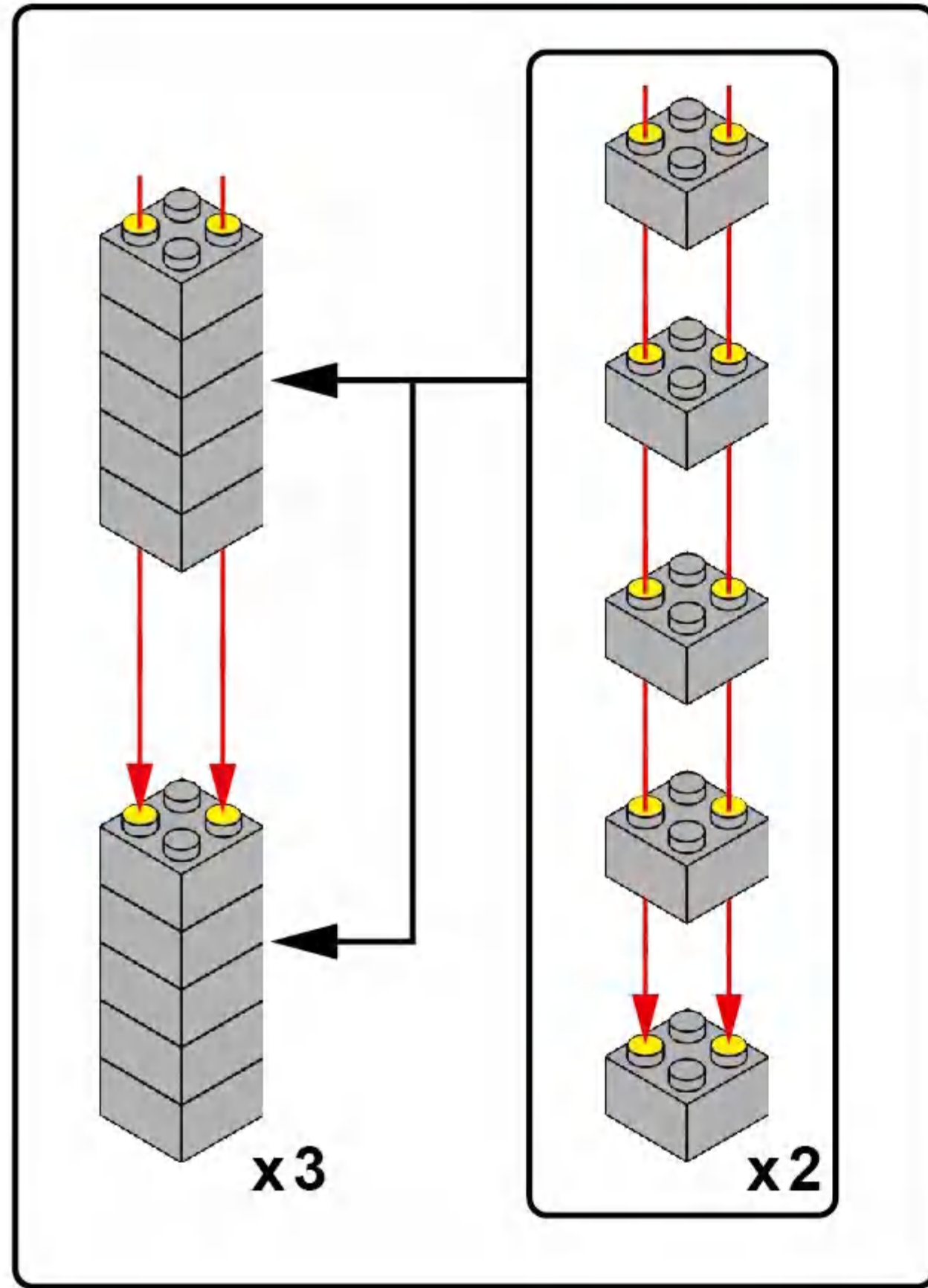
50



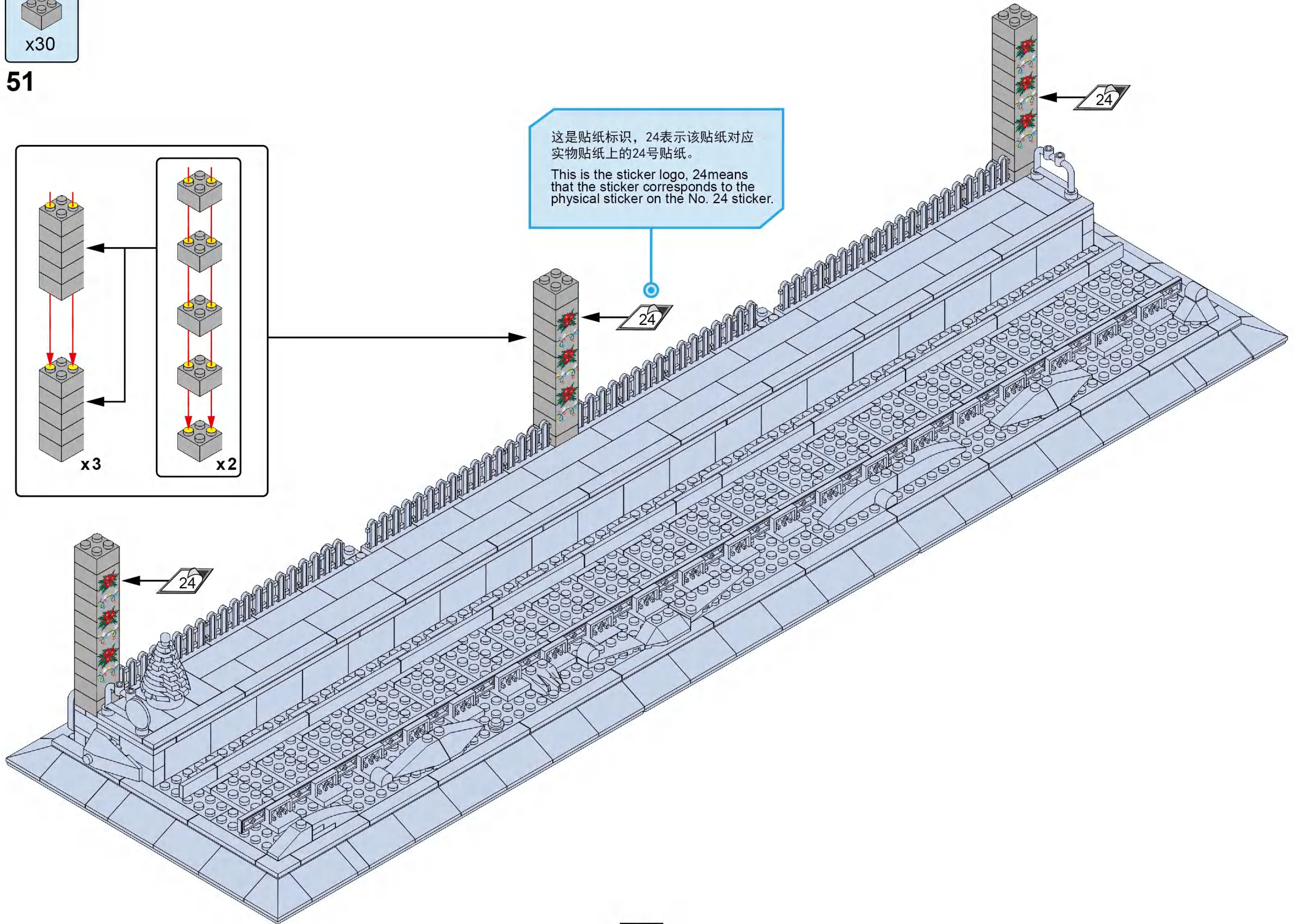
这是贴纸标识，23表示该贴纸对应实物贴纸上的23号贴纸。
This is the sticker logo, 23 means that the sticker corresponds to the physical sticker on the No. 23 sticker.

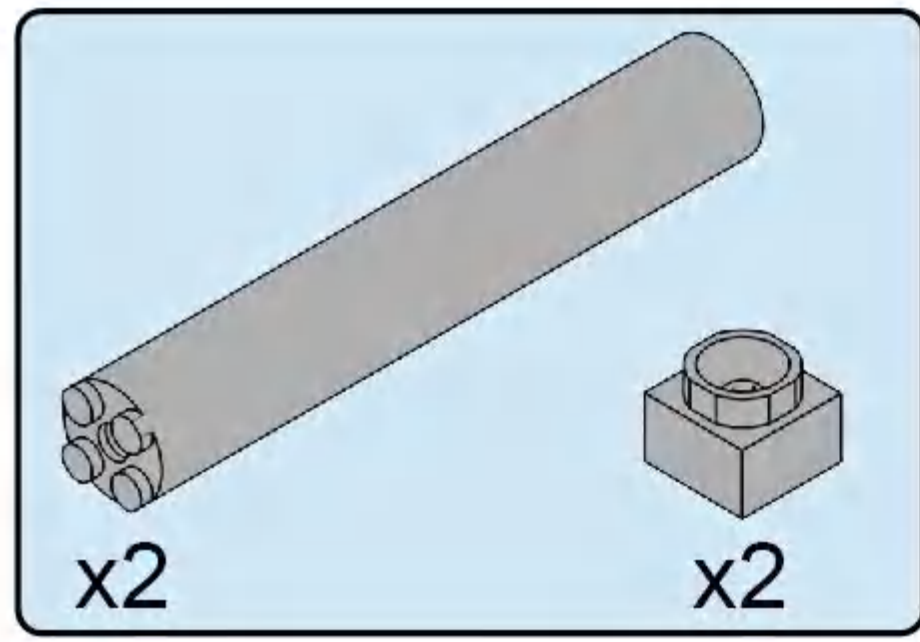


51

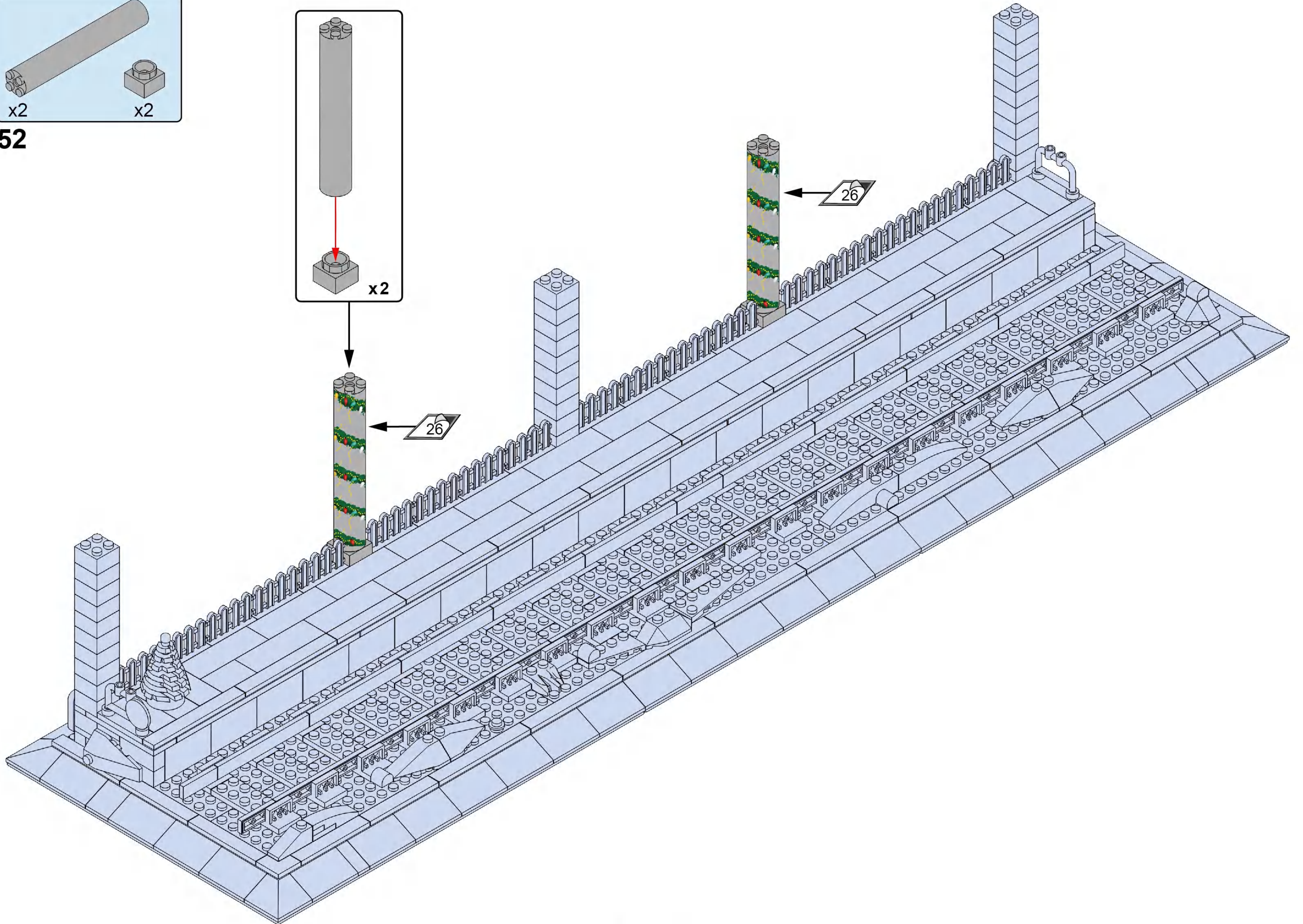
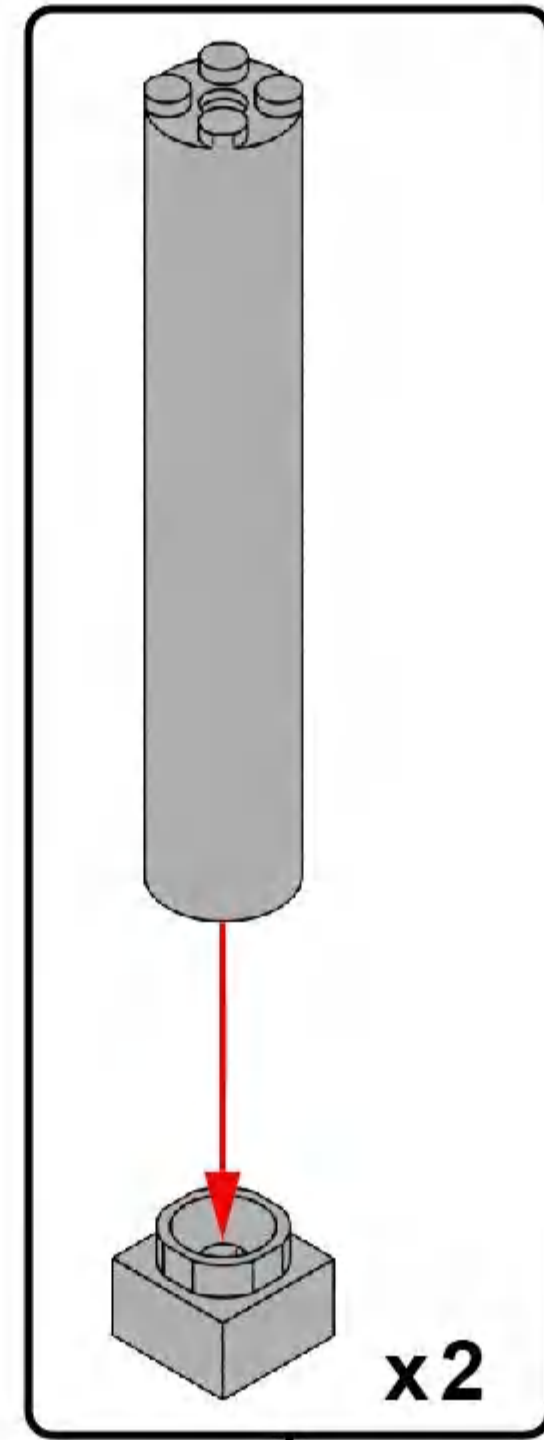


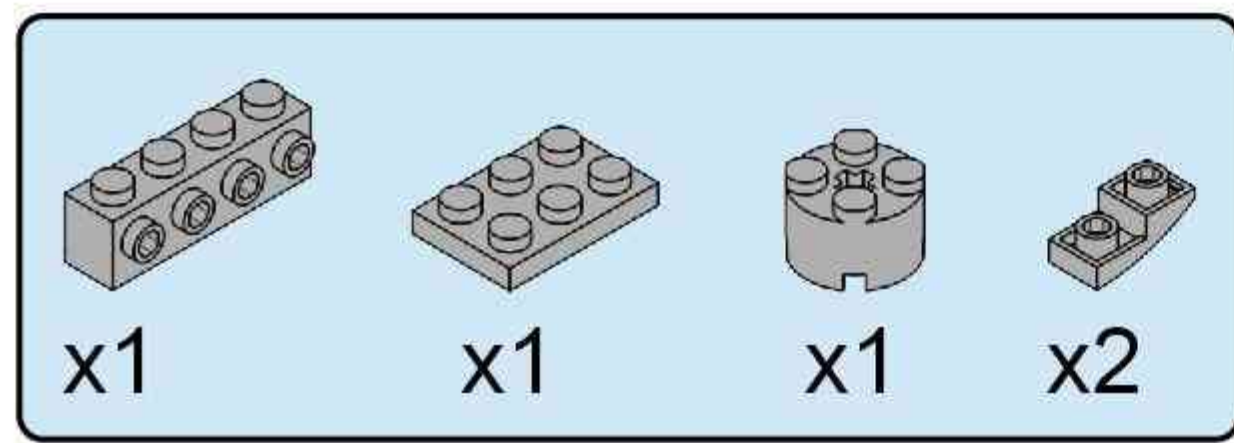
这是贴纸标识，24表示该贴纸对应实物贴纸上的24号贴纸。
This is the sticker logo, 24 means that the sticker corresponds to the physical sticker on the No. 24 sticker.



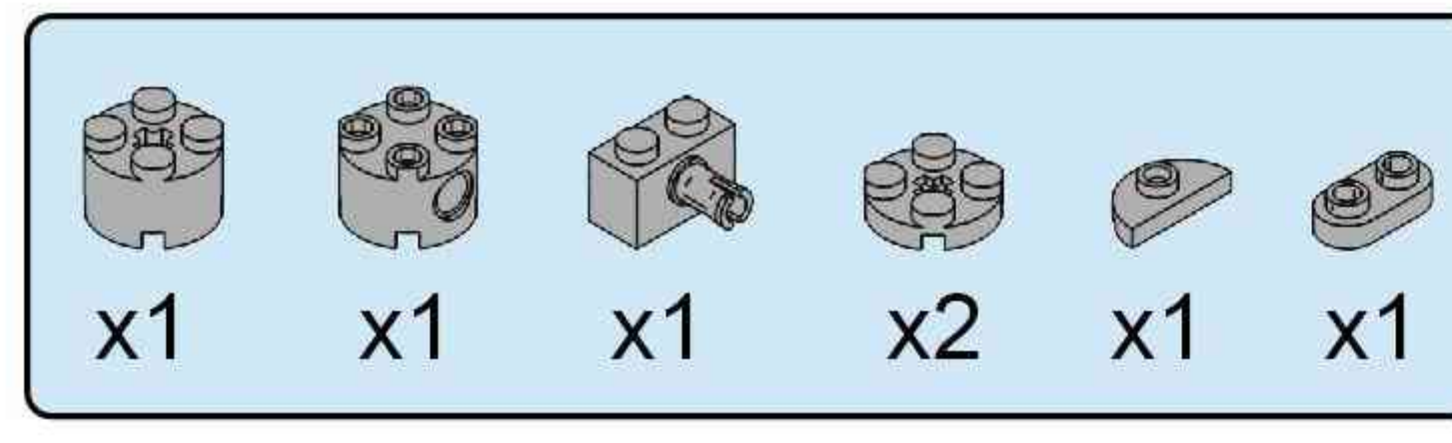
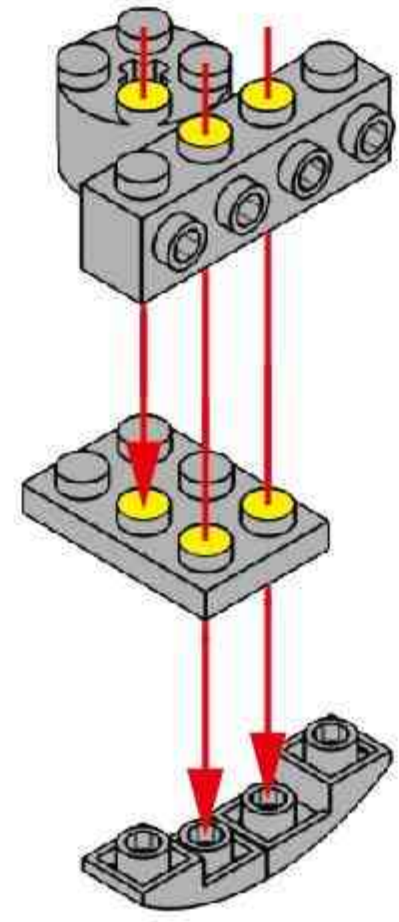


52

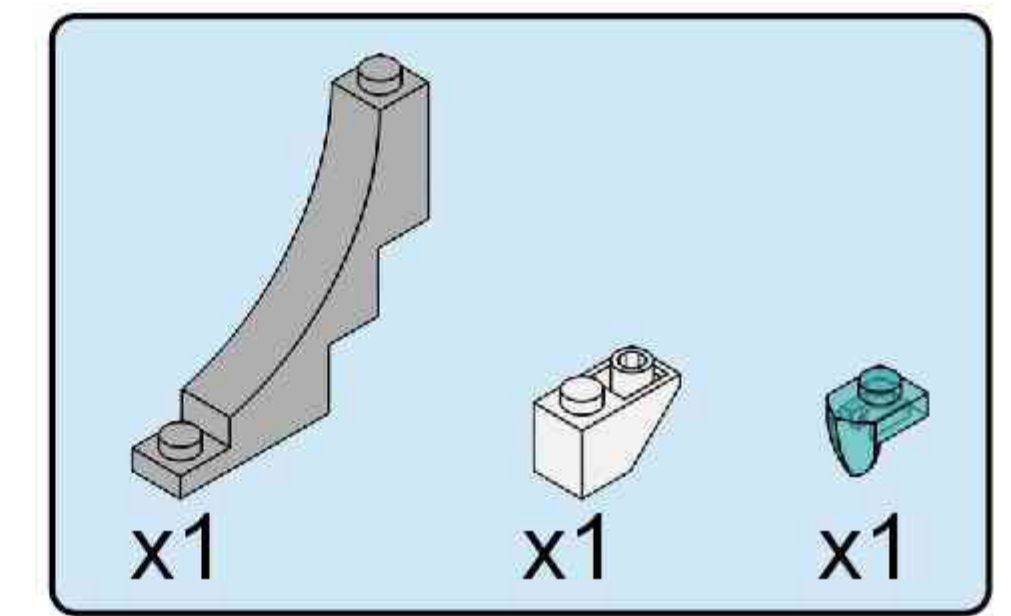
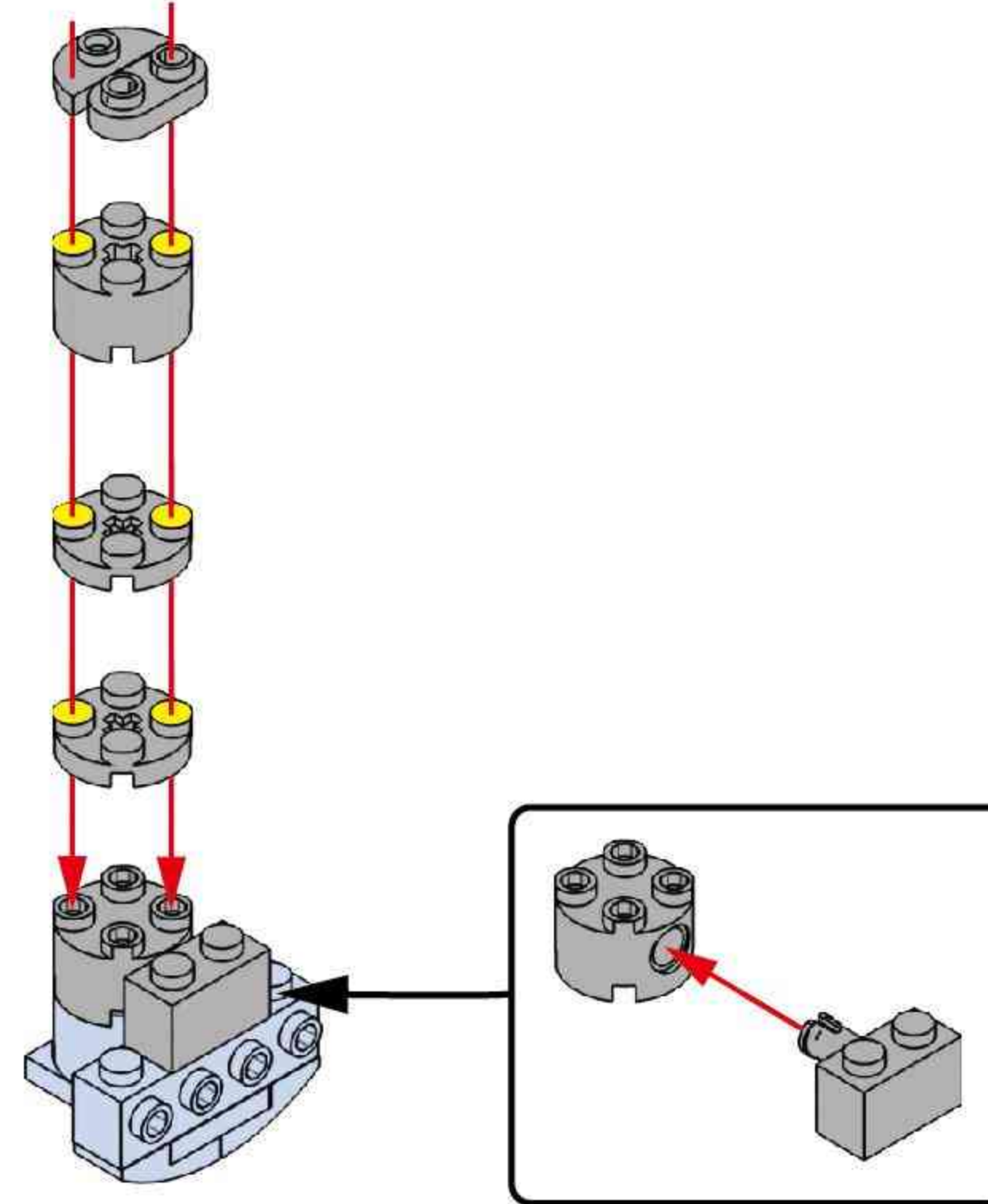




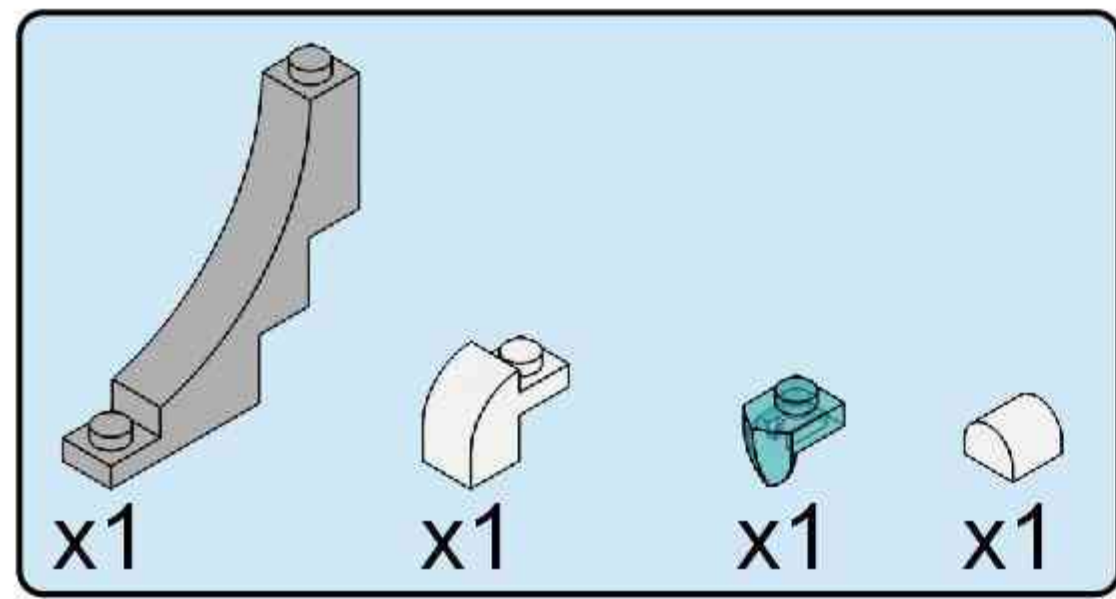
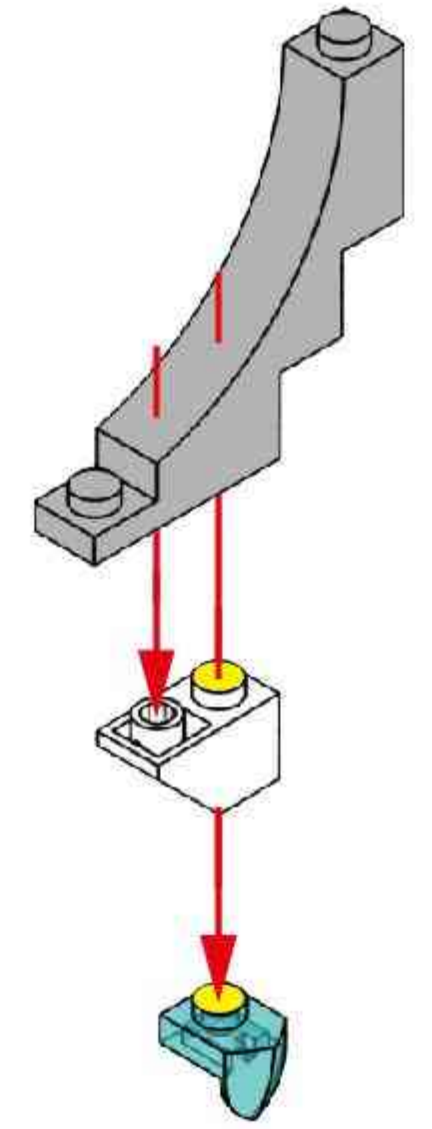
53



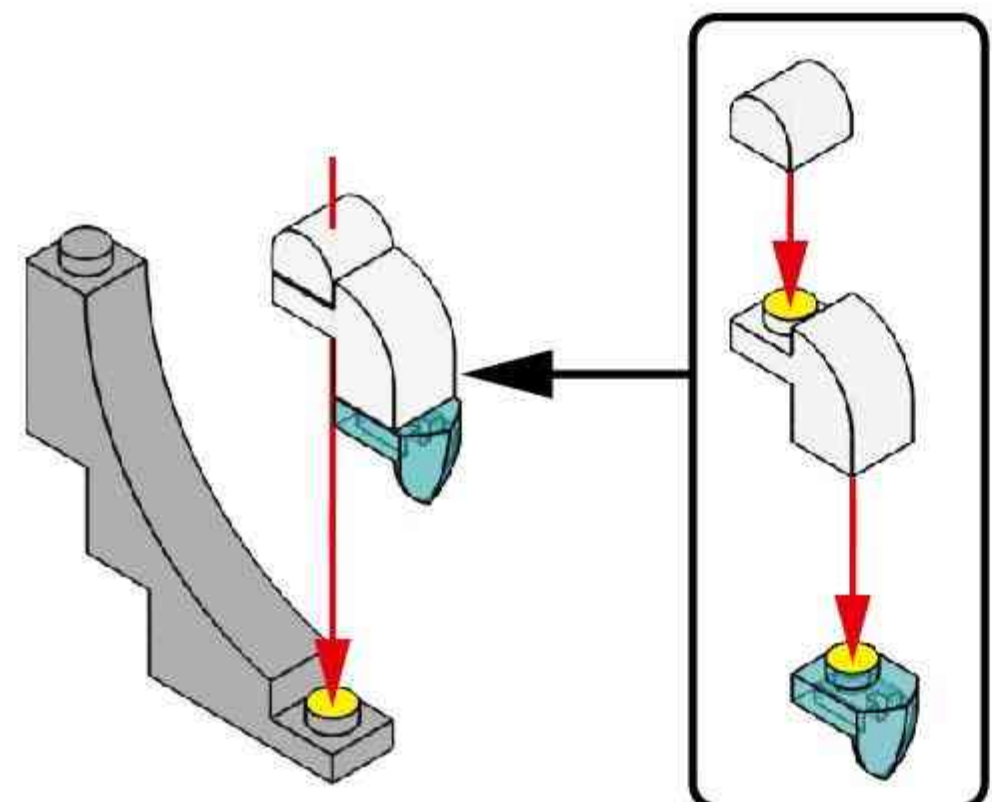
54



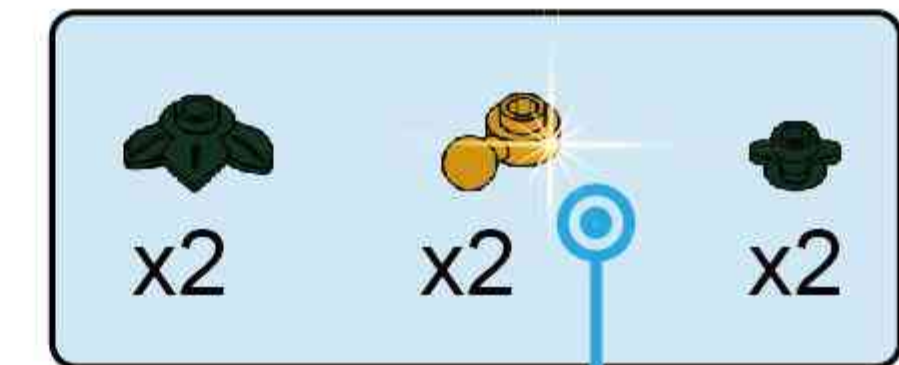
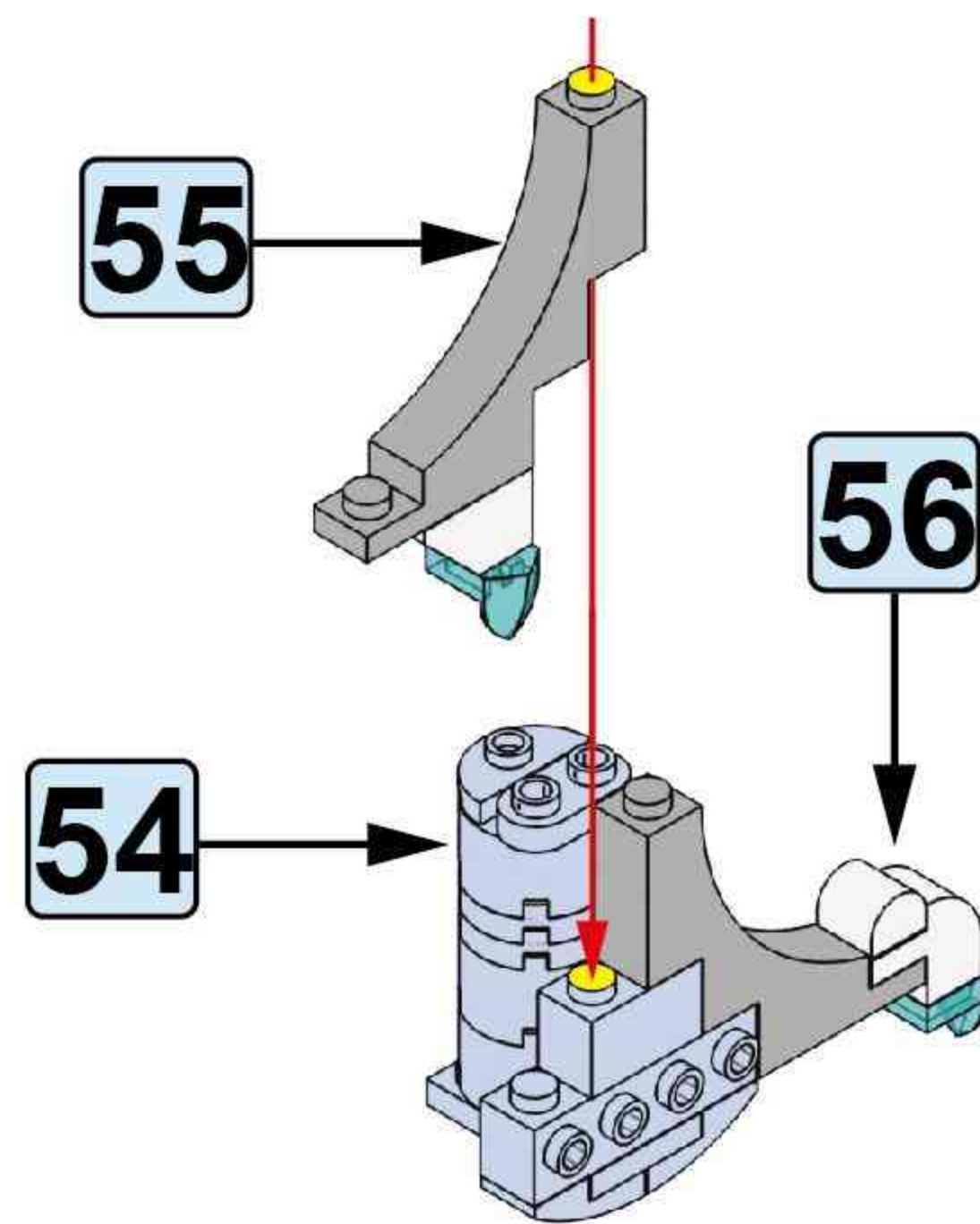
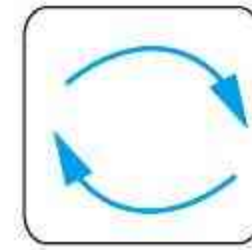
55



56

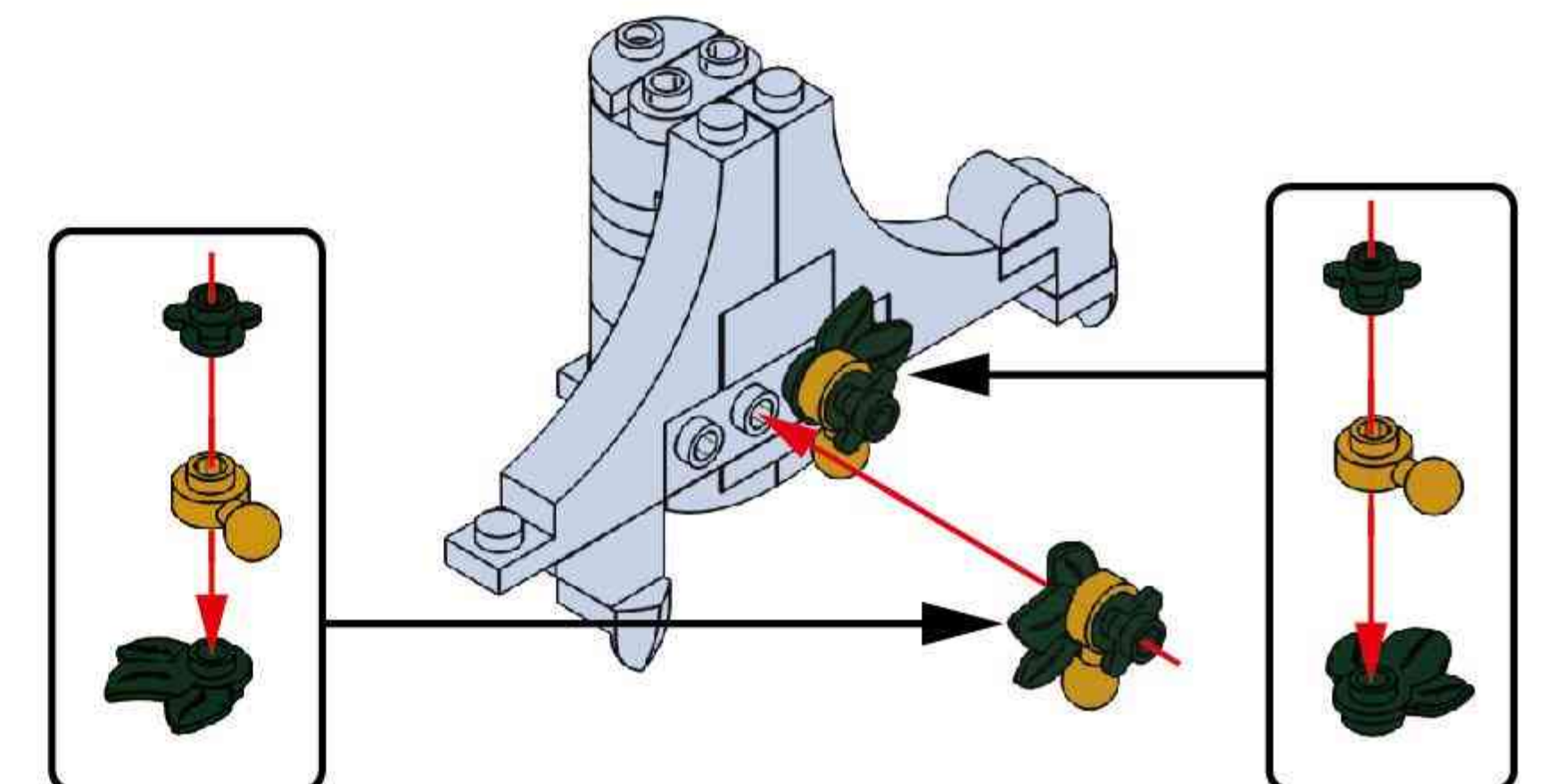


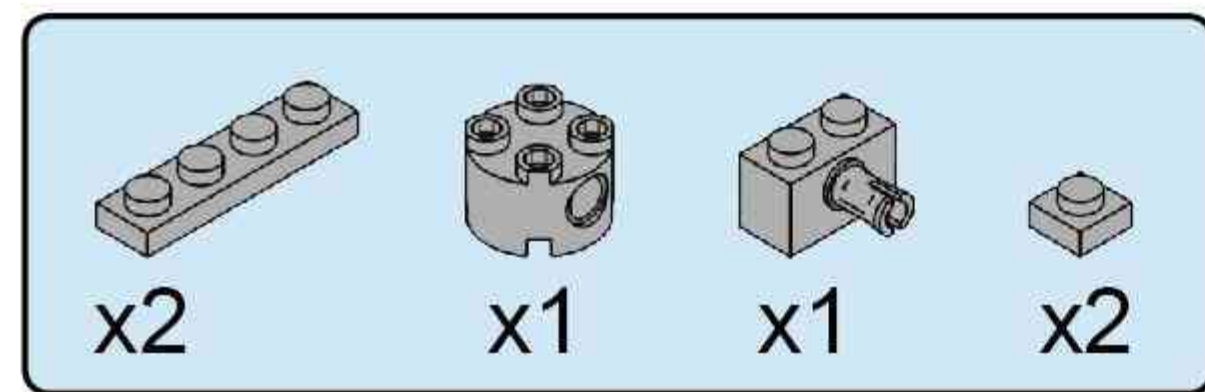
57



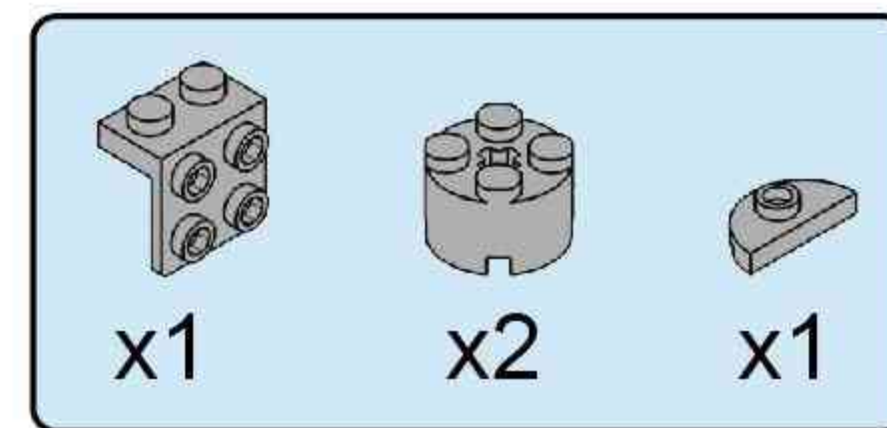
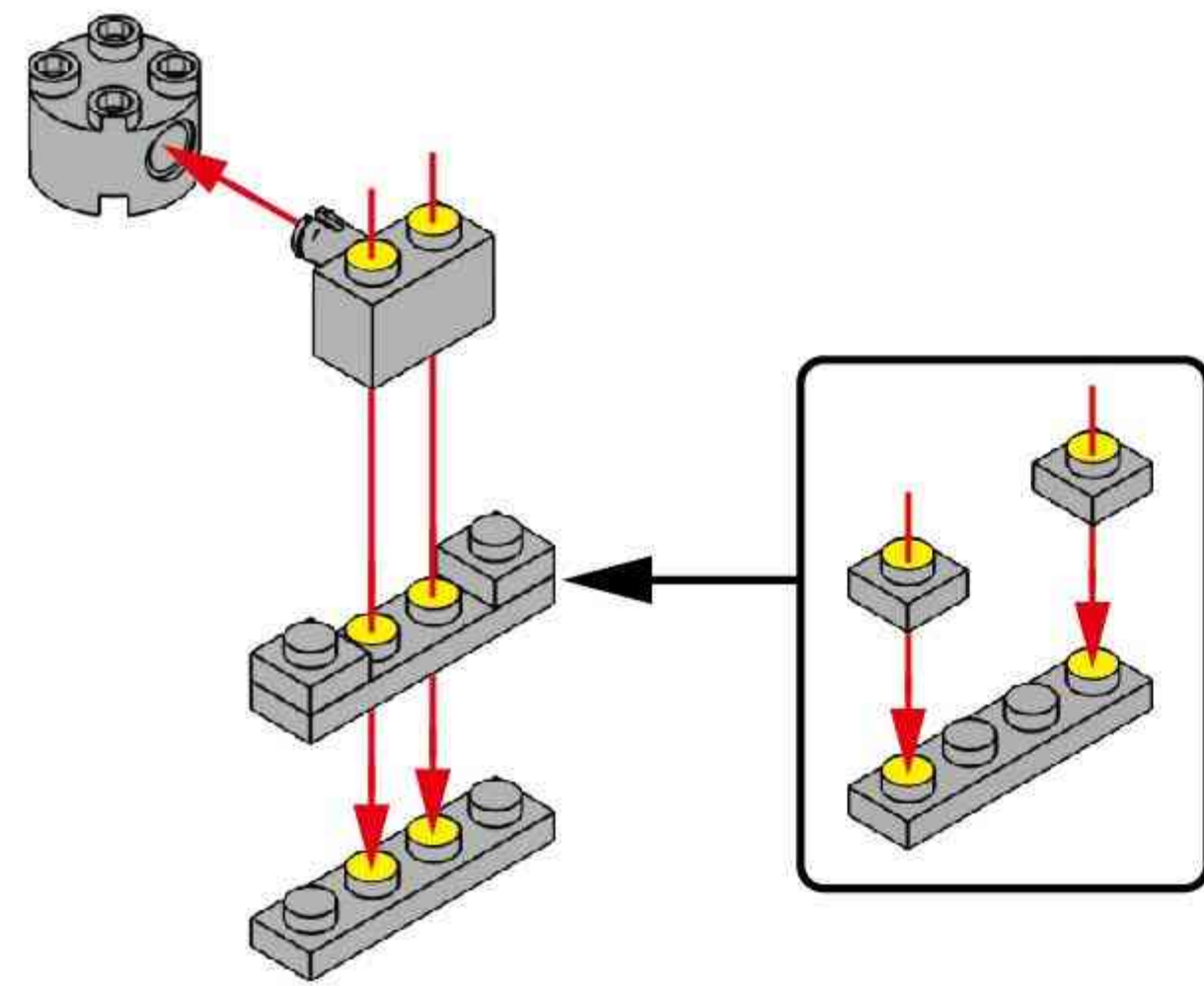
58

有星星标志的零件为金属质感零件。
Pieces marked with stars are metallic.

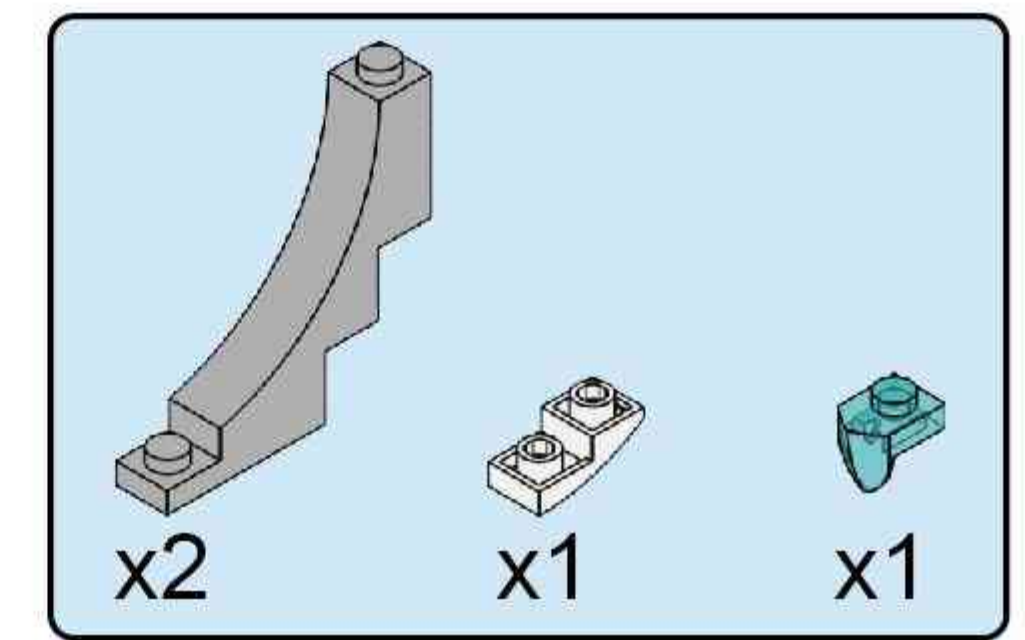
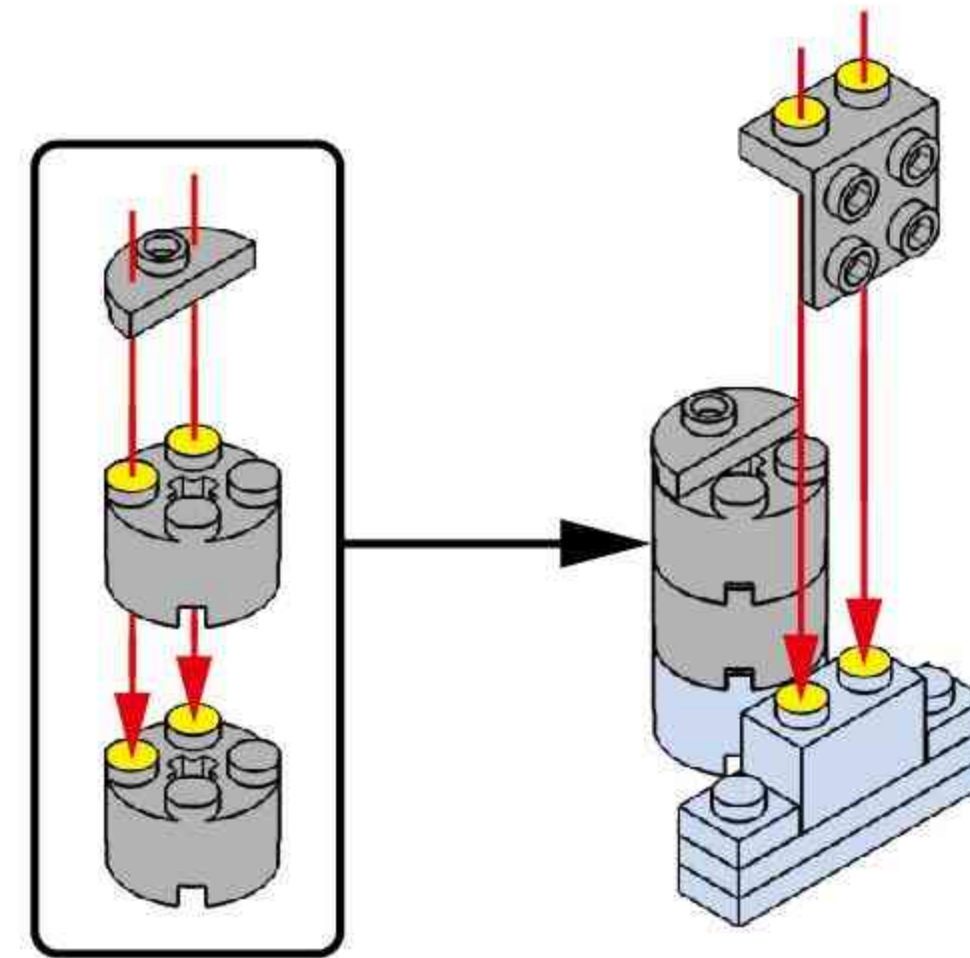




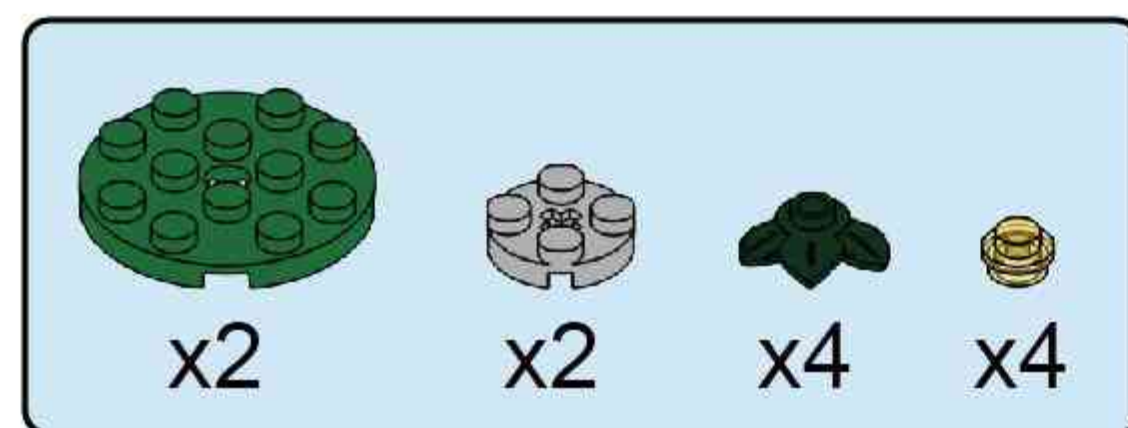
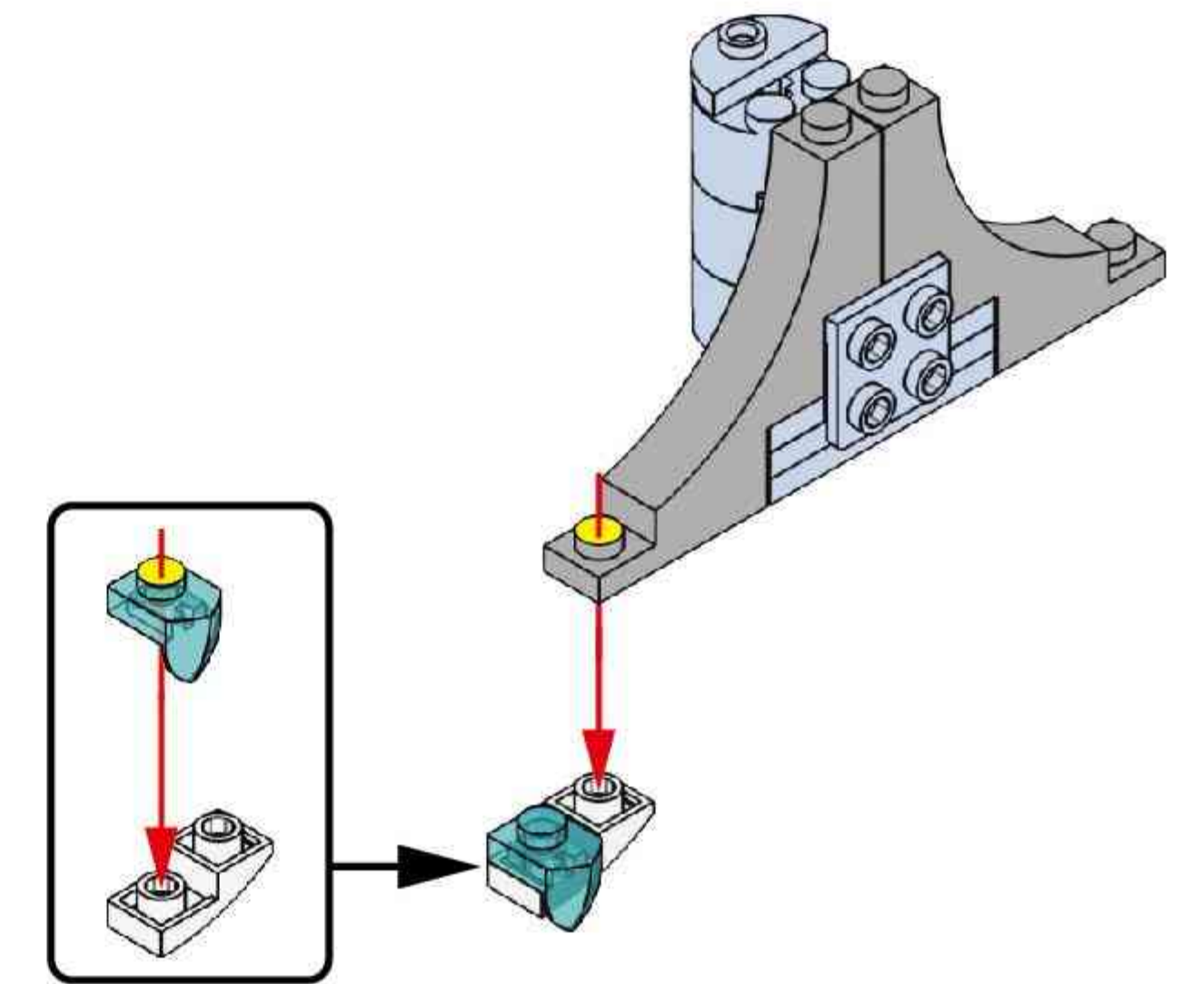
59



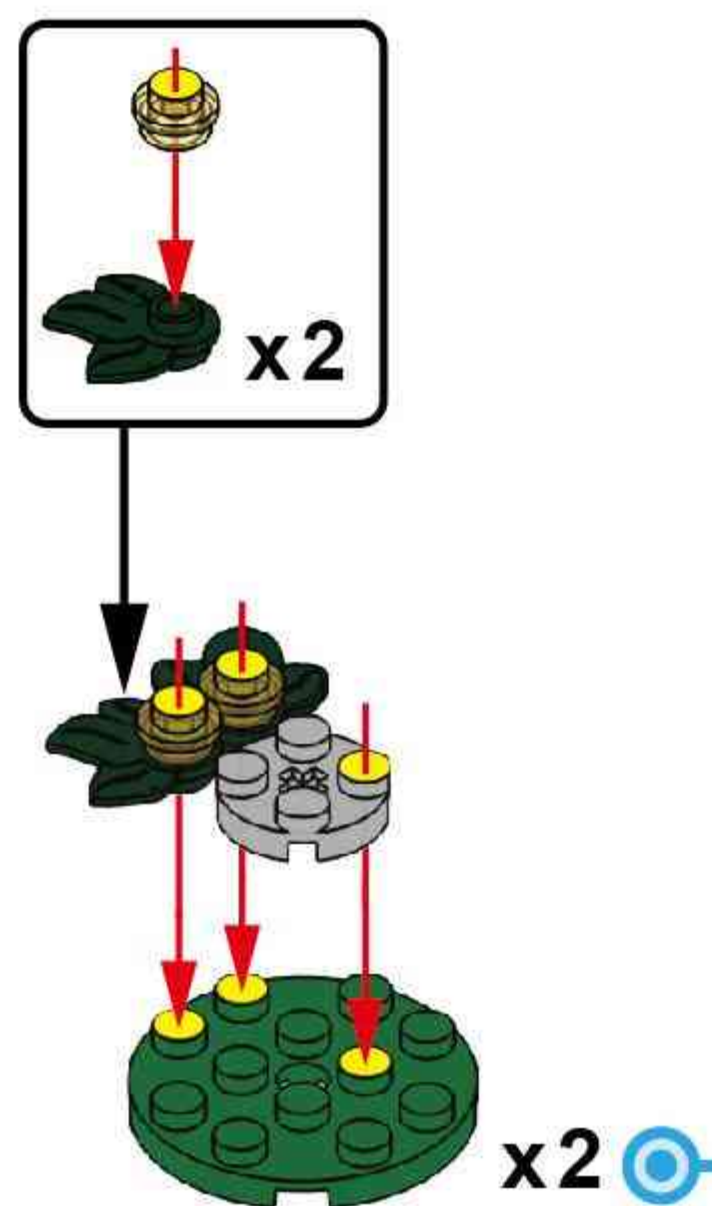
60



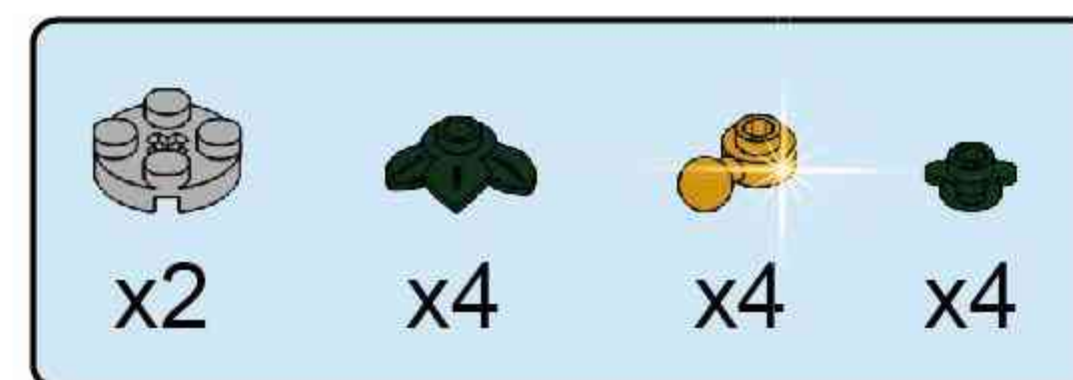
61



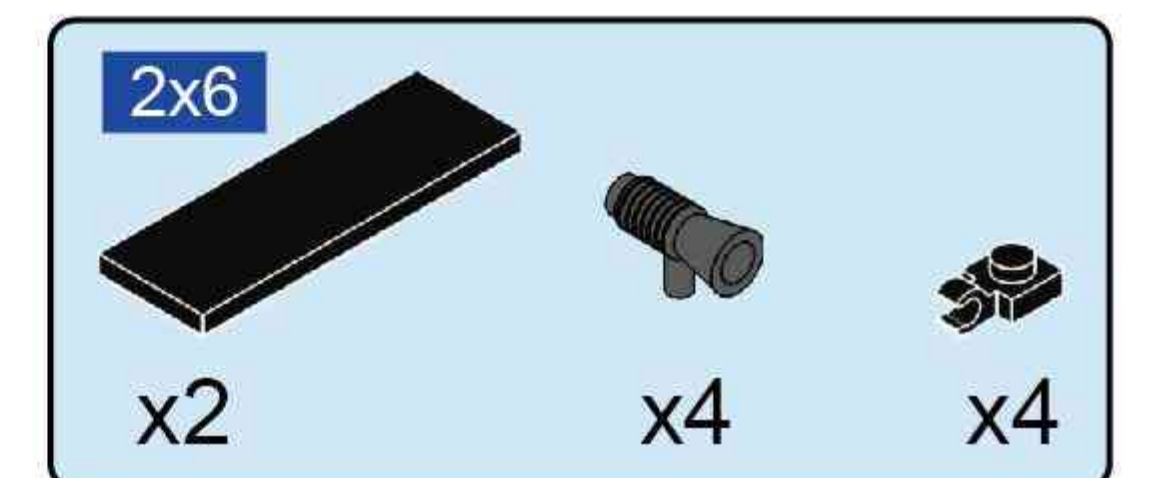
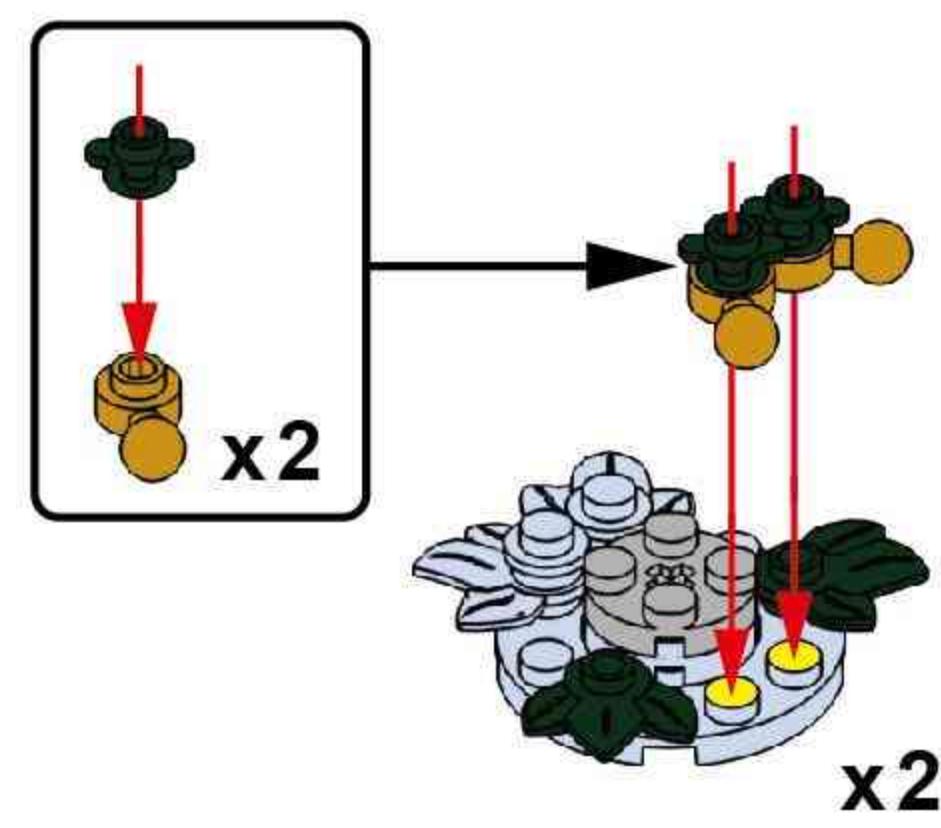
62



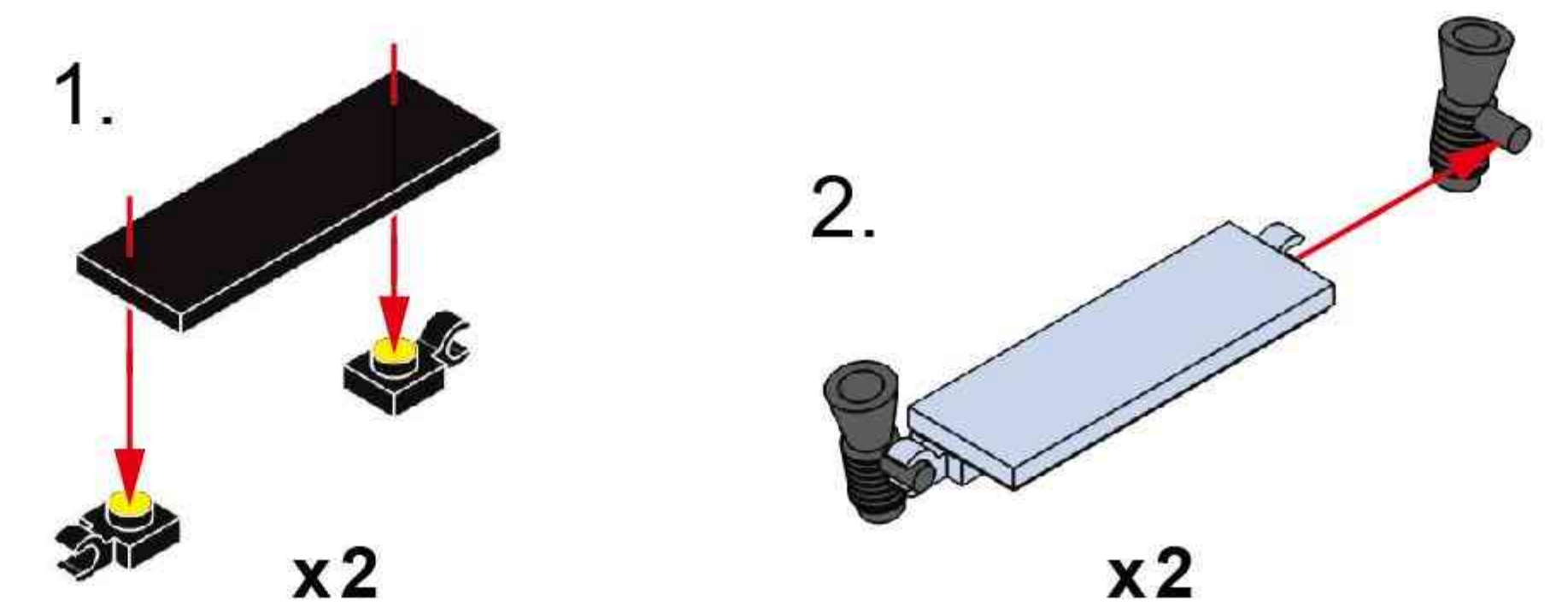
x2表示该模块需要拼2个。
x2 means 2 modules like this are needed.



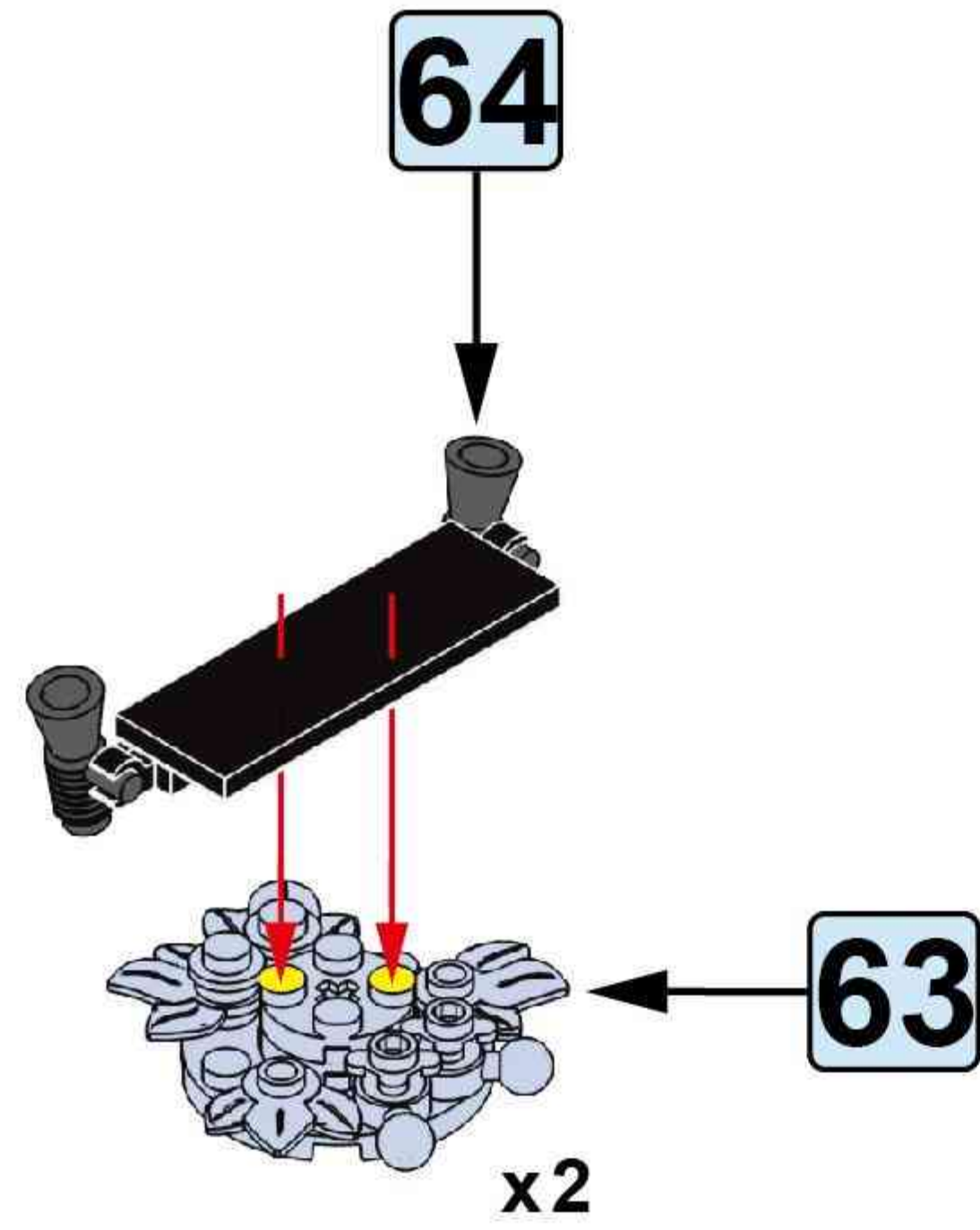
63



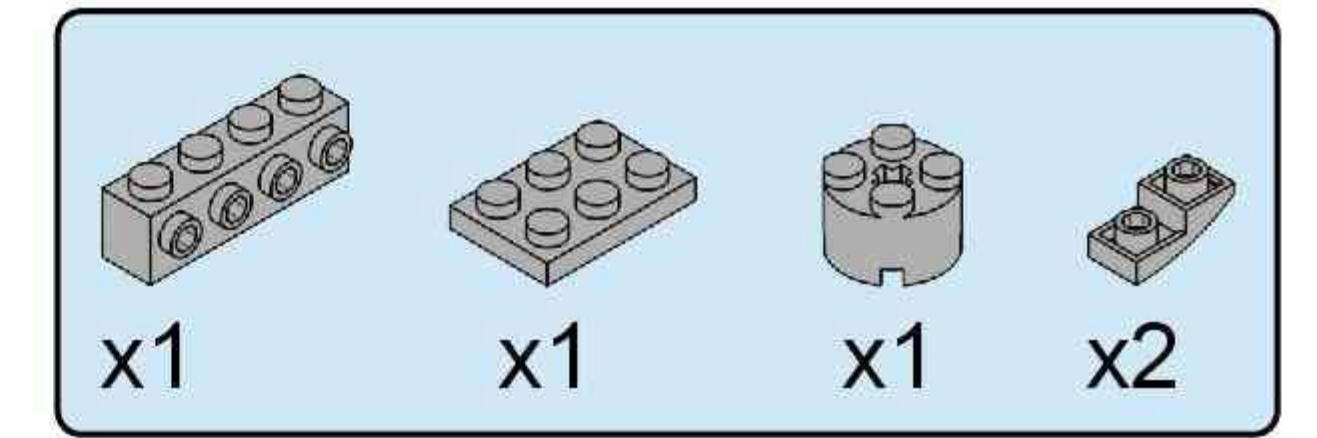
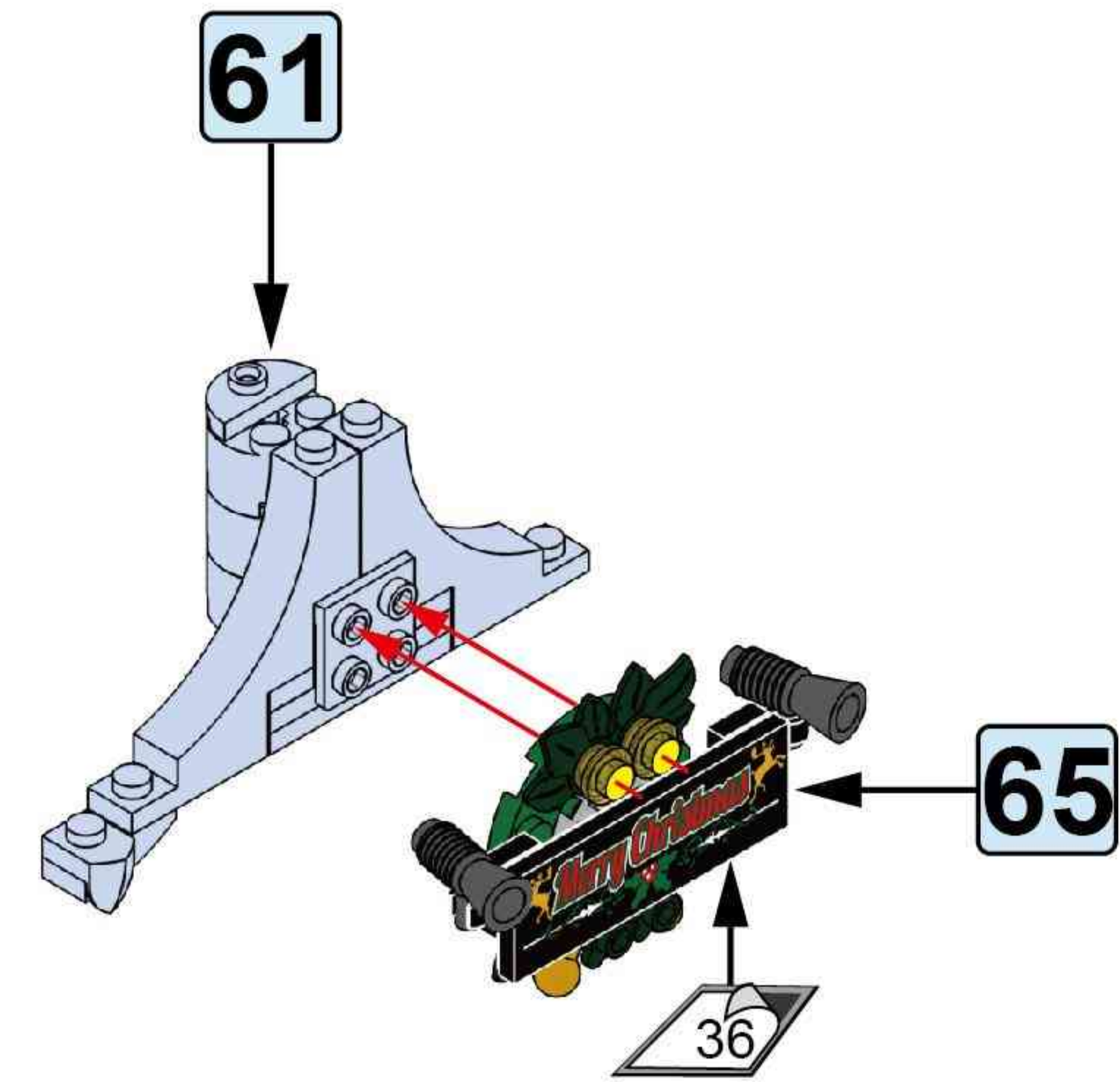
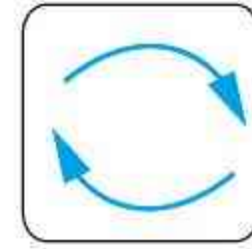
64



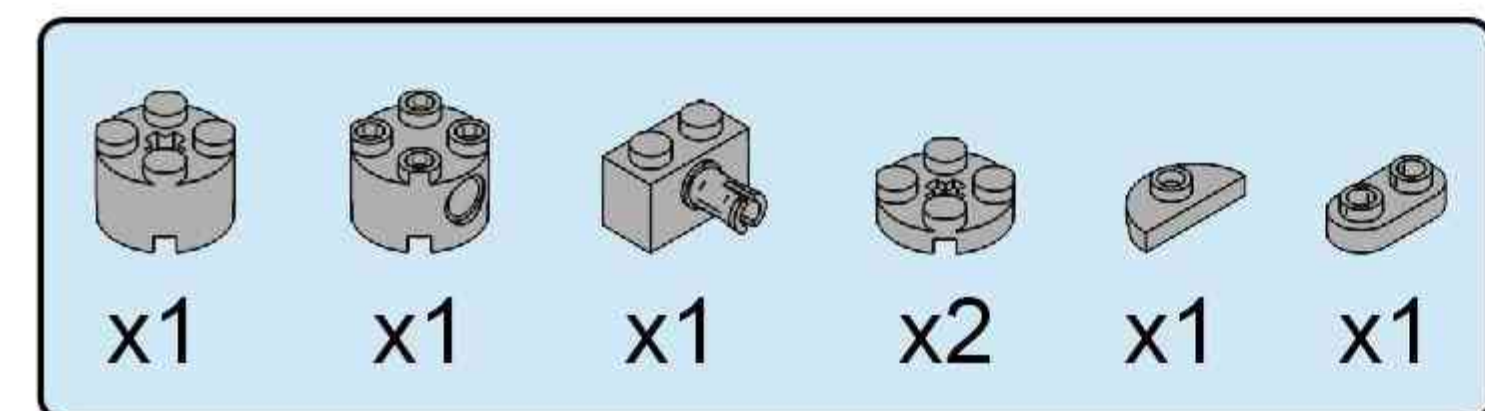
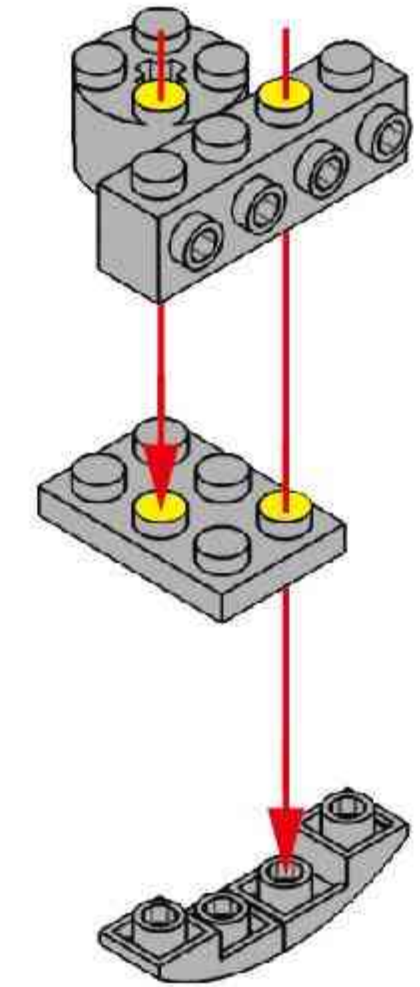
65



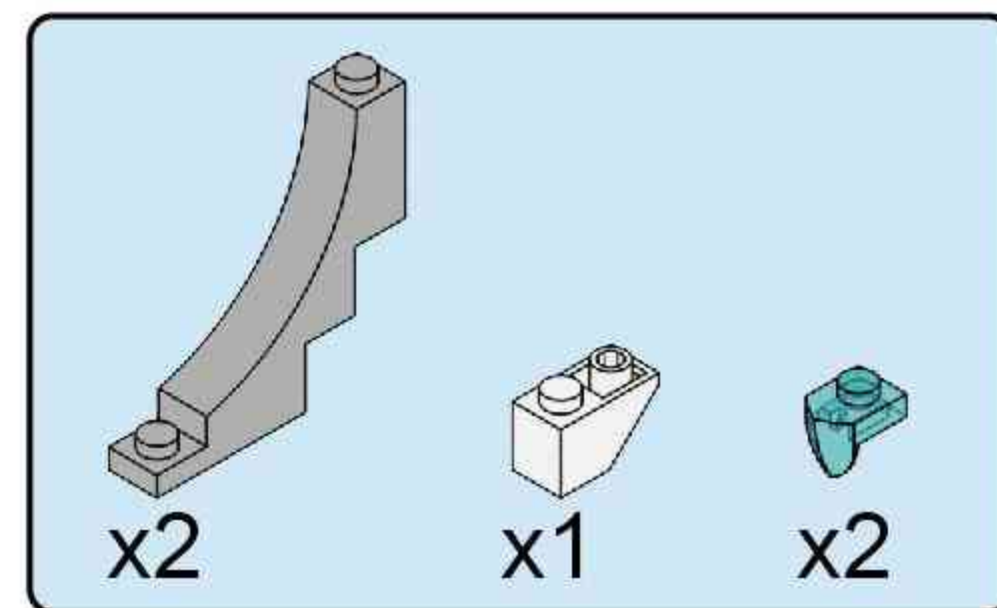
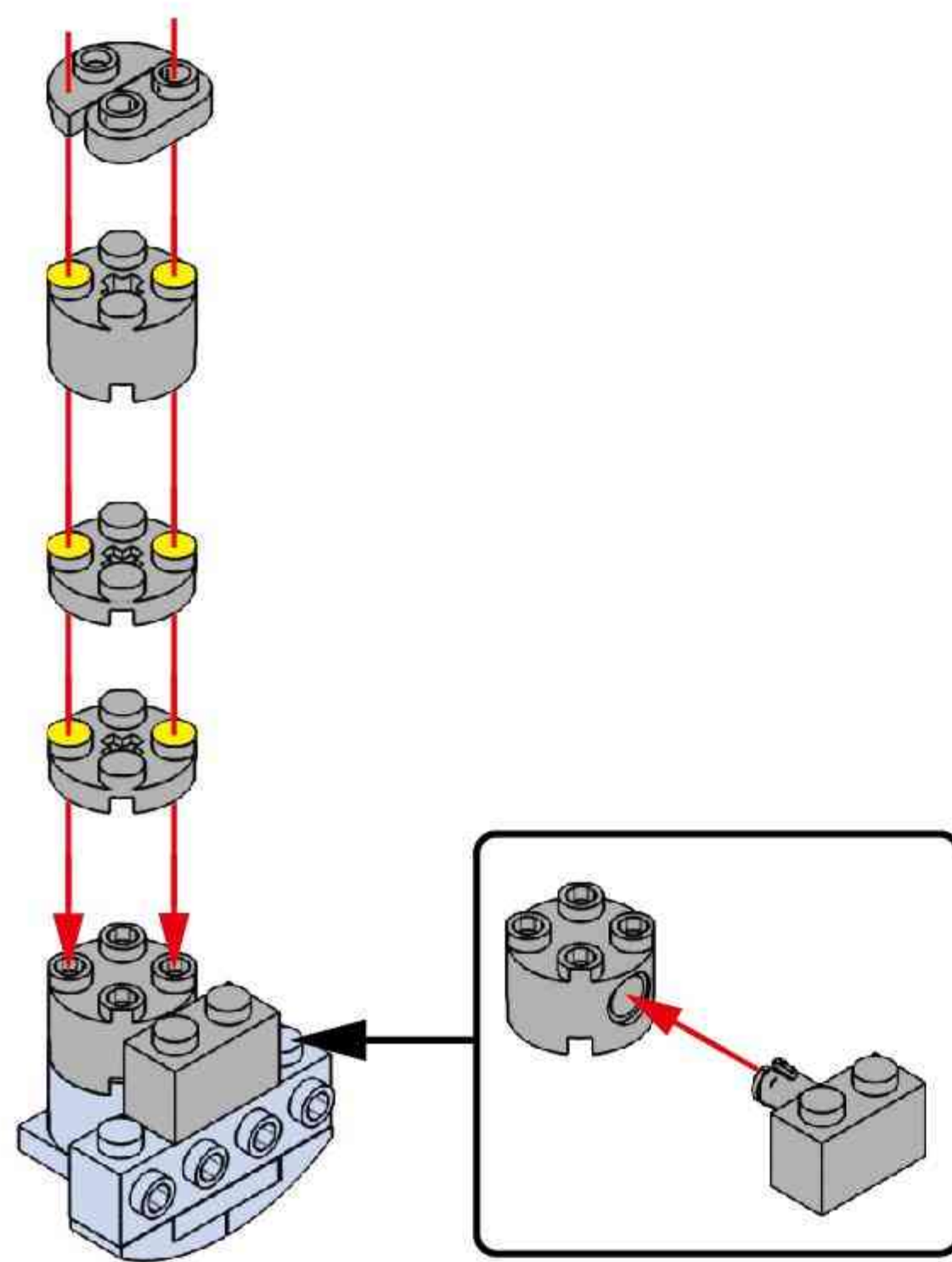
66



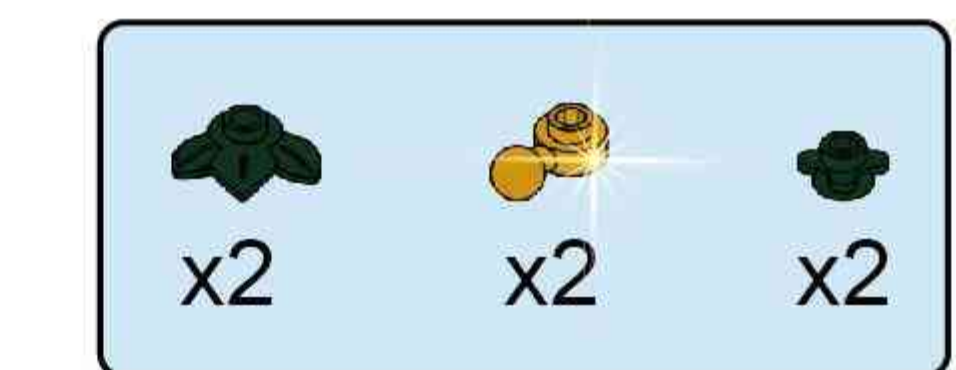
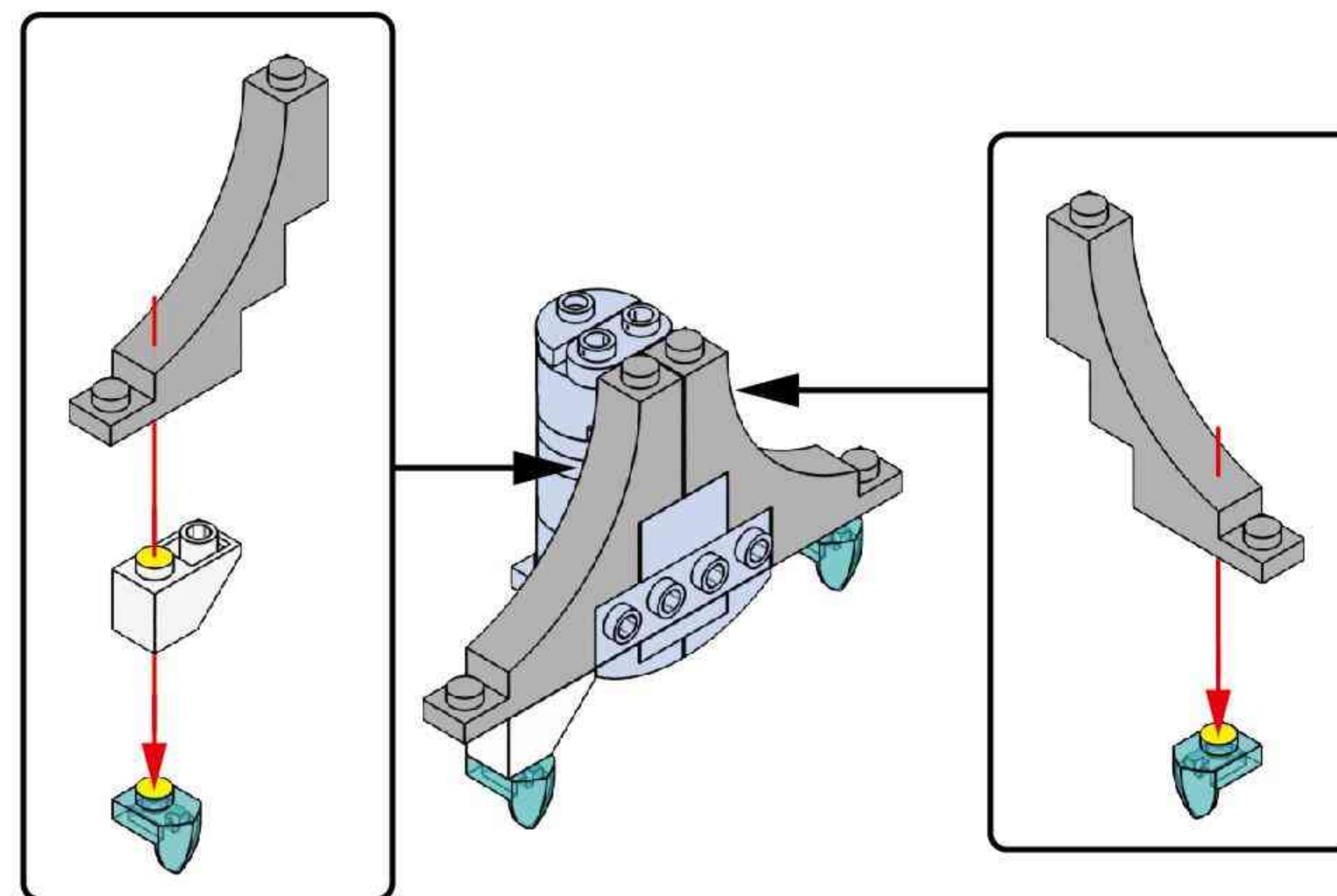
67



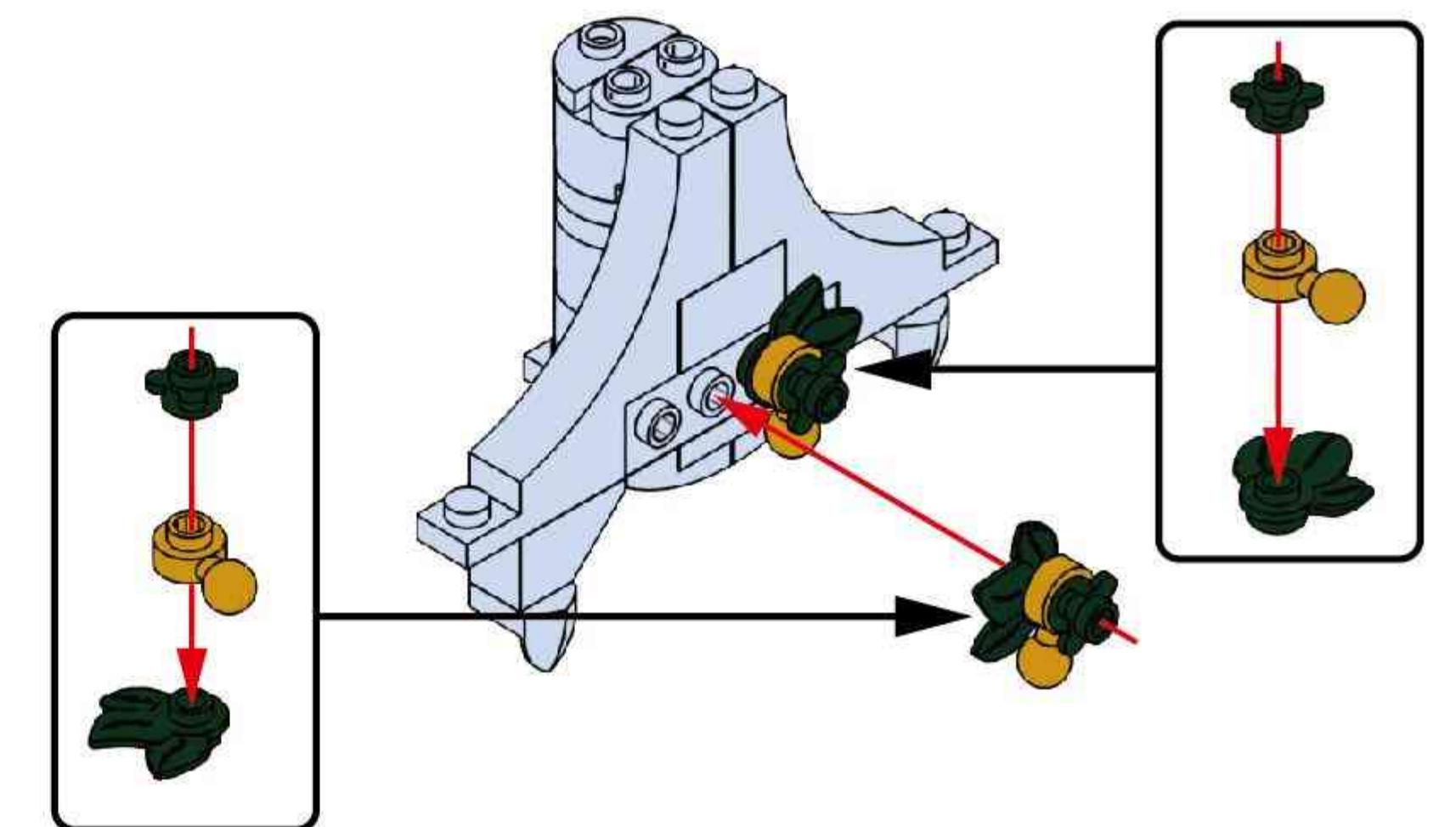
68

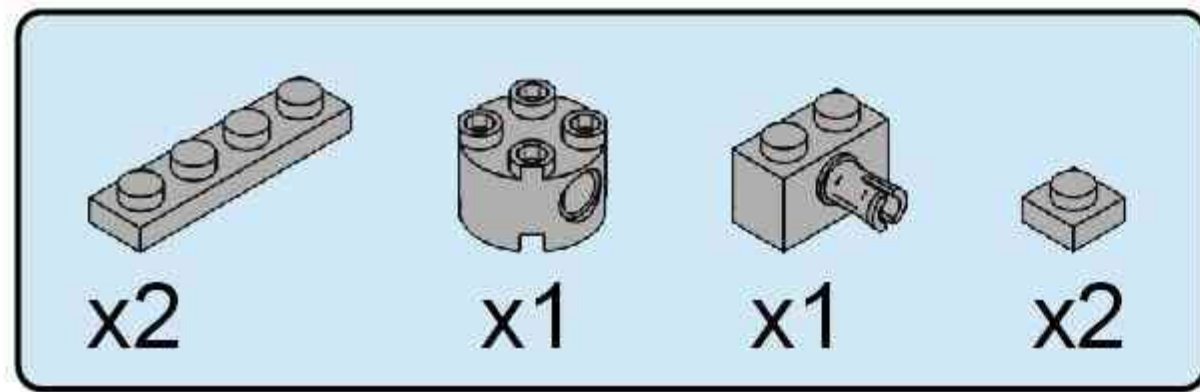


69

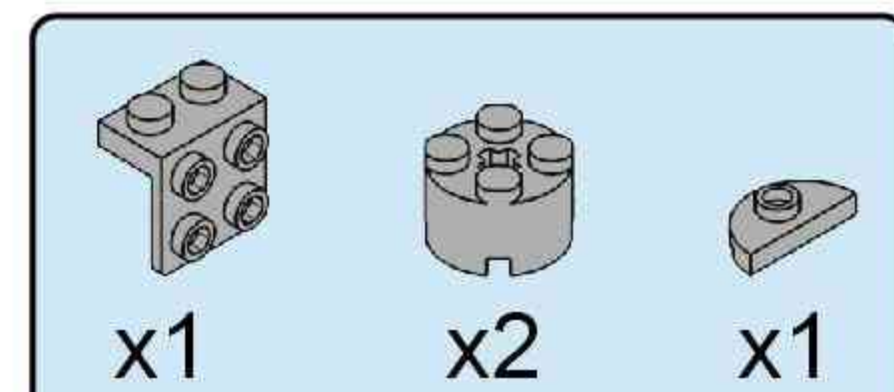
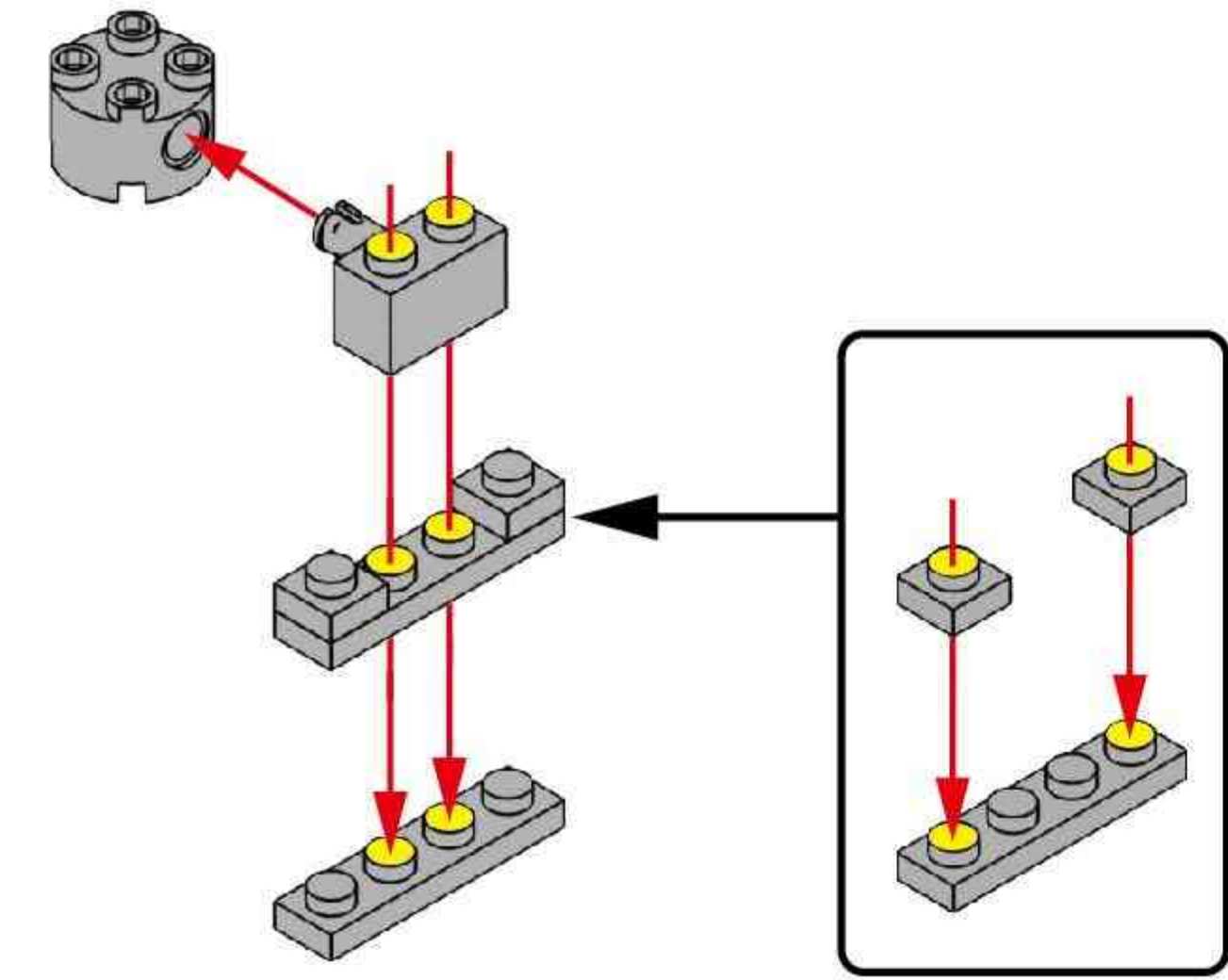


70

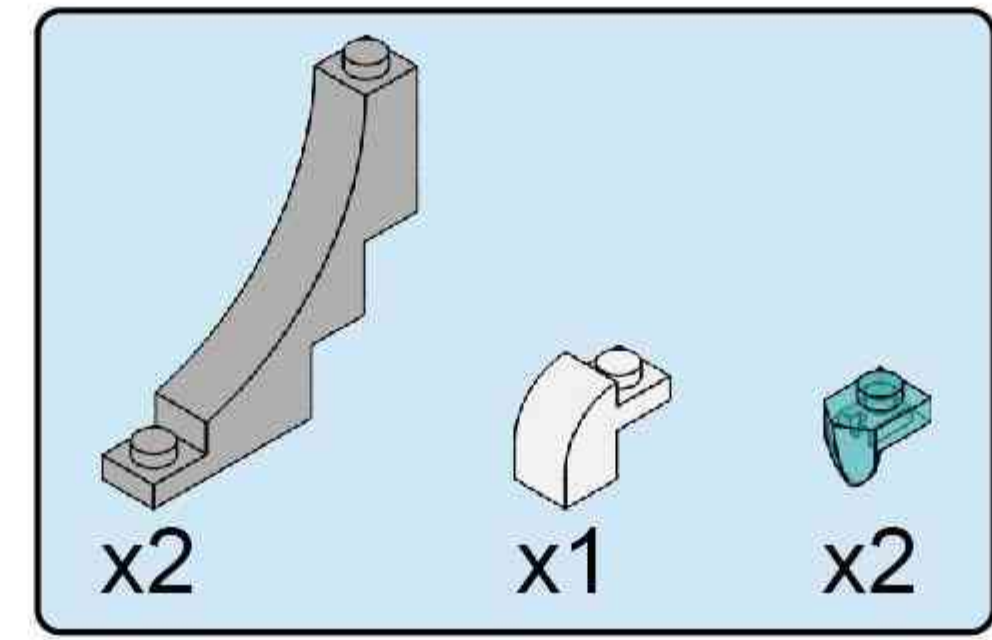
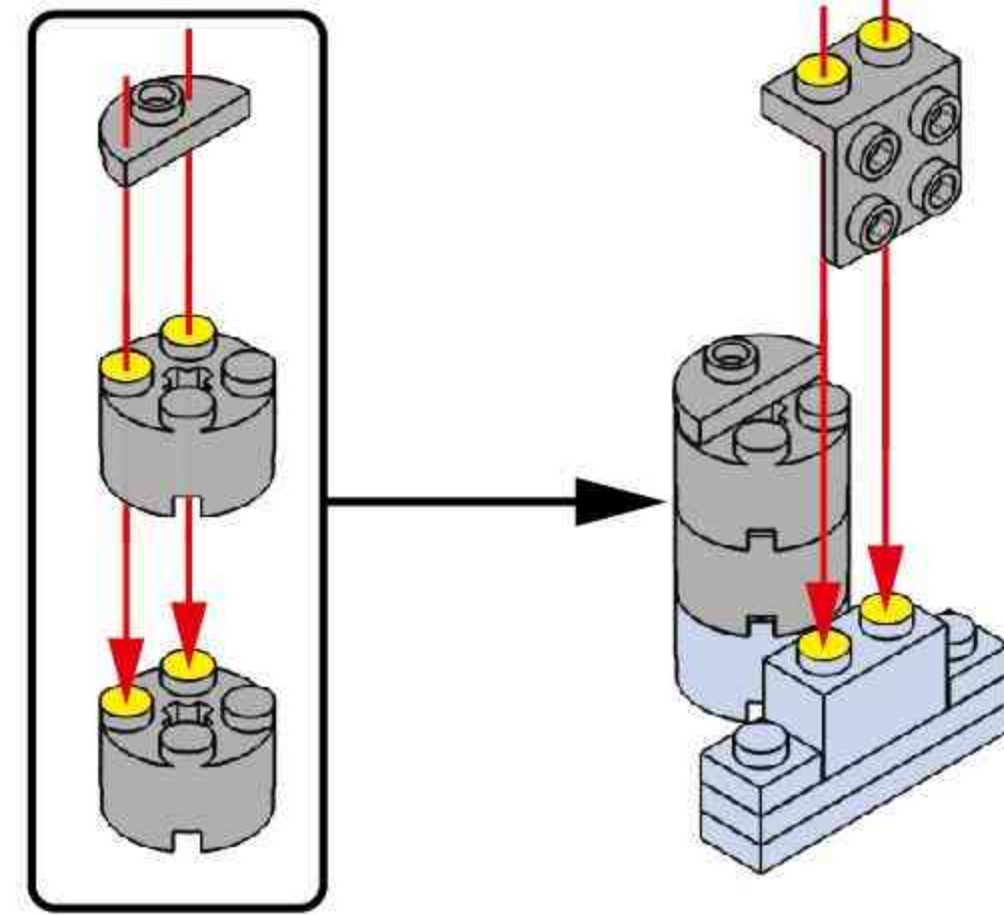




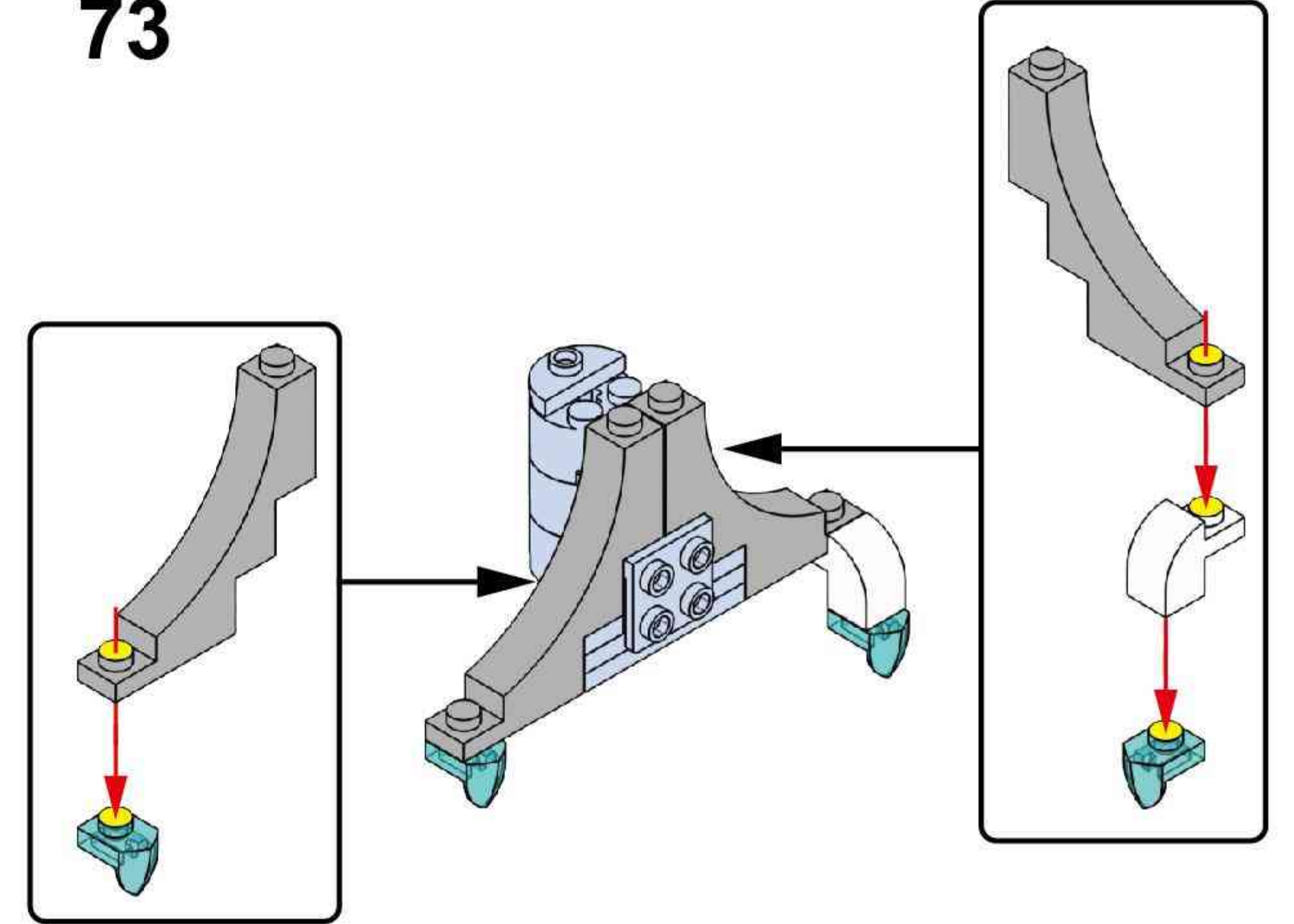
71



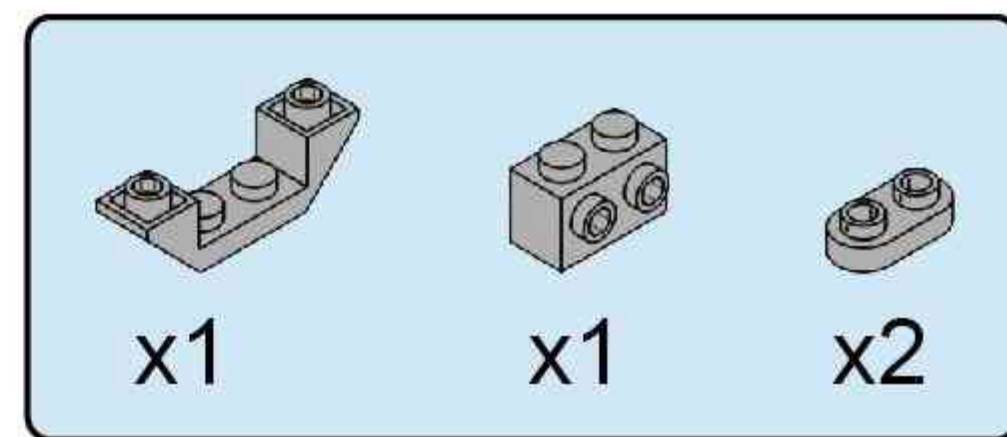
72



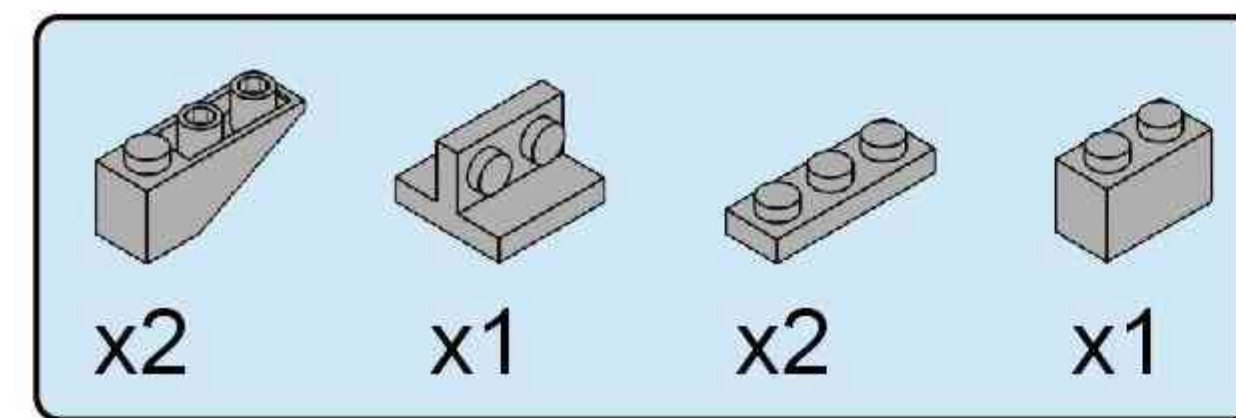
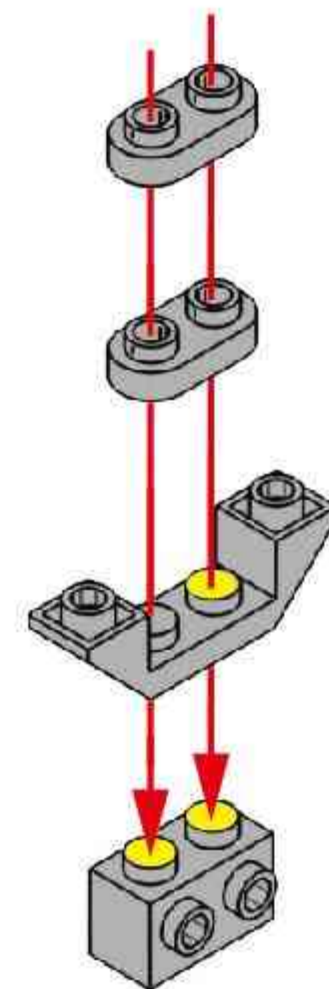
73



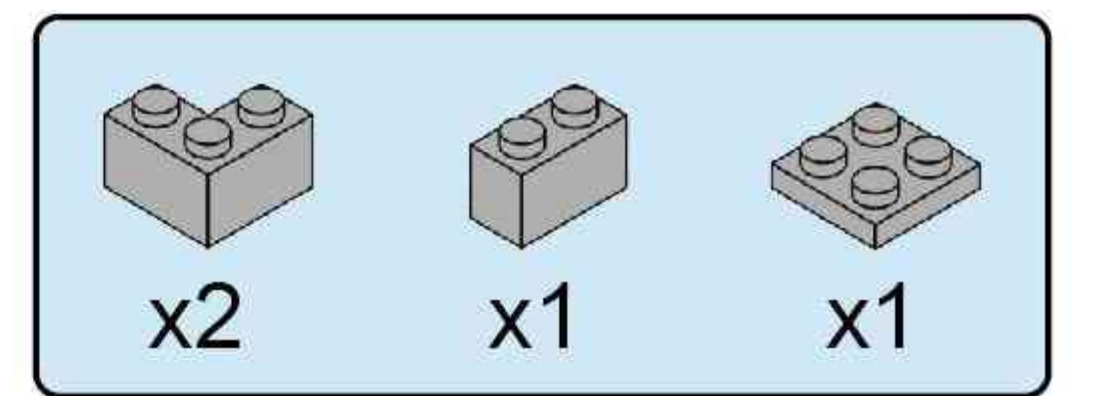
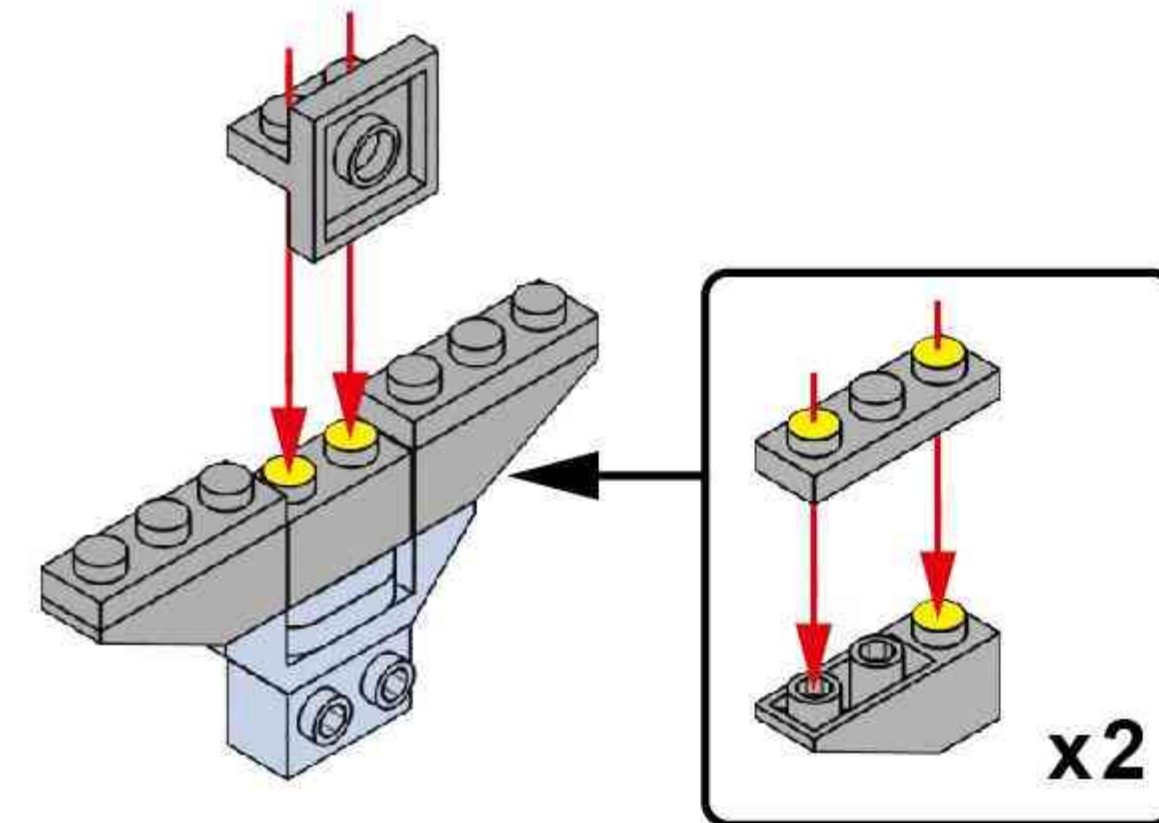
74



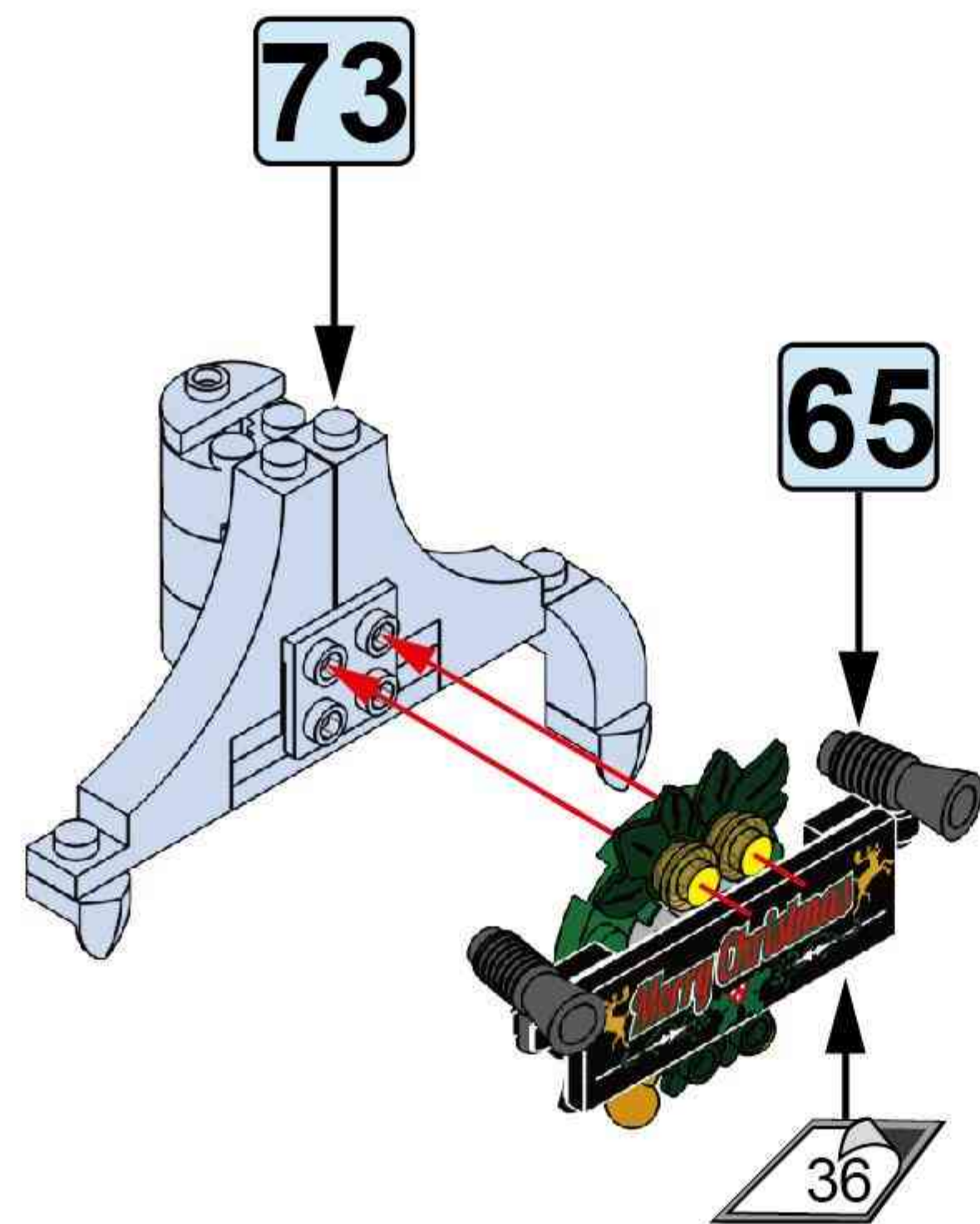
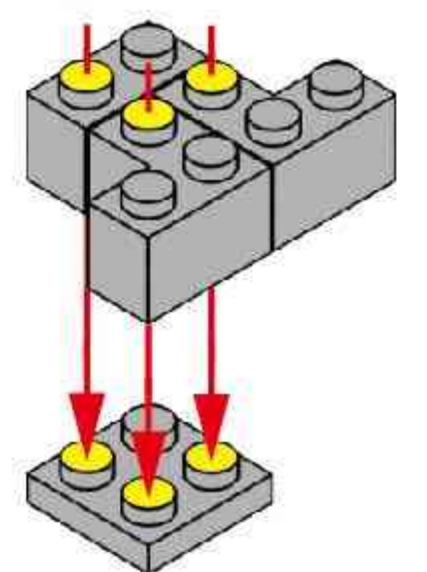
75

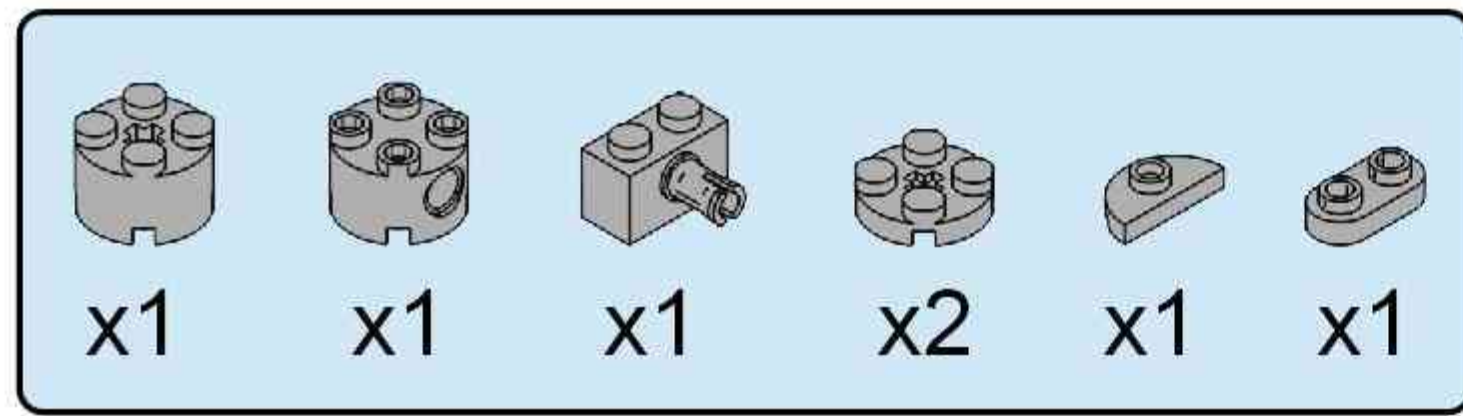


76

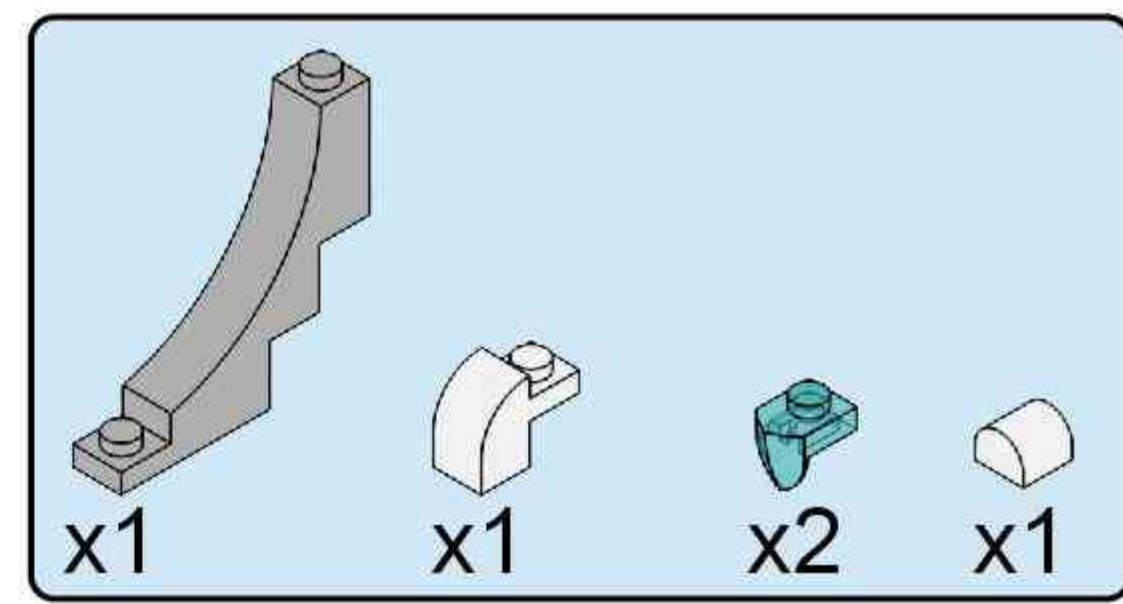
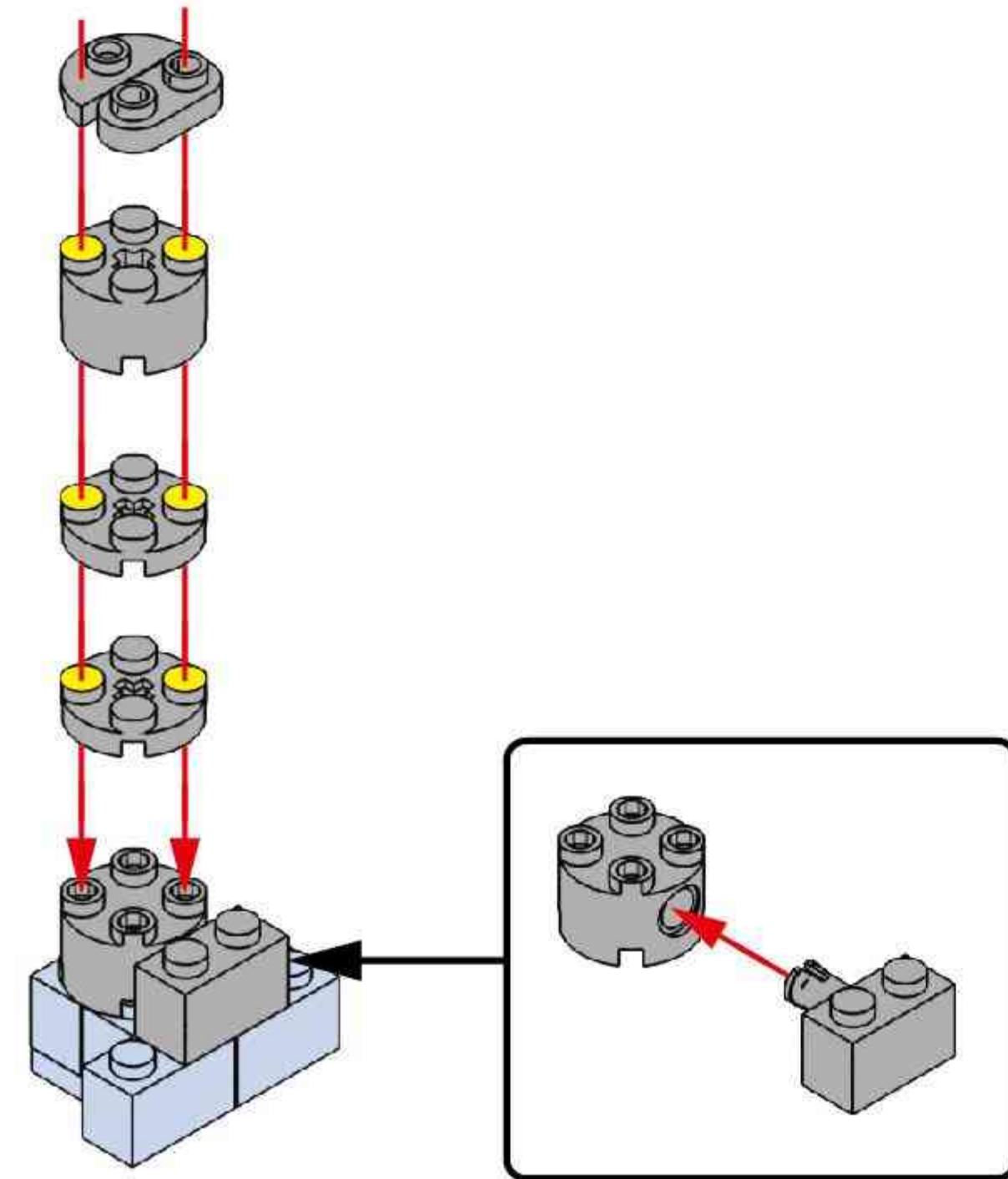


77

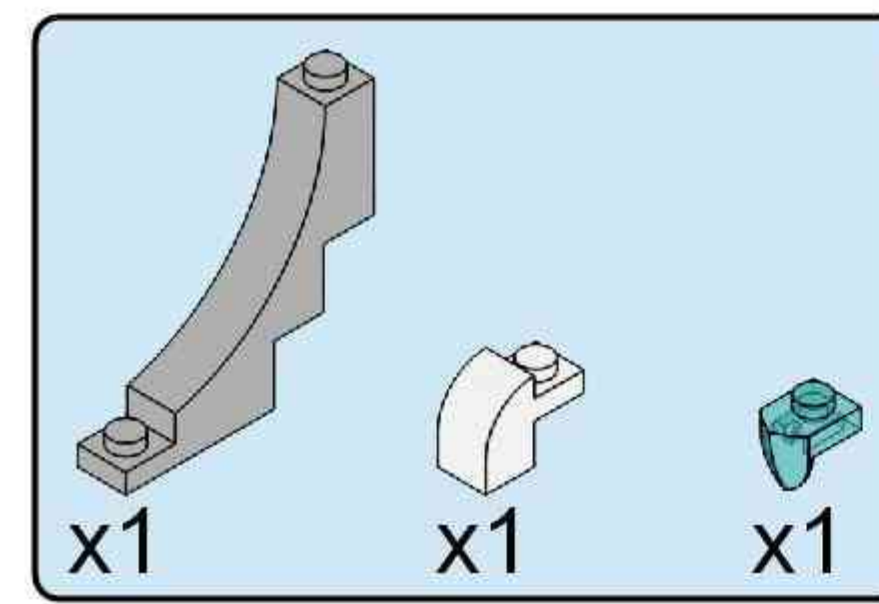
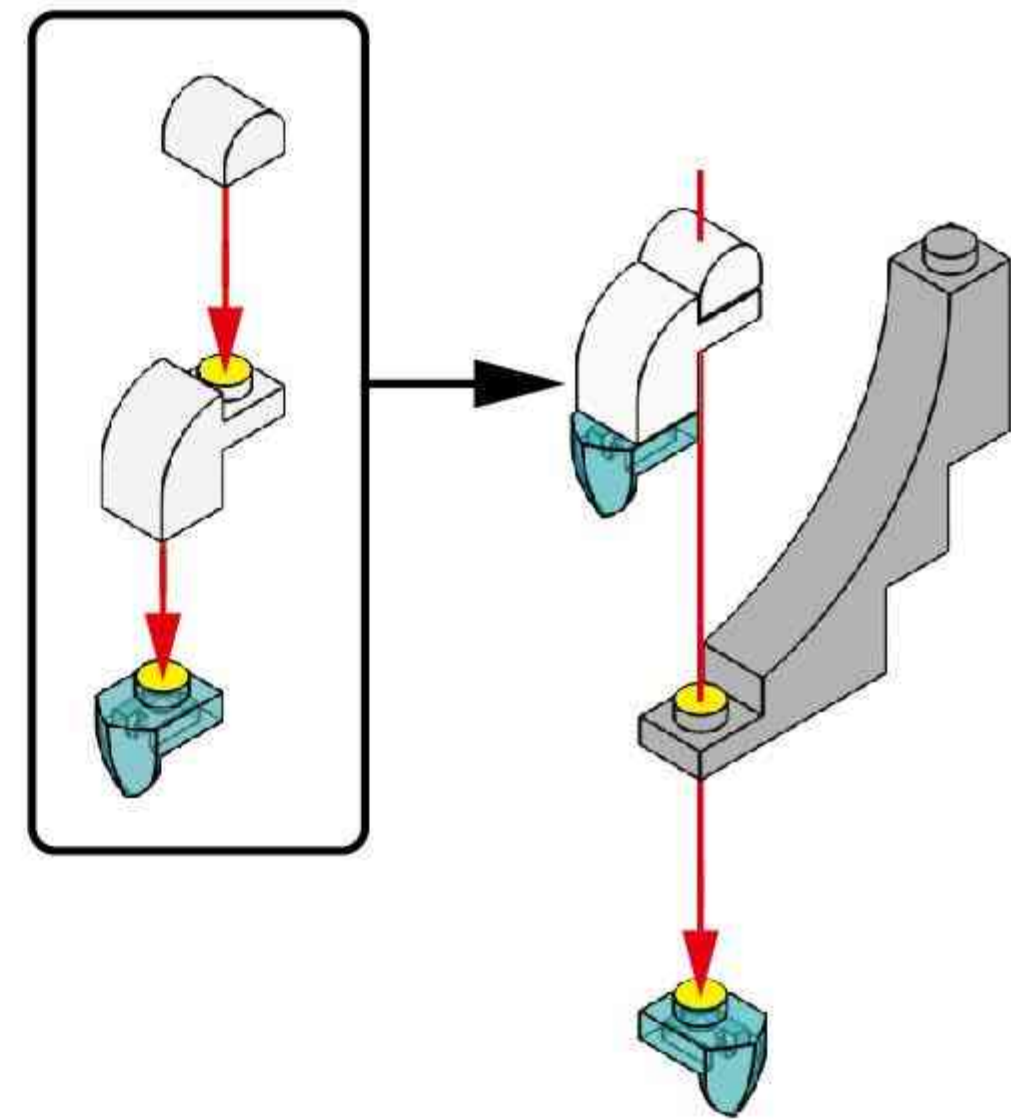




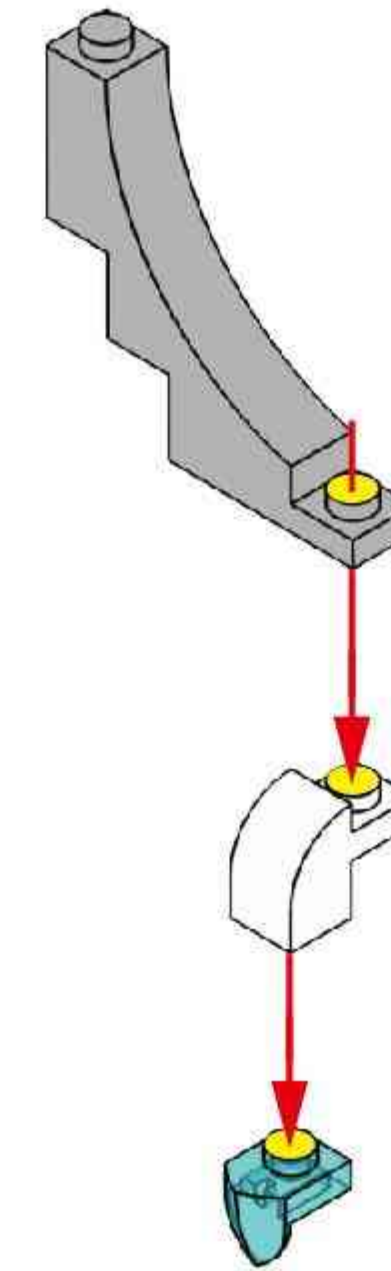
78



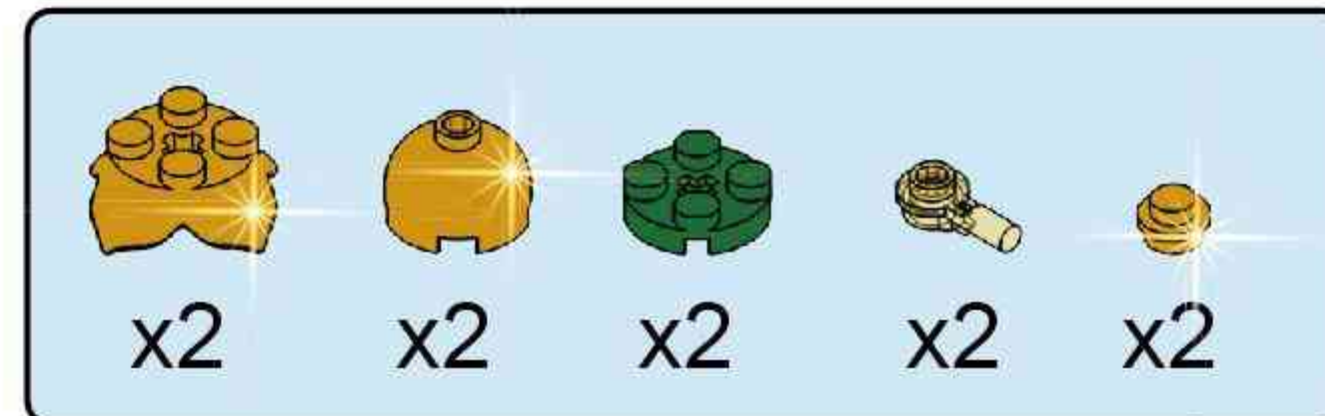
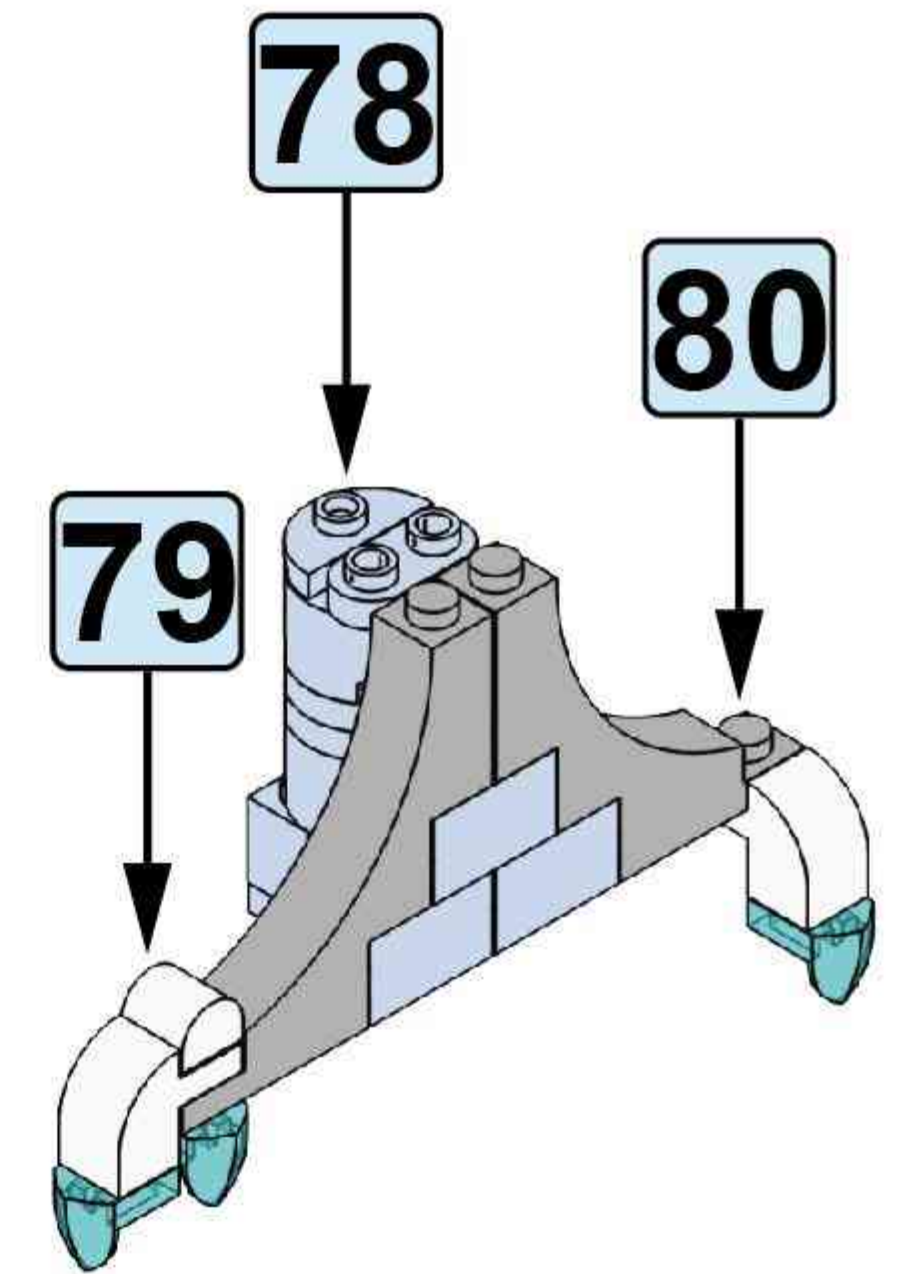
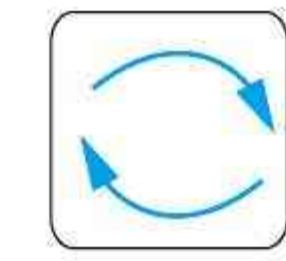
79



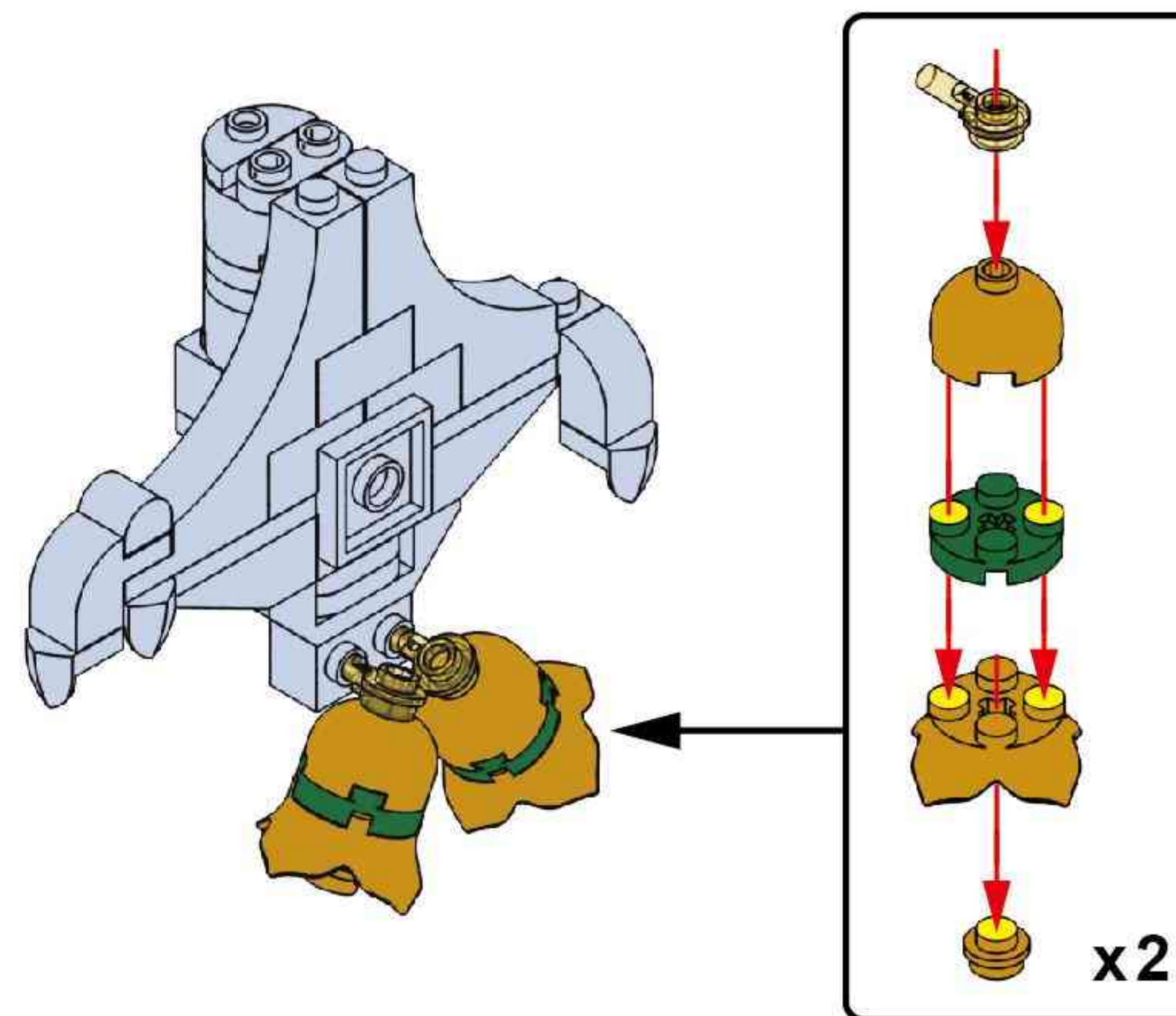
80



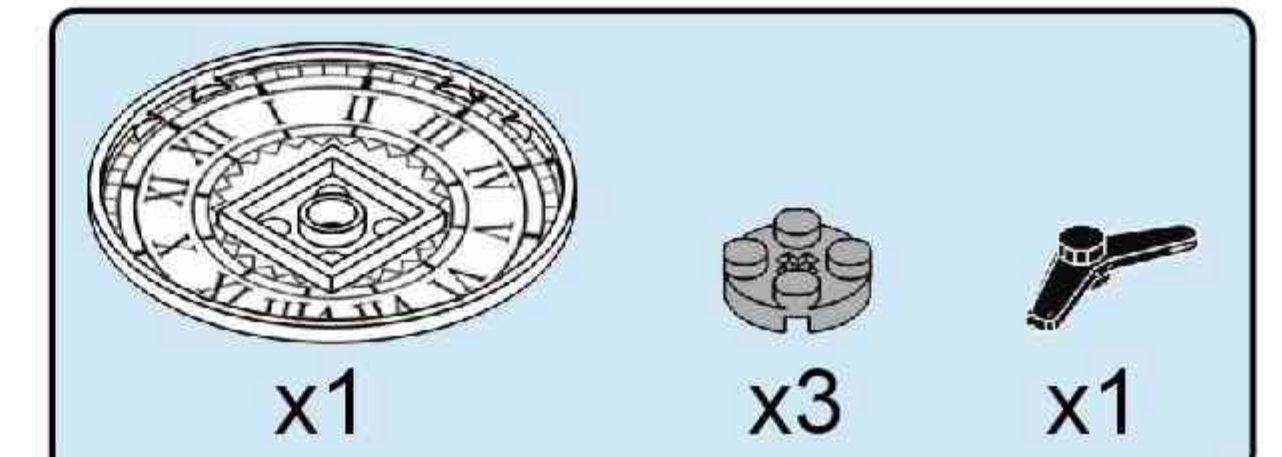
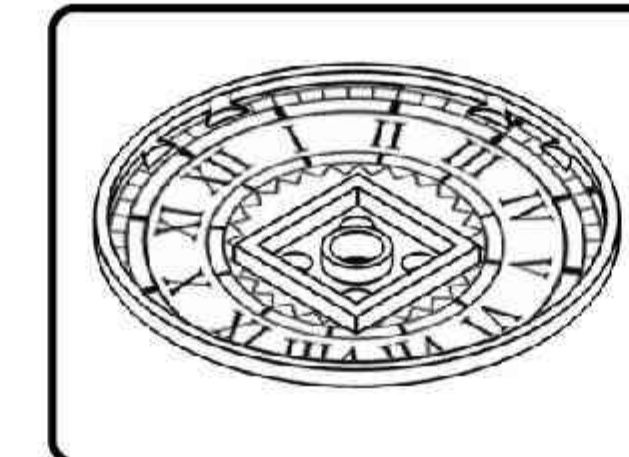
81



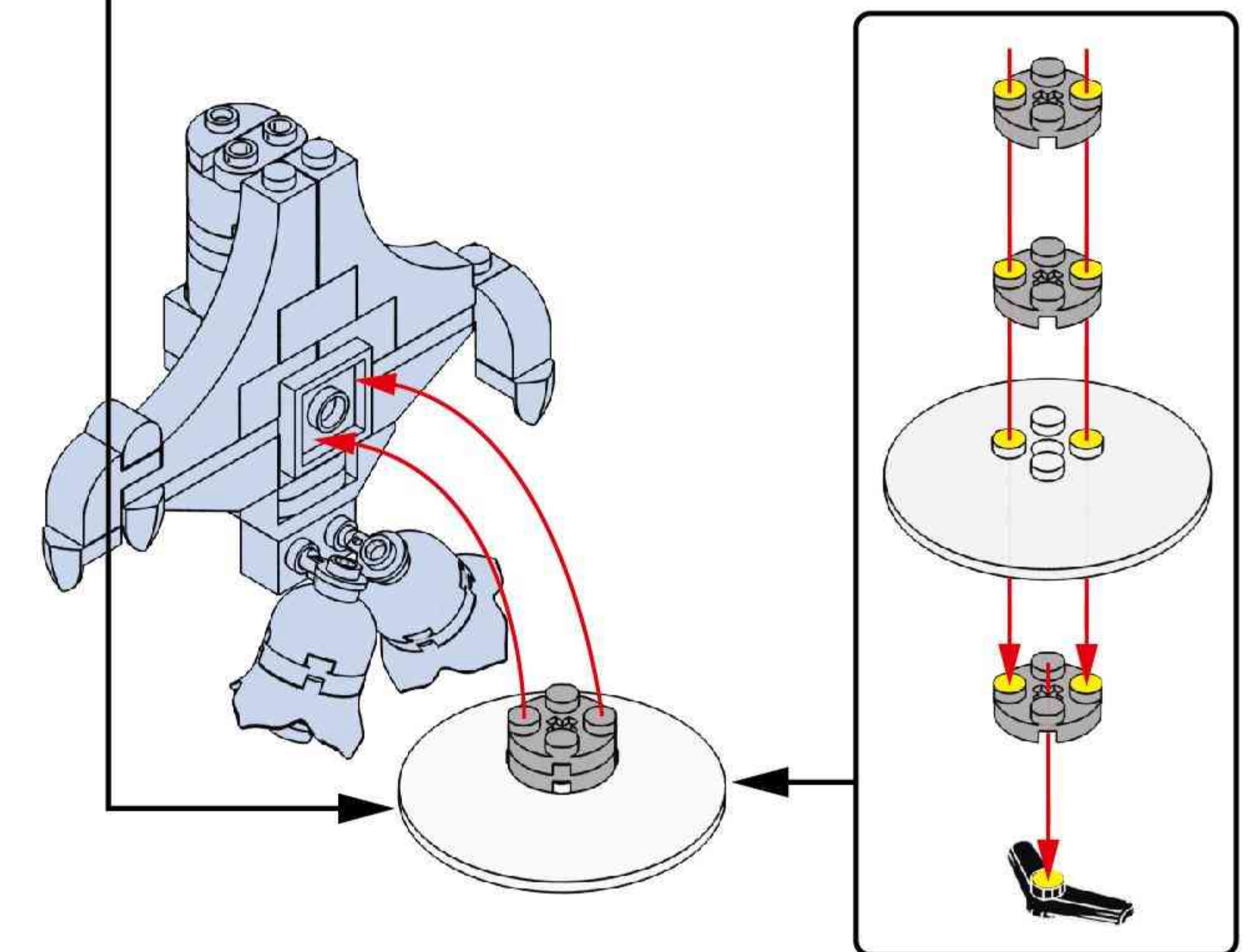
83



37

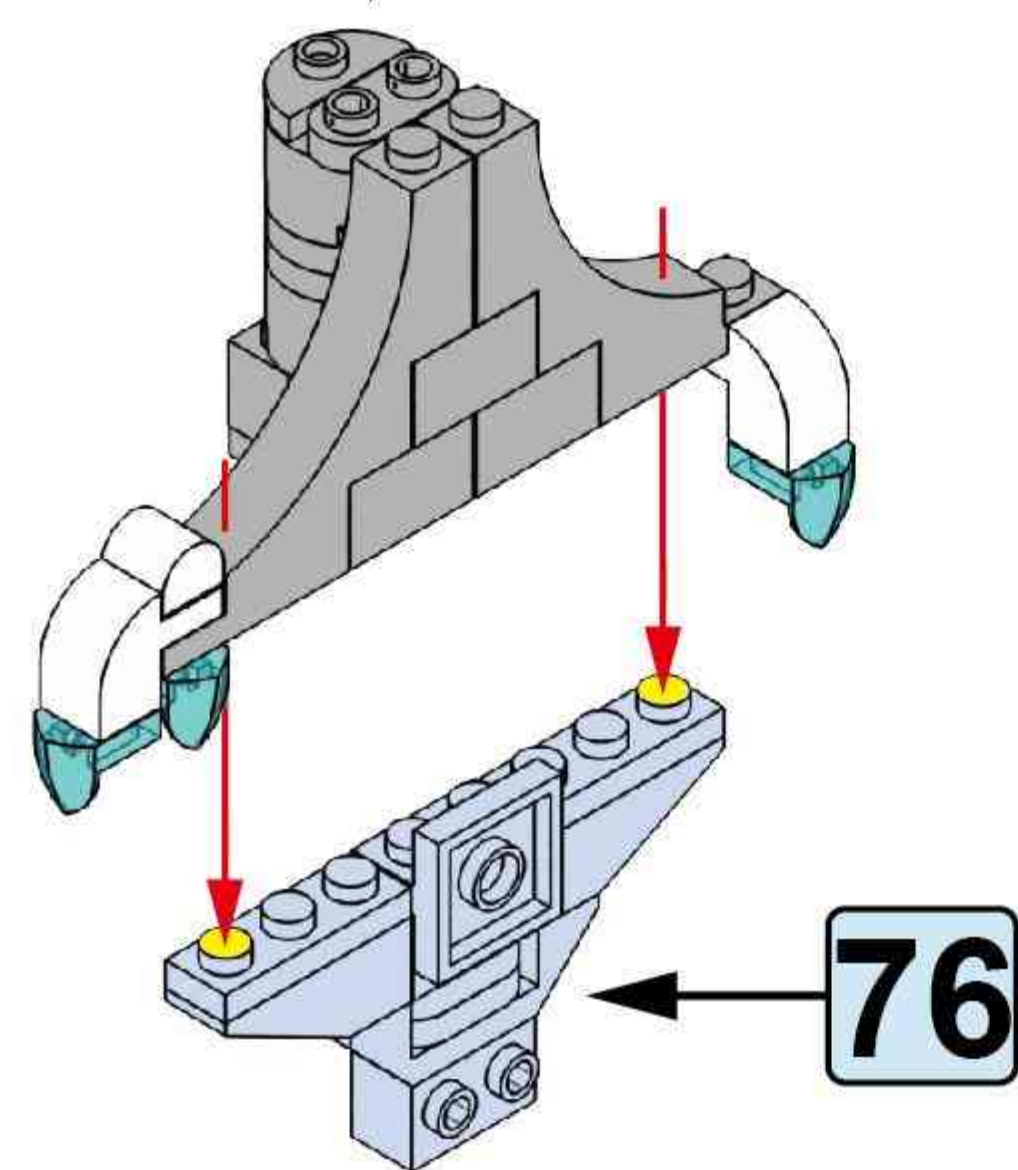


84



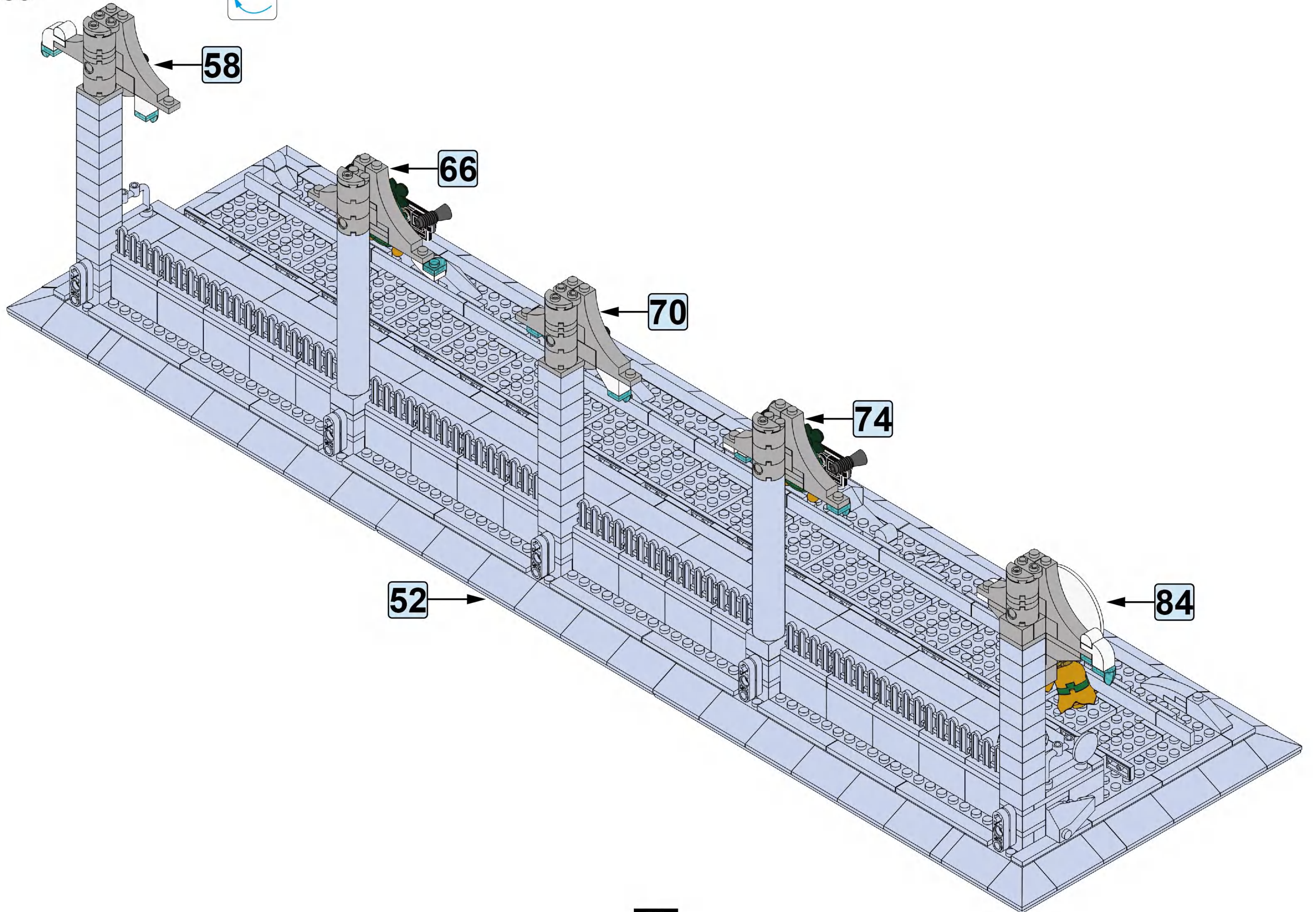
82

81



76

85



58

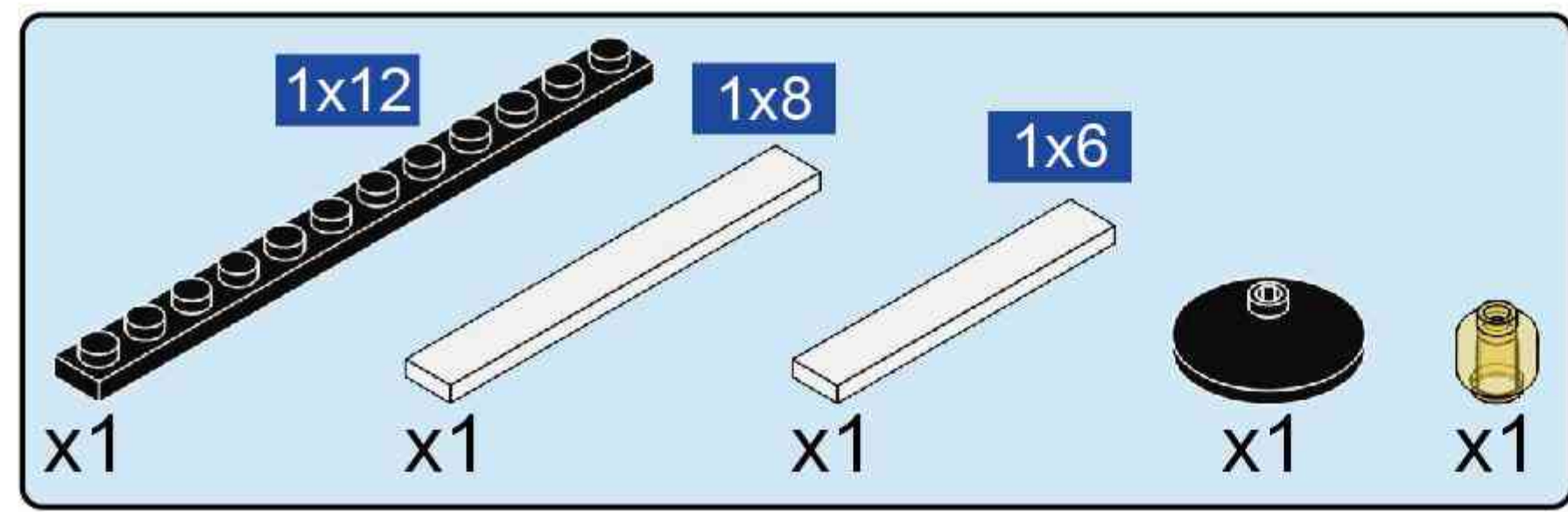
66

70

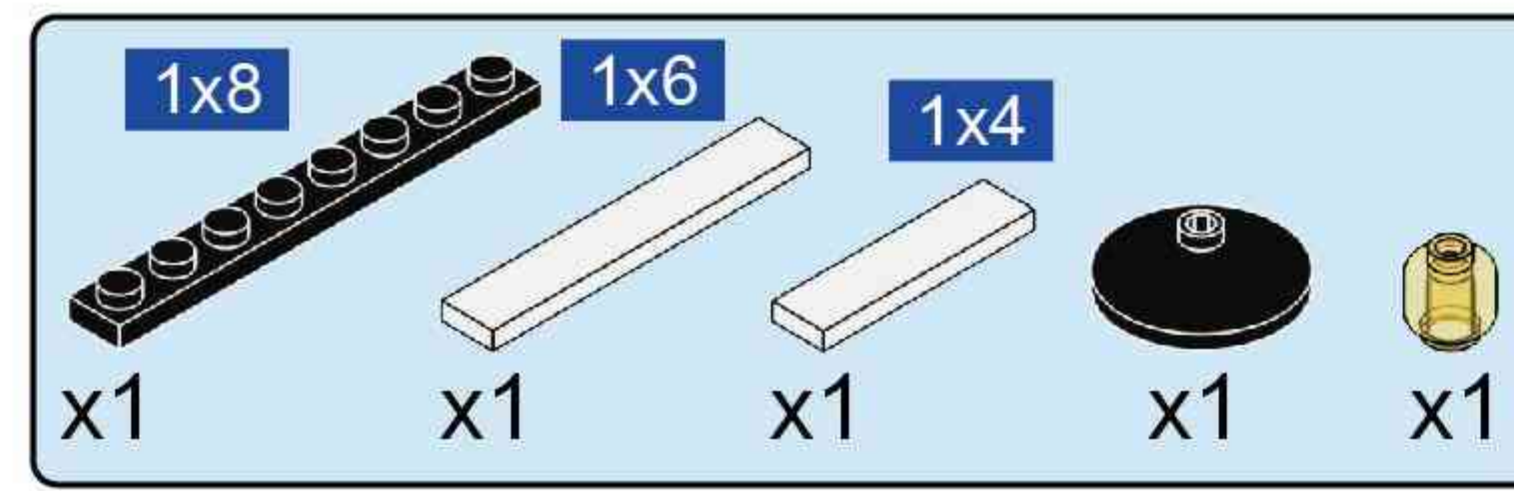
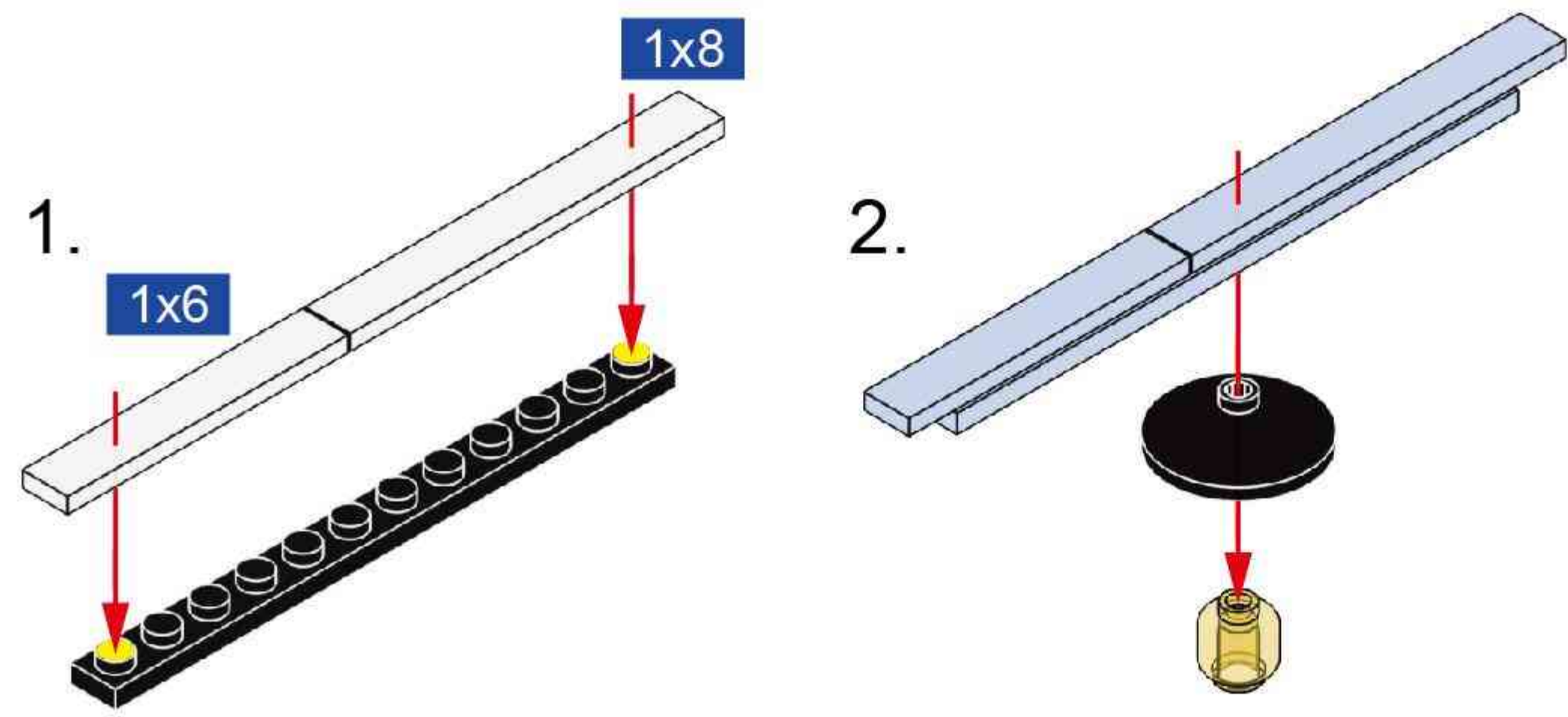
74

52

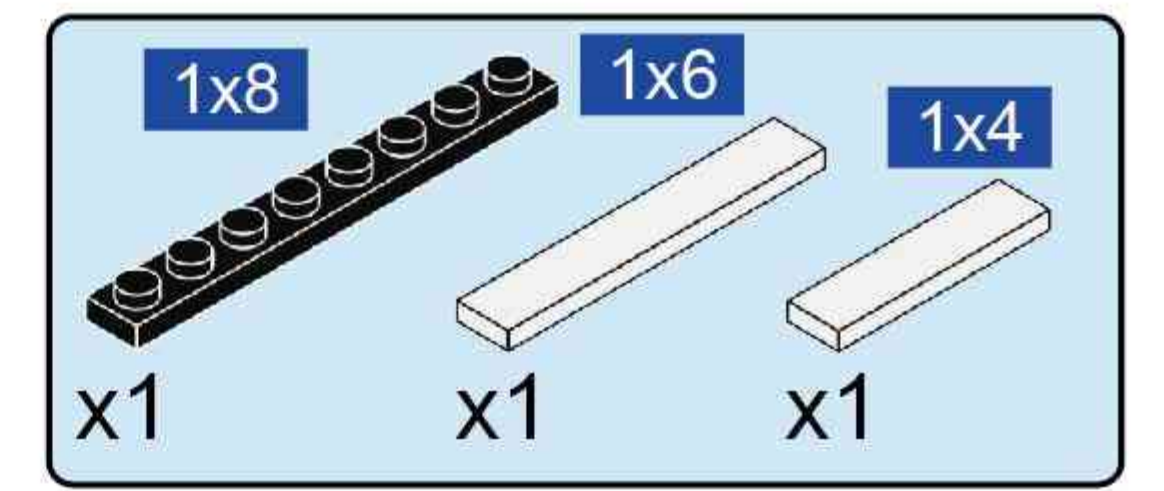
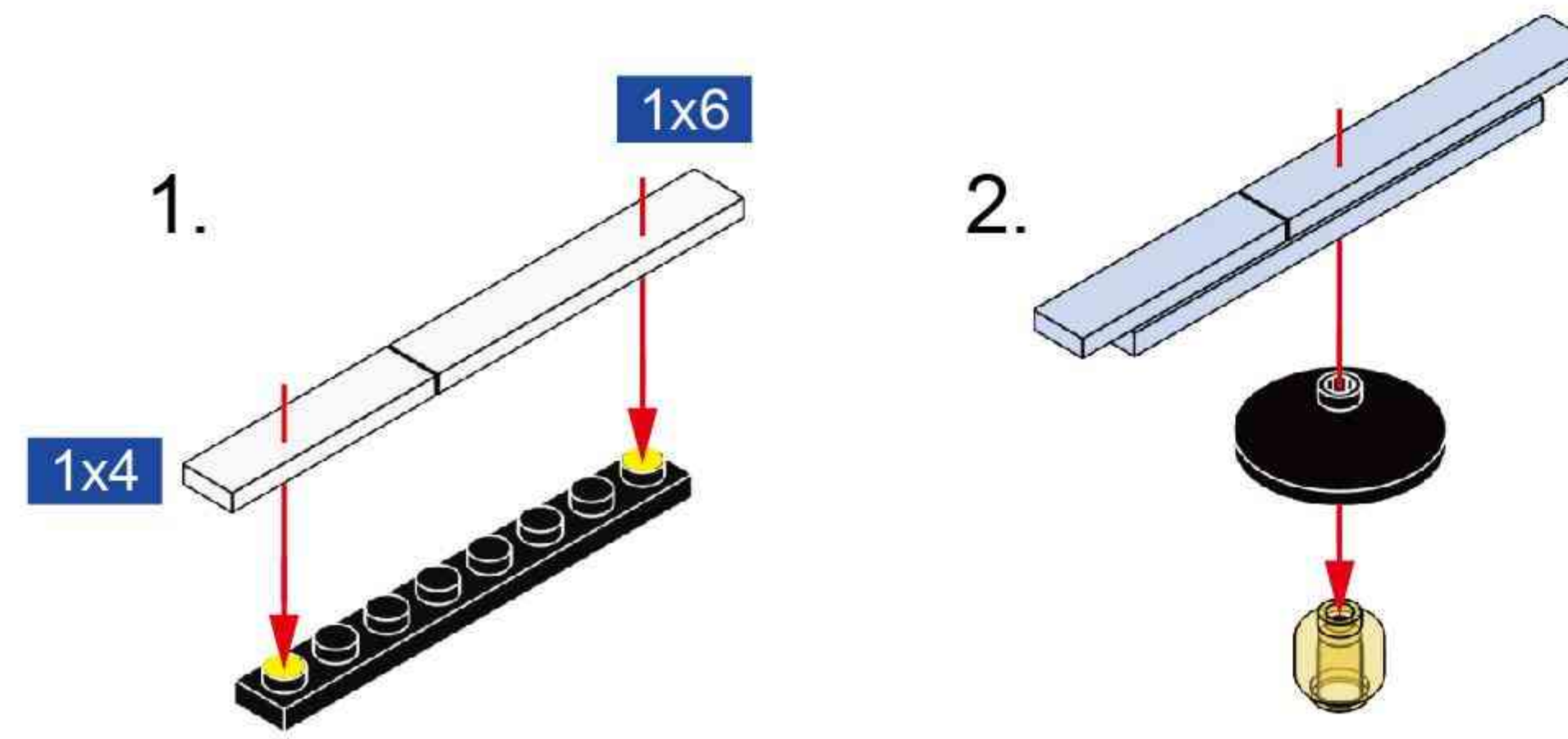
84



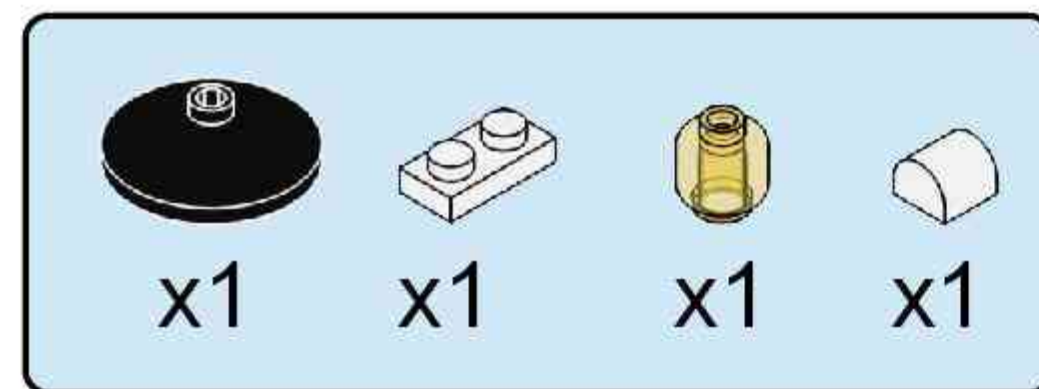
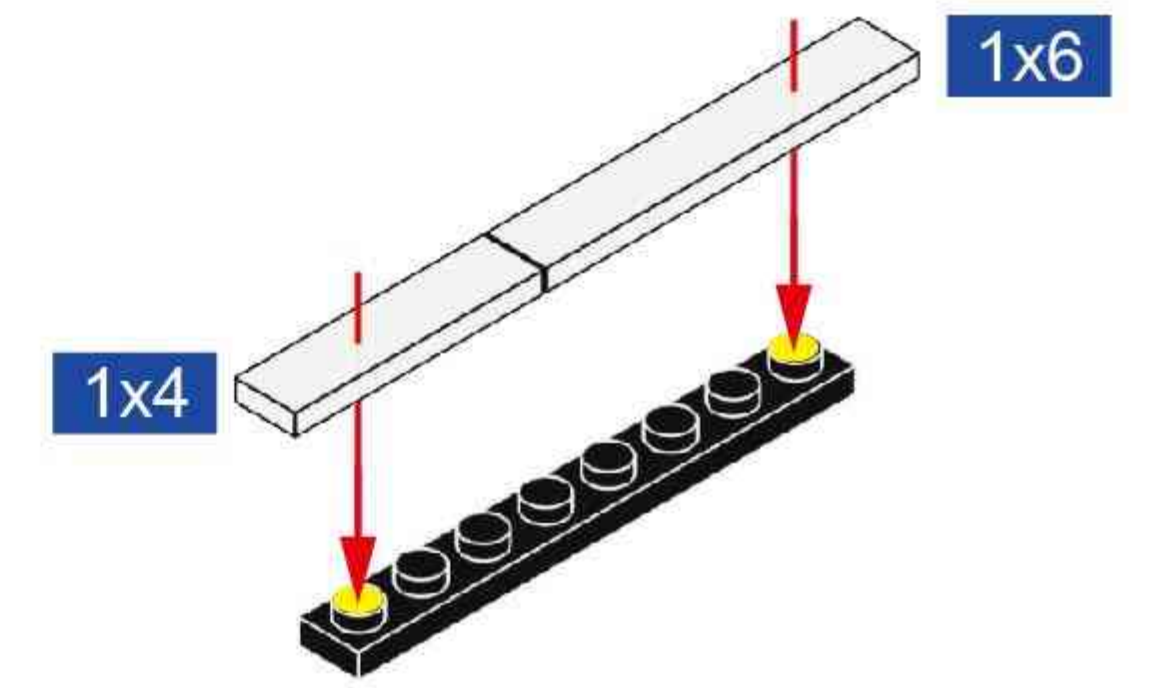
86



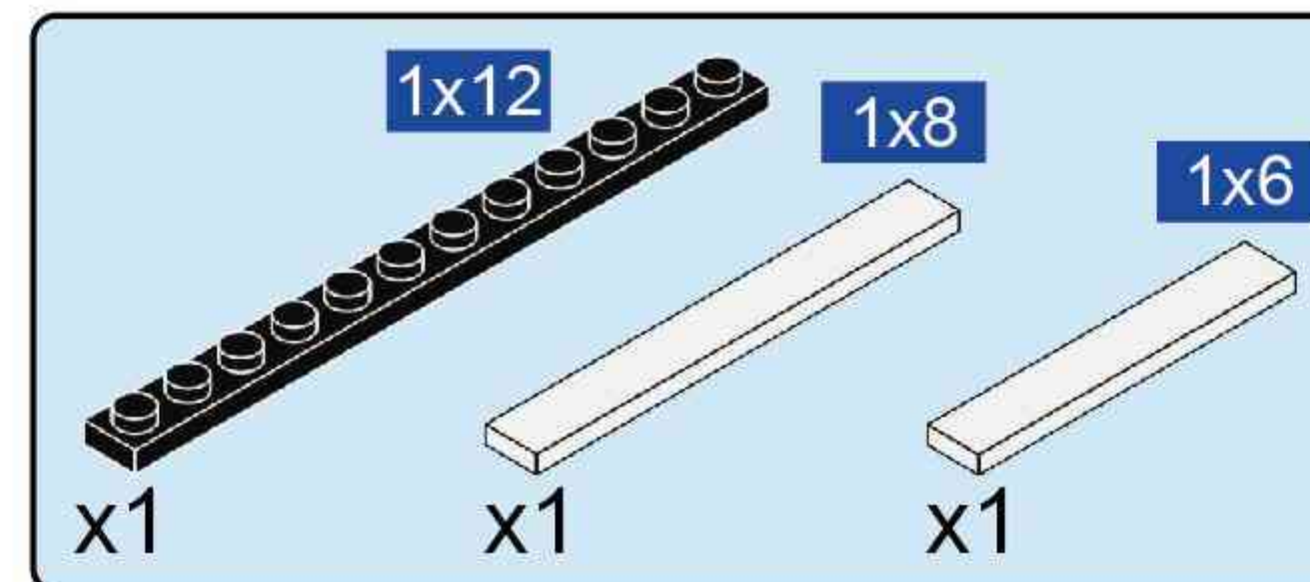
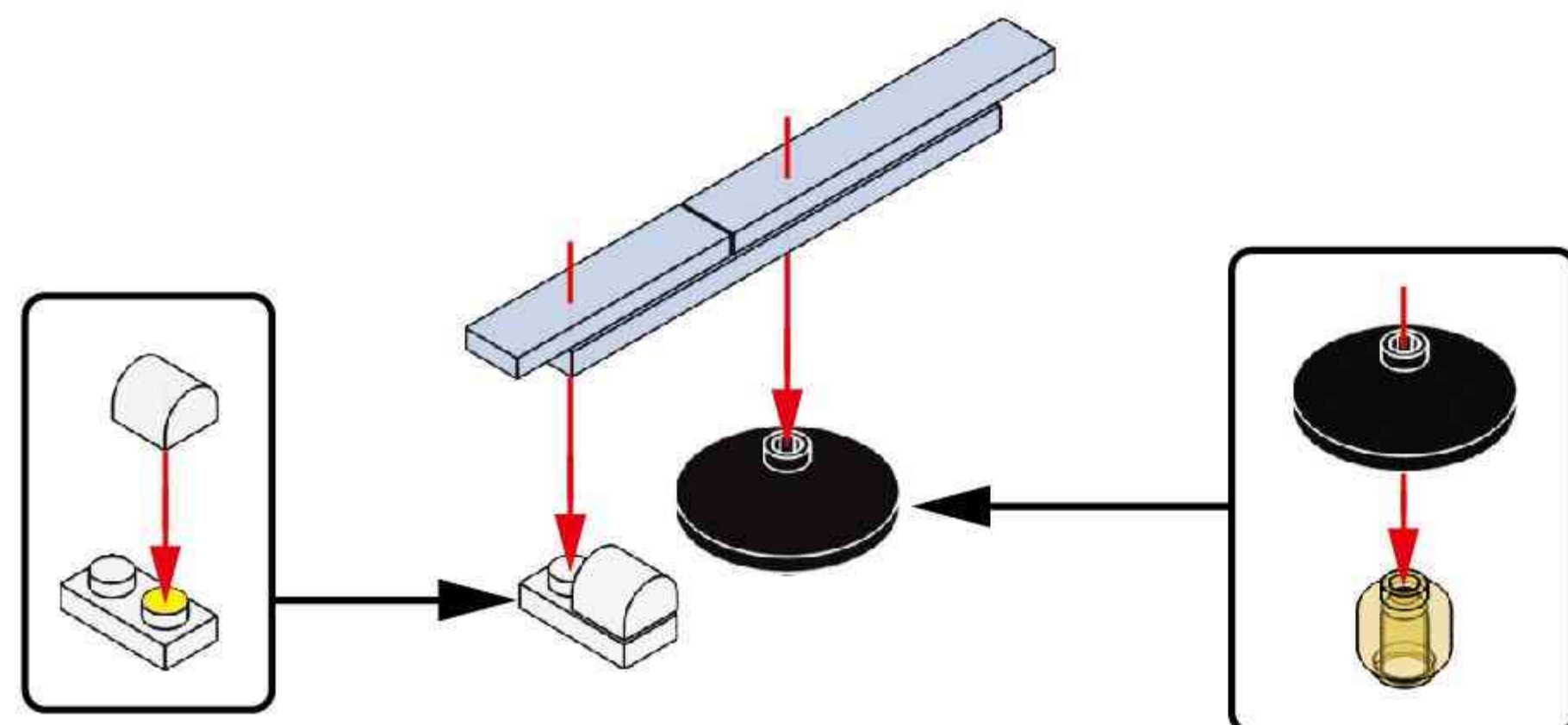
87



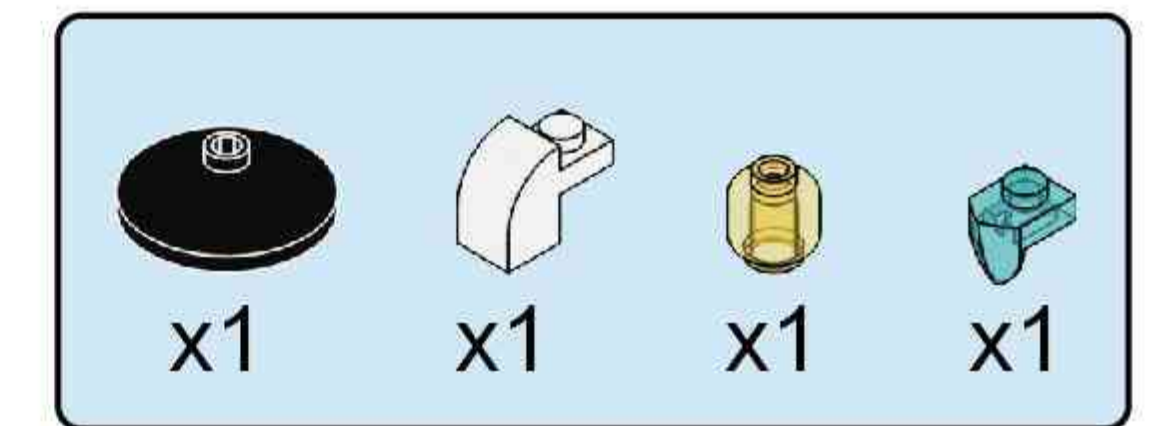
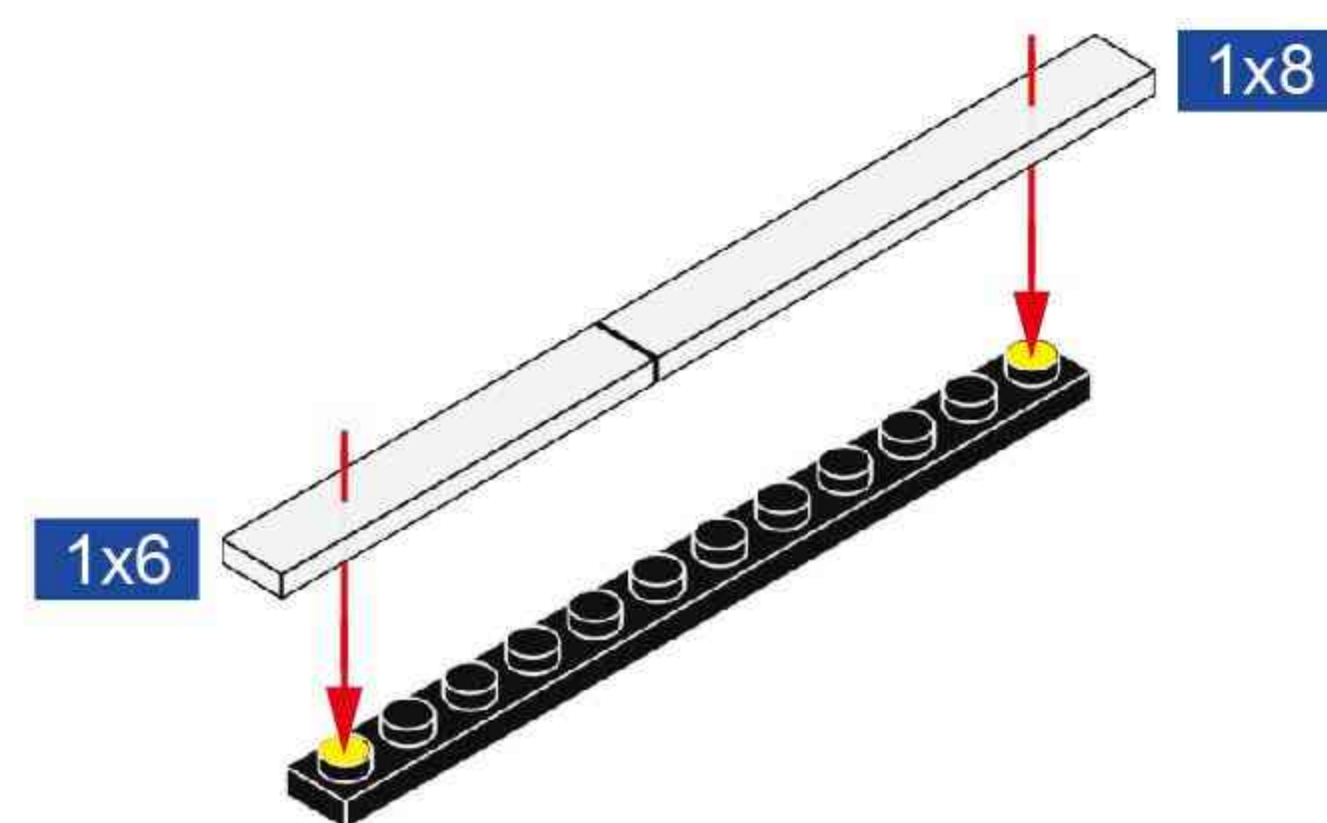
88



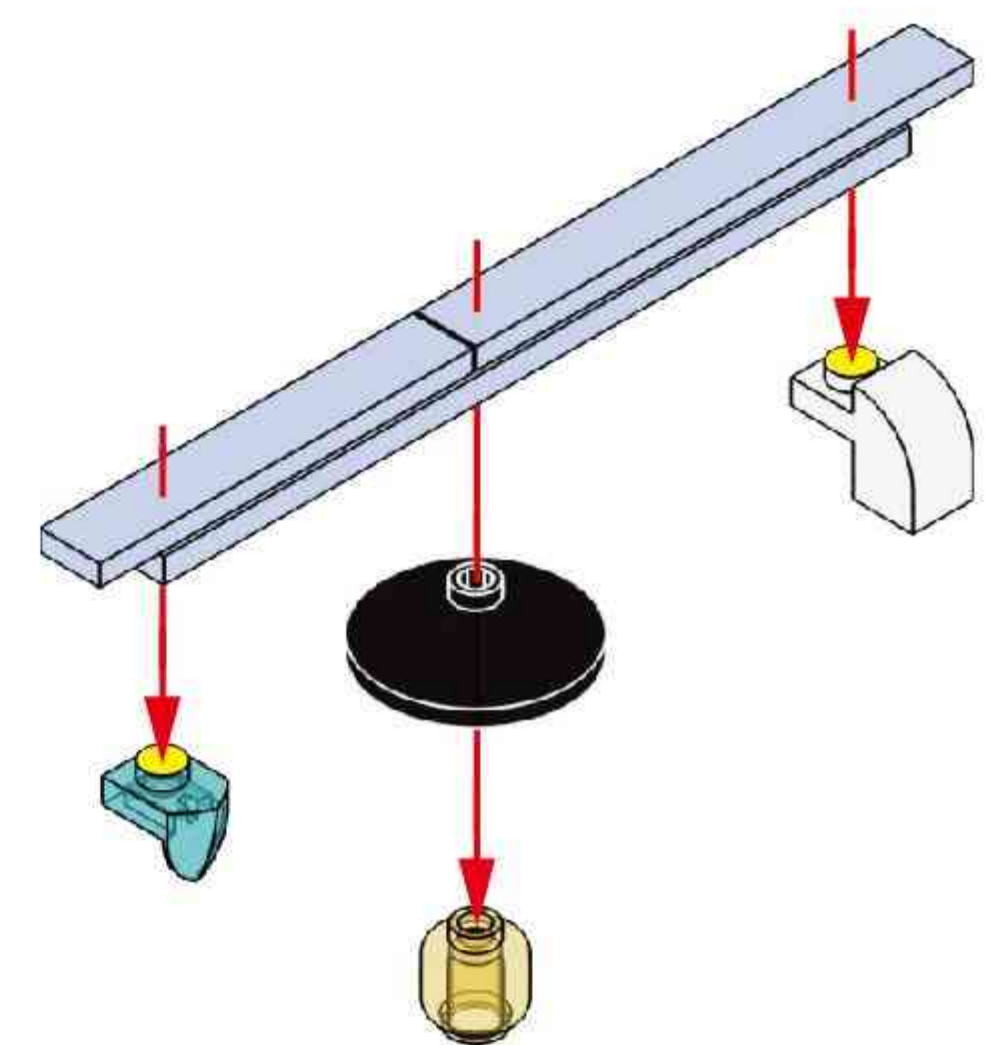
89



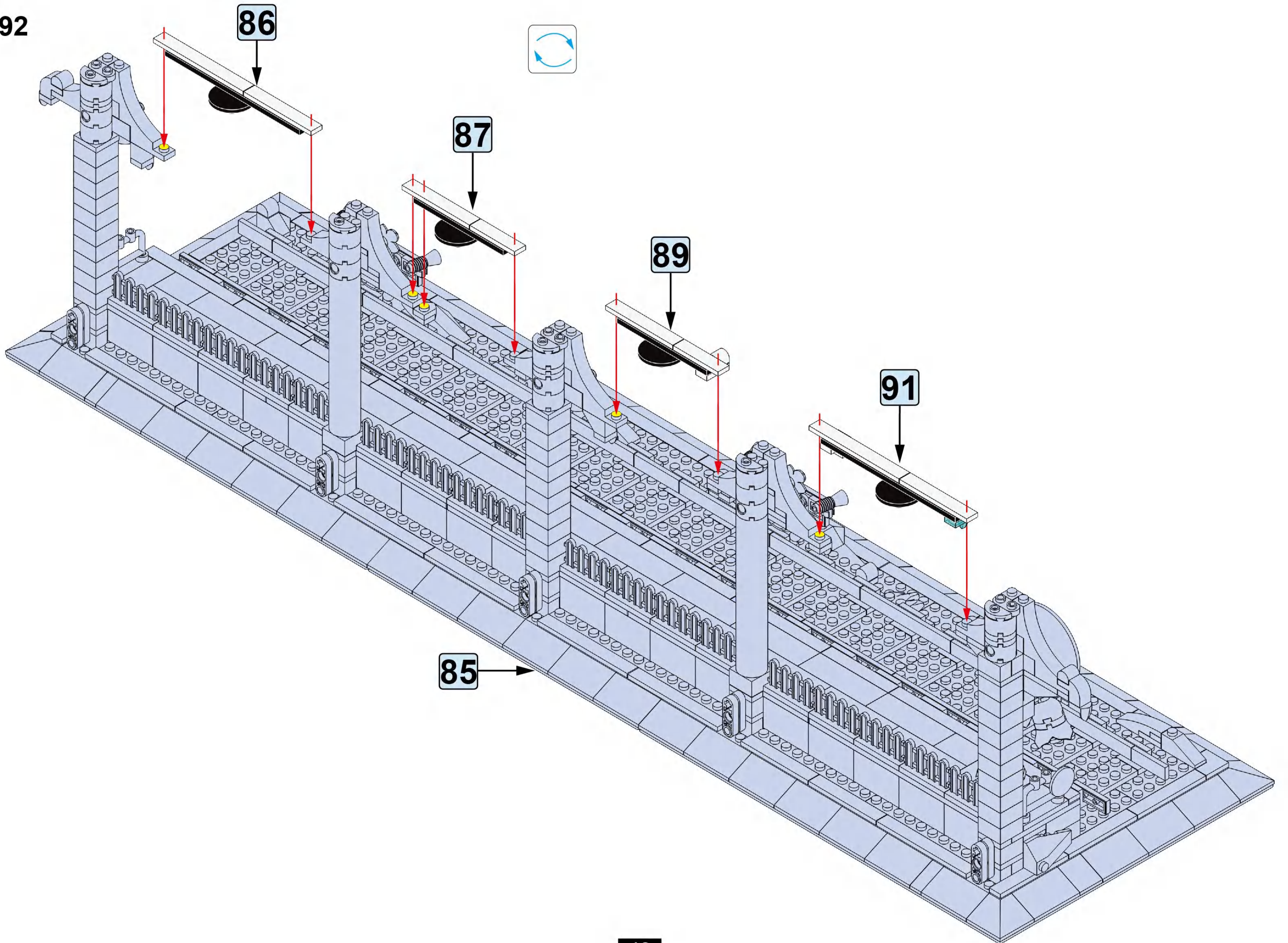
90

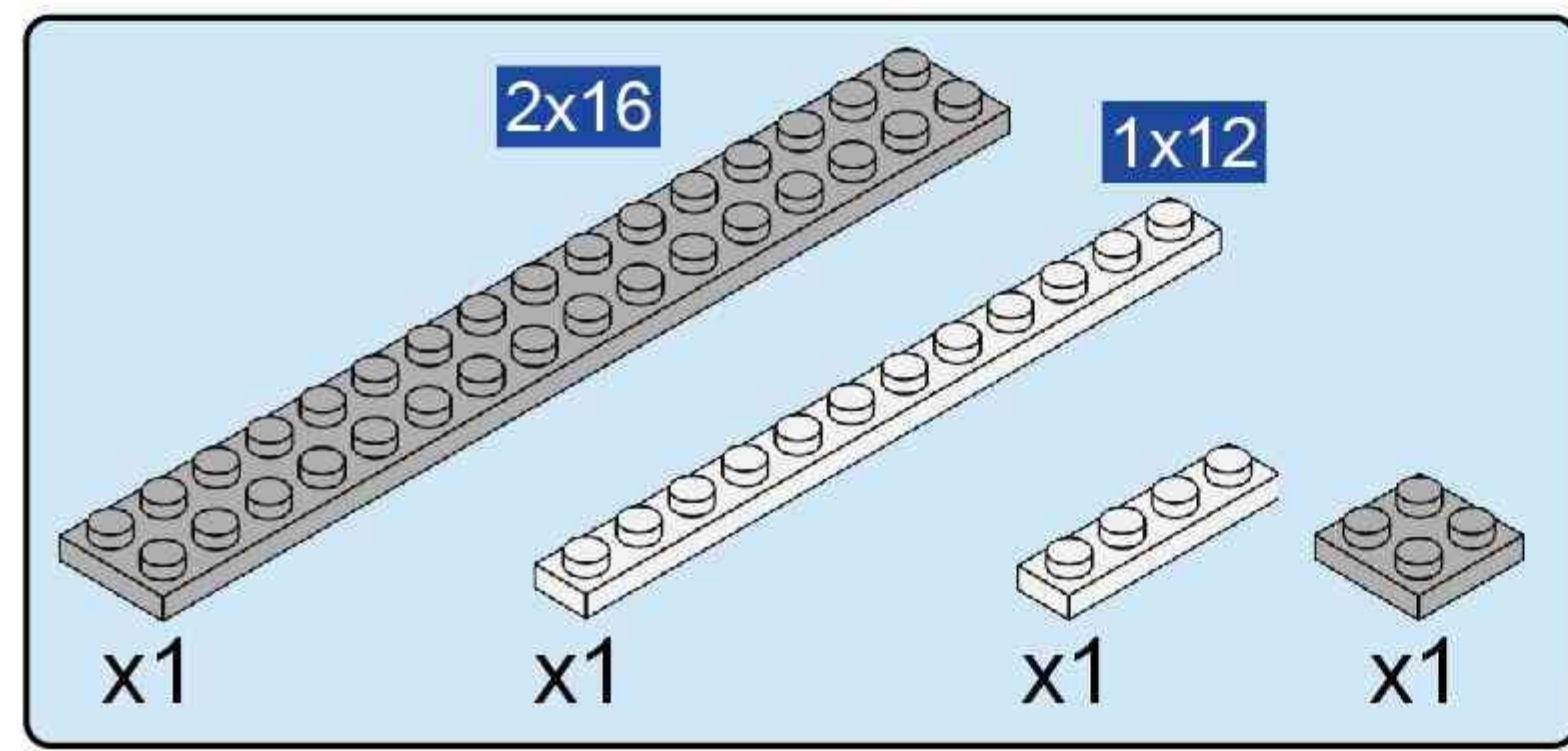


91

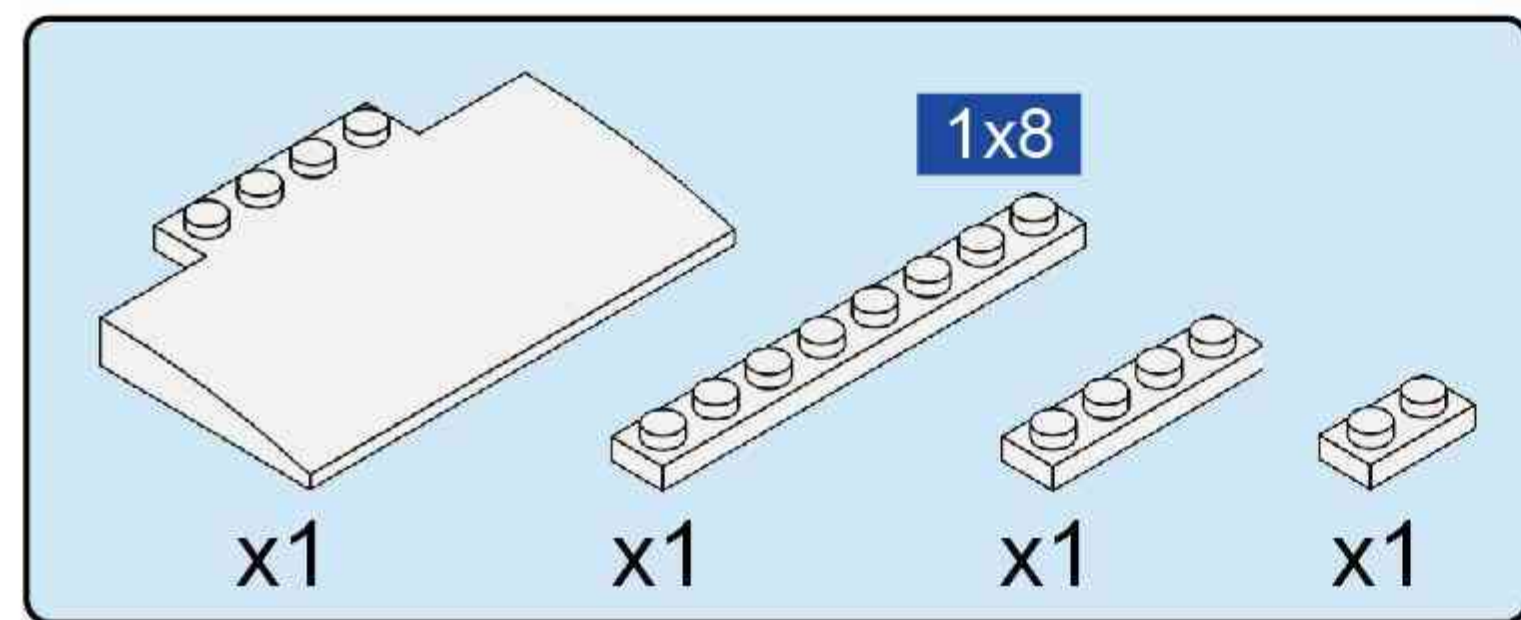
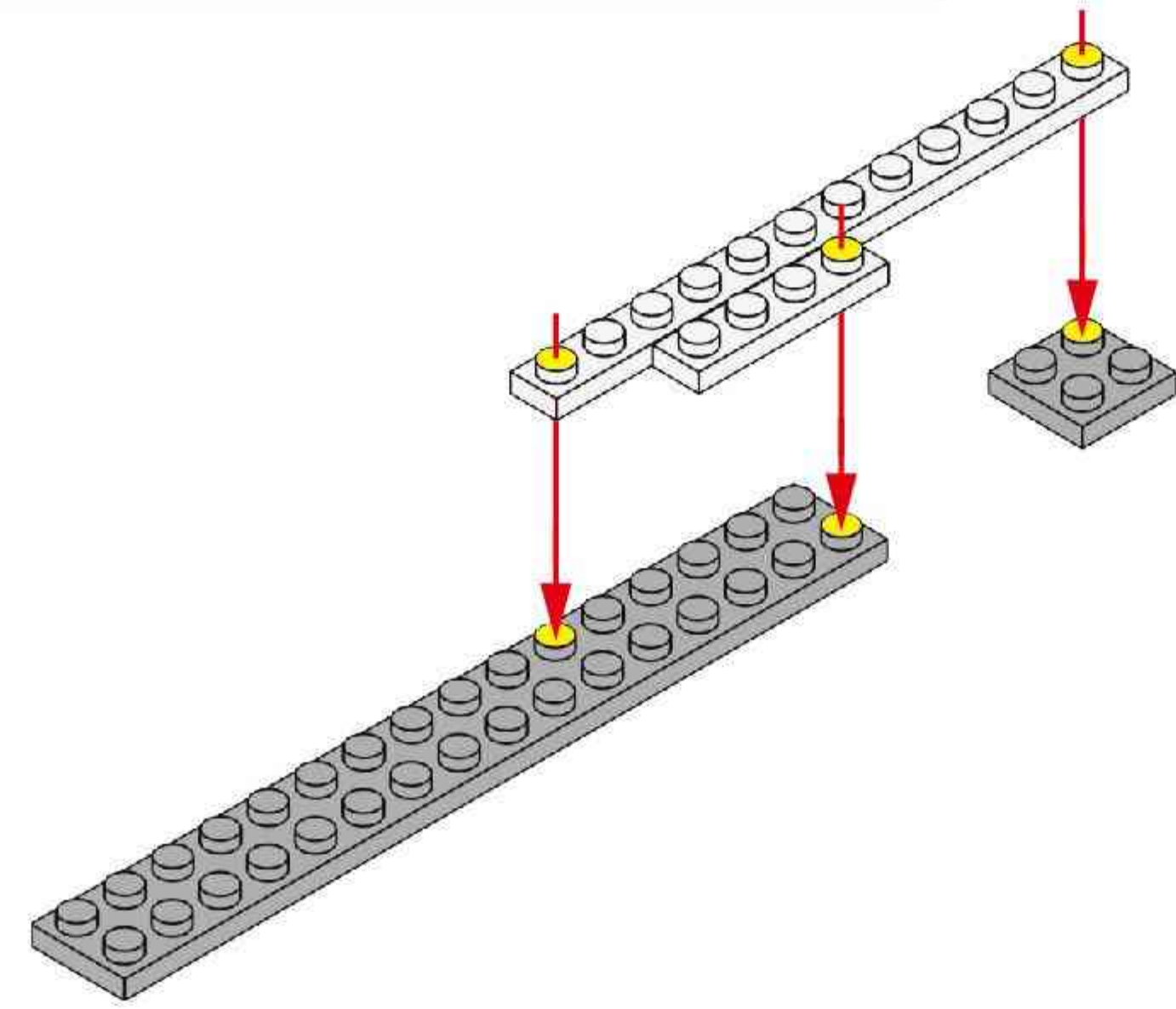


92

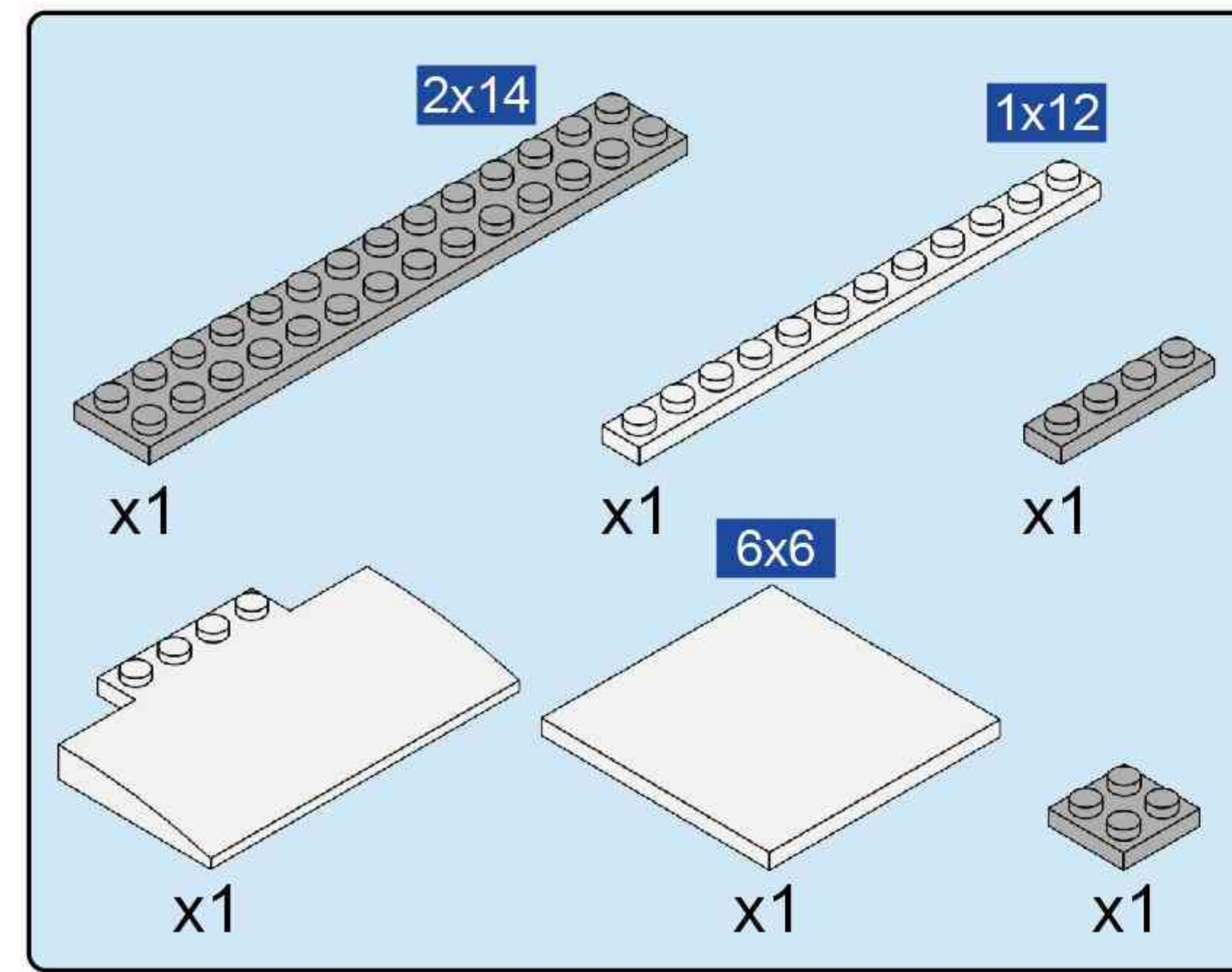
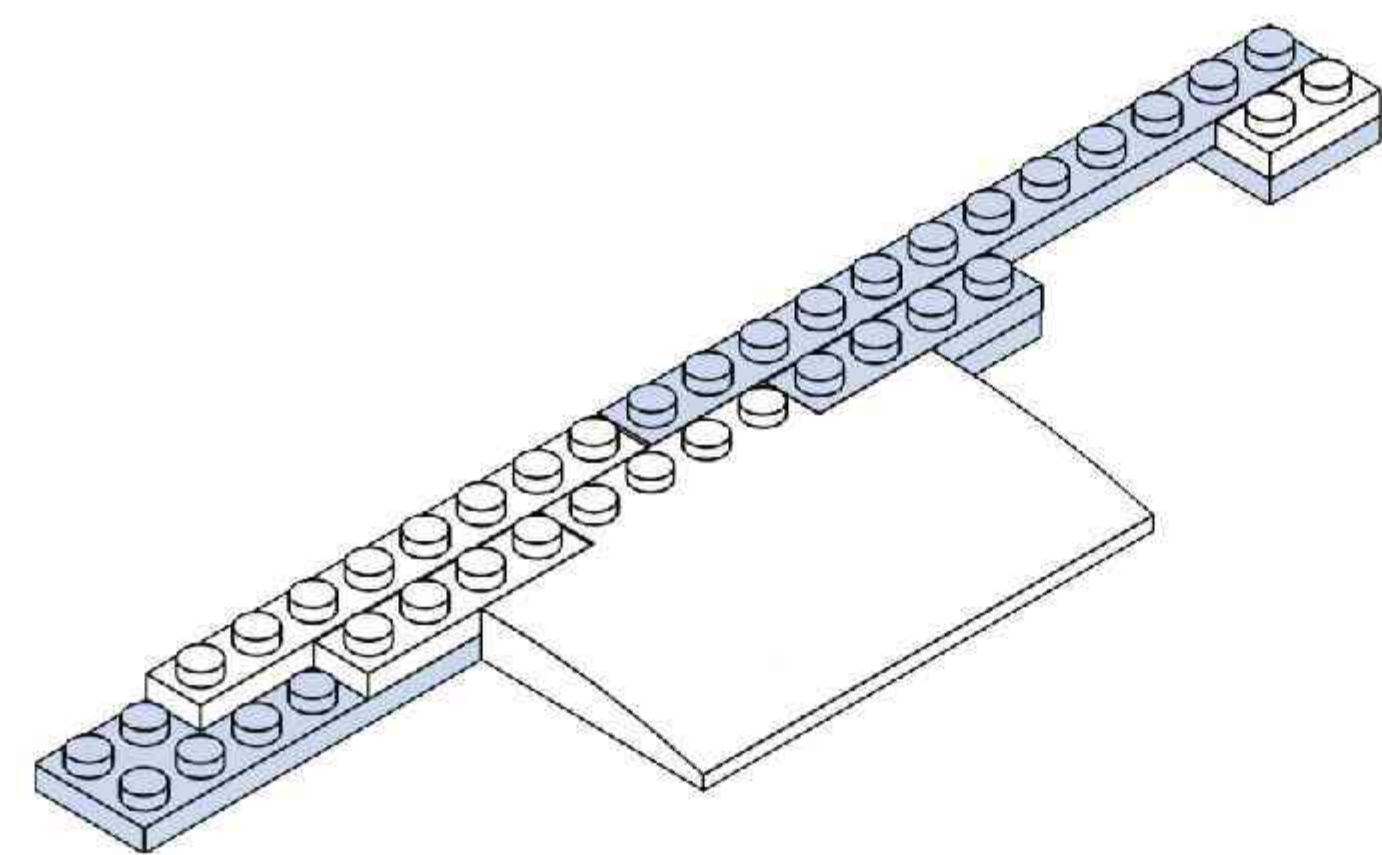




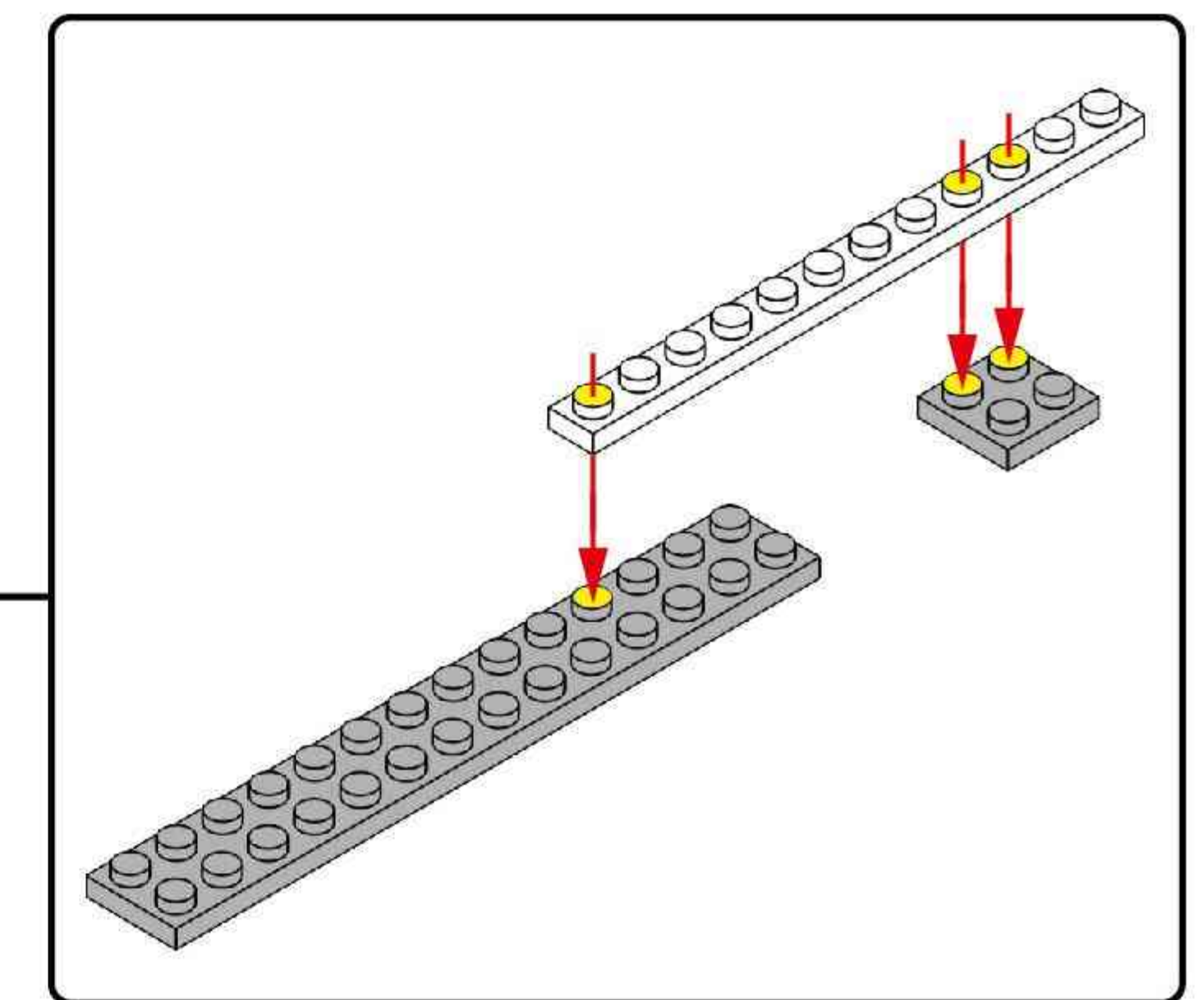
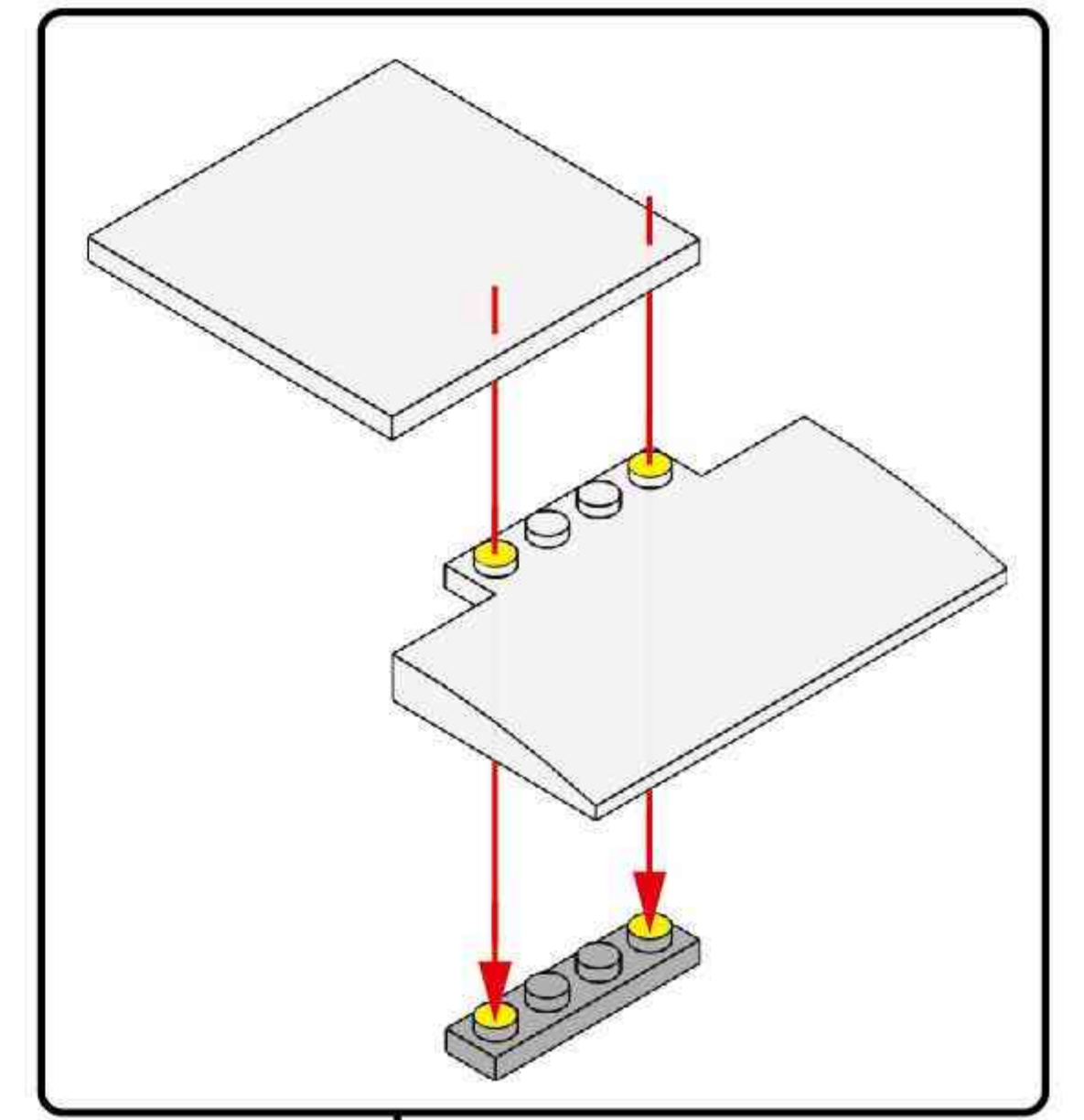
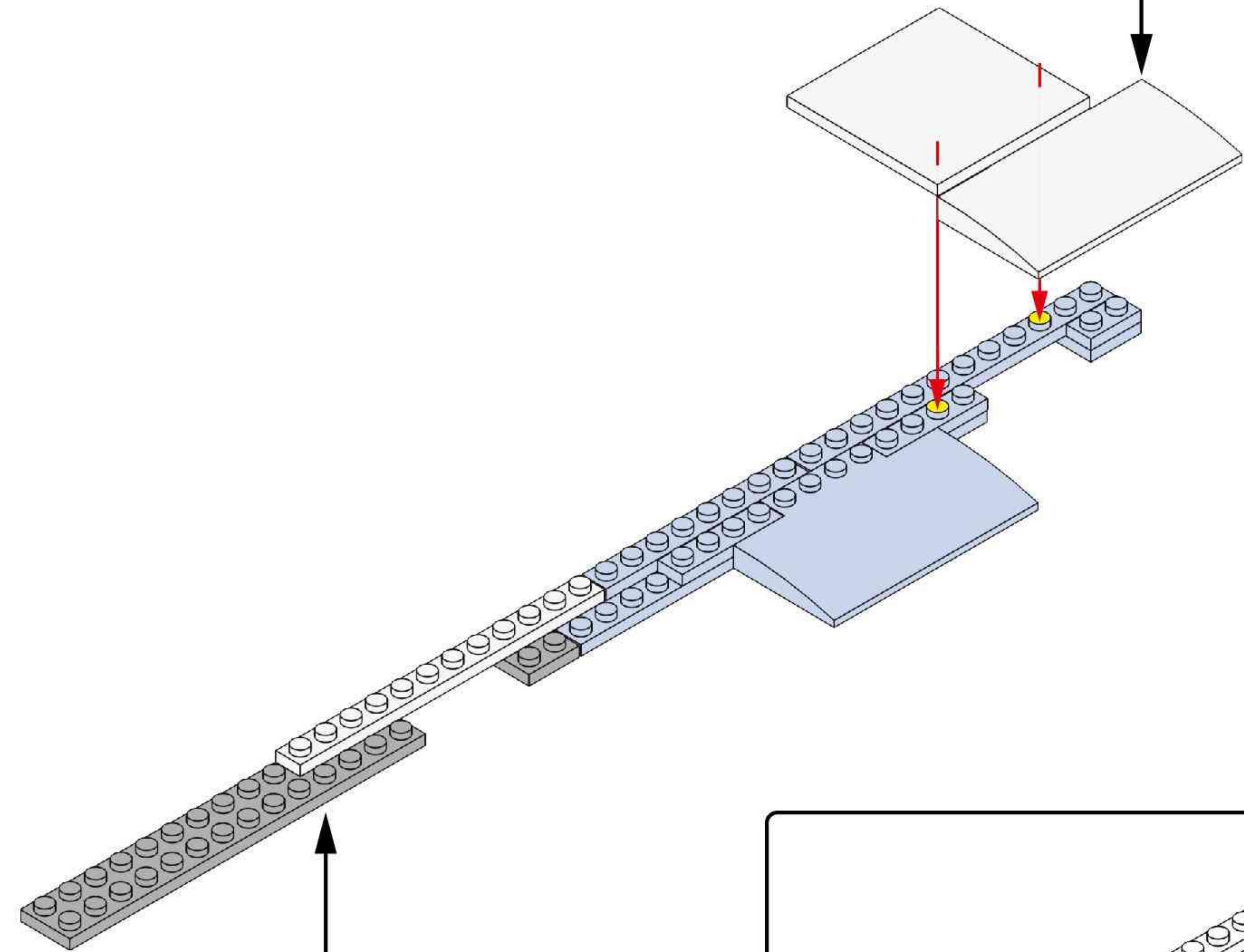
93

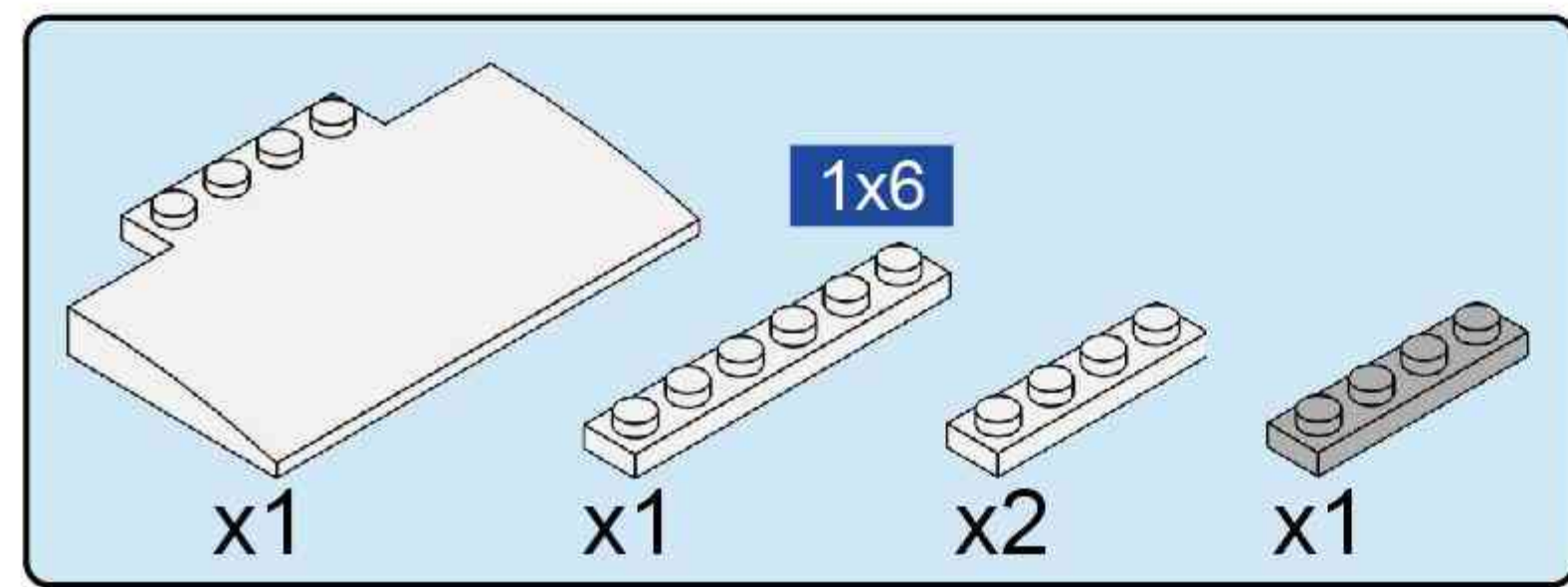


94

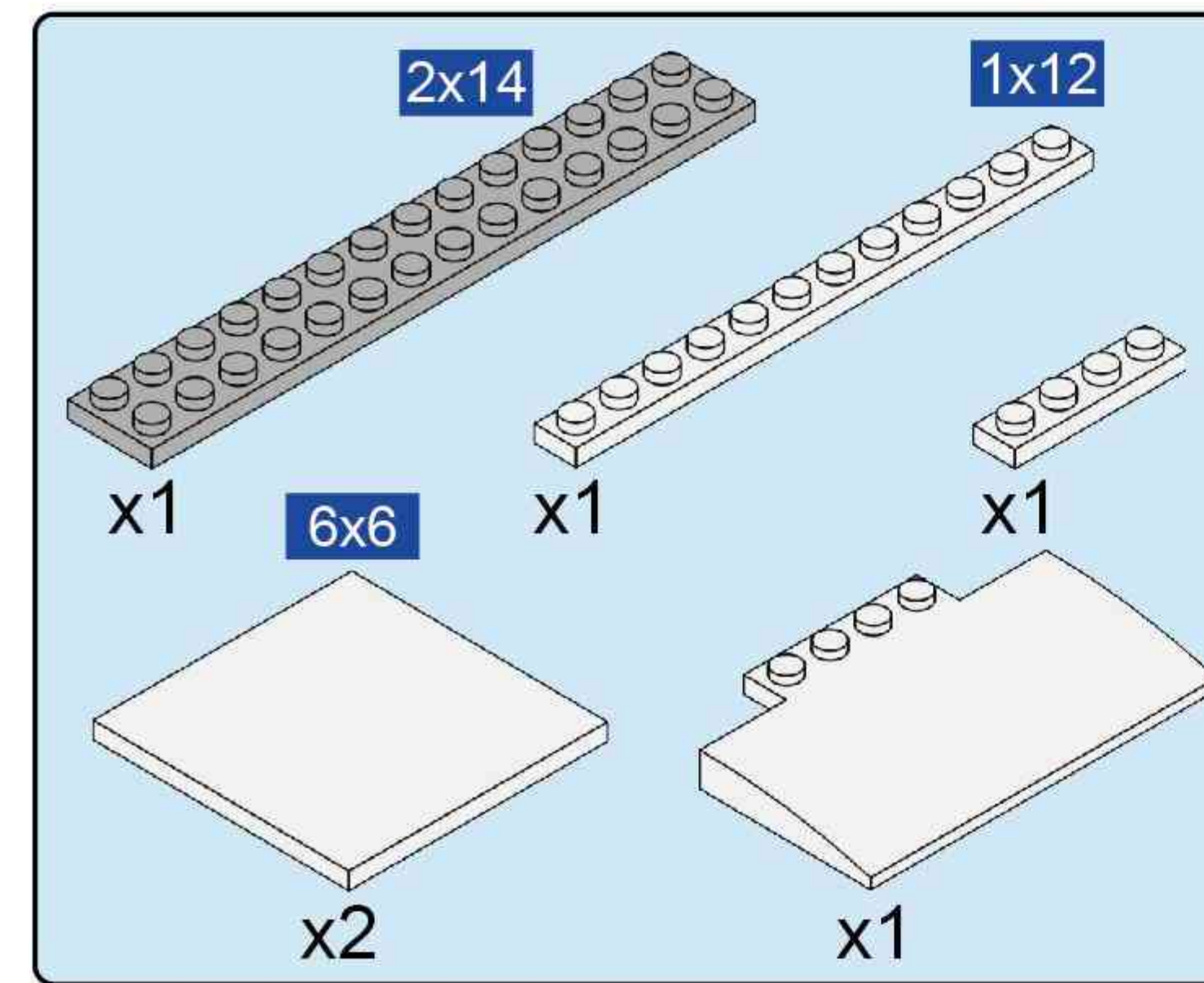
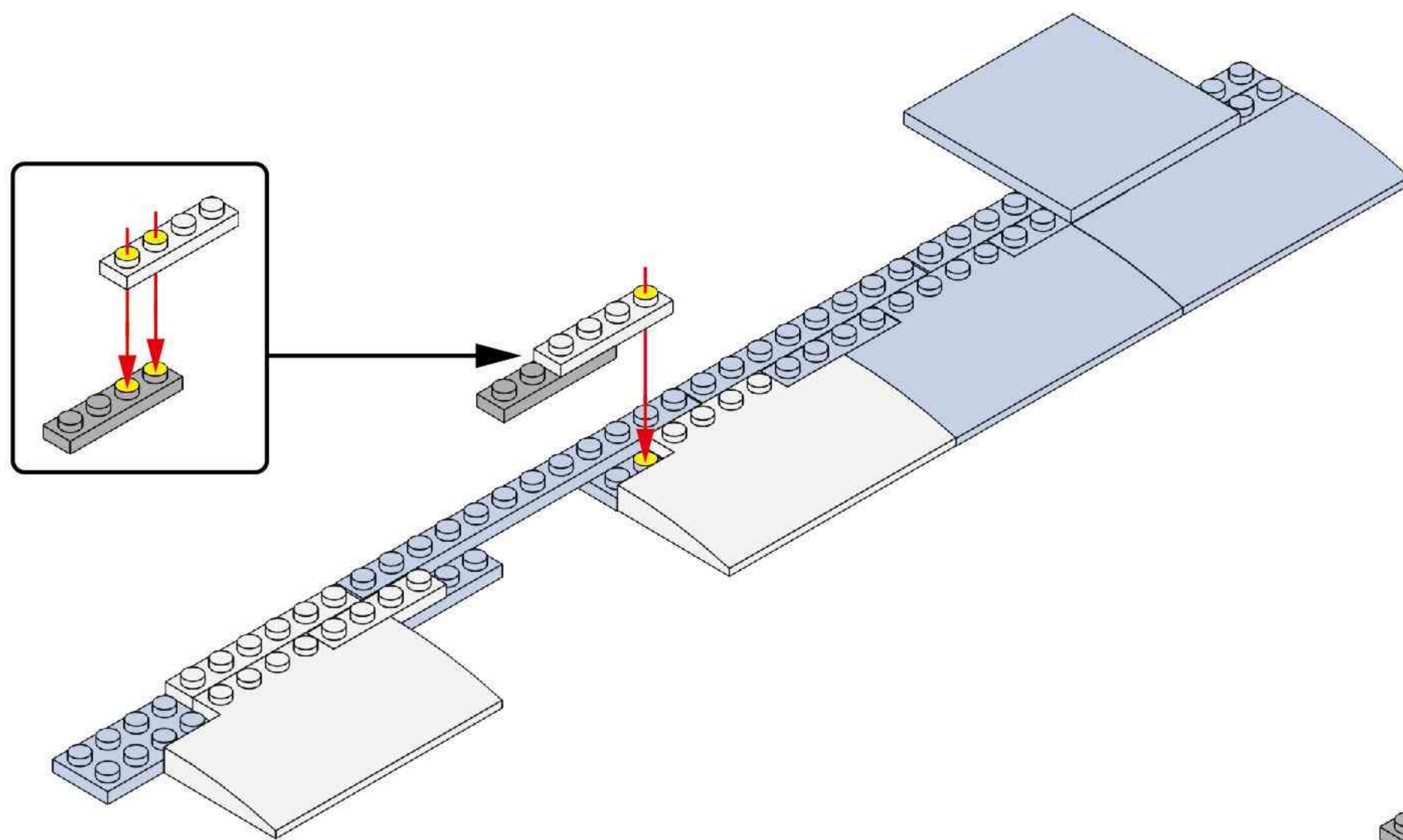


95

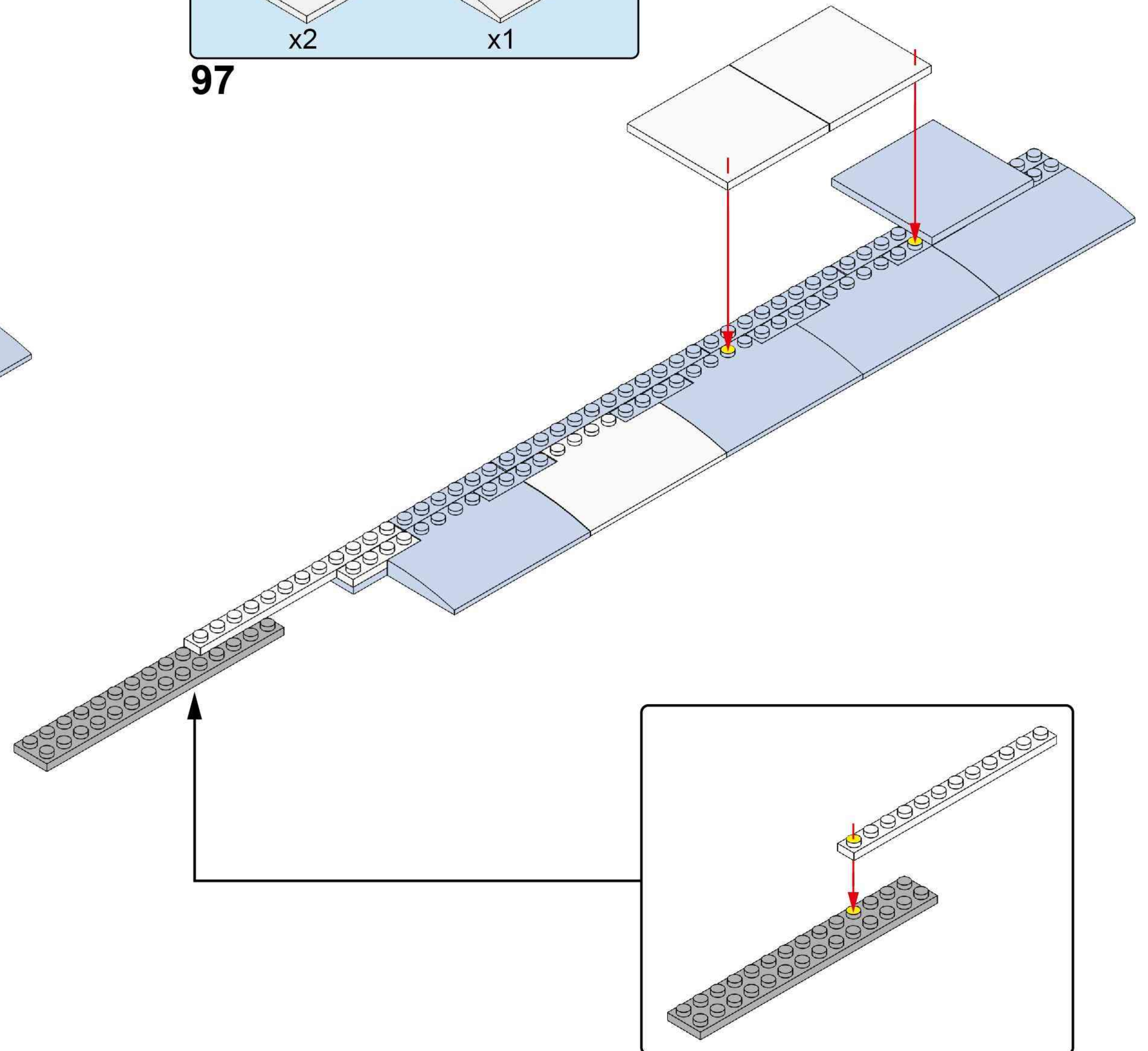


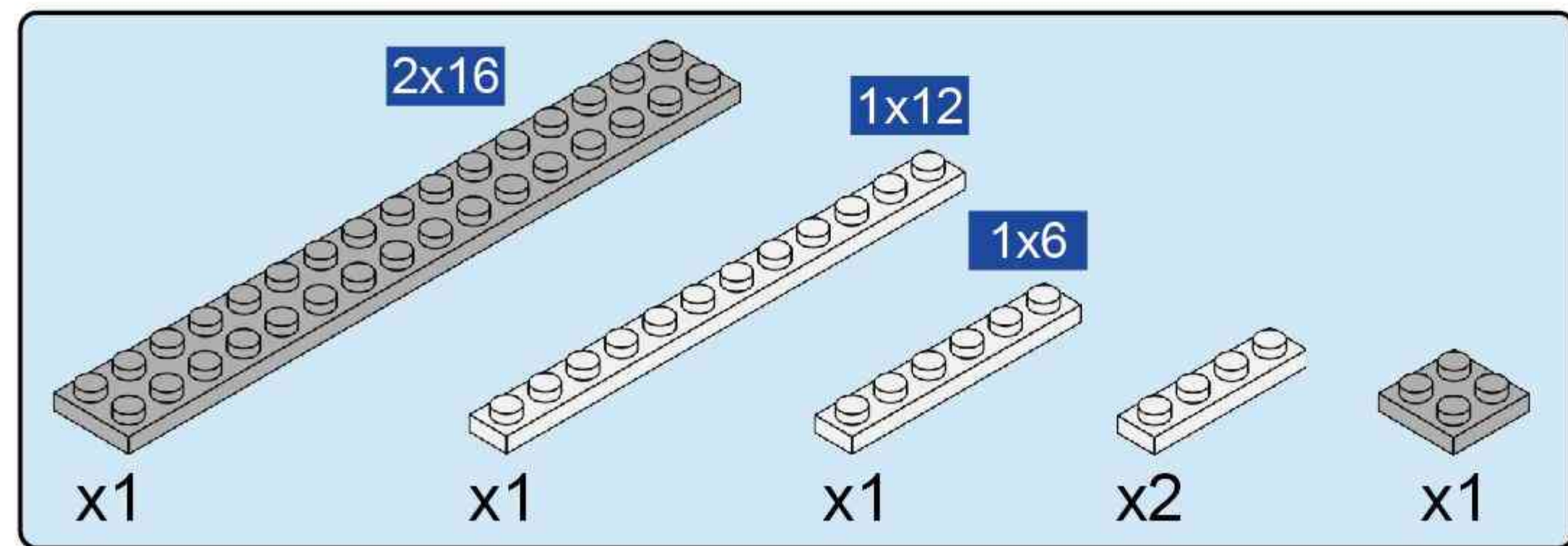


96

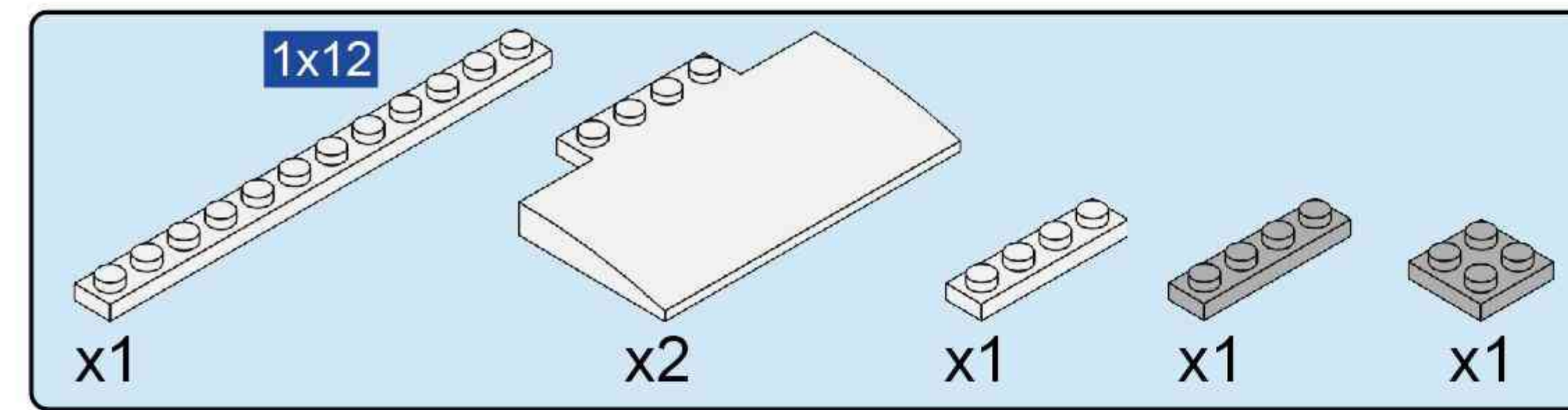
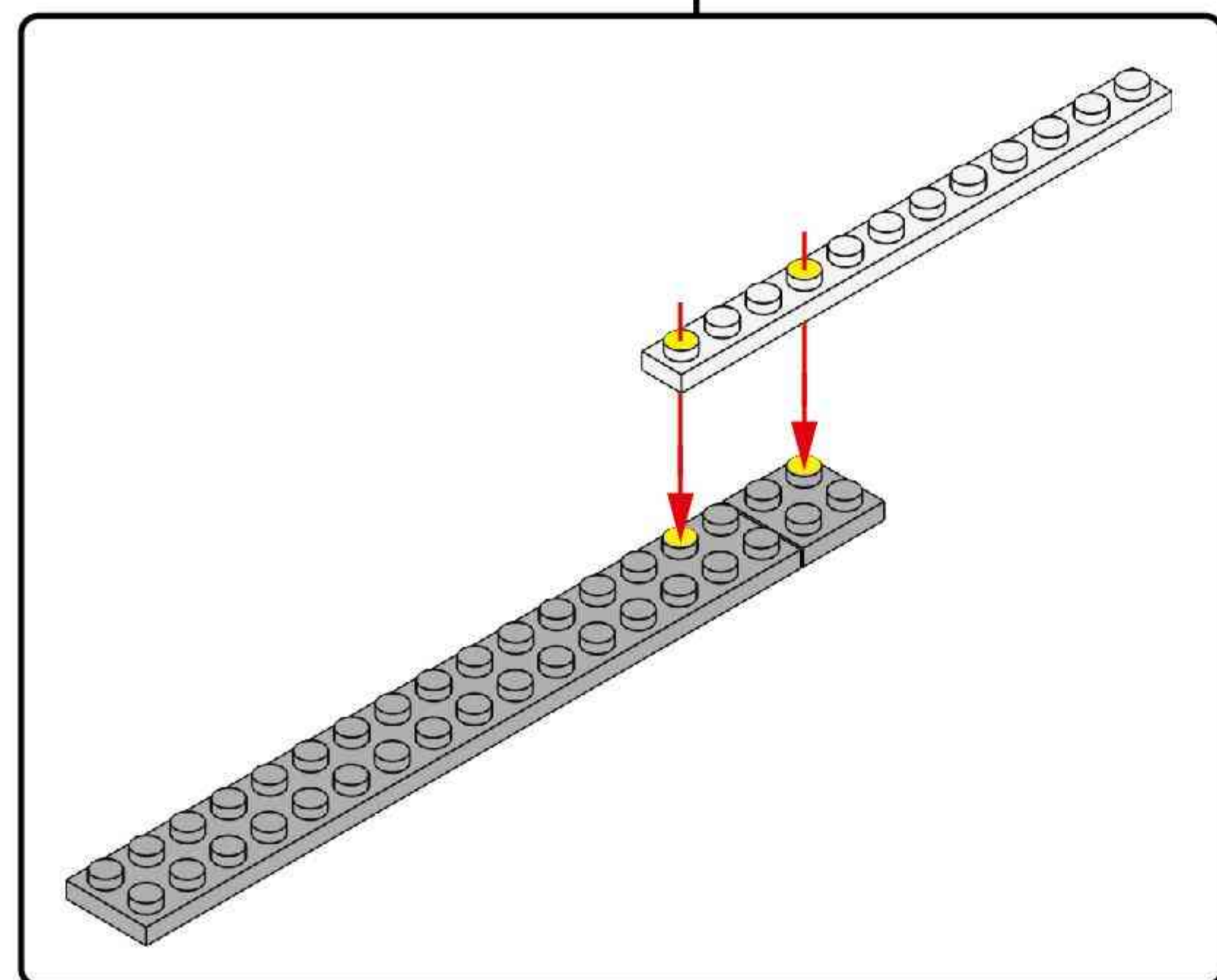
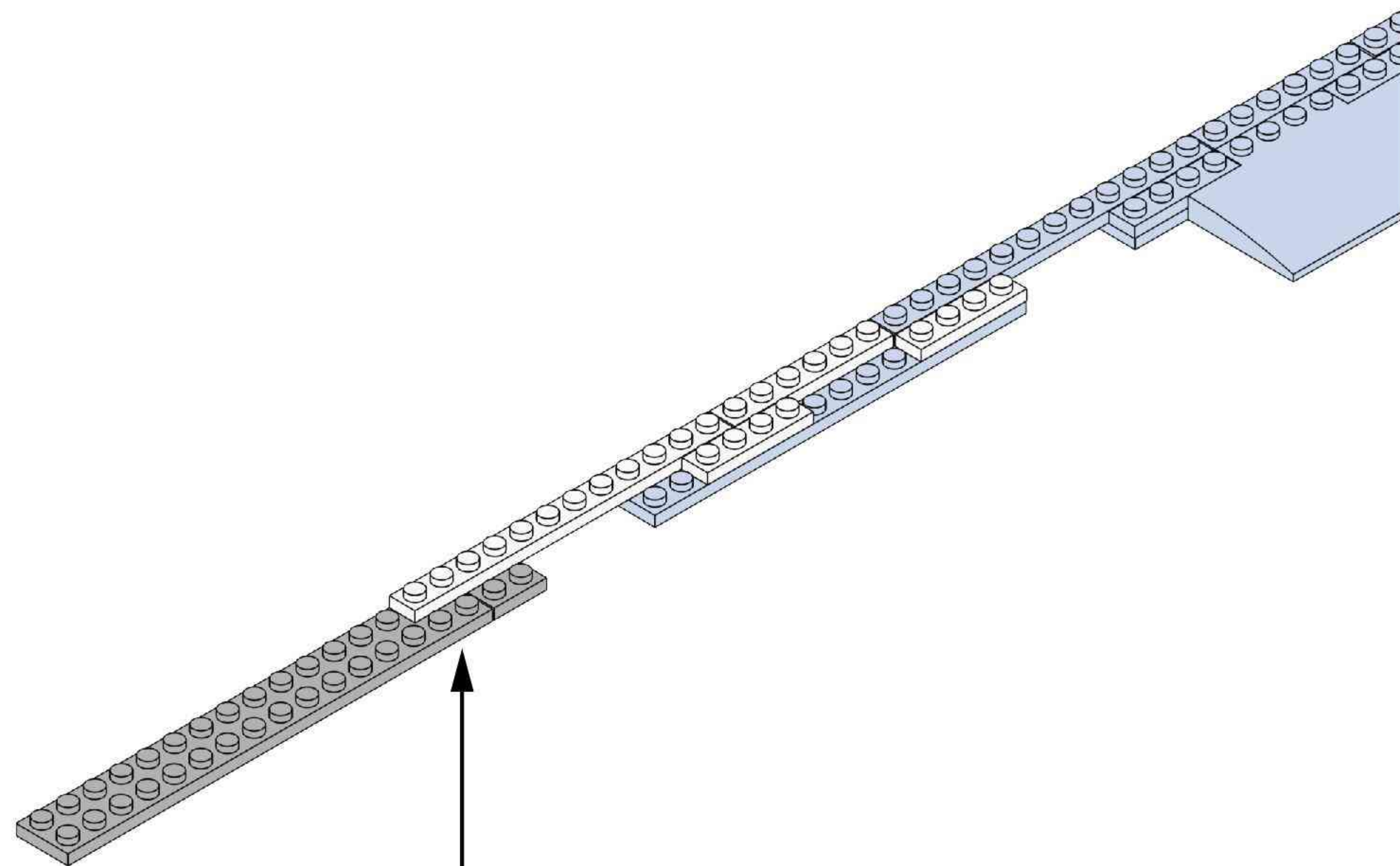


97

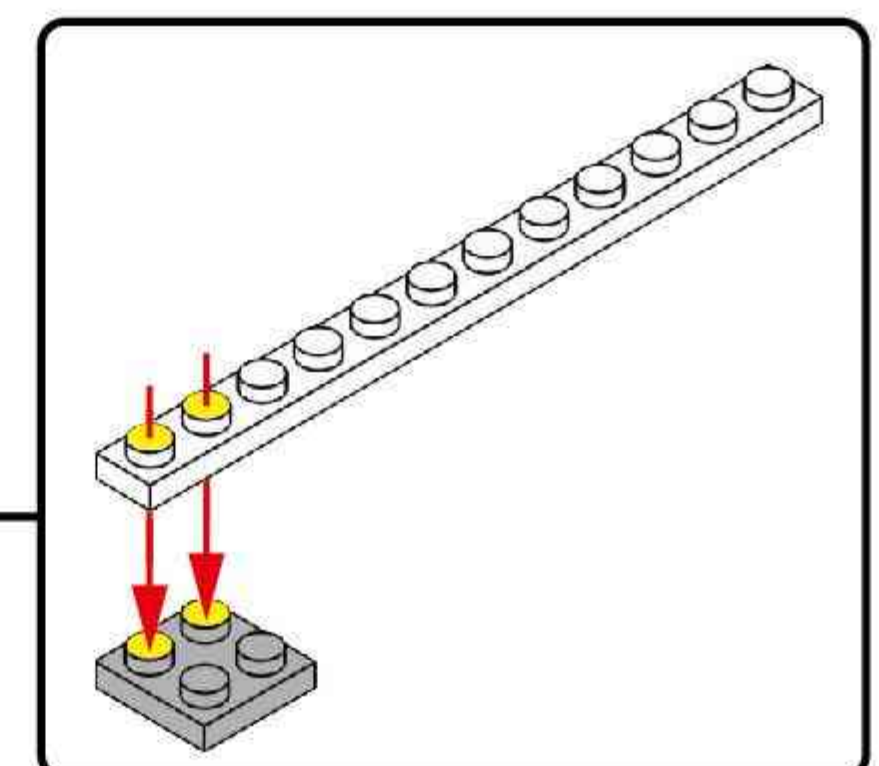
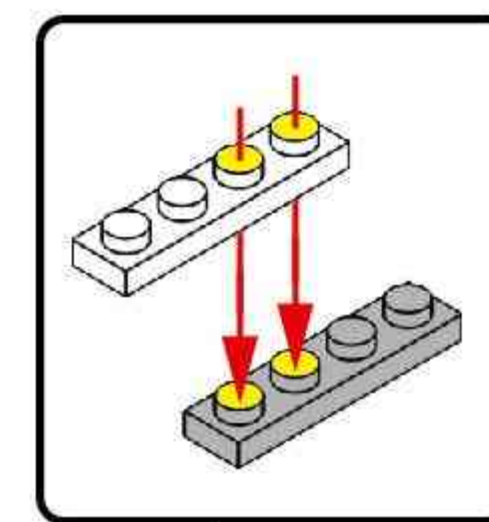
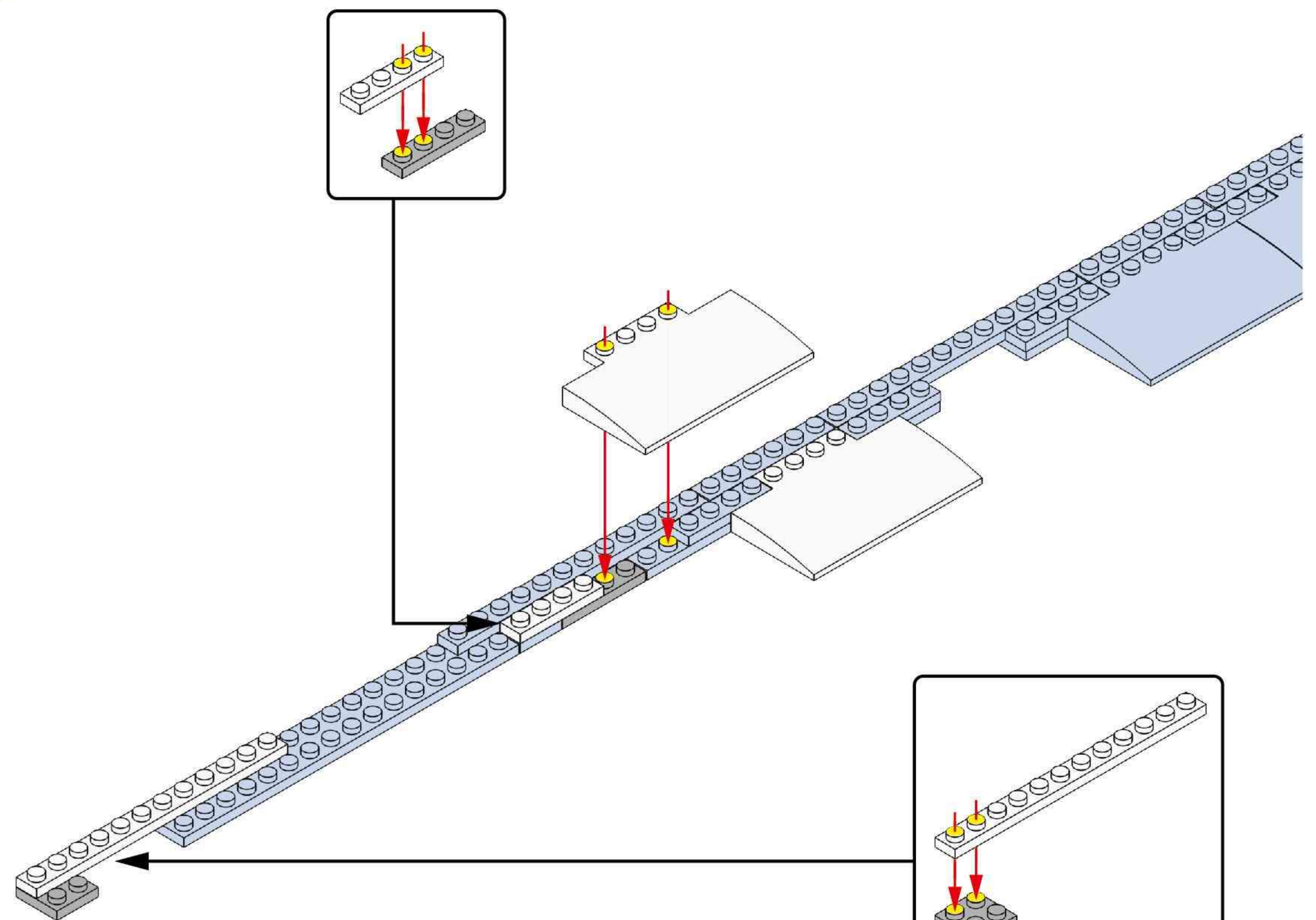




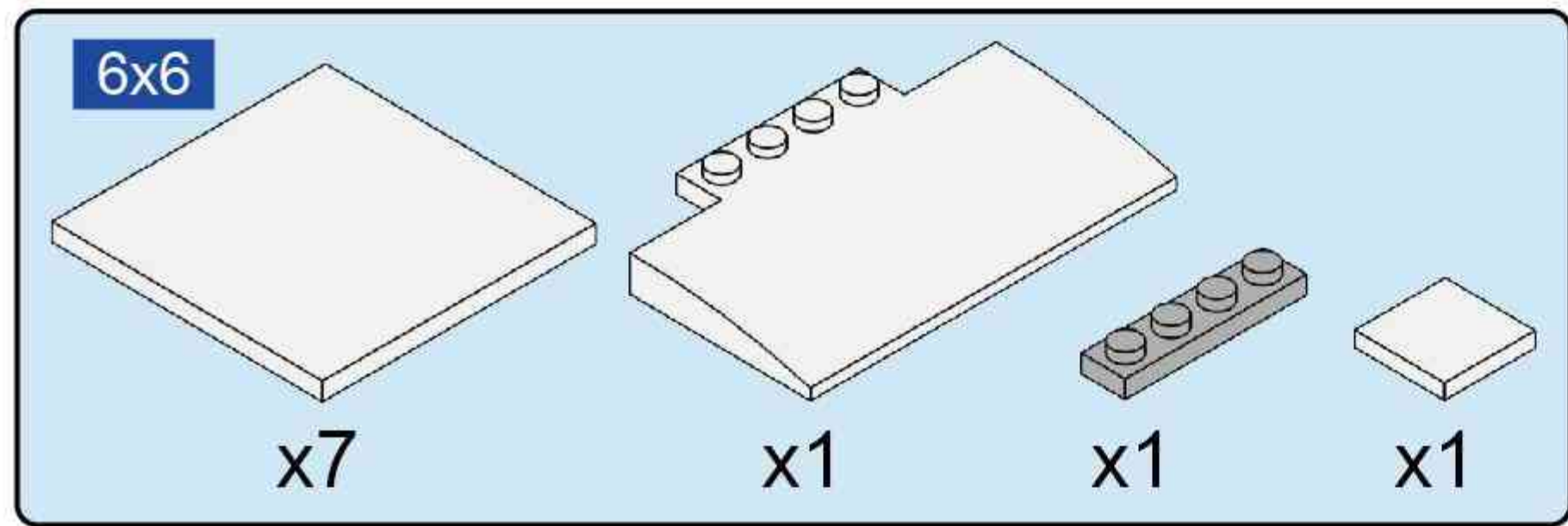
98



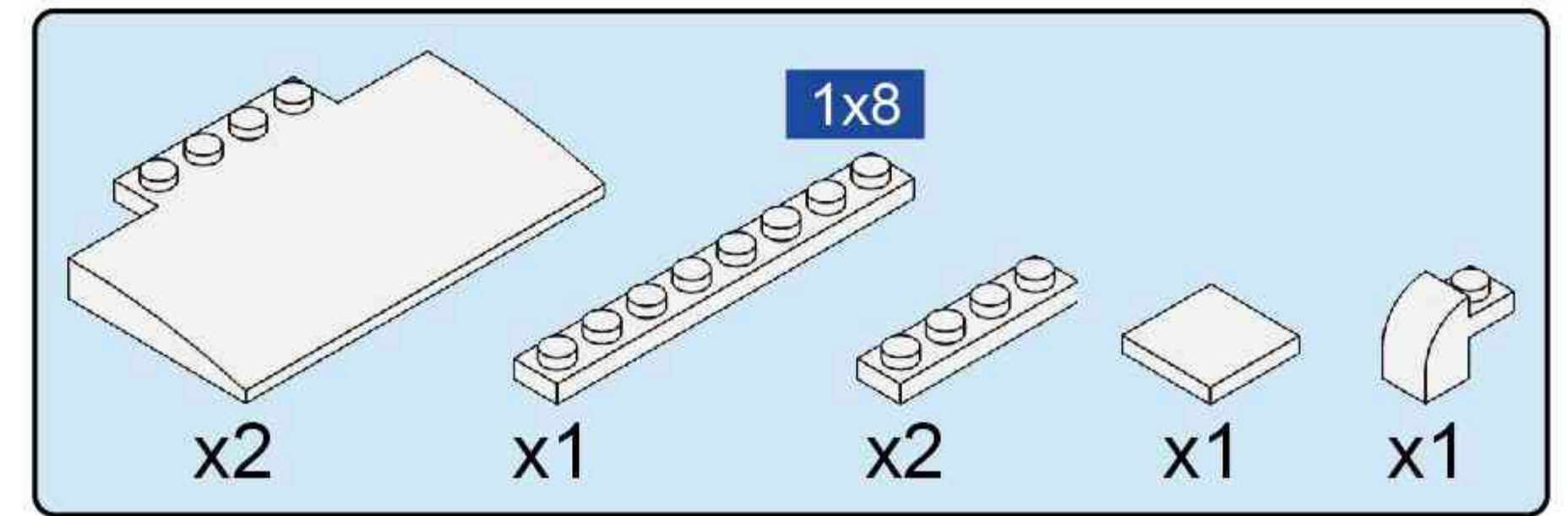
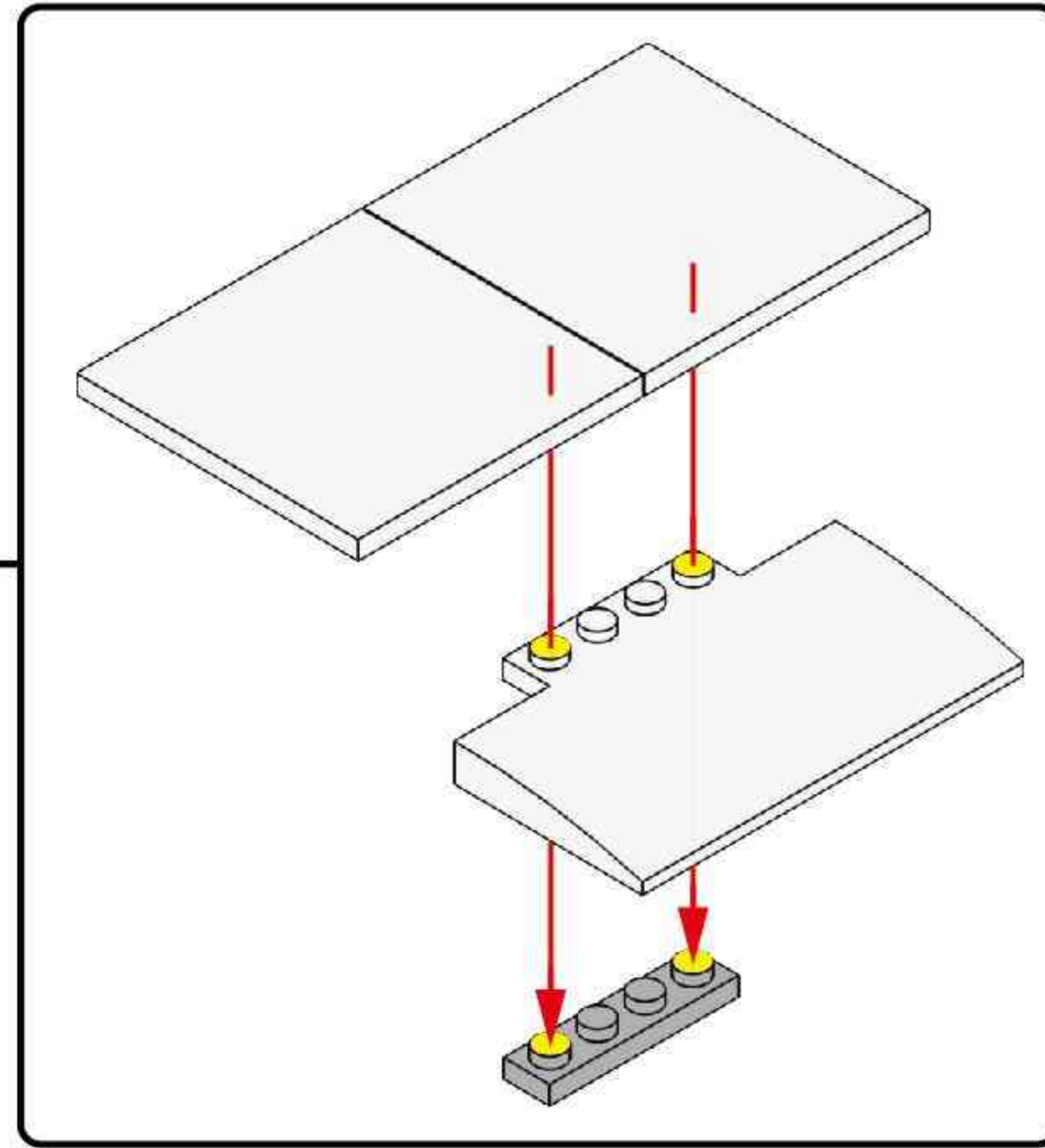
99



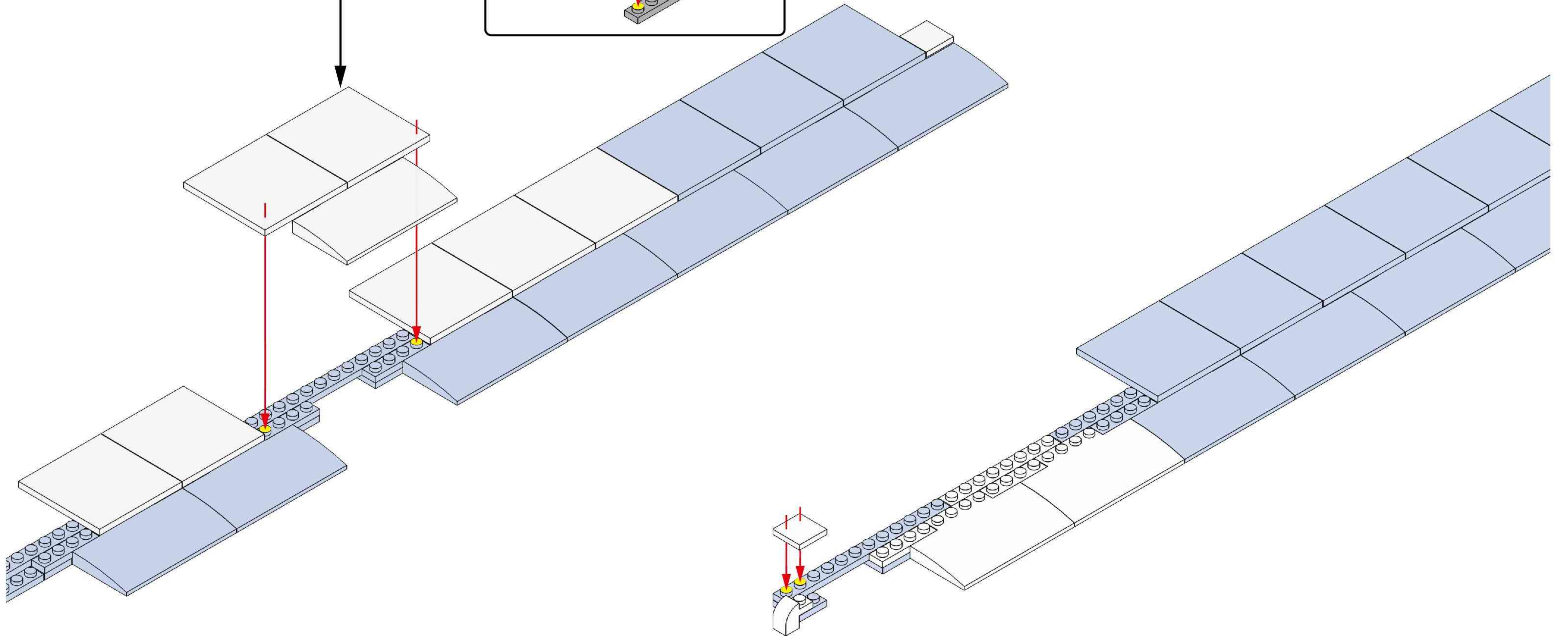
43

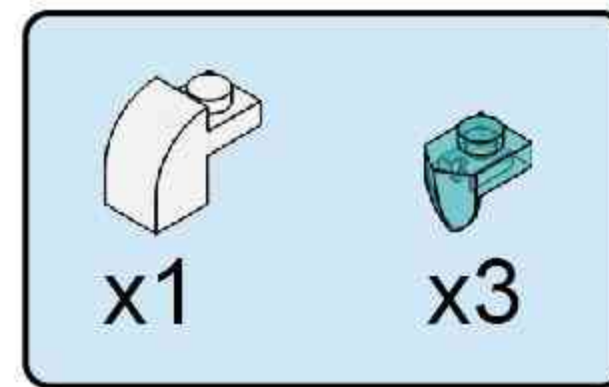
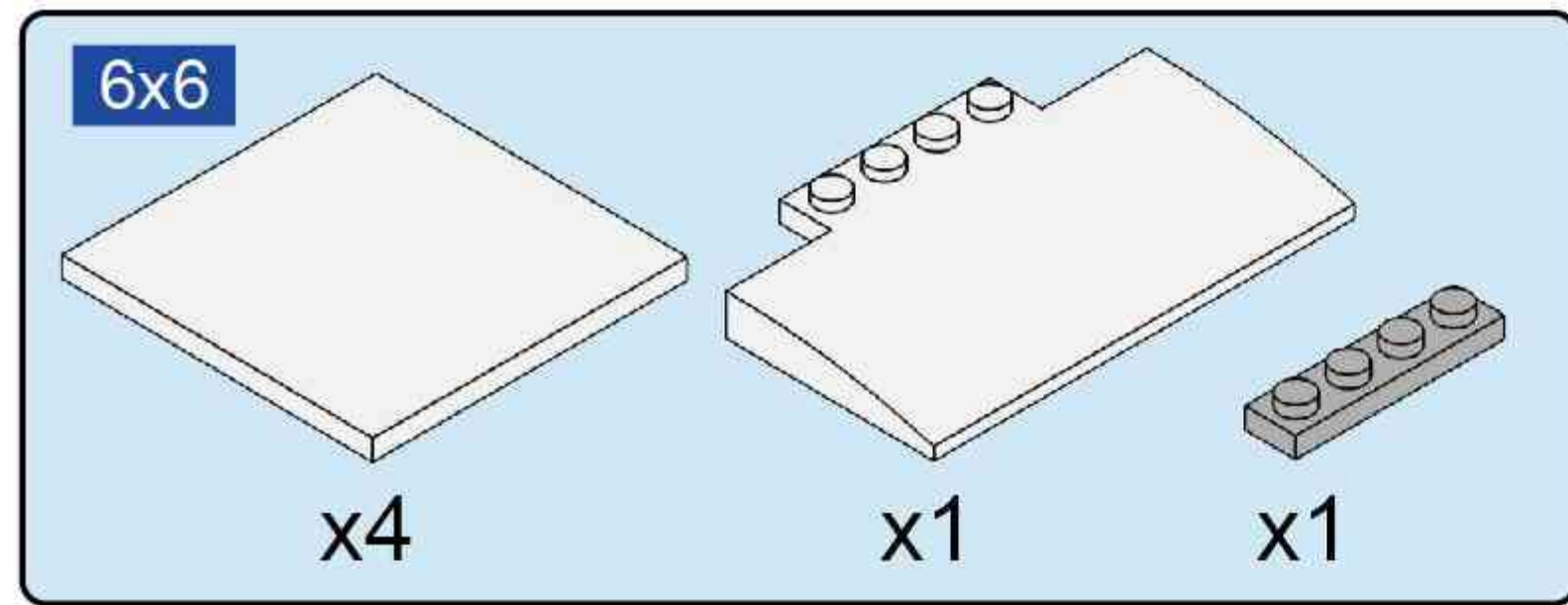


100



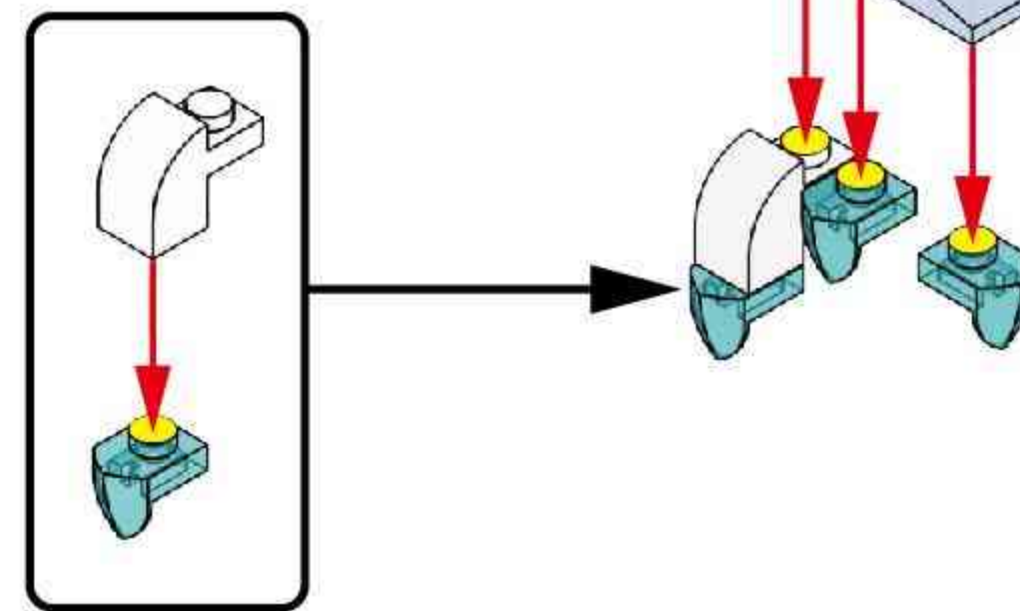
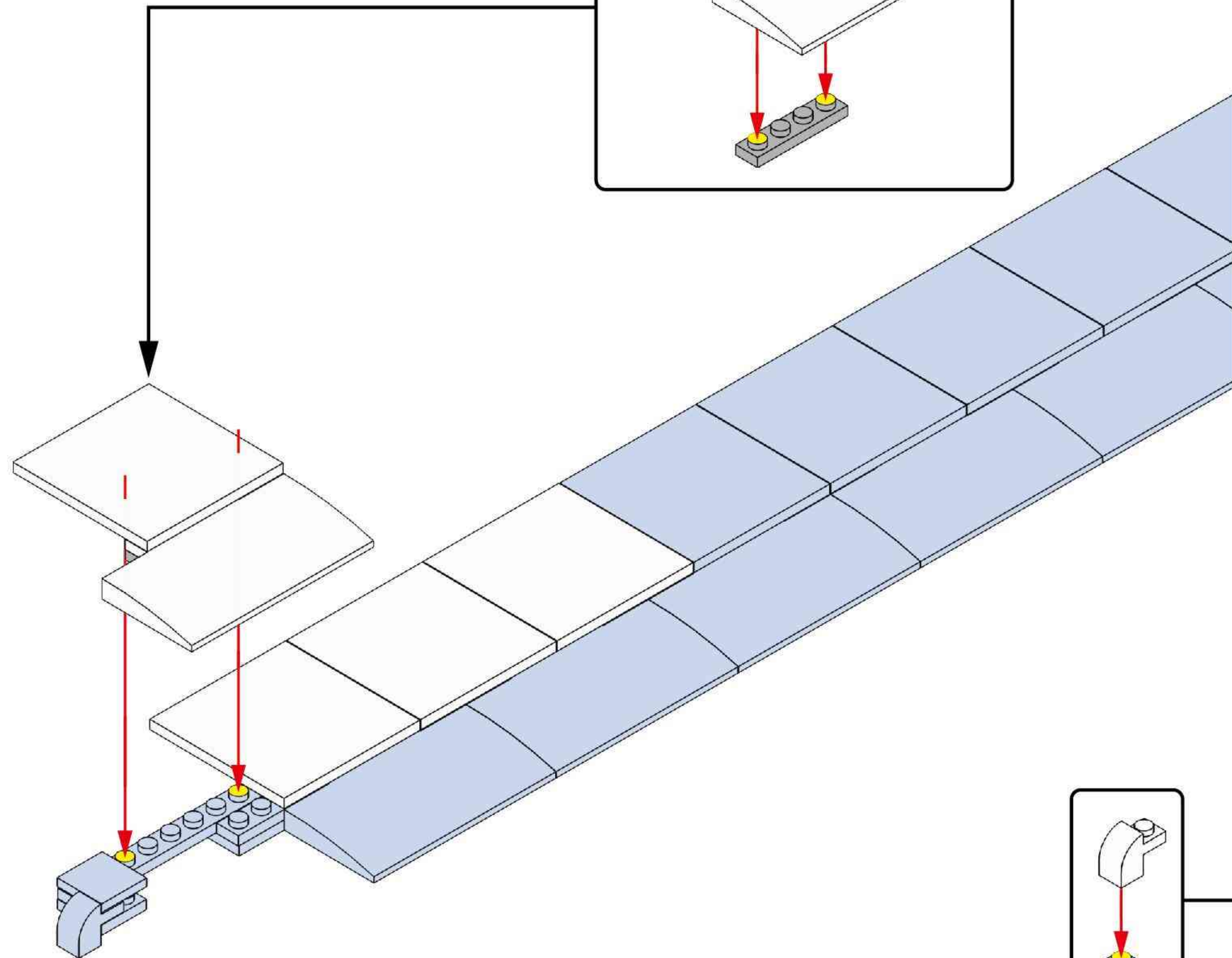
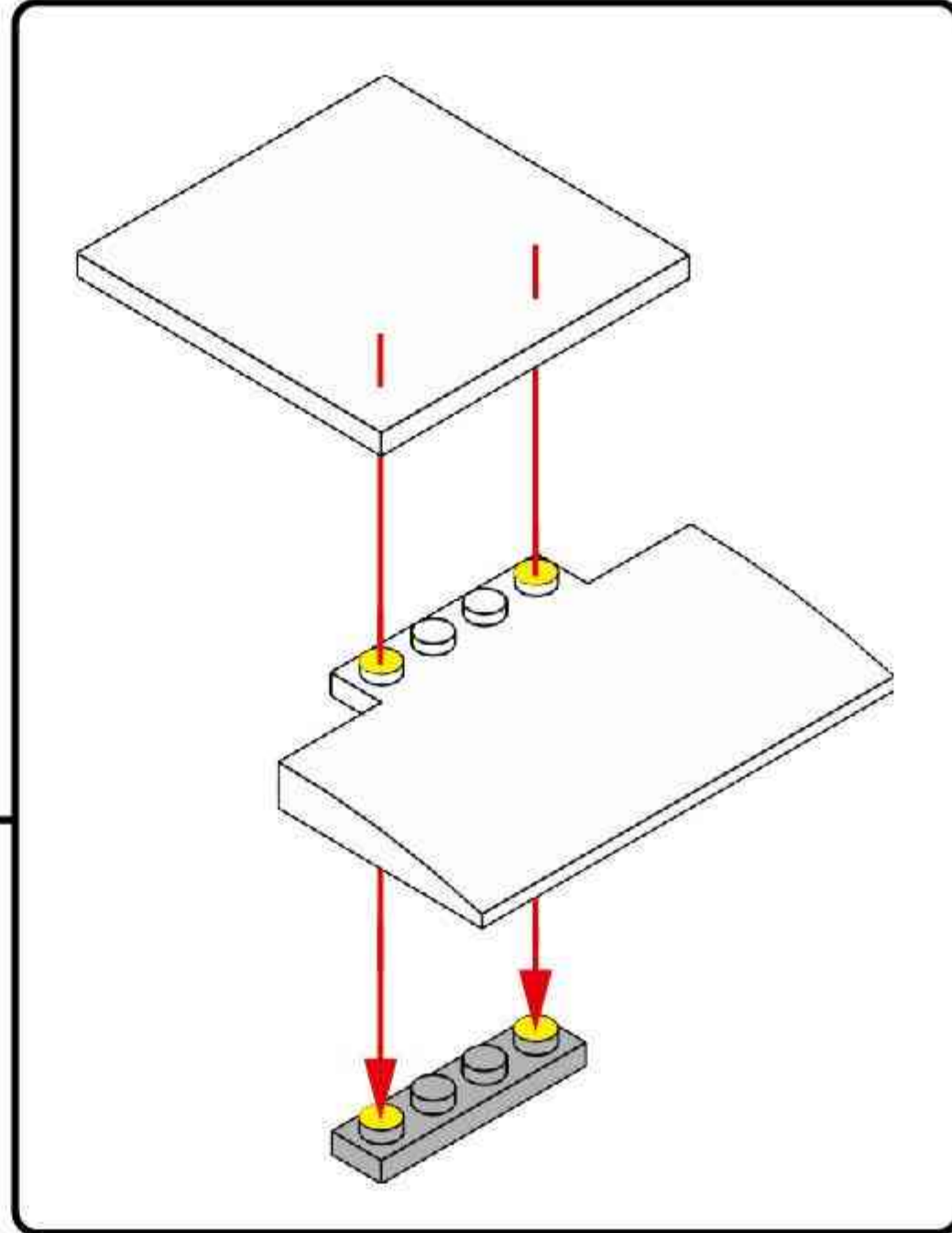
101

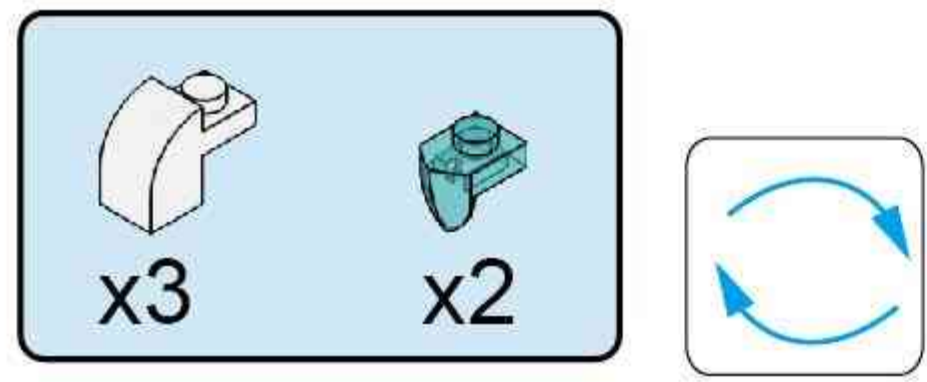




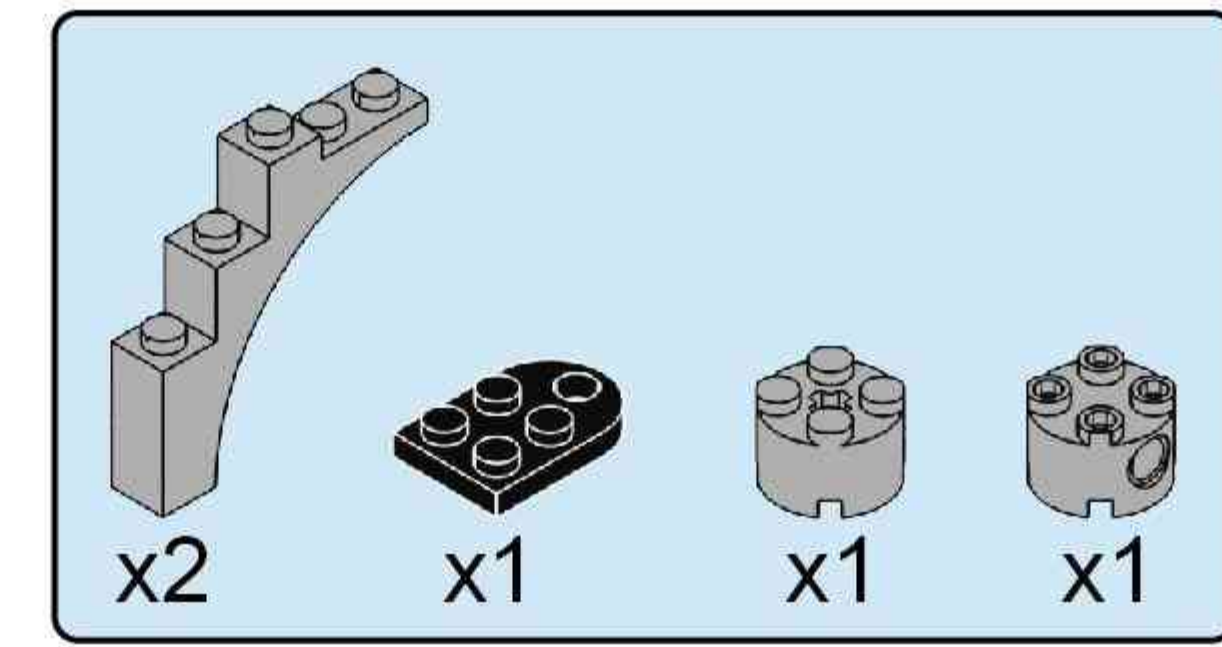
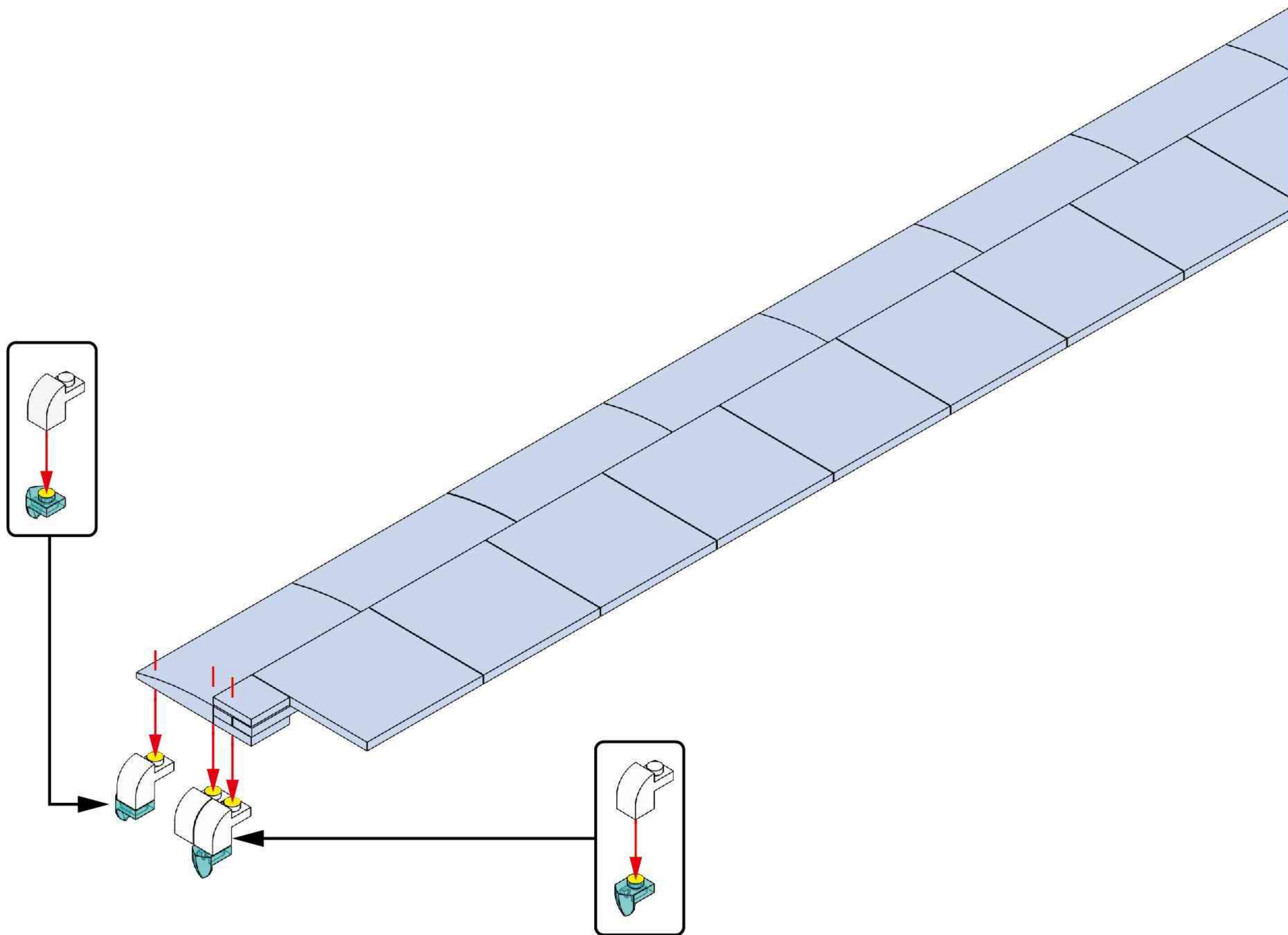
103

102

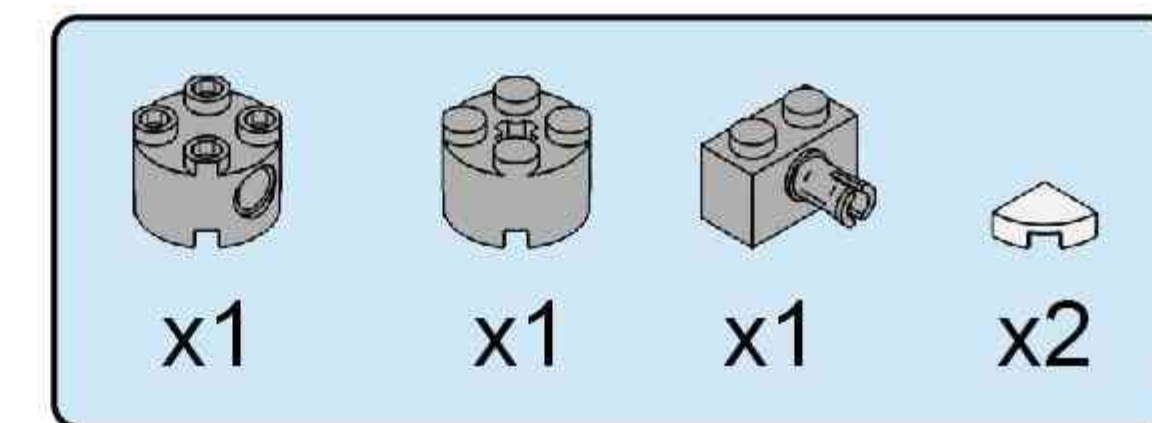
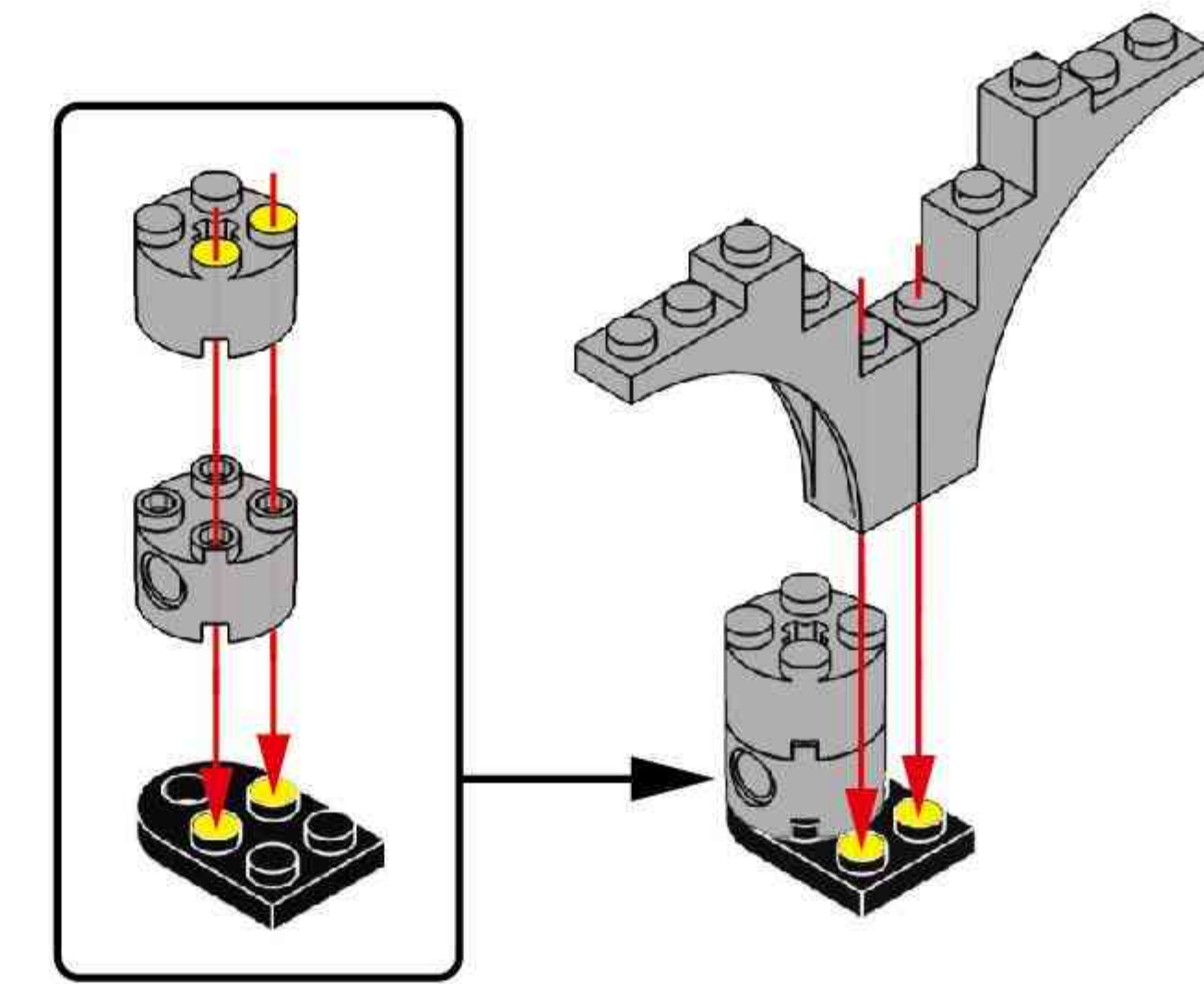




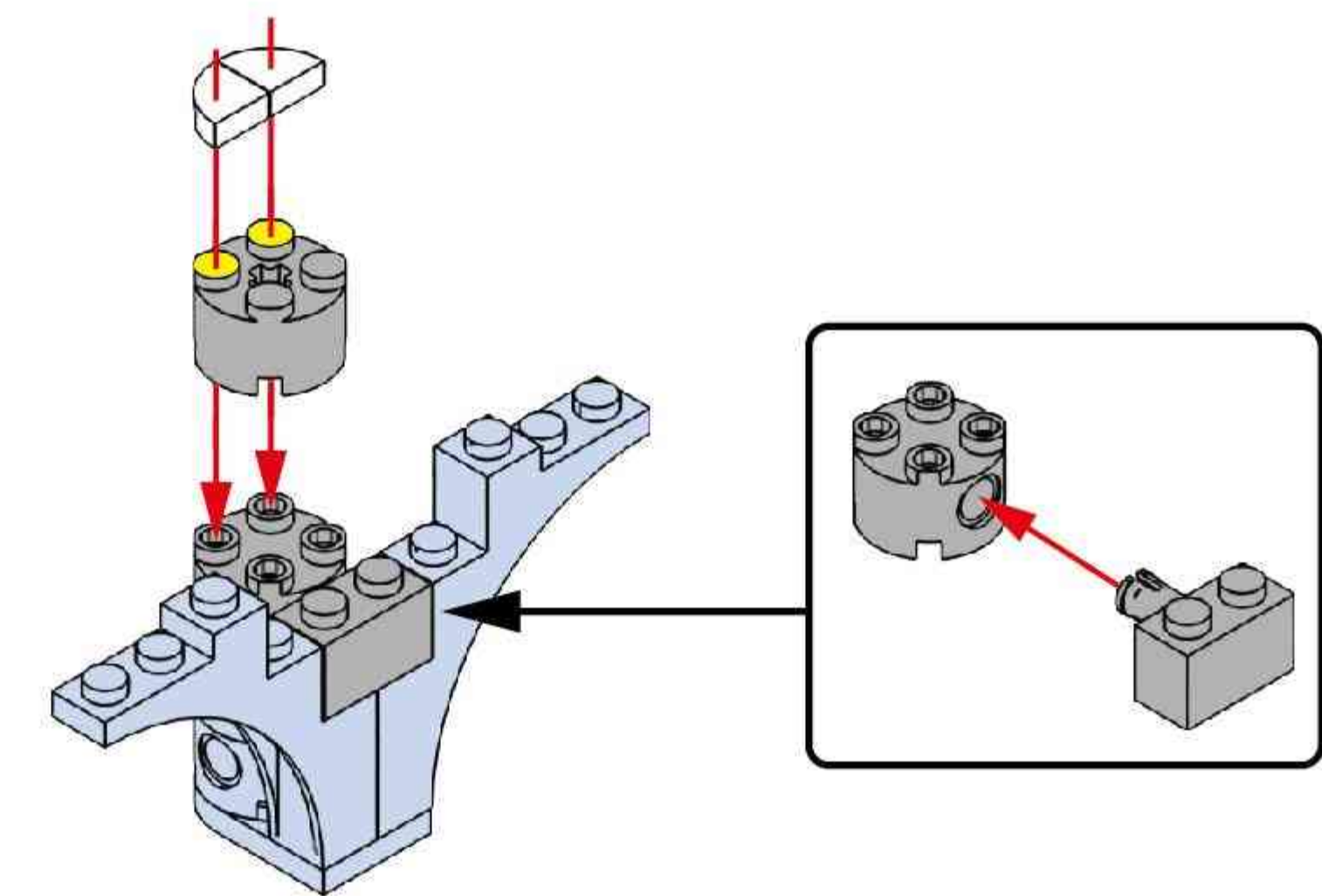
104

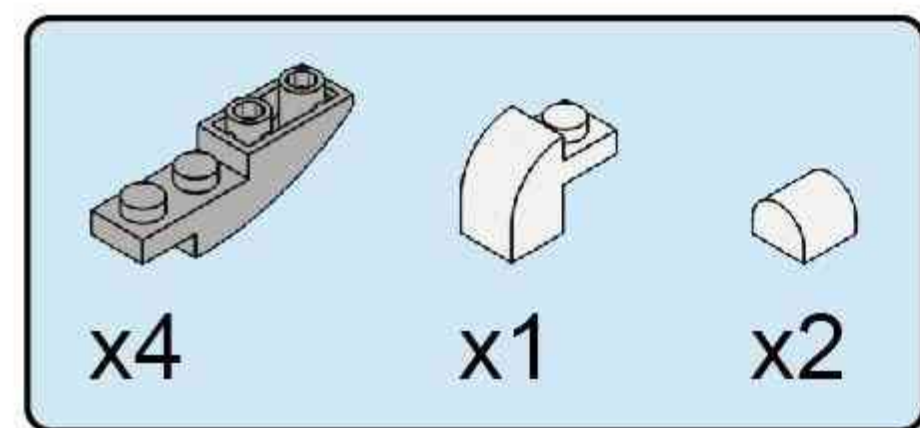


105

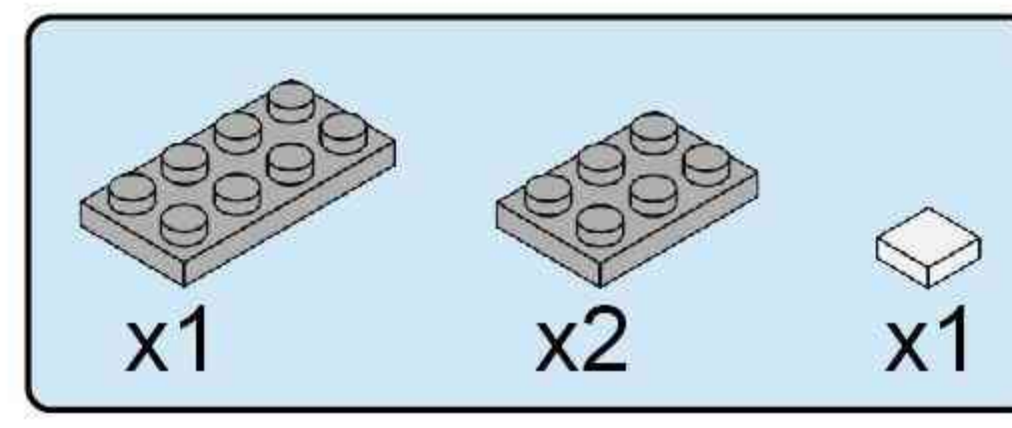
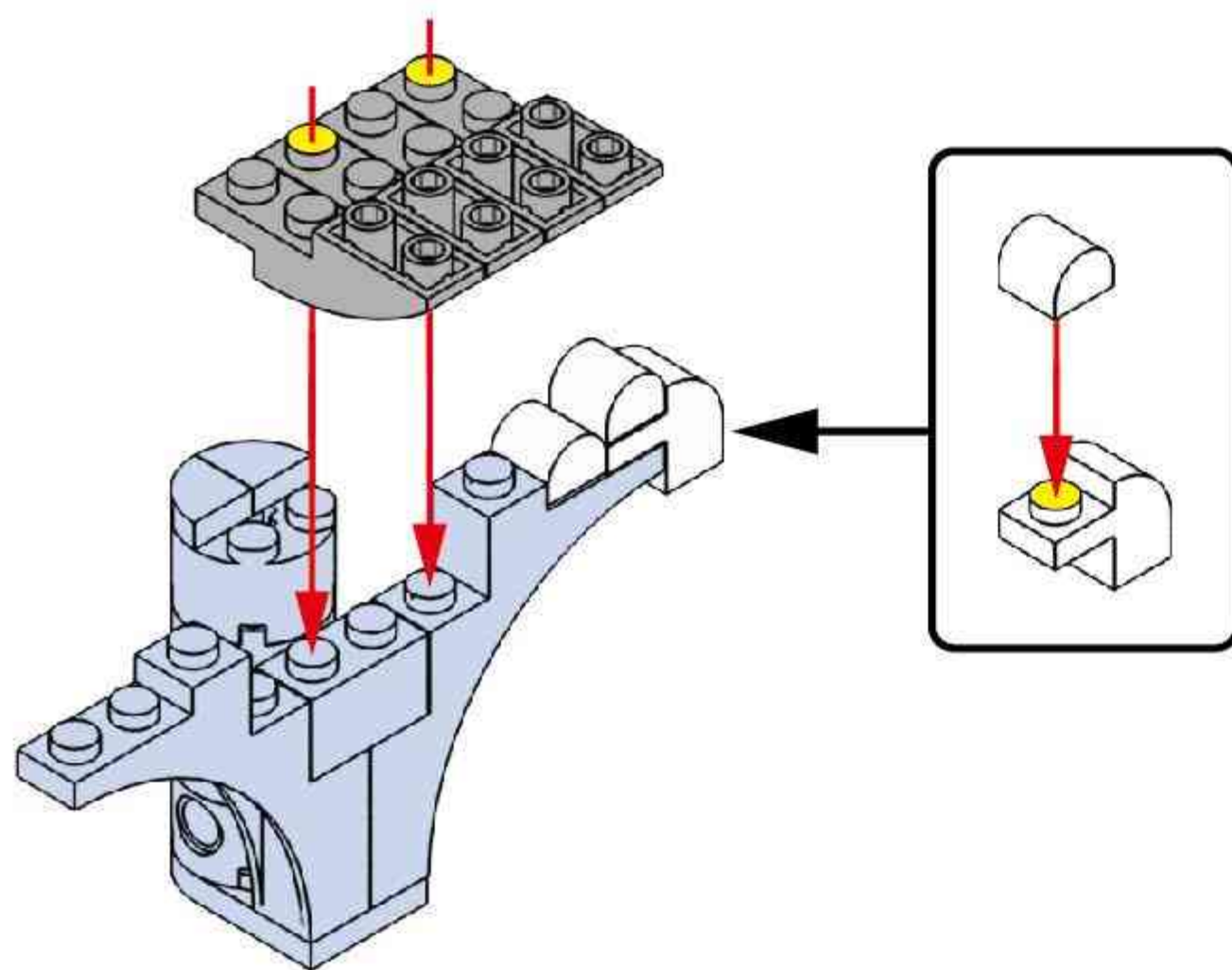


106

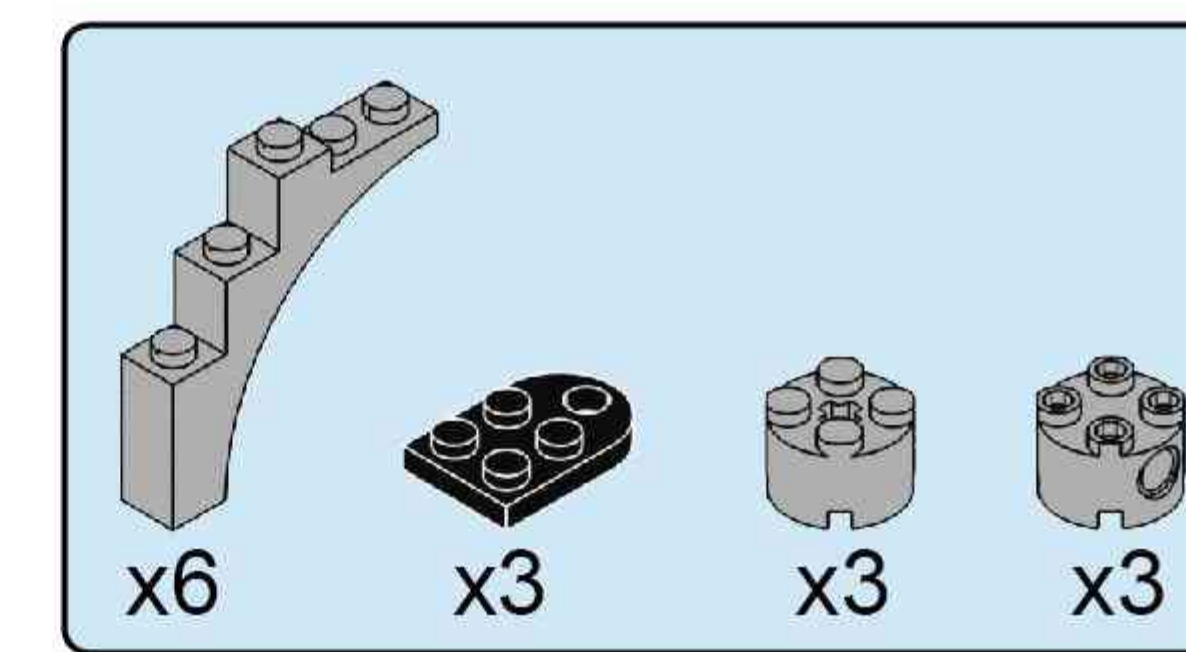
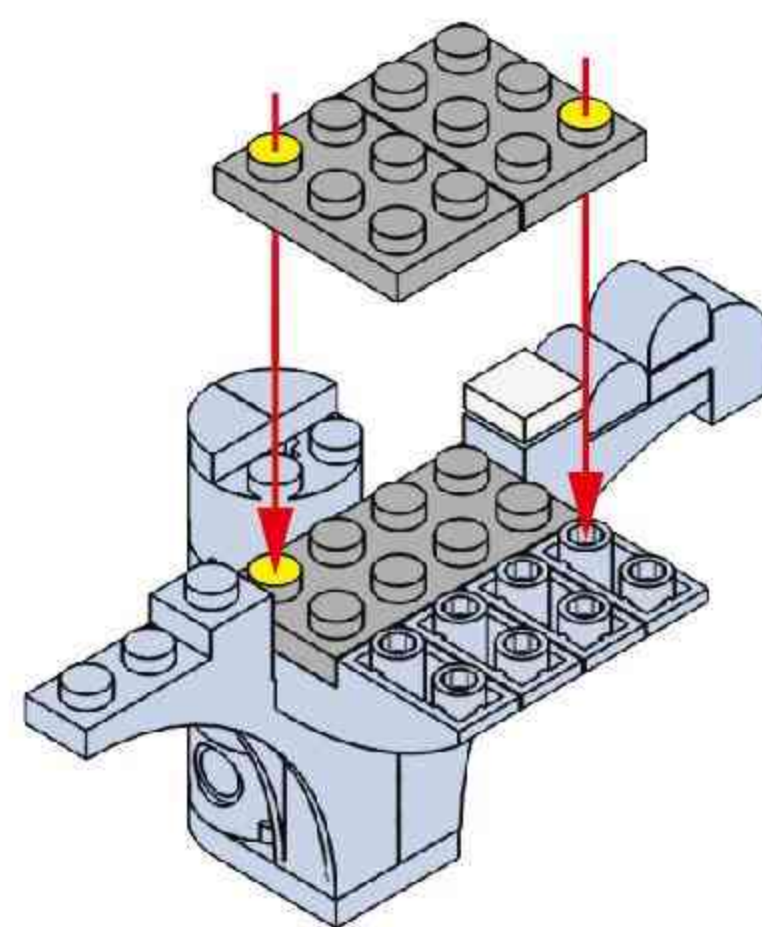




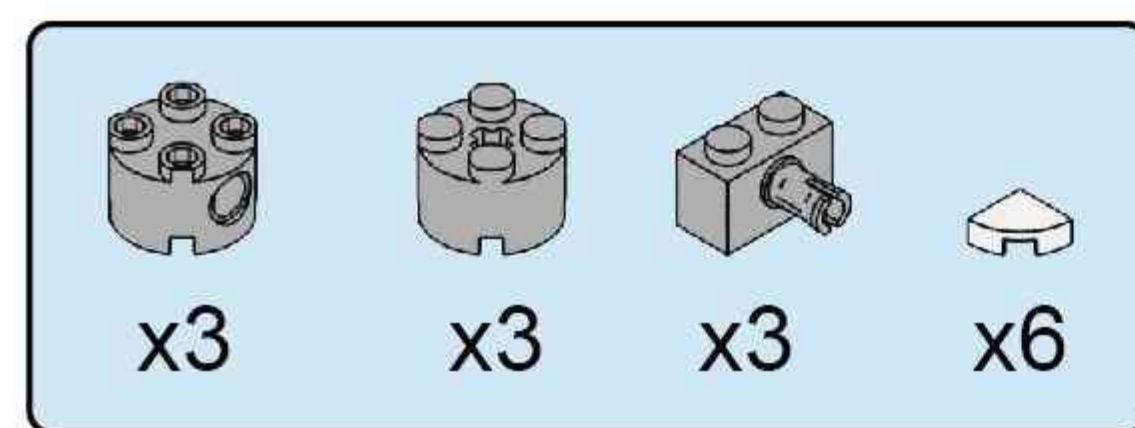
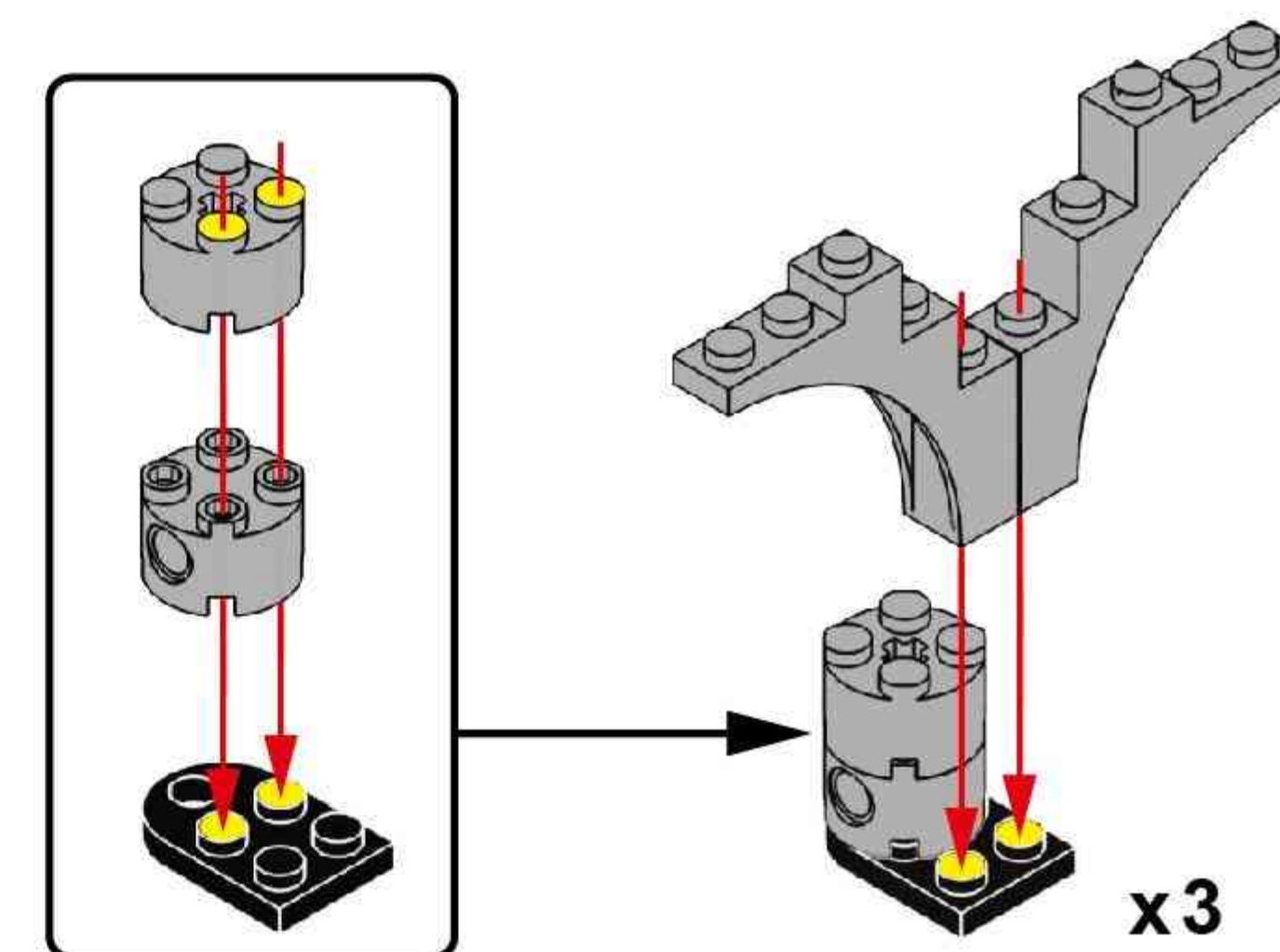
107



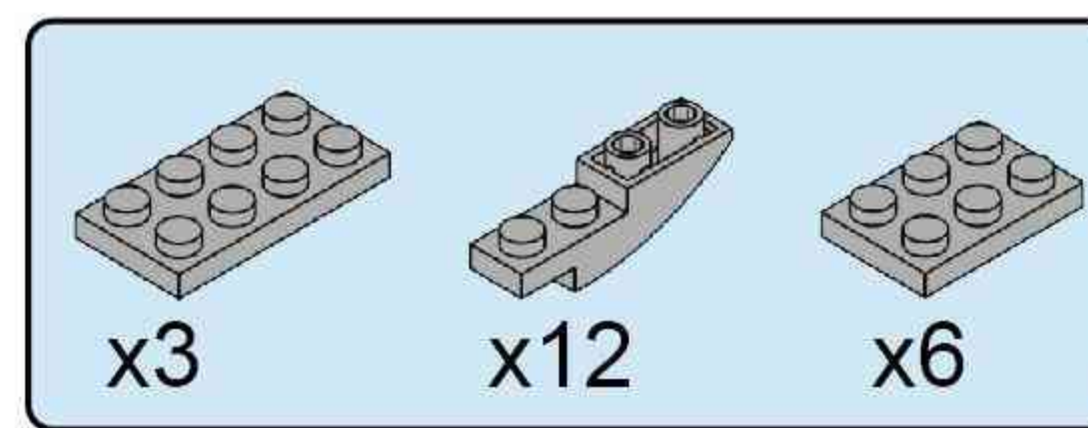
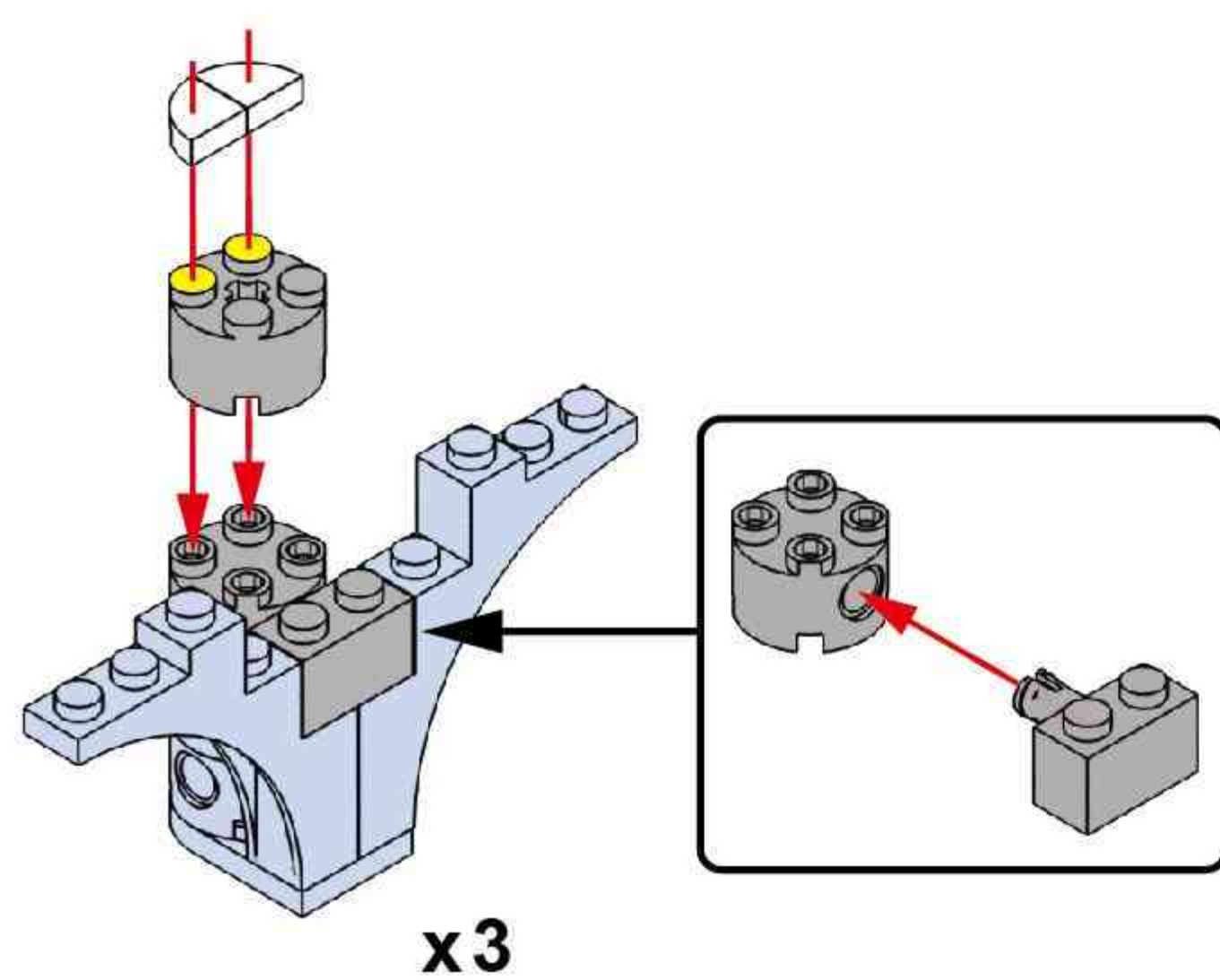
108



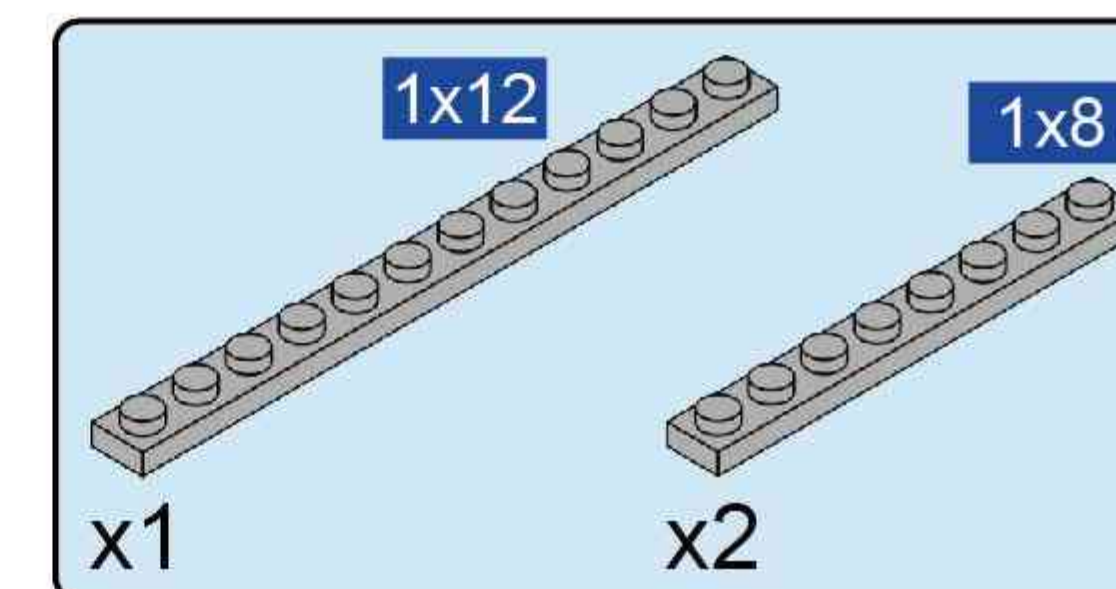
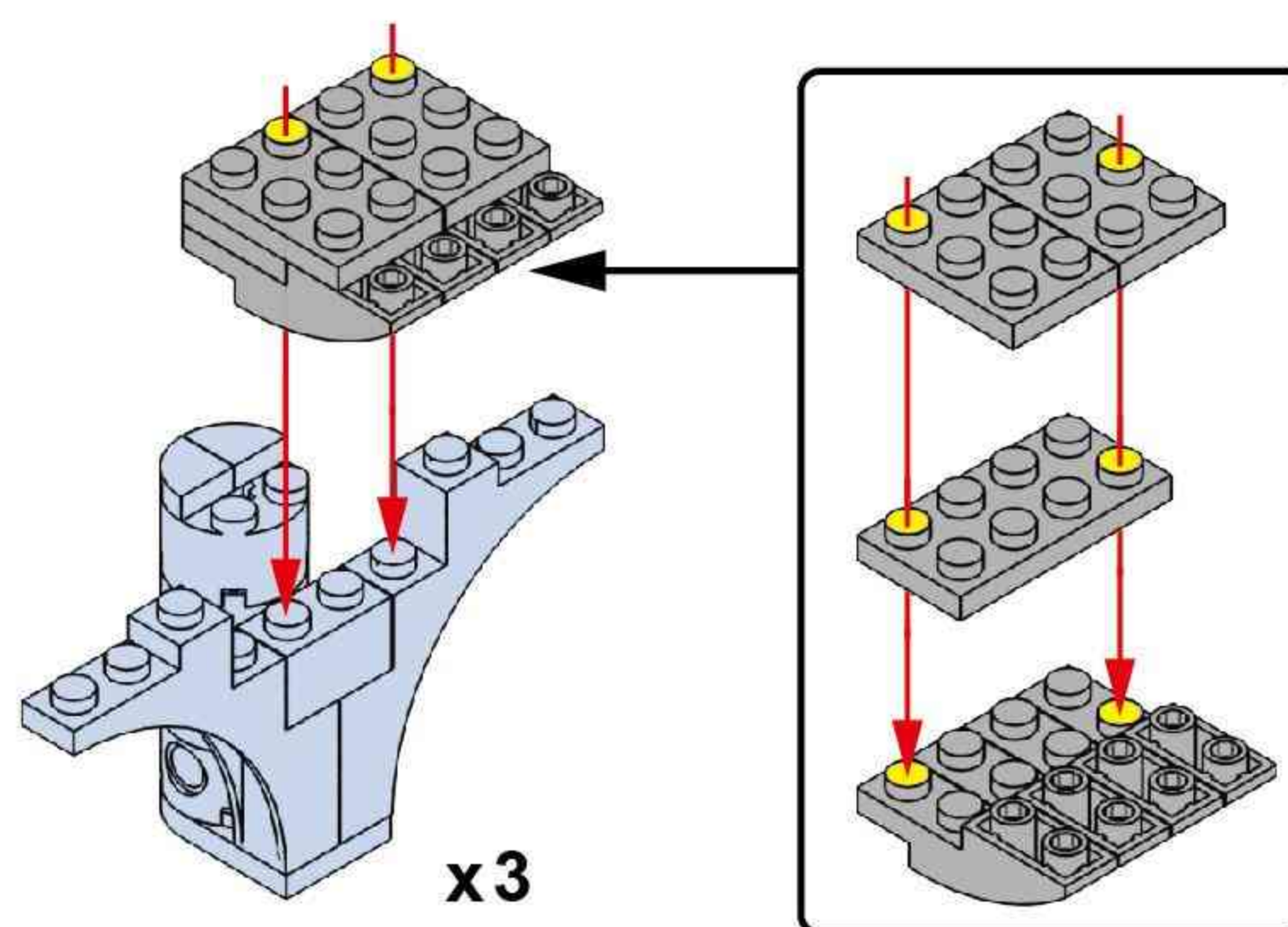
109



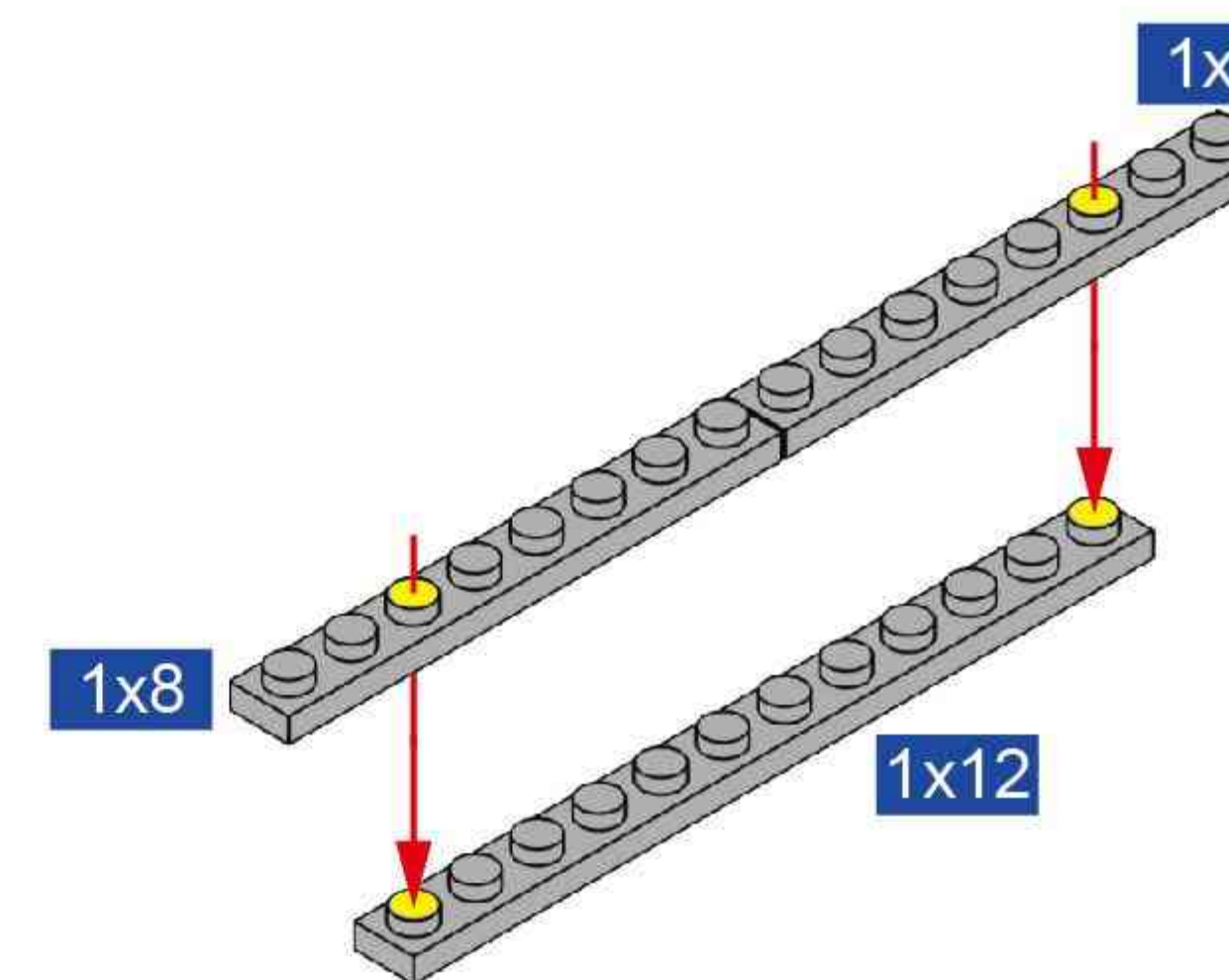
110

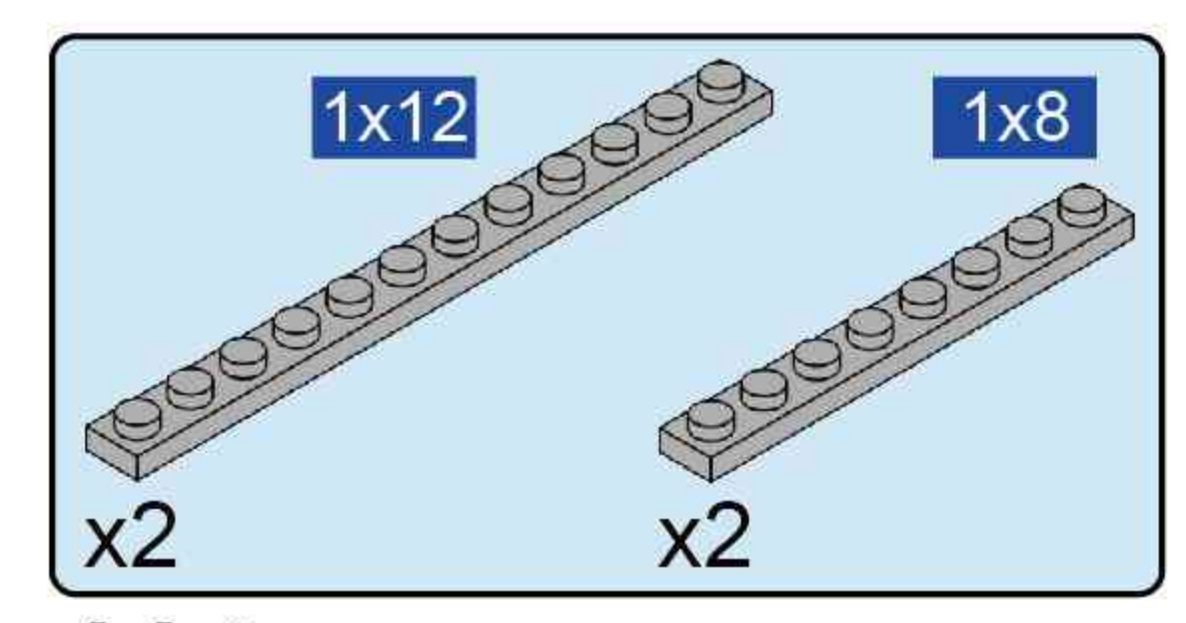
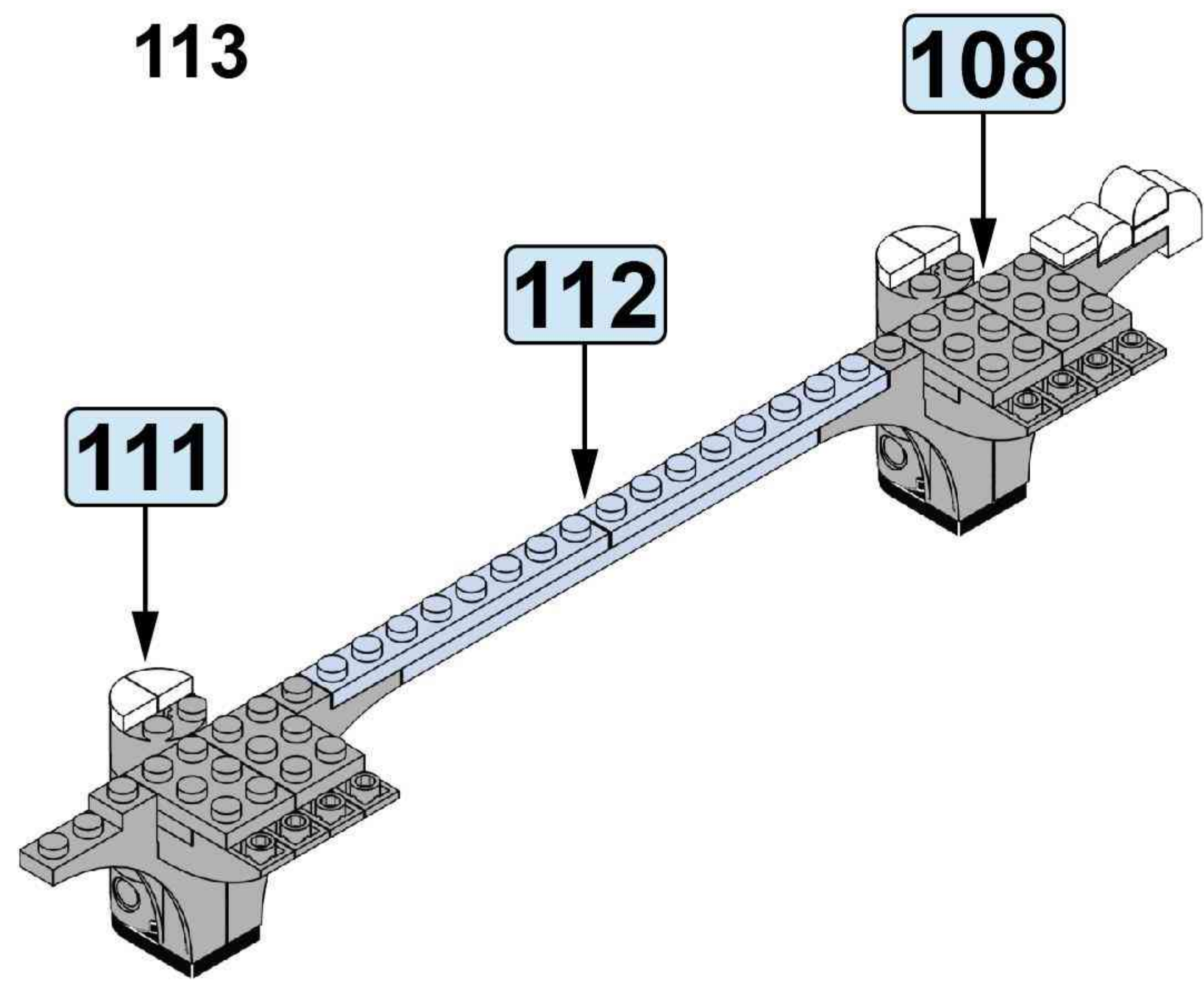


111

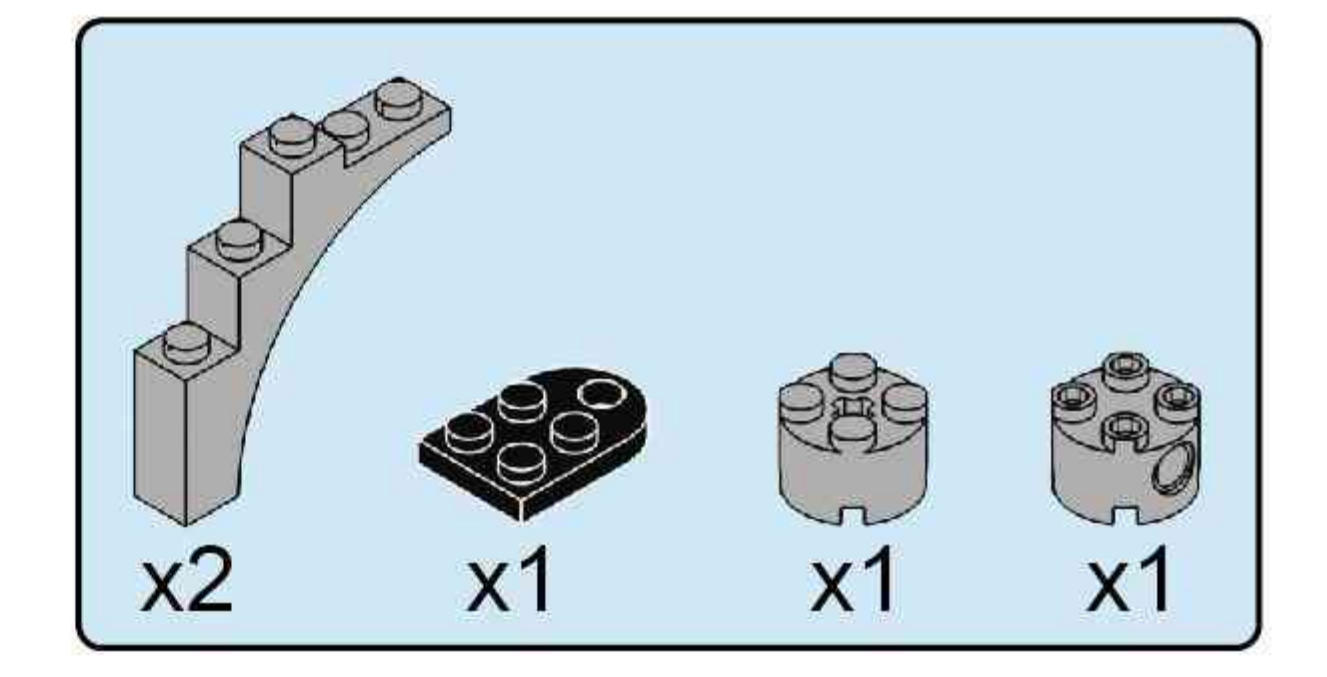
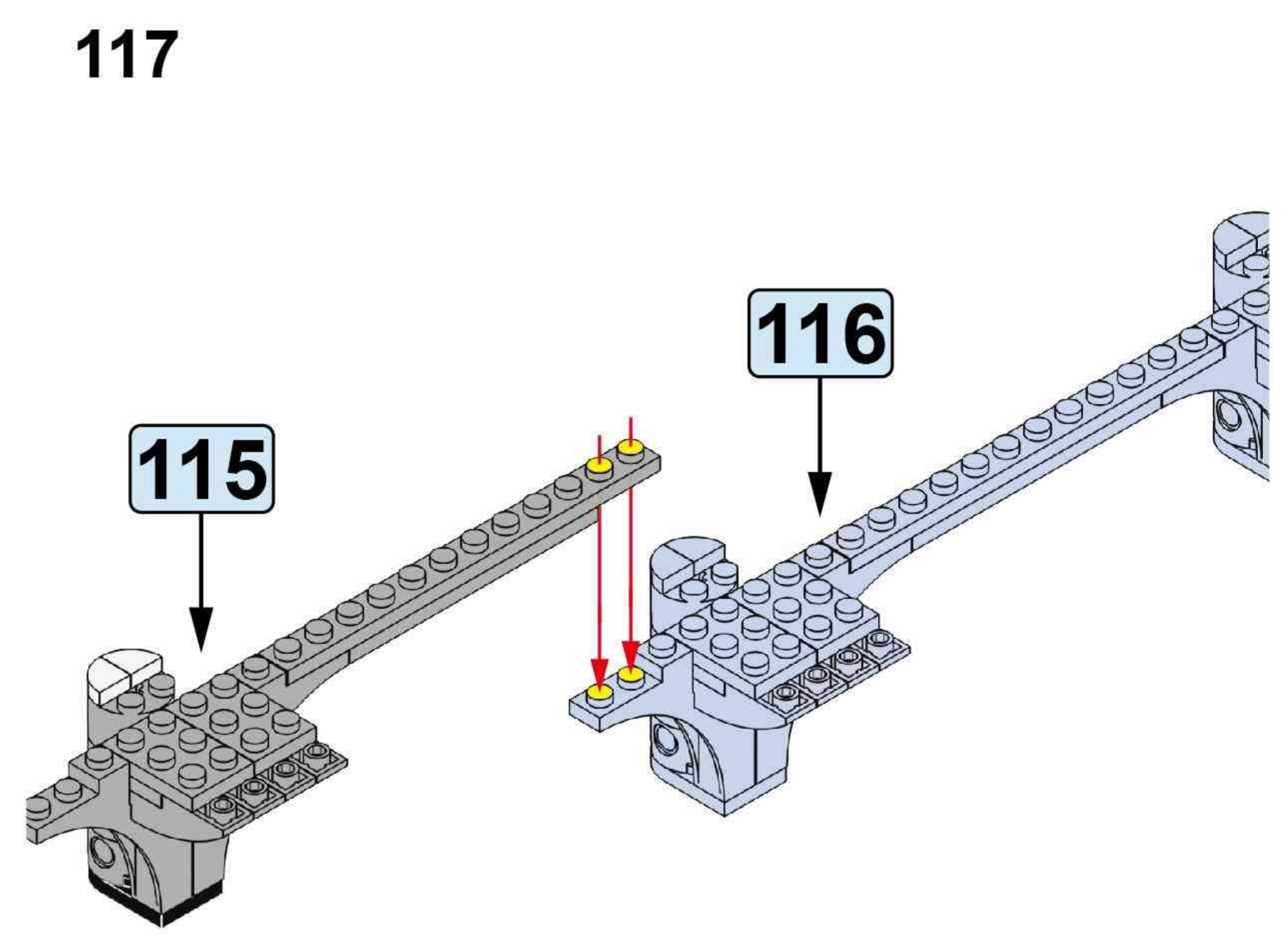
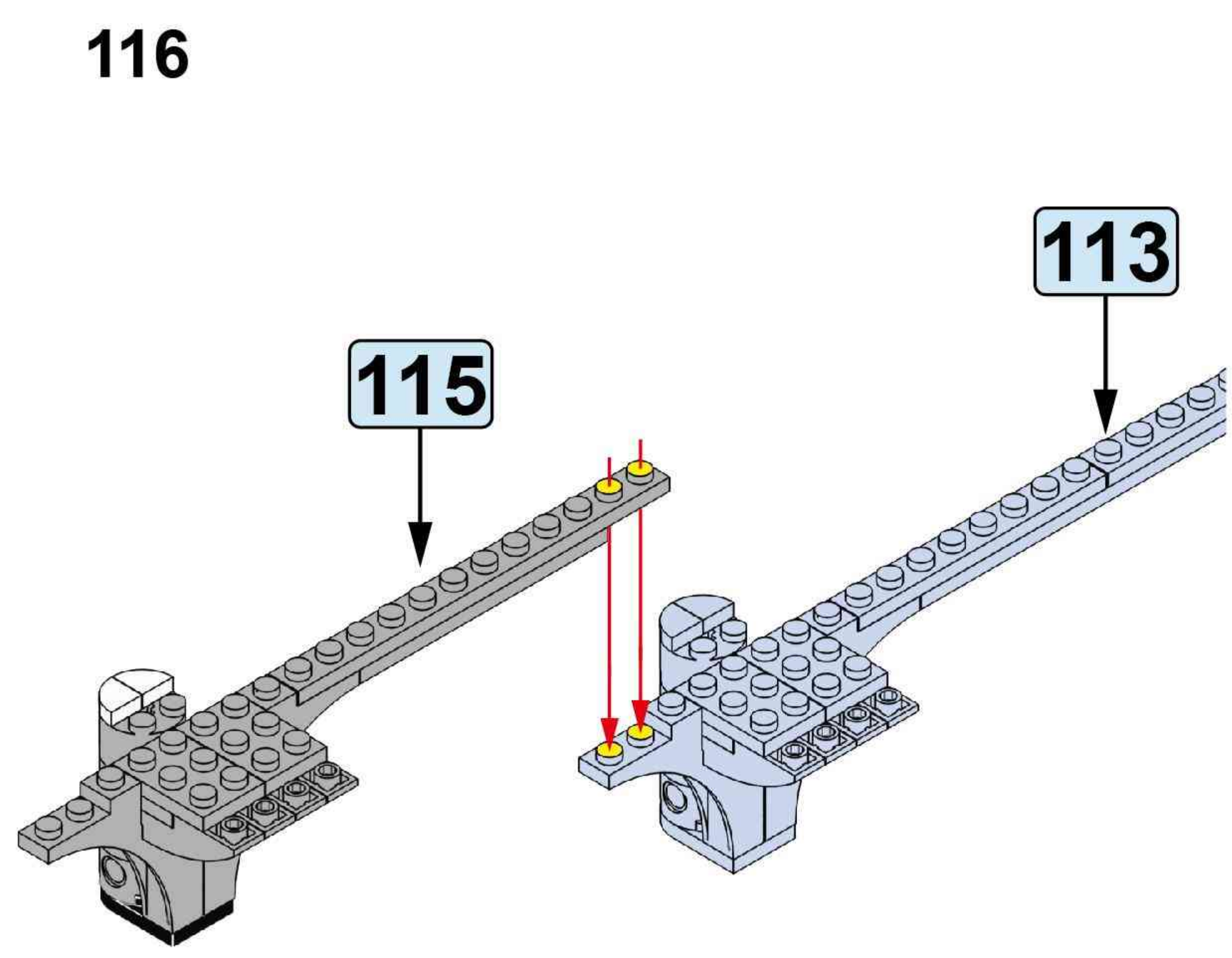
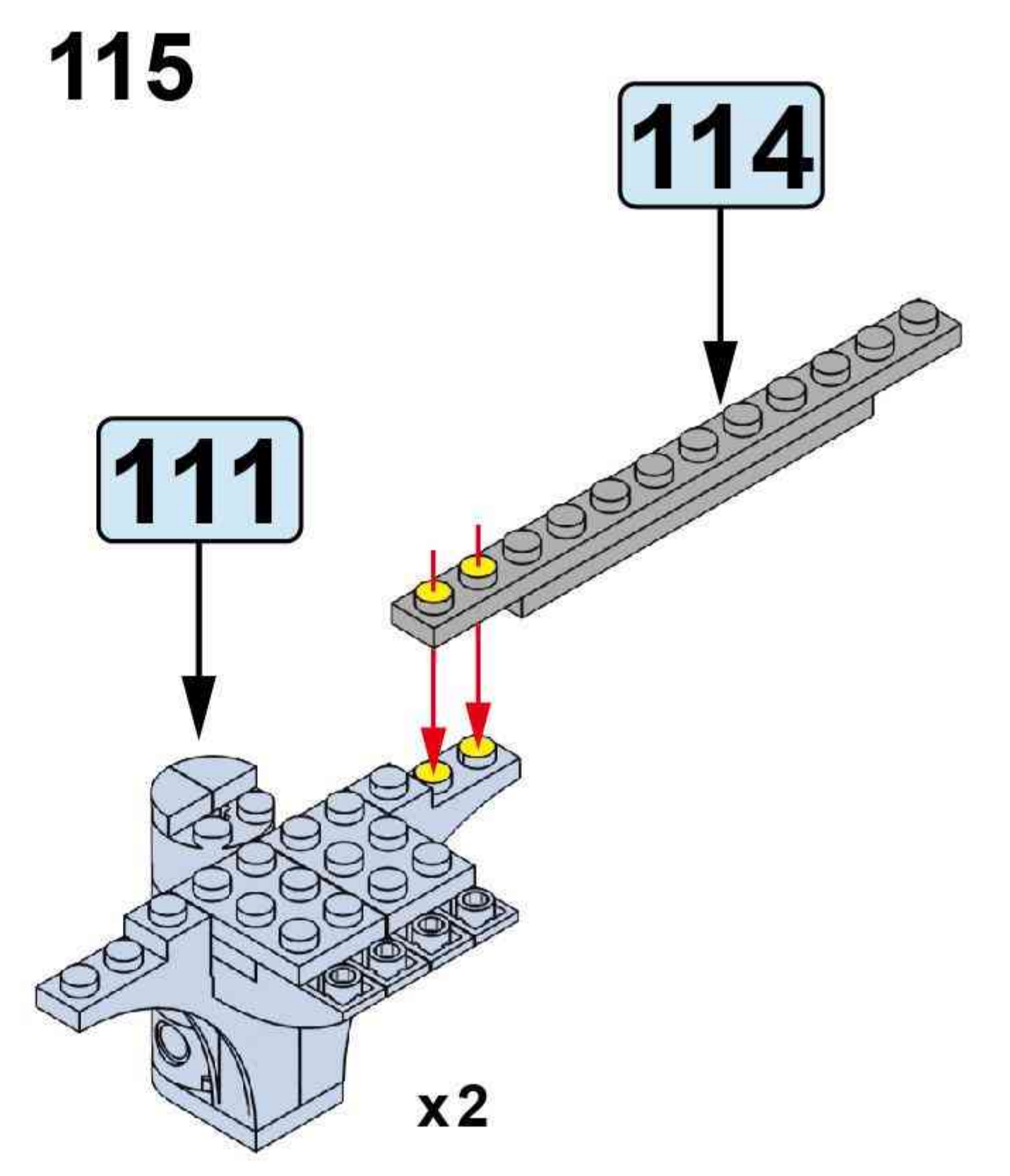
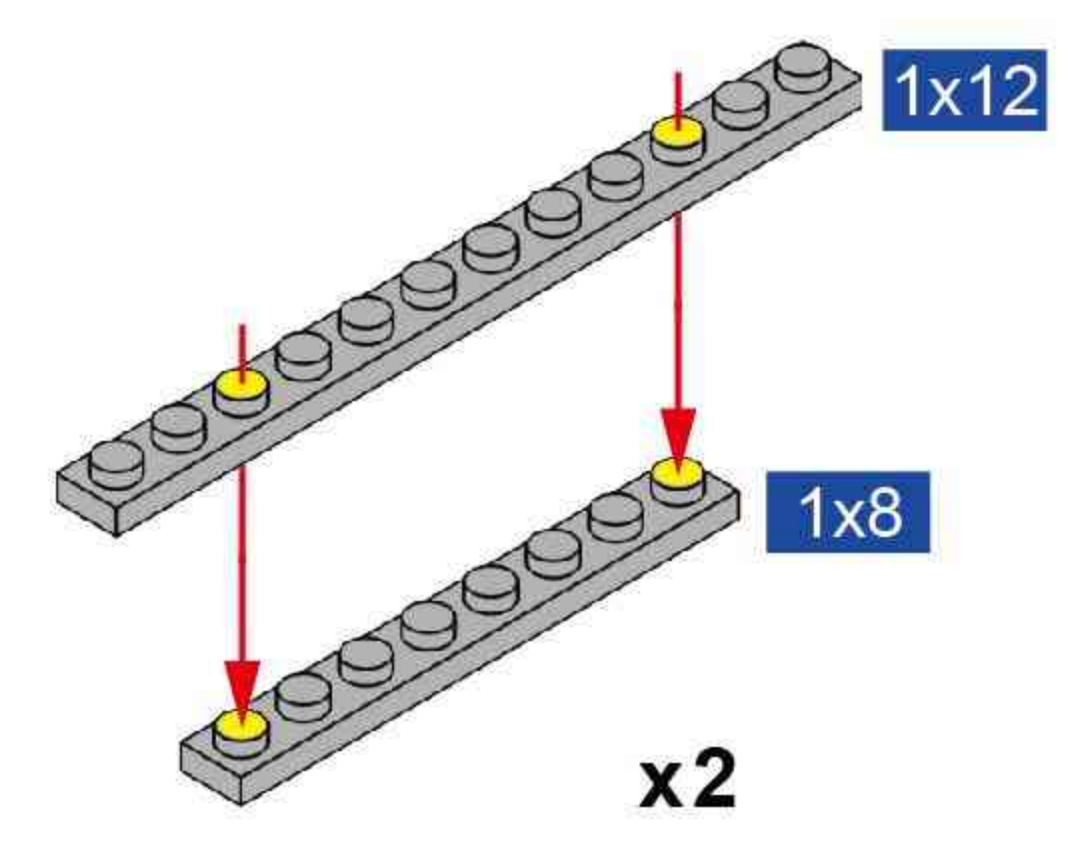


112

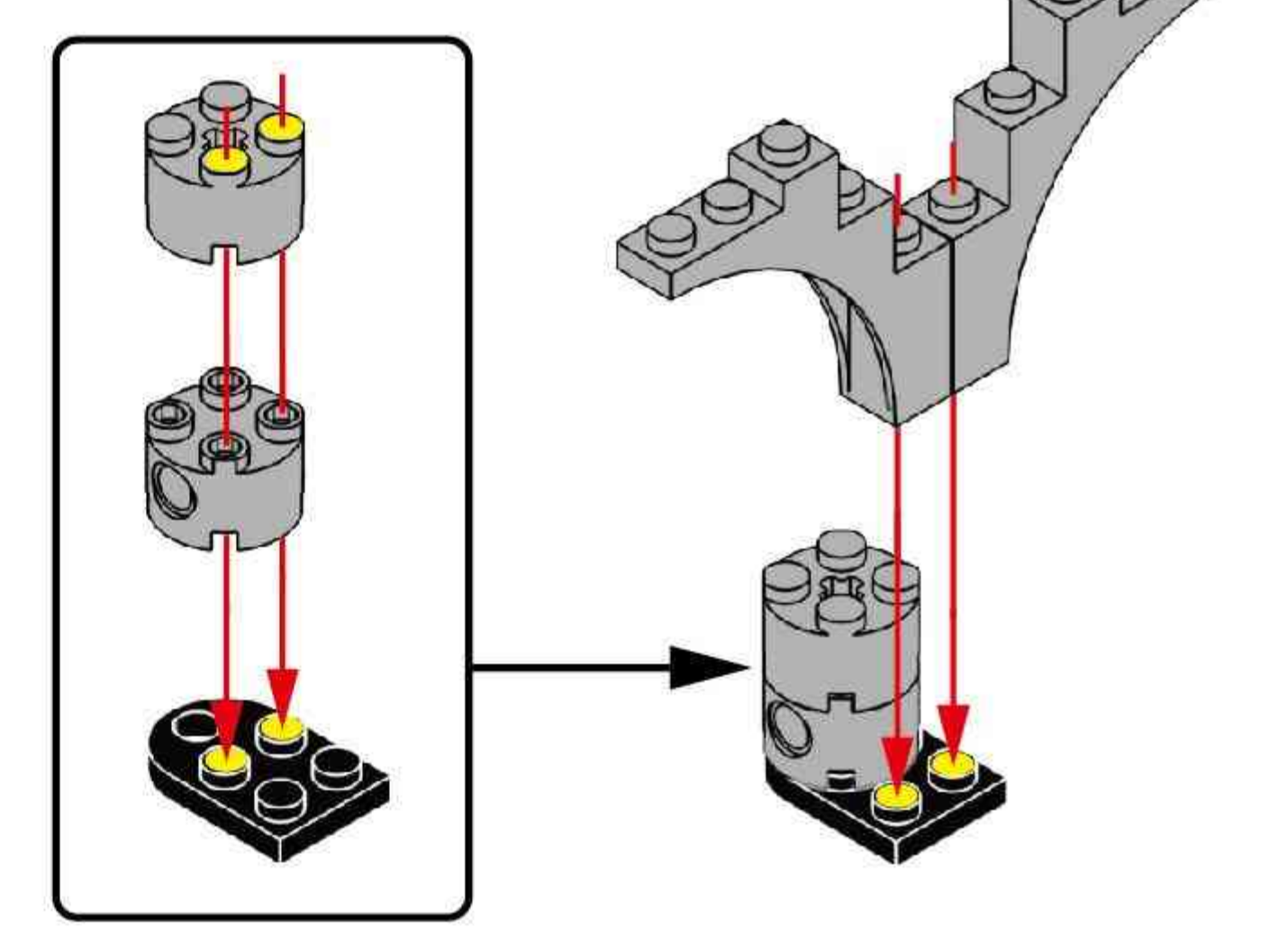


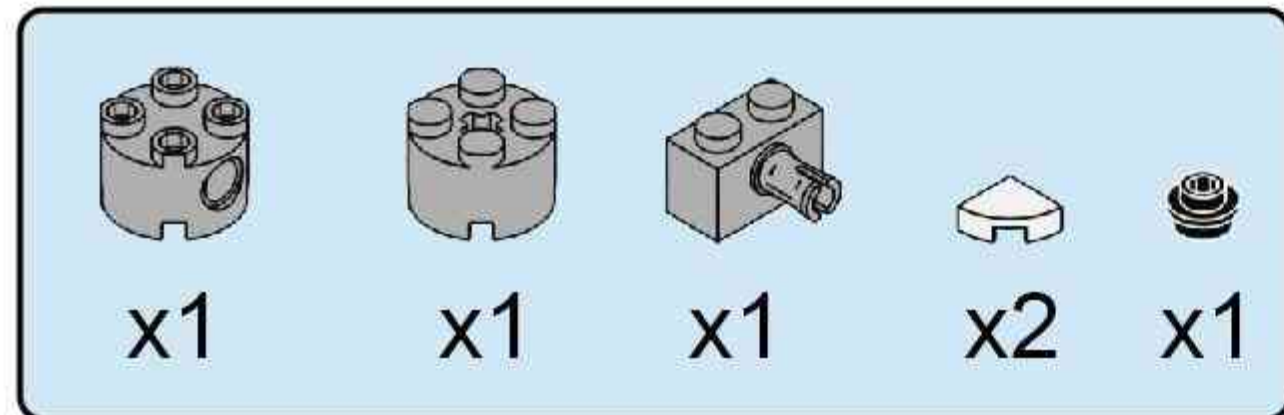


114

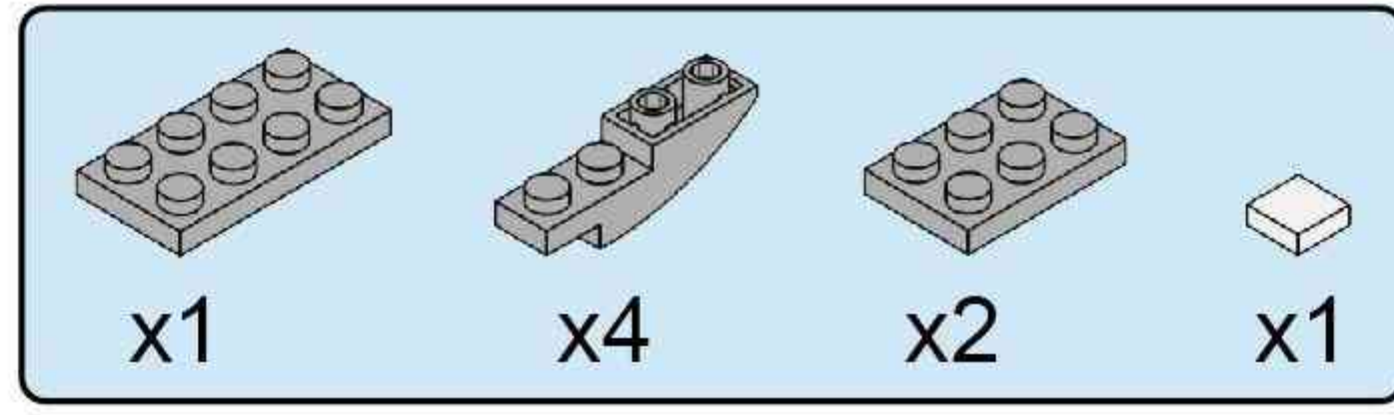
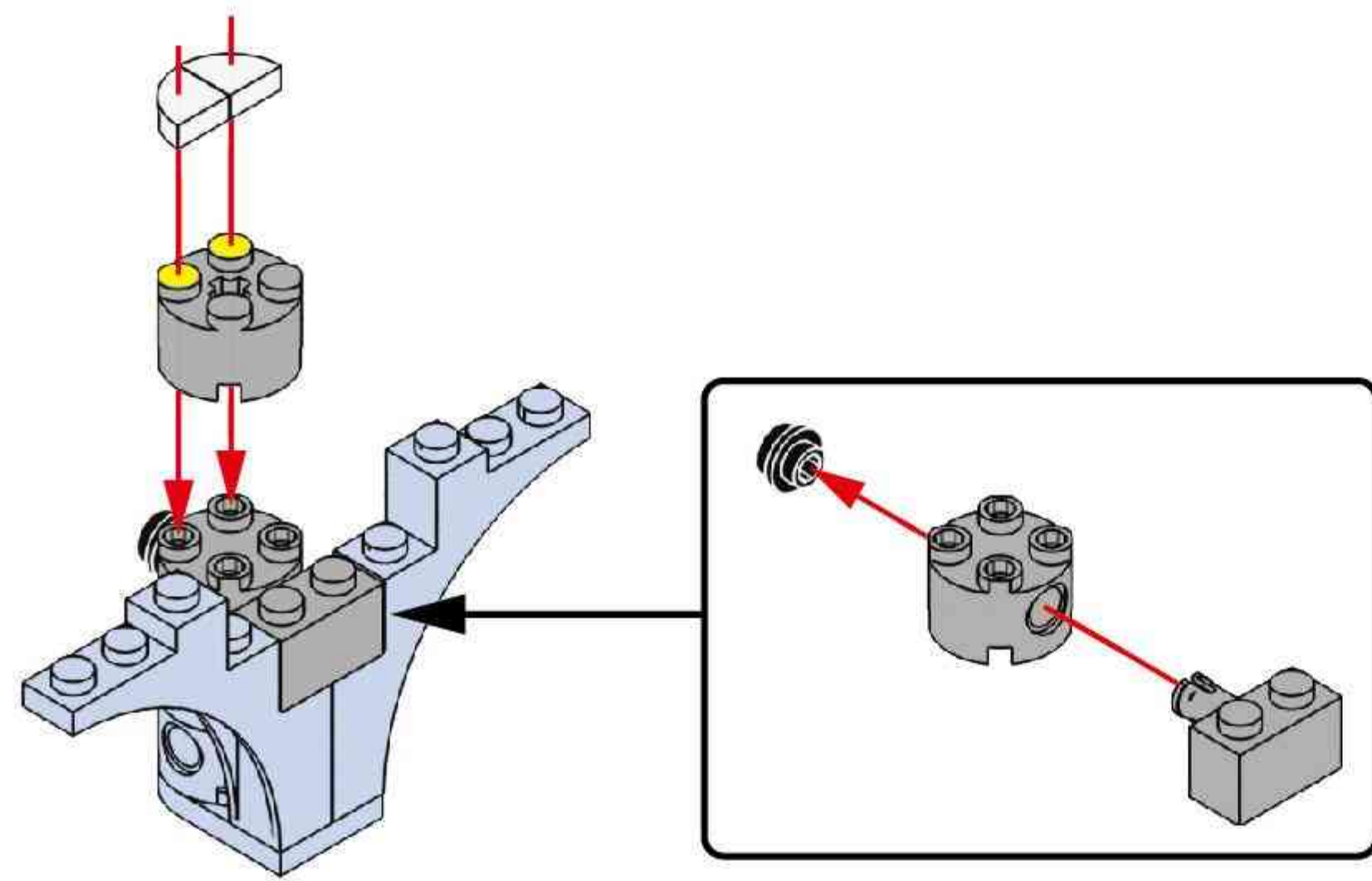


118

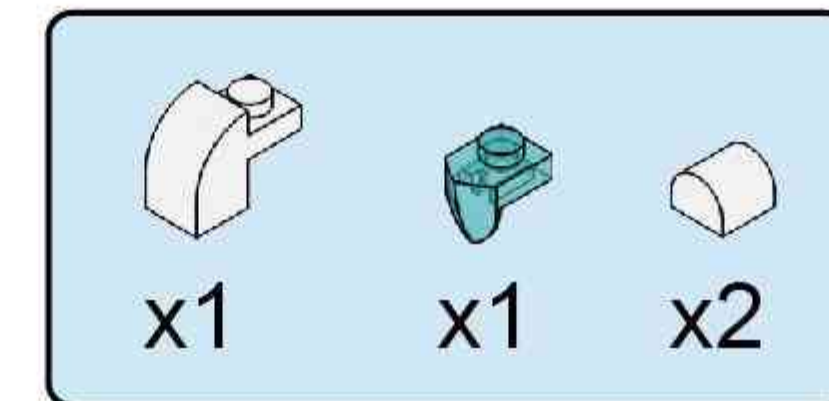
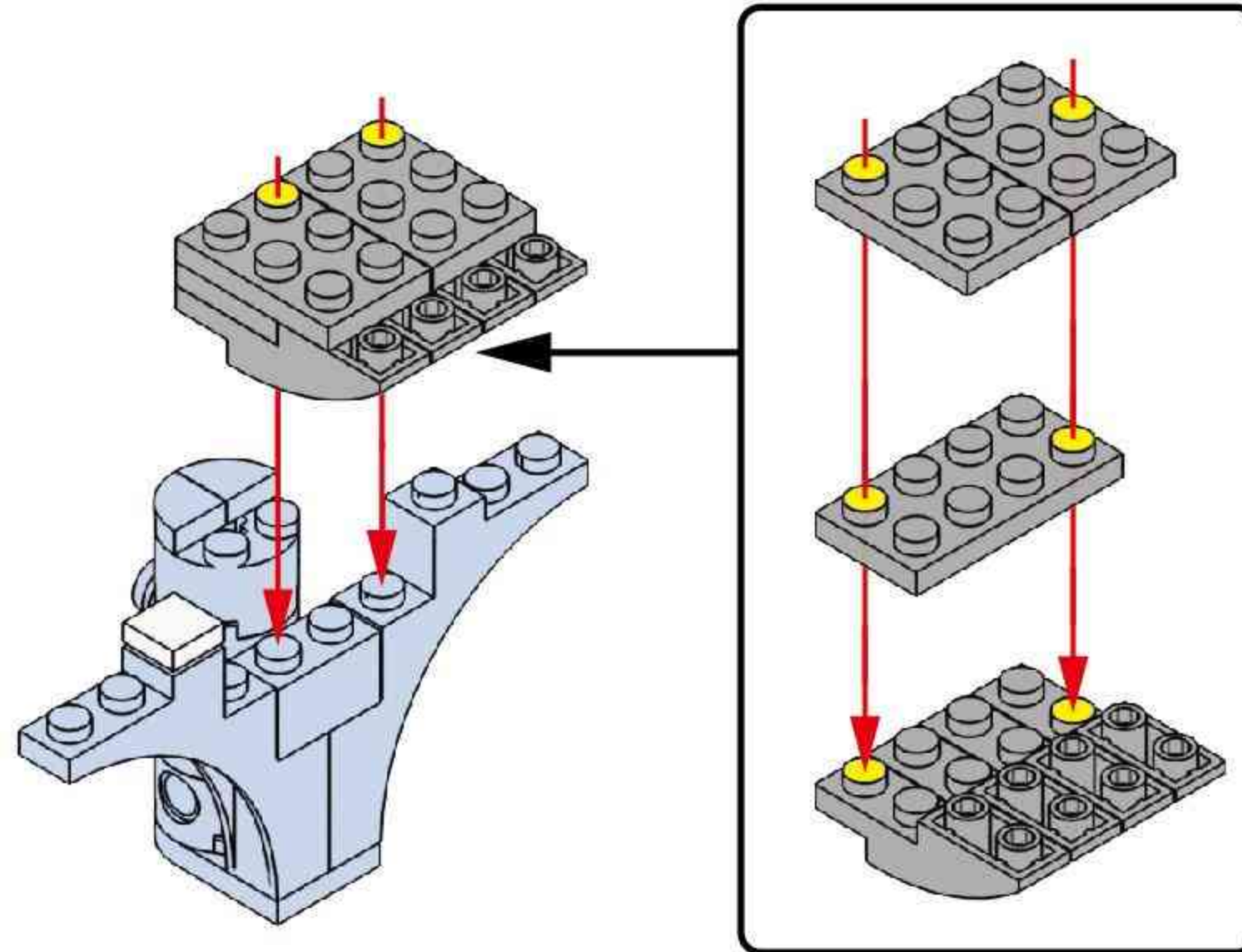




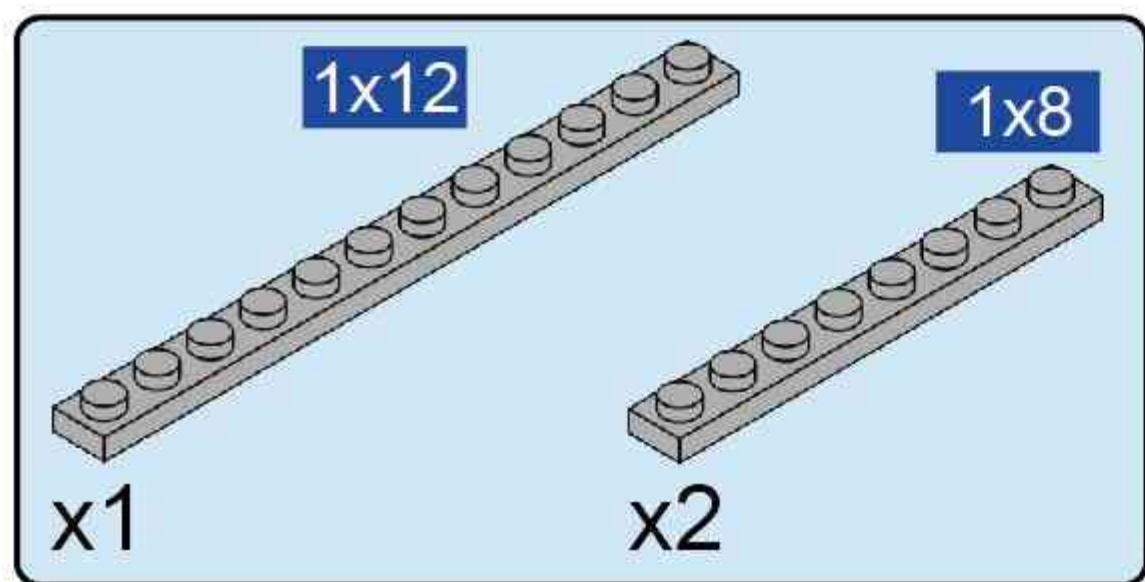
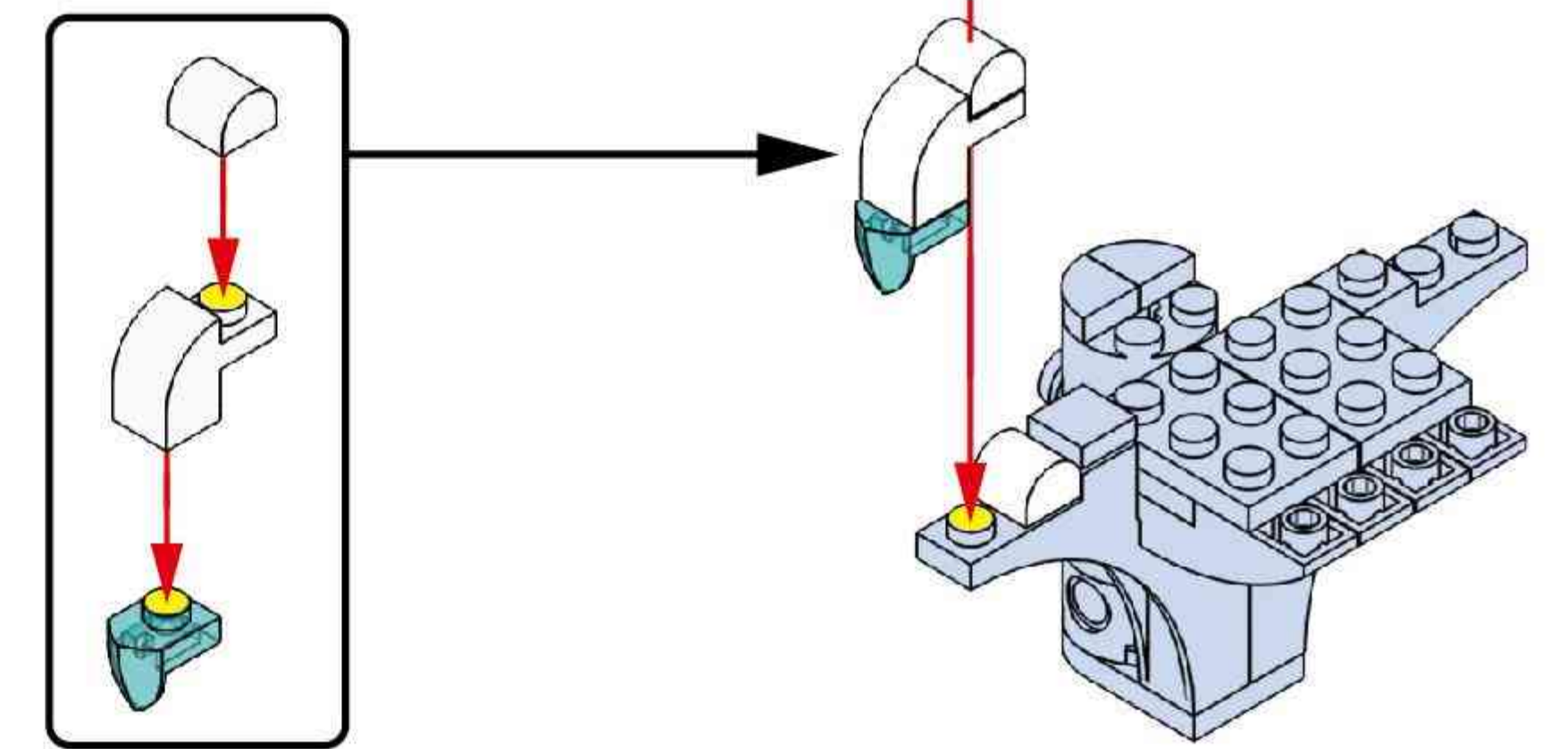
119



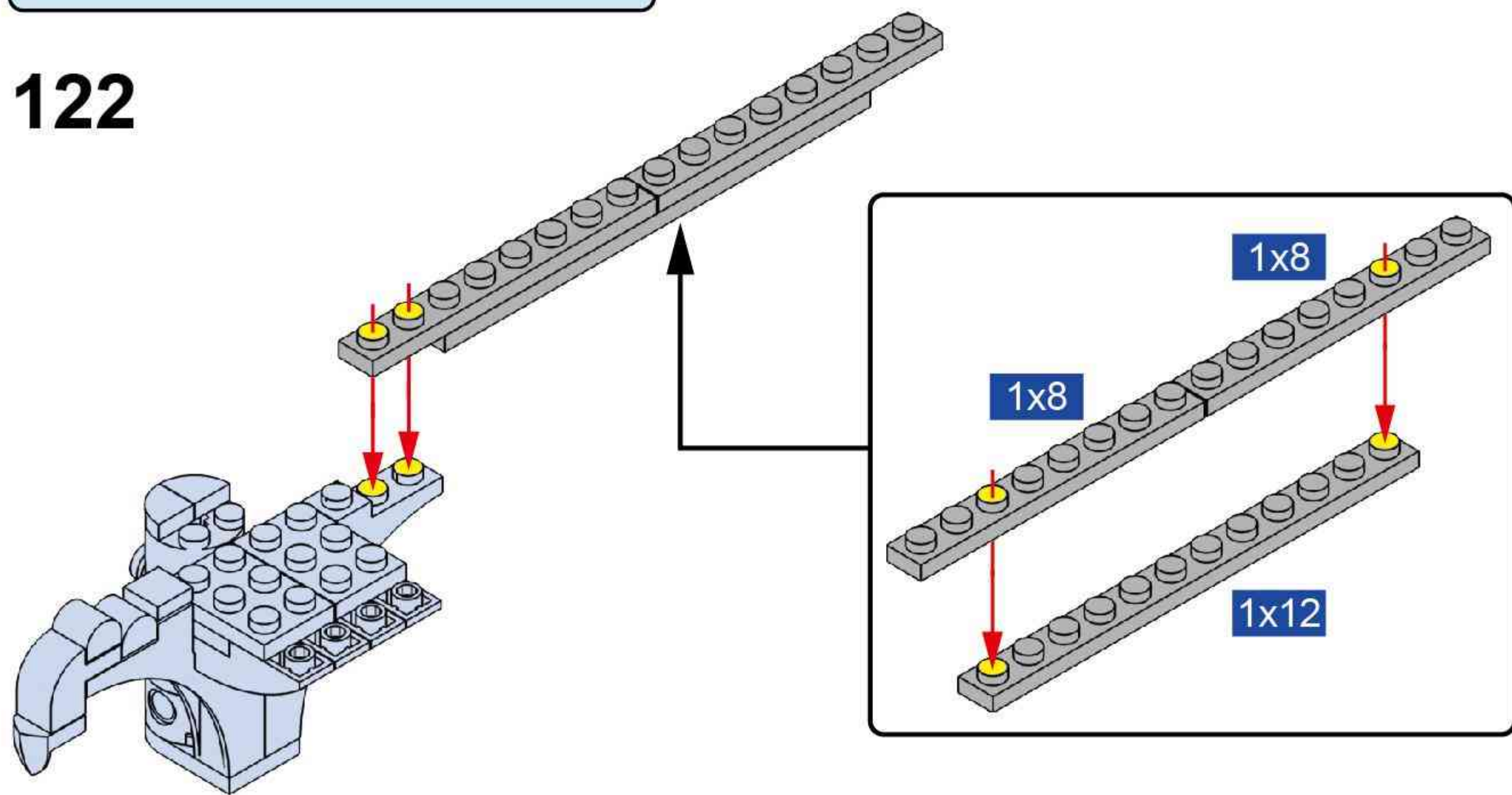
120



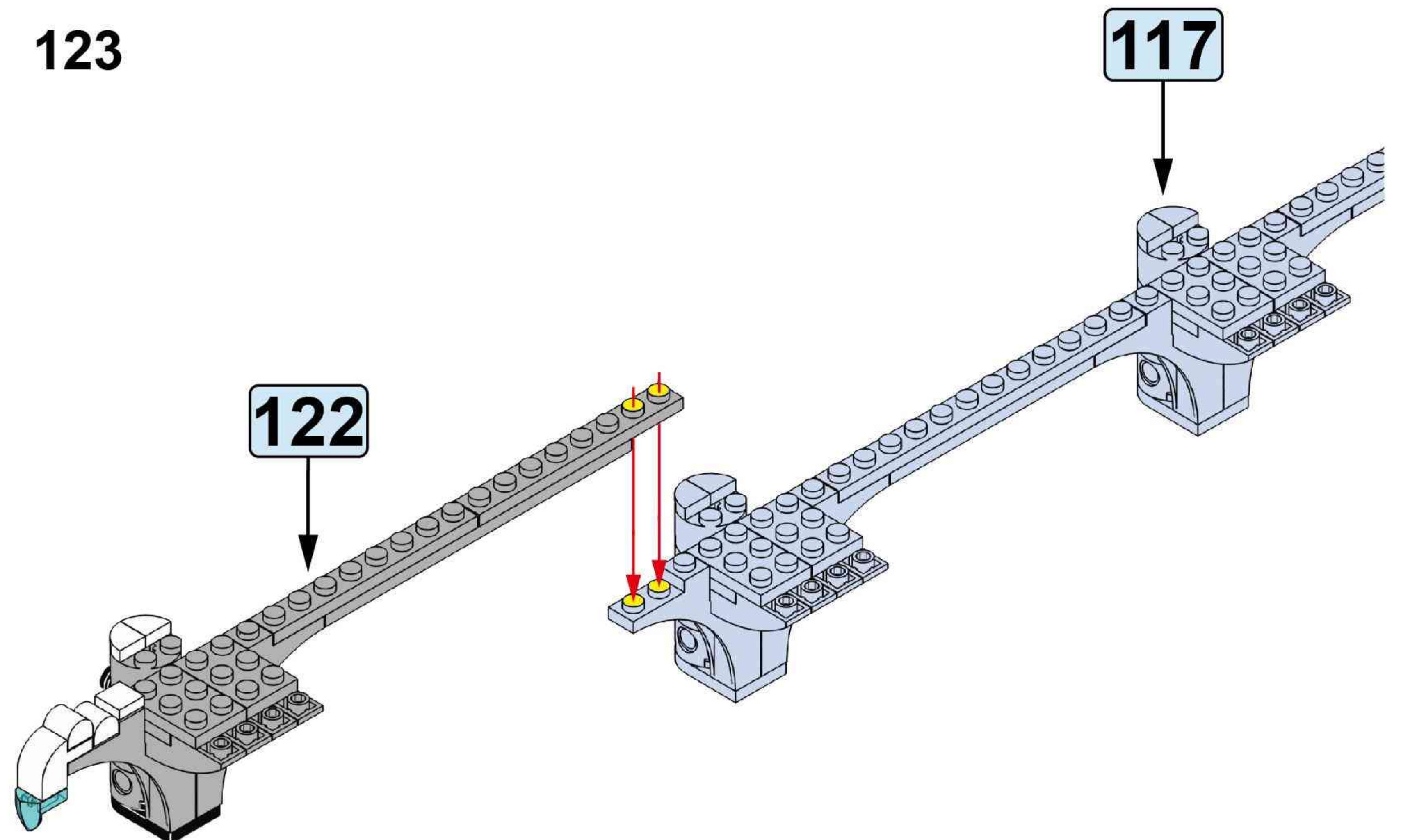
121



122

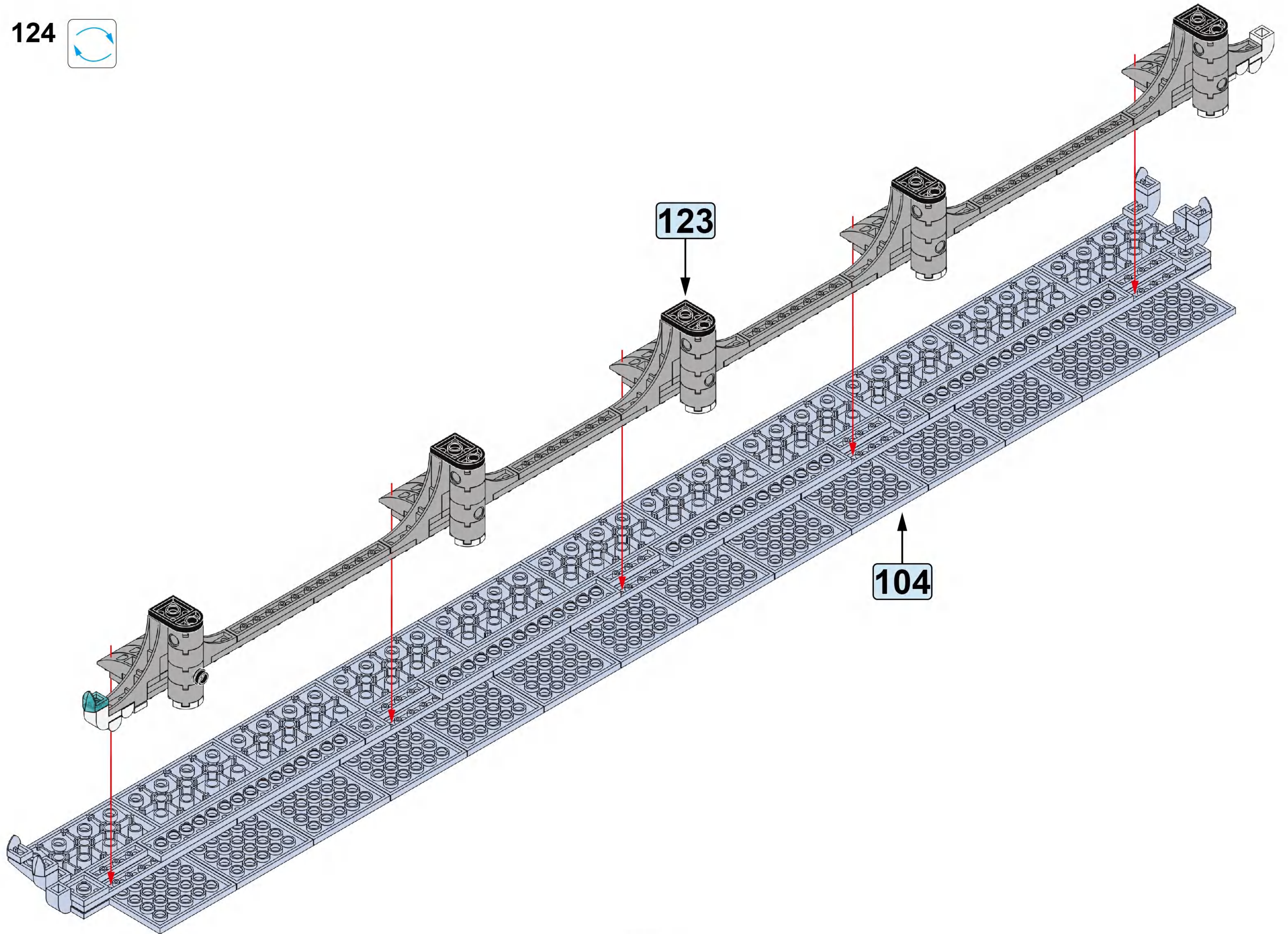


123



117

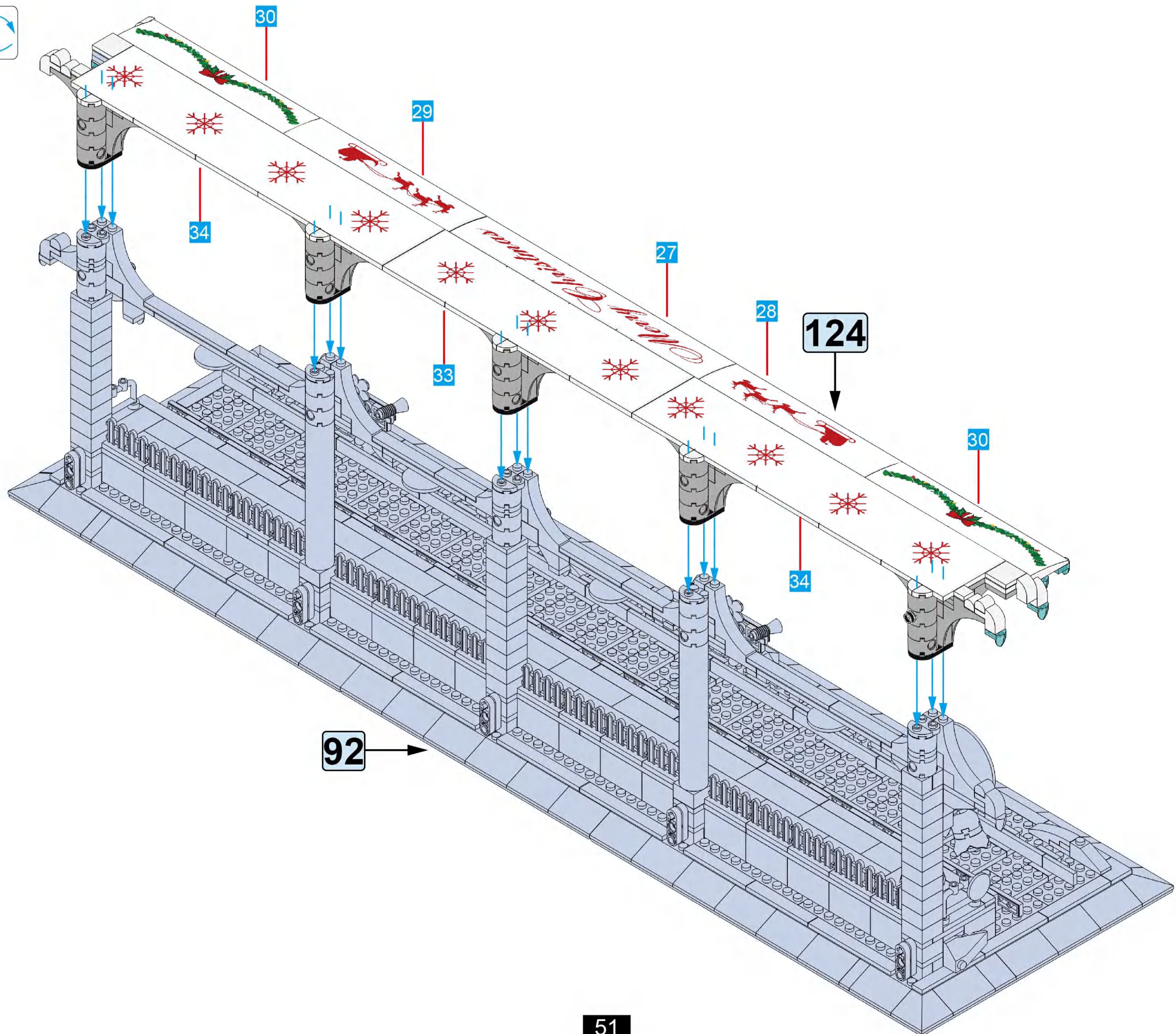
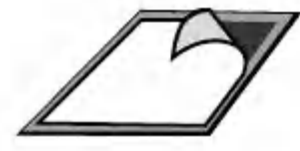
124



123

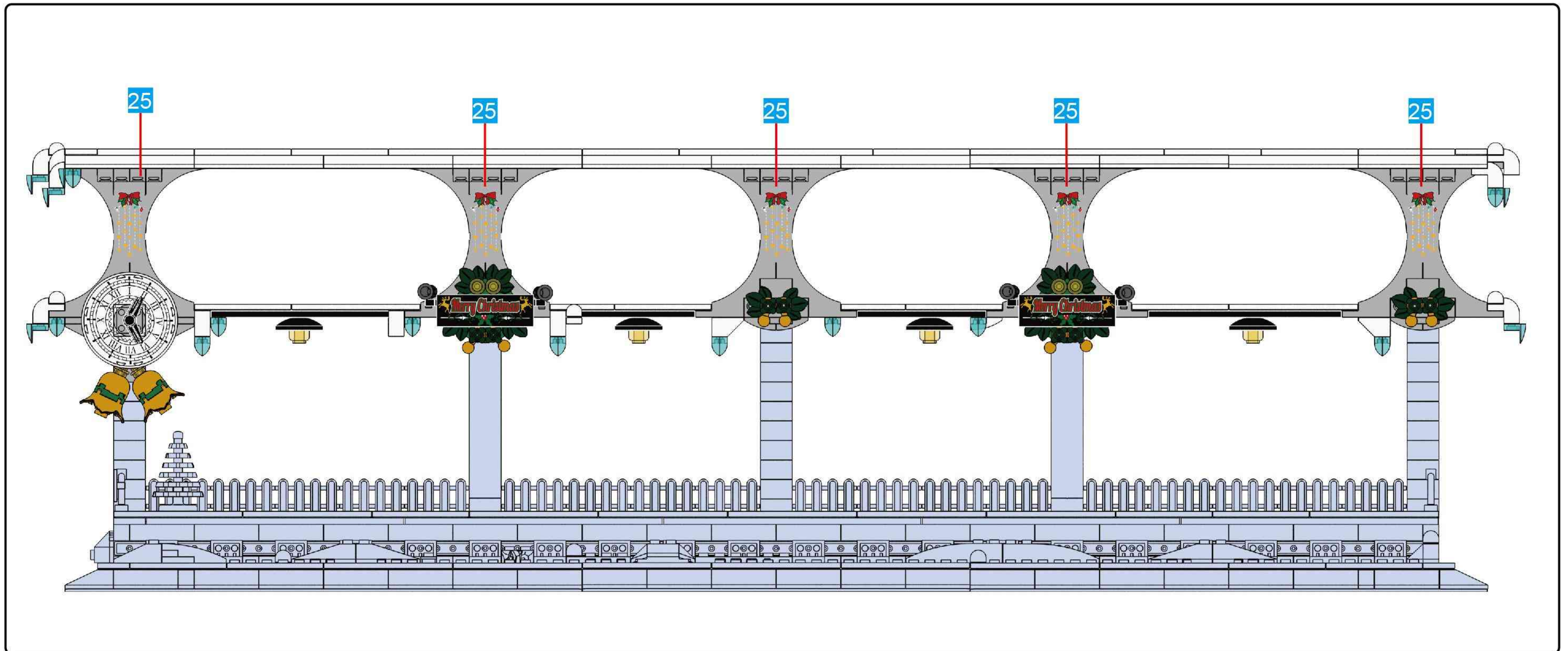
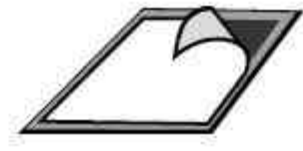
104

125

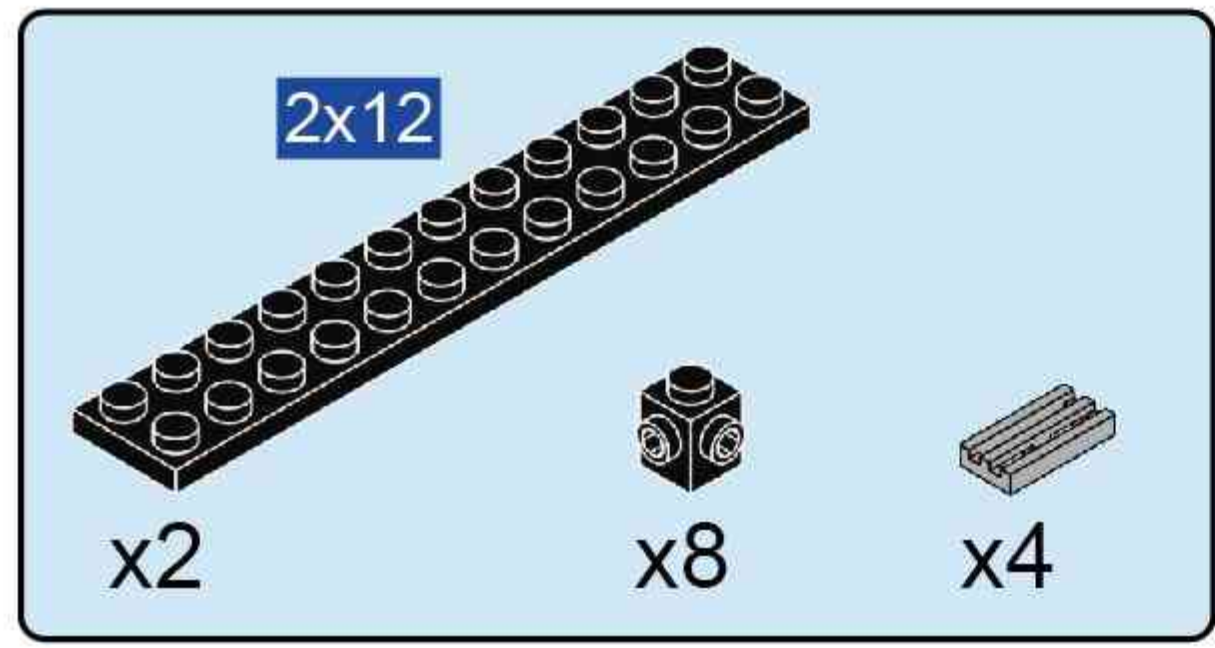
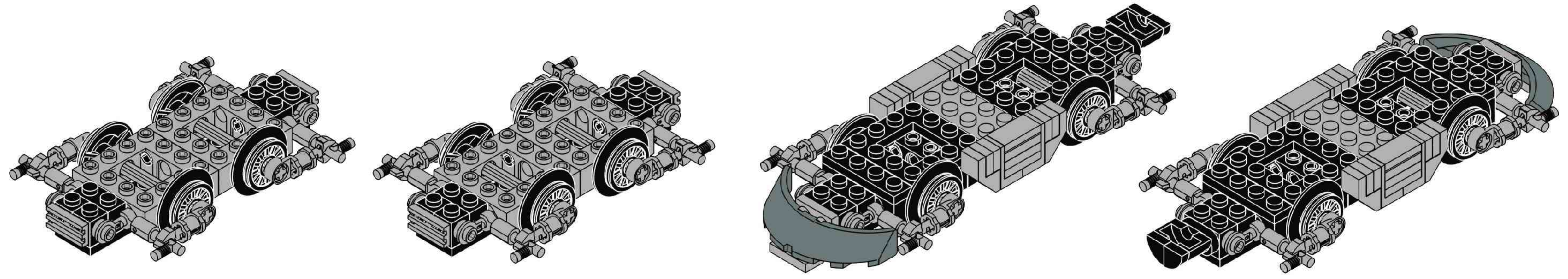


92

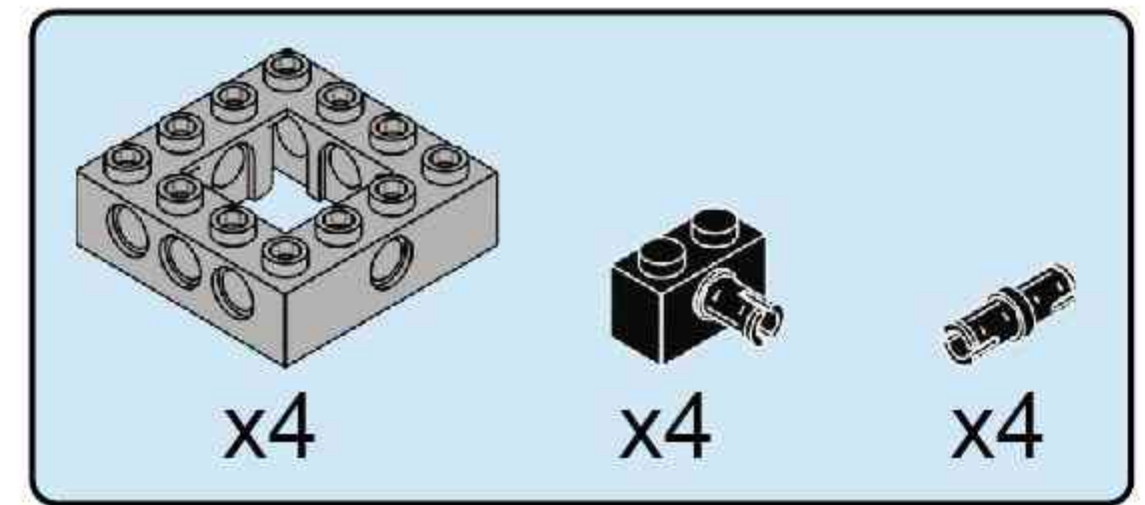
124



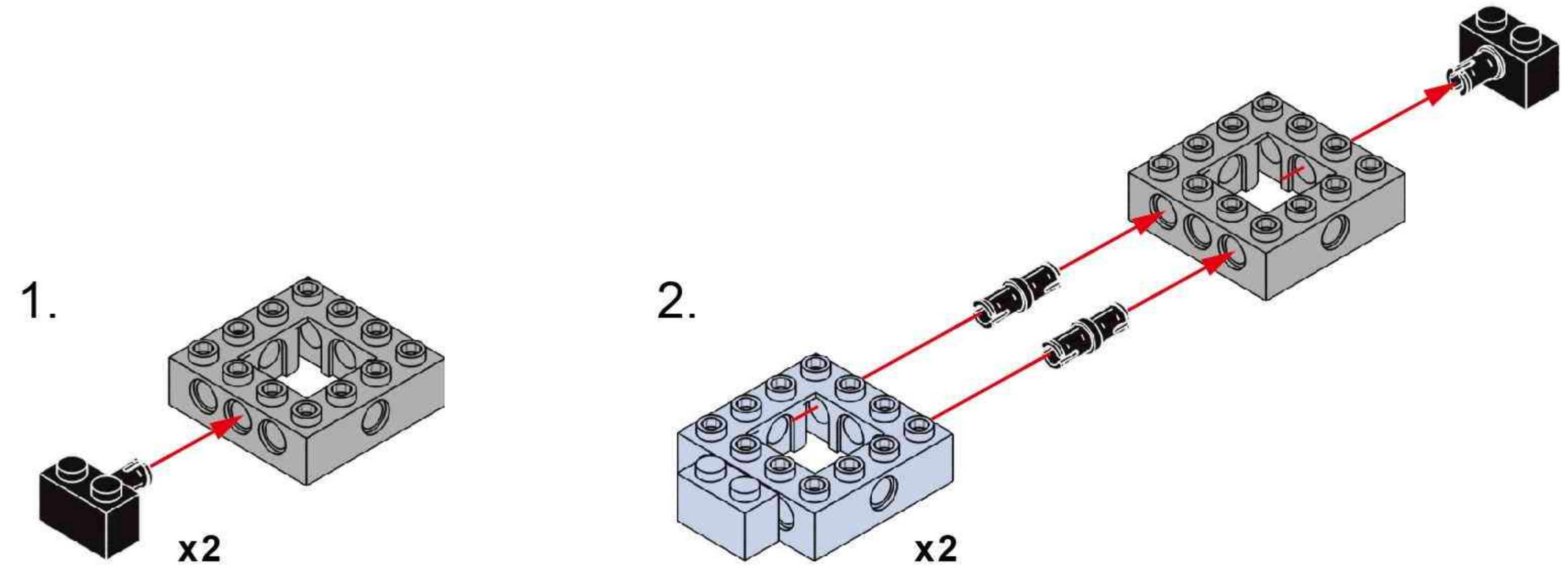
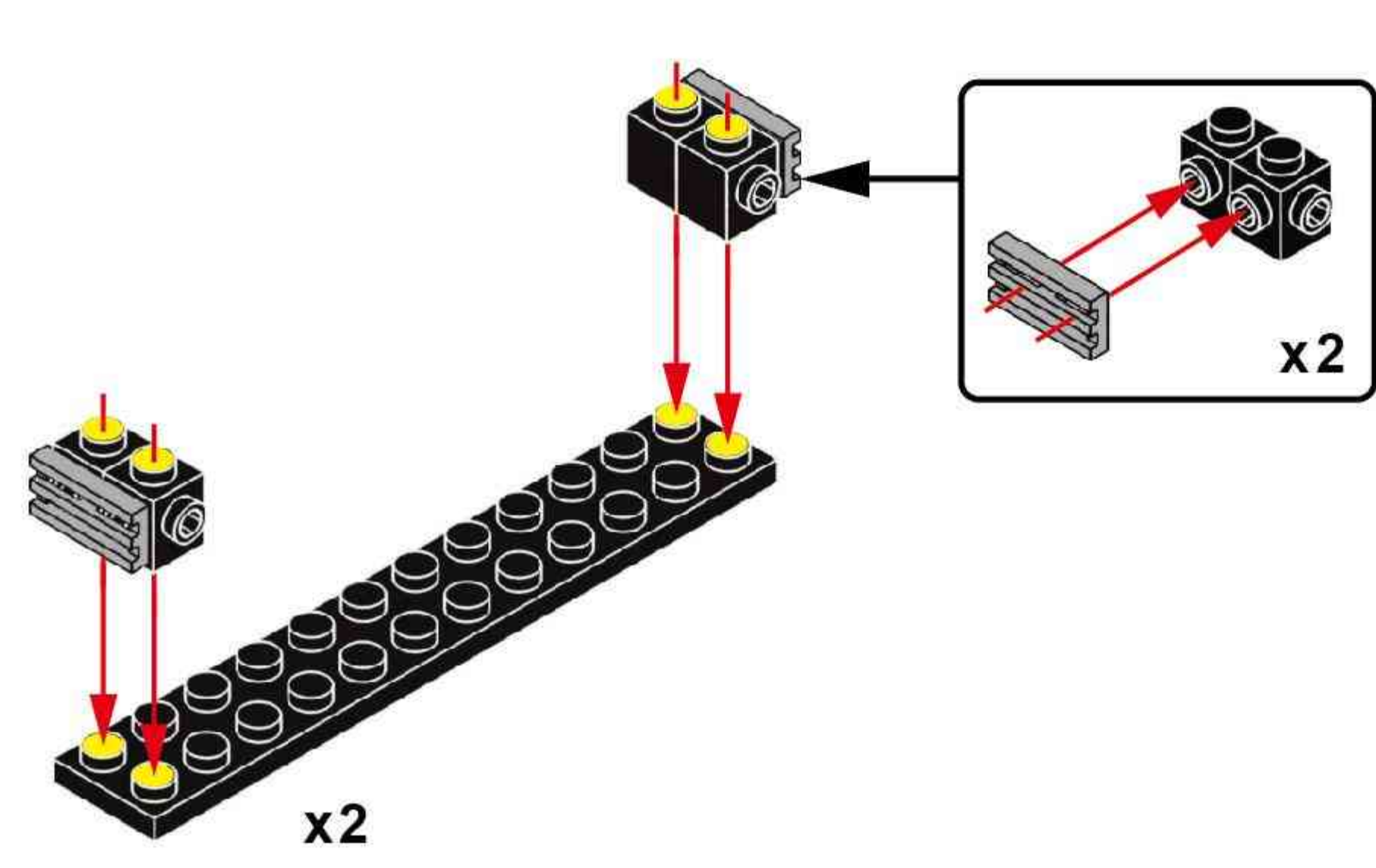
3



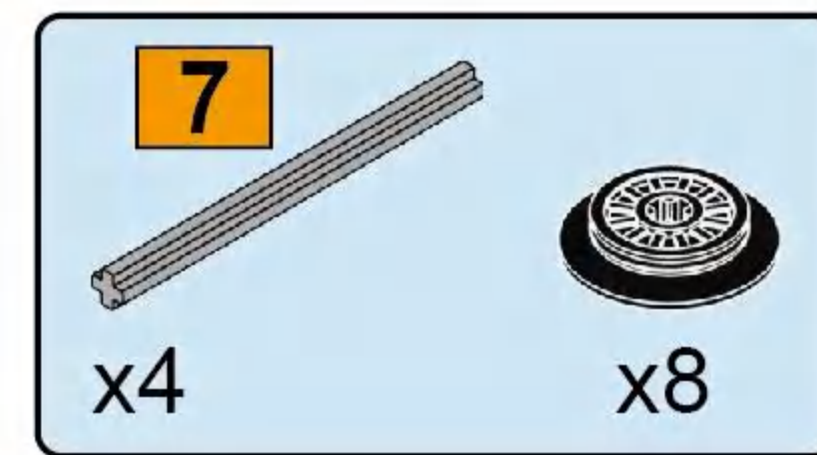
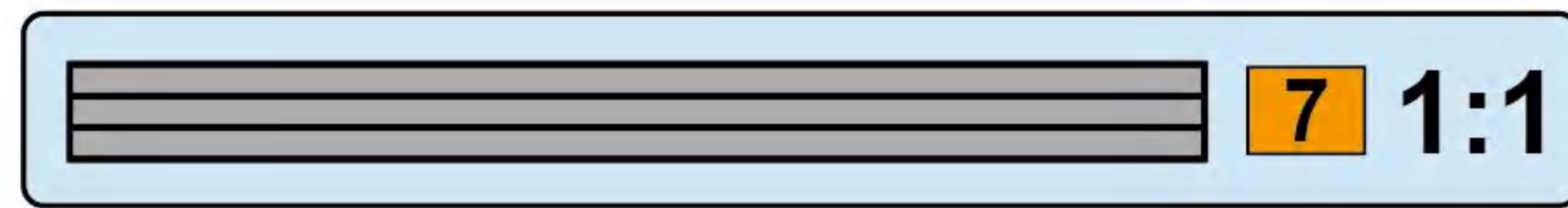
126



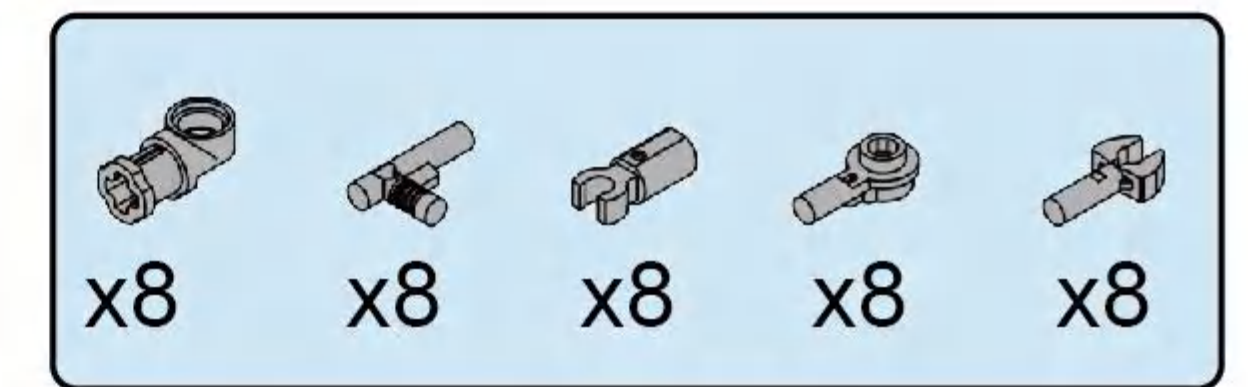
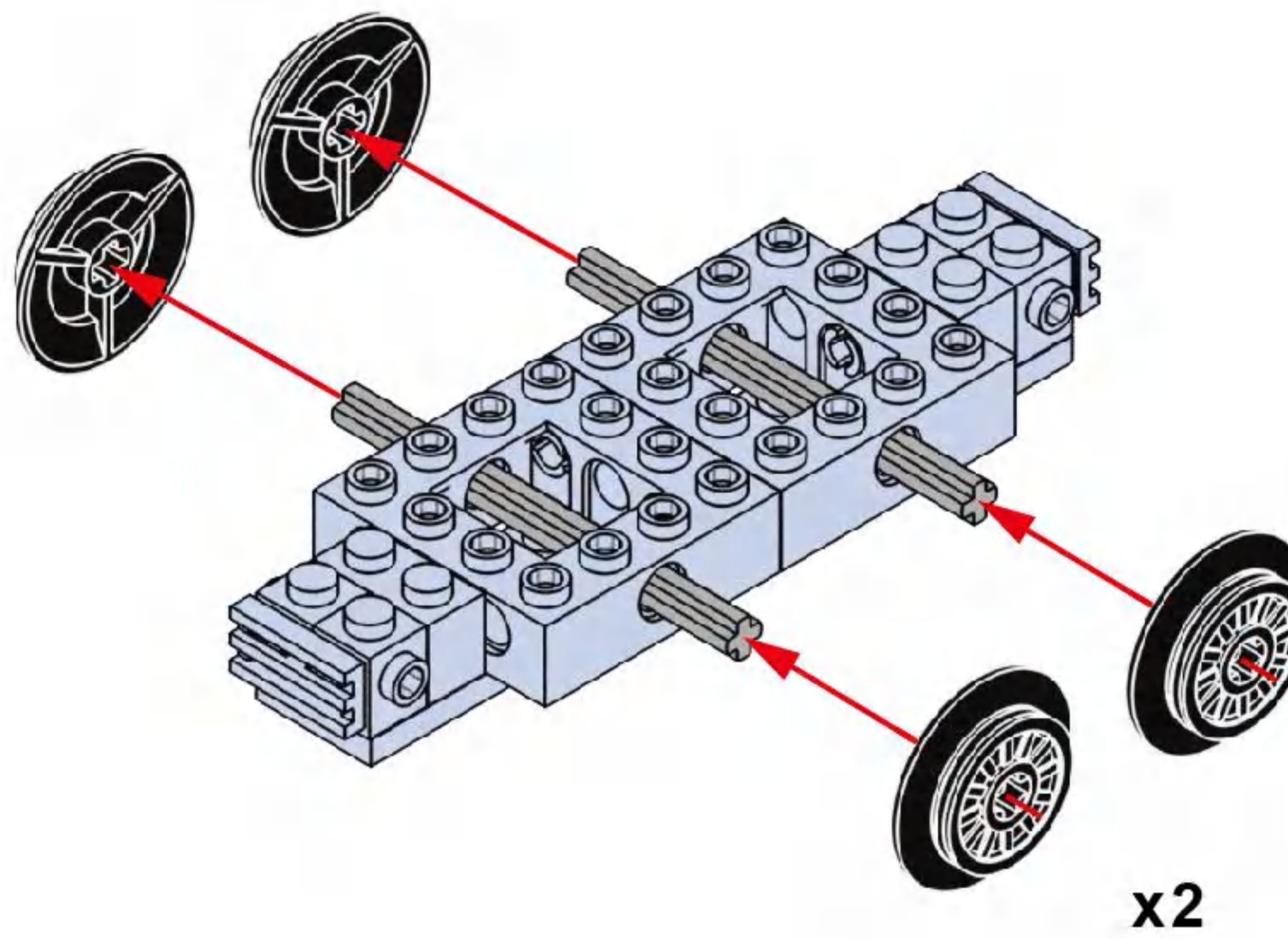
127



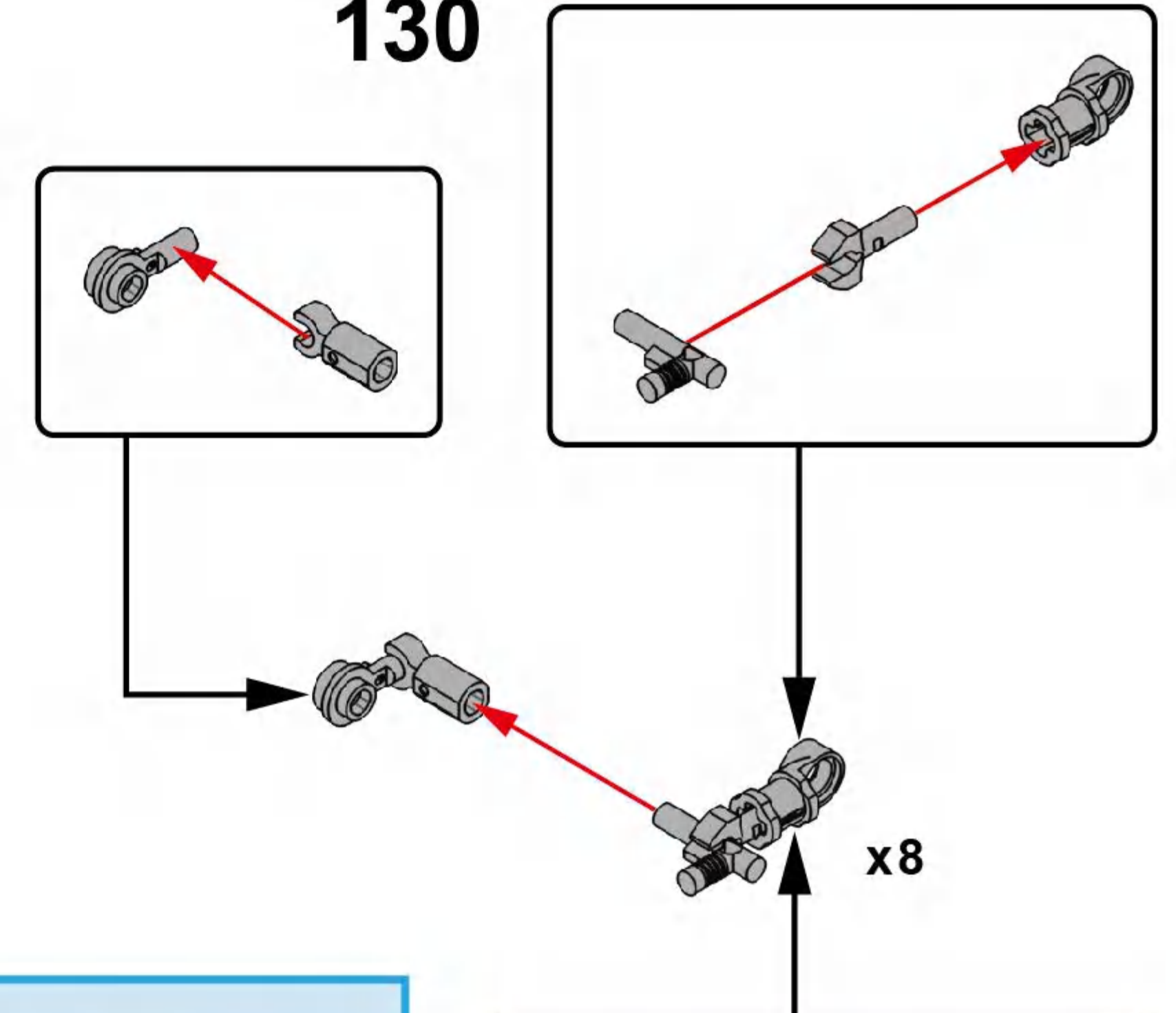
128



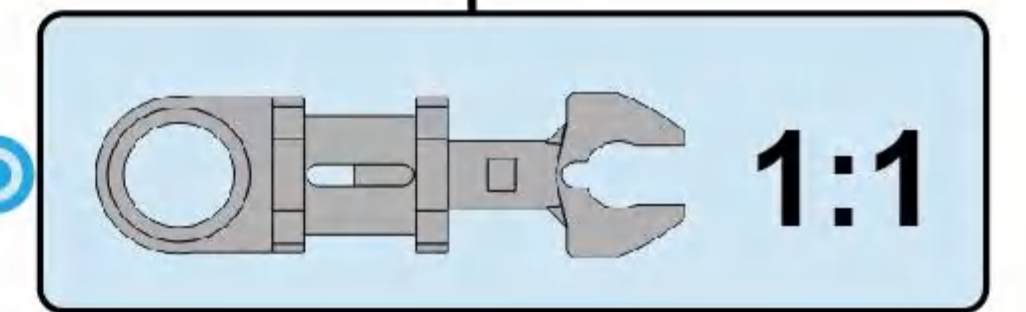
129



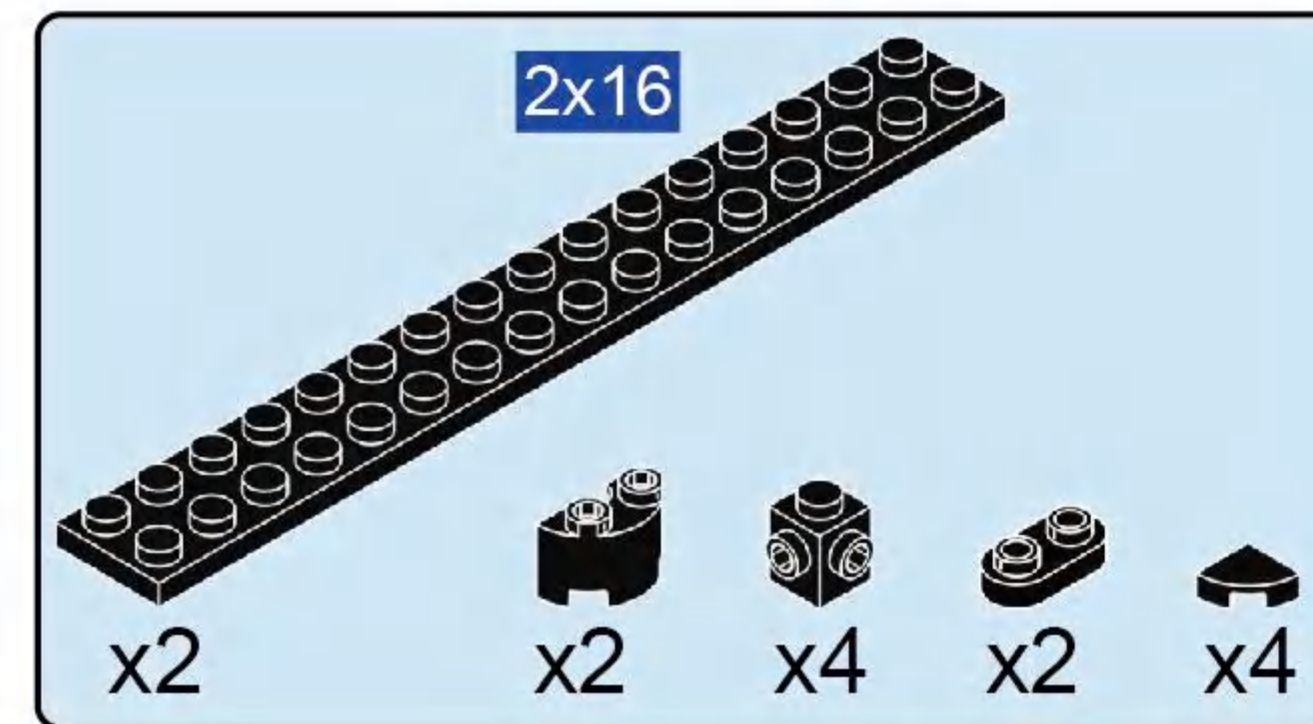
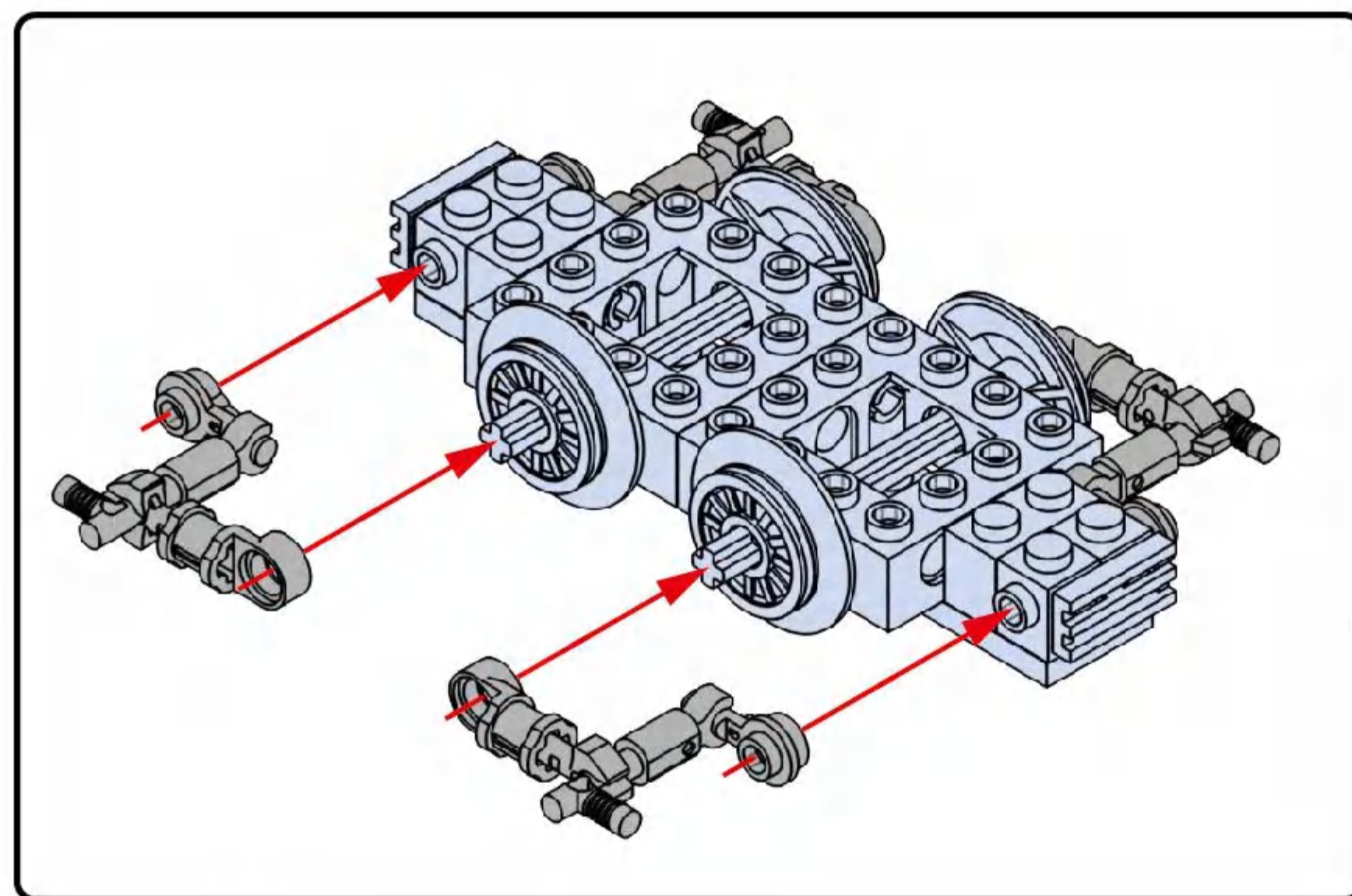
130



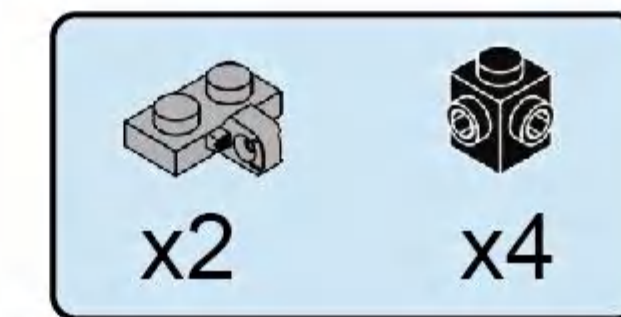
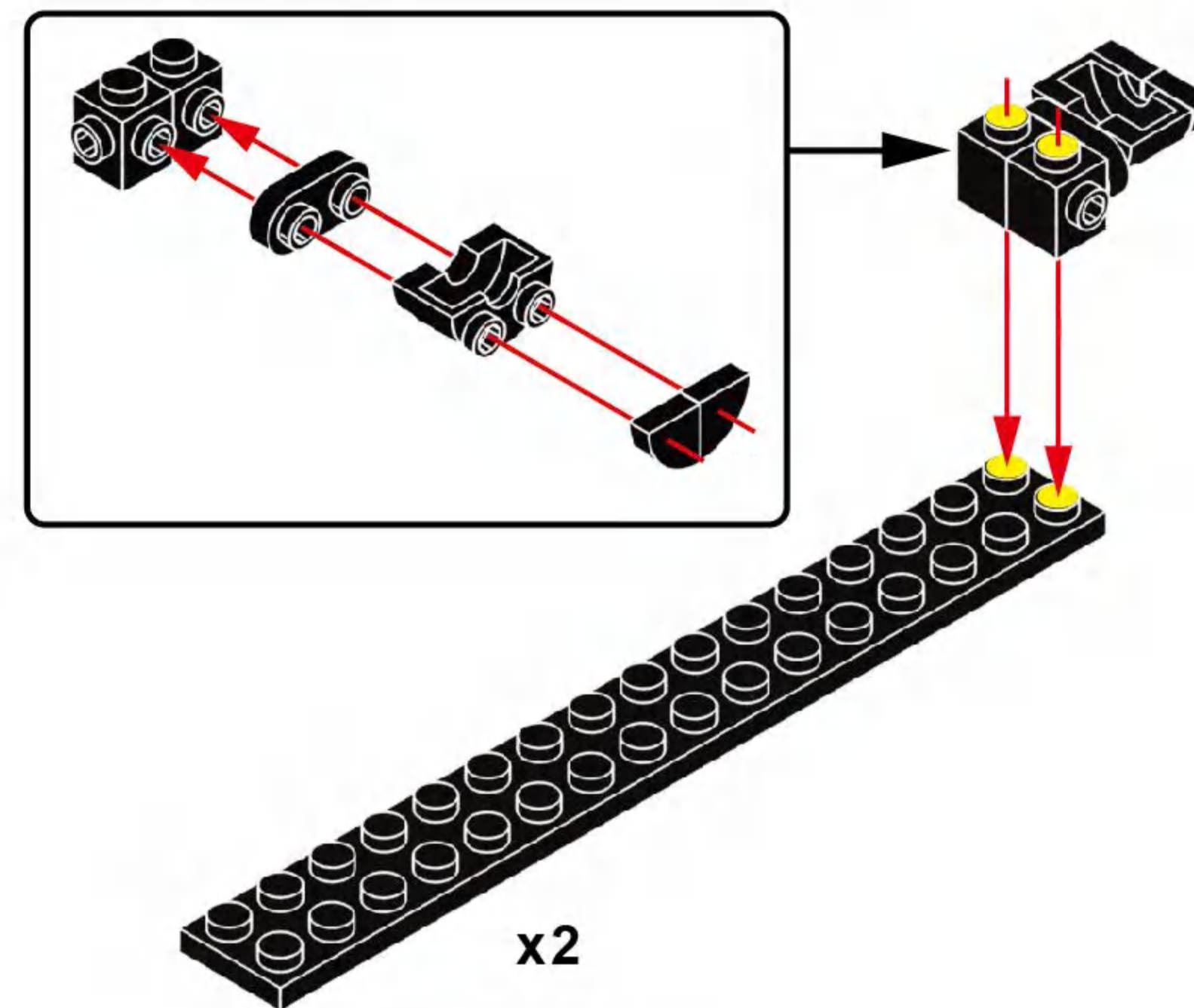
请注意零件的对点位置。
Please pay attention to the fitting point of the piece.



131



132



133

