



NO.11032

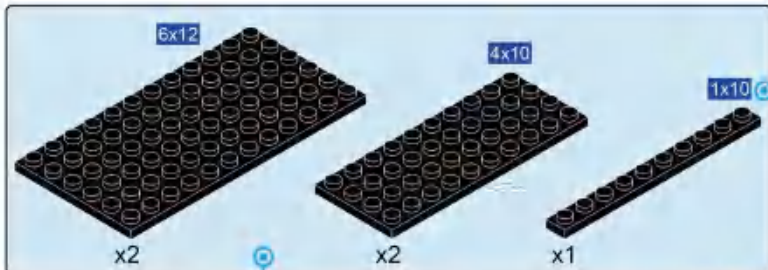
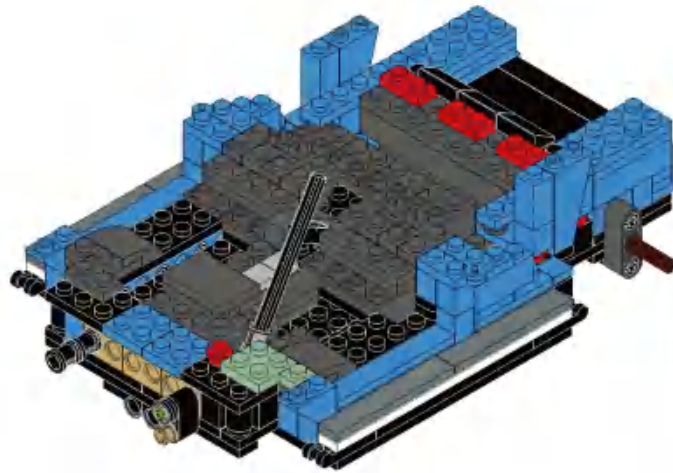
TECHNOLOGIE





使用对应编号包内的零件才能拼出图中模块。
Please build the module in the picture only with pieces inside the corresponding numbered package.

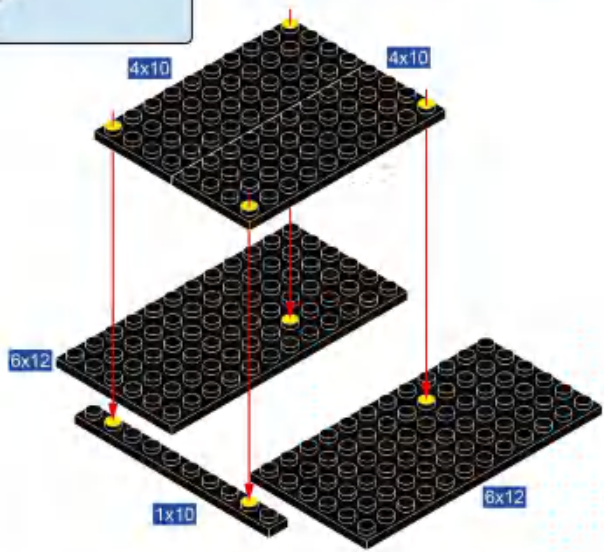
该产品可以按步骤拼装。
如：1号配件包拼装完成后，再拆2号配件包进行拼装，依次拼装，直至拼装完成。
This set of products can be assembled step by step. For example, after the No. 1 accessory package has been assembled, open the No. 2 accessory package. All right, put it together, put it together in turn, until it's finished.



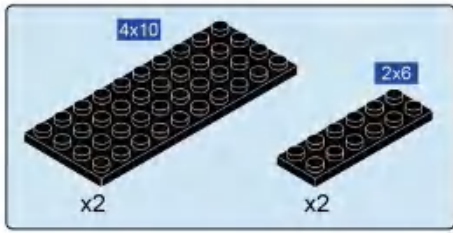
这是零件尺寸标识。1x10表示该零件宽度为1个积木颗粒，长度为10个积木颗粒。
This is the size mark of the piece. 1x10 means that the piece is 1 studwide and 10 studs long.

1

按零件表分拣零件拼装更快捷。
It's faster to sort and assemble pieces according to the piece list.

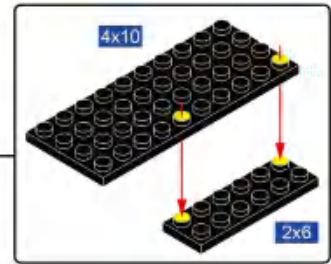
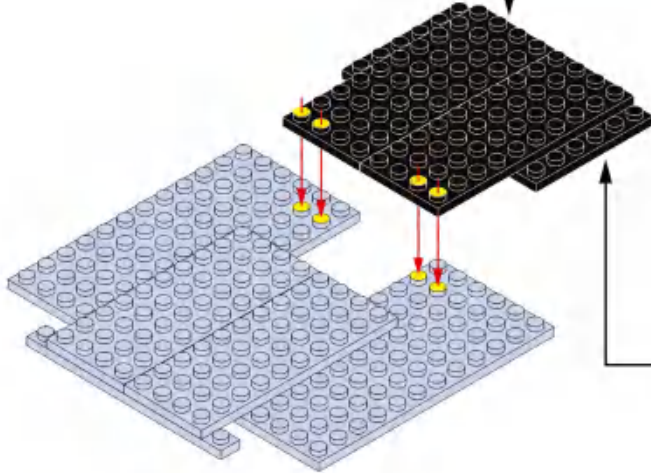
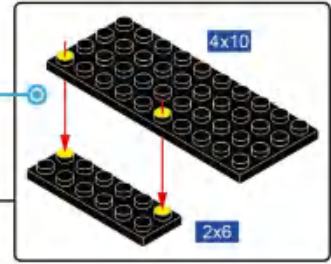


1

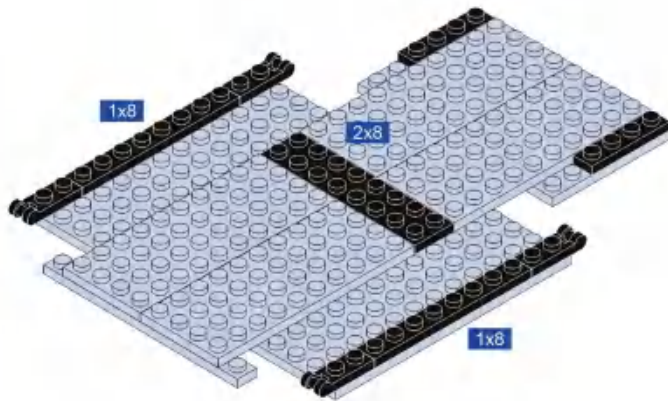


2

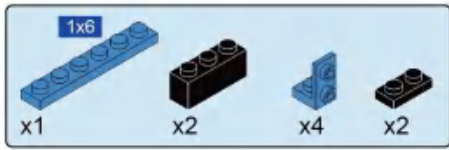
通过此视图可更清晰的观察拼装位置噢。
This view enables you to see the assembly position more clearly.



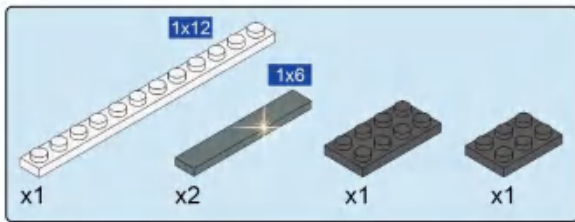
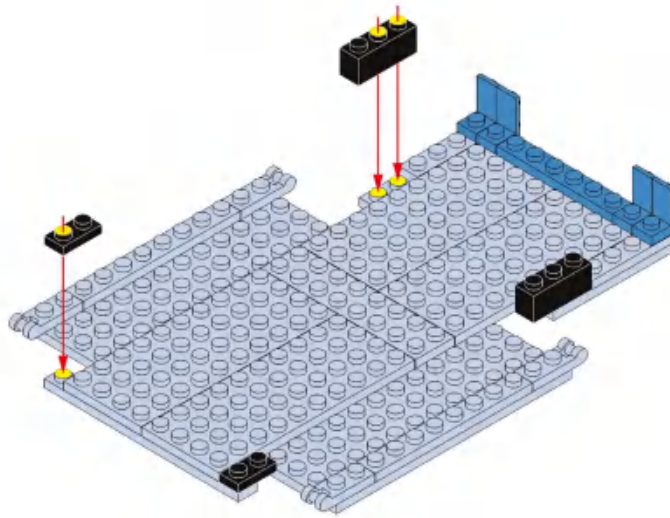
3



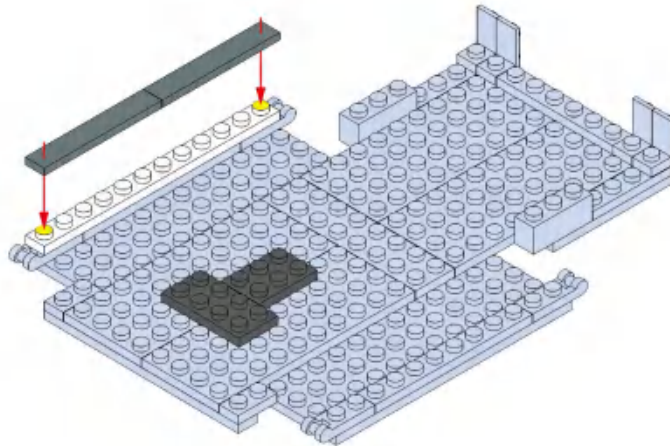
2

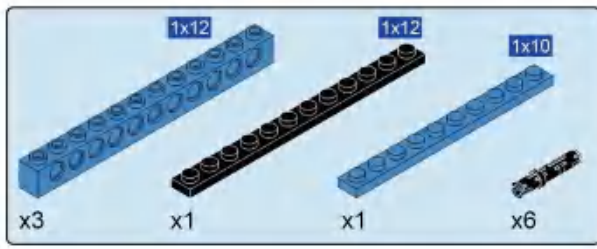


4

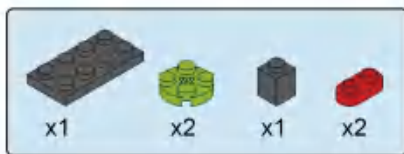
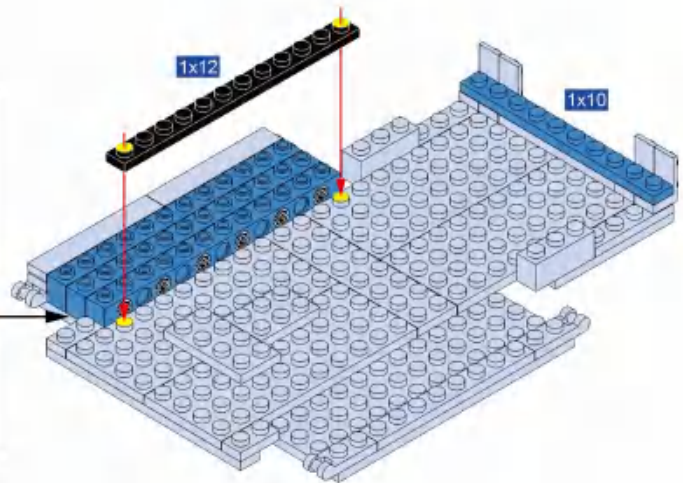
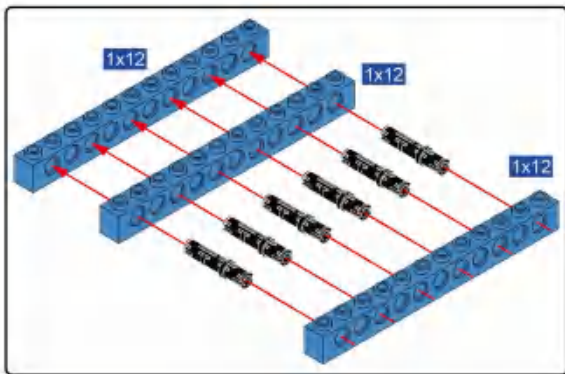


5

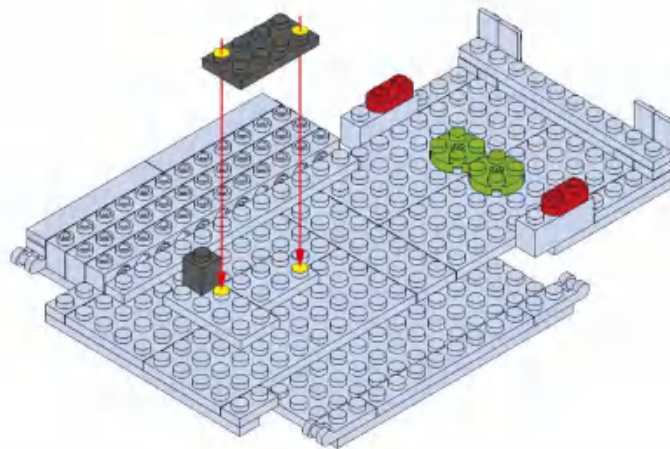


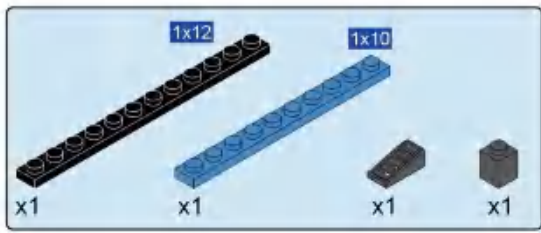


6

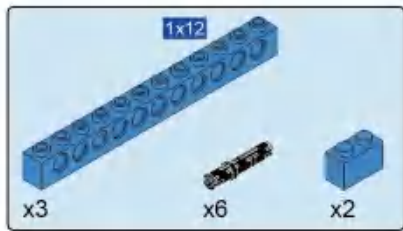
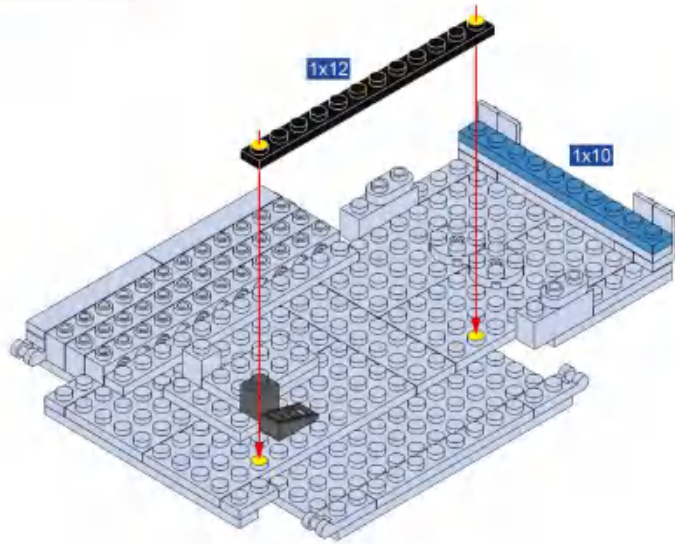


7

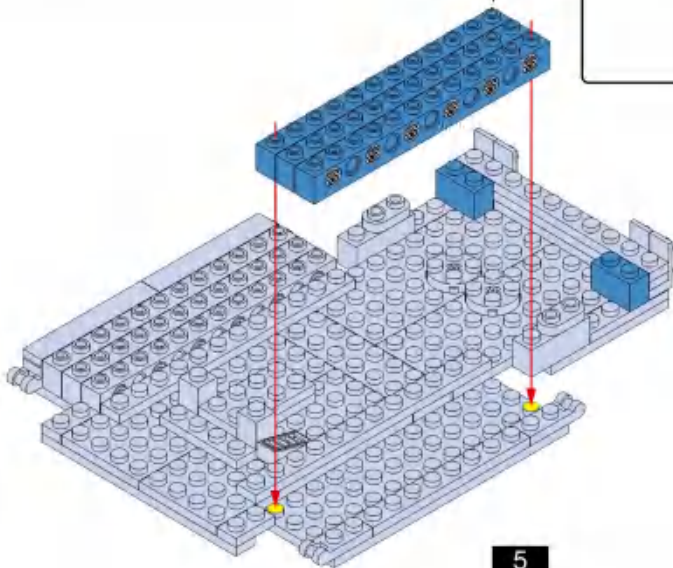
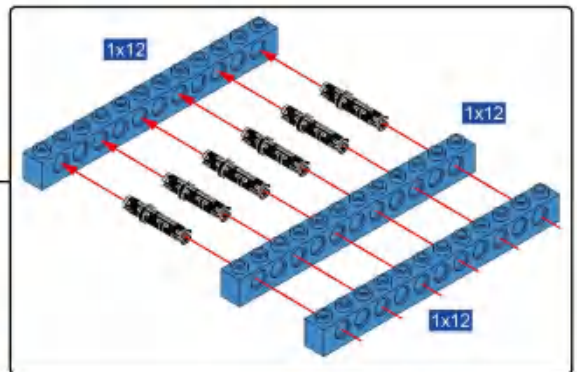


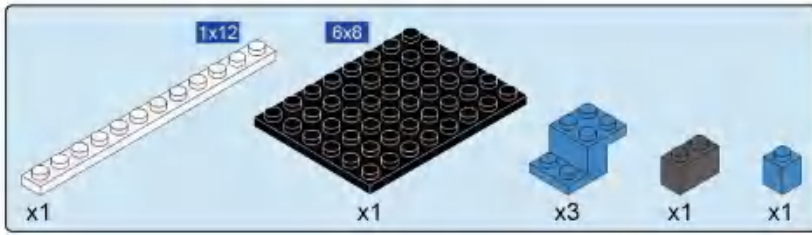


8

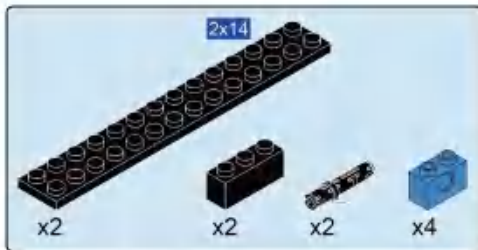
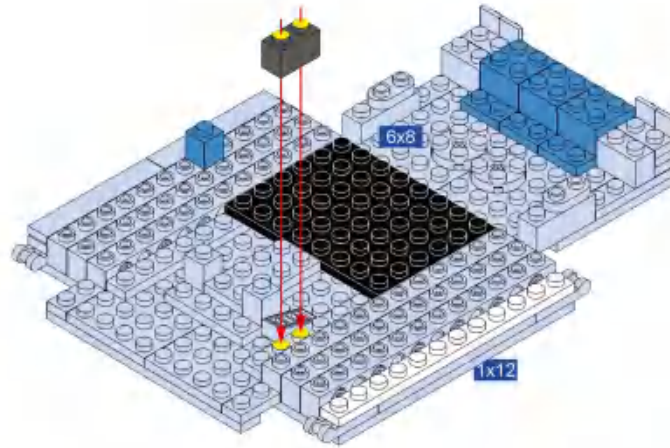


9

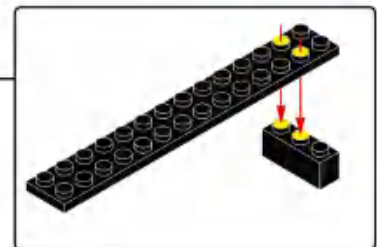
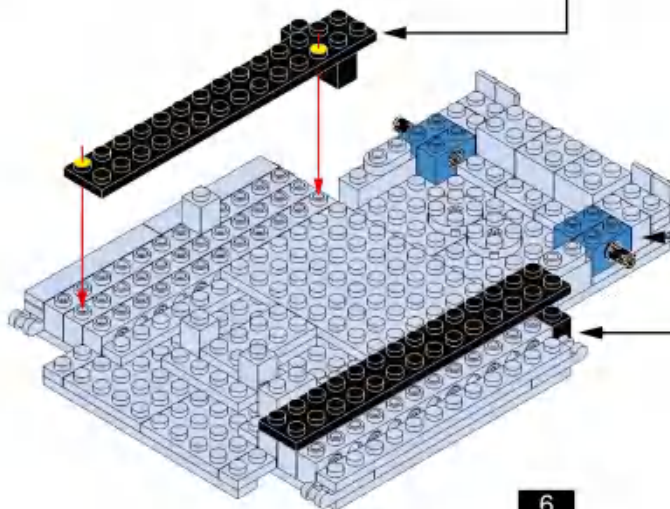
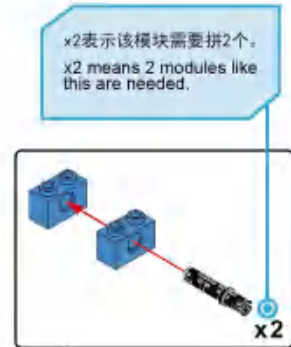
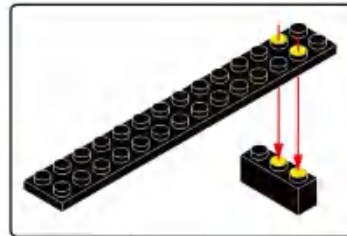




10



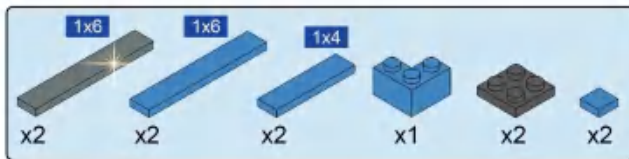
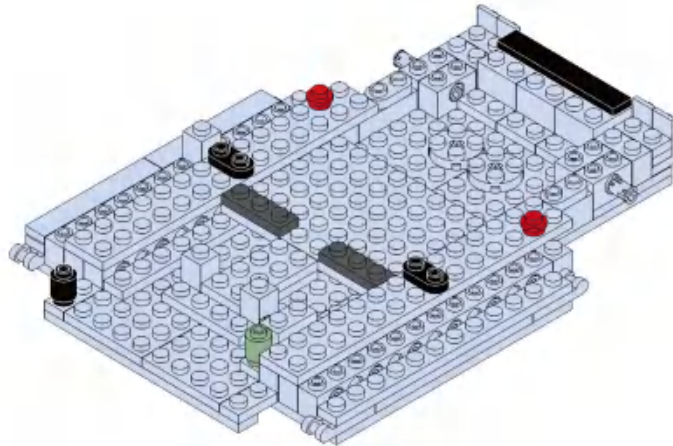
11



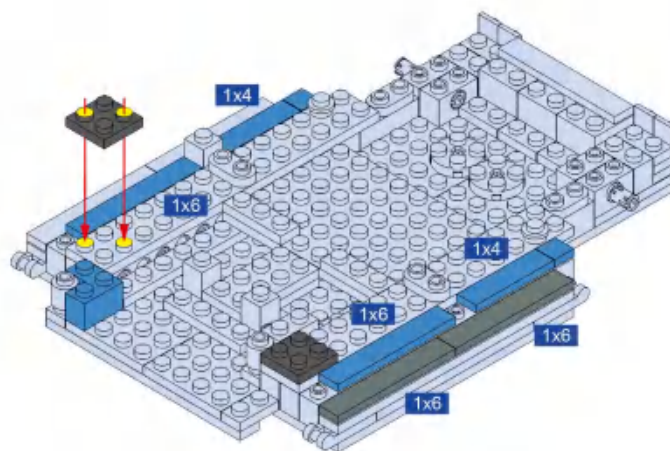
6

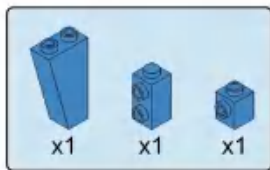


12

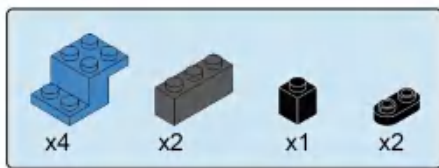
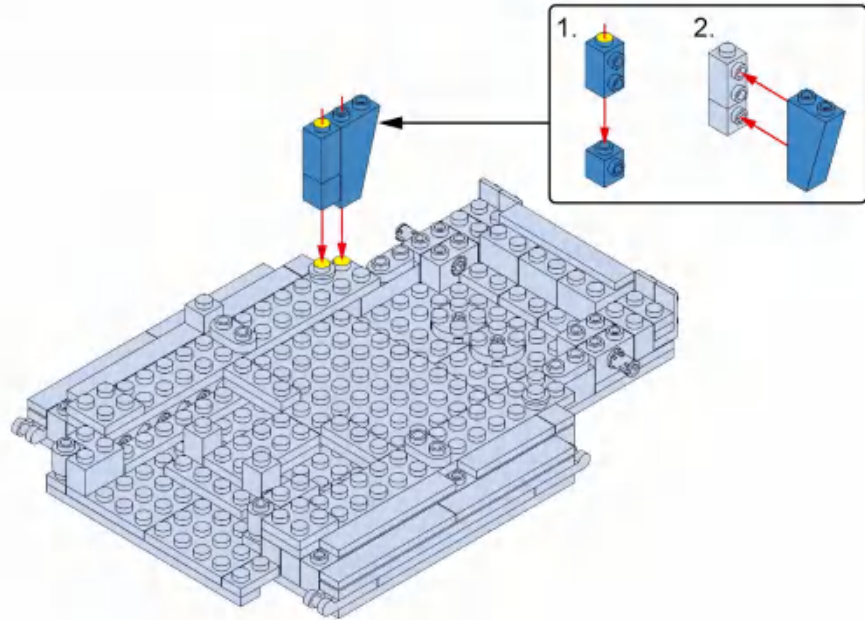


13

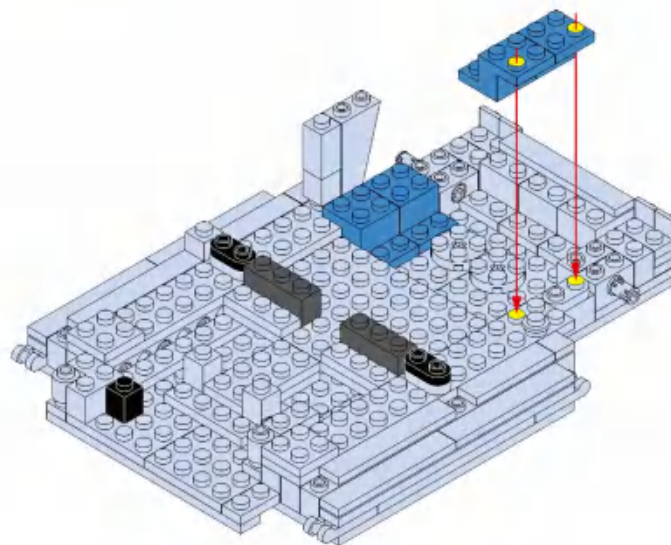


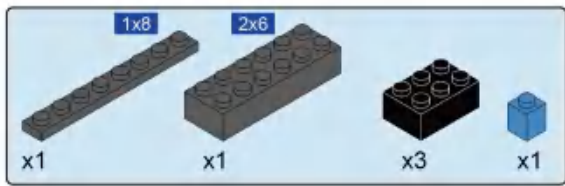


14

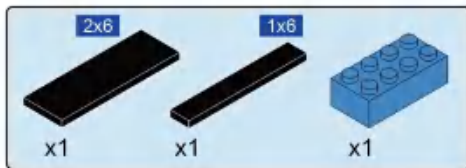
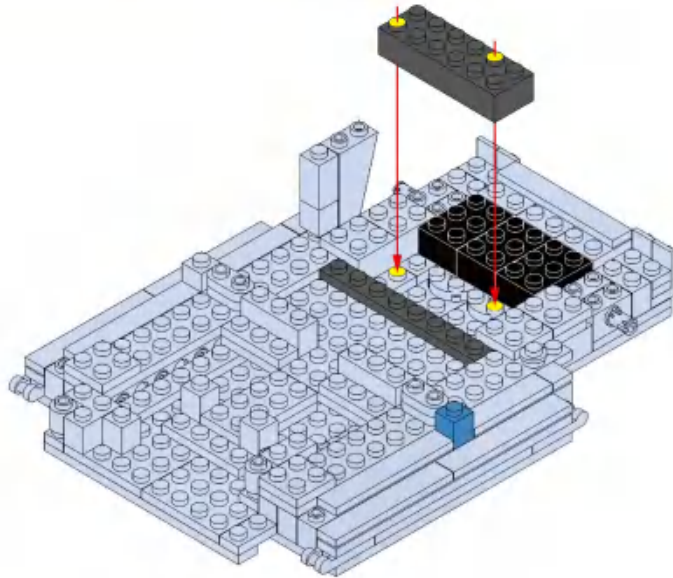


15

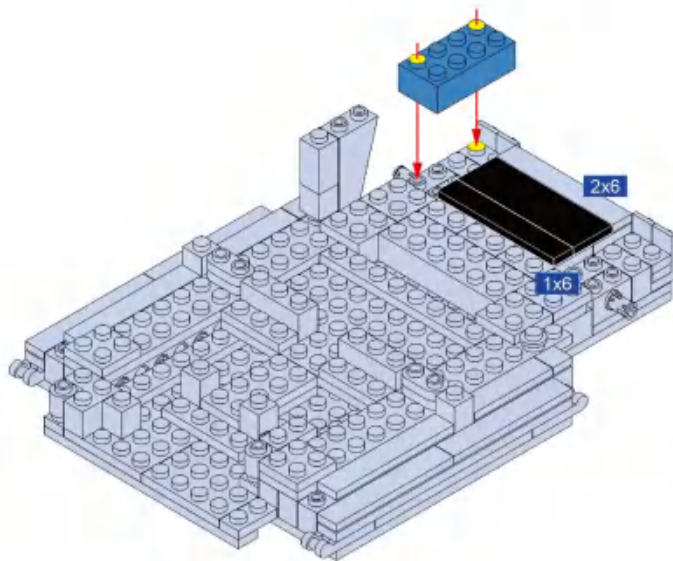


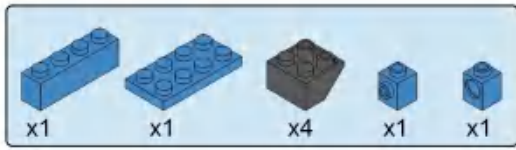


16

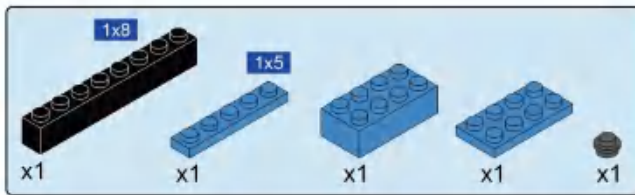
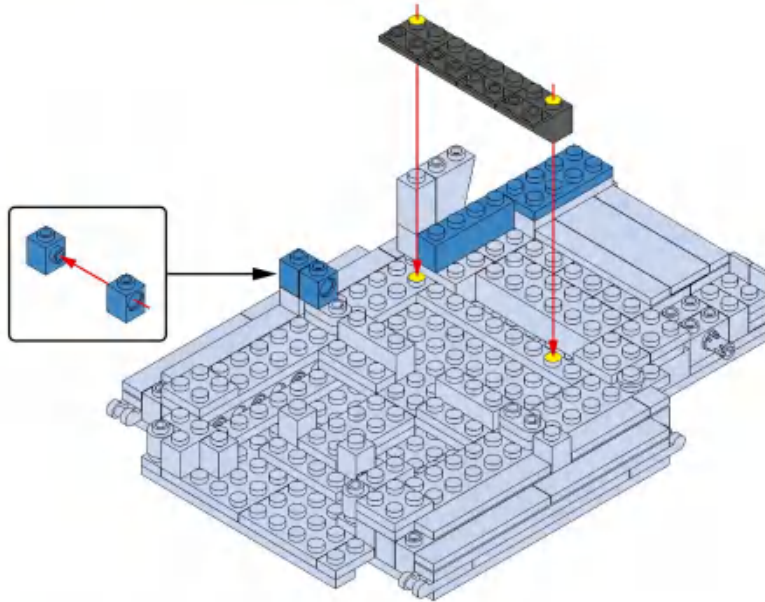


17

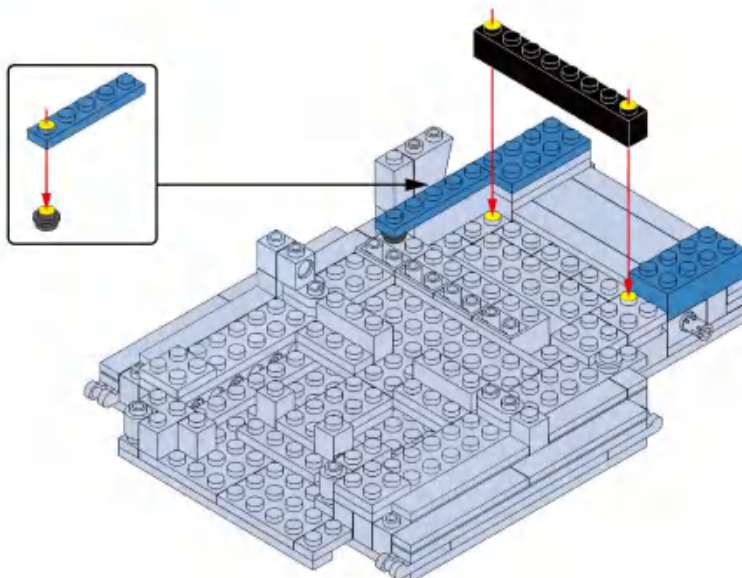


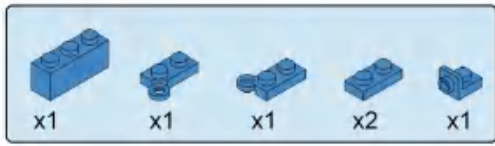


18

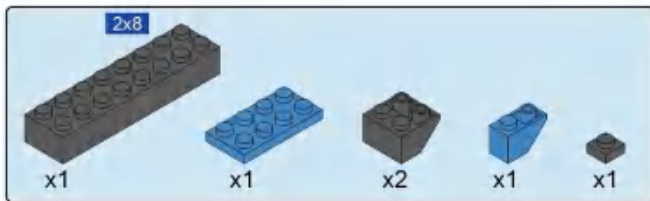
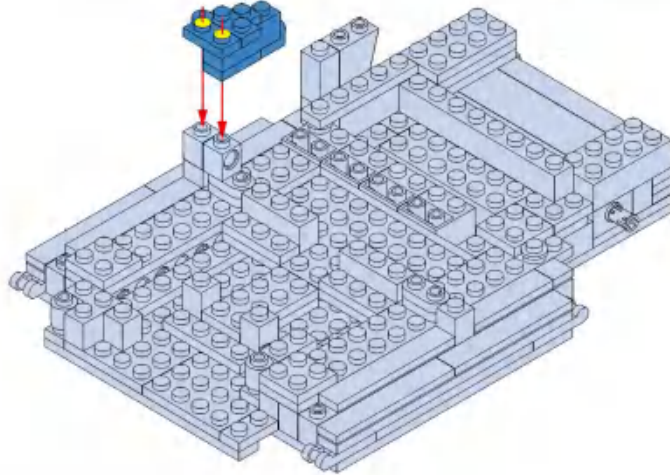
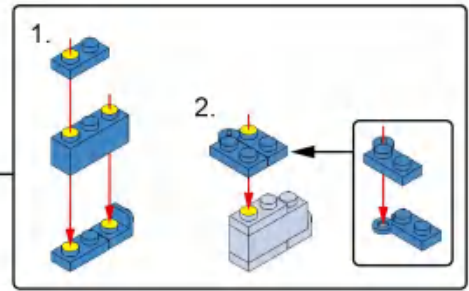


19

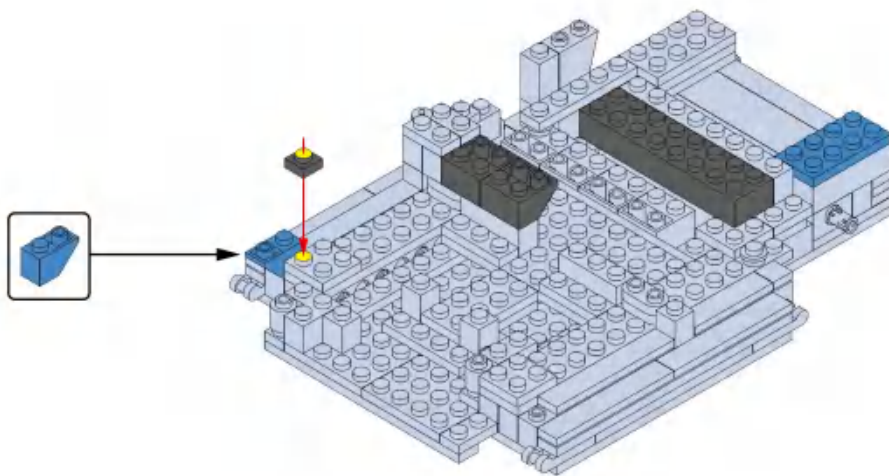


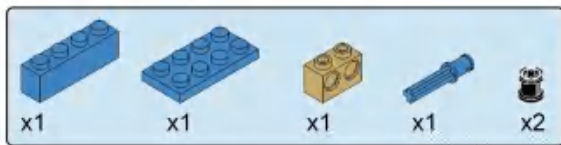


20

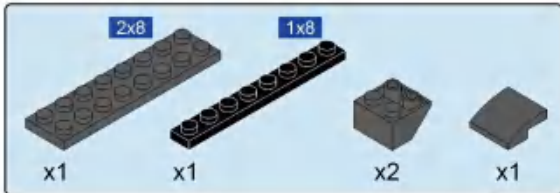
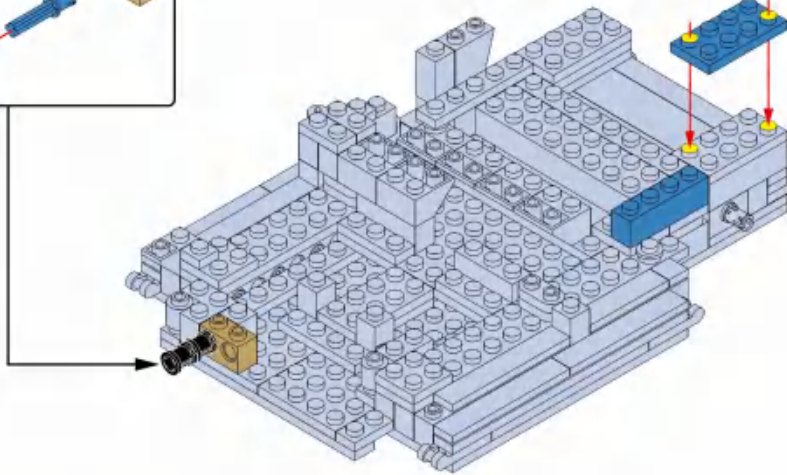
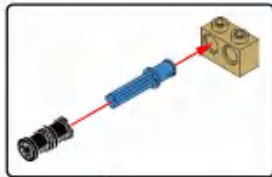


21

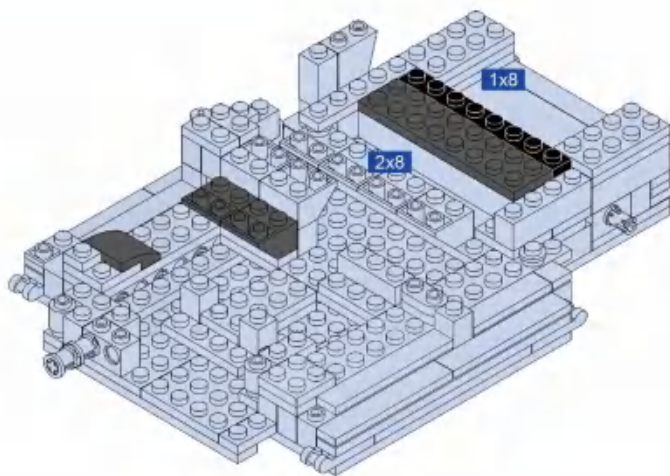


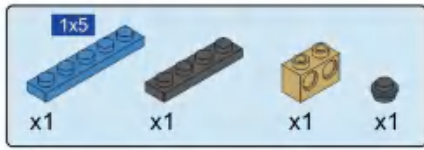


22

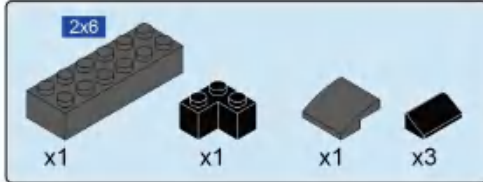
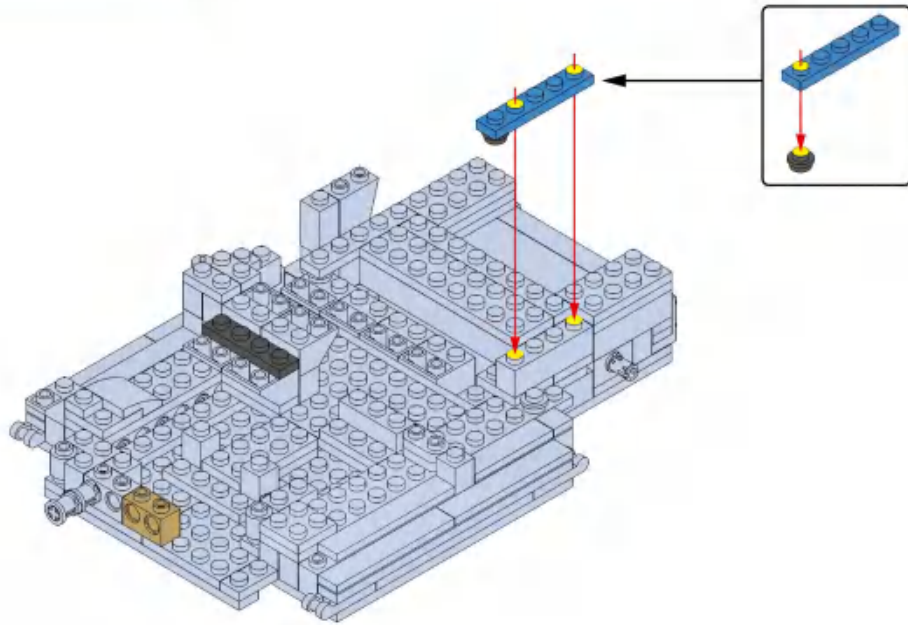


23

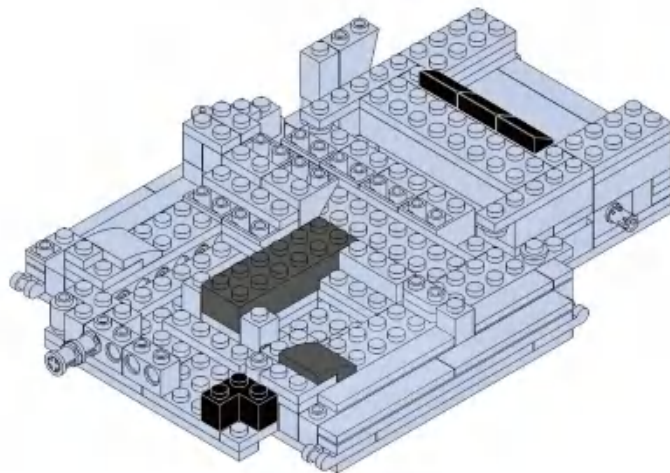


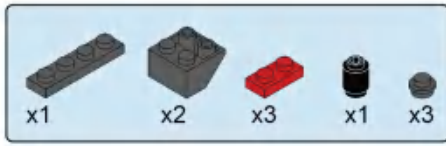


24

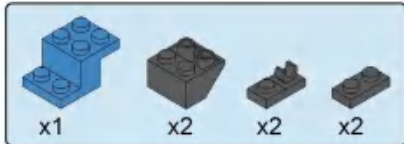
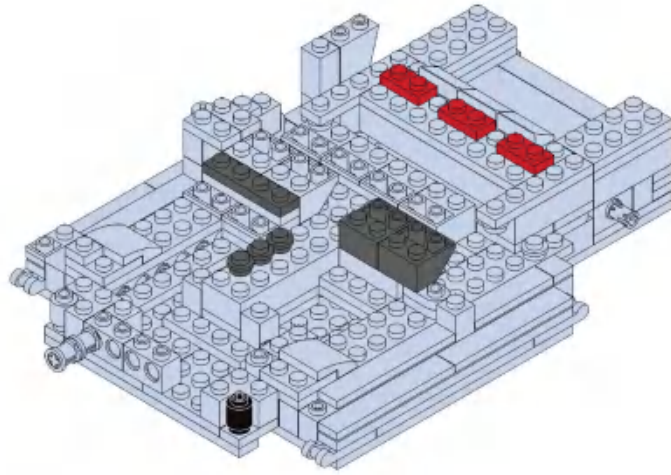


25

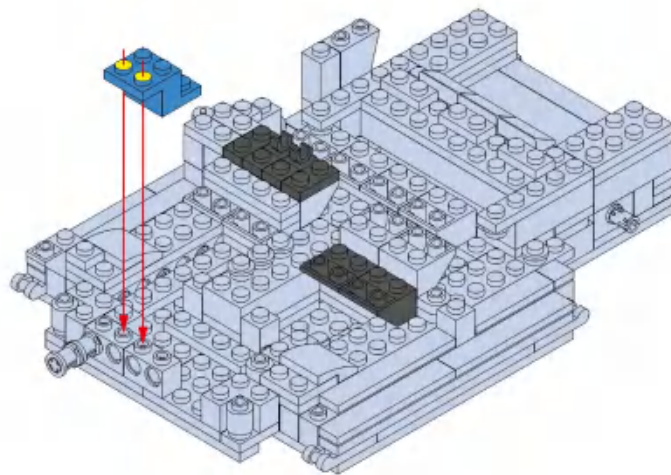


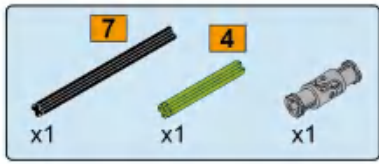


26

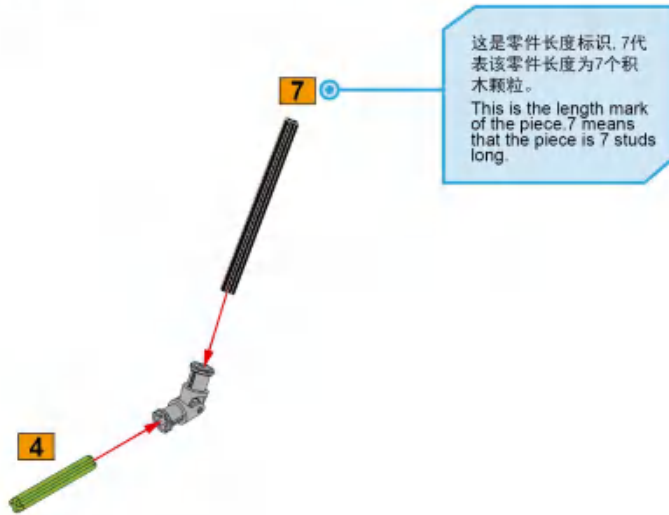


27

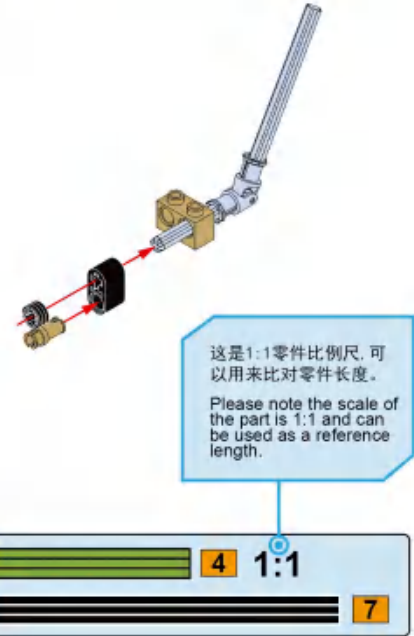




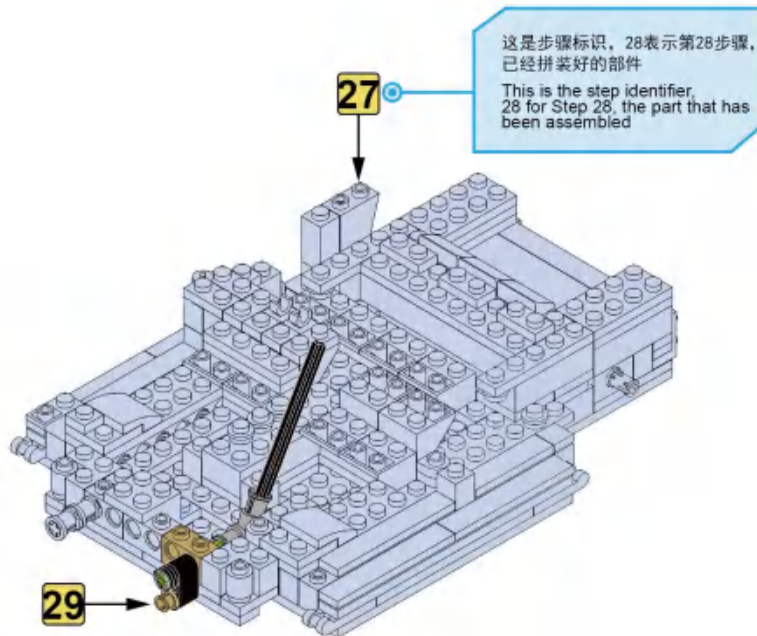
28

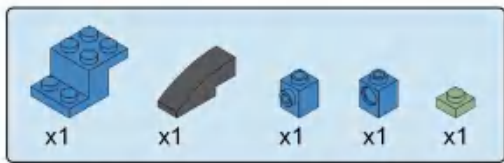


29

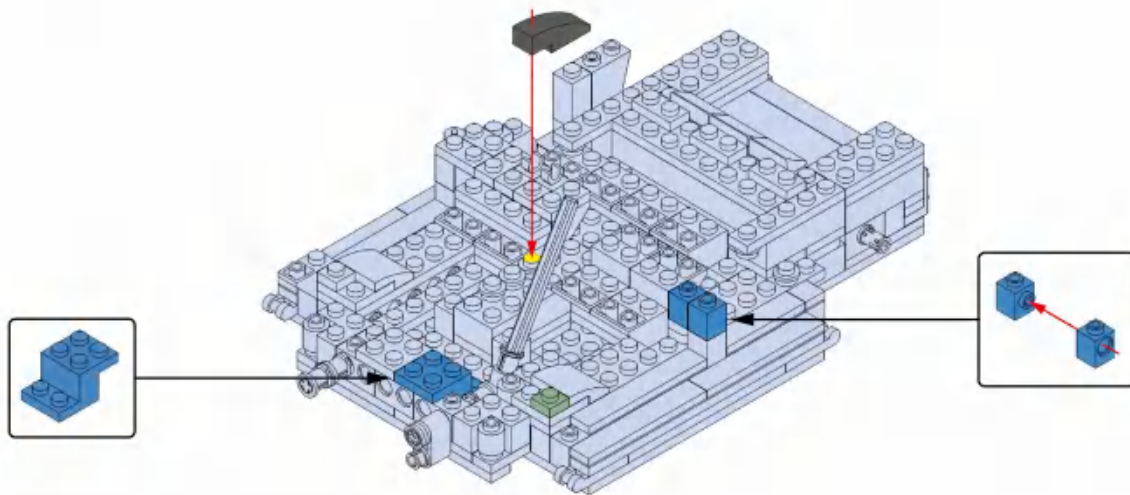


30

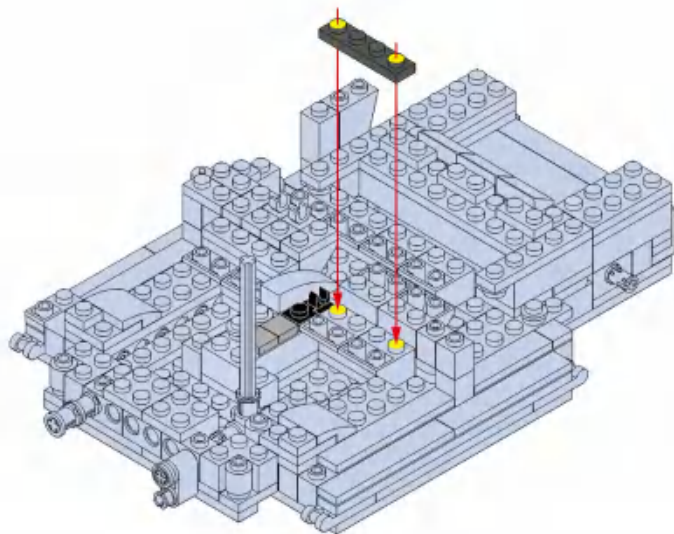




31



32



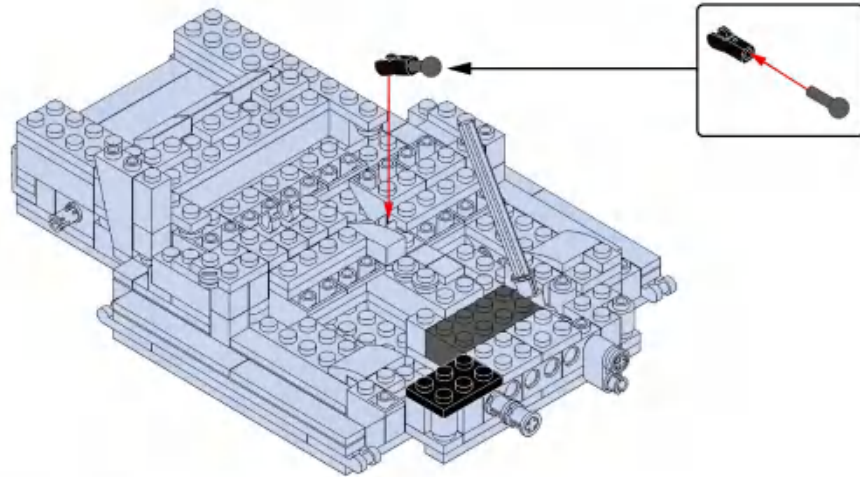


33

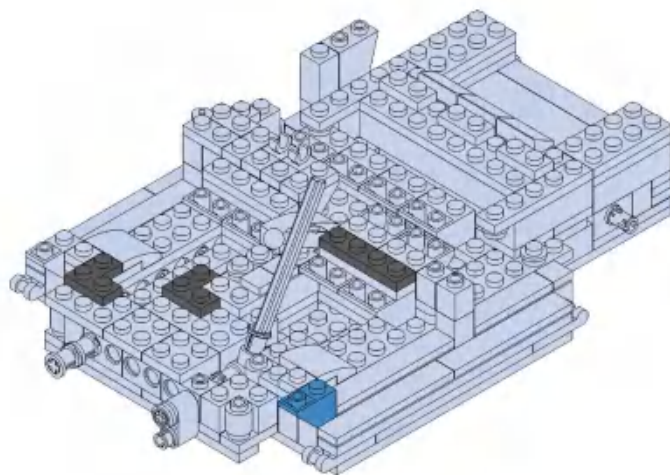


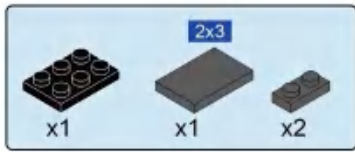
这是旋转标识，表示下方
部件需要旋转方向。

This is the rotation mark,
indicating that the lower
part needs to rotate in the
direction.

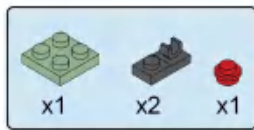
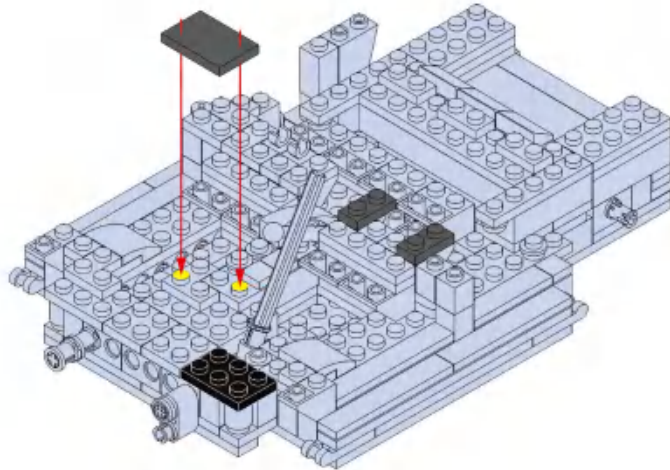


34

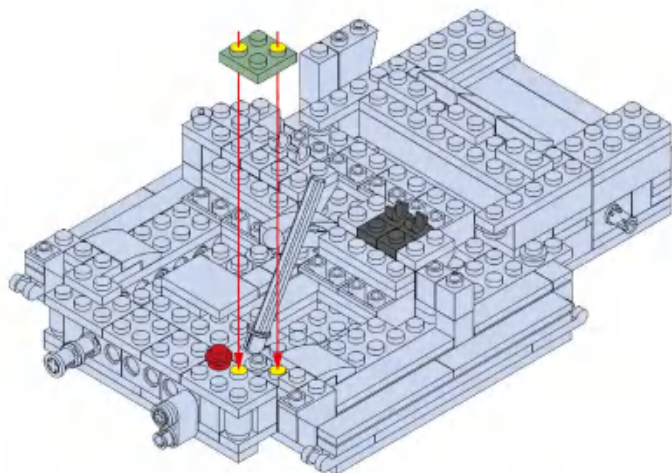


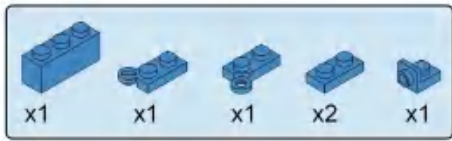


35

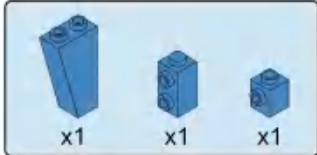
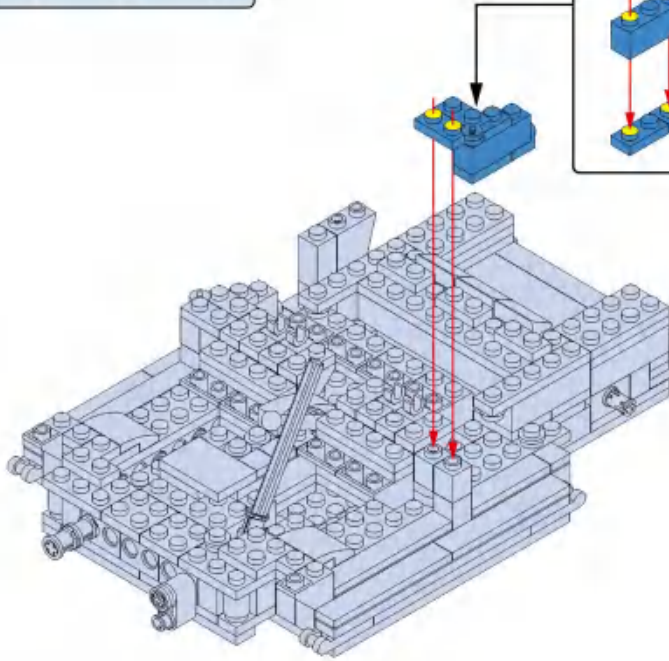
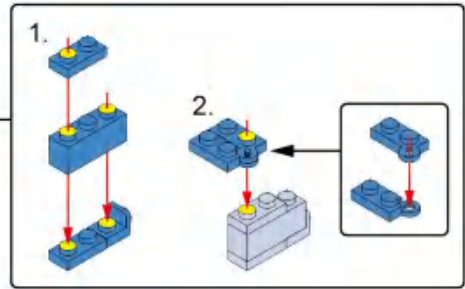


36

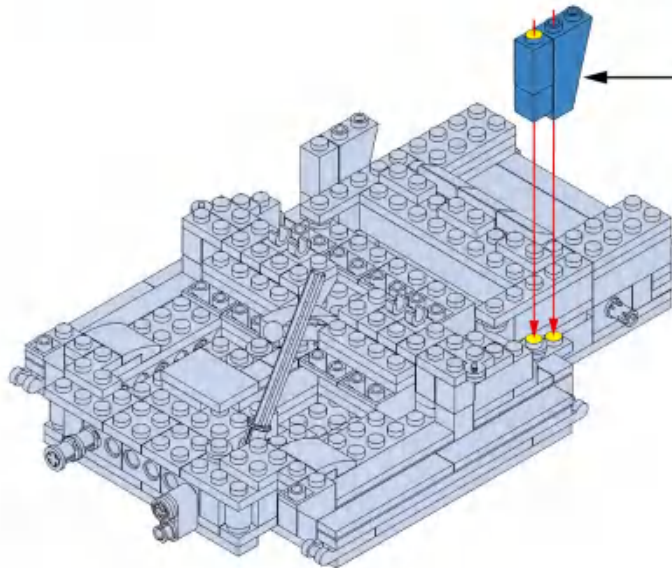
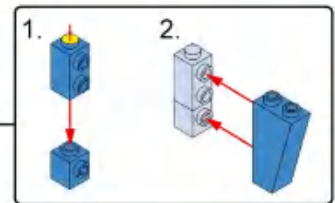




37

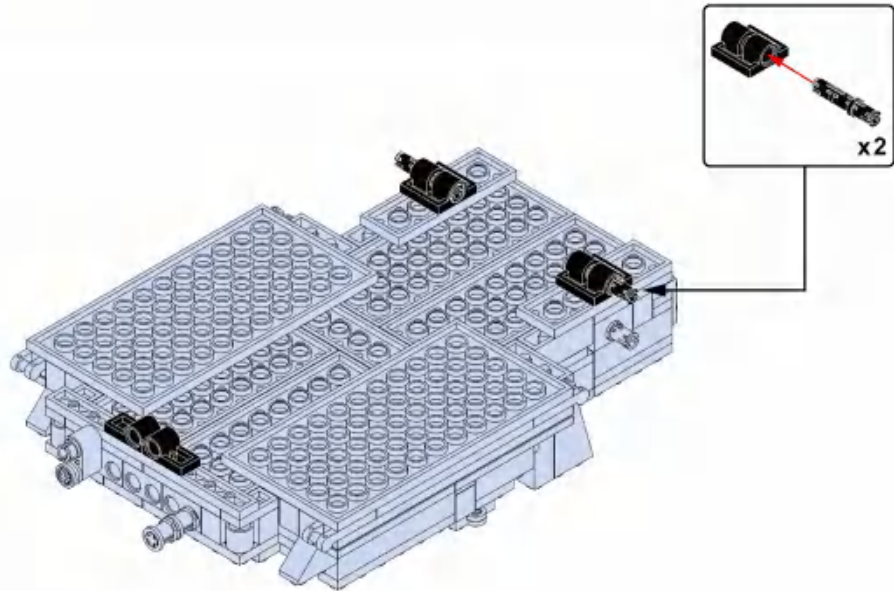


38

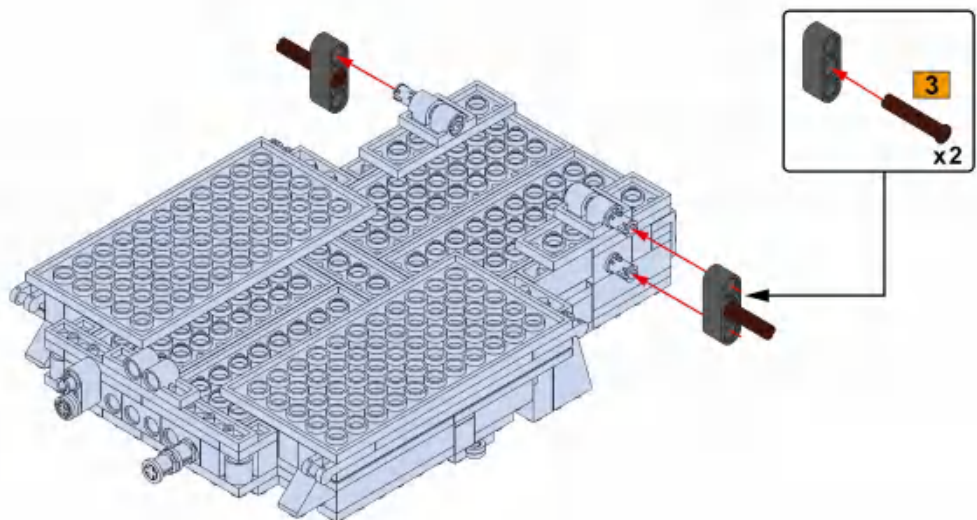
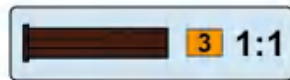




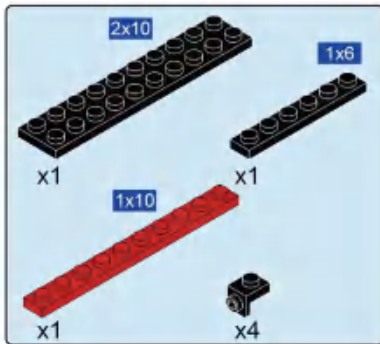
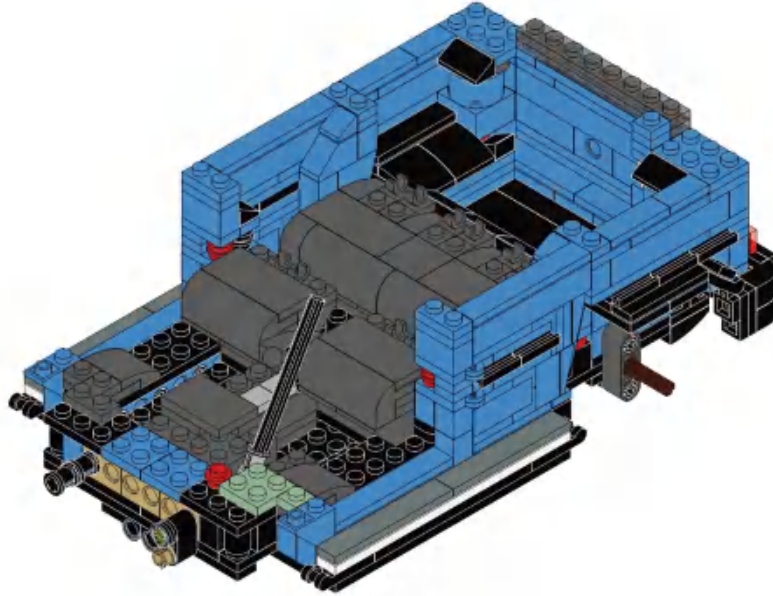
39



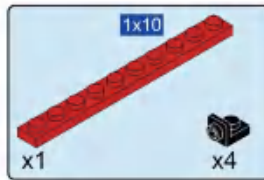
40



2



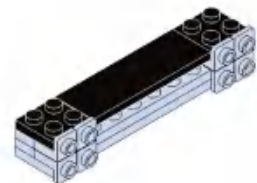
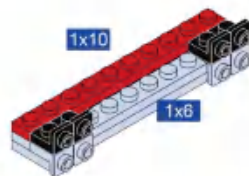
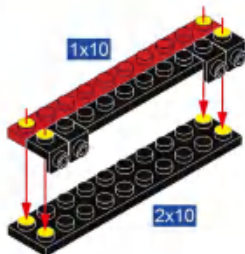
41

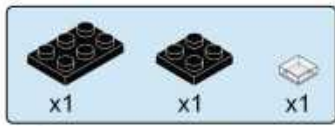


42

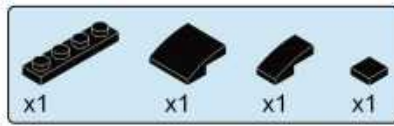


43





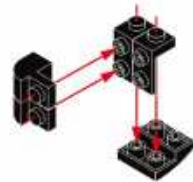
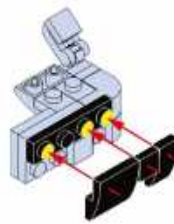
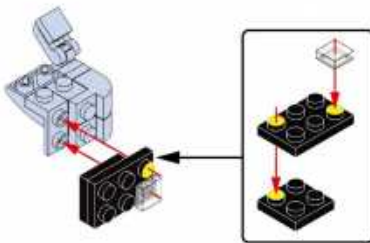
50



51



52

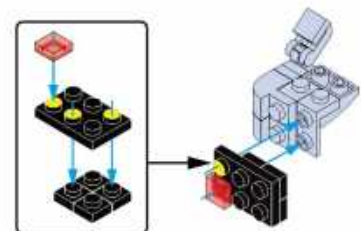
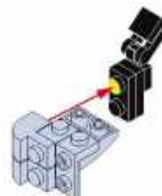
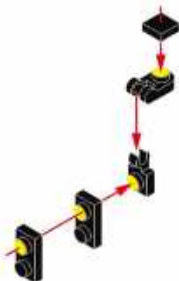


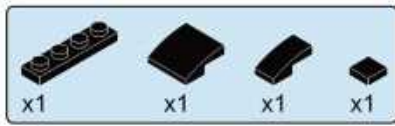
53

54

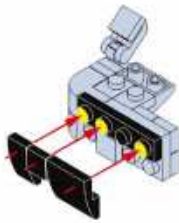


55

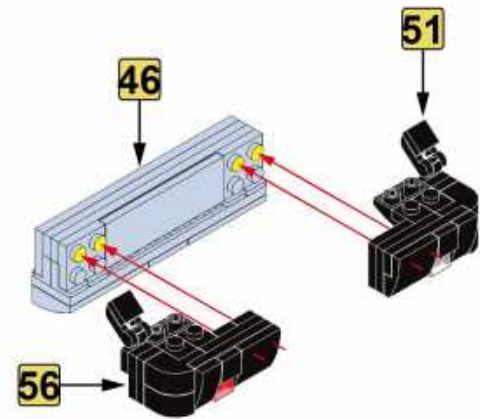




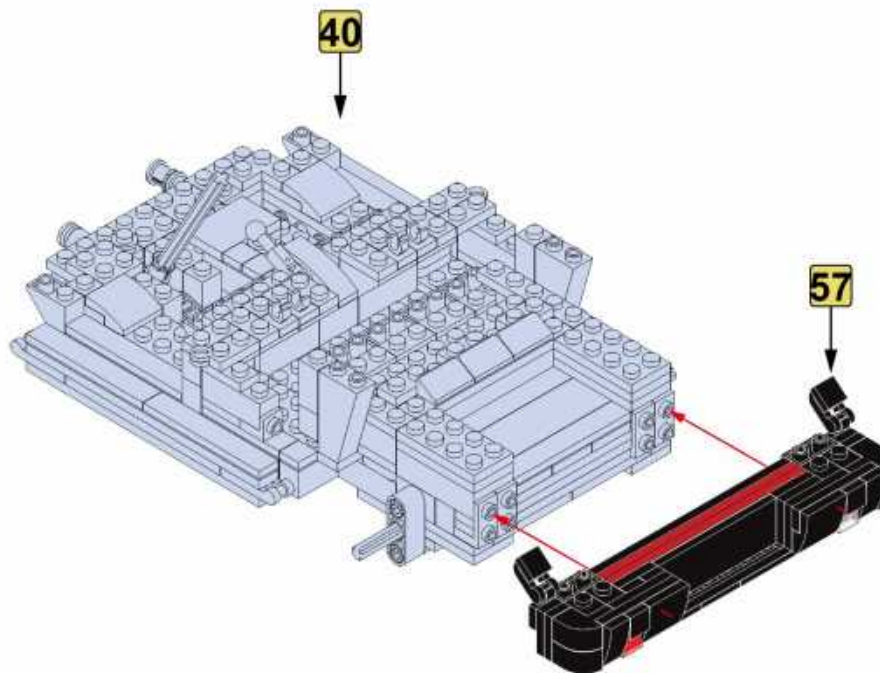
56

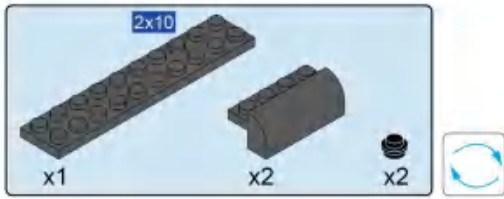


57

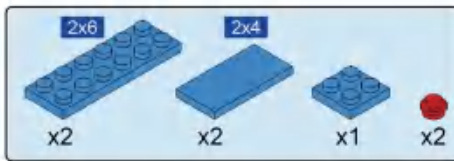
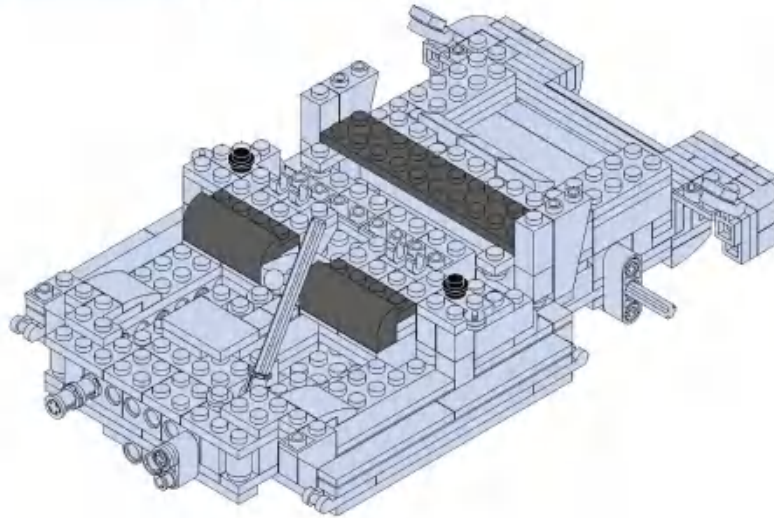


58

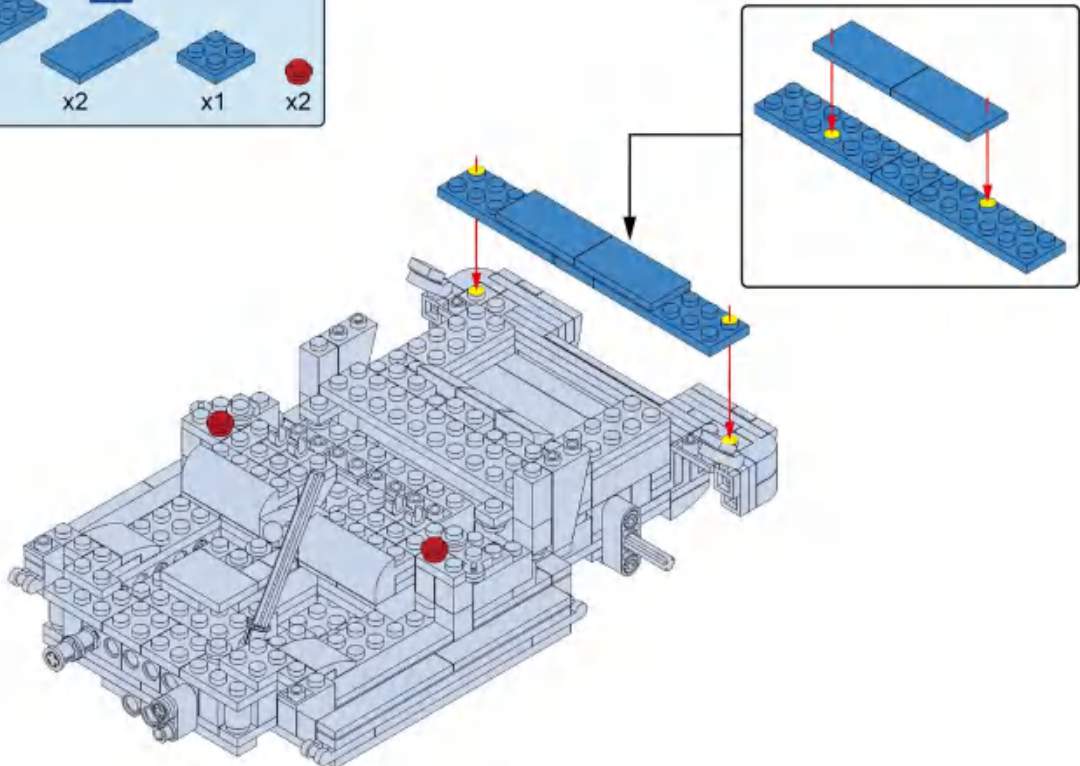




59

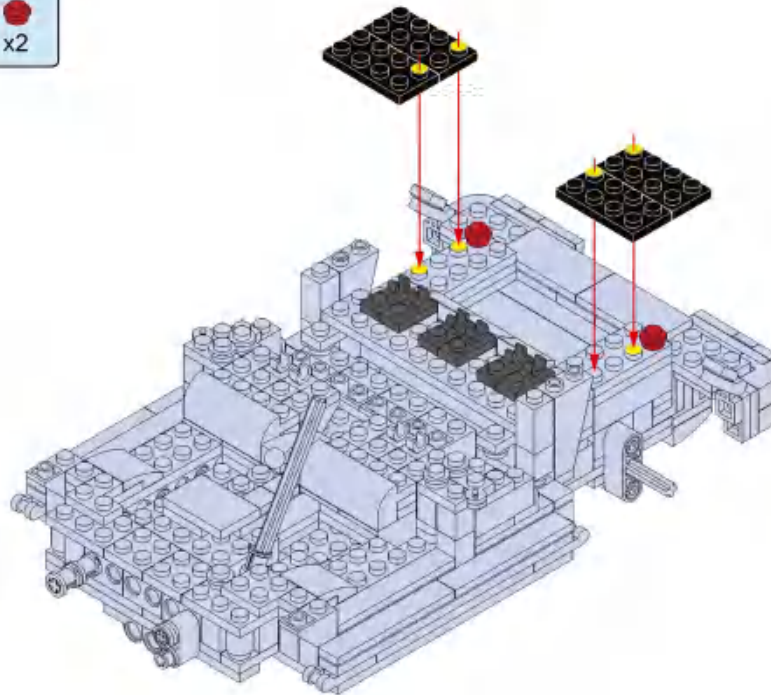


60

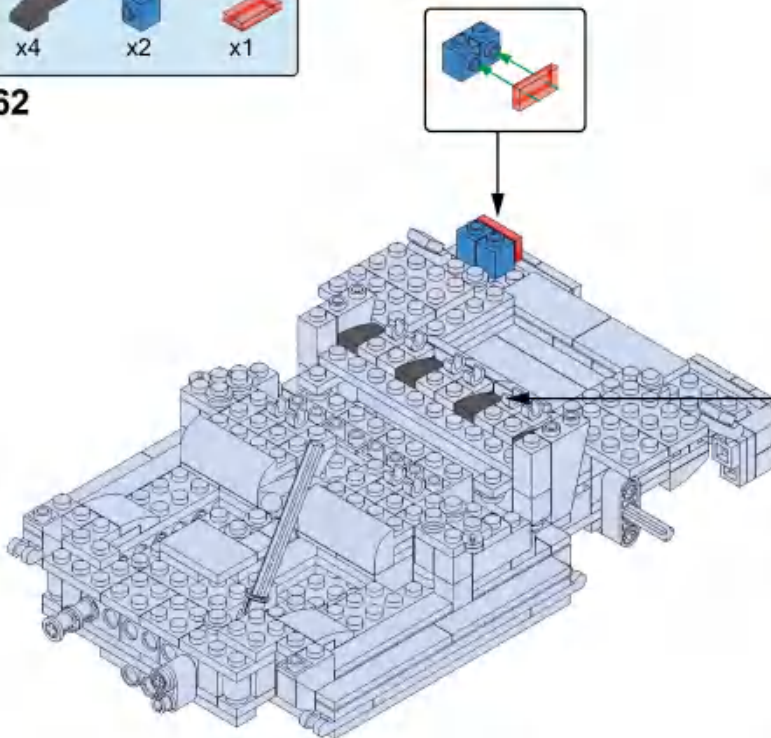




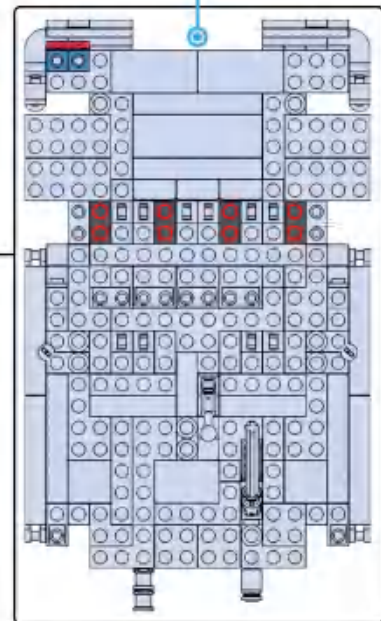
61

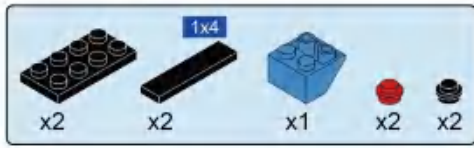


62

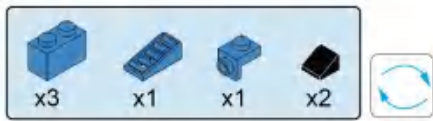
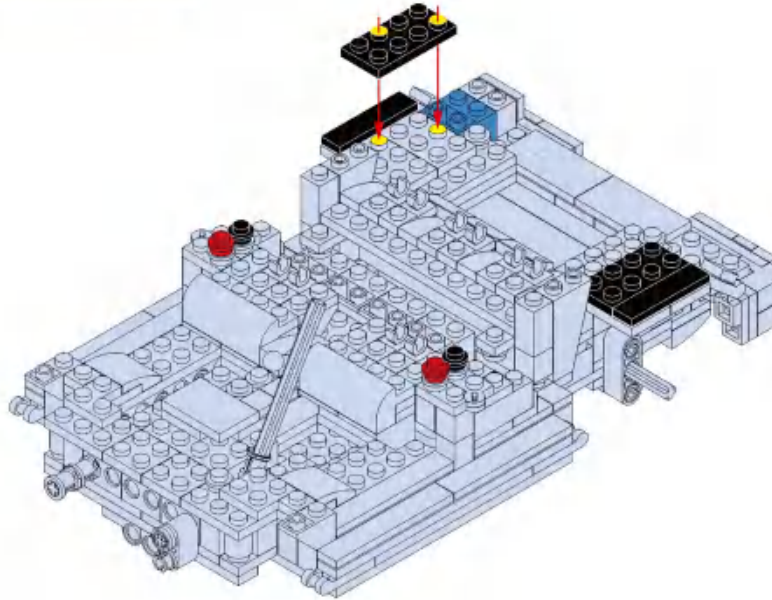


请注意零件的对点位置。
Please pay attention to the fitting point of the piece.

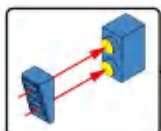
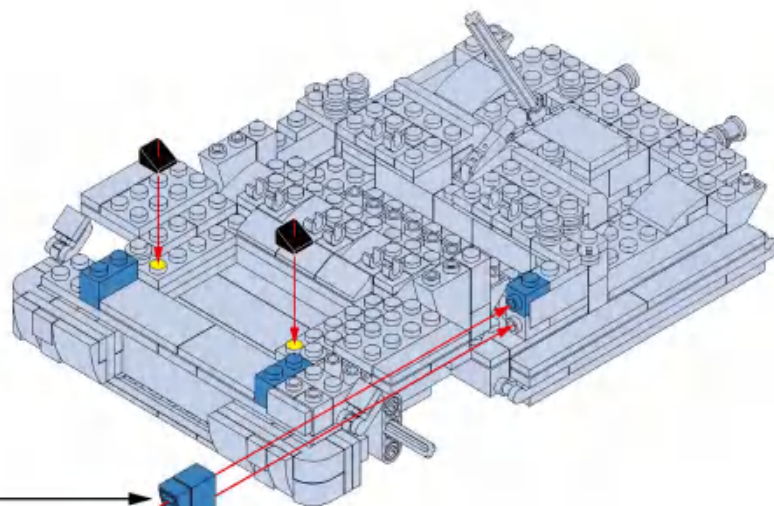




63

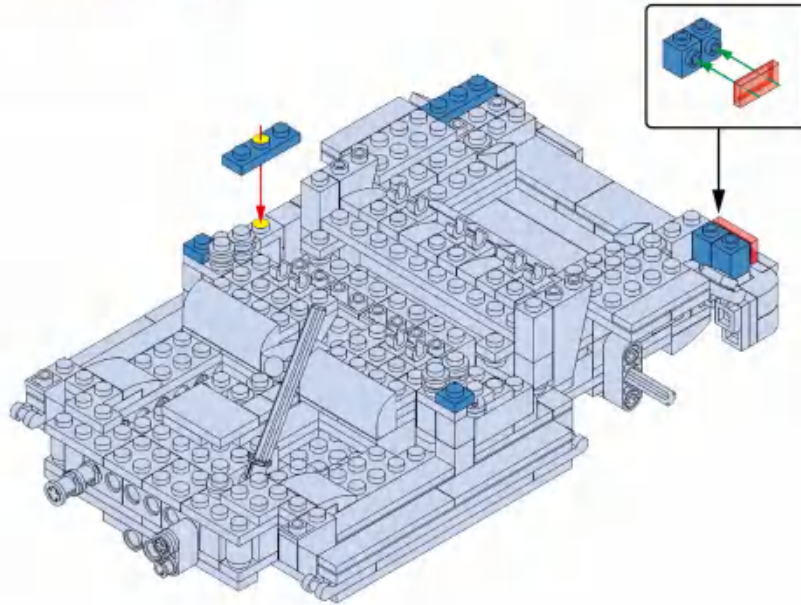


64

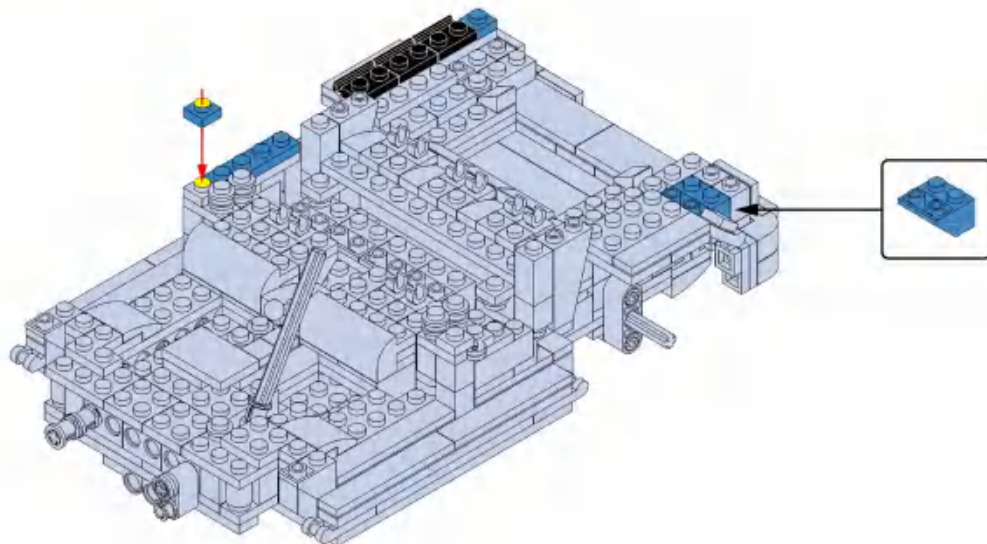


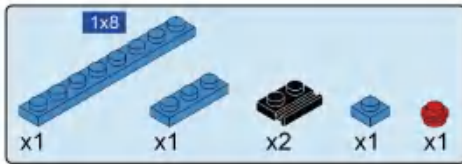


65

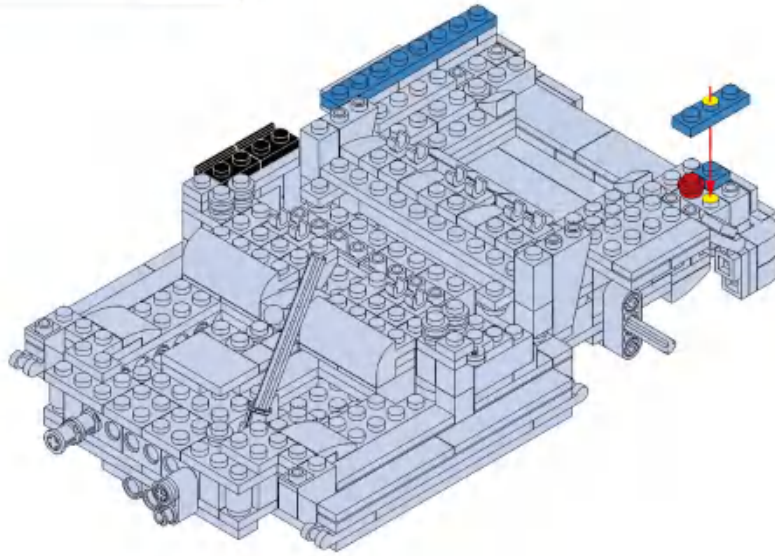


66

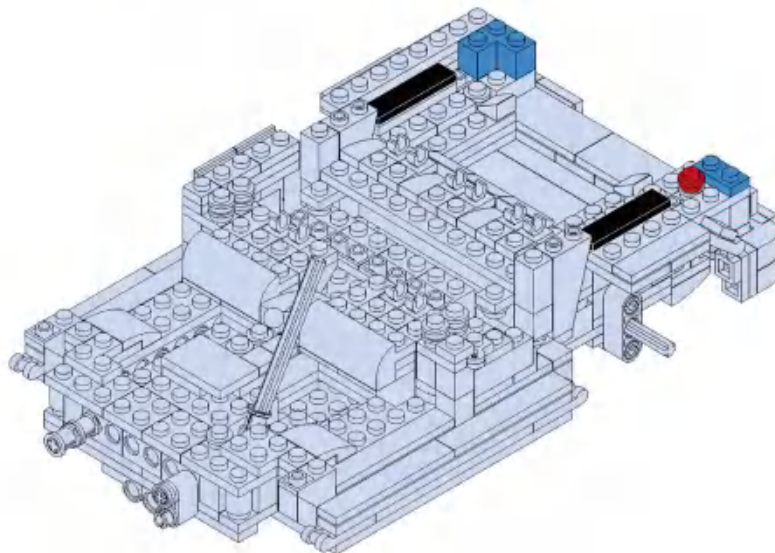


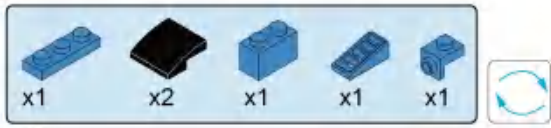


67

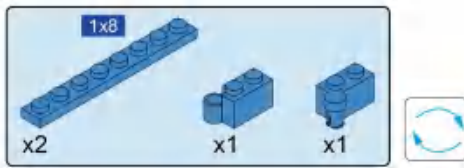
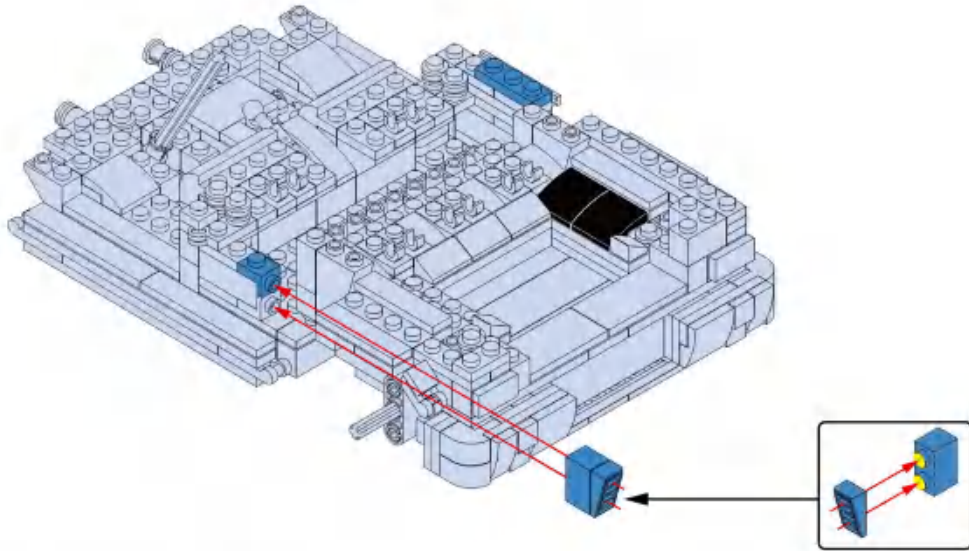


68

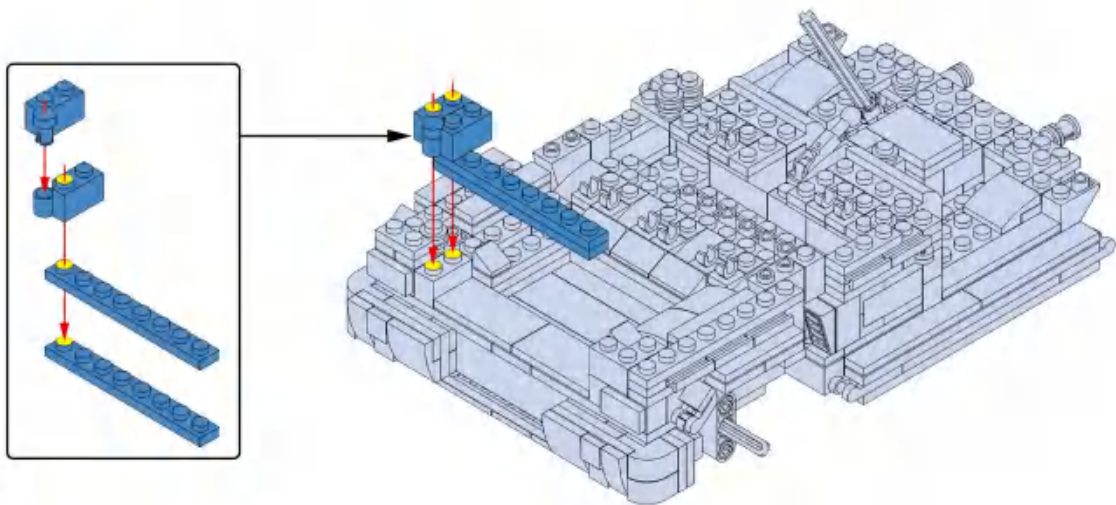




69

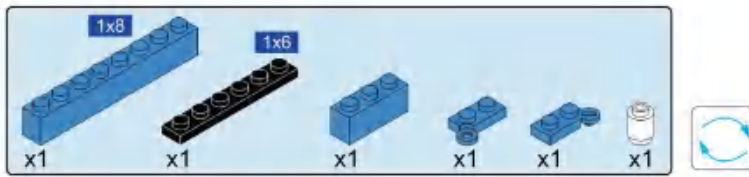
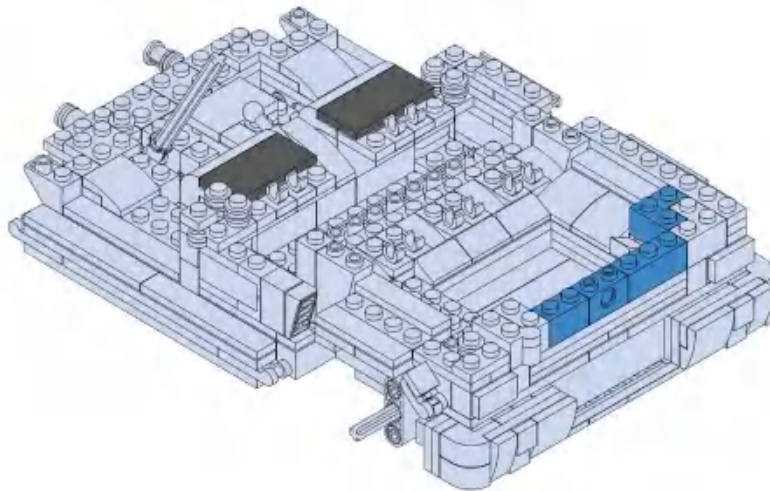


70

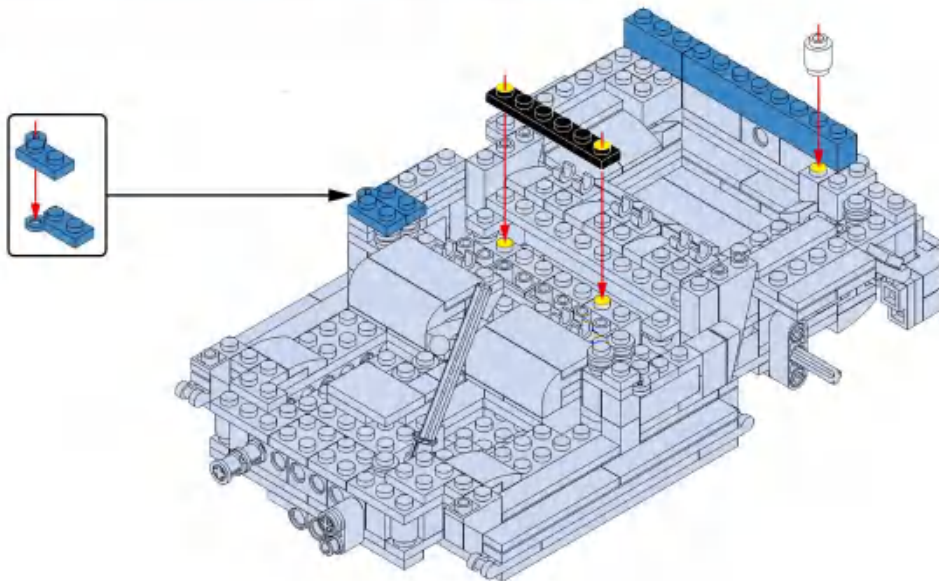




71

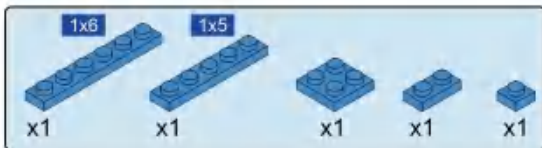
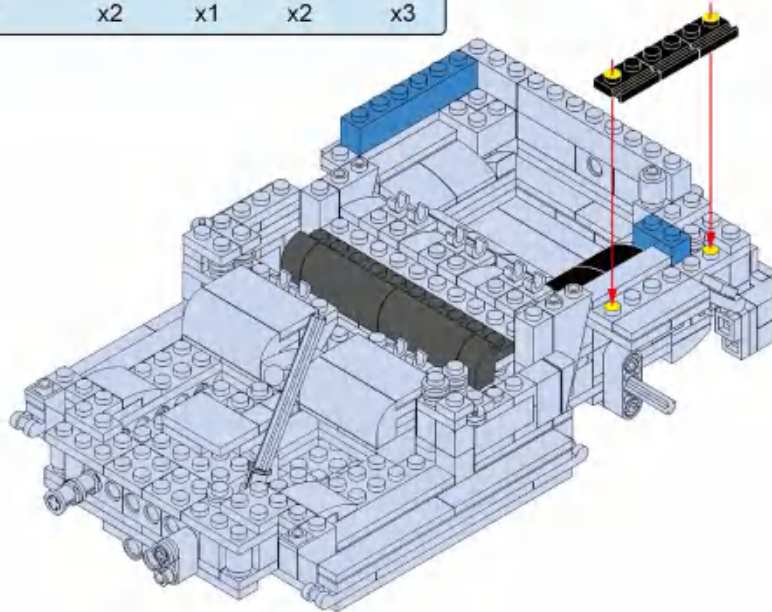


72

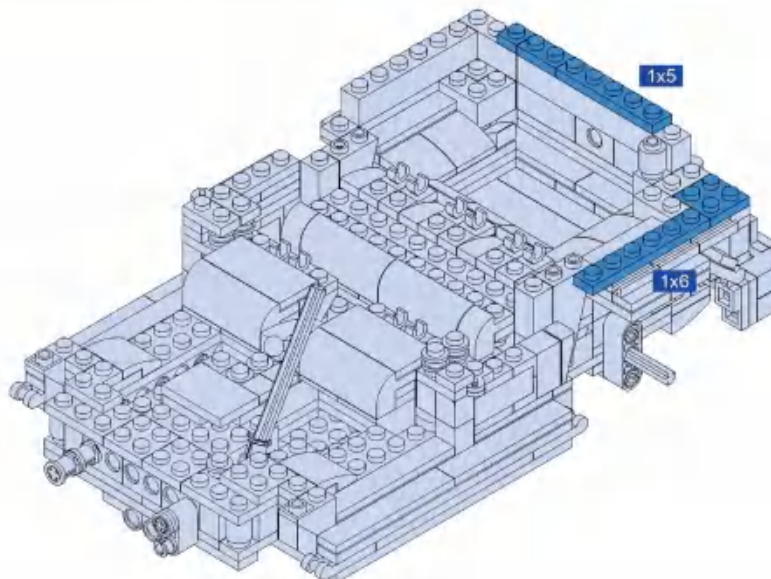


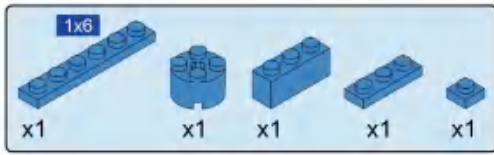


73

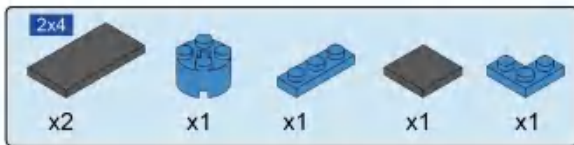
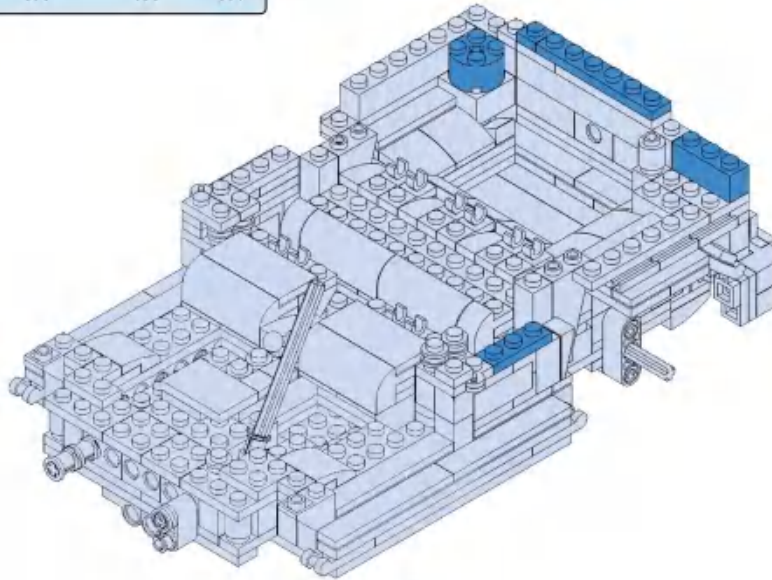


74

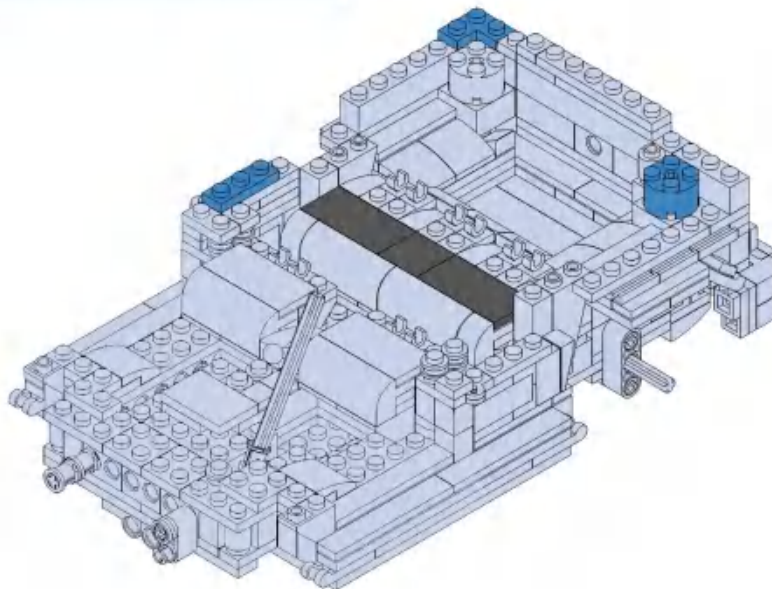


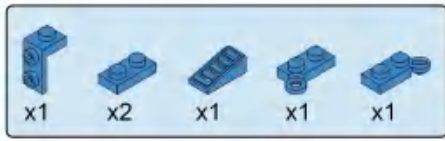


75

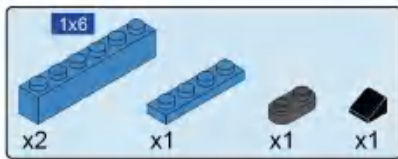
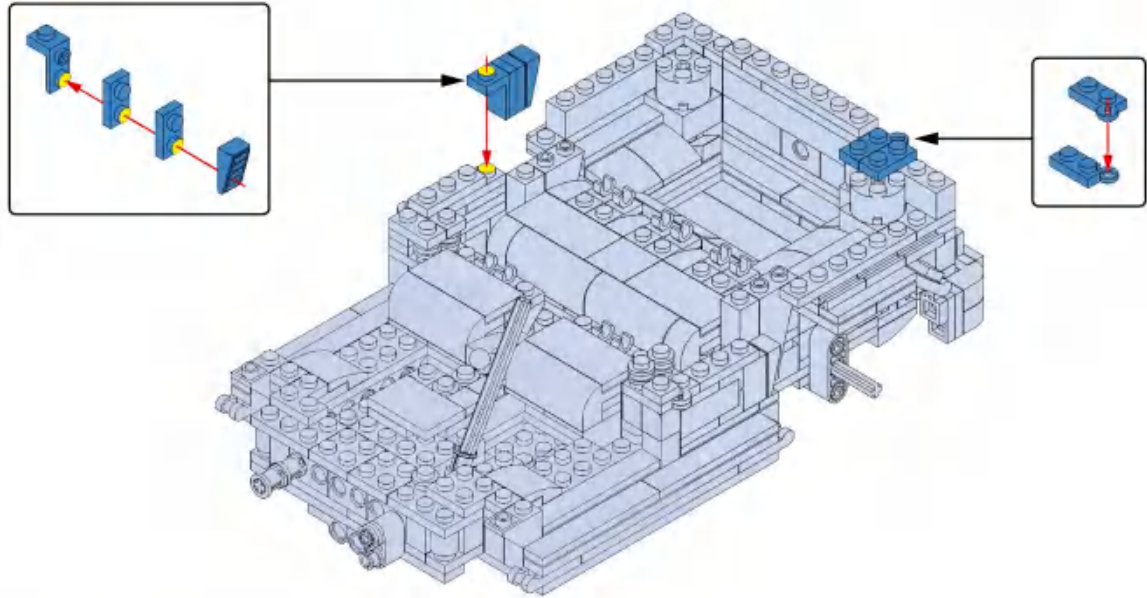


76

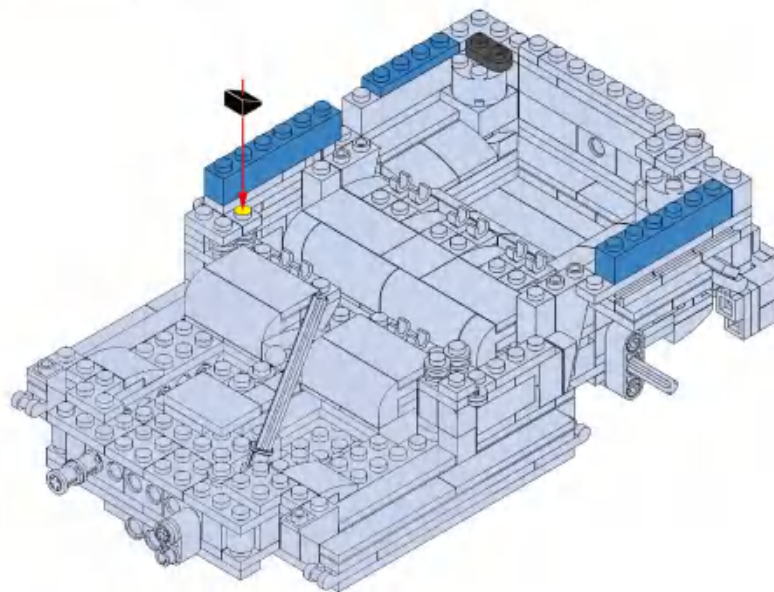


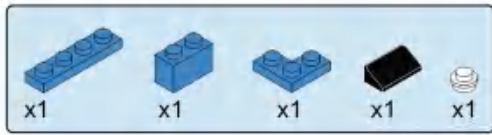


77

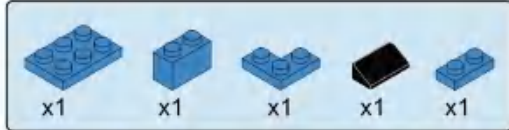
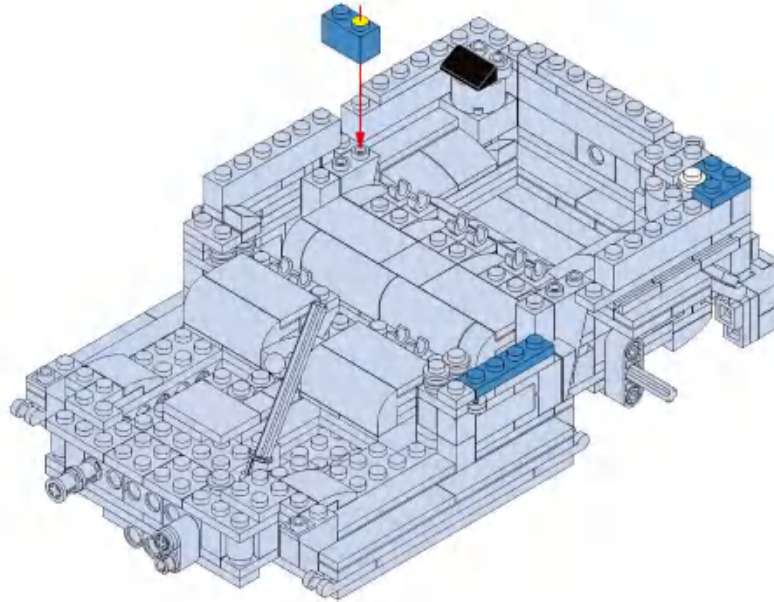


78

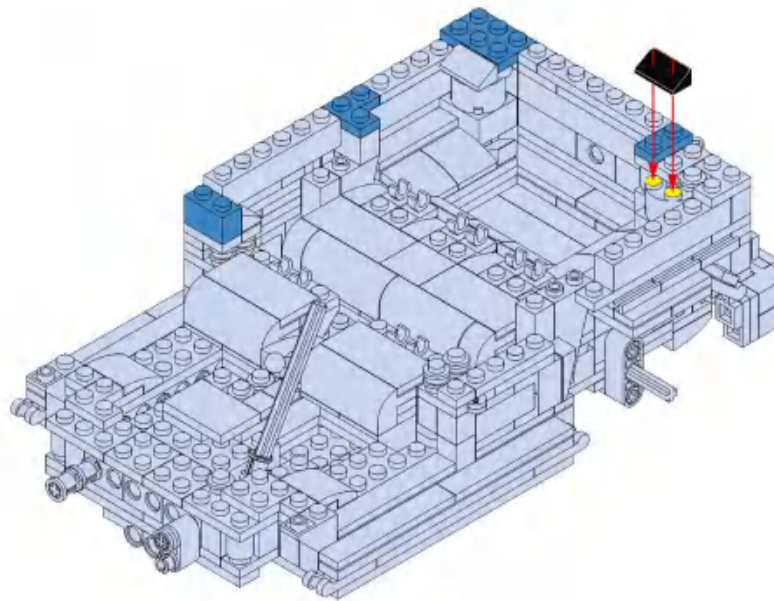


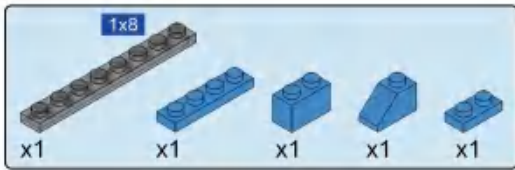


79

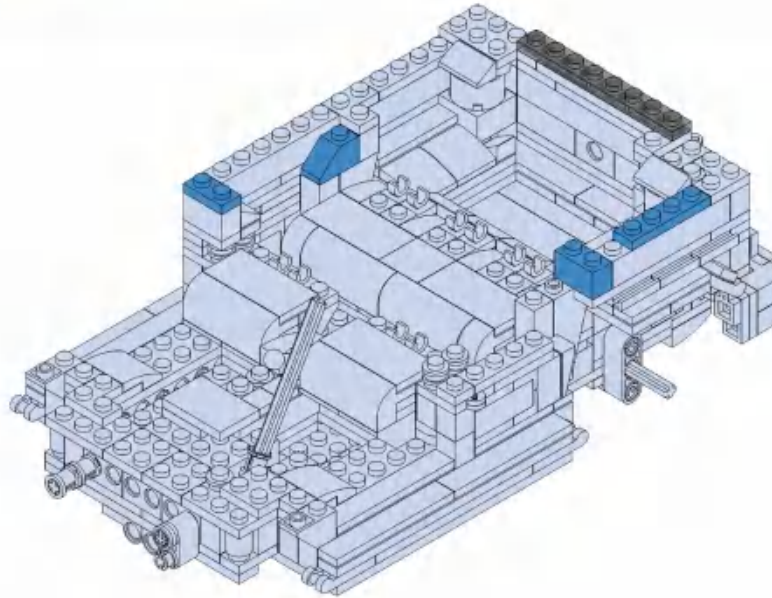


80

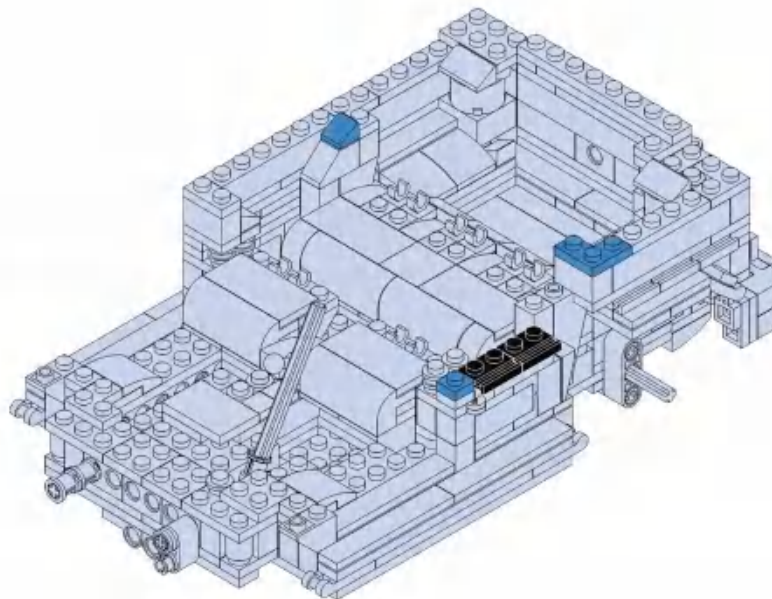


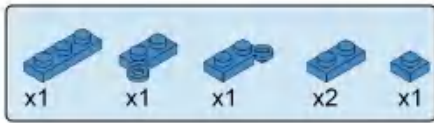


81

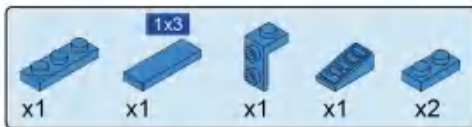
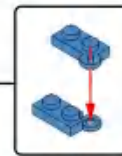
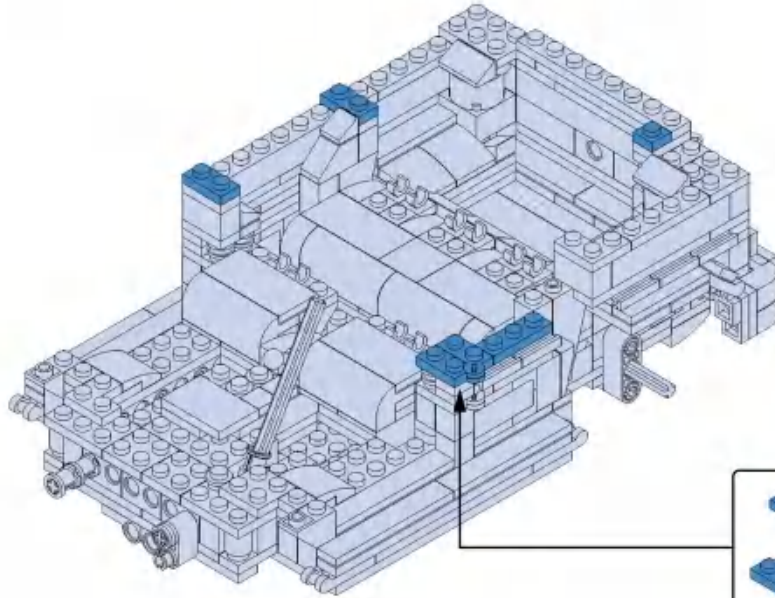


82

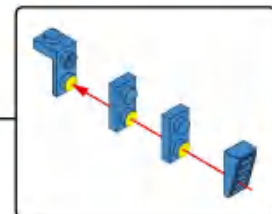
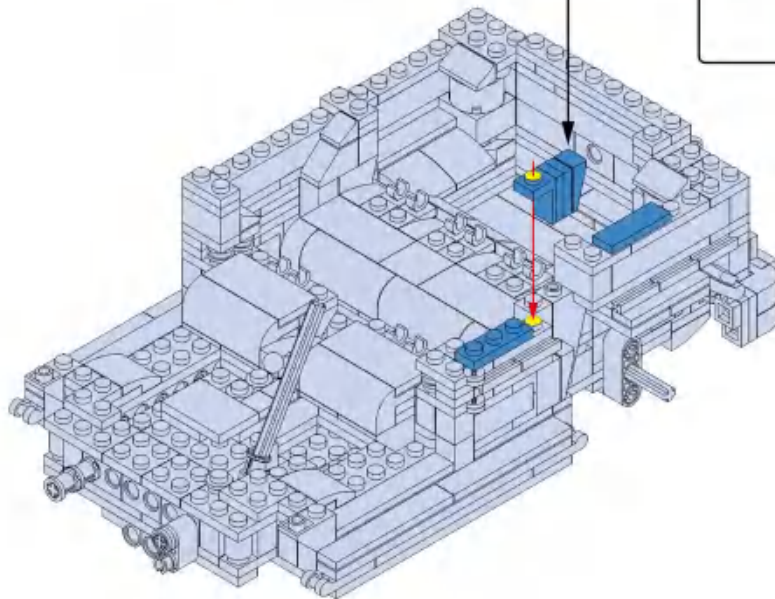


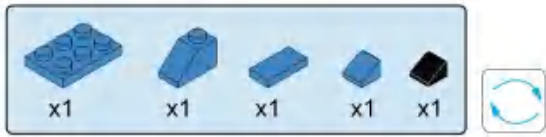


83

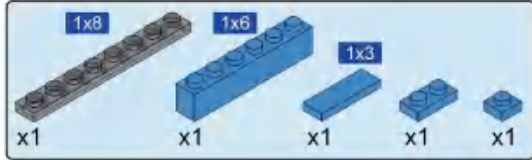
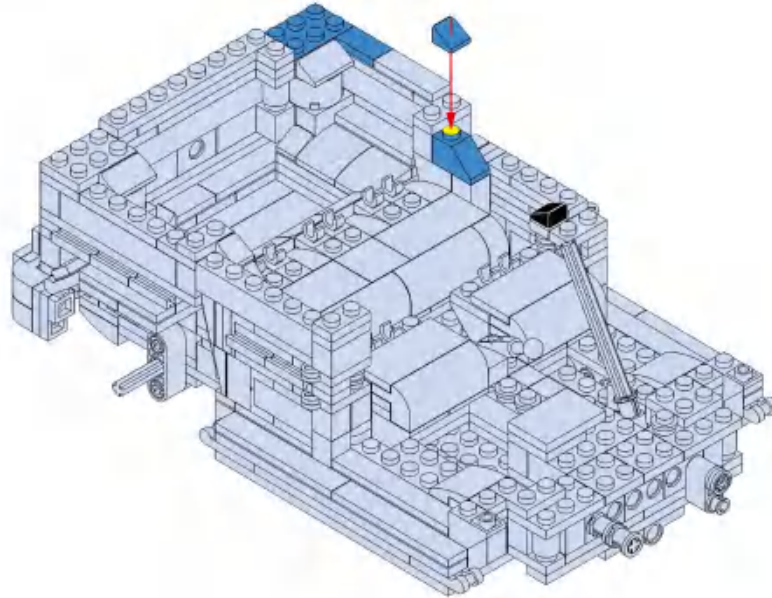


84

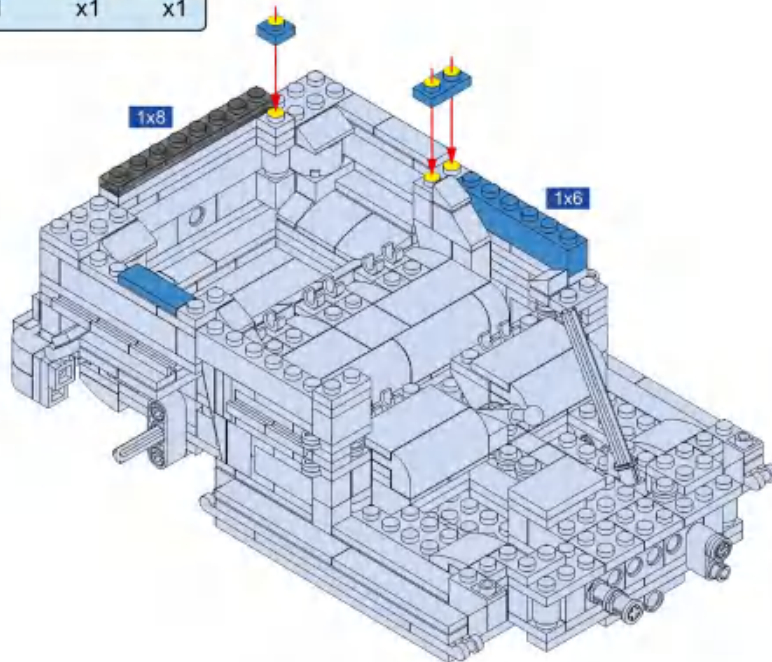


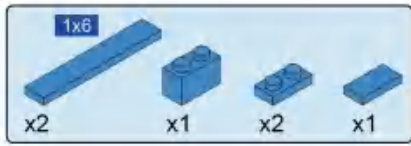


85

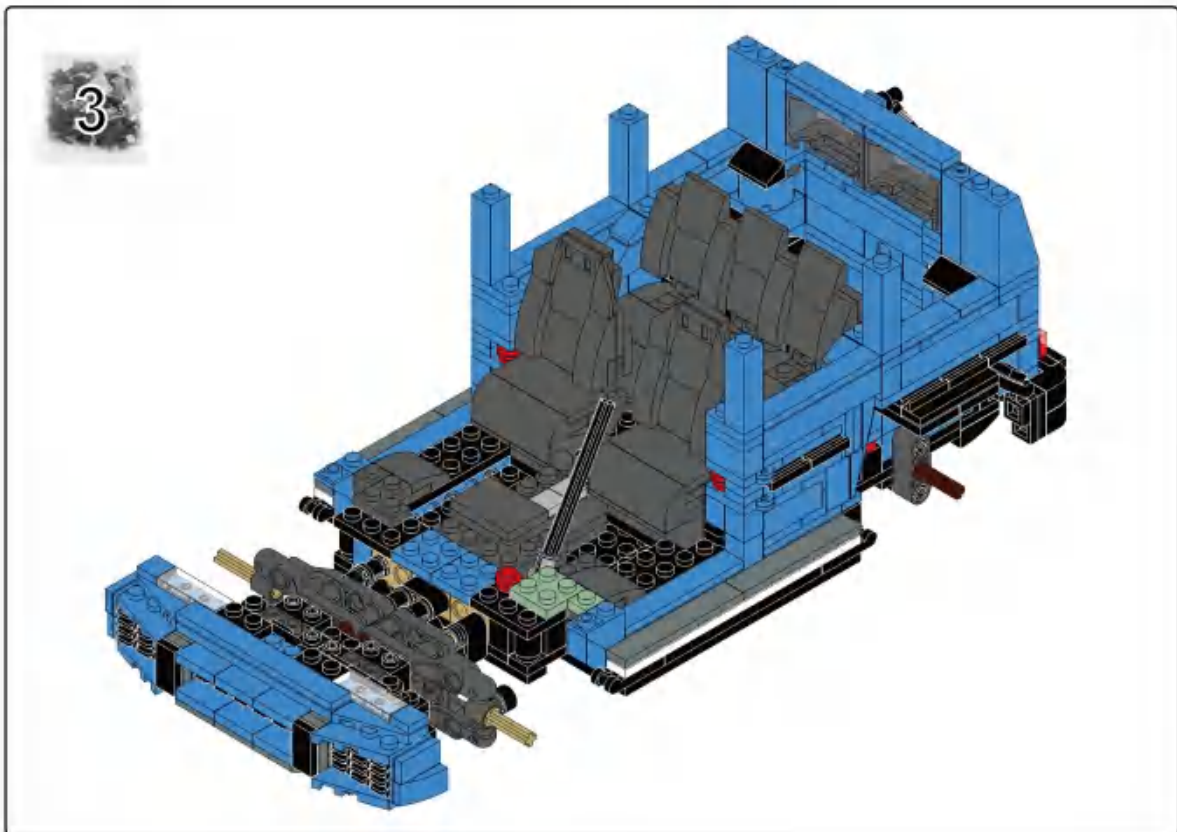
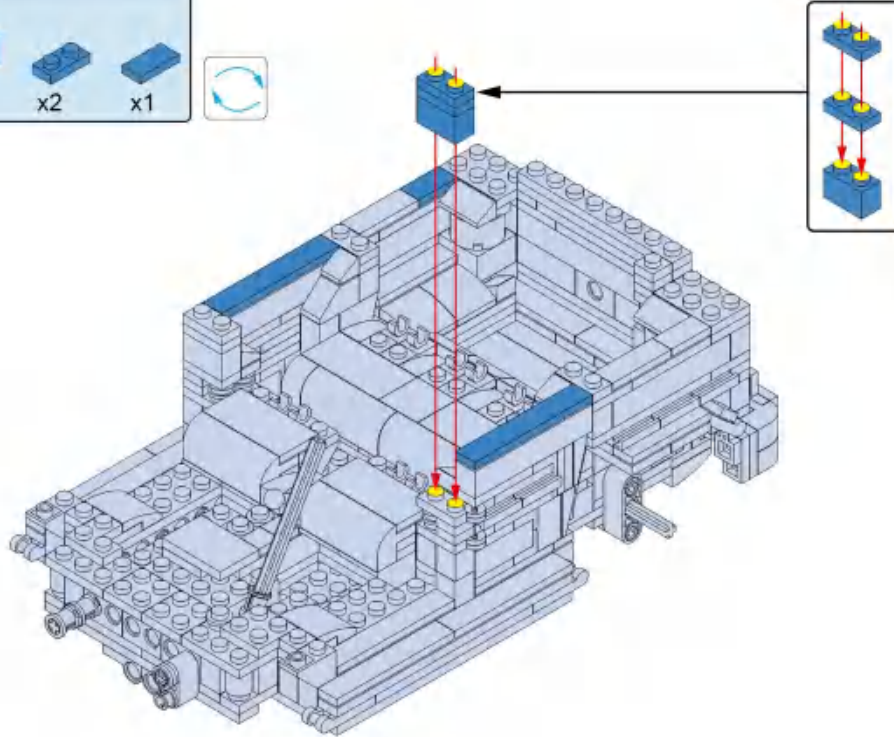


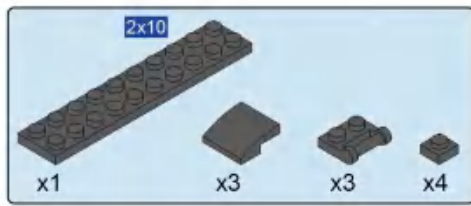
86



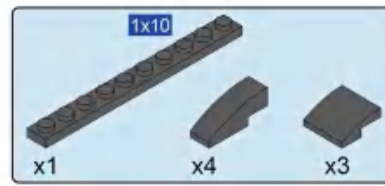


87

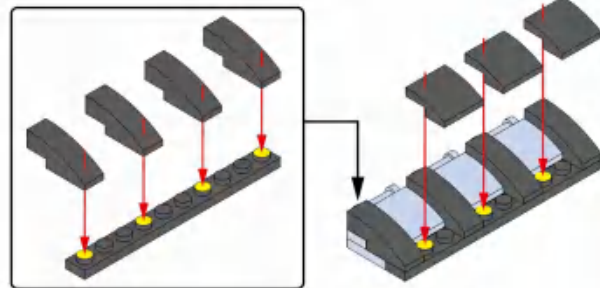
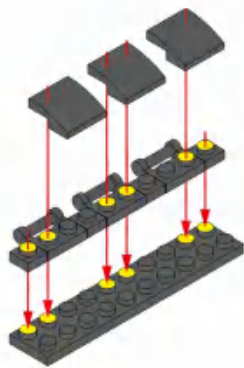




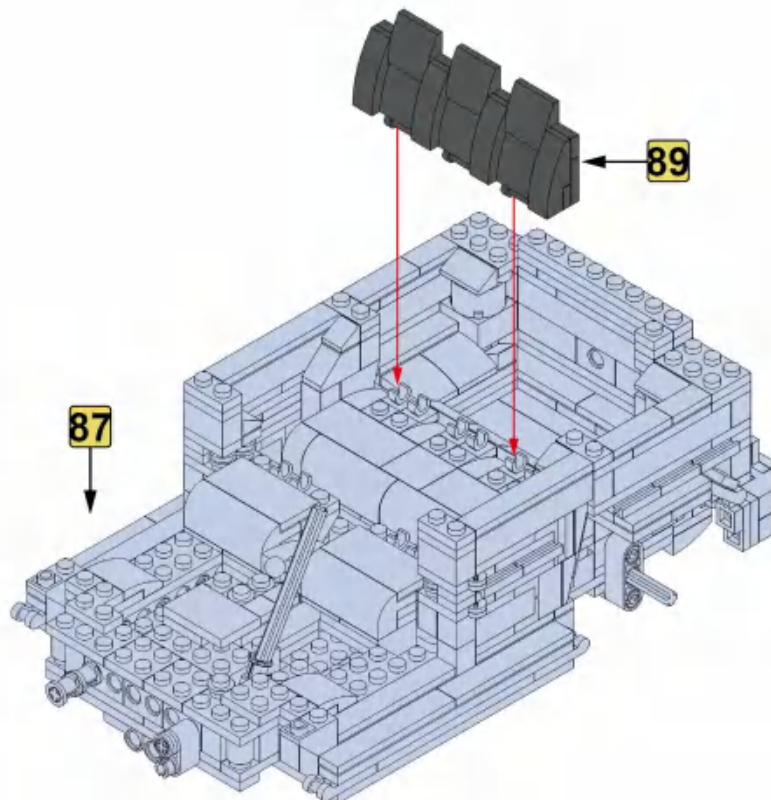
88

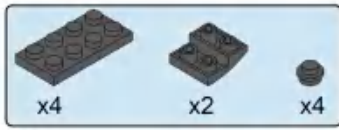


89

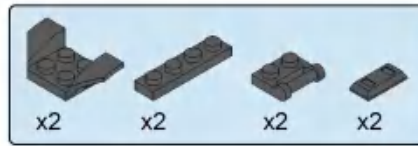


90





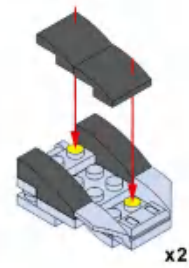
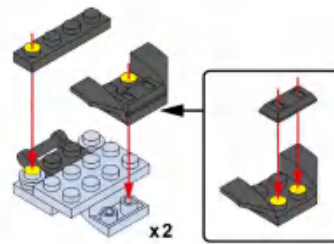
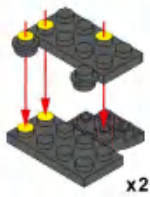
91



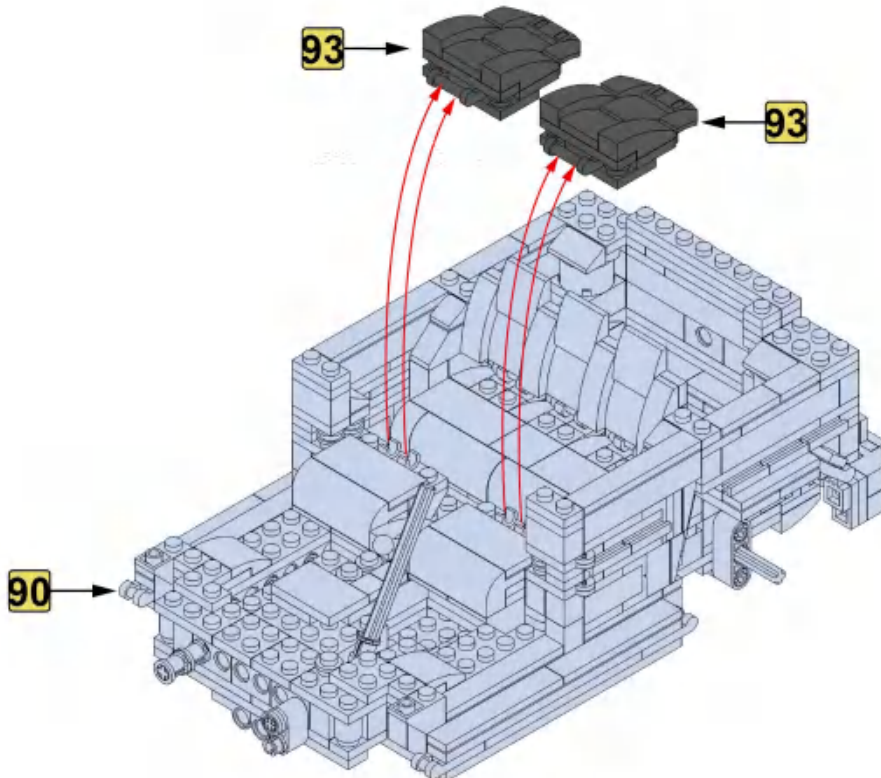
92



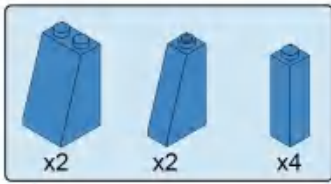
93



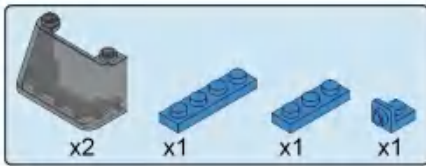
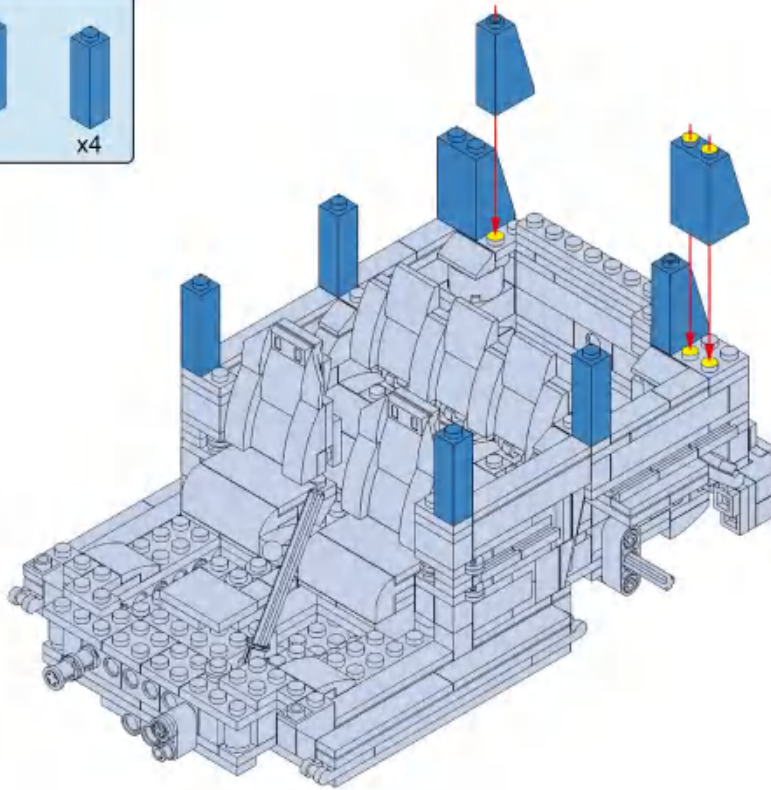
94



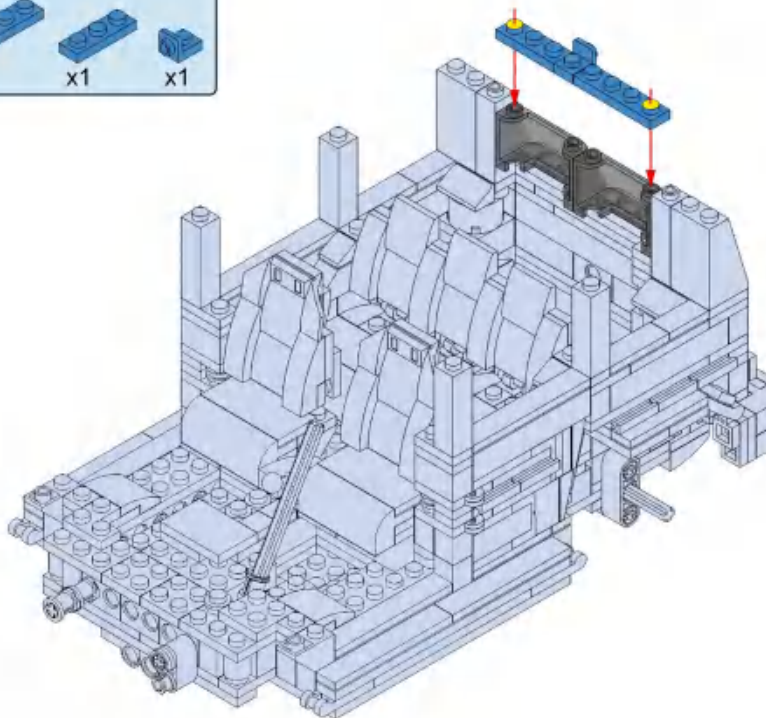
41

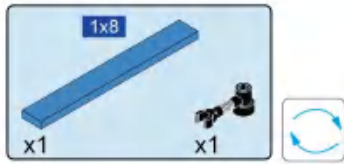


95

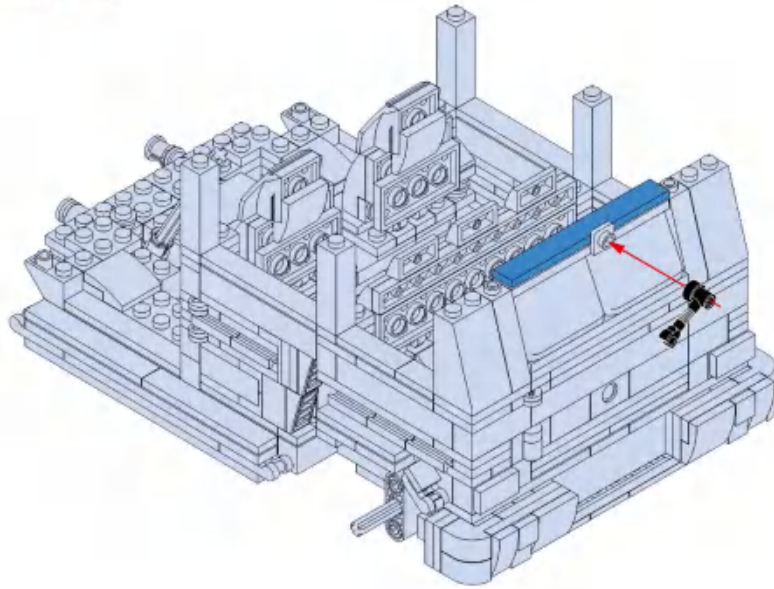


96

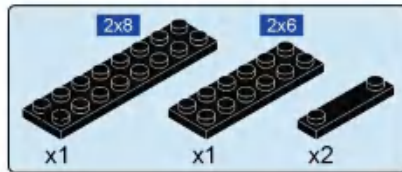




97

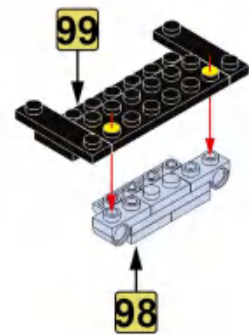
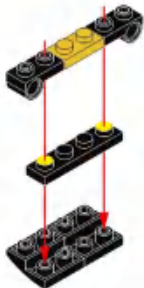


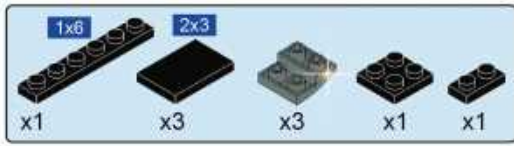
98



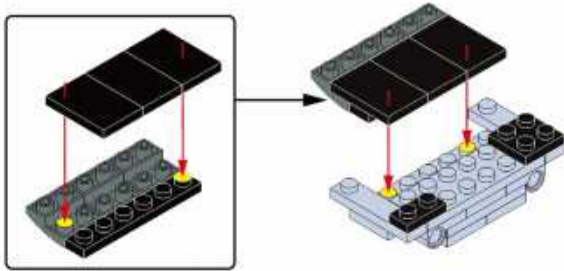
99

100

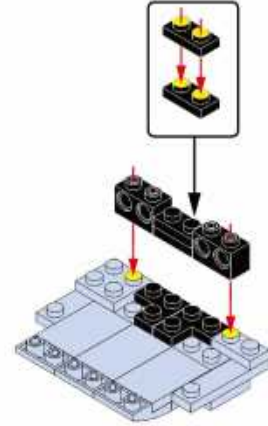




101



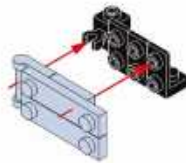
102



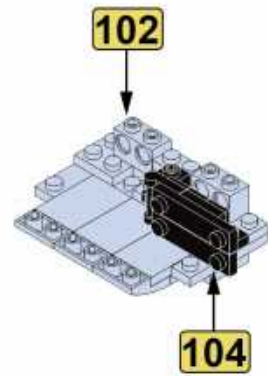
103

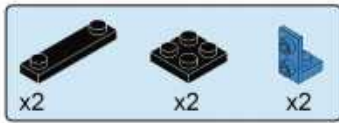


104

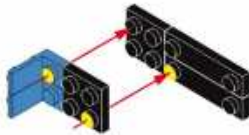


105

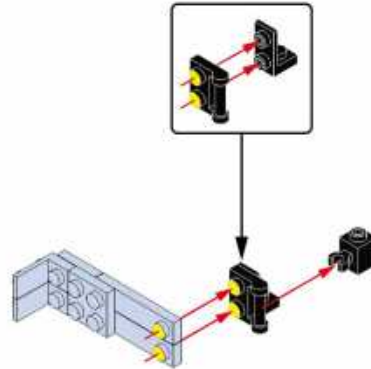




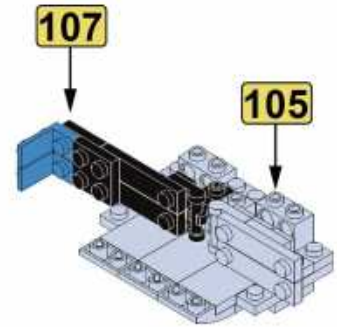
106



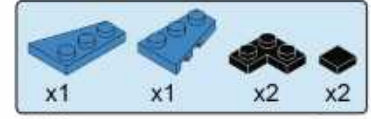
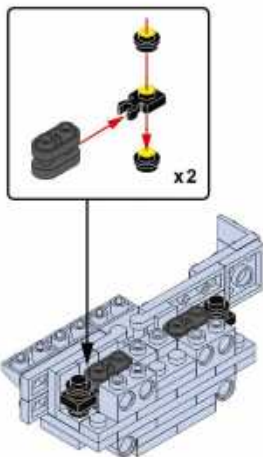
107



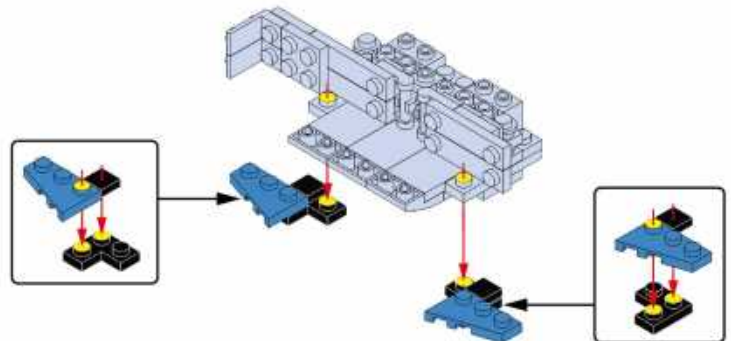
108

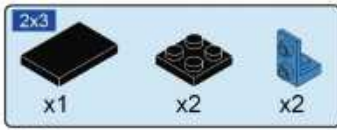


109

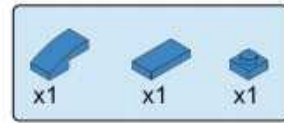


110

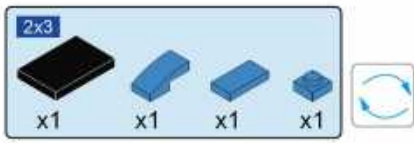
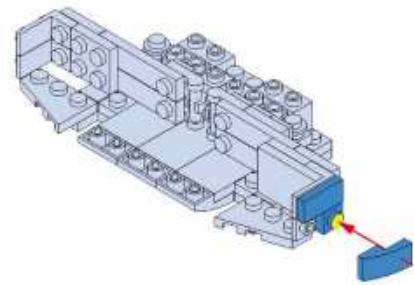
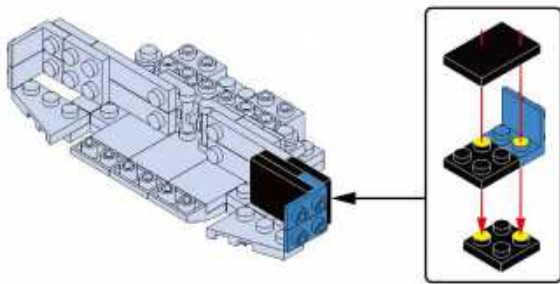




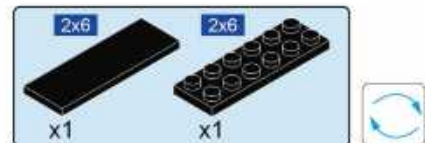
111



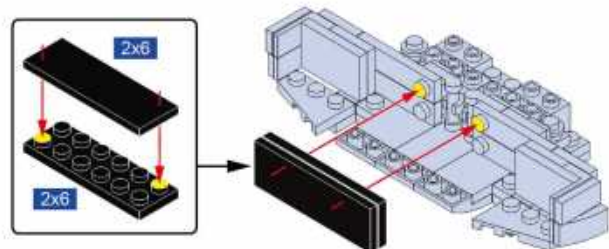
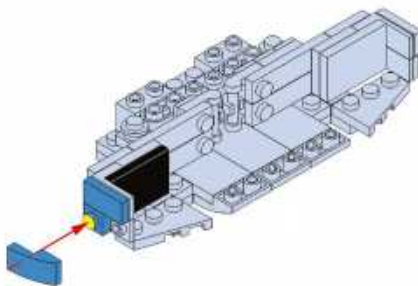
112



113

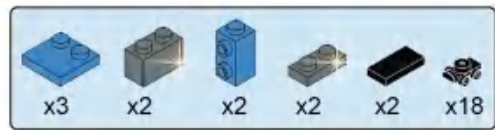
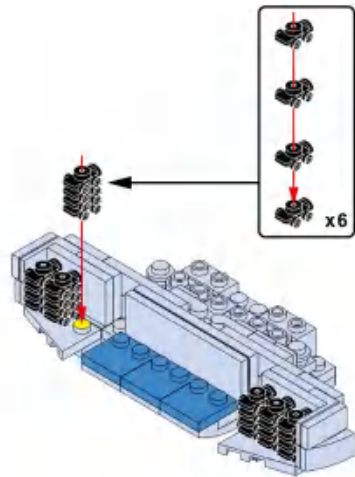


114

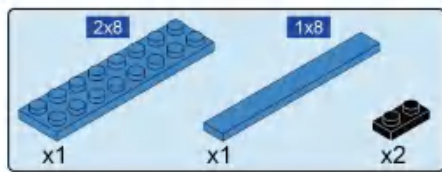
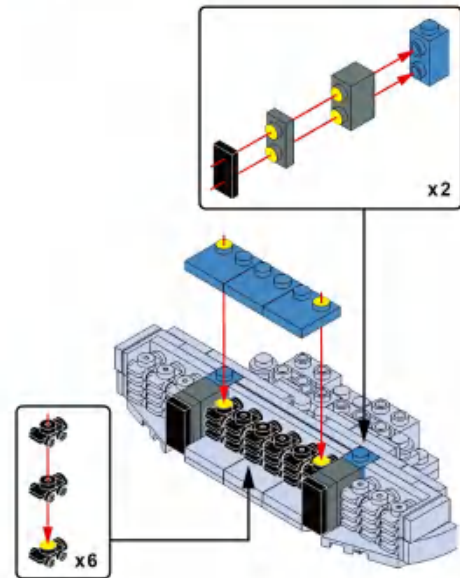




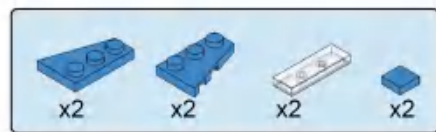
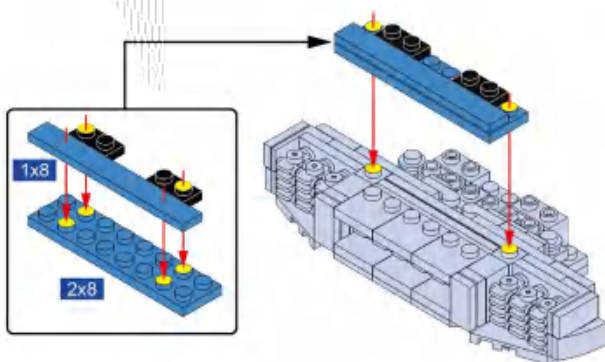
115



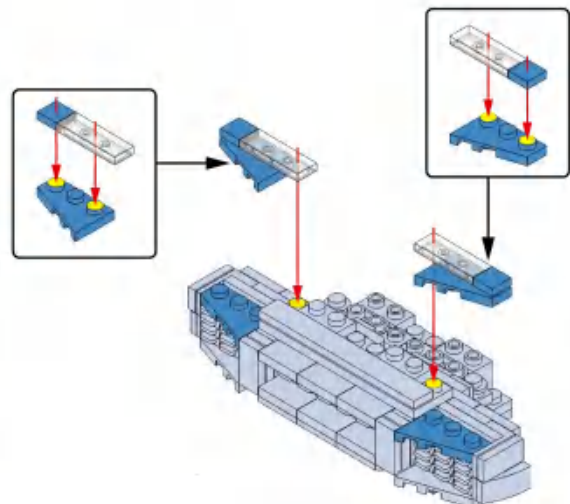
116



117



118

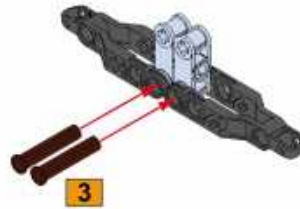




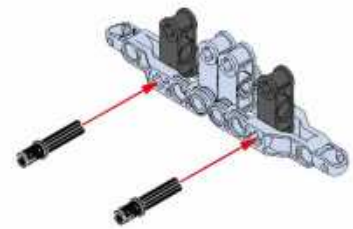
119



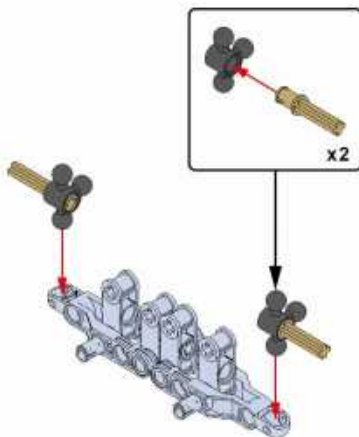
120



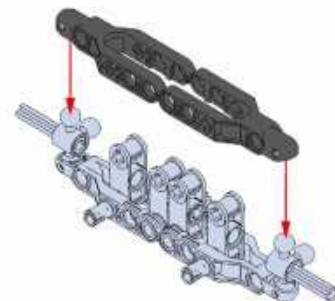
121



122

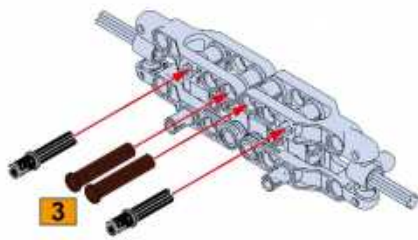


123

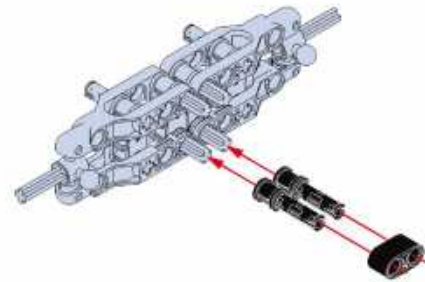




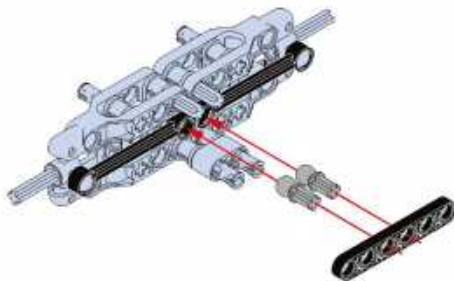
124



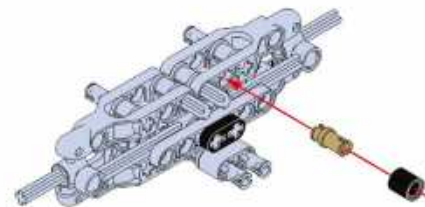
125



126



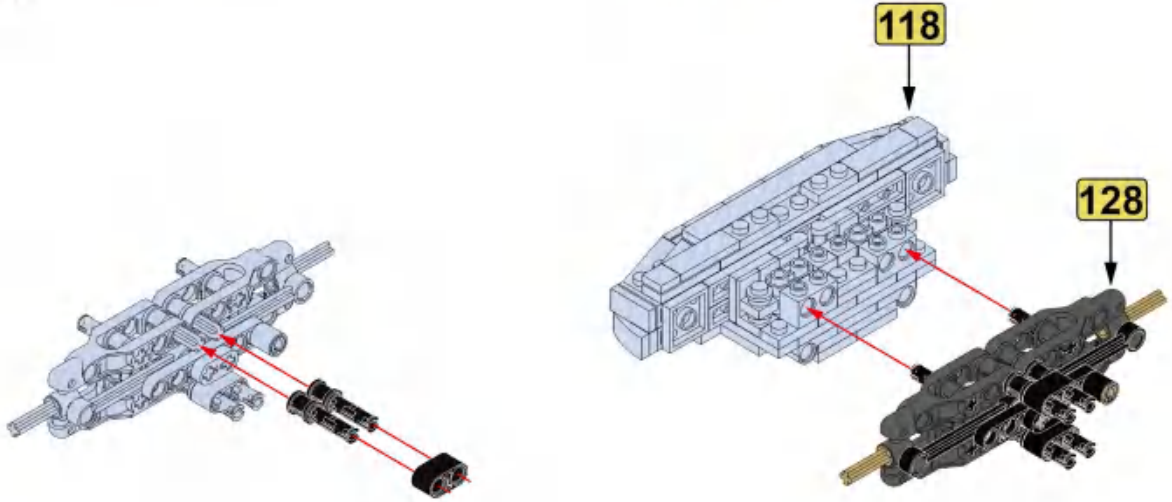
127



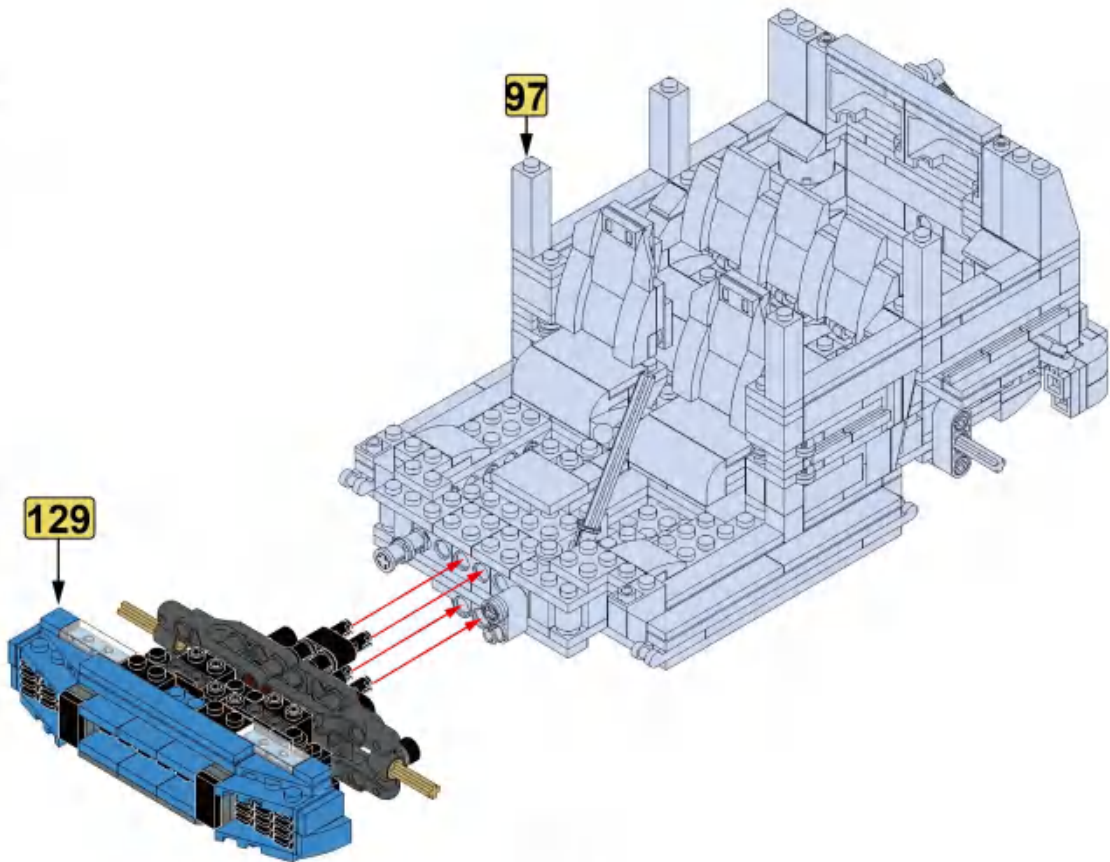


128

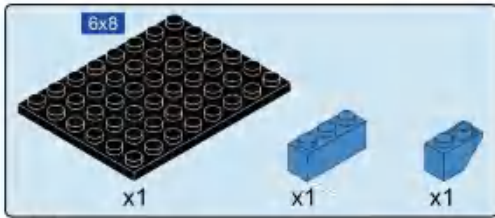
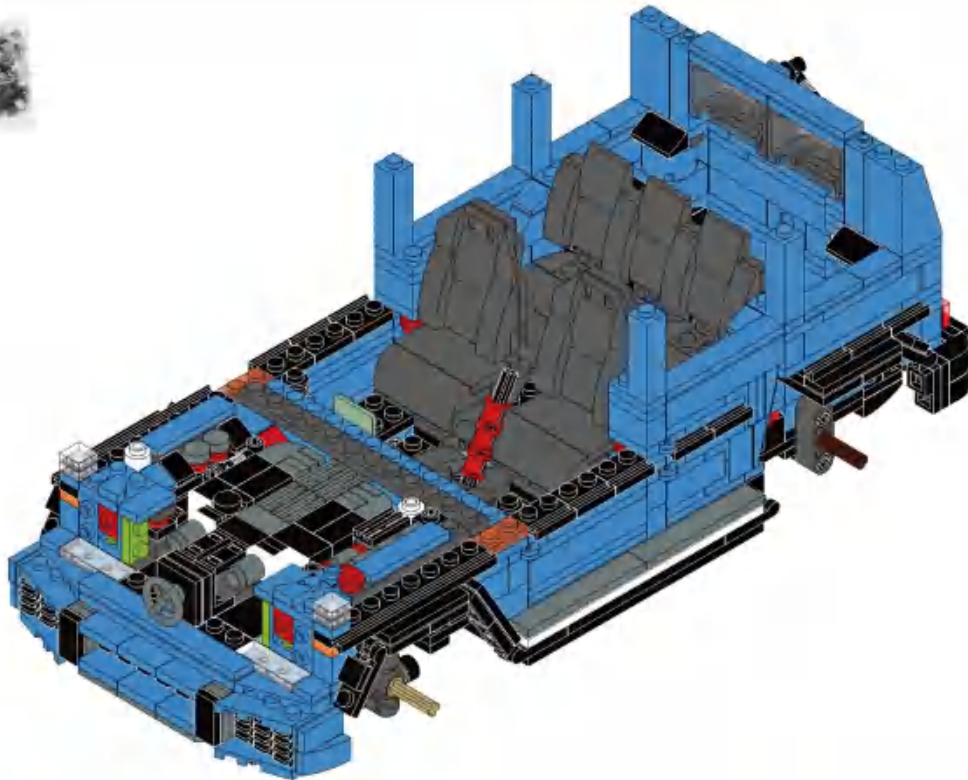
129



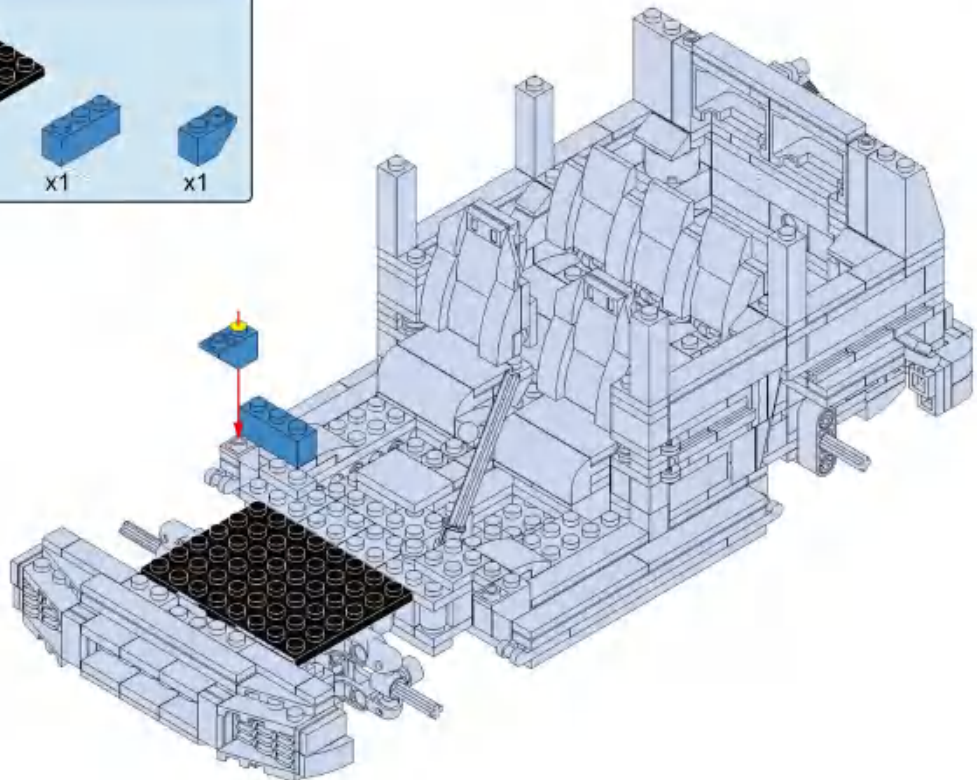
130

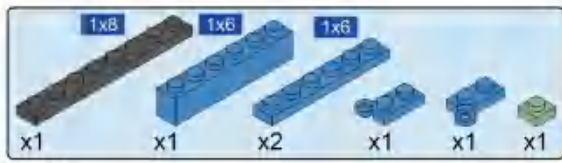


4

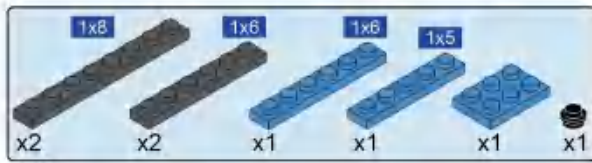
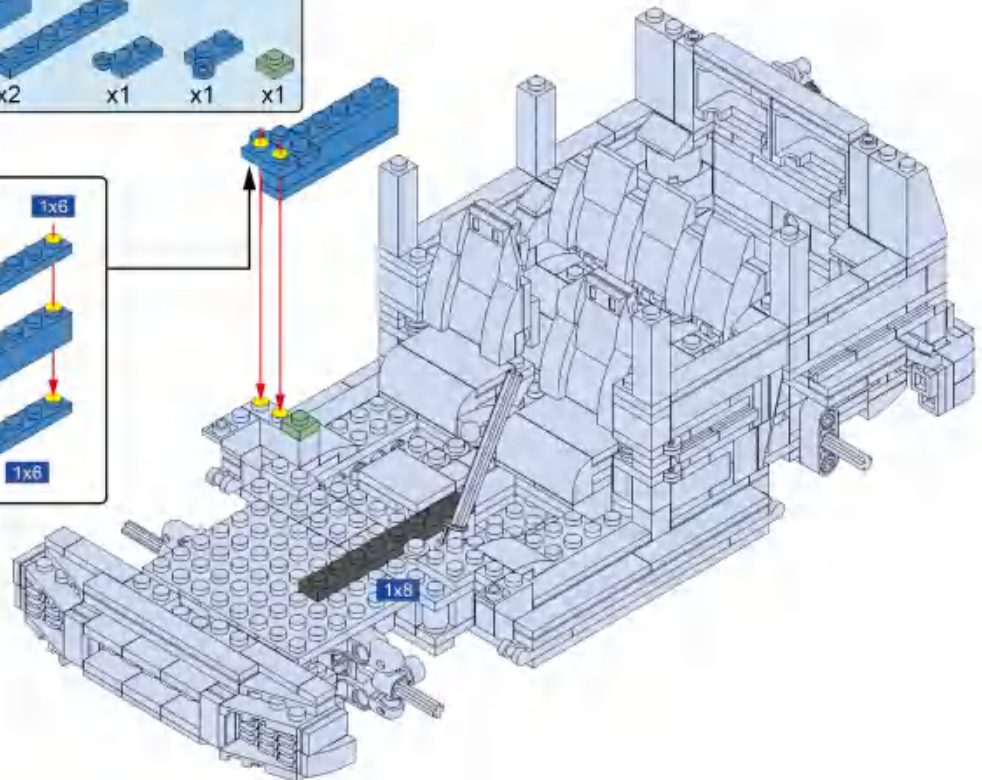
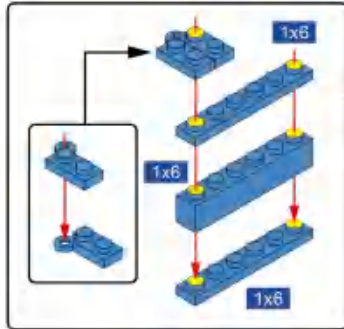


131

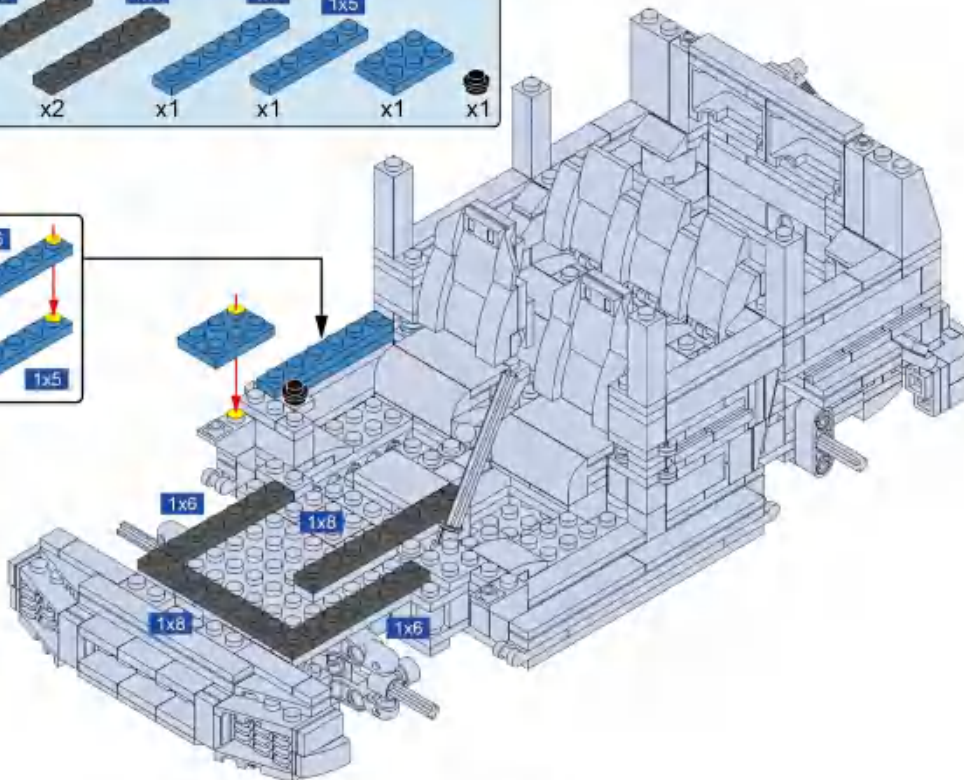
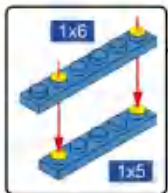




132

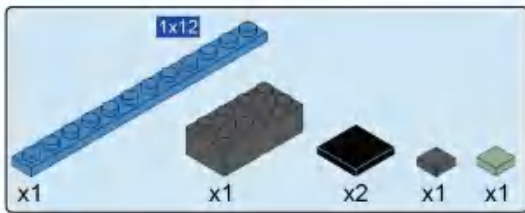
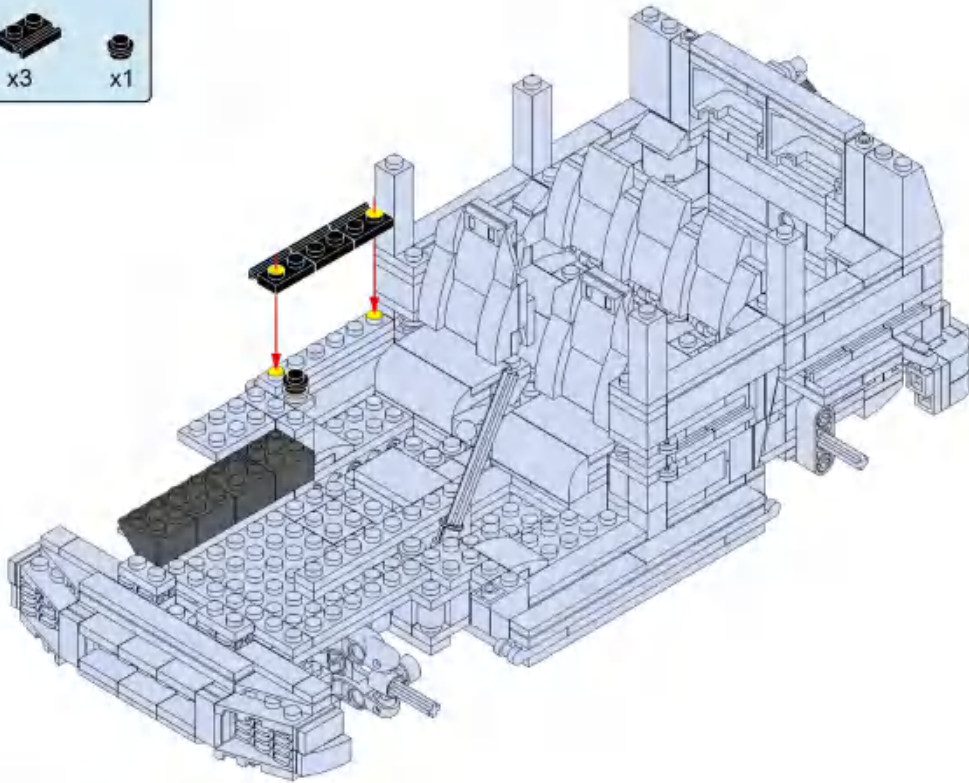


133

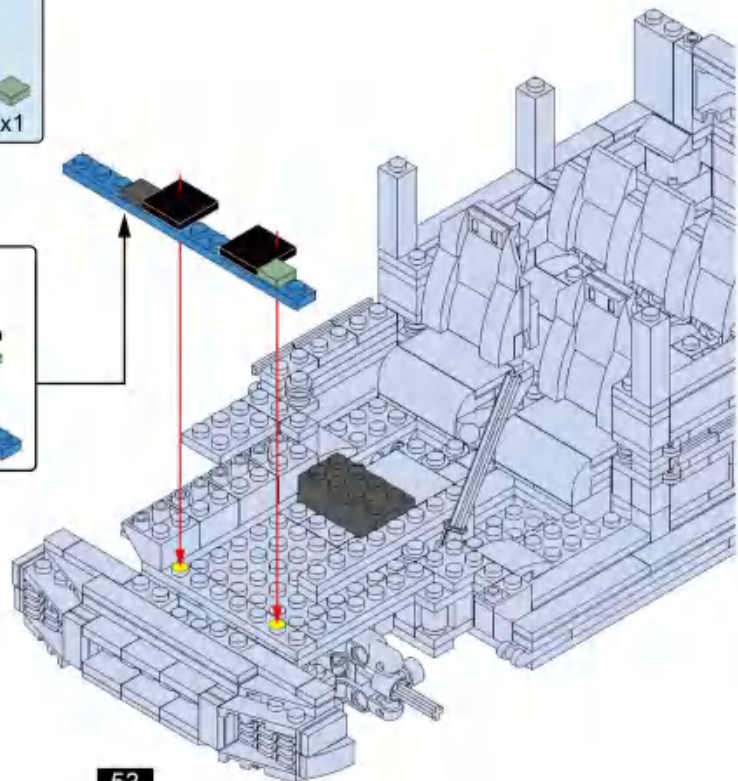
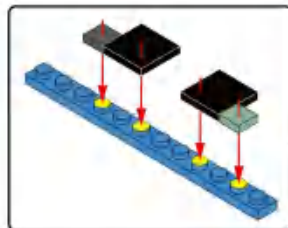




134

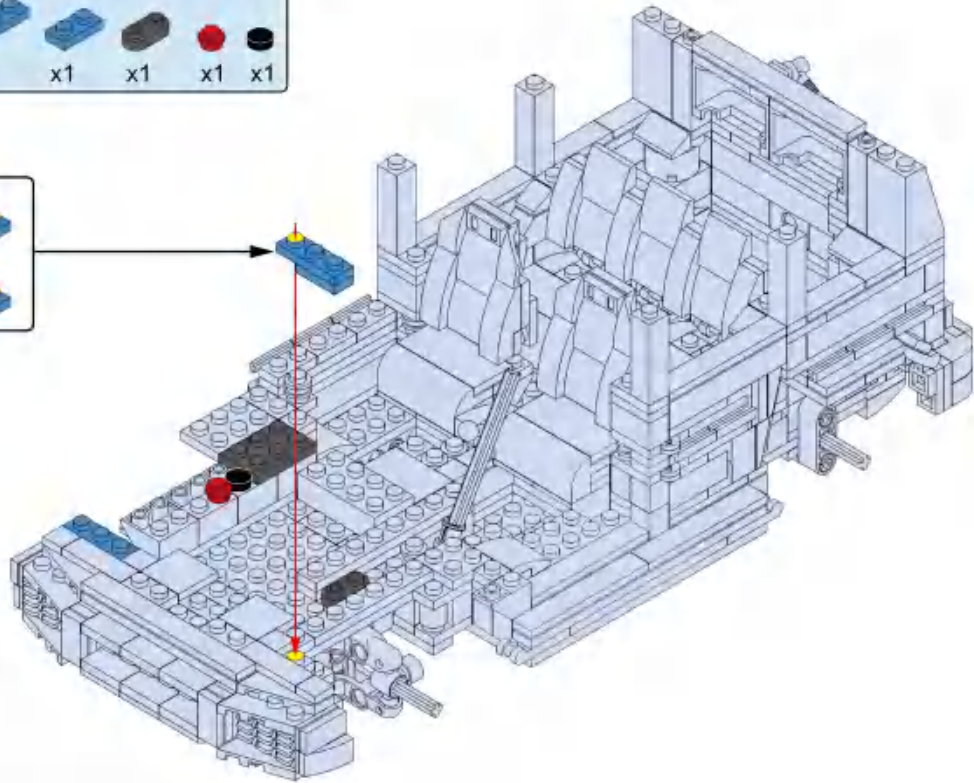
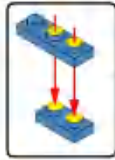


135

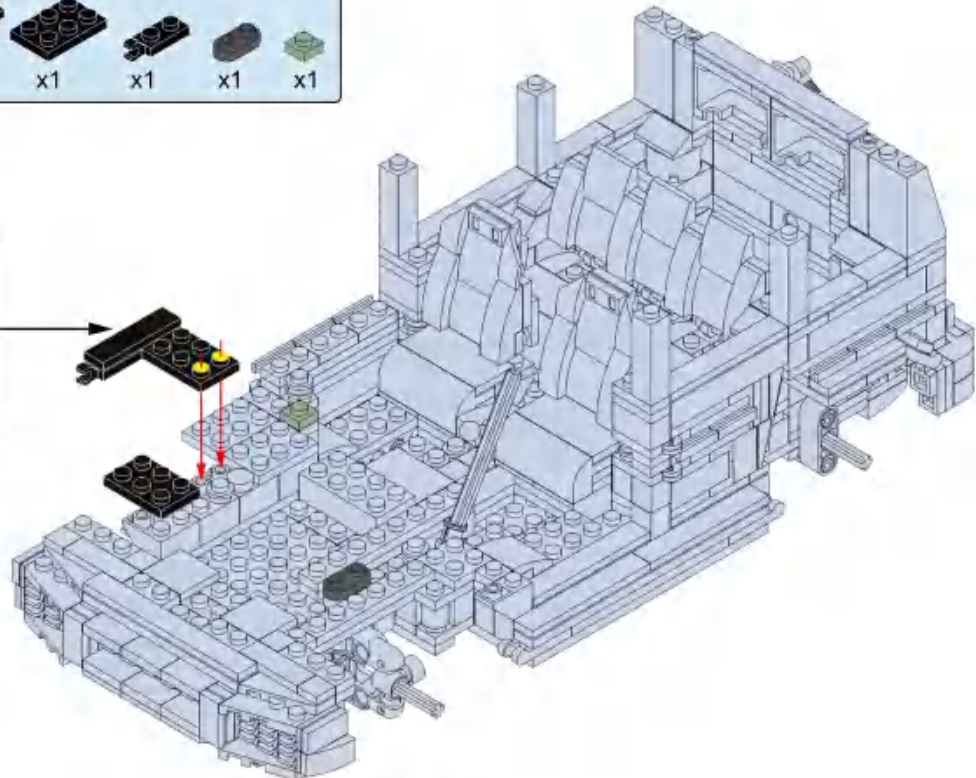




136

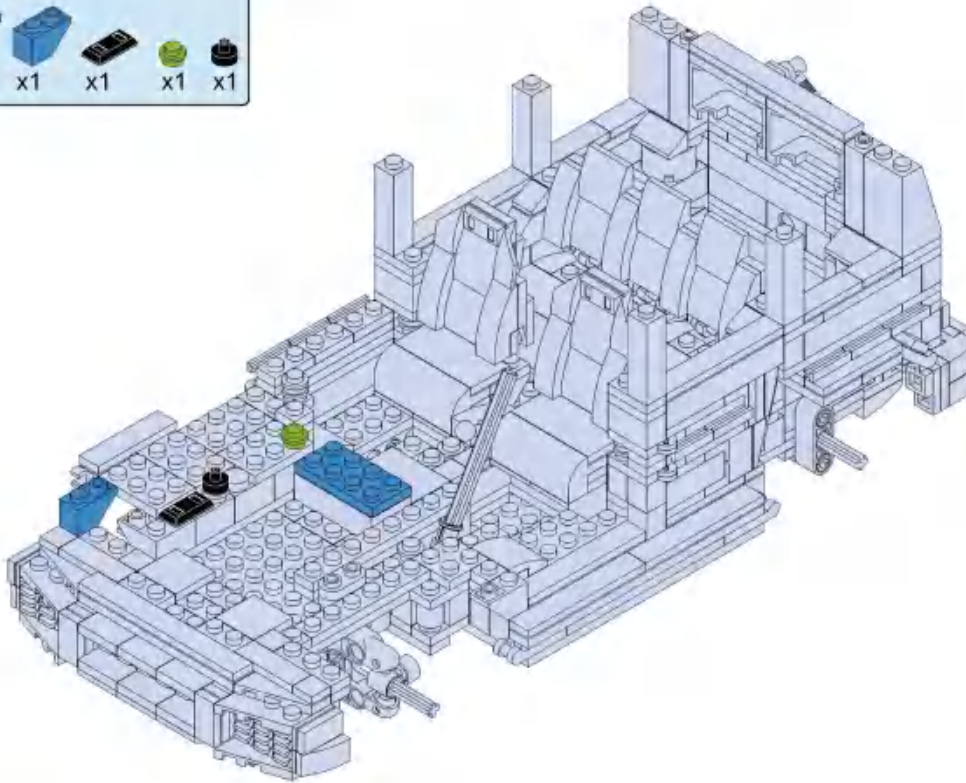


137

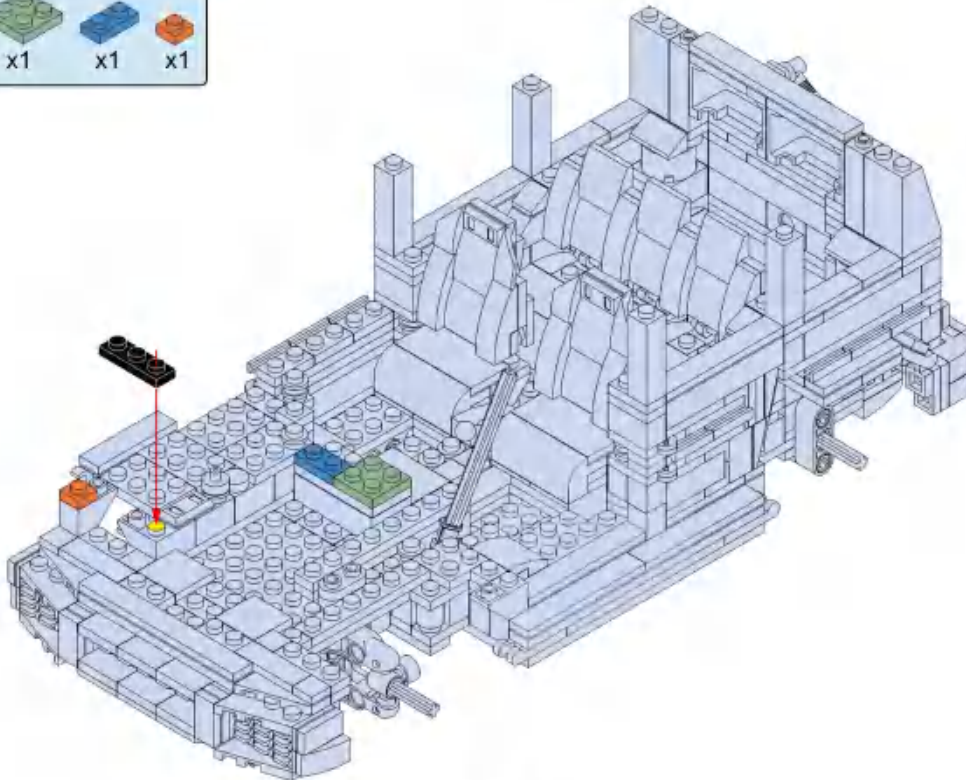




138

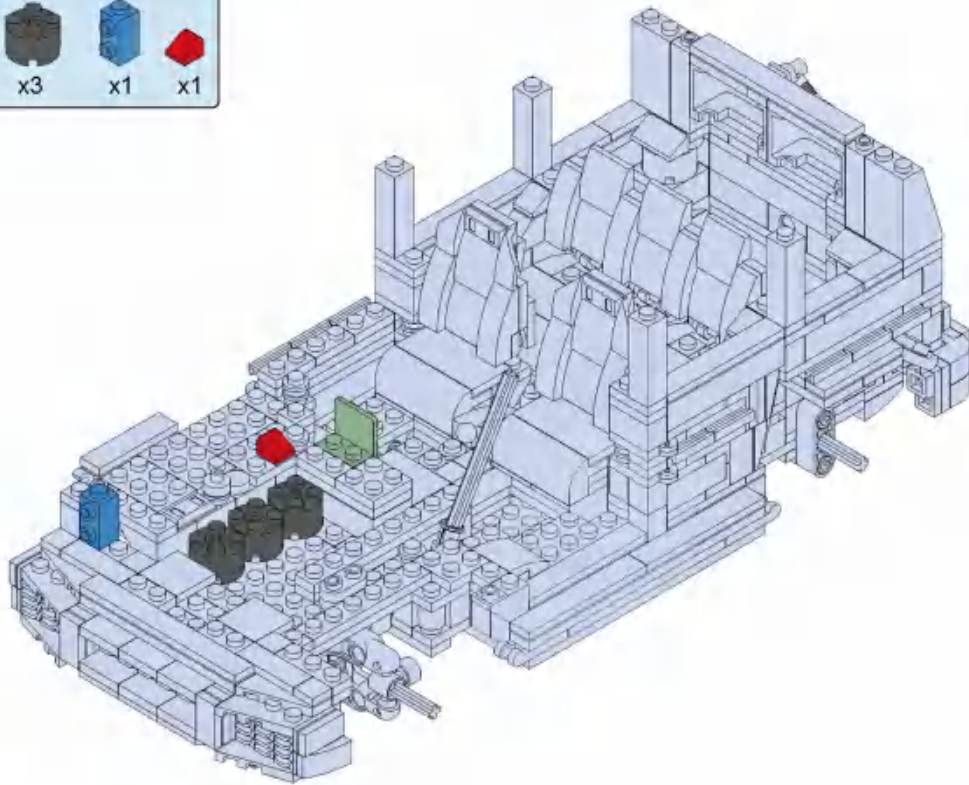


139

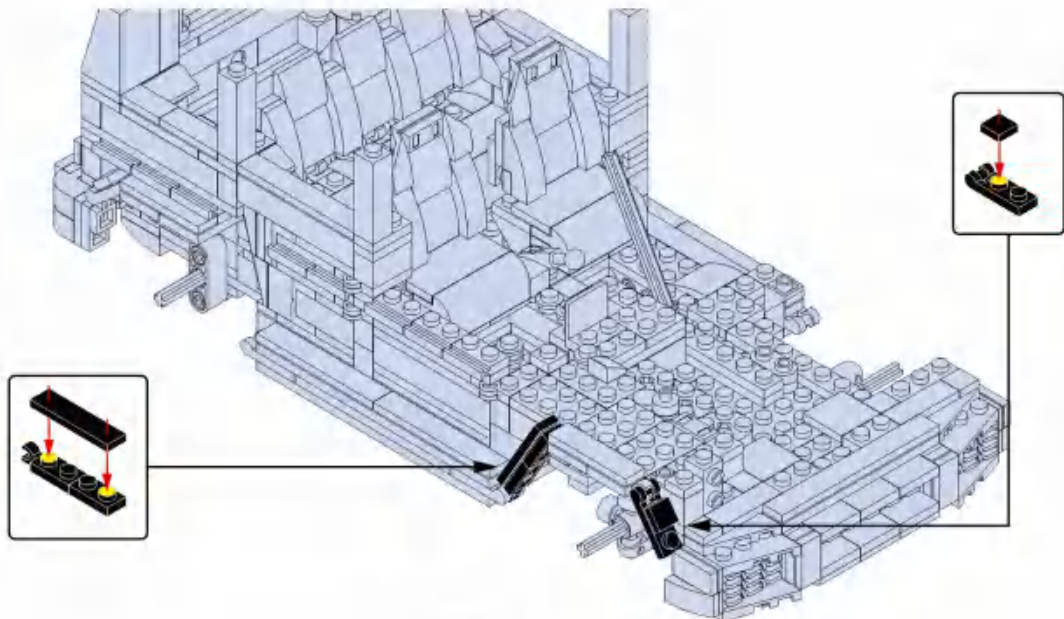




140

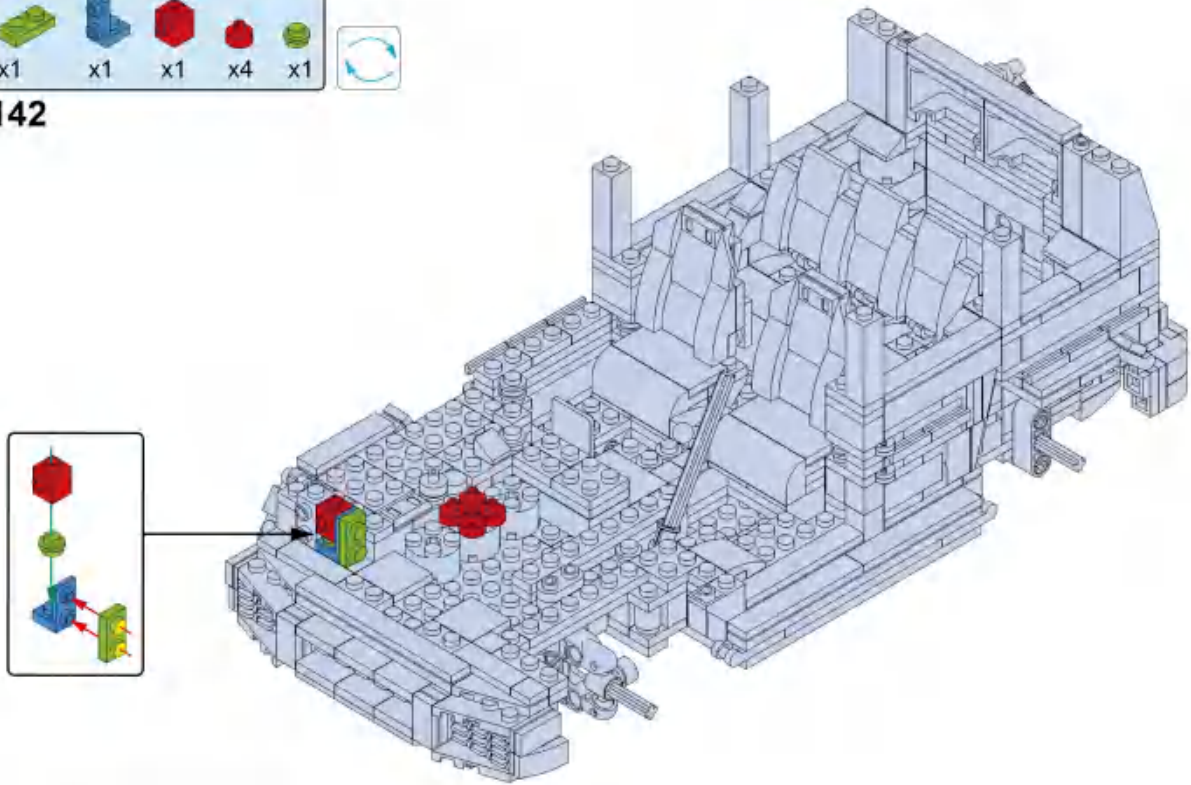


141

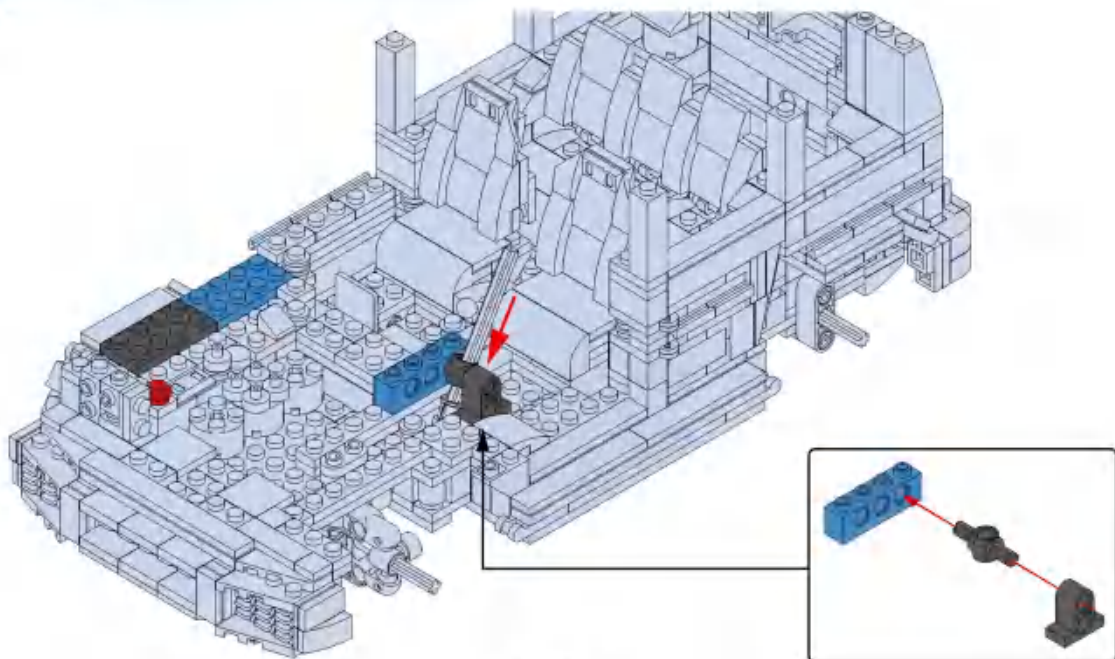


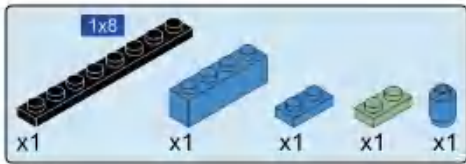


142

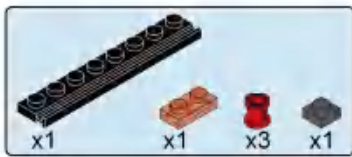
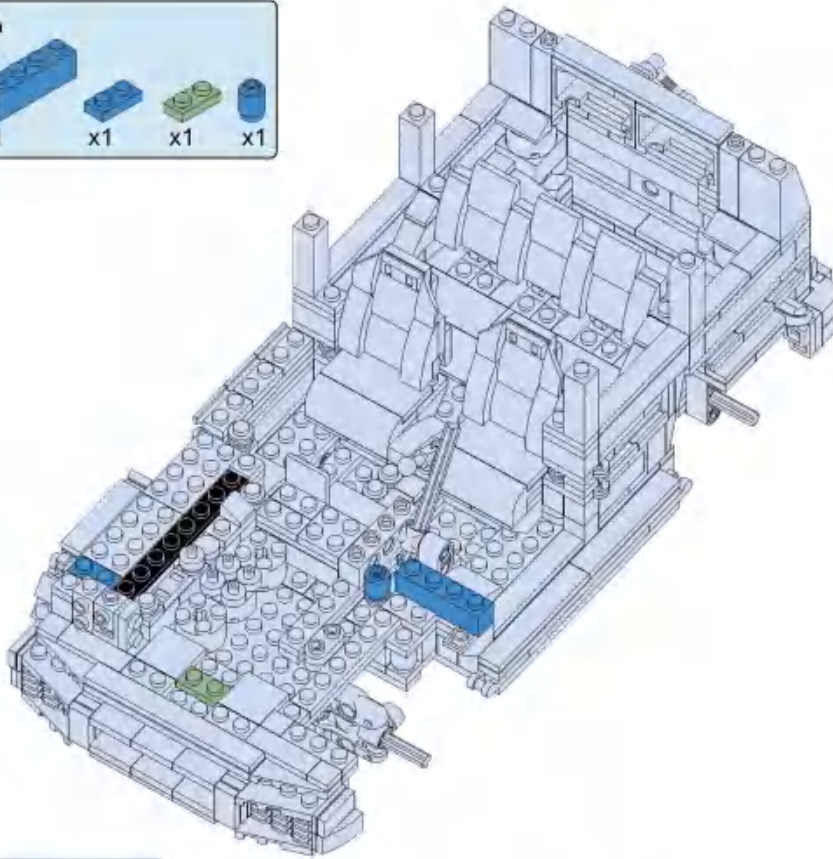


143

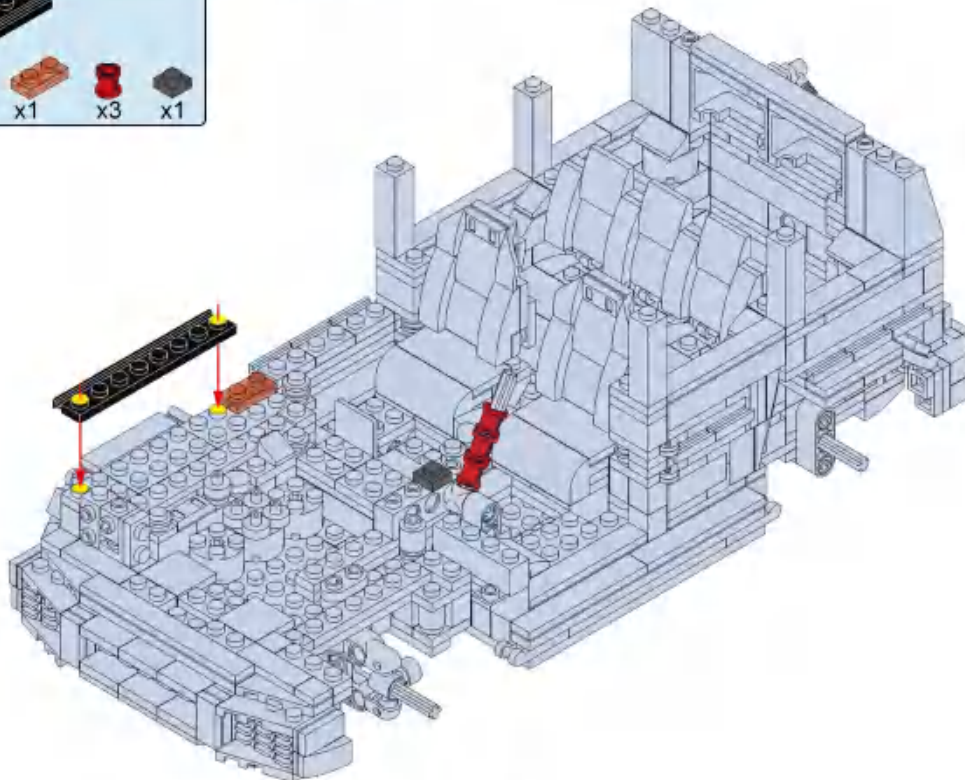


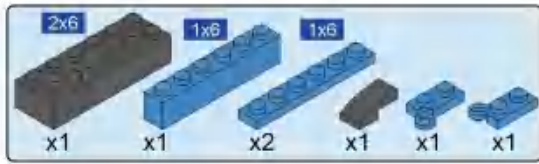


144

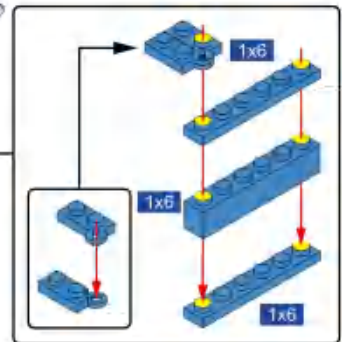
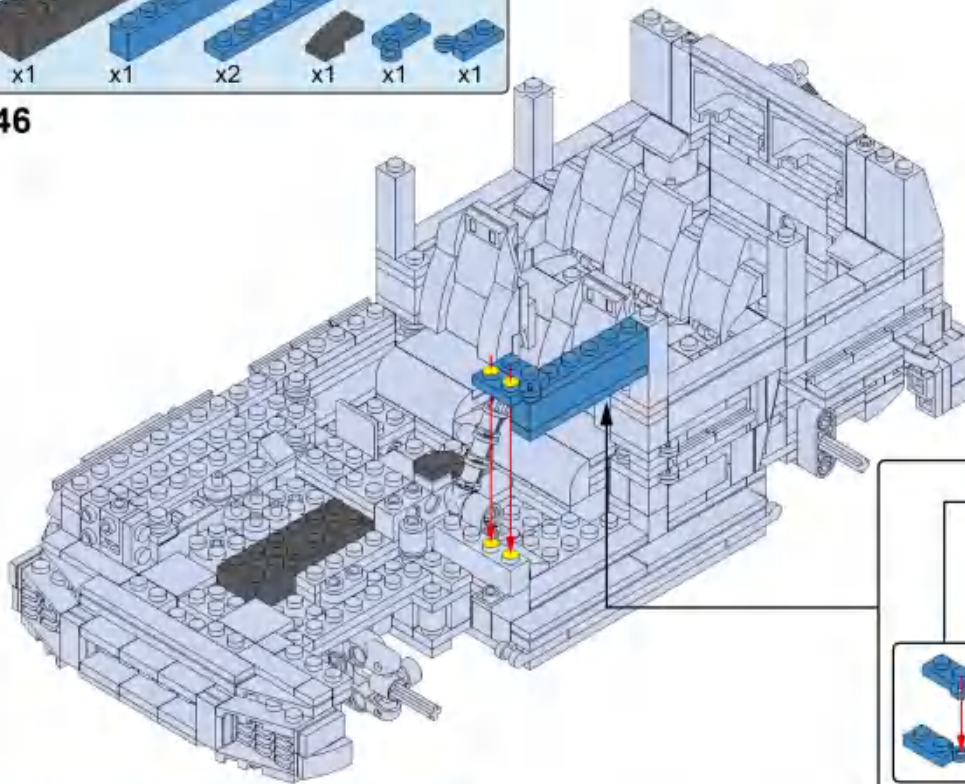


145

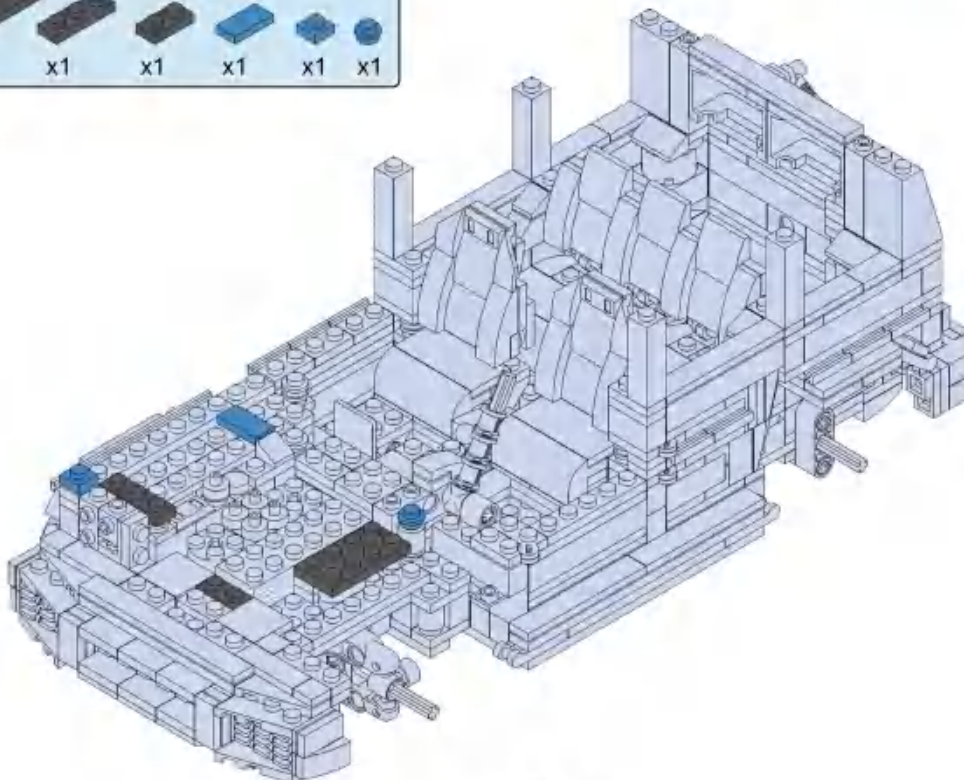




146

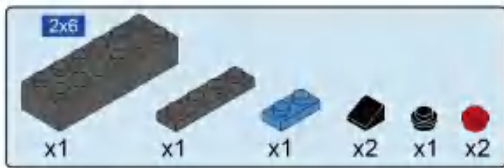
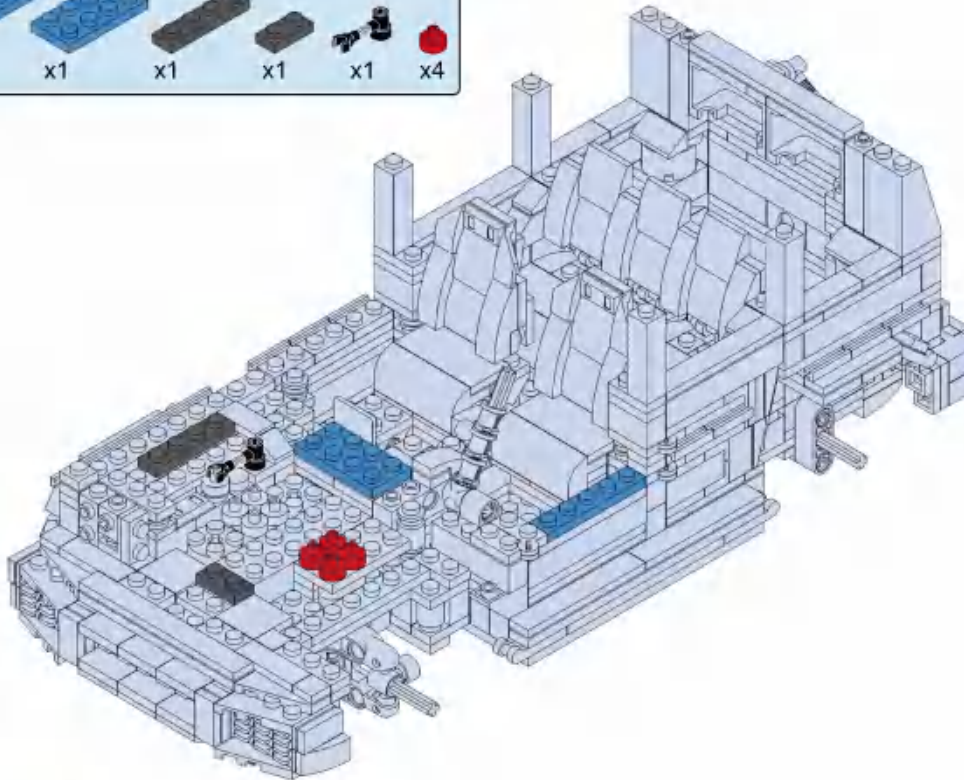


147

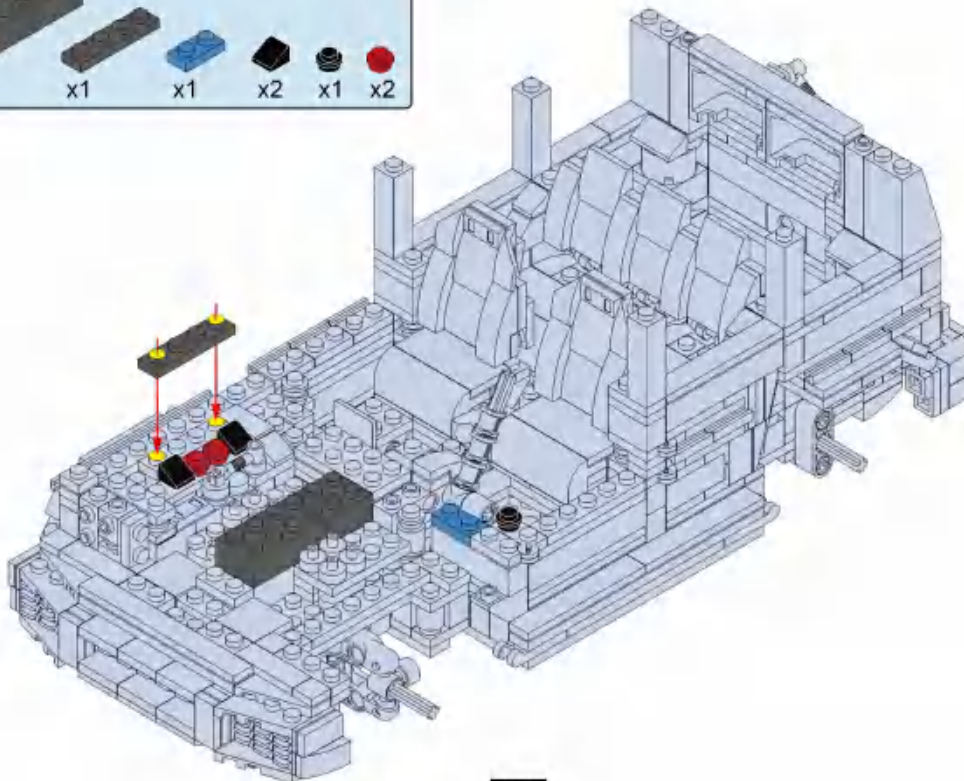




148

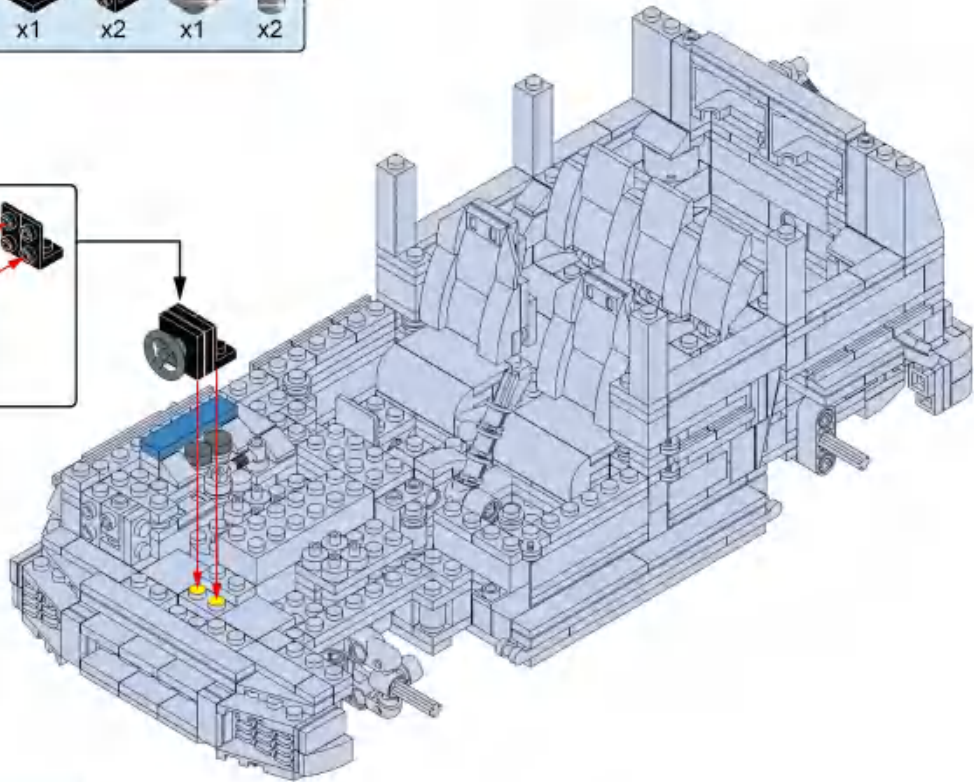
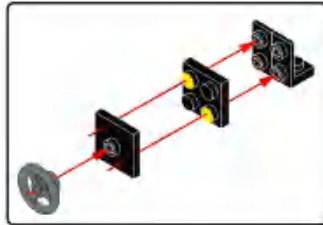


149

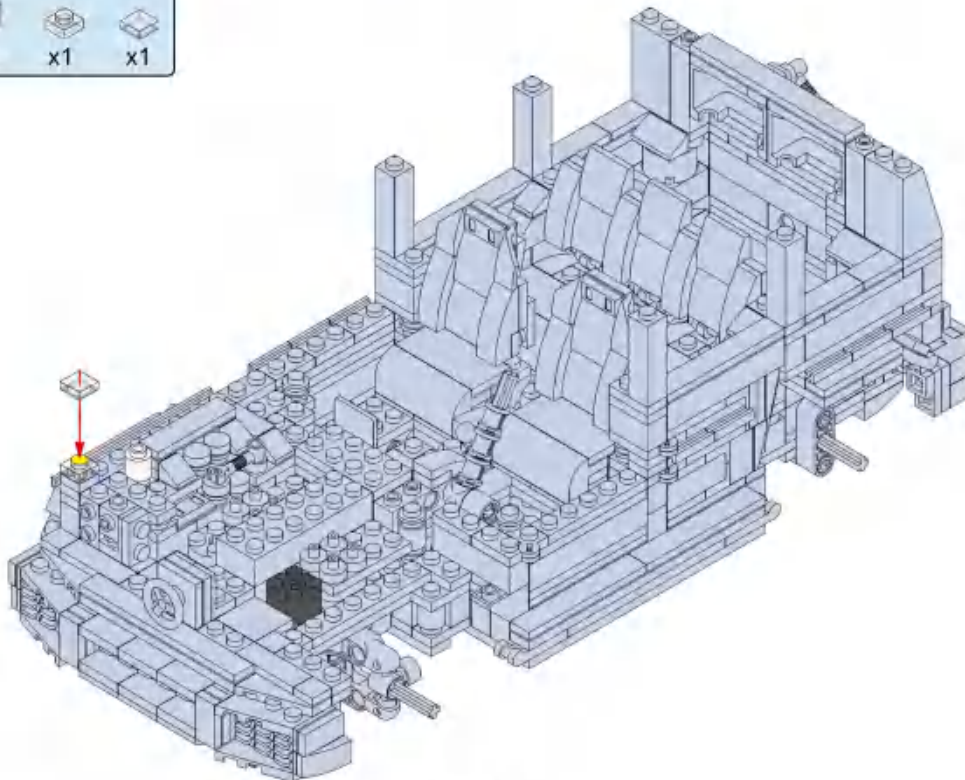




150

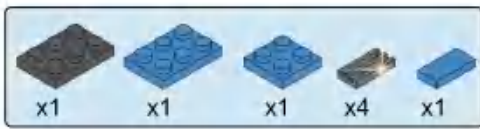
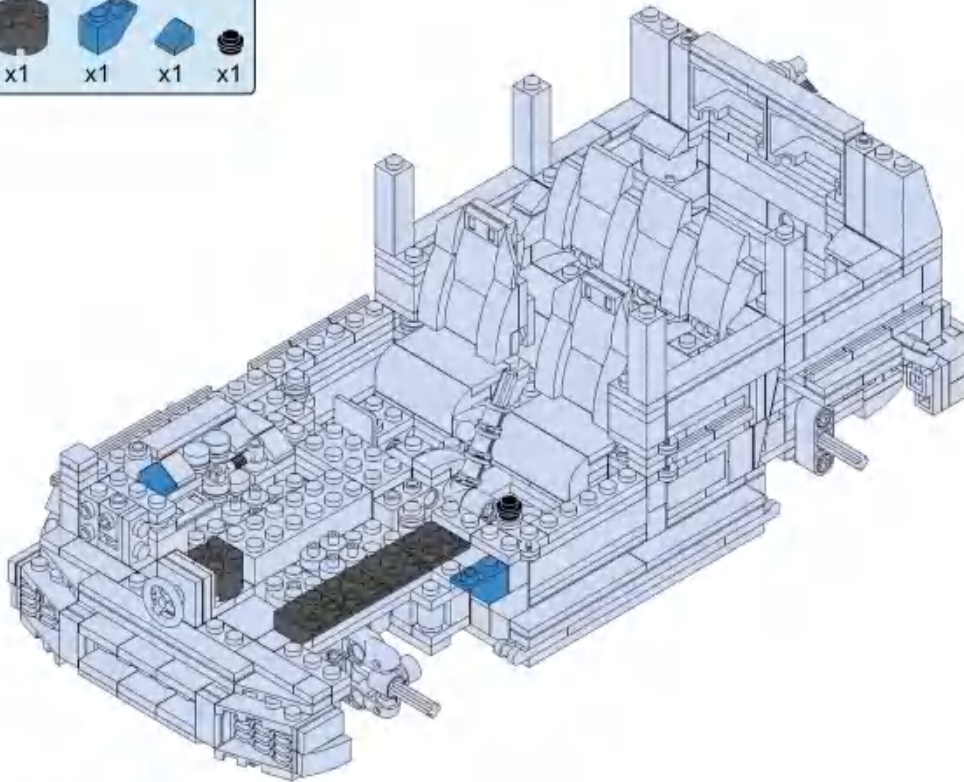


151

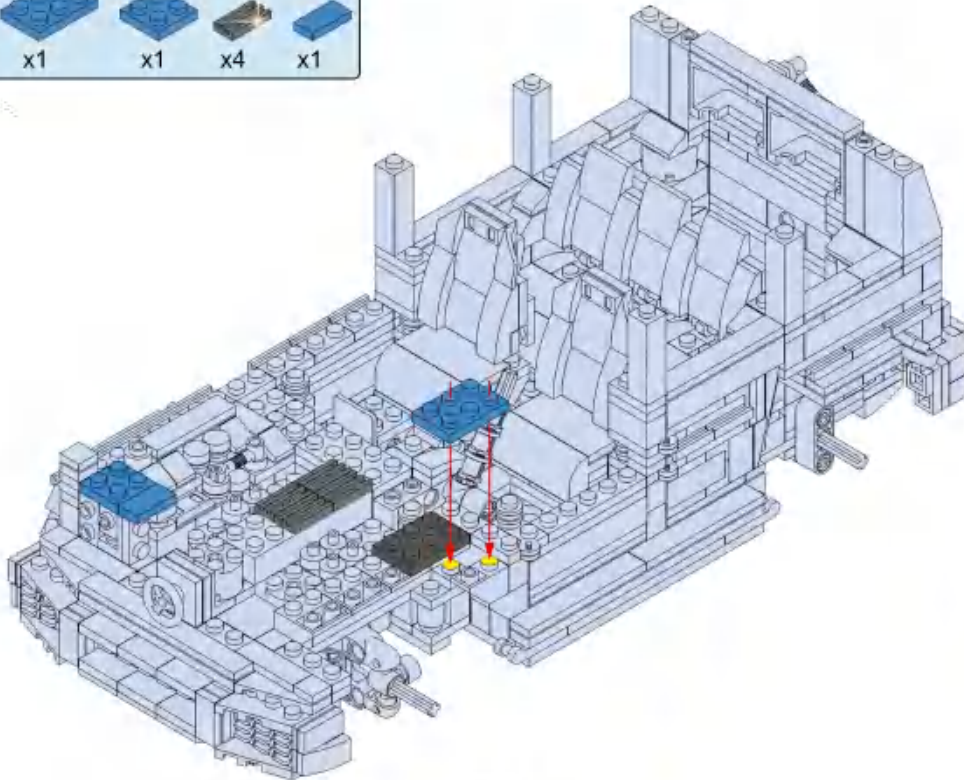


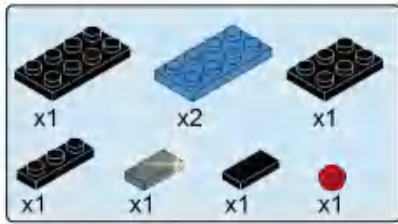


152

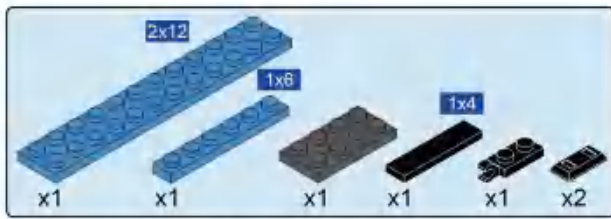
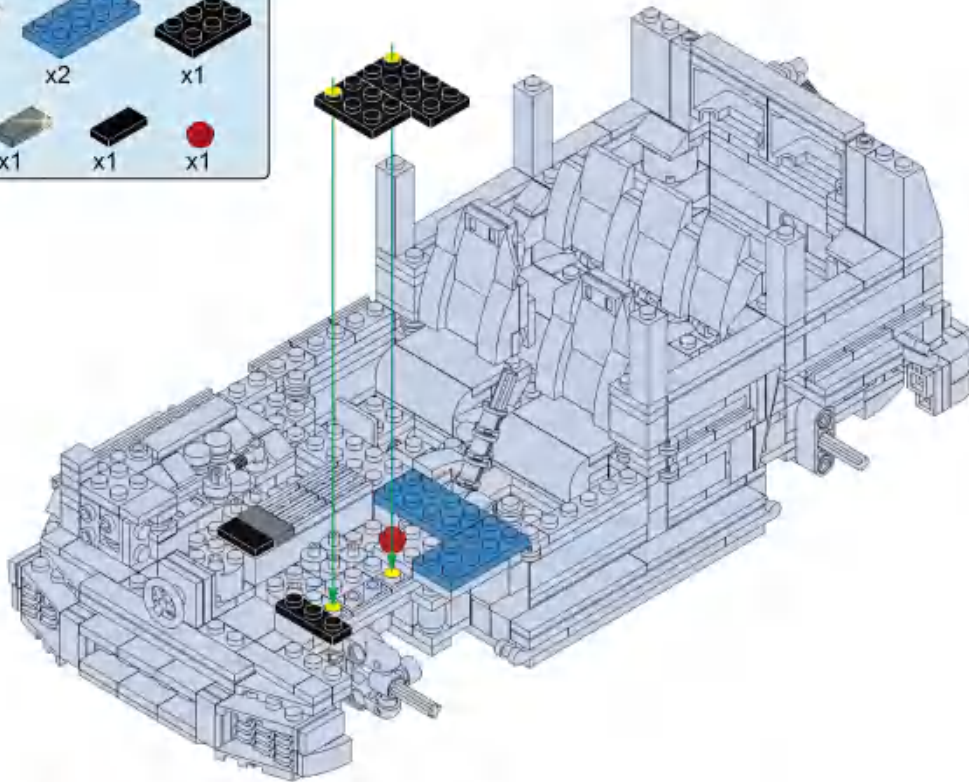


153

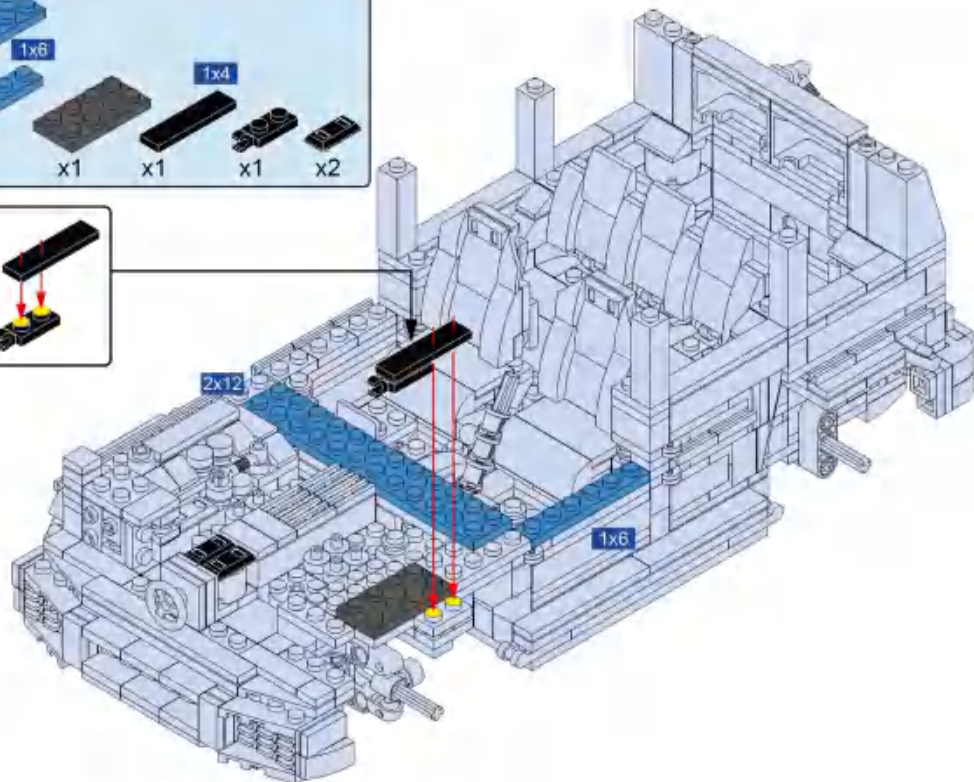




154

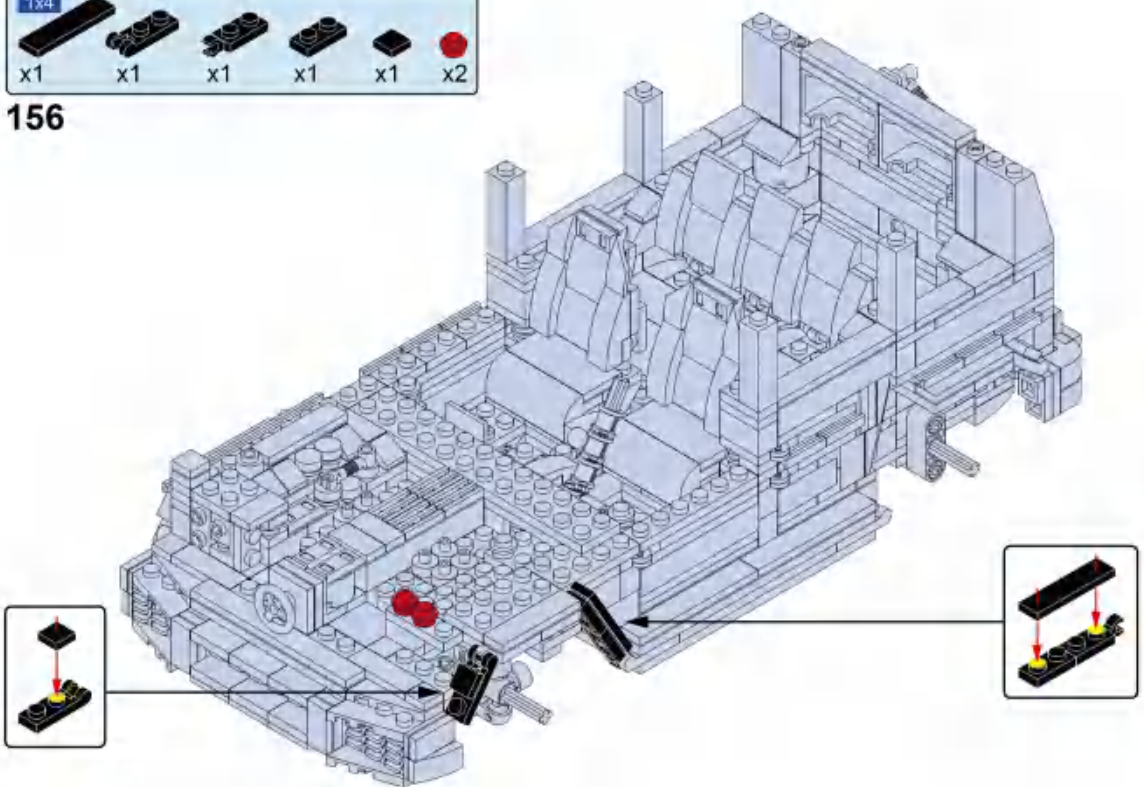


155



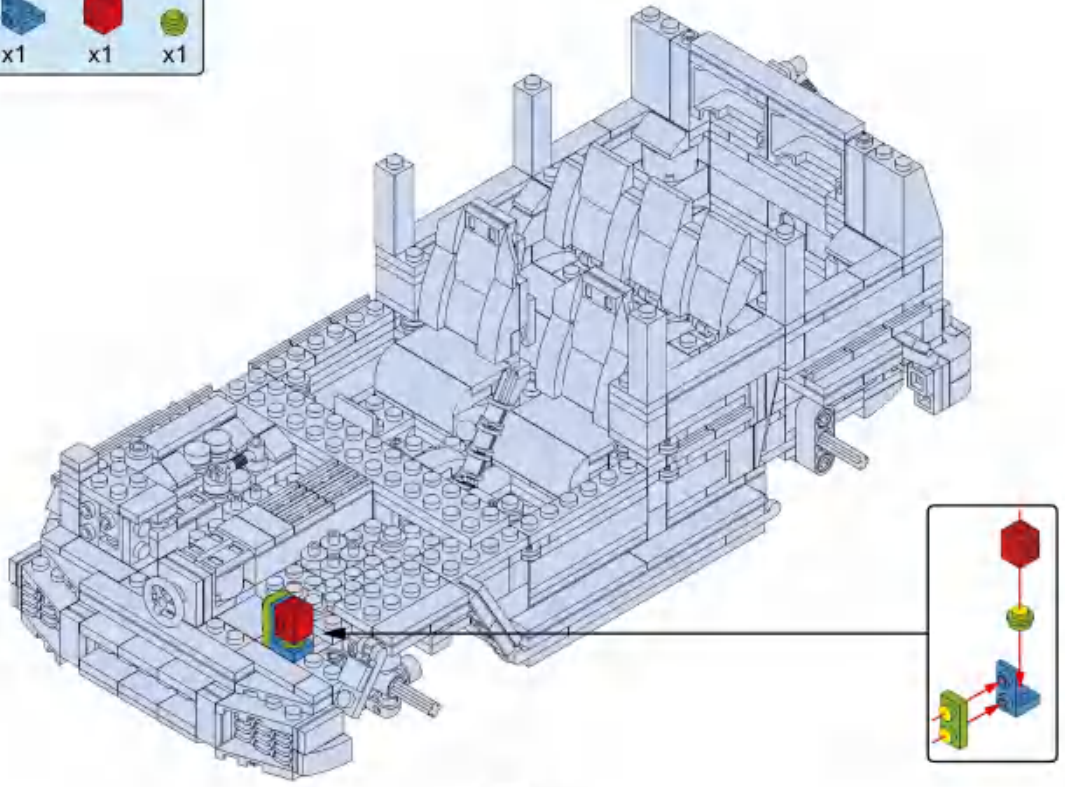
-  x1
-  x1
-  x1
-  x1
-  x1
-  x1
-  x2

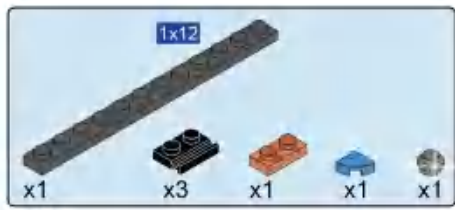
156



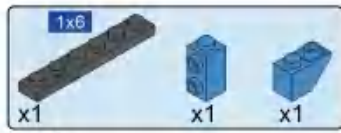
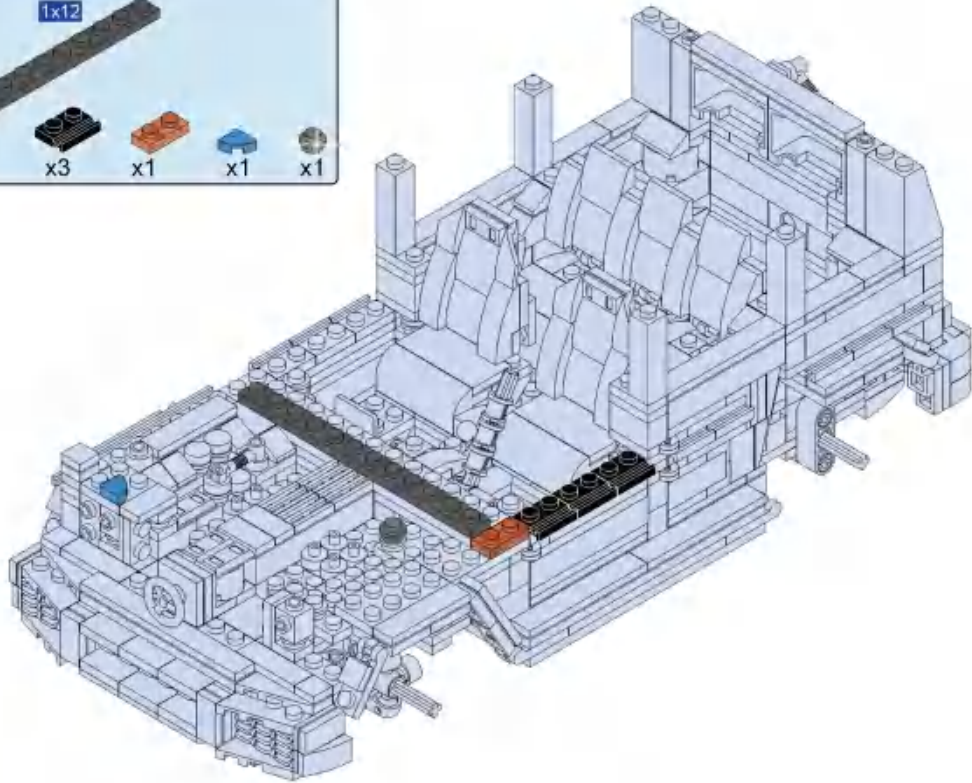
-  x1
-  x1
-  x1
-  x1

157

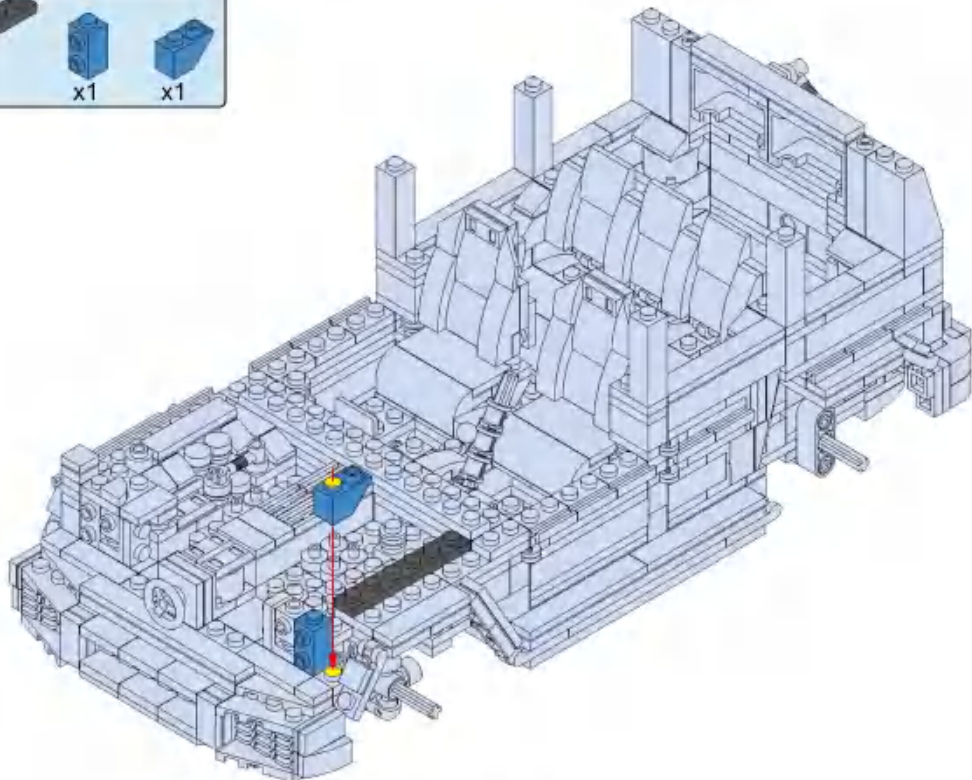




158

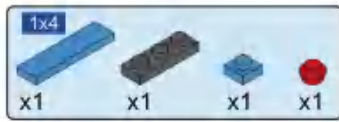
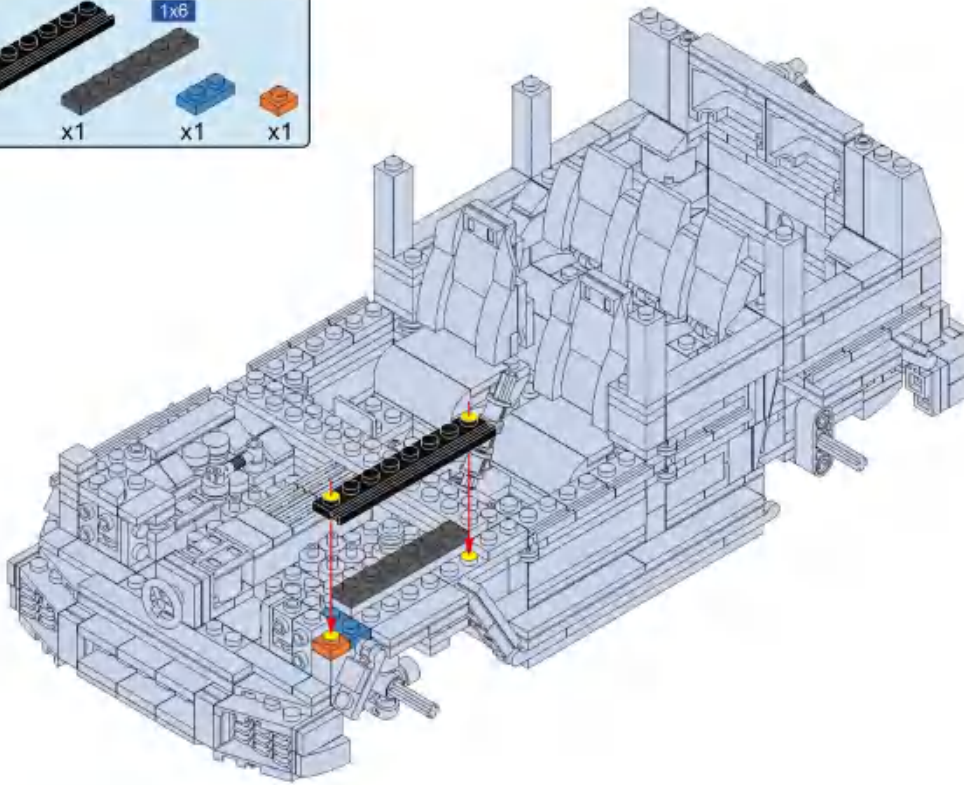


159

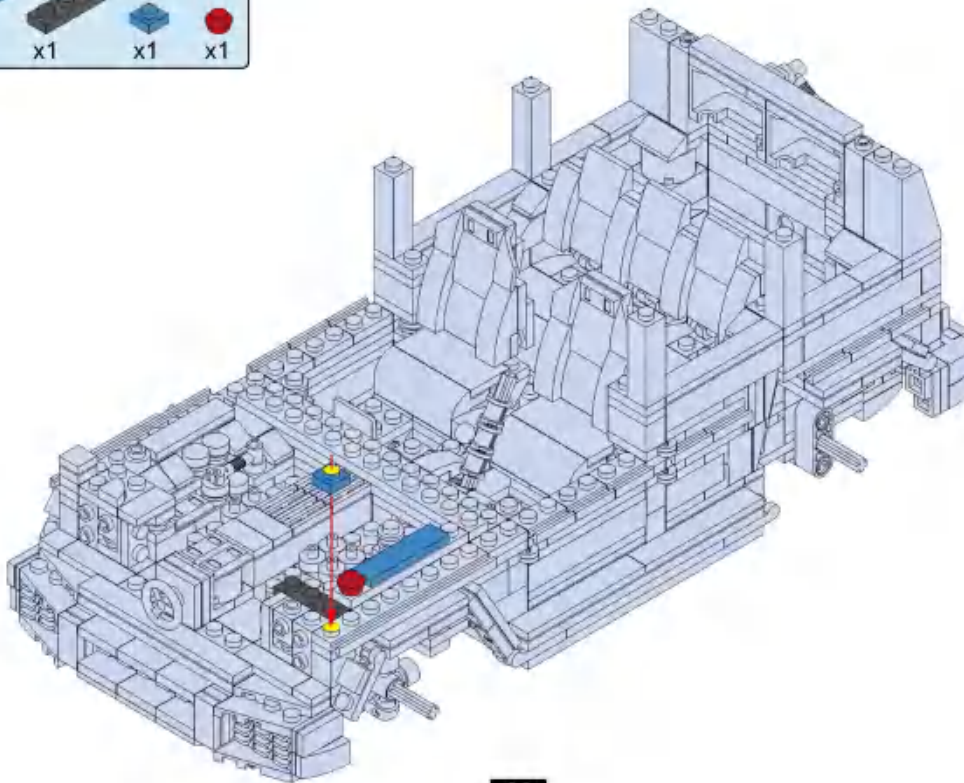




160

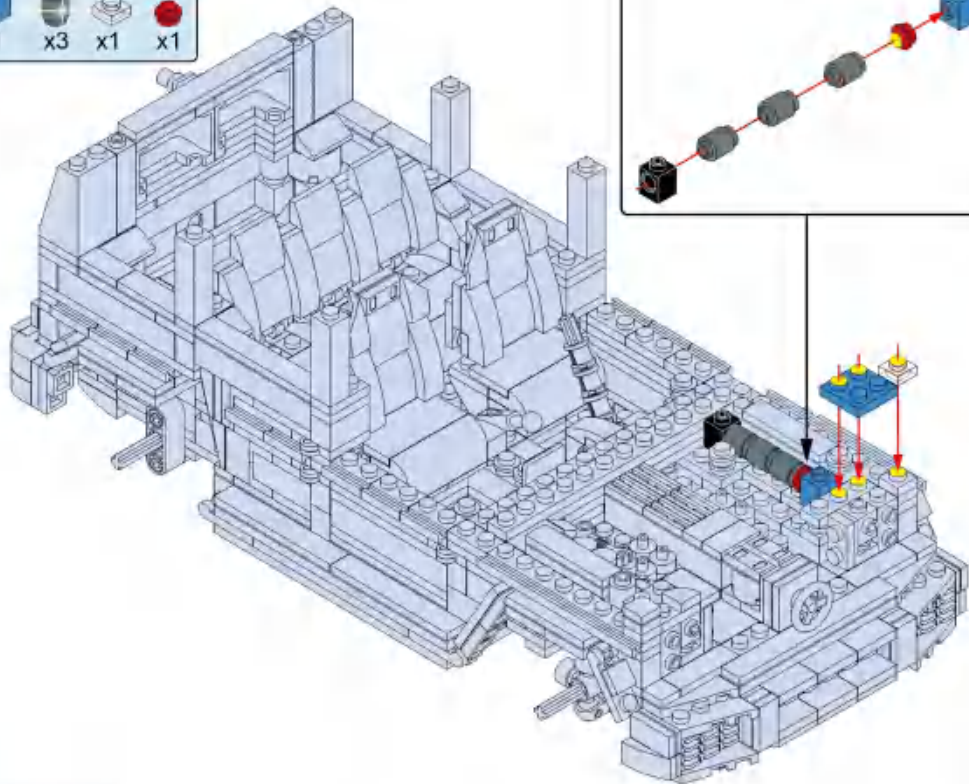


161

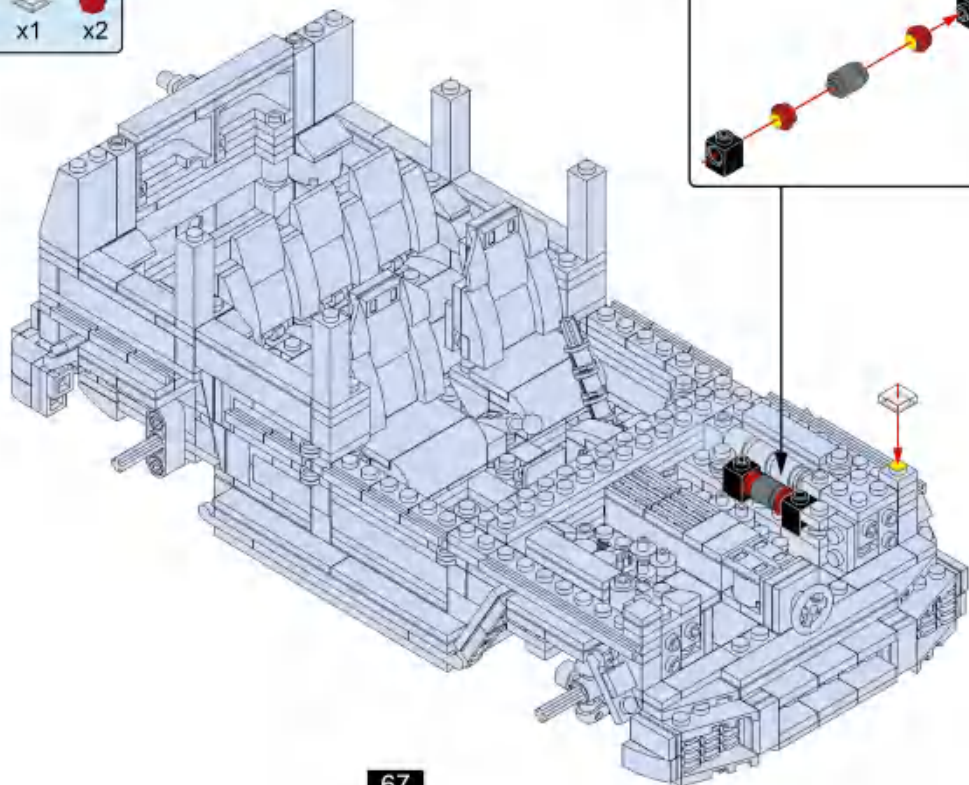




162

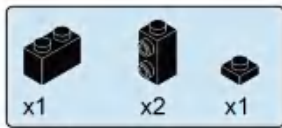
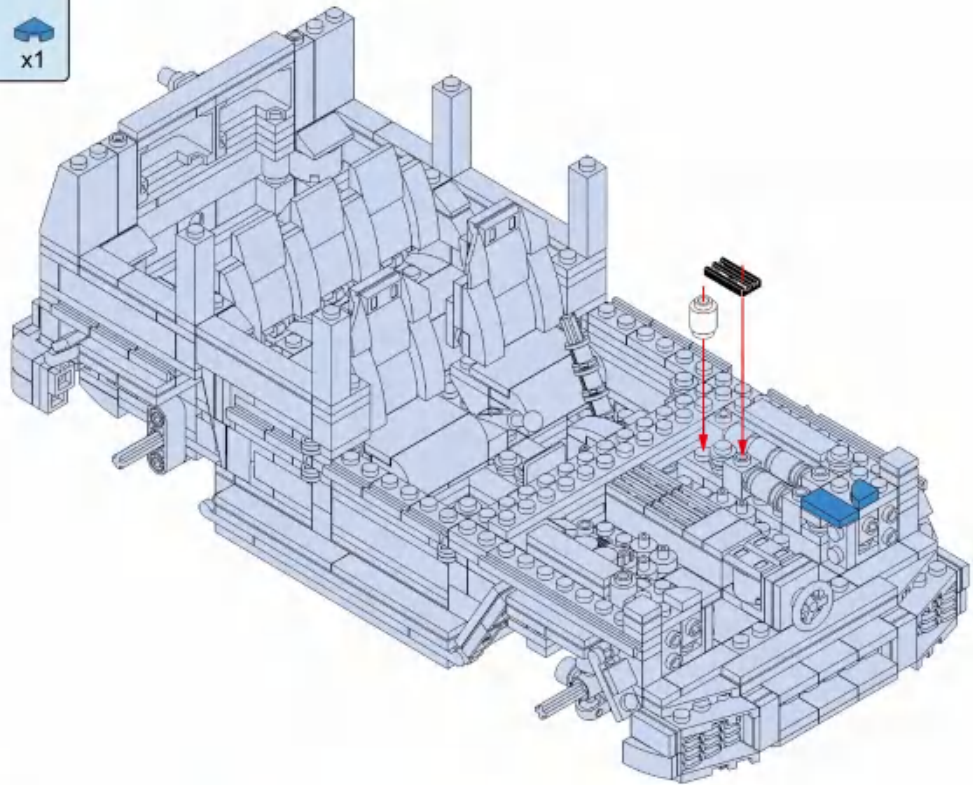


163

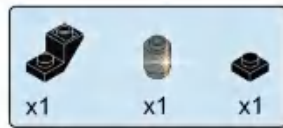




164



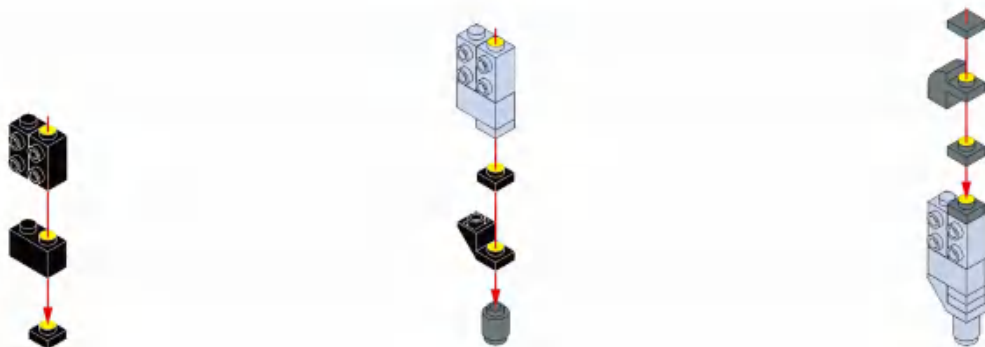
165



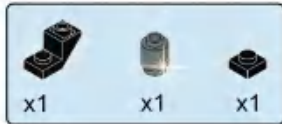
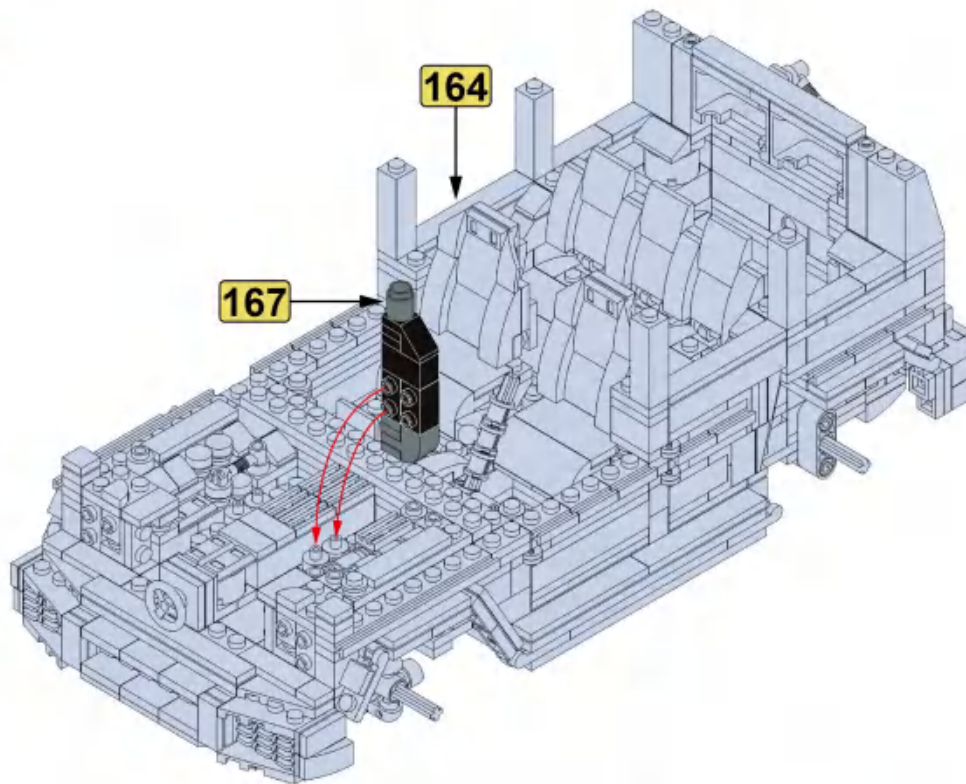
166



167



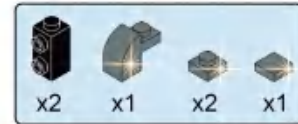
168 



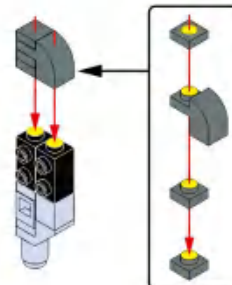
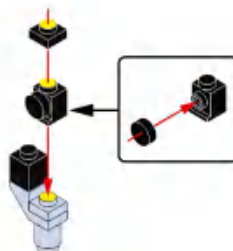
169

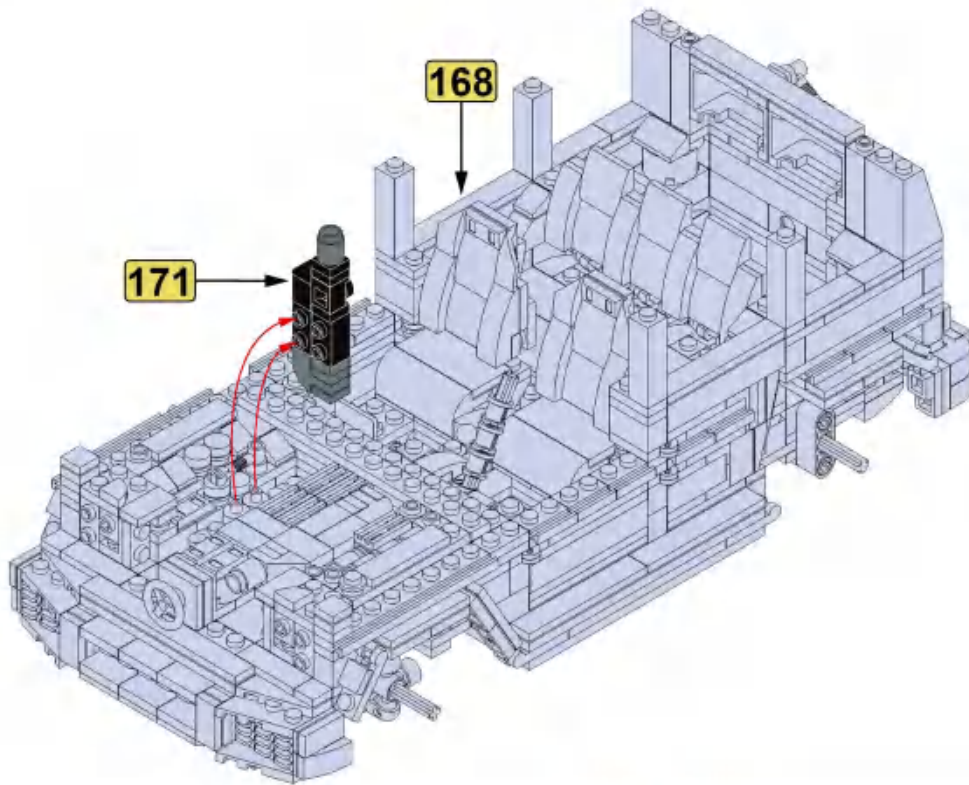


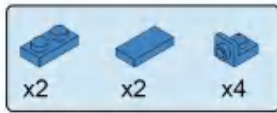
170



171



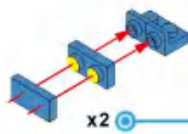




173

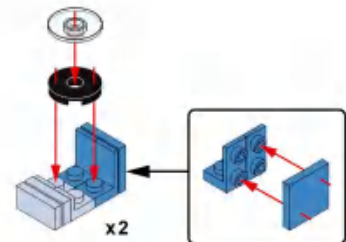


174



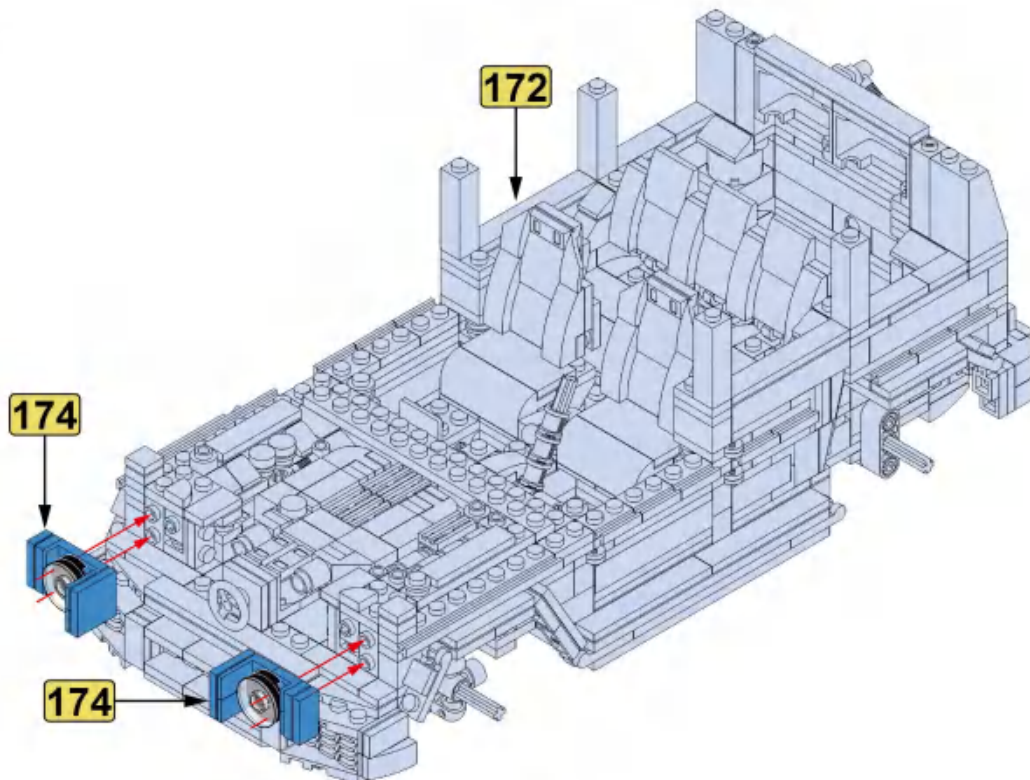
x2

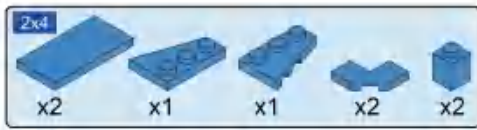
x2表示该模块需要拼2个。
x2 means 2 modules like
this are needed.



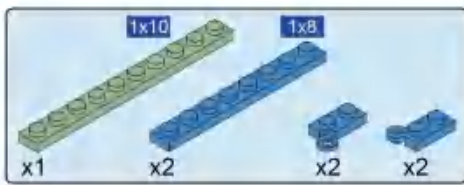
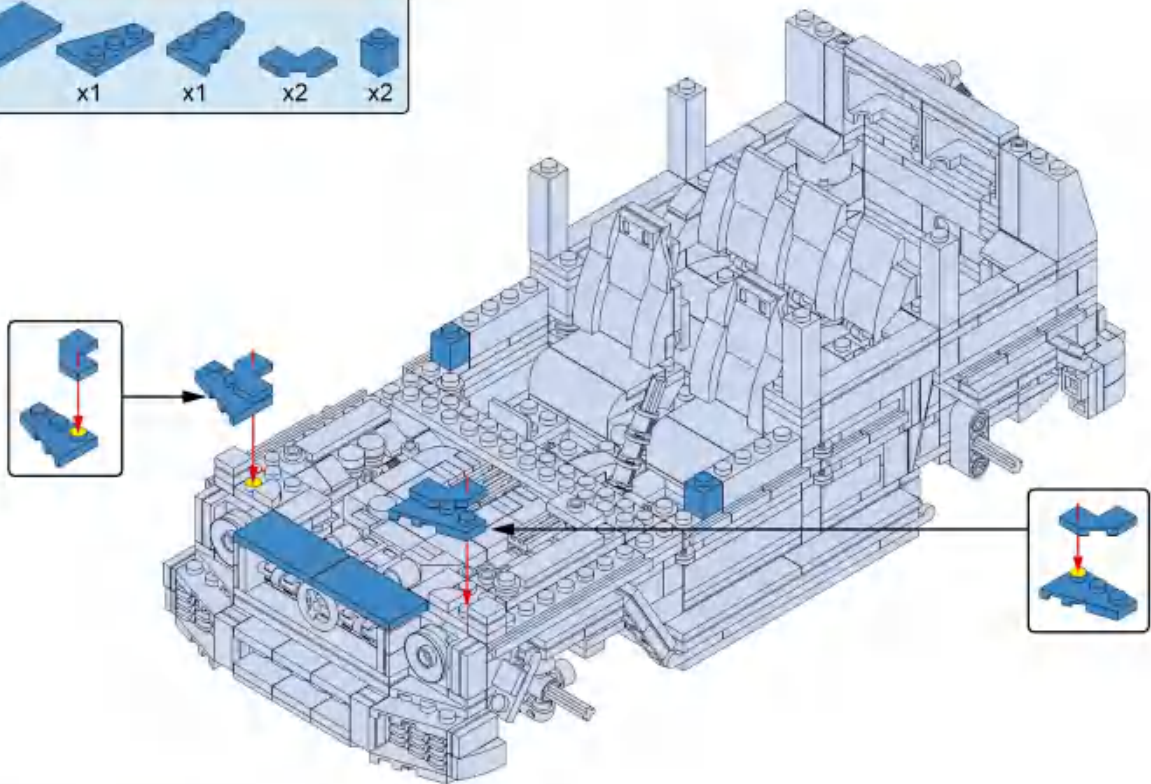
x2

175

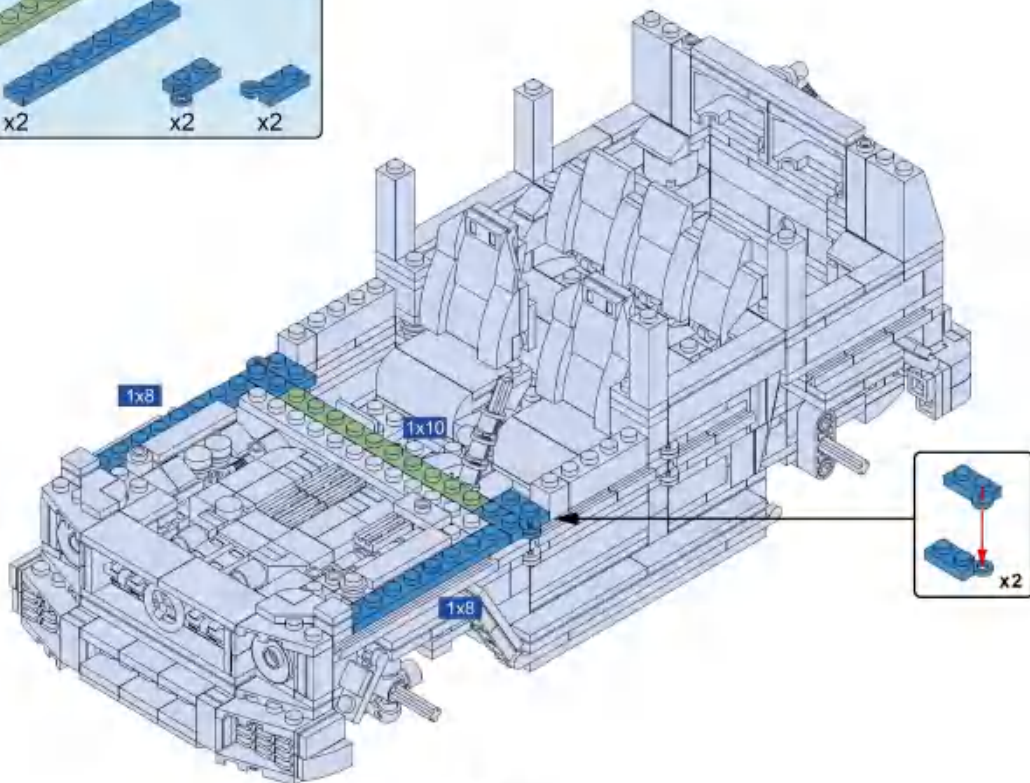




178

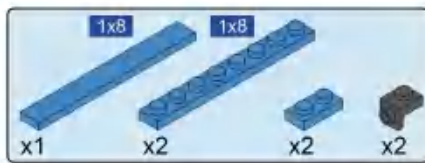
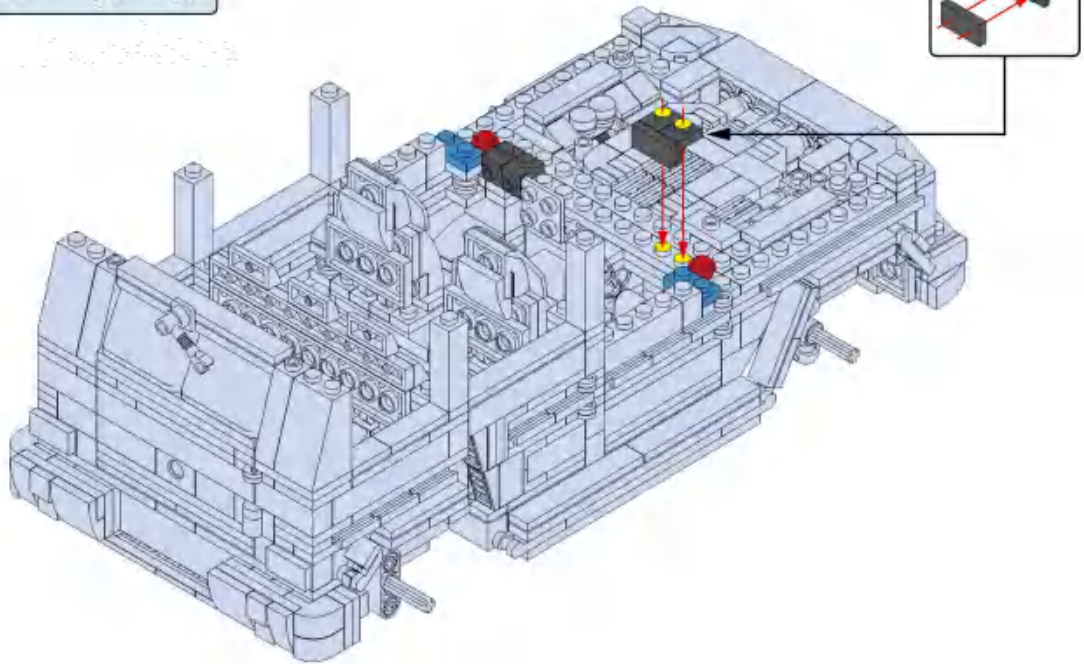


179

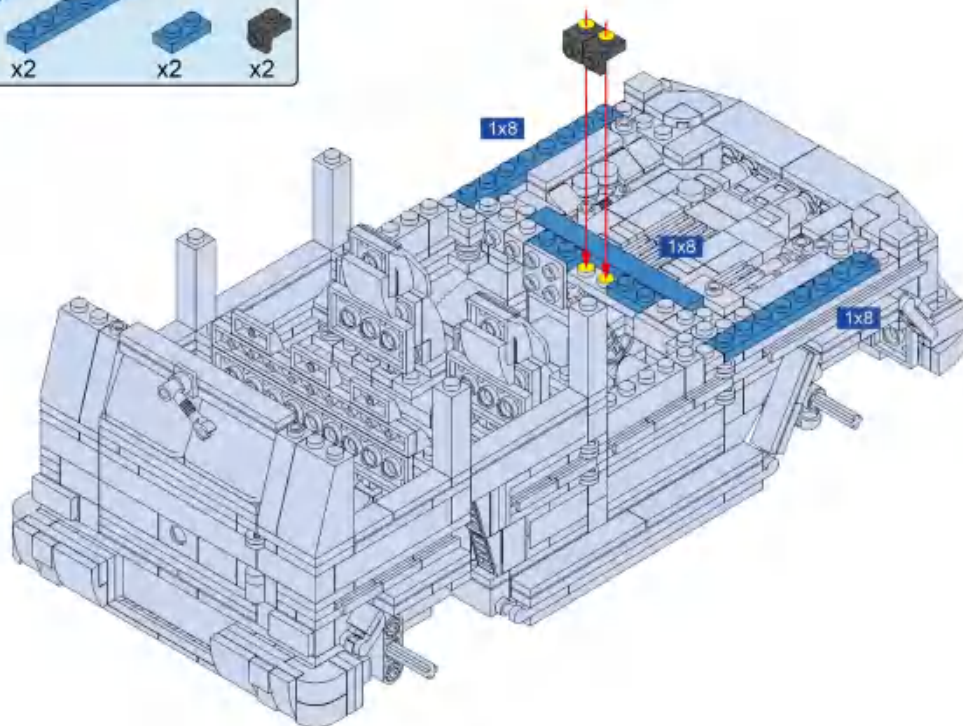




180

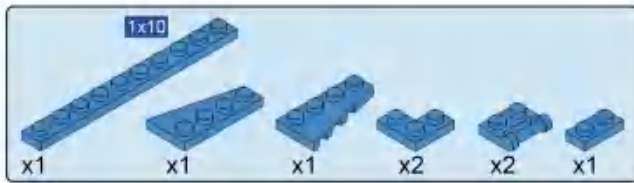
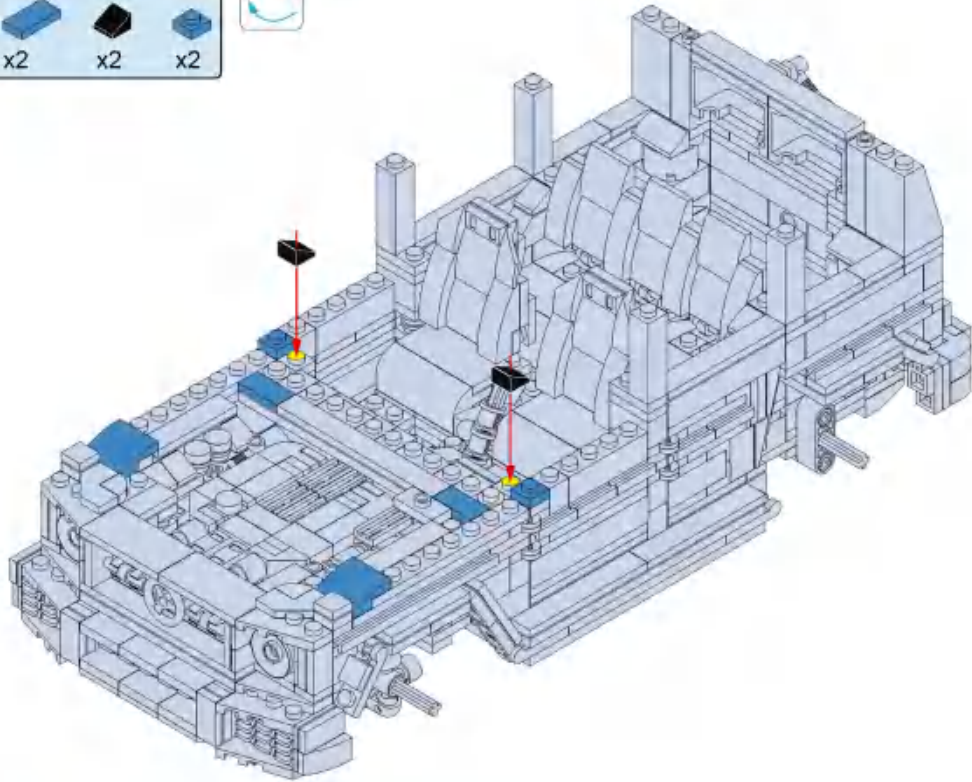


181

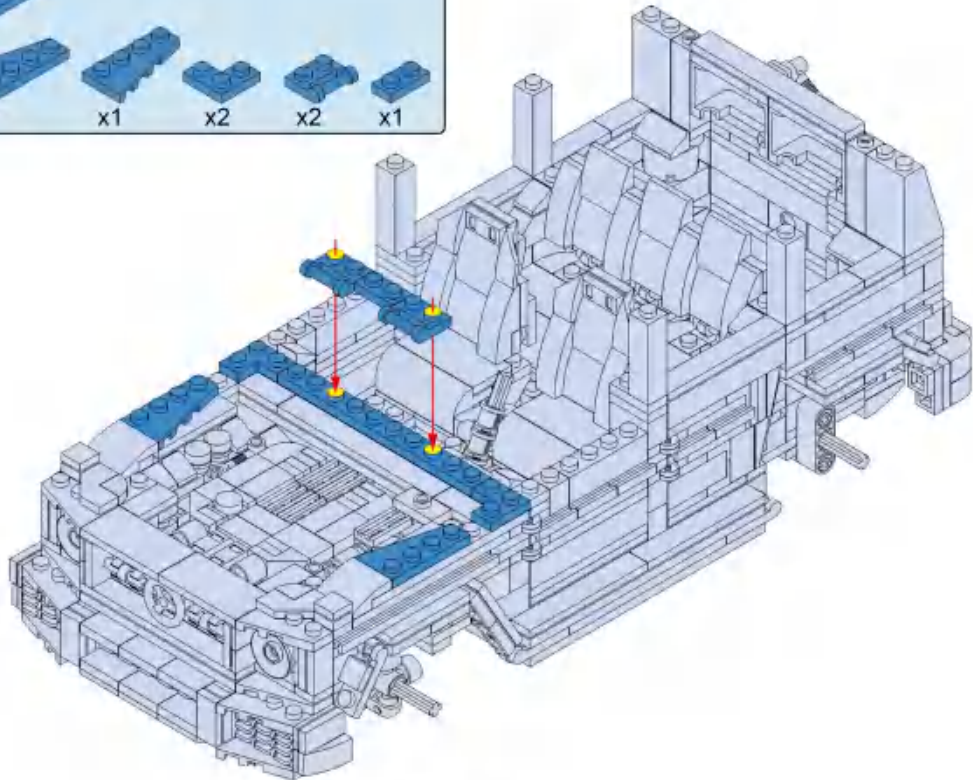


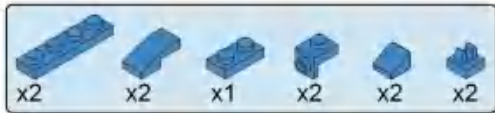


182

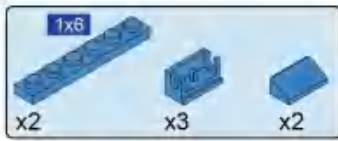
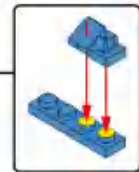
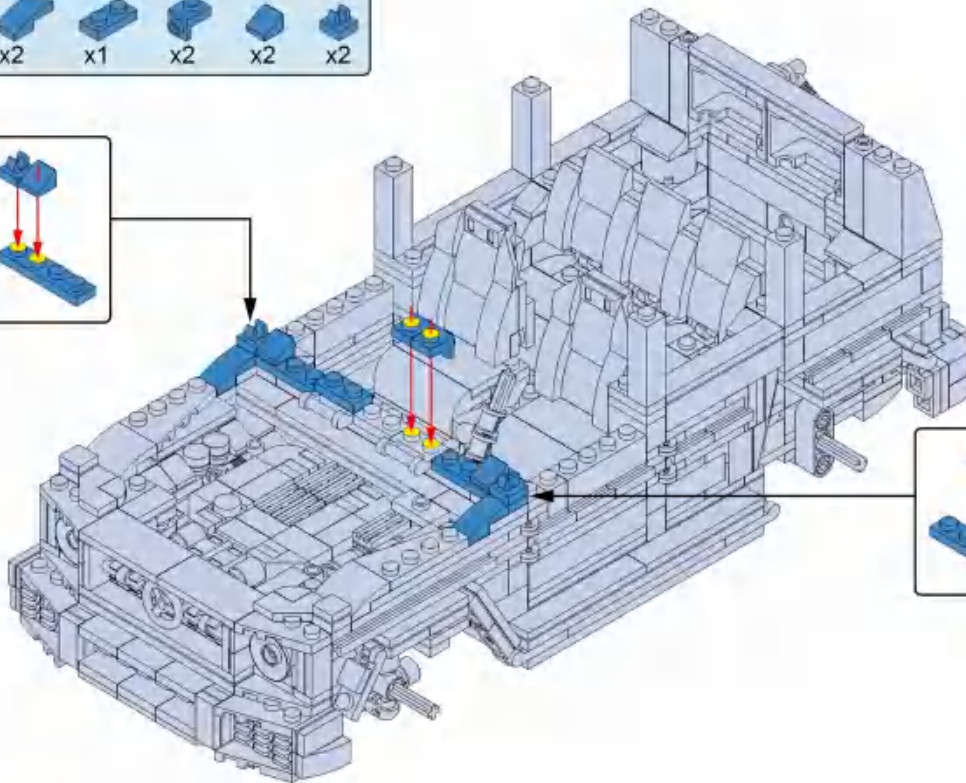
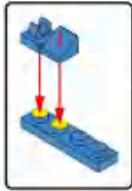


183

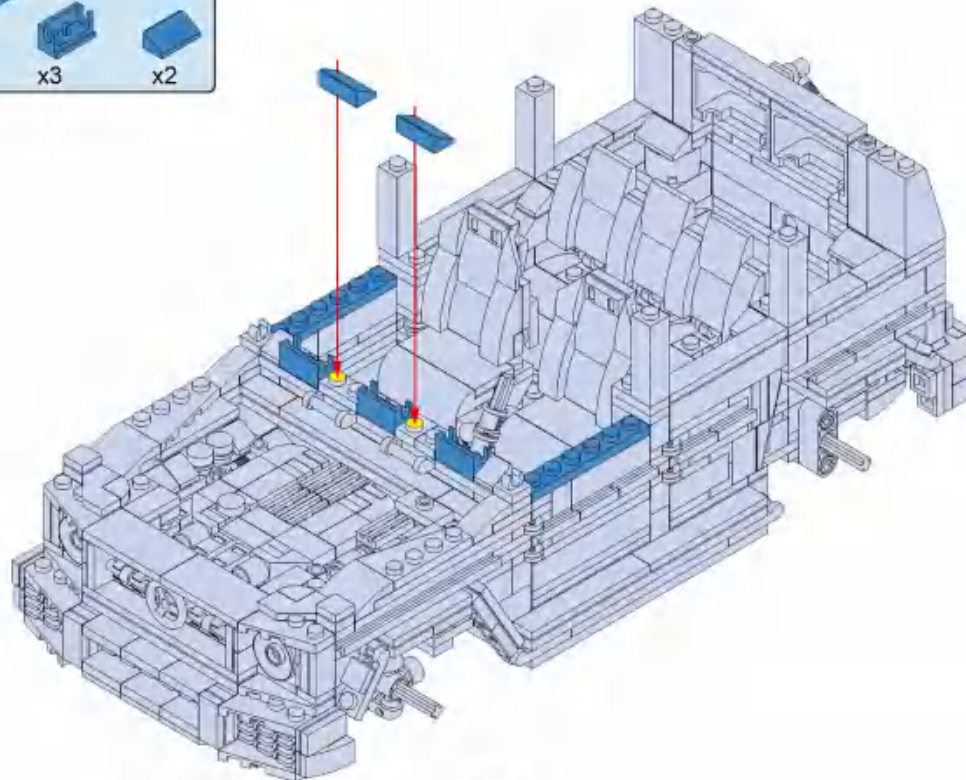


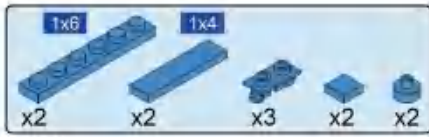


184

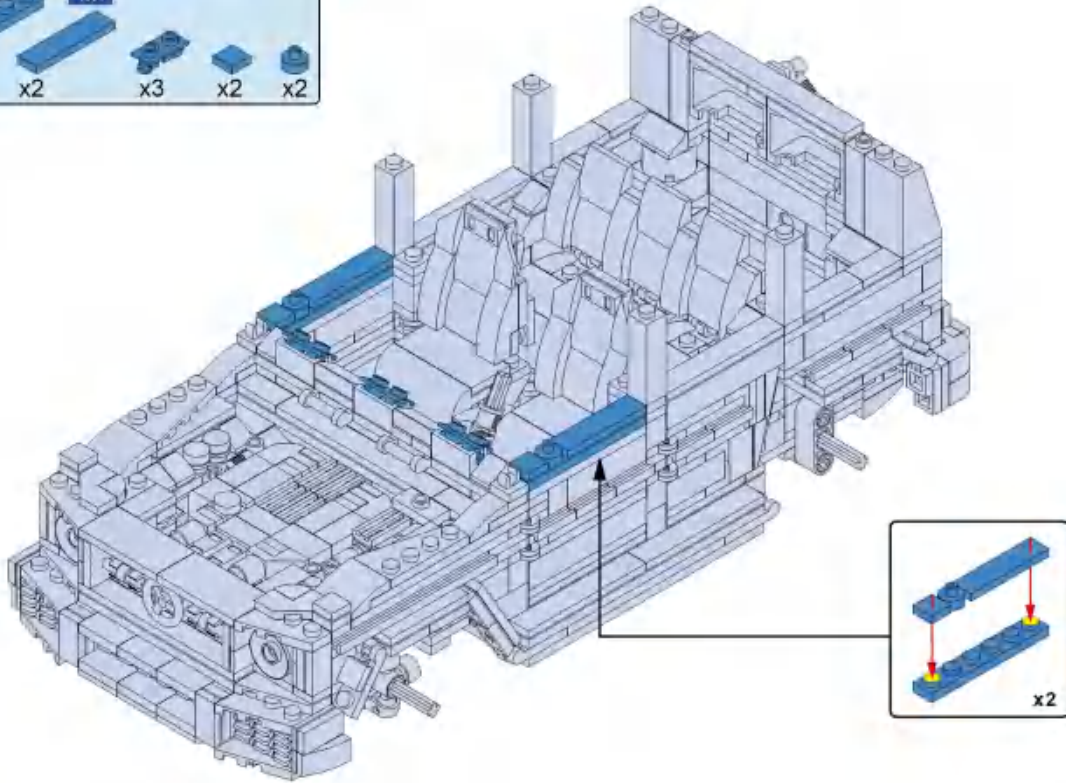


185

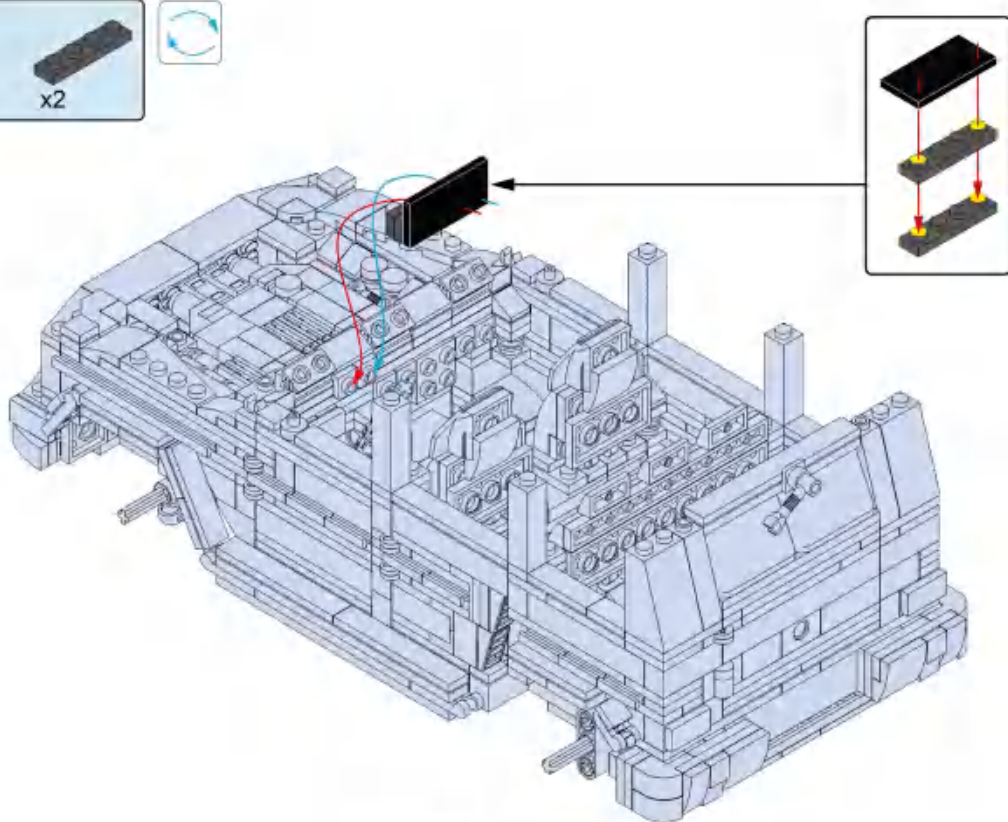


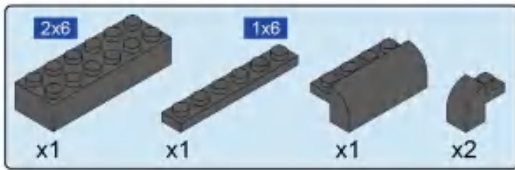


186

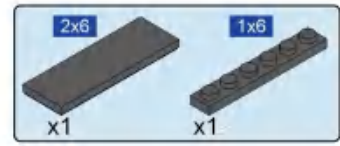


187

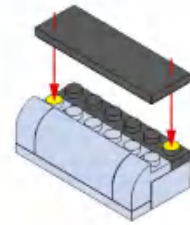
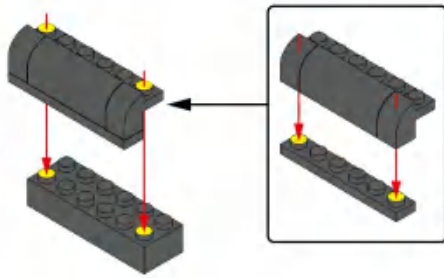




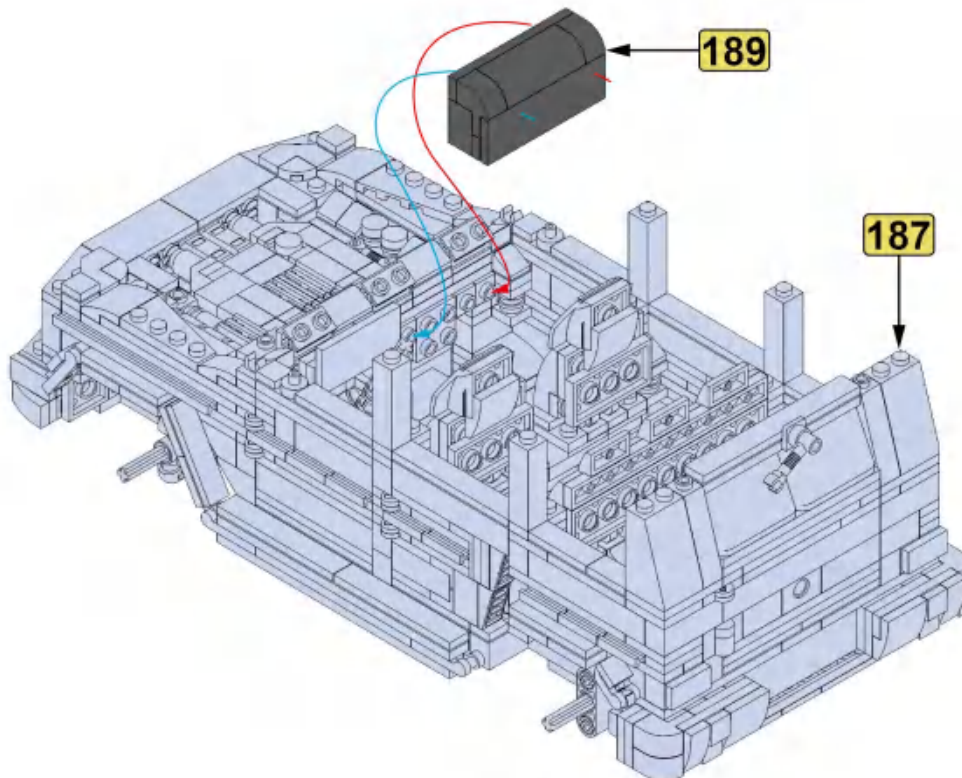
188



189

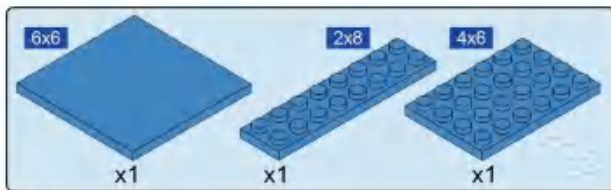
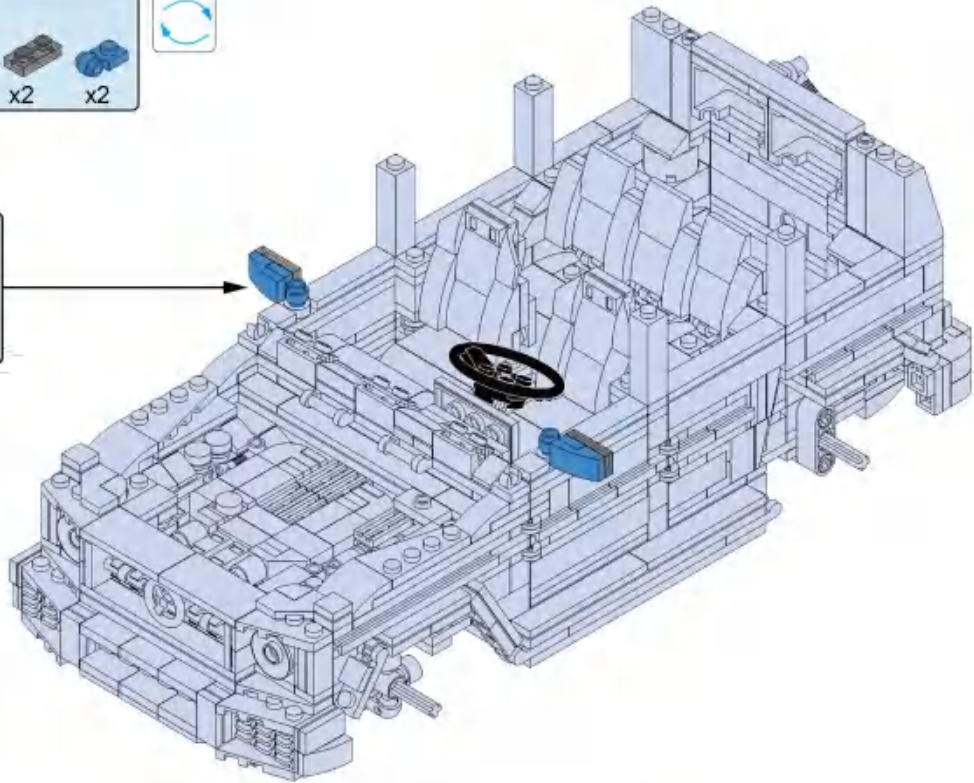
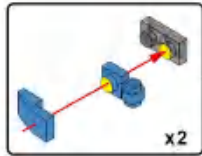


190

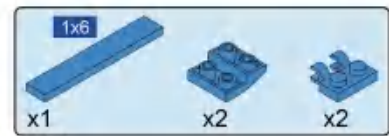
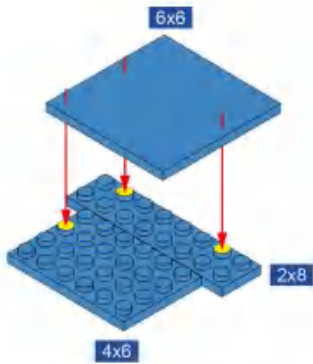




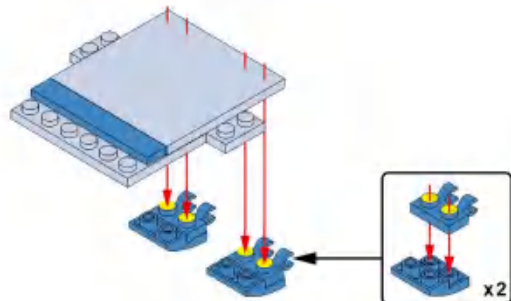
191

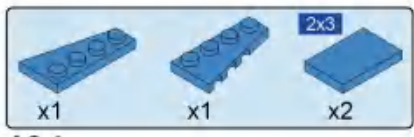


192

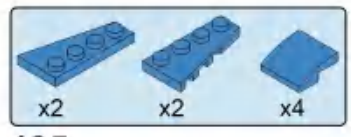


193

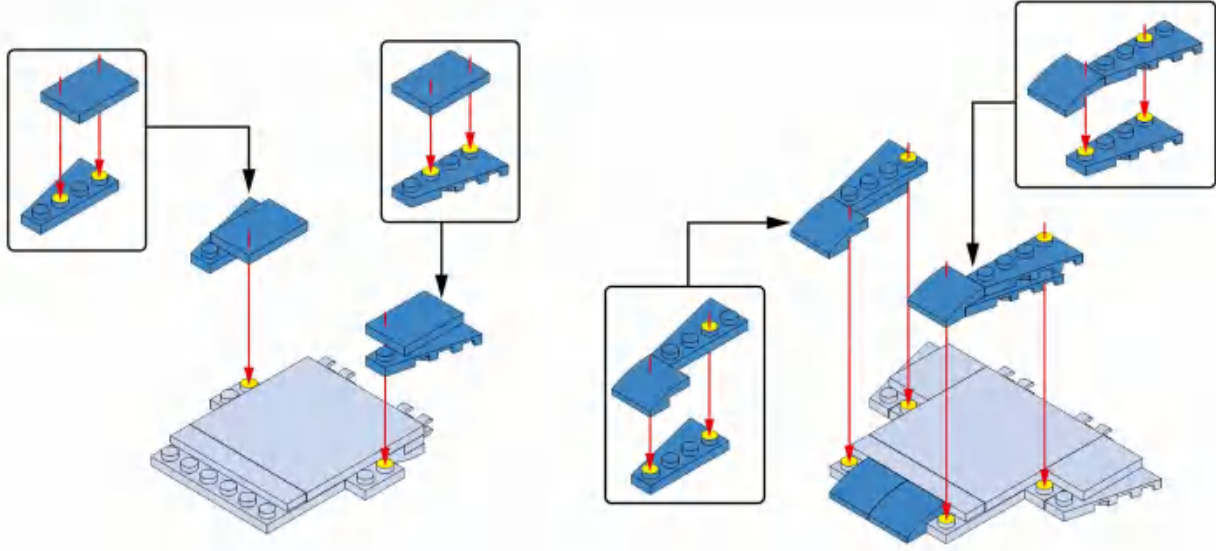




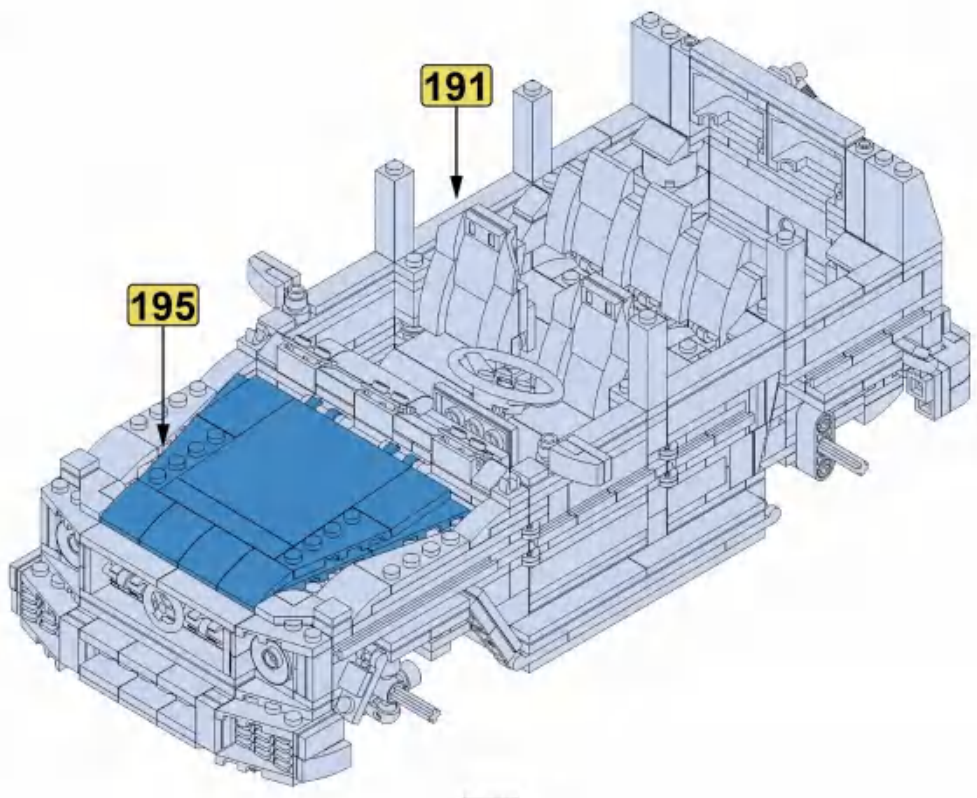
194



195



196

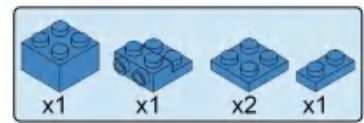




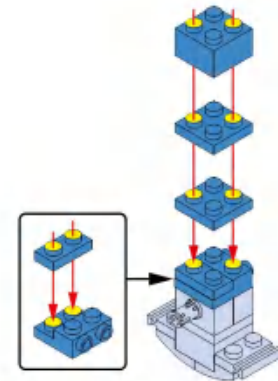
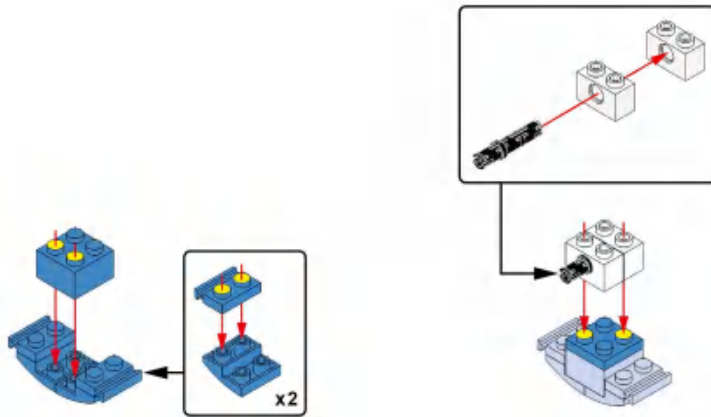
197



198



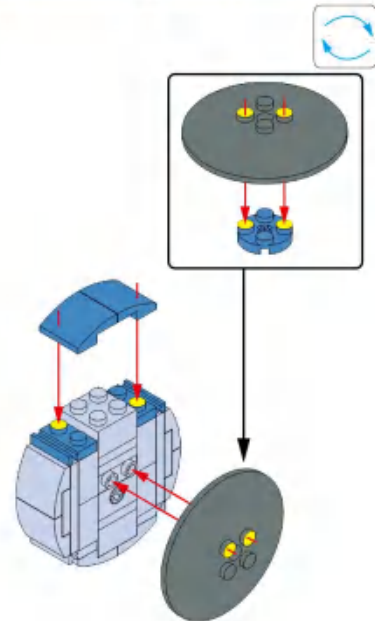
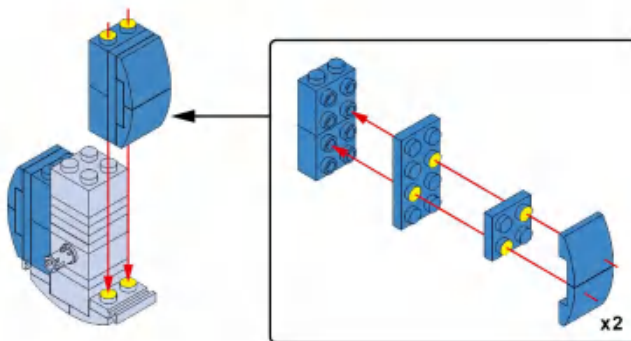
199



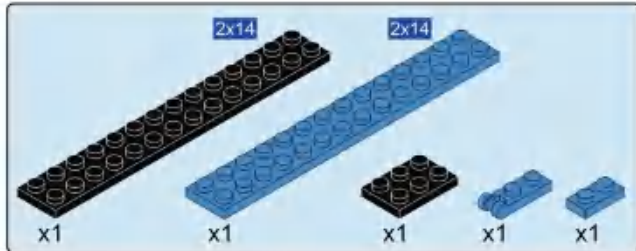
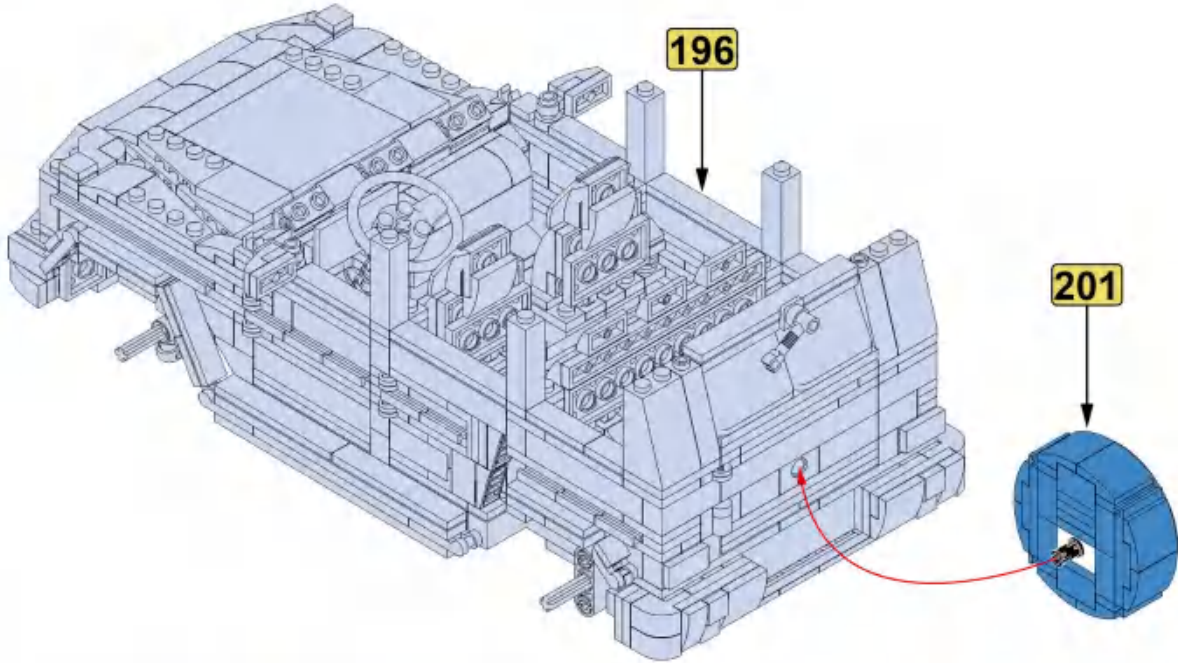
200



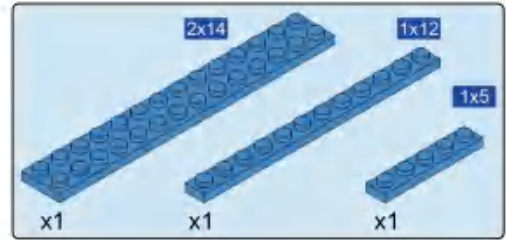
201



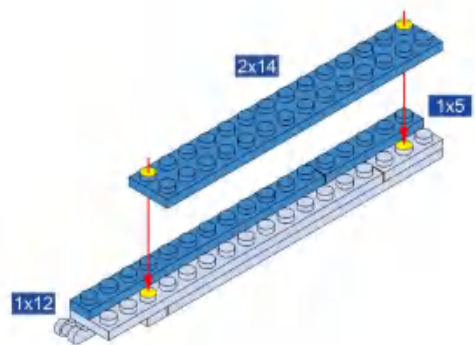
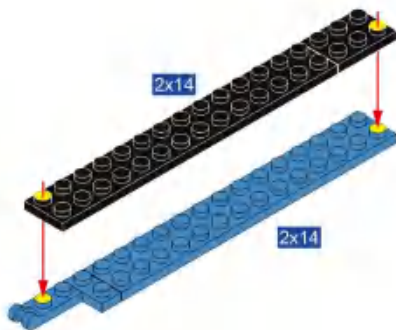
202 

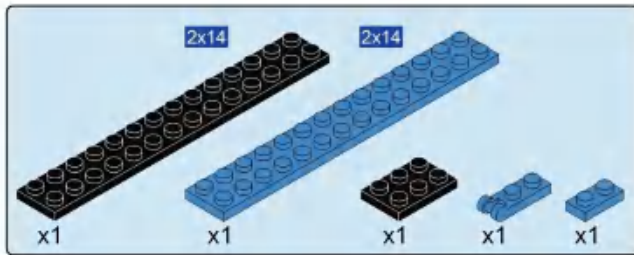


203

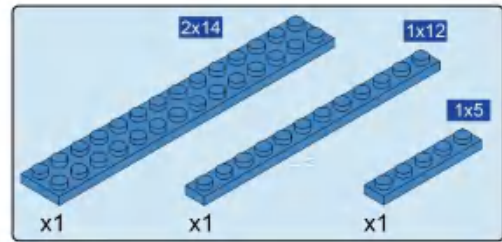


204

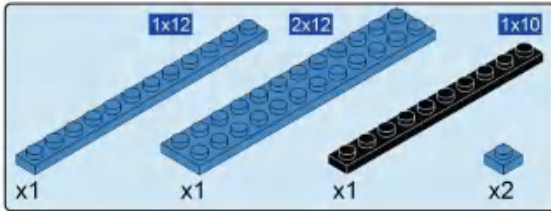
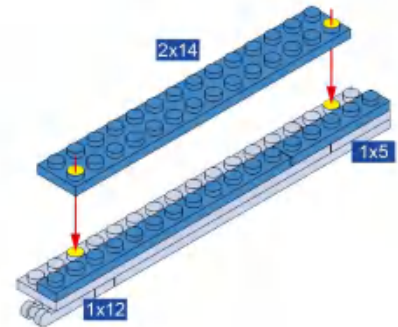
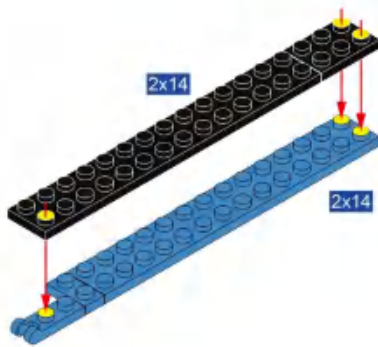




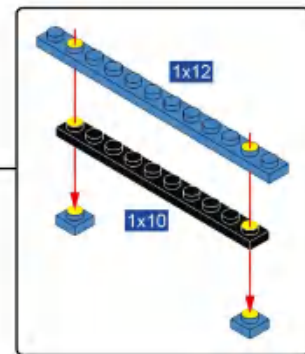
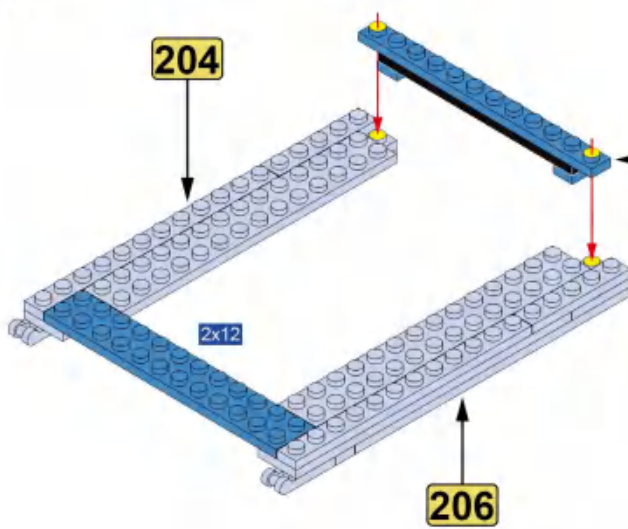
205

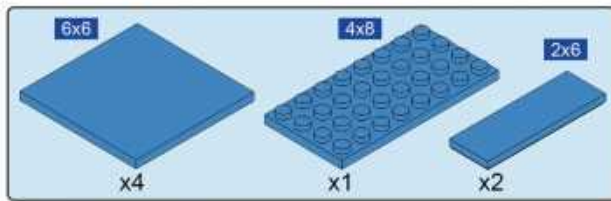


206

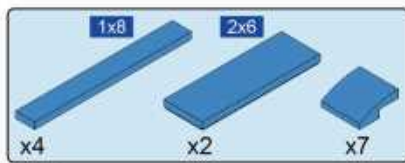
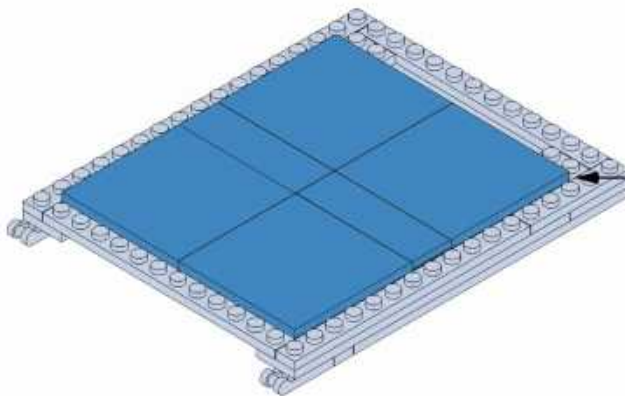
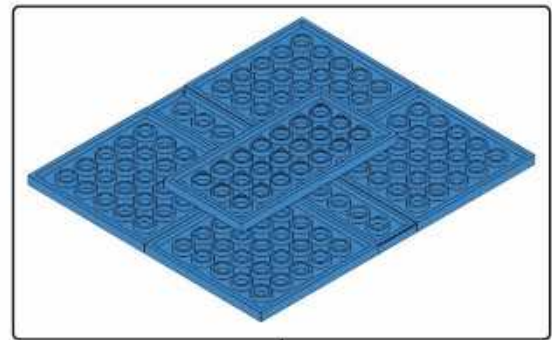


207

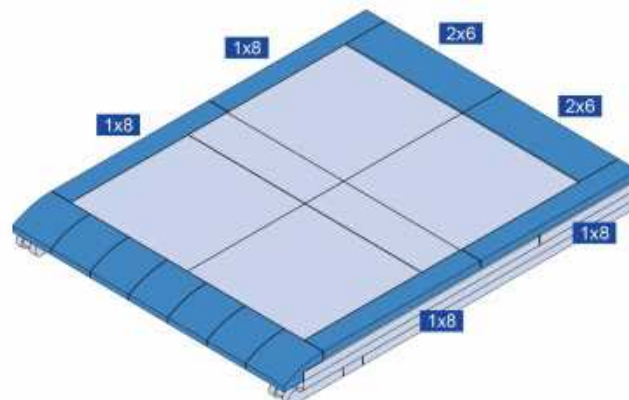




208

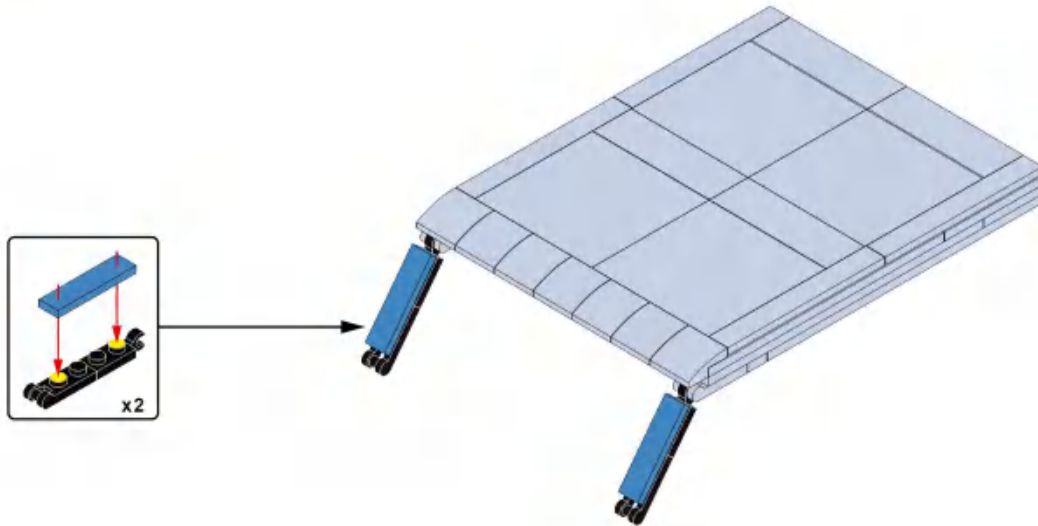


209

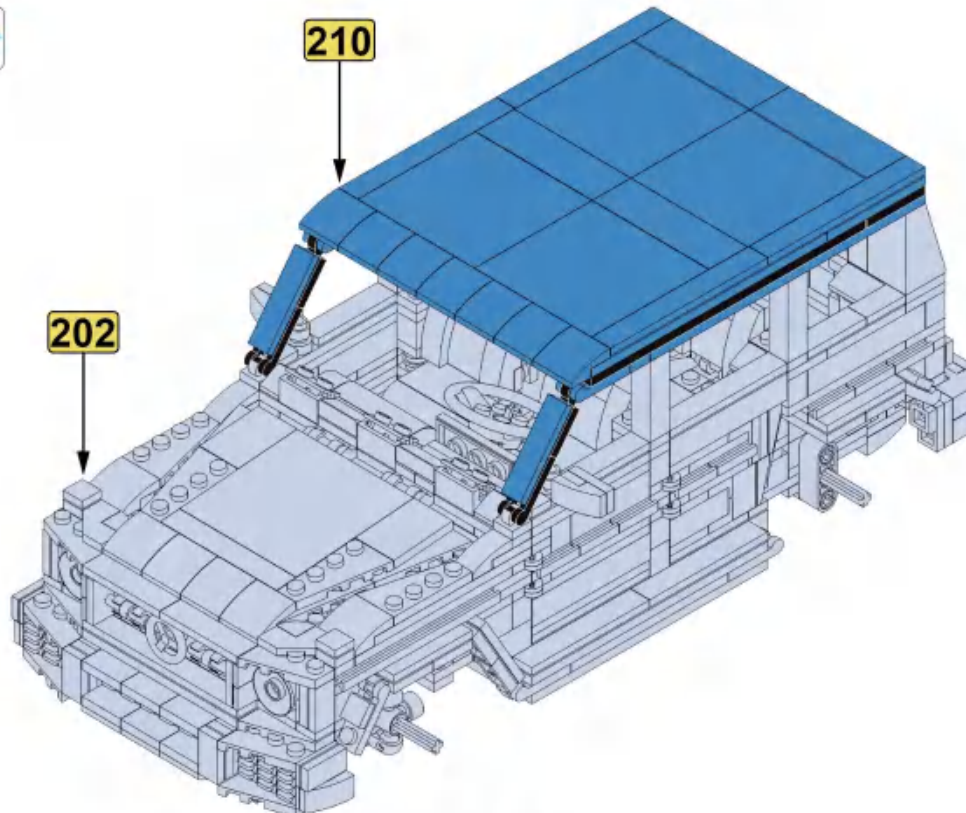


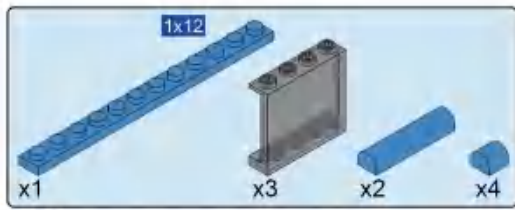


210

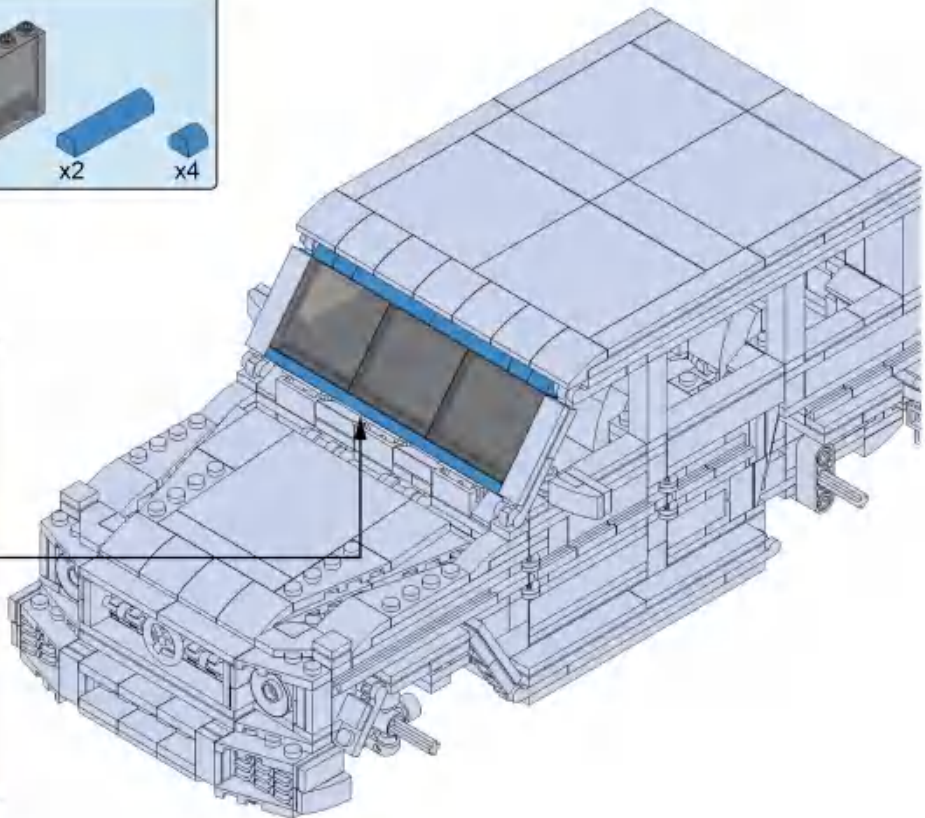
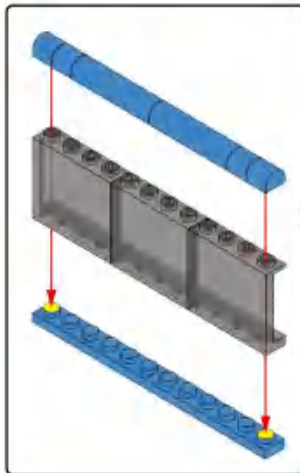


211 

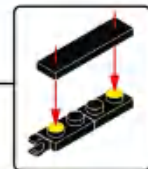
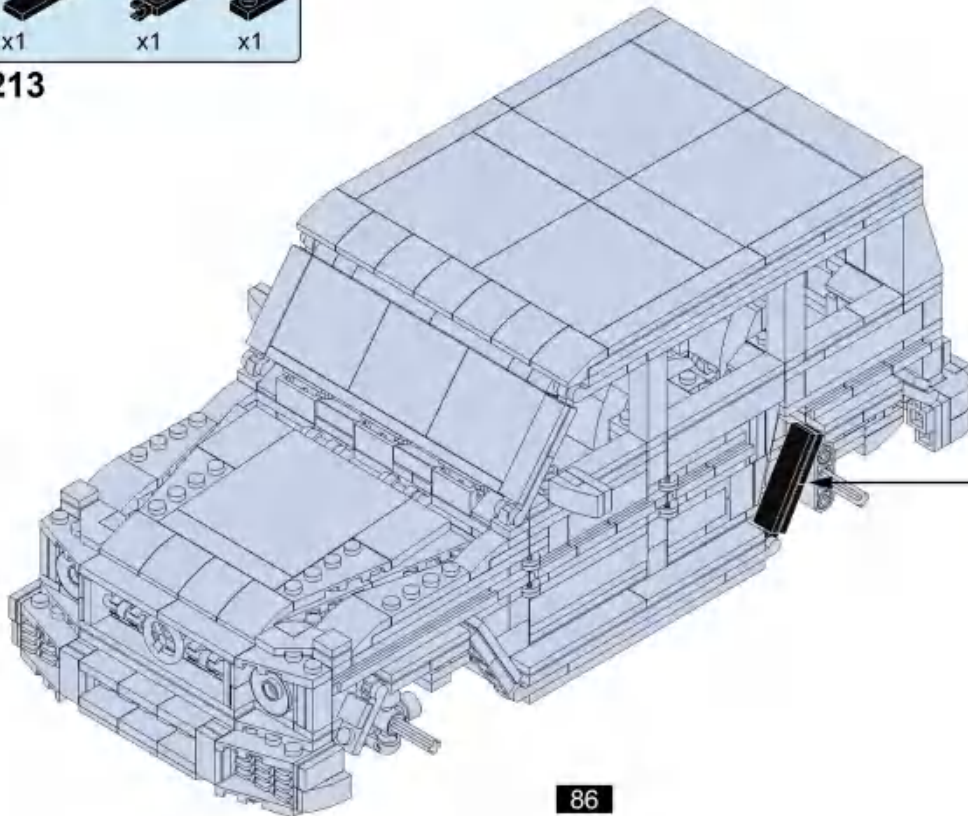




212

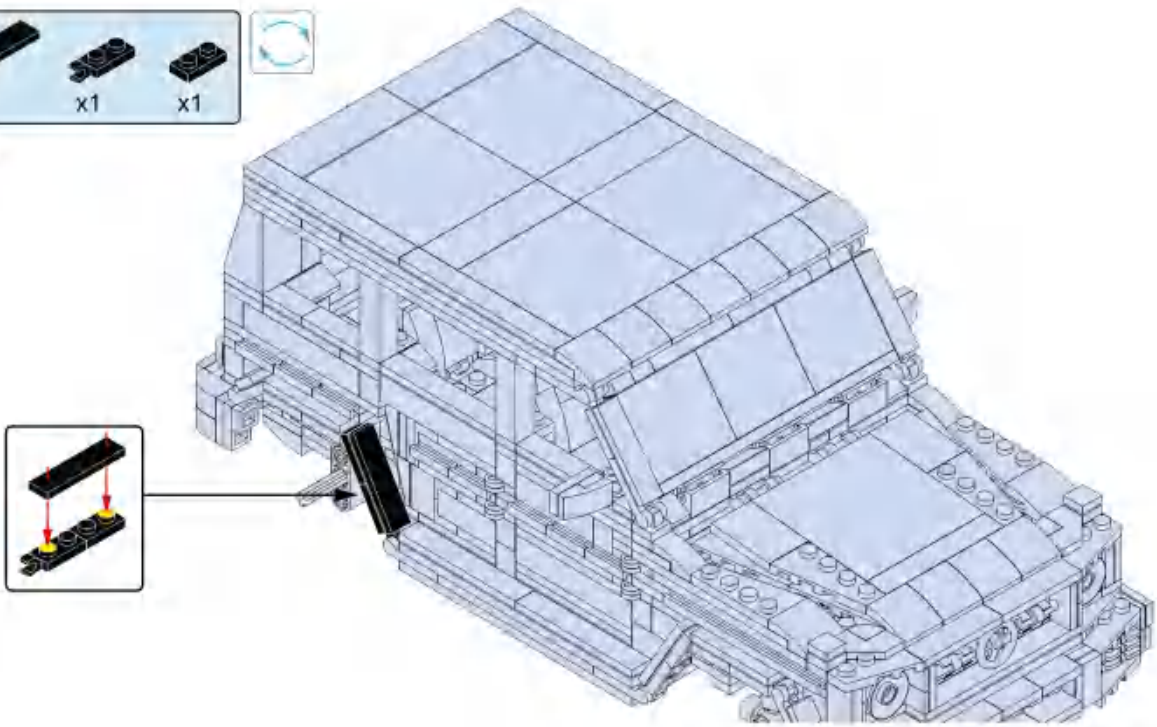


213

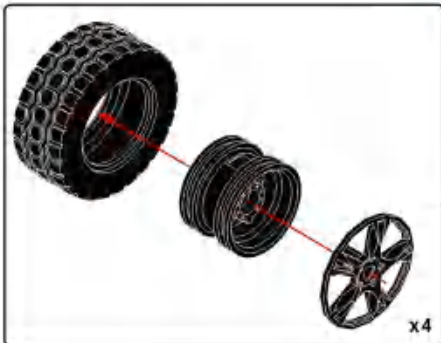
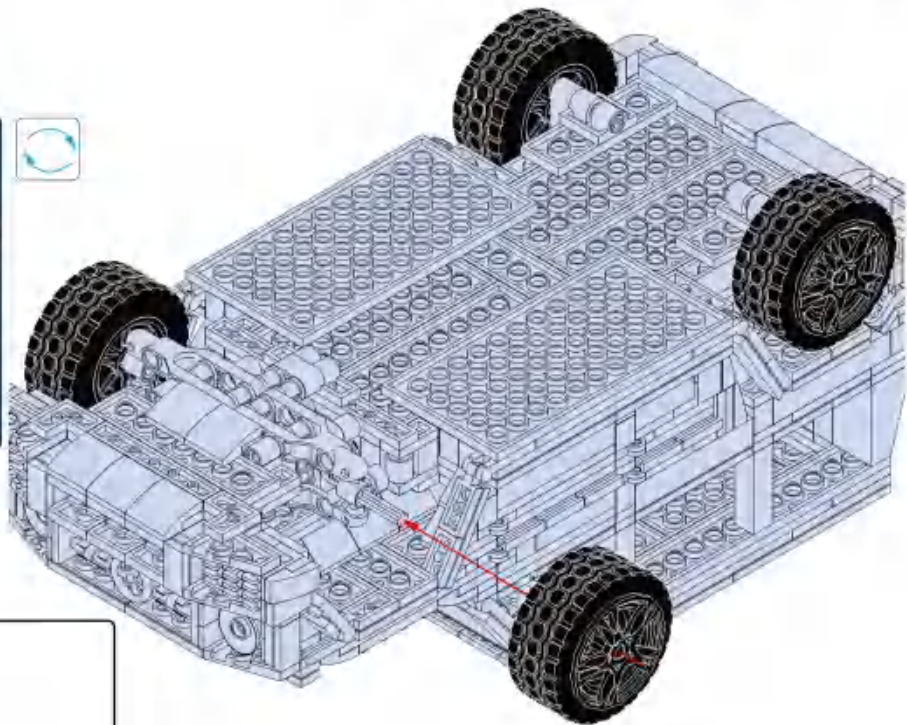




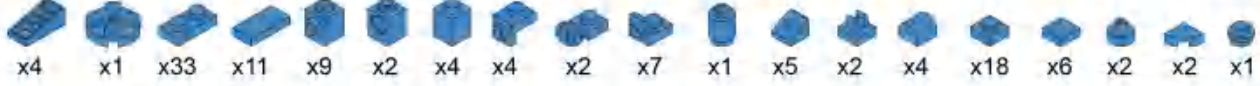
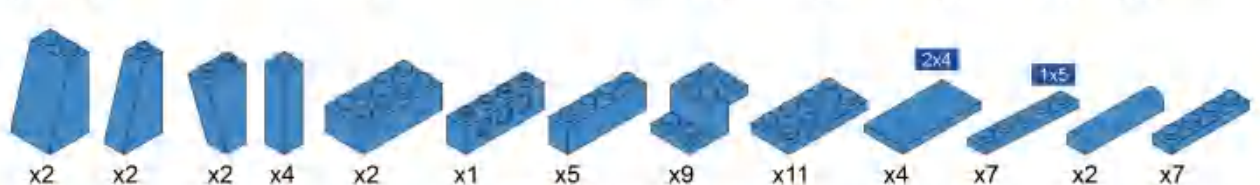
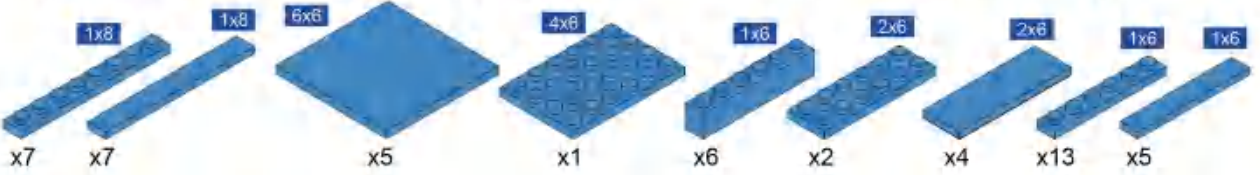
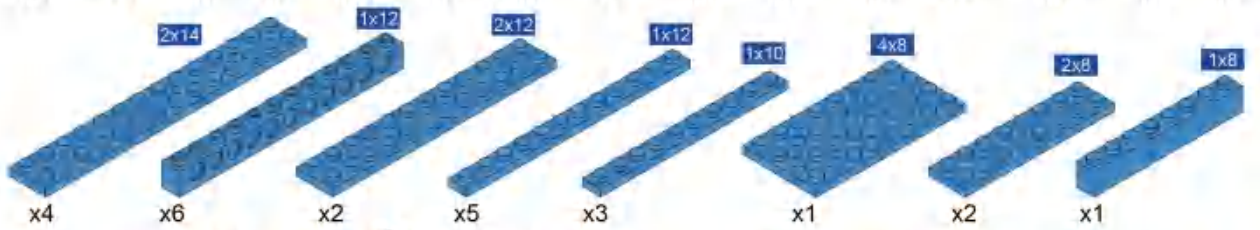
214



215









NO.11032

TECHNOLOGIE