



Reobrix

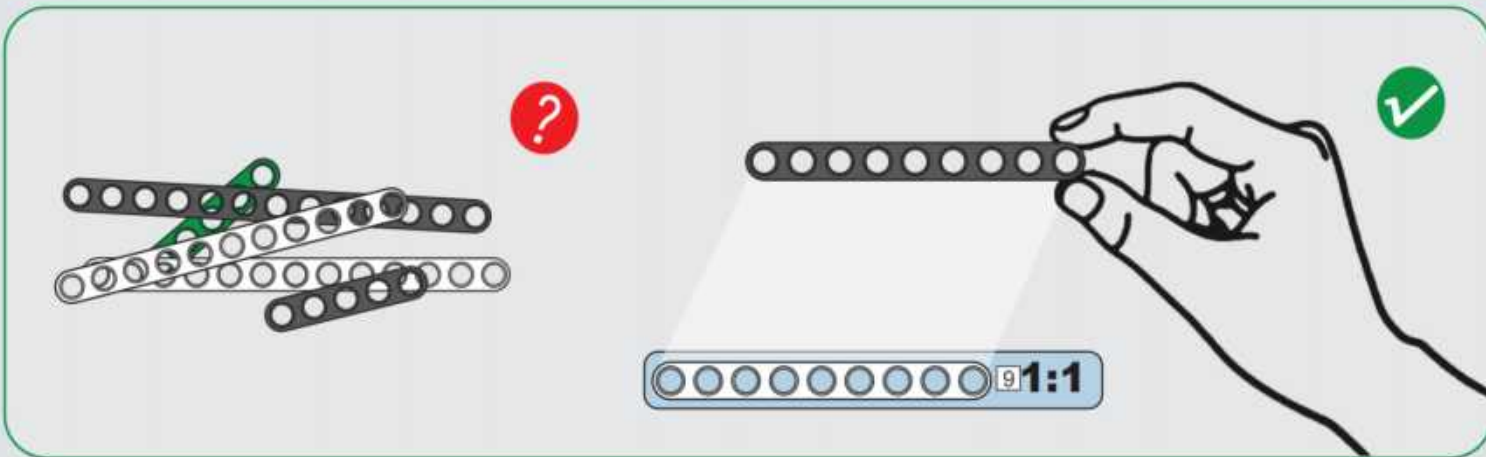
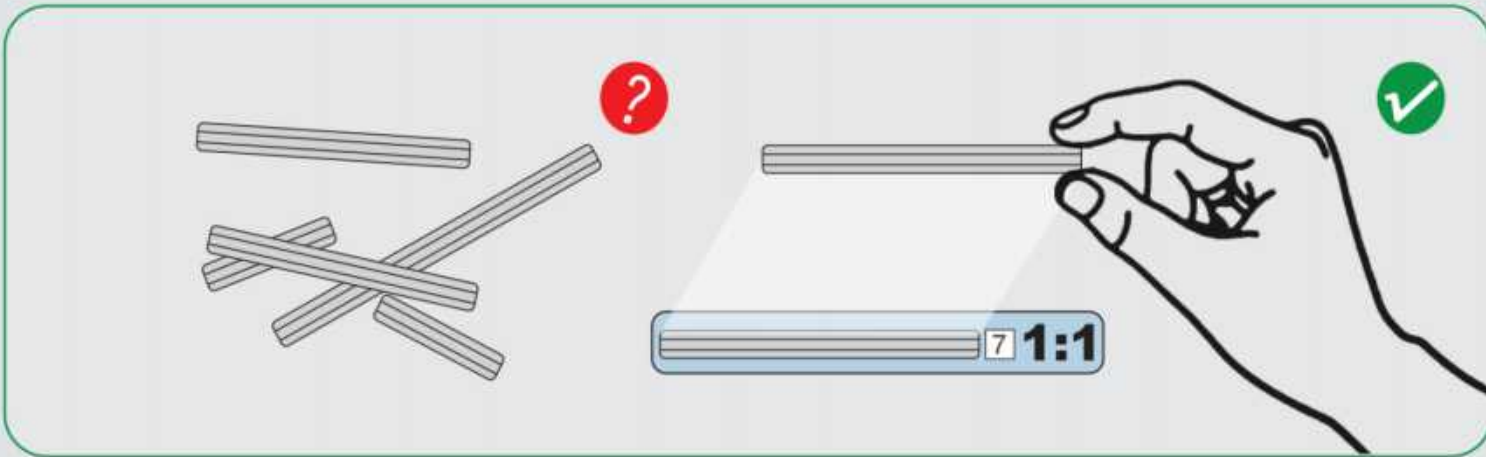
NO.77026

SUPER MAGNUM

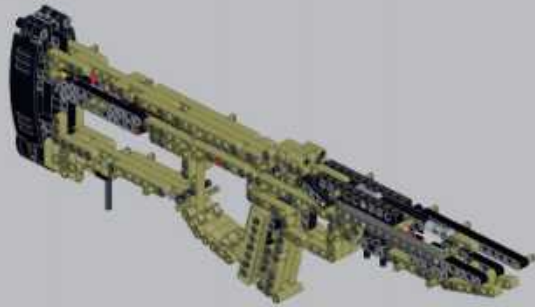
[SUPER MAGNUM-AWM]

THE AWM IS ALSO KNOWN AS THE "SUPER MAGNUM" OR SIMPLY THE SM RIFLE, WHERE THE "M" IS SHORT FOR MAGNUM. THE AWM'S STAINLESS STEEL BARREL HAS LONGITUDINAL GROOVES CARVED INTO THE OUTER SURFACE, WHICH ALSO INCREASES THE OUTER SURFACE FOR HEAT DISSIPATION AND PREVENTS IMPACT BIAS WHEN THERE ARE TOO MANY PROJECTILES.





1



A

2

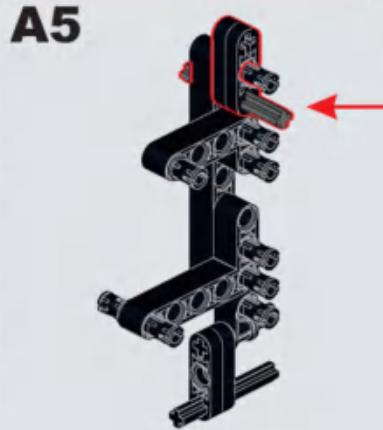
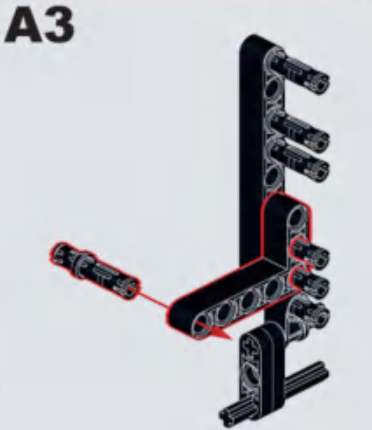
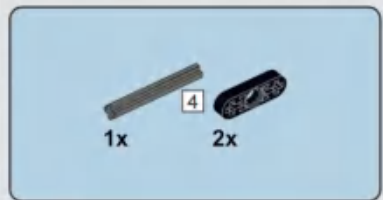
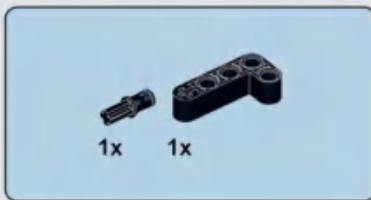
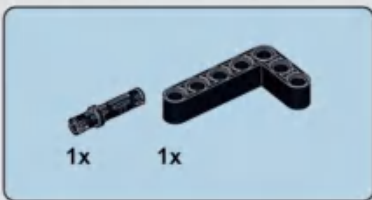
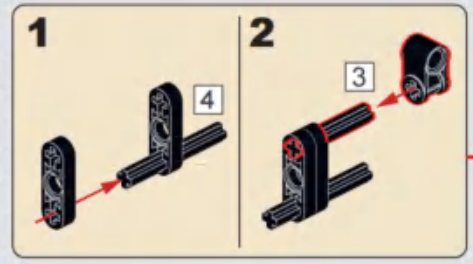
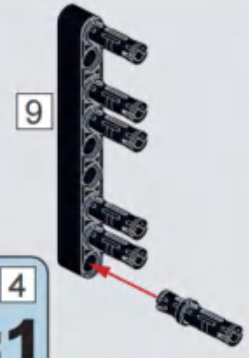
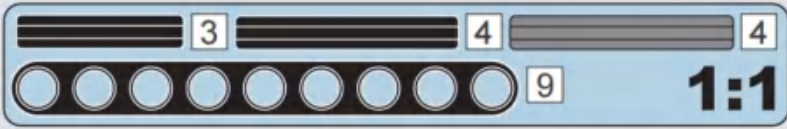
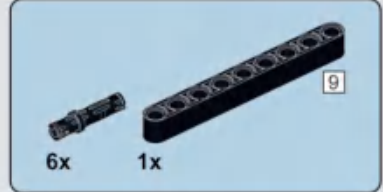


B

3



C

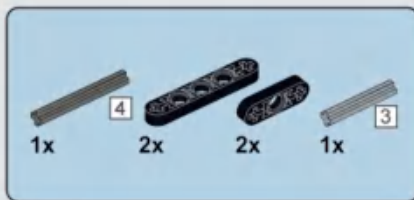
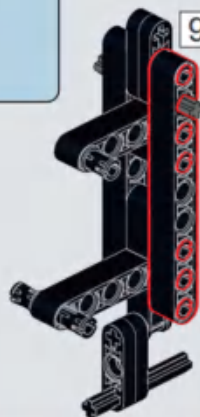




A6

1x

9



A7

1x

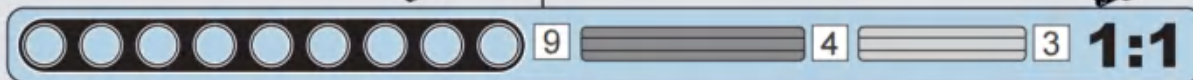
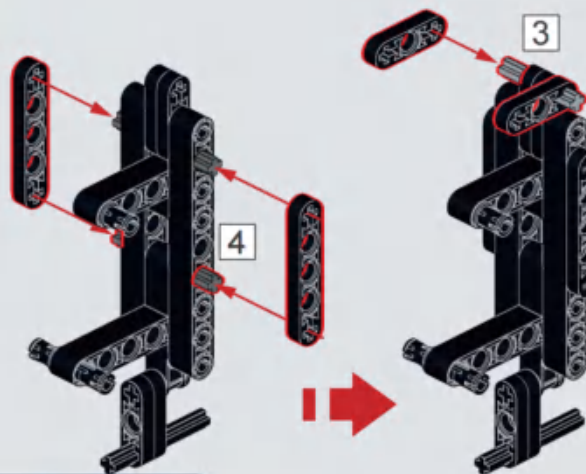
4

2x

2x

1x

3



A8

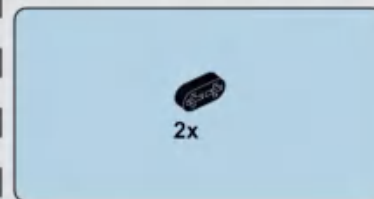
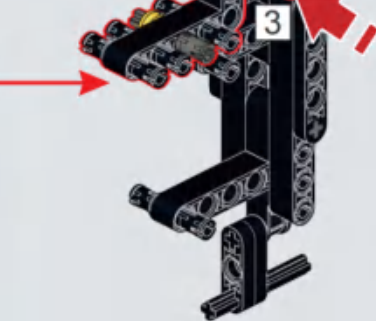
1x

1x

3x

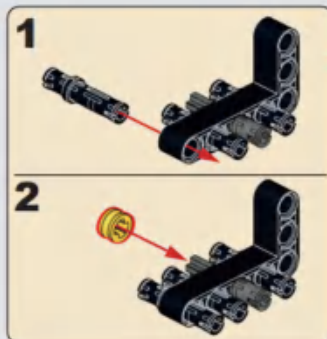
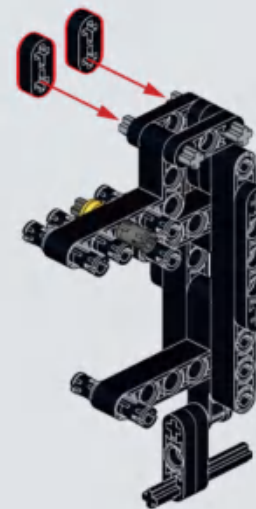
1x

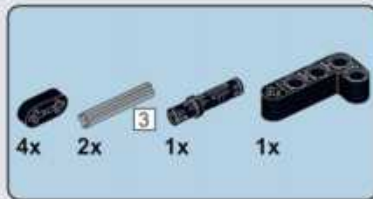
1x



A9

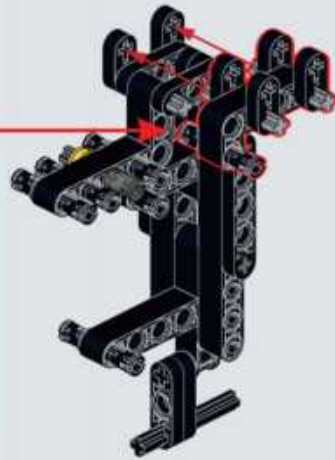
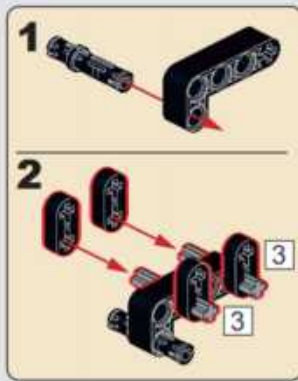
2x



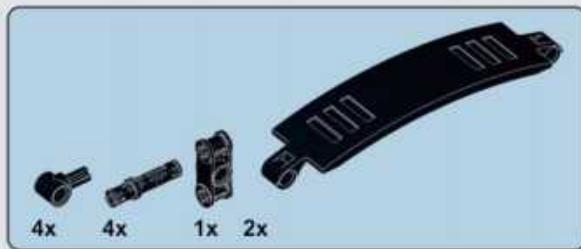
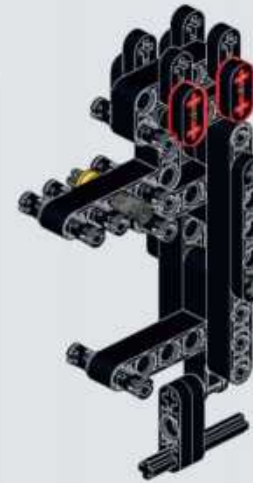


3 1:1

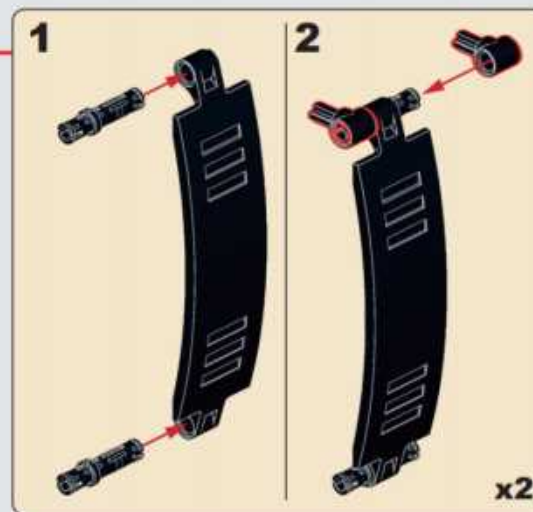
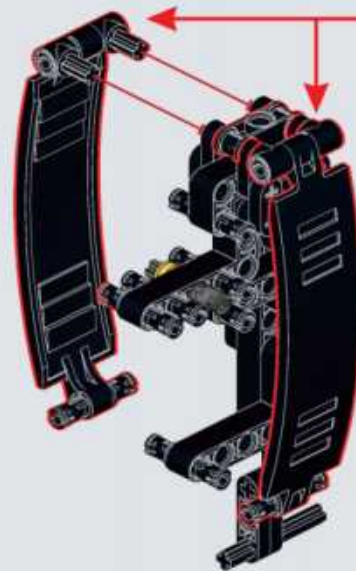
A10

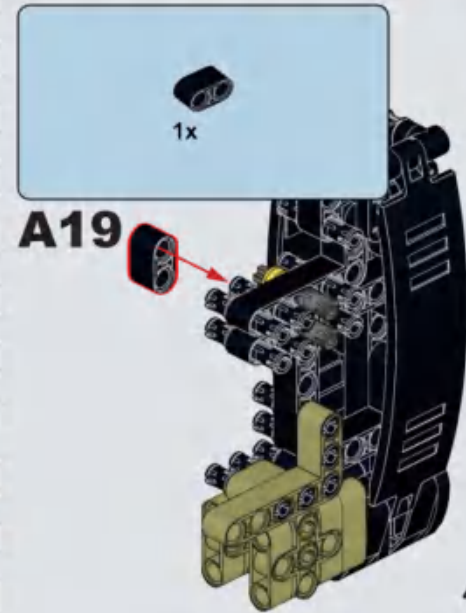
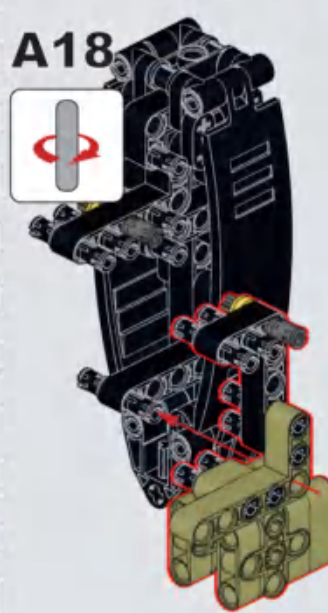
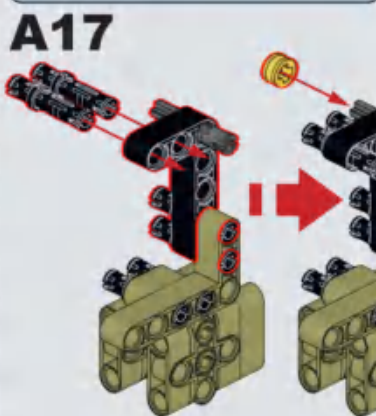
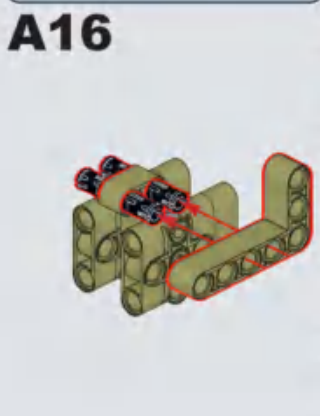
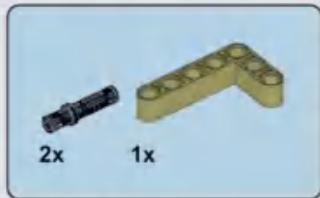
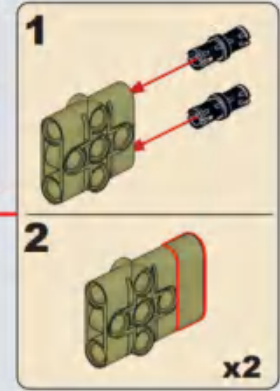
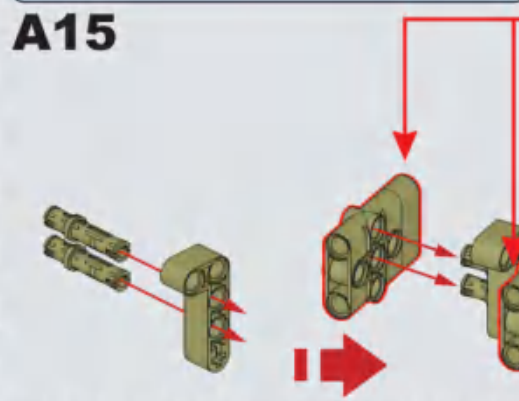
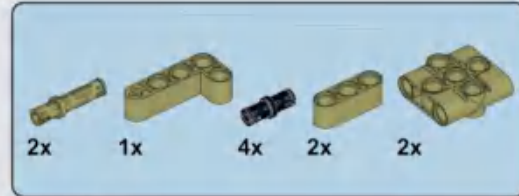
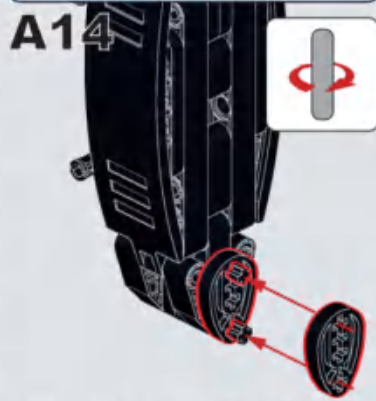
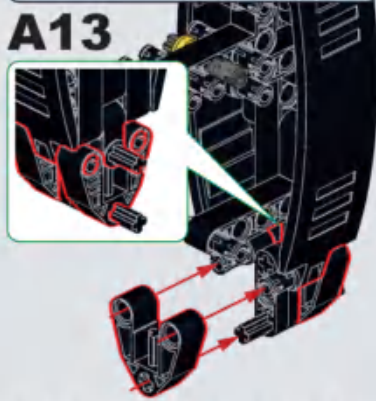
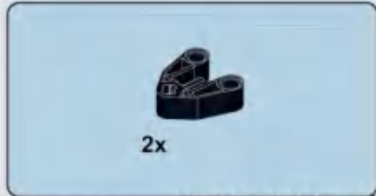


A11



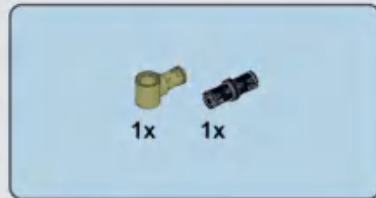
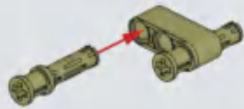
A12







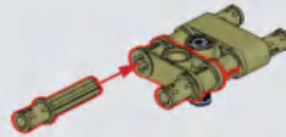
A20



A21



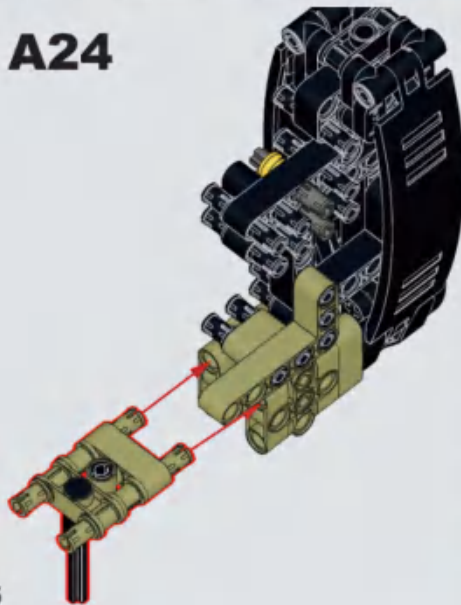
A22



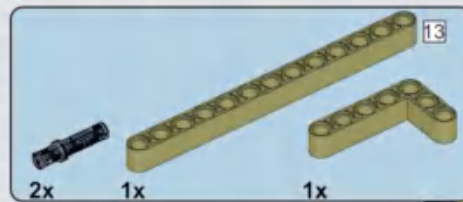
A23



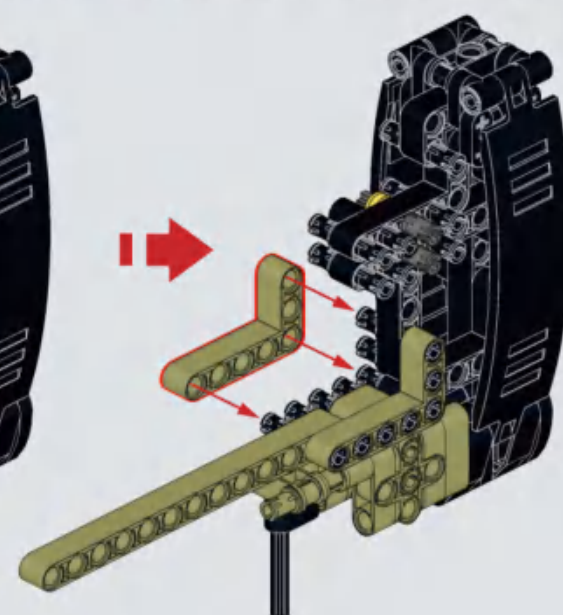
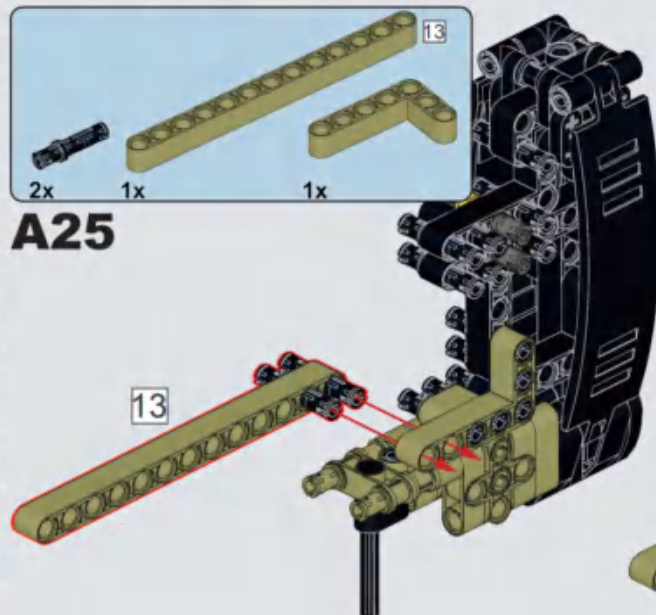
A24



5

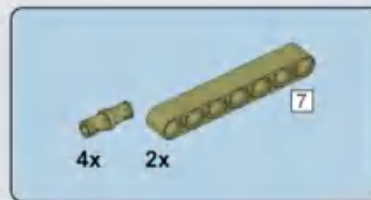
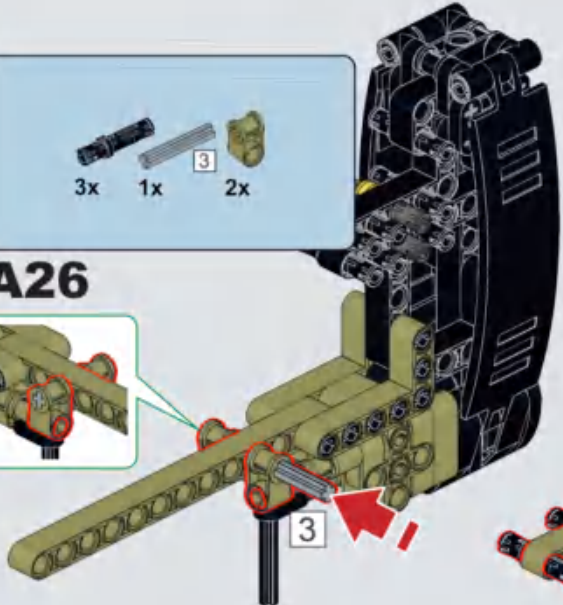


A25

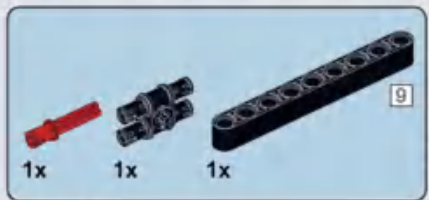
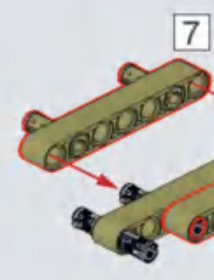




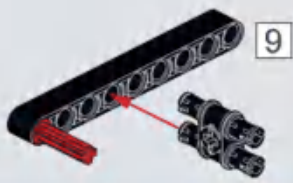
A26



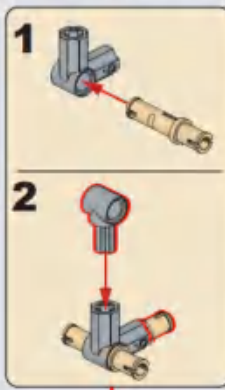
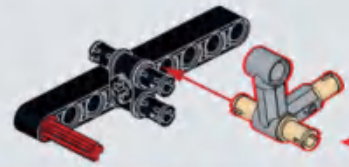
A27



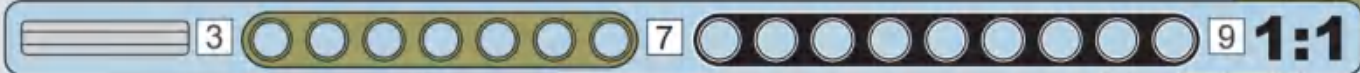
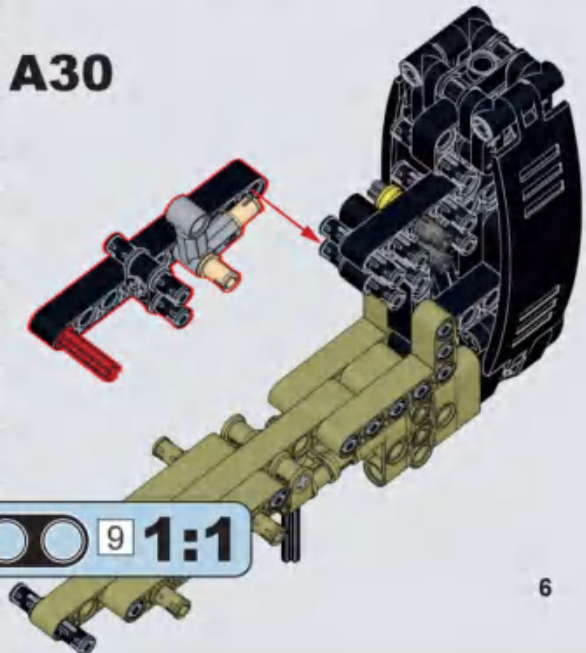
A28

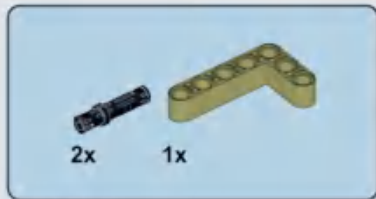


A29

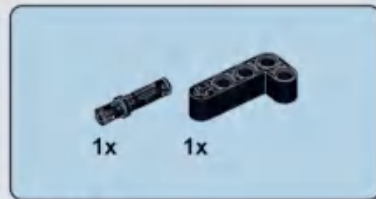
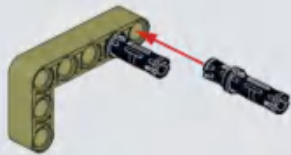


A30

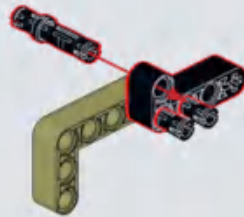




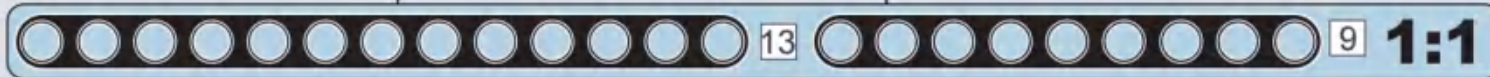
A31



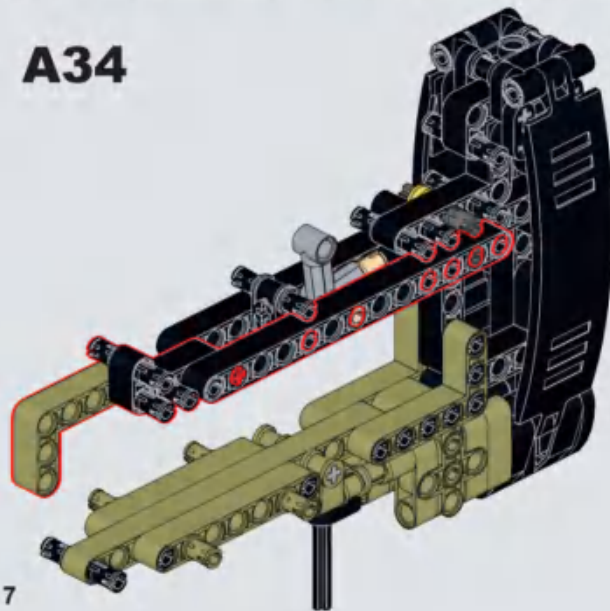
A32



A33



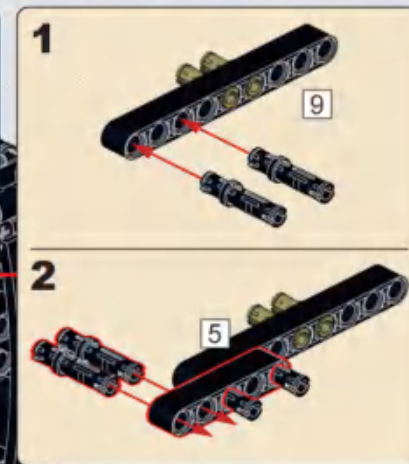
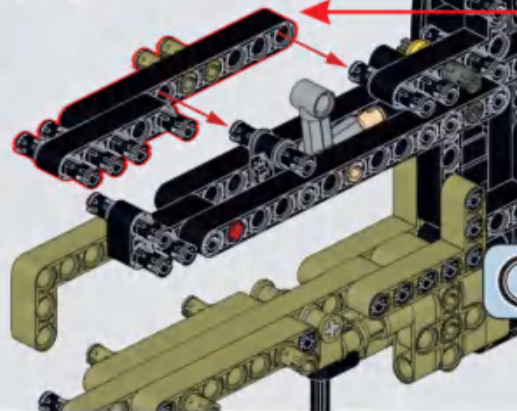
A34



7

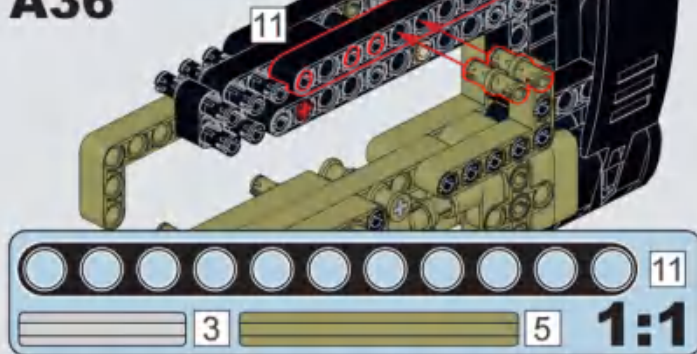


A35

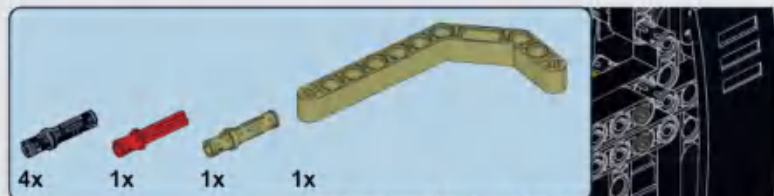
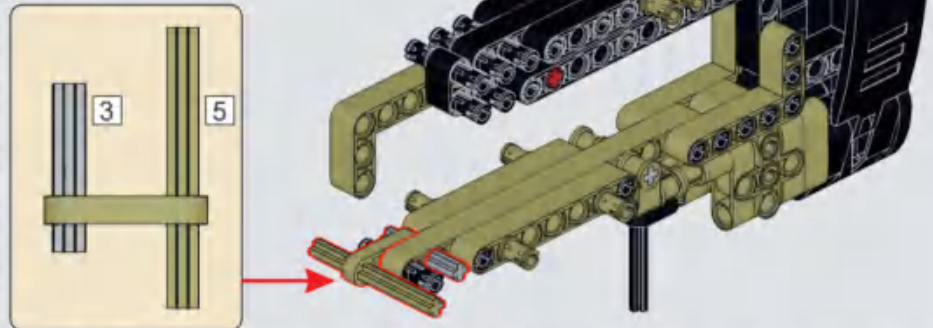




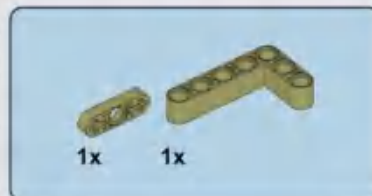
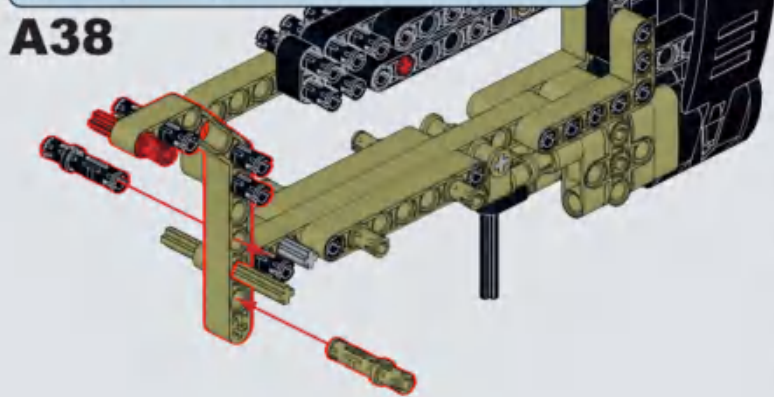
A36



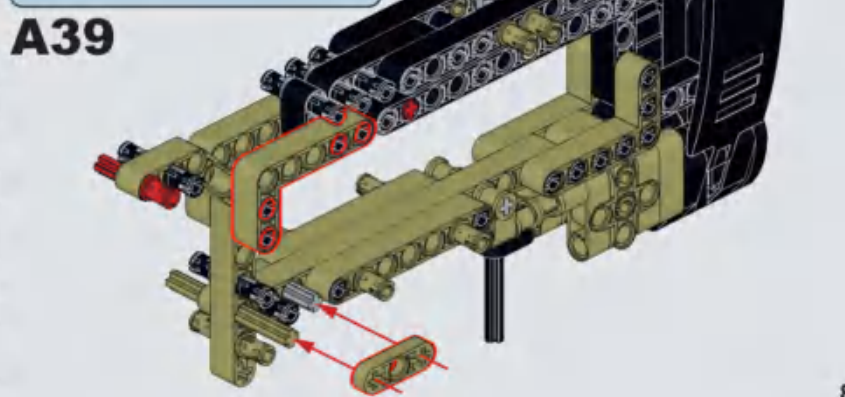
A37

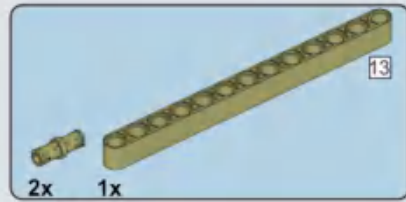


A38

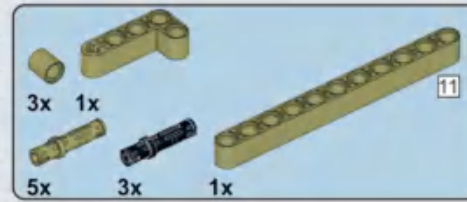
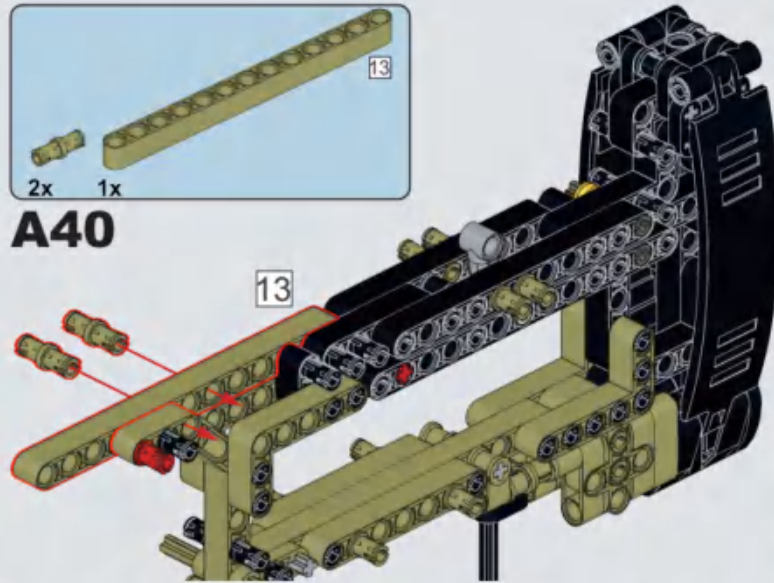


A39

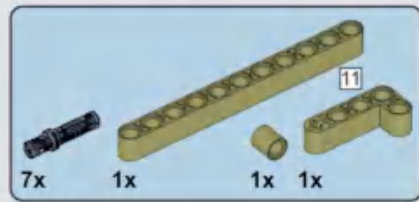
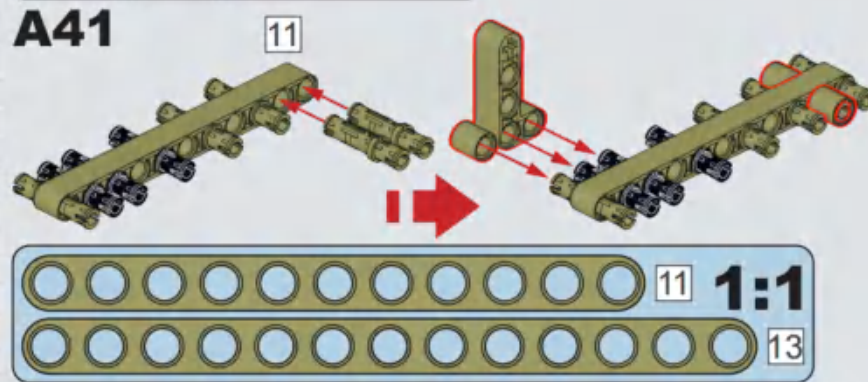




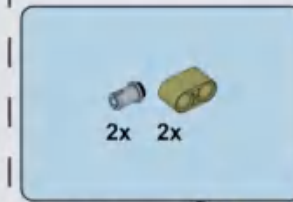
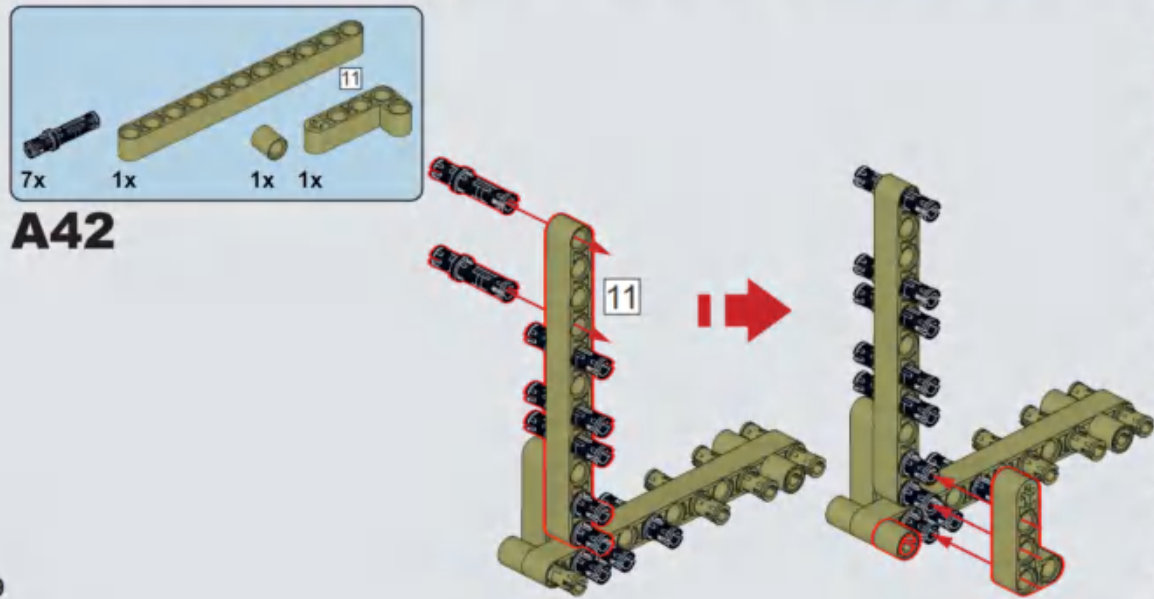
A40



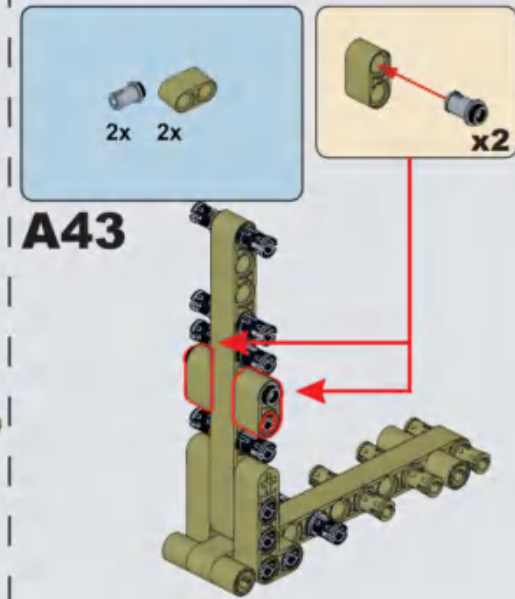
A41



A42

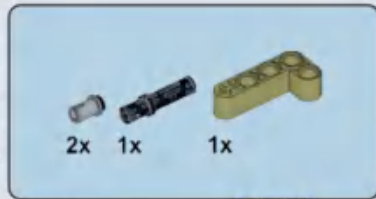
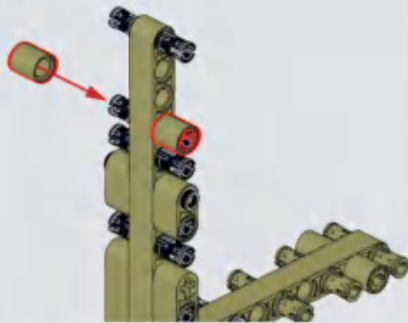


A43

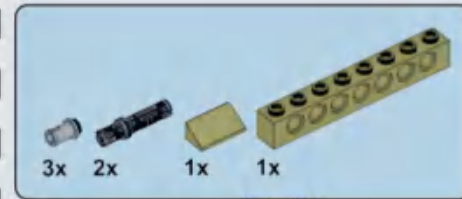
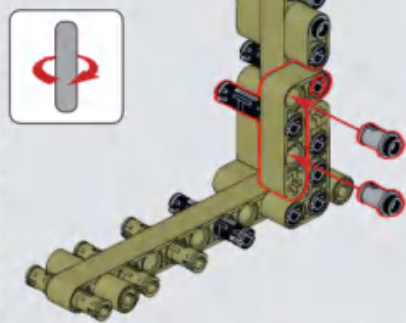




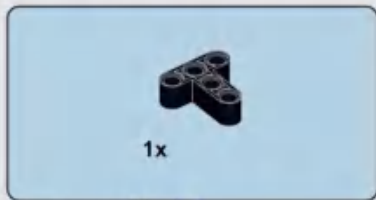
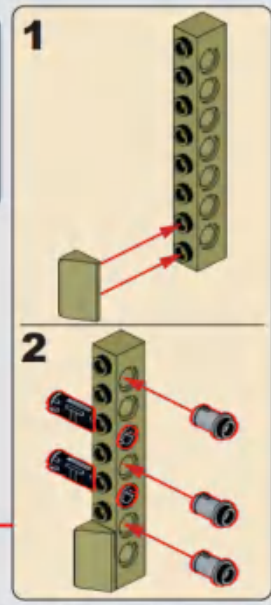
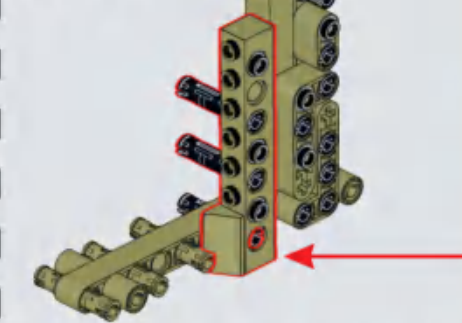
A44



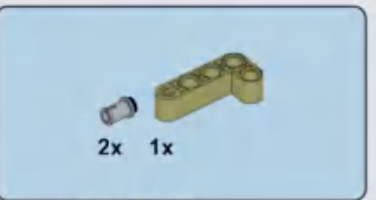
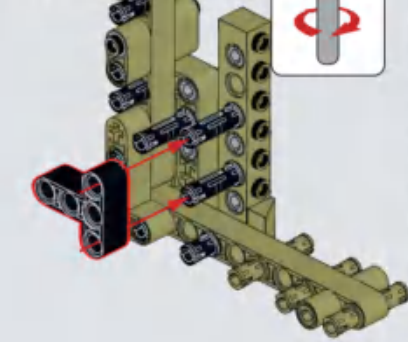
A45



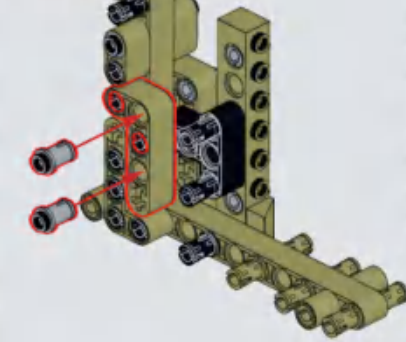
A46



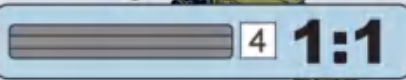
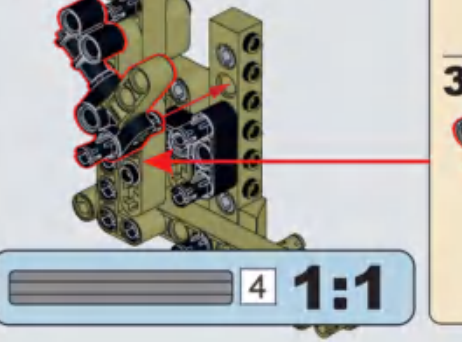
A47



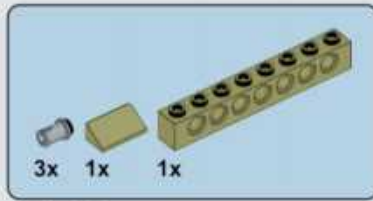
A48



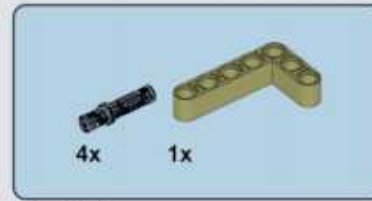
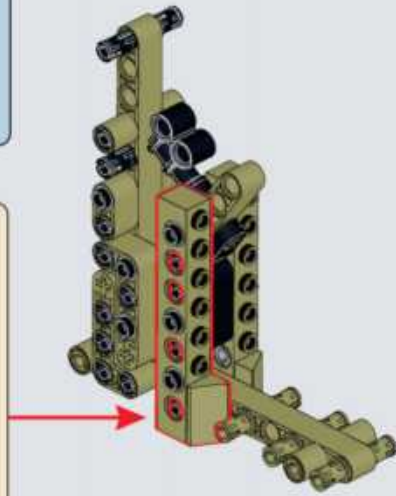
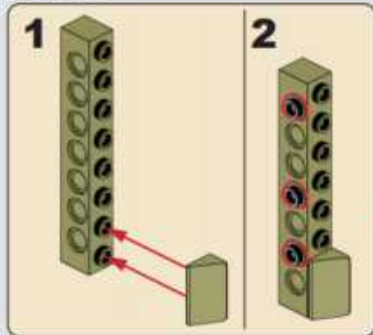
A49



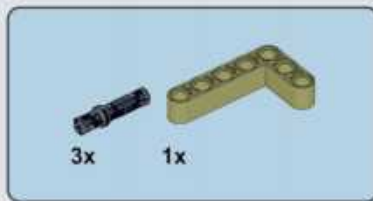
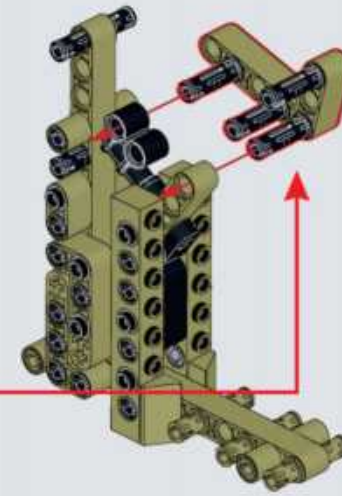
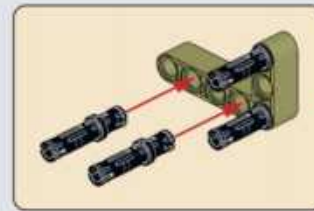
4 1:1



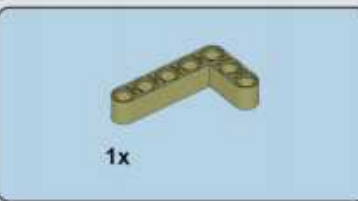
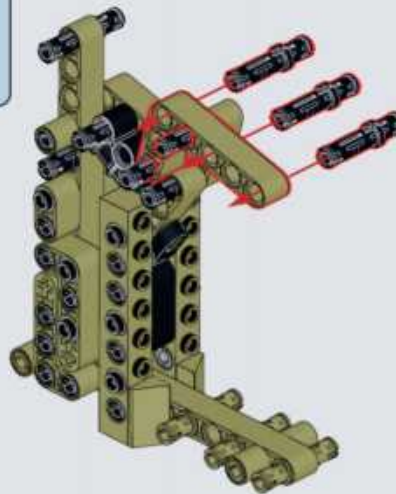
A50



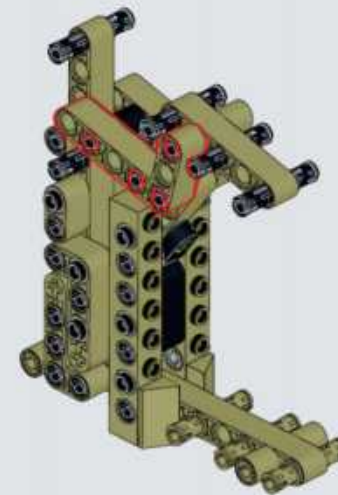
A51

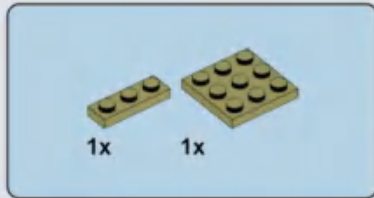


A52

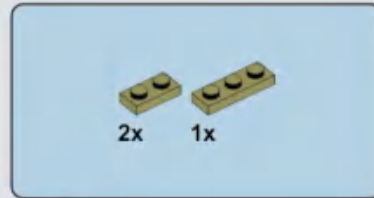
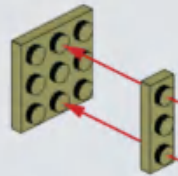


A53

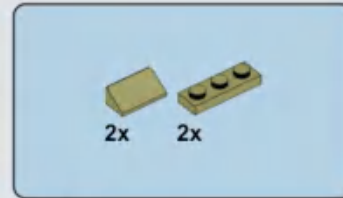
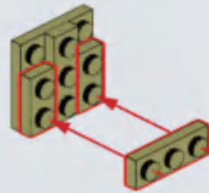




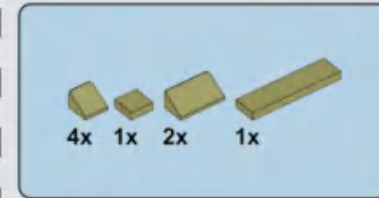
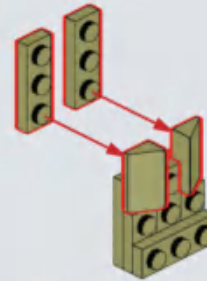
A54



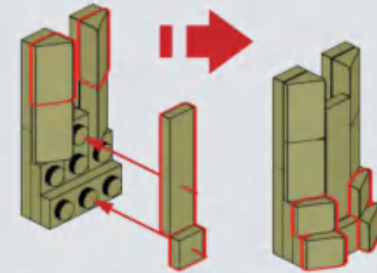
A55



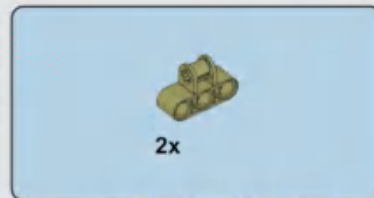
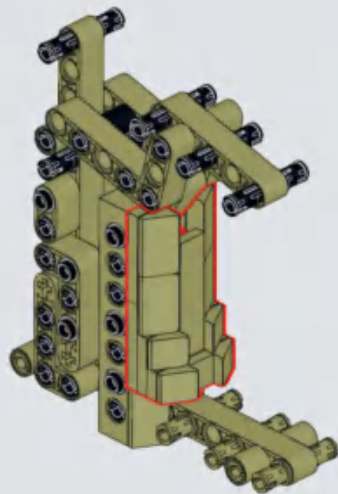
A56



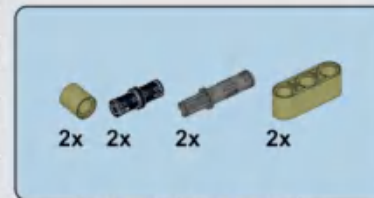
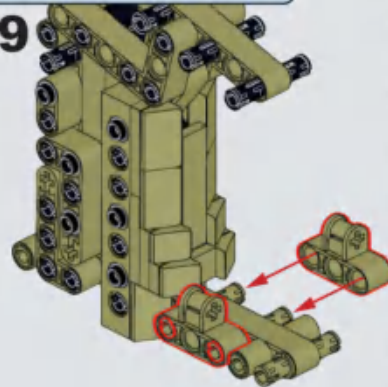
A57



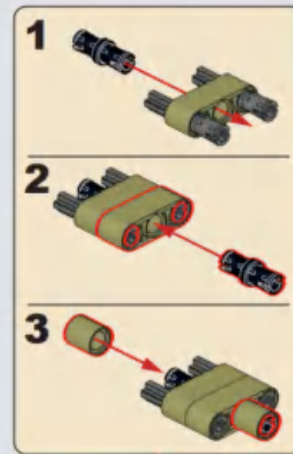
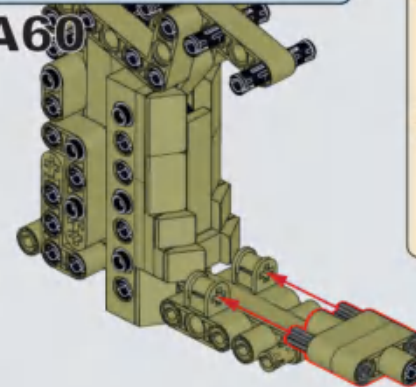
A58



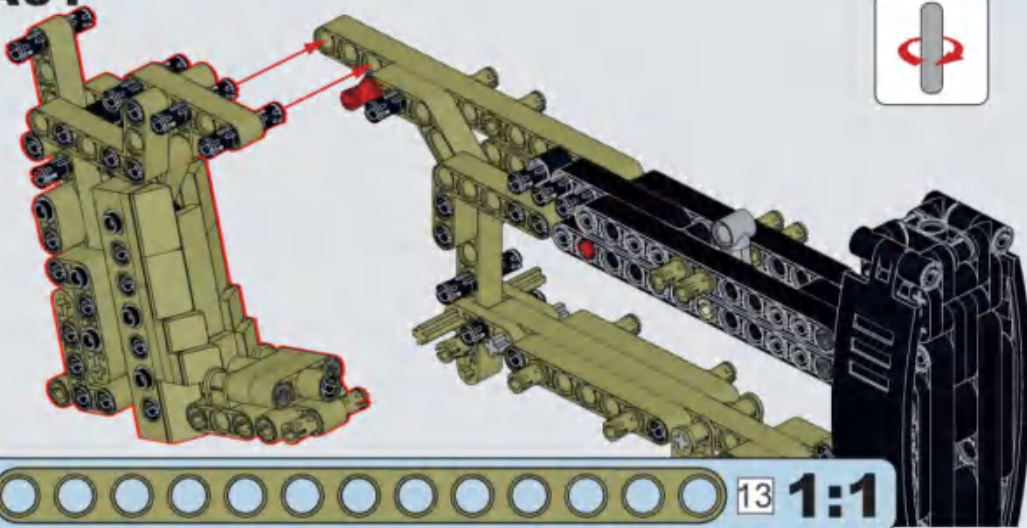
A59



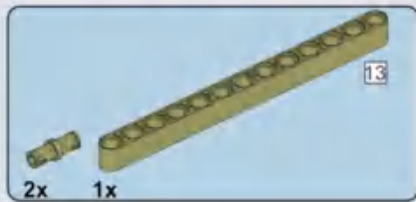
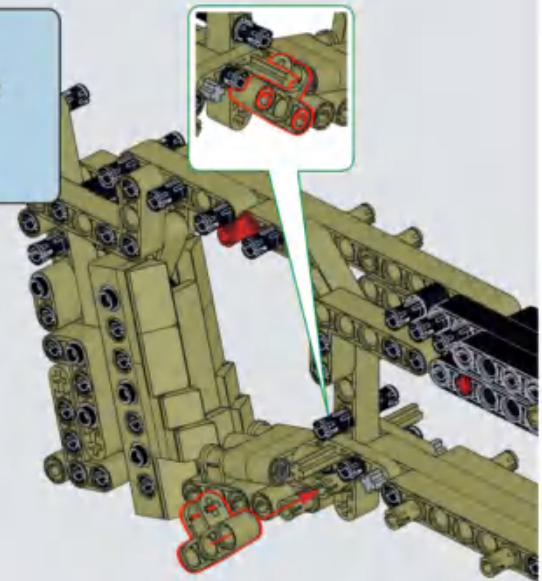
A60



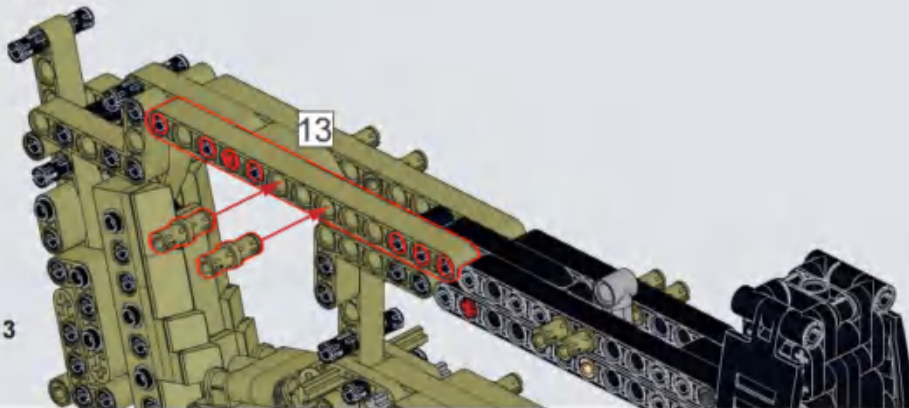
A61



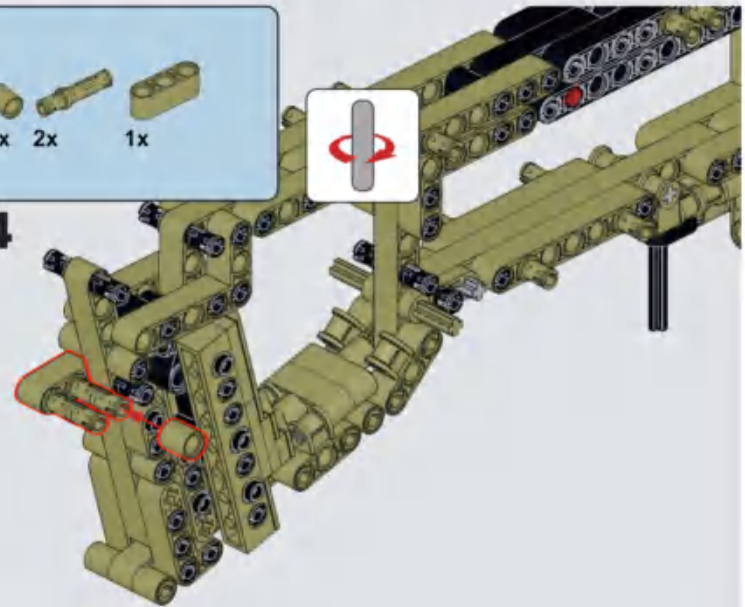
A62

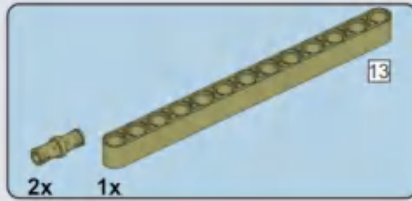


A63

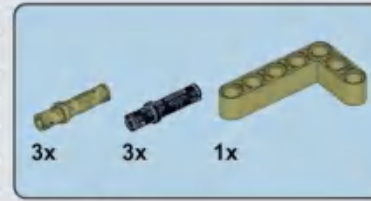
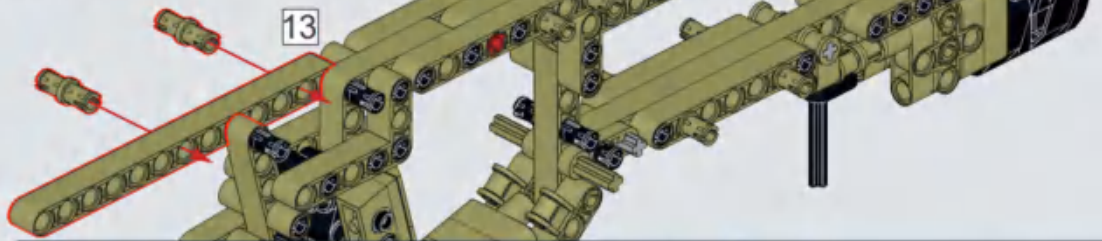


A64

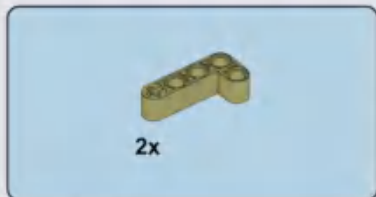
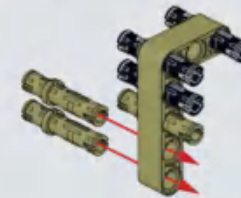




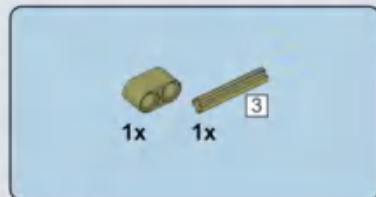
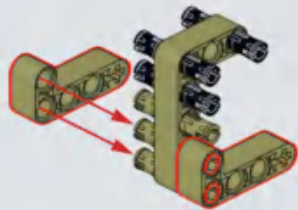
A65



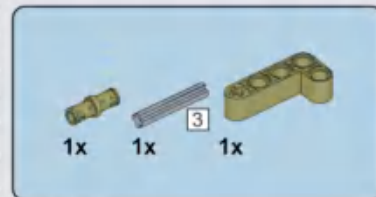
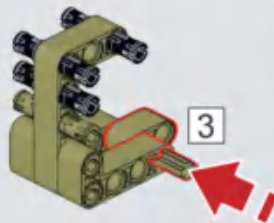
A66



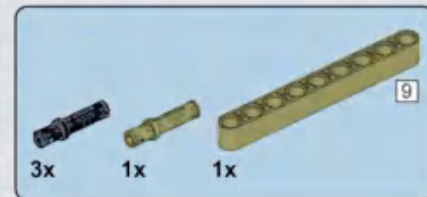
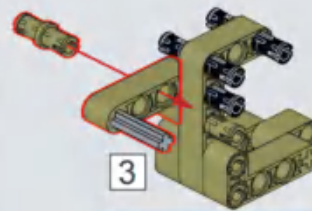
A67



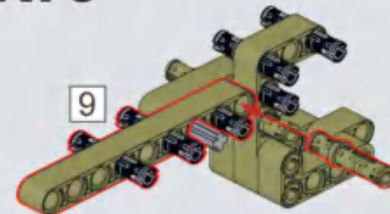
A68



A69

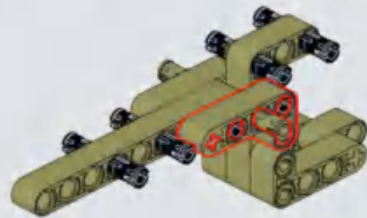


A70

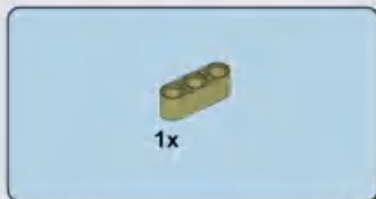
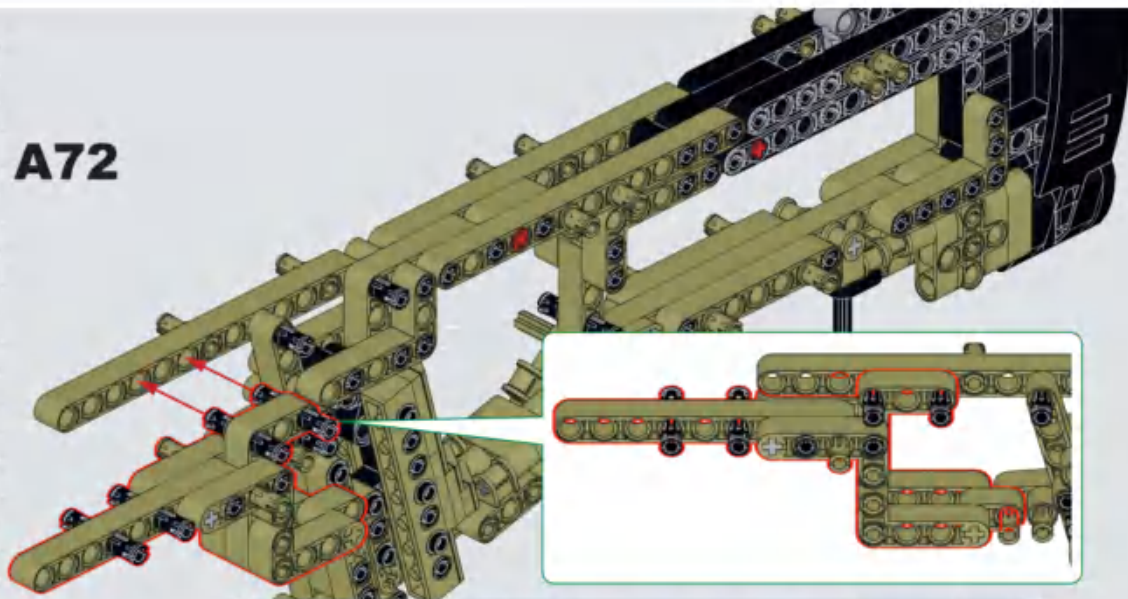




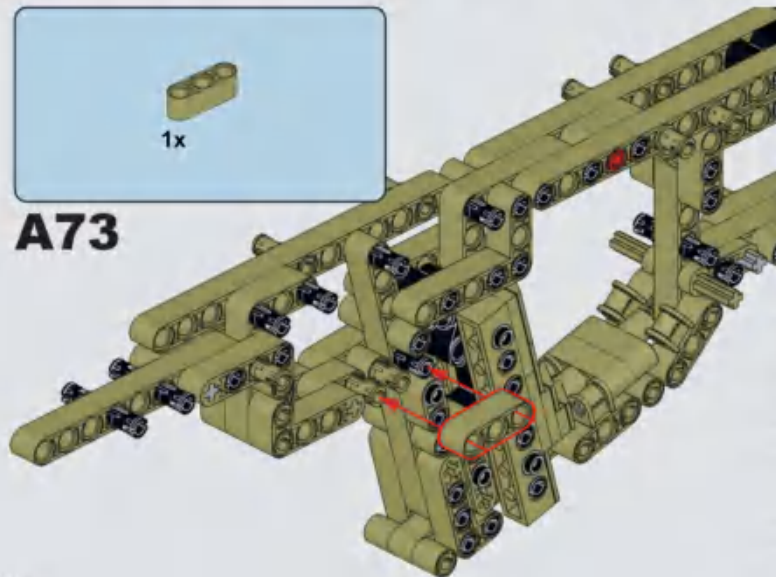
A71



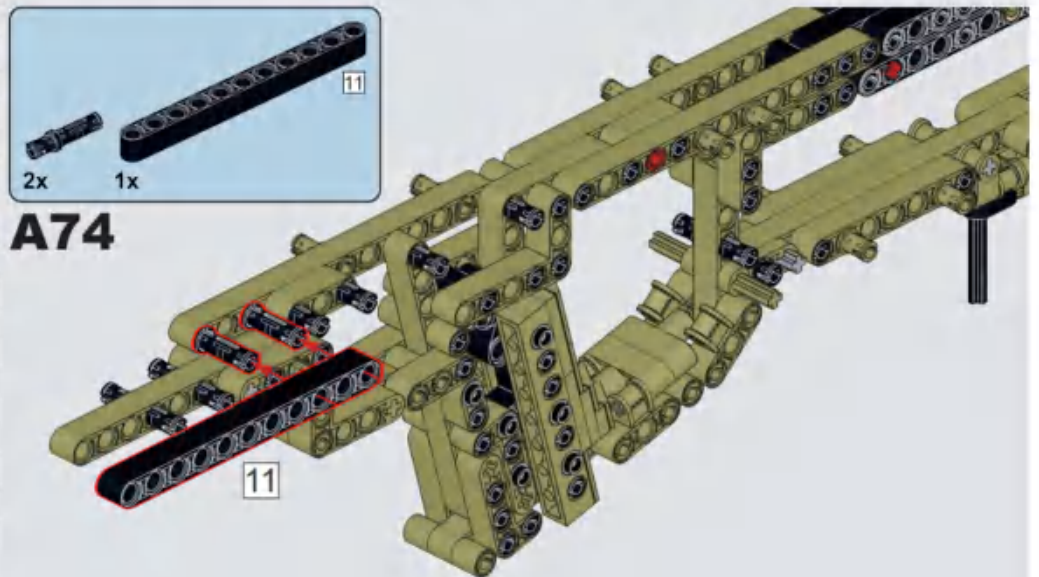
A72

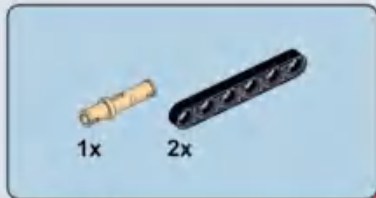


A73

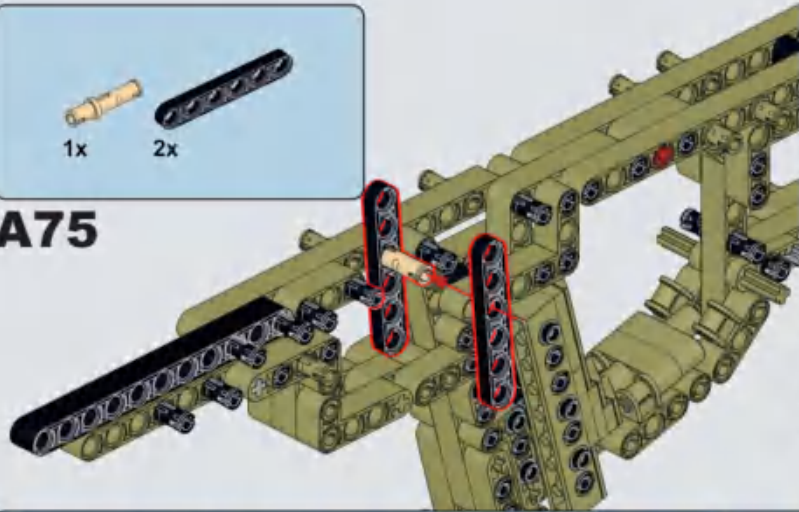


A74

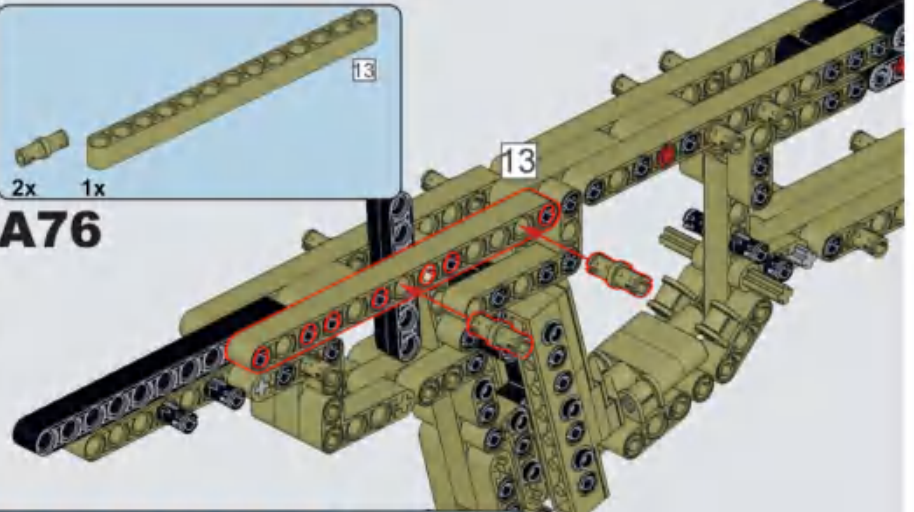




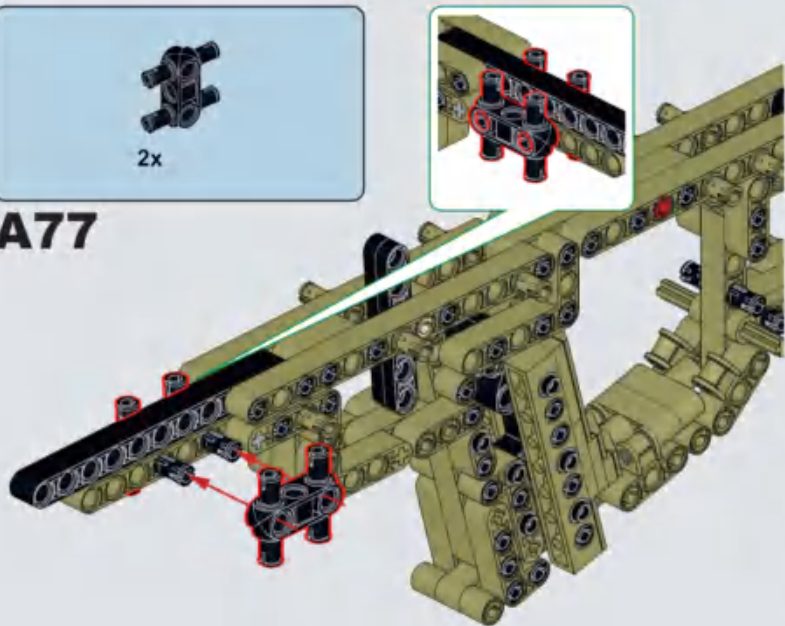
A75



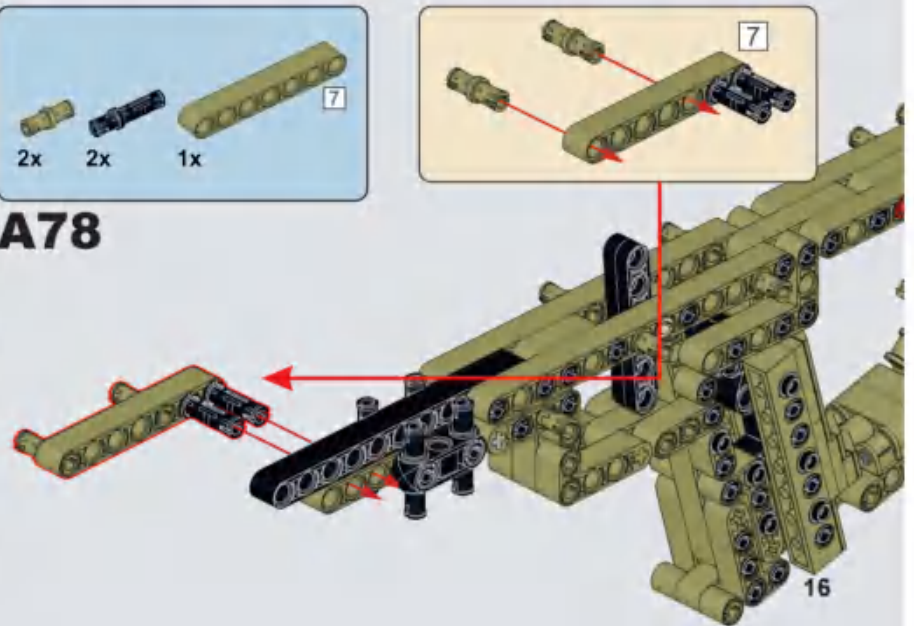
A76

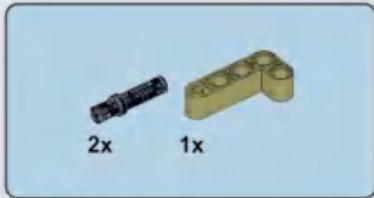


A77

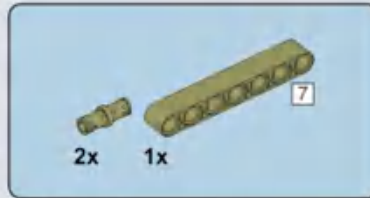
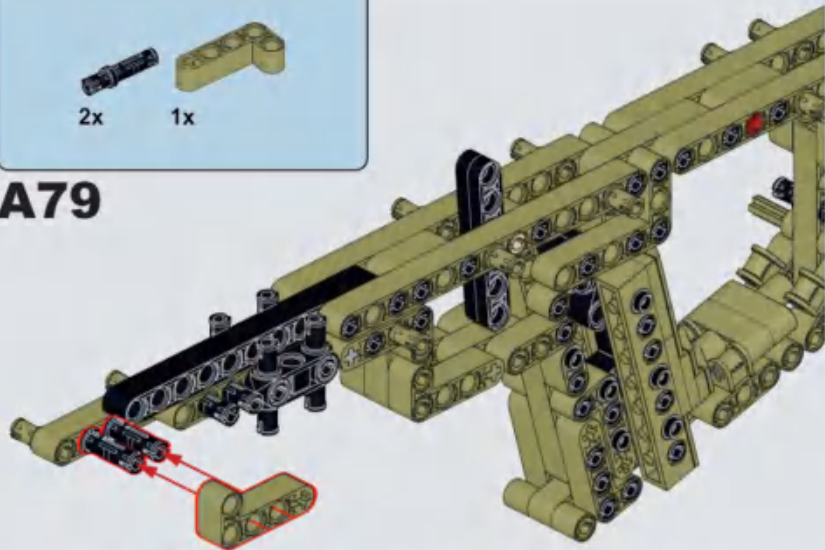


A78

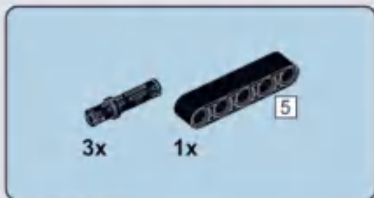
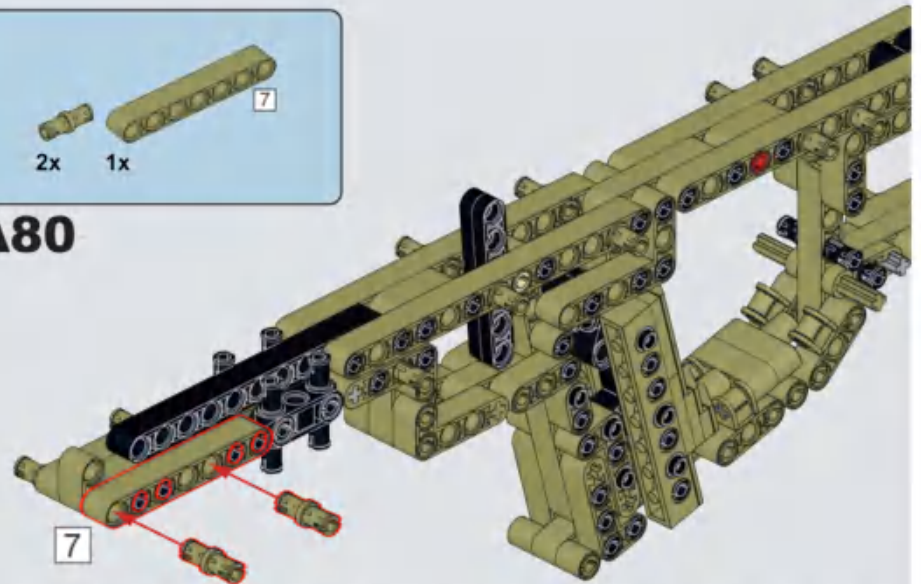




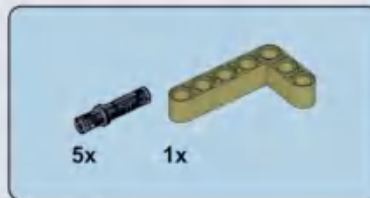
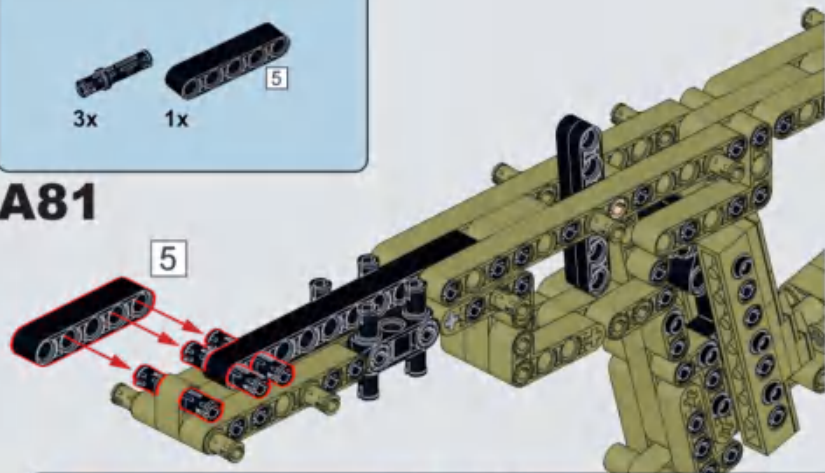
A79



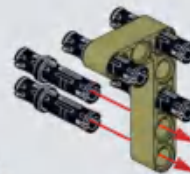
A80



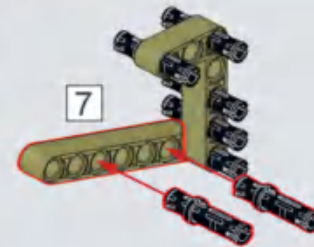
A81



A82

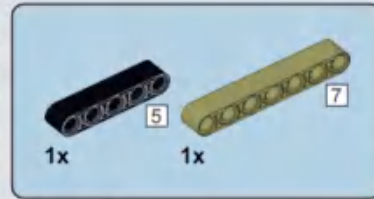


A83

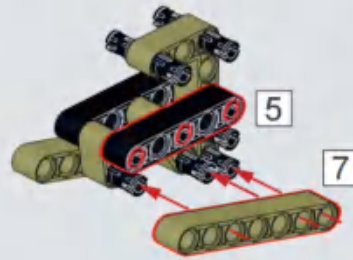




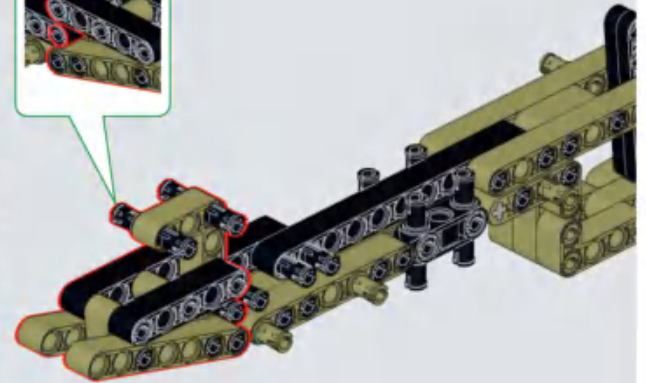
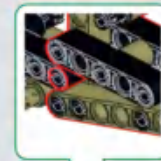
A84



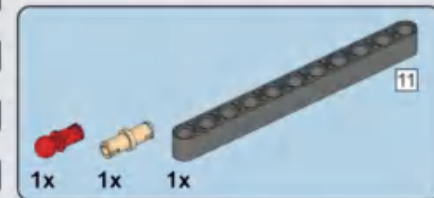
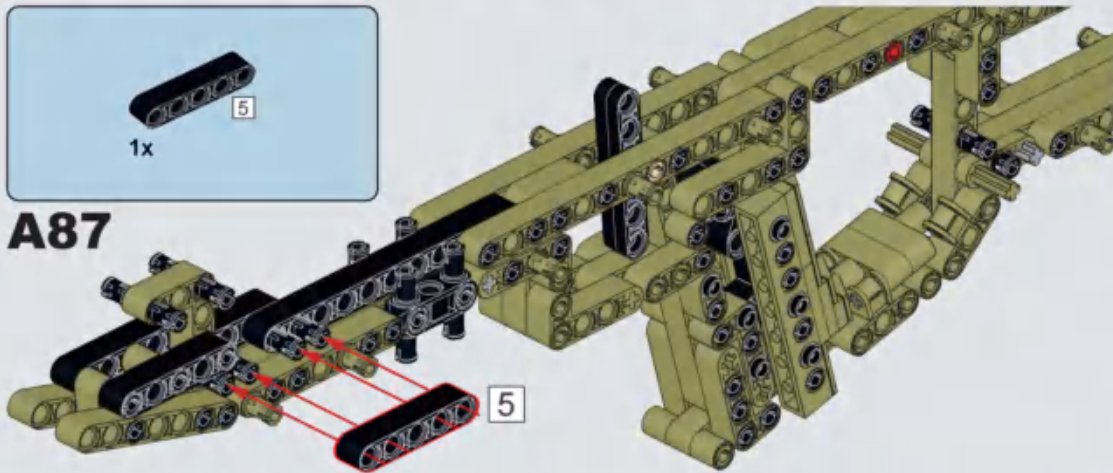
A85



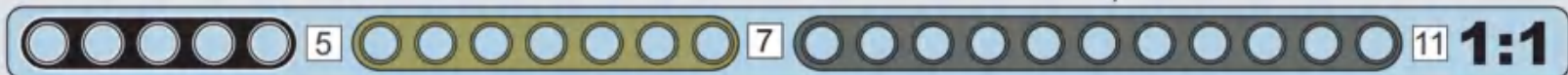
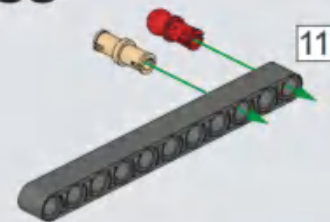
A86



A87

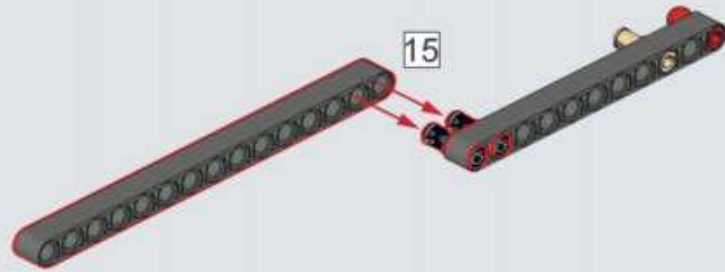


A88

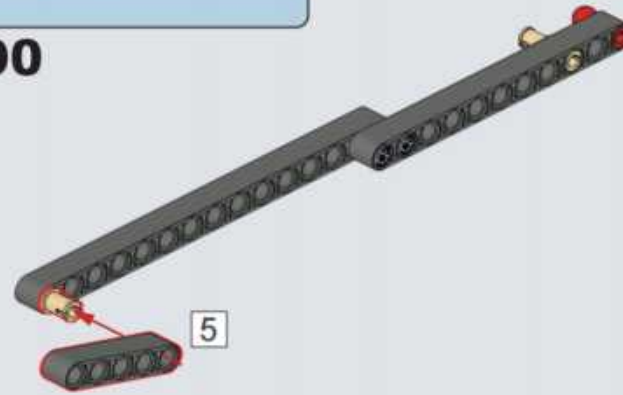




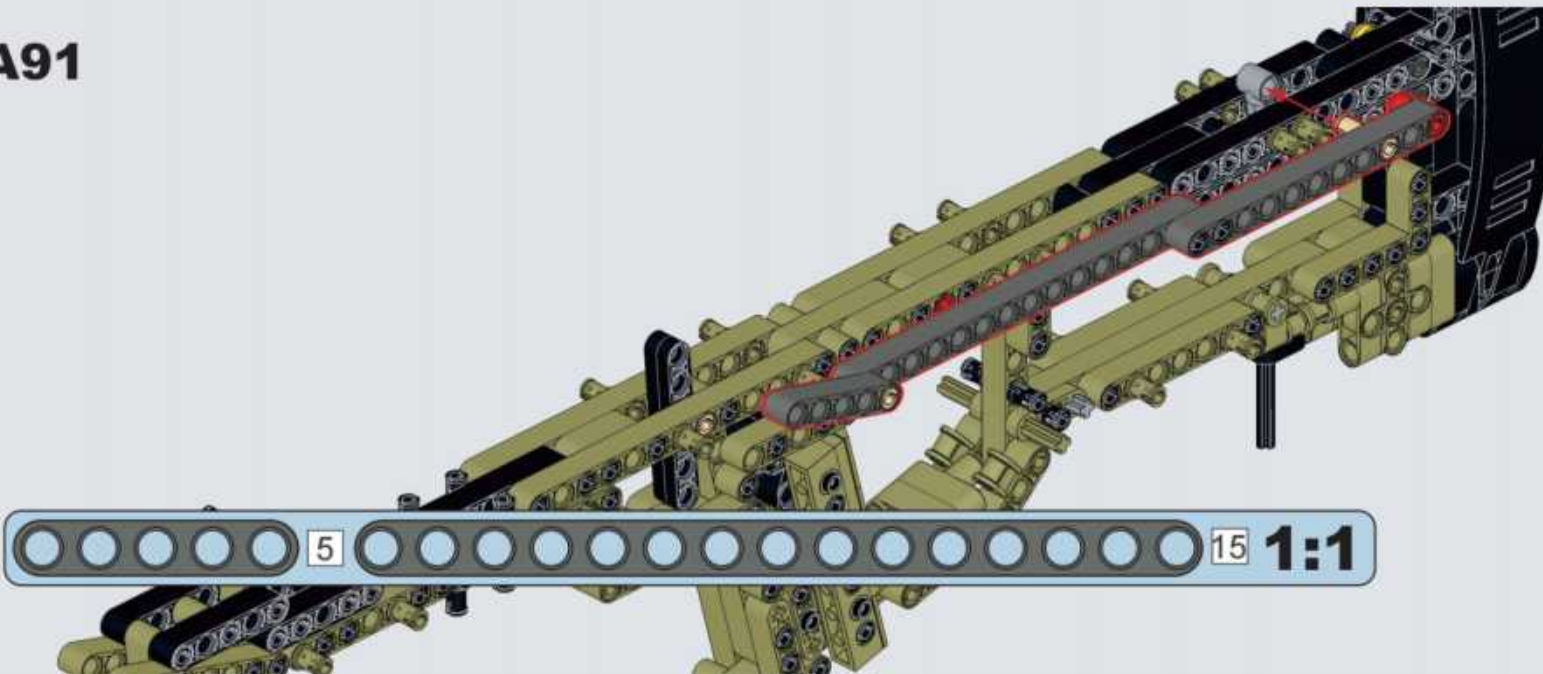
A89



A90

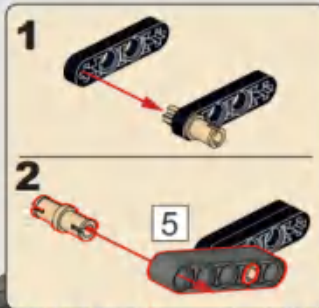


A91

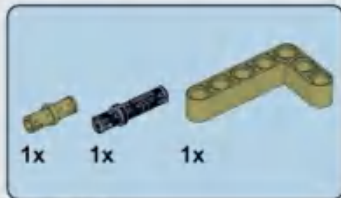
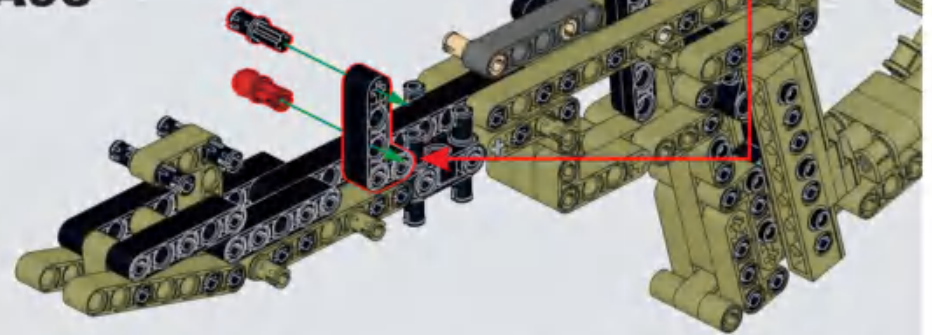
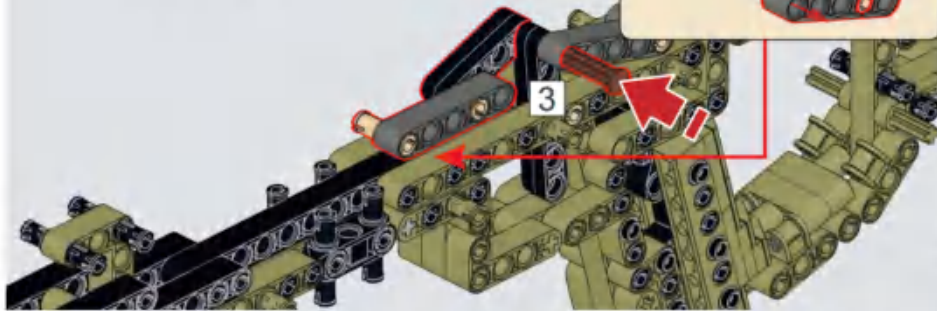
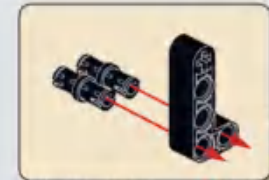




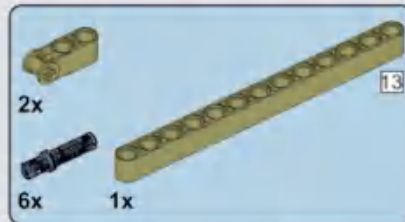
A92



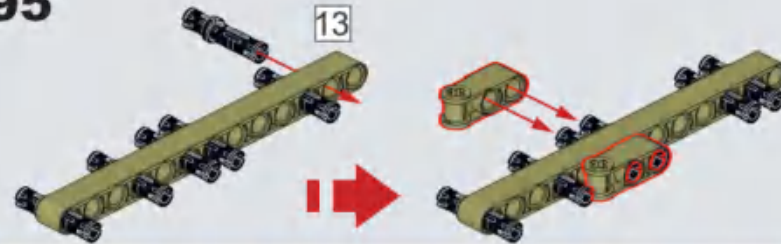
A93



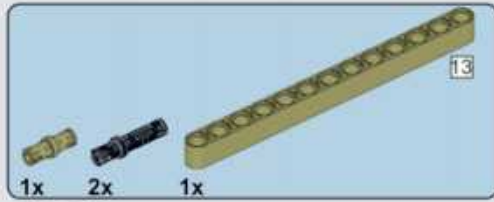
A94



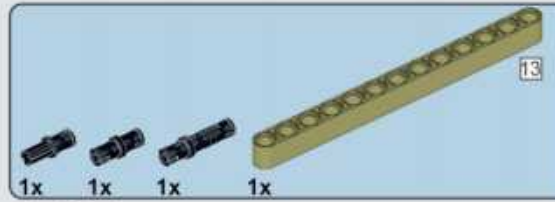
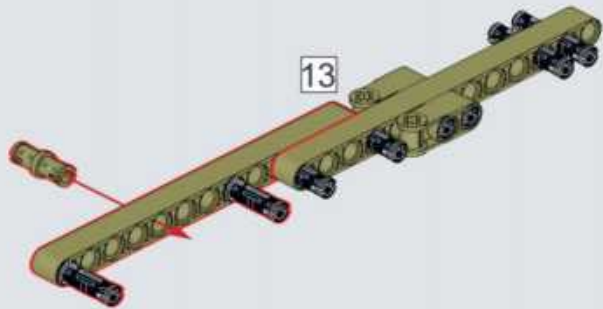
A95



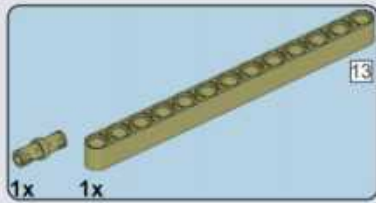
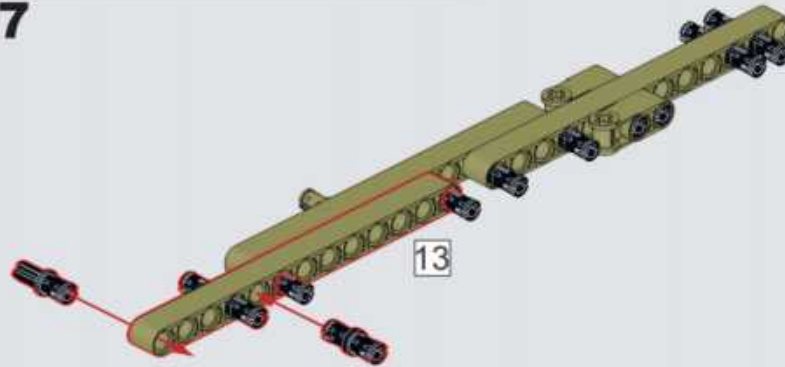
1:1



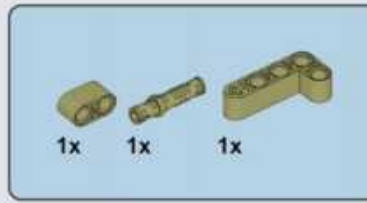
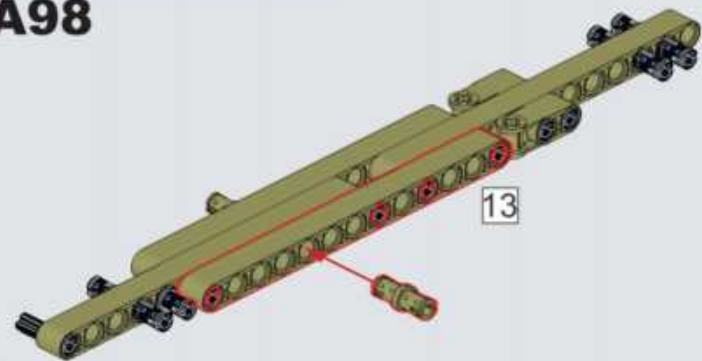
A96



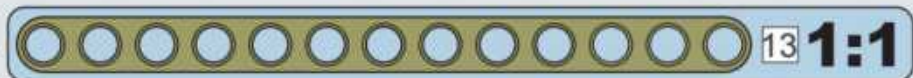
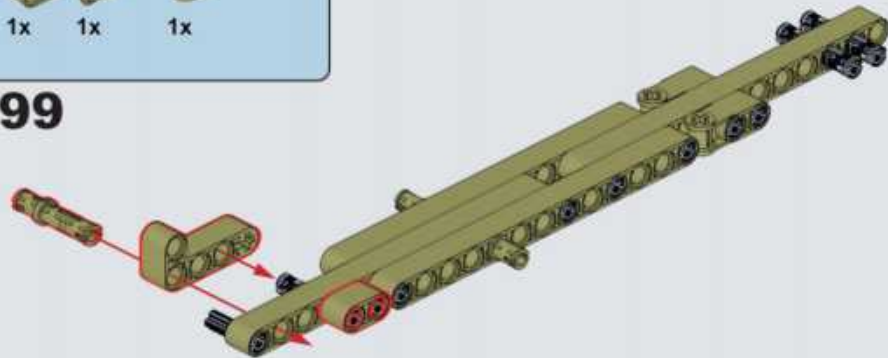
A97

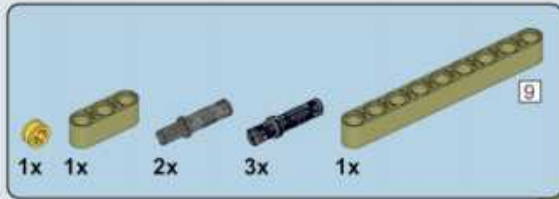


A98

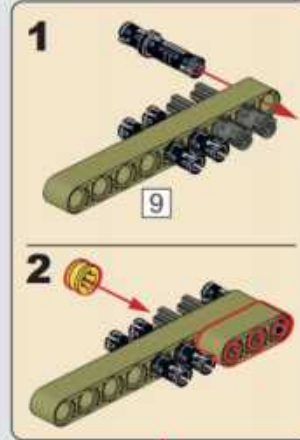
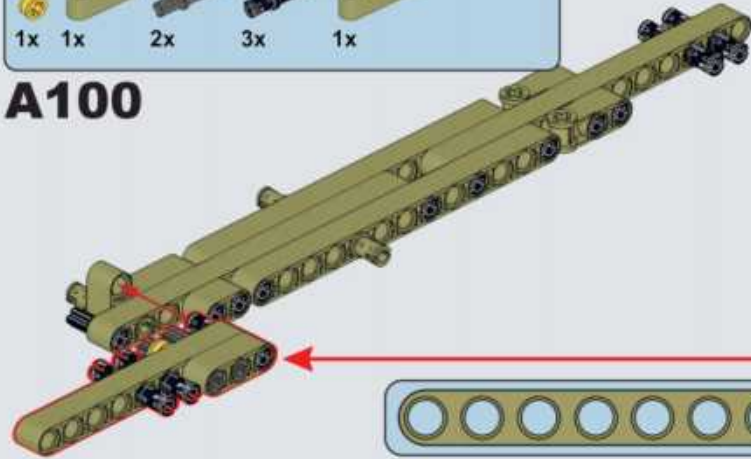


A99

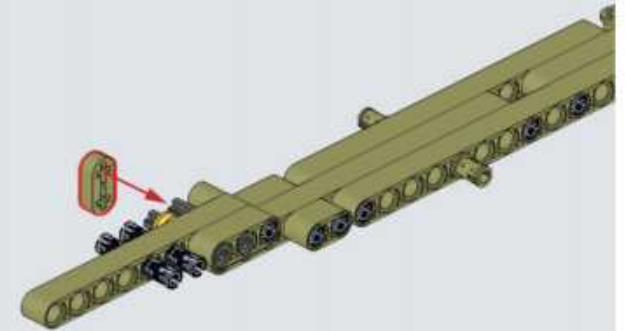




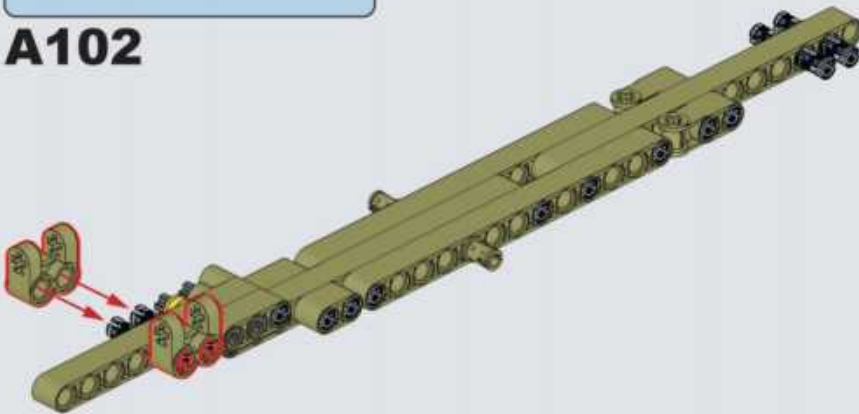
A100



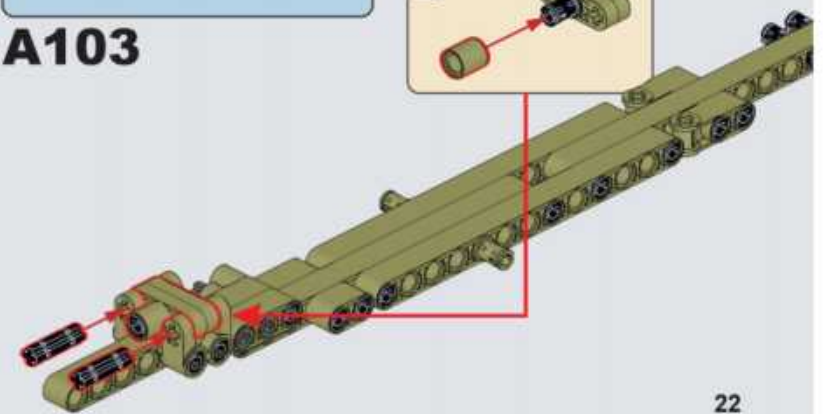
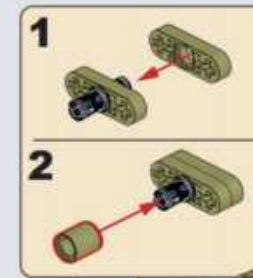
A101

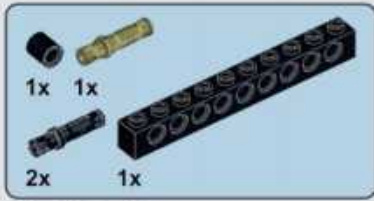


A102

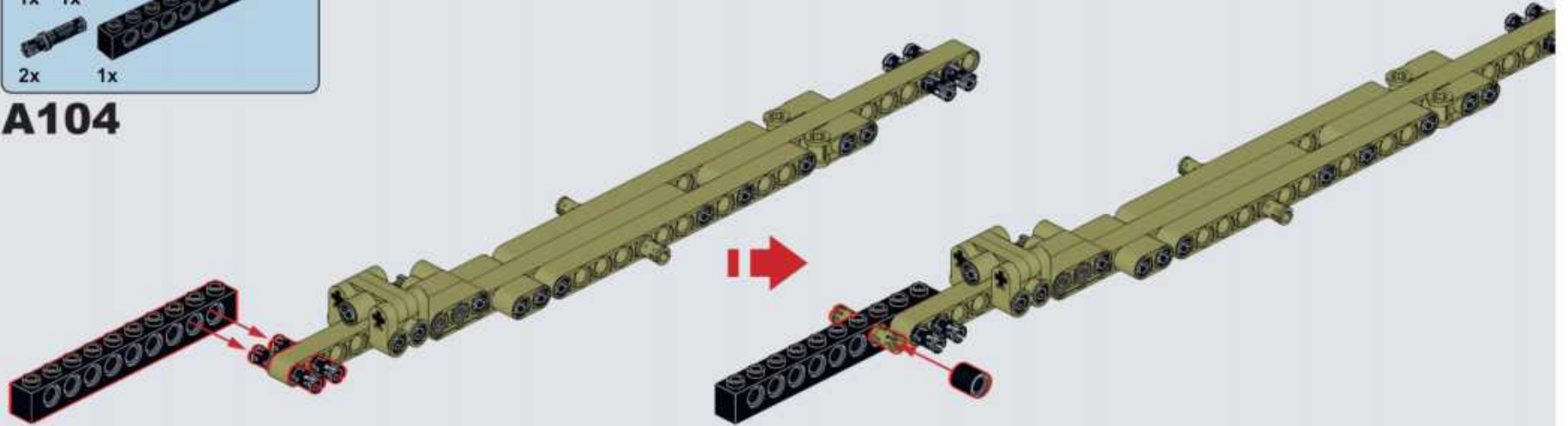


A103

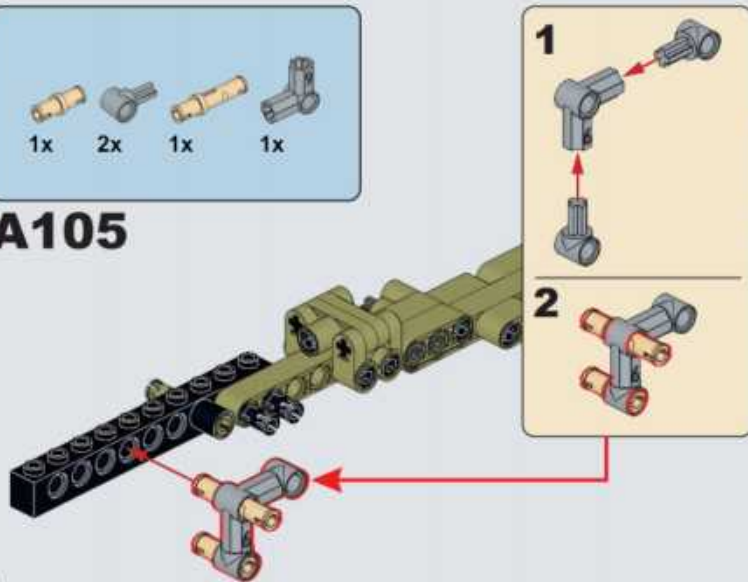




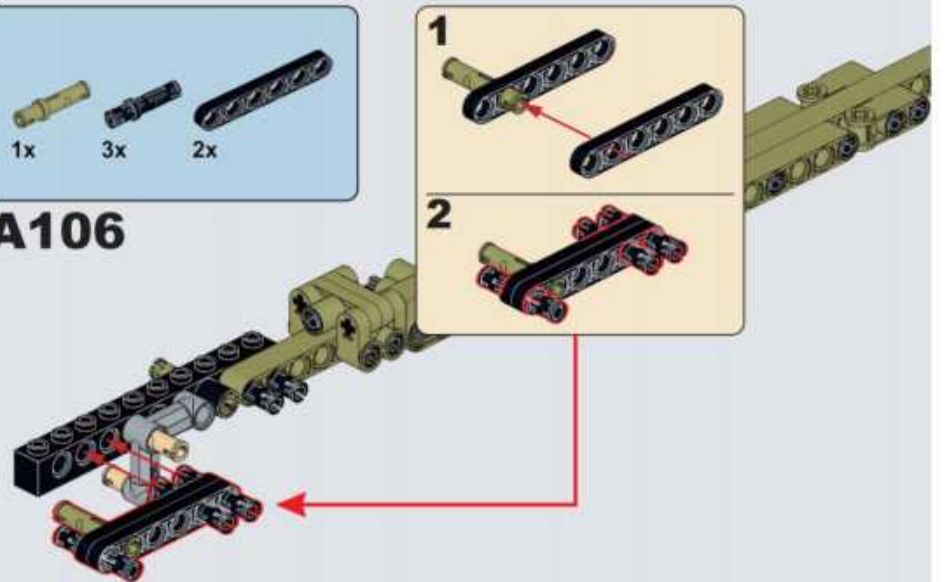
A104

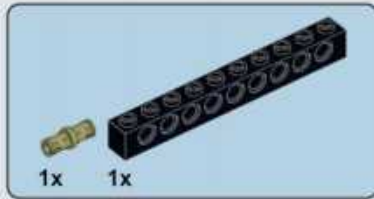


A105

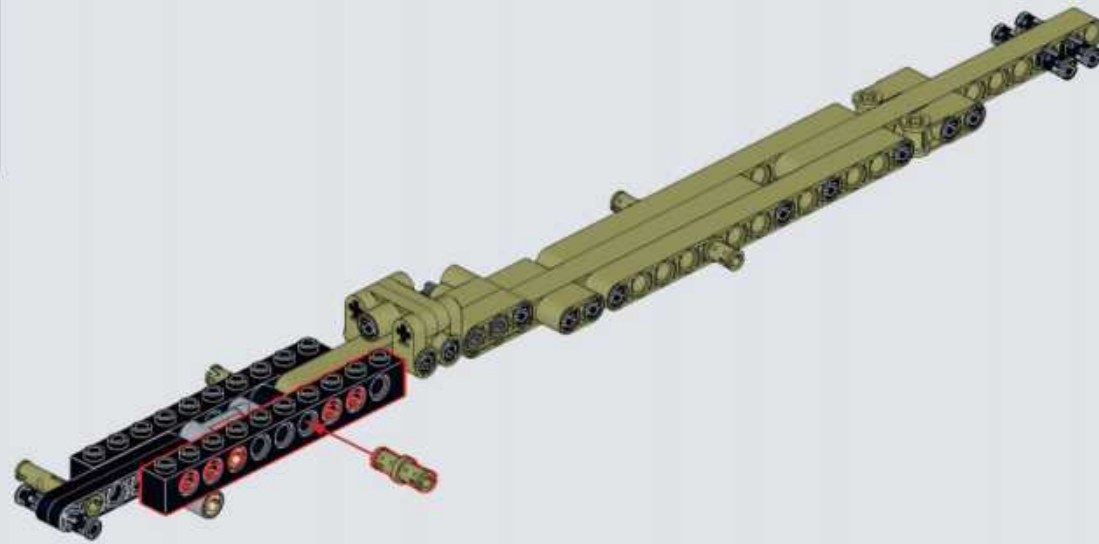


A106

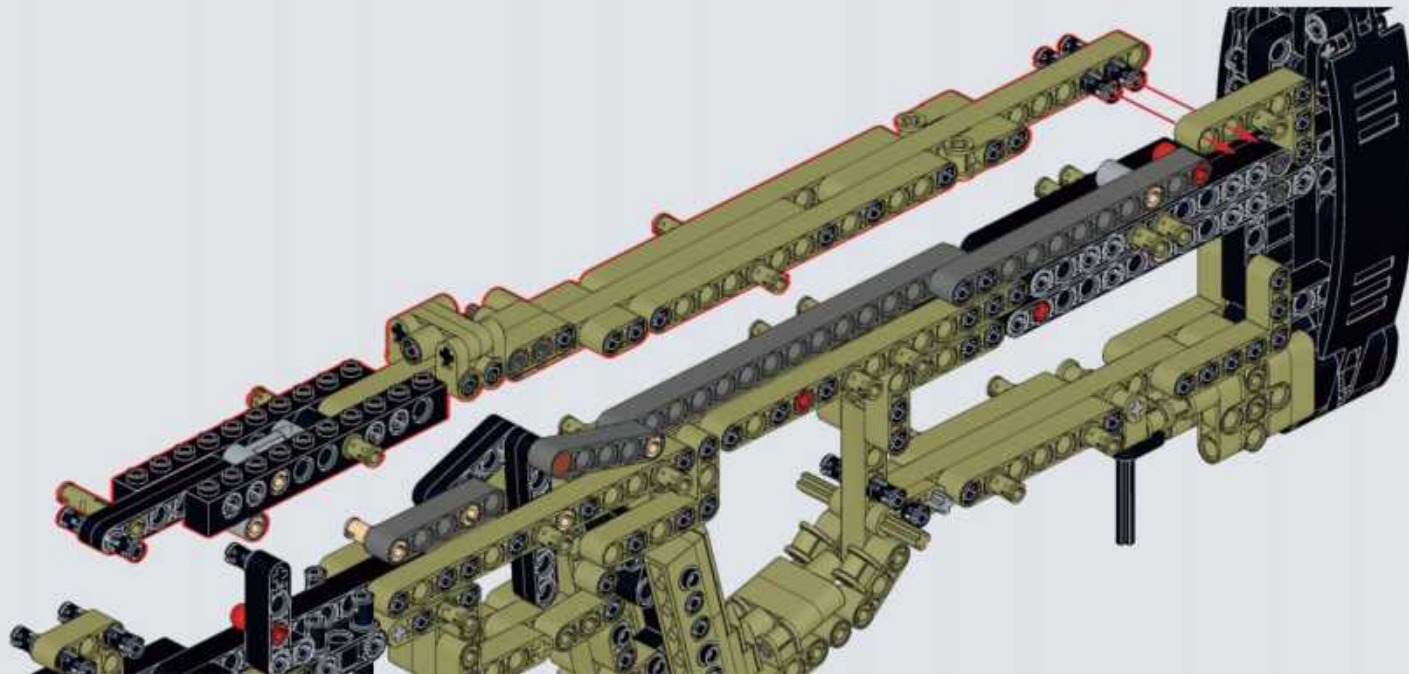




A107

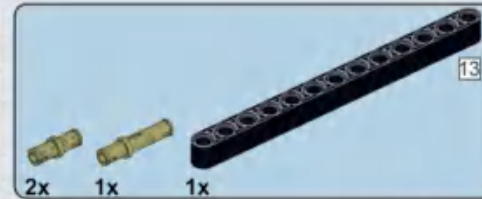
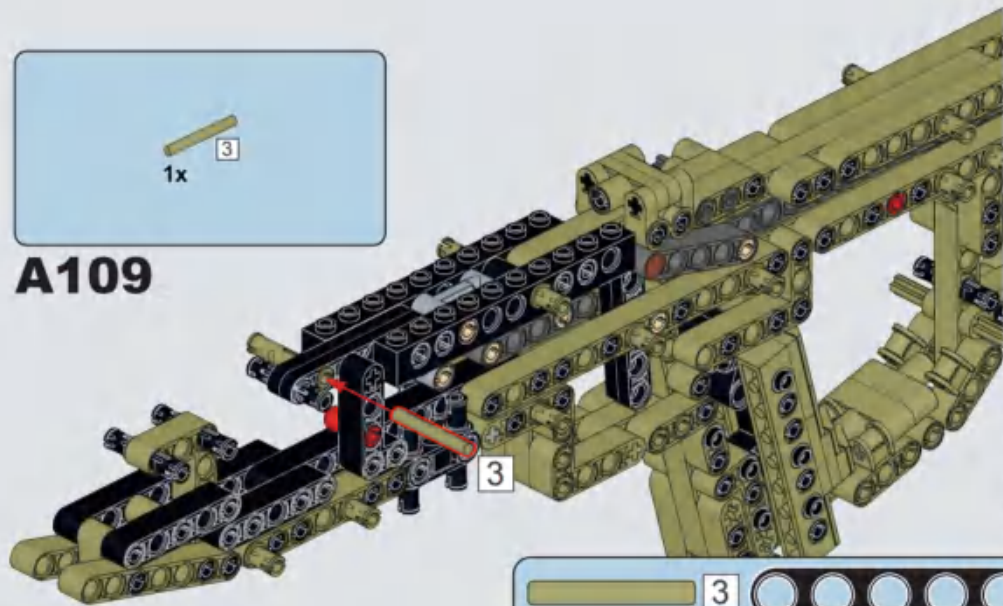


A108

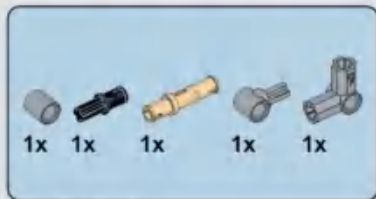
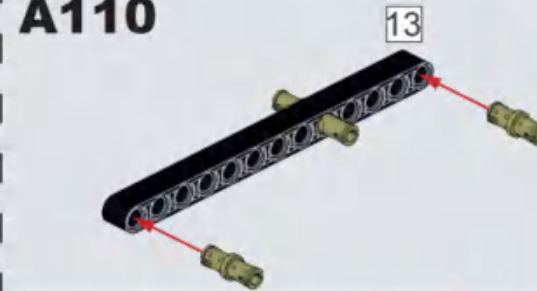




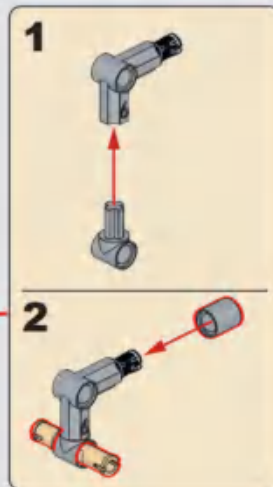
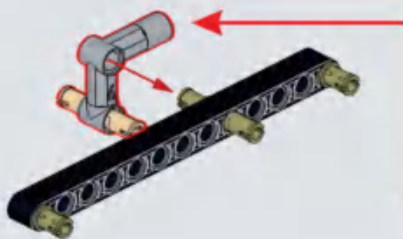
A109



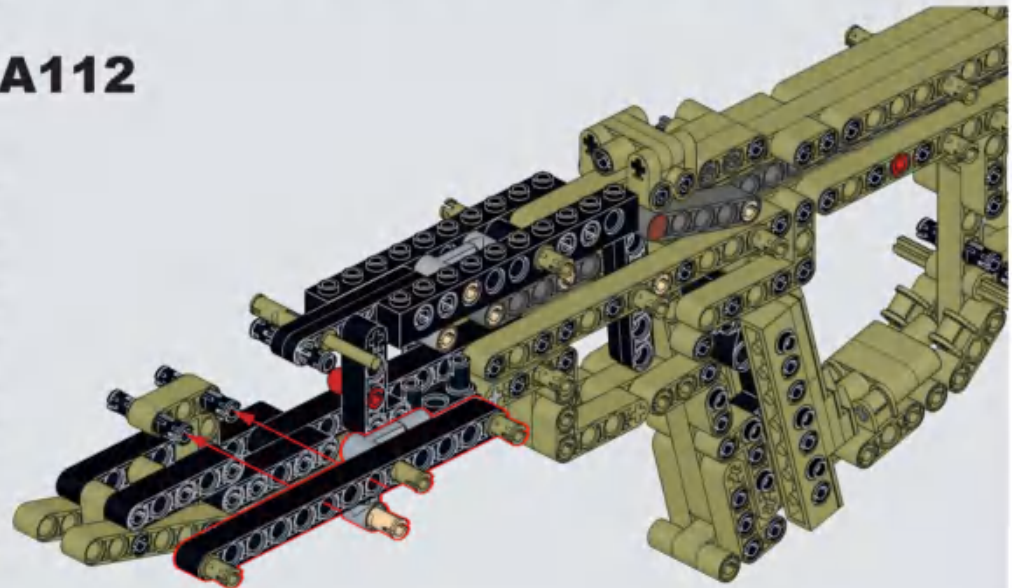
A110

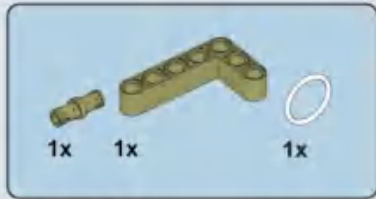


A111

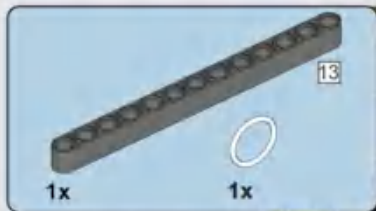
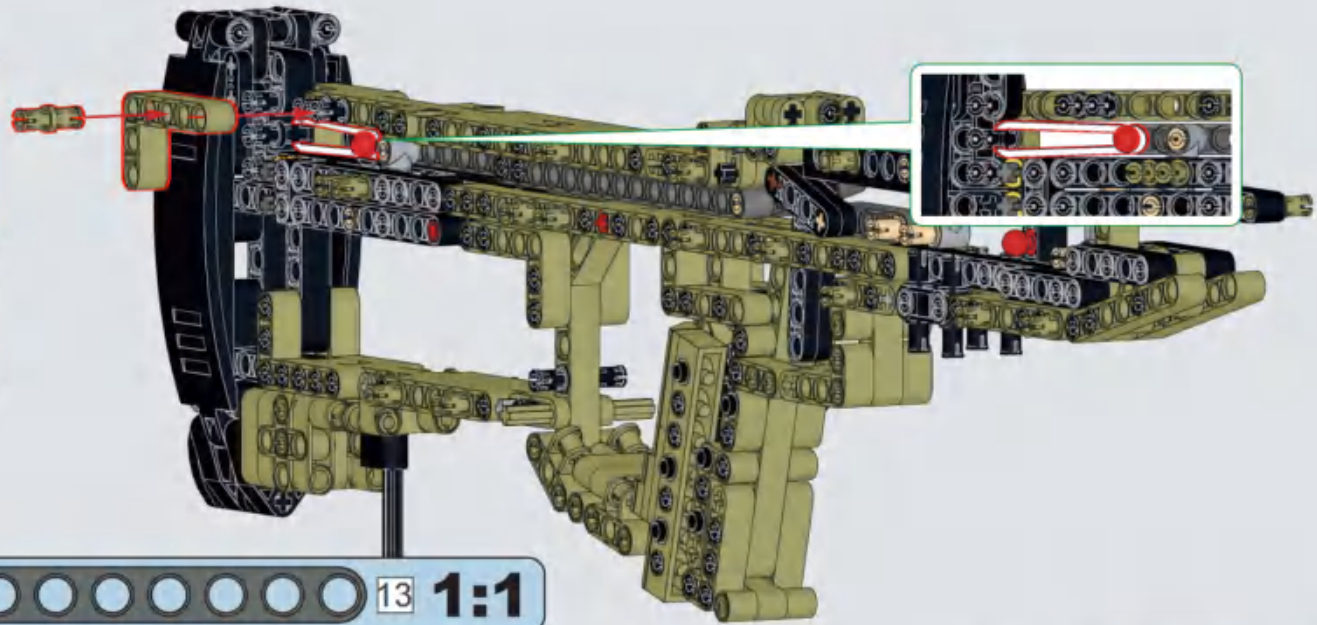


A112

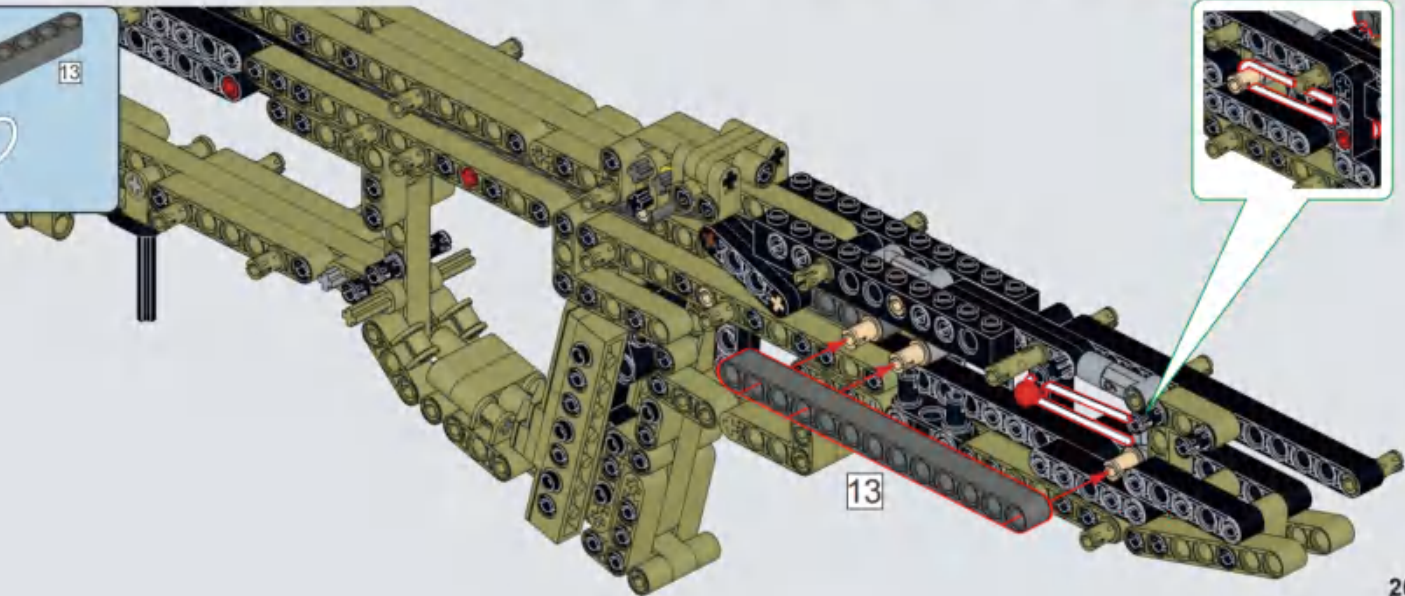




A113



A114

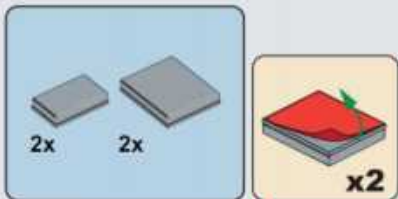




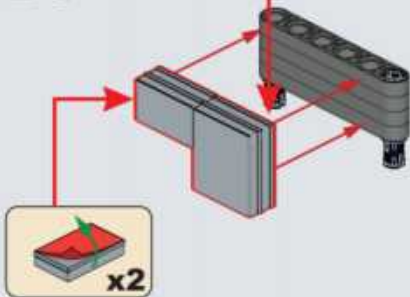
B1



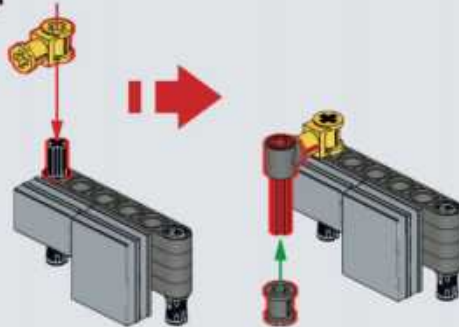
B2



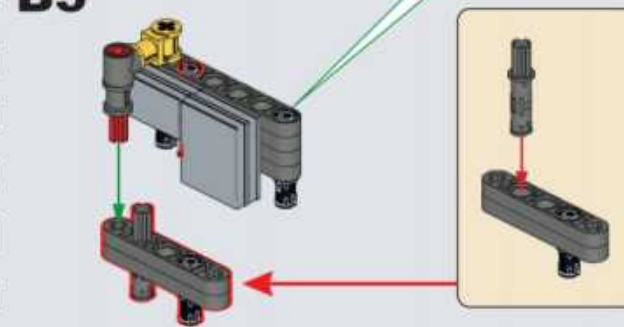
B3



B4

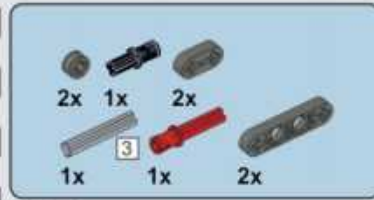


B5

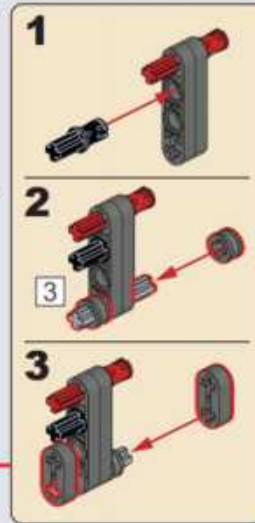




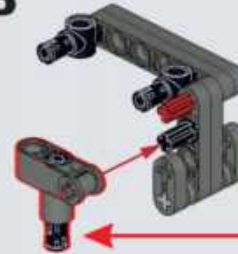
B6



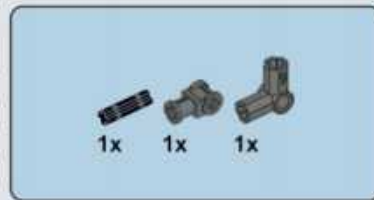
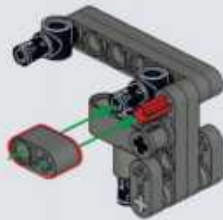
B7



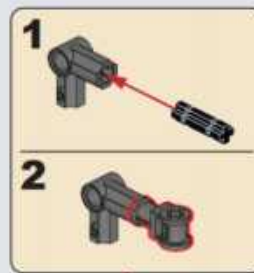
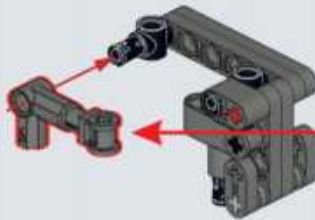
B8



B9



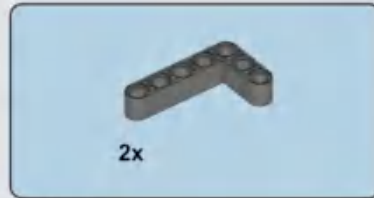
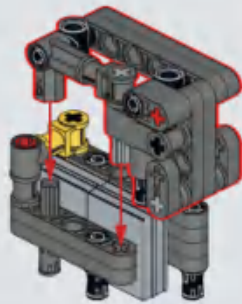
B10



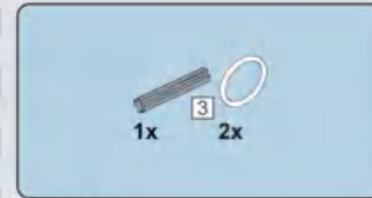
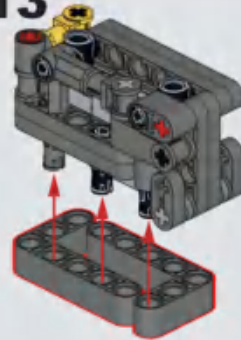
B11



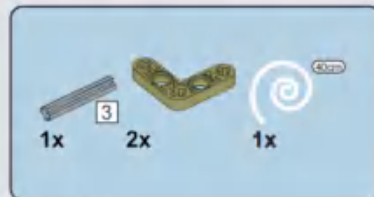
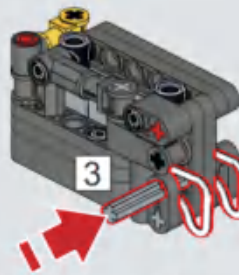
B12



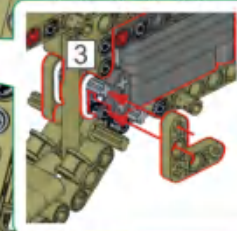
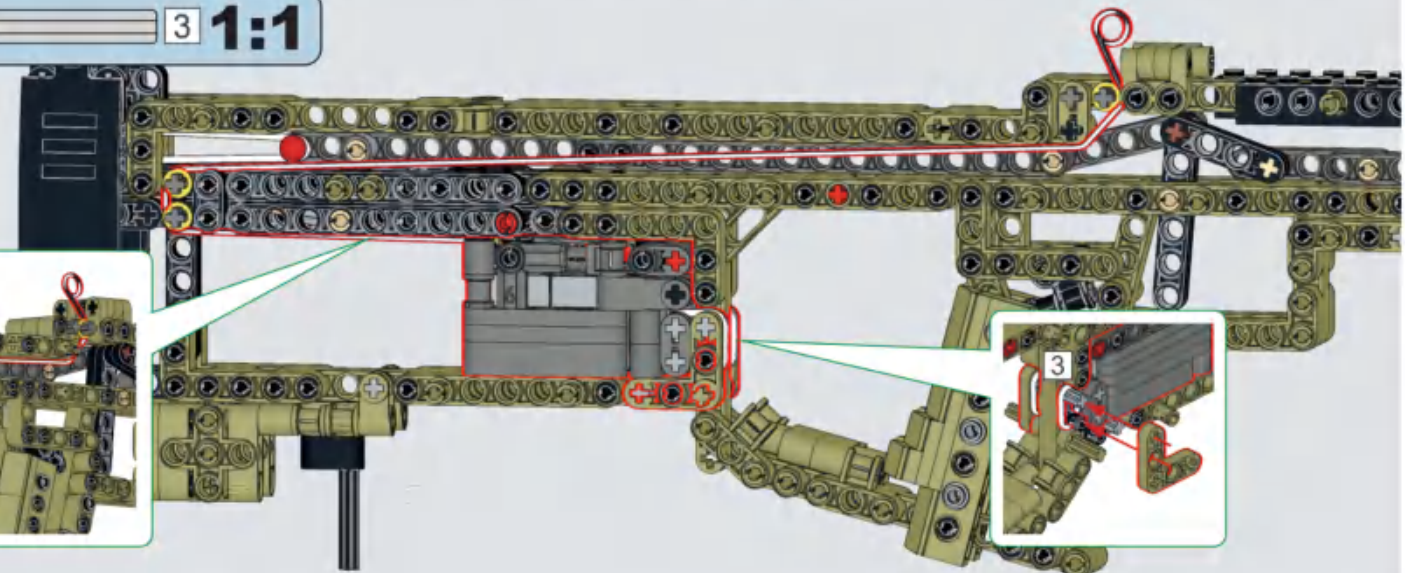
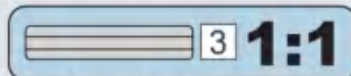
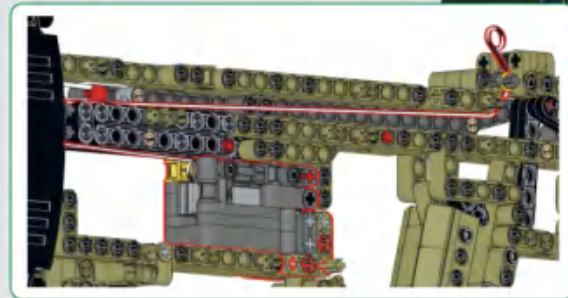
B13

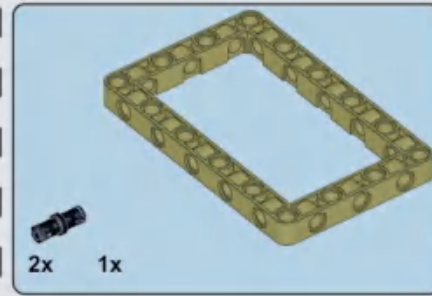
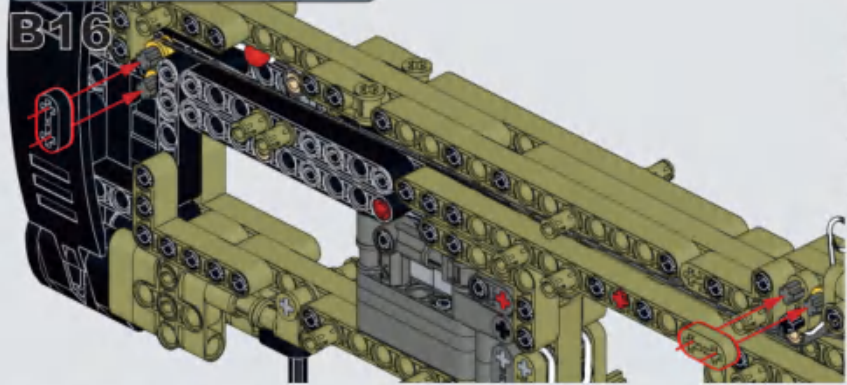
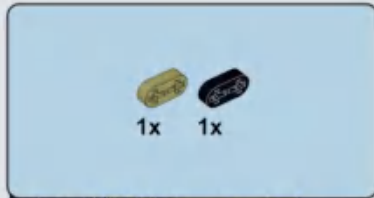


B14

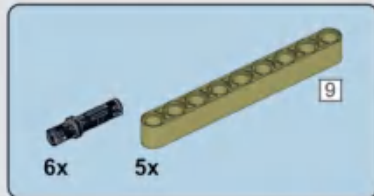
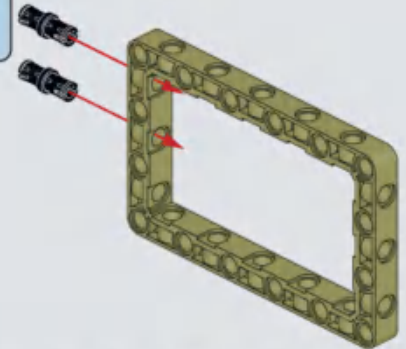


B15

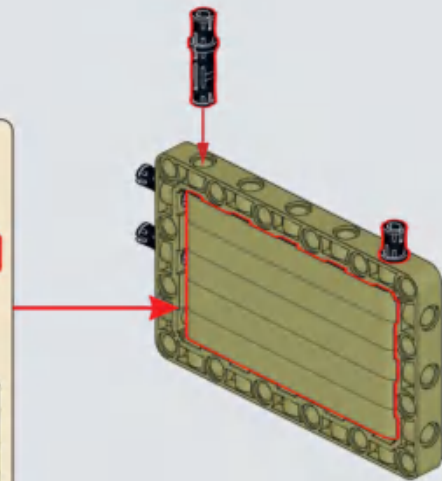
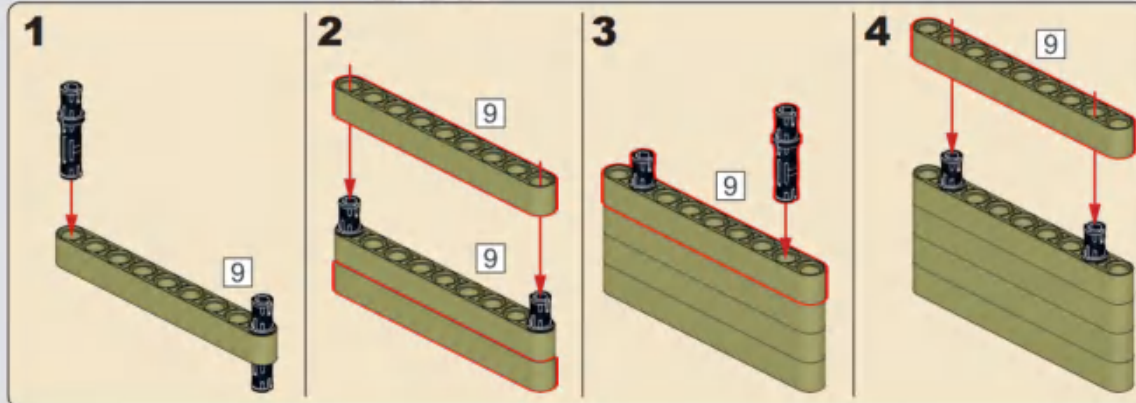


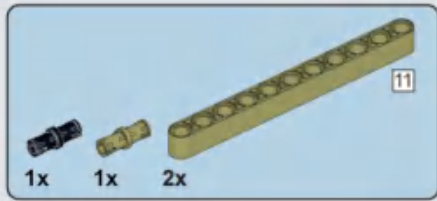


B17

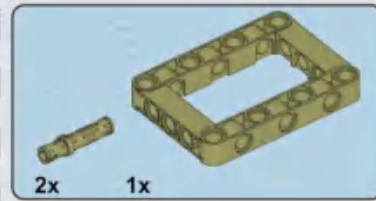
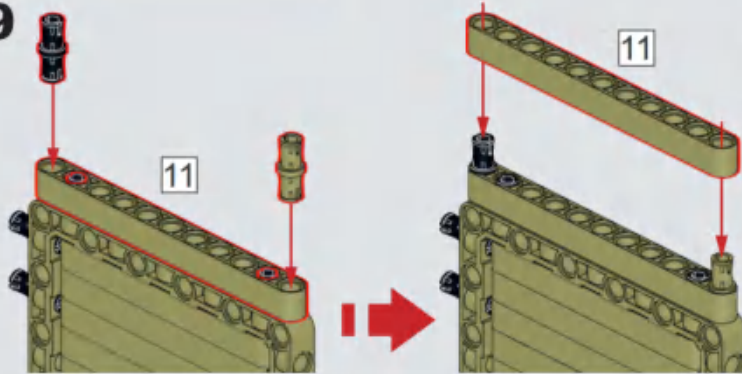


B18

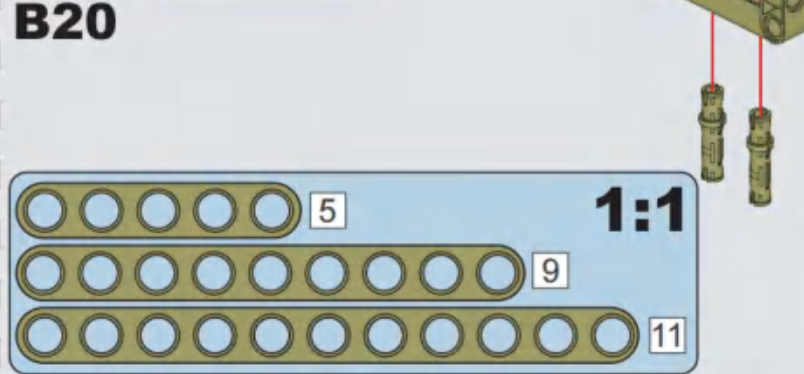




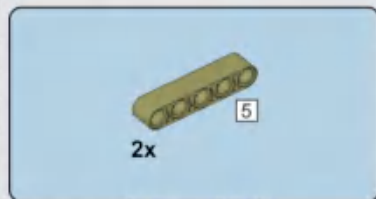
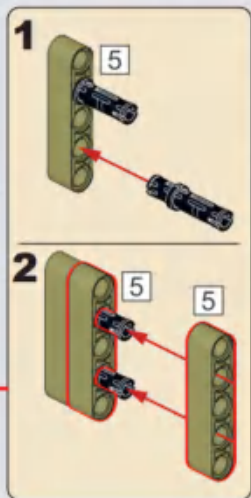
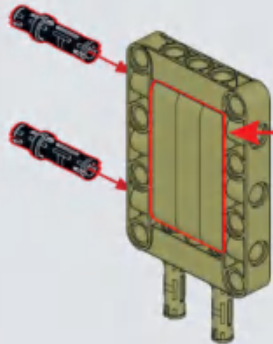
B19



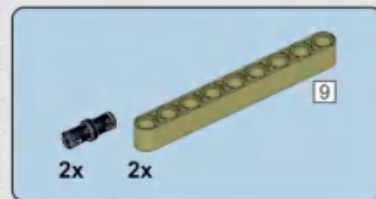
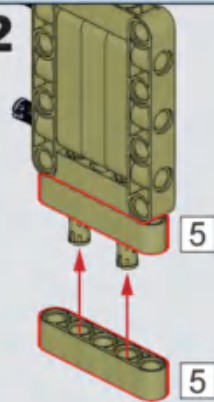
B20



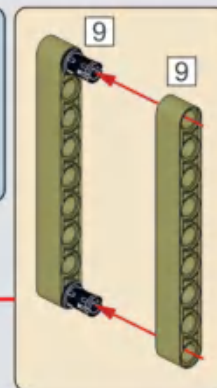
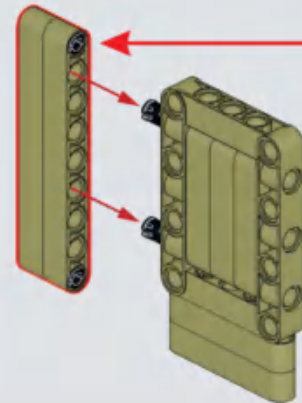
B21



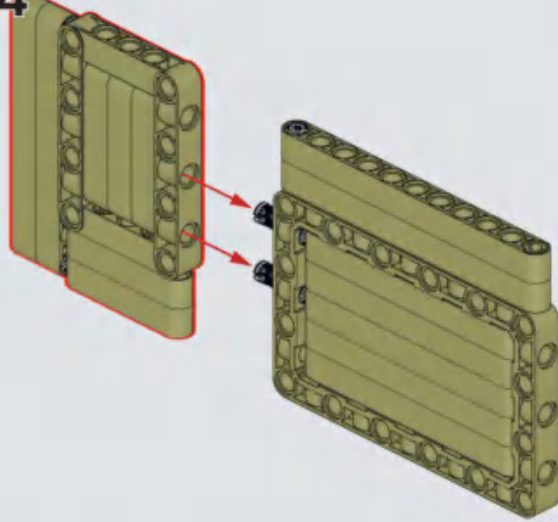
B22



B23

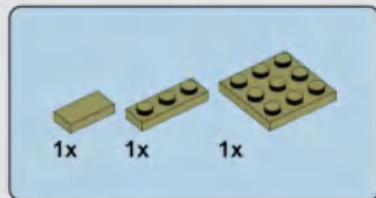
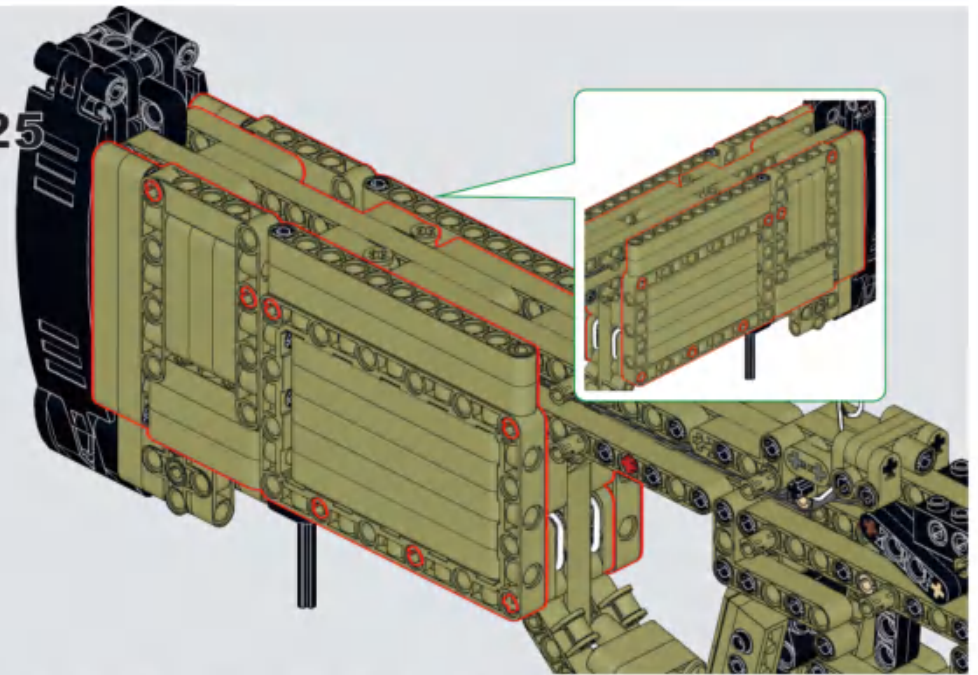


B24

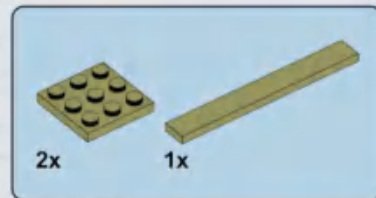
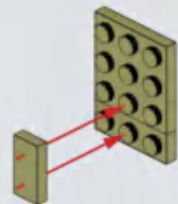


x2

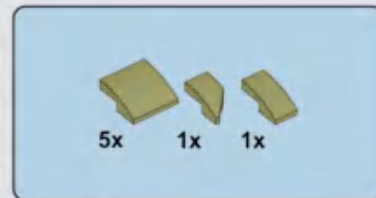
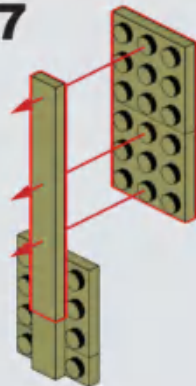
B25



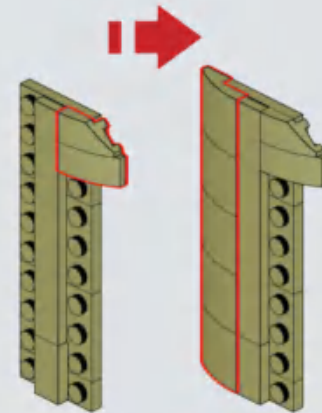
B26

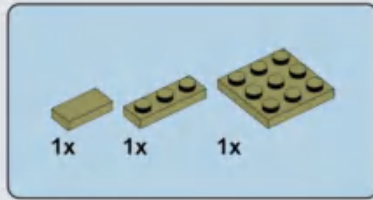


B27

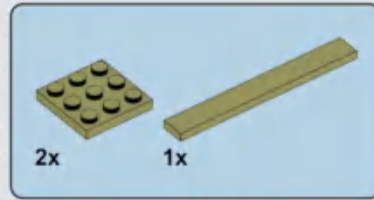
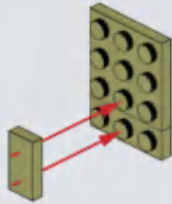


B28

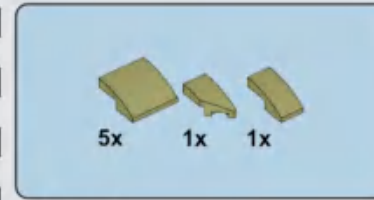
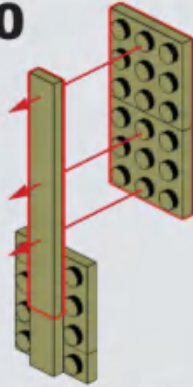




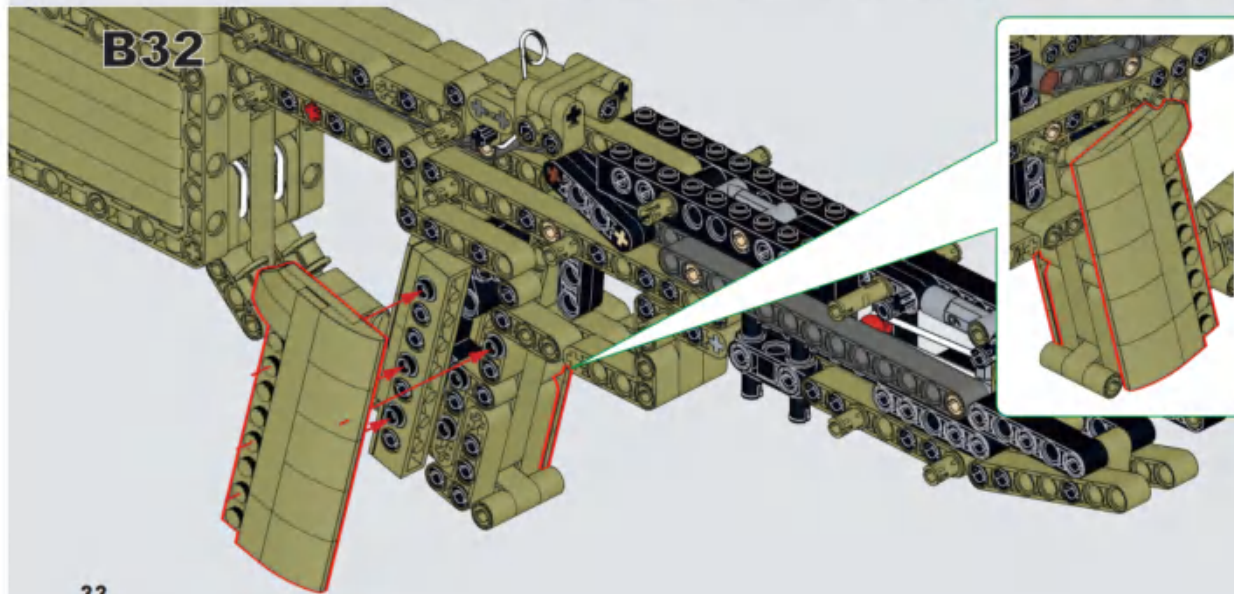
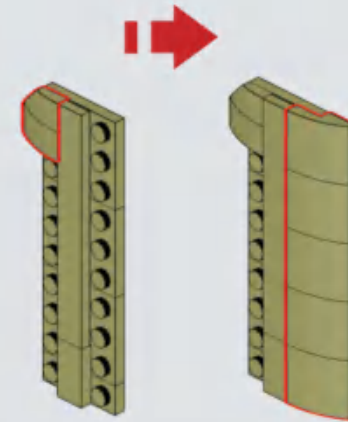
B29



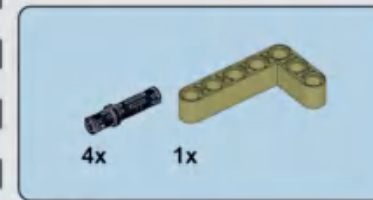
B30



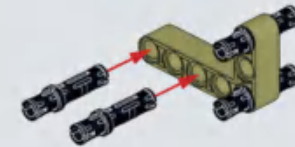
B31

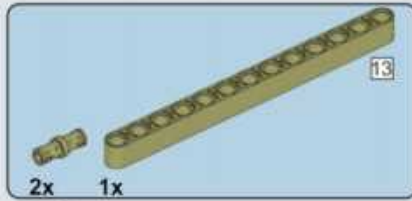


B32

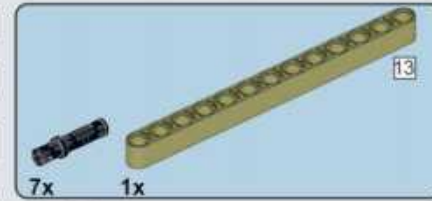
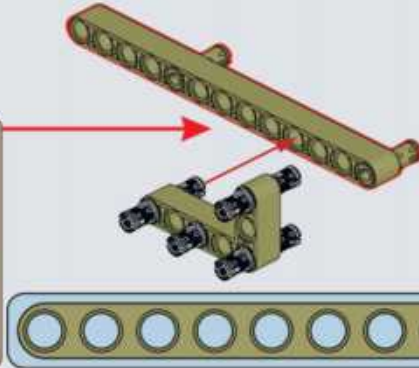
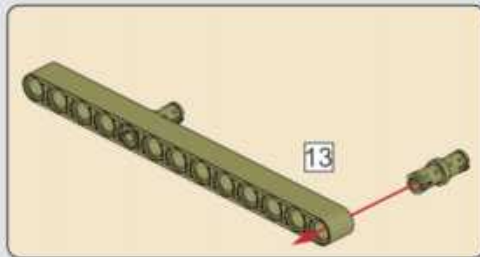


B33

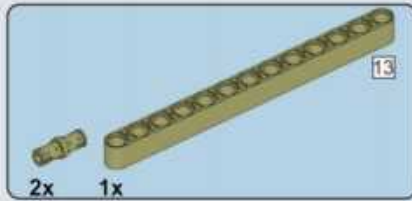
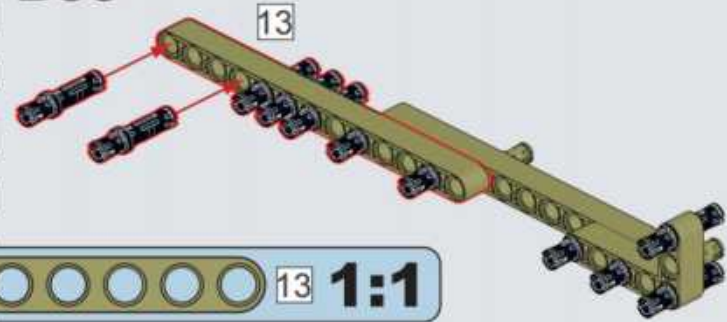




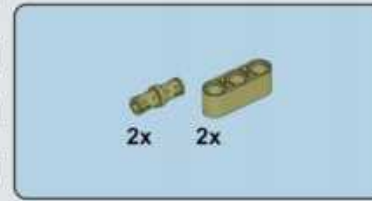
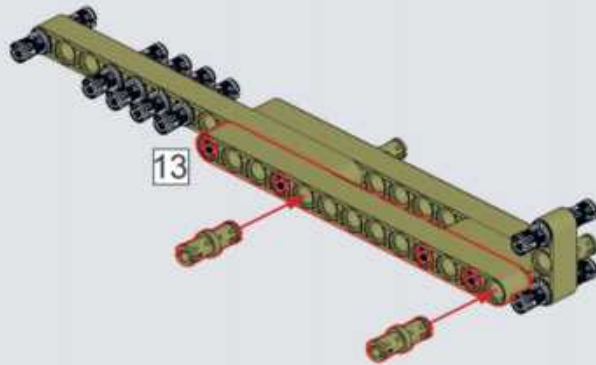
B34



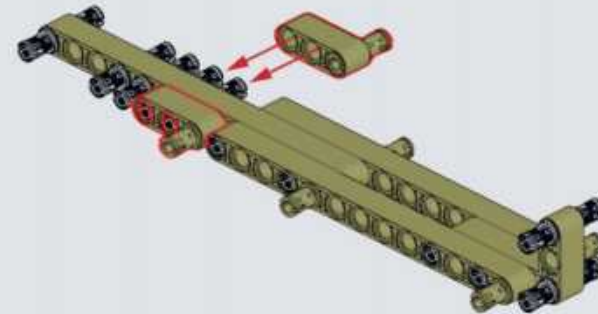
B35

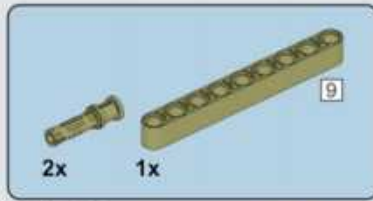


B36

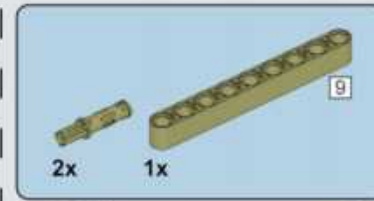
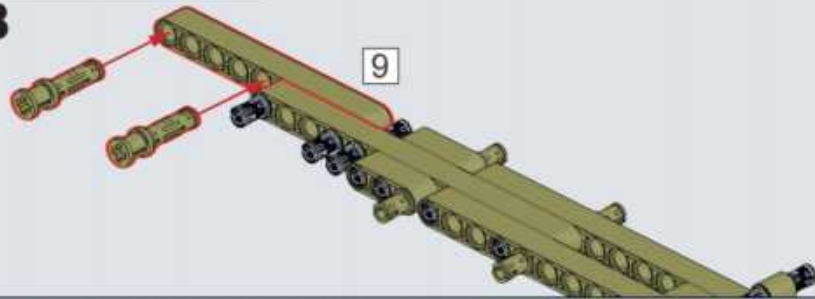


B37

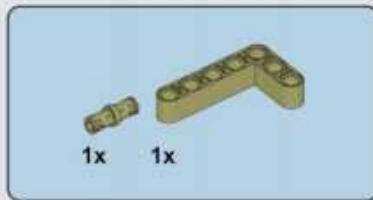
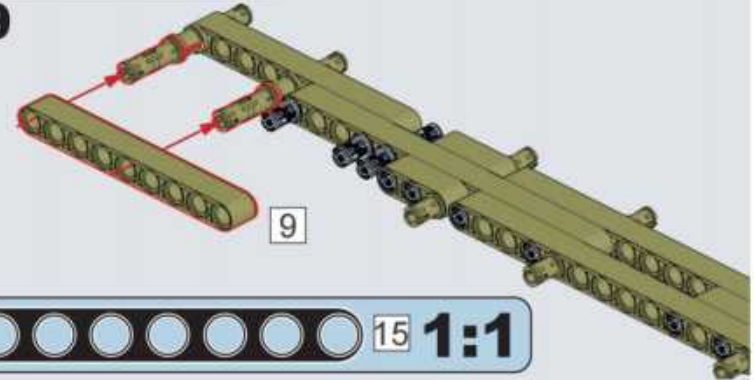




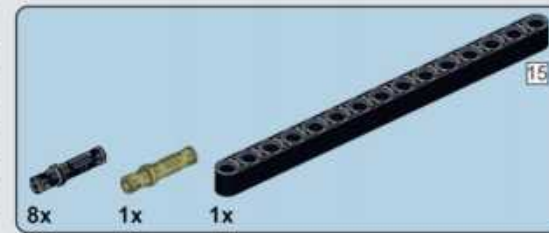
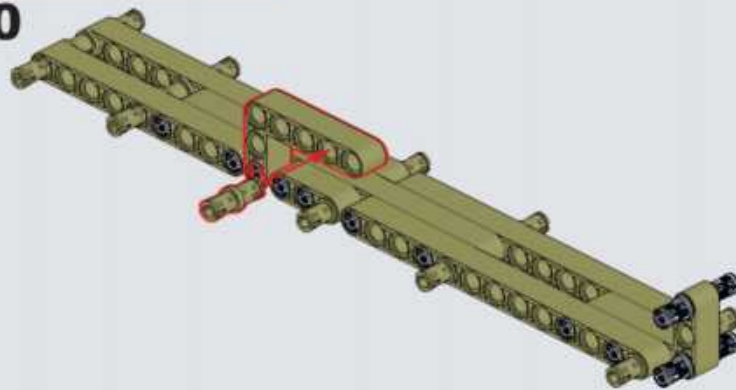
B38



B39



B40

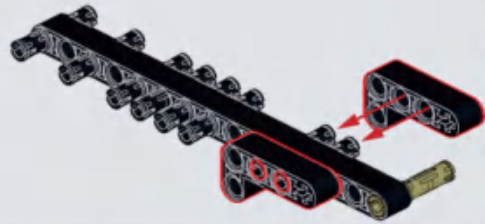


B41

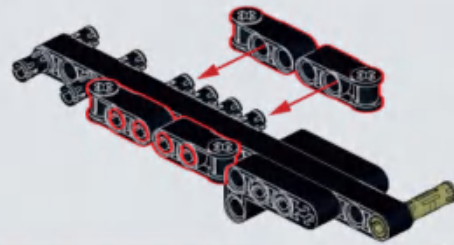




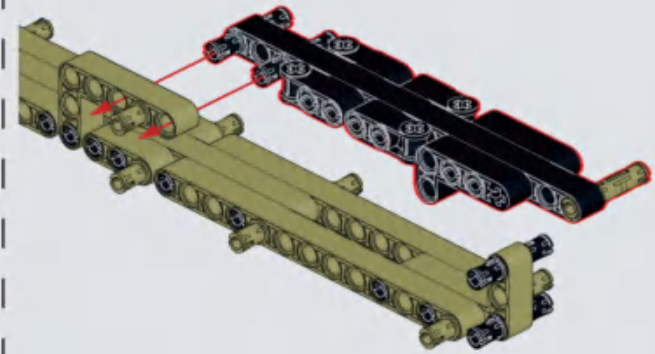
B42



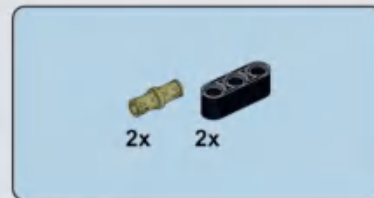
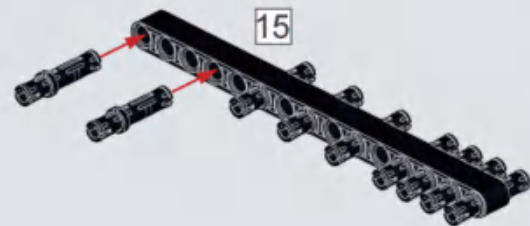
B43



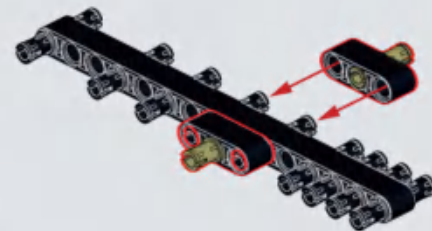
B44



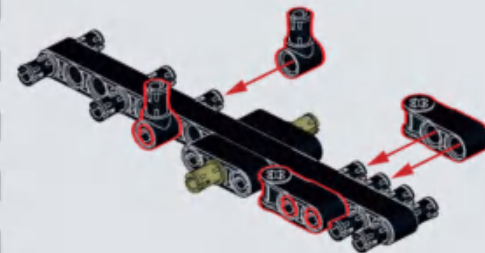
B45



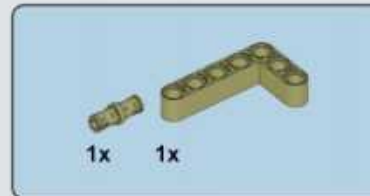
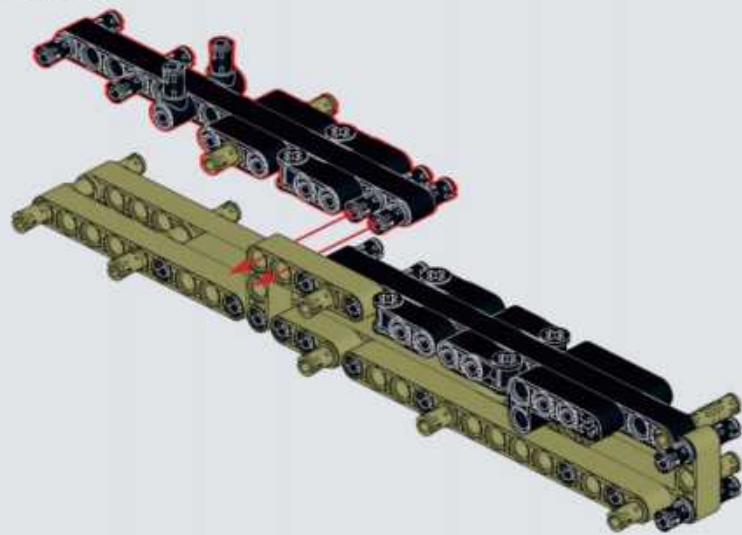
B46



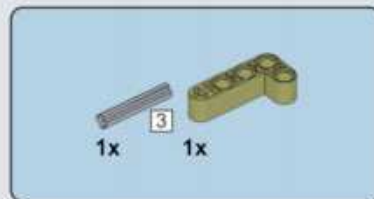
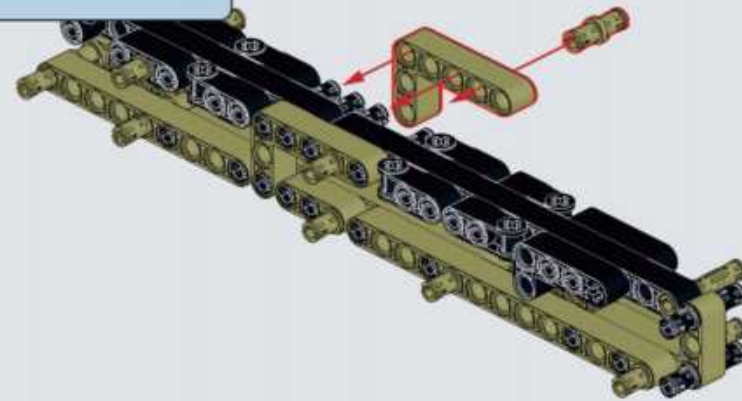
B47



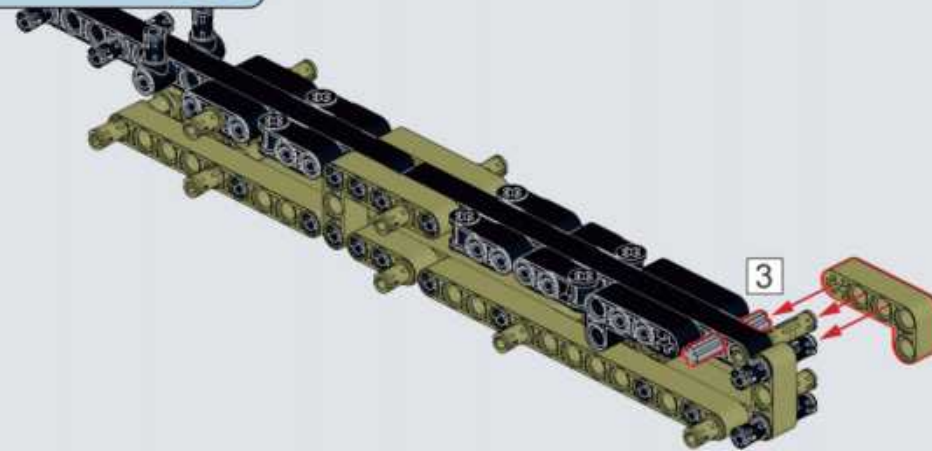
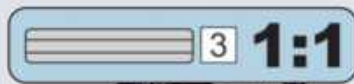
B48



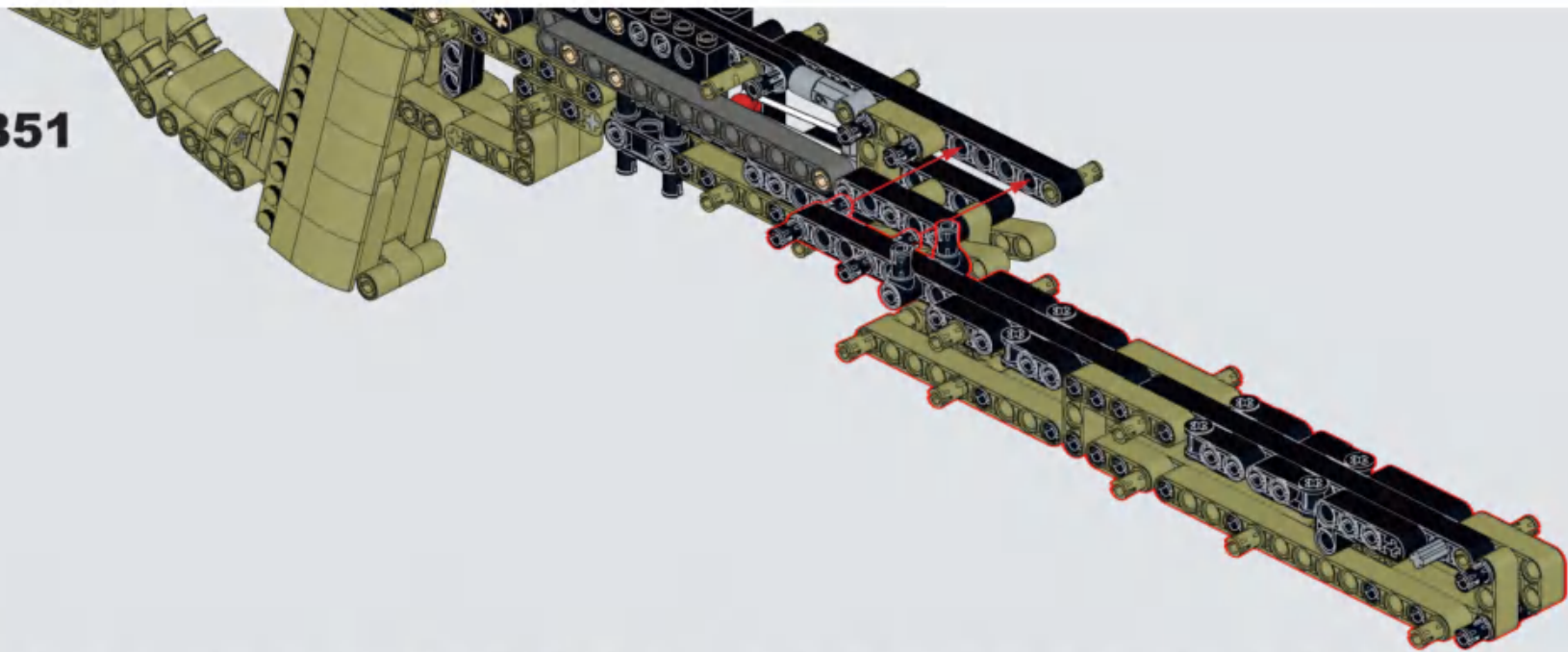
B49



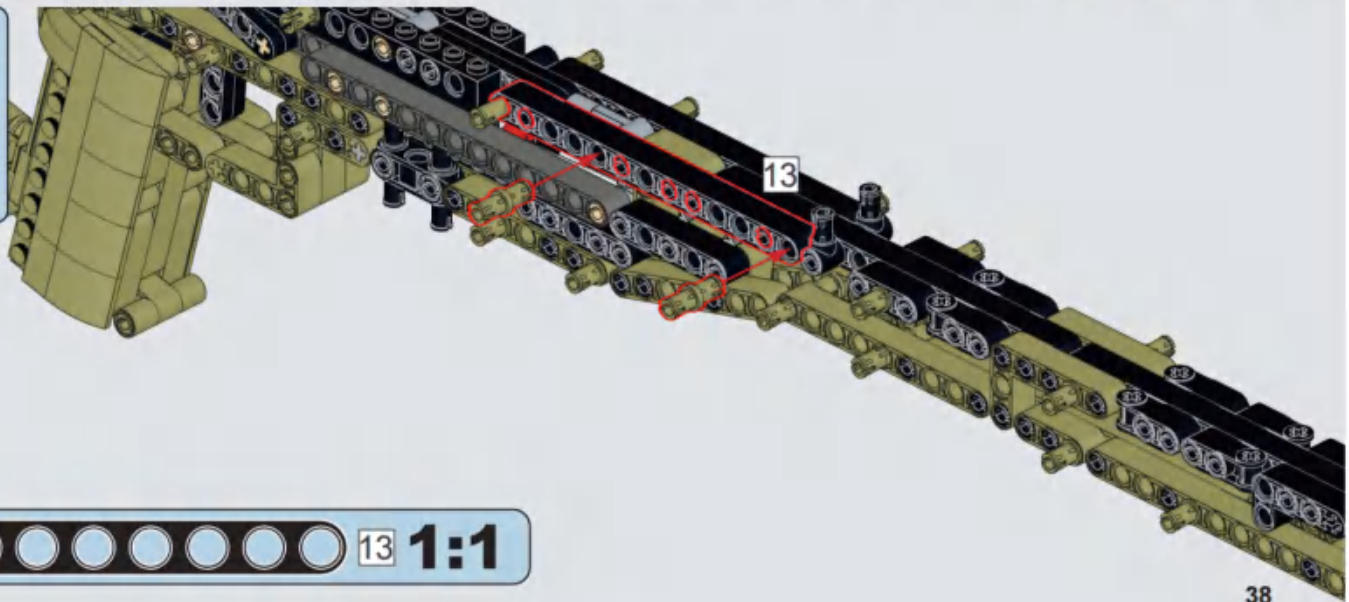
B50

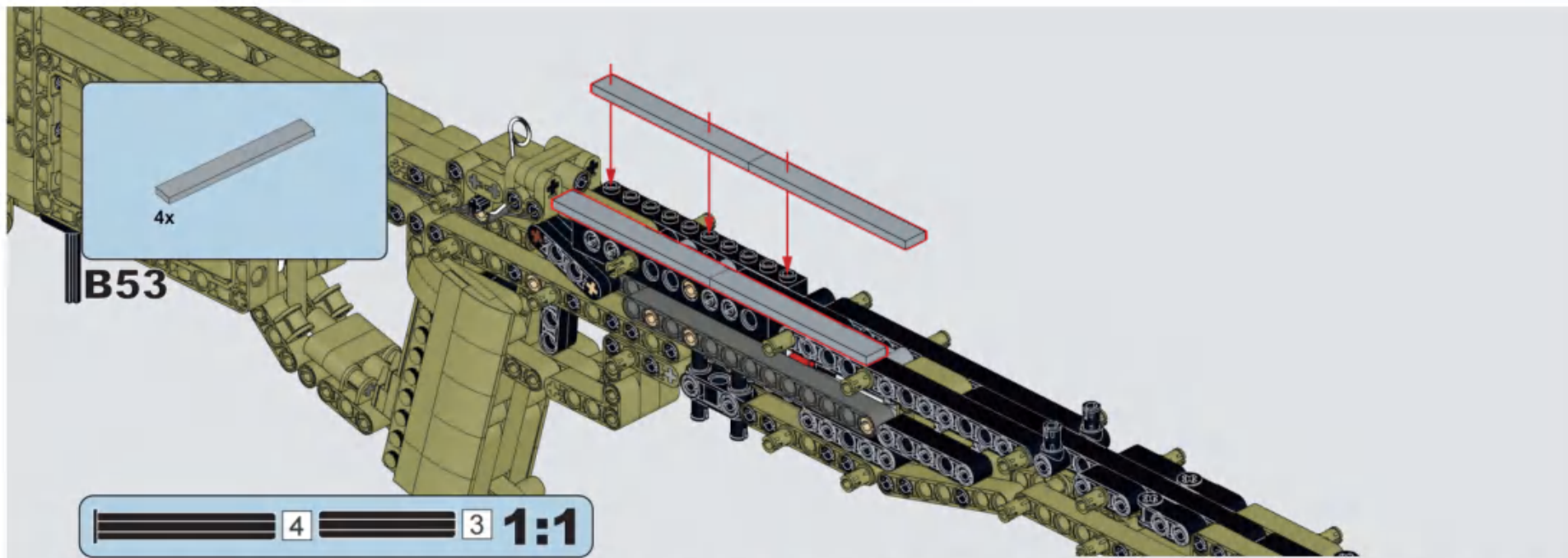


B51



B52





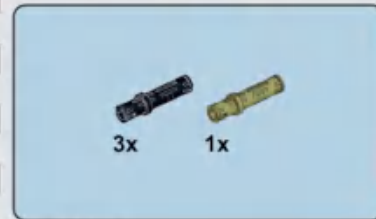
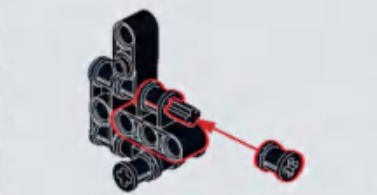
B54



B55



B56

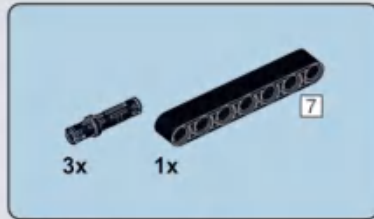
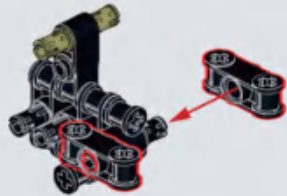


B57

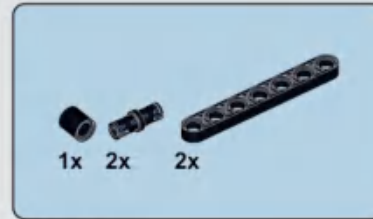
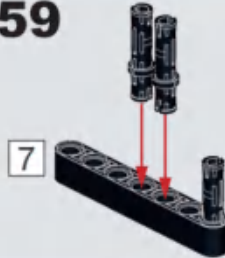




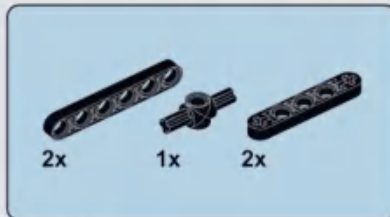
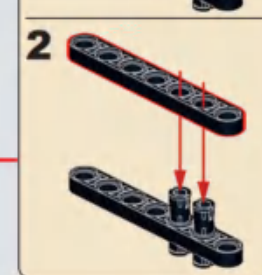
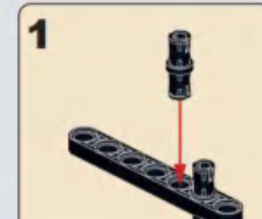
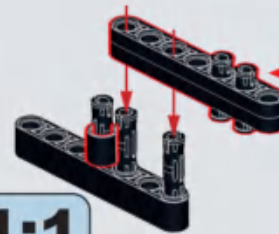
B58



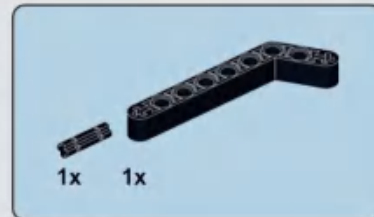
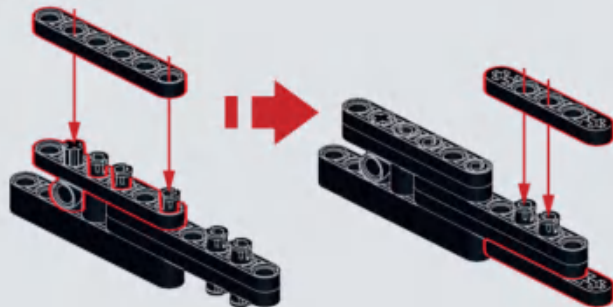
B59



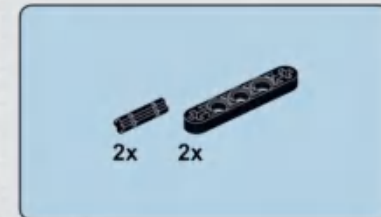
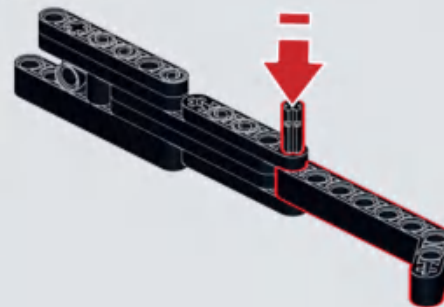
B60



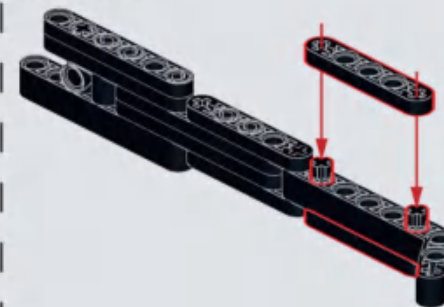
B61

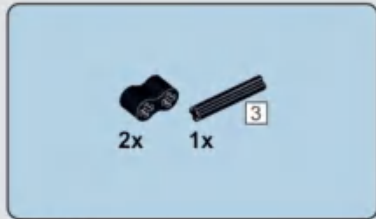


B62

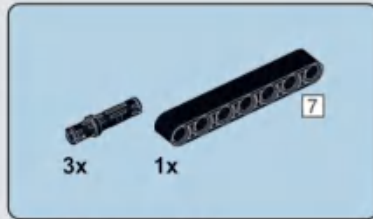
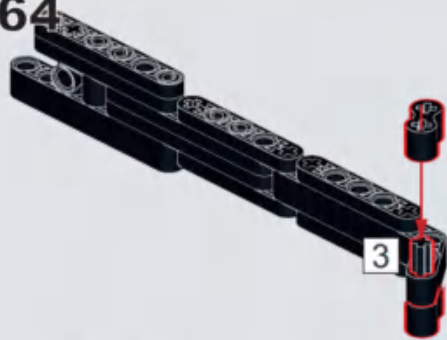


B63

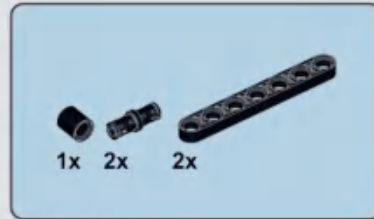




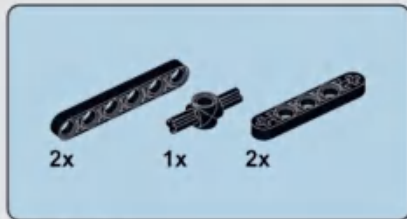
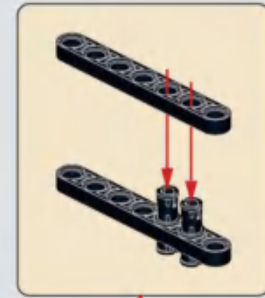
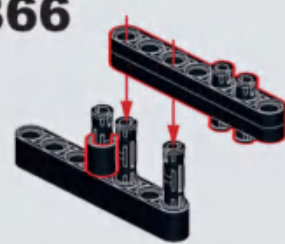
B64



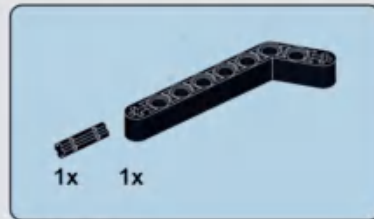
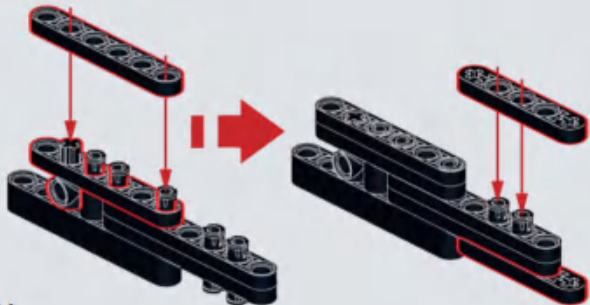
B65



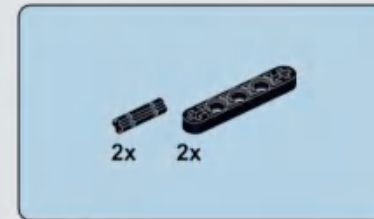
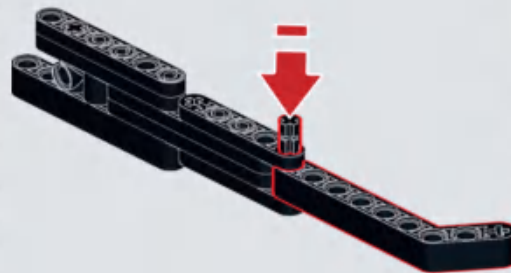
B66



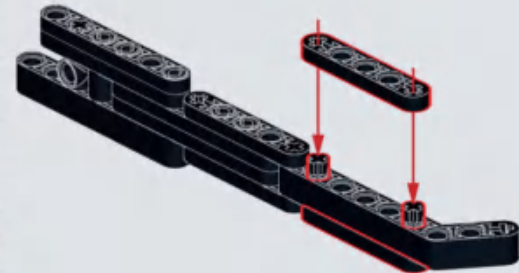
B67



B68



B69

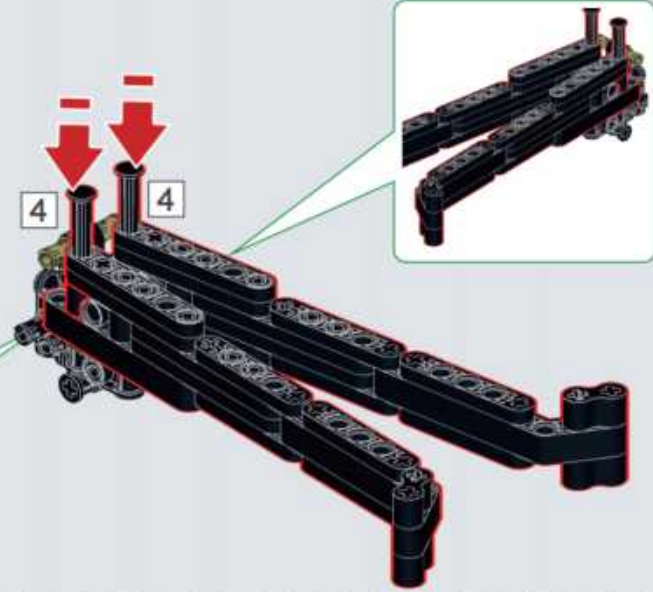
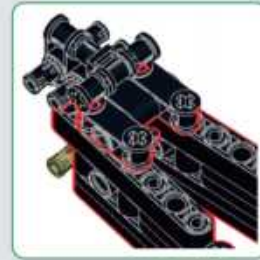




B70

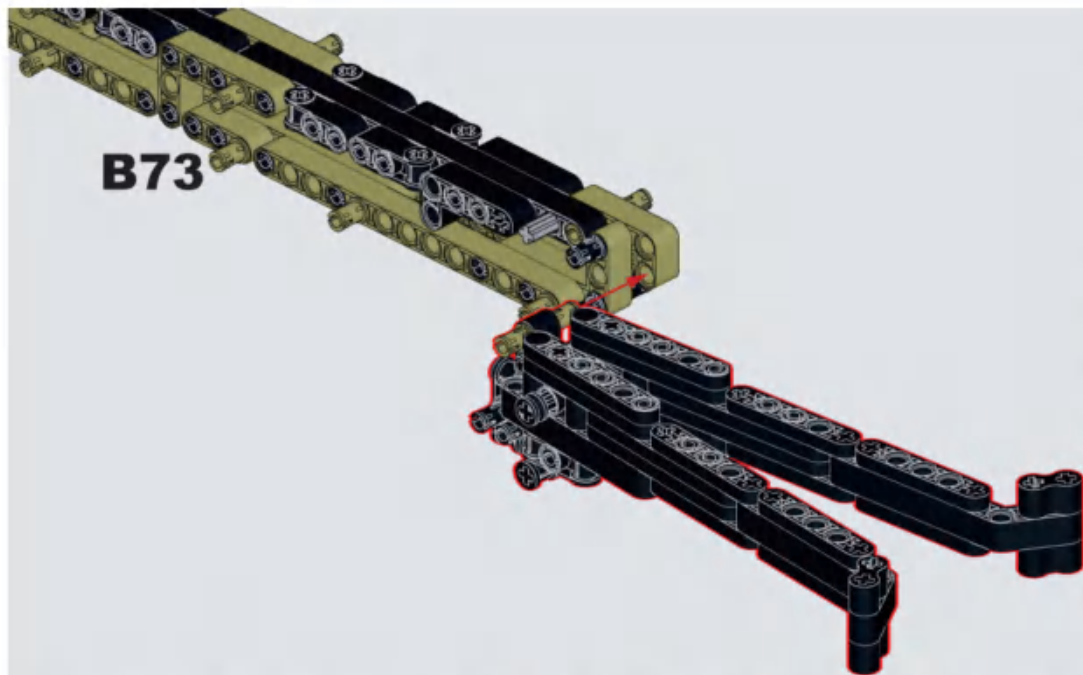


B71

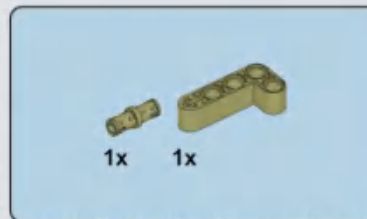


B72

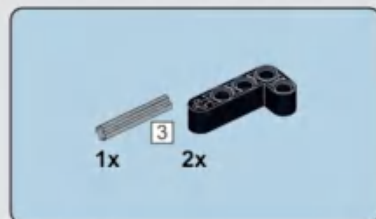
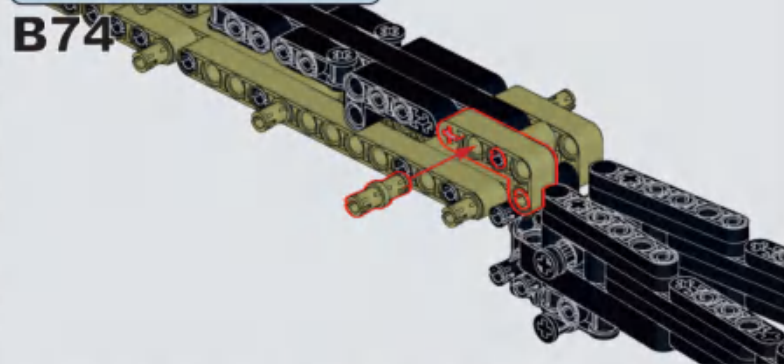




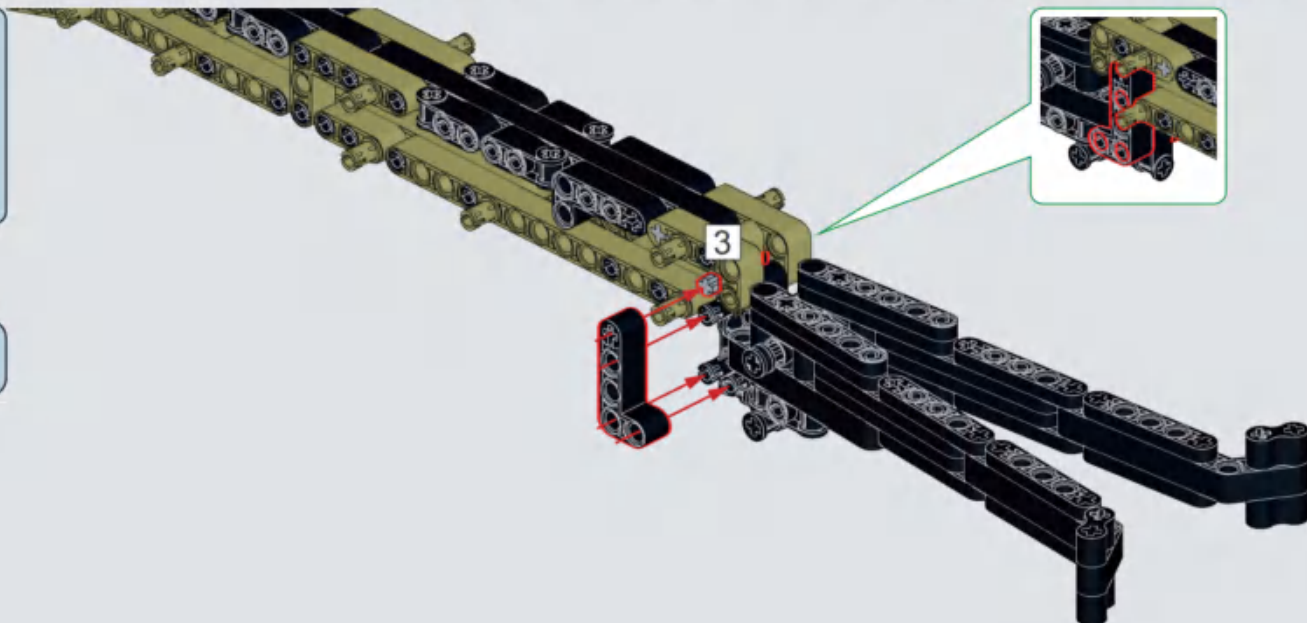
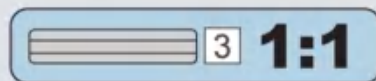
B73

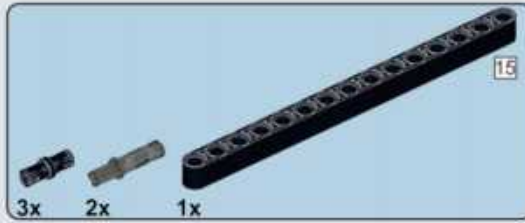


B74

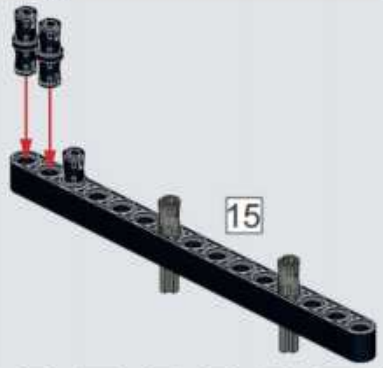


B75





B76

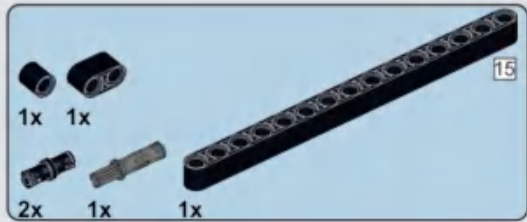


B77

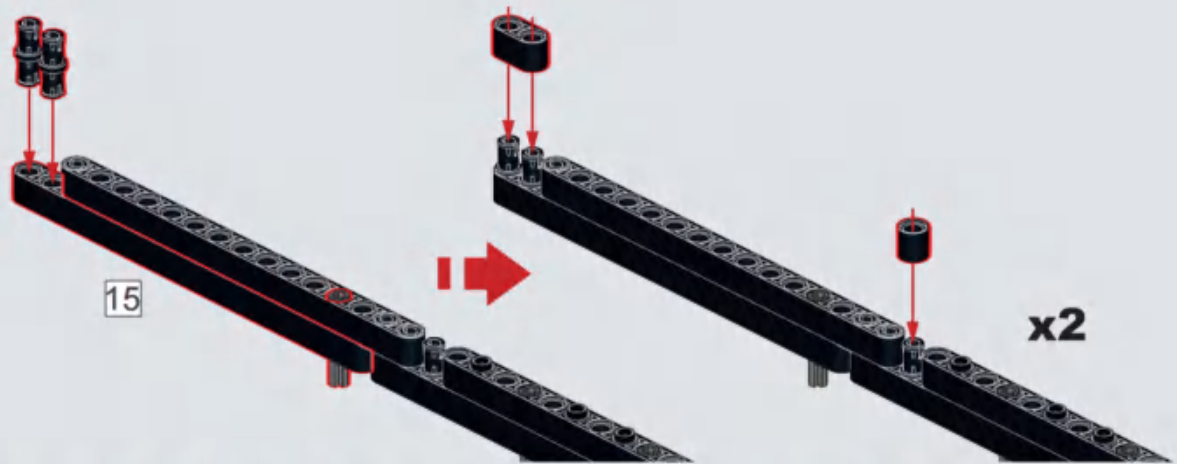


B78

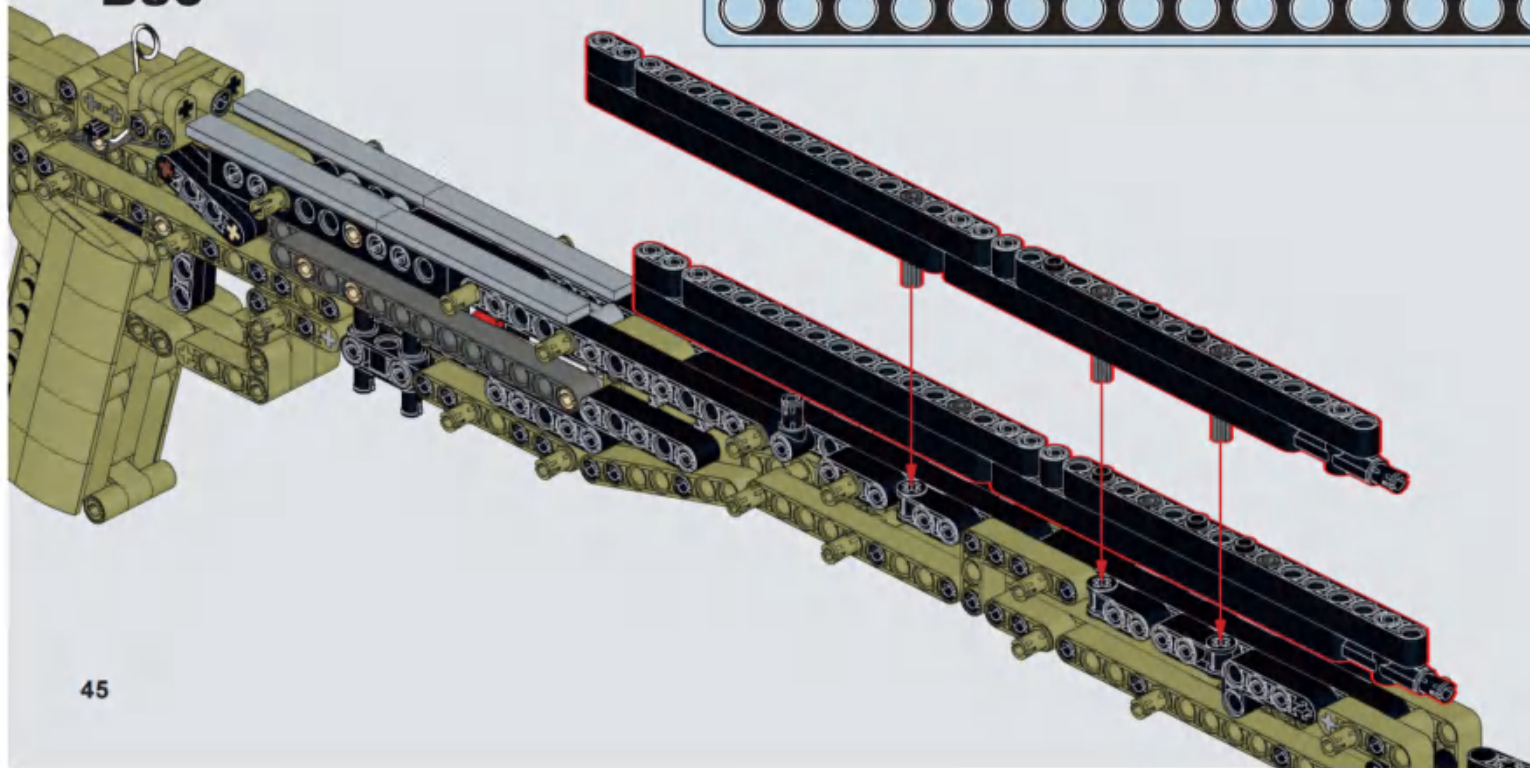


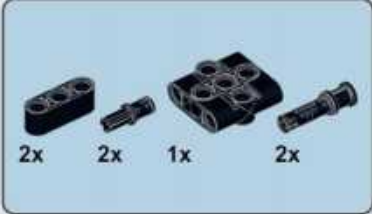


B79



B80

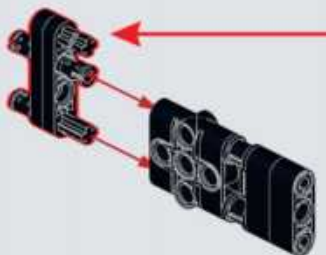




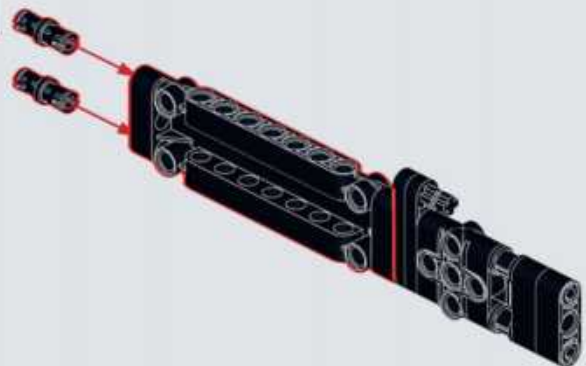
C1



C2

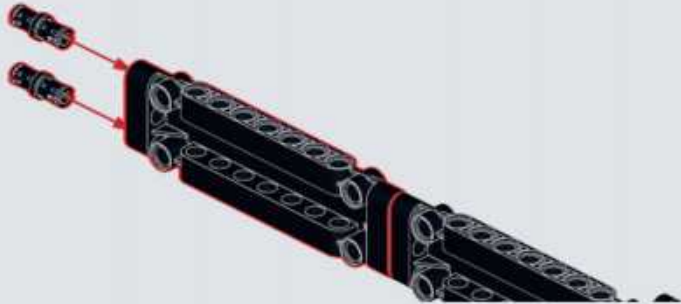


C3

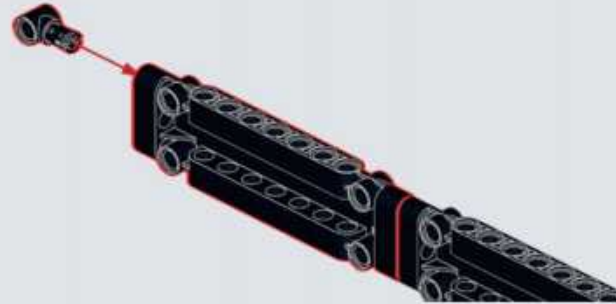




C4



C5

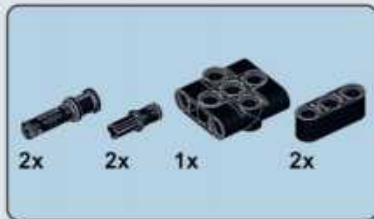
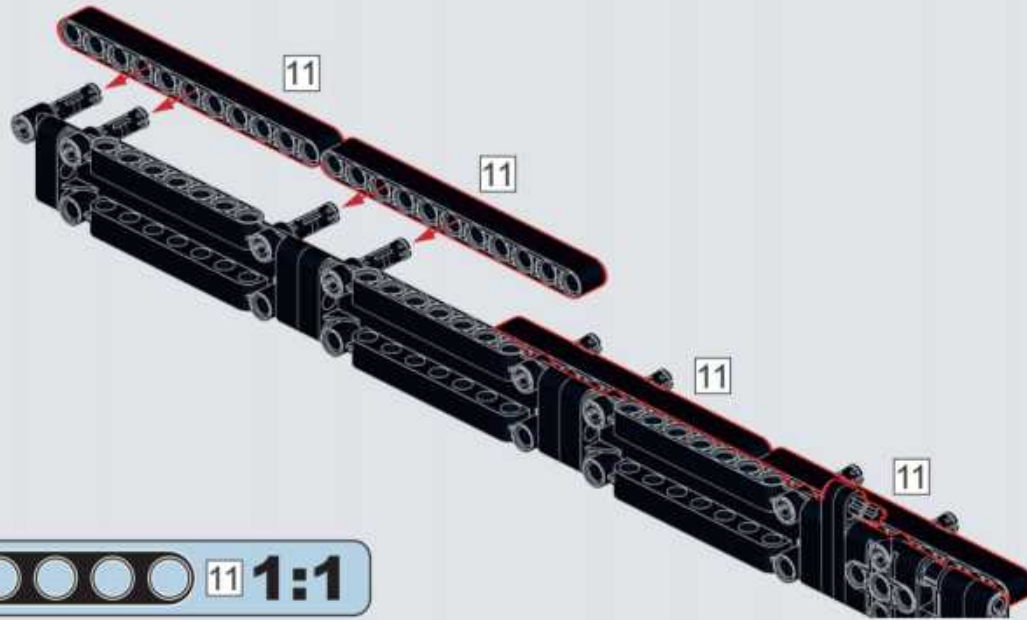


C6





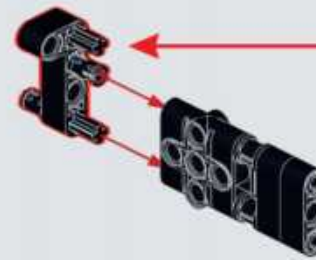
C7



C8

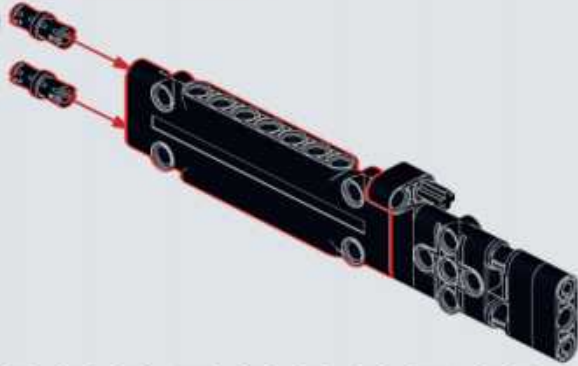


C9





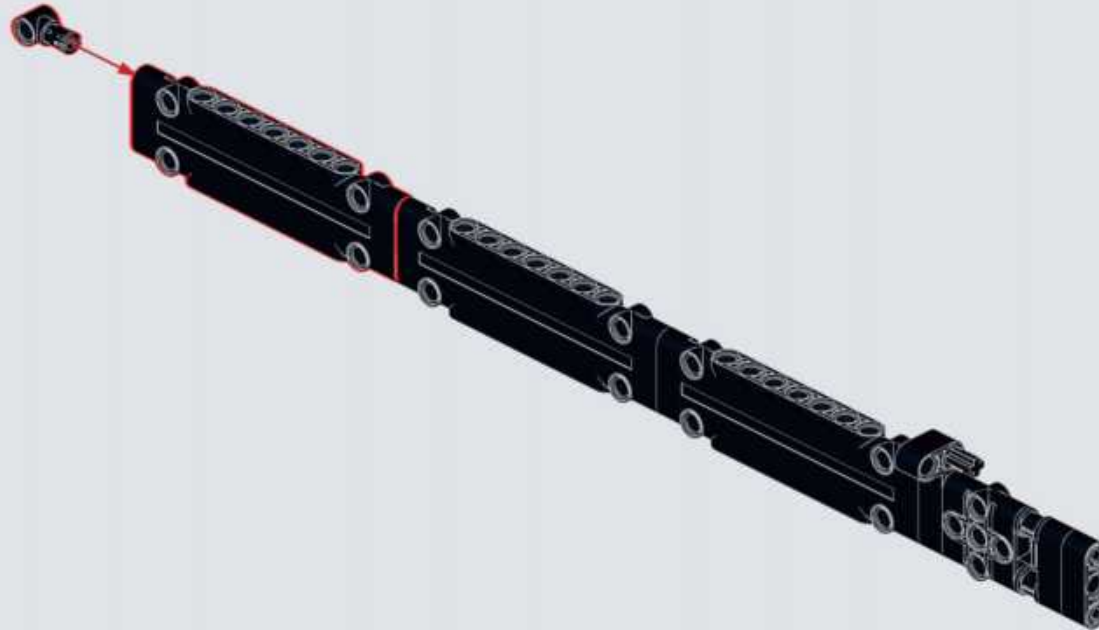
C10



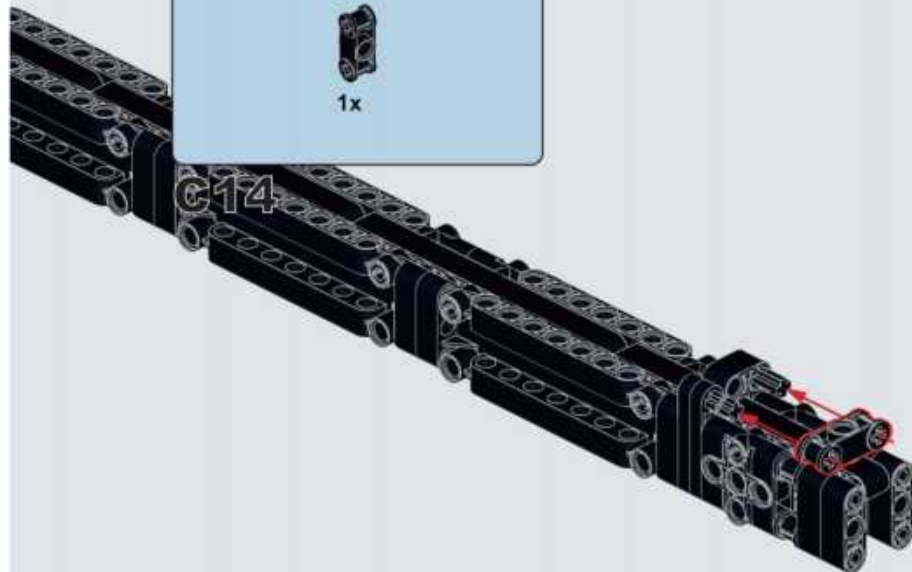
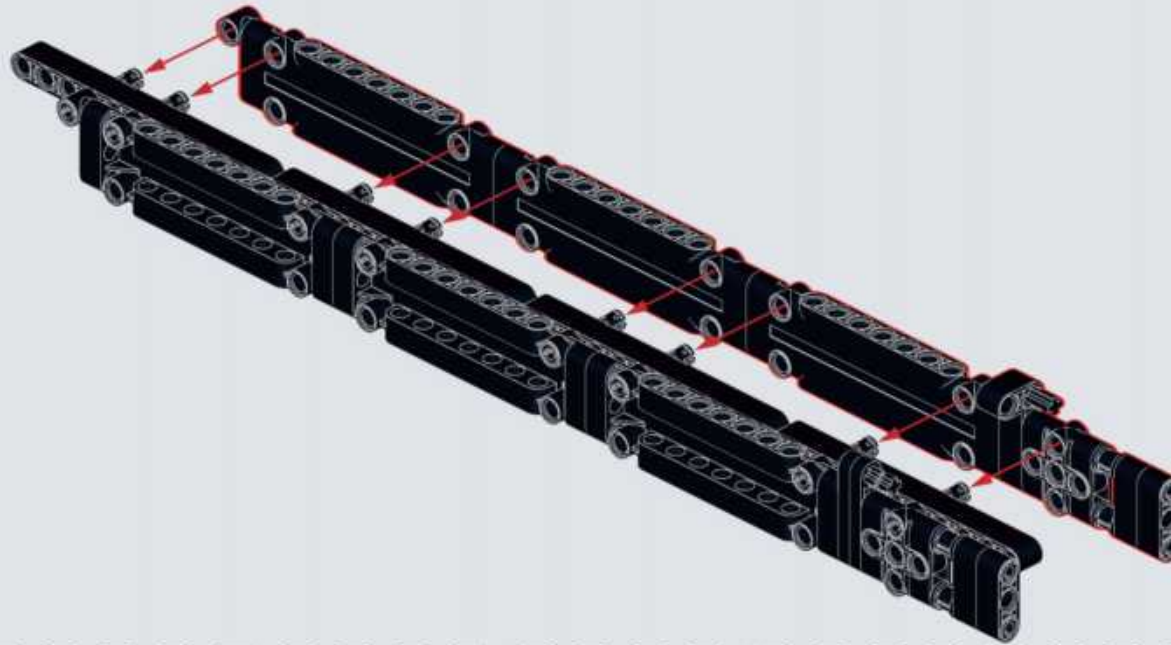
C11



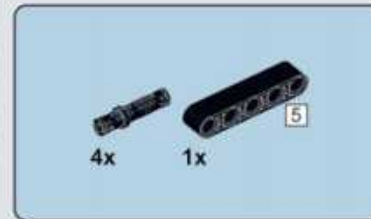
C12



C13



C14

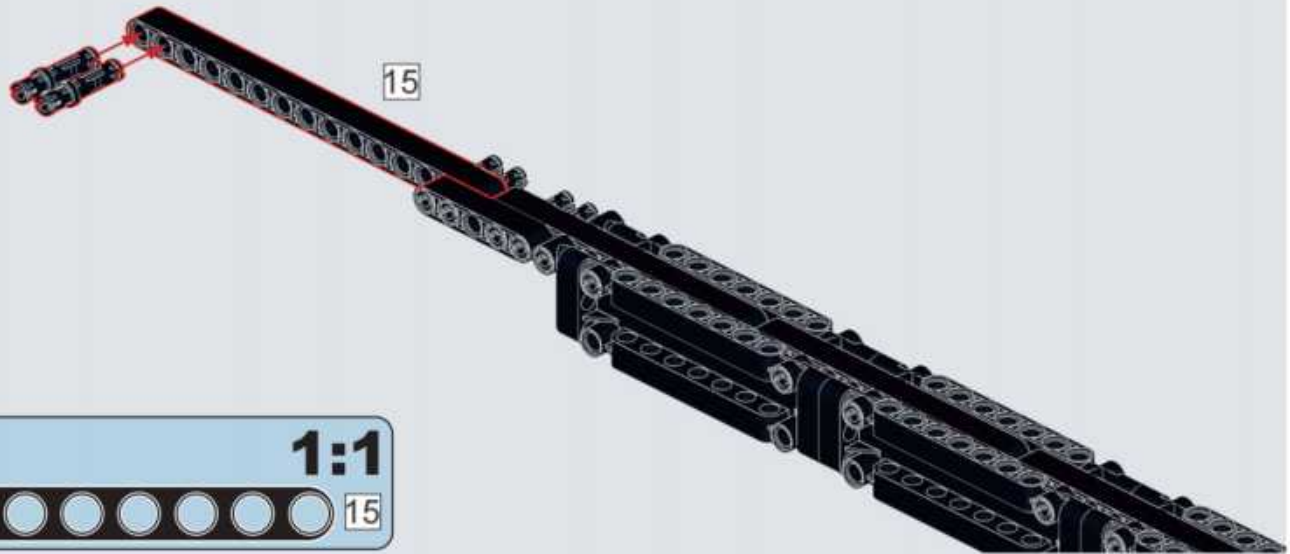


C15





C16

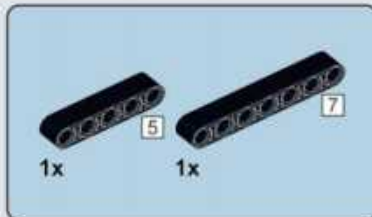
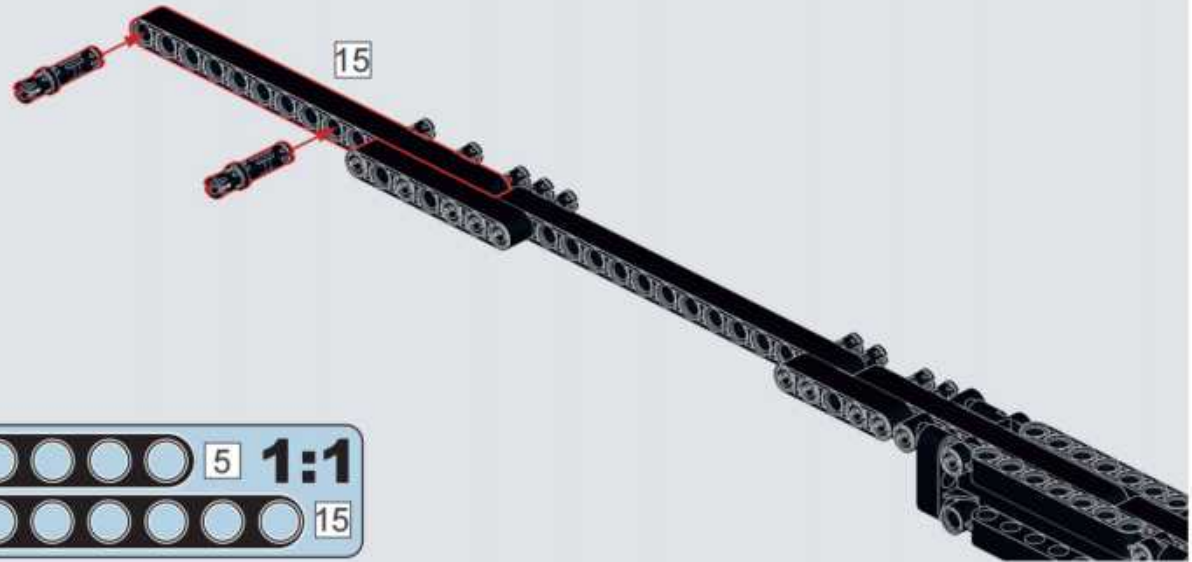


C17

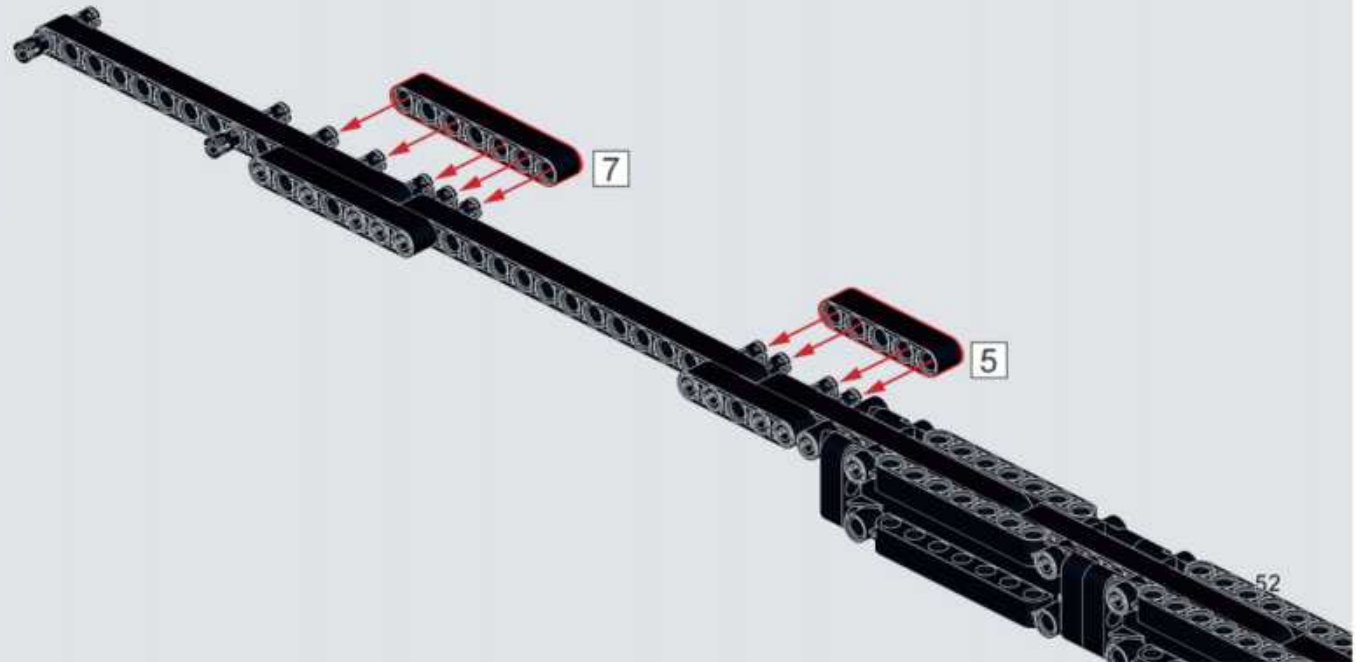




C18

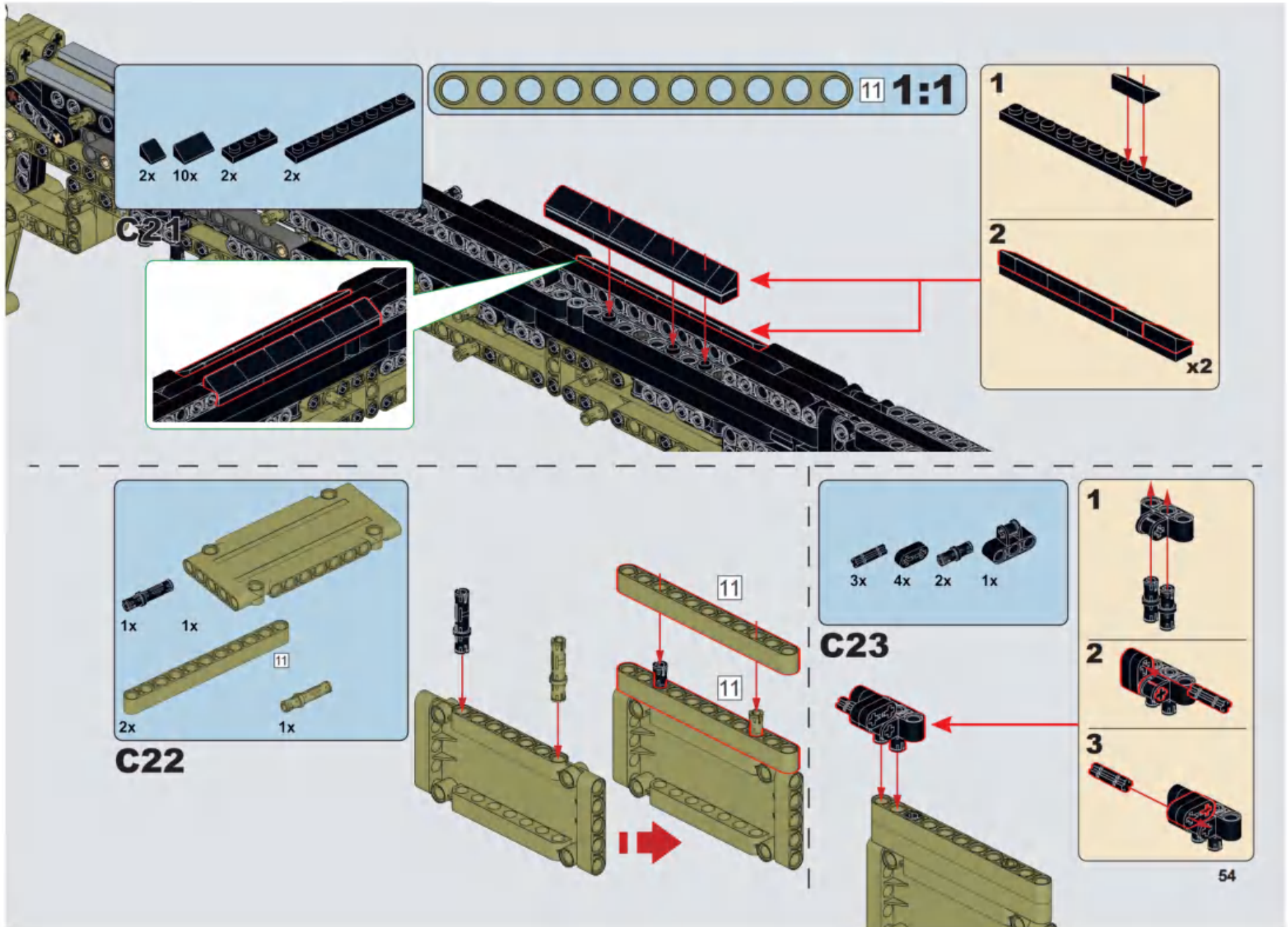


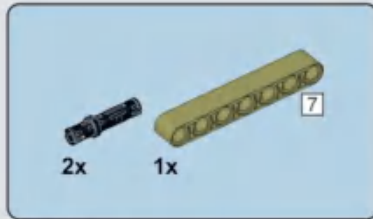
C19



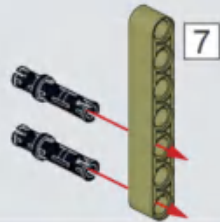
C20



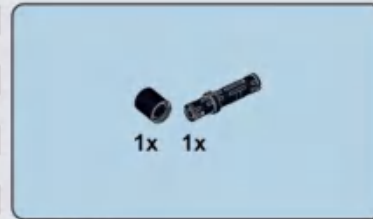
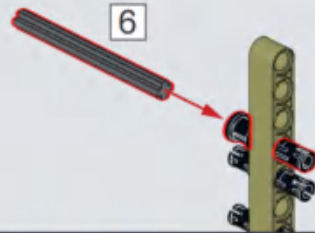




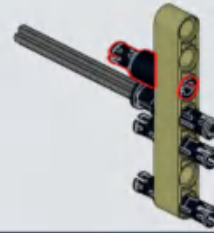
C24



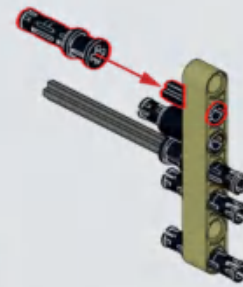
C25



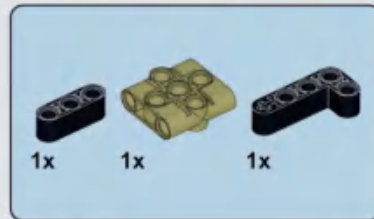
C26



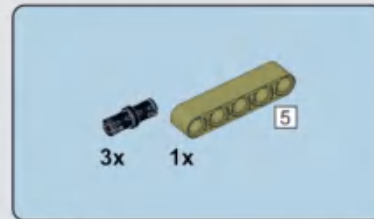
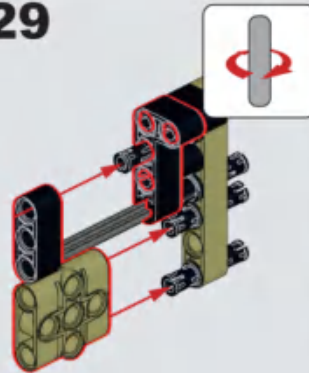
C27



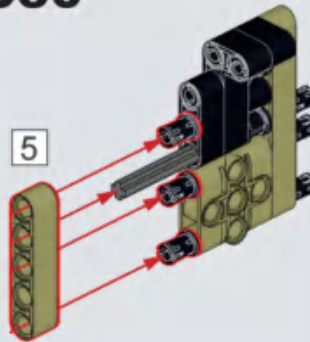
C28



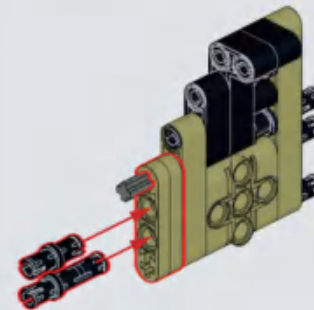
C29

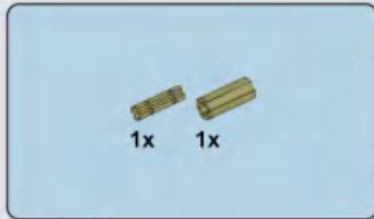


C30

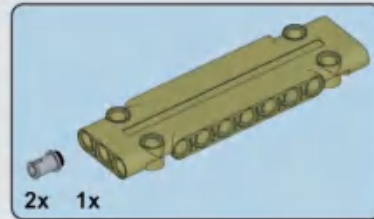
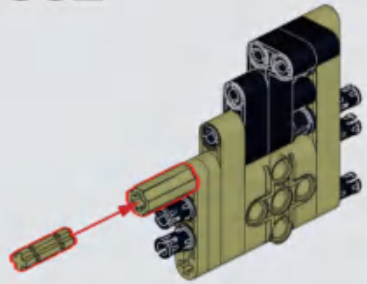


C31

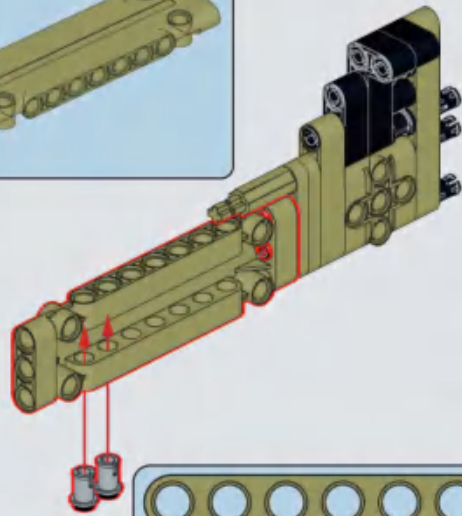




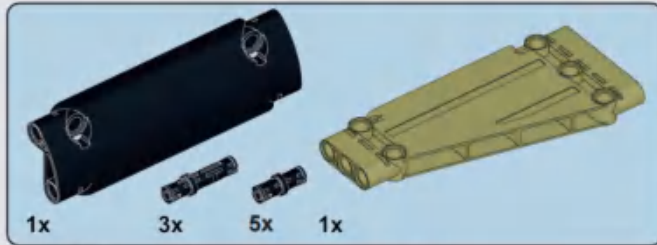
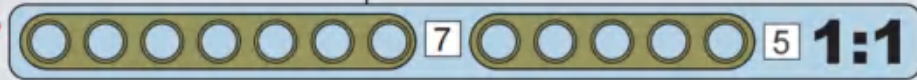
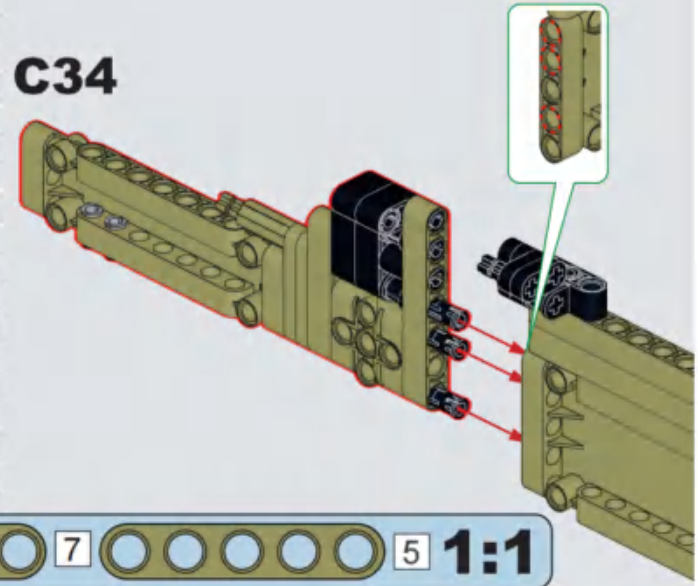
C32



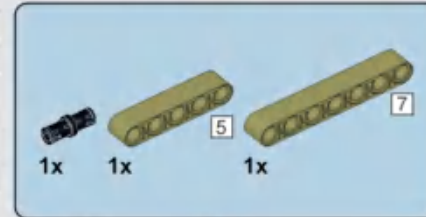
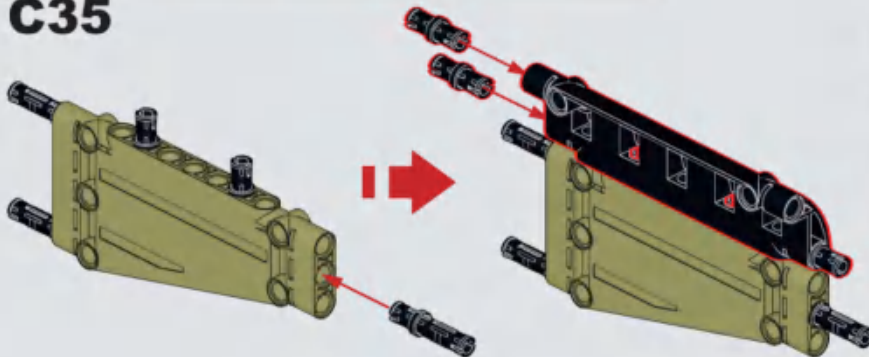
C33



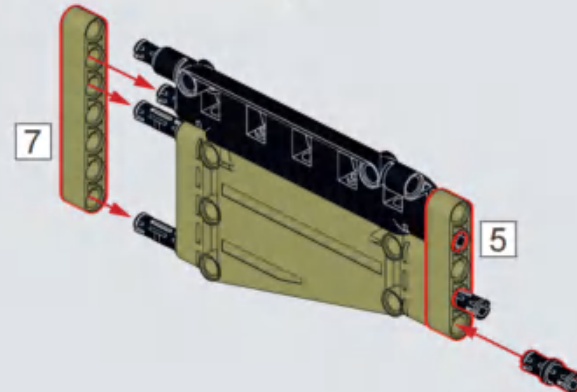
C34



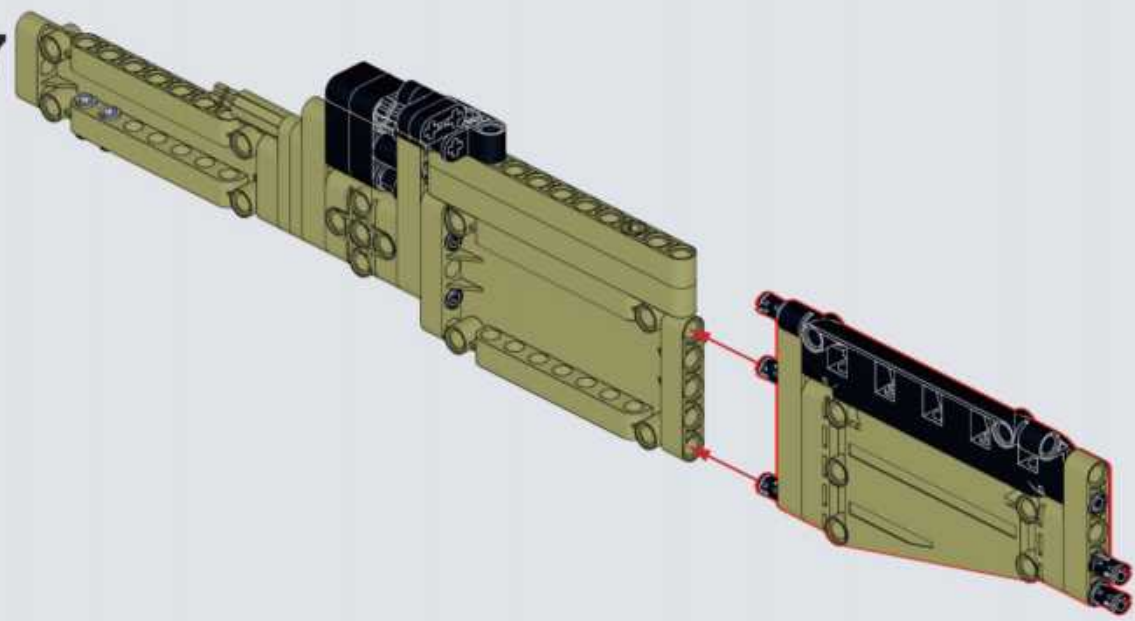
C35



C36



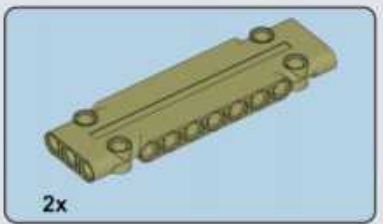
C37



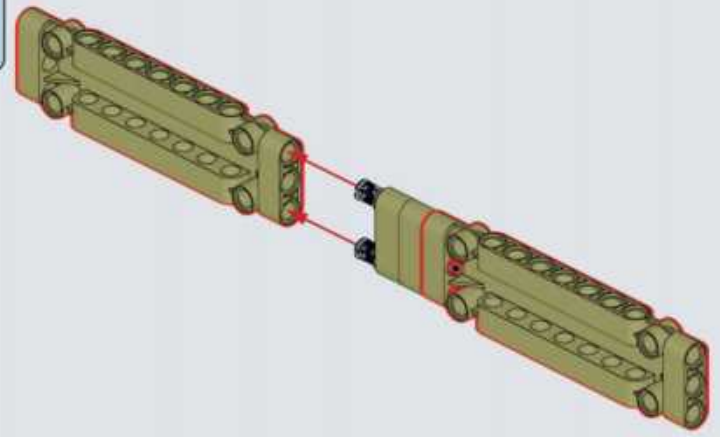
C38



C39

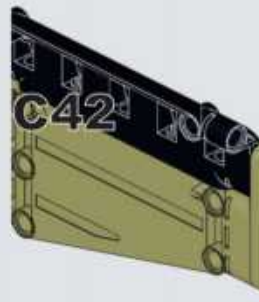
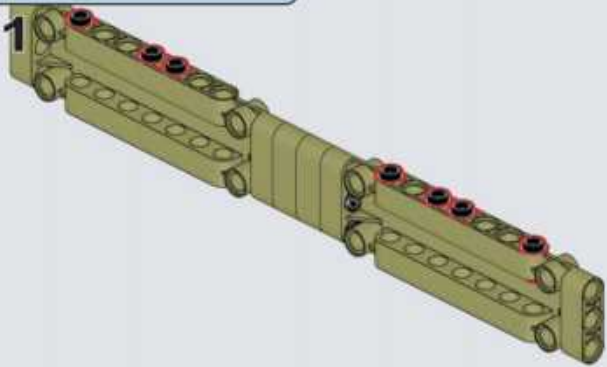


C40

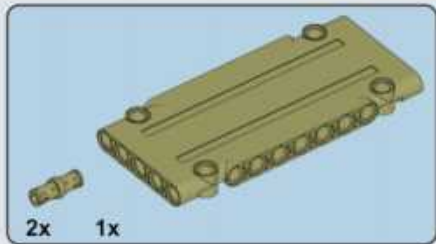
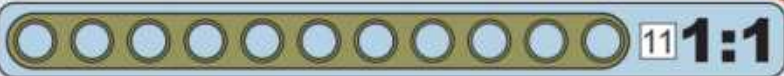
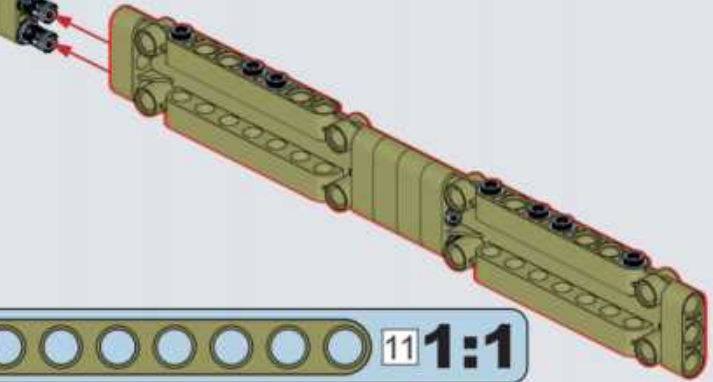




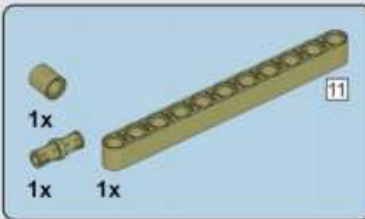
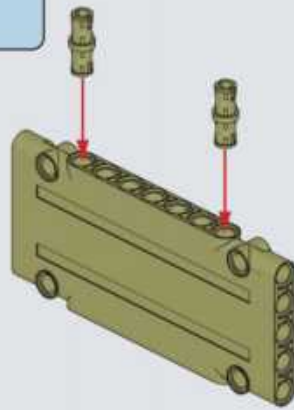
C41



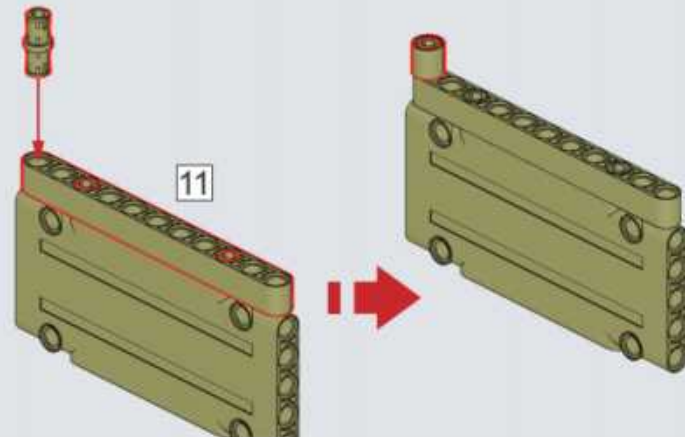
C42

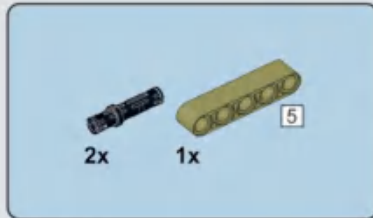


C43

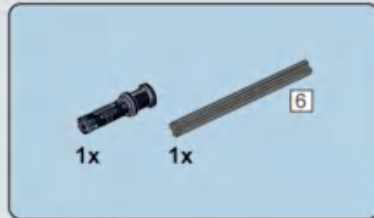
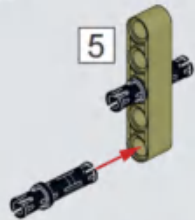


C44

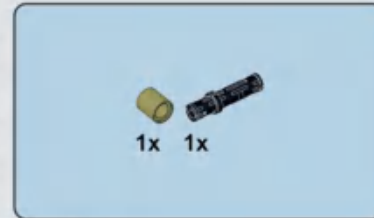
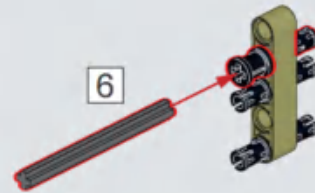




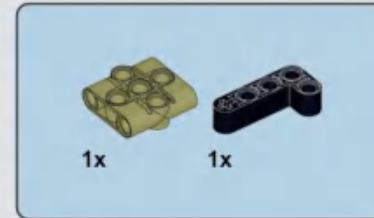
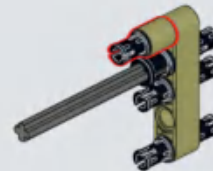
C45



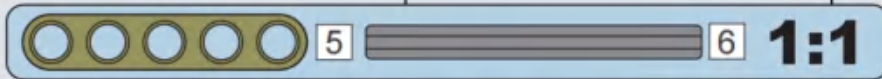
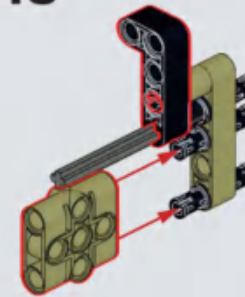
C46



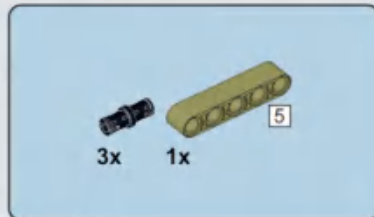
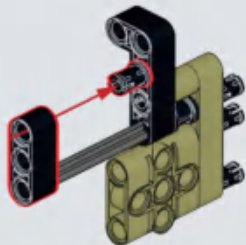
C47



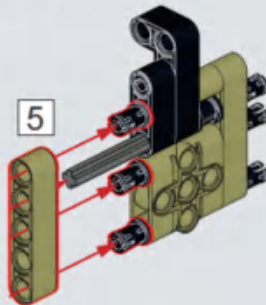
C48



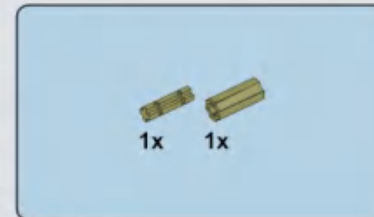
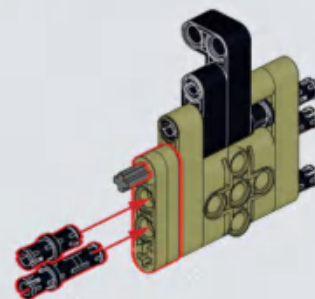
C49



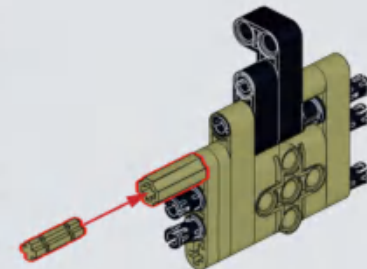
C50

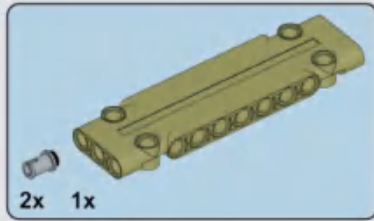


C51

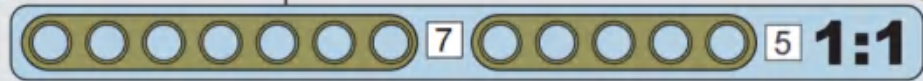
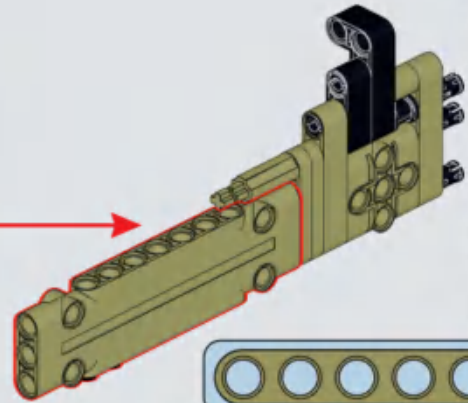
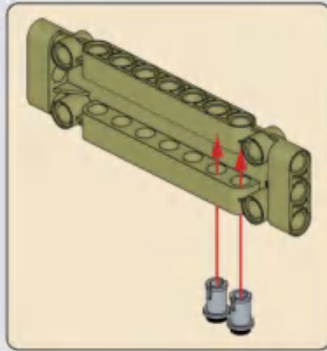


C52

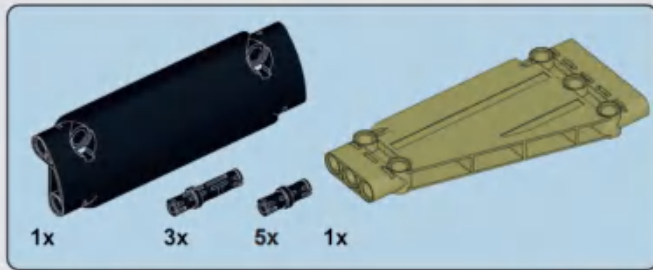
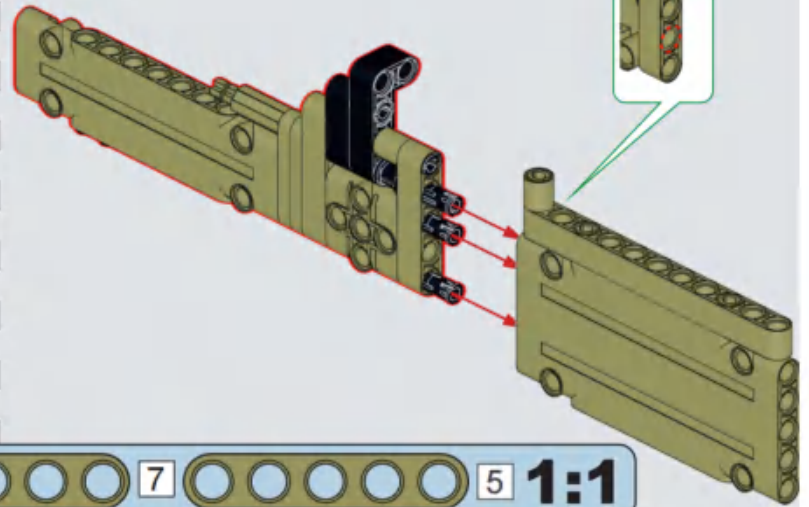




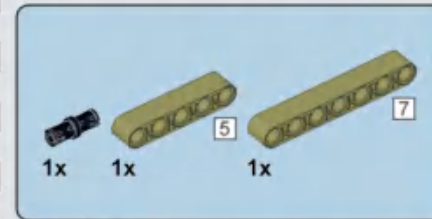
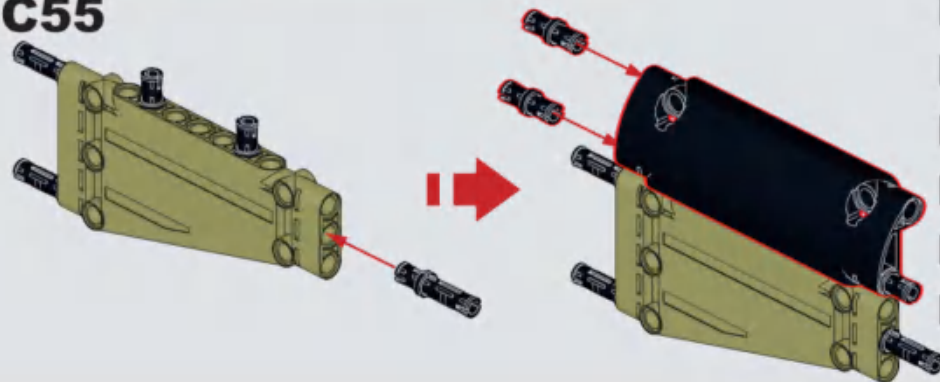
C53



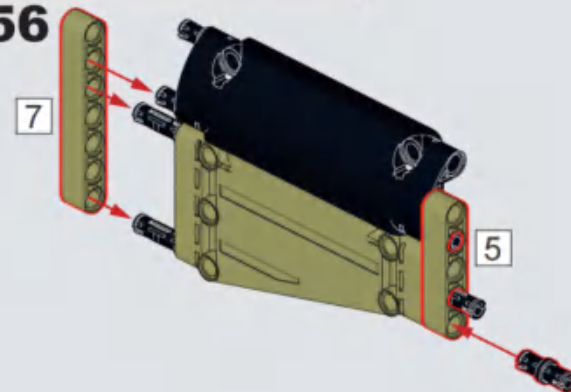
C54



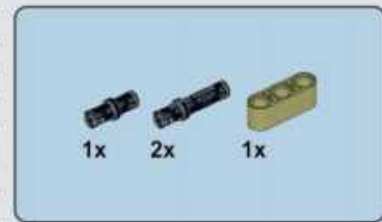
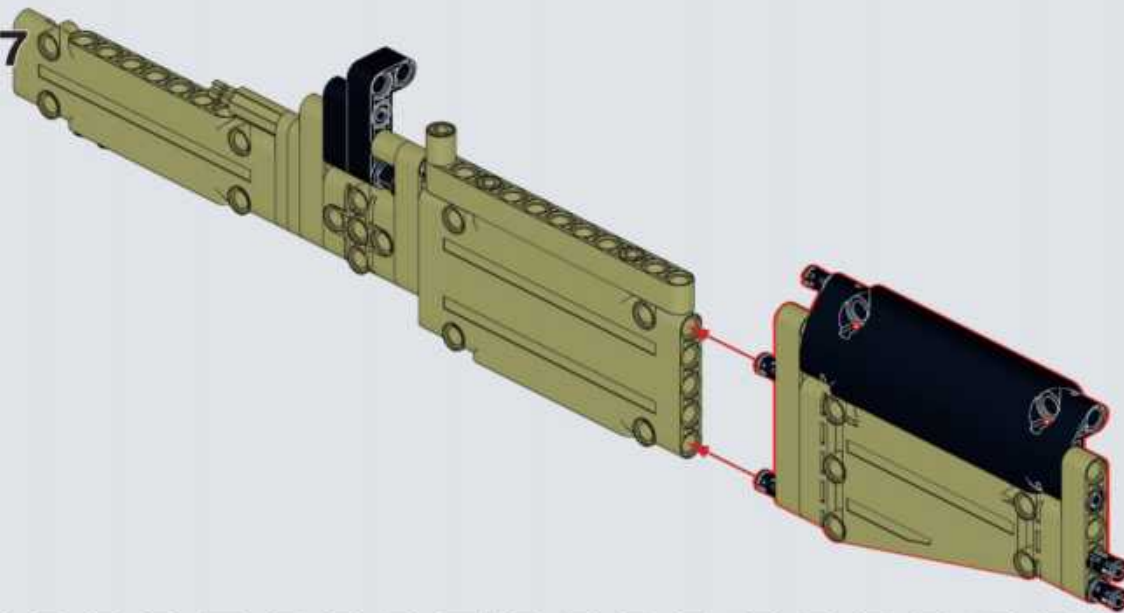
C55



C56



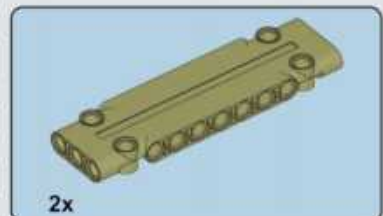
C57



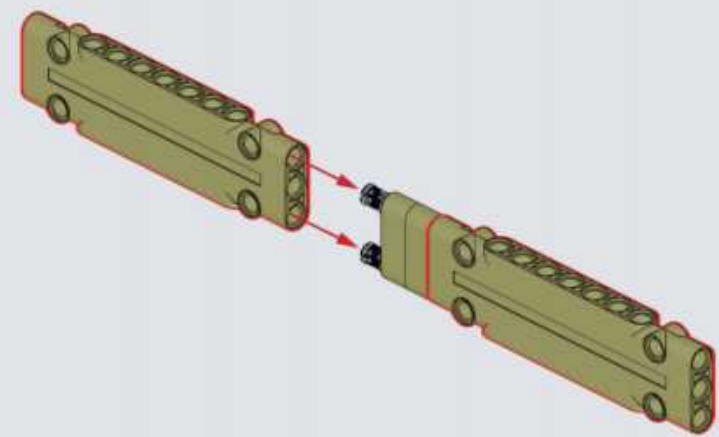
C58



C59

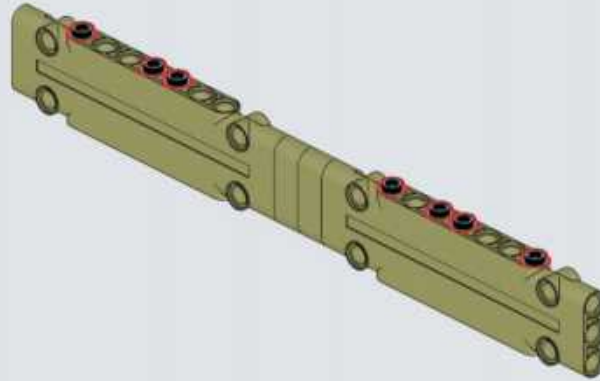


C60

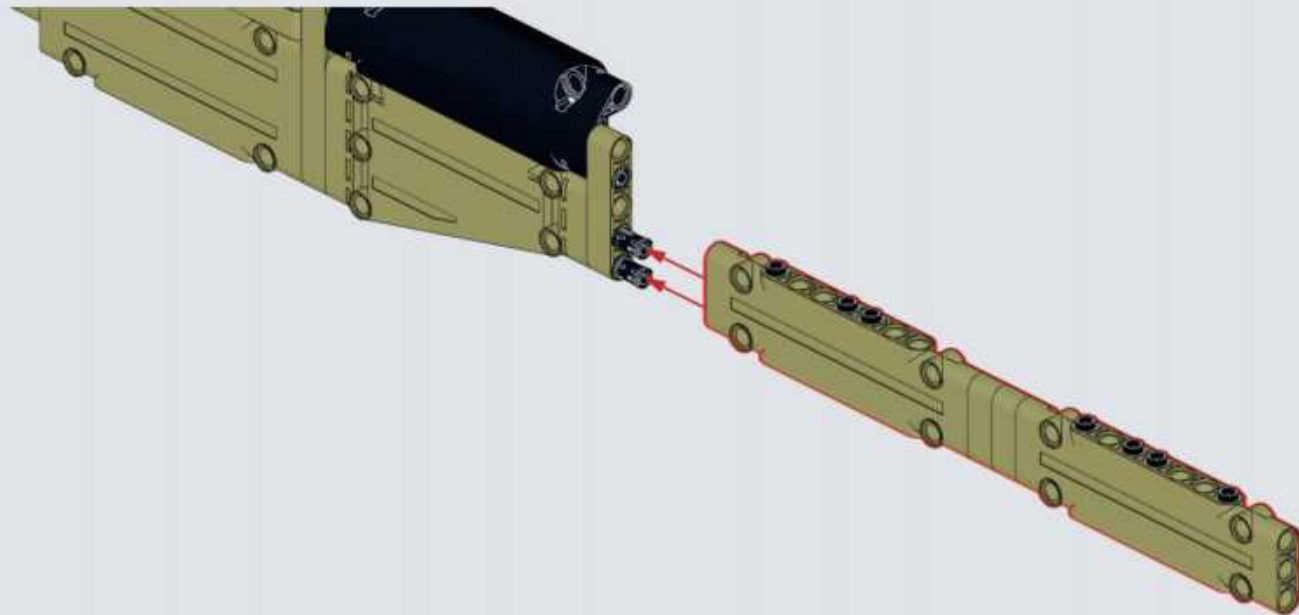


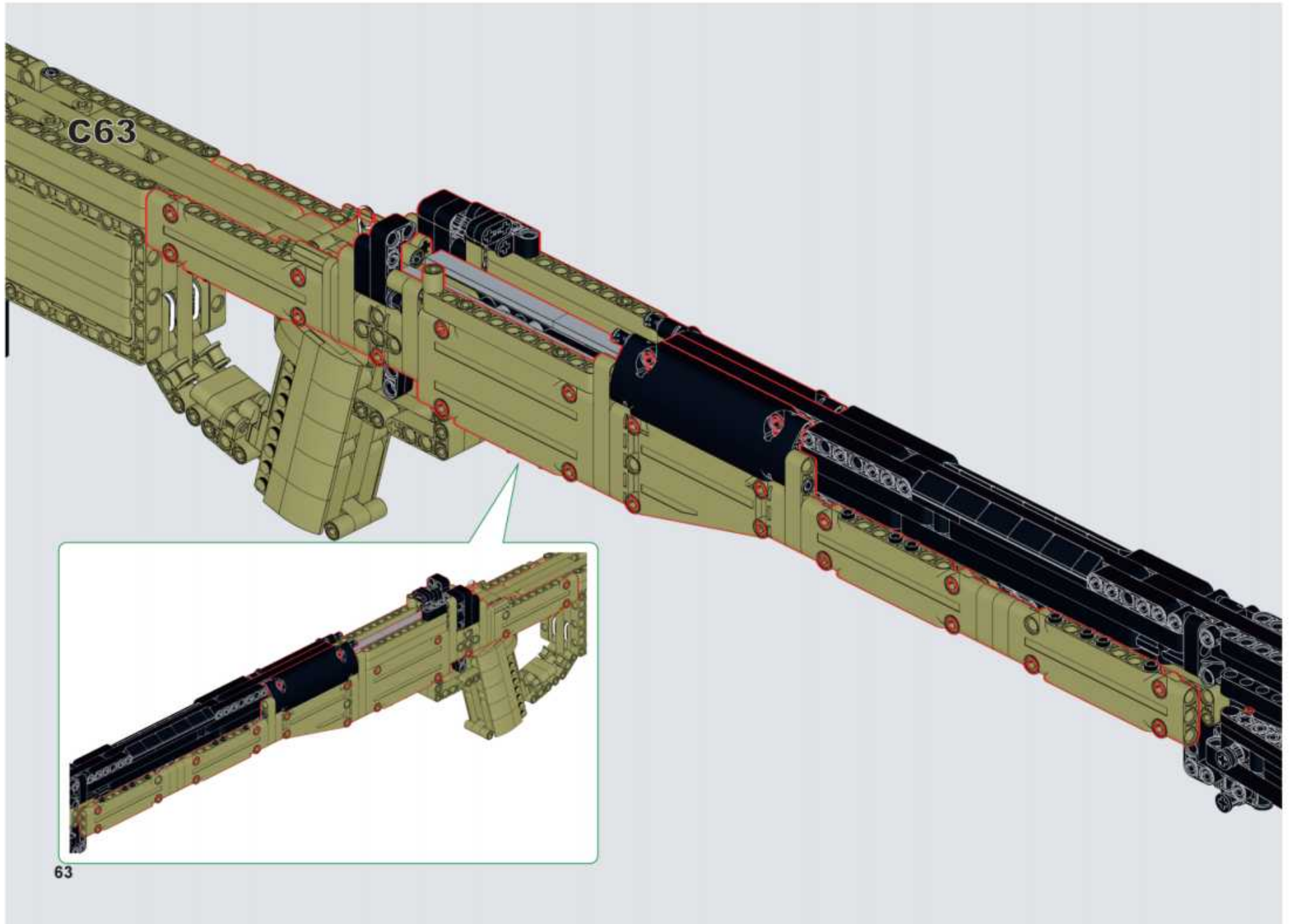


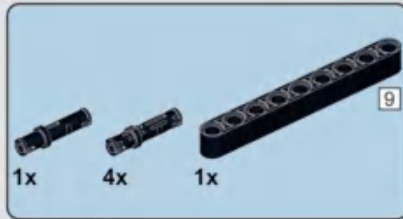
C61



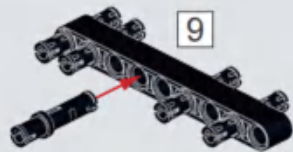
C62



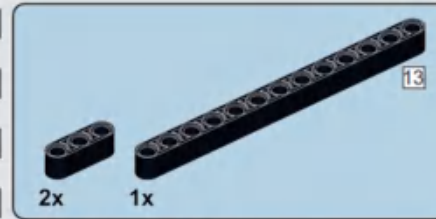
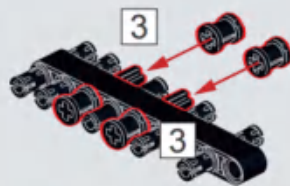




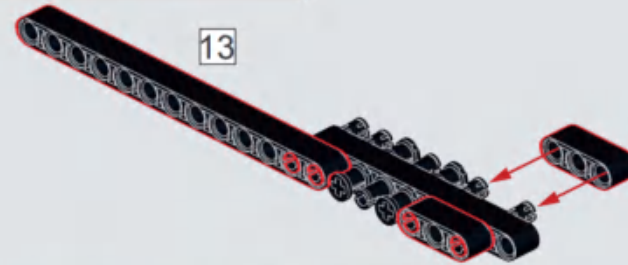
C64



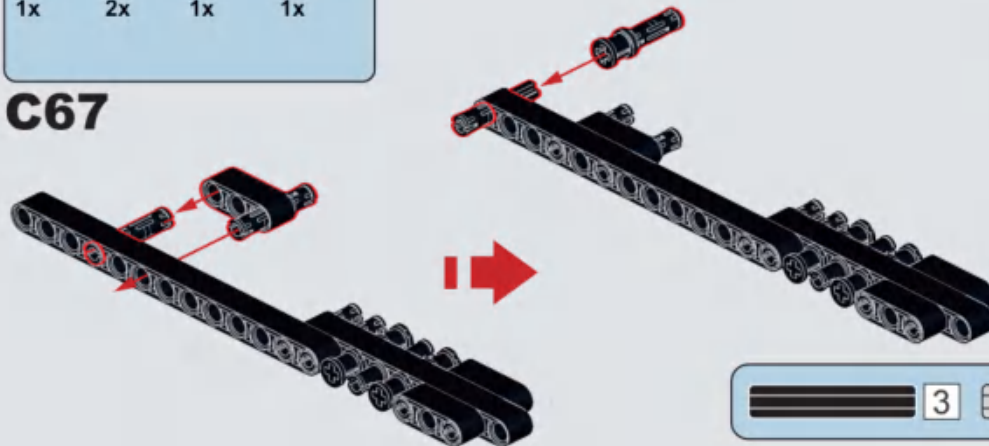
C65



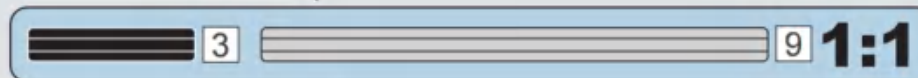
C66



C67

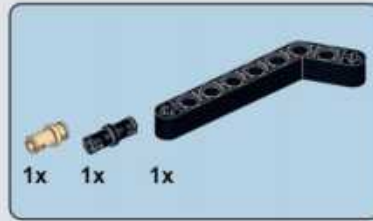
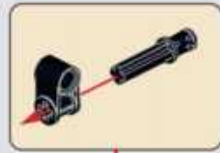


C68

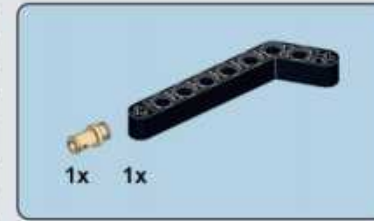




C69



C70



C71



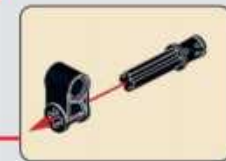
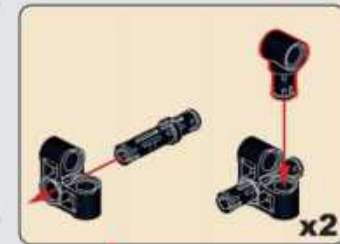
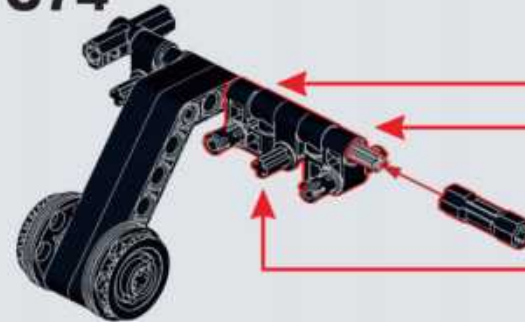
C72

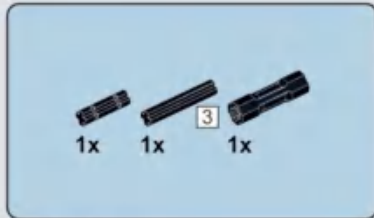


C73

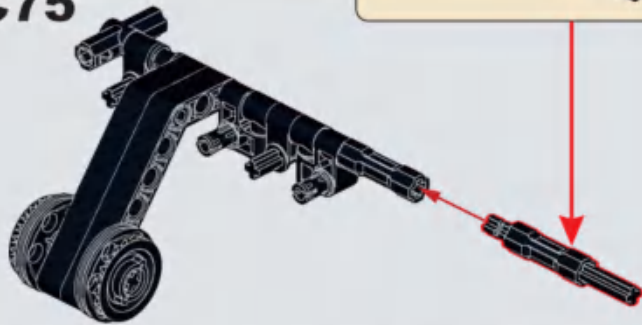


C74

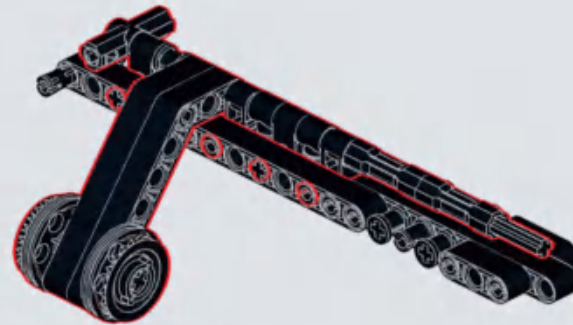




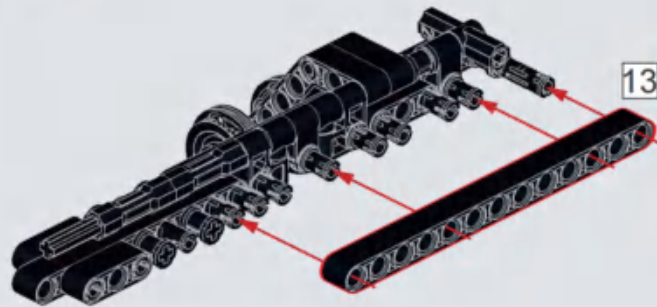
C75



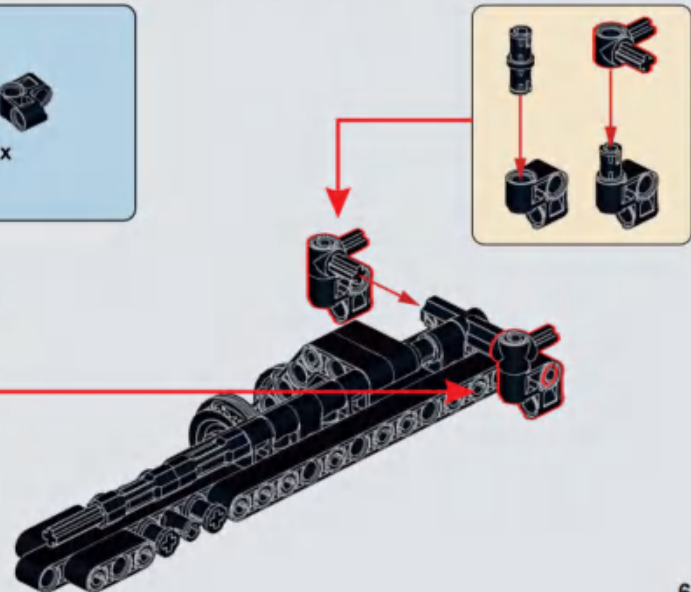
C76



C77

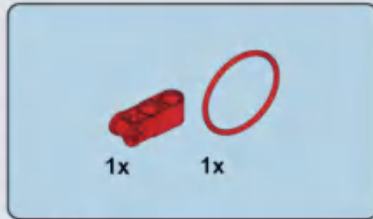
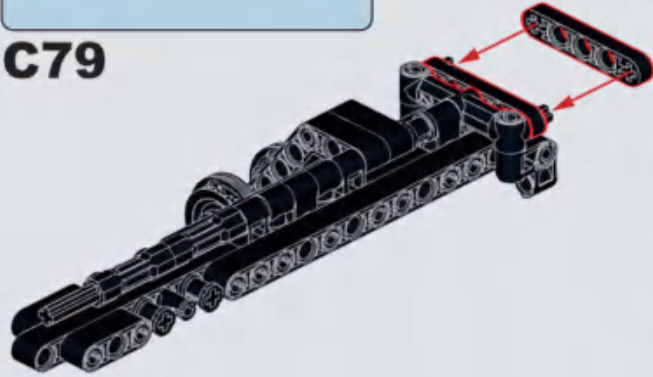


C78

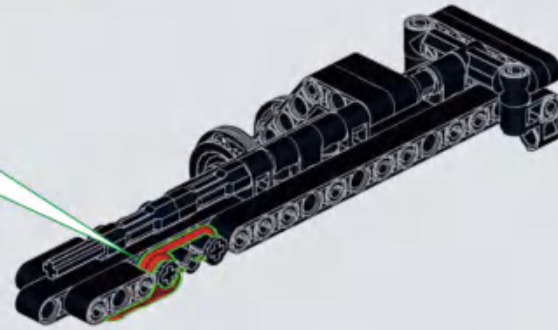




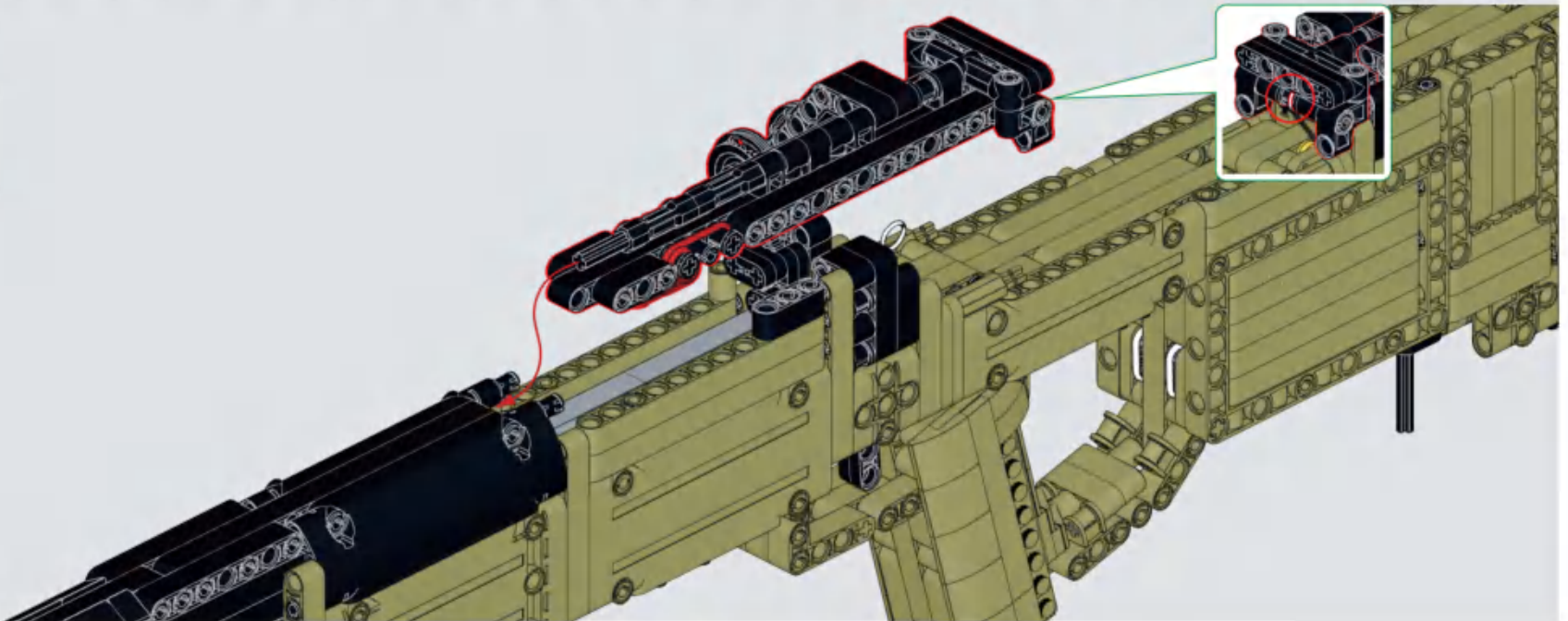
C79

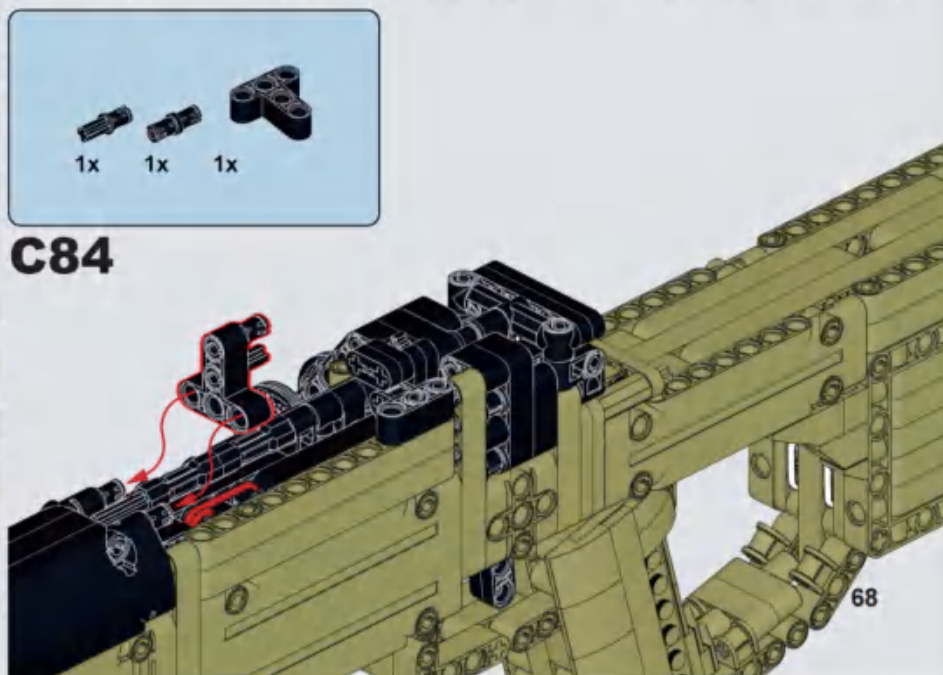
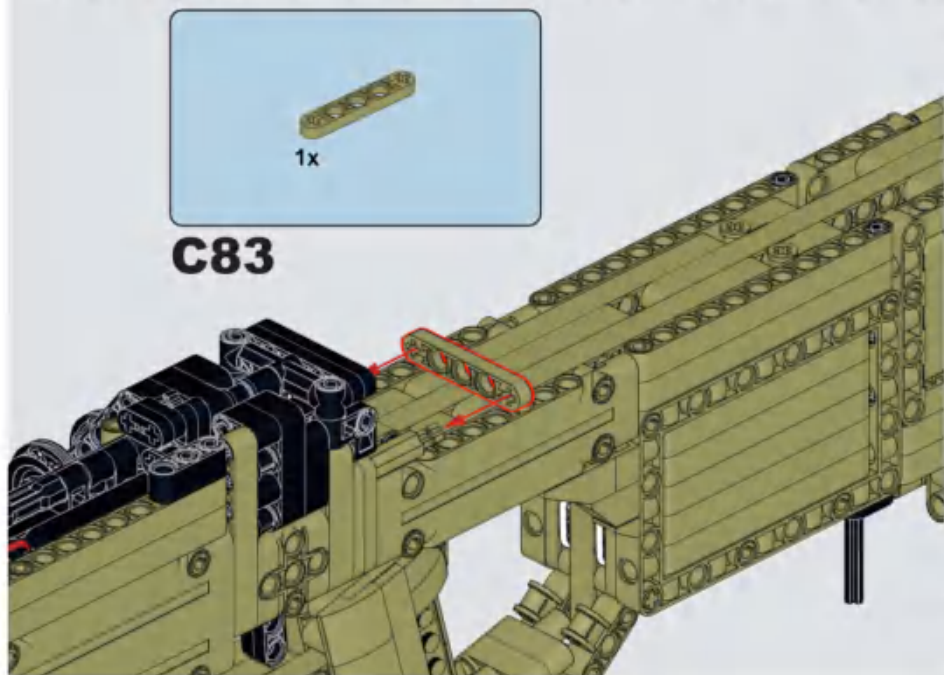
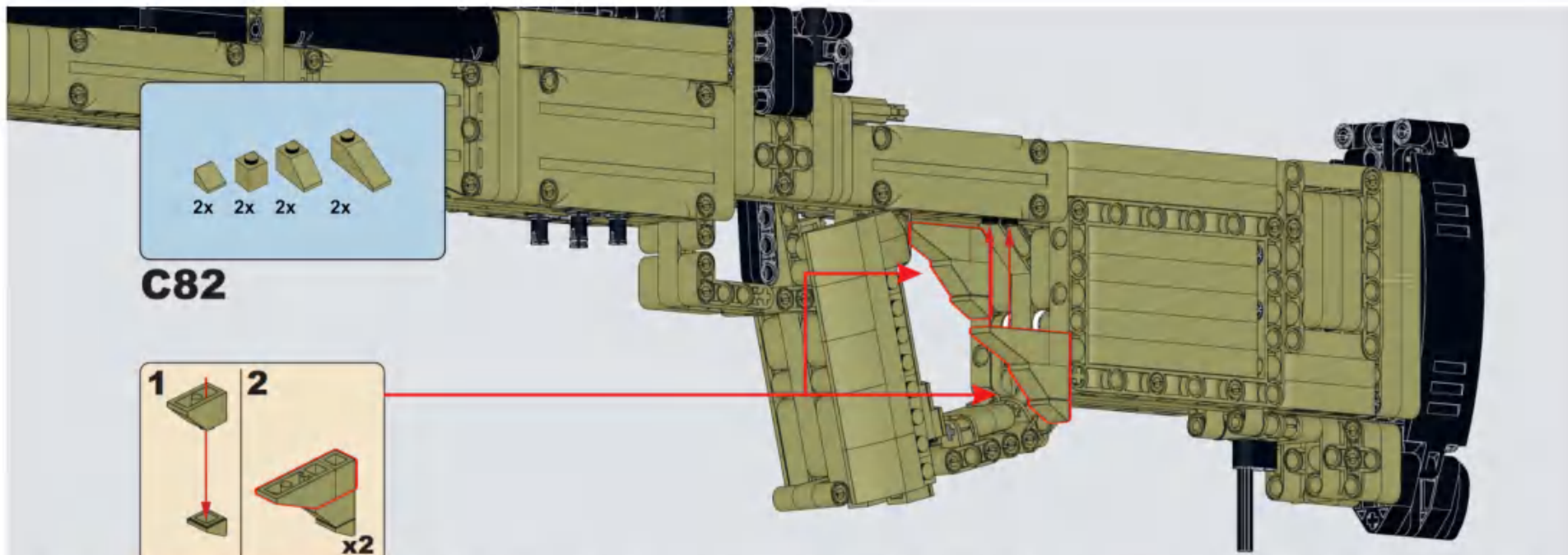


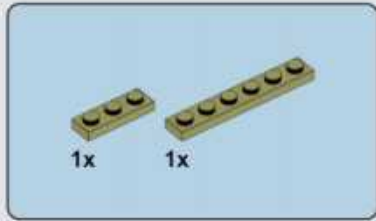
C80



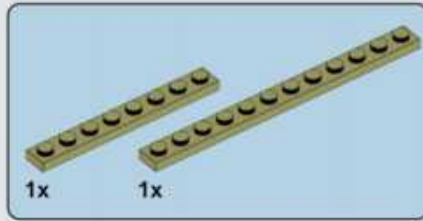
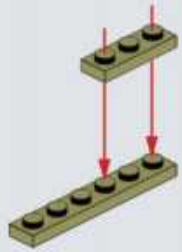
C81



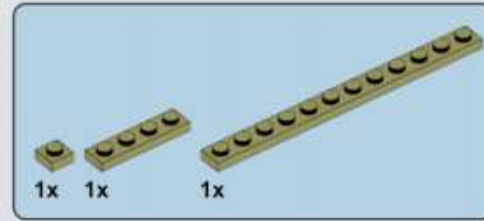
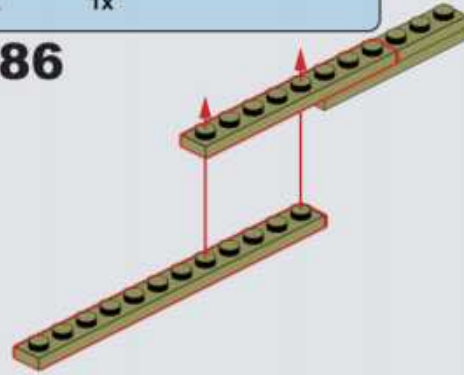




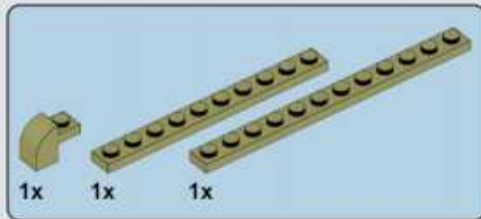
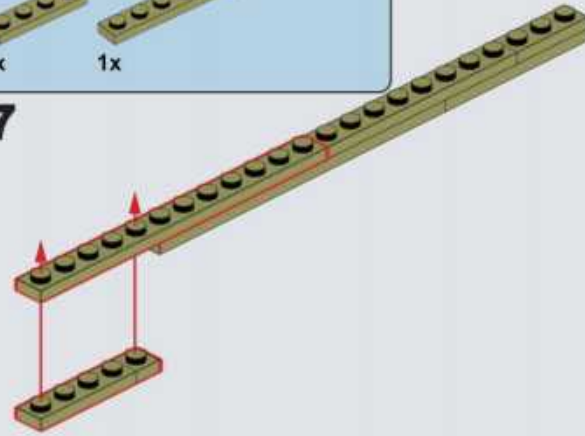
C85



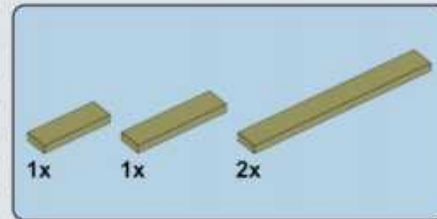
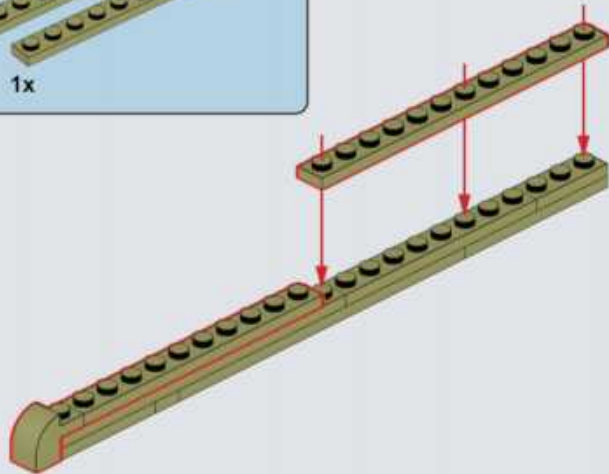
C86



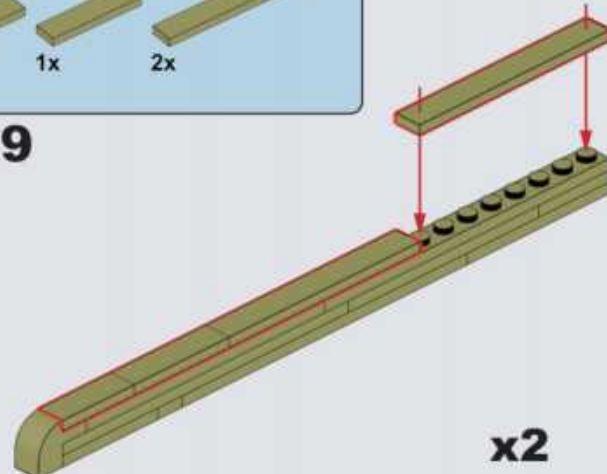
C87



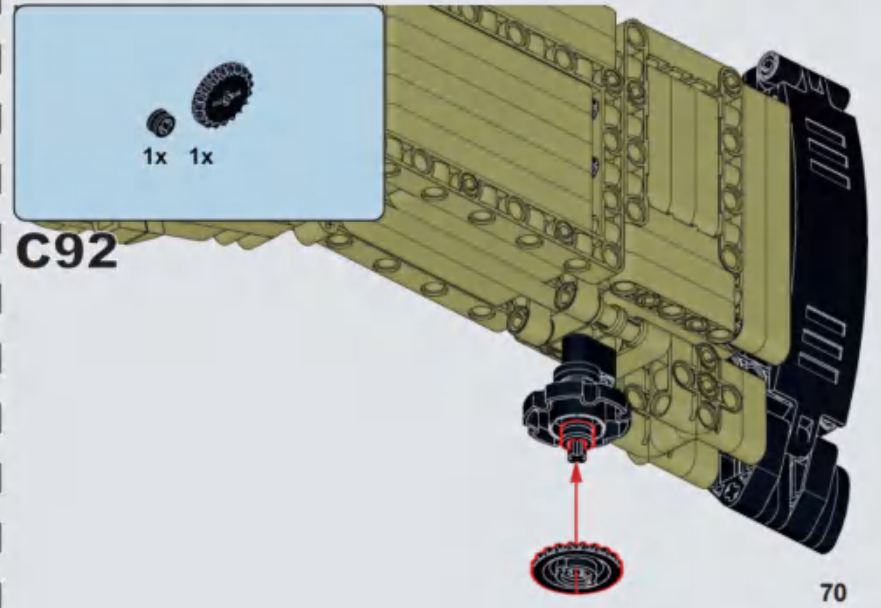
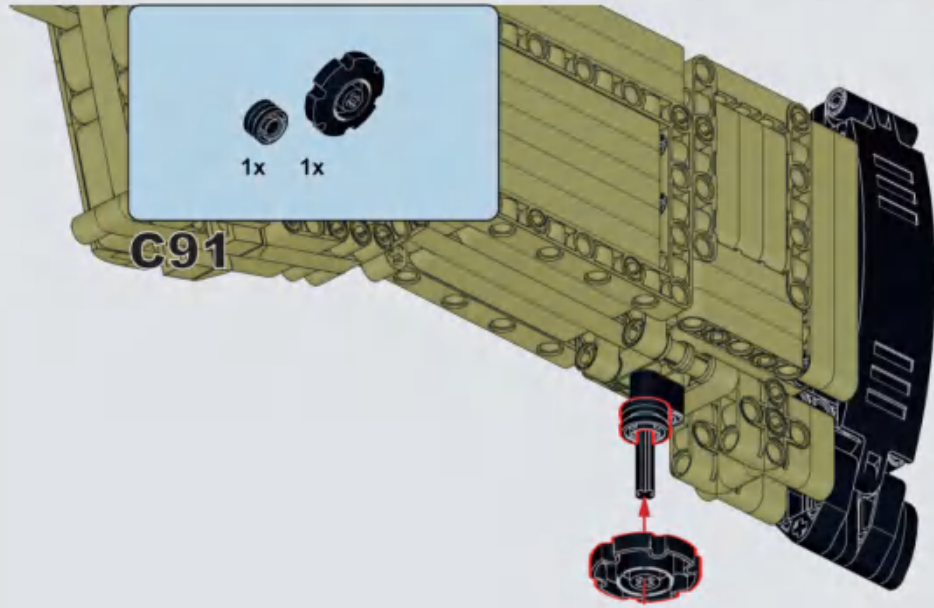
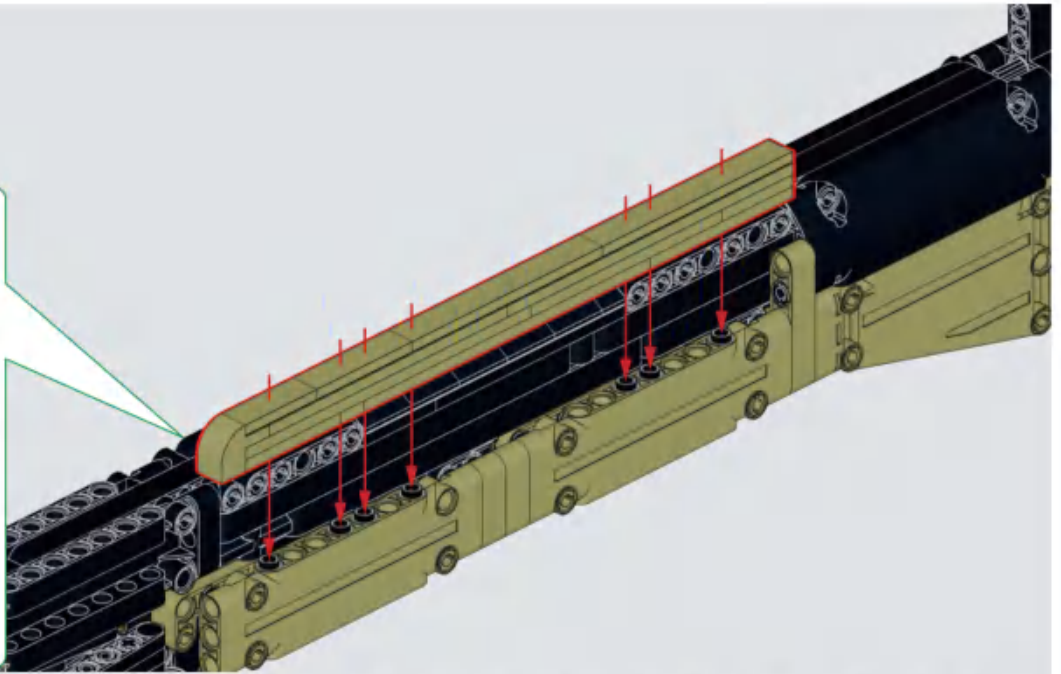
C88



C89

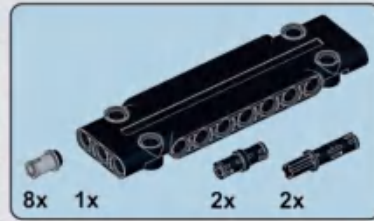
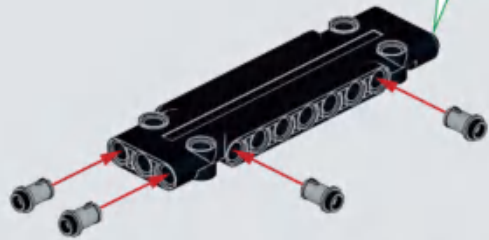


C90

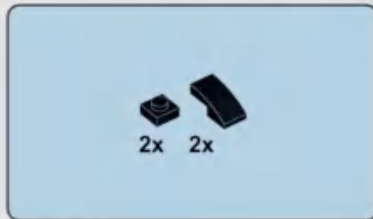
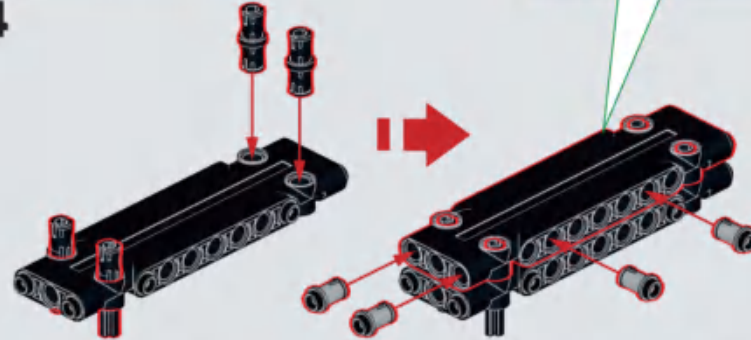




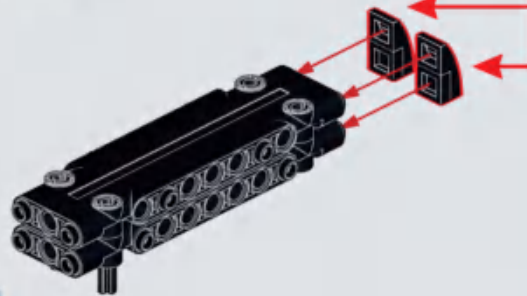
C93



C94



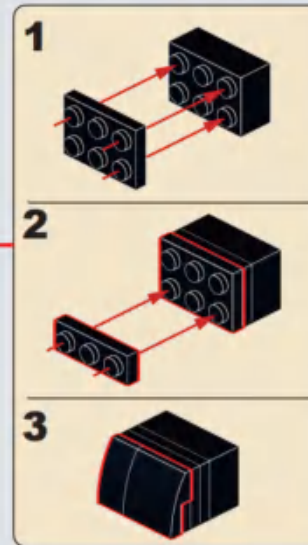
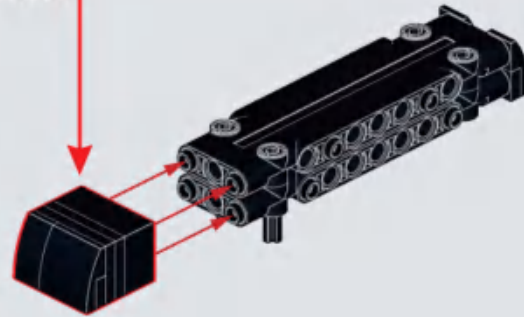
C95

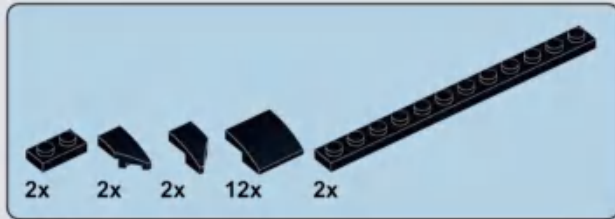


x2



C96

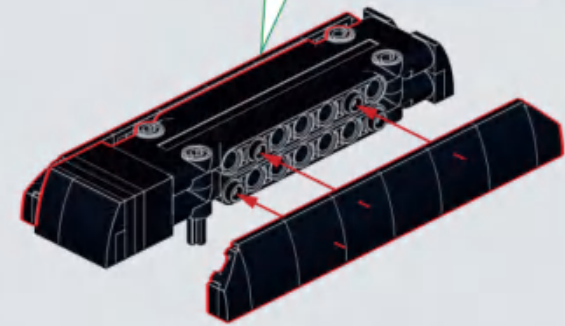
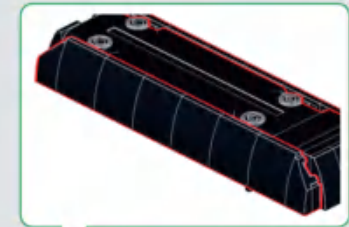




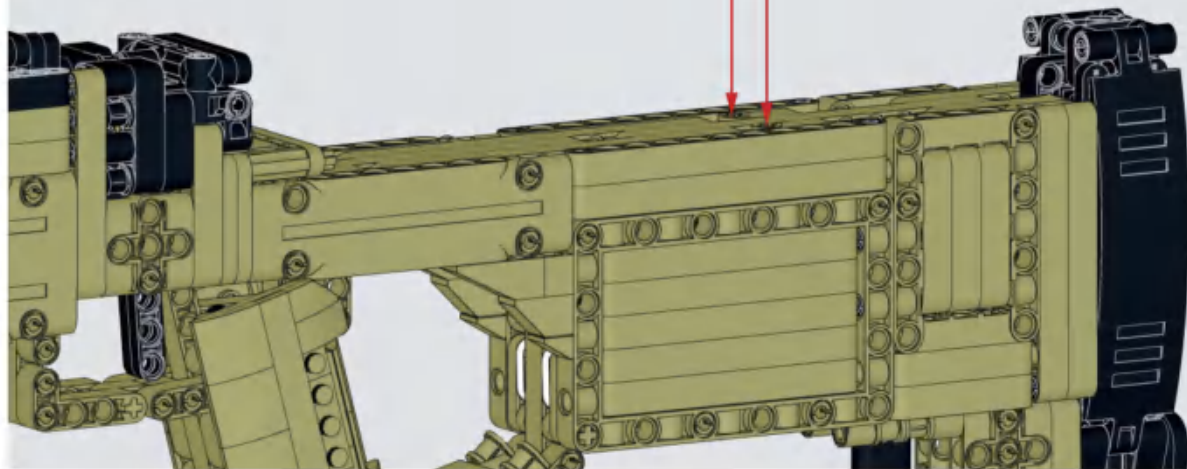
C97



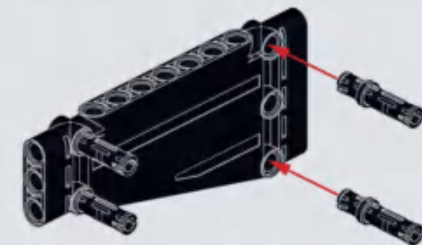
C98

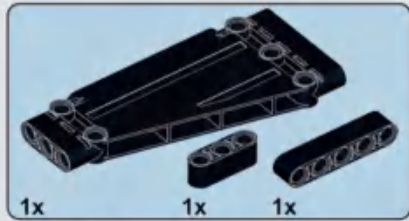


C99

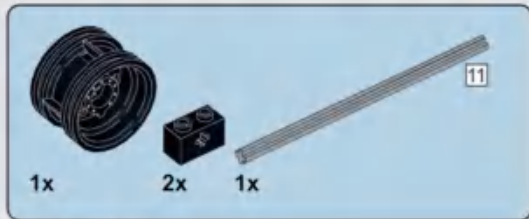
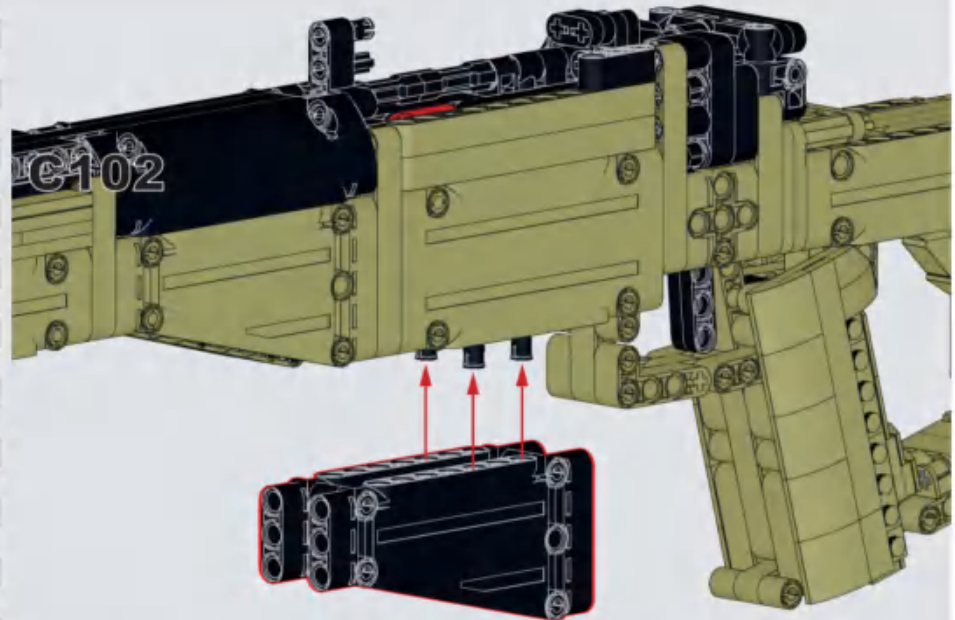
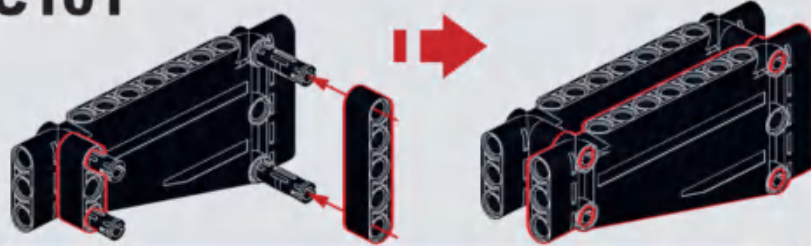


C100

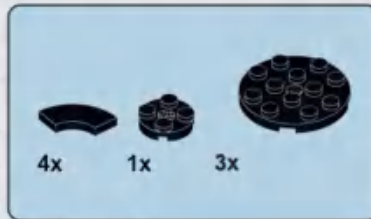
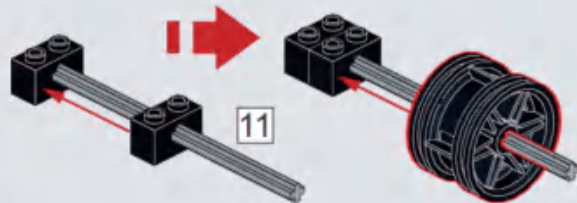




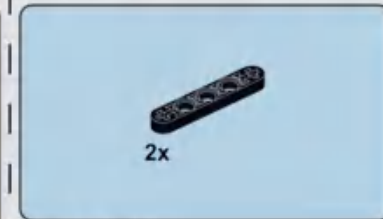
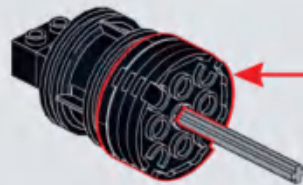
C101



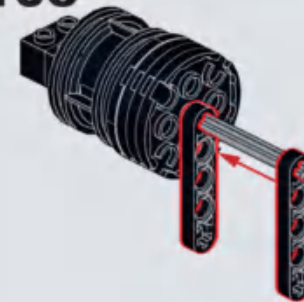
C103

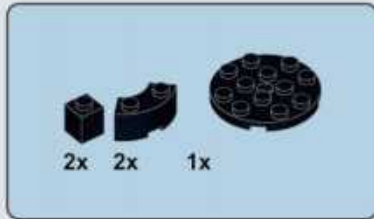


C104

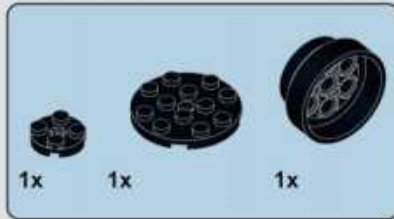
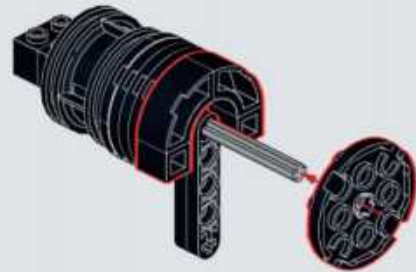


C105

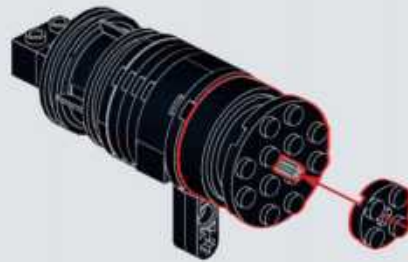




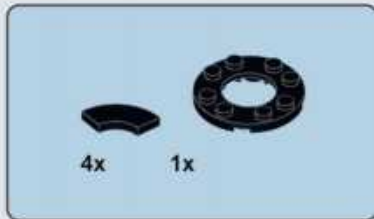
C106



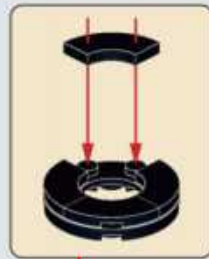
C107



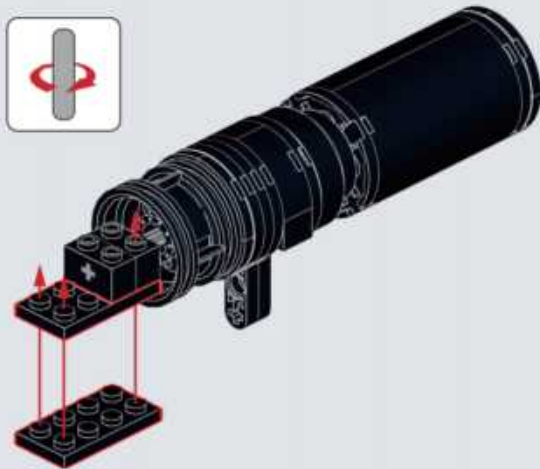
C108

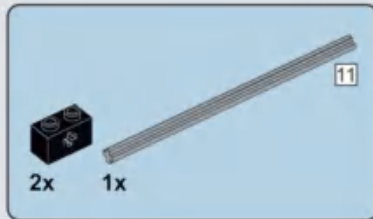


C109

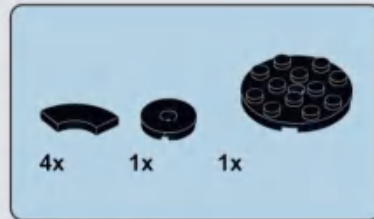
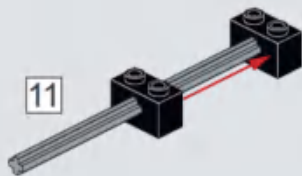


C110

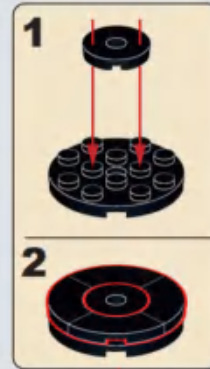
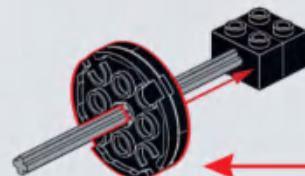




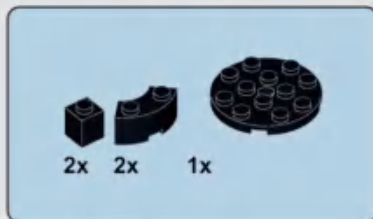
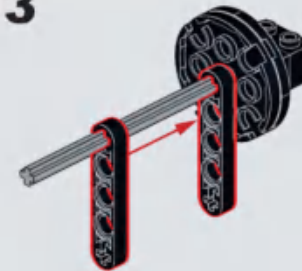
C111



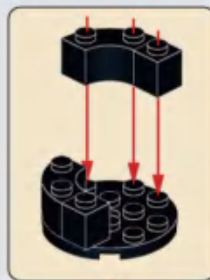
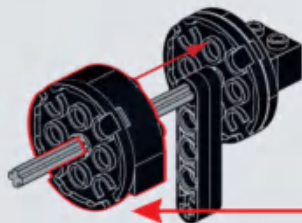
C112



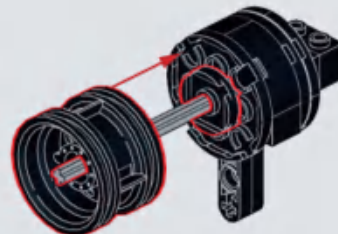
C113



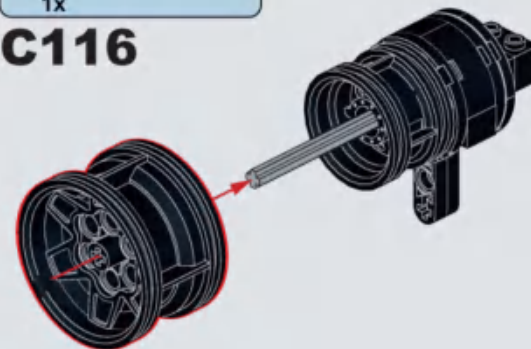
C114



C115

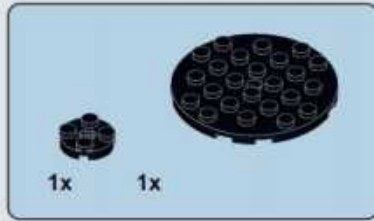


C116

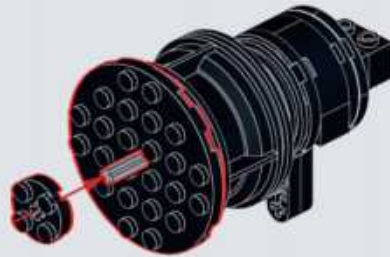




C117



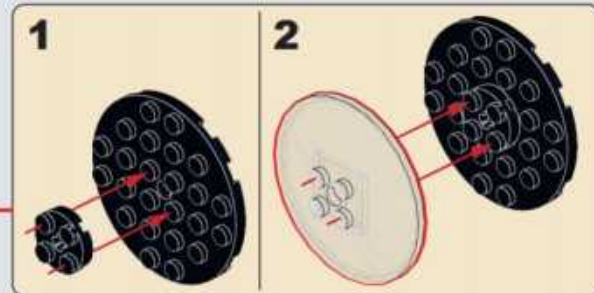
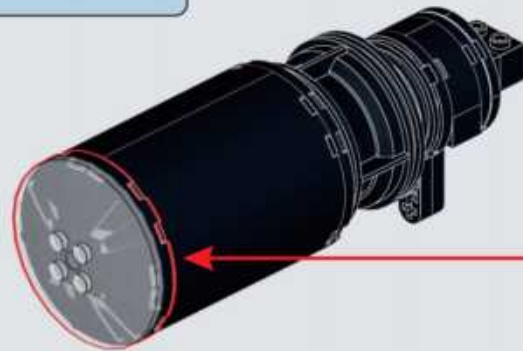
C118



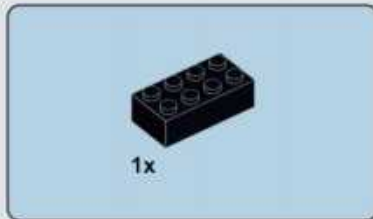
C119



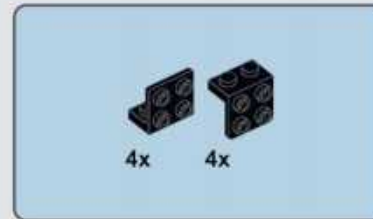
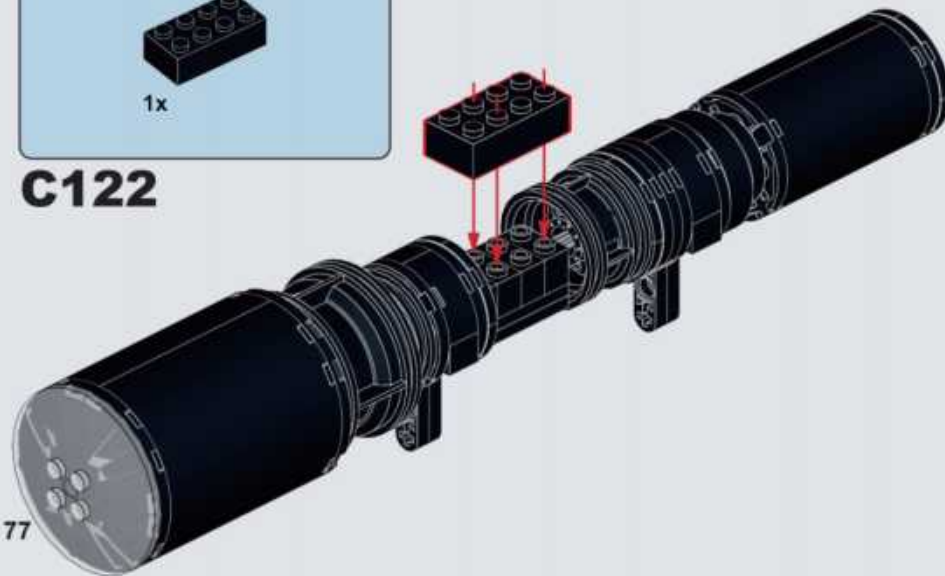
C120



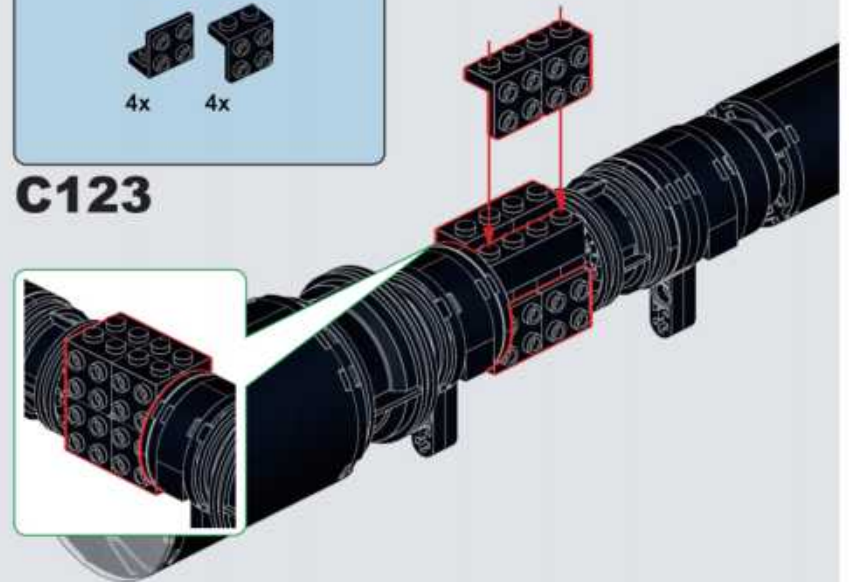
C121

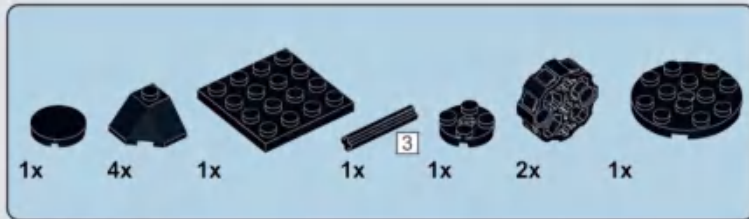


C122



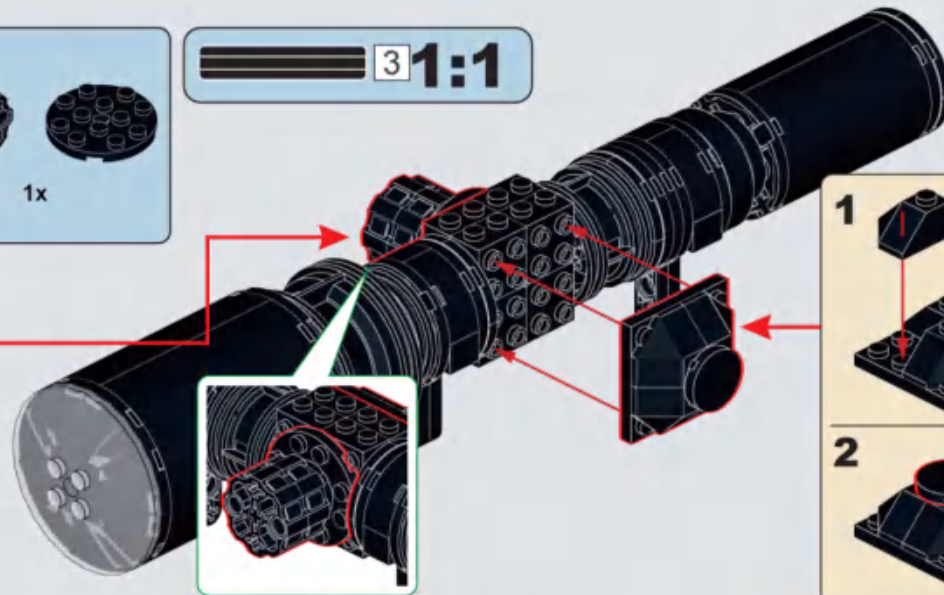
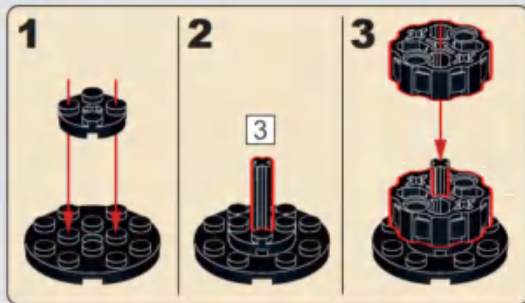
C123



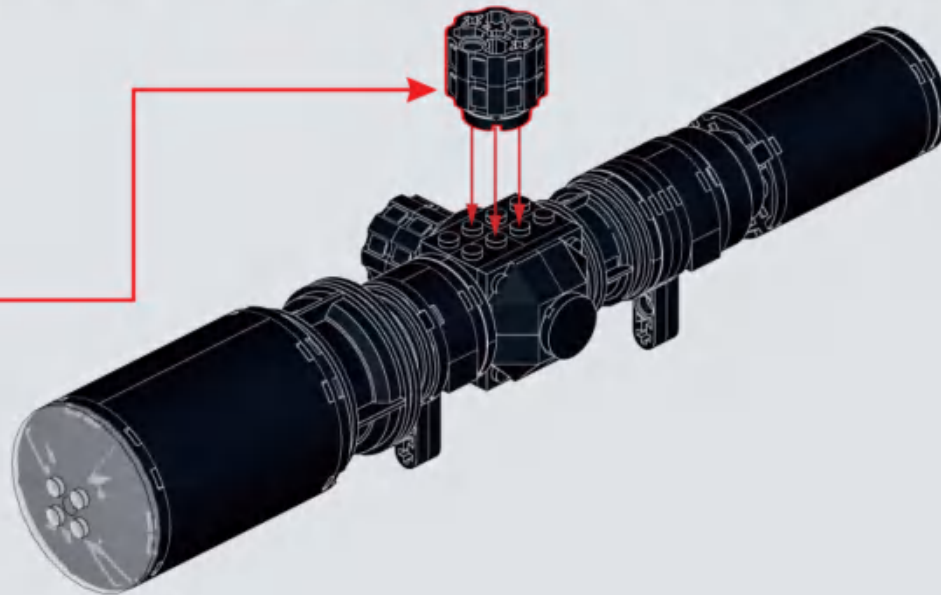
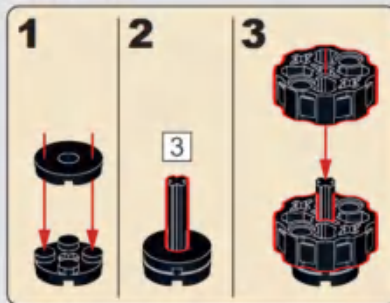


3 1:1

C124

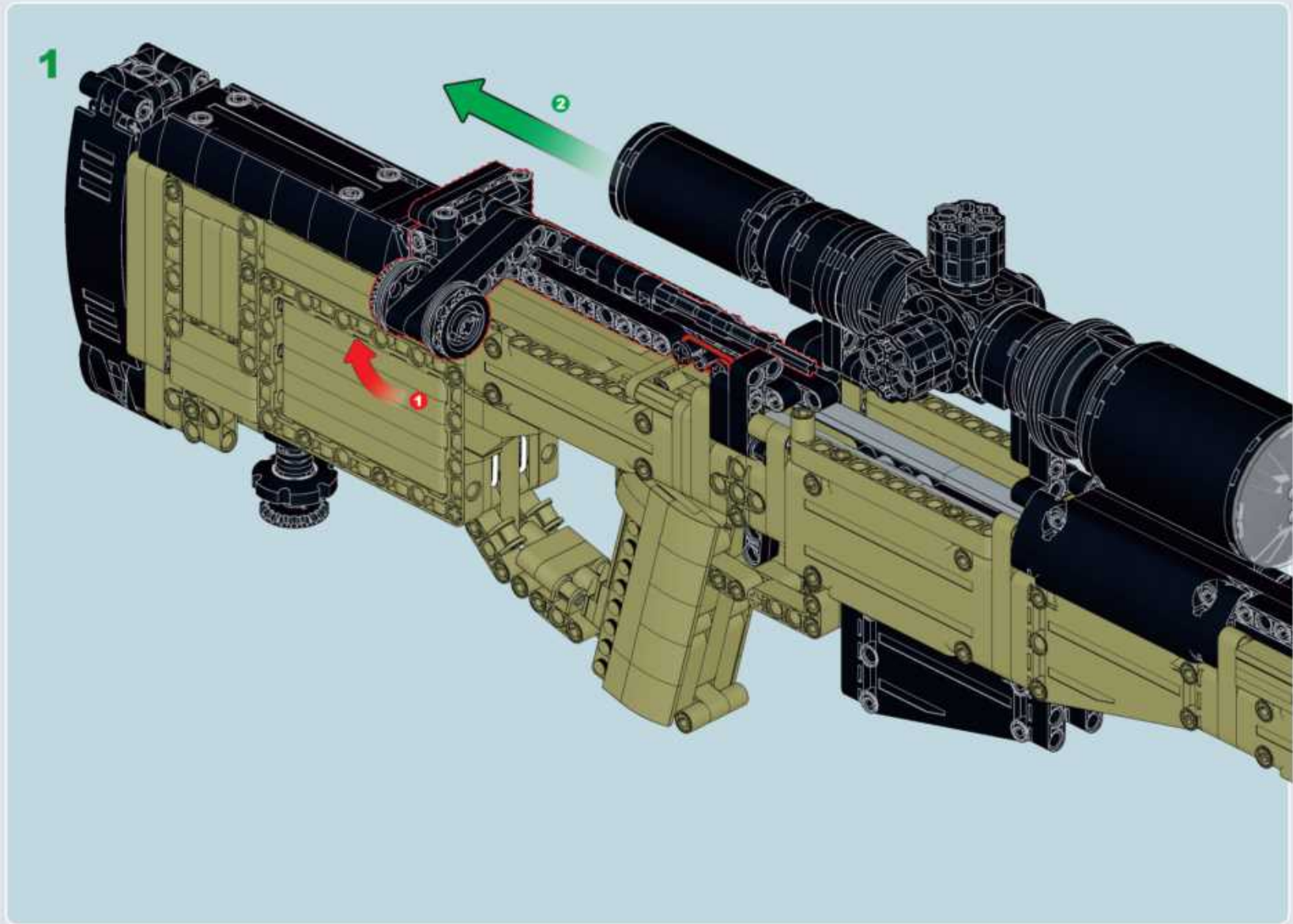


C125

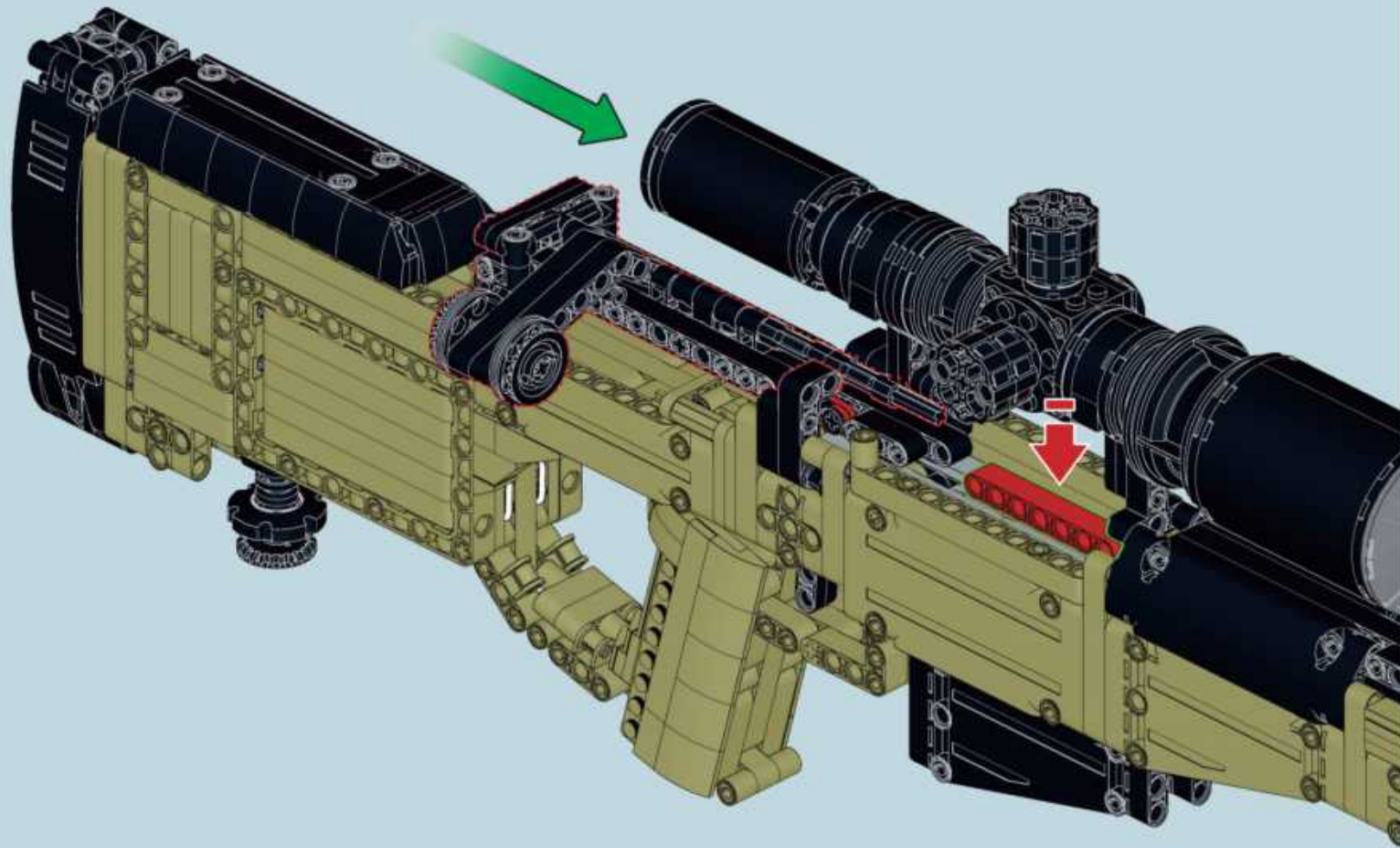


C126





2



3





5



6



7





NO.77026

SUPER MAGNUM

[SUPER MAGNUM-AWM]

THE AWM IS ALSO KNOWN AS THE "SUPER MAGNUM" OR SIMPLY THE SM RIFLE, WHERE THE "M" IS SHORT FOR MAGNUM. THE AWM'S STAINLESS STEEL BARREL HAS LONGITUDINAL GROOVES CARVED INTO THE OUTER SURFACE, WHICH ALSO INCREASES THE OUTER SURFACE FOR HEAT DISSIPATION AND PREVENTS IMPACT BIAS WHEN THERE ARE TOO MANY PROJECTILES.