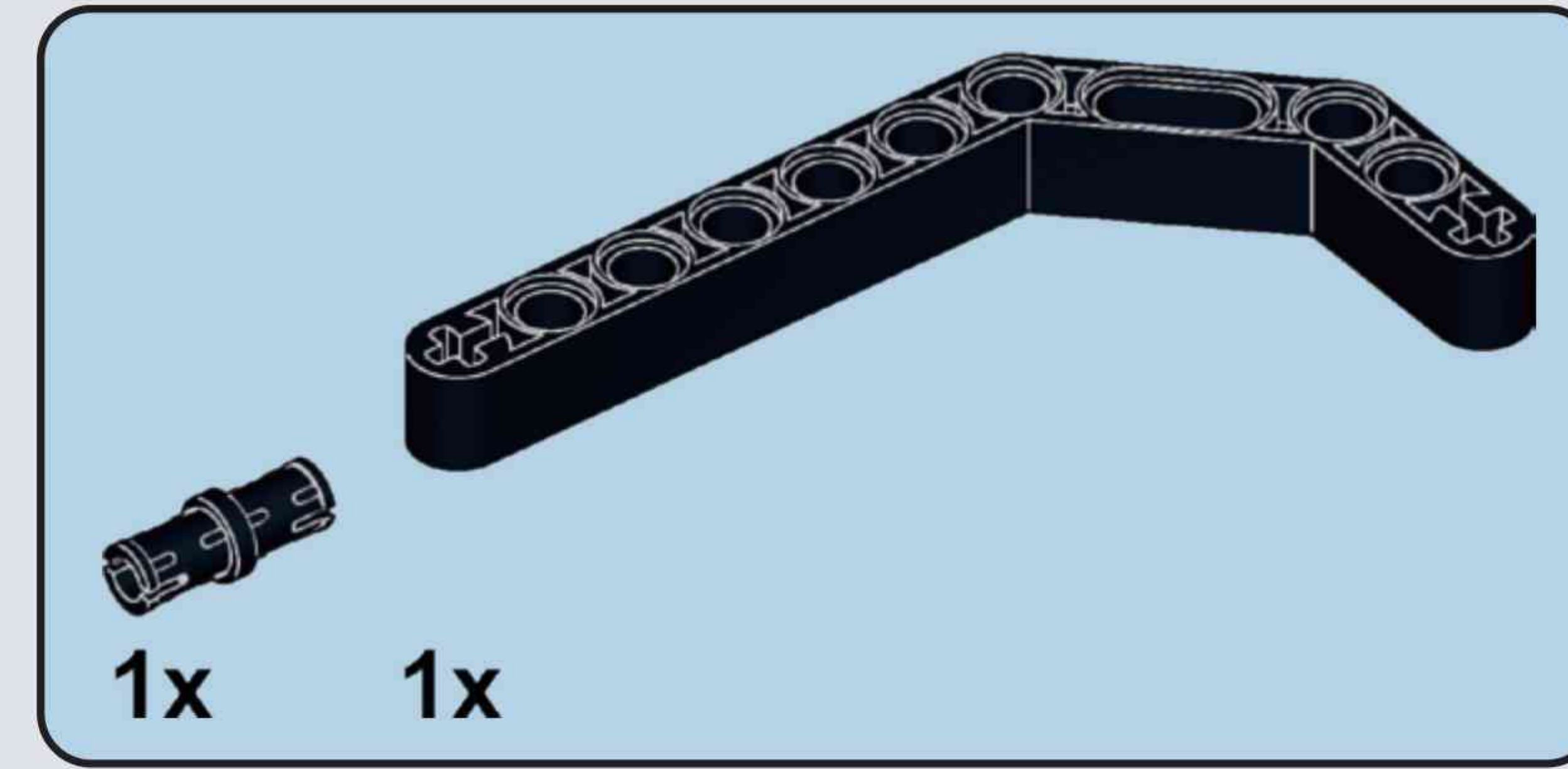
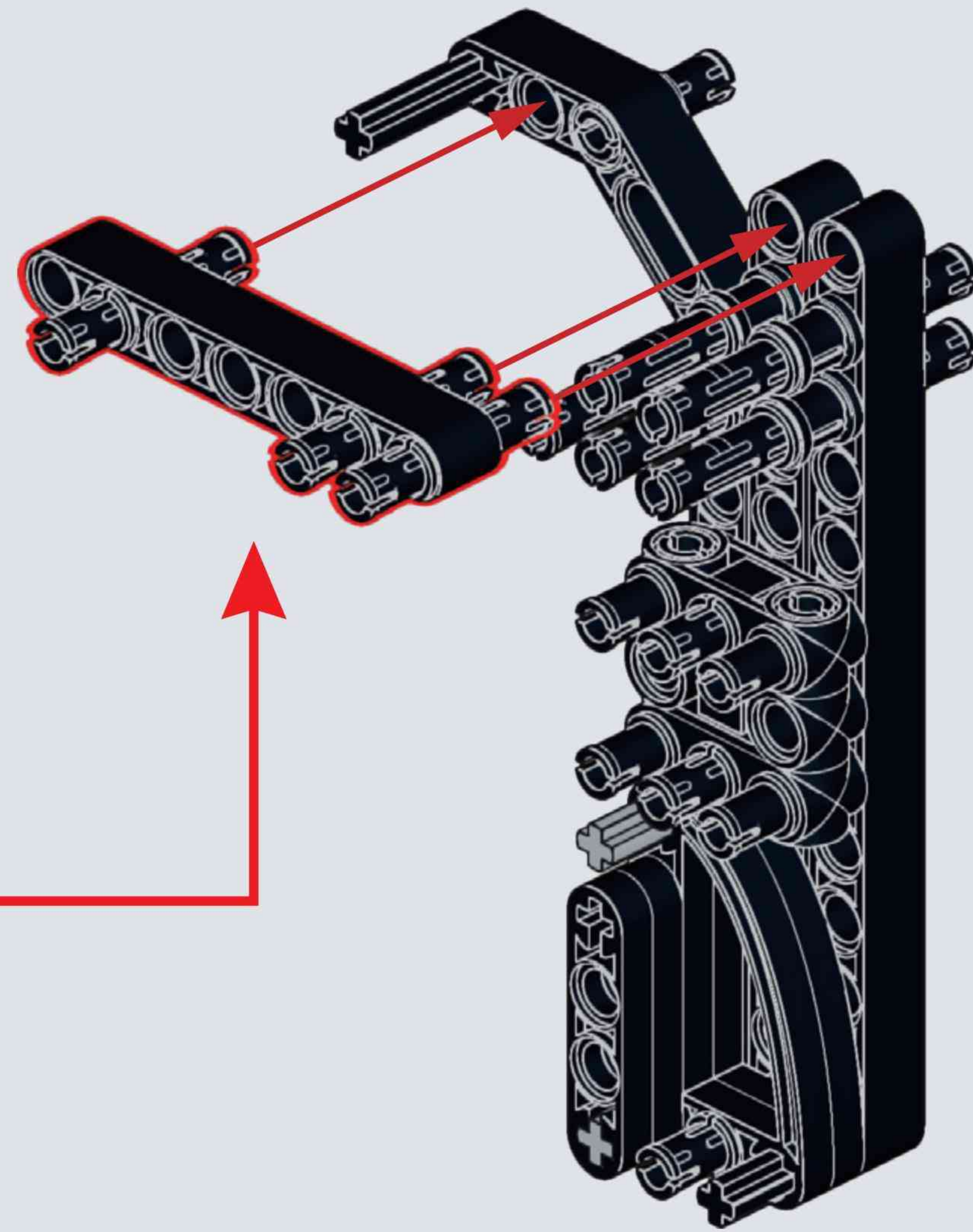
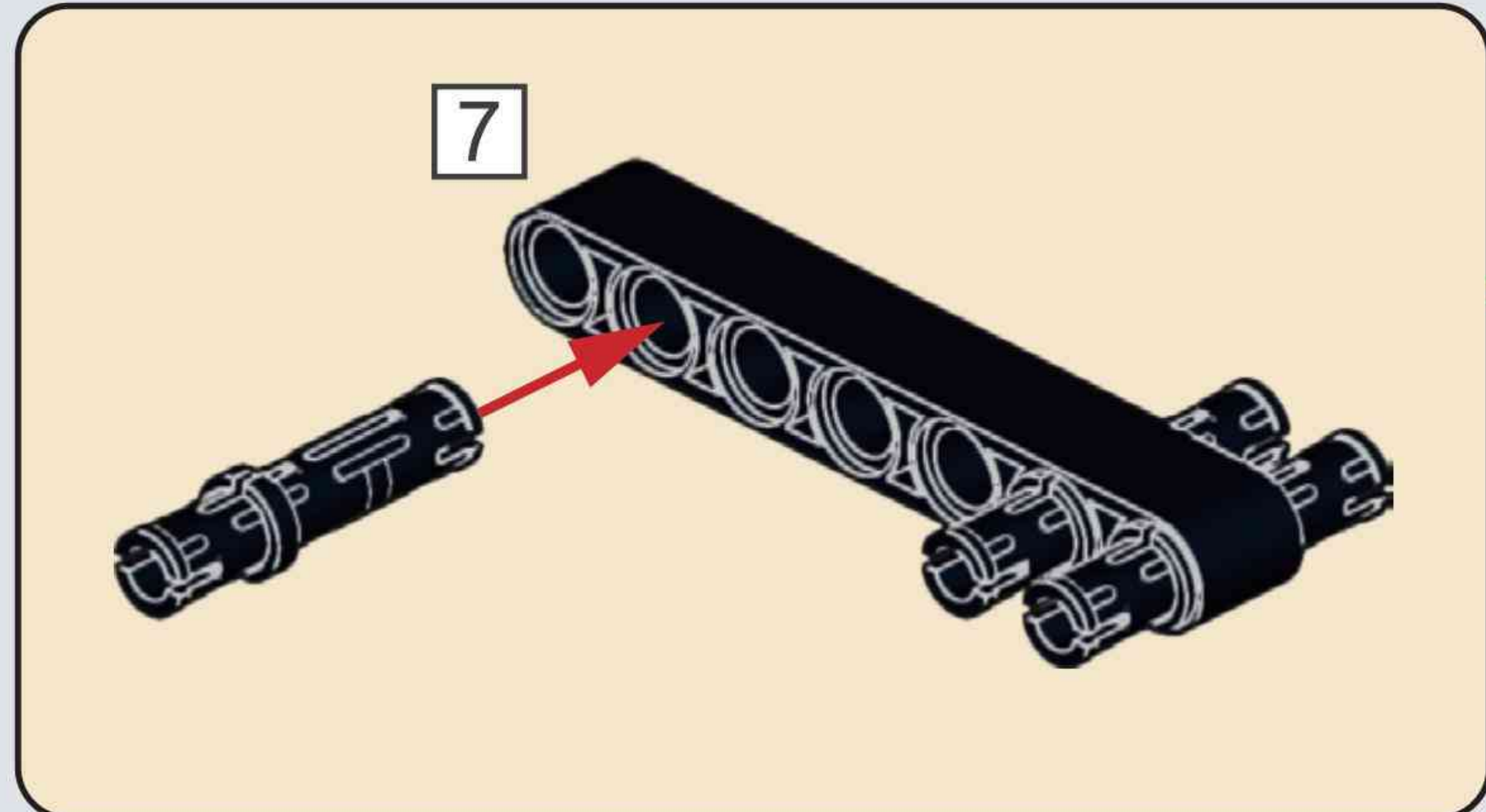
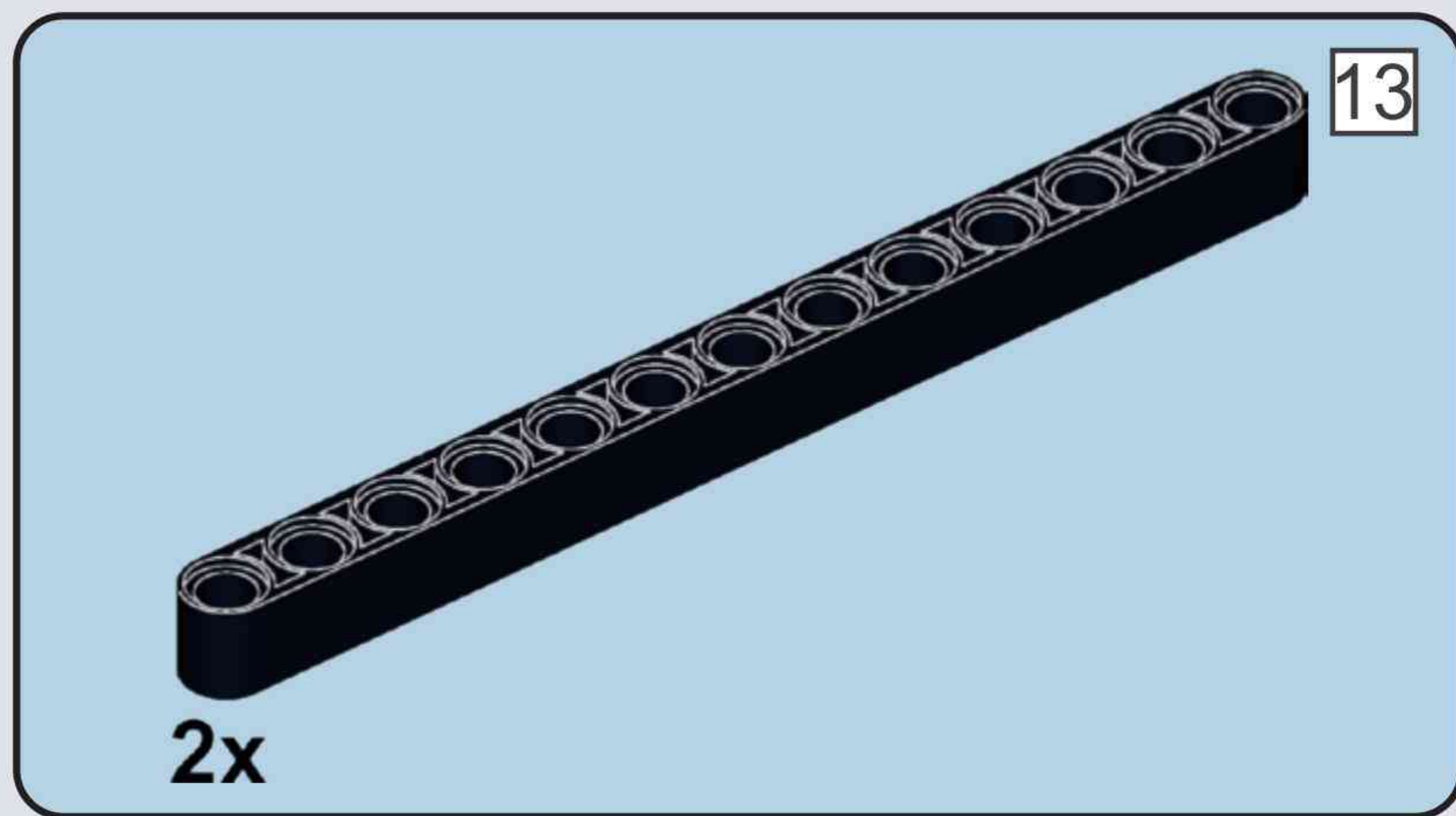
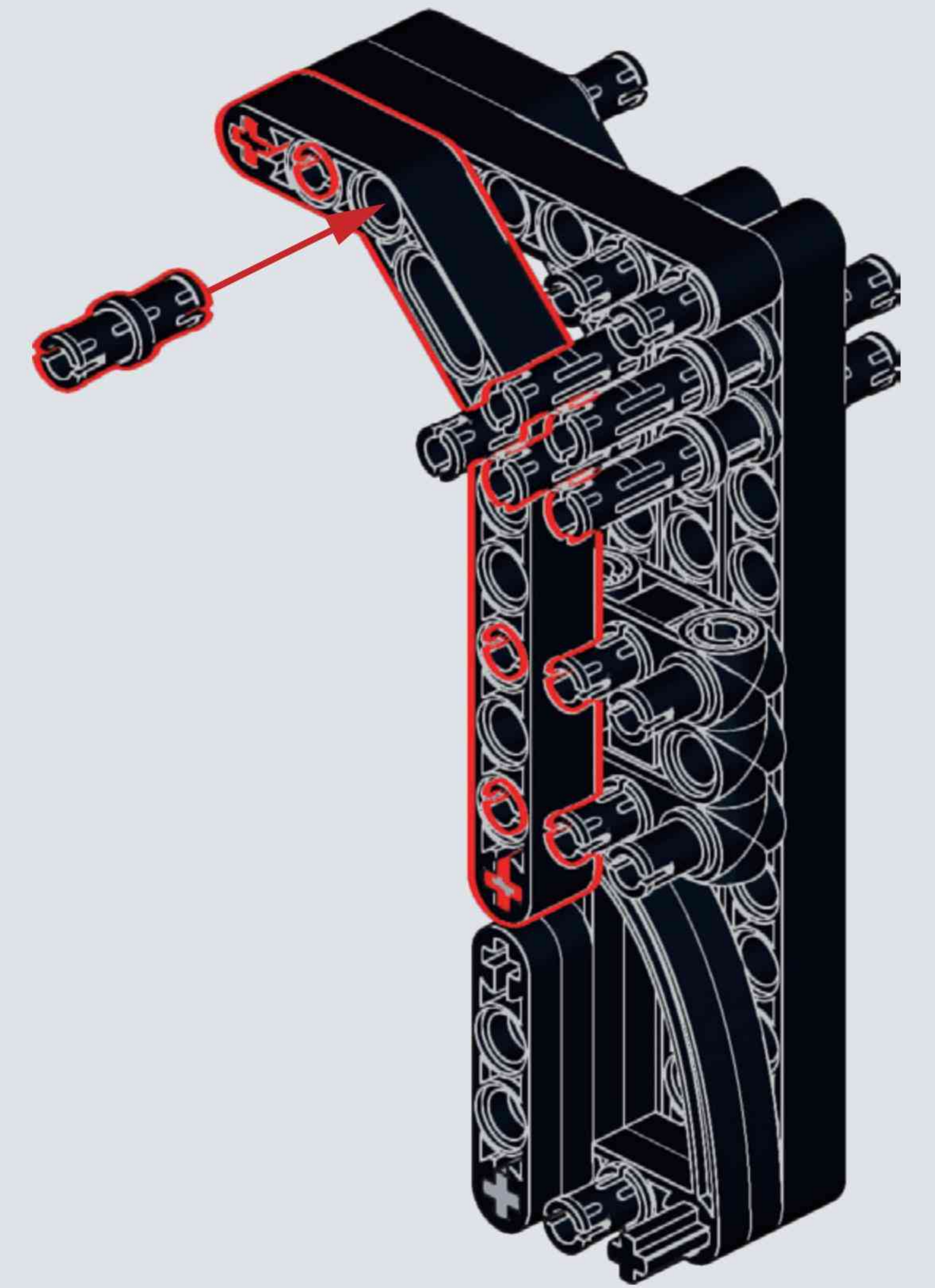


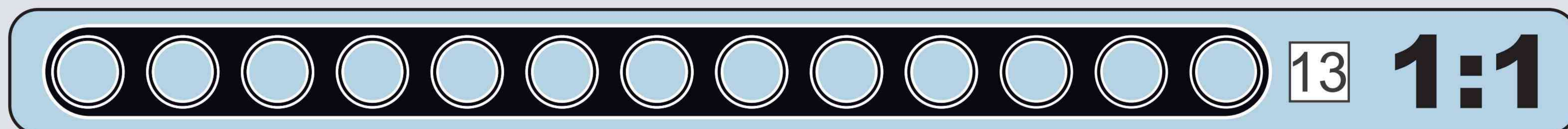
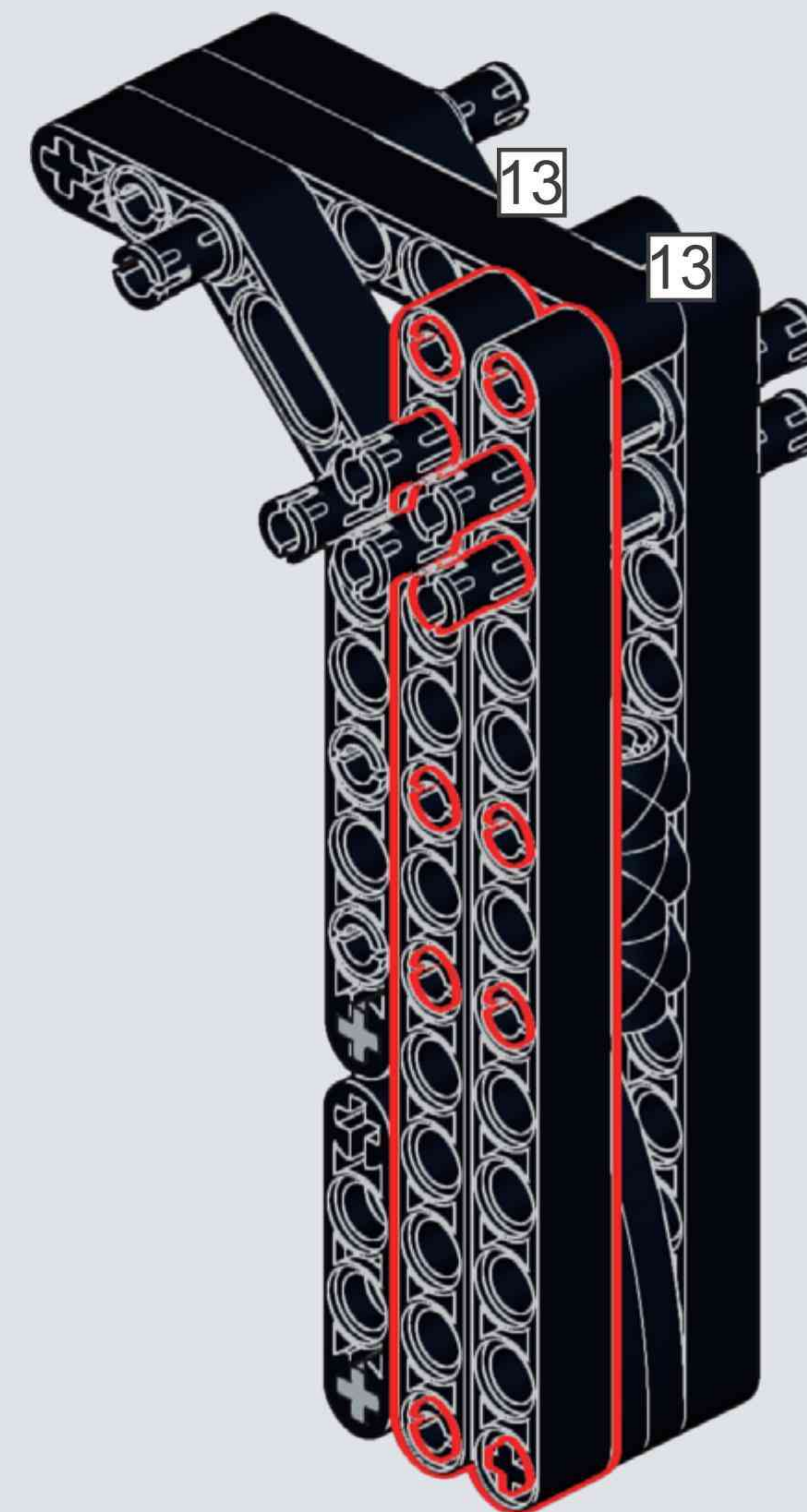
A110

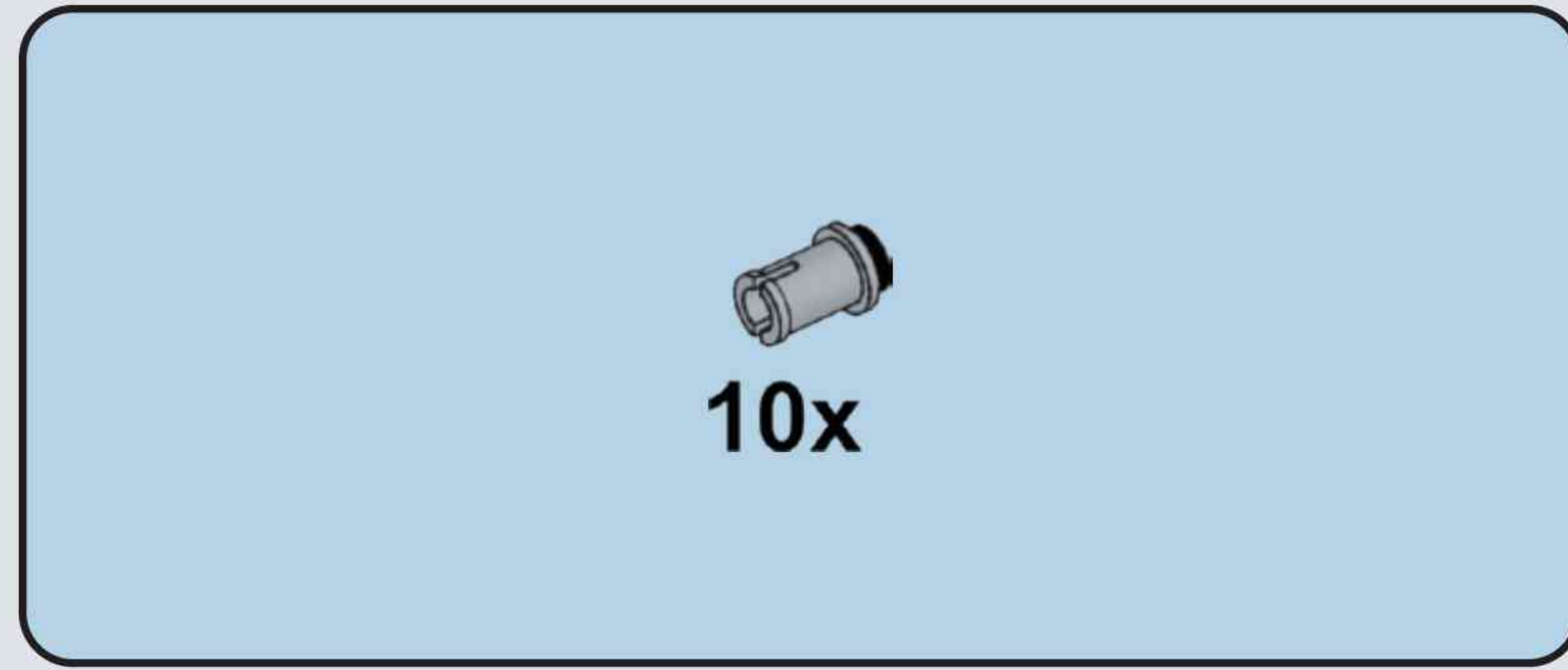


A111

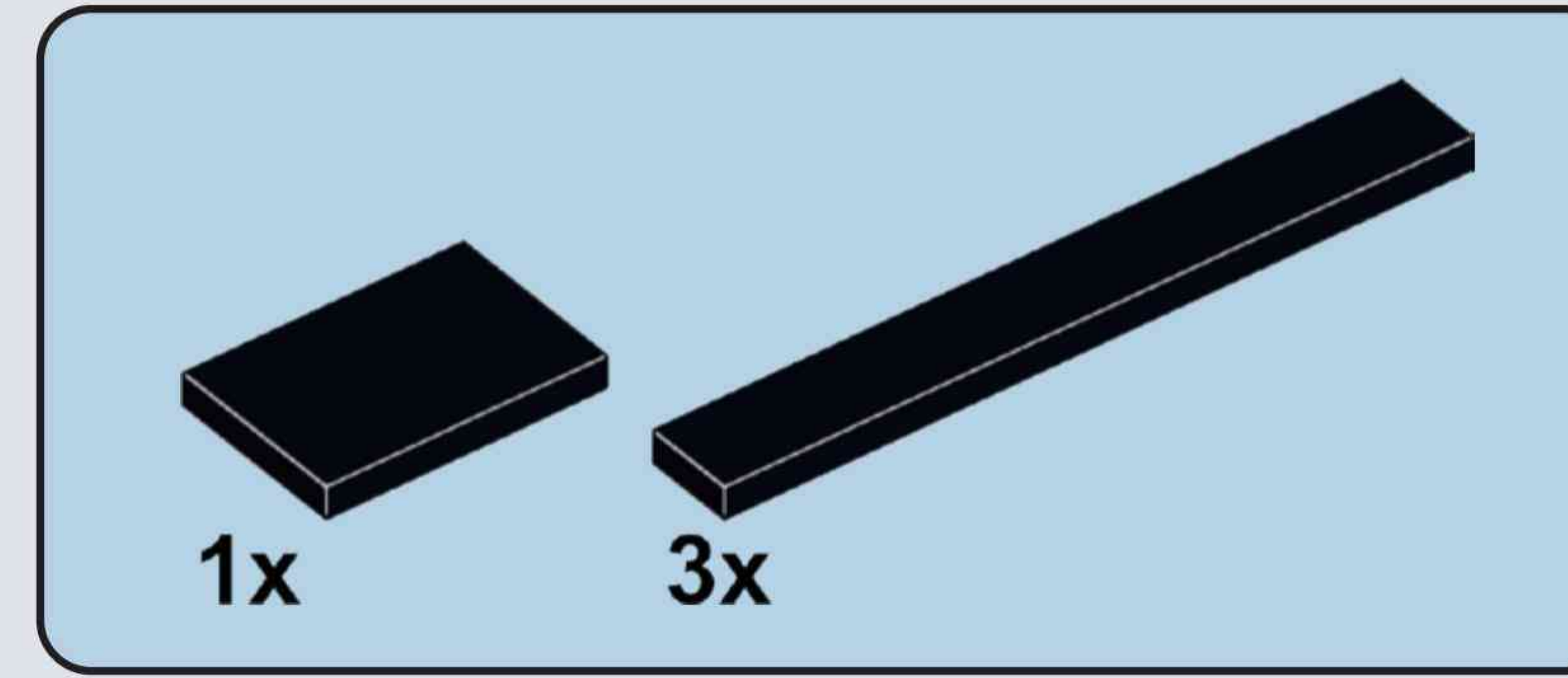
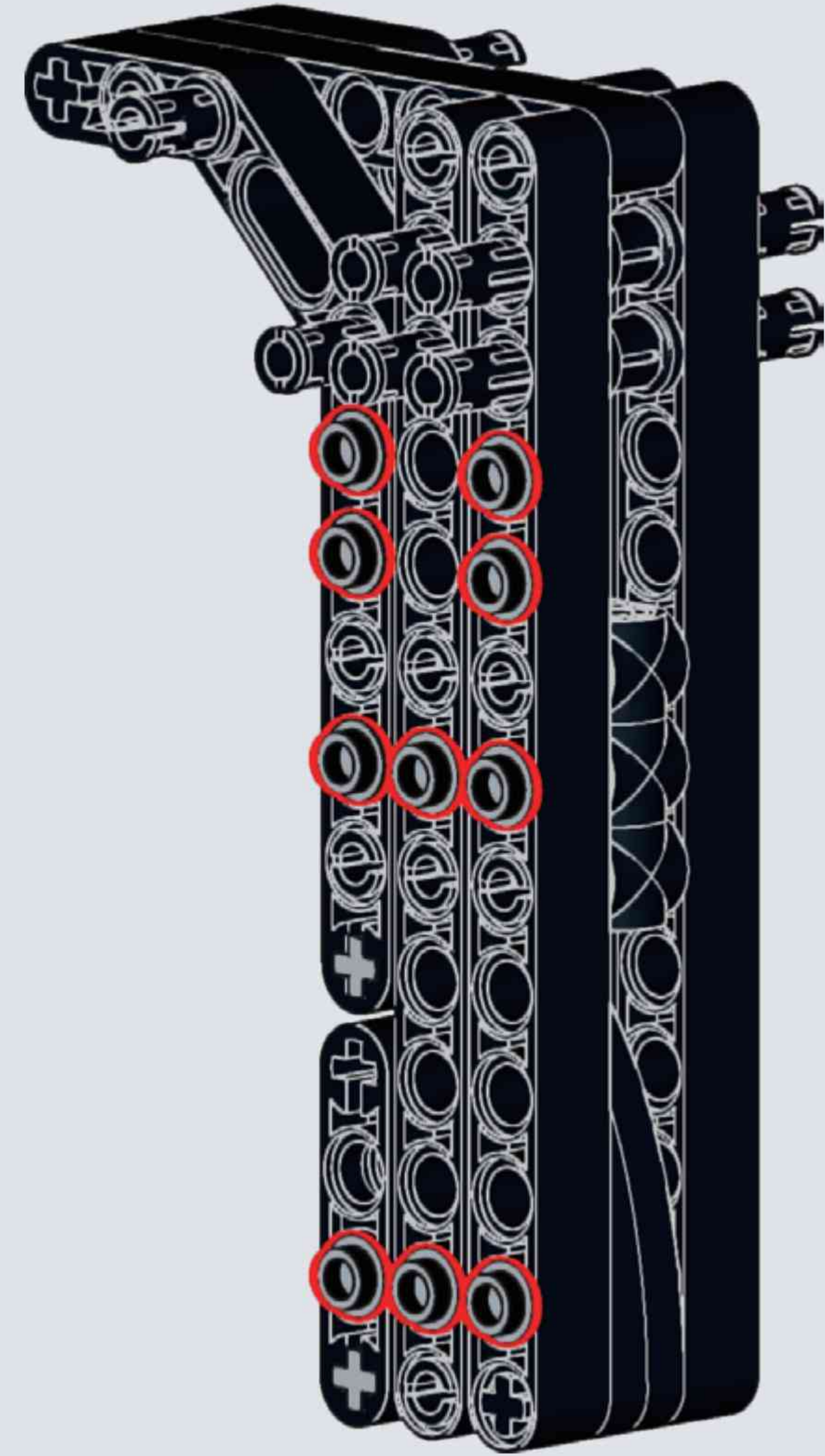


A112

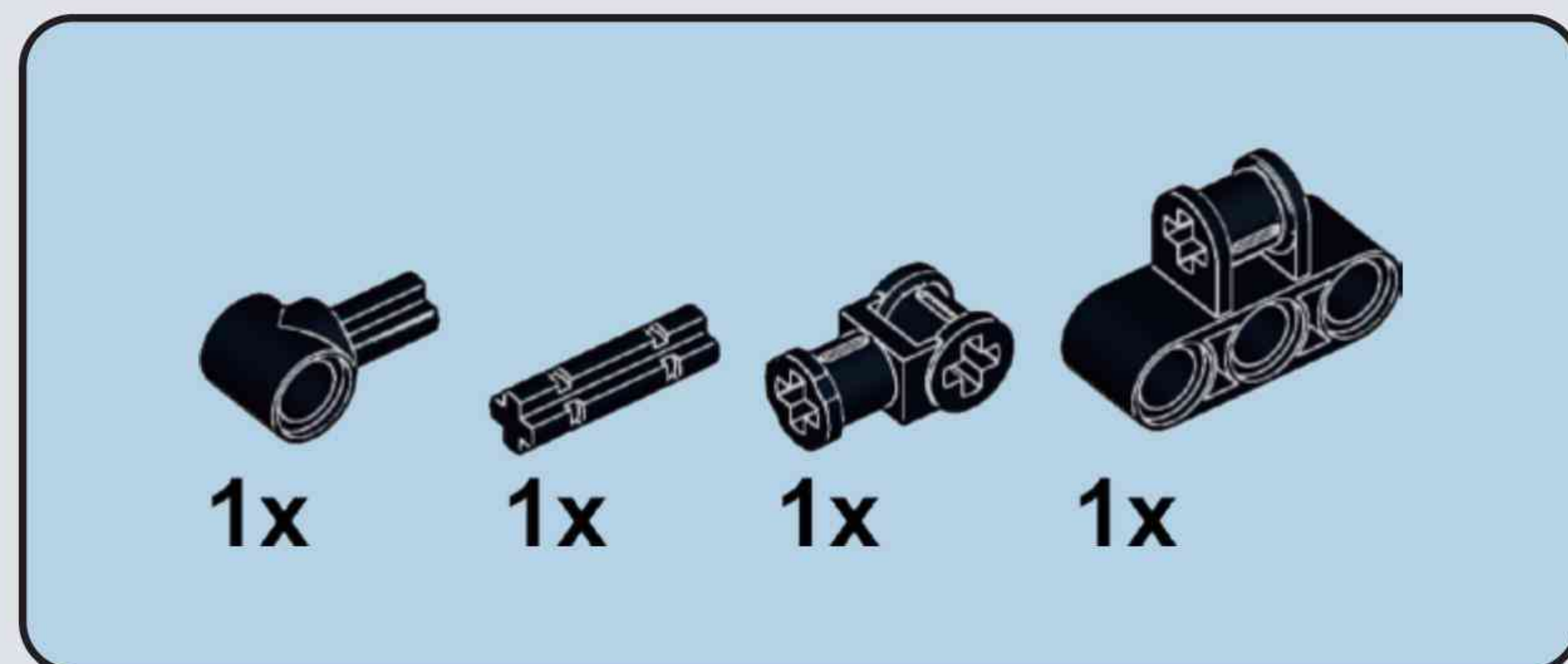
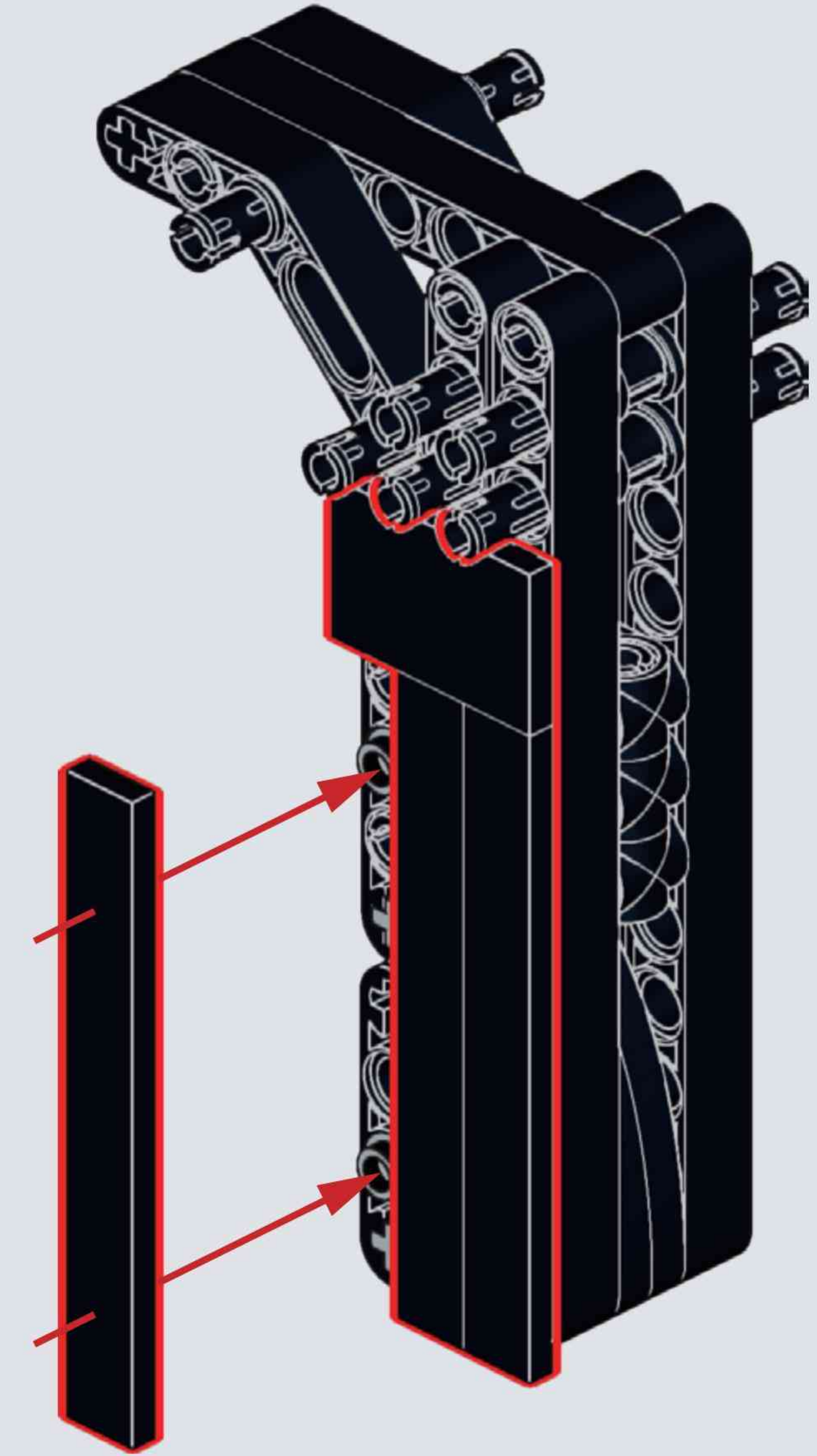




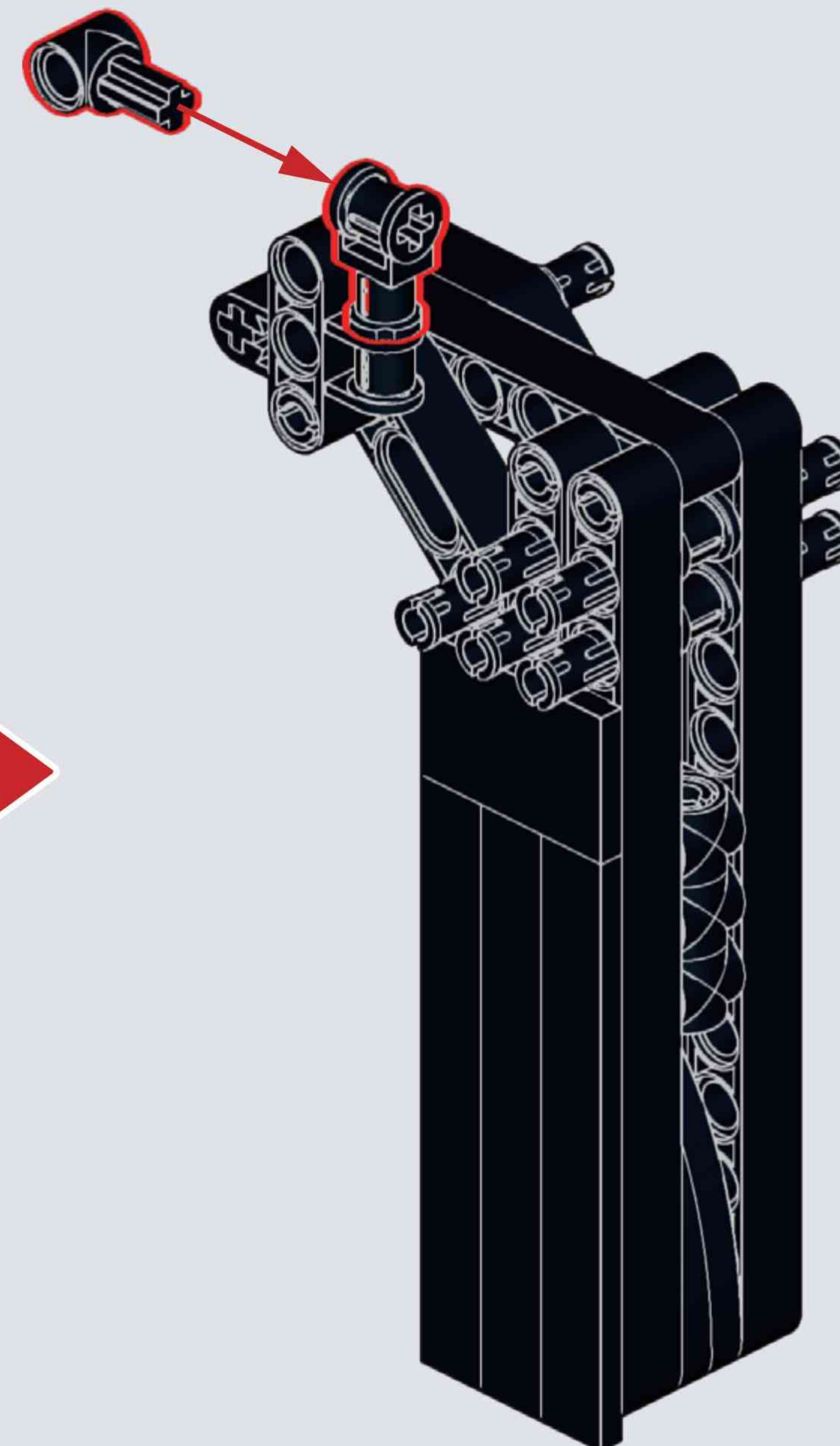
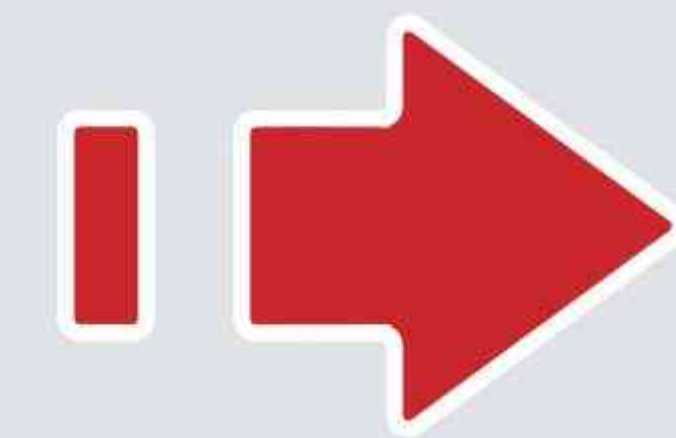
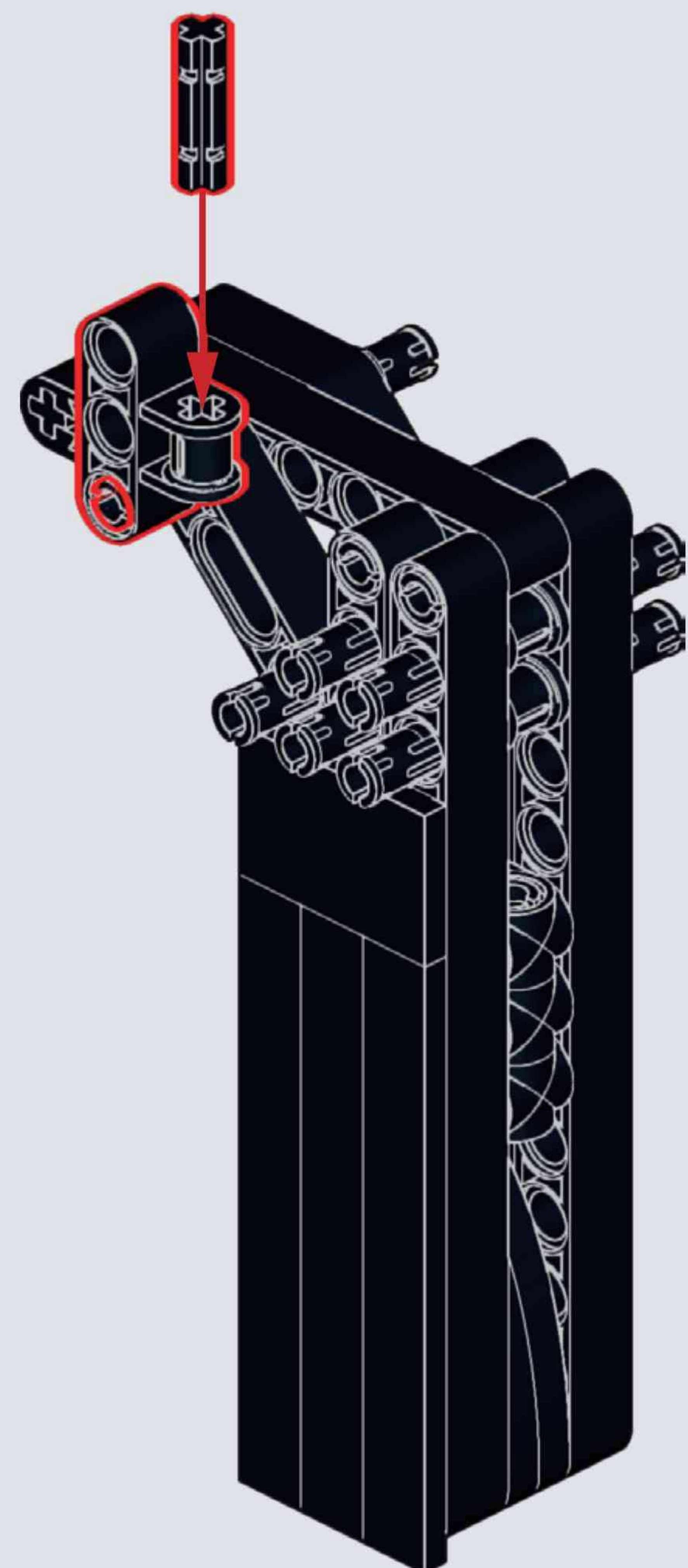
A113

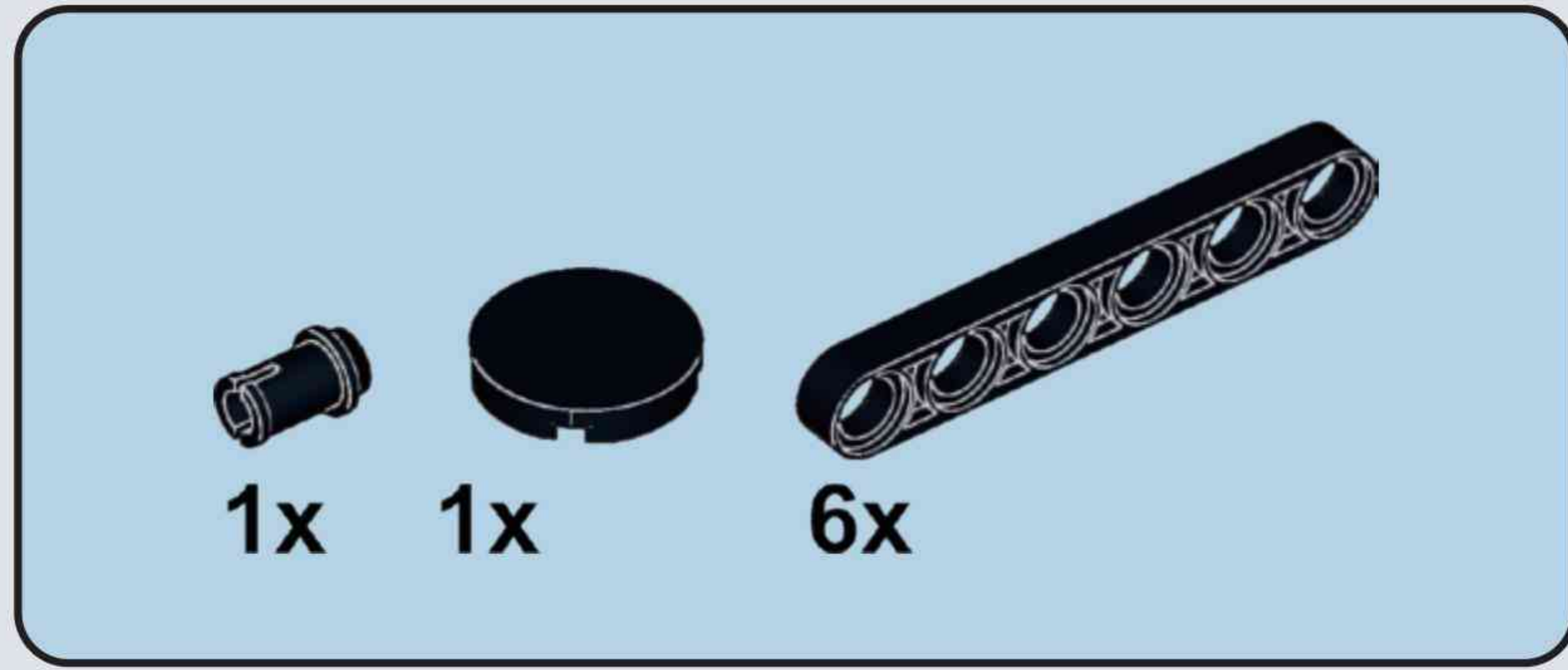


A114

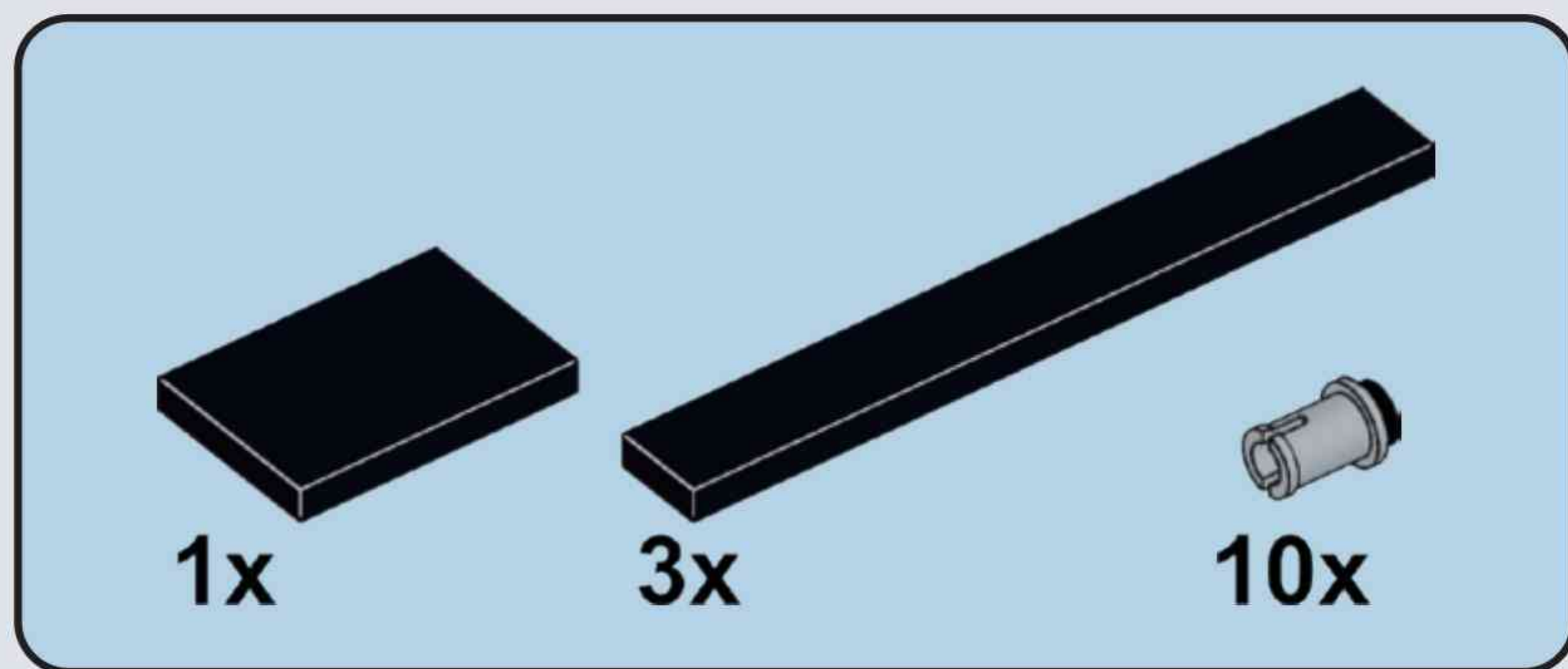
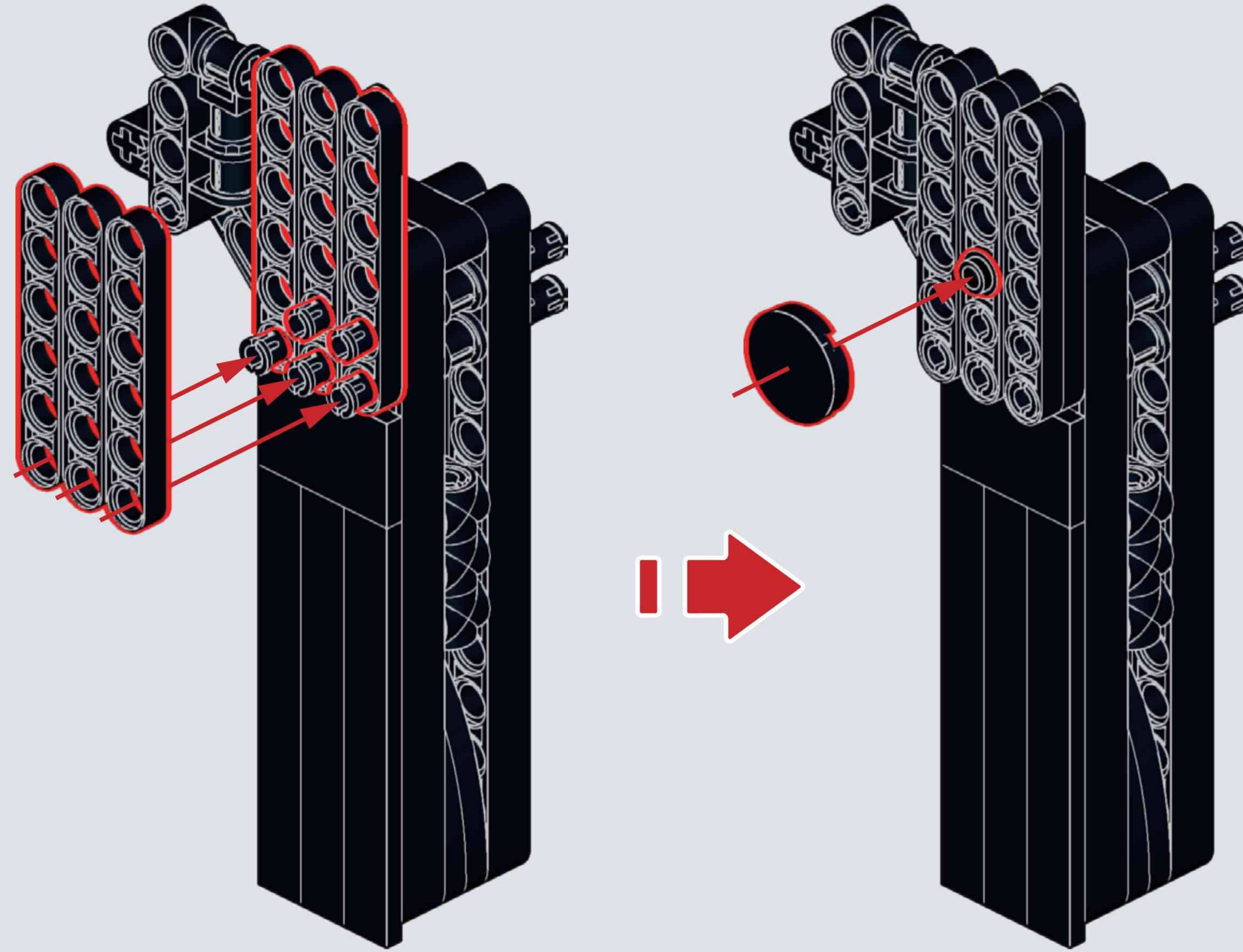


A115

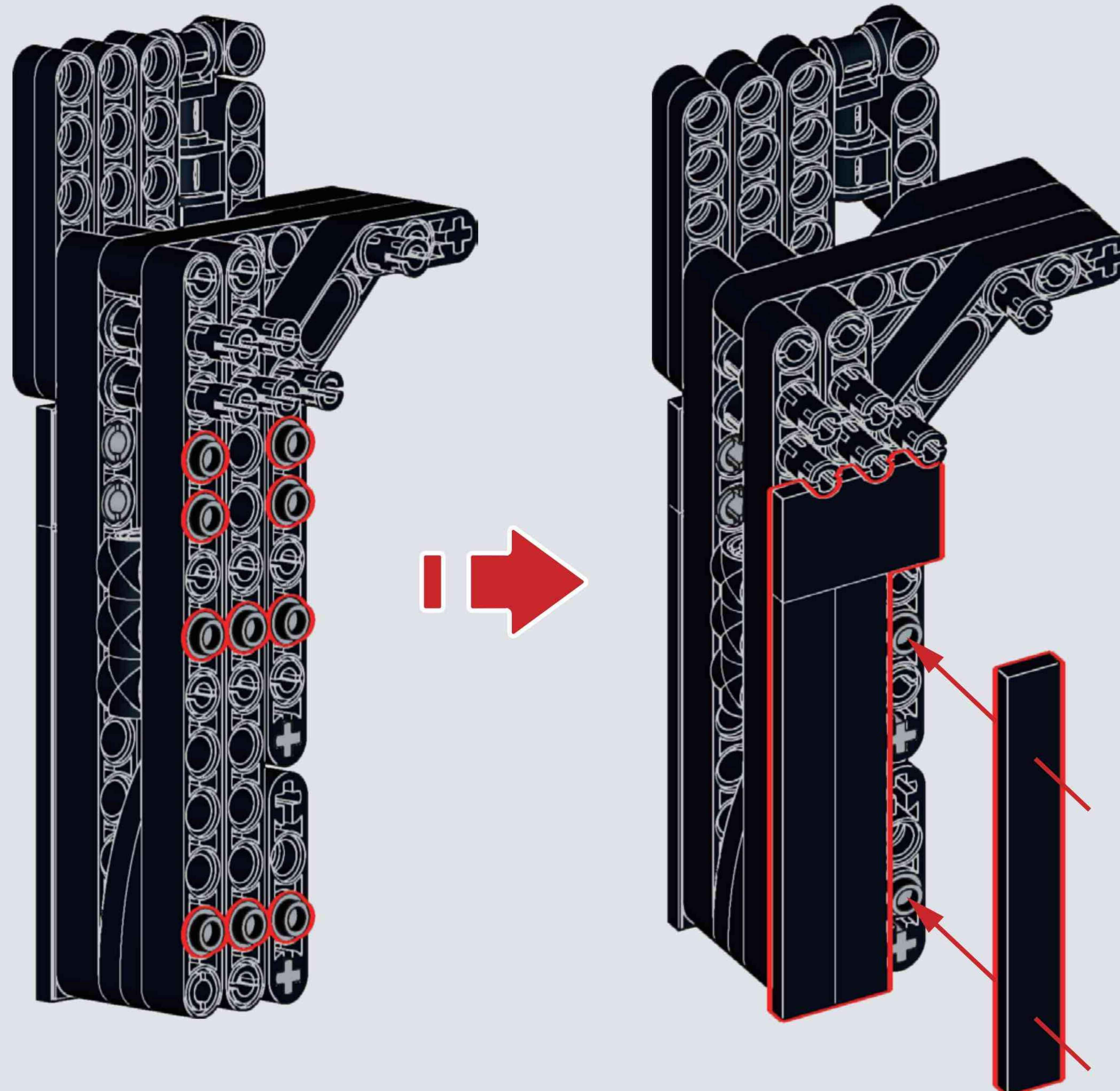
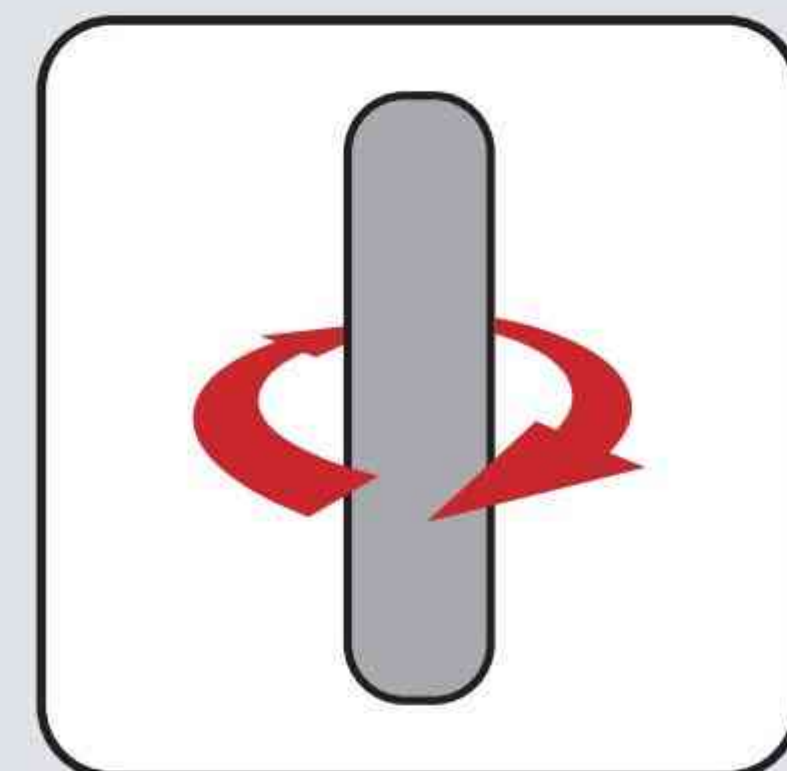


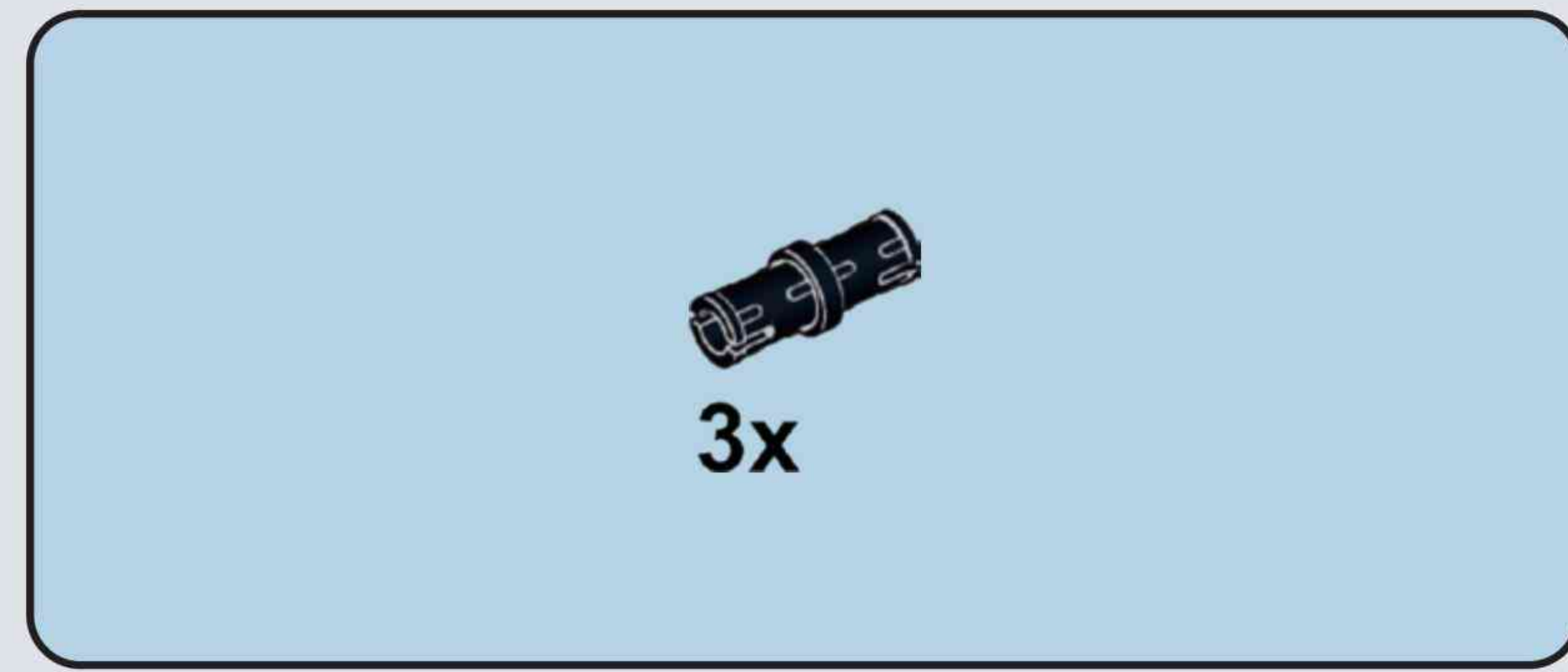


A116

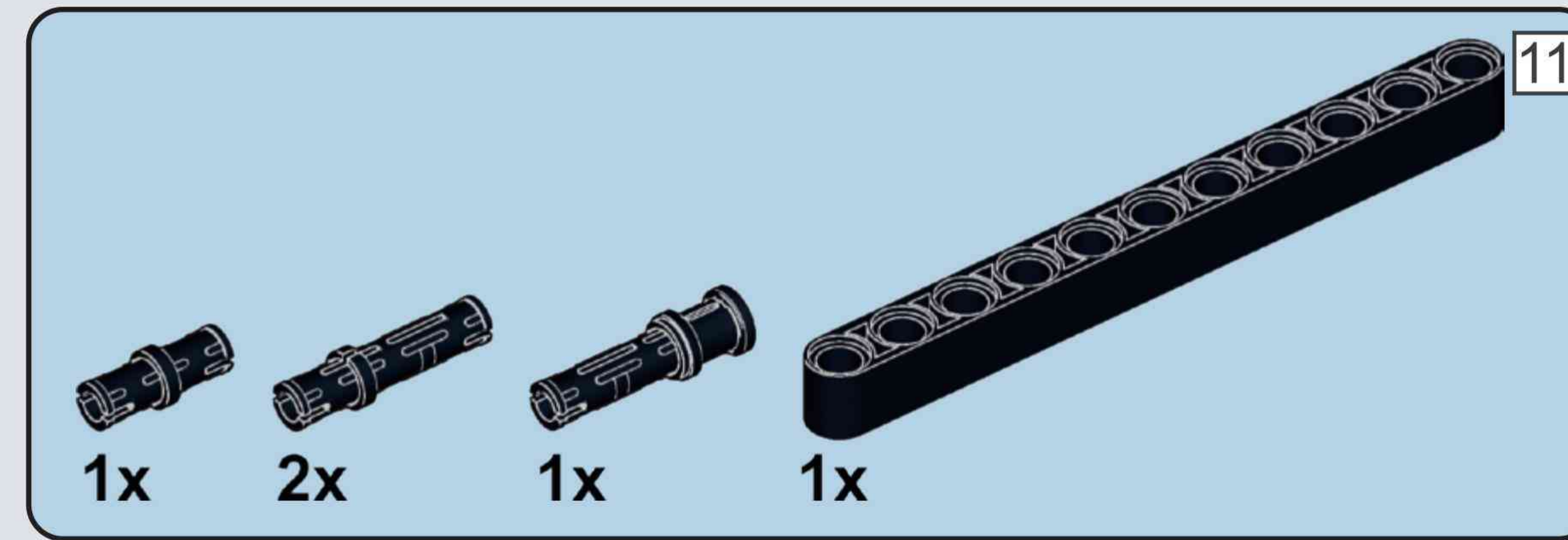
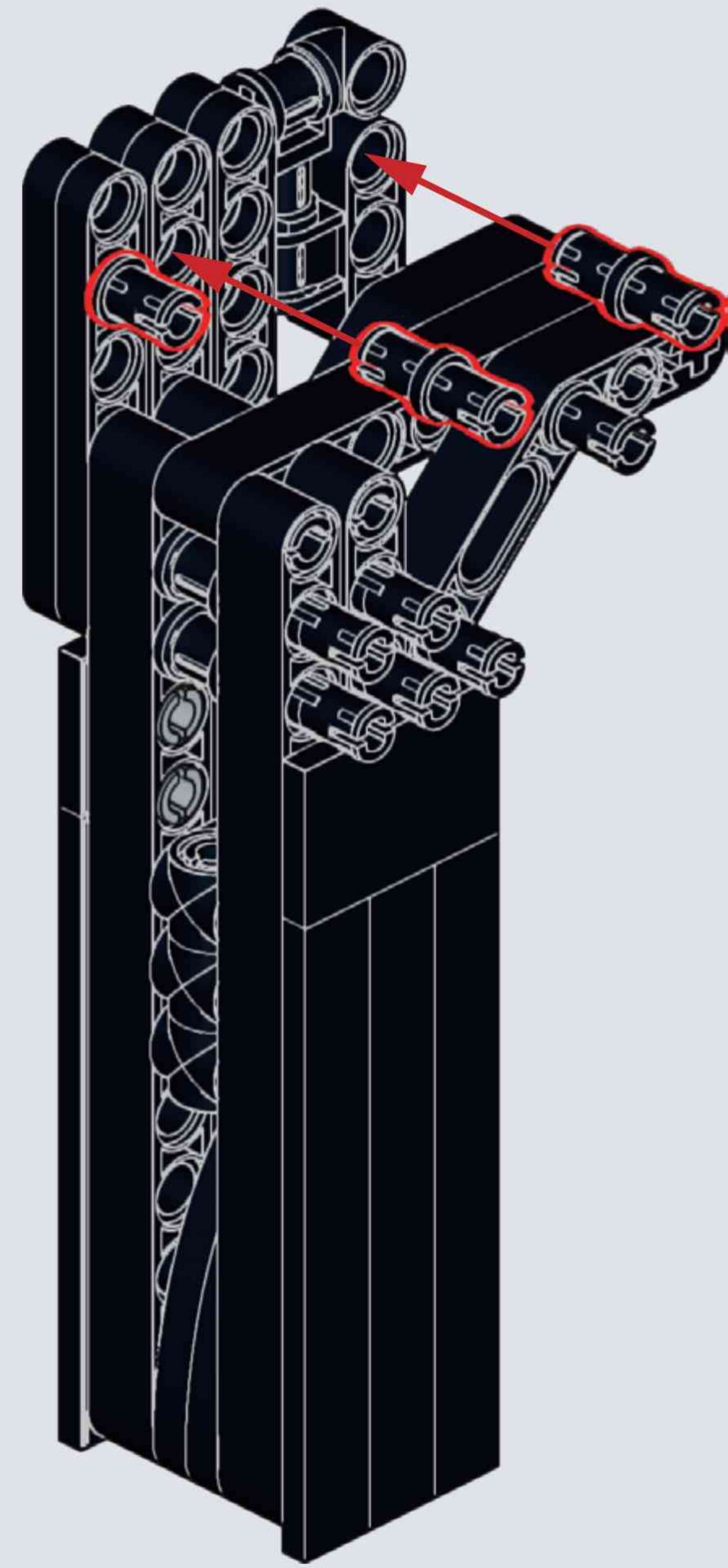


A117

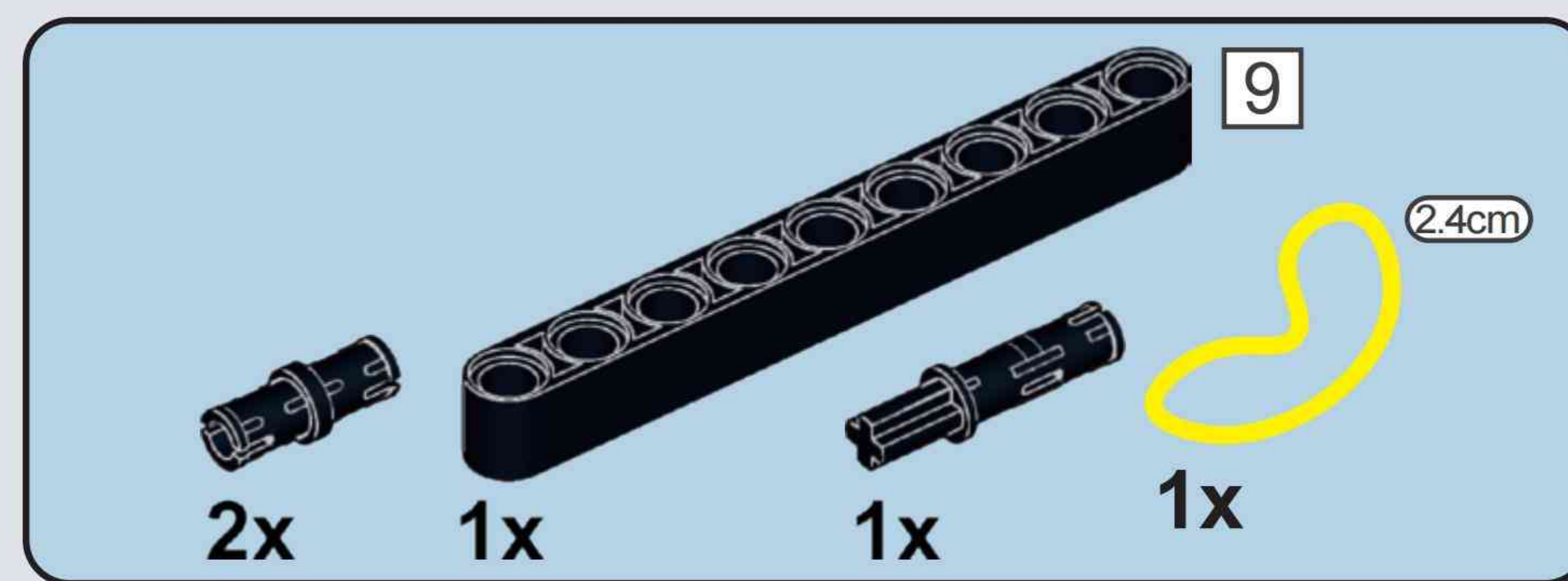
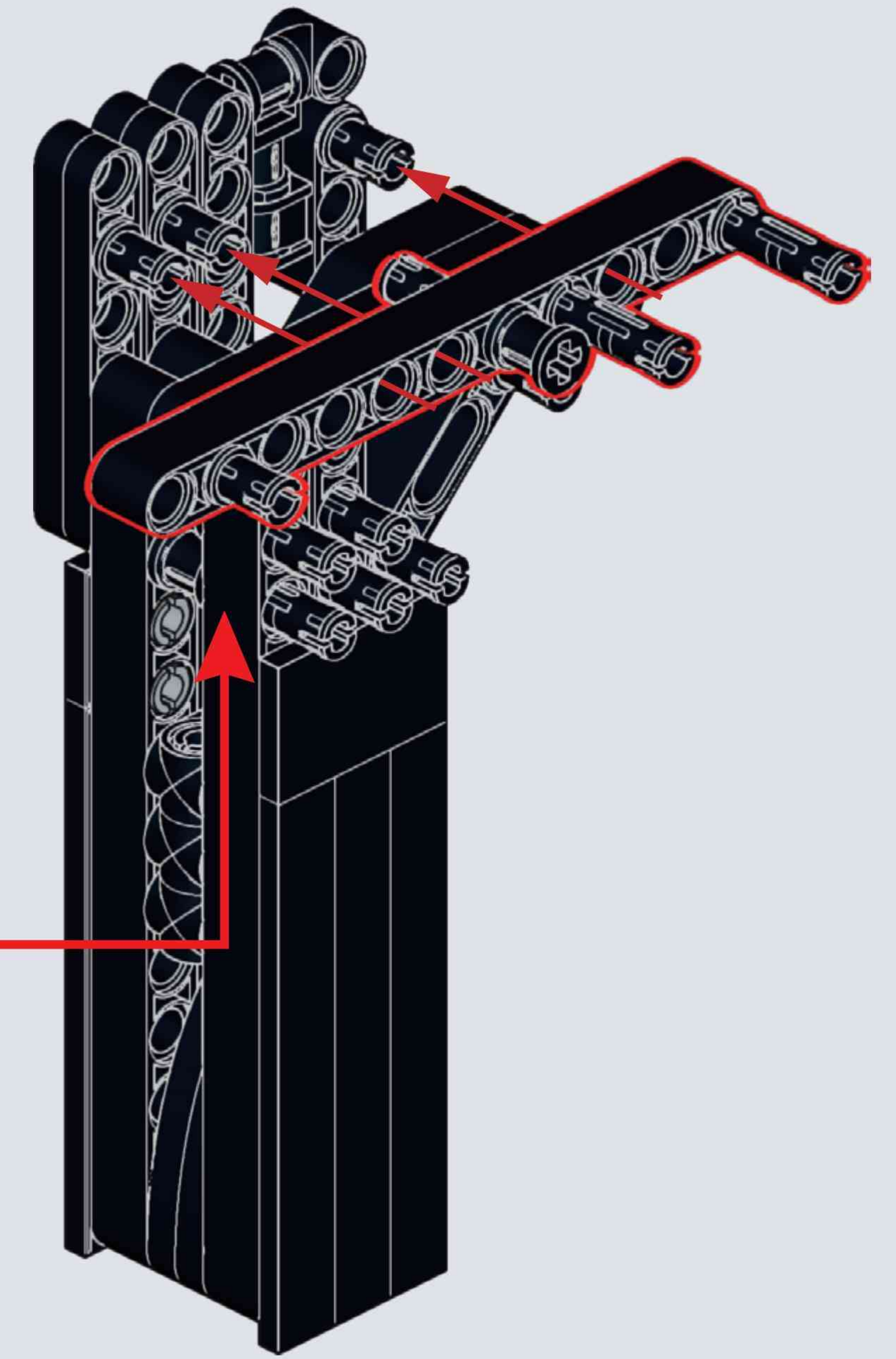
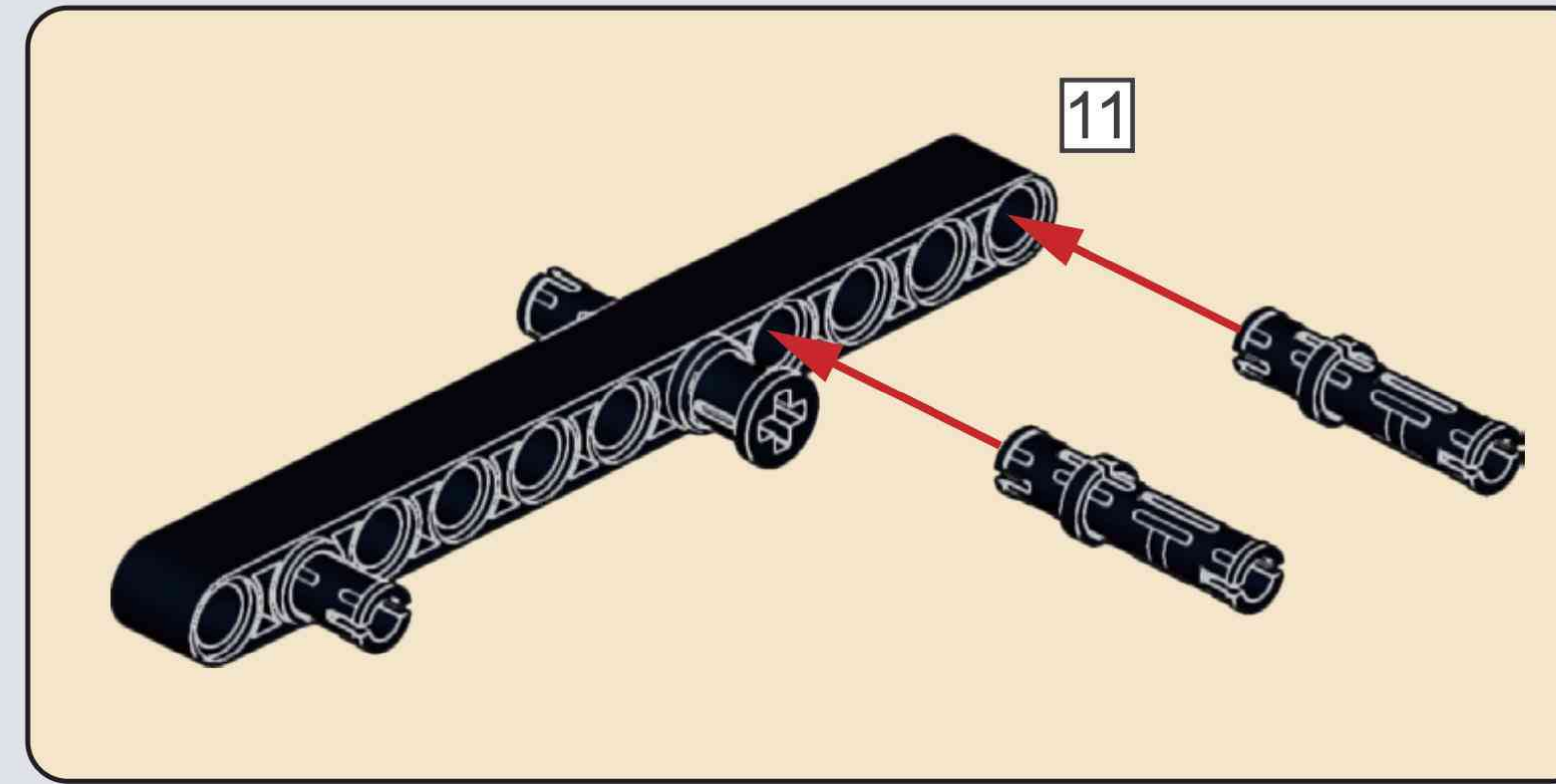




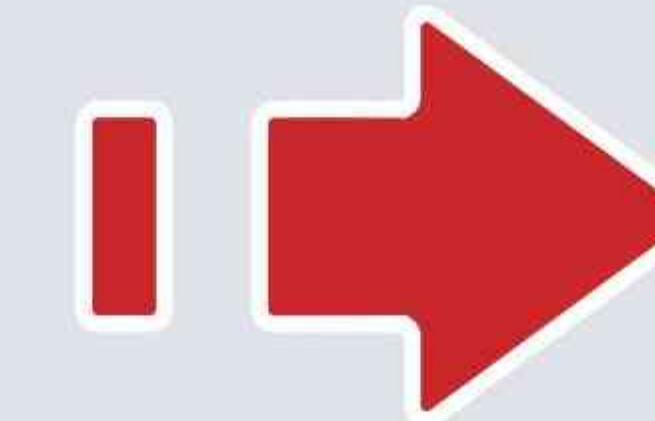
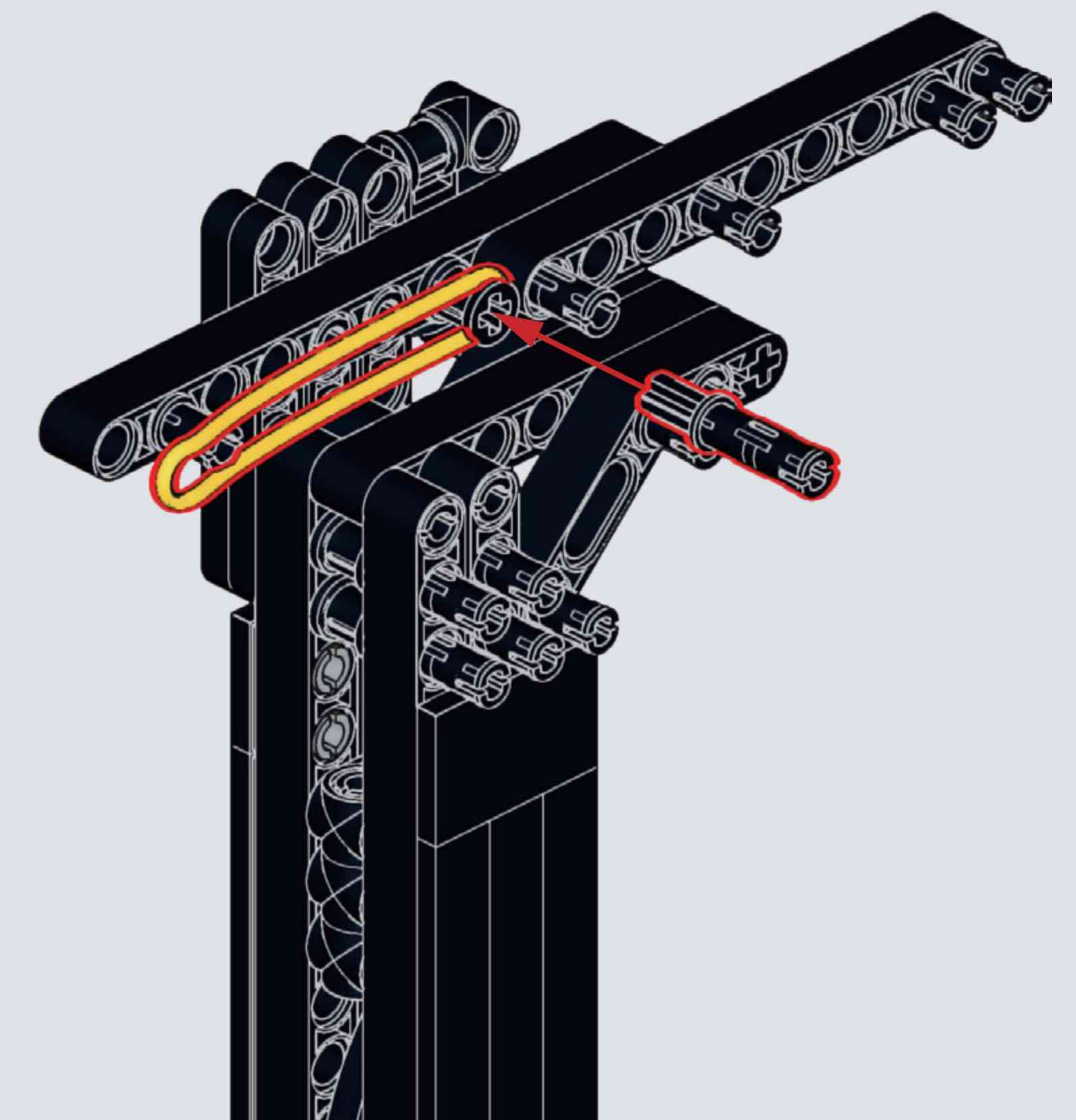
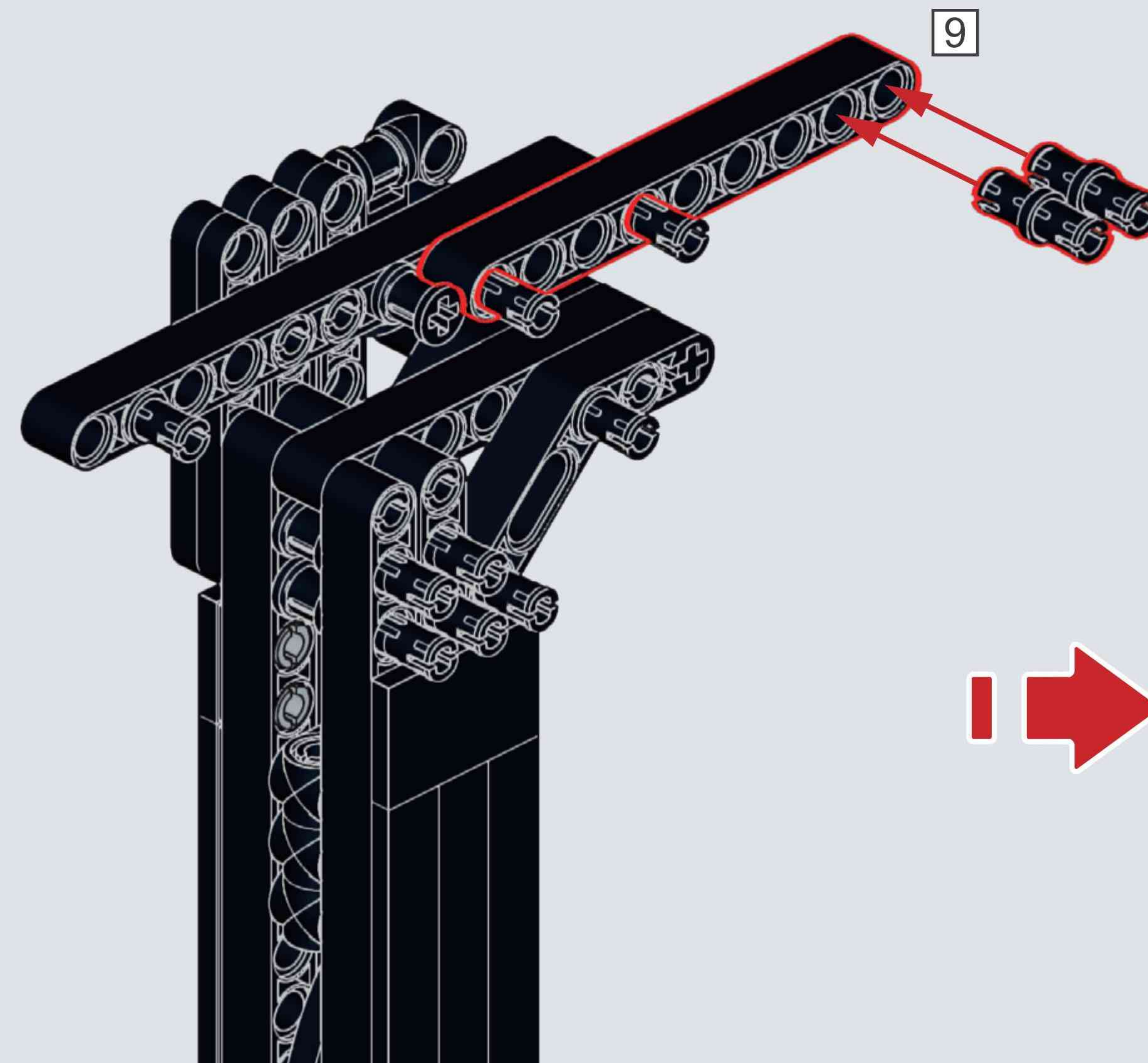
A118

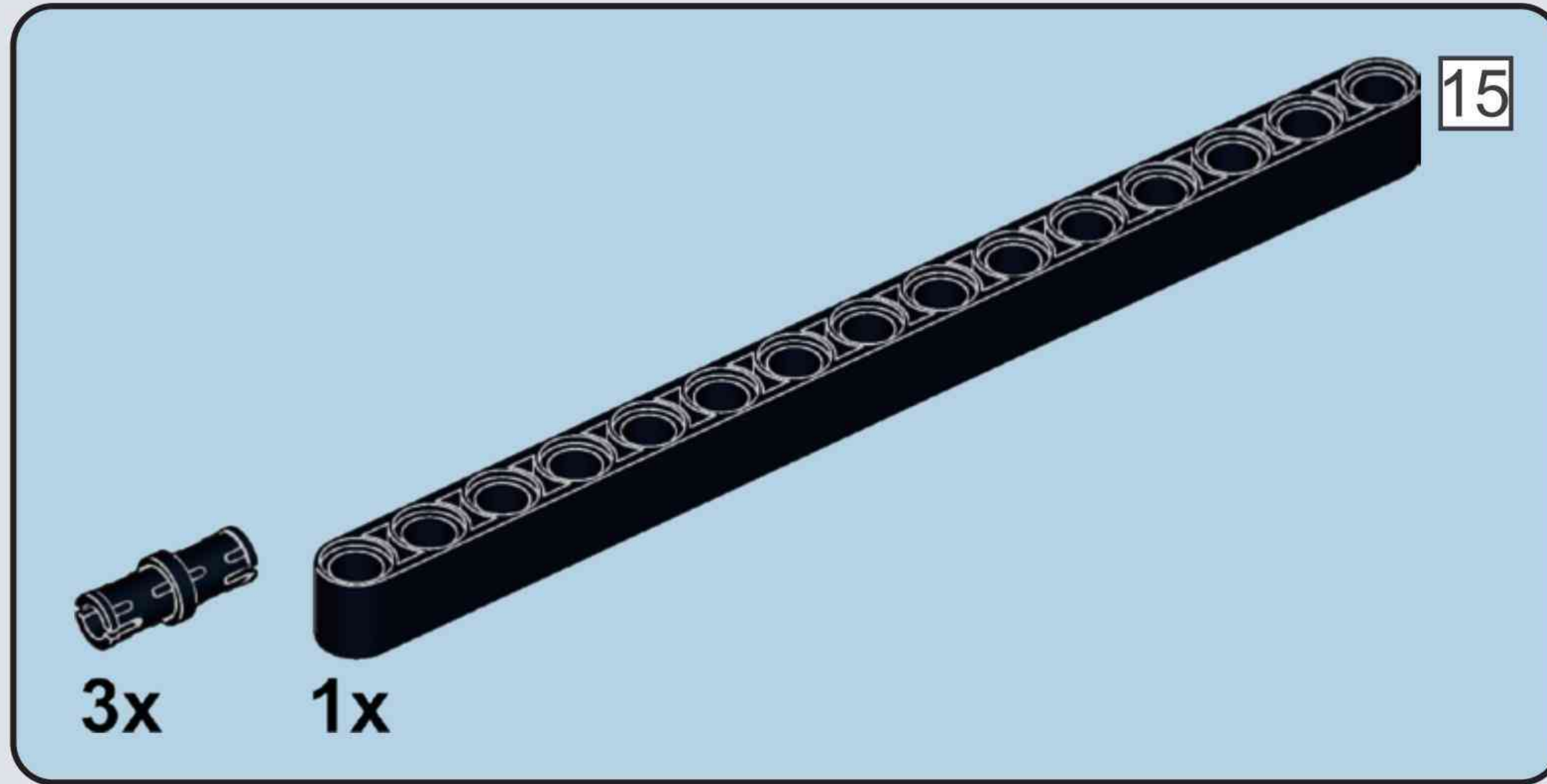


A119

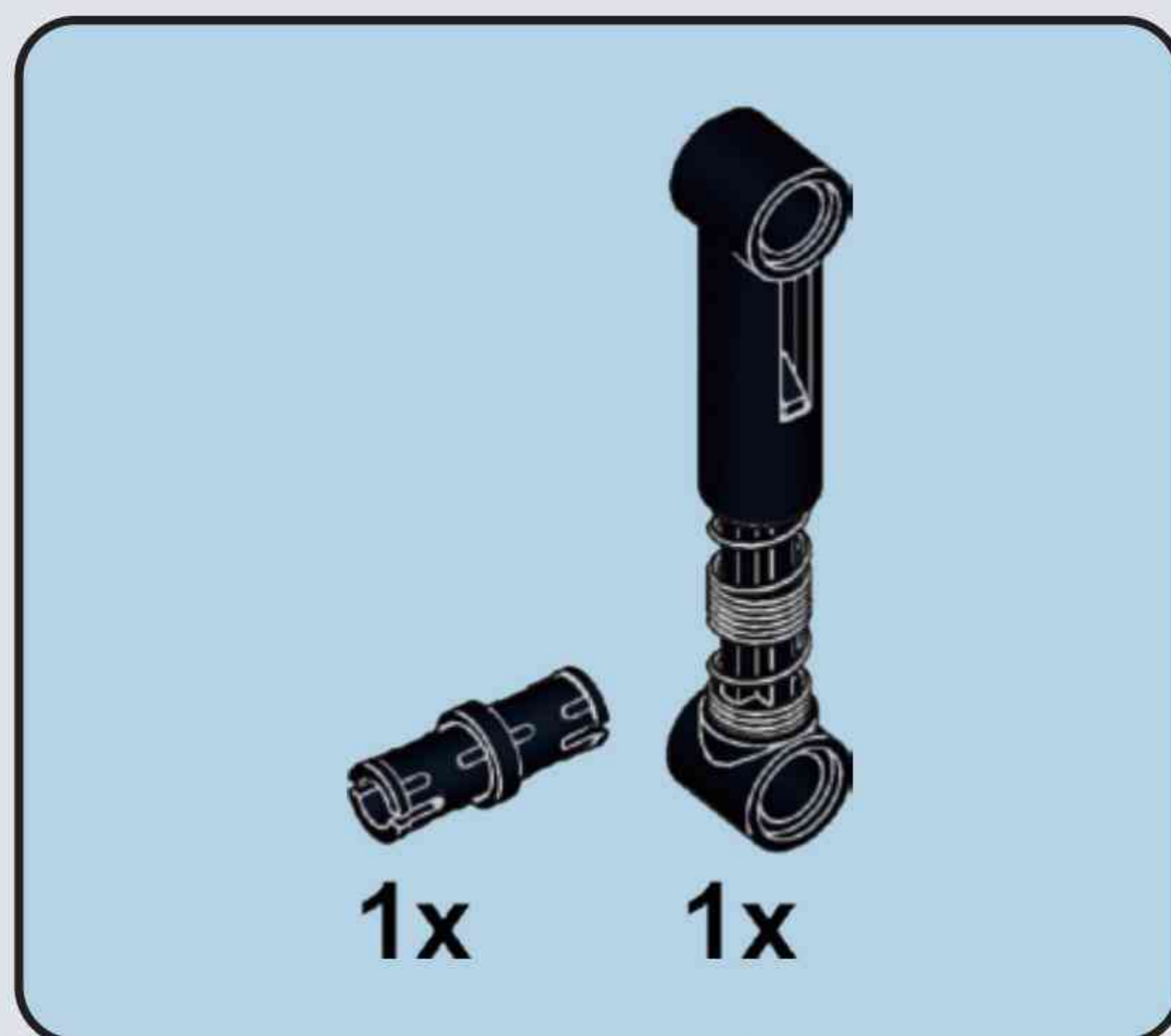
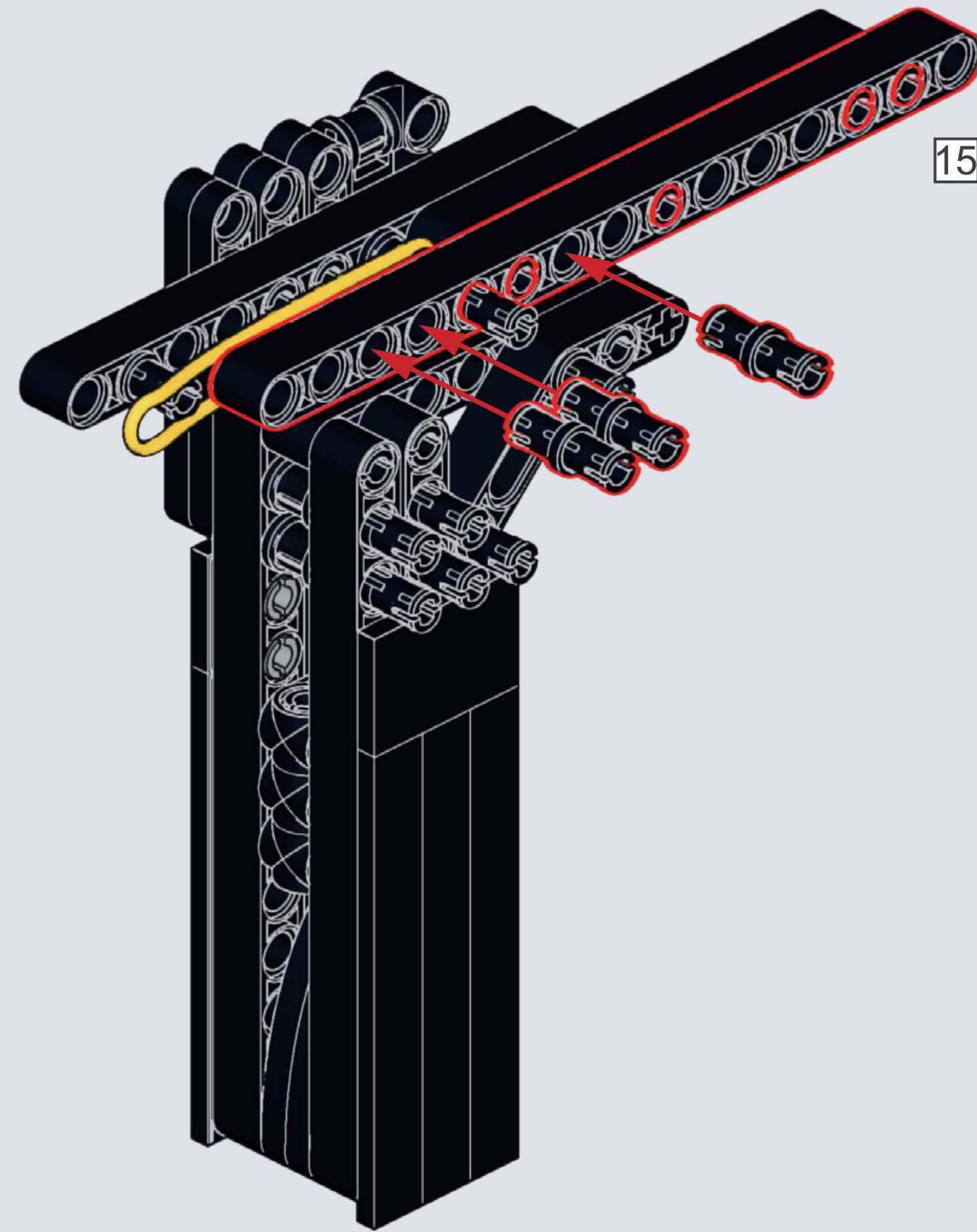


A120

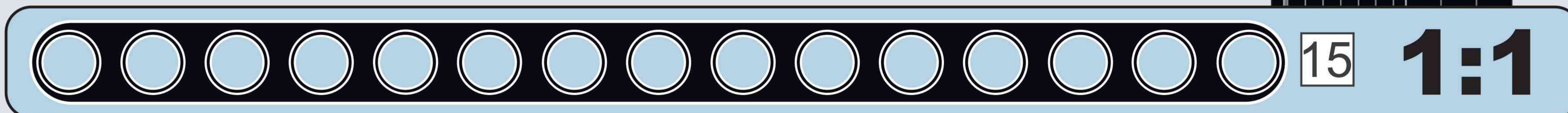
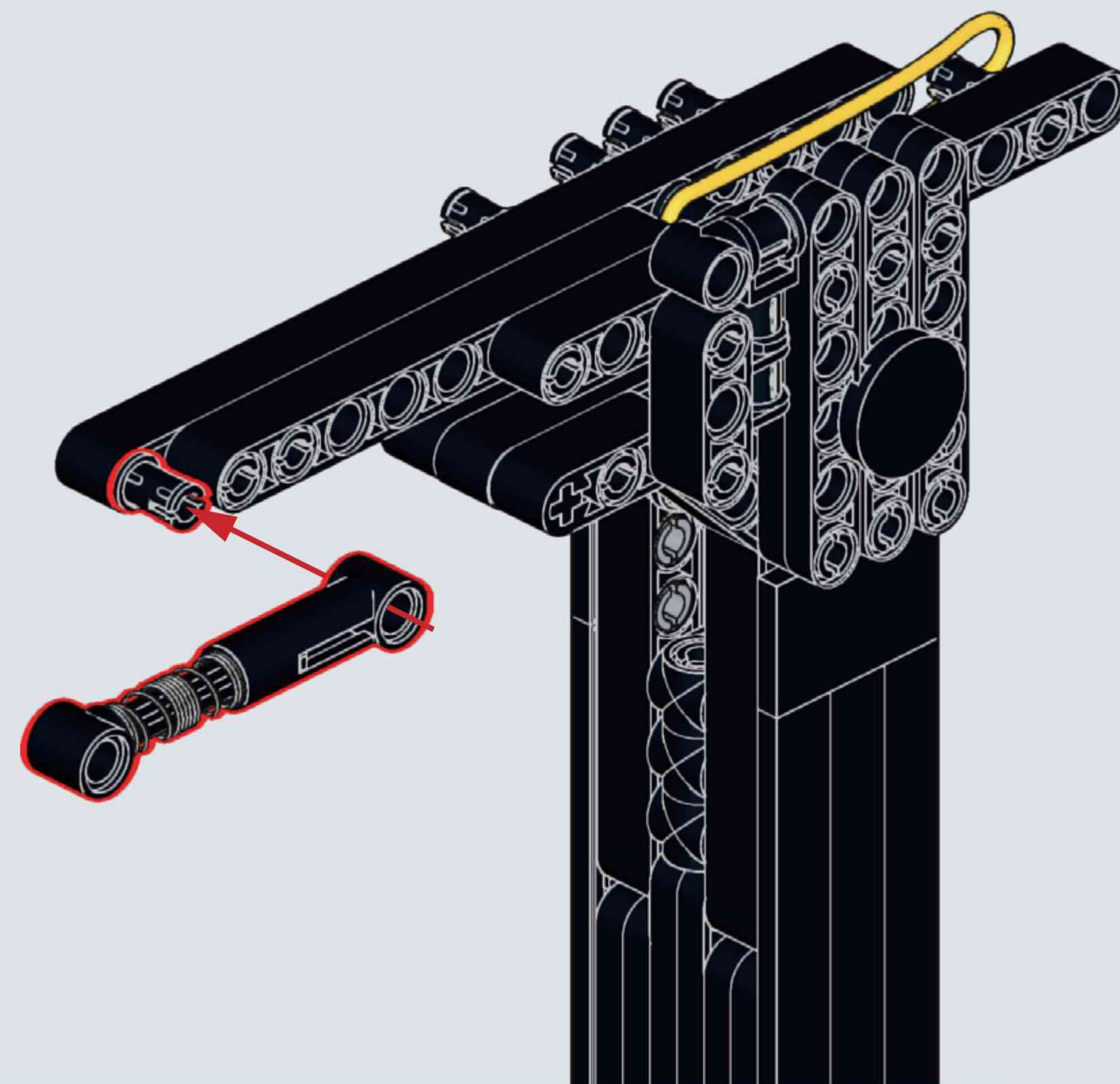




A121

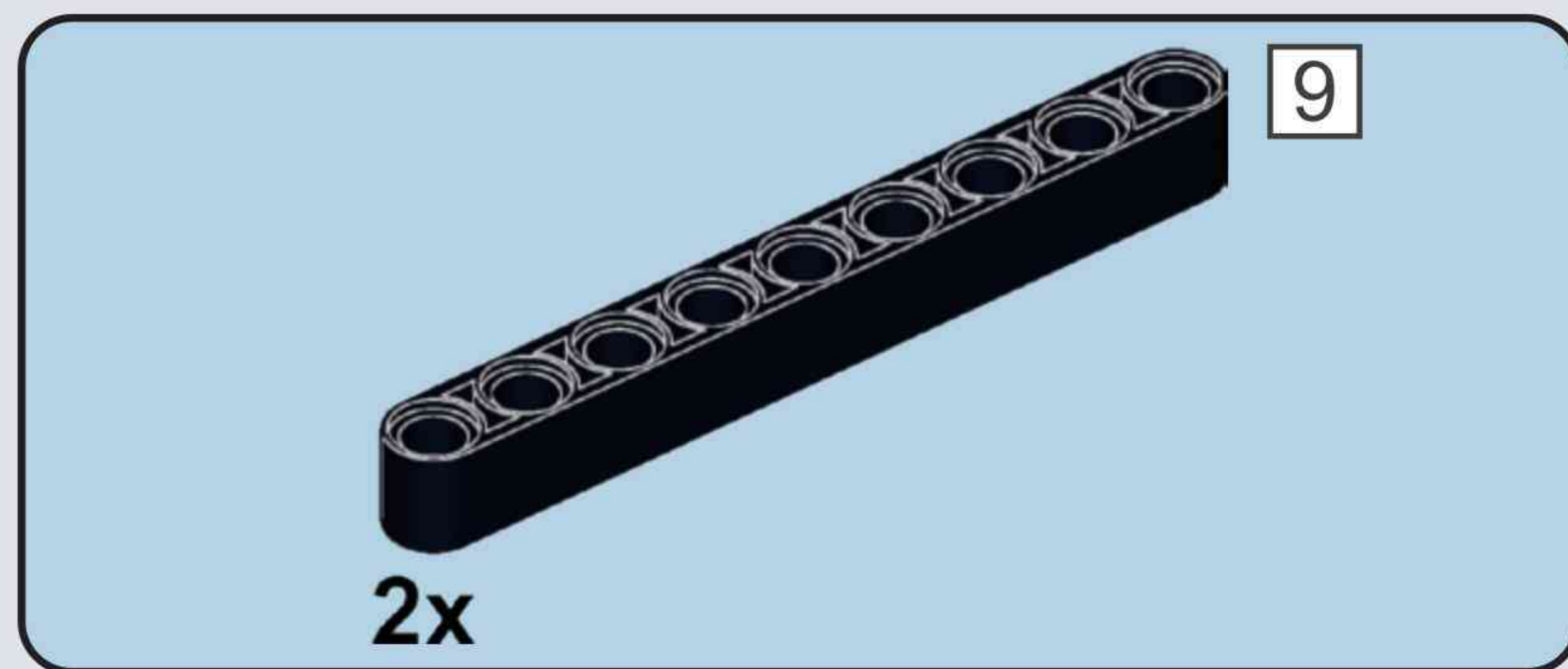
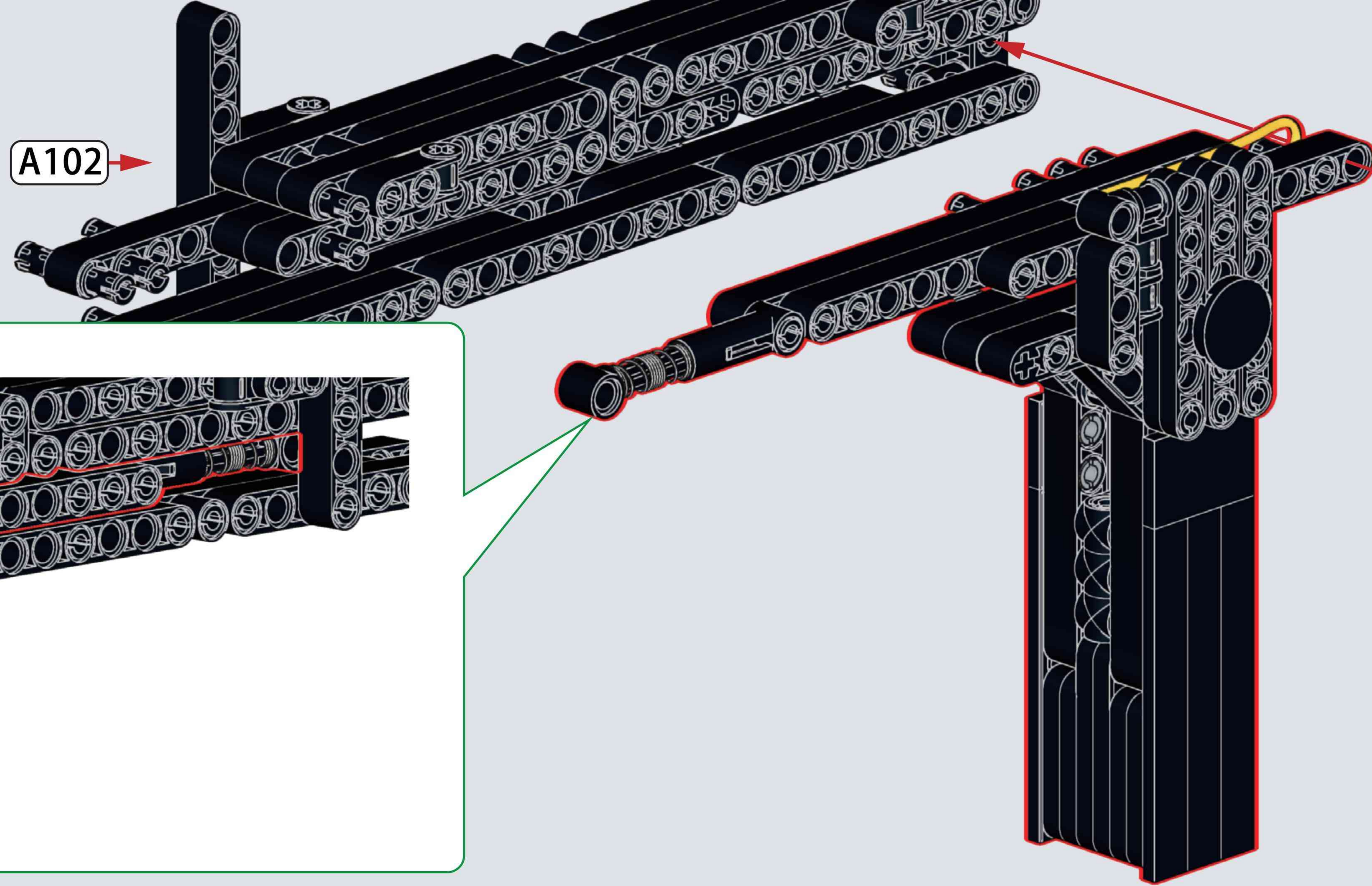
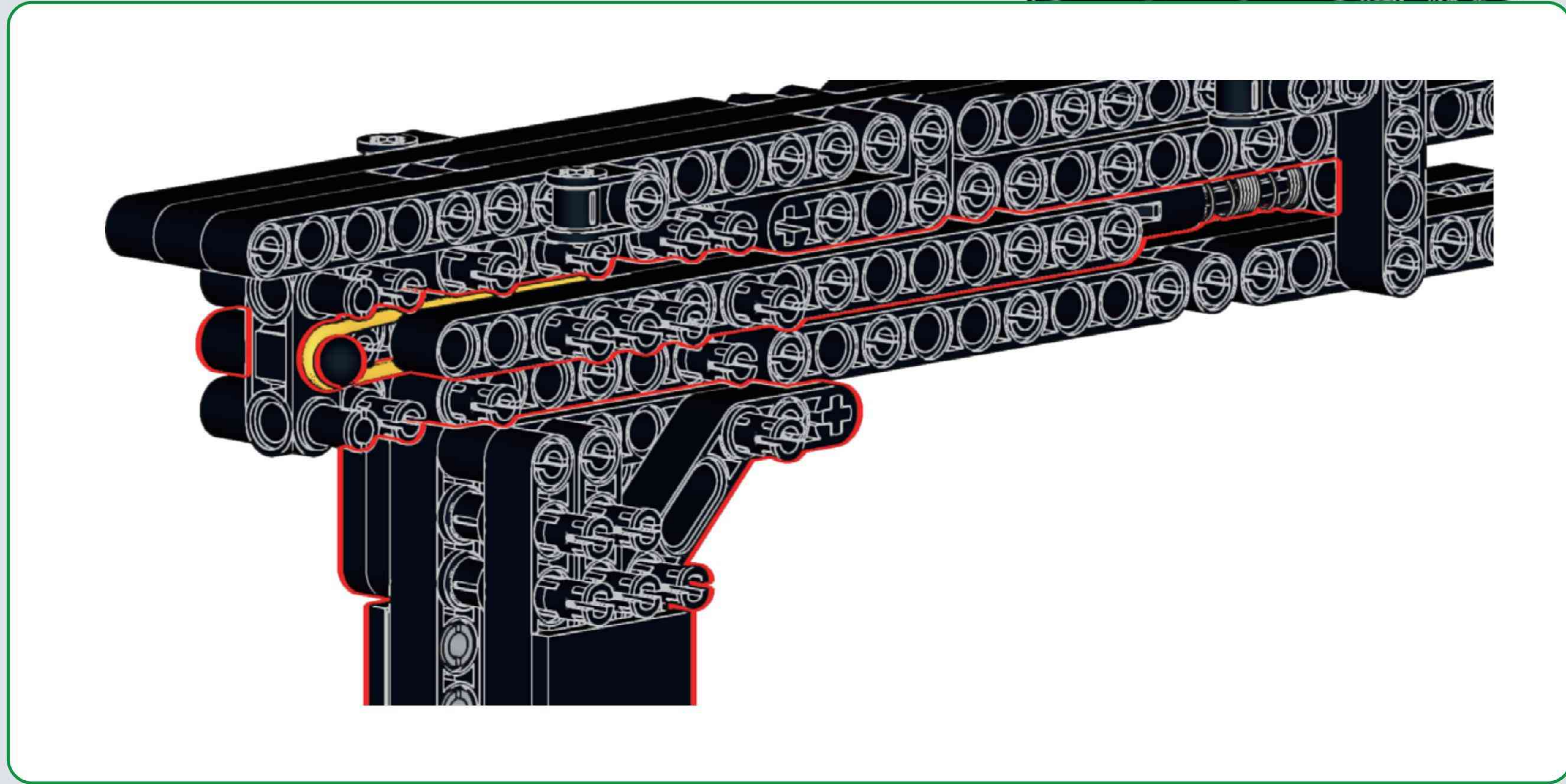


A122

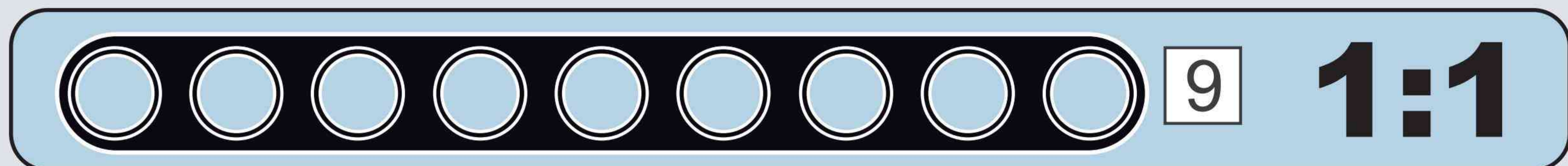
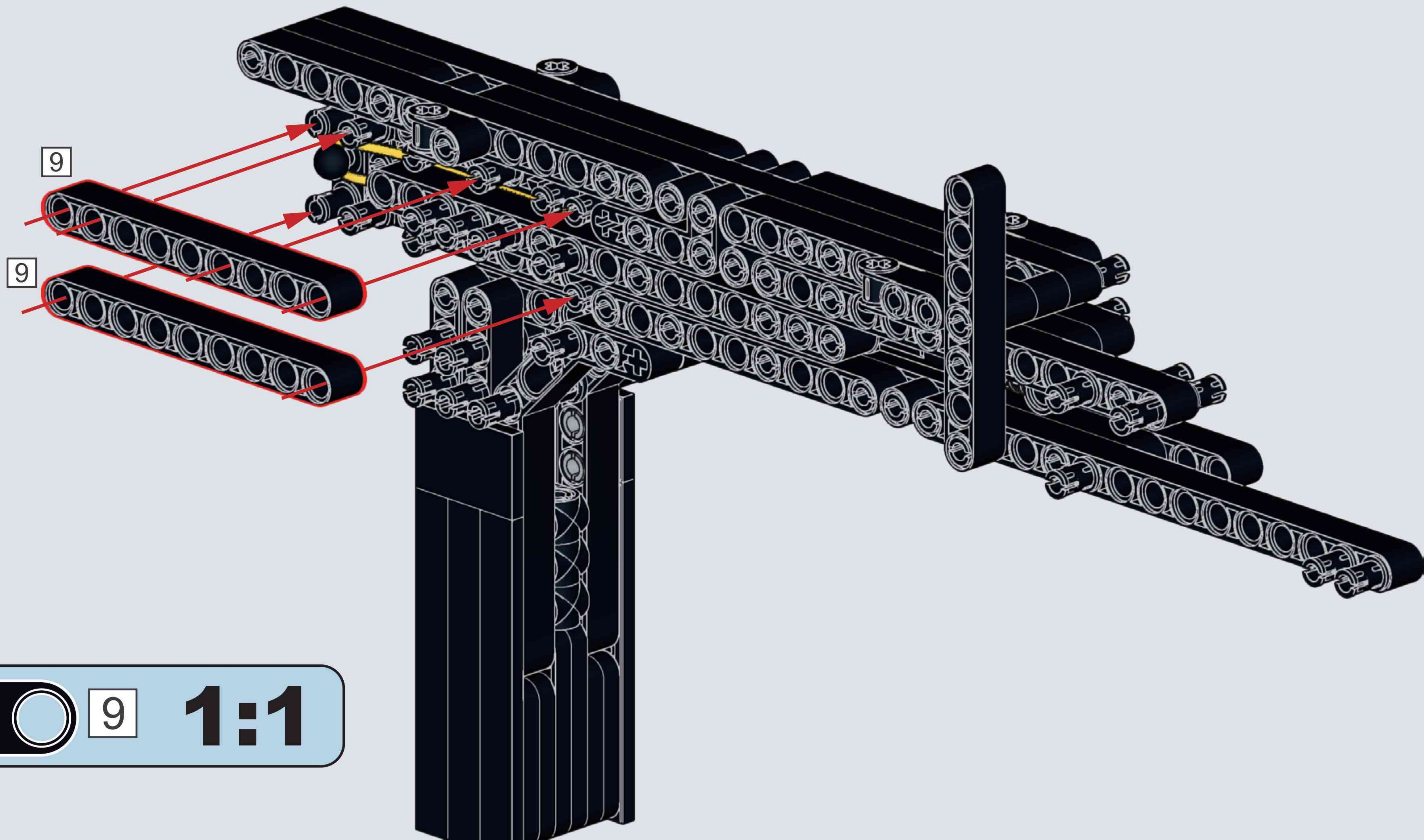
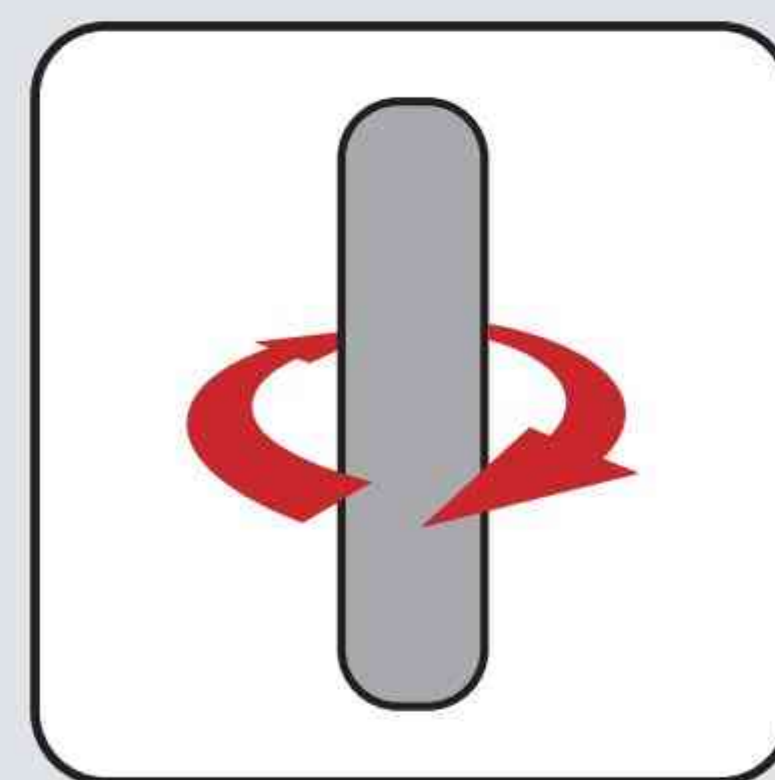


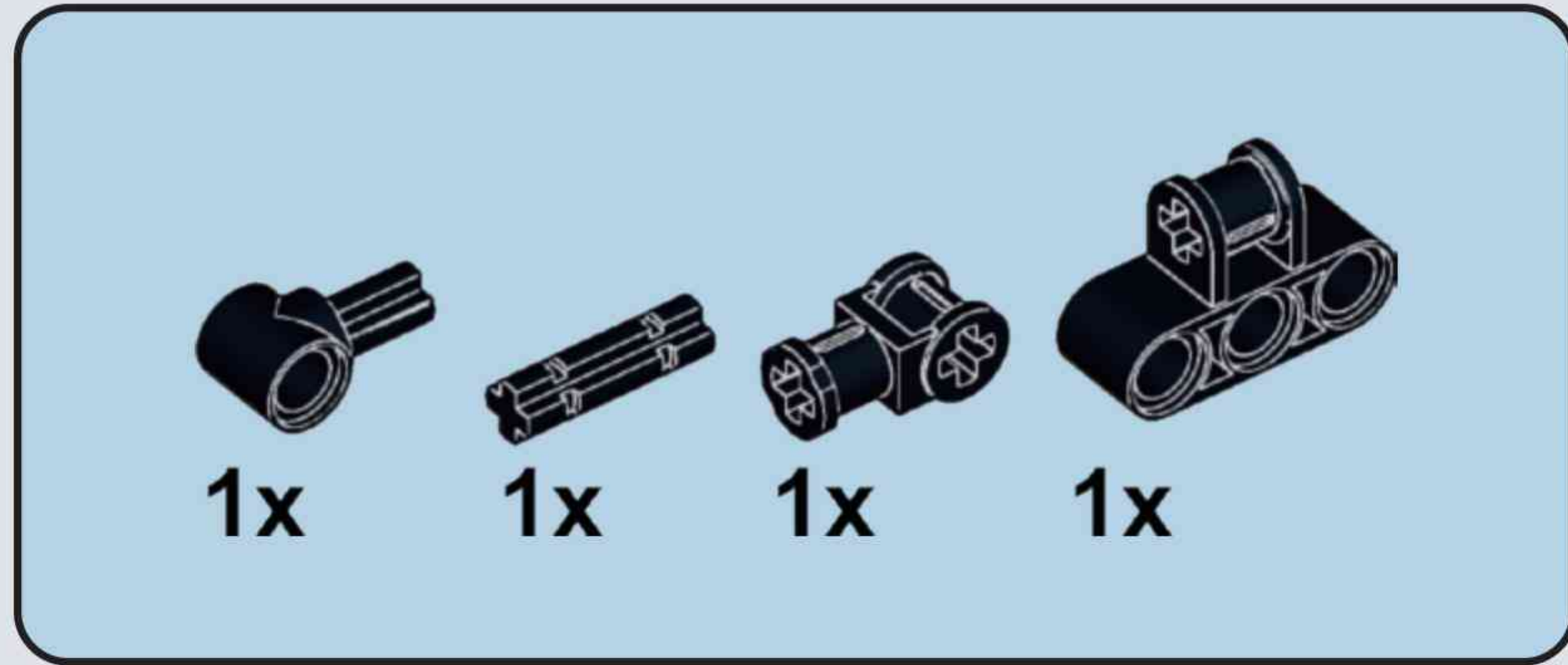
A123

A102

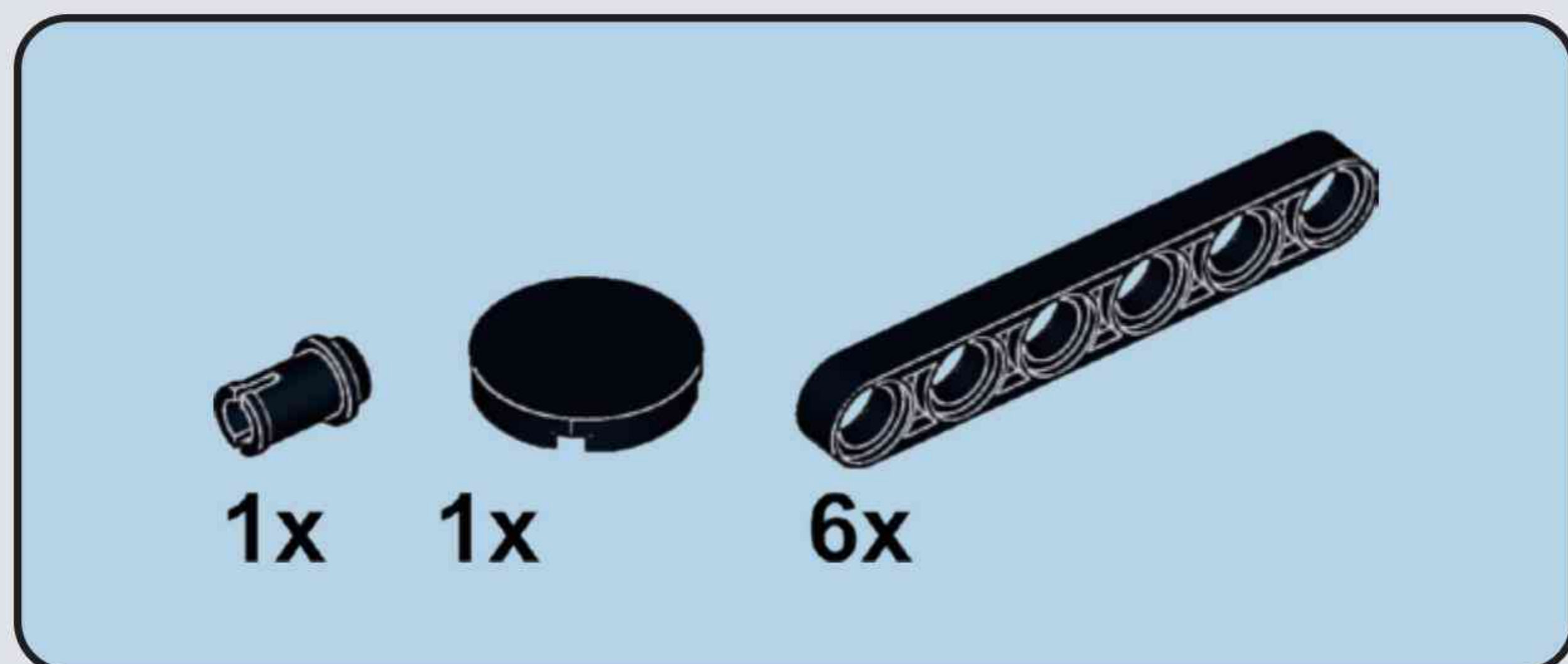
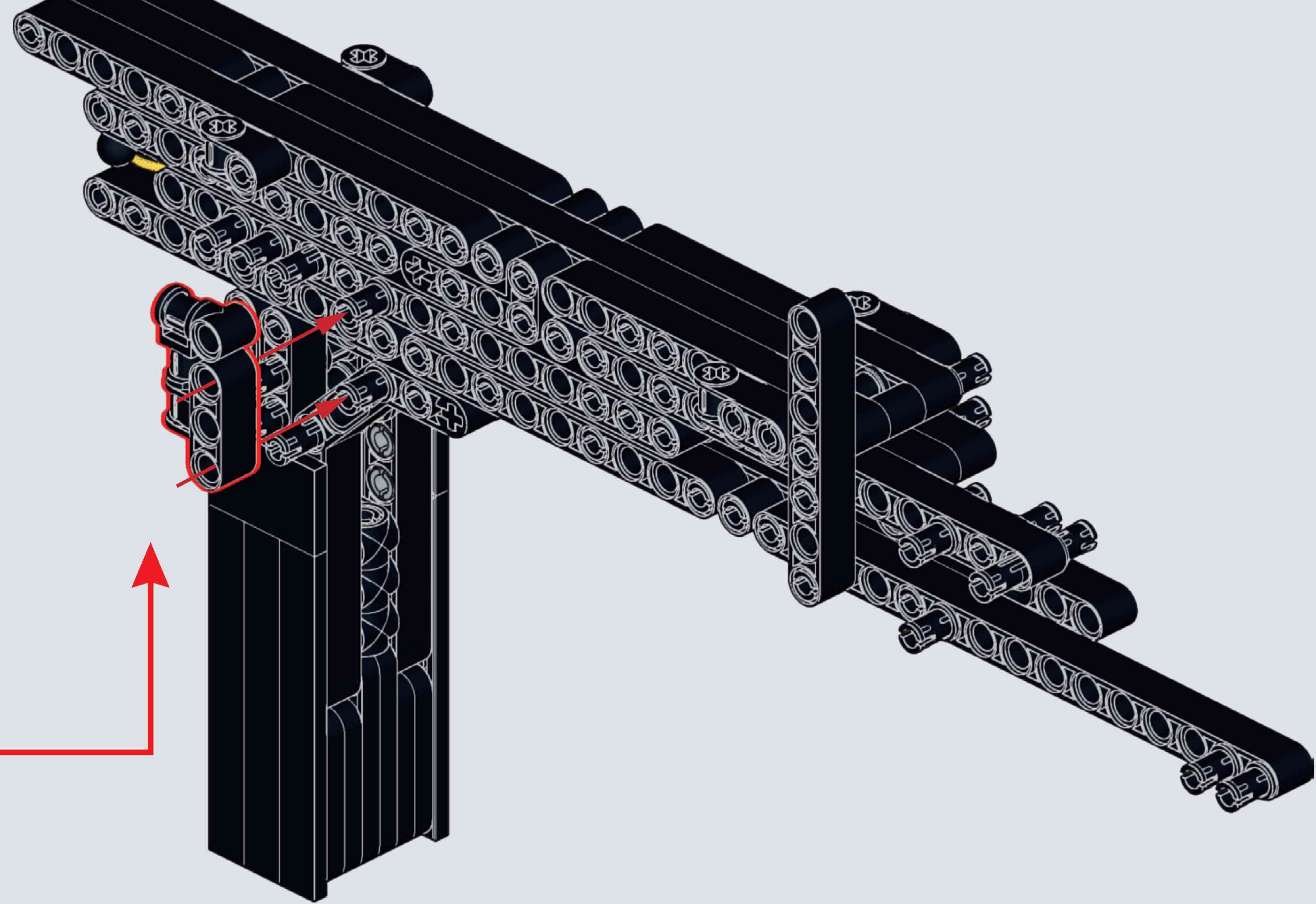
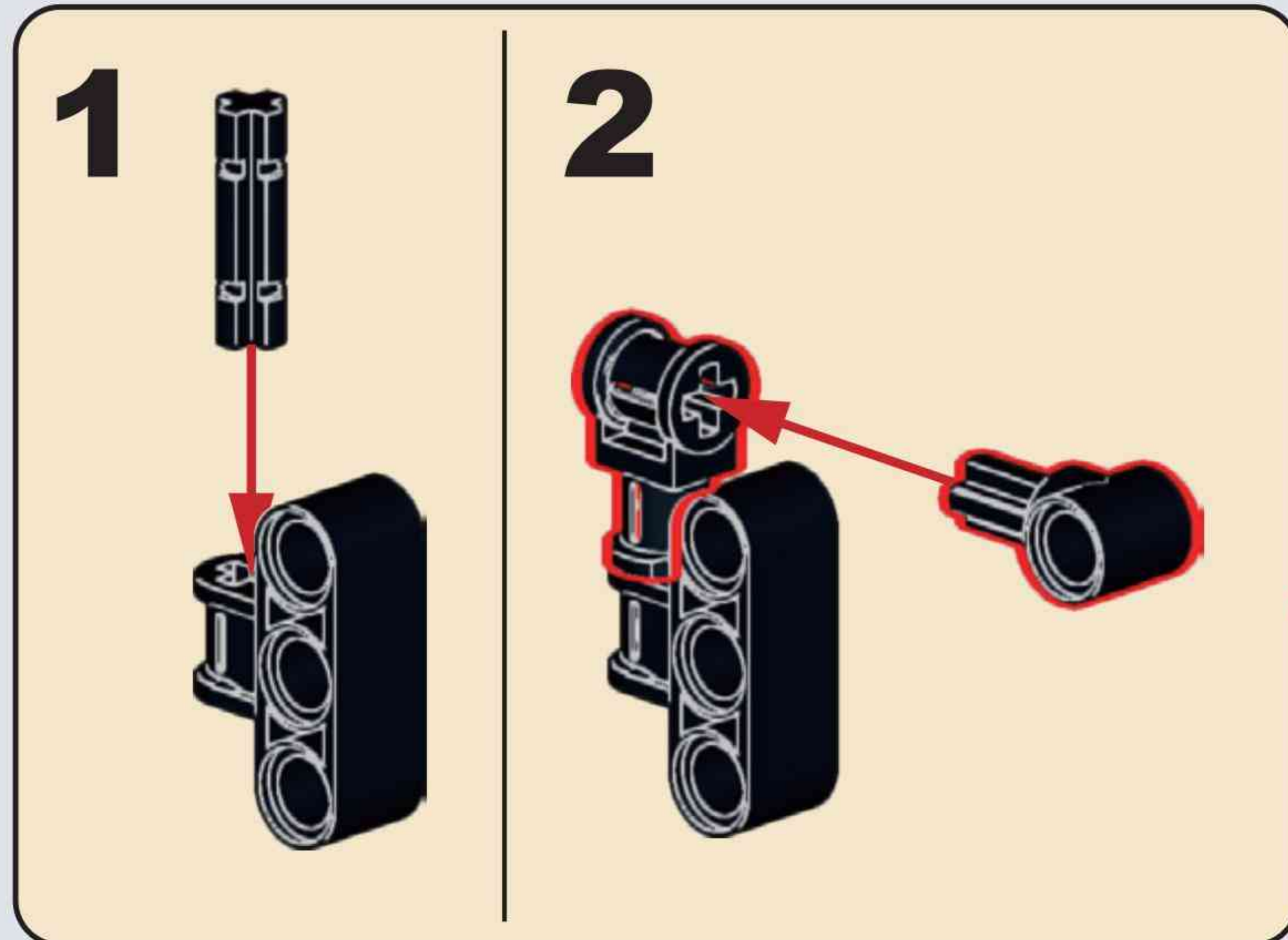


A124

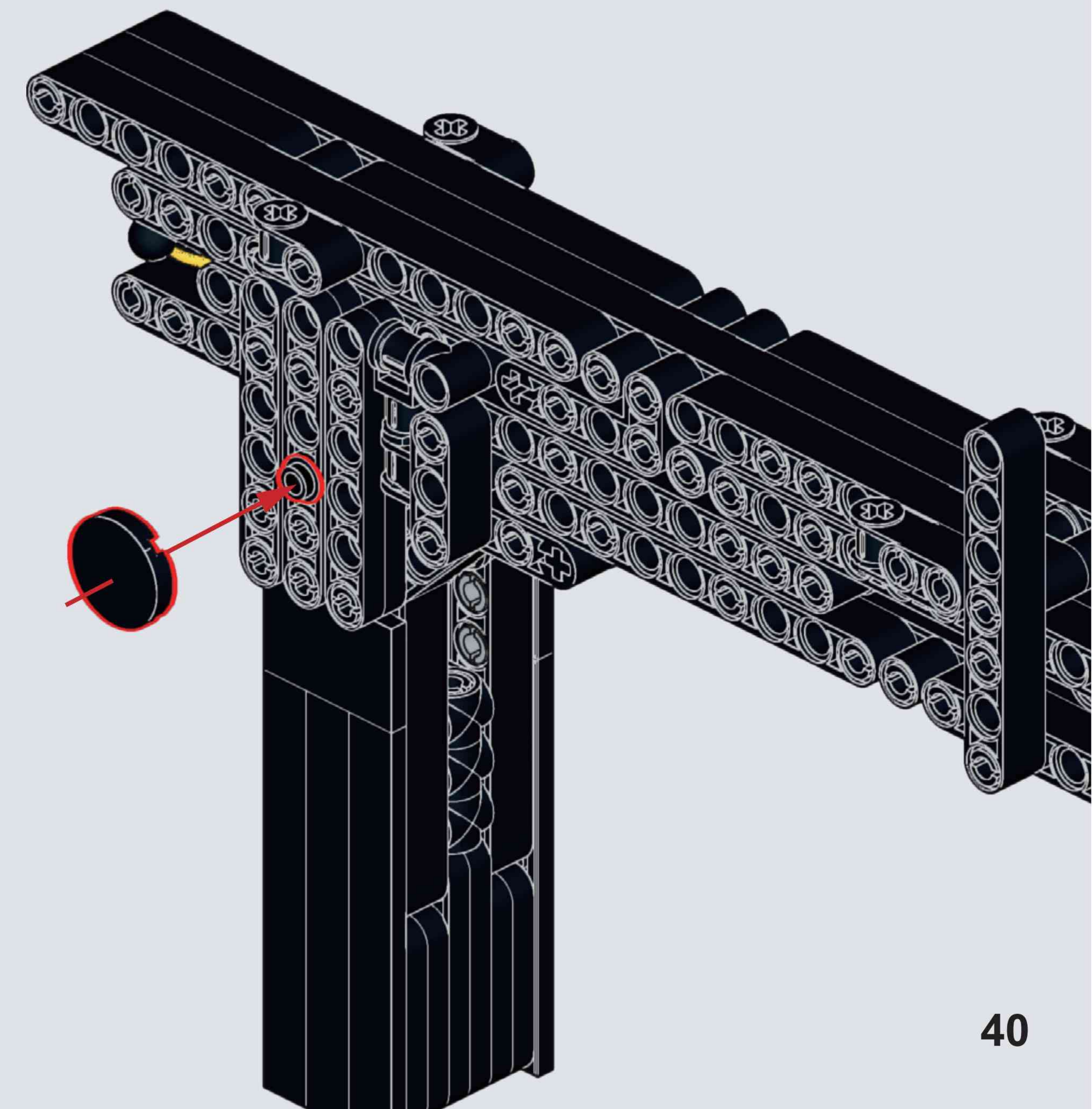
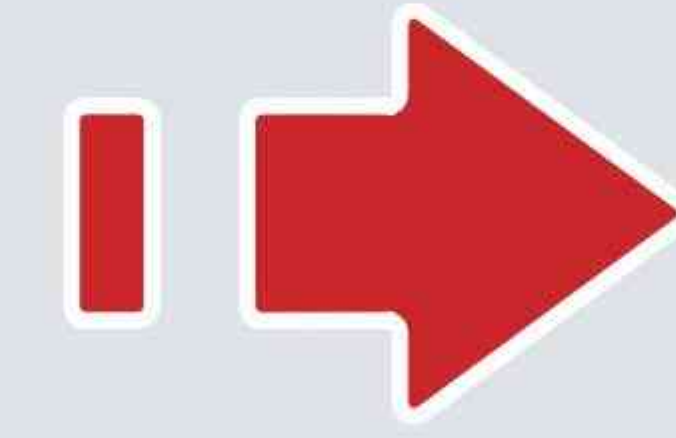
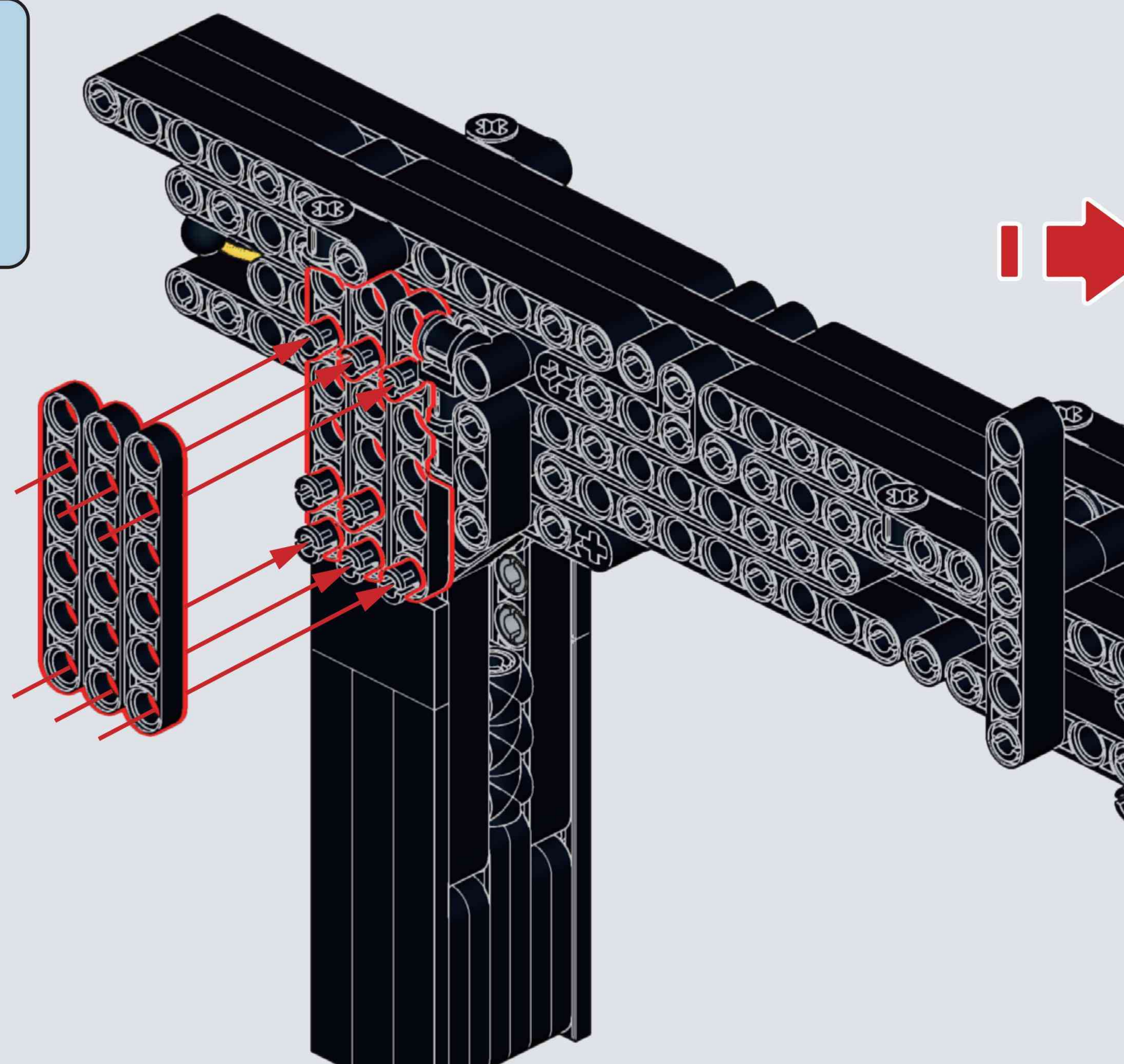


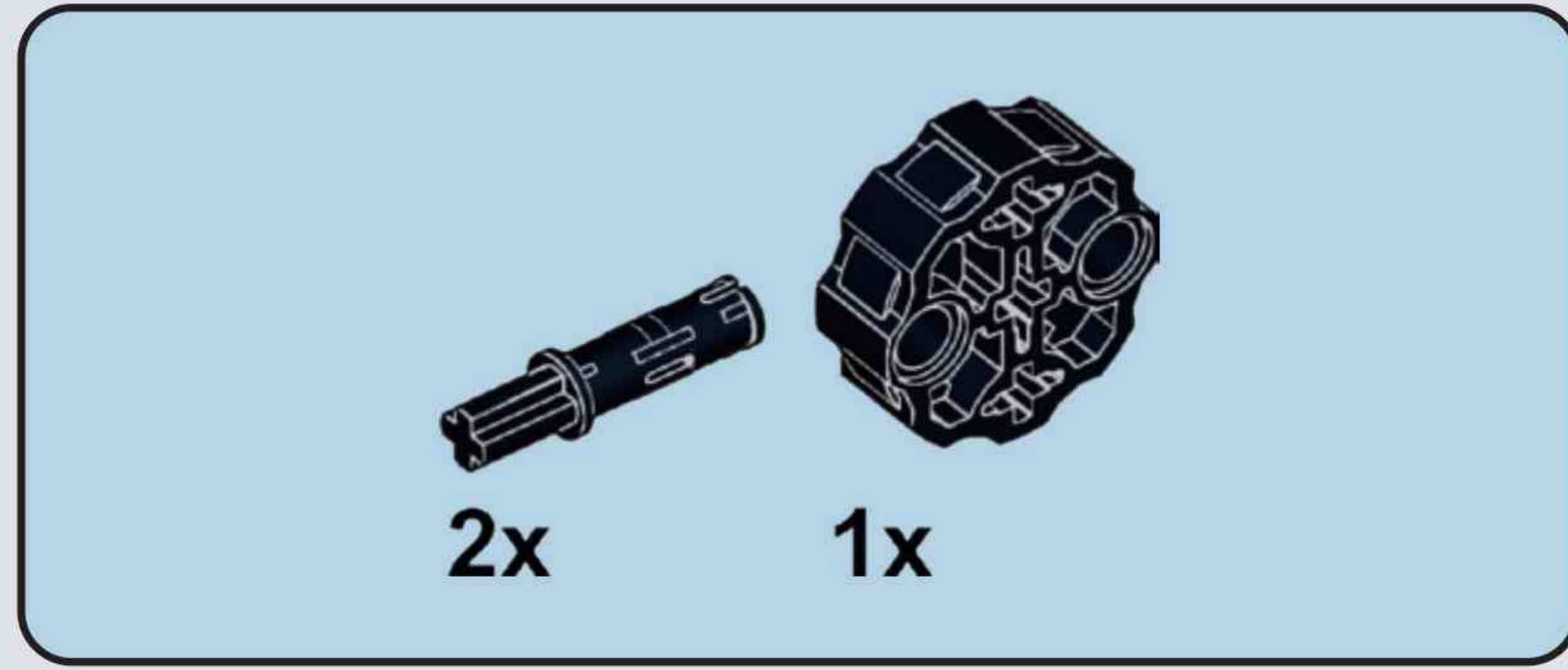


A125

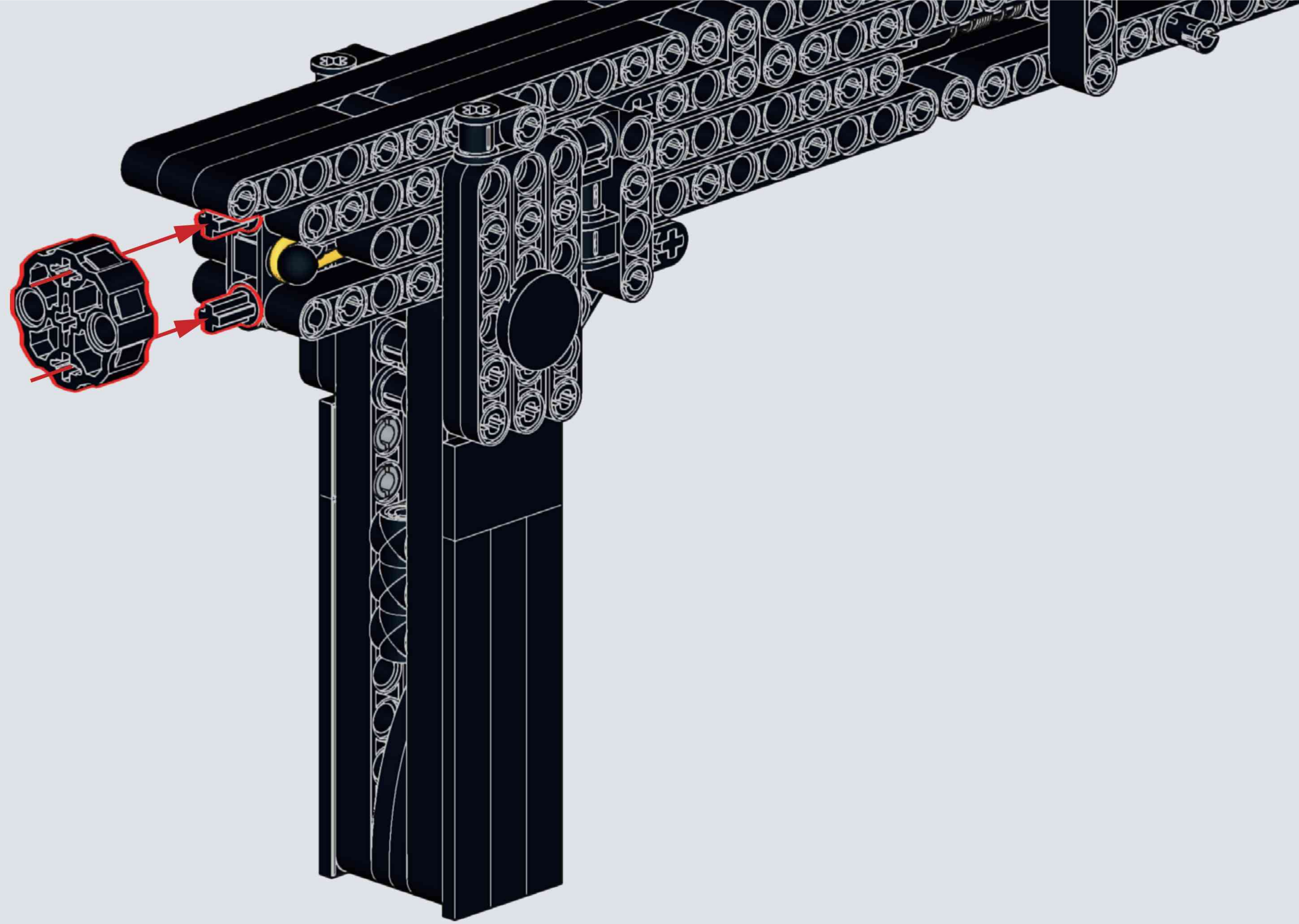
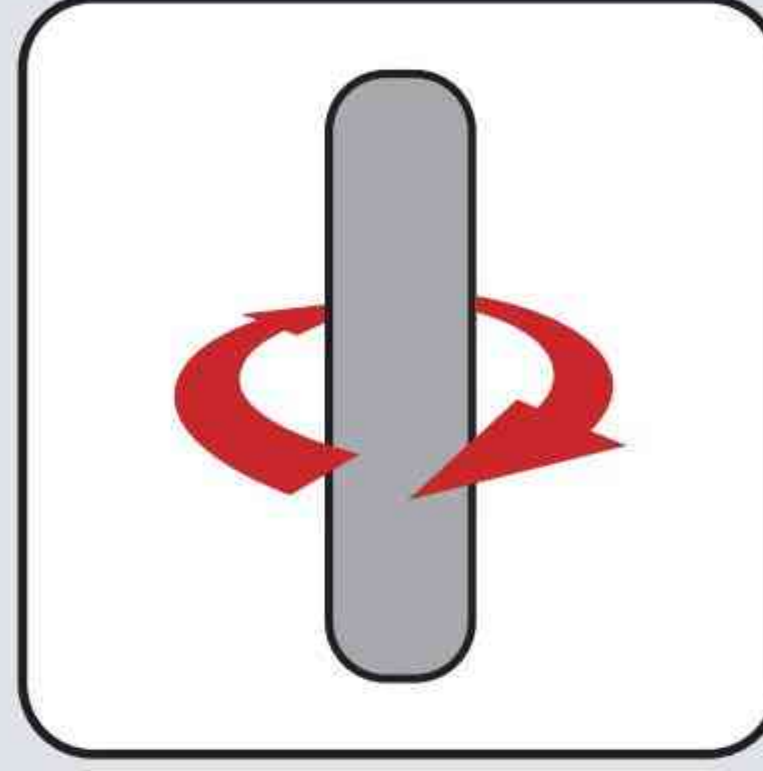


A126

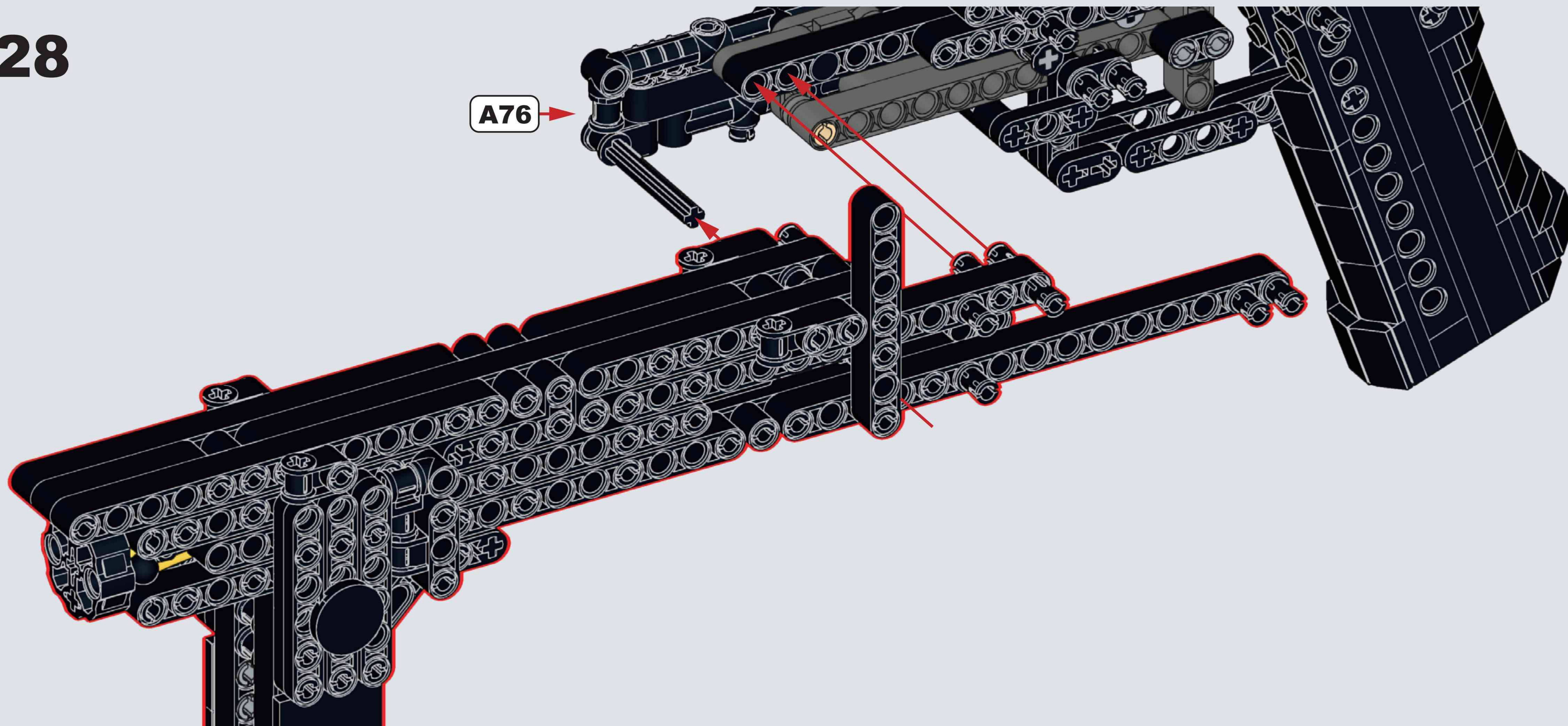


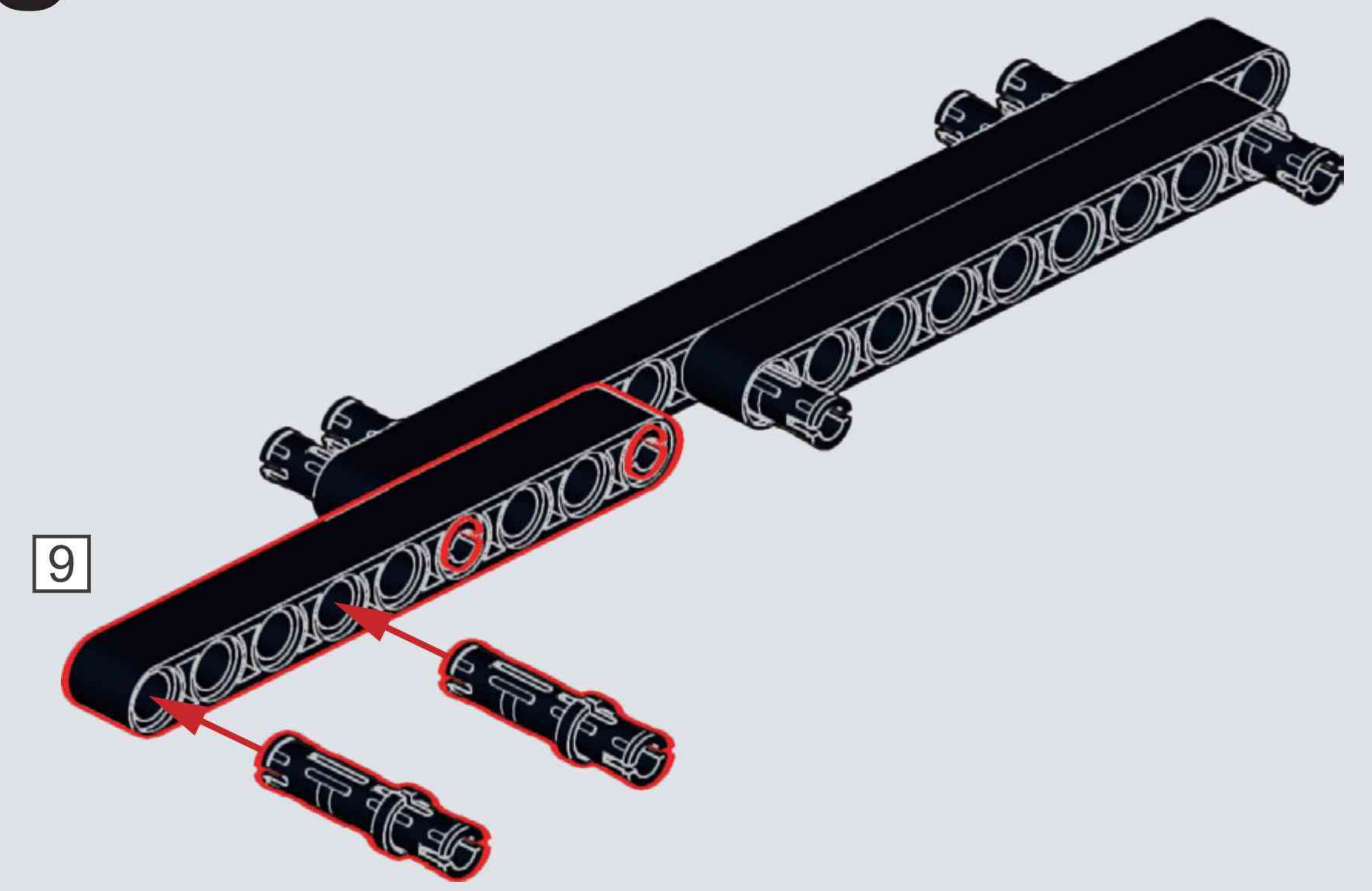
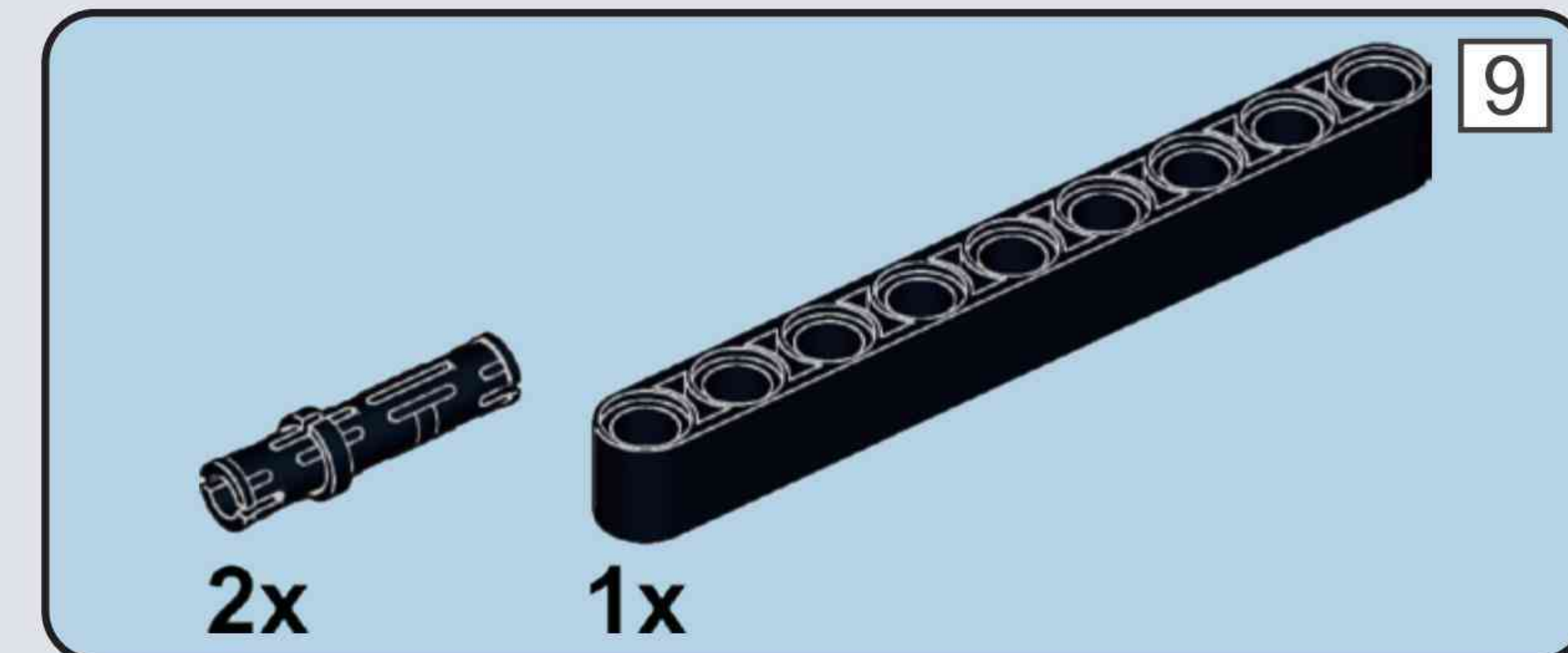
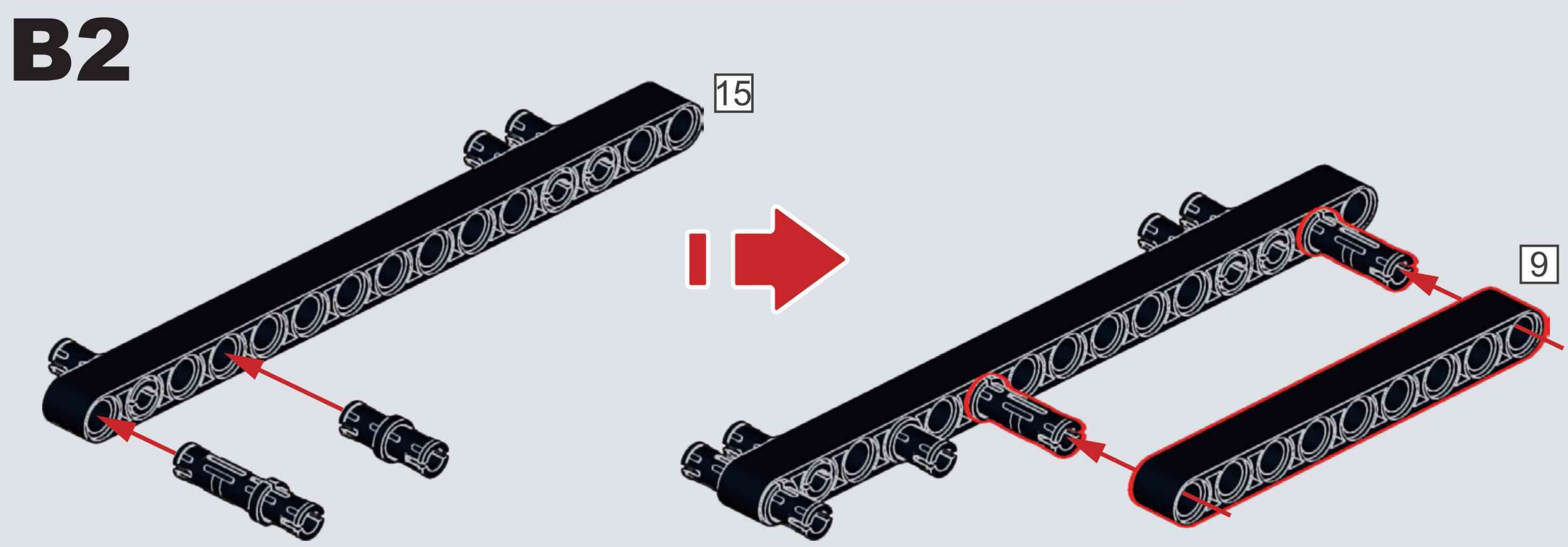
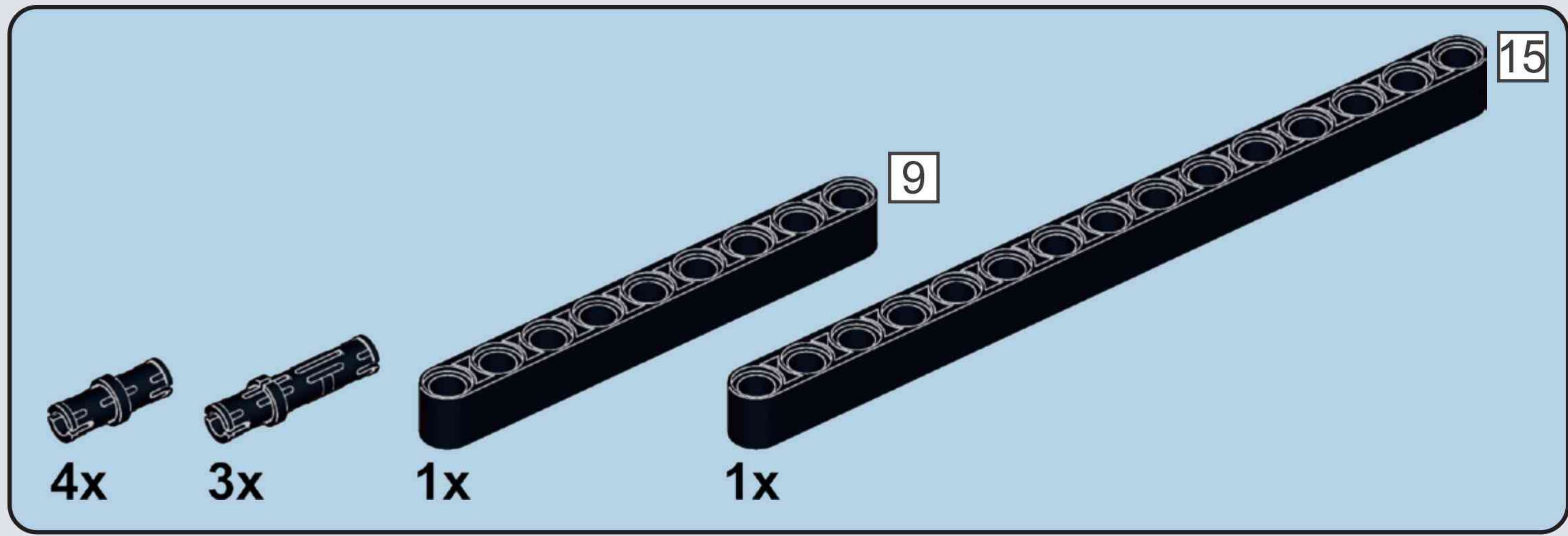
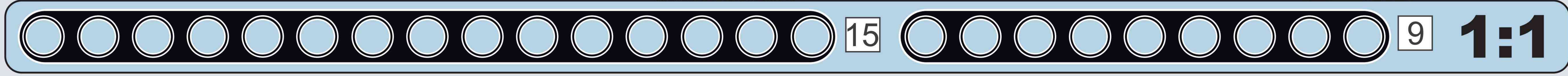
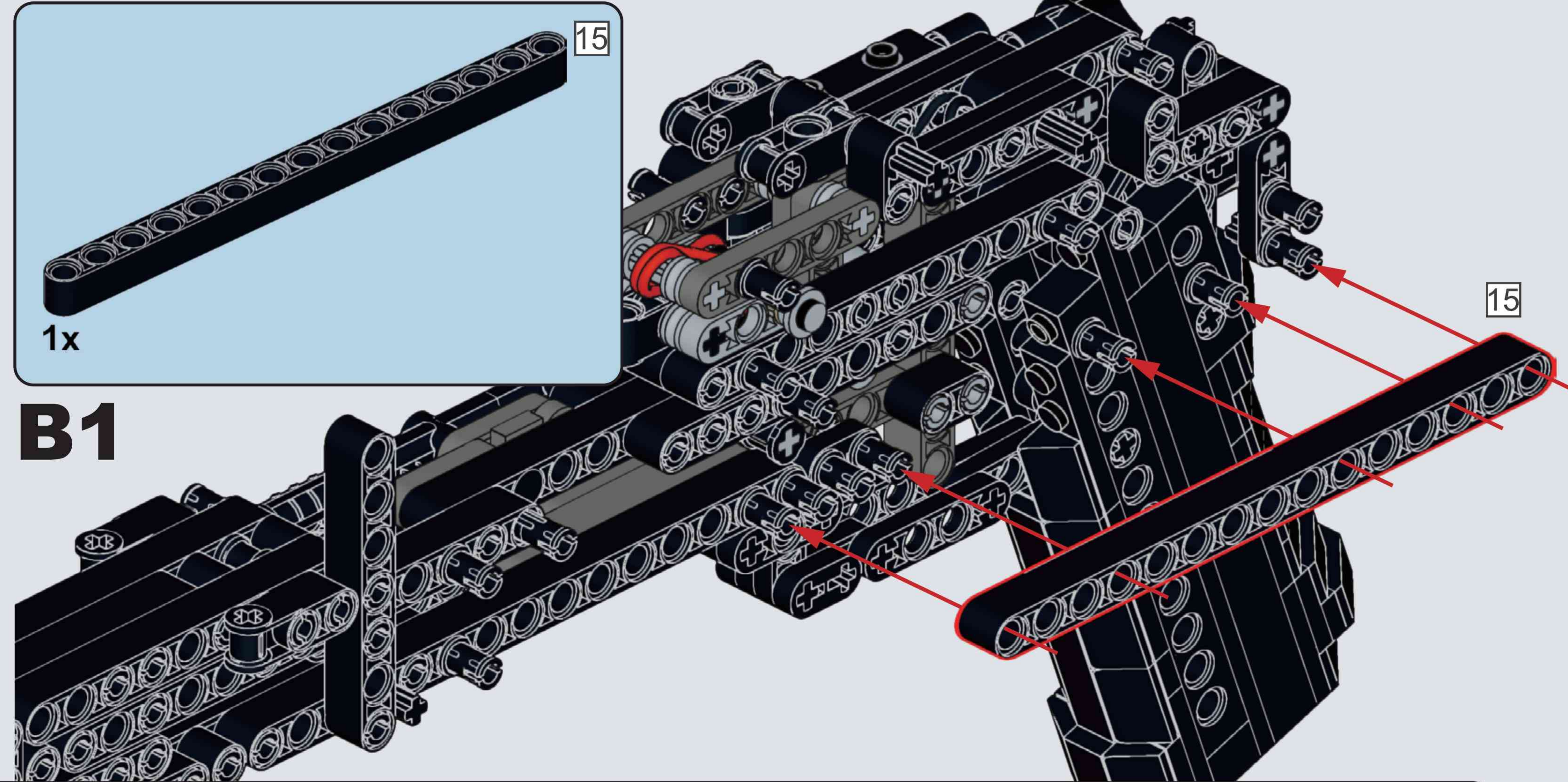


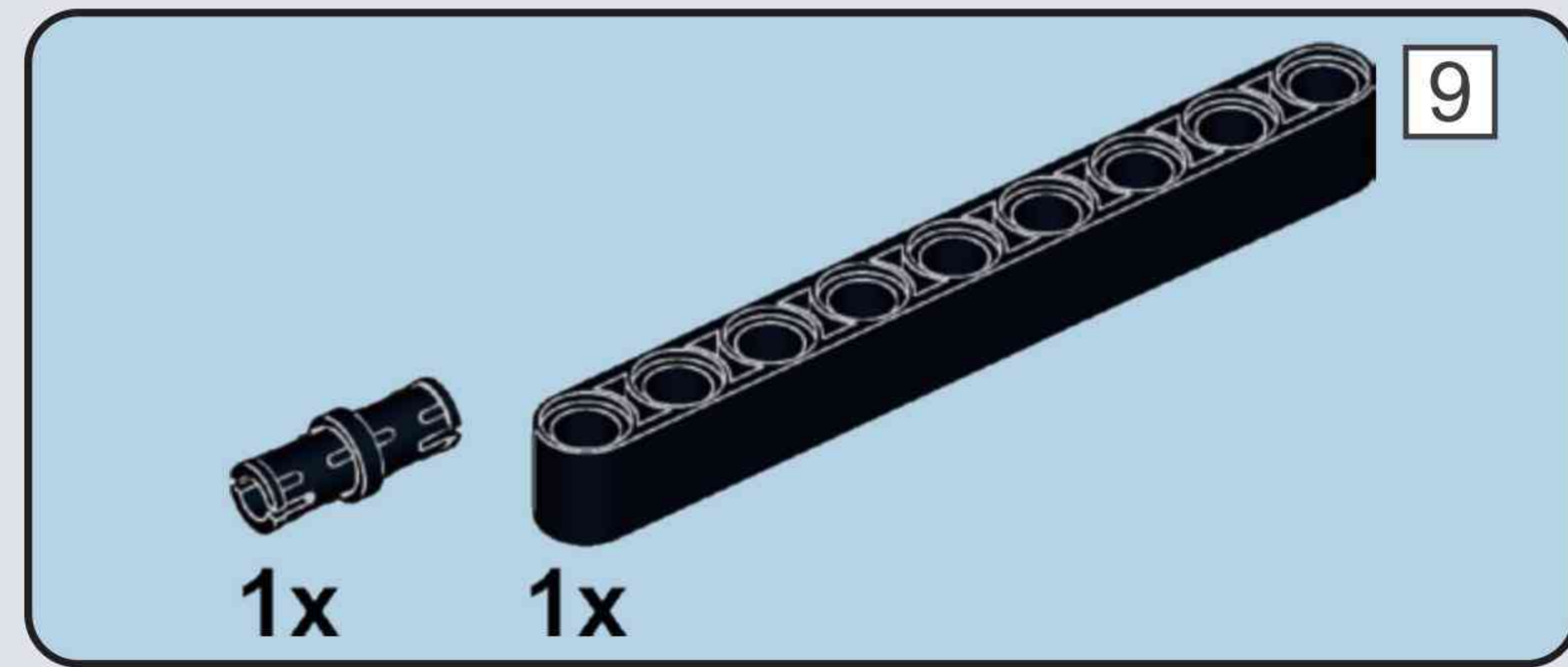
A127



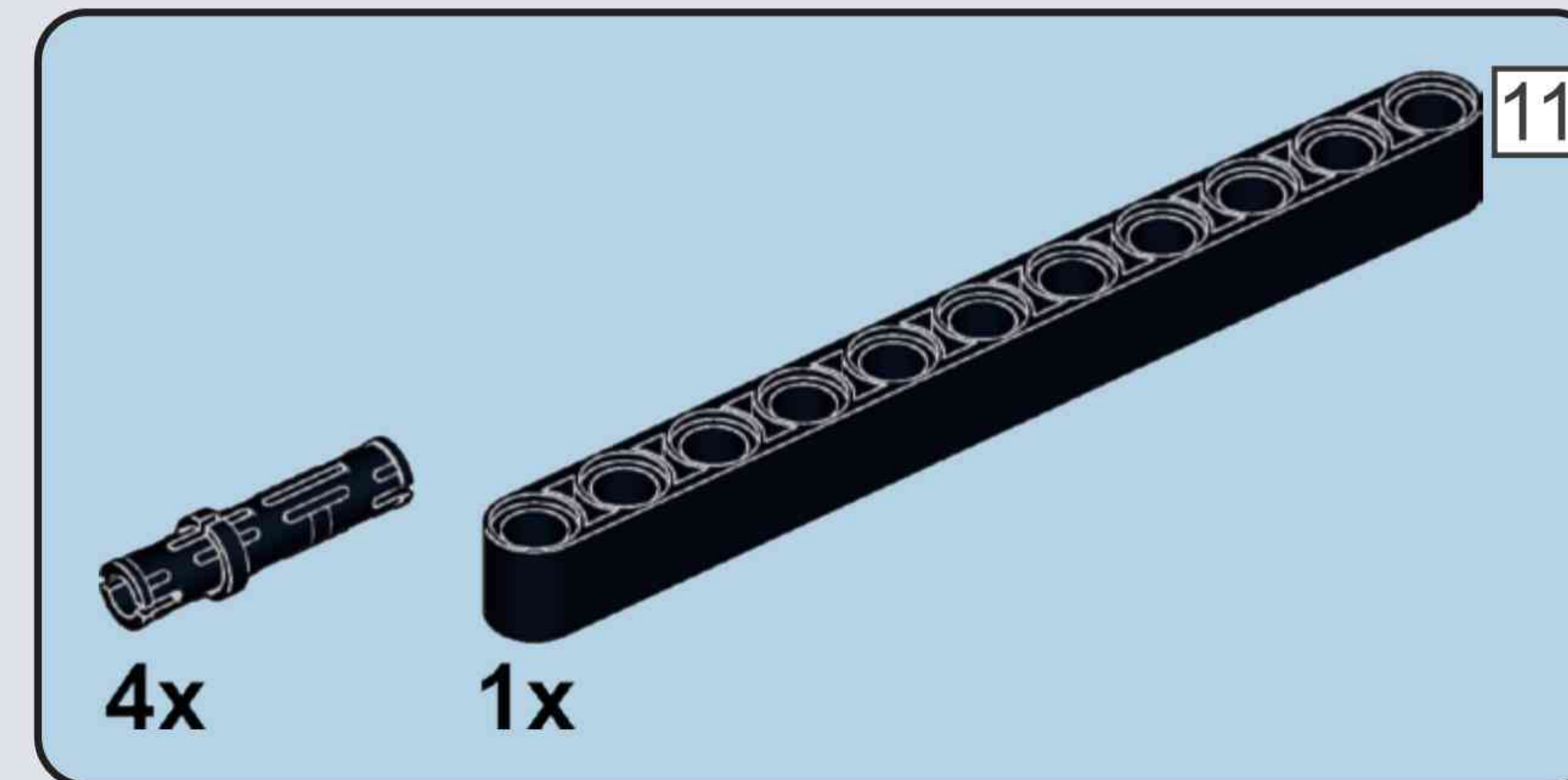
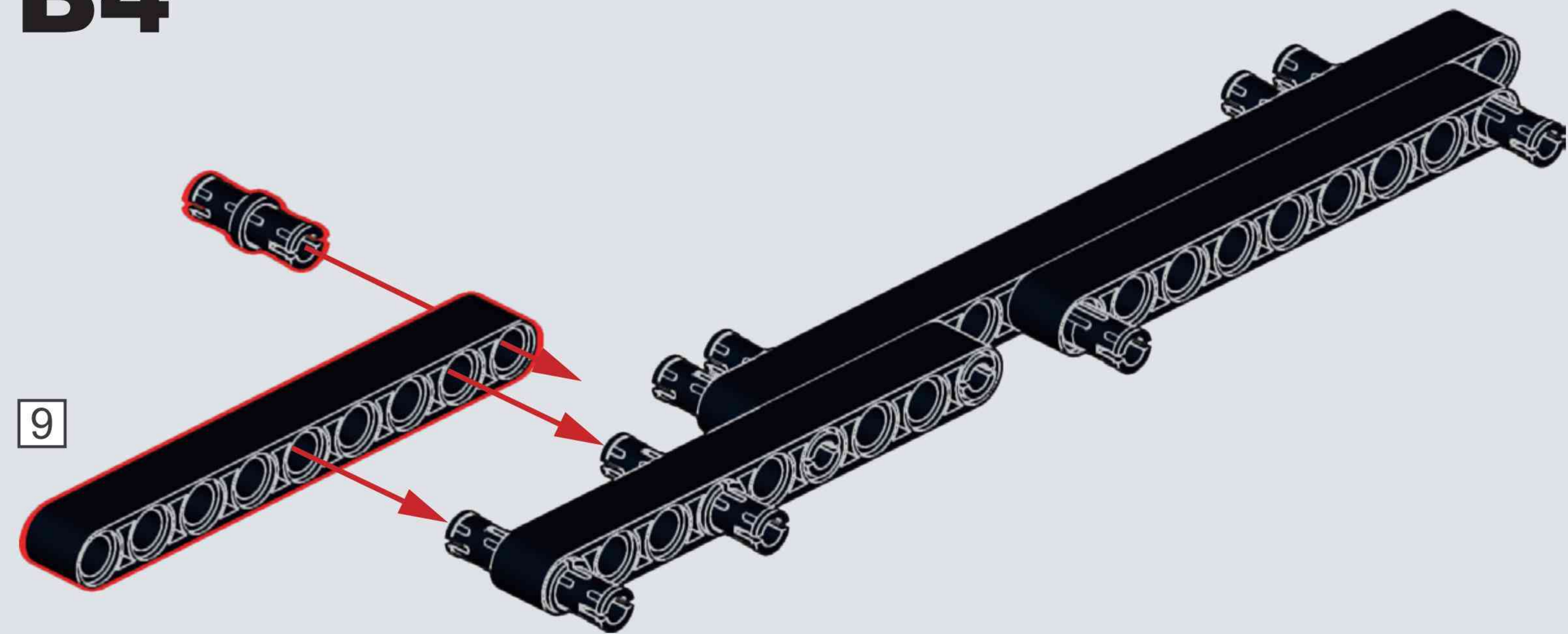
A128



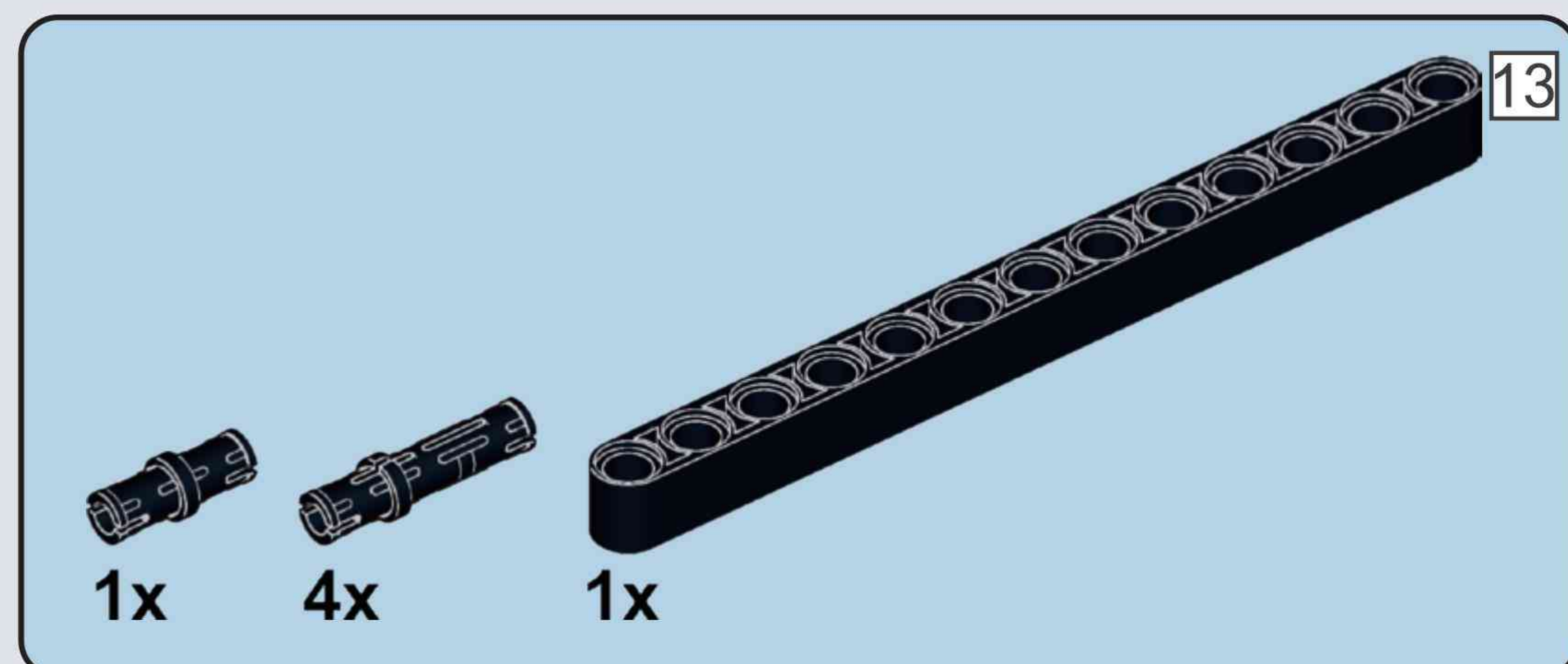
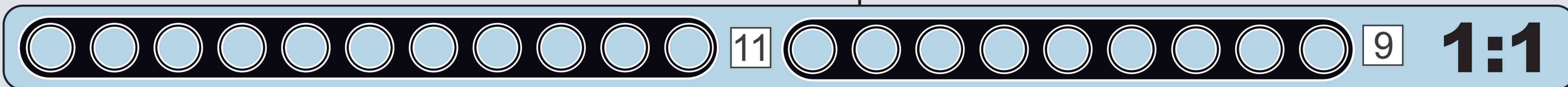
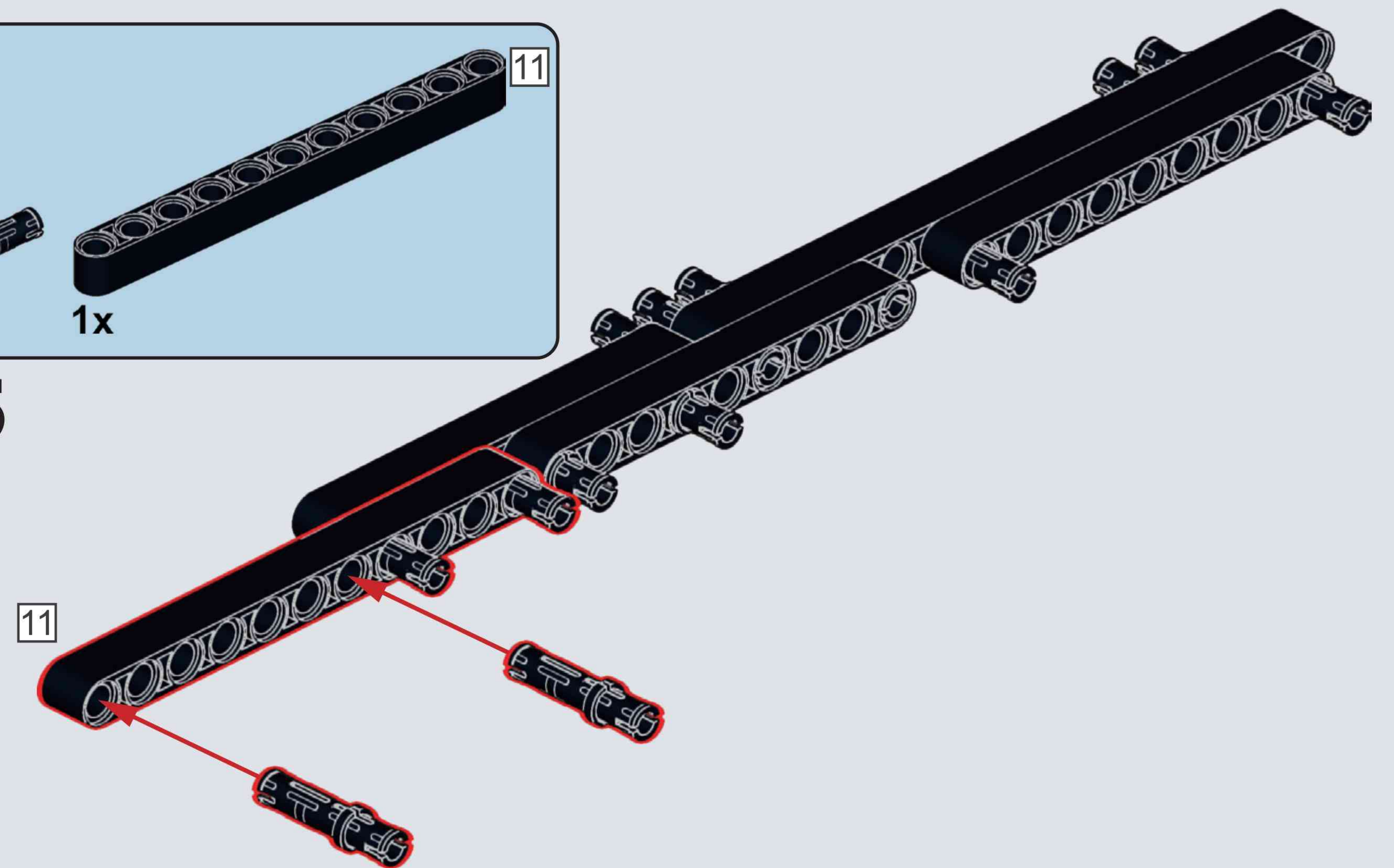




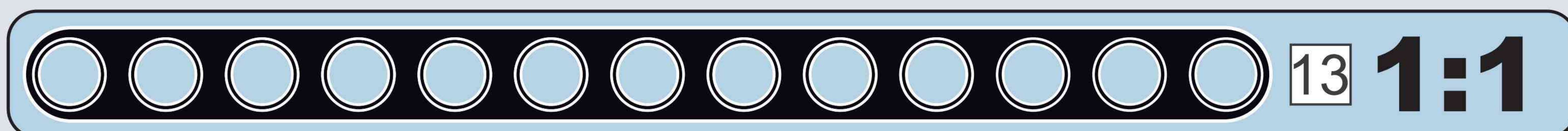
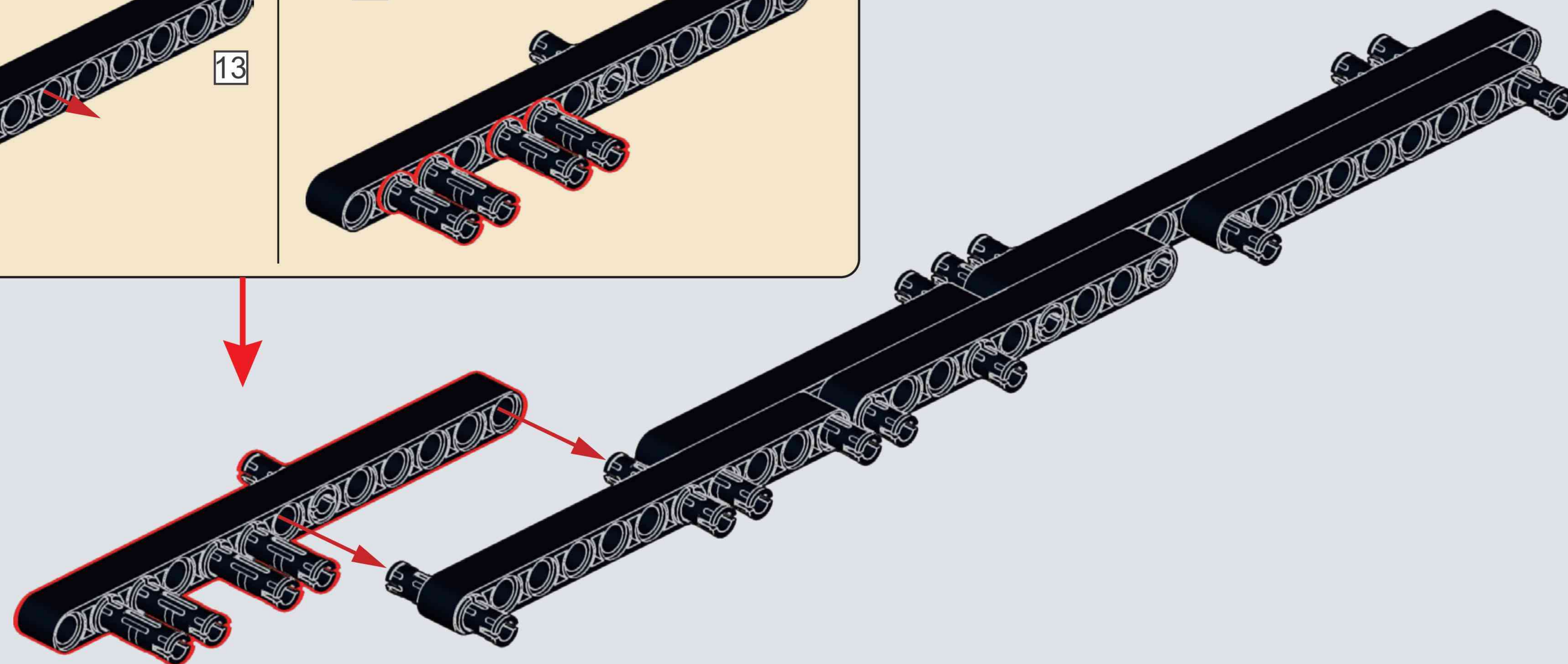
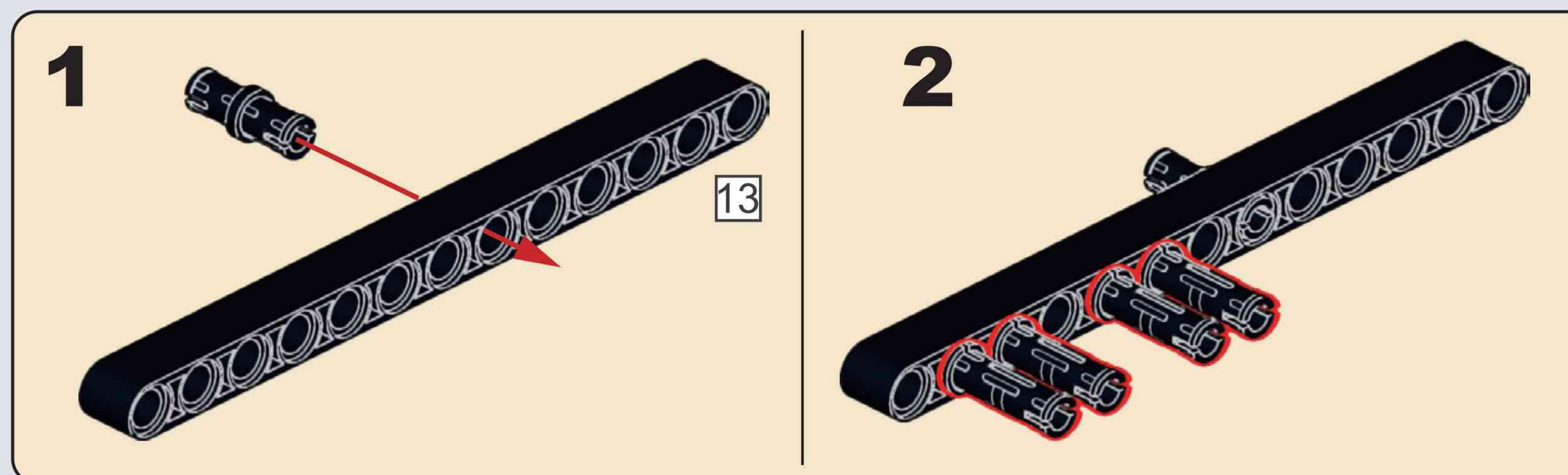
B4

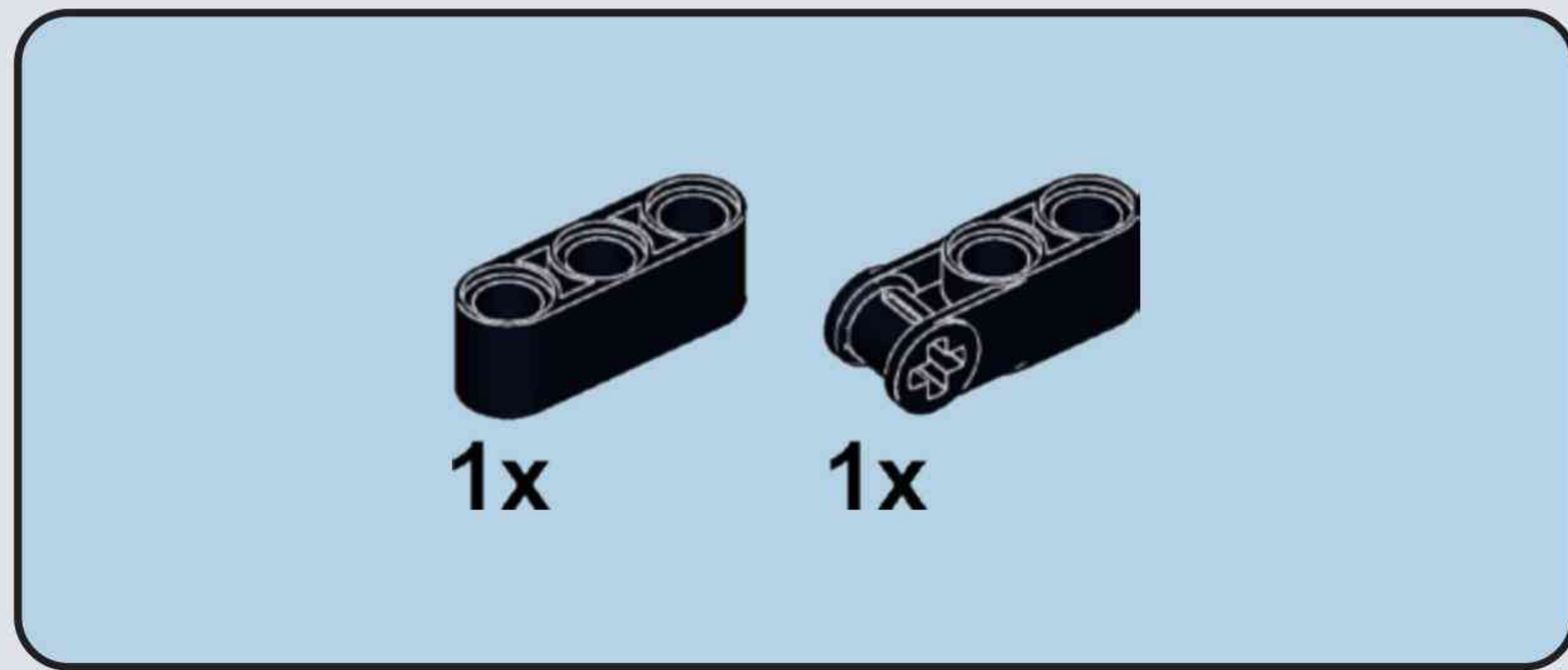


B5

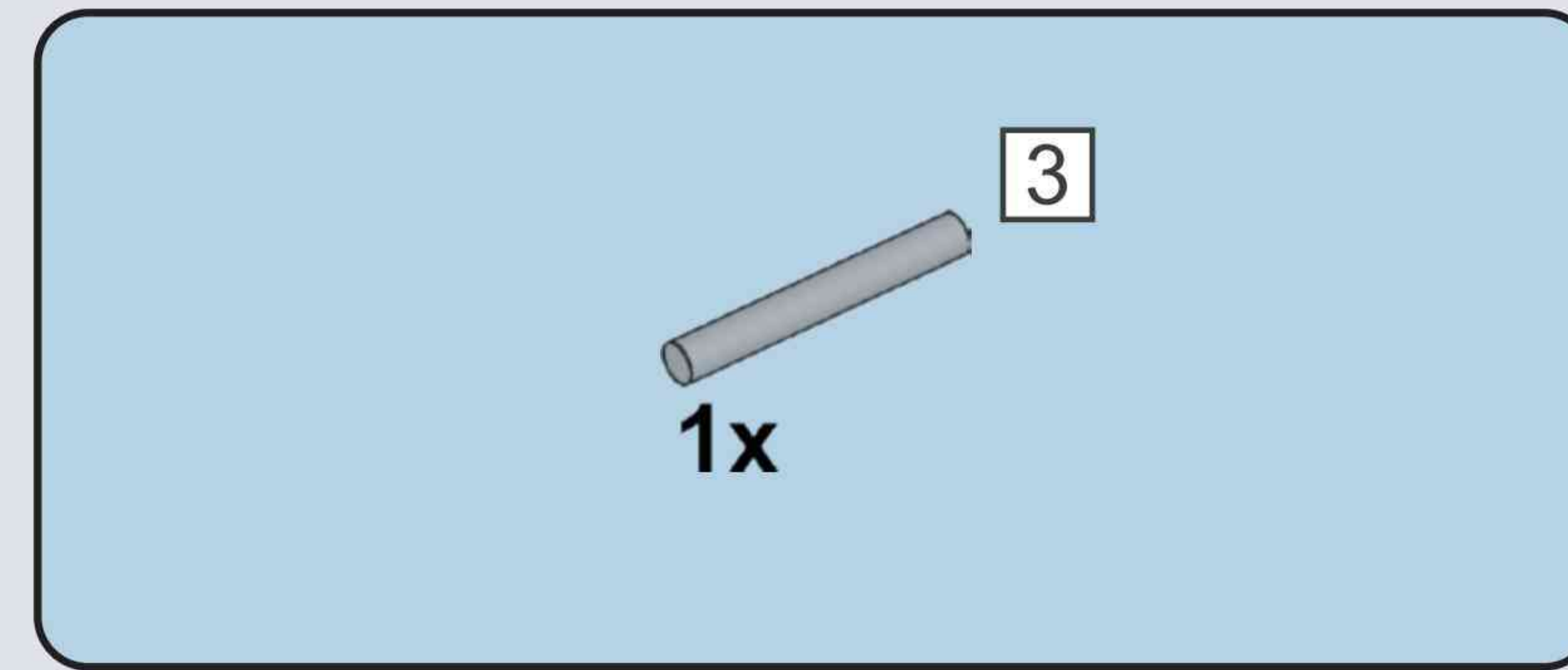
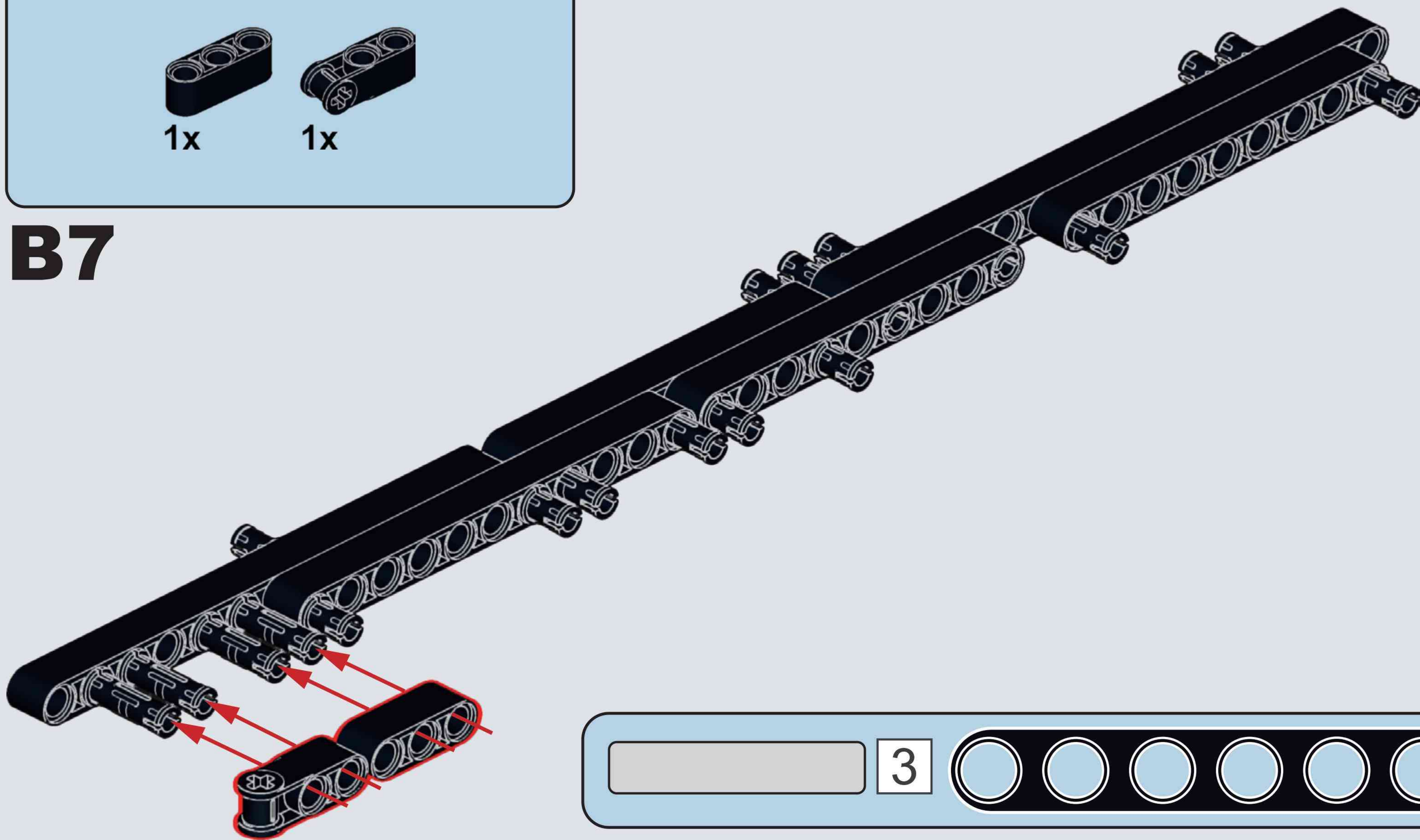


B6

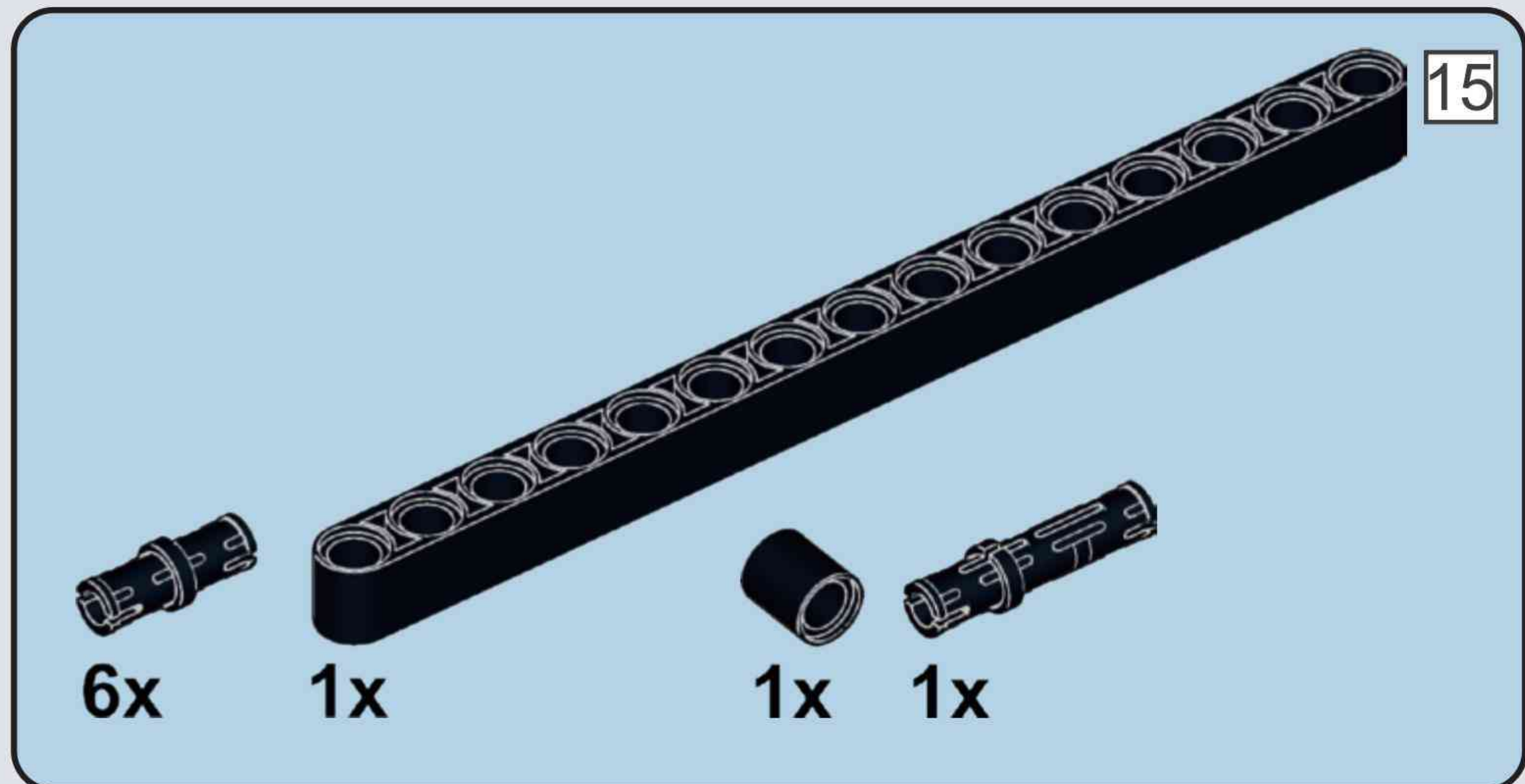
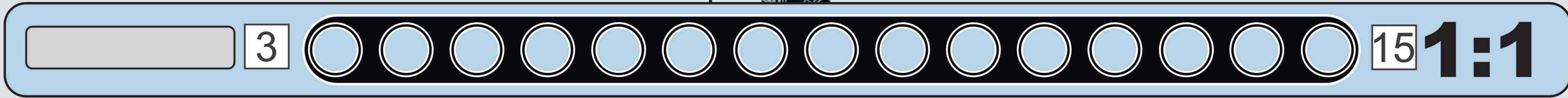
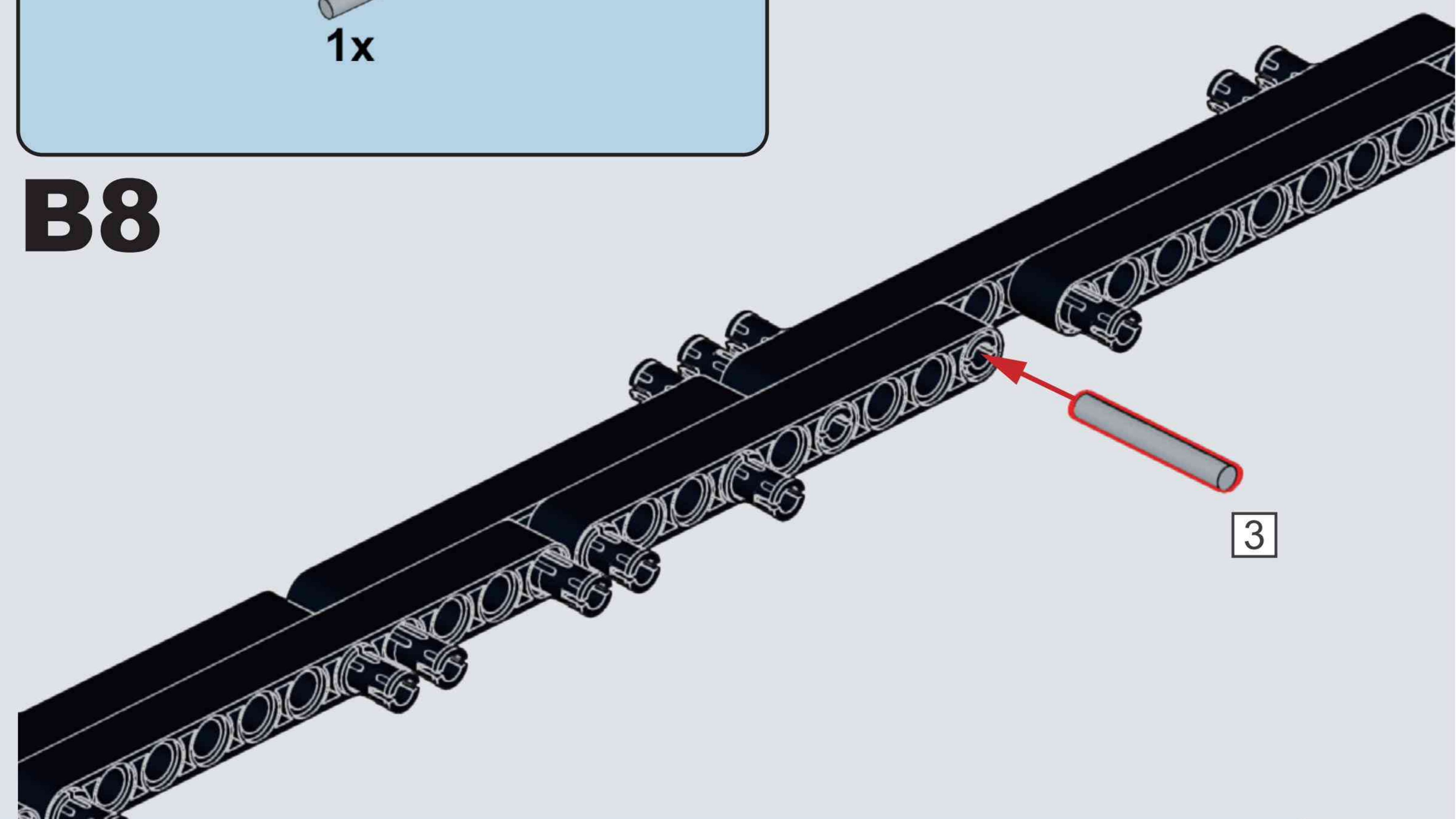




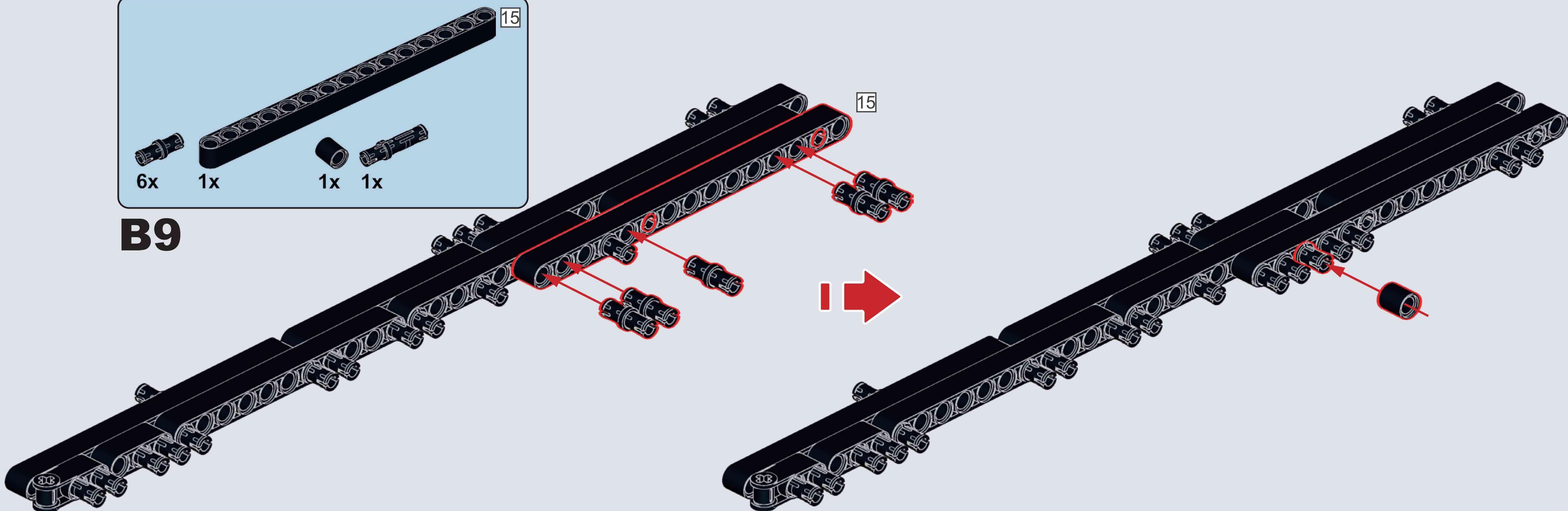
B7

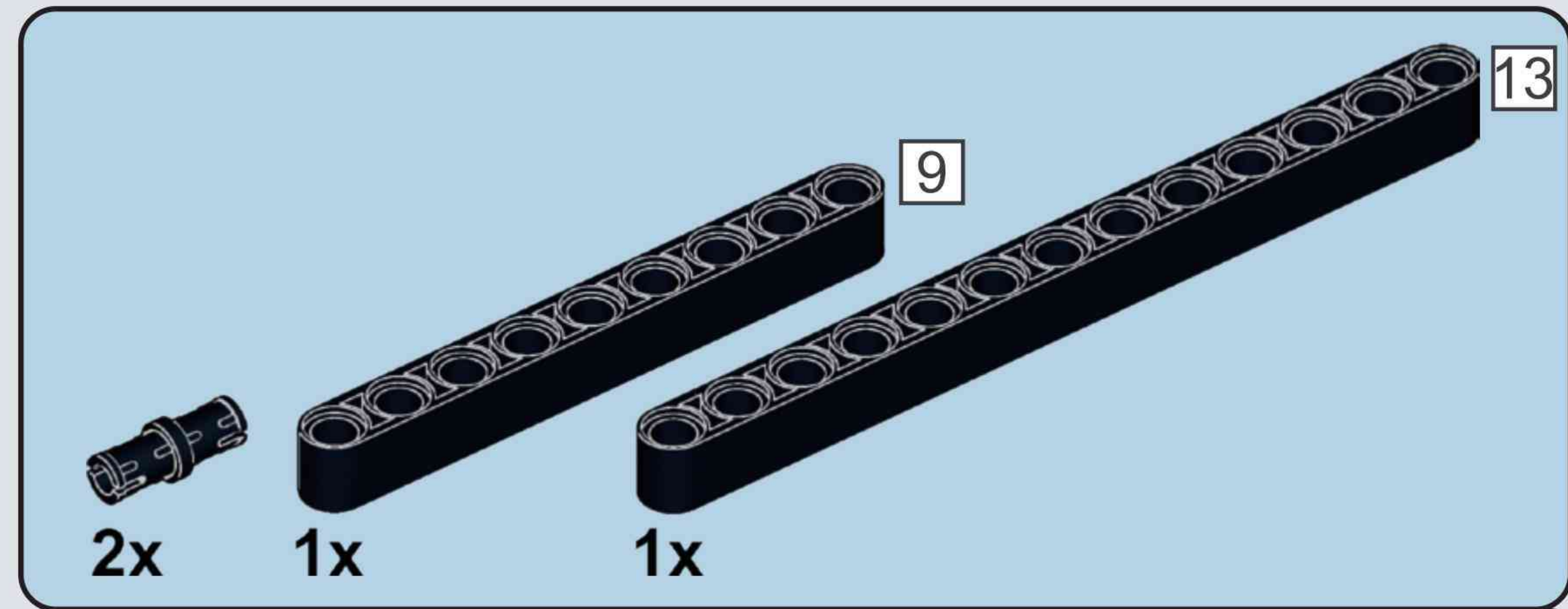


B8

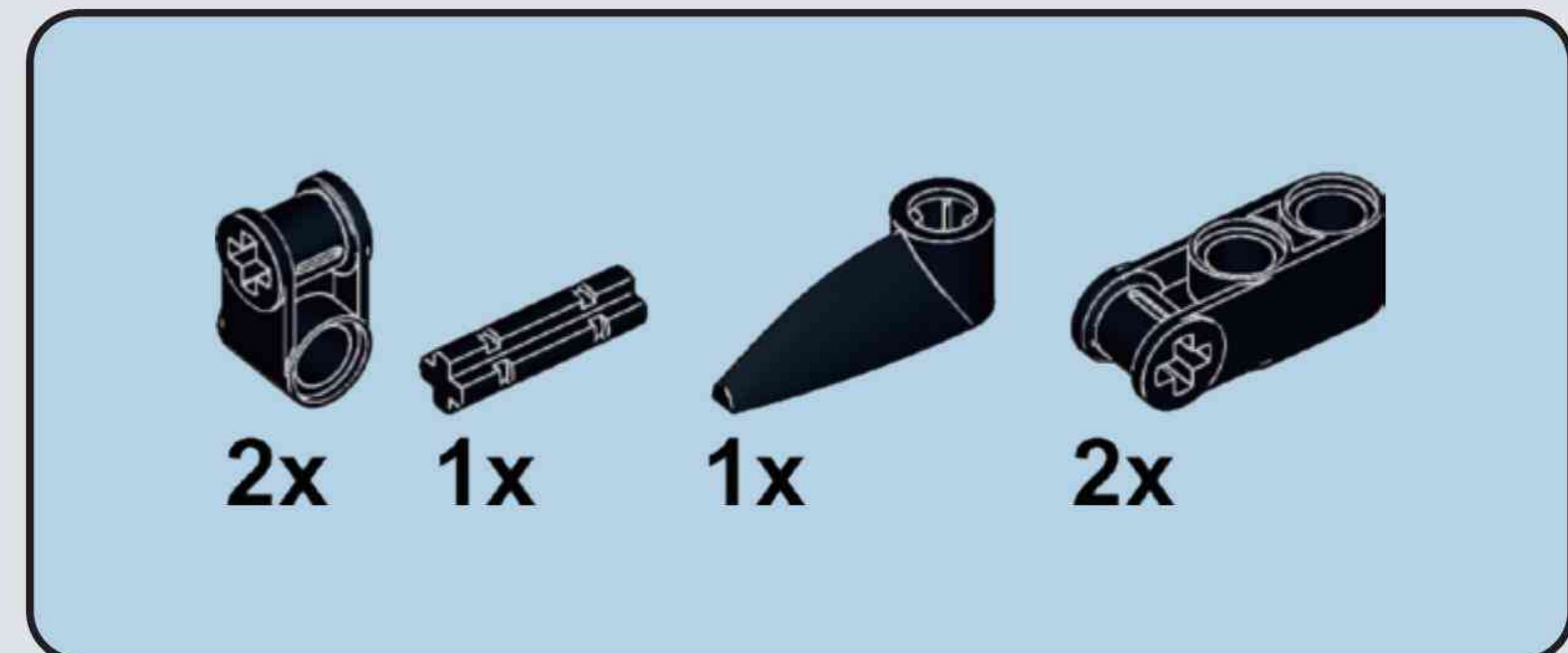
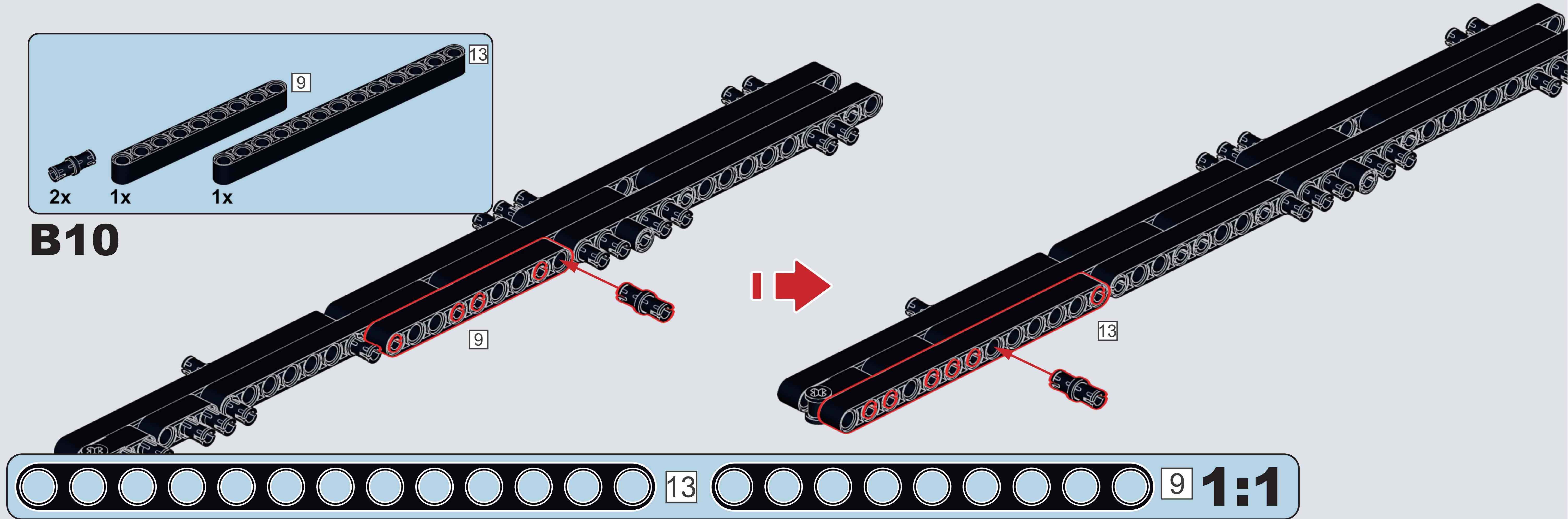


B9

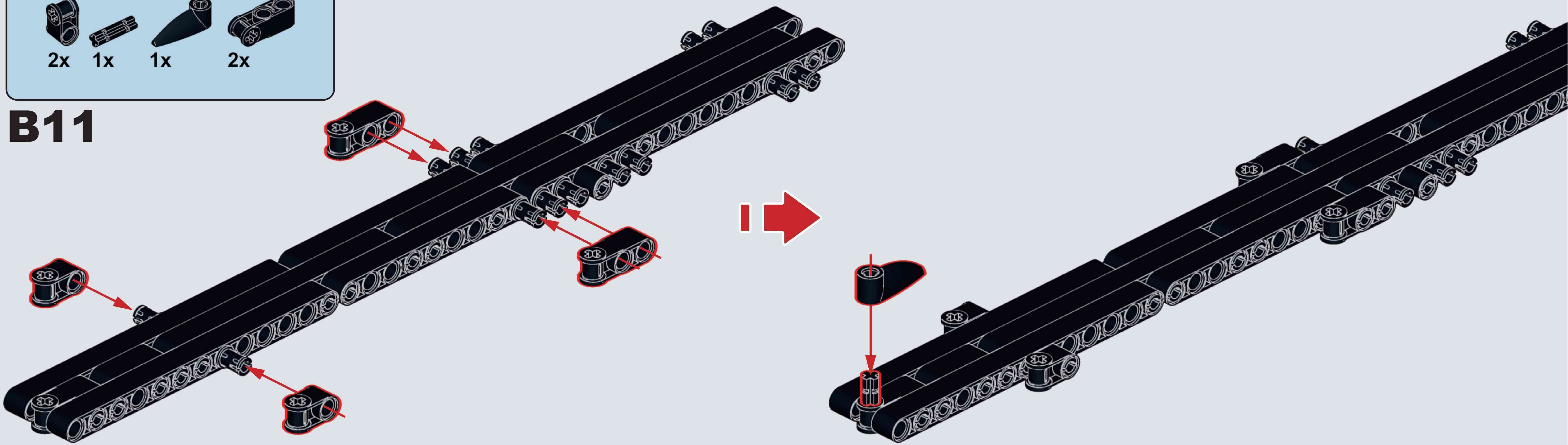


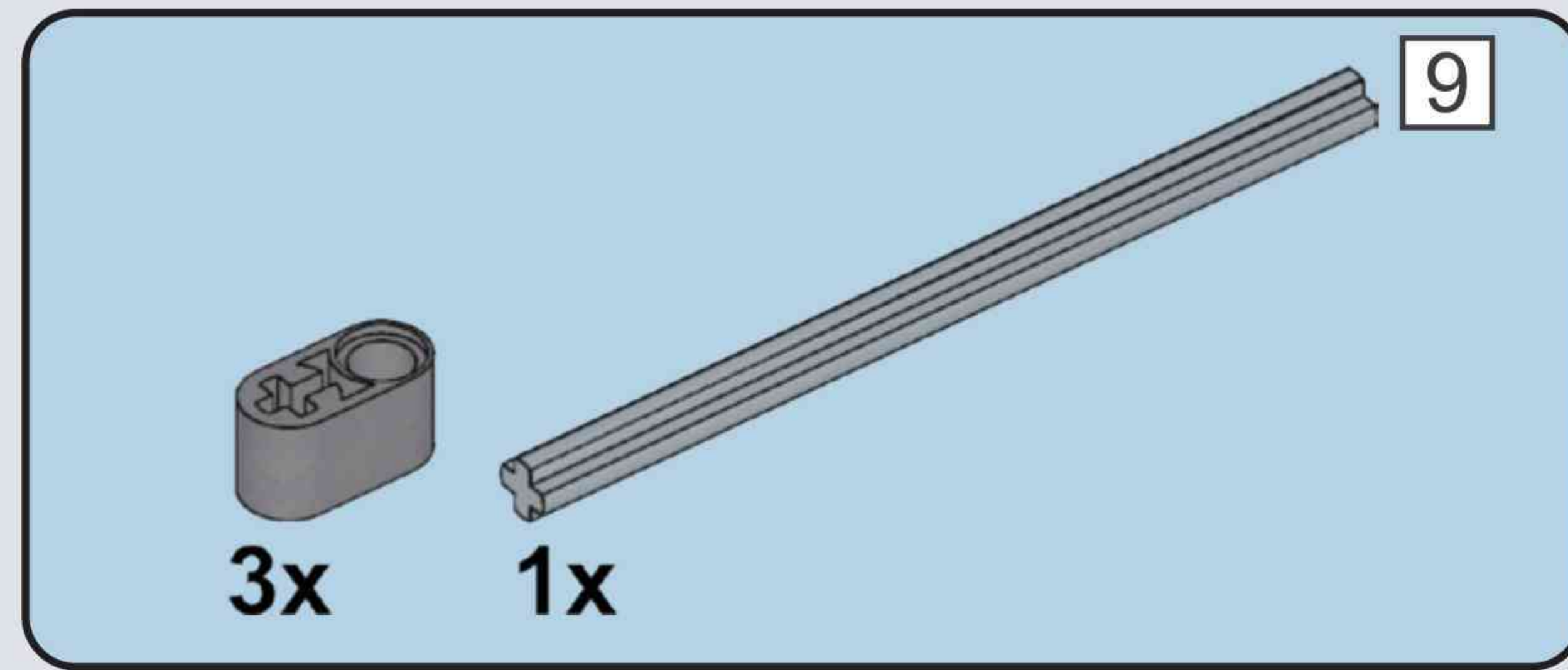


B10

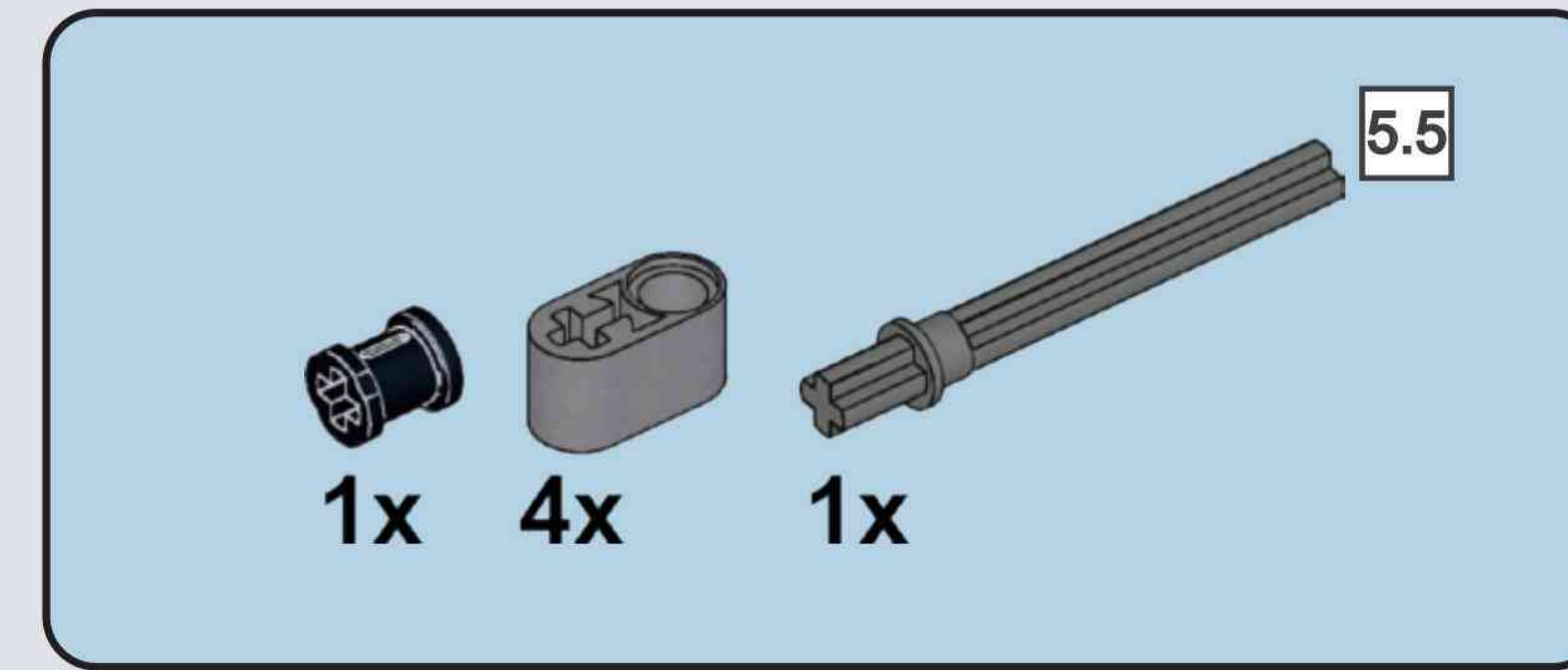
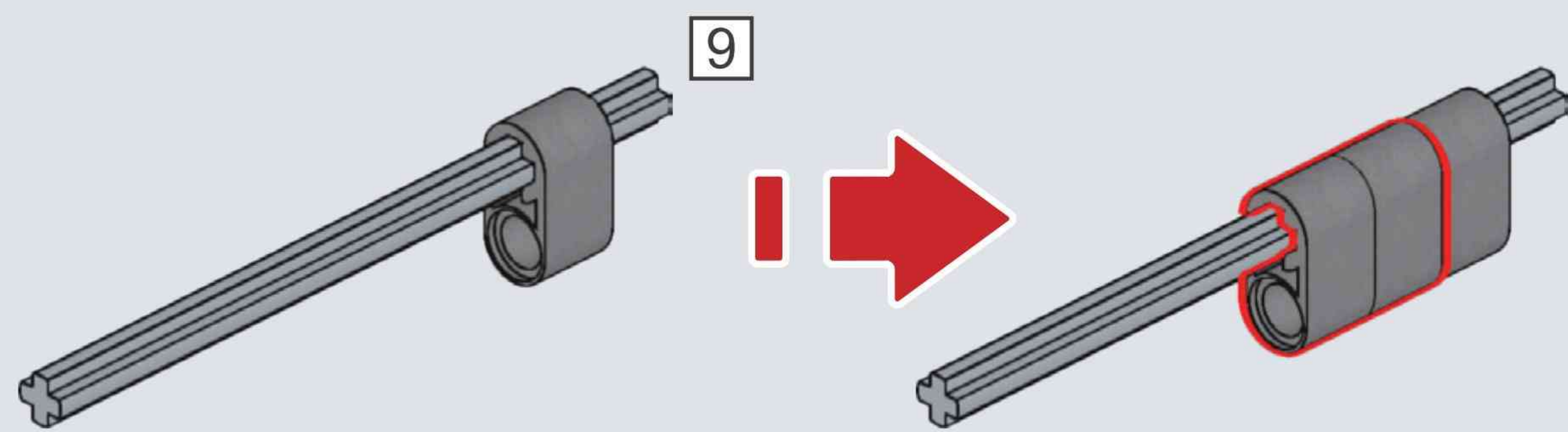


B11

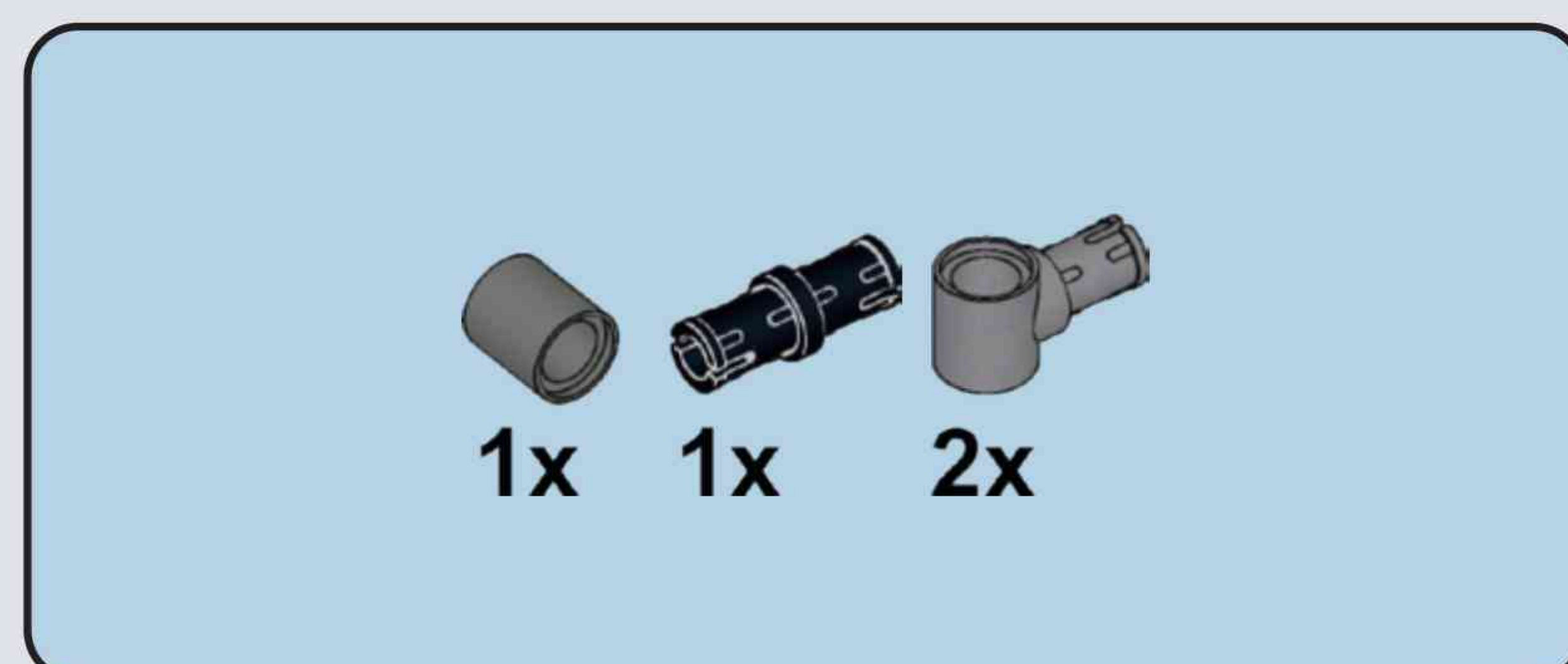
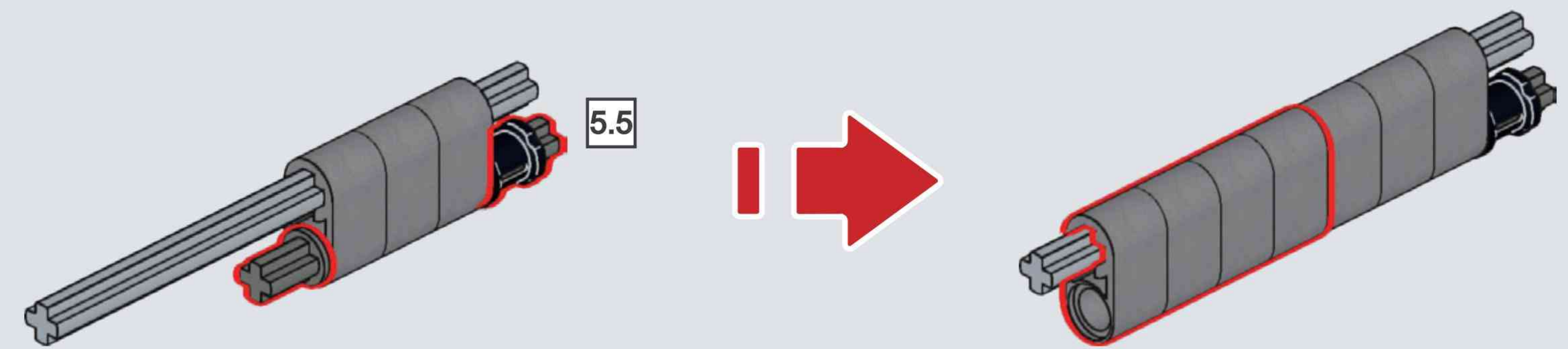




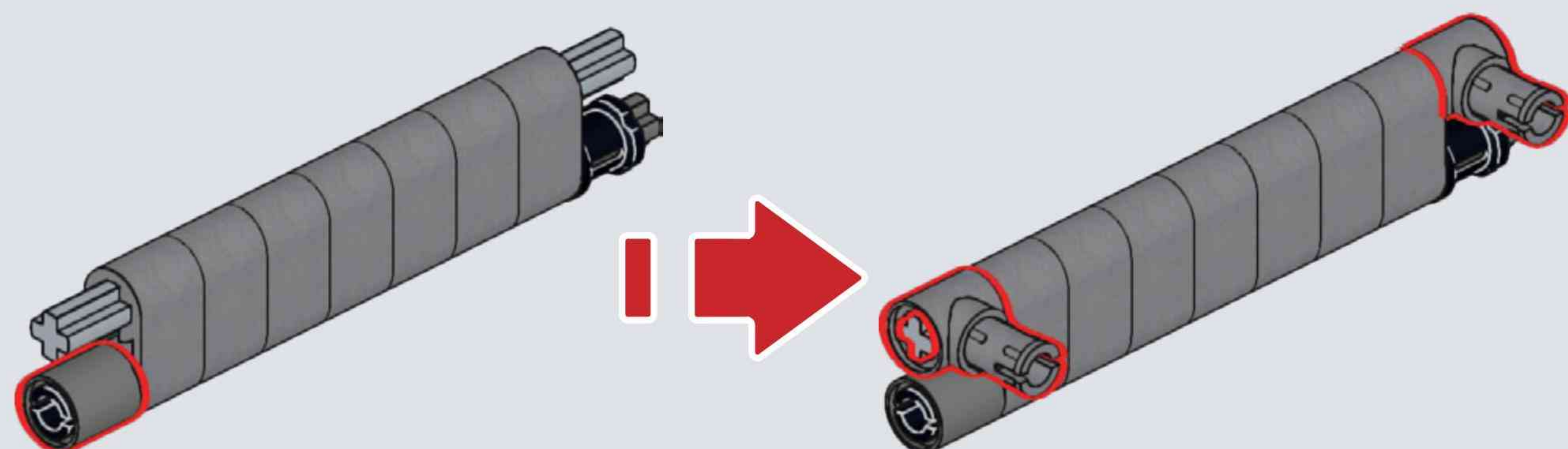
B12



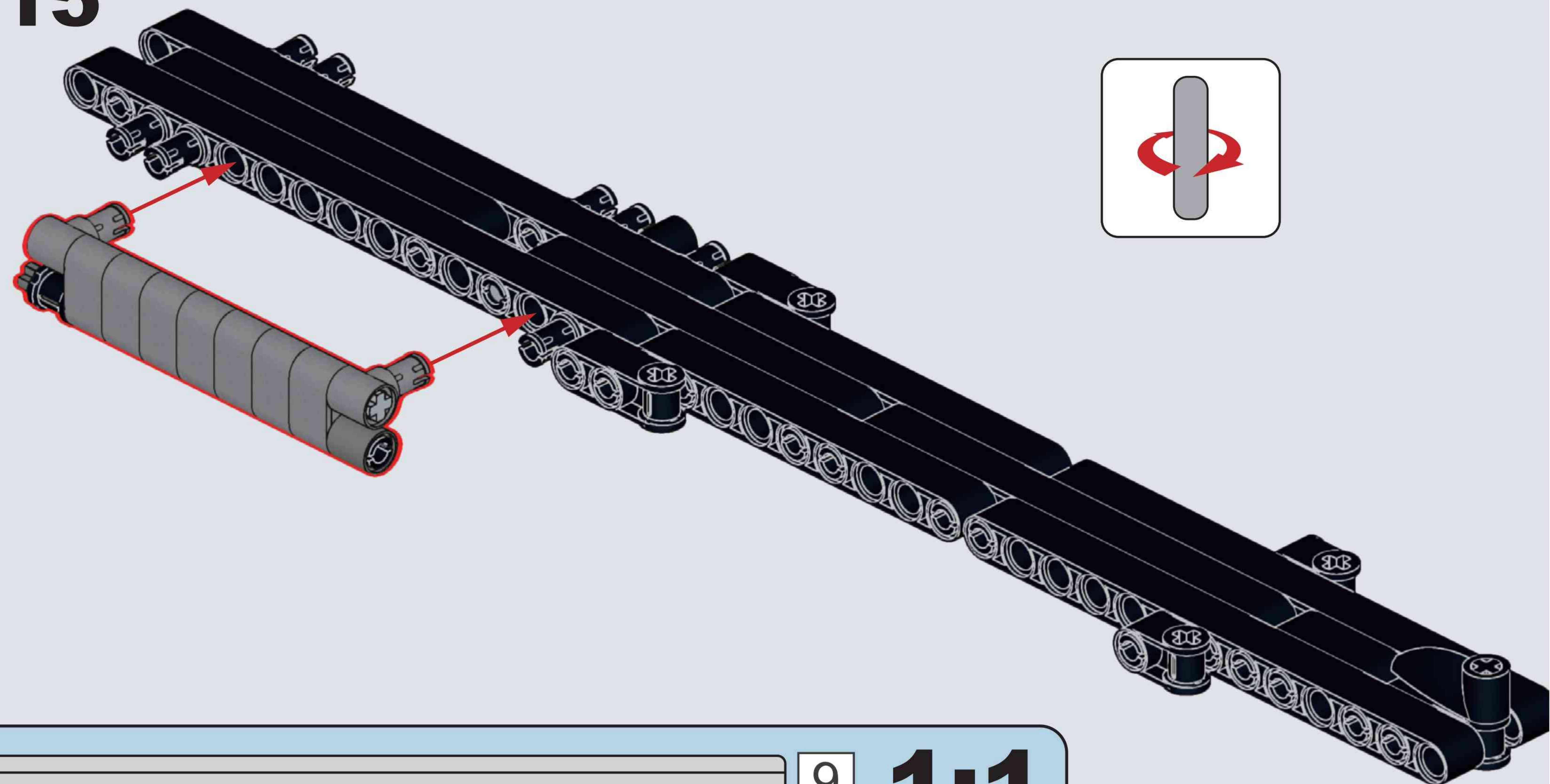
B13

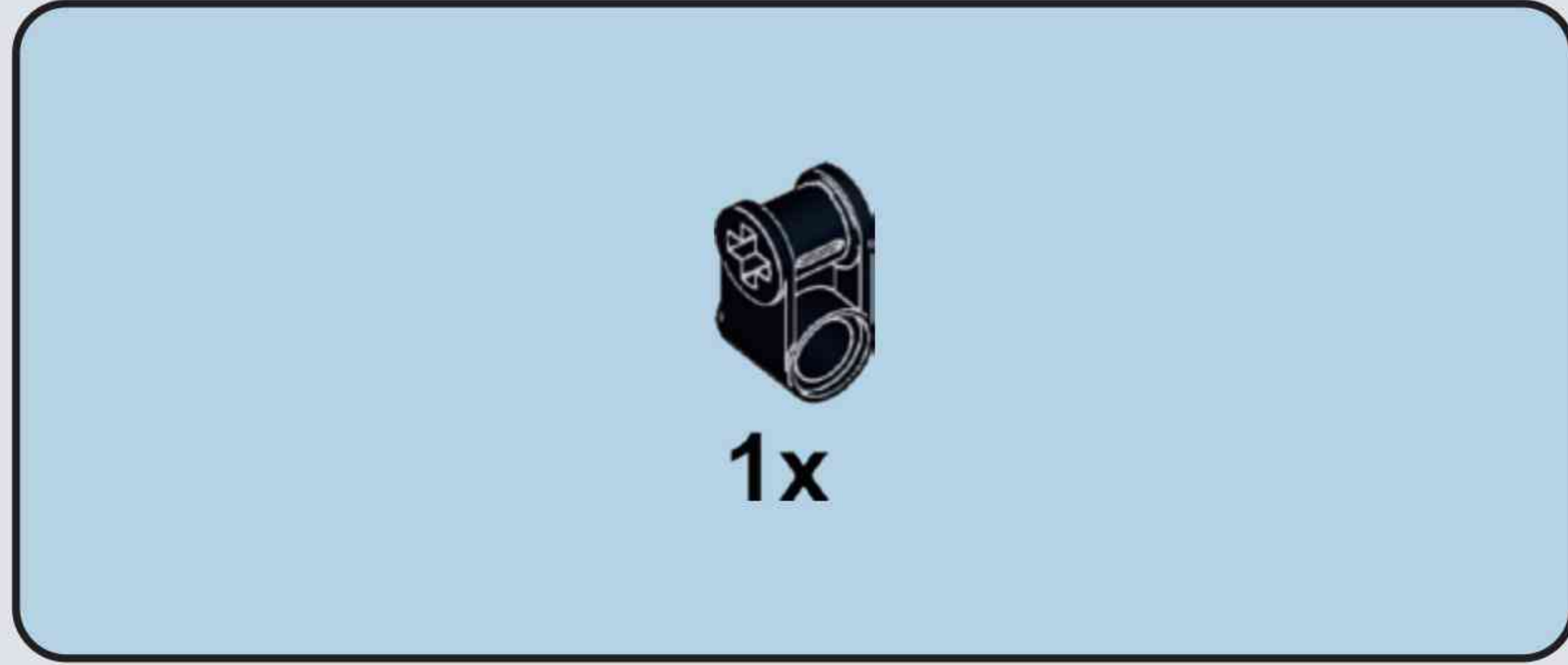


B14

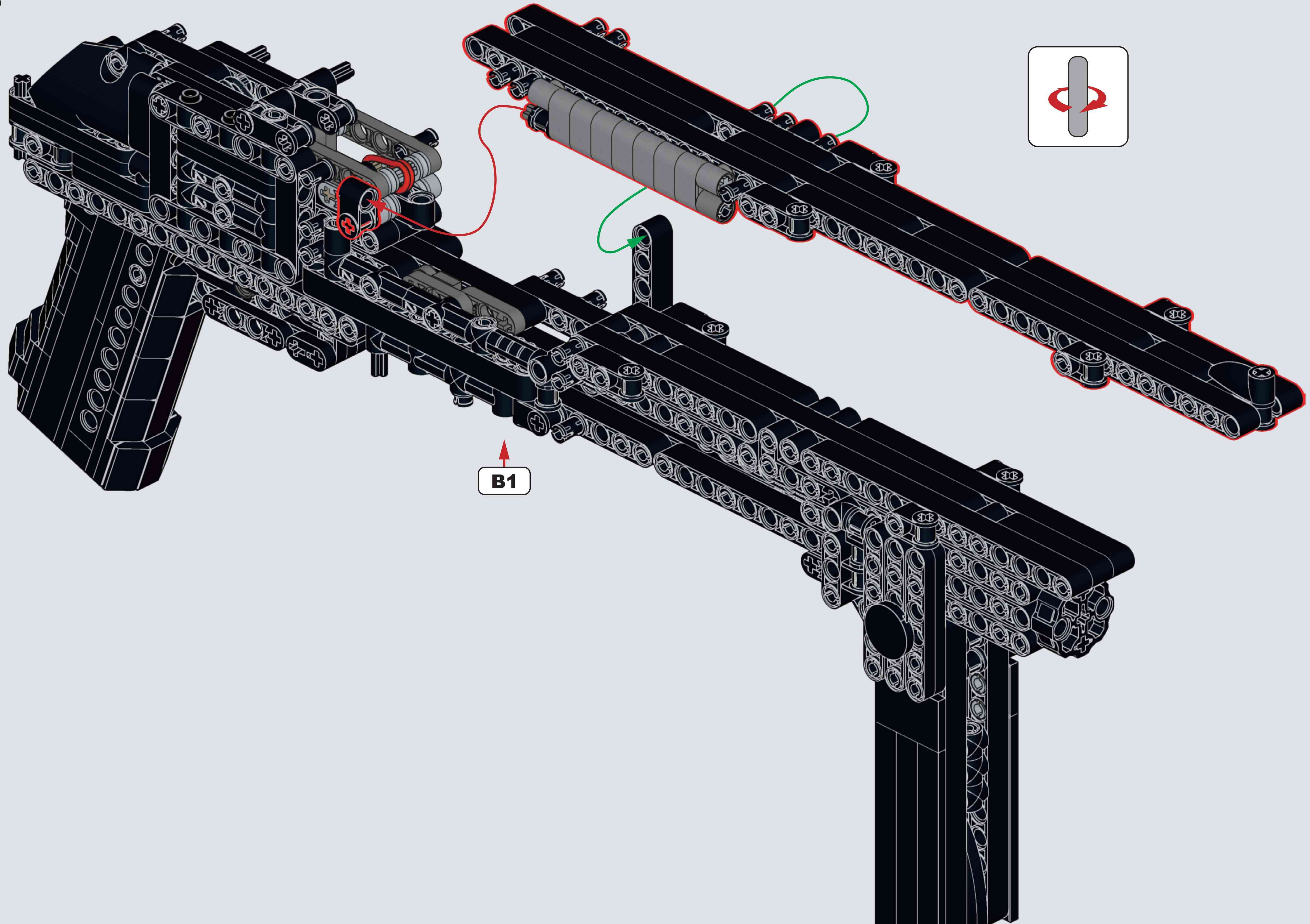


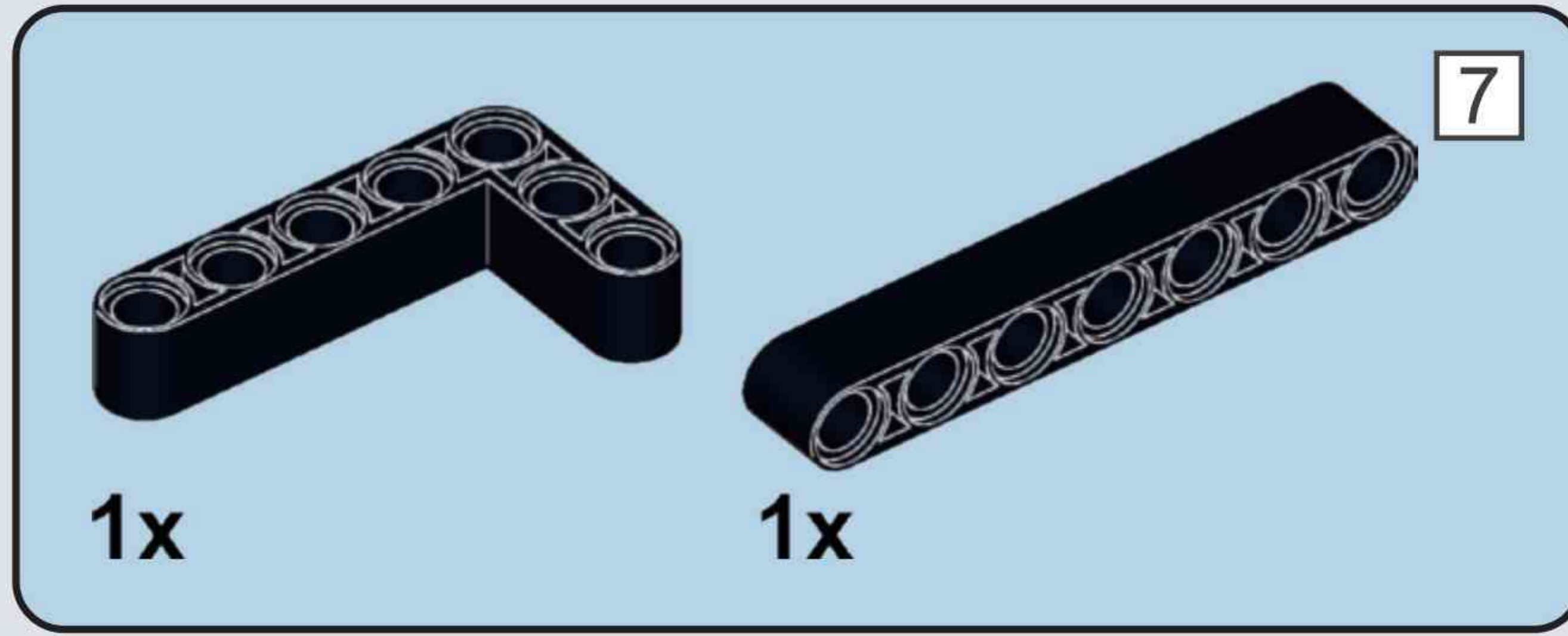
B15



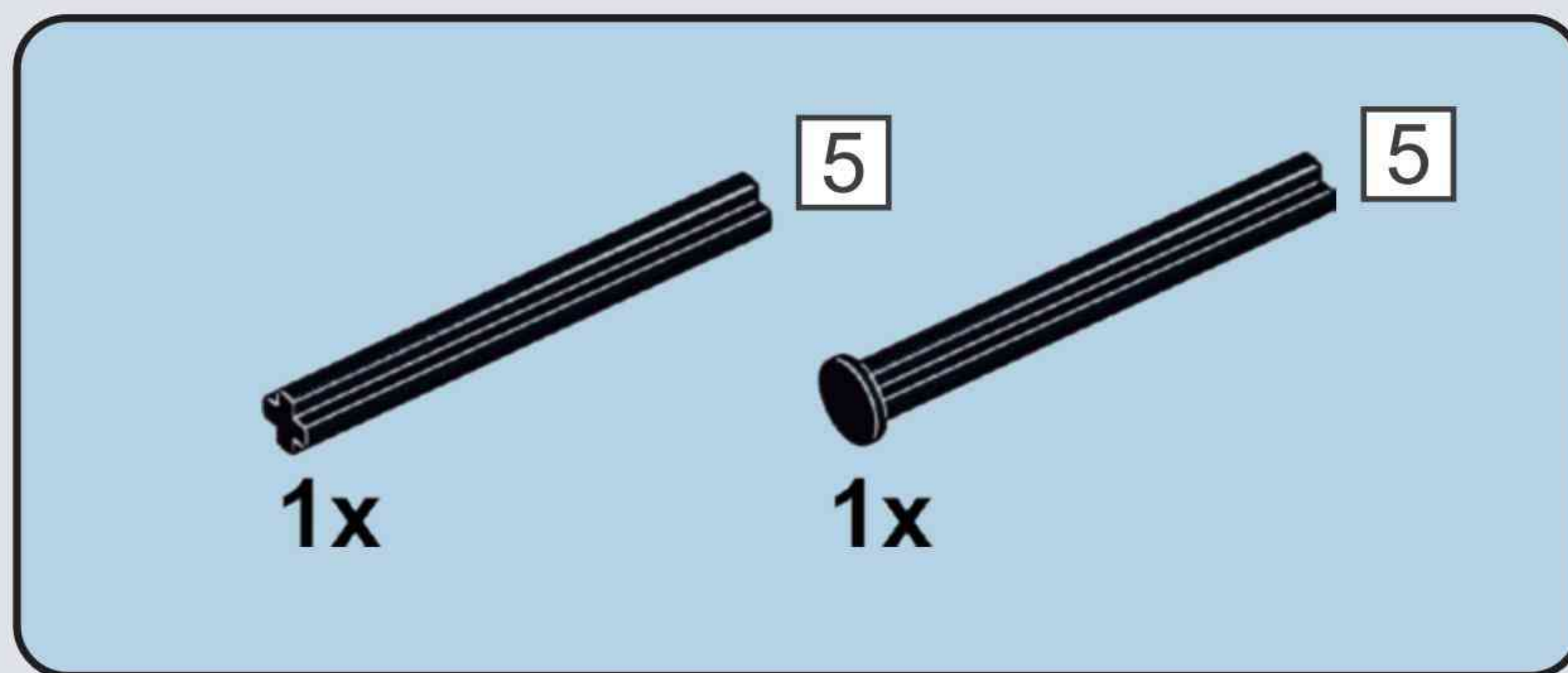
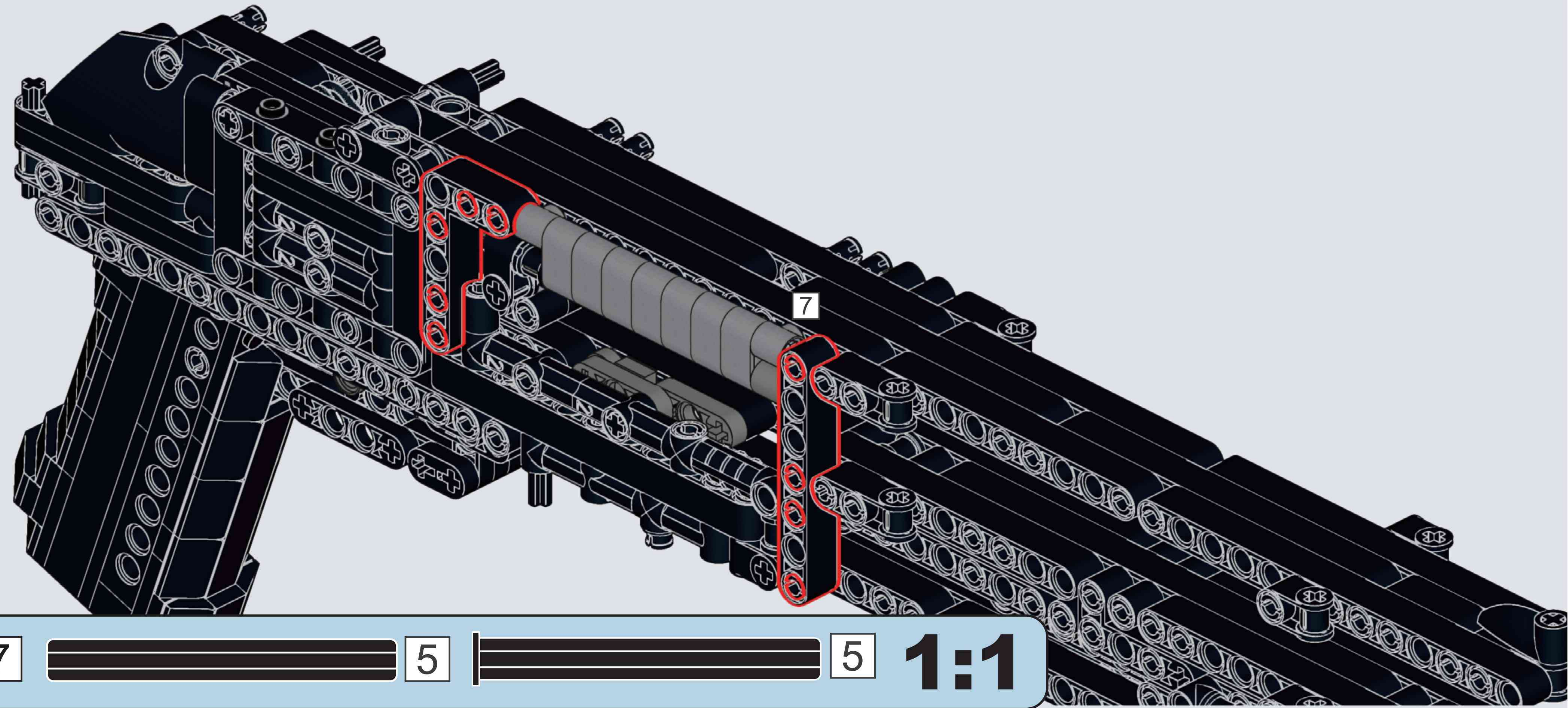


B16

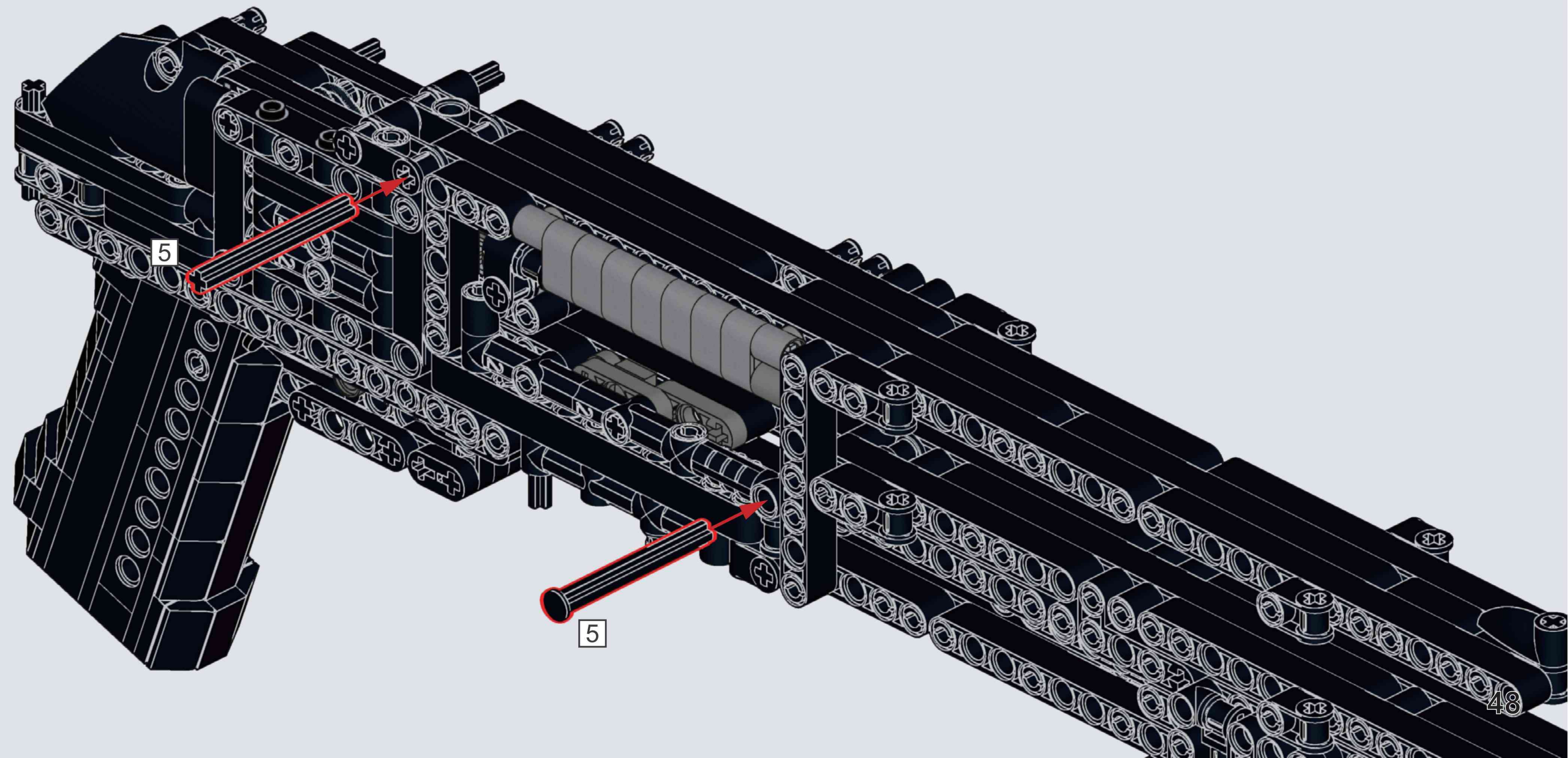


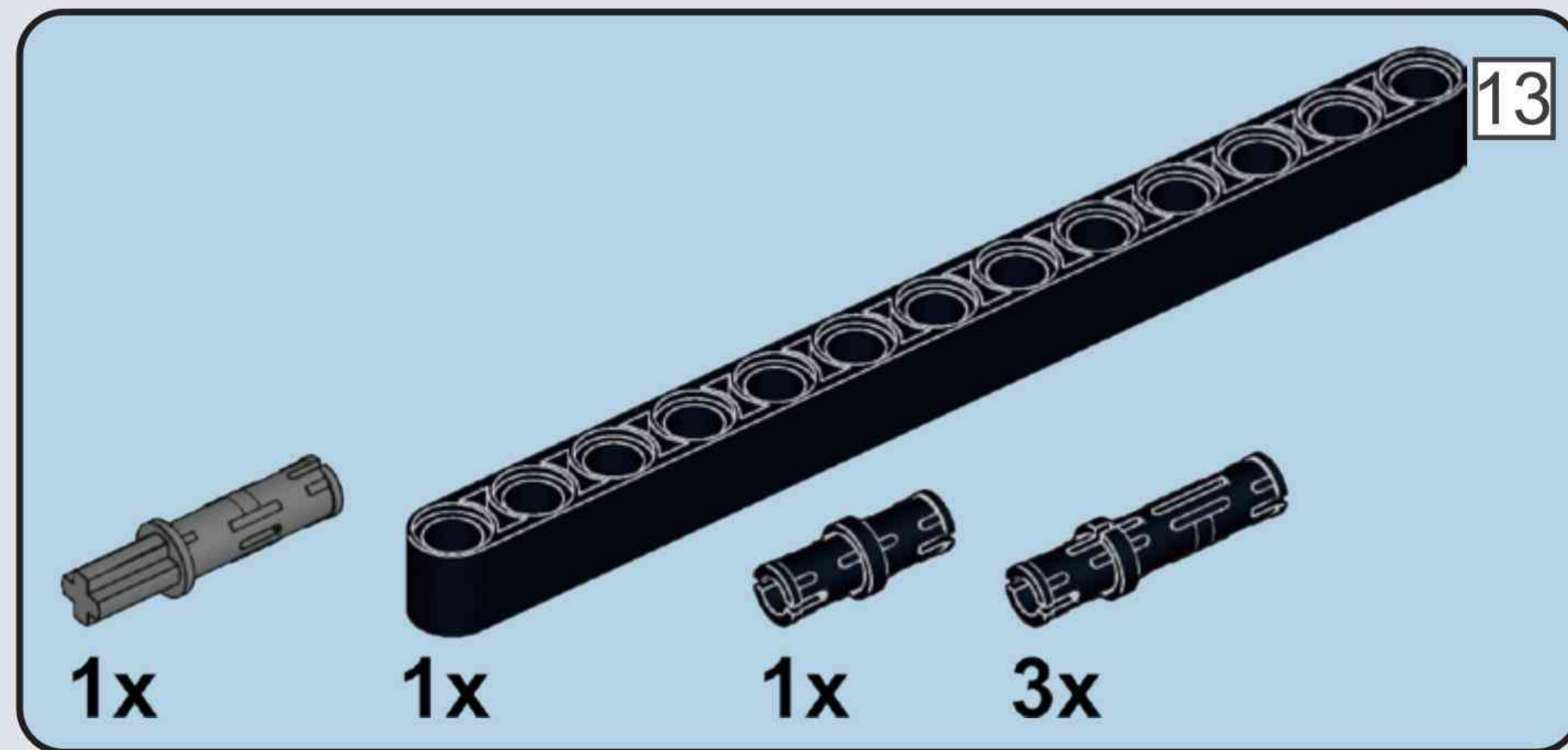


B17

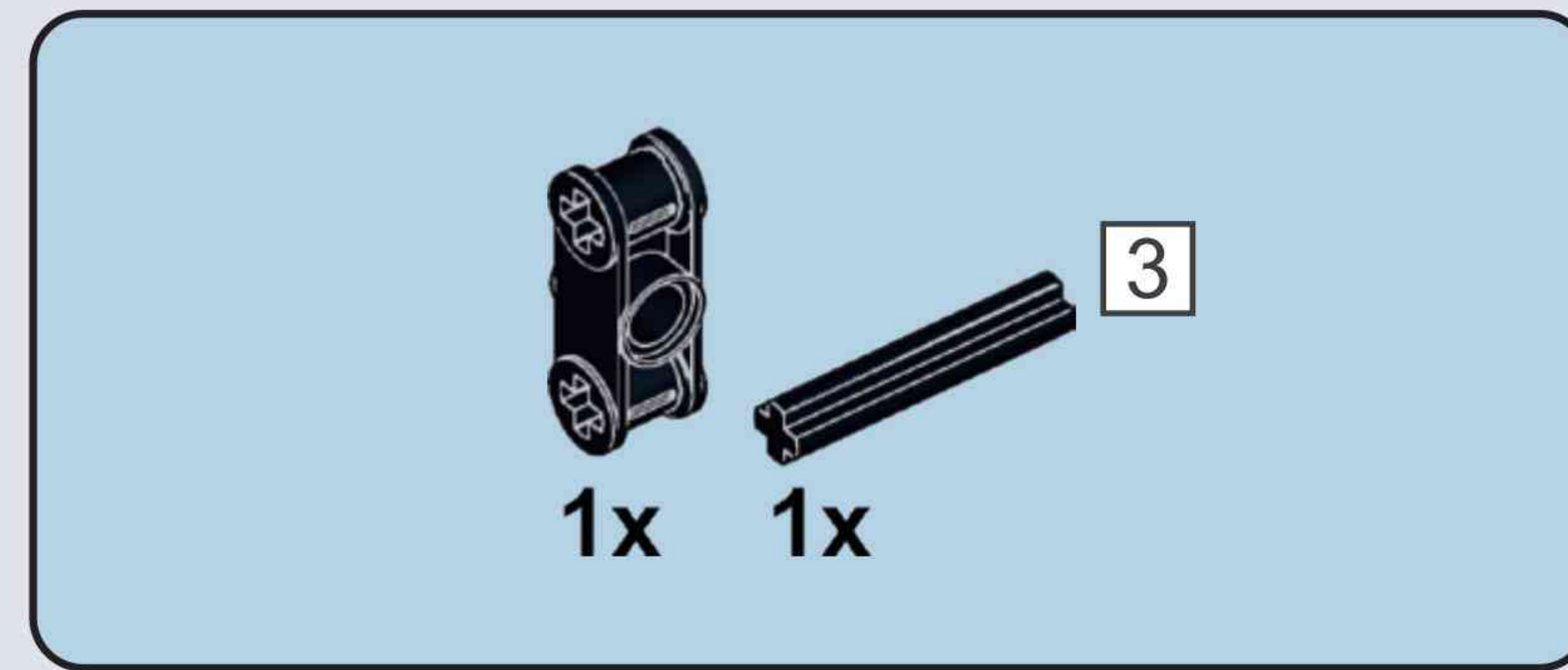
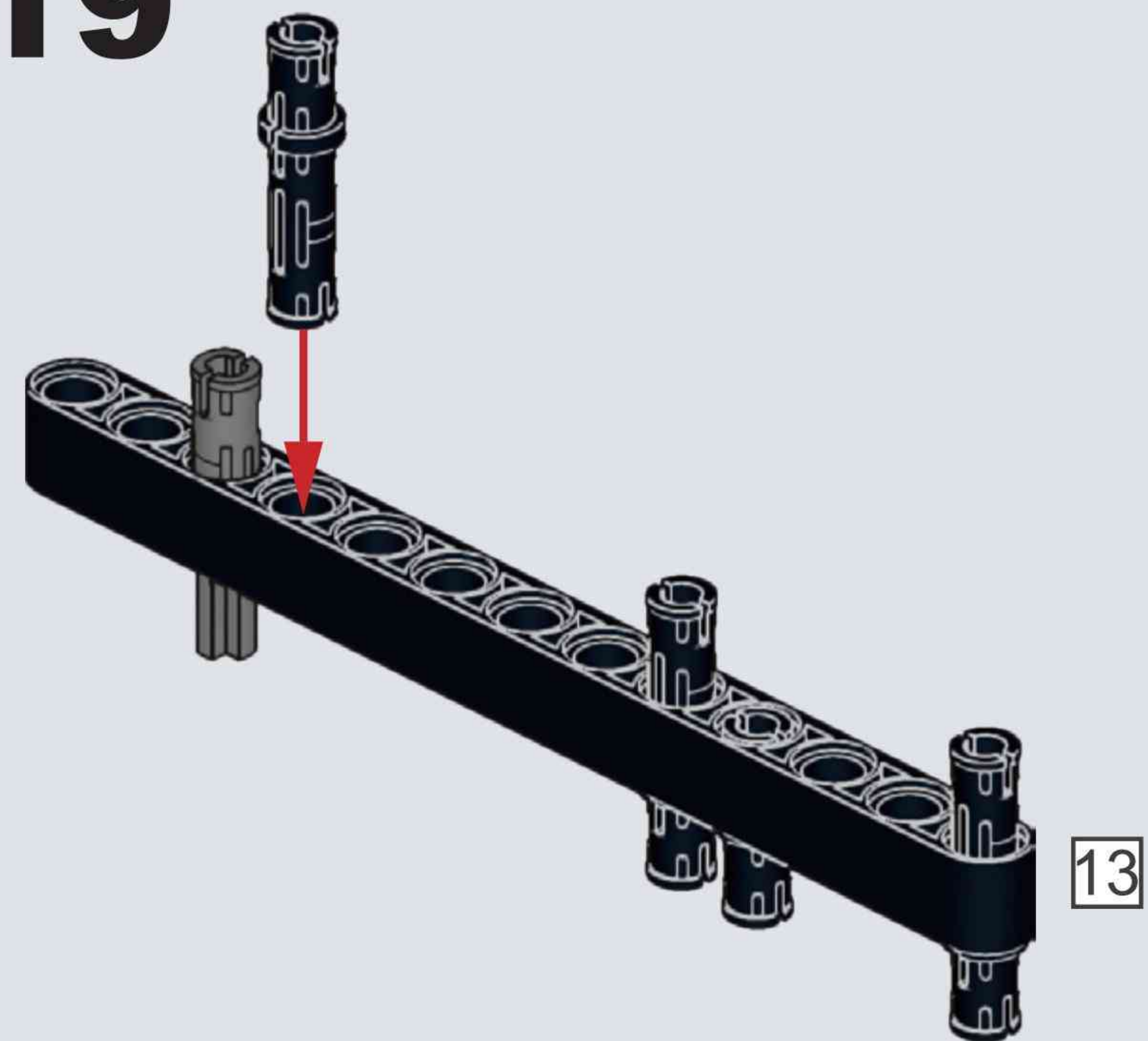


B18

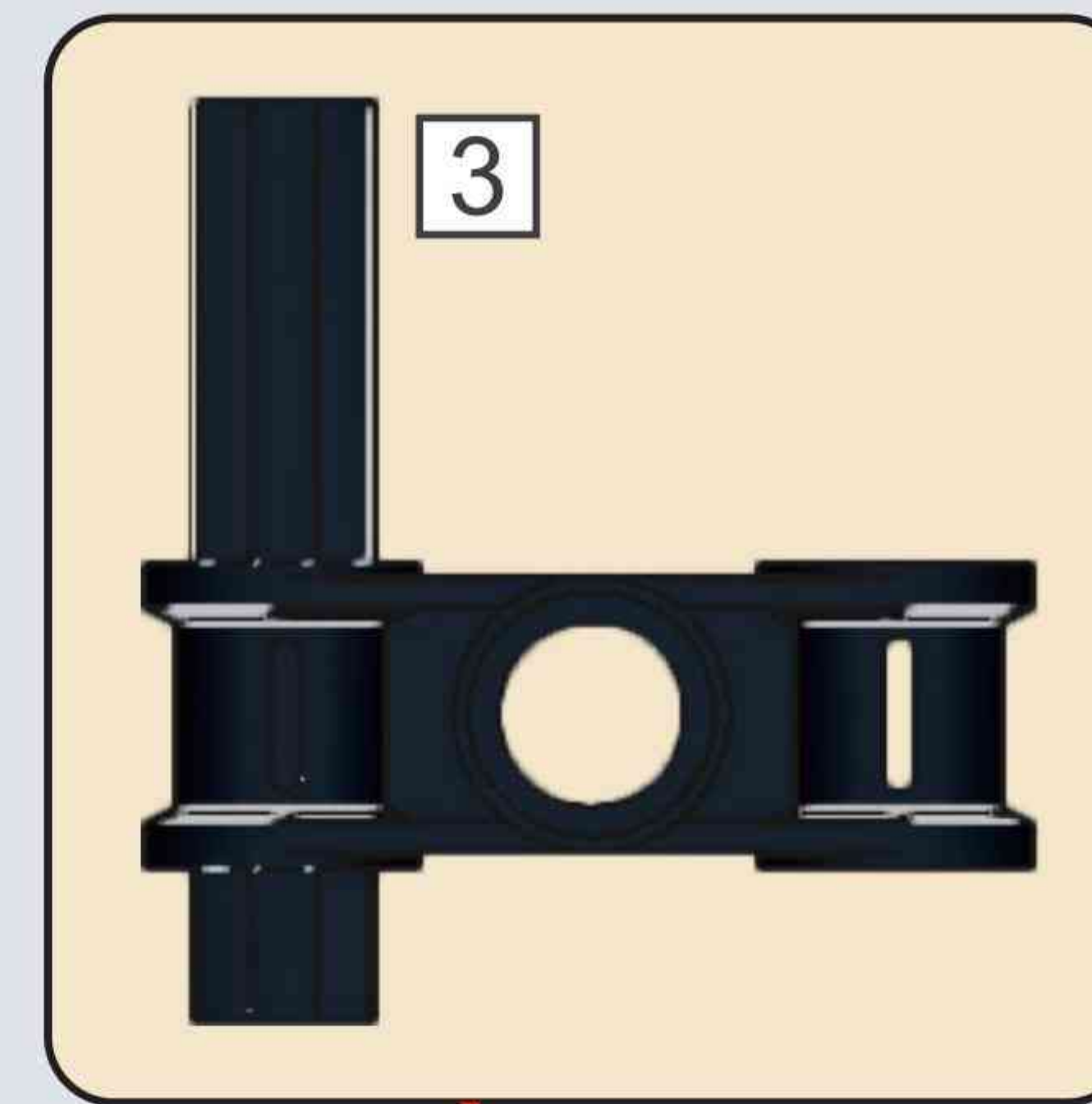
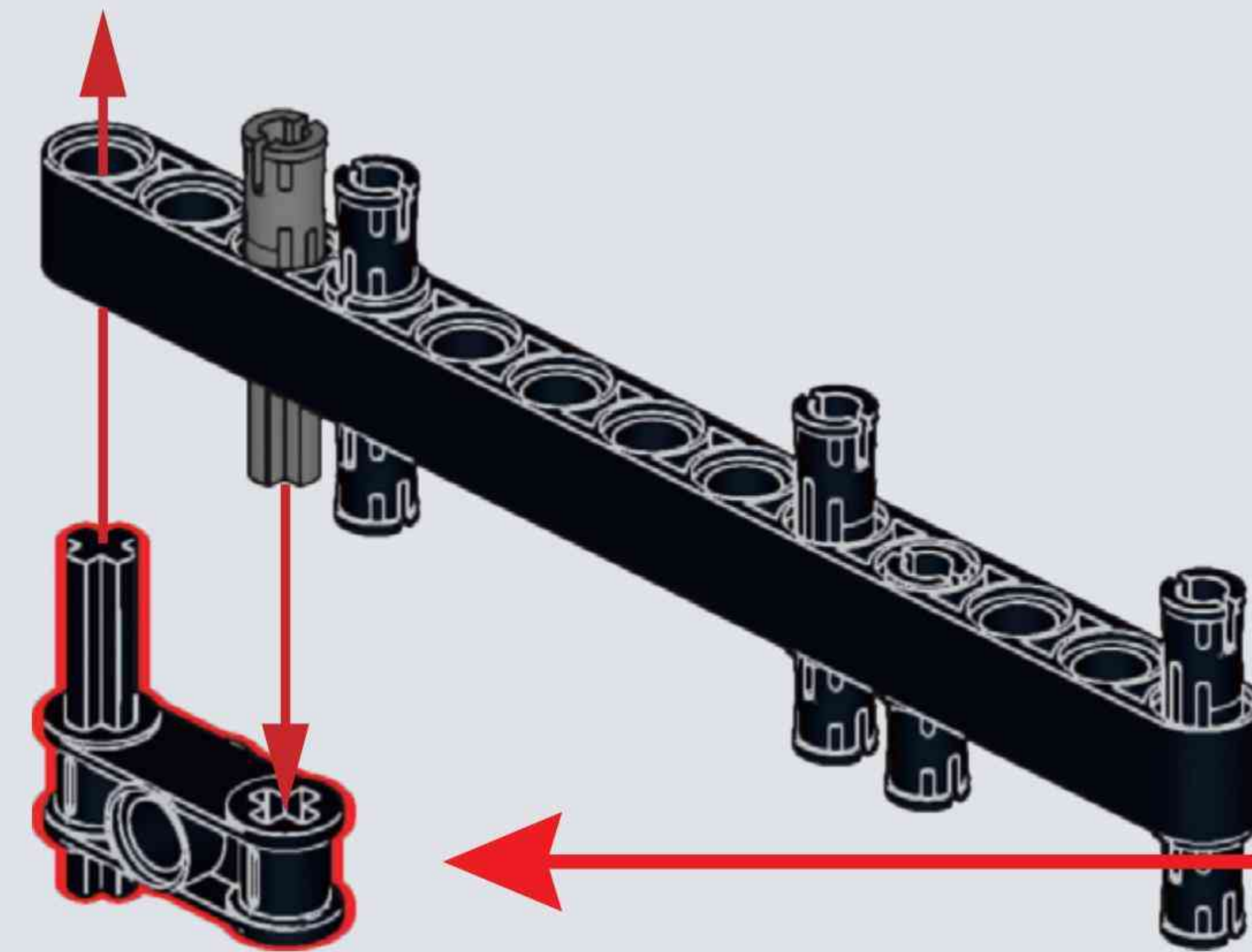




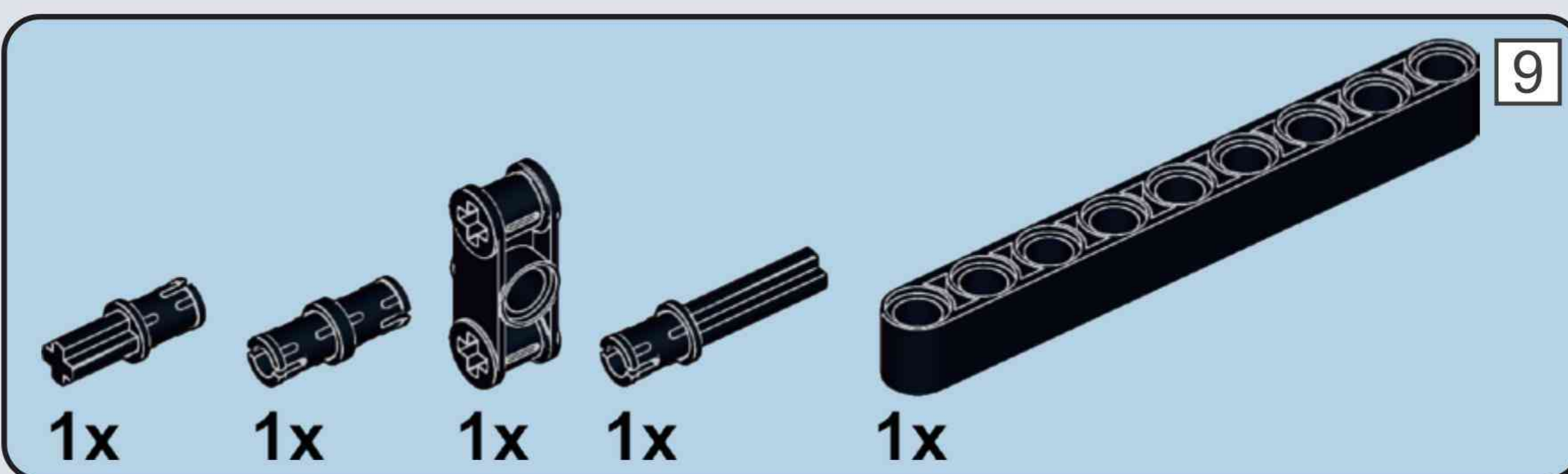
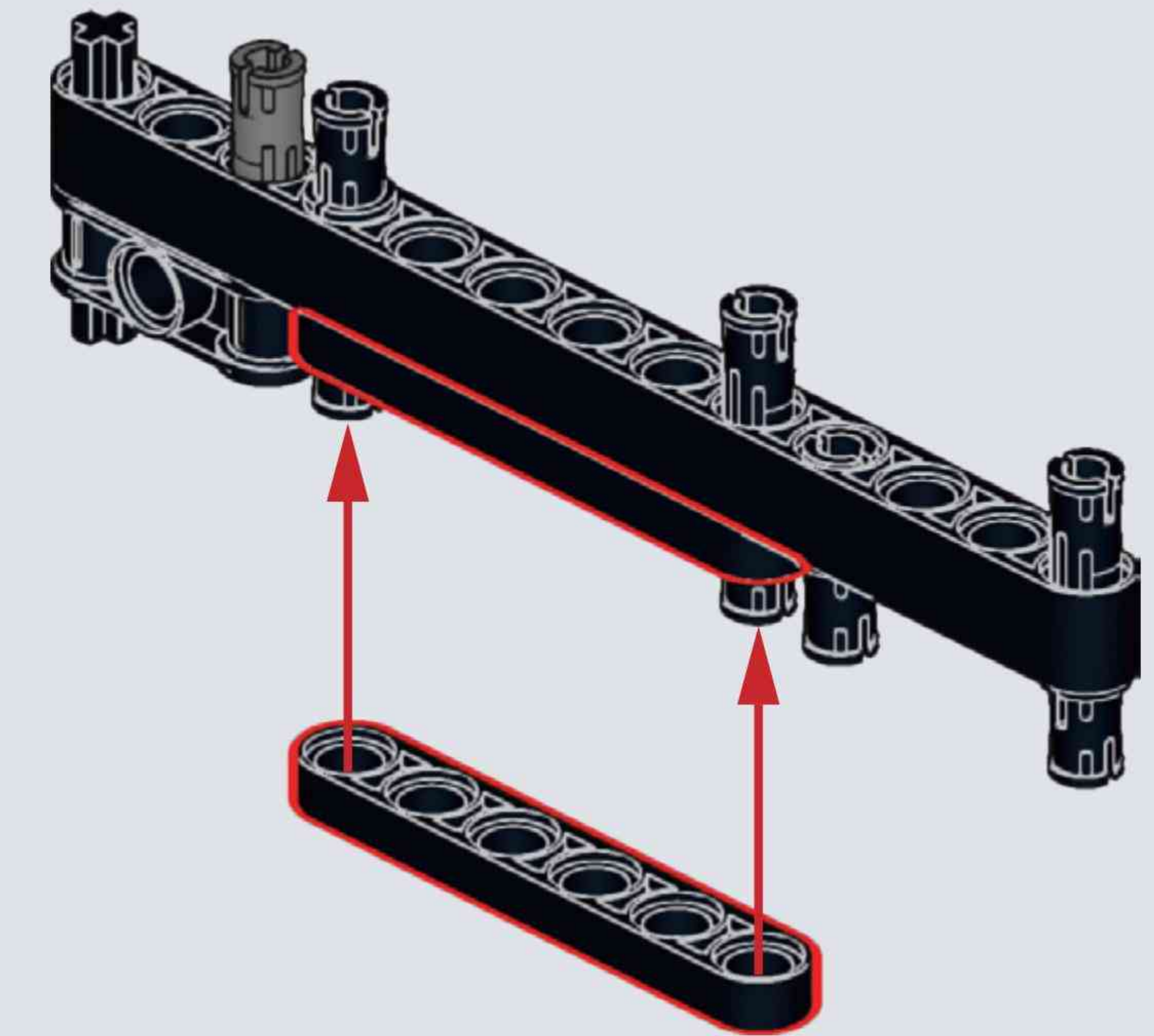
B19



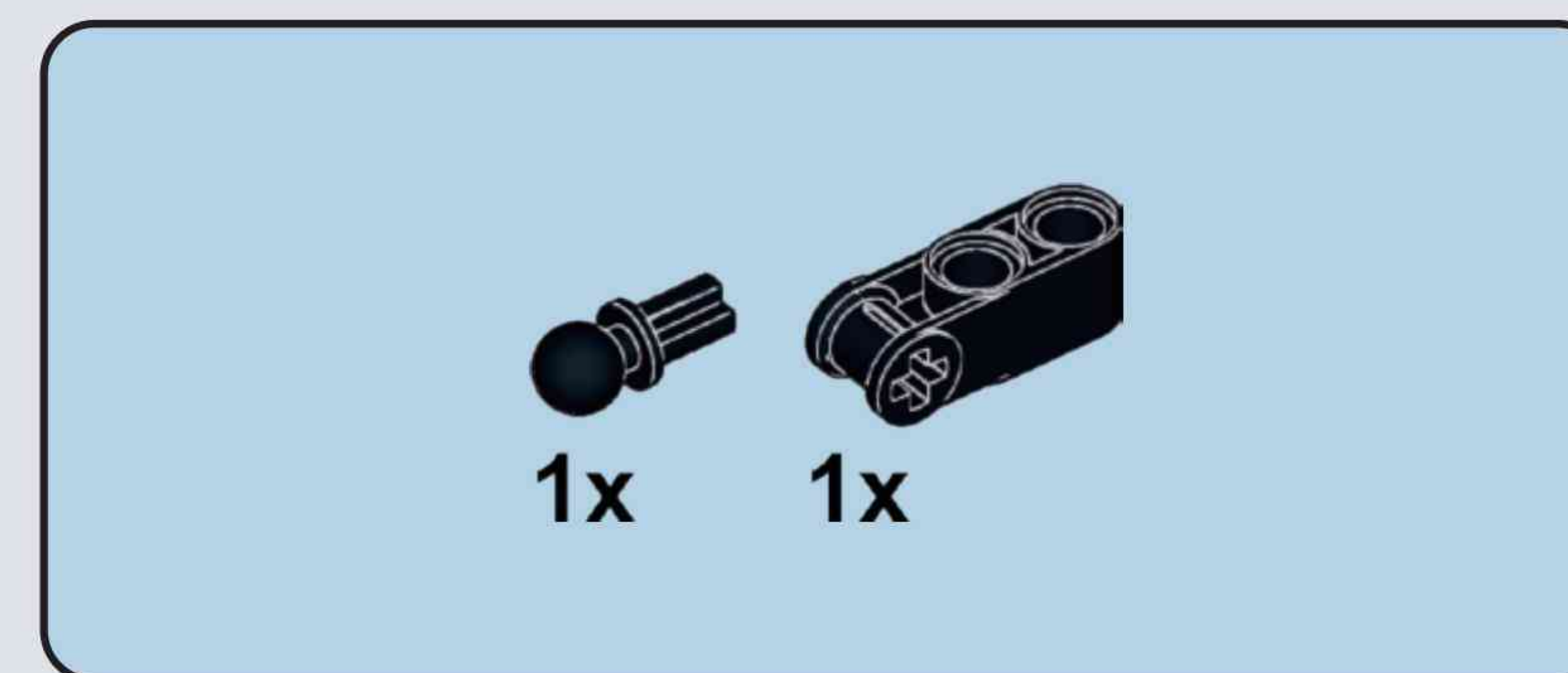
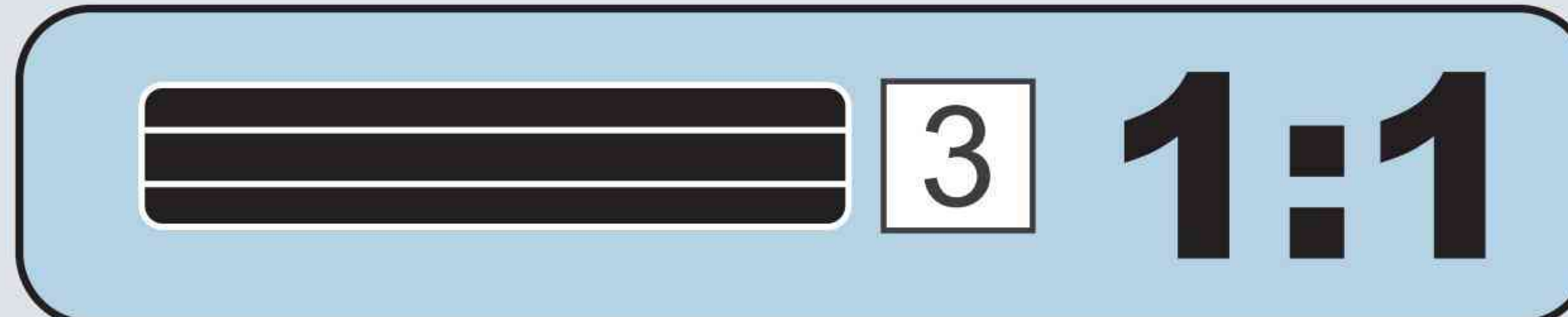
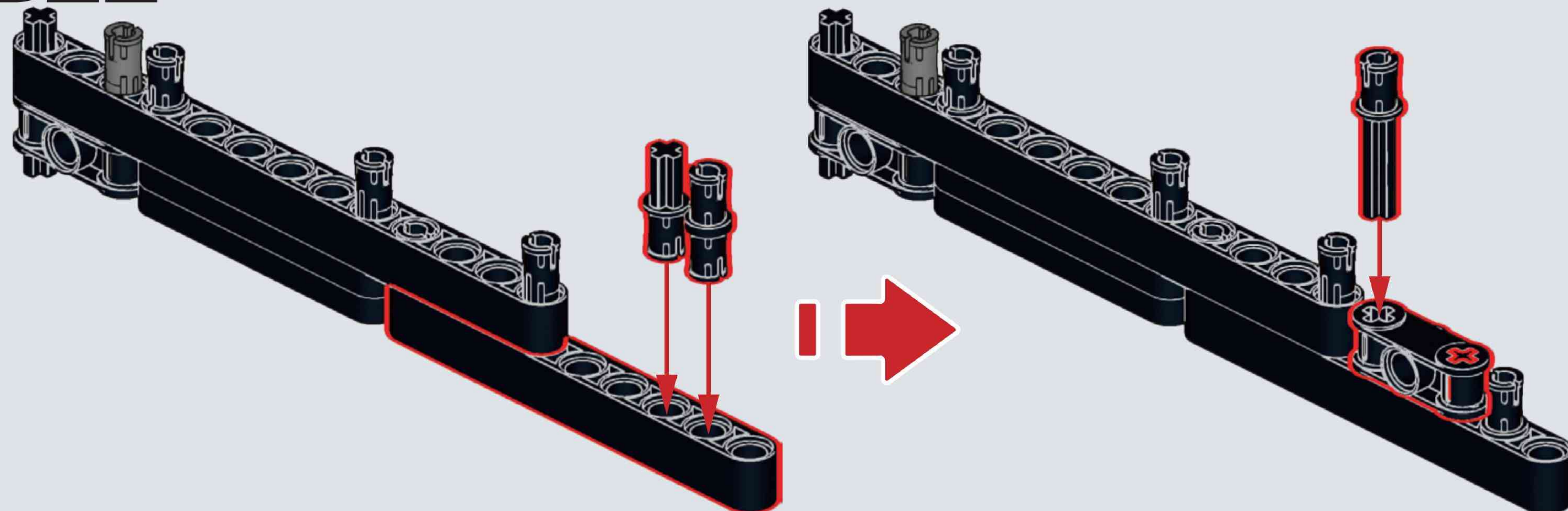
B20



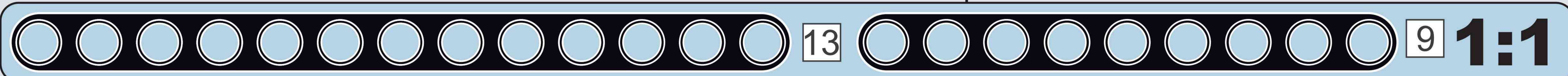
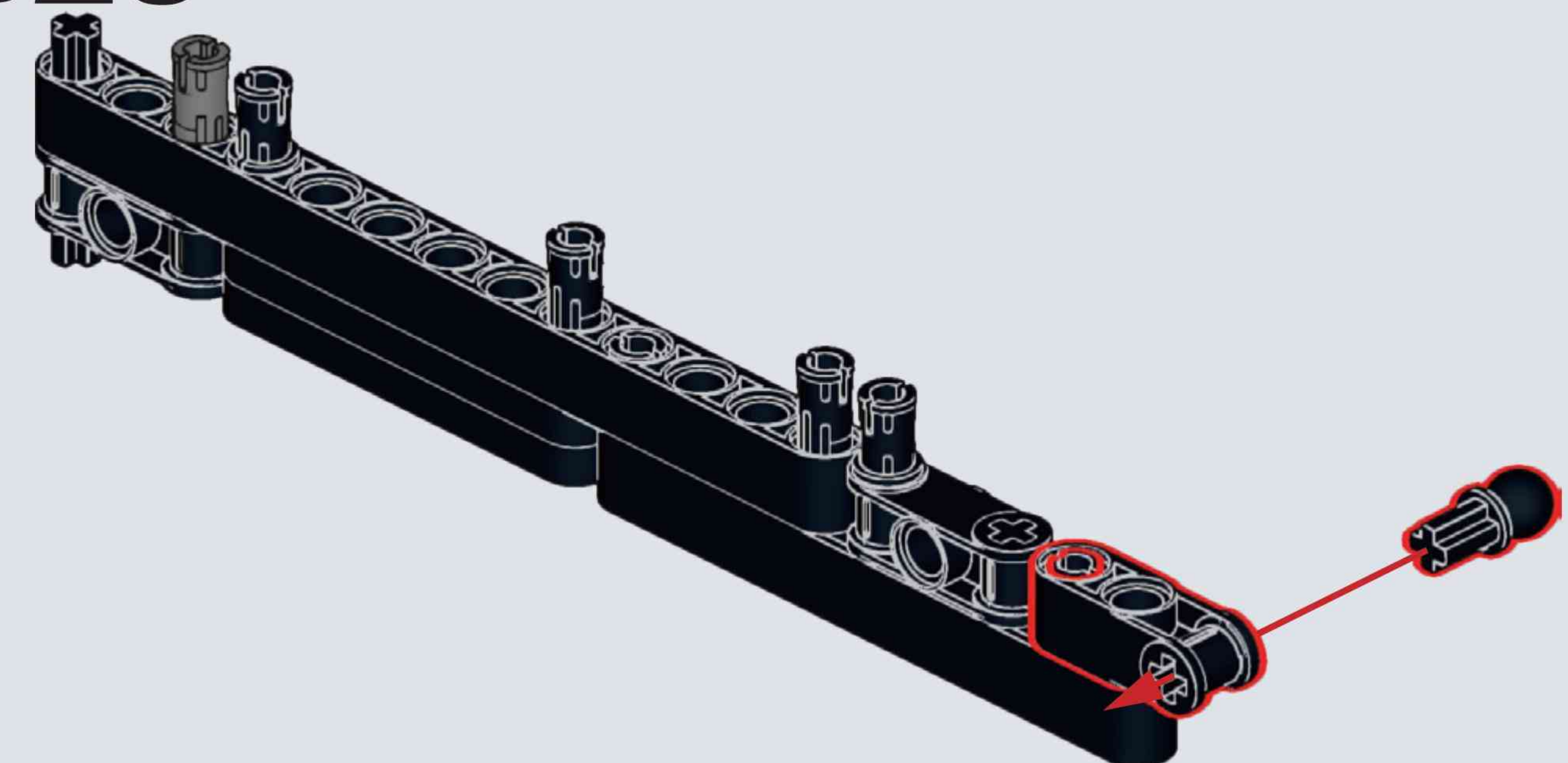
B21

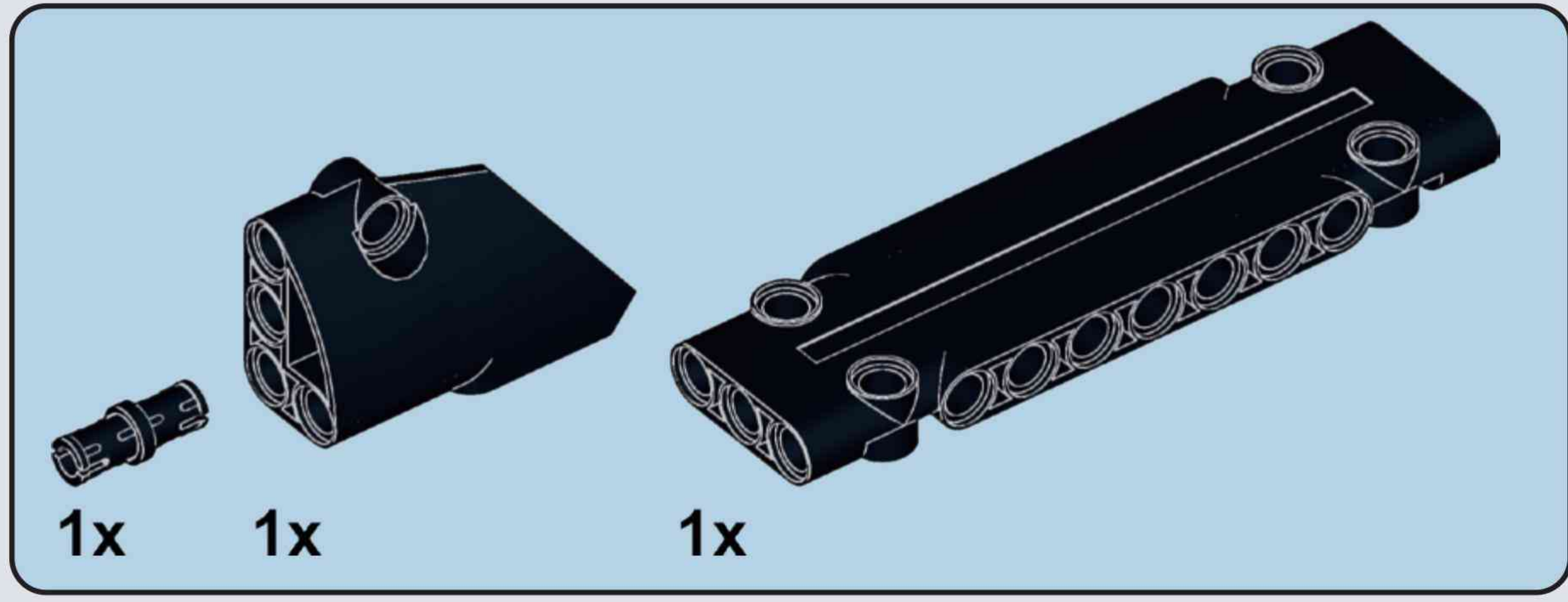


B22

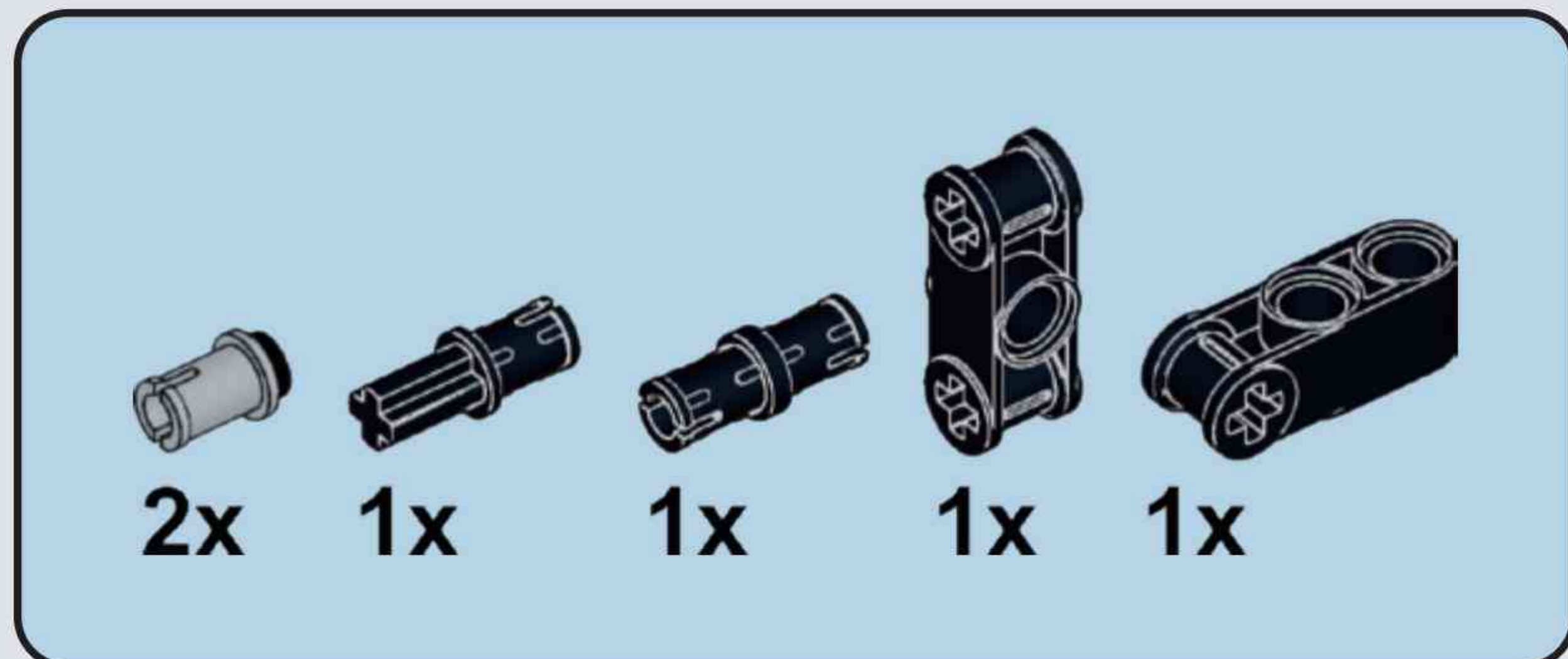
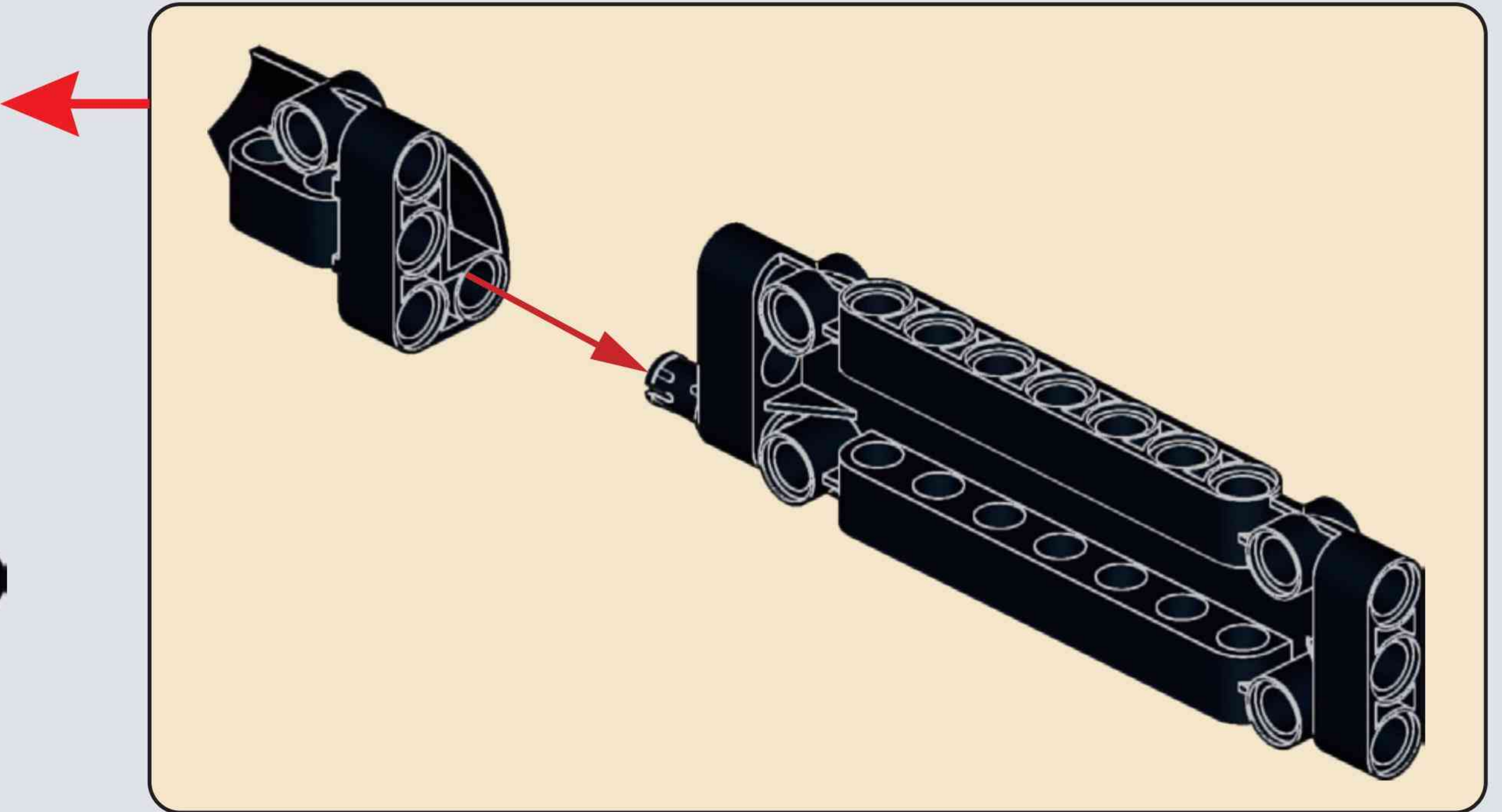
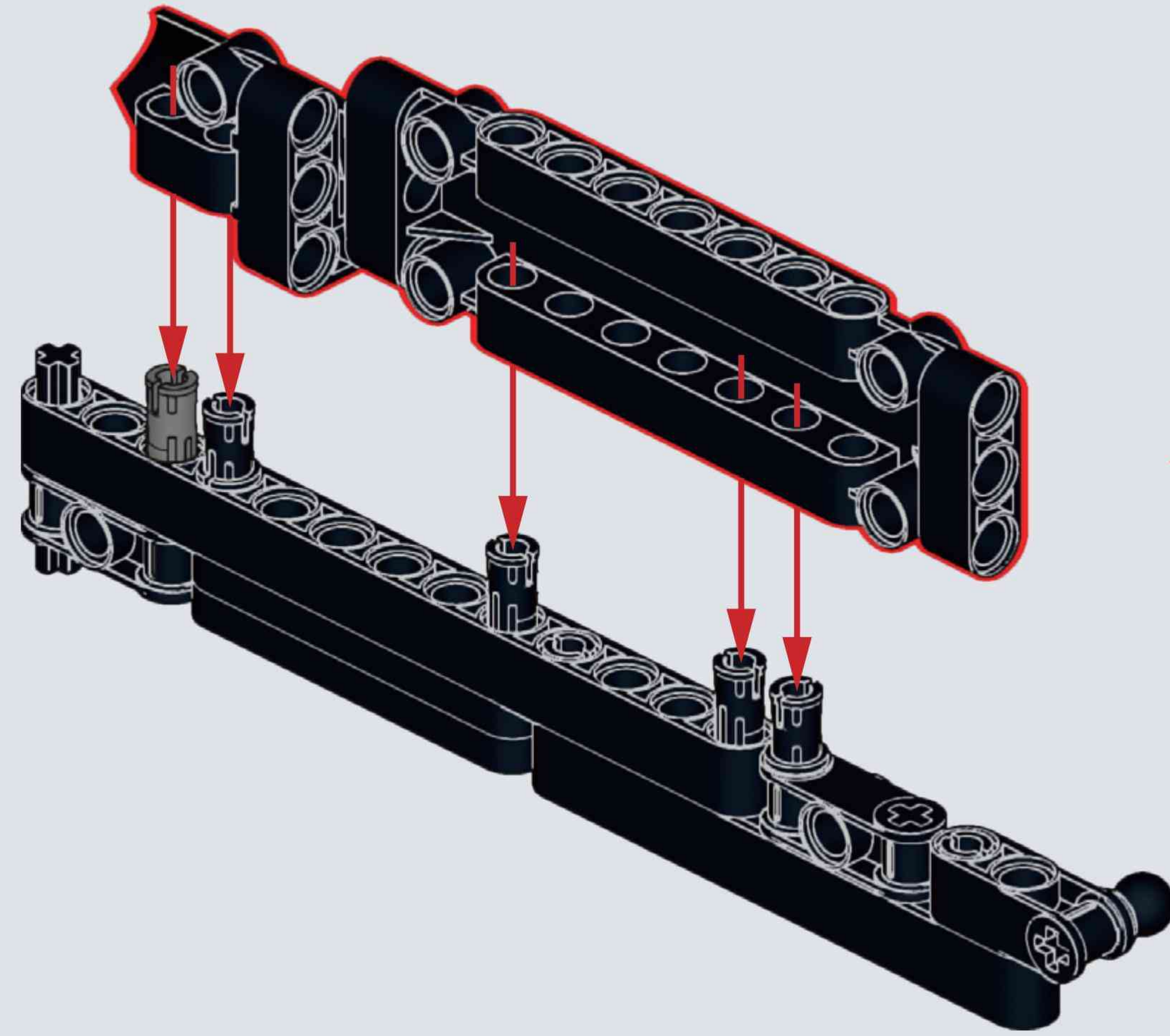


B23

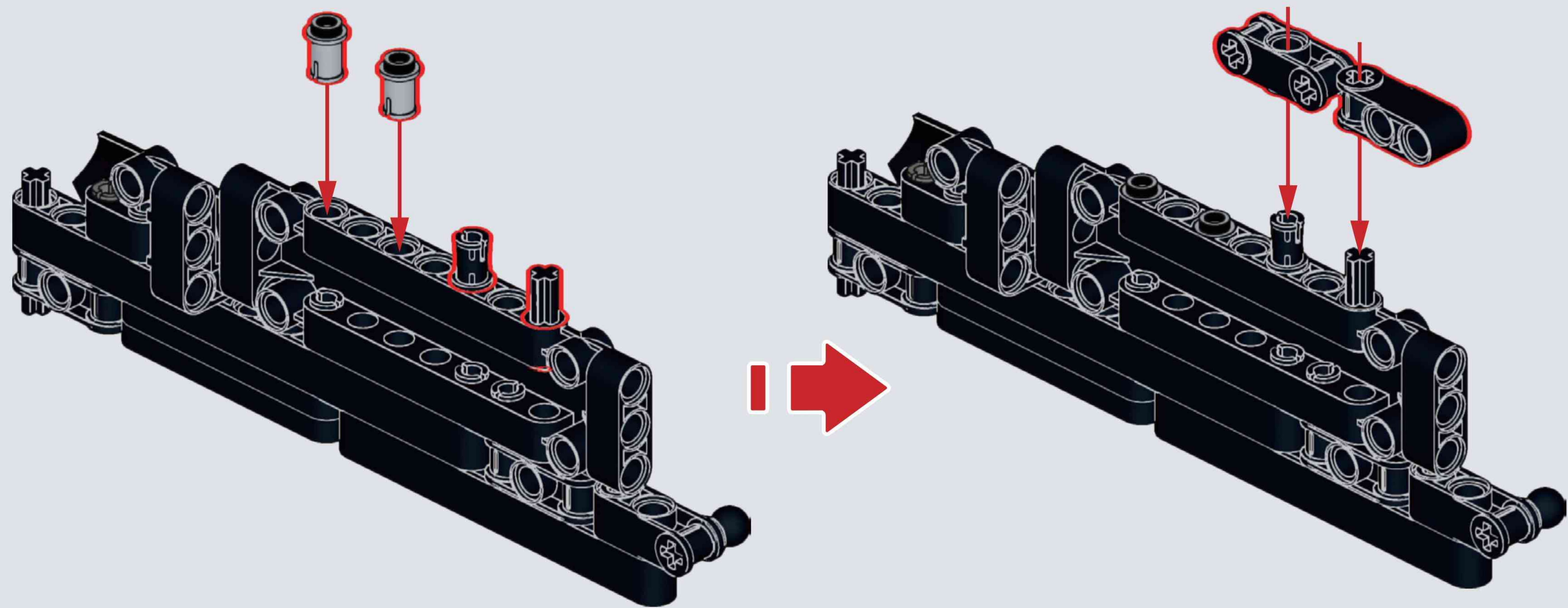




B24

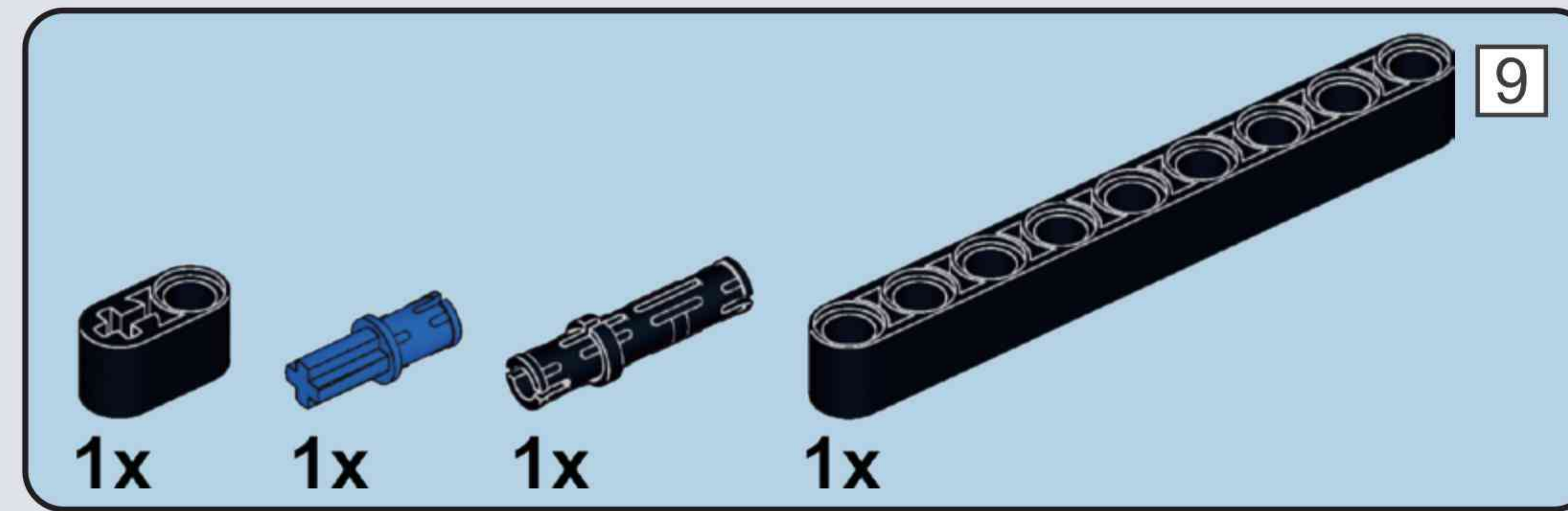
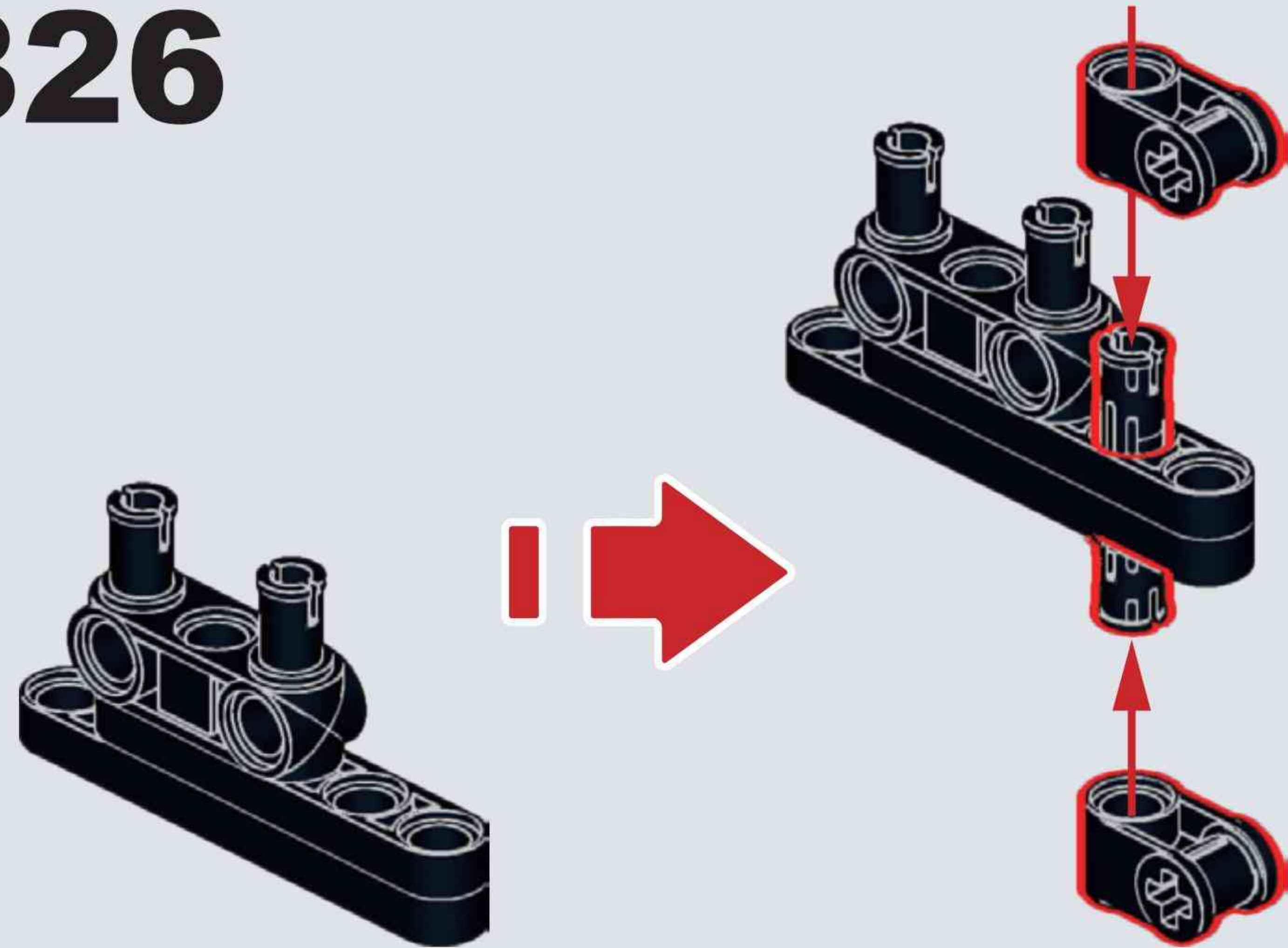


B25

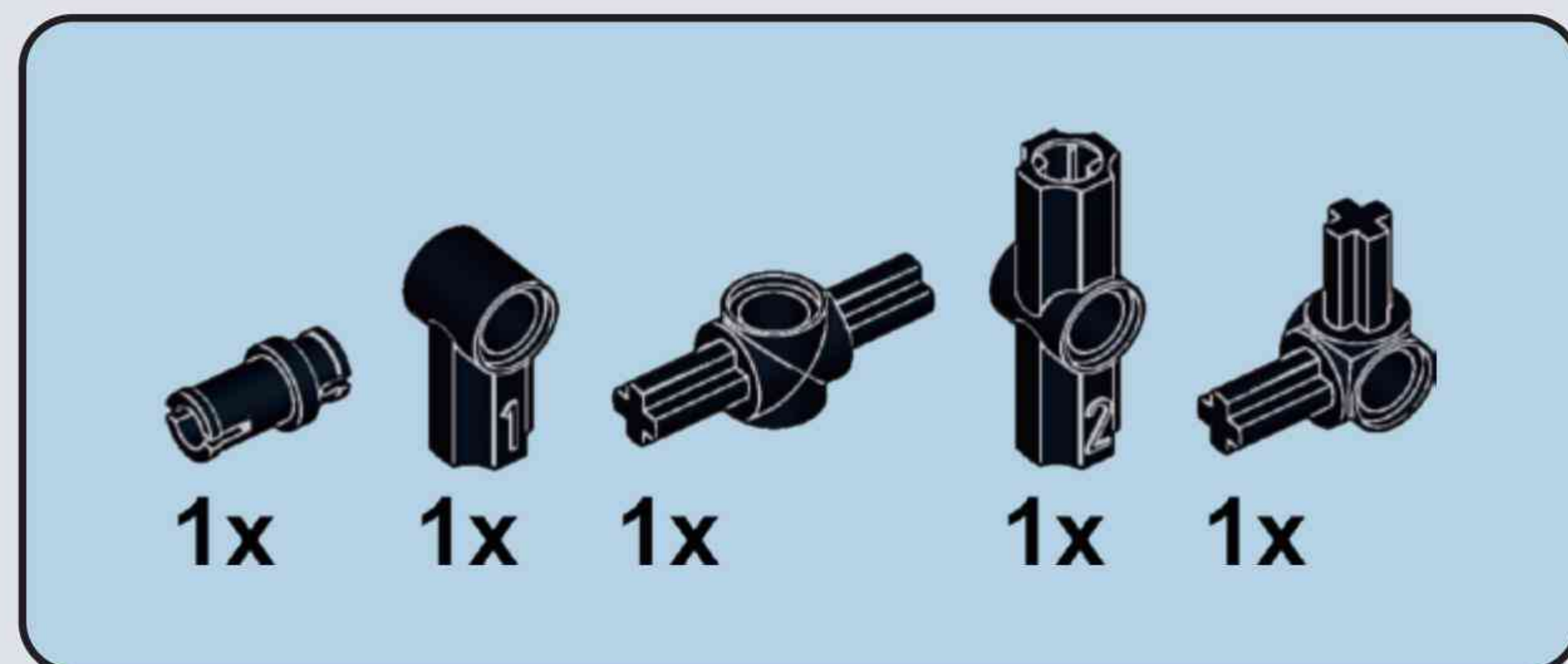
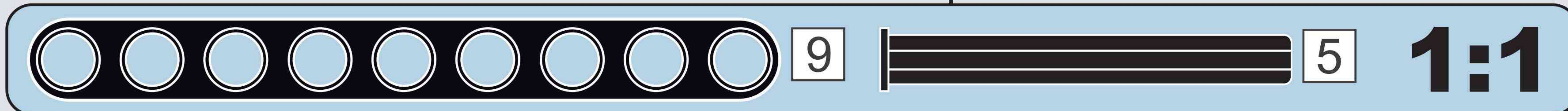
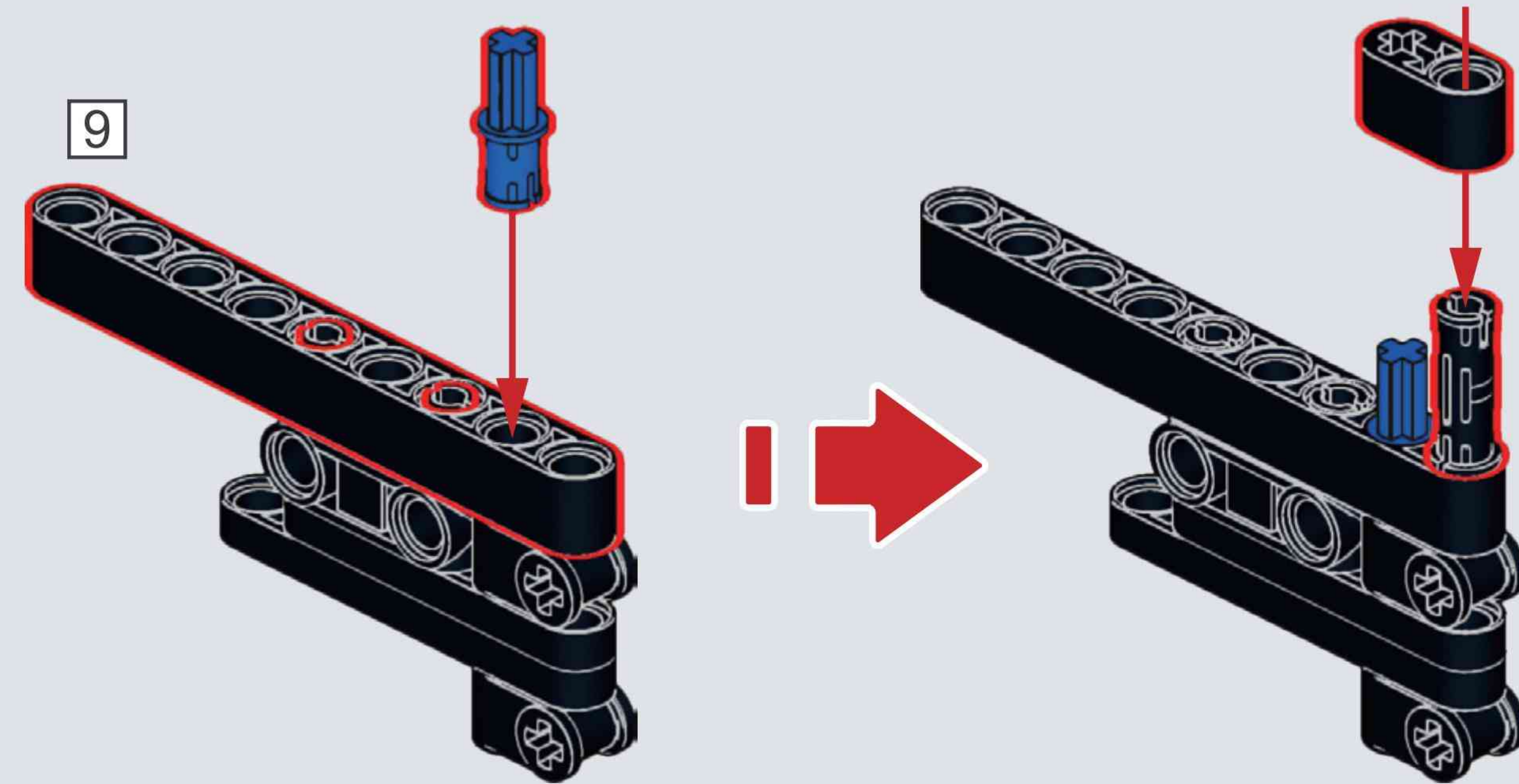




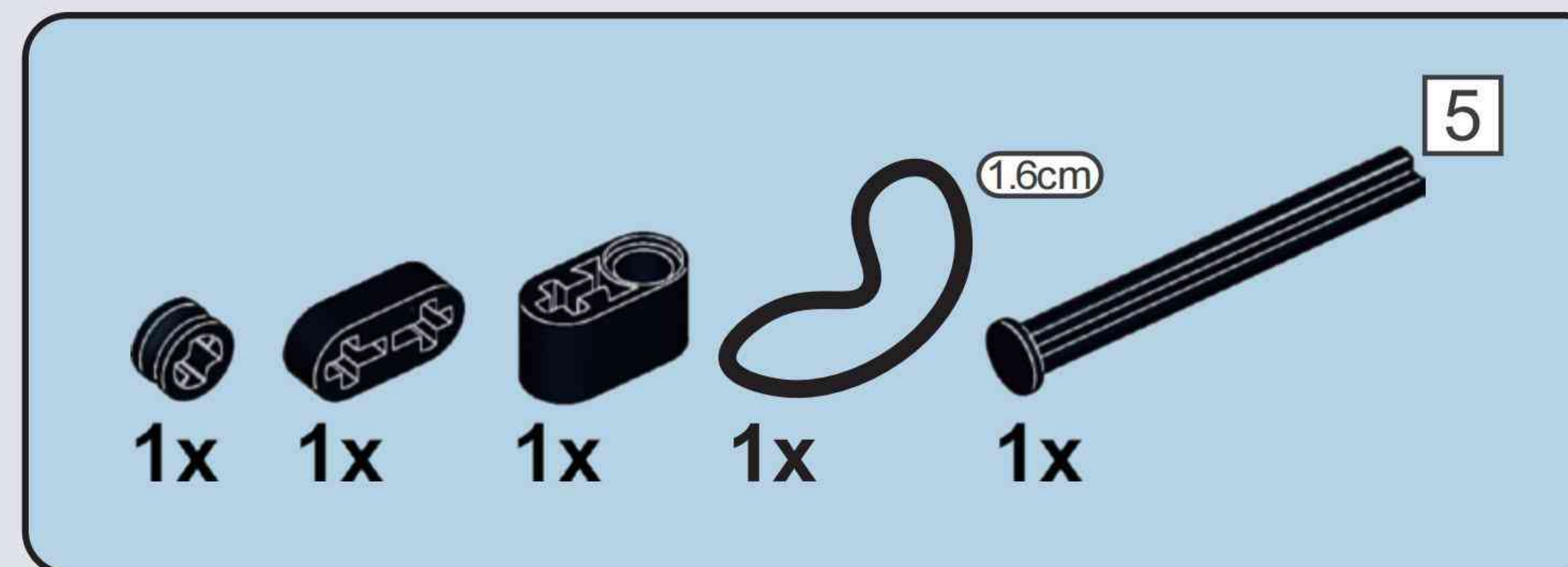
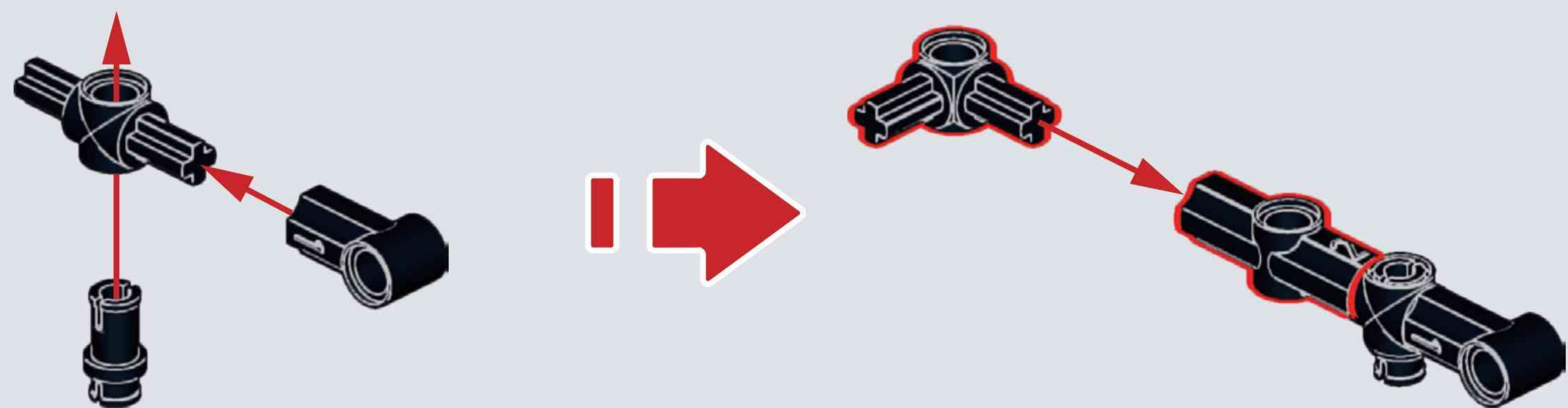
B26



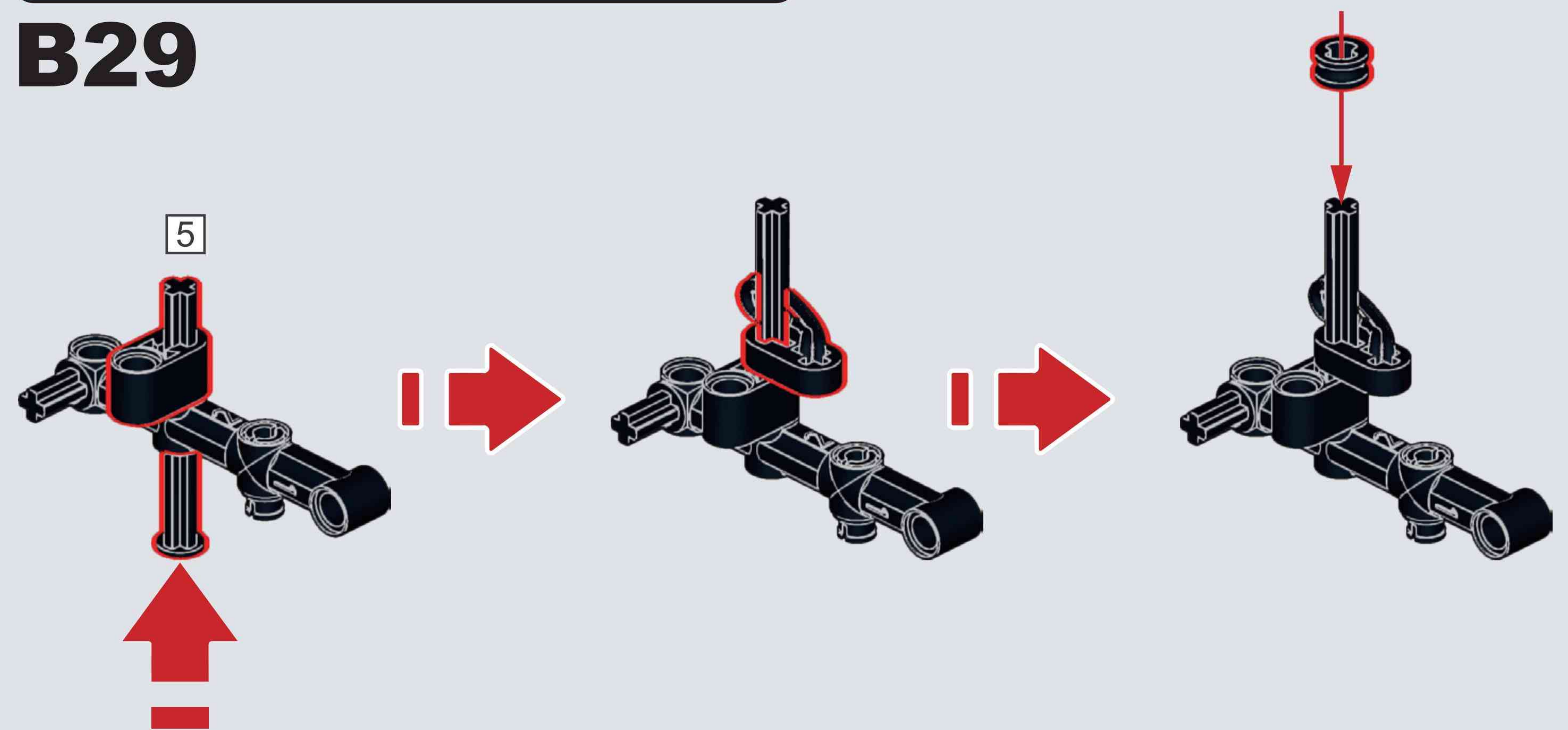
B27



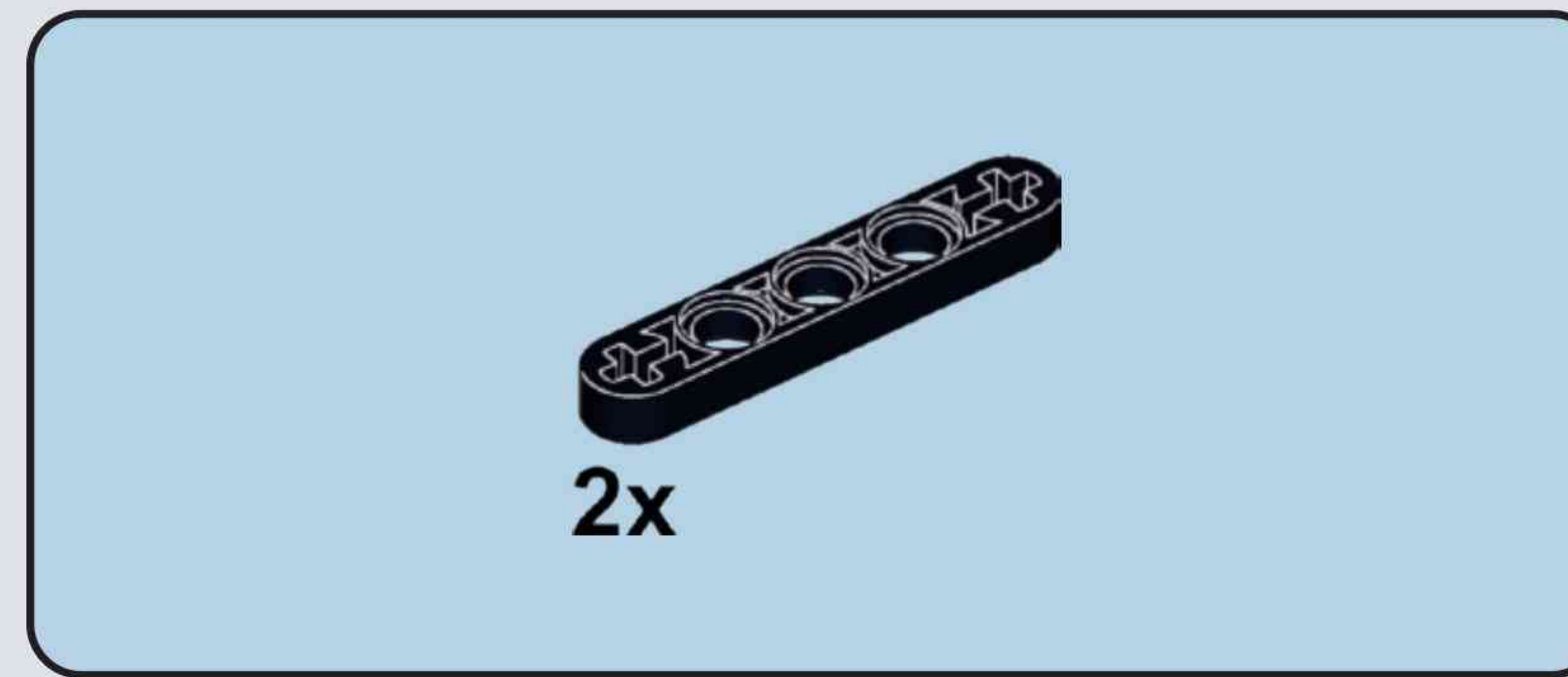
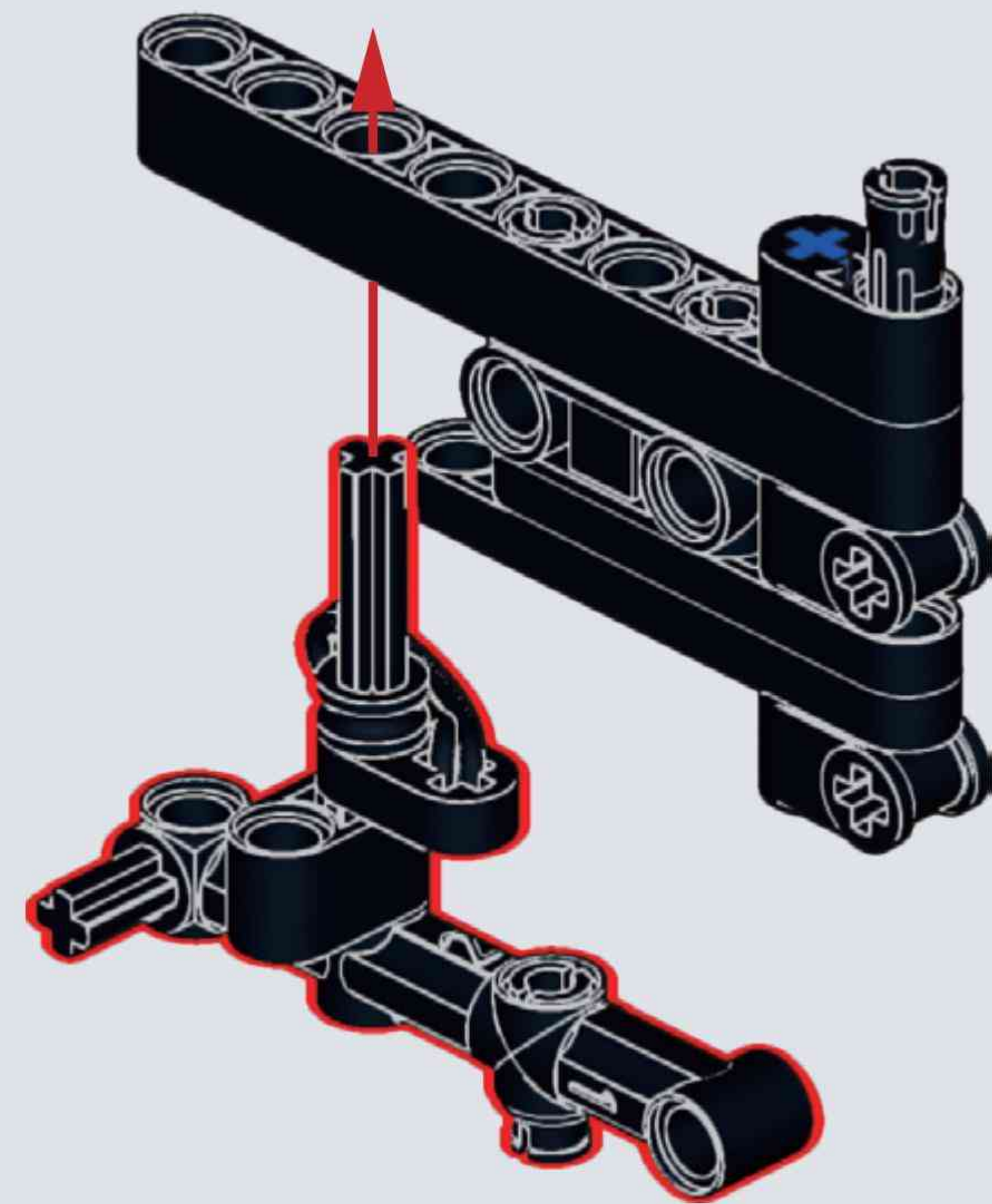
B28



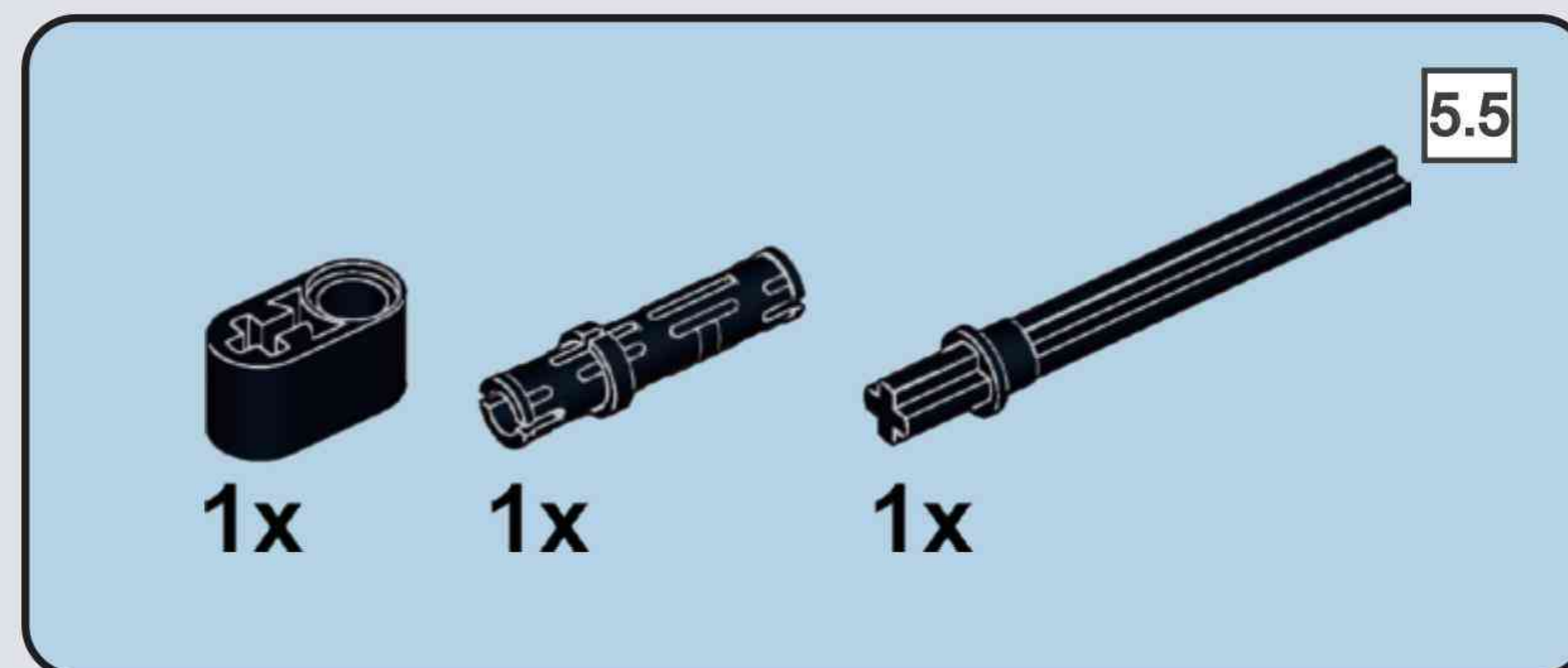
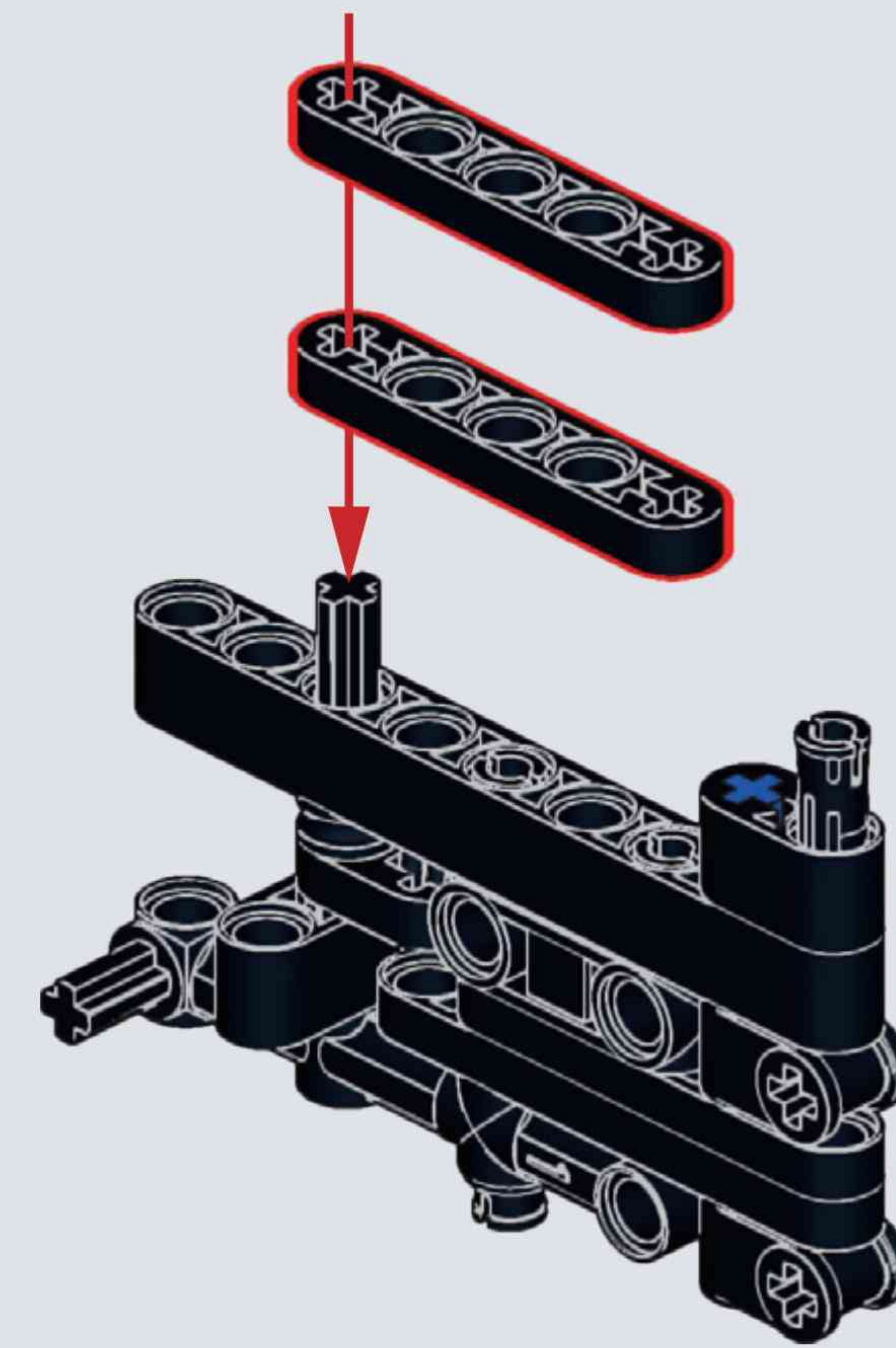
B29



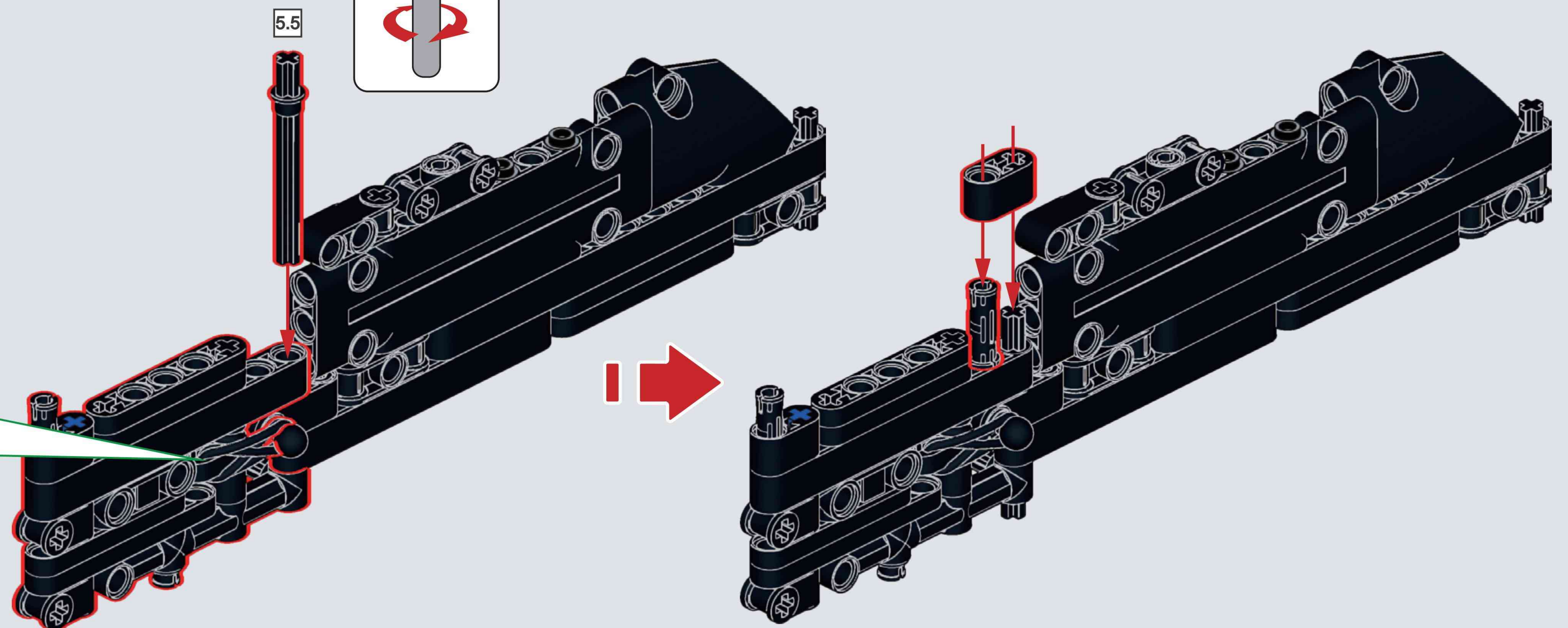
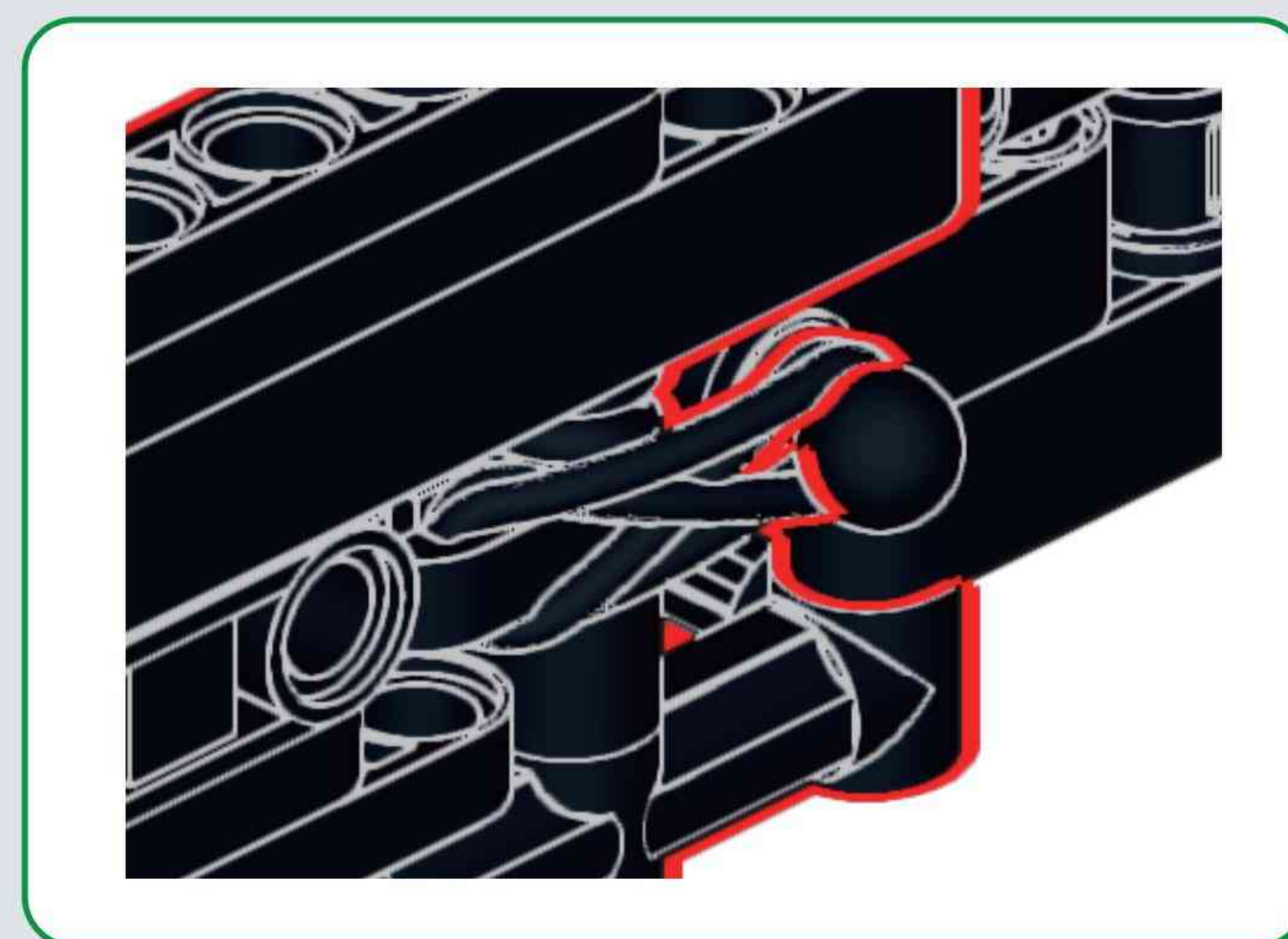
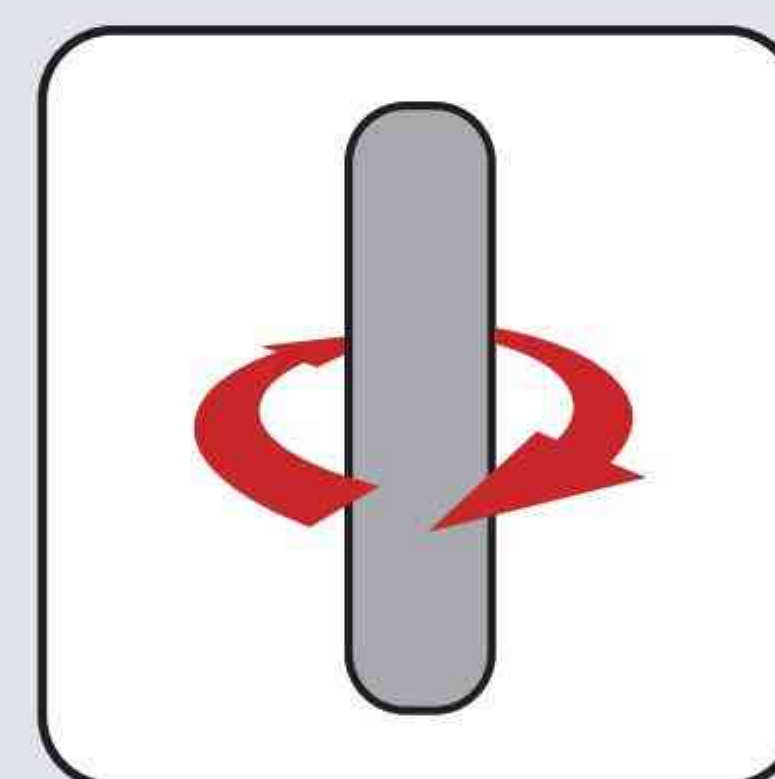
B30

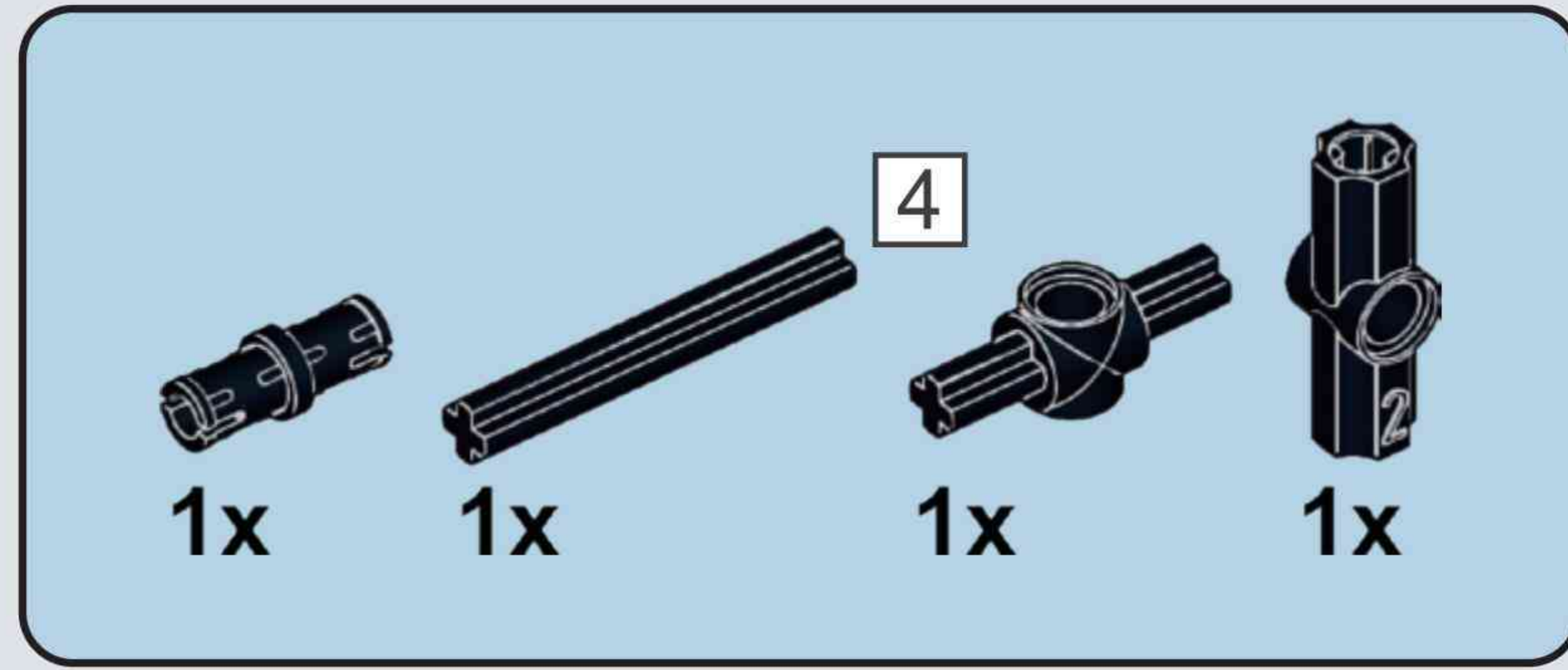


B31

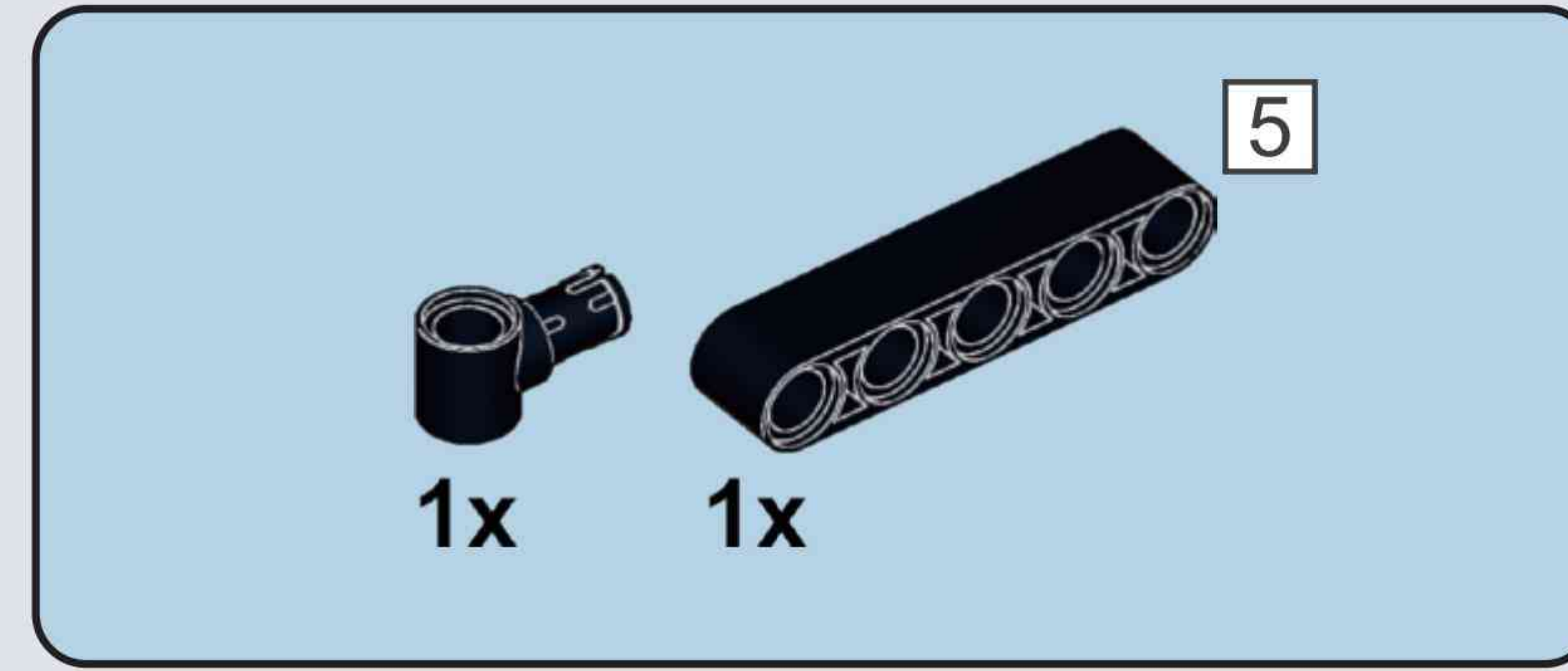
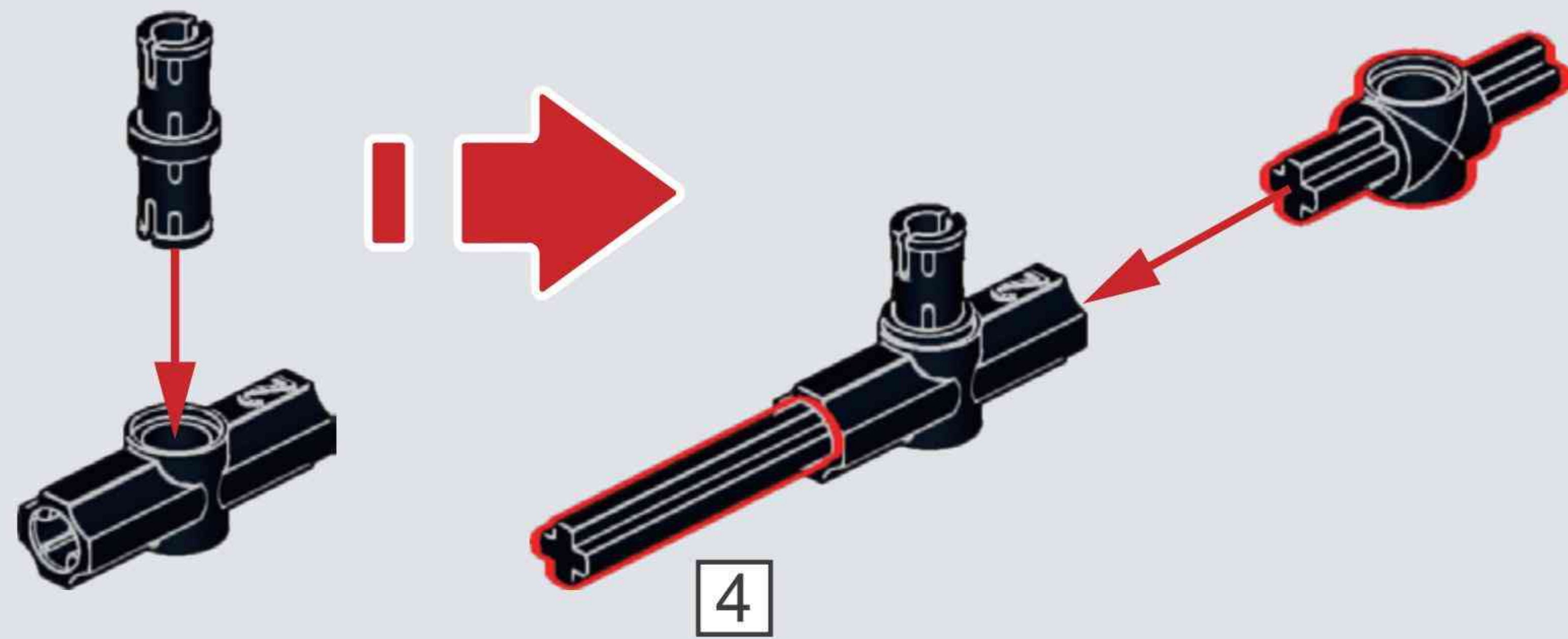


B32

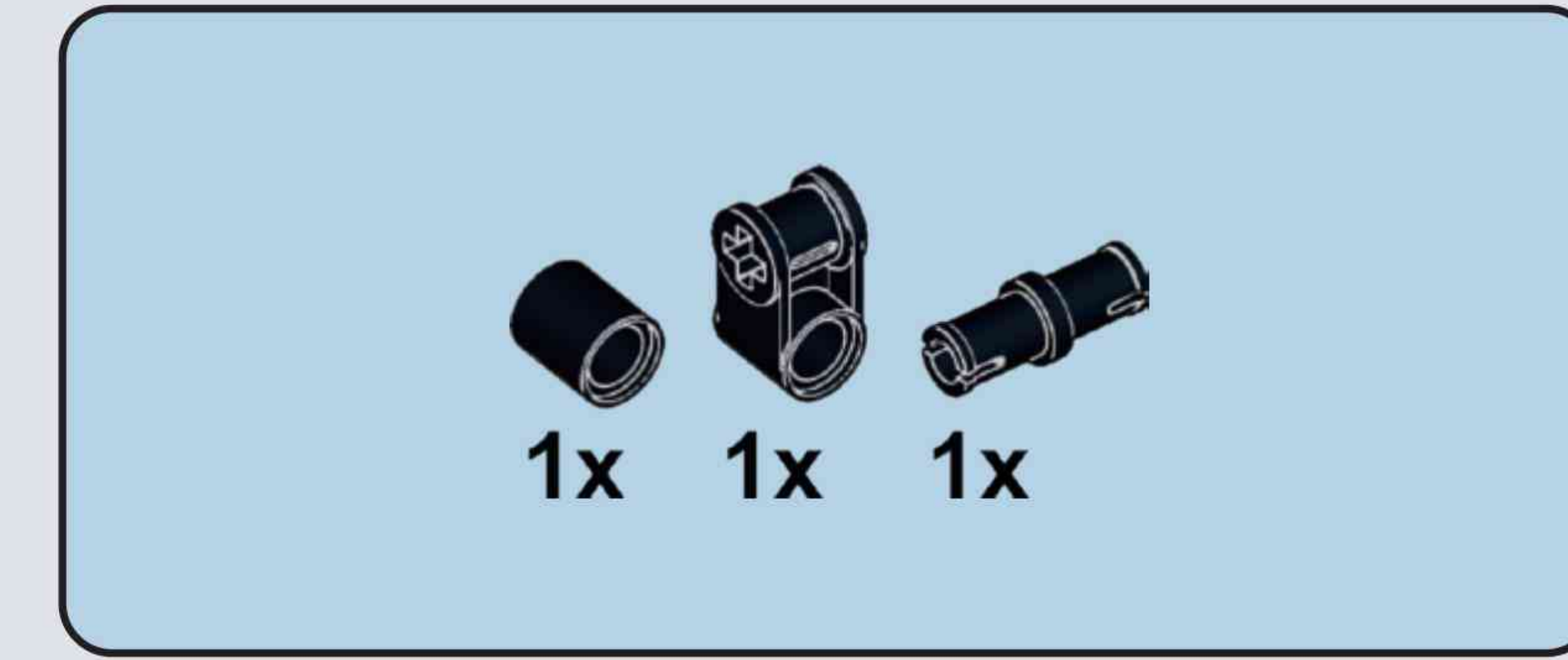
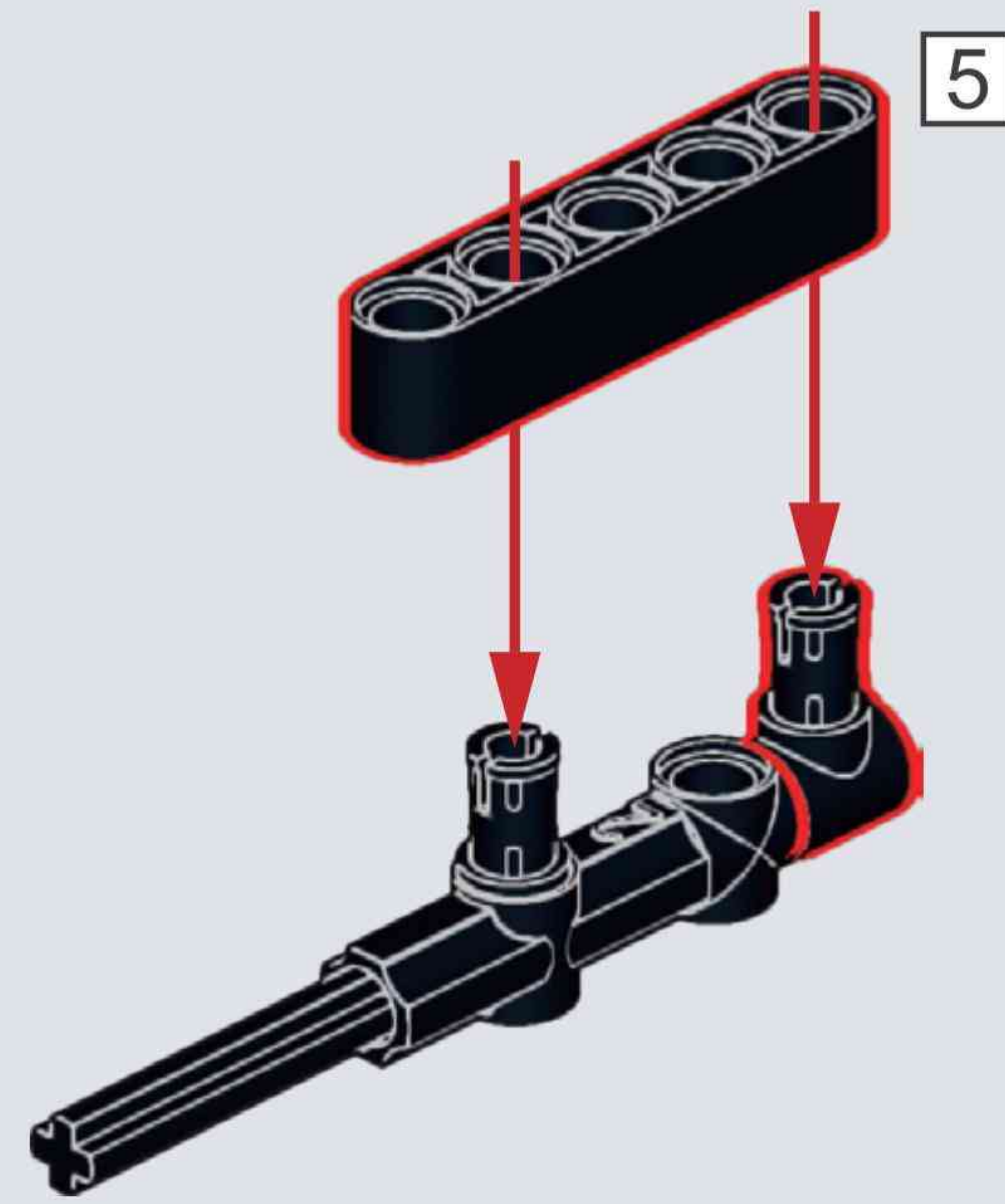




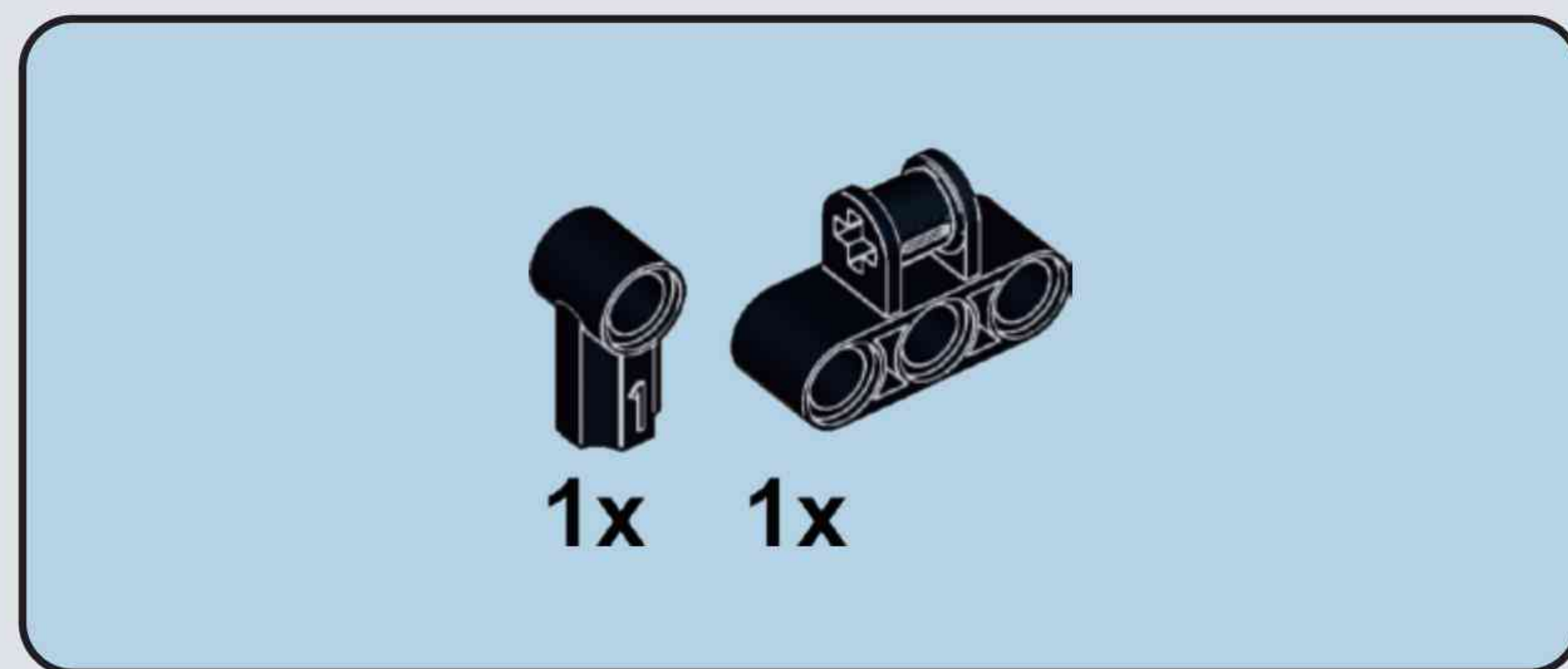
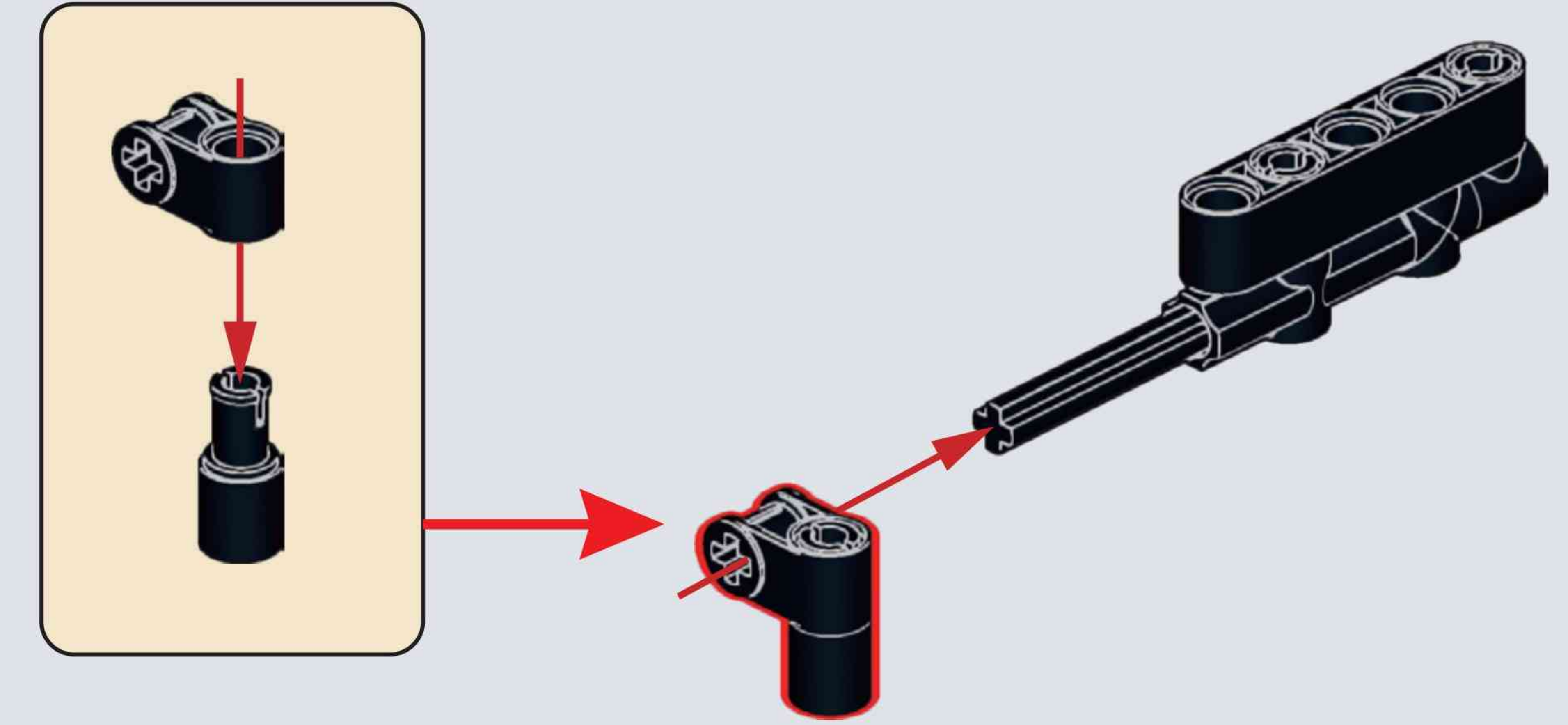
B33



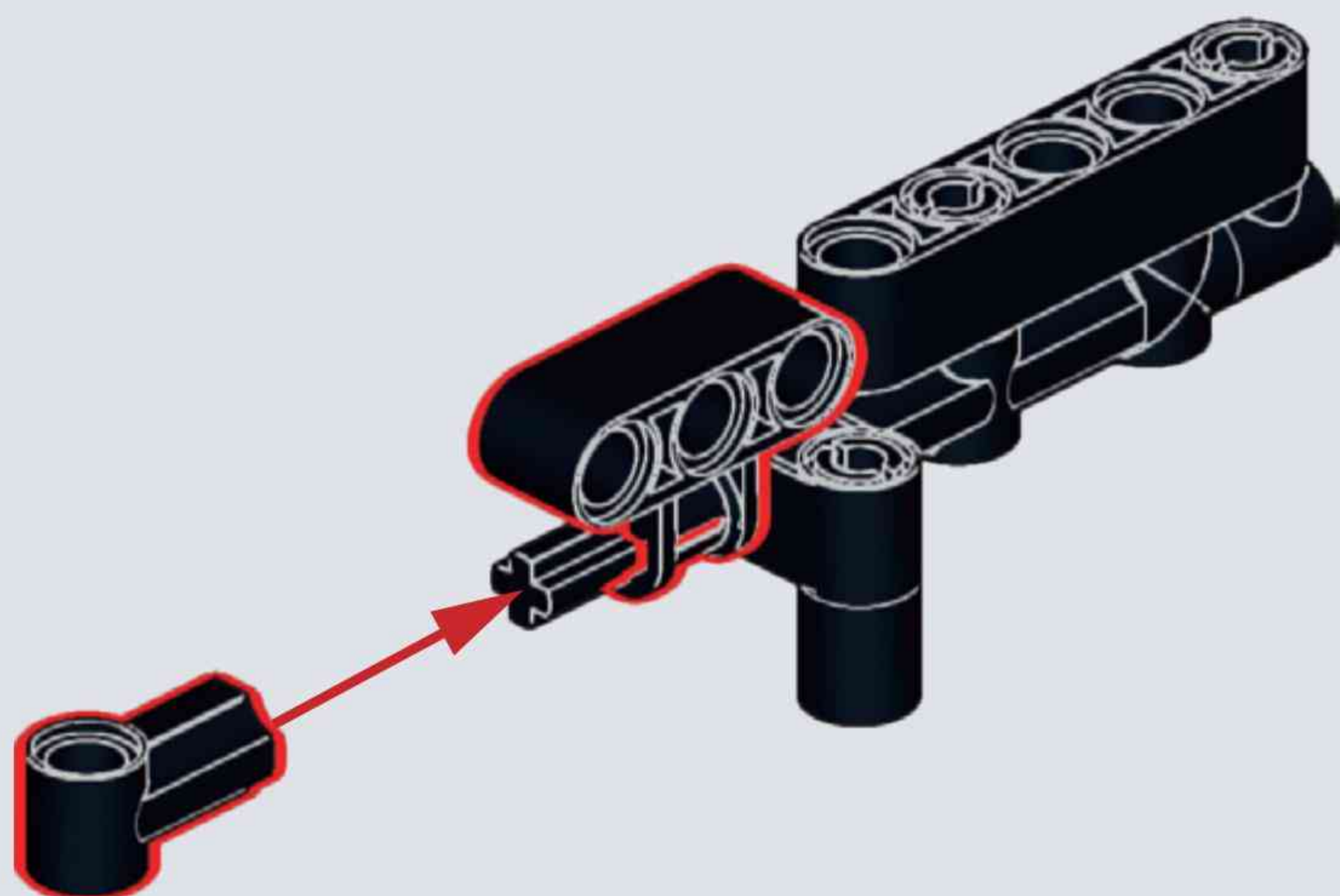
B34



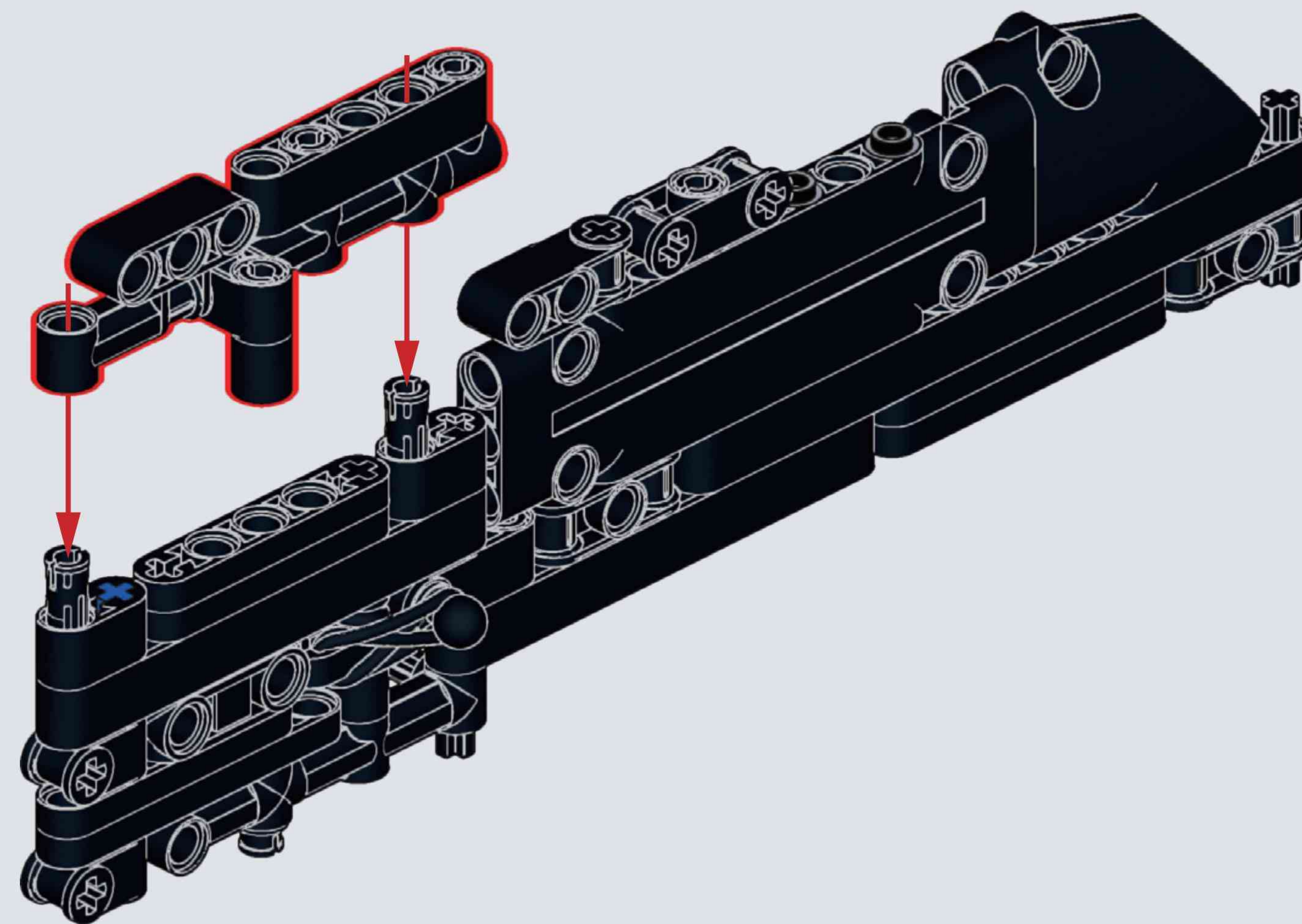
B35



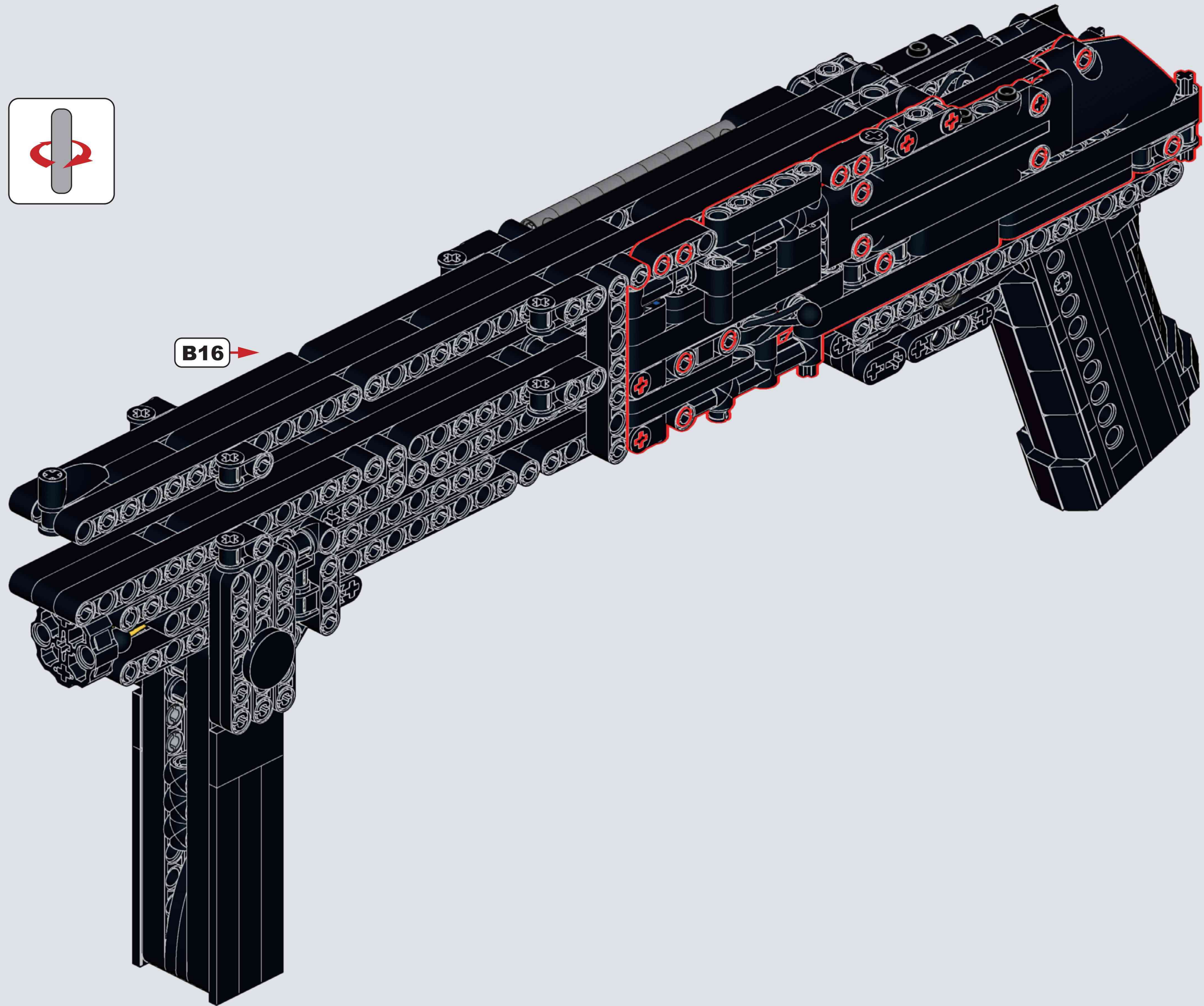
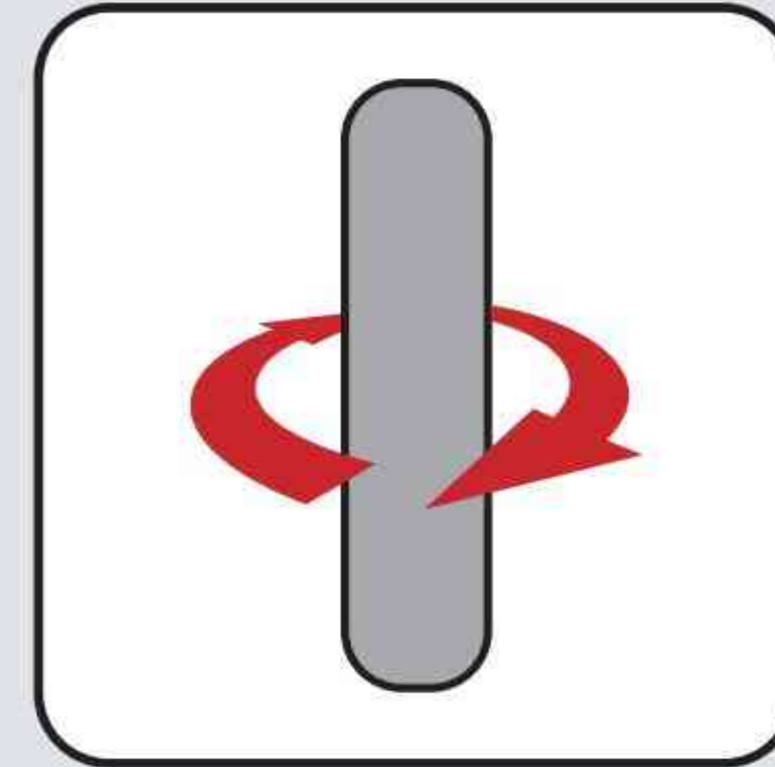
B36

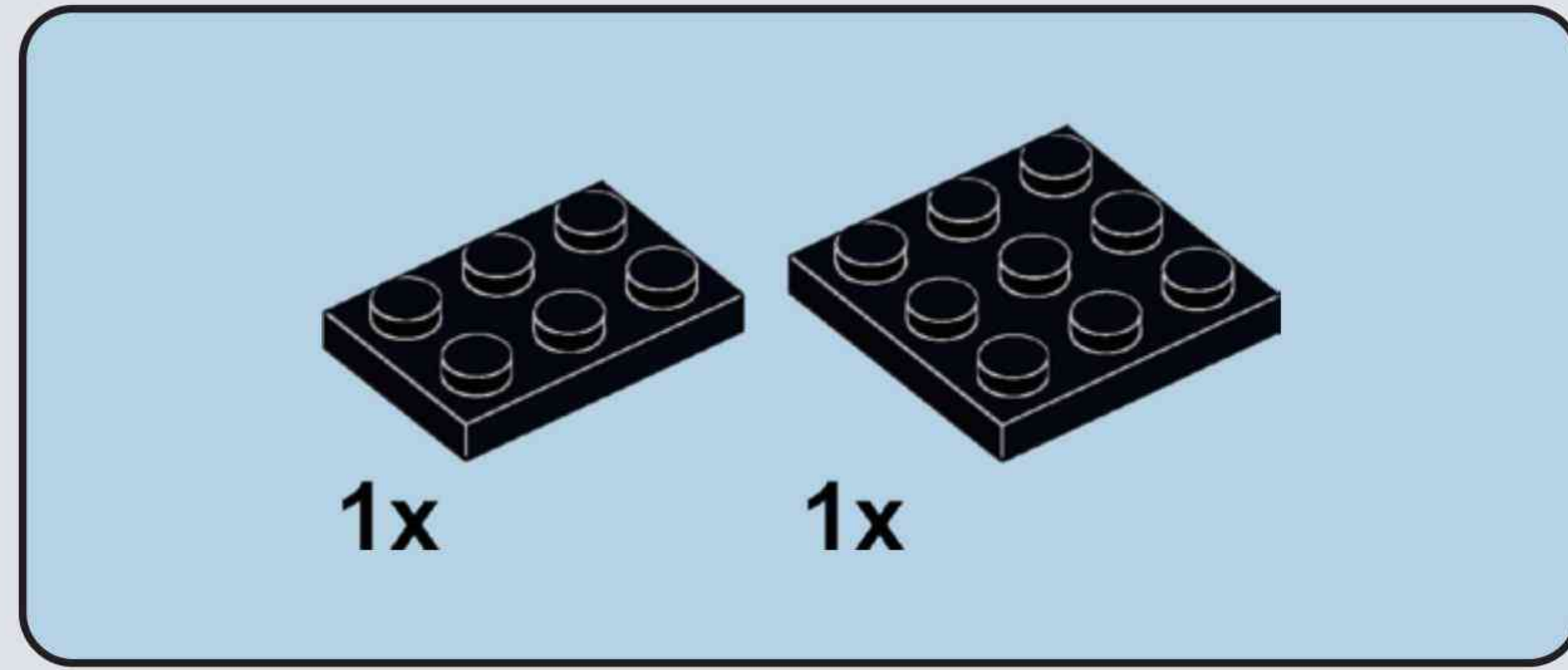


B37

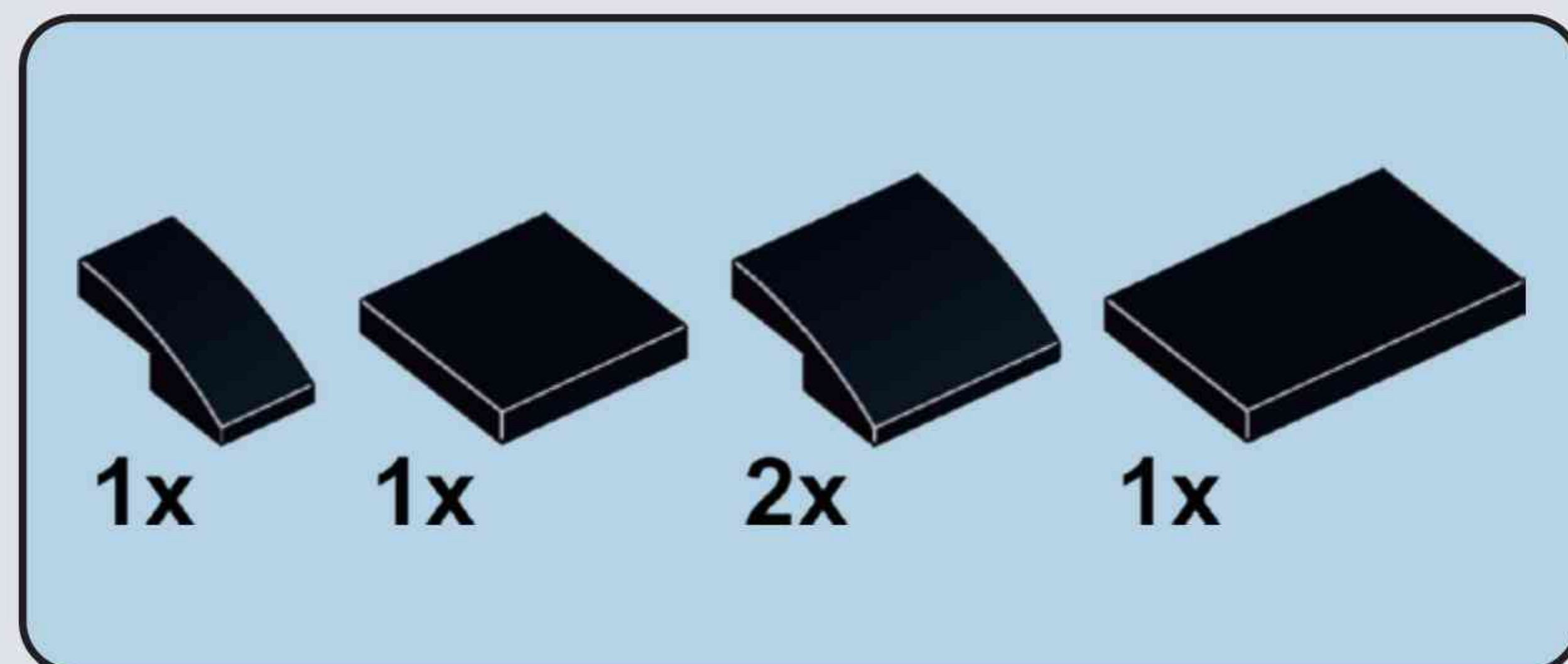
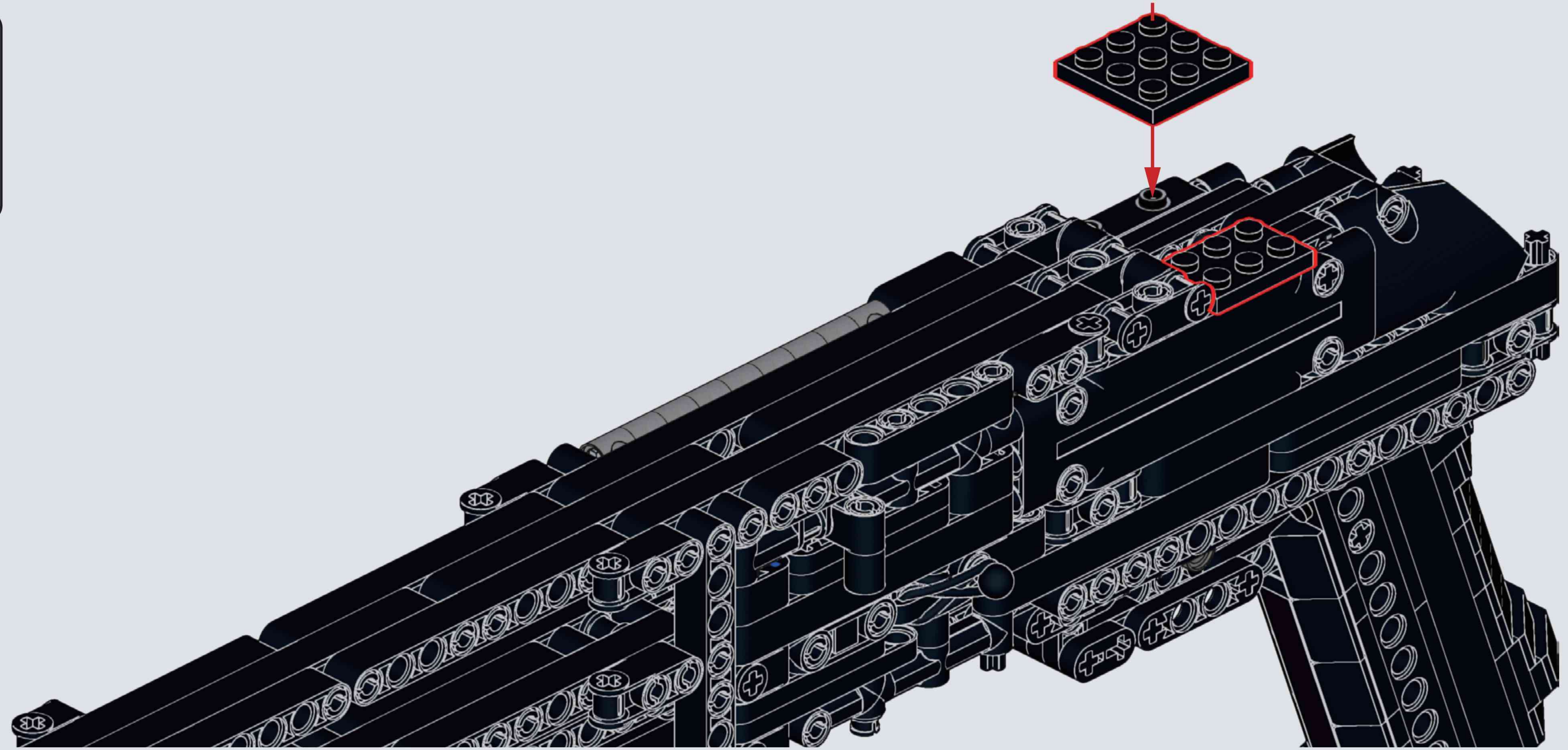


B38

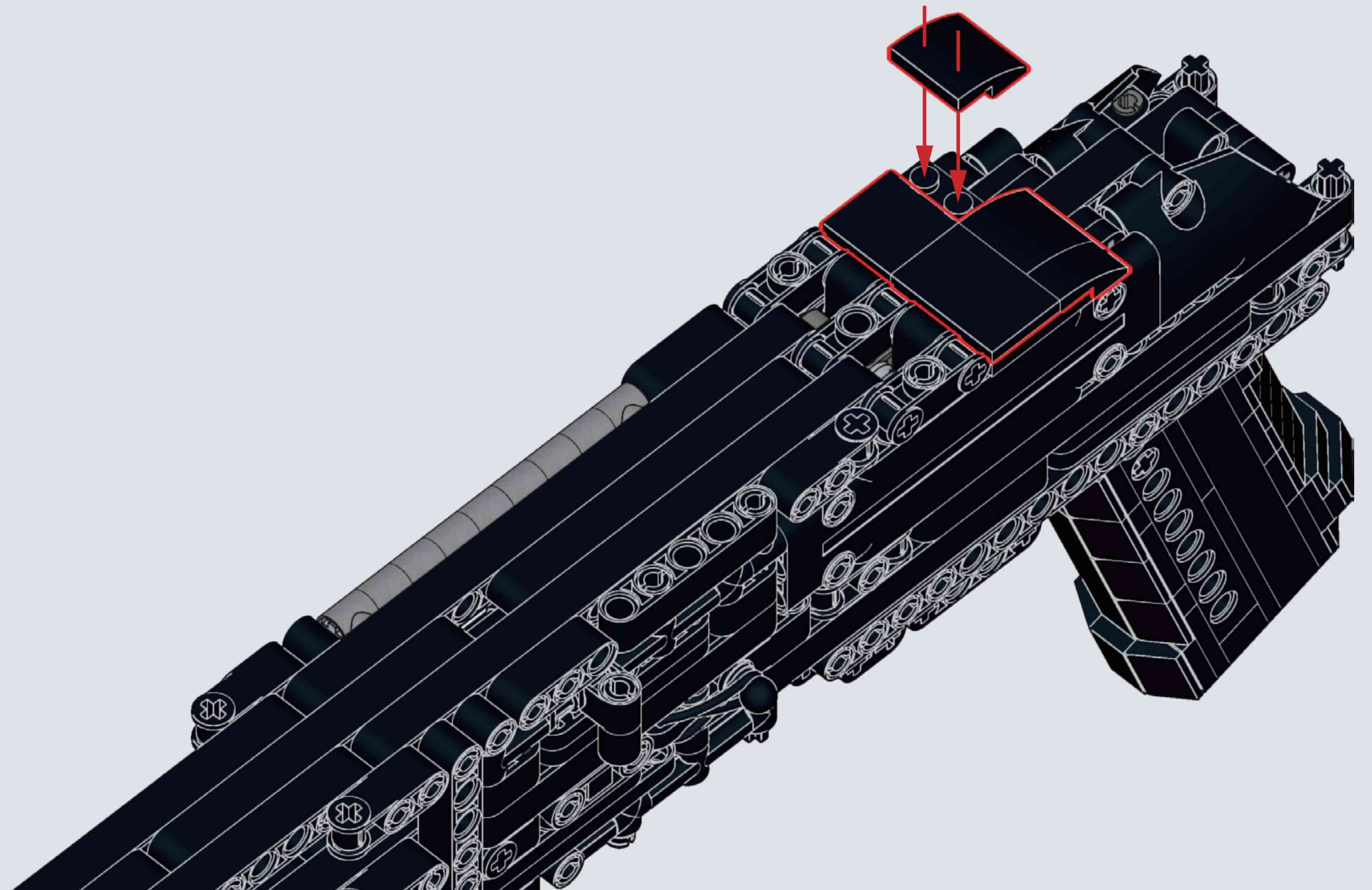


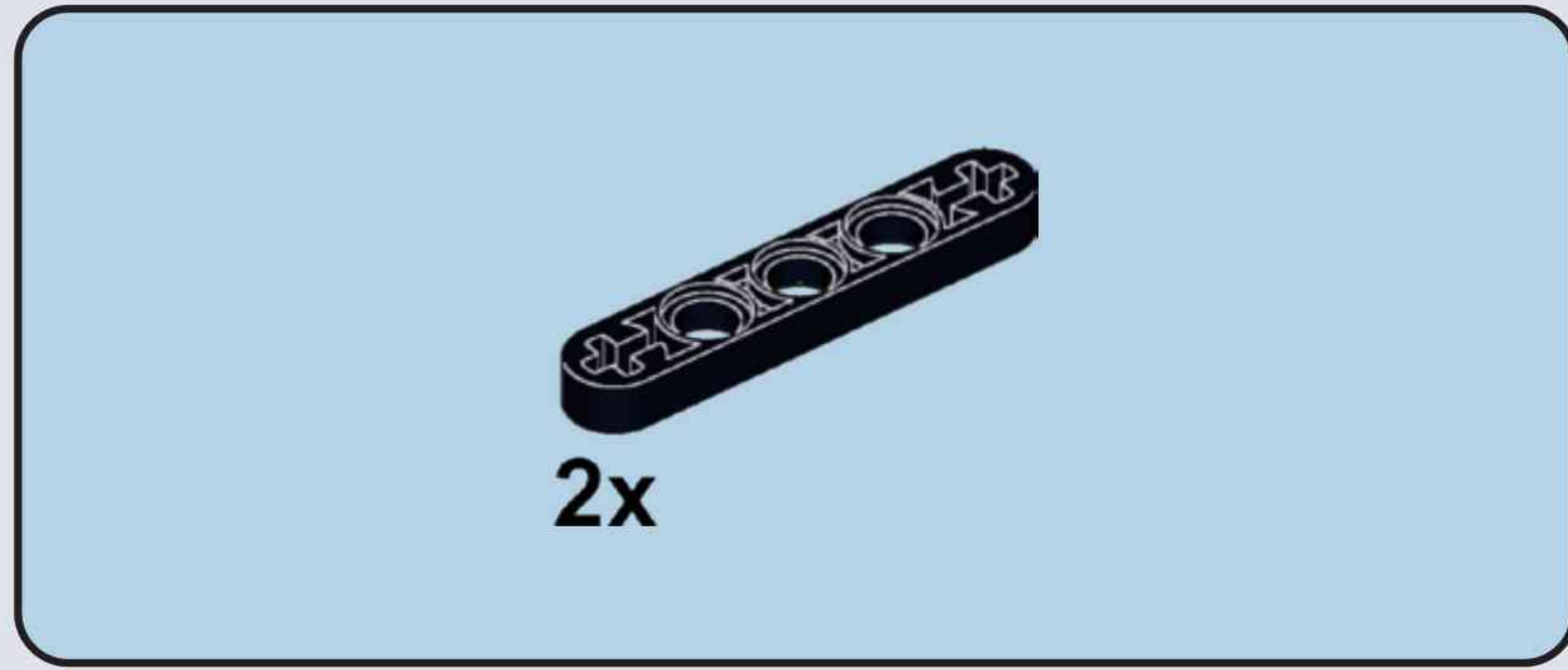


B39

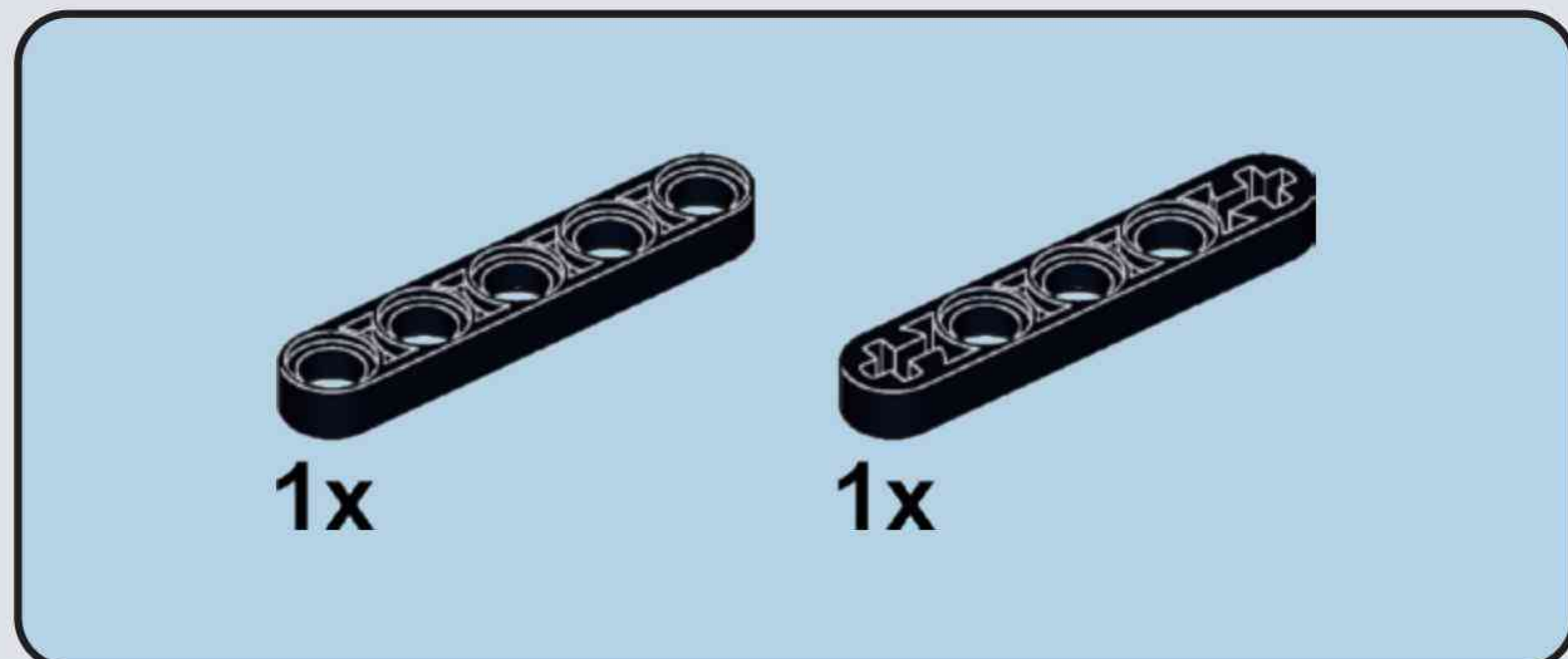
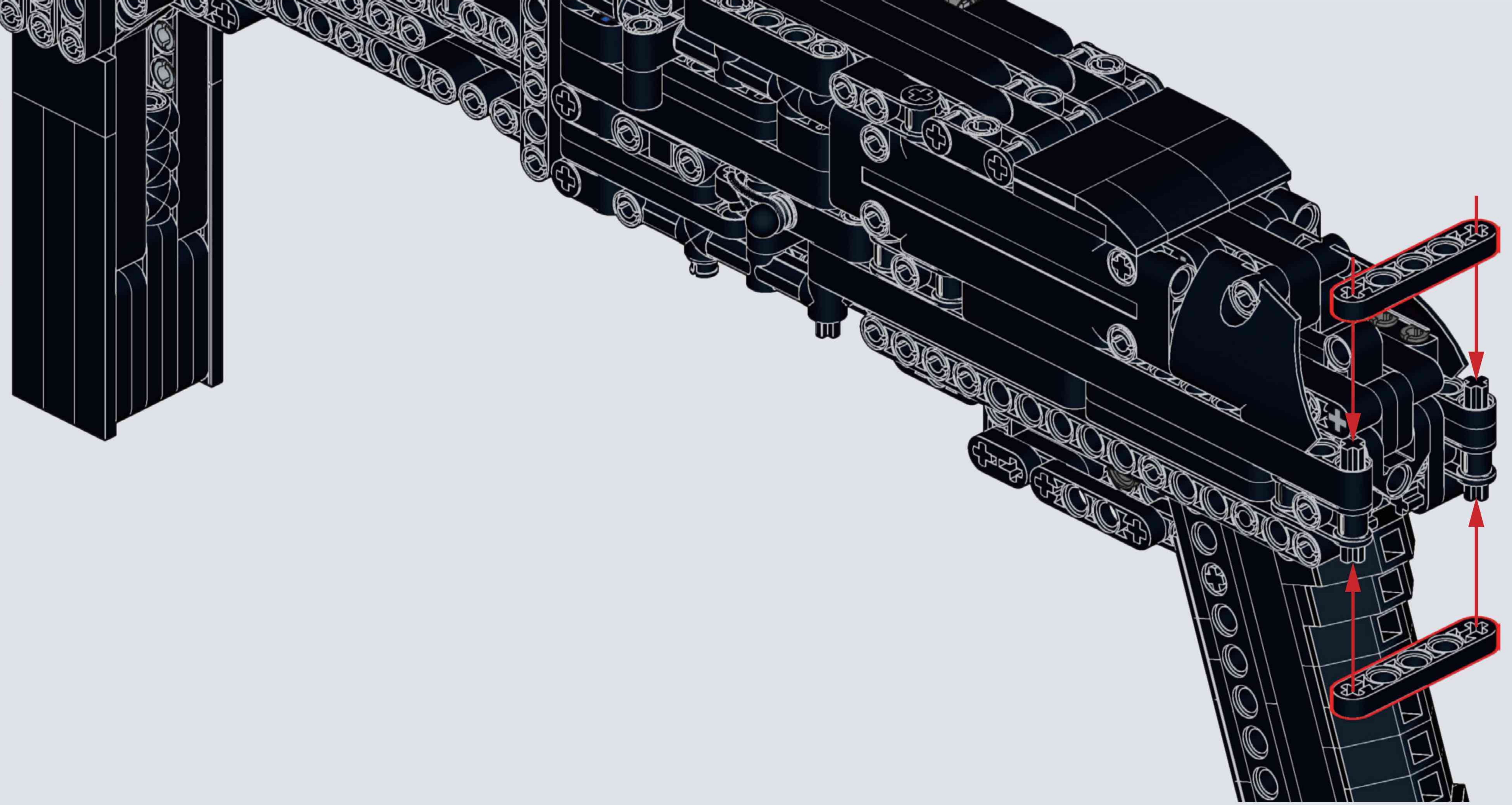
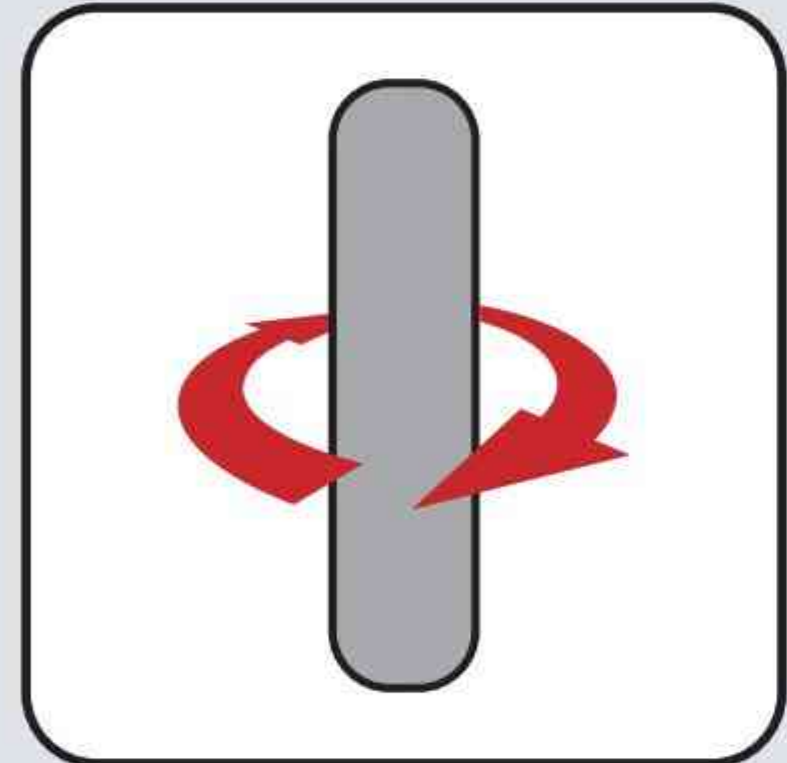


B40

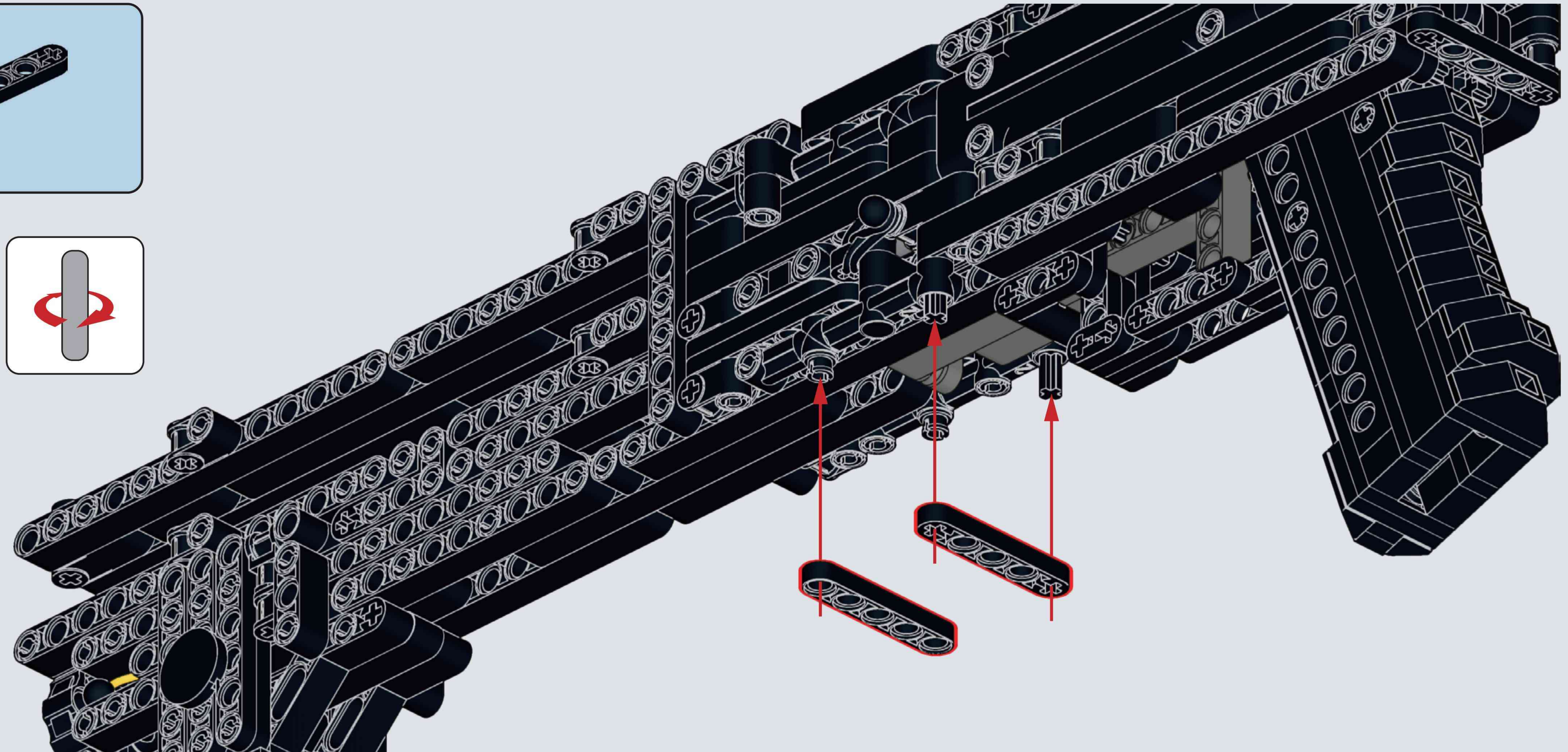
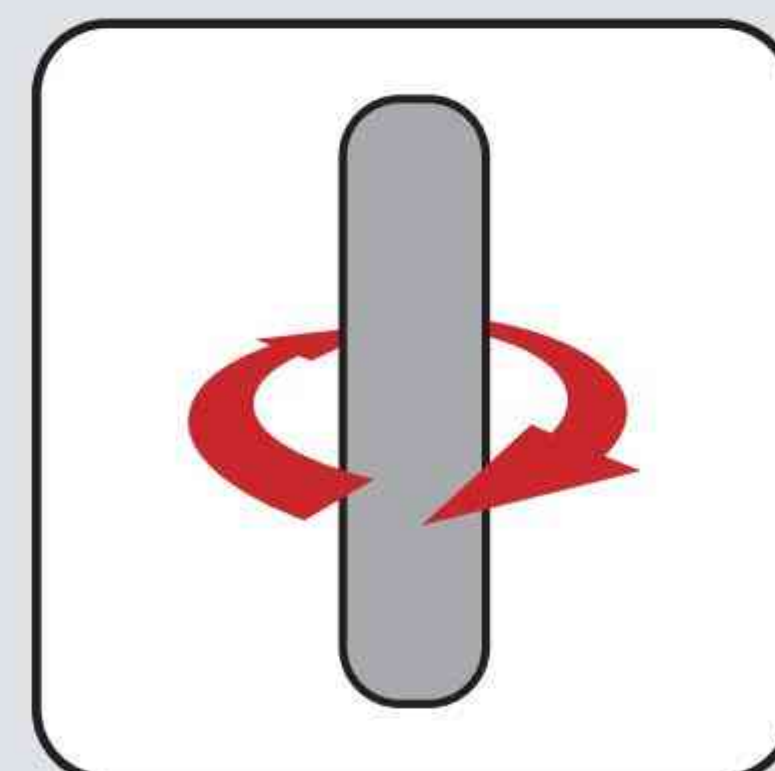




B41

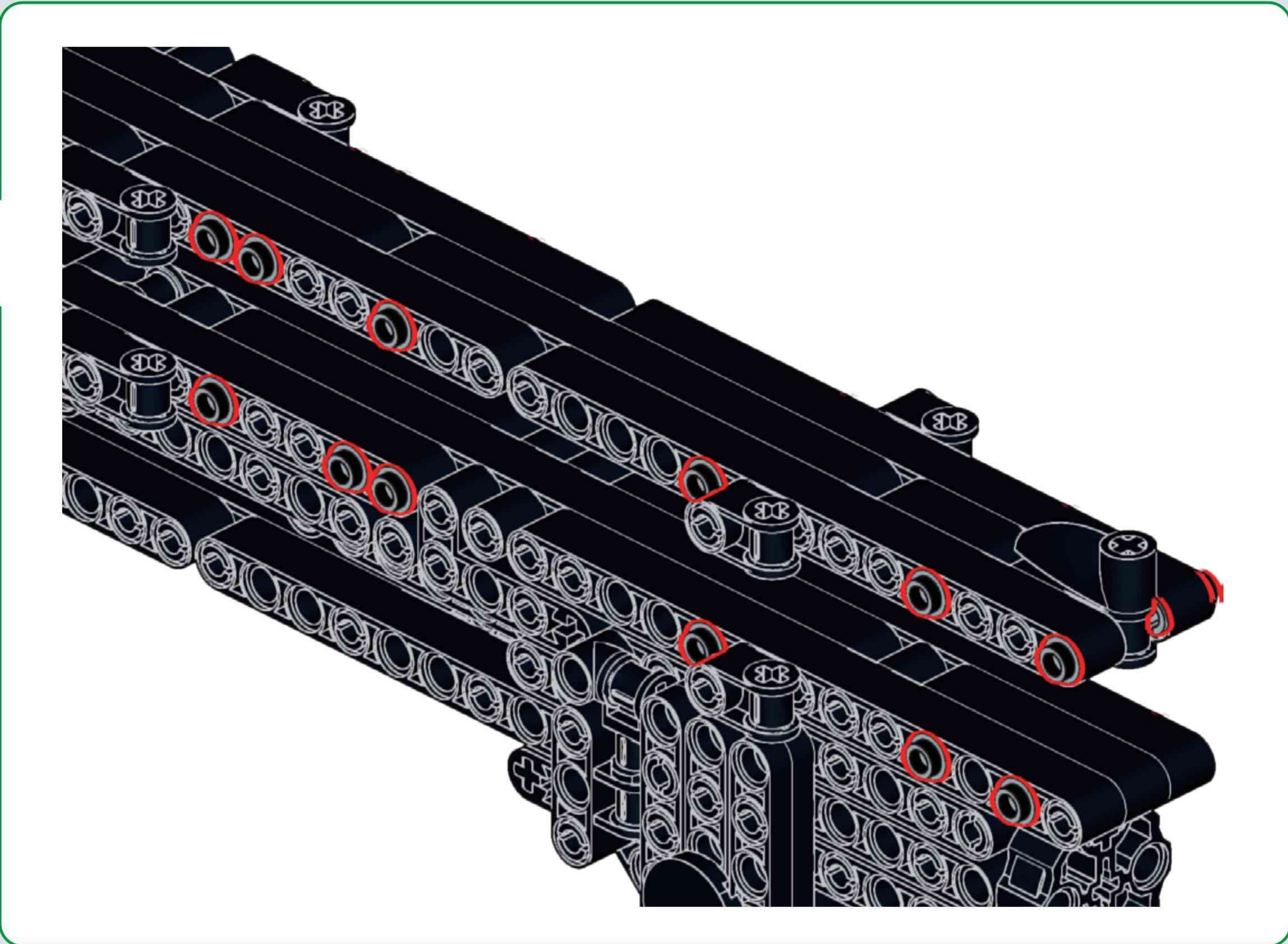
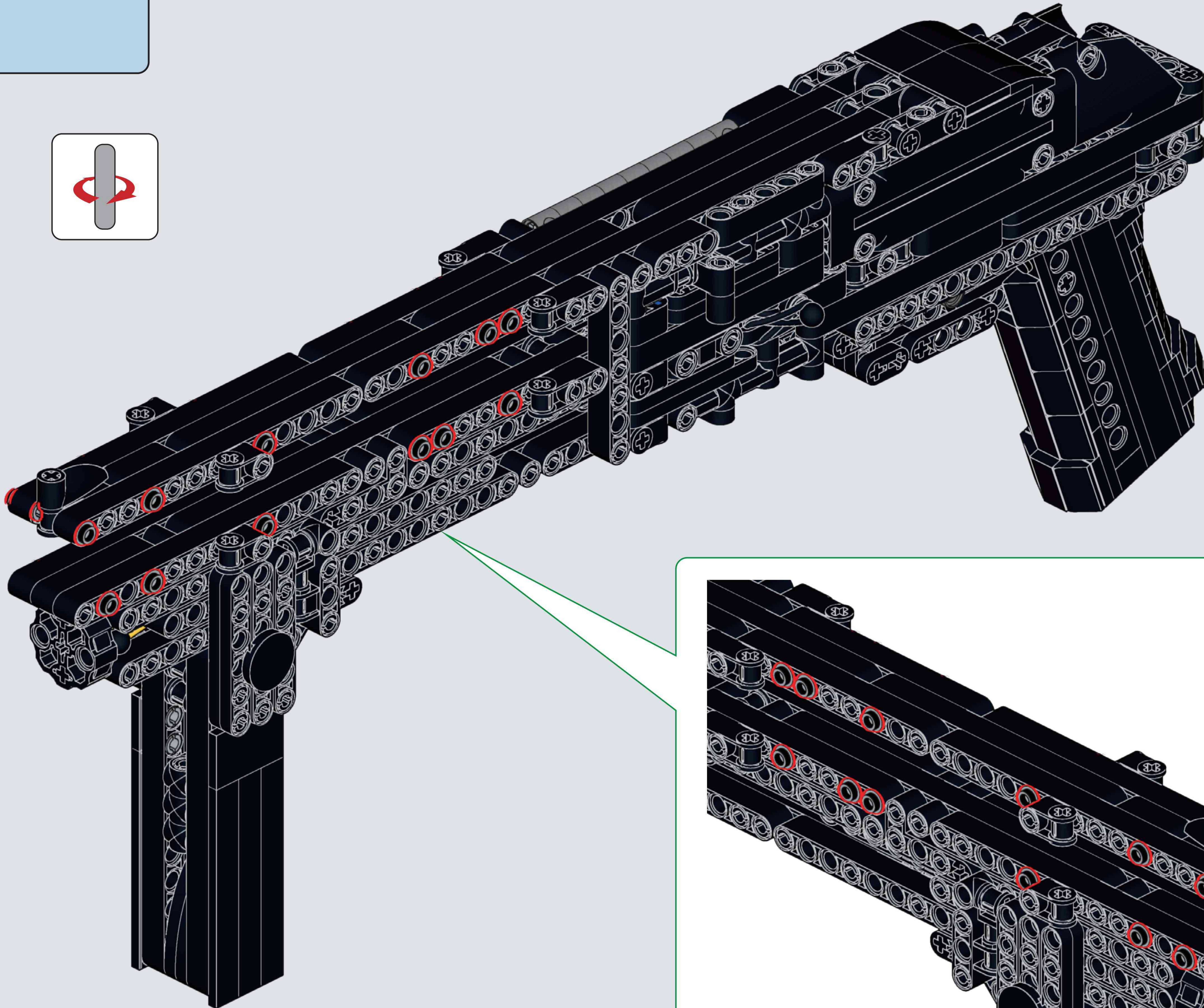
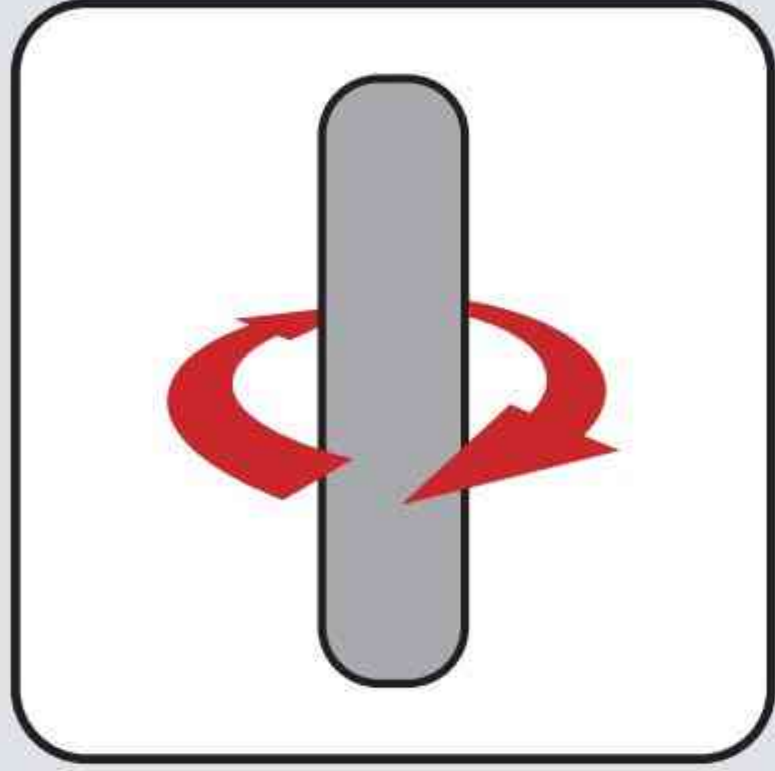


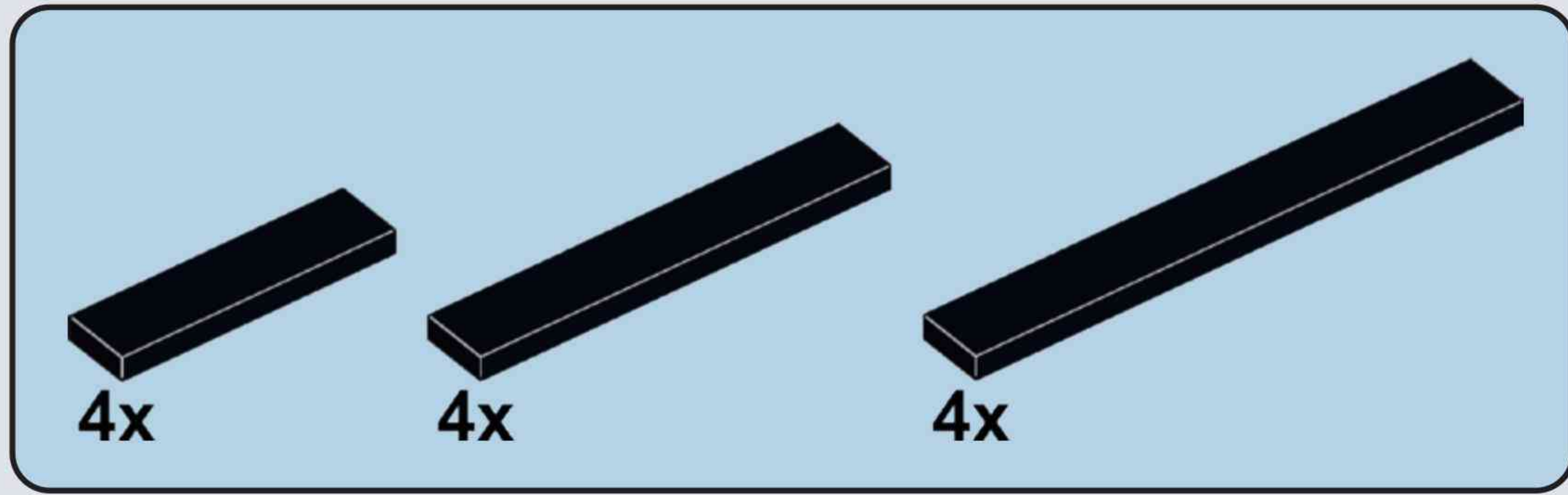
B42



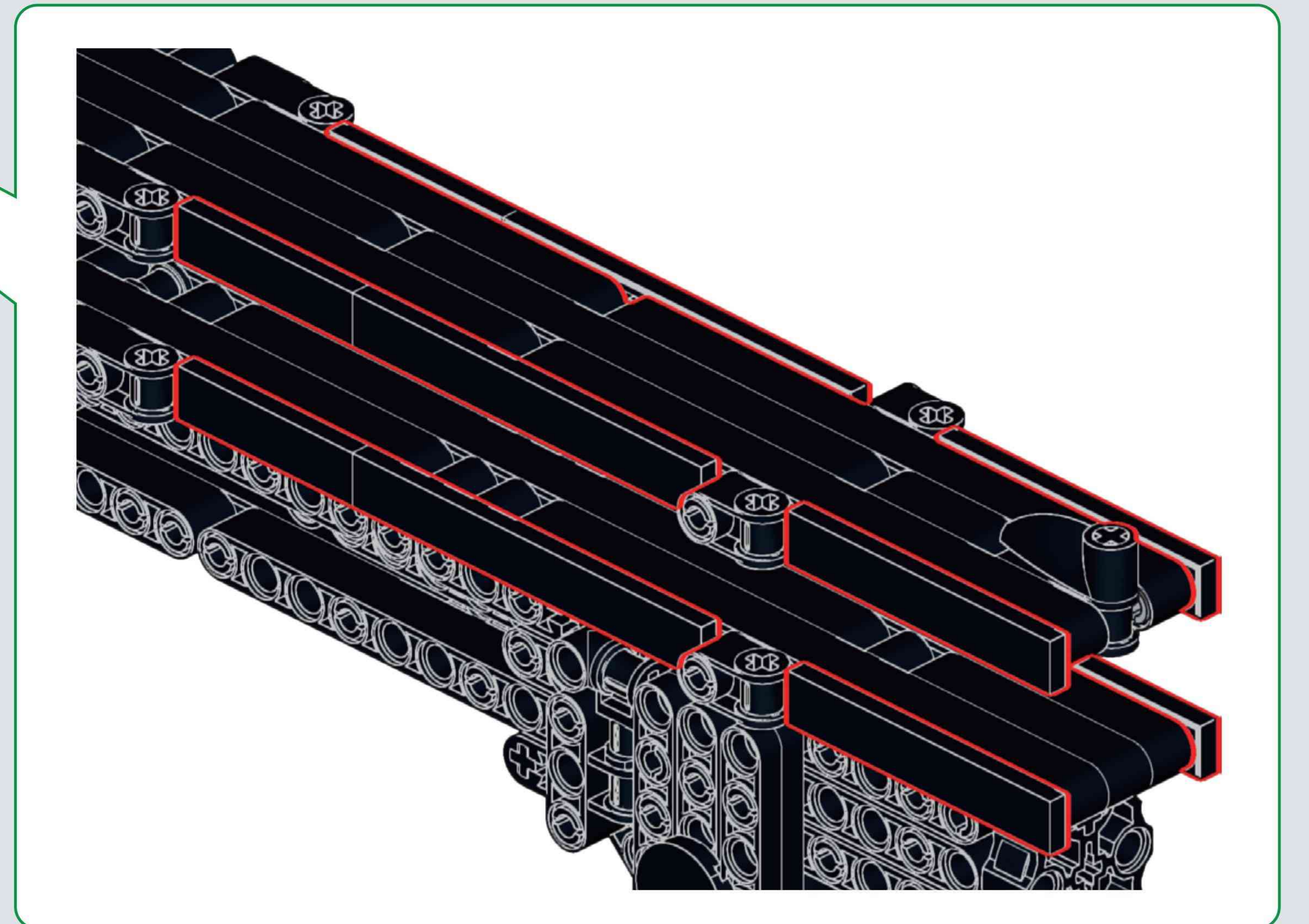
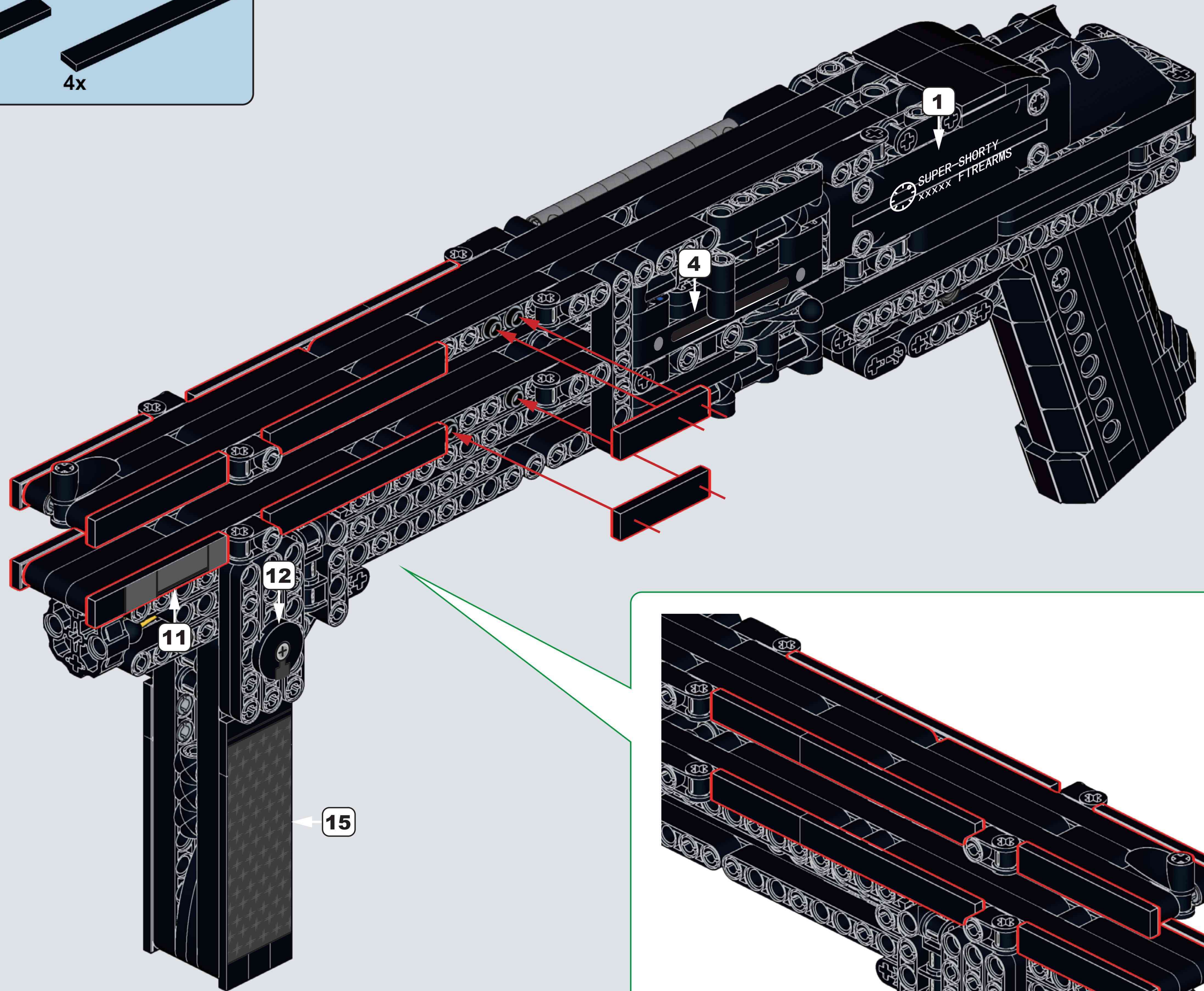


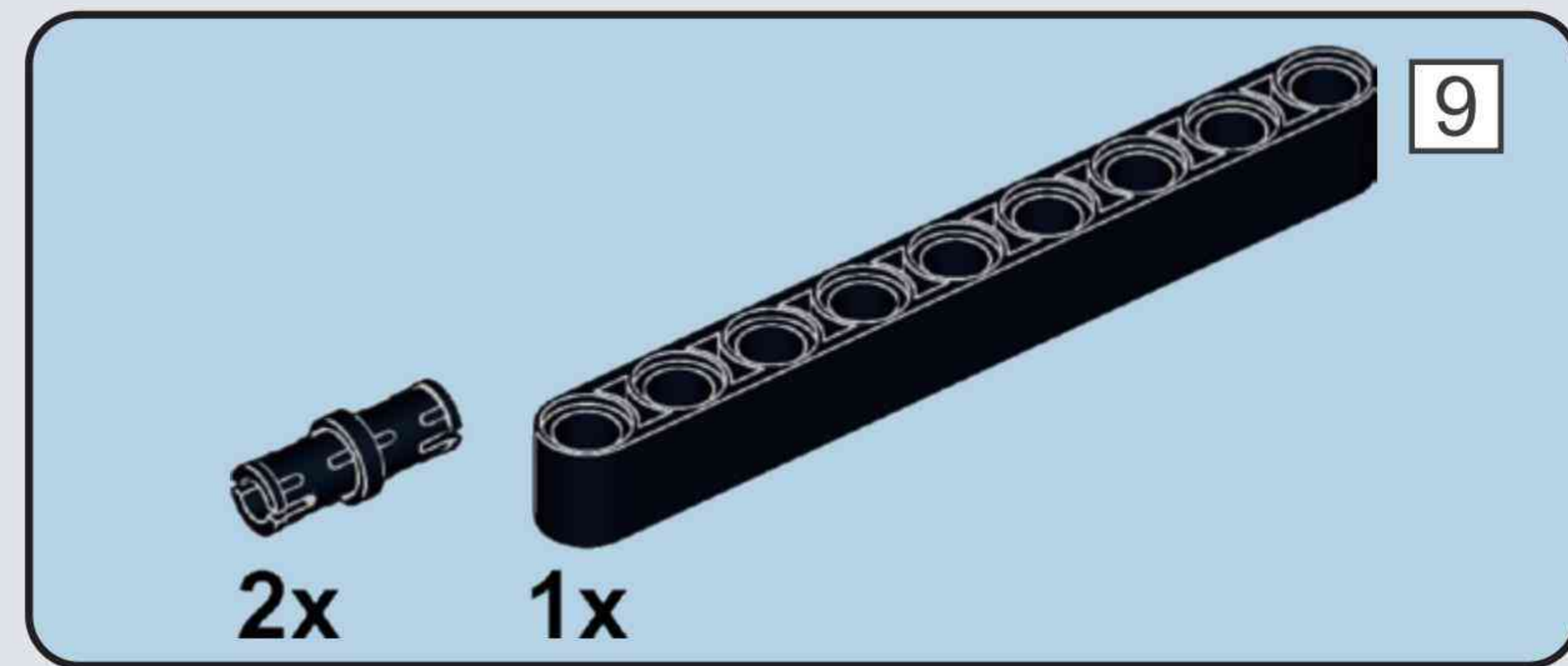
B43



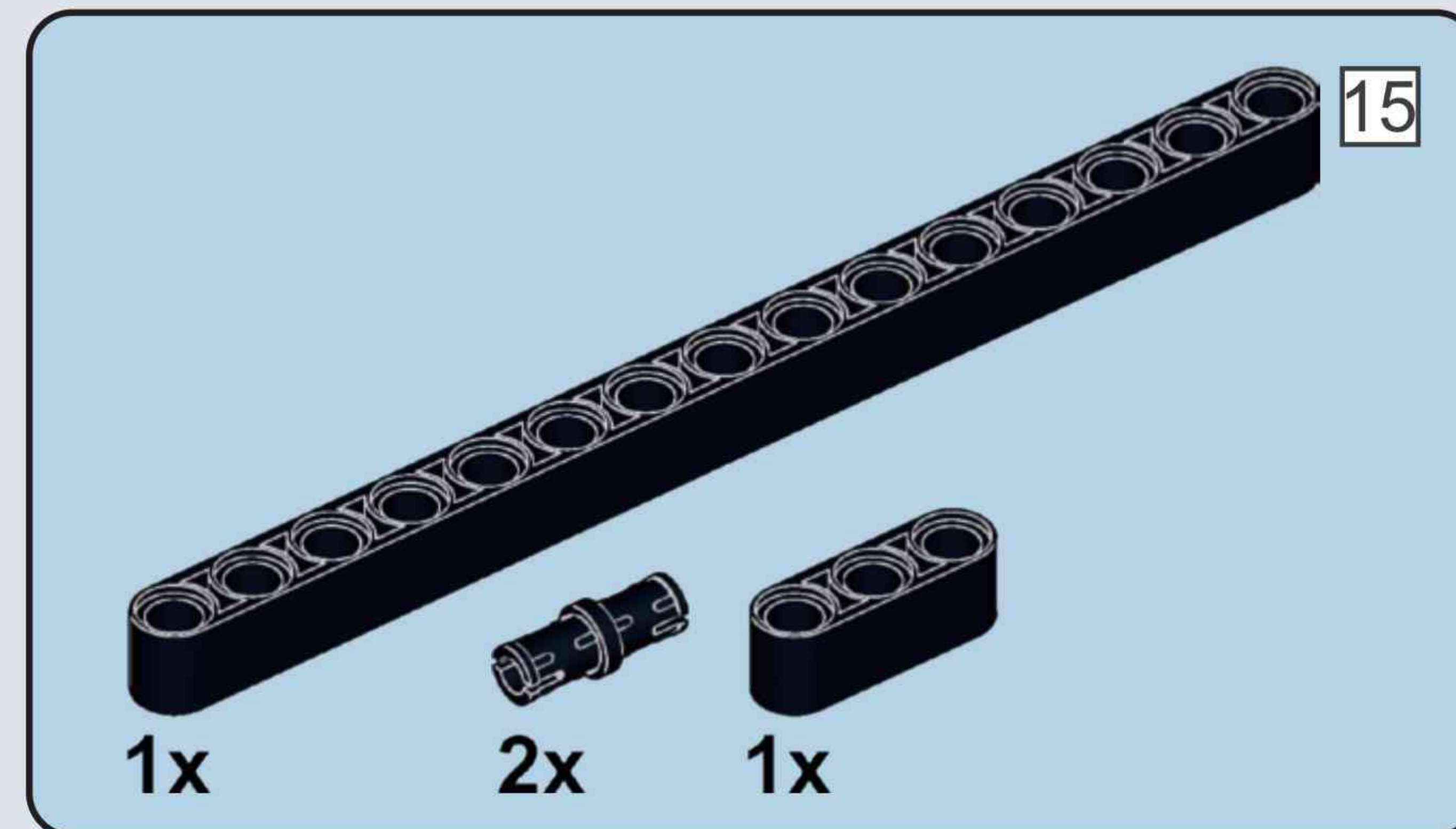
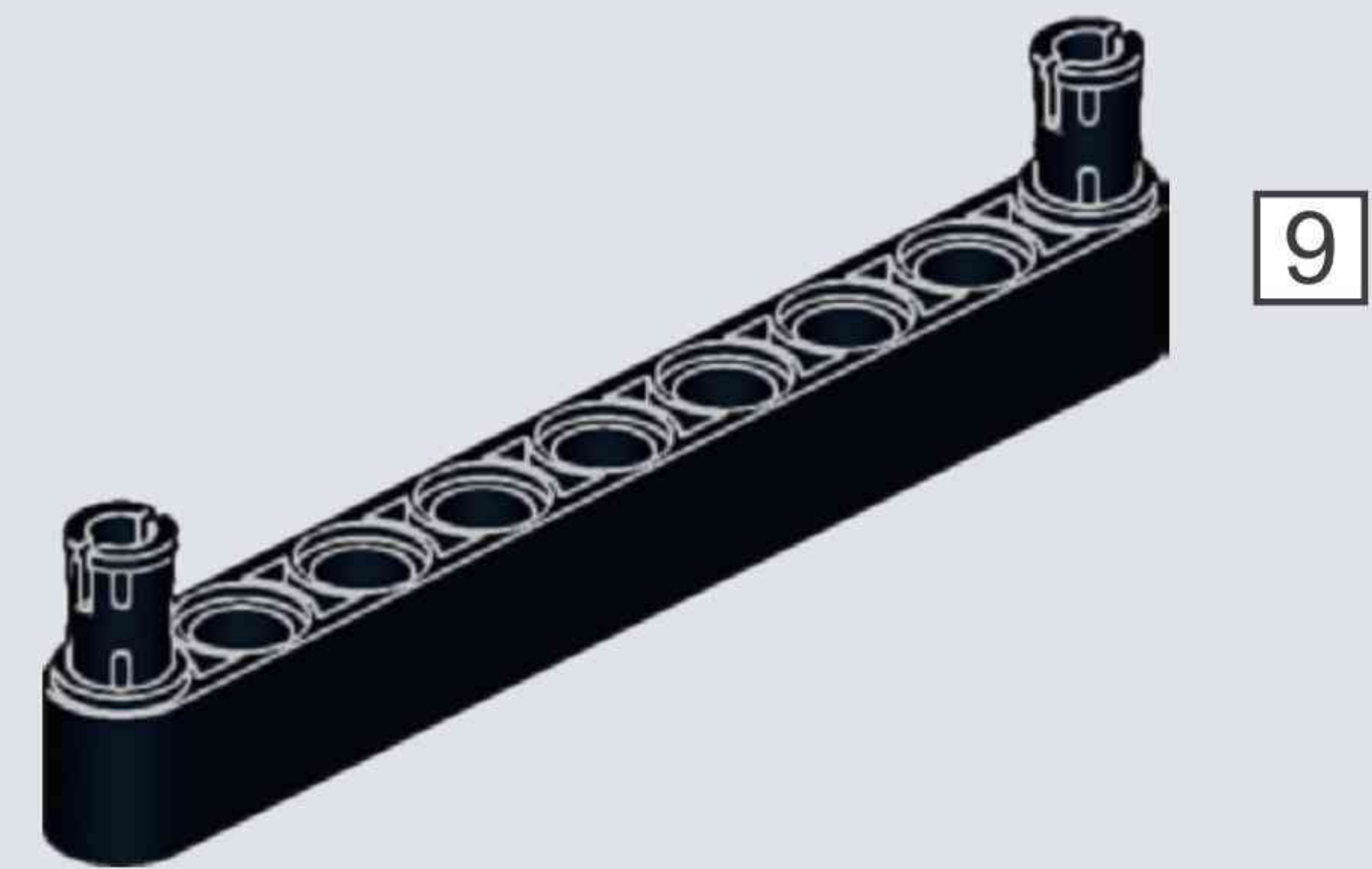


B44

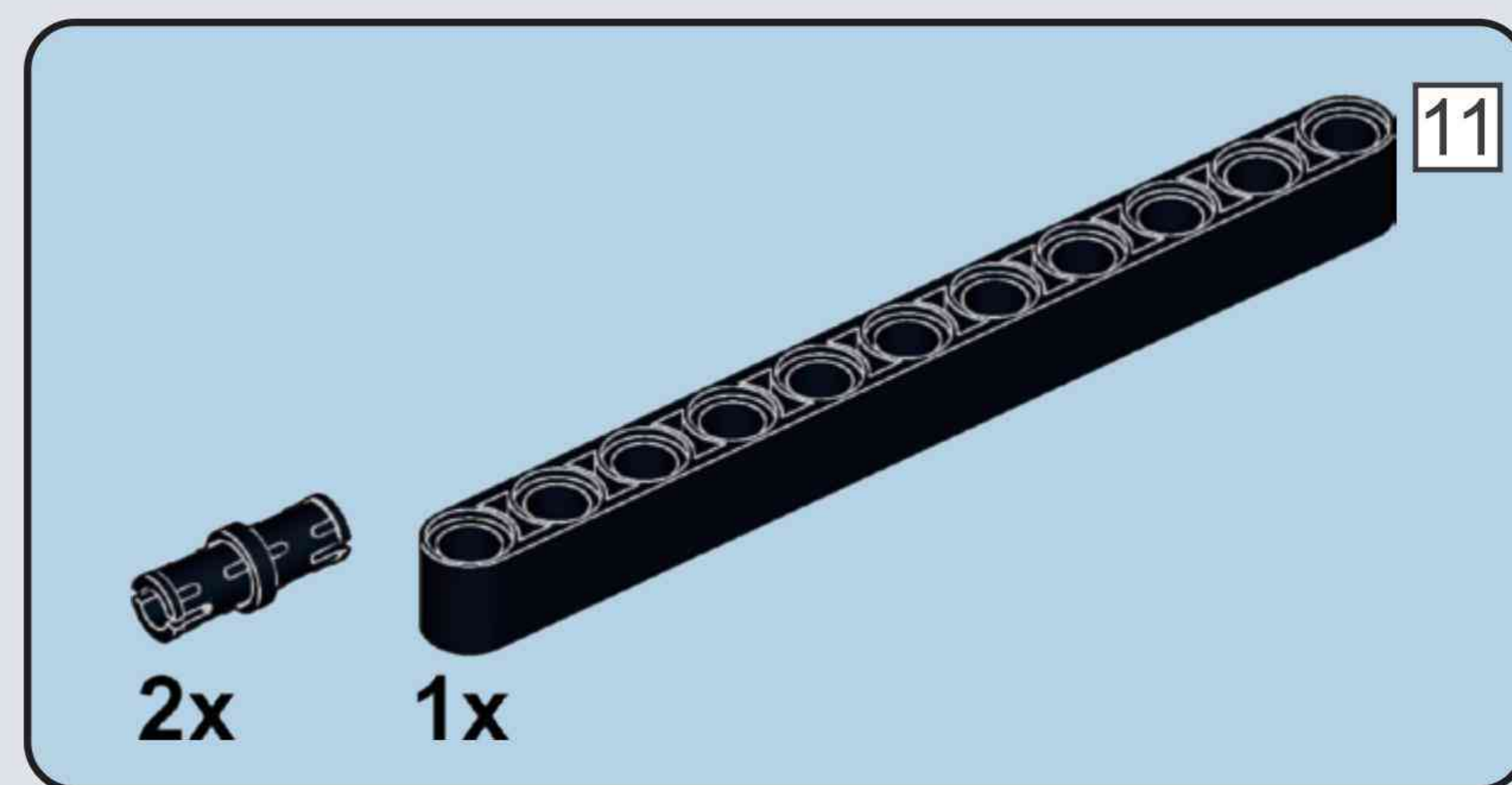
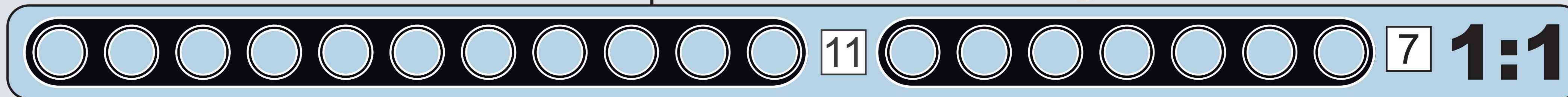
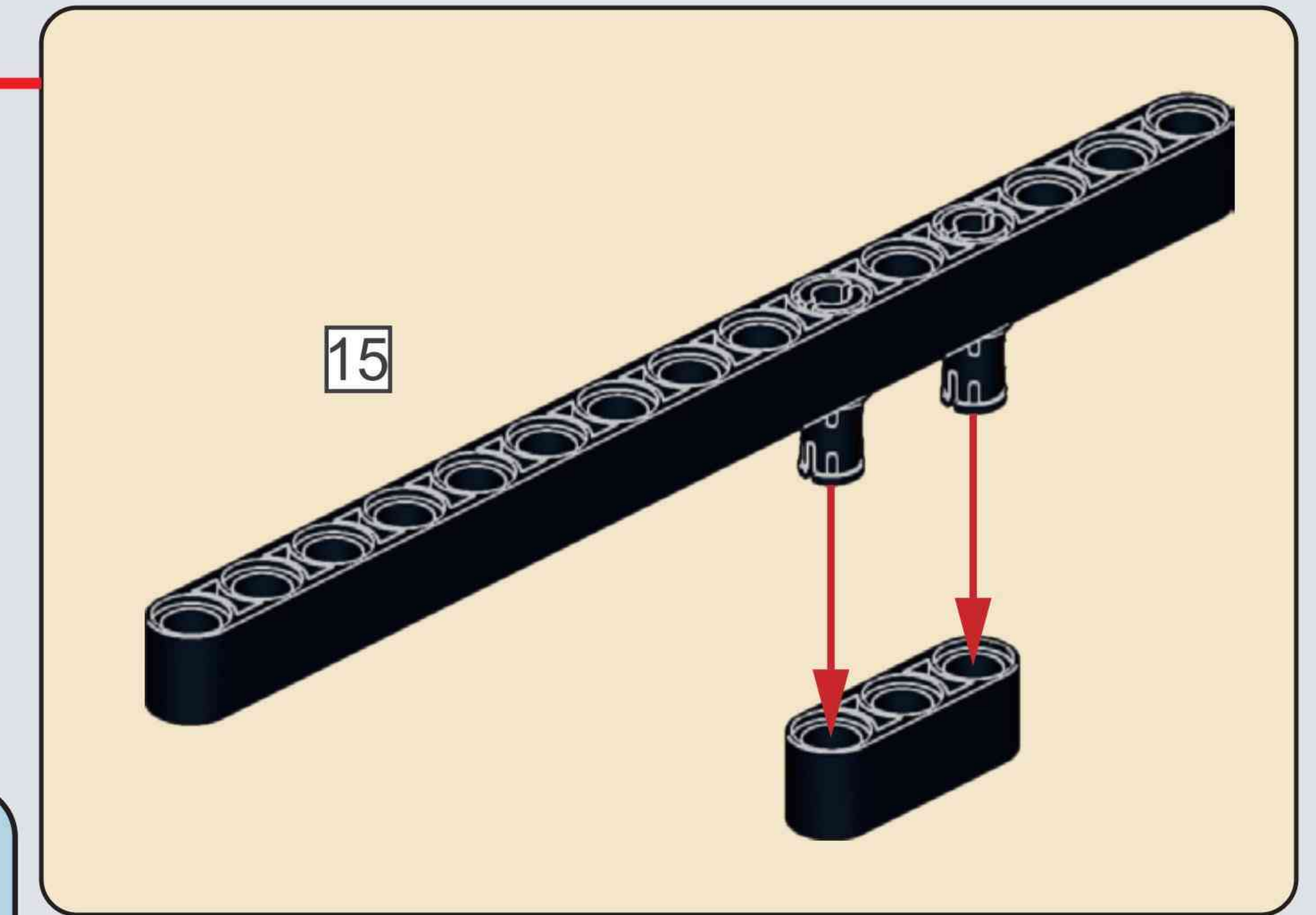
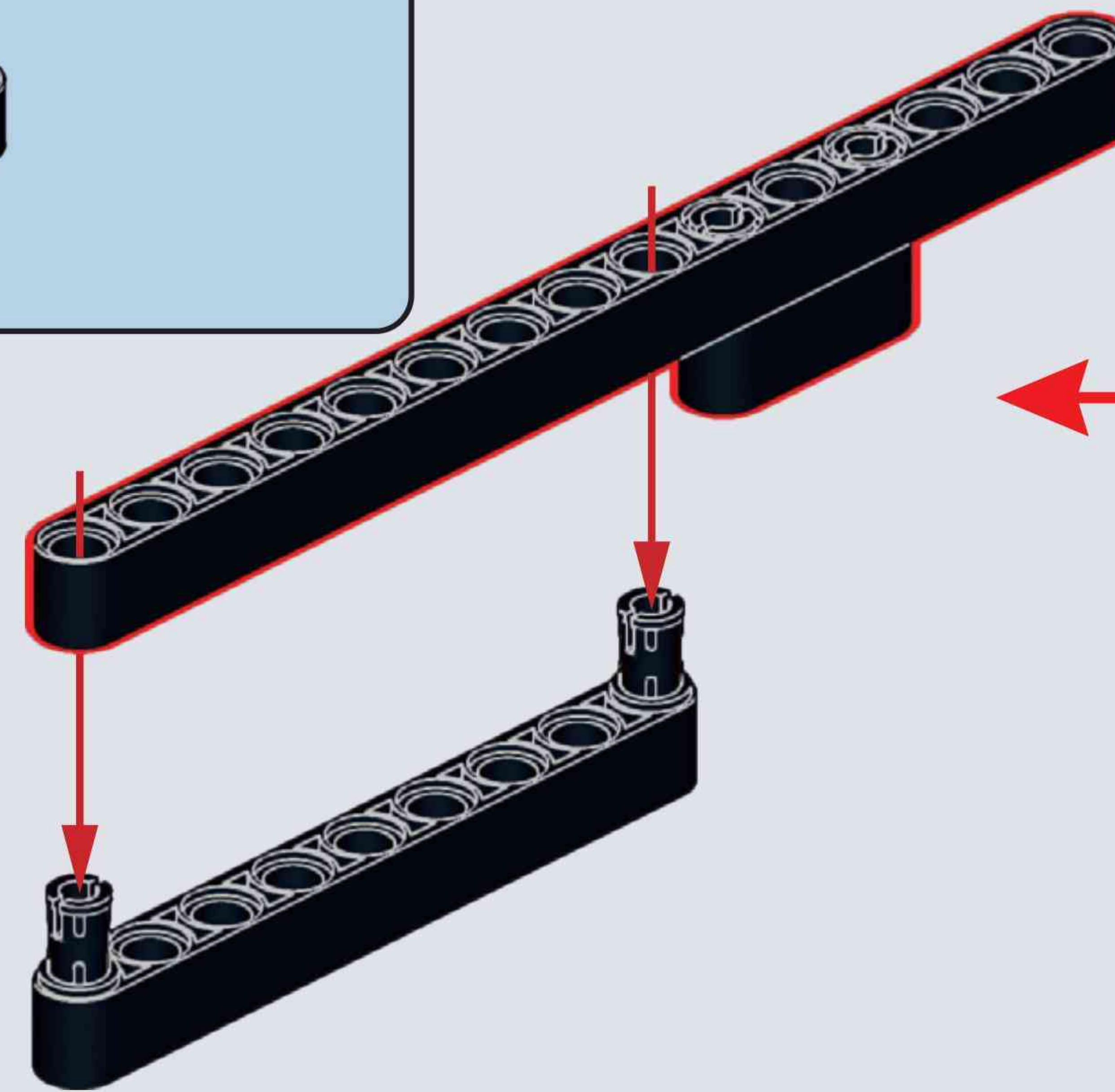




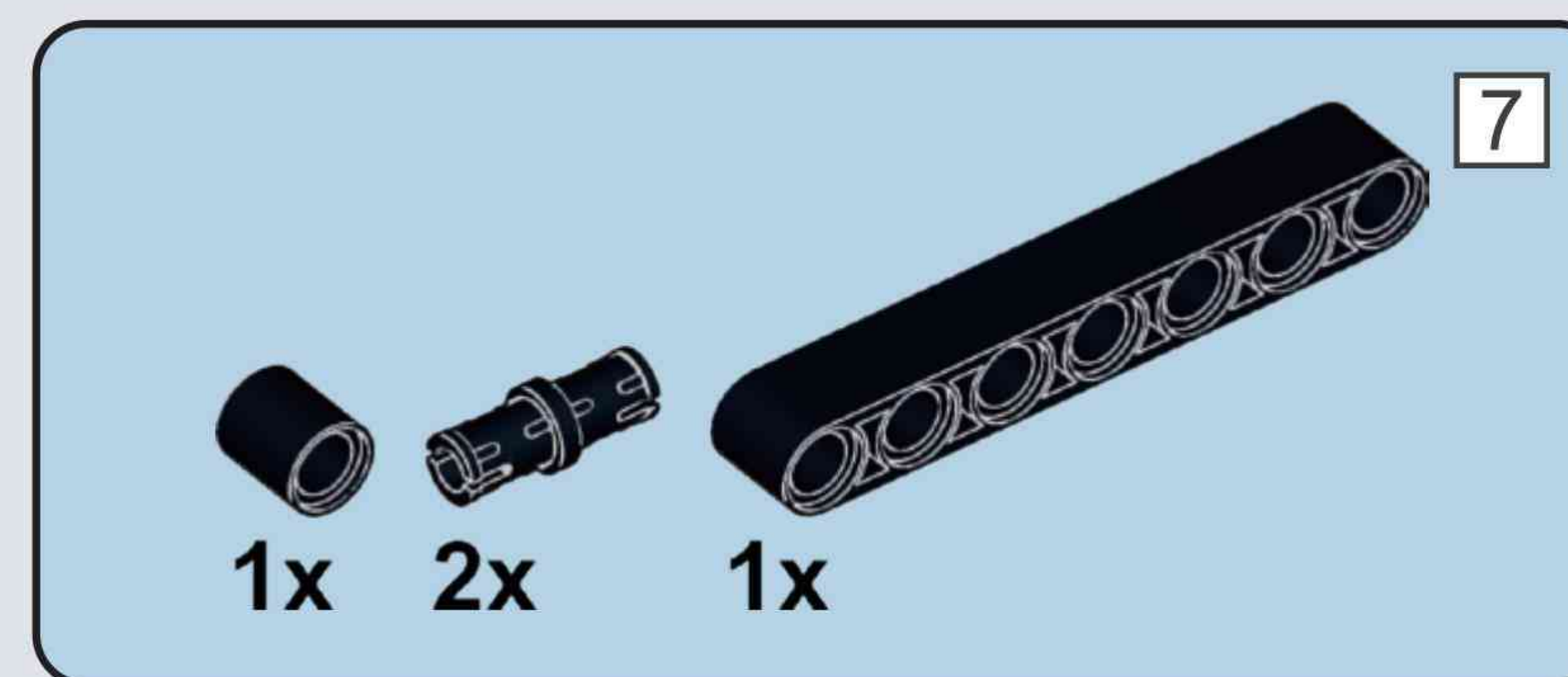
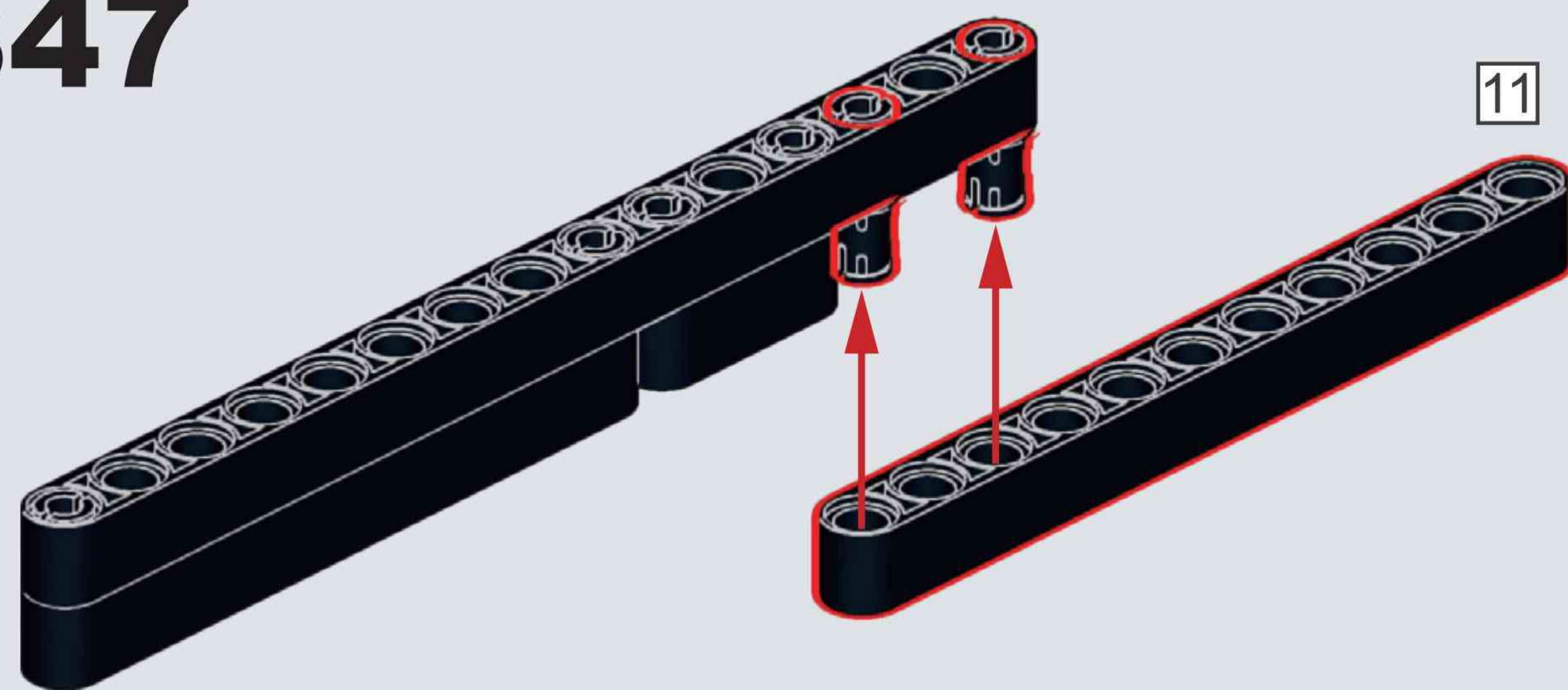
B45



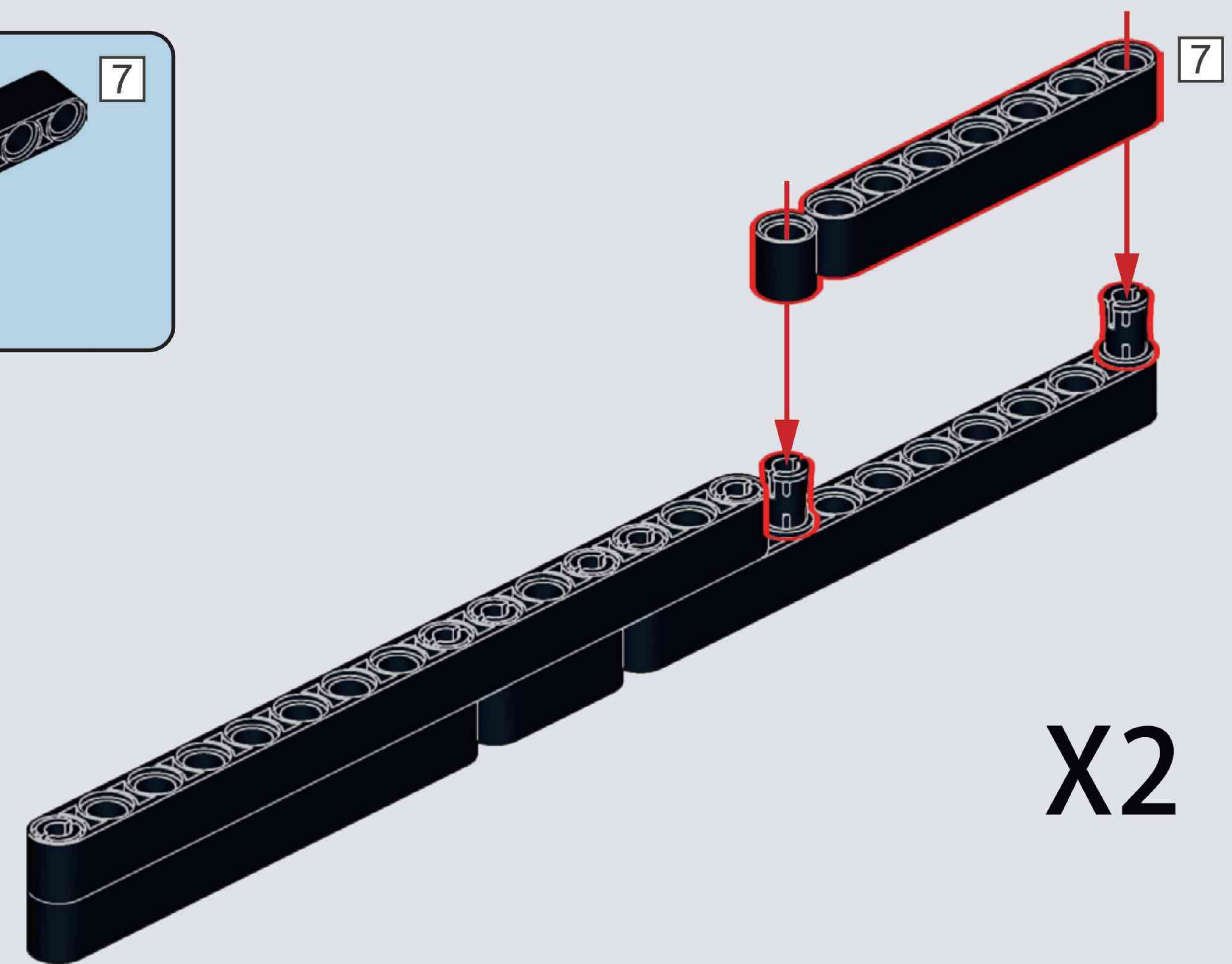
B46



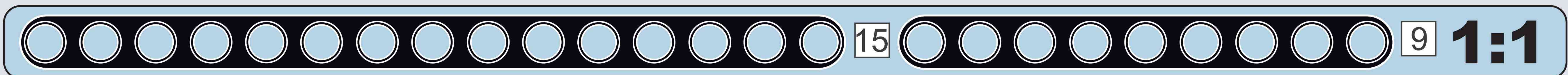
B47



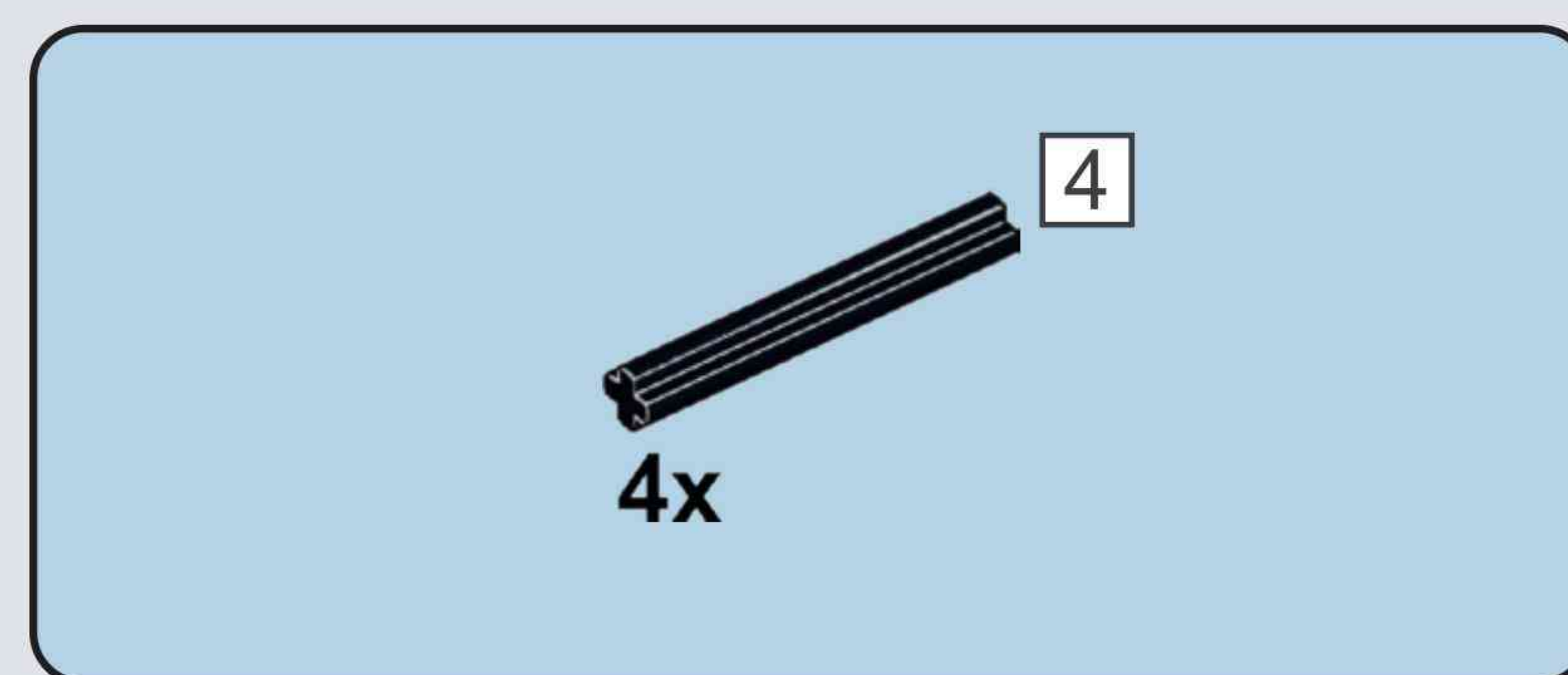
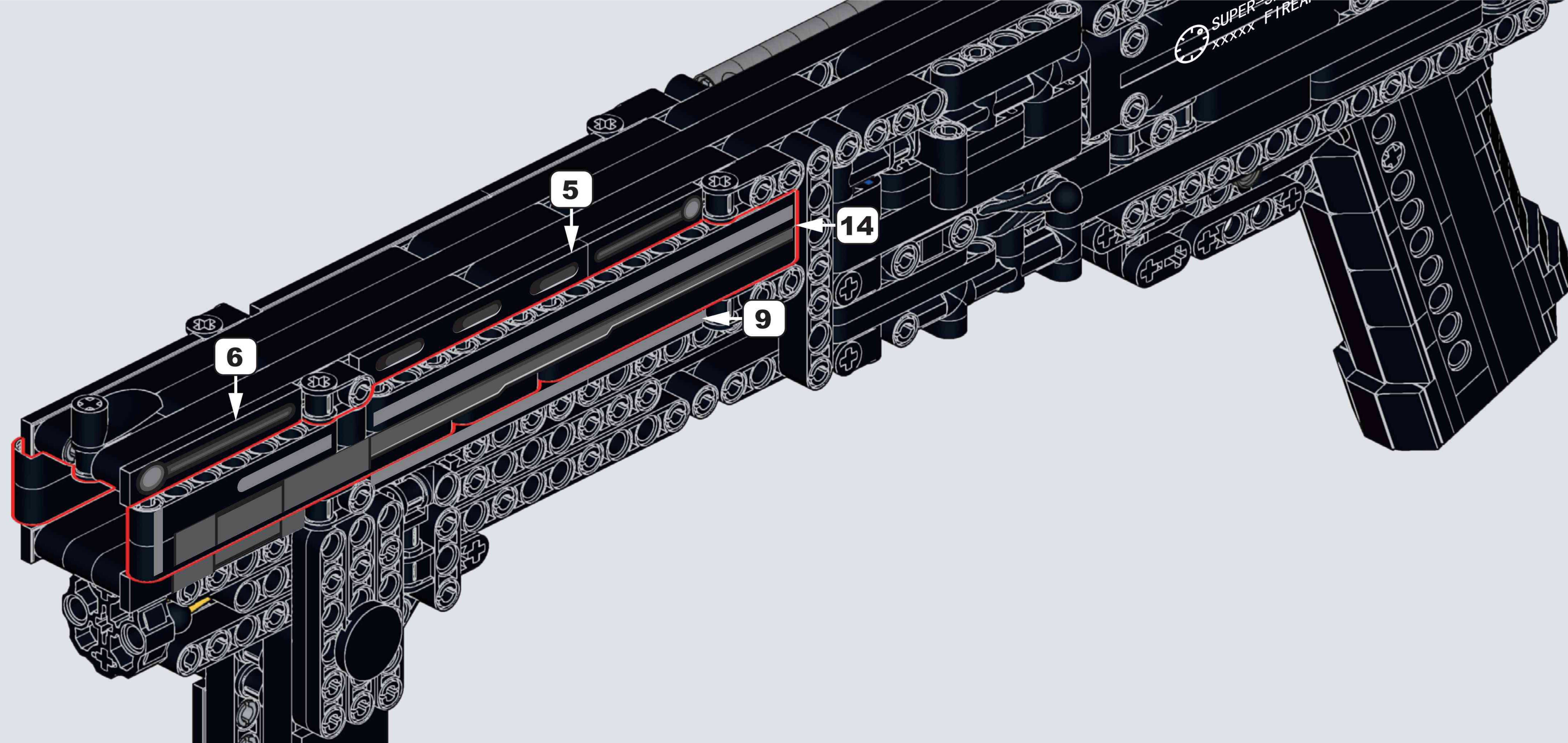
B48



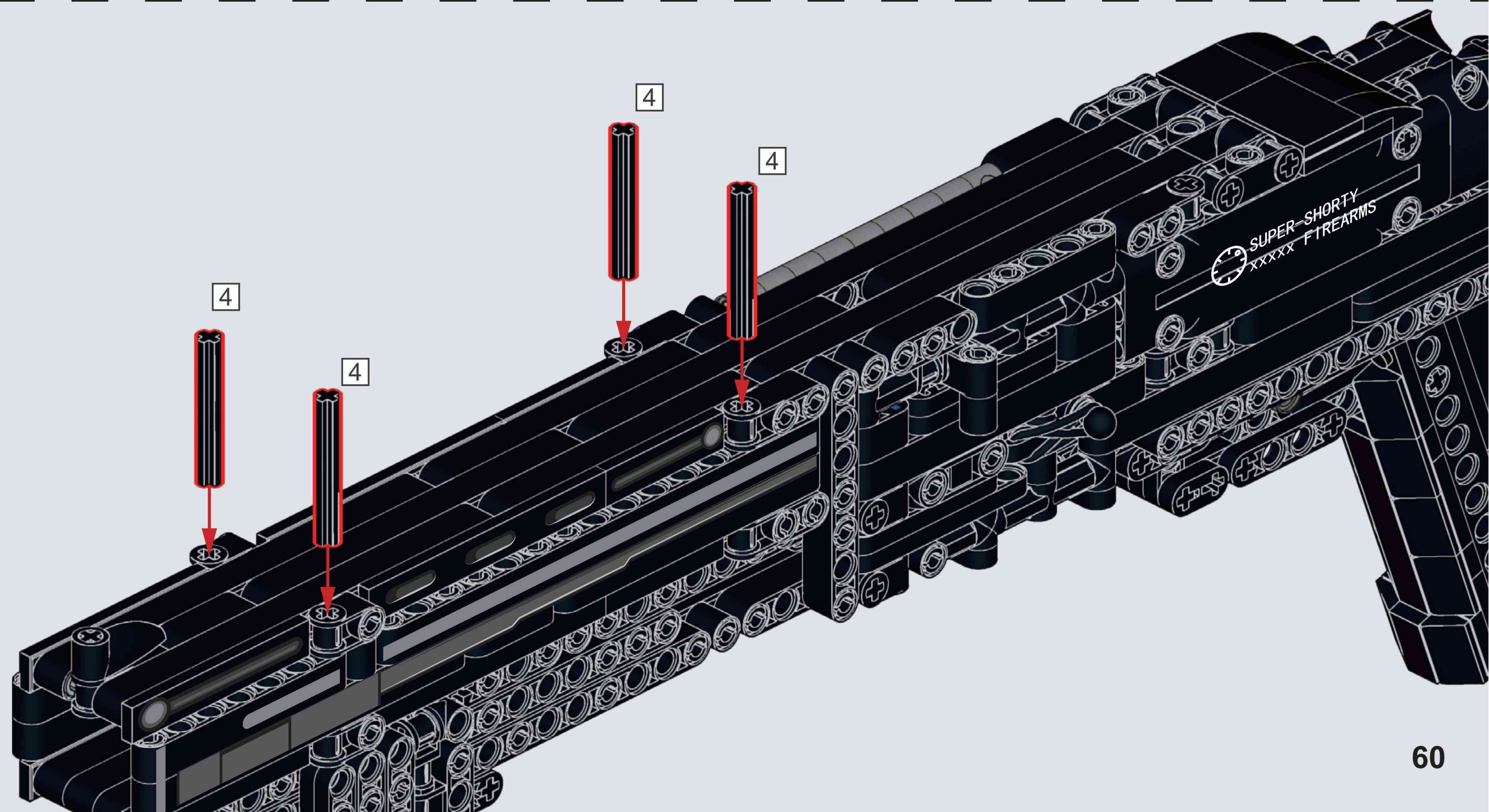
X2

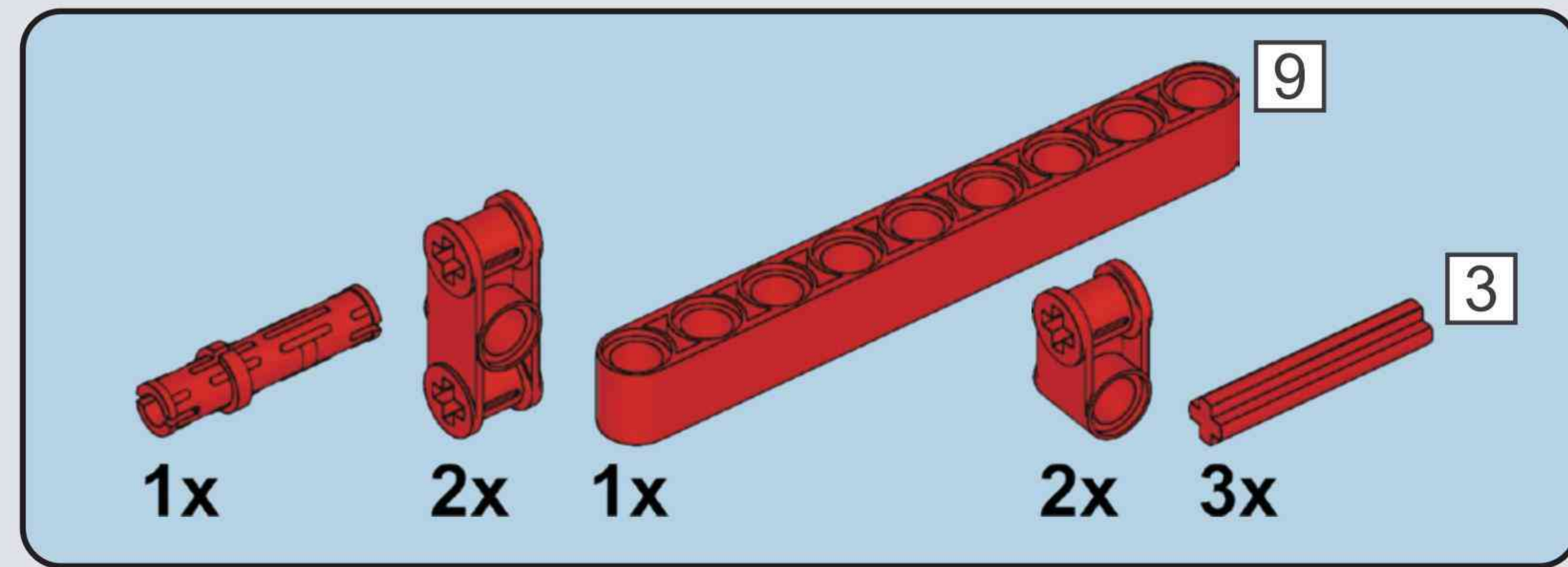


B49

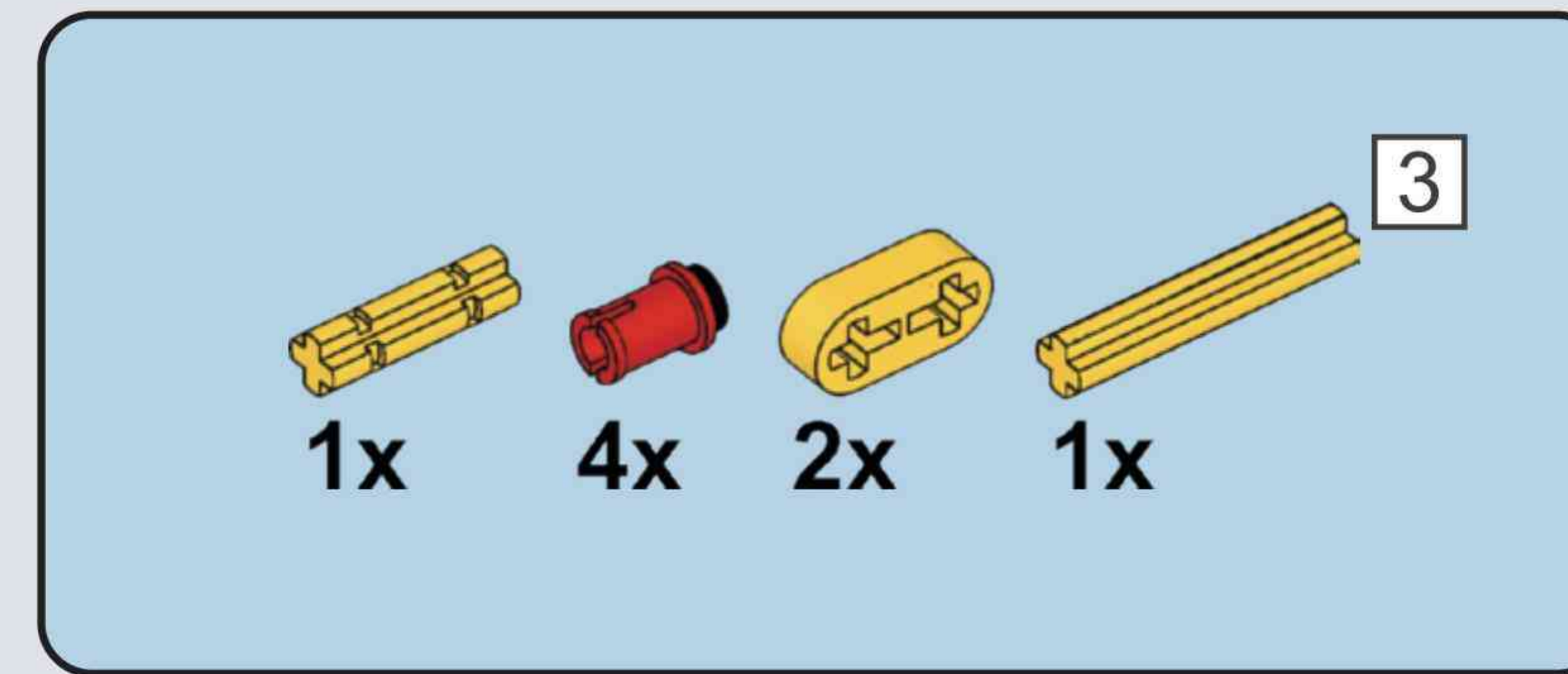
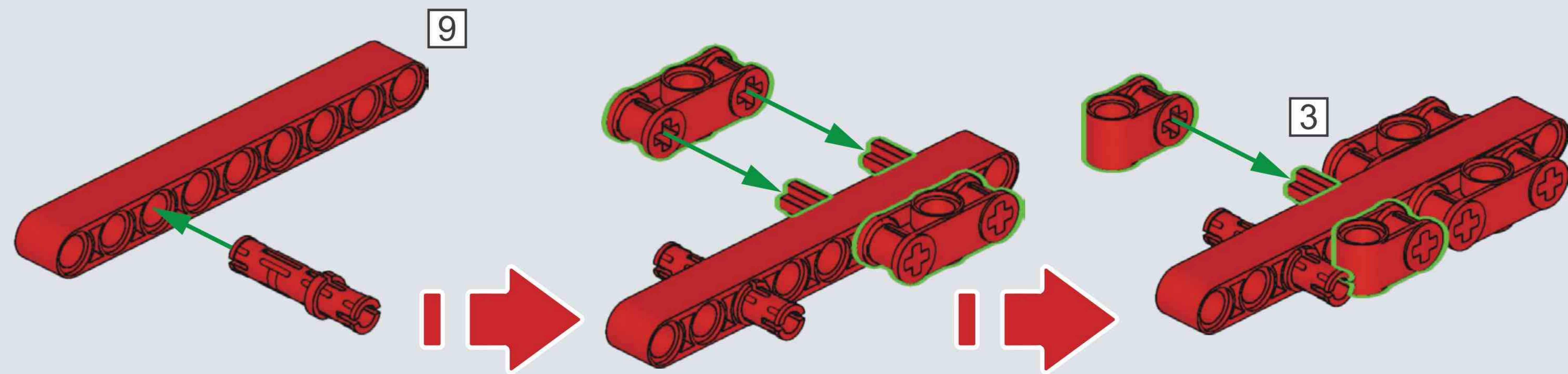


B50

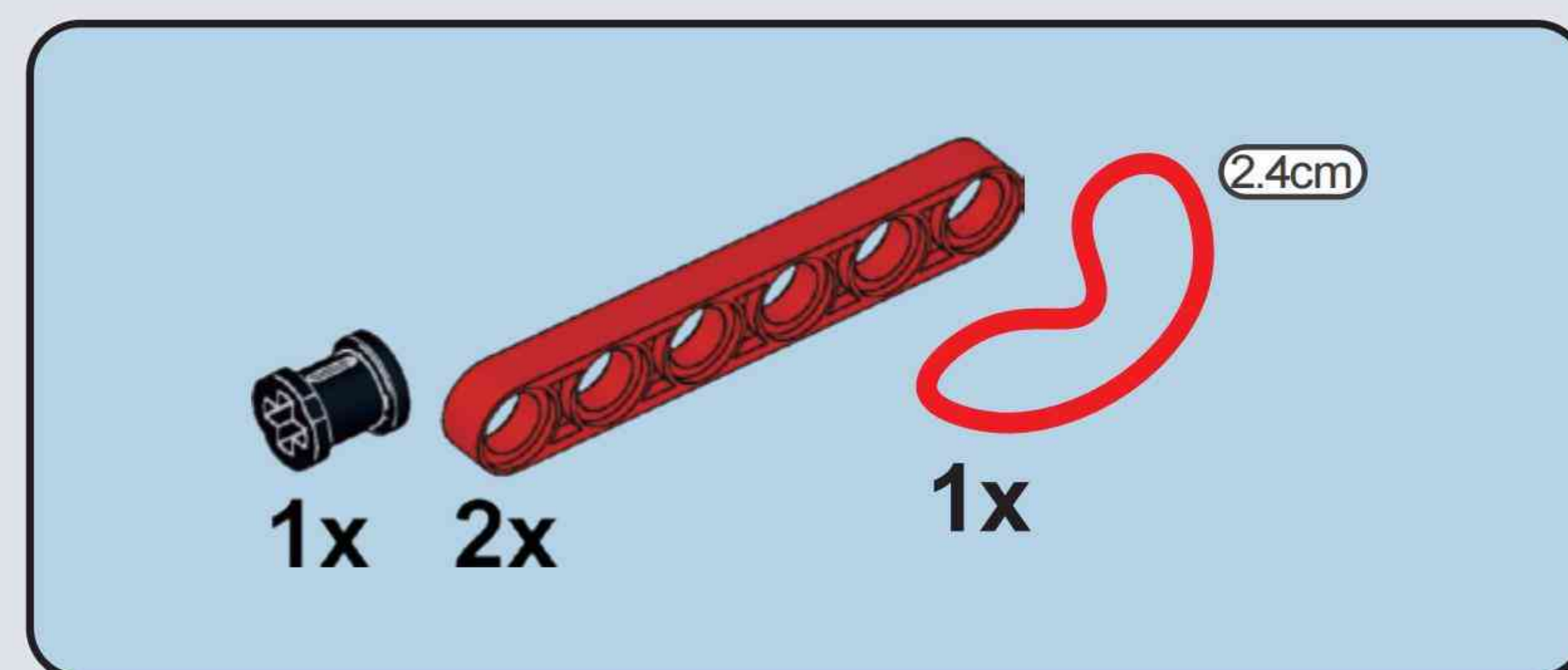
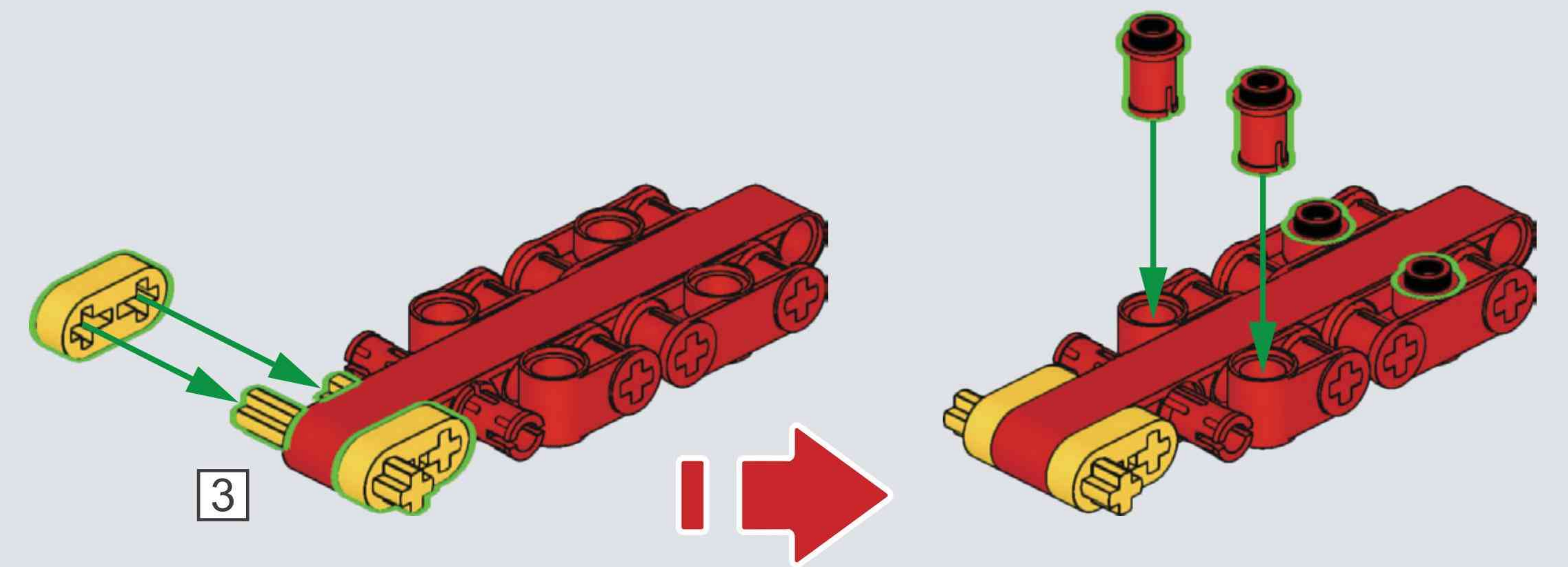




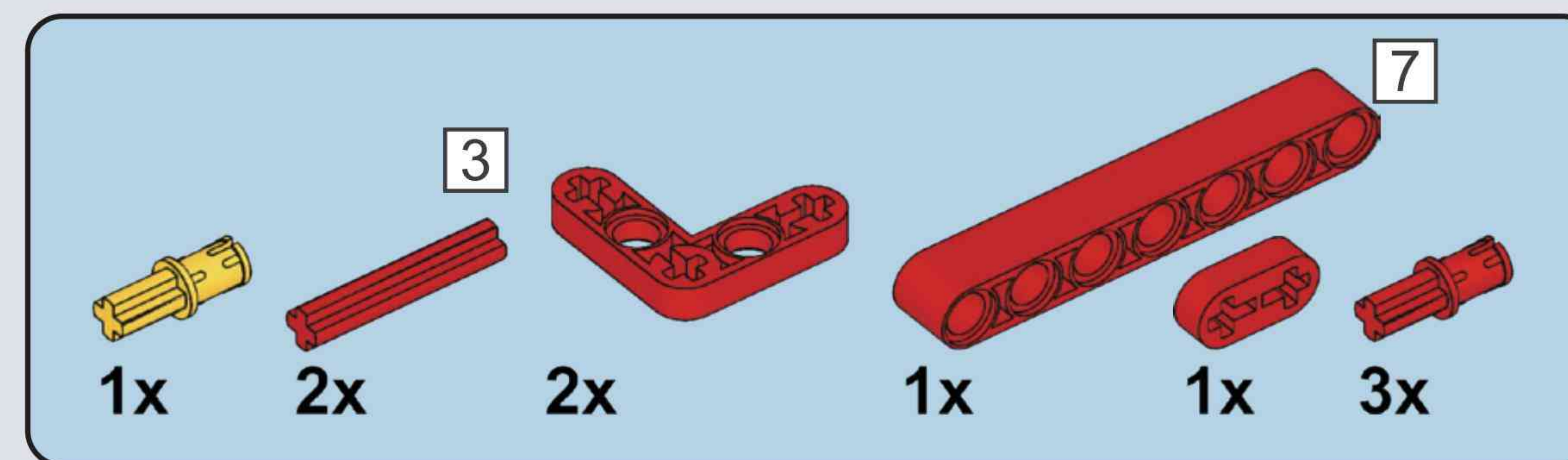
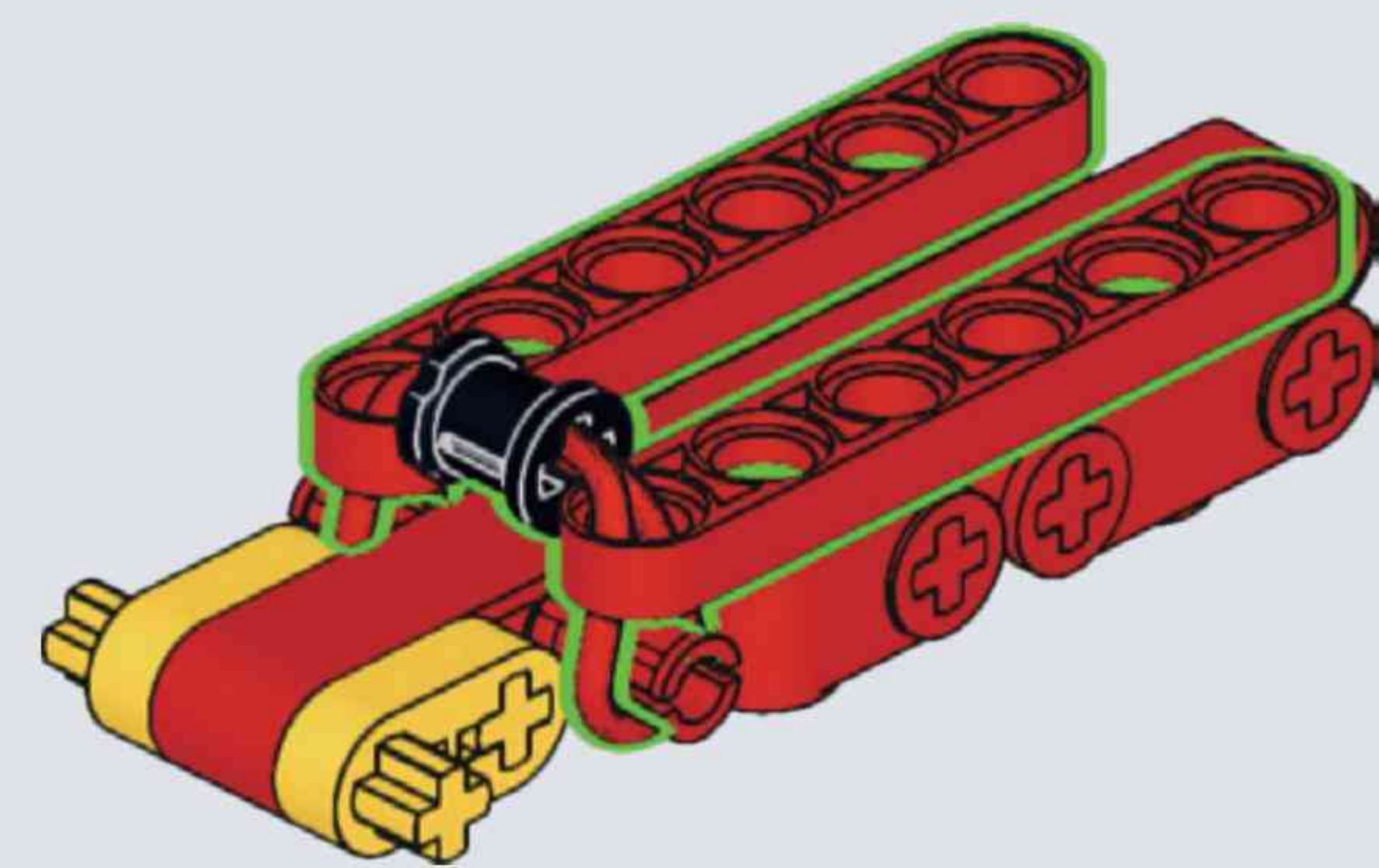
B51



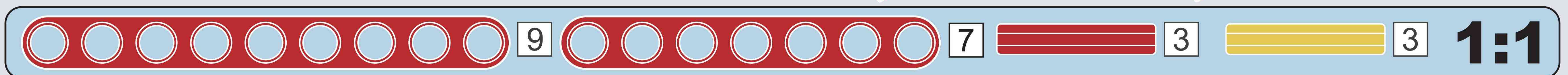
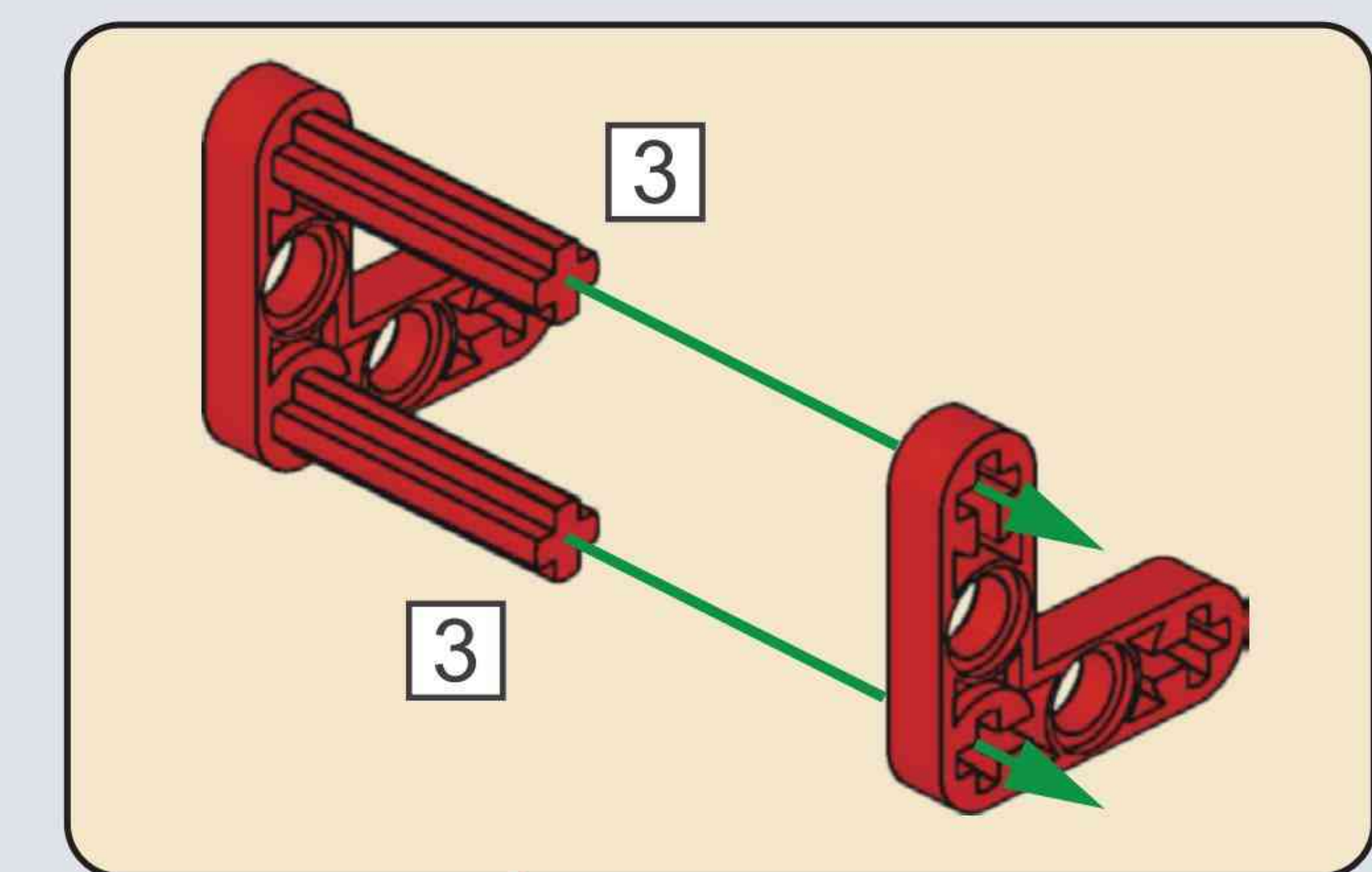
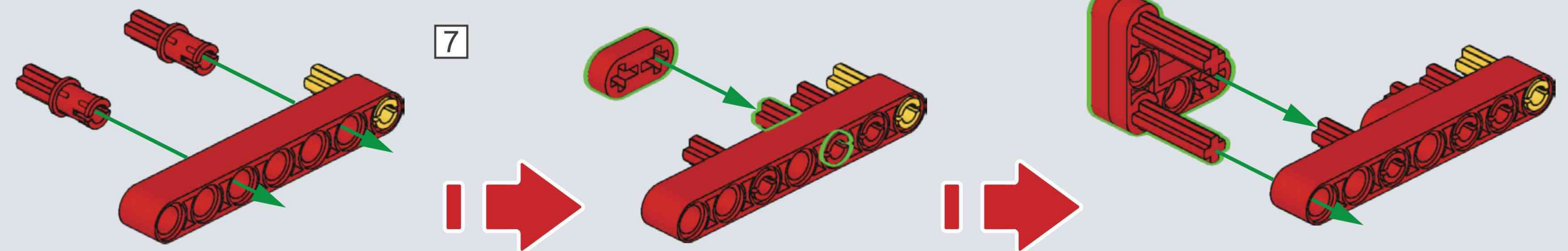
B52

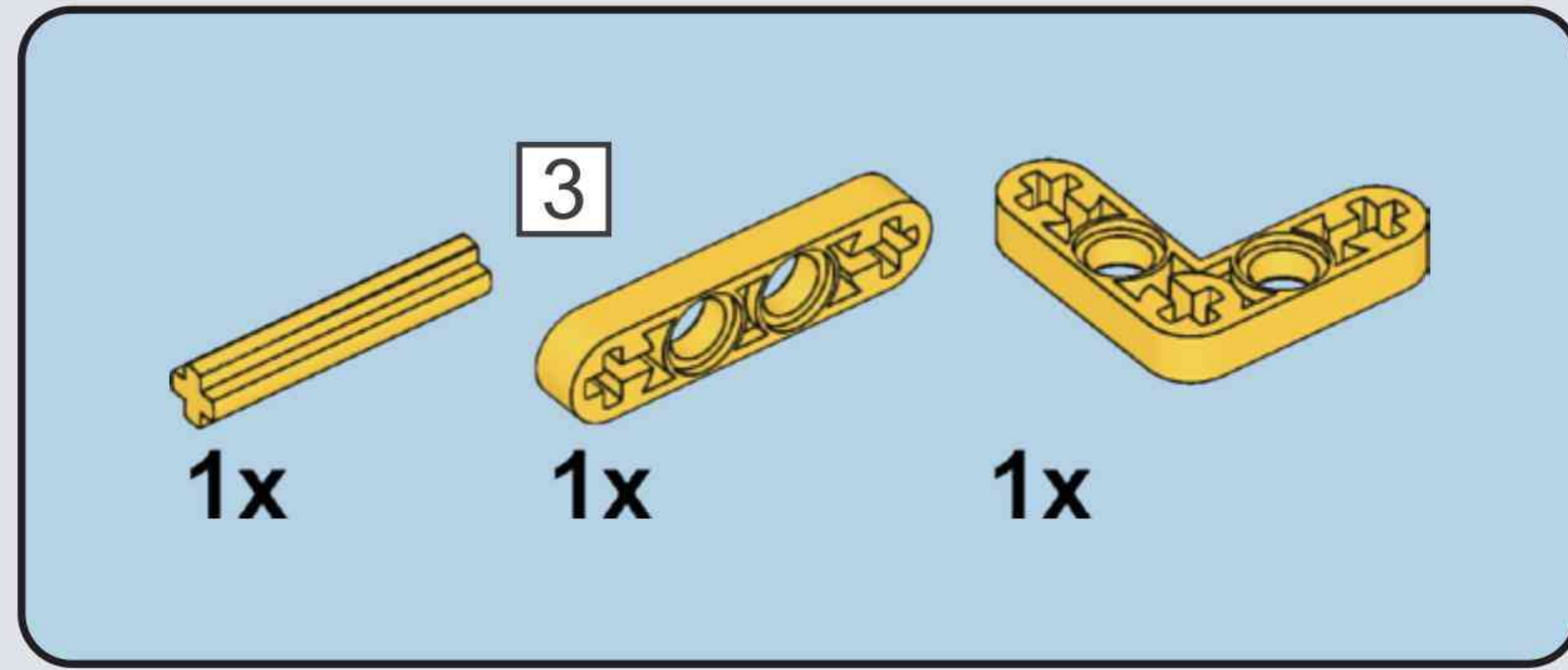


B53

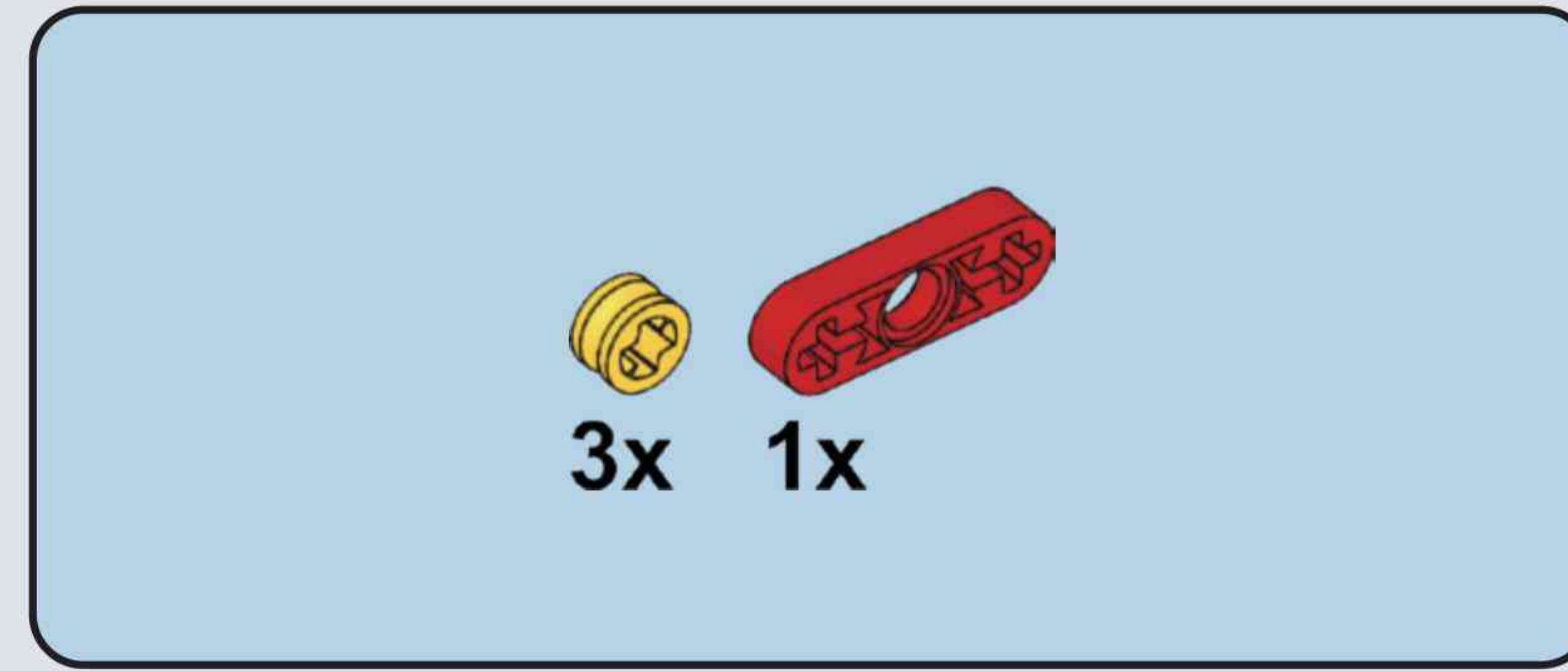
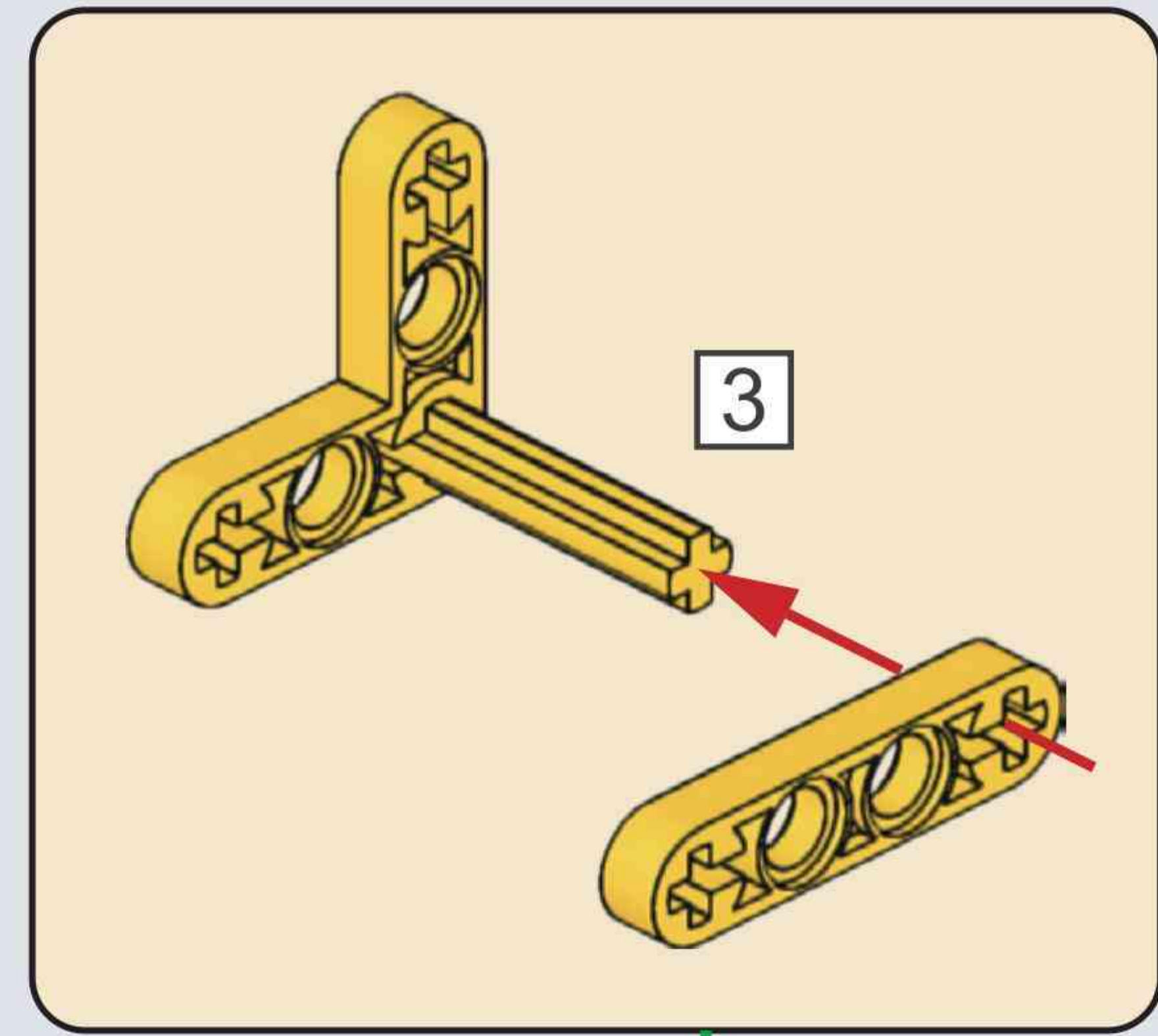
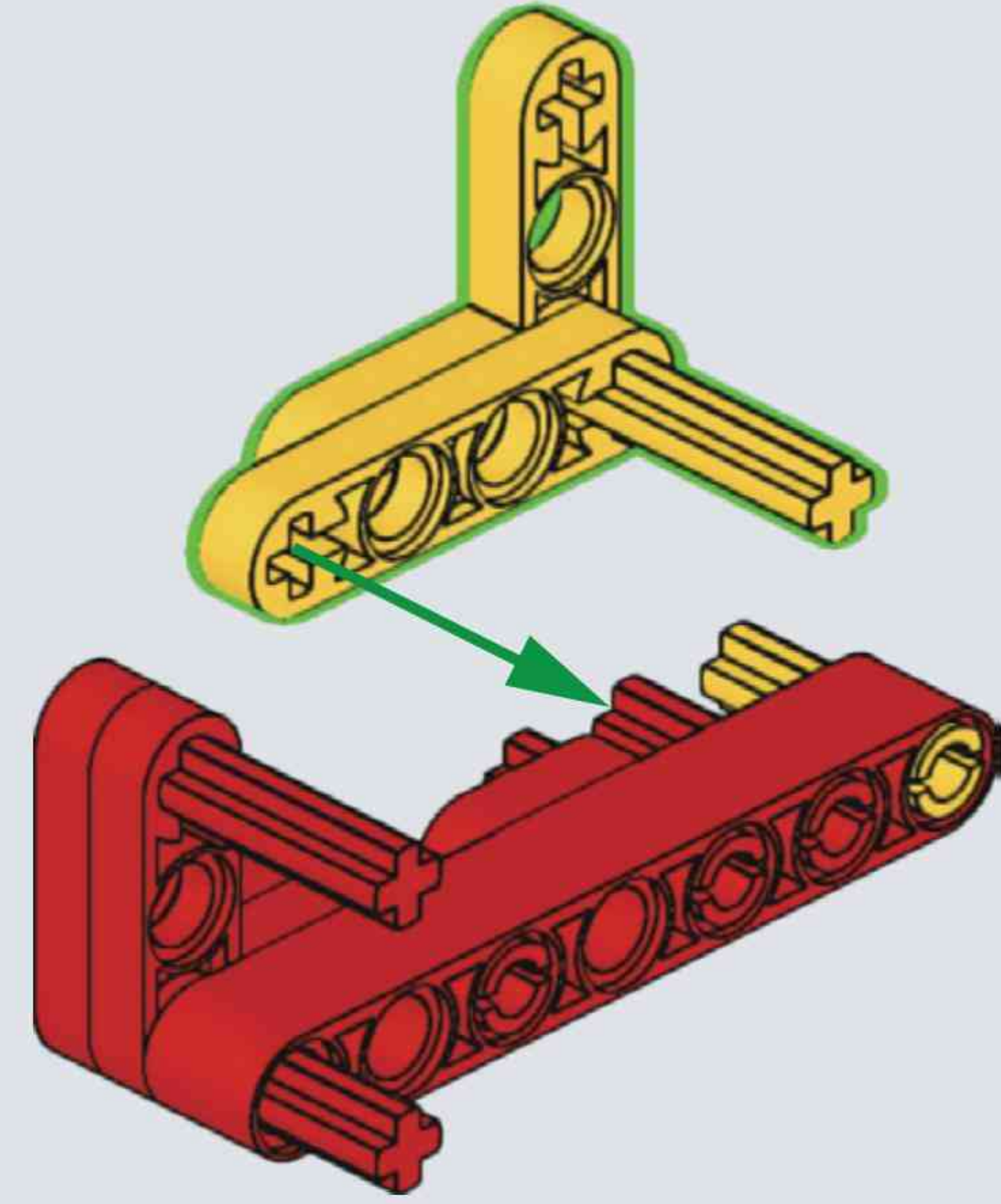


B54

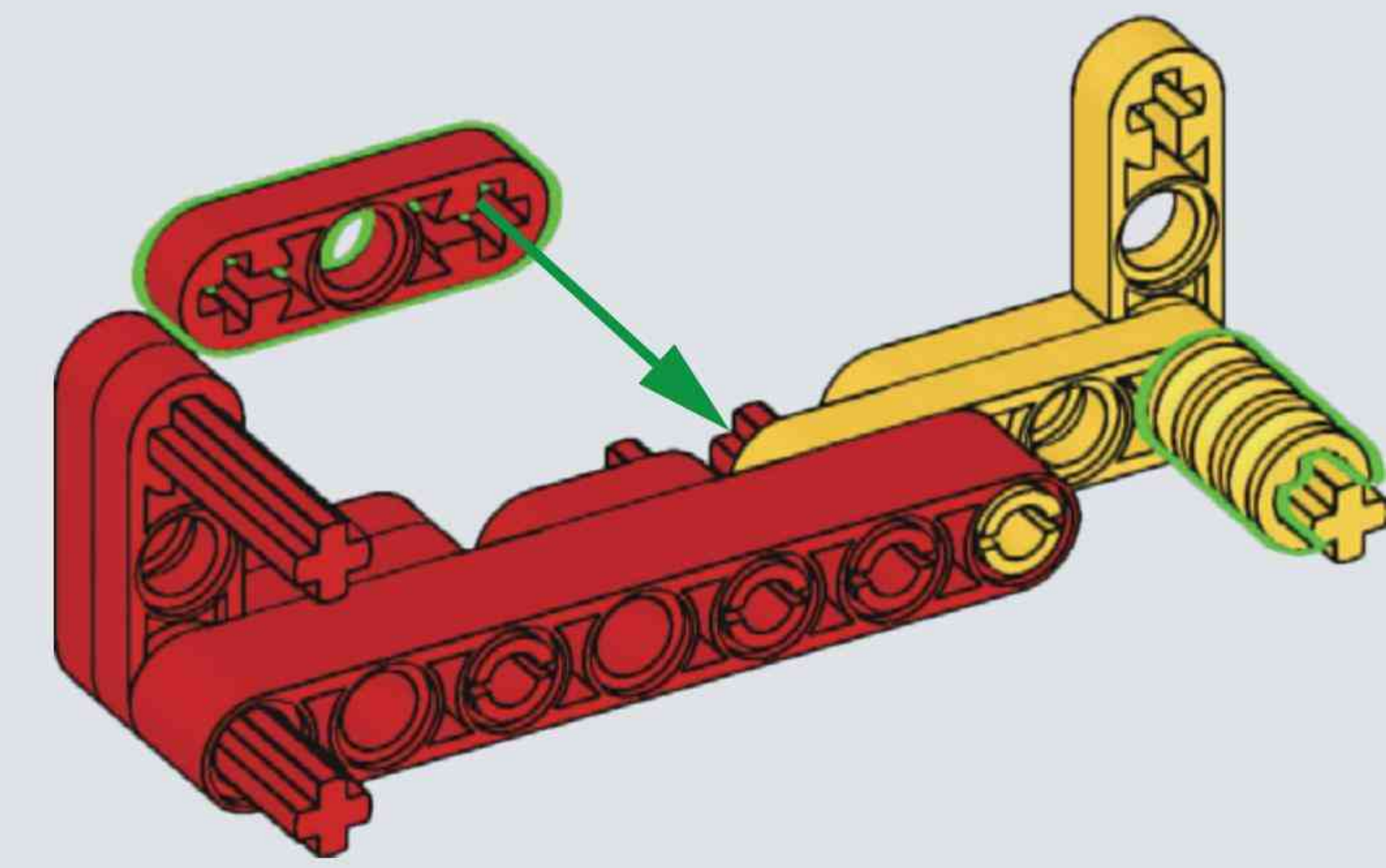




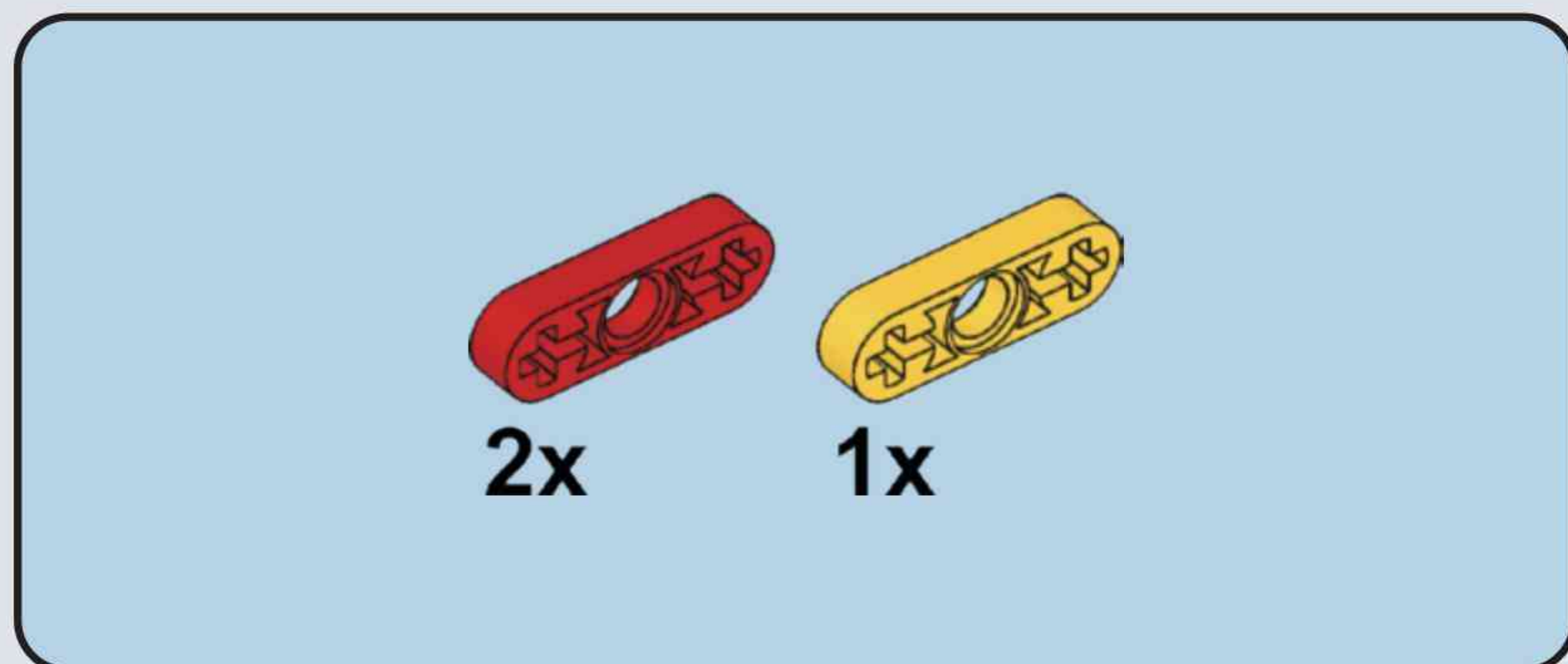
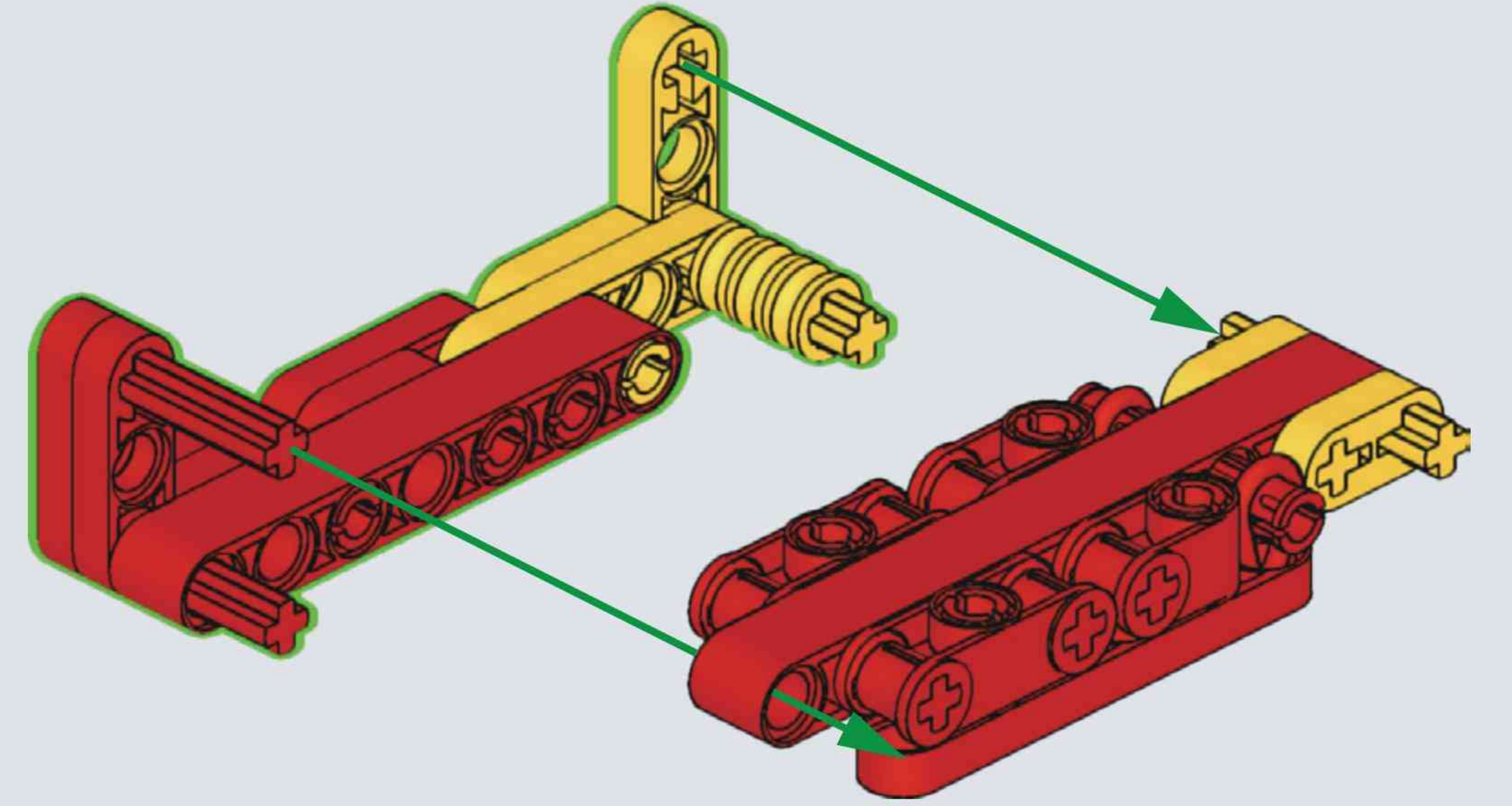
B55



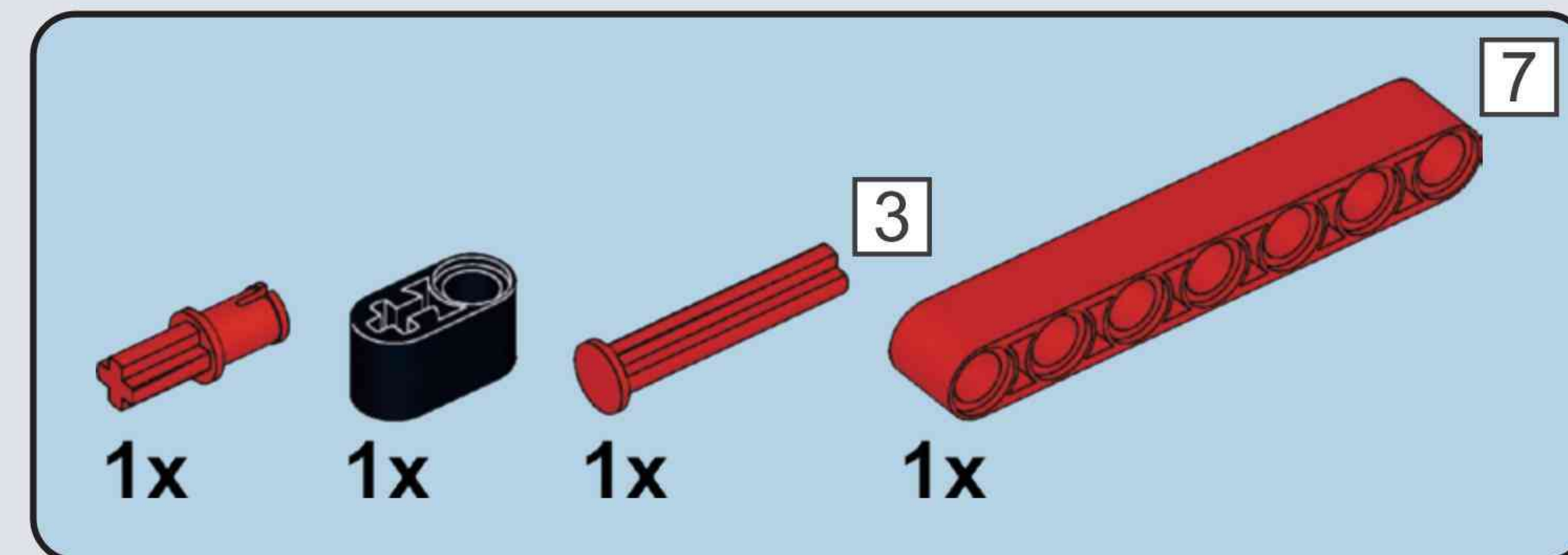
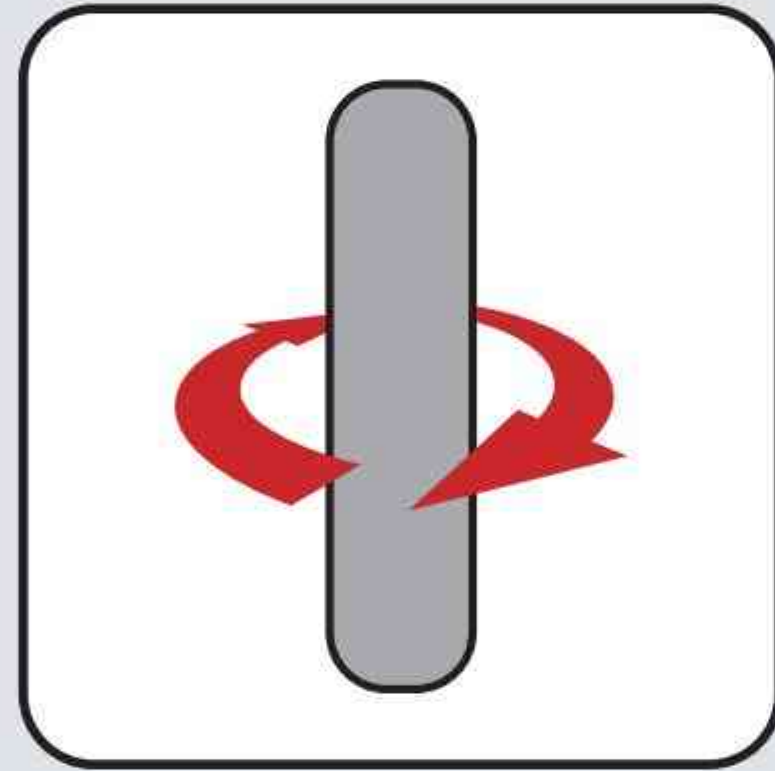
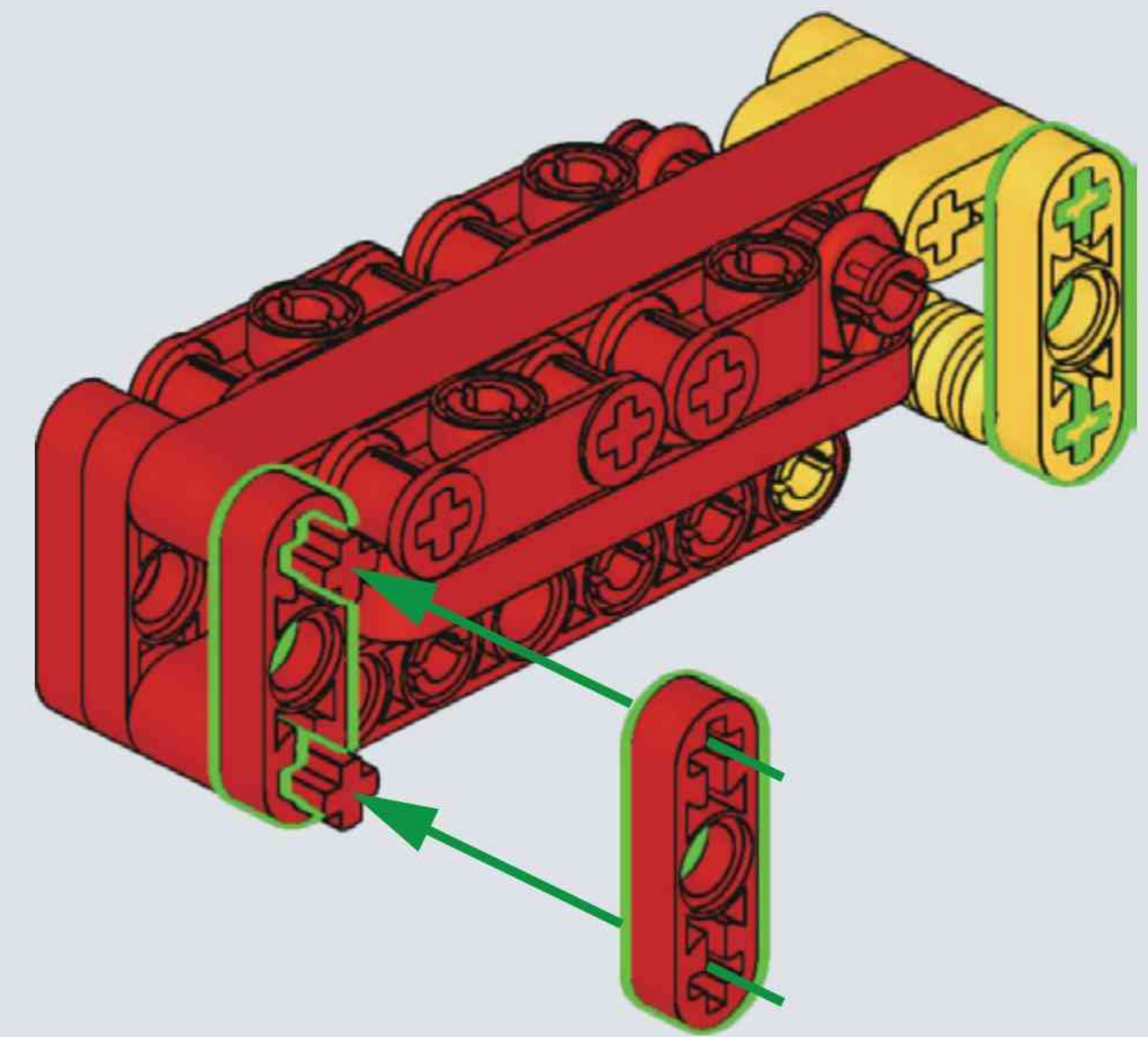
B56



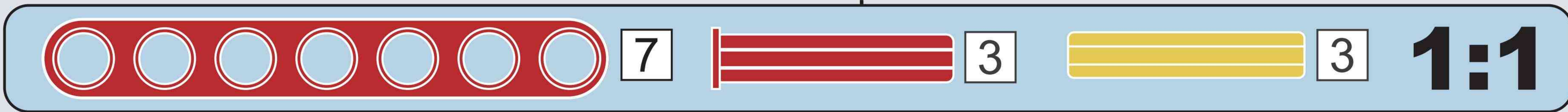
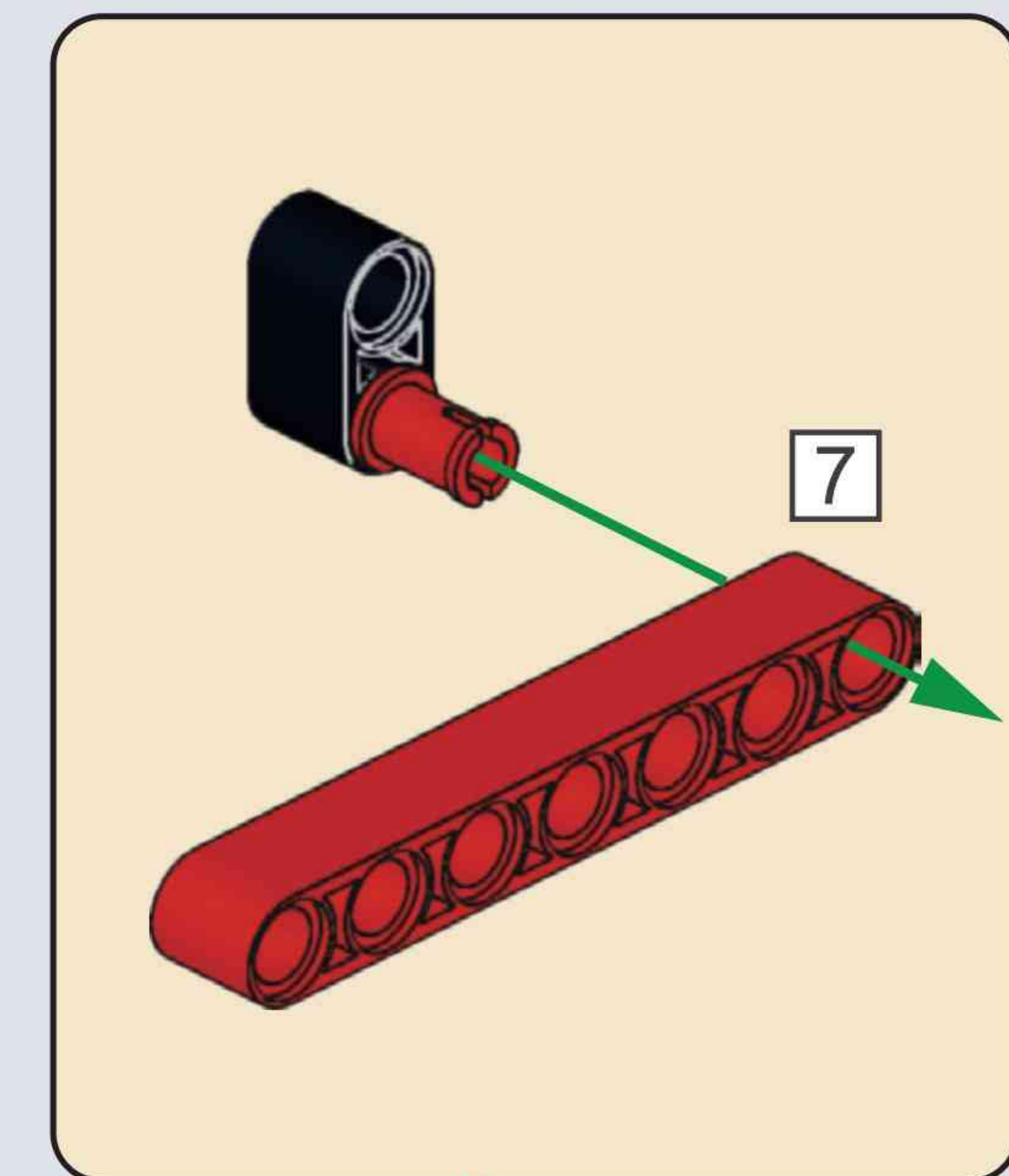
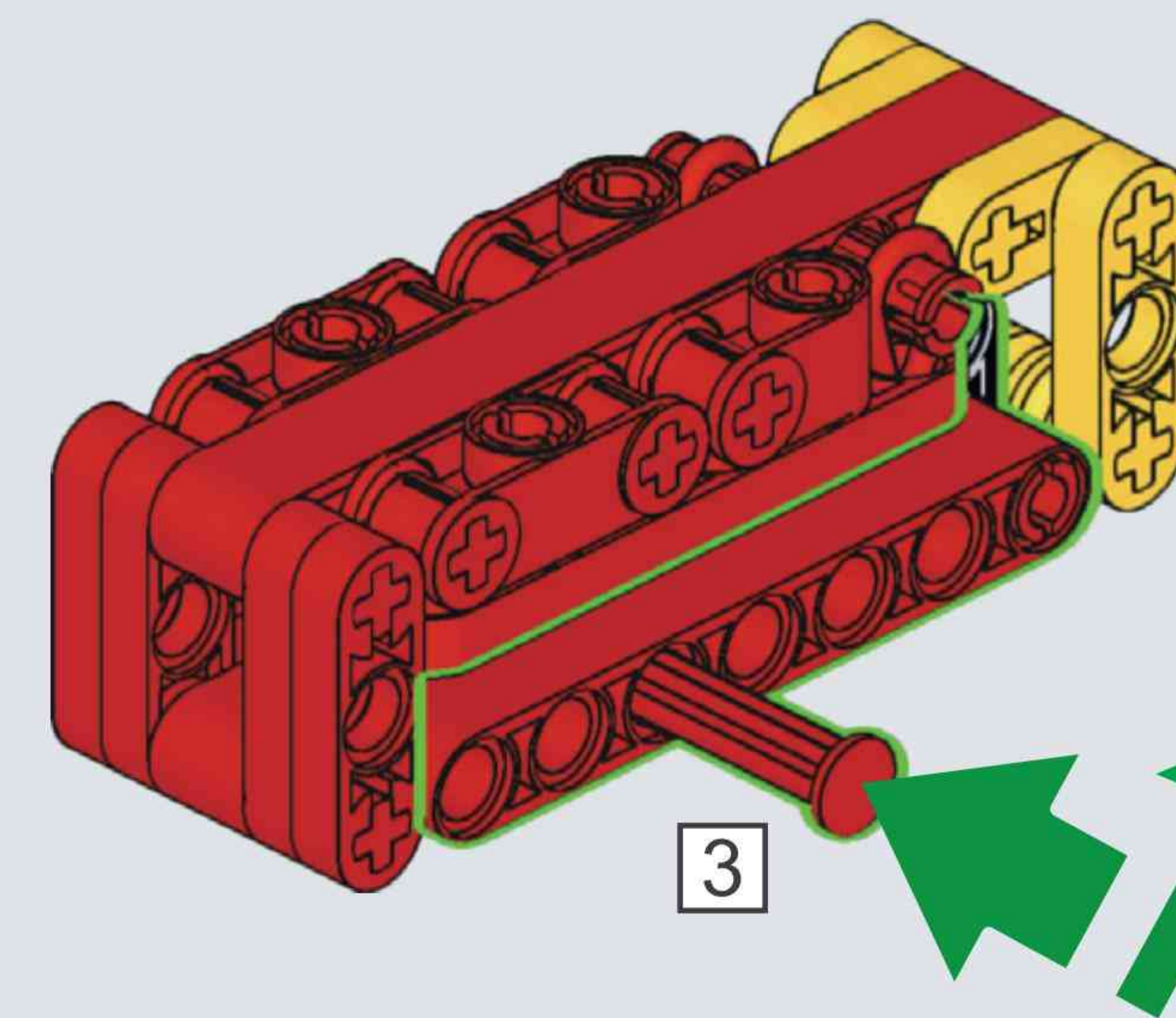
B57



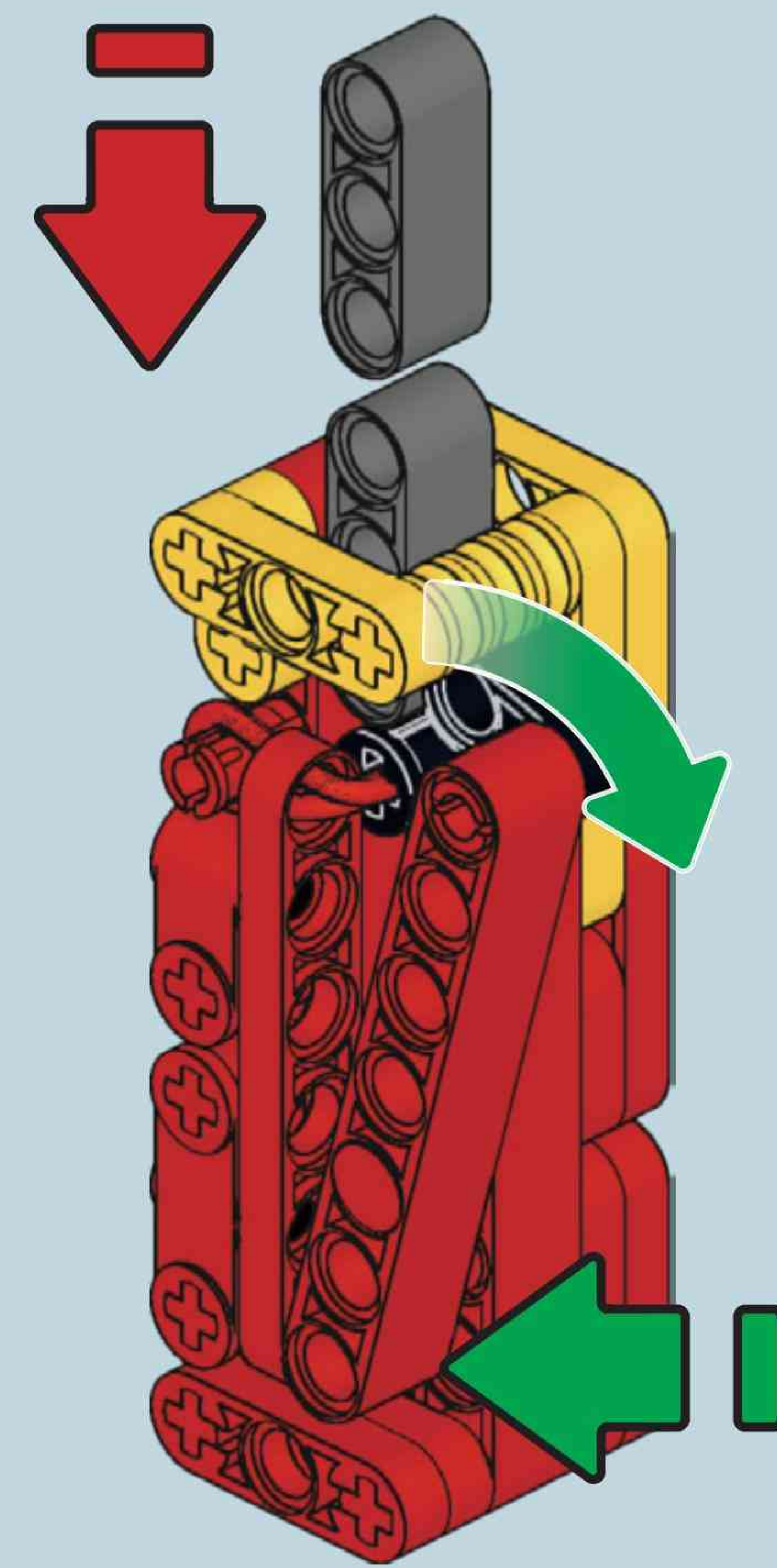
B58



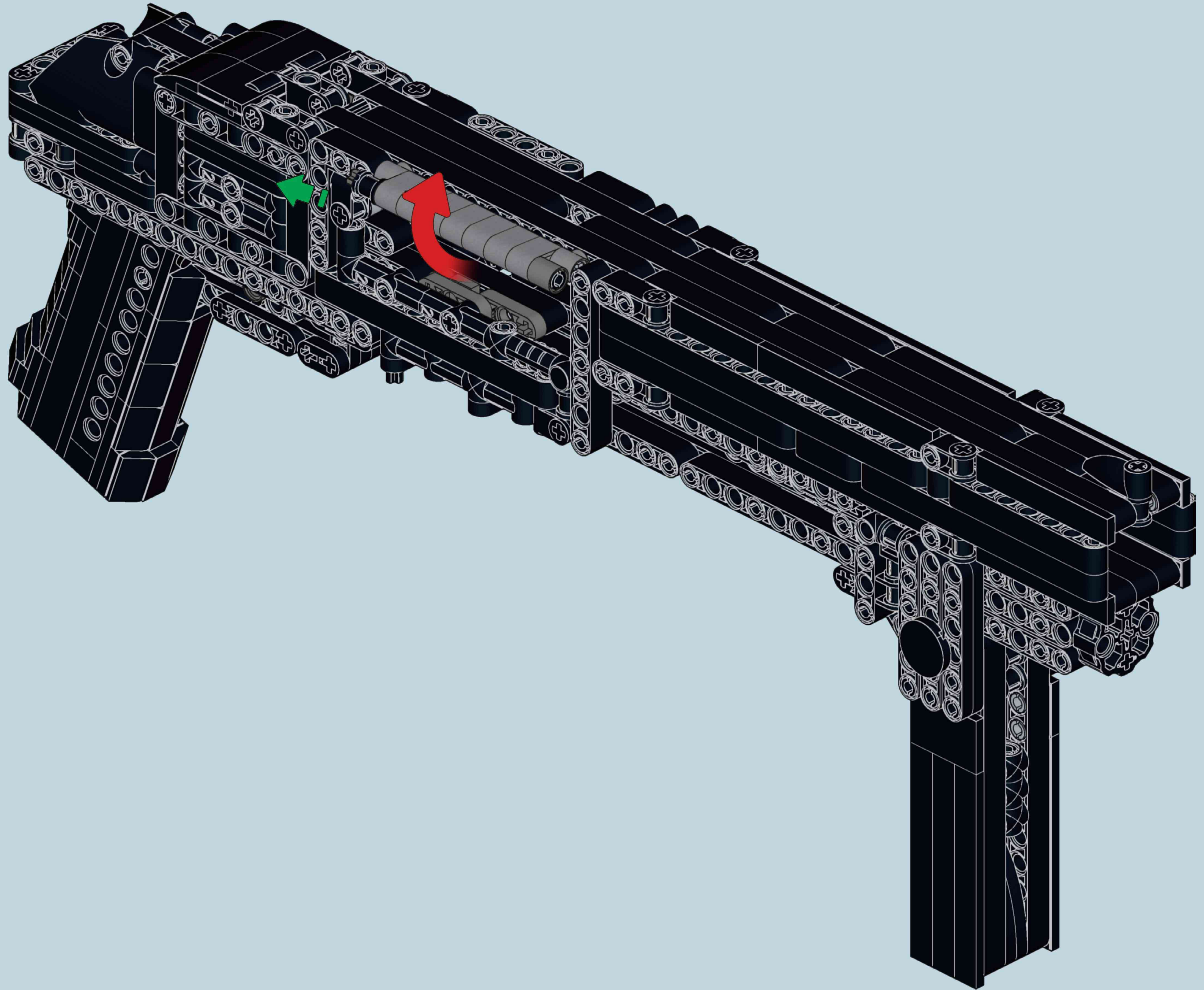
B59



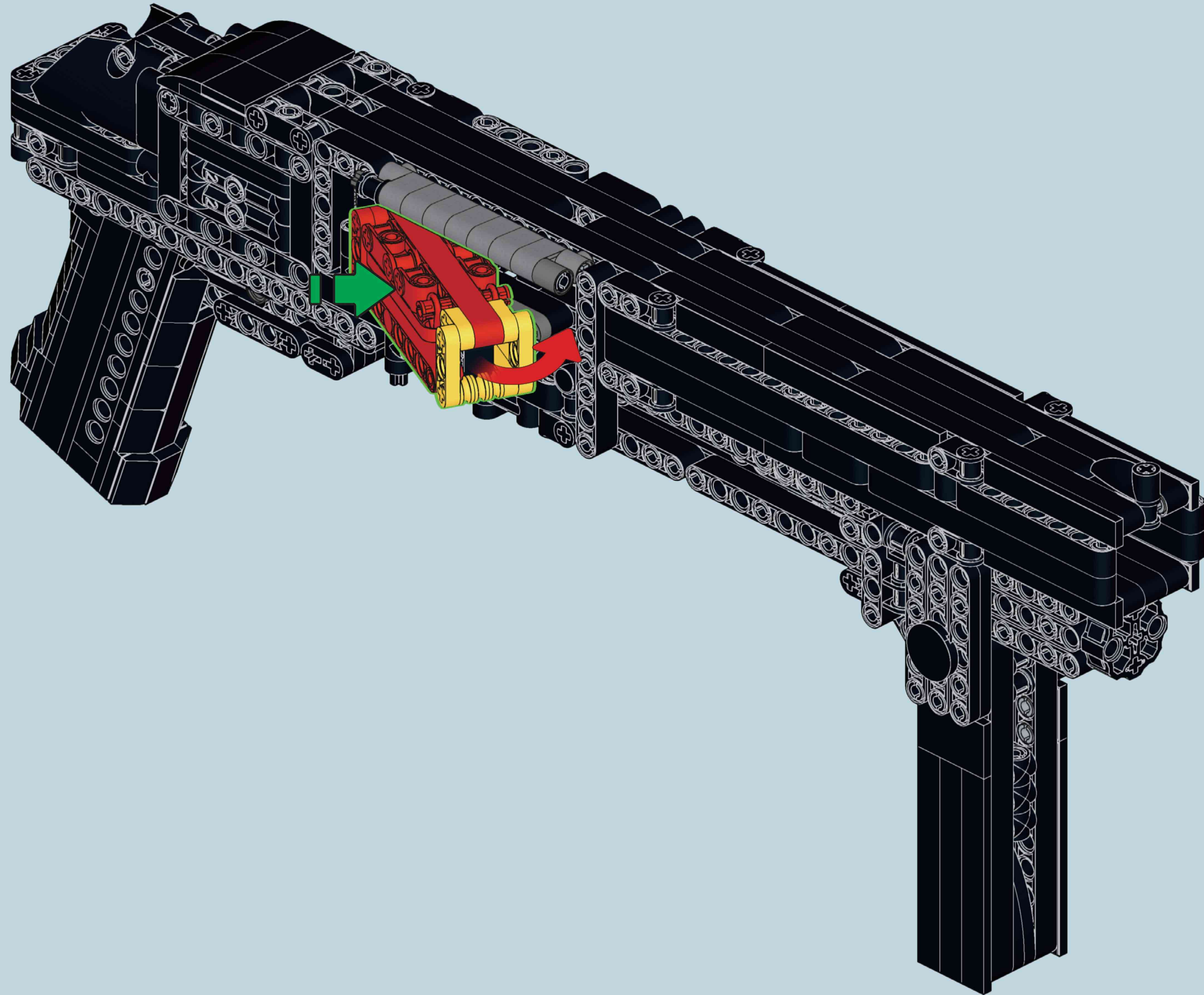
1



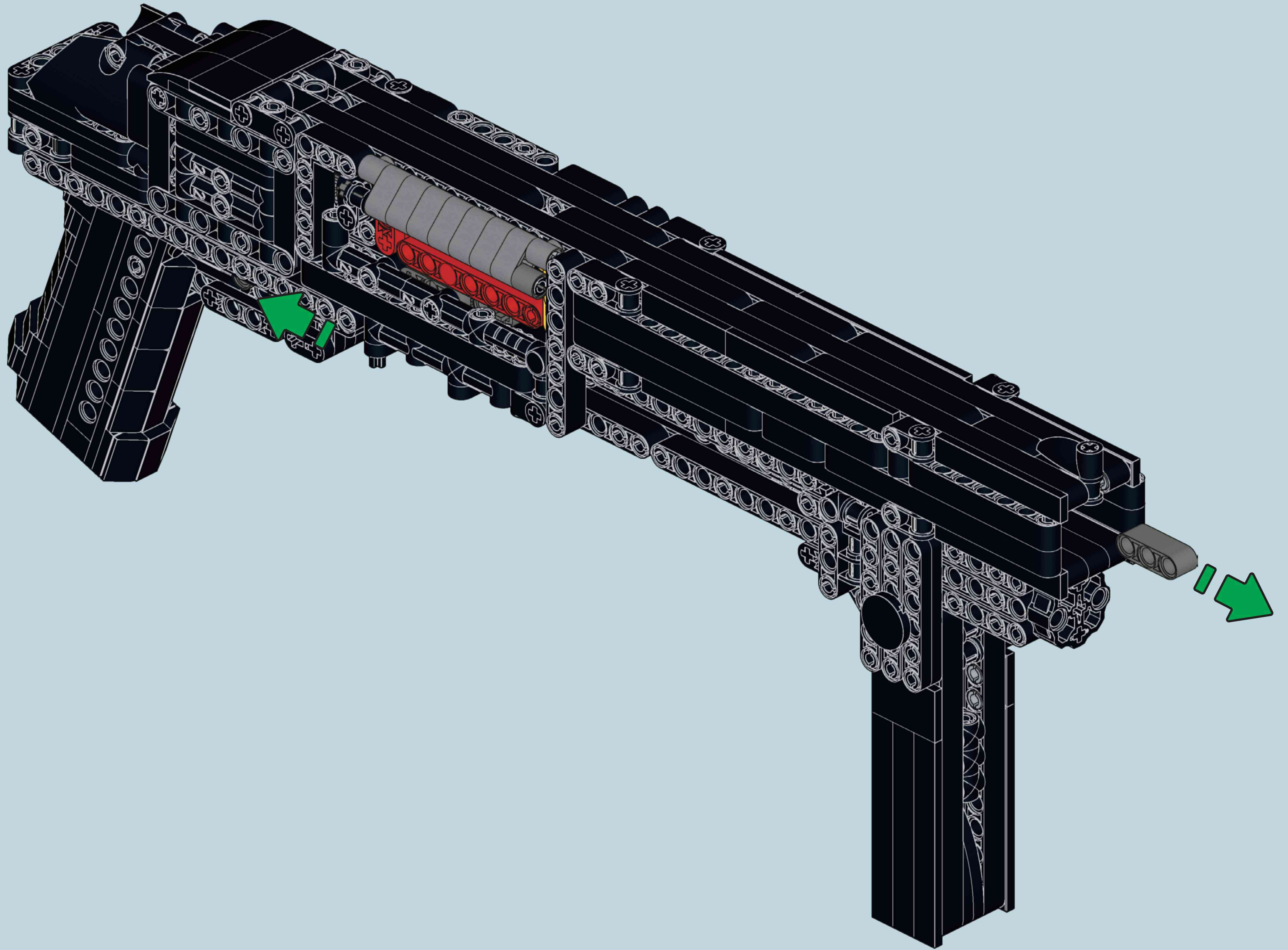
2



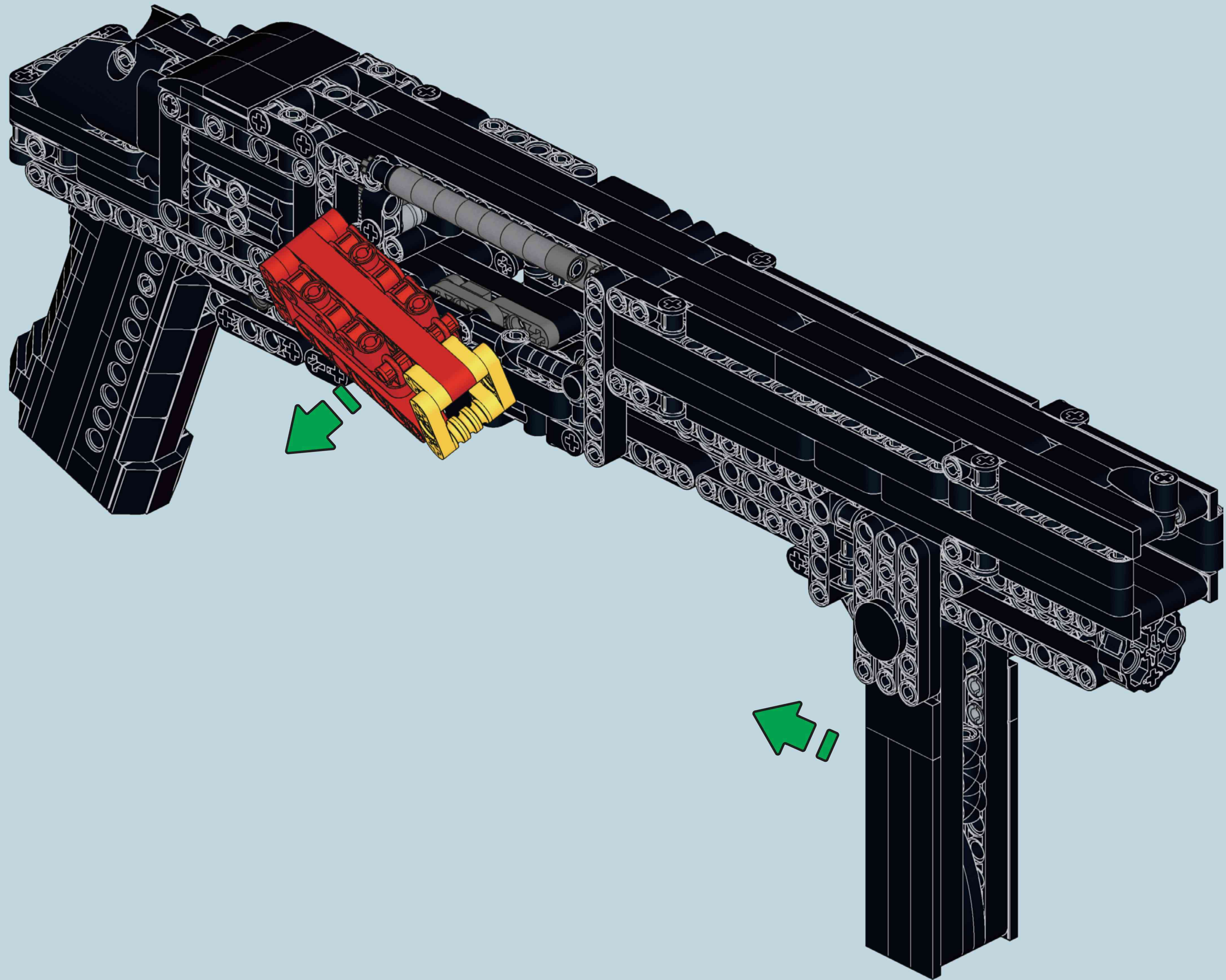
3



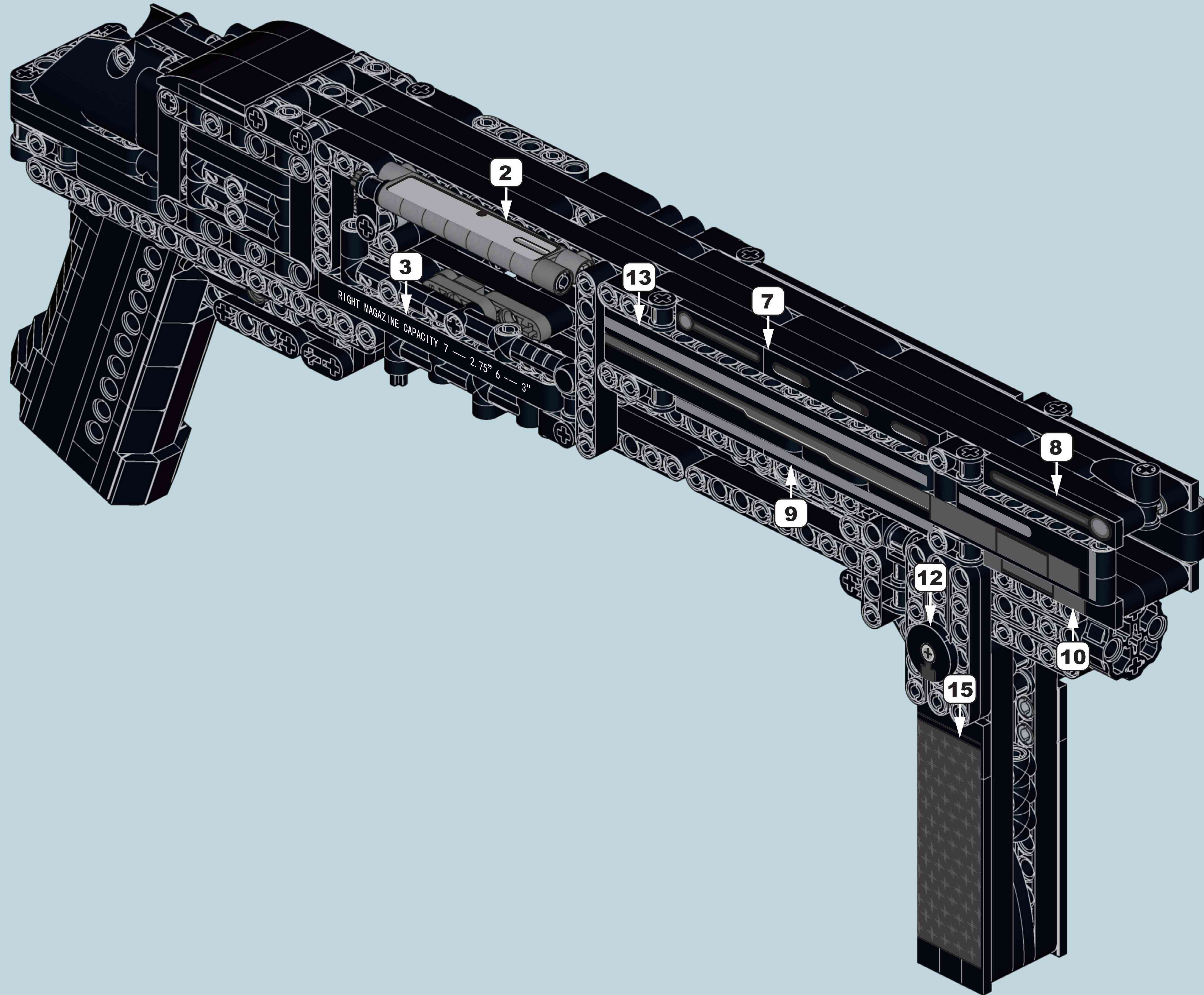
4



5



6





Reobrix

NO.77002

SUPER - -SHORTY



SUPER-SHORT

THE SUPER SHORT MAN IS A WEAPON DEVELOPED BY SHERBU.
THE BARREL IS VERY SHORT, EASY TO HIDE, EASY TO CARRY,
AND HAS A HIGH DEGREE OF MOBILITY,
BUT THE DISADVANTAGE IS THAT IT HAS A WIDE RANGE OF SHOTS.