

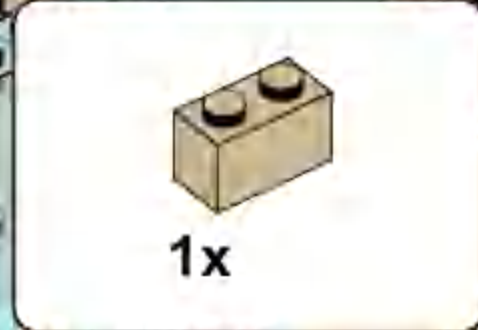
T11

T3

T10

T10

T10



1x

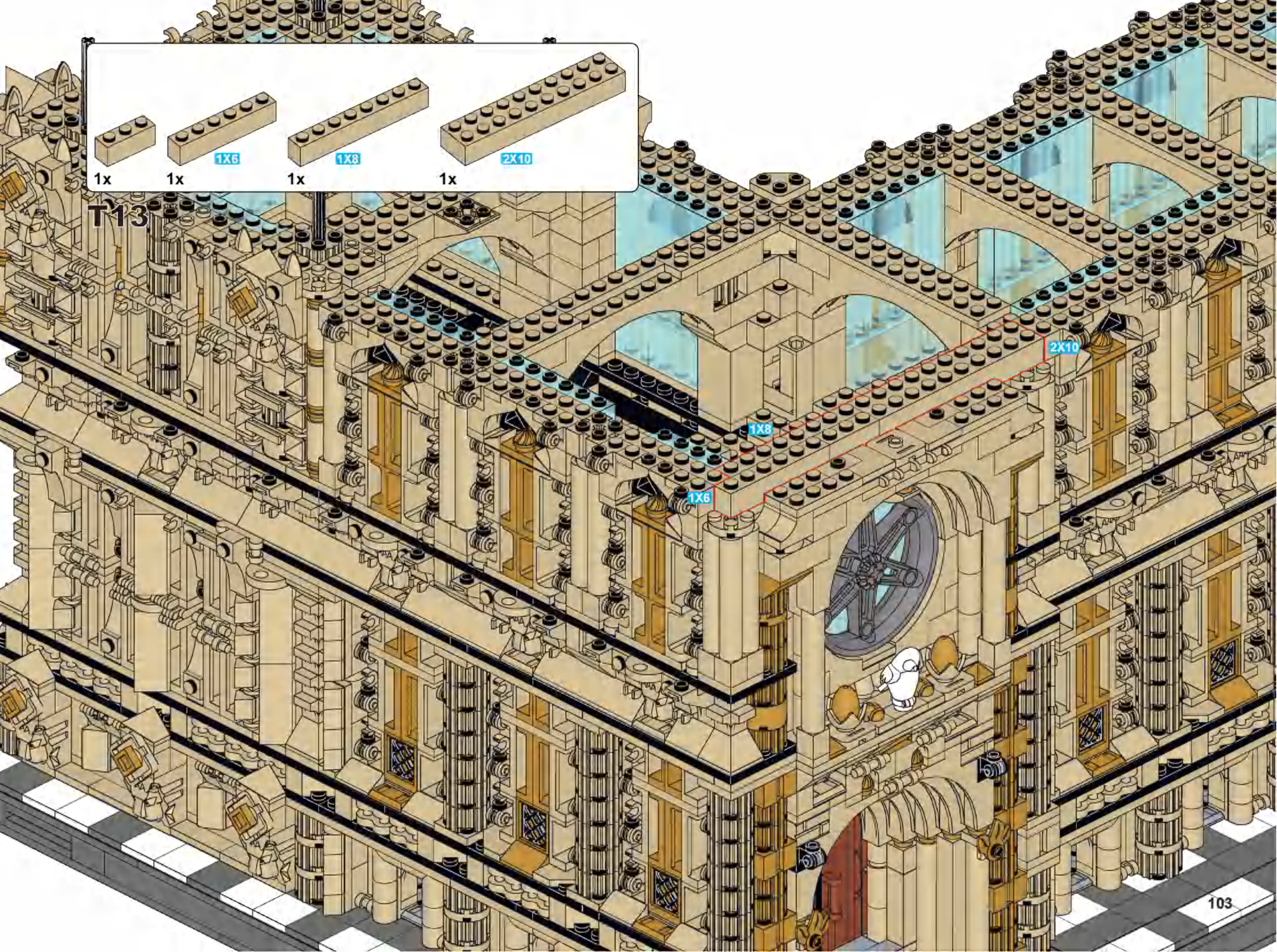
T12

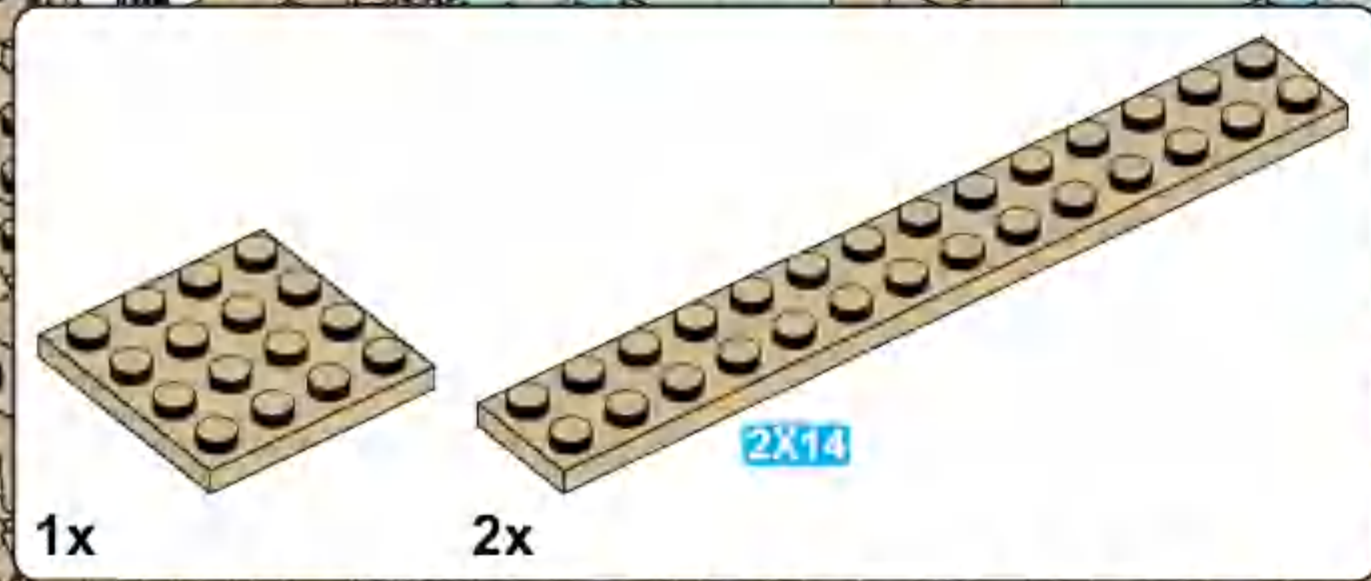


1x      1x      1x      1x

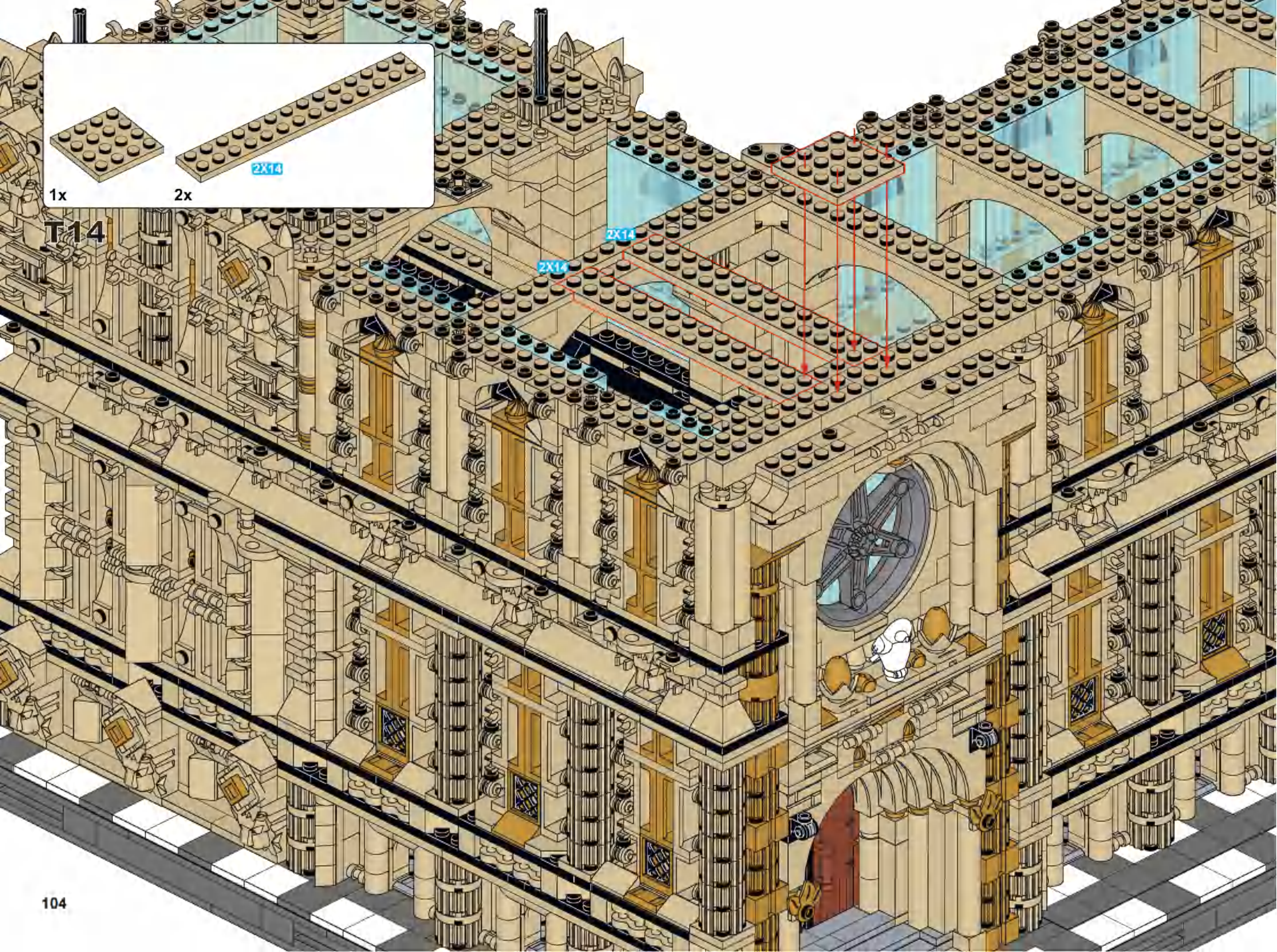
1x6      1x8      2x10

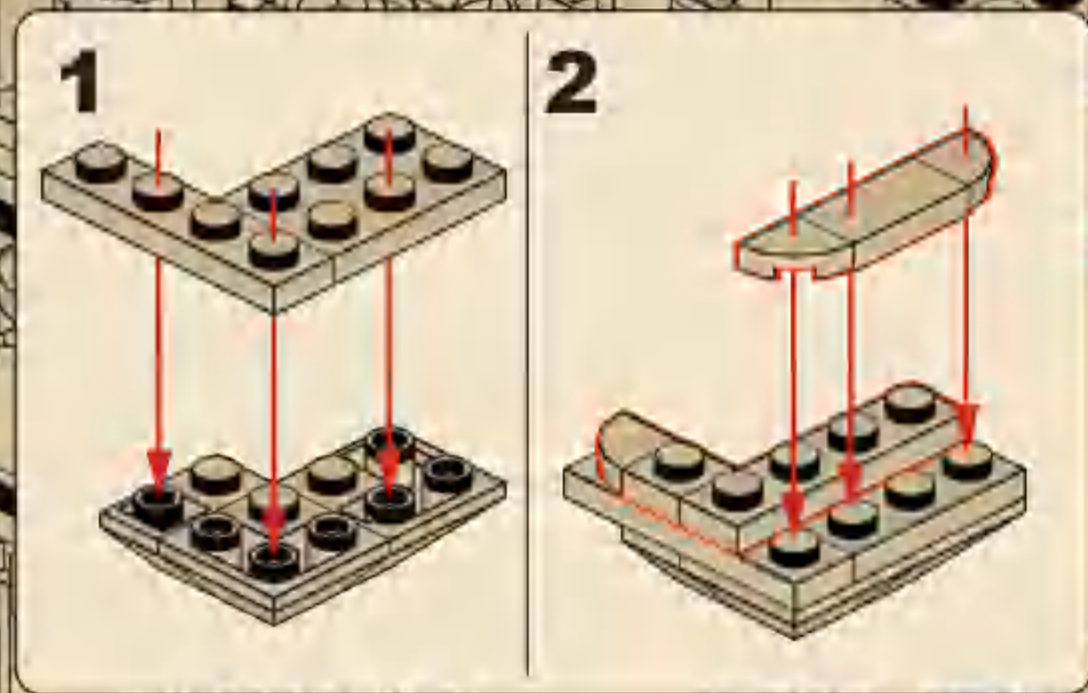
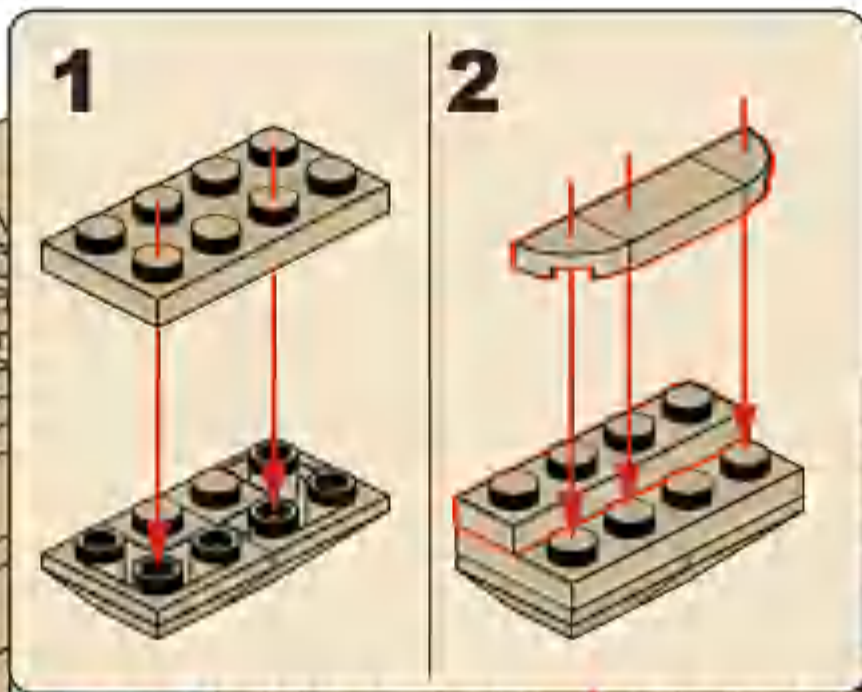
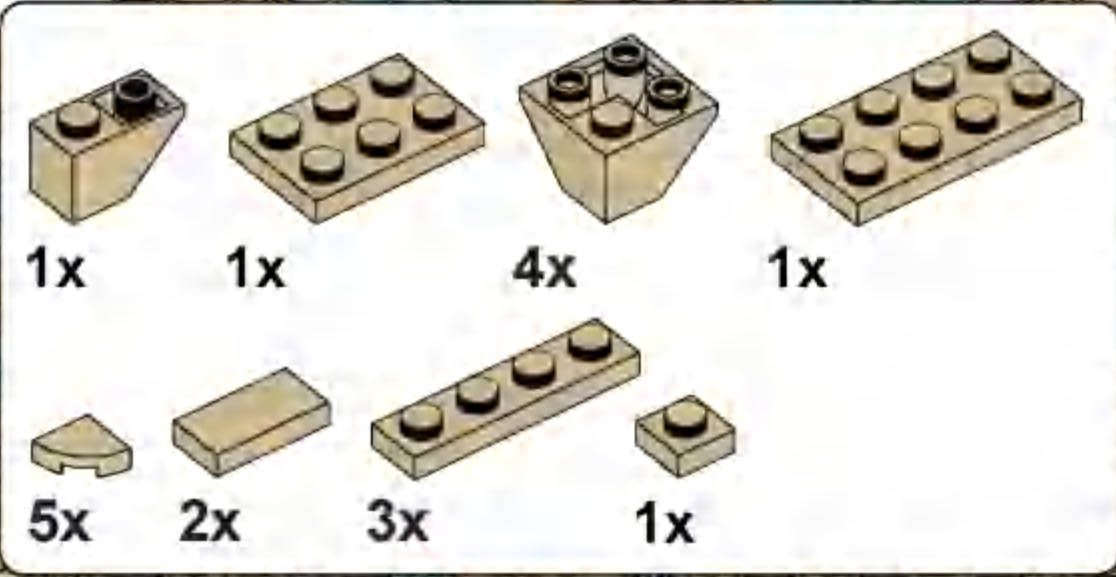
T13



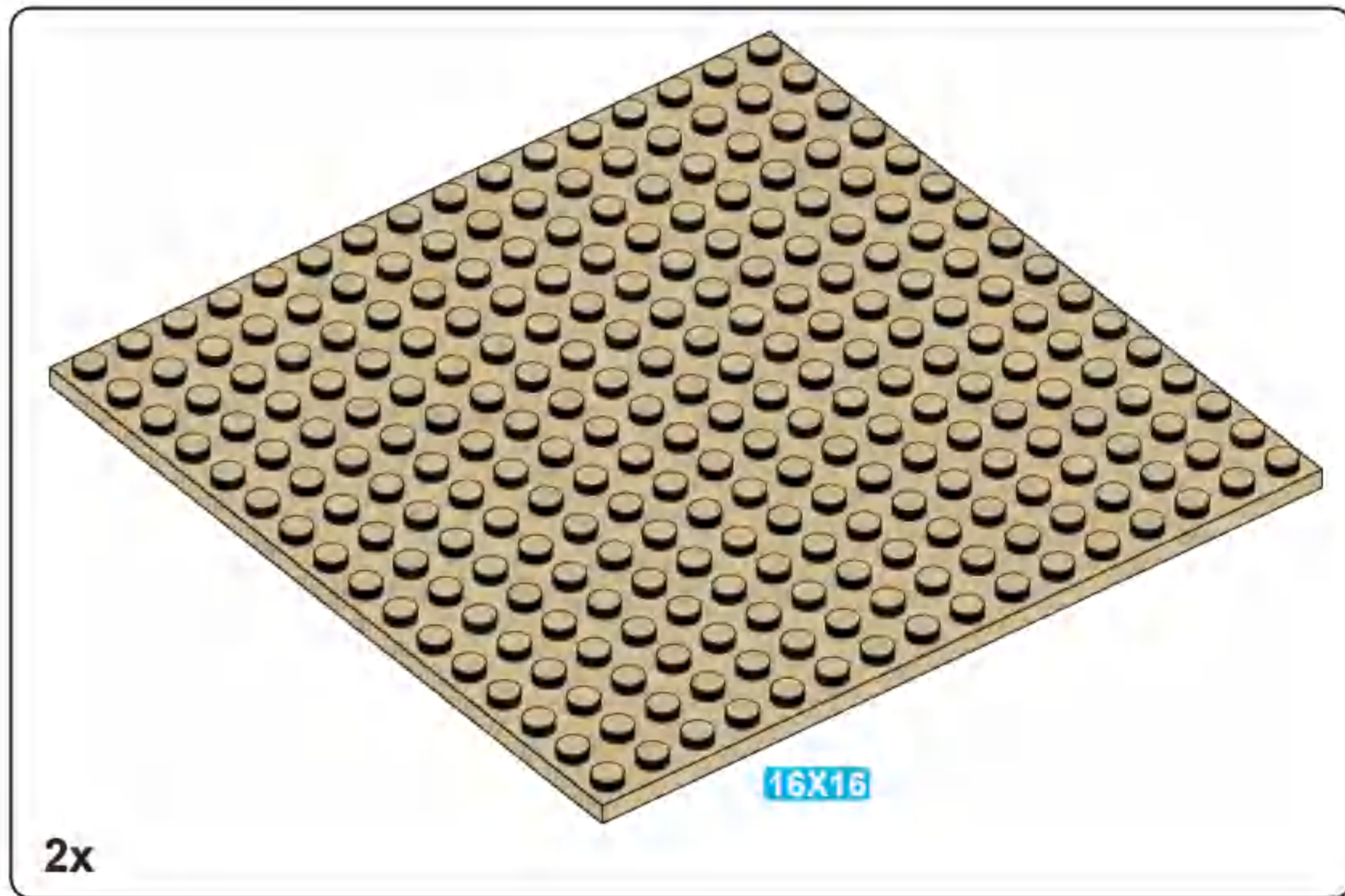


T14

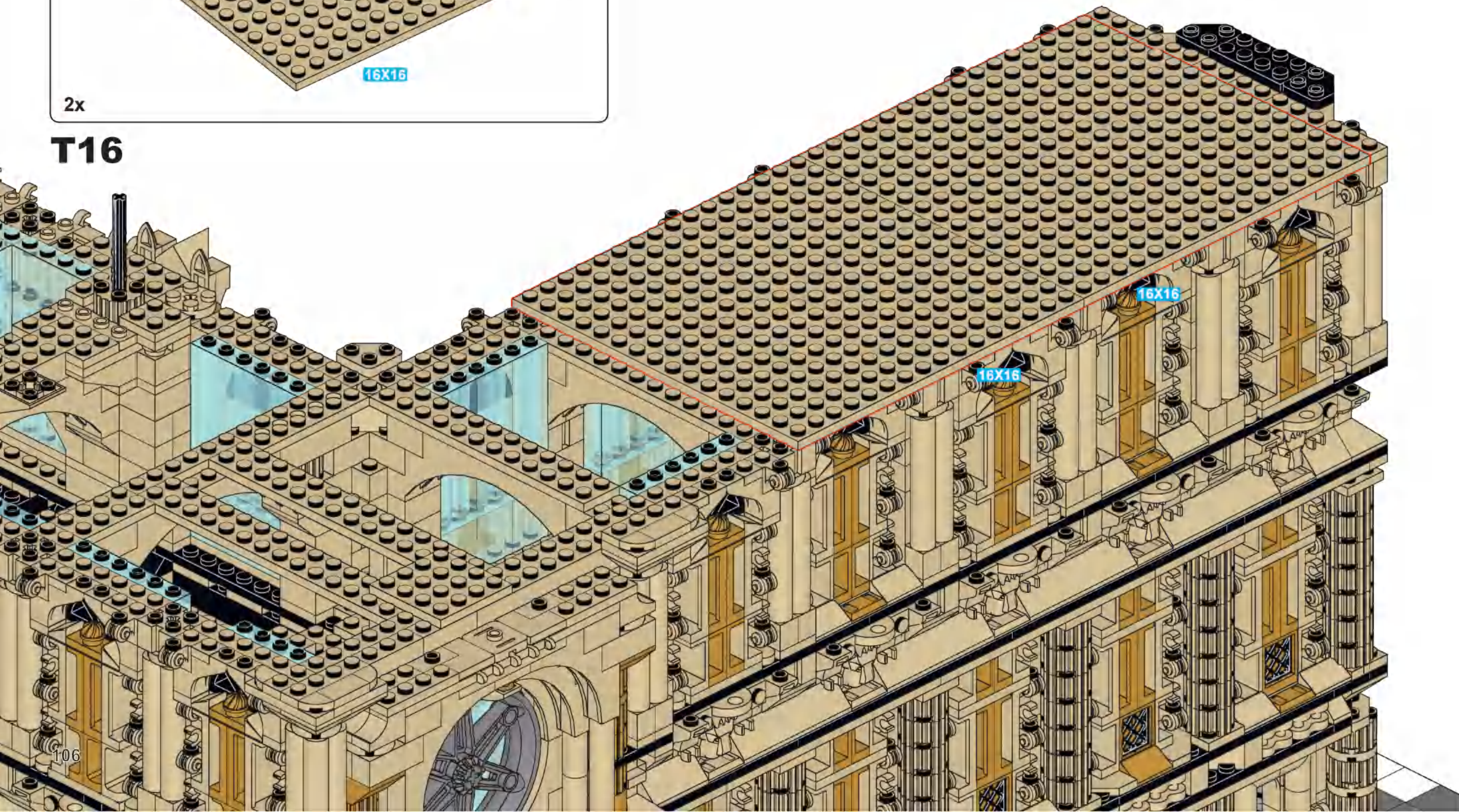


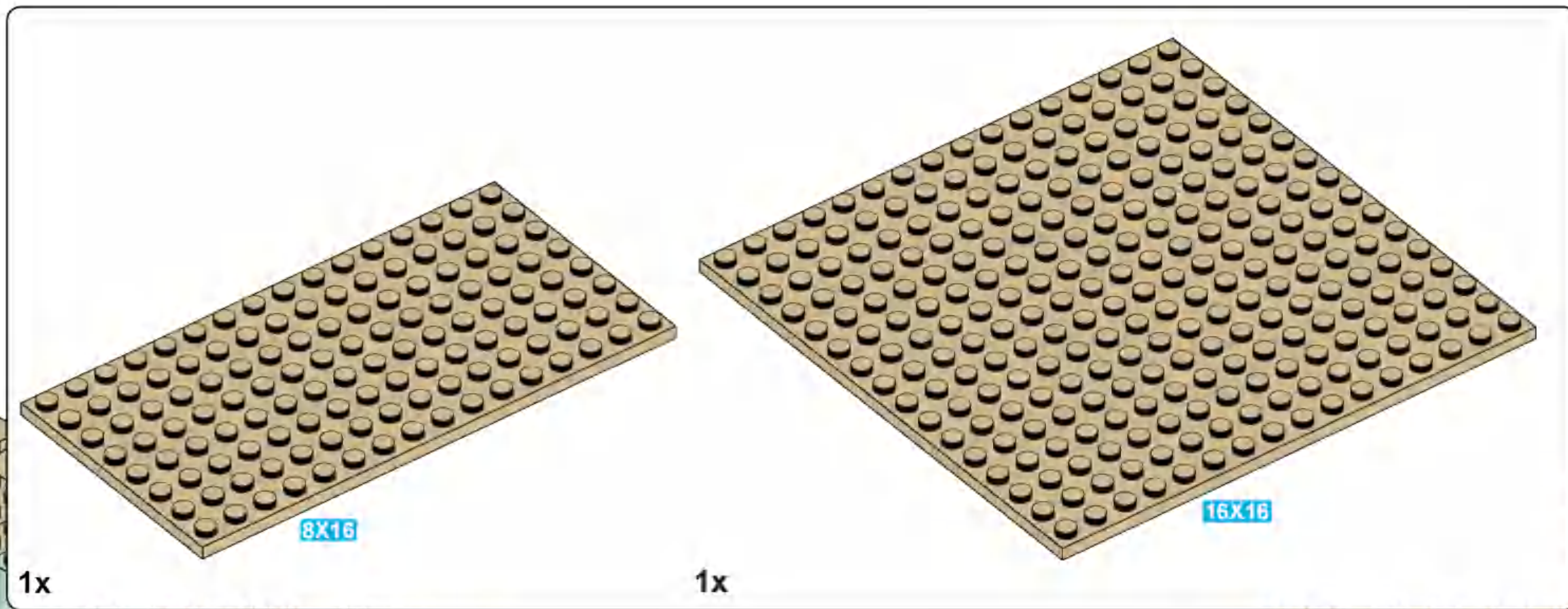


T15

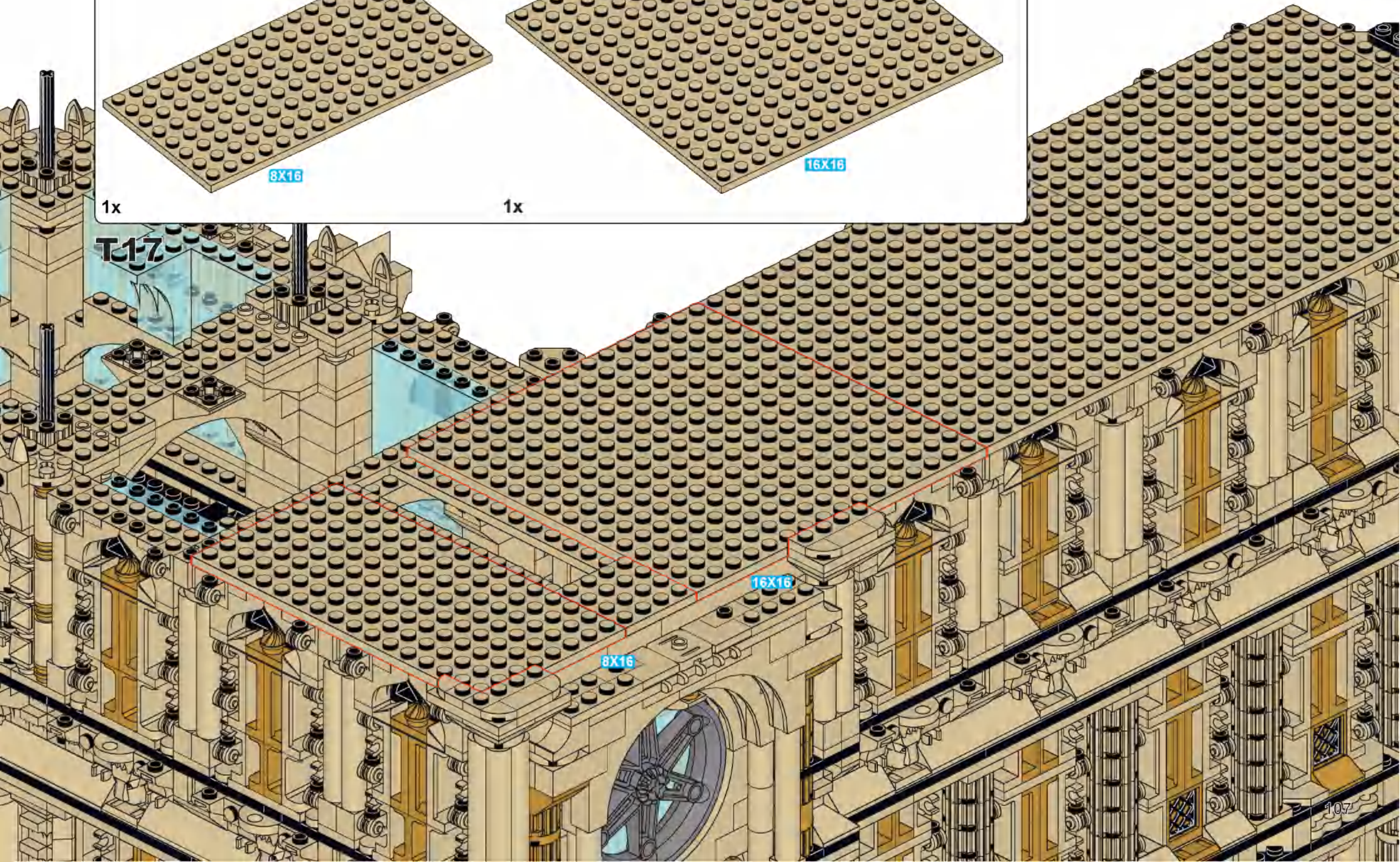


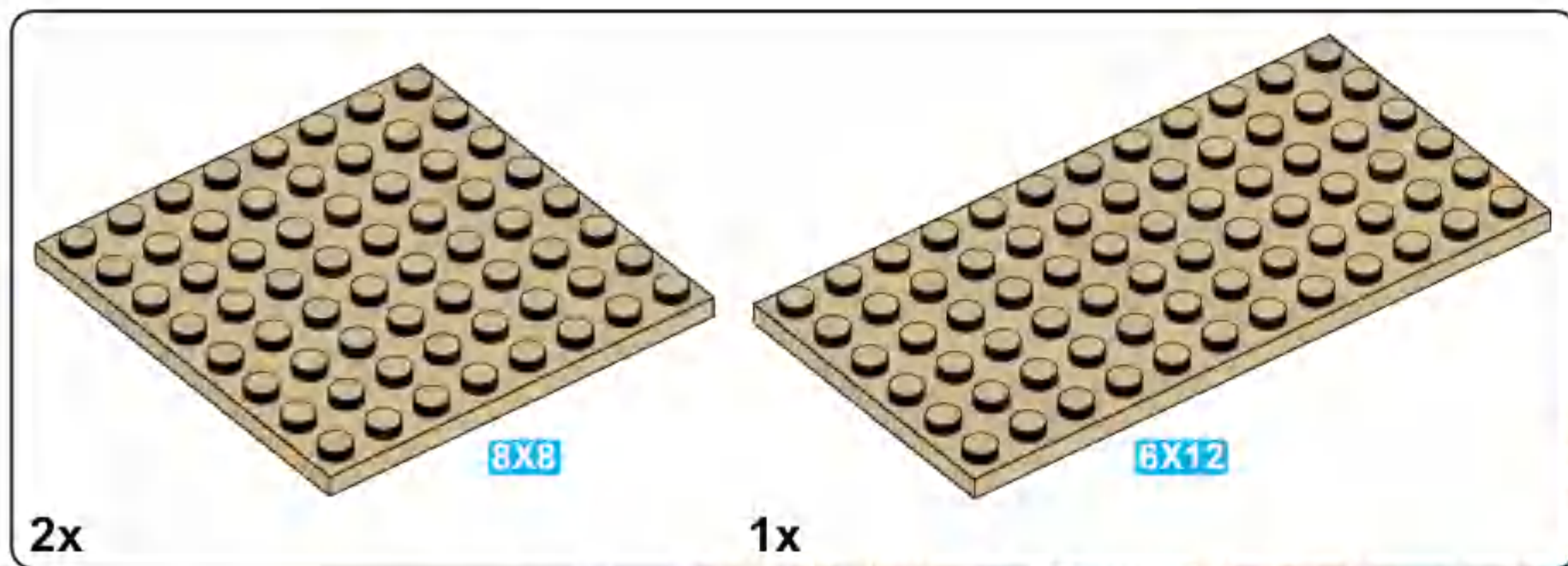
**T16**



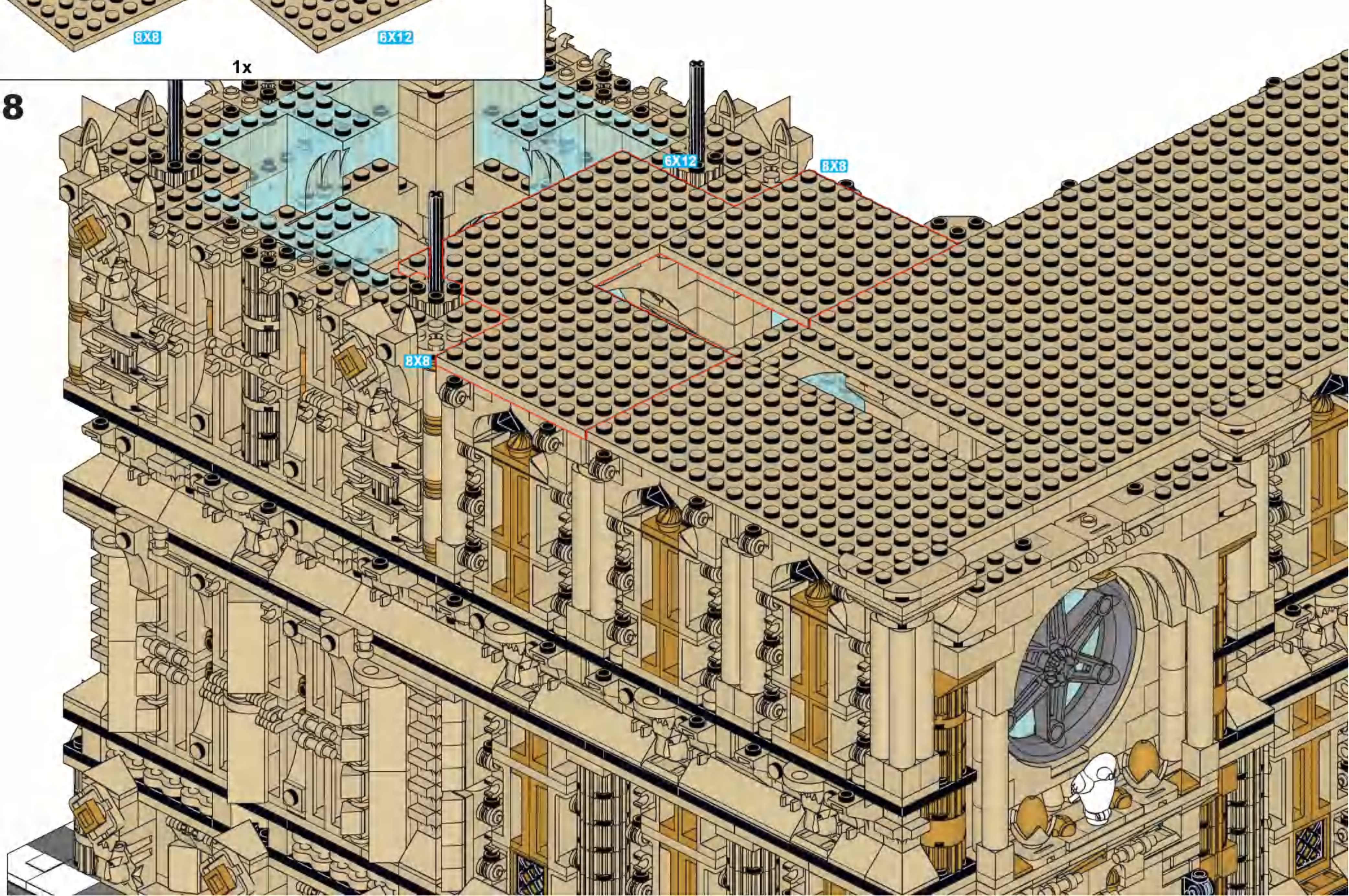


T-17





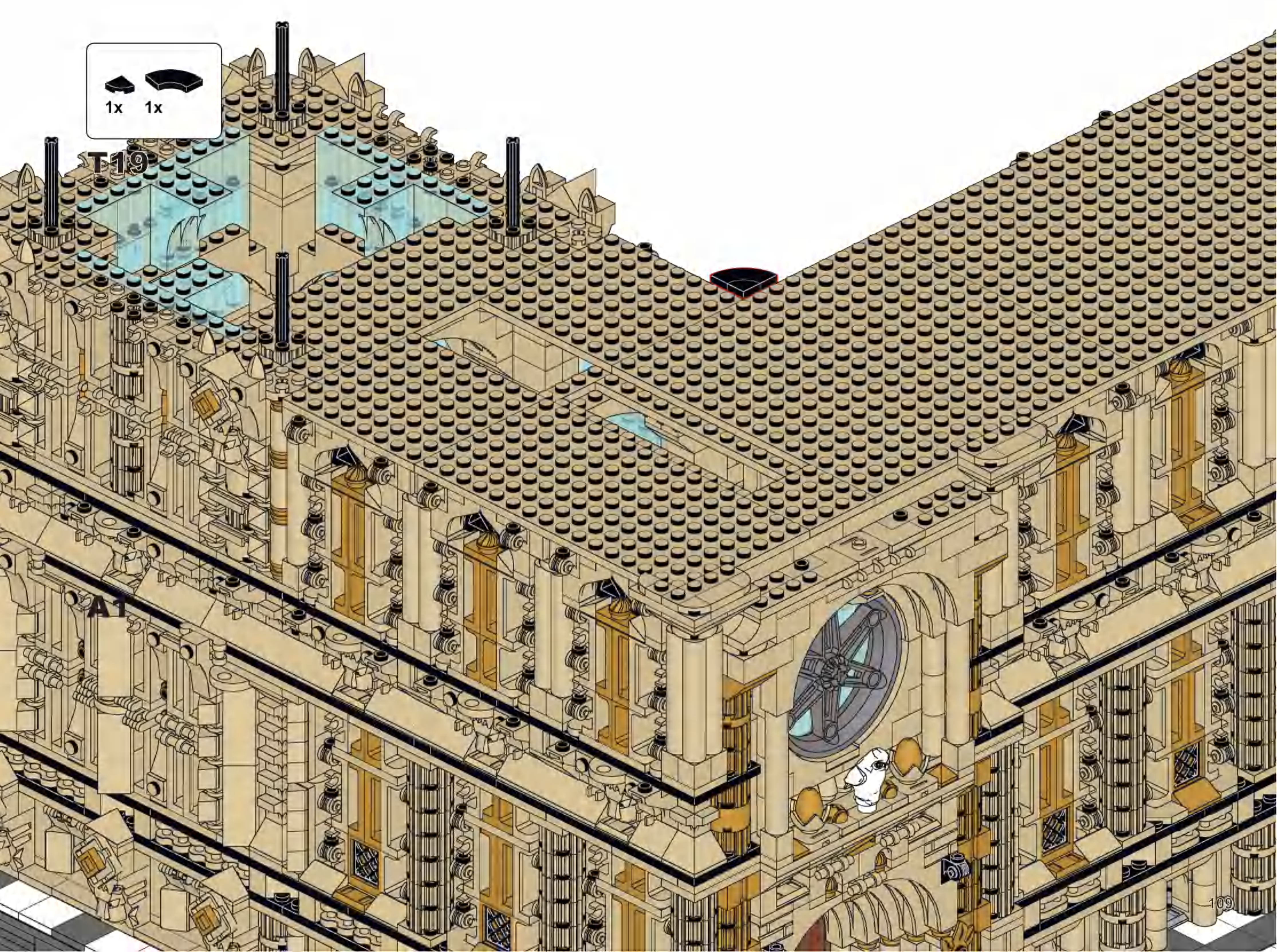
T18

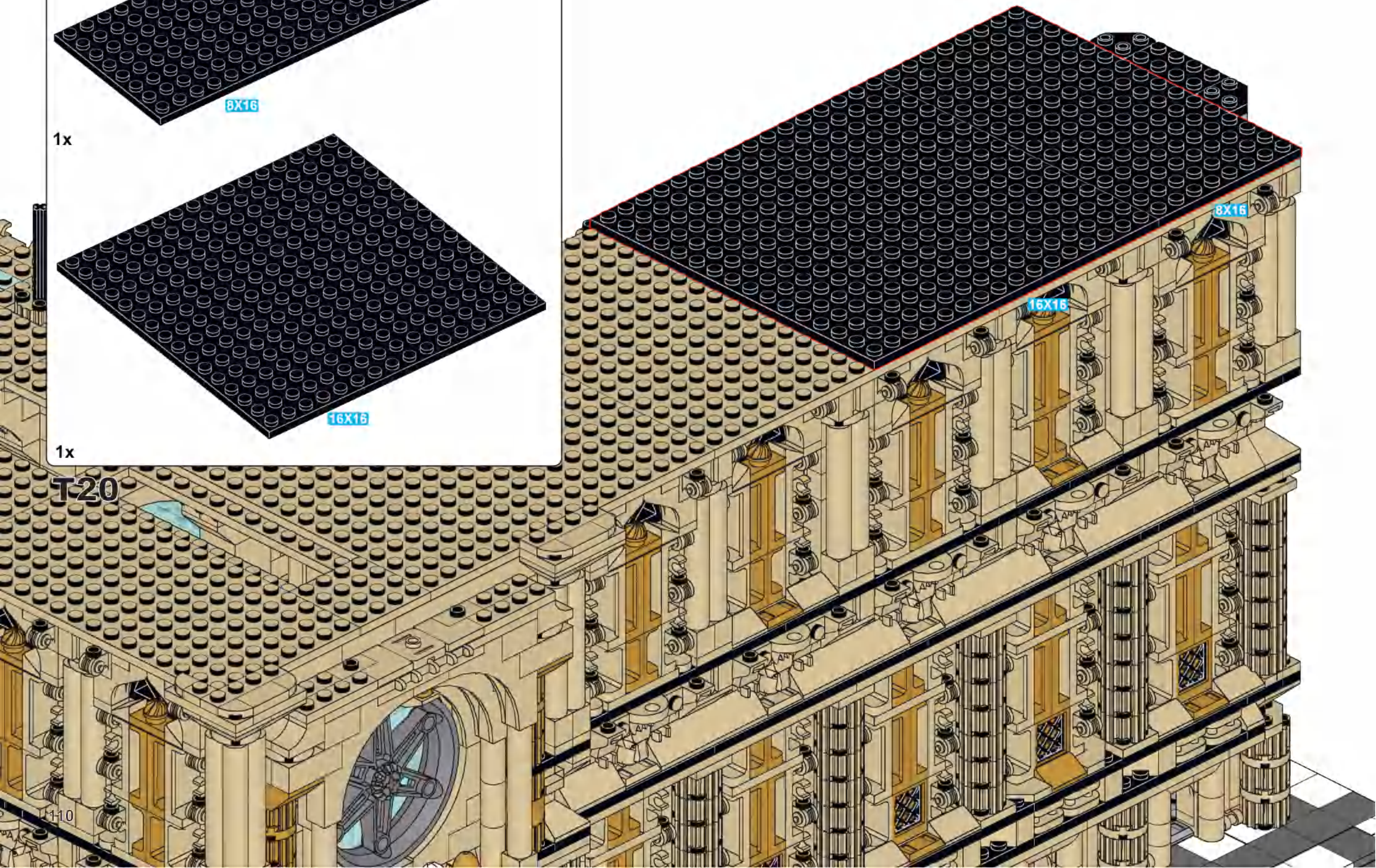
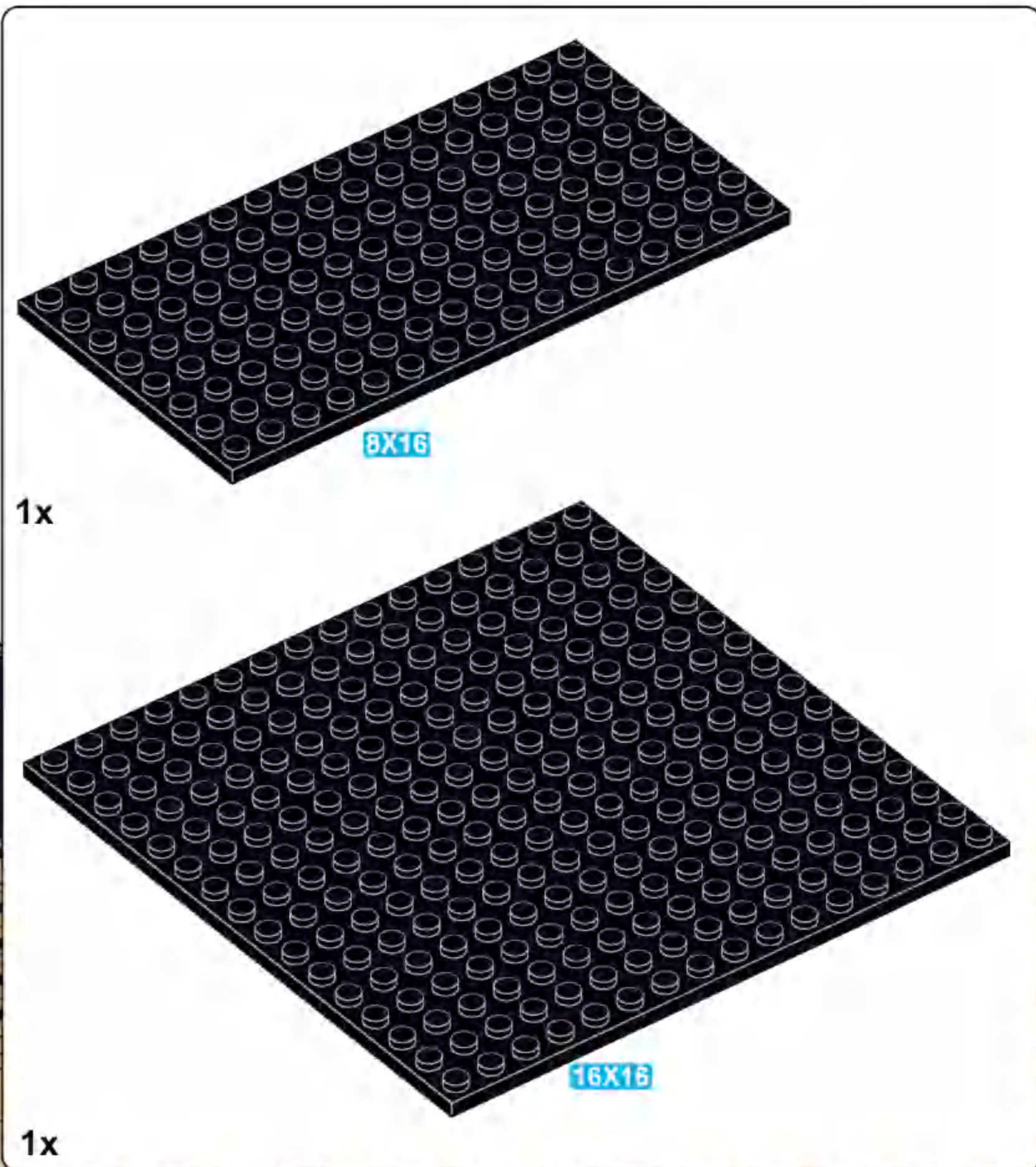


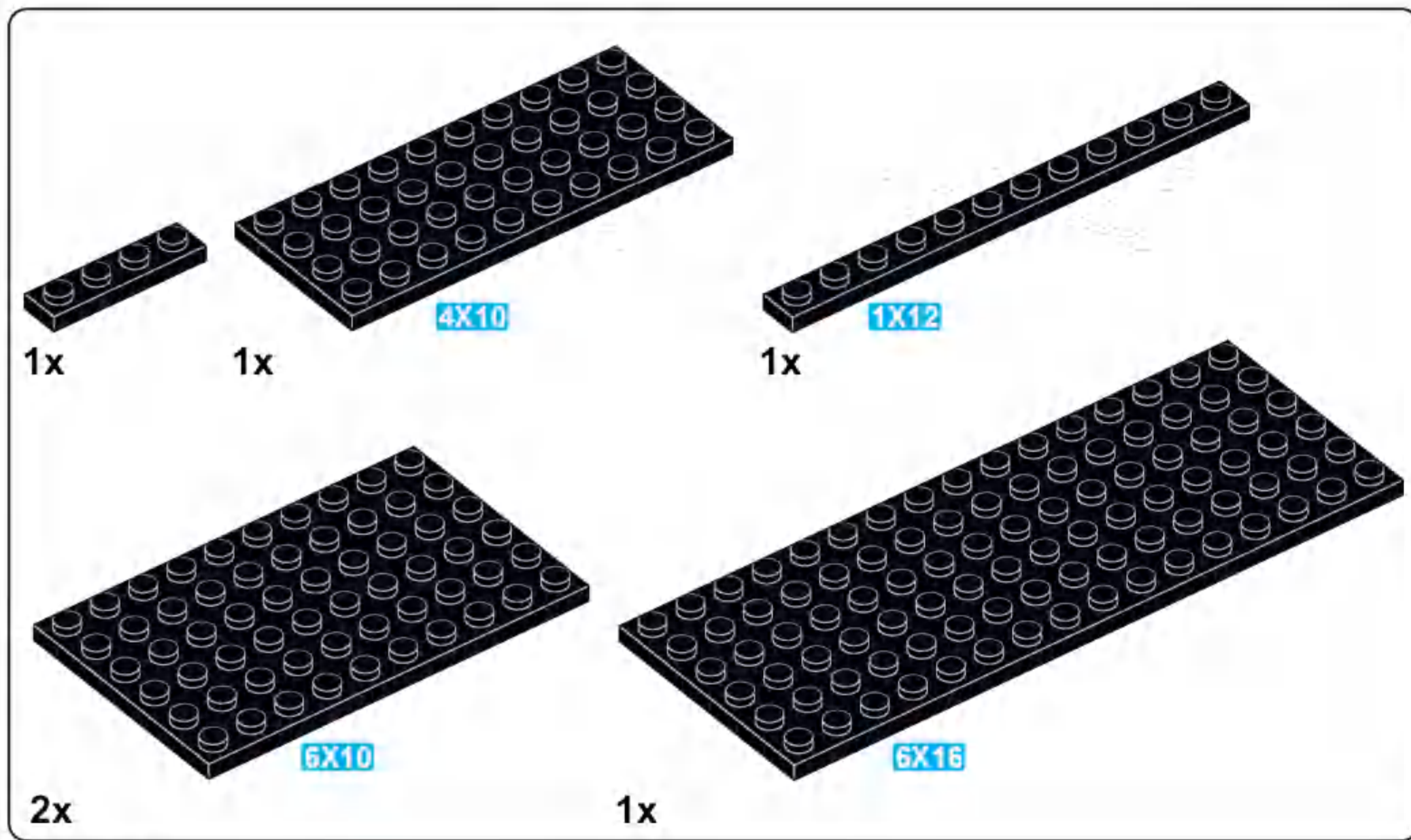
1x 1x



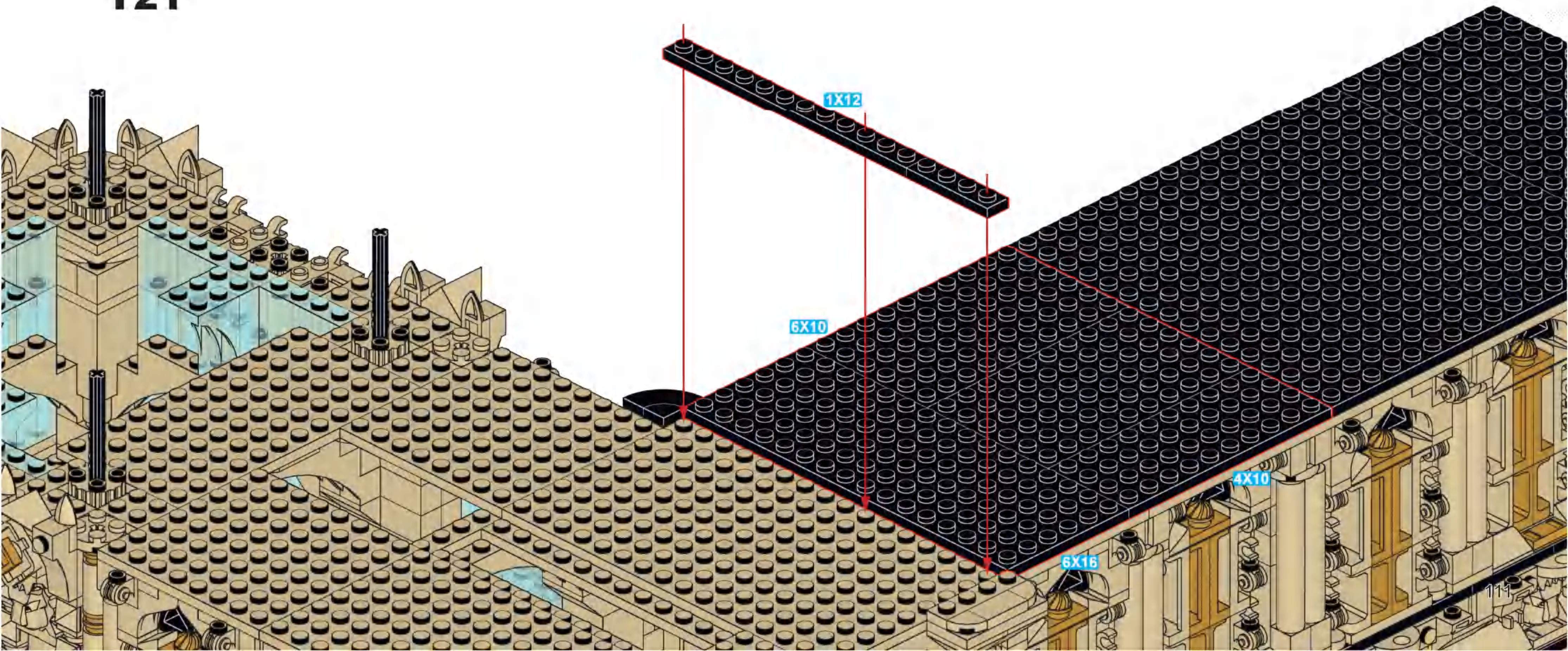
T19

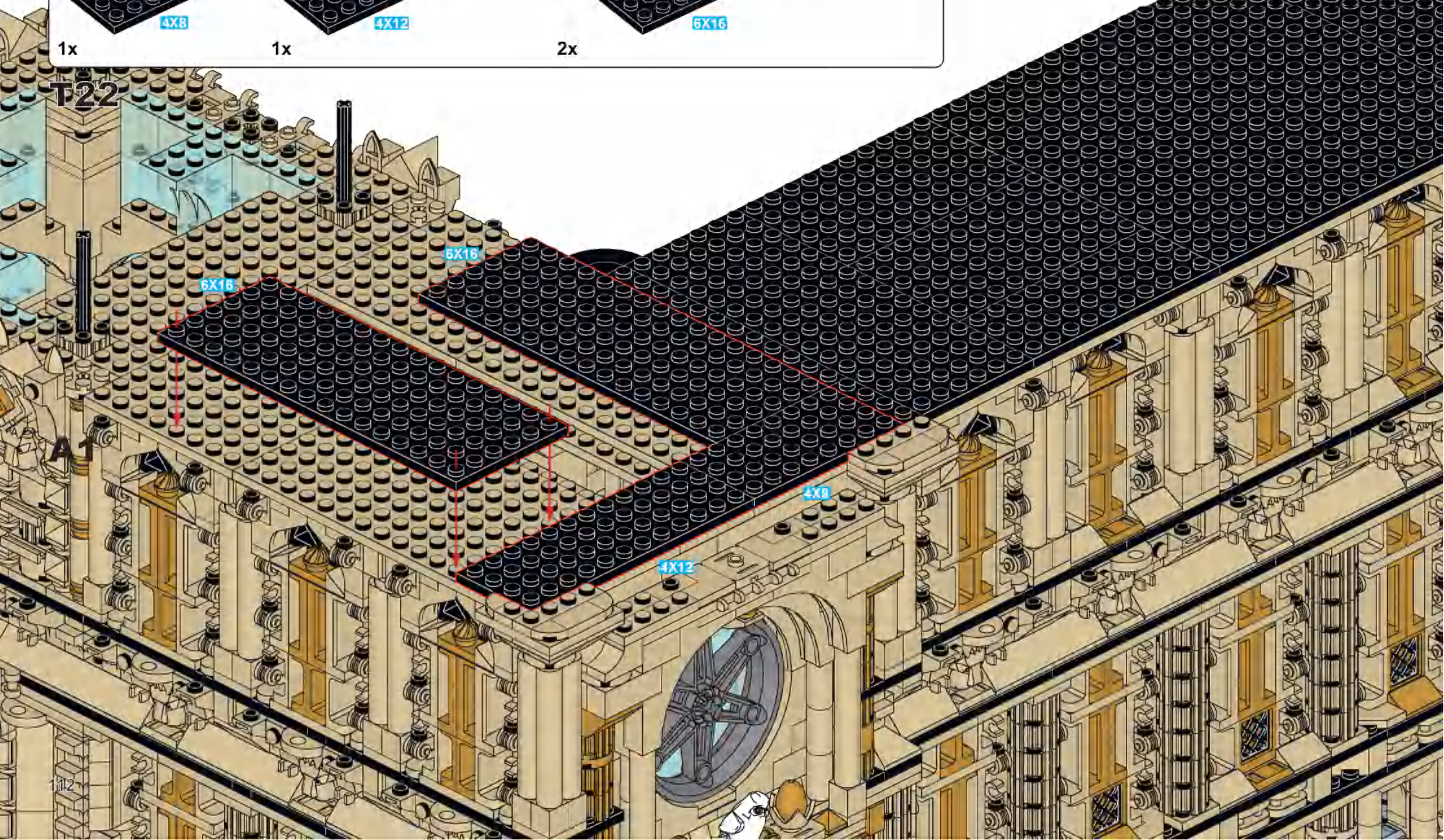
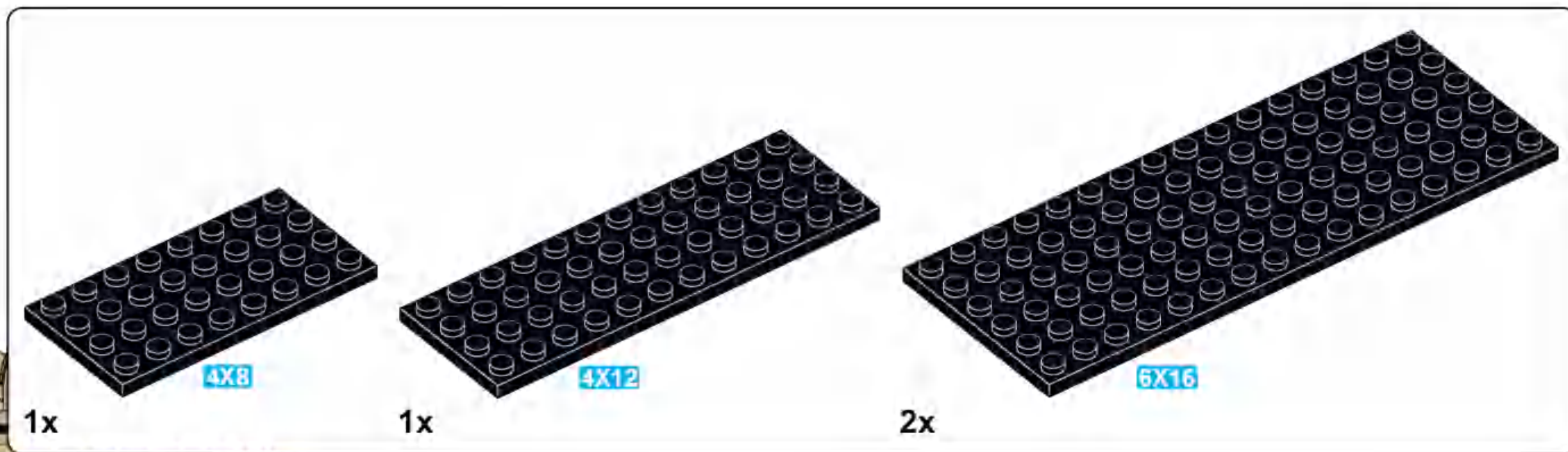


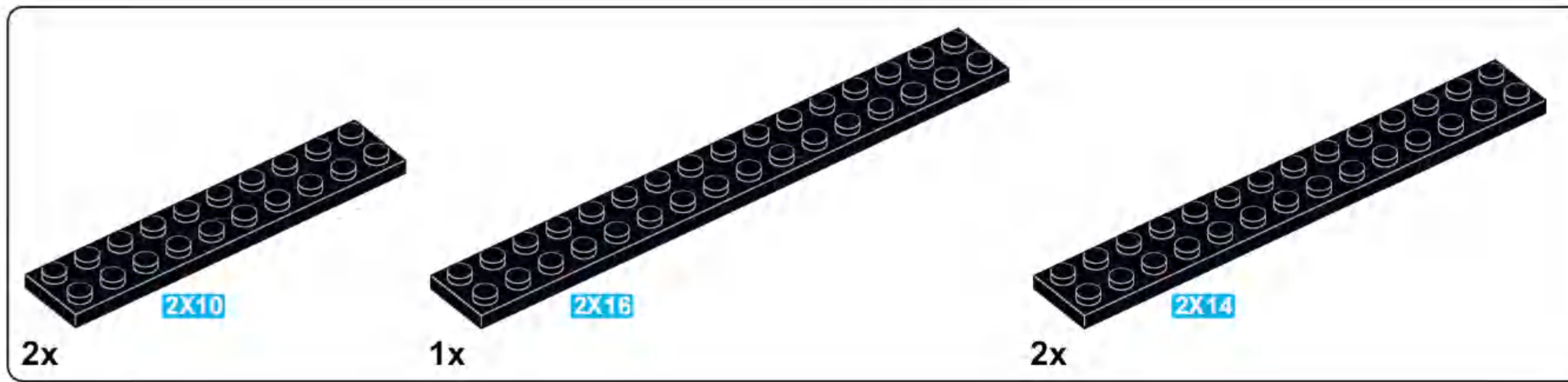




# T21

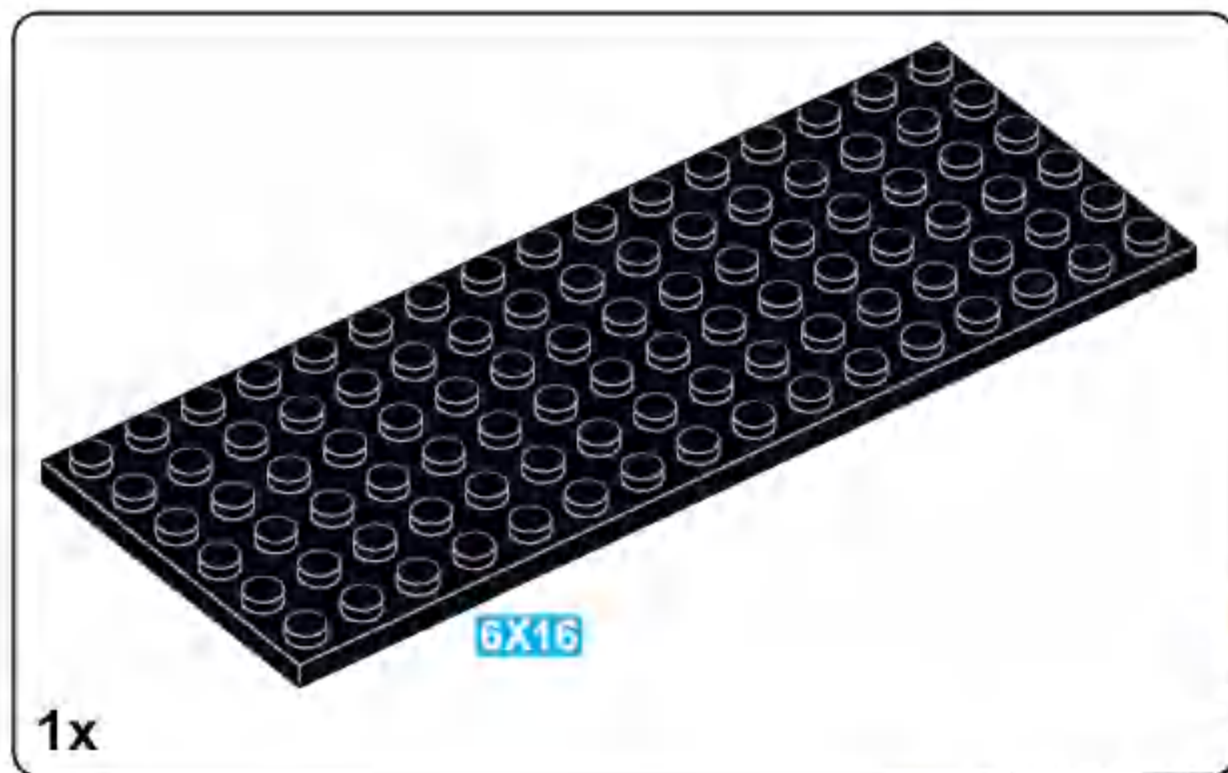




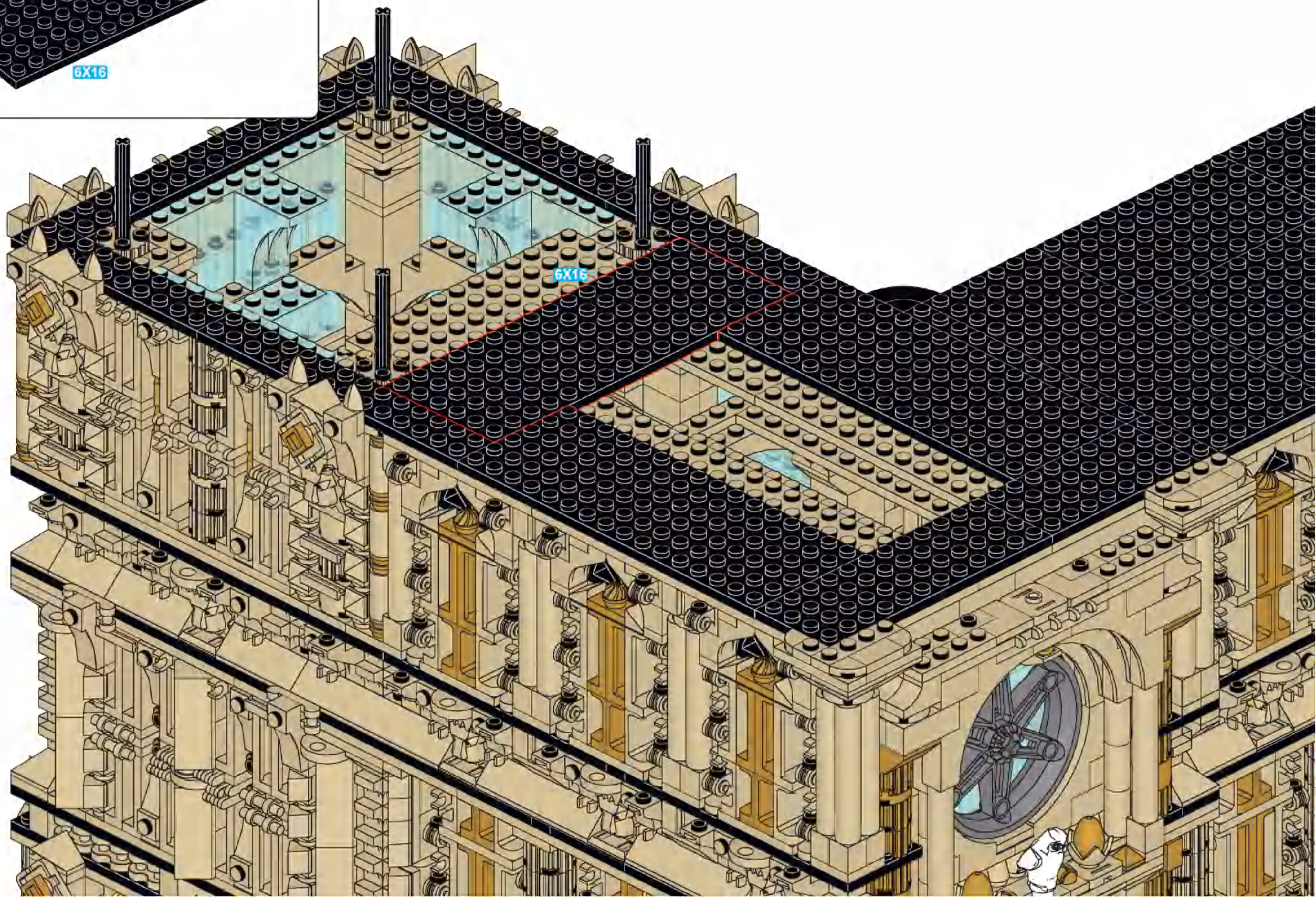


# T23





T24

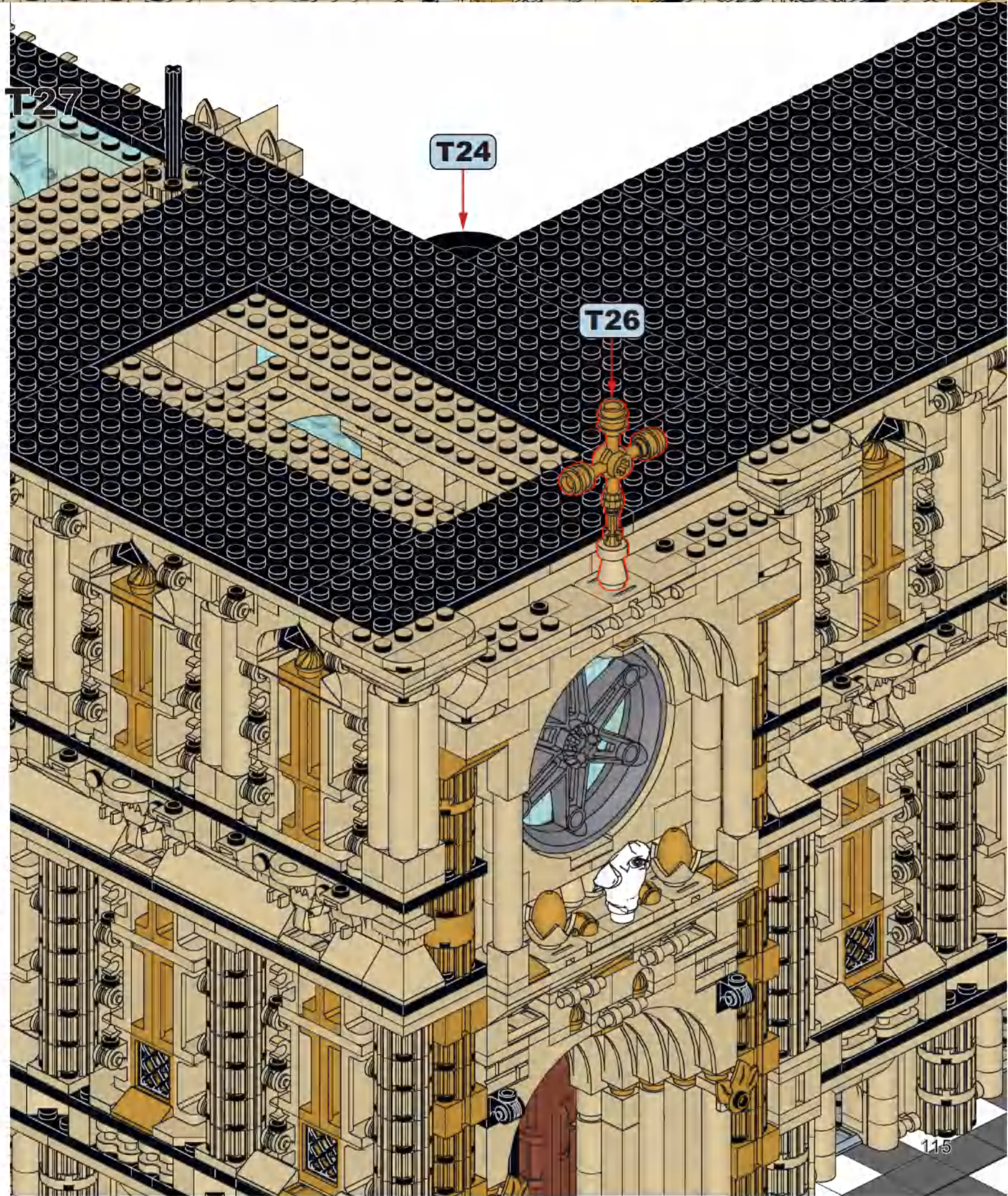
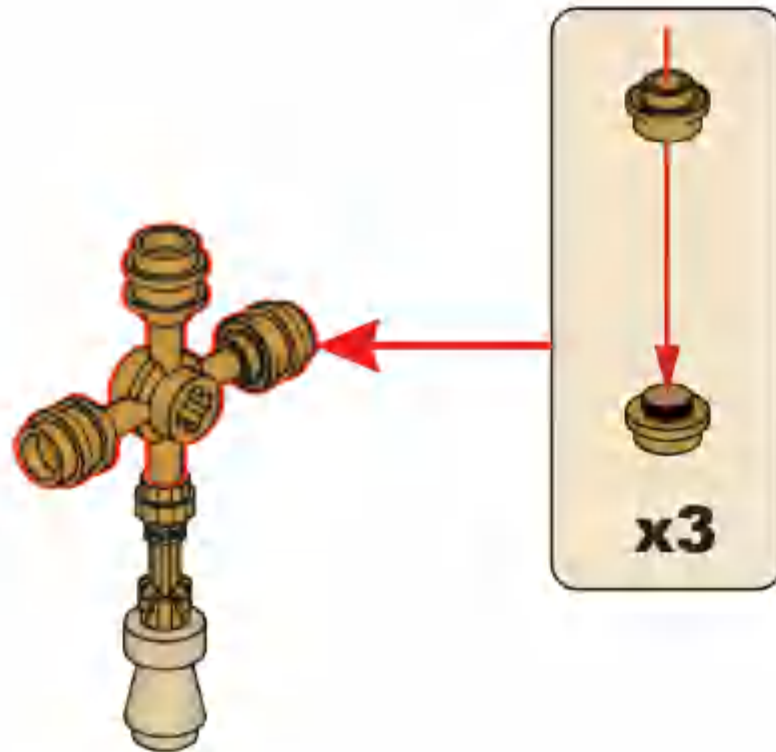


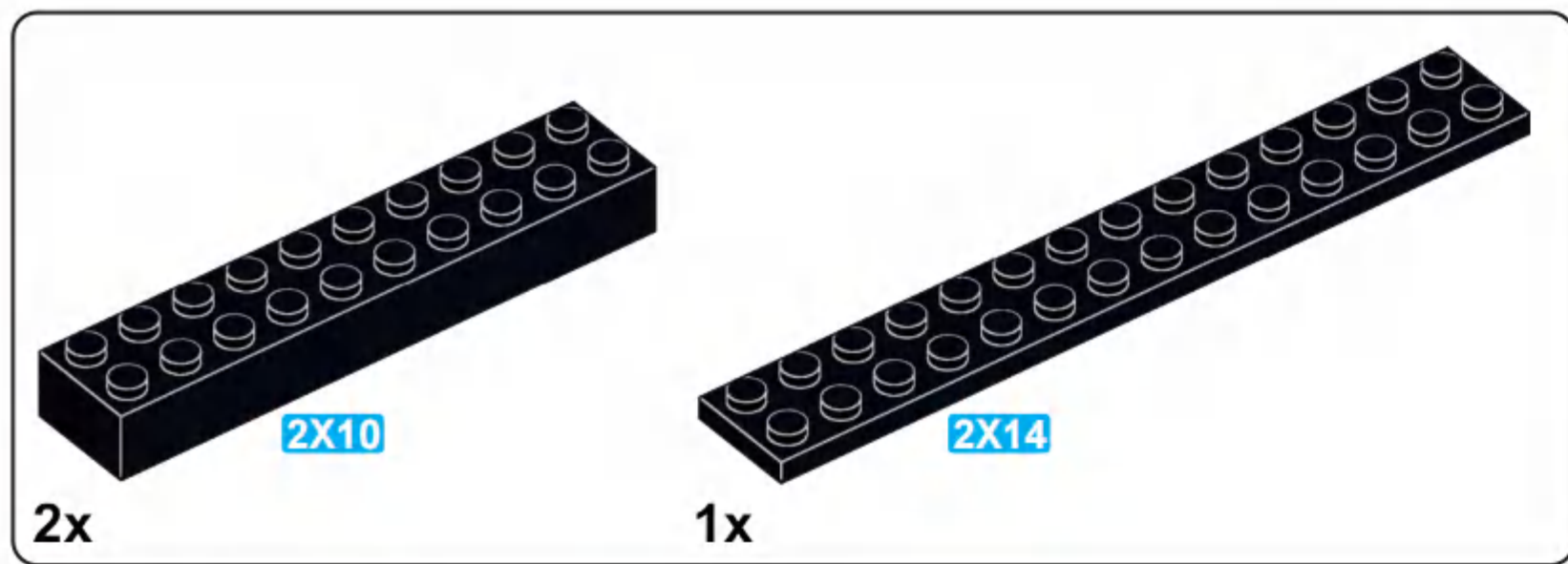


# T25

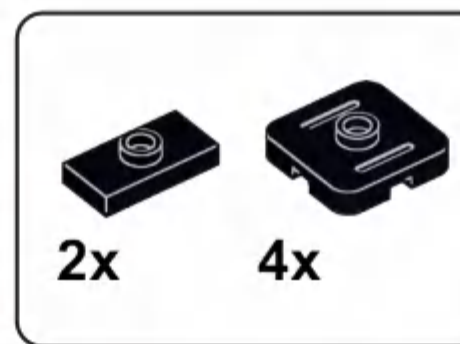
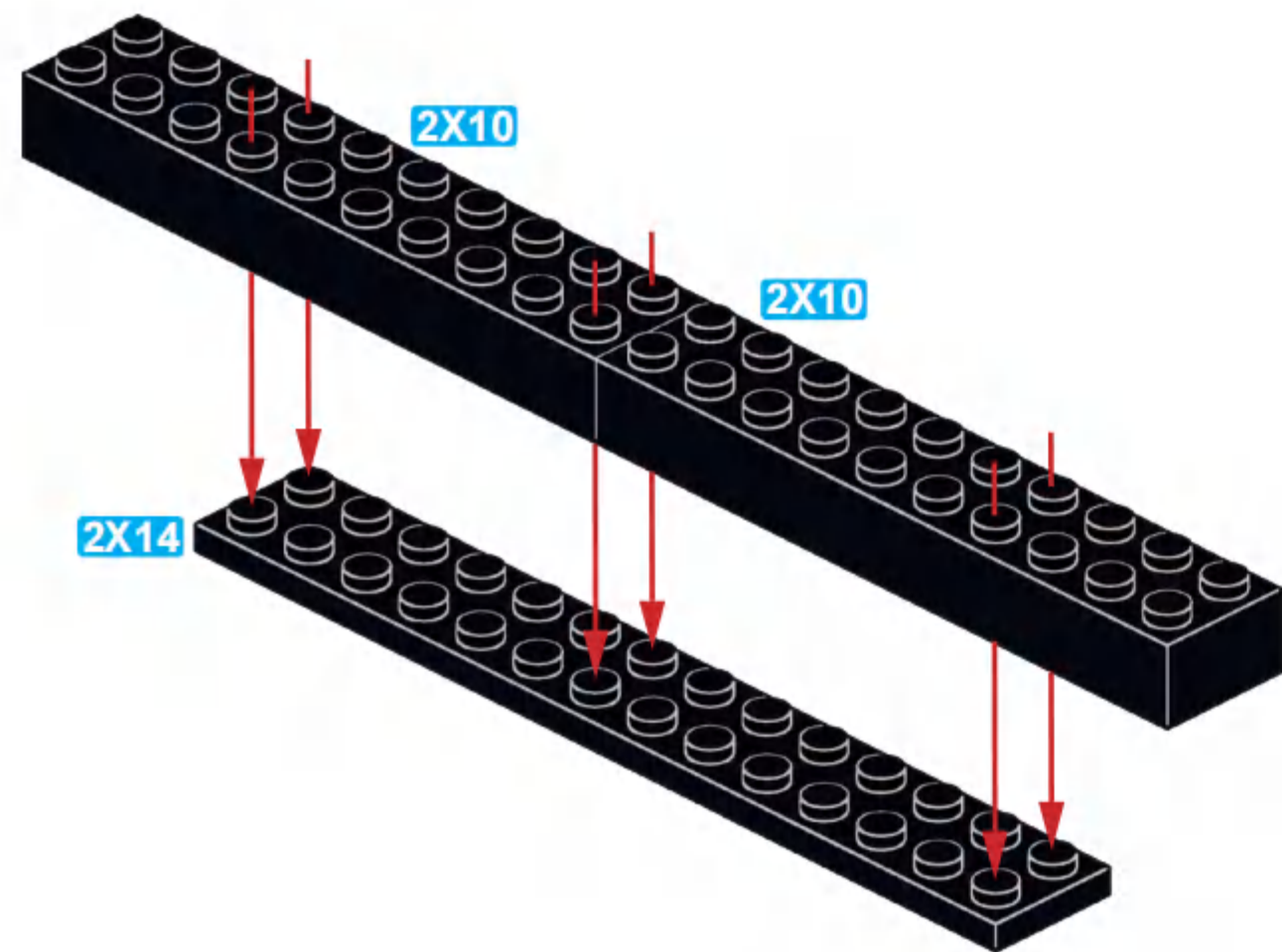


# T26

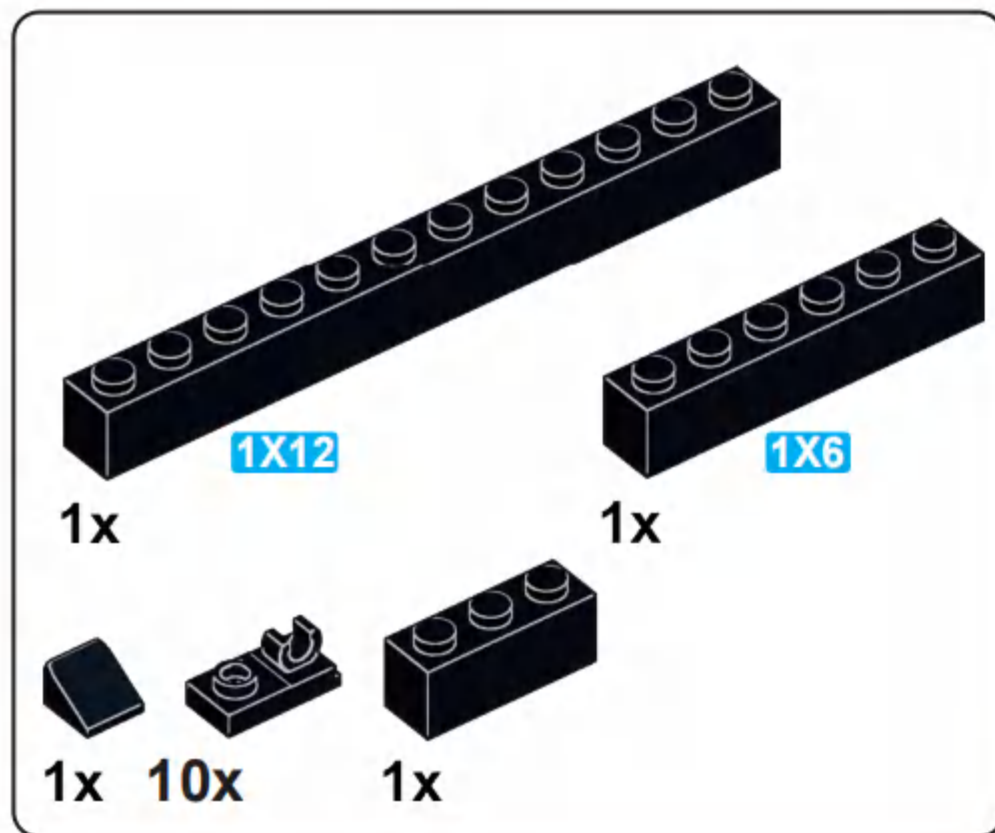
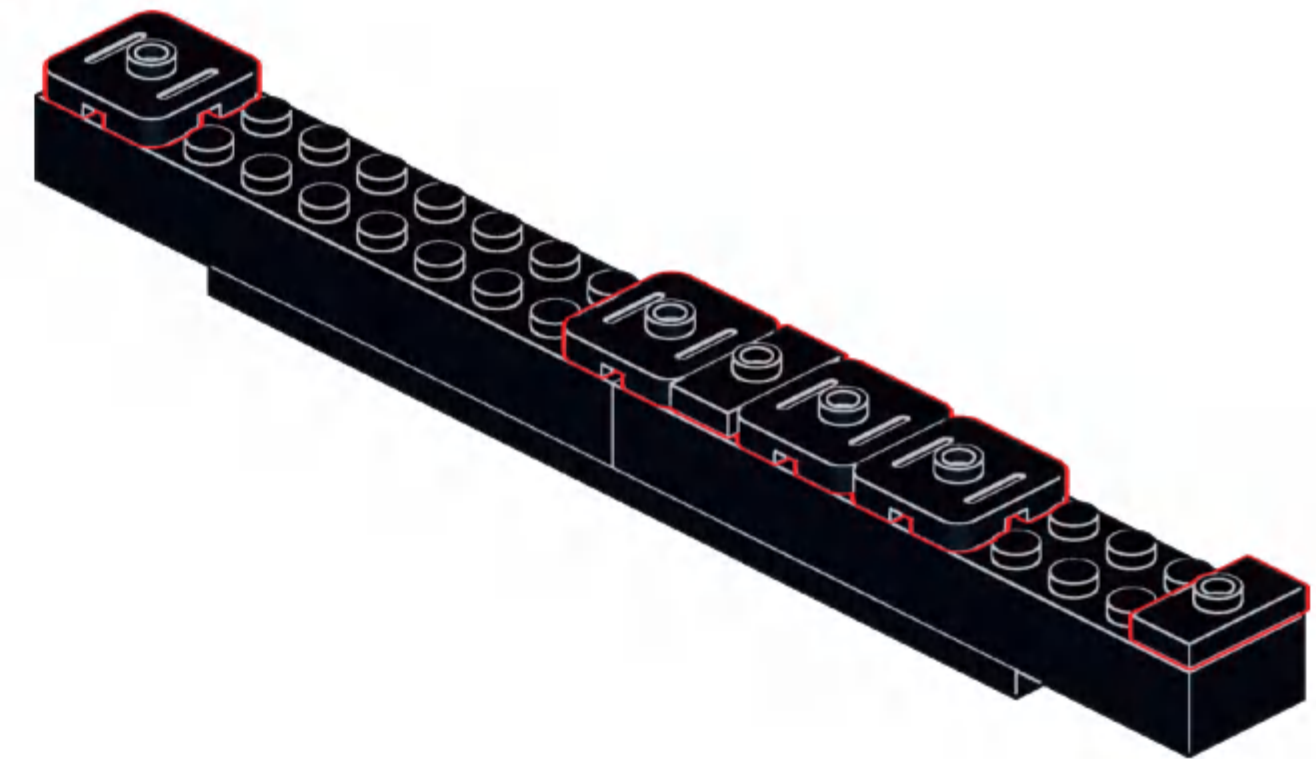




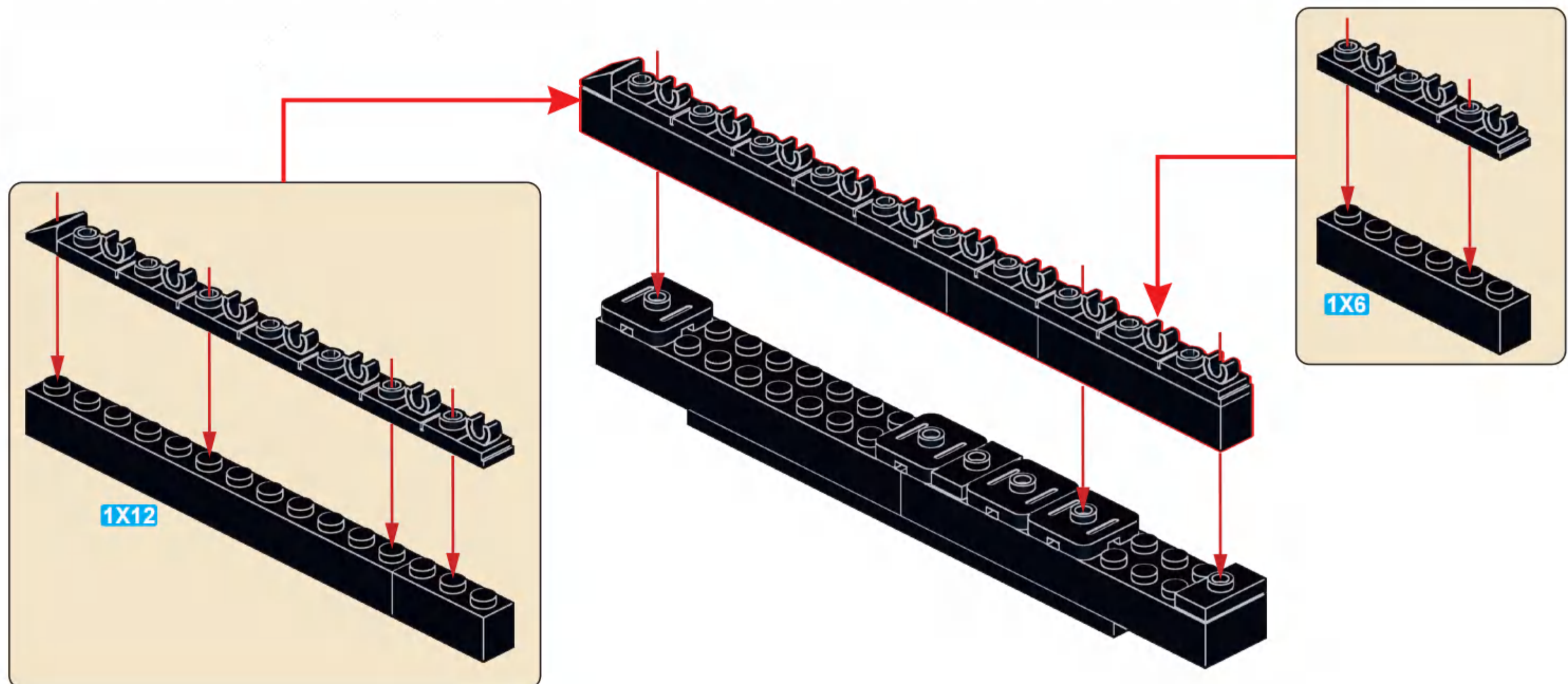
**T28**

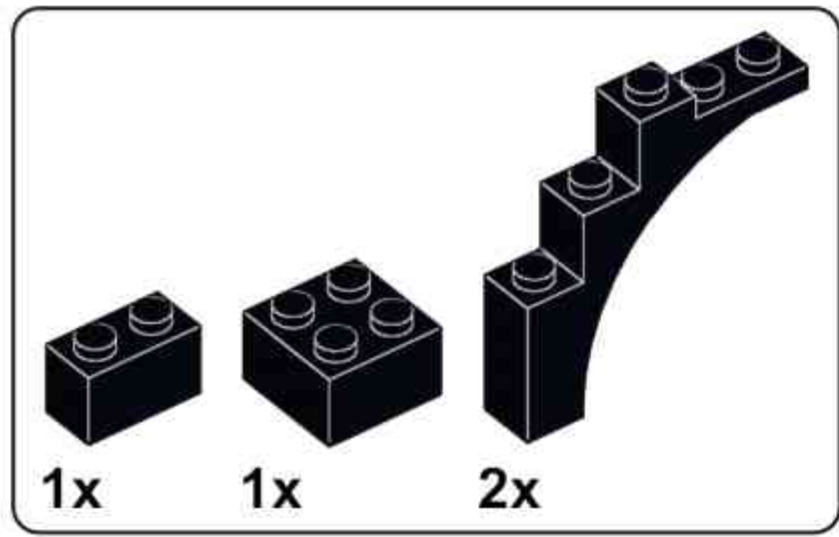


**T29**

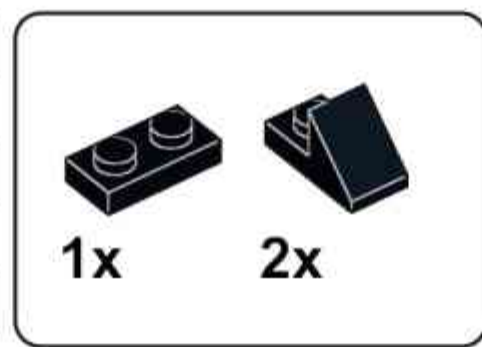
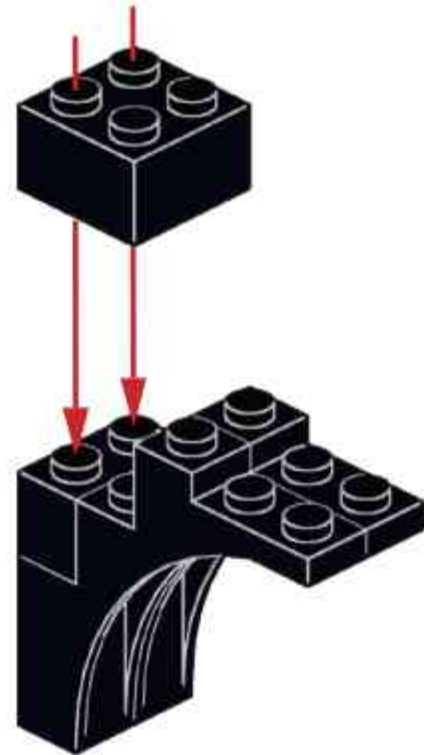


**T30**

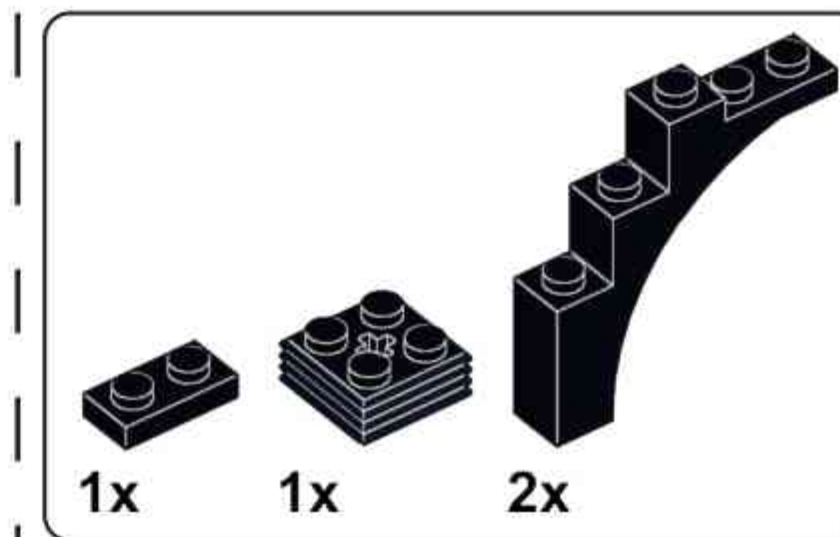
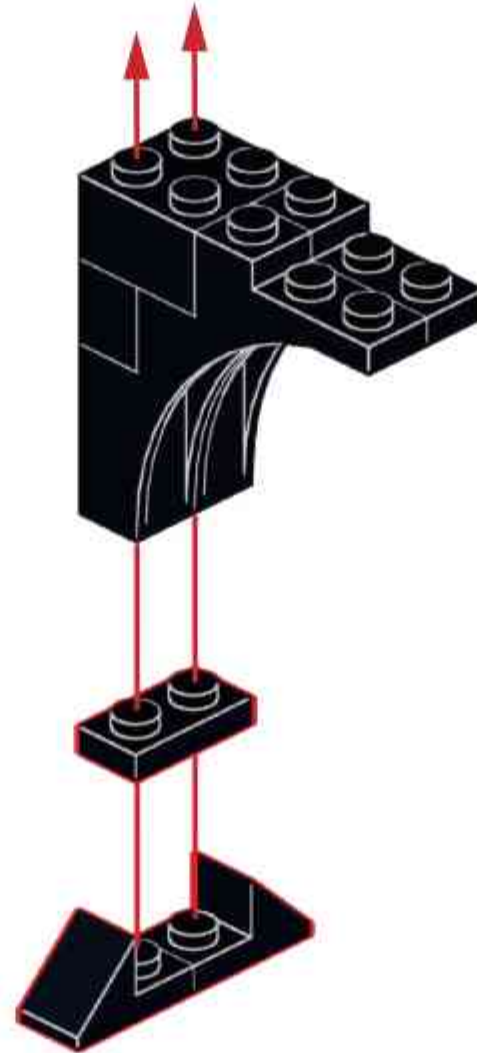




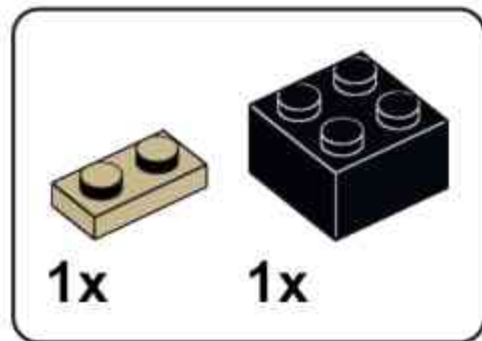
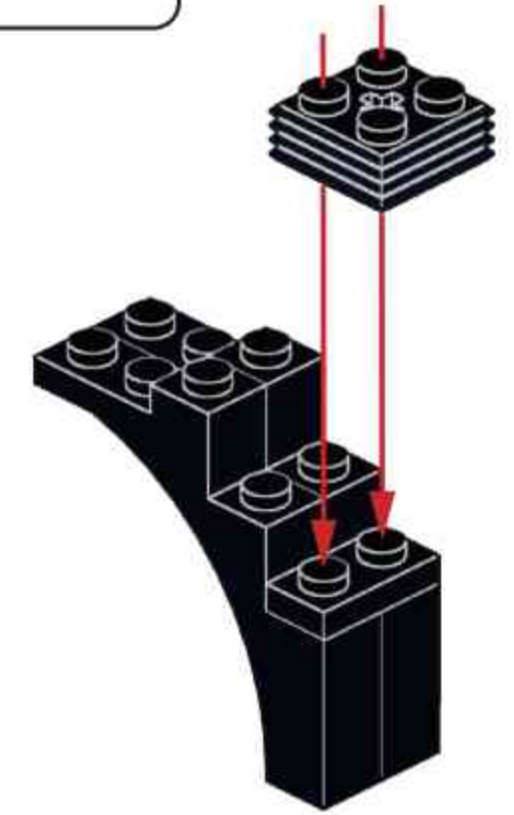
**T31**



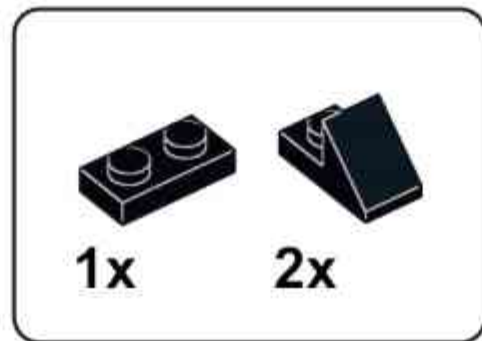
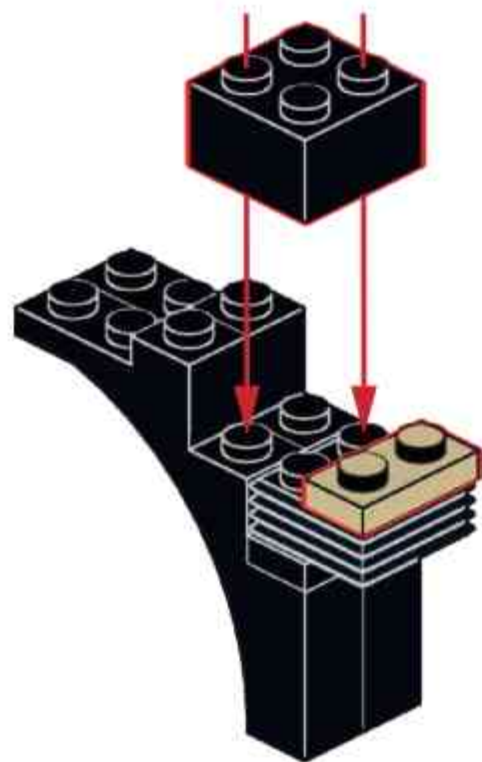
**T32**



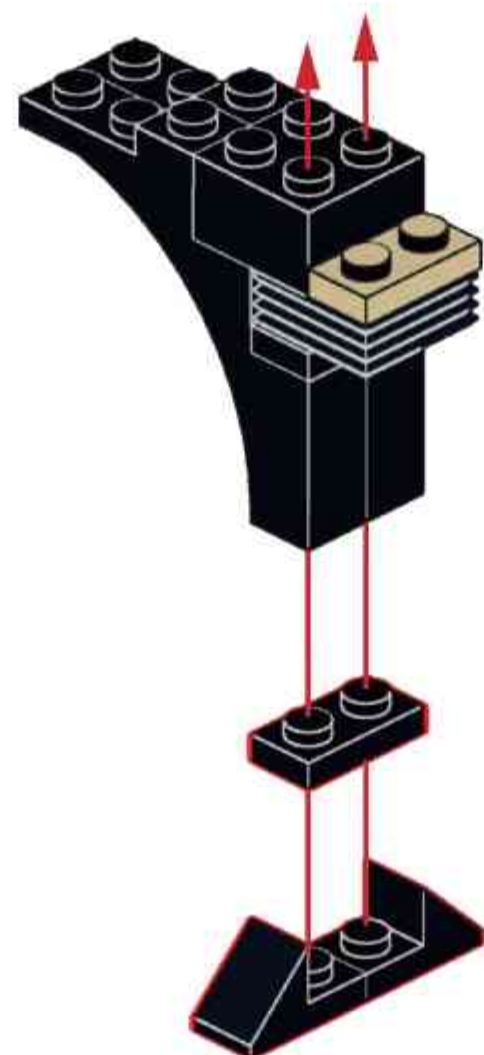
**T33**



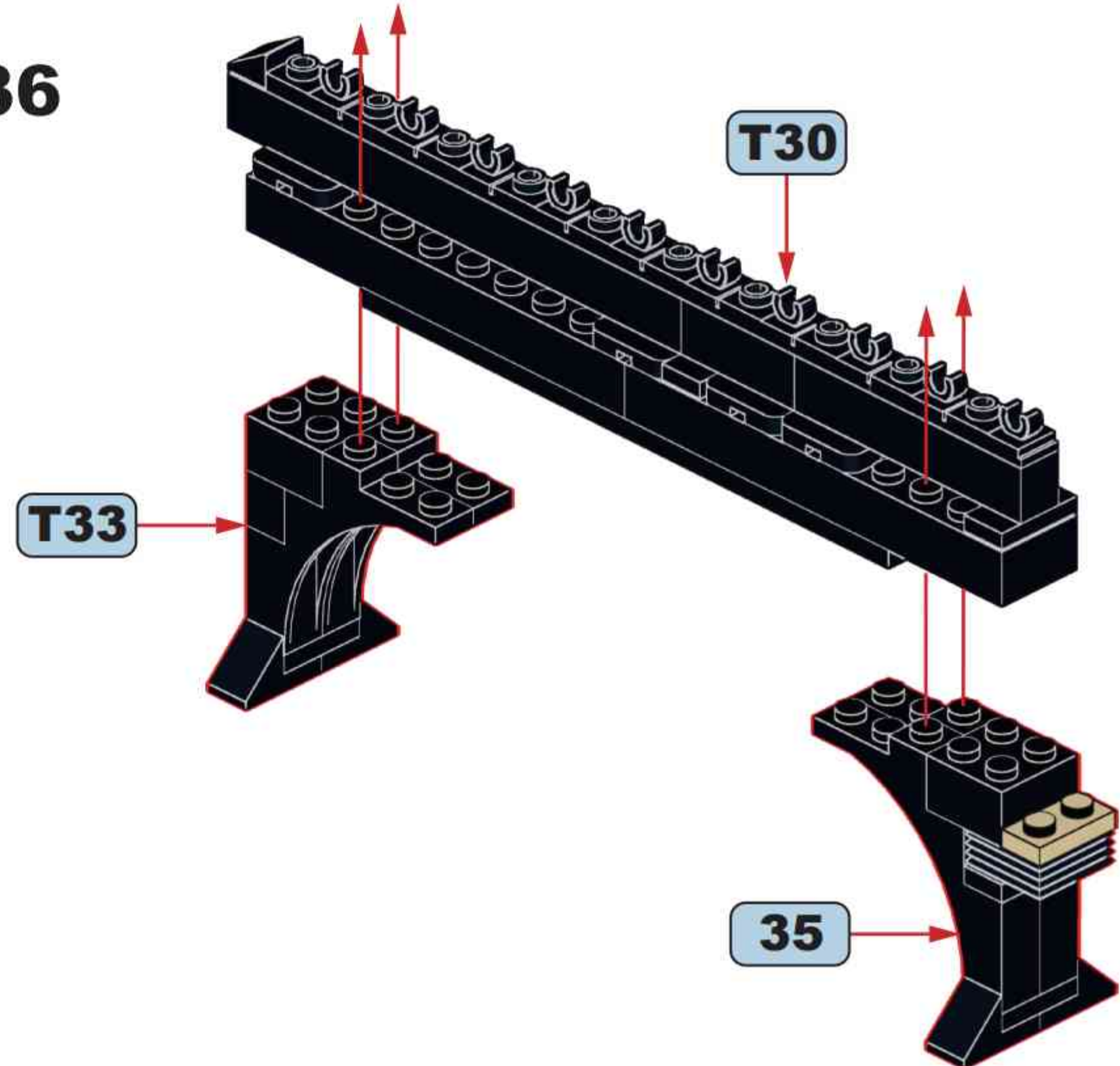
**T34**

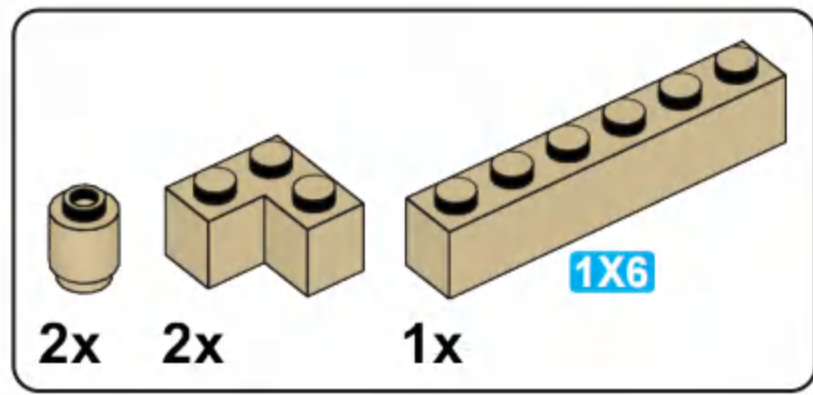


**T35**

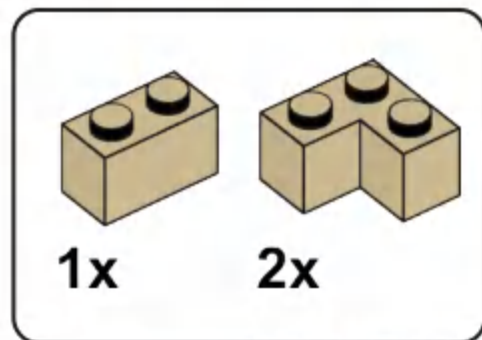
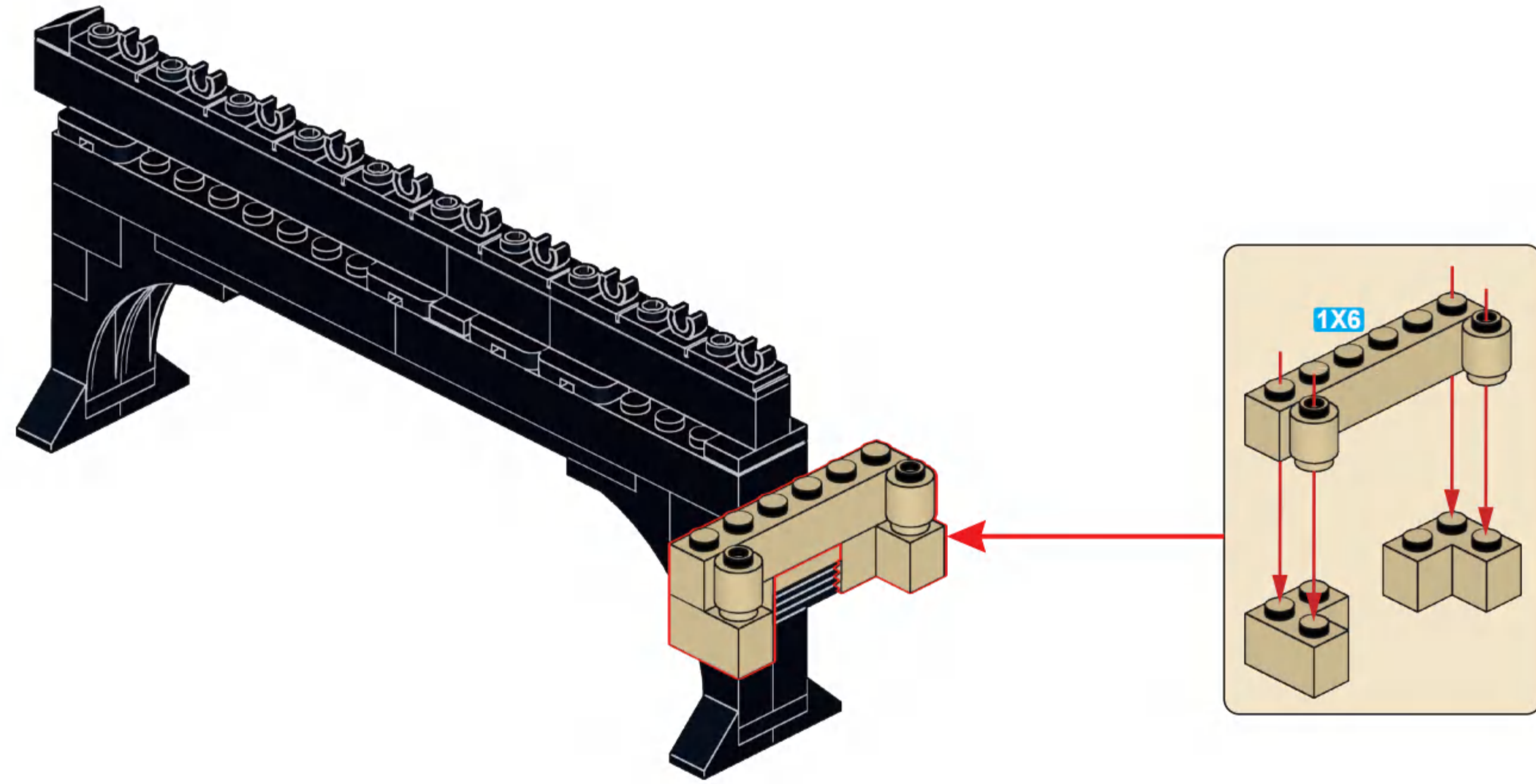


**T36**

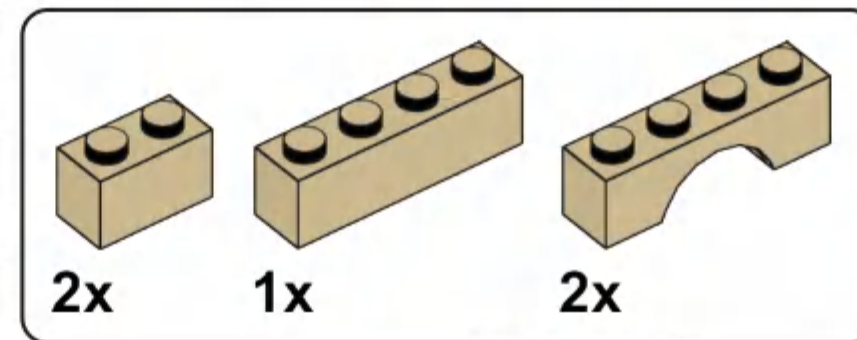
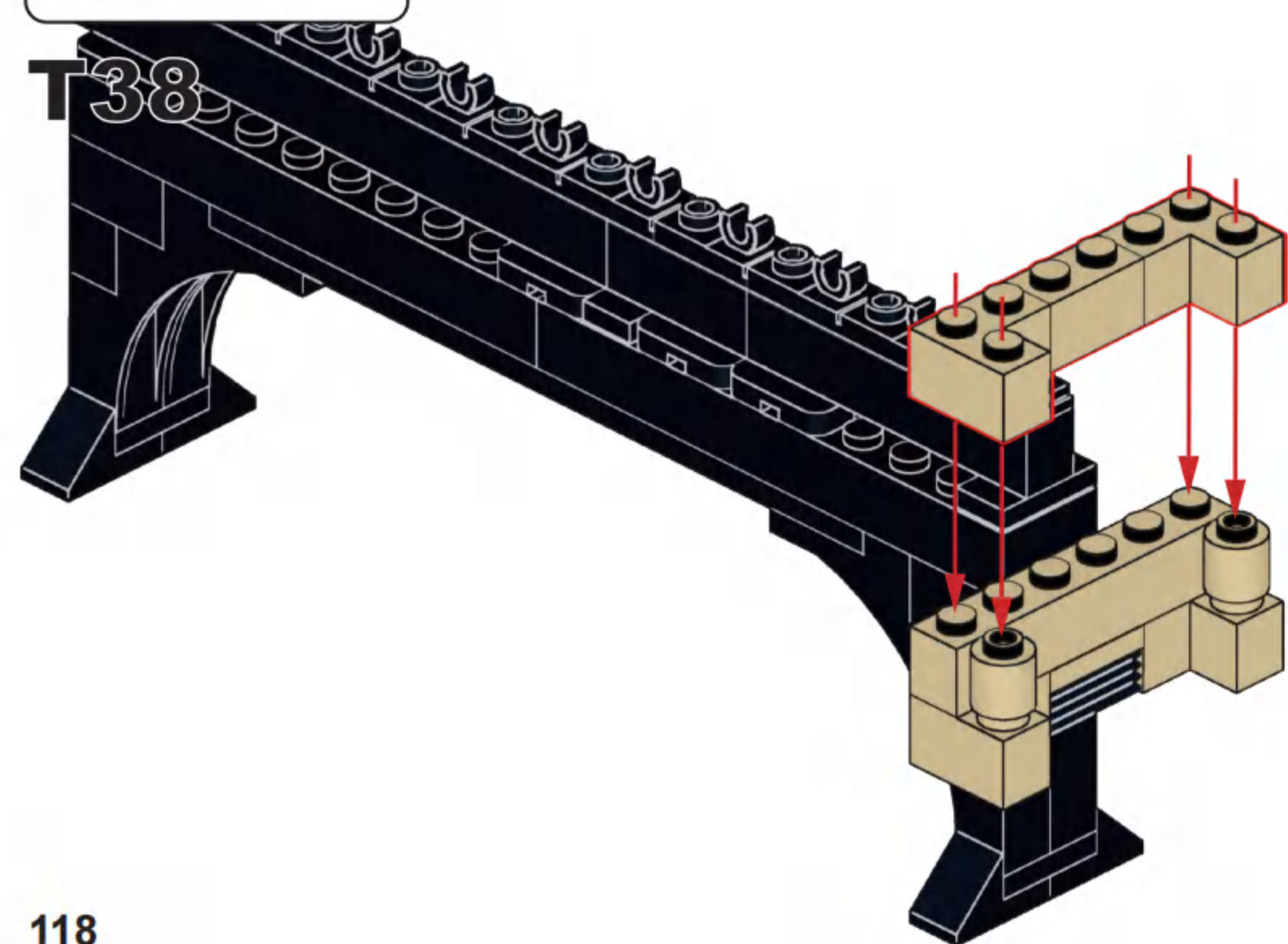




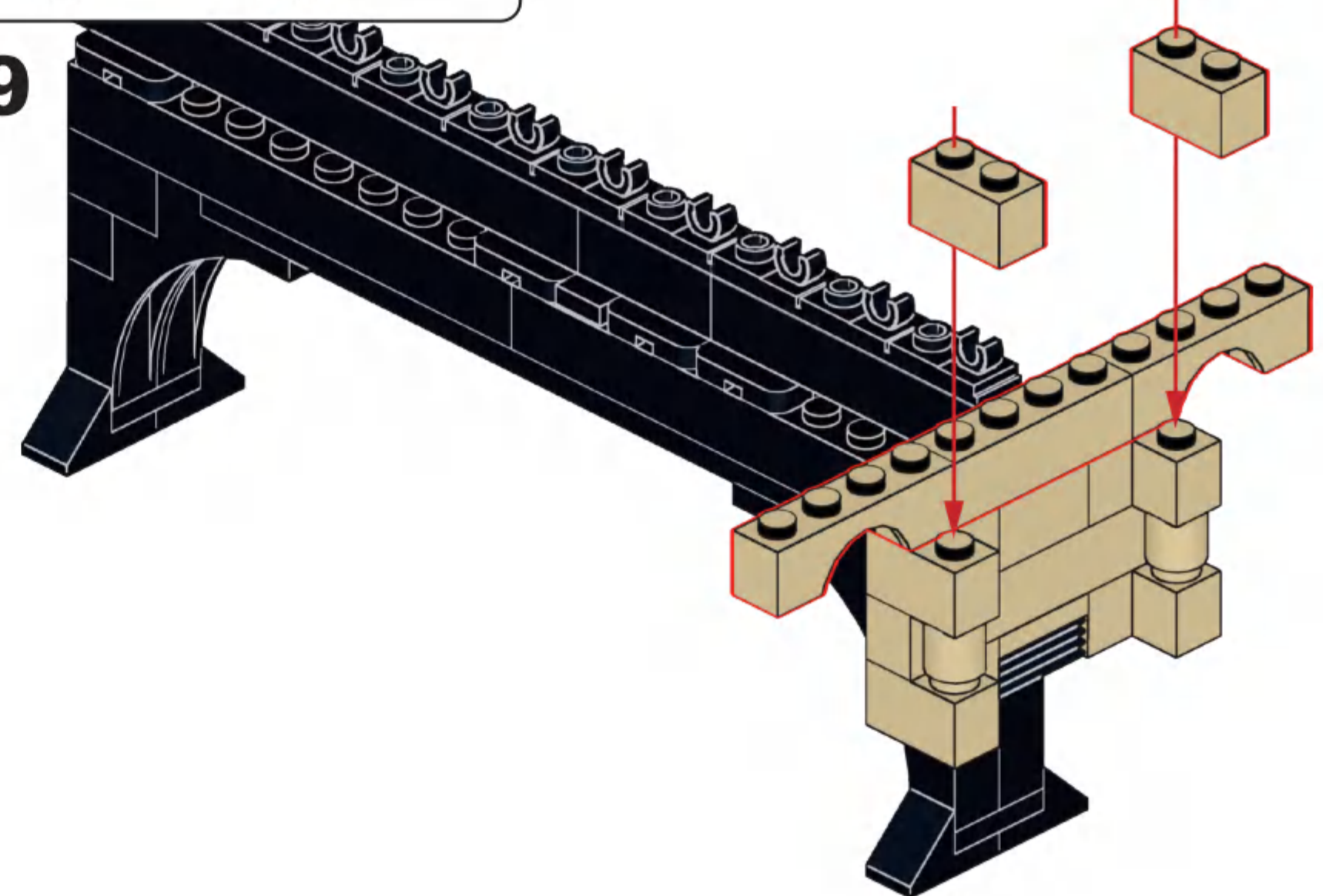
**T37**

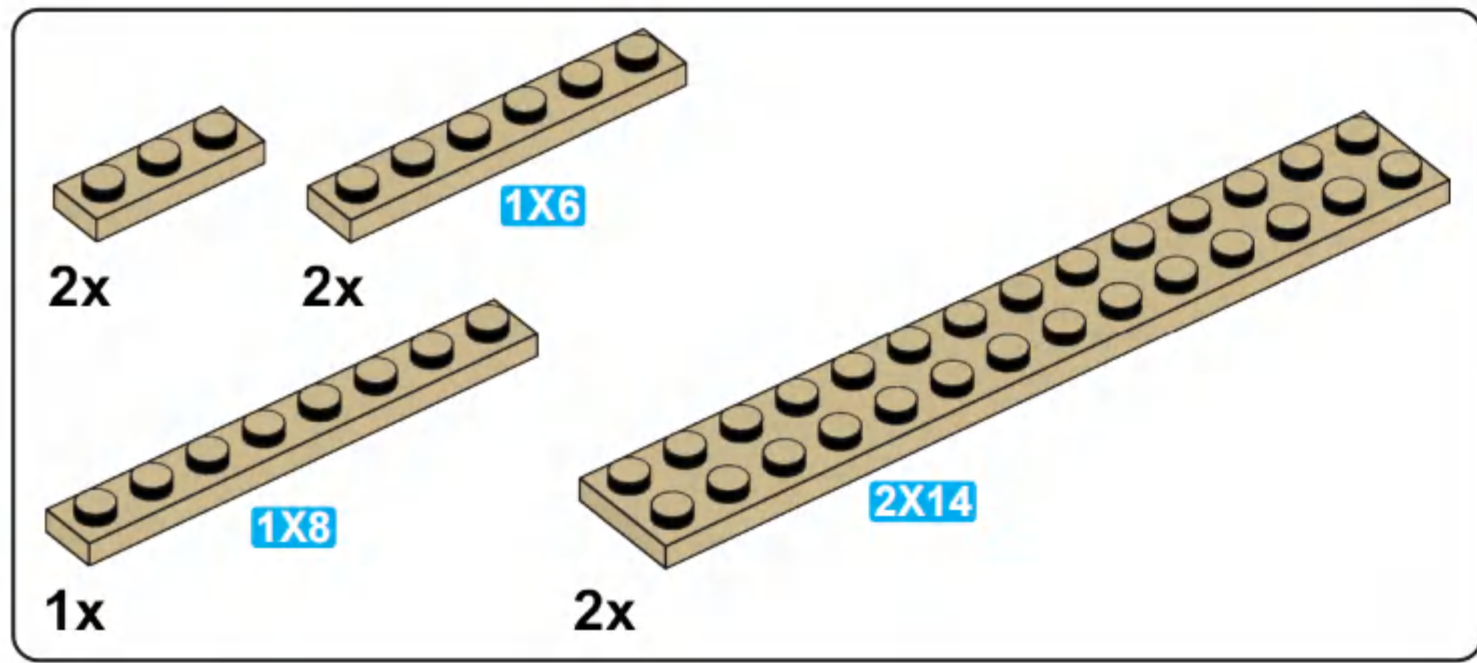


**T38**

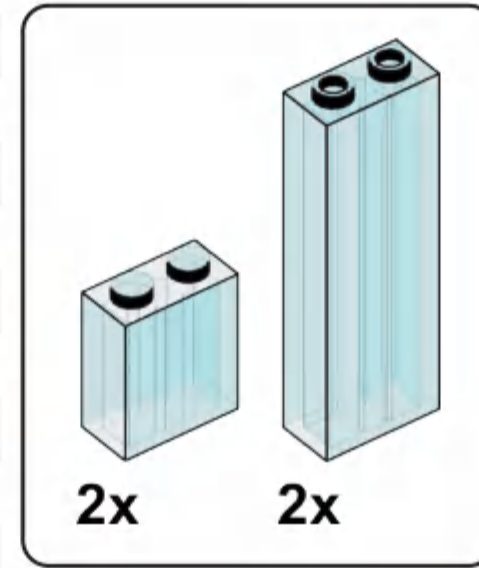
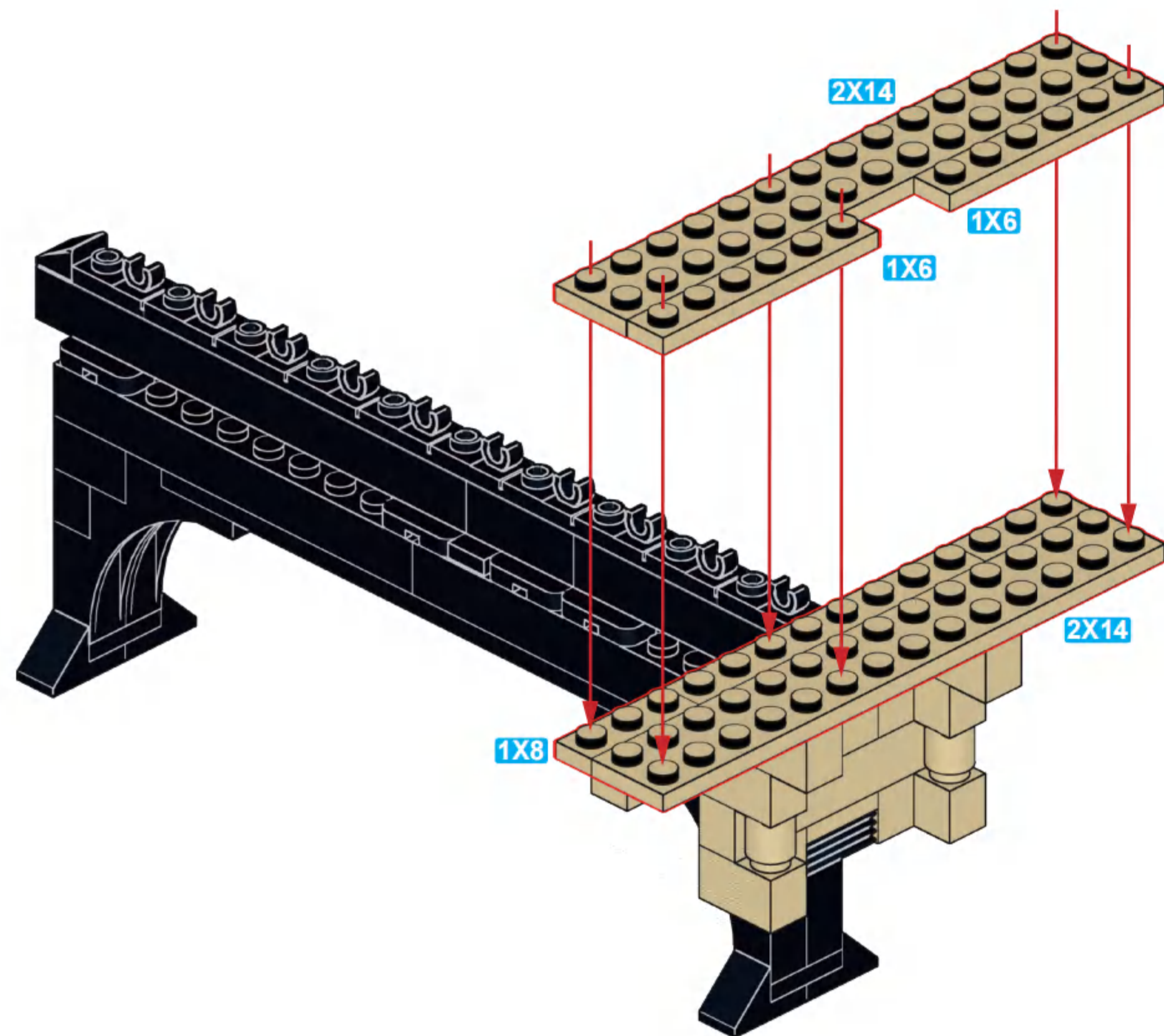


**T39**

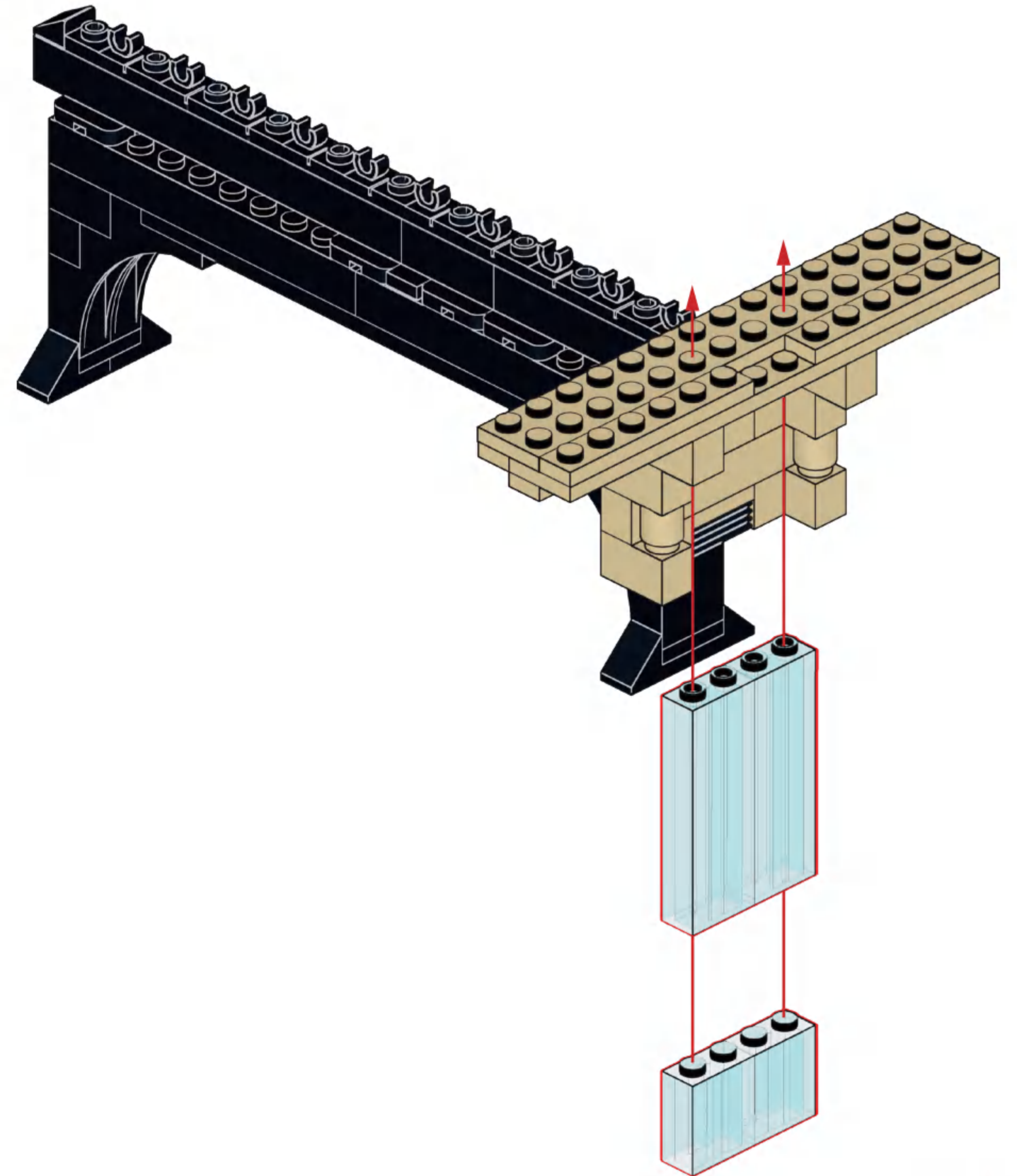


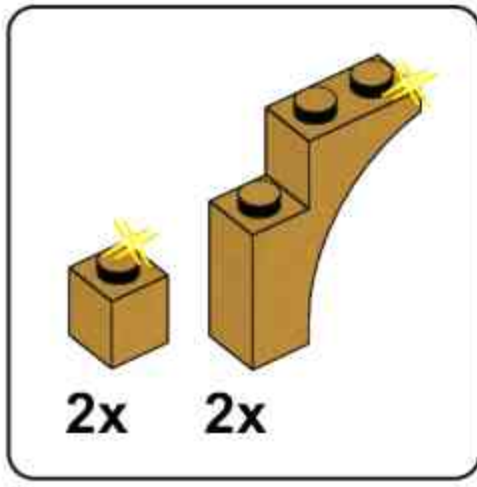


## T40

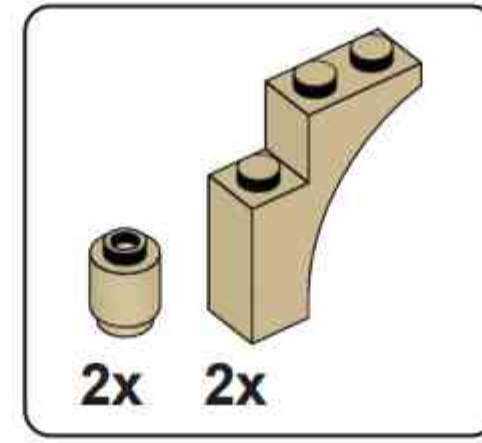
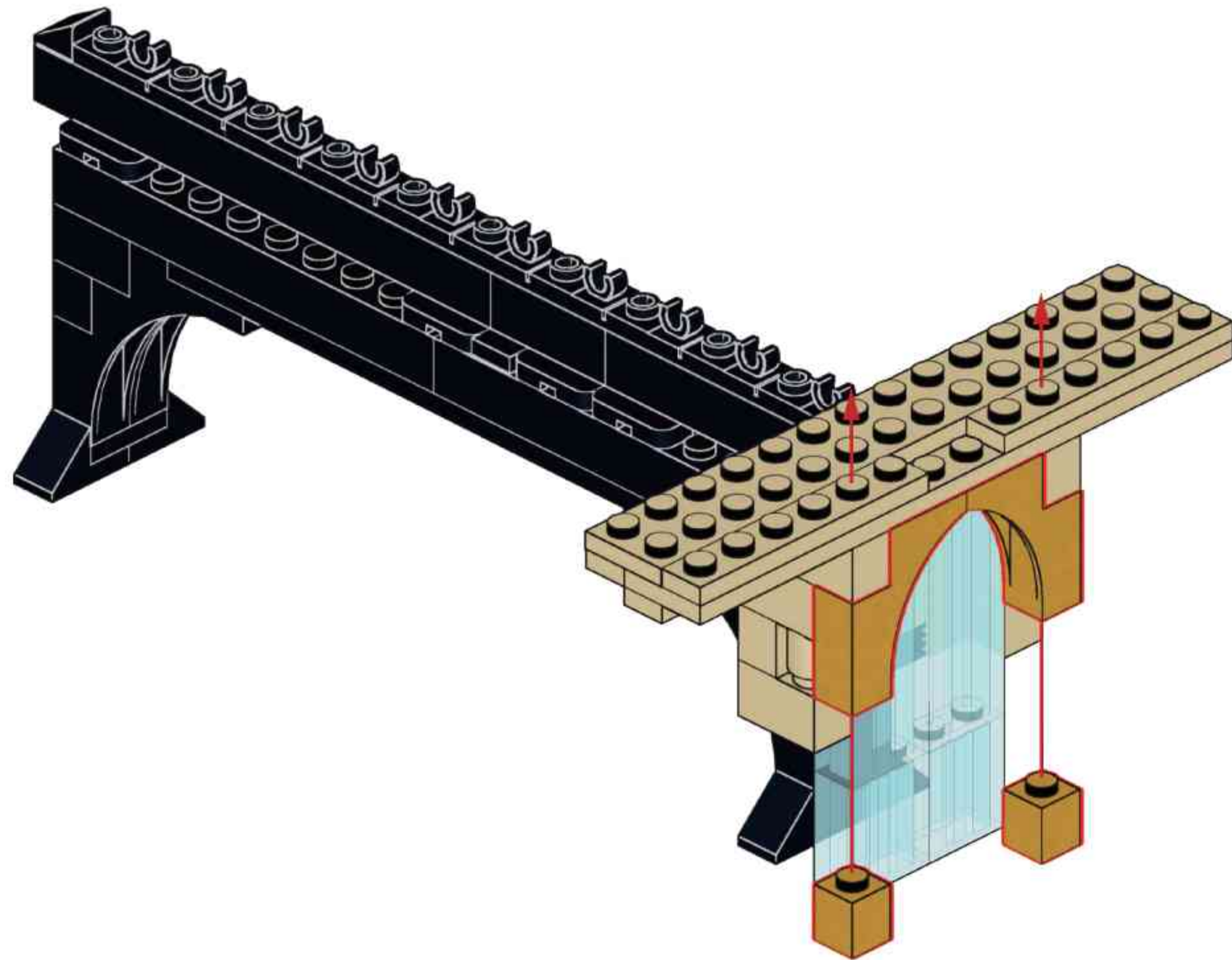


## T41

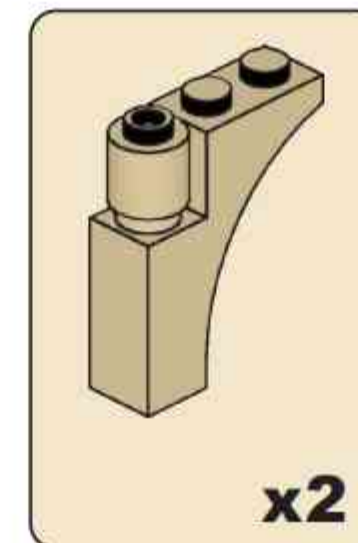
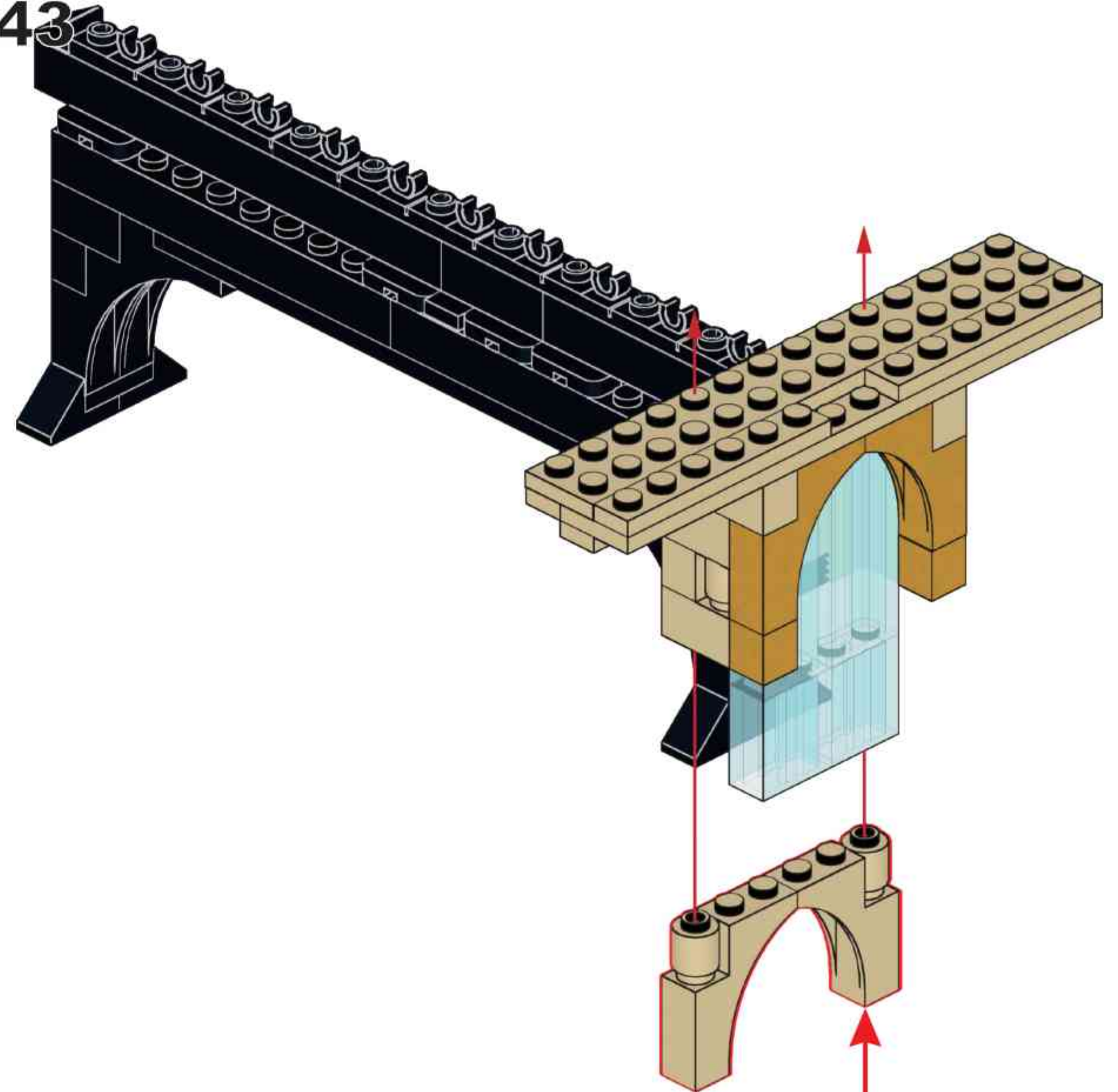


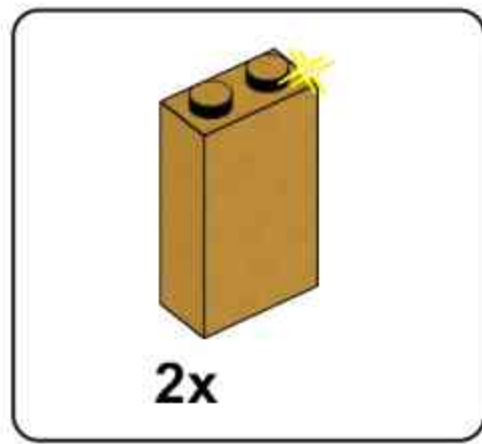


**T42**



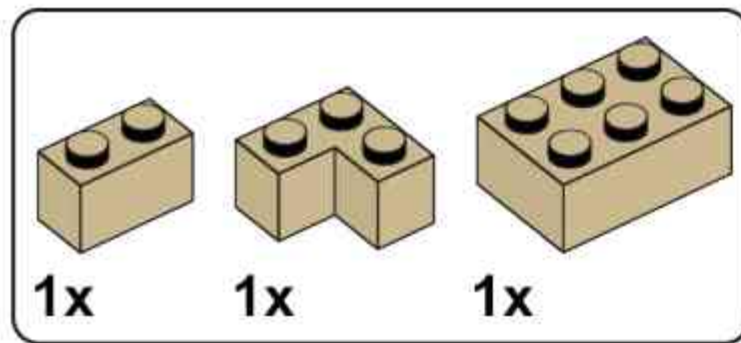
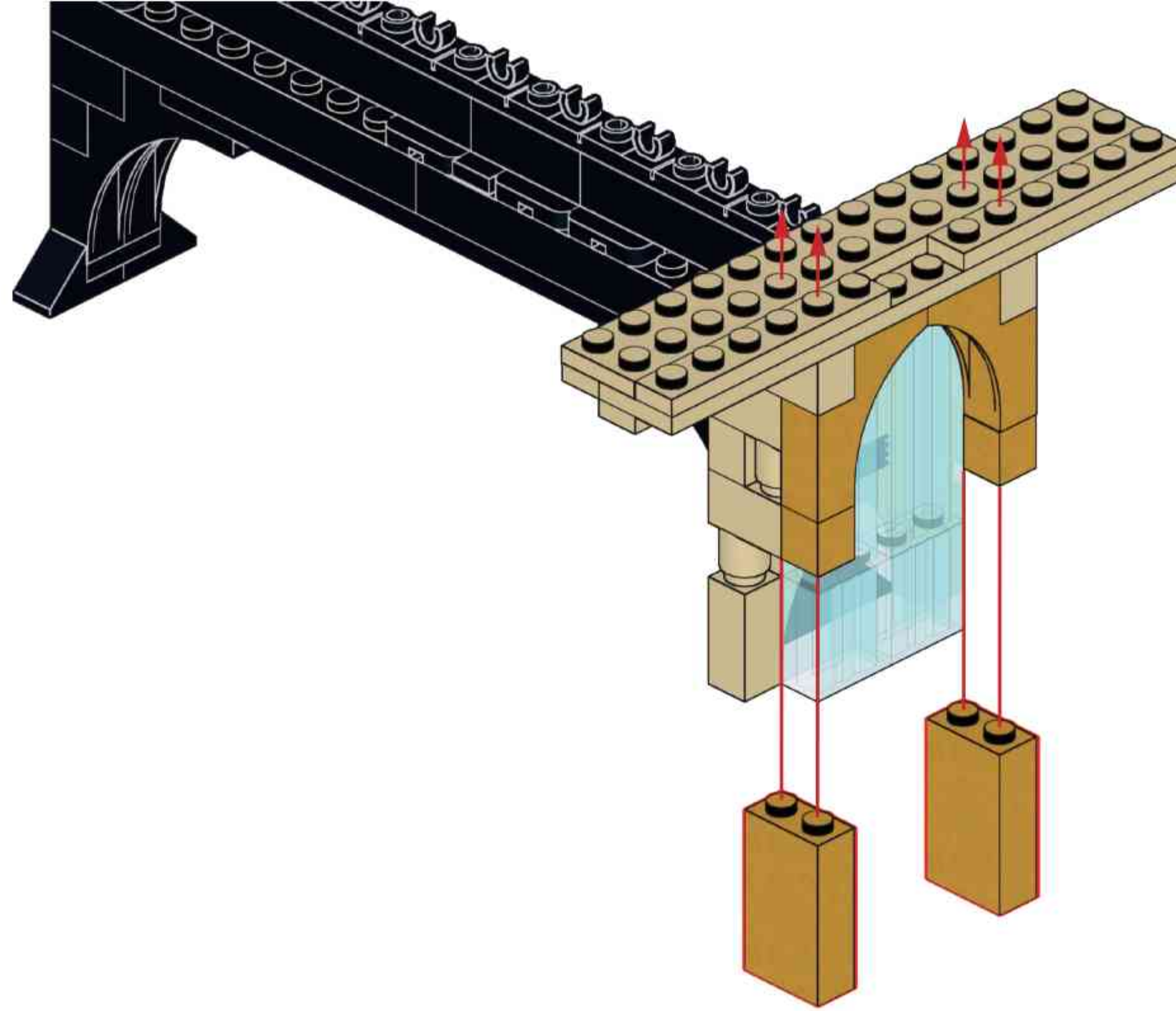
**T43**





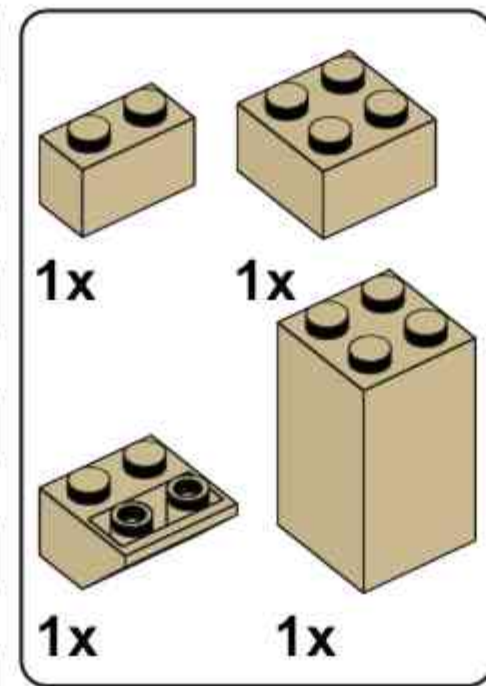
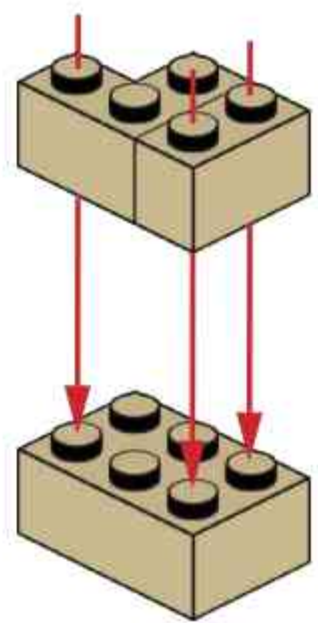
2x

**T44**



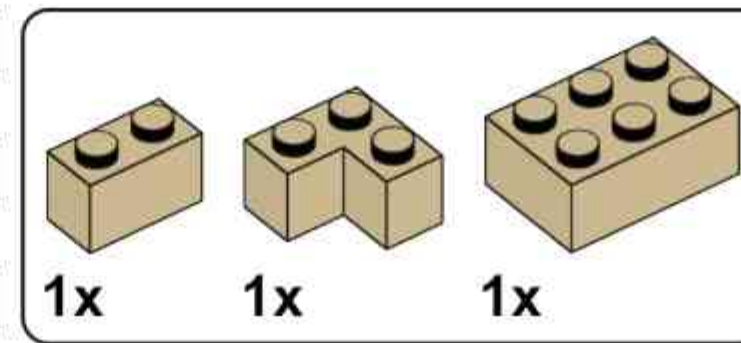
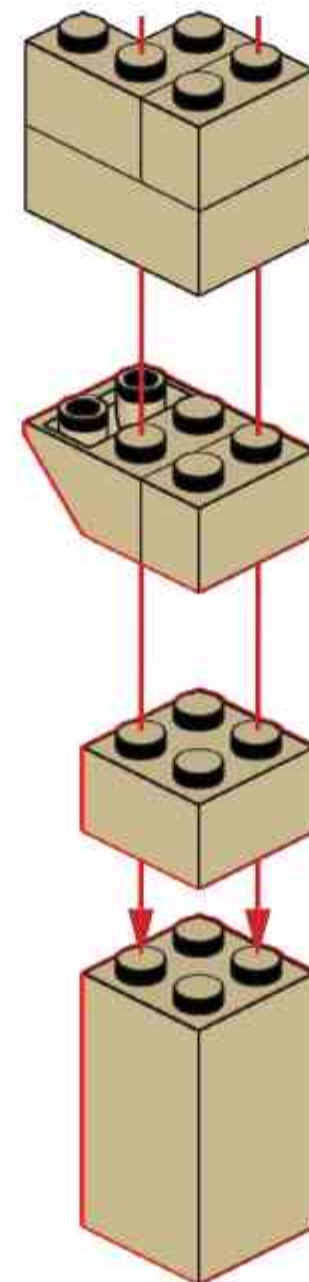
1x 1x 1x

**T45**



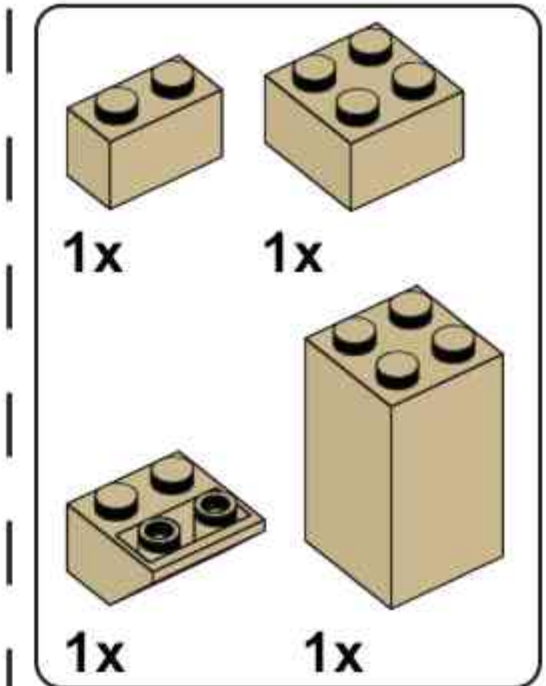
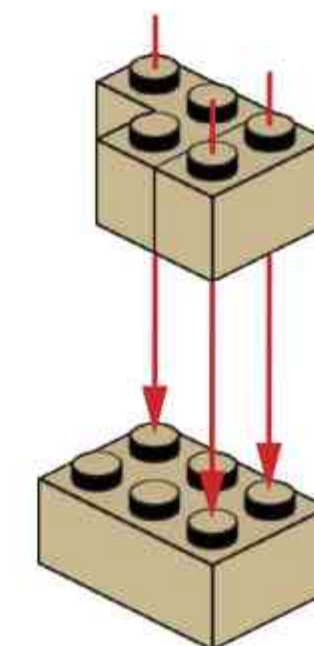
1x 1x  
1x 1x

**T46**



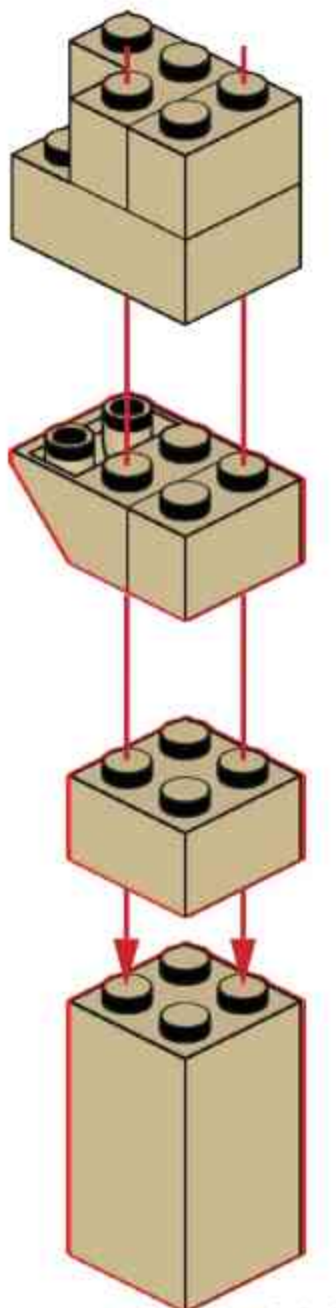
1x 1x 1x

**T47**

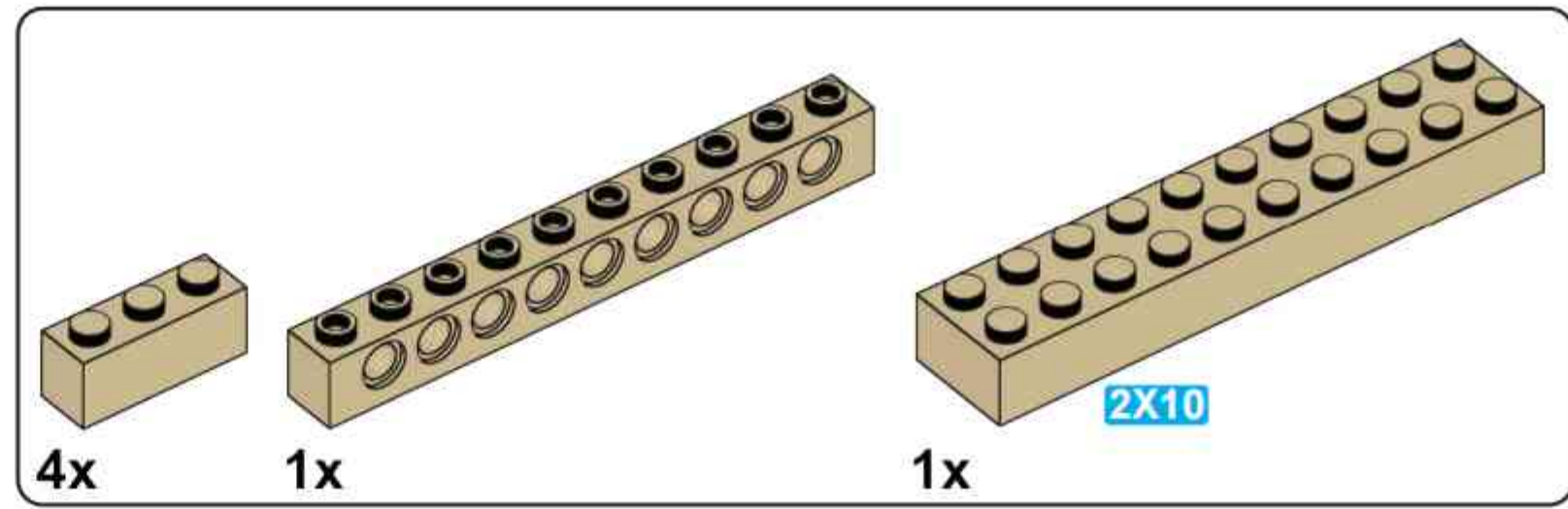
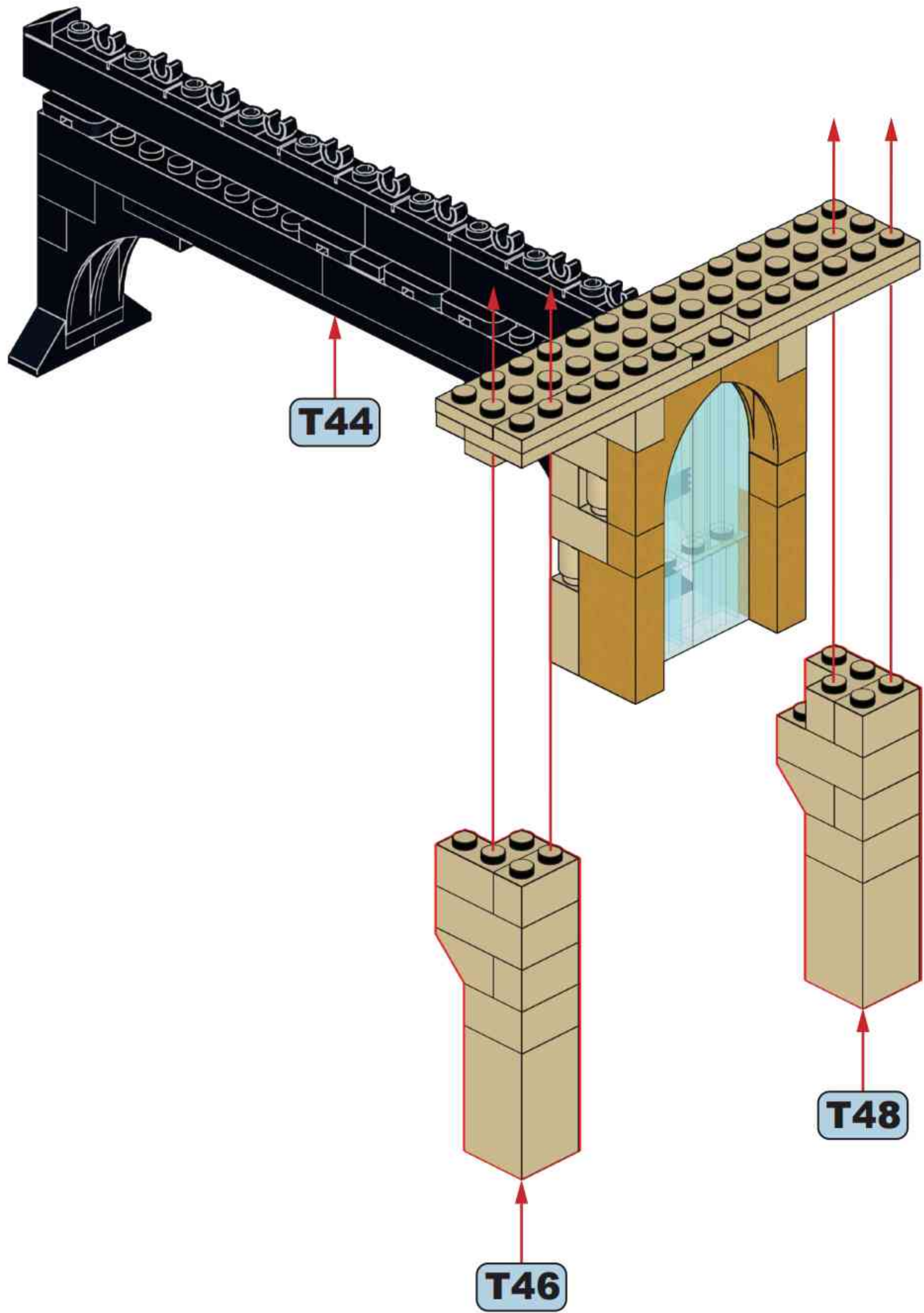


1x 1x  
1x 1x

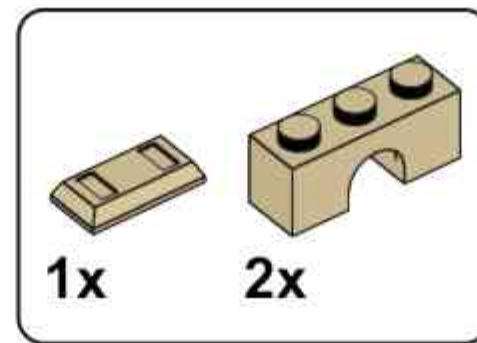
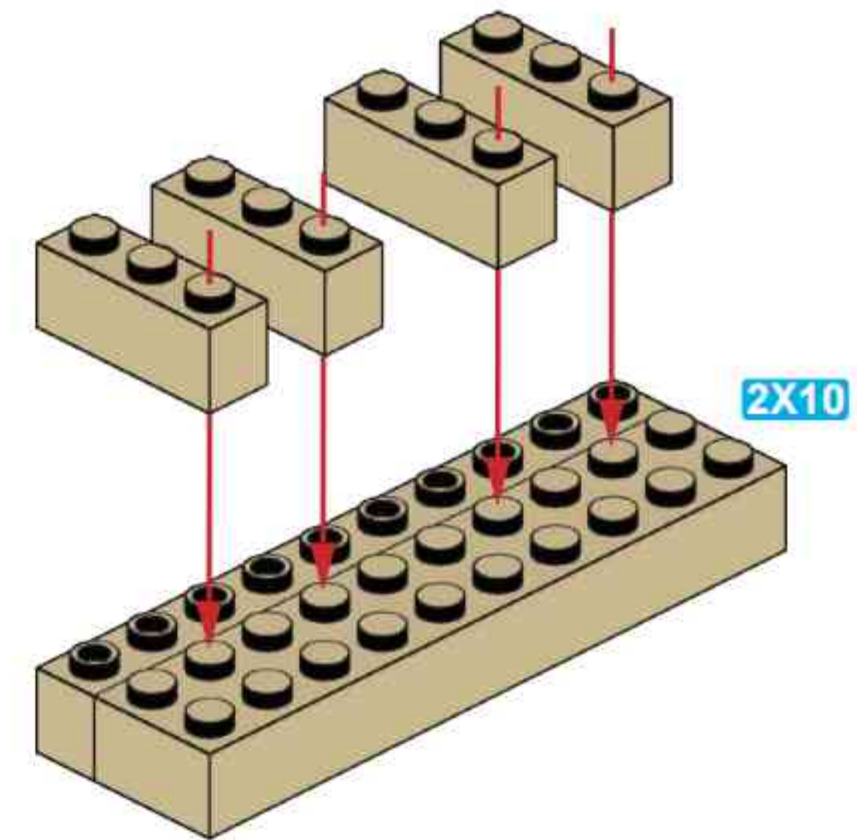
**T48**



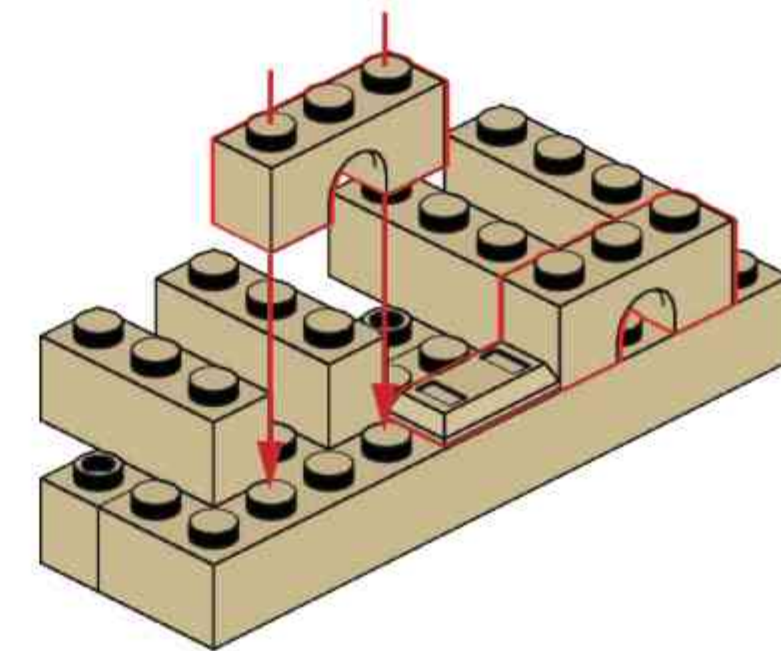
# T49

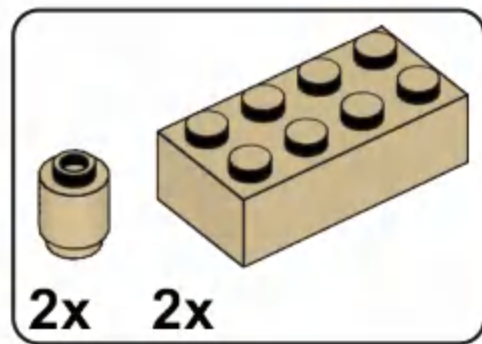


# T50

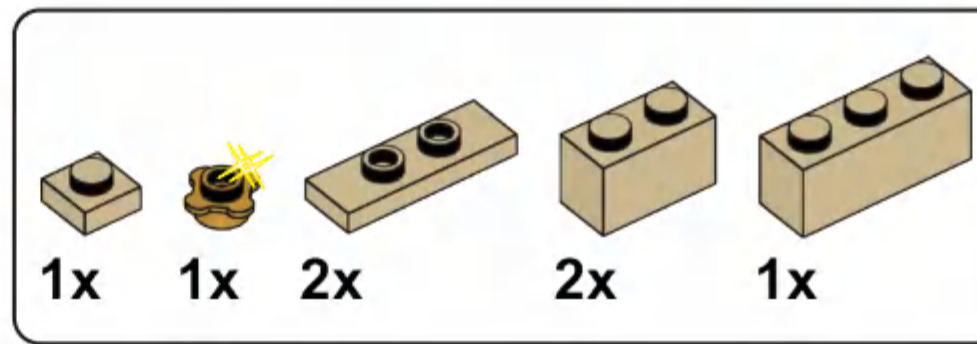
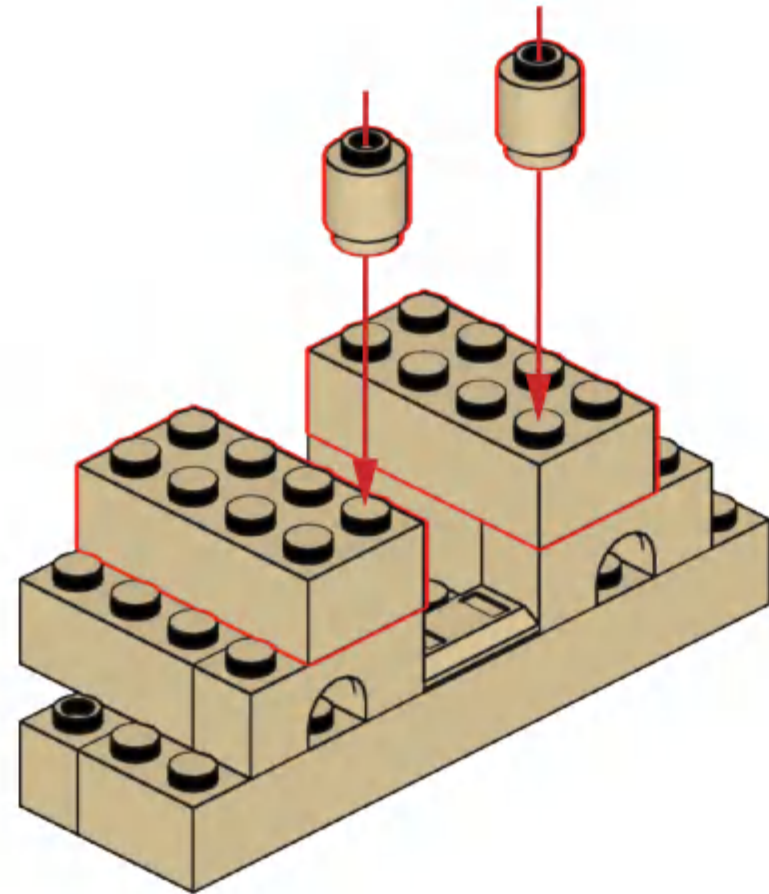


# T51

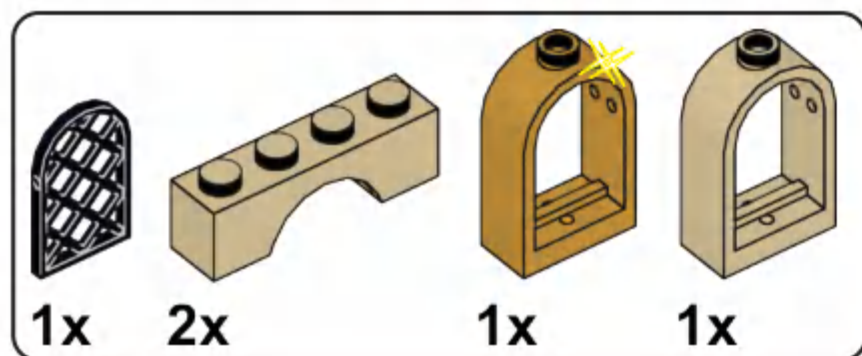
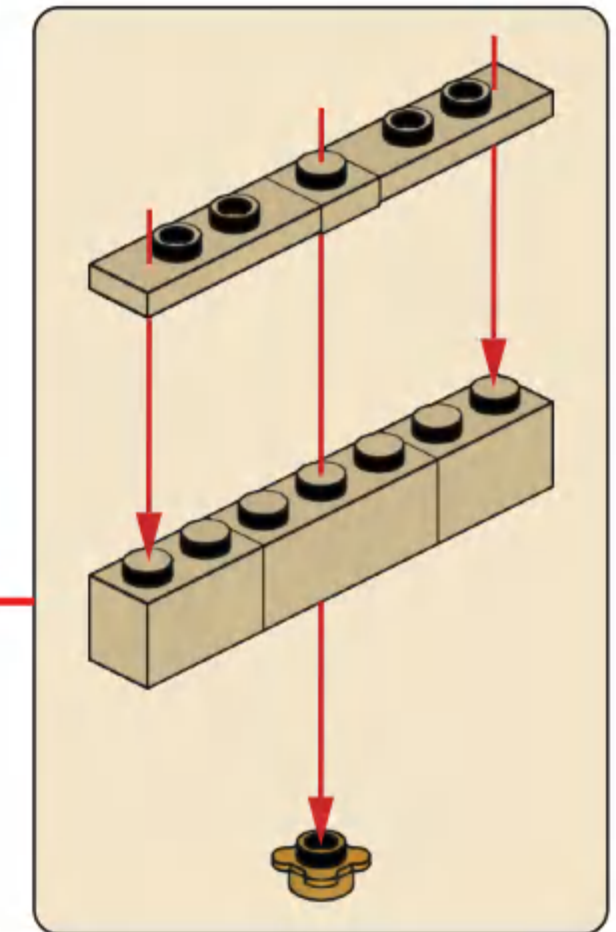
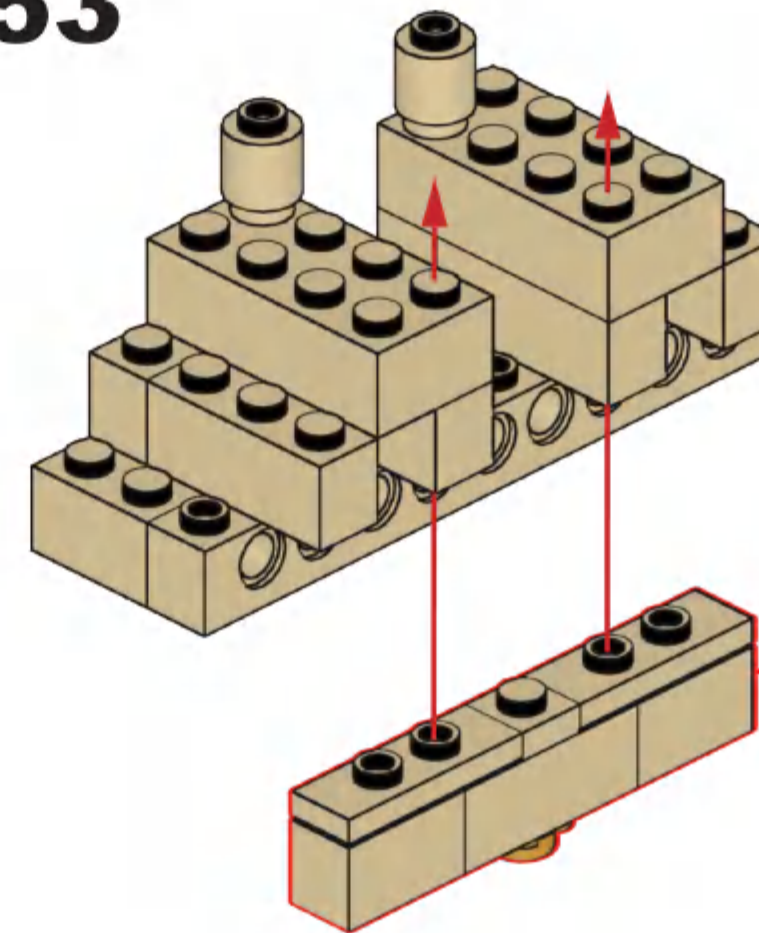




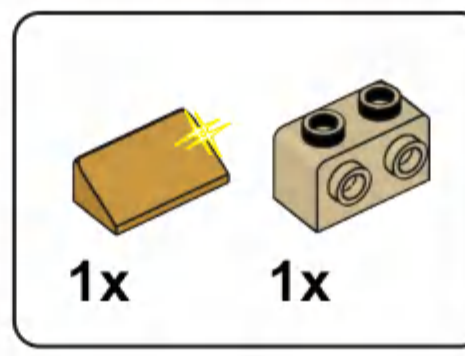
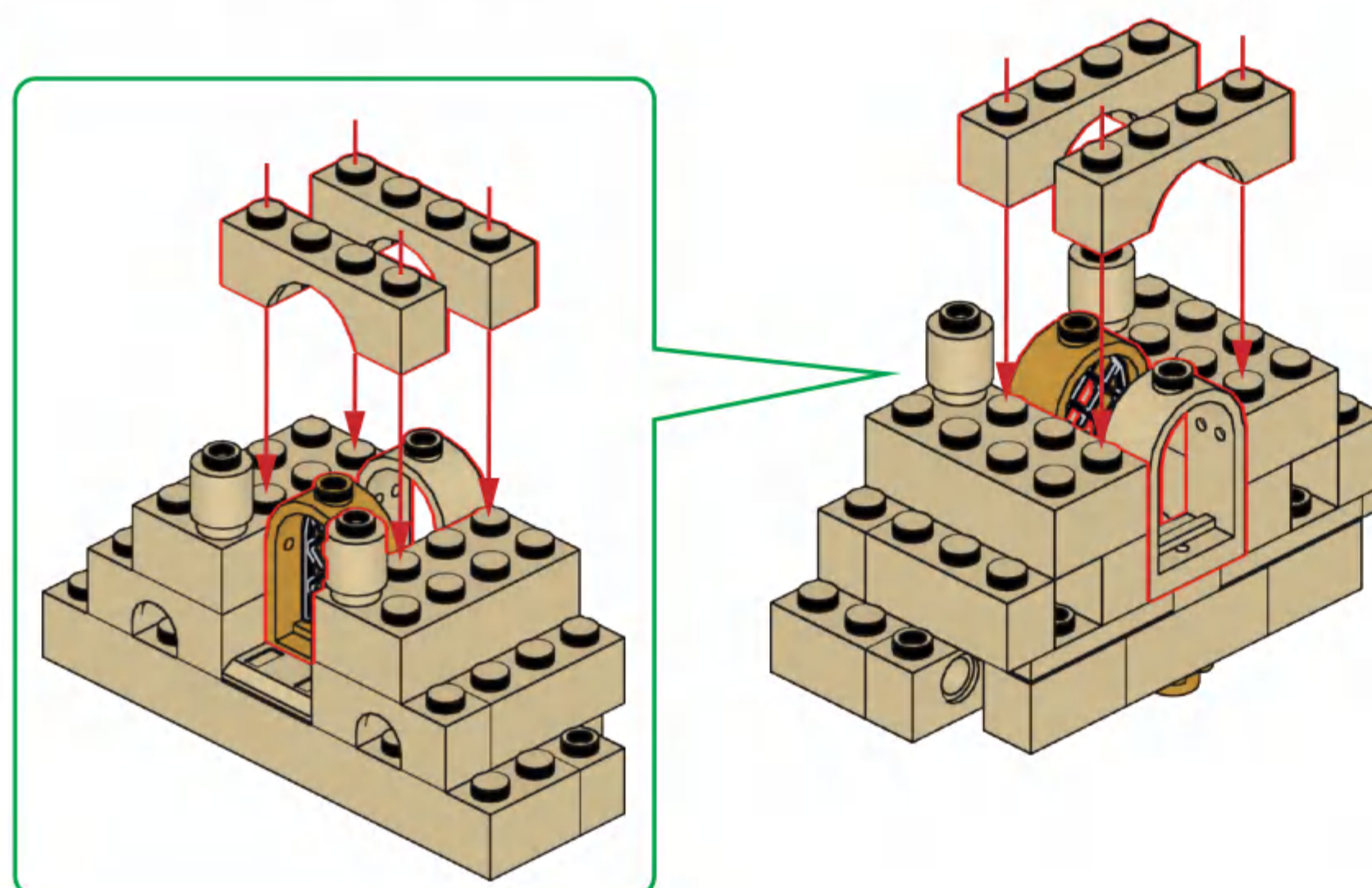
### T52



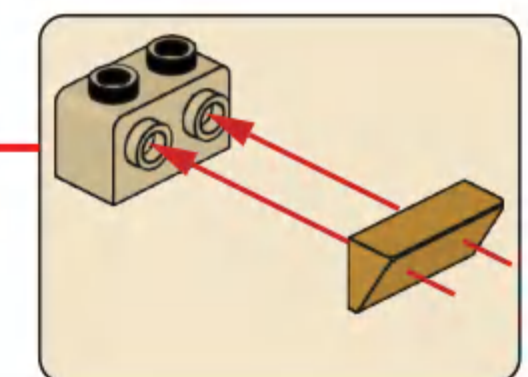
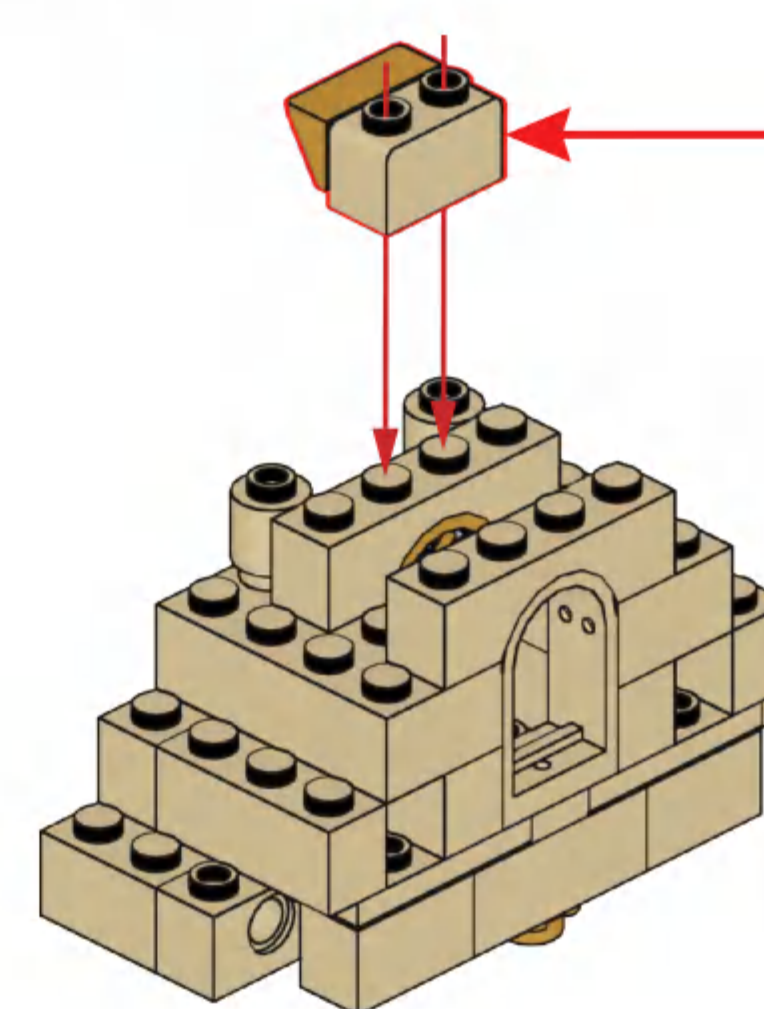
### T53

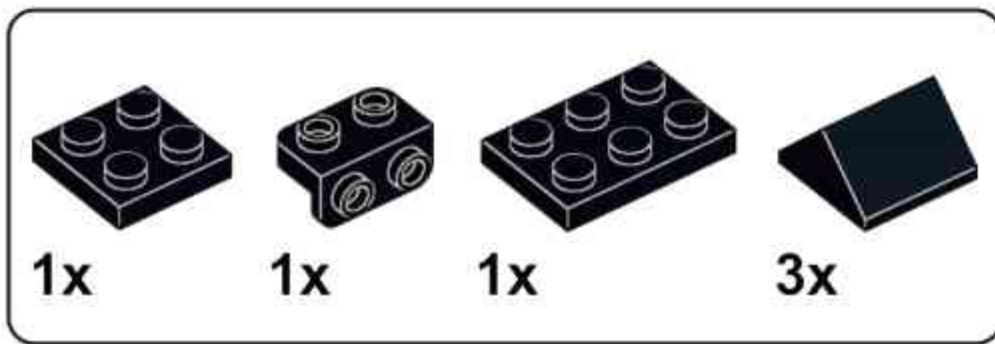


### T54

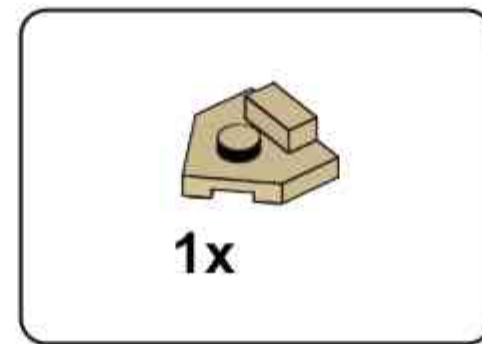
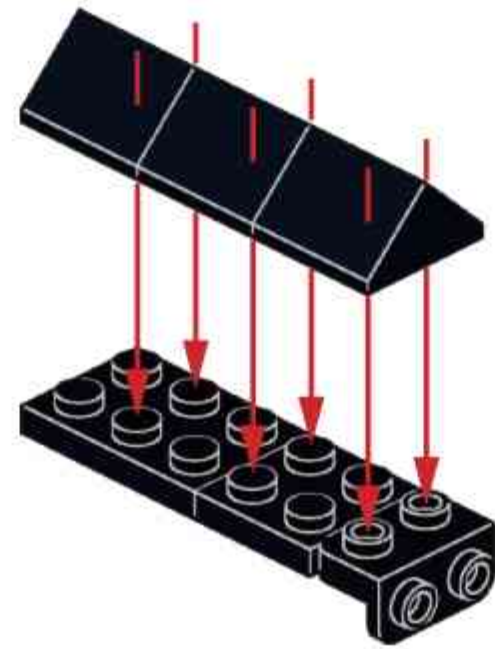


### T55

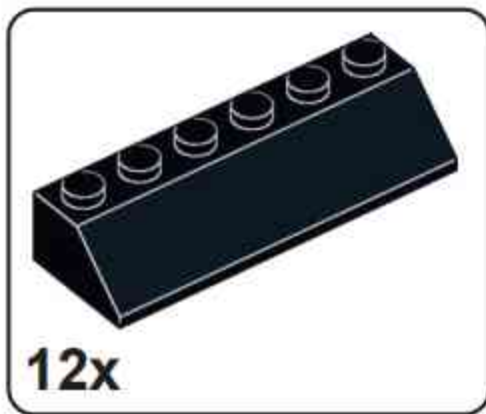
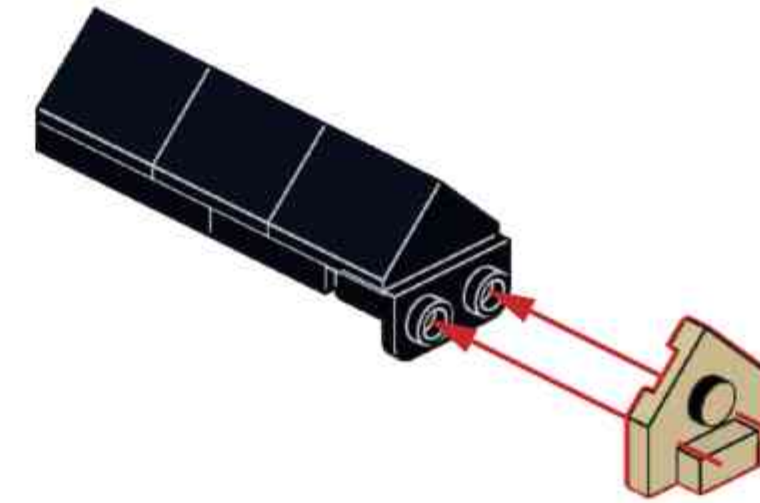




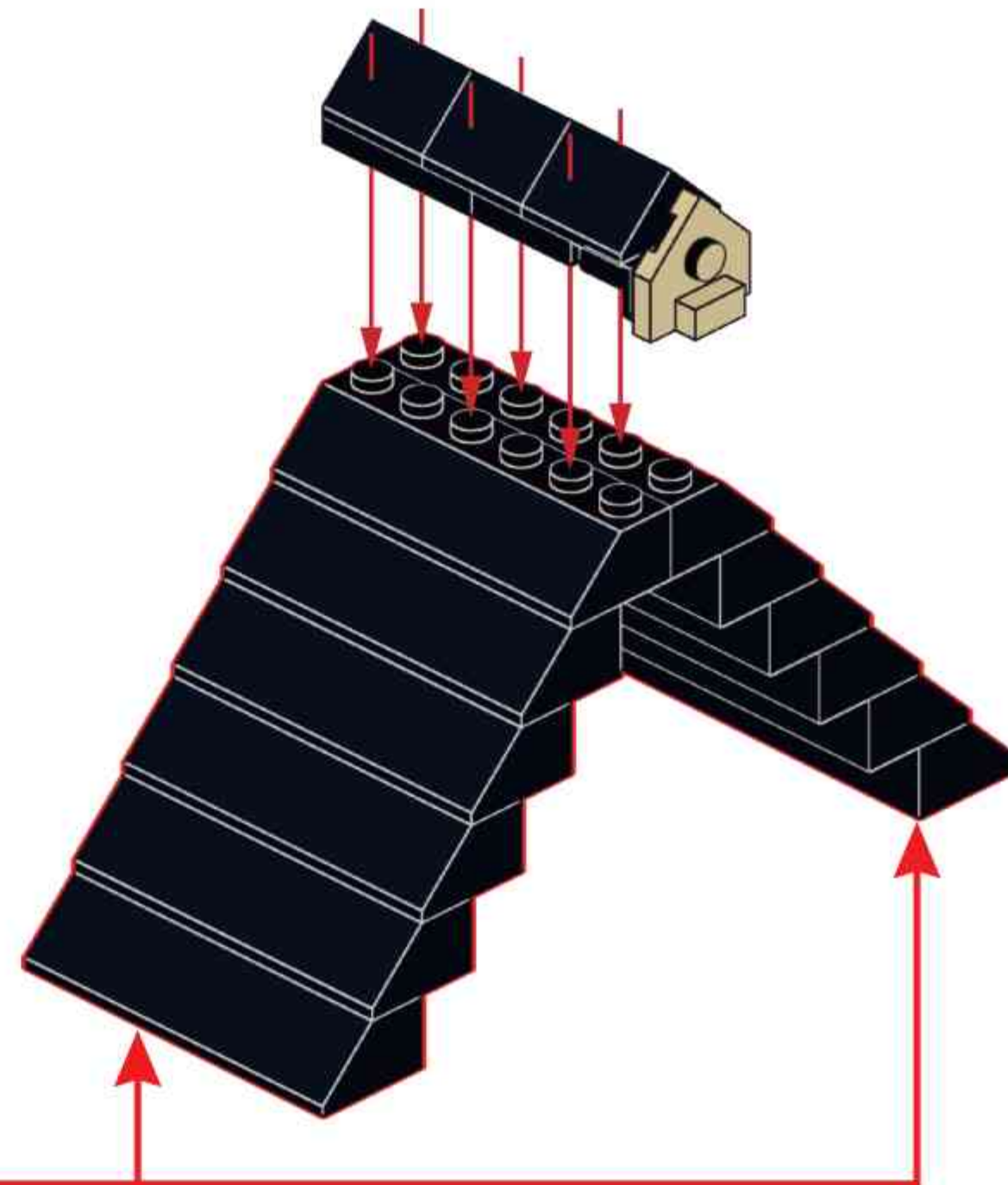
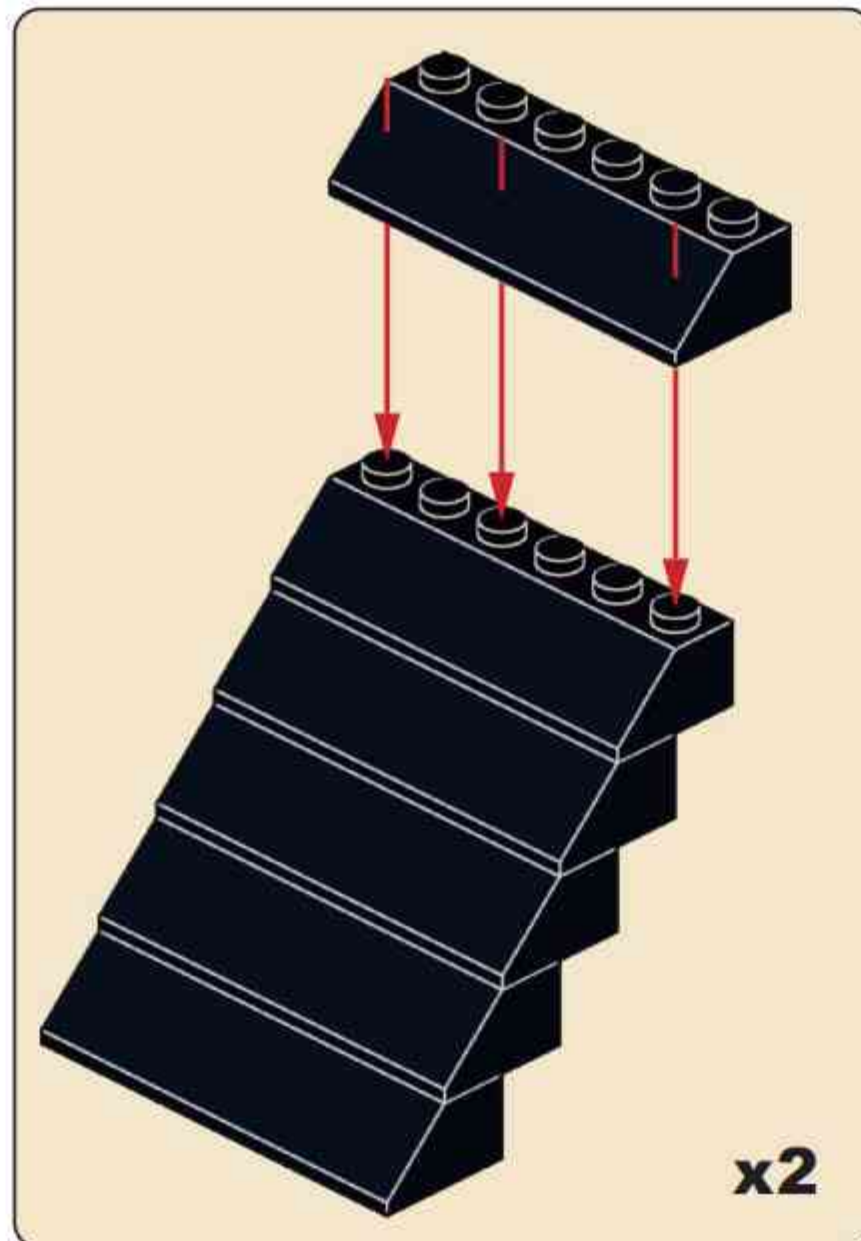
**T56**

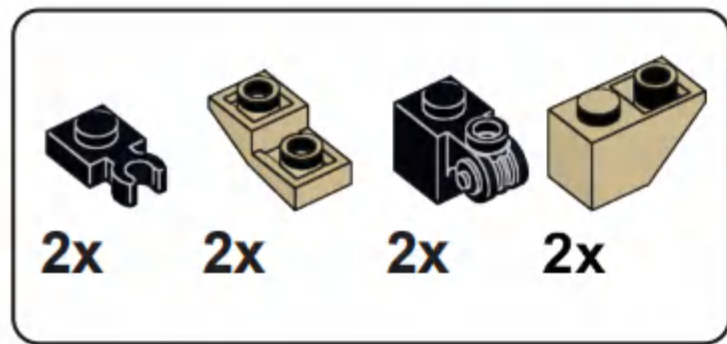


**T57**

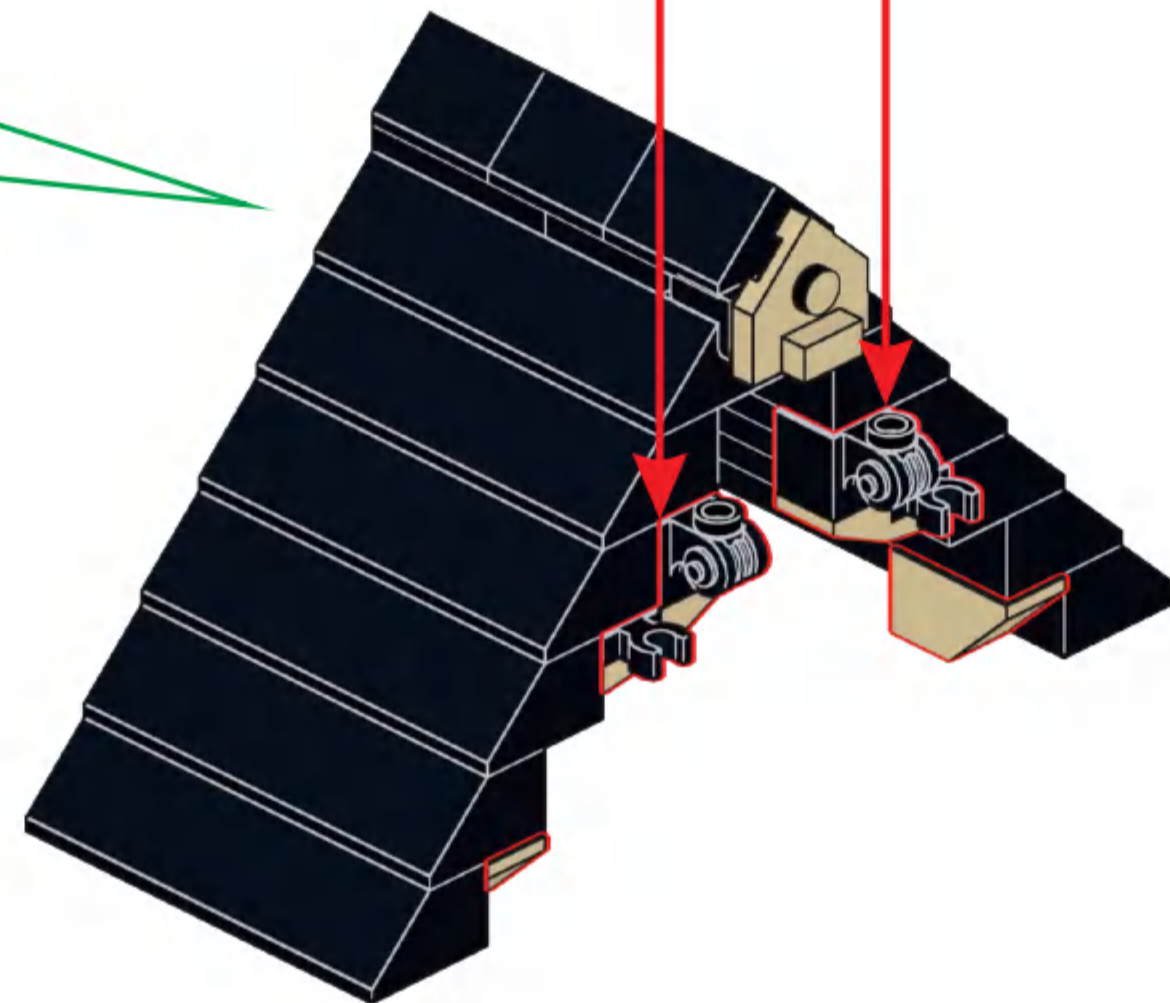
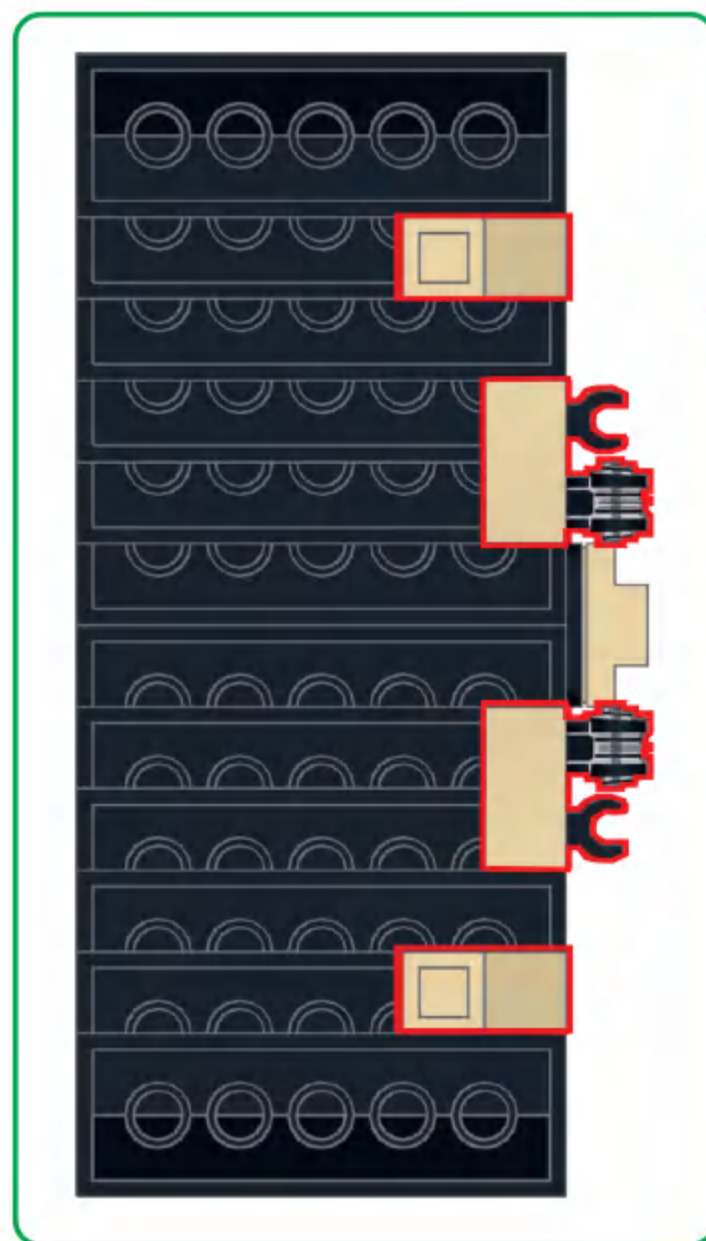
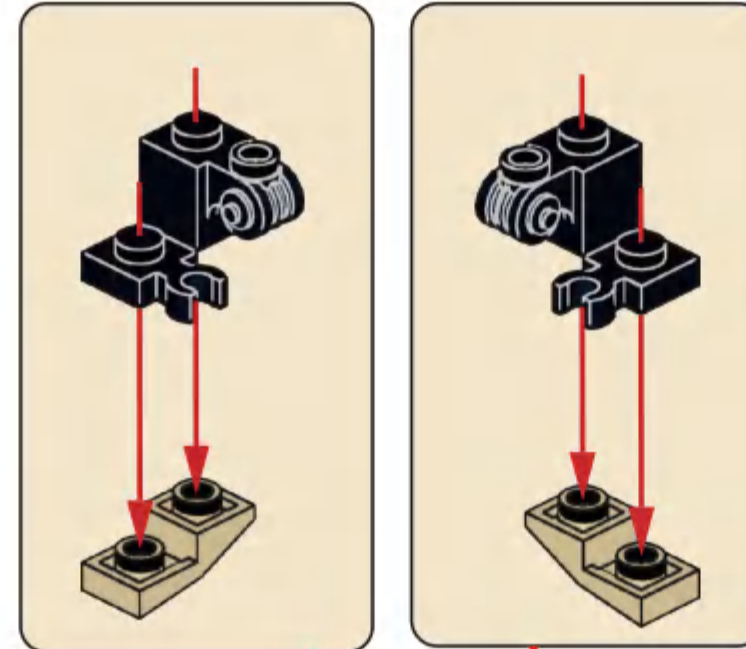


**T58**

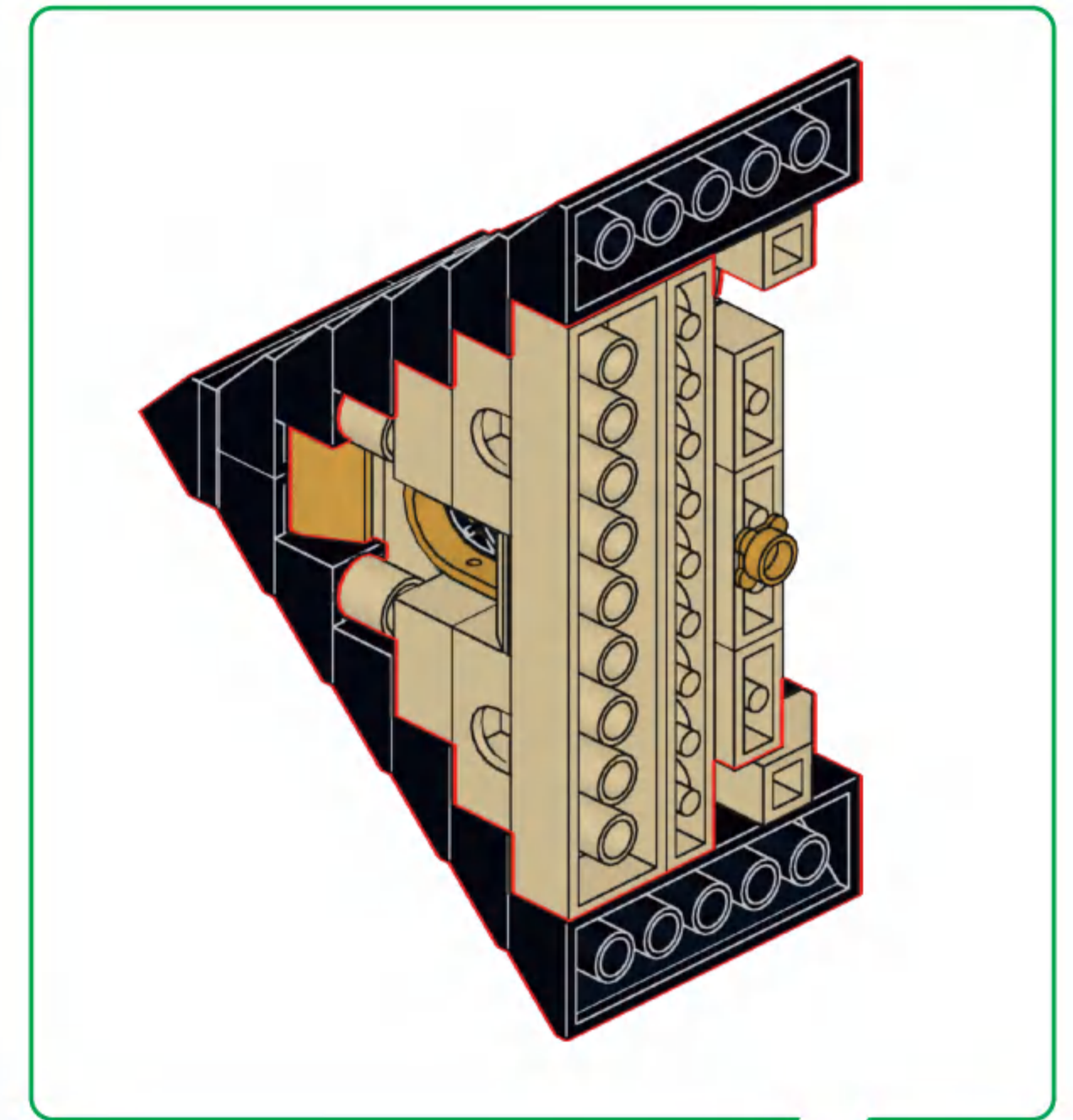




# T59

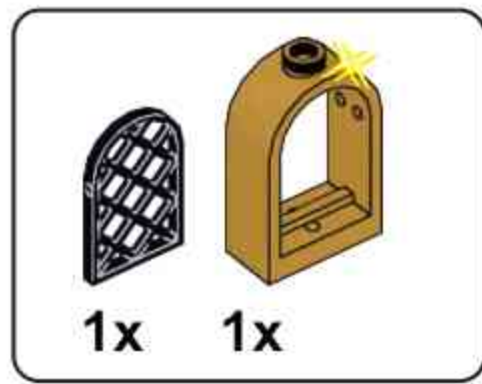


# T60

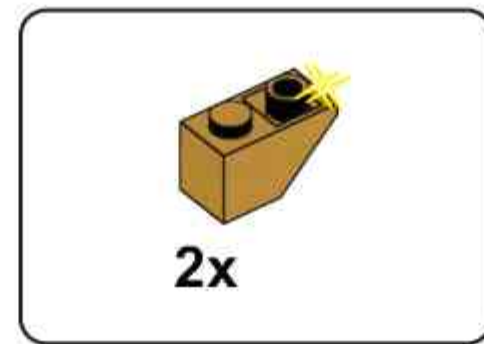
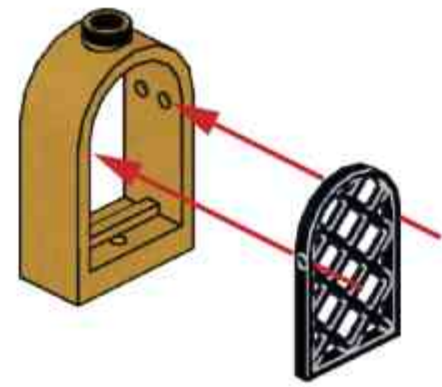


T55

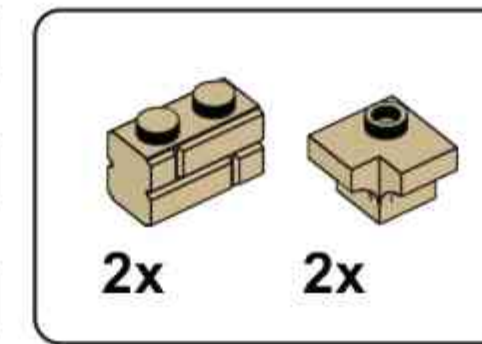
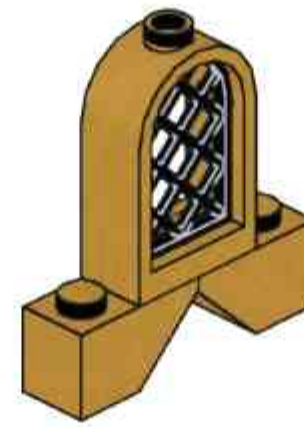
T59



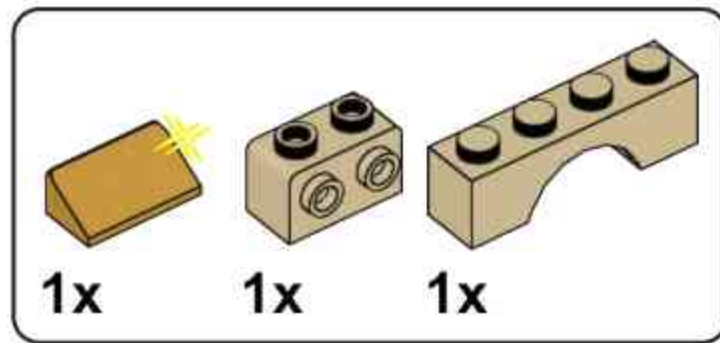
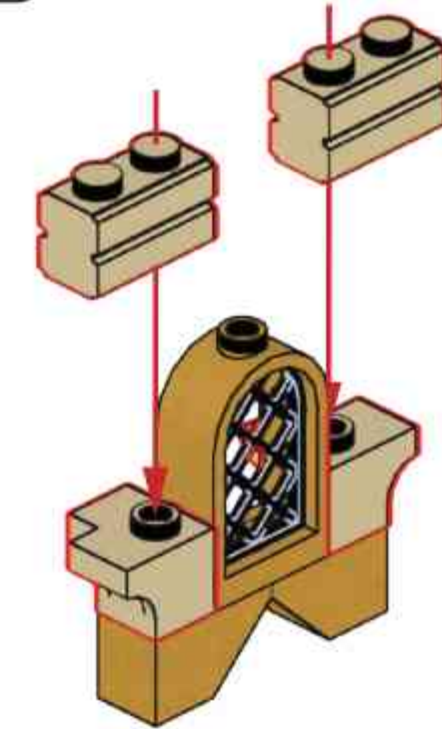
**T61**



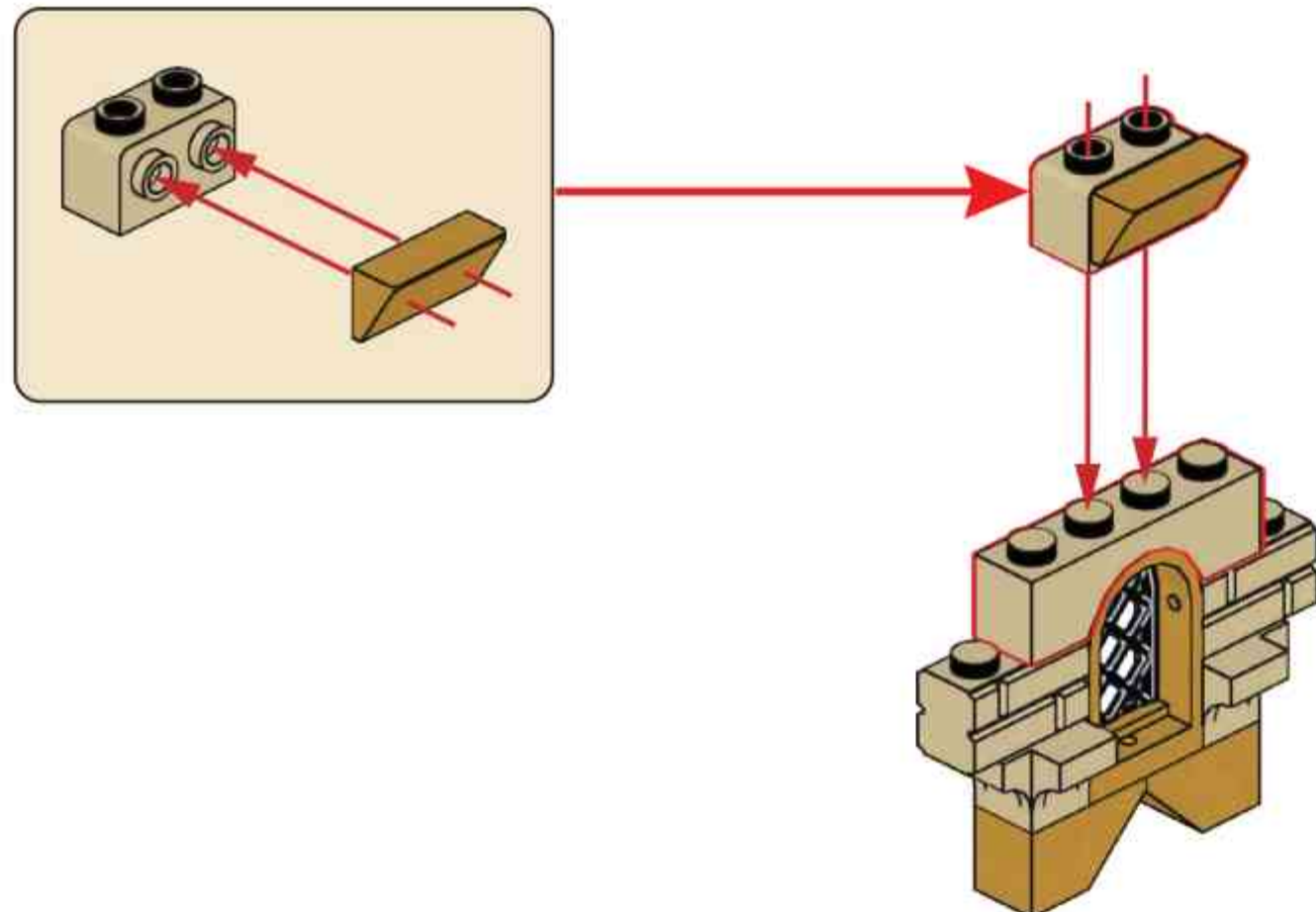
**T62**



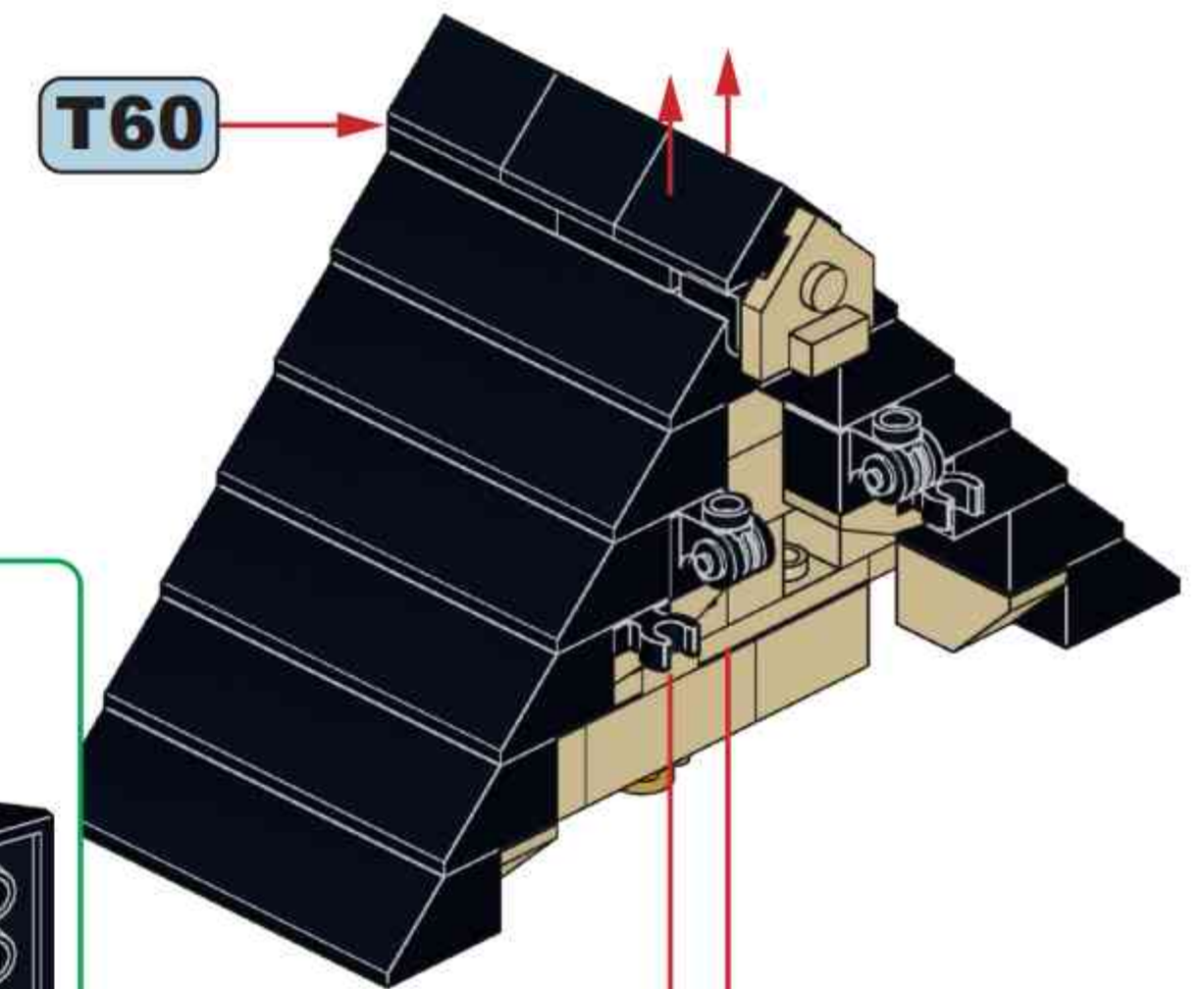
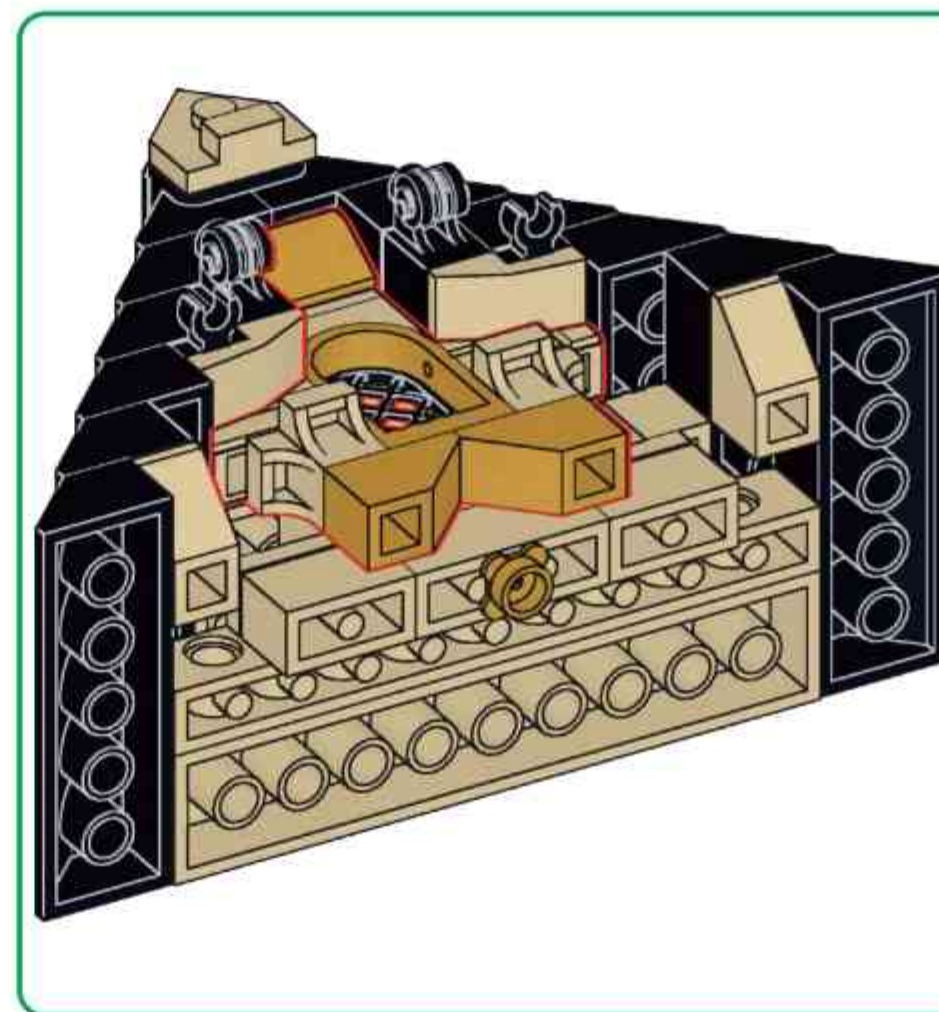
**T63**



**T64**

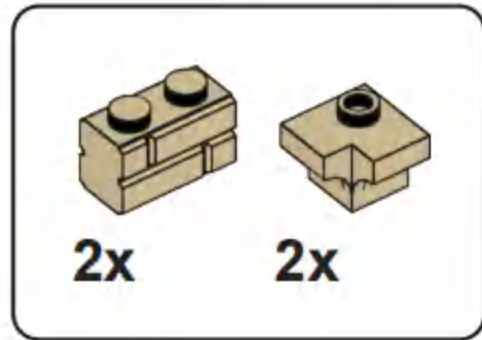


**T65**

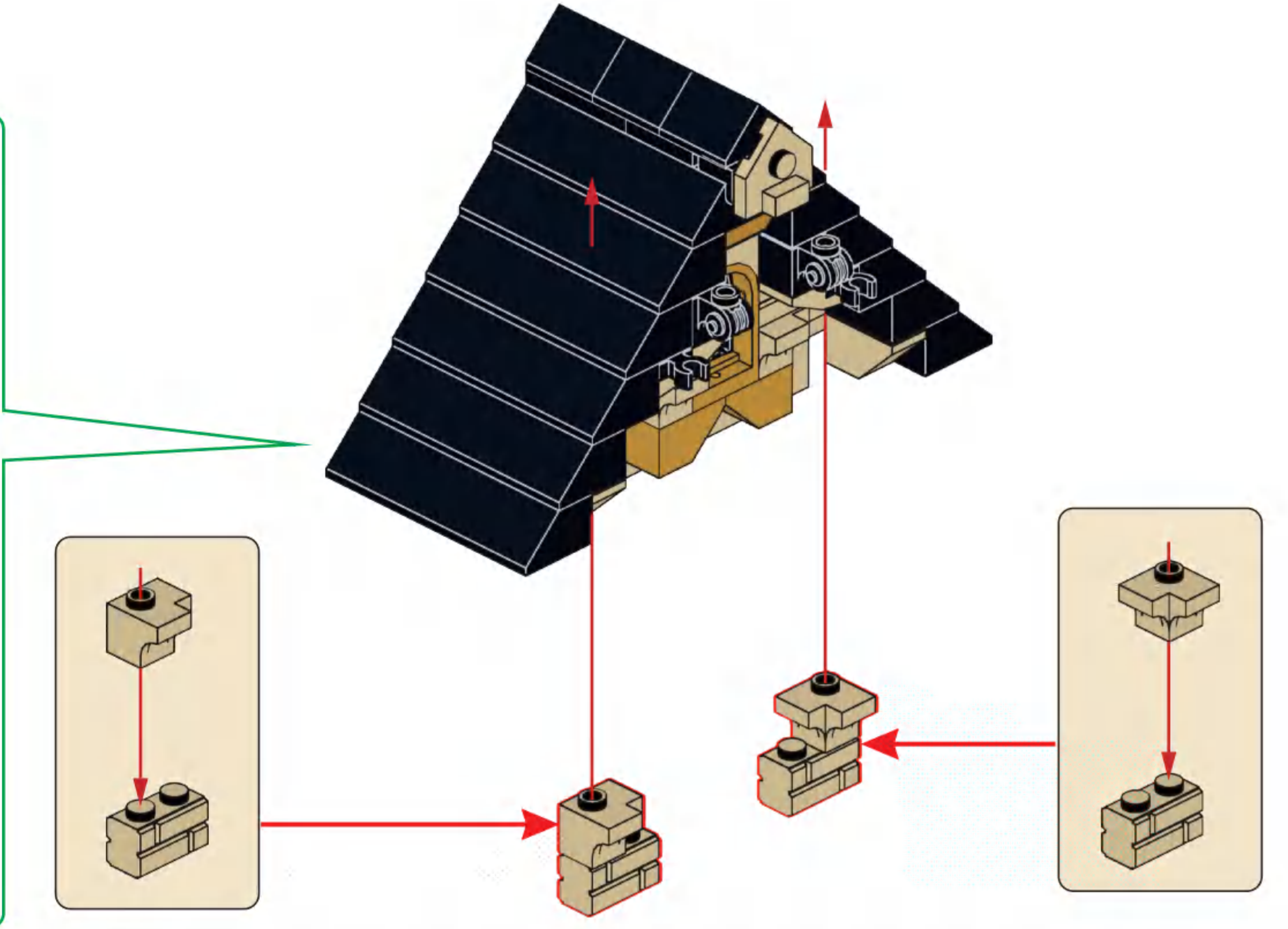
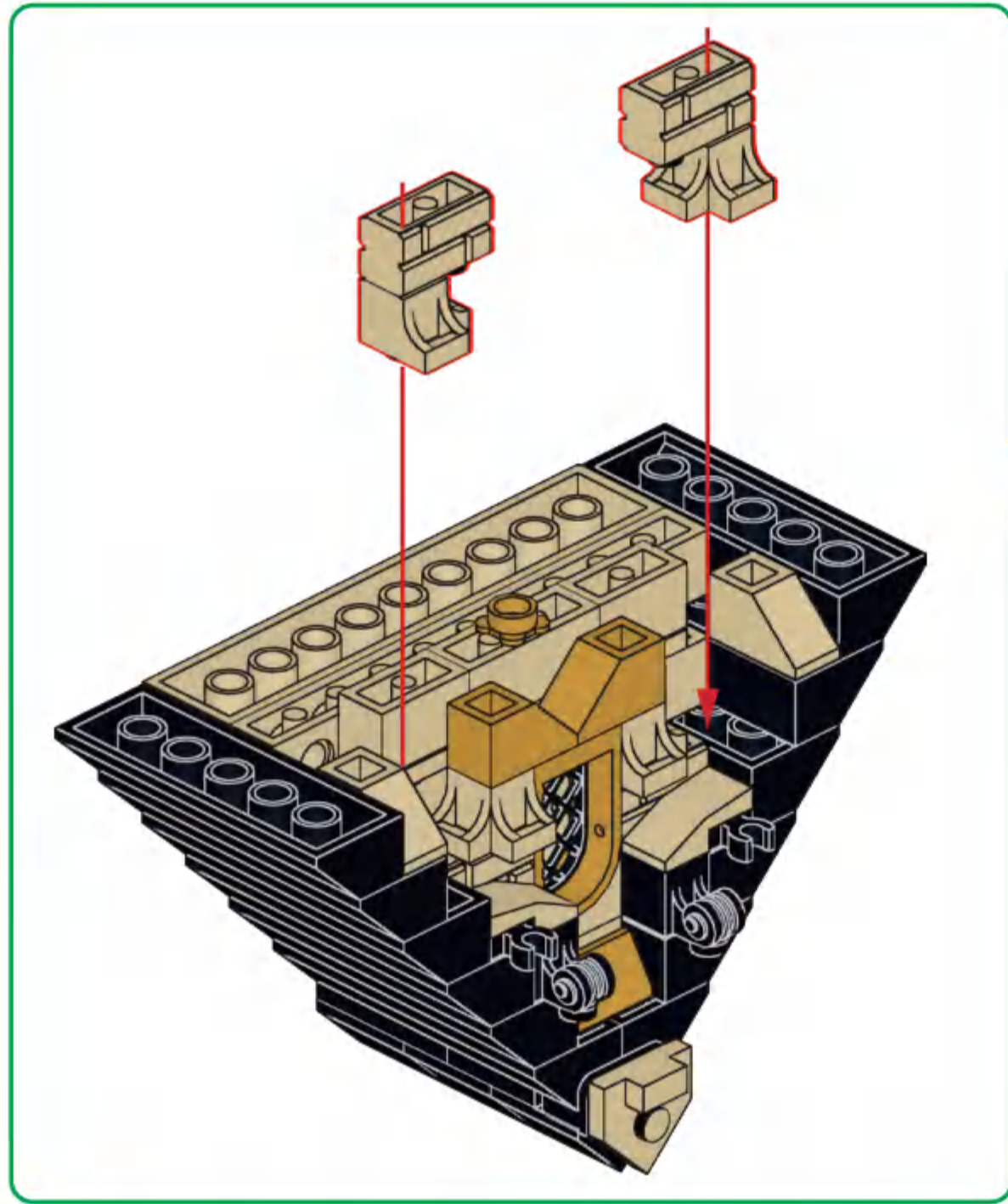


**T60**

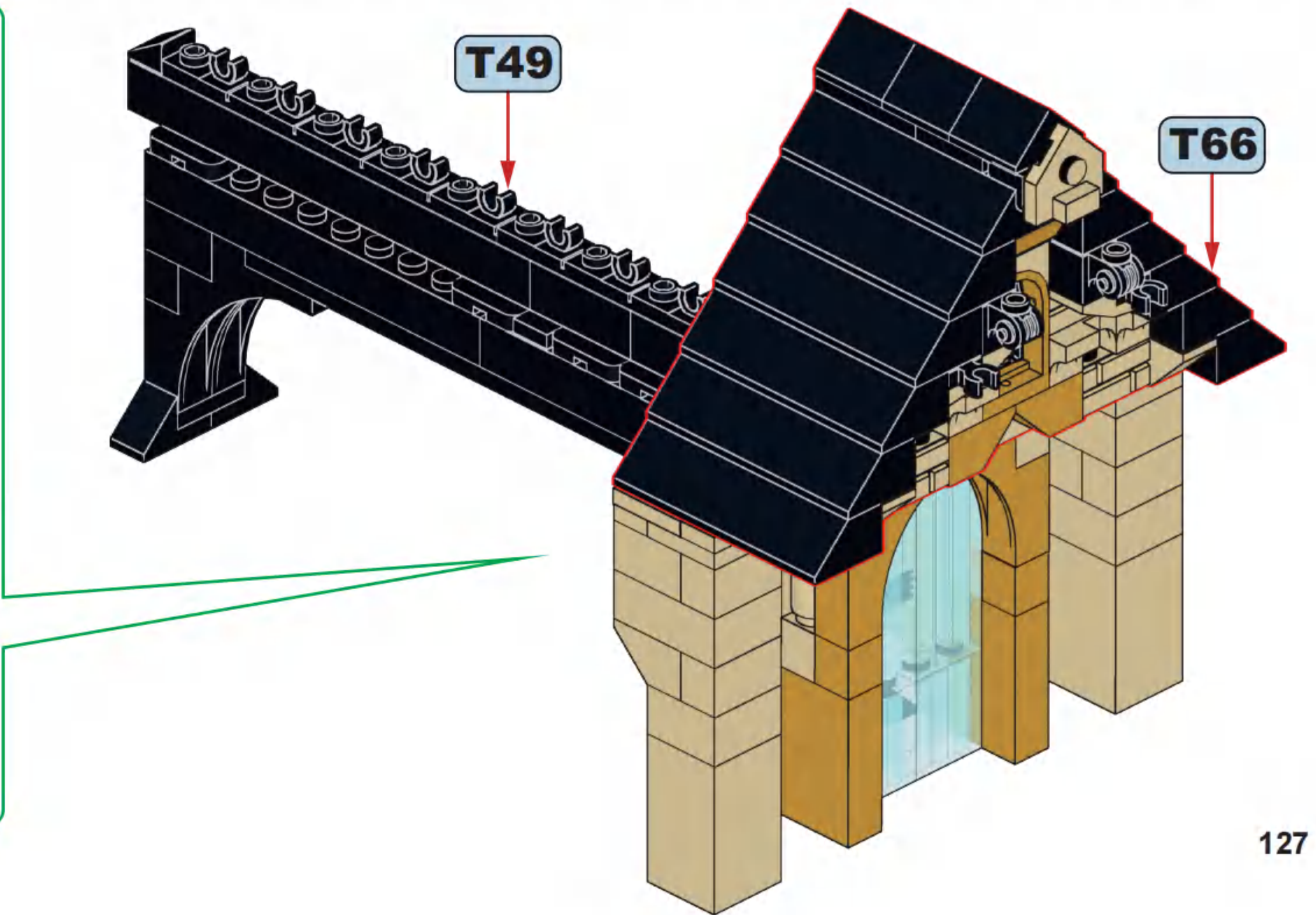
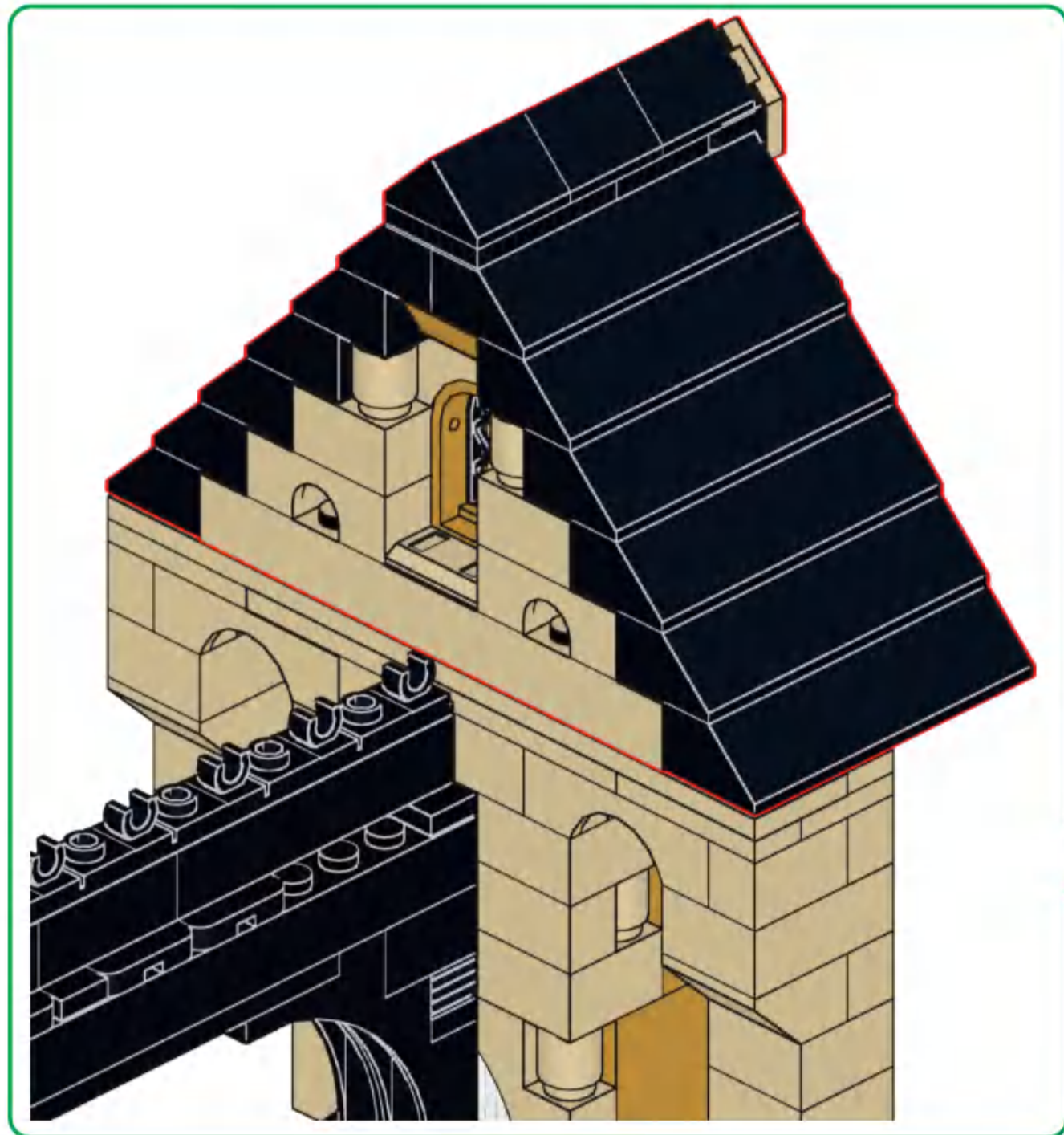
**T64**

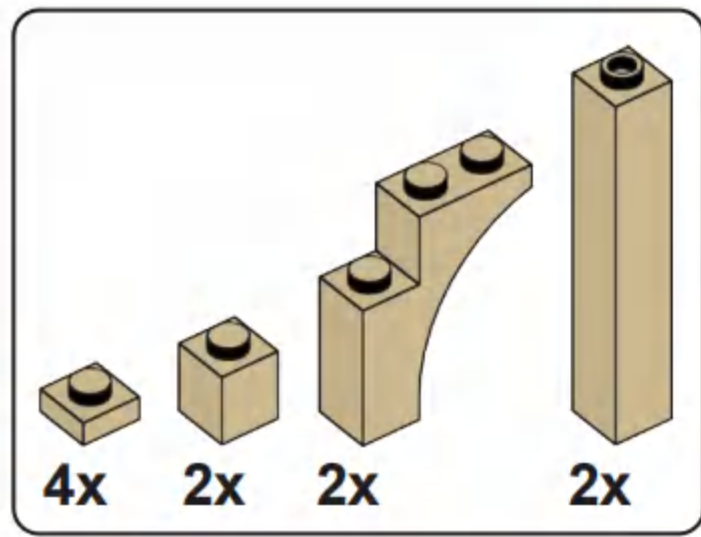


**T66**

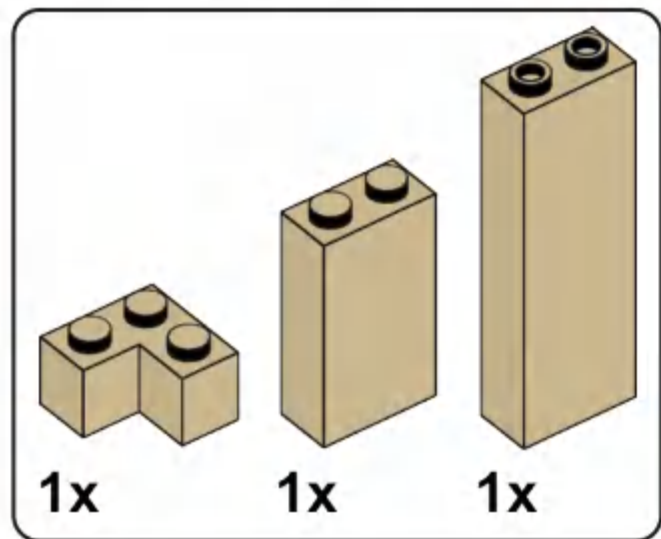
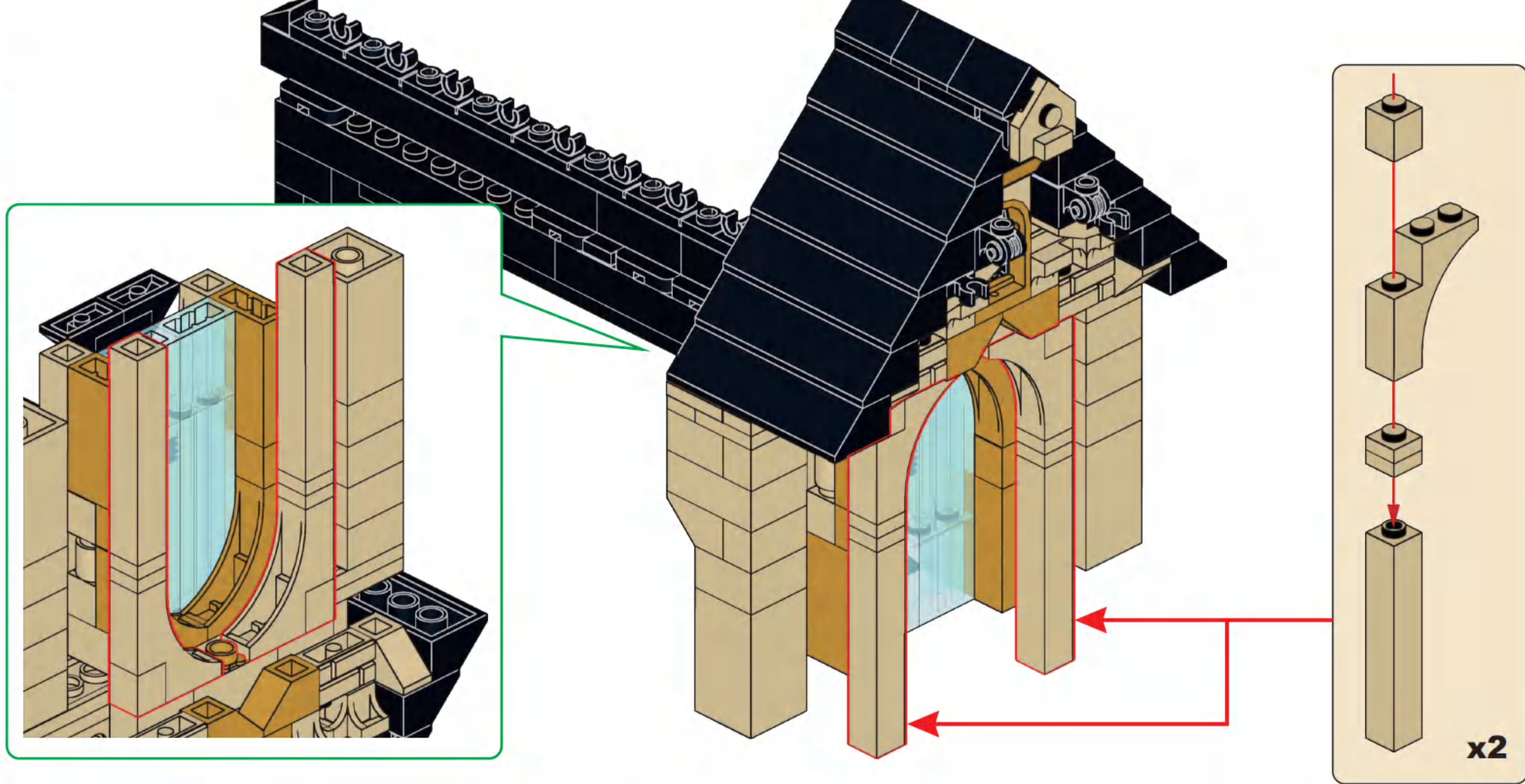


**T67**

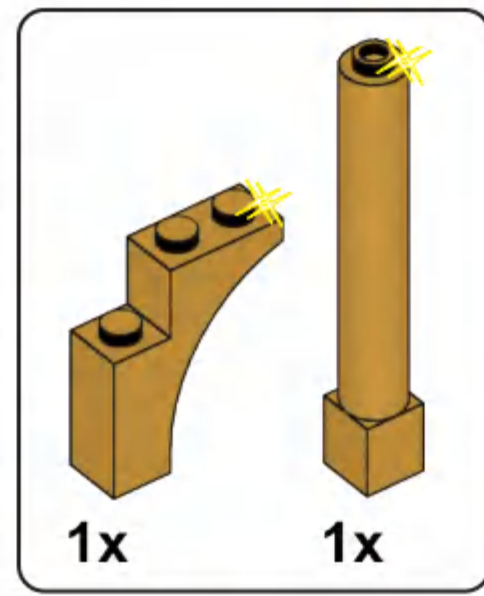
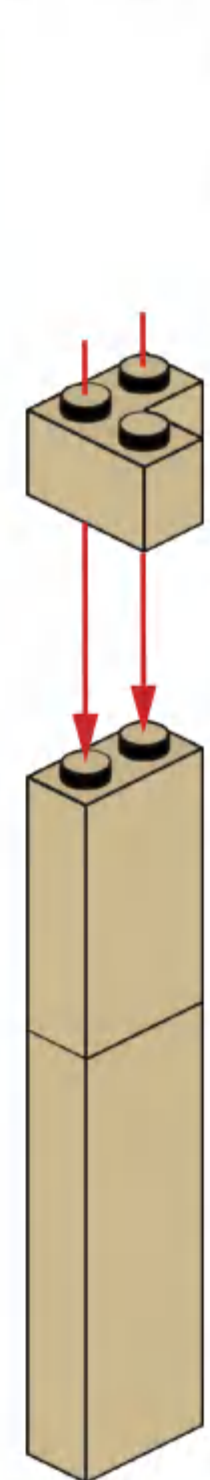




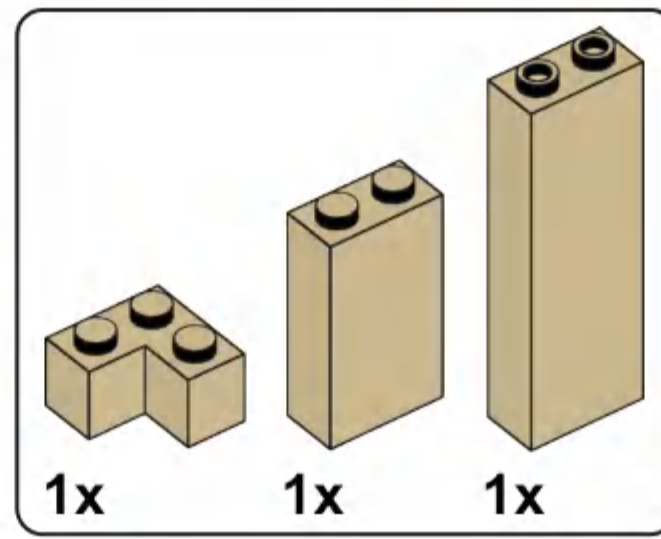
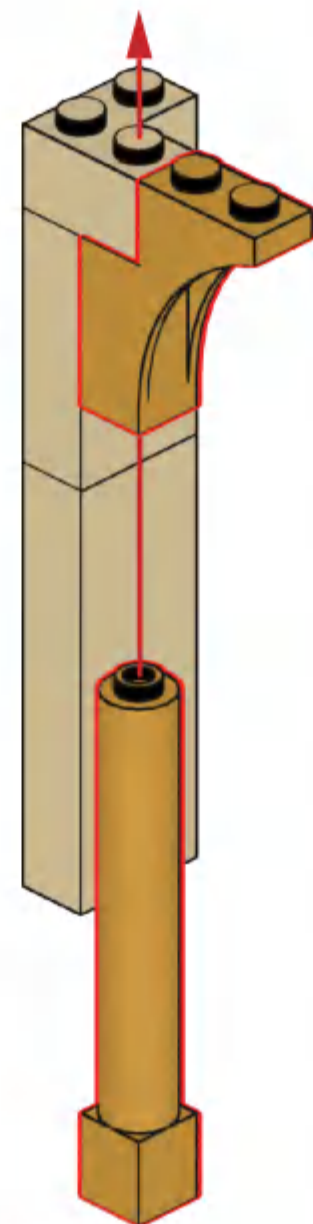
**T68**



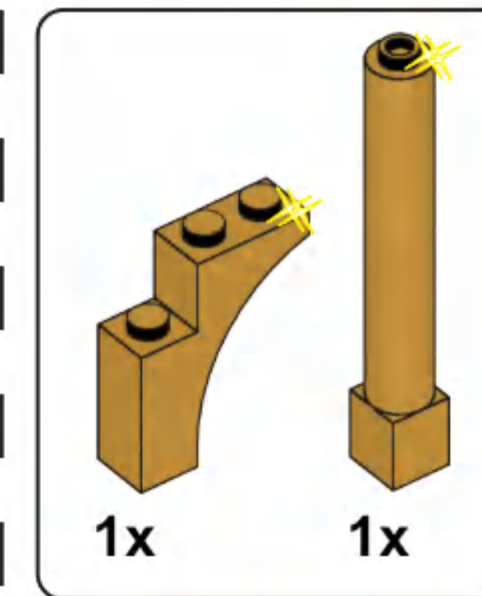
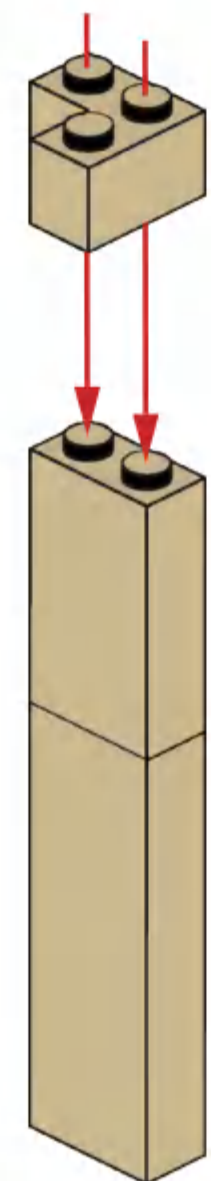
**T69**



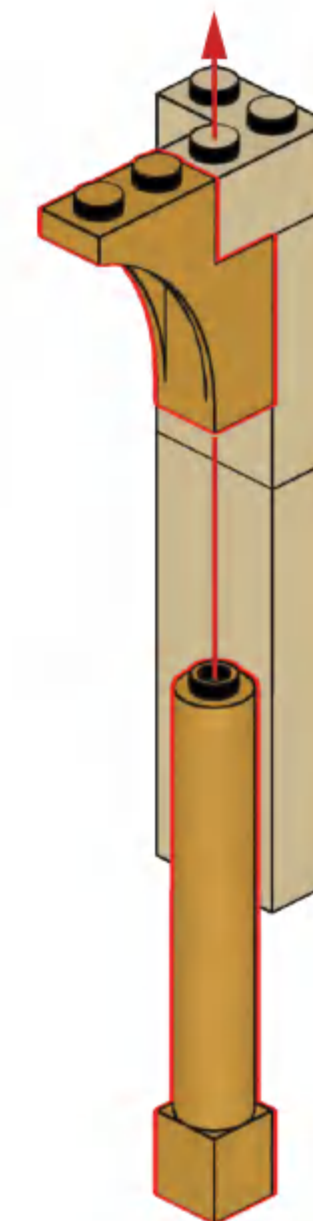
**T70**

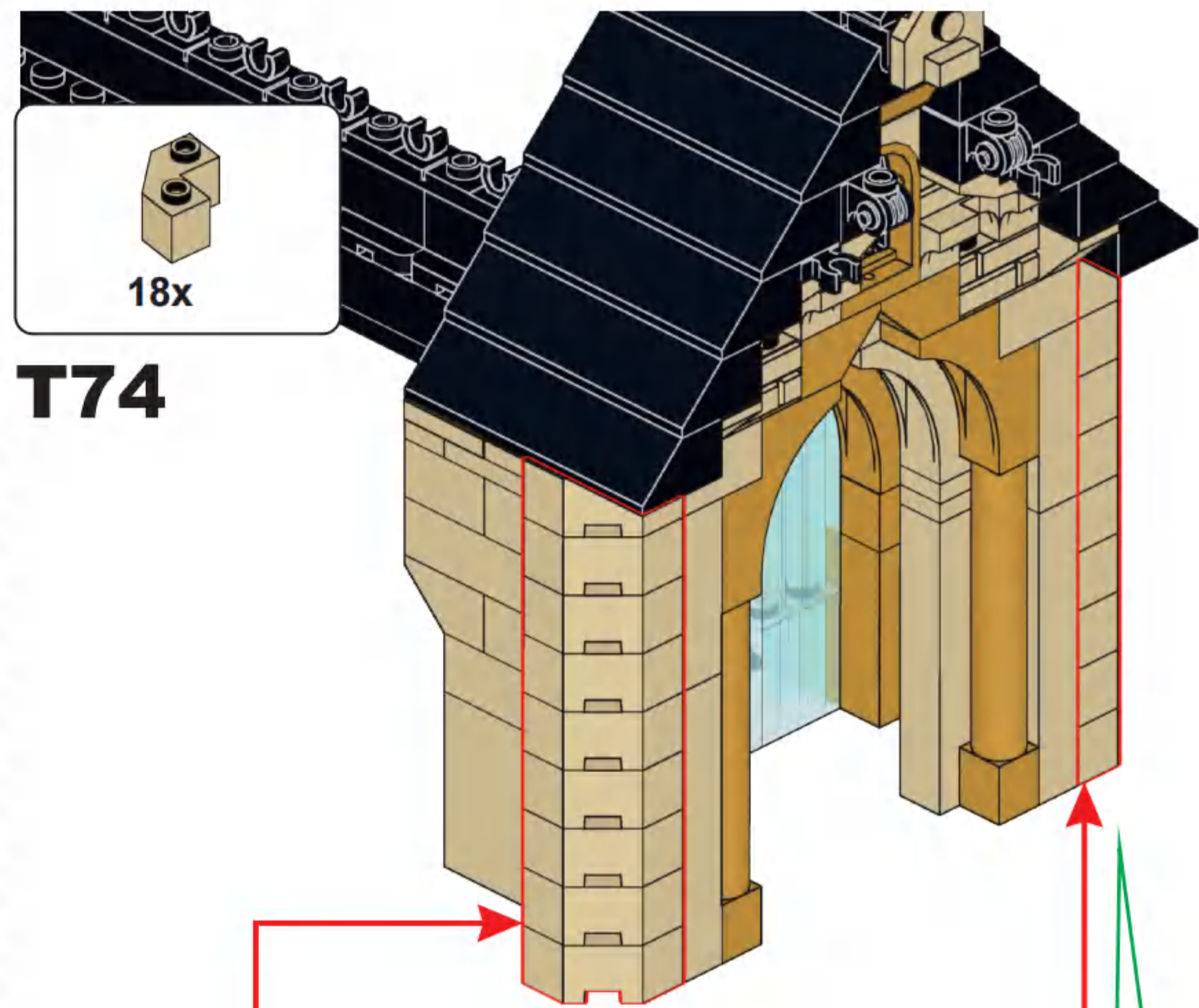
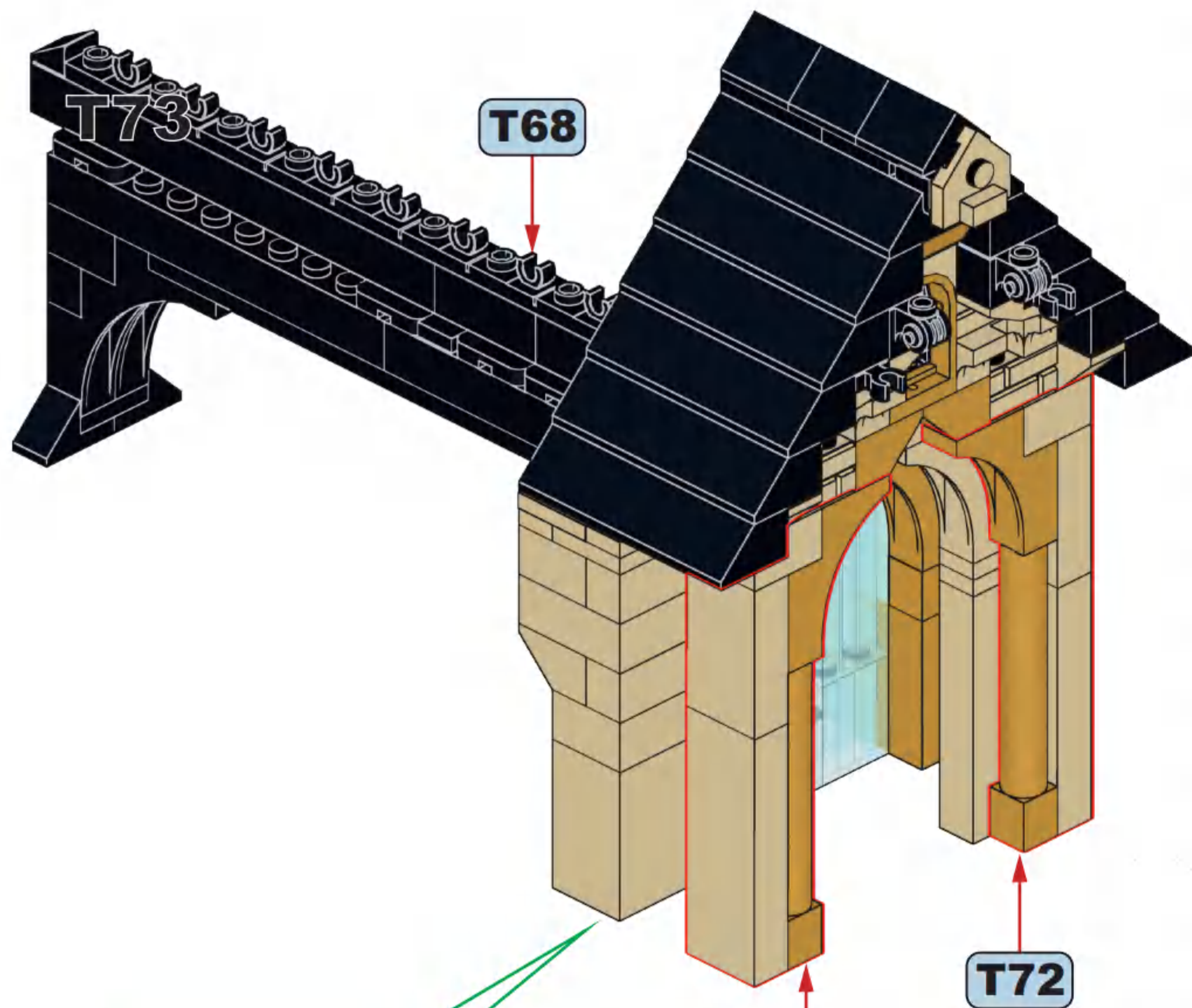


**T71**

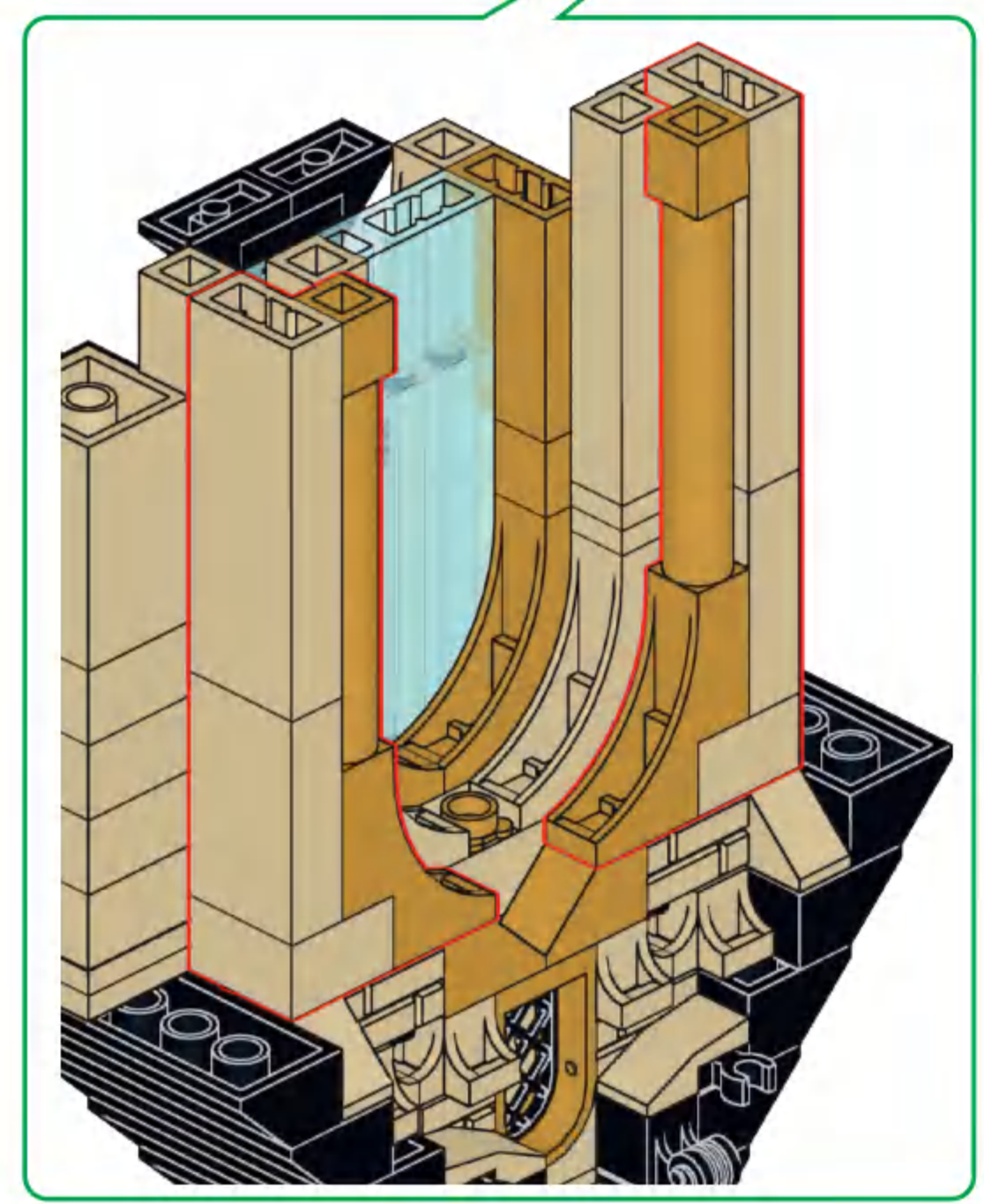


**T72**

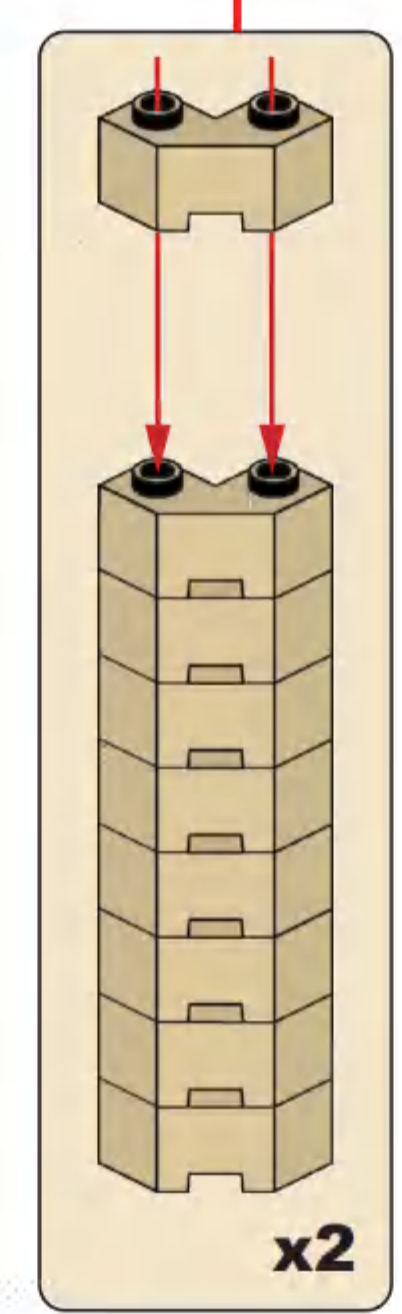




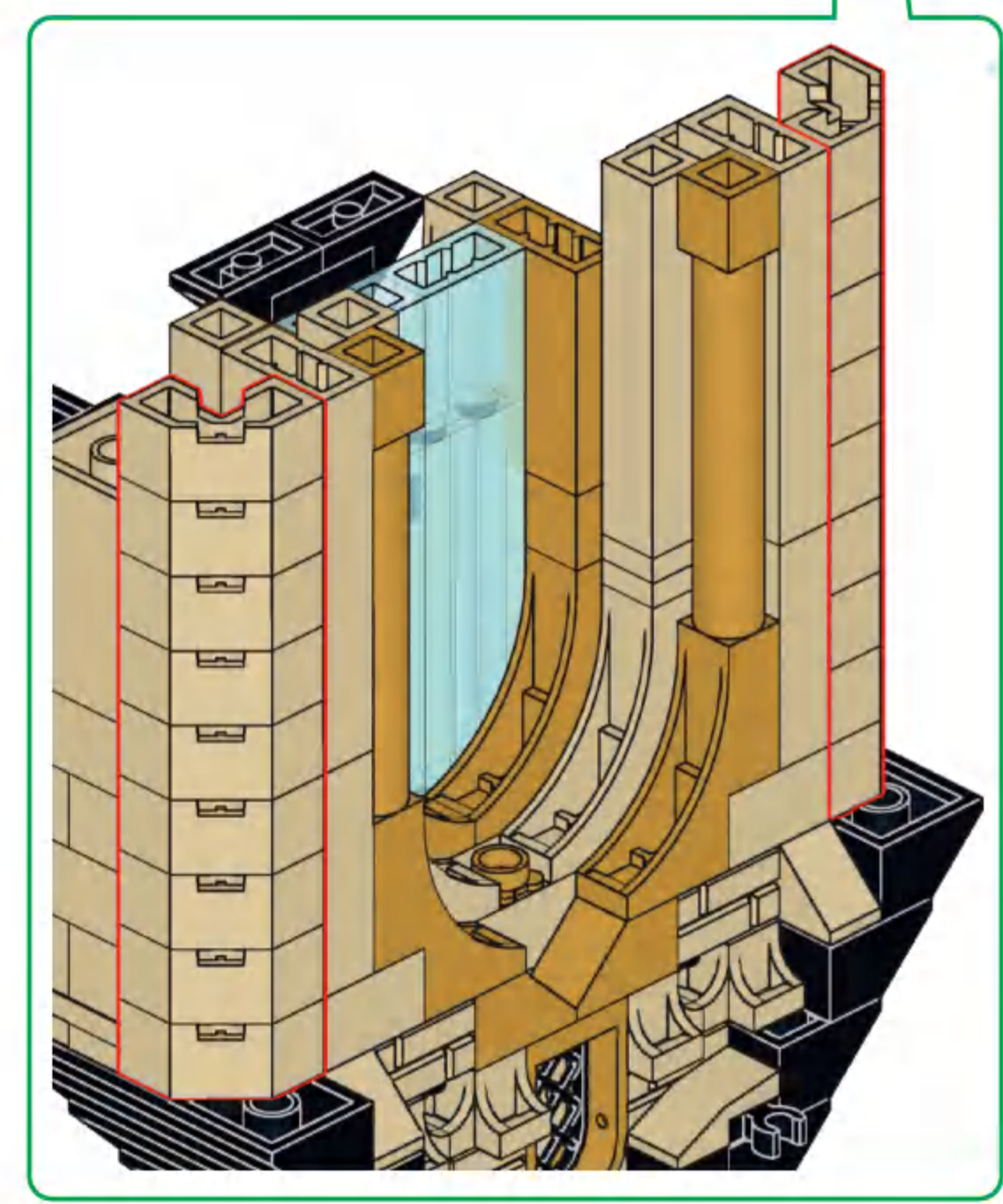
**T74**

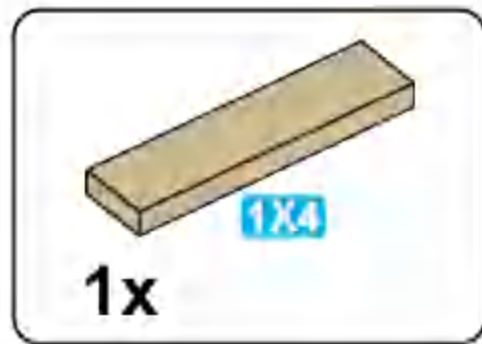


**T70**



**x2**

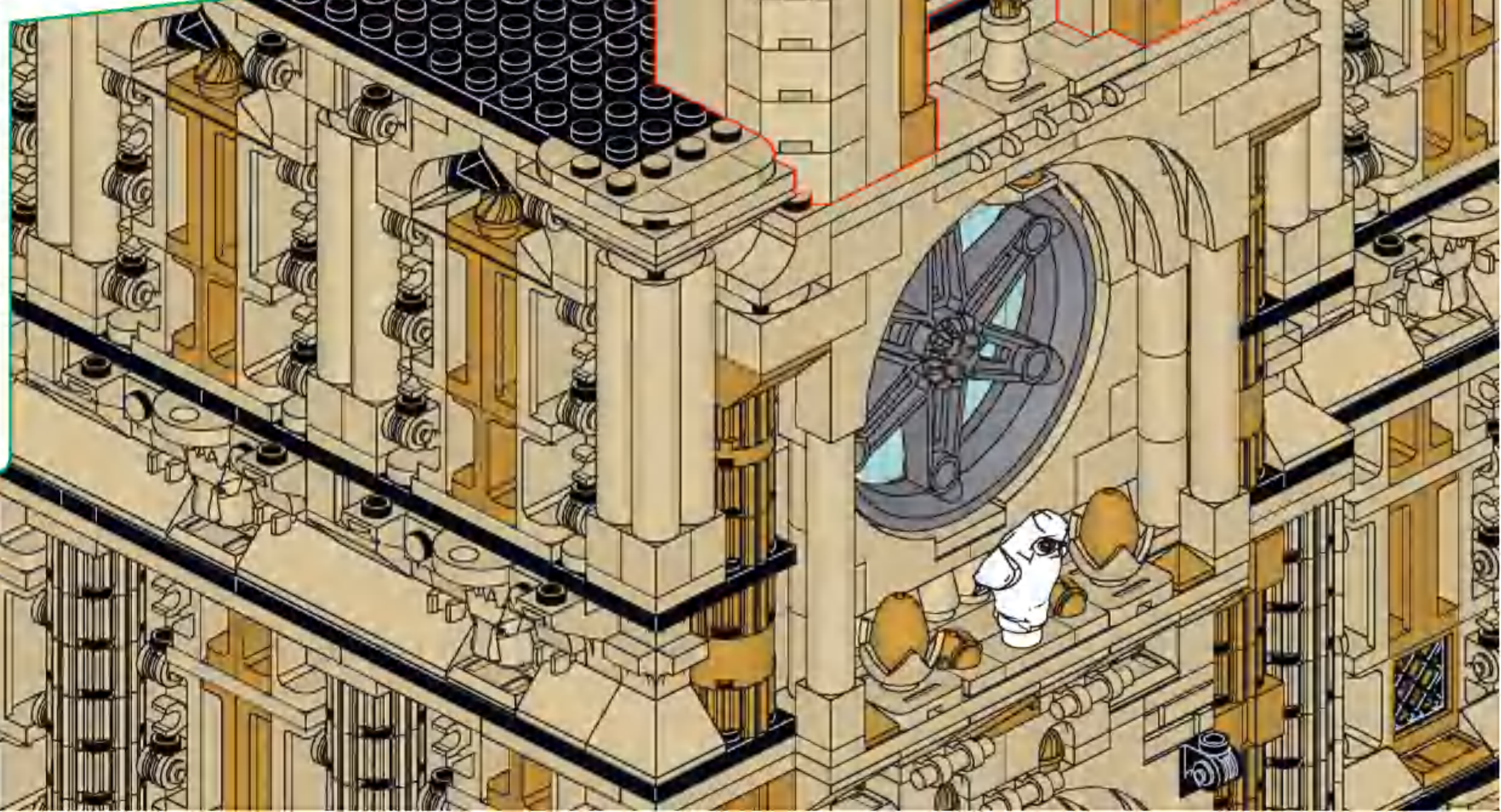
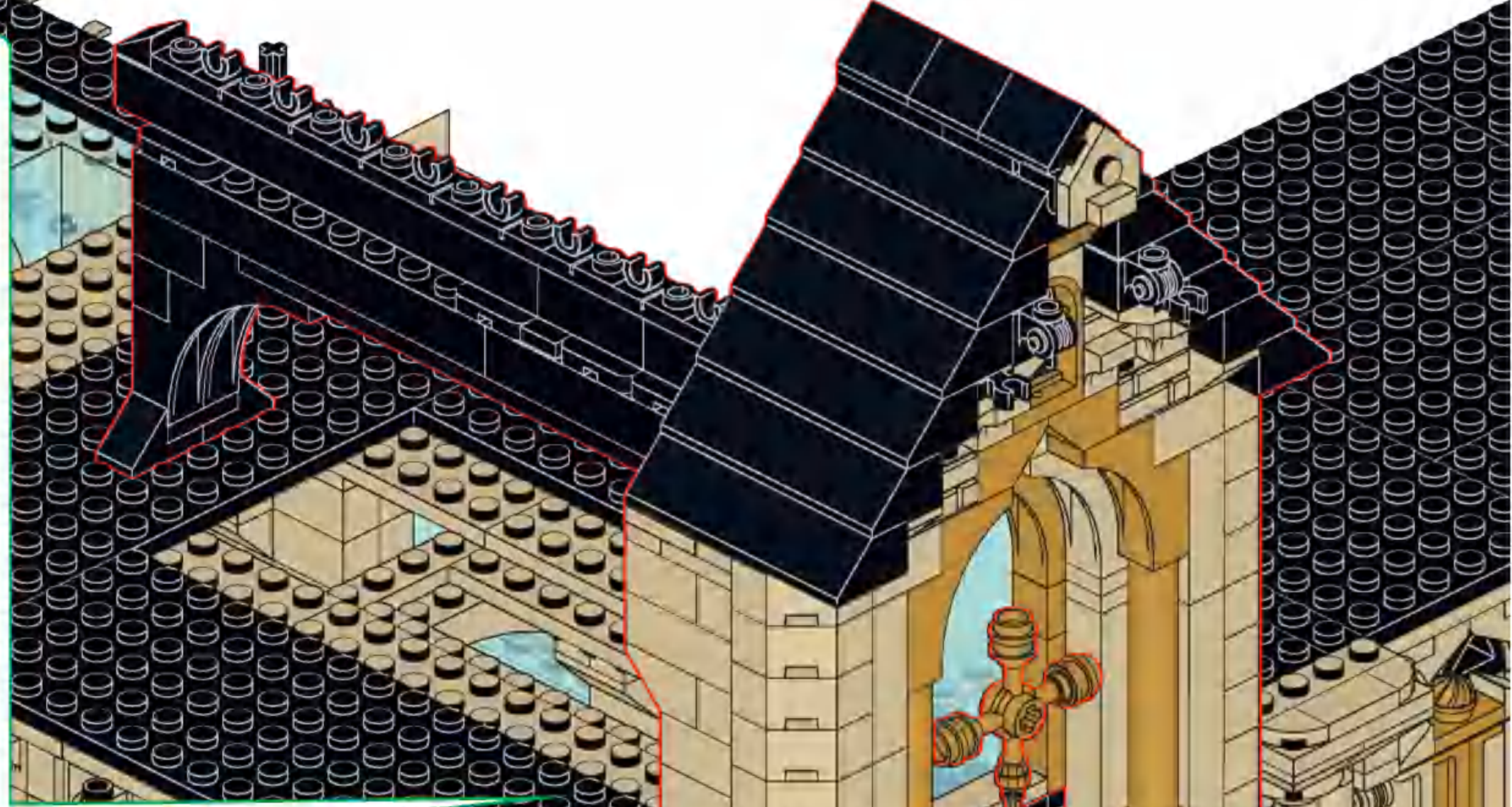
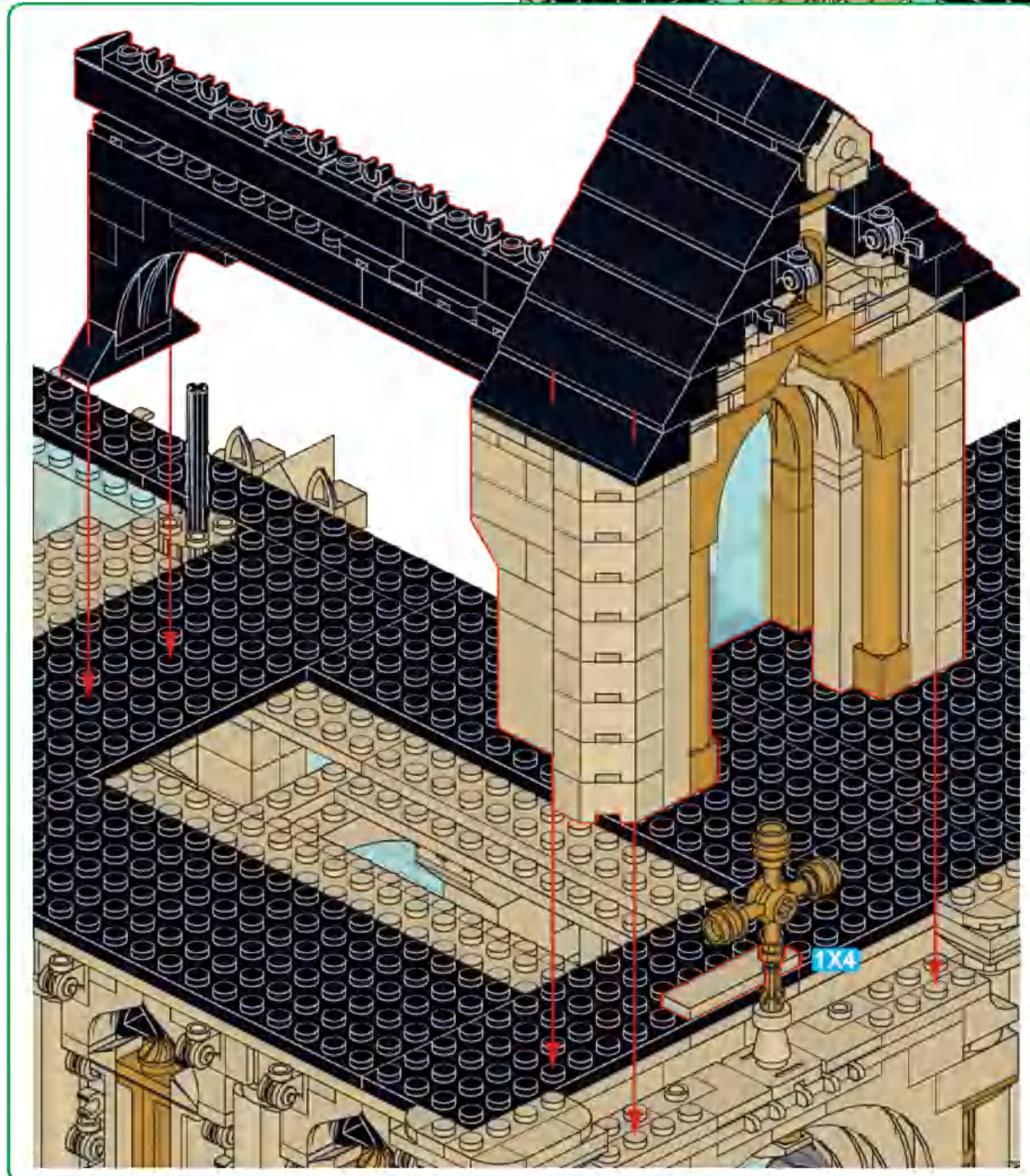




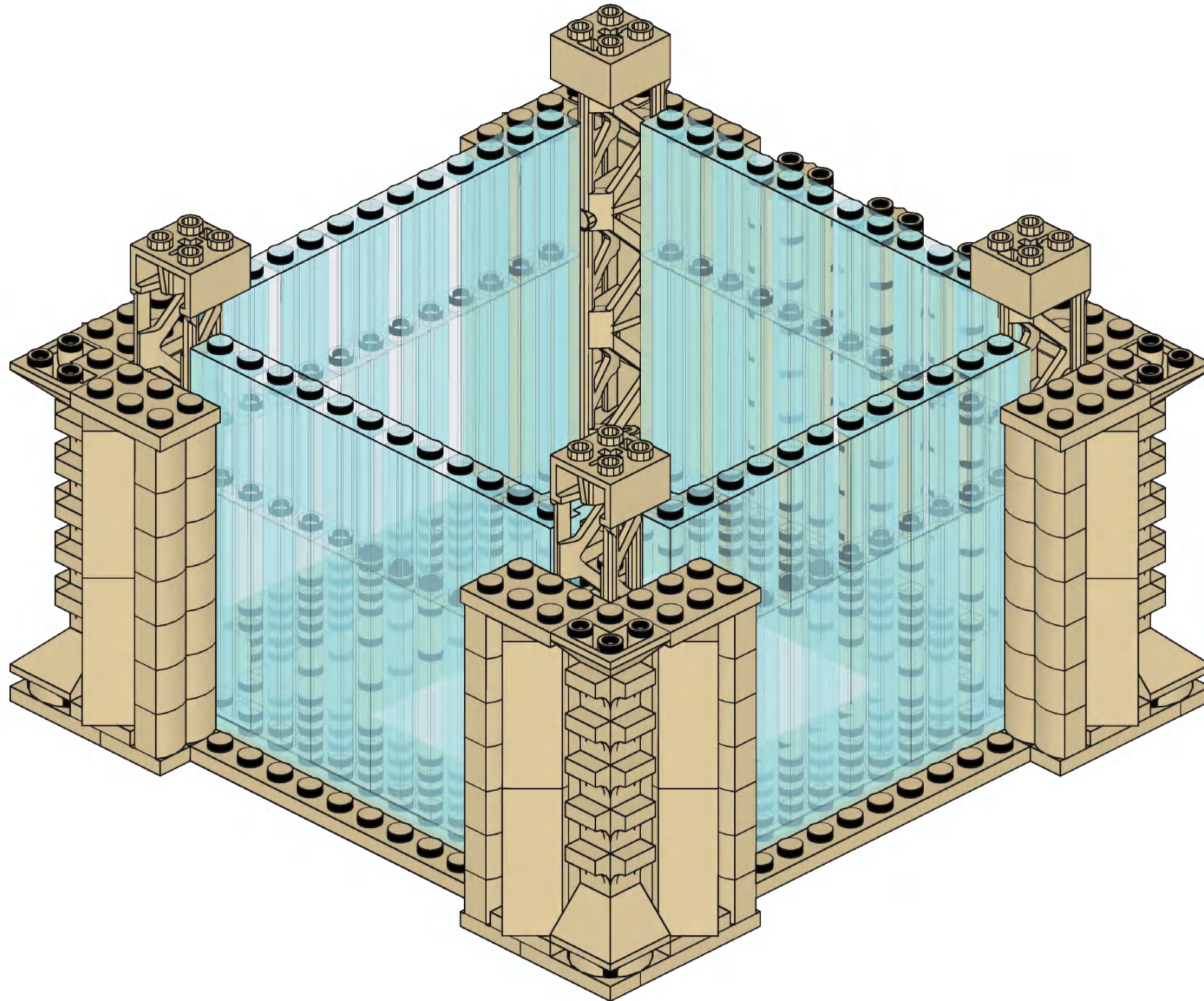
T27

T74

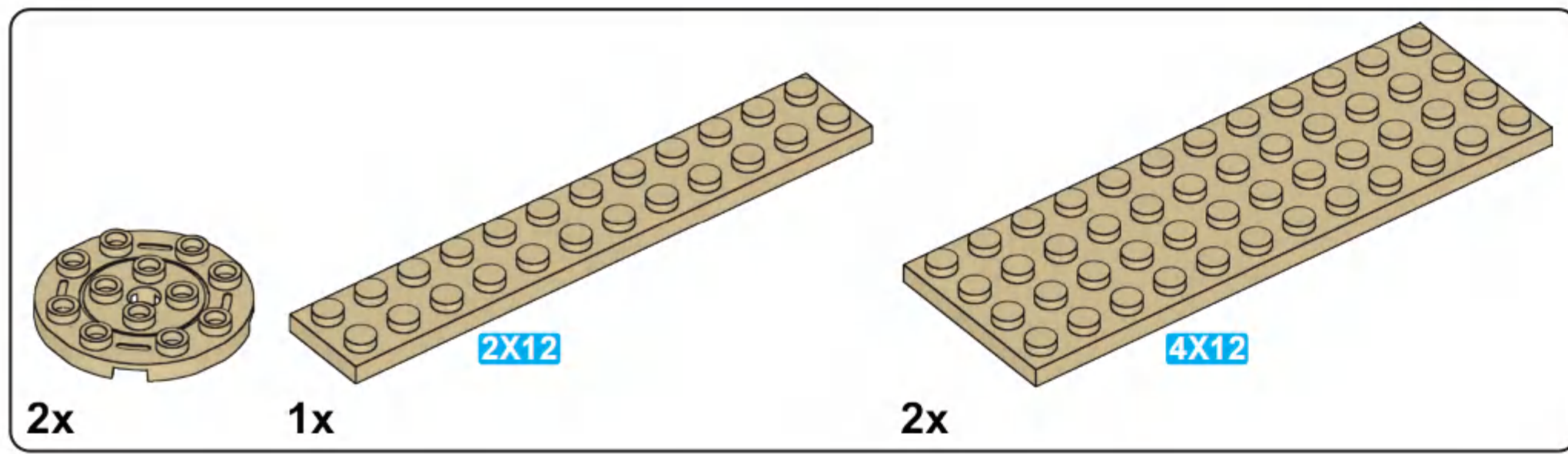
T75



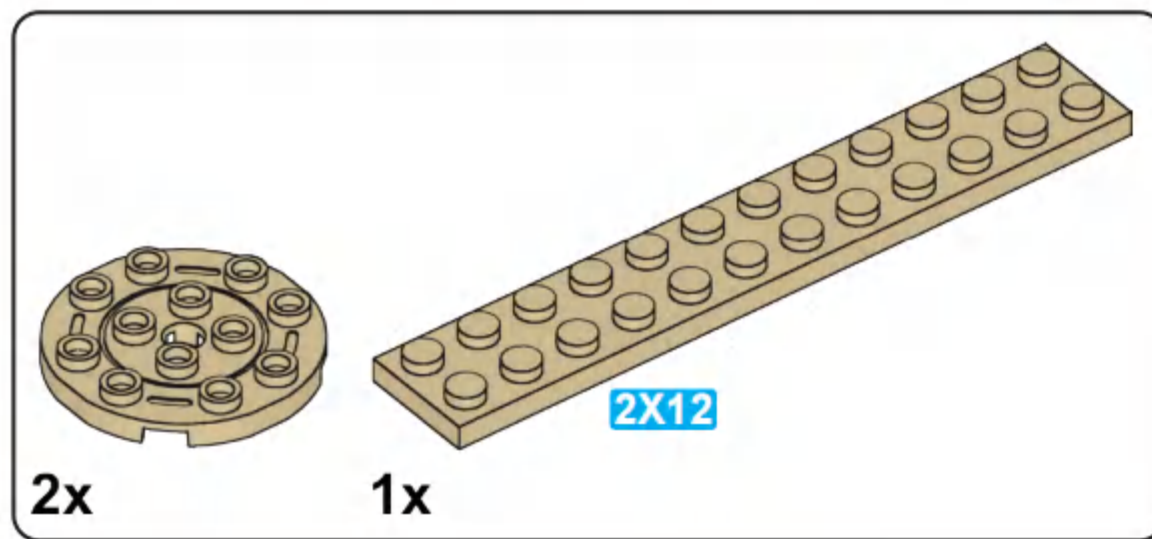
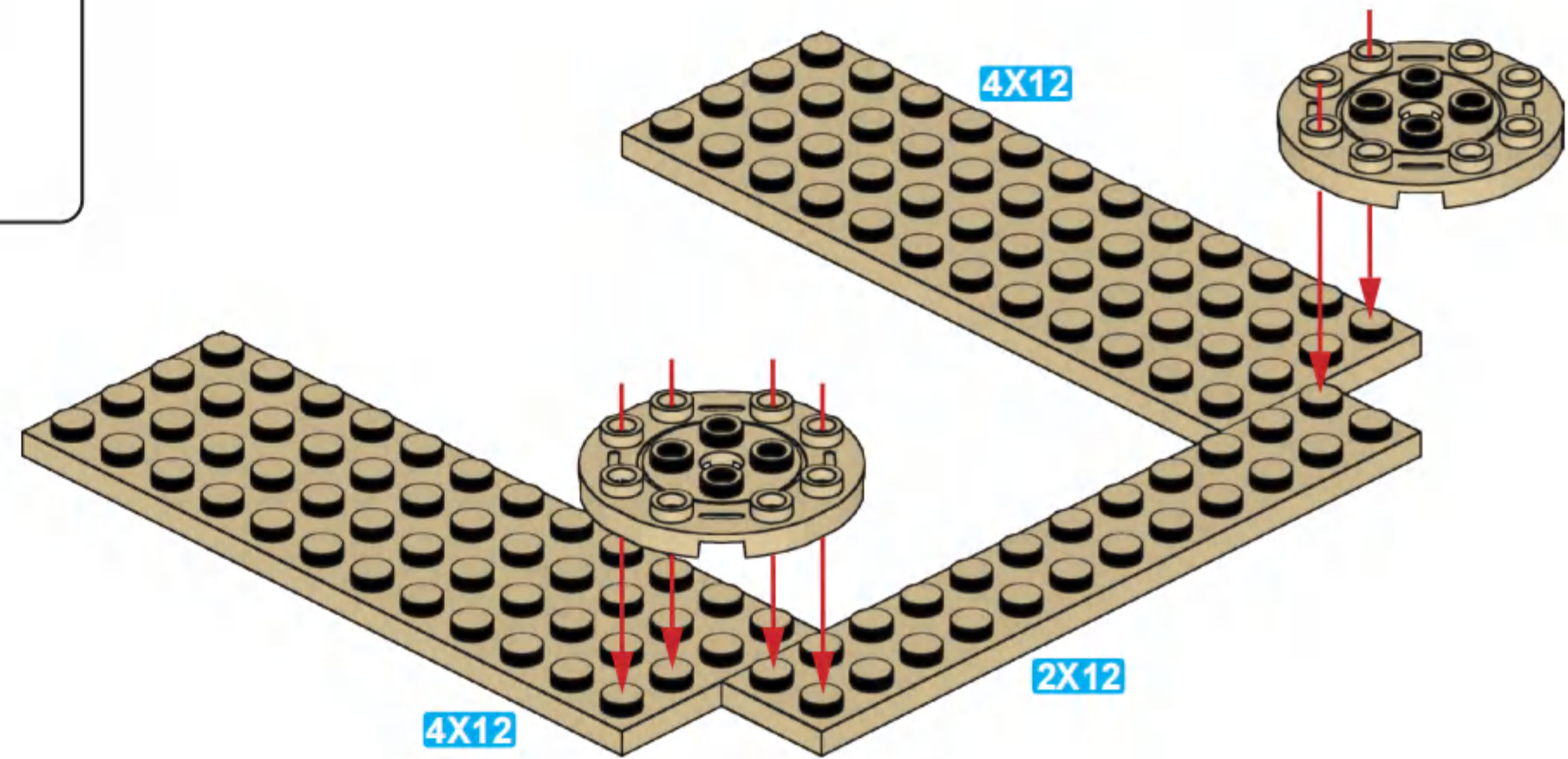
21



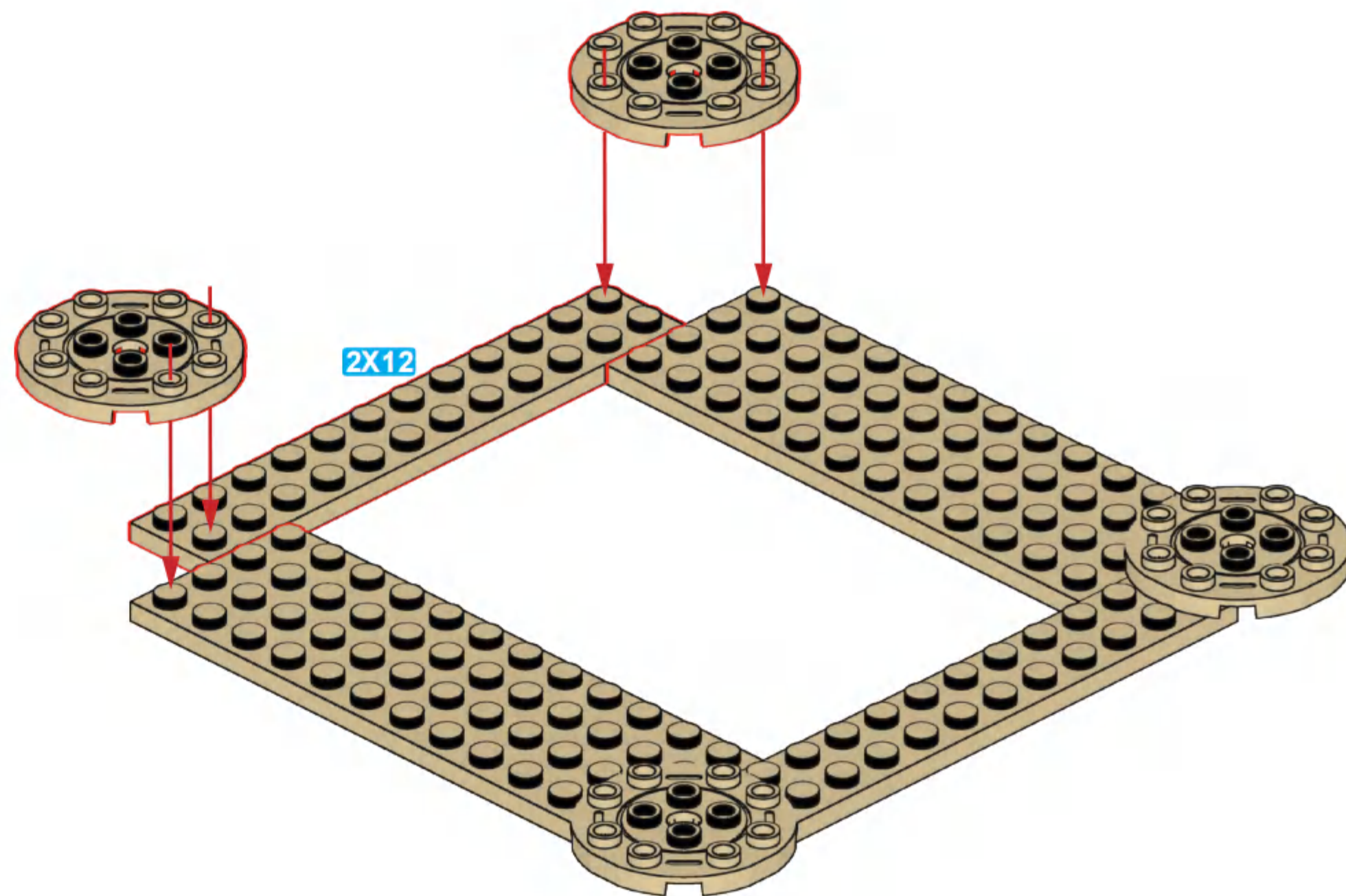
U

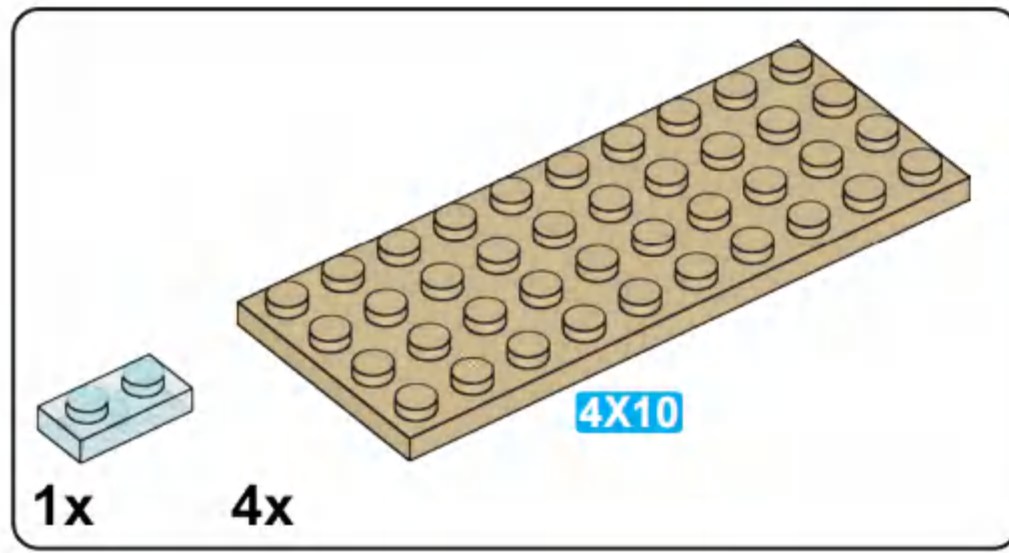


# U1

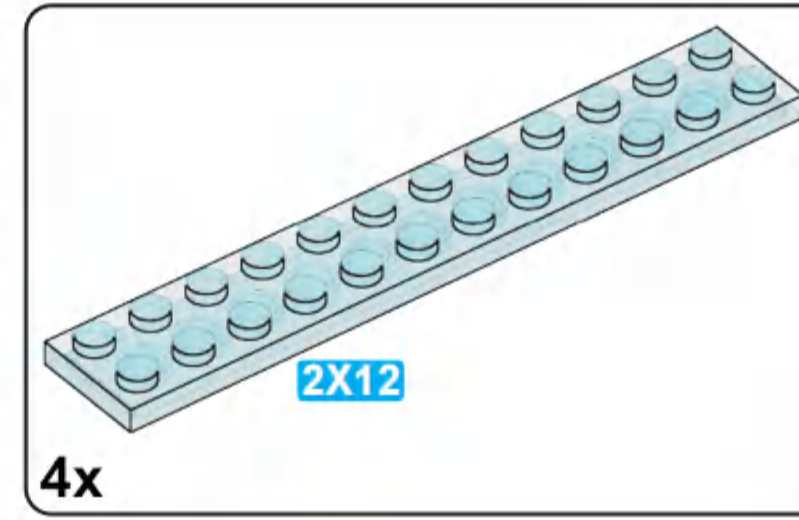
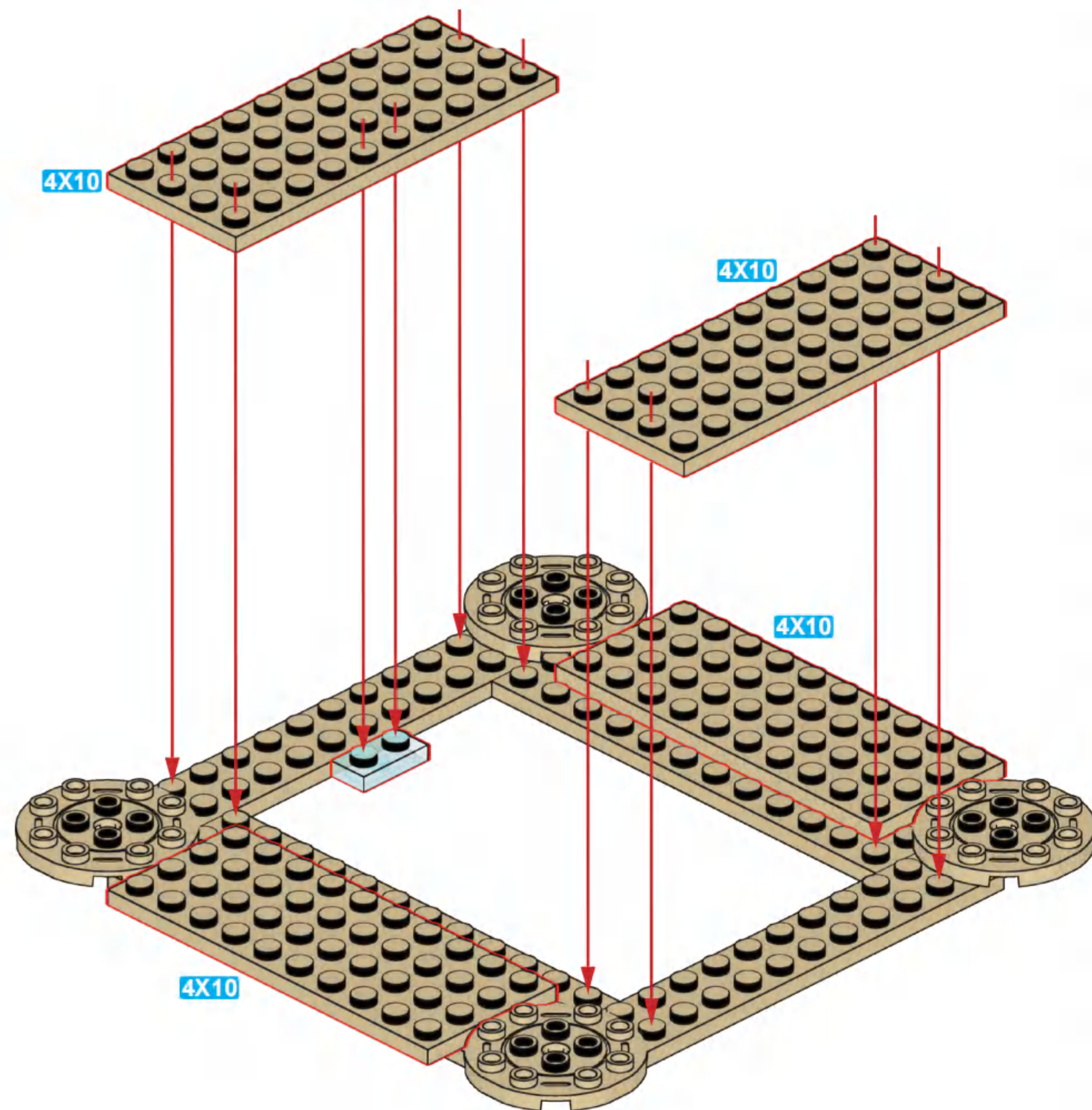


# U2

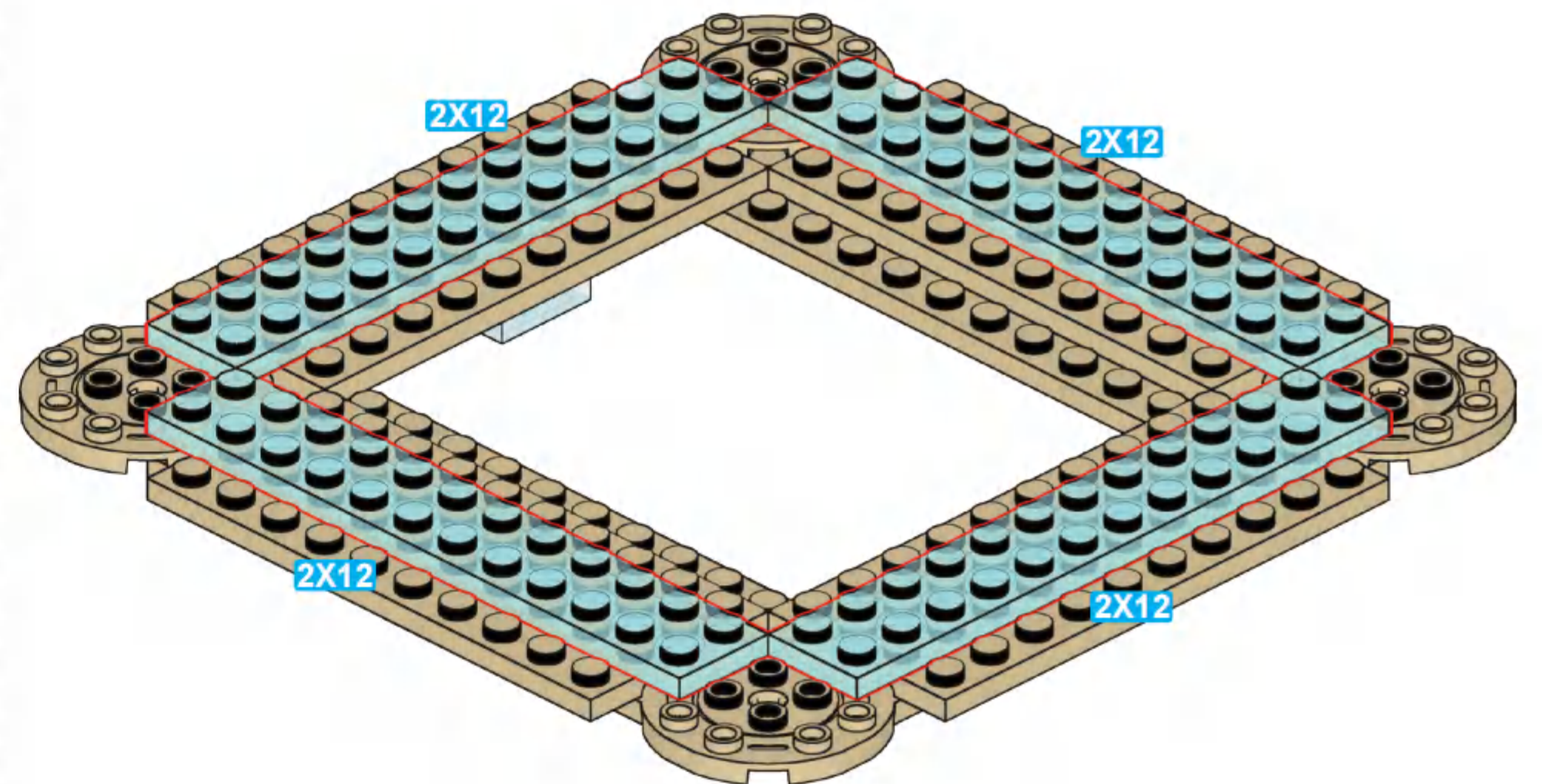


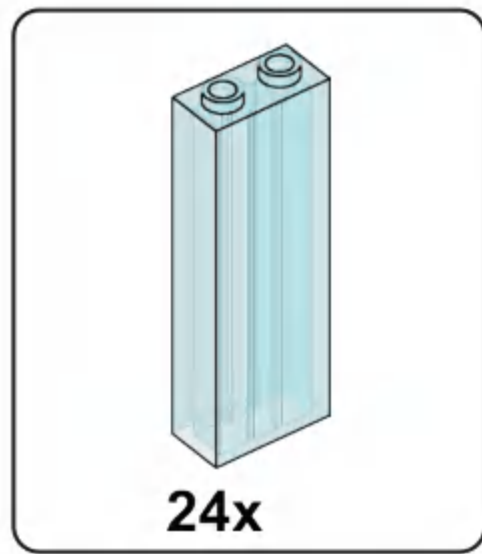


### U3

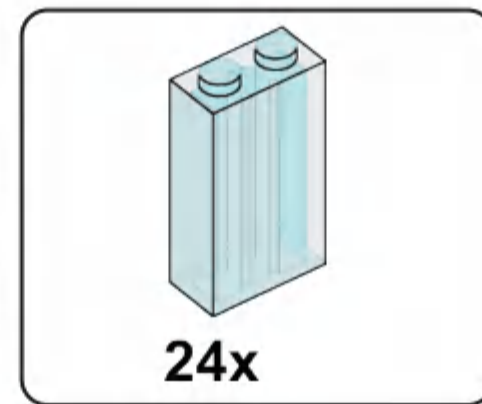
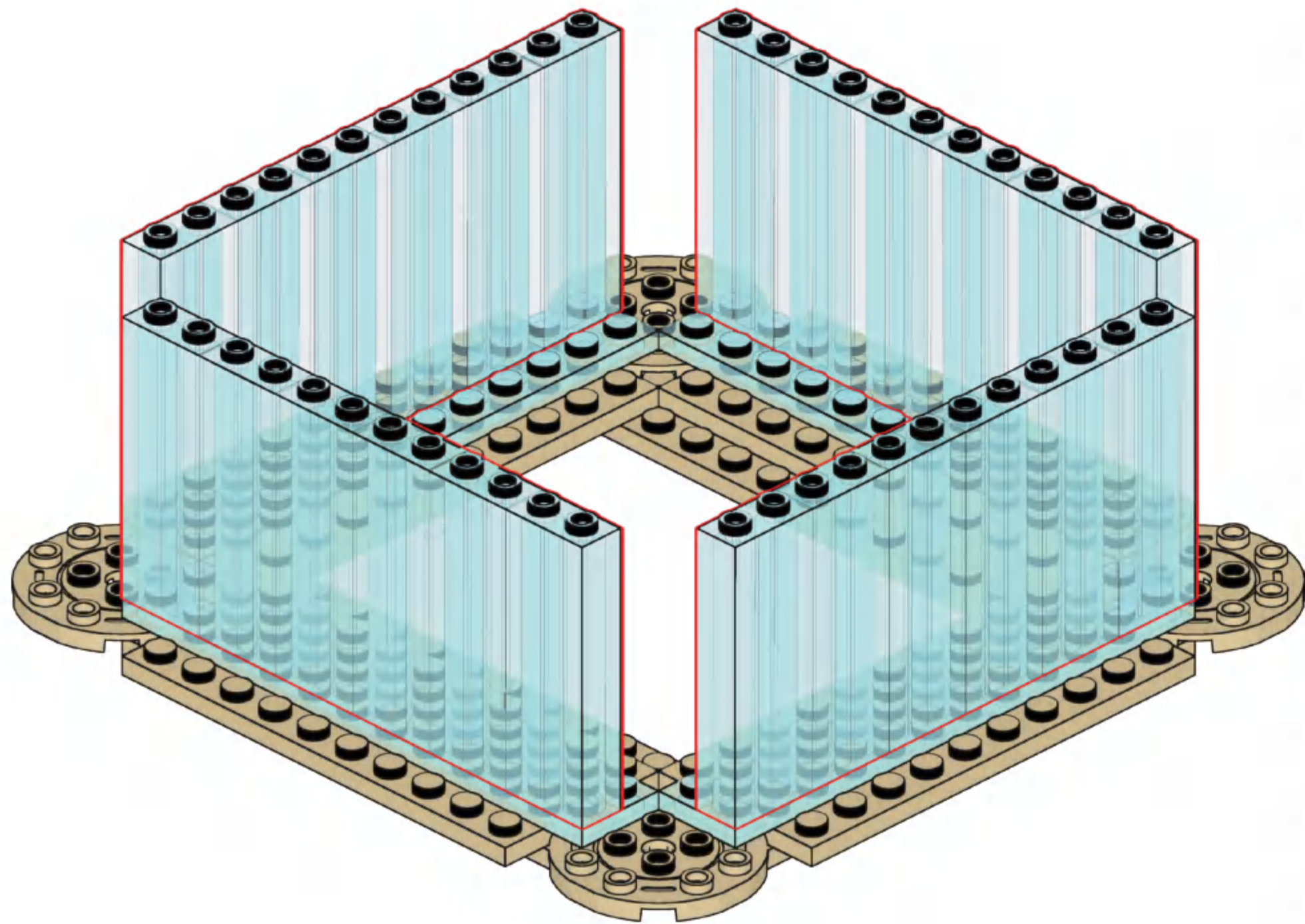


### U4

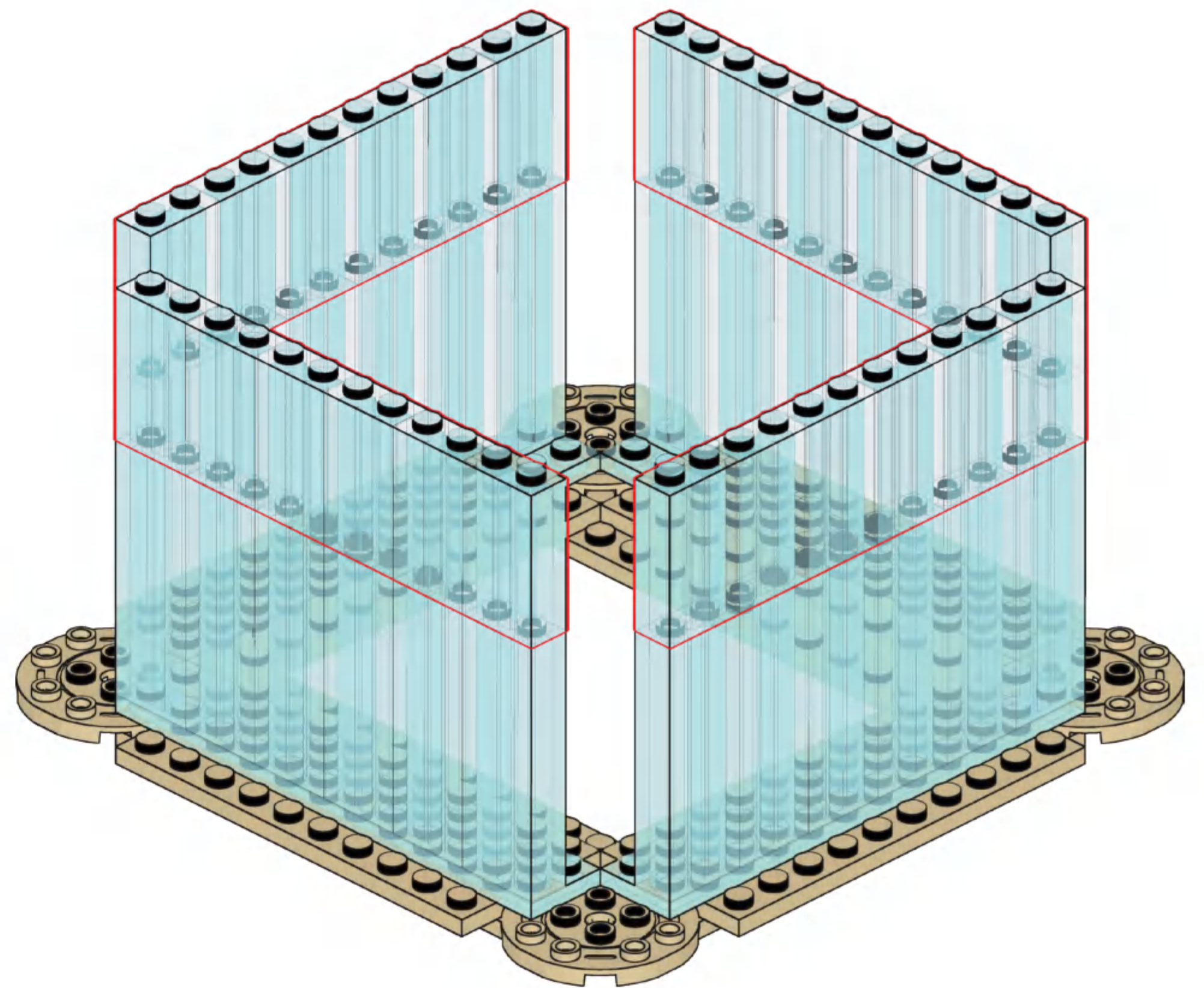


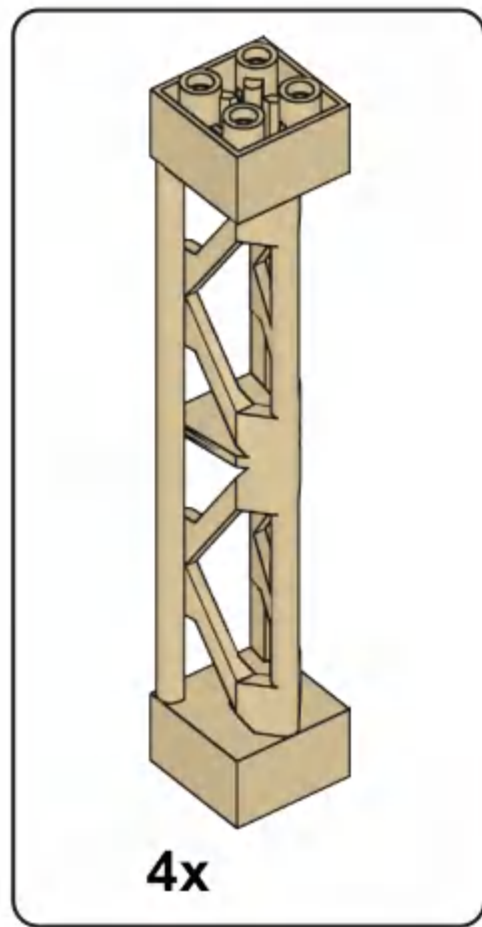


**U5**

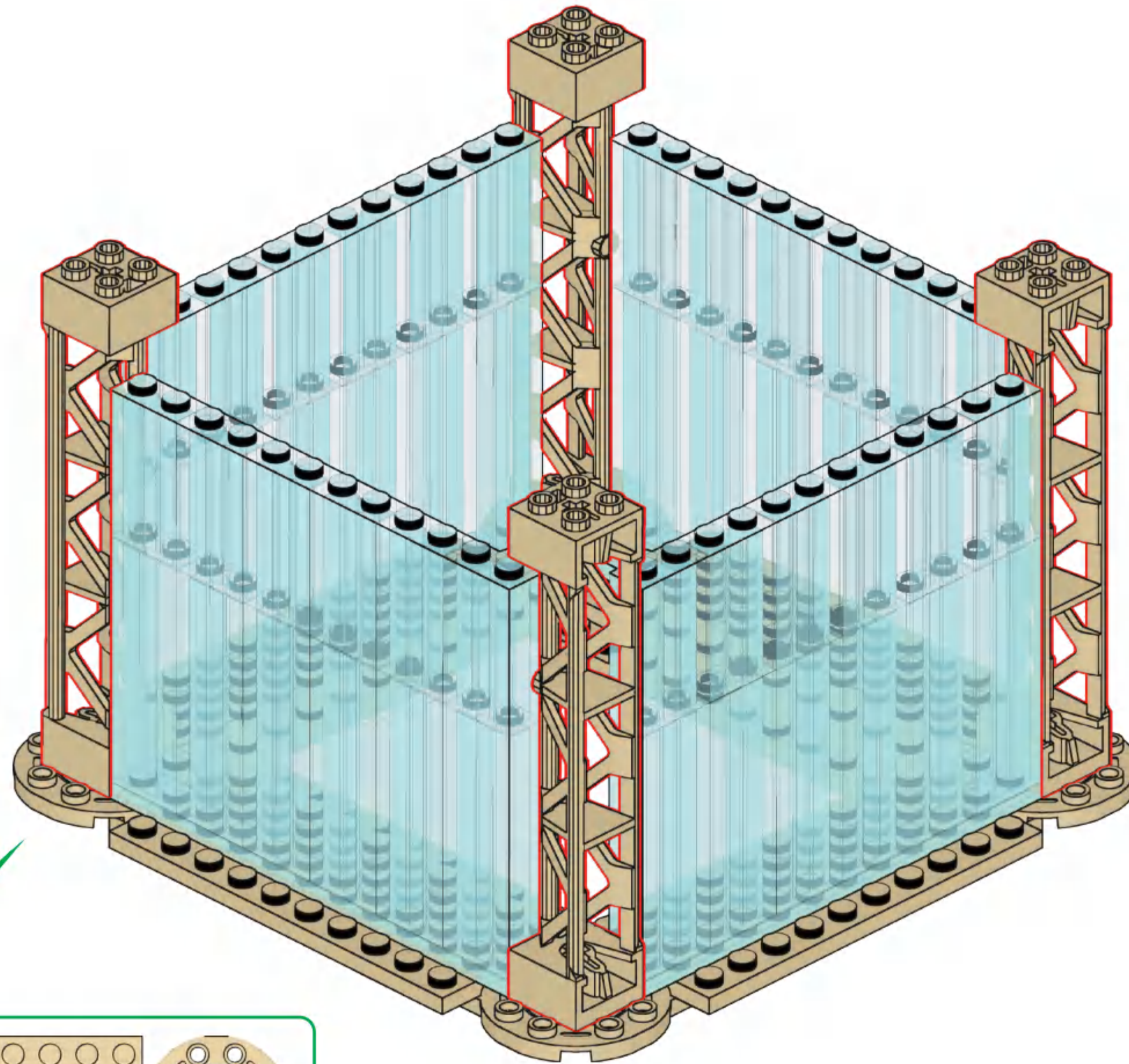


**U6**

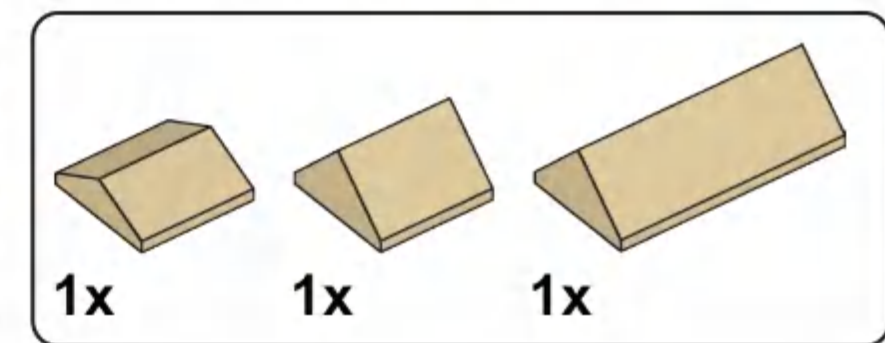
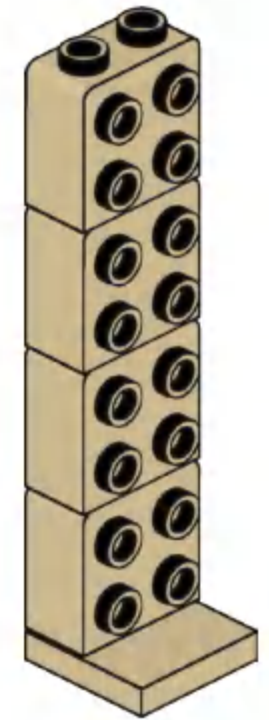




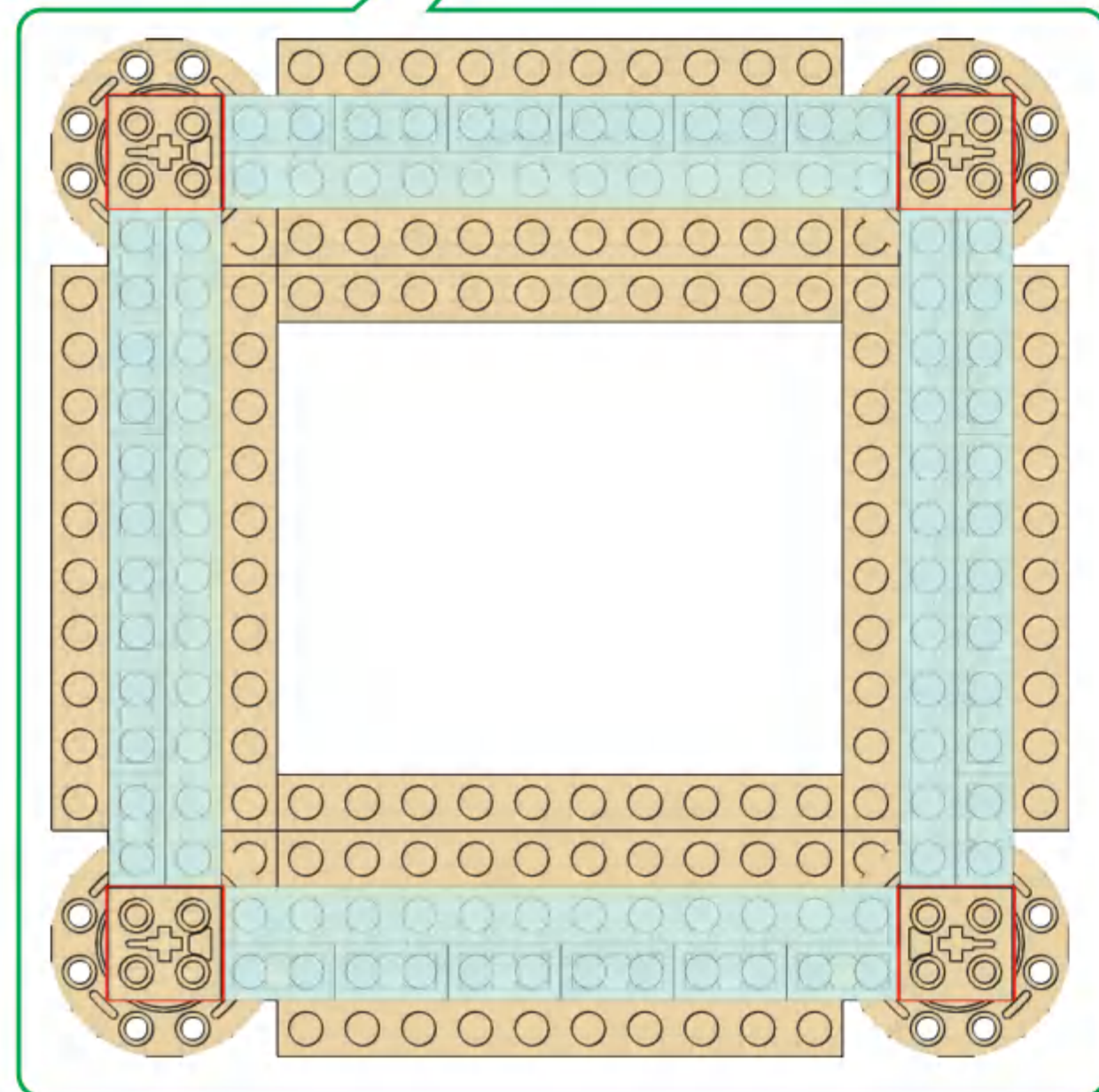
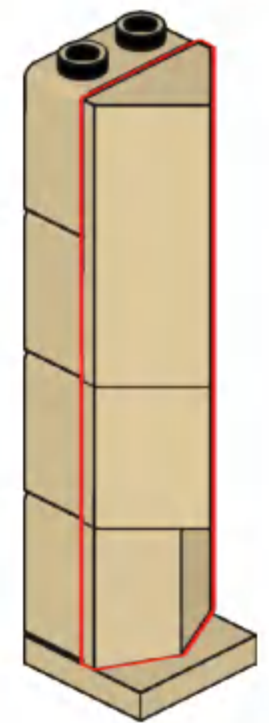
**U7**

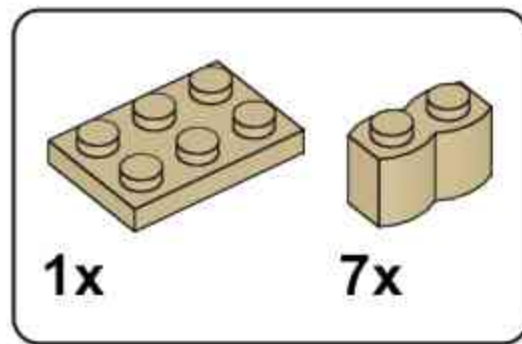


**U8**

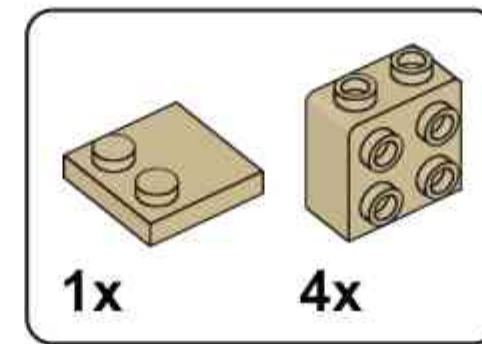
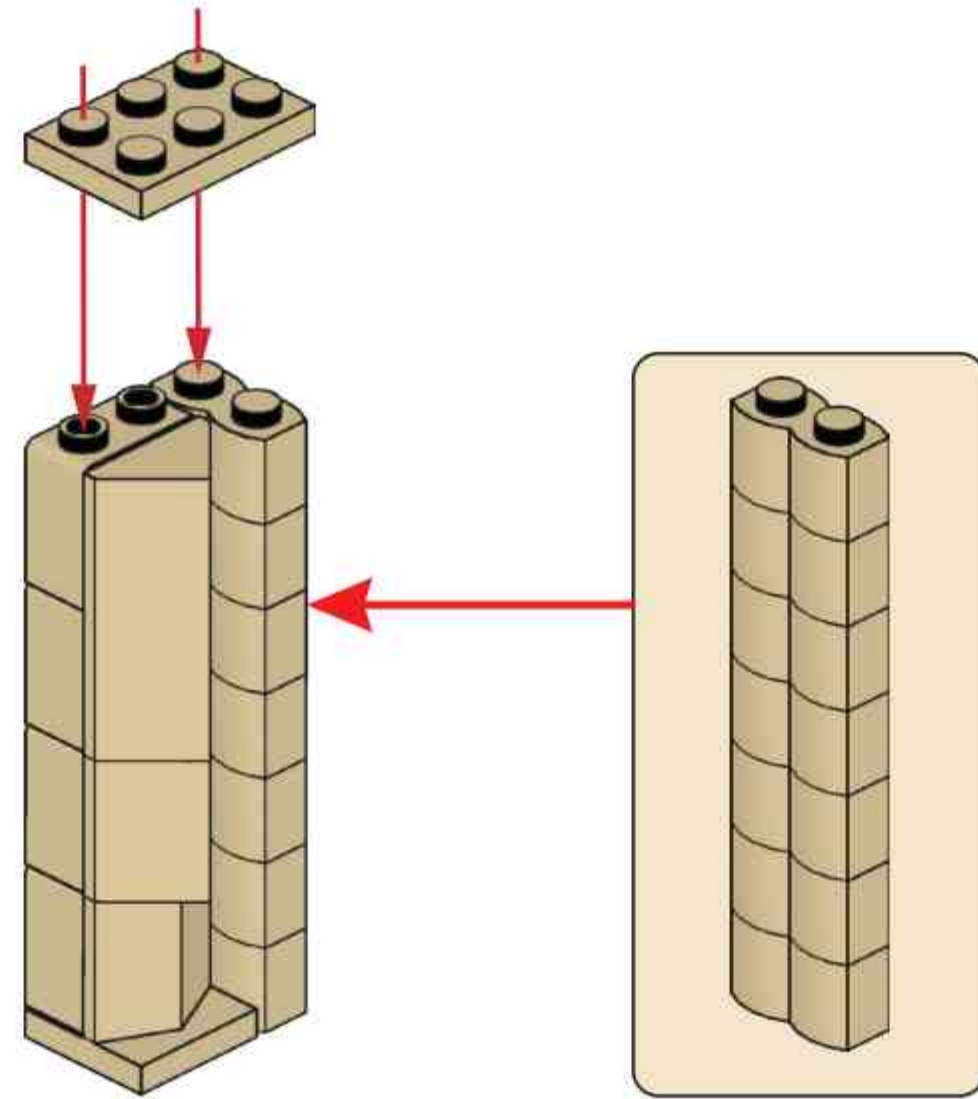


**U9**

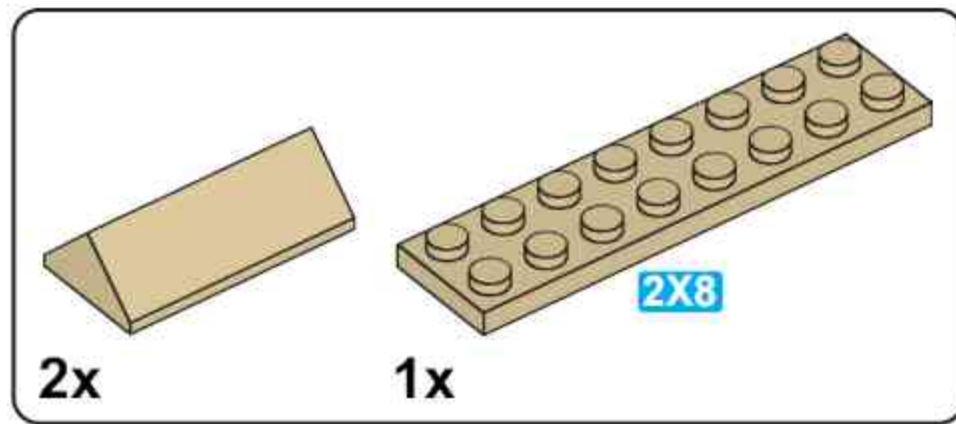
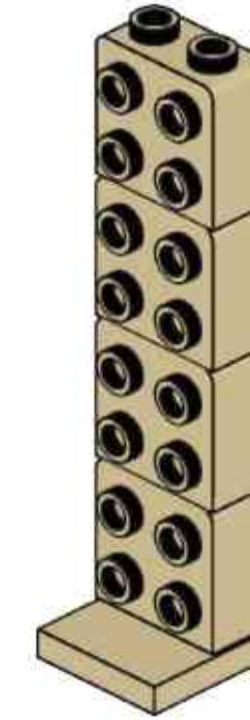




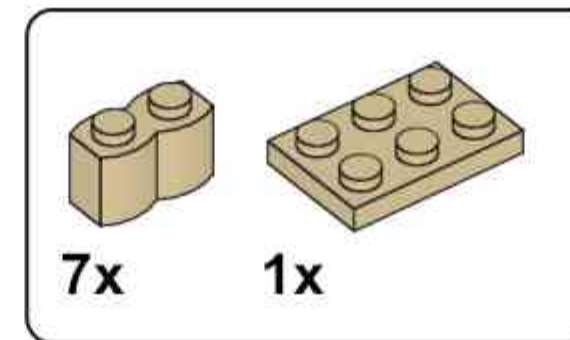
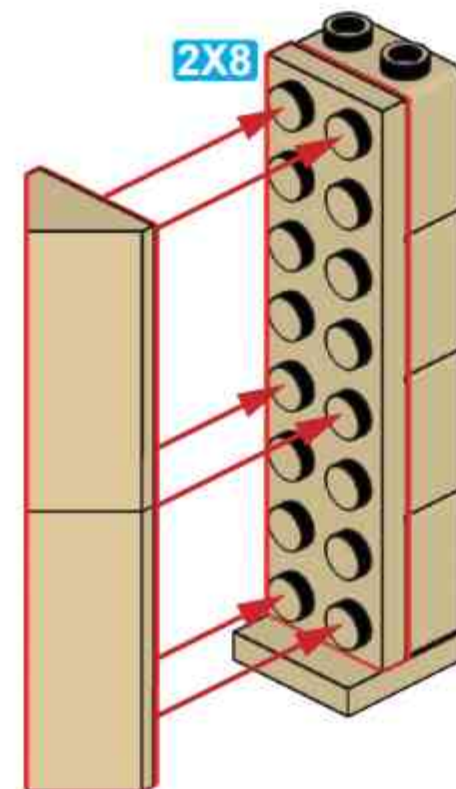
# U10



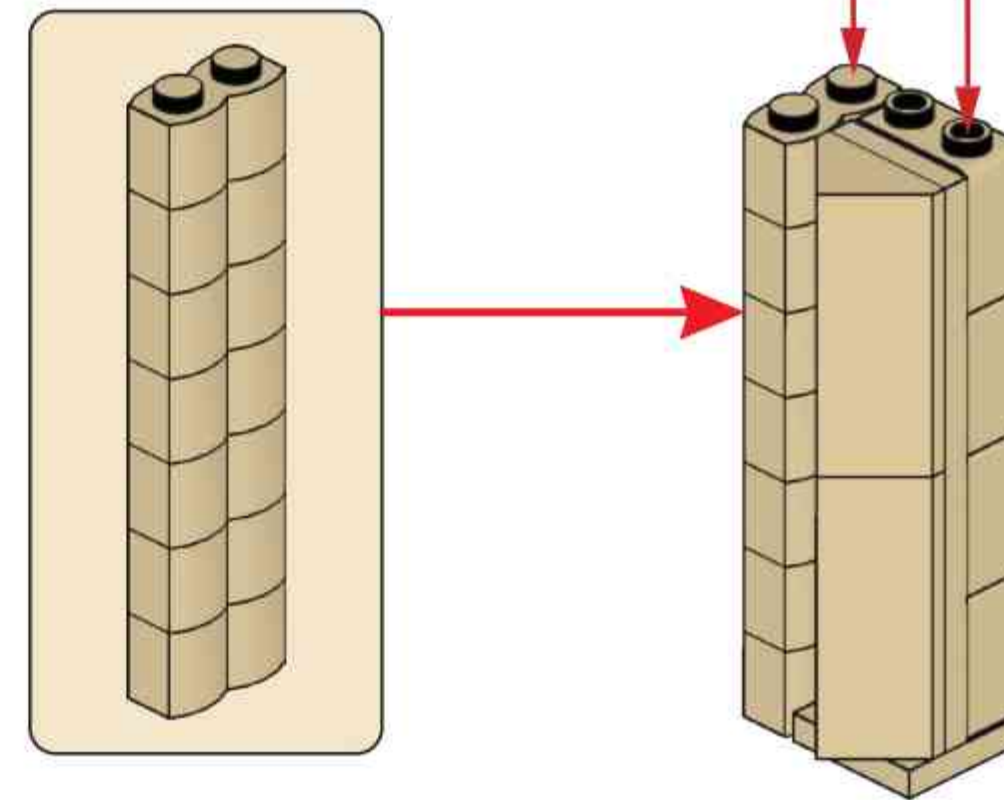
# U11

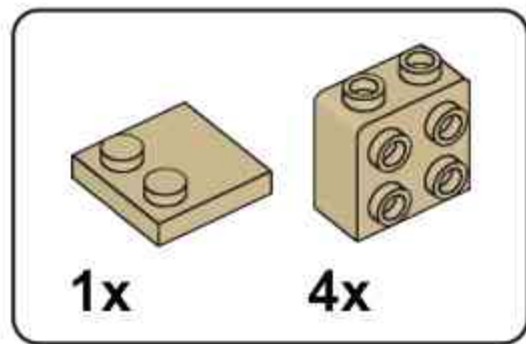


# U12

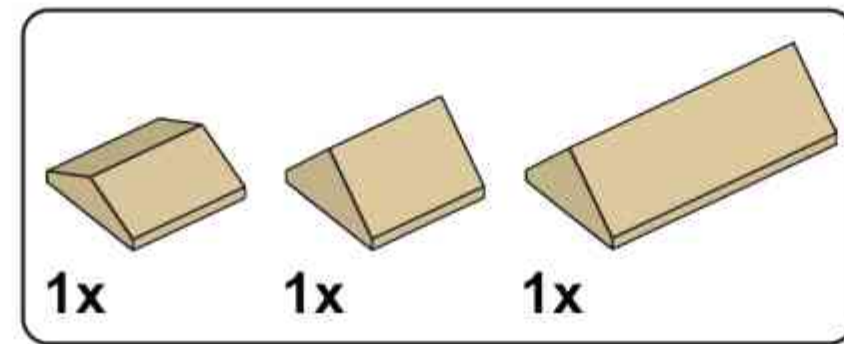
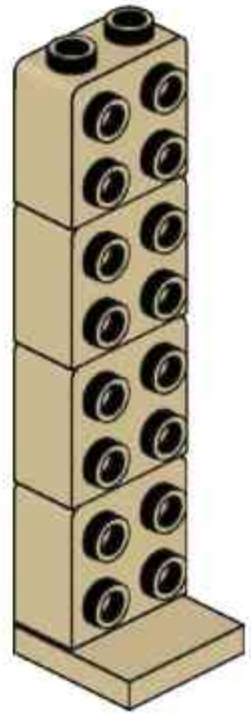


# U13

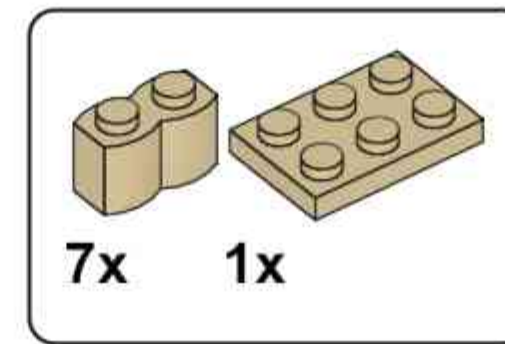
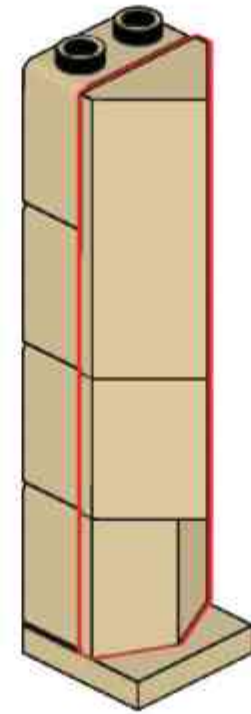




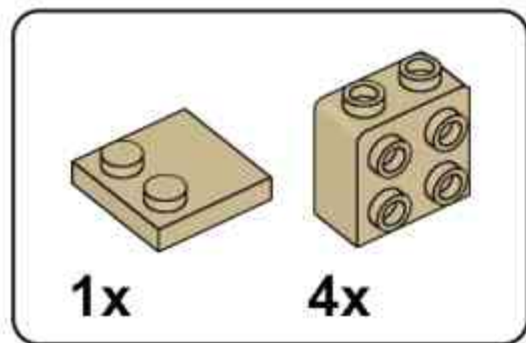
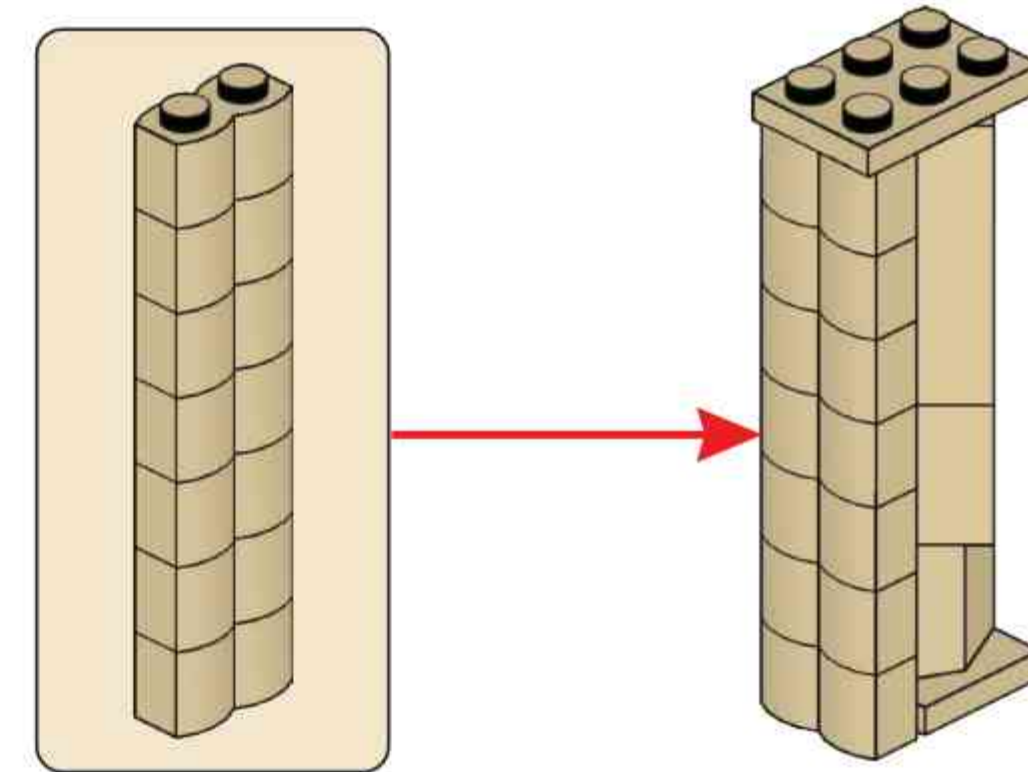
**U14**



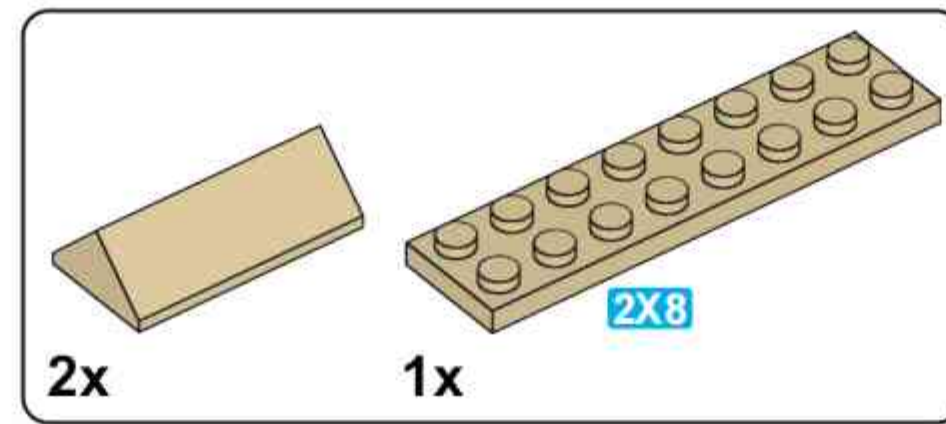
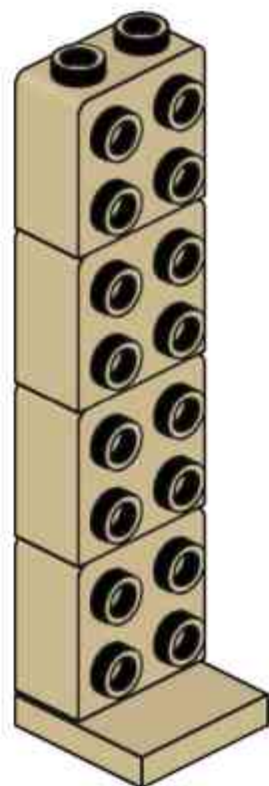
**U15**



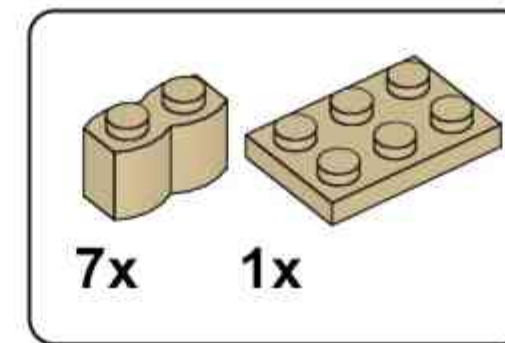
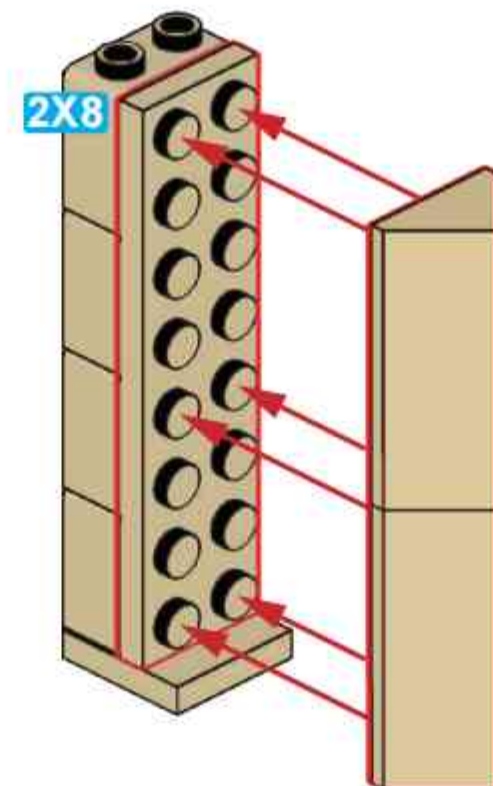
**U16**



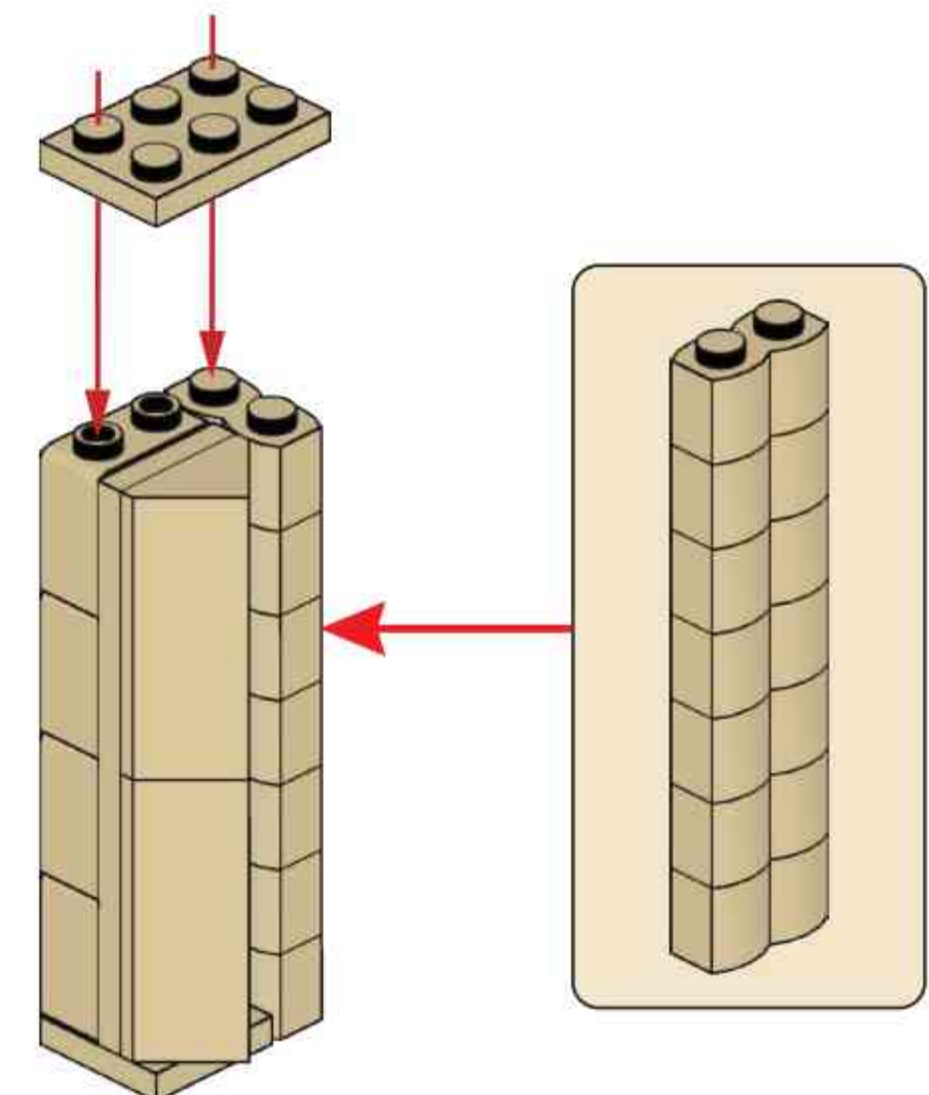
**U17**



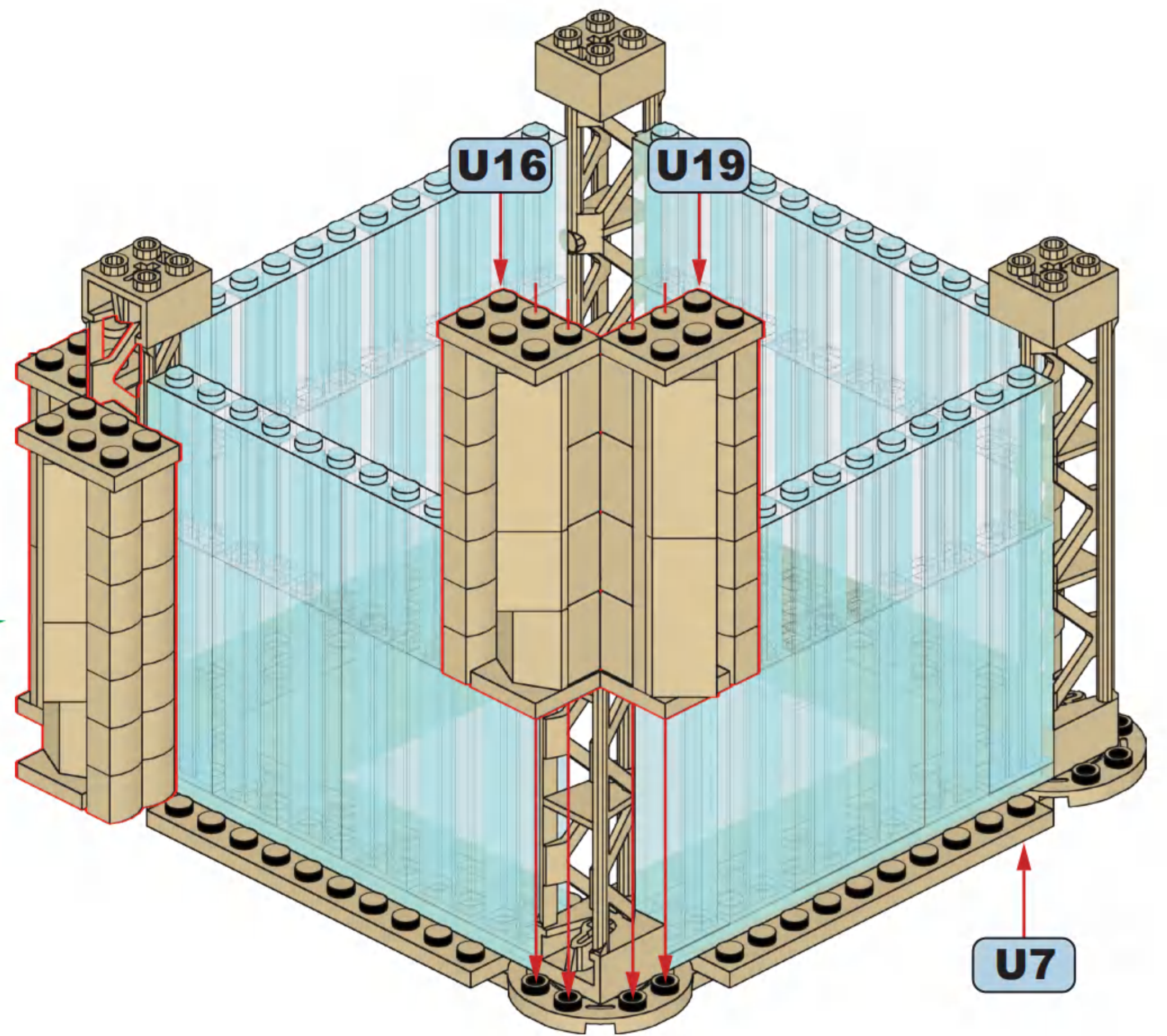
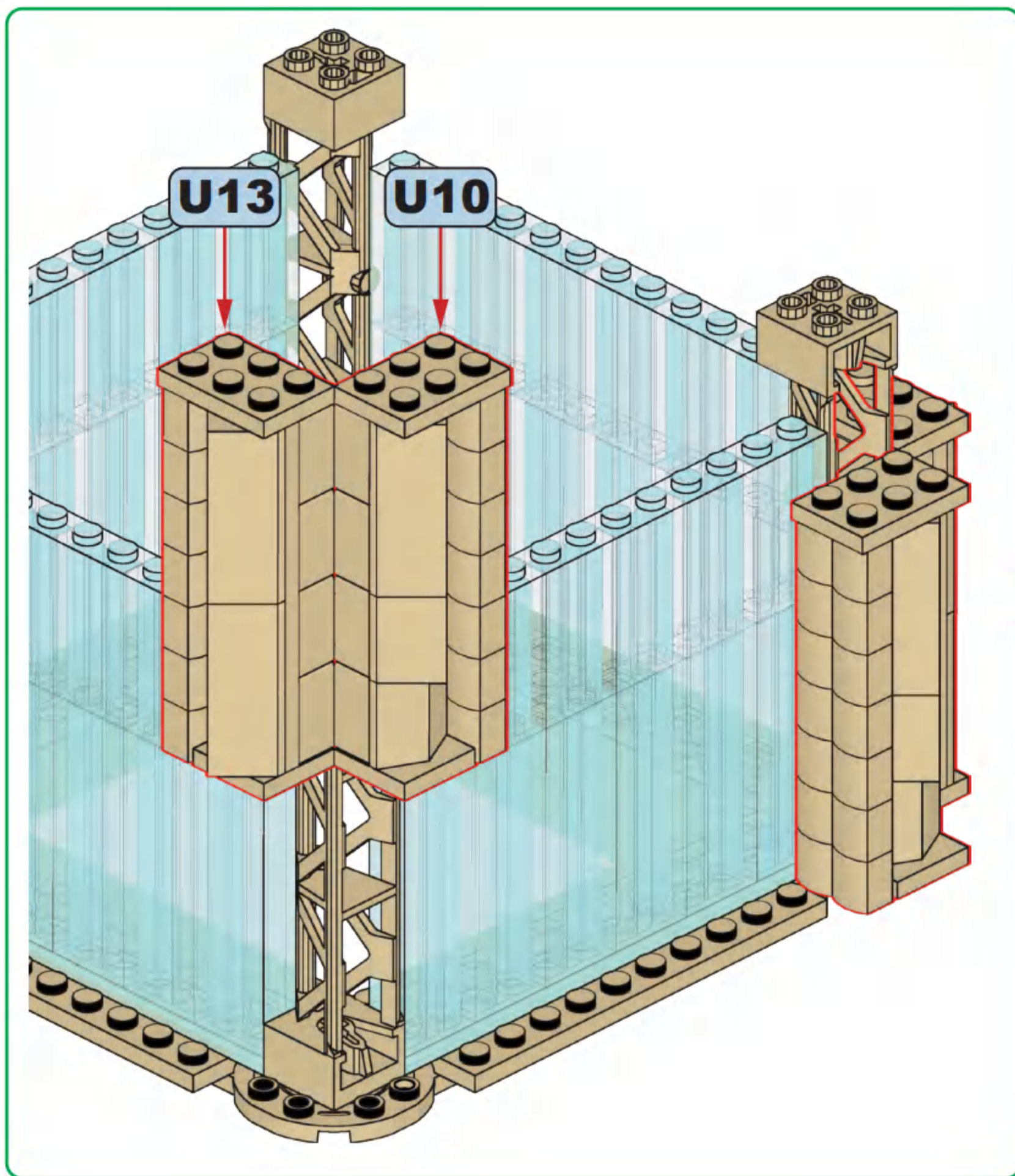
**U18**



**U19**

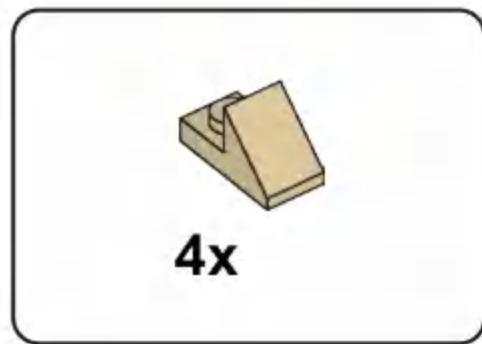


# U20

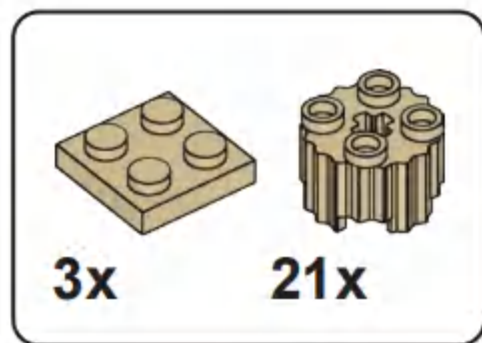
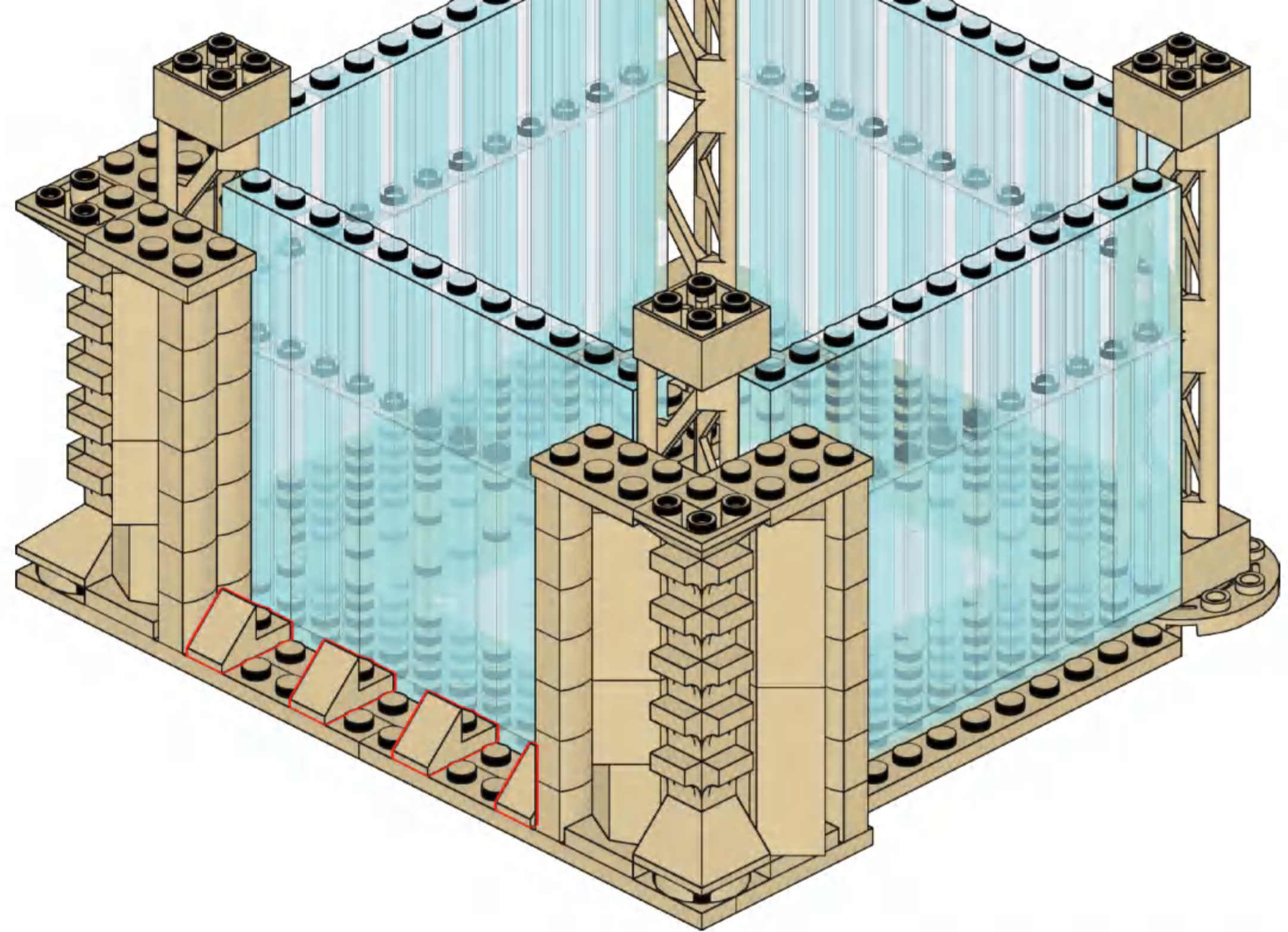




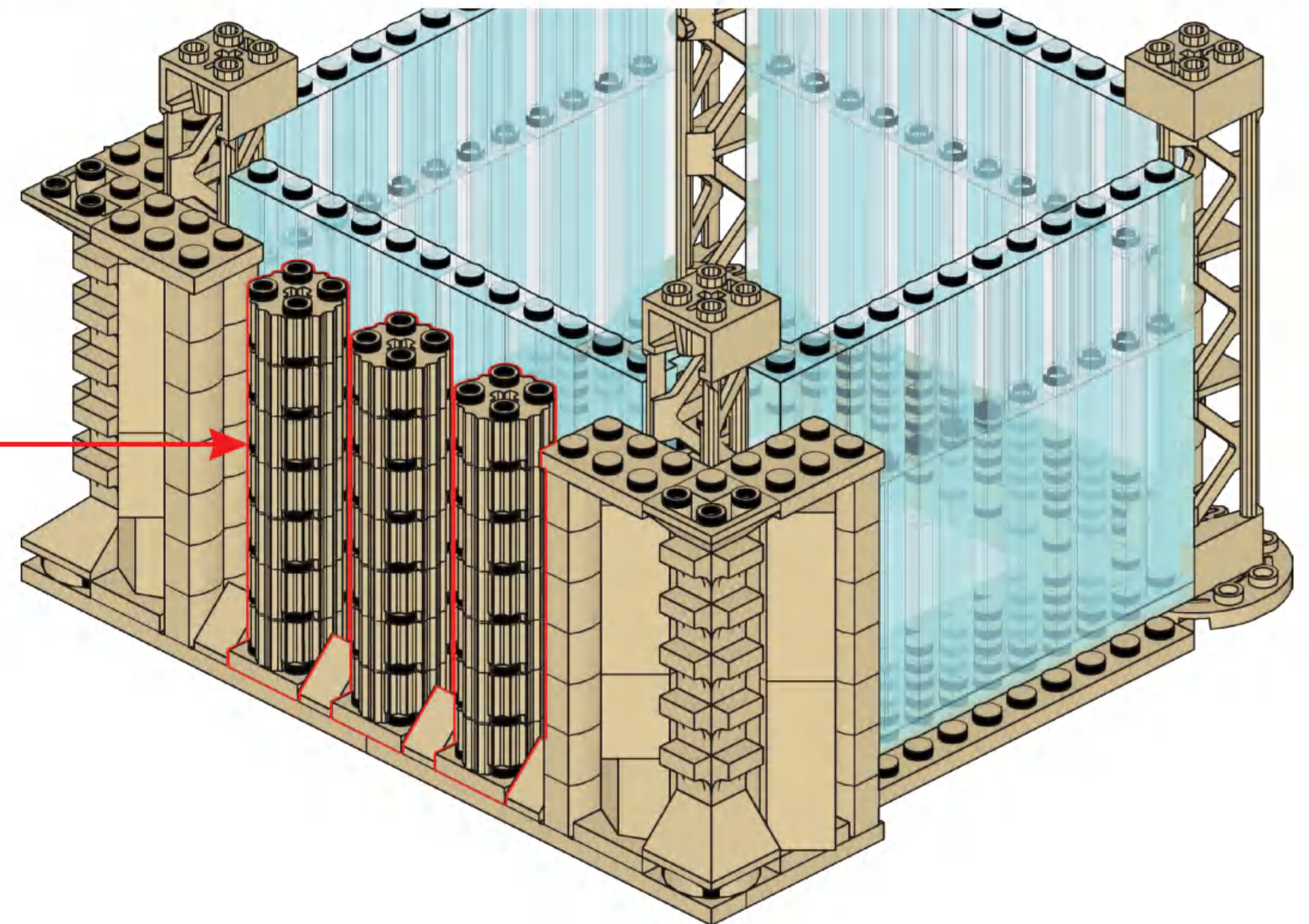
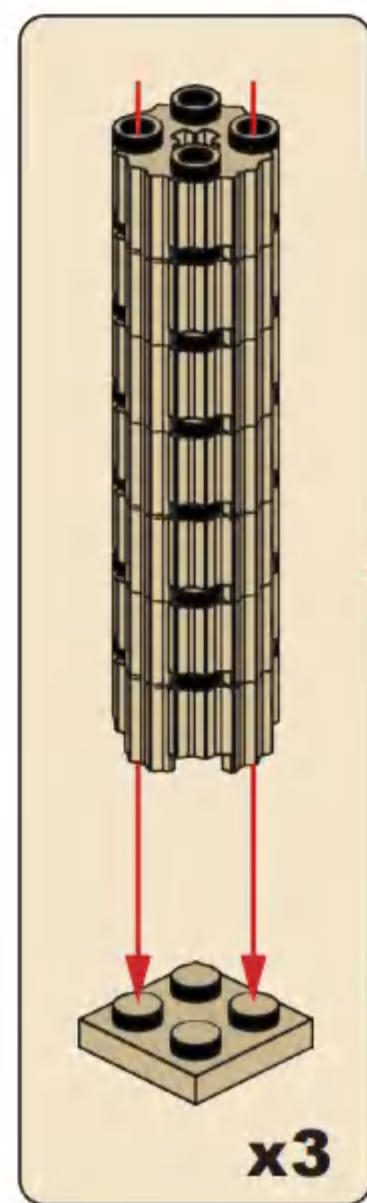


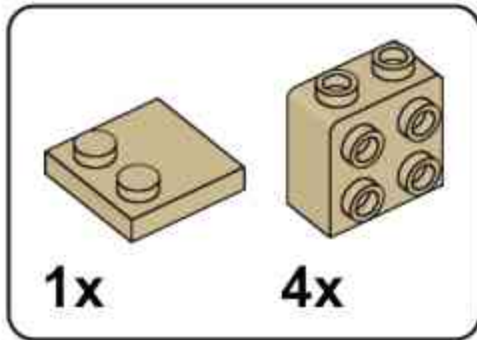


**U23**

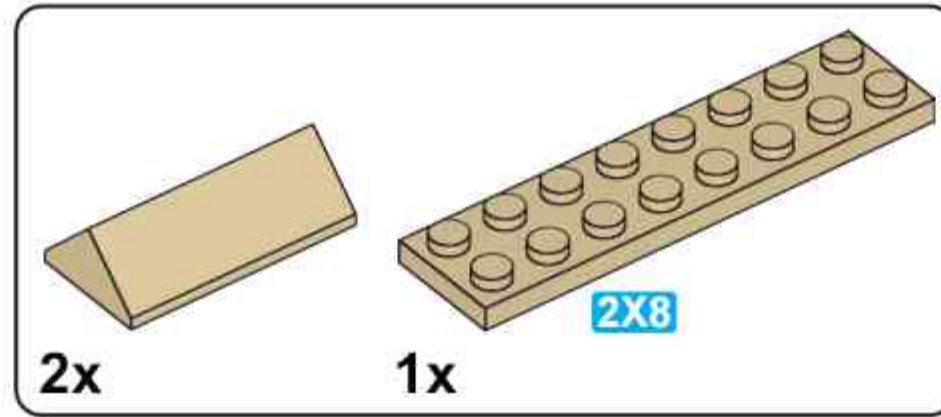
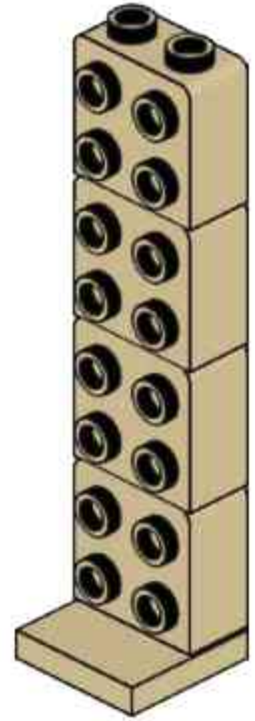


**U24**

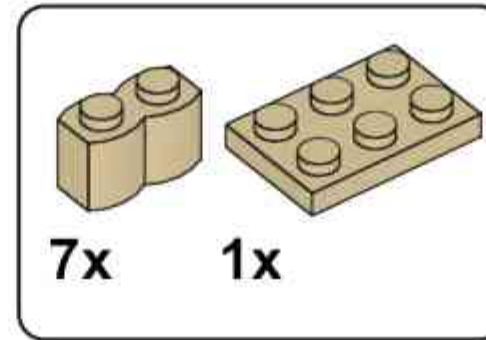
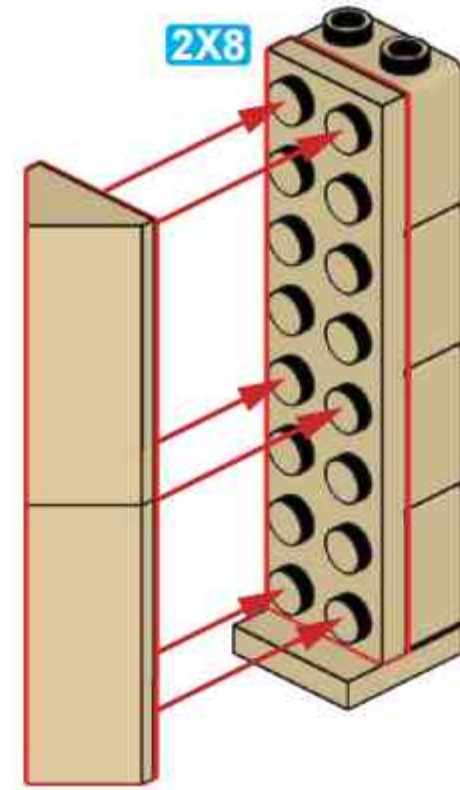




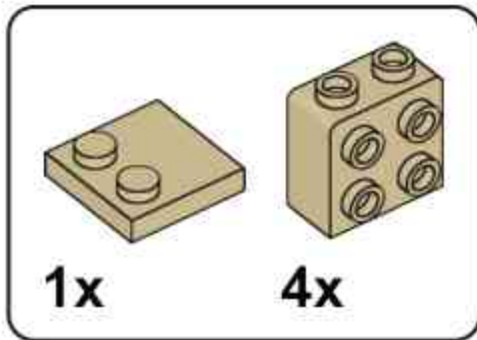
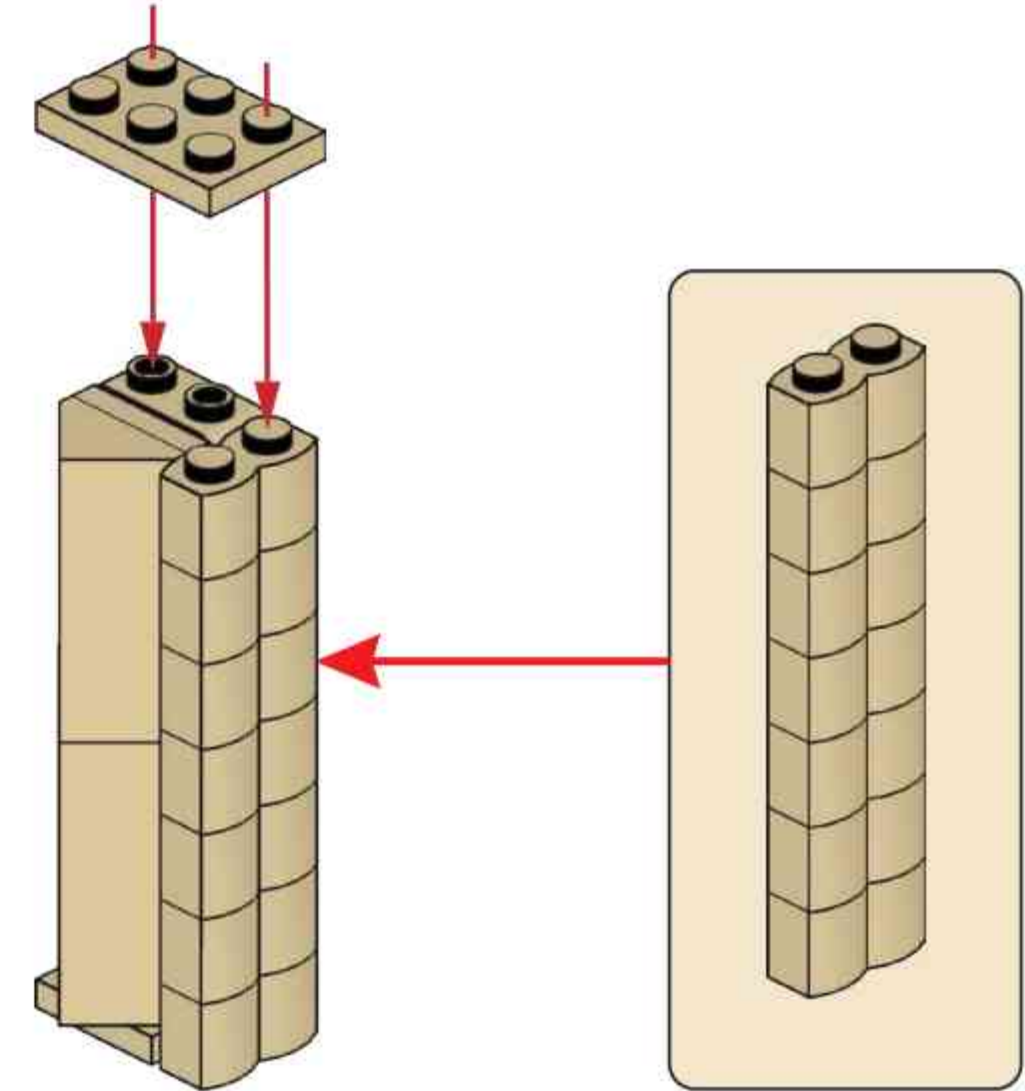
**U25**



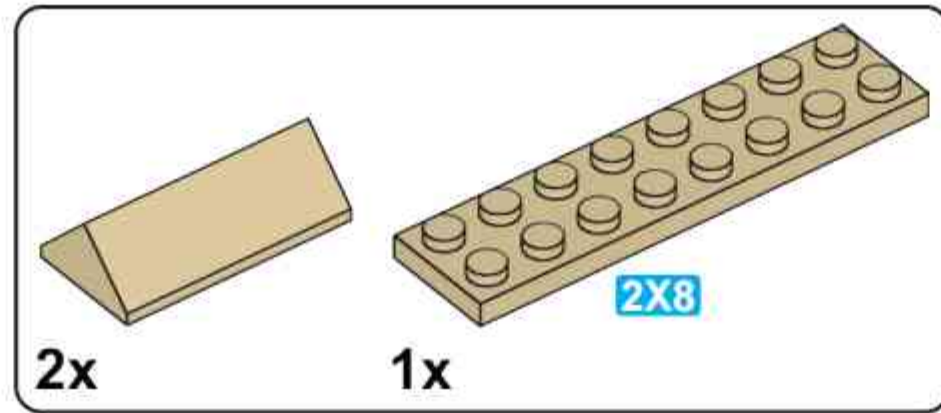
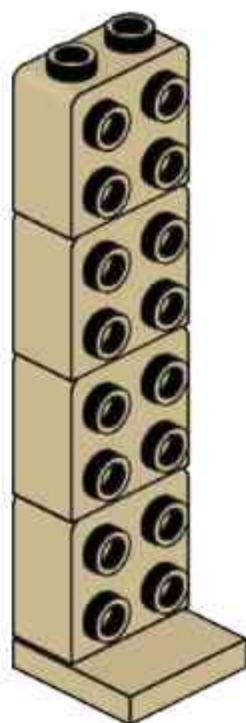
**U26**



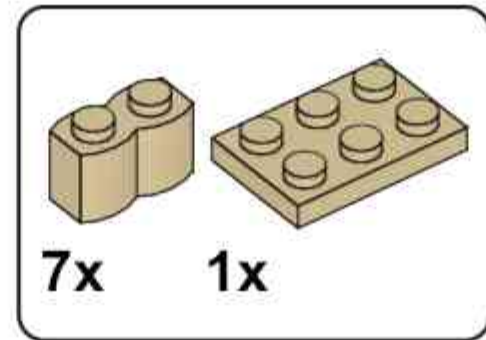
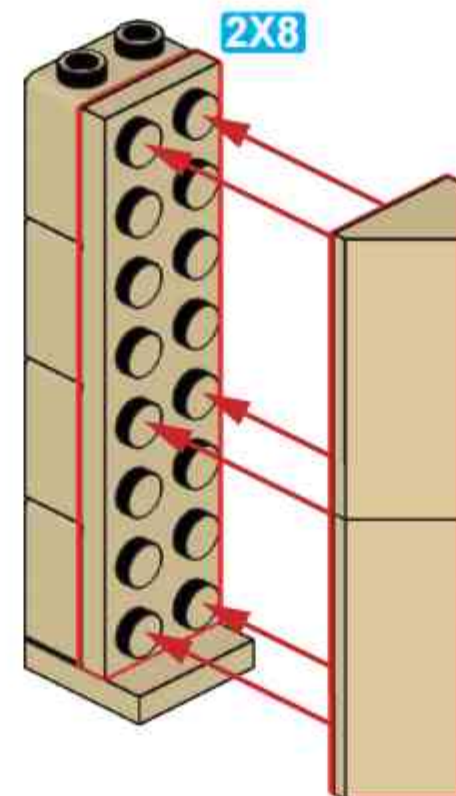
**U27**



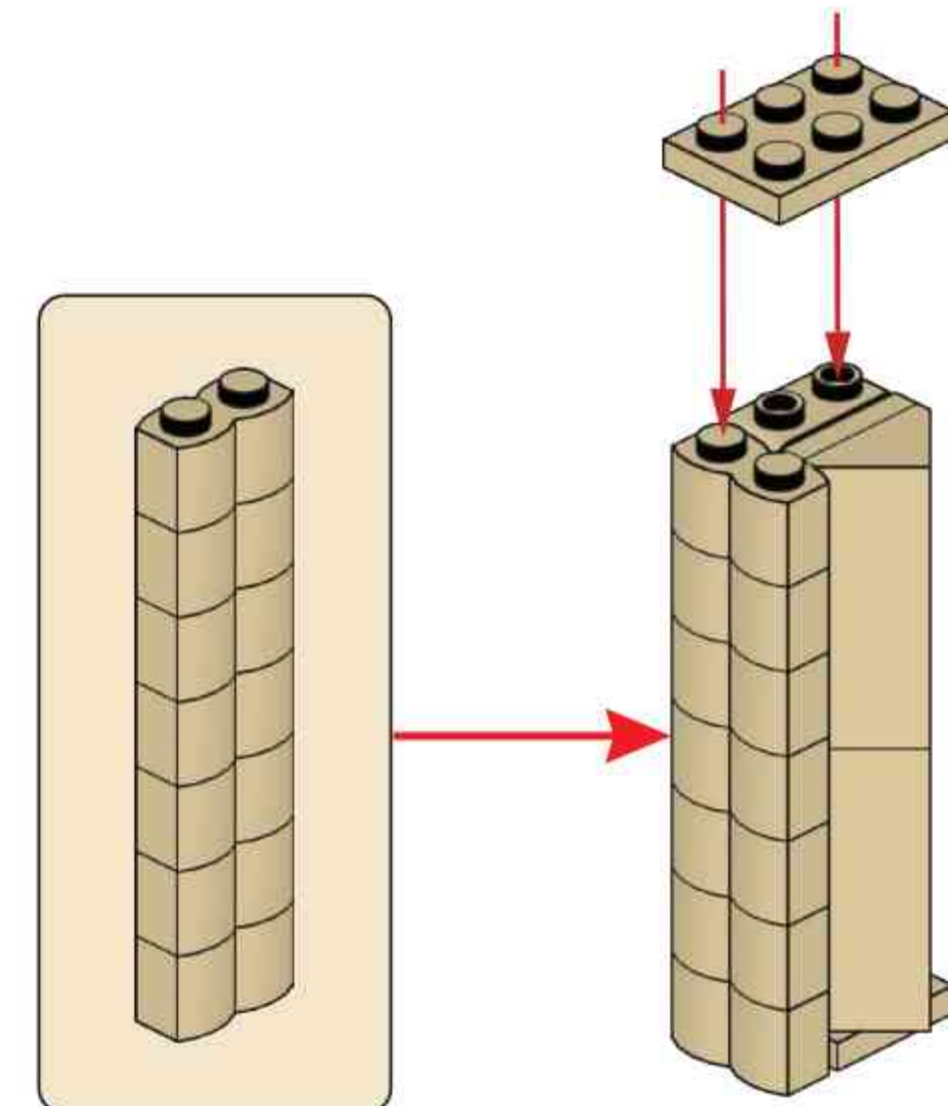
**U28**

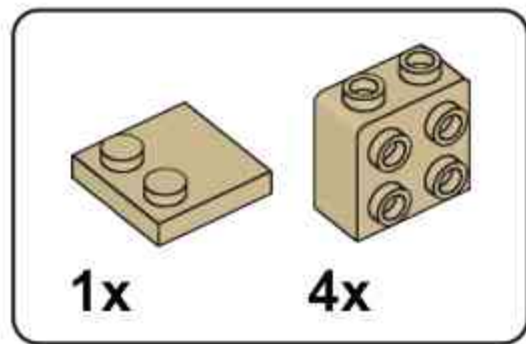


**U29**

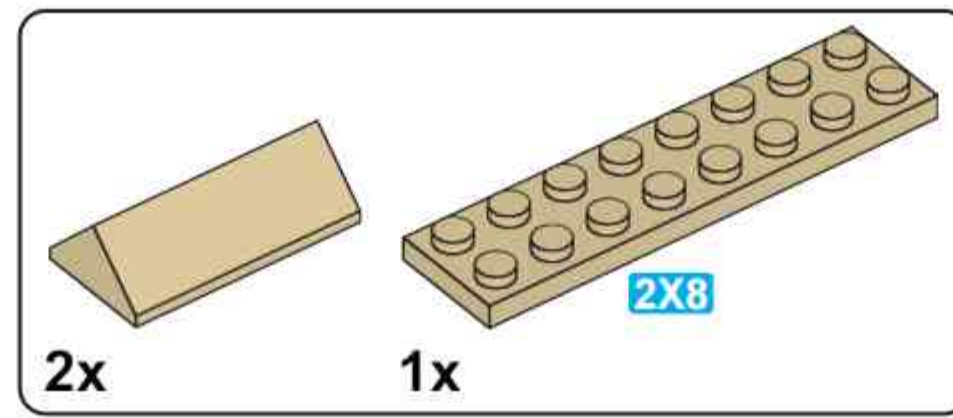
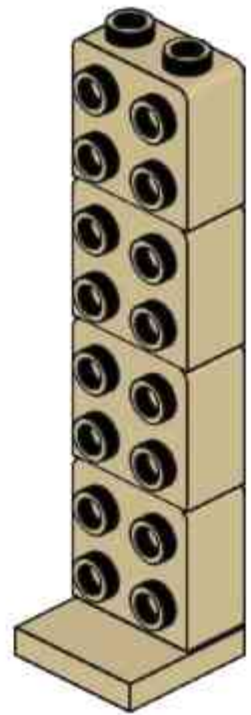


**U30**

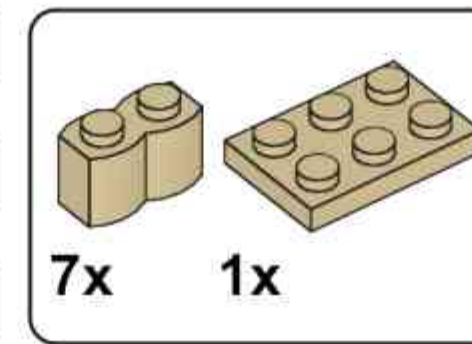
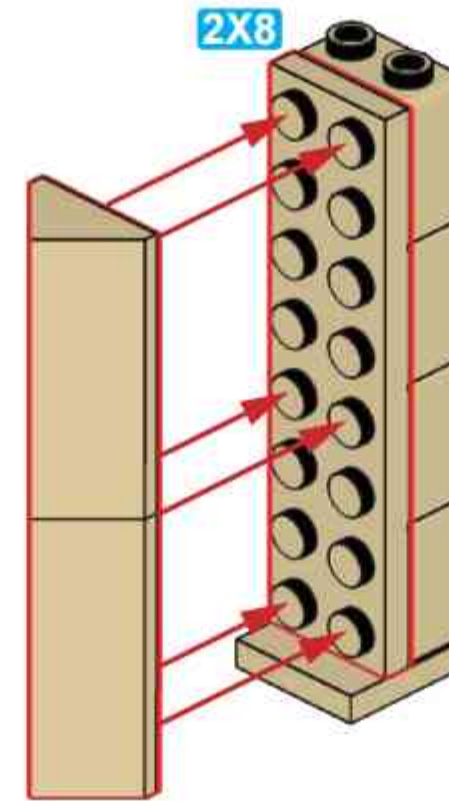




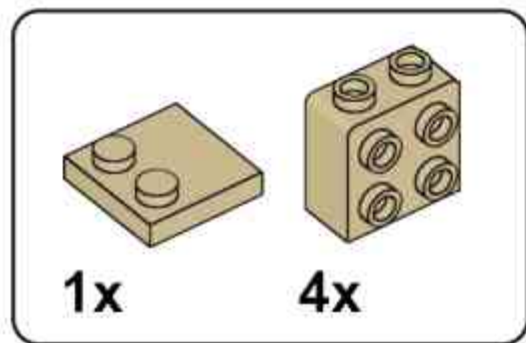
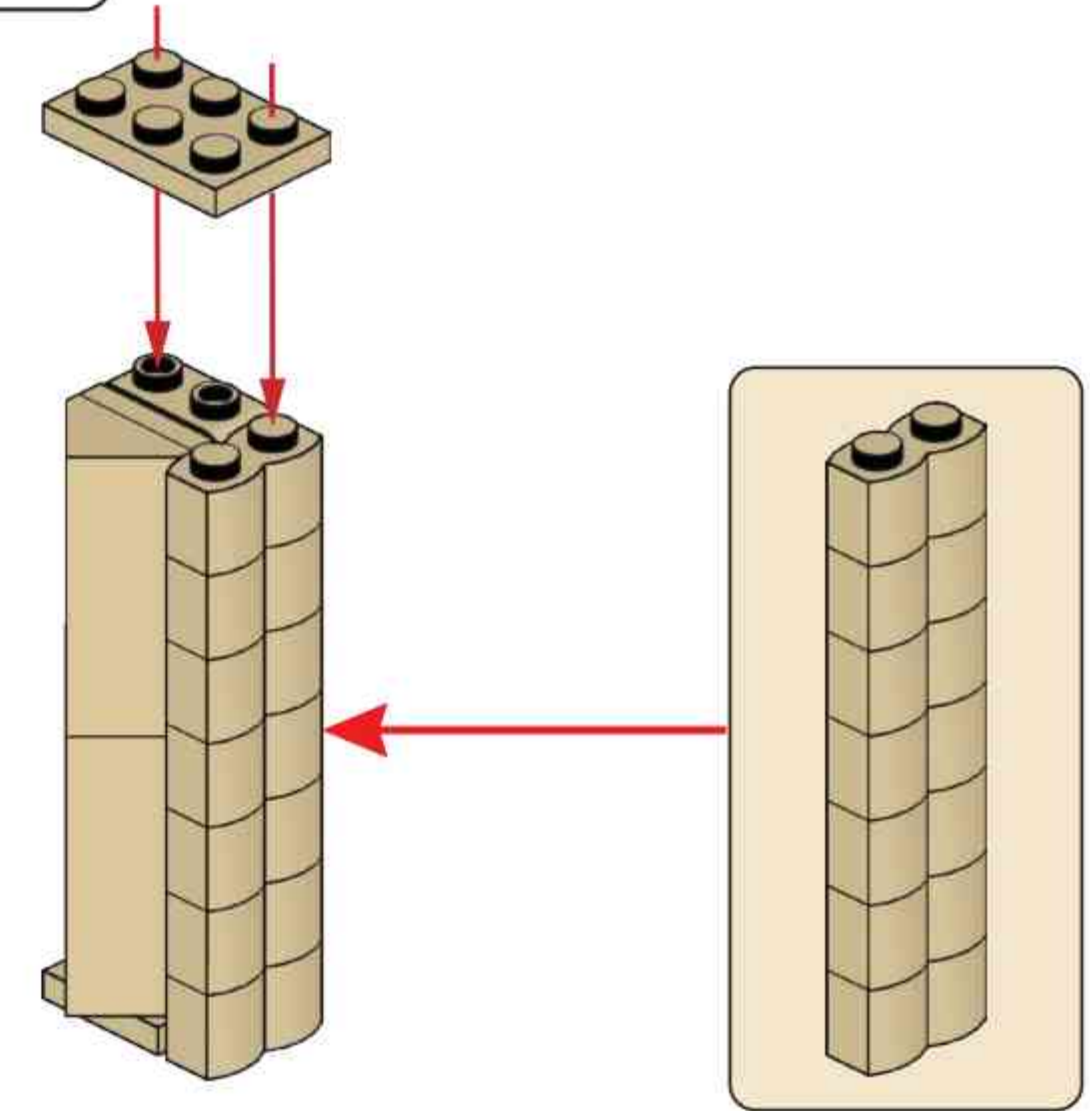
**U31**



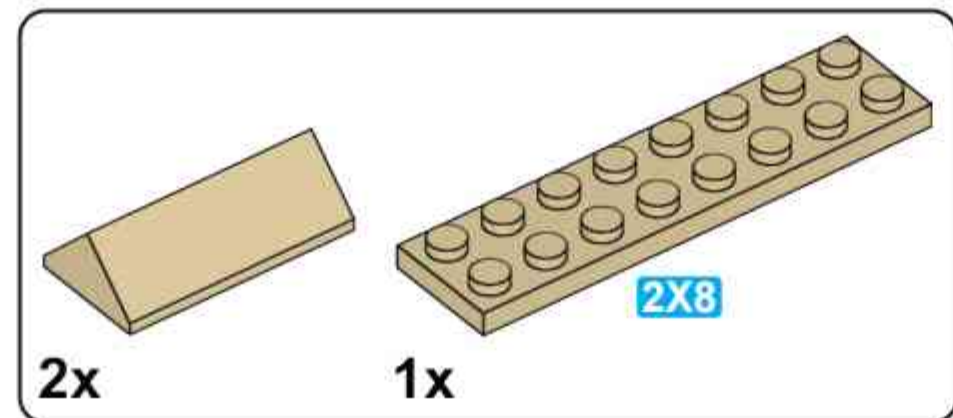
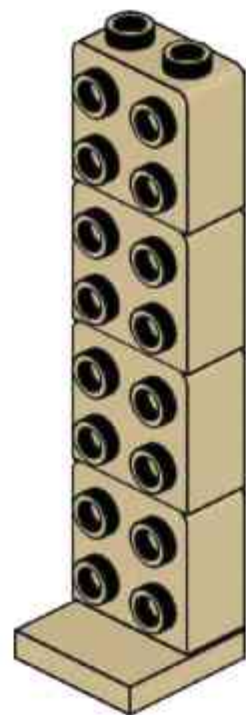
**U32**



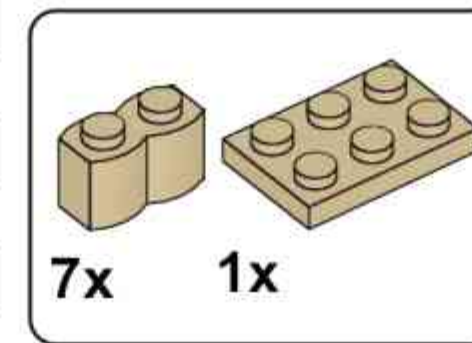
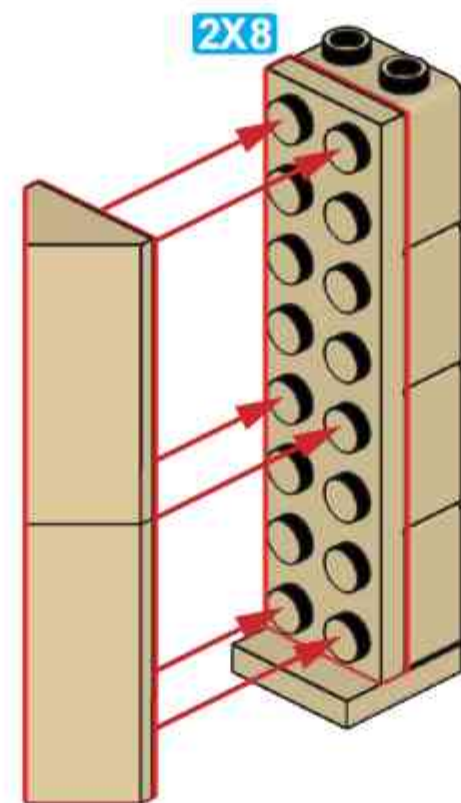
**U33**



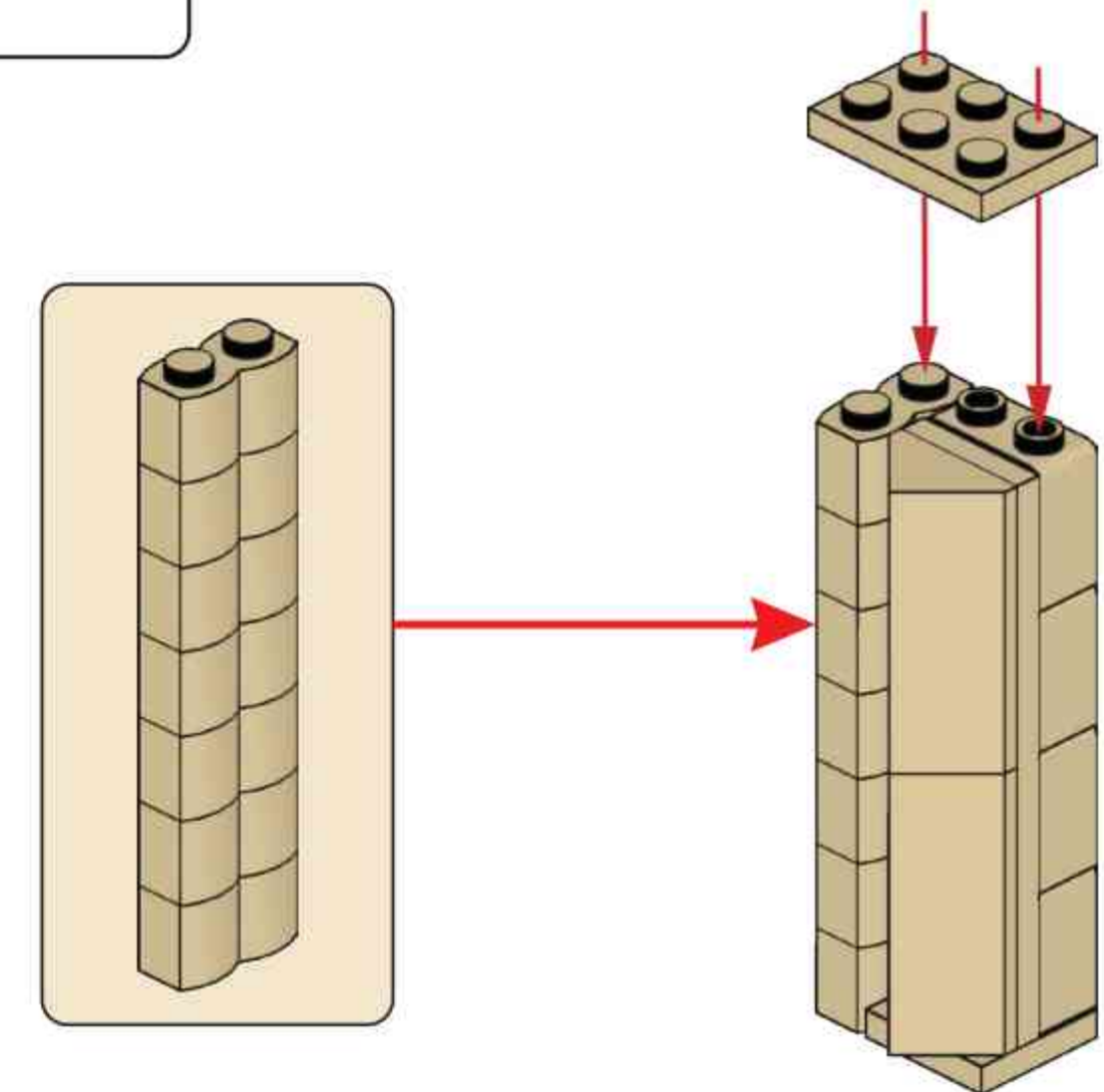
**U34**



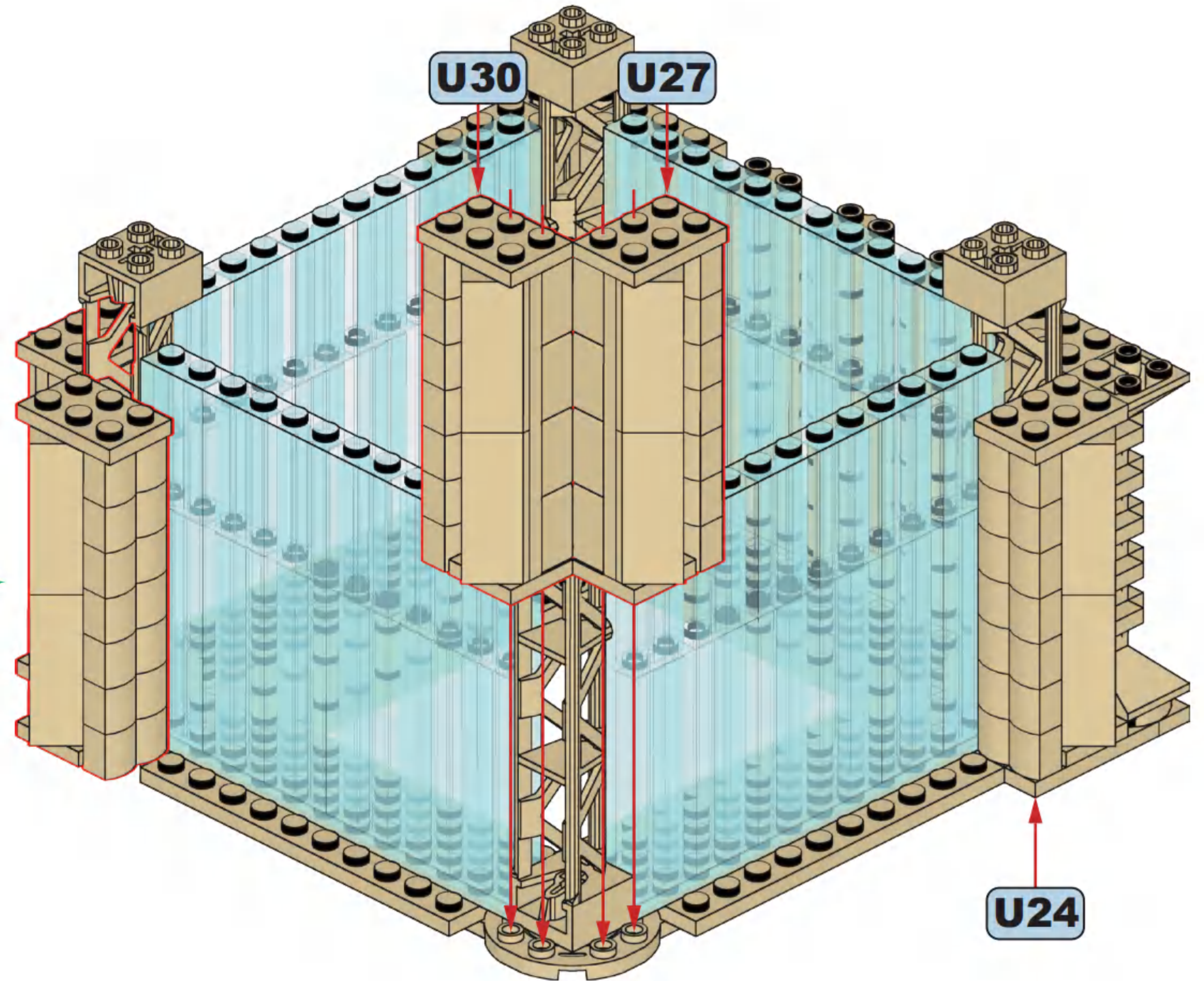
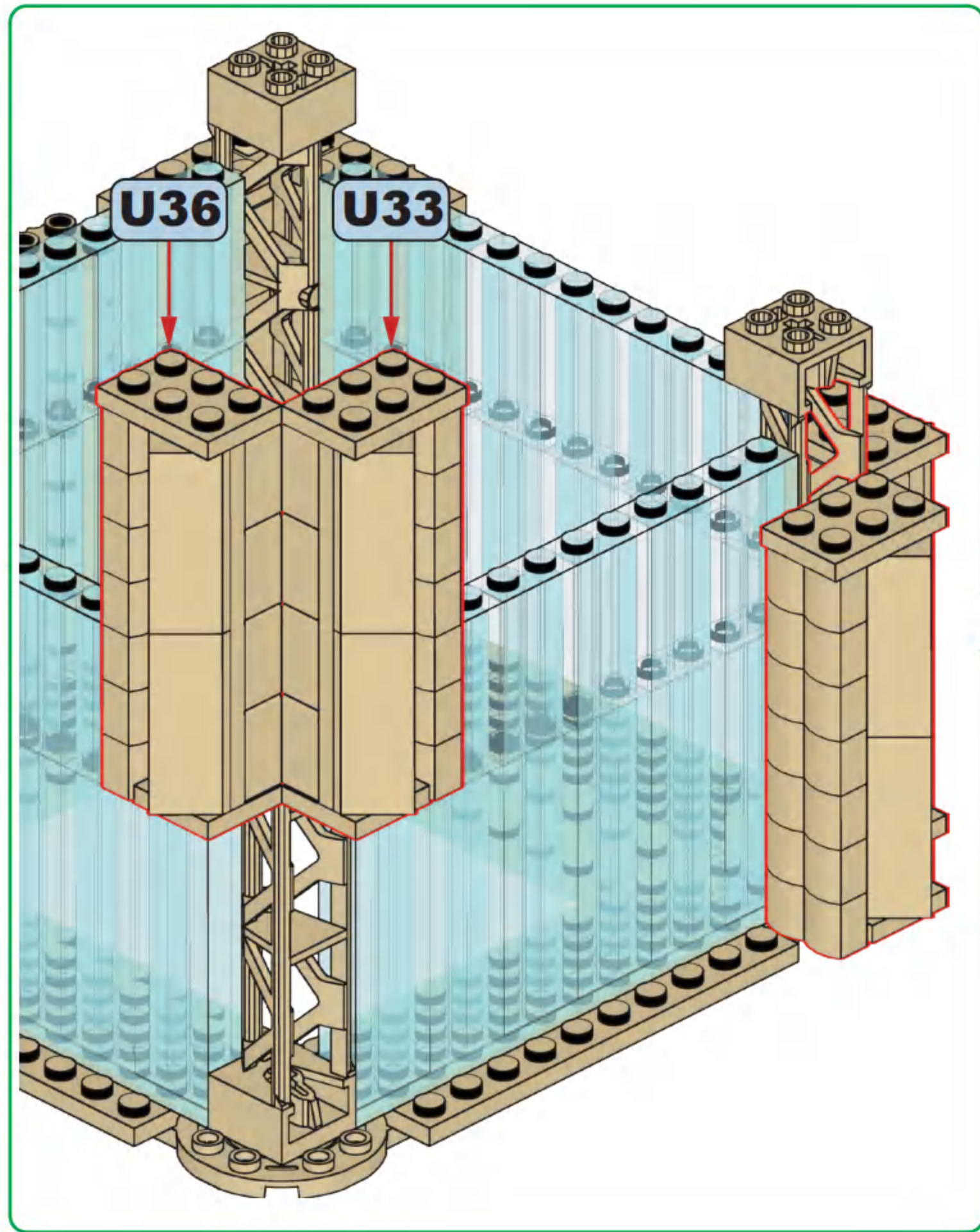
**U35**

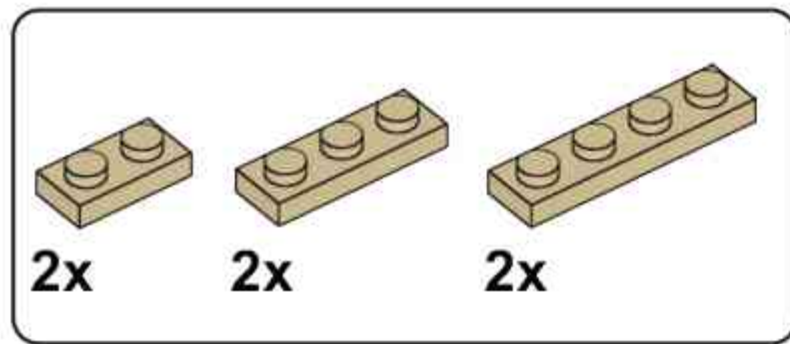


**U36**

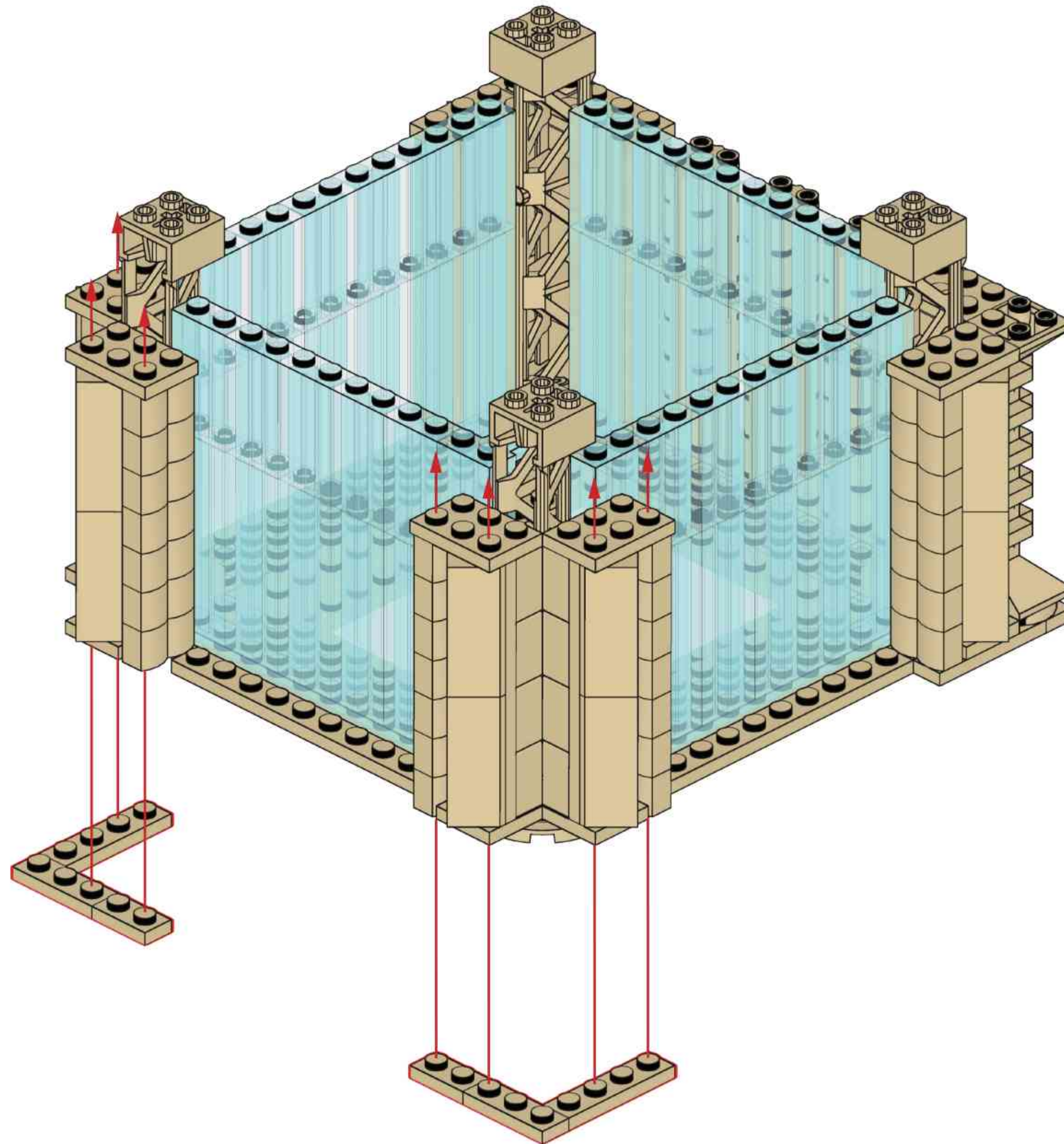


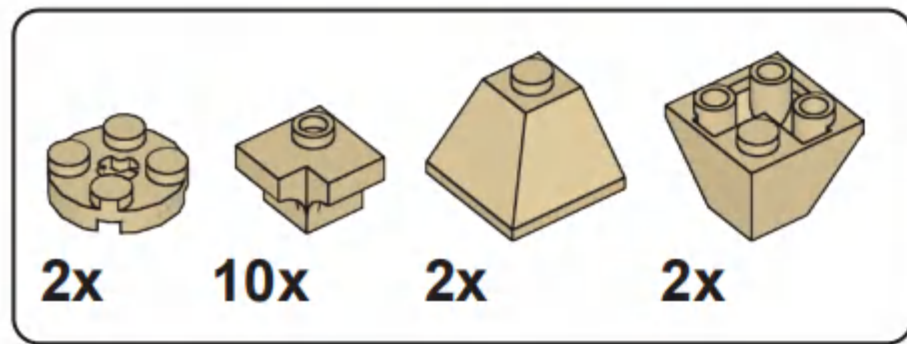
# U37



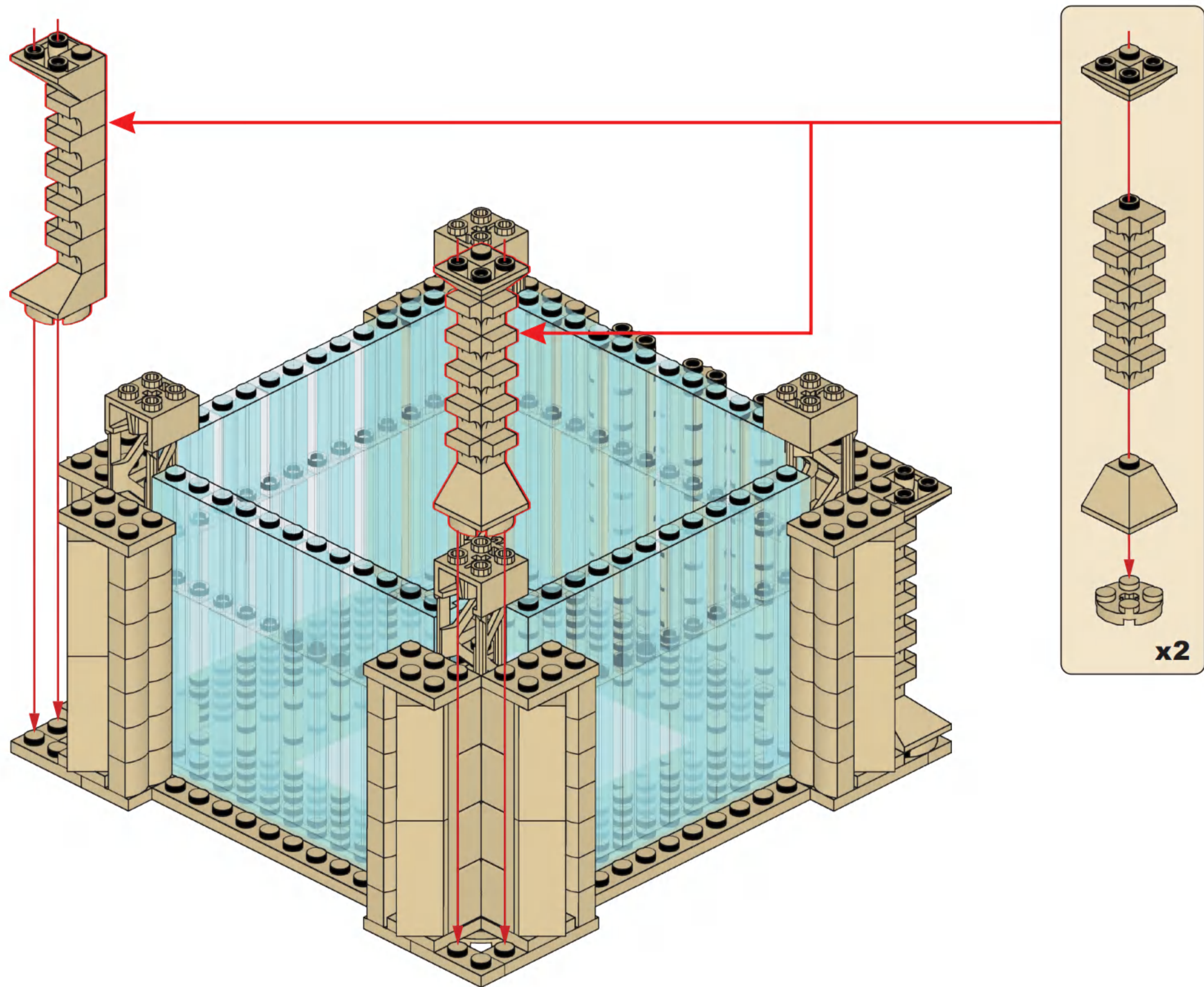


# U38

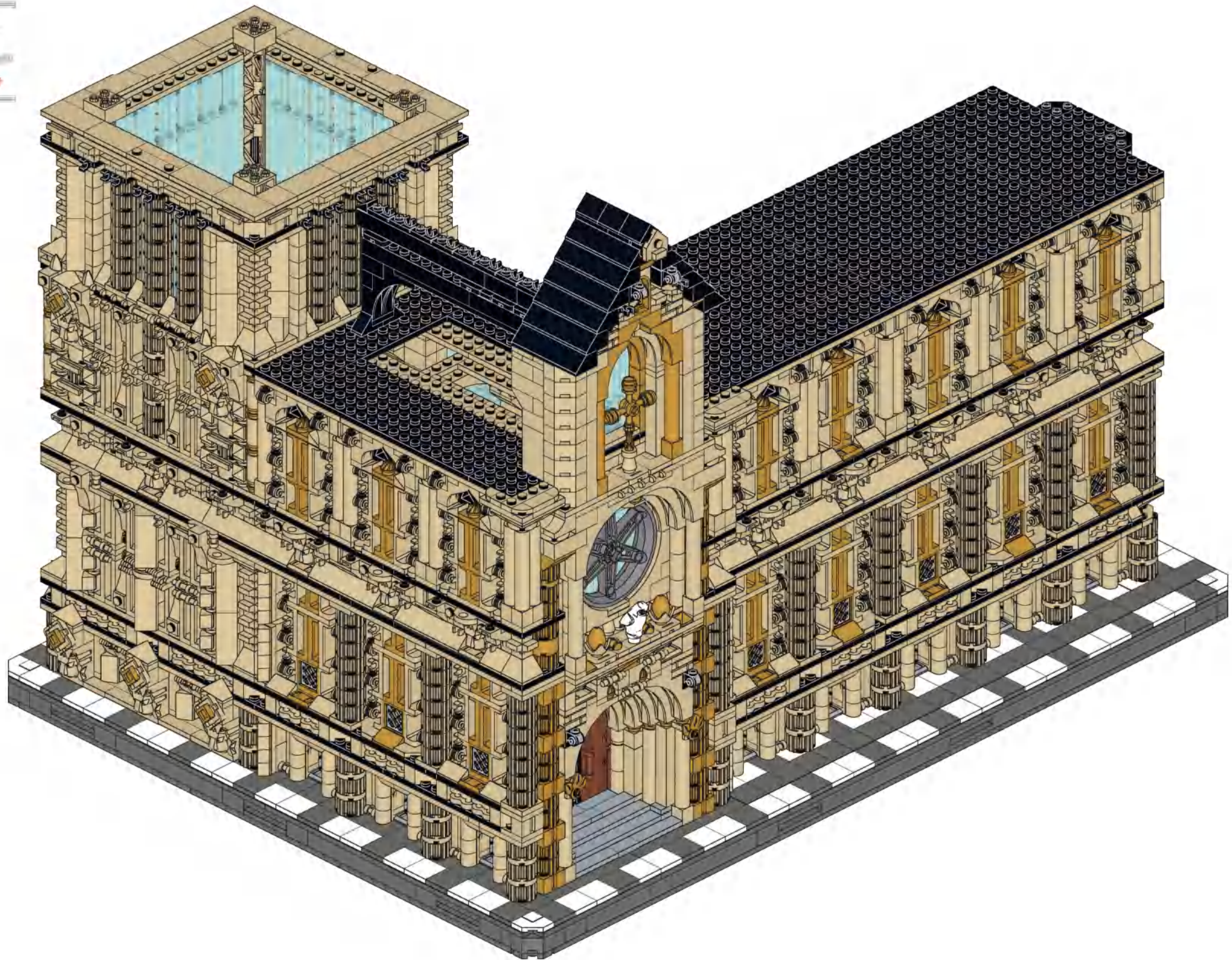




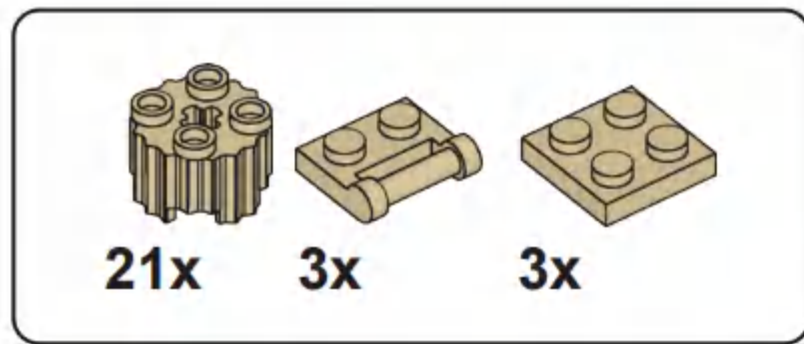
# U39



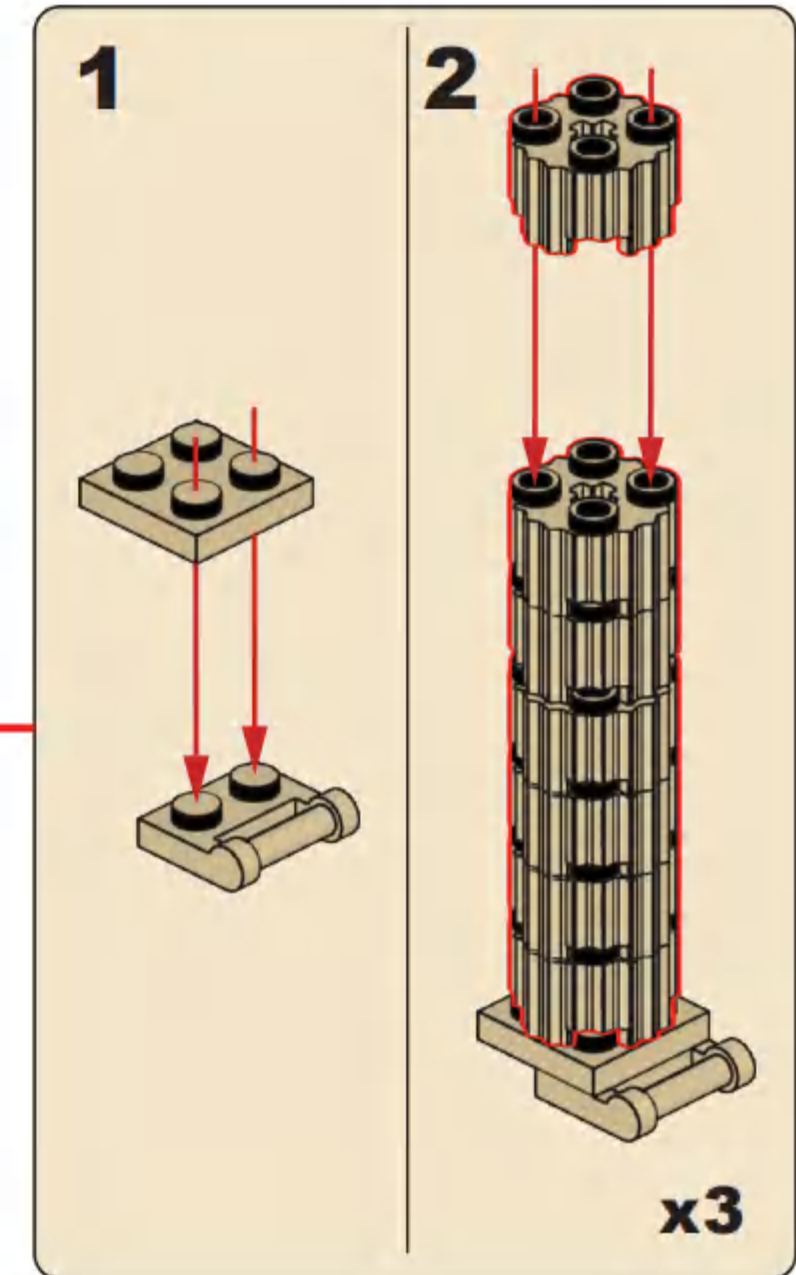
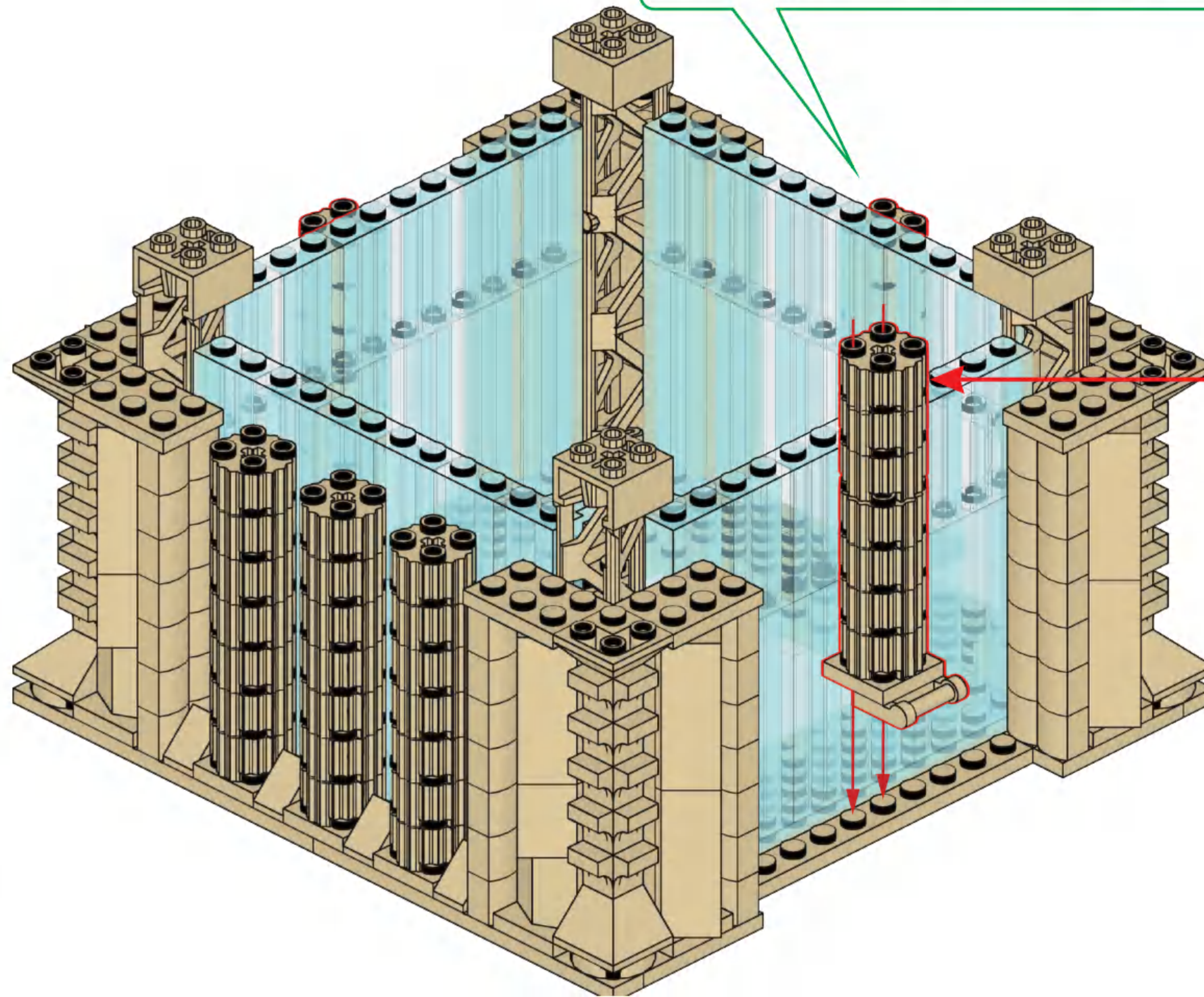
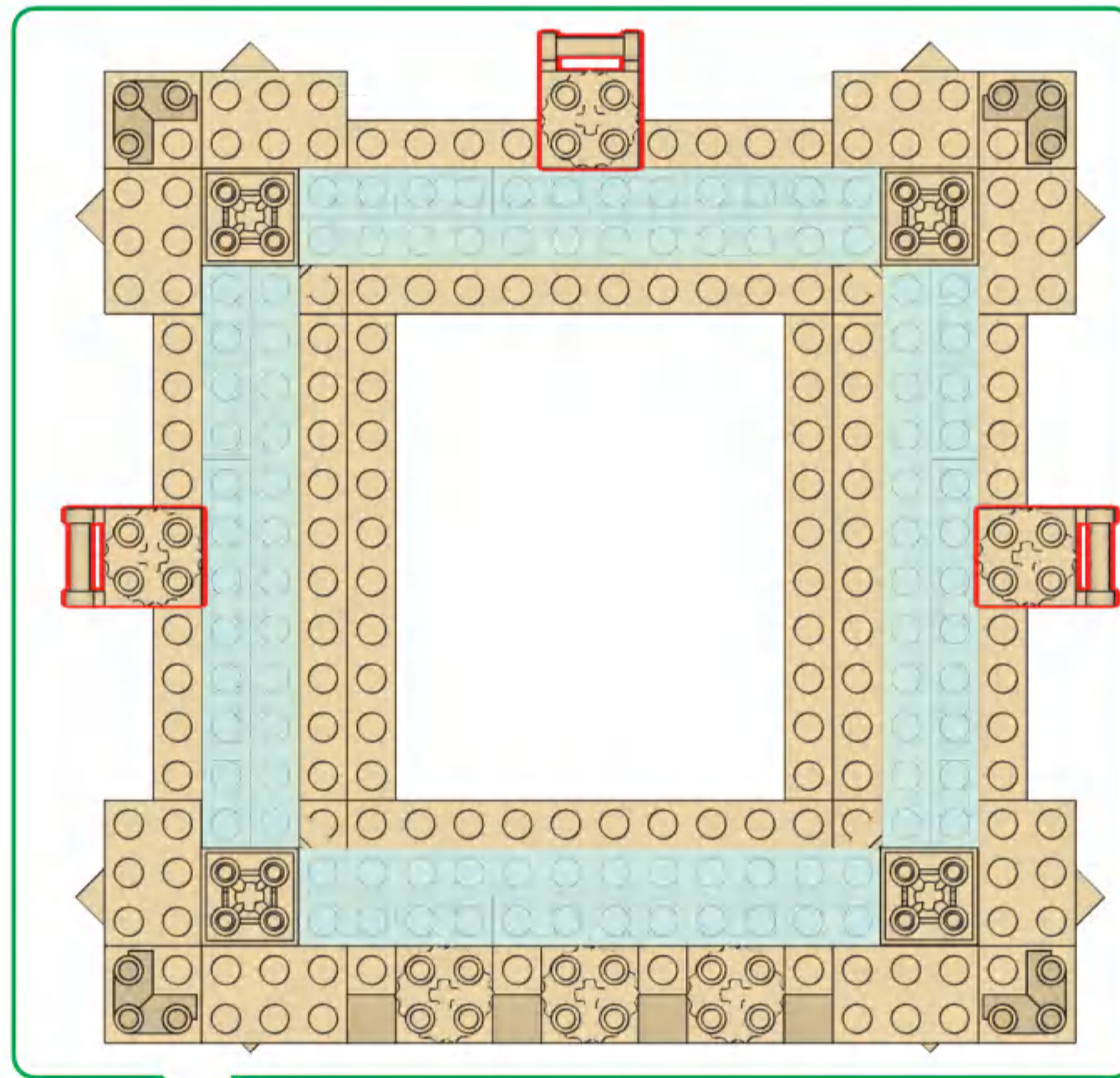
22

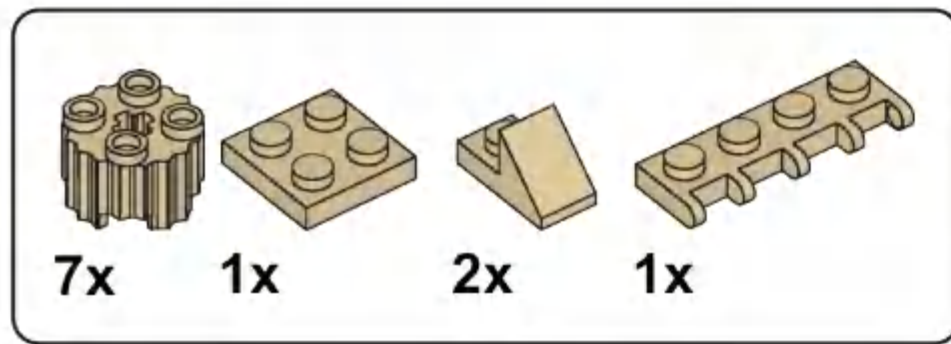


V

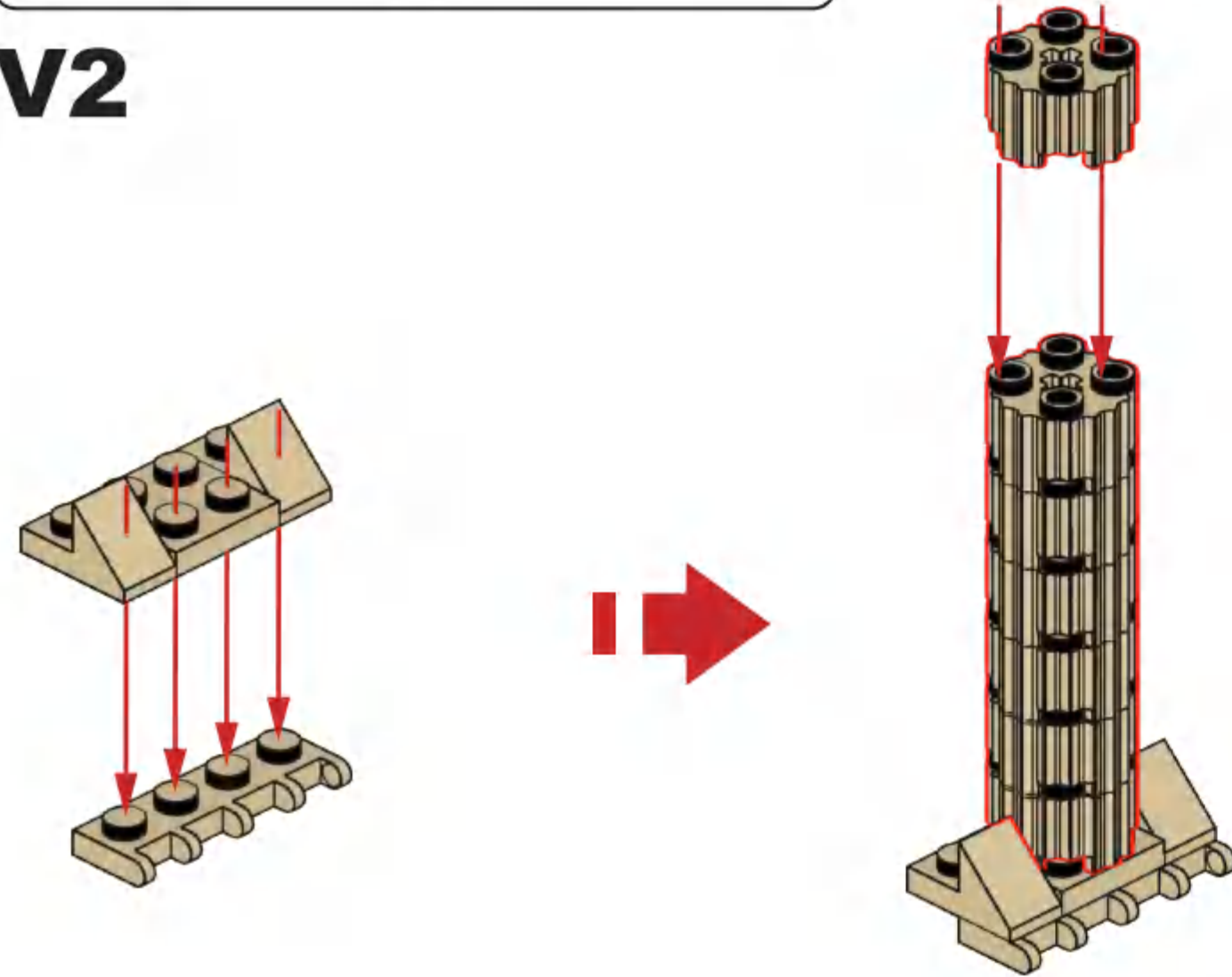


V1

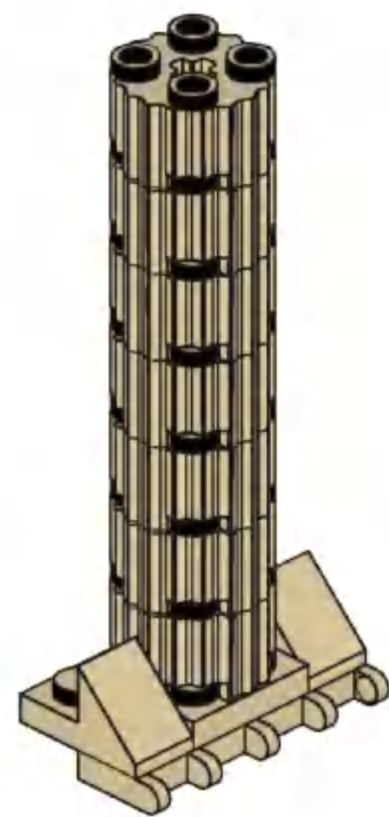




**V2**

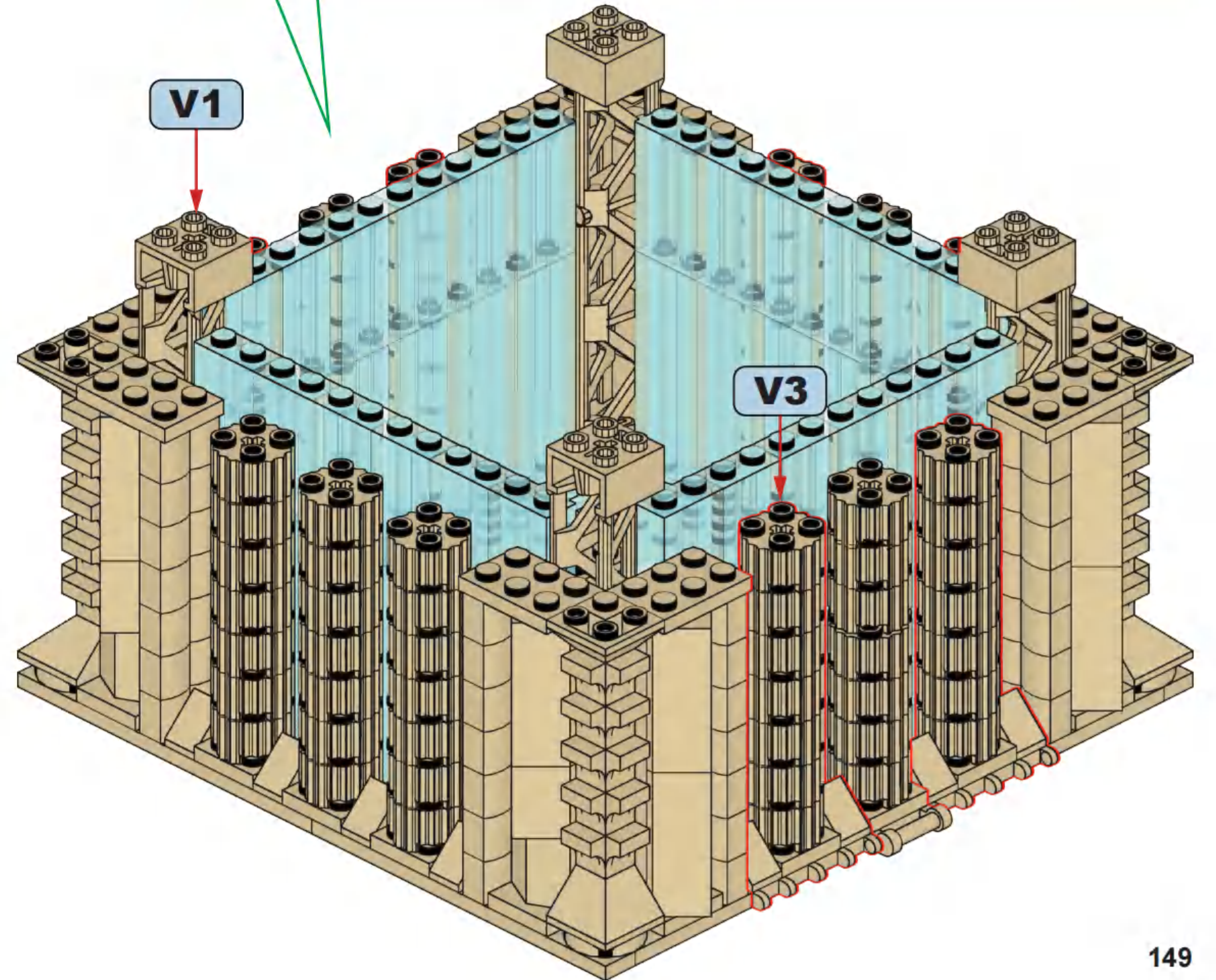
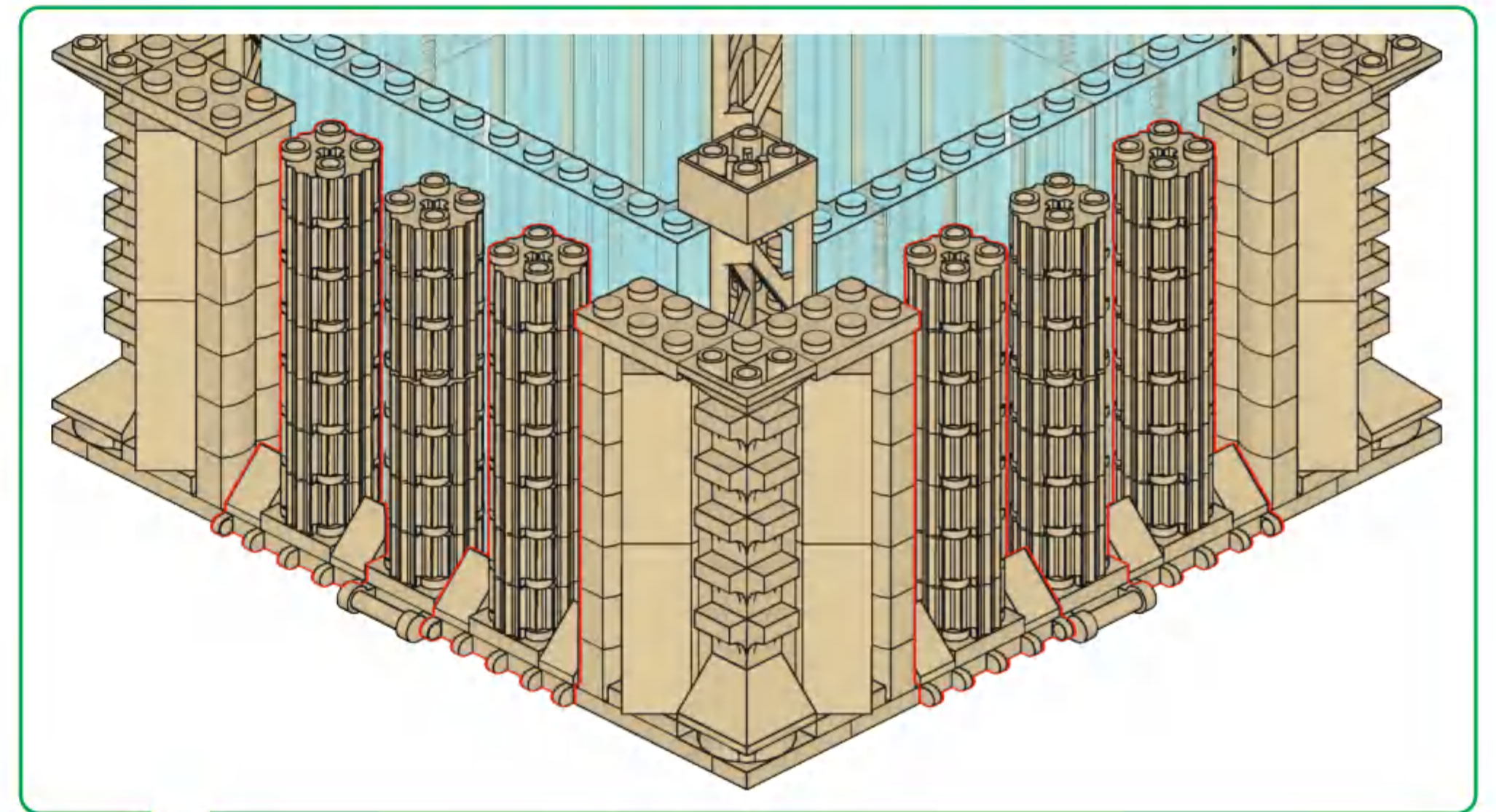


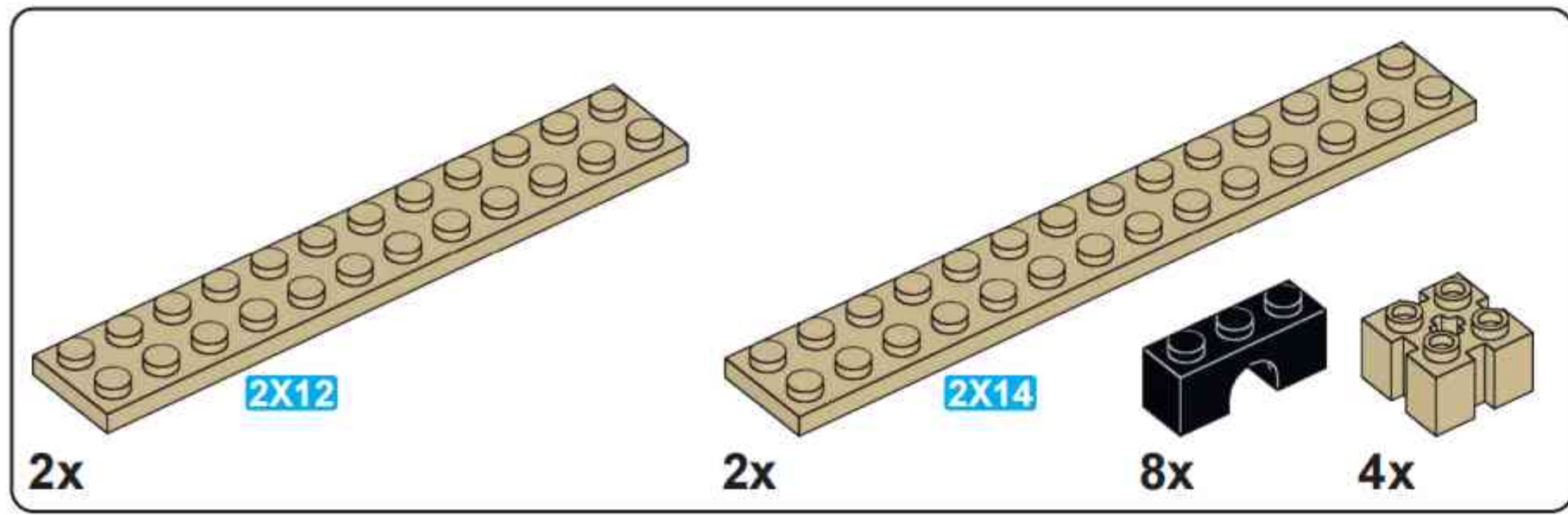
**V3**



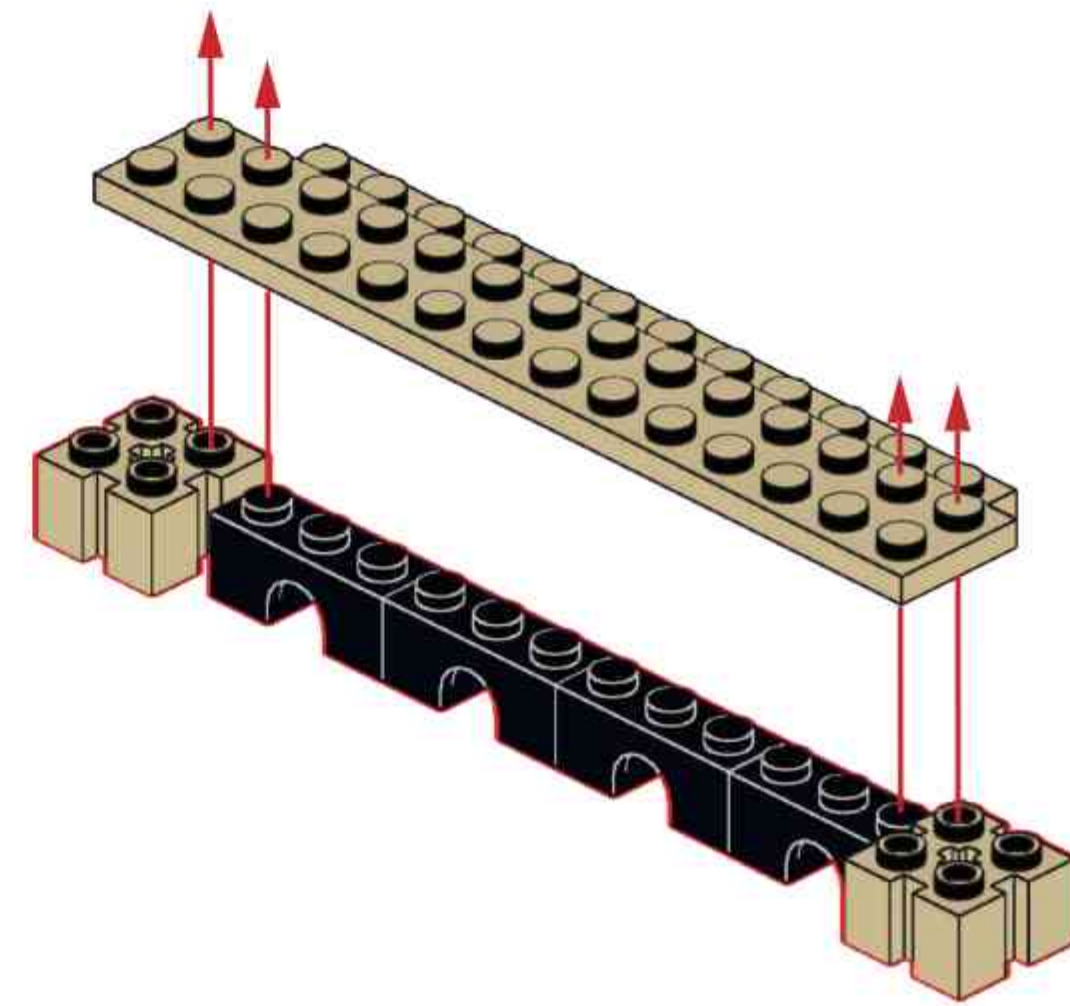
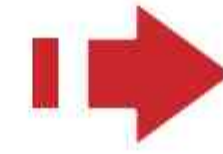
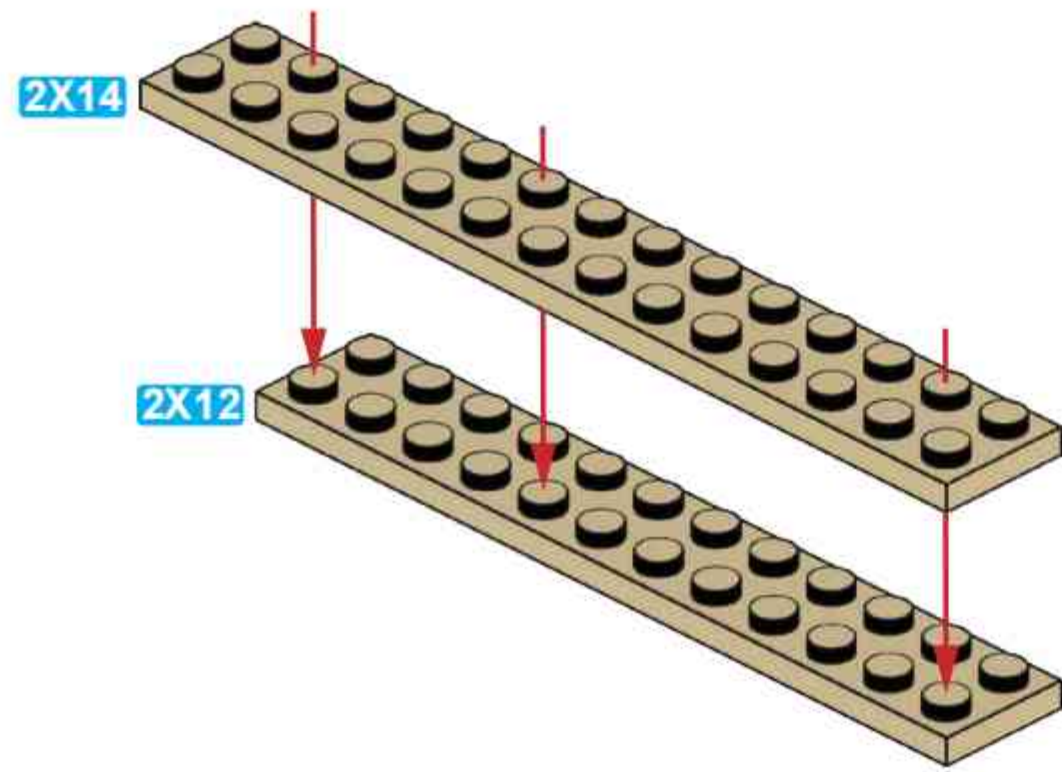
**x9**

**V4**

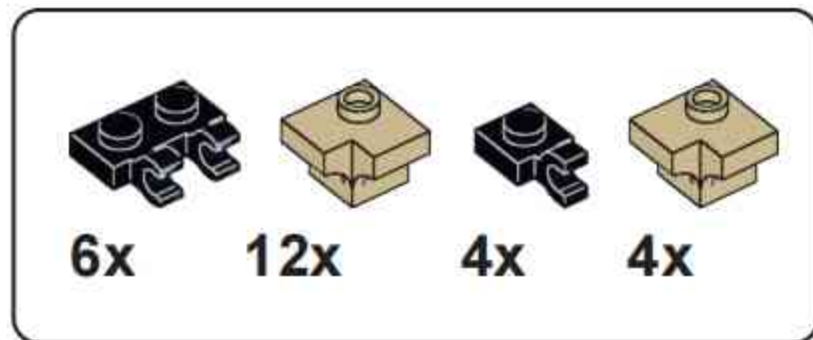




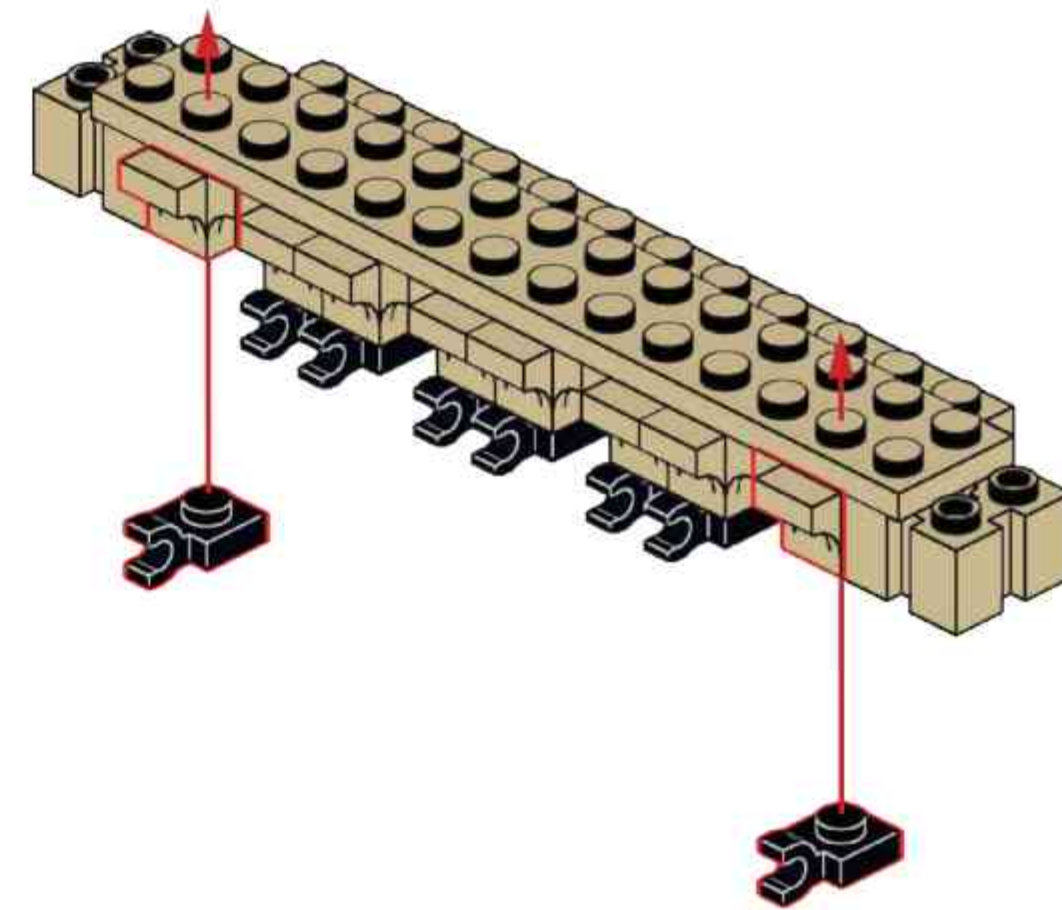
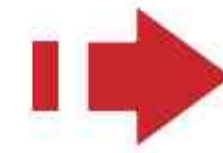
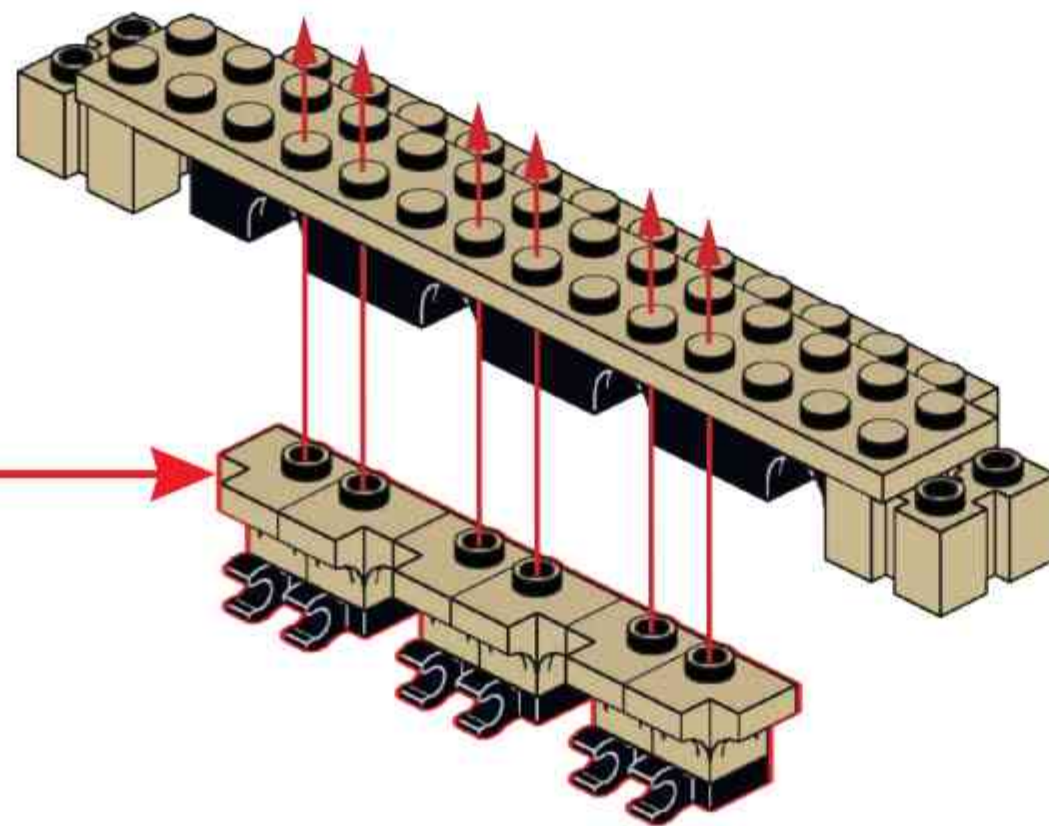
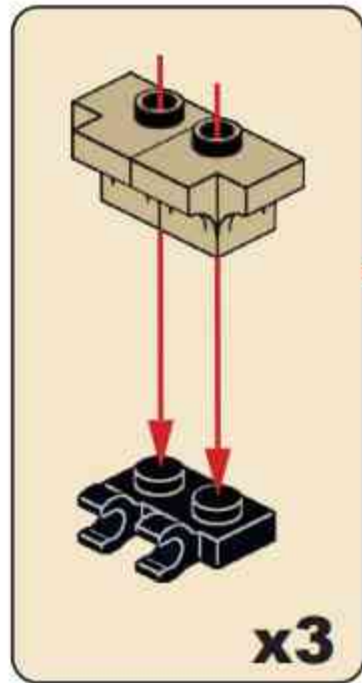
### V5



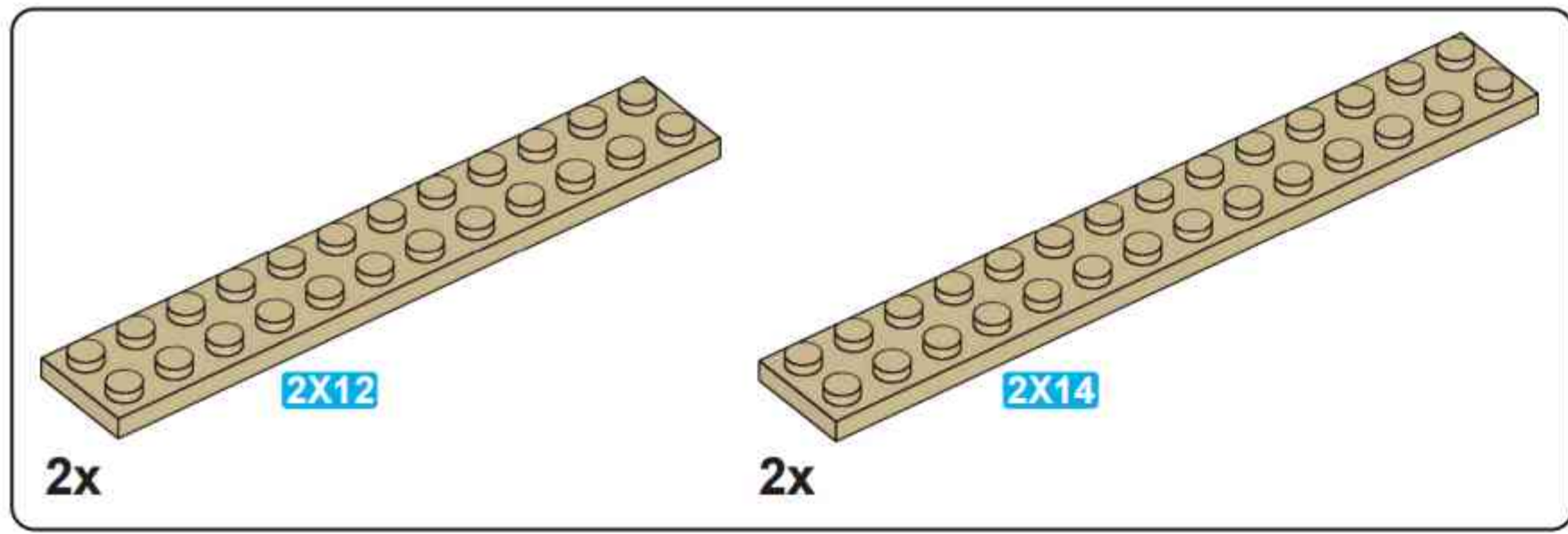
x2



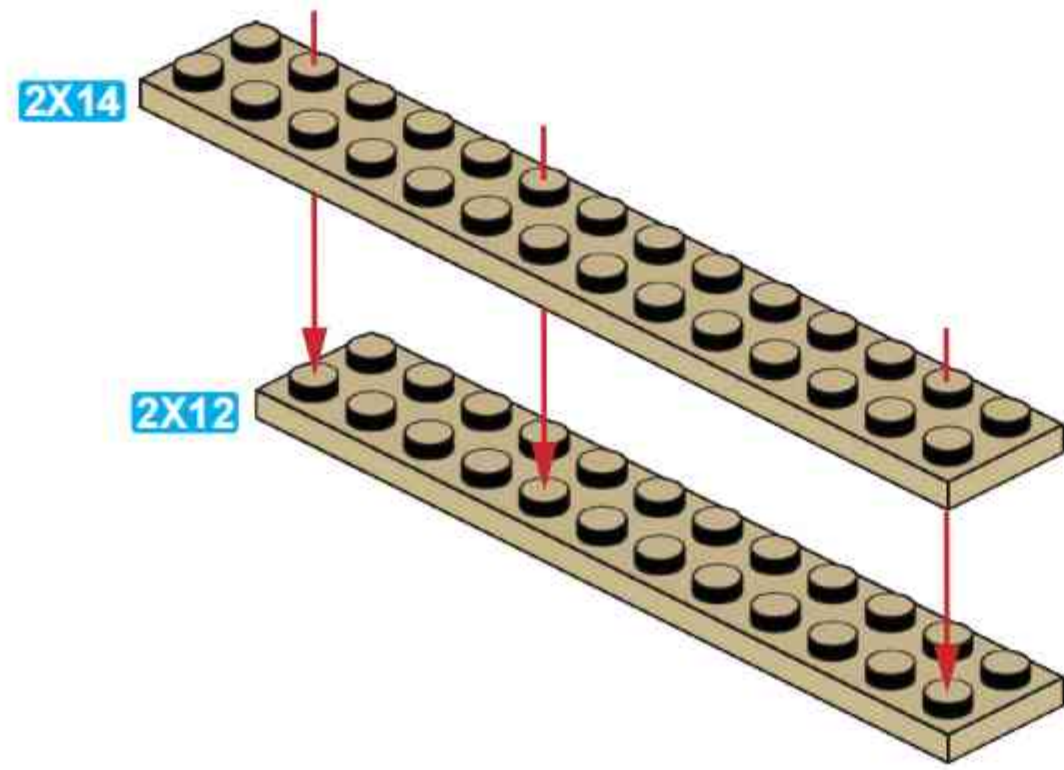
### V6



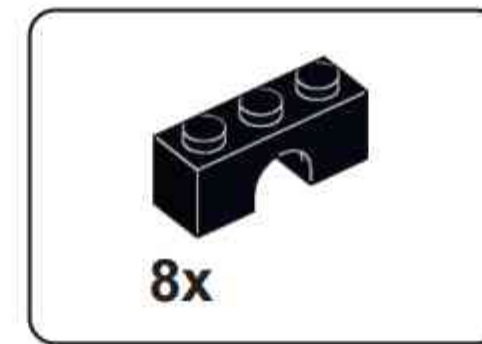
x2



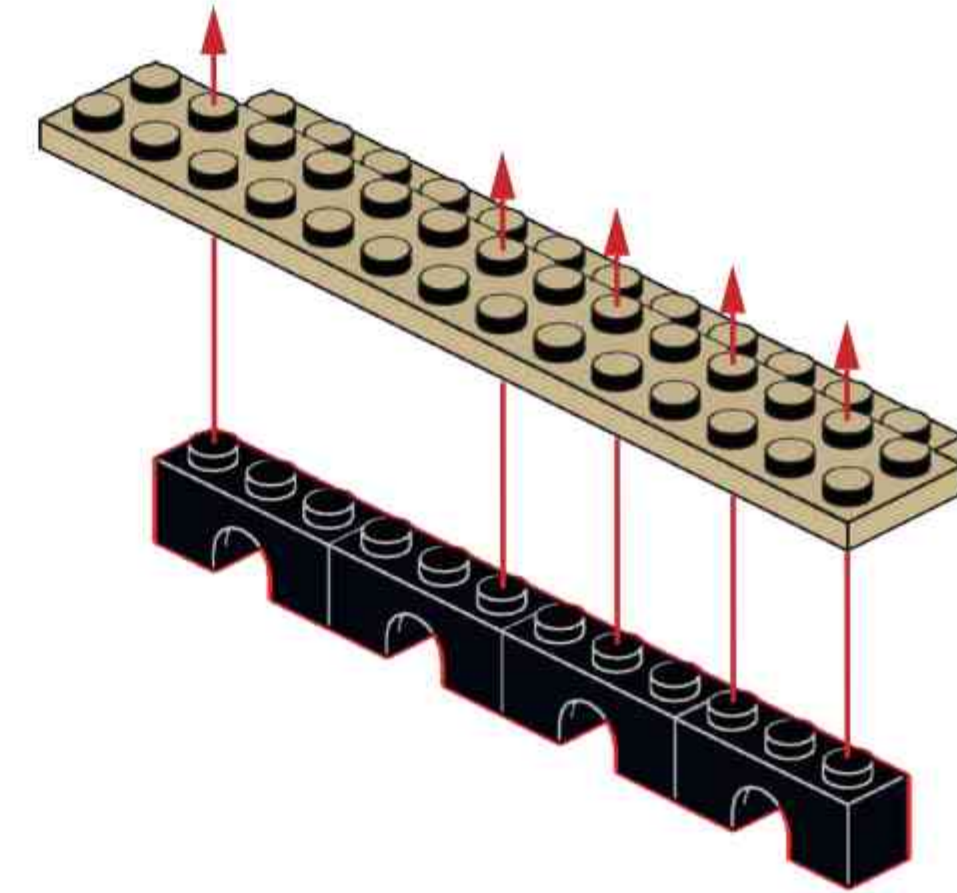
**V7**



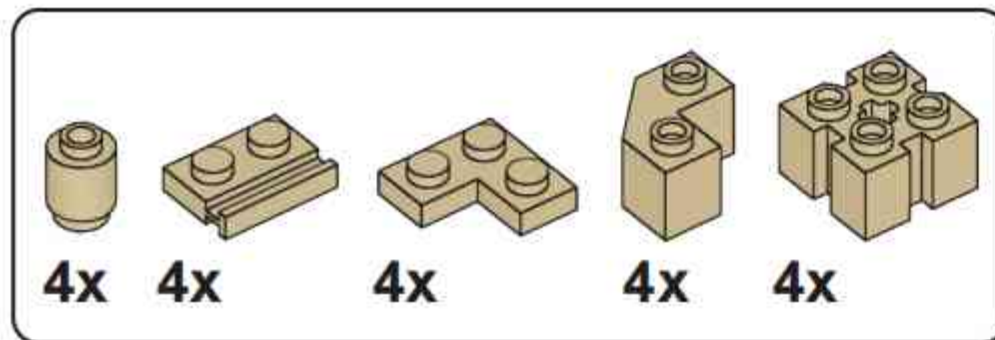
**x2**



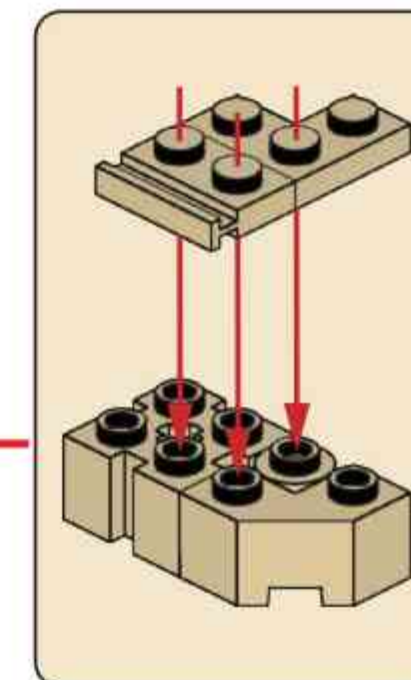
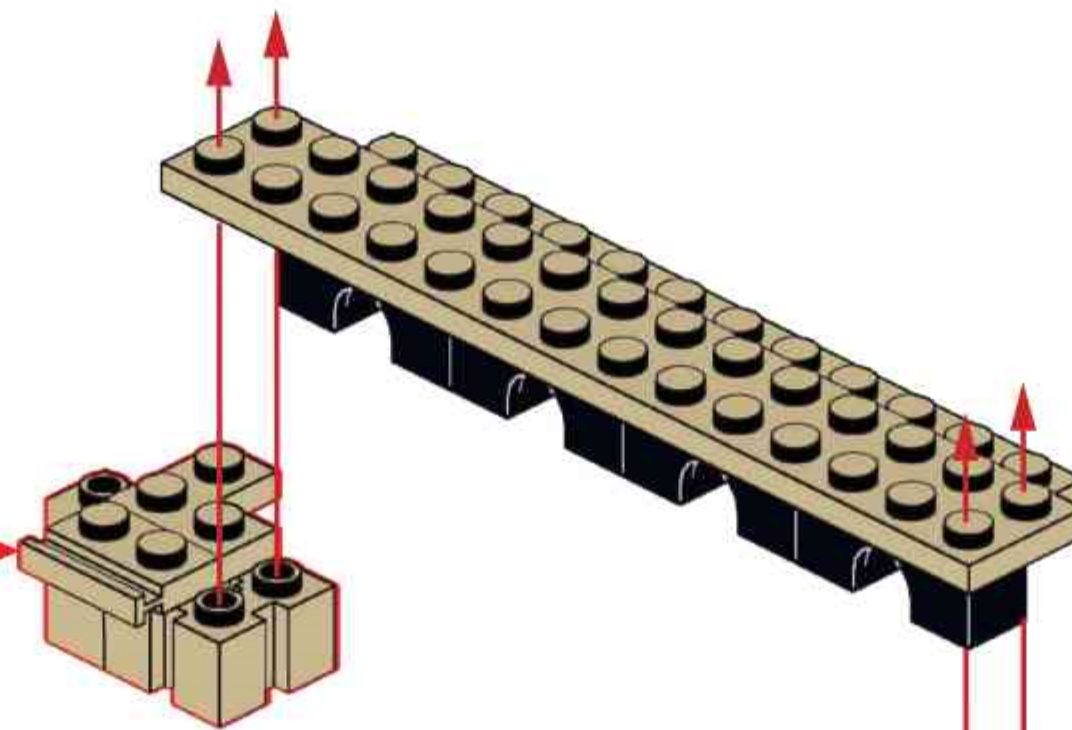
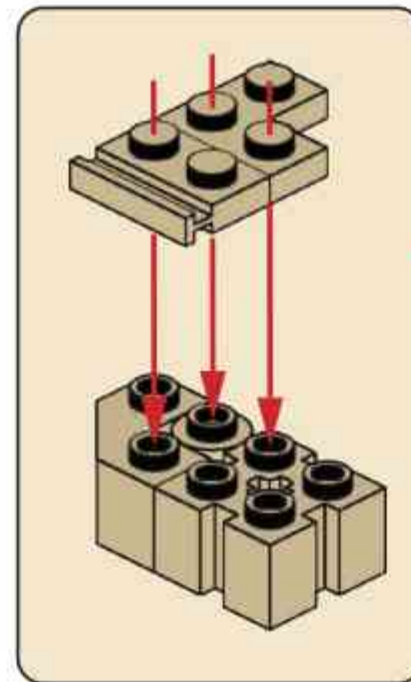
**V8**



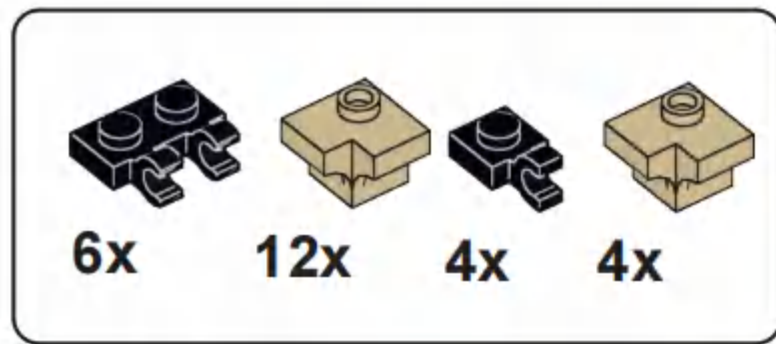
**x2**



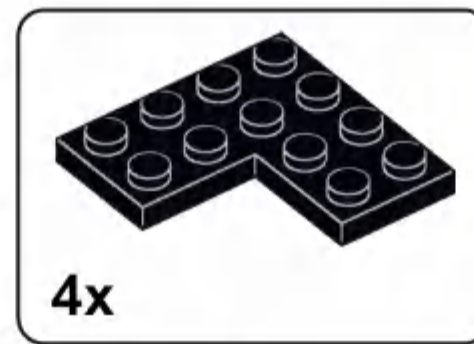
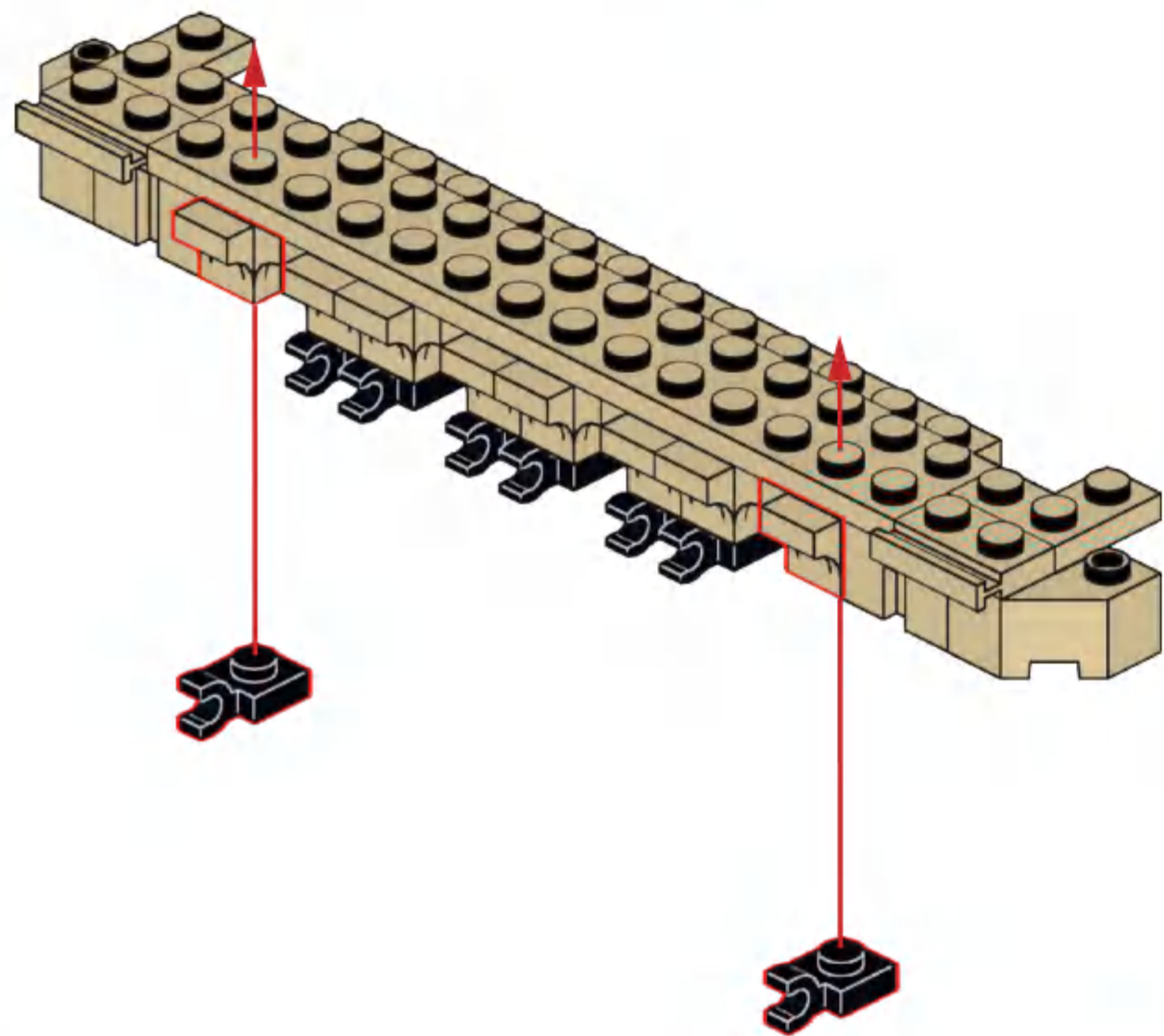
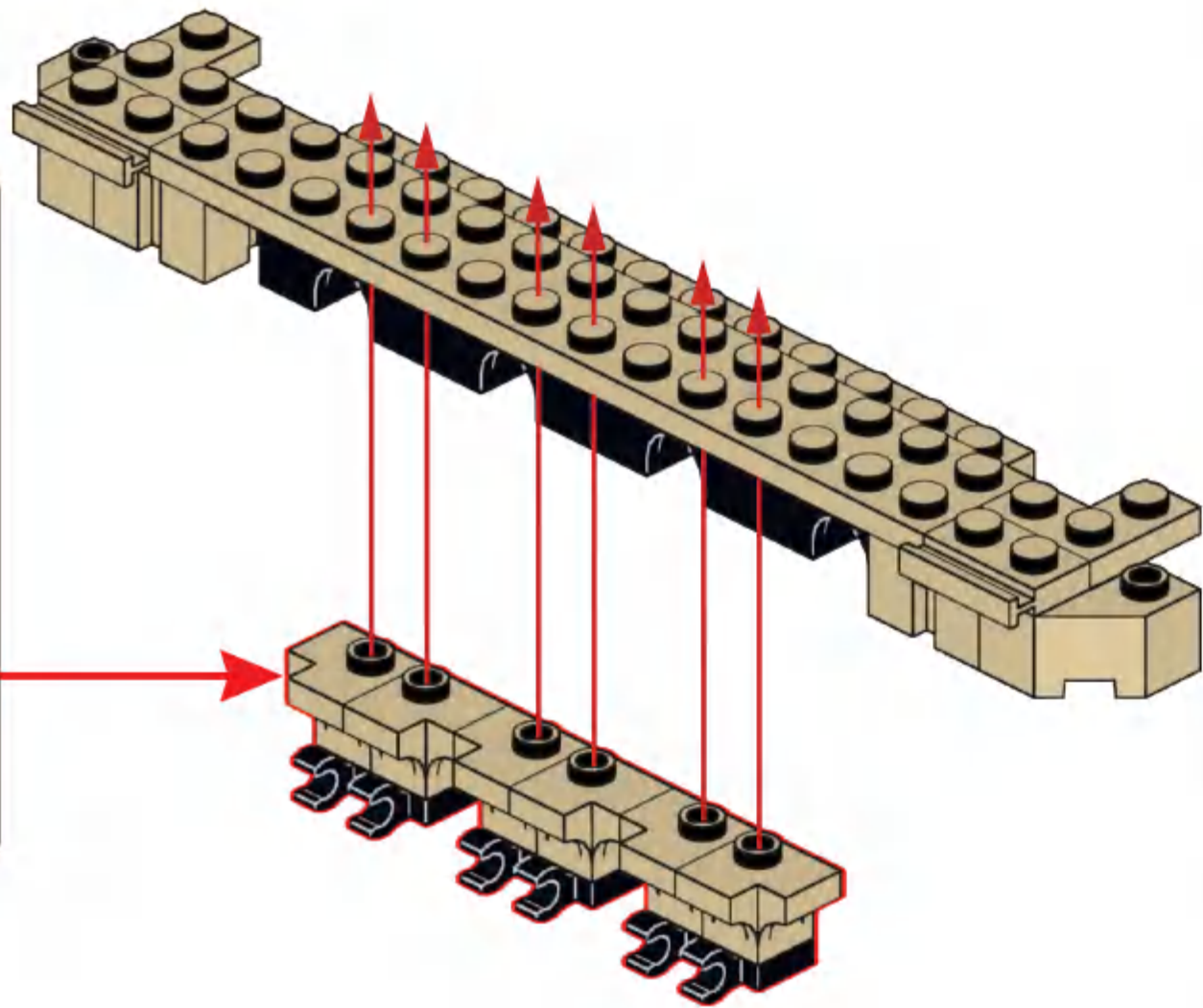
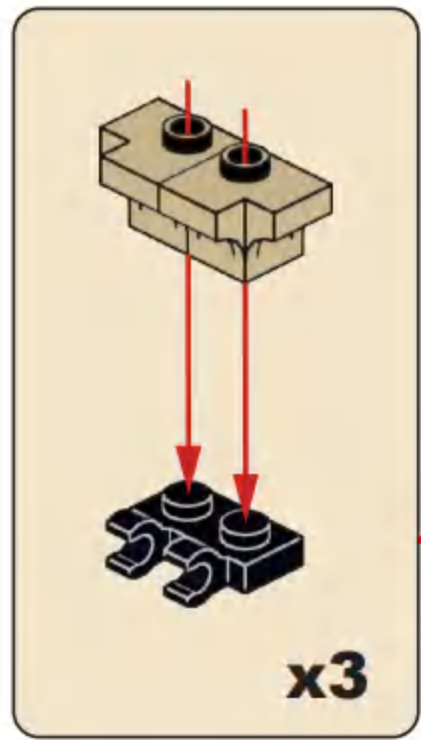
**V9**



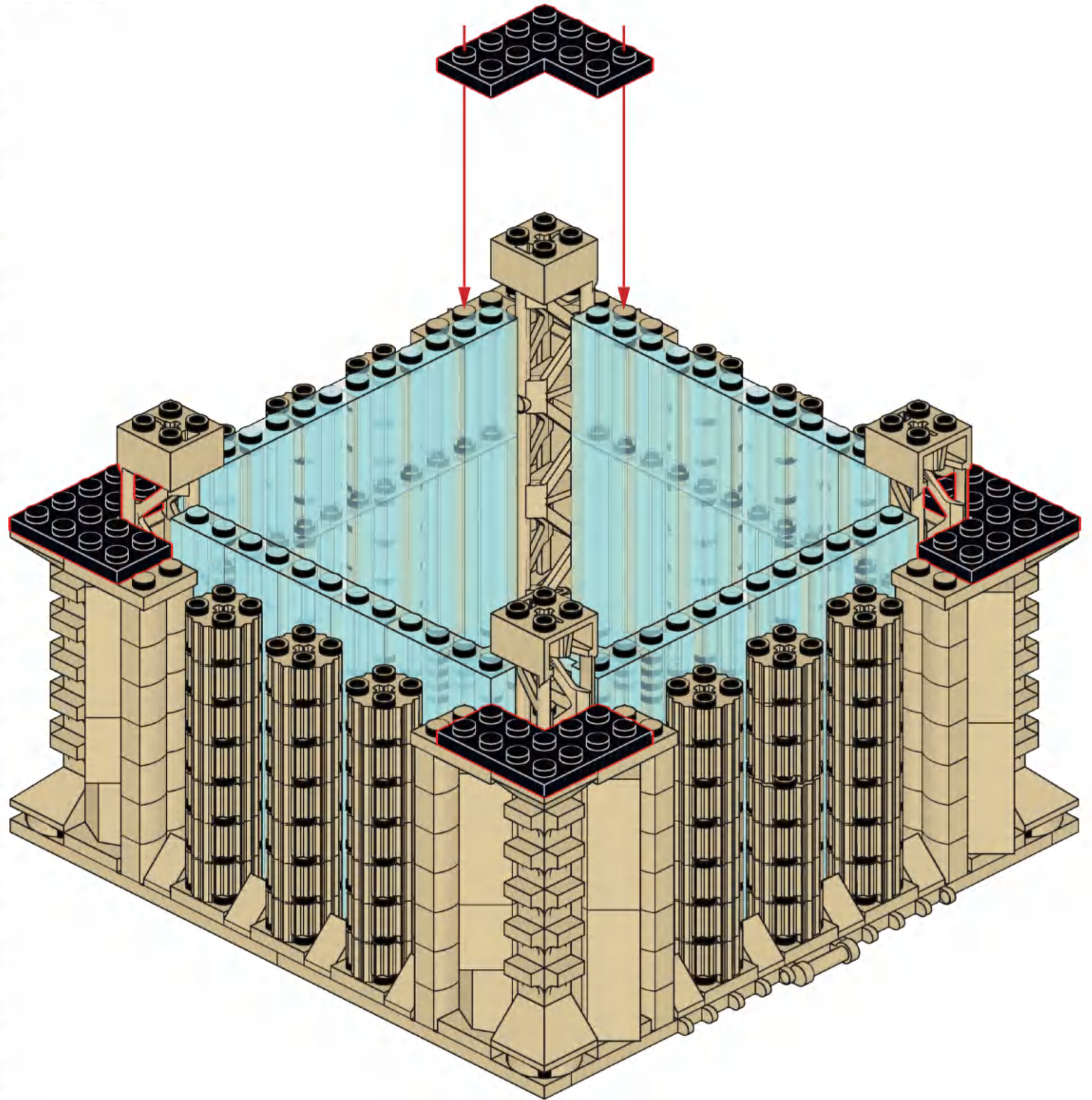
**x2**



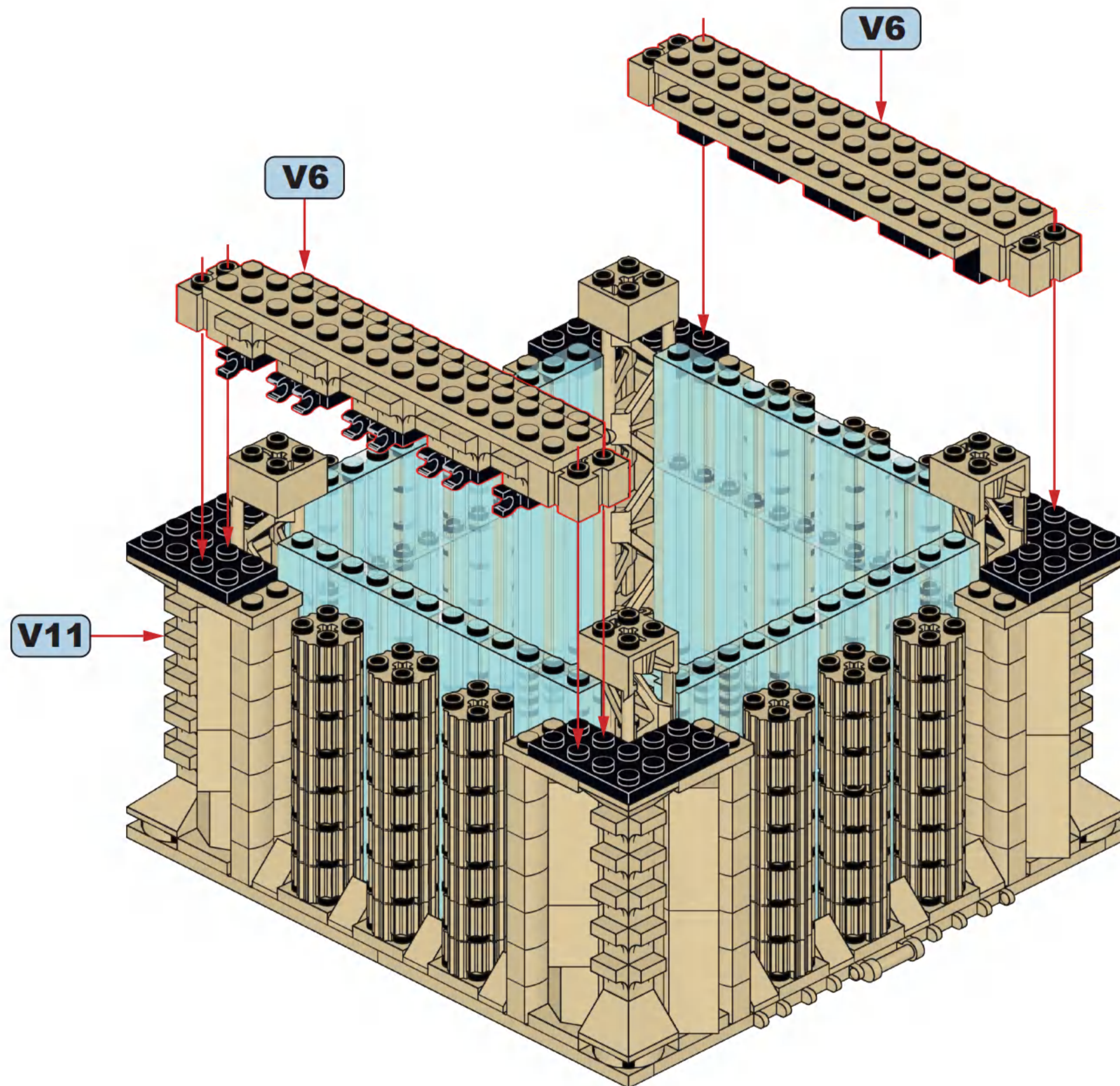
**V10**



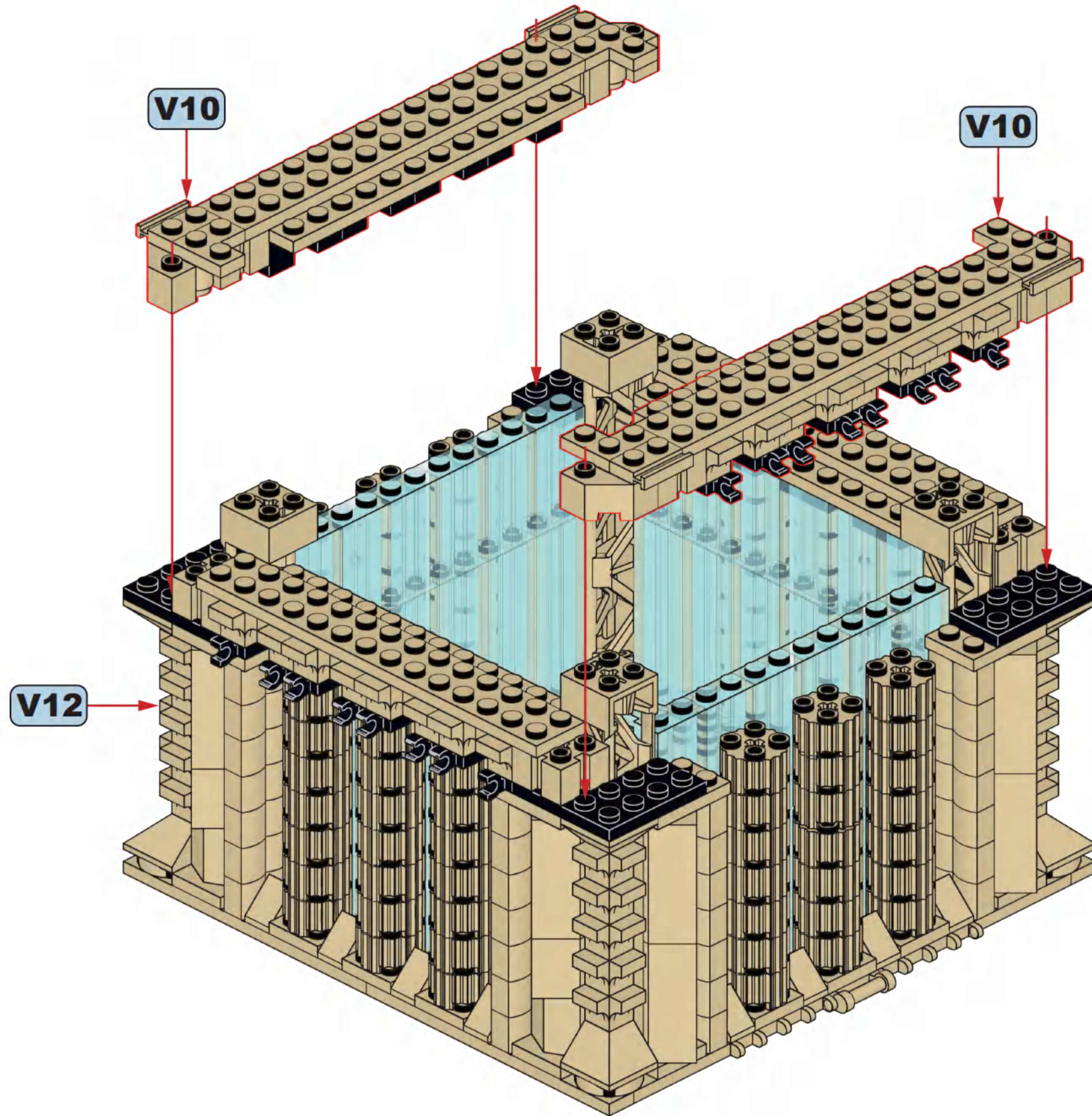
**V11**

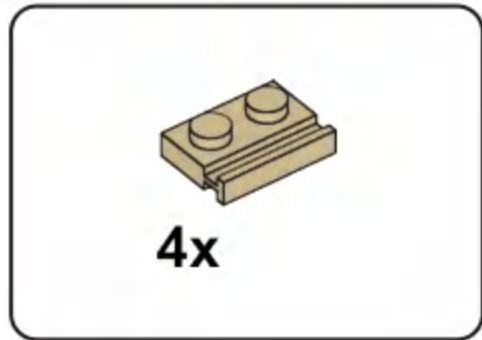


# V12

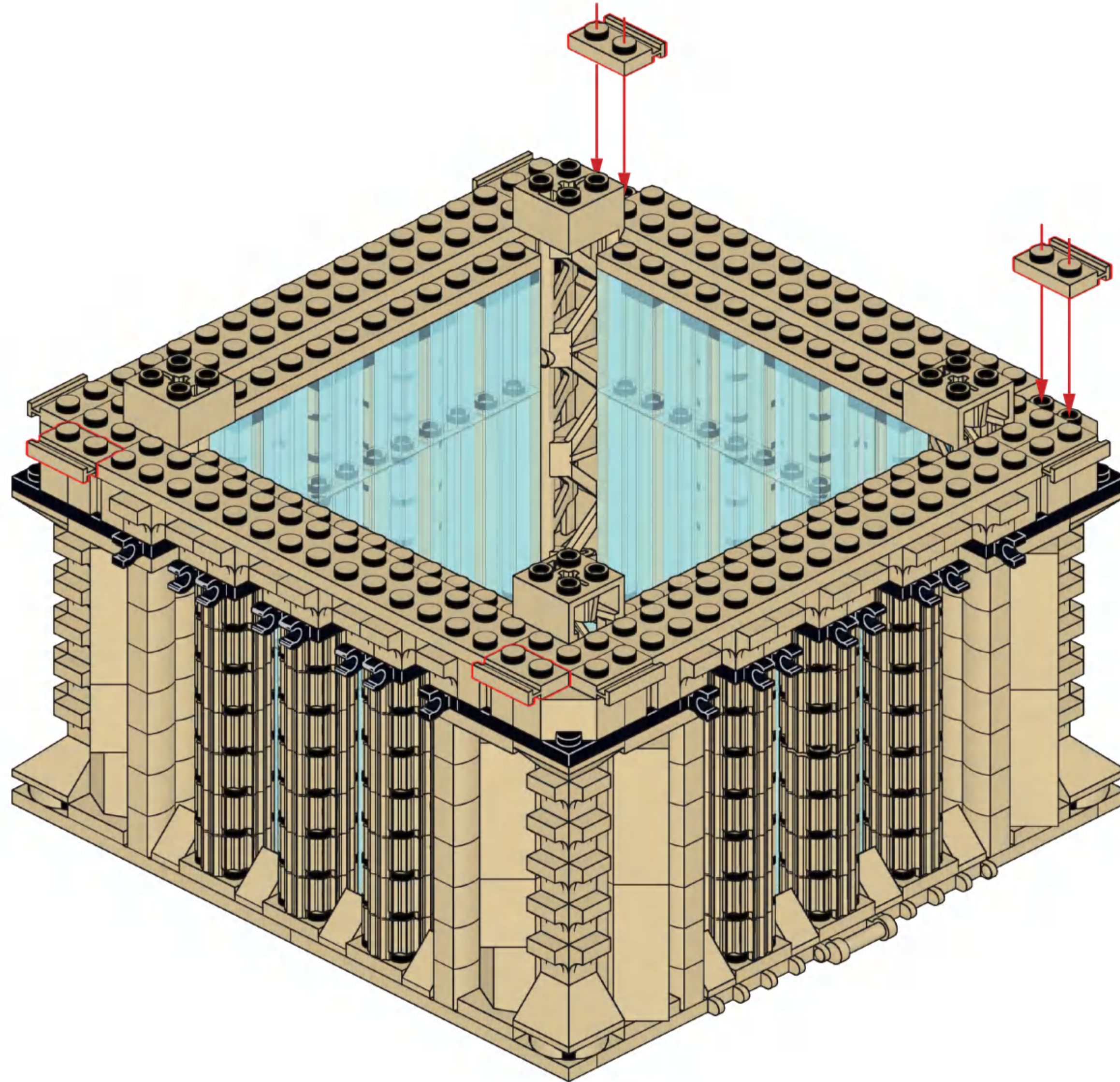


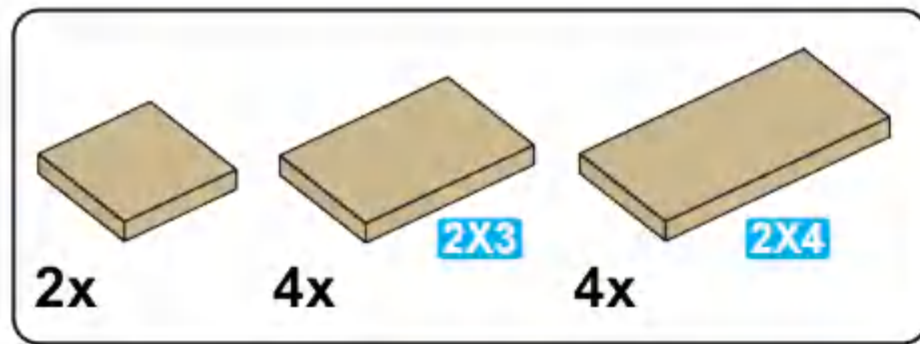
# V13



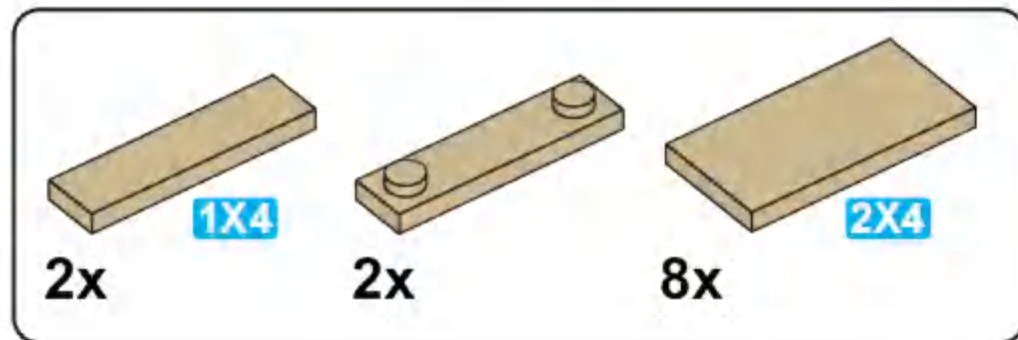
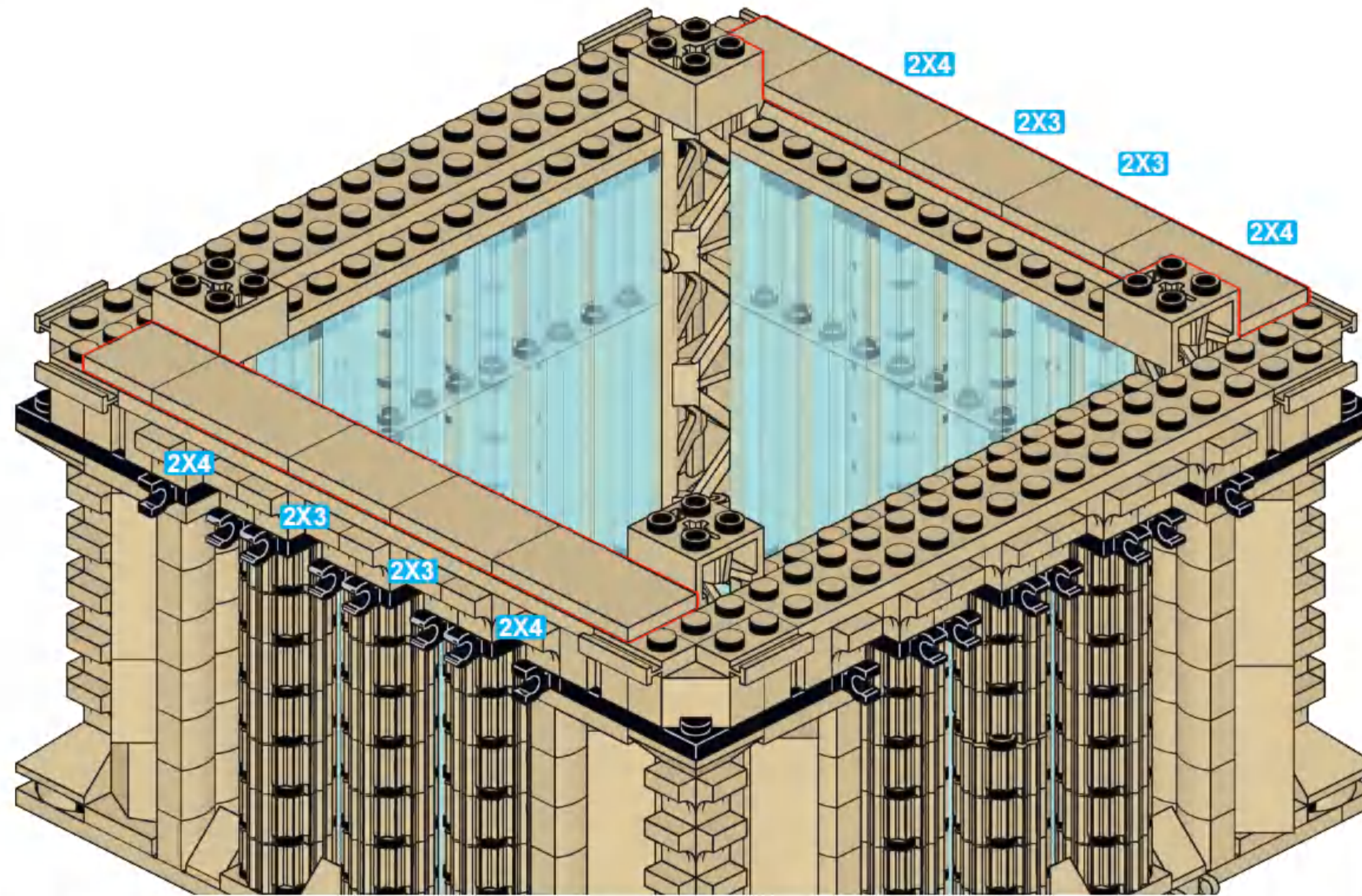


**V14**

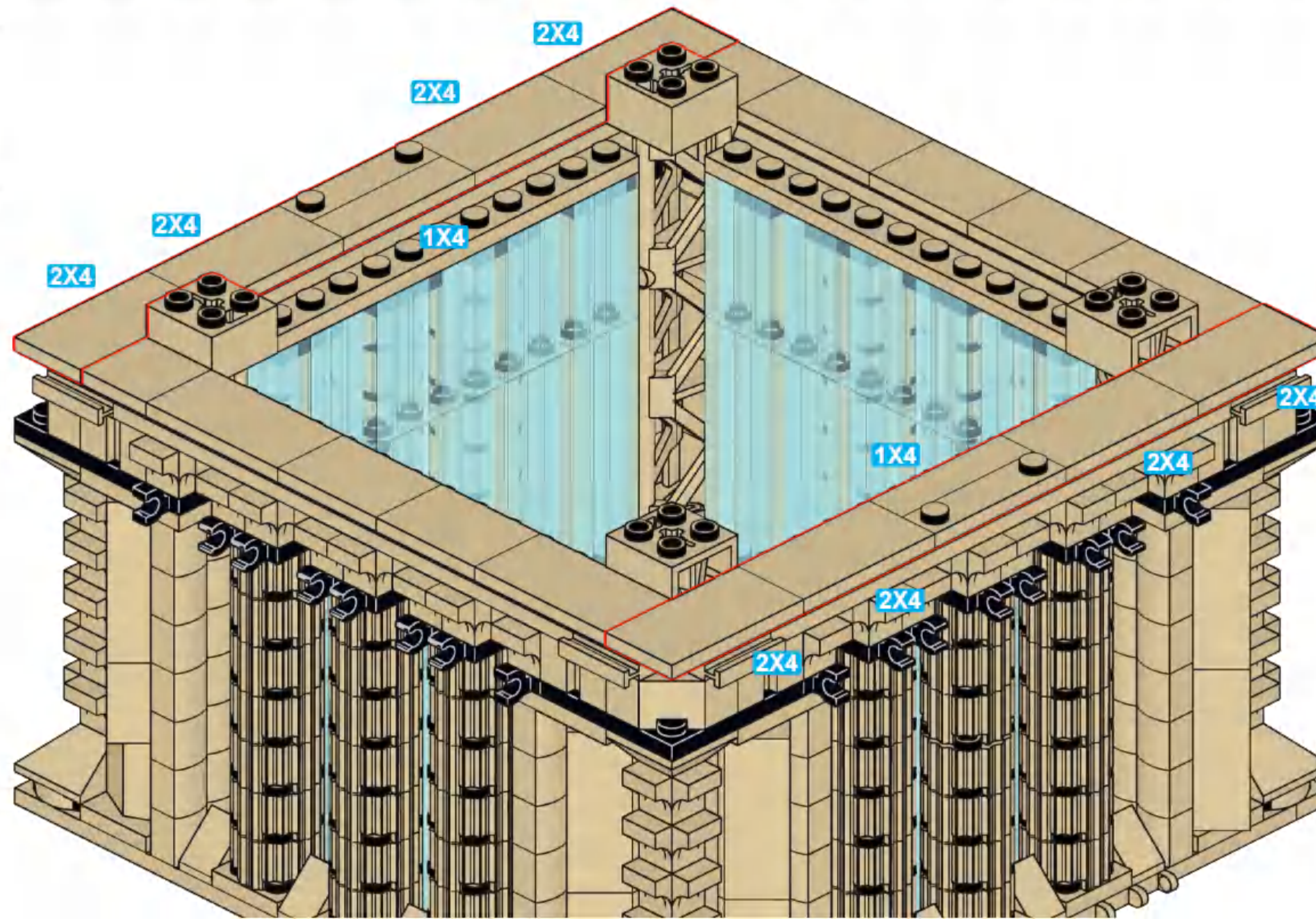




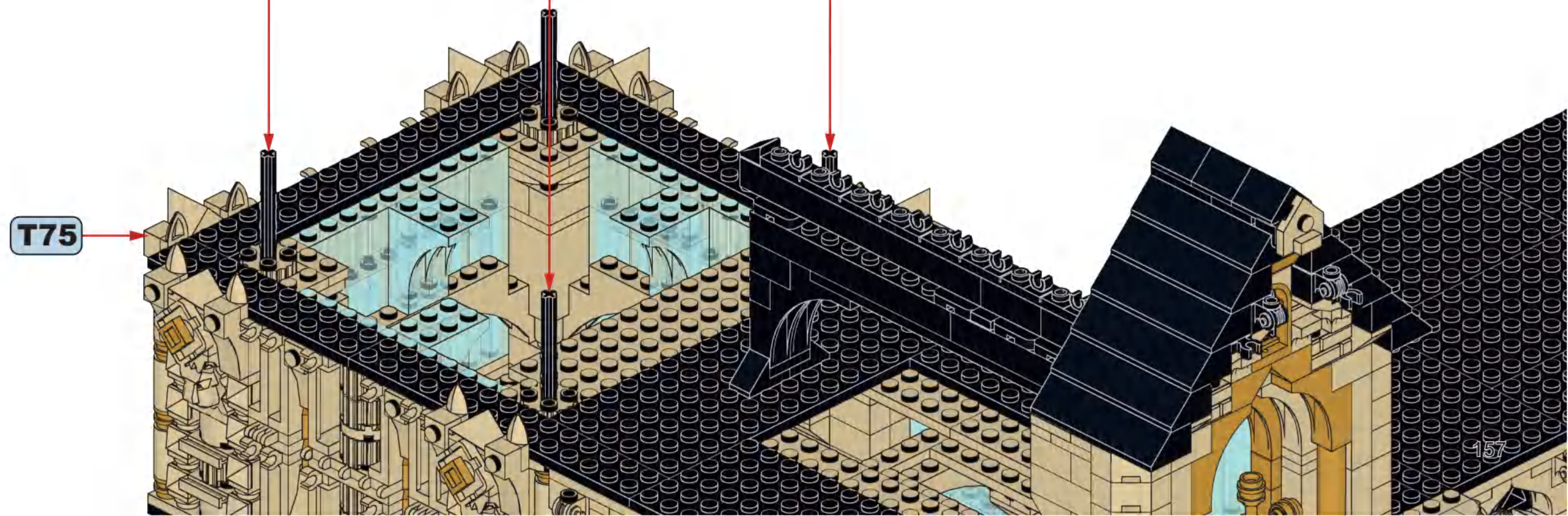
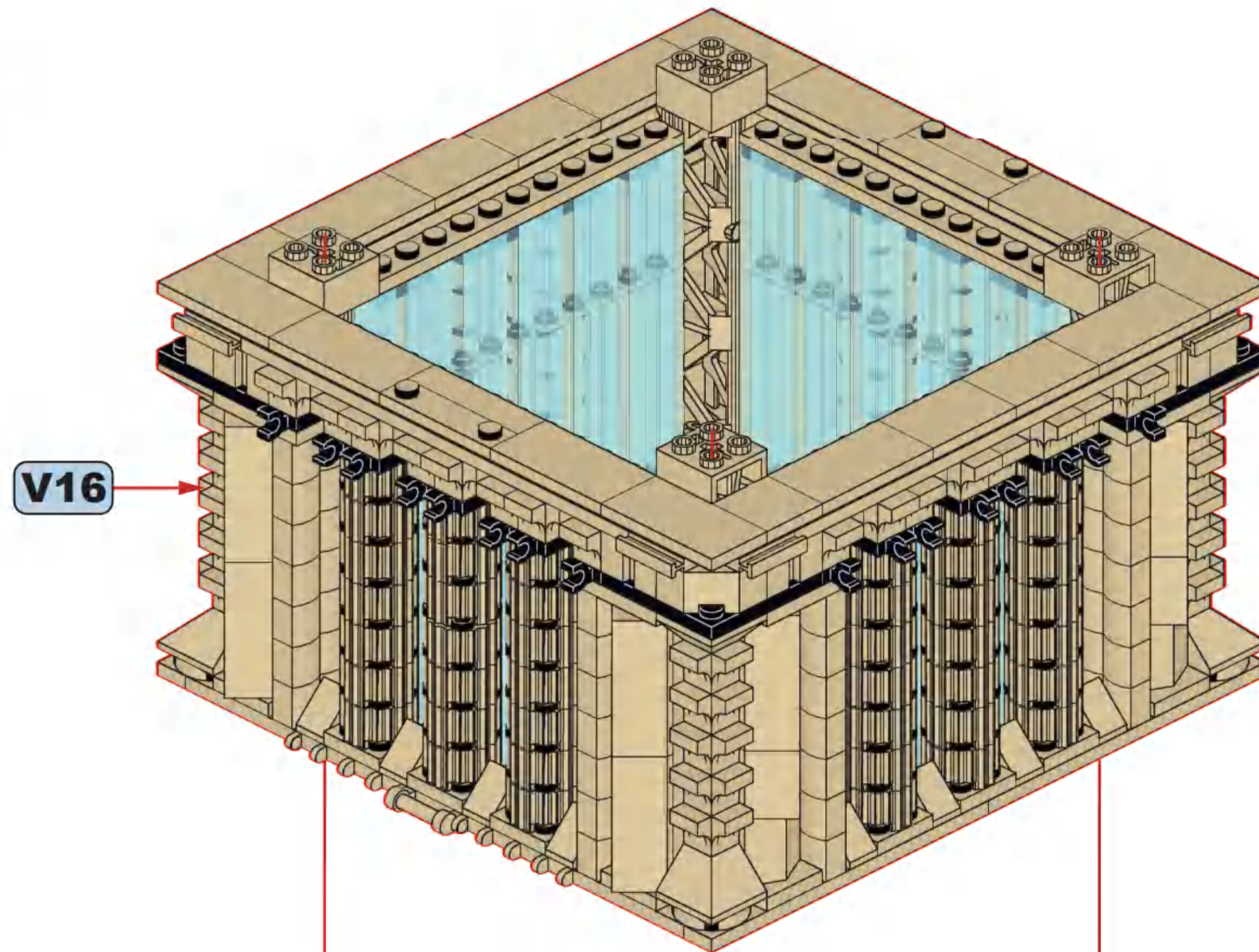
# V15



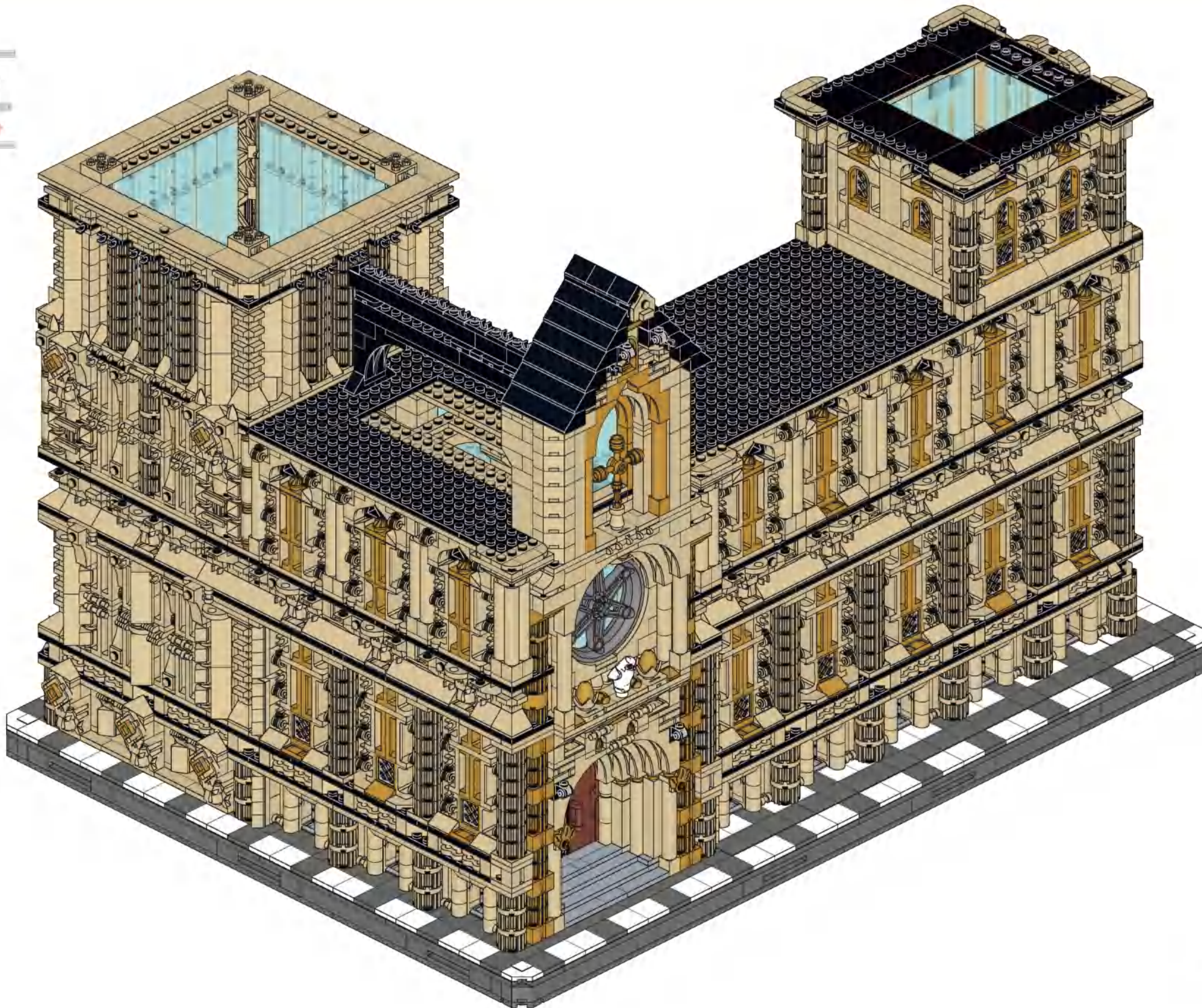
# V16



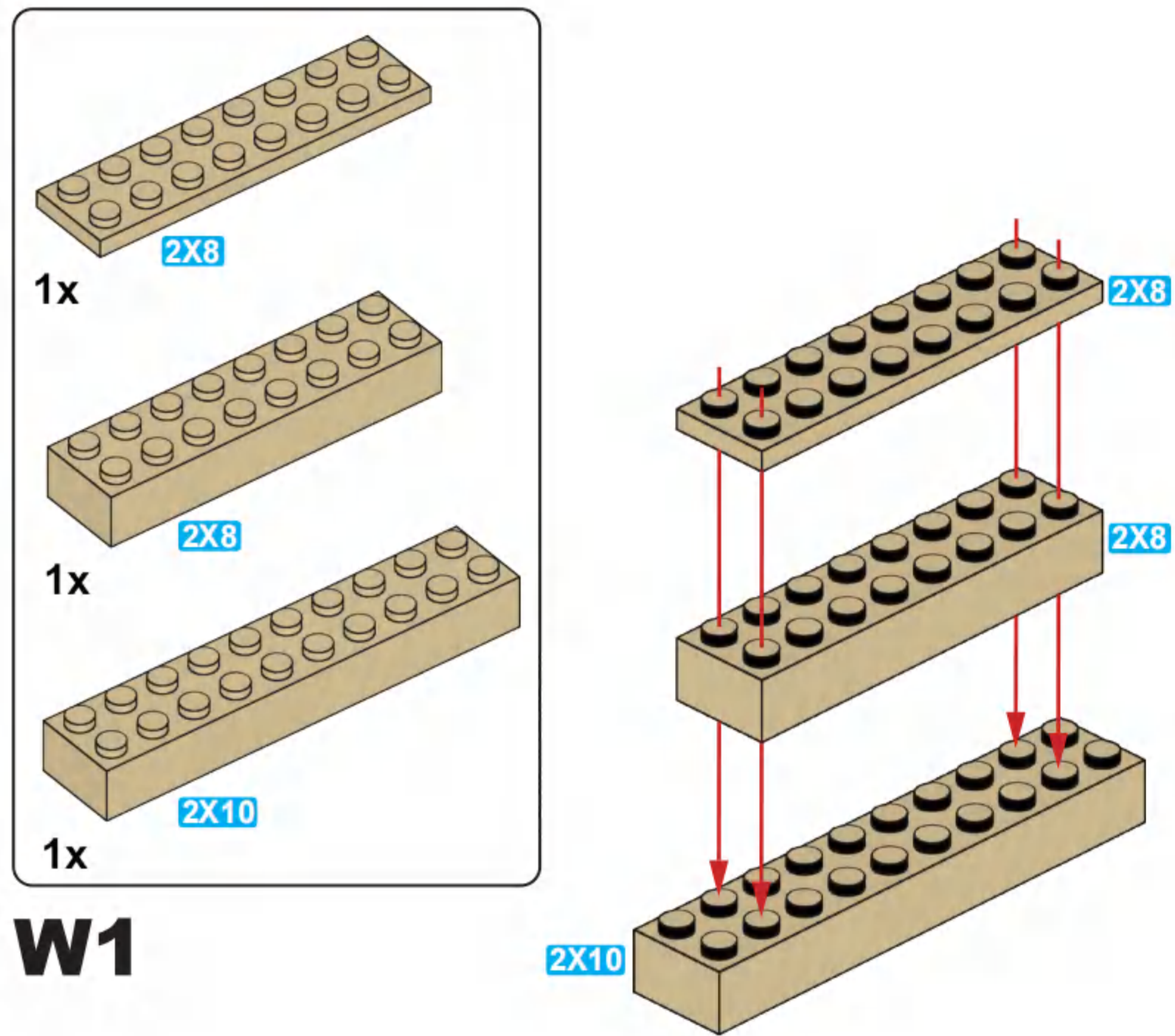
V17



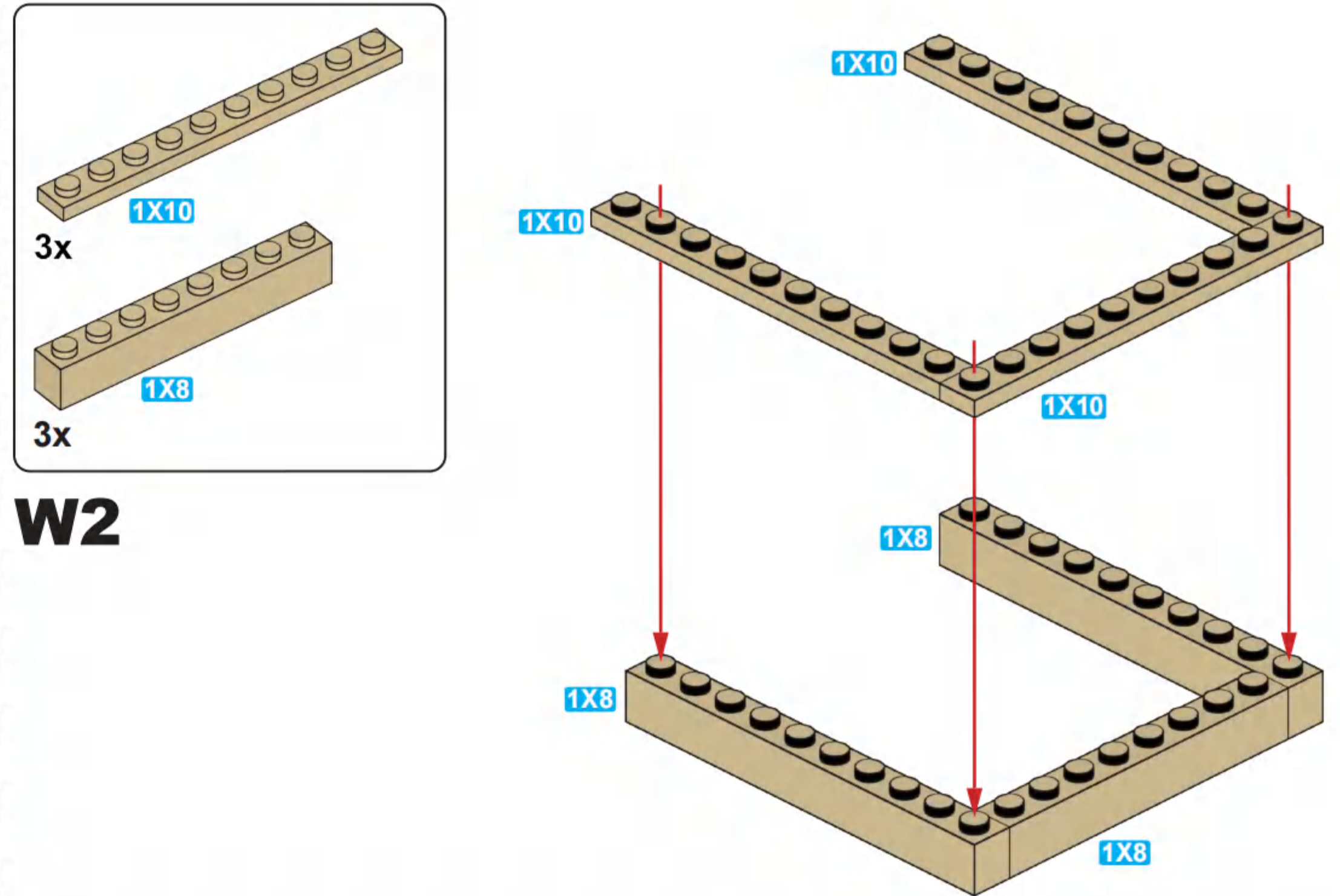
23



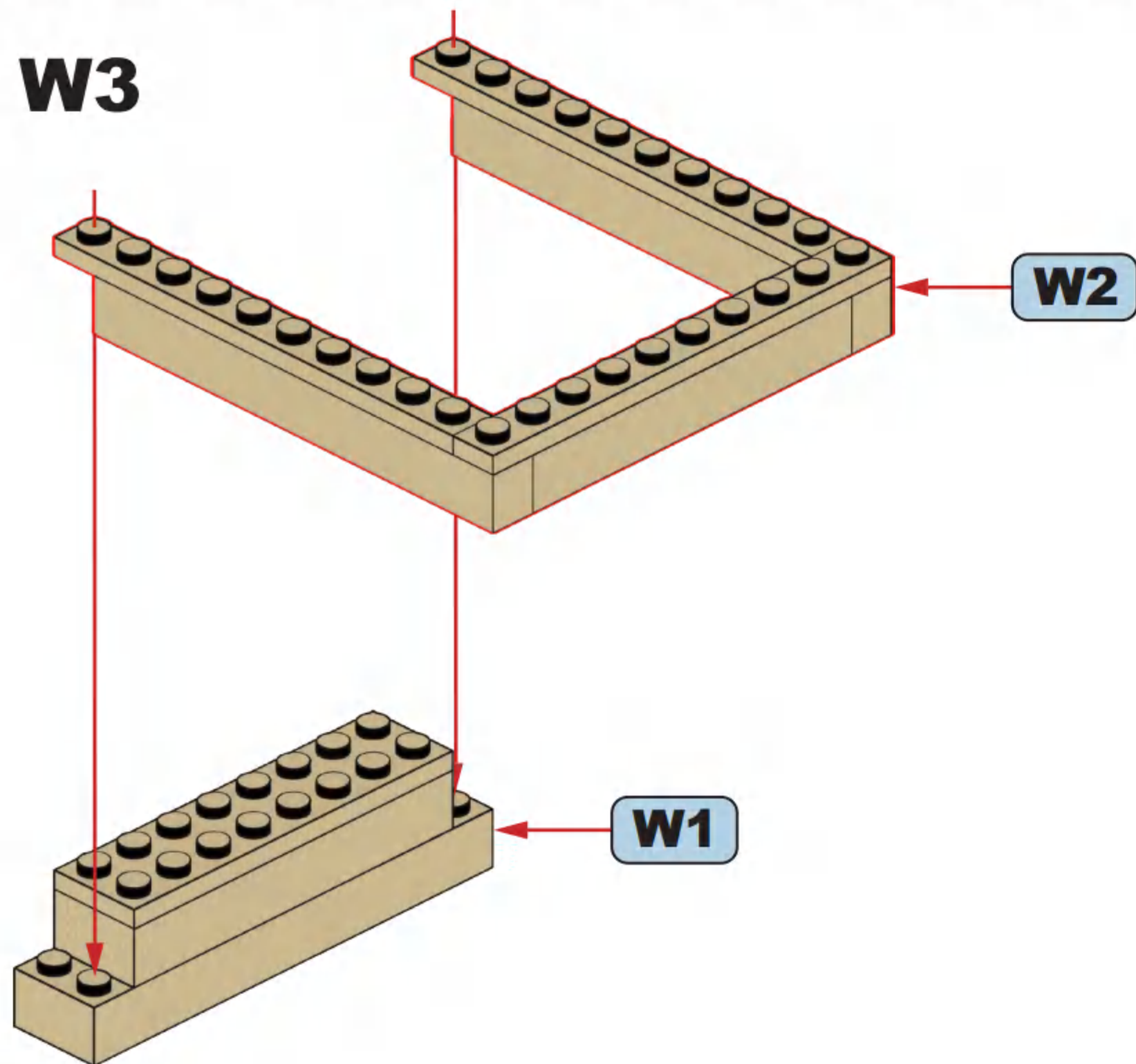
W



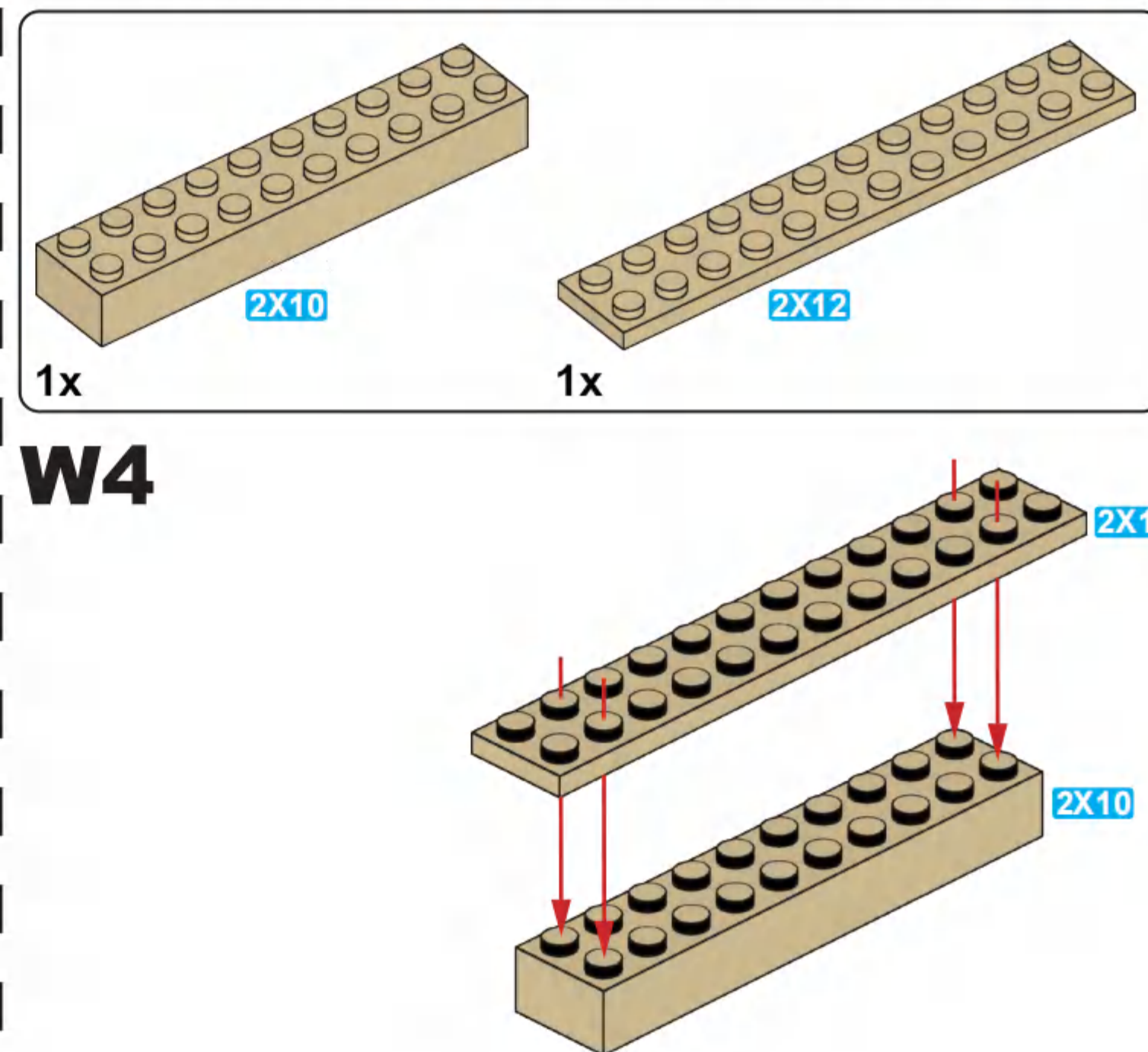
**W1**



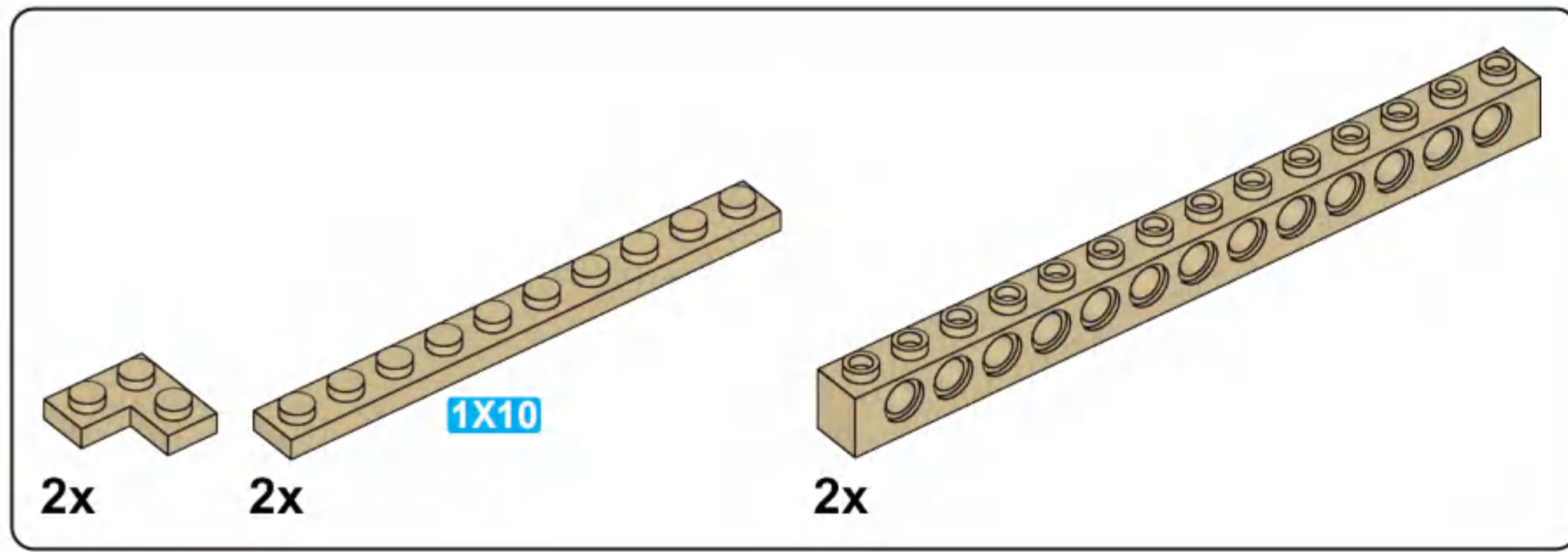
**W2**



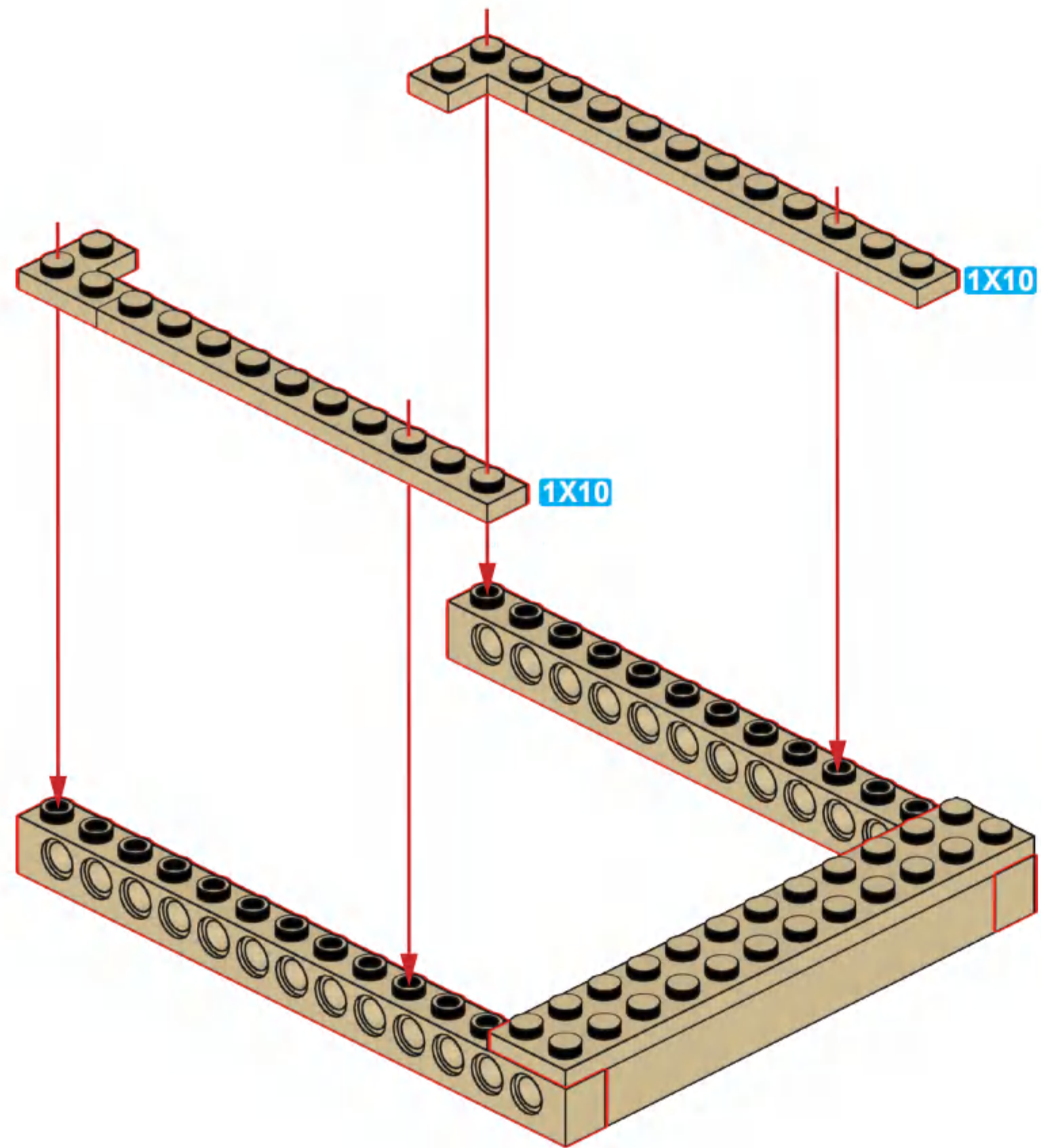
**W3**



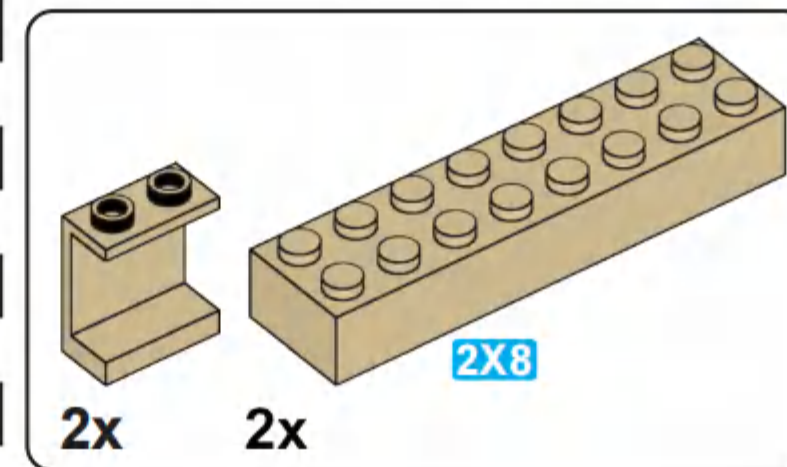
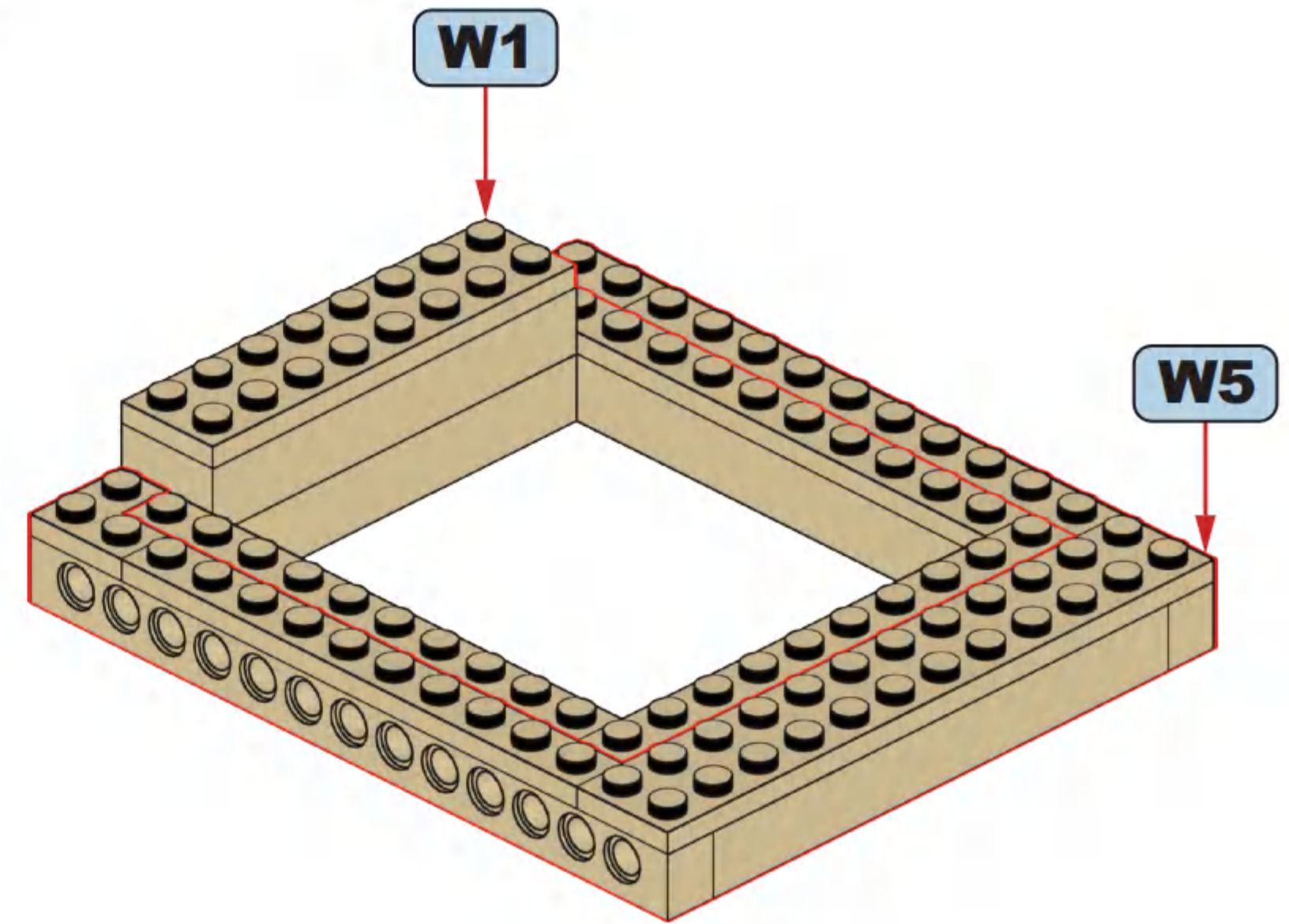
**W4**



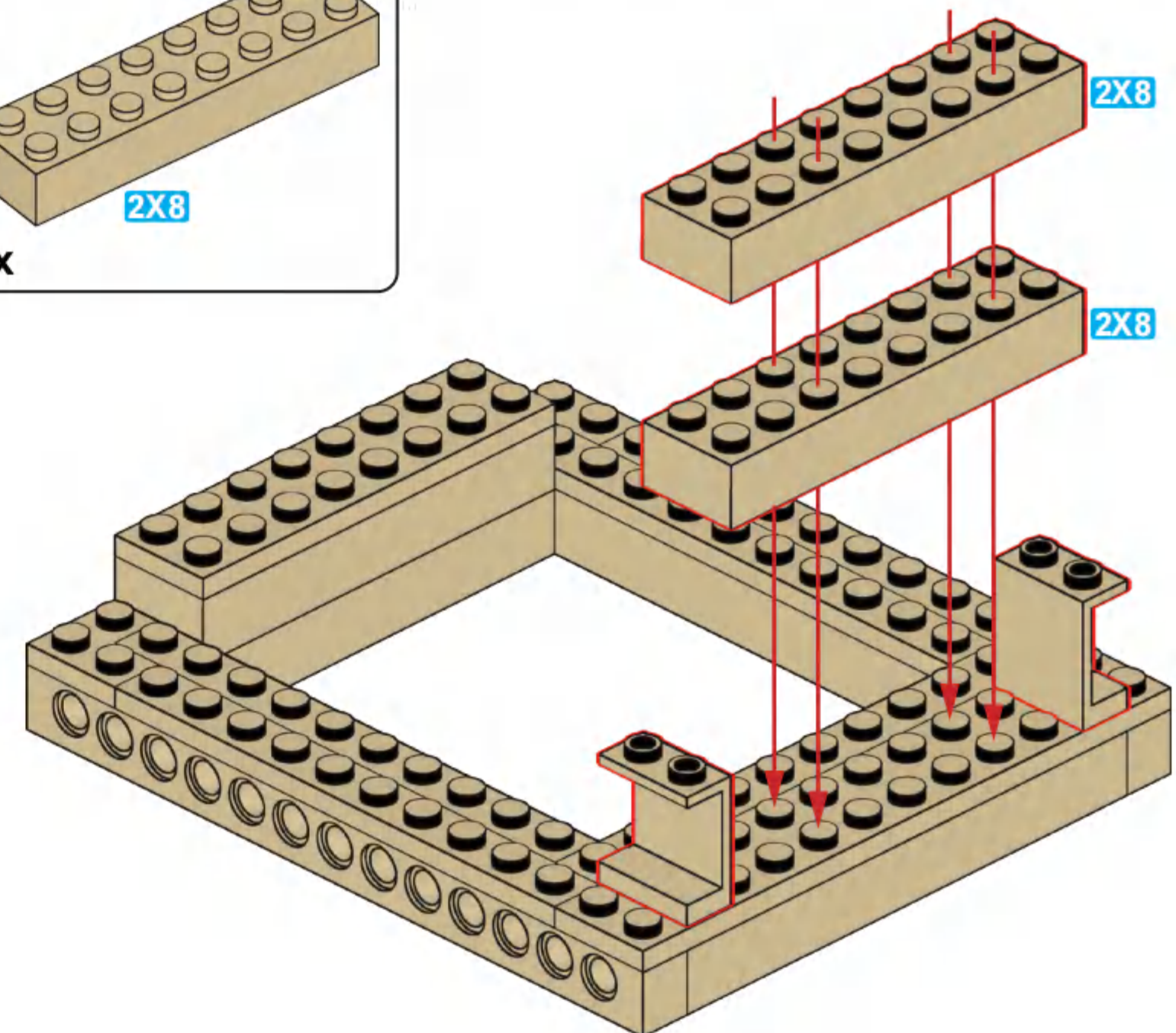
## W5

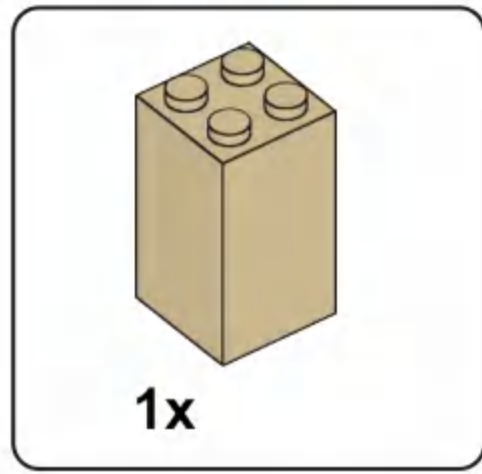


## W6

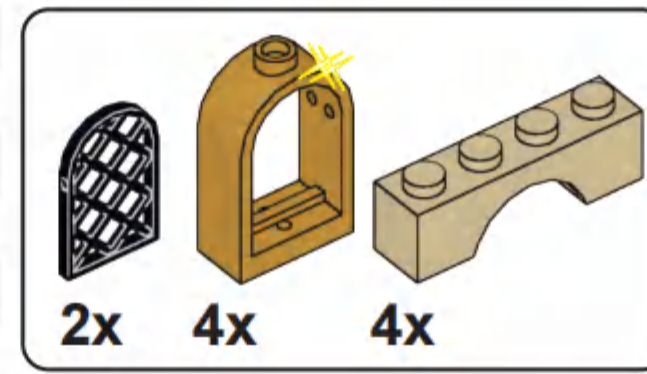
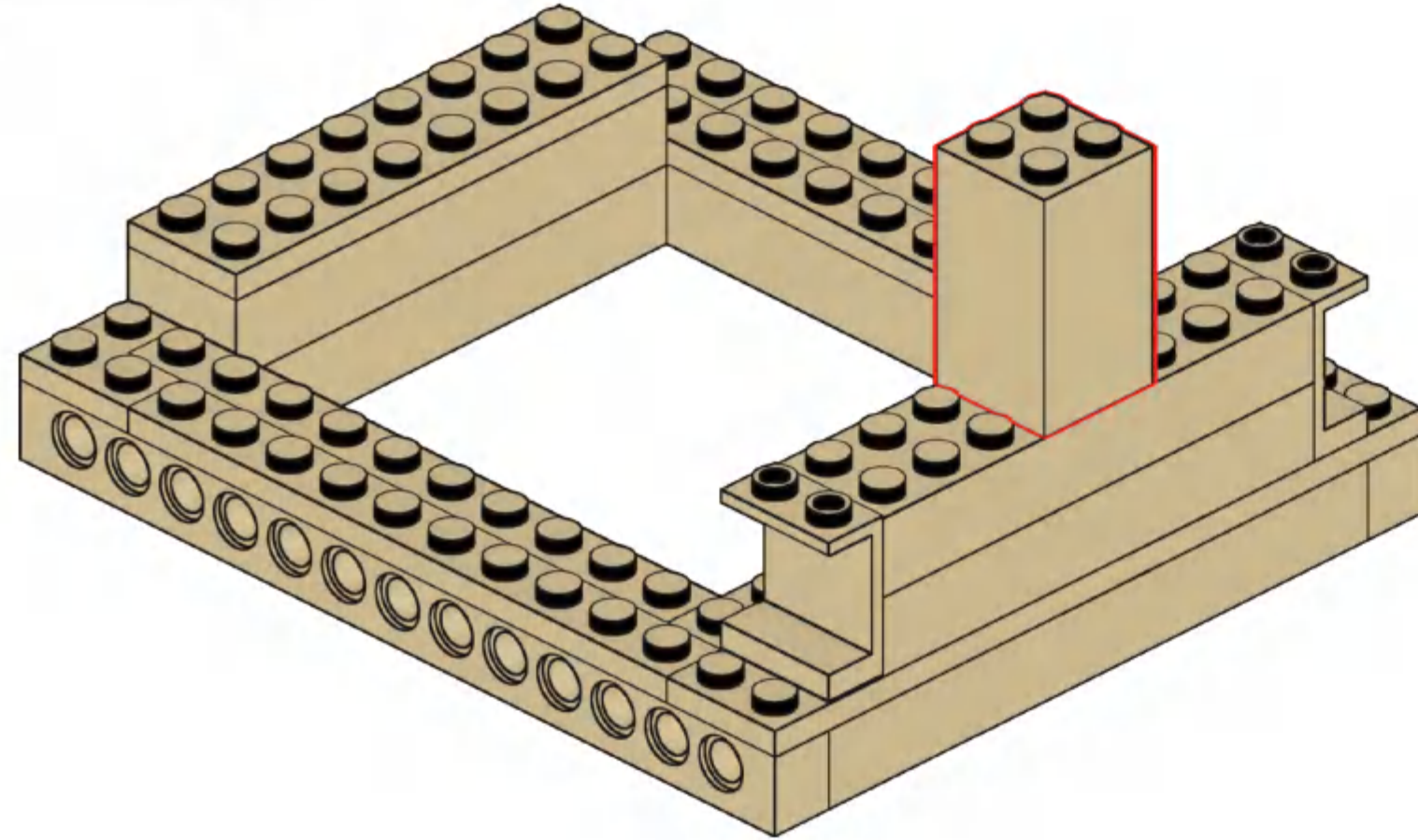


## W7

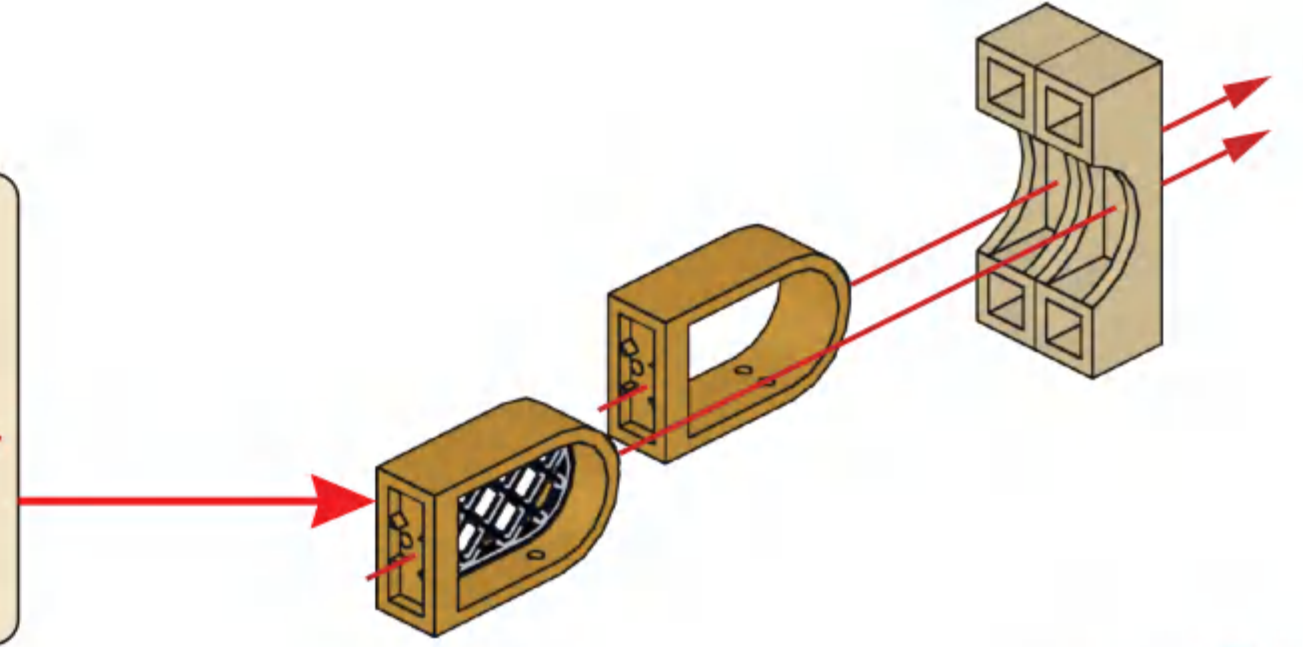
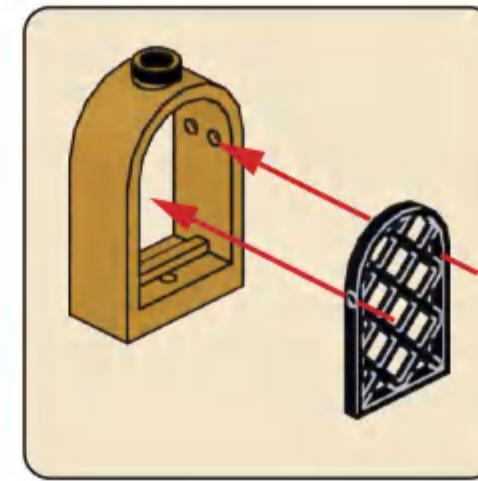




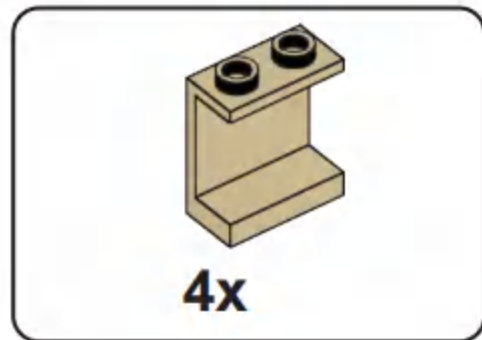
**W8**



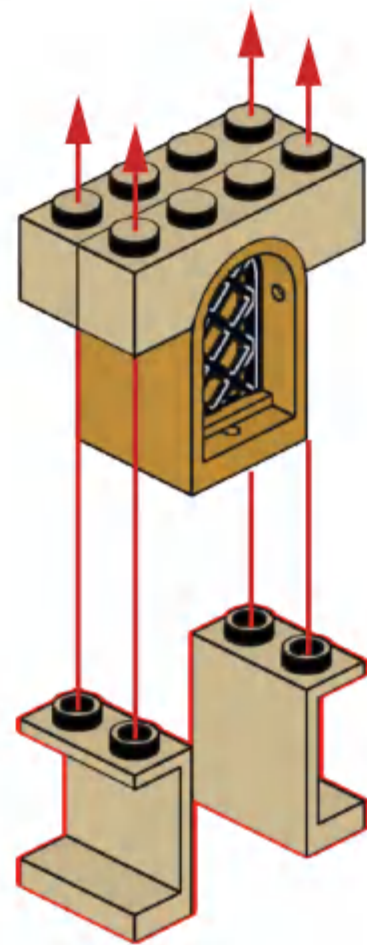
**W9**



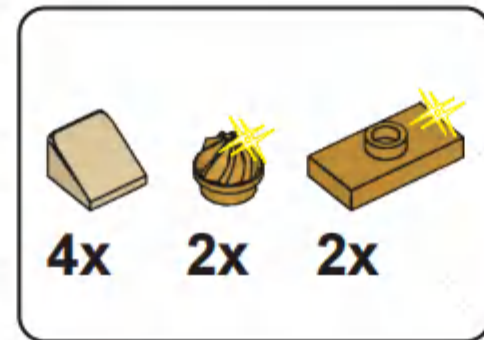
**x2**



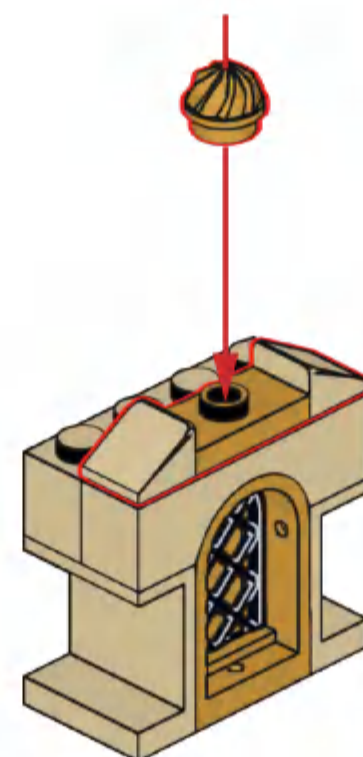
**W10**



**x2**

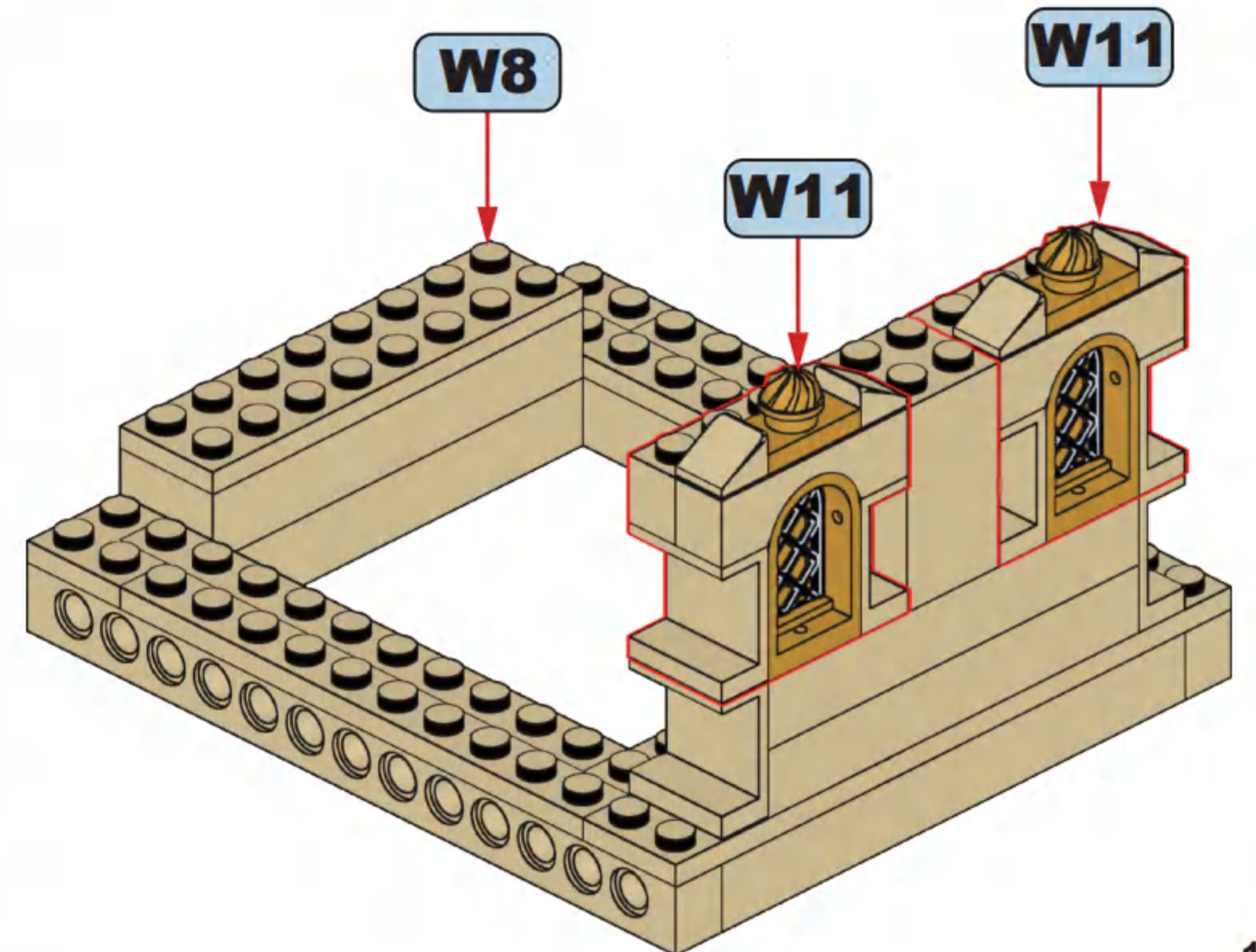


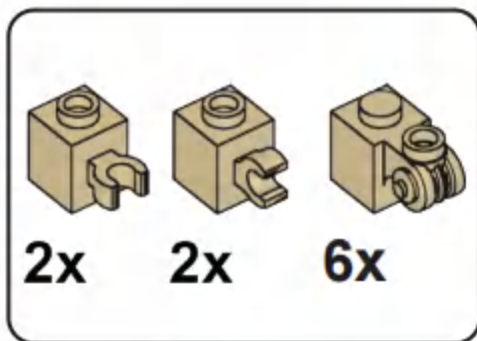
**W11**



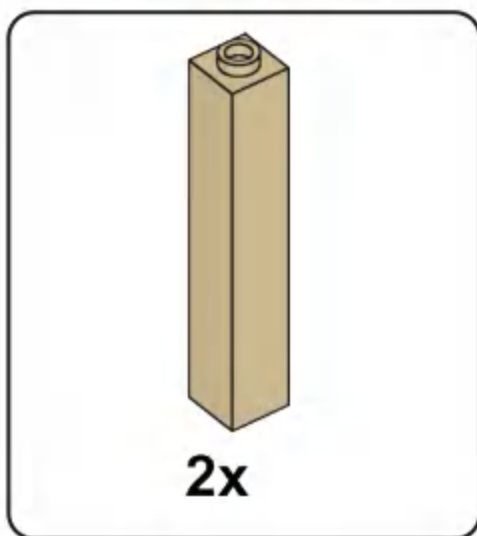
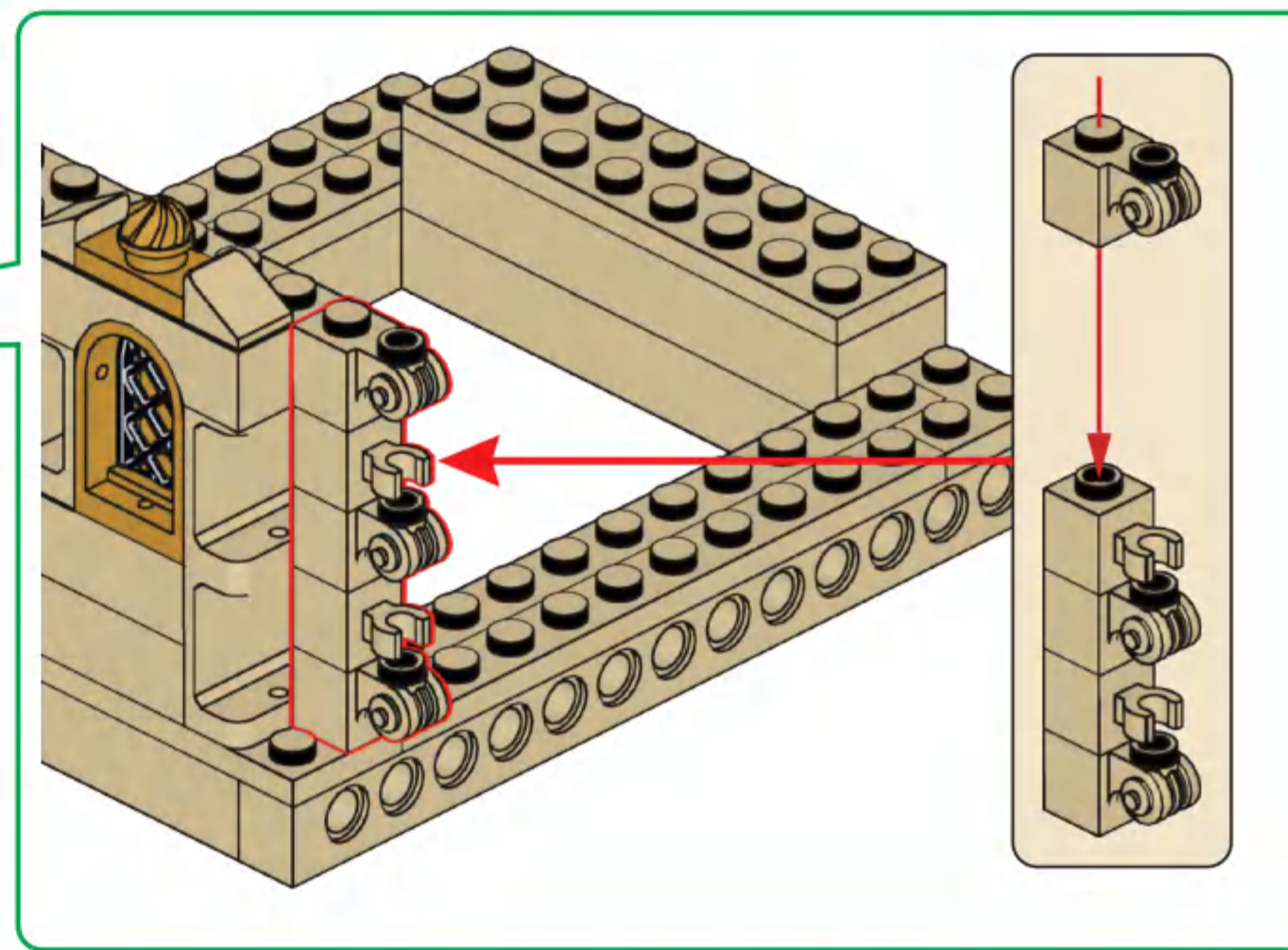
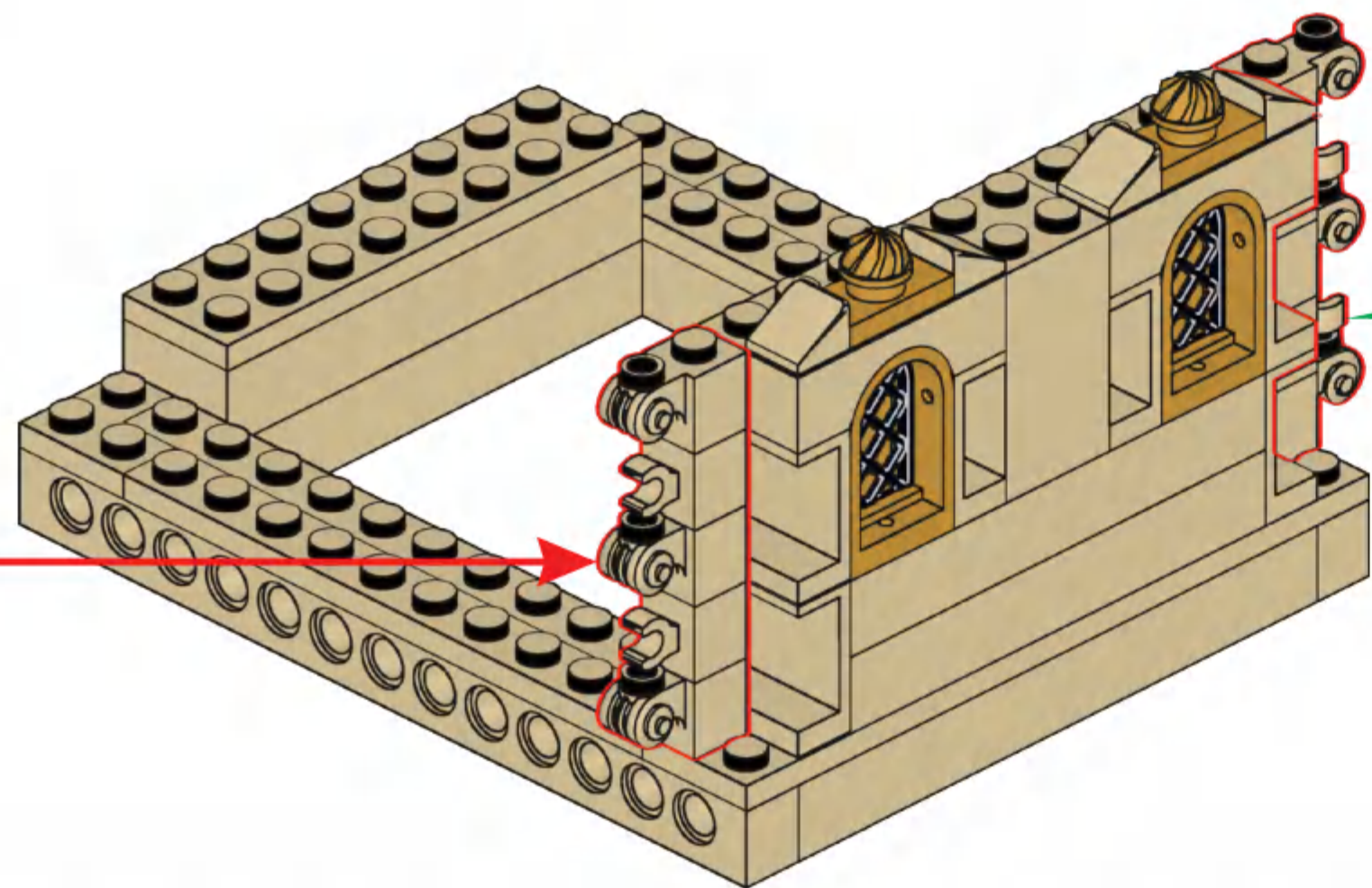
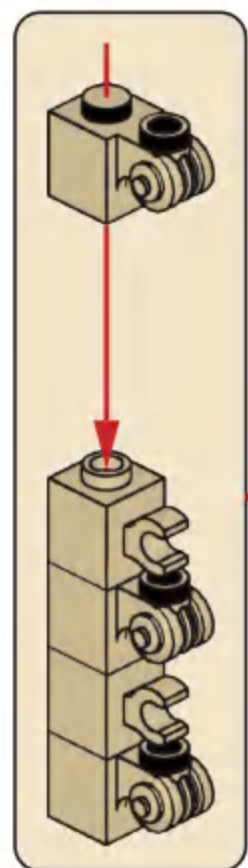
**x2**

**W12**

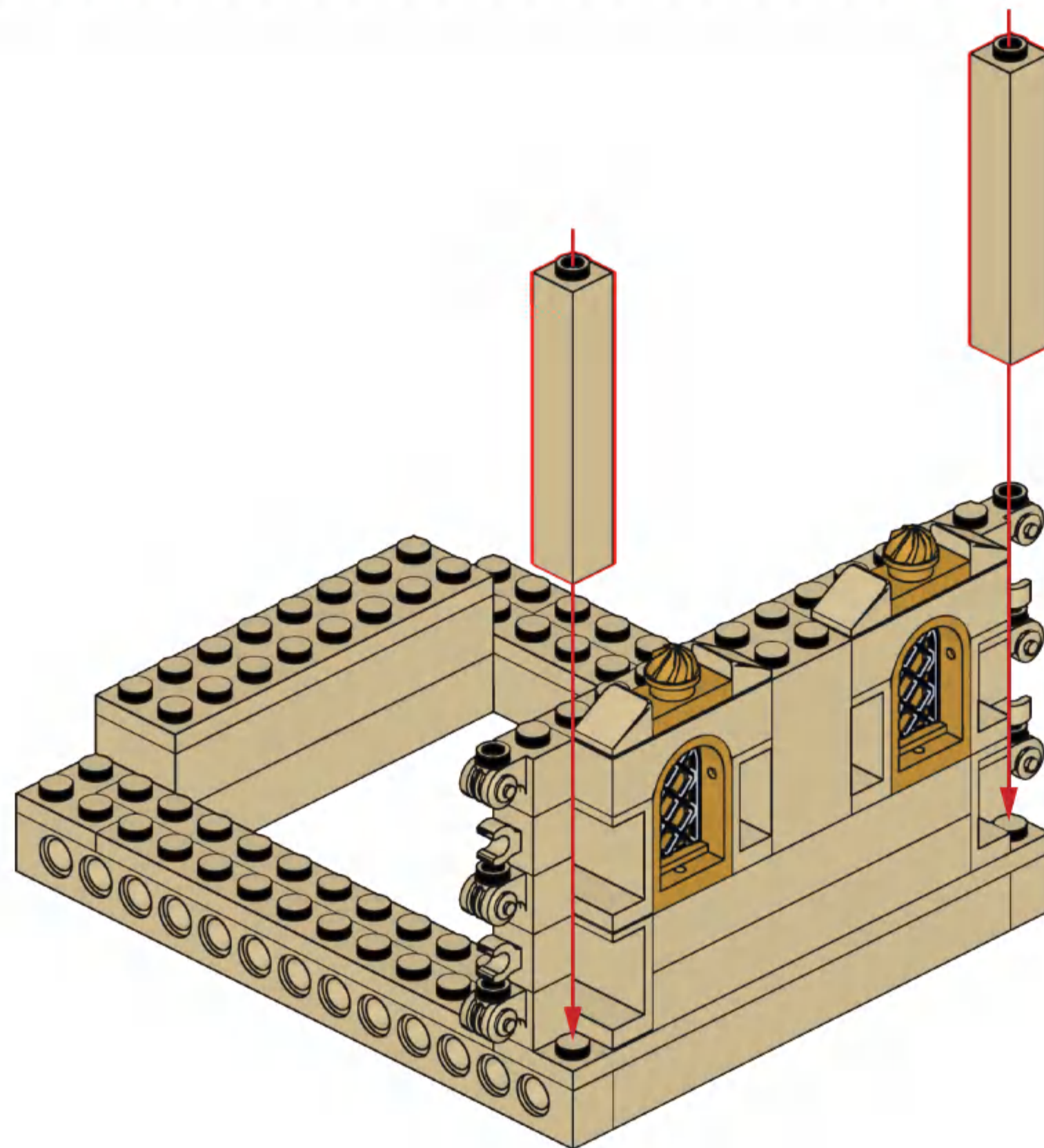


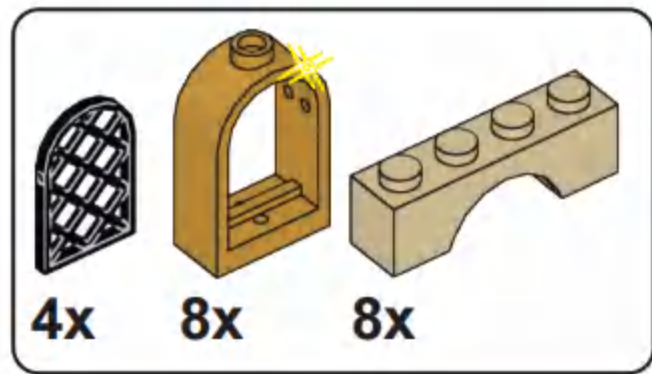


### W13

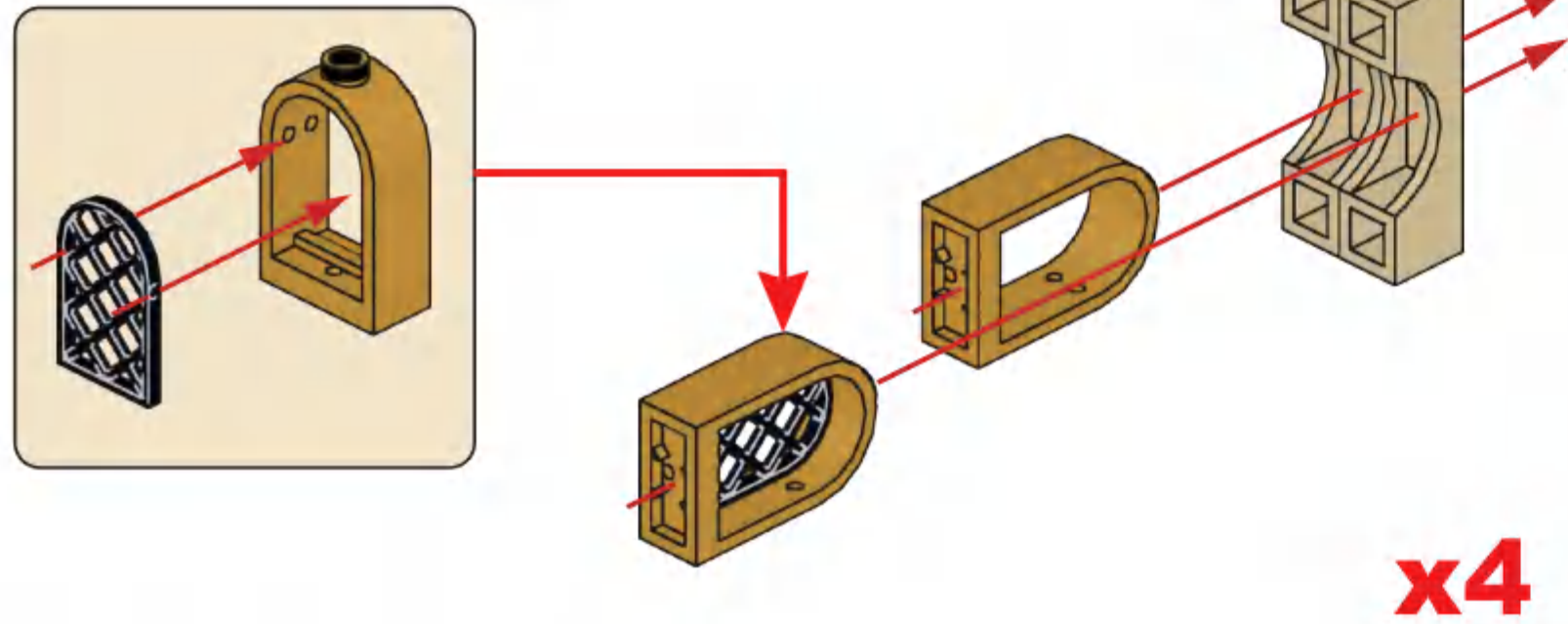


### W14

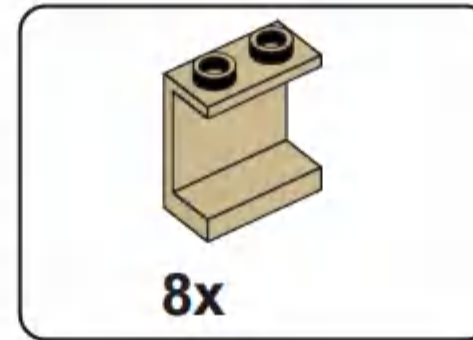




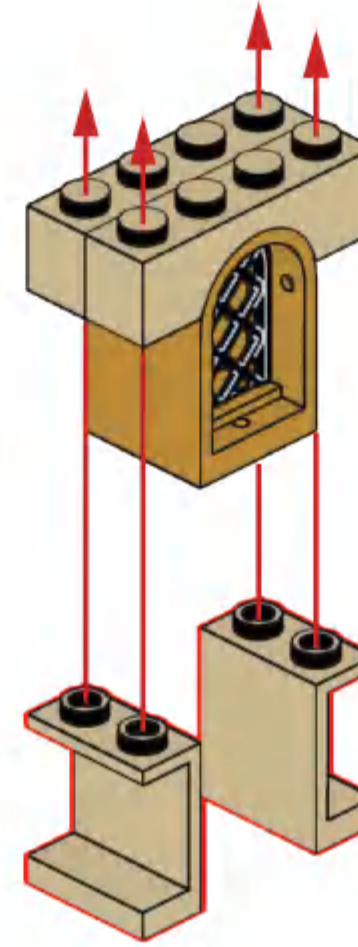
**W15**



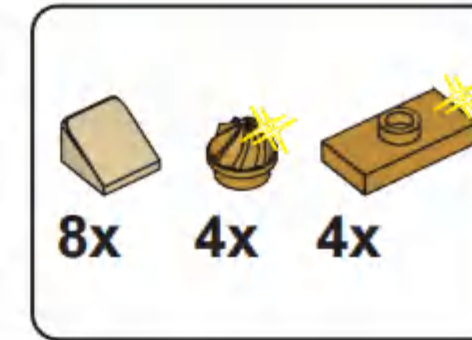
**x4**



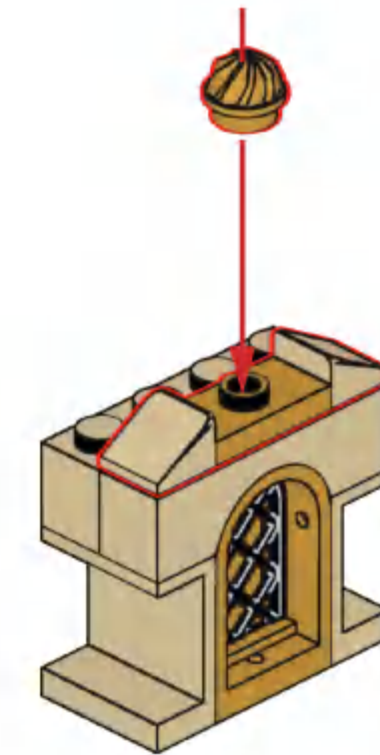
**W16**



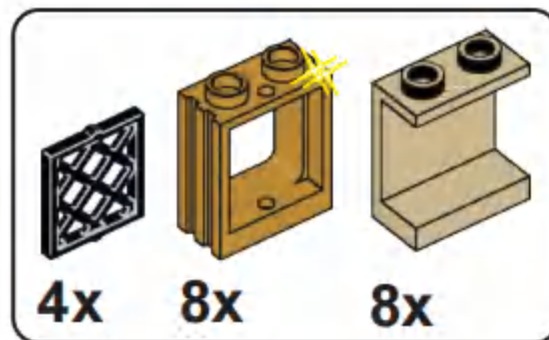
**x4**



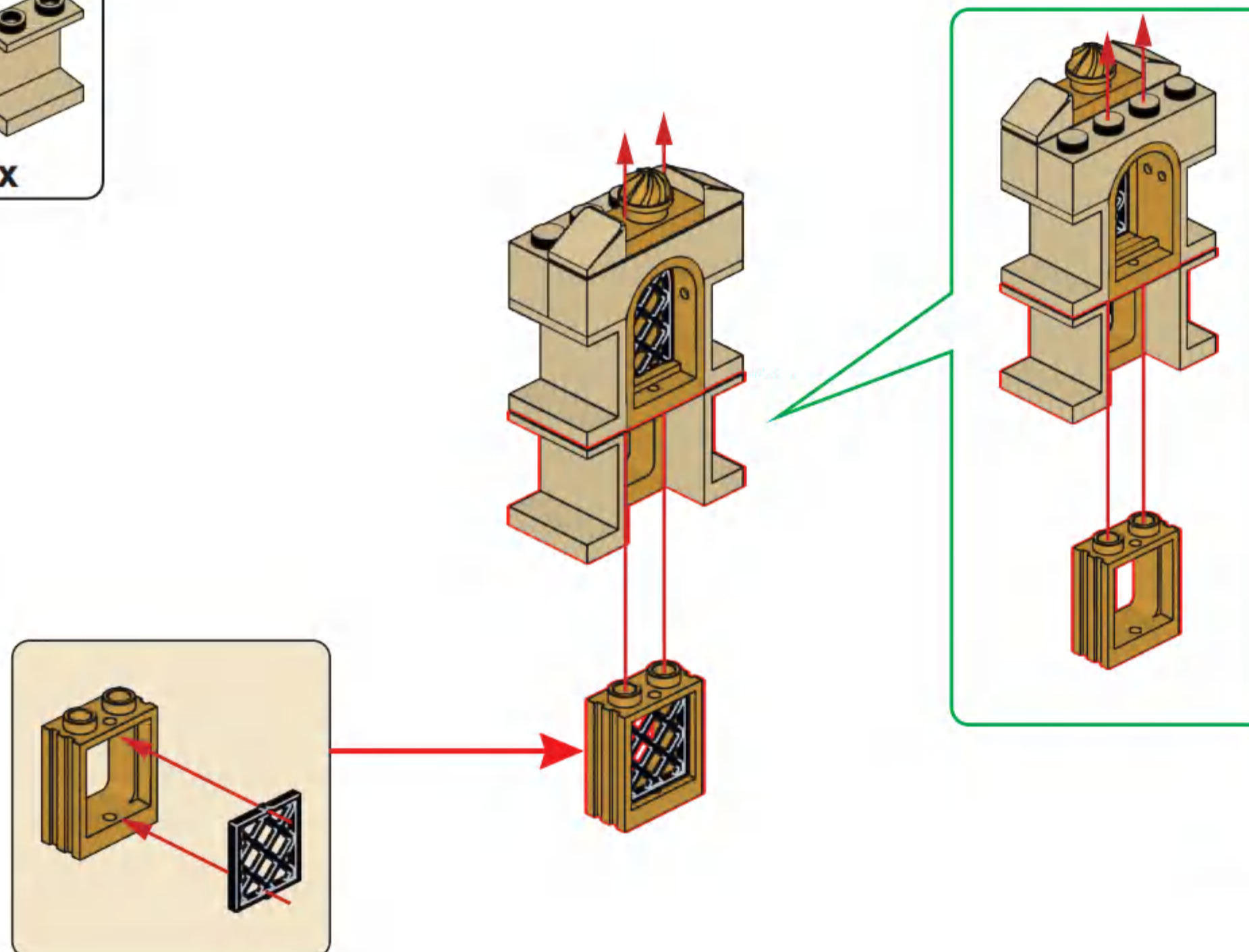
**W17**



**x4**

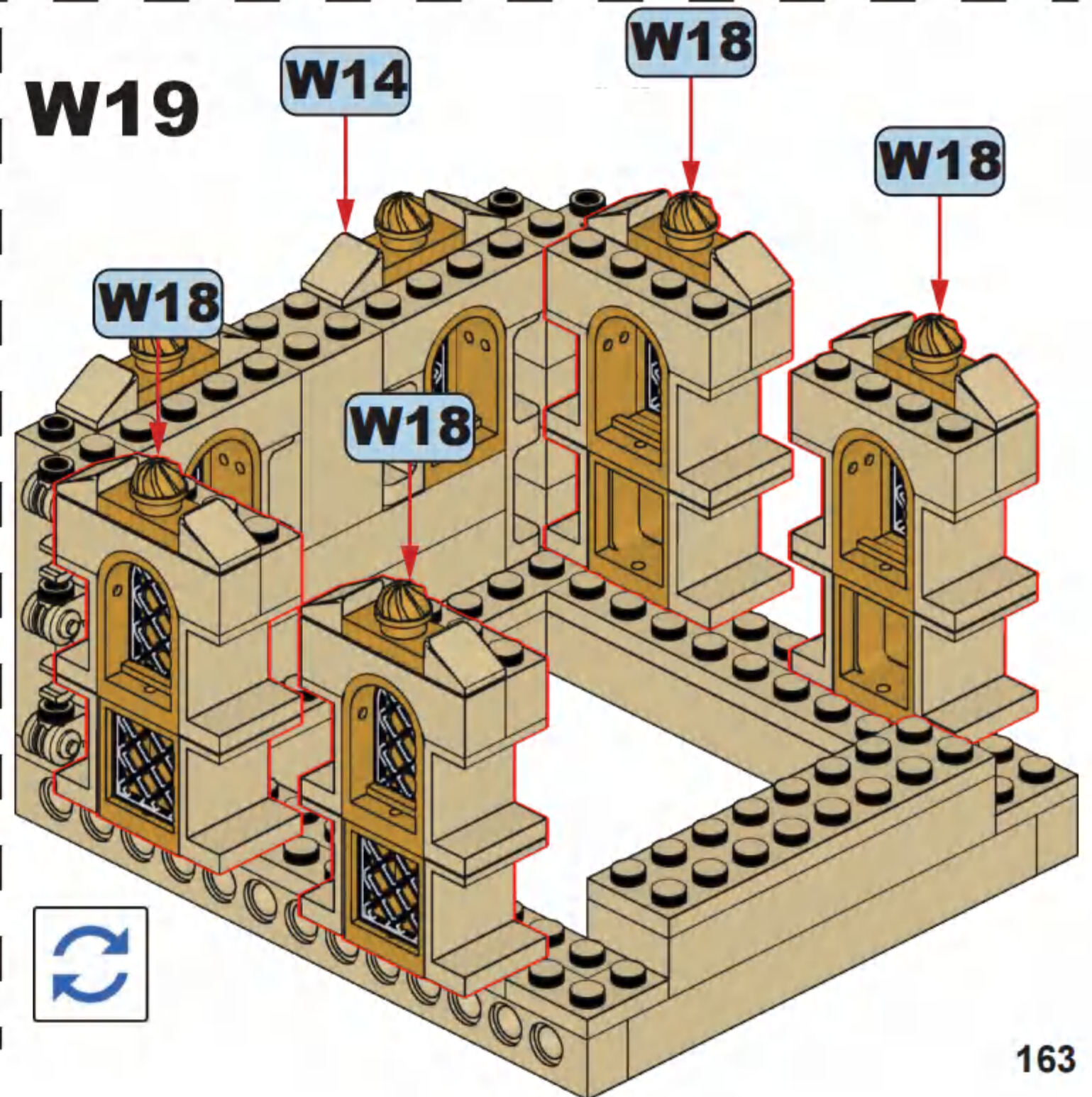


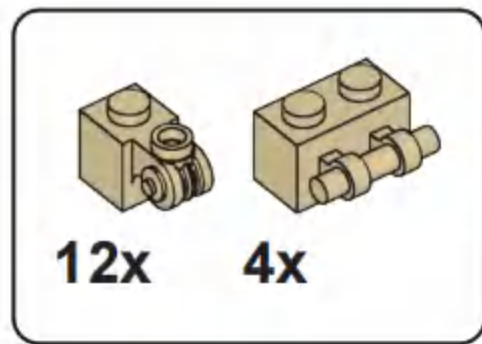
**W18**



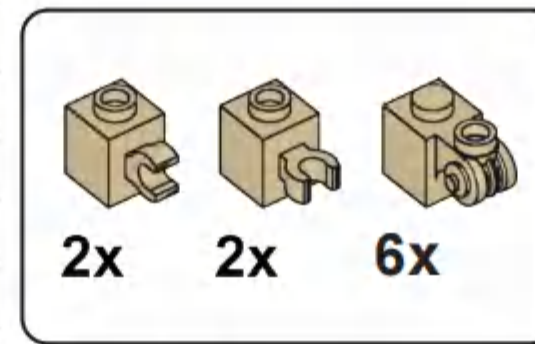
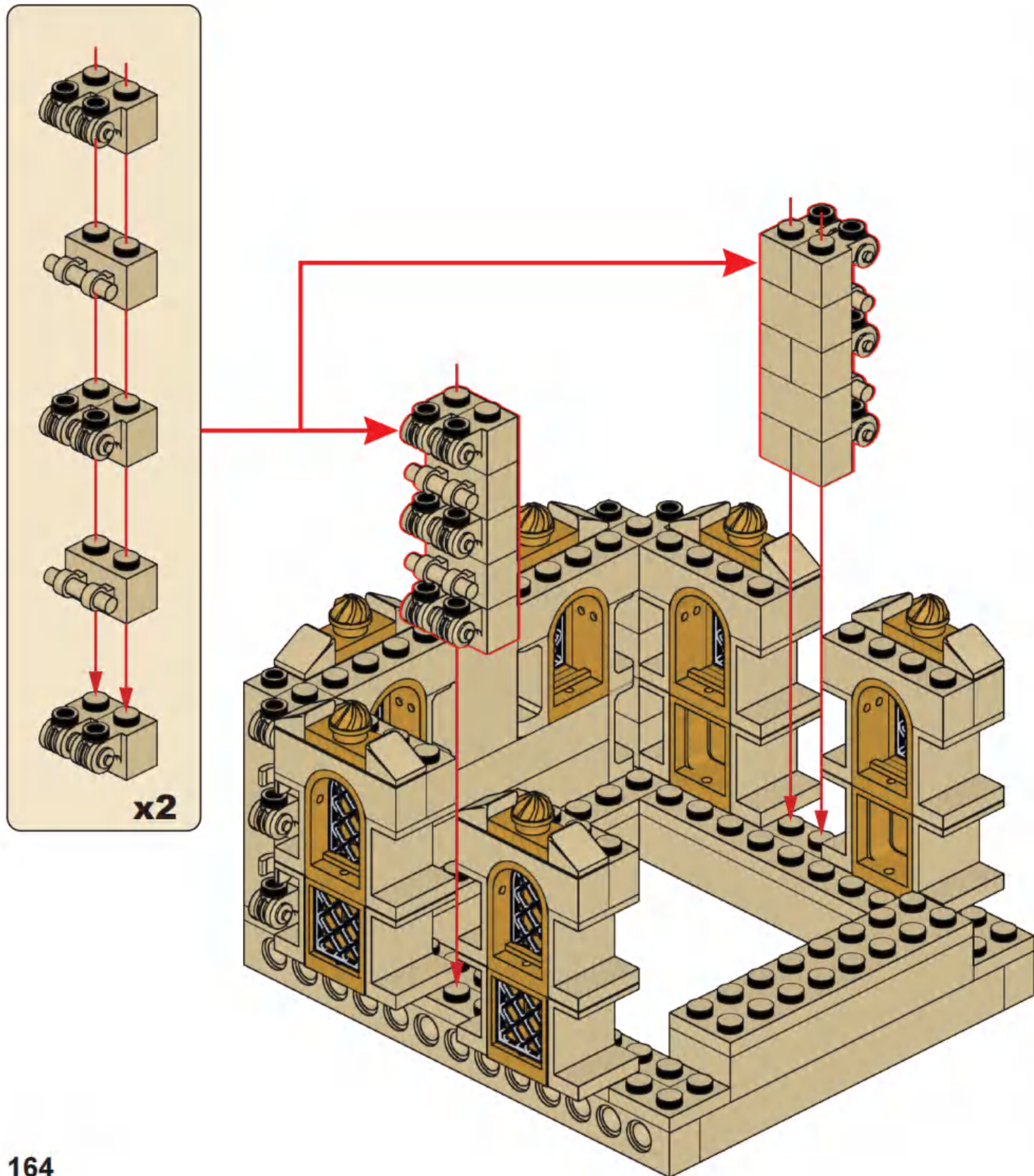
**x4**

**W19**

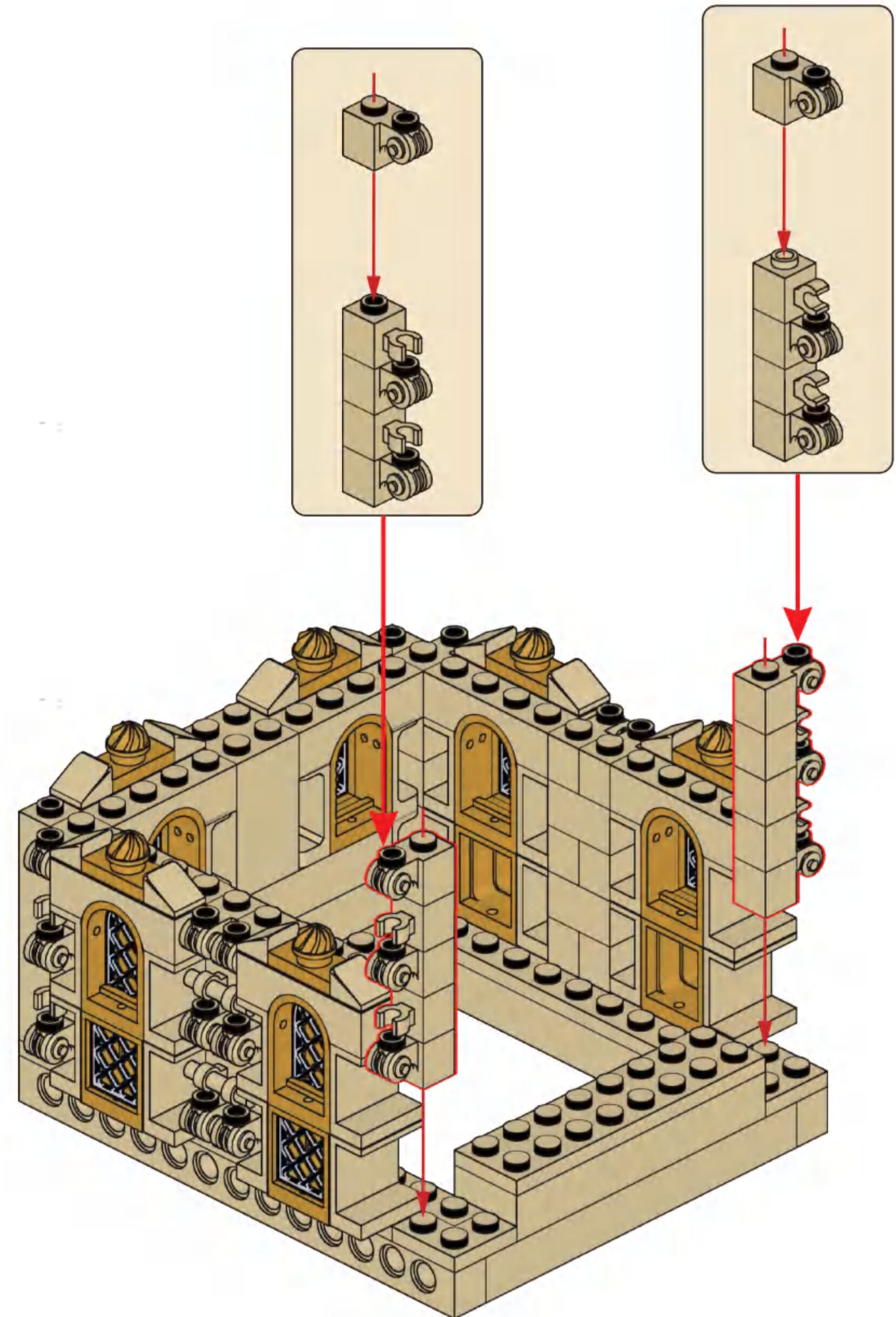


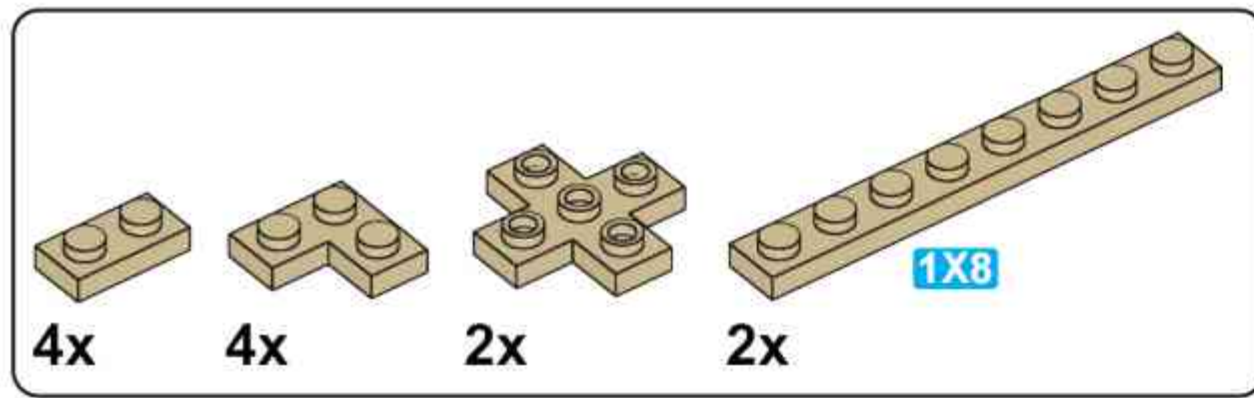


## W20

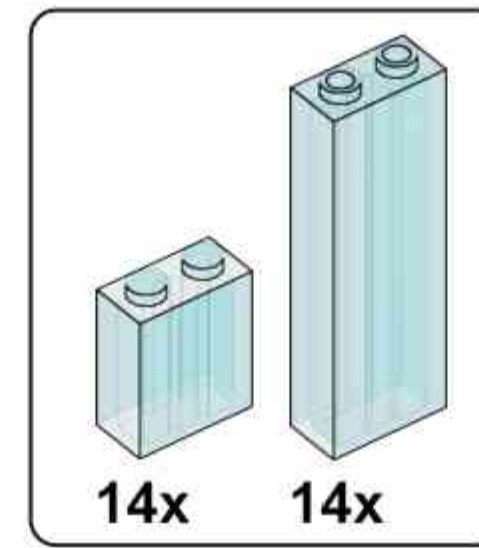
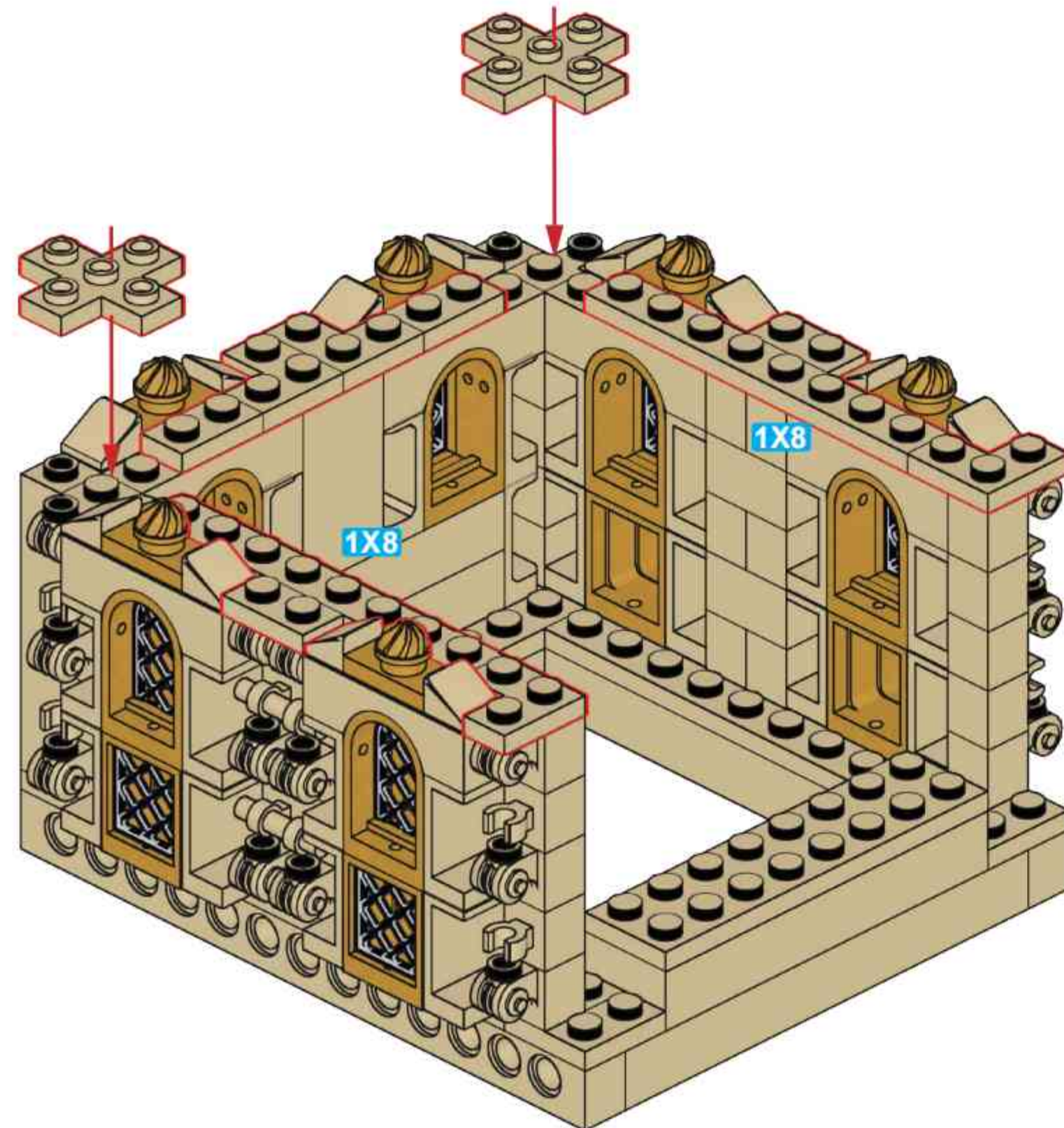


## W21

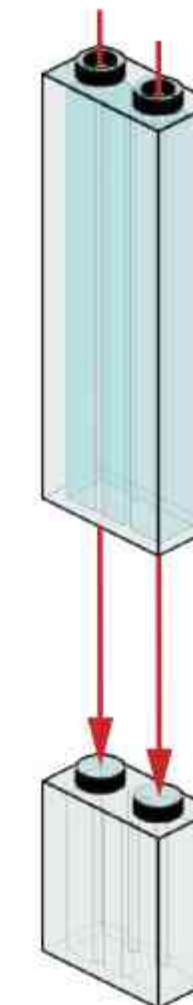




## W22

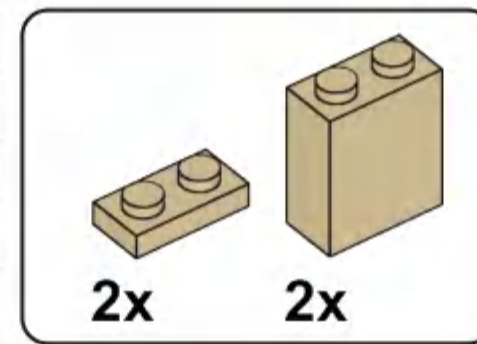
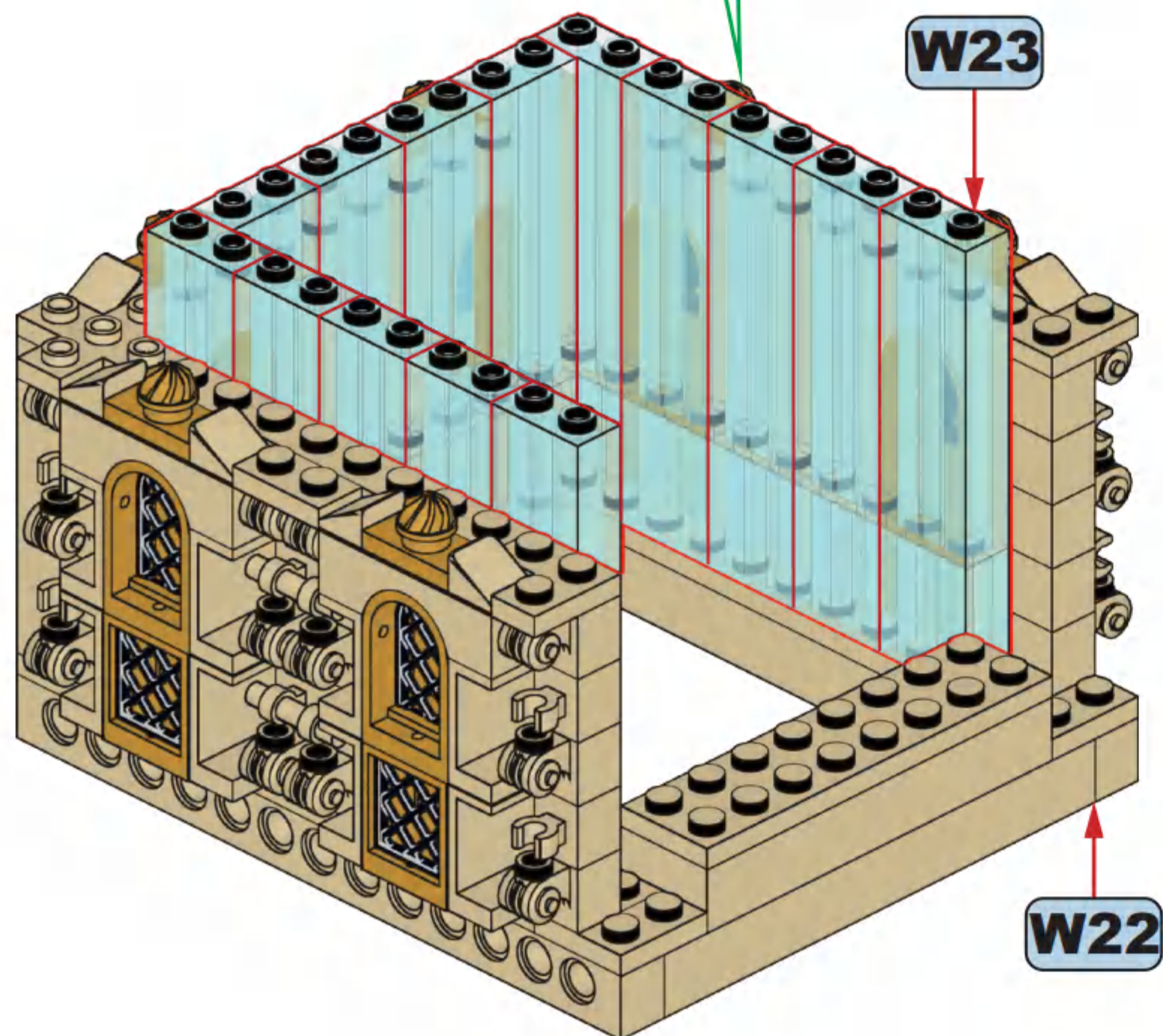
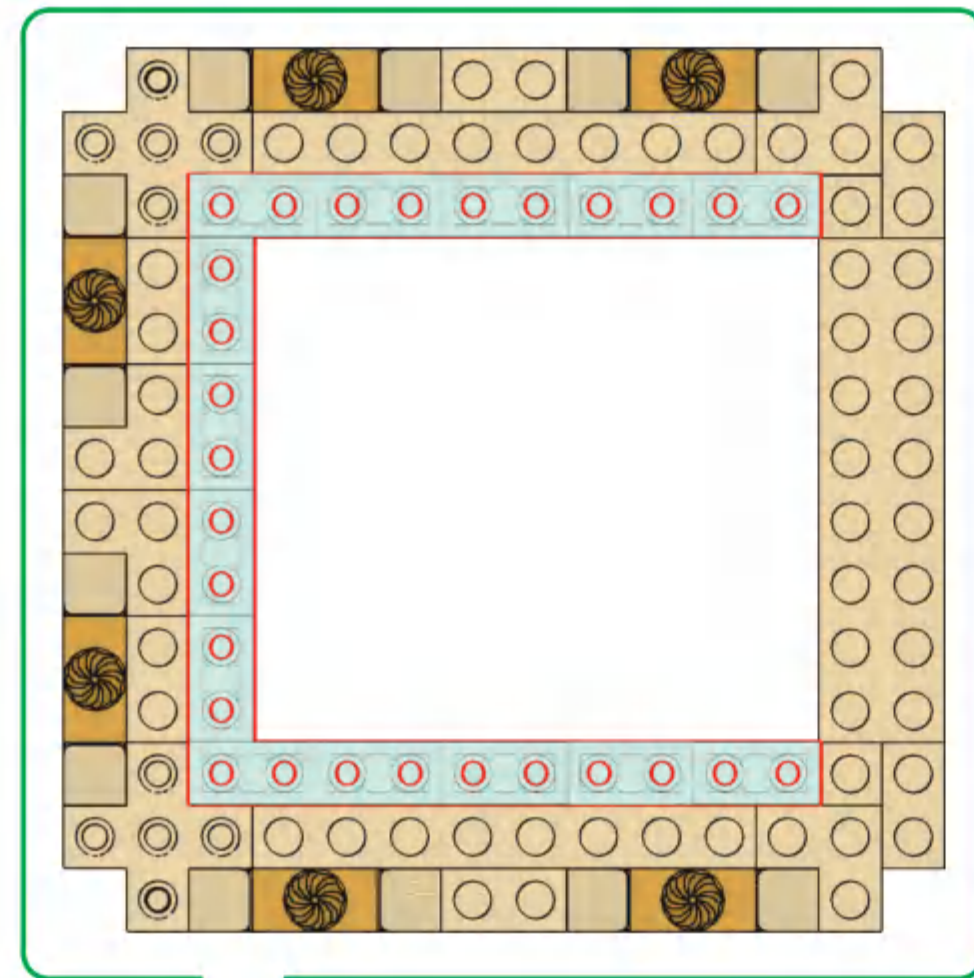


## W23

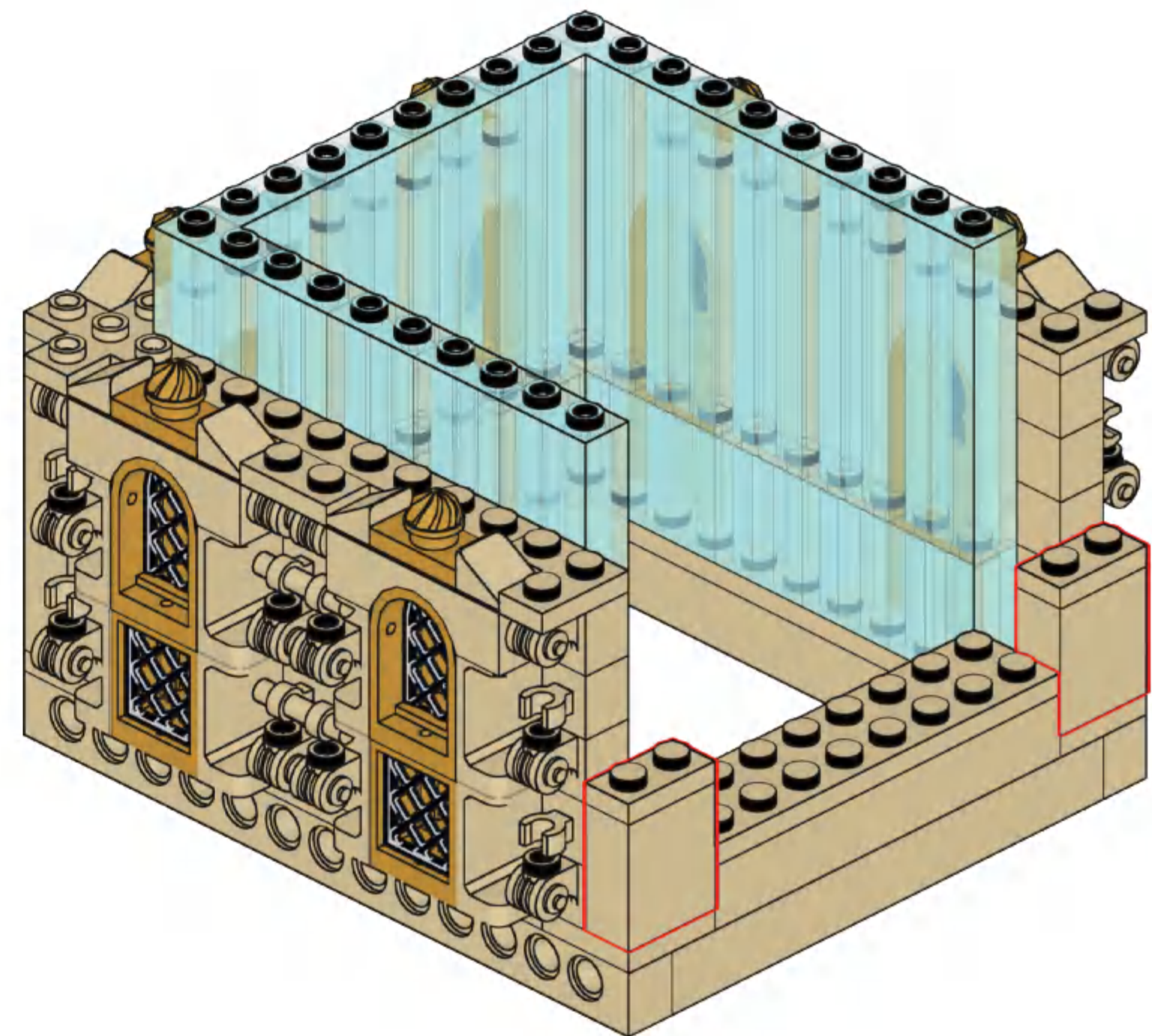


**x14**

# W24

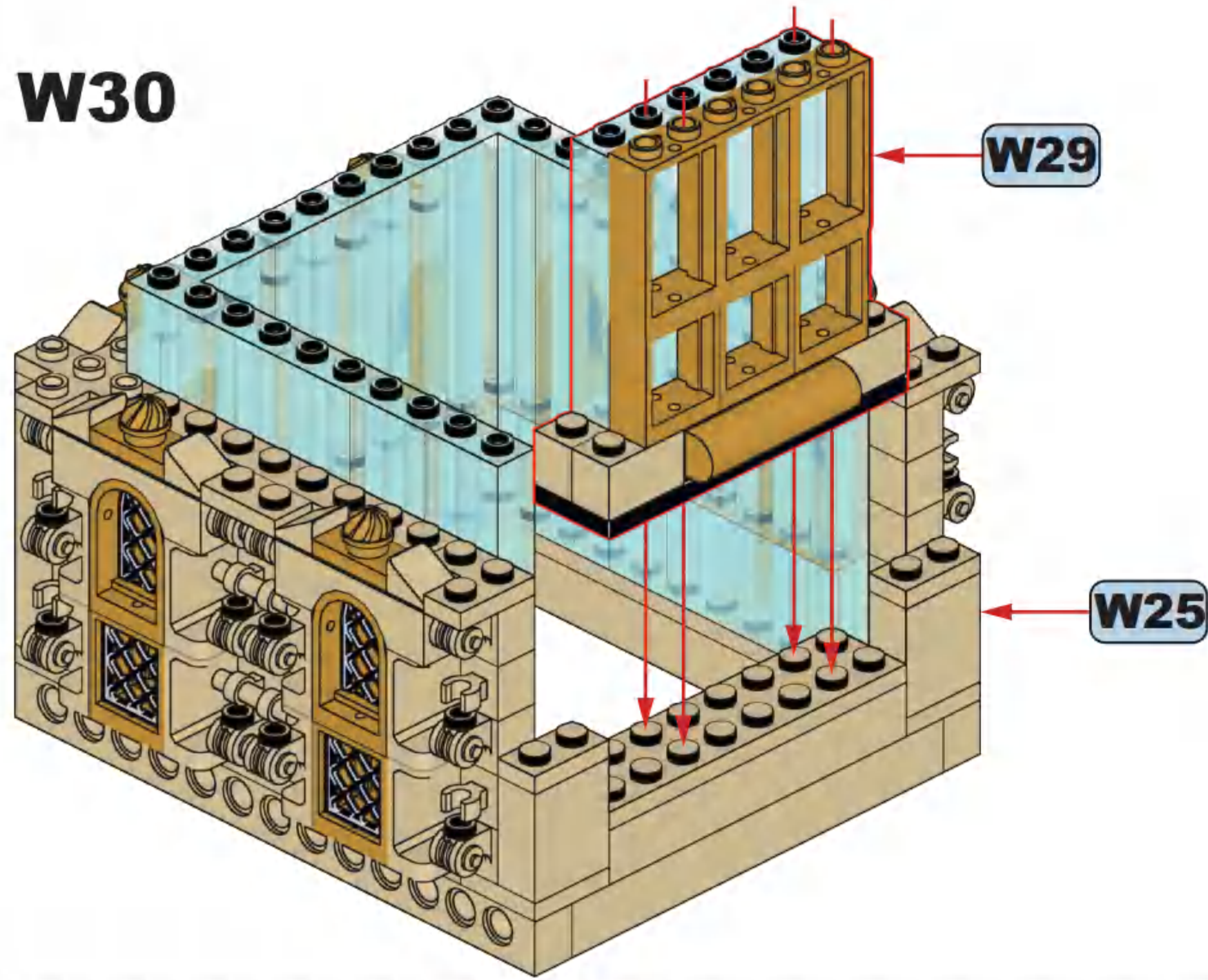


# W25

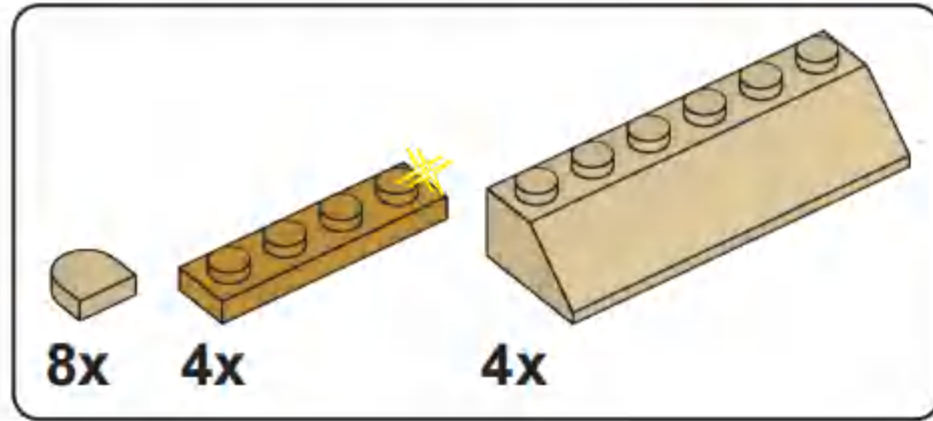
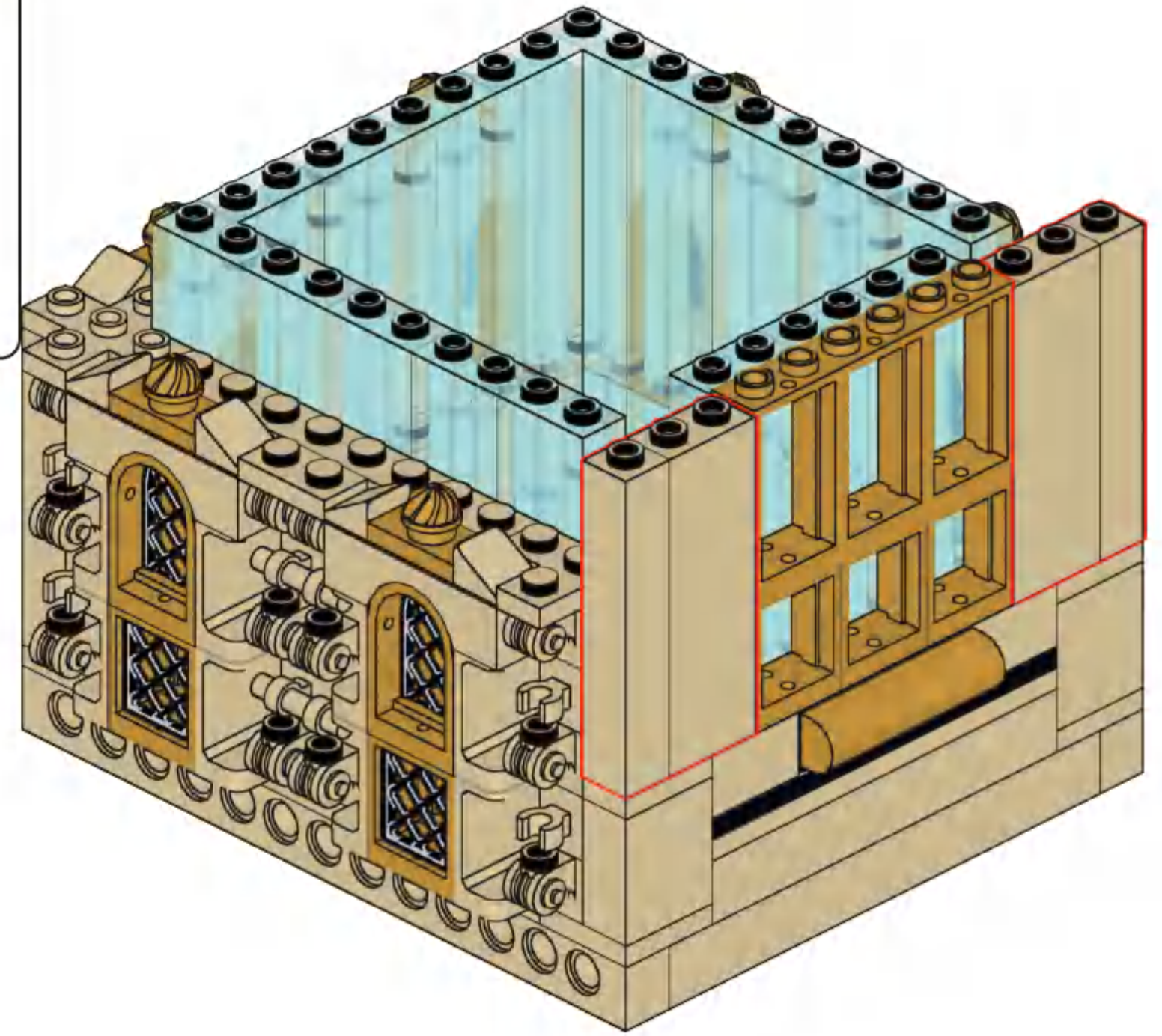




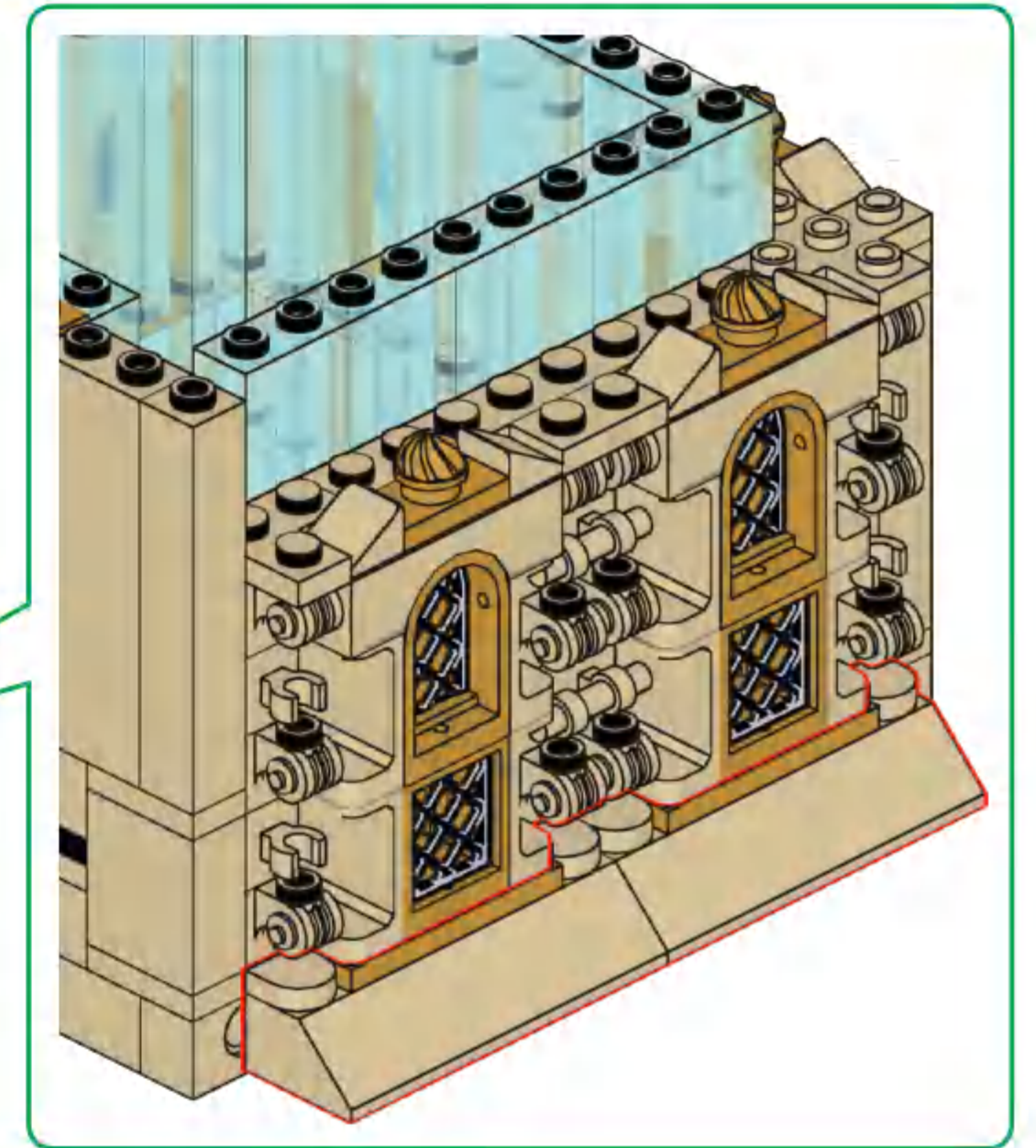
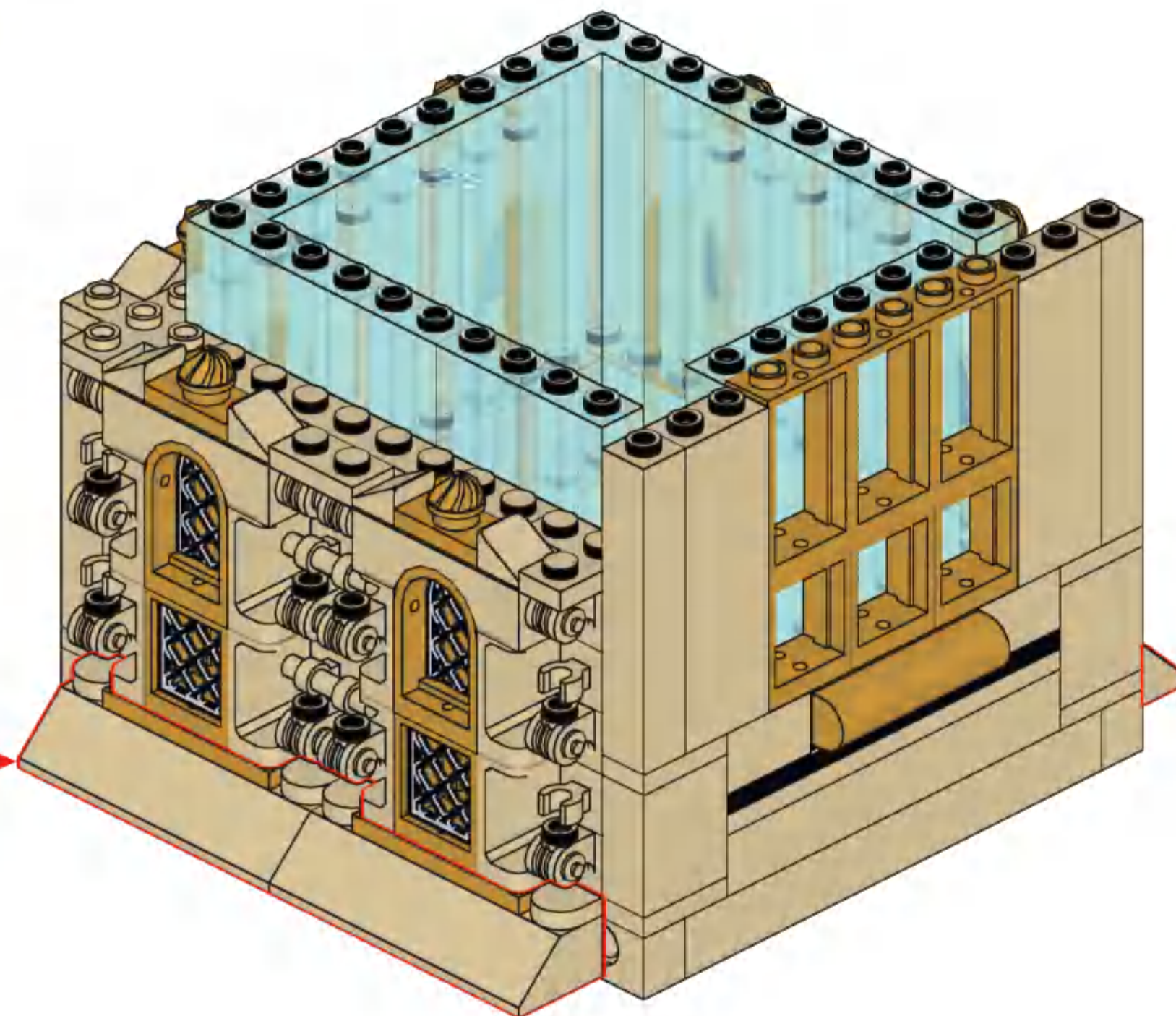
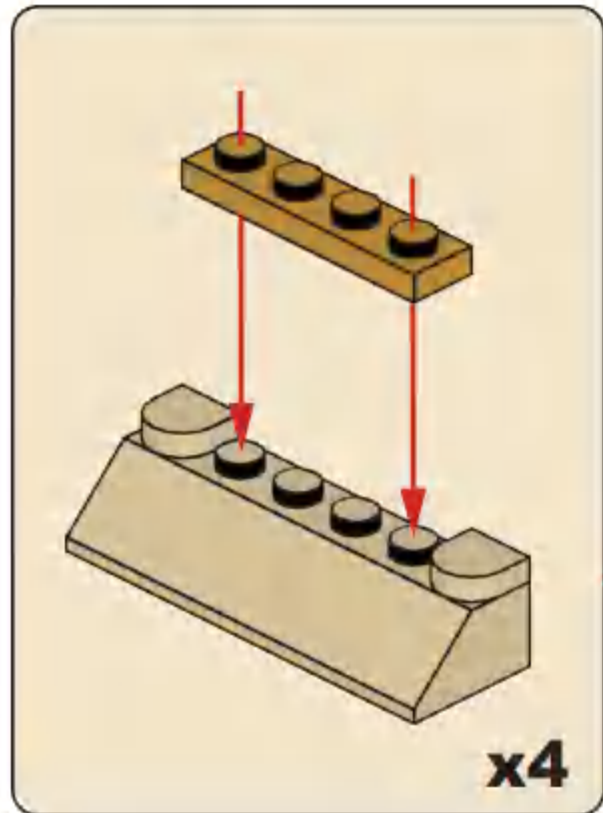
**W30**



**W31**



**W32**

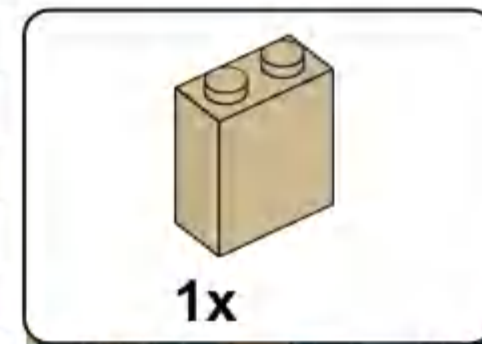
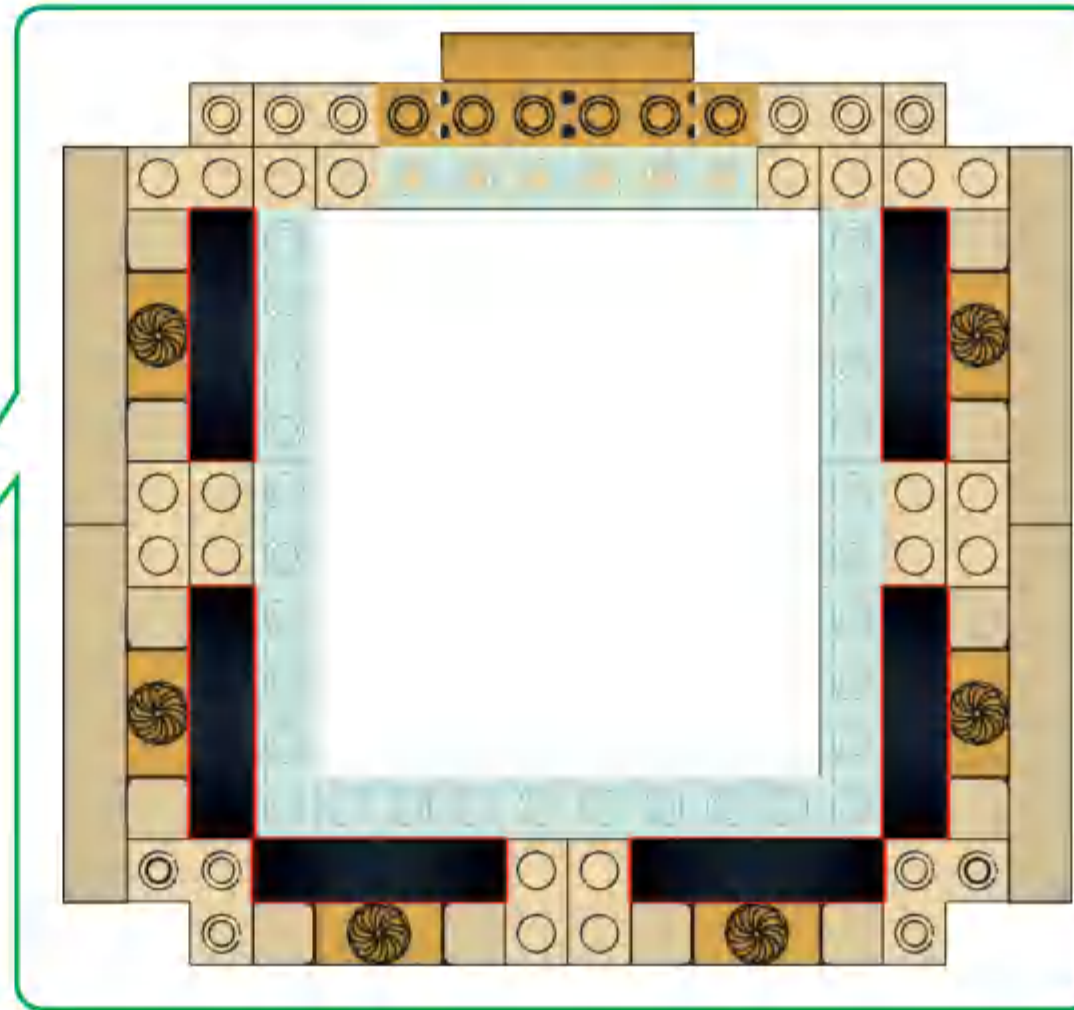
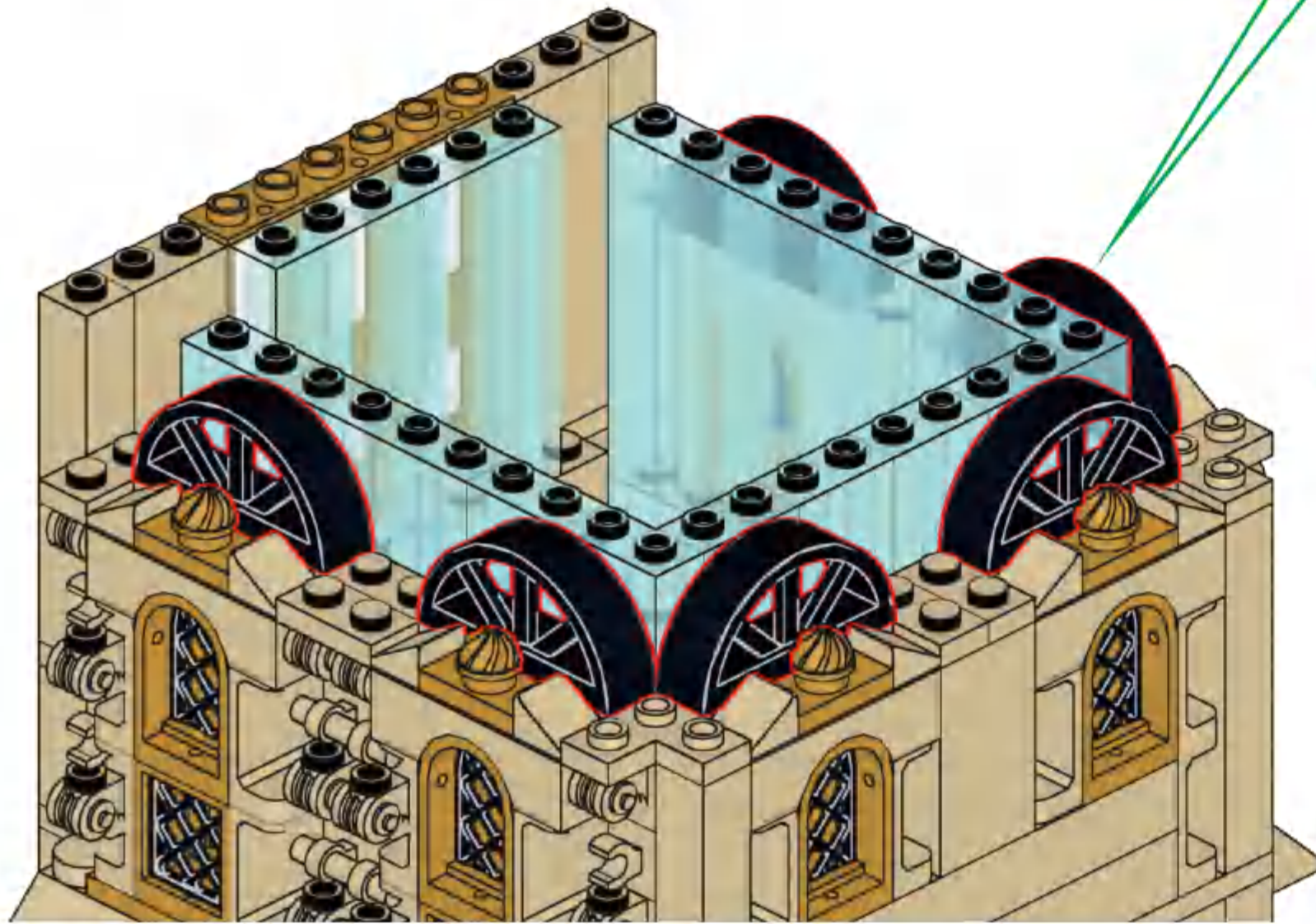




6x

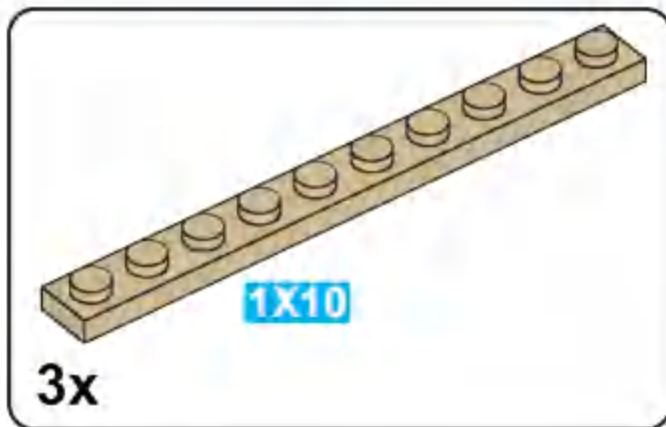
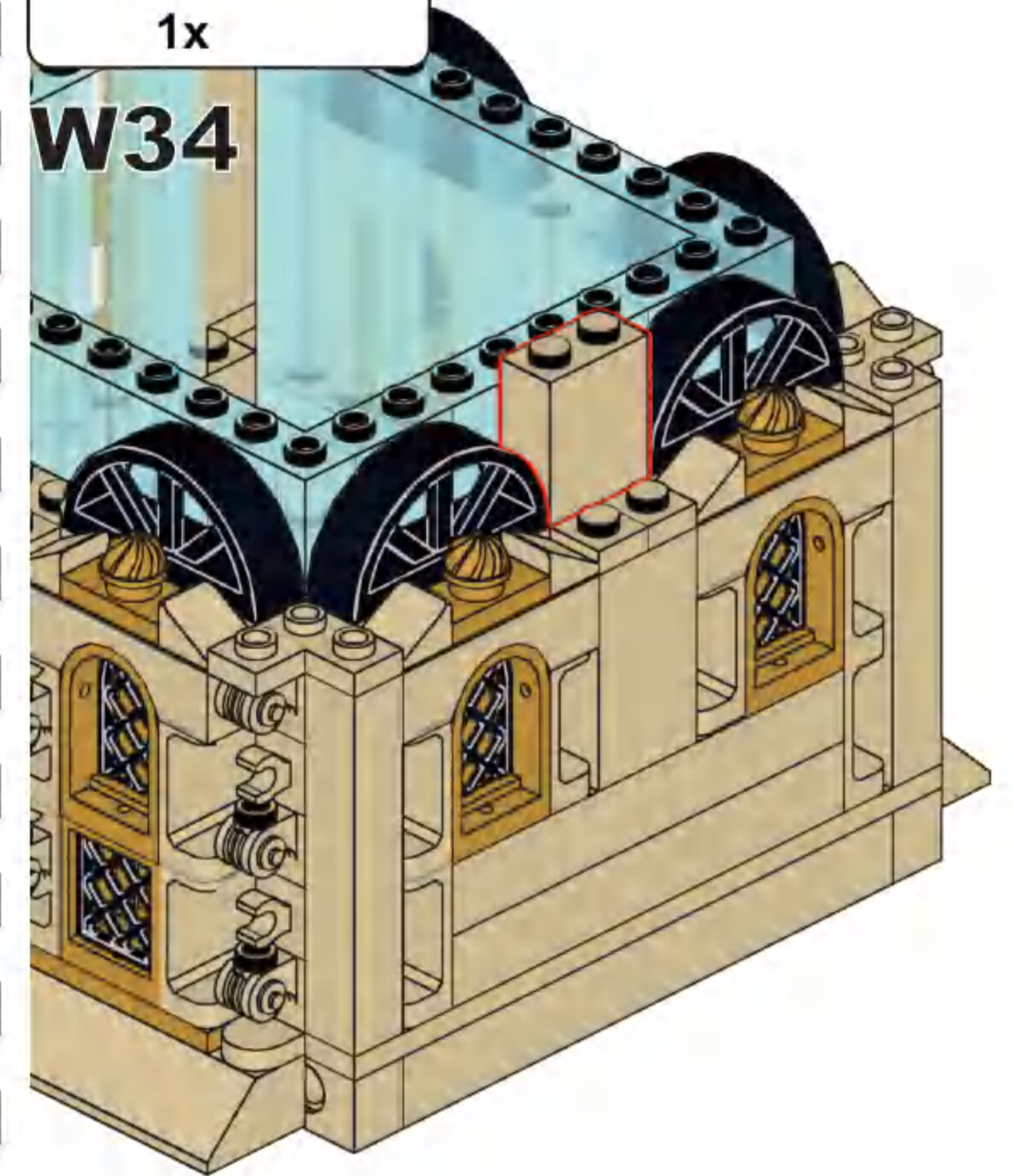


### W33



1x

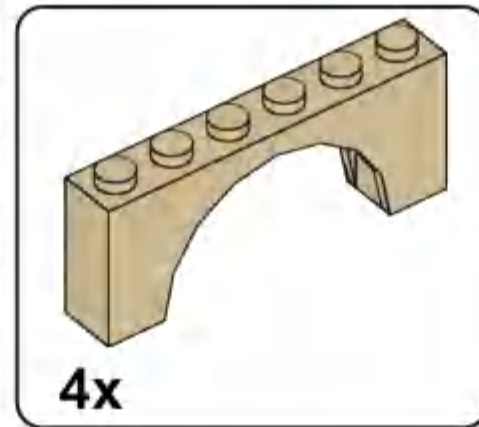
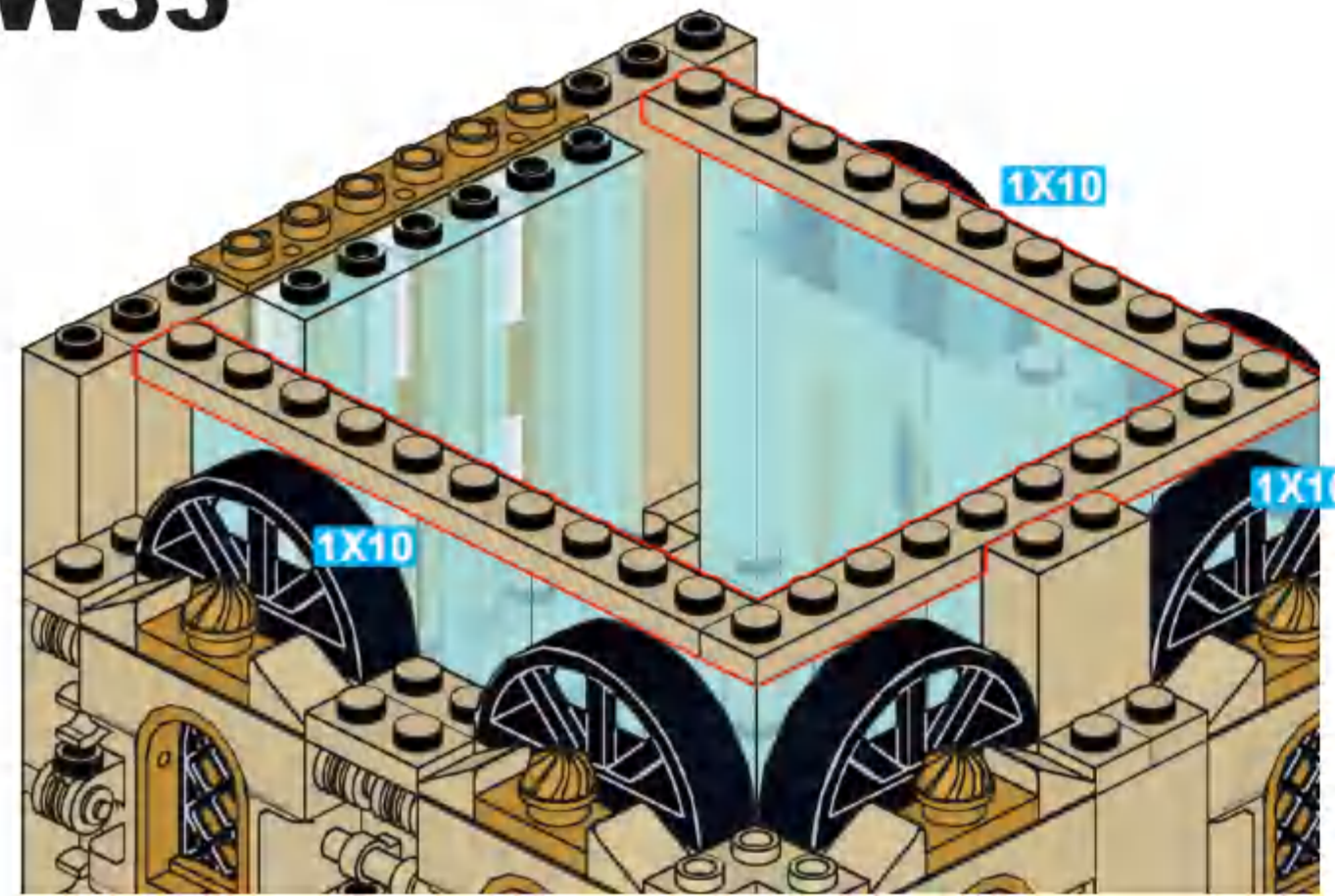
### W34



1x10

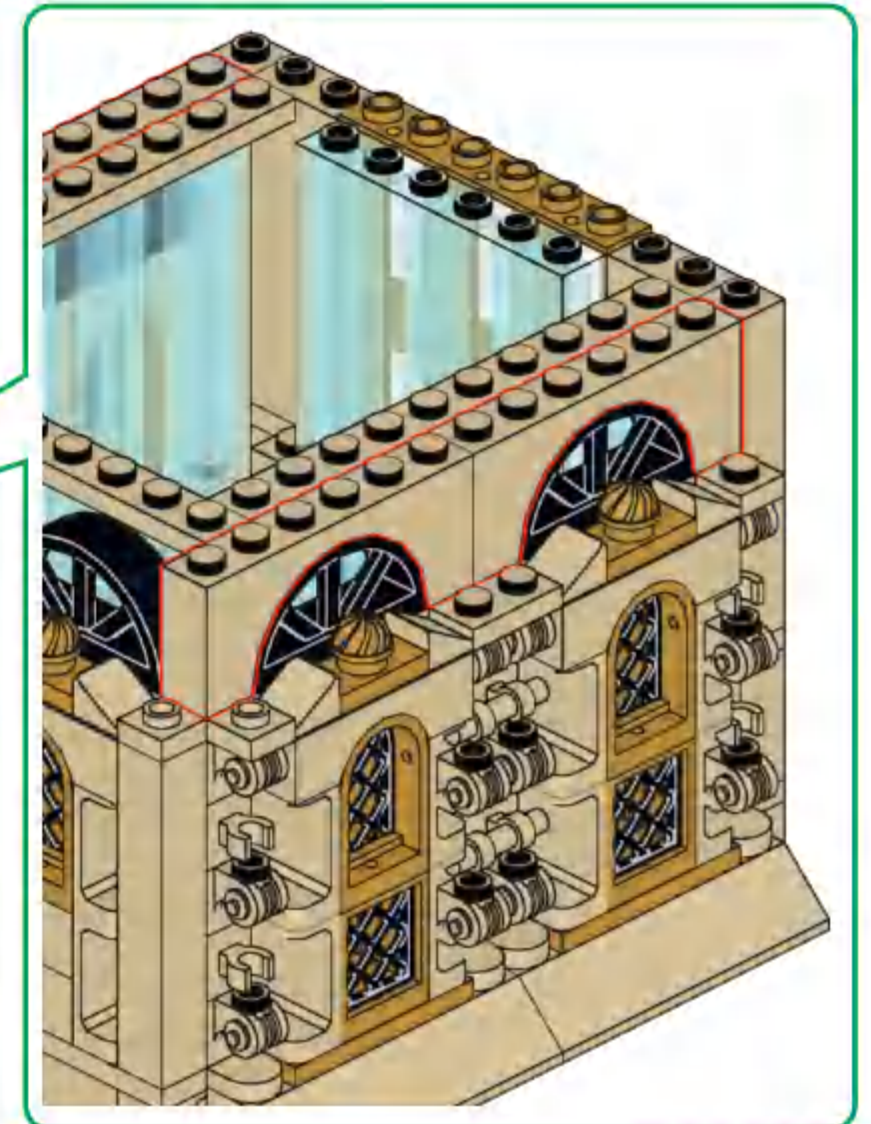
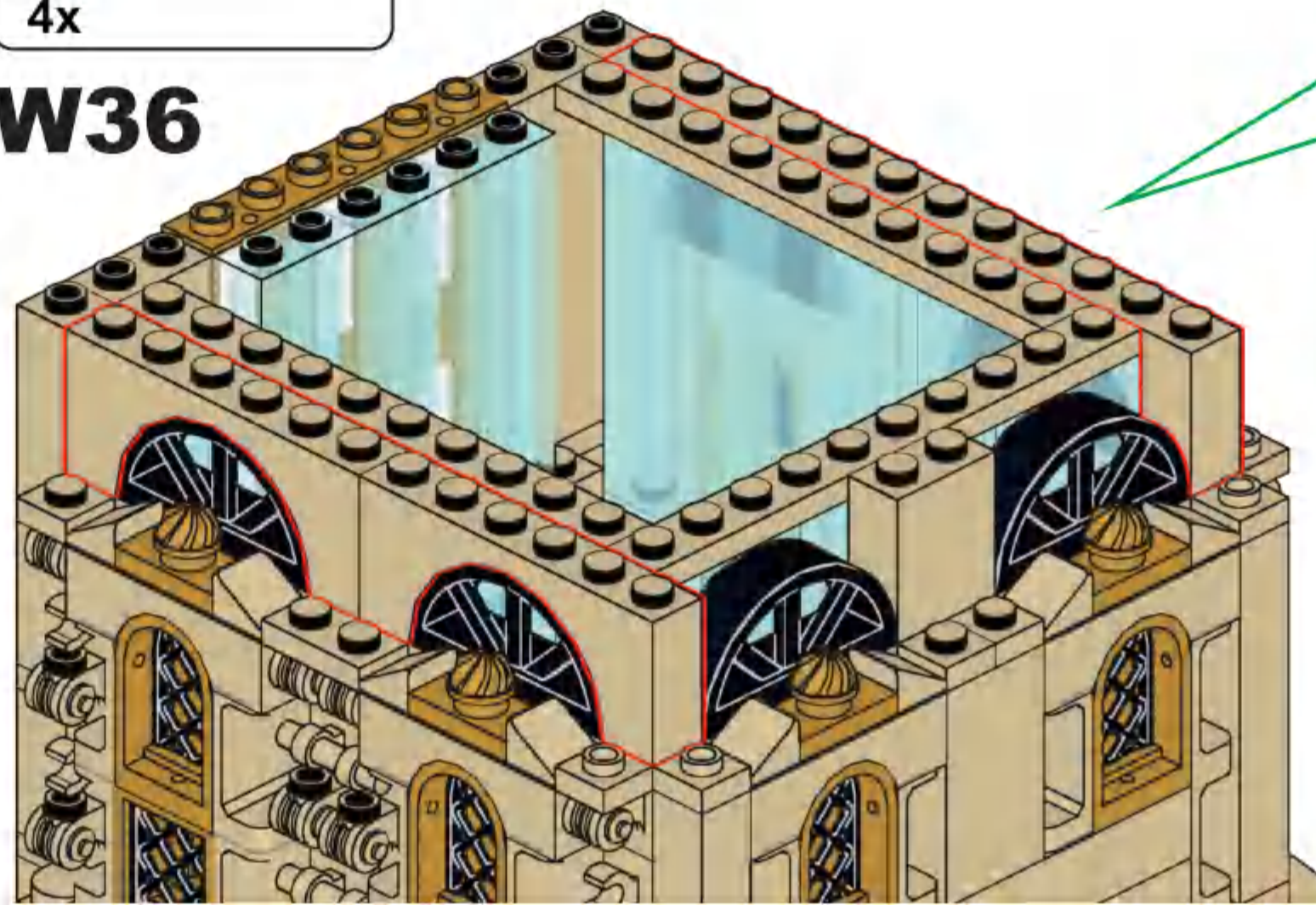
3x

### W35

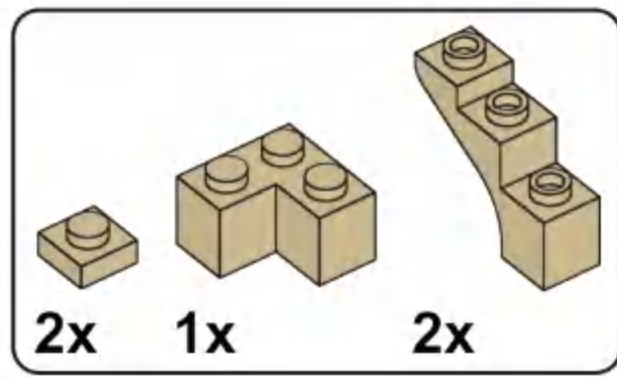


4x

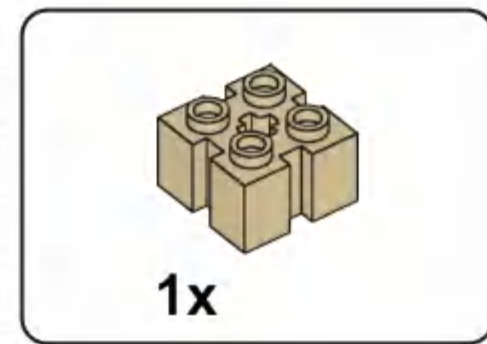
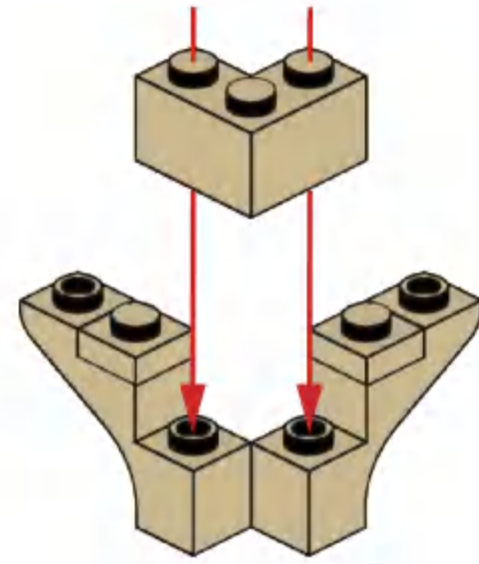
### W36



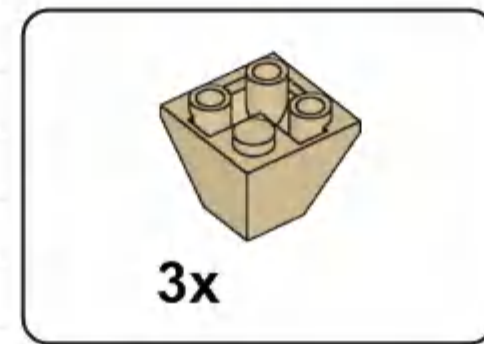
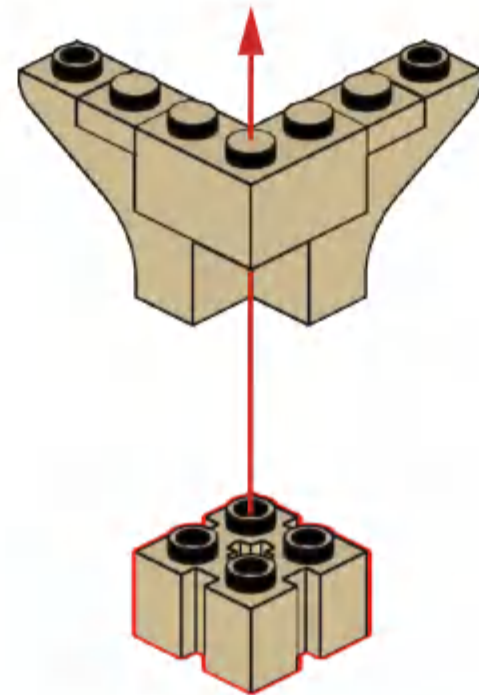




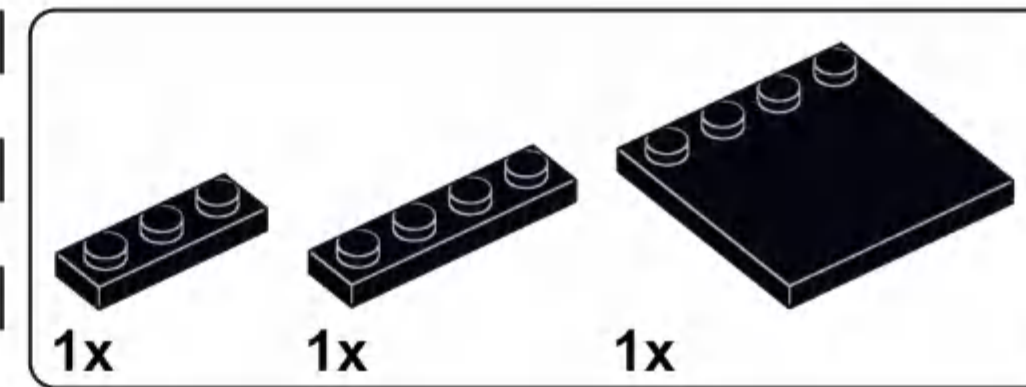
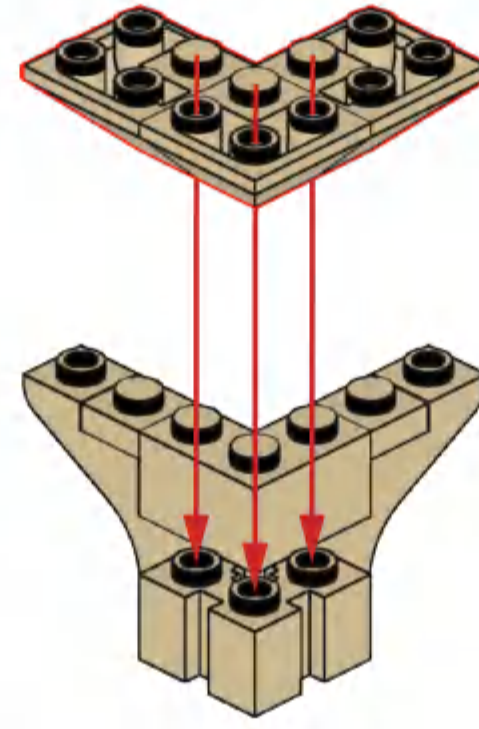
**W42**



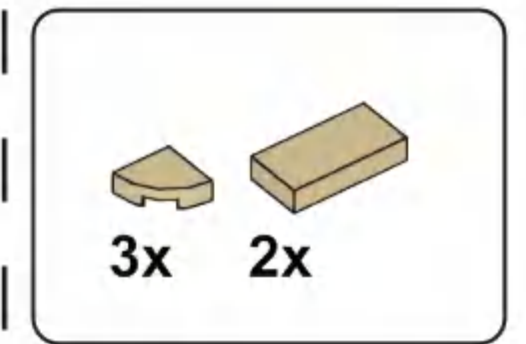
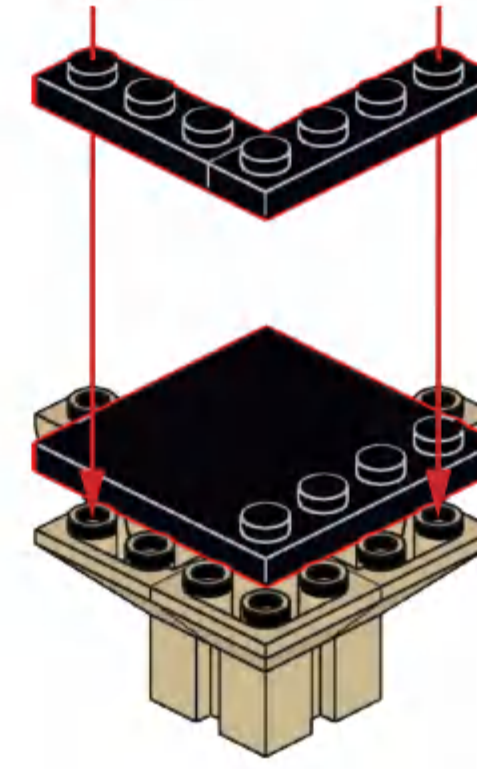
**W43**



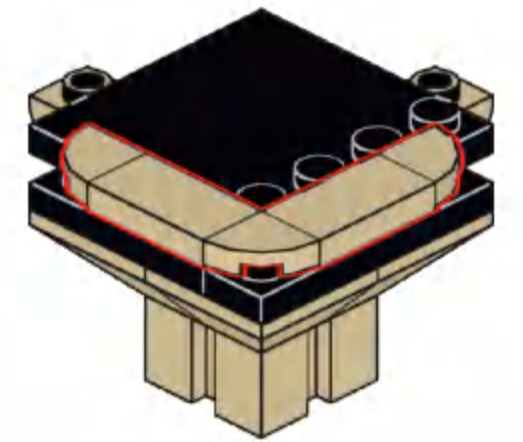
**W44**



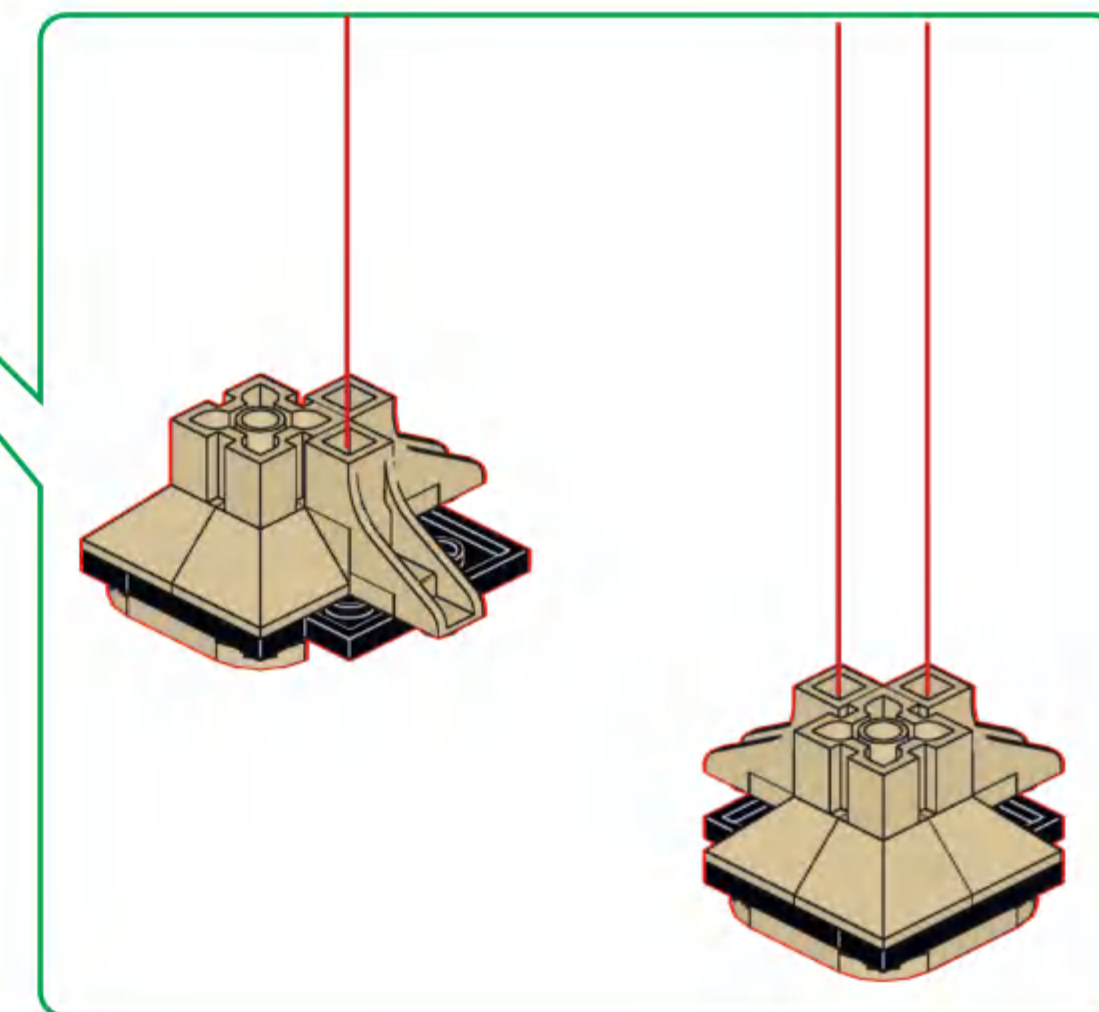
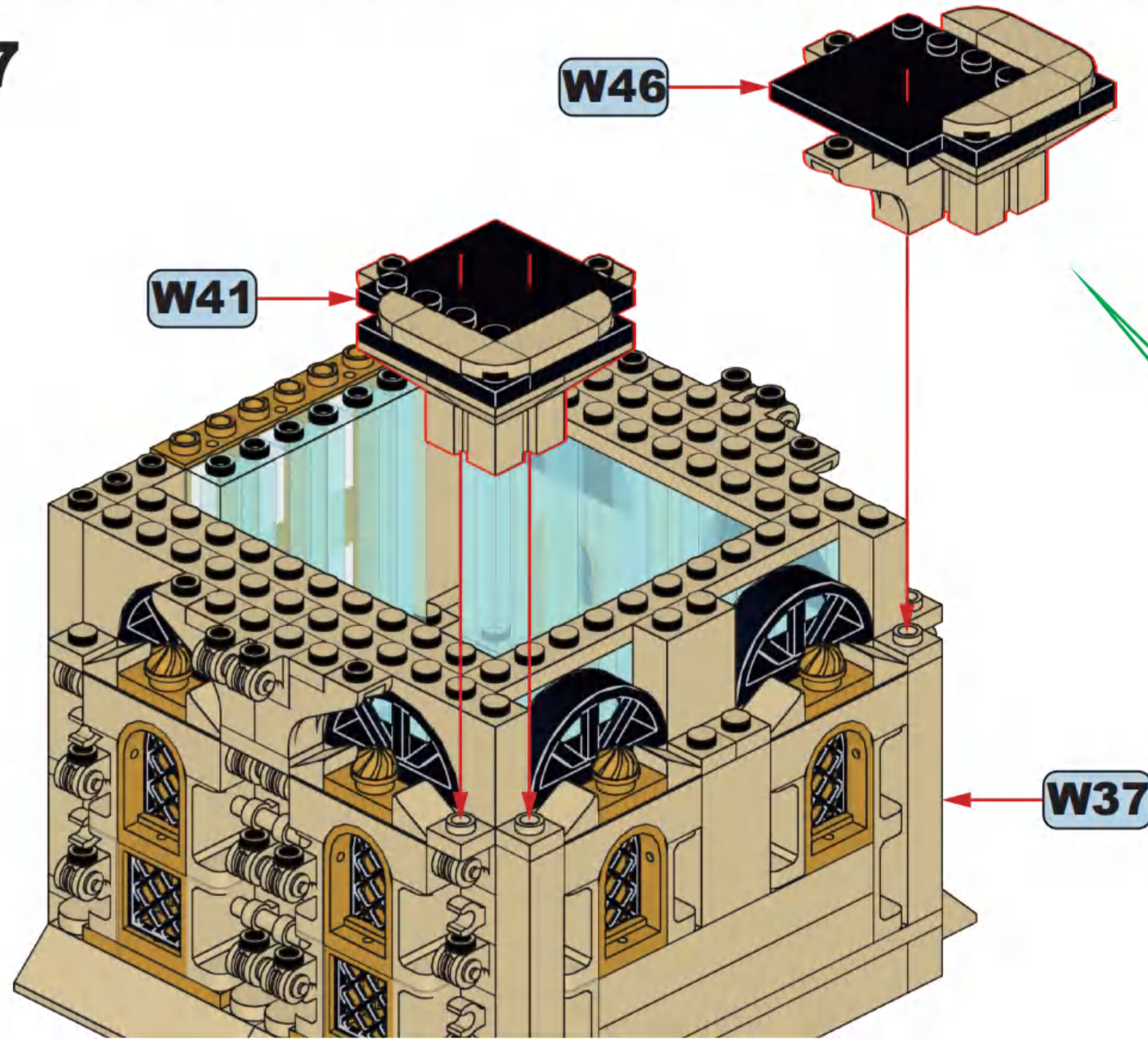
**W45**

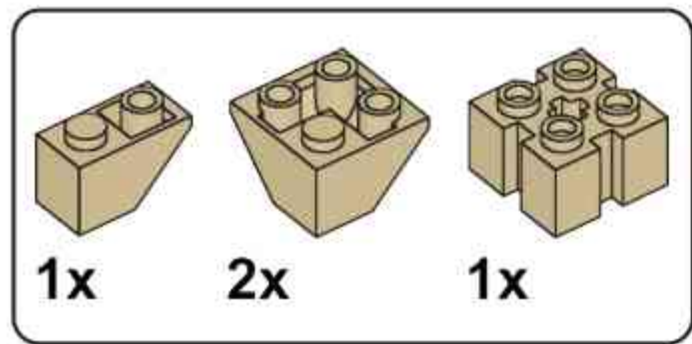


**W46**

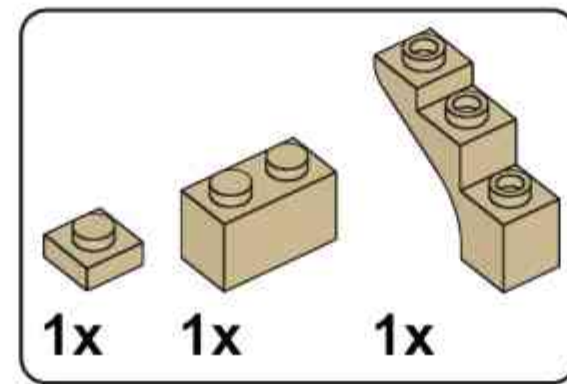
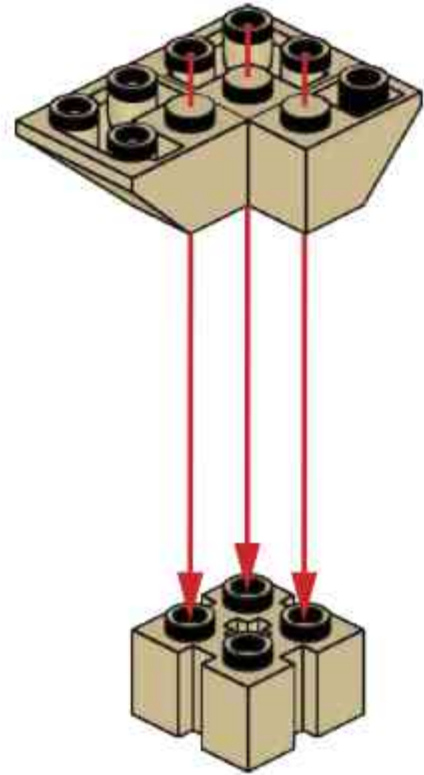


**W47**

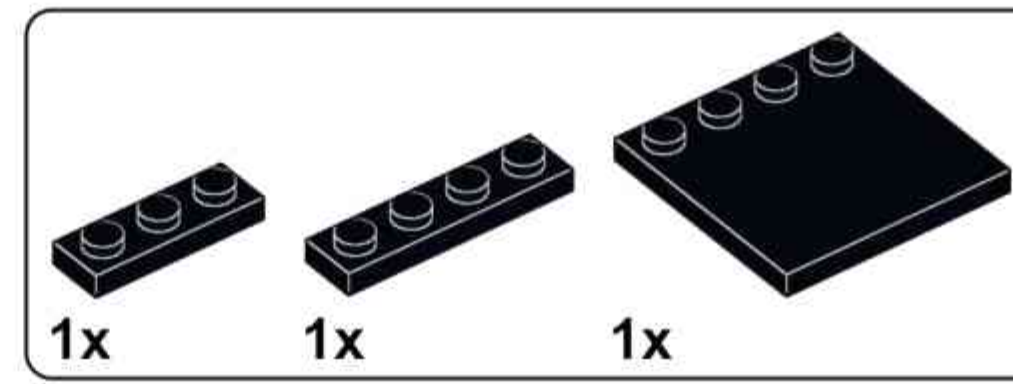
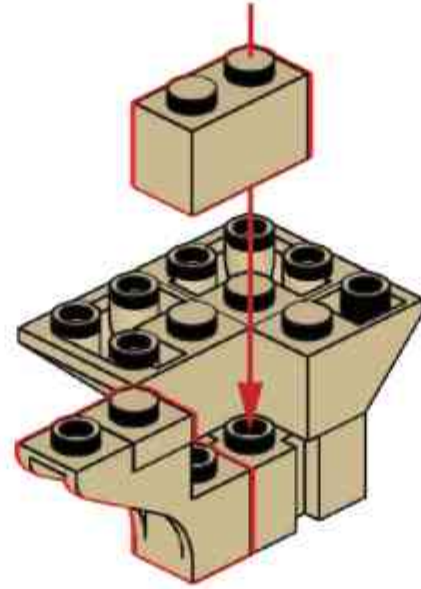




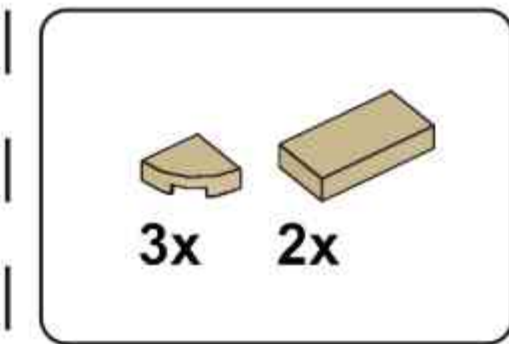
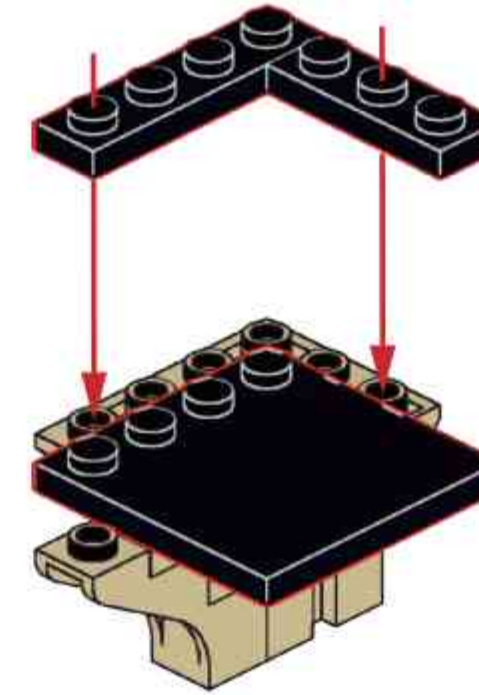
**W48**



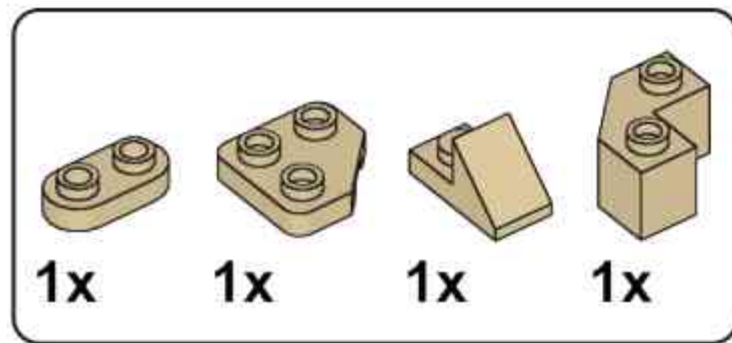
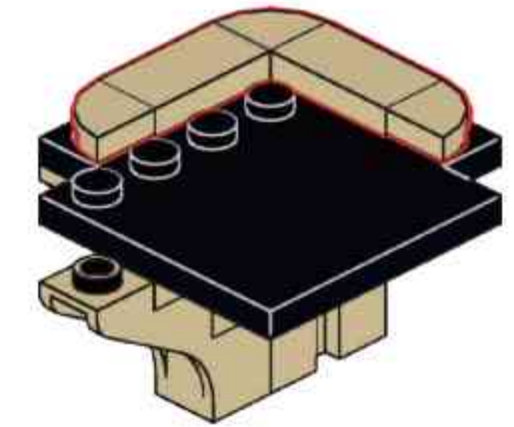
**W49**



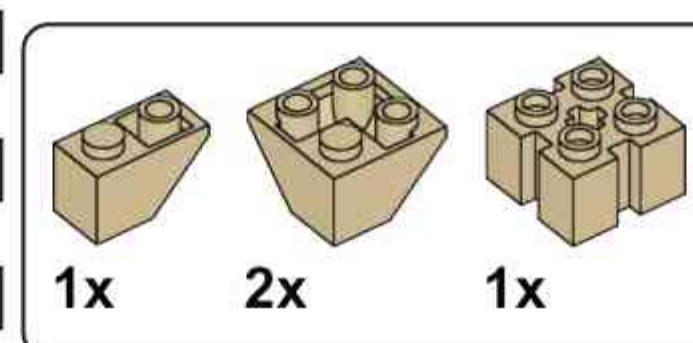
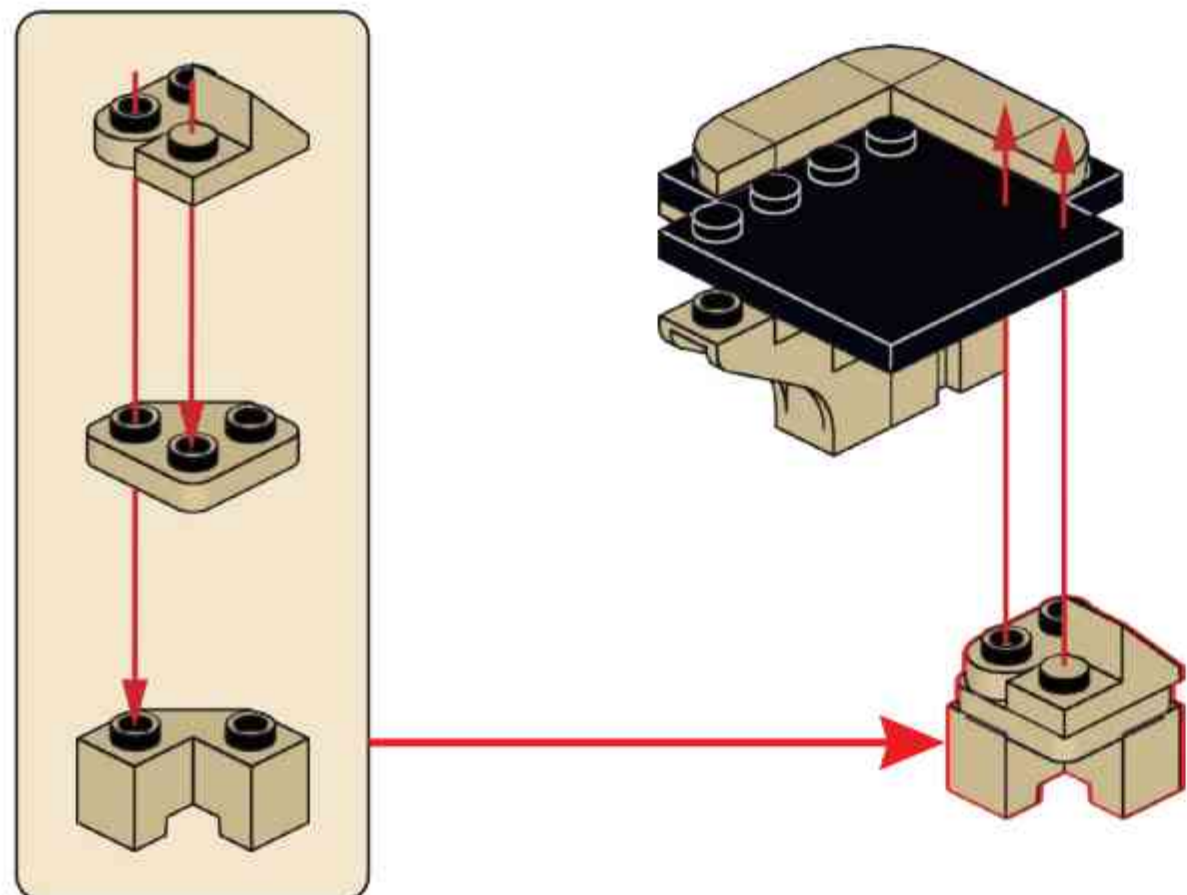
**W50**



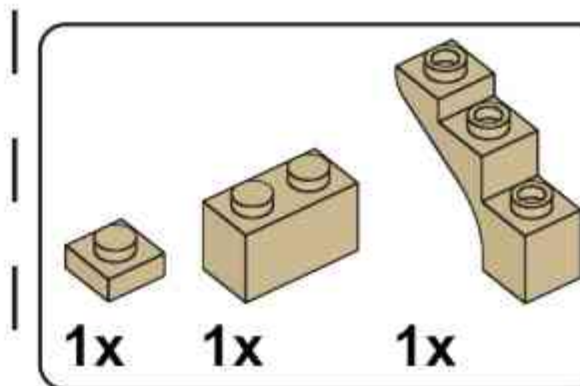
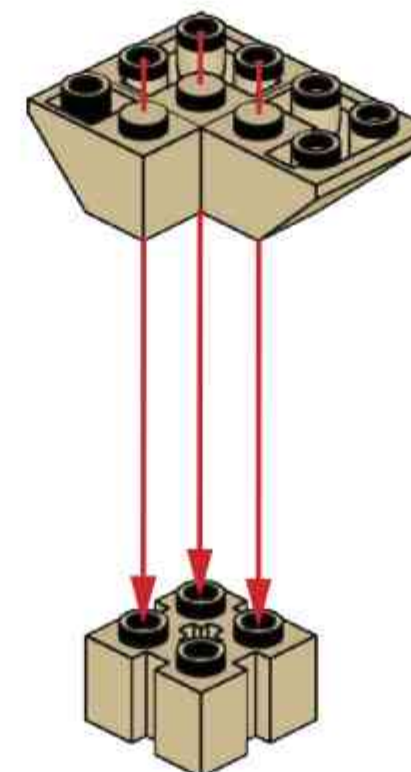
**W51**



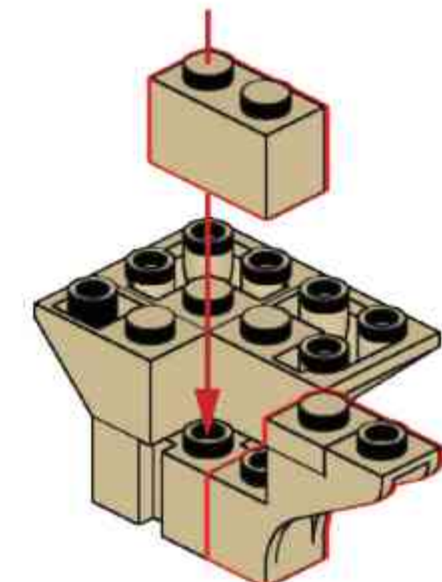
**W52**

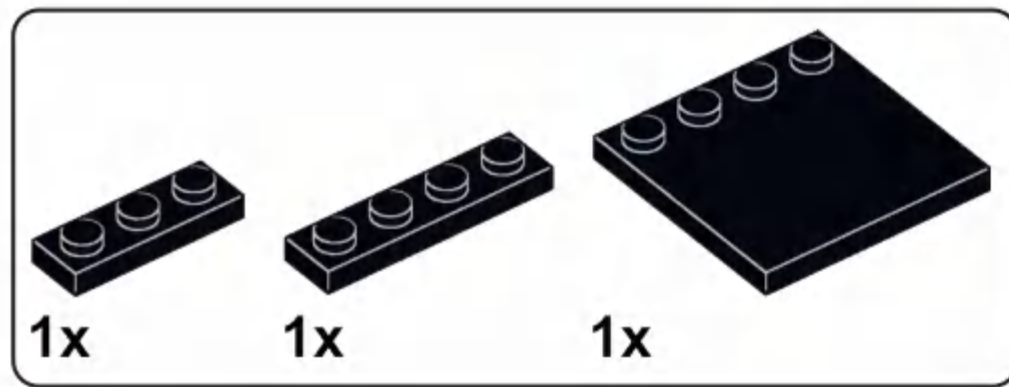


**W53**

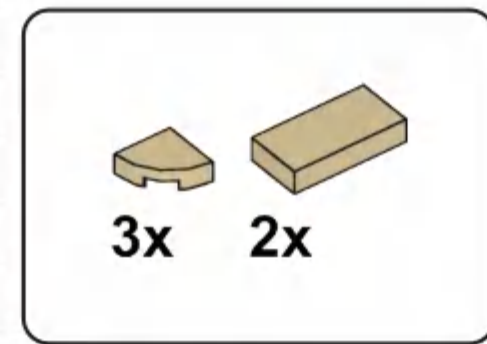
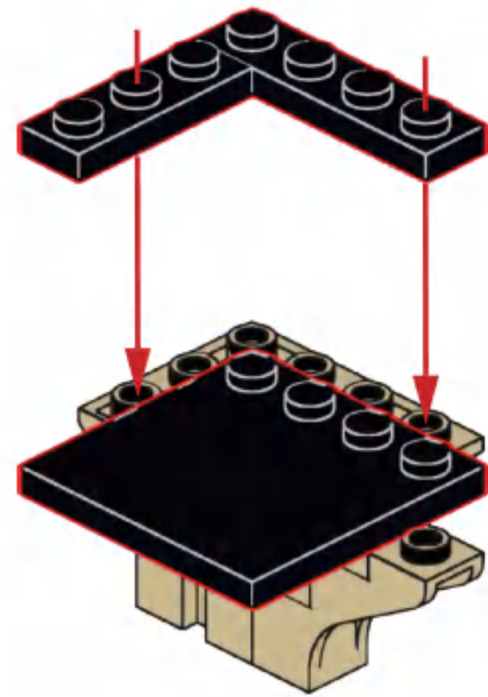


**W54**

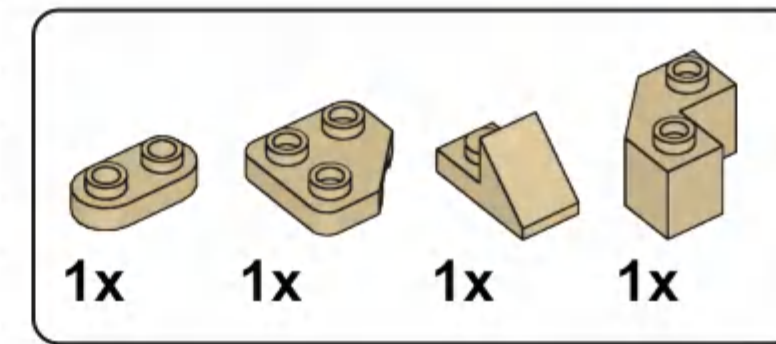
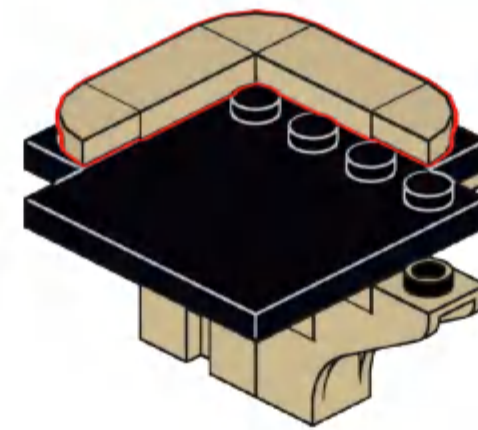




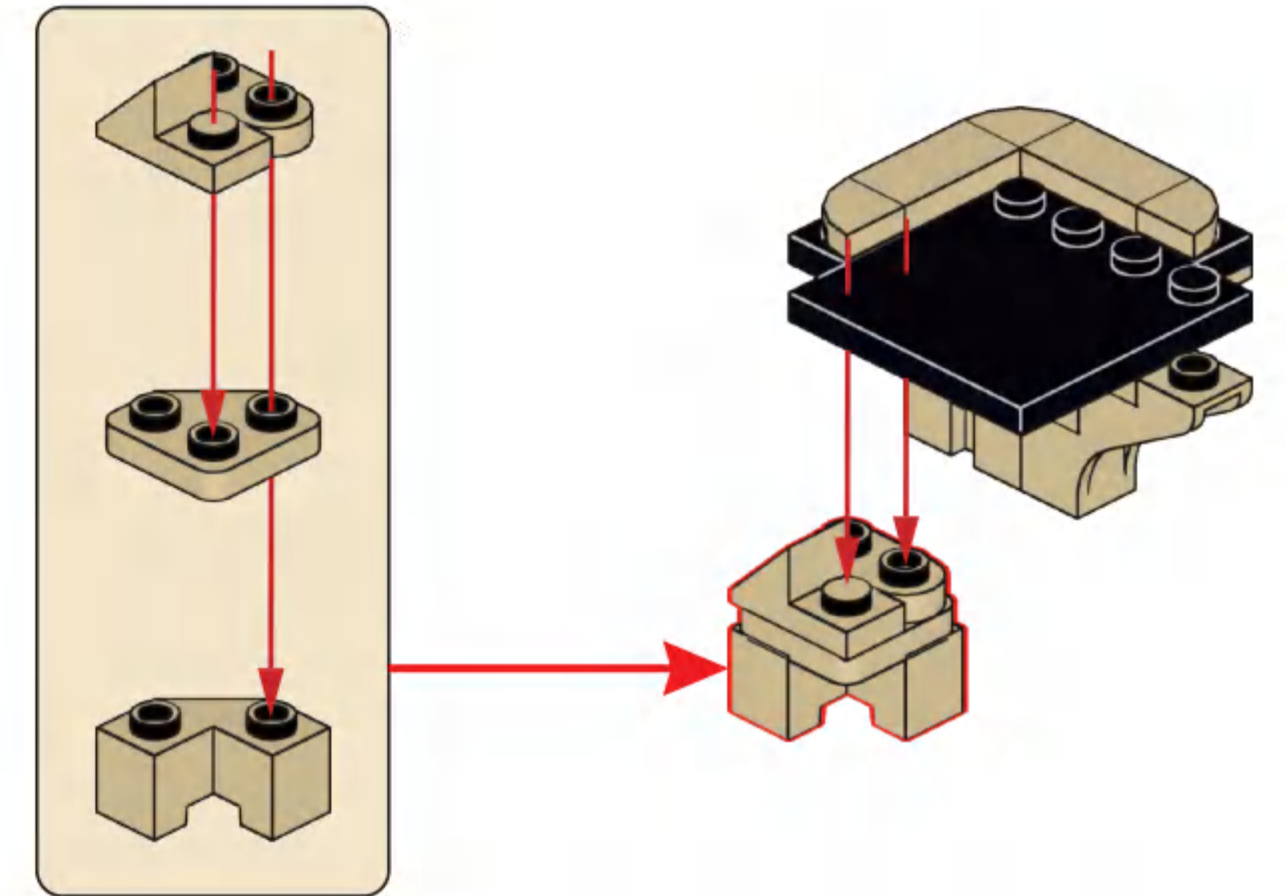
**W55**



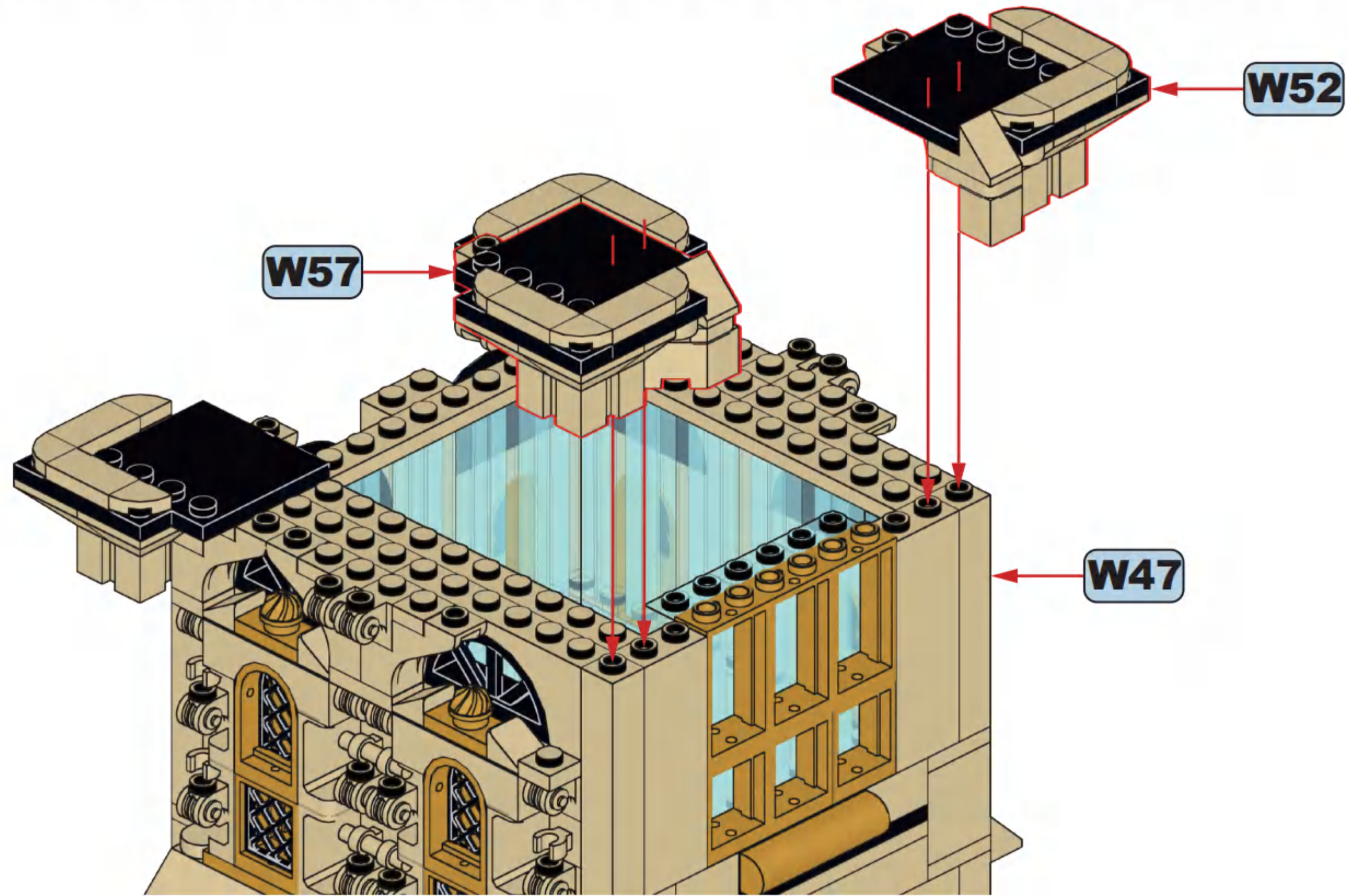
**W56**

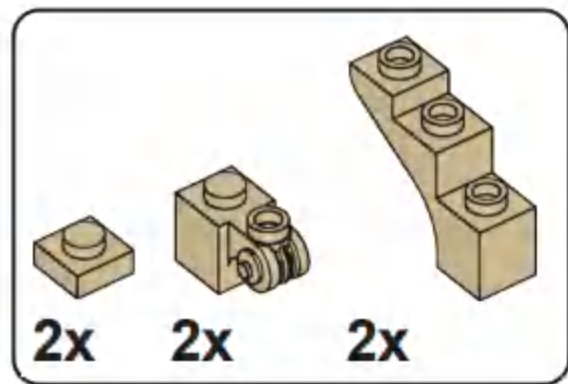


**W57**

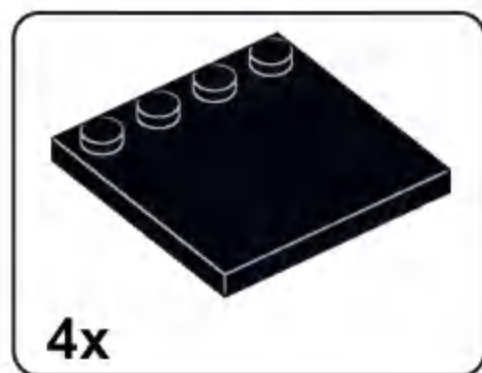
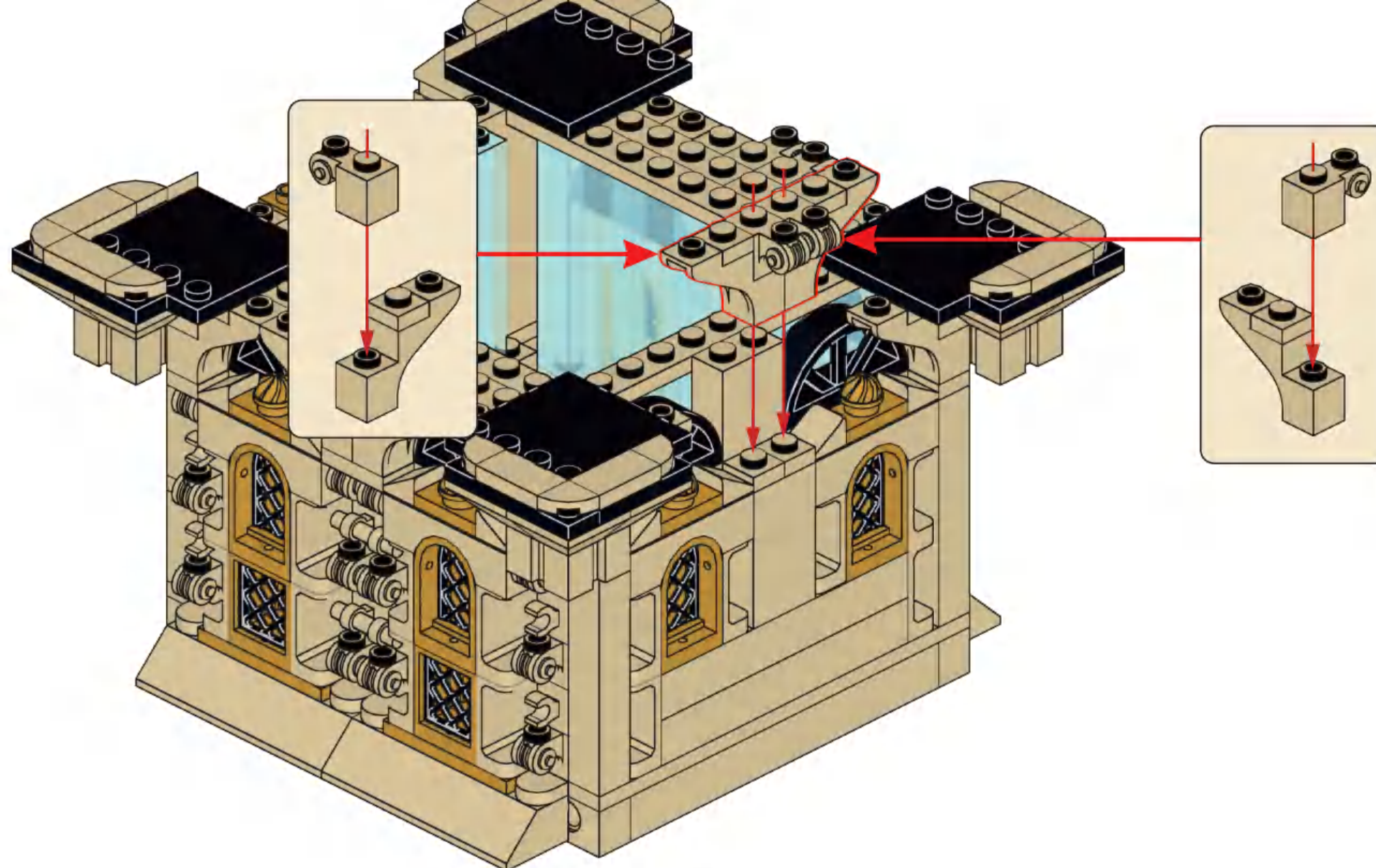


**W58**

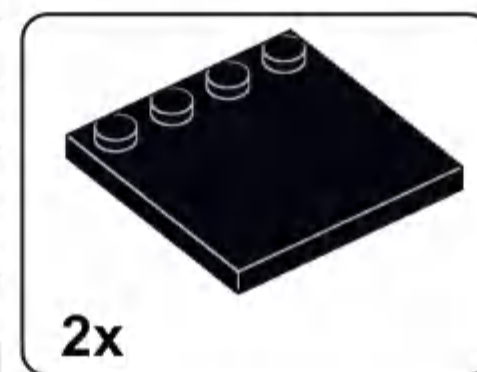
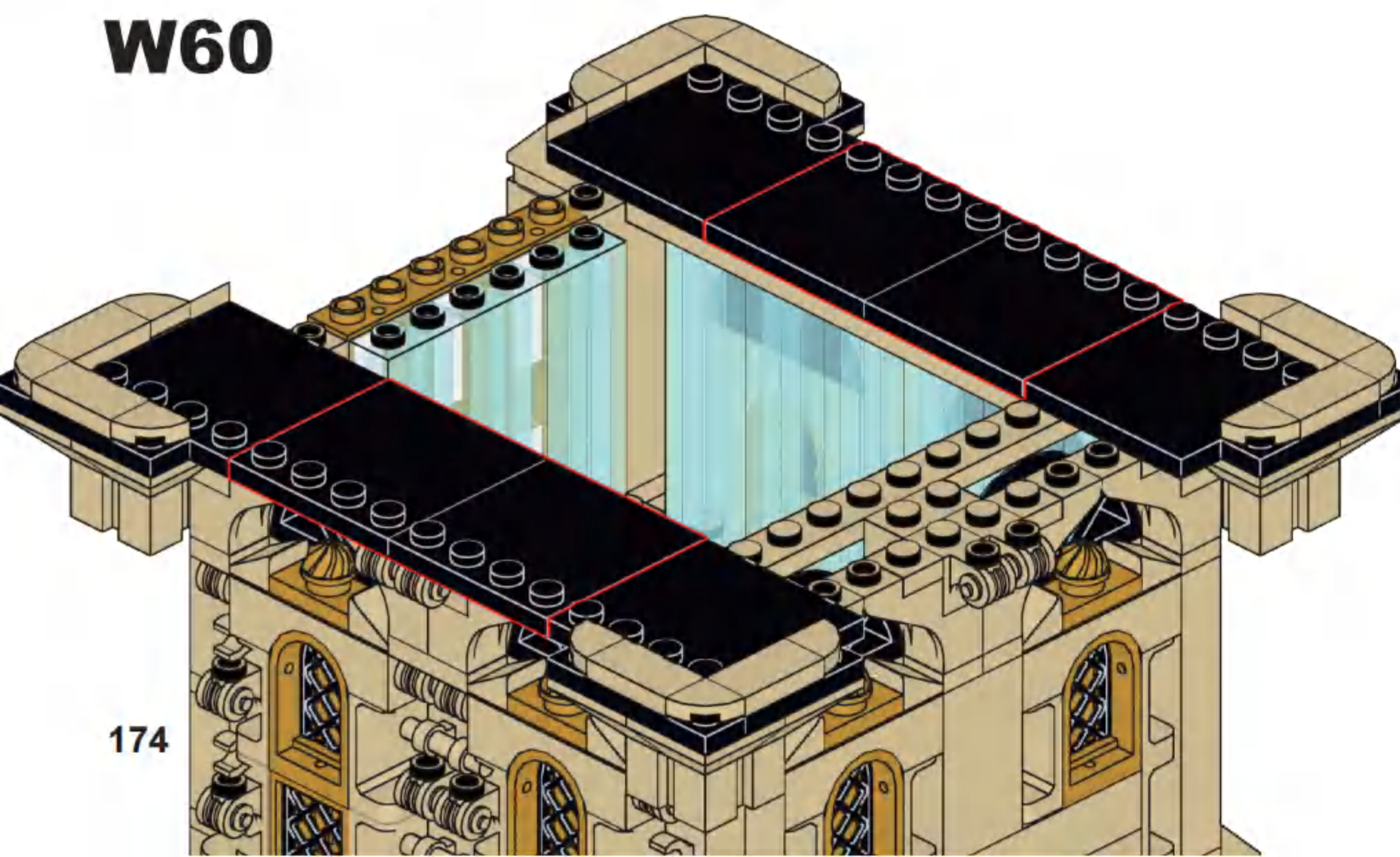




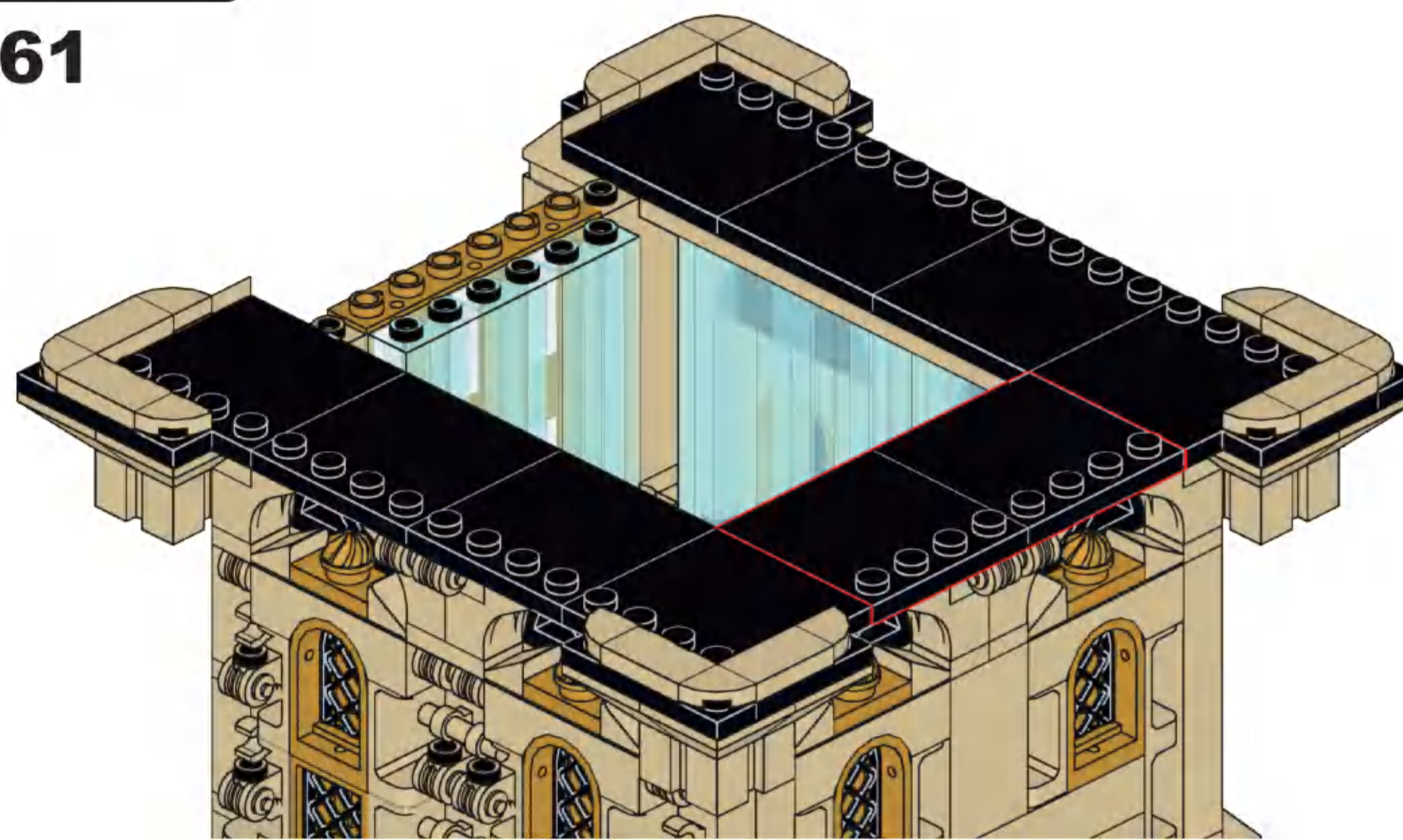
**W59**

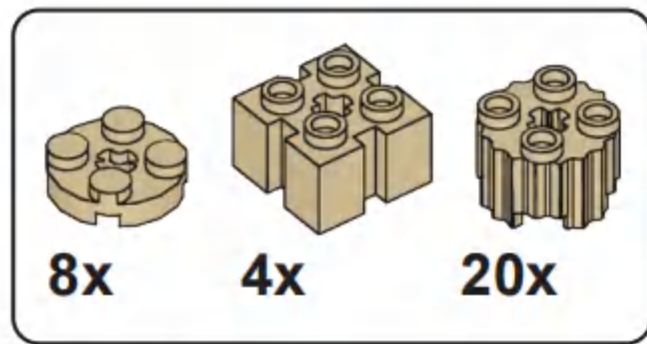


**W60**

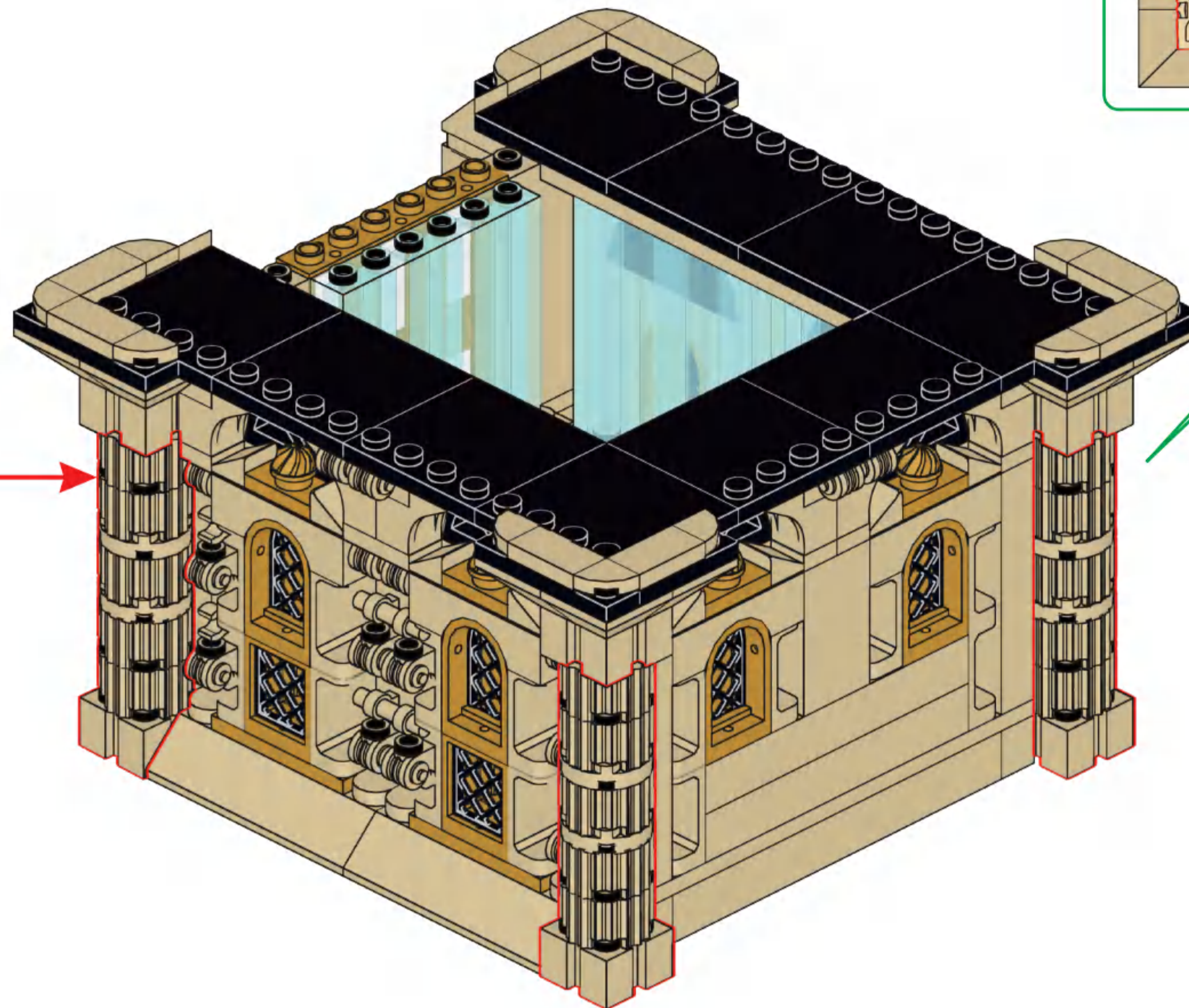
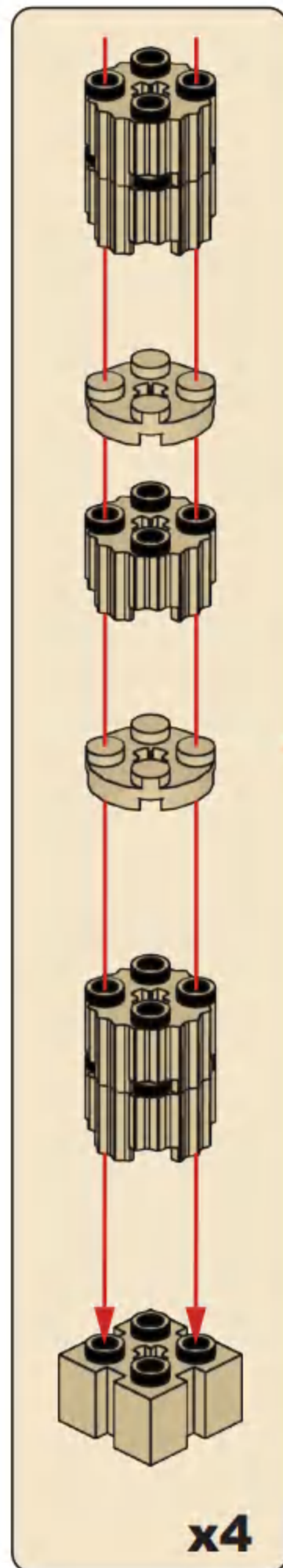
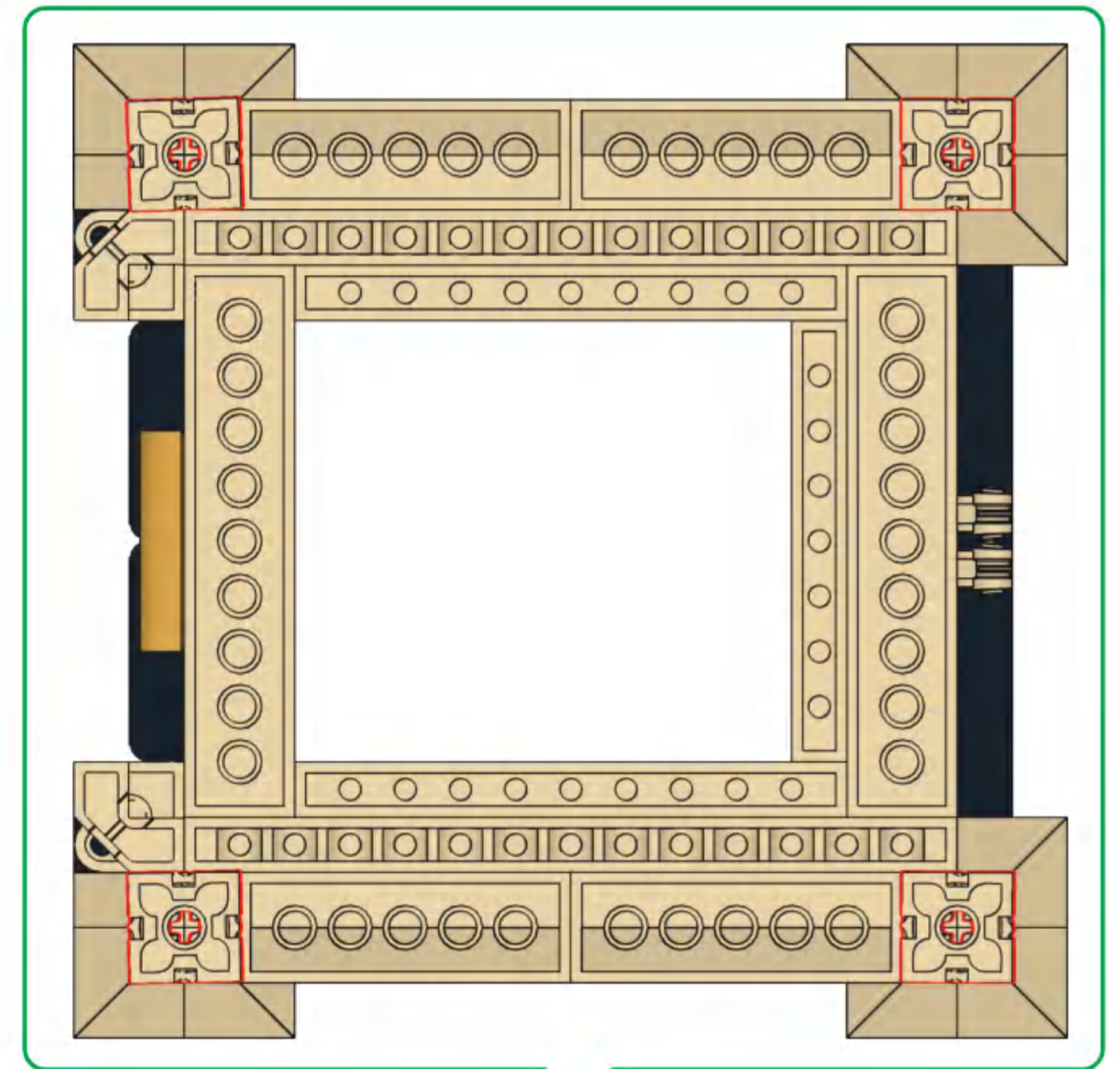


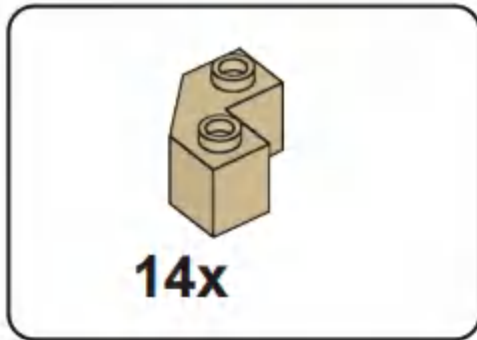
**W61**



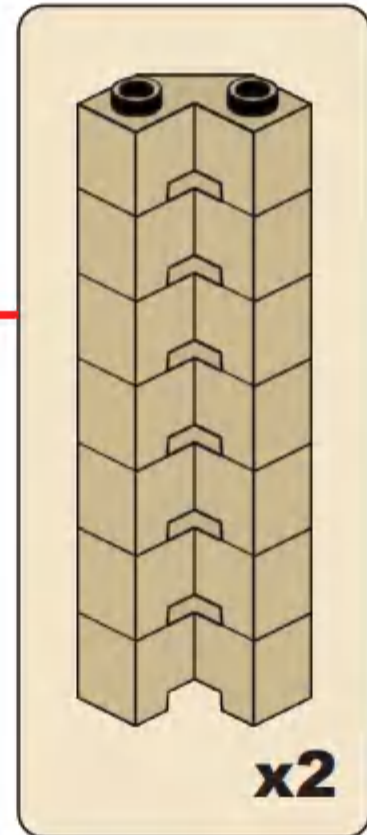
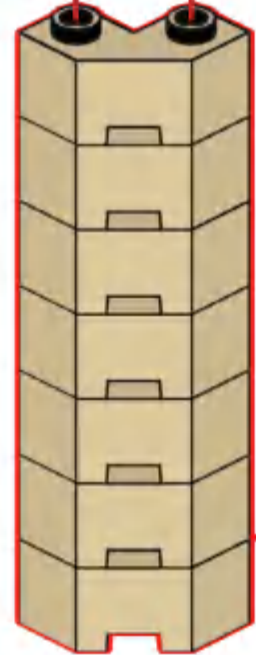
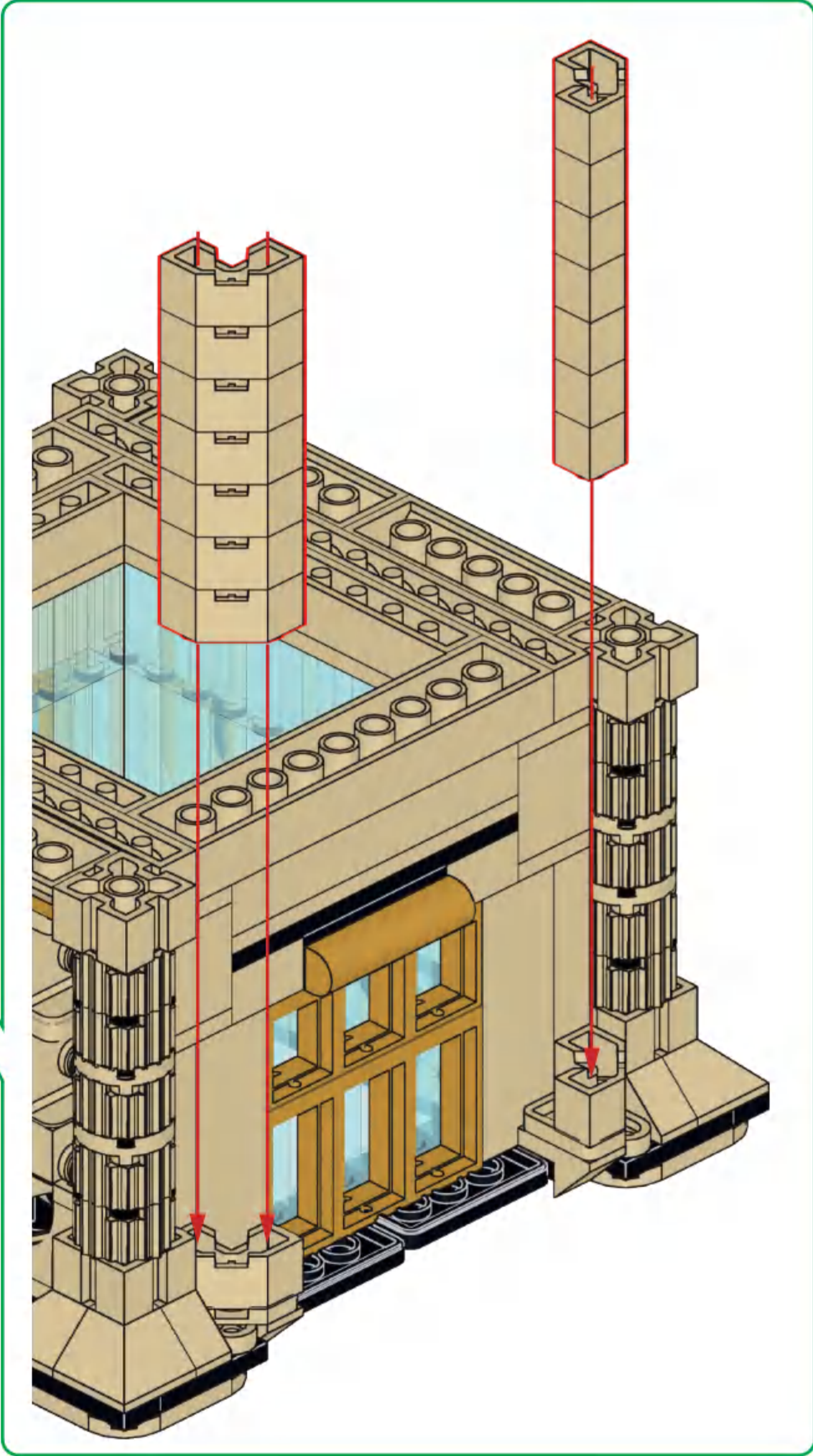
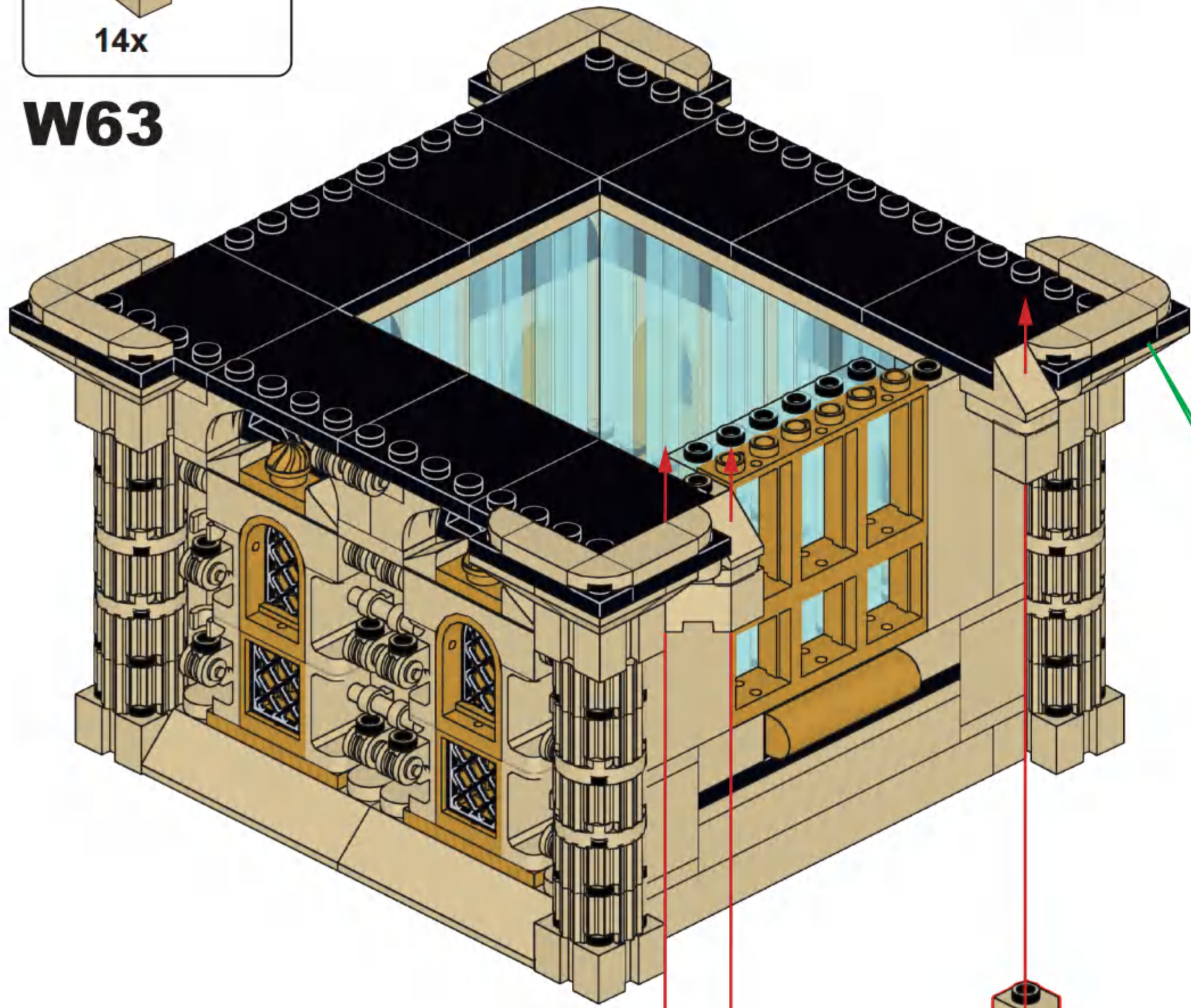


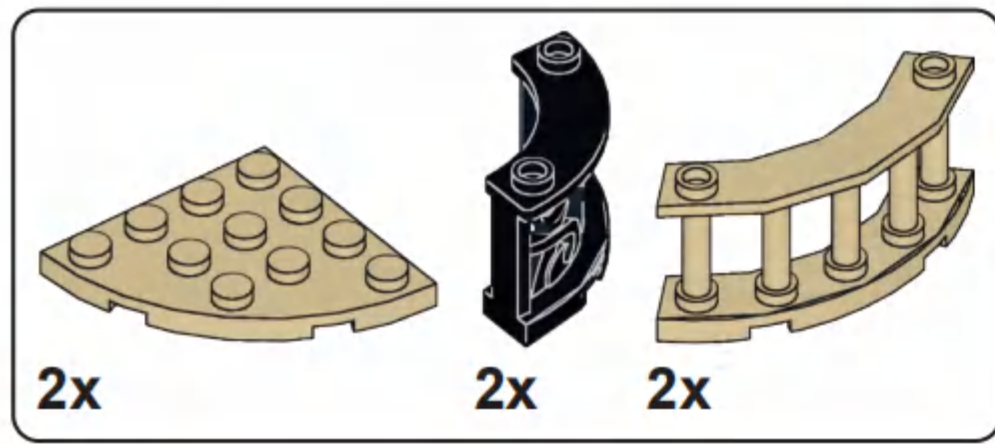
# W62



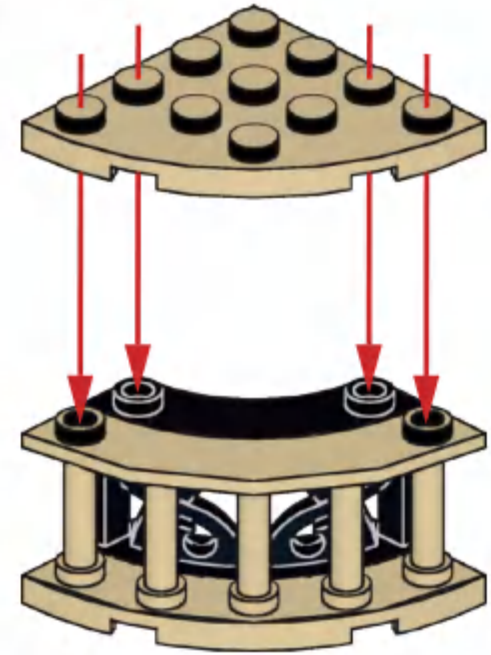


**W63**

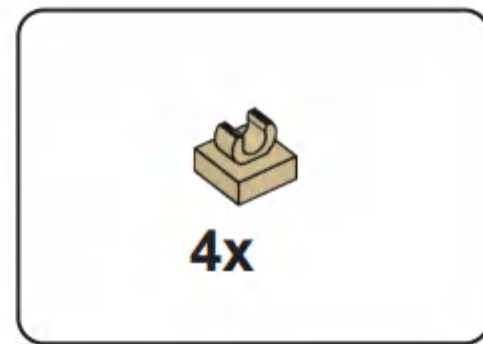




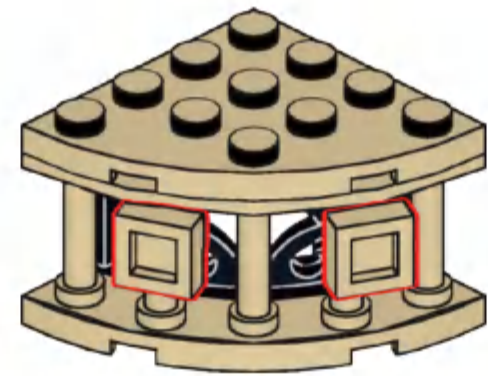
**W64**



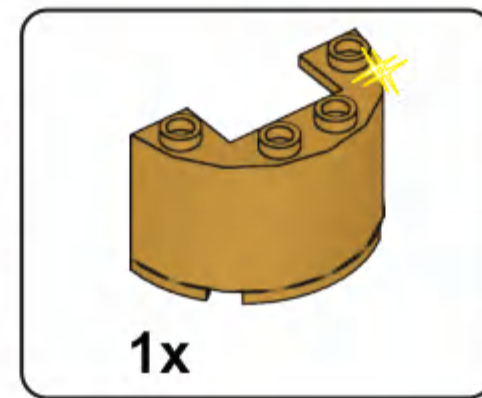
**x2**



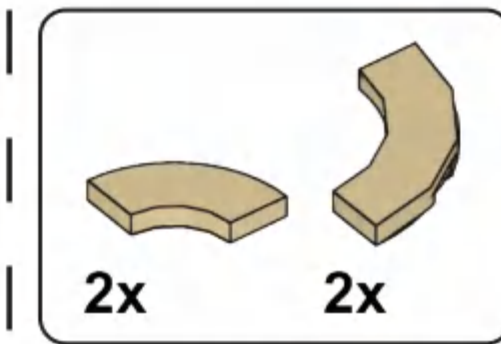
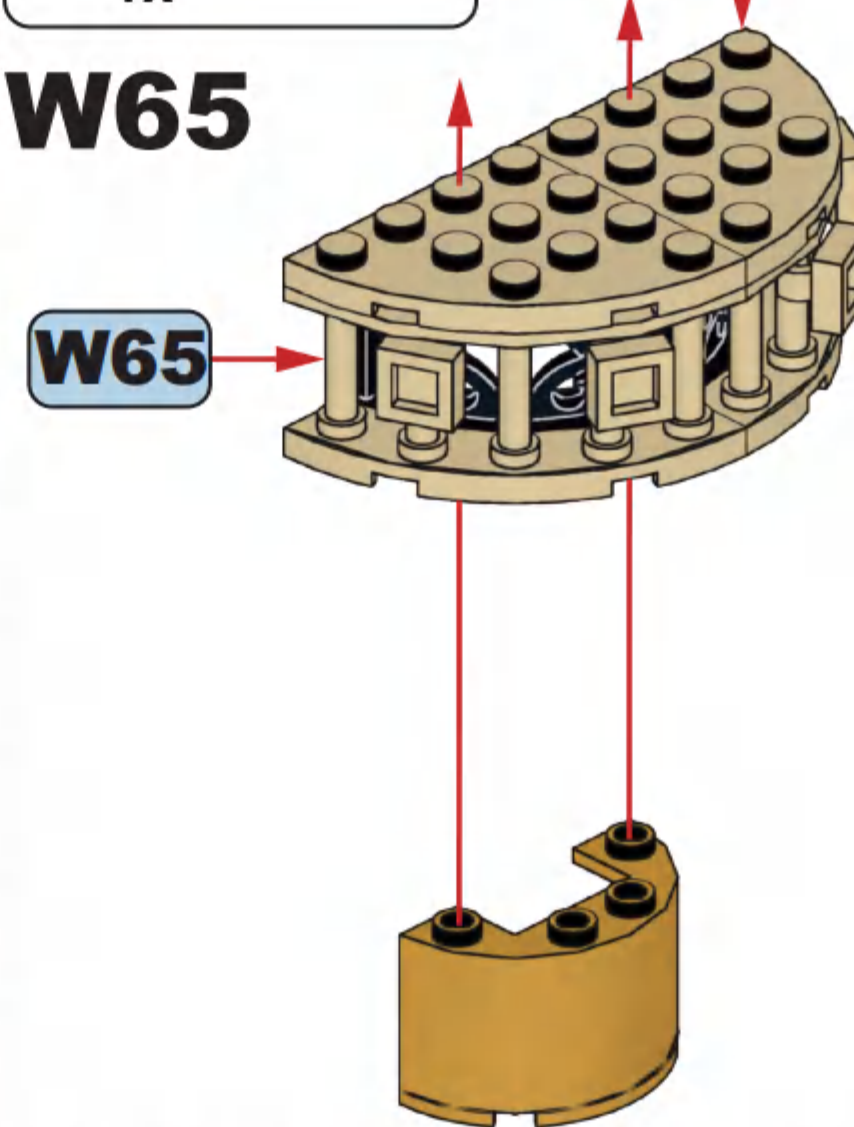
**W65**



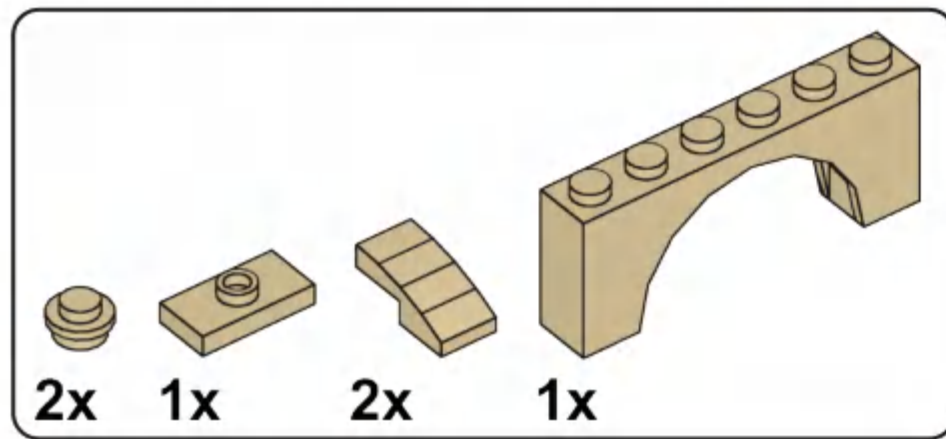
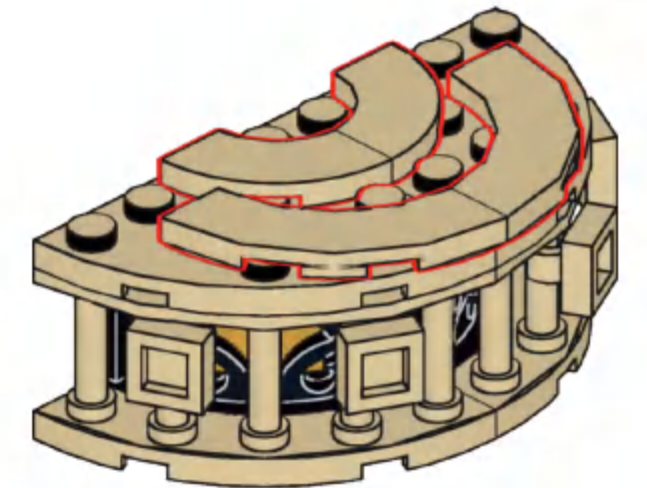
**x2**



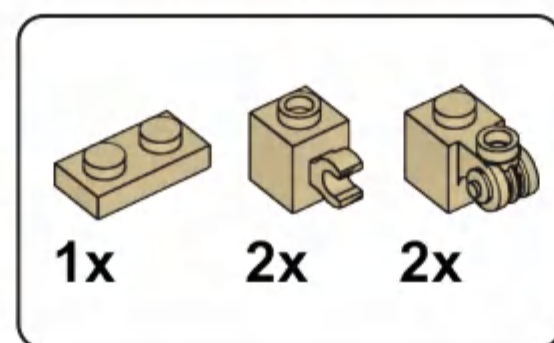
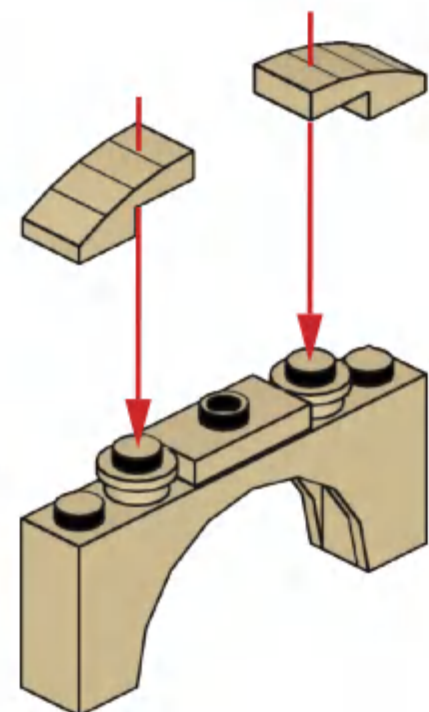
**W65**



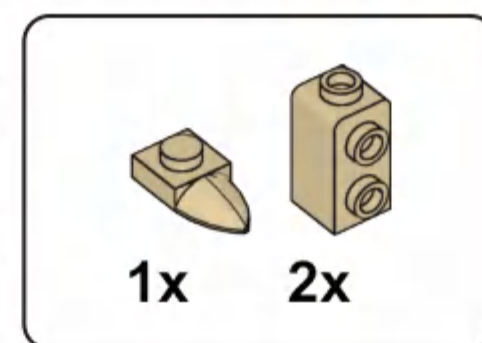
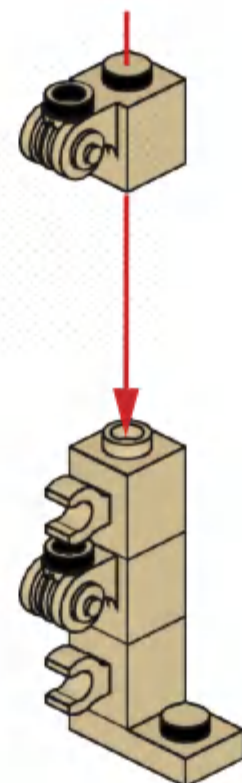
**W66**



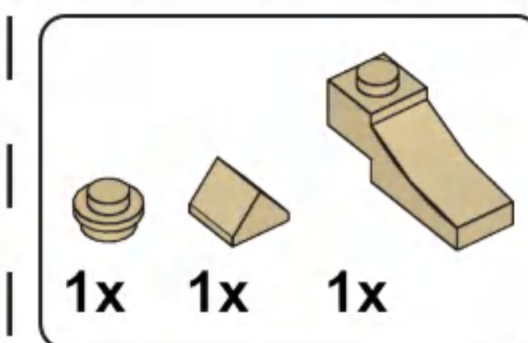
**W67**



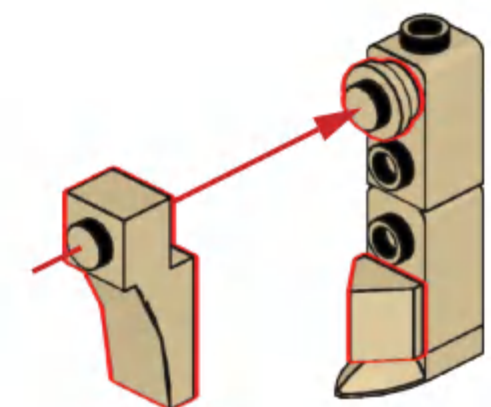
**W68**

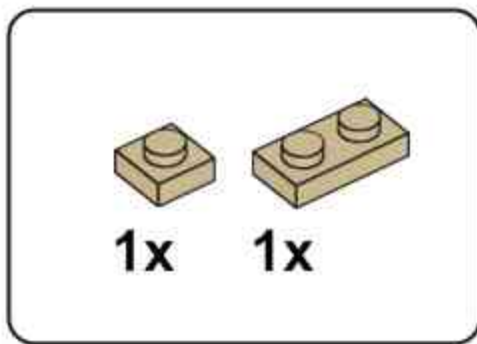


**W69**

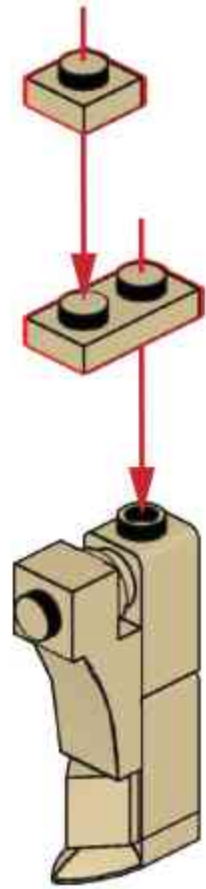


**W70**

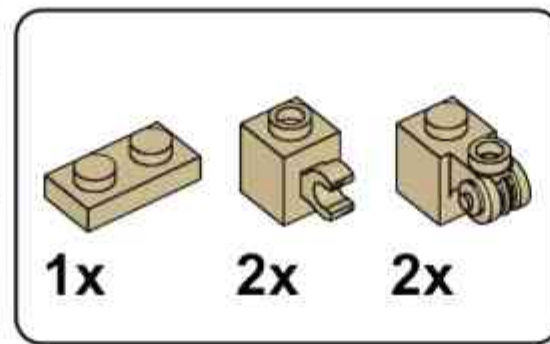




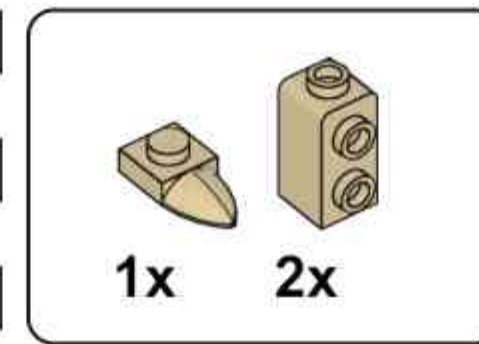
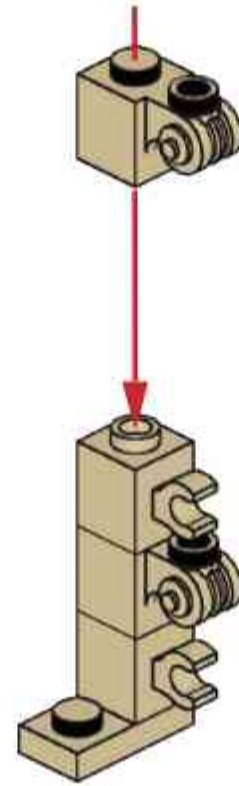
**W71**



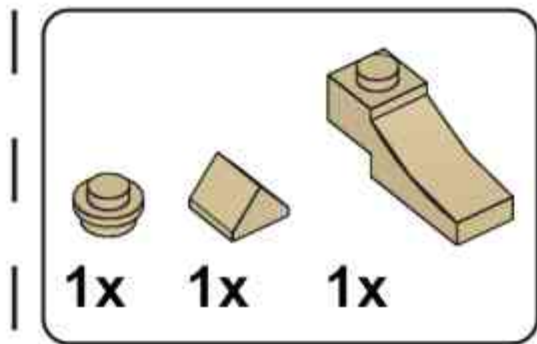
**W72**



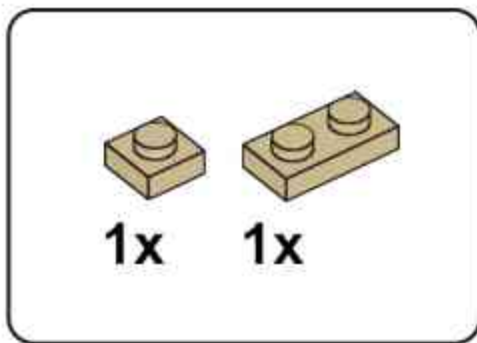
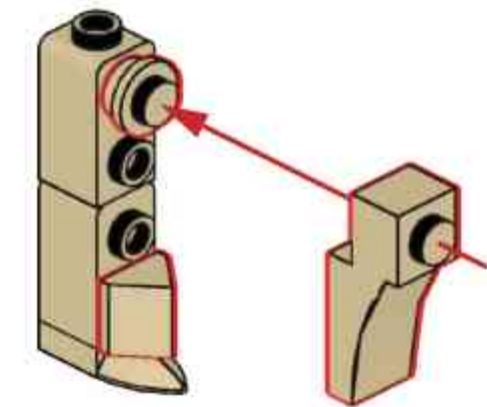
**W73**



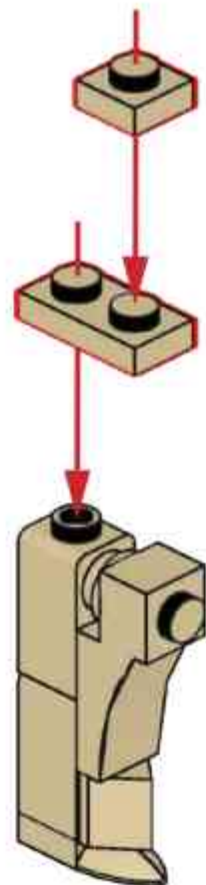
**W74**



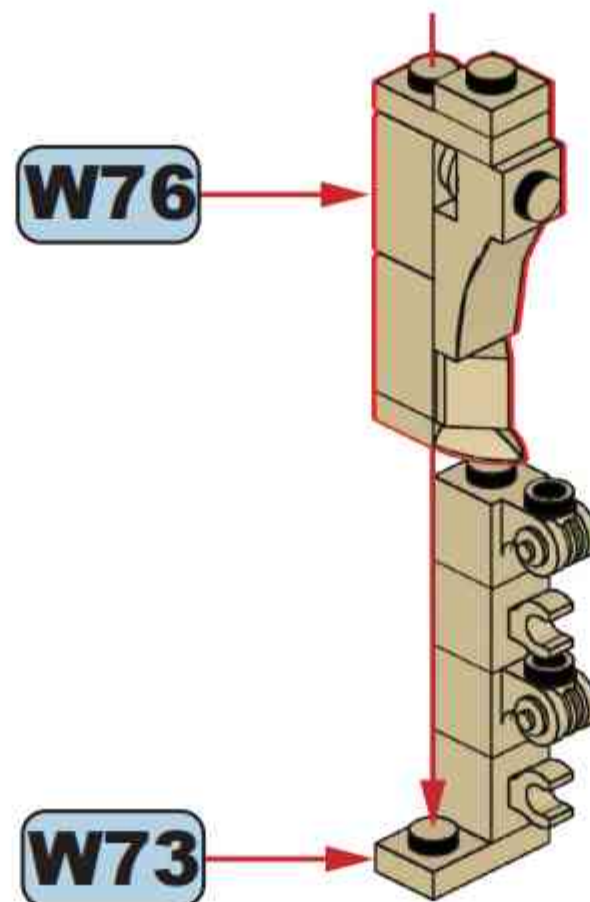
**W75**



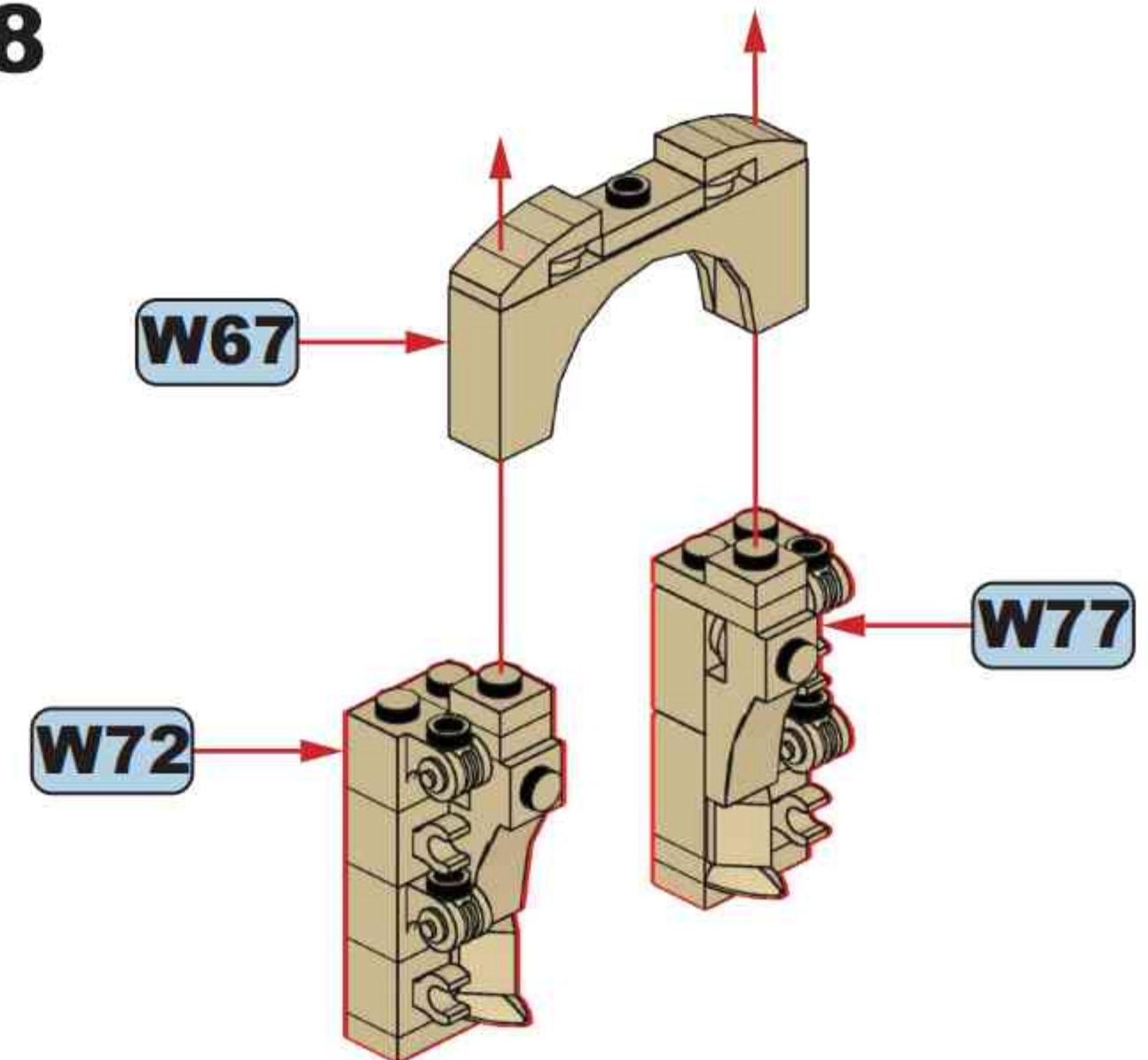
**W76**

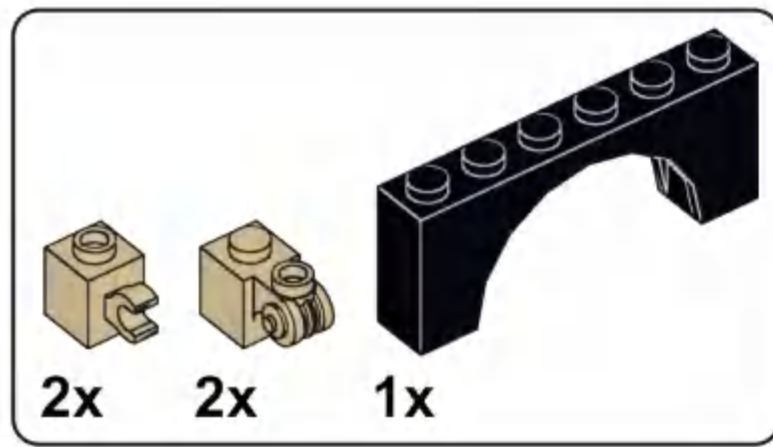


**W77**

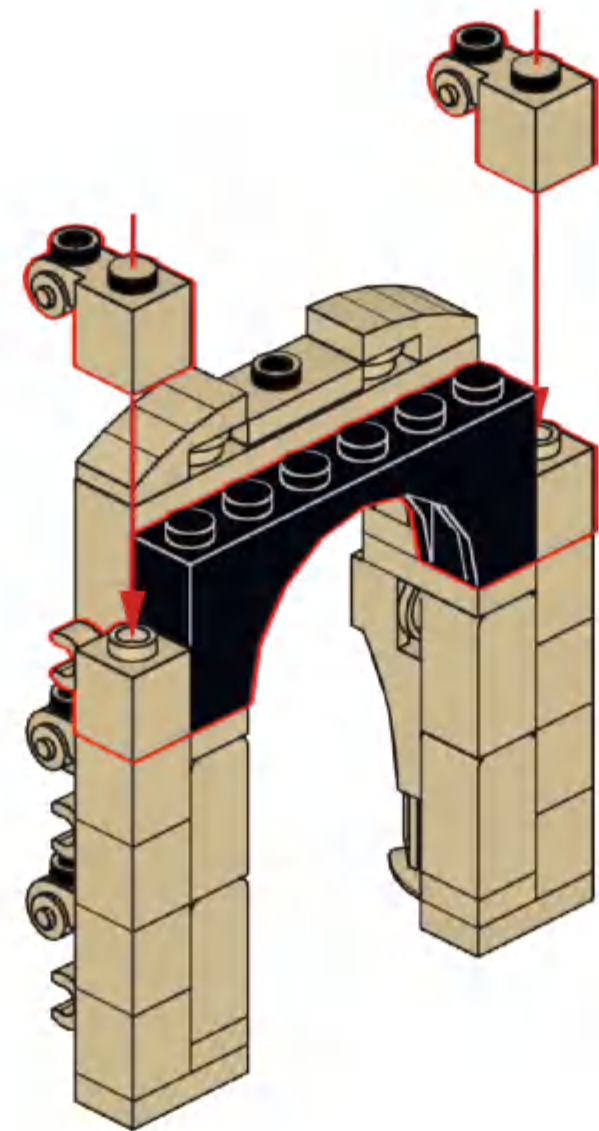


**W78**

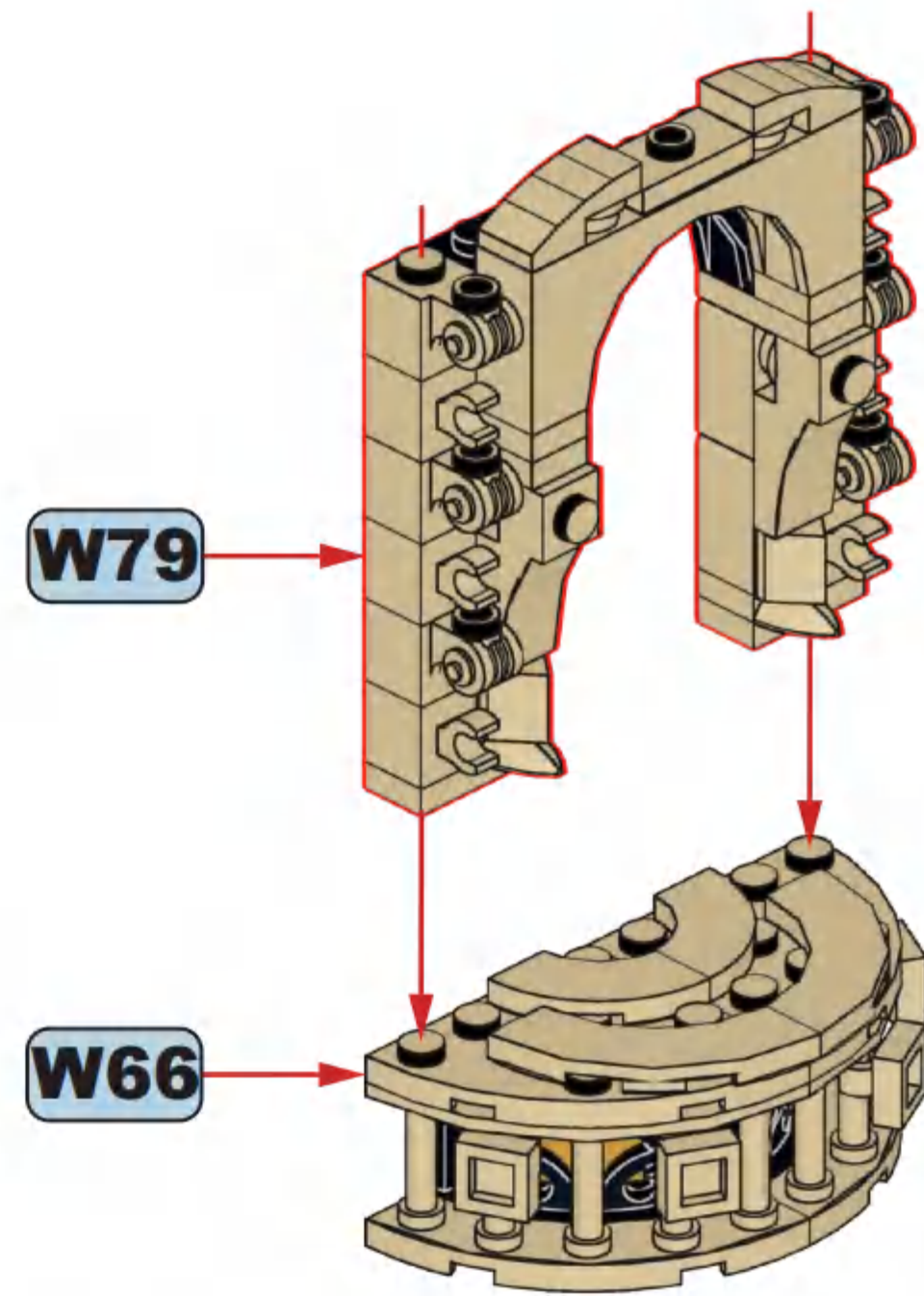




**W79**



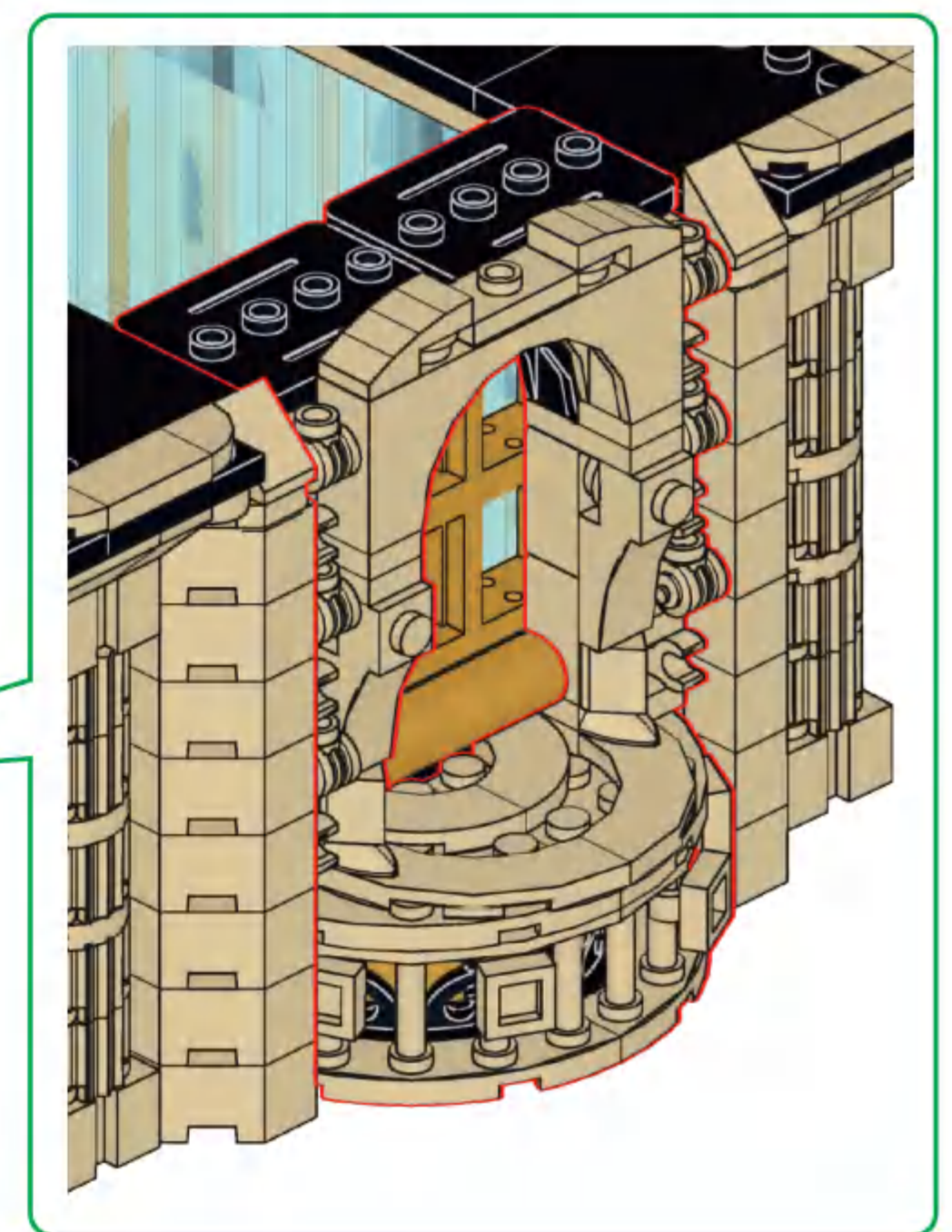
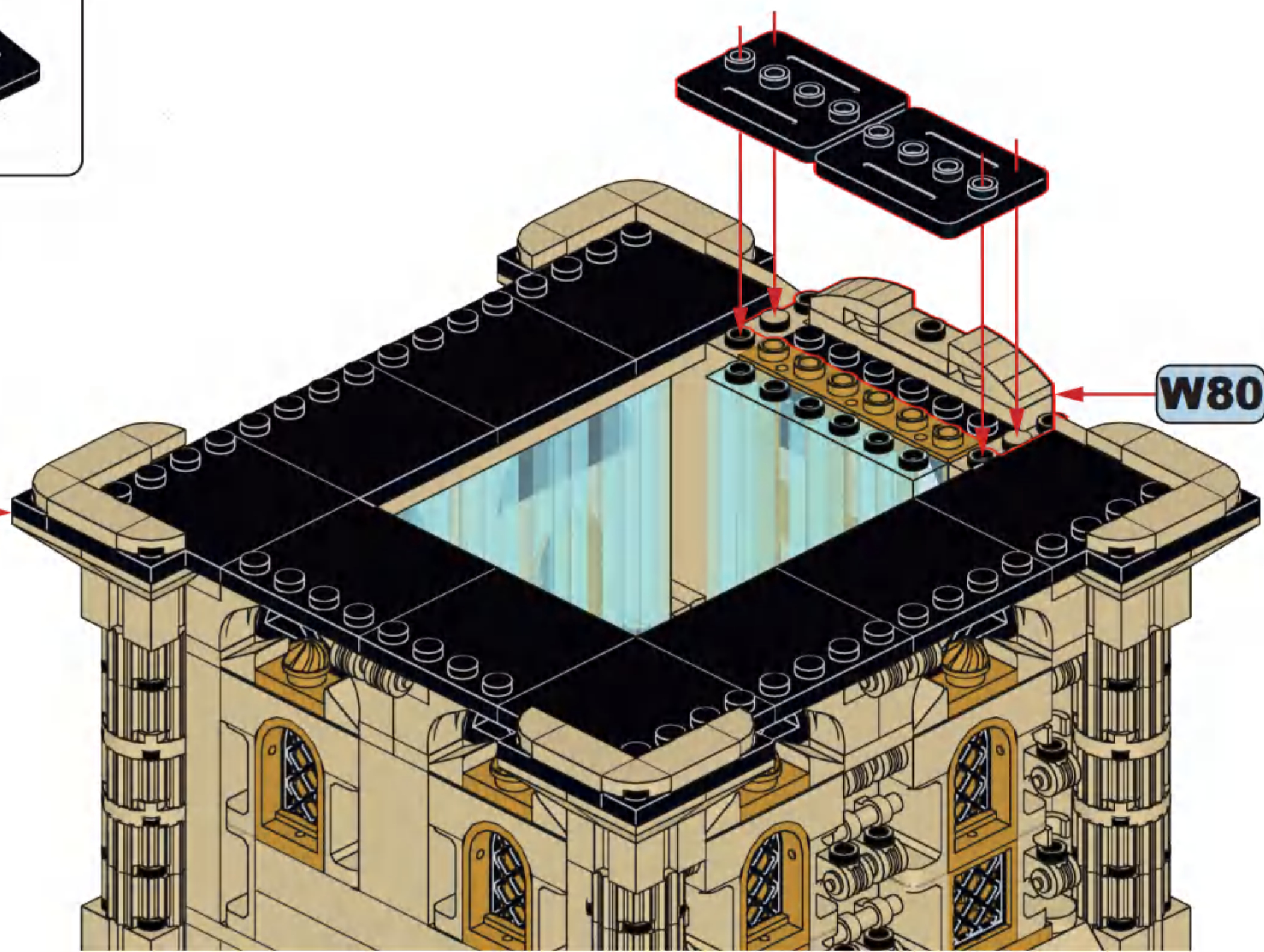
**W80**



**W81**

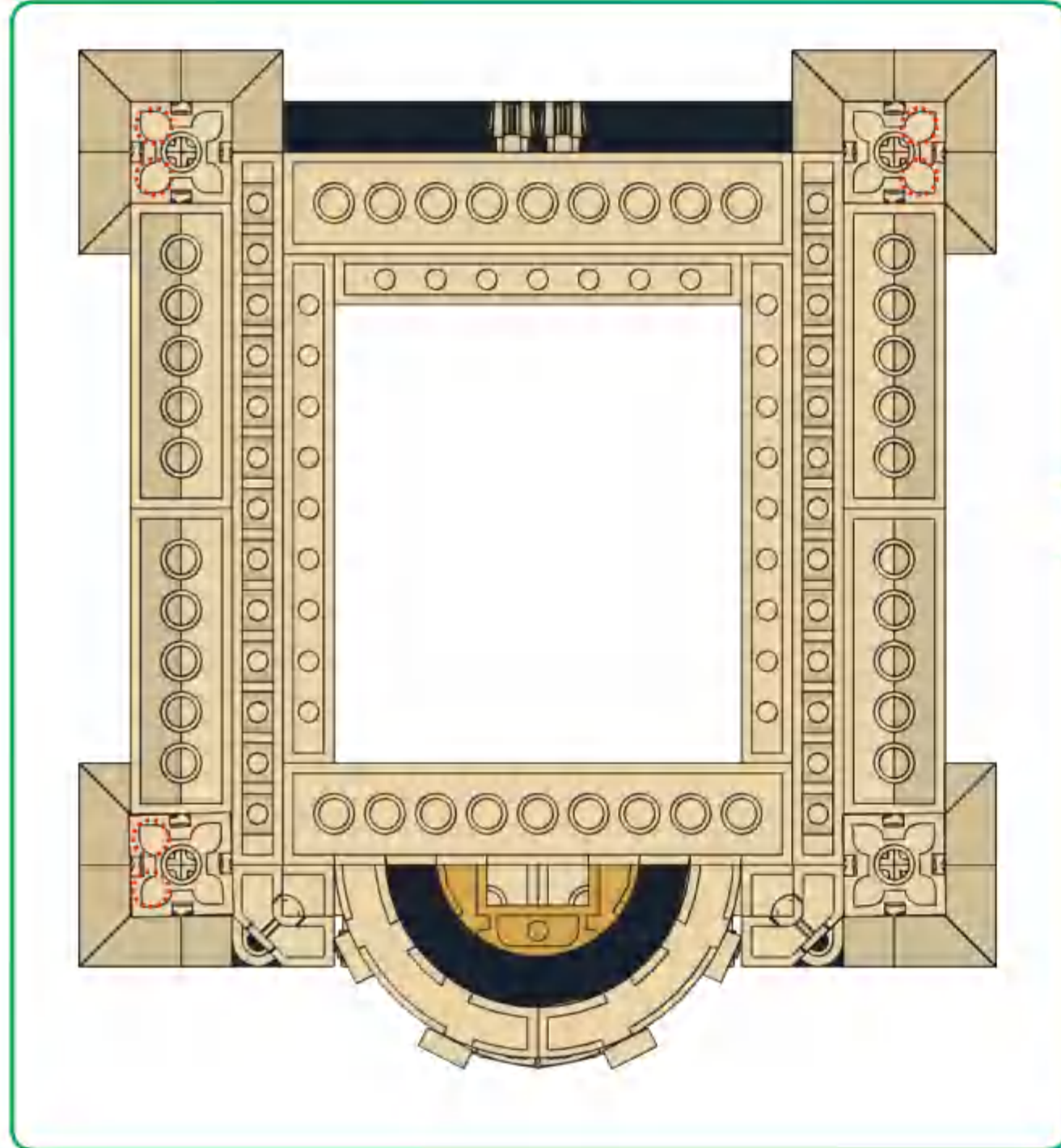


**W63**

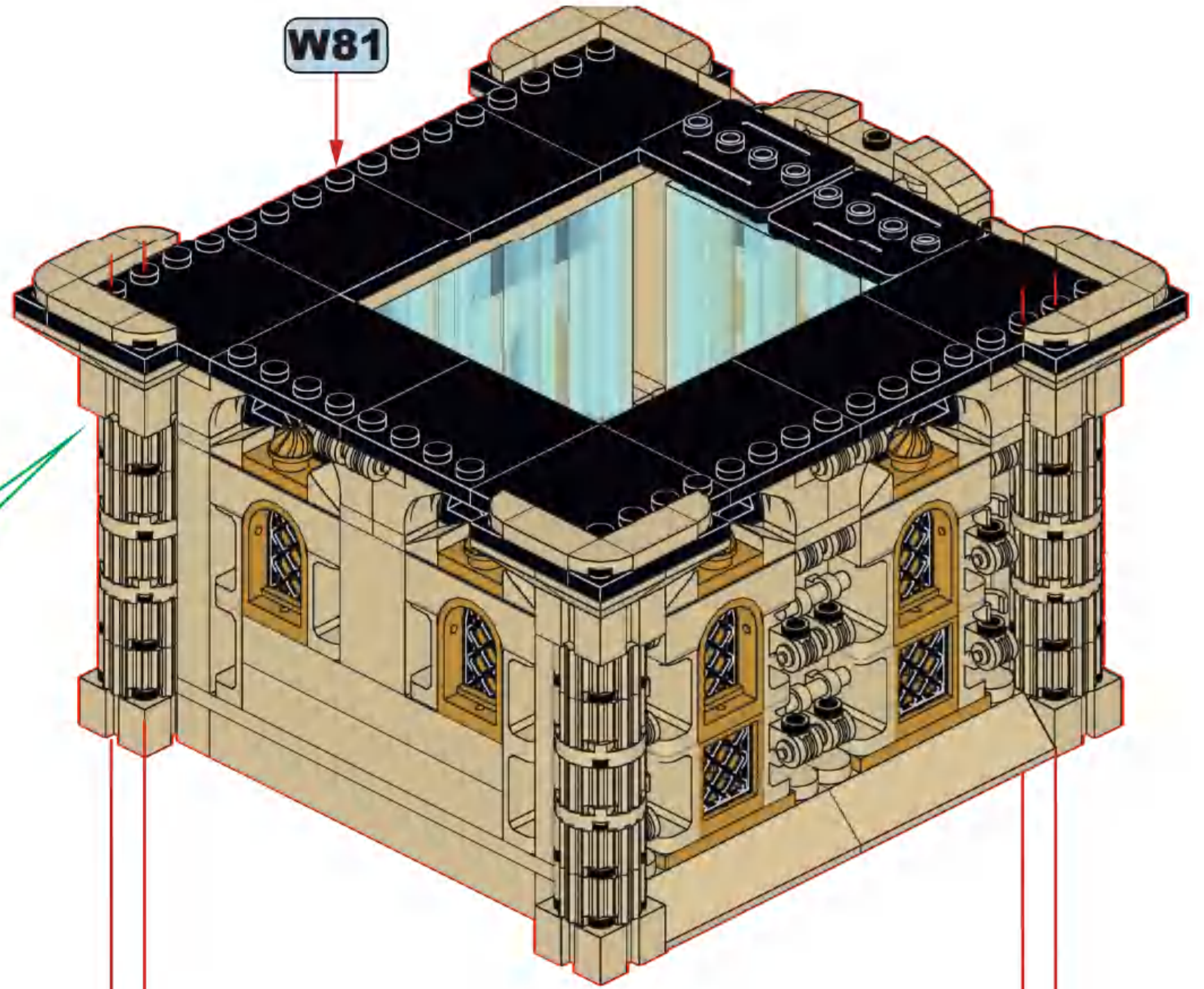




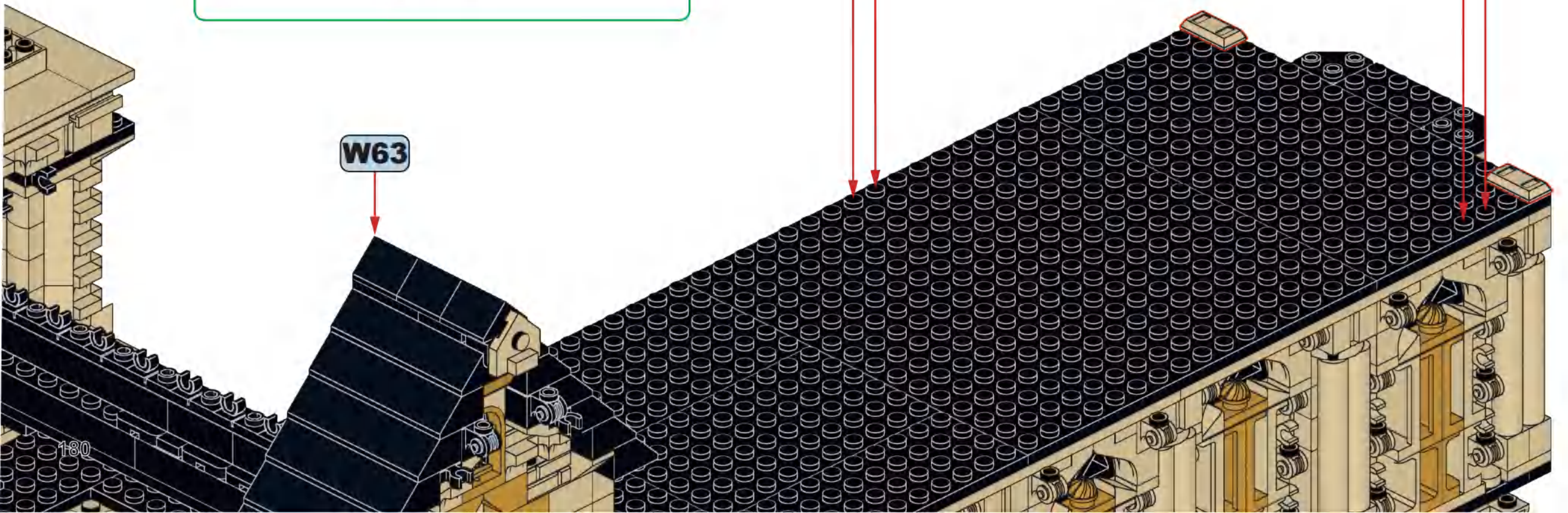
**W82**



**W81**



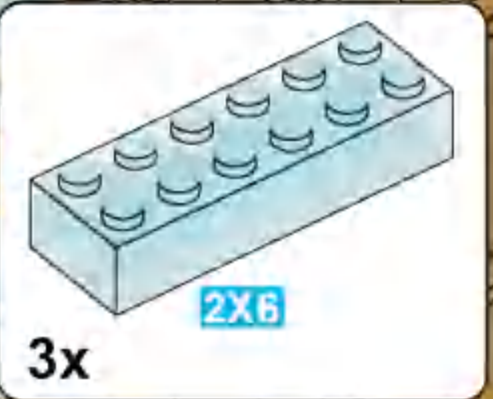
**W63**



24

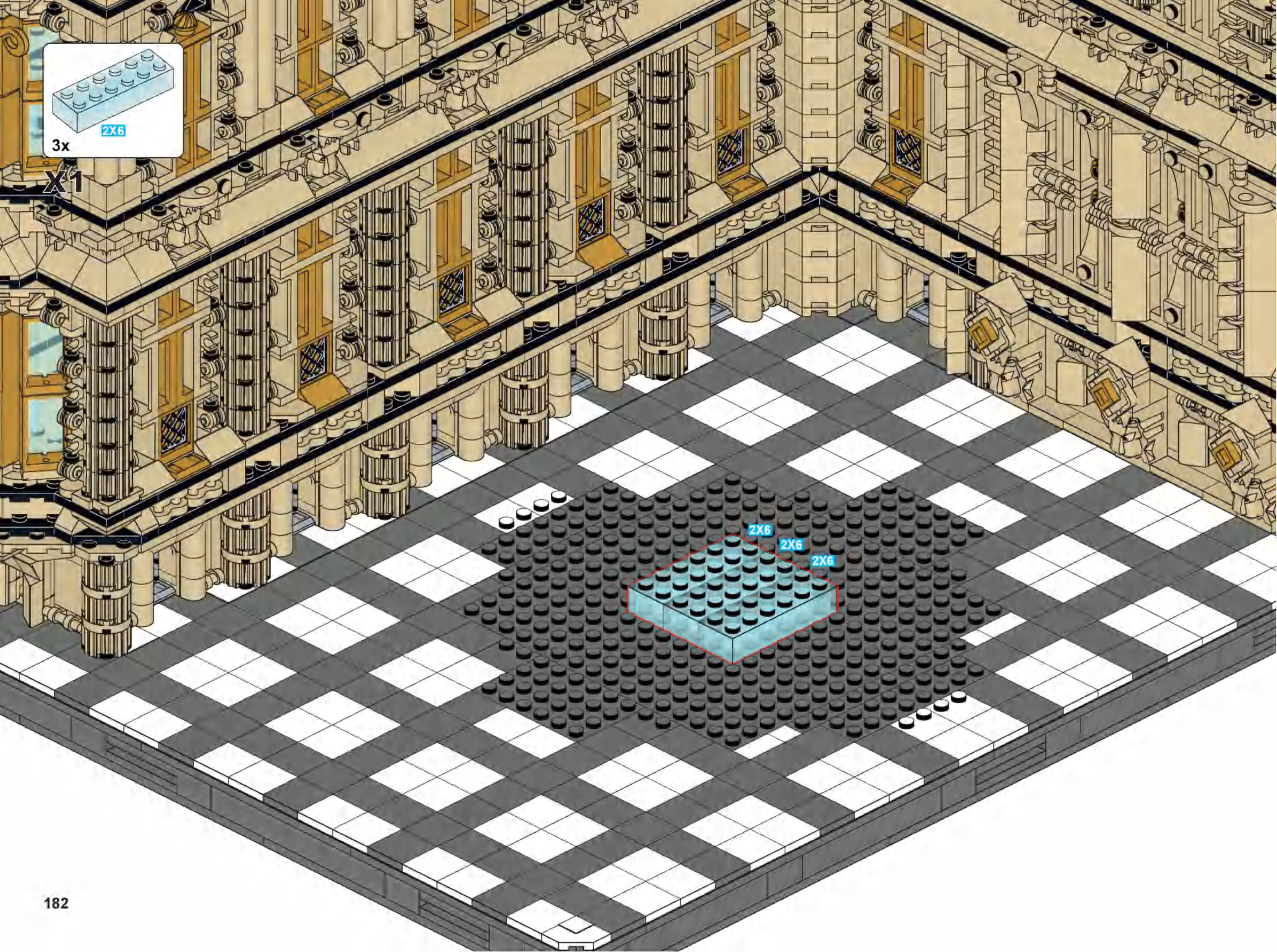


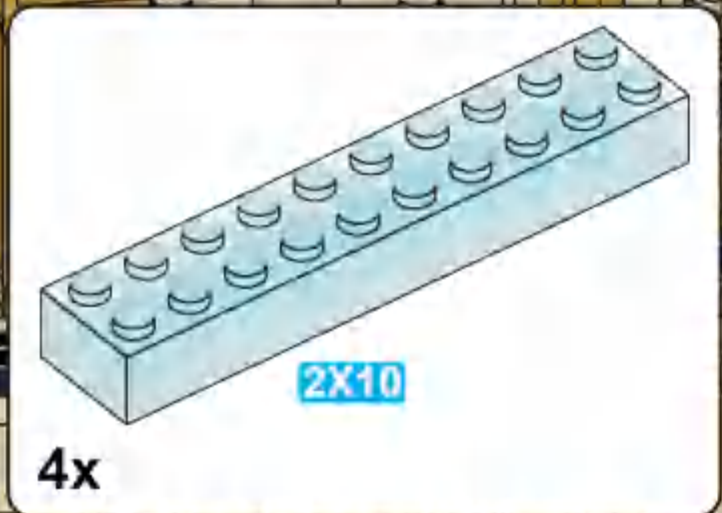
X



3x

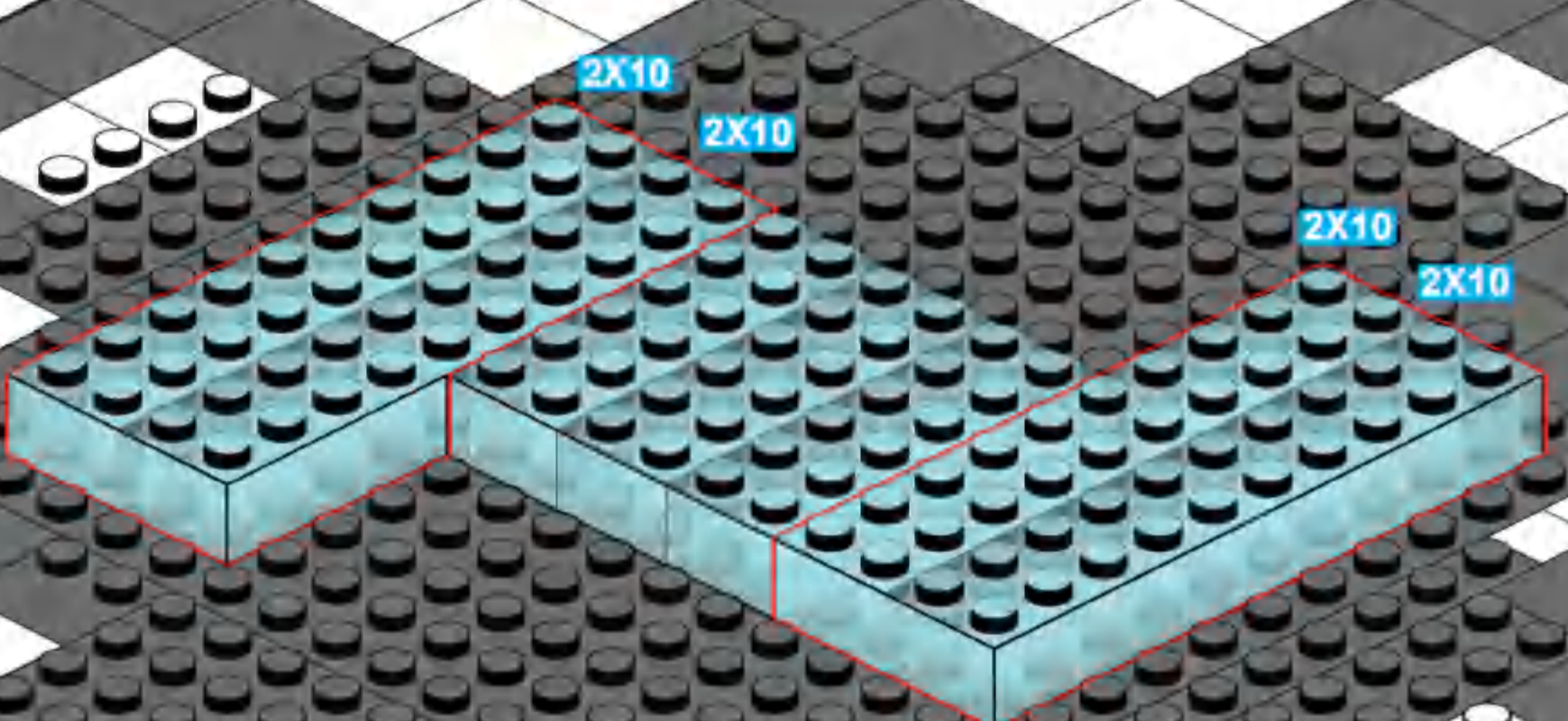
X1

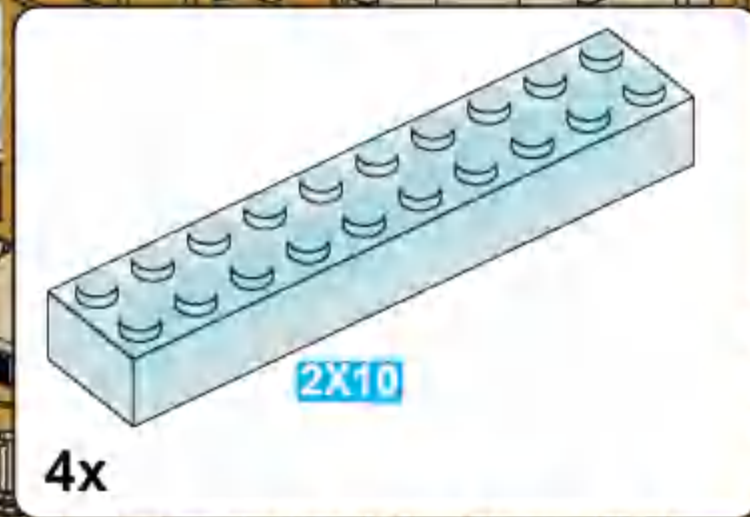




4x

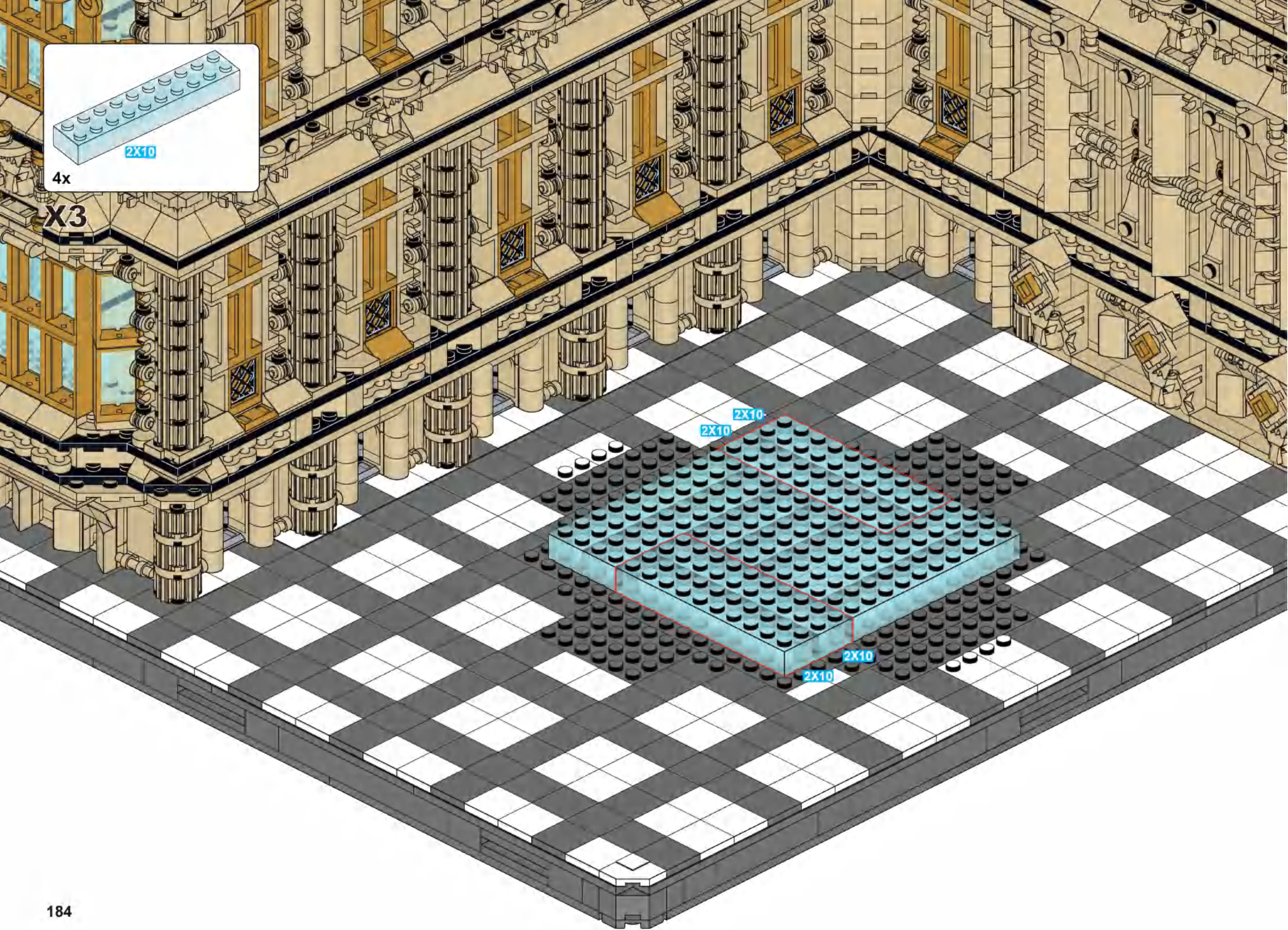
X2





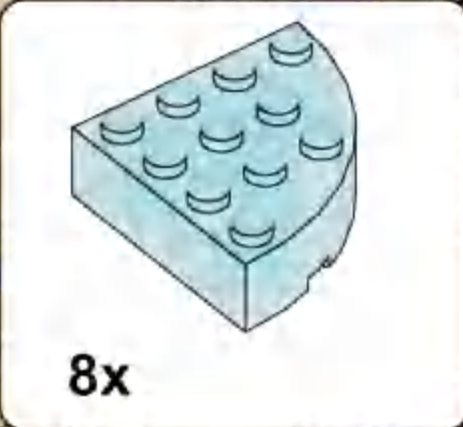
4x

X3



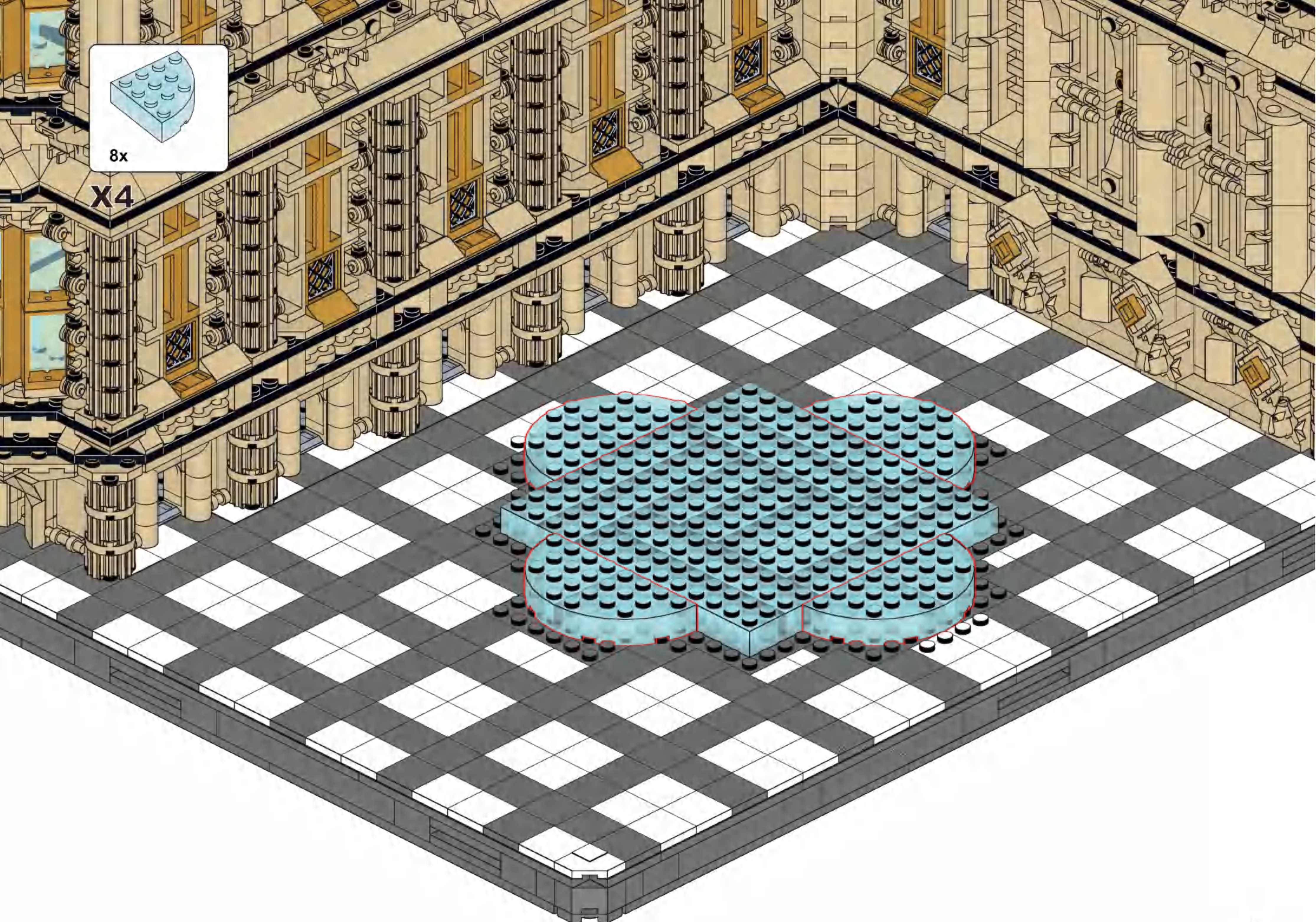
2X10  
2X10

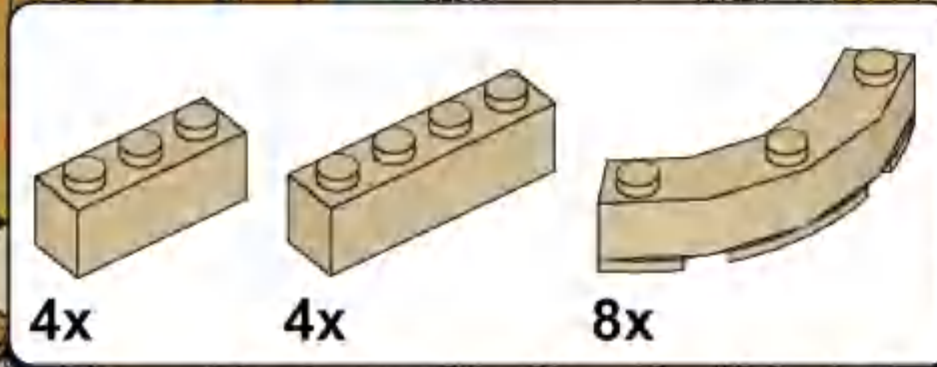
2X10  
2X10



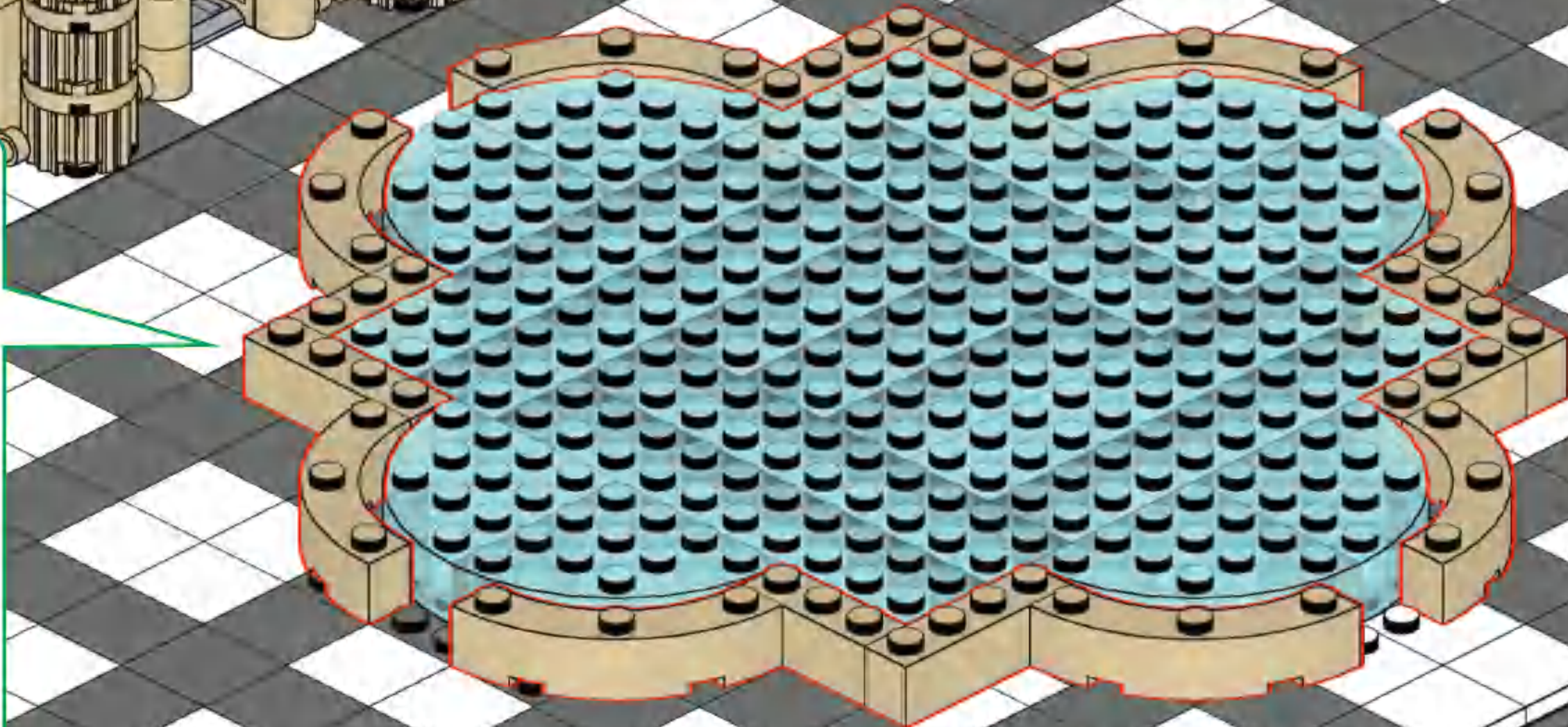
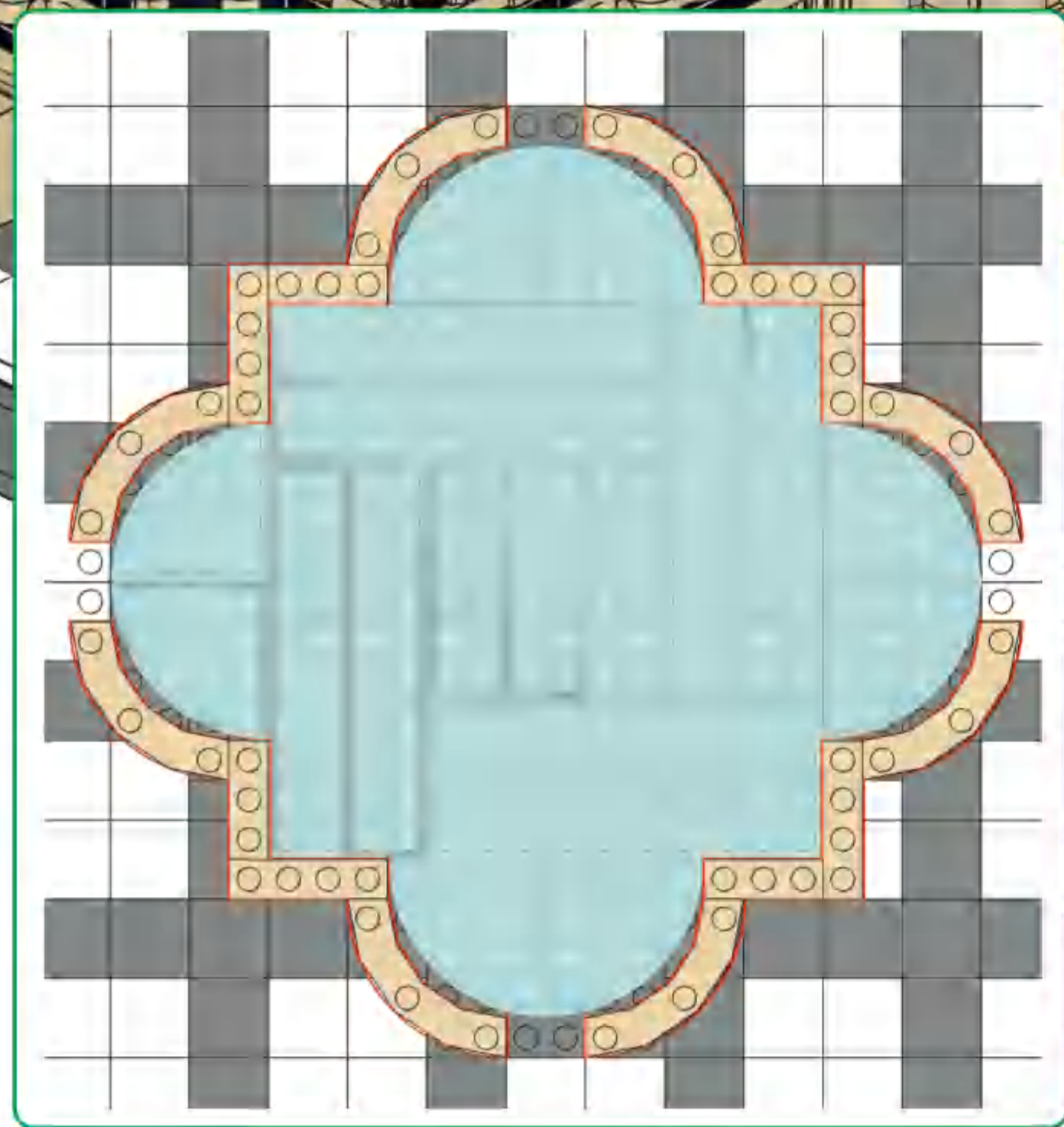
8x

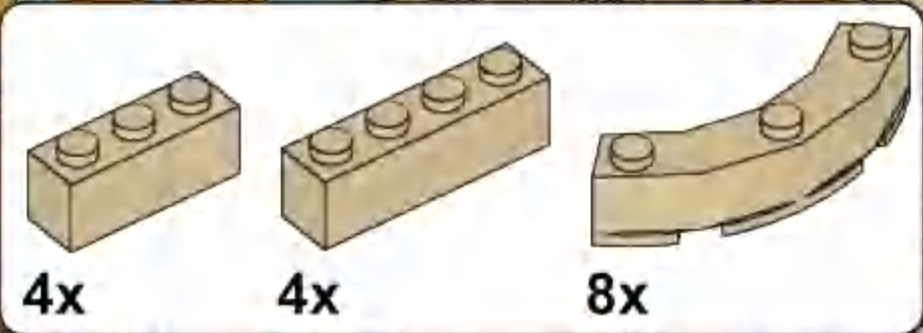
X4



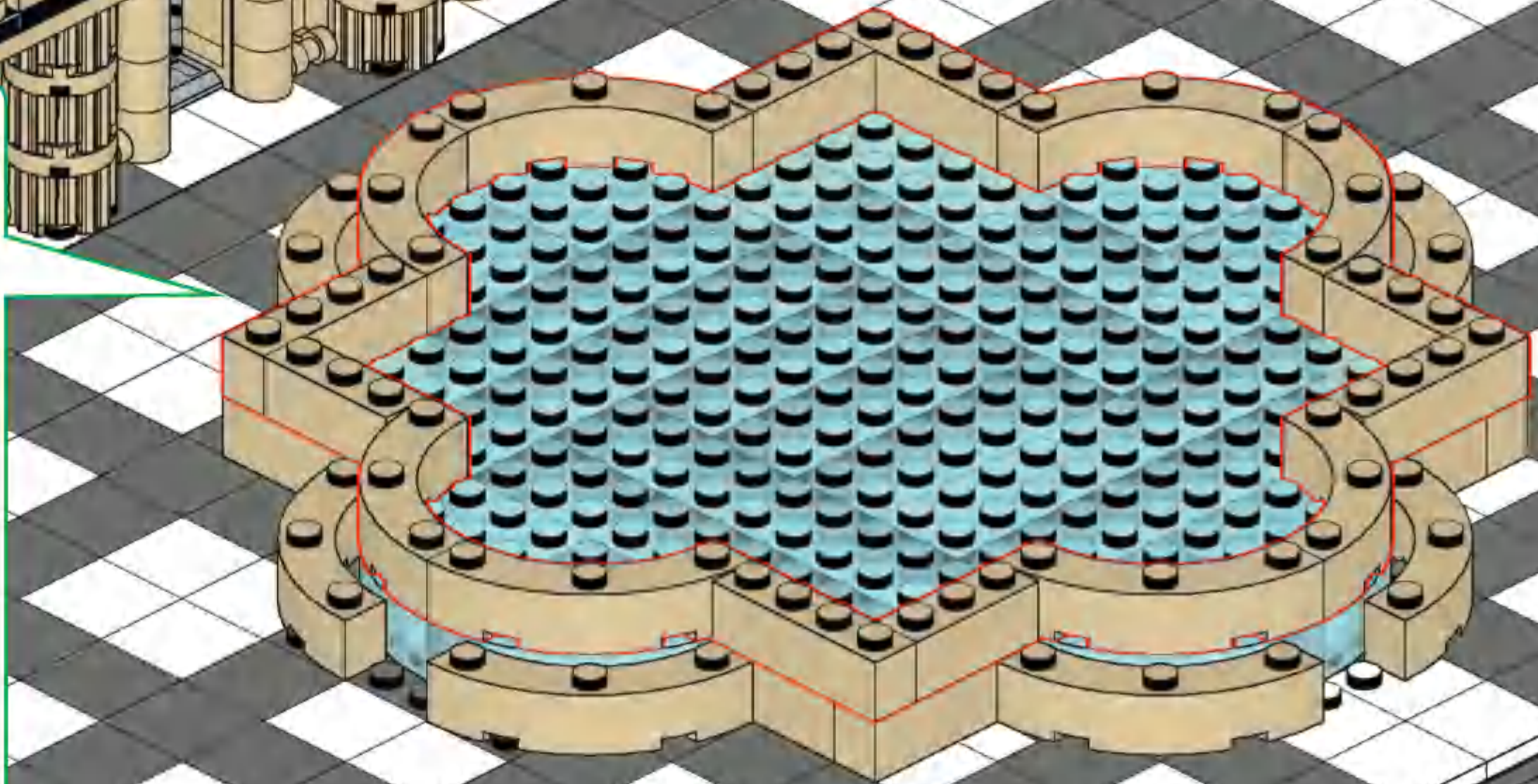
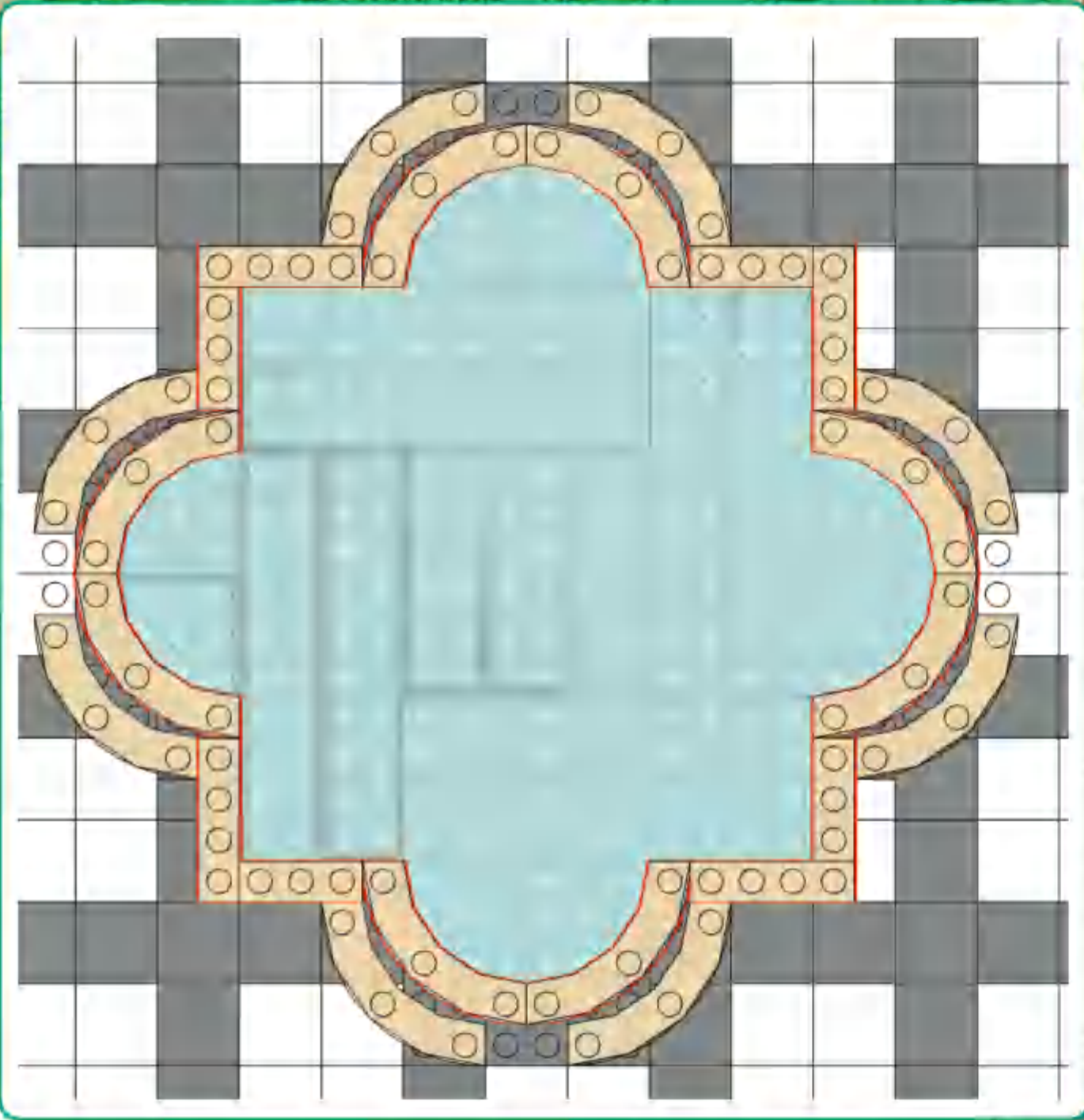


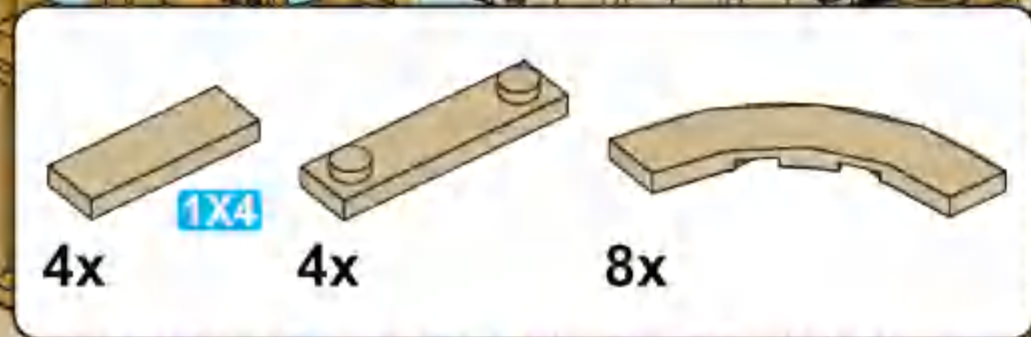
x5



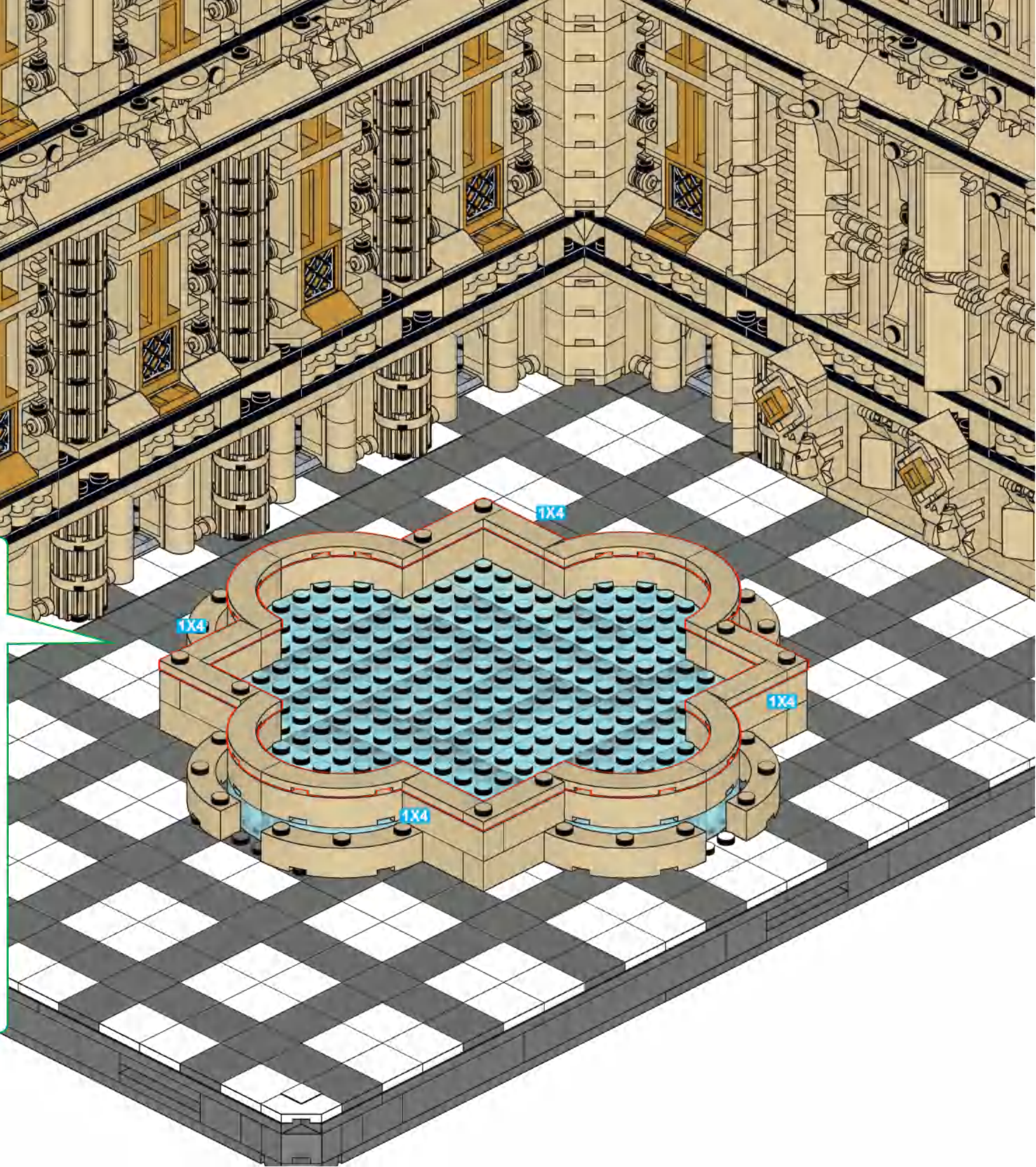
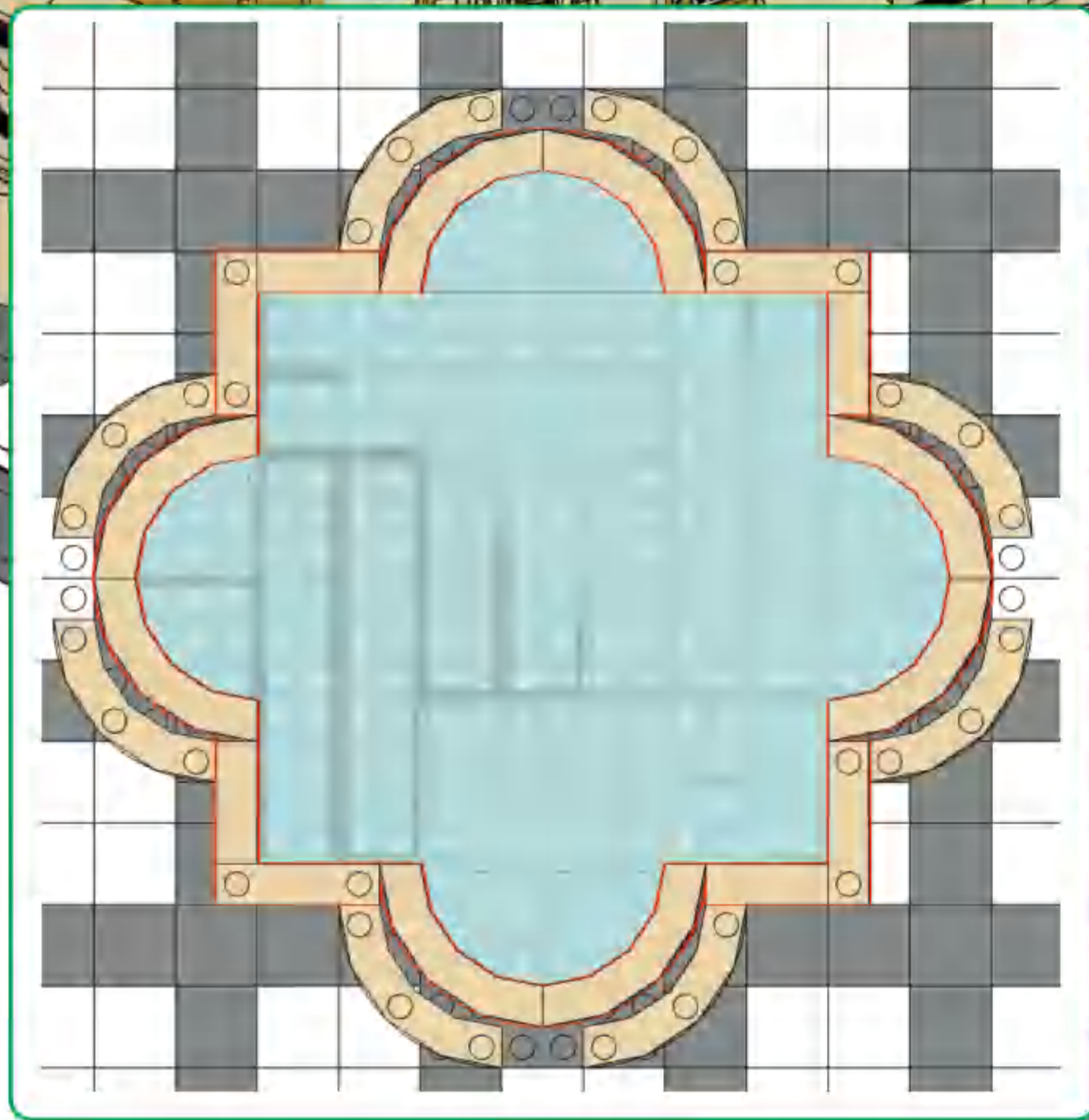


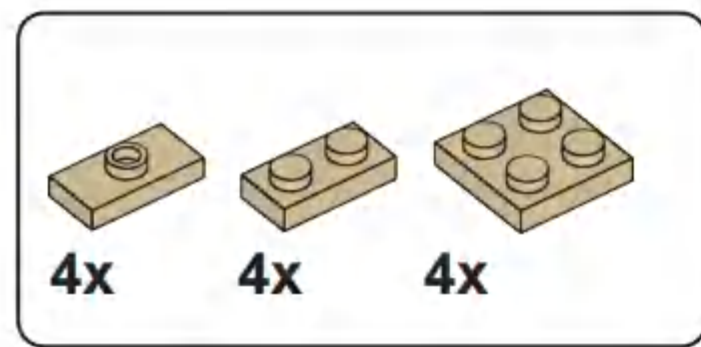
X6



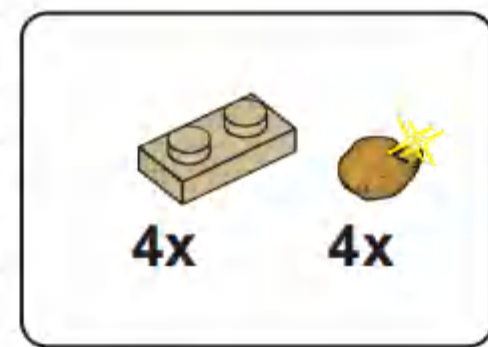
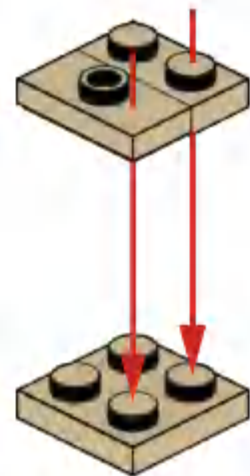


X7

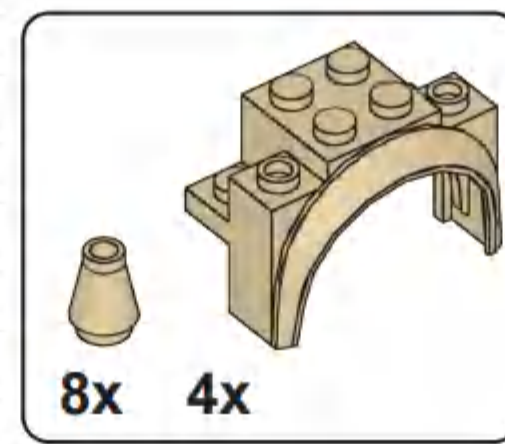
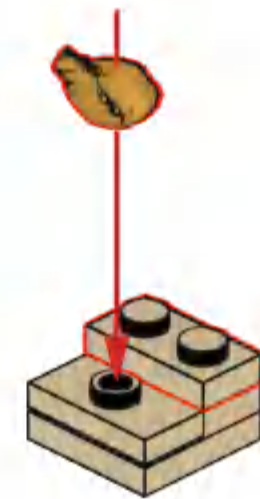




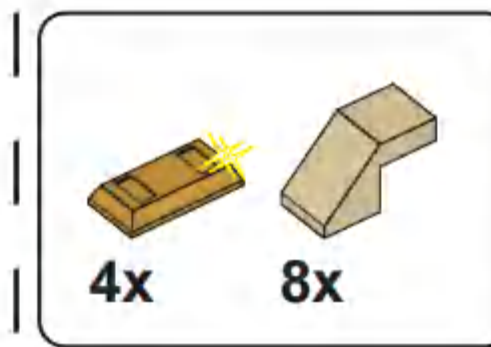
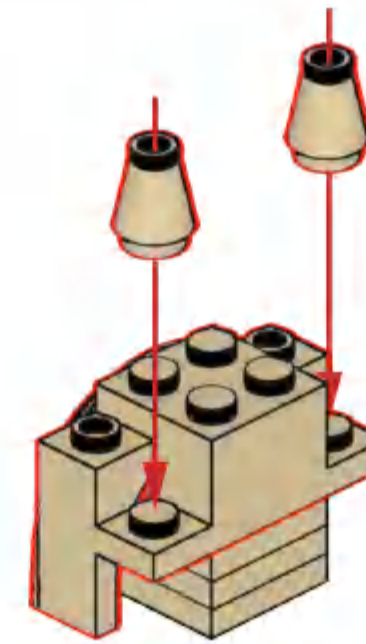
**X8**



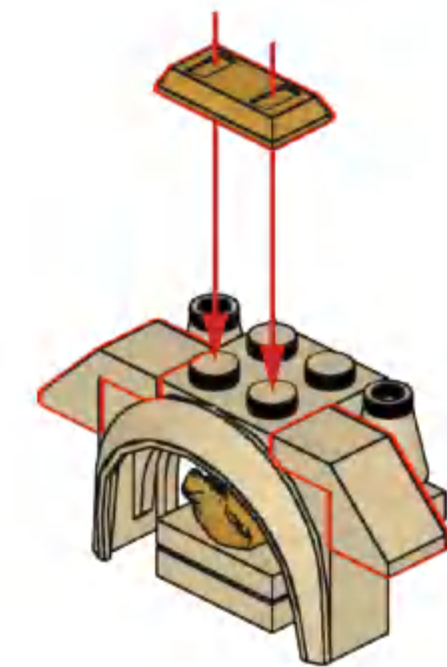
**X9**



**X10**



**X11**

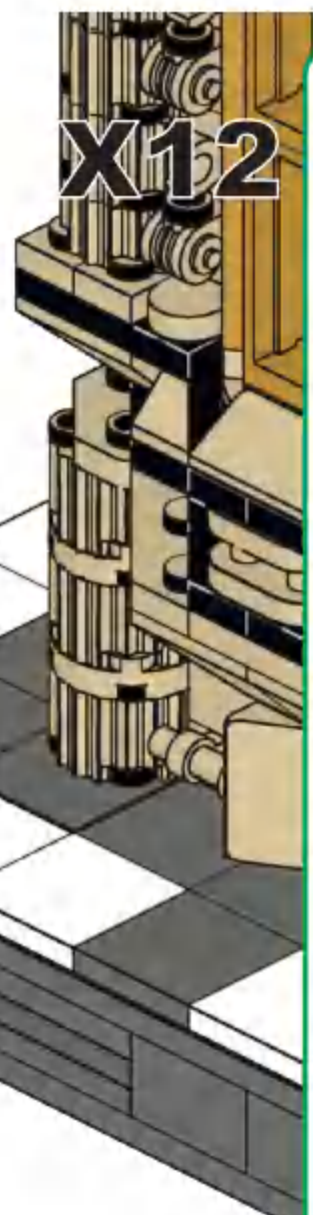


**x4**

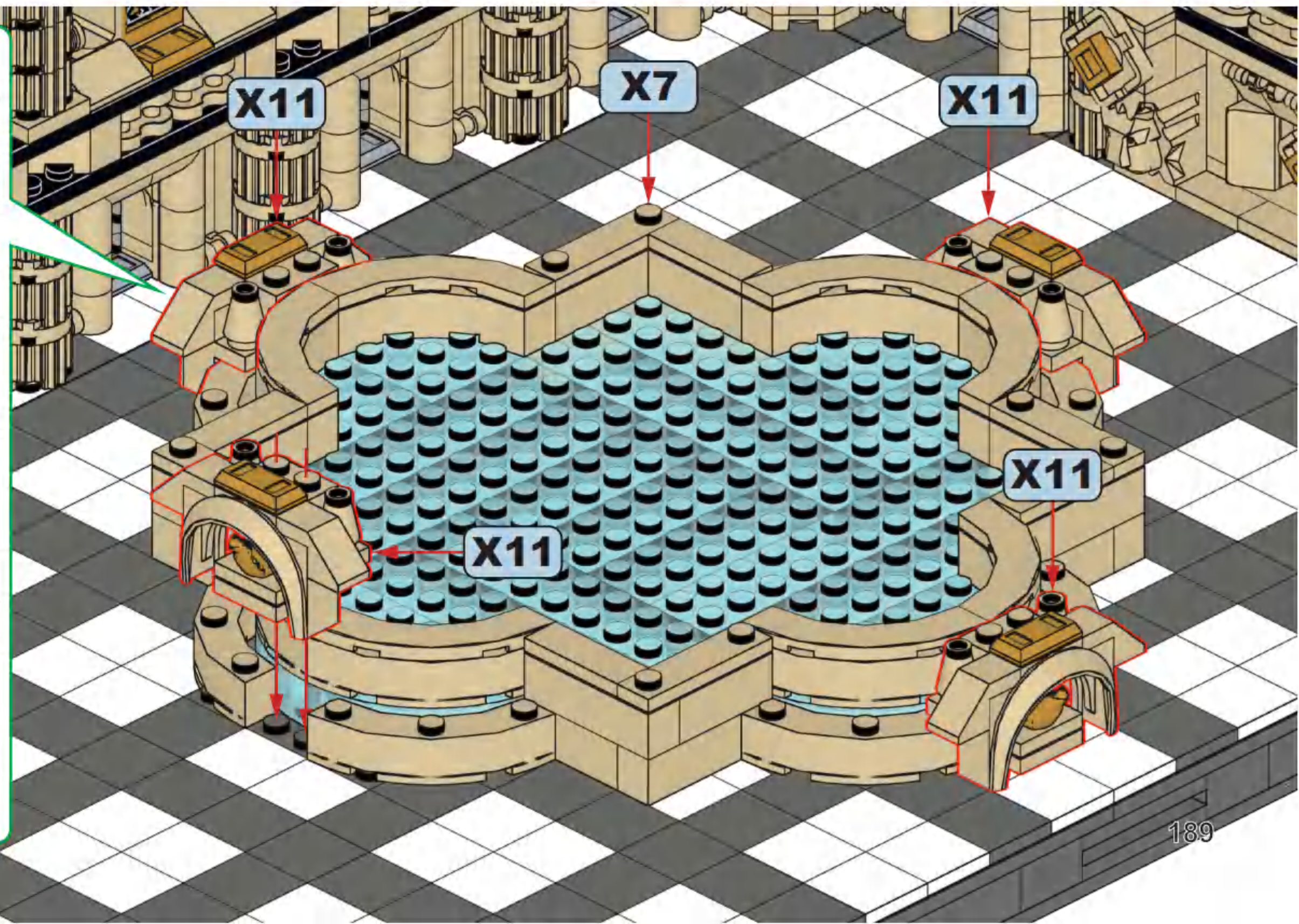
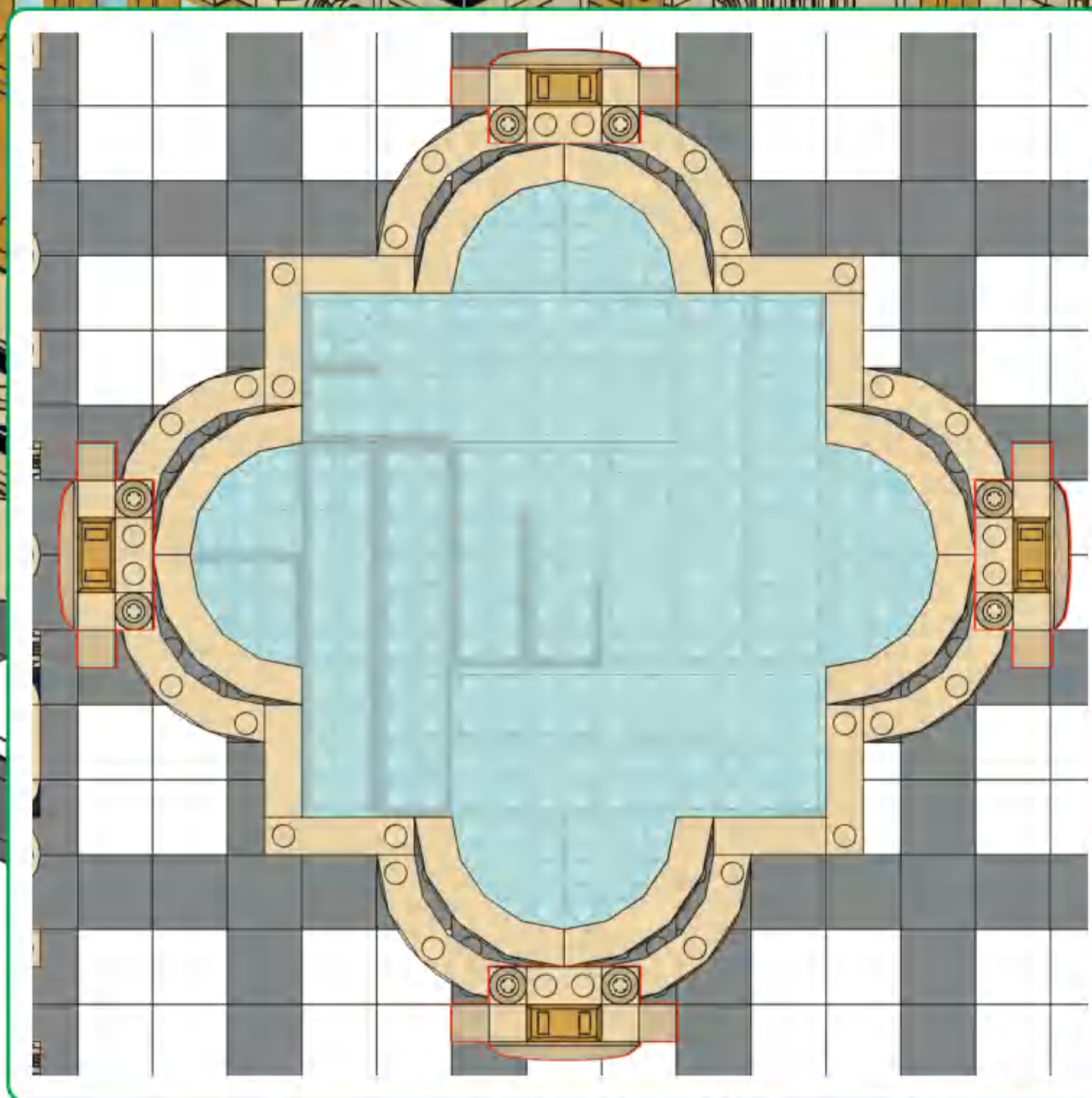
**x4**

**x4**

**x4**

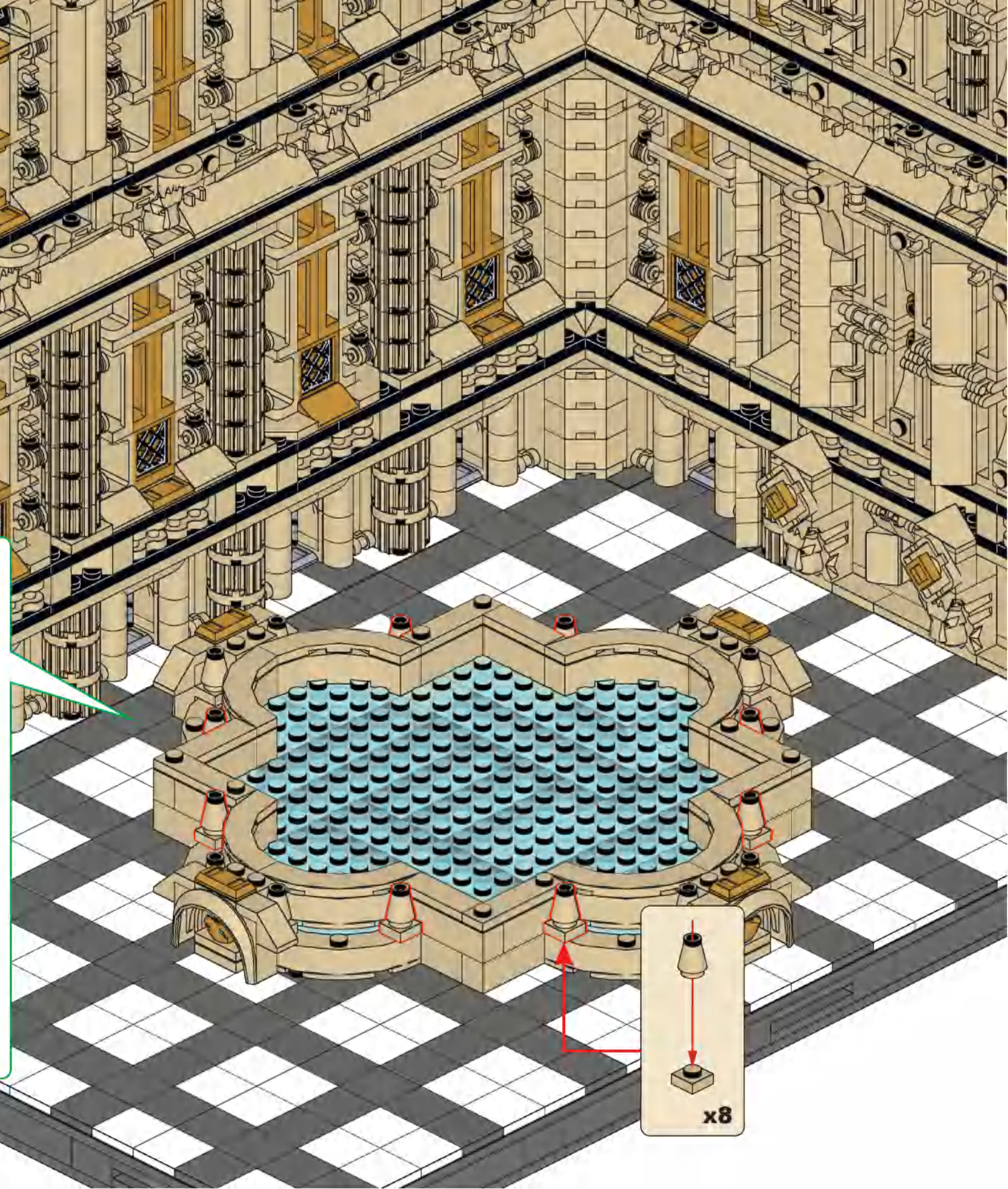
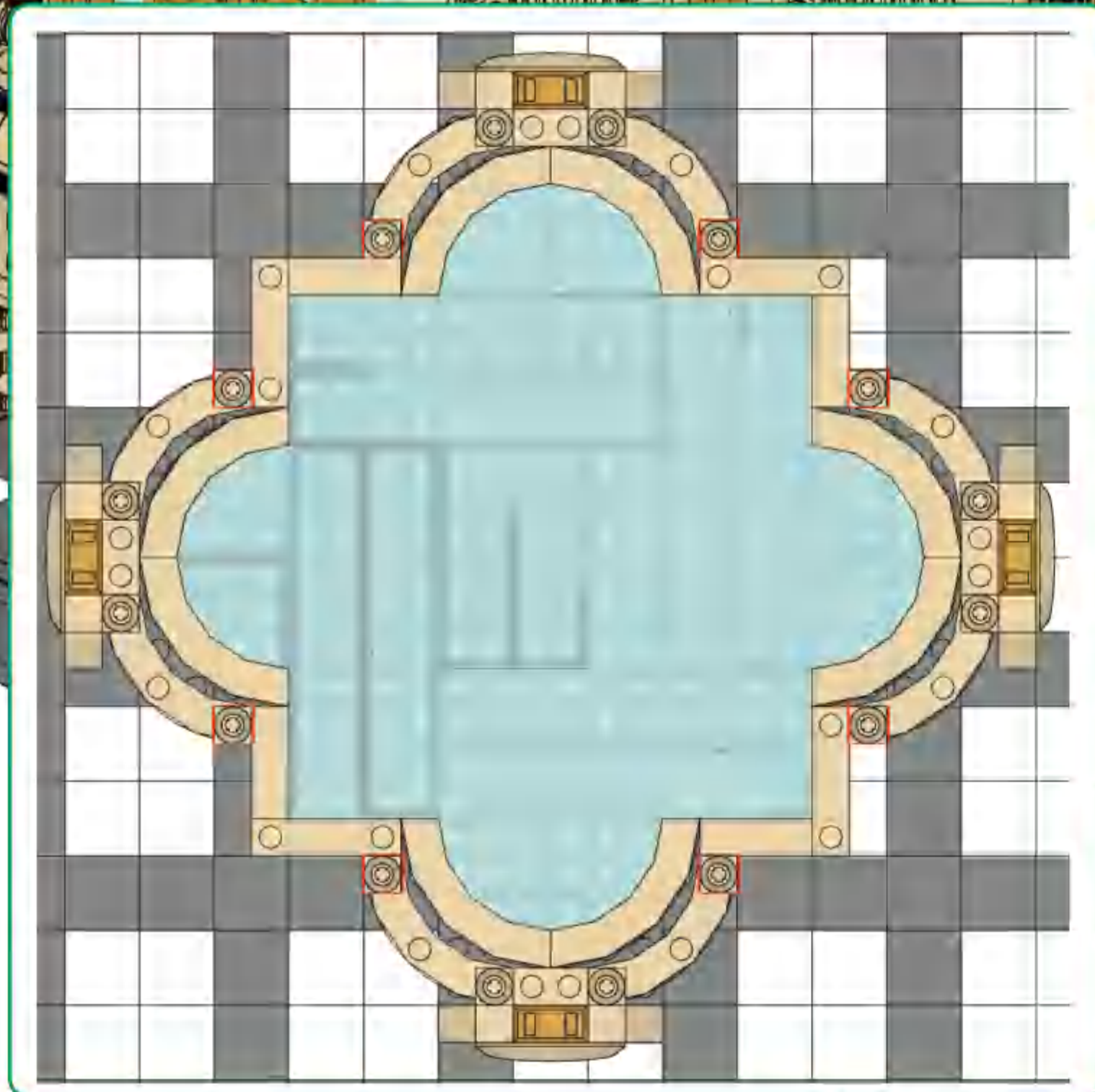


**X12**



8x 8x

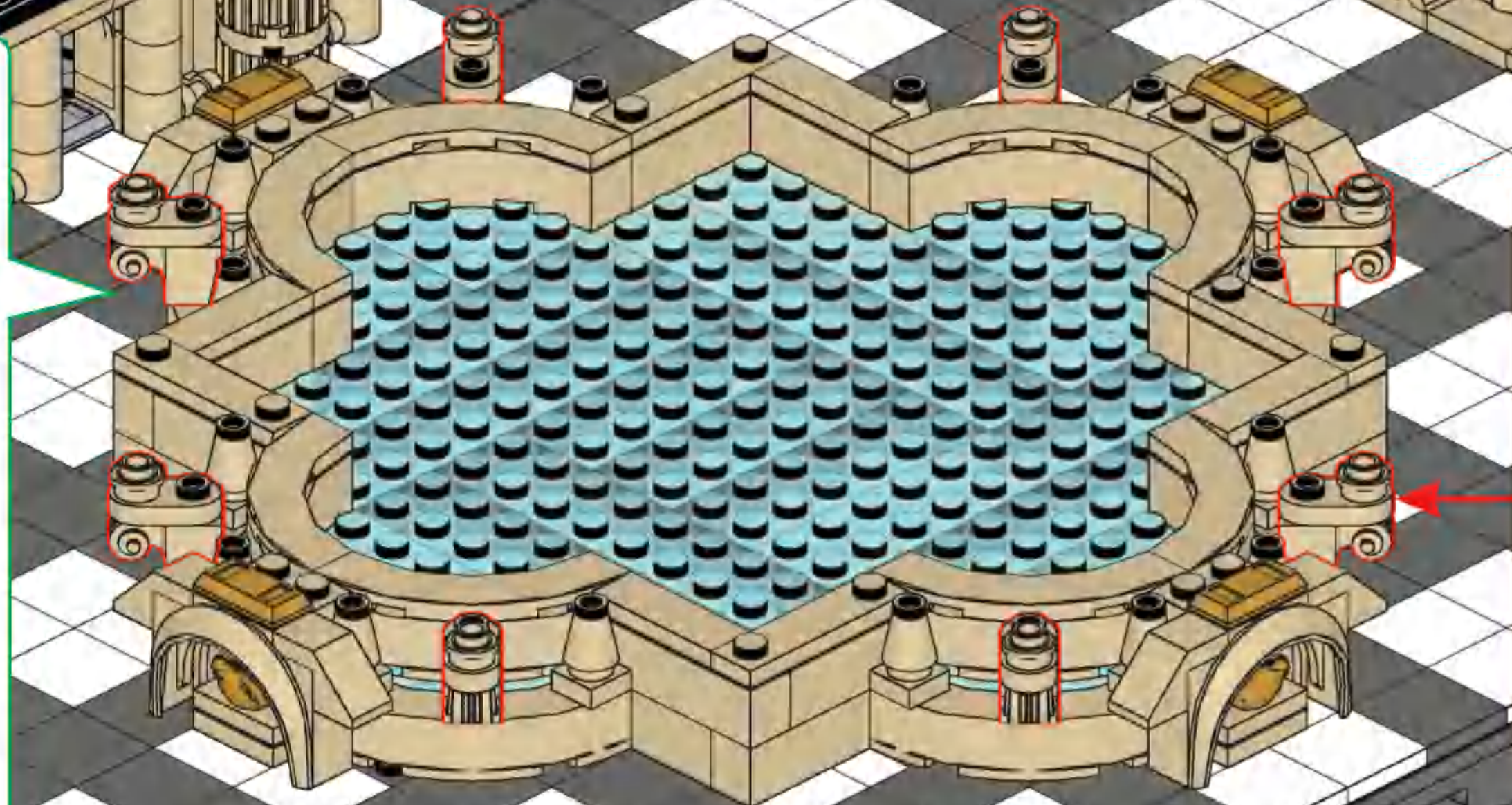
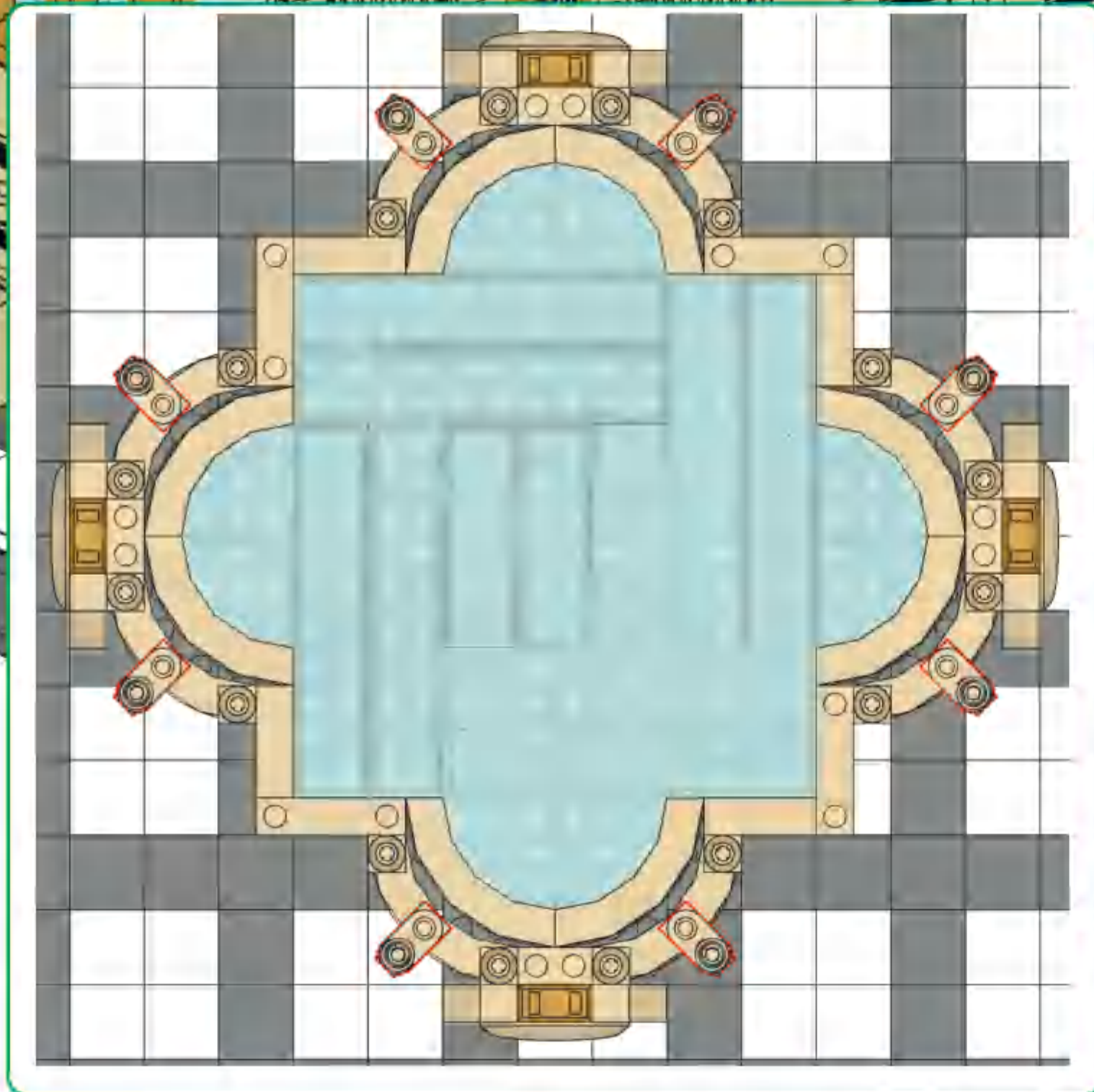
X13



x8

8x 8x 8x

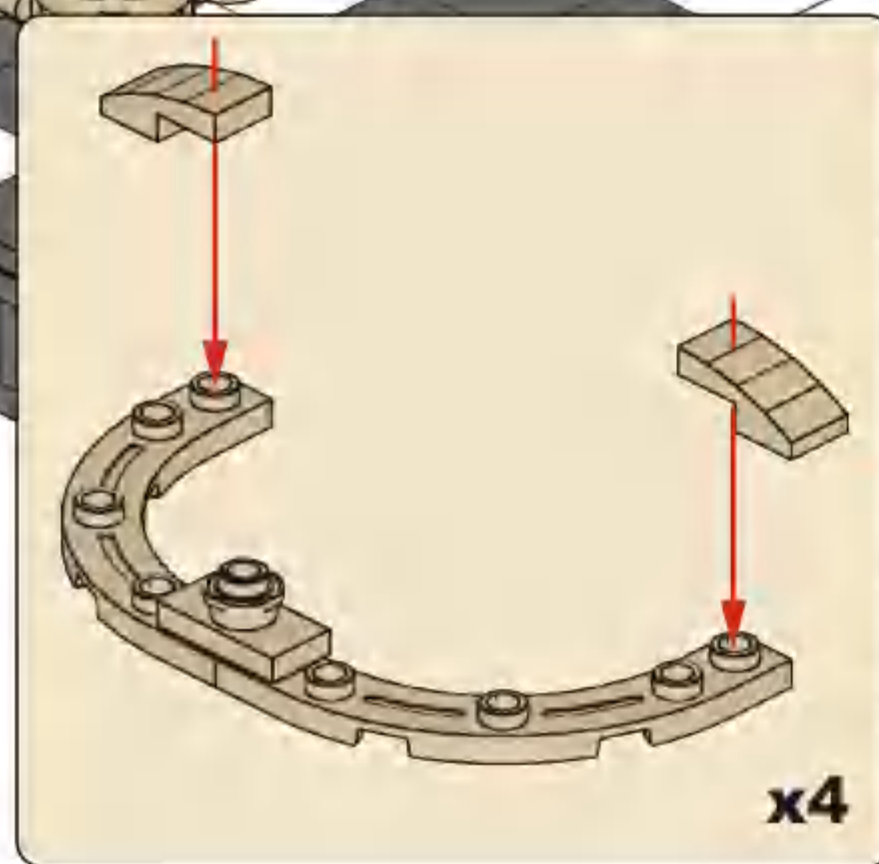
x14

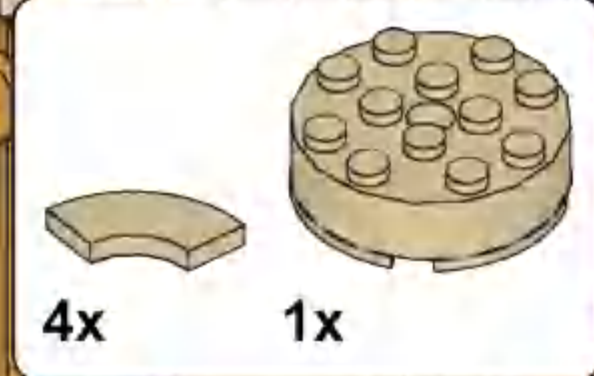


x8

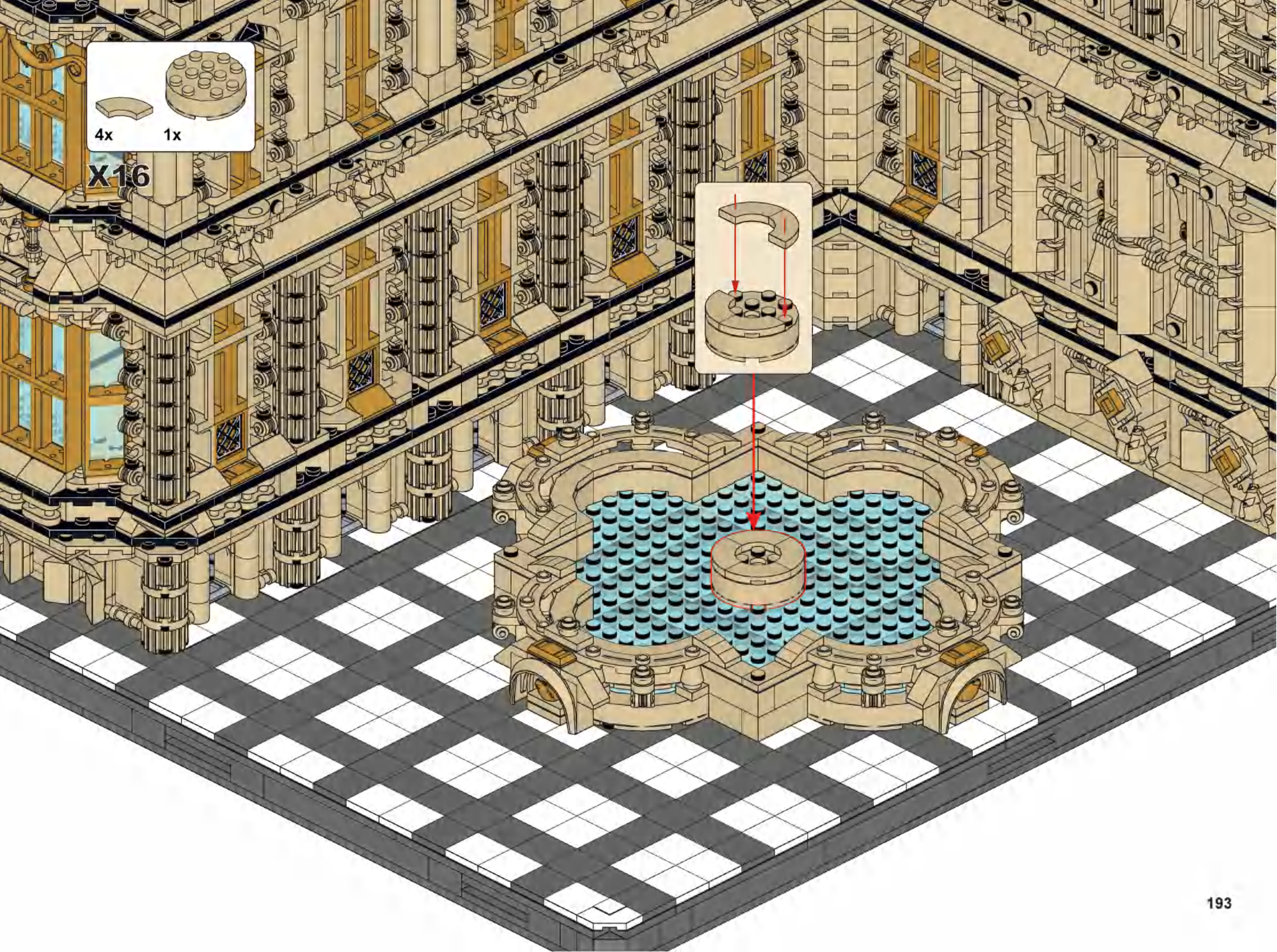
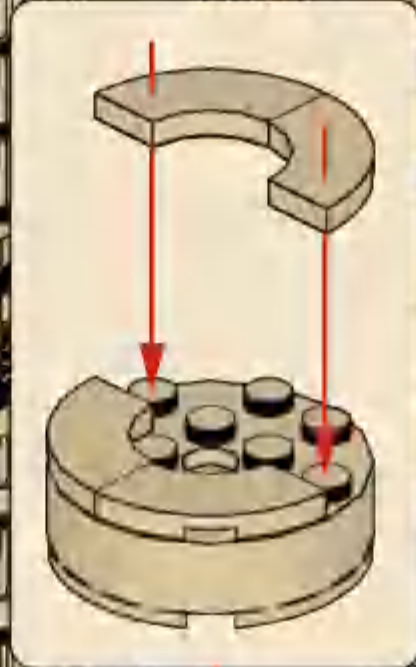




X15





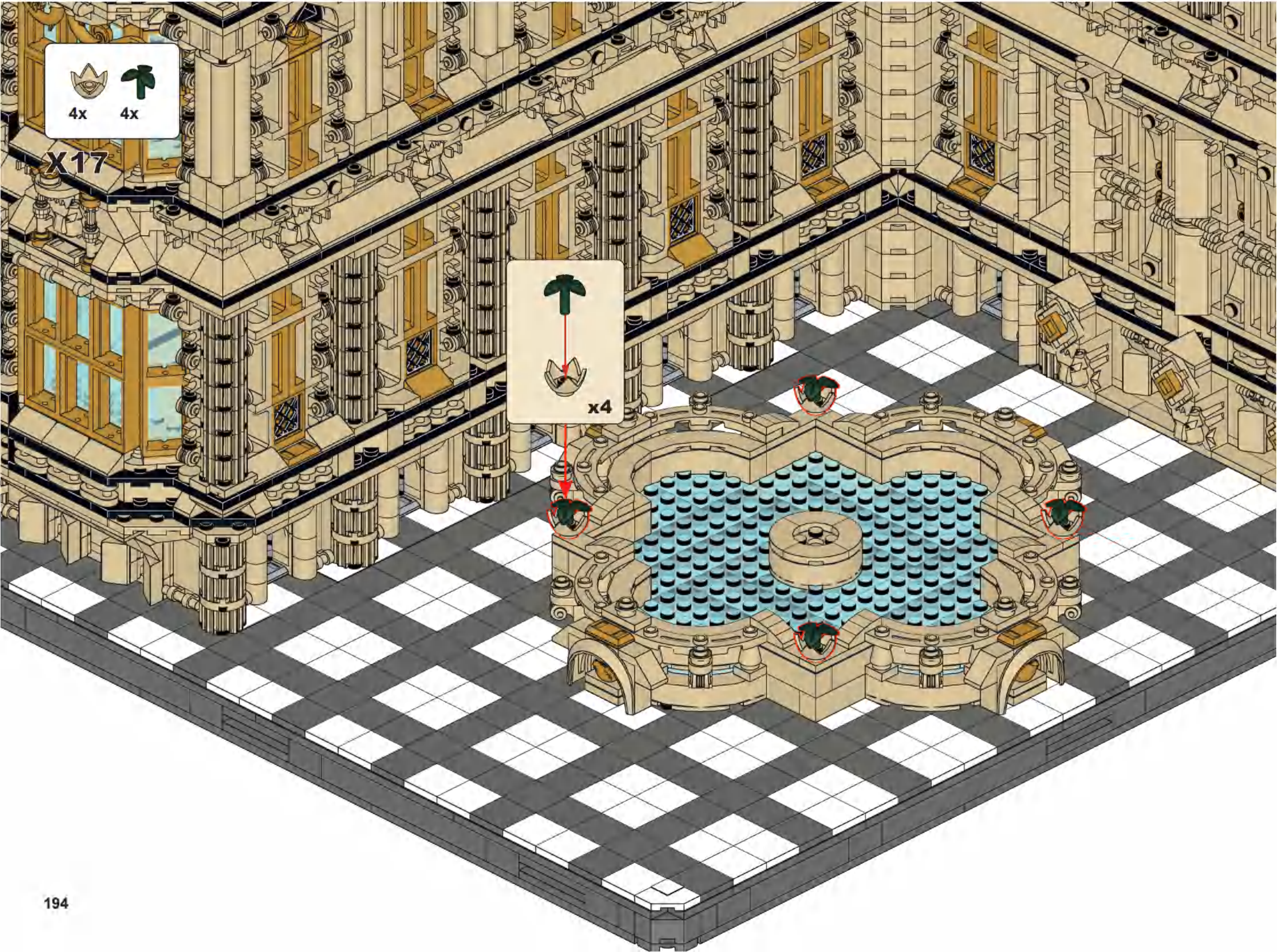
X16



4x  4x 

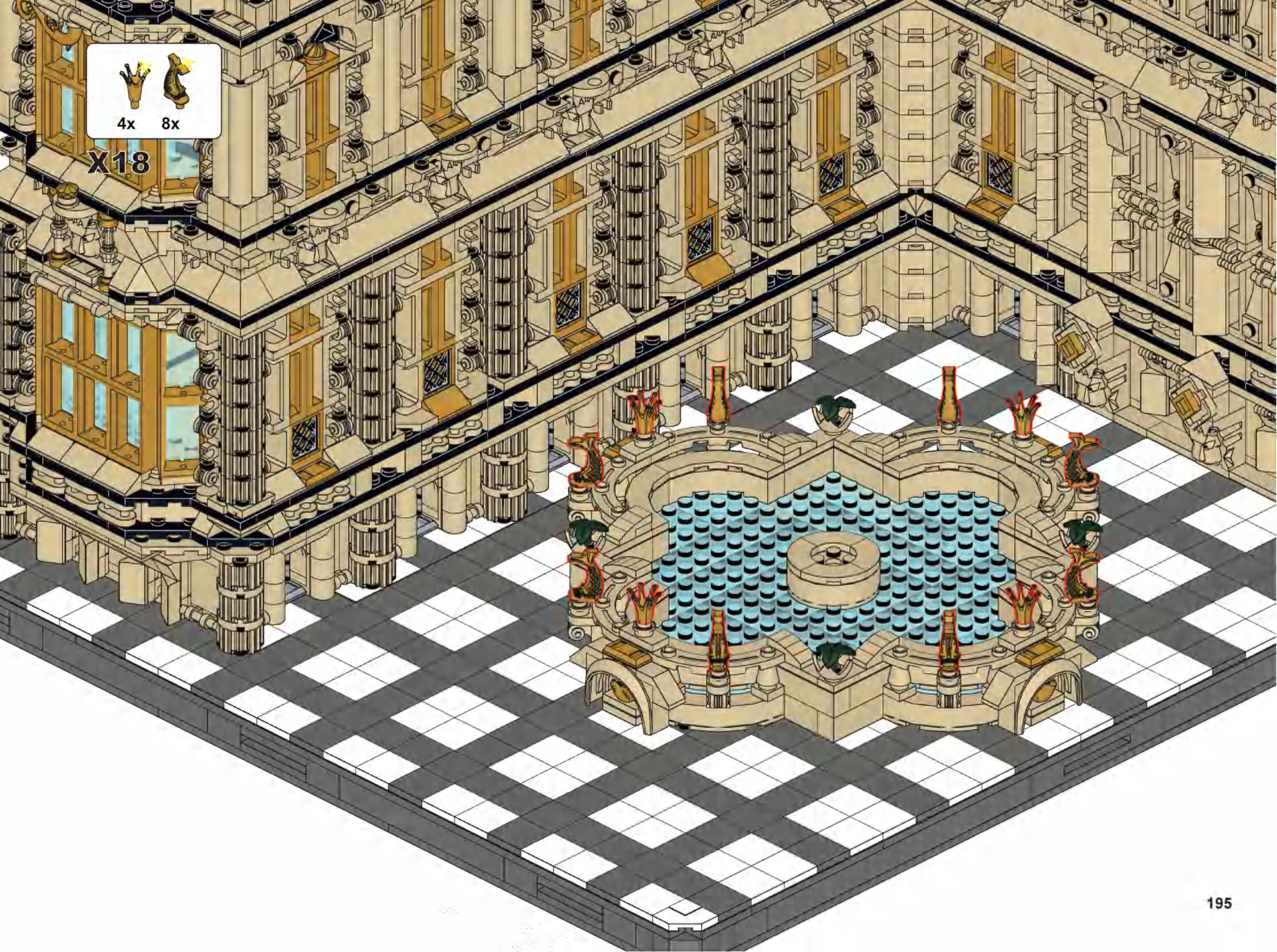
X17

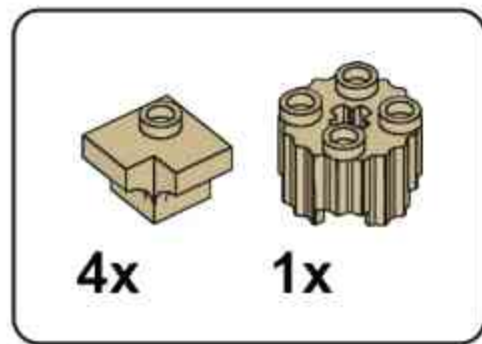
  
x4 



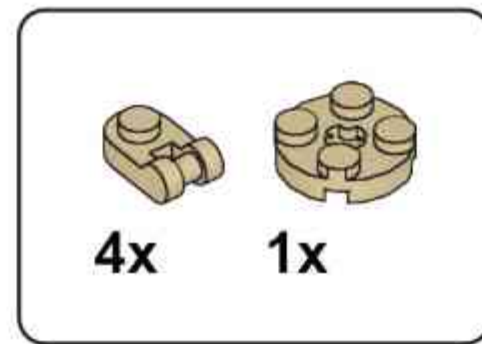
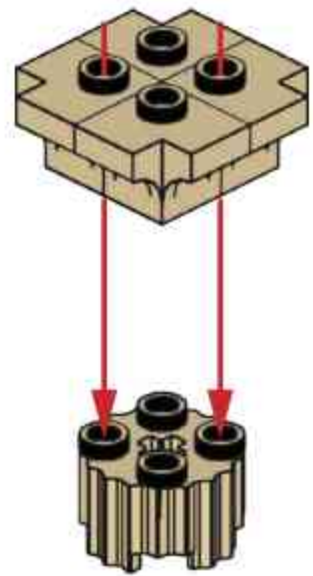


X18

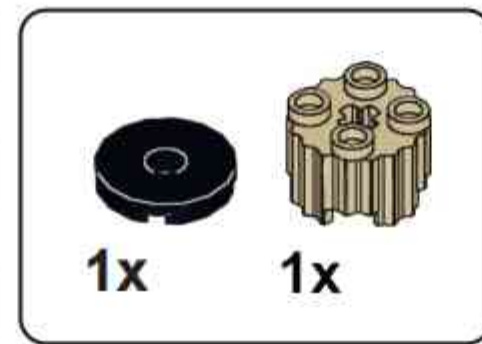
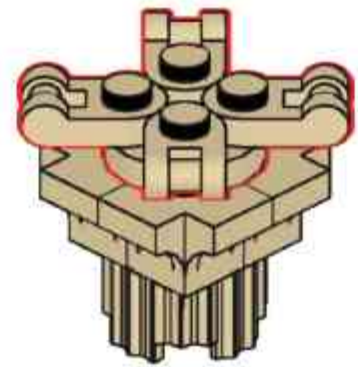




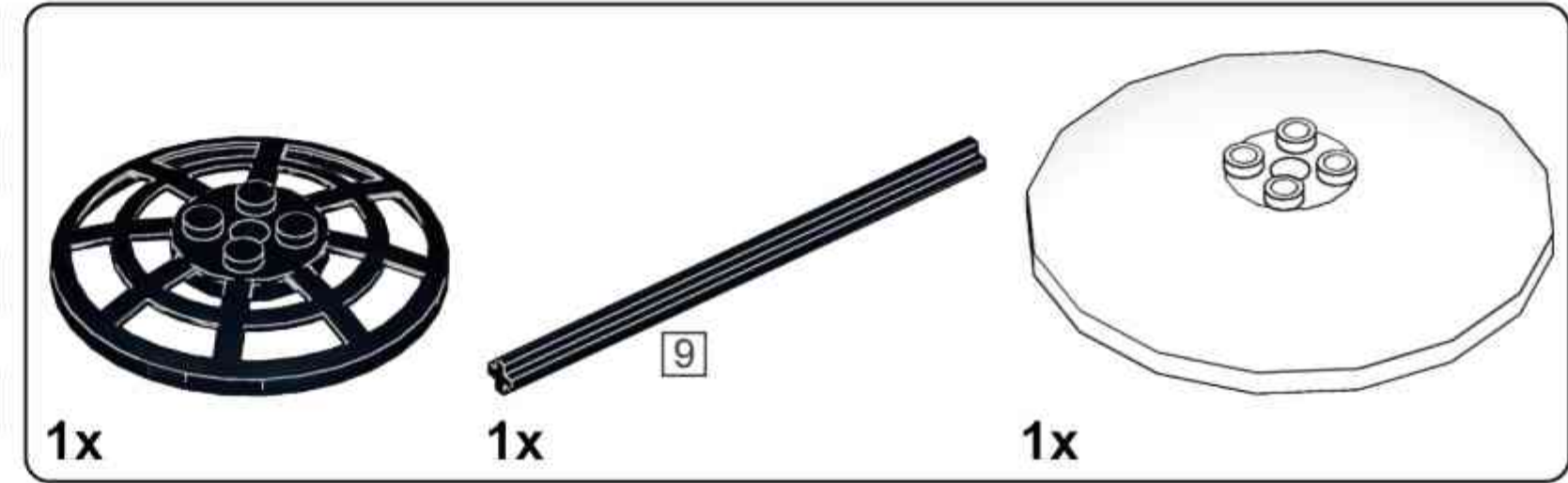
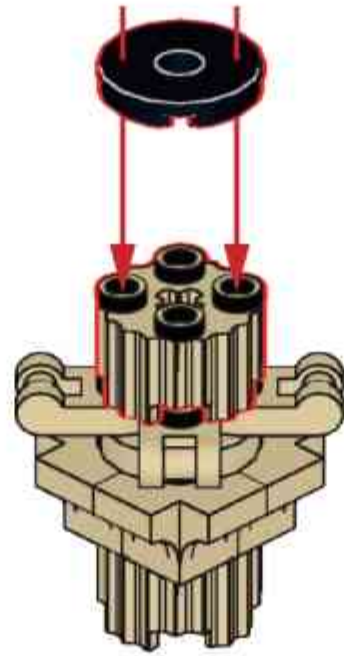
**X19**



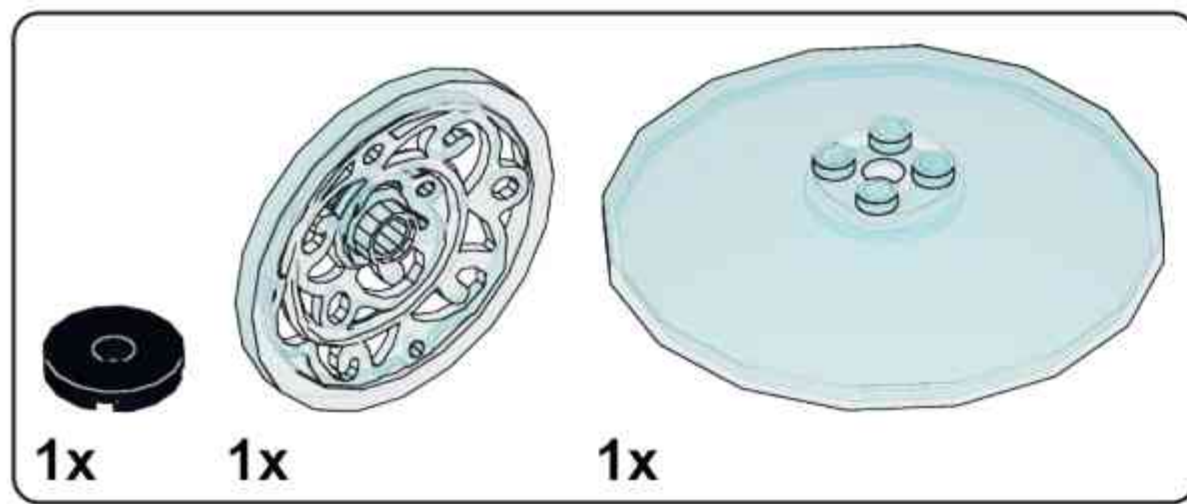
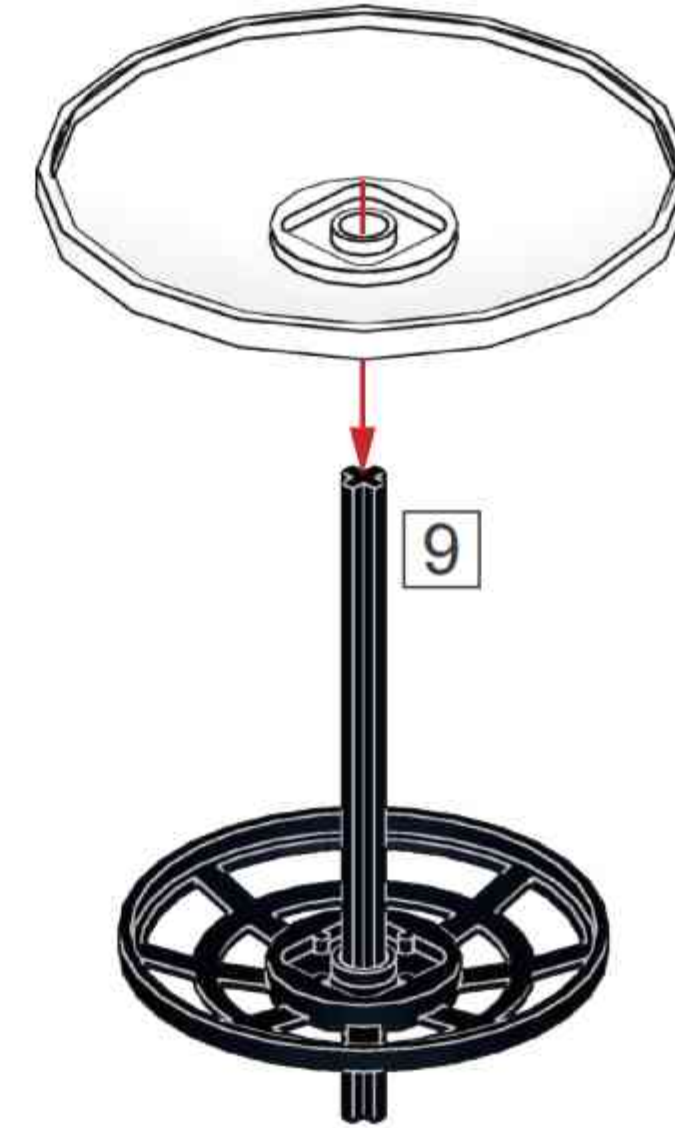
**X20**



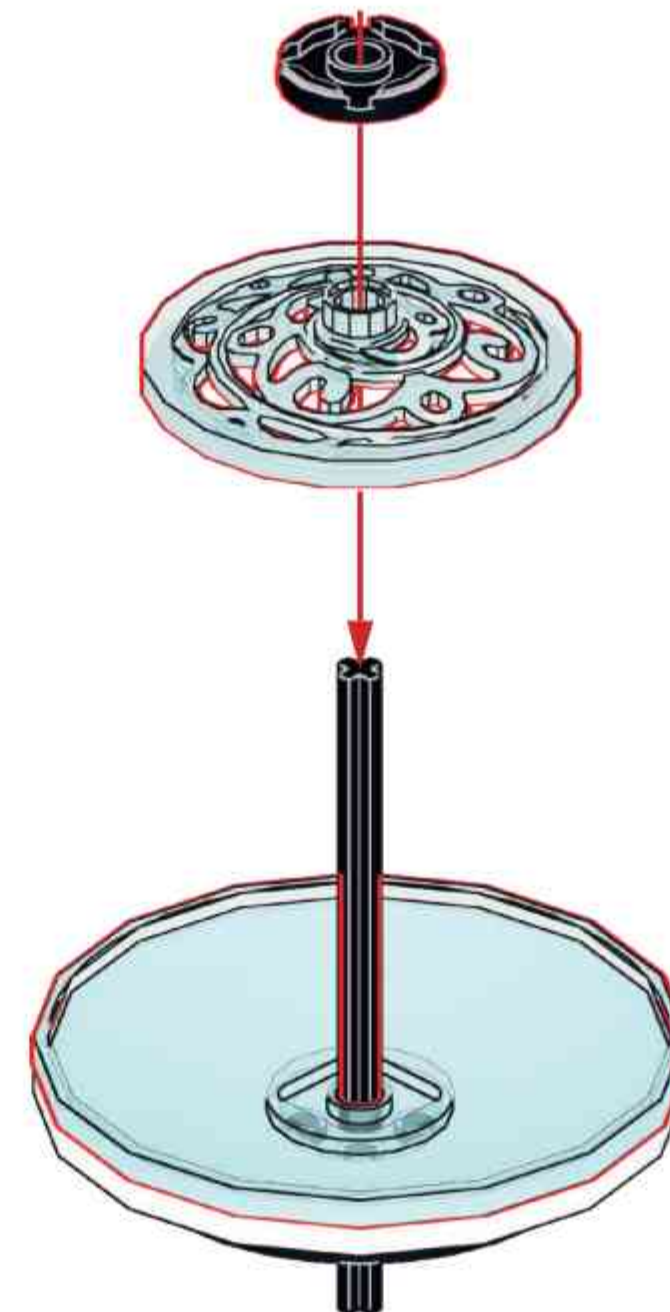
**X21**



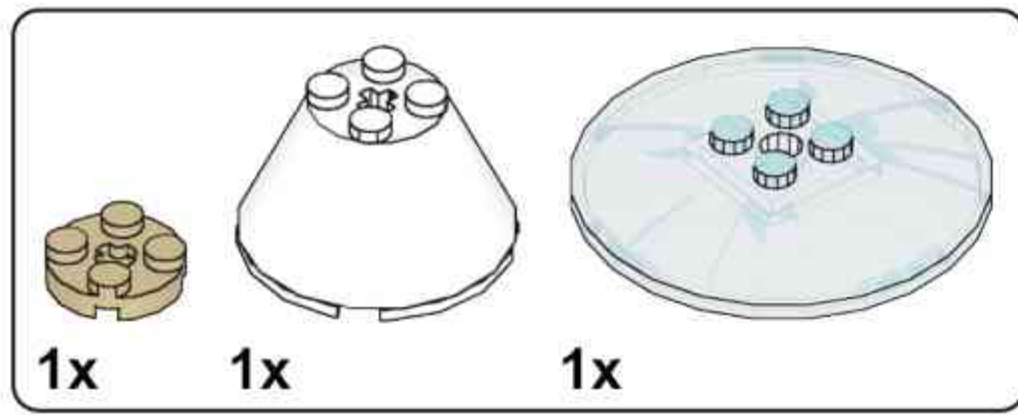
**X22**



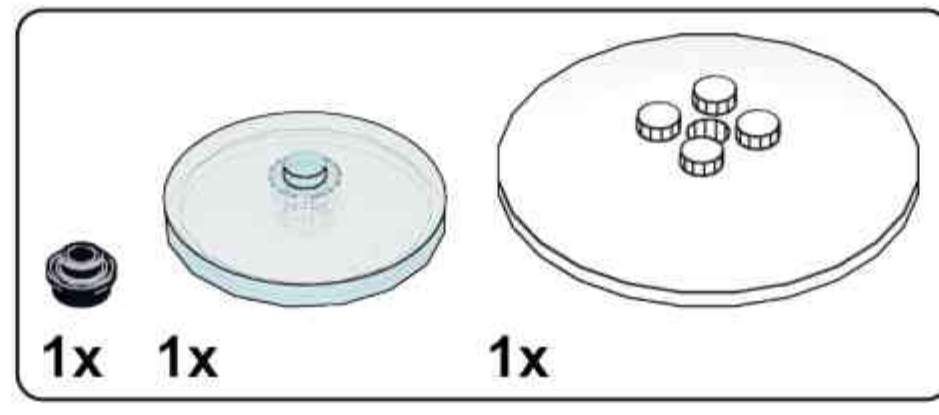
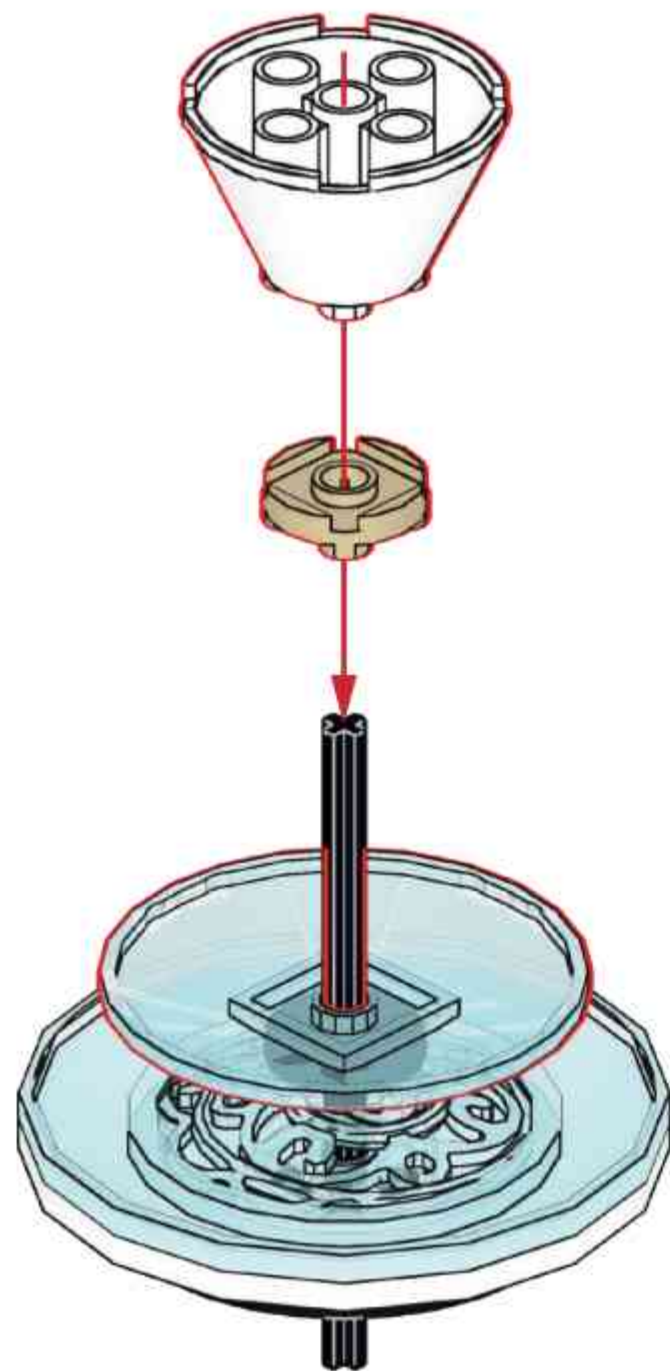
**X23**



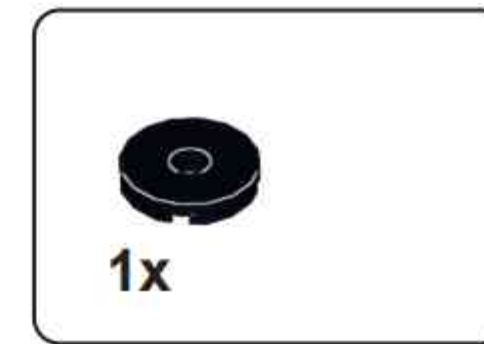
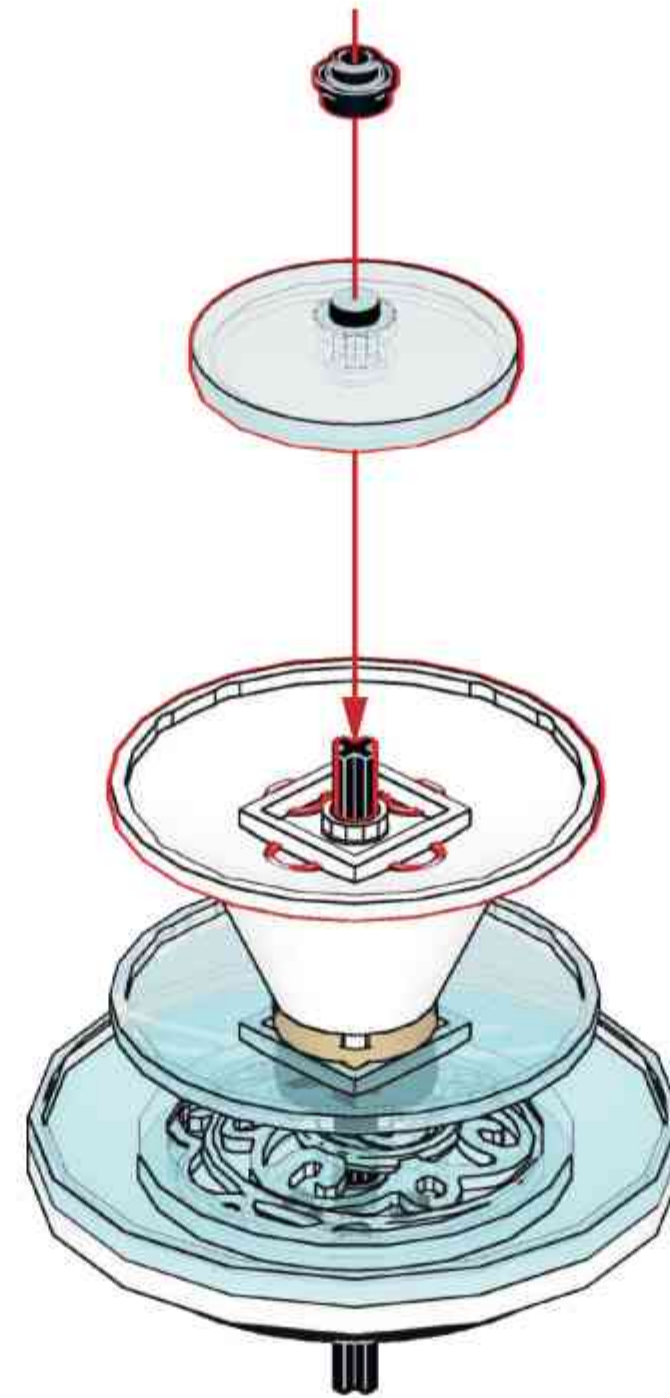
**9 1:1**



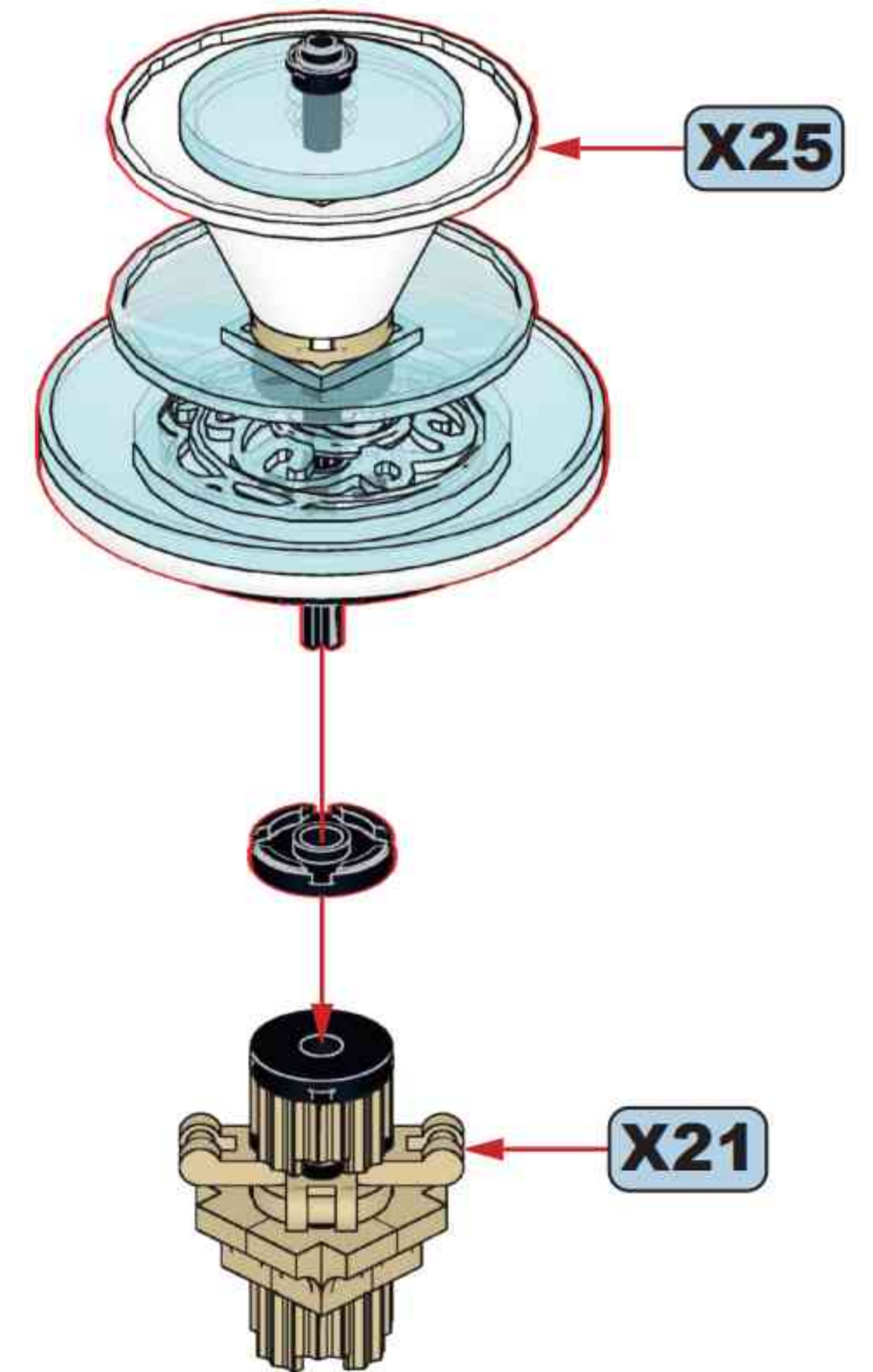
**X24**

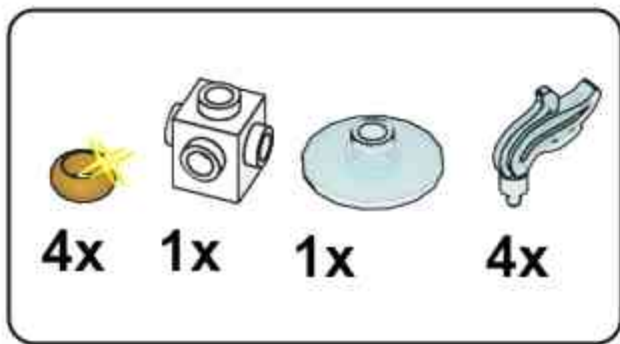


**X25**

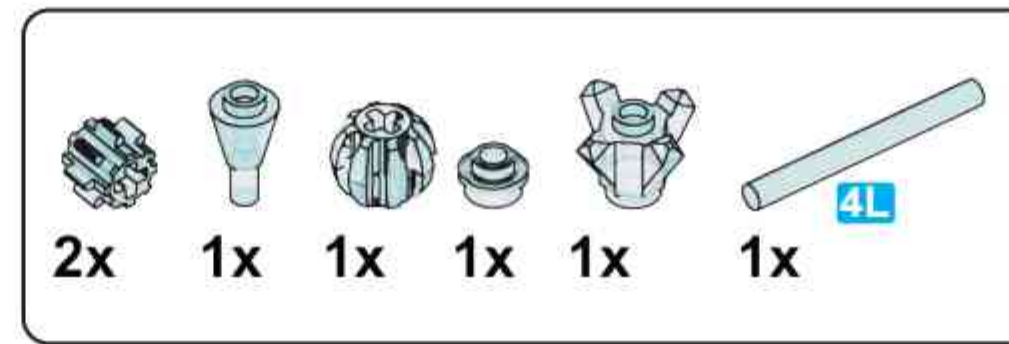
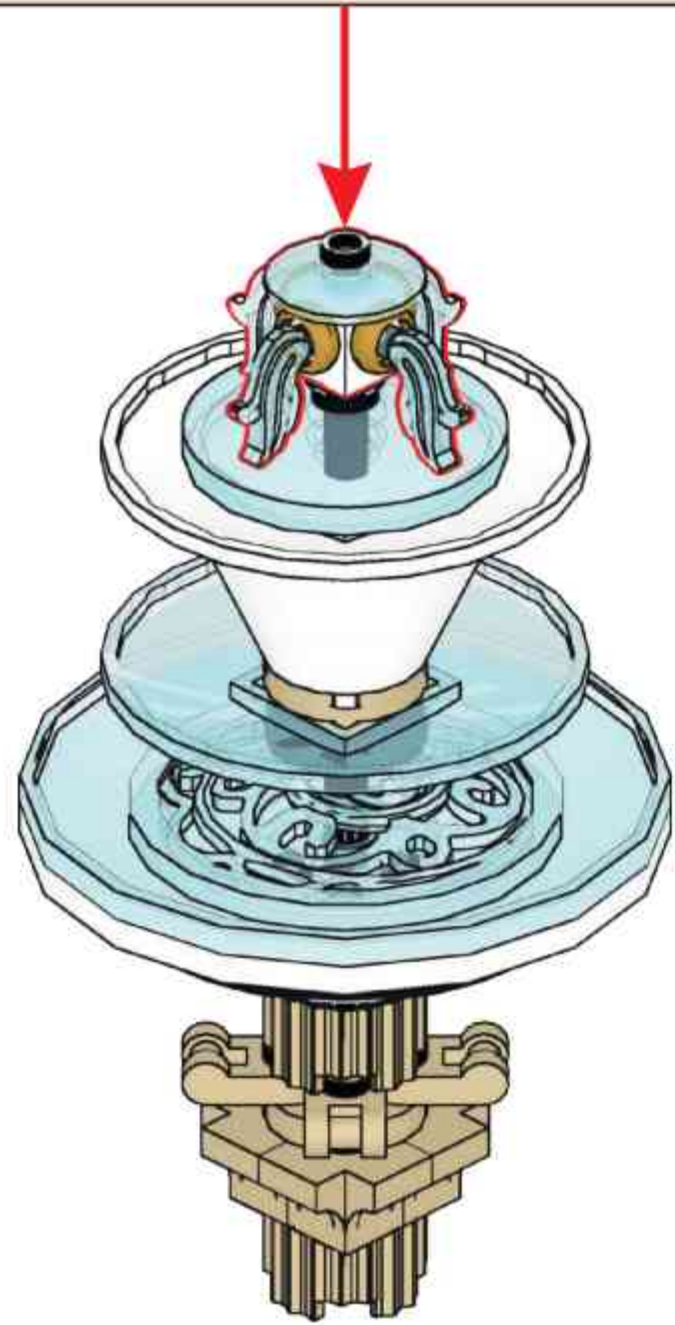
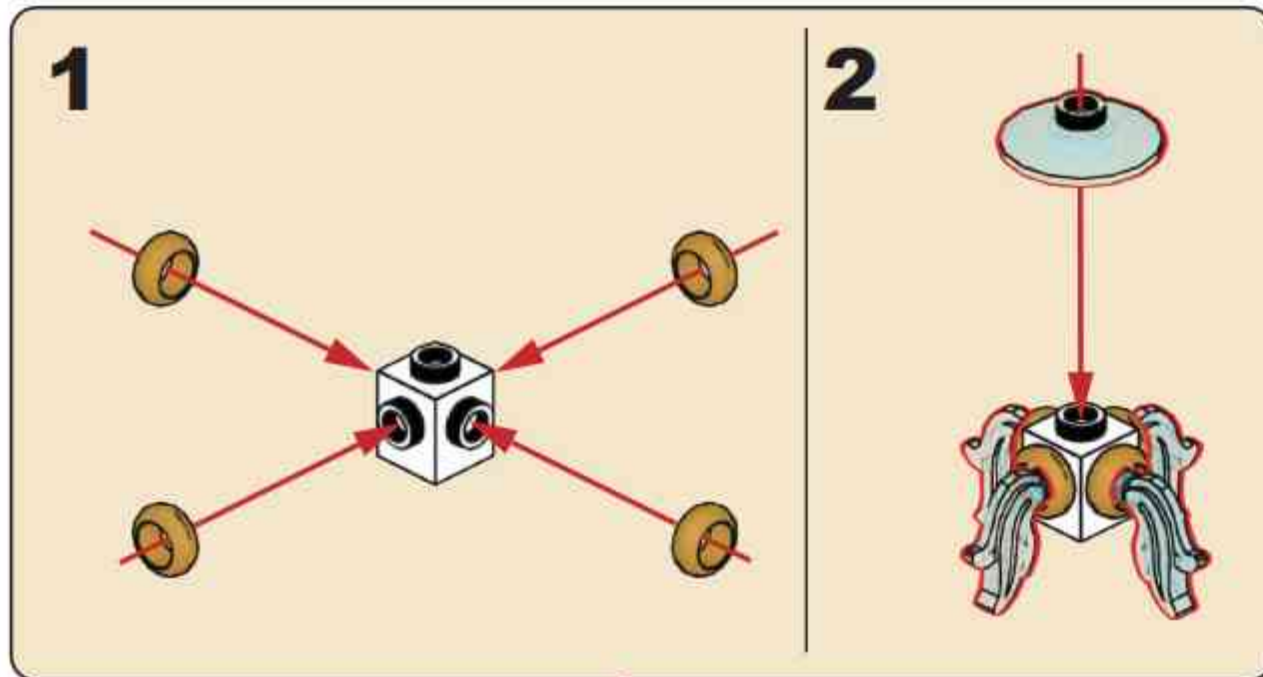


**X26**

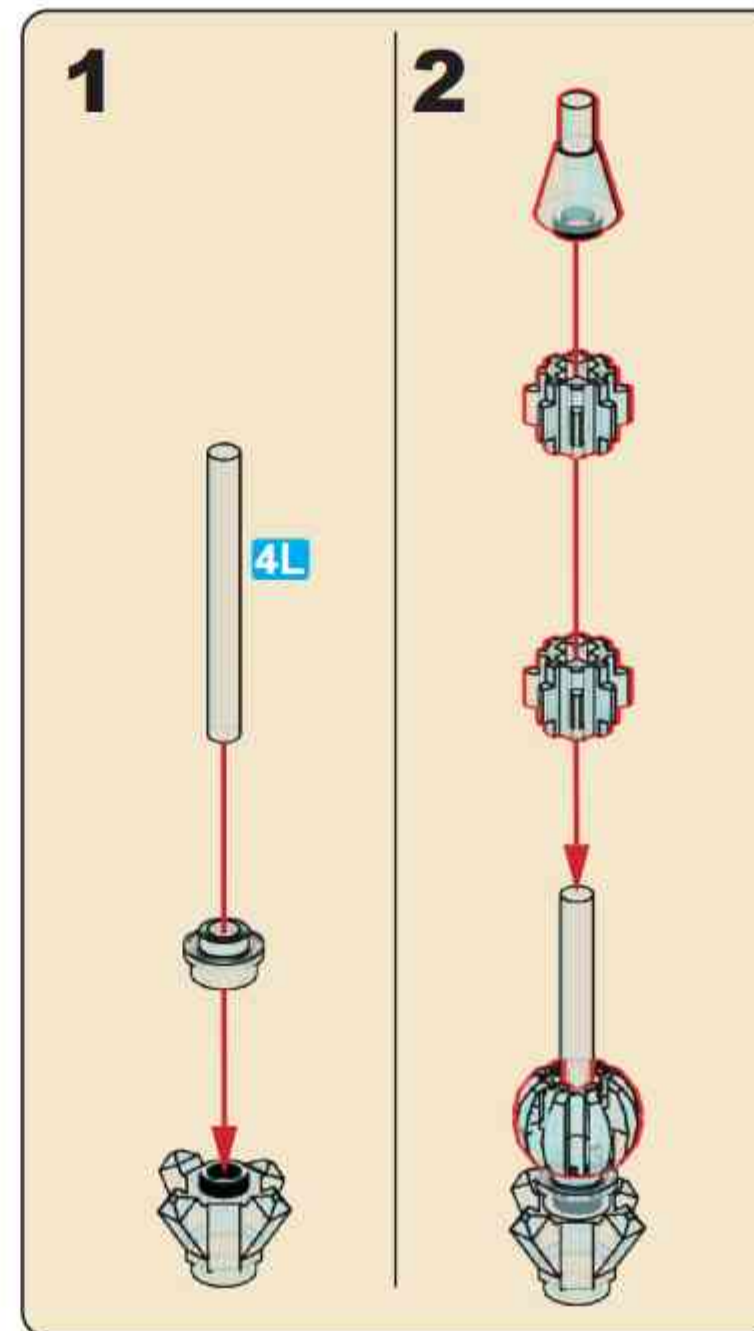




## X27



## X28

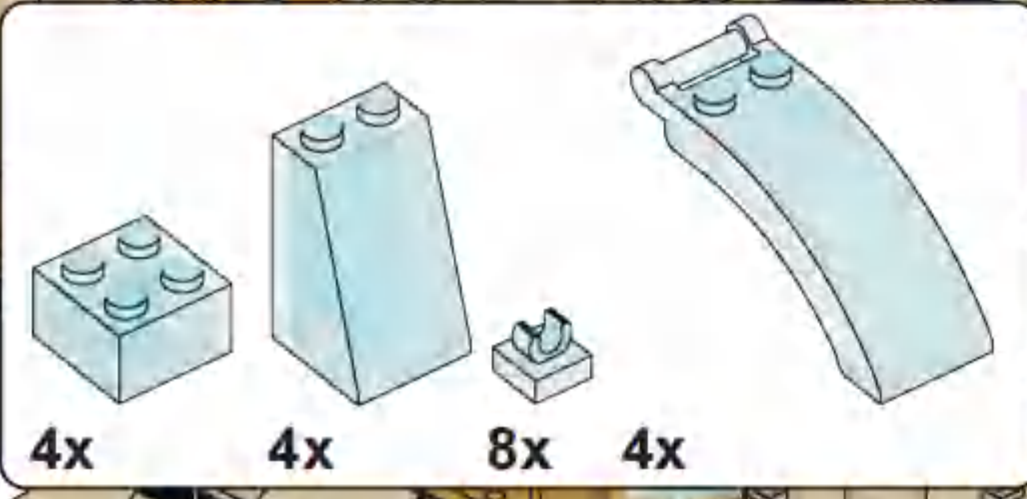




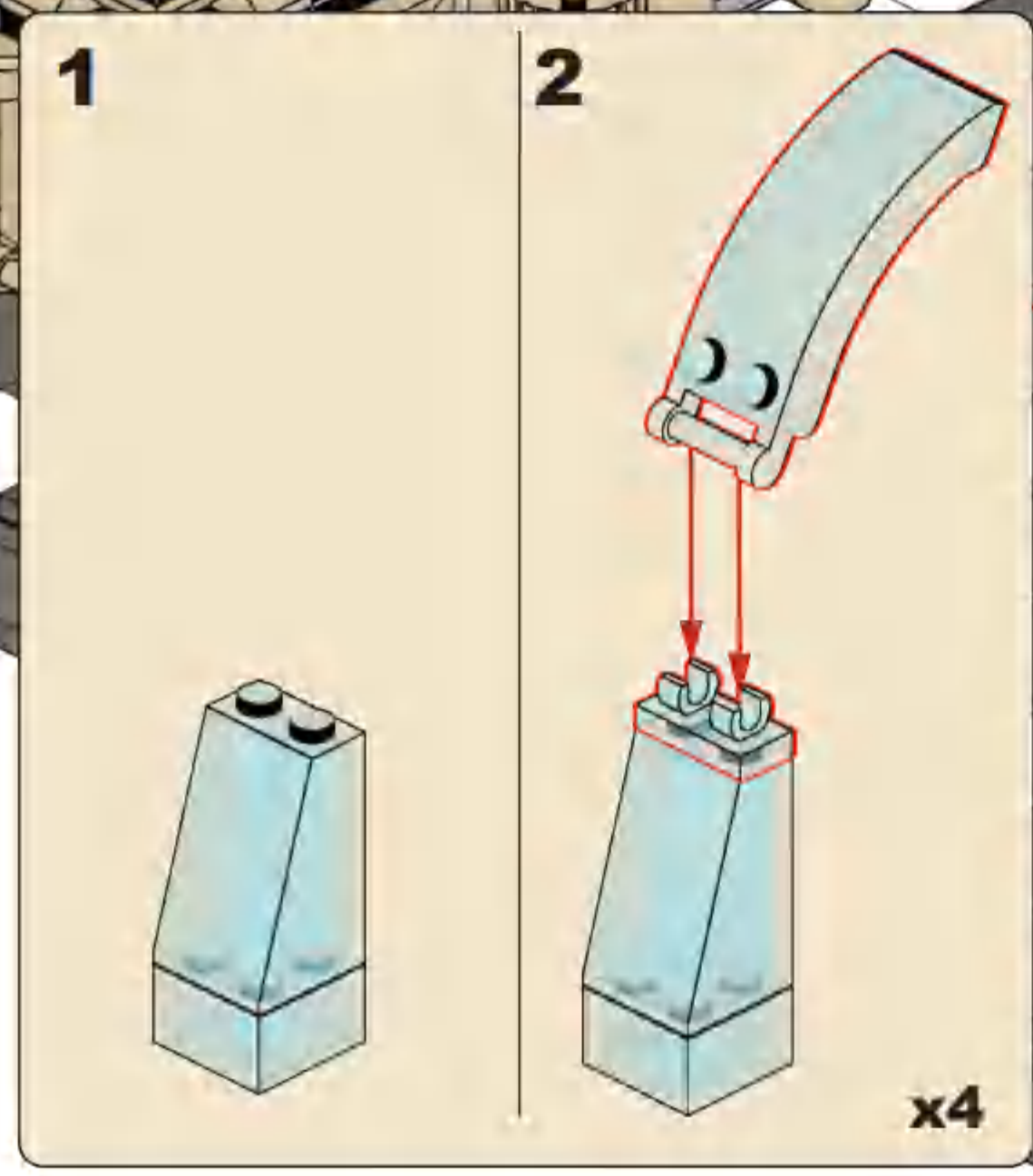
X29

X28

X18



X30







NO.55012

# THE CLOCK TOWER

Located in  
London, UK

One of the world's  
famous Gothic buildings

The prototype was built  
during the reign of Edward  
I from 1288 to 1290